

5 Parts List

Overview

Introduction 5-5
 Subsystem Information 5-6
 Symbology 5-7

Parts Lists

1. IIT/CP

PL 1.1 Platen/IIT Cover 5-9
 PL 1.2 Control Panel/Platen Glass 5-10
 PL 1.3 CCD Lens Assembly 5-11
 PL 1.4 Carriage Cable/Motor 5-12
 PL 1.5 Full/Half Rate Carriage 5-13
 PL 1.6 IIT/IPS PWB 5-14
 PL 1.7 Control Panel (2 of 2) 5-15
 PL 1.8 Control Panel (1 of 2) 5-16
 PL 1.9 Convenience Stapler 5-17

2. LED

PL 2.1 LED Print Head (1 of 2) 5-18
 PL 2.2 LED Print Head (2 of 2) 5-19

3. Drives

PL 3.1 Drives (1 of 4) 5-20
 PL 3.2 Drives (2 of 4) 5-21
 PL 3.3A Drives (7830/7835)(3 of 4) 5-22
 PL 3.3B Drives (7845/7855)(4 of 4) 5-23

4. NOHAD

PL 4.1 NOHAD Common 5-24
 PL 4.2A NOHAD (7830/7835)(1 of 3) 5-25
 PL 4.2B NOHAD (7845/7855)(1 of 3) 5-26
 PL 4.3A NOHAD (7830/7835)(2 of 3) 5-27
 PL 4.3B NOHAD (7845/7855)(2 of 3) 5-28
 PL 4.4A NOHAD (7830/7835)(3 of 3) 5-29
 PL 4.4B NOHAD (7845/7855)(3 of 3) 5-30

5. Development

PL 5.1 Development (1 of 2) 5-31
 PL 5.2 Development (2 of 2) 5-32
 PL 5.3 HVPS Developer (7845/7855) 5-33

6. Transfer

PL 6.1 Transfer (1 of 2) 5-34
 PL 6.2 Transfer (2 of 2) 5-35
 PL 6.3 IBT Assembly (1 of 2) 5-36
 PL 6.4 IBT Belt Unit (2 of 2) 5-37

7. Fuser

PL 7.1 Fuser 5-38

8. Xerographic

PL 8.1 Xerographic (1 of 2) 5-39
 PL 8.2 Xerographic (2 of 2) 5-40

9. Paper Transport

PL 9.1 Tray 1/2 (1 of 2) 5-41
 PL 9.2 Tray 1/2 (2 of 2) 5-42
 PL 9.3 Tray 1 Feeder 5-43
 PL 9.4 Tray 1 Feeder Assembly (1 of 2) 5-44
 PL 9.5 Tray 1 Feeder Assembly (2 of 2) 5-45
 PL 9.6 Envelope Tray Assembly 5-46

10. 3TM

PL 10.1 Three Tray Module (3TM - 7830/35) 5-47
 PL 10.2 Tray 2, 3, 4 Assembly (3TM - 7830/35) 5-48
 PL 10.3 Tray 2, 3 & 4 Feeder Assembly (1 of 2) (3TM - 7830/35) 5-49
 PL 10.4 Tray 2, 3, 4 Feeder Assembly (3TM) (2 of 2) 5-50
 PL 10.9 Electrical (3TM) 5-51
 PL 10.12 Roller (3TM) 5-52
 PL 10.13 Left Hand Cover Assembly (3TM) 5-53
 PL 10.14 Covers (3TM) 5-54

11. Tandem Tray

PL 11.1 Tandem Tray Assembly (TTM) 5-55
 PL 11.2 Tray 2 (TTM) 5-56
 PL 11.3 Tray 3 (TTM) 5-57
 PL 11.4 Tray 4 (TTM) 5-58
 PL 11.5 Tray 4 Paper Feed (TTM) 5-59
 PL 11.6 Tray 2/3 Paper Feed (TTM) 5-60
 PL 11.7 Tray 2 Feeder (TTM) (1 of 2) 5-61
 PL 11.8 Tray 2 Feeder (TTM) (2 of 2) 5-62
 PL 11.9 Tray 3 Feeder (TTM) (1 of 2) 5-63
 PL 11.10 Tray 3 Feeder (TTM) (2 of 2) 5-64
 PL 11.11 Tray 4 Feeder (TTM) (1 of 2) 5-65
 PL 11.12 Tray 4 Feeder (TTM) (2 of 2) 5-66
 PL 11.13 Left Cover Assembly (TTM) 5-67
 PL 11.14 Tray Front Supports (TTM) 5-68
 PL 11.15 Tray 2/3/4 Paper and Lift Sensors (TTM) 5-69
 PL 11.16 Drive (TTM) 5-70
 PL 11.17 Electrical (TTM) 5-71
 PL 11.18 Covers (TTM) 5-72

13. Paper Transport

PL 13.1 Bypass Tray Assembly (1 of 5) 5-73
 PL 13.2 Bypass Tray Assembly (2 of 5) 5-74
 PL 13.3 Bypass Tray Assembly (3 of 5) 5-75
 PL 13.4 Bypass Tray Assembly (4 of 5) 5-76
 PL 13.5 Bypass Tray Assembly (5 of 5) 5-77

14. Duplex		
PL 14.1 Left Hand Cover (1 of 2)	5-78	PL 21.16 Booklet Component (1 of 7)
PL 14.2 Left Hand Cover (2 of 2)	5-79	PL 21.17 Booklet Component (2 of 7) (End Guide).....
PL 14.3 Left Hand Cover Assembly (1 of 2).....	5-80	PL 21.18 Booklet Component (3 of 7).....
PL 14.4 Left Hand Cover Assembly (2 of 2).....	5-81	PL 21.19 Booklet Component (4 of 7).....
PL 14.5 Chute Assembly.....	5-82	PL 21.20 Booklet Component (5 of 7).....
PL 14.6 Duplex Assembly (1 of 2).....	5-83	PL 21.21 Booklet Component (6 of 7) (Chute).....
PL 14.7 Duplex Assembly (2 of 2).....	5-84	PL 21.22 Booklet Component (7 of 7).....
		PL 21.23 Booklet Tray Component
15. Registration		PL 21.24 H-Transport (1 of 5)
PL 15.1 Registration (1 of 2)	5-85	PL 21.25 H-Transport (2 of 5)
PL 15.2 Registration (2 of 2)	5-86	PL 21.26 H-Transport (3 of 5)
		PL 21.27 H-Transport (4 of 5)
		PL 21.28 H-Transport (5 of 5)
17. Exit		22. Integrated Office Finisher
PL 17.1 Exit 1/OCT, Exit 2	5-87	PL 22.1 Finisher Assembly (Part 1 of 2) (Integrated Office Finisher).....
PL 17.2 Exit 1/OCT	5-88	PL 22.2 Finisher Assembly (Part 2 of 2) (Integrated Office Finisher).....
PL 17.3 Exit 2 (1 of 3)	5-89	PL 22.3 Stacker Base Assembly (Part 1 of 5) (Integrated Office Finisher)
PL 17.4 Exit 2 (2 of 3)	5-90	PL 22.4 Stacker Base Assembly (Part 2 of 5) (Integrated Office Finisher)
PL 17.5 Exit 2 (3 of 3)	5-91	PL 22.5 Stacker Base Assembly (Part 3 of 5) (Integrated Office Finisher)
PL 17.6 Side Tray Unit (1 of 2).....	5-92	PL 22.6 Stacker Base Assembly (Part 4 of 5) (Integrated Office Finisher)
PL 17.7 Side Tray Unit (2 of 2).....	5-93	PL 22.7 Stacker Base Assembly (Part 5 of 5) (Integrated Office Finisher)
		PL 22.8 Stacker Tray Assembly (Integrated Office Finisher)
18. Electrical		PL 22.9 Compile Assembly (Part 1 of 2) (Integrated Office Finisher)
PL 18.1 PWB Chassis Unit (1 of 2)	5-94	PL 22.10 Compile Assembly (Part 2 of 2) (Integrated Office Finisher)
PL 18.2A PWB Chassis Unit (7830/7835).....	5-95	
PL 18.2B PWB Chassis Unit (7845/7855).....	5-96	23. Office Finisher LX
PL 18.3 IOT Rear	5-97	PL 23.1 H-Transport Assembly (1 of 5) (Office Finisher LX).....
PL 18.4 GFI Chassis	5-98	PL 23.2 H - Transport Assembly (2 of 5) (Office Finisher LX).....
PL 18.5 Front/Right.....	5-99	PL 23.3 H - Transport Assembly (3 of 5) (Office Finisher LX).....
PL 18.6A Bottom (Low Speed).....	5-100	PL 23.4 H - Transport Assembly (4 of 5) (Office Finisher LX).....
PL 18.6B Bottom (High Speed).....	5-101	PL 23.5 H - Transport Assembly (5 of 5) (Office Finisher LX).....
PL 18.7 Wire Harness	5-102	PL 23.6 Finisher Covers (Office Finisher LX).....
		PL 23.7 Finisher Stacker (Office Finisher LX).....
19. IOT Covers		PL 23.8 Finisher Stapler (Office Finisher LX).....
PL 19.1 Covers (1 of 3)	5-103	PL 23.9 Finisher Eject (1 of 5) (Office Finisher LX).....
PL 19.2 Covers (2 of 3).....	5-104	PL 23.10 Finisher Eject (2 of 5) (Office Finisher LX).....
PL 19.3 Covers (3 of 3).....	5-105	PL 23.11 Finisher Eject (3 of 5) (Office Finisher LX).....
		PL 23.12 Finisher Eject (4 of 5) (Office Finisher LX).....
21. Professional Finisher		PL 23.13 Finisher Eject (5 of 5) (Office Finisher LX).....
PL 21.1 Professional Finisher	5-106	PL 23.14 Finisher Exit/Folder Assembly (Office Finisher LX)
PL 21.2 Finisher Cover (1 of 2)	5-107	PL 23.15 Folder Assembly (Office Finisher LX)
PL 21.3 Finisher Cover (2 of 2)	5-108	PL 23.16 Finisher Electrical (Office Finisher LX).....
PL 21.4 Finisher Stack	5-109	PL 23.17 Booklet Cover (Office Finisher LX)
PL 21.5 Finisher Punch.....	5-110	PL 23.18 Booklet Stapler Assembly (Office Finisher LX)
PL 21.6 Finisher Stapler.....	5-111	PL 23.19 Booklet Front Stapler Assembly (Office Finisher LX).....
PL 21.7 Finisher Eject (1 of 3).....	5-112	PL 23.20 Booklet Rear Stapler Assembly (Office Finisher LX)
PL 21.8 Finisher Eject (2 of 3).....	5-113	PL 23.21 Booklet Electrical (Office Finisher LX)
PL 21.9 Finisher Eject (3 of 3).....	5-114	
PL 21.10 Finisher Transport (1 of 2)	5-115	28. HCF
PL 21.11 Finisher Transport (2 of 2)	5-116	PL 28.1 HCF Unit
PL 21.12 Finisher Electrical	5-117	PL 28.2 HCF Tray 6 (1 of 2).....
PL 21.13 Finisher Harness.....	5-118	
PL 21.15 Booklet Accessory	5-119	

PL 28.3 HCF Tray 6 (2 of 2)	5-166
PL 28.4 HCF Feeder (1 of 3)	5-167
PL 28.5 HCF Feeder (2 of 3)	5-168
PL 28.6 HCF Feeder (3 of 3)	5-169
PL 28.7 HCF Top Cover Unit	5-170
PL 28.8 HCF Electrical and Rail	5-171

35. SBC

PL 35.1 Single Board Controller (1 of 2)	5-172
PL 35.2 Single Board Controller (2 of 2)	5-173

51. DADF (7830, 7835)

PL 51.1 DADF Accessory	5-174
PL 51.2 Covers, PWB	5-175
PL 51.3 Base Frame	5-176
PL 51.4 Document Tray	5-177
PL 51.5 DADF Drives (1 of 2)	5-178
PL 51.6 DADF Drives (2 of 2)	5-179
PL 51.7 Front Belt	5-180
PL 51.8 Registration, Retard, Invert, Output Chutes	5-181
PL 51.9 Roll, Sensor Bracket	5-182
PL 51.10 Document Tray	5-183
PL 51.11 Top Cover	5-184
PL 51.12 Upper Feeder	5-185
PL 51.13 Registration Chute	5-186
PL 51.14 Retard Chute	5-187
PL 51.15 Invert Chute	5-188
PL 51.16 Output Chute	5-189
PL 51.17 Sensor Bracket	5-190

55. DADF (7845, 7855)

PL 55.1 DADF Accessory	5-191
PL 55.2 DADF Cover, PWB	5-192
PL 55.3 DADF Base Frame	5-193
PL 55.4 DADF Document Tray, Top Cover	5-194
PL 55.5 DADF Motor, Wire Harness	5-195
PL 55.6 DADF Front Belt	5-196
PL 55.7 DADF Regi/Retard/Out Chute	5-197
PL 55.8 DADF CIS	5-198
PL 55.9 DADF Roll, Sensor Bracket	5-199
PL 55.10 DADF Document Tray	5-200
PL 55.11 DADF Top Cover	5-201
PL 55.12 DADF Upper Feeder	5-202
PL 55.13 DADF Regi Chute	5-203
PL 55.14 DADF Retard Chute	5-204
PL 55.15 DADF Out Chute	5-205
PL 55.16 DADF Sensor Bracket	5-206

Common Hardware

Common Hardware	5-207
-----------------------	-------

Introduction

Overview

The Parts List section identifies all part numbers and the corresponding location of all spared subsystem components.

Organization

Parts Lists

Each item number in the part number listing corresponds to an item number in the related illustration. All the parts in a given subsystem of the machine will be located in the same illustration or in a series of associated illustrations.

Electrical Connectors and Fasteners

This section contains the illustrations and descriptions of the plugs, jacks, and fasteners used in the machine. A part number listing of the connectors is included.

Common Hardware

The common hardware is listed in alphabetical order by the letter or letters used to identify each item in the part number listing and in the illustrations. Dimensions are in millimeters unless otherwise identified.

Part Number Index

This index lists all the spared parts in the machine in numerical order. Each number is followed by a reference to the parts list on which the part may be found.

Other Information

Abbreviations

Abbreviations are used in the parts lists and the exploded view illustrations to provide information in a limited amount of space. The following abbreviations are used in this manual:

Table 1 Abbreviations

Abbreviation	Meaning
A3	297 x 594 Millimeters
A4	210 x 297 Millimeters
A5	148 x 210 Millimeters
AD	Auto Duplex
AWG	American Wire Gauge
EMI	Electro-Magnetic Induction
GB	GigaByte
KB	Kilo Byte
MB	Mega Byte
MM	Millimeters
MOD	Magneto Optical Drive
NOHAD	Noise Ozone Heat Air Dirt
PL	Parts List
P/O	Part of

Table 1 Abbreviations

Abbreviation	Meaning
R/E	Reduction/Enlargement
REF:	Refer to
SCSI	Small Computer Systems Interface
W/	With
W/O	Without

Table 2 OP Cos

Operating Companies	
Abbreviation	Meaning
NASG - US	North American Solutions Group - US
NASG - Canada	North American Solutions Group - Canada
XE	Xerox Europe
XC	Xerox Corporation

Symbology

Symbology used in the Parts List section is identified in the Symbology section.

Service Procedure Referencing

If a part or assembly has an associated repair or adjustment procedure, the procedure number will be listed at the end of the part description in the parts lists e.g. (REP 5.1, ADJ 5.3)

Subsystem Information

Use of the Term “Assembly”

The term “assembly” will be used for items in the part number listing that include other itemized parts in the part number listing. When the word “assembly” is found in the part number listing, there will be a corresponding item number on the illustrations followed by a bracket and a listing of the contents of the assembly.

Brackets

A bracket is used when an assembly or kit is spared, but is not shown in the illustration. The item number of the assembly or kit precedes the bracket; the item numbers of the piece parts follow the bracket.

Tag

The notation “W/Tag” in the parts description indicates that the part configuration has been updated. Check the change Tag index in the General Information section of the Service Data for the name and purpose of the modification.

In some cases, a part or assembly may be spared in two versions: with the Tag and without the Tag. In those cases, use whichever part is appropriate for the configuration of the machine on which the part is to be installed. If the machine does not have a particular Tag and the only replacement part available is listed as “W/Tag”, install the Tag kit or all of the piece parts. The Change Tag Index tells you which kit or piece parts you need.

Whenever you install a Tag kit or all the piece parts that make up a Tag, mark the appropriate number on the Tag matrix.

Symbology

A Tag number within a circle pointing to an item number shows that the part has been changed by the tag number within the circle (Figure 1). Information on the modification is in the Change Tag Index.

A Tag number within a circle having a shaded bar and pointing to an item number shows that the configuration of the part shown is the configuration before the part was changed by the Tag number within the circle (Figure 2).



Figure 1 With Tag Symbol

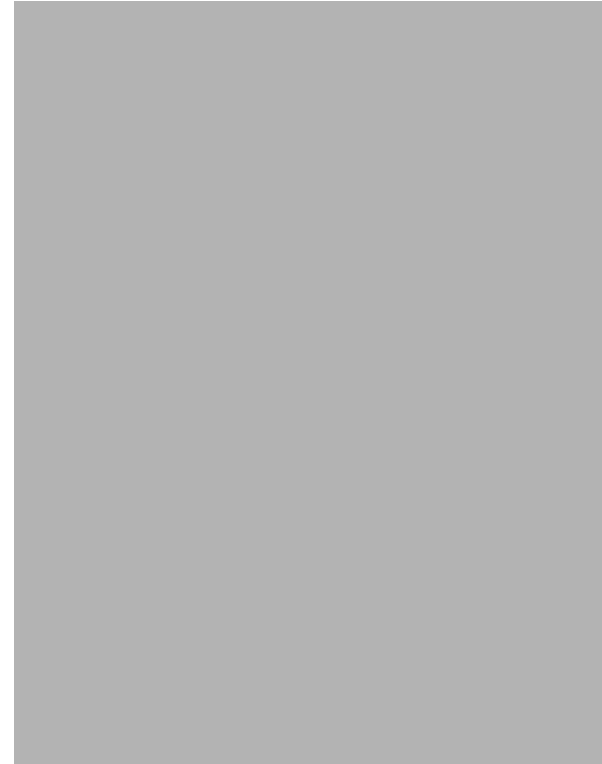


Figure 2 Without Tag Symbol

A tag number within a circle with no apex shows that the entire drawing has been changed by the tag number within the circle (Figure 3). Information on the modification is in the Change Tag Index.

A tag number within a circle with no apex and having a shaded bar shows that the entire drawing was the configuration before being changed by the tag number within the circle (Figure 4).



Figure 3 Entire Drawing With Tag Symbol



Figure 4 Entire Drawing Without Tag Symbol

PL 1.1 Platen/IIT Cover

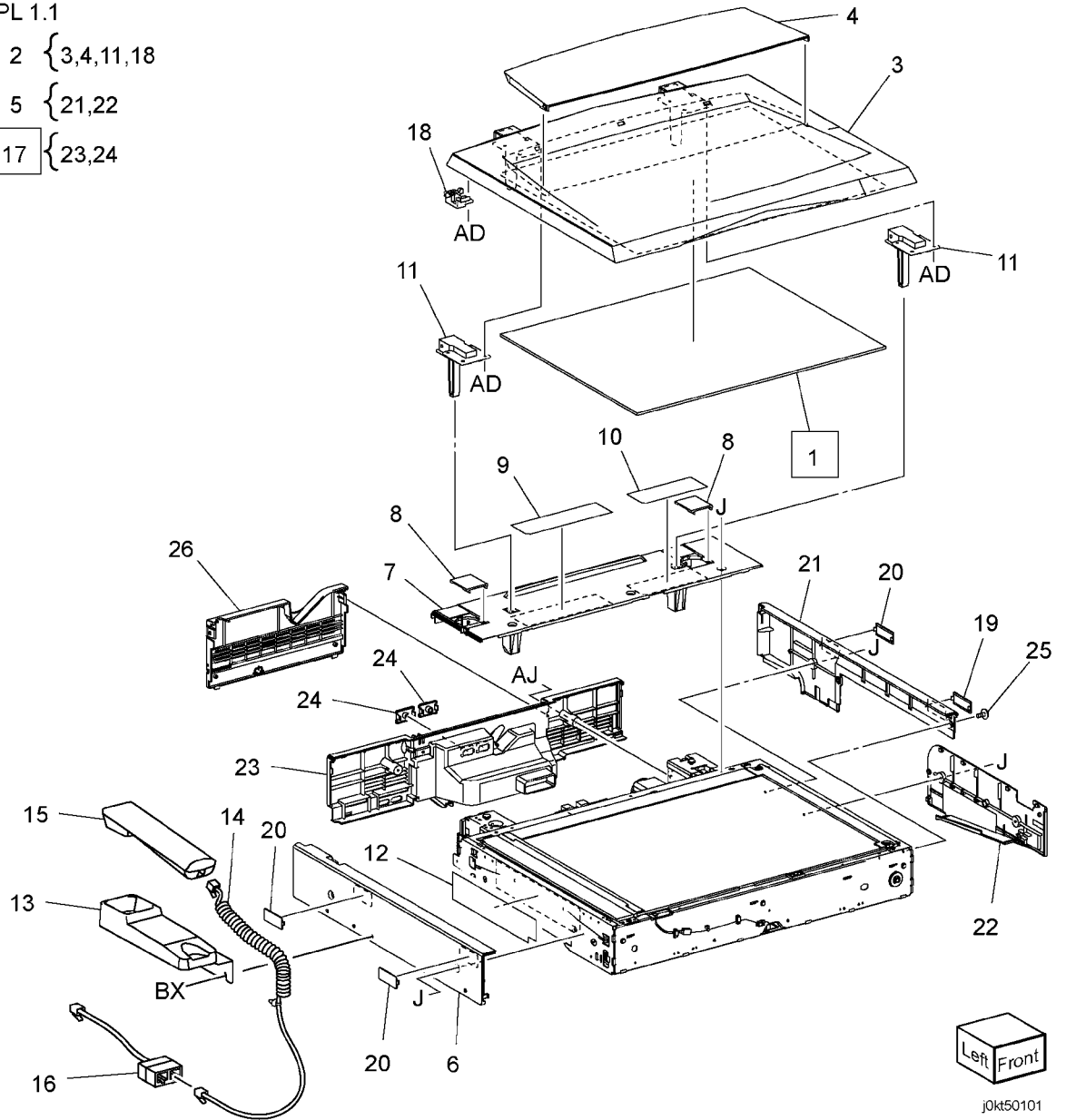
Item	Part	Description
1	-	Platen Cushion (Not Spared)
2	-	Platen Cover
3	-	Platen Cover (P/O PL 1.1 Item 2)
4	-	Pocket Cover (P/O PL 1.1 Item 2) (FX Only)
5	-	IIT Right Cover (Not Spared)
6	848E78390	IIT Left Cover
7	-	IIT Top Cover
-	848E80100	IIT Top Cover (DADF-130)
8	-	Hinge Cover
9	-	Label (Caution) (Not Spared)
10	-	Label (Not Spared)
11	-	Counter Balance (P/O PL 1.1 Item 2) ()
12	-	Vaccum Out Filter (Not Spared)
13	-	Cradle Assembly (Not Spared)
14	-	Curl Cord
15	-	Handset
16	-	Wire Harness
17	848K62720	IIT Rear Cover
18	-	Actuator Plate (P/O PL 1.1 Item 2)
19	-	Blind Cover (Blue)
20	-	Blind Cover (Not Spared) (White)
21	-	IIT Right Cover (P/O PL 1.1 Item 5)
22	-	IIT Right Cover (P/O PL 1.1 Item 5)
23	-	IIT Rear Cover (P/O PL 1.1 Item 17)
24	-	USB Cover (P/O PL 1.1 Item 17)
25	-	Screw (Black)
26	848E81970	IIT Rear Cap Cover

PL 1.1

2 { 3,4,11,18

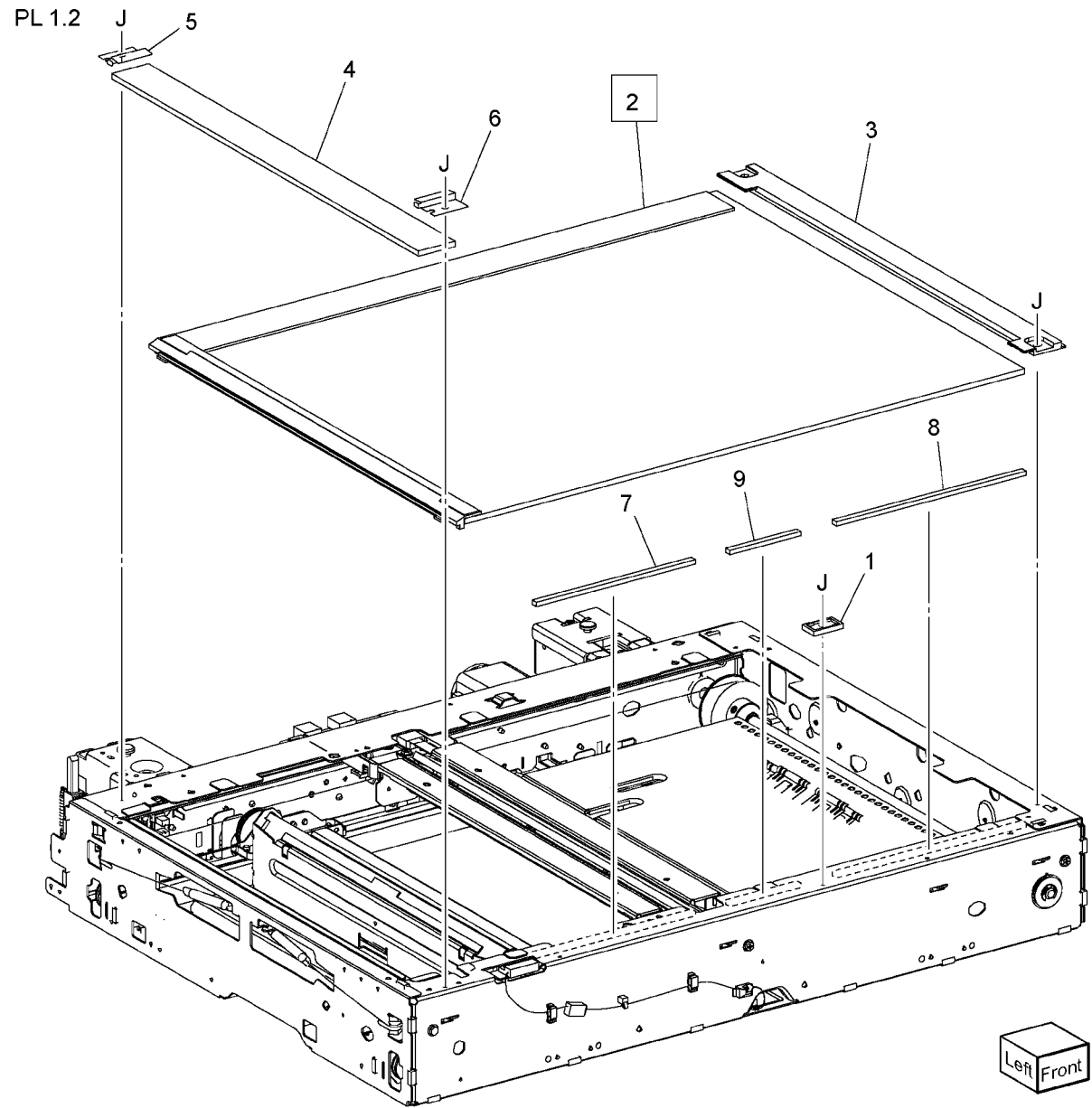
5 { 21,22

17 { 23,24



PL 1.2 Control Panel/Platen Glass

Item	Part	Description
1	–	Glass Support (Not Spared)
2	090K93250	Platen Glass (REP 6.2)
3	815E40270	Plate
4	090K93011	CVT Platen Glass
5	868E04450	Rear Glass Support
6	868E04530	Front Glass Support
7	–	Seal (Left) (Not Spared)
8	–	Seal (Right) (Not Spared)
9	–	Seal (Center) (Not Spared)

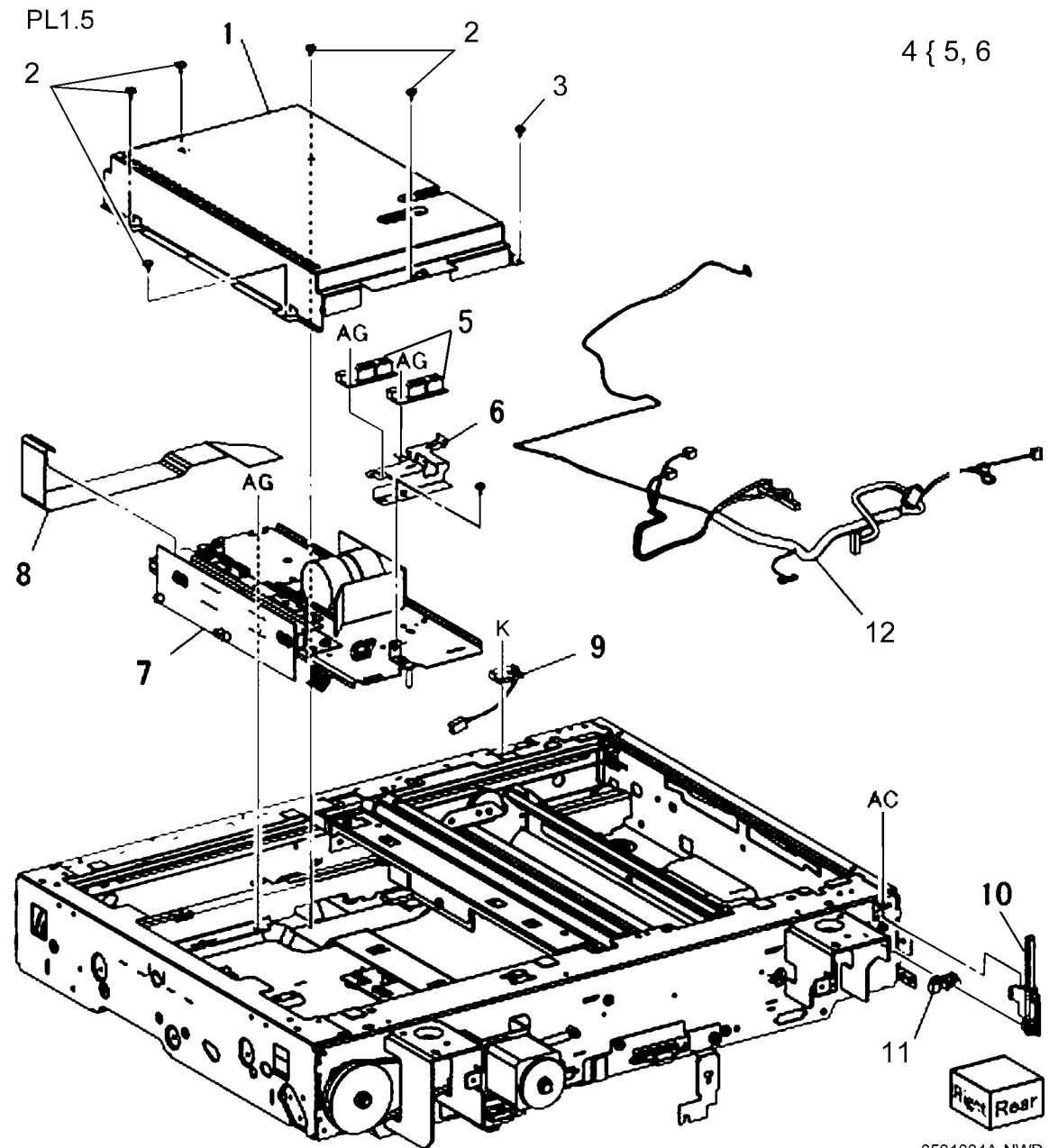


Left Front

j0kt50102

PL 1.3 CCD Lens Assembly

Item	Part	Description
1	-	Lens Cover (Not Spared)
2	-	Screw (Not Spared)
3	-	Screw (Blue) (Not Spared)
4	130K73140	APS Sensor Assembly
5	130K64150	APS Sensor
6	-	Bracket (P/O PL 1.3 Item 4)
7	604K73710	CCD Lens Assembly
-	604K56050	CCD Lens Assembly (7845/55)
8	117K47560	CCD Flexible Print Cable
9	910W00901	Platen Interlock Switch
10	120K92541	Actuator Assembly
11	930W00123	Platen Angle Sensor
12	-	Wire Harness (Not Spared)

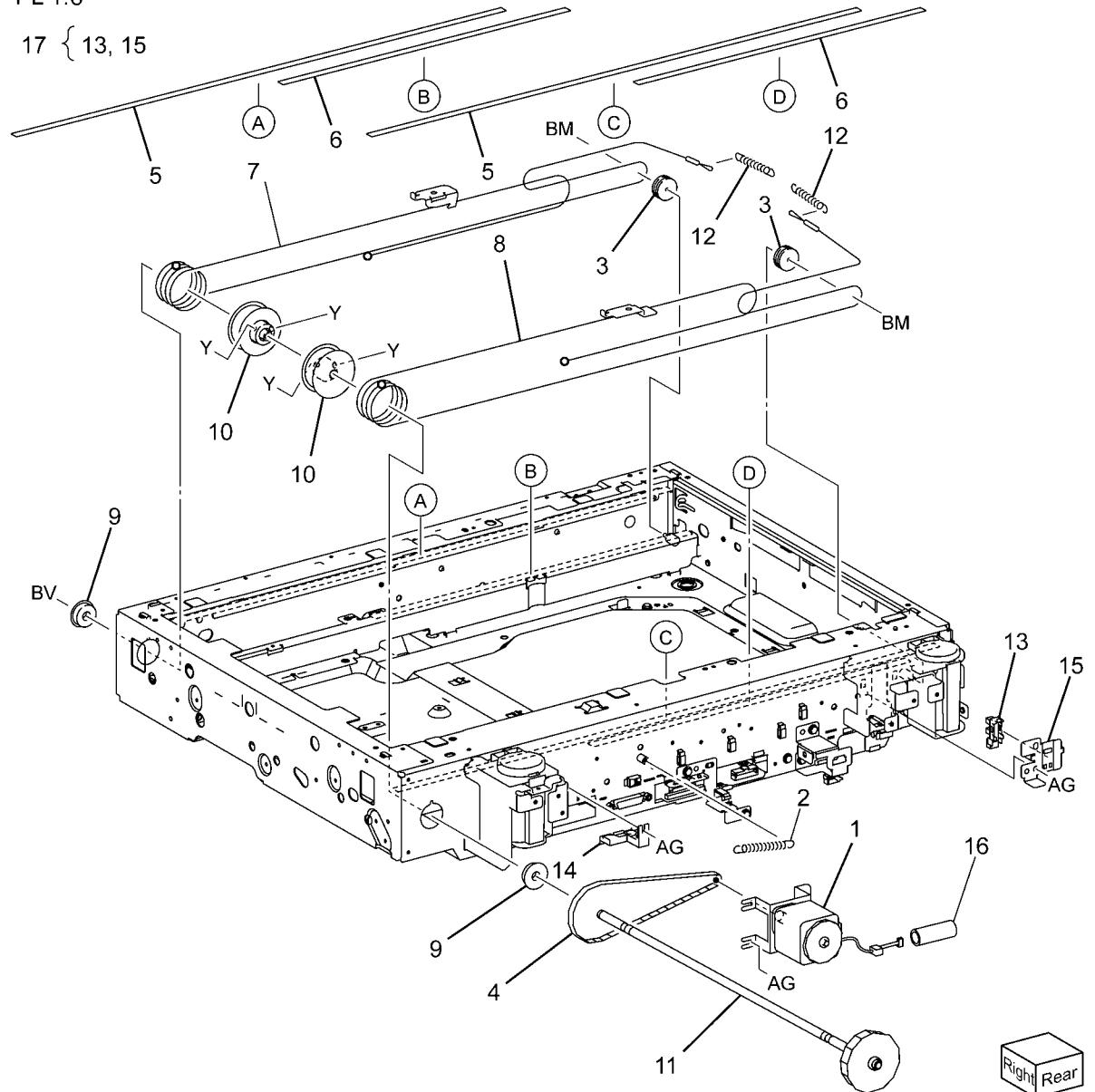


PL 1.4 Carriage Cable/Motor

Item	Part	Description
1	127K49532	Carriage Motor (REP 6.6)
2	809E76950	Spring
3	020E37030	Pulley
4	023E26430	Belt
5	063E97330	Tape
6	-	Tape (Not Spared)
7	012K94410	Front Carriage Cable (REP 6.7)
8	012K94420	Rear Carriage Cable (REP 6.7)
9	413W91850	Bearing
10	020E45300	Capstan Pulley
11	006K86470	Capstan Shaft
12	809E76840	Spring
13	930W00123	IIT Registration Sensor
14	019E70050	Holder
15	-	Sensor Bracket (P/O PL 1.4 Item 17)
16	-	Tube (Not Spared)
17	130K76201	IIT Registration Sensor And Bracket

PL 1.6

17 { 13, 15



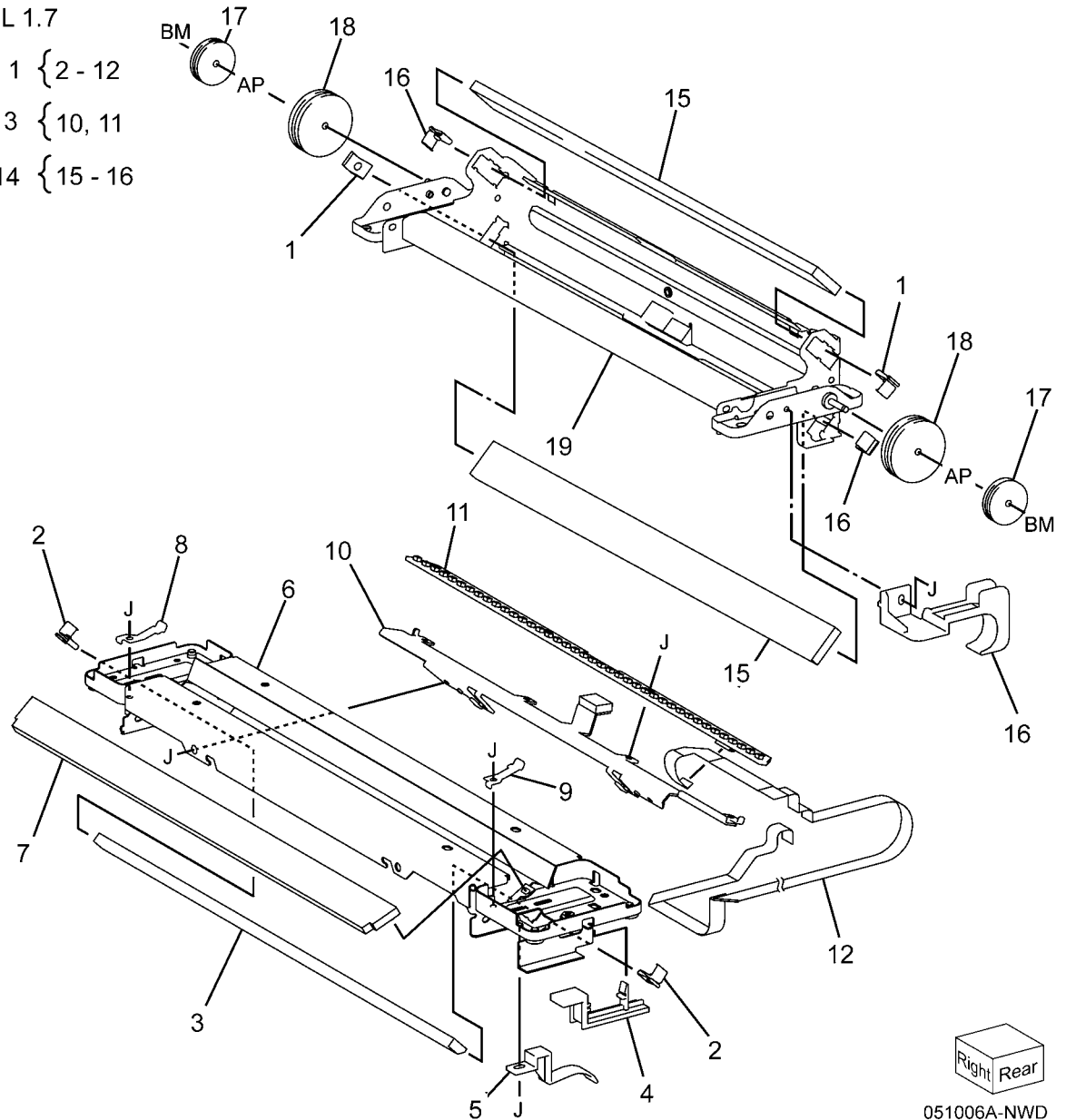
0501005A-NWD

PL 1.5 Full/Half Rate Carriage

Item	Part	Description
1	041K96350	Full Rate Carriage (ADJ 6.2)
2	019E70080	Clip
3	-	No. 1 Mirror (P/O PL 1.5 Item 1)
4	-	Harness Guide (P/O PL 1.5 Item 1)
5	-	Harness Guide (P/O PL 1.5 Item 1)
6	-	Full Rate Carriage (P/O PL 1.5 Item 1)
7	-	Light Guide (P/O PL 1.5 Item 1) (REP 6.11)
8	-	Front Clip (P/O PL 1.5 Item 1)
9	-	Rear Clip (P/O PL 1.5 Item 1)
10	-	Bracket (P/O PL 1.5 Item 13)
11	960K61690	LED Lamp PWB (REP 6.9)
12	117E30981	LED Lamp Wire Harness (REP 6.10)
13	122K94580	LED Lamp
14	041K95910	Half Rate Carriage (ADJ 6.1)
15	-	No. 2/3 Mirror (P/O PL 1.5 Item 14)
16	-	Harness Guide (P/O PL 1.5 Item 14)
17	020E37030	Pulley
18	-	Pulley (P/O PL 1.5 Item 14)
19	-	Carriage Frame (P/O PL 1.5 Item 14)
20	-	Harness Guide (P/O PL 1.5 Item 14)

PL 1.7

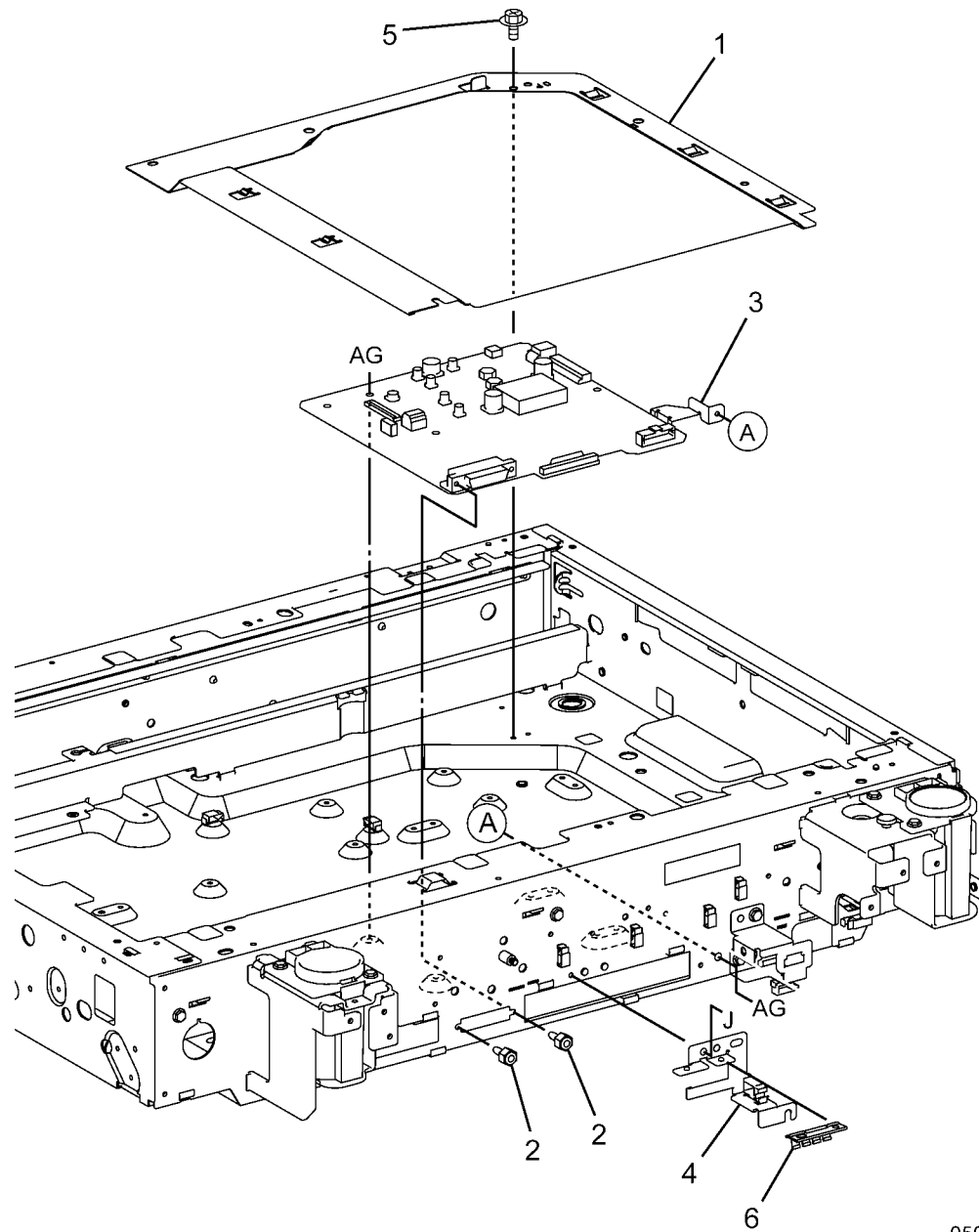
- 1 { 2 - 12
- 13 { 10, 11
- 14 { 15 - 16



Right Rear
051006A-NWD

PL 1.6 IIT/IPS PWB

Item	Part	Description
1	-	PWB Cover (Not Spared)
2	237W00178	Lock Screw
3	960K61760	IIT PWB Assembly (REP 6.12)
4	-	Harness Bracket (Not Spared)
5	-	Screw (Not Spared)
6	-	Conductor (Not Spared)

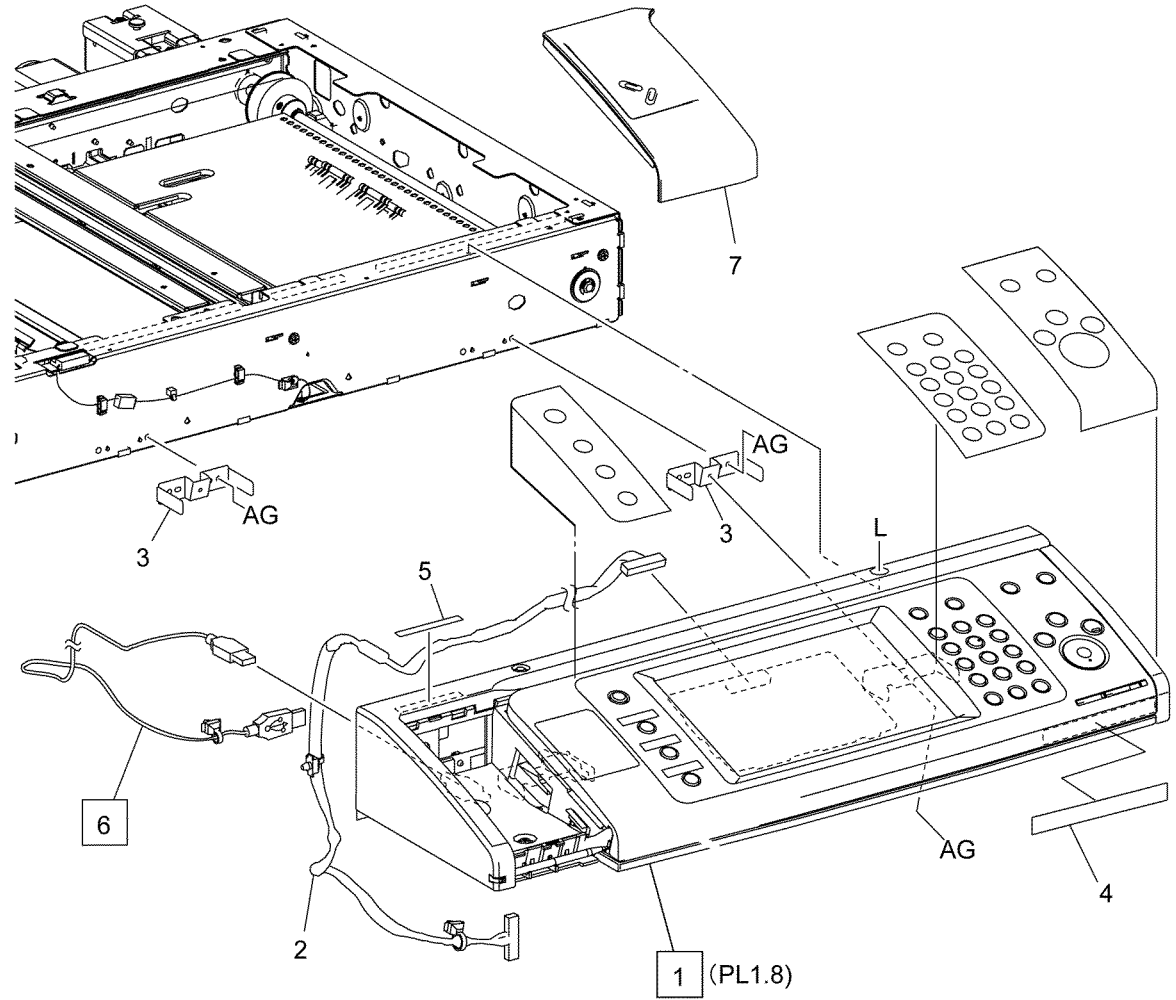


0501007A-NWD

PL 1.7 Control Panel (2 of 2)

Item	Part	Description
1	848K69120	W85 Control Panel (XC)
-	848K69130	W85 Control Panel (XE)
2	962K73341	W85 UI Cable
3	-	Braket (Not Spared)
4	604K84720	Name Label
5	-	Caution Label
6	962K83261	USB Cable ()
7	848E39872	Clip Cover

PL 1.7



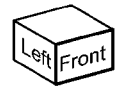
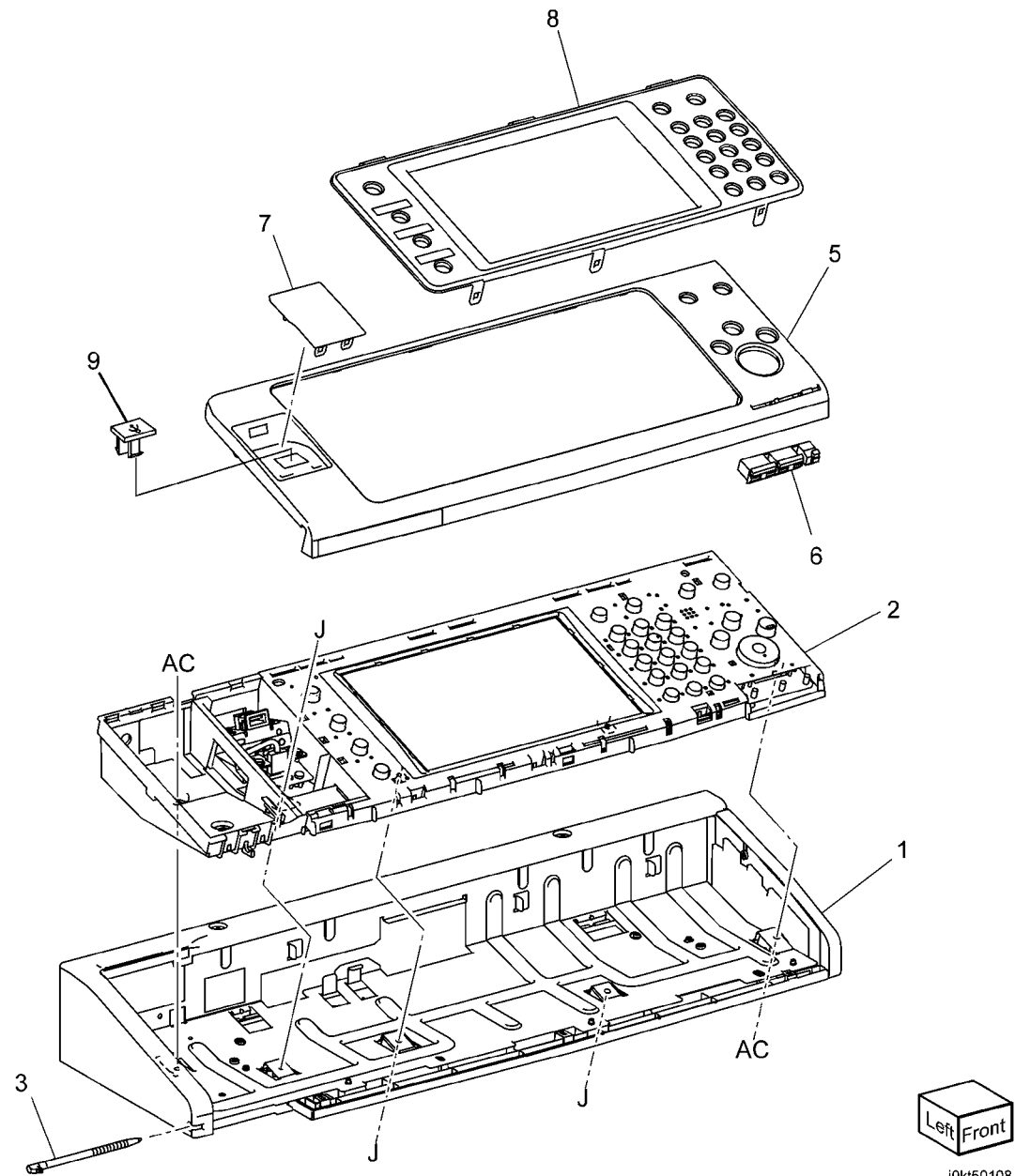
Left Front
jokt50107

PL 1.8 Control Panel (1 of 2)

Item	Part	Description
1	–	Outer Cover (Not Spared)
2	848K69130	W85 Console Assembly (XE)
–	848K69120	W85 Console Assembly (XC)
3	–	Stylus Pen
4	–	Overlay Cover Assembly (XC)
5	–	Overlay Cover Assembly (XE)
6	–	LED Lens (P/O PL 1.8 Item 4)
7	848E41080	USB Cover (P/O PL 1.8 Item 4)
8	–	Overlay Cover (FX)
9	848E55551	USB Plug

PL 1.8

4 { 5-7

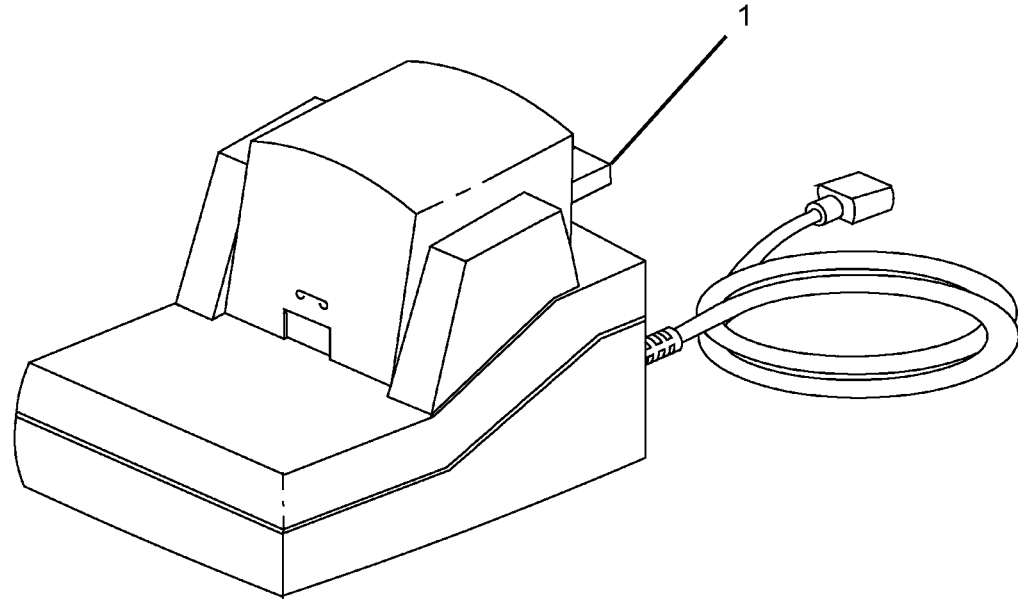


j0k150108

PL 1.9 Convenience Stapler

Item	Part	Description
1	604K35710	Convenience Stapler (110V)
-	604K35700	Convenience Stapler (220V)

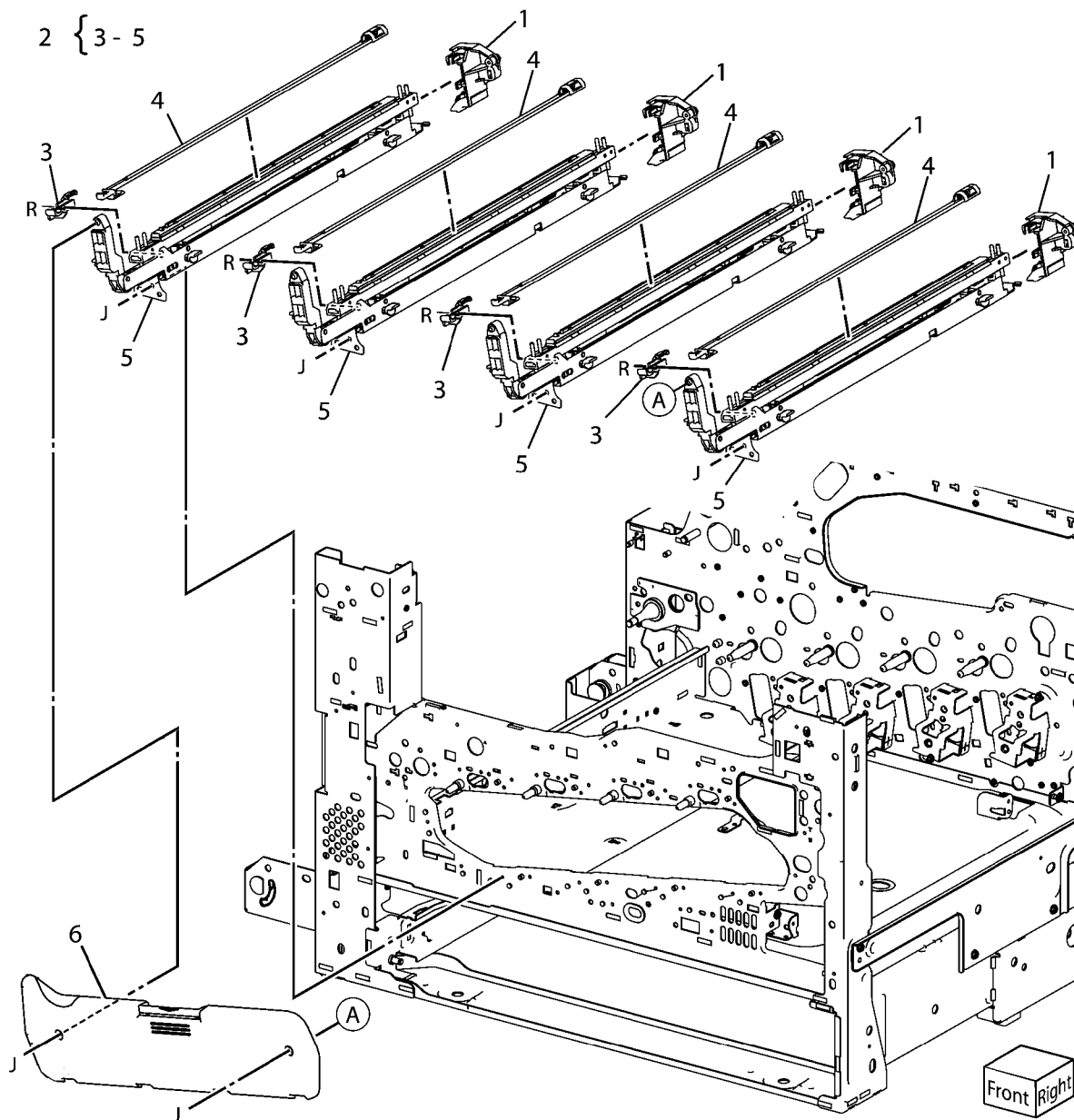
PL 1.9



0501009A-NWD

PL 2.1 LED Print Head (1 of 2)

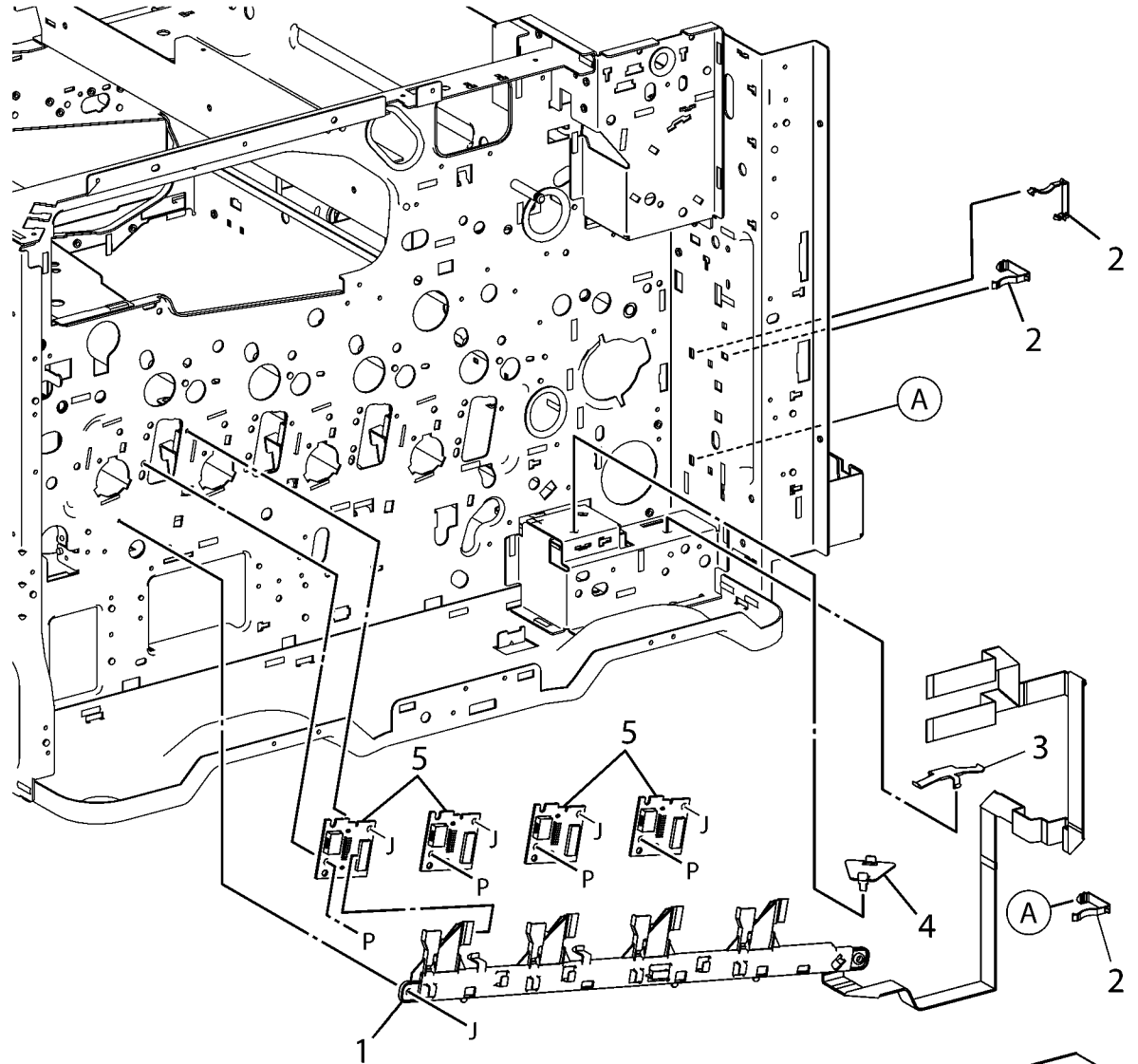
Item	Part	Description
1	019K12490	Rear Holder Assembly
2	130K78680	LED Print Head Assembly (REP 9.10)
3	-	Guide (P/O PL 2.1 Item 2)
4	042K93520	LED Print Head Cleaner
5	-	LED Print Head
6	011K04160	Drum Cover



0502001A-NWD

PL 2.2 LED Print Head (2 of 2)

Item	Part	Description
1	952K02830	LED Print Head Cable Assembly (REP 9.11, REP 9.12)
2	868E07741	Cable Holder
3	868E14670	Cable Holder
4	868E07730	Cable Holder
5	960K36952	LED Print Head Rear PWB



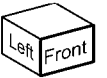
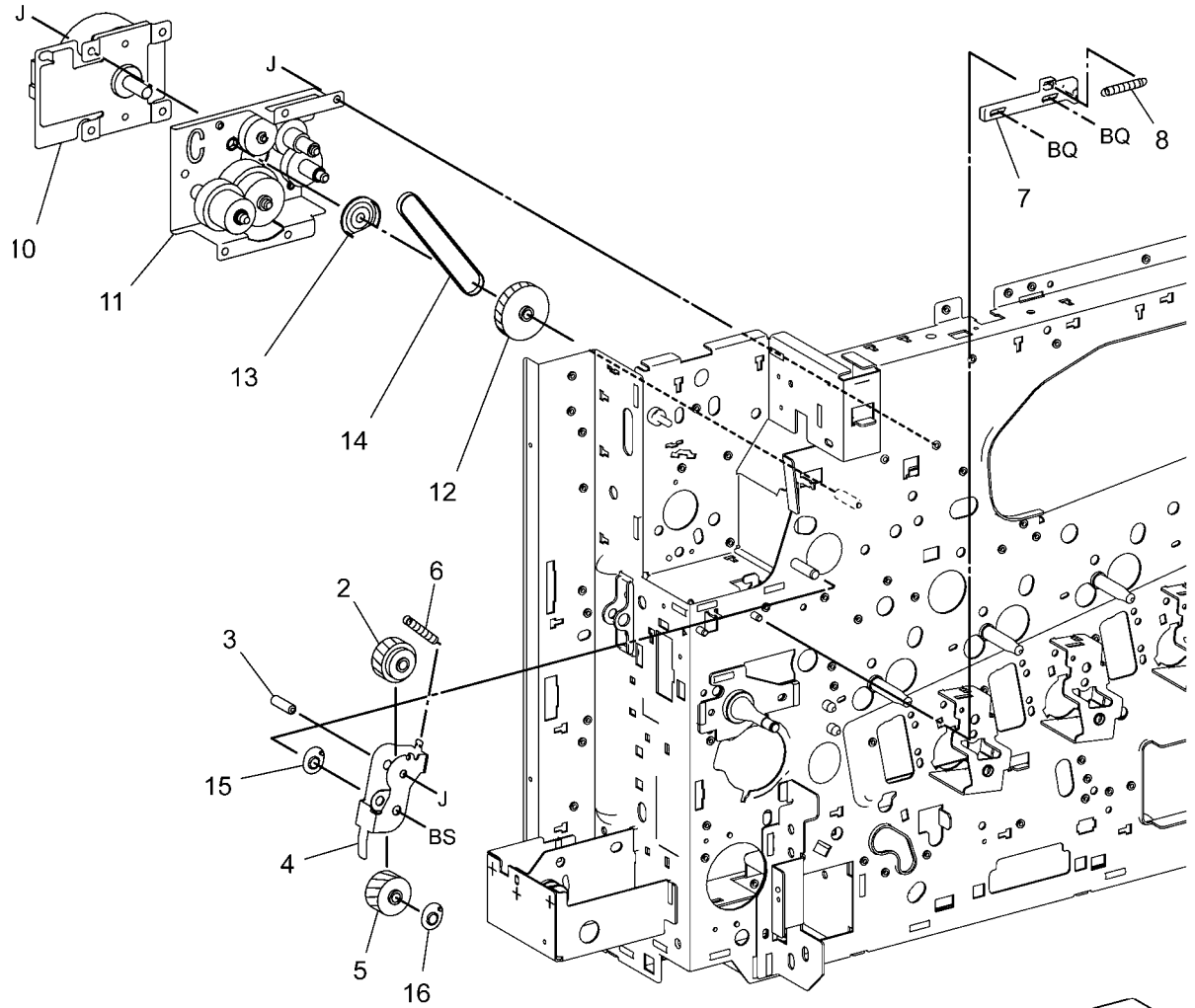
0502002A-NWD

PL 3.1 Drives (1 of 4)

Item	Part	Description
1	068K64901	Fuser Input Bracket Assembly (7830/35)
2	—	Helical Gear (26T) (P/O PL 3.1 Item 1) (7830/35)
3	—	Fuser Shaft (P/O PL 3.1 Item 1)
4	—	Fuser Input Bracket (P/O PL 3.1 Item 1)
5	—	Helical Gear (25T) (P/O PL 3.1 Item 1) (7830/35)
6	809E74960	Spring
7	012E15930	Fuser Unit Link
8	809E74950	Spring
9	007K18550	Fuser Drive Motor Assembly (7830/35)
—	007K18580	Fuser Drive Motor Assembly (7845/55)
10	—	Fuser Drive Motor (P/O PL 3.1 Item 9) (7845/55)
11	—	Gear Bracket Assembly (P/O PL 3.1 Item 9)
12	807E27930	Helical Gear (40T/23T)
13	005E26140	Flange
14	423W10355	Belt
15	—	Bearing (P/O PL 3.1 Item 1)
16	—	Bearing (P/O PL 3.1 Item 1)

PL3.1

1 { 2 - 5, 15, 16
9 { 10, 11



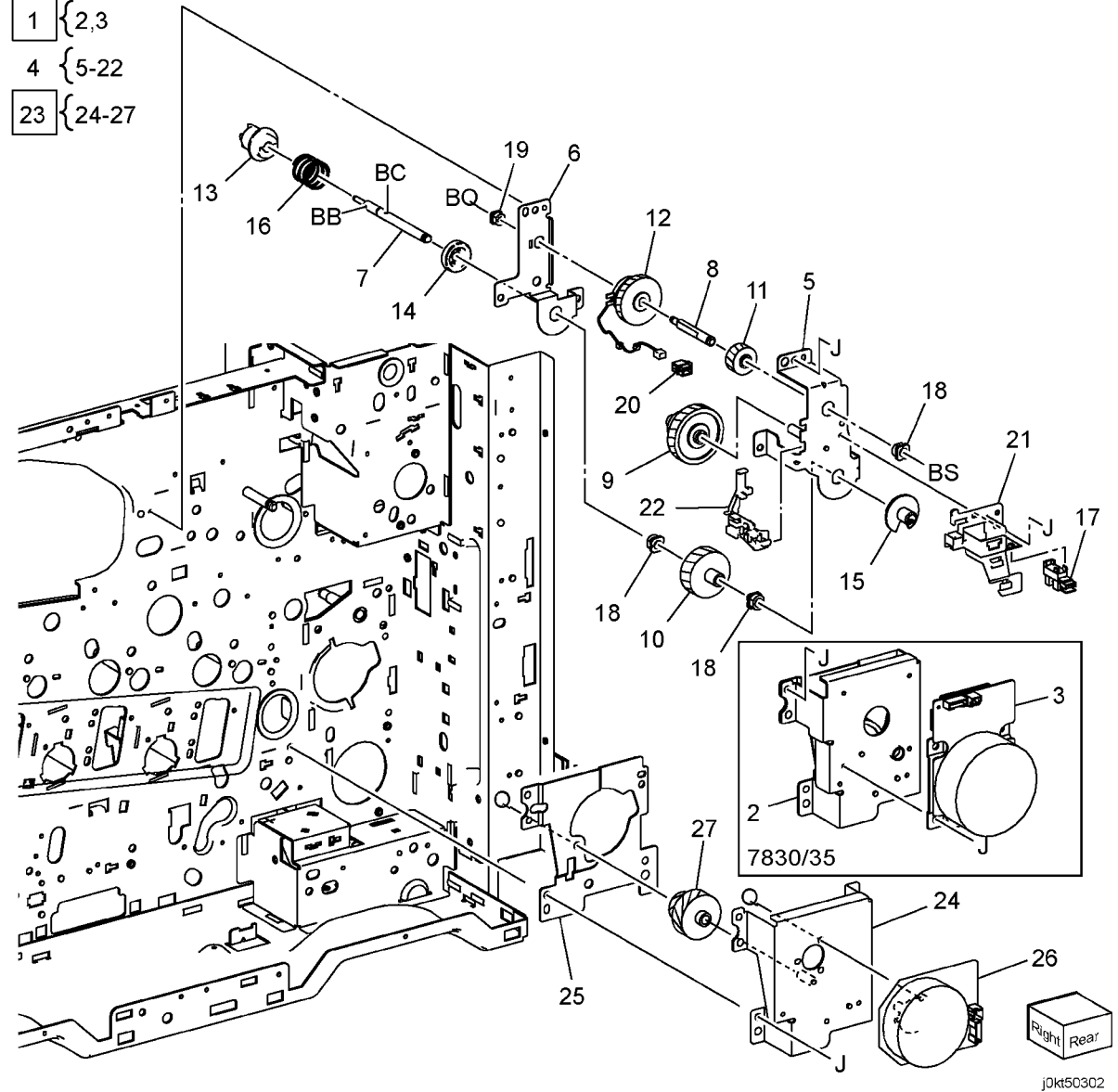
0503001A-NWD

PL 3.2 Drives (2 of 4)

Item	Part	Description
1	007K18540	Main Drive Assembly (7830/35) (REP 4.1)
2	-	Bracket (P/O PL 3.2 Item 1)
3	127K64390	Main Drive Motor Assembly (7830/35)
4	007K98090	Retract Drive Assembly
5	-	Retract Bracket Assembly (P/O PL 3.2 Item 4)
6	-	Retract Lower Bracket (P/O PL 3.2 Item 4)
7	-	Retract Shaft (P/O PL 3.2 Item 4)
8	-	Clutch Shaft (P/O PL 3.2 Item 4)
9	-	Helical Gear (45T/23T) (P/O PL 3.2 Item 4)
10	-	Helical Gear (36T) (P/O PL 3.2 Item 4)
11	-	Helical Gear (21T) (P/O PL 3.2 Item 4)
12	121K40850	1st BTR Contact Retract Clutch
13	005E24620	Coupling
14	-	Retainer (P/O PL 3.2 Item 4)
15	-	Cam Wheel (P/O PL 3.2 Item 4)
16	-	Spring (P/O PL 3.2 Item 4)
17	930W00111	1st BTR Contact Retract Sensor
18	413W14660	Sleeve Bearing
19	-	Sleeve Bearing (P/O PL 3.2 Item 4)
20	-	Connector (P/O PL 3.2 Item 4)
21	-	Harness Holder (P/O PL 3.2 Item 4)
22	-	Harness Holder (P/O PL 3.2 Item 4)
23	007K18570	Main Drive Assembly (7845/55)
24	-	Main Motor (P/O PL 3.2 Item 23) (7845/55)
25	-	Bracket (P/O PL 3.2 Item 23) (7845/55)
26	127K64440	Main Drive Motor (7845/55)
27	-	Helical Gear (P/O PL 3.2 Item 23) (7845/55)

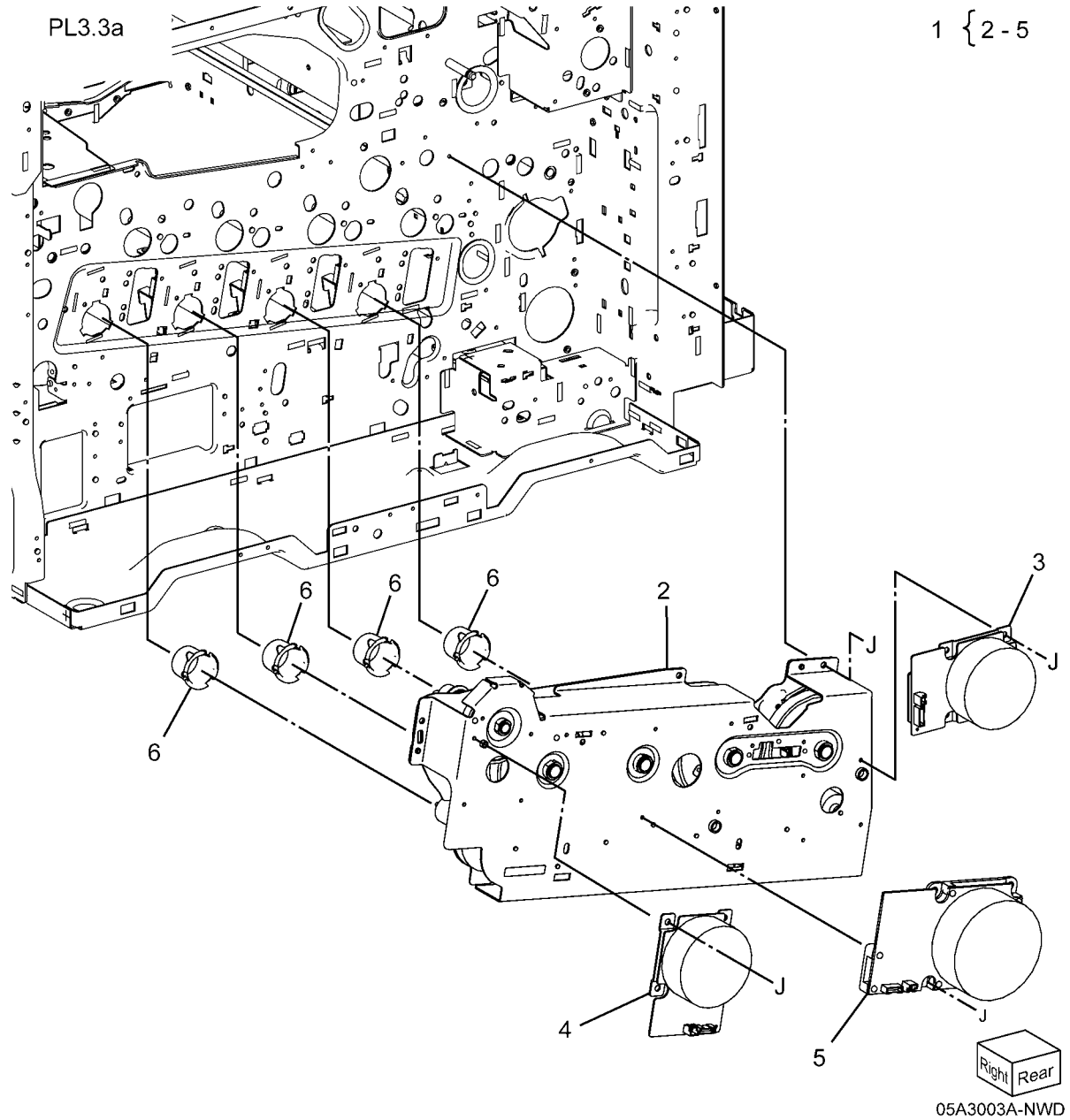
PL 3.2

1 {2,3
4 {5-22
23 {24-27



PL 3.3A Drives (7830/7835)(3 of 4)

Item	Part	Description
1	007K18521	Drum/Developer Drive Assembly (REP 4.1)
2	—	Drive Assembly (P/O PL 3.3A Item 1)
3	127K64370	Drum/Developer Drive Motor (K)
4	127K64380	IBT Drive Motor Assembly
5	127K65970	Drum/Developer Driver Motor (Y, M, C)
6	055E56040	Gear Guide

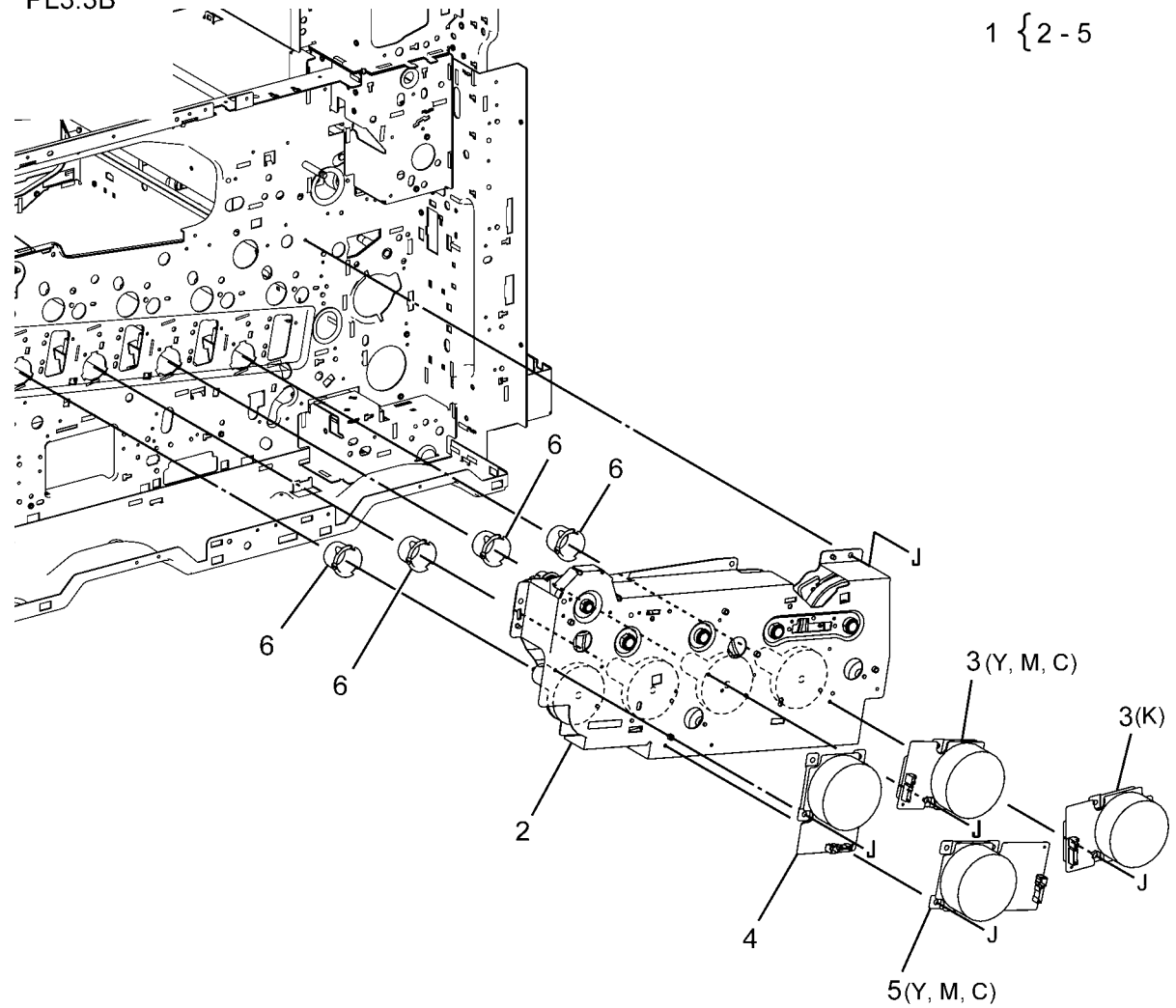


PL 3.3B Drives (7845/7855)(4 of 4)

Item	Part	Description
1	007K18560	Drum/Developer Drive Assembly (REP 4.2)
2	—	Drive Assembly (P/O PL 3.3B Item 1)
3	127K64400	Developer Drive Motor (Y, M, C) / Drum /Developer Drive Motor (K) (P/O PL 3.3B Item 1)
4	127K64410	IBT Drive Motor (P/O PL 3.3B Item 1)
5	127K64420	Drum Drive Motor (Y, M, C) (P/O PL 3.3B Item 1)
6	055E56040	Gear Guide

PL3.3B

1 { 2 - 5



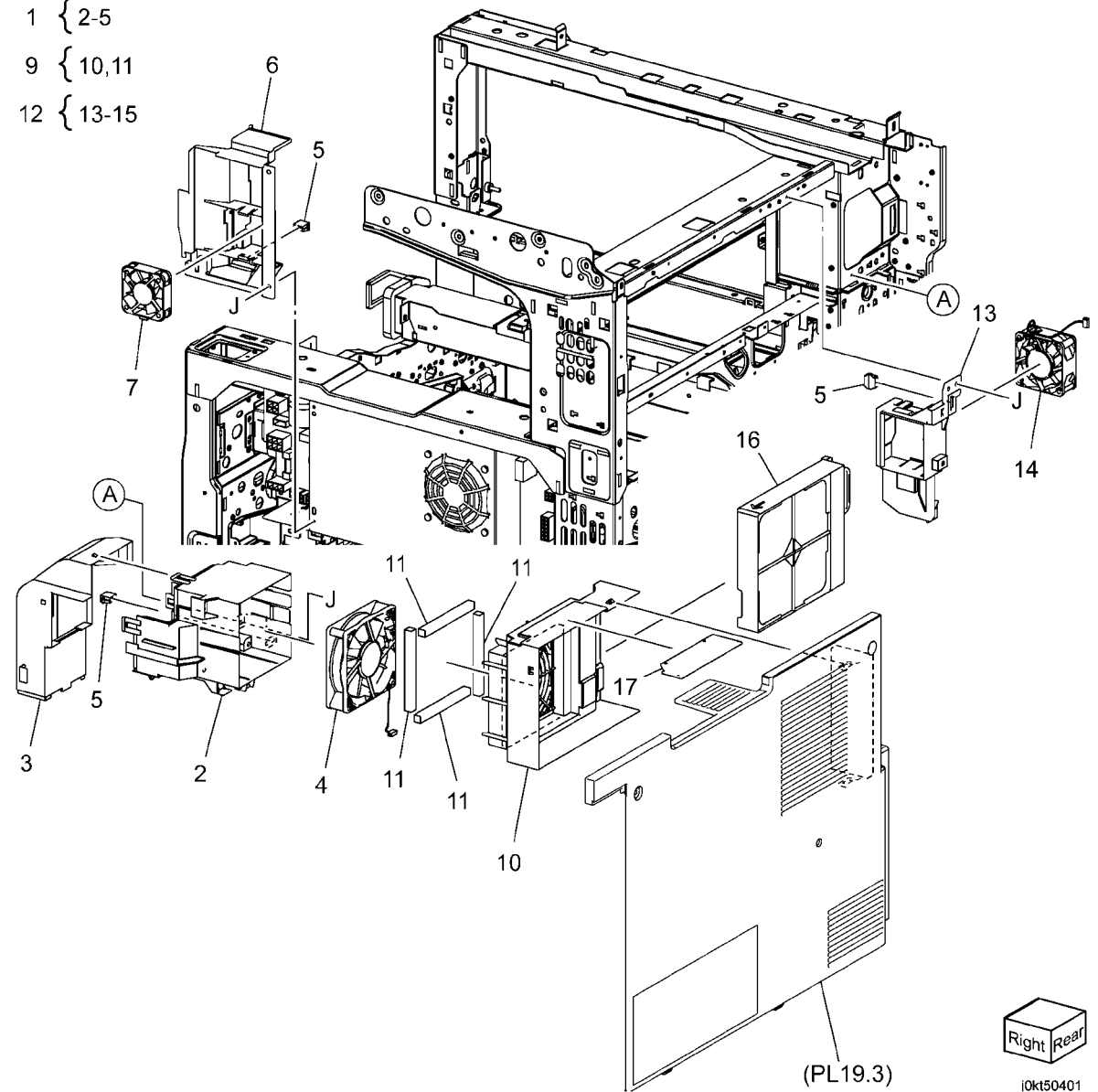
05B3003A-NWD

PL 4.1 NOHAD Common

Item	Part	Description
1	054K48170	Fuser Fan And Duct
2	-	Duct (P/O PL 4.1 Item 1)
3	-	Duct (P/O PL 4.1 Item 1)
4	-	Fuser Fan (P/O PL 4.1 Item 1)
5	913W13170	Connector
6	-	LVPS Duct (Not Spared)
7	127K58360	Front LVPS Fan
9	054K48250	Filter Duct Assembly
10	-	Filter Duct (P/O PL 4.1 Item 9)
11	-	Seal (P/O PL 4.1 Item 9)
12	054K41490	IH Intake Fan And Duct (7845/7855)
13	-	Duct Low (P/O PL 4.1 Item 12)
14	127K66160	IH Intake Fan (7830/35)
-	127K60670	IH Intake Fan (7845/55)
16	-	Odor Filter
17	-	Plate

PL 4.1

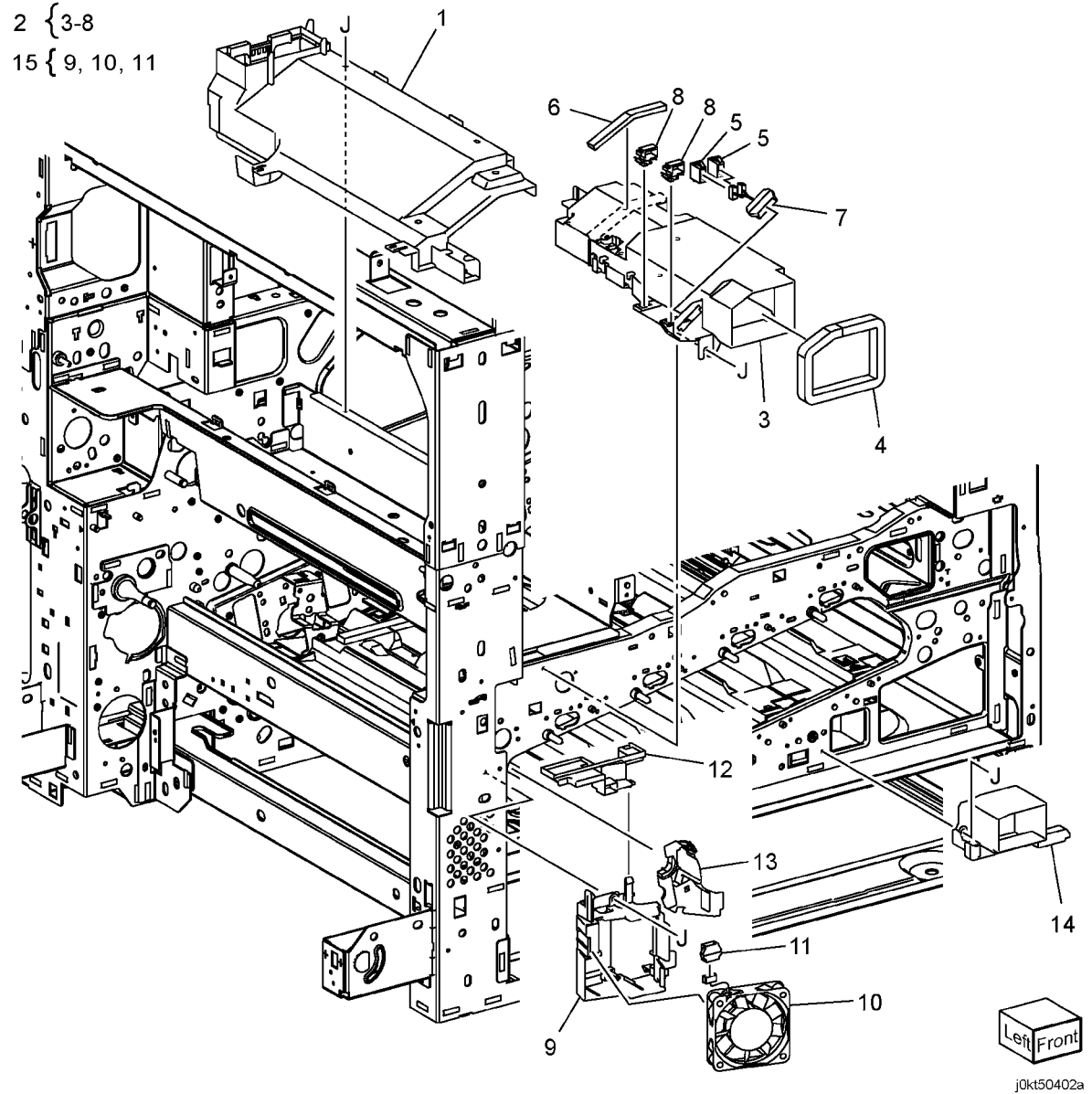
- 1 { 2-5
- 9 { 10,11
- 12 { 13-15



i0kt50401

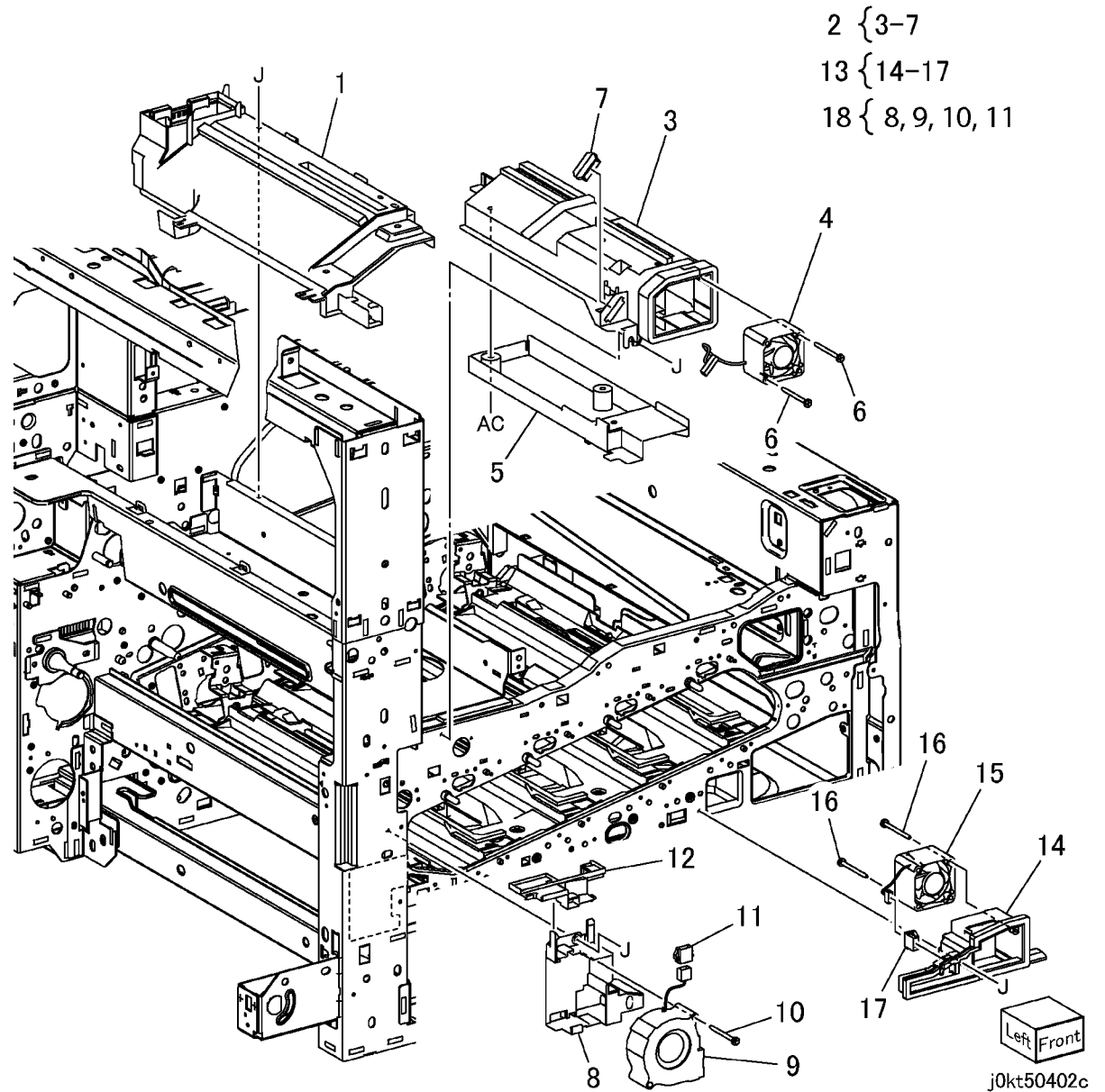
PL 4.2A NOHAD (7830/7835)(1 of 3)

Item	Part	Description
1	054K36310	Center Duct
2	054K48510	IBT Fan And Duct Assembly
3	-	IBT Duct (P/O PL 4.2A Item 2)
4	-	Front Seal (Not Spared)
5	913W13170	Connector
6	-	Front Seal (P/O PL 4.2A Item 2)
7	-	IBT Fan Wire Harness (P/O PL 4.2A Item 2)
8	-	Seal (P/O PL 4.2A Item 2)
9	054E40470	P2 Duct (P/O PL 4.2A Item 15)
10	927W00214	Process 2 Fan (P/O PL 4.2A Item 15)
11	-	Connector (P/O PL 4.2A Item 15)
12	-	Plate (Not Spared)
13	-	Plate (Not Spared)
14	-	P1 Duct (Not Spared)
15	054K40410	Process 2 Fan Kit



PL 4.2B NOHAD (7845/7855)(1 of 3)

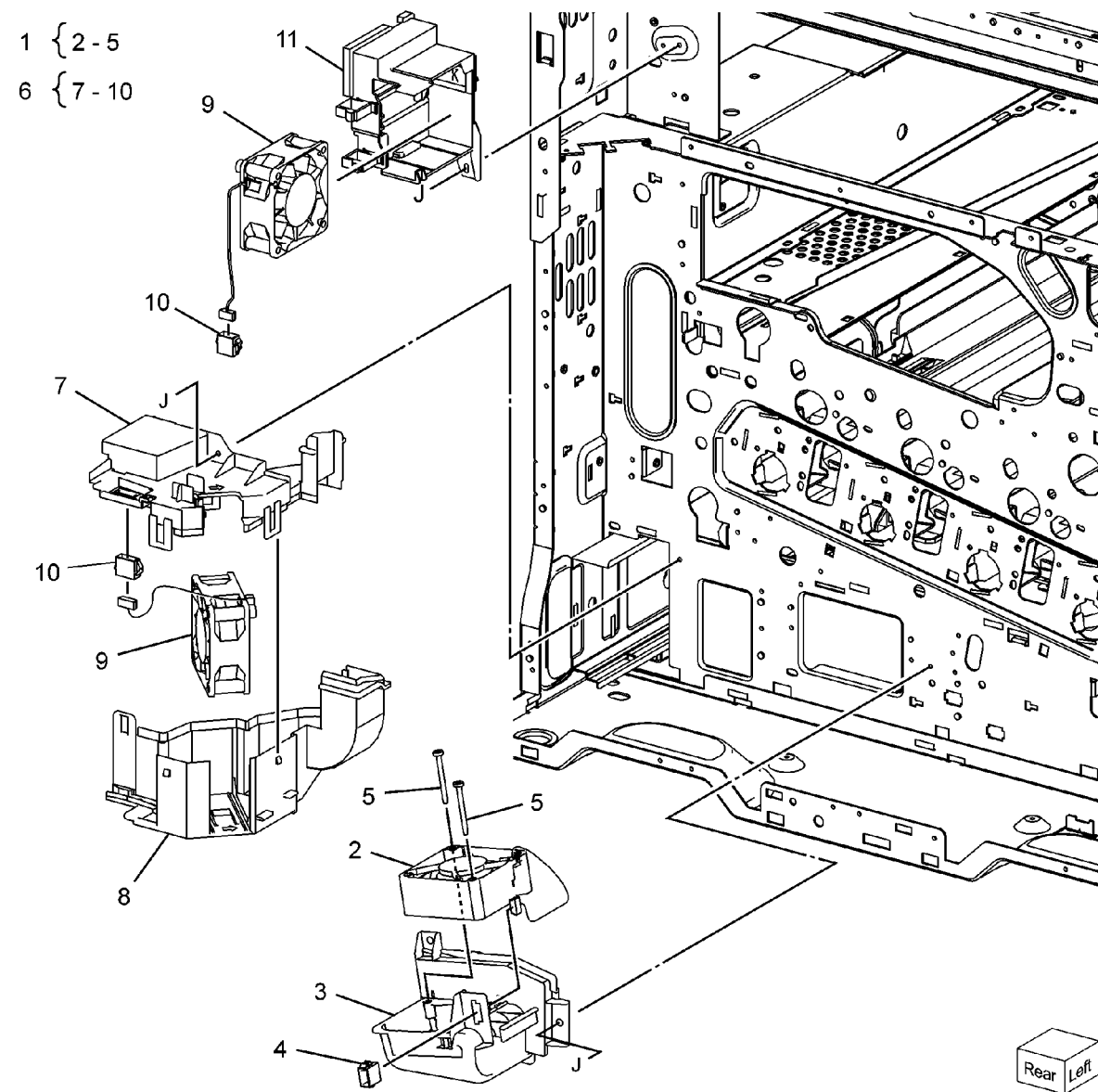
Item	Part	Description
1	-	Center Duct (Not Spared)
2	054K48210	Fan And Duct Assembly
3	-	Duct (P/O PL 4.2B Item 2)
4	-	Cartridge Fan (P/O PL 4.2B Item 2)
5	-	Plate (P/O PL 4.2B Item 2)
6	-	Screw (P/O PL 4.2B Item 2)
7	-	Connector (P/O PL 4.2B Item 2)
8	054K41440	P2 Duct (P/O PL 4.2B Item 18)
9	-	Process 2 Fan and Duct (P/O PL 4.2B Item 18)
10	-	Screw (P/O PL 4.2B Item 18)
11	913W13170	Connector (P/O PL 4.2B Item 18)
12	-	Plate (Not Spared)
13	054K48230	Process 1 Fan And Duct Assembly
14	-	P1 Duct (P/O PL 4.2B Item 13)
15	-	Process Fan 1 (P/O PL 4.2B Item 13)
16	-	Screw (P/O PL 4.2B Item 13)
17	-	Connector (P/O PL 4.2B Item 13)
18	-	Process 2 Fan Assembly



PL 4.3A NOHAD (7830/7835)(2 of 3)

Item	Part	Description
1	054K47010	Bottom Fan And Duct Assembly
2	127K64480	Bottom Fan (P/O PL 4.3A Item 1)
3	-	Bottom Duct (P/O PL 4.3A Item 1)
4	913W13170	Connector
5	-	Screw (P/O PL 4.3A Item 1)
6	-	HVPS Fan And Duct Assembly
7	-	Upper Duct (P/O PL 4.3A Item 6)
8	-	Lower Duct (P/O PL 4.3A Item 6)
9	127K66140	IH Exhaust Fan
10	-	Connector (P/O PL 4.3A Item 6)
11	-	IH Exhaust Fan (Not Spared)

PL 4.3A



Rear Left
0504A03A-NWD

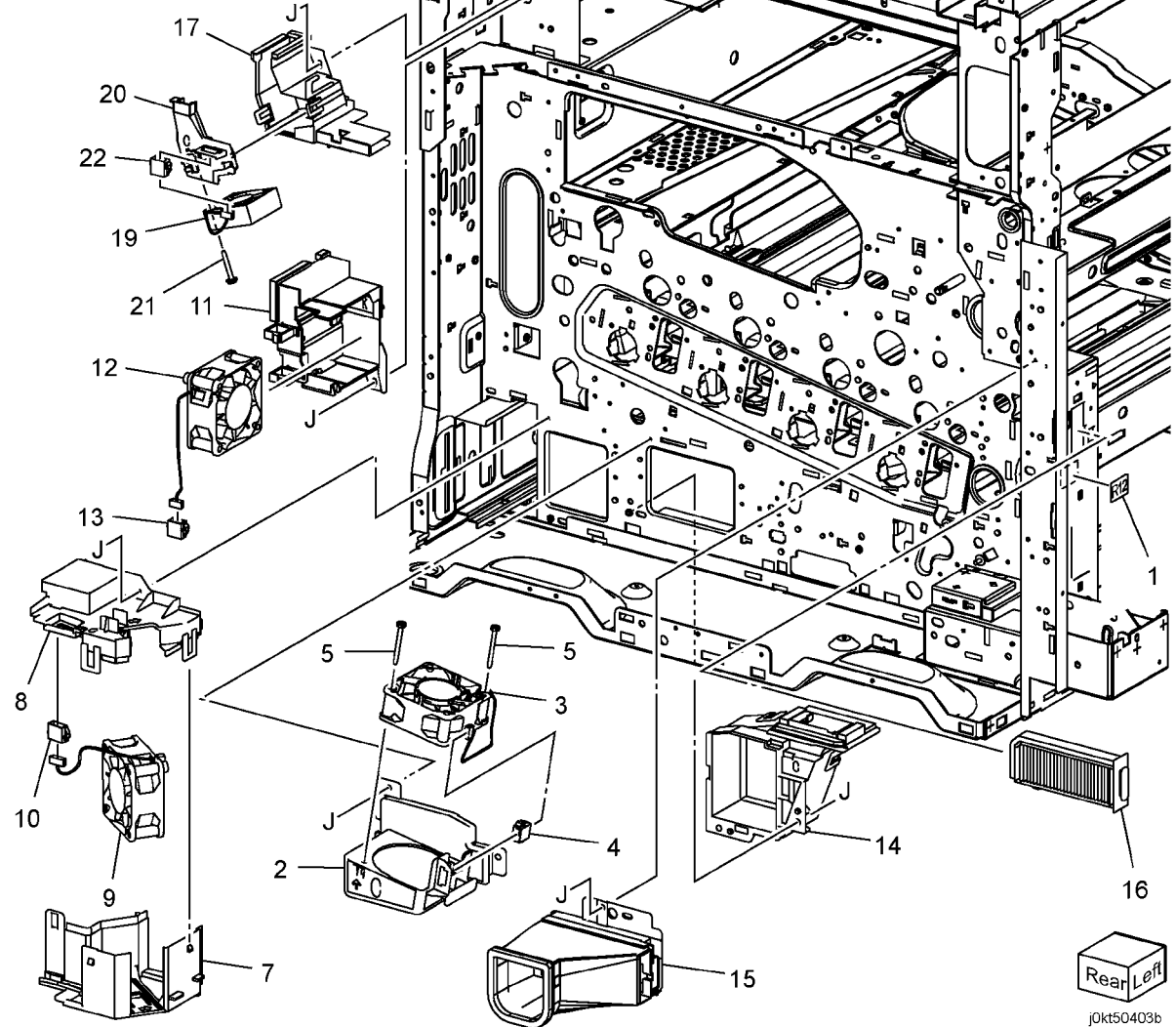
PL 4.3B NOHAD (7845/7855)(2 of 3)

Item	Part	Description
1	897E34340	Label (R12)
2	-	Bottom Duct (Not Spared)
3	127K64480	Bottom Fan
4	913W13170	Connector
5	-	Screw
6	-	M Fan And Duct Assembly (Not Spared)
7	-	Lower Duct (P/O PL 4.3B Item 6)
8	-	Upper Duct (P/O PL 4.3B Item 6)
9	127K66181	M Fan
10	-	Connector (P/O PL 4.3B Item 6)
11	-	IH Exhaust Duct (Not Spared)
12	-	IH Exhaust Fan
13	-	Connector (Not Spared)
14	-	Duct (Not Spared)
15	-	Section Duct (Not Spared)
16	053K93180	Suction Filter
17	-	Rear Fan Duct (Not Spared)
18	127K61230	C Exit Fan And Duct
19	127K60690	Exit Fan
20	-	Duct (P/O PL 4.3B Item 18)
21	-	Screw
22	-	Connector

PL 4.3b

6 { 7-10

18 { 19-22



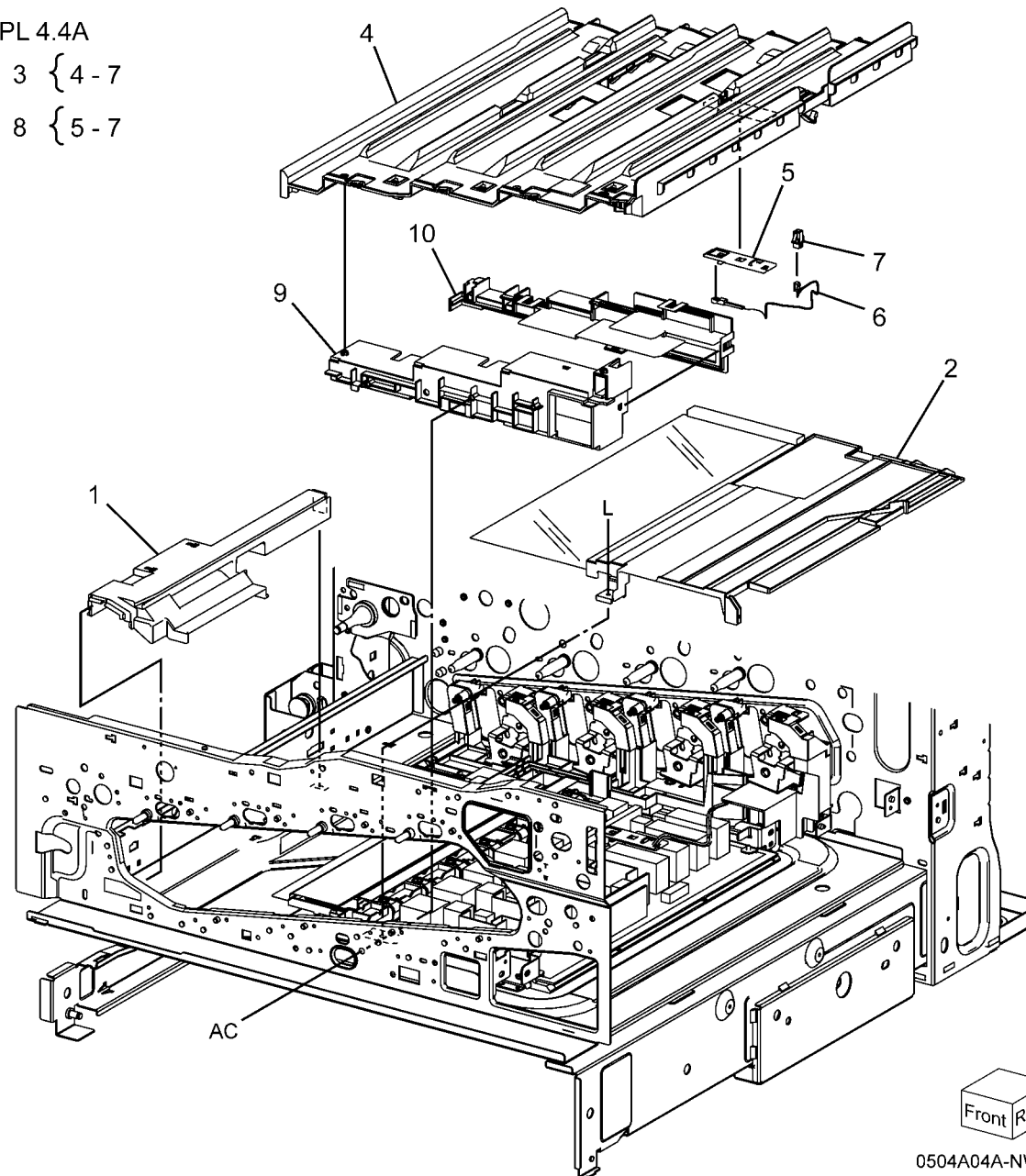
PL 4.4A NOHAD (7830/7835)(3 of 3)

Item	Part	Description
1	-	Front Bottom Duct (Not Spared)
2	-	HVPS Cover
3	815K02610	Base Plate Assembly
4	-	Base Plate (P/O PL 4.4A Item 3)
5	-	Bracket (P/O PL 4.4A Item 3)
6	-	NOHAD Thermistor (P/O PL 4.4A Item 3)
7	-	Connector (P/O PL 4.4A Item 3)
8	130K71990	NOHAD Thermistor and Bracket Assembly
9	-	Front Duct (Not Spared)
10	-	Front Duct Plate (Not Spared)

PL 4.4A

3 { 4 - 7

8 { 5 - 7



Front Right
0504A04A-NWD

PL 4.4B NOHAD (7845/7855)(3 of 3)

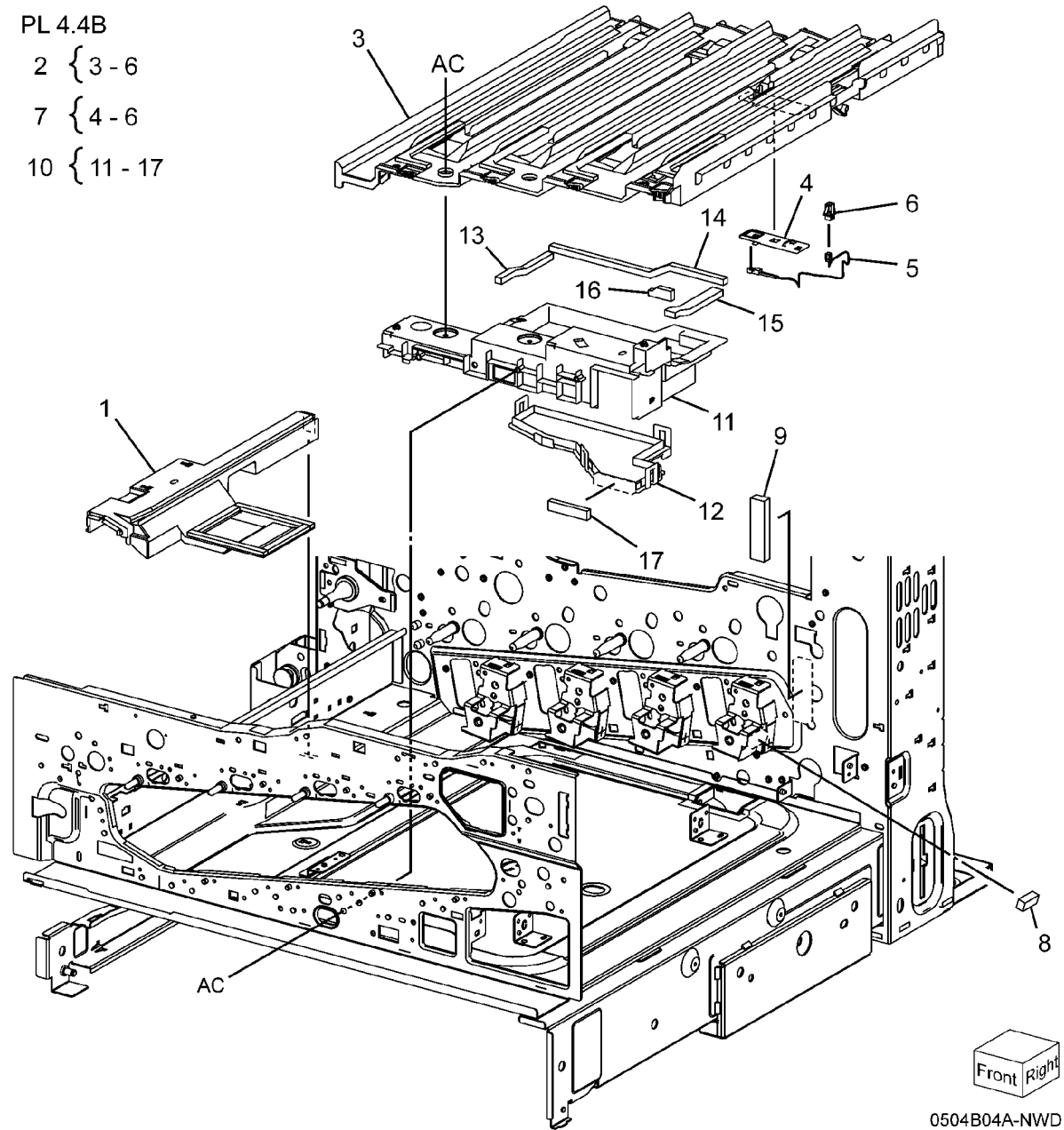
Item	Part	Description
1	-	Front Bottom Duct (Not Spared)
2	815K03601	Base Plate Assembly
3	-	Base Plate (P/O PL 4.4B Item 2)
4	-	Bracket (P/O PL 4.4B Item 2)
5	-	NOHAD Thermistor (P/O PL 4.4B Item 2, PL 4.4B Item 7)
6	-	Connector (P/O PL 4.4B Item 2, PL 4.4B Item 7)
7	130K71990	NOHAD Thermistor And Bracket Assembly
8	-	Seal (P/O PL 4.4B Item 7)
9	-	Seal (Not Spared)
10	-	Front Duct Assembly (Not Spared)
11	-	Front Duct (P/O PL 4.4B Item 10)
12	-	Lower Plate (P/O PL 4.4B Item 10)
13	-	Seal (P/O PL 4.4B Item 10)
14	-	Seal (P/O PL 4.4B Item 10)
15	-	Seal (P/O PL 4.4B Item 10)
16	-	Seal (P/O PL 4.4B Item 10)
17	-	Seal (P/O PL 4.4B Item 10)

PL 4.4B

2 { 3 - 6

7 { 4 - 6

10 { 11 - 17

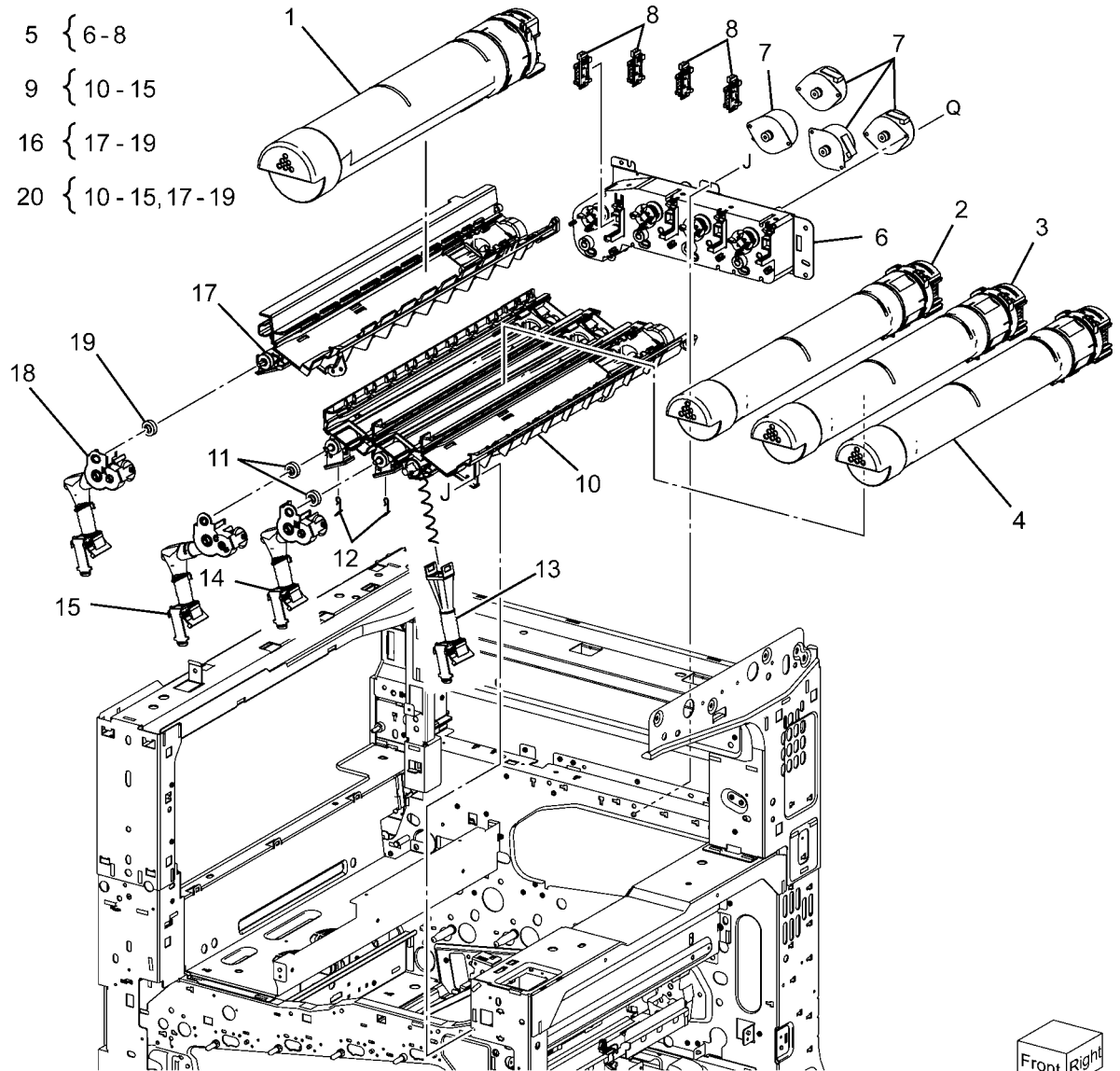


0504B04A-NWD

PL 5.1 Development (1 of 2)

Item	Part	Description
1	006R01509	K-Toner (WW)
-	006R01513	K-Toner (NA/E)
-	006R01517	K-Toner (DMO)
2	006R01516	C-Toner (NA/E)
-	006R01520	C-Toner (DMO)
-	006R01512	C-Toner (WW)
3	006R01519	M-Toner (DMO)
-	006R01511	M-Toner (WW)
-	006R01515	M-Toner (NA/E)
4	006R01514	Y-Toner (NA/E)
-	006R01518	Y-Toner (DMO)
-	006R01510	Y-Toner (WW)
5	127K66670	Toner Dispense Motor Assembly (REP 9.13)
6	-	Dispense Assembly (P/O PL 5.1 Item 5)
7	127K65930	Toner Dispense Motor (K, C, M, Y)
8	113K83244	Toner CRUM Coupler Assembly
9	094K92391	Dispense Pipe Assembly (C, M, Y) (P/O PL 5.1 Item 9)
10	-	Guide Assembly (C, M, Y) (P/O PL 5.1 Item 9)
11	-	Auger Gear (Y, M, C) (P/O PL 5.1 Item 9)
12	-	Spring (P/O PL 5.1 Item 9)
13	052K96801	Dispenser Pipe (Y) (P/O PL 5.1 Item 9)
14	052K96811	Dispenser Pipe (M) (P/O PL 5.1 Item 9)
15	052K96821	Dispenser Pipe (C) (P/O PL 5.1 Item 9)
16	094K92402	Dispenser Pipe Assembly (K) (7830/7835) (7830/7835)
-	094K92770	Dispenser Pipe Assembly (K) (7845/7855)
17	-	Guide Assembly (P/O PL 5.1 Item 16)
18	052K96831	Dispenser Pipe (K) (P/O PL 5.1 Item 16)
19	-	Auger Gear (K) (P/O PL 5.1 Item 16)
20	094K92760	Dispenser Pipe Assembly (Y, M, C, K) (7845/7855)
-	094K92380	Dispenser Pipe Assembly (Y, M, C, K) (7830/7835)

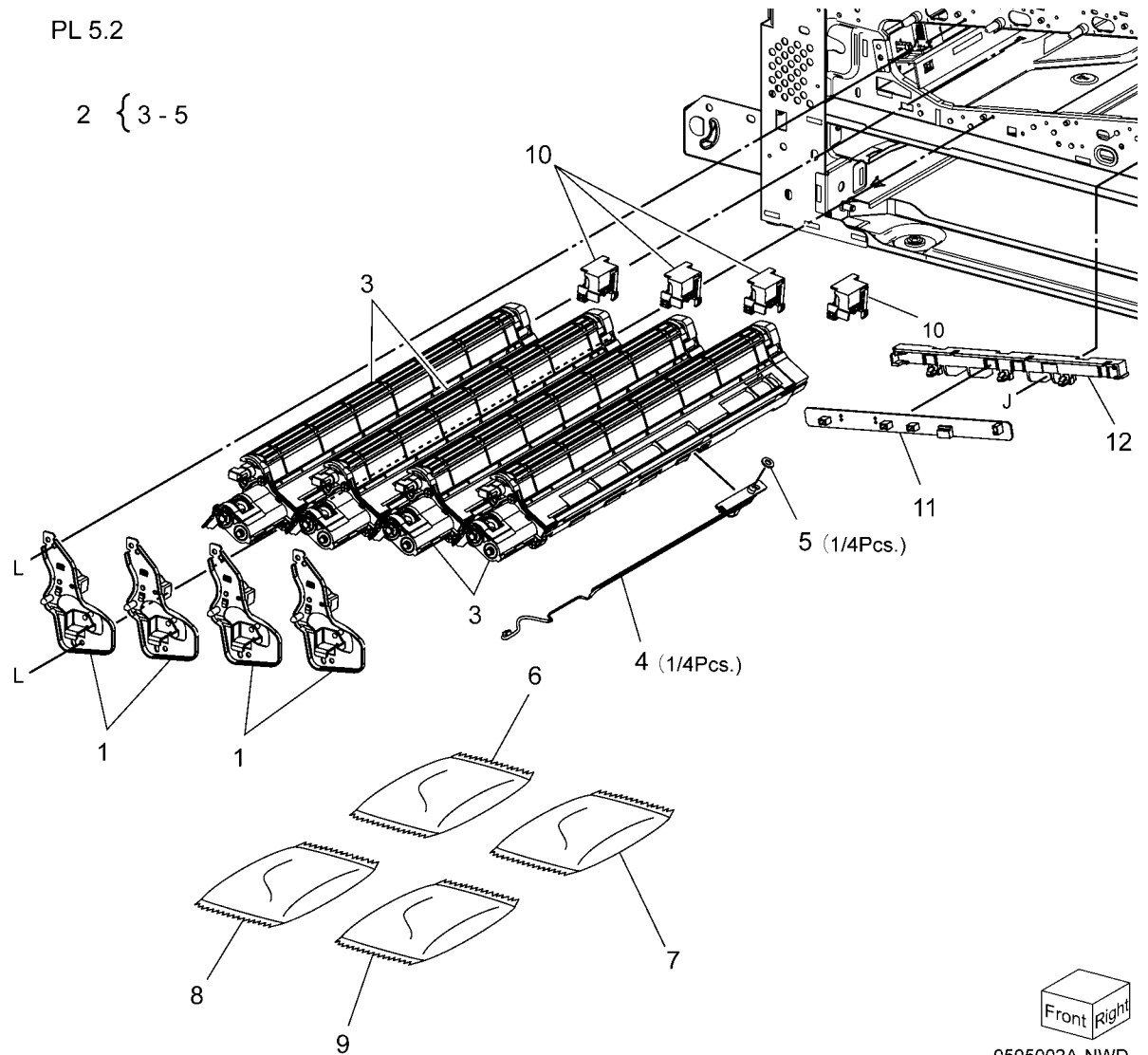
PL 5.1



0505001A-NWD

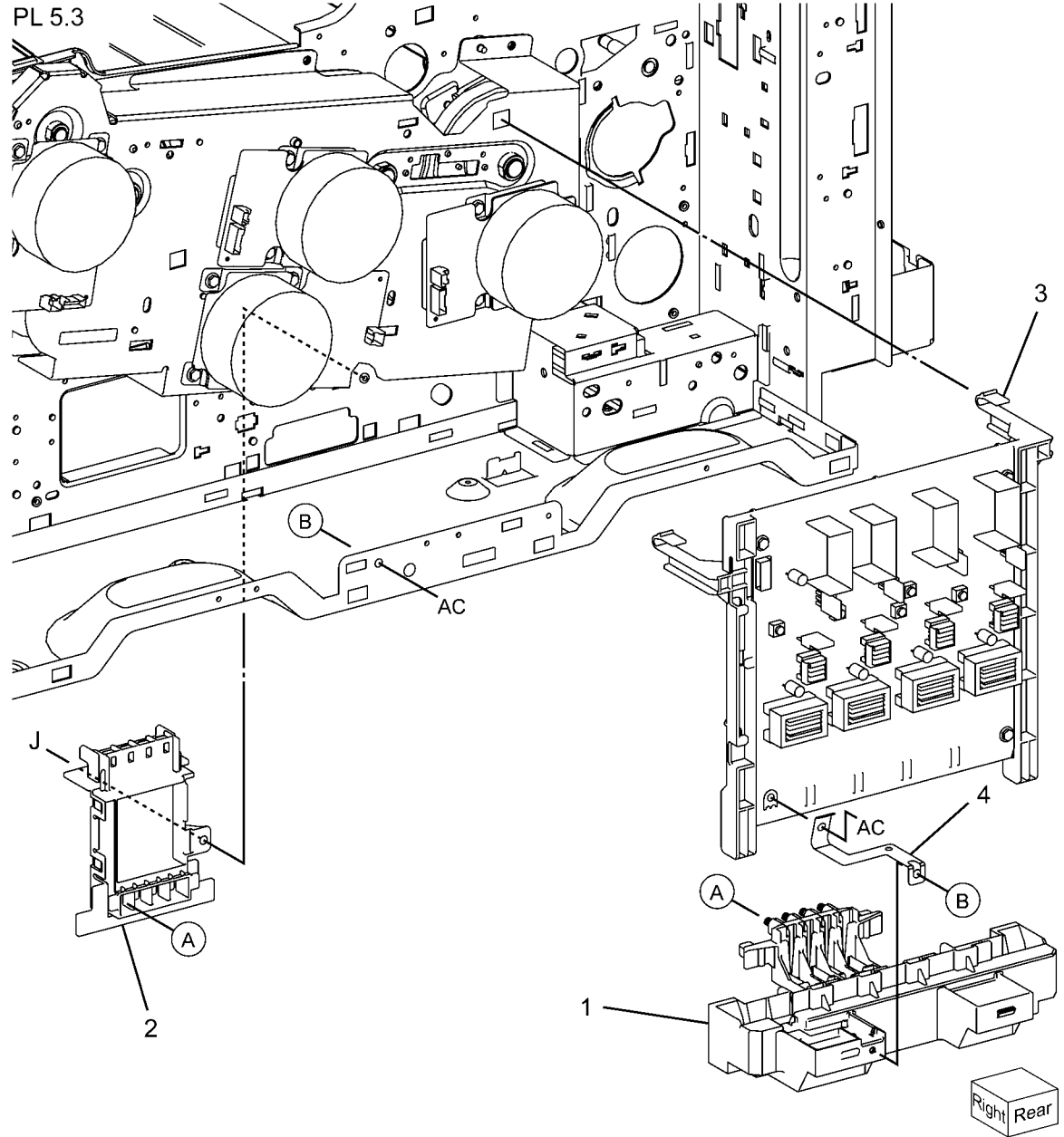
PL 5.2 Development (2 of 2)

Item	Part	Description
1	015K77960	Developer Plate
2	848K65672	Developer Housing Assembly (K, C, M, Y) (REP 9.14)
3	-	Housing Assembly (P/O PL 5.2 Item 2)
4	130K71851	ATC Sensor (K, C, M, Y)
5	-	Seal (P/O PL 5.2 Item 2)
6	675K85030	Developer (K)
7	675K85040	Developer (C)
8	675K85050	Developer (M)
9	675K85060	Developer (Y) (REP 9.15)
10	010K91700	Plunger Assembly
11	960K49660	ATC PWB
12	849E96933	Bracket



PL 5.3 HVPS Developer (7845/7855)

Item	Part	Description
1	848K37870	HVPS Housing
2	019K11110	Conductor Holder
3	815K09800	Developer HVPS (7845/55) (REP 1.2)
4	130E13880	Ground Conductor (7845/55)



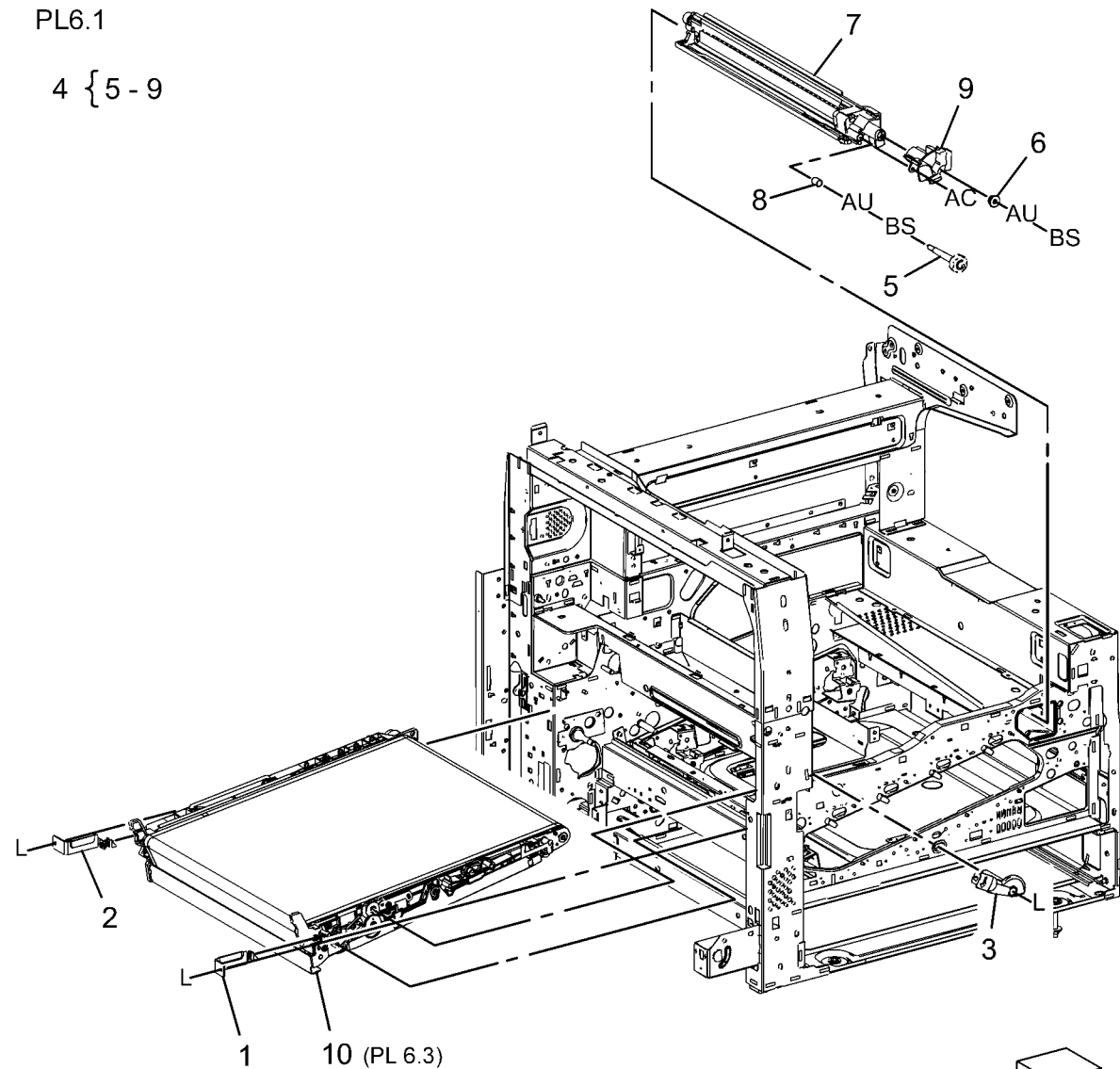
0505003A-NWD

PL 6.1 Transfer (1 of 2)

Item	Part	Description
1	068K53690	Front Lock Bracket
2	068K53680	Rear Lock Bracket
3	003E78891	Tension Lever
4	042K94470	Transfer Belt Cleaner Assembly (REP 9.1)
5	-	Knob (P/O PL 6.1 Item 4)
6	-	Bearing (P/O PL 6.1 Item 4)
7	-	Transfer Belt Cleaner (P/O PL 6.1 Item 4)
8	-	Spring (P/O PL 6.1 Item 4)
9	-	Shutter (P/O PL 6.1 Item 4)
10	604K57383	IBT Assembly (REP 9.2)

PL6.1

4 { 5 - 9

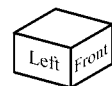
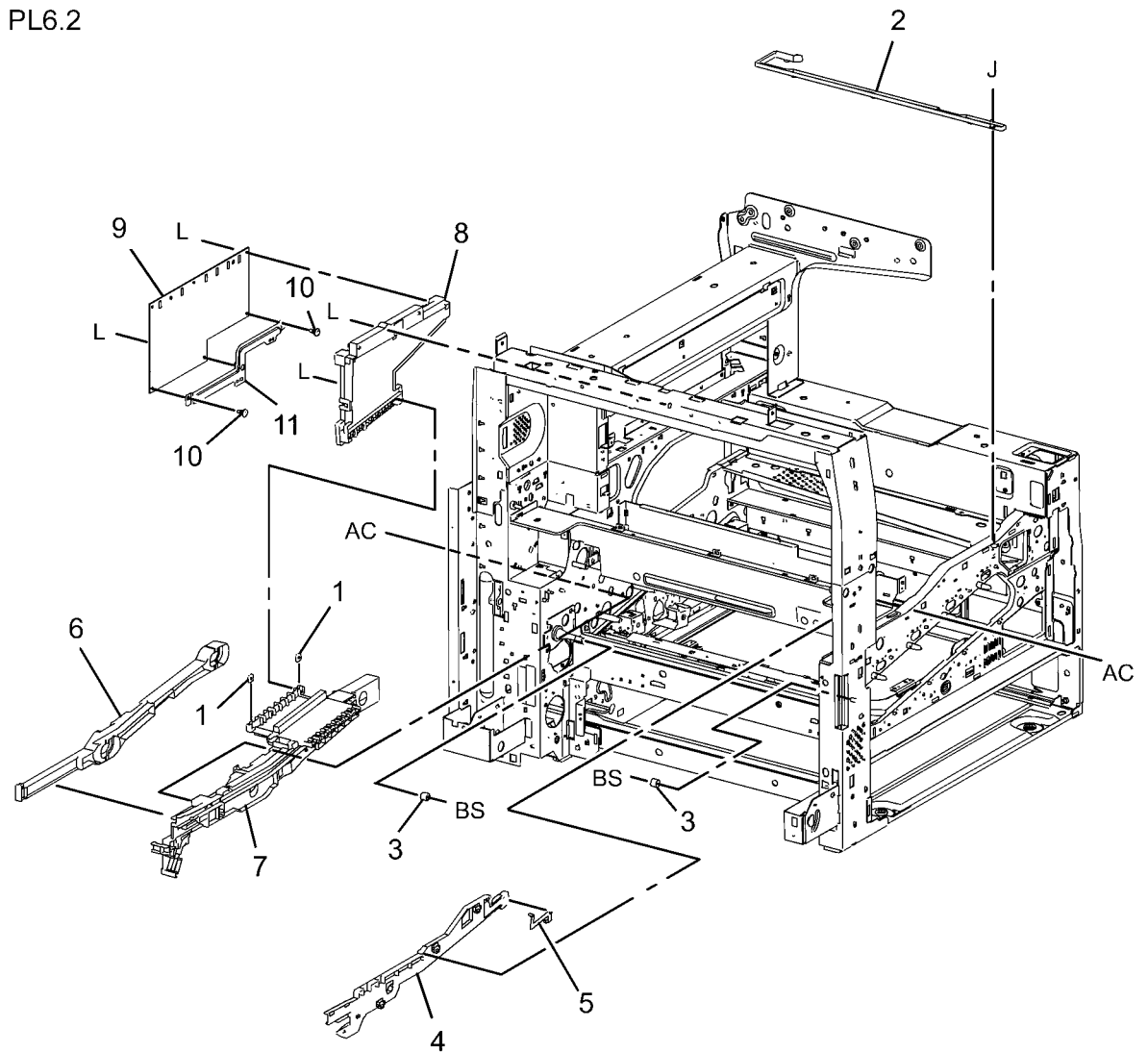


0506001A-NWD

PL 6.2 Transfer (2 of 2)

Item	Part	Description
1	815E38150	Plate Nut
2	032K06050	IBT Cleaner Guide
3	013E36670	Metal Bearing
4	032E27610	IBT Front Guide
5	130E94310	Conductor
6	120E29340	Actuator
7	032K05310	Guide Assembly (7830/7835)
-	032K06320	Guide Assembly (7845/7855)
8	848K13960	Conductor Housing Assembly
9	105E20500	HVPS/Detack HVPS (REP 1.1)
10	-	PWB Support (Not Spared)
11	-	Bracket (Not Spared)

PL6.2

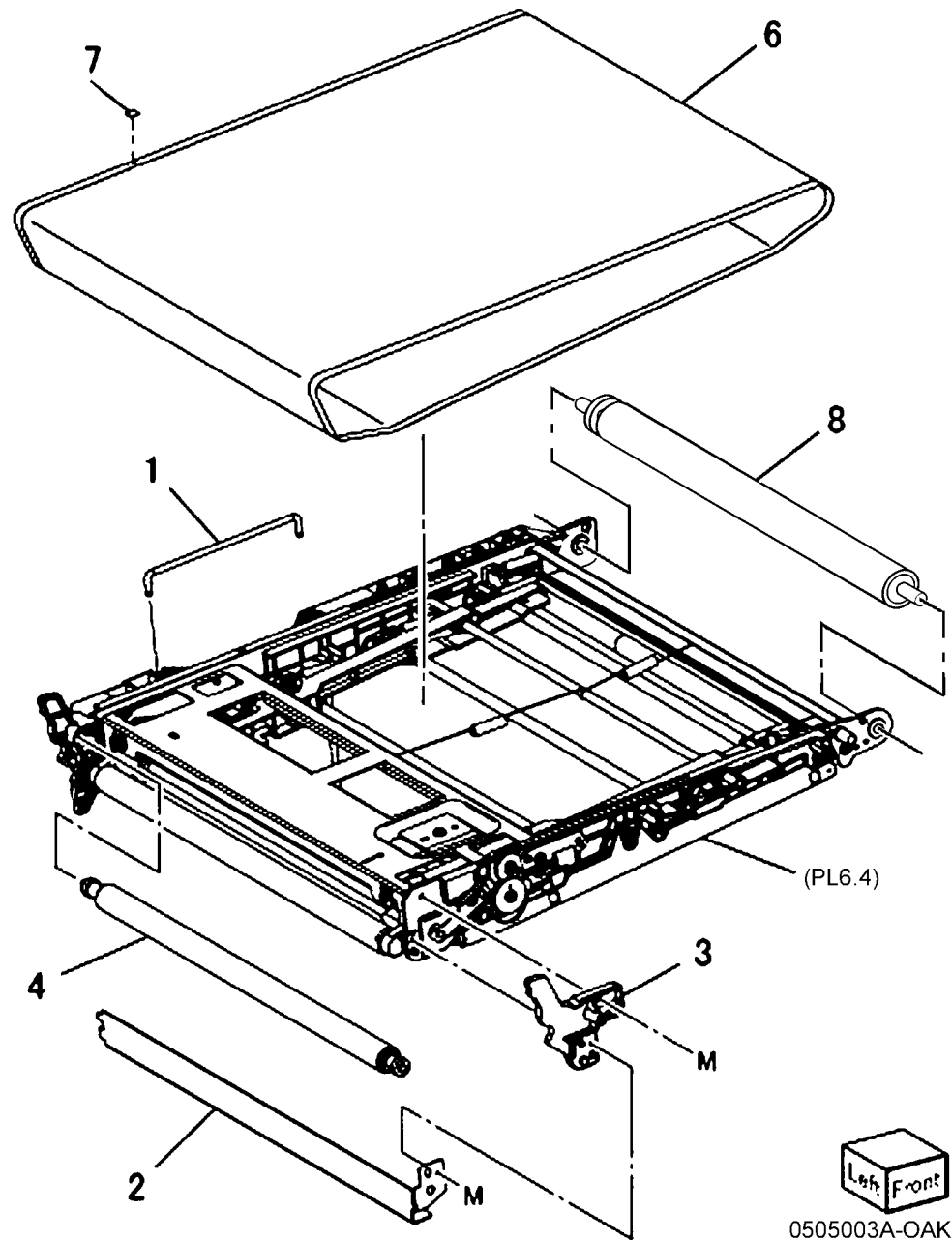


0506002A-NWD

PL 6.3 IBT Assembly (1 of 2)

Item	Part	Description
1	003E75420	Handle
2	054K34290	Inlet Chute
3	801E03440	BUR Front Frame
4	059K54991	Back-up Roll
5	064K93621	Transfer Belt Assembly (REP 9.2)
6	-	Transfer Belt (P/O PL 6.3 Item 5)
7	-	TR0 Patch (P/O PL 6.3 Item 5) (REP 9.4)
8	604K57380	IBT Belt Assembly

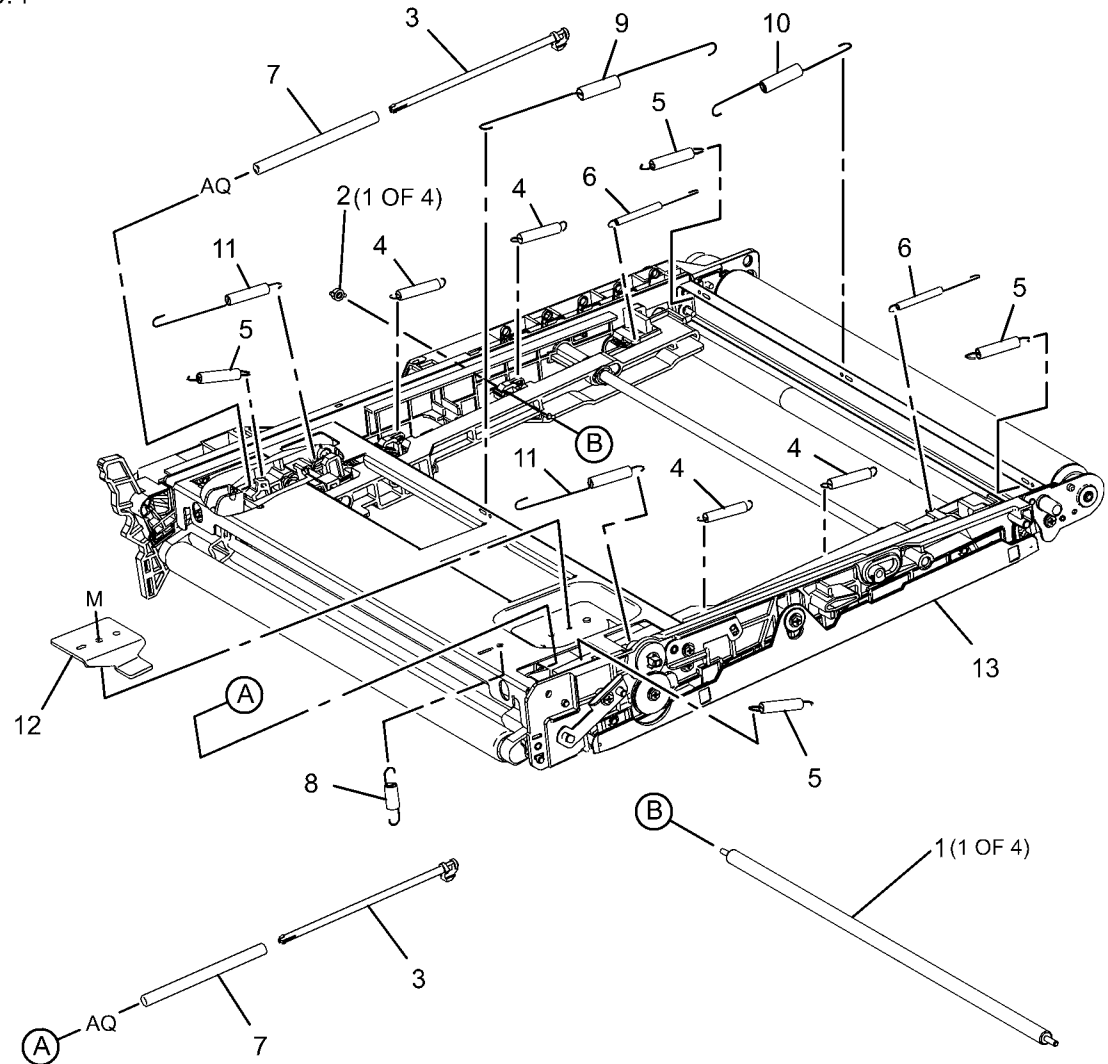
PL6.3
5 { 6, 7



PL 6.4 IBT Belt Unit (2 of 2)

Item	Part	Description
1	059E03290	1st BTR Roll
2	130E93970	1st BTR Conductor
3	806E21460	Tension Spring Shaft
4	809E74790	1st BTR Spring
5	809E74800	IR Spring
6	809E74810	BTR Spring
7	809E74870	Tension Spring
8	809E75300	Ground Spring
9	809E76310	Ground Center Spring
10	809E76320	Ground Right Spring
11	809E76810	BTR Spring
12	809E76981	Adjust Spring
13	604K57383	IBT Belt Assembly (P/O PL 6.1 Item 10)

PL6.4



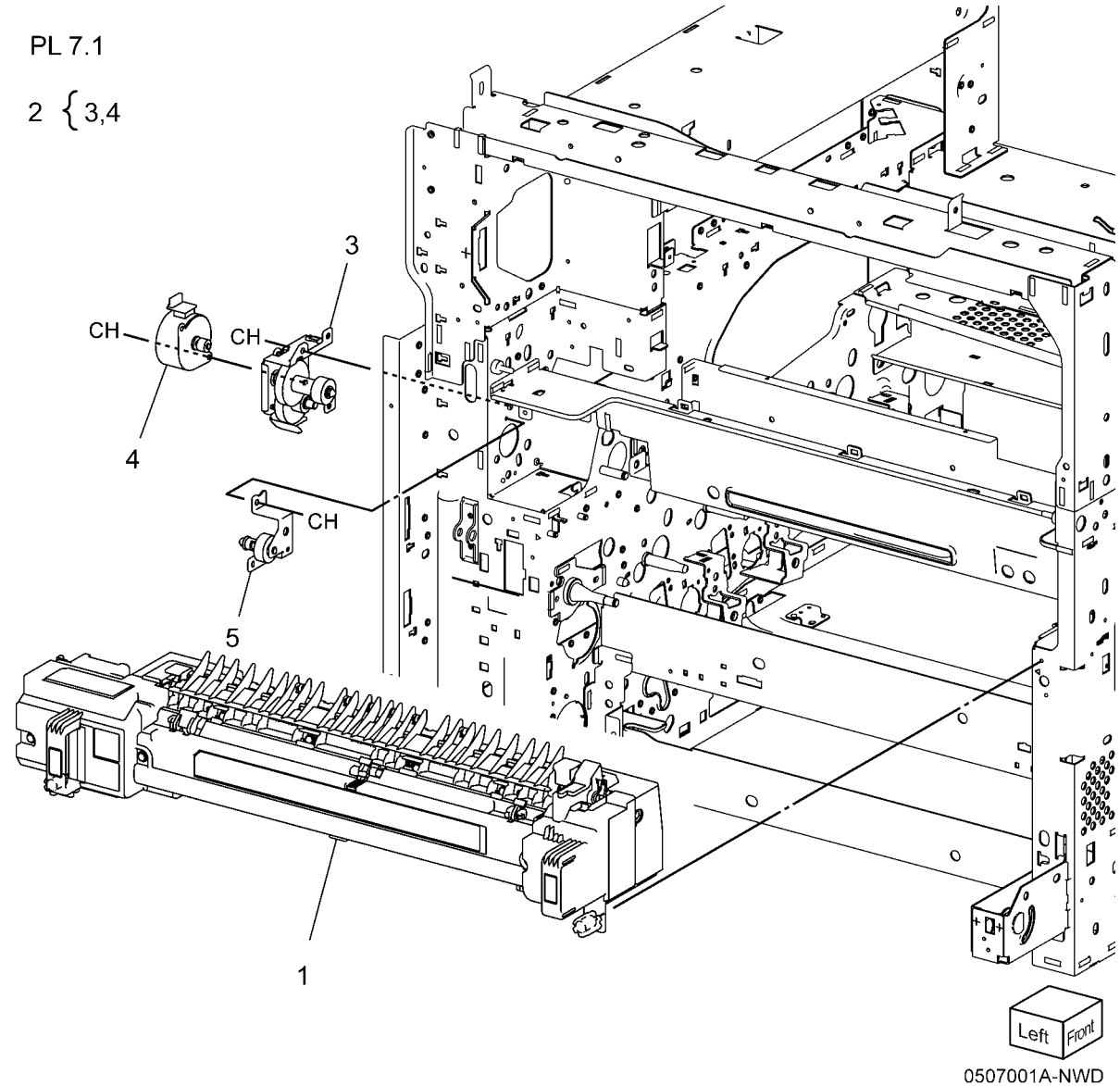
0506004A-NWD

PL 7.1 Fuser

Item	Part	Description
1	604K62230	Fuser Assembly (220V) (7845, 7855)
-	604K62200	Fuser Assembly (120V) ((7830, 7835)
-	604K62210	Fuser Assembly (120V) ((7845, 7855)
-	604K62220	Fuser Assembly (220V) (7830, 7835) (REP 10.1)
2	007K16060	Retract Motor And Bracket Assembly
3	-	Motor Bracket (P/O PL 7.1 Item 2)
4	-	P/R Latch Motor (P/O PL 7.1 Item 2)
5	007K16071	Retract Gear

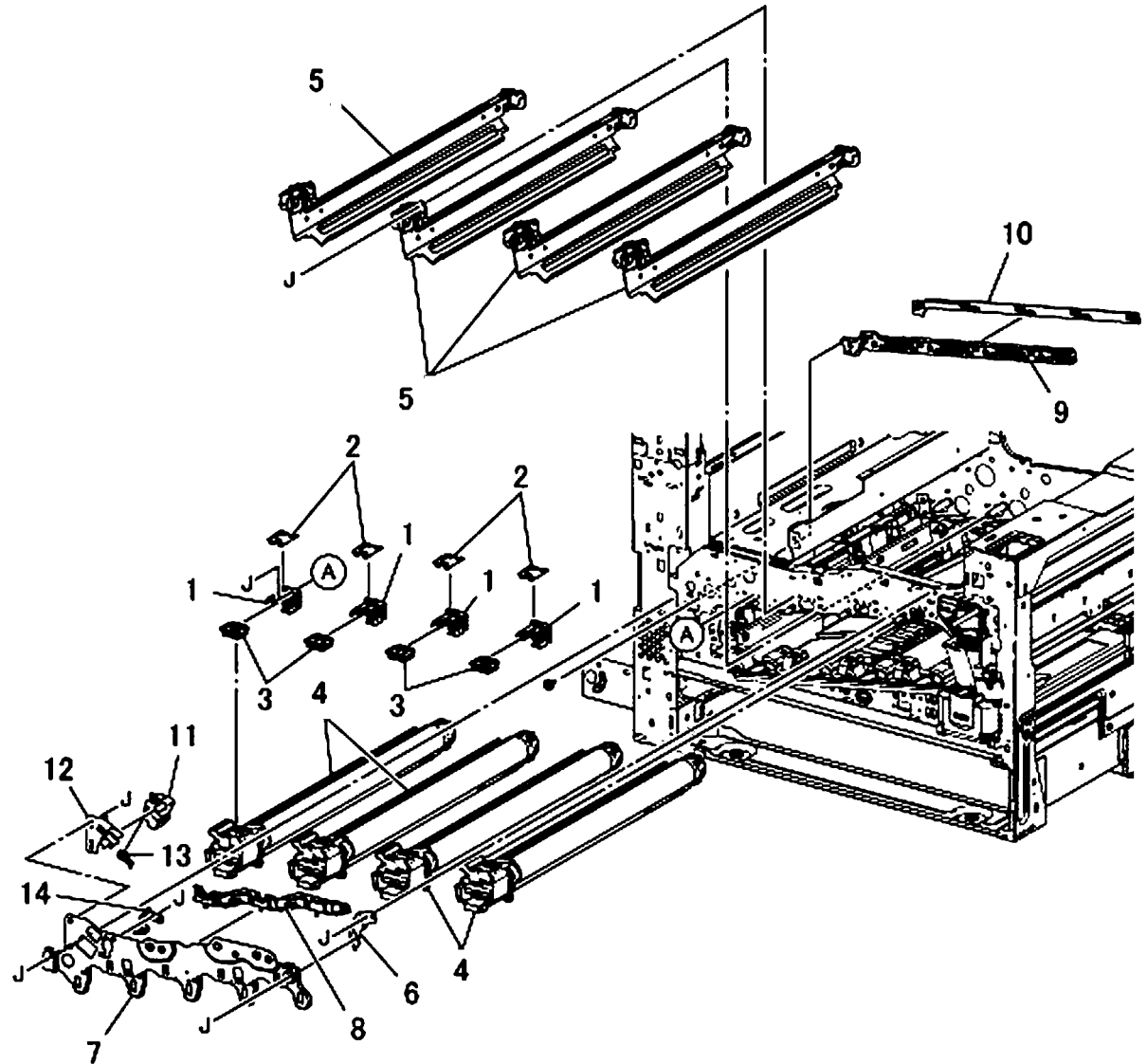
PL 7.1

2 { 3,4



PL 8.1 Xerographic (1 of 2)

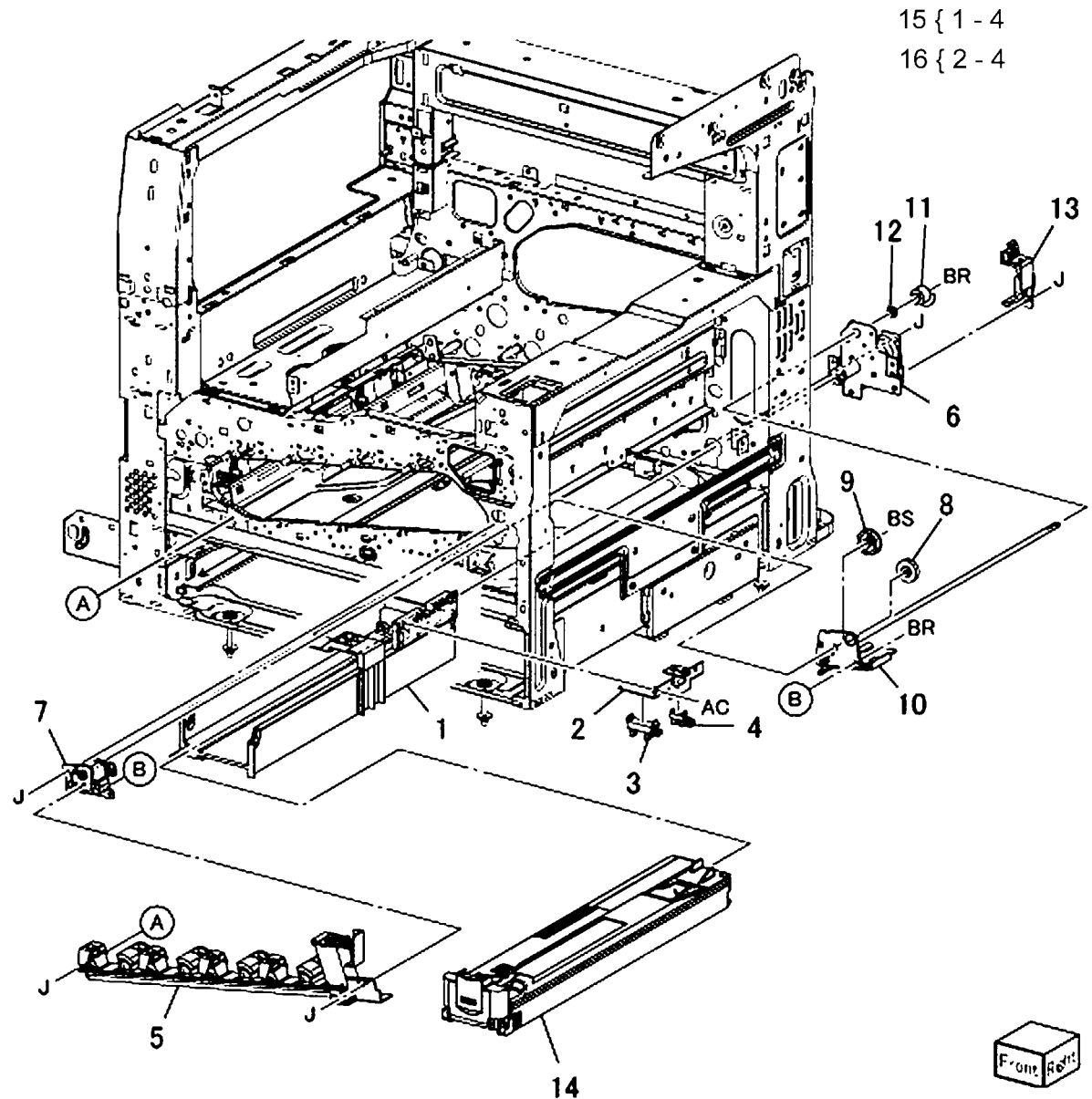
Item	Part	Description
1	019K10731	CRUM Holder
2	848E21520	CRUM Cover
3	113K83481	CRUM Coupler Drum
4	013R00662	Drum Cartridge (REP 9.5)
5	032K04701	Erase Lamp Unit (REP 9.7)
6	868E06271	Bracket
7	868E06281	Plate
8	—	Harness Holder (Not Spared)
9	—	Harness Holder (Not Spared)
10	848E15090	Cover
11	011E20901	Handle Lock Lever
12	868E08980	Bracket
13	809E79410	Spring
14	809E79420	Spring



0508001A-NWD

PL 8.2 Xerographic (2 of 2)

Item	Part	Description
1	–	Bottle Guide Assembly (P/O PL 8.2 Item 16)
2	–	Sensor Bracket (P/O PL 8.2 Item 15, PL 8.2 Item 16)
3	–	Waste Toner Bottle Full Sensor (P/O PL 8.2 Item 15, PL 8.2 Item 16)
4	130E81600	Waste Toner Bottle Position Sensor
5	052K97773	Waste Toner Pipe Assembly
6	068K59502	Agitator Motor Assembly (REP 9.8)
7	068K59510	Gear Bracket Assembly
8	807E19540	Helical Gear (29T)
9	807E19530	Helical Gear (31T)
10	006K86982	Drive Shaft Assembly
11	807E19511	Helical Gear (20T)
12	–	Harness Holder (Not Spared)
13	013E41040	Sleeve Bearing
14	008R13061	Waste Toner Container
15	068K58211	Sensor And Bracket Assembly
16	032K05160	Bottle Guide And Sensor Assembly



15 { 1 - 4
16 { 2 - 4

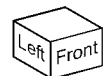
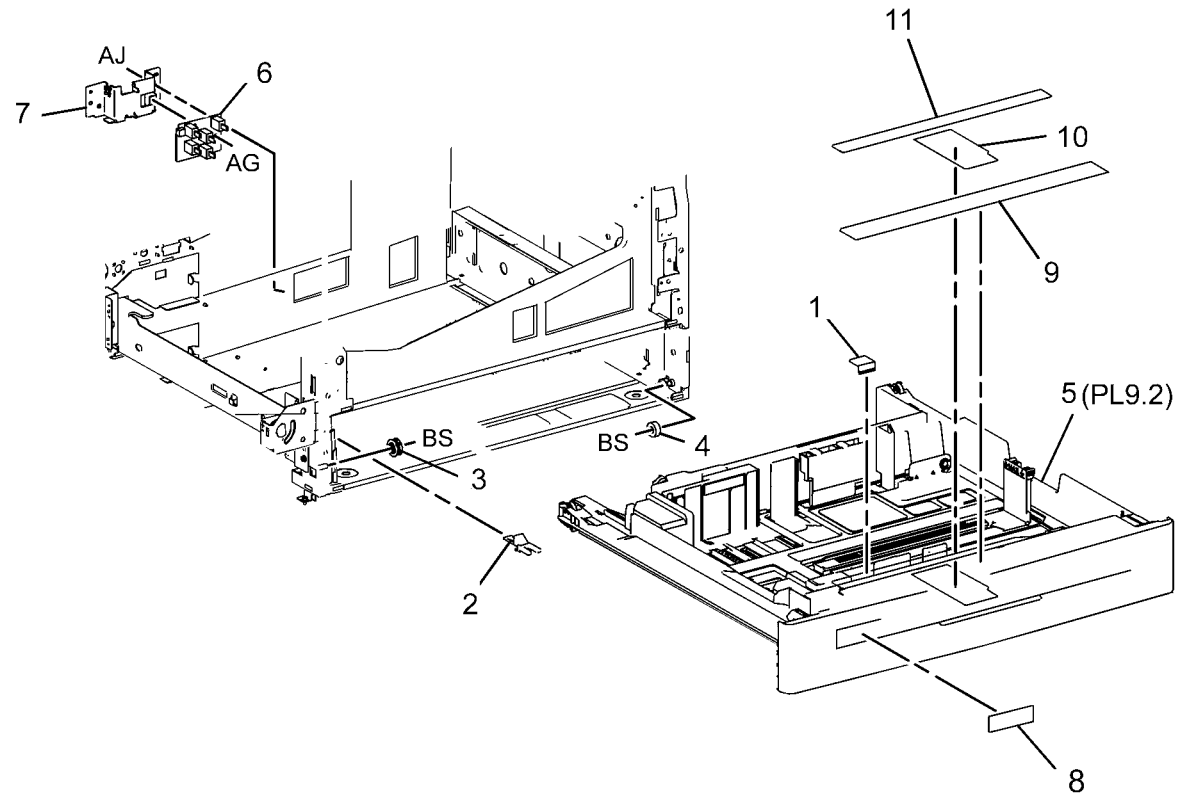
508002A-NWD

PL 9.1 Tray 1/2 (1 of 2)

Item	Part	Description
1	014E59990	Slide Lock Block
2	003E76461	Front Stopper
3	059E03500	Front Left Roller
4	059E03510	Front Right Roller
5	050K69610	Tray 1 Assembly
6	110K11680	Paper Size Sensor Assembly
-	110K12100	Paper Size Sensor Assembly (Alternate)
7	-	Switch Bracket (Not Spared)
8	-	Tray 1, Tray 2 Label
9	-	Instruction Label
10	-	Side Size Label (Not Spared)
11	-	End Size Label (Not Spared)
12	604K62240	Tray Label Kit (REF: PL 10.2 Item 10, PL 10.2 Item 11)

PL9.1

12 { 8, PL10.2 ITEMS 10, 11

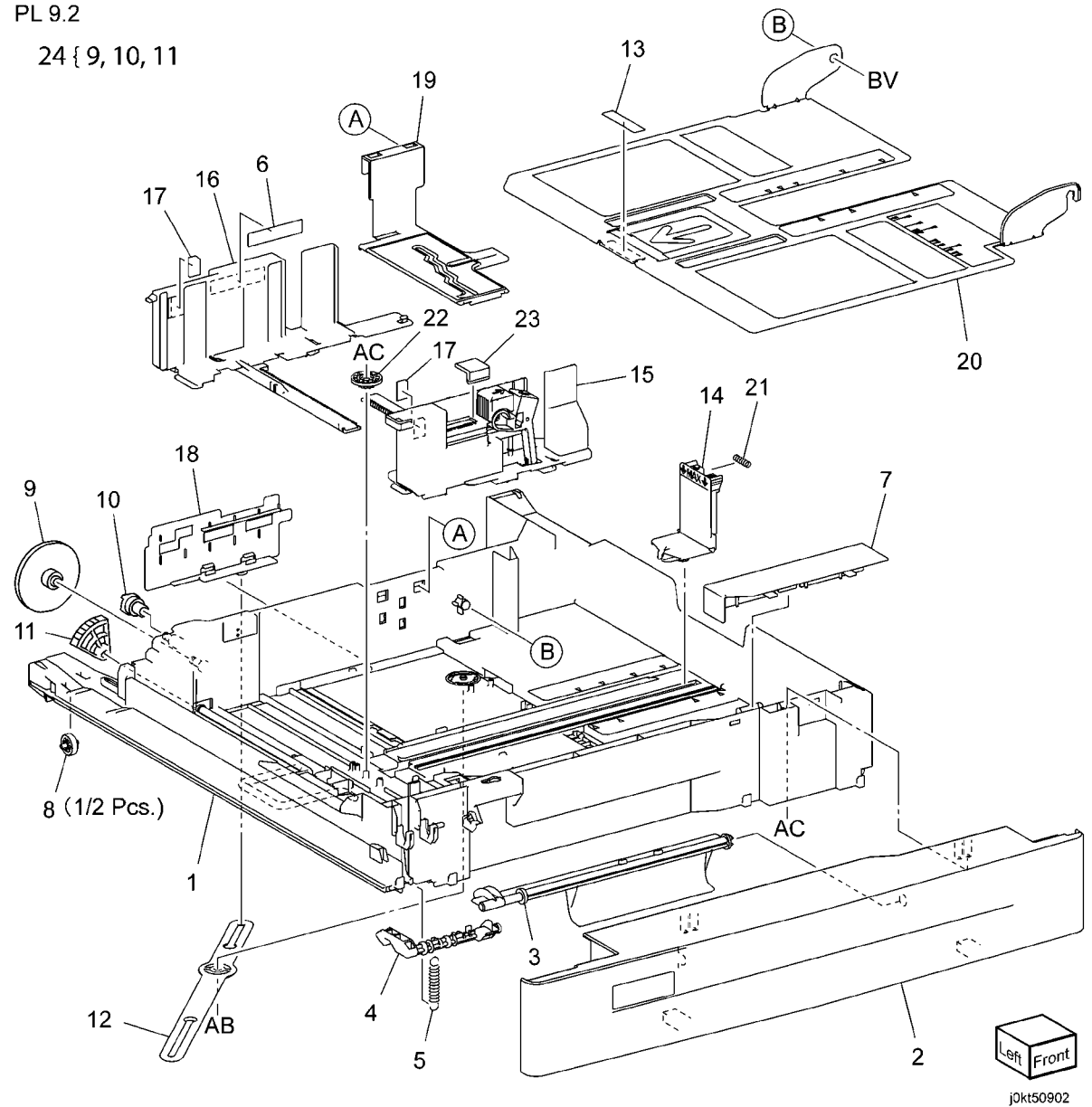


0509001A-NWD

PL 9.2 Tray 1/2 (2 of 2)

Item	Part	Description
1	050K69610	Tray Assembly
2	848E15051	Front Trim Cover
3	011E24400	Tray Lever
4	003E75440	Latch
5	809E75730	Latch Spring
6	-	Label (Max) (Not Spared)
7	848E21141	Rail Cover
8	059E03522	Roller
9	007E78450	Gear (13/60T)
10	007E78431	Gear (13T)
11	007E78441	Gear (60T)
12	-	Link (Not Spared)
13	-	Bottom Pad Assembly (Not Spared) (Not Spared)
14	-	End Guide (Not Spared)
15	-	Front Side Guide Assembly (Not Spared)
16	-	Rear Side Guide (Not Spared)
17	-	Pad (Not Spared)
18	120E33930	End Guide Actuator (P/O PL 9.1 Item 1)
19	-	Side Actuator
20	-	Bottom Plate (Not Spared)
21	-	Spring (Not Spared)
22	807E13520	Pinion
23	010E93341	Slide Lock
24	604K20541	Gear Kit

PL 9.2
24 { 9, 10, 11

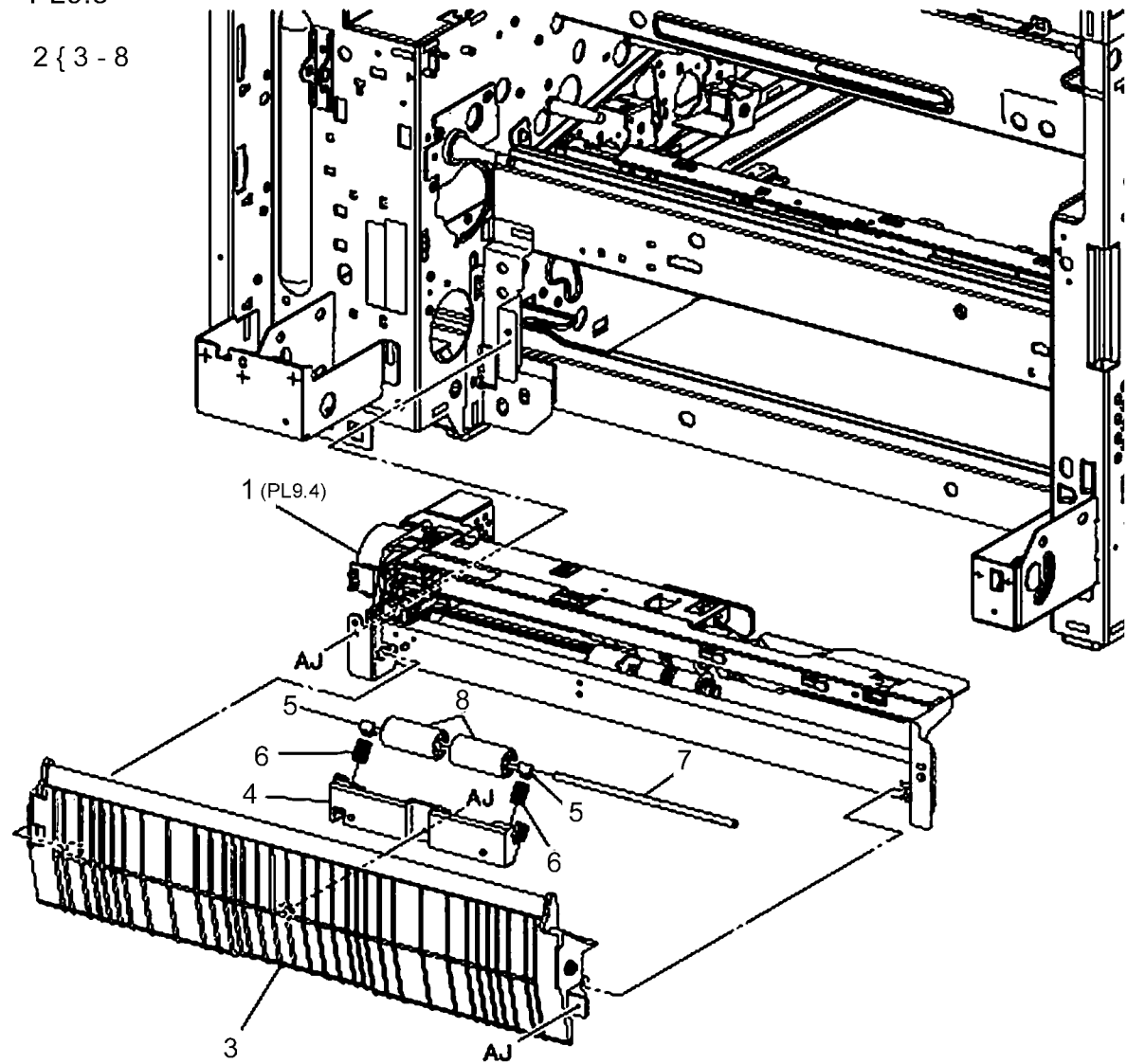


PL 9.3 Tray 1 Feeder

Item	Part	Description
1	059K75190	Tray 1 Feeder Assembly (7830/35)
-	059K74820	Tray 1 Feeder Assembly (7845/55)
2	054K35142	Chute Assembly
3	-	Chute (P/O PL 9.3 Item 2)
4	-	Pinch Guide (P/O PL 9.3 Item 2)
5	-	Spacer (P/O PL 9.3 Item 2)
6	-	Spring (P/O PL 9.3 Item 2)
7	-	Pinch Shaft (P/O PL 9.3 Item 2)
8	-	Pinch Roll (P/O PL 9.3 Item 2)

PL9.3

2 { 3 - 8

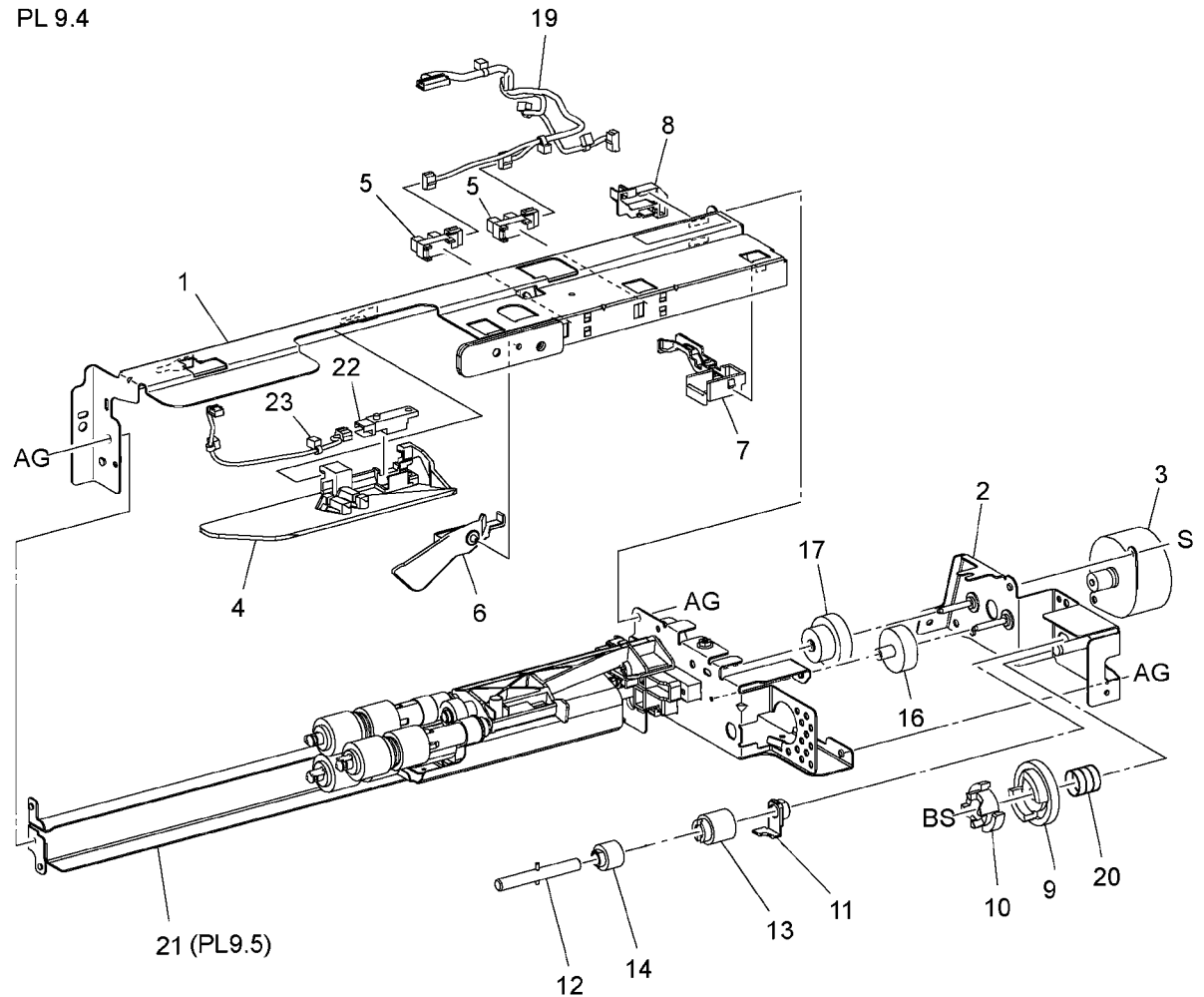


0509003A-NWD

PL 9.4 Tray 1 Feeder Assembly (1 of 2)

Item	Part	Description
1	–	Upper Frame Assembly
2	–	Drive Bracket Assembly (P/O PL 9.3 Item 1)
3	127K52790	Tray 1 Feed/Lift Up Motor
4	–	Chute (Not Spared)
5	930W00113	Tray 1 Nudger Level Sensor, No Paper Sensor
6	120E22481	Actuator
7	–	Upper Harness Holder (P/O PL 9.3 Item 1)
8	–	Rear Harness Holder (P/O PL 9.3 Item 1)
9	807E00390	Gear (31T)
10	014E44770	Spacer
11	–	Bearing (P/O PL 9.3 Item 1)
12	006K23221	Drive Shaft
13	807E00800	Gear (13T)
14	007K16960	One Way Gear
–	005K83081	One Way Gear
–	005K10100	One Way Gear
–	007K98130	One Way Gear
16	807E20300	Helical Gear (25T)
17	807E20310	Helical Gear (29T/19T) (7830/35)
–	807E30640	Helical Gear (29T/19T) (7845/55)
19	–	Wire Harness (P/O PL 9.3 Item 1)
20	–	Spring (P/O PL 9.3 Item 1)
21	–	Roller Assembly (P/O PL 9.5)
22	930W00211	Tray 1 Pre Feed Sensor (7845/55)
23	–	Pre-Feed Sensor Harness (7845/55)

PL 9.4

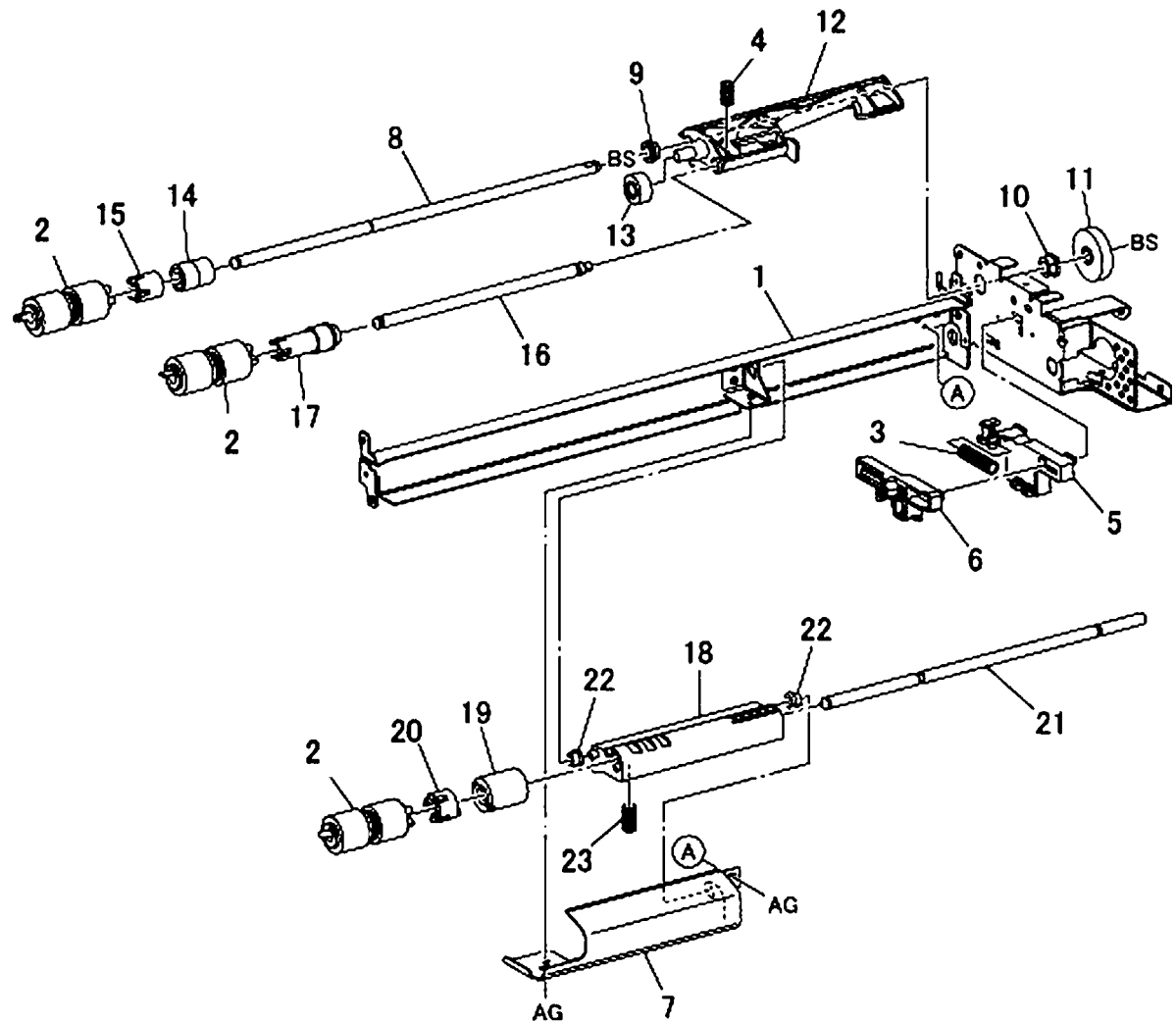


j0kt50904

PL 9.5 Tray 1 Feeder Assembly (2 of 2)

PL 9.5

Item	Part	Description
1	-	Frame Assembly (P/O PL 9.3 Item 1)
2	604K56080	Feed/Nudger/Retard Roll Kit (3 Rolls/Kit) (REP 7.2)
3	-	Spring (P/O PL 9.3 Item 1)
4	-	Spring (P/O PL 9.3 Item 1)
5	-	Holder (P/O PL 9.3 Item 1)
6	-	Lever (P/O PL 9.3 Item 1)
7	-	Feed In Chute (P/O PL 9.3 Item 1)
8	-	Feed Shaft (P/O PL 9.3 Item 1)
9	-	Bearing (P/O PL 9.3 Item 1)
10	-	Sleeve Bearing (P/O PL 9.3 Item 1)
11	-	Helical Gear (30T) (P/O PL 9.3 Item 1)
12	-	Nudger Support (P/O PL 9.3 Item 1)
13	-	Spur Gear (29T) (P/O PL 9.3 Item 1)
14	-	Clutch Assembly (25T) (P/O PL 9.3 Item 1)
15	005K05890	One Wat Clutch
-	005K10080	One Way Clutch
16	-	Nudger Shaft (P/O PL 9.3 Item 1)
17	-	Gear (25T) (P/O PL 9.3 Item 1)
18	-	Retard Support (P/O PL 9.3 Item 1)
19	005K09290	Friction Clutch
-	005K83300	Friction Clutch
20	014E45030	Spacer
21	-	Retard Shaft (P/O PL 9.3 Item 1)
22	-	Retard Bearing (P/O PL 9.3 Item 1)
23	-	Spring (P/O PL 9.3 Item 1)

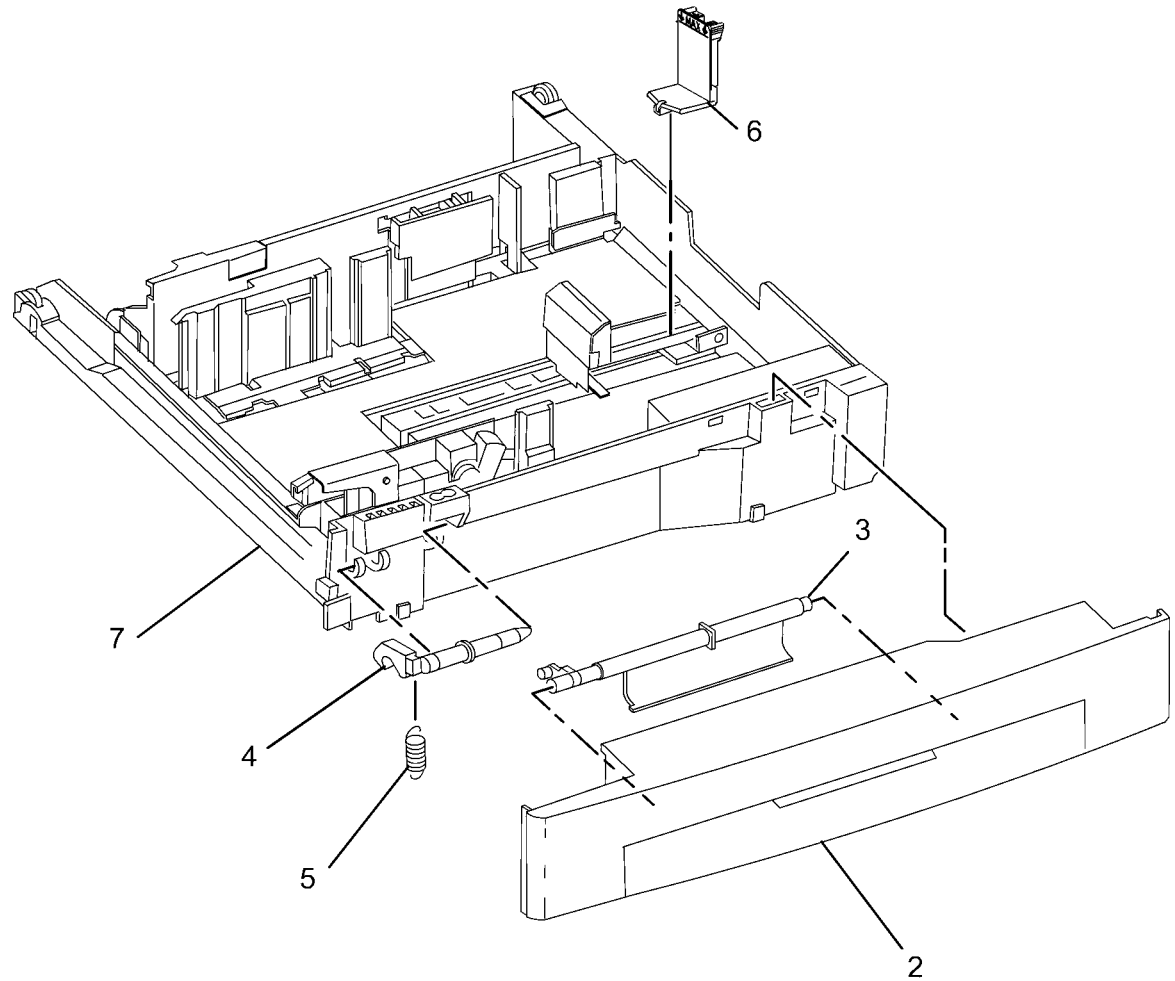


0509005A-NWD

PL 9.6 Envelope Tray Assembly

Item	Part	Description
1	050K63956	Envelope Tray Assembly
2	—	Front Cover
3	—	Lever
4	—	Latch
5	—	Spring
6	—	End Guide
7	—	Envelope Tray Frame (P/O PL 9.6 Item 1)

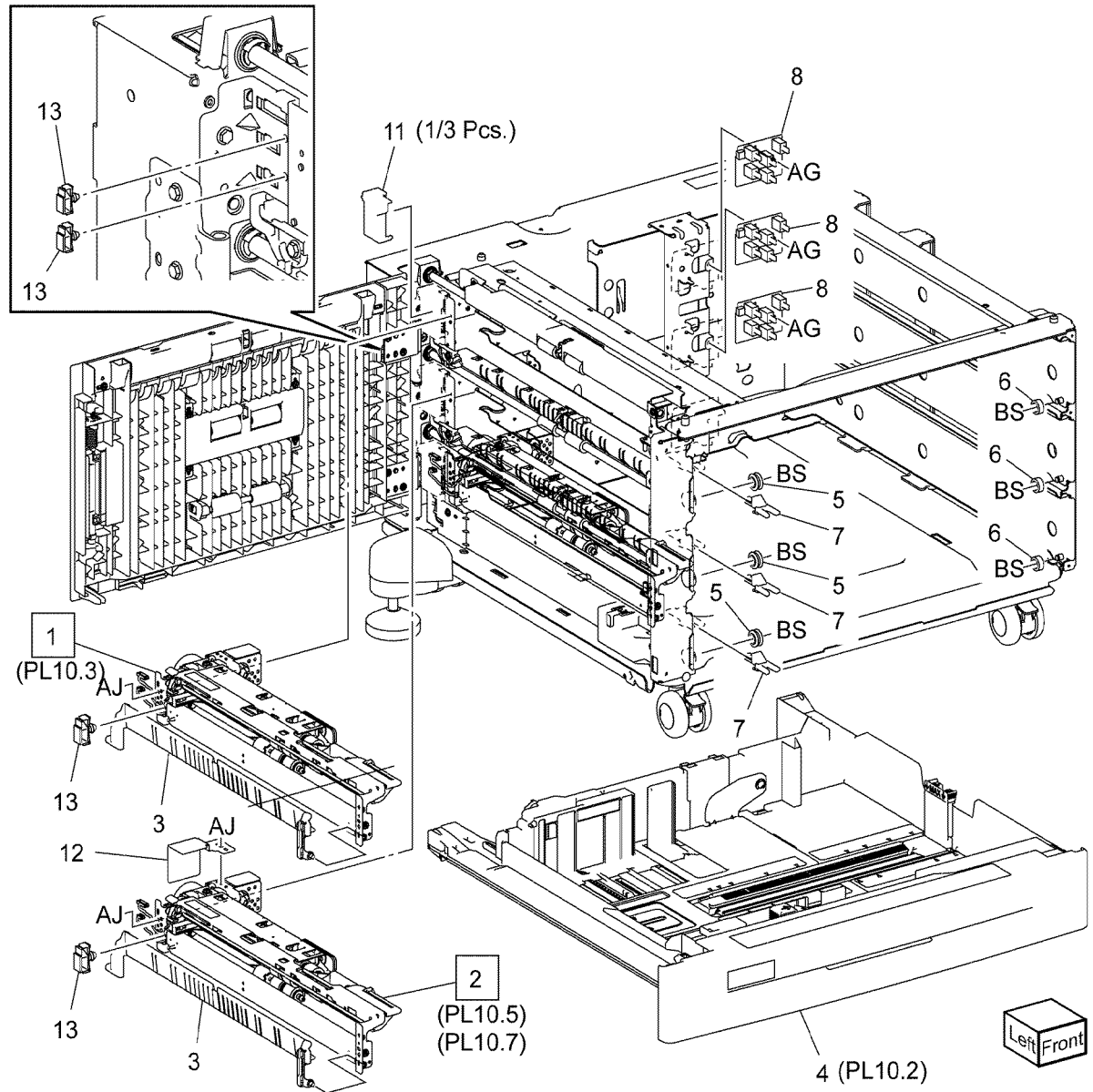
1 { 2 - 7



0502016A-OAK

PL 10.1 Three Tray Module (3TM - 7830/35)

Item	Part	Description
1	059K74830	Tray 2, Tray 3, Tray 4 Feeder Assembly
3	054E36441	Feed Out Chute
4	050K69770	Tray 2, Tray 3, Tray 4 Unit
5	059E03500	Roller
6	059E03510	Roller
7	003E75431	Stopper
8	110K11680	Paper Size Sensor
12	-	Feeder Bracket (Not Spared)
13	-	Clamp (Not Spared)

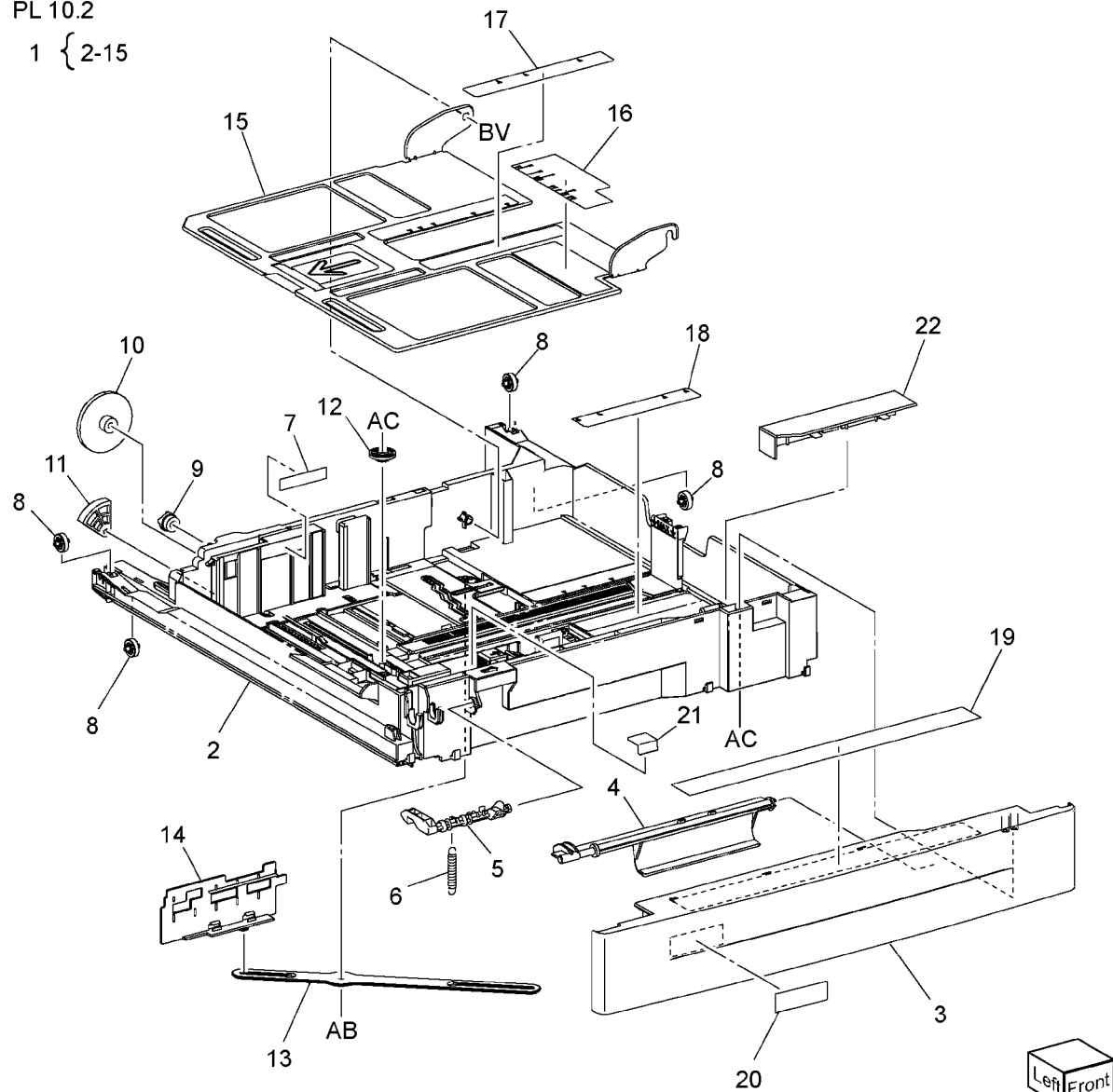


j0kt51001

PL 10.2 Tray 2, 3, 4 Assembly (3TM - 7830/35)

Item	Part	Description
1	050K69770	Tray Assembly
2	-	Tray Assembly (P/O PL 10.2 Item 1)
3	848E64771	Front Cover (P/O PL 10.2 Item 1)
4	011E24092	Lever (P/O PL 10.2 Item 1)
5	003E76330	Latch (P/O PL 10.2 Item 1)
6	809E80250	Spring (P/O PL 10.2 Item 1)
7	893E09490	Label (Max) (P/O PL 10.2 Item 1)
8	-	Side Size Label
9	-	End Size Label
10	897E09931	Label (Instruction)
11	-	Tray Label (No 2)
12	-	Tray Label (No 3)
13	-	Tray Label (No 4)
14	-	Slide Lock Block (P/O PL 10.2 Item 1)
15	059E03522	Rear Roller (P/O PL 10.2 Item 1)
16	007E78431	Gear (13T) (P/O PL 10.2 Item 1)
17	007E78450	Gear (13T/60T) (P/O PL 10.2 Item 1)
18	007E78441	Gear (60T) (P/O PL 10.2 Item 1)
19	-	Pinion (P/O PL 10.2 Item 1)
20	-	Link (P/O PL 10.2 Item 1)
21	120E33840	End Actuator (P/O PL 10.2 Item 1)
22	-	Bottom Plate (P/O PL 10.2 Item 1)

PL 10.2
1 { 2-15

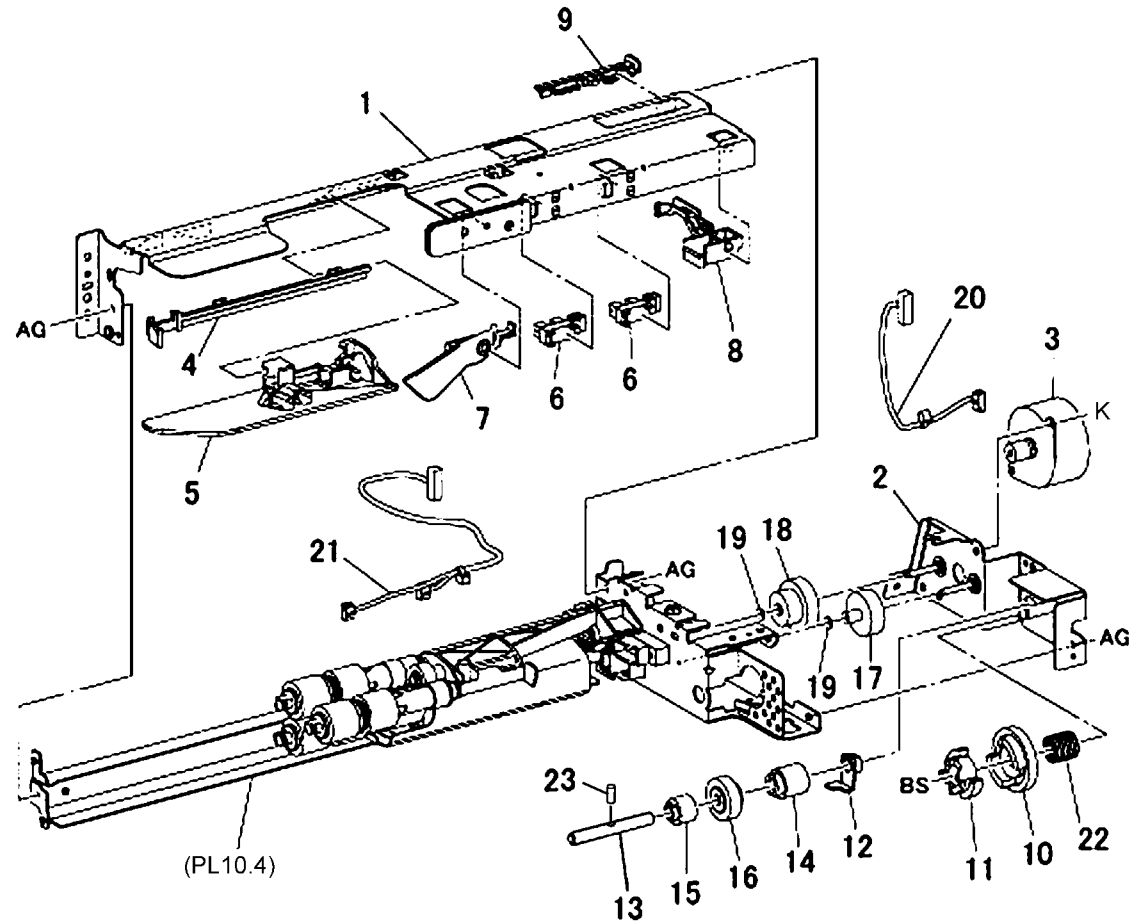


j0kt51002

PL 10.3 Tray 2, 3 & 4 Feeder Assembly (1 of 2) (3TM - 7830/35)

24 { 13, 23

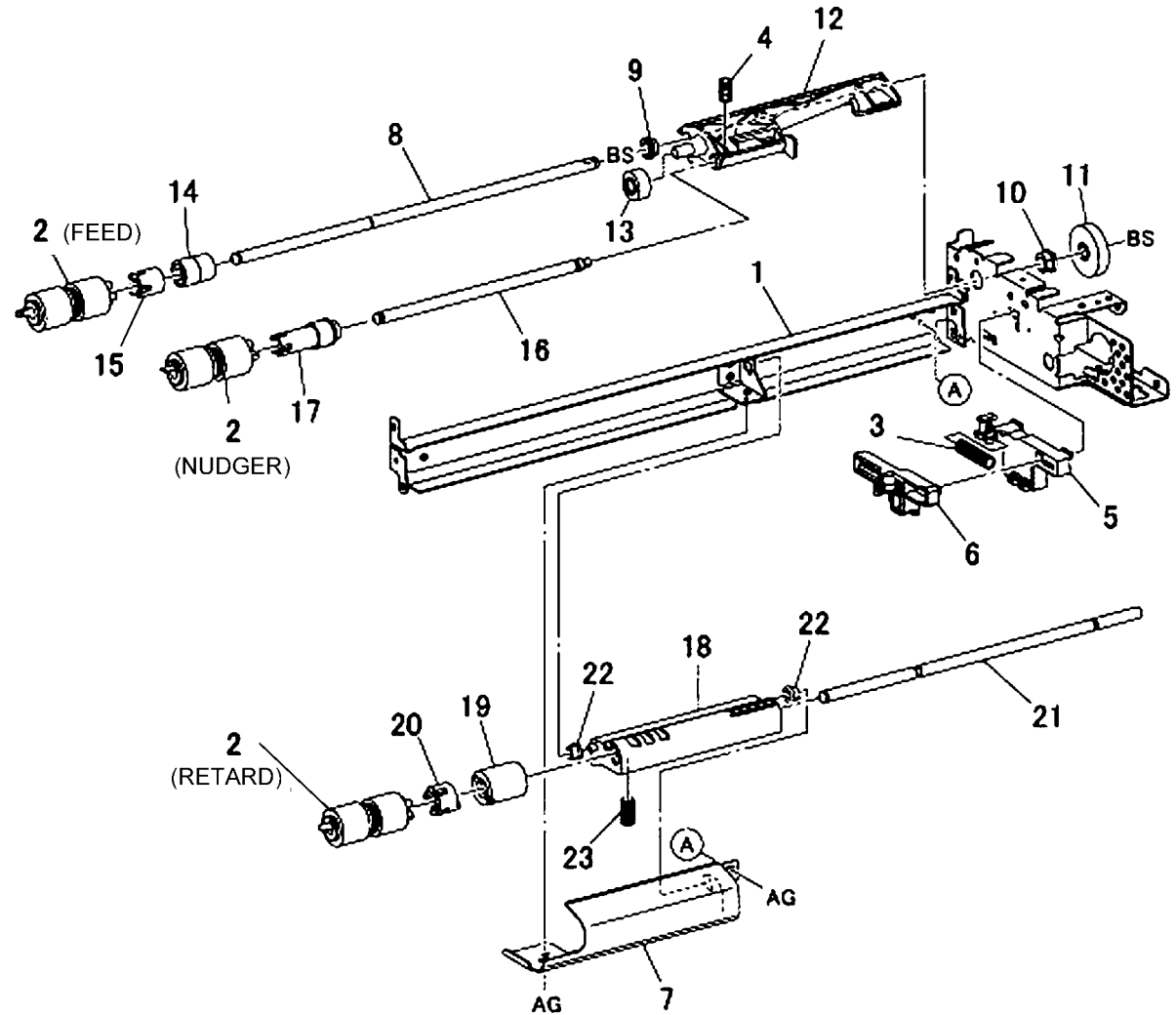
Item	Part	Description
1	-	Upper Frame Assembly (P/O PL 10.1 Item 1)
2	-	Drive Bracket Assembly (Not Spared)
3	127K52790	Feed/Lift Up Motor Assembly
5	-	Chute (Not Spared)
6	930W00113	Nudger Level Sensor, No Paper Sensor (Not Spared)
-	930W00123	Photo Int Sensor (Alternate)
7	120E22481	Actuator
8	-	Upper Harness Holder (P/O PL 10.1 Item 1)
9	-	Rear Harness Holder (P/O PL 10.1 Item 1)
10	807E00390	Gear (31T)
11	014E44770	Spacer
12	-	Shaft Bearing (Not Spared)
13	006K23221	Drive Shaft (P/O PL 10.3 Item 24)
14	807E00800	Gear (13T)
15	005K83081	One Way Clutch Assembly
-	005K10100	One Way Clutch (Alternate)
16	007K16960	One Way Gear
-	007K98130	One Way Gear Assembly (Alternate)
17	807E20300	Helical Gear (25T)
18	807E20310	Helical Gear (29T/19T)
20	-	Motor Harness Assembly (P/O PL 10.1 Item 1)
21	-	Sensor Motor Harness (P/O PL 10.1 Item 1)
22	-	Spring (P/O PL 10.1 Item 1)
23	-	Roller Assembly (P/O PL 10.3 Item 24)
24	-	Clamp



0515003A-OAK

PL 10.4 Tray 2, 3, 4 Feeder Assembly (3TM) (2 of 2)

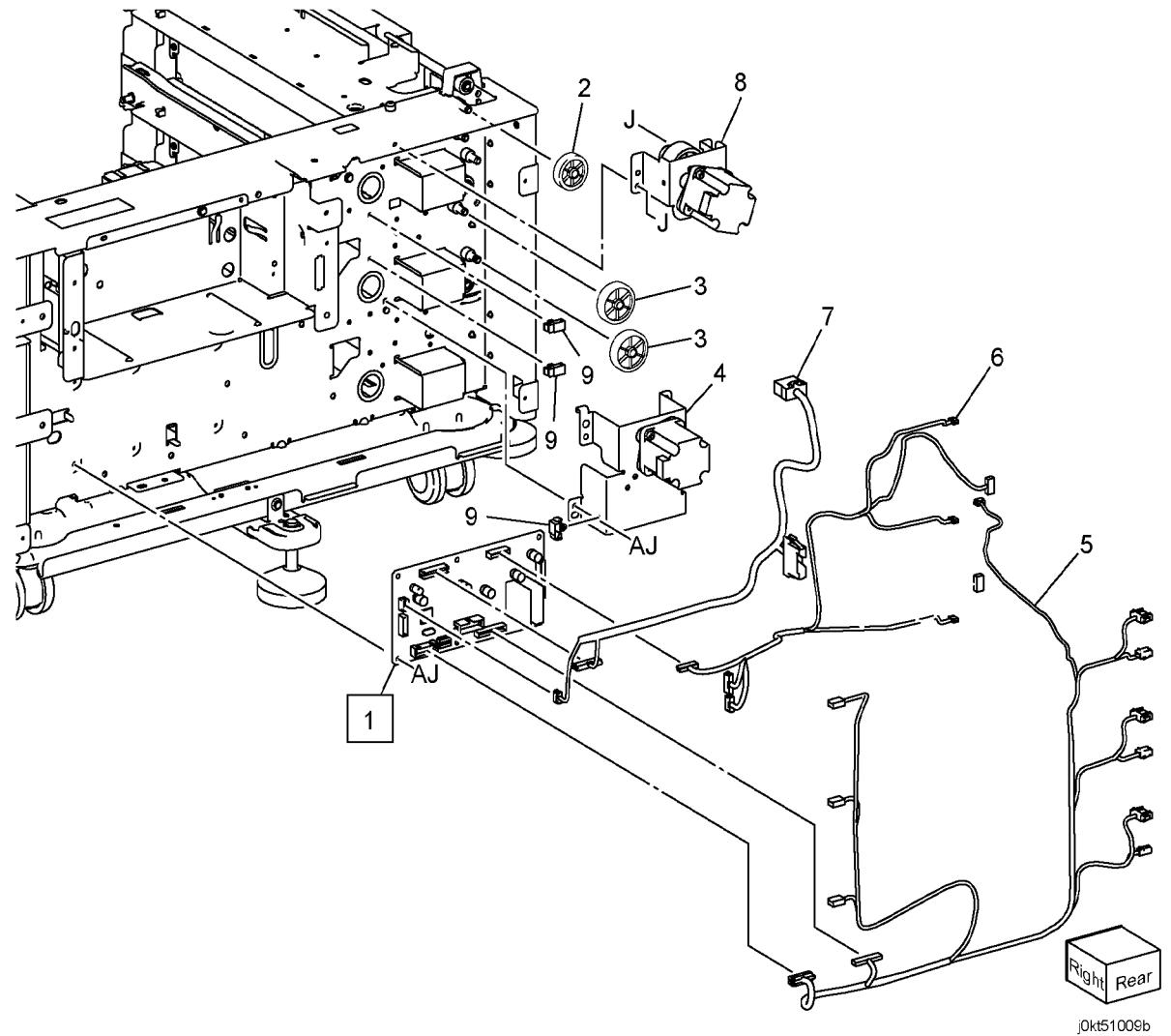
Item	Part	Description
1	-	Lower Frame Assembly (P/O PL 10.1 Item 1)
2	604K56080	Feed Roll, Nudger Roll, Retard Roll Kit (Qty 3 Per Kit)
3	-	Compression Lever Spring (P/O PL 10.1 Item 1)
4	-	Nudger Compression Spring (P/O PL 10.1 Item 1)
5	-	Holder (P/O PL 10.1 Item 1)
6	-	Lever (P/O PL 10.1 Item 1)
7	-	Feed In Chute (P/O PL 10.1 Item 1)
8	-	Feed Shaft (P/O PL 10.1 Item 1)
9	-	Bearing (P/O PL 10.1 Item 1)
10	-	Plastic Bearing (P/O PL 10.1 Item 1)
11	-	Helical Gear (30T) (P/O PL 10.1 Item 1)
12	-	Nudger Support (Not Spared)
13	-	Spur Gear (29T) (P/O PL 10.1 Item 1)
14	005K10090	Clutch Assembly
-	005K08820	Clutch Assembly (25T) (Alternate)
15	005K05890	One Way Clutch
-	005K10080	One Way Clutch Assembly
16	-	Nudger Shaft (P/O PL 10.1 Item 1)
17	-	Gear (25T) (P/O PL 10.1 Item 1)
18	-	Retard Support (P/O PL 10.1 Item 1)
19	005K09290	Friction Clutch
-	005K83300	Friction Clutch Assembly (Alternate)
20	014E45030	Spacer
21	-	Retard Shaft (P/O PL 15.1 Item 1)
22	-	Retard Bearing (P/O PL 10.1 Item 1)
23	-	Compression Retard Spring (P/O PL 15.1 Item 1)



0515004A-OAK

PL 10.9 Electrical (3TM)

Item	Part	Description
1	960K62150	Tray Module PWB
2	807E20700	Gear (34T)
3	807E20720	Gear (39T)
4	127K65820	Take Away Motor
5	-	Sensor Harness Assembly (Not Spared)
6	-	Harness Assembly (Not Spared)
7	-	I/F Harness (Not Spared)
8	-	Take Away Motor 2 Assembly
9	-	Harness Clamp (Not Spared)

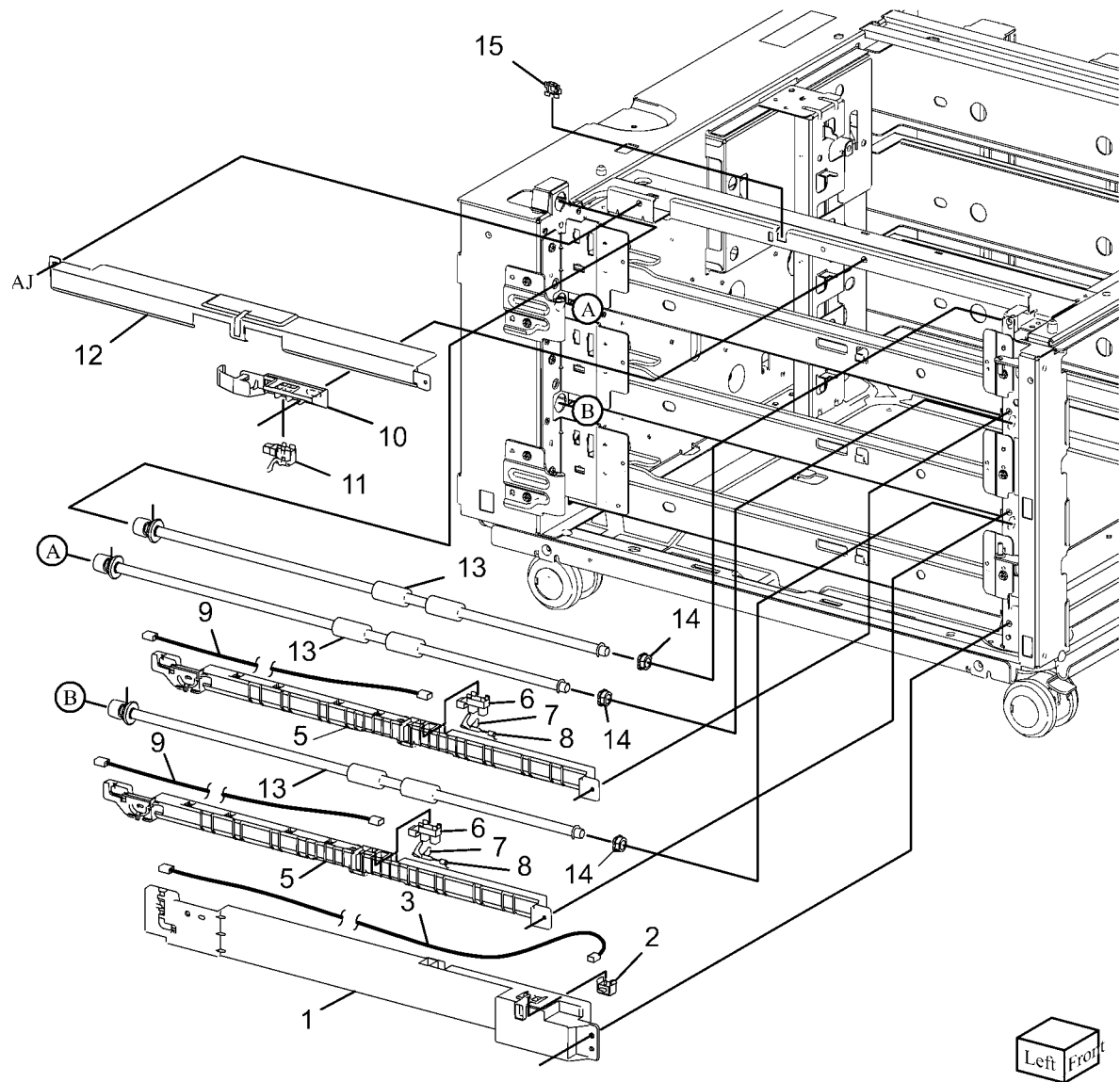


.0kt51009b

PL 10.12 Roller (3TM)

Item	Part	Description
1	848E12671	Cover
2	110E12220	L/H Switch
3	-	Harness Assembly (Not Spared)
4	054K34143	Chute Assembly
5	-	Chute (P/O PL 10.12 Item 4)
6	-	Tray 3 Feed Out Sensor, Tray 4 Feed Out Sensor (P/O PL 10.12 Item 4)
7	-	Actuator Sensor (P/O PL 10.12 Item 4)
8	-	Spring (P/O PL 10.12 Item 4)
9	-	Harness Assembly (P/O PL 10.12 Item 4)
10	-	Sensor Guide (Not Spared)
11	130K64121	Tray 2 Feed Out Sensor
12	054E34301	Takeaway Chute
13	059K60191	Roll Assembly
14	413W14860	Bearing
15	120E18070	Clamp

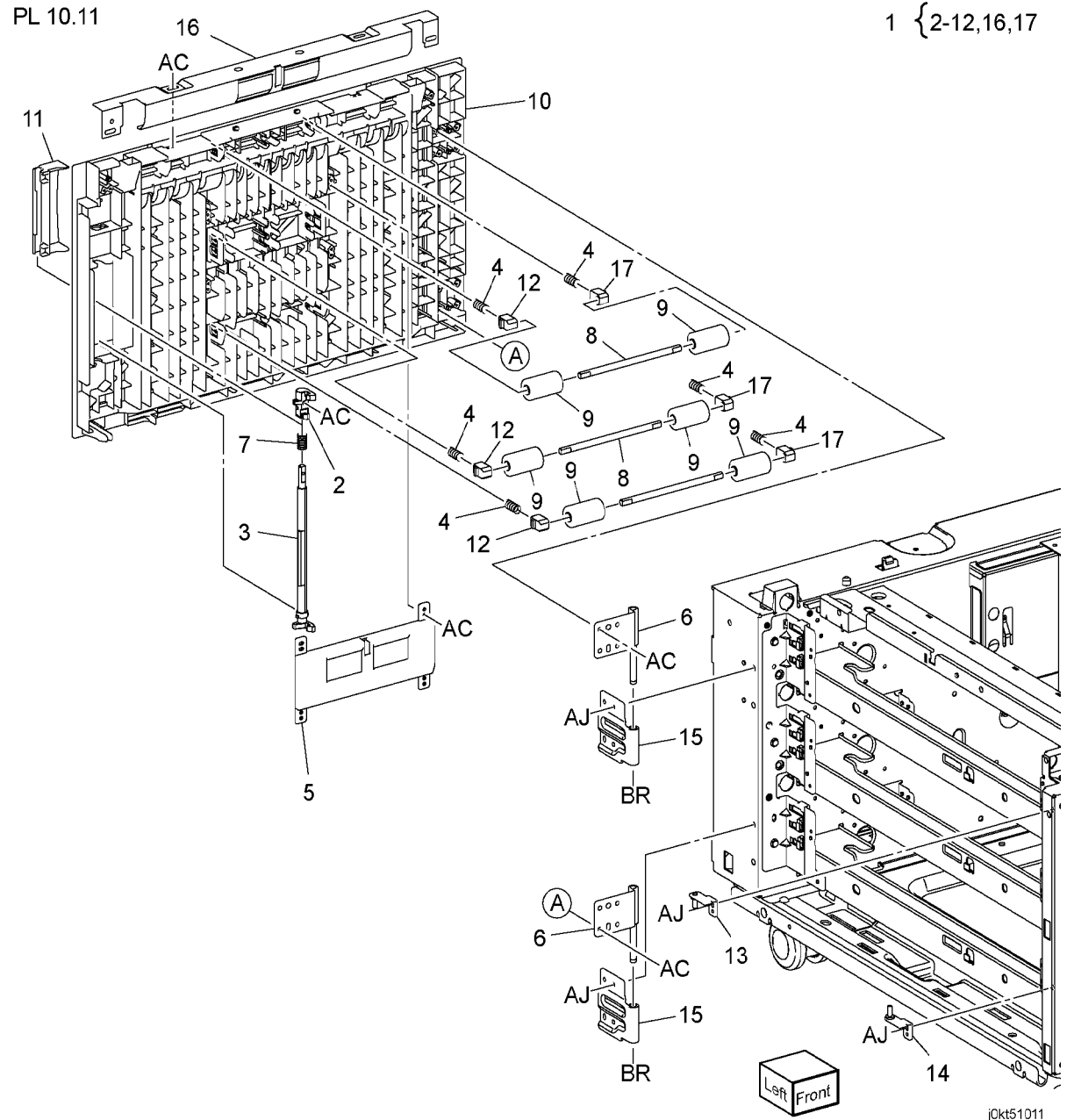
4 { 5 - 9



0515011B-NWD

PL 10.13 Left Hand Cover Assembly (3TM)

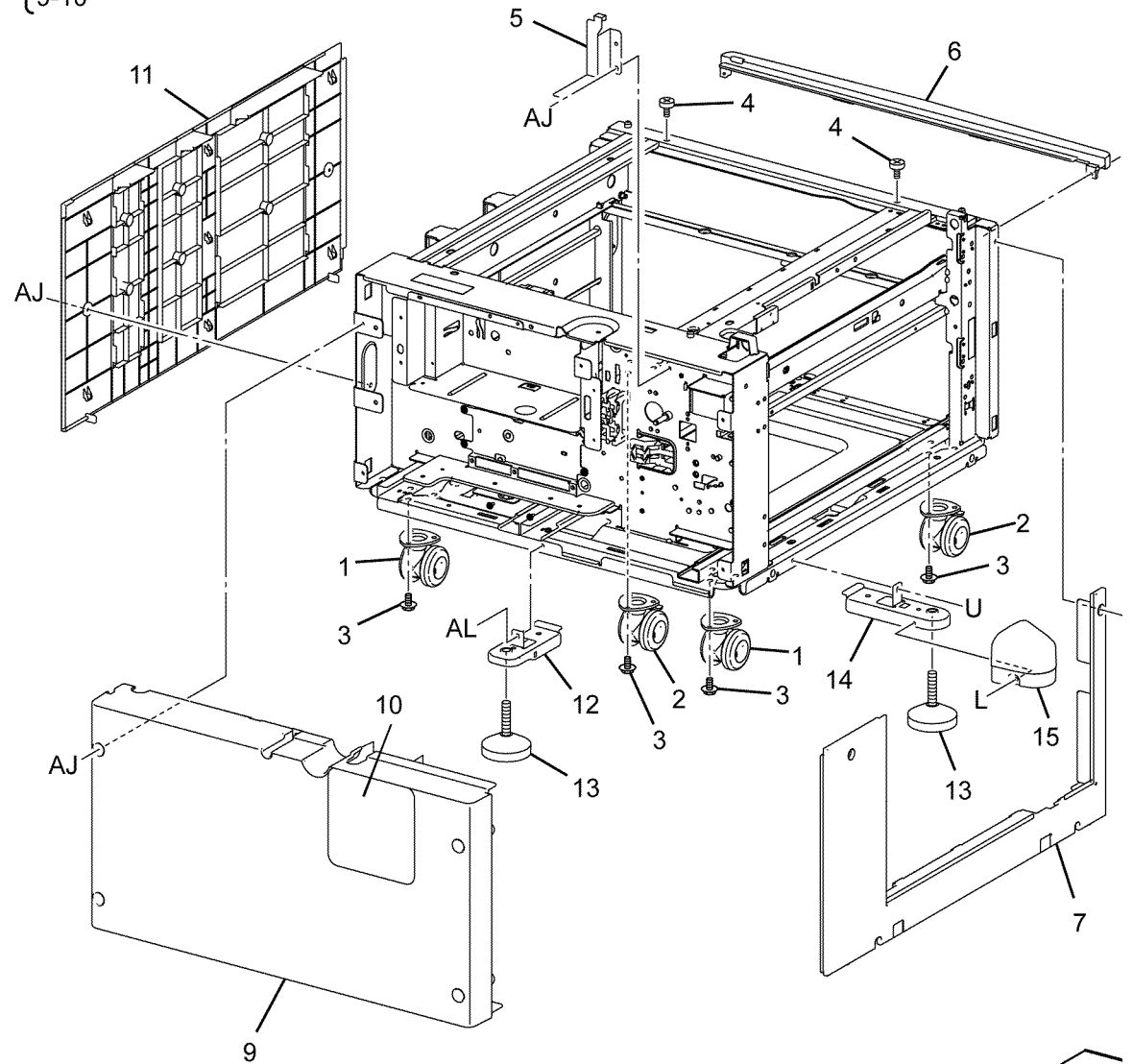
Item	Part	Description
1	848K62280	Left Hand Cover Assembly (Not Spared)
2	019E69600	Hook
3	803E08671	Latch (P/O PL 10.13 Item 1)
4	-	Spring Pinch (P/O PL 10.13 Item 1)
5	-	Chute Pinch
6	068K55791	Bracket Assembly (P/O PL 10.13 Item 1)
7	-	Spring (P/O PL 10.13 Item 1)
8	-	Pinch Shaft (P/O PL 10.13 Item 1)
9	059E99241	Pinch Roll
10	-	Left Hand Cover (P/O PL 10.13 Item 1)
11	003E75571	Handle
12	-	Pinch Bearing (Front)
13	068K55701	Upper Bracket Assembly
14	068K55711	Lower Bracket Assembly
15	-	Bracket (Not Spared)
16	054E38240	Left Hand Chute (P/O PL 10.13 Item 1)
17	-	Pinch Bearing (Rear)



PL 10.14 Covers (3TM)

Item	Part	Description
1	417W41449	Caster Assembly
2	417W41349	Locking Caster Assembly
3	-	Screw
4	-	Docking Screw (Not Spared)
5	-	Docking Bracket (Not Spared)
6	-	Top Cover
7	-	Left Cover
9	848K56600	Rear Cover Assembly
11	-	Right Cover
12	868E15860	Foot Bracket
14	868E20860	Foot Bracket L
15	848E45610	Foot Cover L
16	017K94590	Adjuster Foot Assembly

PL 11.18
8 {9-10



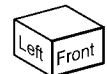
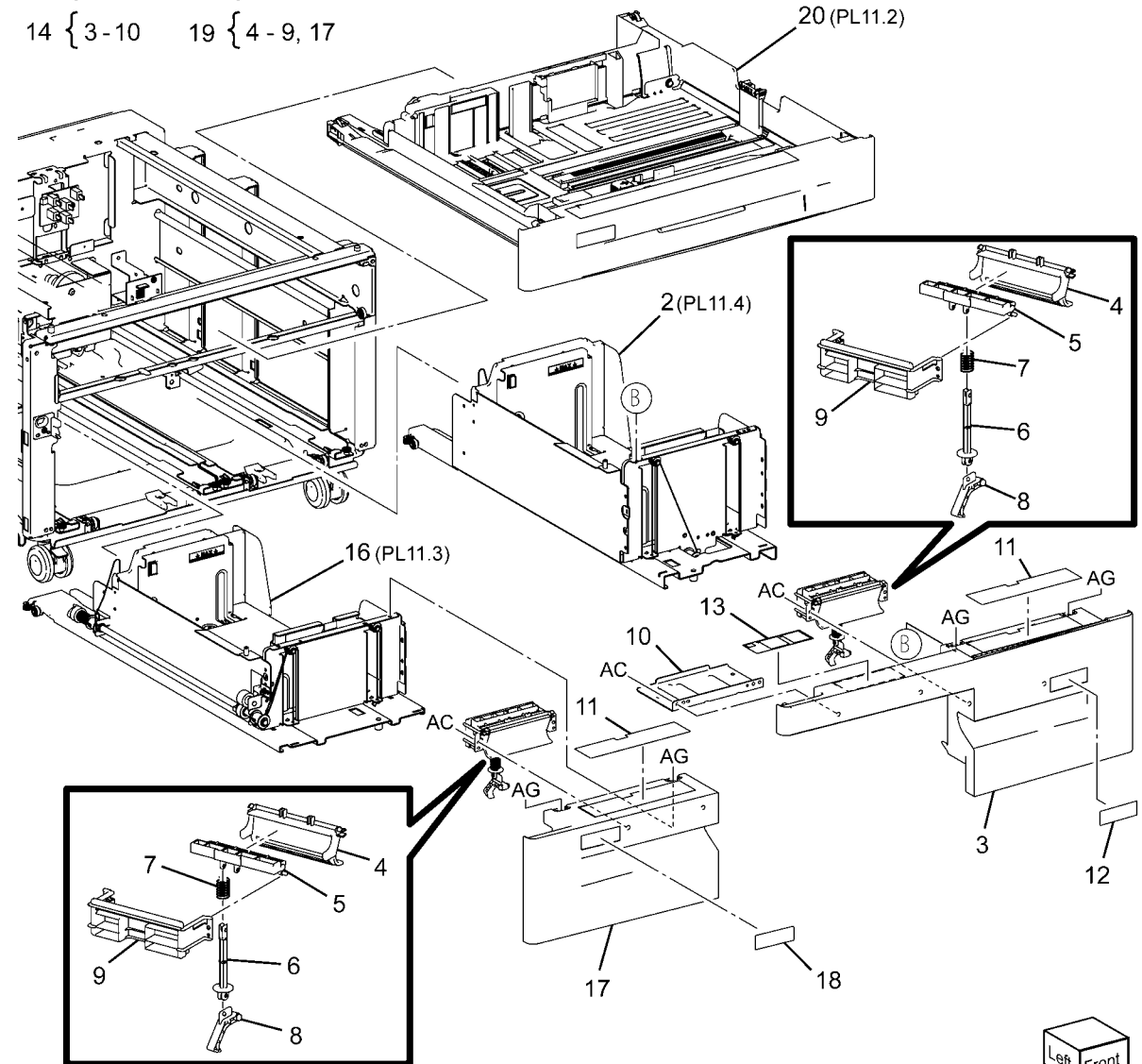
j0k511

PL 11.1 Tandem Tray Assembly (TTM)

Item	Part	Description
1	050K60520	Tray 4 Assembly (REP 7.11)
2	-	Tray 4 (P/O PL 11.1 Item 1)
3	-	Tray 4 Cover (P/O PL 11.1 Item 14)
4	-	Lever (P/O PL 11.1 Item 14)
5	-	Link (P/O PL 11.1 Item 14)
6	-	Link (P/O PL 11.1 Item 14)
7	-	Spring (P/O PL 11.1 Item 14)
8	-	Latch (P/O PL 11.1 Item 14)
9	-	Cover (P/O PL 11.1 Item 14)
10	-	Transport Bracket (P/O PL 11.1 Item 14)
11	-	Label (Instruction) (P/O PL 11.1 Item 1)
12	-	Label (Tray No 4) (P/O PL 11.1 Item 1)
13	-	Label (P/O PL 11.1 Item 1)
14	848K20080	Tray 4 Cover
15	050K60500	Tray 3 Assembly
16	-	Tray 3 (P/O PL 11.1 Item 15)
17	-	Tray 3 Cover (P/O PL 11.1 Item 15)
18	-	Label (Tray No.3) (P/O PL 11.1 Item 15)
19	848K20090	Tray 3 Cover
20	050K69770	Tray 2 Assembly

PL11.1

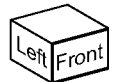
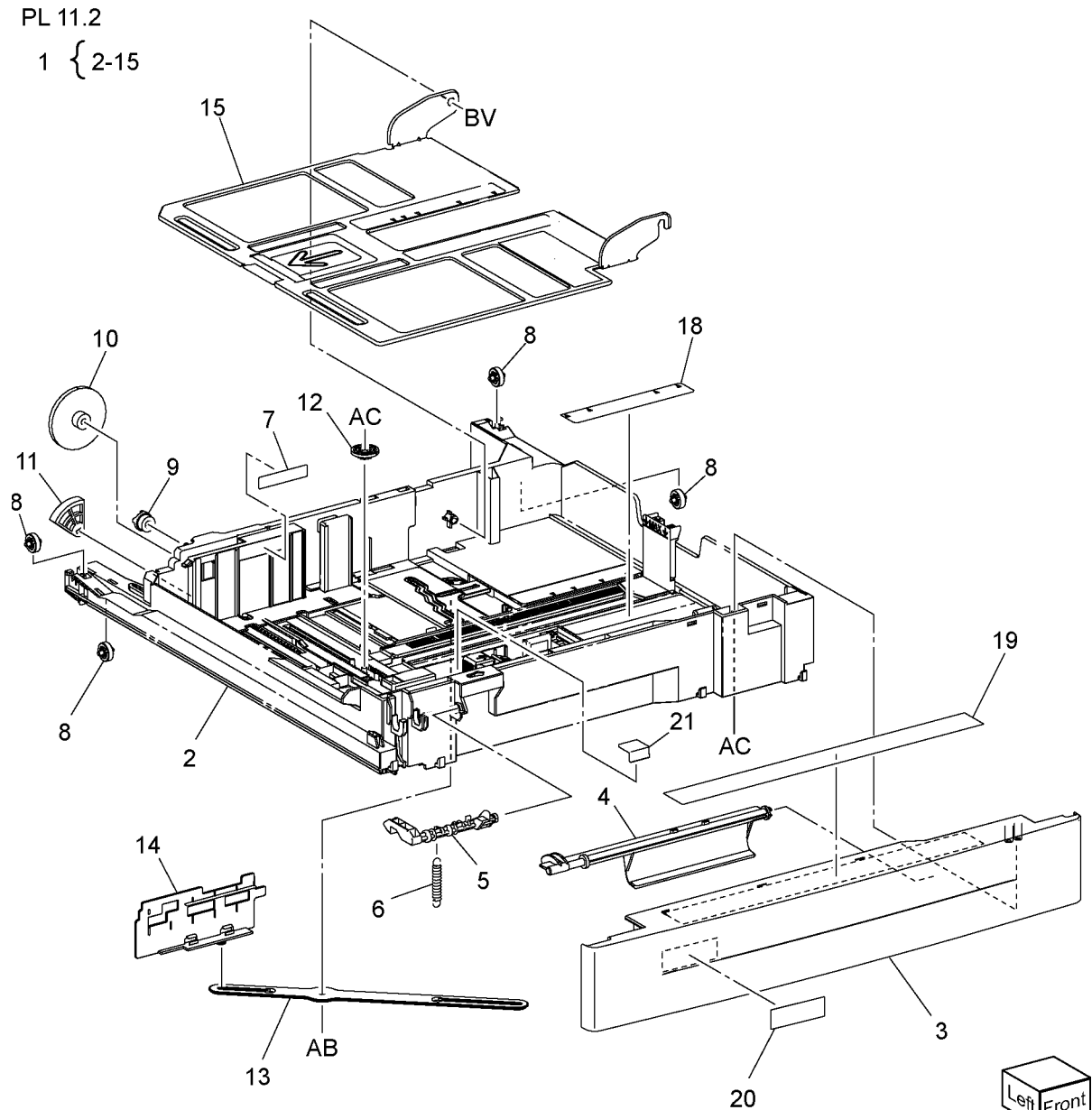
1 { 2-13 15 { 16-25
 14 { 3-10 19 { 4-9, 17



0511001A-NWD

PL 11.2 Tray 2 (TTM)

Item	Part	Description
1	050K69770	Tray 2 Assembly (P/O PL 11.2 Item 1)
2	–	Tray Assembly (P/O PL 11.2 Item 1)
3	848E64771	Front Cover
4	011E24092	Lever
5	003E76330	Latch
6	809E80250	Spring
7	893E09490	Lab (Max) Kit
8	059E03522	Rear Roller
9	007E78431	Gear (13T)
10	007E78450	Gear (13T/60T)
11	007E78441	Gear (60T)
12	807E13520	Pinion
13	–	Link (P/O PL 11.2 Item 1)
14	120E33840	End Actuator
15	–	Bottom Plate (P/O PL 11.2 Item 1)
18	897E09931	Label (Instruction) (Not Spared)
19	–	Label Kit
20	604K20541	Gear Kit
21	–	Slide Lock Block

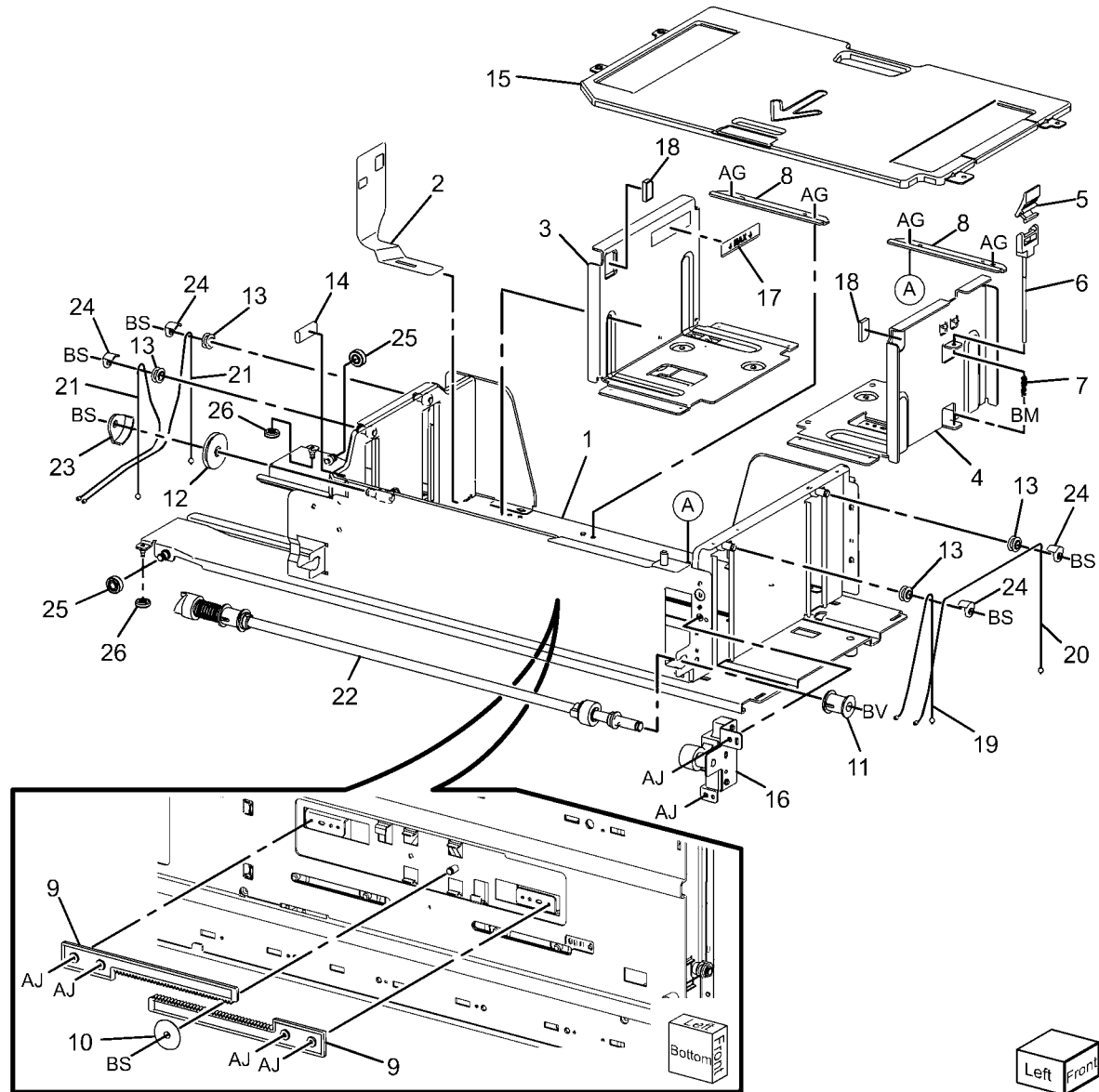


j0kt51102

PL 11.3 Tray 3 (TTM)

Item	Part	Description
1	-	Base Tray (P/O PL 11.1 Item 15)
2	-	Size Actuator (P/O PL 11.1 Item 15)
3	-	Side Rear Guide (P/O PL 11.1 Item 15)
4	-	Side Front Guide (P/O PL 11.1 Item 15)
5	-	Knob (P/O PL 11.1 Item 15)
6	-	Knob Assembly (P/O PL 11.1 Item 15)
7	-	Spring (P/O PL 11.1 Item 15)
8	-	Bracket (P/O PL 11.1 Item 15)
9	-	Rack Gear (P/O PL 11.1 Item 15)
10	007E78190	Pinion (P/O PL 11.1 Item 15)
11	020E37360	Pulley (P/O PL 11.1 Item 15)
12	020E36560	Pulley (P/O PL 11.1 Item 15)
13	604K20730	Pulley (P/O PL 11.1 Item 15)
14	-	Gasket (P/O PL 11.1 Item 15)
15	-	Bottom Plate (P/O PL 11.1 Item 15)
16	019K93921	Brake
17	893E09490	Label (Max) Kit
18	019E71680	Pad
19	012E11112	Front Left Cable
20	012E11122	Front Right Cable
21	012E11101	Cable (Rear)
22	006K86350	Lift Shaft (P/O PL 11.1 Item 15)
23	032E20890	Cable Guide
24	032E27990	Cable Guide
25	059E05060	Side Roll
26	059E05040	Lower Roll

PL11.3

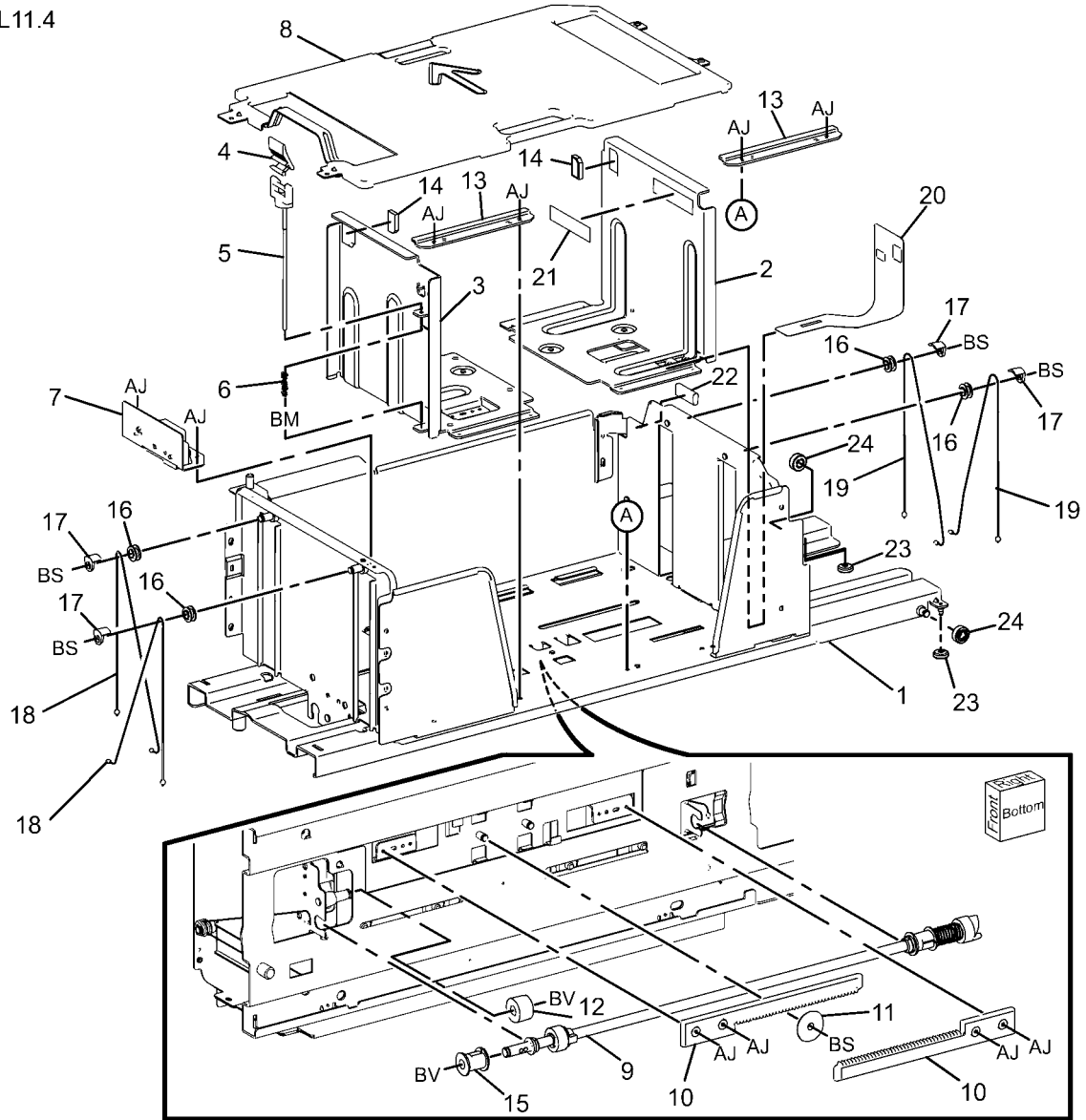


0511003A-NWD

PL 11.4 Tray 4 (TTM)

Item	Part	Description
1	-	Base Tray (P/O PL 11.1 Item 1)
2	-	Side Rear Guide (P/O PL 11.1 Item 1)
3	-	Side Front Guide (P/O PL 11.1 Item 1)
4	-	Knob (P/O PL 11.1 Item 1)
5	003K87450	Knob Assembly
6	-	Spring (P/O PL 11.1 Item 1)
7	019K93921	Brake
8	-	Bottom Plate (P/O PL 11.1 Item 1)
9	006K86350	Lift Shaft
10	-	Rack Gear (P/O PL 11.1 Item 1)
11	007E78190	Pinion
12	007E78390	Gear
13	-	Bracket (P/O PL 11.1 Item 1)
14	019E71680	Pad (P/O PL 11.1 Item 1)
15	020E37360	Pulley (P/O PL 11.1 Item 1)
16	604K20730	Pulley (P/O PL 11.1 Item 1)
17	604K20740	Cable Guide
18	012E11141	Front Cable
19	012E11131	Rear Cable
20	-	Size Actuator (P/O PL 11.1 Item 1)
21	893E09490	Label (Max) Kit
22	-	Gasket (P/O PL 11.1 Item 1)
23	-	Lower Roll (P/O PL 11.1 Item 1)
24	-	Side Roll (P/O PL 11.1 Item 1)

PL11.4



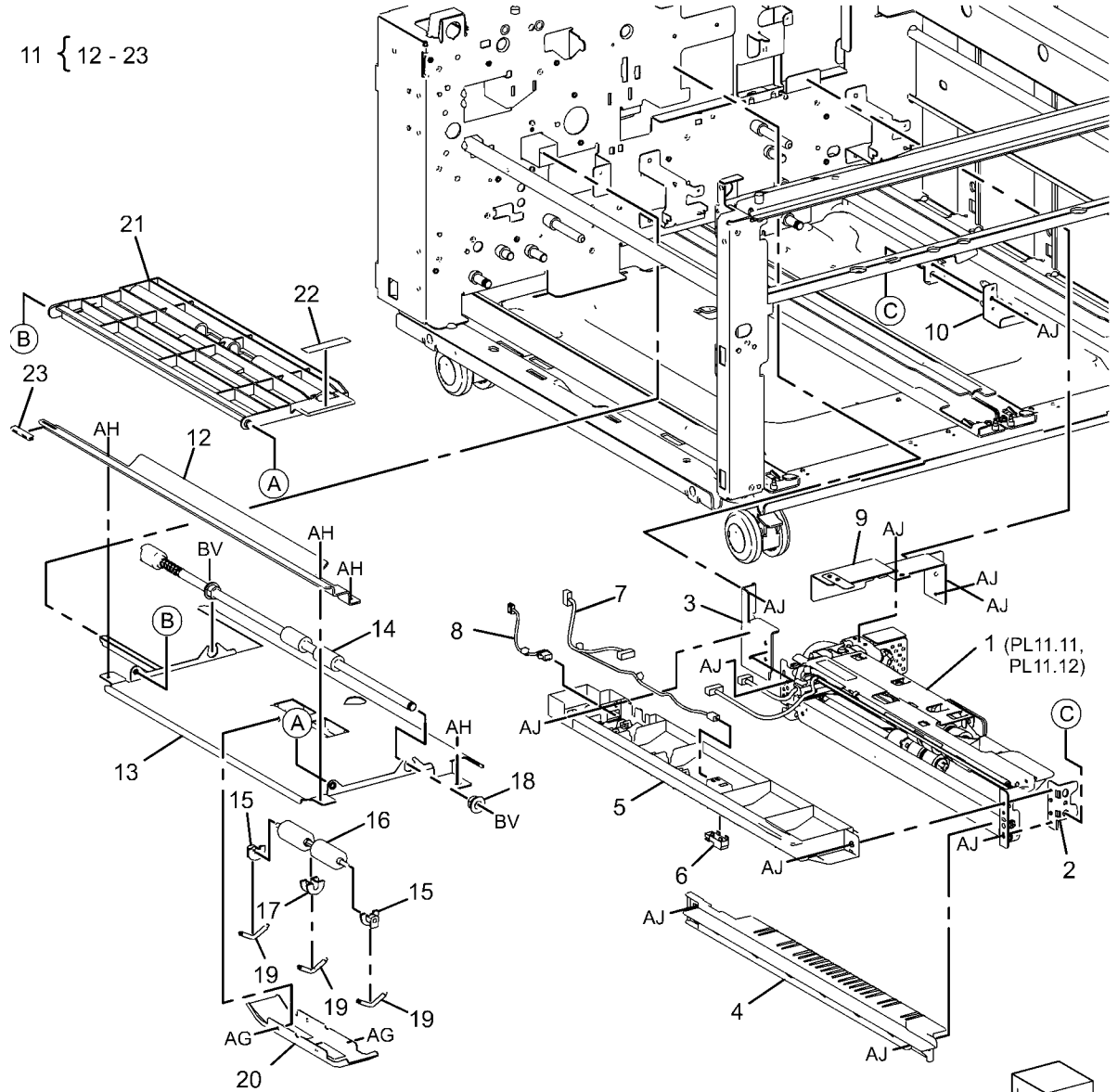
0511004A-NWD

PL 11.5 Tray 4 Paper Feed (TTM)

Item	Part	Description
1	059K75360	Tray 4 Feeder (REP 7.13)
2	-	Bracket (Not Spared)
3	-	Bracket (Not Spared)
4	054E34200	Lower Chute
5	054E34210	Upper Chute
6	930W00212	Tray 4 Feed Out Sensor
7	-	Sensor Wire Harness (Not Spared)
8	-	Motor Wire Harness
9	-	Cover (Not Spared)
10	-	Stud Bracket (Not Spared)
11	059K54320	Tray 4 Transport Assembly
12	-	Transport Rail (P/O PL 11.5 Item 11)
13	-	Lower Chute (P/O PL 11.5 Item 11)
14	059K54330	Tray 4 Transport Roll
15	-	Bearing (P/O PL 11.5 Item 11)
16	059E98860	Pinch Roll
17	-	Bearing (P/O PL 11.5 Item 11)
18	-	Bearing (P/O PL 11.5 Item 11)
19	-	Spring (P/O PL 11.5 Item 11)
20	-	Cover (P/O PL 11.5 Item 11)
21	-	Upper Chute (Not Spared)
22	-	Label Kit (P/O PL 11.5 Item 11)
23	-	Spacer (P/O PL 11.5 Item 11)

PL11.5

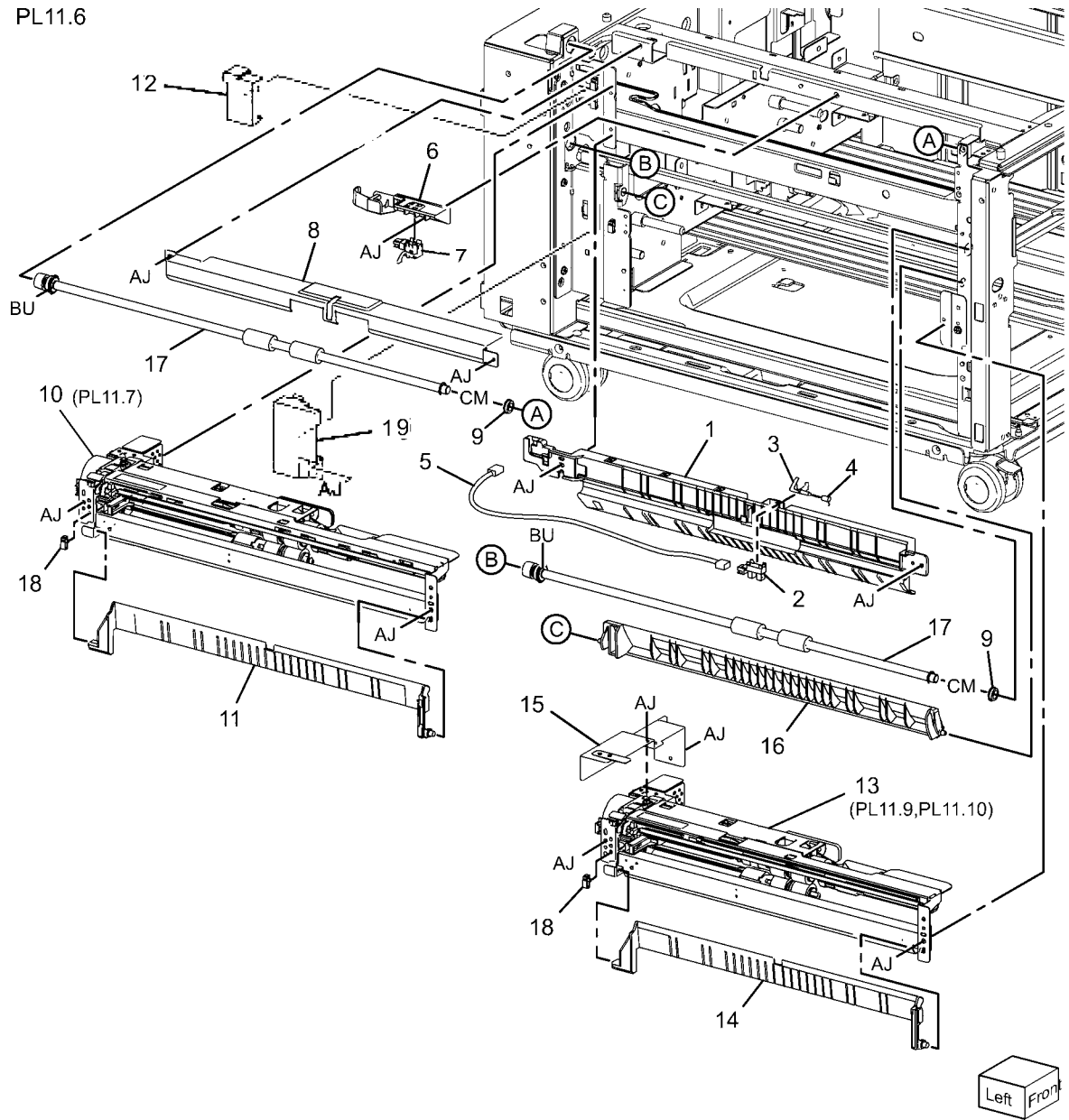
11 { 12 - 23



0511005A-NWD

PL 11.6 Tray 2/3 Paper Feed (TTM)

Item	Part	Description
1	-	Chute (Not Spared)
2	930W00111	Tray 3 Feed Out Sensor
3	-	Actuator (Not Spared)
4	809E82720	Spring
5	-	Wire Harness (Not Spared)
6	-	Sensor Guide
7	130K64121	Tray 2 Feed Out sensor
8	054E34301	Chute
9	-	Ball Bearing (Not Spared)
10	059K74830	Tray 2 Feeder
11	054E36441	Feed Out Chute
12	-	Cover ESD
13	059K75360	Tray 3 Feeder
14	054E33802	Feed Out Chute (Not Spared)
15	-	Cover (Not Spared)
16	054E39560	Lower Chute
17	059K60191	Takeaway Roll Assembly
18	-	Clamp (Not Spared)
19	-	ESD Cover Low

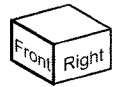
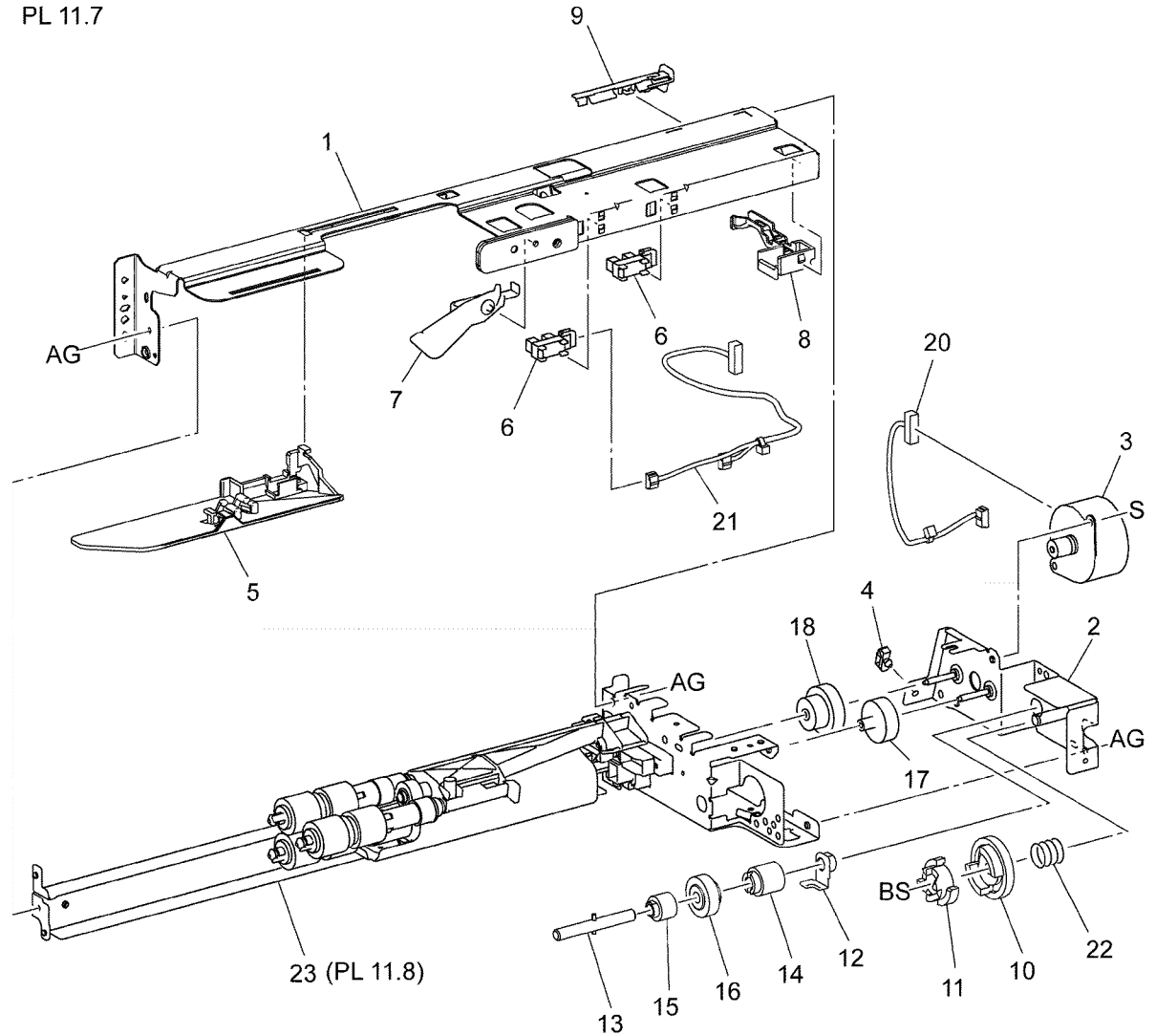


0511006A-NWD

PL 11.7 Tray 2 Feeder (TTM) (1 of 2)

Item	Part	Description
1	-	Upper Frame Assembly (P/O PL 11.6 Item 10)
2	-	Drive Bracket Assembly (P/O PL 11.6 Item 10)
3	127K52790	Tray 2 Feed/Lift UP Motor
4	-	Clamp
5	-	Chute (P/O PL 11.6 Item 10)
6	930W00113	Tray 2 Nudge Level, Paper Sensor
-	930W00123	Sensor
7	120E22481	Actuator
8	-	Upper Harness Holder (P/O PL 11.6 Item 10)
9	-	Rear Harness Holder (Not Spared)
10	807E00390	Gear (31T)
11	014E44770	Spacer
12	-	Bearing (Not Spared)
13	006K23221	Drive Shaft
14	807E00800	Gear (13T)
15	005K10100	One Way Clutch
-	005K83081	One Way Clutch
16	007K16960	One Way Gear
17	807E20300	Helical Gear (25T)
18	807E20310	Helical Gear (29T/19T)
20	-	Harness Assembly (P/O PL 11.6 Item 10)
21	-	Sensor Harness Assembly (P/O PL 11.6 Item 10)
22	-	Spring (P/O PL 11.6 Item 10)
23	-	Roll Assembly (P/O PL 11.6 Item 10)

PL 11.7



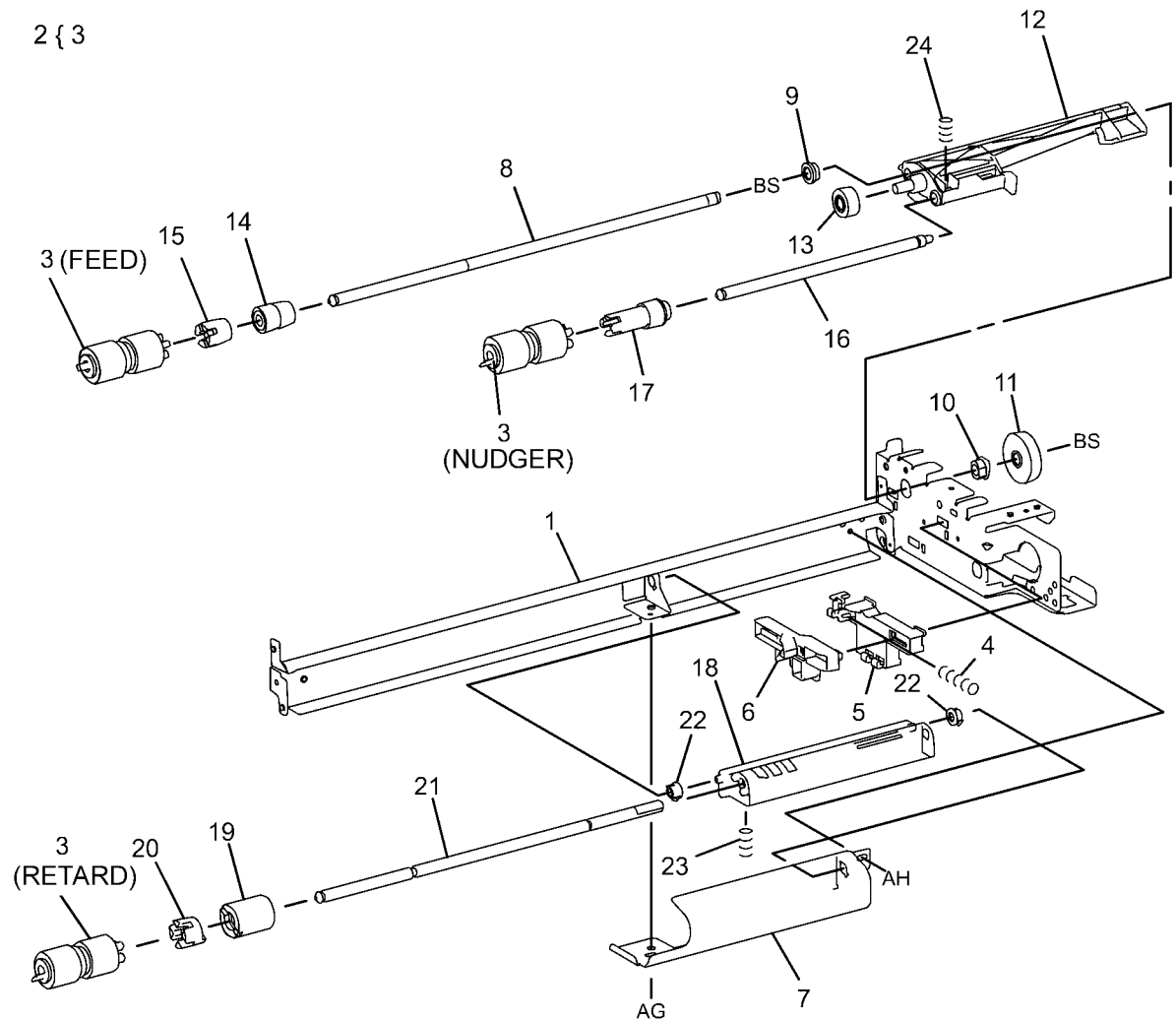
jokt51107

PL 11.8 Tray 2 Feeder (TTM) (2 of 2)

Item	Part	Description
1	-	Frame Assembly (Not Spared)
2	604K56080	Feed Roll Kit
3	-	Nudger, Retard, Feed Roll (P/O PL 11.8 Item 2)
4	-	Spring (Not Spared)
5	-	Holder (Not Spared)
6	-	Level (Not Spared)
7	-	Feed In Chute (Not Spared)
8	-	Feed Shaft (Not Spared)
9	-	Bearing (Not Spared)
10	-	Sleeve Bearing (Not Spared)
11	-	Helical Gear (30T) (Not Spared)
12	-	Nudger Support (Not Spared)
13	-	Spur Gear (29T) (Not Spared)
14	005K10090	Clutch Assembly
-	005K08820	Clutch Assembly
15	005K05890	One Way Clutch
-	005K10080	One Way Clutch (Alternate)
16	-	Nudger Shaft (Not Spared)
17	-	Gear (25T) (Not Spared)
18	-	Retard Support (Not Spared)
19	005K09290	Friction Clutch
-	005K83300	Friction Clutch
20	014E45030	Spacer
21	-	Retard Shaft (Not Spared)
22	-	Retard Bearing (Not Spared)
23	-	Spring (Not Spared)
24	-	Spring (Not Spared)

PL11.8

2 { 3

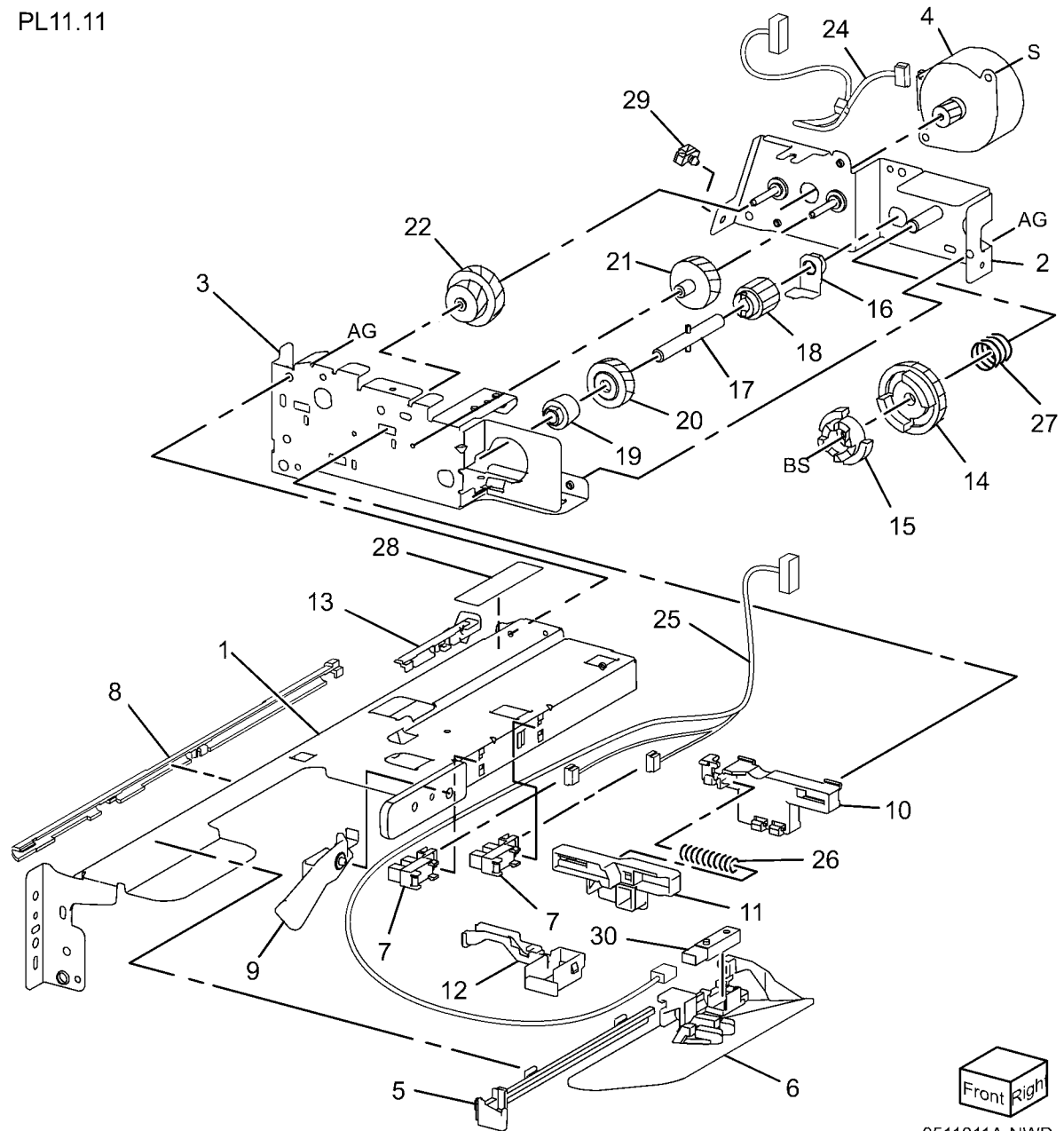


0511008A-NWD

PL 11.11 Tray 4 Feeder (TTM) (1 of 2)

Item	Part	Description
1	-	Frame (P/O PL 11.6 Item 13)
2	-	Bracket (P/O PL 11.6 Item 13)
3	-	Frame (P/O PL 11.6 Item 13)
4	127K52790	Tray 4 Feed/Lift Up
5	801E03601	Rail
6	054E23461	Chute
7	930W00123	Tray 4 Nudger Level, No Paper Sensor (Alternate)
-	930W00113	Tray 4 Nudger Level, No Paper Sensor
8	-	Harness Holder (Not Spared)
9	120E22481	Actuator
10	-	Holder (P/O PL 11.6 Item 13)
11	-	Level (P/O PL 11.6 Item 13)
12	-	Upper Harness Holder (Not Spared)
13	-	Rear Harness Holder (Not Spared)
14	807E00390	Gear
15	014E44770	Spacer
16	013E26530	Bearing
17	006K23221	Drive Shaft
18	807E00800	Gear
19	005K10100	One Way Clutch (Alternate)
-	005K83081	One Way Clutch
20	007K16960	One Way Gear
-	007K98130	One Way Gear (Alternate)
21	807E20300	Gear (25T)
22	807E30640	Gear (29T/24T) (7845/7855)
-	807E20310	Gear (29T/19T) (7830/7835)
24	-	Harness Assembly (Motor) (Not Spared)
25	-	Harness Assembly Sensor (P/O PL 11.6 Item 13)
26	-	Spring (P/O PL 11.6 Item 13)
27	-	Spring (P/O PL 11.6 Item 13)
28	-	Label (Not Spared)
29	-	Clamp (Not Spared)
30	930W00211	Tray 3 Pre Feed Sensor

PL11.11



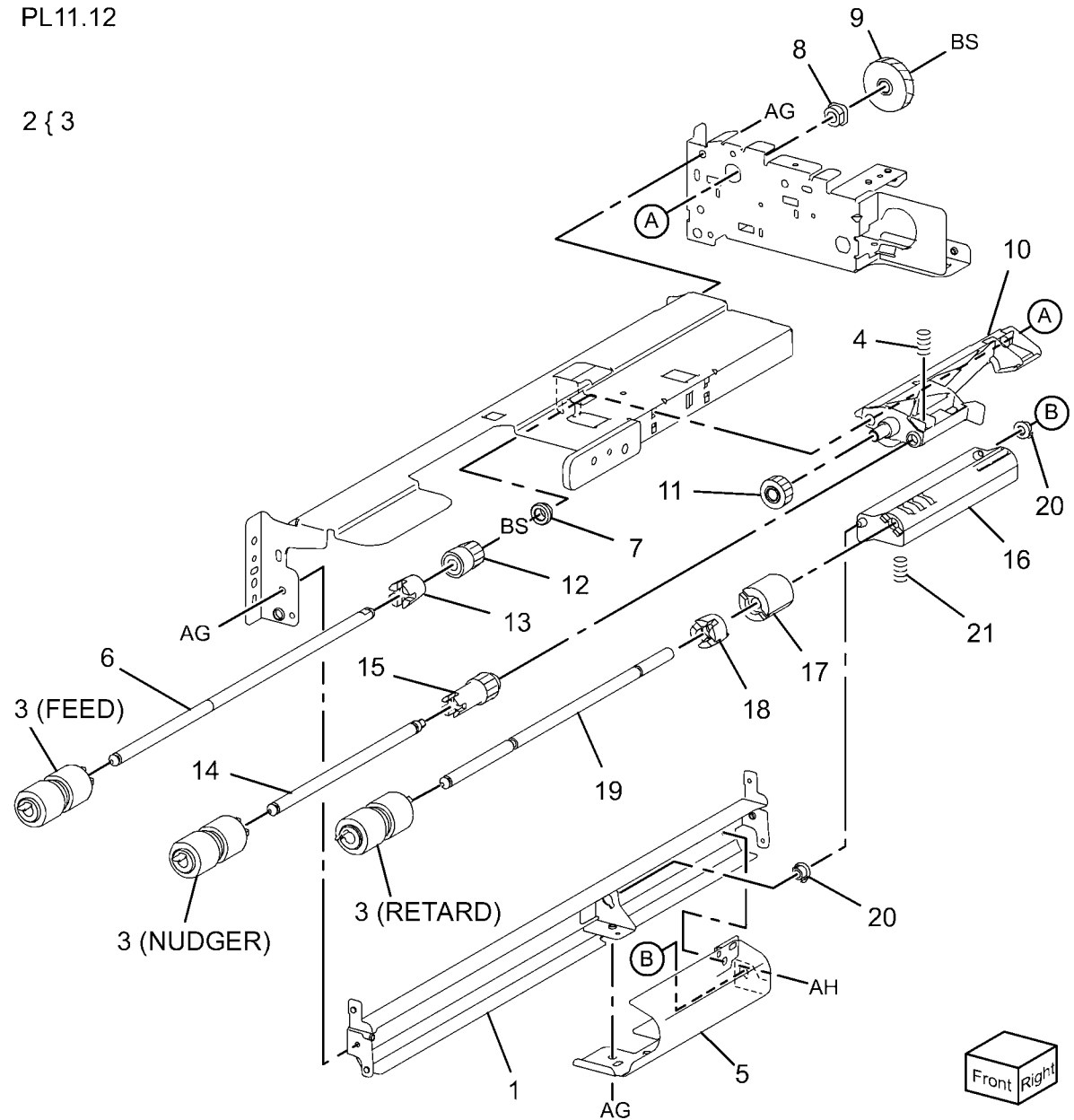
0511011A-NWD

PL 11.12 Tray 4 Feeder (TTM) (2 of 2)

Item	Part	Description
1	-	Frame (Not Spared)
2	604K56080	Feed Roll Kit
3	-	Nudger, Retard, Feed Roll (P/O PL 11.12 Item 2)
4	-	Spring (Not Spared)
5	-	Feed In Chute (Not Spared)
6	-	Feed Shaft (Not Spared)
7	-	Bearing (Not Spared)
8	-	Sleeve Bearing (Not Spared)
9	-	Gear (25T) (Not Spared)
10	-	Support (Not Spared)
11	-	Gear (29T) (Not Spared)
12	005K10090	Clutch (25T) (Alternate)
-	005K08820	Clutch (25T) (Alternate)
13	005K05890	One Way Clutch
-	005K10080	One Way Clutch
14	-	Nudger Shaft
15	-	Gear (25T) (Not Spared)
16	-	Support (Not Spared)
17	005K09290	Friction Clutch
18	014E45030	Spacer
19	-	Retard Shaft (Not Spared)
20	-	Retard Bearing (Not Spared)
21	-	Spring (Not Spared)

PL11.12

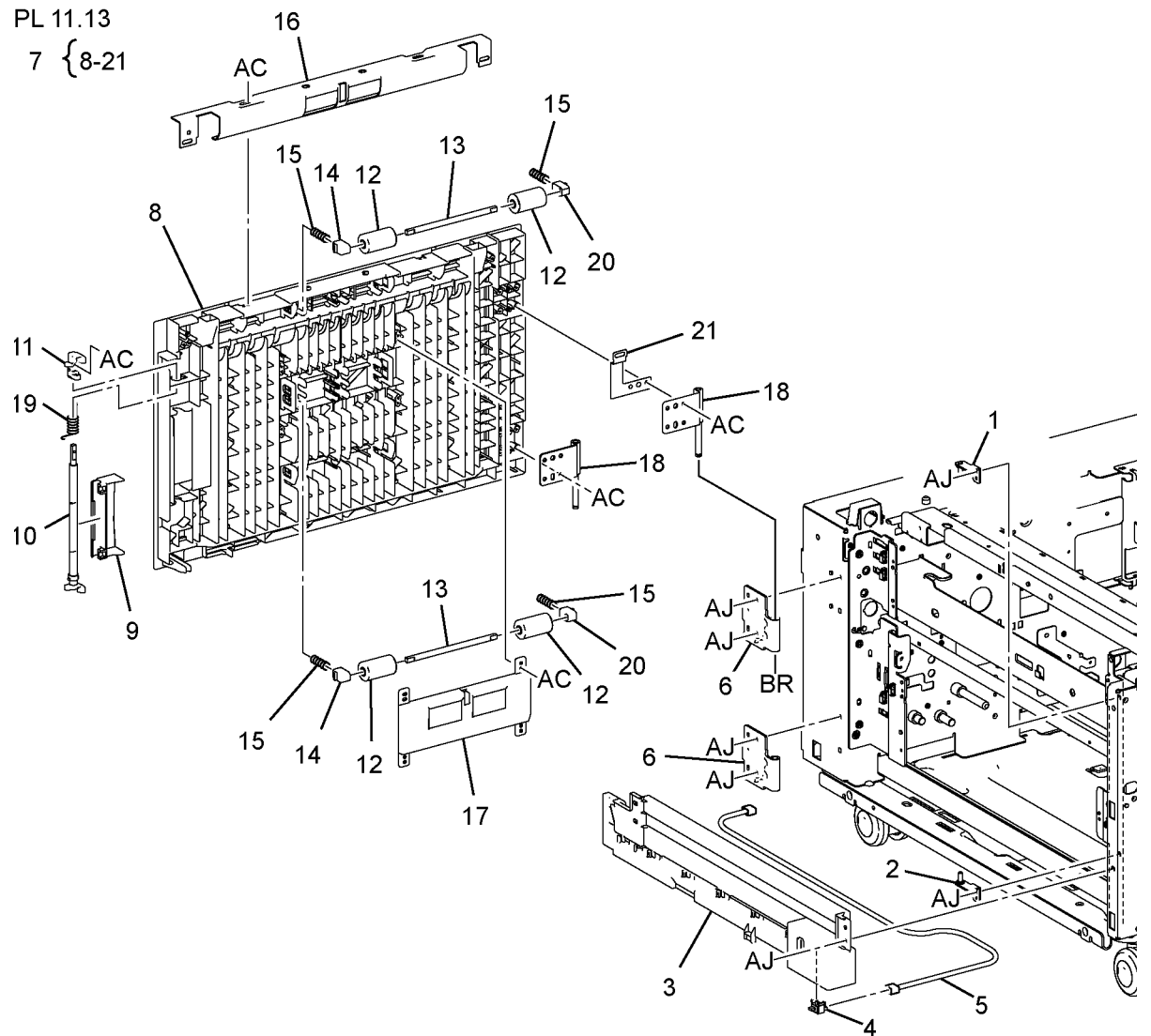
2 { 3



0511012A-NWD

PL 11.13 Left Cover Assembly (TTM)

Item	Part	Description
1	-	Upper Bracket (Not Spared)
2	-	Lower Bracket (Not Spared)
3	-	Cover (Not Spared)
4	110E12220	Left Hand Cover Switch
5	-	Wire Harness (Not Spared)
6	068K55791	Hinge Bracket
7	848K17711	Left Cover Assembly
8	-	Left Cover (P/O PL 11.13 Item 7)
9	003E75571	Handle
10	803E08671	Latch
11	019E69600	Hook
12	059E99241	Pinch Roll
13	-	Pinch Shaft (P/O PL 11.13 Item 7)
14	-	Front Pinch Bearing (P/O PL 11.13 Item 7)
15	-	Pinch Spring (P/O PL 11.13 Item 7)
16	054E38240	Upper Chute (P/O PL 11.13 Item 7)
17	-	Chute Pinch
18	-	Hinge (P/O PL 11.13 Item 7)
19	-	Spring (P/O PL 11.13 Item 7)
20	-	Chute-Pinch TTM (P/O PL 11.13 Item 7)

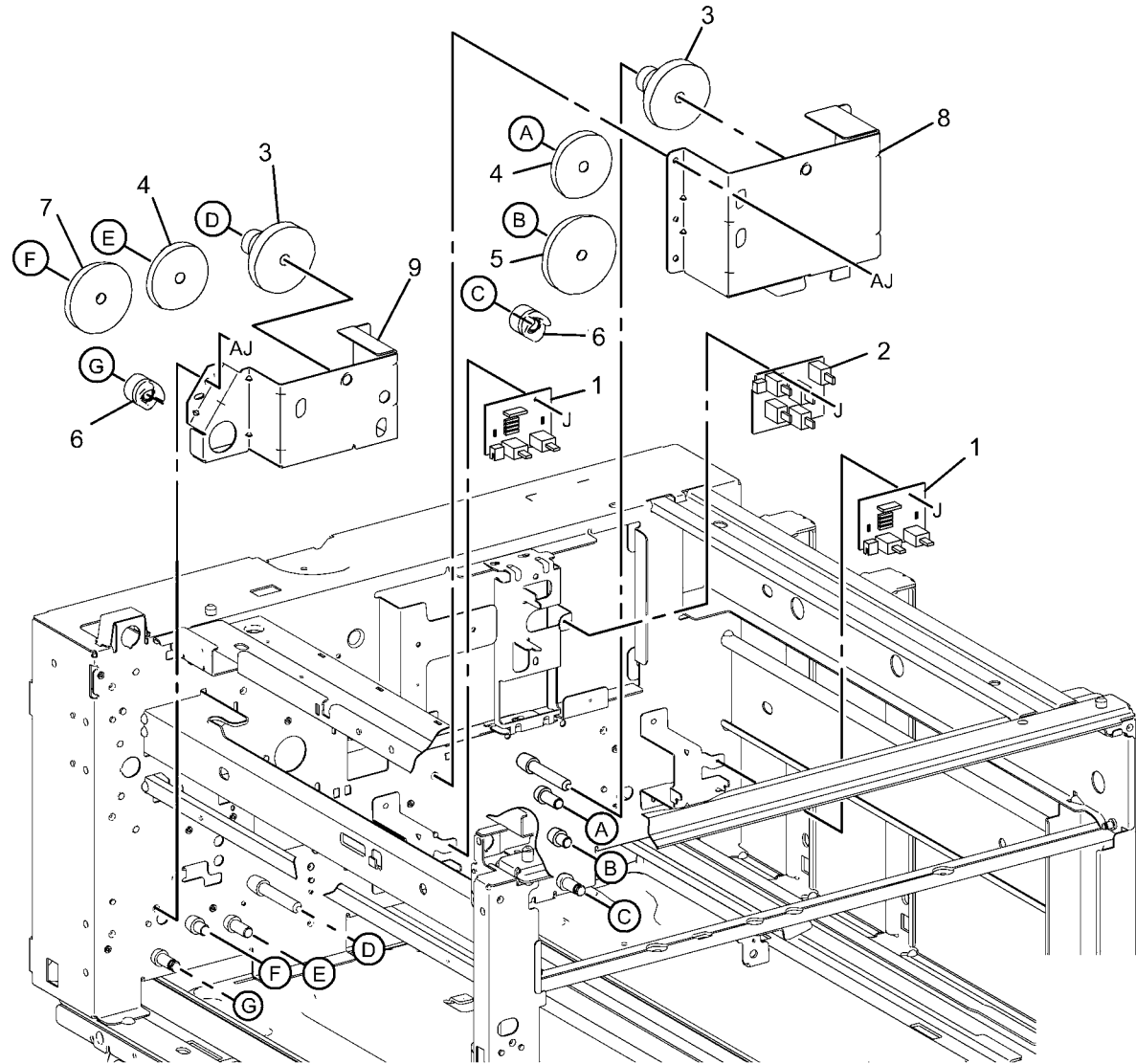


j0kt51113

PL 11.15 Tray 2/3/4 Paper and Lift Sensors (TTM)

PL11.15

Item	Part	Description
1	110K11820	Tray 3, 4 Paper Size Sensor
2	110K11680	Tray 2 Paper Size Sensor
3	007E78320	Gear (17T/50T)
4	007E78330	Gear (16T/48T)
5	007E78340	Gear (57T)
6	807E16730	Gear (18T)
7	007E78350	Gear (51T)
8	-	Bracket (Not Spared)
9	-	Bracket (Not Spared)

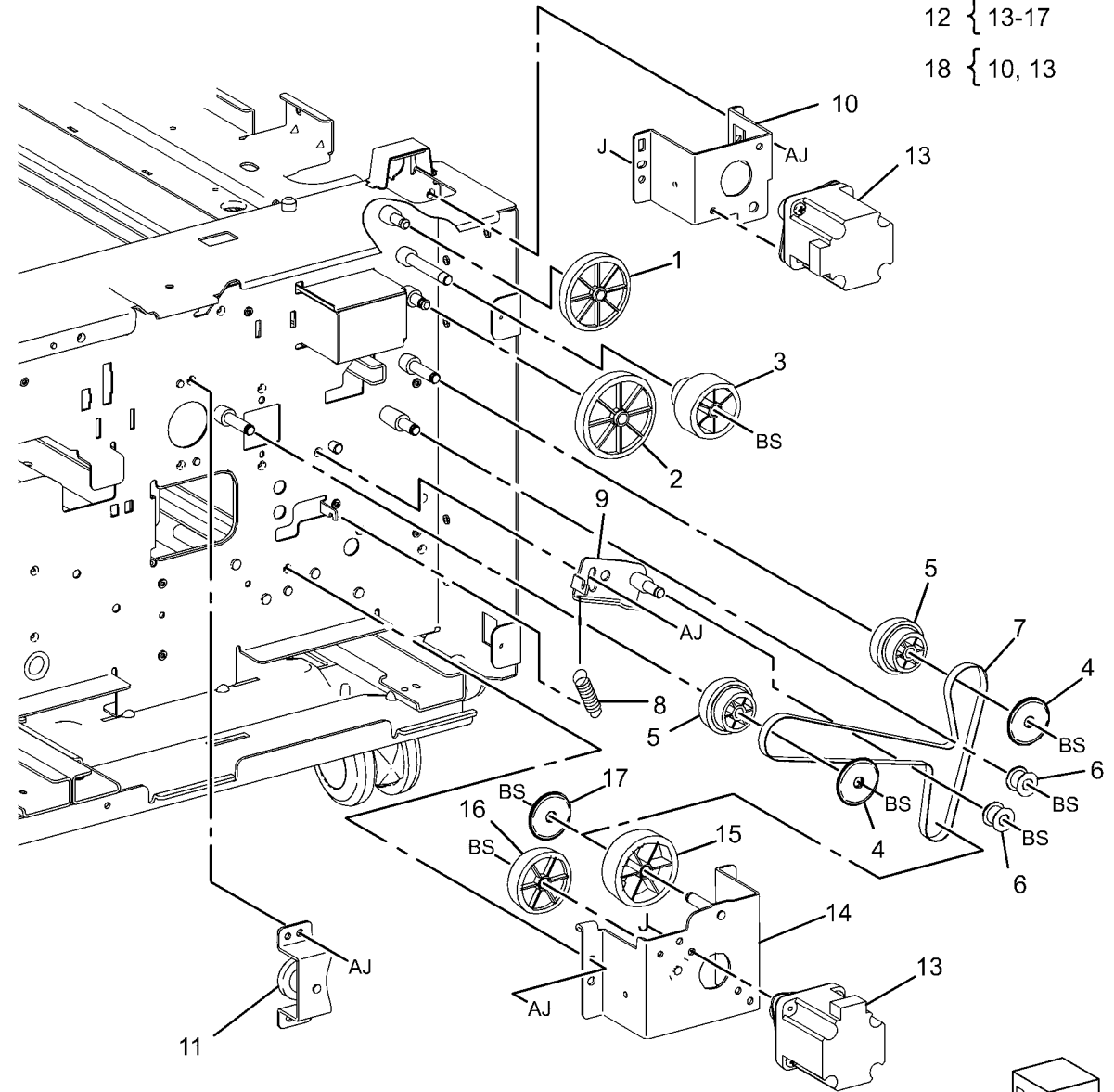


0511015A-NWD

PL 11.16 Drive (TTM)

Item	Part	Description
1	-	Gear (52T) (Not Spared)
2	-	Gear (32T) (Not Spared)
3	-	Gear (20T/65T) (Not Spared)
4	-	Collar (Not Spared)
5	-	Pulley Gear (Not Spared)
6	-	Roll (Not Spared)
7	423W56254	Belt
8	-	Spring (Not Spared)
9	-	Tension Bracket (Not Spared)
10	-	Bracket (P/O PL 11.16 Item 18)
11	-	Gear Bracket (Not Spared)
12	-	Take Away Motor Assembly
13	127K52880	Take Away Motor (Alternative)
14	-	Bracket (P/O PL 11.16 Item 12)
15	-	Gear (81T) (P/O PL 11.16 Item 12)
16	-	Gear (70T) (P/O PL 11.16 Item 12)
17	-	Collar (P/O PL 11.16 Item 12) (7845/7855)
18	127K61540	Take Away Motor Assembly

PL11.16



12 { 13-17
18 { 10, 13

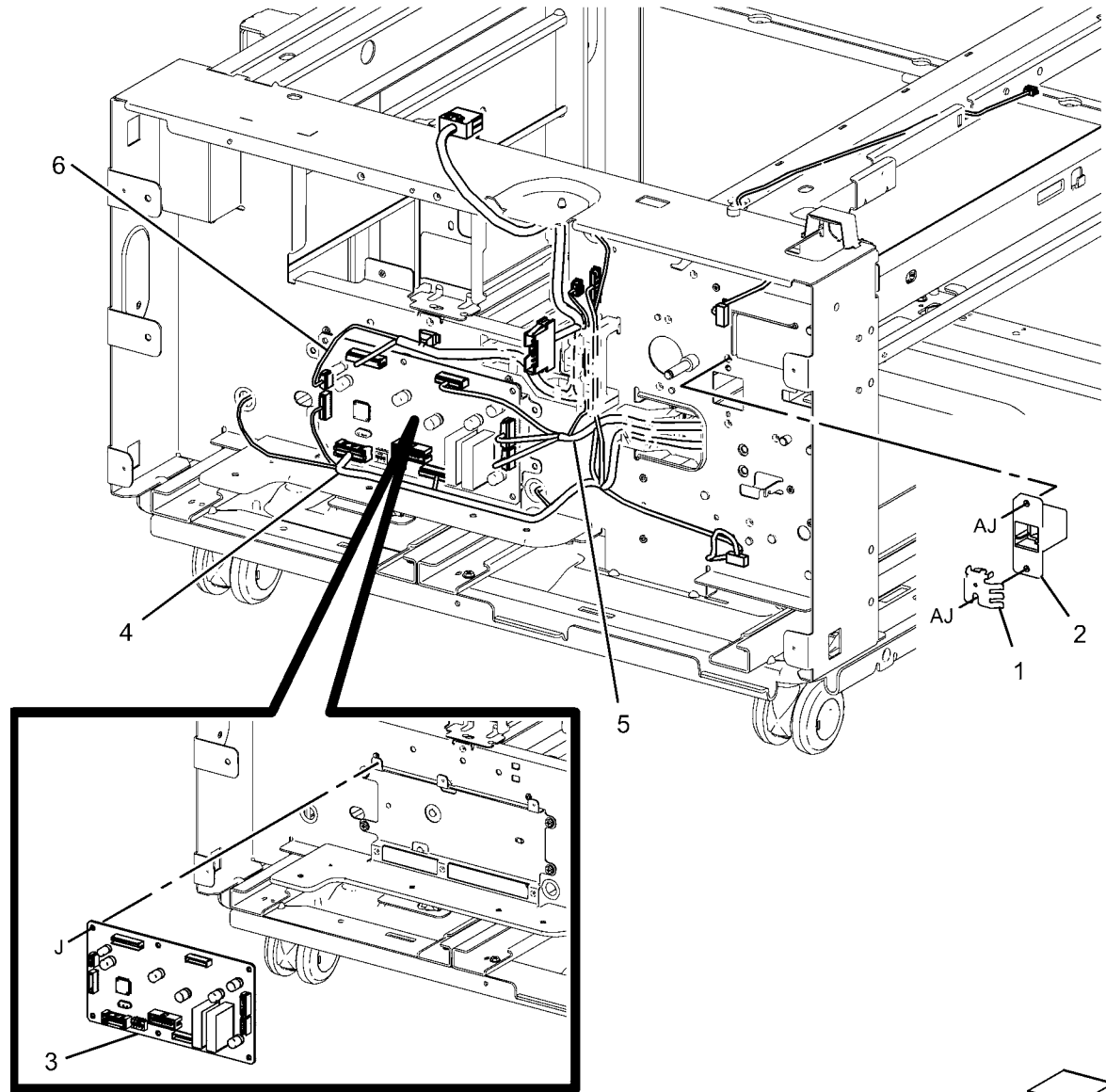


0511016A-NWD

PL 11.17 Electrical (TTM)

Item	Part	Description
1	-	Ground Plate (Not Spared)
2	-	Transport Guide (Not Spared)
3	960K62150	Tray Module PWB
4	-	Harness Assembly Sensor (Not Spared)
5	-	Harness Assembly Motor (Not Spared)
6	-	Harness Assembly (I/F) (Not Spared)

PL11.17

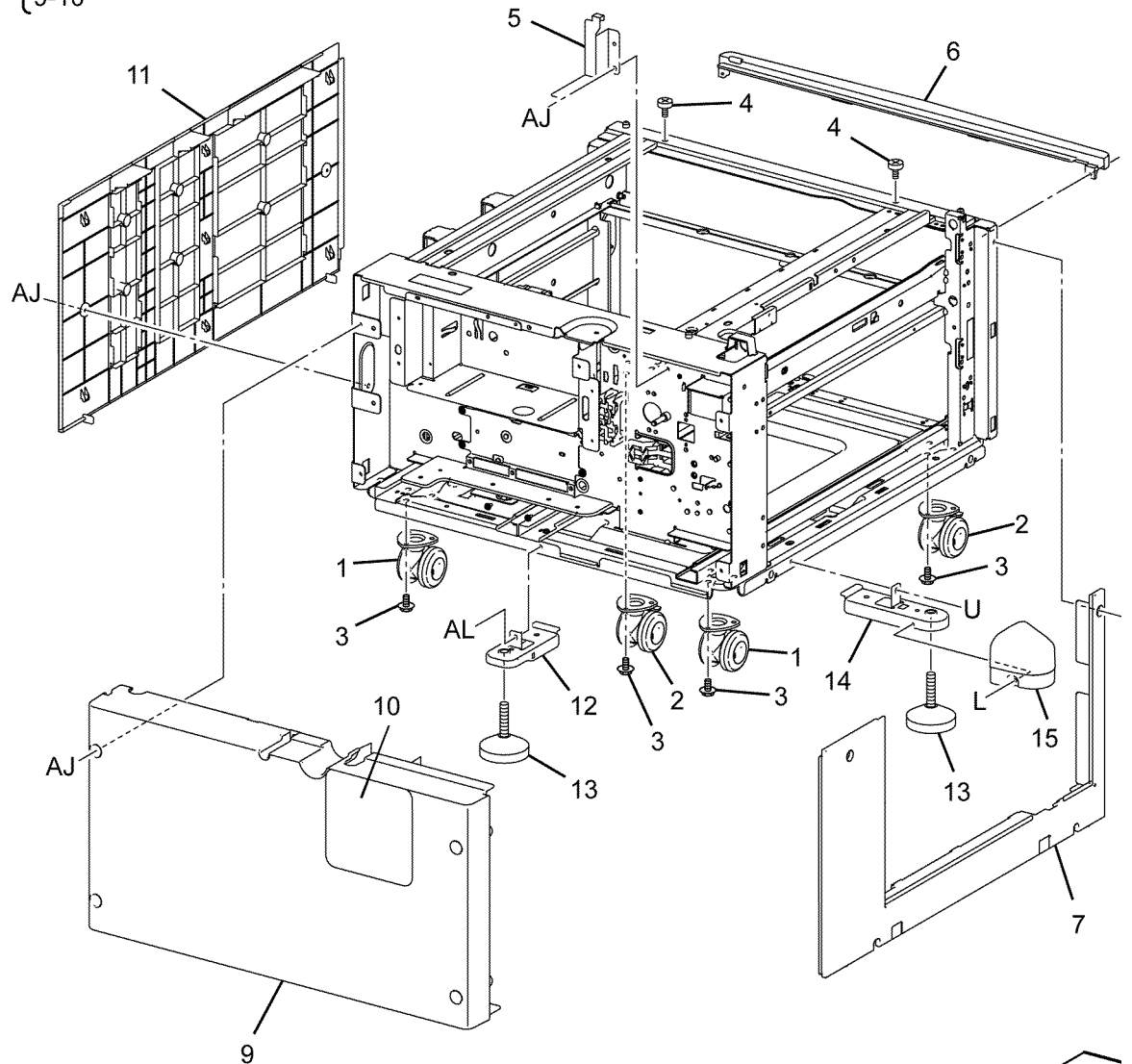


0511017A-NWD

PL 11.18 Covers (TTM)

Item	Part	Description
1	417W41349	Caster Assembly
2	017K94580	Swizzle Caster
3	-	Screw
4	-	Docking Screw
5	-	Docking Bracket
6	-	Top Cover (Not Spared)
7	-	Left Cover (Not Spared)
8	848K56600	Rear Cover
9	-	Rear Cover (P/O 8)
10	-	Rear Cover S
11	-	Right Cover
12	868E15860	Foot Bracket
13	017K94590	Adjuster Foot Assembly
14	868E20860	Foot Bracket
15	848E45610	Foot Cover

PL 11.18
8 {9-10

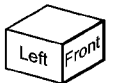
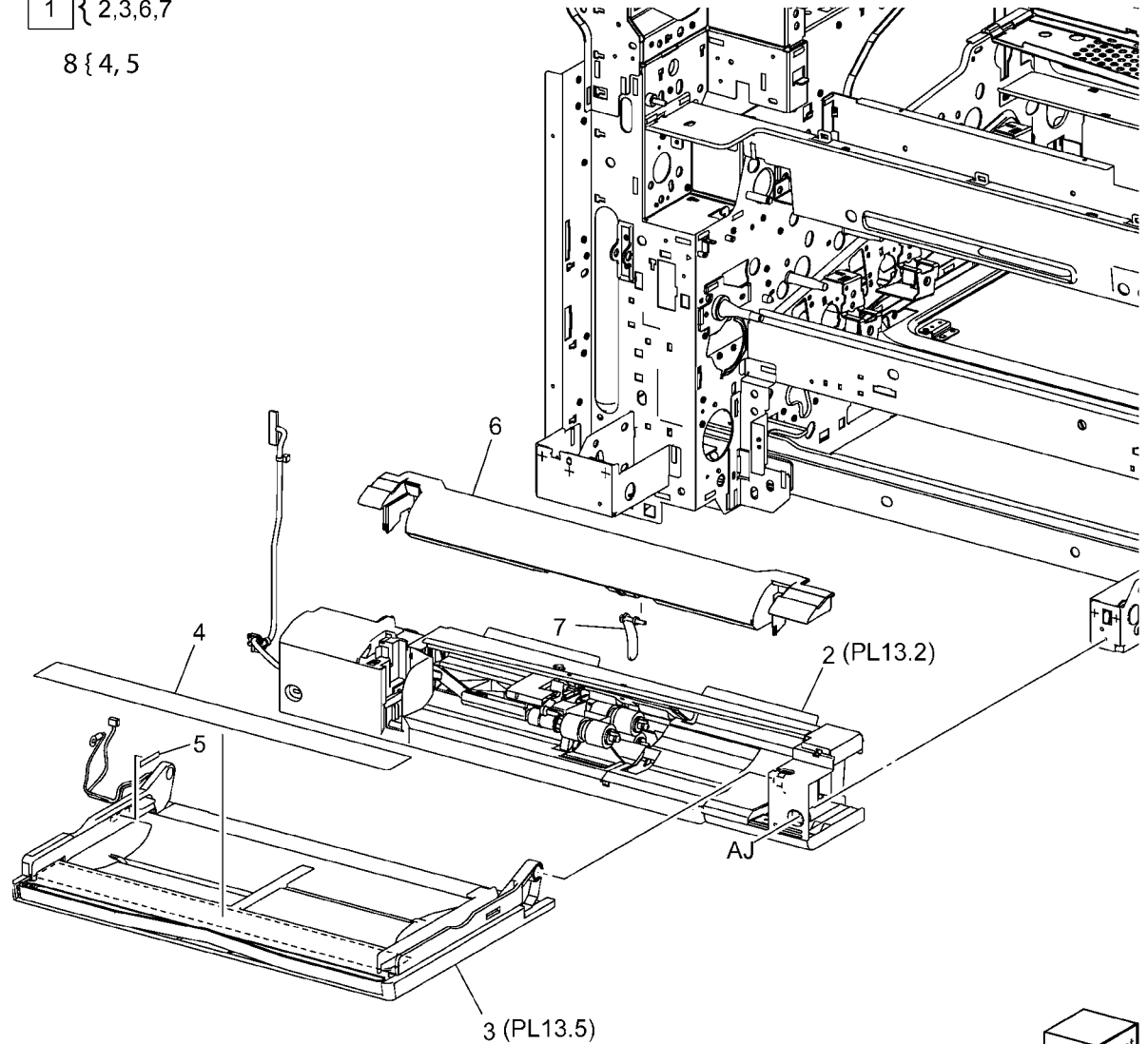


j0k4511

PL 13.1 Bypass Tray Assembly (1 of 5)

Item	Part	Description
1	059K75180	Bypass Tray Assembly
2	—	Feeder Assembly
3	050K64540	Tray Assembly
4	897E04930	Label (Instruction)
5	896E46040	Label (Max)
6	848E44583	Top Cover
7	120E29441	Actuator
8	—	Label Kit

PL 13.1
1 { 2,3,6,7
 8 { 4, 5

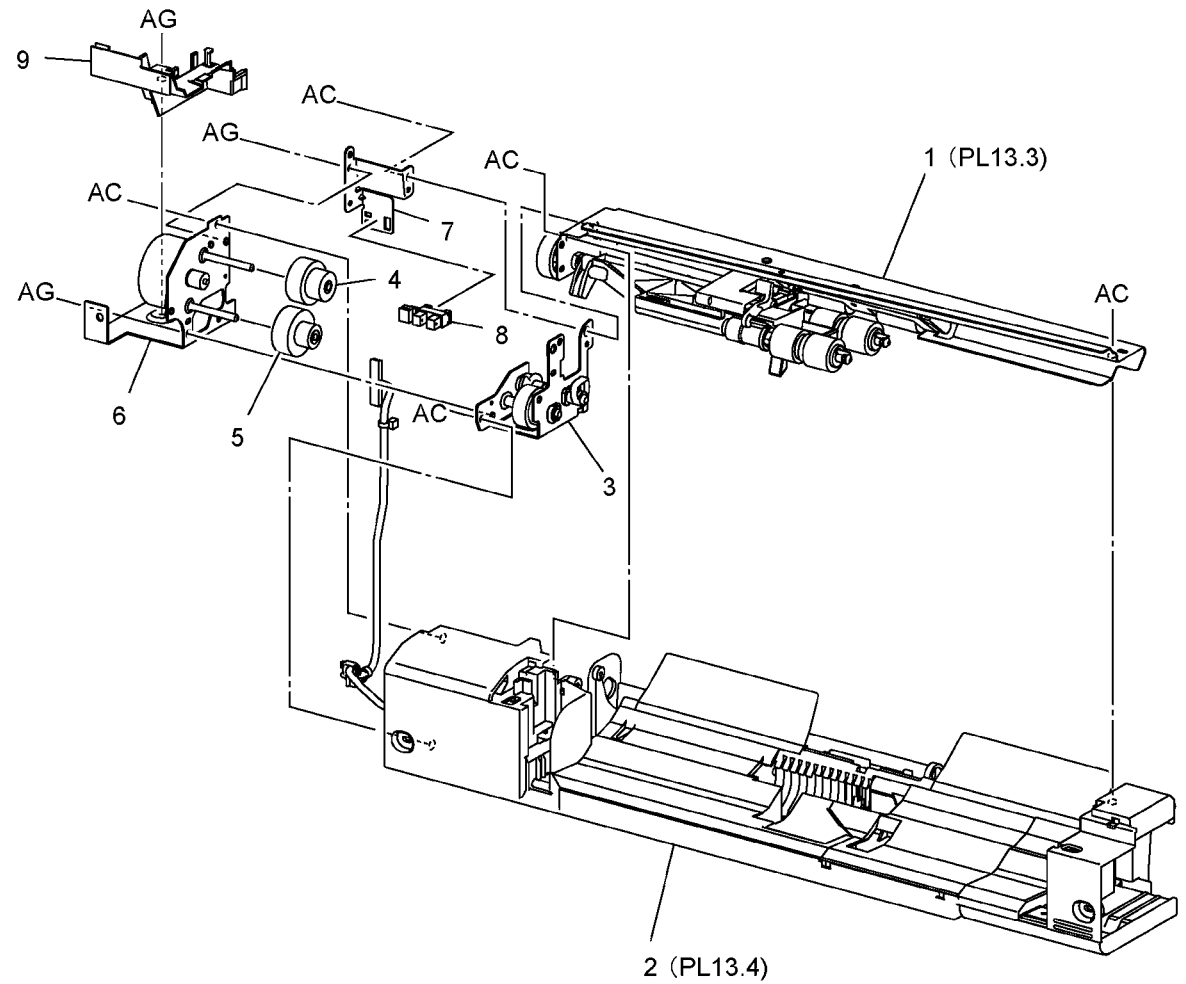


j0kt51301

PL 13.2 Bypass Tray Assembly (2 of 5)

Item	Part	Description
1	-	Upper Frame Assembly
2	-	Lower Tray Assembly
3	-	Drive Bracket Assembly
4	-	Gear (29T/19T) (P/O PL 13.1 Item 1)
5	-	Gear (31T/15T) (P/O PL 13.1 Item 1)
6	127K52790	Feeder/Nudger Motor
7	-	Sensor Bracket
8	930W00113	Nudger Position Sensor
-	930W00123	Nudger Position Sensor (Alternate)
9	-	Harness Holder

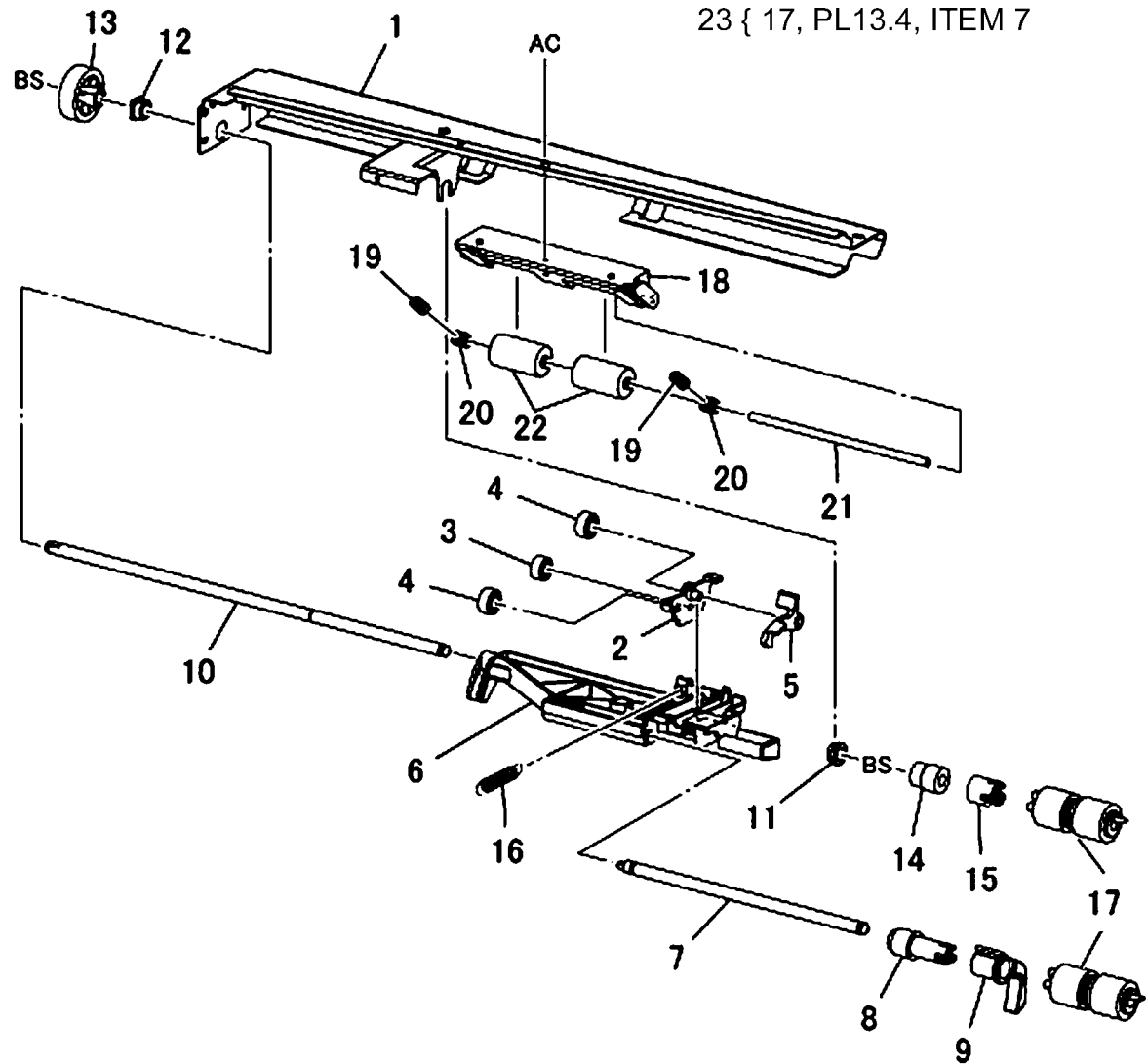
PL 13.2



jokt51302

PL 13.3 Bypass Tray Assembly (3 of 5)

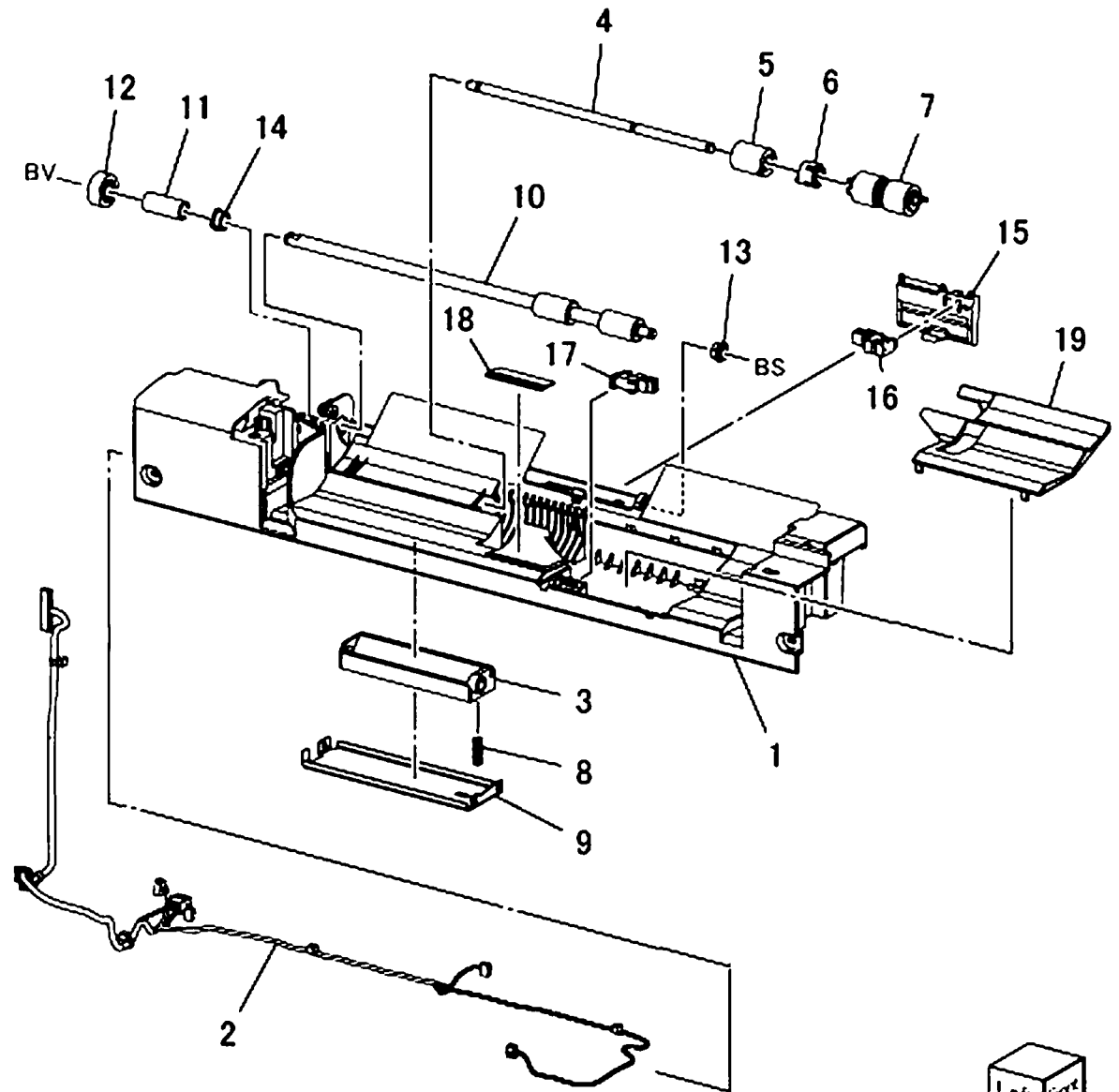
Item	Part	Description
1	-	Pinch Chute Assembly (P/O PL 13.1 Item 1)
2	-	Gear Support (P/O PL 13.1 Item 1)
3	-	Gear (21T) (P/O PL 13.1 Item 1)
4	-	Gear (23T) (P/O PL 13.1 Item 1)
5	-	Lock Stopper (P/O PL 13.1 Item 1)
6	-	Nudger Support (P/O PL 13.1 Item 1)
7	-	Nudger Shaft (P/O PL 13.1 Item 1)
8	-	Gear (25T) (P/O PL 13.1 Item 1)
9	-	Stopper (P/O PL 13.1 Item 1)
10	-	Feed Shaft (P/O PL 13.1 Item 1)
11	413W85459	Bearing
12	413W11660	Sleeve Bearing
13	-	Gear (30T) (P/O PL 13.1 Item 1)
14	005K08370	One Way Clutch (22T)
15	-	One Way Clutch (P/O PL 13.1 Item 1)
16	-	Spring (P/O PL 13.1 Item 1)
17	022K77220	Feed Roll, Nudger Roll (P/O PL 13.3 Item 23) (REP 7.22)
18	-	Guide (P/O PL 13.1 Item 1)
19	-	Pinch Chute Assembly (P/O PL 13.1 Item 1)
20	-	Spacer (P/O PL 13.1 Item 1)
21	-	Shaft (P/O PL 13.1 Item 1)
22	059E04040	Pinch Roll
23	604K66430	MSI Roll Kit (W/TAG P-002)



0513003B-NWD

PL 13.4 Bypass Tray Assembly (4 of 5)

Item	Part	Description
1	–	Bypass Lower Frame (P/O PL 13.2 Item 2)
2	–	Tray Wire Harness
3	–	Retard Support (P/O PL 13.2 Item 2)
4	–	Shaft (P/O PL 13.2 Item 2)
5	005K08830	Friction Clutch
6	014E45030	Spacer
7	–	Retard Roll (P/O PL 13.2 Item 2)
8	–	Retard Spring (P/O PL 13.2 Item 2)
9	–	Plate (P/O PL 13.2 Item 2)
10	059K53691	Drive Roll Assembly
11	–	Collar (P/O PL 13.2 Item 2)
12	–	Gear (23T) (P/O PL 13.2 Item 2)
13	–	Sleeve Bearing (P/O PL 13.2 Item 2)
14	413W11860	Sleeve Bearing
15	–	Sensor Plate (P/O PL 13.2 Item 2)
16	130K72110	Bypass Feed Out Sensor
17	930W00123	Bypass No Paper Sensor
–	930W00113	Bypass No Paper Sensor
18	019E68980	Bottom Pad
19	054E33950	Front Chute

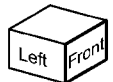
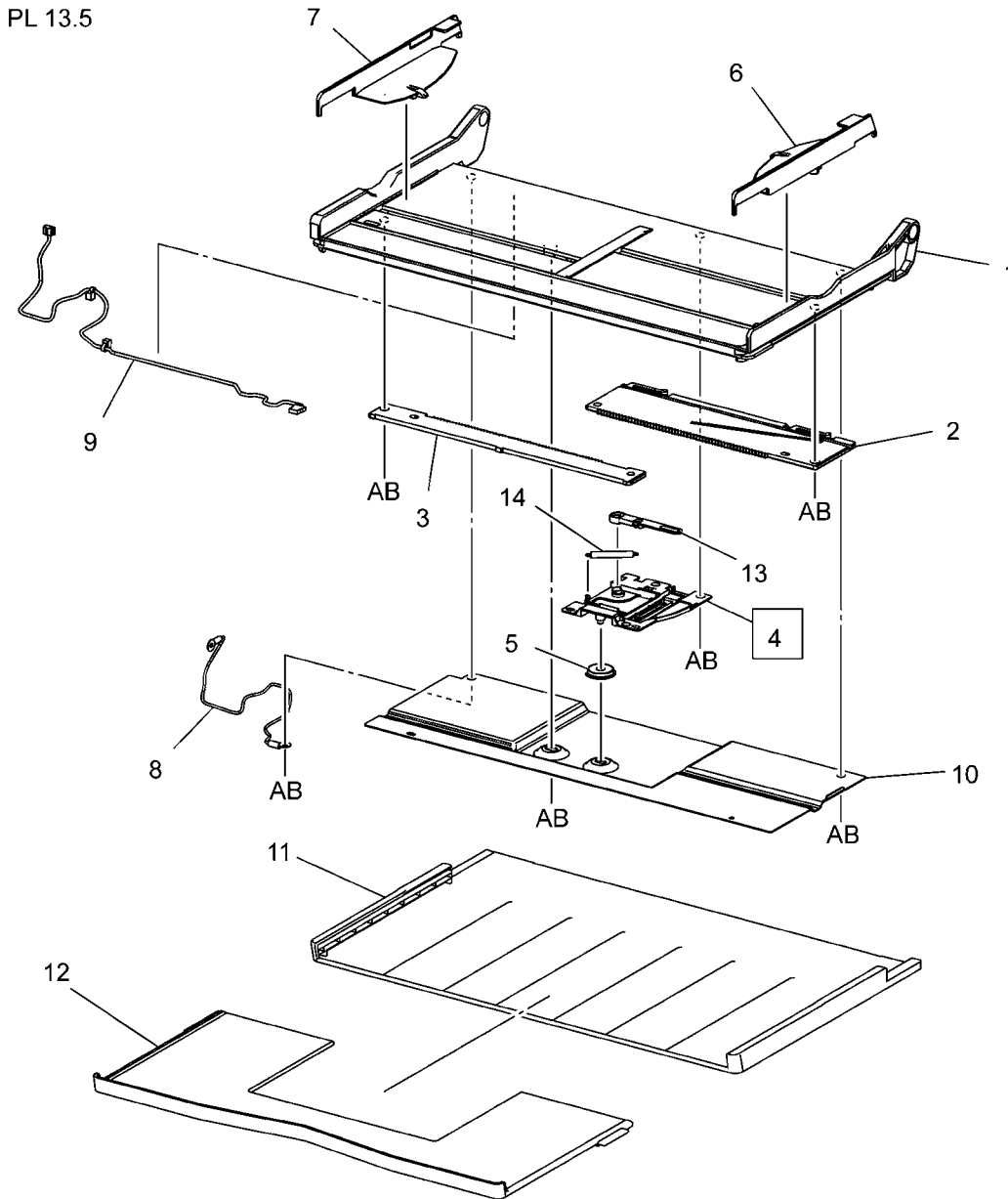


0513004A-NWD

PL 13.5 Bypass Tray Assembly (5 of 5)

Item	Part	Description
1	-	Bypass Tray (P/O PL 13.1 Item 3)
2	-	Front Rack (P/O PL 13.1 Item 3)
3	-	Rear Rack (P/O PL 13.1 Item 3)
4	130K70660	Paper Size Sensor
5	007E79700	Pinion Gear
6	-	Front Side Guide (P/O PL 13.1 Item 3)
7	-	Rear Side Guide (P/O PL 13.1 Item 3)
8	-	Wire Harness (P/O PL 13.1 Item 3)
9	-	Wire Harness (P/O PL 13.1 Item 3)
10	-	Plate (P/O PL 13.1 Item 3)
11	-	Extension Tray (L1) (P/O PL 13.1 Item 3)
12	-	Extension Tray (L2) (P/O PL 13.1 Item 3)
13	012E11760	Sensor Link
14	809E49930	Sensor Spring

PL 13.5

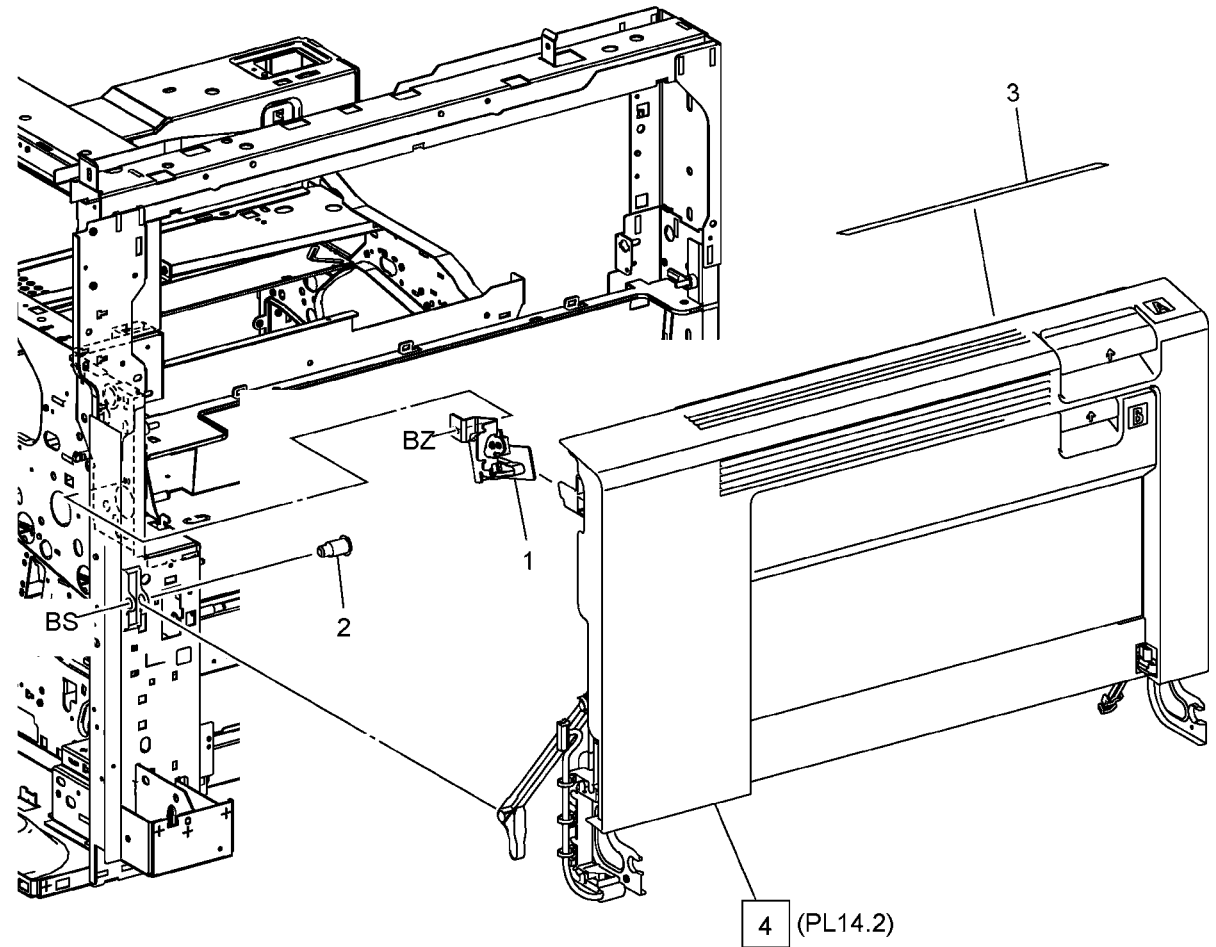


j0kt51305

PL 14.1 Left Hand Cover (1 of 2)

Item	Part	Description
1	110K17101	L/H Cover Interlock Switch
2	806E21420	Shaft
3	896E89601	Label Kit
4	—	Left Hand Cover Unit

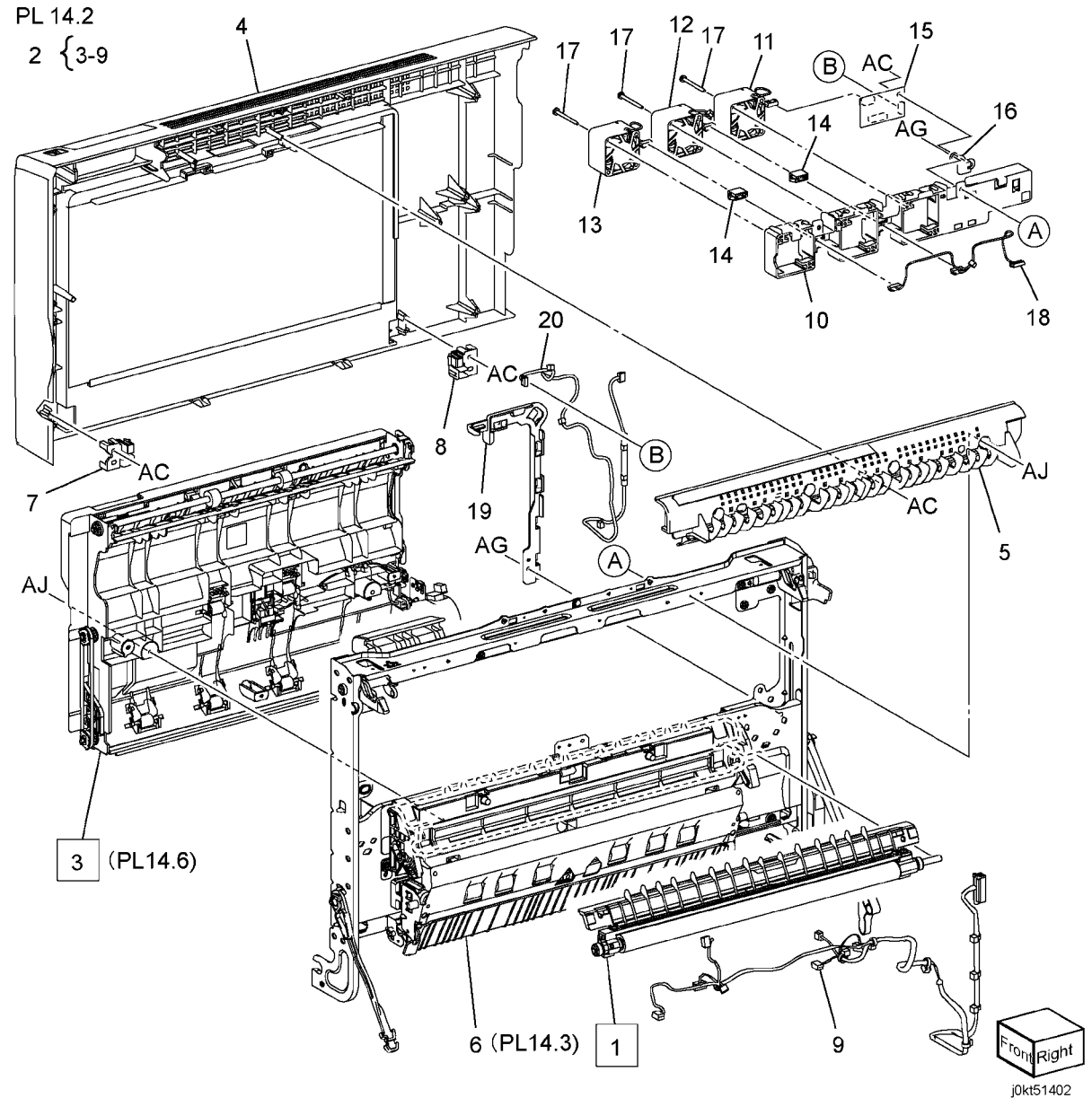
PL 14.1



j0k51401

PL 14.2 Left Hand Cover (2 of 2)

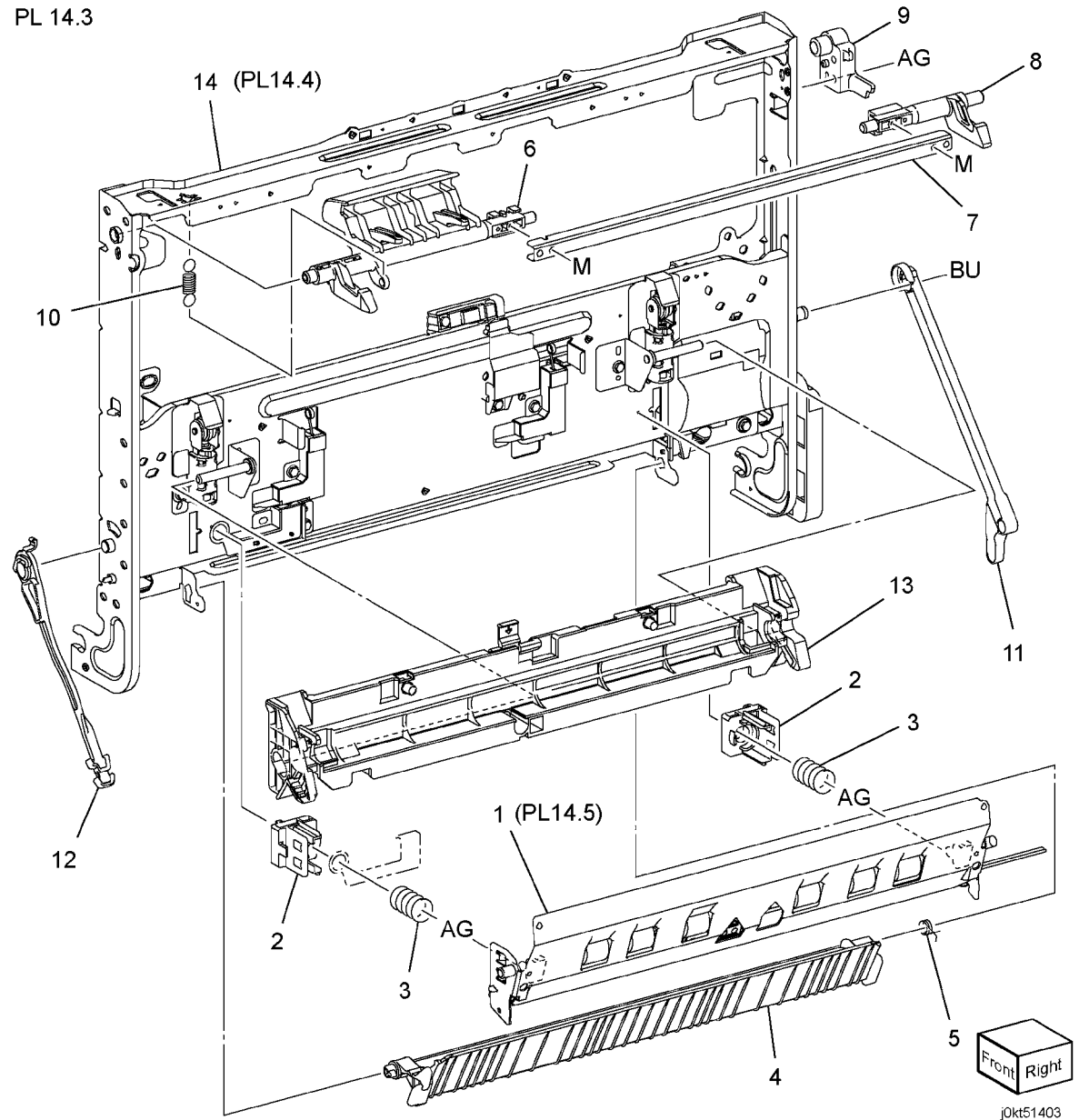
Item	Part	Description
1	008R13064	2nd BTR Unit (REP 9.9)
2	848K70180	Left Hand Cover Assembly (7845/55)
-	848K70170	Left Hand Cover Assembly (7830/35)
3	059K74880	Duplex Assembly (7845/55) (REP 10.2)
-	059K66711	Duplex Assembly (7830/35) (REP 10.2)
4	-	Left Hand Cover (P/O PL 14.2 Item 2)
5	054E43022	Left Hand Cover Chute (7845/55)
-	054E41572	Left Hand Cover Chute (7830/35)
6	-	Left Hand Frame Assembly
7	-	Latch (Front) (P/O PL 14.2 Item 2)
8	-	Latch (Rear) (P/O PL 14.2 Item 2)
9	-	Harness Assembly
10	-	Fan Holder
11	-	Left Hand Fan1
12	-	Left Hand Fan2
13	-	Left Hand Fan3
14	-	Connector
15	-	Left Hand Fan PWB
16	-	Conductor
17	-	Screw
18	-	Wire Harness
19	-	Harness Guide
20	-	Wire Harness



PL 14.3 Left Hand Cover Assembly (1 of 2)

Item	Part	Description
1	054K48291	Chute Assembly
2	-	Chute Support
3	809E65260	Spring
4	054K35160	Duplex Chute Assembly
5	809E76900	Spring
6	011E23951	Front Latch Lever (7830/35)
-	011E24361	Front Latch Lever (7845/55)
7	-	Latch Plate
8	011E20740	Rear Latch Lever (7830/35)
-	011E24380	Rear Latch Lever (7845/55)
9	120E34041	Actuator
10	-	Spring
11	849E97370	Rear Support
12	868E05450	Front Support
13	848K61850	2nd Bias Housing
14	-	Left Hand Frame Assembly

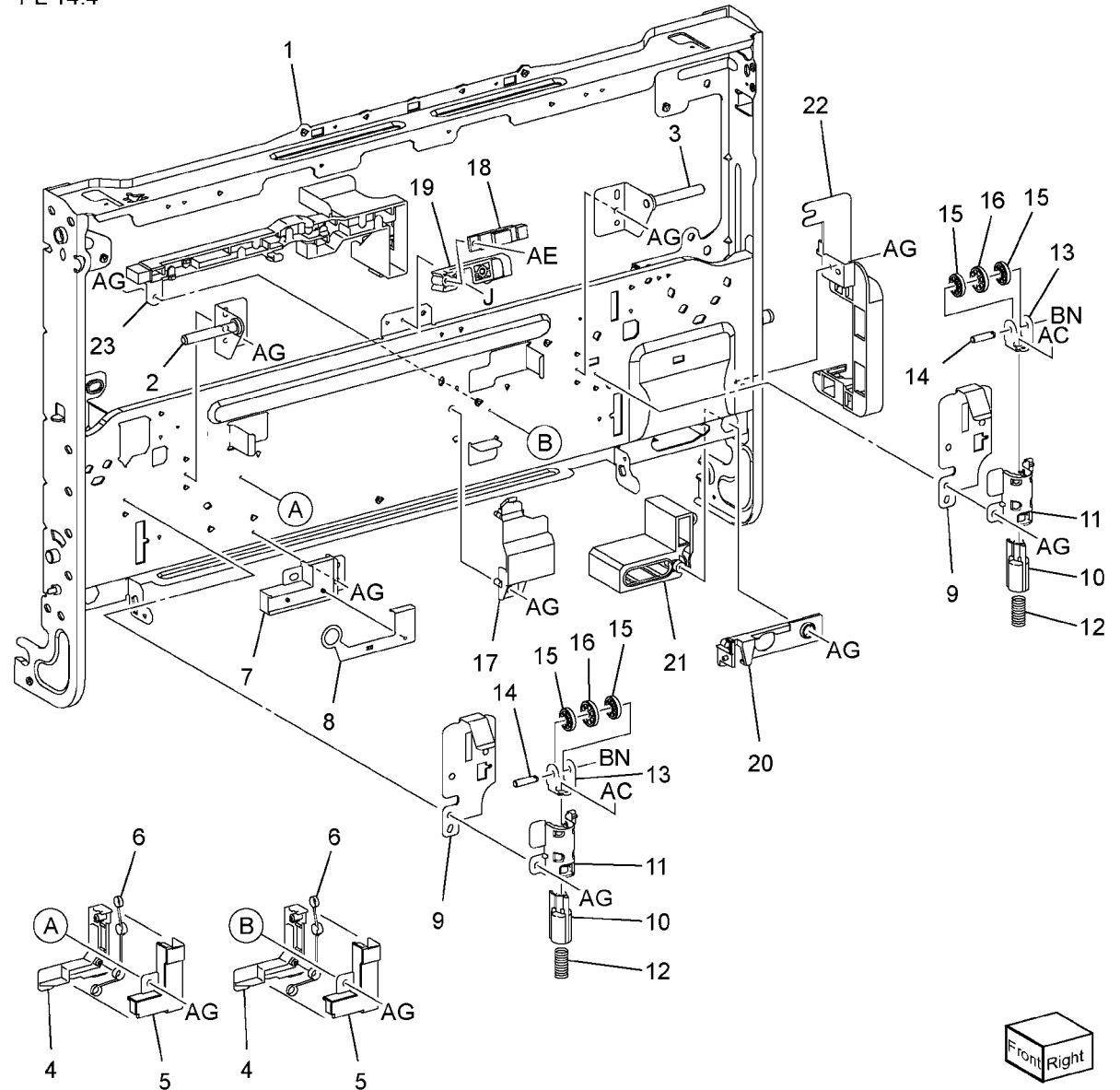
PL 14.3



PL 14.4 Left Hand Cover Assembly (2 of 2)

PL 14.4

Item	Part	Description
1	-	Frame Assembly
2	-	Bracket
3	-	Bracket
4	-	Conductor Housing
5	-	Conductor Cover
6	-	Conductor
7	-	Conductor Housing
8	-	Conductor
9	-	Plate
10	-	Spring Holder
11	-	Holder
12	-	Spring
13	-	Roll Braket
14	-	Shaft
15	-	Roll (Side)
16	-	Roll (Center)
17	-	Retract Shaft
18	130E87410	POB Sensor
19	-	Sensor Holder
20	-	Harness Guide
21	-	Harness Guide
22	-	Harness Holder
23	-	Harness Holder (P/O PL 14.2 Item 2)

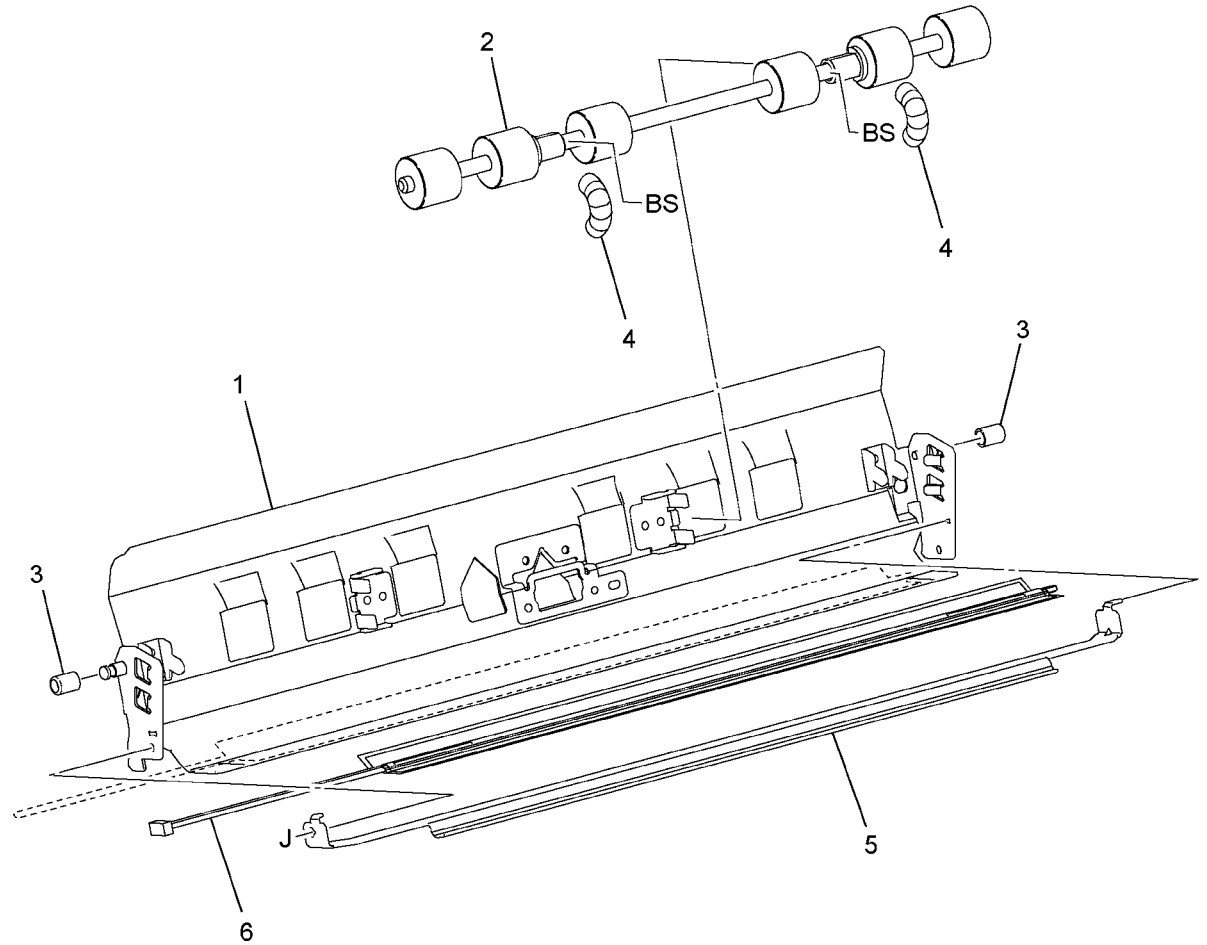


j0kt51404

PL 14.5 Chute Assembly

Item	Part	Description
1	-	Chute Assembly
2	059K56660	Pinch Roller Assmby
3	-	Pulley
4	809E79750	Spring
5	-	Heater Bracket
6	-	DC Heater

PL 14.5

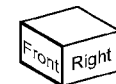
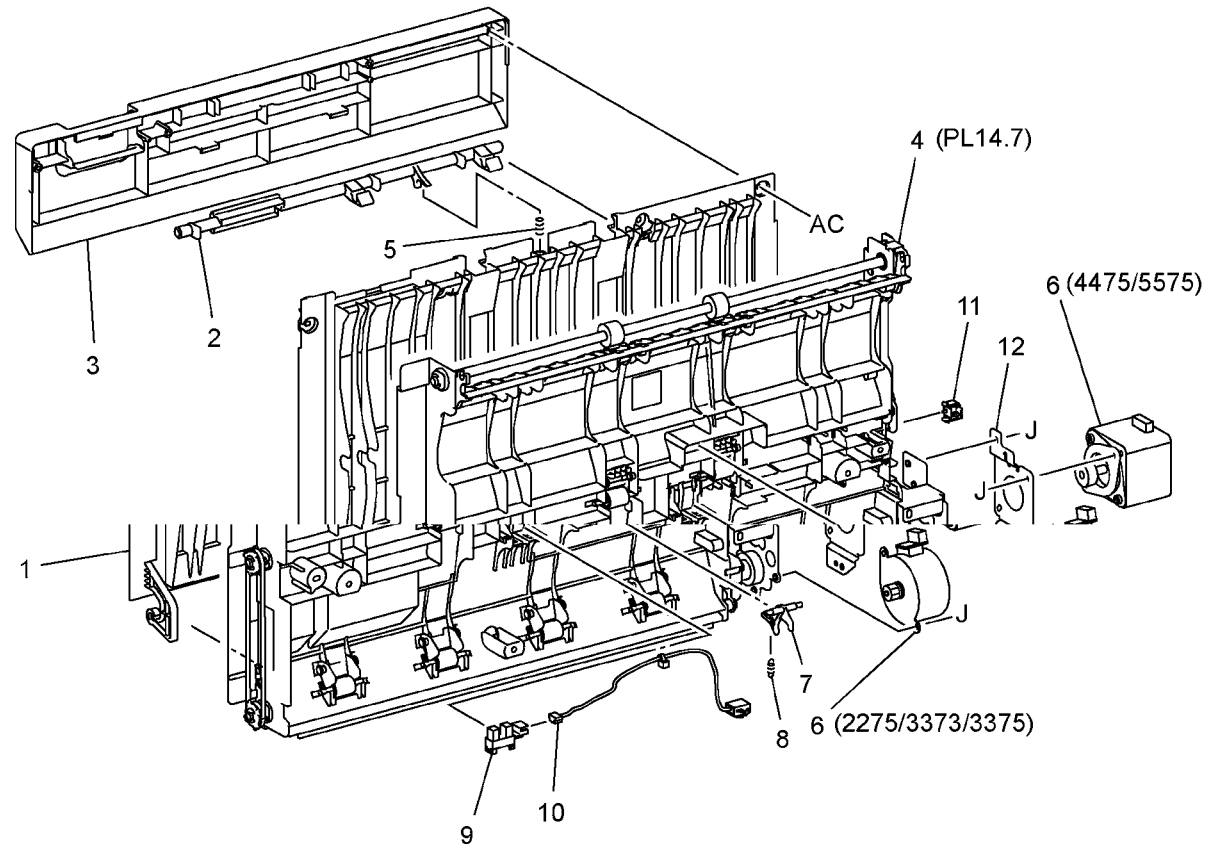


j0kt51405

PL 14.6 Duplex Assembly (1 of 2)

Item	Part	Description
1	848E24142	Duplex Cover
2	011E23681	Duplex Lever
3	848E43860	Level Cover
4	-	Frame Assembly
5	-	Spring
6	127K65880	Duplex Motor (7845/55)
-	127K58390	Duplex Motor (7830/35)
7	120E32340	Actuator
8	-	Spring
9	930W00113	Duplex Wait Sensor
10	-	Wire Harness
11	110E11580	Dulpex Cover Switch
12	-	Motor Bracket

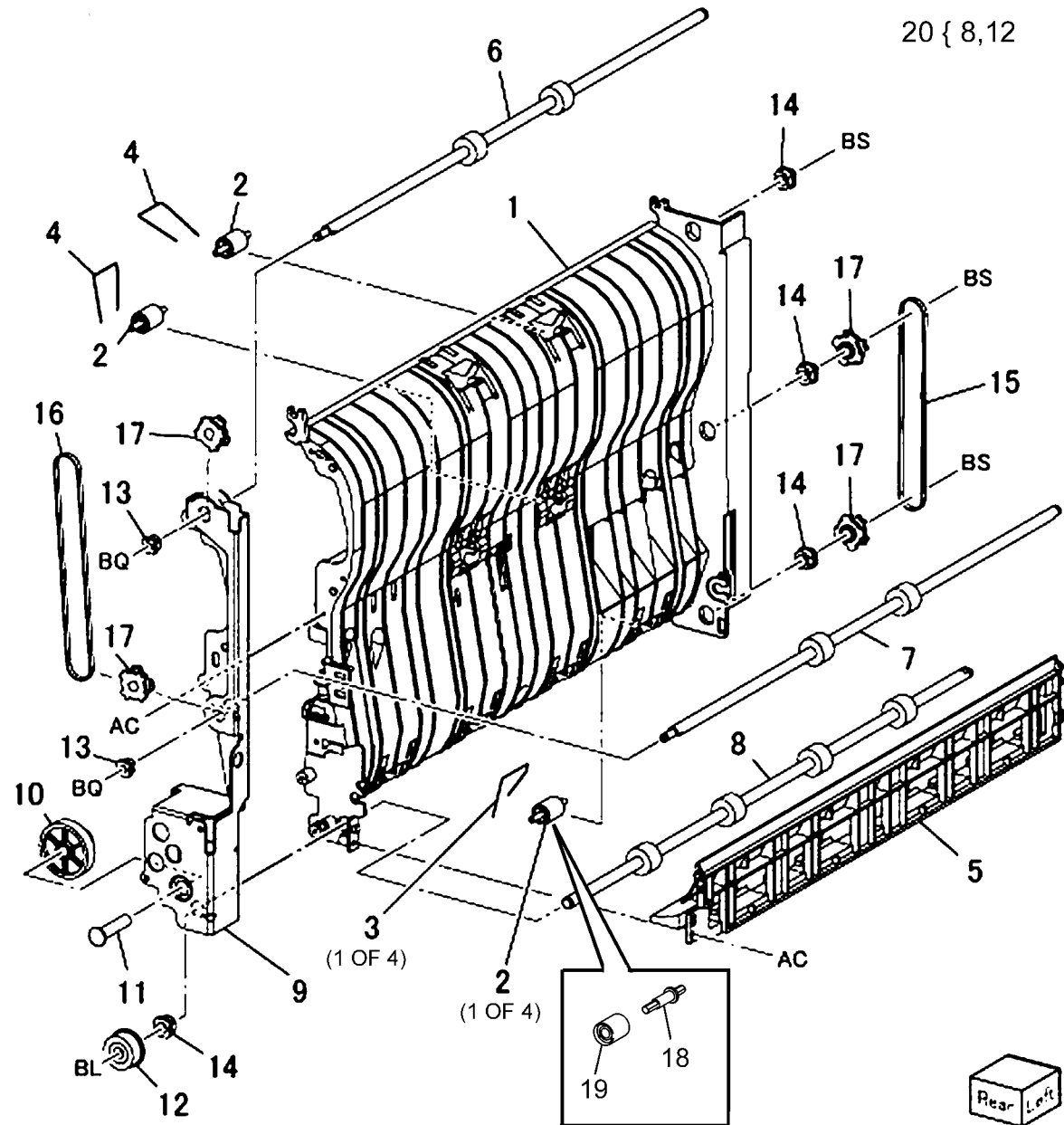
PL 14.6



j0kt51406

PL 14.7 Duplex Assembly (2 of 2)

Item	Part	Description
1	-	Inner Chute (P/O PL 14.2 Item 3)
2	-	Duplex Pinch Roll
3	-	Pinch Spring 1
4	-	Pinch Spring 2
5	-	Lower Chute (P/O PL 14.2 Item 3)
6	-	Duplex Roller 1
7	-	Duplex Roller 2
8	-	Duplex Roller 3 (P/O PL 14.7 Item 20) (W/TAG P-001)
9	-	Duplex Rear Frame (P/O PL 14.2 Item 3)
10	-	Idle Gear (13T/46T)
11	-	Pin
12	-	Helical Gear (P/O PL 14.7 Item 20) (W/TAG P-001)
13	-	Sleeve Bearing (P/O PL 14.2 Item 3)
14	-	Sleeve Bearing (P/O PL 14.2 Item 3)
15	-	Belt
16	-	Belt
17	-	Pulley
18	-	Shaft
19	-	Duplex Pinch Roll
20	-	Duplex Roller Kit

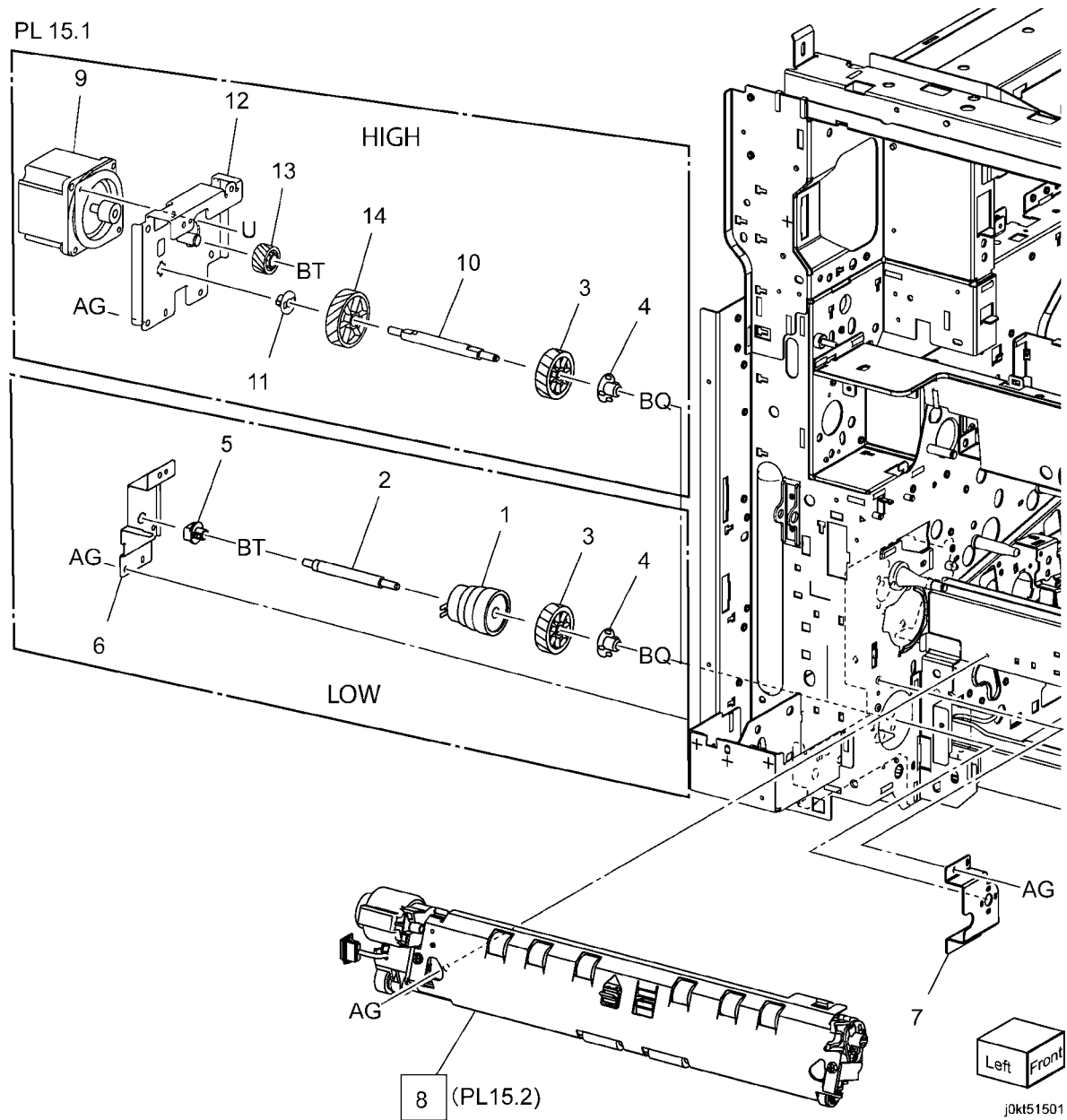


20 { 8,12

0512006B-NWD

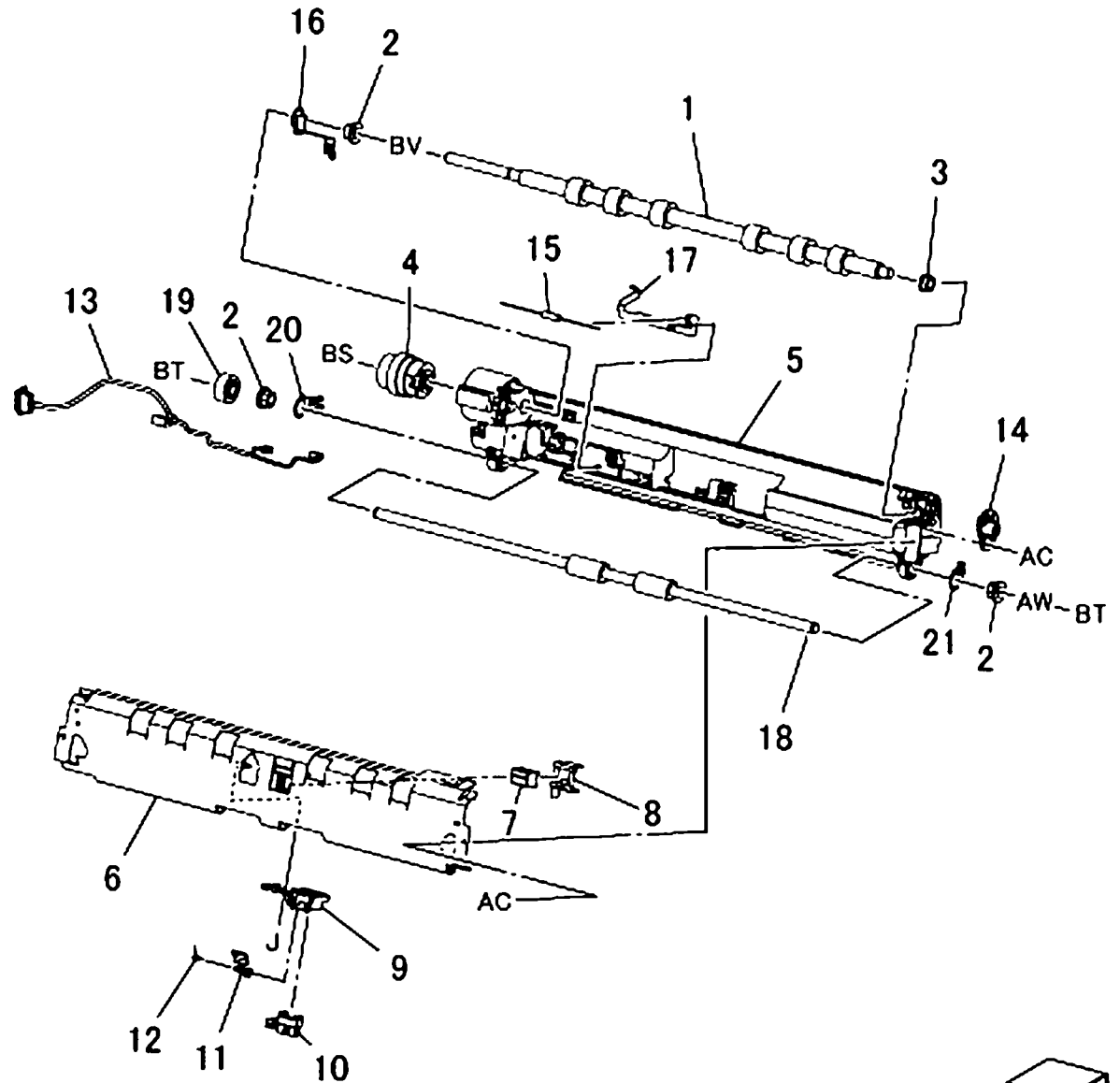
PL 15.1 Registration (1 of 2)

Item	Part	Description
1	121K41242	Takeaway Clutch (7830/35)
2	-	Shaft (7830/35)
3	807E20050	Gear (40T)
4	013E33420	Bearing
5	013E33460	Takeaway Bearing
6	-	Bracket (Not Spared)
7	-	Bracket (Not Spared)
8	059K75155	Registration Transport Assembly (7845/7855) (REP 7.24)
-	059K75651	Registration Transport Assembly (7830/7835)
9	127K60770	Take Away Motor
10	-	Shaft (Not Spered) (7845/55)
11	013E36280	Bearing
12	-	Bracket (Not Spered) (7845/55)
13	807E30540	Gear (29T)
14	807E30531	Gear (60T) (7845/55)



PL 15.2 Registration (2 of 2)

Item	Part	Description
1	059K75590	Registration Roll
2	013E40520	Bearing
3	013E36270	Sleeve Bearing
4	121K46000	Registration Clutch (7845/7855)
-	121K41201	Registratikon Clutch (7830/7835)
5	054E33634	Registration Chute
6	054K33690	Inlet Chute Assembly
8	-	Safety Cover (P/O PL 15.1 Item 8)
9	019E70091	Sensor Holder
10	930W00111	Registration Sensor
-	930W00121	Registration Sensor (Alternate)
11	120E29700	Actuator
12	809E78760	Spring
13	-	Registration Wire Harness (P/O PL 15.1 Item 8)
14	-	Skew Adjust Block (P/O PL 15.1 Item 8)
15	103E45060	Inlet Resistor
16	-	Conductor (In) (P/O PL 15.1 Item 8)
17	-	Conductor (Out) (P/O PL 15.1 Item 8)
18	059K53370	Takeaway Roll
19	807E20190	Gear (23T)
20	-	Conductor (P/O PL 15.1 Item 8)
21	-	Conductor (P/O PL 15.1 Item 8)
22	-	Traceability Label (7845/7855)

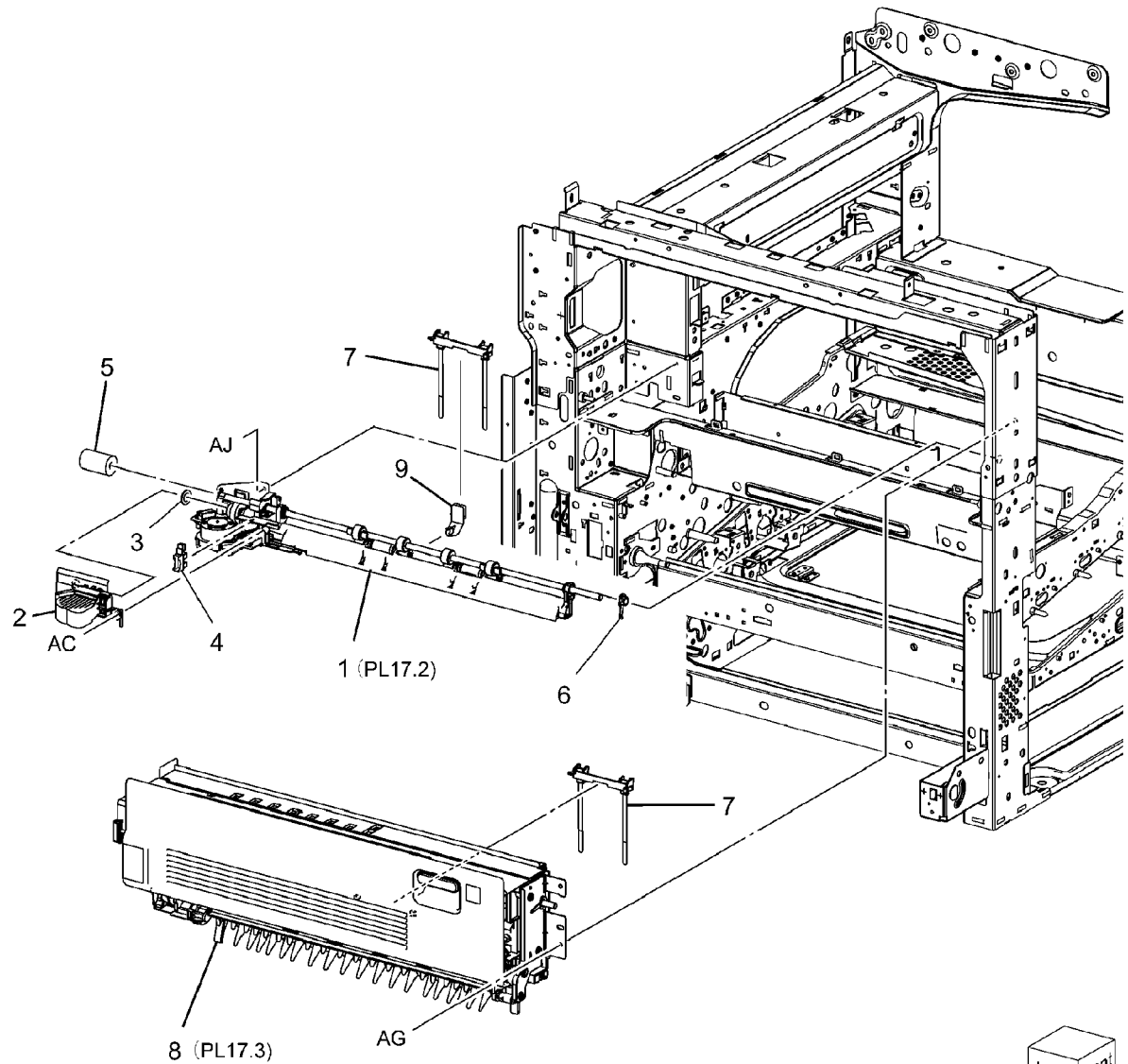


0524002A-OAK

PL 17.1 Exit 1/OCT, Exit 2

PL 17.1

Item	Part	Description
1	—	Exit/OCT 1 Assembly (REF: PL 17.2) (REP 11.1)
2	—	Motor Cover
3	—	Washer (Not Spared)
4	930W00113	Exit 1 OCT Home Position Sensor
5	807E20620	Gear (19T)
6	013E33410	Bearing
7	036K91890	Paper Weight
8	059K78440	Exit 2 Assembly (7845/55)
—	059K68315	Exit 2 Assembly (7830/35)
9	055E58430	Exit 1 Guard



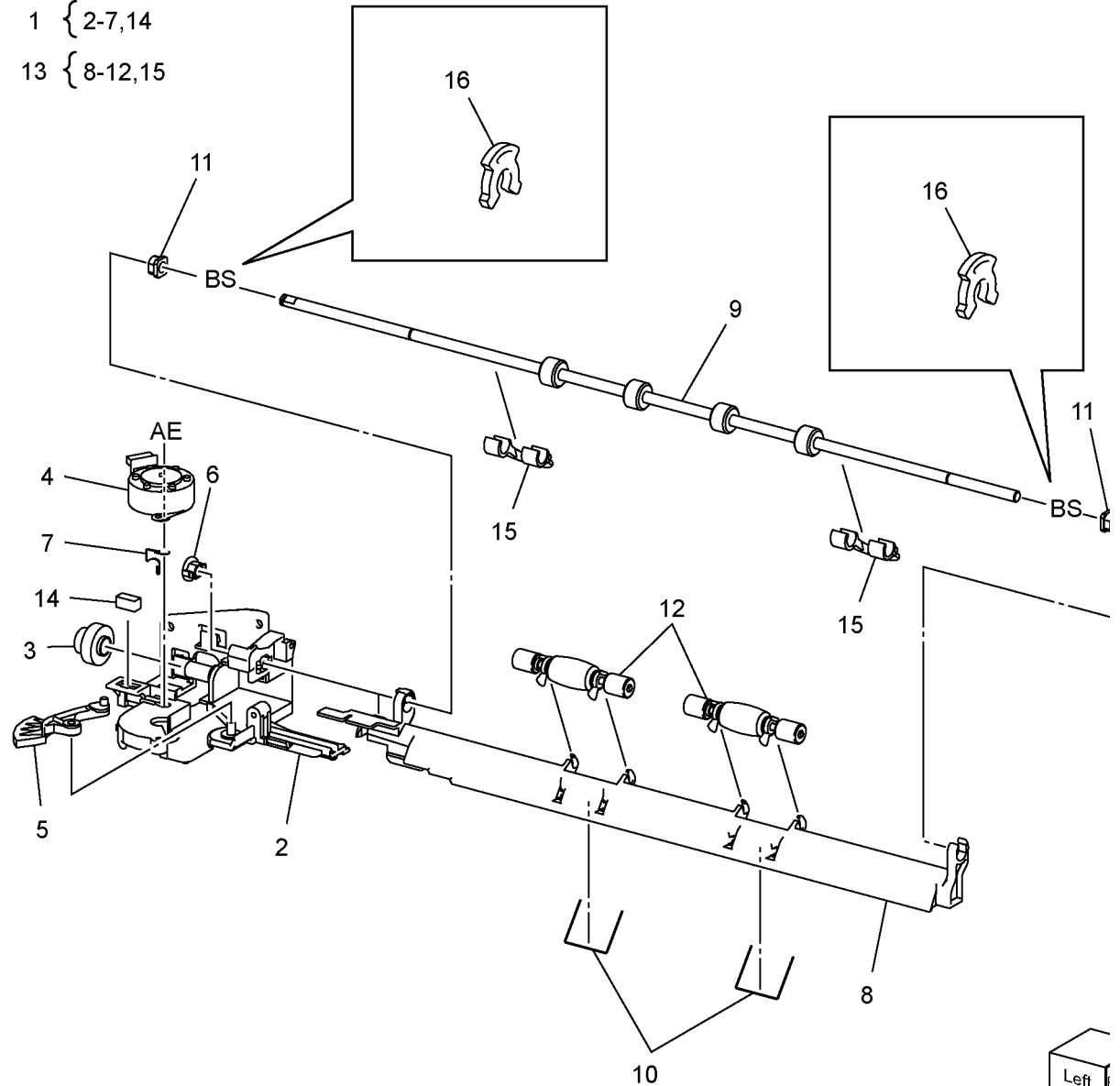
Left Front
0517001A-NWD

PL 17.2 Exit 1/OCT

Item	Part	Description
1	-	Exit 1 Base Assembly (7830/35) (Not Spared)
2	-	Exit 1 Base Assembly (7845/55) (P/O PL 17.2 Item 1)
3	-	Exit 1 Gear (P/O PL 17.2 Item 1)
4	127K52280	Exit 1 OCT Motor (7830/35)
-	127K60880	Exit 1 OCT Motor (7845/55)
5	-	OCT Gear (P/O PL 17.2 Item 1)
6	013E30050	Bearing (P/O PL 17.2 Item 1)
7	-	Ground Plate (P/O PL 17.2 Item 1)
8	-	OCT Chute (P/O PL 17.2 Item 13)
9	-	OCT 1 Roller (P/O PL 17.2 Item 13)
10	-	Exit Pinch Spring (P/O PL 17.2 Item 13)
11	013E36390	Sleeve Bearing
12	059K65781	Exit Pinch Roller
13	054K44141	Oct 1 Assembly
14	-	Sensor (P/O PL 17.2 Item 1)
15	055E57522	Exit Guide (P/O PL 17.2 Item 13)
16	-	Clip

PL 17.2

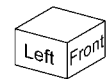
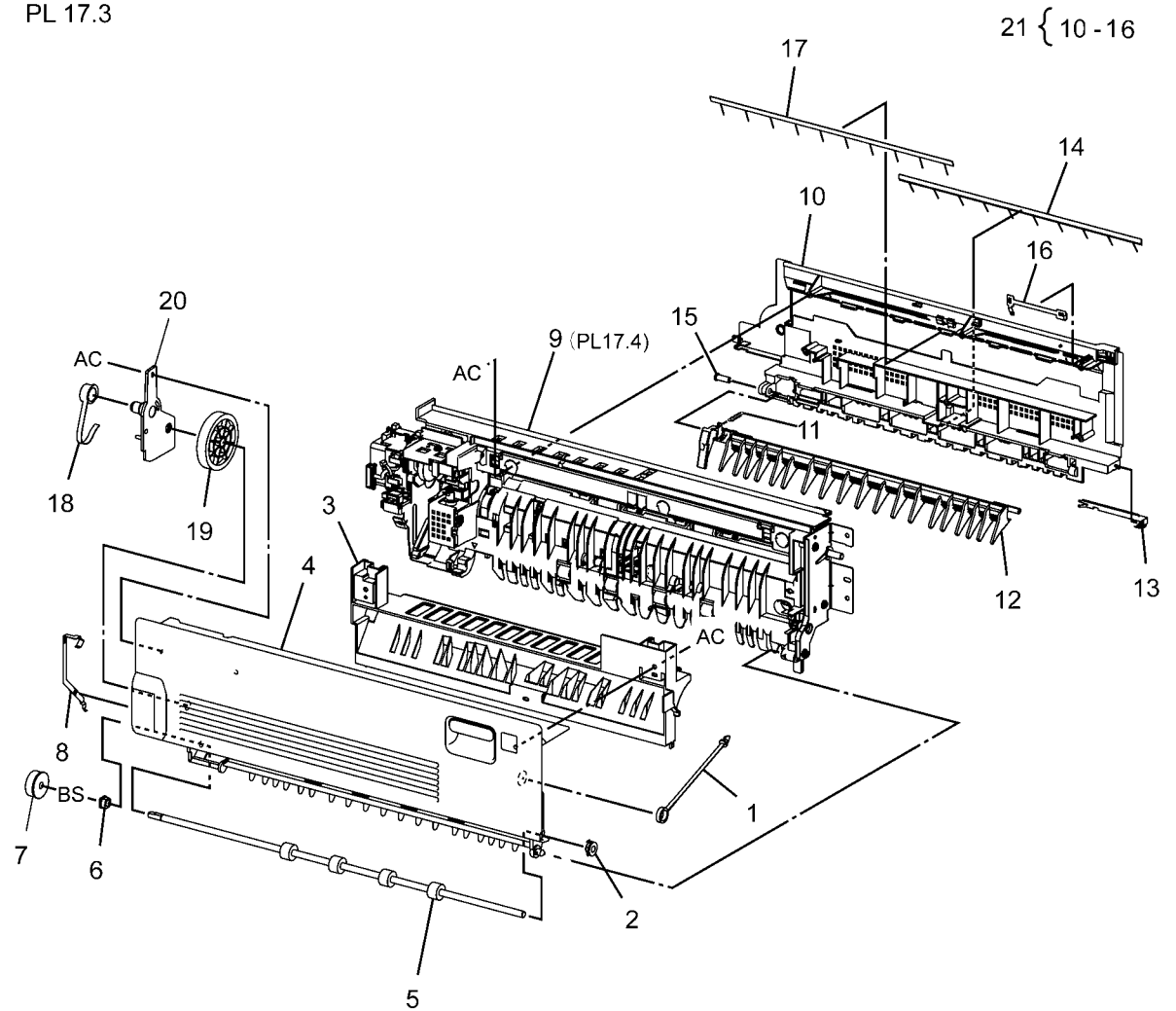
- 1 { 2-7,14
- 13 { 8-12,15



PL 17.3 Exit 2 (1 of 3)

Item	Part	Description
1	-	Exit 2 Front Stopper
2	-	Bearing (P/O PL 17.1 Item 8)
3	054E35673	Exit 2 Chute (Not Spared)
4	054E41602	Left Hand High Chute
5	059K53741	Inverter Roll
6	413W14760	Sleeve Bearing
7	-	Gear (22T) (P/O PL 17.1 Item 8)
8	-	Ground Plate (P/O PL 17.1 Item 8)
9	-	Exit 2 Drive Assembly
10	-	Tray 2 Guide (P/O PL 17.3 Item 21)
11	-	Gate 1 Spring (P/O PL 17.3 Item 21)
12	-	Exit Gate (P/O PL 17.3 Item 21)
13	-	Ground Plate (P/O PL 17.3 Item 21)
14	925W00001	Eliminator
15	-	Gate Stopper (P/O PL 17.3 Item 21)
16	-	Ground Plate (Not Spared)
17	-	Elimiator
18	003E75360	Exit 2 Stopper
19	-	Gear (52T) (Not Spared)
20	-	Gear Cover
21	-	Exit 2 Guide Assembly

PL 17.3

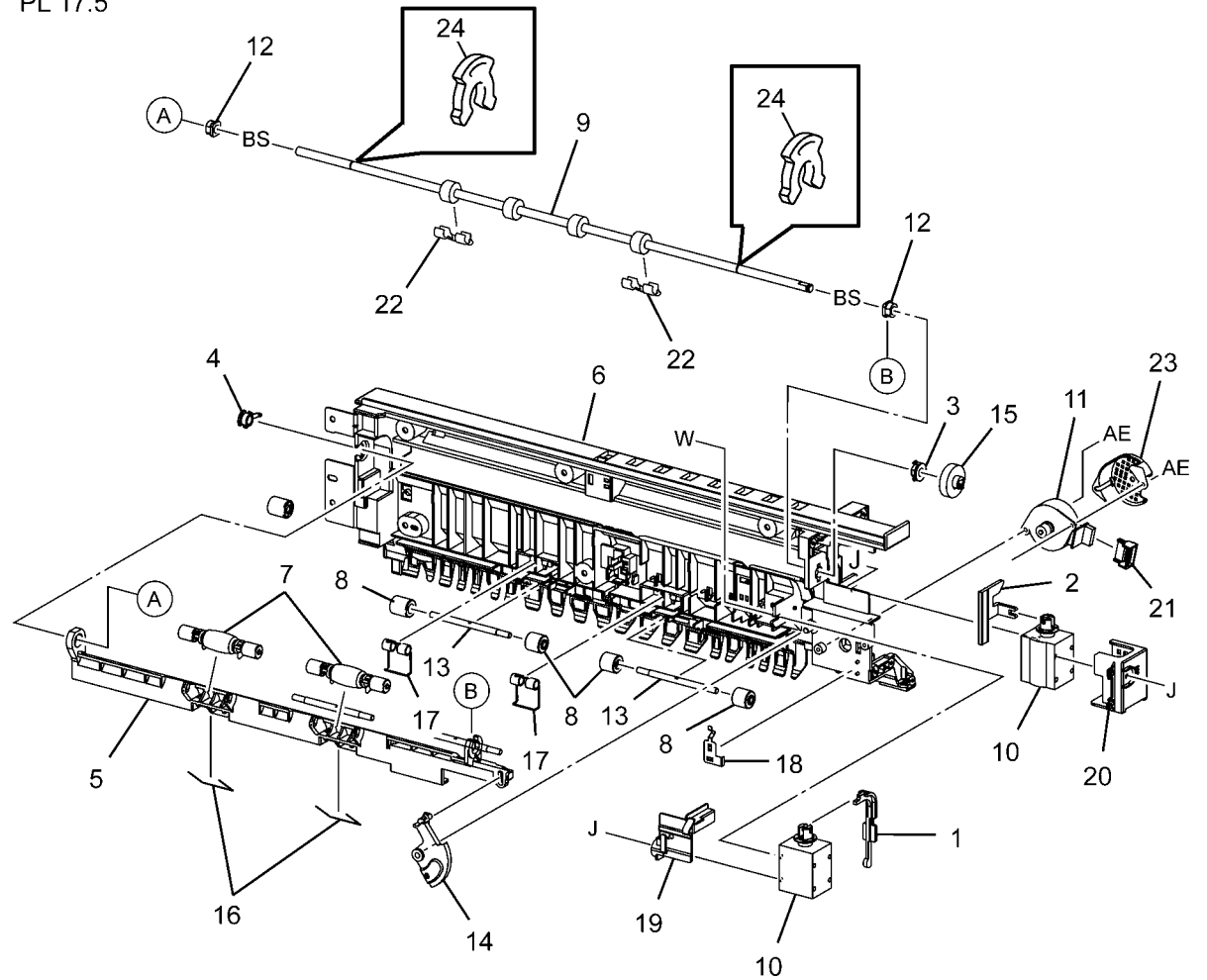


0517003A-NWD

PL 17.5 Exit 2 (3 of 3)

Item	Part	Description
1	-	Exit Gate Link (P/O PL 17.1 Item 8)
2	-	Face Up Gate Solenoid Link (P/O PL 17.1 Item 8)
3	-	Bearing (P/O PL 17.1 Item 8)
4	013E33410	Bearing
5	-	OCT 2 Chute (P/O PL 17.1 Item 8)
6	-	Low 2 Chute (P/O PL 17.1 Item 8)
7	059K65781	Exit Pinch Roller
8	059E03531	Inverter Pinch Roll
9	-	OCT Roller (P/O PL 17.1 Item 8)
10	921W11601	Exit 2 Gate Solenoid; Face Up Gate Solenoid
11	127K60880	Exit 2 OCT Motor (7845/55)
-	127K52280	Exit 2 OCT Motor (7830/35)
12	013E36390	Sleeve Bearing
13	-	Inverter Pinch Shaft (P/O PL 17.1 Item 8)
14	-	Offset 2 Gear (Not Spared)
15	-	Gear (22T) (P/O PL 17.1 Item 8)
16	809E99520	Exit Pinch Spring
17	809E75460	Inverter Pinch Spring
18	-	Ground Plate (P/O PL 17.1 Item 8)
19	-	Exit 2 Gate Solenoid Cover (P/O PL 11.1 Item 8)
20	-	Face Up Gate Solenoid Cover (P/O PL 17.1 Item 8)
21	-	Connector Cover (P/O PL 17.1 Item 8)
22	055E57521	Exit 2 Guard
23	-	Motor Cover (Not Spared)
24	-	Clip (Not Spared)

PL 17.5



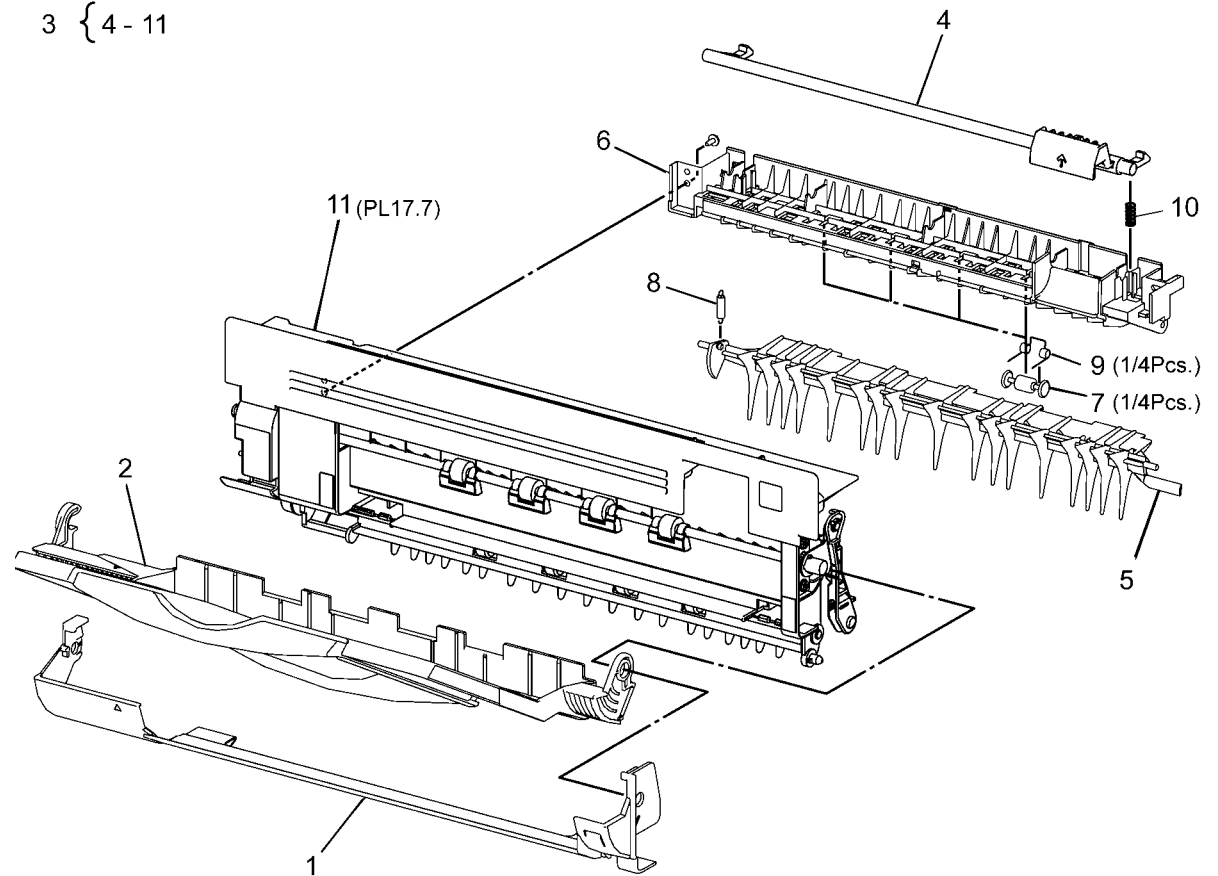
0517005A-NWD

PL 17.6 Side Tray Unit (1 of 2)

Item	Part	Description
1	848E21532	Tray Cover
2	050K62502	Left Side Output Tray
3	-	Left Side Output Tray Transport Assembly (Not Spared)
4	803E04720	Latch Handle
5	-	Exit 2 Gate (P/O PL 17.6 Item 3)
6	-	Upper Chute (P/O PL 17.6 Item 3)
7	-	Pinch Roll (P/O PL 17.6 Item 3)
8	-	Spring (P/O PL 17.6 Item 3)
9	-	Pinch Spring (P/O PL 17.6 Item 3)
10	-	Spring (P/O PL 17.6 Item 3)
11	-	Transport Roll Assembly

PL 17.6

3 { 4 - 11

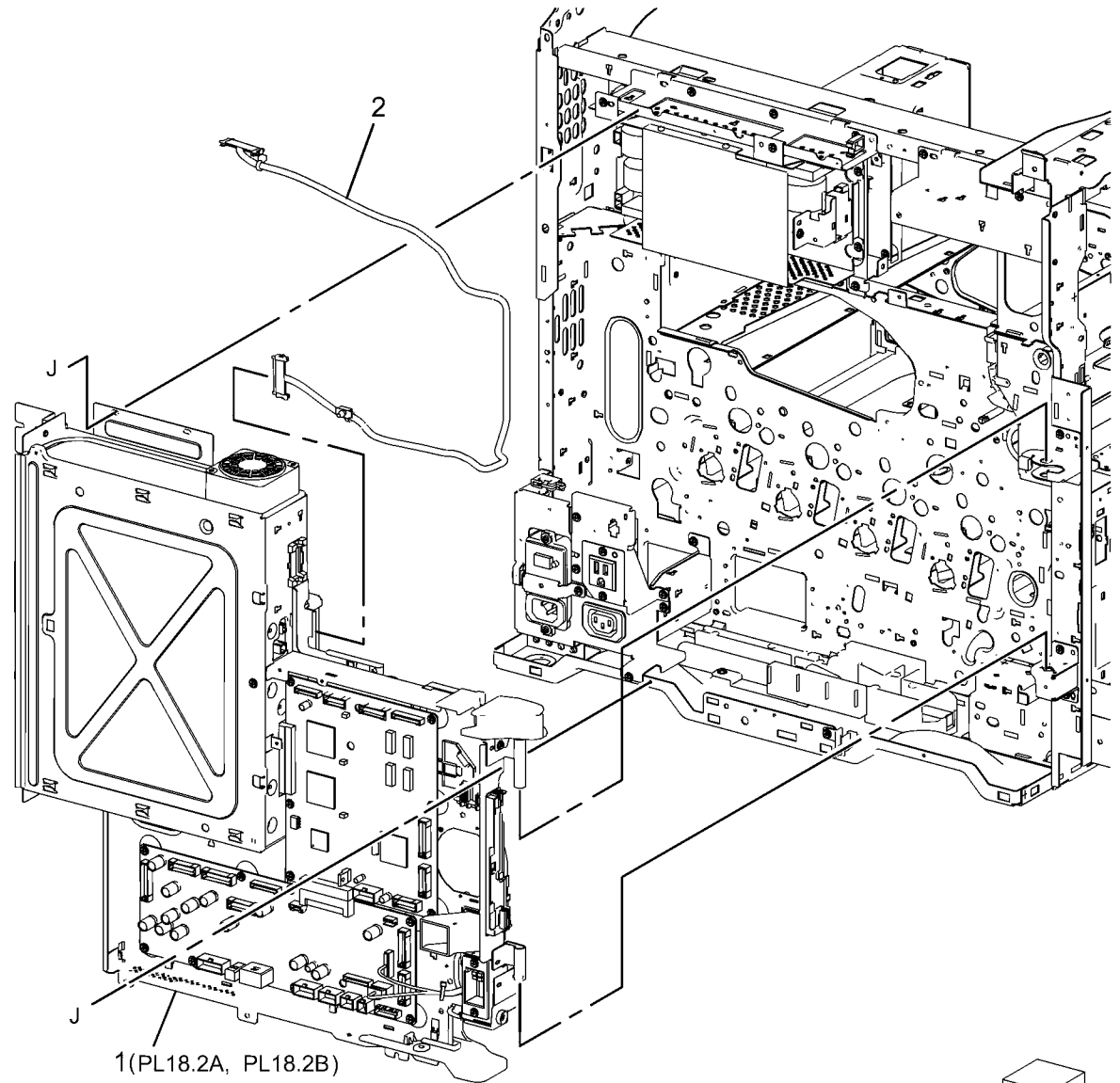


0517006A-NWD

PL 18.1 PWB Chassis Unit (1 of 2)

Item	Part	Description
1	-	PWB Chassis Unit (Not Spared)
2	117K39082	IIT Control Cable

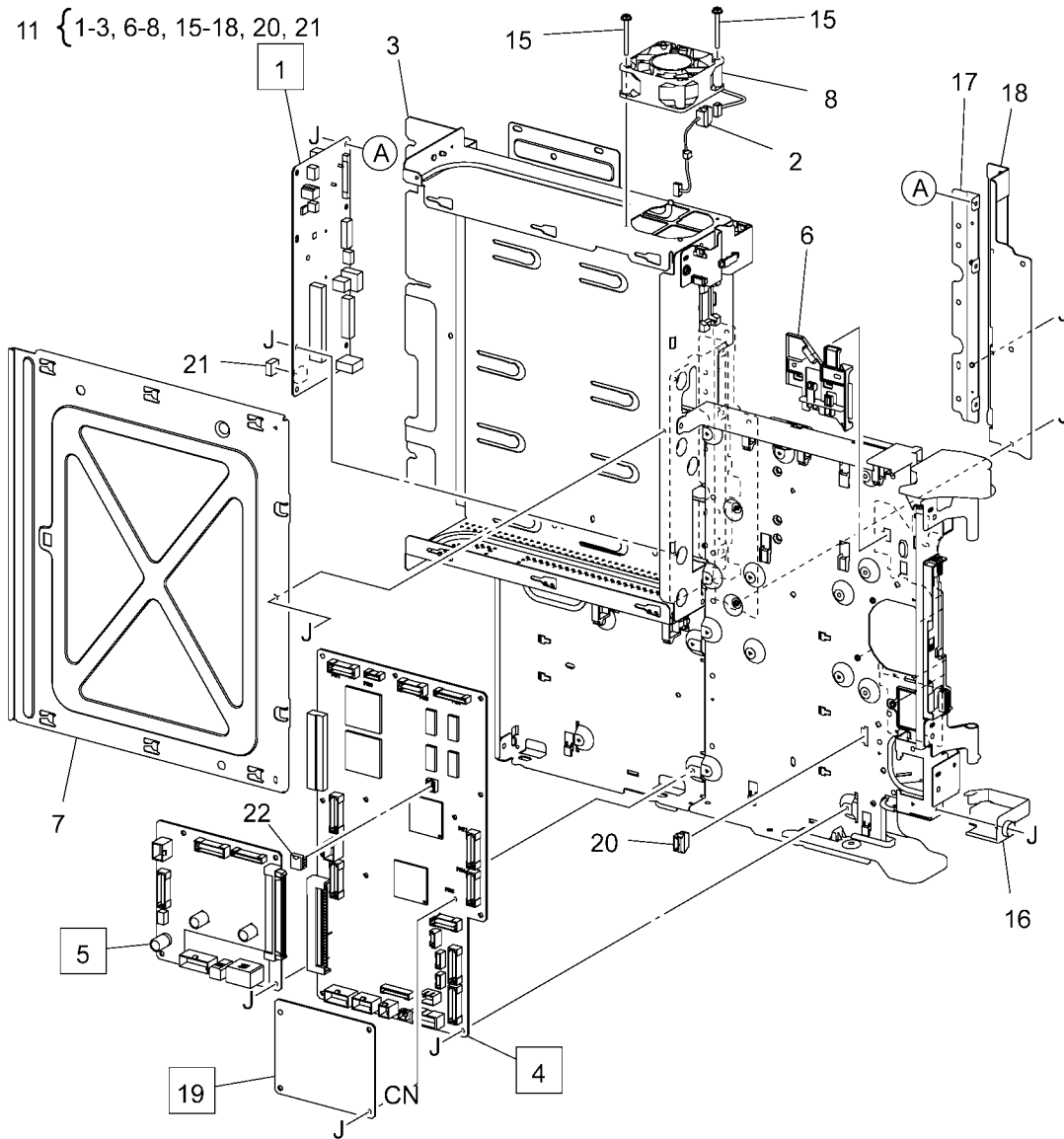
PL18.1



0518001A-NWD

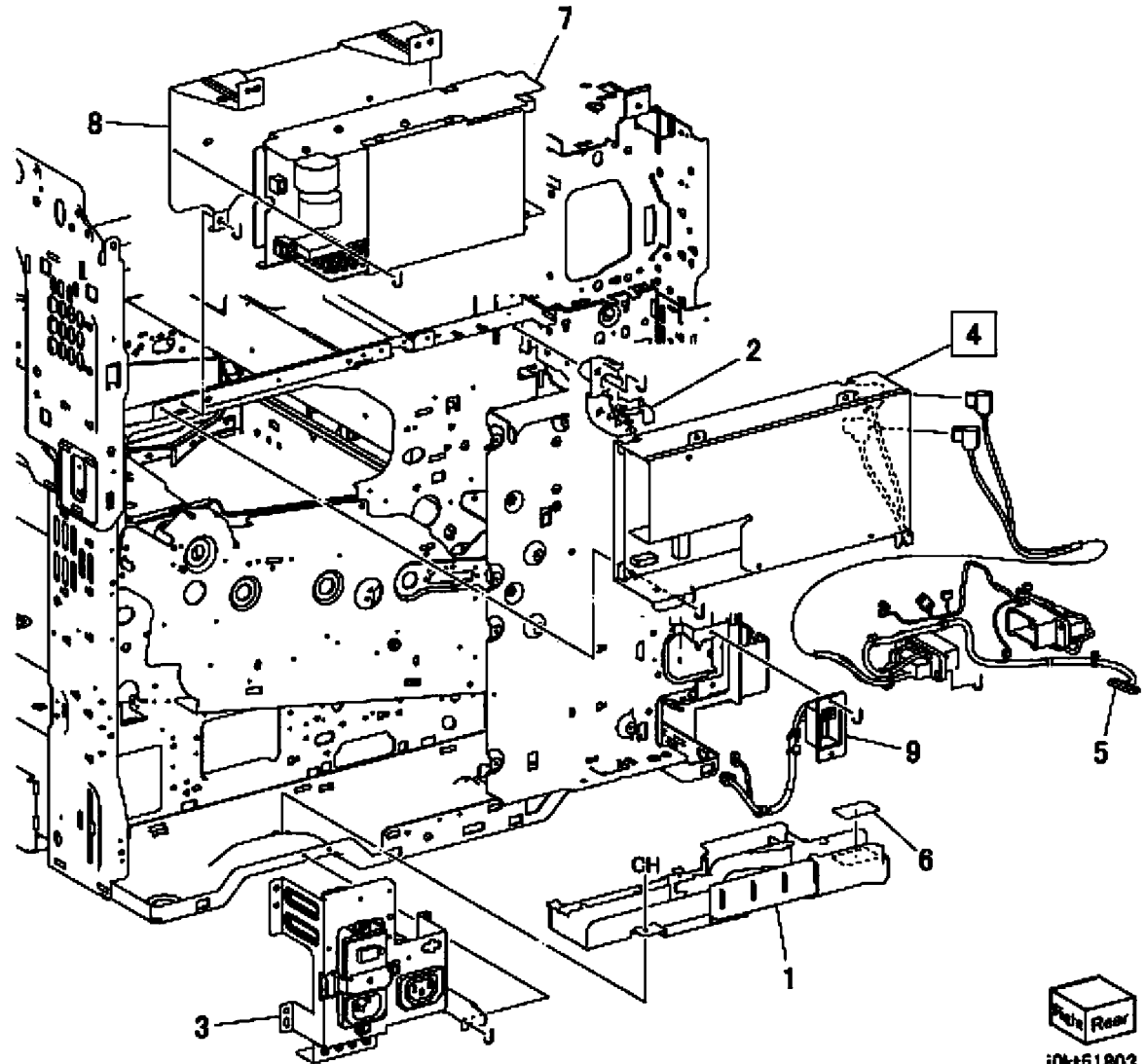
PL 18.2A PWB Chassis Unit (7830/7835)

Item	Part	Description
1	960K61591	Backplane PWB (P/O PL 18.2A Item 11) (REP 1.3)
2	-	Fan Wire Harness (P/O PL 18.2A Item 11)
3	-	Chassis Assembly (P/O PL 18.2A Item 11)
4	960K61271	MDM PWB (P/O PL 18.2A Item 11) (REP 1.6)
5	960K61280	MDS PWB (REP 1.4)
6	-	Cable Holder
7	-	SBC Cover (P/O PL 18.2A Item 11)
8	-	SBC Fan (P/O PL 18.2A Item 11)
11	101K63301	PWB Chassis
15	-	Screw (P/O PL 18.2A Item 11)
16	-	Harness Guide (P/O PL 18.2A Item 11) (REP 1.5)
17	-	Bracket (P/O PL 18.2A Item 11)
18	-	Bracket (P/O PL 18.2A Item 11)
19	960K67080	MCU-PF PWB (REP 1.5)
20	-	Connector (P/O PL 18.2A Item 11)
22	-	EEPROM (P/O PL 18.2A Item 11)



PL 18.3 IOT Rear

Item	Part	Description
1	-	Harness Guide (Not Spared)
2	-	Harness Guide (Not Spared)
3	-	GFI Chassis Assembly (Not Spared)
4	105E20561	IH PWB (120V)
-	105E20631	IH PWB (220V)
5	962K99240	Fuser Harness (120V)
-	952K01361	Fuser Drawer Harness (220V)
6	-	Shield (Not Spared)
7	105E20430	Sub LVPS (7845 / 7855)
8	-	Bracket (Not Spared) (7845/55)
9	-	HCF IF Connector

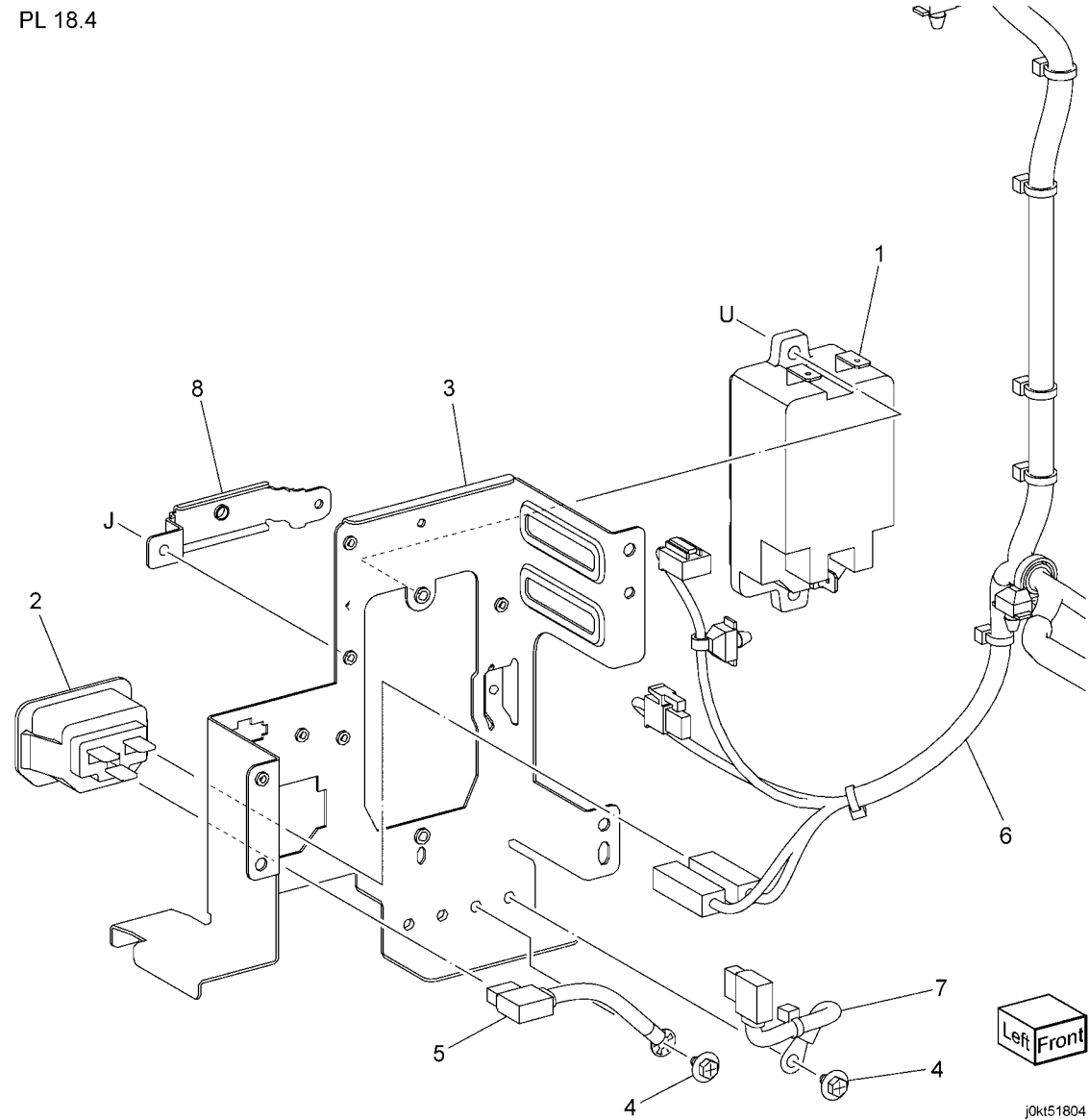



 j0kt51803

PL 18.4 GFI Chassis

Item	Part	Description
1	908W01201	GFI
2	113E23720	Finisher Outlet
3	-	GFI Chassis (Not Spared)
4	952K02851	Wire Harness (7845/55)
-	952K02841	Wire Harness (XC) (7830/35)
5	-	Bracket (Not Spared)
6	-	Wire Harness (Not Spared)
7	-	Wire Harness (Not Spared)
8	-	Wire Harness (Not Spared)

PL 18.4

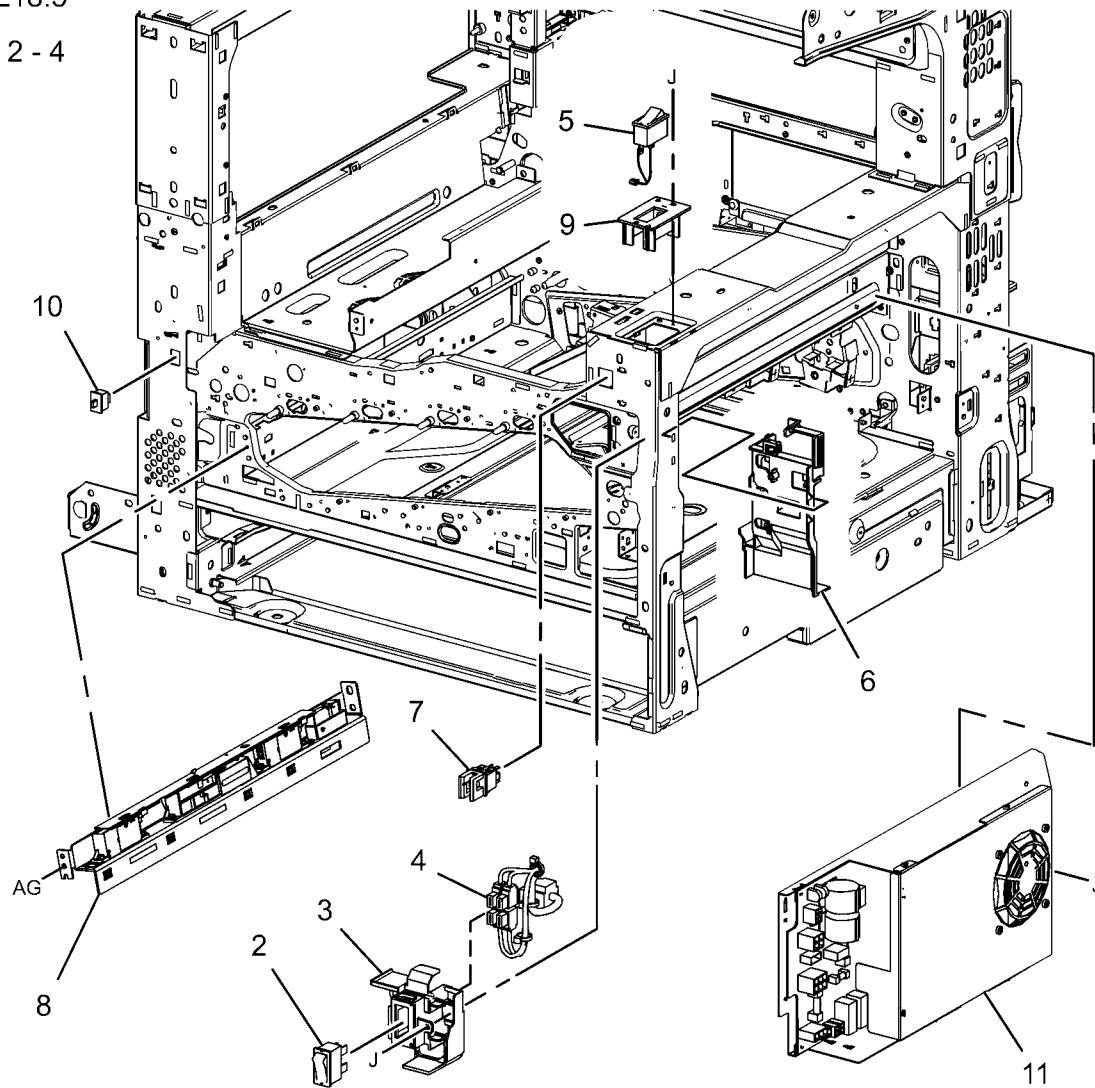


PL 18.5 Front/Right

Item	Part	Description
1	101K65530	Main Power Switch And Harness
2	110E13090	Main Power Switch
3	-	Bracket (P/O PL 18.5 Item 1)
4	-	Wire Harness (P/O PL 18.5 Item 1)
5	110K15981	Power Switch
6	-	Harness Guide (Not Spared)
7	110E14800	Front Cover Interlock Switch
8	130K78581	MOB ADC Assembly (REP 9.16)
9	-	Bracket (Not Spared)
10	-	IBT Front Cover Switch (Not Spared)
11	105E20421	Main LVPS

PL18.5

1 { 2 - 4

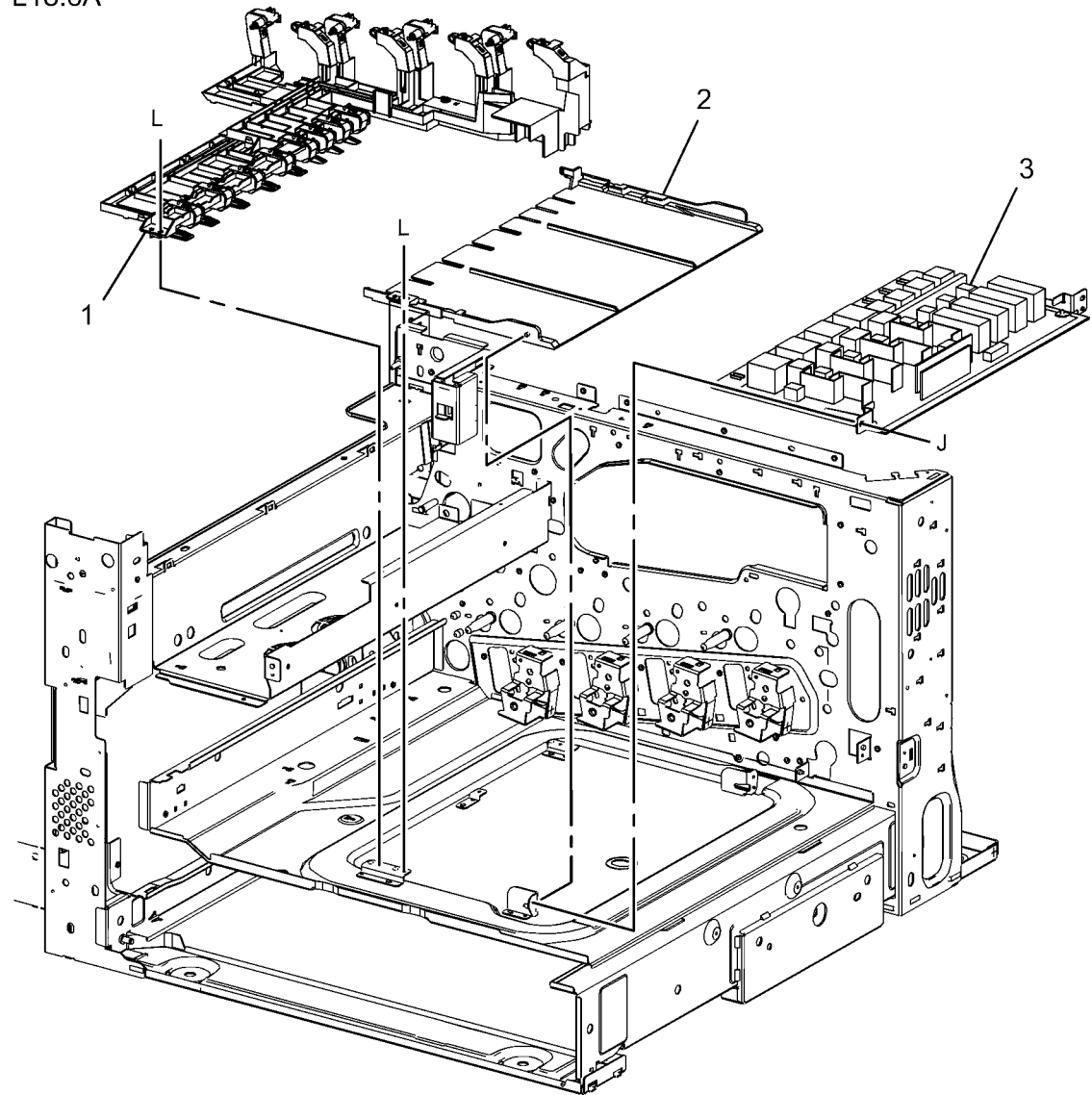


0518005A-NWD

PL 18.6A Bottom (Low Speed)

Item	Part	Description
1	848K13850	HVPS Housing
2	—	HVPS Guide
3	105E20490	Developer/BCR HVPS (REP 1.7)

PL18.6A

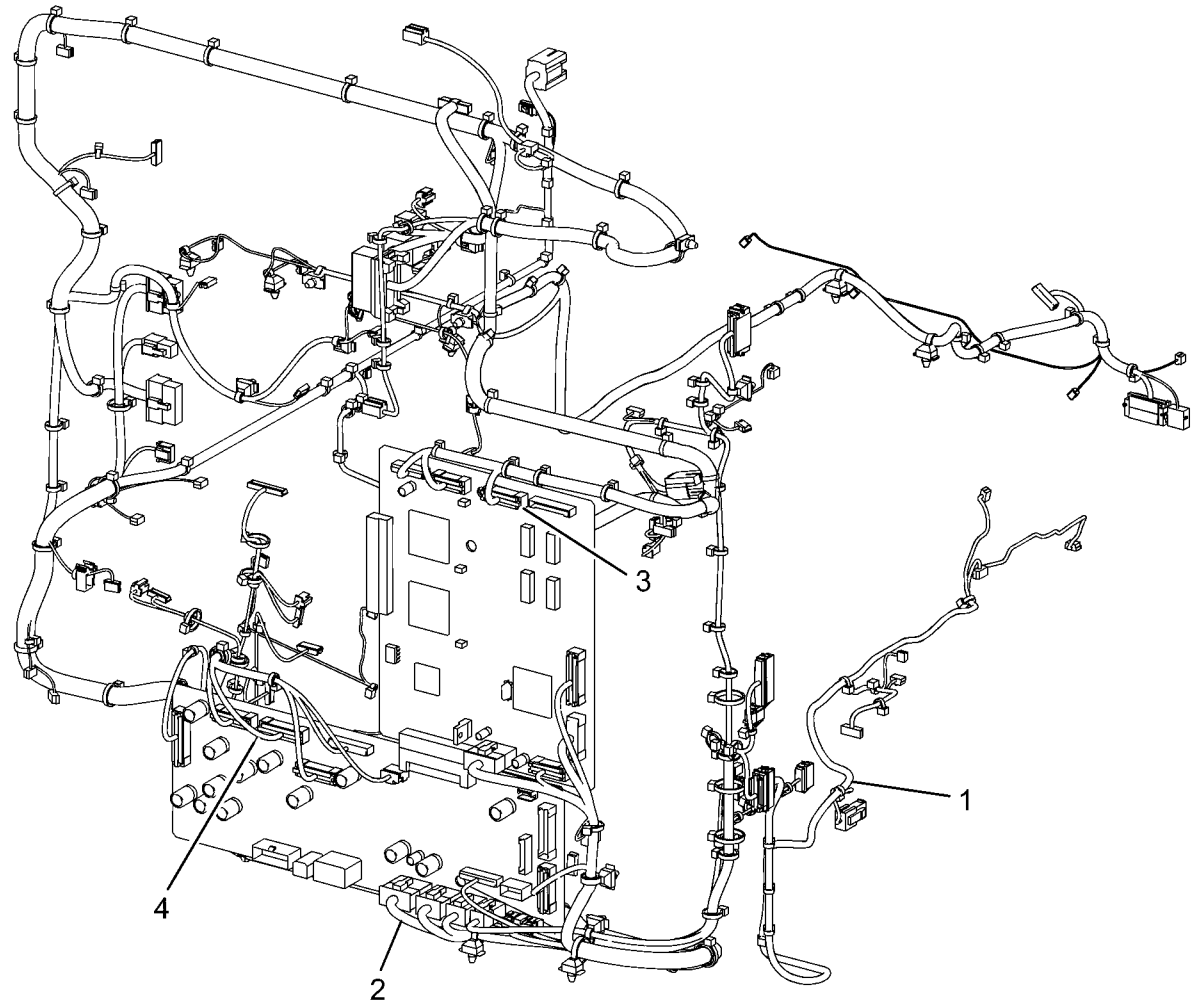


0518A06A-NWD

PL 18.7 Wire Harness

Item	Part	Description
1	-	Left Wire Harness (Not Spared)
2	-	Right Wire Harness (Not Spared)
3	-	Right Wire Harness (Not Spared)
4	-	Front Wire Harness (Not Spared)

PL18.7

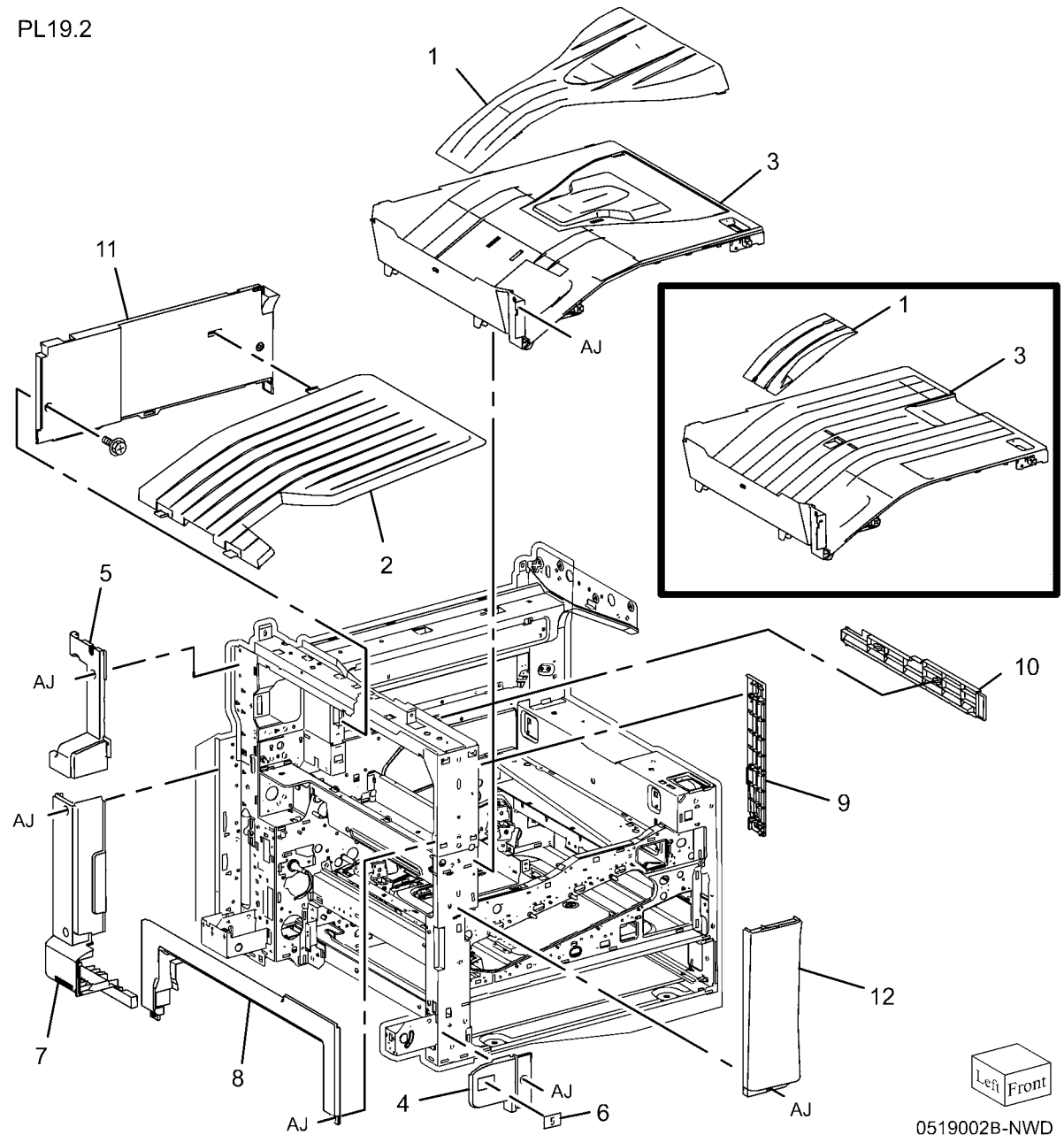


0518007A-NWD

PL 19.2 Covers (2 of 3)

Item	Part	Description
1	050E25450	Add Tray (7845/7855)
-	050E25690	Add Tray (7830/7835)
2	050E25661	Exit 2 Tray
3	-	Top Cover (Not Spared)
4	-	MSI Front Cover
5	-	Left Rear Upper Cover (Not Spared)
6	-	Number Label (5) (Not Spared)
7	-	Left Rear Lower Cover
8	-	Left Upper Cover (Not Spared)
9	-	Exit Front Cover (Not Spared)
10	-	Exit Upper Cover (Not Spared)
11	-	Top Rear Cover (Not Spared)
12	848E45051	Front Left Cover

PL19.2

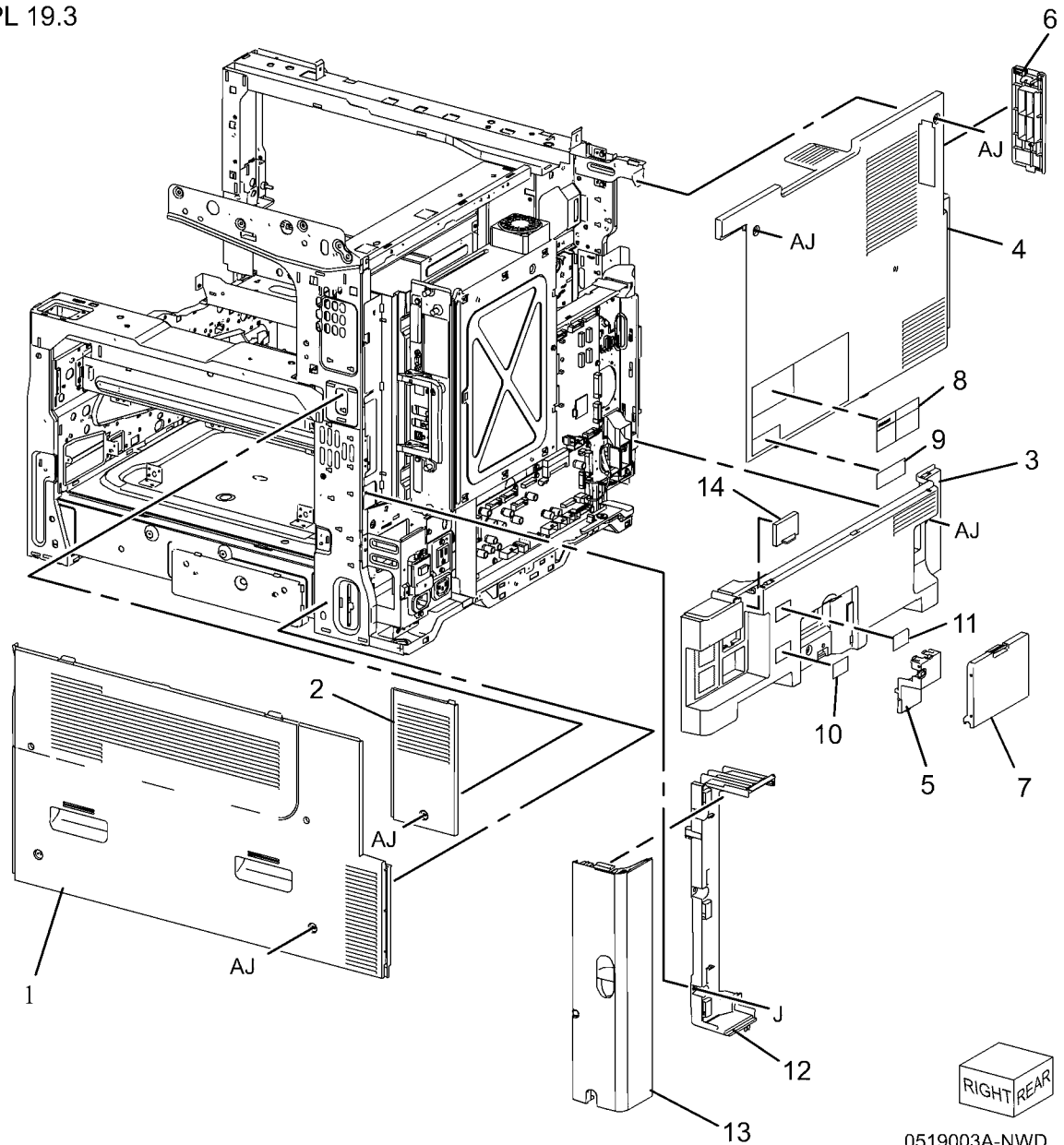


0519002B-NWD

PL 19.3 Covers (3 of 3)

Item	Part	Description
1	–	Right Cover (Not Spared)
2	–	Right Rear Cover (Not Spared)
3	–	Rear Lower Cover (Not Spared)
4	–	Rear Upper Cover (Not Spared)
5	–	DFE Outlet Cover (Not Spared)
6	–	Filter Cover (Not Spared)
7	–	MCU Cover (Not Spared)
8	–	Data Plate (Not Spared)
10	–	Label (Outlet) (Not Spared)
11	–	GFI Label (Not Spared)
12	–	Rear Control Unit Cover (Not Spared)
13	–	Control Unit Connector Cover (Not Spared)
14	–	DFE Cover (Not Spared)

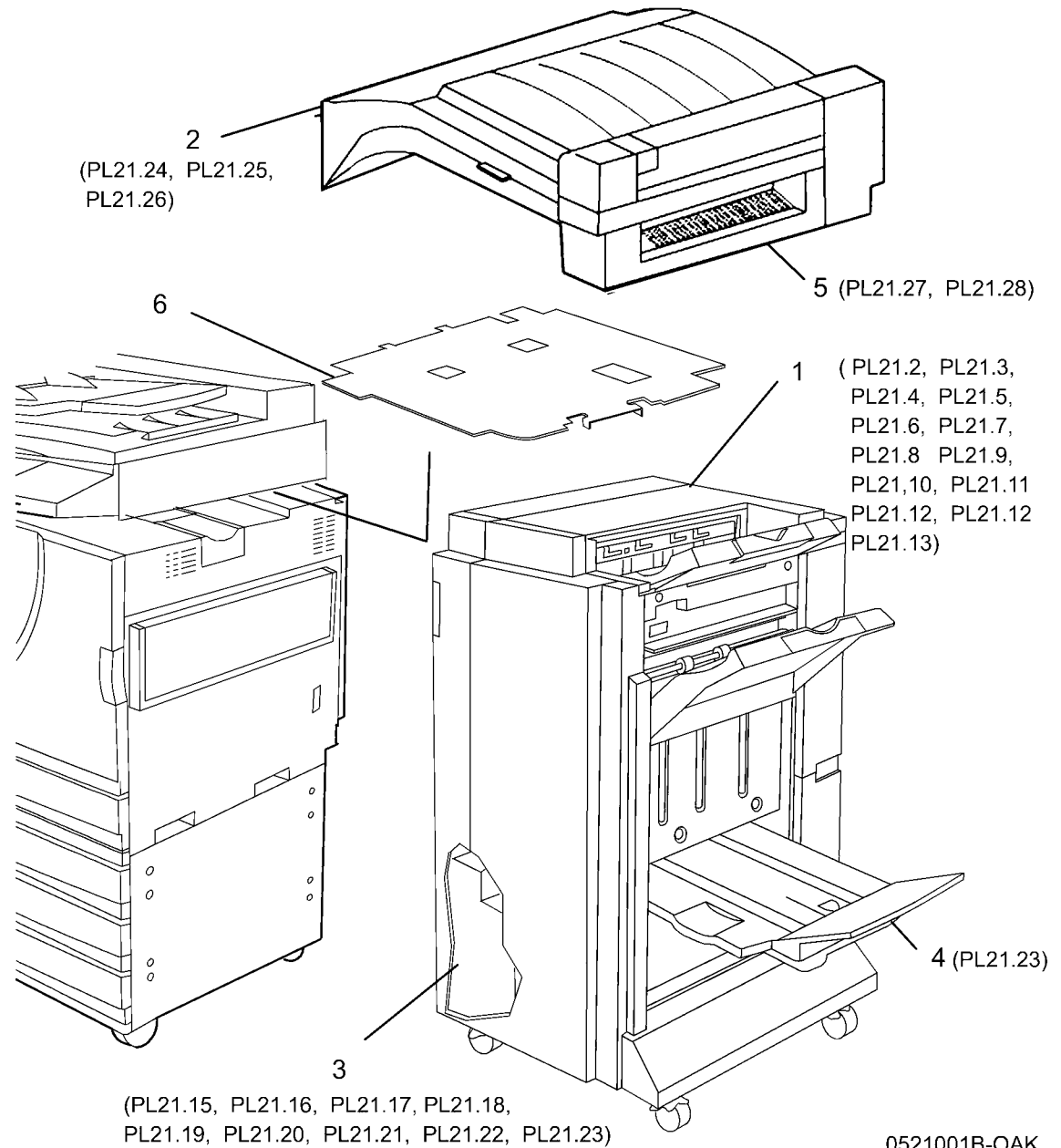
PL 19.3



0519003A-NWD

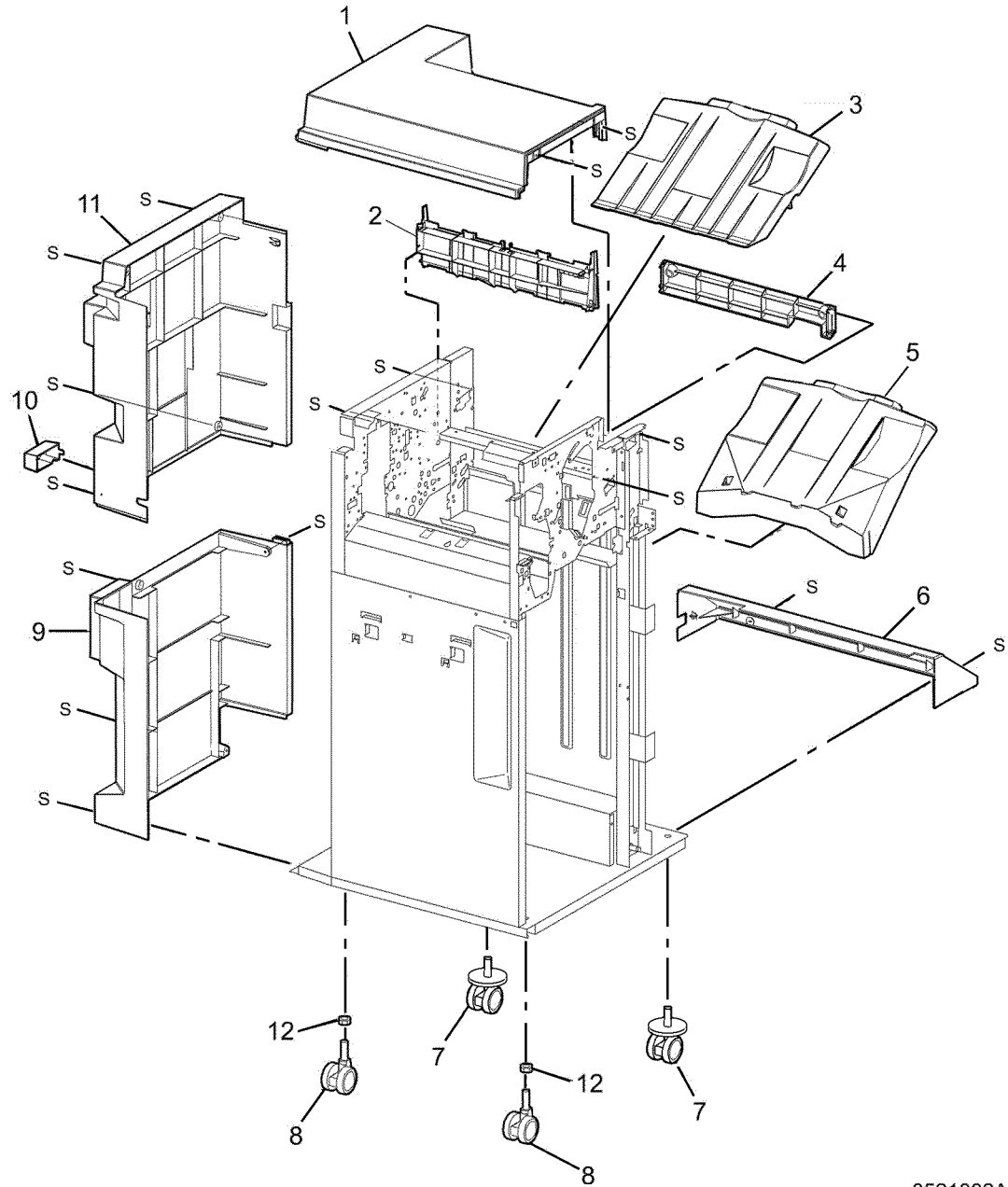
PL 21.1 Professional Finisher

Item	Part	Description
1	-	A/P Finisher (Not Spared) (REP 21.11)
2	059K66485	H-Transport Assembly (REP 21.12)
3	-	Booklet Maker (Not Spared) (REP 21.16)
4	050K62855	Booklet Tray
5	-	Decurler Transport Assembly (Not Spared)
6	-	Finisher Plate (Not Spared)



PL 21.2 Finisher Cover (1 of 2)

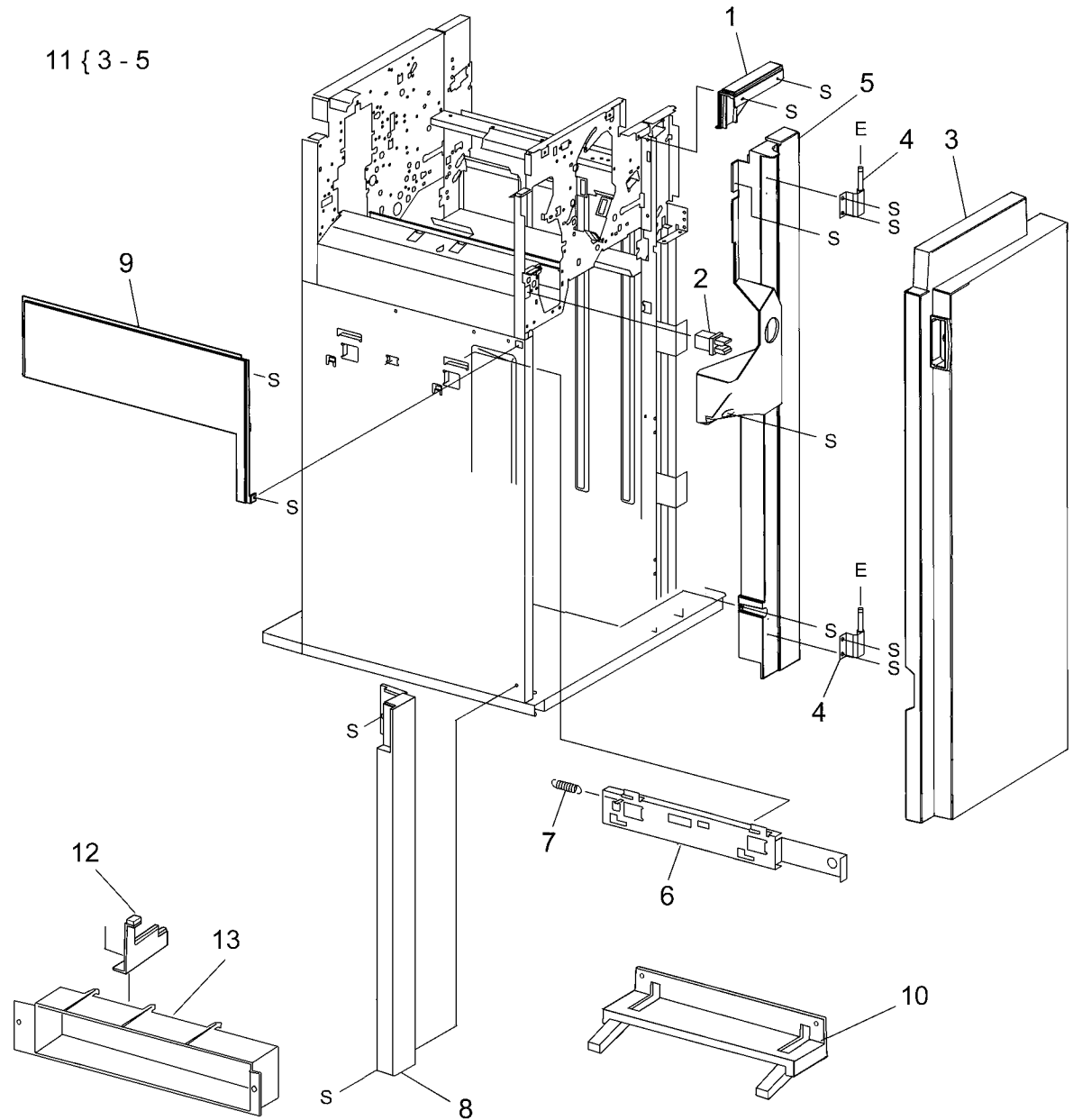
Item	Part	Description
1	802E78090	Top Cover (REP 21.4)
2	038E31290	Tray Spring Guide (Not Spared) (REP 21.8)
3	050K51270	Top Tray (REP 21.6)
4	-	Eject Cover (Not Spared) (REP 21.7)
5	050K51280	Stacker Tray (REP 21.19)
6	-	Bottom Cover (Not Spared)
7	017E98040	Caster
8	017E97230	Caster
9	-	Rear Lower Cover (Not Spared) (REP 21.3)
10	-	H-Transport Connector Cover (Not Spared)
11	-	Rear Upper Cover (Not Spared) (REP 21.2)
12	-	Nut M12X1.25 (Not Spared)



0521002A-COP

PL 21.3 Finisher Cover (2 of 2)

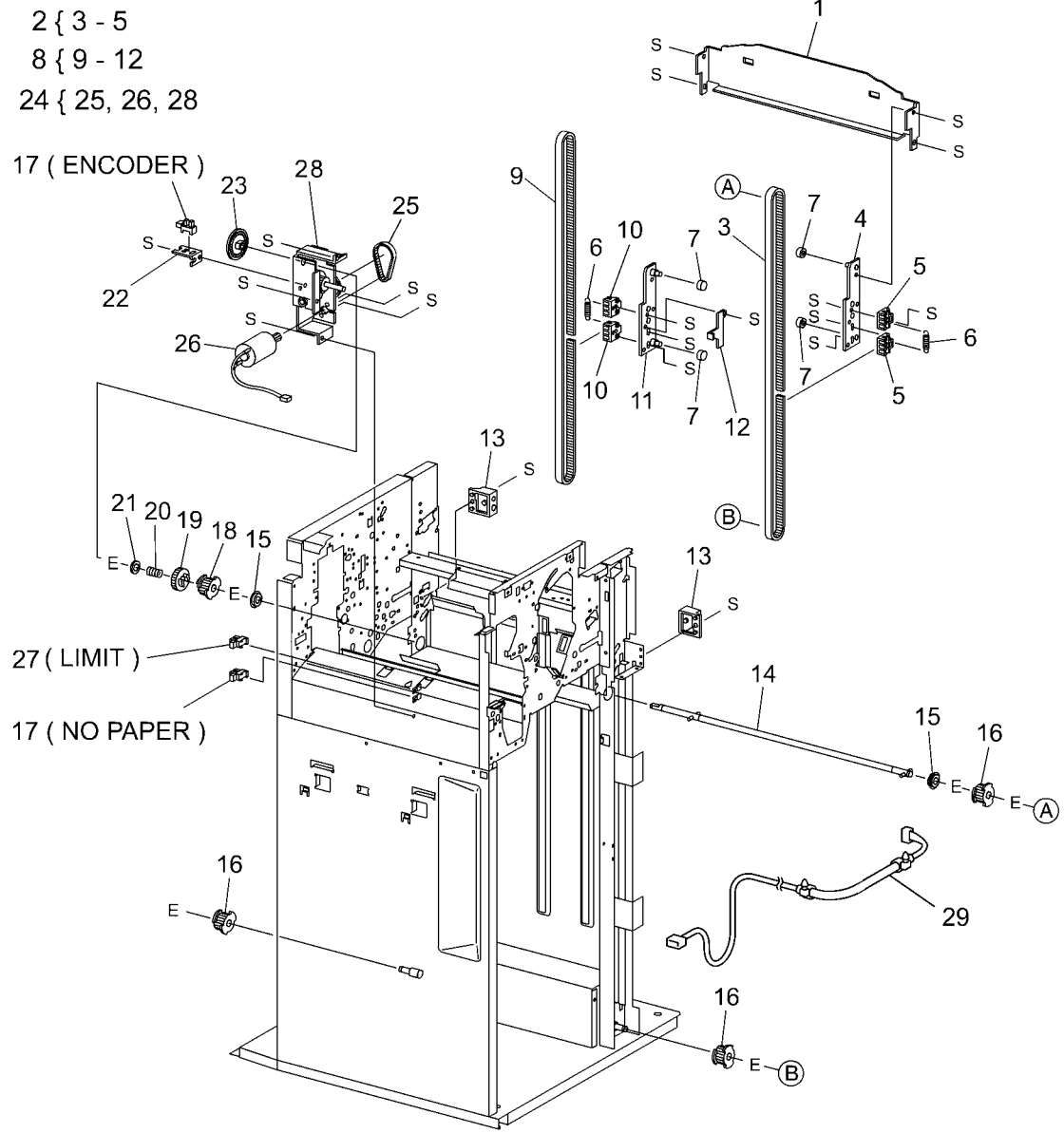
Item	Part	Description
1	-	Front Top Cover (Not Spared) (REP 21.5)
2	110E97990	Front Door Interlock Switch
3	-	Front Door (P/O PL 21.3 Item 11)
4	-	Hinge Bracket (P/O PL 21.3 Item 11)
5	-	Front Right Cover (P/O PL 21.3 Item 11)
6	815E09100	Docking Plate
7	-	Spring (Not Spared)
8	848E18470	Front Gap Cover
9	-	Left Top Cover (Not Spared) (REP 21.10)
10	015K78080	Bottom Plate
11	848K37492	Front Door Assembly (REP 21.1)
12	-	Shield Assembly
13	015K78071	IOT Docking Plate



0521003B-OAK

PL 21.4 Finisher Stack

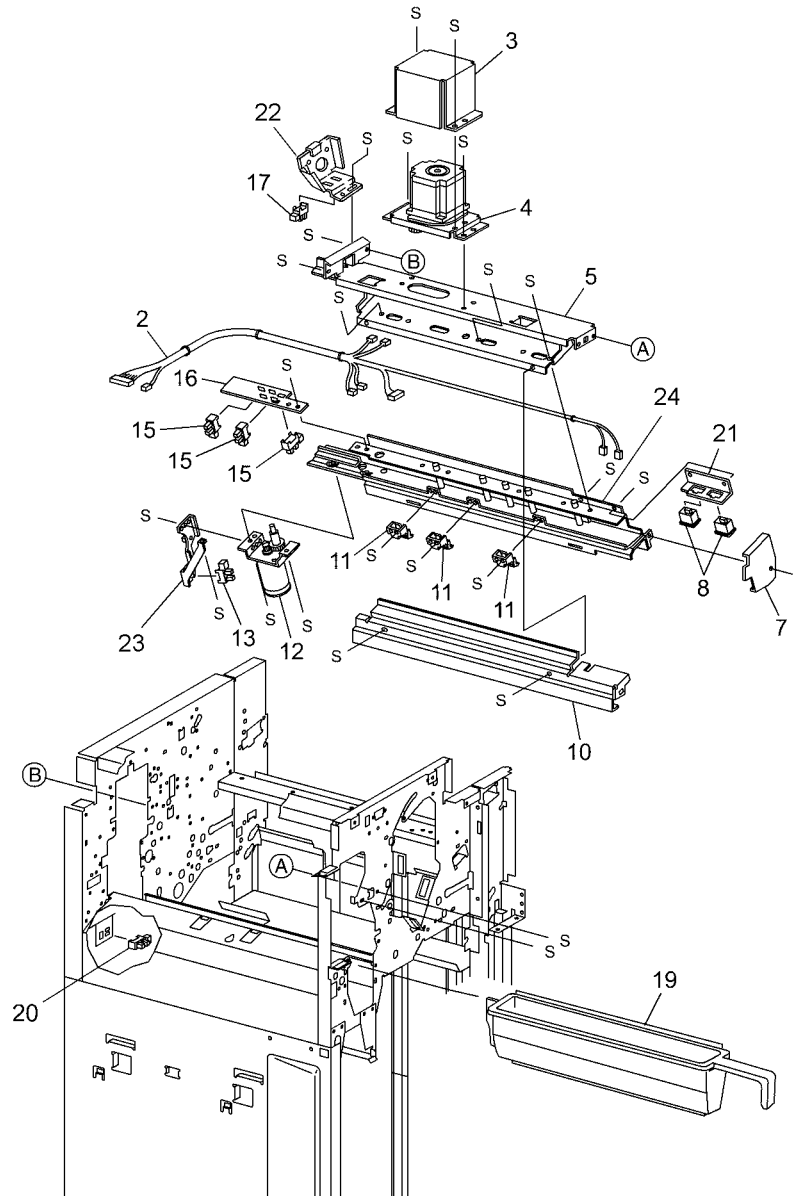
Item	Part	Description
1	-	Stacker Tray Bracket (Not Spared)
2	041K94721	Left Carriage Assembly
3	-	Stacker Drive Belt (P/O PL 21.4 Item 2) (REP 21.21)
4	-	Left Carriage Bracket (P/O PL 21.4 Item 2)
5	-	Belt Clamp (P/O PL 21.4 Item 2)
6	809E56850	Spring
7	013E27150	Carriage Bearing
8	041K94970	Right Carriage Assembly
9	-	Stacker Drive Belt (P/O PL 21.4 Item 8) (REP 21.21)
10	-	Belt Clamp (P/O PL 21.4 Item 8)
11	-	Right Carriage Bracket (P/O PL 21.4 Item 8)
12	-	Stacker Sensor Actuator (P/O PL 21.4 Item 8)
13	802K67140	Stack Height Sensor (Front, Rear)
14	-	Elevator Drive Shaft (Not Spared)
15	413W11860	Bearing
16	020E37720	Pulley (18T)
17	130K88770	Stacker Encoder Sensor, Stacker No Paper Sensor (No Paper)
18	020E37710	Clutch Pulley
19	807E04730	Clutch Gear
20	809E56860	Spring
21	-	Washer
22	-	Sensor Bracket (Not Spared)
23	146E01770	Stacker Encoder
24	015K69730	Elevator Motor Assembly
25	-	Elevator Motor Drive Belt (P/O PL 21.4 Item 24)
26	-	Elevator Motor (P/O PL 21.4 Item 24)
27	-	Upper Limit Sensor (Limit)
28	-	Bracket (P/O PL 21.4 Item 24)
29	962K61050	Stack Height Front Harness Assembly



0521004A-NWD

PL 21.5 Finisher Punch

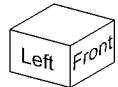
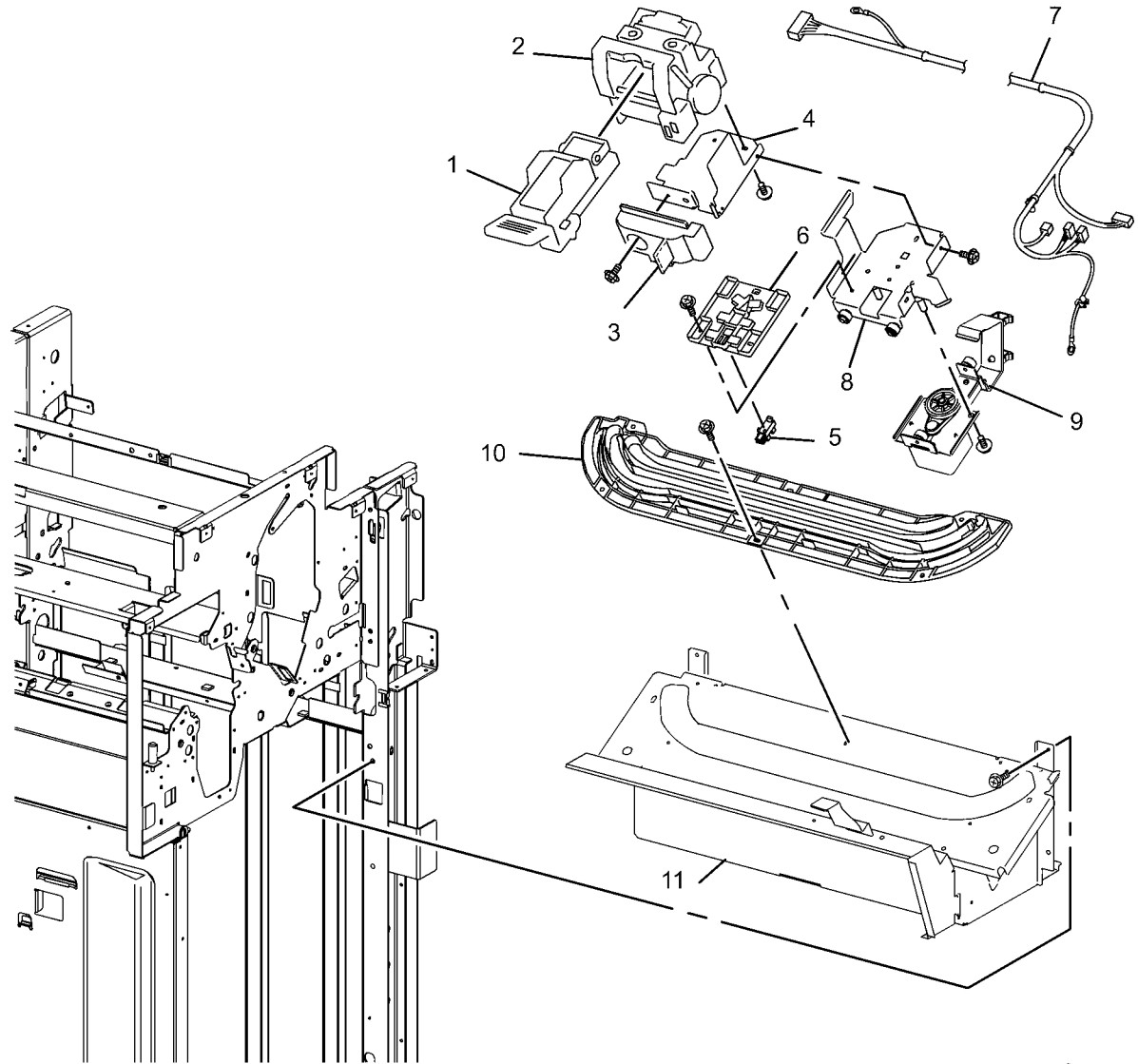
Item	Part	Description	
1	801K30940	2/4 Hole Punch Assembly (REP 21.13)	1{ 2 - 8 6{ 8, 21
2	-	Puncher Unit Harness (P/O PL 21.5 Item 9)	9{ 2, 6 - 16
3	-	Puncher Motor Cover (P/O PL 21.5 Item 1)	14{ 12, 13, 23 18{ 17, 22
4	015K65880	Puncher Move Motor	
5	-	Frame Assembly Holder (P/O PL 21.5 Item 1)	
6	-	Sensor Registration Bracket Assembly (P/O PL 21.5 Item 1)	
7	-	Front Punch Cover (P/O PL 21.5 Item 1)	
8	-	Side Registration Sensor 1 (Reg 1) and 2 (Reg 2) (P/O PL 21.5 Item 1)	
9	-	2/3 Hole Punch Bracket Assembly	
10	-	Left Punch Cover (P/O PL 21.5 Item 9)	
11	-	Guide Assembly (P/O PL 21.5 Item 9)	
12	127K40260	Punch Motor Assembly	
13	-	Punch Motor Sensor (P/O PL 21.5 Item 9)	
14	-	Punch Motor Bracket Assembly	
15	-	Front Punch Sensor (Front), Home Punch Sensor (Home), Hole Select Punch Sensor (Hole) (P/O PL 21.5 Item 9)	
16	-	Sensor Bracket (P/O PL 21.5 Item 9)	
17	-	Punch Move Home Sensor (P/O PL 21.5 Item 18)	
18	-	Punch Move Home Sensor Assembly	
19	060E91300	Puncher Waste Bin	
20	130K88770	Puncher Box Set Sensor Bracket (P/O PL 21.5 Item 1)	
21	-	Bracket (P/O PL 21.5 Item 18)	
22	-	Bracket (P/O PL 21.5 Item 18)	
23	-	Motor Bracket (P/O PL 21.5 Item 14)	
24	-	Bracket (Not Spared)	



0521005A-OAK

PL 21.6 Finisher Stapler

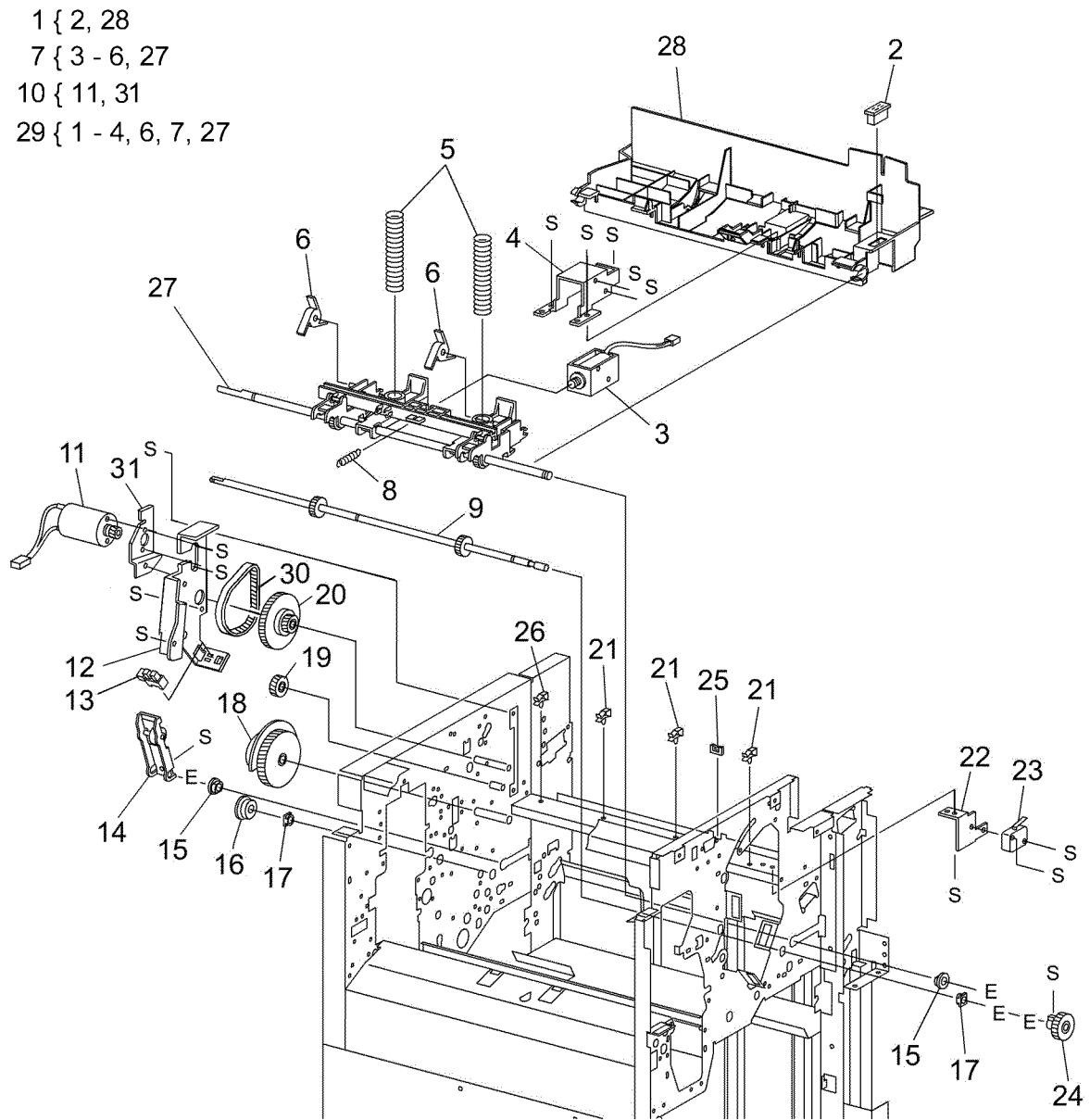
Item	Part	Description
1	050K51250	Staple Cartridge
2	029K92350	Stapler Assembly (REP 21.14)
3	—	Stapler Cover (Not Spared)
4	—	Stapler Holder (Not Spared)
5	130K88770	Stapler Move Position Sensor
6	—	Stapler Harness Guide (Not Spared)
7	962K59060	Staple Harness
8	—	Upper Stapler Carriage (Not Spared)
9	041K94970	Stapler Move Motor
10	001E66640	Stapler Rail (REP 21.15)
11	—	Stapler Frame (Not Spared)



0521006A-OAK

PL 21.7 Finisher Eject (1 of 3)

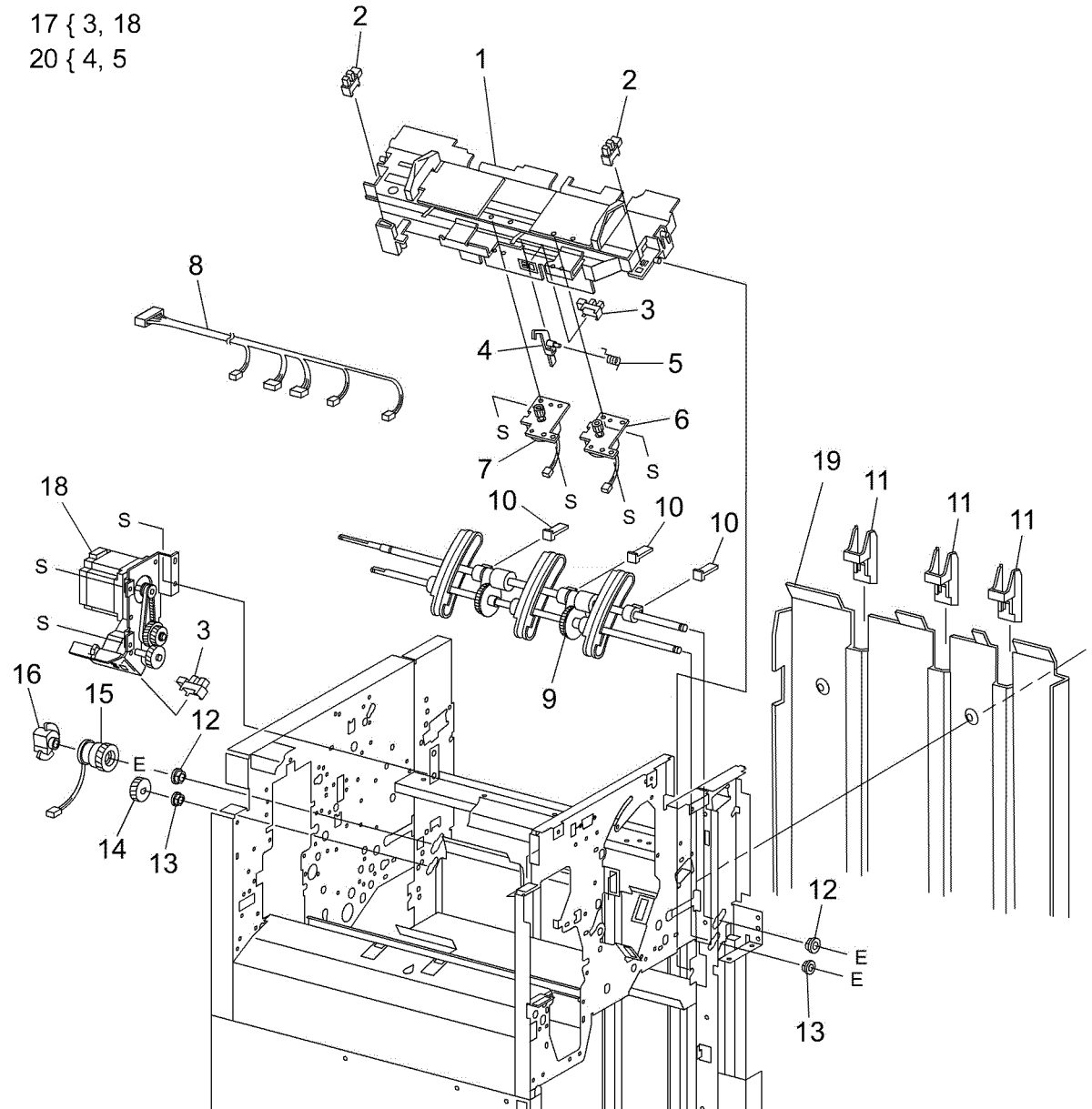
Item	Part	Description
1	-	Eject Chute Assembly
2	121E92720	Magnet
3	-	Sub Paddle Solenoid
4	-	Solenoid Bracket (P/O PL 21.7 Item 29)
5	809E56870	Pinch Spring
6	-	Cyclone Paddle (P/O PL 21.7 Item 29)
7	121K35710	Sub Paddle Solenoid Assembly
8	-	Solenoid Spring
9	006K23861	Paddle Shaft
10	-	Eject Clamp Motor Assembly
11	127K52690	Eject Clamp Motor
12	-	Eject Clamp Bracket (P/O PL 21.7 Item 10)
13	130K70160	Eject Clamp Home Sensor
14	011K97710	Eject Cam Follower
15	413W11860	Bushing
16	807E10800	Gear (23T)
17	-	Bushing
18	807E20810	Cam Gear (70T)
19	807E08990	Gear (23T)
20	807E20800	Gear (68T/20T)
21	-	Wire Clip (Not Spared)
22	-	Switch Bracket (Not Spared)
23	-	Eject Cover Switch
24	-	Entrance Knob (Not Spared)
25	-	Wire Clamp (Not Spared)
26	-	Wire Clip (Not Spared)
27	-	Eject Pinch Shaft (P/O PL 21.7 Item 7, PL 21.7 Item 29)
28	-	Eject Chute (P/O PL 21.7 Item 1)
29	-	Eject Chute Unit Assembly (REP 21.28)
30	423W29454	Belt
31	-	Motor Bracket (P/O PL 21.7 Item 10)



0521007A-NWD

PL 21.8 Finisher Eject (2 of 3)

Item	Part	Description
1	050K65131	Compiler Tray Assembly (REP 21.18)
2	130K88770	Tamper Home Sensor (Front, Rear)
3	130K70160	Compiler Tray No Paper Sensor, Set Clamp Home Sensor
4	120E24290	Sensor Actuator
5	—	Torsion Spring (P/O PL 21.8 Item 20)
6	—	Front Tamper Motor (Not Spared)
7	—	Rear Tamper Motor (Not Spared)
8	962K59070	Compiler Harness
9	006K86372	Eject Roll Shaft Assembly
10	033E93751	Set Paddle Clamp
11	—	Paddle Guide (Not Spared)
12	—	Bushing (Not Spared)
13	—	Bushing (Not Spared)
14	807E04760	Gear (39T)
15	121K34631	Set Clamp Clutch (34T)
16	120E29570	Set Clamp Actuator
17	049K02710	Eject Motor Bracket Assembly
18	—	Motor (P/O PL 21.8 Item 17)
19	—	Inner Cover (Not Spared) (REP 21.9)
20	—	Actuator Kit

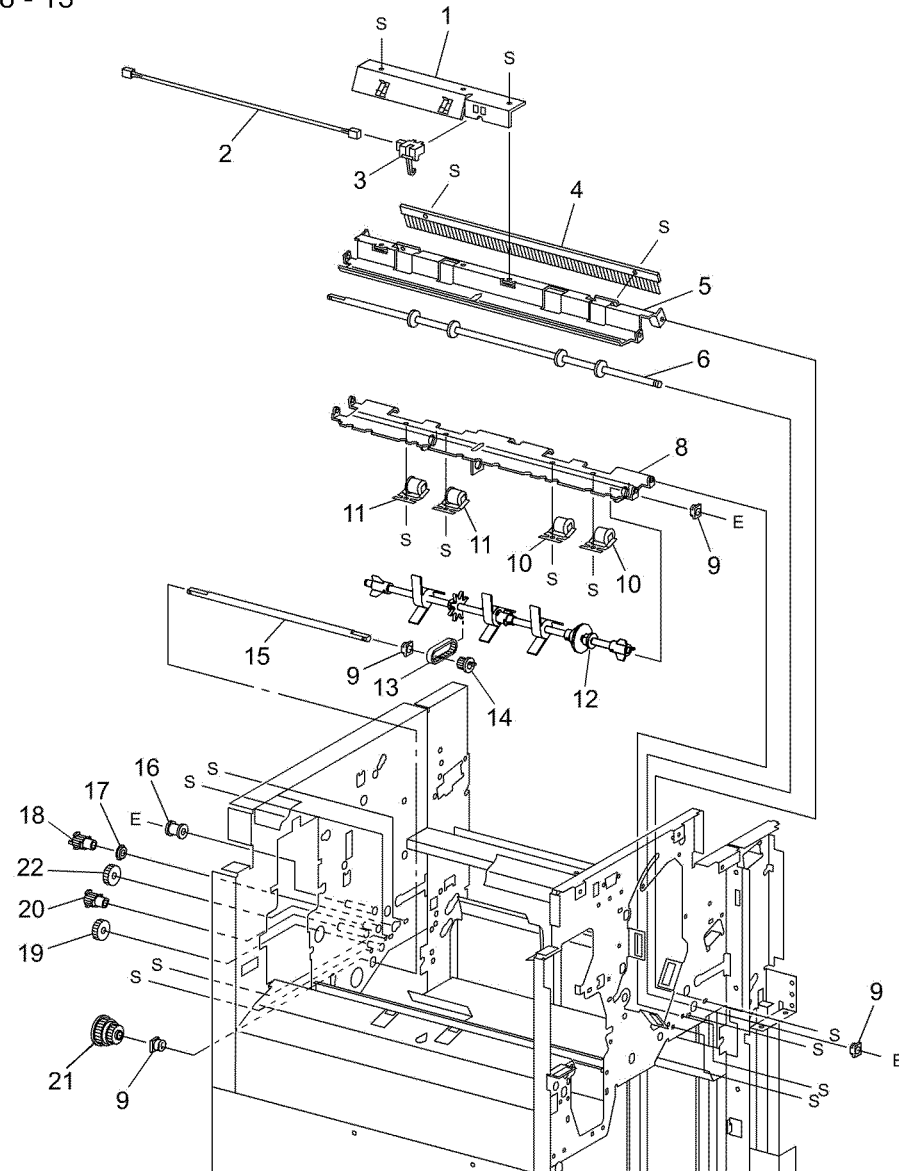


0521008A-OAK

PL 21.9 Finisher Eject (3 of 3)

Item	Part	Description
1	–	Sensor Bracket Assembly (Not Spared)
2	–	Compiler Sensor Harness (P/O PL 21.9 Item 1)
3	130K88190	Compiler Exit Sensor
4	105E13100	Static Eliminator
5	–	Upper Exit Chute (Not Spared)
6	–	Lower Exit Roll (Not Spared)
7	–	Lower Exit Roll Chute Assembly
8	–	Lower Exit Roll Chute (P/O PL 21.9 Item 7)
9	–	Bushing (P/O PL 21.9 Item 7)
10	022K67870	Exit Pinch Roller 1
11	022K67880	Exit Pinch Roller 2
12	006K87430	Paddle Shaft (REP 21.20)
13	–	Synchronous Belt (55T)
14	–	Pulley (17T) (Not Spared)
15	–	Paddle Drive Shaft (Not Spared)
16	–	Pulley (Not Spared)
17	–	Bearing (Not Spared)
18	020E37690	Pulley (20T)
19	807E10820	Gear (23T)
20	020E37660	Pulley (20T)
21	020E37670	Pulley (44T/20T)
22	807E04780	Gear (23T)

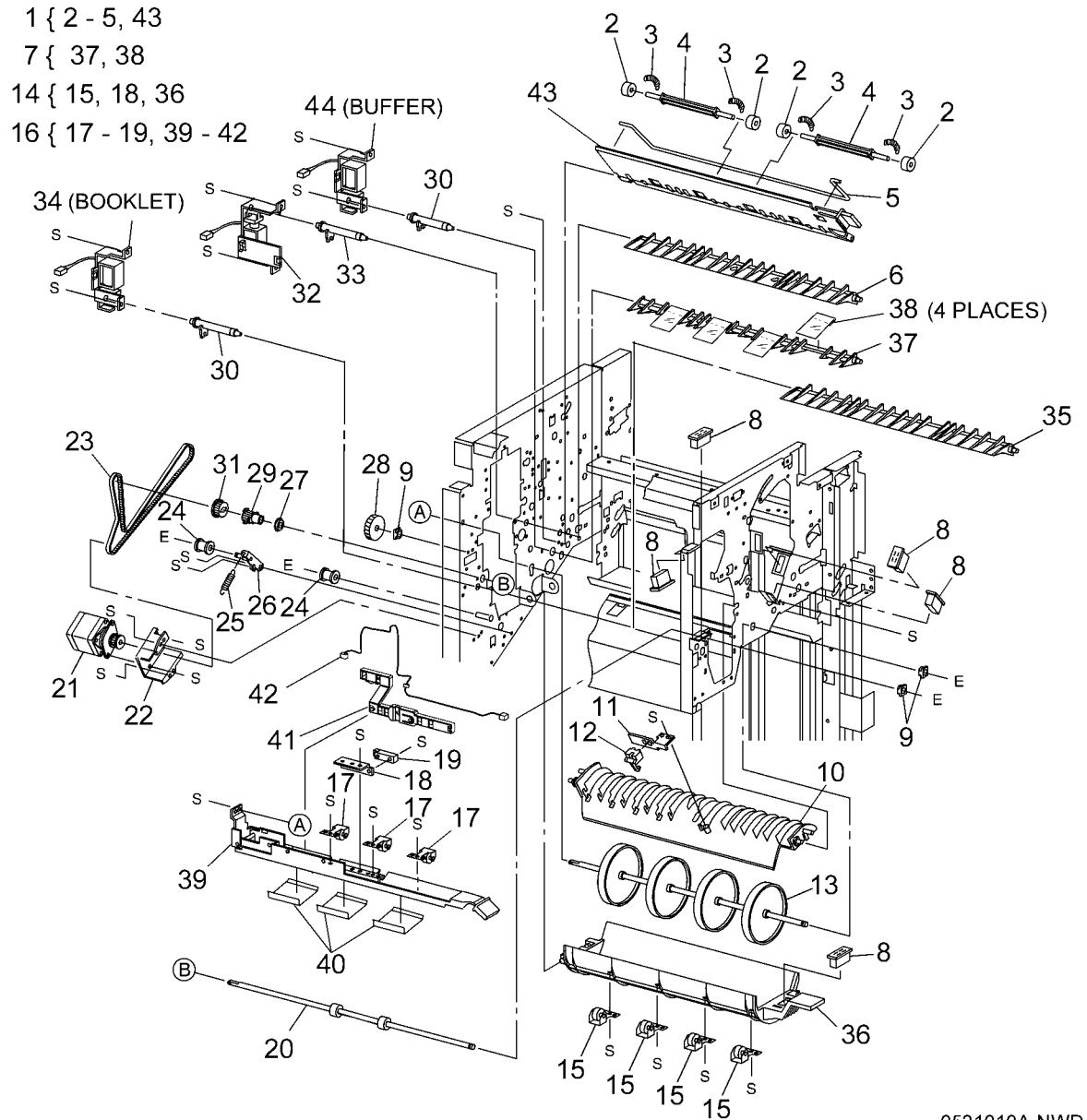
7 { 8 - 13



0521009B-OAK

PL 21.10 Finisher Transport (1 of 2)

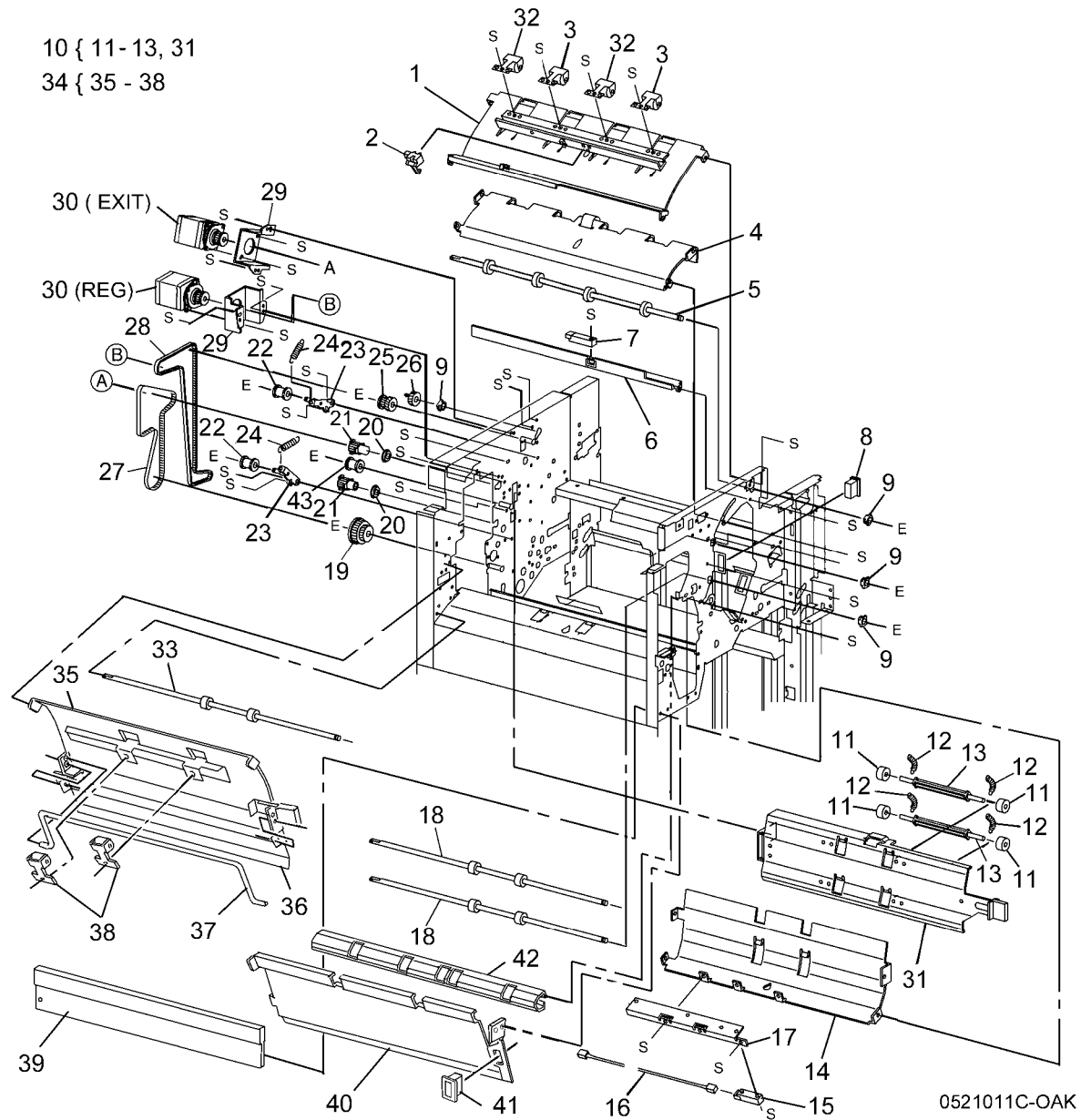
Item	Part	Description
1	-	Lower Exit Chute Assembly (Not Spared)
2	-	Pinch Roller (P/O PL 21.10 Item 1)
3	-	Spring (P/O PL 21.10 Item 1)
4	-	Shaft (P/O PL 21.10 Item 1)
5	-	Torsion Spring (P/O PL 21.10 Item 1)
6	809E56910	Transport Gate
7	050K65450	Buffer Gate Assembly
8	121E92720	Magnet
9	-	Bushing
10	-	Top Buffer Chute Assembly (Not Spared)
11	-	Sensor Bracket (Not Spared)
12	130K88190	Buffer Path Sensor (REP 21.22)
13	022K67891	Buffer Roll (REP 21.25)
14	054K27160	Bottom Buffer Chute Assembly (REP 21.26)
15	-	Exit Pinch roller (P/O PL 21.10 Item 14)
16	054K38821	Upper Entrance Chute Assembly (XE)
17	-	Entrance Pinch Roller
18	-	Sensor Bracket (P/O PL 21.10 Item 14, PL 21.10 Item 16)
19	130E87370	Transport Entrance Sensor
20	022K67811	Entrance Roll
21	127K40282	Finisher Transport Motor
22	-	Motor Bracket (Not Spared)
23	423W87054	Finisher Transport Motor Belt
24	020E43210	Pulley
25	-	Tension Spring (Not Spared)
26	-	Tension Bracket (Not Spared)
27	413W66250	Bearing
28	-	Gear (46T)
29	020E37660	Pulley (20T)
30	012E11991	Buffer Link
31	-	Gear (23T)
32	068K55250	Transport Gate Solenoid
33	012E11980	Transport Link
34	015K65821	Booklet Gate Solenoid
35	050K66810	Booklet Gate
36	-	Chute (P/O PL 21.10 Item 14)
37	-	Buffer Gate
38	-	Guide (P/O PL 21.10 Item 7)
39	-	Upper Entrance Chute (P/O PL 21.10 Item 16)
40	-	Guide (P/O PL 21.10 Item 16)
41	-	Harness Guide
42	-	Wire Harness (P/O PL 21.10 Item 16)
43	-	Lower Exit Chute (P/O PL 21.10 Item 1)
44	068K55840	Buffer Gate Solenoid



0521010A-NWD

PL 21.11 Finisher Transport (2 of 2)

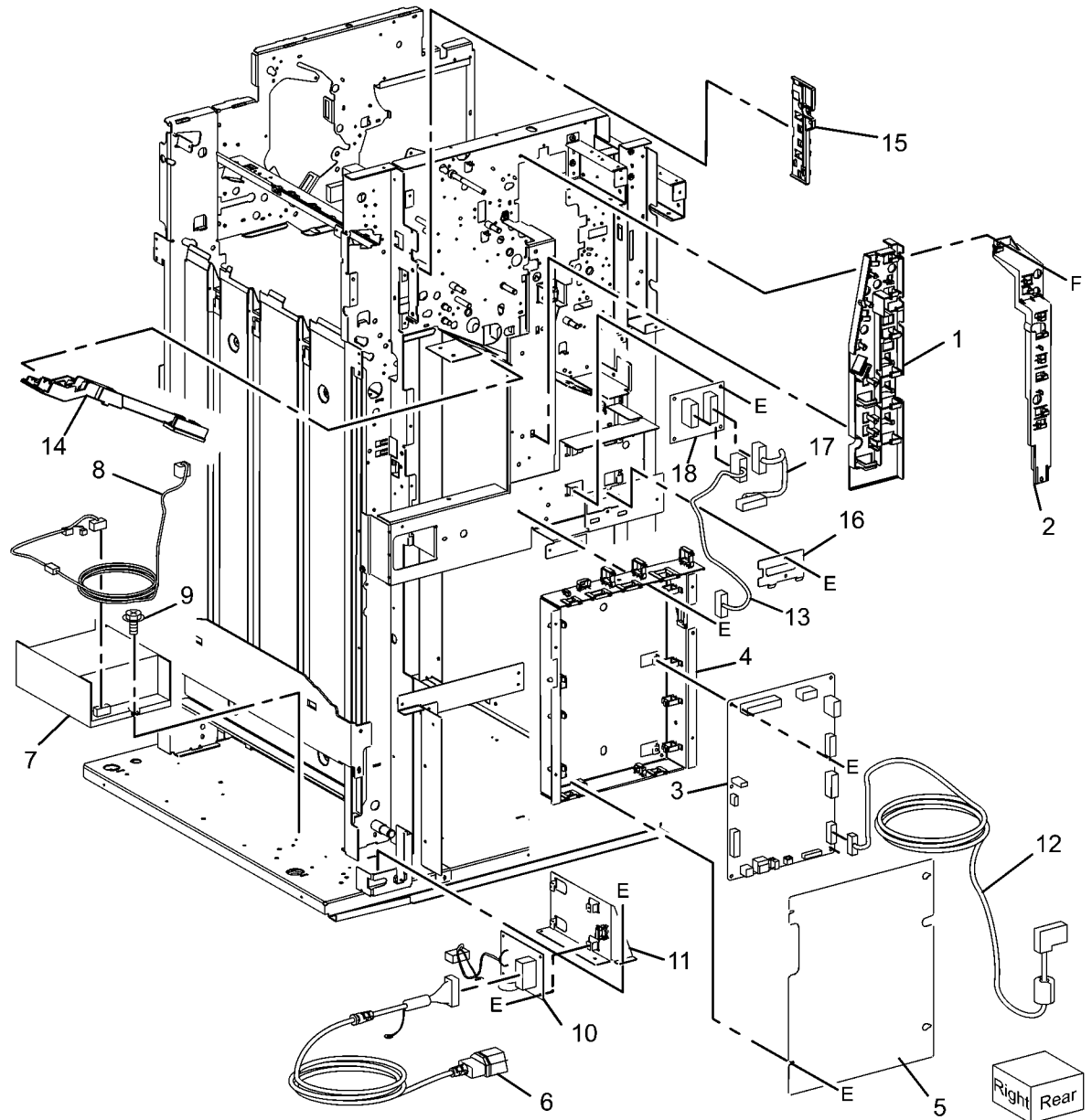
Item	Part	Description
1	054K38200	Top Tray Exit Baffle Assembly (Not Spared)
2	130K88190	Top Tray Exit Sensor
3	022K74720	Left Exit Pinch Roller
4	-	Top Tray Lower Exit Baffle (Not Spared)
5	022K75720	Exit Drive Shaft
6	-	Sensor Bracket (Not Spared)
7	130E87370	Top Tray Full Sensor (REP 21.24)
8	-	Magnet (Not Spared)
9	-	Bushing
10	054K28220	Upper Exit Chute Assembly
11	-	Pinch Roller (P/O PL 21.11 Item 10)
12	-	Spring (P/O PL 21.11 Item 10)
13	-	Shaft (P/O PL 21.11 Item 10)
14	-	Chute Assembly
15	130E87410	Gate Sensor (REP 21.23)
16	-	Sensor Harness (Not Spared)
17	-	Sensor Bracket (Not Spared)
18	022K71431	Transport Roll
19	-	Pulley (53T/23T)
20	413W66150	Bearing
21	020E37690	Pulley (20T)
22	-	Pulley (Not Spared)
23	-	Tension Bracket (Not Spared)
24	-	Tension Spring (Not Spared)
25	020E37700	Pulley (20T/20T)
26	807E04720	Gear (20T)
27	423W40054	Registration Motor Drive Belt
28	423W86454	Exit Motor Drive Belt
29	-	Motor Bracket (Not Spared)
30	127K40282	Registration Motor (Reg) and Exit Motor (Exit)
31	-	Upper Exit Chute (P/O PL 21.11 Item 10)
32	022K74730	Right Exit Pinch Roll
33	-	Booklet Entrance Roll (Not Spared)
34	054K27641	Booklet Chute Assembly
35	-	Chute Assembly (P/O PL 21.11 Item 34)
36	-	Booklet Chute (P/O PL 21.11 Item 34)
37	-	Torsion Spring (P/O PL 21.11 Item 34)
38	-	Pinch Roll Assembly
39	-	Plate (Not Spared)
40	054K27650	Booklet Upper Chute
41	121E92720	Magnet
42	054E27390	Lower Entrance Chute
43	020E44920	Ball Pulley



0521011C-OAK

PL 21.12 Finisher Electrical

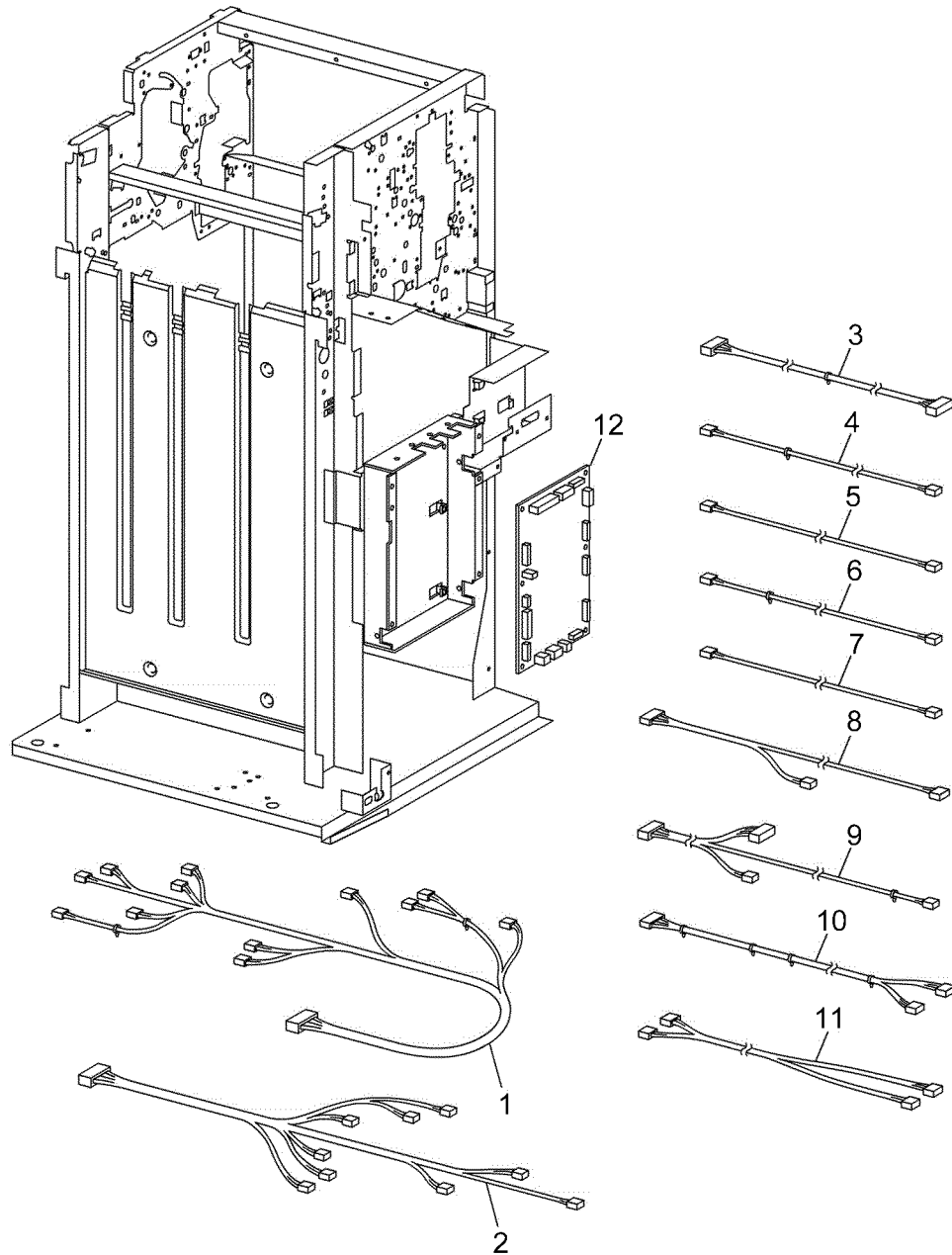
Item	Part	Description
1	-	Left Harness Guide (Not Spared)
2	-	Right Harness Guide (Not Spared)
3	960K51453	Finisher PWB (REP 21.29)
4	-	Finisher PWB Cover (Not Spared)
5	-	Finisher PWB Cover (Not Spared)
6	962K38740	AC Inlet Harness
7	105E15200	Finisher LVPS
8	-	LVPS Wire Harness (Not Spared)
9	-	Screw (Not Spared)
10	960K31130	AC Filter
11	-	Bracket (Not Spared)
12	962K67080	I/F Finisher Cable
13	-	Harness Assembly (Not Spared)
14	-	Harness Guide (Not Spared)
15	-	Harness Guide (Not Spared)
16	-	Connector Plate (Not Spared)
17	962K29160	Harness
18	960K04681	H-Transport PWB



0521012B-OAK

PL 21.13 Finisher Harness

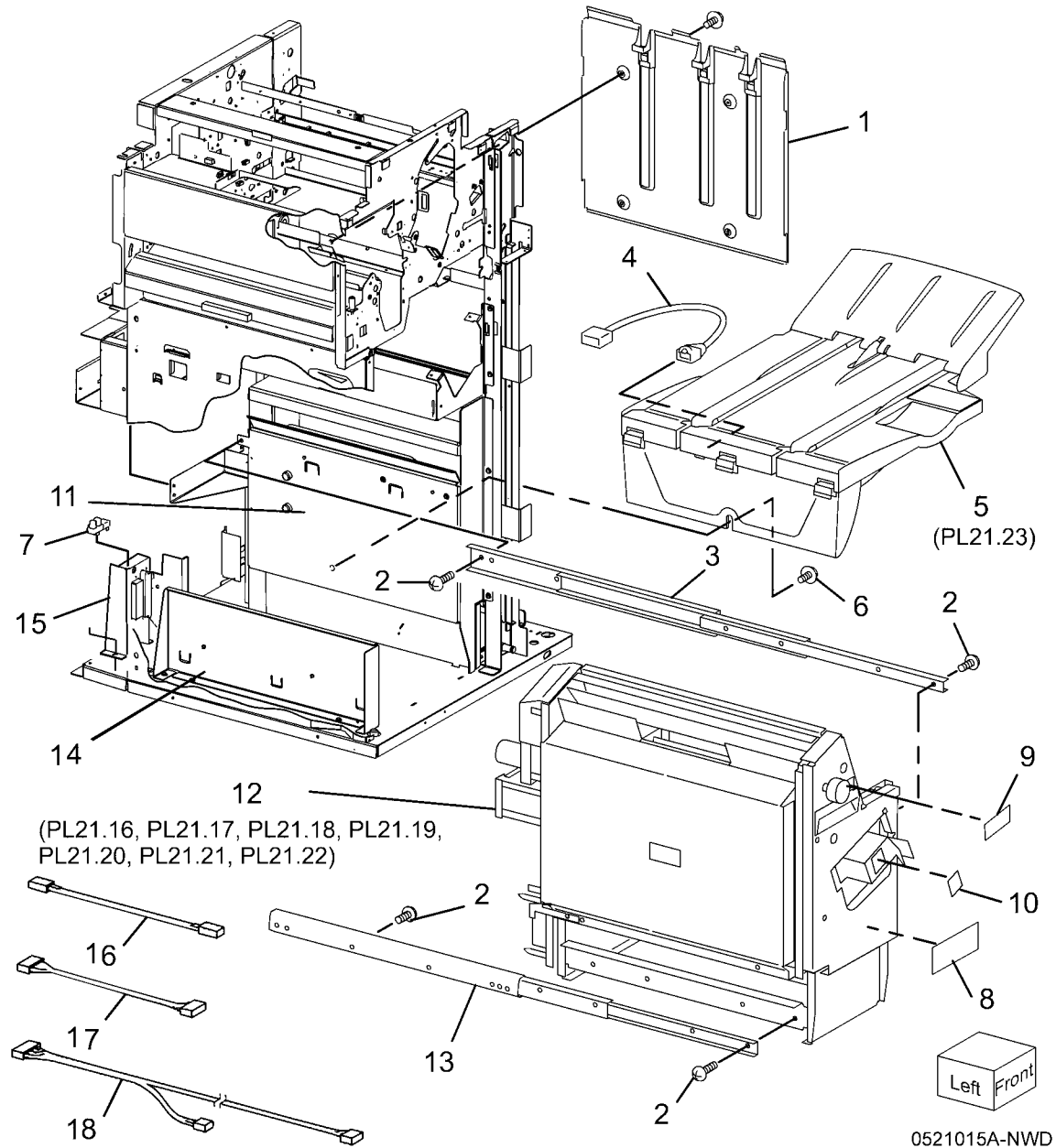
Item	Part	Description
1	—	Main Sensor Harness (Not Spared)
2	—	Main Drive Harness (Not Spared)
3	—	Interface Harness (Not Spared)
4	—	Transport Entrance Sensor Harness (Not Spared)
5	—	Buffer Sensor Harness (Not Spared)
6	—	Top Exit Sensor Harness (Not Spared)
7	—	Top Sensor Harness (Not Spared)
8	—	Punch Drive Harness (Not Spared)
9	—	Punch Sensor Harness (Not Spared)
10	—	LVPS Harness (Not Spared)
11	962K58950	Interlock Harness
12	960K54831	Booklet PWB



0521013B-OAK

PL 21.15 Booklet Accessory

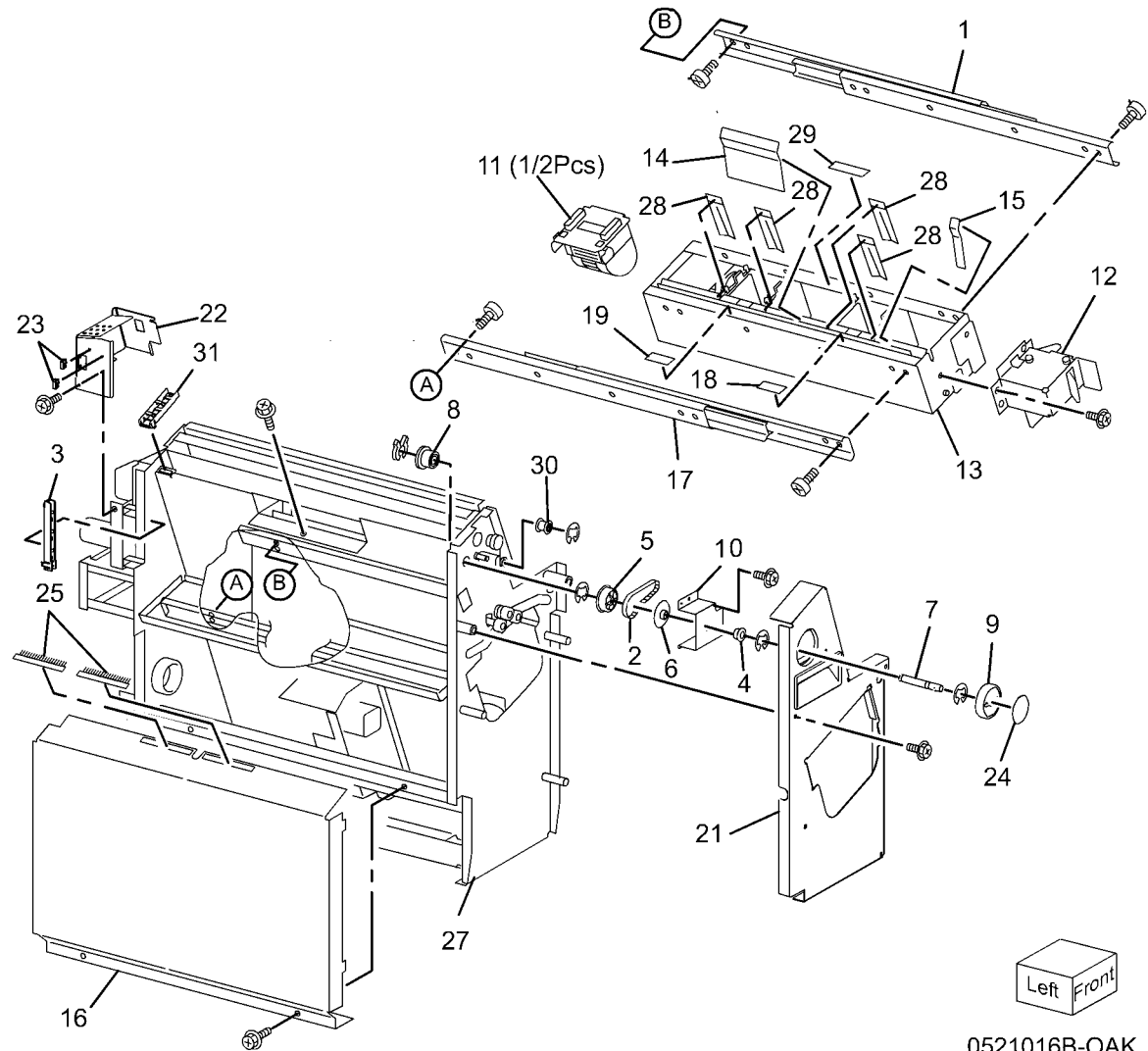
Item	Part	Description
1	–	Tray Guide Assembly (Not Spared)
2	–	Screw (Not Spared)
3	–	Right Rail
4	–	Wire Harness
5	050K62855	Booklet Tray Assembly
6	–	Knob Screw (Not Spared)
7	130K88770	Booklet Drawer Set Sensor
8	–	Label (Not Spared)
9	–	Label (Not Spared)
10	–	Label (Not Spared)
11	015K79780	Right Side Assembly
12	801K29032	Booklet Drawer Assembly
13	–	Left Rail
14	015K67980	Left Rail Assembly
15	068K55260	Connector Assembly
16	962K59080	Wire Harness
17	962K59090	Wire Harness
18	962K59100	Wire Harness



PL 21.16 Booklet Component (1 of 7)

Item	Part	Description
1	-	Right Stapler Rail
2	423W45954	Belt
3	-	Harness Cover (P/O PL 21.15 Item 12)
4	-	Bearing (P/O PL 21.15 Item 12)
5	499W14432	Gear (31T)
6	005E24900	Collar
7	-	Shaft (P/O PL 21.15 Item 12)
8	-	Ball Bearing (P/O PL 21.15 Item 12)
9	003E63390	Knob
10	-	Bracket (P/O PL 21.15 Item 12)
11	-	Staple (REP 21.17)
12	-	Latch
13	-	Stapler Base (P/O PL 21.15 Item 12)
14	-	Front Cover
15	-	Paper Guide
16	-	Left Cover (P/O PL 21.15 Item 12)
17	-	Left Stapler Rail (P/O PL 21.15 Item 12)
18	-	Label (P/O PL 21.15 Item 12)
19	-	Label (P/O PL 21.15 Item 12)
20	029K92175	Booklet Stapler Unit
21	-	Front Cover (P/O PL 21.15 Item 12)
22	-	Cover (P/O PL 21.15 Item 12)
23	-	Paper Guide (Clinch)
24	-	Label (4a) (P/O 21.15 Item 12)
25	105E15120	Eliminator
26	-	Booklet Assembly (P/O PL 21.15 Item 12)
27	-	Frame Assembly (P/O PL 21.15 Item 12)
28	-	Paper Guide (P/O PL 21.16 Item 20)
29	-	Label (Not Spared)
30	020E45160	Pulley
31	-	Guide

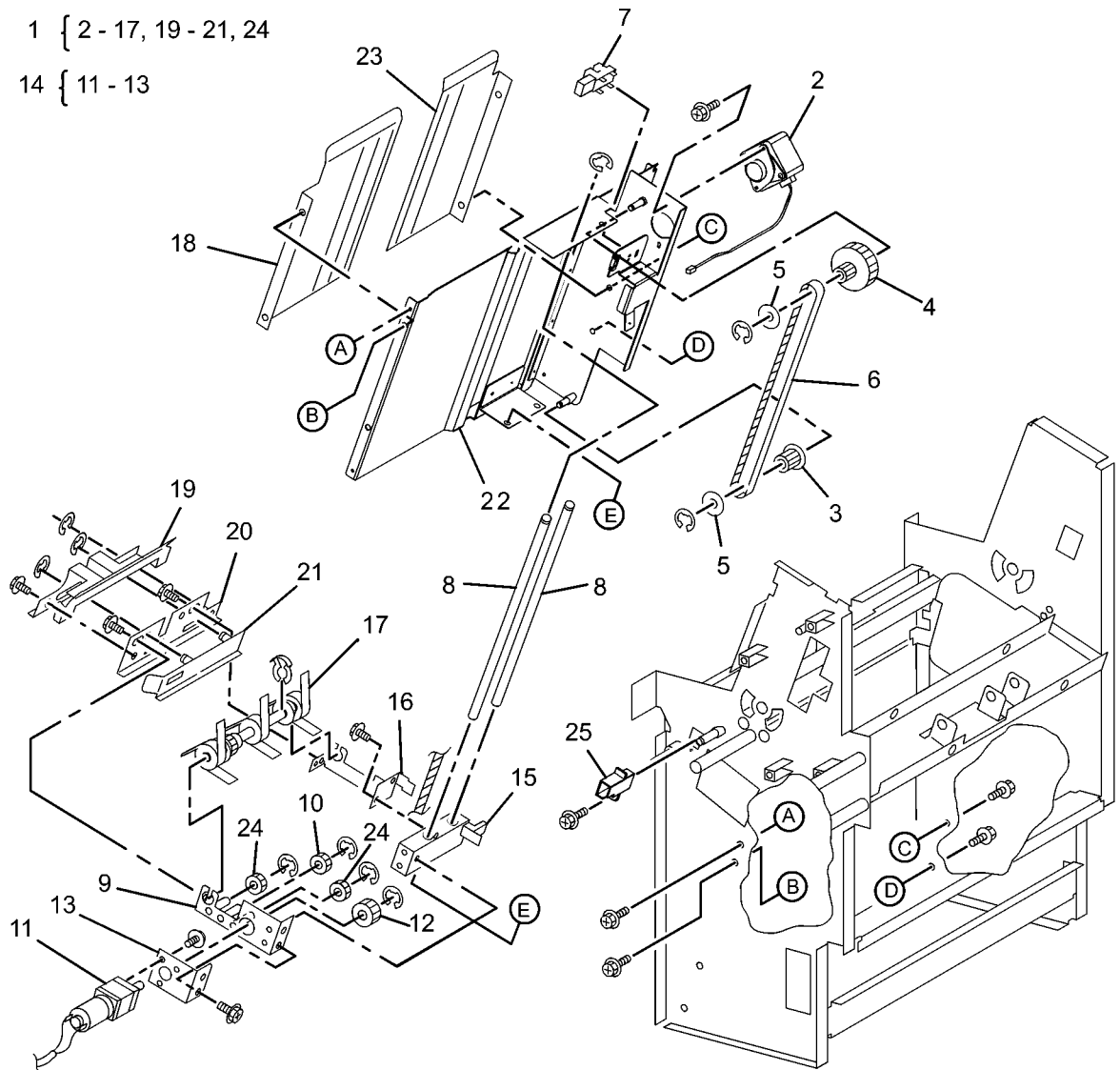
20 { 11 - 15, 28
26 { 3 - 9, 16, 21 - 23, 25, 27, 30, 31



0521016B-OAK

PL 21.17 Booklet Component (2 of 7) (End Guide)

Item	Part	Description
1	054K39250	Compile Chute Assembly
2	127K51990	Booklet End Guide Motor
3	-	Pulley (P/O PL 21.17 Item 1)
4	-	Gear Pulley (40T/20T) (P/O PL 21.17 Item 1)
5	-	Washer (P/O PL 21.17 Item 1)
6	-	Belt (P/O PL 21.17 Item 1)
7	130K70160	Booklet End Guide Home Sensor
8	-	Shaft (P/O PL 21.17 Item 1)
9	-	Bracket (P/O PL 21.17 Item 1)
10	-	Gear (14T) (P/O PL 21.17 Item 1)
11	-	Booklet Paddle Motor (P/O PL 21.17 Item 1, PL 21.17 Item 14)
12	-	Gear (14T) (P/O PL 21.17 Item 1, PL 21.17 Item 14)
13	-	Bracket (P/O PL 21.17 Item 1, PL 21.17 Item 14)
14	-	Booklet Paddle Motor Assembly (P/O PL 21.17 Item 1)
15	-	Belt Clamp (P/O PL 21.17 Item 1)
16	-	Paddle Bracket (P/O PL 21.17 Item 1)
17	-	Paddle Shaft Assembly (P/O PL 21.17 Item 1)
18	-	Chute (Rear) (P/O PL 21.17 Item 1)
19	-	End Guide (P/O PL 21.17 Item 1)
20	-	Support Bracket (P/O PL 21.17 Item 1)
21	-	Adjust Bracket (P/O PL 21.17 Item 1)
22	-	Compile Chute (P/O PL 21.17 Item 1)
23	-	Chute (Front) (P/O PL 21.17 Item 1)
24	-	Gear (14T) (P/O PL 21.17 Item 1)
25	-	Guide (Not Spared)

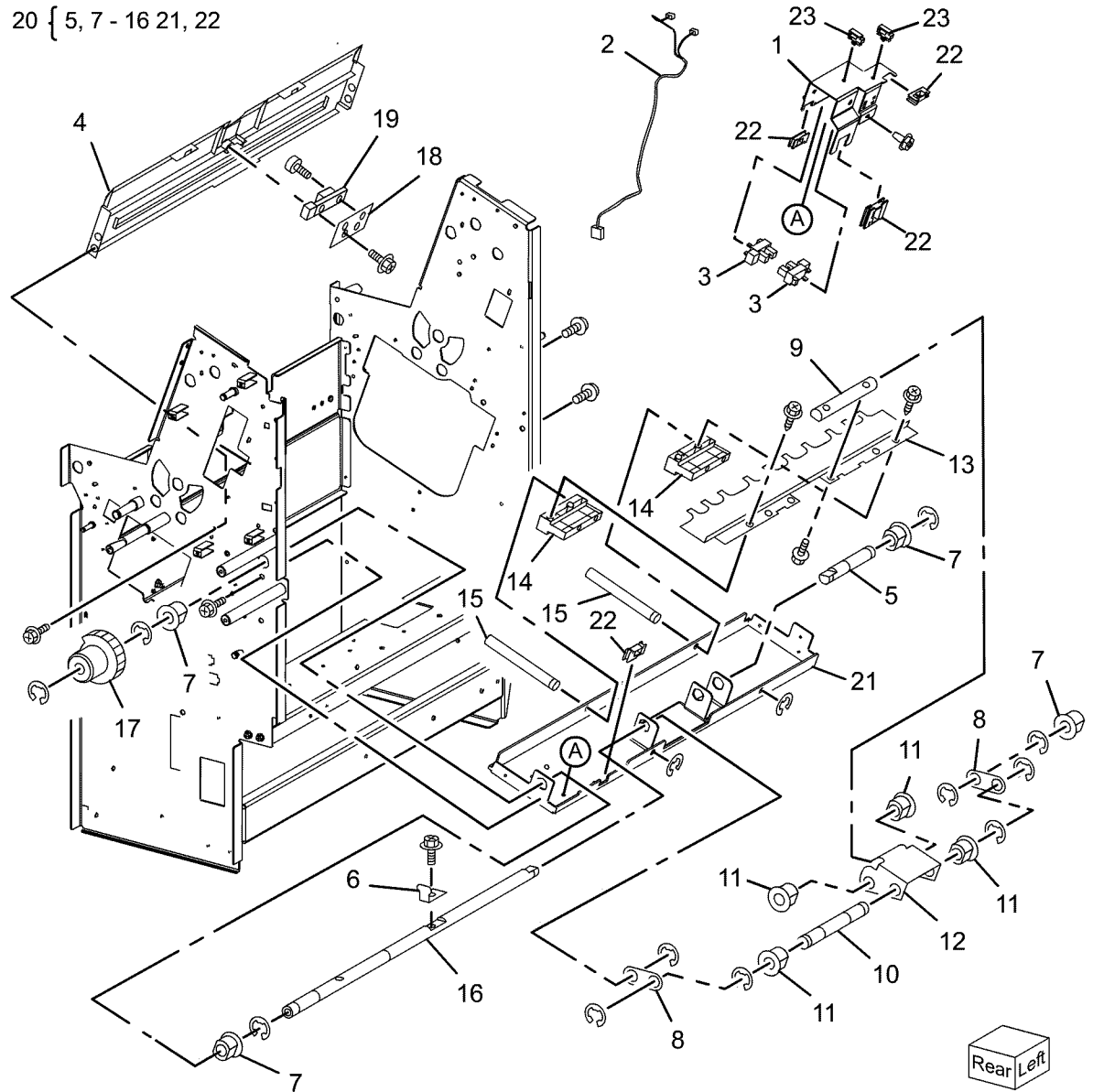


0521017B-OAK

PL 21.18 Booklet Component (3 of 7)

Item	Part	Description
1	-	Bracket (P/O PL 21.15 Item 12)
2	-	Wire Harness (Not Spared)
3	130K70160	Knife Home Sensor, Knife Folder Sensor
4	-	Chute (P/O PL 21.15 Item 12)
5	-	Shaft (P/O PL 21.18 Item 20)
6	-	Actuator (Not Spared)
7	413W11860	Bearing
8	-	Joint (P/O PL 21.18 Item 20)
9	-	Shaft (P/O PL 21.18 Item 20)
10	-	Shaft (P/O PL 21.18 Item 20)
11	-	Bearing (P/O PL 21.18 Item 20)
12	-	Bracket (P/O PL 21.18 Item 20)
13	-	Knife Bracket Assembly (P/O PL 21.18 Item 20)
14	-	Guide (P/O PL 21.18 Item 20)
15	-	Shaft (P/O PL 21.18 Item 20)
16	-	Shaft (P/O PL 21.18 Item 20)
17	807E02061	Gear (42T)
18	-	Bracket (P/O PL 21.15 Item 12)
19	130E87410	Booklet Compile No Paper Sensor
20	015K75682	Knife Assembly
21	-	Tie Plate (P/O PL 21.18 Item 20)
22	-	Edge Saddle (P/O PL 21.18 Item 20)
23	-	Clamp (Not Spared)

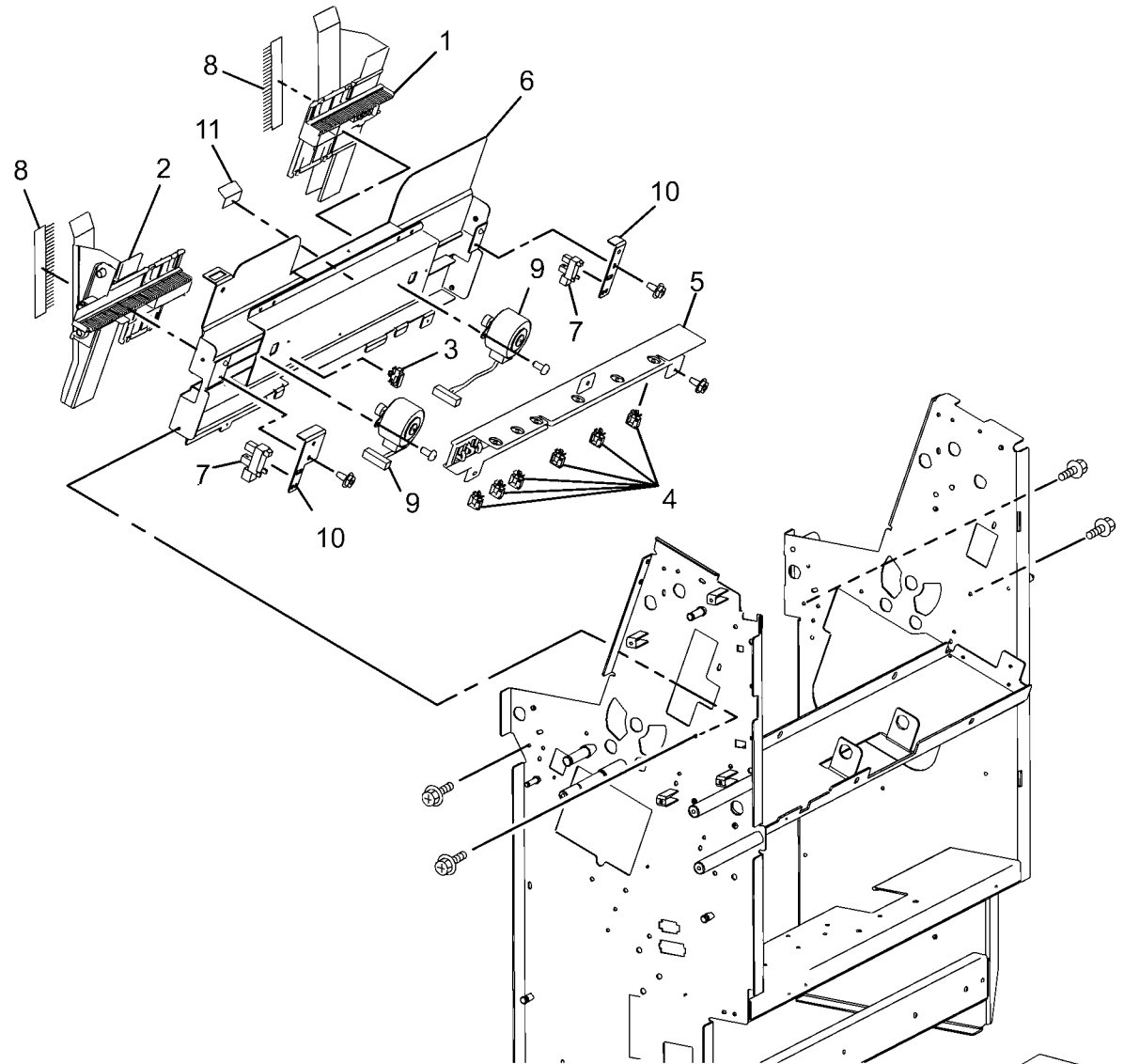
20 { 5, 7 - 16 21, 22



0521018B-OAK

PL 21.19 Booklet Component (4 of 7)

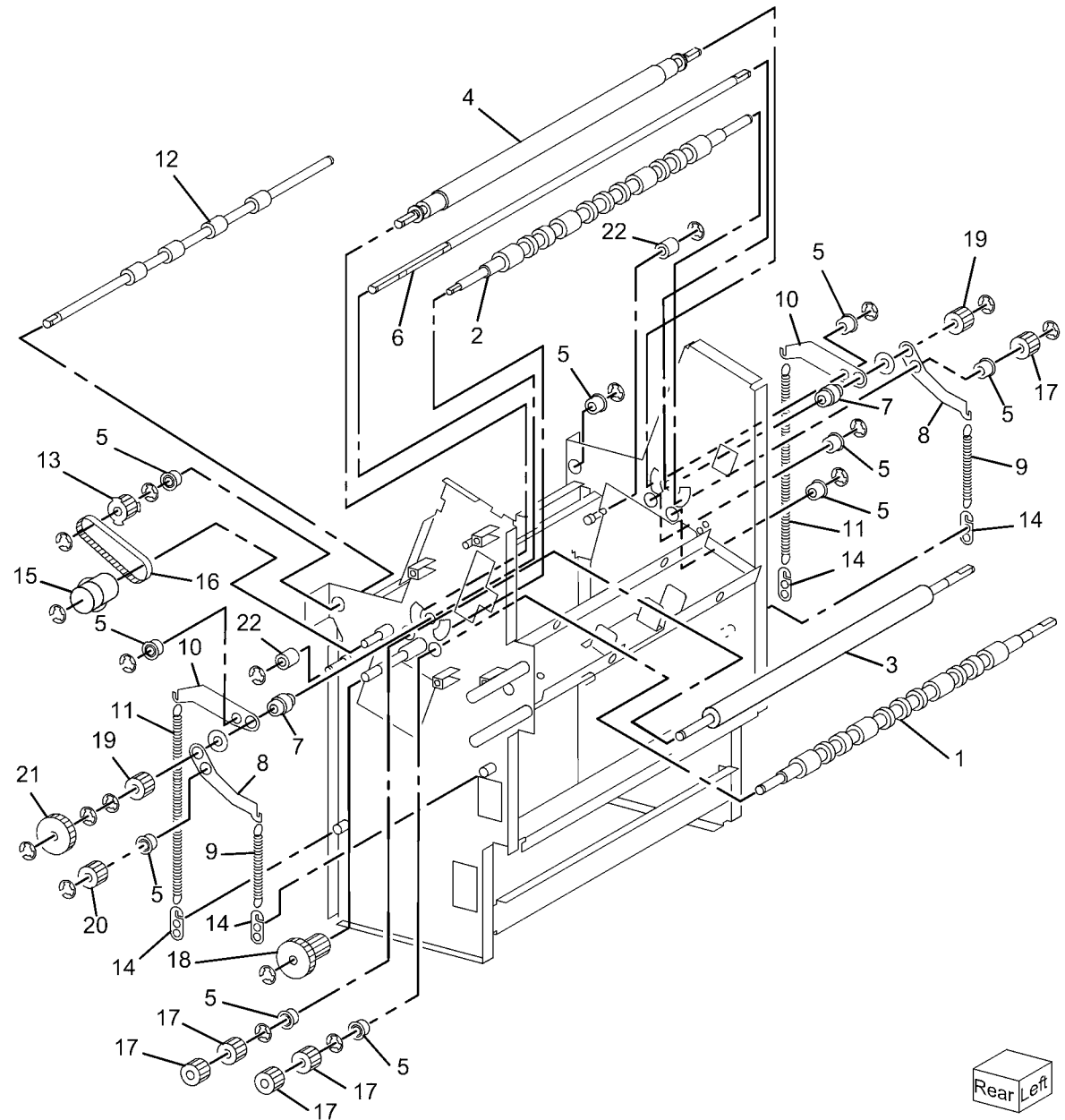
Item	Part	Description
1	-	Front Tamper Guide
2	-	Rear Tamper Guide (P/O PL 21.15 Item 12)
3	-	Clamp (P/O PL 21.15 Item 12)
4	-	Clamp (P/O PL 21.15 Item 12)
5	032E27380	Guide
6	-	Frame (P/O PL 21.15 Item 12)
7	130K88770	Booklet Tamper Home Sensor
8	-	Static Eliminator (P/O PL 21.15 Item 12)
9	127K58040	Booklet Tamper Motor
10	-	Bracket (P/O PL 21.15 Item 12)
11	038K18720	Compile Guide



0521019A-NWD

PL 21.20 Booklet Component (5 of 7)

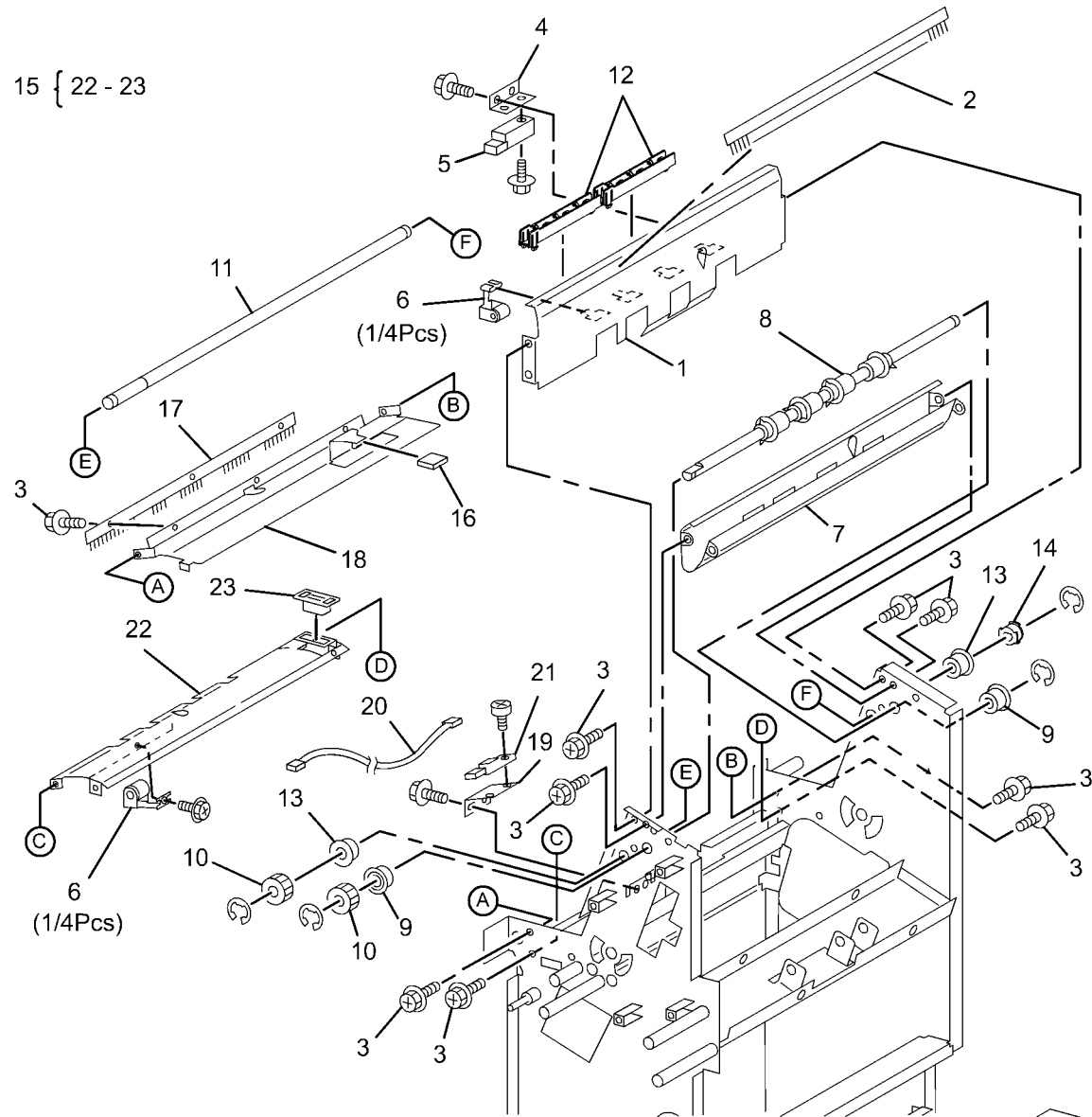
Item	Part	Description
1	022K71020	Booklet Pre-Folding Roll
2	022K71040	Booklet Pre-Folding Nip Roll
3	022K66870	Booklet Folding Roll
4	022K66880	Booklet Folding Nip Roll
5	-	Ball Bearing (P/O PL 21.15 Item 12)
6	-	Shaft (P/O PL 21.15 Item 12)
7	-	Bearing (P/O PL 21.15 Item 12)
8	815E44910	Tension Plate 1
9	-	Spring (P/O PL 21.15 Item 12)
10	815E44920	Tension Plate 2
11	-	Spring (Not Spared)
12	-	Booklet Eject Roll (P/O PL 21.15 Item 12)
13	020E37140	Pulley (16T)
14	815E36110	Spring Plate
15	807E02040	Gear Pulley (20T/25T)
16	-	Belt (P/O PL 21.15 Item 12)
17	007E89980	Gear (16T)
18	007E89990	Gear (38T/18T)
19	007E89970	Gear (18T)
20	807E09510	Gear (16T)
21	007E77770	Gear (38T)
22	022E96060	Roll



0521020B-OAK

PL 21.21 Booklet Component (6 of 7) (Chute)

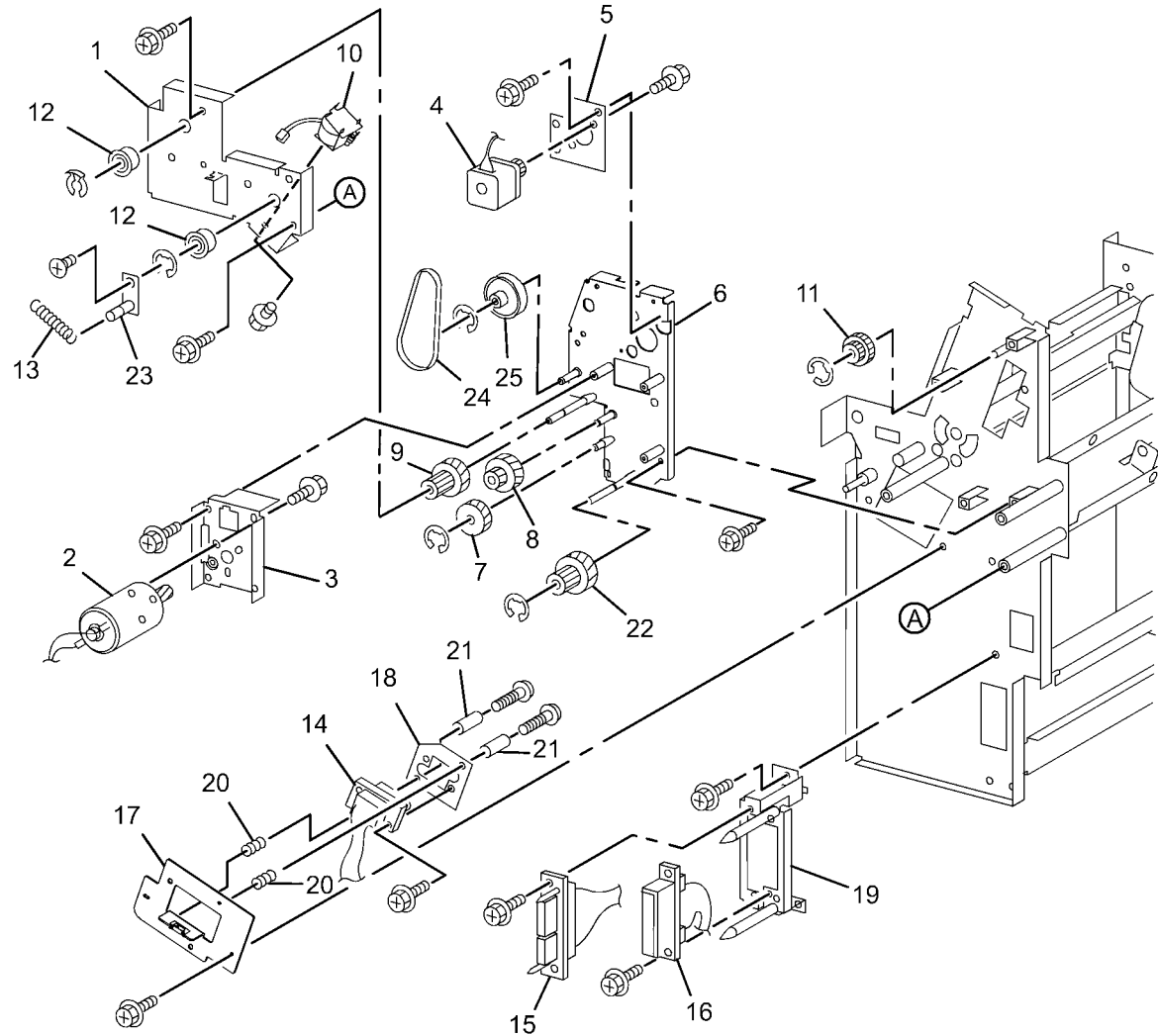
Item	Part	Description
1	-	Chute (P/O PL 21.15 Item 12)
2	-	Static Eliminator (P/O PL 21.15 Item 12)
3	-	Screw (P/O PL 21.21 Item 15)
4	-	Bracket (P/O PL 21.15 Item 12)
5	130E87370	Booklet In Sensor
6	-	Pinch Roll (P/O PL 21.15 Item 12)
7	-	Chute (P/O PL 21.15 Item 12)
8	-	Booklet In Roll (P/O PL 21.15 Item 12)
9	-	Ball Bearing (P/O PL 21.15 Item 12)
10	-	Gear (16T) (P/O PL 21.15 Item 12)
11	-	Shaft (P/O PL 21.15 Item 12)
12	-	Harness Cover (P/O PL 21.15 Item 12)
13	-	Bearing (P/O PL 21.15 Item 12)
14	-	Gear (17T) (P/O PL 21.15 Item 12)
15	054K33910	Upper Exit Chute Assembly
16	003E63380	Knob
17	-	Static Eliminator (P/O PL 21.15 Item 12)
18	-	Upper Exit Chute (P/O PL 21.21 Item 15)
19	-	Bracket (P/O PL 21.15 Item 12)
20	-	Wire Harness (P/O PL 21.15 Item 12)
21	130E87410	Booklet Folder Roll Exit Sensor
22	-	Lower Exit Chute (P/O PL 21.21 Item 15)
23	121E92720	Magnet



0521021B-OAK

PL 21.22 Booklet Component (7 of 7)

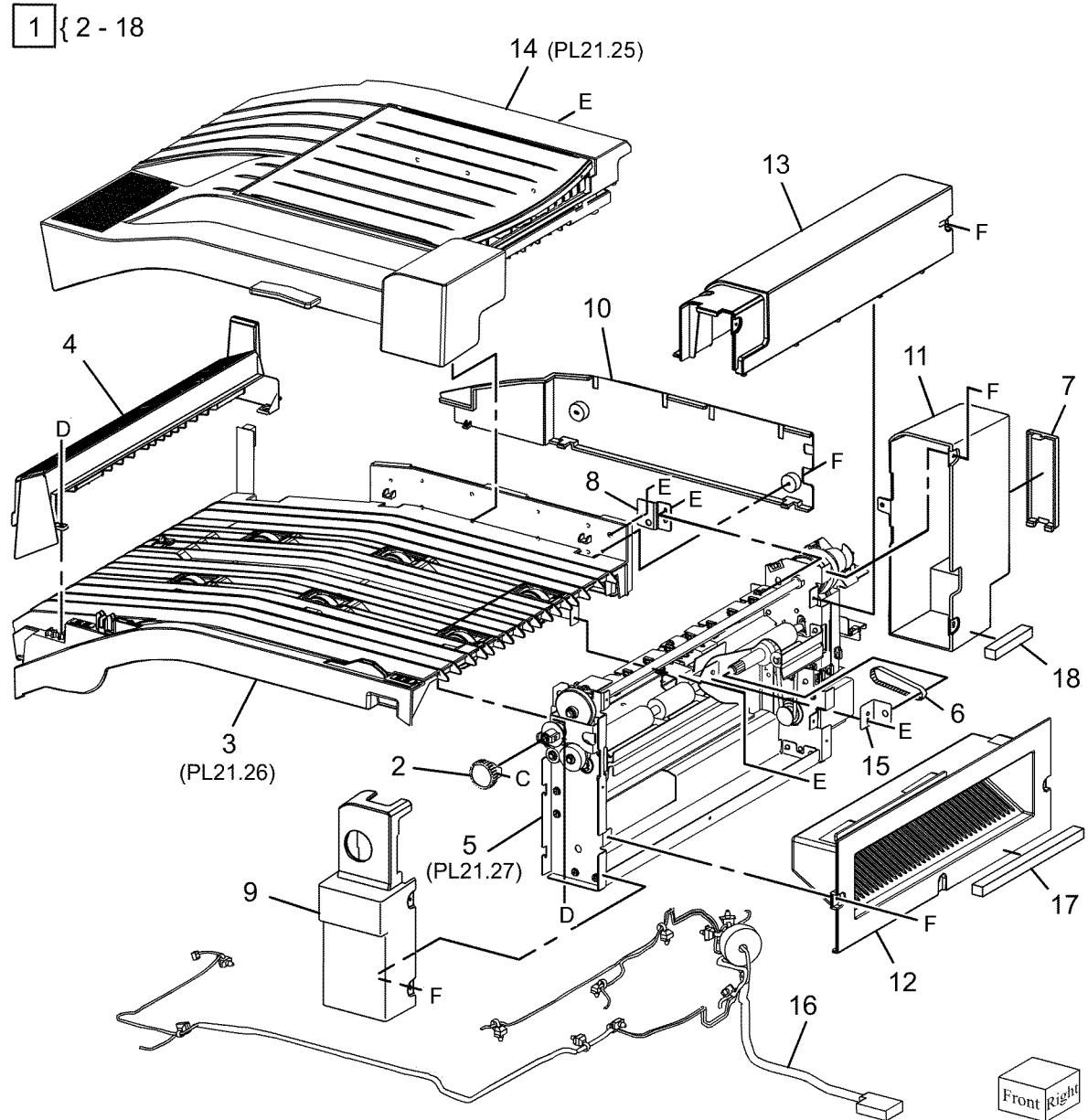
Item	Part	Description
1	-	Bracket (P/O PL 21.15 Item 12)
2	127K52400	Booklet Fold Motor
3	-	Bracket (P/O PL 21.15 Item 12)
4	127K51990	Booklet Paper Path Motor
5	-	Bracket (P/O PL 21.15 Item 12)
6	-	Bracket (P/O PL 21.15 Item 12)
7	007E77620	Gear (45T)
8	807E20000	Gear (43T/14T)
9	007E77600	Gear (44T/16T)
10	120E28080	Knife Solenoid
11	807E01750	Gear (27T/34T)
12	-	Ball Bearing (P/O PL 21.15 Item 12)
13	809E41620	Spring
14	962K57710	Wire Harness
15	962K57680	Wire Harness
16	962K57690	Wire Harness
17	-	Bracket (P/O PL 21.15 Item 12)
18	-	Bracket (P/O PL 21.15 Item 12)
19	-	Bracket (P/O PL 21.15 Item 12)
20	-	Spring (P/O PL 21.15 Item 12)
21	-	Spacer (P/O PL 21.15 Item 12)
22	807E02080	Gear (48T/18T)
23	049K00770	Link
24	-	Belt (P/O PL 21.15 Item 12)
25	807E19210	Gear Pulley (41T/14T)



0521022-OAK

PL 21.24 H-Transport (1 of 5)

Item	Part	Description
1	-	H-Transport Assembly (REF: PL 21.1 Item 2) (REP 21.12)
2	003K17251	Knob
3	-	Lower Chute Assembly (P/O PL 21.24 Item 1)
4	-	Left Upper Chute Assembly
5	059K55857	Decurler Transport Assembly
6	423W27054	Belt
7	-	Connector Cover (P/O PL 21.24 Item 1)
8	-	Bracket (P/O PL 21.24 Item 1)
9	-	Decurler Front Cover (P/O PL 21.24 Item 1)
10	848E18480	Rear Cover
11	848E18490	Decurler Rear Cover
12	848E18501	Decurler Right Hand Cover
13	848E18522	Decurler Top Cover
14	-	Top Cover Assembly (P/O PL 21.24 Item 1)
15	-	Stud Bracket (P/O PL 21.24 Item 1)
16	962K61011	Wire Harness
17	-	Shield (P/O PL 21.24 Item 1)
18	-	Shield (P/O PL 21.24 Item 1)

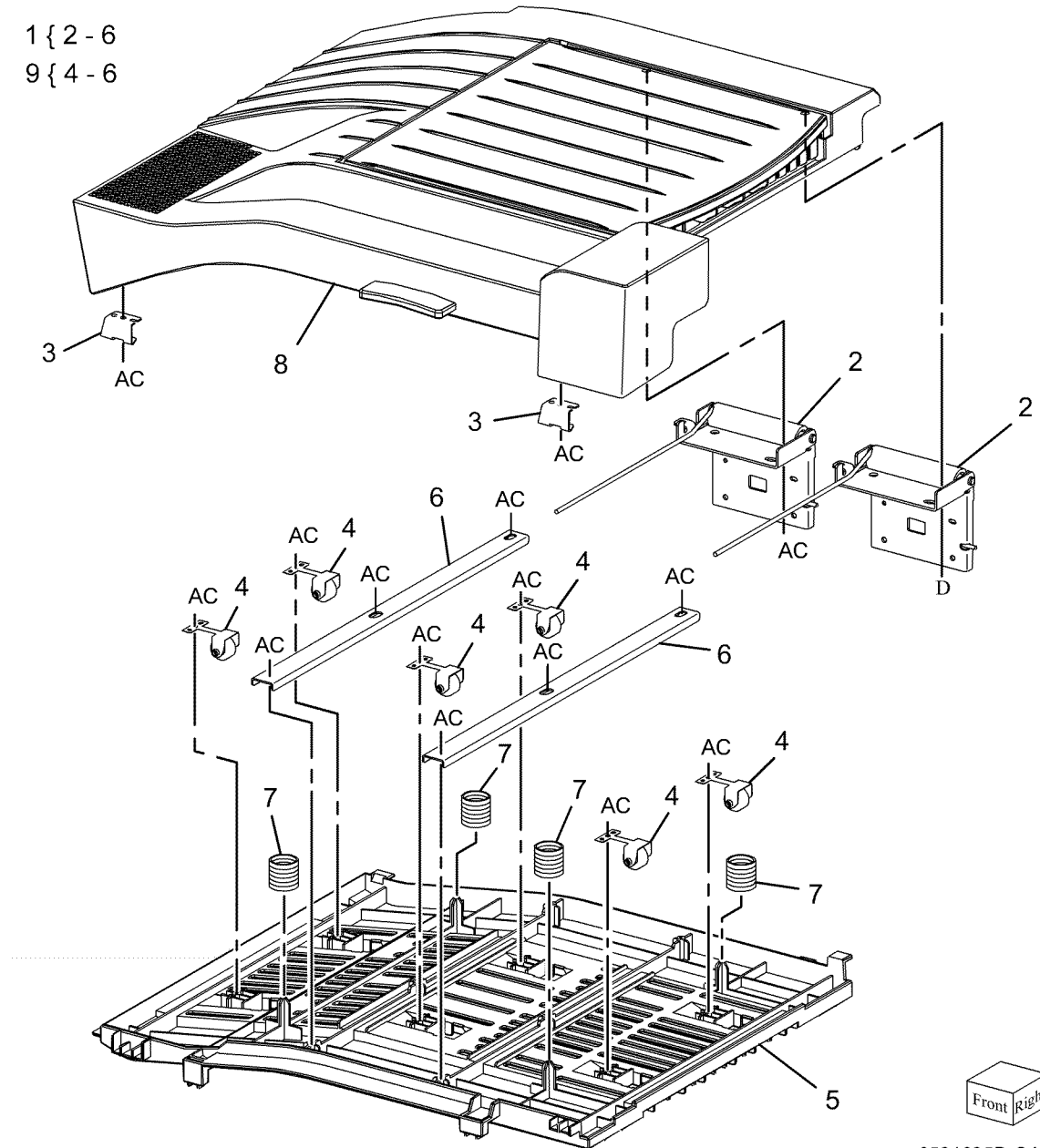


0521024A-OAK

PL 21.25 H-Transport (2 of 5)

Item	Part	Description
1	-	Top Cover Assembly (Not Spared)
2	-	Hinge Assembly (P/O PL 21.25 Item 1)
3	-	Bracket (P/O PL 21.25 Item 1)
4	-	Pinch Roll Assembly (P/O PL 21.25 Item 1, PL 21.25 Item 9)
5	-	Upper Chute (P/O PL 21.25 Item 1, PL 21.25 Item 9)
6	-	Upper Plate Chute (P/O PL 21.25 Item 1, PL 21.25 Item 9)
7	-	Upper Chute Spring (Not Spared)
8	848K37393	Top Cover Assembly
9	054K35352	Upper Chute Assembly

1 { 2 - 6
 9 { 4 - 6

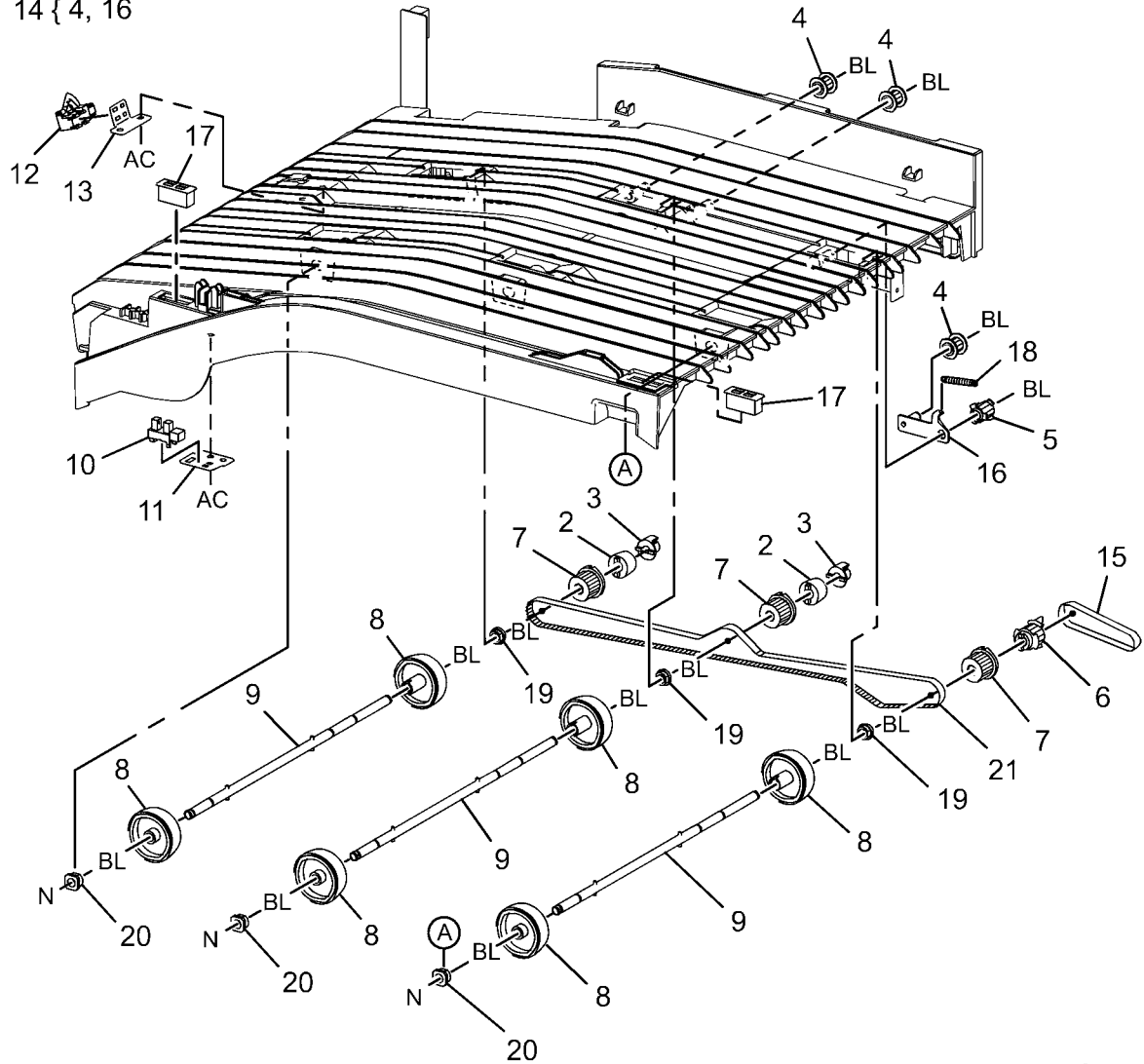


0521025B-OAK

PL 21.26 H-Transport (3 of 5)

Item	Part	Description
1	-	Lower Chute Assembly
2	005E19650	Clutch
3	011E16881	Joint
4	020E37740	Pulley
5	020E45620	Pulley
6	020E45630	Pulley
7	020E45640	Pulley
8	059K55790	Roll Assembly
9	-	Roll Shaft Assembly (P/O PL 21.26 Item 1)
10	130K70160	H-Transport Interlock Sensor
11	-	Sensor Bracket (P/O PL 21.26 Item 1)
12	-	H-Transport Entrance Sensor (P/O PL 21.26 Item 1)
13	-	Sensor Bracket (P/O PL 21.26 Item 1)
14	068K58521	Tension Bracket Assembly
15	-	Belt (P/O PL 21.24 Item 6)
16	-	Bracket Assembly Tension (P/O PL 21.26 Item 14)
17	121E92720	Magnet
18	-	Spring (Not Spared)
19	-	Bearing (Not Spared)
20	-	Sleeve Bearing (Not Spared)
21	-	H-Transport Drive Belt (Not Spared) (REP 21.27)

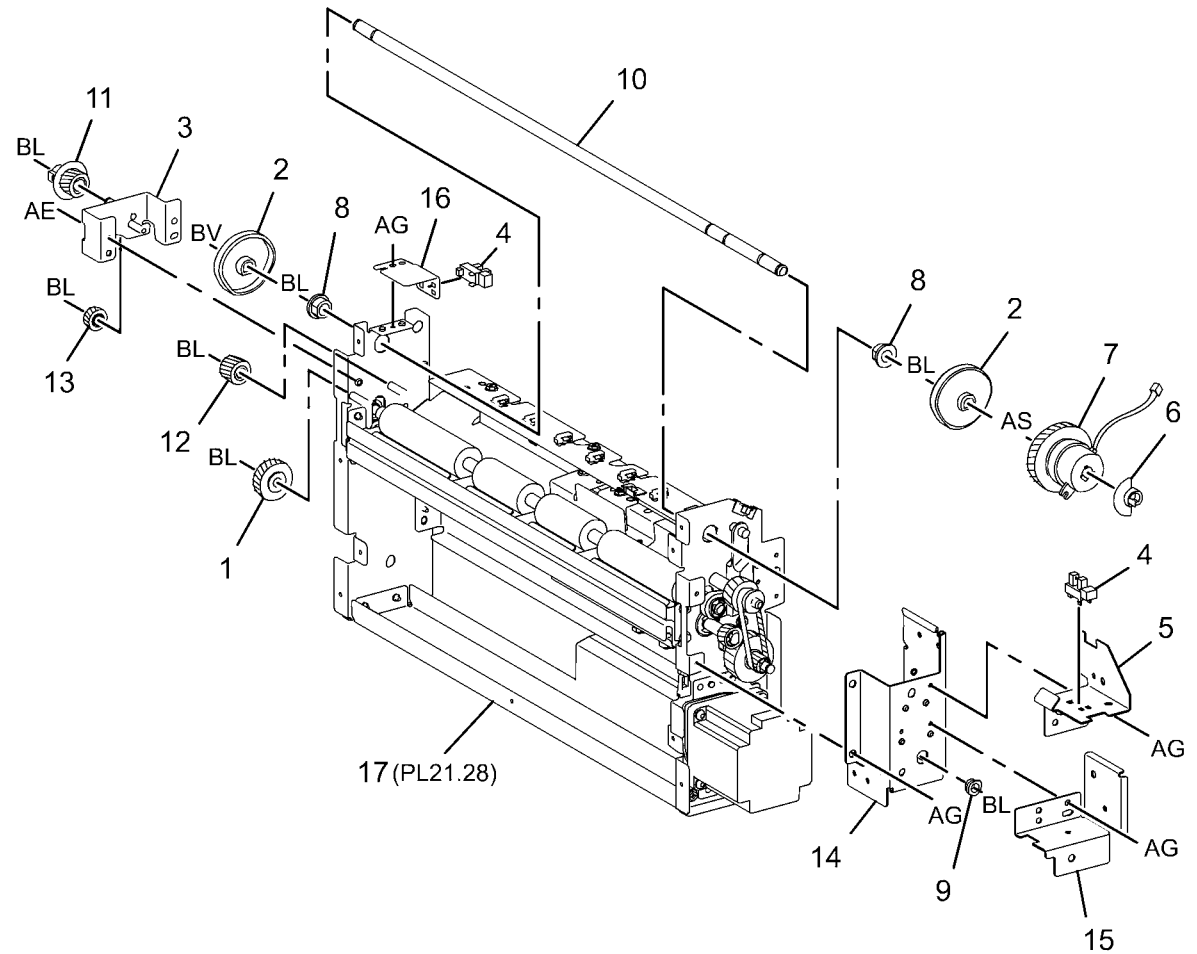
1 { 2 - 21
14 { 4, 16



0521026A-OAK

PL 21.27 H-Transport (4 of 5)

Item	Part	Description
1	007K14910	One Way Gear Assembly
2	008E96860	Decurler Cam
3	-	Bracket (P/O PL 21.24 Item 5)
4	130K70160	H-Transport Interlock Sensor-R, Decurler Cam Home Sensor
5	-	Sensor Bracket (P/O PL 21.24 Item 5)
6	-	Actuator (P/O PL 21.24 Item 5)
7	121K41980	Decurler Cam Clutch
8	-	Bearing (P/O PL 21.24 Item 5)
9	-	Bearing (P/O PL 21.24 Item 5)
10	-	Shaft (P/O PL 21.24 Item 5)
11	807E24170	Knob Gear (18T)
12	807E24180	Gear (18T)
13	807E24190	Gear (16T)
14	-	Bracket (P/O PL 21.24 Item 5)
15	-	Harness Bracket (P/O PL 21.24 Item 5)
16	-	Sensor Bracket (P/O PL 21.24 Item 5)
17	801K30761	Decurler Frame Assembly

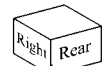
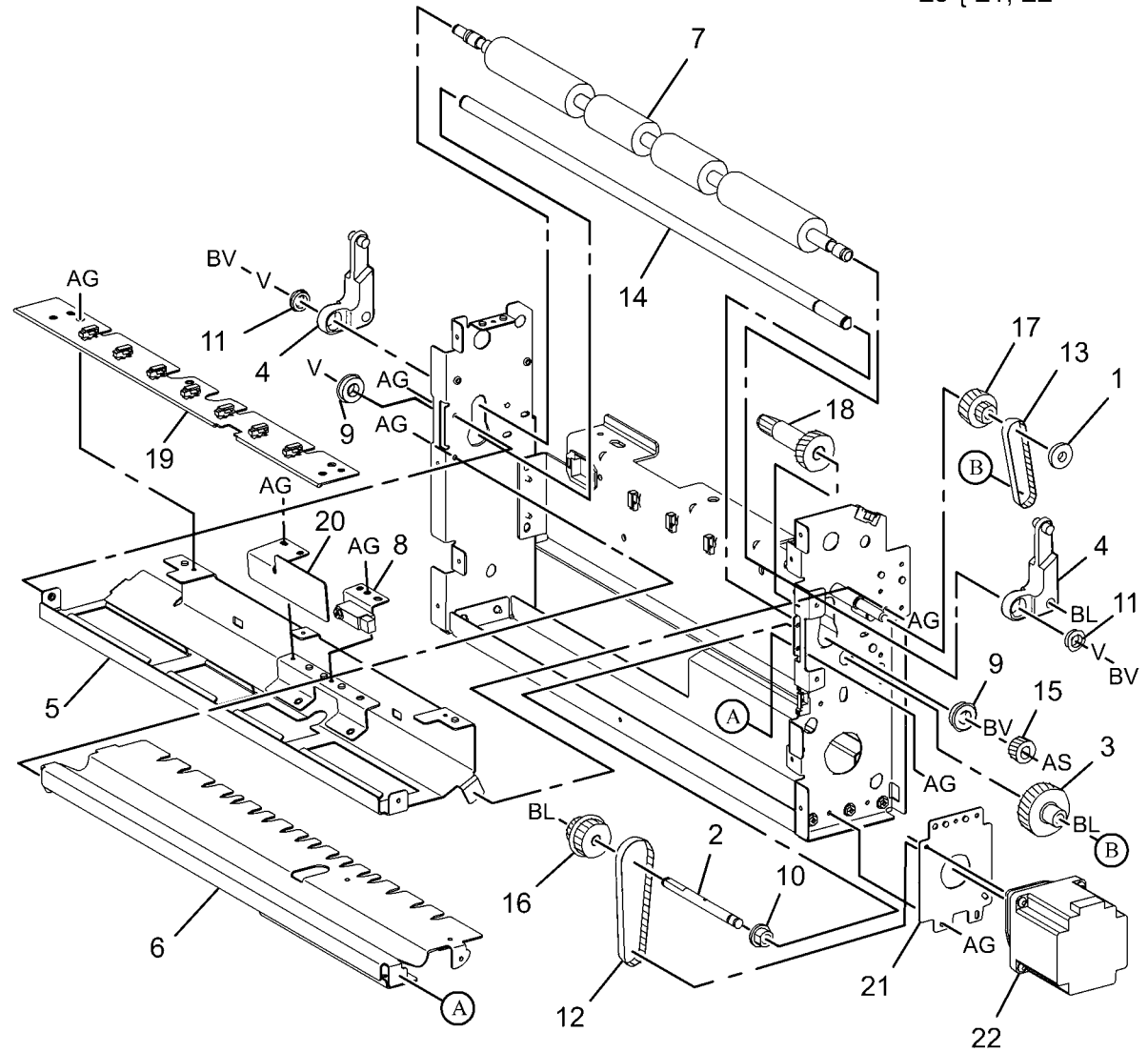


0521027A-NWD

PL 21.28 H-Transport (5 of 5)

Item	Part	Description
1	-	Collar (P/O PL 21.24 Item 5)
2	-	Shaft (P/O PL 21.24 Item 5)
3	-	Gear (P/O PL 21.24 Item 5)
4	031E97550	Arm
5	-	Decurler Upper Chute Assembly (P/O PL 21.24 Item 5)
6	-	Decurler Lower Chute Assembly (P/O PL 21.24 Item 5)
7	059K55801	Decurler Roll Assembly
8	068K58501	H-Transport Exit Sensor
9	-	Bearing (P/O PL 21.24 Item 5)
10	-	Bearing (P/O PL 21.24 Item 5)
11	-	Bearing (P/O PL 21.24 Item 5)
12	423W29254	Belt
13	423W26654	Belt
14	-	Shaft (P/O PL 21.24 Item 5)
15	-	Gear (16T) (P/O PL 21.24 Item 5)
16	-	Gear (18T/36T) (P/O PL 21.24 Item 5)
17	-	Gear (24T/20T) (P/O PL 21.24 Item 5)
18	-	Gear (27T/18T) (P/O PL 21.24 Item 5)
19	-	Harness Bracket (P/O PL 21.24 Item 5)
20	-	Decurler Shield (P/O PL 21.24 Item 5)
21	-	Plate (P/O PL 21.28 Item 23)
22	-	H-Transport Motor (P/O PL 21.28 Item 23)
23	127K57061	H-Transport Motor Assembly

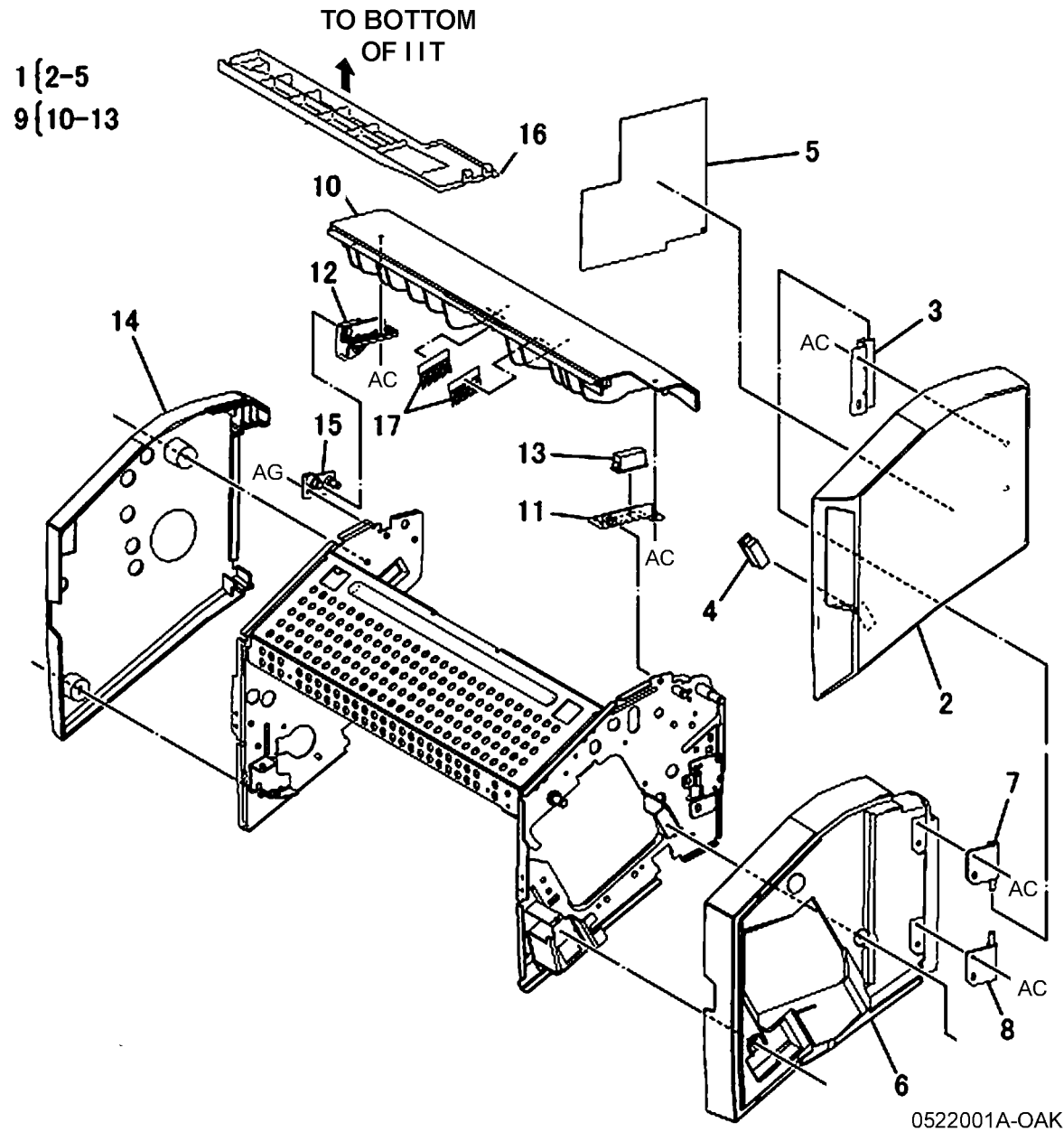
23 { 21, 22



0521028A-OAK

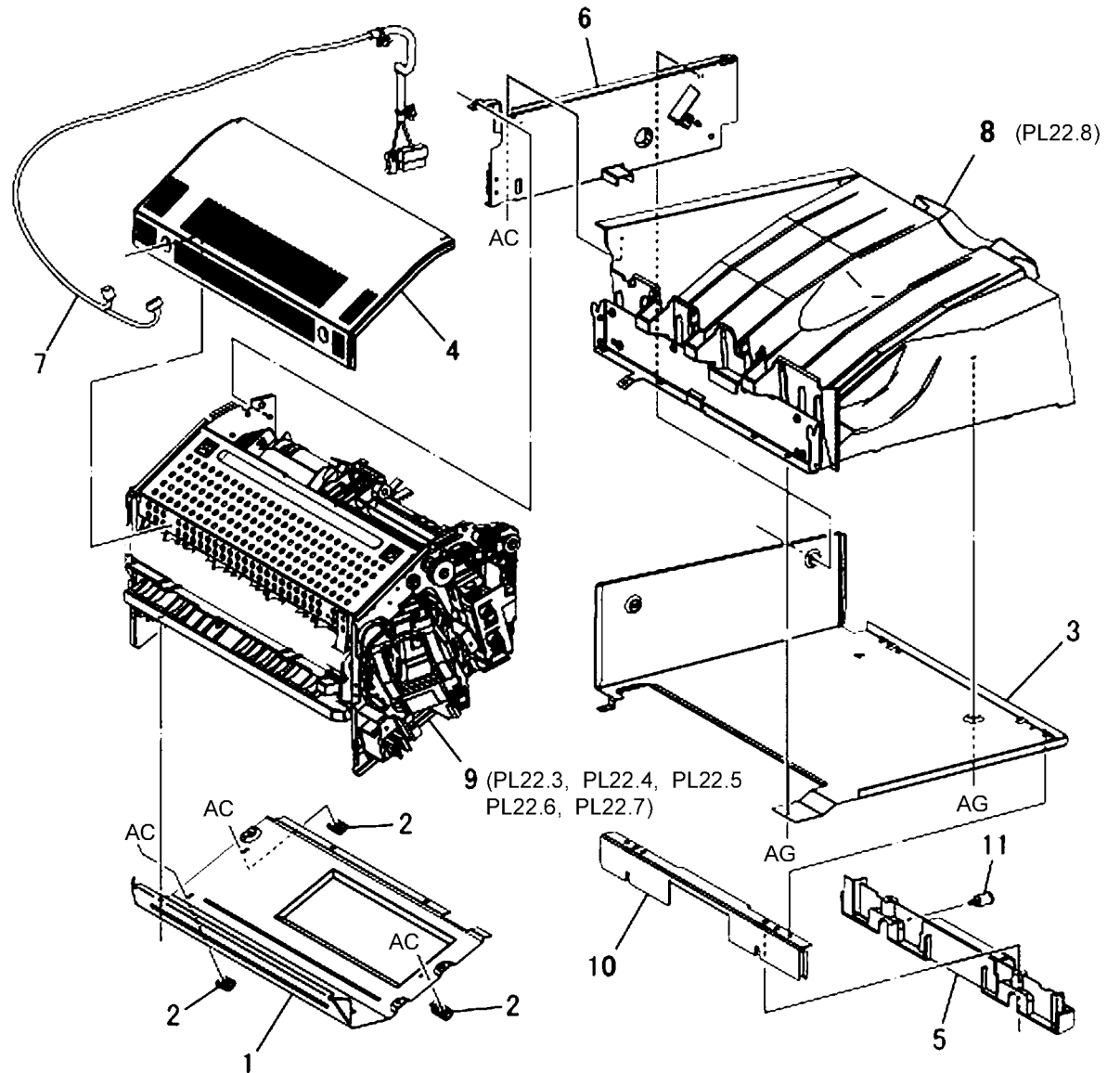
PL 22.1 Finisher Assembly (Part 1 of 2) (Integrated Office Finisher)

Item	Part	Description
1	848K36702	Front Cover Assembly
2	-	Front Cover (P/O PL 22.1 Item 1)
3	-	Bracket (P/O PL 22.1 Item 1)
4	-	Magnet (P/O PL 22.1 Item 1)
5	-	Label (P/O PL 22.1 Item 1)
6	848E50760	Front Inner Cover
7	068K29871	Hinge
8	068K29880	Hinge
9	848K38630	Top Cover Assembly
10	-	Top Cover (P/O PL 22.1 Item 9)
11	-	Bracket (P/O PL 22.1 Item 9)
12	-	Stopper (P/O PL 22.1 Item 9)
13	-	Magnet (P/O PL 22.1 Item 9)
14	848E50790	Rear Cover
15	-	Hinge (Not Spared)
16	815E60280	IIT Cover
17	042E92330	Eliminator



PL 22.2 Finisher Assembly (Part 2 of 2) (Integrated Office Finisher)

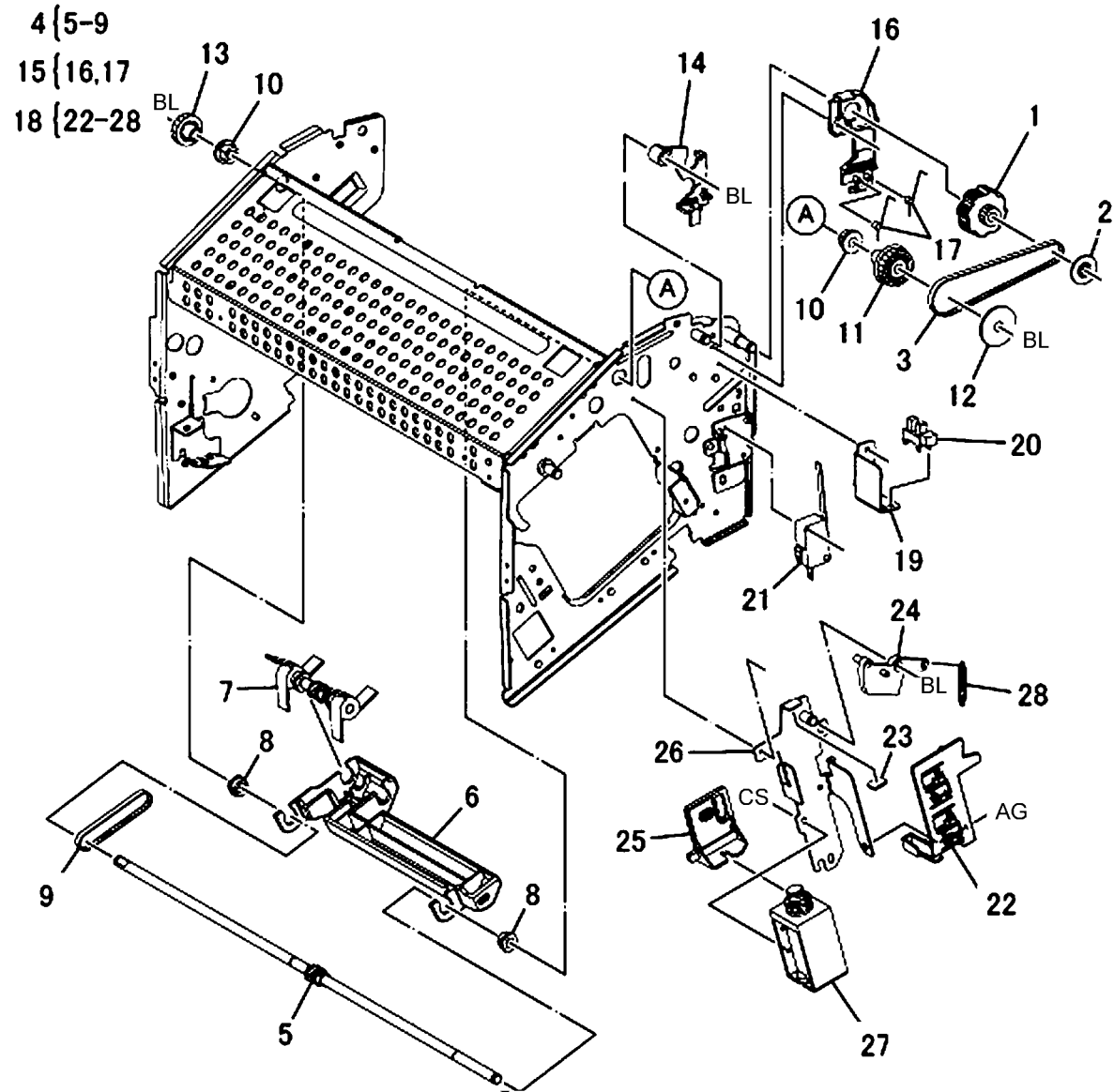
Item	Part	Description
1	–	Bottom Cover (Not Spared)
2	–	Spacer (Not Spared)
3	–	Tray Cover (Not Spared)
4	848E50770	Left Cover
5	068K69530	Tray Support
6	–	Rear Bracket (Not Spared)
7	962K42291	Wire Harness
8	050K64830	Stacker Tray Assembly (REP 22.16)
9	–	Stacker Base Assembly (Not Spared)
10	–	Extended Tray Assembly (Not Spared)
11	–	Screw (Not Spared)



0522002A-OAK

PL 22.3 Stacker Base Assembly (Part 1 of 5) (Integrated Office Finisher)

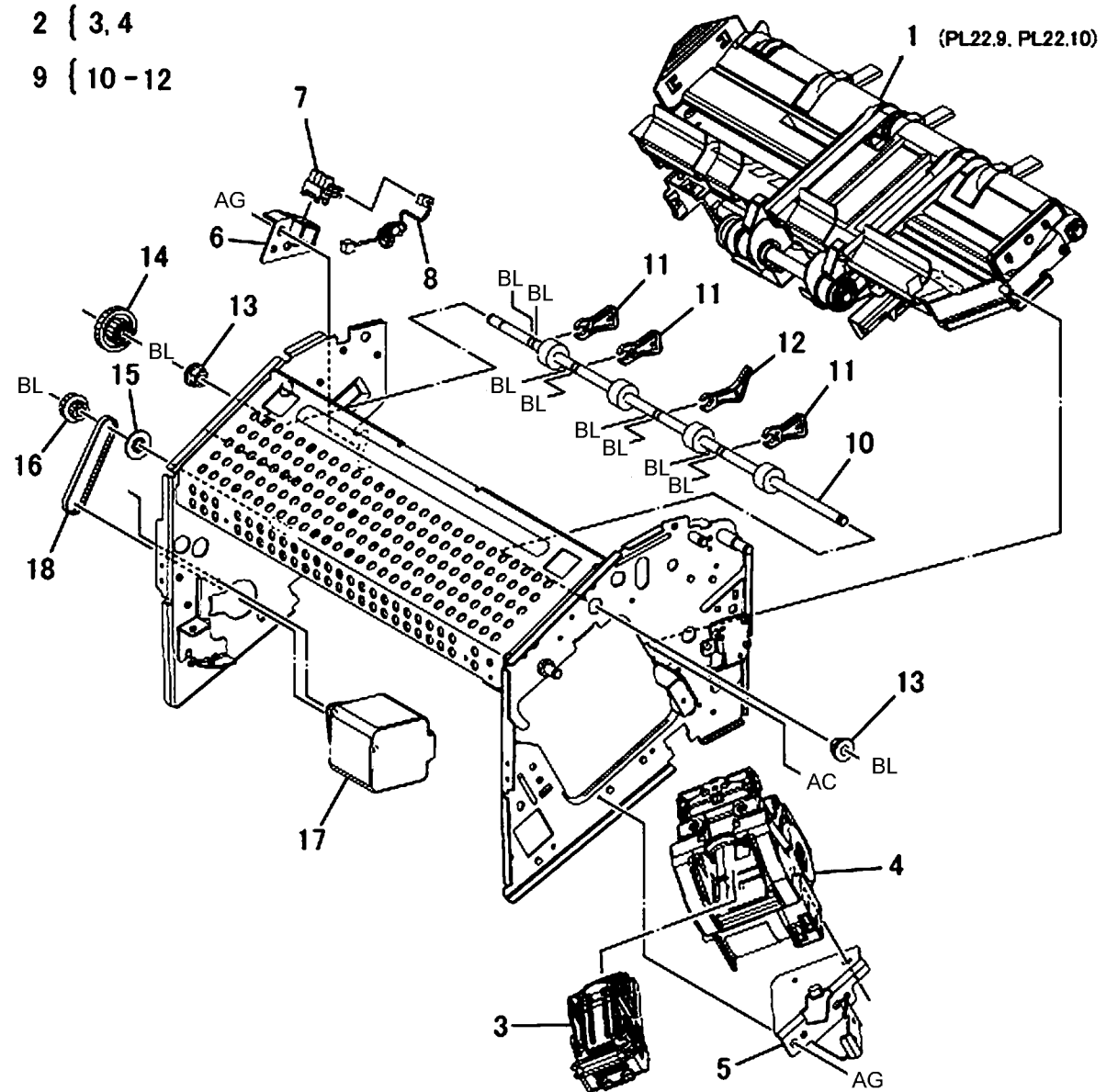
Item	Part	Description
1	003E65500	Knob
2	005E89470	Collar
3	423W10454	Belt
4	012K96370	Link Shaft Assembly
5	-	Link Shaft (P/O PL 22.3 Item 4)
6	012E16150	Support
7	-	Sub Paddle Shaft Assembly (P/O PL 22.3 Item 4)
8	-	Bearing (P/O PL 22.3 Item 4)
9	423W06054	Paddle Belt (REP 22.2)
10	413W75959	Bearing
11	020K13900	Pulley
12	005E89490	Collar
13	807E13260	Gear (21T)
14	120E27240	Actuator
15	802K85560	Knob Cover Assembly
16	-	Knob Cover (P/O PL 22.3 Item 15)
17	-	Spring (P/O PL 22.3 Item 15)
18	012K94990	Sub Paddle Solenoid Assembly
19	-	Bracket (Not Spared)
20	130K70160	Finisher Top Cover Interlock Sensor
21	110K12980	Finisher Top Cover Interlock (+24V)
22	-	Support (P/O PL 22.3 Item 18)
23	-	Cushion (P/O PL 22.3 Item 18)
24	-	Link (P/O PL 22.3 Item 18)
25	-	Arm (P/O PL 22.3 Item 18)
26	-	Bracket (P/O PL 22.3 Item 18)
27	121K34620	Sub Paddle Solenoid (REP 22.3)
28	-	Spring (P/O PL 22.3 Item 18)



0522003A-OAK

PL 22.4 Stacker Base Assembly (Part 2 of 5) (Integrated Office Finisher)

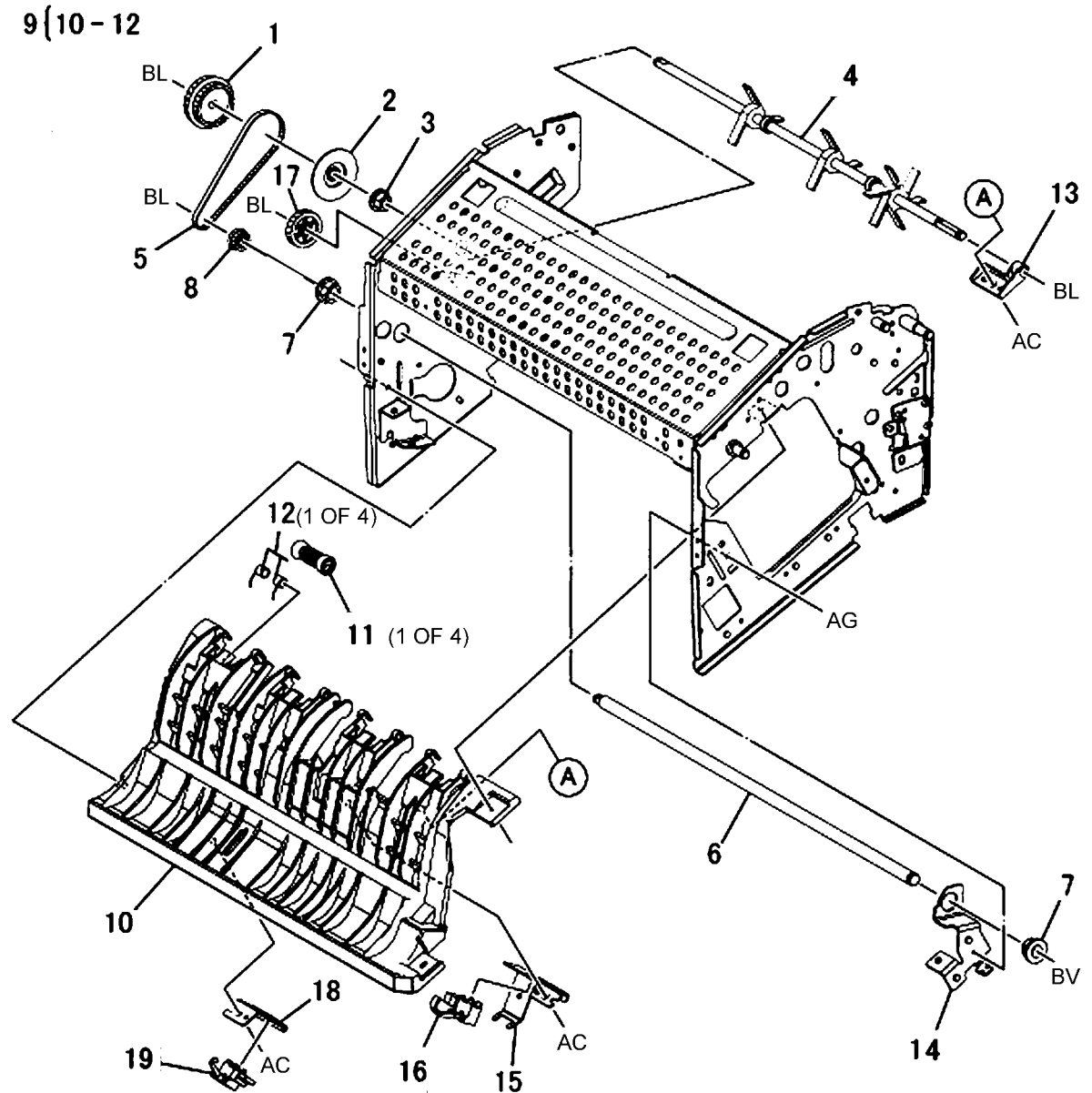
Item	Part	Description
1	–	Compile Assembly (REP 22.20)
2	029K92350	Staple Assembly (REP 22.5)
3	–	Cartridge (P/O PL 22.4 Item 2)
4	–	Stapler (P/O PL 22.4 Item 2)
5	–	Bracket (Not Spared)
6	–	Support (Not Spared)
7	930W00111	Set Clamp Home Sensor (REP 22.6)
8	962K44980	Wire Harness
9	022K72790	Exit Roll Assembly (REP 22.7)
10	–	Exit Roll (P/O PL 22.4 Item 9)
11	004E15340	Damper
12	004E15330	Center Damper
13	–	Bearing (Not Spared)
14	007K94220	One Way Gear
15	005E89470	Collar
16	807E13230	Gear Pulley (16T/18T)
17	127K49800	Finisher Transport Motor
18	423W06954	Belt



j0fa52204

PL 22.5 Stacker Base Assembly (Part 3 of 5) (Integrated Office Finisher)

Item	Part	Description
1	807E13250	Gear Pulley (37T/45T)
2	005E89480	Collar
3	413W75959	Bearing
4	006K25001	Main Paddle Shaft Assembly (REP 22.11)
5	423W09854	Belt
6	-	Shaft (Not Spared)
7	413W11860	Bearing
8	020E43500	Pulley (19T)
9	054K30361	Lower Chute Assembly (REP 22.12)
10	-	Lower Chute (P/O PL 22.5 Item 9)
11	022K73190	Pinch Roll (REP 22.8)
12	809E65931	Spring
13	-	Support (Not Spared)
14	-	Bracket (Not Spared)
15	-	Bracket (Not Spared)
16	130K93251	Compile Exit Sensor (REP 22.10)
17	807E13240	Gear (27T)
18	-	Bracket (Not Spared)
19	130K88190	Finisher Entrance Sensor (REP 22.9)

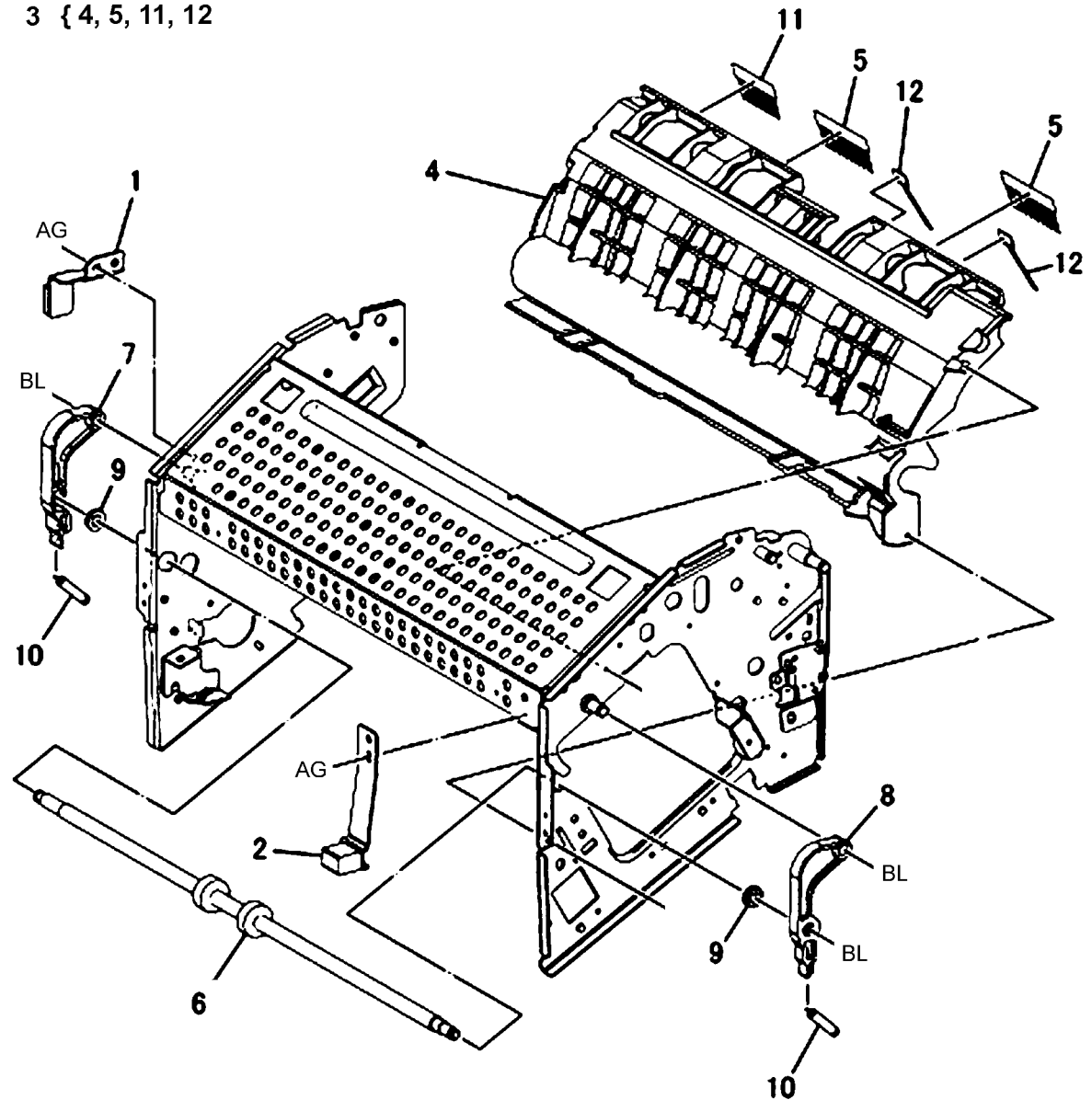


0522005A-OAK

PL 22.6 Stacker Base Assembly (Part 4 of 5) (Integrated Office Finisher)

Item	Part	Description
1	068K29931	Bracket
2	068K29941	Bracket
3	054K42690	Upper Chute Assembly (REP 22.14)
4	-	Upper Chute (P/O PL 22.6 Item 3)
5	042E92241	Eliminator
6	022K72782	Entrance Roll Assembly (REP 22.13)
7	031E97041	Arm
8	031E97020	Arm
9	413W66250	Ball Bearing
10	-	Spring (Not Spared)
11	042E92330	Eliminator
12	-	Guide Paper (P/O PL 22.6 Item 3)

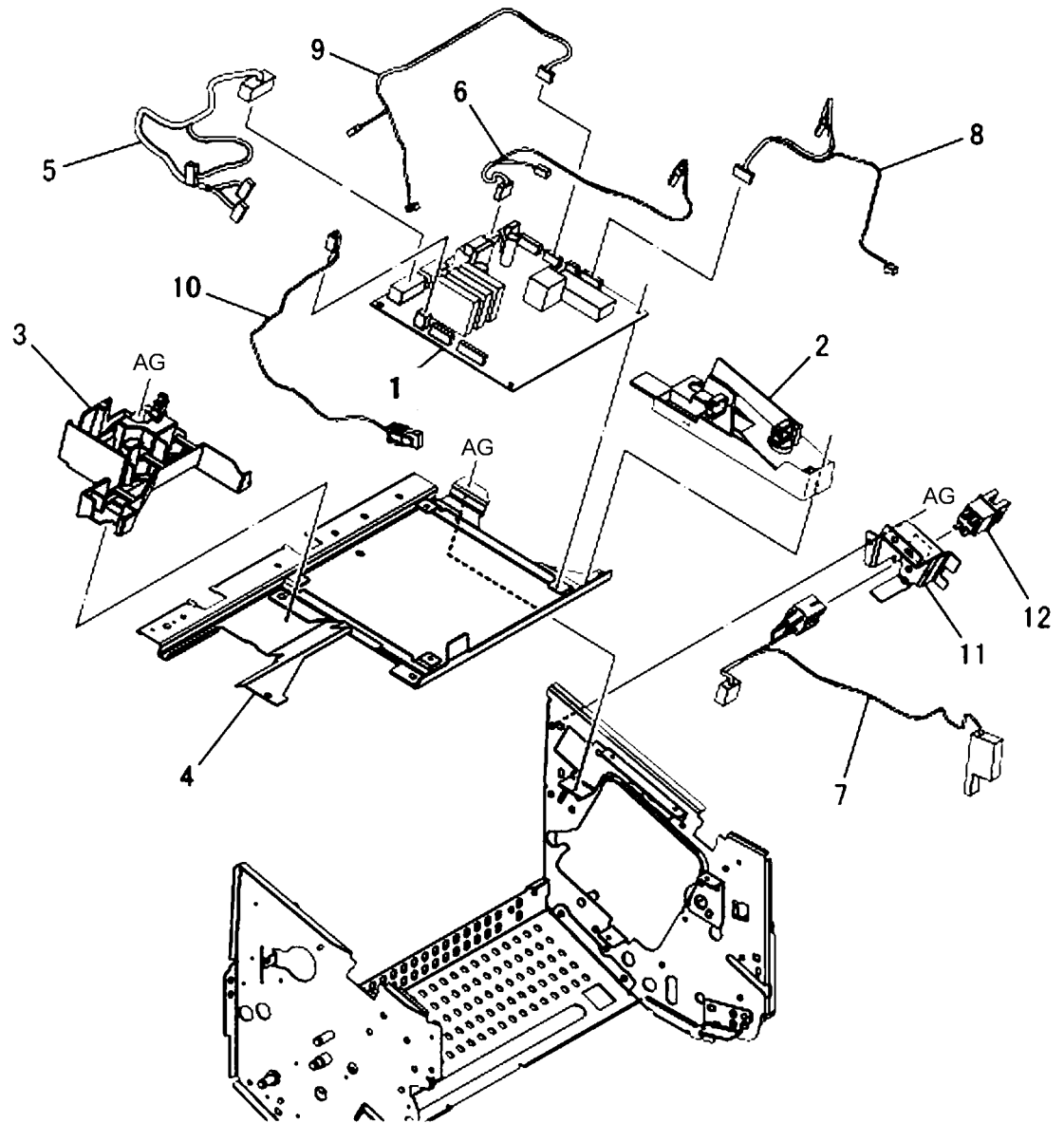
3 { 4, 5, 11, 12



0522006A-OAK

PL 22.7 Stacker Base Assembly (Part 5 of 5) (Integrated Office Finisher)

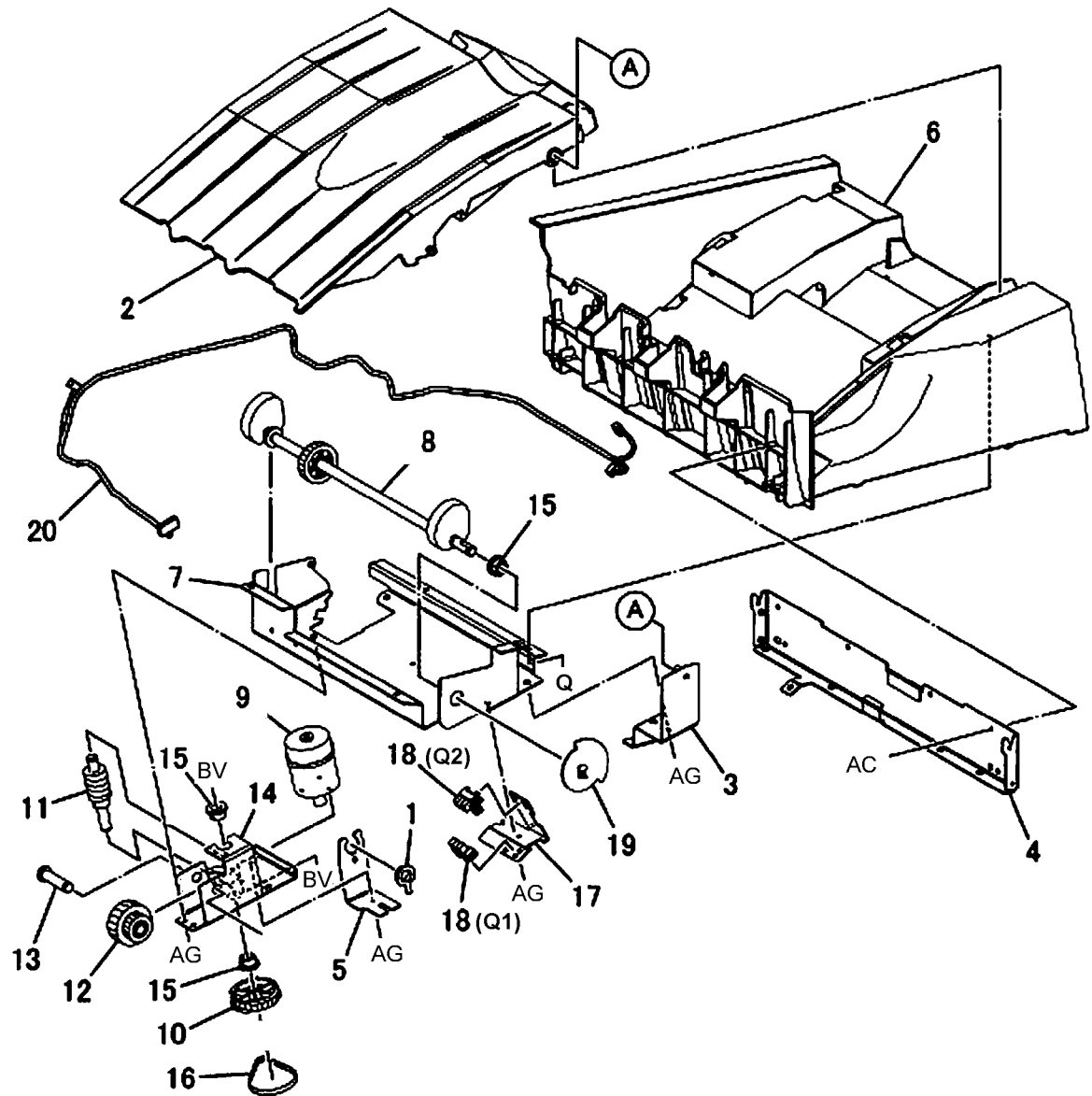
Item	Part	Description
1	960K50450	Finisher PWB (REP 22.15)
2	055K30850	Connector Bracket
3	-	Harness Guide (Not Spared)
4	-	PWB Bracket (Not Spared)
5	-	Wire Harness (Drive) (Not Spared)
6	-	Wire Harness (Stapler) (Not Spared)
7	-	Wire Harness (Interlock) (Not Spared)
8	-	Wire Harness (Front Sensor) (Not Spared)
9	-	Wire Harness (Compile) (Not Spared)
10	-	Wire Harness (Stacker) (Not Spared)
11	-	Bracket (Not Spared)
12	110E97990	Finisher Front Interlock Switch



0522007A-OAK

PL 22.8 Stacker Tray Assembly (Integrated Office Finisher)

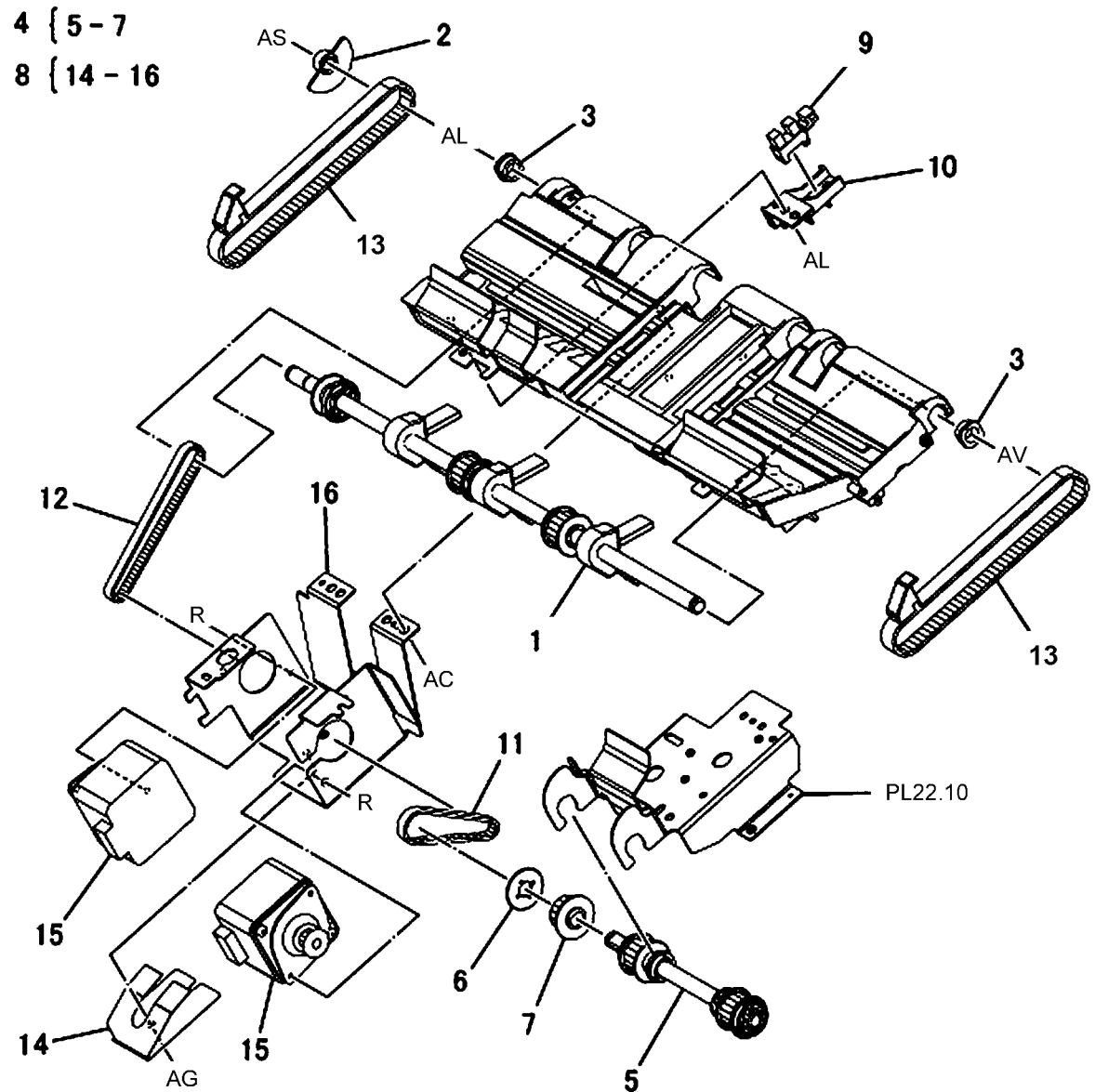
Item	Part	Description
1	-	Bearing (P/O PL 22.2 Item 8)
2	-	Top Tray (P/O PL 22.2 Item 8)
3	-	Bracket (P/O PL 22.2 Item 8)
4	-	Plate (P/O PL 22.2 Item 8)
5	-	Bracket (P/O PL 22.2 Item 8)
6	-	Base Tray (P/O PL 22.2 Item 8)
7	-	Base Bracket (P/O PL 22.2 Item 8)
8	006K25031	Stacker Shaft Assembly (REP 22.17)
9	127K49420	Stacker Motor (REP 22.18)
10	-	Pulley (60T) (P/O PL 22.2 Item 8)
11	-	Worm Gear (P/O PL 22.2 Item 8)
12	-	Gear (16T/32T) (P/O PL 22.2 Item 8)
13	-	Stud (P/O PL 22.2 Item 8)
14	-	Bracket (P/O PL 22.2 Item 8)
15	-	Bearing (P/O PL 22.2 Item 8)
16	423W07354	Belt (P/O PL 22.2 Item 8)
17	-	Bracket (P/O PL 22.2 Item 8)
18	930W00111	Stacker Sensor 1 (Q1), Sensor 2 (Q2) (REP 22.19)
19	-	Actuator (P/O PL 22.2 Item 8)
20	-	Wire Harness (P/O PL 22.2 Item 8)



0522008A-OAK

PL 22.9 Compile Assembly (Part 1 of 2) (Integrated Office Finisher)

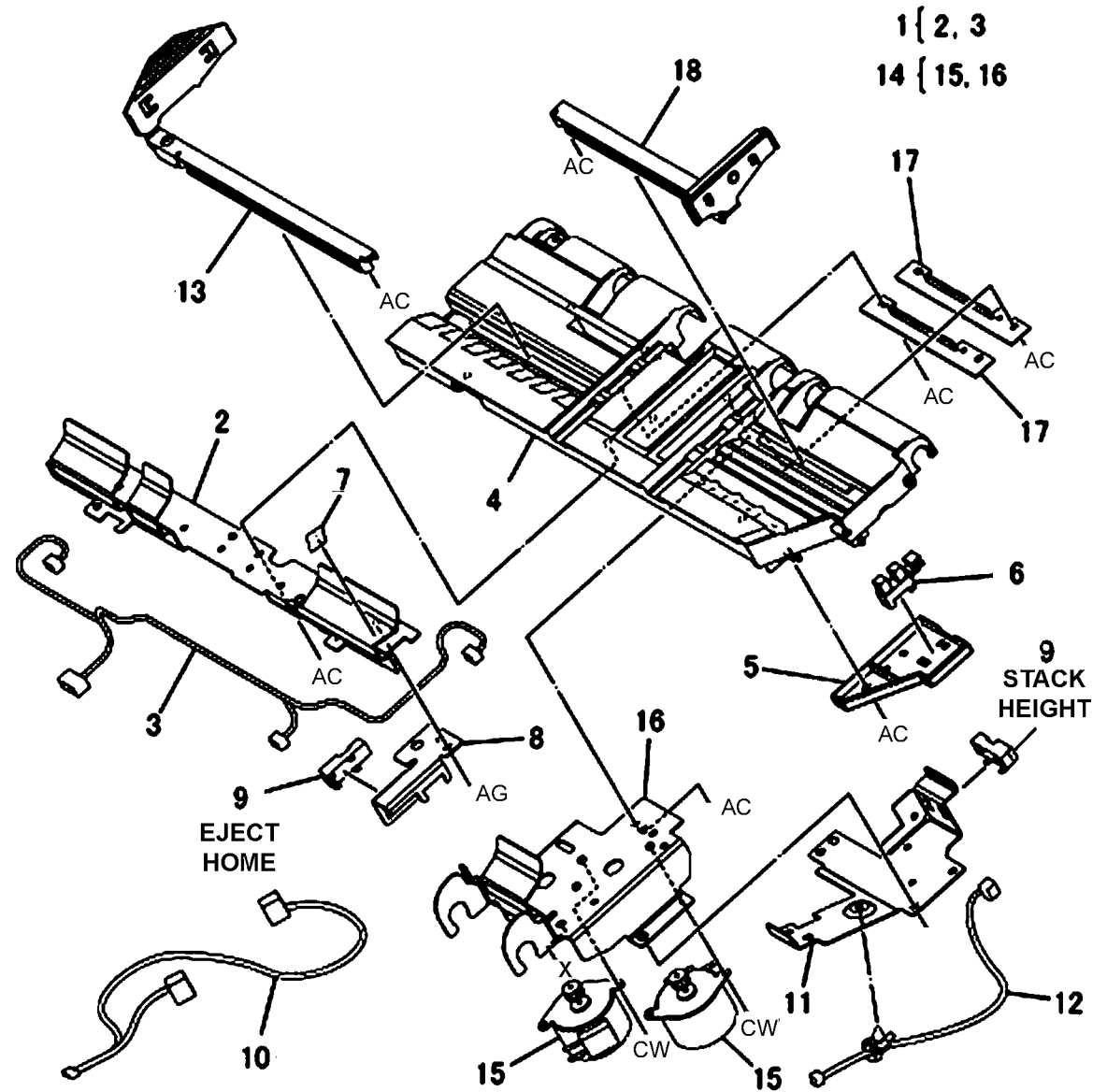
Item	Part	Description
1	006K25010	Set Clamp Shaft (REP 22.21)
2	120E27220	Actuator
3	413W11860	Bearing
4	006K25020	Eject Shaft Assembly (REP 22.25)
5	-	Eject Shaft (P/O PL 22.9 Item 4)
6	-	Spacer (P/O PL 22.9 Item 4)
7	-	Pulley (P/O PL 22.9 Item 4)
8	068K29830	Eject/Set Clamp Motor Assembly (REP 22.23)
9	930W00111	Rear Tamper Home Sensor (REP 22.24)
10	-	Support (Not Spared)
11	423W26754	Belt
12	-	Belt (Not Spared)
13	023K91530	Eject Belt (REP 22.22)
14	-	Spring (P/O PL 22.9 Item 8)
15	-	Eject Motor, Set Clamp Motor (P/O PL 22.9 Item 8)
16	-	Bracket (P/O PL 22.9 Item 8)



0522009A-OAK

PL 22.10 Compile Assembly (Part 2 of 2) (Integrated Office Finisher)

Item	Part	Description
1	068K30510	Bracket Assembly
2	-	Bracket (P/O PL 22.10 Item 1)
3	-	Wire Harness (P/O PL 22.10 Item 1)
4	050E25900	Compile Tray
5	-	Support (Not Spared)
6	930W00111	Front Tamper Home Sensor (REP 22.27)
7	038E34860	Paper Guide
8	-	Bracket (Not Spared)
9	-	Stack Height Sensor (REP 22.29)
-	930W00212	Eject Clamp Home Sensor (REP 22.28)
10	962K42270	Wire Harness
11	-	Bracket (Not Spared)
12	-	Wire Harness (Not Spared)
13	038K88990	Tamper Guide, Rear
14	068K30740	Front/Rear Tamper Motor Assembly (REP 22.26)
15	-	Front/Rear Tamper Motor (P/O PL 22.10 Item 14)
16	-	Bracket (P/O PL 22.10 Item 14)
17	001E70981	Rail
18	038K89260	Tamper Guide, Front

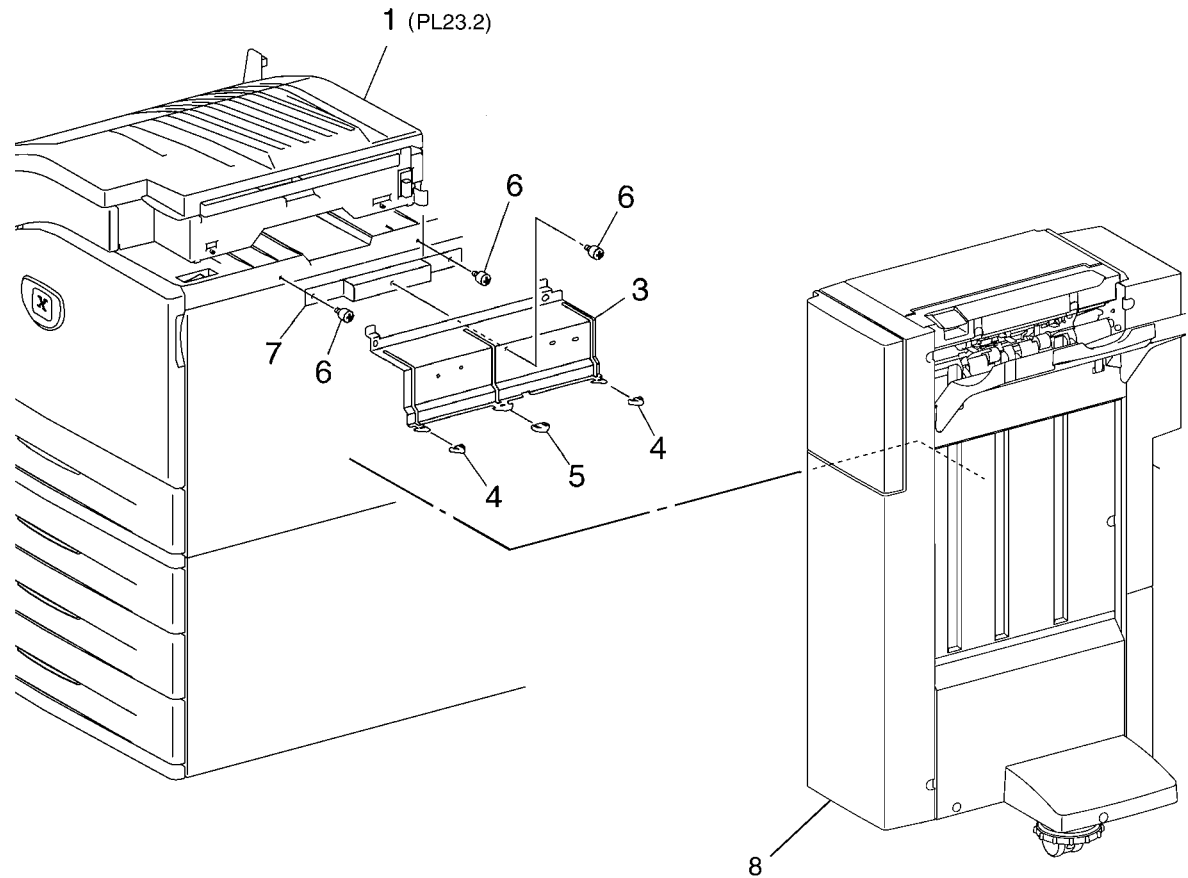


0522010A-OAK

PL 23.1 H-Transport Assembly (1 of 5) (Office Finisher LX)

Item	Part	Description
1	059K65560	H-Transport Assembly (REP 23.1)
2	068K59494	Docking Plate Assembly
3	—	Docking Plate (P/O PL 23.1 Item 2)
4	—	Side Guide (P/O PL 23.1 Item 2)
5	—	Center Guide (P/O PL 23.1 Item 2)
6	826E07210	Thumb Screw
7	868E51550	Bracket
8	—	Finisher LX Assembly (Not Spared)

2 { 3-5

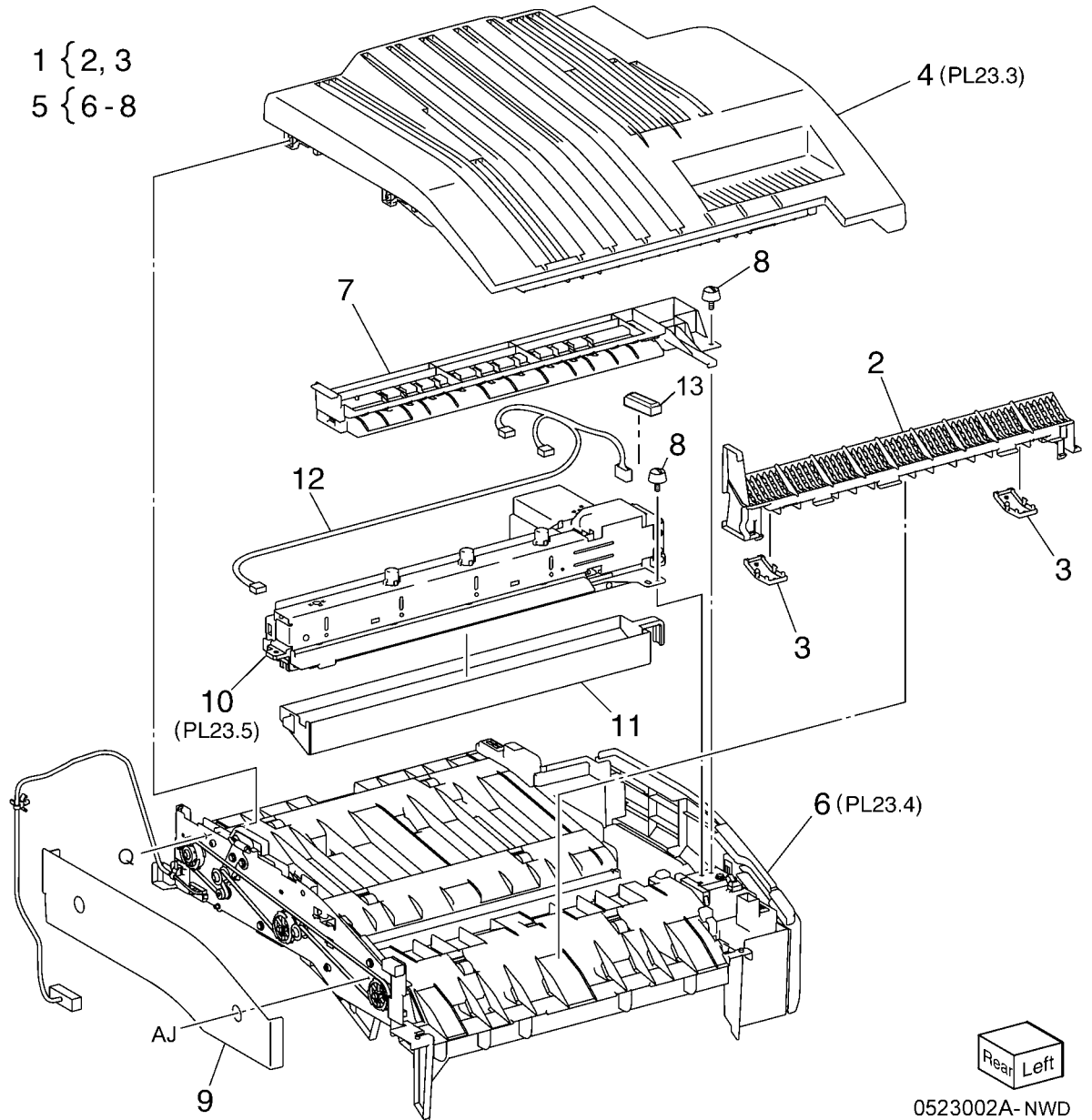


8
(PL23.6, PL23.7,
PL23.8, PL23.9,
PL23.10, PL23.11,
PL23.12, PL23.13,
PL23.14, PL23.16)

j0fb52301

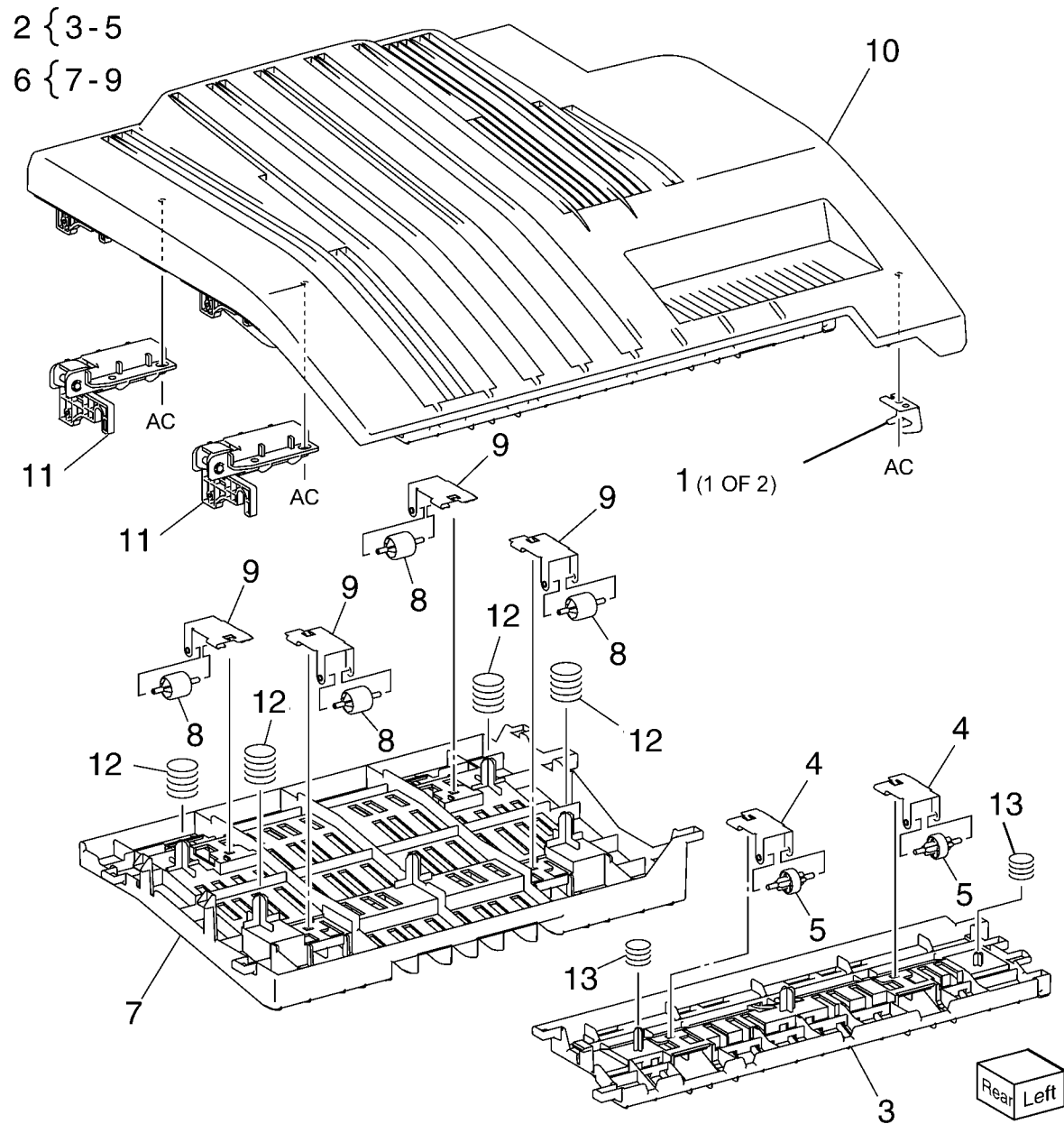
PL 23.2 H - Transport Assembly (2 of 5) (Office Finisher LX)

Item	Part	Description
1	848K34182	Left Cover Assembly
2	848E43672	Left Cover
3	-	Paper Guide (P/O PL 23.2 Item 1)
4	848K34170	Top Cover Assembly
5	-	Lower Chute Assembly (P/O PL 23.1 Item 1)
6	-	Lower Chute Assembly (P/O PL 23.2 Item 5)
7	054K35264	Chute Assembly
8	026K81200	Thumb Screw
9	-	Rear Cover (Not Spared)
10	180K00391	Punch Assembly (2/3 Hole) (REP 23.2)
-	180K00401	Punch Assembly (2/4 Hole) (REP 23.2)
11	-	Punch Box (Not Spared)
12	-	Wire Harness (Not Spared)
13	848E28010	Connector Cover



PL 23.3 H - Transport Assembly (3 of 5) (Office Finisher LX)

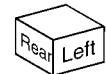
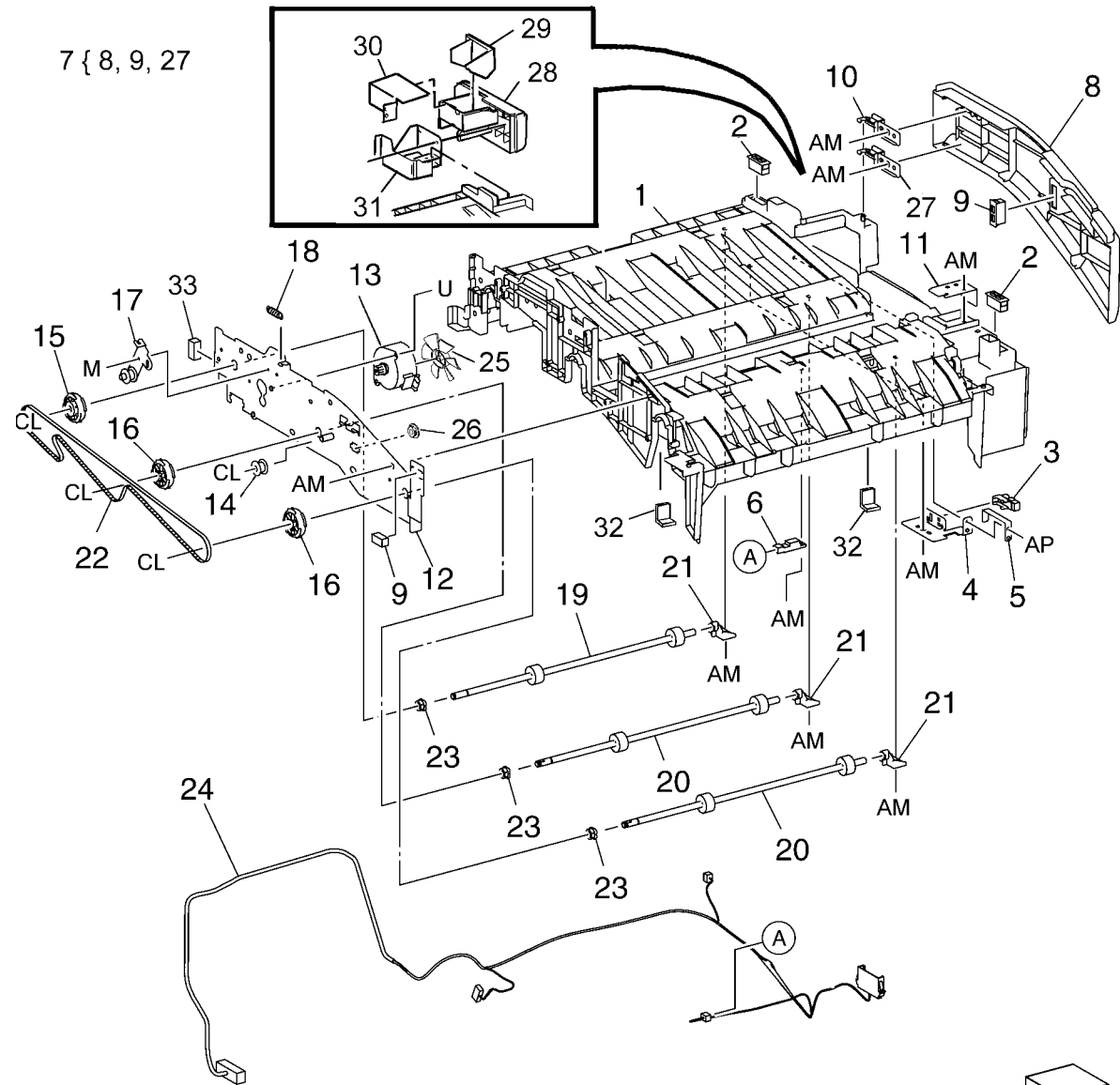
Item	Part	Description
1	-	Bracket (P/O PL 23.2 Item 4)
2	054K35239	Left Chute Assembly
3	-	Left Chute (P/O PL 23.3 Item 2)
4	-	Pinch Spring (P/O PL 23.3 Item 2)
5	-	Pinch Roller (P/O PL 23.3 Item 2)
6	054K35245	Right Chute Assembly
7	-	Right Chute (P/O PL 23.3 Item 6)
8	022E27660	Pinch Roller
9	809E76211	Pinch Spring
10	848E43662	Top Cover
11	003K15985	H - Transport Counter Balance
12	809E78940	Spring
13	809E76240	Spring



0523003A-NWD

PL 23.4 H - Transport Assembly (4 of 5) (Office Finisher LX)

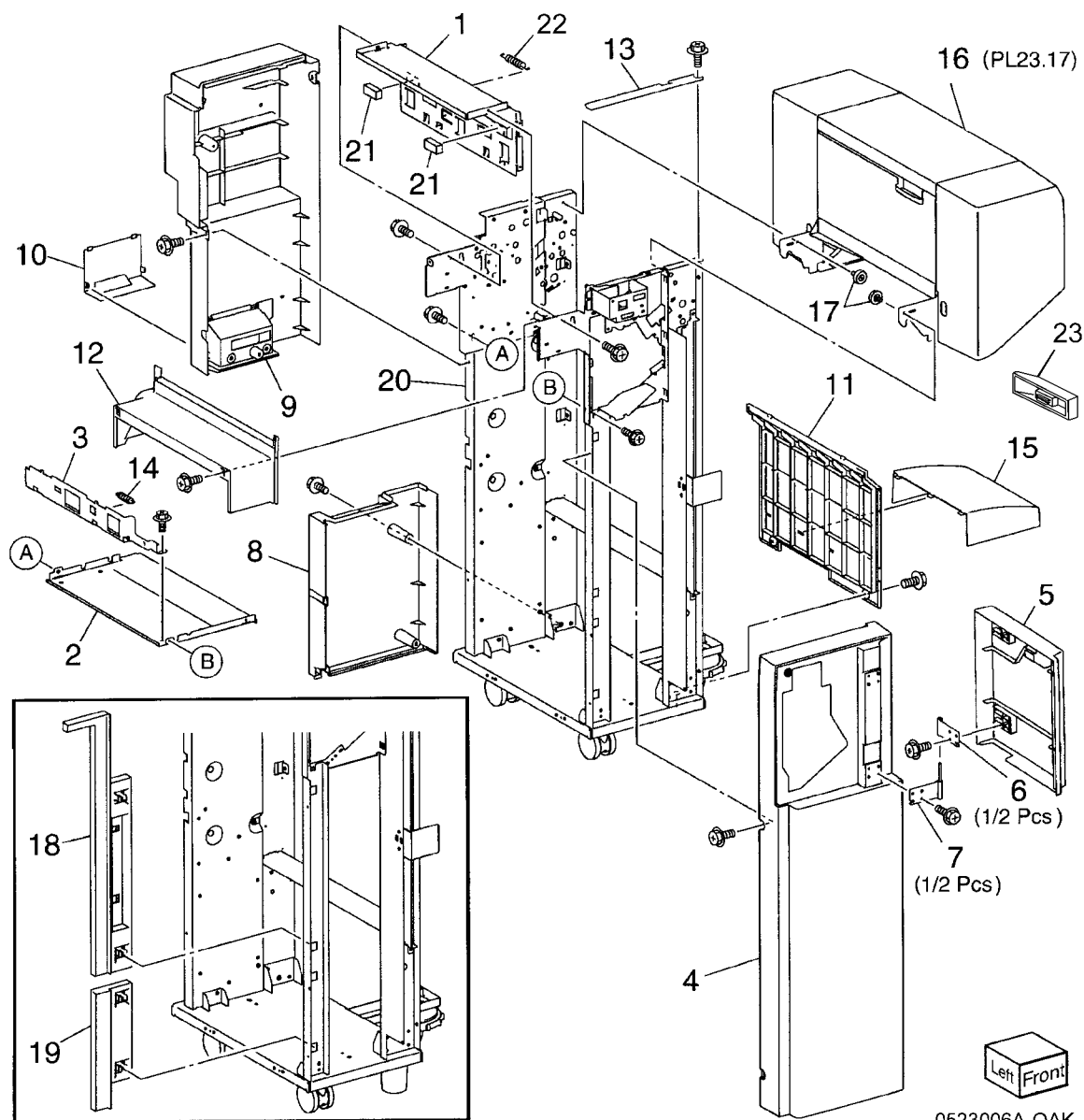
Item	Part	Description
1	-	Lower Chute (P/O PL 23.2 Item 6)
2	-	Magnet (P/O PL 23.2 Item 6)
3	130E81600	H - Transport Open Sensor
4	868E15540	Sensor Bracket
5	809E81720	Actuator
6	930W00211	H - Transport Entrance Sensor
7	848K34192	H - Transport Front Cover Assembly
8	848E43641	H - Transport Front Cover
9	921W41142	Gasket
10	803E04690	Hinge
11	-	Bracket (P/O PL 23.2 Item 6)
12	-	Rear Frame Assembly (P/O PL 23.2 Item 6)
13	127K57622	H - Transport Motor (REP 23.4)
14	020E45330	Tension Pulley
15	020K15720	Pulley (43T)
16	020E45210	Pulley (43T)
17	-	Tension Bracket (P/O PL 23.2 Item 6)
18	809E78950	Spring Tension
19	059K54480	Drive Roll
20	059K55070	Drive Roll
21	013E33140	Bearing
22	423W01154	H - Transport Belt (REP 23.3)
23	413W14660	Sleeve Bearing
24	962K60422	Wire Harness
25	127E85570	Fan Blade
26	016E97311	Pinch Bushing
27	-	Lower Hinge (P/O PL 23.4 Item 7)
28	848E43630	Front Cover
29	848E43651	Switch Cover
30	-	Cover (Not Spared)
31	-	Bracket (Not Spared)
32	004E18112	Pinch Cushion
33	921W41162	Gasket



0523004A-NWD

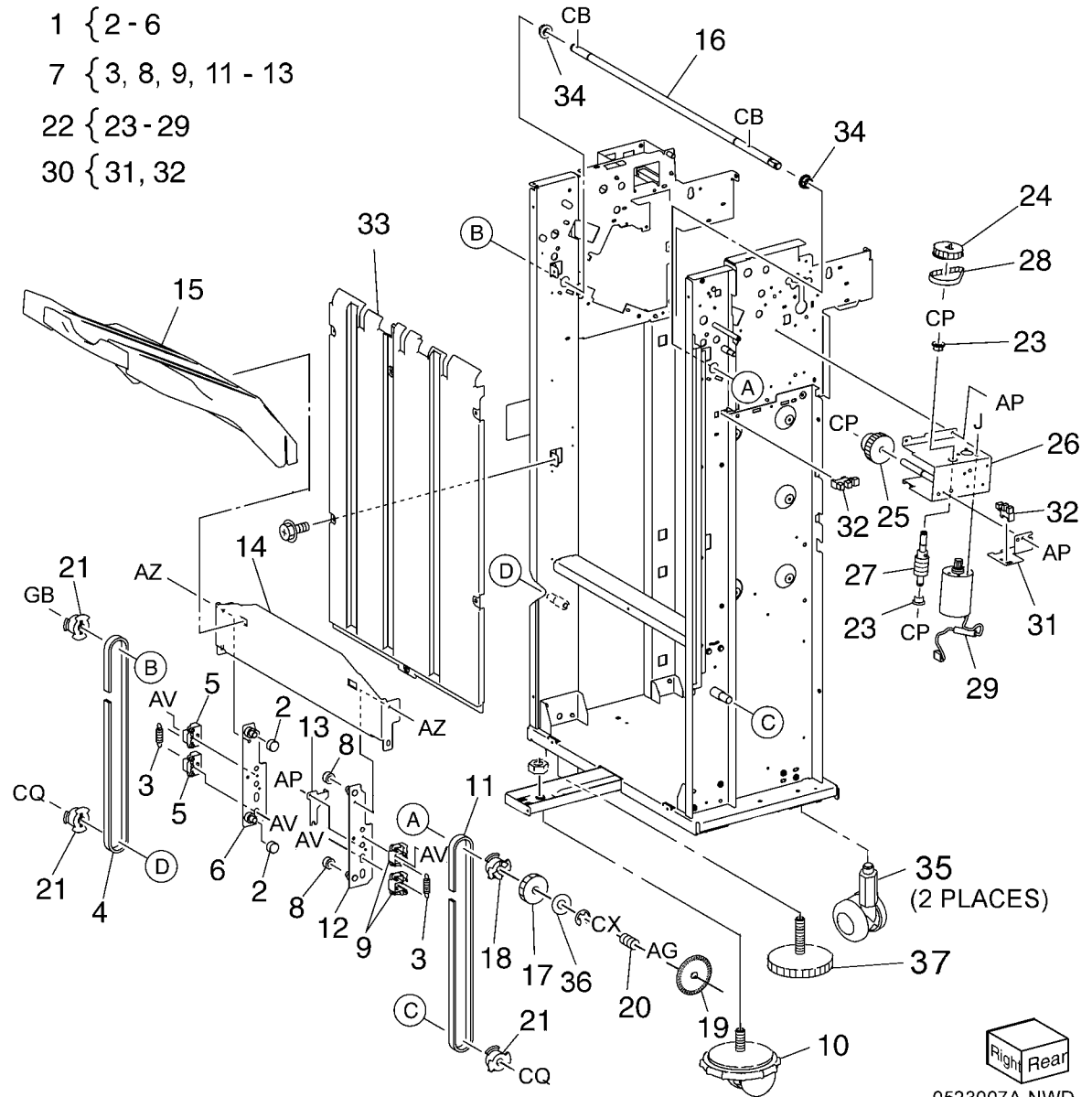
PL 23.6 Finisher Covers (Office Finisher LX)

Item	Part	Description
1	-	Plate (Not Spared)
2	-	Lower Plate (Not Spared)
3	-	Docking Lever (Not Spared)
4	-	Front Cover (REP 23.6)
5	-	Front Door (Not Spared)
6	-	Bracket (Not Spared)
7	068K59531	Hinge
8	848E15210	Rear Lower Cover (REP 23.8)
9	848E15221	Rear Upper Cover (REP 23.7)
10	848E15231	Connector Cover
11	848E15241	Stacker Lower Cover (REP 23.11)
12	848E48791	LH Cover
13	-	Cover (Not Spared)
14	-	Spring (Not Spared)
15	848E22450	Foot Cover (REP 23.10)
16	801K30701	Booklet Assembly (REP 23.31)
17	826E31870	Thumb Screw
18	-	Upper Adjust Cover (Not Spared)
19	-	Lower Adjust Cover (Not Spared)
20	-	Base Frame Assembly (Not Spared)
21	921W41162	Gasket
22	-	Extension Spring (Not Spared)
23	-	Paper Guide



PL 23.7 Finisher Stacker (Office Finisher LX)

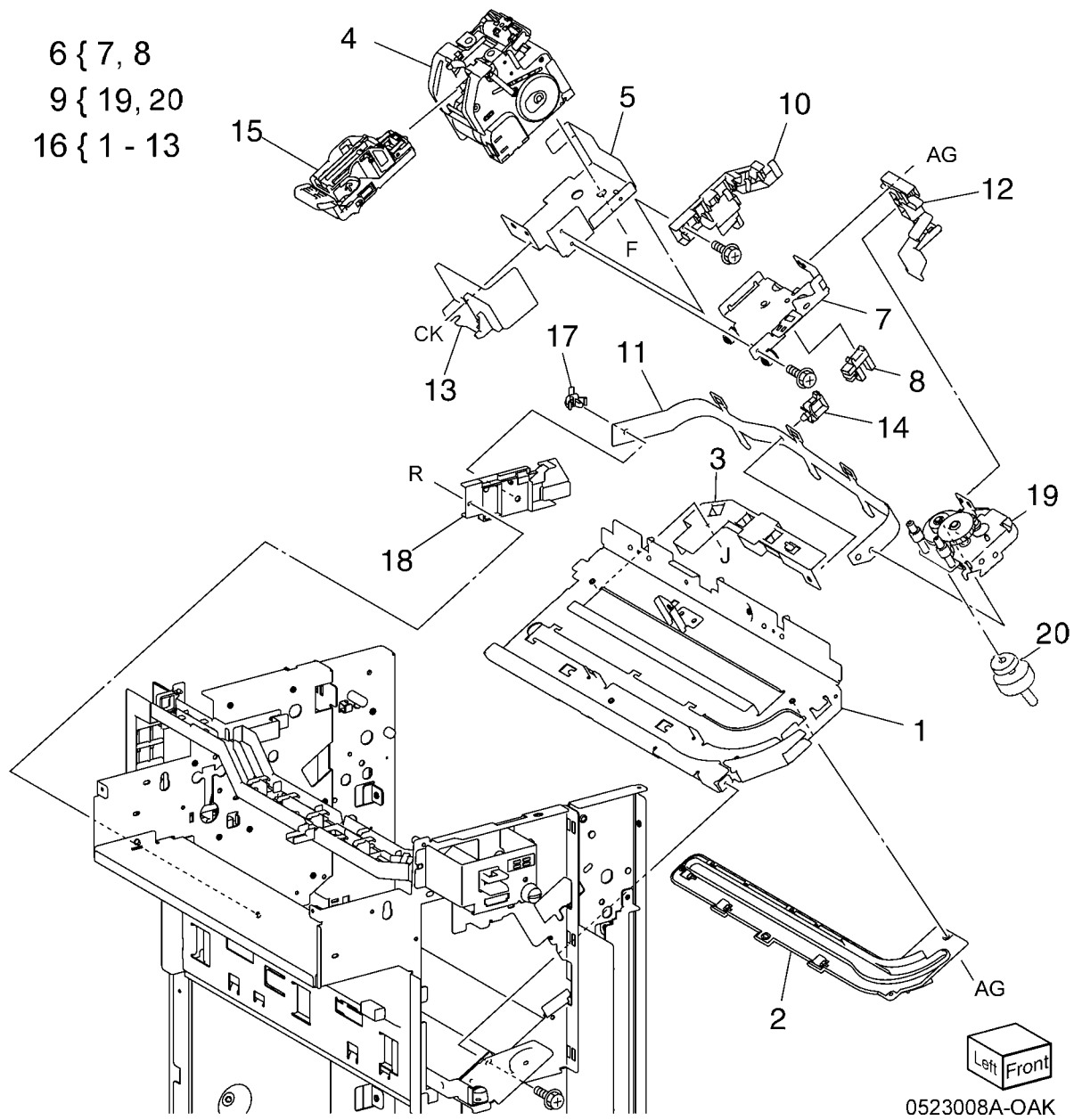
Item	Part	Description
1	041K95980	Front Carriage Assembly (REP 23.29)
2	-	Bearing (P/O PL 23.7 Item 1)
3	809E56850	Spring
4	-	Front Stacker Belt (P/O PL 23.7 Item 1)
5	-	Clamp (P/O PL 23.7 Item 1)
6	-	Front Carriage Assembly (P/O PL 23.7 Item 1)
7	041K95990	Rear Carriage Assembly (REP 23.29)
8	-	Bearing (P/O PL 23.7 Item 7)
9	-	Clamp (P/O PL 23.7 Item 7)
10	017K94890	Knob Caster Assembly
11	-	Rear Stacker Belt (P/O PL 23.7 Item 7)
12	-	Rear Carriage (P/O PL 23.7 Item 7)
13	-	Actuator (P/O PL 23.7 Item 7)
14	-	Carriage Tray (Not Spared)
15	050K61106	Stacker Tray (REP 23.20)
16	-	Shaft (Not Spared)
17	807E08990	Gear
18	020E37710	Pulley
19	146E90650	Encoder
20	809E56860	Spring
21	020E37720	Pulley (18T)
22	068K58304	Stacker Elevator Motor Assembly (REP 23.19)
23	-	Bearing (P/O PL 23.7 Item 22)
24	020E44181	Pulley (60T)
25	-	Gear (15T/37T) (P/O PL 23.7 Item 22)
26	-	Motor Bracket (P/O PL 23.7 Item 22)
27	-	Worm Shaft (P/O PL 23.7 Item 22)
28	423W27654	Belt
29	-	Stacker Elevator Motor (P/O PL 23.7 Item 22)
30	-	Stacker Encoder Sensor Assembly (Not Spared)
31	-	Bracket (P/O PL 23.7 Item 30)
32	930W00111	Stacker Encoder Sensor, Stacker No Paper Sensor
33	-	Stacker Upper Cover (Not Spared) (REP 23.12)
34	413W79359	Bearing
35	017K94880	Caster Assembly
36	251W31178	Washer
37	017K94900	Adjustable Foot Assembly



PL 23.8 Finisher Stapler (Office Finisher LX)

Item	Part	Description
1	-	Base Frame (P/O PL 23.8 Item 16)
2	-	Rail (P/O PL 23.8 Item 16)
3	-	Harness Guide
4	029K92350	Stapler Assembly (REP 23.16)
5	-	Holder (Not Spared)
6	-	Stapler Move Position Sensor Assembly (Not Spared)
7	-	Bracket (P/O PL 23.8 Item 6)
8	130E94940	Stapler Move Position Sensor
9	-	Stapler Move Motor Assembly (Not Spared)
10	-	Harness Guide (P/O PL 23.8 Item 16)
11	-	Harness Support Guide (P/O PL 23.8 Item 16)
12	-	Harness Guide (P/O PL 23.8 Item 16)
13	-	Stapler Cover (Not Spared)
14	-	Clamp (Not Spared)
15	-	Stapler Cartridge (Not Spared)
16	-	Stapler Unit (Not Spared)
17	-	Cable Band (Not Spared)
18	-	Harness Guide (Not Spared)
19	-	Stapler Motor Assembly (P/O PL 23.8 Item 9) (REP 23.15)
20	127K57622	Motor Assembly

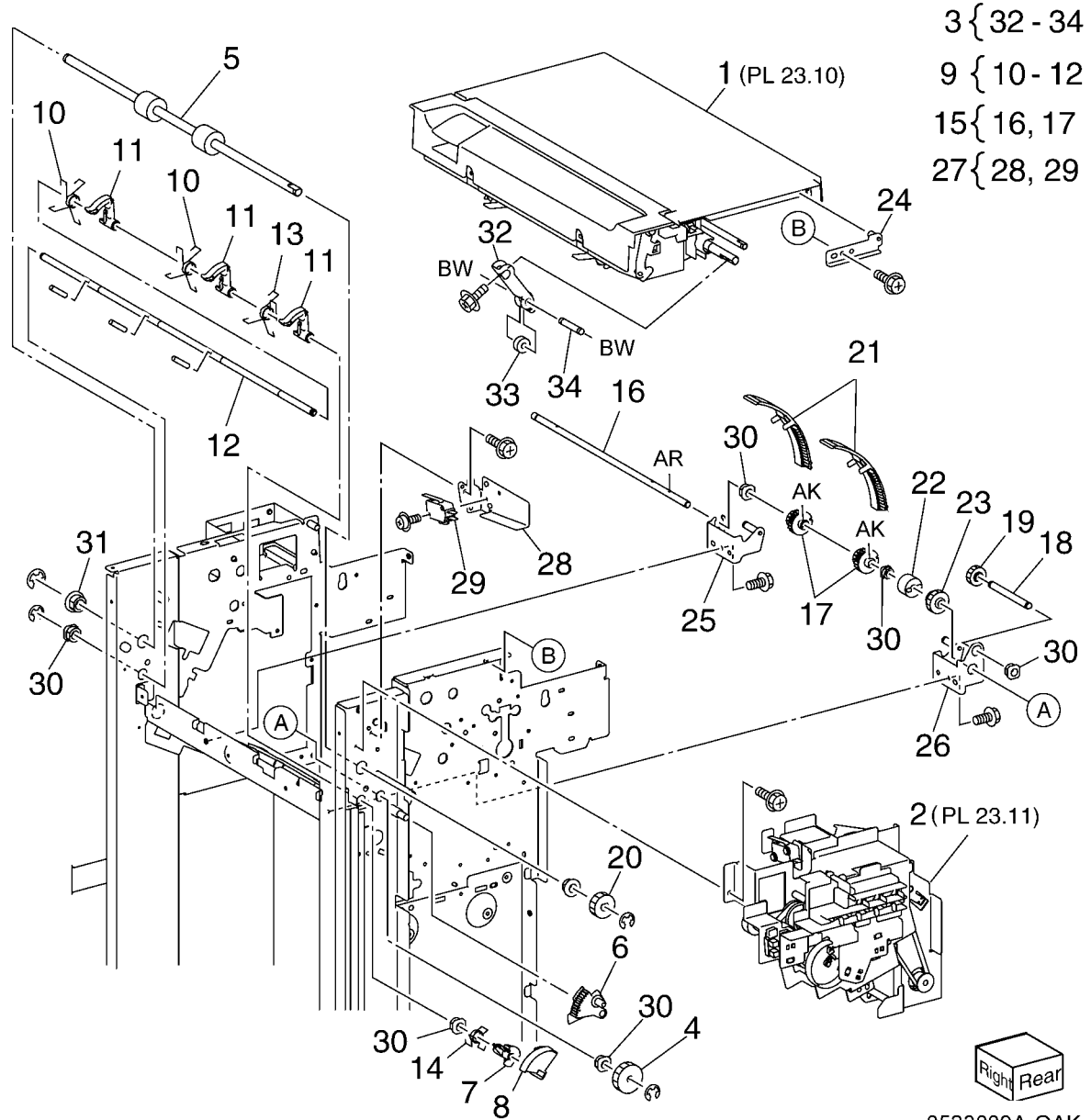
6 { 7, 8
 9 { 19, 20
 16 { 1 - 13



0523008A-OAK

PL 23.9 Finisher Eject (1 of 5) (Office Finisher LX)

Item	Part	Description
1	-	Eject Cover Assembly (Not Spared)
2	-	Eject Assembly (Not Spared)
3	031K93790	Clamp Arm Assembly
4	807E21370	Gear (25T)
5	059K55111	Eject Roller
6	807E21380	Gear (72T)
7	807E21391	Gear (18T)
8	120E29772	Actuator
9	006K86731	Set Clamp Shaft Assembly
10	-	Spring (P/O PL 23.9 Item 9)
11	019K09391	Set Clamp Holder
12	-	Shaft (Not Spared)
13	809E79060	Spring
14	809E79080	Spring
15	006K86741	Guide Paper Shaft Assembly
16	-	Guide Paper Shaft (P/O PL 23.9 Item 15)
17	-	Gear (20T) (P/O PL 23.9 Item 15)
18	-	Shaft (Not Spared)
19	807E21420	Gear (19T)
20	807E21400	Gear (31T)
21	038E36490	Guide Paper (Left/Right)
22	005E25820	Clutch
23	807E21970	Gear (23T)
24	-	Stopper (Not Spared)
25	-	Bracket (Front) (Not Spared)
26	-	Bracket (Rear) (Not Spared)
27	-	Option Switch Assembly (Not Spared)
28	-	Bracket (Not Spared)
29	-	Option Switch (Not Spared)
30	413W11860	Sleeve Bearing
31	-	Bearing (Not Spared)
32	-	Clamp Arm (P/O PL 23.9 Item 3)
33	-	Roll (P/O PL 23.9 Item 3)
34	-	Shaft (P/O PL 23.9 Item 3)



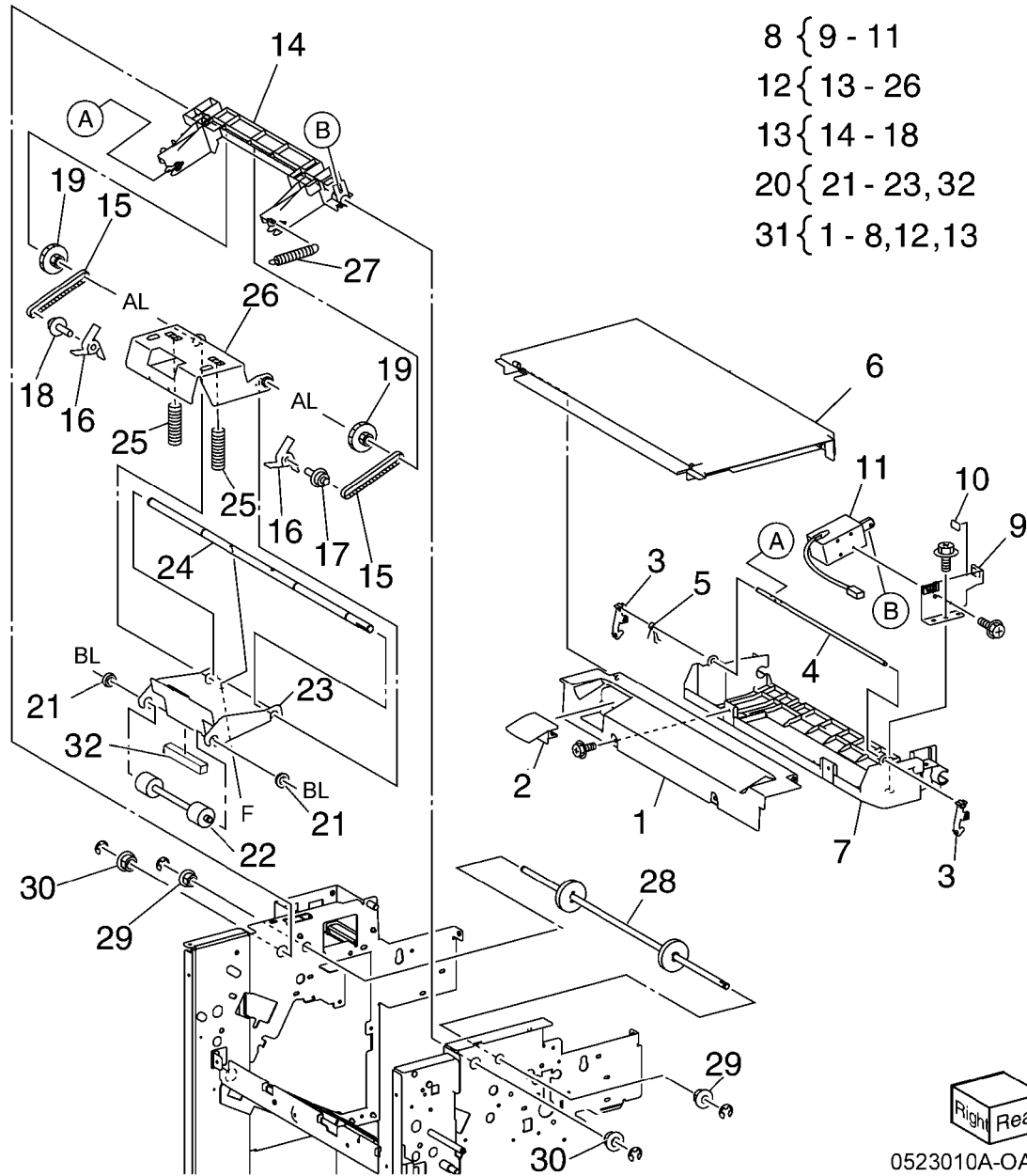
3 { 32 - 34
 9 { 10 - 12
 15 { 16, 17
 27 { 28, 29



0523009A-OAK

PL 23.10 Finisher Eject (2 of 5) (Office Finisher LX)

Item	Part	Description
1	848E15291	Top Right Hand Cover
2	011E20781	Top Cover Lever
3	003E76111	Top Cover Latch
4	-	Shaft (Not Spared)
5	809E79031	Spring
6	848E15301	Eject Cover (REP 23.9)
7	054K35302	Eject Chute
8	121K41632	Sub Paddle Solenoid Assembly (REP 23.14)
9	-	Bracket (P/O PL 23.10 Item 8)
10	-	Damper (P/O PL 23.10 Item 8)
11	-	Sub Paddle Solenoid (P/O PL 23.10 Item 8)
12	-	Eject Roller Assembly (Not Spared)
13	031K93770	Paddle Arm Assembly
14	-	Sub Paddle Arm (Not Spared)
15	423W08655	Belt
16	-	Sub Paddle (P/O PL 23.10 Item 13)
17	-	Pulley (P/O PL 23.10 Item 13)
18	-	Pulley (P/O PL 23.10 Item 13)
19	-	Gear/Pulley (31T/20T) (Not Spared)
20	-	Eject Pinch Roller Assembly (Not Spared)
21	-	Bearing (P/O PL 23.10 Item 20)
22	059K55102	Eject Pinch Roller
23	-	Bracket (P/O PL 23.10 Item 20)
24	-	Shaft (P/O PL 23.10 Item 12)
25	-	Spring (Not Spared)
26	-	Bracket (P/O PL 23.10 Item 12)
27	809E79050	Spring
28	006K86690	Eject Drive Shaft
29	-	Bearing (Not Spared)
30	-	Bearing (Not Spared)
31	-	Eject Chute Assembly (Not Spared)
32	-	Eject Eliminator (P/O PL 23.10 Item 20)

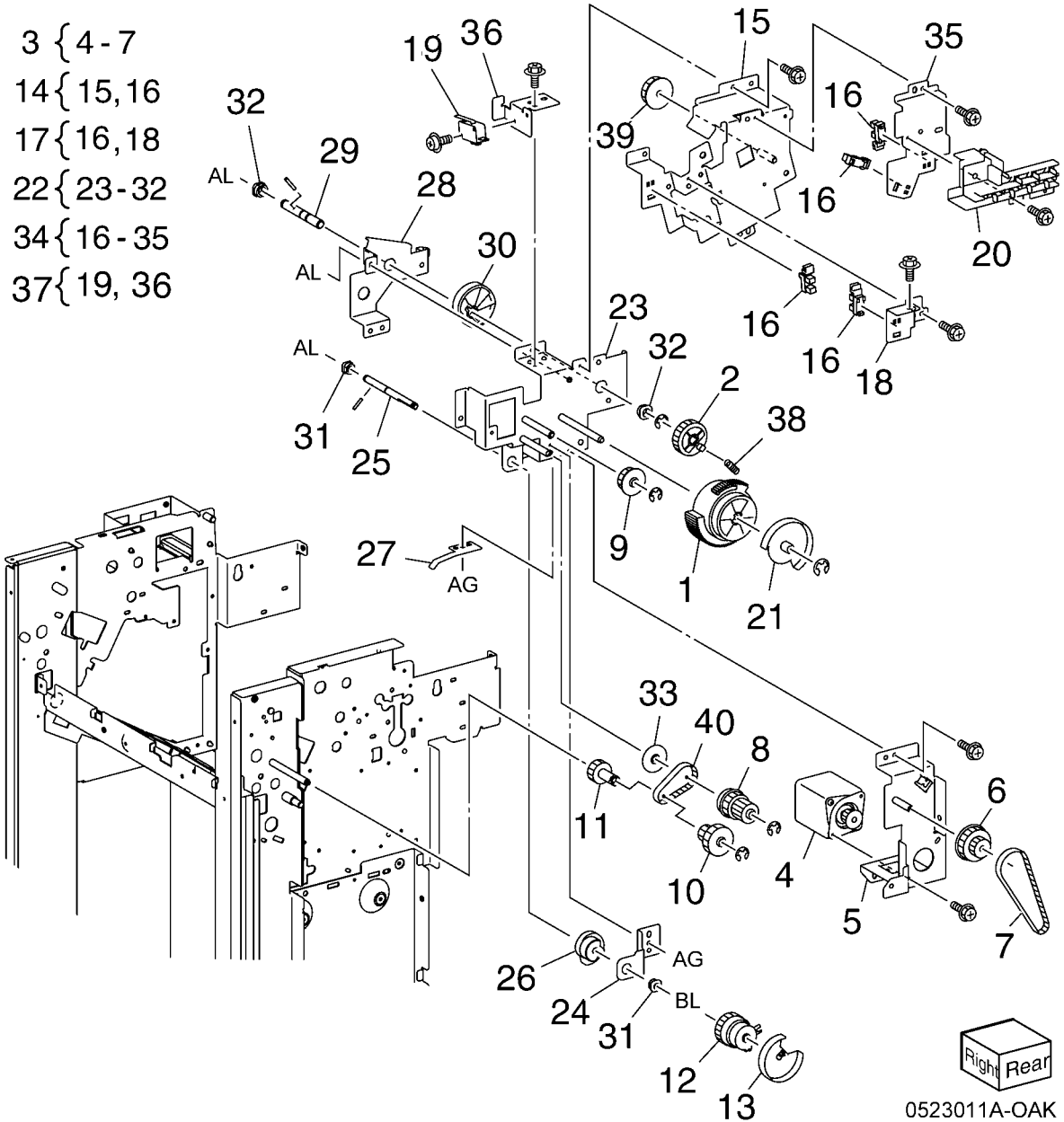


- 8 { 9 - 11
- 12 { 13 - 26
- 13 { 14 - 18
- 20 { 21 - 23, 32
- 31 { 1 - 8, 12, 13



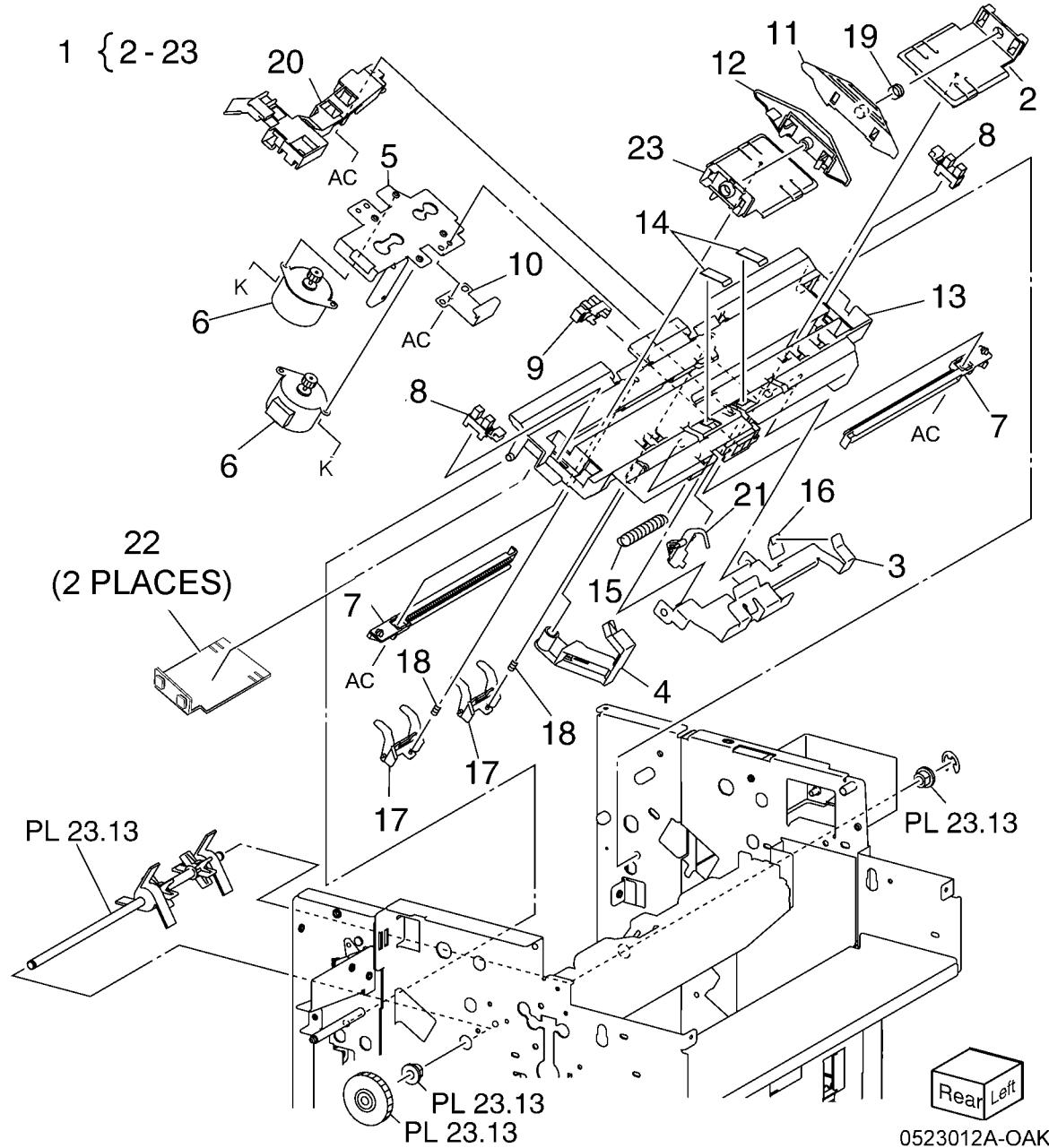
PL 23.11 Finisher Eject (3 of 5) (Office Finisher LX)

Item	Part	Description
1	807E20931	Gear (82T/77T/51T)
2	807E20940	Gear (38T)
3	-	Eject Motor Assembly (Not Spared) (REP 23.22)
4	127K53140	Eject Motor (REP 23.25)
5	-	Bracket (P/O PL 23.11 Item 3)
6	807E22030	Gear/Pulley (20T/49T)
7	423W31054	Belt
8	807E21330	Gear (28T/22T/38T)
9	807E21340	Gear (25T)
10	807E21350	Gear/Pulley (32T/25T)
11	807E21360	Gear (23T)
12	121K34631	Set Clamp Clutch (34T)
13	120E29591	Set Clamp Cam Actuator
14	130K72170	Stacker Height Sensor 1 Assembly
15	-	Bracket (P/O PL 23.11 Item 14)
16	930W00111	Stacker Height Sensor 1, Stacker Height Sensor 2, Eject Clamp Home Sensor, Set Clamp Home Sensor (REP 23.13)
17	130K72180	Stacker Height Sensor 2 Assembly
18	-	Bracket (P/O PL 23.11 Item 17)
19	-	Eject Cover Switch (P/O PL 23.11 Item 37)
20	-	Harness Guide (Not Spared)
21	120E29851	Gear Select Actuator
22	-	Eject Drive Bracket Assembly (Not Spared)
23	-	Bracket (P/O PL 23.11 Item 22)
24	-	Bracket (P/O PL 23.11 Item 22)
25	-	Shaft (P/O PL 23.11 Item 22)
26	008E96770	Clamp Set Cam
27	809E79070	Spring
28	-	Bracket (P/O PL 23.11 Item 22)
29	-	Shaft (P/O PL 23.11 Item 22)
30	008E96691	Eject Clamp Cam
31	413W11660	Sleeve Bearing
32	-	Sleeve Bearing (P/O PL 23.11 Item 22)
33	005E25810	Drive Eject Flange
34	130K72190	Eject Clamp Home Sensor Assembly
35	-	Bracket (P/O PL 23.11 Item 34)
36	-	Bracket (P/O PL 23.11 Item 37)
37	-	Eject Cover Switch Assembly (Not Spared)
38	809E79820	Spring
39	807E22040	Gear (30T)
40	423W25954	Belt



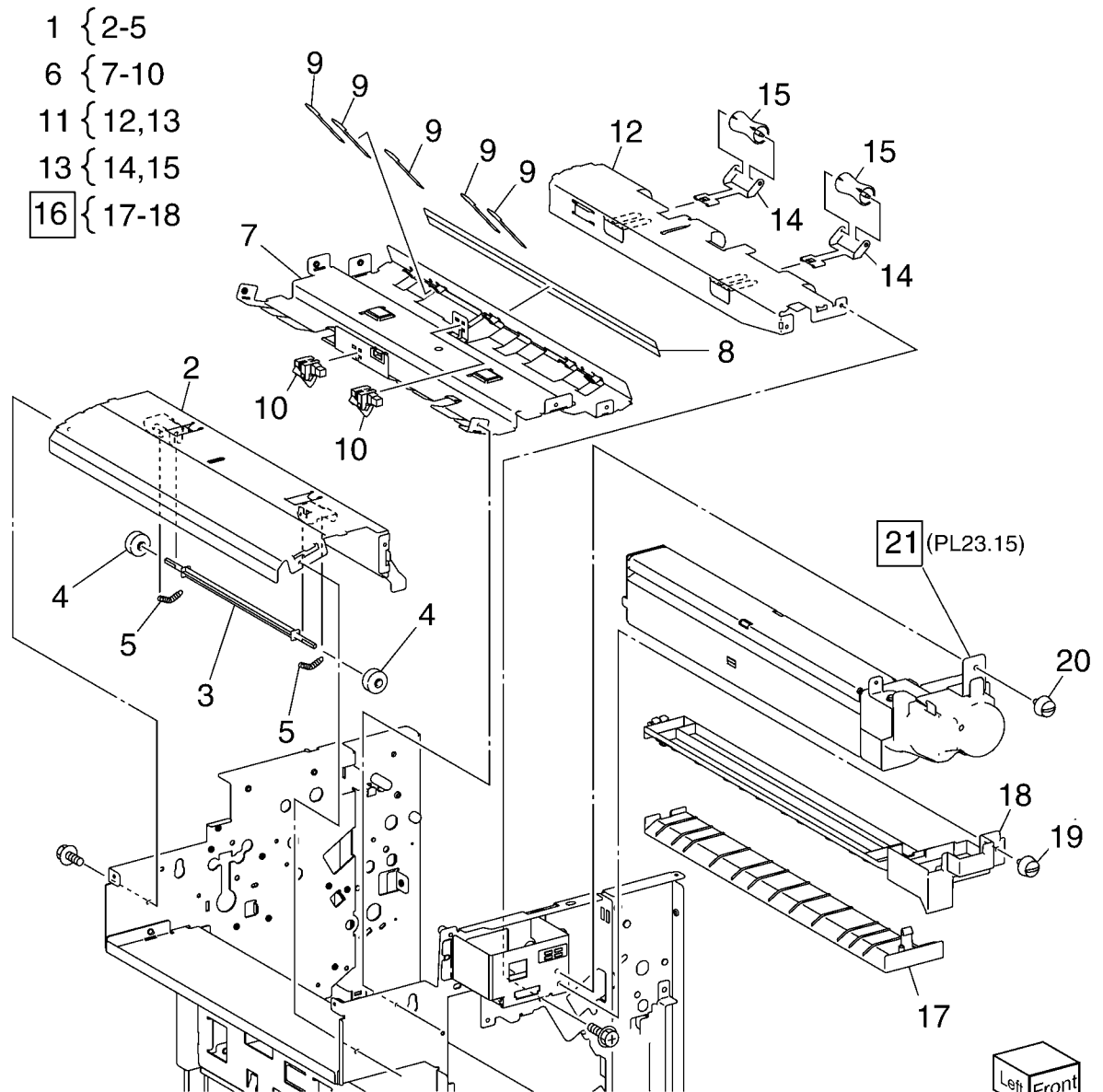
PL 23.12 Finisher Eject (4 of 5) (Office Finisher LX)

Item	Part	Description
1	050K61091	Compiler Tray Assembly (REP 23.17)
2	038E36462	Tamper Guide, Rear
3	-	Compiler Center Paper Guide (P/O PL 23.12 Item 1)
4	-	Compiler Rear Paper Guide (P/O PL 23.12 Item 1)
5	-	Bracket (P/O PL 23.12 Item 1)
6	127K48210	Tamper Motor
7	-	Rack (Front) (P/O PL 23.12 Item 1)
8	930W00111	Front Tamper Home Sensor, Rear Tamper Home Sensor (REP 23.27)
9	130E81600	Compiler Tray No Paper Sensor (REP 23.28)
10	-	Spring (P/O PL 23.12 Item 1)
11	-	Tamper Front Guide (P/O PL 23.12 Item 1)
12	-	Tamper Rear Guide (P/O PL 23.12 Item 1)
13	-	Compiler Tray (P/O PL 23.12 Item 1)
14	-	Paper Paddle Guide (P/O PL 23.12 Item 1)
15	809E79000	Spring
16	-	Paper End Guide (P/O PL 23.12 Item 1)
17	-	Paper Tray Guide (P/O PL 23.12 Item 1)
18	-	Spring (P/O PL 23.12 Item 1)
19	-	Spring (P/O PL 23.12 Item 1)
20	-	Harness Guide (P/O PL 23.12 Item 1)
21	120E29760	Actuator
22	801E04903	Tamper Base
23	038E36452	Tamper Guide, Front



PL 23.14 Finisher Exit/Folder Assembly (Office Finisher LX)

Item	Part	Description
1	-	Lower Chute Assembly (Not Spared)
2	-	Lower Chute (P/O PL 23.14 Item 1)
3	806E22121	Shaft
4	059E03710	Pinch Roll
5	809E78960	Spring
6	054K35540	Exit Upper Chute Assembly
7	-	Exit Upper Chute (P/O PL 23.14 Item 6)
8	105E18000	Static Eliminator
9	038E36420	Paper Guide
10	130K88311	Compiler Exit Sensor, Finisher Entrance Sensor
11	054K48530	Exit Lower Chute Assembly
12	-	Exit Lower Chute (P/O PL 23.14 Item 11)
13	-	Pinch Roll Assembly (P/O PL 23.14 Item 11)
14	-	Spring (P/O PL 23.14 Item 13)
15	059K56321	Pinch Roll
16	054K35264	Chute Assembly
17	-	Lower Chute (P/O PL 23.14 Item 16)
18	-	Upper Chute (P/O PL 23.14 Item 16)
19	026K81200	Thumb Screw
20	-	Chute Assembly (Not Spared)
21	695K18691	Crease Assembly (Option) (REP 23.18)

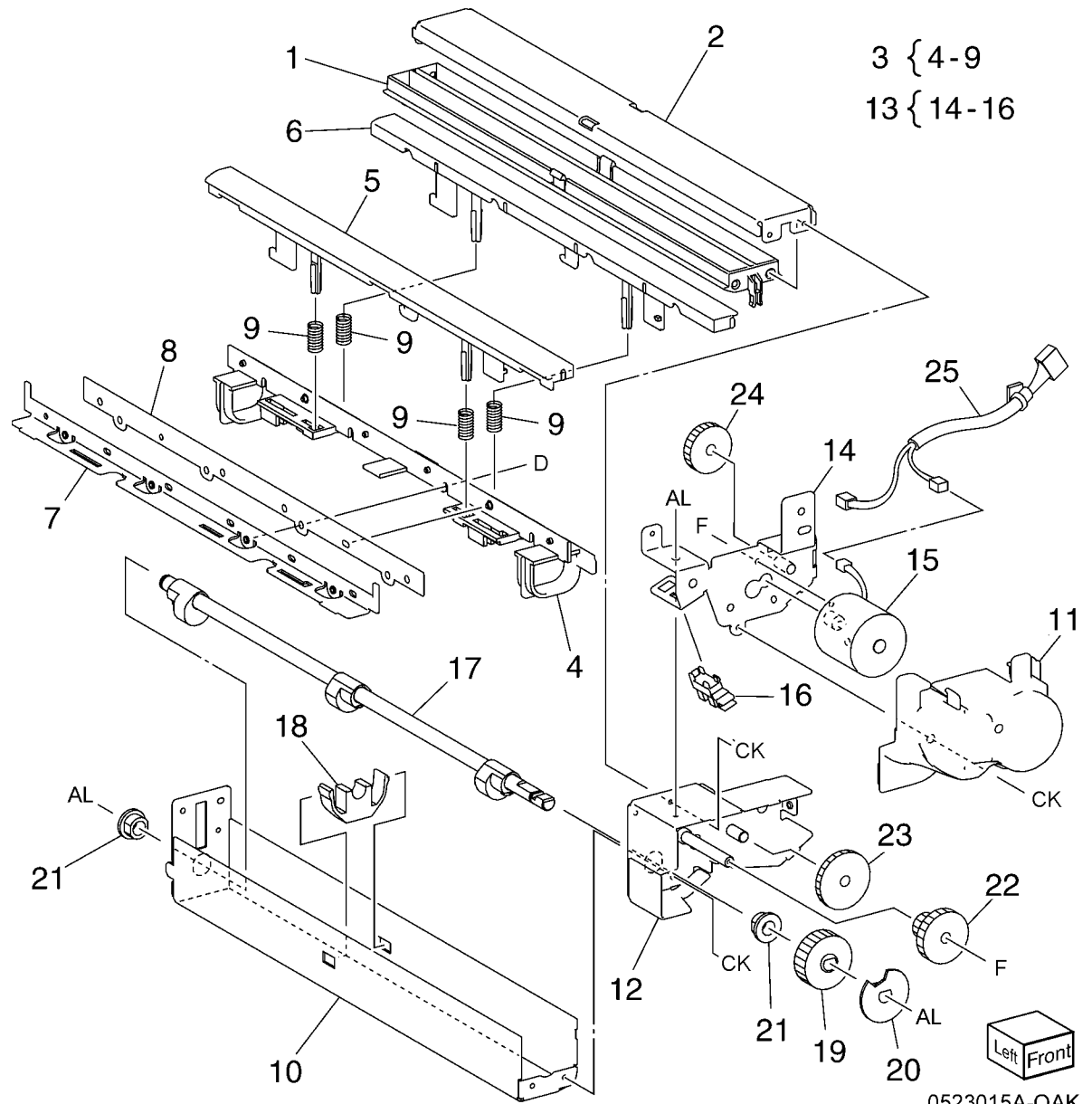


Left Front

j0fb52314

PL 23.15 Folder Assembly (Office Finisher LX)

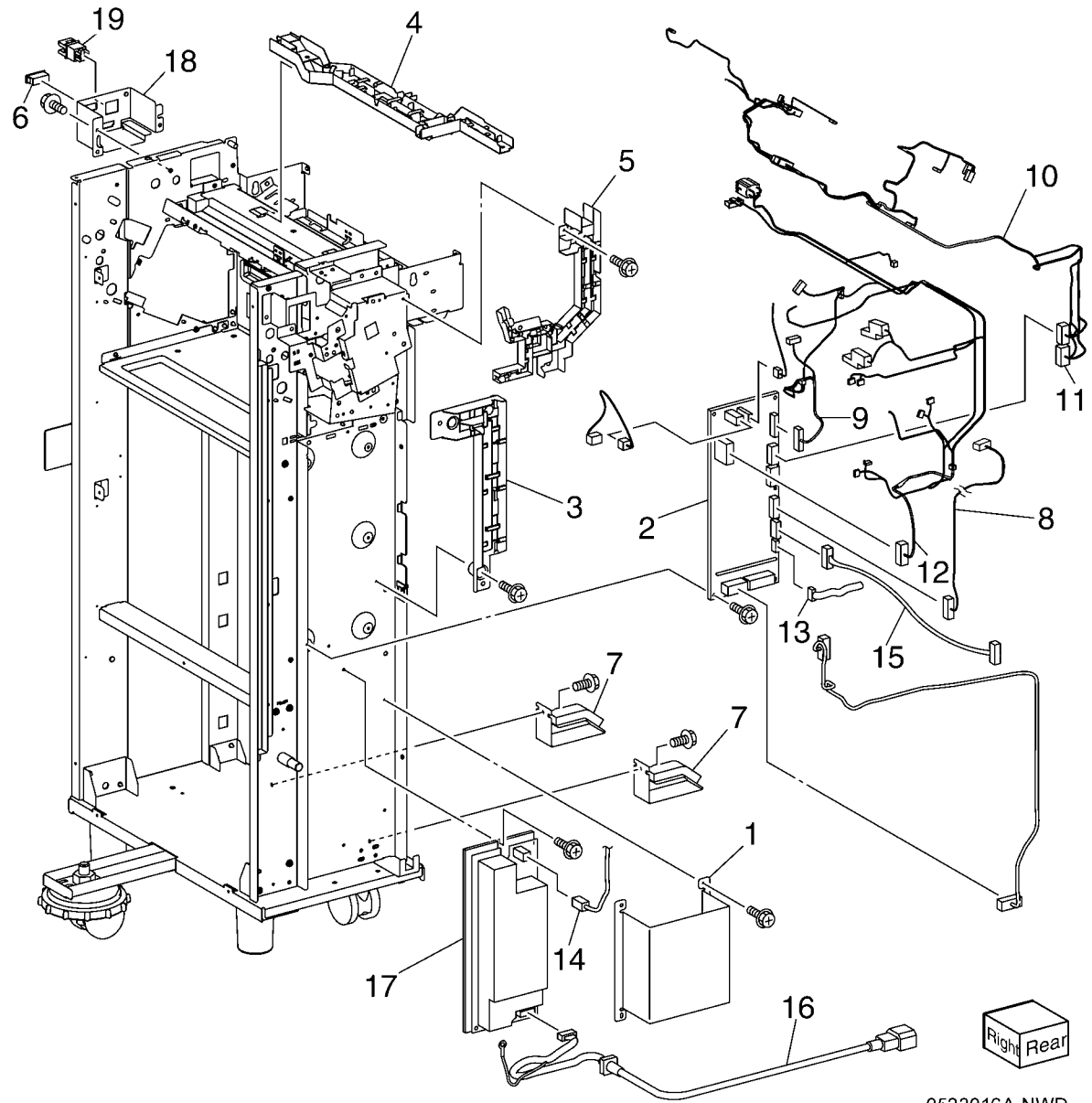
Item	Part	Description
1	-	Upper Chute (P/O PL 23.14 Item 21)
2	-	Upper Plate (P/O PL 23.14 Item 21)
3	-	Knife Assembly (P/O PL 23.14 Item 21)
4	-	Blade Holder (P/O PL 23.15 Item 3)
5	-	Lower Holder 1 (P/O PL 23.15 Item 3)
6	-	Lower Holder 2 (P/O PL 23.15 Item 3)
7	-	Bracket (P/O PL 23.15 Item 3)
8	-	Blade (P/O PL 23.15 Item 3)
9	-	Spring (P/O PL 23.14 Item 2)
10	-	Frame (P/O PL 23.14 Item 21)
11	-	Front Cover (P/O PL 23.14 Item 21)
12	-	Bracket (P/O PL 23.14 Item 21)
13	-	Folder Knife Motor Assembly (P/O PL 23.14 Item 21)
14	-	Motor Bracket (P/O PL 23.15 Item 13)
15	-	Folder Knife Motor (P/O PL 23.15 Item 13)
16	-	Folder Home Sensor (P/O PL 23.15 Item 13)
17	-	Cam Shaft Assembly (P/O PL 23.14 Item 21)
18	-	Guide (P/O PL 23.14 Item 21)
19	-	Gear (28T/8T) (P/O PL 23.14 Item 21)
20	-	Encoder (P/O PL 23.14 Item 21)
21	-	Bearing (P/O PL 23.14 Item 21)
22	-	Gear (12T/27T) (P/O PL 23.14 Item 21)
23	-	Gear (12T/30T) (P/O PL 23.14 Item 21)
24	-	Gear (12T/51T) (P/O PL 23.14 Item 21)
25	-	Wire Harness (P/O PL 23.14 Item 21)



0523015A-OAK

PL 23.16 Finisher Electrical (Office Finisher LX)

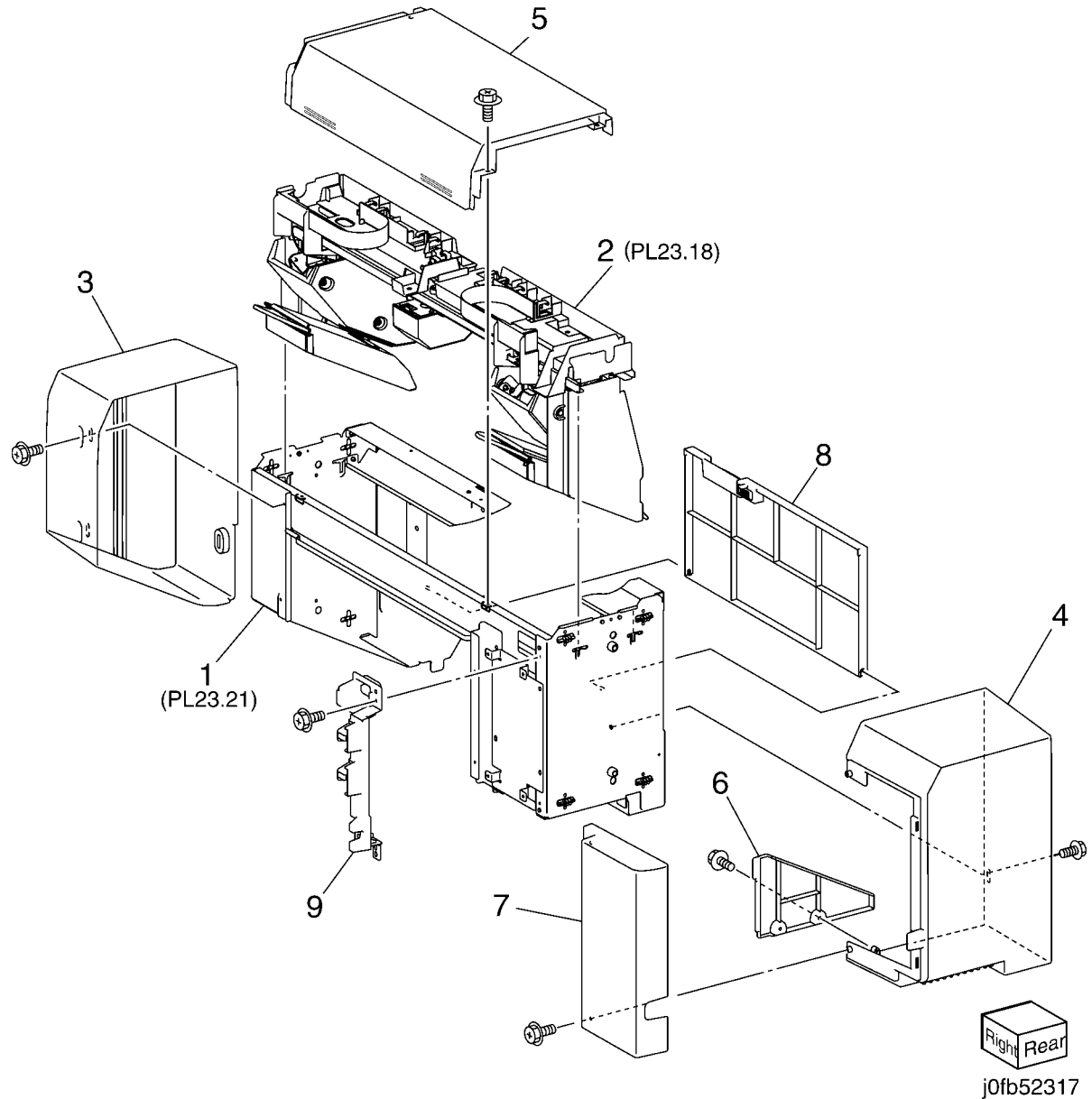
Item	Part	Description
1	-	LVPS Cover (Not Spared)
2	960K51447	Finisher PWB (REP 23.23)
-	960K50992	Finisher PWB
3	-	Harness Guide (Not Spared)
4	-	Harness Guide (Not Spared)
5	-	Harness Guide (Not Spared)
6	-	Magnet (Not Spared)
7	815K04920	Gasket Plate Assembly
8	962K60592	Wire Harness
9	-	Wire Harness (Not Spared)
10	-	Wire Harness (Not Spared)
11	-	Wire Harness (Not Spared)
12	-	Wire Harness (Not Spared)
13	962K60481	Wire Harness
14	-	Wire Harness (Not Spared)
15	-	Wire Harness (Not Spared)
16	962K74540	Power Cable
17	105E17550	Finisher LVPS (REP 23.24)
18	-	Bracket (Not Spared)
19	110E97990	Finisher Front Door Interlock Switch



0523016A-NWD

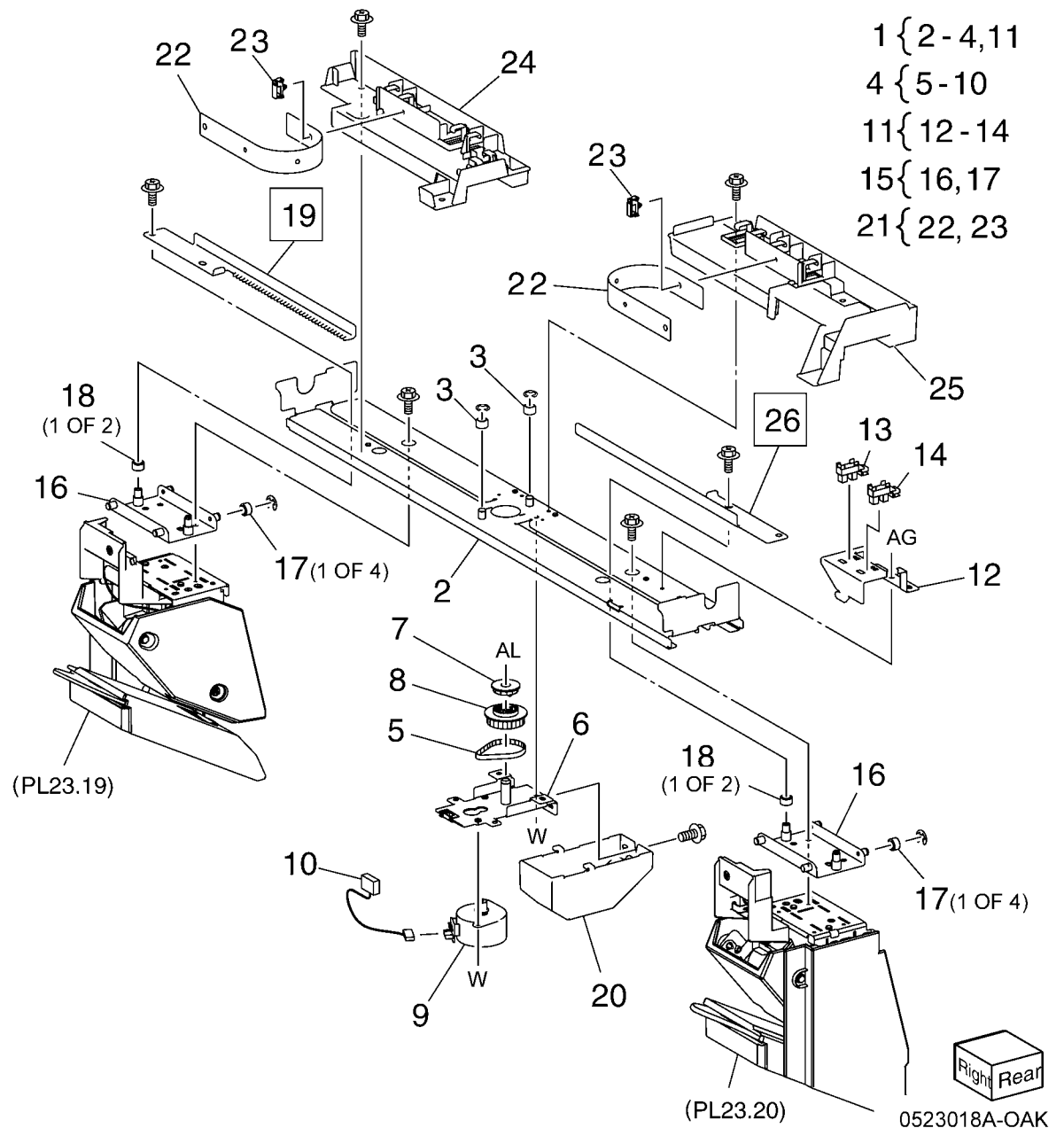
PL 23.17 Booklet Cover (Office Finisher LX)

Item	Part	Description
1	-	Frame Assembly (Not Spared)
2	-	Booklet Stapler Assembly (Not Spared)
3	848E15333	Rear Cover (REP 23.33)
4	-	Front Cover (Not Spared) (REP 23.32)
5	-	Top Cover (REP 23.34)
6	848E15350	Side Cover
7	848E15361	PWB Cover (REP 23.35)
8	-	Left Cover (Not Spared) (REP 23.36)
9	-	Harness Guide (Not Spared)



PL 23.18 Booklet Stapler Assembly (Office Finisher LX)

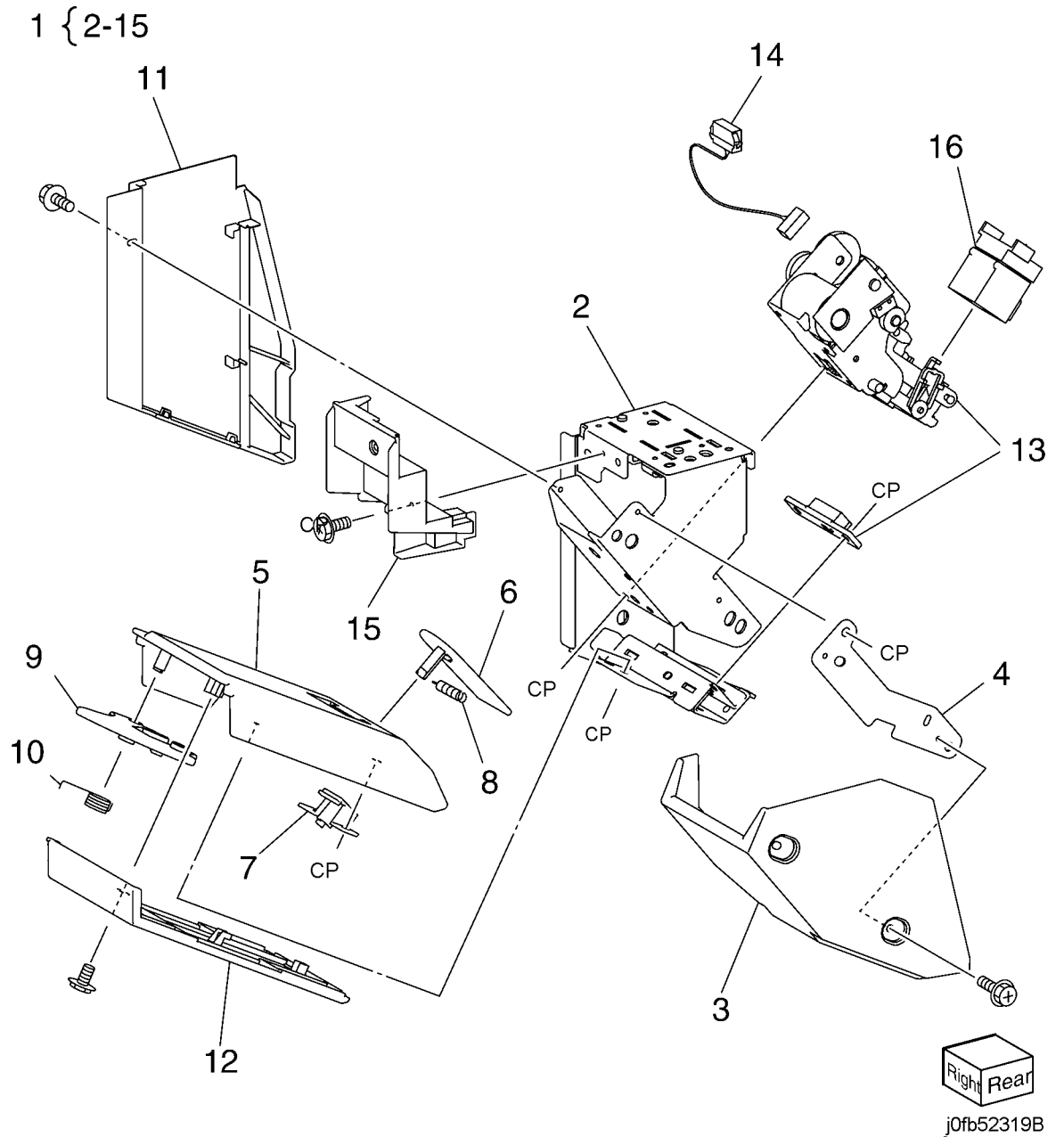
Item	Part	Description
1	-	Front Carriage Rail (Not Spared)
2	-	Frame (P/O PL 23.18 Item 1)
3	-	Core (P/O PL 23.18 Item 1)
4	127K57051	Booklet Stapler Move Motor Assembly (REP 23.38)
5	-	Belt (P/O PL 23.18 Item 4)
6	-	Bracket (P/O PL 23.18 Item 4)
7	-	Gear (12T) (P/O PL 23.18 Item 4)
8	-	Pulley (50T) (P/O PL 23.18 Item 4)
9	127K57622	Booklet Stapler Move Motor
10	-	Wire Harness (P/O PL 23.18 Item 4)
11	-	Sensor Bracket Assembly (P/O PL 23.18 Item 1)
12	-	Sensor Bracket (P/O PL 23.18 Item 11)
13	930W00111	Booklet Stapler Move Home Sensor, Booklet Stapler Move Position Sensor
14	-	Rear Rack Gear (Not Spared)
15	-	Carriage Assembly (Not Spared)
16	-	Carriage (P/O PL 23.18 Item 15)
17	-	Core (P/O PL 23.18 Item 15)
18	-	Core (Not Spared)
19	-	Front Rack Gear (Not Spared)
20	848E15400	Motor Cover
21	032K05222	Harness Guide Assembly
22	-	Harness Strap (P/O PL 23.18 Item 21)
23	920W01210	Locking Clamp
24	-	Harness Guide (Front) (Not Spared)
25	-	Harness Guide (Rear) (Not Spared)
26	-	Rear Rack Guide (Not Spared)



- 1 { 2-4, 11
- 4 { 5-10
- 11 { 12-14
- 15 { 16, 17
- 21 { 22, 23

PL 23.19 Booklet Front Stapler Assembly (Office Finisher LX)

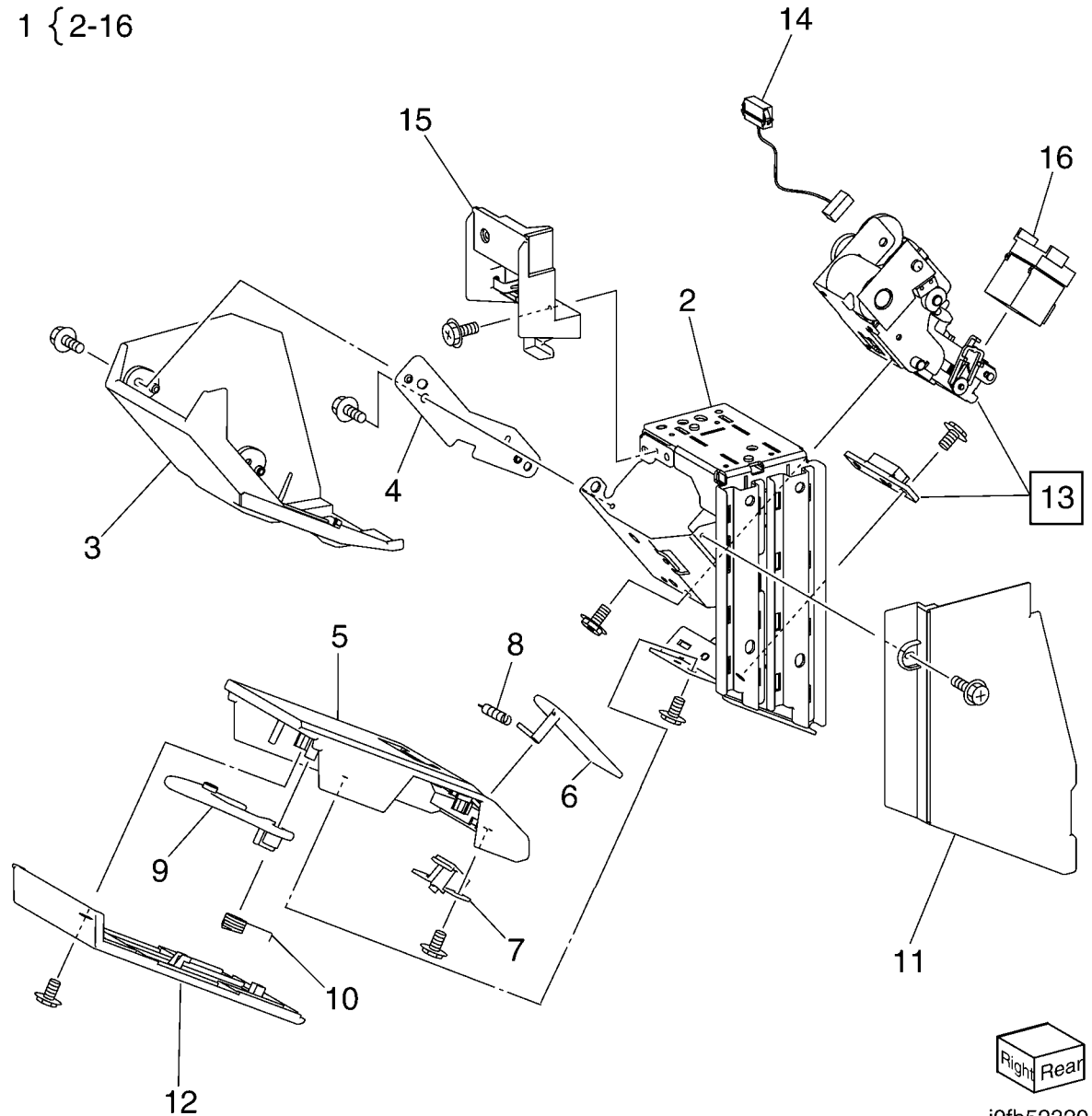
Item	Part	Description
1	-	Booklet Front Stapler Assembly
2	-	Bracket (P/O PL 23.19 Item 1)
3	-	Rear Cover (P/O PL 23.19 Item 1)
4	-	Bracket (P/O PL 23.19 Item 1)
5	-	Chute
6	-	Sub Chute (P/O PL 23.19 Item 1)
7	-	Support (P/O PL 23.19 Item 1)
8	-	Spring (P/O PL 23.19 Item 1)
9	-	Exit Sub Chute (P/O PL 23.19 Item 1)
10	-	Spring (P/O PL 23.19 Item 1)
11	-	Front Cover (P/O PL 23.19 Item 1)
12	848E15421	Lower Cover
13	-	Booklet Stapler Assembly (P/O PL 23.19 Item 1) (REP 23.37)
14	-	Wire Harness (P/O PL 23.19 Item 1)
15	-	Guide (P/O PL 23.19 Item 1)
16	-	Booklet Staple Cassette Assembly (Not Spared)



PL 23.20 Booklet Rear Stapler Assembly (Office Finisher LX)

Item	Part	Description
1	029K92500	Booklet Rear Stapler Assembly
2	-	Bracket (P/O PL 23.20 Item 1)
3	-	Rear Cover (P/O PL 23.20 Item 1)
4	-	Bracket (P/O PL 23.20 Item 1)
5	054K35282	Chute
6	-	Sub Chute (P/O PL 23.20 Item 1)
7	-	Support (P/O PL 23.20 Item 1)
8	-	Spring (P/O PL 23.20 Item 1)
9	-	Sub Chute (P/O PL 23.20 Item 1)
10	-	Spring (P/O PL 23.20 Item 1)
11	-	Front Cover (P/O PL 23.20 Item 1)
12	848E15421	Lower Cover
13	-	Booklet Stapler Assembly (P/O PL 23.20 Item 1) (REP 23.37)
14	-	Wire Harness (P/O PL 23.20 Item 1)
15	-	Guide (P/O PL 23.20 Item 1)
16	-	Booklet Staple Cassette Assembly (P/O PL 23.20 Item 1)

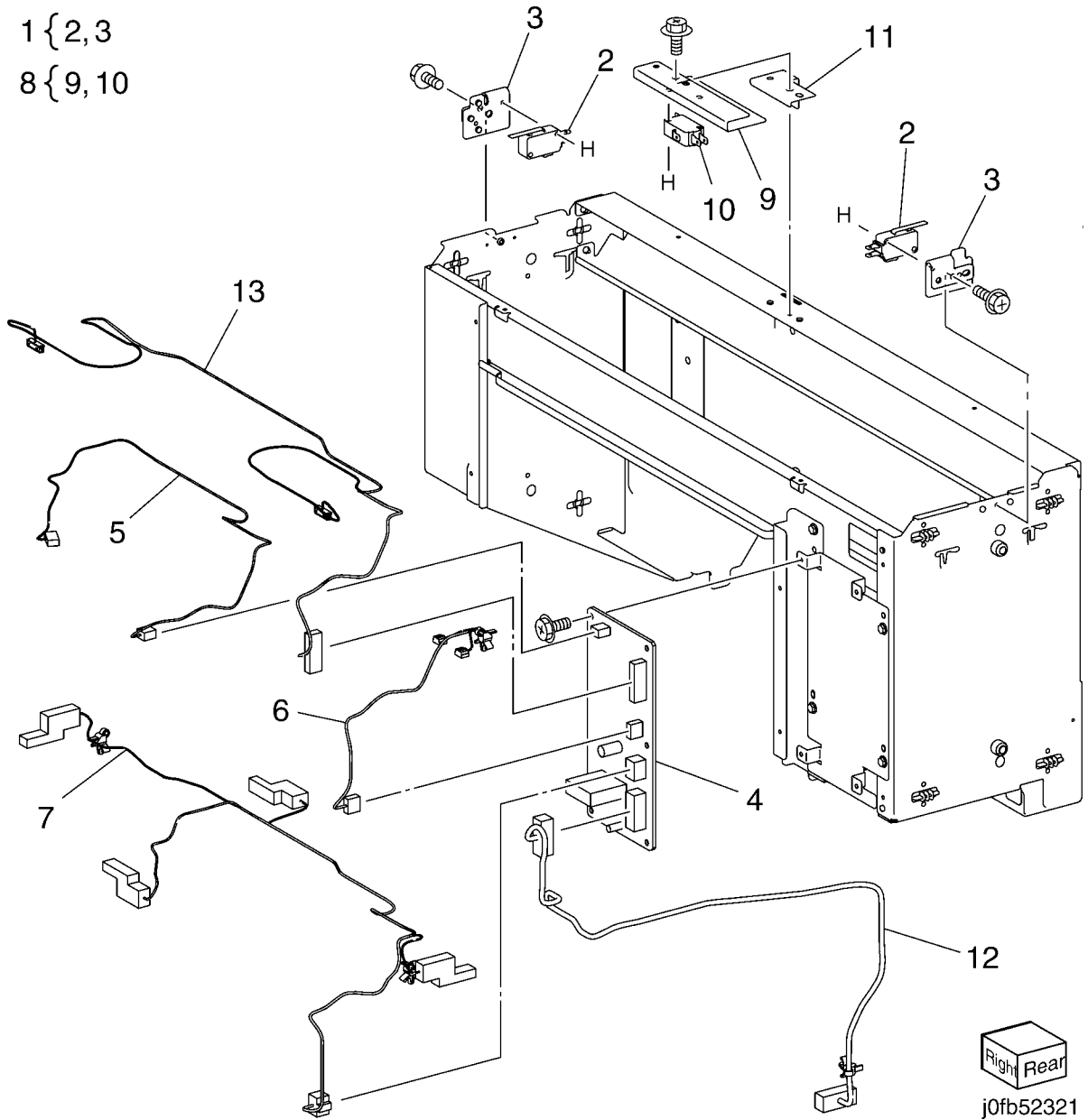
1 {2-16



j0fb52320

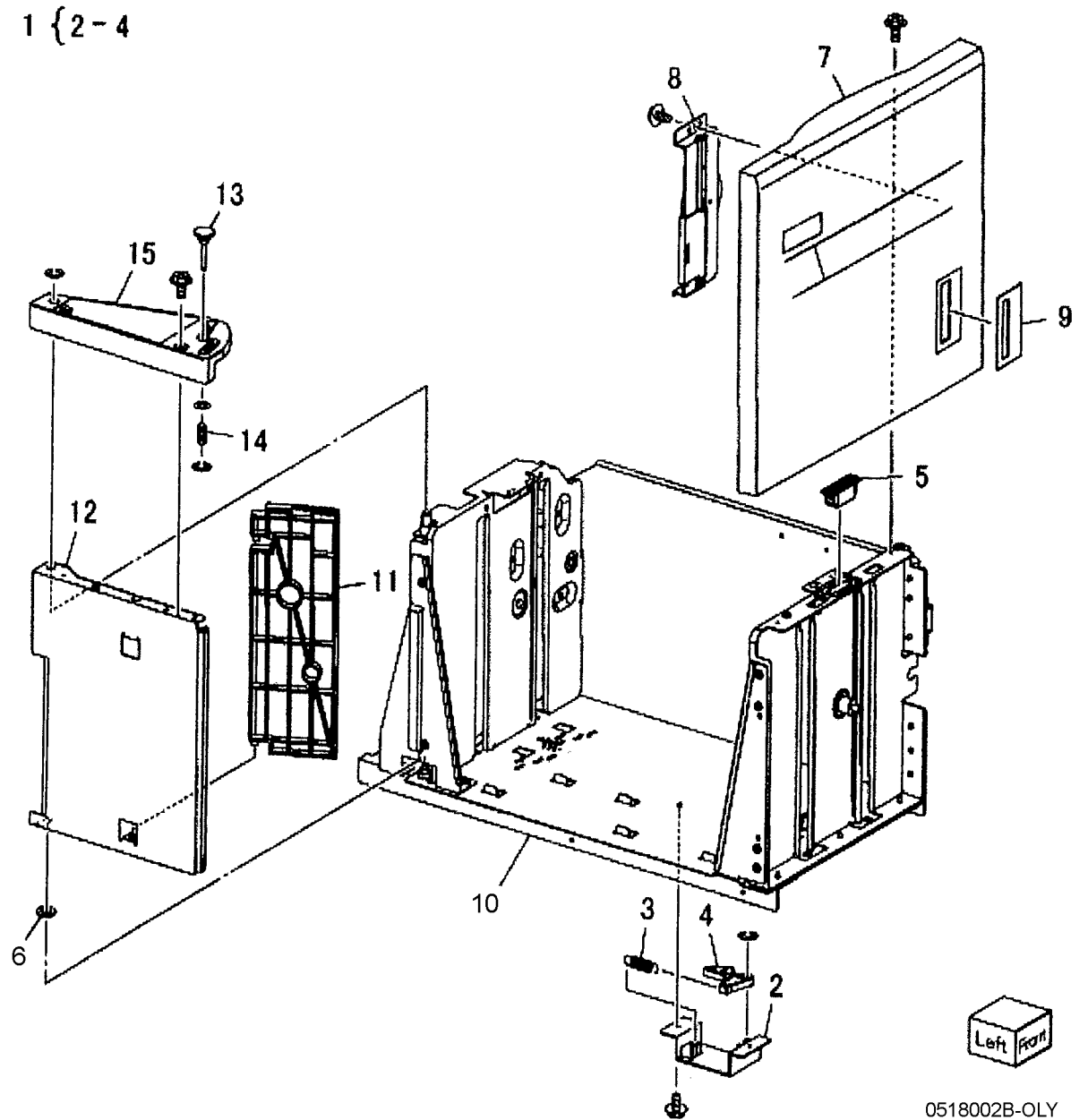
PL 23.21 Booklet Electrical (Office Finisher LX)

Item	Part	Description
1	068K58350	Booklet Stapler Safety Switch Assembly
2	110E12970	Booklet Stapler Safety Switch
3	-	Bracket (P/O PL 23.21 Item 1)
4	960K32543	Booklet PWB (REP 23.30)
5	-	Wire Harness (Not Spared)
6	-	Wire Harness (Not Spared)
7	-	Wire Harness (Not Spared)
8	-	Booklet Stapler Cover Switch Assembly (Not Spared)
9	-	Bracket (P/O PL 23.21 Item 8)
10	-	Booklet Stapler Cover Switch (P/O PL 23.21 Item 8)
11	-	Plate (Not Spared)
12	962K60533	Wire Harness
13	962K60540	Wire Harness



PL 28.2 HCF Tray 6 (1 of 2)

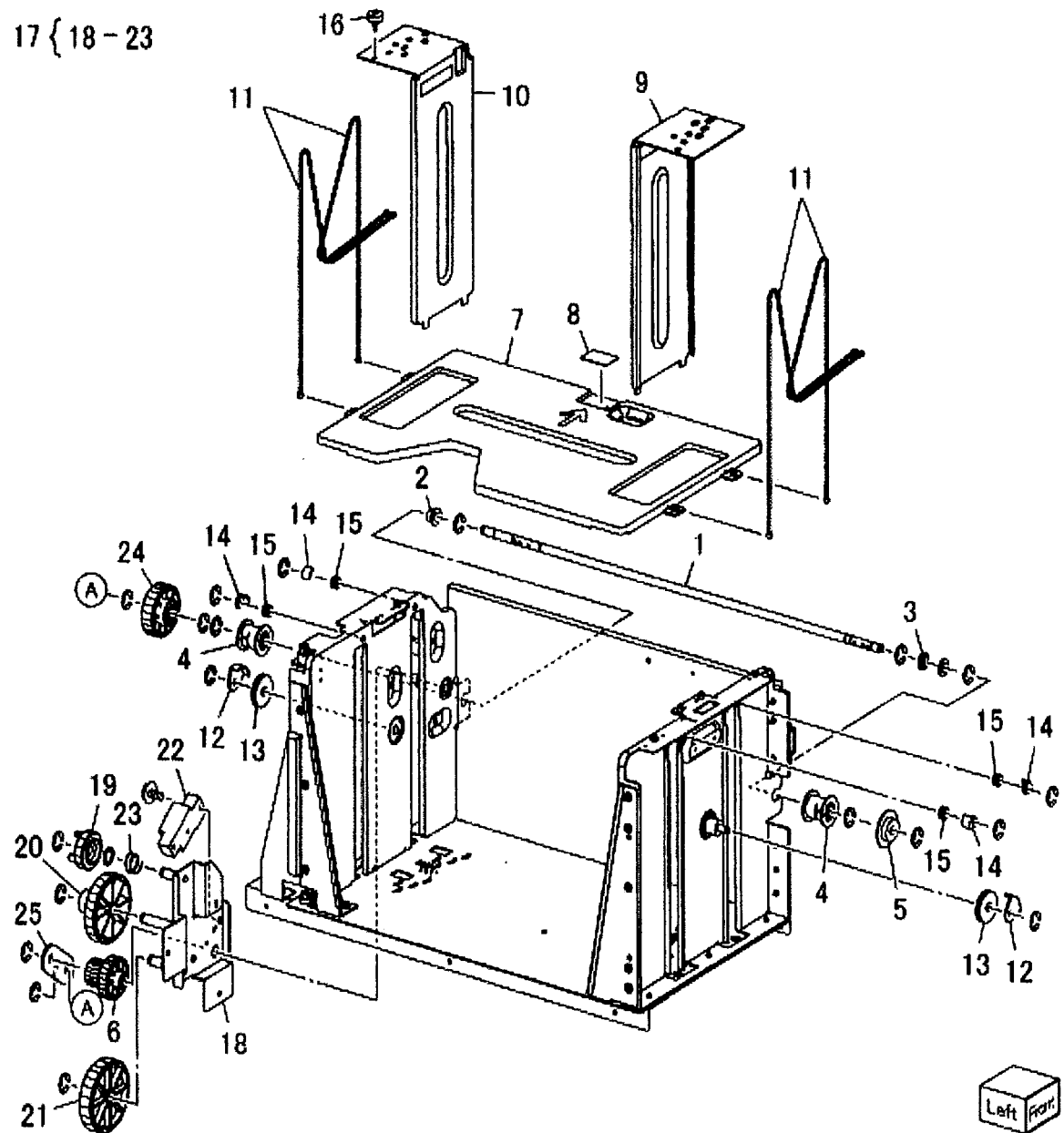
Item	Part	Description
1	-	Tray Latch Assembly (Not Spared)
2	003K13592	Tray Latch
3	-	Spring (P/O PL 28.2 Item 1)
4	-	Latch Lever (P/O PL 28.2 Item 1)
5	-	Magnet (P/O PL 28.1 Item 5)
6	-	Wave Washer (P/O PL 28.1 Item 5)
7	-	Front Cover (P/O PL 28.1 Item 5)
8	-	Gear Bracket (P/O PL 28.1 Item 5)
9	-	Label (Gauge) (P/O PL 28.1 Item 5)
10	-	Frame (P/O PL 28.1 Item 5)
11	-	Plate (P/O PL 28.1 Item 5)
12	-	Bracket (P/O PL 28.1 Item 5)
13	-	Pin (P/O PL 28.1 Item 5)
14	-	Spring (P/O PL 28.1 Item 5)
15	-	Top Plate (P/O PL 28.1 Item 5)



PL 28.3 HCF Tray 6 (2 of 2)

Item	Part	Description
1	-	Lift Shaft (P/O PL 28.1 Item 5)
2	-	Bearing (P/O PL 28.1 Item 5)
3	-	Bearing (P/O PL 28.1 Item 5)
4	020E37620	Tray Cable Pulley
5	-	Gear (P/O PL 28.1 Item 5)
6	-	Gear (P/O PL 28.1 Item 5)
7	-	Bottom Plate (P/O PL 28.1 Item 5)
8	019E58620	Pad
9	-	Front Side Guide (P/O PL 28.1 Item 5)
10	-	Rear Side Guide (P/O PL 28.1 Item 5)
11	604K19981	Cable And Pulley Kit (REP 19.4)
12	032E22410	Wire Guide (L)
13	-	Pulley (P/O PL 28.1 Item 5)
14	-	Wire Guide (S) (P/O PL 28.1 Item 5)
15	-	Pulley (P/O PL 28.1 Item 5)
16	-	Screw (P/O PL 28.1 Item 5)
17	015K65532	Gear Bracket Assembly
18	-	Gear Bracket (P/O PL 28.3 Item 17)
19	-	Contact Gear (P/O PL 28.3 Item 17)
20	-	Gear (P/O PL 28.3 Item 17)
21	-	Gear (P/O PL 28.3 Item 17)
22	-	Brake (P/O PL 28.3 Item 17)
23	-	Spring (P/O PL 28.3 Item 17)
24	807E04500	Lift Gear
25	-	Plate (P/O PL 28.1 Item 5)

17 { 18 - 23

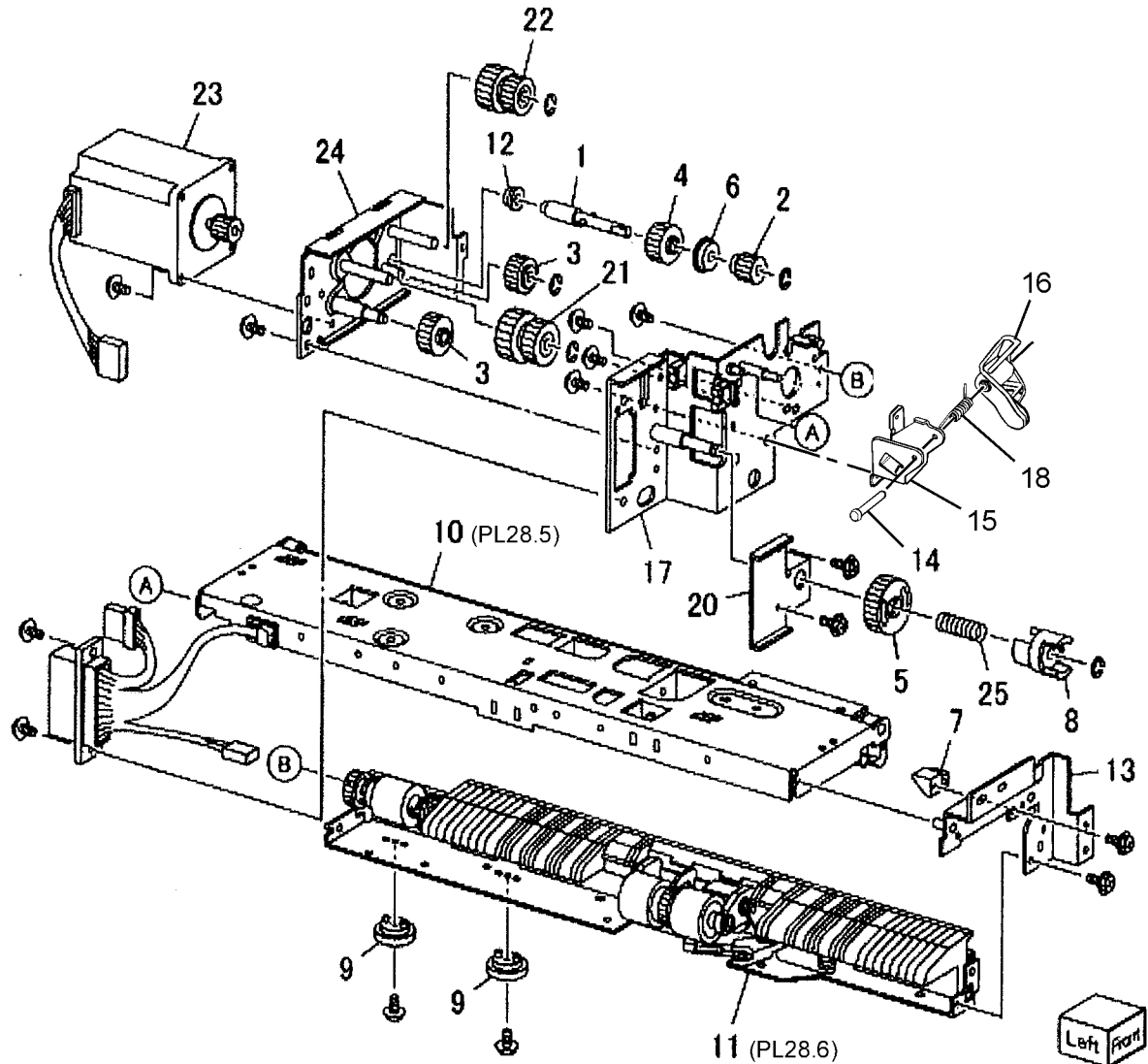


0518003B-OLY

PL 28.4 HCF Feeder (1 of 3)

Item	Part	Description
1	-	Shaft (P/O PL 28.1 Item 11)
2	007E78760	Gear (19T)
3	-	Gear (25T) (P/O PL 28.1 Item 11)
4	007E78780	Gear (25T)
5	007E78790	Gear (40T)
6	013E25530	Bearing
7	-	Block (P/O PL 28.1 Item 11)
8	-	Spacer (P/O PL 28.1 Item 11)
9	019E56470	Holder
10	-	Upper Feeder Assembly (P/O PL 28.1 Item 11)
11	-	Lower Feeder Assembly (P/O PL 28.1 Item 11)
12	-	Ball Bearing (P/O PL 28.1 Item 11)
13	-	Front Frame (P/O PL 28.1 Item 11)
14	-	Pin (P/O PL 28.1 Item 11)
15	-	Down Bracket (P/O PL 28.1 Item 11)
16	-	Link Bracket (P/O PL 28.1 Item 11)
17	-	Rear Frame (P/O PL 28.1 Item 11)
18	-	Tension Spring (P/O PL 28.1 Item 11)
19	-	Lift/Motor Frame (P/O PL 28.1 Item 11)
20	-	Bracket (P/O PL 28.4 Item 19)
21	007K88520	Gear (23T/27T)
22	007K88530	Gear (31T/36T)
23	127K37901	Lift/Feed Motor (REP 19.12)
24	-	Plate (P/O PL 28.4 Item 19)
25	-	Spring (P/O PL 28.1 Item 11)

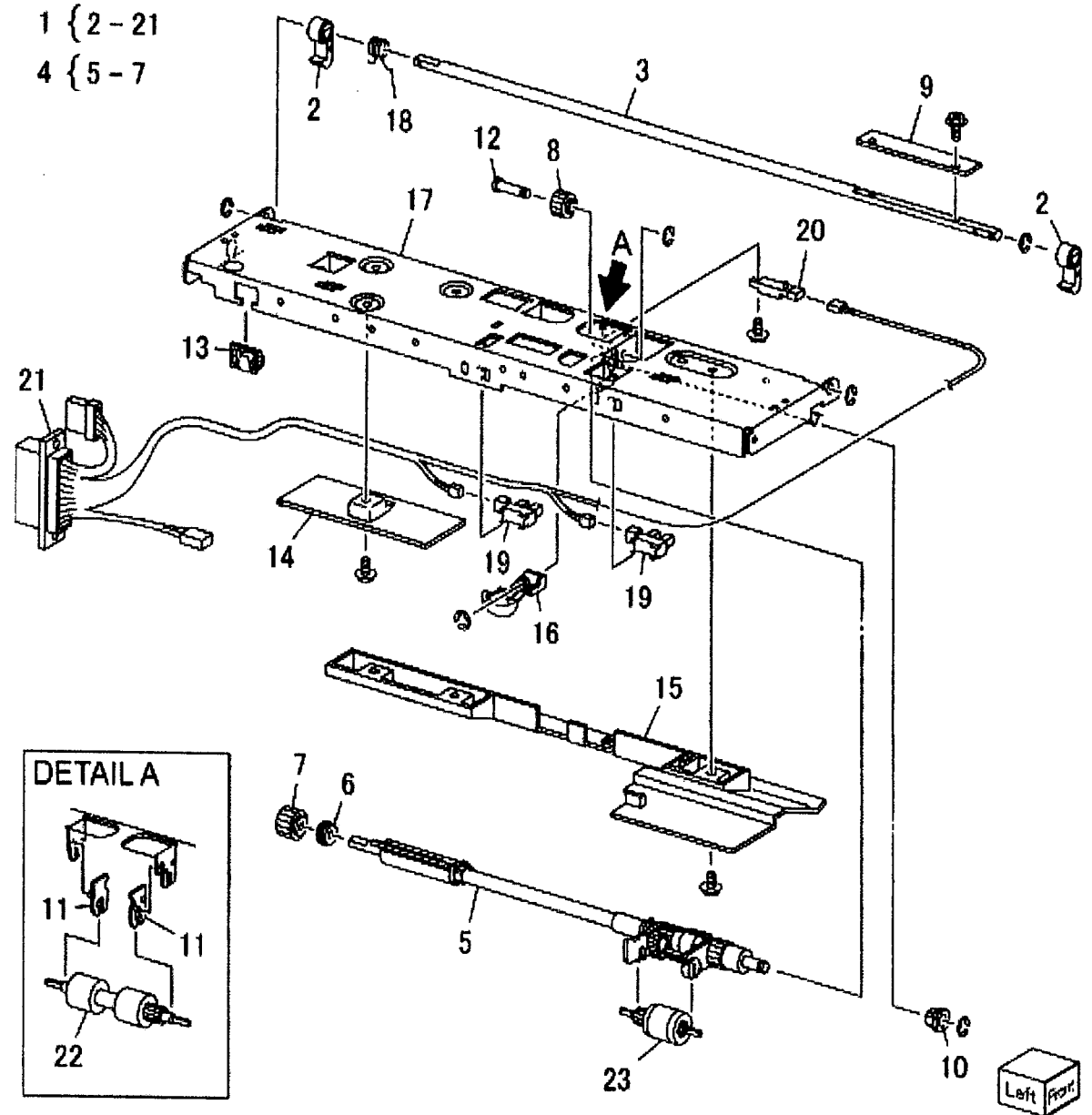
19 { 20 - 24



0528004A-NWD

PL 28.5 HCF Feeder (2 of 3)

Item	Part	Description
1	–	Upper Feeder Assembly (P/O PL 28.1 Item 11)
2	003E59570	Latch
3	–	Shaft Latch (P/O PL 28.5 Item 1)
4	006K23124	Feed Shaft Assembly
5	–	Feed Shaft (P/O PL 28.5 Item 4)
6	413W66250	Ball Bearing
7	–	Gear (20T) (P/O PL 28.5 Item 4)
8	007E78180	Feed Gear (25T)
9	–	Lever (P/O PL 28.5 Item 1)
10	–	Bearing (P/O PL 28.5 Item 1)
11	–	Spacer (P/O PL 28.5 Item 1)
12	–	Pin Drive (P/O PL 28.5 Item 1)
13	–	Guide (P/O PL 28.5 Item 1)
14	–	Rear Upper Chute (P/O PL 28.5 Item 1)
15	–	Upper Chute (P/O PL 28.5 Item 1)
16	120E21900	Actuator
17	–	Upper Frame (P/O PL 28.5 Item 1)
18	–	Spring (P/O PL 28.5 Item 1)
19	930W00112	HCF Stack Height Sensor, HCF Paper Sensor
20	930W00211	HCF Pre Feed Sensor
21	–	Wire Harness (P/O PL 28.5 Item 1)
22	059K26691	Feed Roll (REP 19.5)
23	059K26702	Nudger Roll (REP 19.5)

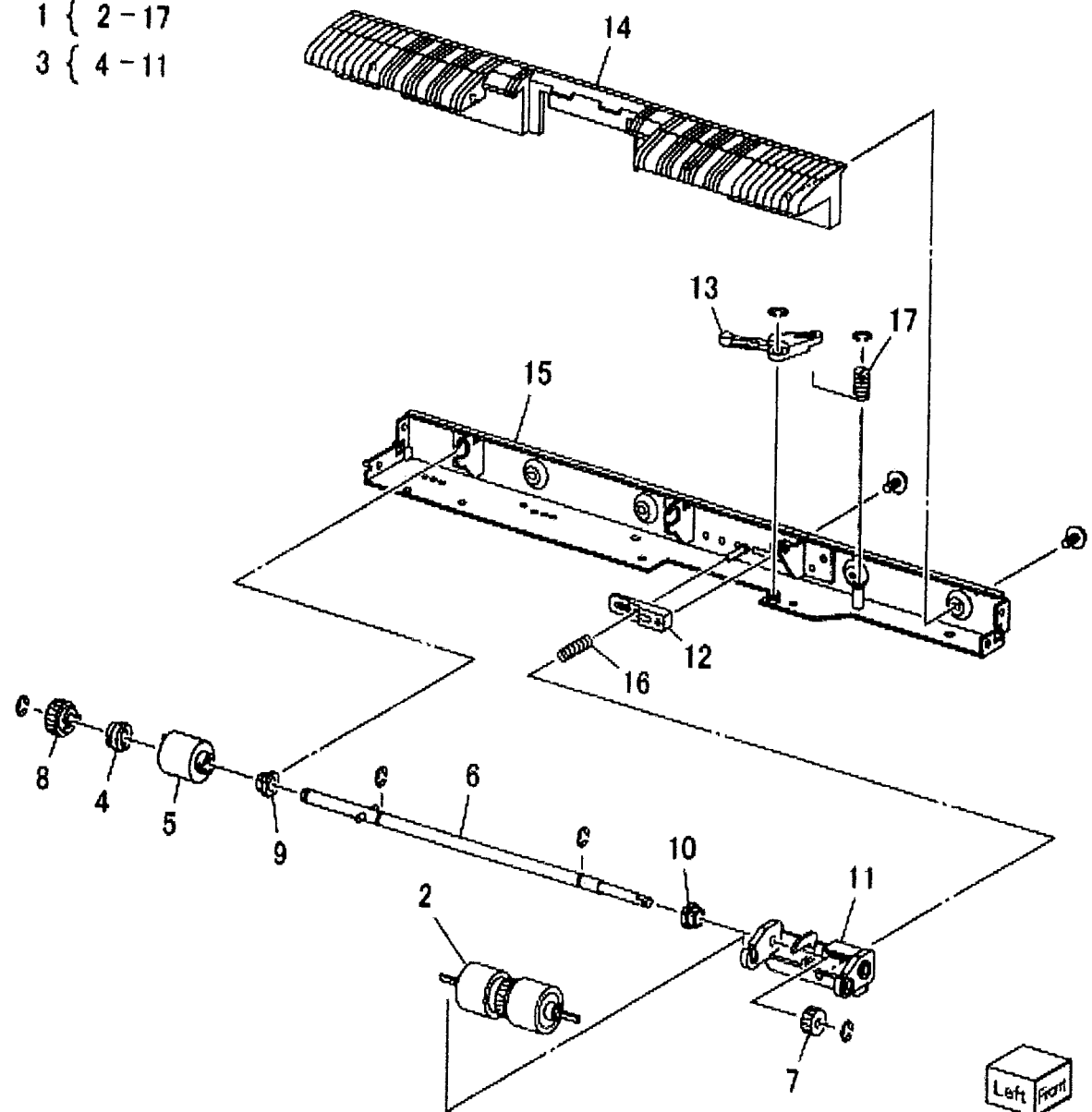


0518005A-OLY

PL 28.6 HCF Feeder (3 of 3)

Item	Part	Description
1	059K26591	Lower Feed Assembly
2	-	Retard Roll Assembly (P/O PL 28.6 Item 1) (REP 19.5)
3	-	Retard Shaft Assembly (P/O PL 28.6 Item 1)
4	-	Collar (P/O PL 28.6 Item 3)
5	005K06701	Friction Clutch
6	-	Shaft (P/O PL 28.6 Item 3)
7	007E78170	Gear (15T)
8	007E89760	Gear (22T)
9	013E23600	Bearing
10	013E23610	Bearing
11	-	Retard Bracket (P/O PL 28.6 Item 1)
12	-	Slide (P/O PL 28.6 Item 1)
13	-	Lever (P/O PL 28.6 Item 1)
14	-	Lower Chute (P/O PL 28.6 Item 1)
15	-	Lower Frame (P/O PL 28.6 Item 1)
16	-	Spring (P/O PL 28.6 Item 1)
17	-	Spring (P/O PL 28.6 Item 1)

1 { 2-17
3 { 4-11

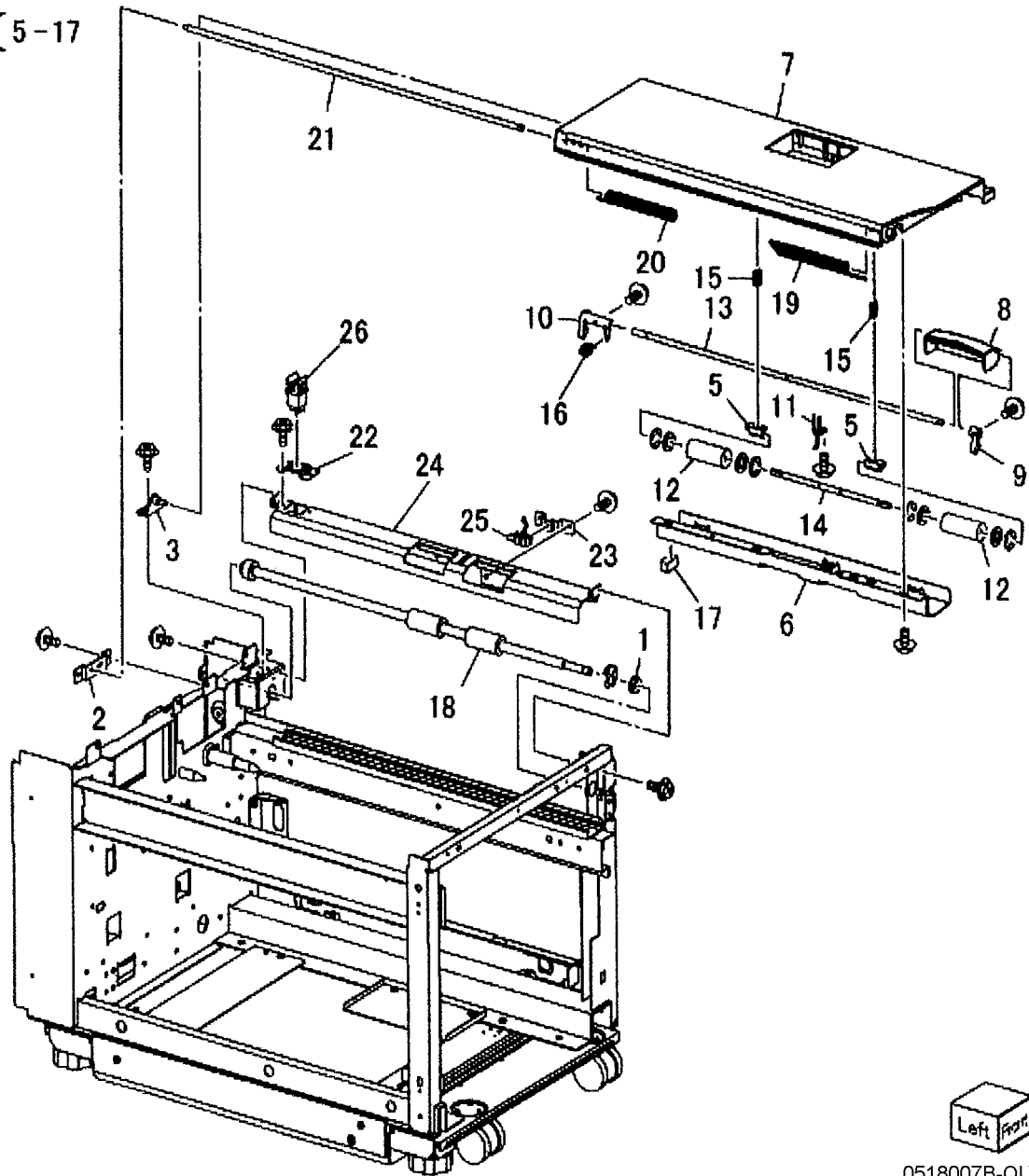


0518006B-KOH

PL 28.7 HCF Top Cover Unit

Item	Part	Description
1	013E17100	Bearing
2	-	Bracket (Not Spared)
3	-	Pivot Bracket (Not Spared)
4	-	Top Cover Assembly (Not Spared)
5	-	Bearing (P/O PL 28.7 Item 4)
6	-	Upper Chute (P/O PL 28.7 Item 4)
7	-	Top Cover (P/O PL 28.7 Item 4)
8	-	Knob (P/O PL 28.7 Item 4)
9	-	Latch (P/O PL 28.7 Item 4)
10	-	Latch (P/O PL 28.7 Item 4)
11	-	Spring (P/O PL 28.7 Item 4)
12	059E01430	Pinch Roller
13	-	Shaft (P/O PL 28.7 Item 4)
14	-	Shaft (P/O PL 28.7 Item 4)
15	-	Spring (P/O PL 28.7 Item 4)
16	-	Spring (P/O PL 28.7 Item 4)
17	-	Gasket (P/O PL 28.7 Item 4)
18	059K36260	Takeaway Roll (REP 19.10)
19	-	Spring (Left) (P/O PL 28.1 Item 16)
20	-	Spring (Right) (P/O PL 28.1 Item 16)
21	-	Pivot Shaft (P/O PL 28.1 Item 16)
22	-	Bracket (P/O PL 28.1 Item 16)
23	-	Bracket (P/O PL 28.1 Item 16)
24	-	Lower Chute (P/O PL 28.1 Item 16)
25	130K88150	Takeaway Sensor
26	110E94770	Top Cover Interlock Switch

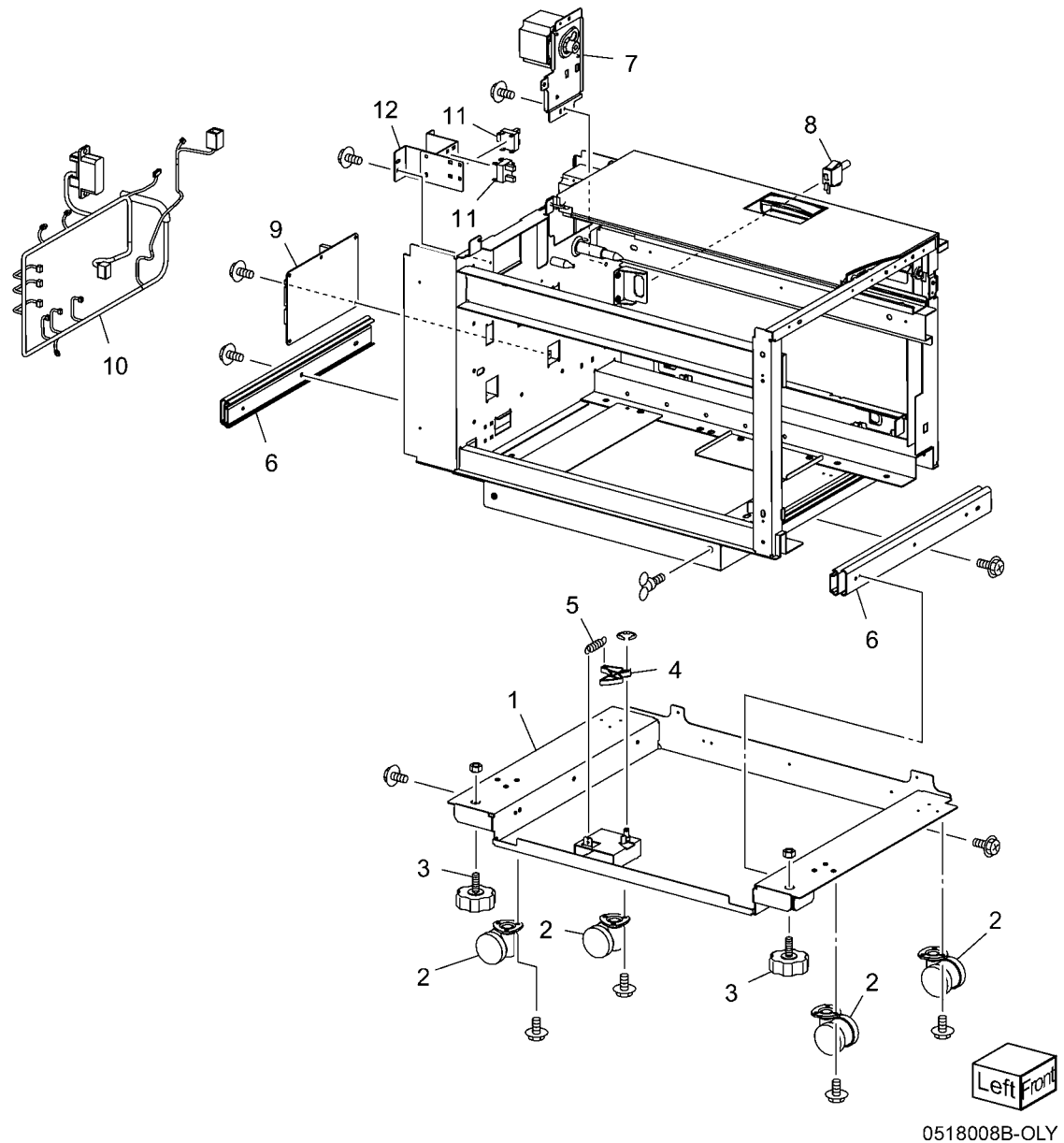
4 { 5-17



Left
0518007B-OLY

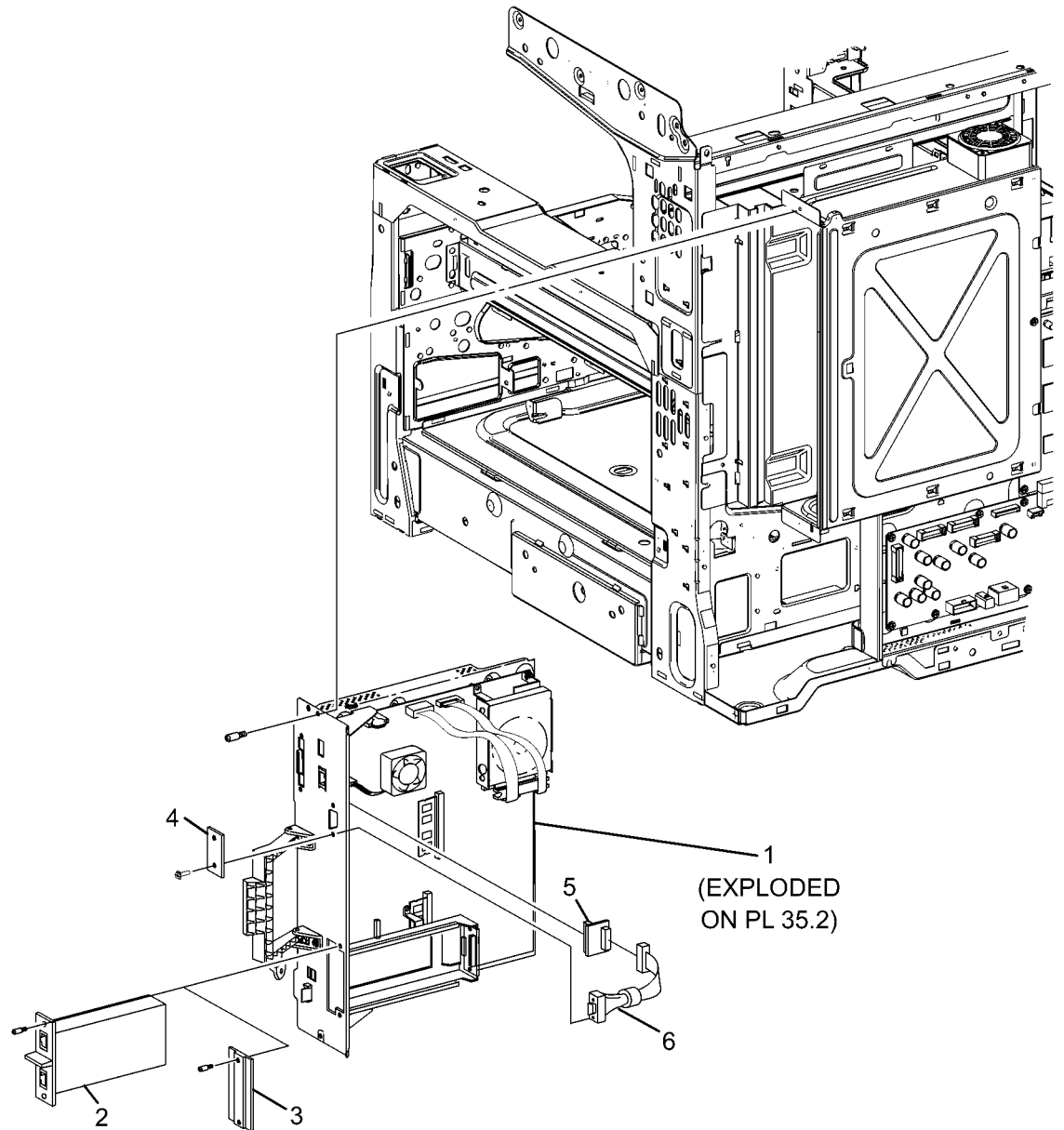
PL 28.8 HCF Electrical and Rail

Item	Part	Description
1	–	Plate (Not Spared)
2	017E92820	Rack Caster (REP 19.9)
3	017E97191	Foot
4	–	Latch Lever (Not Spared)
5	–	Spring (Not Spared)
6	801K15690	Rail
7	127K47150	Takeaway Motor
8	–	Docking Interlock Switch (Not Spared)
9	960K31492	HCF PWB (REP 19.11)
10	–	Wire Harness (P/O PL 28.1 Item 16)
11	130K55590	HCF Size Sensor R and L
12	–	Bracket (P/O PL 28.1 Item 16)



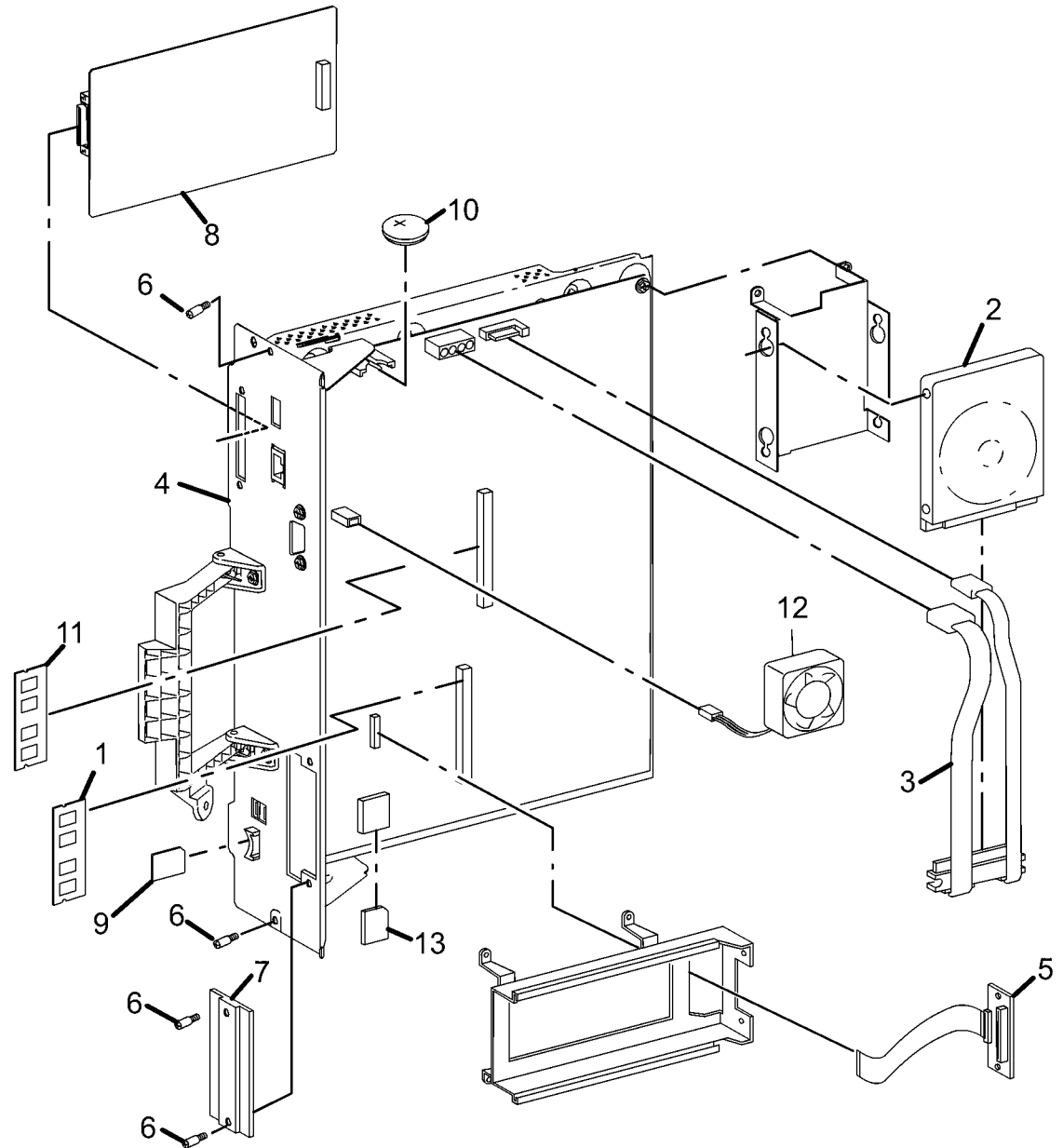
PL 35.1 Single Board Controller (1 of 2)

Item	Part	Description
1	—	SBC Unit (REF: PL 35.2)
2	960K65970	Two Line Fax Assembly
—	960K65960	One Line Fax Assembly
3	—	Fax Filler Panel
4	—	FDI Filler Panel
5	—	FDI Interface Board
6	962K41361	FDI Internal Cable



PL 35.2 Single Board Controller (2 of 2)

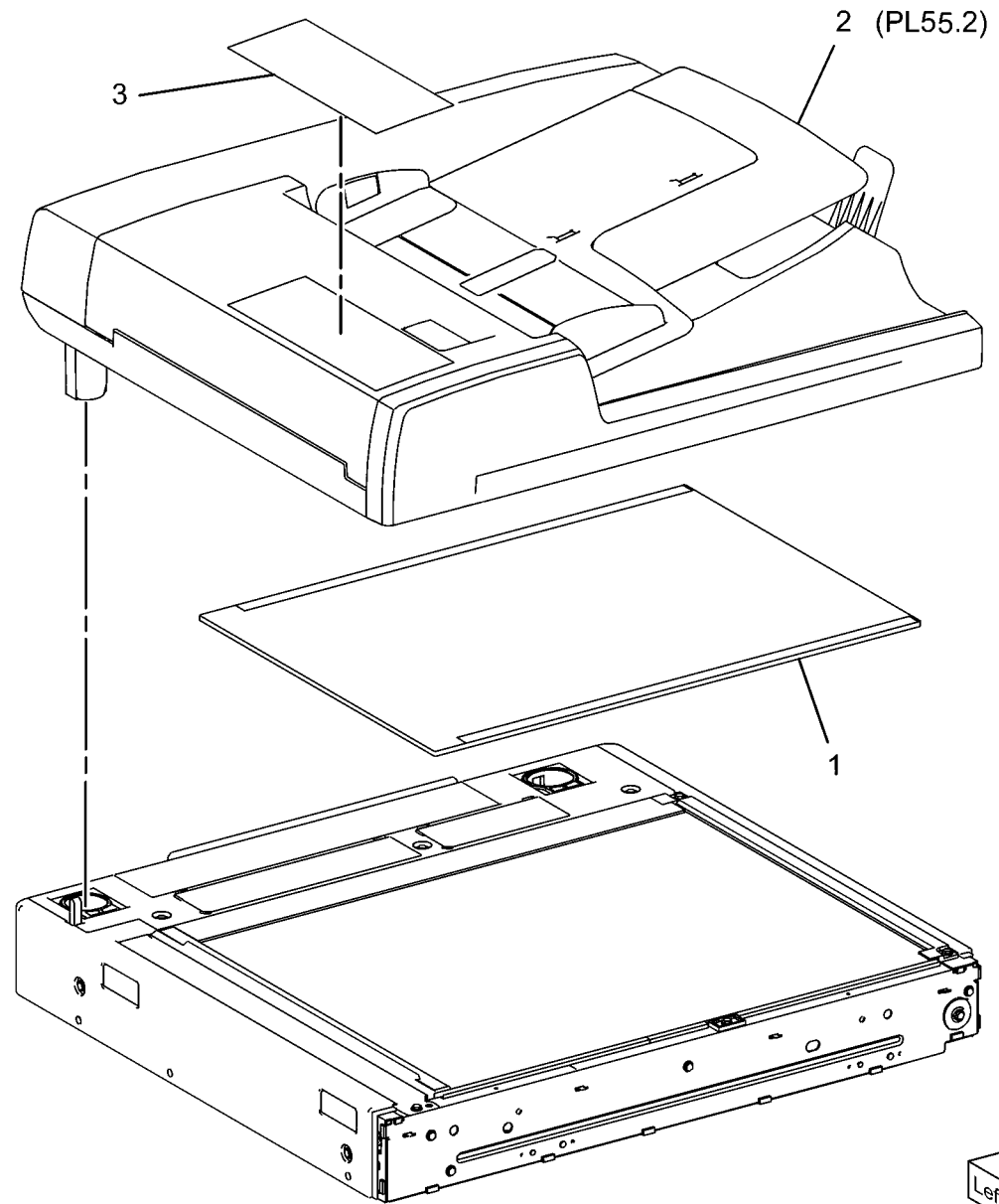
Item	Part	Description
1	137E30390	EPC Memory (1GB) DDR2
2	121K56430	Hard Drive
3	962K40460	SATA/Power Cable Assembly
4	604K84731	SBC PWB Assembly
5	112K01140	Fax Riser PWBA
6	826E39370	Thumb Screw (M4)
7	-	Fax Filler Panel (P/O PL 35.1 Item 3)
8	604K89991	PYXIS Board 7845/55
9	-	SIM Card (REP 1.15)
10	207E22290	Battery/RTC
11	833W39041	DDR3 Memory (2GB)
12	107K02810	Heat Sink Fan
13	237E27080	SD Card (7830/35)
-	237E27210	SD Card (7845/55)



0535002B

PL 51.1 DADF Accessory

Item	Part	Description
1	004K02962	DADF Platen Cushion ()
2	059K74373	DADF Assembly
3	-	Label (Not Spared)



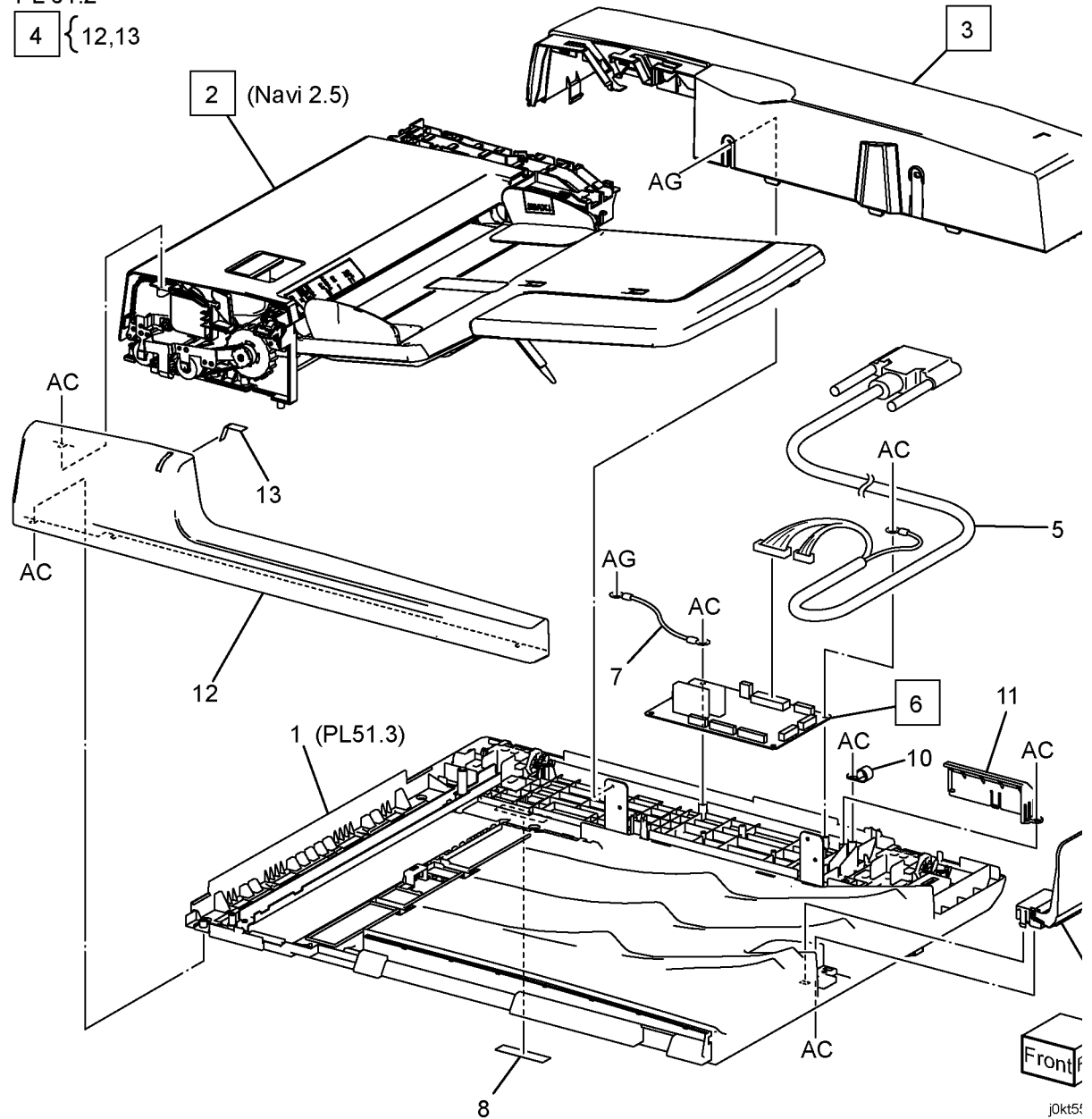
j0rk55101A

PL 51.2 Covers, PWB

Item	Part	Description
1	-	DADF Base Frame
2	-	DADF Feeder Assembly (REP 5.1, REP 55.1)
3	-	DADF Rear Cover (Not Spared) (REP 5.4, REP 55.4)
4	-	DADF Front Cover (Not Spared) (REP 5.3, REP 55.3)
5	117E27450	IIT DADF Cable
6	960K61172	DADF PWB (REP 5.6, REP 55.6)
7	-	Ground Wire (Not Spared)
8	-	Data Plate
9	003K87871	Stopper ()
10	-	P-Clamp (Not Spared)
11	-	Bracket (Not Spared)
12	-	DADF Front Cover (P/O PL 51.2 Item 4)
13	-	Label (P/O PL 51.2 Item 4)

PL 51.2

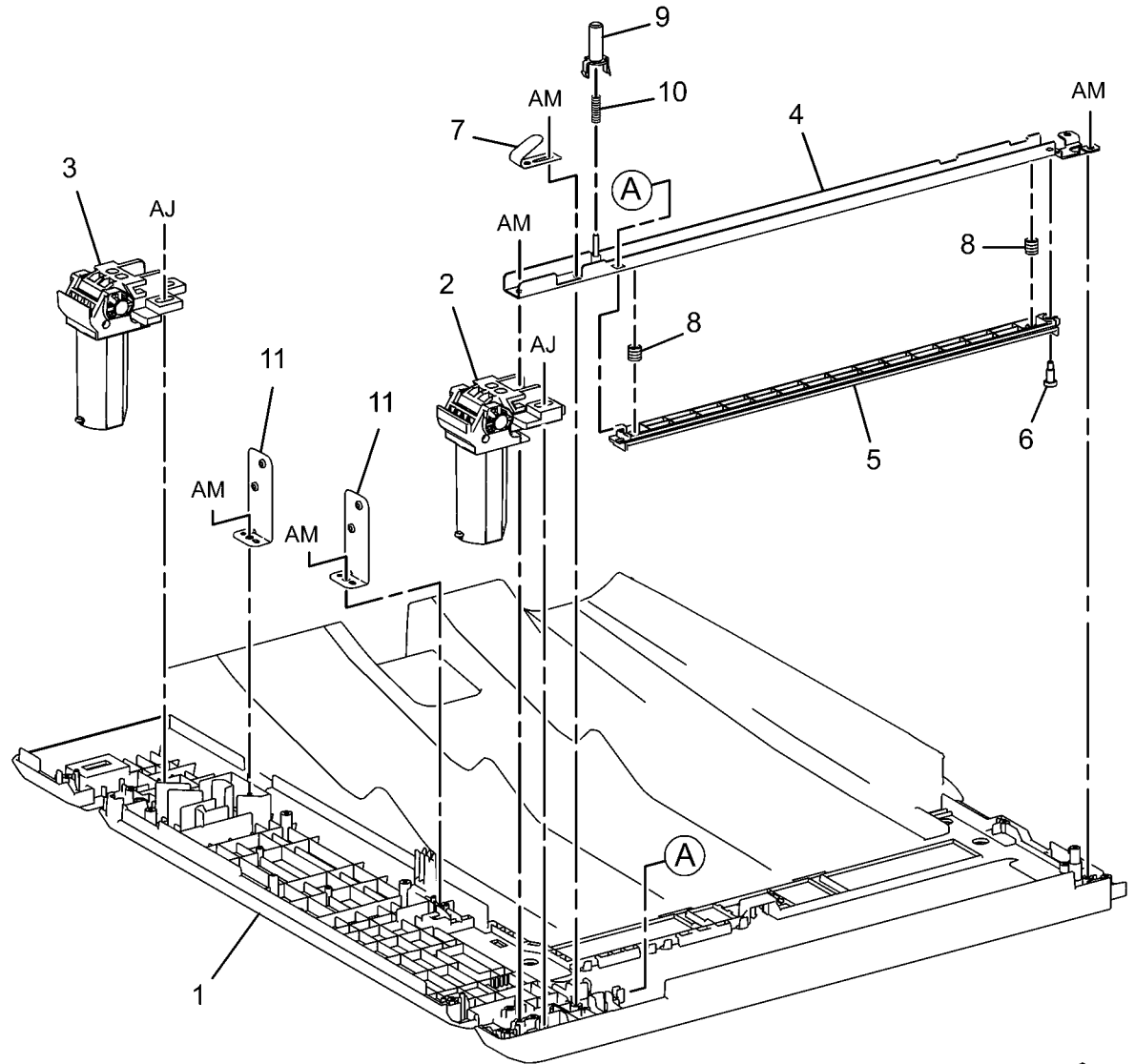
4 { 12,13



PL 51.3 Base Frame

Item	Part	Description
1	-	DADF Base Frame (P/O PL 51.1 Item 2)
2	036K91874	Left Counter Balance (REP 5.7)
3	036K91883	Right Counter Balance (REP 5.8)
4	-	Tie Plate (P/O PL 51.1 Item 2)
5	054K41230	CVT Chute
6	-	Stud Screw
7	-	Ground Plate (P/O PL 51.1 Item 2)
8	-	CVT Spring (Not Spared)
9	-	Floating Holder
10	-	Floating Spring
11	-	Bracket (P/O PL 51.1 Item 2)

PL51.3

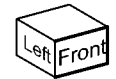
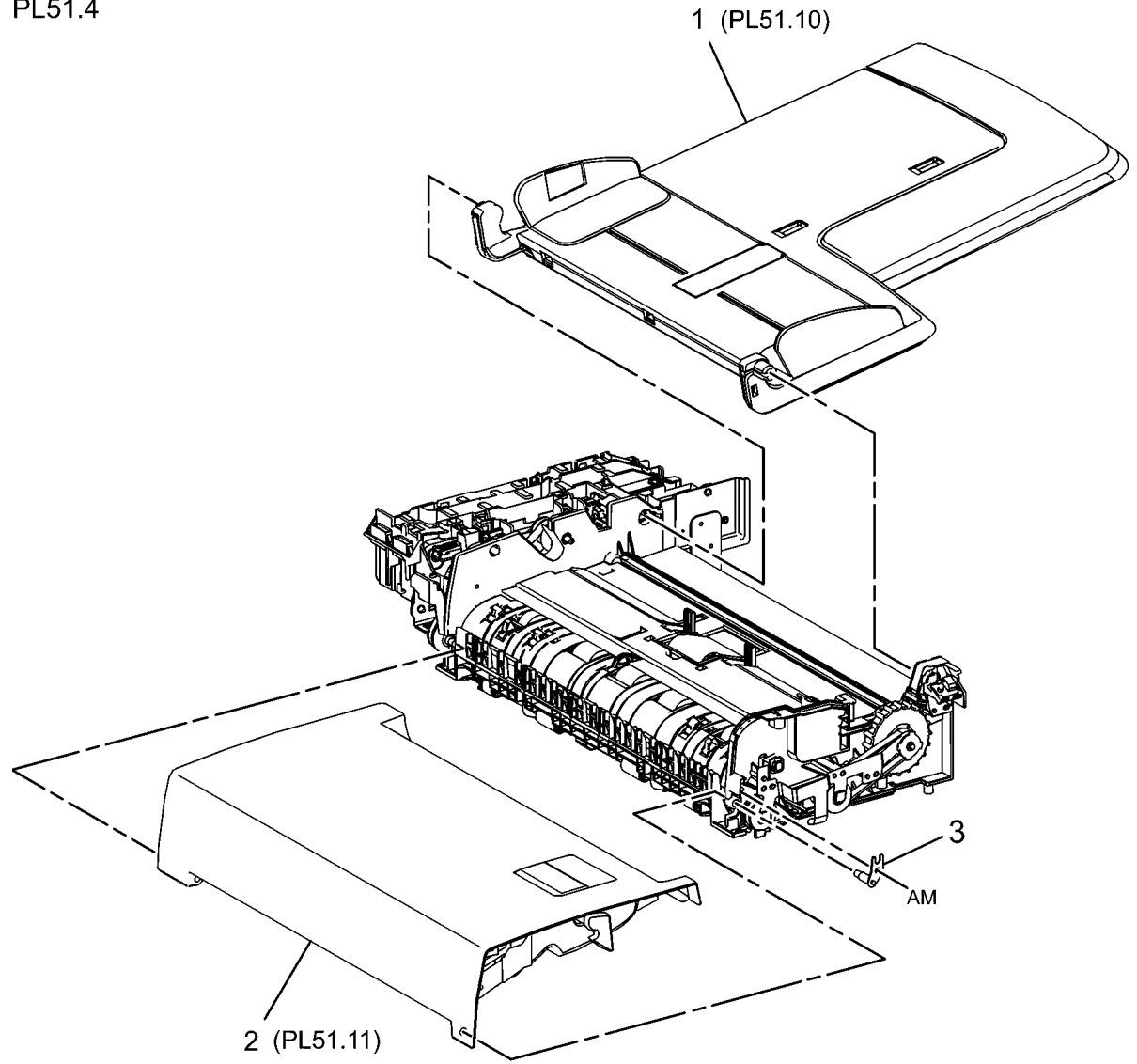


j0rk55103A

PL 51.4 Document Tray

Item	Part	Description
1	050K64253	Document Tray Assembly (REP 5.9)
2	059K65064	Top Cover (REP 5.10)
3	-	Stud Bracket (P/O PL 51.1 Item 2)

PL51.4



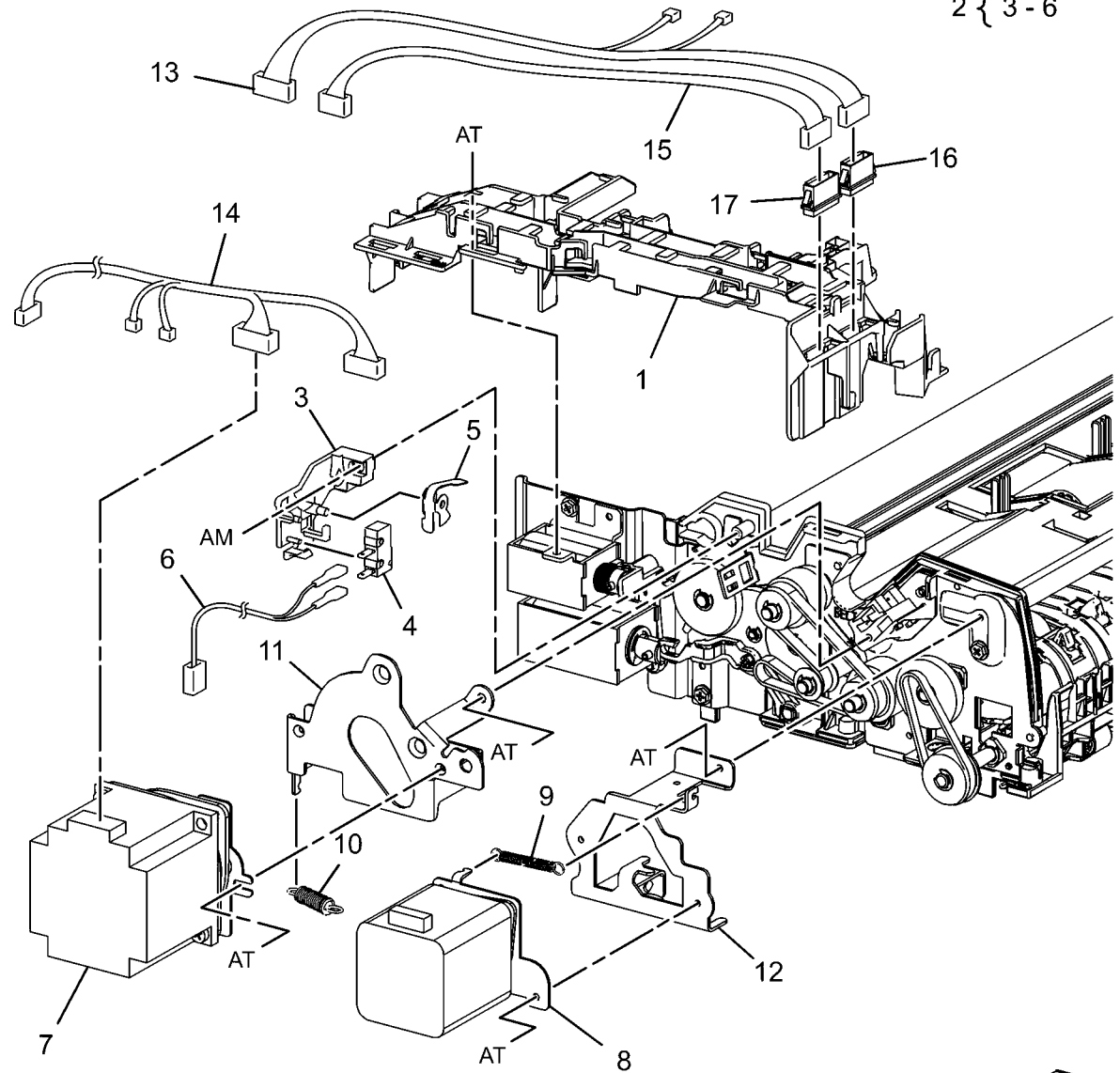
j0rk55104A

PL 51.5 DADF Drives (1 of 2)

Item	Part	Description
1	-	Harness Guide (REP 5.11)
2	110K15933	Interlock Switch and Harness Assembly
3	-	Bracket (P/O PL 51.5 Item 2)
4	-	Interlock Switch (P/O PL 51.5 Item 2)
5	-	Spring (P/O PL 51.5 Item 2)
6	-	Switch Wire Harness (P/O PL 51.5 Item 2)
7	127K60530	Feed Motor (REP 5.13)
8	127K60550	Registration Motor (REP 5.12)
9	-	Spring
10	-	Spring
11	-	Bracket (P/O PL 51.1 Item 2)
12	-	Bracket (P/O PL 51.1 Item 2)
13	-	Feeder Wire Harness (P/O PL 51.1 Item 2)
14	-	Motor Wire Harness (P/O PL 51.1 Item 2)
15	-	APS Wire Harness (Not Spared)
16	-	Connector (Not Spared)
17	-	Connector (Not Spared)

PL51.5

2 { 3 - 6

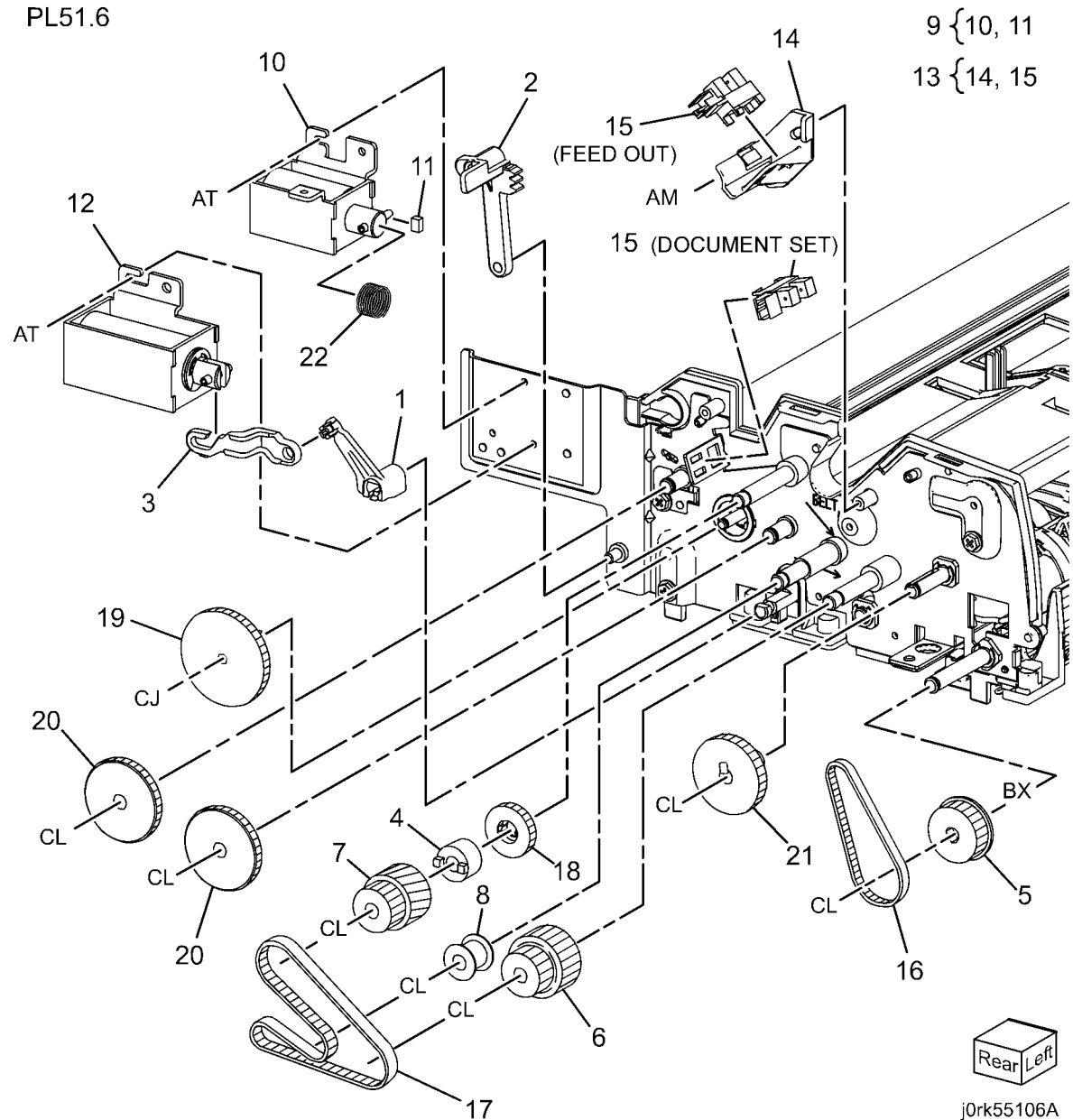


j0rk55105A

PL 51.6 DADF Drives (2 of 2)

Item	Part	Description
1	011E22861	Nip Lever
2	-	Stopper Link (Not Spared)
3	012E17161	Release Link
4	019K10320	Brake
5	020E46551	Registration Roll Pulley
6	020E46561	Pulley Gear
7	020E46571	Pulley Gear
8	059E98620	Roll
9	121K46620	Gate Solenoid
10	-	Gate Solenoid (P/O PL 51.6 Item 9)
11	-	Cushion (P/O PL 51.6 Item 9)
12	121K43660	Exit Nip Release Solenoid
13	130K73000	Feed Out Sensor Assembly
14	-	Sensor Bracket (P/O PL 51.6 Item 13)
15	930W00121	Feed Out Sensor, Document Set Sensor
16	423W06555	Belt
17	423W31554	Belt
18	807E26971	Gear
19	807E26981	Exit Roll Gear
20	807E26991	Gear
21	807E27011	Take Away Roll Gear
22	809E86320	Spring

PL51.6



9 { 10, 11
13 { 14, 15

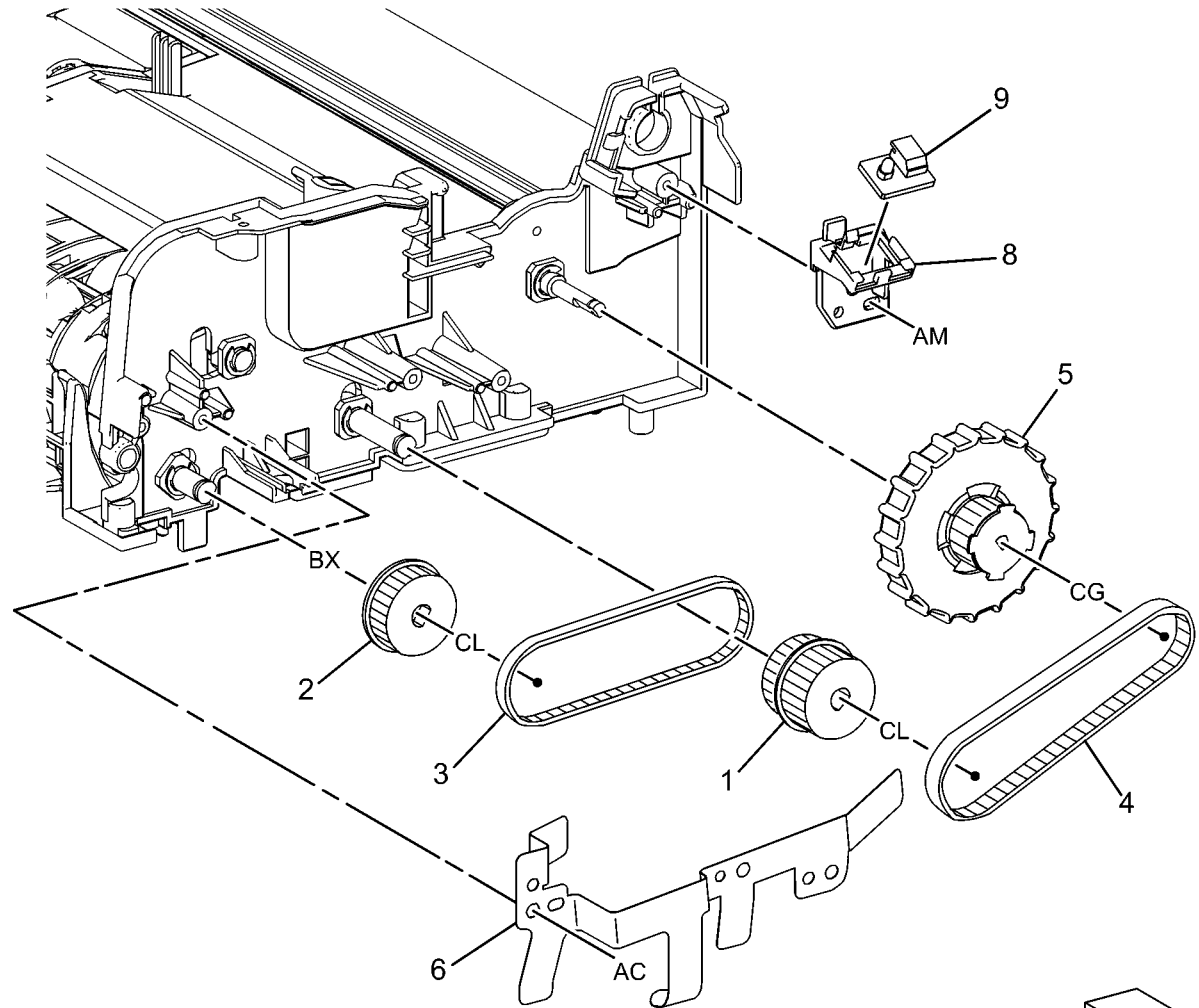
Rear Left
j0rk55106A

PL 51.7 Front Belt

PL51.7

7 { 8, 9

Item	Part	Description
1	020E46540	Out Roll Pulley
2	020E46551	Registration Roll Pulley
3	423W08855	Belt
-	423W08854	Belt (Alternate)
4	423W06554	Belt
5	803E02200	Knob Handle
6	-	Ground Plate (Not Spared)
7	960K48840	Document LED Set
8	-	LED Bracket (P/O PL 51.7 Item 7)
9	-	Document Set LED (P/O PL 51.7 Item 7)

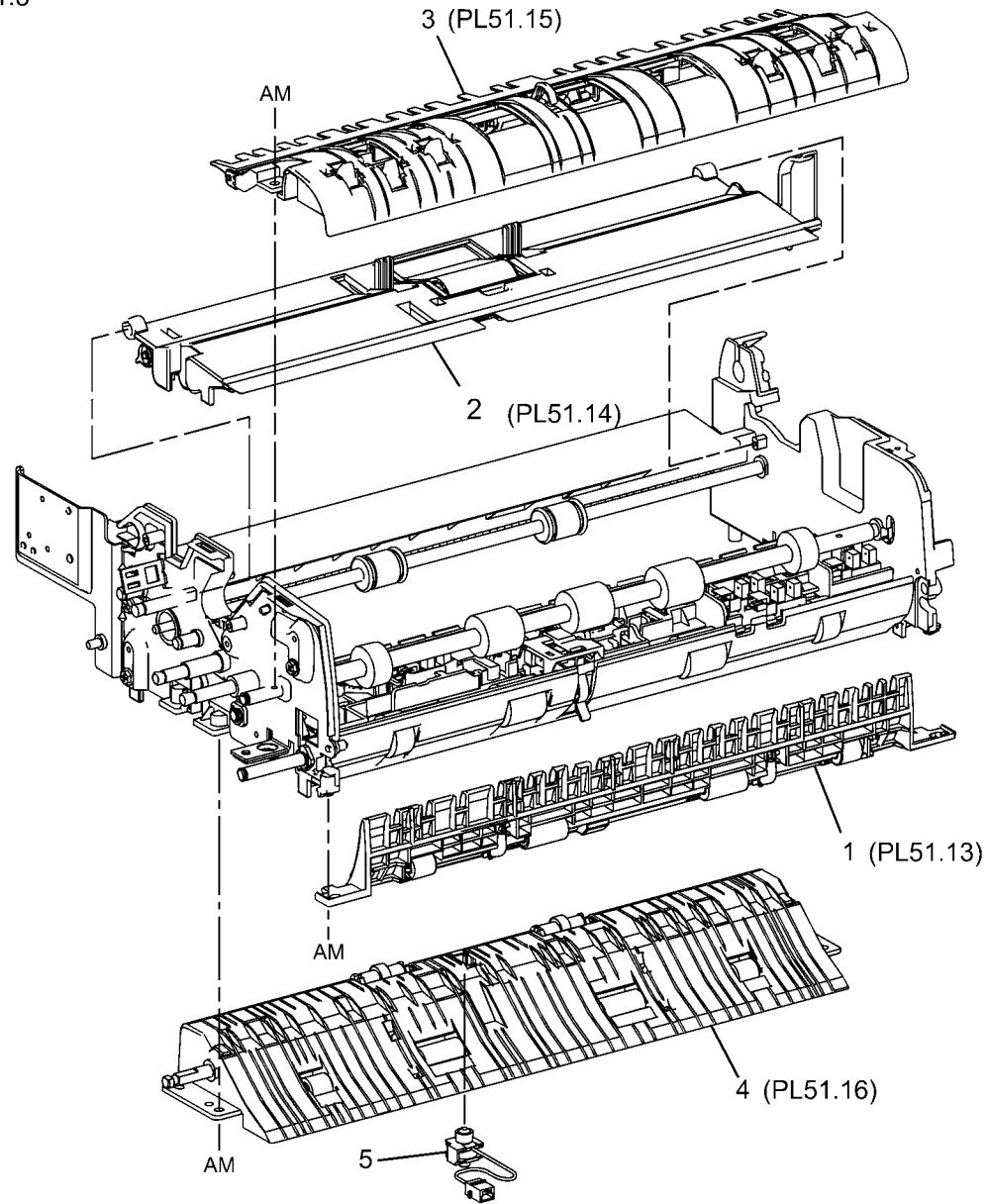


j0rk55107A

PL 51.8 Registration, Retard, Invert, Output Chutes

PL51.8

Item	Part	Description
1	054K39700	Registration Chute (REP 5.14)
2	054K44171	Retard Chute (REP 5.15)
3	054K41044	Invert Chute
4	054K41050	Output Chute
5	—	Stamp Solenoid (Not Spared)

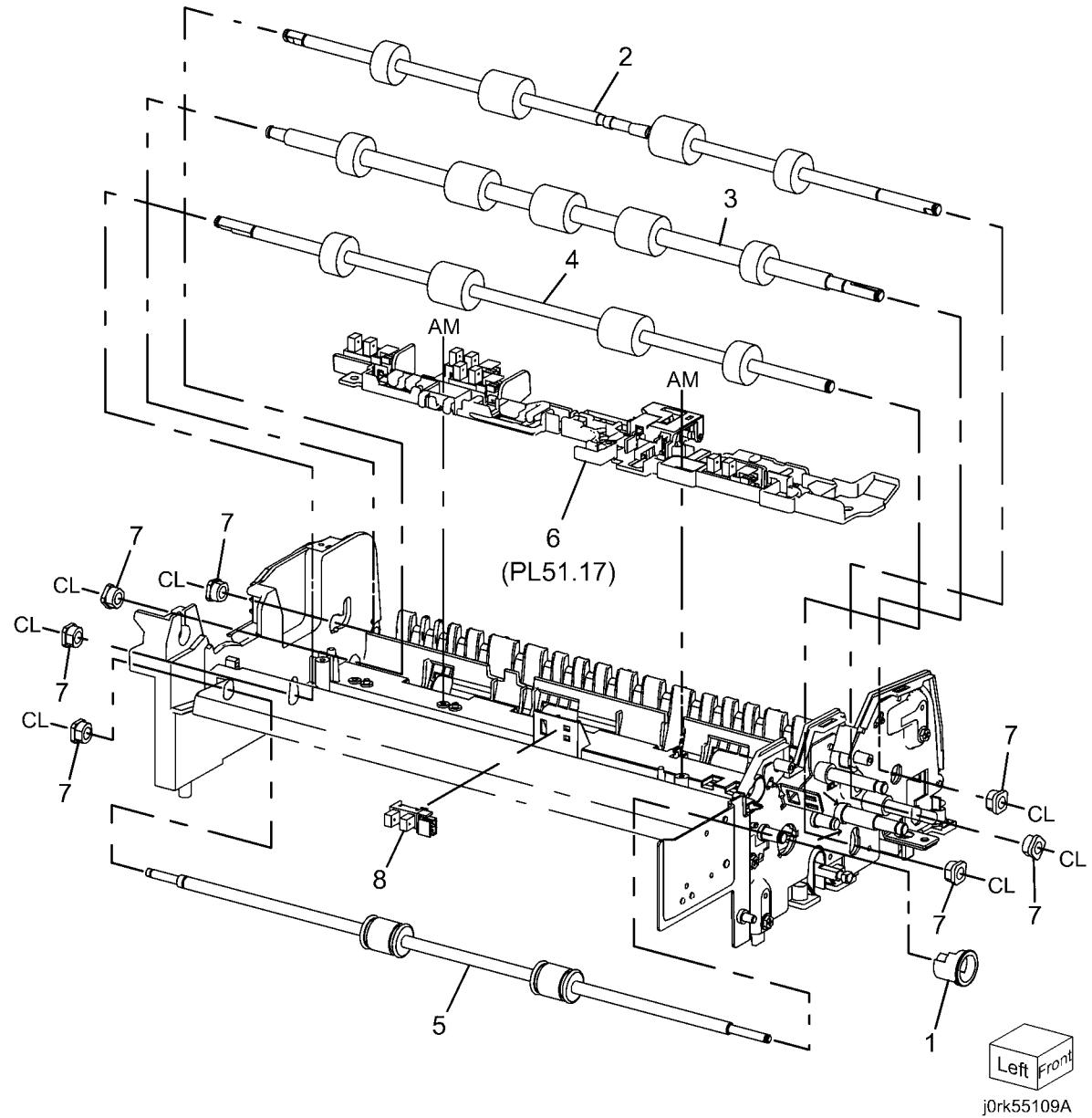


j0rk55108A

PL 51.9 Roll, Sensor Bracket

Item	Part	Description
1	–	Bearing (Not Spared)
2	059K65081	Registration Roll
3	059K65090	Take Away Roll (REP 5.16)
4	059K65100	Output Roll
5	059K65111	Exit Roll
6	068K69460	Sensor Bracket Assembly (REP 5.17)
7	–	Bearing (Not Spared)
8	930W00121	Invert Sensor

PL51.9

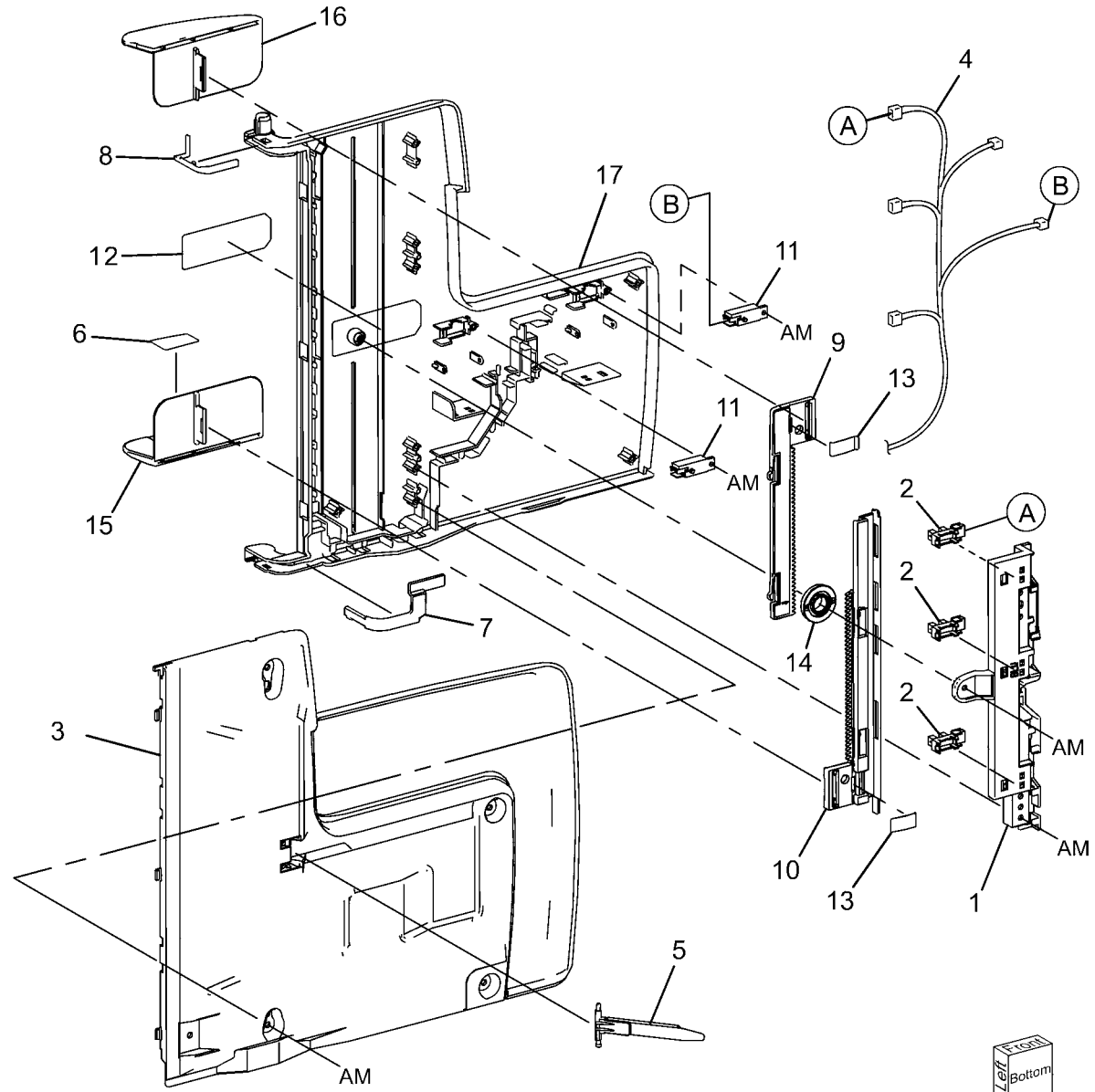


Left Front

j0rk55109A

PL 51.10 Document Tray

Item	Part	Description
1	-	Sensor Bracket (P/O PL 51.4 Item 1)
2	930W00121	Tray Guide Set Sensor 1, Sensor 2, Sensor 3
3	-	Tray Cover (P/O PL 51.4 Item 1)
4	-	Tray Wire Harness (P/O PL 51.4 Item 1)
5	032K05861	Guide
6	-	Max Label (Not Spared)
7	-	Harness Cover (P/O PL 51.4 Item 1)
8	-	Harness Cover (P/O PL 51.4 Item 1)
9	-	Front Gear Rack (P/O PL 51.4 Item 1)
10	-	Rear Gear Rack (P/O PL 51.4 Item 1)
11	930W00241	Size Sensor 1, Size Sensor 2
12	897E26270	Instruction Label
13	-	Rack Spring (P/O PL 51.4 Item 1)
14	-	Pinion Gear (P/O PL 51.4 Item 1)
15	-	Rear Side Guide (P/O PL 51.4 Item 1)
16	-	Front Side Guide (P/O PL 51.4 Item 1)
17	-	Upper Tray (P/O PL 51.4 Item 1)

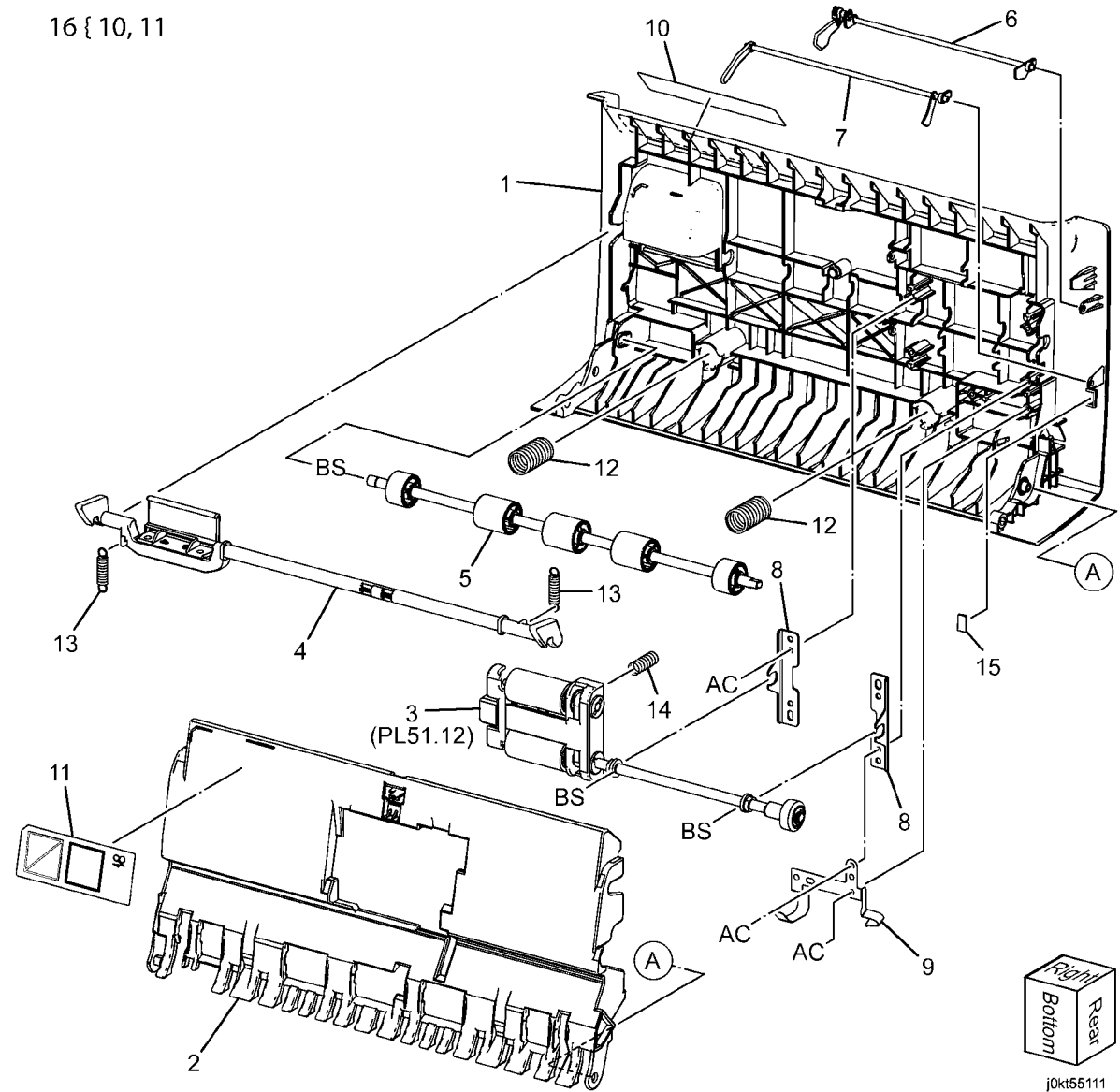


jOrk55110A

PL 51.11 Top Cover

Item	Part	Description
1	-	Top Cover (P/O PL 51.4 Item 2)
2	-	Upper Feed Chute (P/O PL 51.4 Item 2)
3	059K65070	Upper Feeder (REP 5.5)
4	011K03520	Lever Latch
5	059K61230	Take Away Pinch Roll
6	120K92500	Document Set Actuator
7	120E32200	Feed Out Actuator
8	-	Bracket (P/O PL 51.4 Item 2)
9	-	Ground Plate (P/O PL 51.4 Item 2)
10	897E24011	Size Label
11	897E24000	Jam Label
12	-	Spring (Not Spared)
13	-	Spring (Not Spared)
14	-	Spring (Not Spared)
15	-	Holder Shaft Latch
16	-	Label Kit

PL 51.11
16 { 10, 11

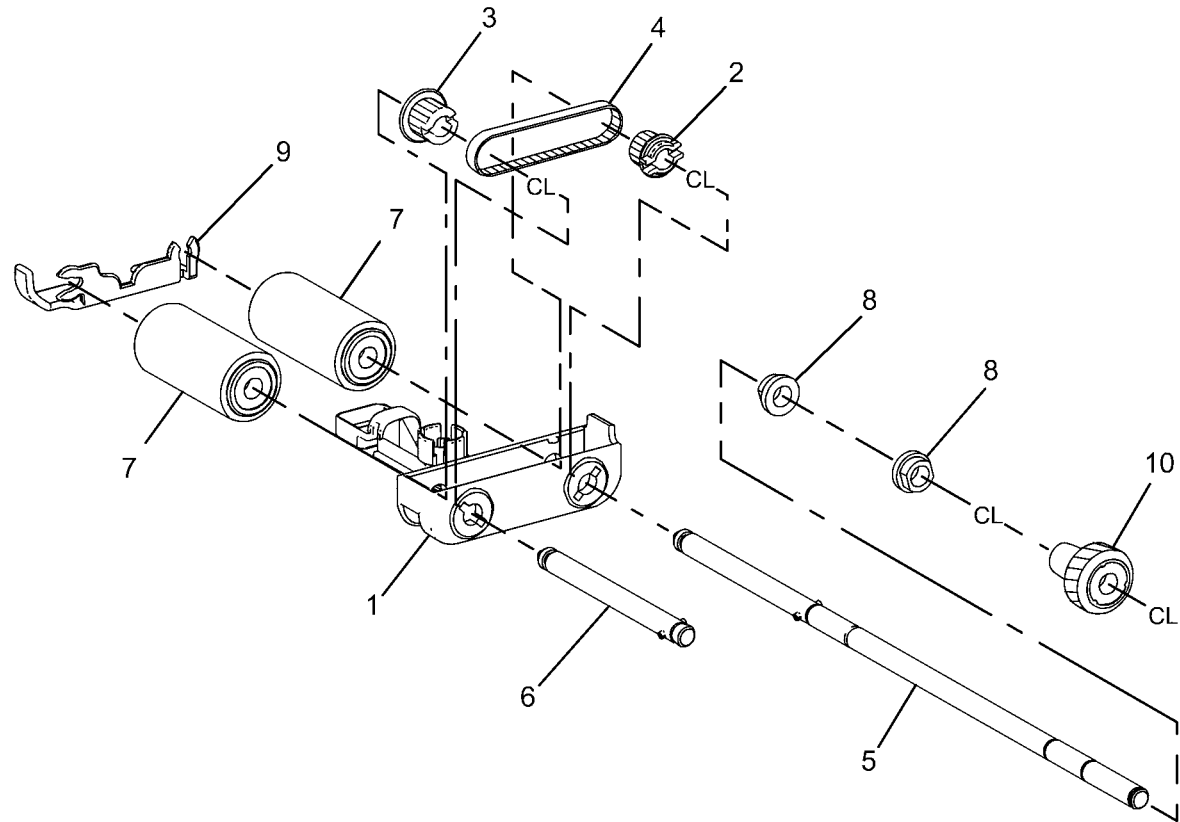


PL 51.12 Upper Feeder

Item	Part	Description
1	-	Housing (P/O PL 51.11 Item 3)
2	-	Feeder Pulley (P/O PL 51.12 Item 3)
3	-	Nudger Pulley (P/O PL 51.11 Item 3)
4	-	Belt (P/O PL 51.11 Item 3)
5	-	Feed Shaft (P/O PL 51.11 Item 3)
6	-	Nudger Shaft (P/O PL 51.11 Item 3)
7	-	Feed Roll, Nudger Roll (P/O PL 51.12 Item 11) (REP 5.18)
8	-	Bearing (P/O PL 51.11 Item 3)
9	-	Housing (P/O PL 51.12 Item 11)
10	-	Gear (P/O PL 51.11 Item 3)
11	604K58410	DADF Feed Roll Kit

PL51.12

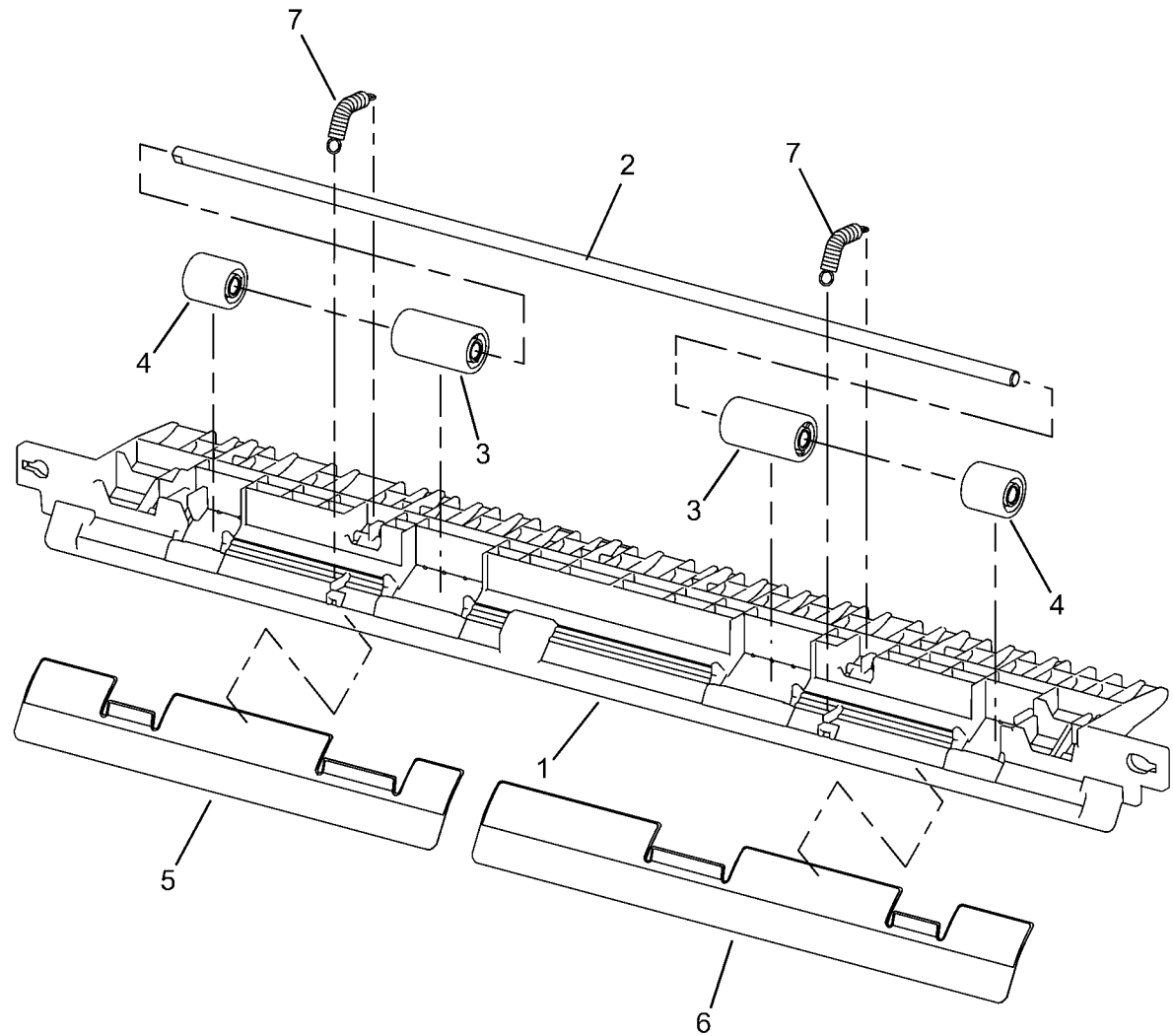
11 { 7, 9, PL51.14 Items 5, 10



Right Rear
j0rk55112A

PL Item	Part	Description
51.13	1	Registration Chute (P/O PL 51.8 Item 1)
	2	Pinch Shaft (P/O PL 51.8 Item 1)
	3	Registration Wide Pinch Roll (P/O PL 51.8 Item 1)
	4	Registration Short Pinch Roll (P/O PL 51.8 Item 1)
	5	Seal (P/O PL 51.8 Item 1)
	6	Seal (P/O PL 51.8 Item 1)
	7	Spring (P/O PL 51.8 Item 1)

PL51.13

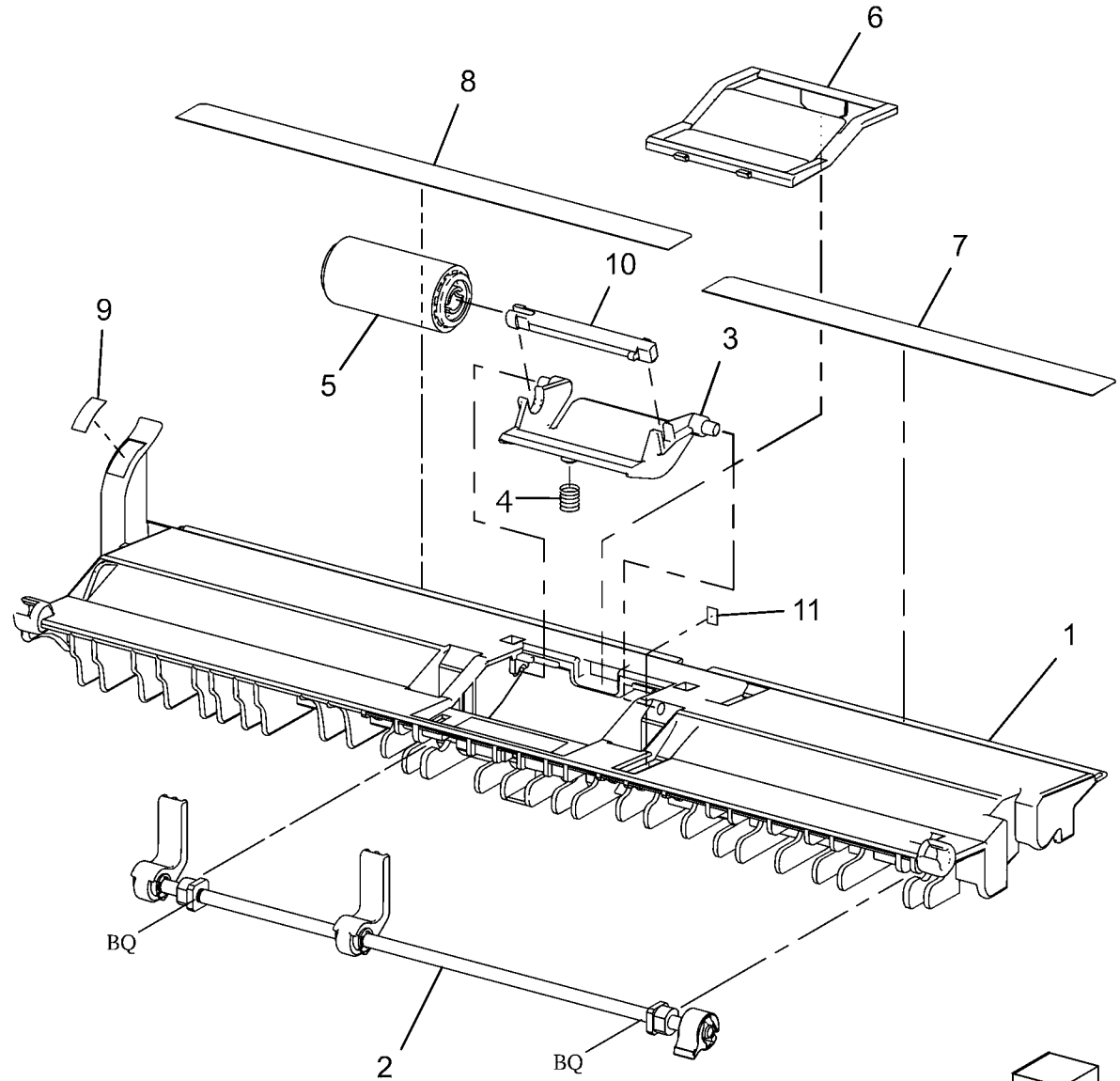


j0rk55113A

PL 51.14 Retard Chute

Item	Part	Description
1	-	Chute (P/O PL 51.8 Item 2)
2	-	Set Gate (P/O PL 51.8 Item 2)
3	-	Housing (P/O PL 51.8 Item 2)
4	-	Spring (P/O PL 51.8 Item 2)
5	-	Retard Roll (P/O 51.12.11) ()
6	848K43600	Retard Roll Cover (P/O PL 51.12 Item 11)
7	-	Seal (P/O PL 51.8 Item 2)
8	-	Seal (P/O PL 51.8 Item 2)
9	-	Label (P/O PL 51.8 Item 2)
10	-	Shaft (P/O PL 51.12 Item 11)
11	-	Pad (P/O PL 51.8 Item 2)

PL51.14

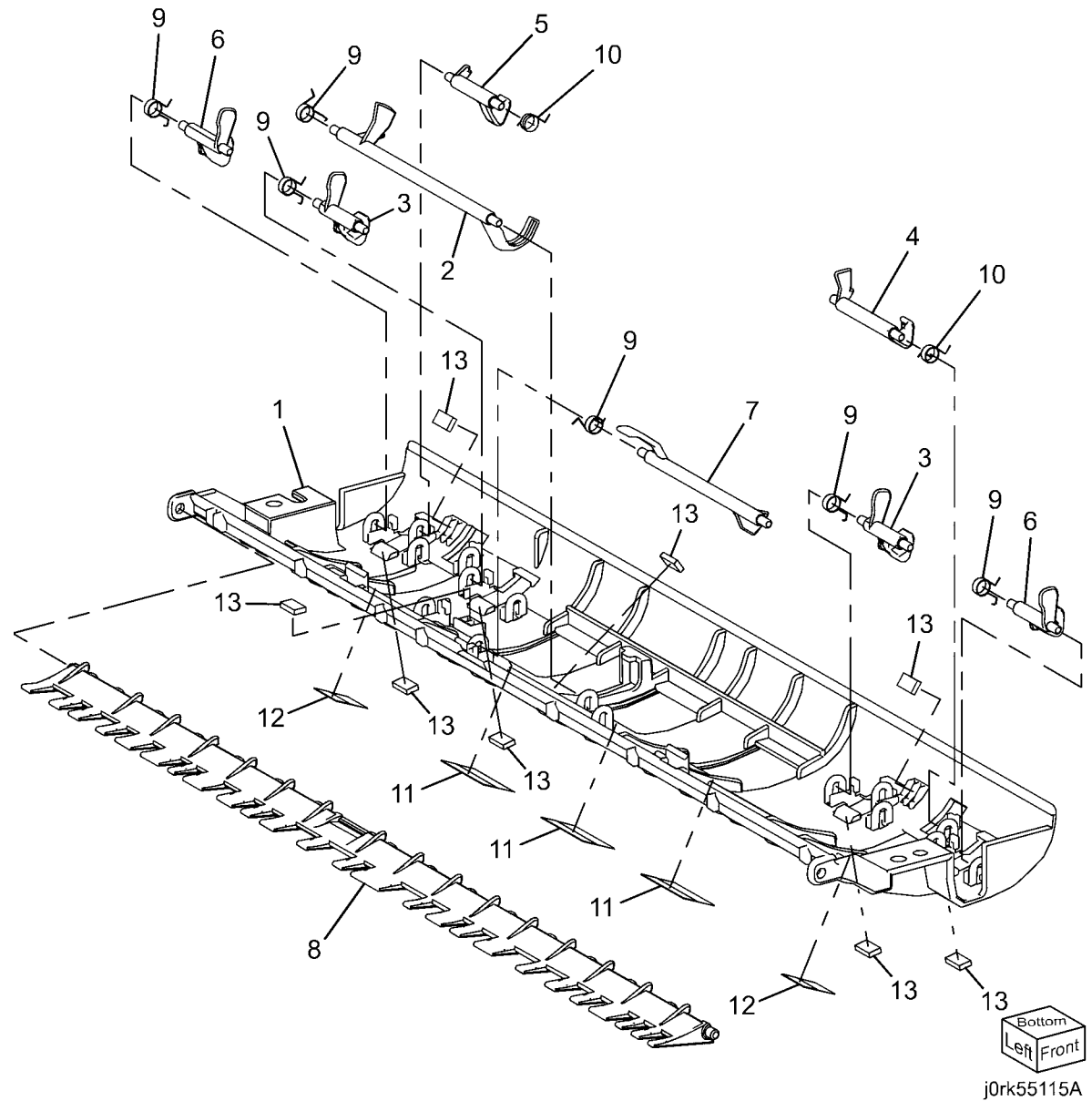


Rightrear
j0rk55114A

PL 51.15 Invert Chute

Item	Part	Description
1	-	Invert Chute (P/O PL 51.8 Item 3)
2	-	Pre Registration Actuator (P/O PL 51.8 Item 3)
3	-	Actuator (Aps 1) (P/O PL 51.8 Item 3)
4	-	Actuator (Aps 2) (P/O PL 51.8 Item 3)
5	-	Actuator (Aps 2) (P/O PL 51.8 Item 3)
6	-	Actuator (Aps 3) (P/O PL 51.8 Item 3)
7	-	Invert Actuator (P/O PL 51.8 Item 3)
8	-	Invert Gate (P/O PL 51.8 Item 3)
9	-	Spring (P/O PL 51.8 Item 3)
10	-	Spring (P/O PL 51.8 Item 3)
11	-	Seal (P/O PL 51.8 Item 3)
12	-	Seal (P/O PL 51.8 Item 3)
13	-	Pad (P/O PL 51.8 Item 3)

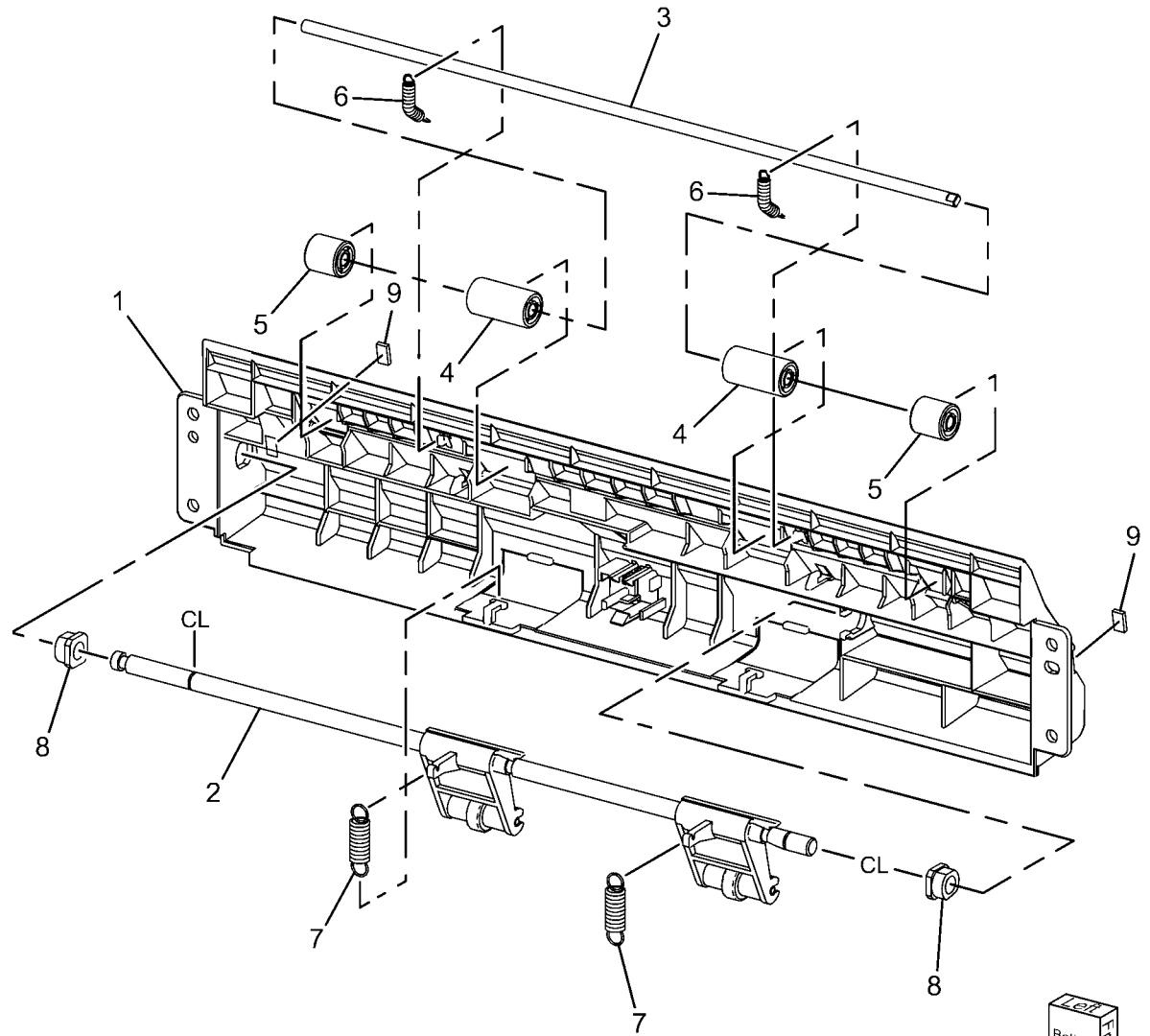
PL 51.15



PL 51.16 Output Chute

Item	Part	Description
1	-	Chute (P/O PL 51.8 Item 4)
2	-	Exit Pinch Roll (P/O PL 51.8 Item 4)
3	-	Pinch Shaft (P/O PL 51.8 Item 4)
4	-	Wide Registration Pinch Roll (P/O PL 51.8 Item 4)
5	-	Short Registration Pinch Roll (P/O PL 51.8 Item 4)
6	-	Spring (P/O PL 51.8 Item 4)
7	-	Spring (P/O PL 51.8 Item 4)
8	-	Bearing (P/O PL 51.8 Item 4)
9	-	Pad (P/O PL 51.8 Item 4)

PL51.16

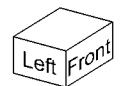
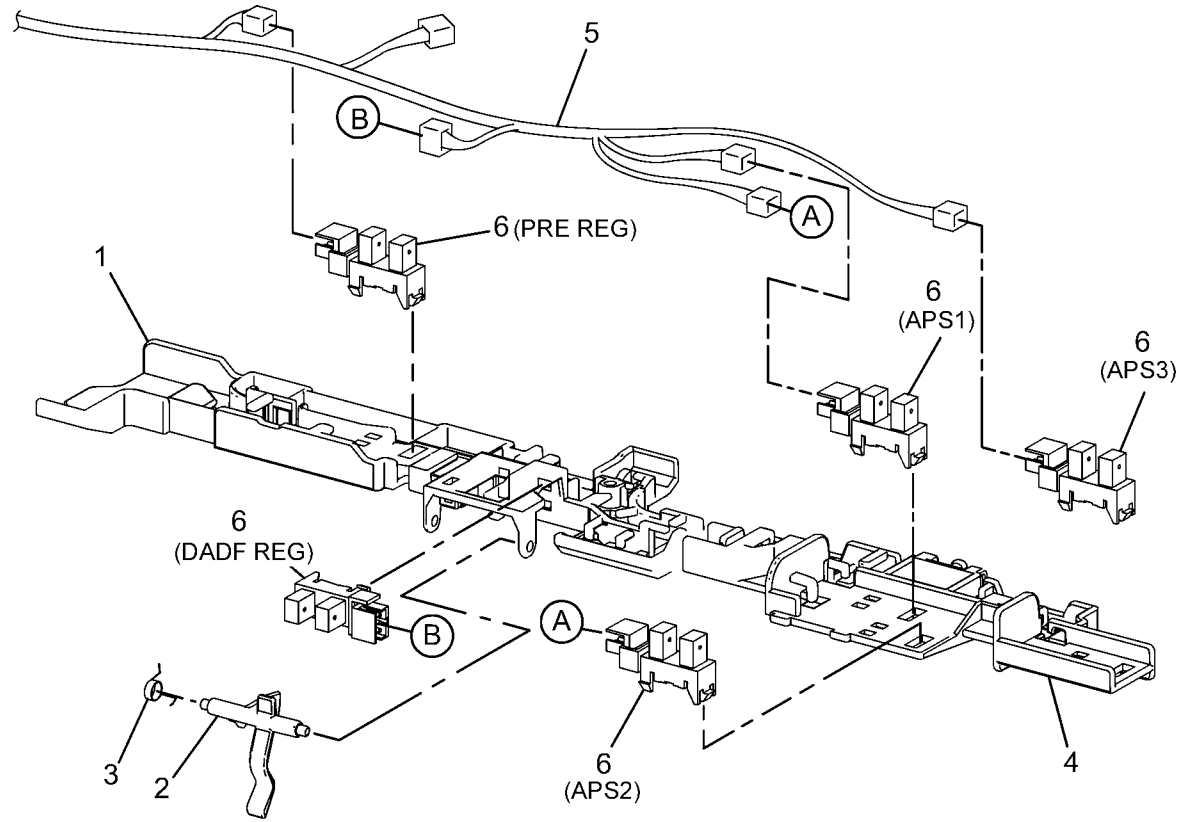


j0rk55116A

PL 51.17 Sensor Bracket

Item	Part	Description
1	-	Sensor Housing (P/O PL 51.4 Item 1)
2	120E31741	Registration Actuator
3	-	Spring (P/O PL 51.4 Item 1)
4	-	Sensor Guide (P/O PL 51.4 Item 1)
5	-	Wire Harness (Not Spared)
6	930W00121	APS Sensor 1, APS Sensor 2, APS Sensor 3, Registration Sensor, Pre Registration Sensor

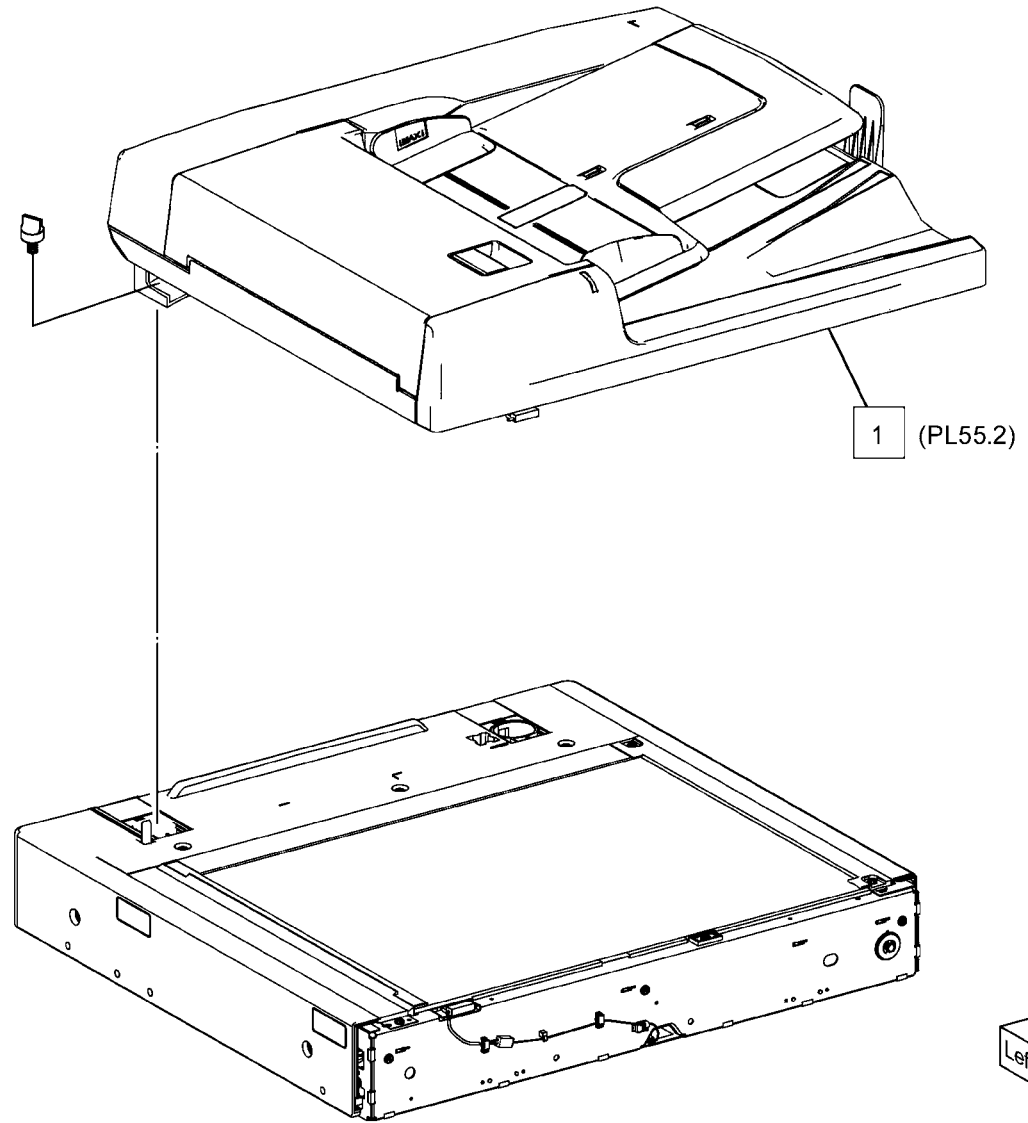
PL51.17



j0rk55117B

PL 55.1 DADF Accessory

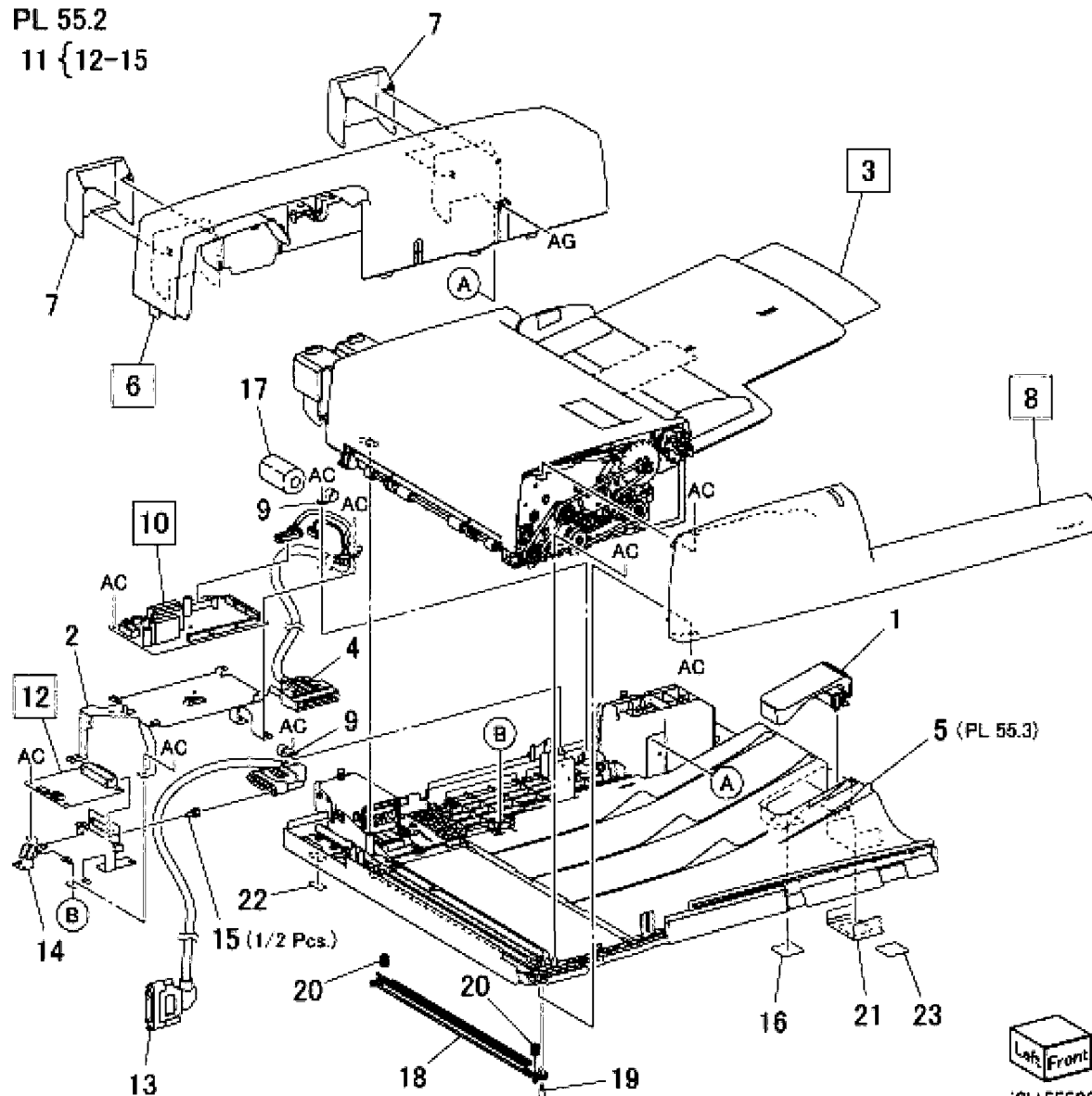
Item	Part	Description
1	059K74373	DADF



PL 55.2 DADF Cover, PWB

Item	Part	Description
1	003K88740	Stopper
2	-	PWB Bracket (Not Spared)
3	-	DADF Feeder Assembly (Not Spared)
4	117E27450	DADF-IIT Cable
5	-	DADF Base Frame (Not Spared)
6	-	Rear Cover (Not Spared)
7	848E80010	Counter Balance Cover
8	-	Front Cover (Not Spared)
9	-	Clamp (Not Spared)
10	960K57793	DADF PWB
11	-	CIS PWB And Cable (Not Spared)
12	960K57971	CIS PWB
13	117E33270	DADF-SBC Cable
14	-	PWB Bracket (P/O PL 55.2 Item 11)
15	237W00178	Special Nut
16	-	Fastener Tape (Not Spared)
17	-	Core (Not Spared)
18	-	CVT Chute
19	-	Stud Screw (Not Spared)
20	-	CVT Spring (Not Spared)
21	-	Cloth Holder (Not Spared)
22	-	Angle Pad (Not Spared)
23	-	Cleaner Cloth (Not Spared)

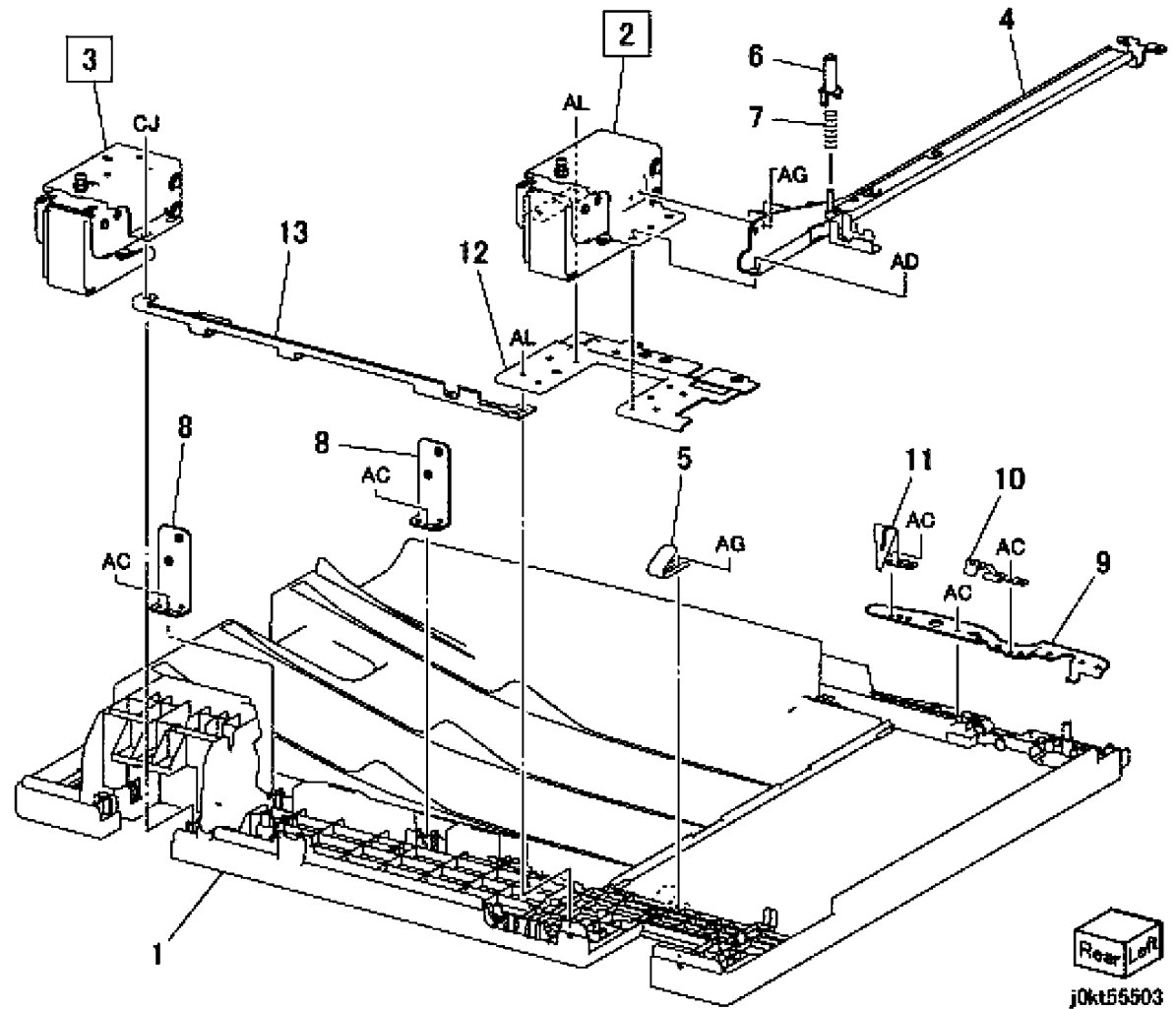
PL 55.2
11 {12-15}



PL 55.3 DADF Base Frame

Item	Part	Description
1	-	DADF Base Frame (Not Spared)
2	036K92080	Left Counter Balance
3	036K92090	Right Counter Balance
4	-	Tie Plate (Not Spared)
5	-	Ground Plate (Not Spared)
6	-	Floating Holder (Not Spared)
7	-	Floating Spring (Not Spared)
8	-	Bracket (Not Spared)
9	-	Bracket (Not Spared)
10	-	Ground Plate (Not Spared)
11	-	Ground Plate (Not Spared)
12	-	Bracket
13	-	Ground Plate (Not Spared)

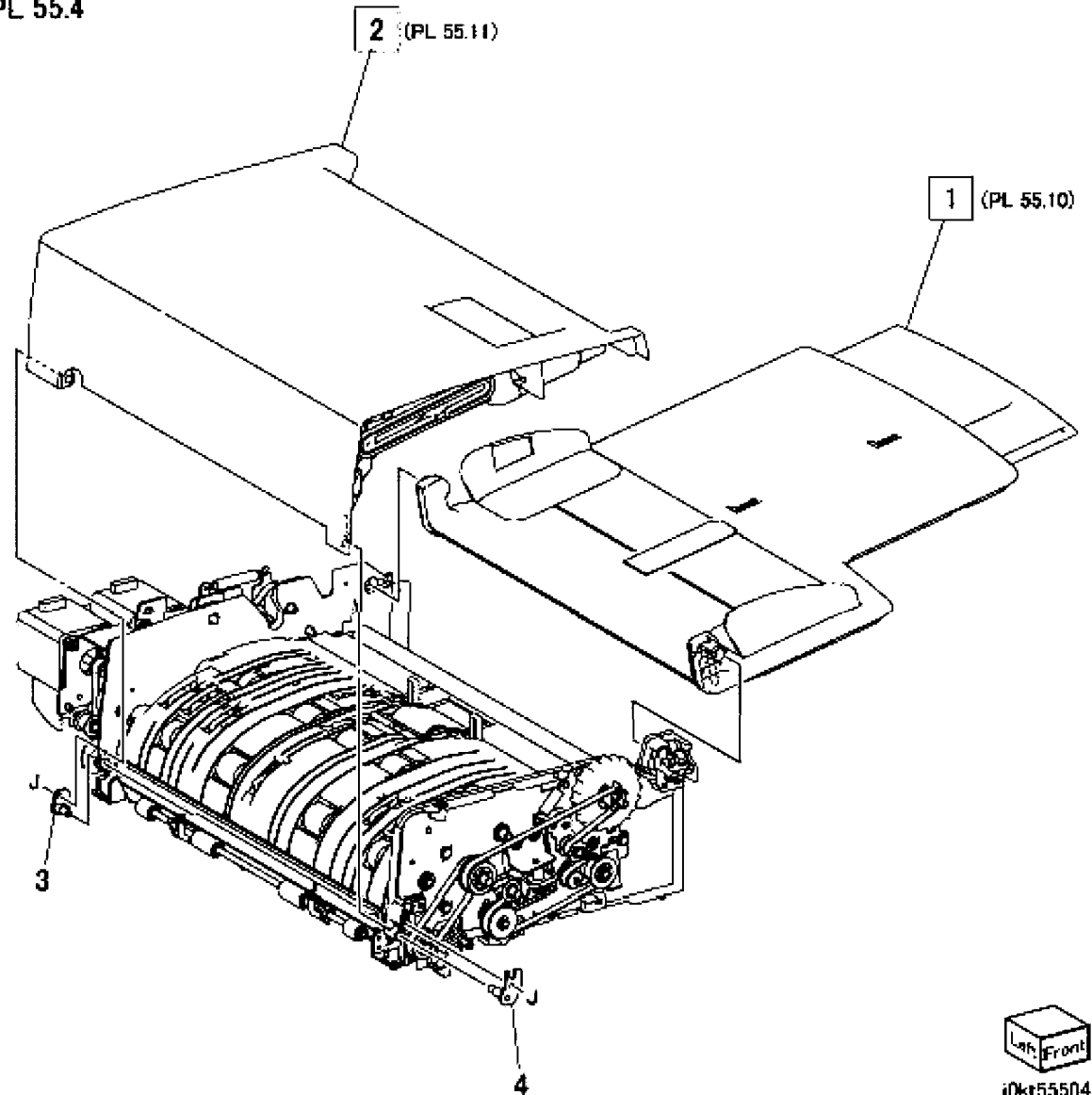
PL 55.3



PL 55.4 DADF Document Tray, Top Cover

Item	Part	Description
1	050K68820	DADF Document Tray
2	059K74400	Top Cover
3	—	Rear Stud Bracket (Not Spared)
4	—	Front Stud Bracket (Not Spared)

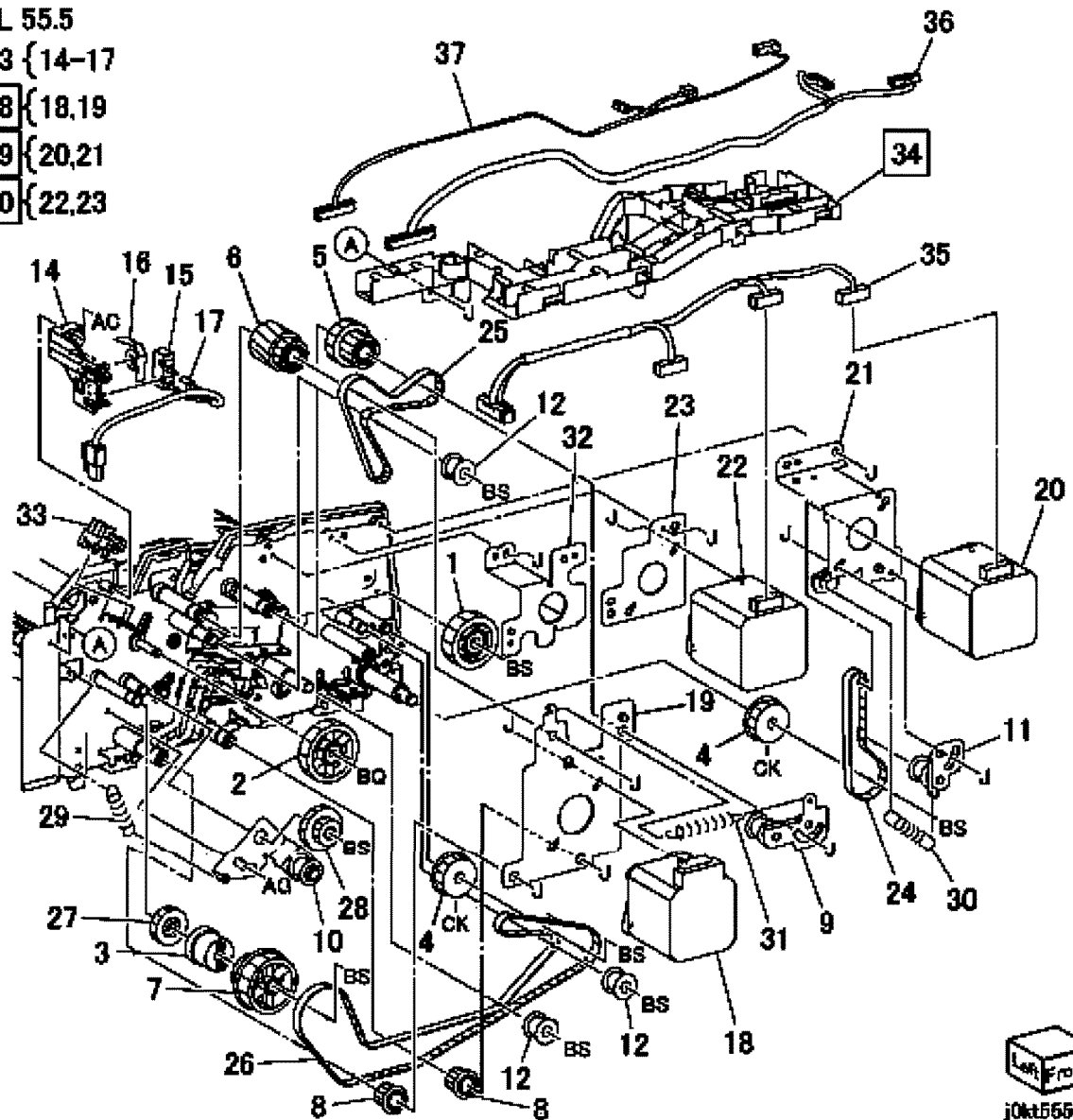
PL 55.4



PL 55.5 DADF Motor, Wire Harness

Item	Part	Description
1	007K18200	Gear (35T)
2	007K18210	Gear (39T)
3	019K12410	Brake
4	020E46551	Pulley
5	020E49060	Gear Pulley
6	020E49070	Gear Pulley
7	020E49110	Pulley (50T)
8	020E49370	Pulley (20T)
9	-	Tension Pully Bracket (Not Spared)
10	-	Tension Pully Bracket (Not Spared)
11	-	Tension Pully Bracket (Not Spared)
12	-	Roller (Not Spared)
13	110K17110	DADF Interlock Switch and Harness
14	-	Bracket (P/O PL 55.5 Item 13)
15	-	DADF Interlock Switch
16	-	Spring (P/O PL 55.5 Item 13)
17	-	Switch Wire Harness (P/O PL 55.5 Item 13)
18	127K66070	Feed Motor
19	-	Motor Bracket (Not Spared)
20	127K60562	Regi Motor
21	-	Motor Bracket (Not Spared)
22	-	Pre-Regi Motor (Same as Item 20)
23	-	Motor Bracket (Not Spared)
24	-	Belt (Alternate)
-	423W28655	Belt (Alternate)
25	423W87655	Belt (Alternate)
-	423W32255	Belt (Alternate)
26	423W86454	Belt (Alternate)
-	423W32254	Belt (Alternate)
27	807E37950	Gear (18T)
28	807E37960	Gear (16T/32T)
29	809E98250	Spring
30	809E98260	Spring
31	809E98271	Spring
32	-	Motor Bracket (Not Spared)
33	930W00121	Sensor
34	-	Harness Guide (Not Spared)
35	-	Wire Harness (Motor) (Not Spared)
36	-	Wire Harness (Regi) (Not Spared)
37	-	Wire Harness (Feed) (Not Spared)
38	-	DAdfFeed Motor and Bracket
39	-	DADF Regi Motor and Bracket
40	-	DADF Pre-Regi Motor and Bracket

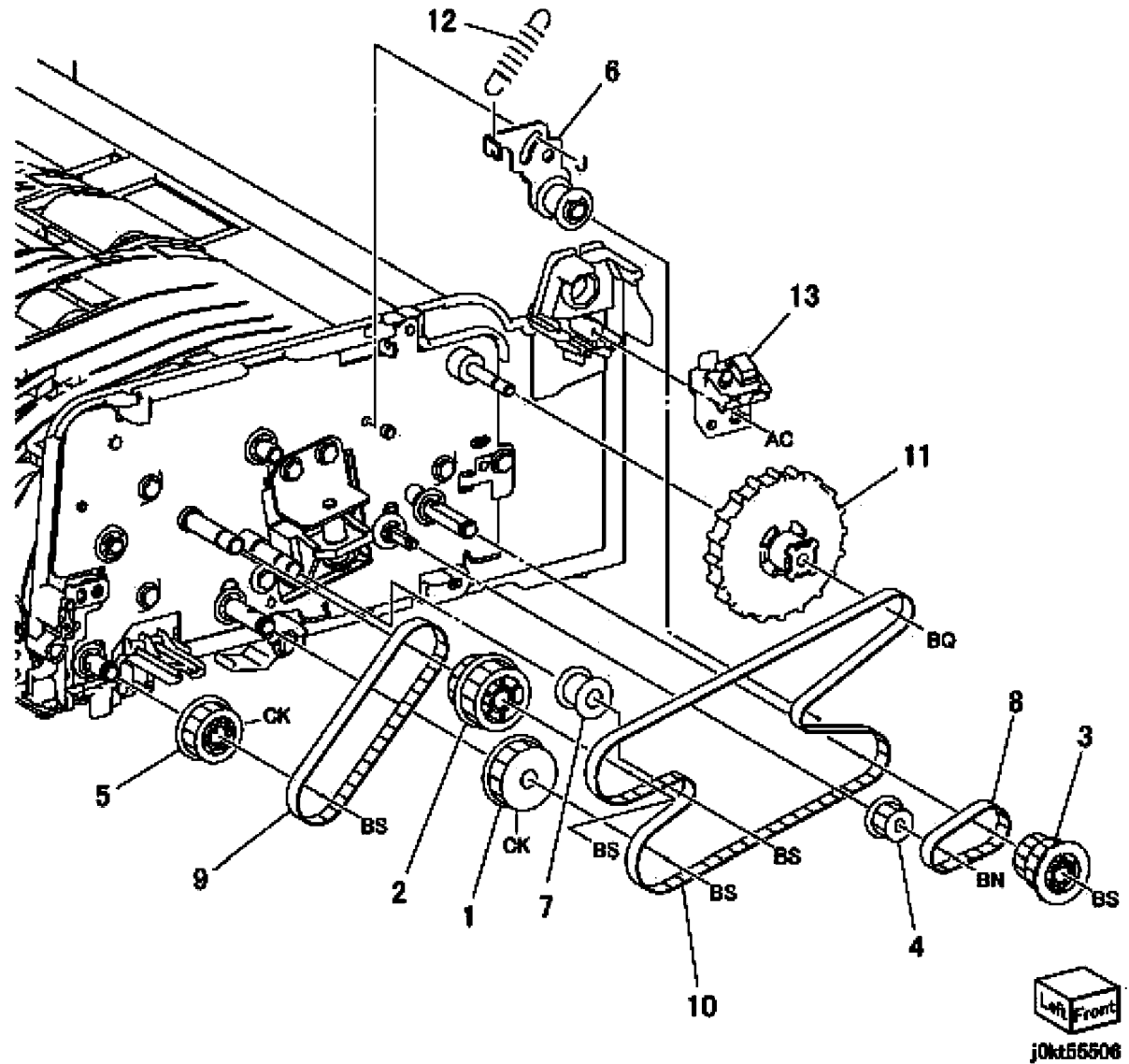
PL 55.5
 13 { 14-17
 38 { 18,19
 39 { 20,21
 40 { 22,23



PL 55.6 DADF Front Belt

Item	Part	Description
1	020E46551	Pulley (Out Roller)
2	020E49050	Pulley
3	020E49080	Pulley (Exit Roll)
4	020E49090	Pulley (CIS)
5	020E49380	Pulley (Regi Roll)
6	-	Tension Roll Bracket
7	-	Roller (Not Spared)
8	423W23855	Belt (Alternate)
9	423W85254	Belt (Alternate)
10	423W86255	Belt (Alternate)
11	803E11160	Knob Handle
12	809E98250	Spring
13	960K48840	DADF Document Set LED

PL 55.6



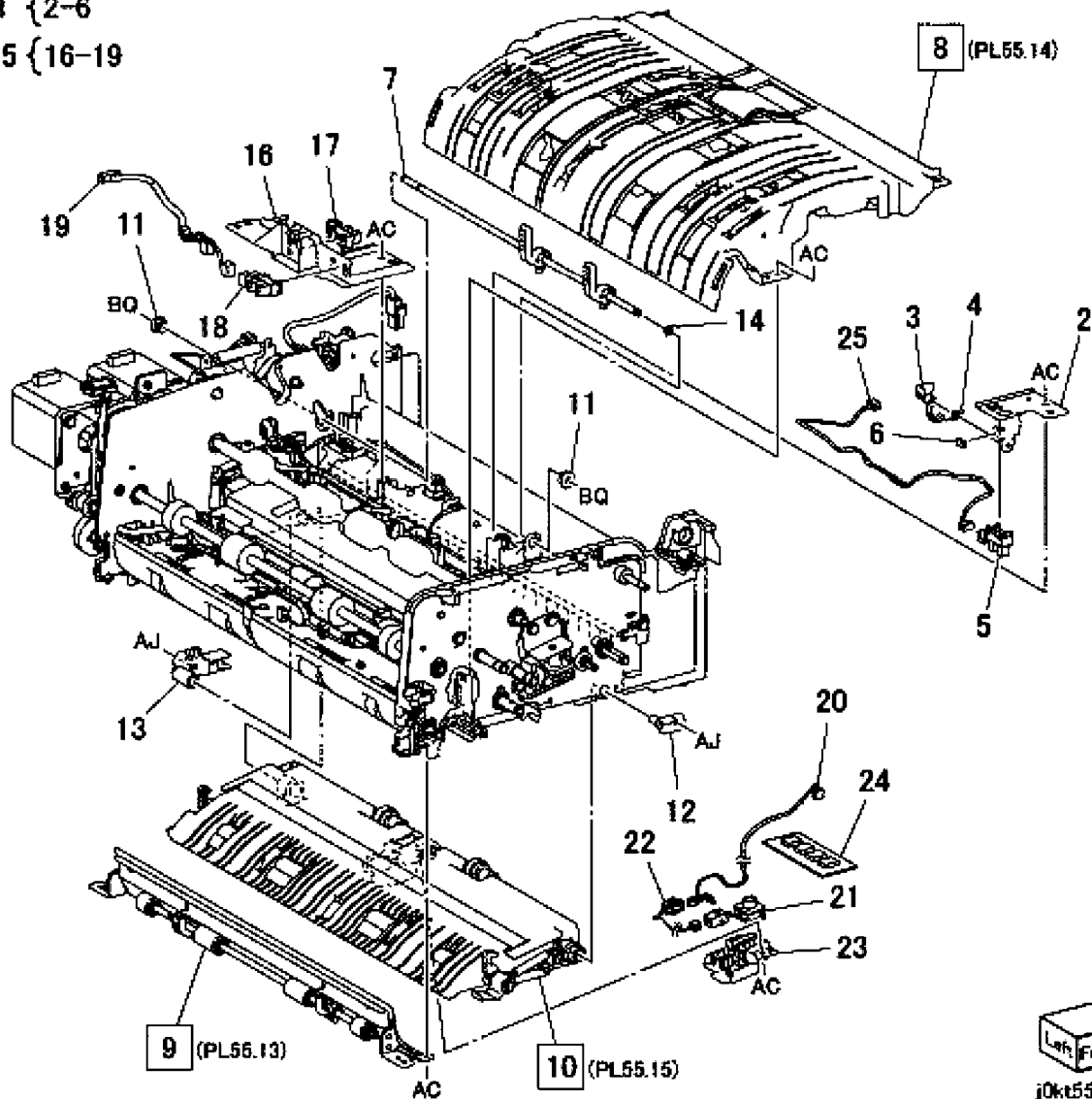
PL 55.7 DADF Regi/Retard/Out Chute

Item	Part	Description
1	049K10080	Exit Sensor and Bracket
2	-	Bracket (P/O PL 55.7 Item 1)
3	-	Actuator (P/O PL 55.7 Item 1)
4	-	Spring (P/O PL 55.7 Item 1)
5	-	Exit Sensor (P/O PL 55.7 Item 1)
6	-	Pad (P/O PL 55.7 Item 1)
7	050K68830	Set Gate
8	054K47690	Retard Chute
9	-	Regi Chute (Not Spared)
10	-	Out Chute (Not Spared)
11	-	Bearing (Not Spared)
12	-	Front Hinge (Not Spared)
13	-	Rear Hinge (Not Spared)
14	809E98140	Spring
15	-	Sensor Housing Assembly
16	-	Housing (P/O PL 55.7 Item 15)
17	-	Feed In Sensor (P/O PL 55.7 Item 15)
18	-	Feed Out Sensor (P/O PL 55.7 Item 15)
19	-	Senor Wire Harness (P/O PL 55.7 Item 15)
20	-	Stamp Wire Harness (Not Spared)
21	-	Stamp Solenoid (Option) (Not Spared)
22	-	Stamp Wire Harness (Option) (Not Spared)
23	-	Stamp Bracket (Option) (Not Spared)
24	-	Stamp Plunger (Not Spared)
25	-	SCC Harness Wire (Not Spared)

PL 55.7

1 {2-6

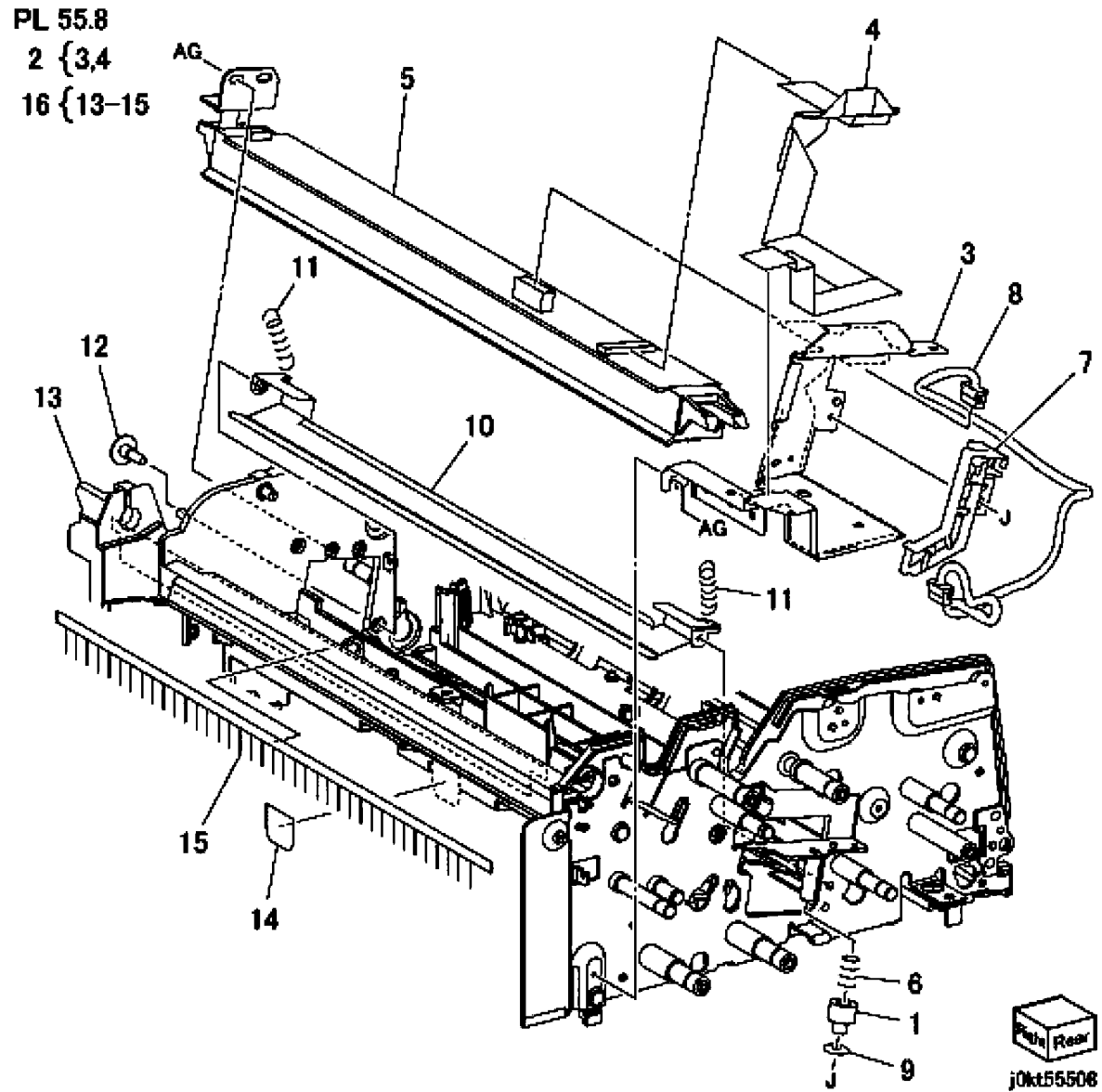
15 {16-19



j0kt55507

PL 55.8 DADF CIS

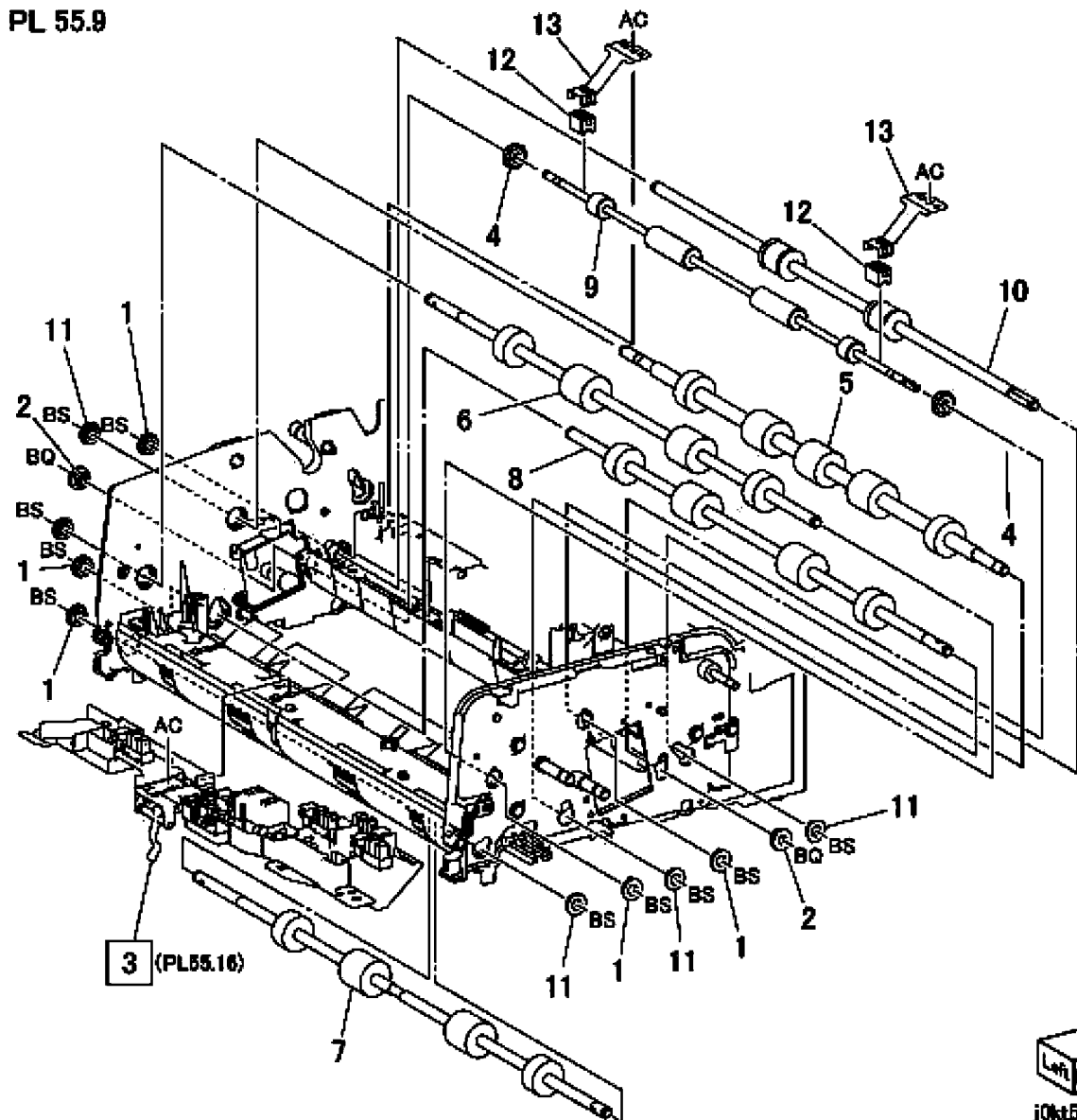
Item	Part	Description
1	-	CIS Bushing (Not Spared)
2	049K17400	CIS Cable and Bracket
3	-	Bracket (Not Spared)
4	-	CIS Cable
5	130K78710	CIS Sensor
6	-	Spring (Not Spared)
7	-	Harness Guide (Not Spared)
8	-	Wire Harness (Not Spared)
9	-	Washer (Not Spared)
10	-	CIS Plate
11	-	Spring
12	-	Sholder Screw
13	-	Frame (P/O PL 55.8 Item 16)
14	-	Seal
15	-	Eliminator
16	-	(SCC) Frame Assembly



PL 55.9 DADF Roll, Sensor Bracket

Item	Part	Description
1	413W93450	Bearing
2	413W11460	Bearing
3	-	Sensor Bracket Assembly (PL 55.16)
4	-	Slide Roll
5	059K73240	Take Away Roll
6	059K73250	Pre Registration Roll
7	059K73261	Registration Roll
8	059K73270	Out Roll
9	059K73280	CIS Roll
10	059K73291	Exit Roll
11	-	Bearing
12	-	Block Bearing
13	-	Plate Spring

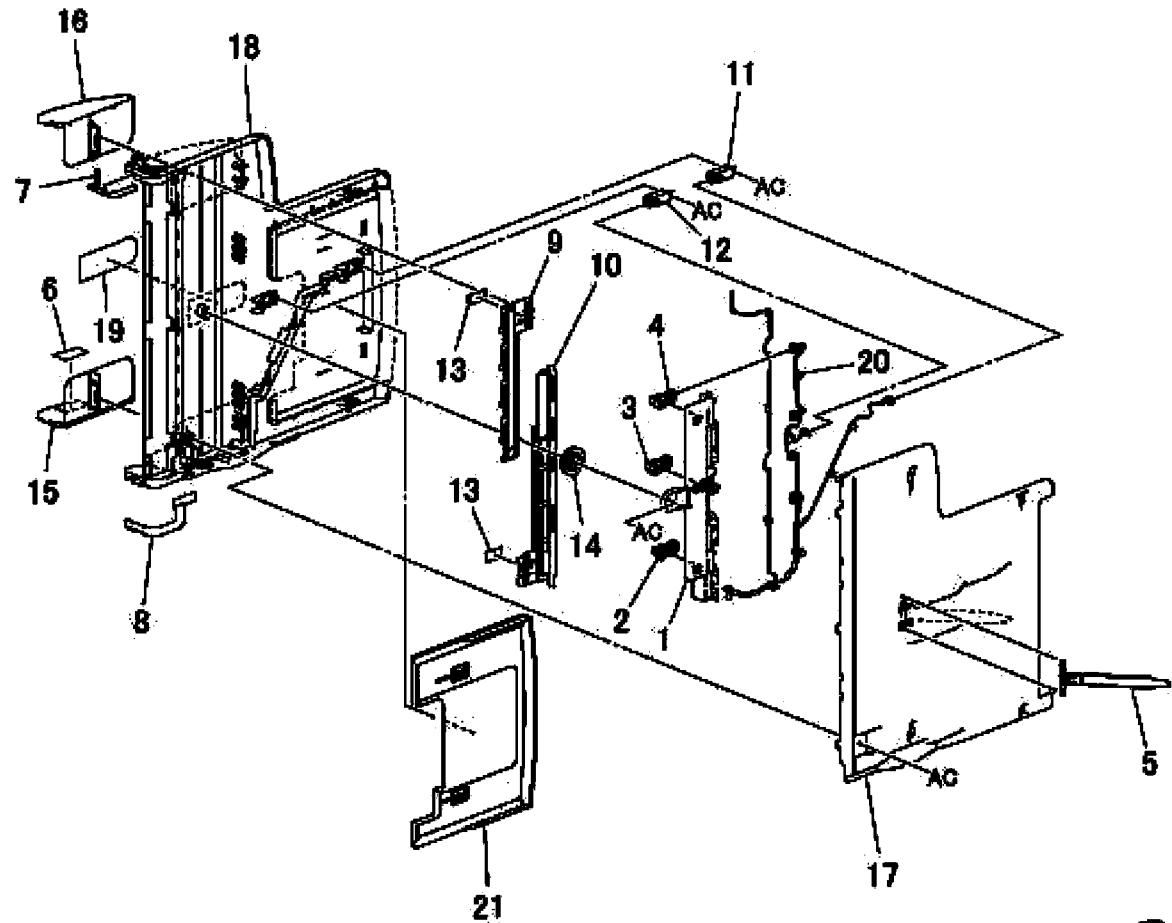
PL 55.9



PL 55.10 DADF Document Tray

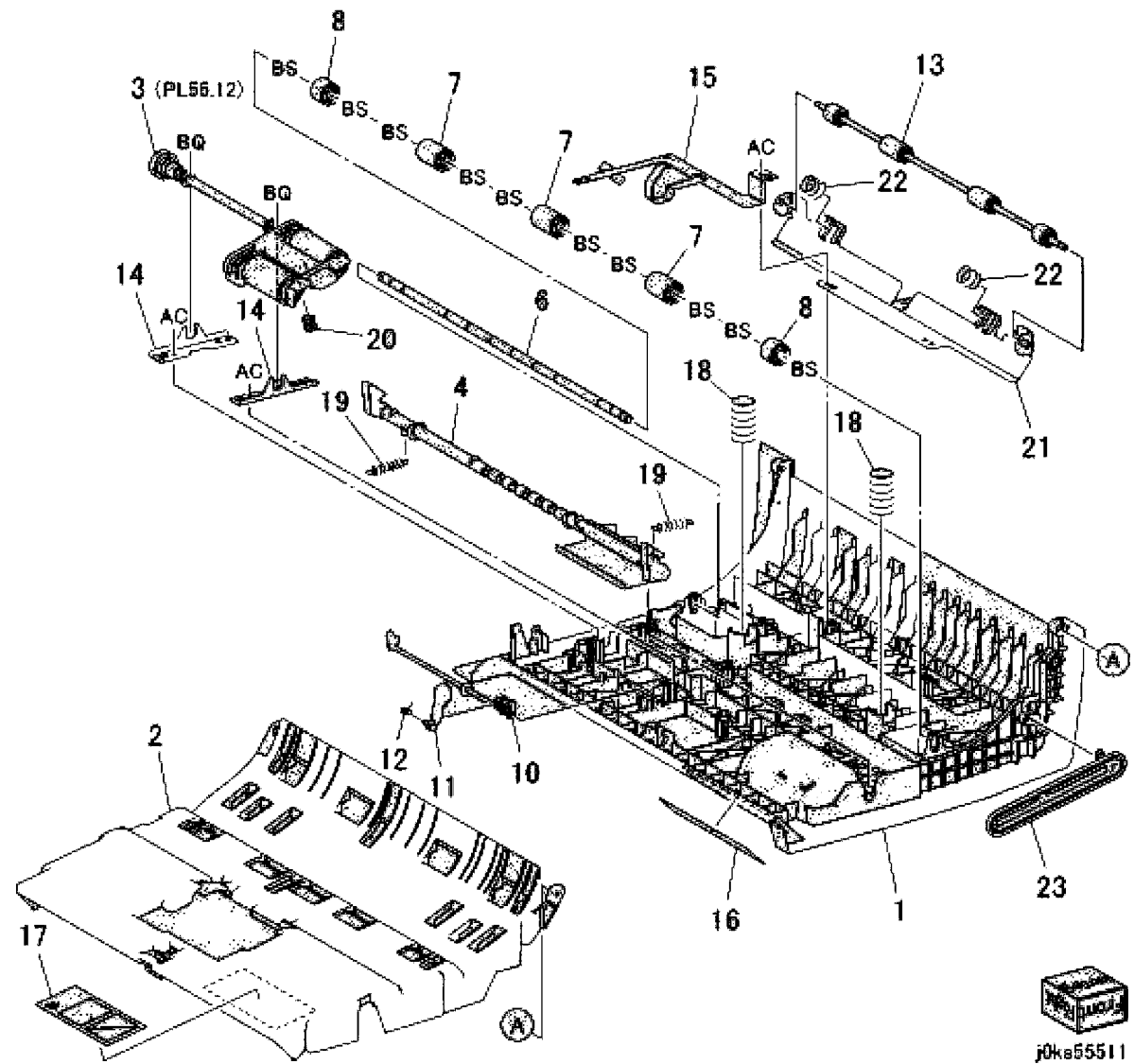
Item	Part	Description
1	-	Sensor Bracket
2	930W00121	Document Tray Set Guide Sensor
3	-	Document Tray Set Guide Sensor
4	-	Document Tray Set Guide Sensor
5	-	Guide
6	-	Label (Max)
7	-	Harness Cover
8	-	Harness Cover
9	-	Rack Rear (Front)
10	-	Rack Rear (Rear)
11	930W00241	Document Tray Size Sensor
12	-	Document Tray Size Sensor
13	-	Rack Spring
14	-	Pinion
15	-	Side Guide
16	-	Side Guide
17	-	Upper Tray
18	-	Tray Cover
19	897E26270	Label Kit
20	-	Tray Wire Harness
21	-	End Tray

PL 55.10



PL 55.11 DADF Top Cover

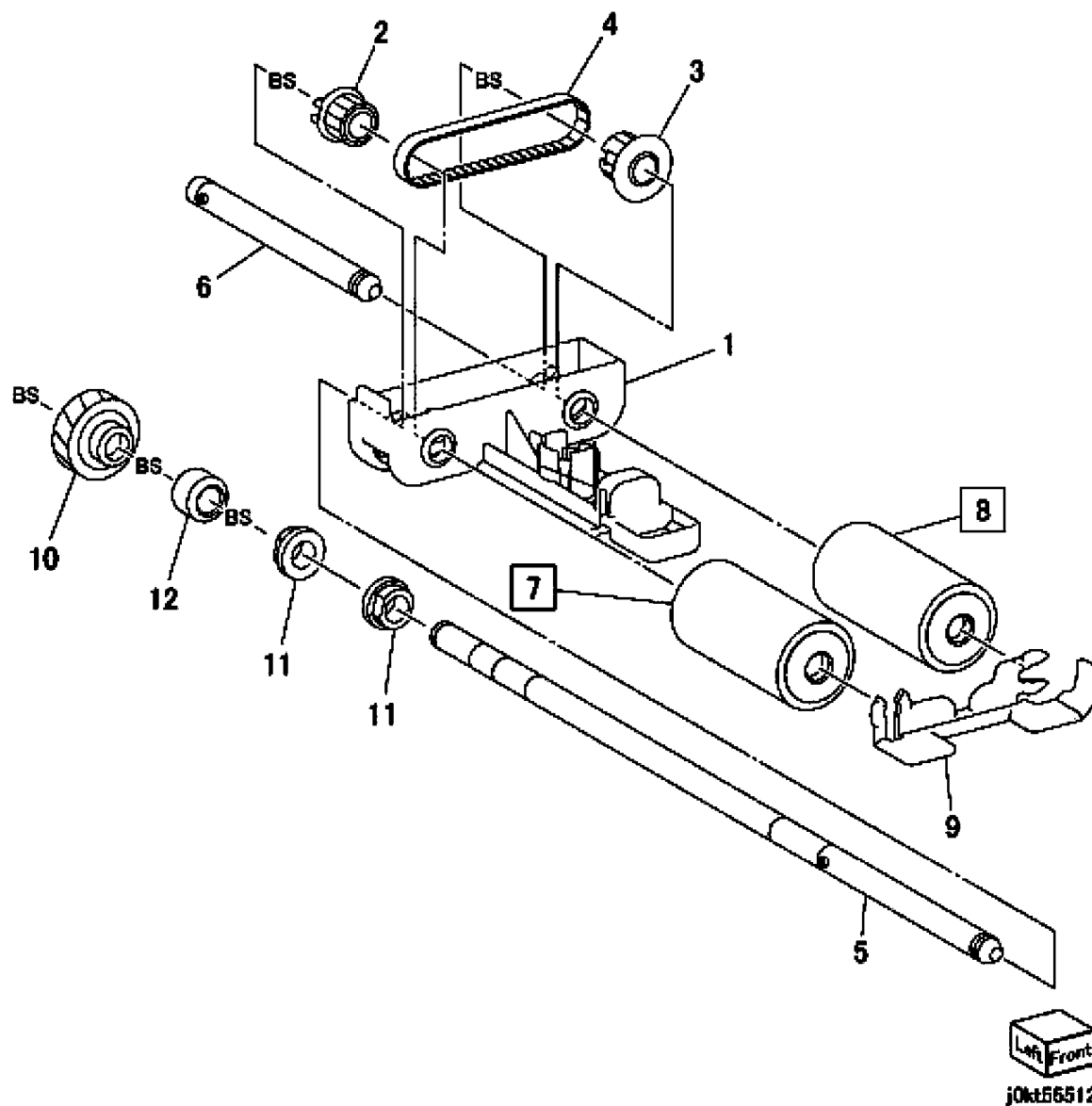
Item	Part	Description
1	-	Top Cover
2	-	Feed Upper Chute
3	059K73510	Upper Feed
4	011K04040	(SCC) Latch Lever
5	059K74420	Take Away Pinch Roll
6	-	Shaft
7	-	Pinch Roll
8	-	Pinch Roll (Side)
9	120K92810	Actuator
10	-	Actuator (Base)
11	-	Actuator (Arm)
12	-	Spring
13	-	Regi. Pinch Roll
14	-	Bracket
15	-	Ground Plate
16	897E24011	Label (Size)
17	-	Label (Jam)
18	-	Spring
19	-	Spring (Lever)
20	-	Spring (Nudger)
21	-	Bracket
22	-	Spring
23	-	Link
24	-	Label Kit



PL 55.12 DADF Upper Feeder

Item	Part	Description
1	-	Nudger Housing
2	-	Pulley (Feeder)
3	-	Pulley (Nudger)
4	-	Belt (Alternate)
5	-	Feed Shaft
6	-	Nudger Shaft
7	-	Feed Roll
8	-	Nudger Roll
9	-	Housing
10	-	Gear
11	-	Bearing
12	-	Collar
13	604K77810	Kit

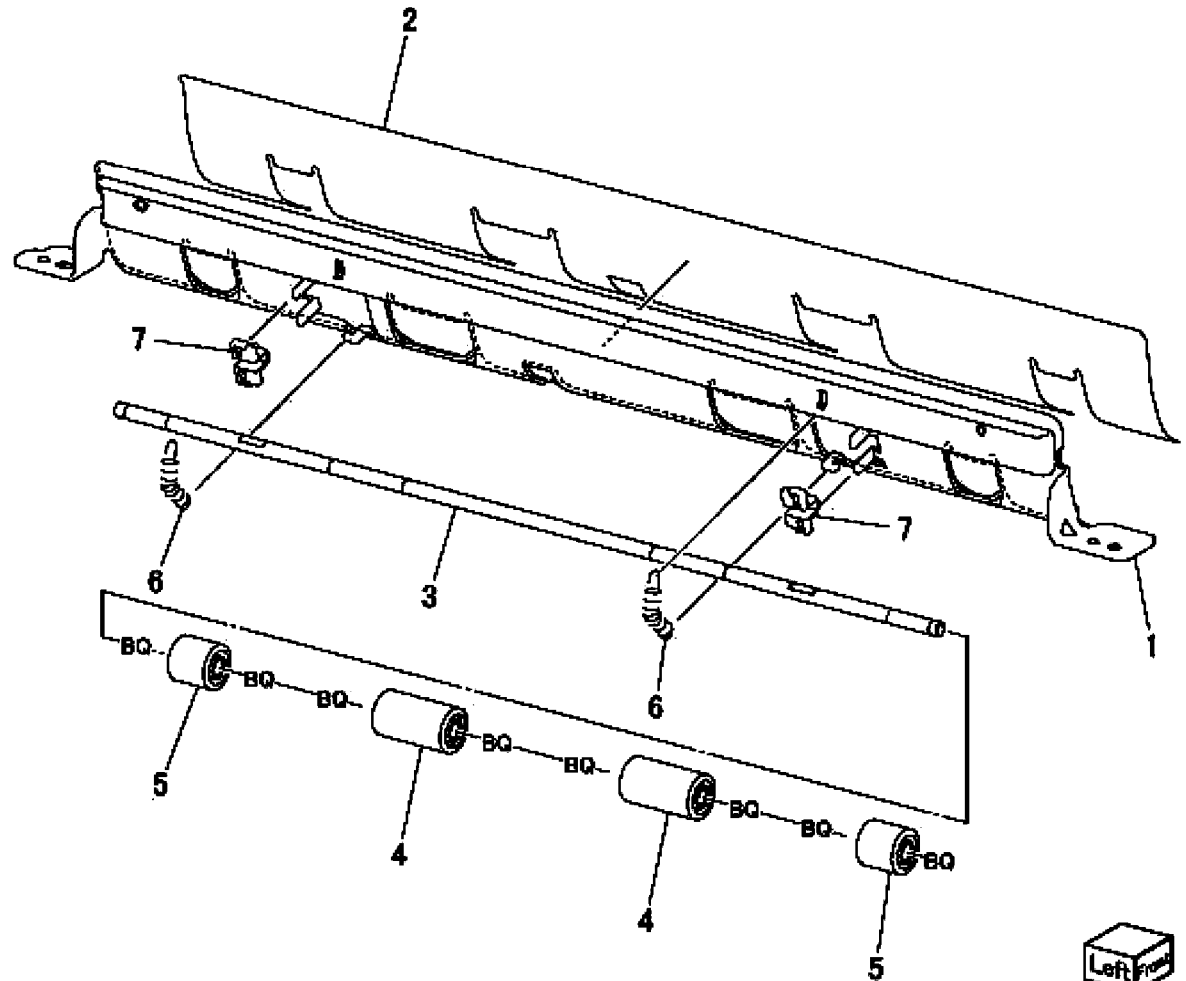
13 { 7, 8



PL 55.13 DADF Regi Chute

Item	Part	Description
1	-	Regi. chute
2	-	SeaCa
3	-	Pinch Shaft
4	-	Regi. Pinch Roll (W)
5	-	Regi. Pinch Roll (S)
6	-	Spring
7	-	Bearing

PL 55.13

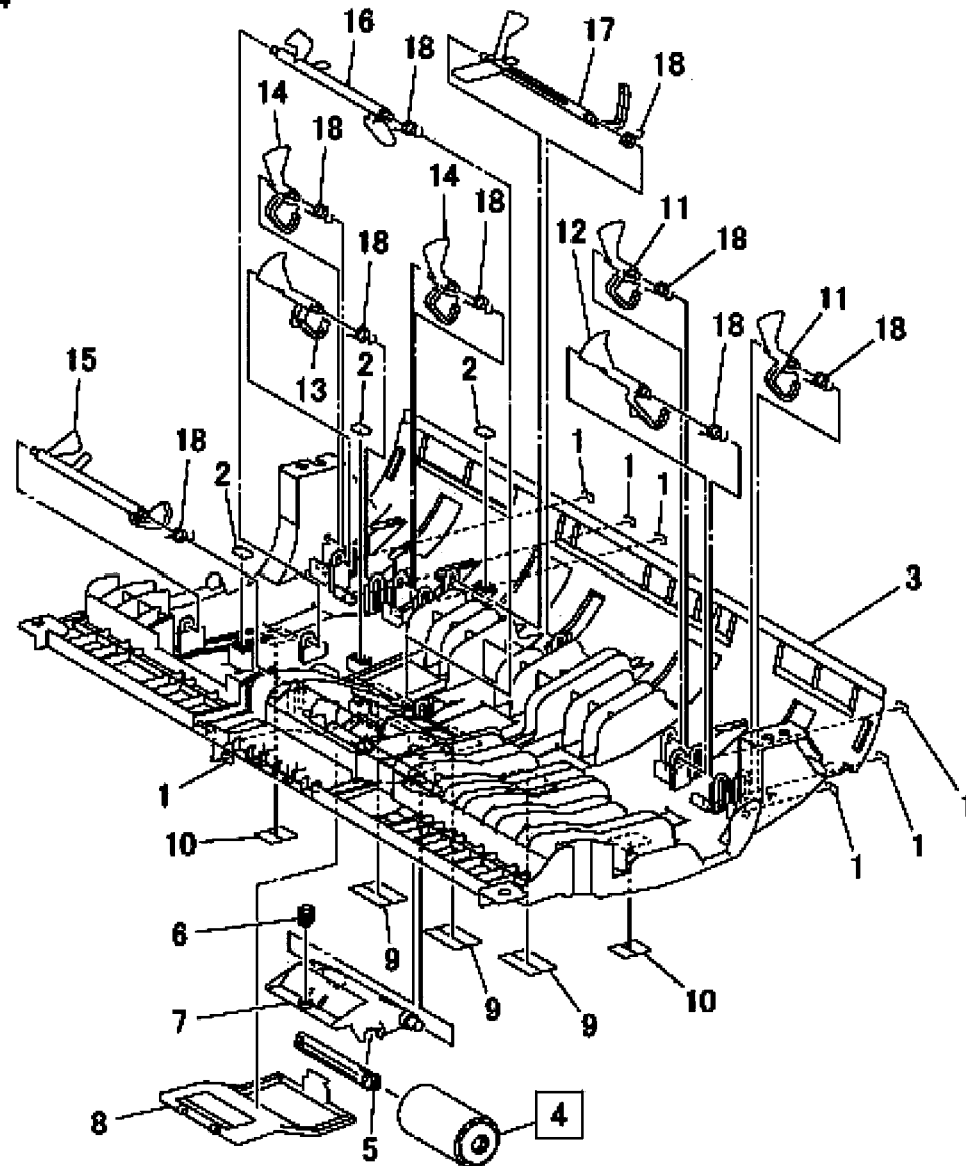


j0ka55513

PL 55.14 DADF Retard Chute

Item	Part	Description
1	-	Pad
2	-	Pad (Gate)
3	-	Retard Chute
4	-	Retard Roll
5	-	Retard Shaft
6	-	Spring Retard
7	-	Retard Housing
8	848K43600	Retard Roll Cover
9	-	Seal (W)
10	-	Seal (S)
11	-	Actuator (APS1)
12	-	Actuator (APS2)
13	-	Actuator (APS dummy 1)
14	-	Actuator (APS Dummy 2)
15	-	Actuator (Feed In)
16	-	Actuator (Feed Out)
17	-	Actuator (Regi.)
18	-	Torsion Spring

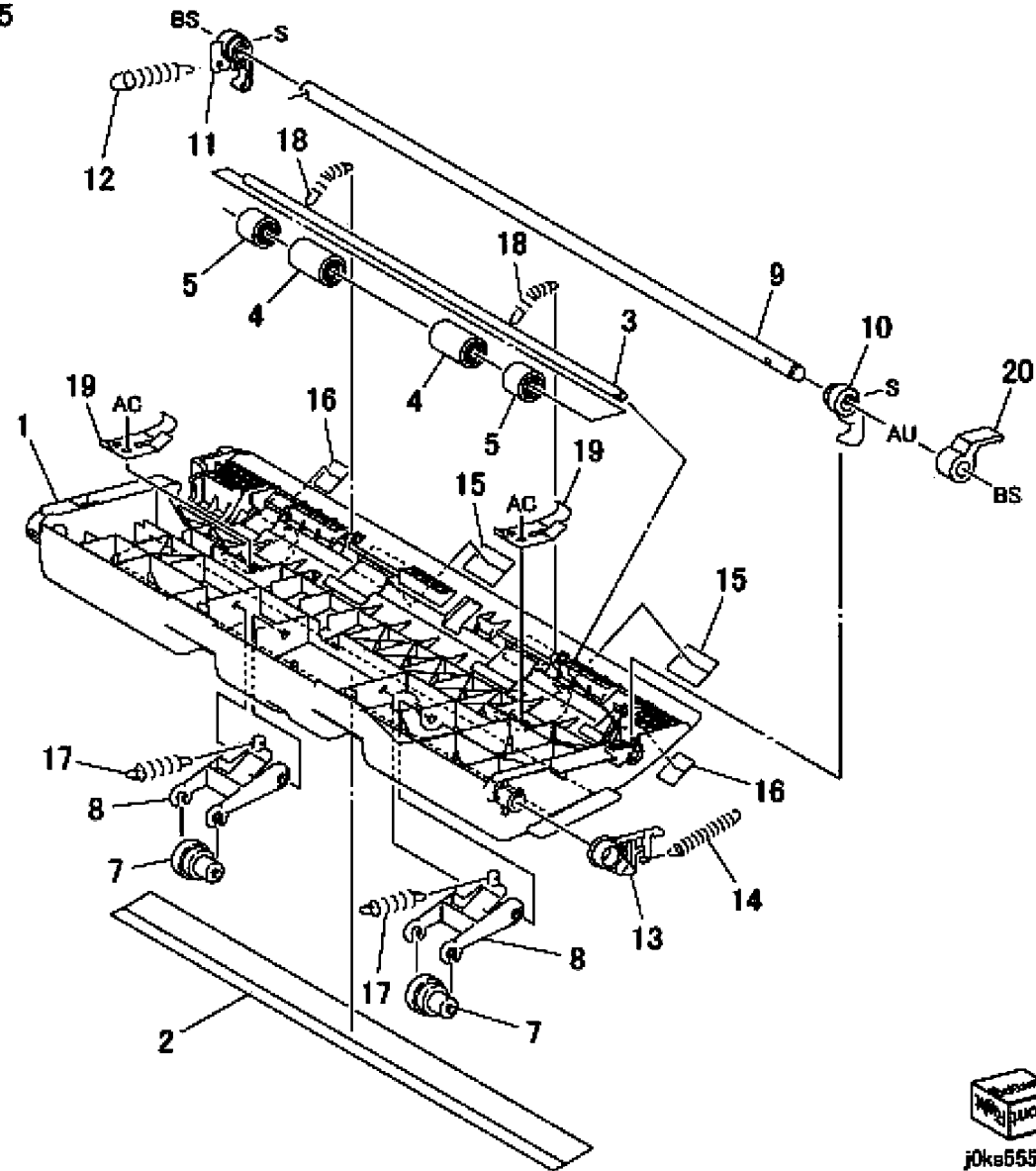
PL 55.14



PL 55.15 DADF Out Chute

Item	Part	Description
1	-	Out Chute
2	-	Seal
3	-	Pinch Shaft
4	-	Regi. Pinch Roll (W)
5	-	Regi. Pinch Roll (S)
6	-	Exit Pinch Roll
7	-	Pinch Roll
8	-	Exit Holder
9	-	Latch Shaft
10	-	Latch (Front)
11	-	Latch (Rear)
12	-	Spring
13	-	Link
14	-	Spring
15	-	Seal (W)
16	-	Seal (S)
17	-	Spring
18	-	Spring
19	-	Ground Plate
20	-	Handle

PL 55.15
6 {7,8

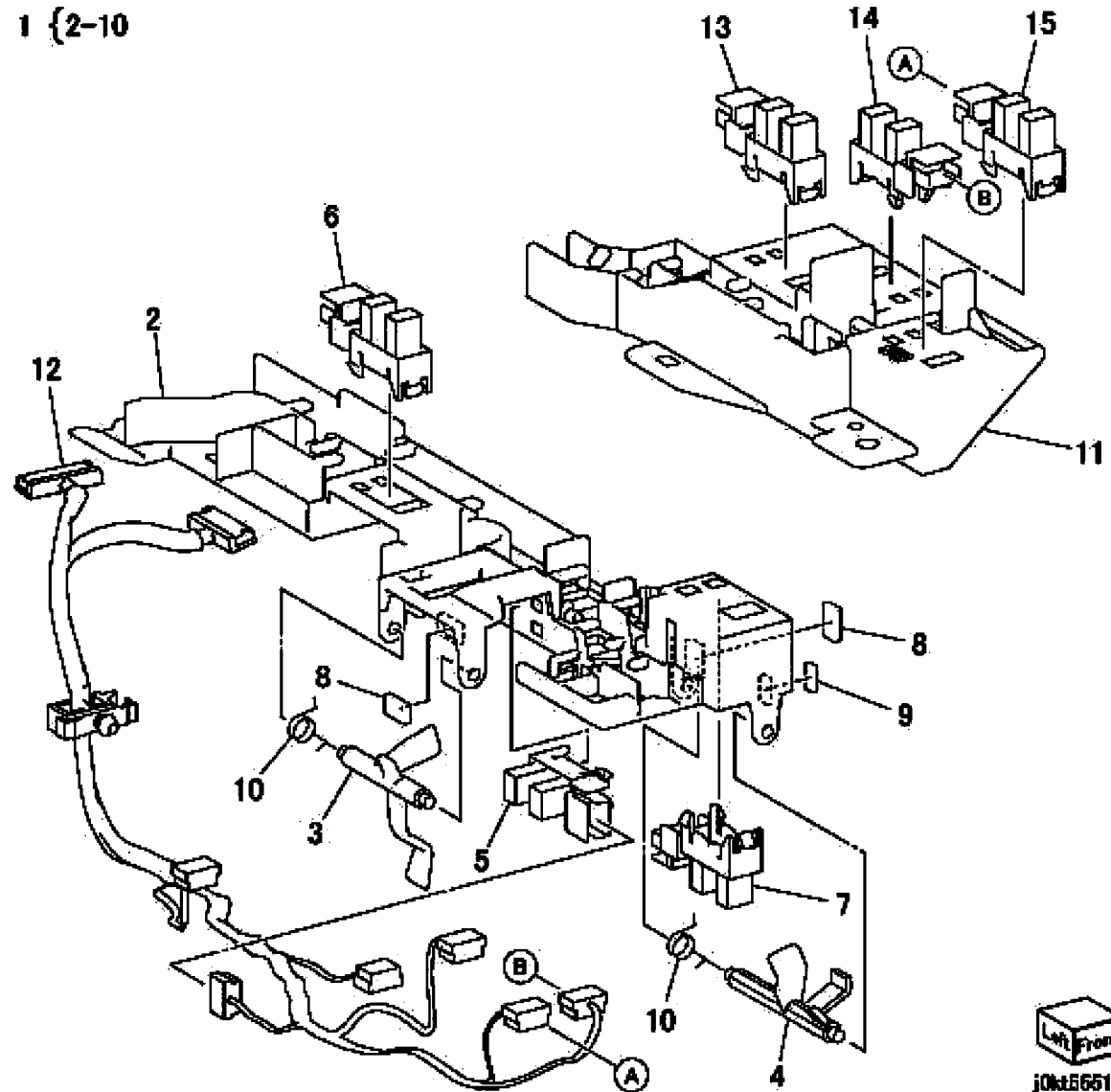


j0kb55516

PL 55.16 DADF Sensor Bracket

Item	Part	Description
1	-	Sensor Bracket
2	-	Sensor Guide
3	120E31741	Actuator (Regi.)
4	120E33740	Actuator (Out)
5	930W00121	DADF Regi Sensor
6	-	DADF Pre Regi. Sensor
7	-	DADF Out Sensor
8	-	Pad (Gate)
9	-	Pad
10	-	Torsion Spring
11	-	Sensor Guide
12	-	Wire Harness
13	-	DADF APS Sensor
14	-	DADF APS Sensor 2
15	-	DADF APS Sensor 3

PL 55.16
1 {2-10}



Common Hardware

Item	Part	Description	Item	Part	Description
A	112W27677	Sems Screw (M3x6)	BB	271W16250	Dowel Pin (2x12)
B	112W27678	Sems Screw (M3x6)	BC	271W28250	Dowel Pin (3x12)
C	112W27898	Screw (M3x8)	BD	271W28450	Dowel Pin (3x14)
D	112W28098	Sems Screw (M3x10)	BE	271W28650	Dowel Pin (3x16)
E	113W15588	Pan Head Screw (M2x5)	BF	271W36650	Dowel Pin (4x16)
F	113W16088	Screw (M2x10)	BG	285W16251	Pin Spring (2x12)
G	113W20478	Tapping Screw (M3x4)	BH	285W28051	Spring Pin (3x10)
H	113W20677	Screw (M3x6)	BJ	285W28651	Spring Pin (3x16)
J	113W20678	Screw (M3x6)	BK	351W29250	C-Clip (8)
K	113W20688	Pan Head Screw (M2.5x6)	BL	354W13278	E-Clip (1.5)
L	113W20878	Screw (M3x8)	BM	354W15278	E-Ring (2)
M	113W21078	Screw (M3x10)	BN	354W19278	E-Ring (2.5)
N	113W21278	Screw (M3x12)	BP	354W21254	Ring KL (4)
P	113W21478	Screw	BQ	354W21278	E-Ring (3)
Q	113W27488	Pan Head Screw (M3x4)	BR	354W24254	KL Ring (6)
R	113W27588	Pan Head Screw (M3x5)	BS	354W24278	E-Clip (4)
S	113W27688	Pan Head Screw (M3x6)	BT	354W26278	E-Clip (5)
T	113W27888	Pan Head Screw (M3x8)	BU	354W27254	KL-Clip (8)
U	113W35878	Screw (M4x8)	BV	354W27278	E-Ring (6)
V	113W35888	Pan Head Screw (M4x8)	BW	354W29278	E-Ring (8)
W	114W27678	Bind Head Screw (M3x6)	BX	180W16878	Wing Screw
X	141W27451	Set Screw (M3x4)	BY	113W35678	Screw (M4x6)
Y	141W35651	Set Screw (M4x6)	BZ	153W27678	Screw (M6x6)
Z	153W15888	Tapping Screw (M4x8)	CA	271W16050	Dowel Pin (2x10)
AA	153W16288	Tapping Screw (M4x12)	CB	112W27659	Sems Screw (M3x6)
AB	153W17688	Tapping Screw (M3x6)	CC	158W27663	Screw (M3x6)
AC	153W17888	Tapping Screw (M3x8)	CD	113W27551	Screw (M3x5)
AD	153W18088	Tapping Screw (M3x10)	CE	113W16051	Screw (M2x10)
AE	153W27878	Tapping Screw (M3x8)	CF	114W27878	Bind Head Screw (M3x8)
AF	153W28078	Tapping Screw (M3x10)	CG	113W21778	Screw (M3x18)
AG	158W27678	Screw	CH	113W20698	Round Screw (M3x6)
AH	158W27688	Round Screw (M3x7)	CJ	153W16088	Tapping Screw (M4x8)
AJ	158W27878	Screw (M3x8)	CK	271W21050	Dowel Pin (3x10)
AK	158W28078	Screw (M3x10)	CL	158W27888	Round Screw (M3x9)
AL	158W35878	Tapping Screw (M4x8)	CM	252W29450	Nylon Washer (8) (11)
AM	220W21278	Flange Nut (3)	CP	-	E-Ring
AN	251W19278	Washer (2.5) (10.5)	CS	285W16051	Dowel Pin (2x10)
AP	251W21278	Washer (3) (10.5)	CT	285W15851	Pin Spring (2x8)
AQ	251W24278	Washer (4) (10.8)	CV	113W35578	Tapping Screw (M4x5)
AR	251W26278	Washer (5)	CW	113W27651	Screw (M3x6)
AS	252W24350	Nylon Washer (4)	CX	251W21178	Washer (3) (10.5)
AT	252W26450	Nylon Washer (5)	CY	354W31278	E-Clip (10)
AU	252W27350	Nylon Washer (6) (10.5)	CZ	112W27851	Screw (M3x8)
AV	252W27450	Nylon Washer (6) (11)	DA	113W15488	Screw (M2x4)
AW	252W29350	Nylon Washer (8) (10.5)	DB	113W20857	Screw (M3x8)
AX	252W31250	Nylon Washer (10) (10.25)	DC	237W00178	Nut Screw
AY	252W31350	Nylon Washer (10) (10.5)	DD	826E08490	Screw
AZ	256W15278	Spring Washer (2) (10.5)	DE	826E06490	Screw
BA	271W10850	Dowel Pin (1.6x8)			

