

# 5 Parts List

**Overview**

Introduction ..... 5-5  
 Subsystem Information ..... 5-6  
 Symbology ..... 5-7

**Parts Lists**

**1. Drives**

PL 1.1 Drives (1 of 3) ..... 5-9  
 PL 1.2 Drives (2 of 3) ..... 5-10  
 PL 1.3 Drives (3 of 3) ..... 5-11

**2. Paper Transport**

PL 2.1 Tray 1 (1 of 2) ..... 5-12  
 PL 2.2 Tray 1 (2 of 2) ..... 5-13  
 PL 2.3 Tray 1 Feeder ..... 5-14  
 PL 2.4 Tray 1 Feeder Assembly (1 of 2) ..... 5-15  
 PL 2.5 Tray 1 Feeder Assembly (2 of 2) ..... 5-16  
 PL 2.11 Bypass Tray Assembly (1 of 5) ..... 5-17  
 PL 2.12 Bypass Tray Assembly (2 of 5) ..... 5-18  
 PL 2.13 Bypass Tray Assembly (3 of 5) ..... 5-19  
 PL 2.14 Bypass Tray Assembly (4 of 5) ..... 5-20  
 PL 2.15 Bypass Tray Assembly (5 of 5) ..... 5-21  
 PL 2.16 Envelope Tray Assembly ..... 5-22

**3. LED**

PL 3.1 LED Print Head (1 of 2) ..... 5-23  
 PL 3.2 LED Print Head (2 of 2) ..... 5-24

**4. Xerographic**

PL 4.1 Xerographic (1 of 2) ..... 5-25  
 PL 4.2 Xerographic (2 of 2) ..... 5-26

**5. Transfer**

PL 5.1 Transfer (1 of 2) ..... 5-27  
 PL 5.2 Transfer (2 of 2) ..... 5-28  
 PL 5.3 IBT Assembly (1 of 2) ..... 5-29  
 PL 5.4 IBT Belt Unit (2 of 2) ..... 5-30

**6. Development**

PL 6.1 Development (1 of 2) ..... 5-31  
 PL 6.2 Development (2 of 2) ..... 5-32

**7. Fuser**

PL 7.1 Fuser ..... 5-33

**8. NOHAD**

PL 8.1 NOHAD (1 of 2) ..... 5-34  
 PL 8.2 NOHAD (2 of 2) ..... 5-35

**9. Electrical**

PL 9.1 Electrical (1 of 2) ..... 5-36  
 PL 9.2 Electrical (2 of 2) ..... 5-37  
 PL 9.3 PWB Chassis Unit ..... 5-38  
 PL 9.4 Wire Harness Left, Rear ..... 5-39  
 PL 9.6 Fax Unit ..... 5-40

**10. Covers**

PL 10.1 Covers (1 of 3) ..... 5-41  
 PL 10.2 Covers (2 of 3) ..... 5-42  
 PL 10.3 Covers (3 of 3) ..... 5-43

**11. Exit**

PL 11.1 Exit 1/OCT, Exit 2 ..... 5-44  
 PL 11.2 Exit 1/OCT ..... 5-45  
 PL 11.3 Exit 2 (1 of 3) ..... 5-46  
 PL 11.4 Exit 2 (2 of 3) ..... 5-47  
 PL 11.5 Exit 2 (3 of 3) ..... 5-48  
 PL 11.6 Side Tray Unit (1 of 2) ..... 5-49  
 PL 11.7 Side Tray Unit (2 of 2) ..... 5-50

**12. Duplex**

PL 12.1 Left Hand Cover (1 of 2) ..... 5-51  
 PL 12.2 Left Hand Cover (2 of 2) ..... 5-52  
 PL 12.3 Left Hand Cover Assembly (1 of 2) ..... 5-53  
 PL 12.4 Left Hand Cover Assembly (2 of 2) ..... 5-54  
 PL 12.5 Duplex Assembly (1 of 2) ..... 5-55  
 PL 12.6 Duplex Assembly (2 of 2) ..... 5-56

**13. ESS**

PL 13.1 ESS ..... 5-57  
 PL 13.2 ESS Options ..... 5-58

**15. 3TM**

PL 15.1 Three Tray Module ..... 5-59  
 PL 15.2 Tray 2, 3, 4 Assembly ..... 5-60  
 PL 15.3 Tray 2 Feeder Assembly (1 of 2) ..... 5-61  
 PL 15.4 Tray 2 Feeder Assembly (2 of 2) ..... 5-62  
 PL 15.5 Tray 3 Feeder Assembly (1 of 2) ..... 5-63  
 PL 15.6 Tray 3 Feeder Assembly (2 of 2) ..... 5-64  
 PL 15.7 Tray 4 Feeder Assembly (1 of 2) ..... 5-65  
 PL 15.8 Tray 4 Feeder Assembly (2 of 2) ..... 5-66  
 PL 15.9 Electrical ..... 5-67  
 PL 15.10 Covers ..... 5-68  
 PL 15.11 Roller ..... 5-69  
 PL 15.12 Left Hand Cover Assembly ..... 5-70

**16. TTM**

PL 16.1 Tandem Tray Module ..... 5-71

|   |       |  |       |
|---|-------|--|-------|
| PL 16.2 Roller .....  | 5-72  | PL 21.7 Finisher Eject (1 of 3).....   | 5-117 |
| PL 16.3 Left Hand Cover Assembly.....                             | 5-73  | PL 21.8 Finisher Eject (2 of 3).....   | 5-118 |
| PL 16.4 Covers .....  | 5-74  | PL 21.9 Finisher Eject (3 of 3).....   | 5-119 |
| PL 16.5 Transport Assembly.....                                   | 5-75  | PL 21.10 Finisher Transport (1 of 2) .....                                     | 5-120 |
| PL 16.6 Electrical .....  | 5-76  | PL 21.11 Finisher Transport (2 of 2) .....                                     | 5-121 |
| PL 16.7 Tray 2 Assembly.....                                      | 5-77  | PL 21.12 Finisher Electrical.....  | 5-122 |
| PL 16.8 Tray 3 Assembly .....                                     | 5-78  | PL 21.13 Finisher Harness.....   | 5-123 |
| PL 16.9 Tray 4 Assembly .....                                     | 5-79  | PL 21.15 Booklet Accessory .....   | 5-124 |
| PL 16.10 Tray 2/3 Feeder Assembly (1 of 2) .....                  | 5-80  | PL 21.16 Booklet Component (1 of 7).....                                       | 5-125 |
| PL 16.11 Tray 2/3 Feeder Assembly (2 of 2) .....                  | 5-81  | PL 21.17 Booklet Component (2 of 7) (End Guide).....                           | 5-126 |
| PL 16.12 Tray 4 Feeder Assembly (1 of 2) .....                    | 5-82  | PL 21.18 Booklet Component (3 of 7).....                                       | 5-127 |
| PL 16.13 Tray 4 Feeder Assembly (2 of 2) .....                    | 5-83  | PL 21.19 Booklet Component (4 of 7).....                                       | 5-128 |
| <b>18. IIT/CP</b>   |       |  |       |
| PL 18.1 Platen/IIT Cover.....                                     | 5-84  | PL 21.20 Booklet Component (5 of 7).....                                       | 5-129 |
| PL 18.2 Control Panel/Platen Glass.....                           | 5-85  | PL 21.21 Booklet Component (6 of 7) (Chute).....                               | 5-130 |
| PL 18.3 Control Panel.....  | 5-86  | PL 21.22 Booklet Component (7 of 7).....                                       | 5-131 |
| PL 18.4 CCD Lens Assembly.....                                    | 5-87  | PL 21.23 Booklet Tray Component .....  | 5-132 |
| PL 18.5 Carriage Cable/Motor .....                                | 5-88  | PL 21.24 H-Transport (1 of 5) .....  | 5-133 |
| PL 18.6 Full/Half Rate Carriage .....                             | 5-89  | PL 21.25 H-Transport (2 of 5).....   | 5-134 |
| PL 18.7 IIT/IPS PWB.....  | 5-90  | PL 21.26 H-Transport (3 of 5) .....  | 5-135 |
| PL 18.8 IIT Heater/Wing Tray (Option) .....                       | 5-91  | PL 21.27 H-Transport (4 of 5).....   | 5-136 |
| PL 18.9 Convenience Stapler .....                                 | 5-92  | PL 21.28 H-Transport (5 of 5).....   | 5-137 |
| <b>19. HCF</b>  |       |  |       |
| PL 19.1 HCF Unit.....   | 5-93  | <b>22. Integrated Office Finisher</b>  |       |
| PL 19.2 HCF Tray 6 (1 of 2).....                                  | 5-94  | PL 22.1 Finisher Assembly (Part 1 of 2) (Integrated Office Finisher).....      | 5-138 |
| PL 19.3 HCF Tray 6 (2 of 2).....                                  | 5-95  | PL 22.2 Finisher Assembly (Part 2 of 2) (Integrated Office Finisher).....      | 5-139 |
| PL 19.4 HCF Feeder (1 of 3).....                                  | 5-96  | PL 22.3 Stacker Base Assembly (Part 1 of 5) (Integrated Office Finisher) ..... | 5-140 |
| PL 19.5 HCF Feeder (2 of 3).....                                  | 5-97  | PL 22.4 Stacker Base Assembly (Part 2 of 5) (Integrated Office Finisher) ..... | 5-141 |
| PL 19.6 HCF Feeder (3 of 3).....                                  | 5-98  | PL 22.5 Stacker Base Assembly (Part 3 of 5) (Integrated Office Finisher) ..... | 5-142 |
| PL 19.7 HCF Top Cover Unit .....                                  | 5-99  | PL 22.6 Stacker Base Assembly (Part 4 of 5) (Integrated Office Finisher) ..... | 5-143 |
| PL 19.8 HCF Electrical and Rail.....                              | 5-100 | PL 22.7 Stacker Base Assembly (Part 5 of 5) (Integrated Office Finisher) ..... | 5-144 |
| <b>20. DADF</b>   |       |  |       |
| PL 20.1 DADF .....  | 5-101 | PL 22.8 Stacker Tray Assembly (Integrated Office Finisher) .....               | 5-145 |
| PL 20.2 DADF Component Cover.....                                 | 5-102 | PL 22.9 Compile Assembly (Part 1 of 2) (Integrated Office Finisher) .....      | 5-146 |
| PL 20.3 DADF Base Cover .....                                     | 5-103 | PL 22.10 Compile Assembly (Part 2 of 2) (Integrated Office Finisher) .....     | 5-147 |
| PL 20.4 DADF Feeder Component.....                                | 5-104 | <b>23. Office Finisher LX</b>  |       |
| PL 20.5 Top Cover Component .....                                 | 5-105 | PL 23.1 H-Transport Assembly (1 of 5) (Office Finisher LX).....                | 5-148 |
| PL 20.6 Takeaway Pinch Roll, Nudger Motor, Nudger/Feed Roll ..... | 5-106 | PL 23.2 H - Transport Assembly (2 of 5) (Office Finisher LX).....              | 5-149 |
| PL 20.7 DADF Feeder-Chute.....                                    | 5-107 | PL 23.3 H - Transport Assembly (3 of 5) (Office Finisher LX).....              | 5-150 |
| PL 20.8 DADF Feeder-Roll .....                                    | 5-108 | PL 23.4 H - Transport Assembly (4 of 5) (Office Finisher LX).....              | 5-151 |
| PL 20.9 Motor Unit Assembly.....                                  | 5-109 | PL 23.5 H - Transport Assembly (5 of 5) (Office Finisher LX).....              | 5-152 |
| PL 20.10 DADF Document Tray .....                                 | 5-110 | PL 23.6 Finisher Covers (Office Finisher LX).....                              | 5-153 |
| <b>21. Professional Finisher</b>                                  |       |  |       |
| PL 21.1 Professional Finisher .....                               | 5-111 | PL 23.7 Finisher Stacker (Office Finisher LX).....                             | 5-154 |
| PL 21.2 Finisher Cover (1 of 2) .....                             | 5-112 | PL 23.8 Finisher Stapler (Office Finisher LX).....                             | 5-155 |
| PL 21.3 Finisher Cover (2 of 2) .....                             | 5-113 | PL 23.9 Finisher Eject (1 of 5) (Office Finisher LX).....                      | 5-156 |
| PL 21.4 Finisher Stack.....                                       | 5-114 | PL 23.10 Finisher Eject (2 of 5) (Office Finisher LX).....                     | 5-157 |
| PL 21.5 Finisher Punch.....                                       | 5-115 | PL 23.11 Finisher Eject (3 of 5) (Office Finisher LX).....                     | 5-158 |
| PL 21.6 Finisher Stapler.....                                     | 5-116 | PL 23.12 Finisher Eject (4 of 5) (Office Finisher LX).....                     | 5-159 |
|   |       | PL 23.13 Finisher Eject (5 of 5) (Office Finisher LX).....                     | 5-160 |
|   |       | PL 23.14 Finisher Exit/Folder Assembly (Office Finisher LX) .....              | 5-161 |
|   |       | PL 23.15 Folder Assembly (Office Finisher LX).....                             | 5-162 |
|   |       | PL 23.16 Finisher Electrical (Office Finisher LX).....                         | 5-163 |
|   |       | PL 23.17 Booklet Cover (Office Finisher LX) .....                              | 5-164 |

|  |       |
|--|-------|
| PL 23.18 Booklet Stapler Assembly (Office Finisher LX) .....       | 5-165 |
| PL 23.19 Booklet Front Stapler Assembly (Office Finisher LX) ..... | 5-166 |
| PL 23.20 Booklet Rear Stapler Assembly (Office Finisher LX) .....  | 5-167 |
| PL 23.21 Booklet Electrical (Office Finisher LX) .....             | 5-168 |

**24. Registration**

|                                     |       |
|-------------------------------------|-------|
| PL 24.1 Registration (1 of 2) ..... | 5-169 |
| PL 24.2 Registration (2 of 2) ..... | 5-170 |

**Common Hardware**

|                         |       |
|-------------------------|-------|
| Common Hardware .....   | 5-171 |
| Part Number Index ..... | 5-181 |





# Introduction

## Overview

The Parts List section identifies all part numbers and the corresponding location of all spared subsystem components.

## Organization

### Parts Lists

Each item number in the part number listing corresponds to an item number in the related illustration. All the parts in a given subsystem of the machine will be located in the same illustration or in a series of associated illustrations.

### Electrical Connectors and Fasteners

This section contains the illustrations and descriptions of the plugs, jacks, and fasteners used in the machine. A part number listing of the connectors is included.

### Common Hardware

The common hardware is listed in alphabetical order by the letter or letters used to identify each item in the part number listing and in the illustrations. Dimensions are in millimeters unless otherwise identified.

### Part Number Index

This index lists all the spared parts in the machine in numerical order. Each number is followed by a reference to the parts list on which the part may be found.

## Other Information

### Abbreviations

Abbreviations are used in the parts lists and the exploded view illustrations to provide information in a limited amount of space. The following abbreviations are used in this manual:

Table 1

| Abbreviation | Meaning                    |
|--------------|----------------------------|
| A3           | 297 x 594 Millimeters      |
| A4           | 210 x 297 Millimeters      |
| A5           | 148 x 210 Millimeters      |
| AD           | Auto Duplex                |
| AWG          | American Wire Gauge        |
| EMI          | Electro Magnetic Induction |
| GB           | Giga Byte                  |
| KB           | Kilo Byte                  |
| MB           | Mega Byte                  |
| MM           | Millimeters                |
| MOD          | Magneto Optical Drive      |
| NOHAD        | Noise Ozone Heat Air Dirt  |
| PL           | Parts List                 |
| P/O          | Part of                    |

Table 1

| Abbreviation | Meaning                          |
|--------------|----------------------------------|
| R/E          | Reduction/Enlargement            |
| REF:         | Refer to                         |
| SCSI         | Small Computer Systems Interface |
| W/           | With                             |
| W/O          | Without                          |

Table 2

| Operating Companies |   |
|---------------------|---|
| Abbreviation        | Meaning                                 |
| AO                  | Americas Operations                     |
| NASG - US           | North American Solutions Group - US     |
| NASG - Canada       | North American Solutions Group - Canada |
| XE                  | Xerox Europe                            |

## Symbology

Symbology used in the Parts List section is identified in the Symbology section.

## Service Procedure Referencing

If a part or assembly has an associated repair or adjustment procedure, the procedure number will be listed at the end of the part description in the parts lists e.g. (REP 5.1, ADJ 5.3)

## Subsystem Information

### Use of the Term “Assembly”

The term “assembly” will be used for items in the part number listing that include other itemized parts in the part number listing. When the word “assembly” is found in the part number listing, there will be a corresponding item number on the illustrations followed by a bracket and a listing of the contents of the assembly.

### Brackets

A bracket is used when an assembly or kit is spared, but is not shown in the illustration. The item number of the assembly or kit precedes the bracket; the item numbers of the piece parts follow the bracket.

### Tag

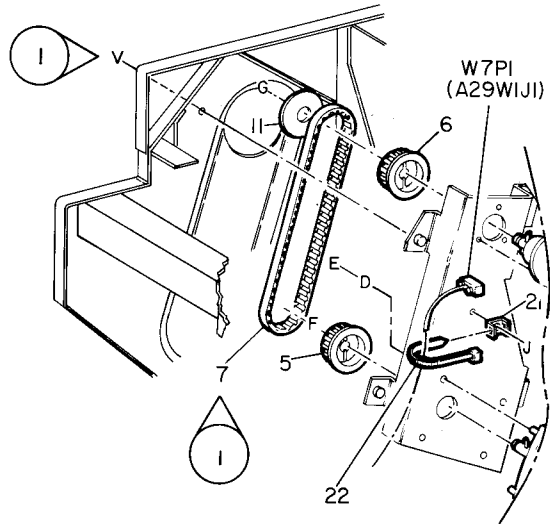
The notation “W/Tag” in the parts description indicates that the part configuration has been updated. Check the change Tag index in the General Information section of the Service Data for the name and purpose of the modification.

In some cases, a part or assembly may be spared in two versions: with the Tag and without the Tag. In those cases, use whichever part is appropriate for the configuration of the machine on which the part is to be installed. If the machine does not have a particular Tag and the only replacement part available is listed as “W/Tag”, install the Tag kit or all of the piece parts. The Change Tag Index tells you which kit or piece parts you need.

Whenever you install a Tag kit or all the piece parts that make up a Tag, mark the appropriate number on the Tag matrix.

## Symbology

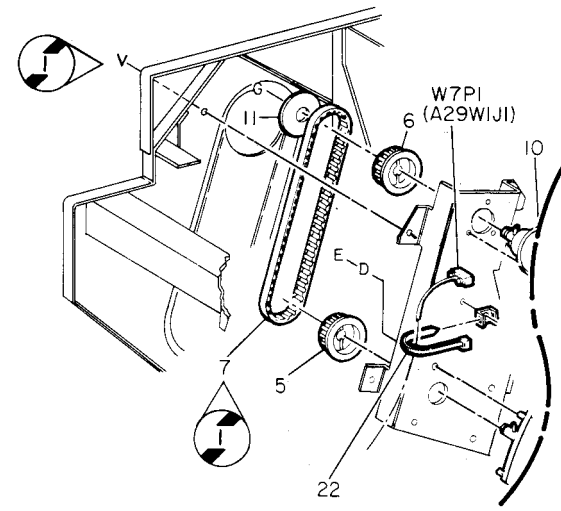
A Tag number within a circle pointing to an item number shows that the part has been changed by the tag number within the circle (Figure 1). Information on the modification is in the Change Tag Index.



|     |      |     |
|-----|------|-----|
| O   | Z004 | A   |
| 850 | PL   | M I |

Figure 1 With Tag Symbol

A Tag number within a circle having a shaded bar and pointing to an item number shows that the configuration of the part shown is the configuration before the part was changed by the Tag number within the circle (Figure 2).



|     |      |     |
|-----|------|-----|
| O   | Z005 | A   |
| 850 | PL   | M I |

Figure 2 Without Tag Symbol

A tag number within a circle with no apex shows that the entire drawing has been changed by the tag number within the circle (Figure 3). Information on the modification is in the Change Tag Index.

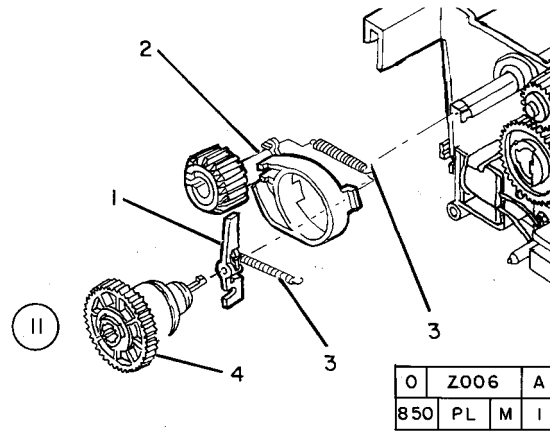


Figure 3 Entire Drawing With Tag Symbol

A tag number within a circle with no apex and having a shaded bar shows that the entire drawing was the configuration before being changed by the tag number within the circle (Figure 4).

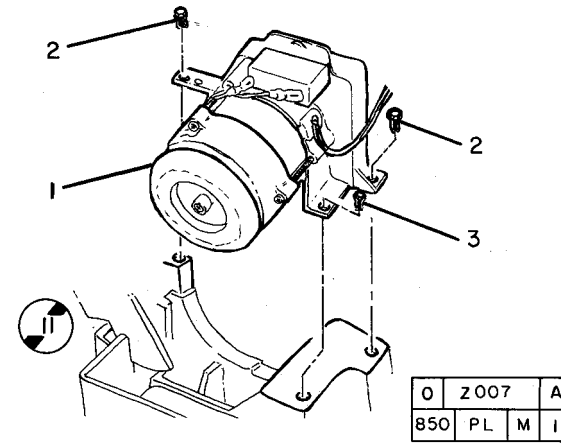
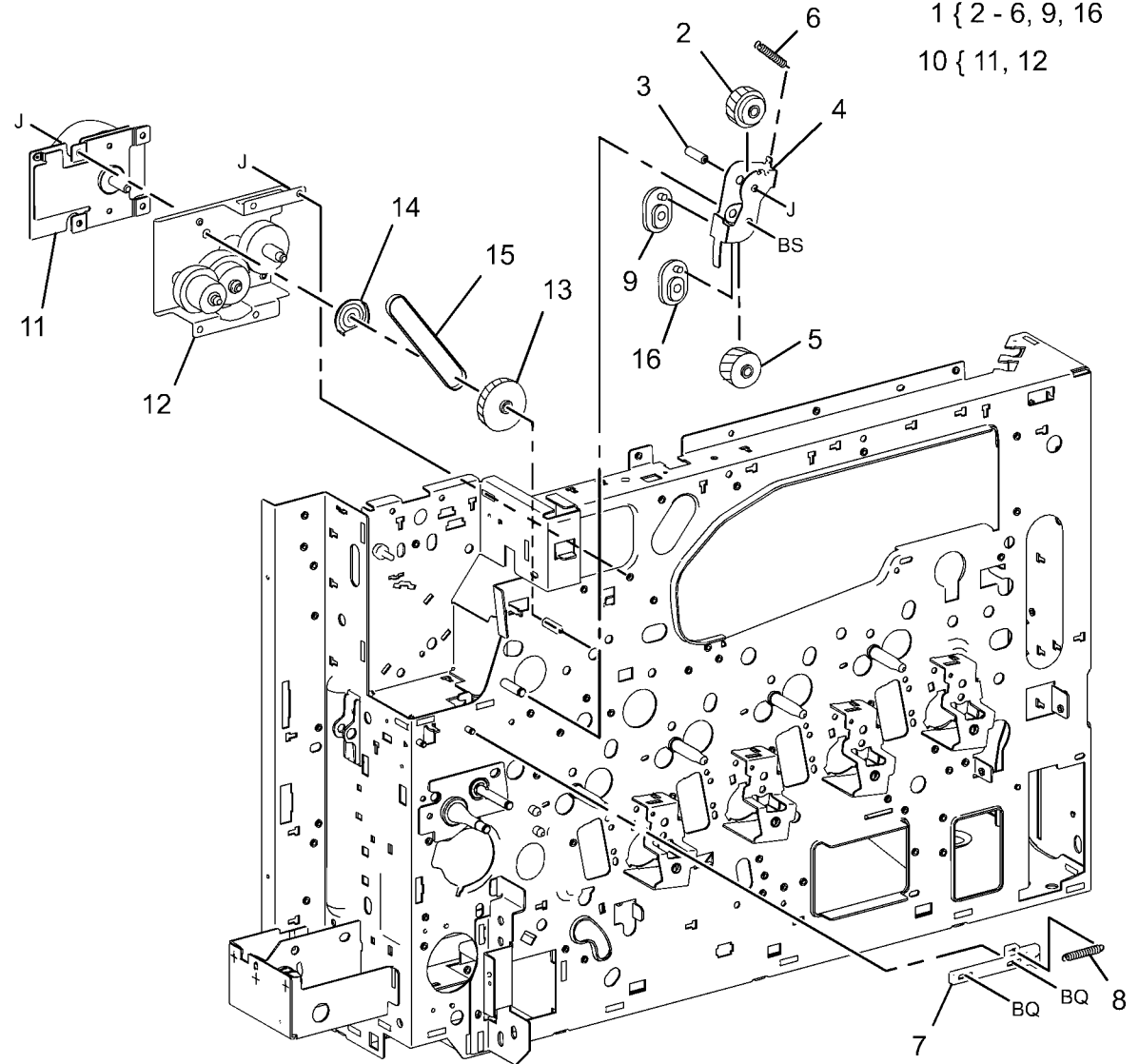


Figure 4 Entire Drawing Without Tag Symbol

## PL 1.1 Drives (1 of 3)

| Item | Part      | Description                                |
|------|-----------|--|
| 1    | 068K64901 | Fuser Input Bracket Assembly               |
| 2    | 807E19820 | Helical Gear (26T)                         |
| 3    | 806E21351 | Fuser Shaft                                |
| 4    | 068K64920 | Fuser Input Bracket                        |
| 5    | 807E27880 | Helical Gear (25T)                         |
| 6    | 809E74960 | Spring                                     |
| 7    | 012E15930 | Fuser Link                                 |
| 8    | 809E74950 | Spring                                     |
| 9    | -         | B-Bearing (P/O PL 1.1 Item 1)              |
| 10   | 007K98080 | Fuser Drive Motor Assembly                 |
| 11   | 127K53100 | Fuser Drive Motor                          |
| 12   | -         | Gear Bracket Assembly (P/O PL 1.1 Item 10) |
| 13   | 807E19830 | Helical Gear (40T/23T)                     |
| 14   | 005E26140 | Flange                                     |
| 15   | 423W10254 | Belt                                       |
| 16   | -         | Bearing (P/O PL 1.1 Item 1)                |

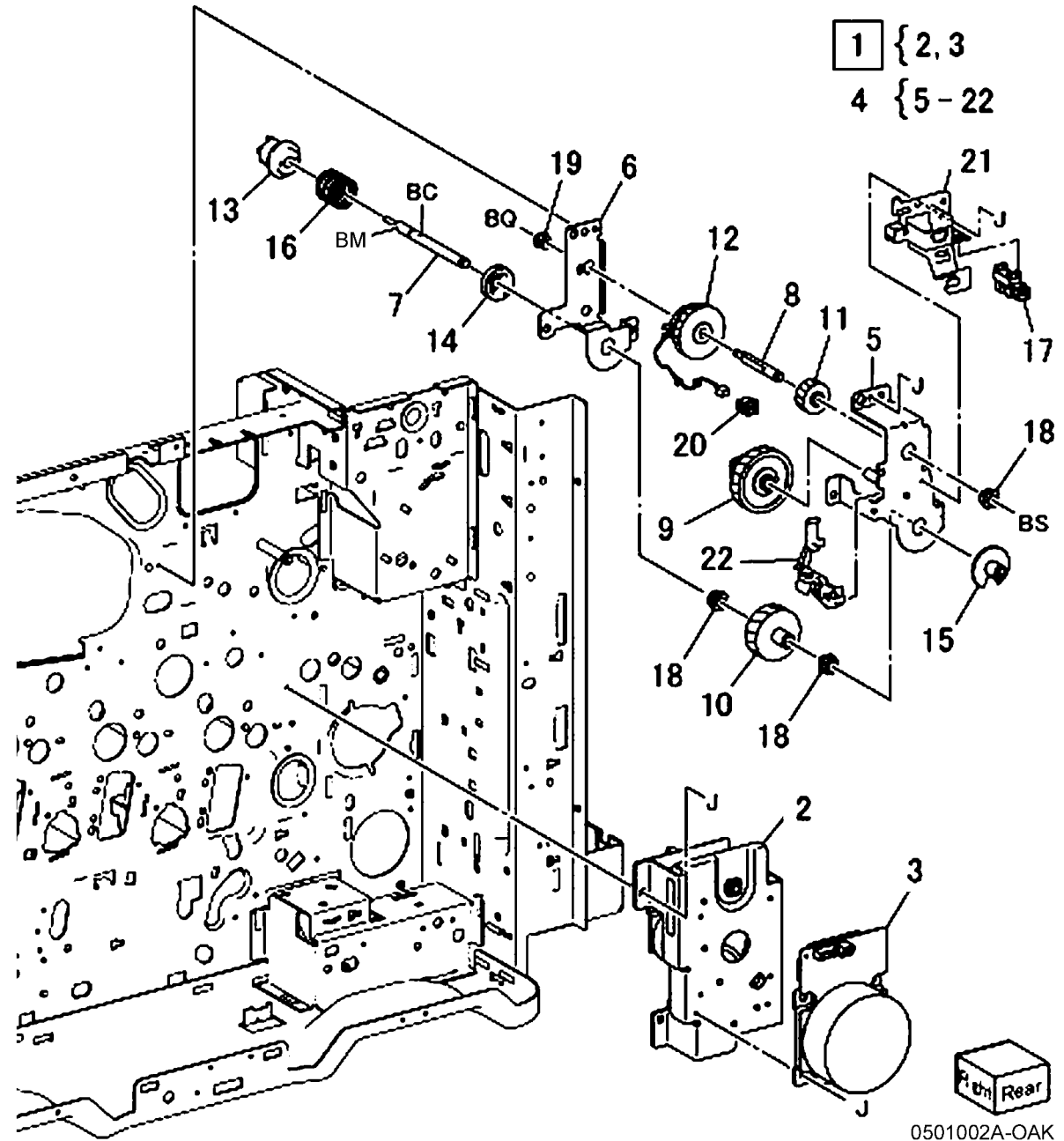


1 { 2 - 6, 9, 16  
10 { 11, 12

Right Rear  
0501001A-OAK

## PL 1.2 Drives (2 of 3)

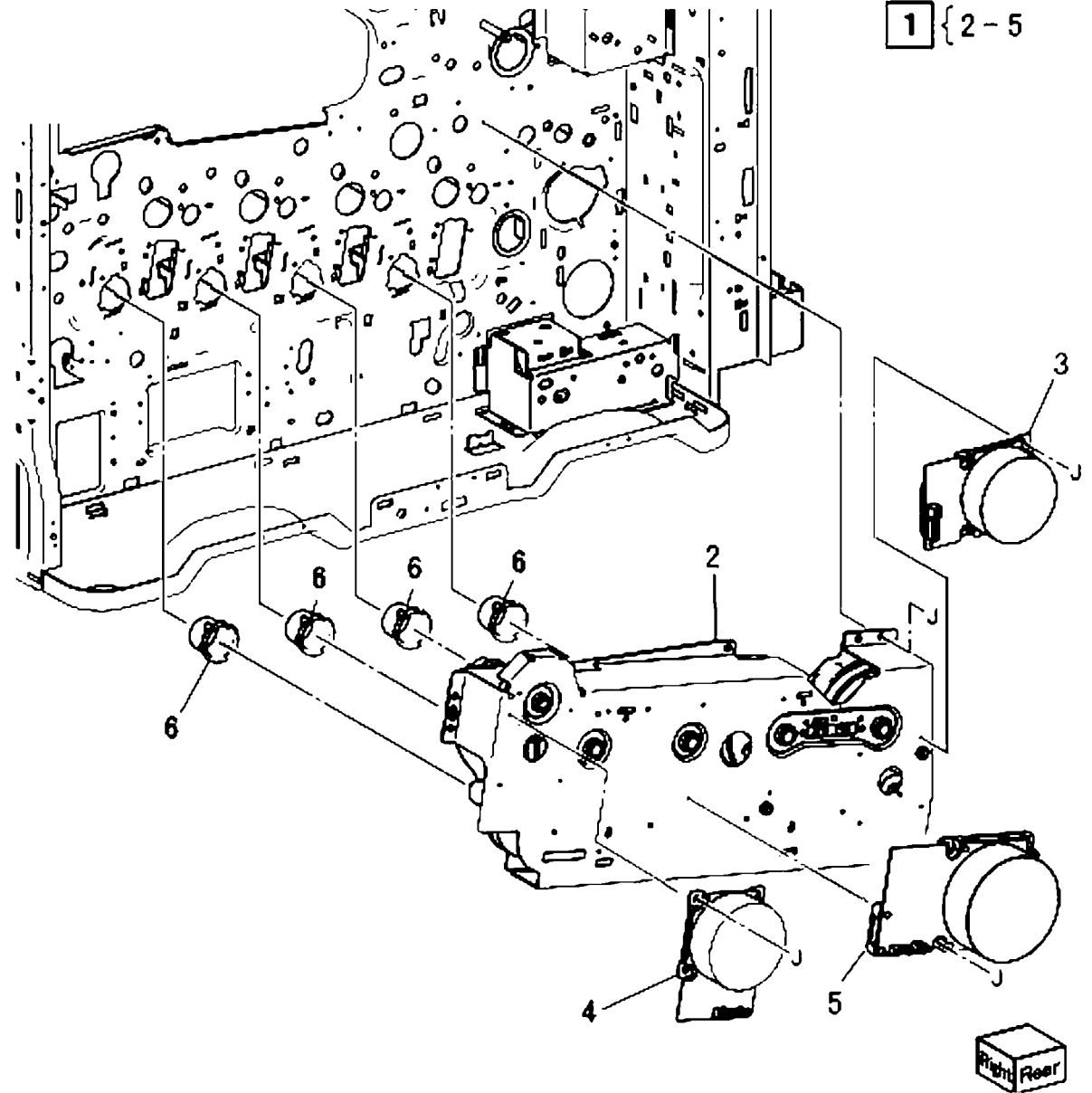
| Item | Part      | Description                                  |
|------|-----------|--|
| 1    | 007K98071 | Main Drive Assembly (REP 4.1)                |
| 2    | -         | Bracket (P/O PL 1.2 Item 1)                  |
| 3    | 127K53100 | Main Drive Motor Assembly                    |
| 4    | 007K98090 | Retract Drive Assembly                       |
| 5    | -         | Retract Bracket Assembly (P/O PL 1.2 Item 4) |
| 6    | -         | Retract Lower Bracket (P/O PL 1.2 Item 4)    |
| 7    | -         | Retract Shaft (P/O PL 1.2 Item 4)            |
| 8    | -         | Clutch Shaft (P/O PL 1.2 Item 4)             |
| 9    | -         | Helical Gear (45T/23T) (P/O PL 1.2 Item 4)   |
| 10   | -         | Helical Gear (36T) (P/O PL 1.2 Item 4)       |
| 11   | -         | Helical Gear (21T) (P/O PL 1.2 Item 4)       |
| 12   | 121K40850 | 1st BTR Contact Retract Clutch               |
| 13   | -         | Coupling (P/O PL 1.2 Item 4)                 |
| 14   | -         | Retainer (P/O PL 1.2 Item 4)                 |
| 15   | -         | Cam Wheel (P/O PL 1.2 Item 4)                |
| 16   | -         | Spring (P/O PL 1.2 Item 4)                   |
| 17   | 930W00111 | 1st BTR Contact Retract Sensor               |
| 18   | 413W14660 | Sleeve Bearing                               |
| 19   | 413W11460 | Sleeve Bearing                               |
| 20   | 913W13168 | Connector                                    |
| 21   | 055E56000 | Harness Holder                               |
| 22   | 055E56050 | Harness Holder                               |



0501002A-OAK

## PL 1.3 Drives (3 of 3)

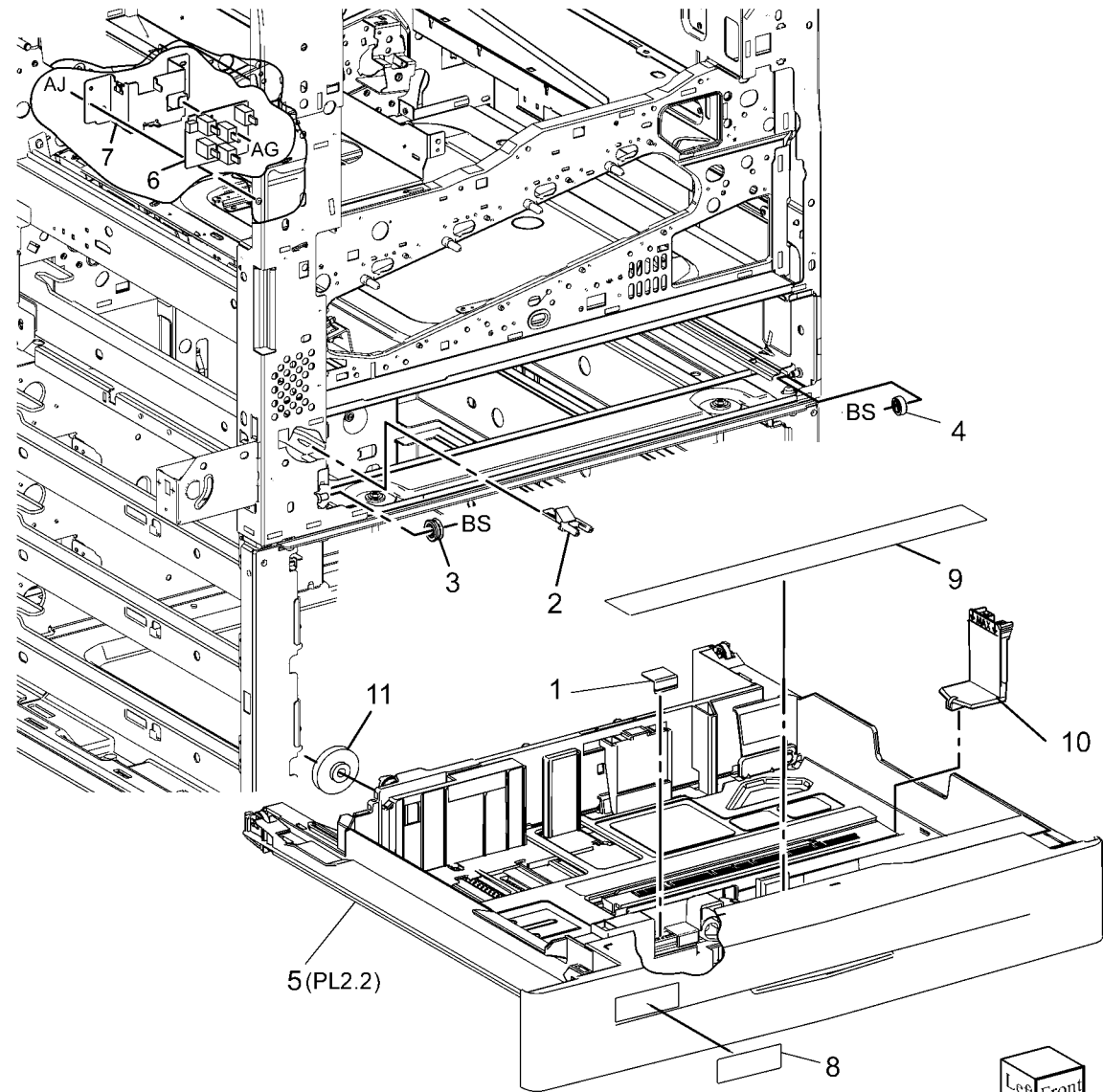
| Item | Part      | Description                             |
|------|-----------|---|
| 1    | 007K98064 | Drum/Developer Drive Assembly (REP 4.1) |
| 2    | —         | Drive Assembly (P/O PL 1.3 Item 1)      |
| 3    | 127K53080 | Drum/Developer Drive Motor (K)          |
| 4    | 127K53090 | IBT Drive Motor Assembly                |
| 5    | 127K53121 | Drum/Developer Driver Motor (Y, M, C)   |
| 6    | 055E56040 | Gear Guide                              |



0501003A-OAK

## PL 2.1 Tray 1 (1 of 2)

| Item | Part      | Description                      |
|------|-----------|----------------------------------|
| 1    | -         | Slide Lock Bar (Not Spared)      |
| 2    | 003E76460 | Stopper                          |
| 3    | 059E03500 | Roller                           |
| 4    | 059E03510 | Roller                           |
| 5    | 050K61128 | Tray 1 Assembly                  |
| 6    | 110K12100 | Paper Size Sensor                |
| 7    | -         | Switch Bracket (Not Spared)      |
| 8    | -         | Tray 1 Label (Not Spared)        |
| 9    | -         | Label (Instruction) (Not Spared) |
| 10   | 038E26533 | Length Slide Guide               |
| 11   | -         | Drive Dog Lift Gear (Not Spared) |

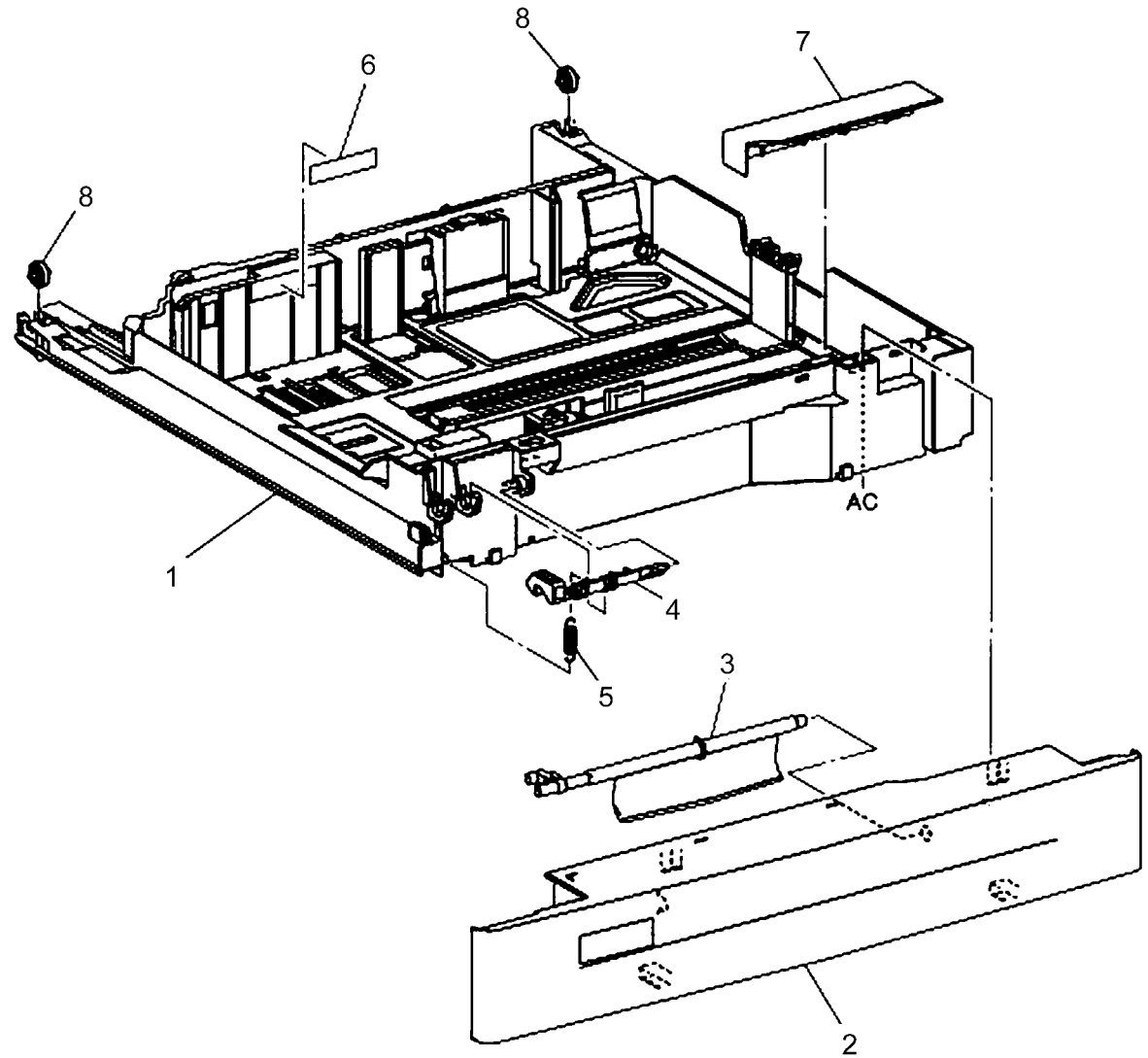


0502001A-OAK



## PL 2.2 Tray 1 (2 of 2)

| Item | Part      | Description              |
|------|-----------|--------------------------|
| 1    | -         | Tray (P/O PL 2.1 Item 5) |
| 2    | 848E15051 | Front Cover              |
| 3    | 011E21572 | Lever                    |
| 4    | 003E75440 | Latch                    |
| 5    | 809E75730 | Spring                   |
| 6    | 893E09490 | Label (Max)              |
| 7    | 848E21140 | Storage Cover            |
| 8    | 059E03520 | Roll                     |

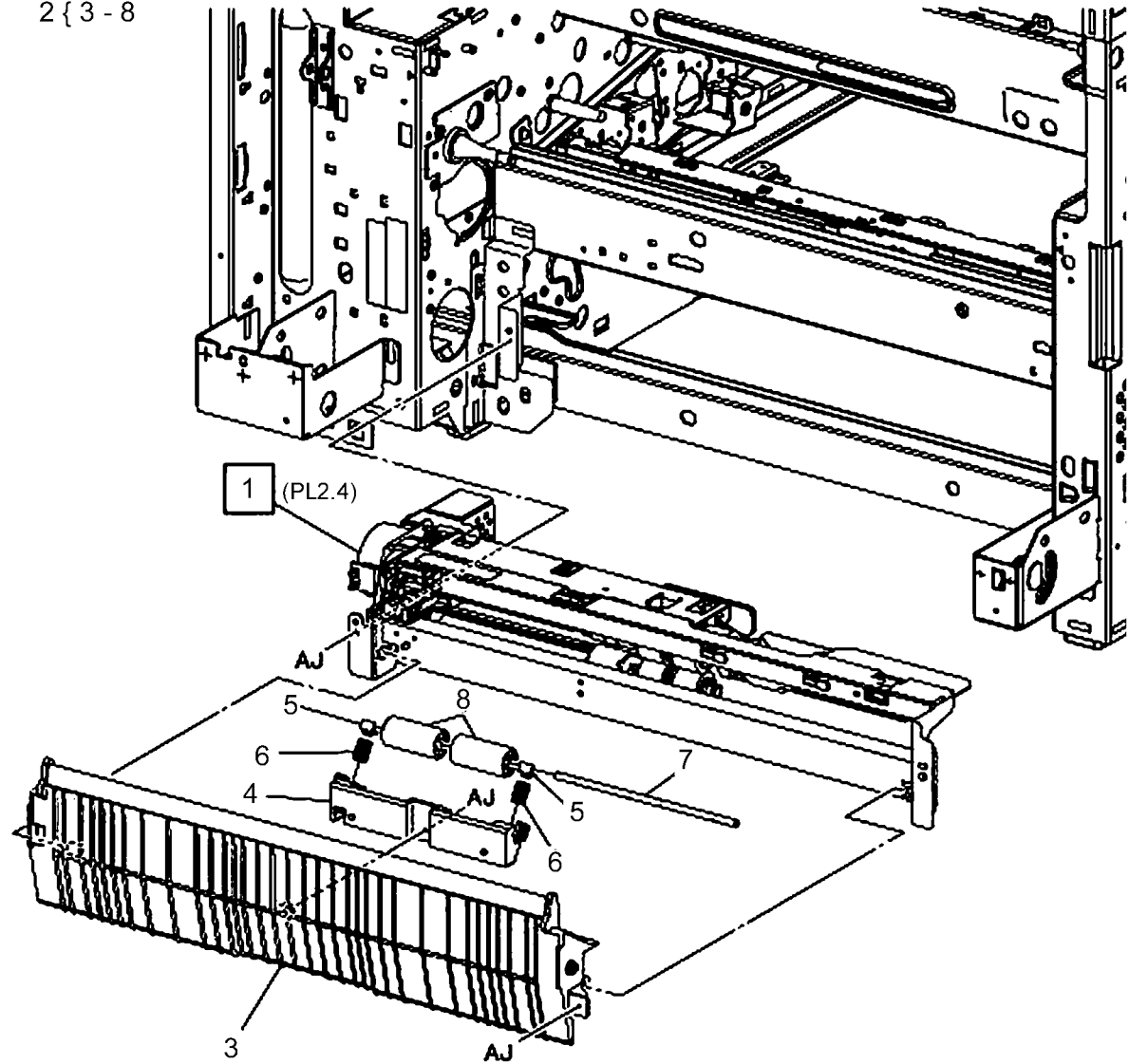


0502002A-OAK

# PL 2.3 Tray 1 Feeder

| Item | Part      | Description                      |
|------|-----------|----------------------------------|
| 1    | 059K55044 | Tray 1 Feeder Assembly (REP 8.1) |
| 2    | 054K35142 | Chute Assembly                   |
| 3    | -         | Chute (P/O PL 2.3 Item 2)        |
| 4    | -         | Pinch Guide (P/O PL 2.3 Item 2)  |
| 5    | 014E62440 | Spacer                           |
| 6    | 809E80100 | Spring                           |
| 7    | -         | Pinch Shaft (P/O PL 2.3 Item 2)  |
| 8    | 059E03440 | Pinch Roll                       |

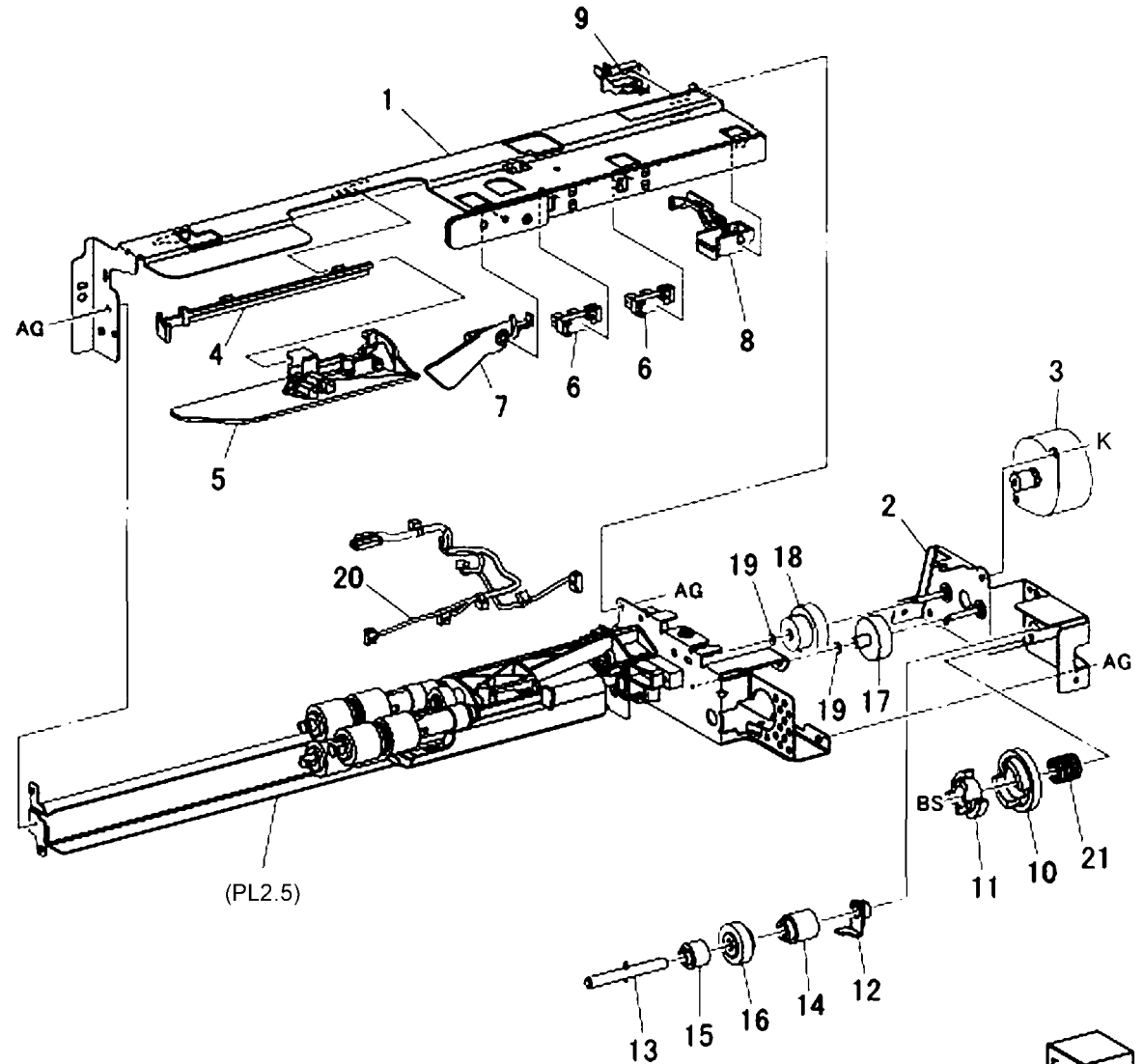
2 { 3 - 8



0502003A-OAK

## PL 2.4 Tray 1 Feeder Assembly (1 of 2)

| Item | Part      | Description                                 |
|------|-----------|---|
| 1    | –         | Upper Frame Assembly (P/O PL 2.3 Item 1)    |
| 2    | –         | Drive Bracket Assembly (P/O PL 2.3 Item 1)  |
| 3    | 127K52790 | Lift Up Motor                               |
| 4    | –         | Rail (P/O PL 2.3 Item 1)                    |
| 5    | –         | Chute (P/O PL 2.3 Item 1)                   |
| 6    | 930W00113 | Tray 1 Nudger Level Sensor, No Paper Sensor |
| 7    | 120E22481 | Actuator                                    |
| 8    | –         | Upper Harness Holder (P/O PL 2.3 Item 1)    |
| 9    | –         | Rear Harness Holder (P/O PL 2.3 Item 1)     |
| 10   | 807E00390 | Gear (31T)                                  |
| 11   | 014E44770 | Spacer                                      |
| 12   | –         | Bearing (P/O PL 2.3 Item 1)                 |
| 13   | 006K23221 | Drive Shaft                                 |
| 14   | 807E00800 | Gear (13T)                                  |
| 15   | 005K83081 | One Way Clutch                              |
| 16   | 007K97870 | One Way Gear                                |
| –    | 007K98130 | One Way Clutch (Alternate)                  |
| 17   | 807E20300 | Helical Gear (25T)                          |
| 18   | 807E20310 | Helical Gear (29T/19T)                      |
| 19   | 028E94160 | Washer                                      |
| 20   | –         | Wire Harness (P/O PL 2.3 Item 1)            |
| 21   | 809E81540 | Spring                                      |



0502004A-OAK

Revision

WorkCentre 7425/7428/7435

May, 2009

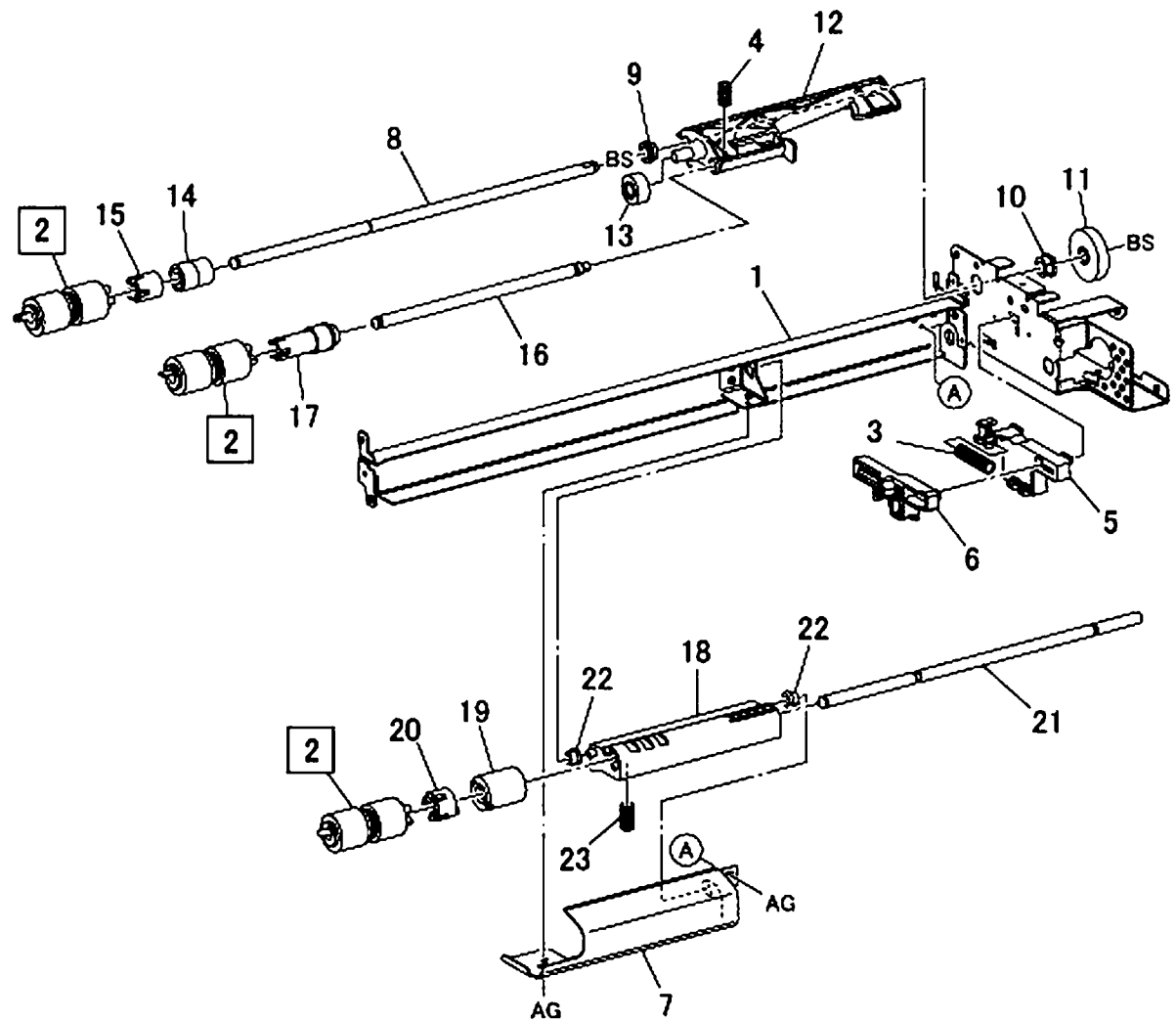
5-15

Parts List

PL 2.4

## PL 2.5 Tray 1 Feeder Assembly (2 of 2)

| Item | Part      | Description                               |
|------|-----------|---|
| 1    | -         | Frame Assembly (P/O PL 2.3 Item 1)        |
| 2    | 604K56080 | Feed Roll Kit (3 Rolls/Kit) (REP 8.2)     |
| 3    | -         | Spring (P/O PL 2.3 Item 1)                |
| 4    | -         | Spring (P/O PL 2.3 Item 1)                |
| 5    | -         | Holder (P/O PL 2.3 Item 1)                |
| 6    | -         | Lever (P/O PL 2.3 Item 1)                 |
| 7    | -         | Feed In Chute (P/O PL 2.3 Item 1)         |
| 8    | -         | Feed Shaft (P/O PL 2.3 Item 1)            |
| 9    | -         | Bearing (P/O PL 2.3 Item 1)               |
| 10   | -         | Sleeve Bearing (P/O PL 2.3 Item 1)        |
| 11   | -         | Helical Gear (30T) (P/O PL 2.3 Item 1)    |
| 12   | -         | Nudger Support (P/O PL 2.3 Item 1)        |
| 13   | -         | Spur Gear (29T) (P/O PL 2.3 Item 1)       |
| 14   | -         | Clutch Assembly (25T) (P/O PL 2.3 Item 1) |
| 15   | 005K05890 | One Way Clutch                            |
| 16   | -         | Nudger Shaft (P/O PL 2.3 Item 1)          |
| 17   | -         | Gear (25T) (P/O PL 2.3 Item 1)            |
| 18   | -         | Retard Support (P/O PL 2.3 Item 1)        |
| 19   | 005K81880 | Friction Clutch                           |
| 20   | 014E45030 | Spacer                                    |
| 21   | -         | Retard Shaft (P/O PL 2.3 Item 1)          |
| 22   | -         | Retard Bearing (P/O PL 2.3 Item 1)        |
| 23   | -         | Spring (P/O PL 2.3 Item 1)                |

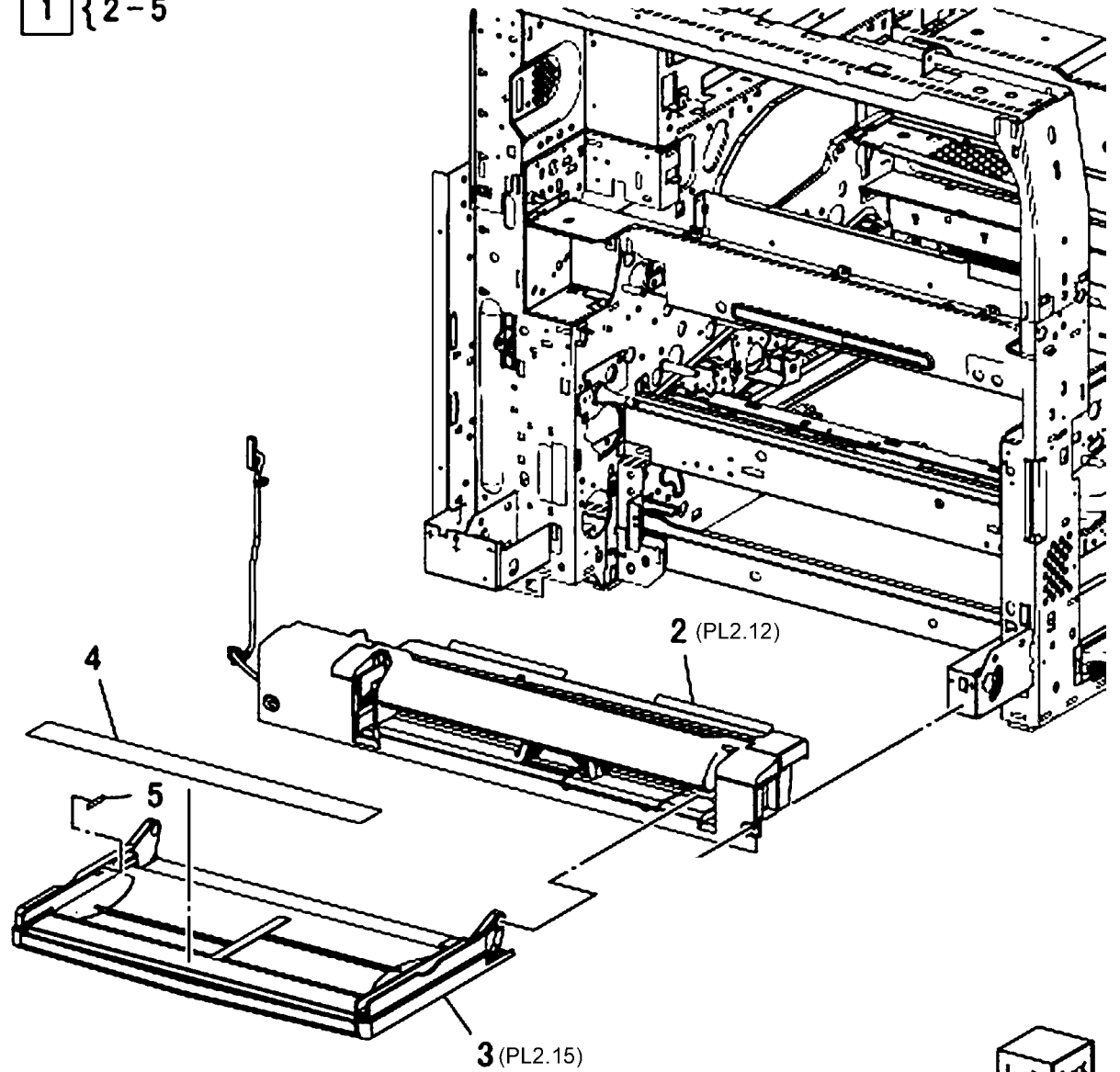


0502005A-OAK

## PL 2.11 Bypass Tray Assembly (1 of 5)

| Item | Part      | Description                              |
|------|-----------|--|
| 1    | 059K62820 | Bypass Tray Assembly                     |
| 2    | —         | Head Assembly (P/O PL 2.11 Item 1)       |
| 3    | —         | Tray Assembly (P/O PL 2.11 Item 1)       |
| 4    | —         | Label (Instruction) (P/O PL 2.11 Item 1) |
| 5    | 893E09490 | Label (Max)                              |

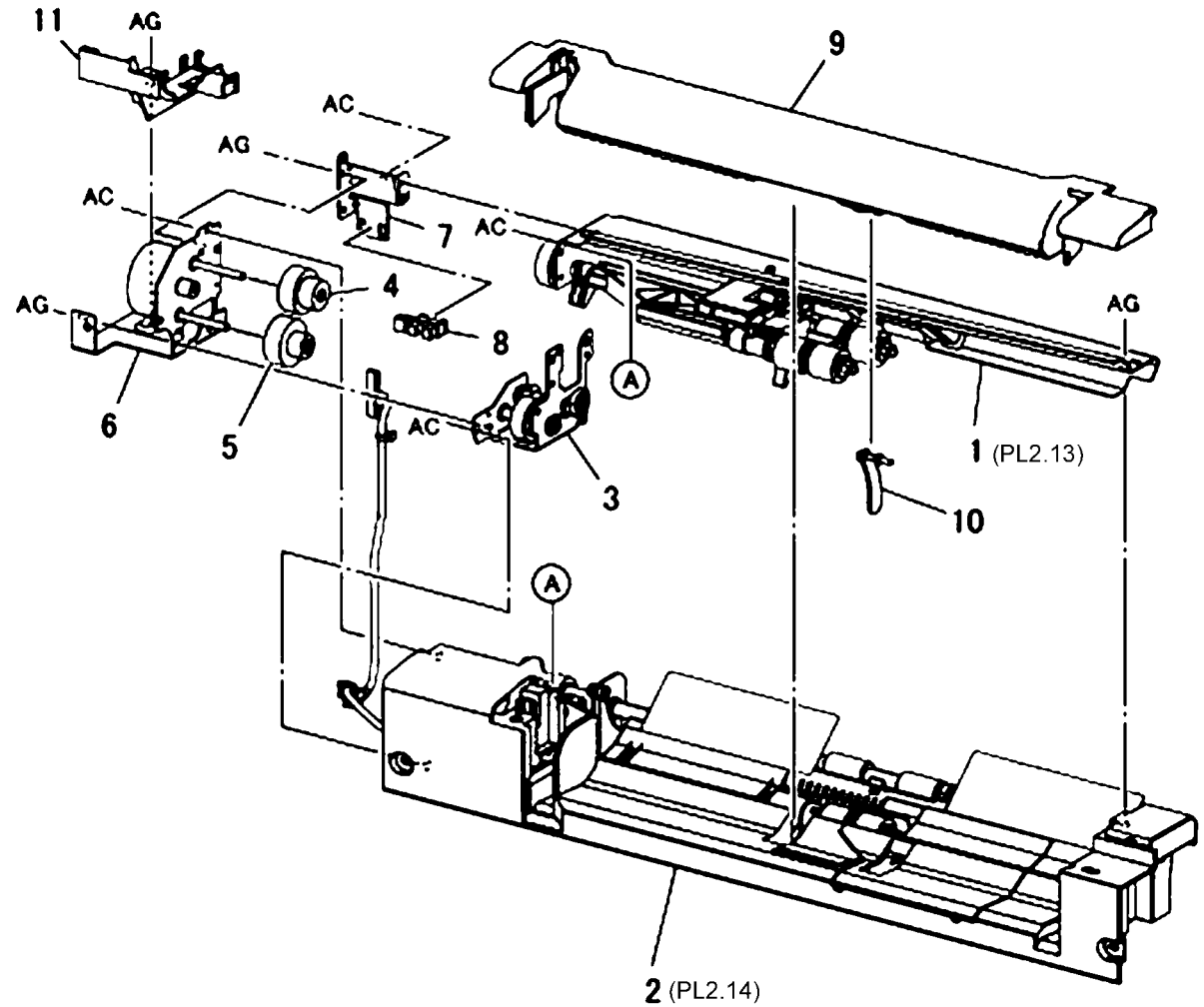
1 { 2-5



0502011A-OAK

## PL 2.12 Bypass Tray Assembly (2 of 5)

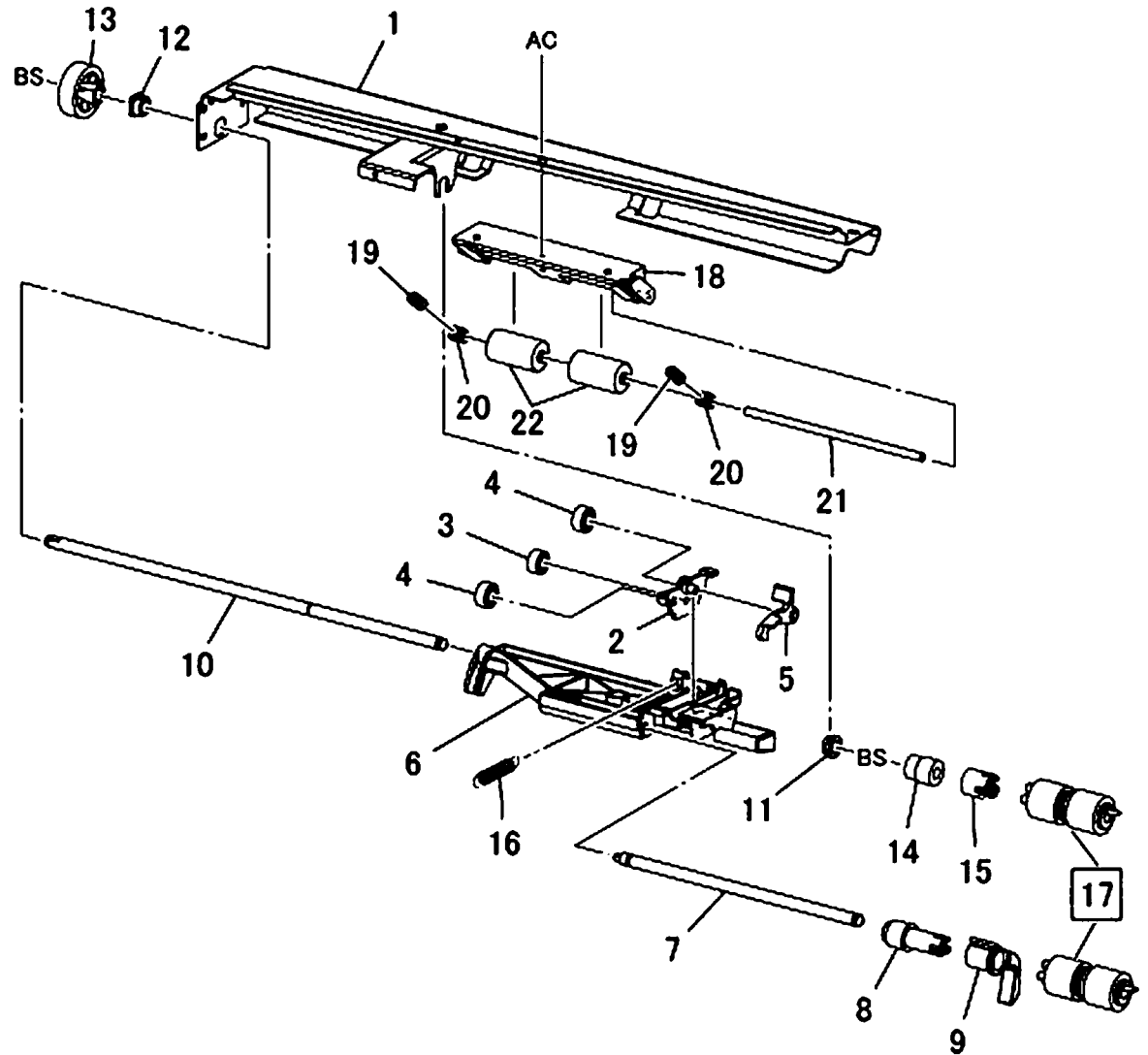
| Item | Part      | Description                                 |
|------|-----------|---|
| 1    | -         | Upper Tray Assembly (P/O PL 2.11 Item 1)    |
| 2    | -         | Lower Tray Assembly (P/O PL 2.11 Item 1)    |
| 3    | -         | Drive Bracket Assembly (P/O PL 2.11 Item 1) |
| 4    | -         | Gear (29T/19T) (P/O PL 2.11 Item 1)         |
| 5    | -         | Gear (31T/15T) (P/O PL 2.11 Item 1)         |
| 6    | 127K52790 | Feeder/Nudger Motor                         |
| 7    | -         | Sensor Bracket (P/O PL 2.11 Item 1)         |
| 8    | 930W00113 | Nudger Position Sensor                      |
| 9    | 848E10093 | Top Cover                                   |
| 10   | 120E29441 | Actuator                                    |
| 11   | -         | Harness Holder (P/O PL 2.11 Item 1)         |



0502012A-OAK

## PL 2.13 Bypass Tray Assembly (3 of 5)

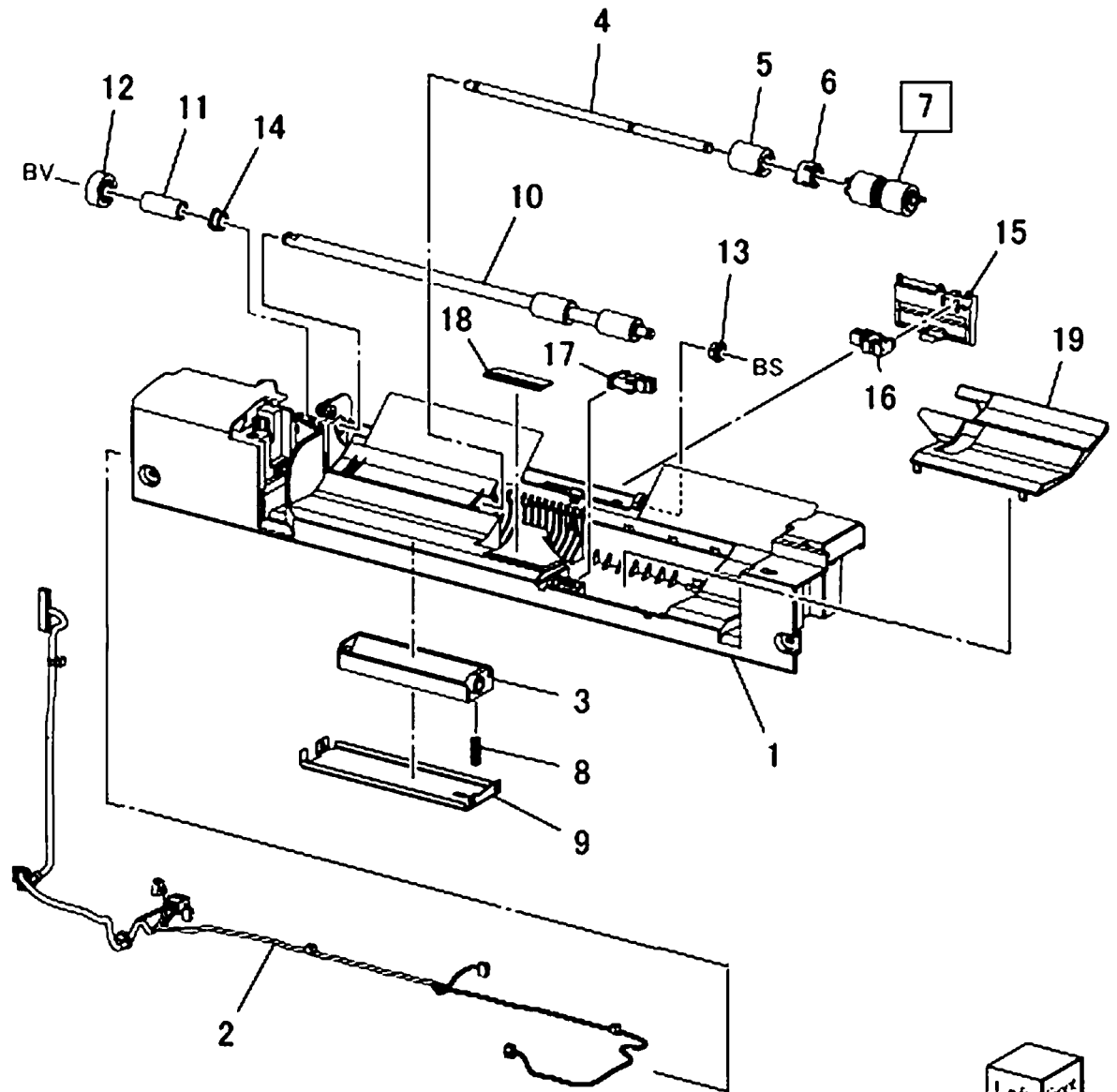
| Item | Part      | Description                               |
|------|-----------|---|
| 1    | -         | Pinch Chute Assembly (P/O PL 2.11 Item 1) |
| 2    | -         | Gear Support (P/O PL 2.11 Item 1)         |
| 3    | -         | Gear (21T) (P/O PL 2.11 Item 1)           |
| 4    | -         | Gear (23T) (P/O PL 2.11 Item 1)           |
| 5    | -         | Lock Stopper (P/O PL 2.11 Item 1)         |
| 6    | -         | Nudger Support (P/O PL 2.11 Item 1)       |
| 7    | -         | Nudger Shaft (P/O PL 2.11 Item 1)         |
| 8    | -         | Gear (25T) (P/O PL 2.11 Item 1)           |
| 9    | -         | Stopper (P/O PL 2.11 Item 1)              |
| 10   | -         | Feed Shaft (P/O PL 2.11 Item 1)           |
| 11   | 413W85459 | Bearing                                   |
| 12   | 413W11660 | Sleeve Bearing                            |
| 13   | -         | Gear (30T) (P/O PL 2.11 Item 1)           |
| 14   | 005K08370 | One Way Clutch (22T)                      |
| 15   | -         | One Way Clutch (P/O PL 2.11 Item 1)       |
| 16   | -         | Spring (P/O PL 2.11 Item 1)               |
| 17   | 022K74870 | Feed Roll, Nudger Roll (REP 8.9)          |
| 18   | -         | Guide (P/O PL 2.11 Item 1)                |
| 19   | -         | Pinch Chute Assembly (P/O PL 2.11 Item 1) |
| 20   | -         | Spacer (P/O PL 2.11 Item 1)               |
| 21   | -         | Shaft (P/O PL 2.11 Item 1)                |
| 22   | -         | Pinch Roll (P/O PL 2.11 Item 1)           |



0502013A-OAK

## PL 2.14 Bypass Tray Assembly (4 of 5)

| Item | Part      | Description                             |
|------|-----------|---|
| 1    | -         | Tray 5 Lower Frame (P/O PL 2.11 Item 1) |
| 2    | 962K58261 | Tray 5 Wire Harness                     |
| 3    | -         | Retard Support (P/O PL 2.11 Item 1)     |
| 4    | -         | Shaft (P/O PL 2.11 Item 1)              |
| 5    | 005K08830 | Friction Clutch                         |
| 6    | 014E45030 | Spacer                                  |
| 7    | 022K74870 | Retard Roll                             |
| 8    | -         | Retard Spring (P/O PL 2.11 Item 1)      |
| 9    | -         | Plate (P/O PL 2.11 Item 1)              |
| 10   | 059K53691 | Drive Roll Assembly                     |
| 11   | -         | Collar (P/O PL 2.11 Item 1)             |
| 12   | -         | Gear (23T) (P/O PL 2.11 Item 1)         |
| 13   | -         | Sleeve Bearing (P/O PL 2.11 Item 1)     |
| 14   | 413W11860 | Sleeve Bearing                          |
| 15   | -         | Sensor Plate (P/O PL 2.11 Item 1)       |
| 16   | 130K72110 | Tray 5 Feed Out Sensor                  |
| 17   | 930W00113 | Tray 5 No Paper Sensor                  |
| 18   | 019E68980 | Bottom Pad                              |
| 19   | 054E33950 | Front Chute                             |

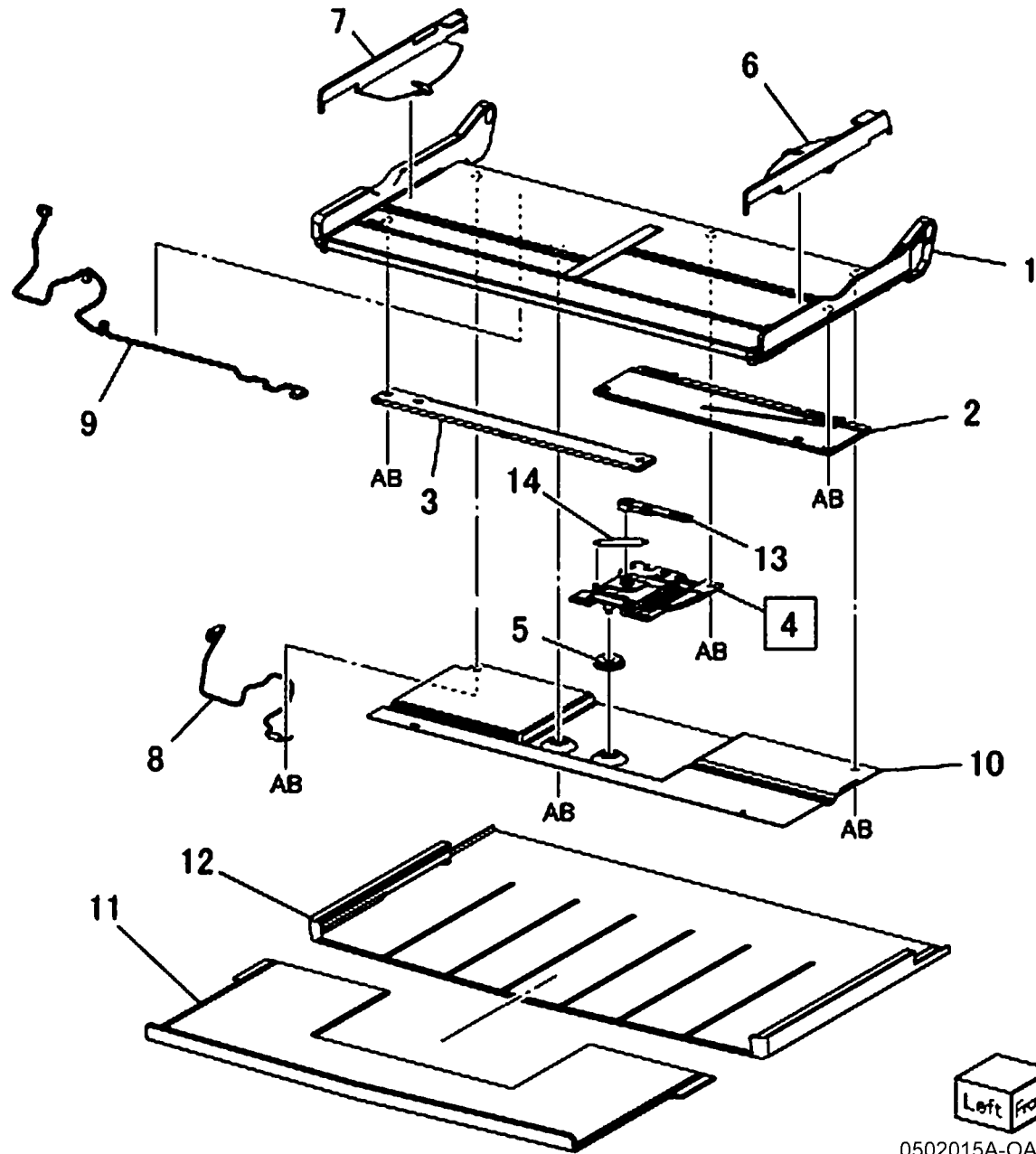


0502014A-OAK



## PL 2.15 Bypass Tray Assembly (5 of 5)

| Item | Part      | Description                           |
|------|-----------|---------------------------------------|
| 1    | -         | Bypass Tray (P/O PL 2.11 Item 1)      |
| 2    | -         | Front Rack (P/O PL 2.11 Item 1)       |
| 3    | -         | Rear Rack (P/O PL 2.11 Item 1)        |
| 4    | 130K70660 | Paper Size Sensor                     |
| 5    | 007E79700 | Pinion Gear                           |
| 6    | -         | Front Side Guide (P/O PL 2.11 Item 1) |
| 7    | -         | Rear Side Guide (P/O PL 2.11 Item 1)  |
| 8    | -         | Wire Harness (P/O PL 2.11 Item 1)     |
| 9    | -         | Wire Harness (P/O PL 2.11 Item 1)     |
| 10   | -         | Plate (P/O PL 2.11 Item 1)            |
| 11   | 050E23861 | Extension Tray (L1)                   |
| 12   | 050E24470 | Extension Tray (L2)                   |
| 13   | 012E11760 | Sensor Link                           |
| 14   | 809E49930 | Sensor Spring                         |

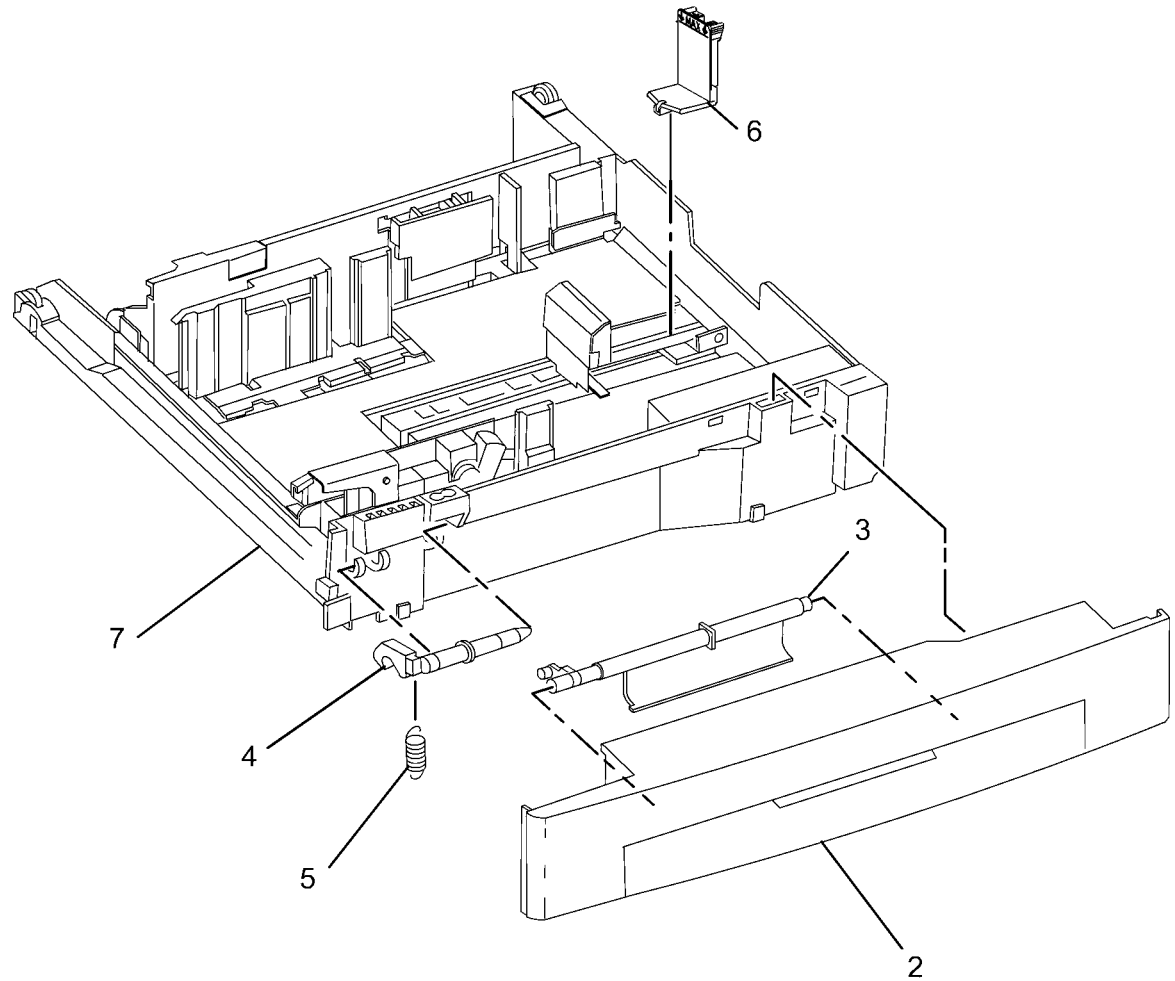


0502015A-OAK

## PL 2.16 Envelope Tray Assembly

| Item | Part      | Description                              |
|------|-----------|--|
| 1    | 050K63953 | Envelope Tray Assembly                   |
| 2    | 848E15051 | Front Cover                              |
| 3    | 011E21572 | Lever                                    |
| 4    | 003E75440 | Latch                                    |
| 5    | 809E75730 | Spring                                   |
| 6    | 038E26533 | End Guide                                |
| 7    | —         | Envelope Tray Frame (P/O PL 2.16 Item 1) |

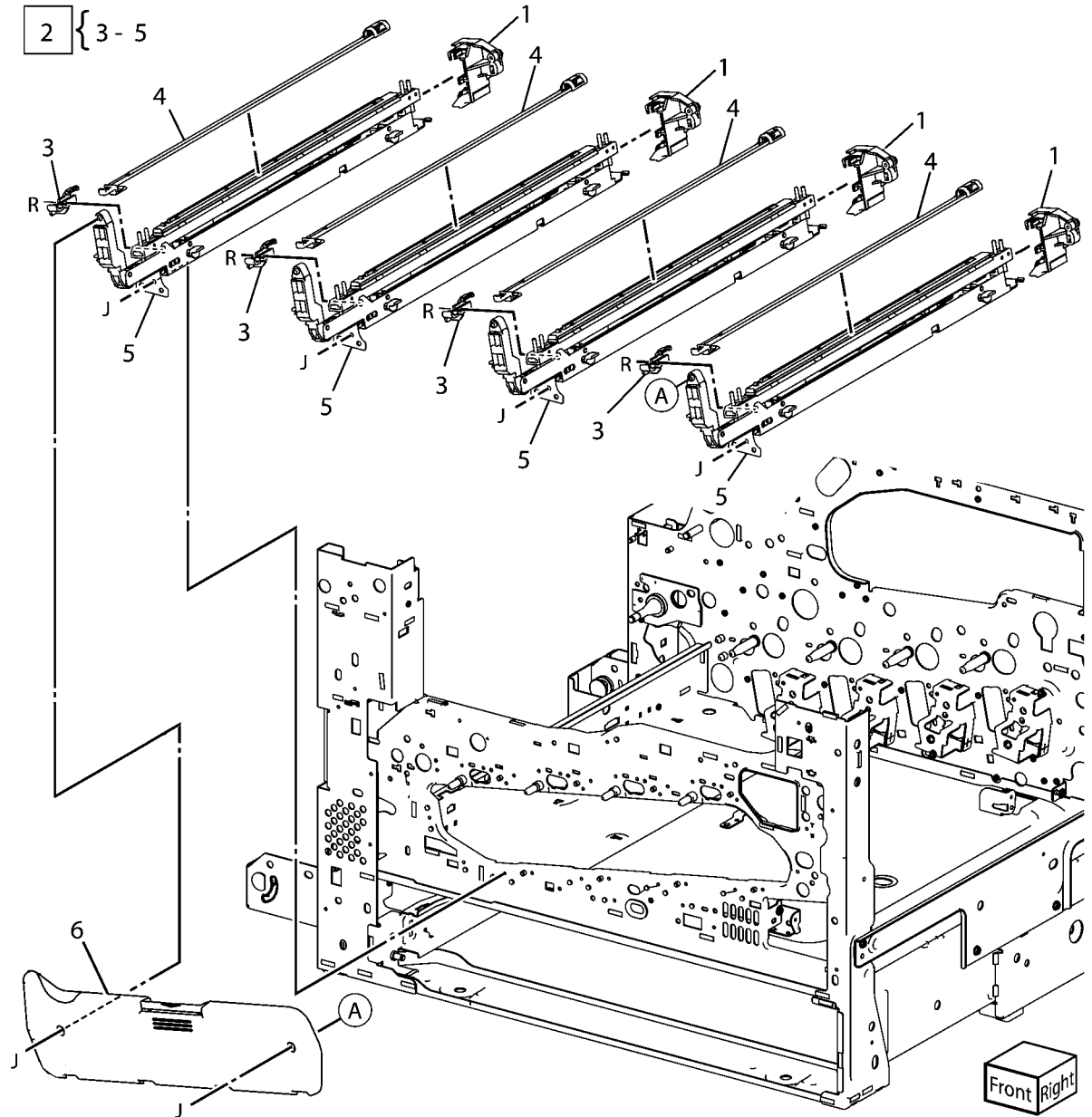
1 { 2 - 7



0502016A-OAK

# PL 3.1 LED Print Head (1 of 2)

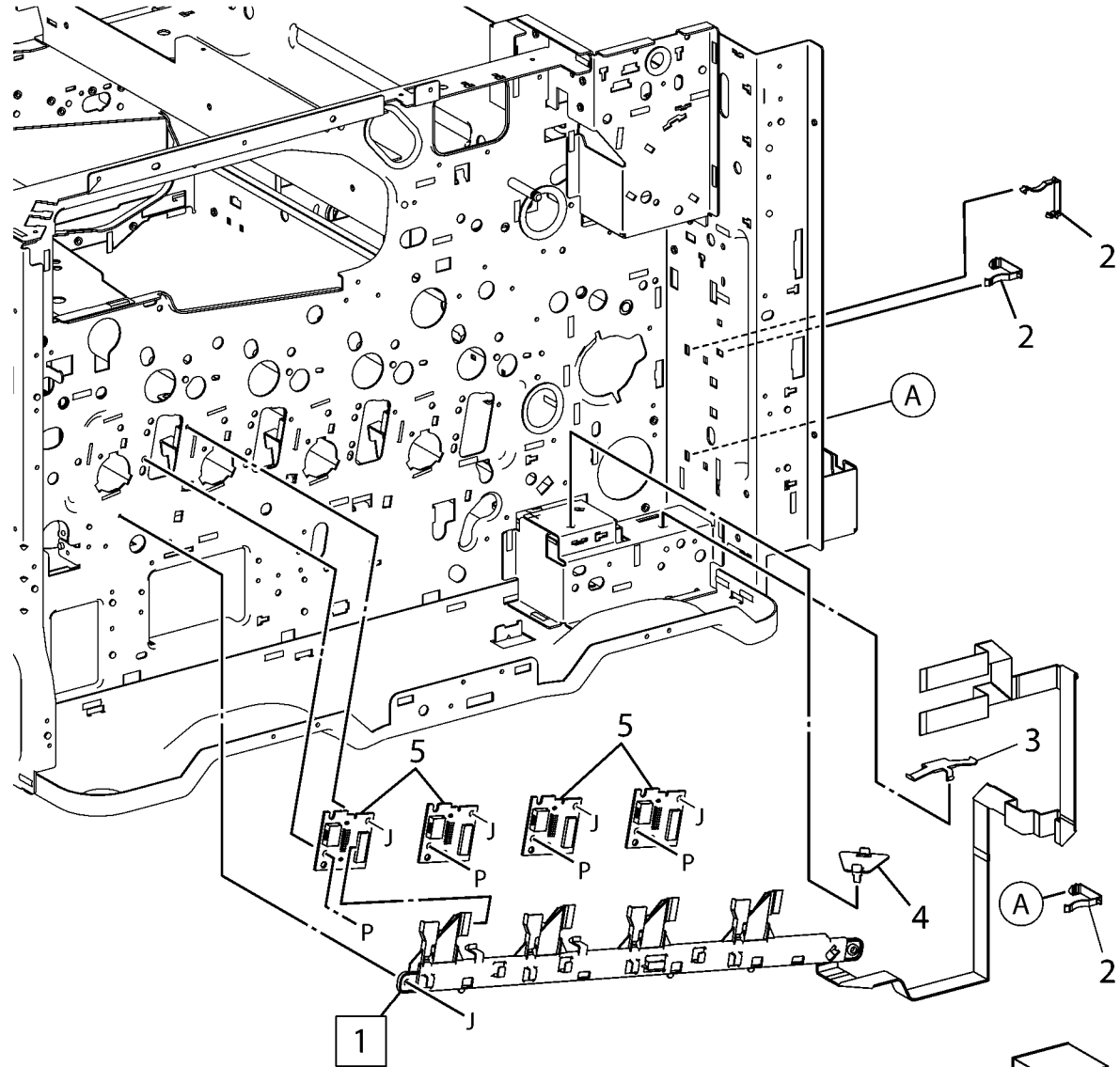
| Item | Part      | Description                                 |
|------|-----------|---|
| 1    | 019K09281 | Rear Holder Assembly                        |
| 2    | 130K72653 | LED Print Head (REP 9.15)                   |
| 3    | -         | Guide (P/O PL 3.1 Item 2)                   |
| 4    | 042K93520 | LED Print Head Cleaner                      |
| 5    | -         | LED Print Head Assembly (P/O PL 3.1 Item 2) |
| 6    | 011K98621 | Drum Cover                                  |



0503001A-OAK

## PL 3.2 LED Print Head (2 of 2)

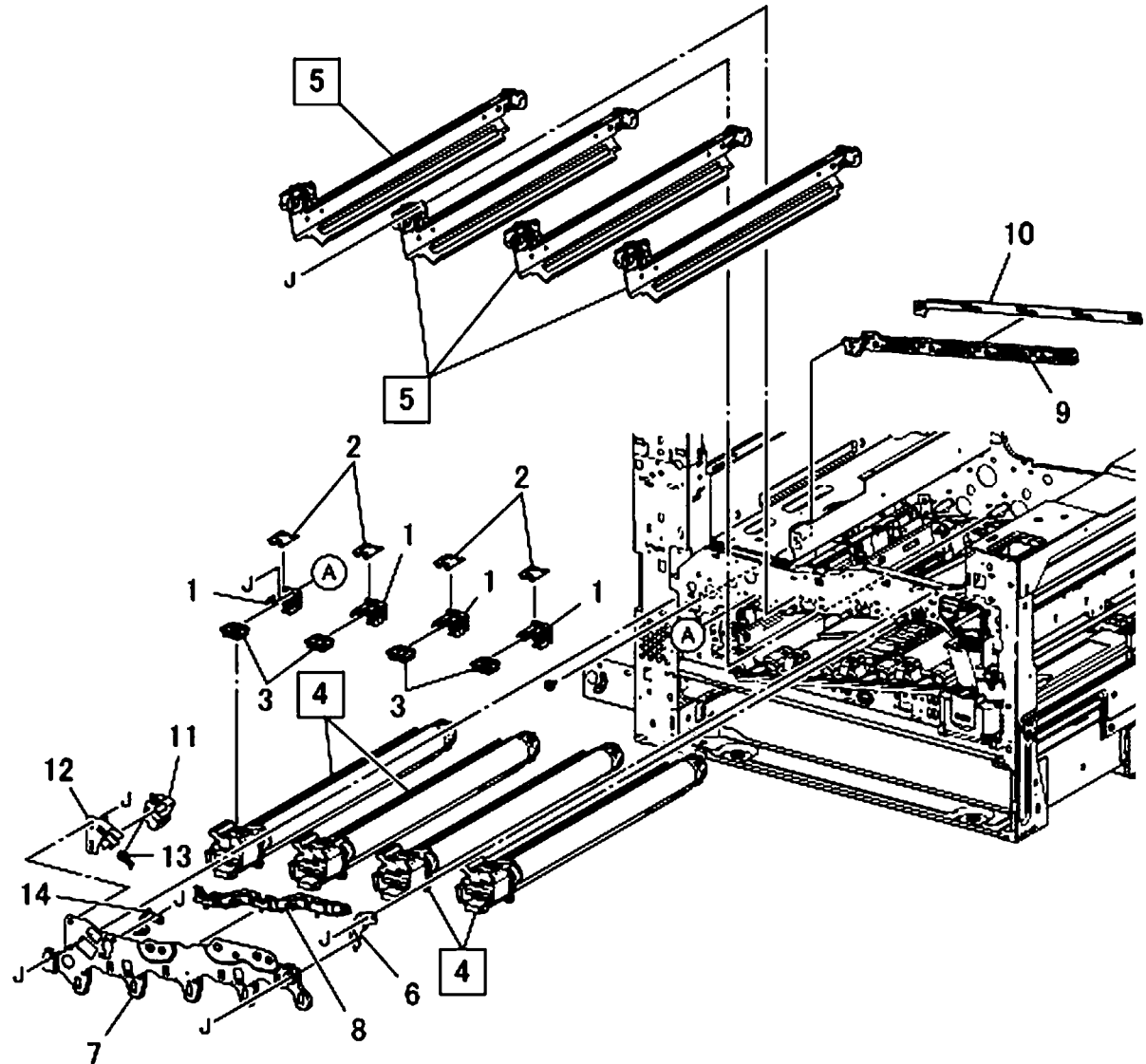
| Item | Part      | Description                                 |
|------|-----------|---|
| 1    | 962K60134 | LED Print Head Cable Assembly<br>(REP 9.14) |
| 2    | 868E07740 | Cable Holder                                |
| 3    | 868E14670 | Cable Holder                                |
| 4    | 868E07730 | Cable Holder                                |
| 5    | 960K36951 | LED Print Head Rear PWB                     |



0503002A-OAK

## PL 4.1 Xerographic (1 of 2)

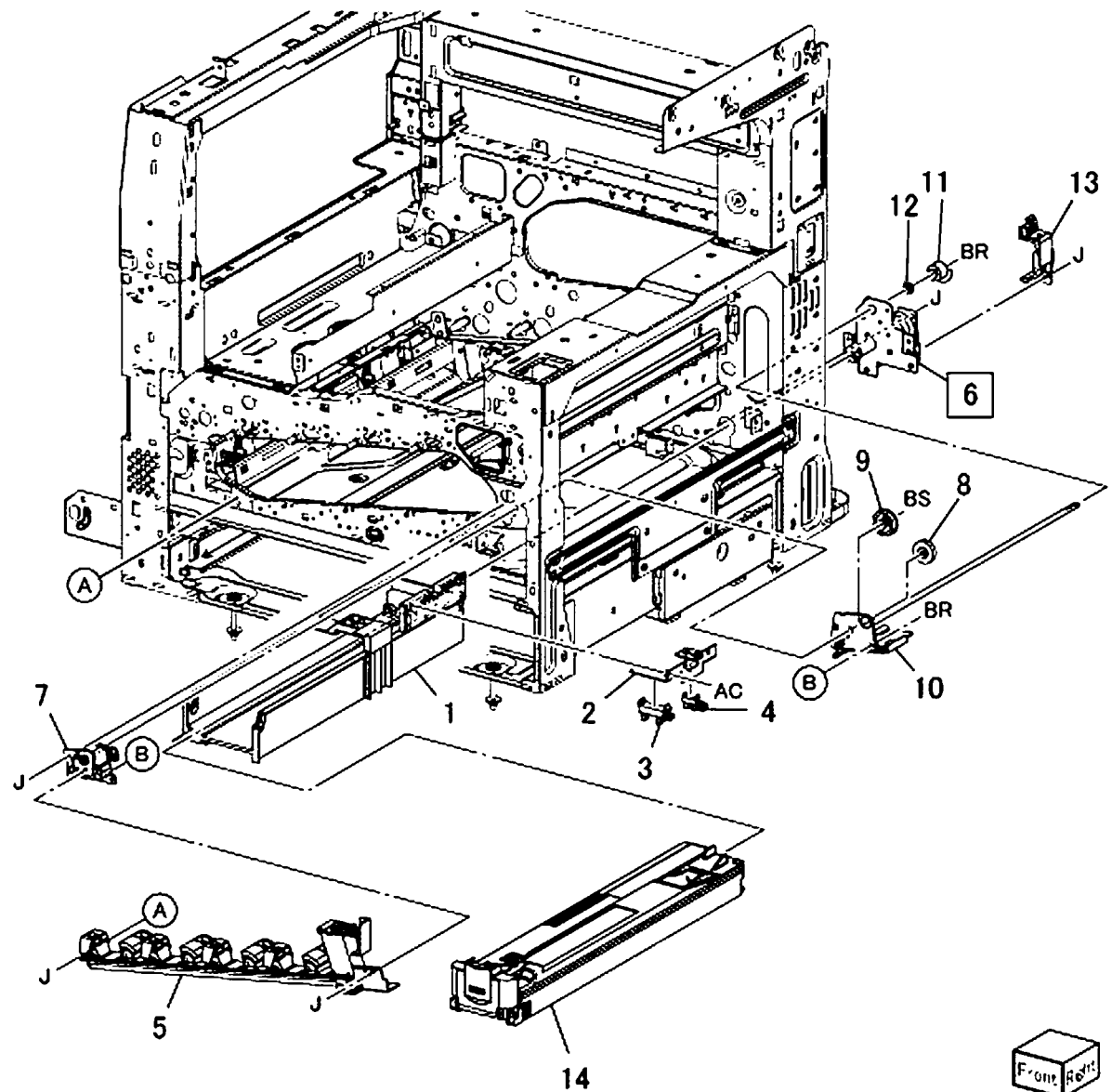
| Item | Part      | Description                        |
|------|-----------|------------------------------------|
| 1    | 019K10731 | CRUM Holder                        |
| 2    | 848E21520 | CRUM Cover                         |
| 3    | 113K83481 | CRUM Coupler Drum                  |
| 4    | 013R00647 | Drum Cartridge (REP 9.6)           |
| 5    | 032K04701 | Erase Lamp Unit (REP 9.7, REP 9.8) |
| 6    | -         | Bracket (Not Spared)               |
| 7    | -         | Plate (Not Spared)                 |
| 8    | -         | Harness Holder (Not Spared)        |
| 9    | -         | Harness Holder (Not Spared)        |
| 10   | -         | Cover (Not Spared)                 |
| 11   | 011E20901 | Handle Lock Lever                  |
| 12   | -         | Bracket (Not Spared)               |
| 13   | -         | Spring (Not Spared)                |
| 14   | -         | Spring (Not Spared)                |



0504001A-OAK

## PL 4.2 Xerographic (2 of 2)

| Item | Part      | Description                        |
|------|-----------|------------------------------------|
| 1    | —         | Bottle Guide Assembly (Not Spared) |
| 2    | —         | Sensor Bracket (Not Spared)        |
| 3    | 930W00511 | Waste Toner Bottle Full Sensor     |
| 4    | 130E81600 | Waste Toner Bottle Position Sensor |
| 5    | 052K97012 | Waste Toner Pipe Assembly          |
| 6    | 068K59501 | Agitator Motor Assembly (REP 9.9)  |
| 7    | 068K59510 | Gear Bracket Assembly              |
| 8    | 807E19540 | Helical Gear (29T)                 |
| 9    | 807E19530 | Helical Gear (31T)                 |
| 10   | 006K86981 | Drive Shaft Assembly               |
| 11   | 807E19510 | Helical Gear (20T)                 |
| 12   | 413W11660 | Sleeve Bearing                     |
| 13   | —         | Harness Holder (Not Spared)        |
| 14   | 008R13061 | Waste Toner Container              |

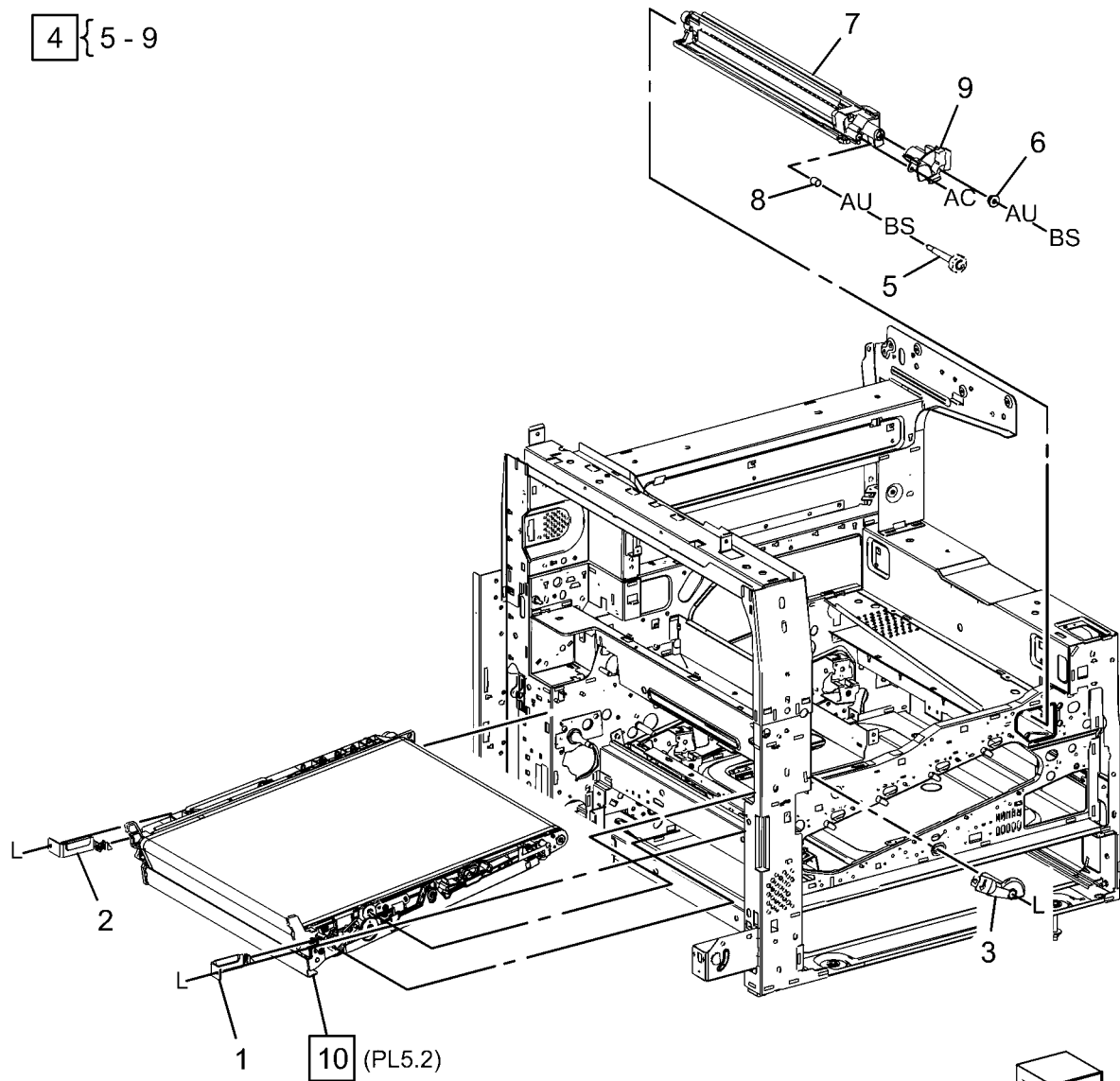


0504002A-OAK

# PL 5.1 Transfer (1 of 2)

| Item | Part      | Description                               |
|------|-----------|---|
| 1    | 068K53690 | Front Lock Bracket                        |
| 2    | 068K53680 | Rear Lock Bracket                         |
| 3    | 003E78891 | Tension Lever                             |
| 4    | 001R00600 | Transfer Belt Cleaner Assembly (REP 9.1)  |
| 5    | 003K16300 | Knob                                      |
| 6    | -         | Bearing (P/O PL 5.1 Item 4)               |
| 7    | -         | Transfer Belt Cleaner (P/O PL 5.1 Item 4) |
| 8    | -         | Spring (P/O PL 5.1 Item 4)                |
| 9    | -         | Shutter (P/O PL 5.1 Item 4)               |
| 10   | 604K49185 | IBT Assembly (REP 9.2)                    |

4 { 5 - 9

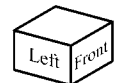
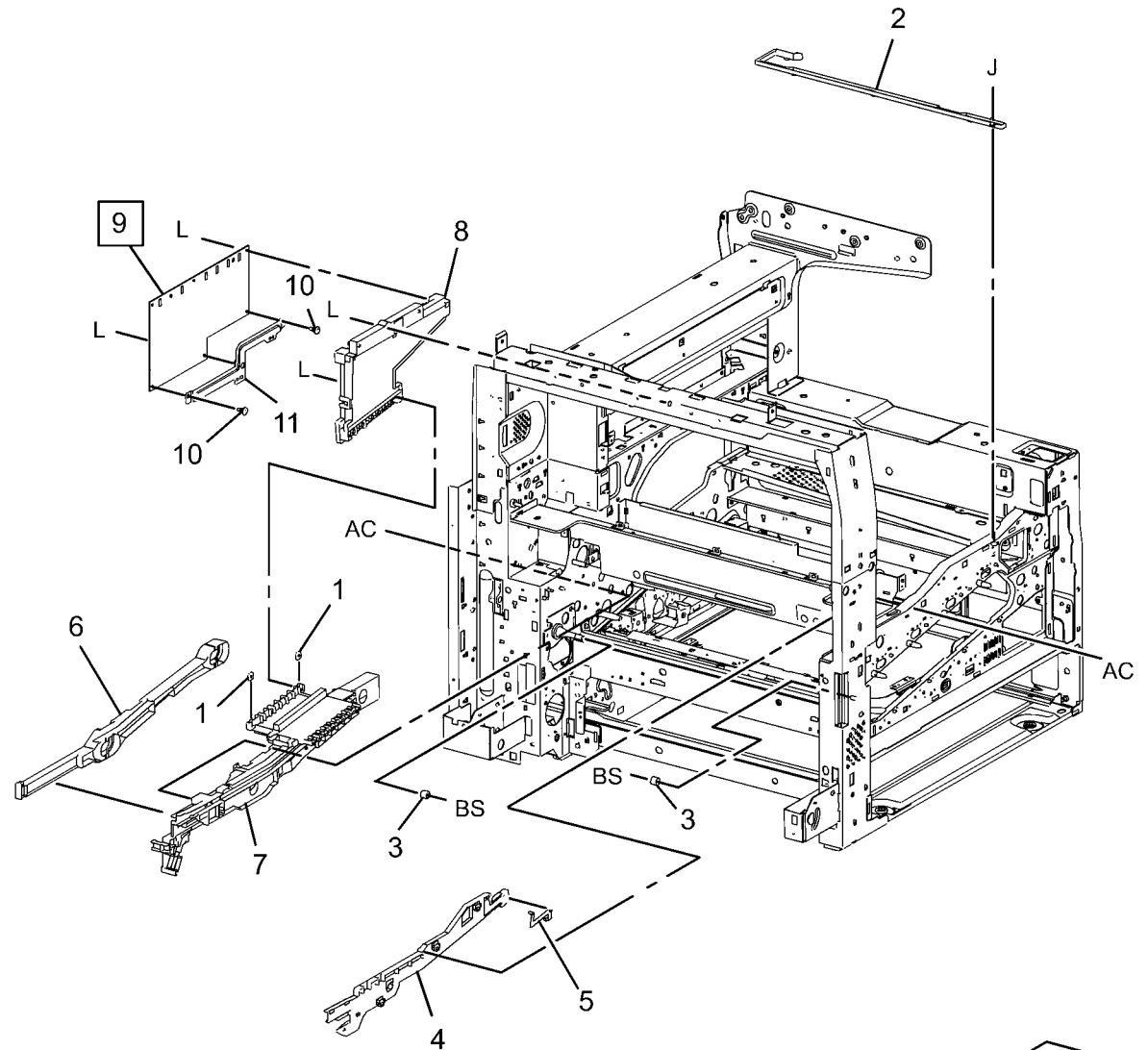


Left Front

0505001A-OAK

## PL 5.2 Transfer (2 of 2)

| Item | Part      | Description                |
|------|-----------|----------------------------|
| 1    | -         | Plate Nut (Not Spared)     |
| 2    | 032K06050 | IBT Cleaner Guide          |
| 3    | -         | Metal Bearing (Not Spared) |
| 4    | 032E27610 | IBT Front Guide            |
| 5    | -         | Conductor (Not Spared)     |
| 6    | 120E29340 | Actuator                   |
| 7    | 032K05311 | Guide Assembly             |
| 8    | 848K13960 | Conductor Housing Assembly |
| 9    | 105E17530 | HVPS/Detach HVPS (REP 1.1) |
| 10   | -         | PWB Support (Not Spared)   |
| 11   | -         | Bracket (Not Spared)       |

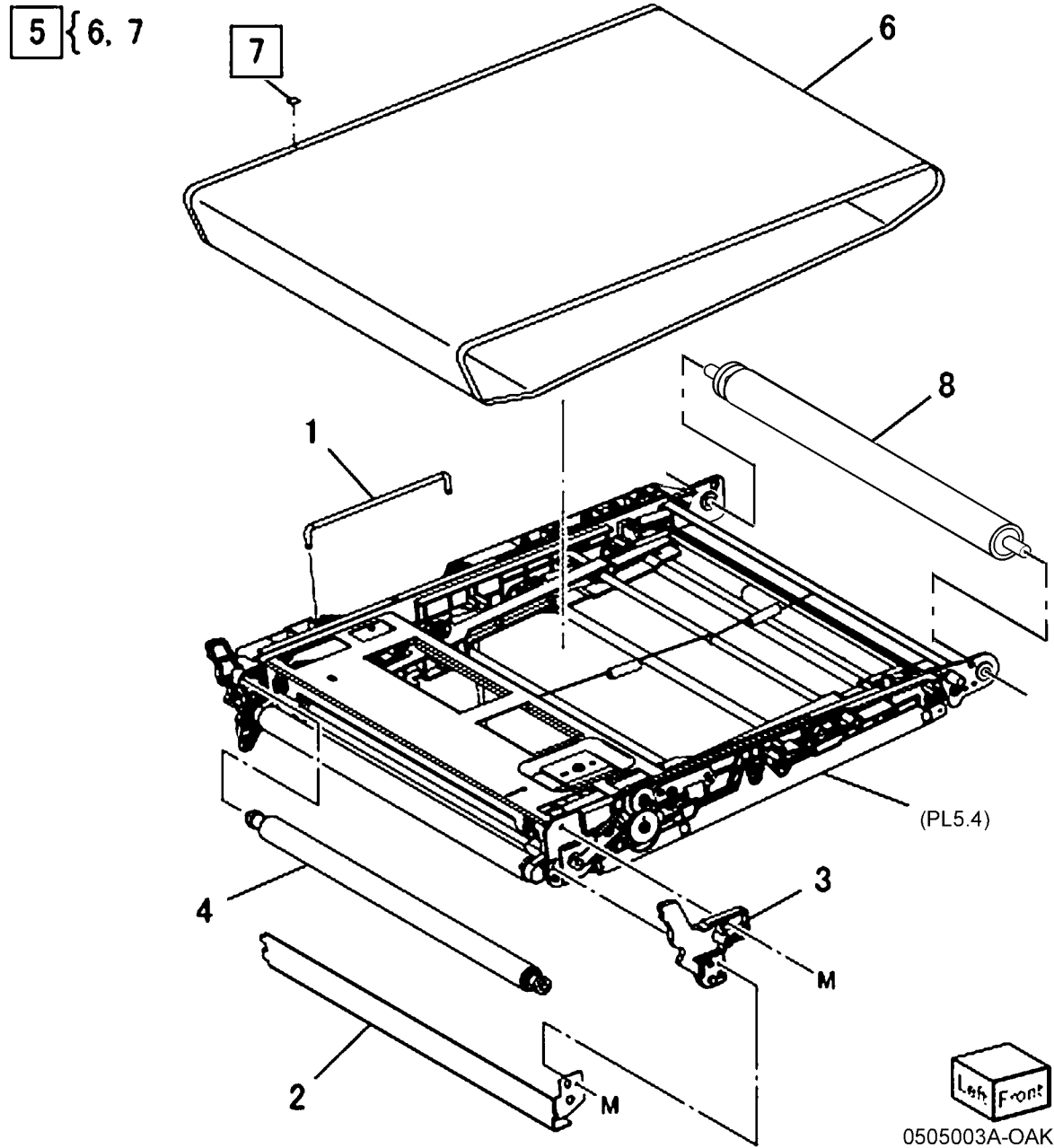


0505002A-OAK



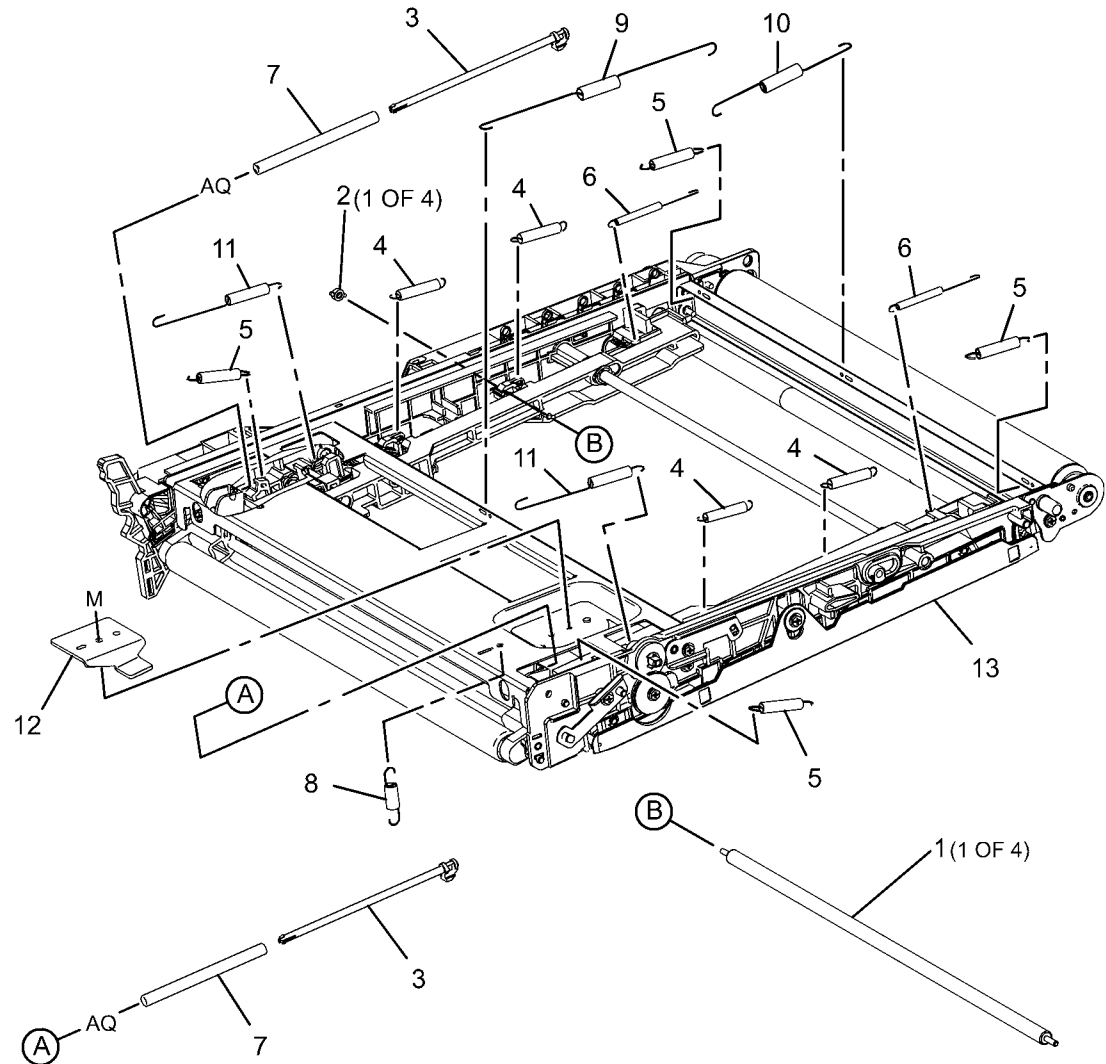
## PL 5.3 IBT Assembly (1 of 2)

| Item | Part      | Description                          |
|------|-----------|--------------------------------------|
| 1    | -         | Handle (P/O PL 5.1 Item 10)          |
| 2    | 054K33690 | Inlet Chute                          |
| 3    | -         | BUR Front Frame (P/O PL 5.1 Item 10) |
| 4    | 059K54990 | Back-up Roll                         |
| 5    | 064K92661 | Transfer Belt Assembly (REP 9.4)     |
| 6    | -         | Transfer Belt (P/O PL 5.3 Item 5)    |
| 7    | 035E53820 | TR0 Patch (REP 9.5)                  |
| 8    | 059K53400 | Drive Pinch Roll Assembly            |



## PL 5.4 IBT Belt Unit (2 of 2)

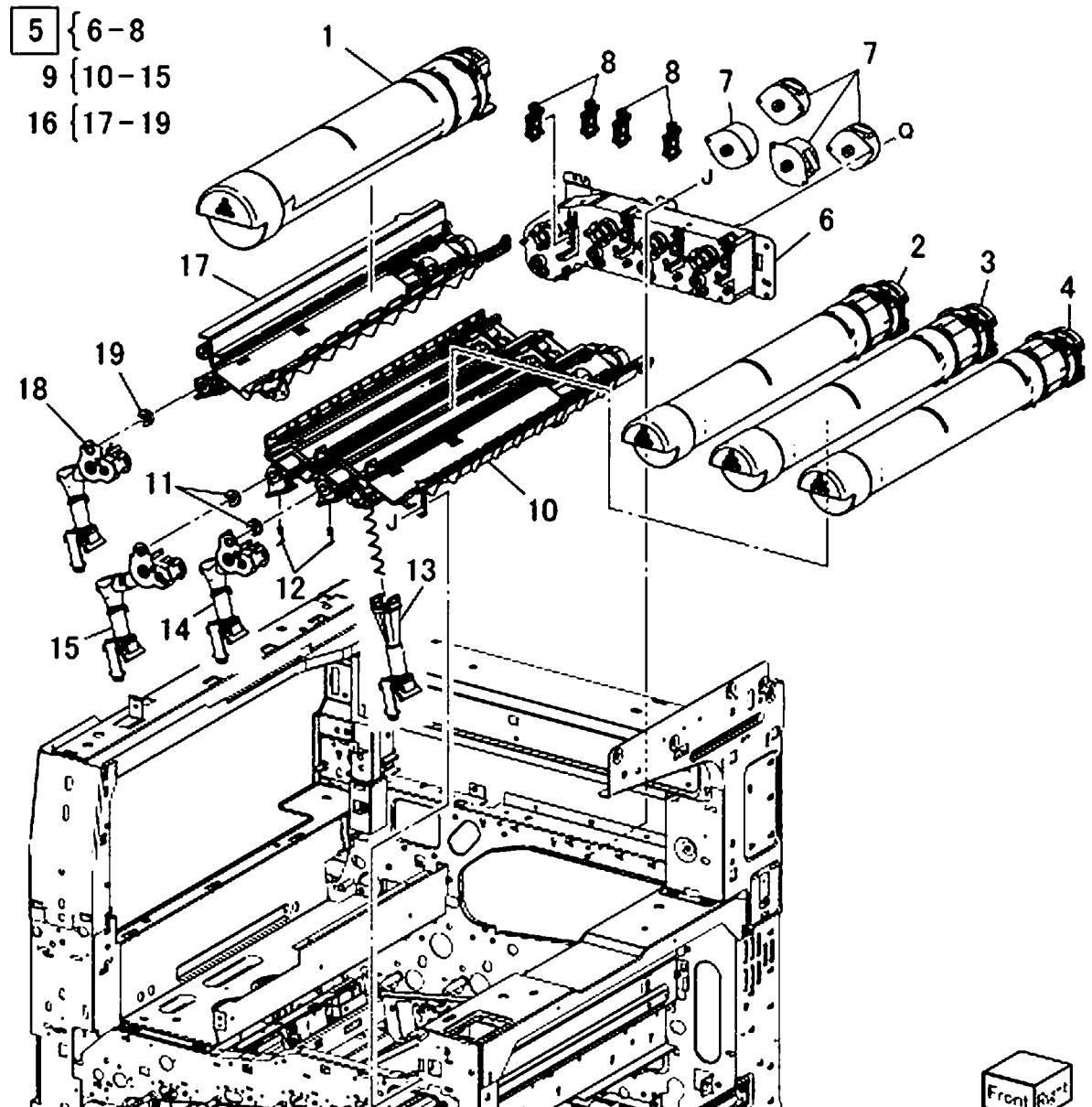
| Item | Part      | Description                               |
|------|-----------|---|
| 1    | 059E03290 | 1st BTR Roll                              |
| 2    | —         | 1st BTR Conductor (P/O PL 5.1 Item 10)    |
| 3    | —         | Tension Spring Shaft (P/O PL 5.1 Item 10) |
| 4    | 809E74790 | 1st BTR Spring                            |
| 5    | 809E74800 | IR Spring                                 |
| 6    | 809E74810 | BTR Spring                                |
| 7    | 809E74870 | Tension Spring                            |
| 8    | 809E75300 | Ground Spring                             |
| 9    | 809E76310 | Ground Center Spring                      |
| 10   | 809E76320 | Ground Right Spring                       |
| 11   | 809E76810 | BTR Spring                                |
| 12   | 809E76981 | Adjust Spring                             |
| 13   | —         | IBT Belt Assembly (P/O PL 5.1 Item 10)    |



0505004A-OAK

## PL 6.1 Development (1 of 2)

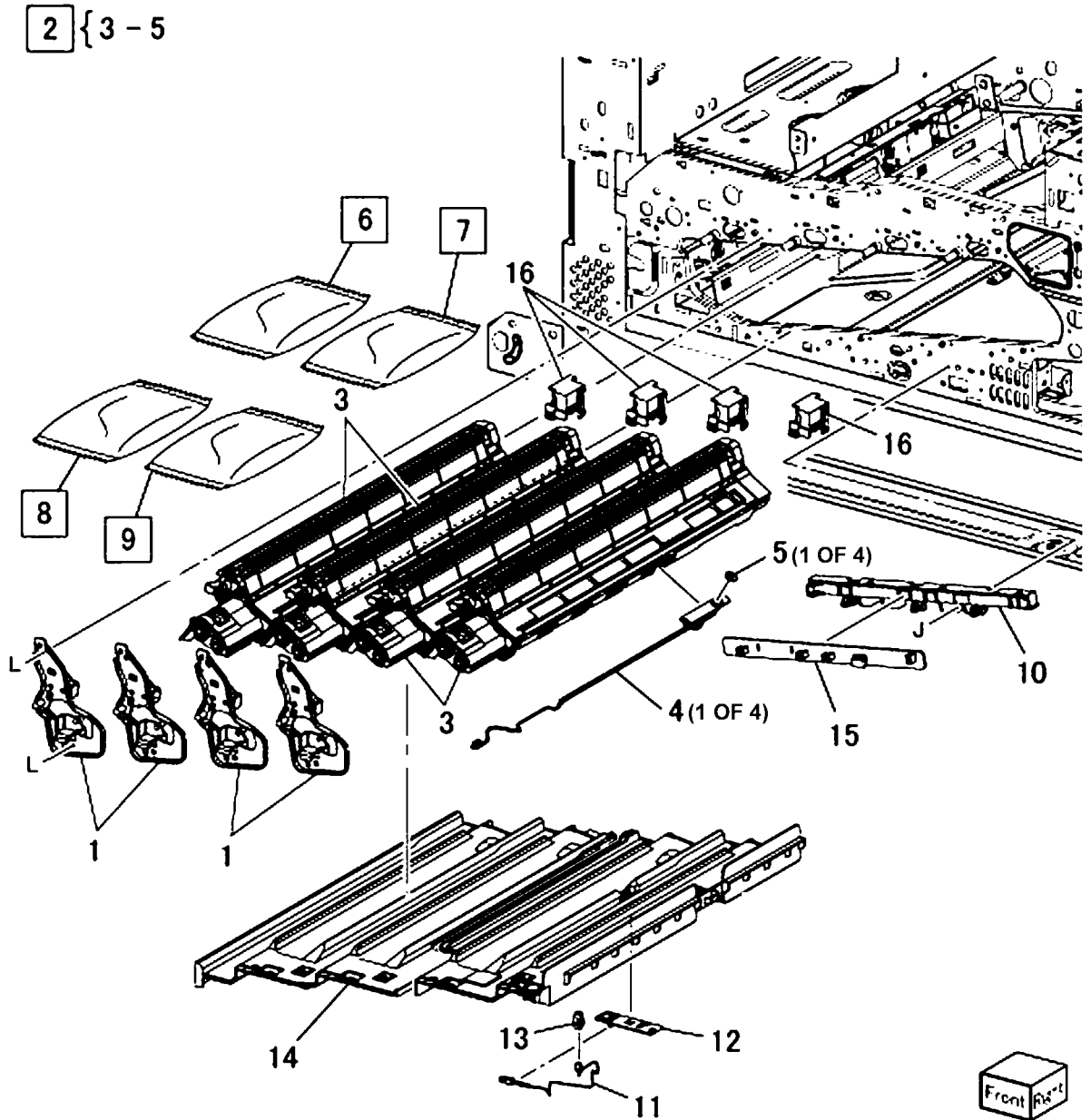
| Item | Part      | Description                                |
|------|-----------|--|
| 1    | 006R01391 | Toner Cartridge (K) (Metered - WW)         |
| -    | 006R01395 | Toner Cartridge (K) (Sold - NA/ESG)        |
| -    | 006R01399 | Toner Cartridge (K) (Sold - DMO)           |
| 2    | 006R01394 | Toner Cartridge (C) (Metered - WW)         |
| -    | 006R01398 | Toner Cartridge (C) (Sold - NA/ESG)        |
| -    | 006R01402 | Toner Cartridge (C) (Sold - DMO)           |
| 3    | 006R01393 | Toner Cartridge (M) (Metered - WW)         |
| -    | 006R01397 | Toner Cartridge (M) (Sold - NA/ESG)        |
| -    | 006R01401 | Toner Cartridge (M) (Sold - DMO)           |
| 4    | 006R01392 | Toner Cartridge (Y) (Metered - WW)         |
| -    | 006R01400 | Toner Cartridge (Y) (Sold - DMO)           |
| -    | 006R01396 | Toner Cartridge (Y) (Sold - NA/ESG)        |
| 5    | 127K57131 | Toner Dispense Motor Assembly              |
| 6    | -         | Dispense Assembly (P/O PL 6.1 Item 5)      |
| 7    | 127K53161 | Toner Dispense Motor (K/C/M/Y)             |
| 8    | 113K83244 | Toner Connector Assembly (K/C/M/Y)         |
| 9    | 094K92392 | Dispenser Pipe Assembly (C/M/Y)            |
| 10   | -         | Guide Assembly (C/M/Y) (P/O PL 6.1 Item 9) |
| 11   | -         | Auger Gear (C/M/Y) (P/O PL 6.1 Item 9)     |
| 12   | -         | Spring (P/O PL 6.1 Item 9)                 |
| 13   | 052K96801 | Dispenser Pipe (Y)                         |
| 14   | 052K96811 | Dispenser Pipe (M)                         |
| 15   | 052K96821 | Dispenser Pipe (C)                         |
| 16   | 094K92402 | Dispenser Pipe Assembly (K)                |
| 17   | -         | Guide Assembly (K) (P/O PL 6.1 Item 16)    |
| 18   | 052K96831 | Dispenser Pipe (K)                         |
| 19   | -         | Auger Gear (K) (P/O PL 6.1 Item 16)        |



0506001A-OAK

## PL 6.2 Development (2 of 2)

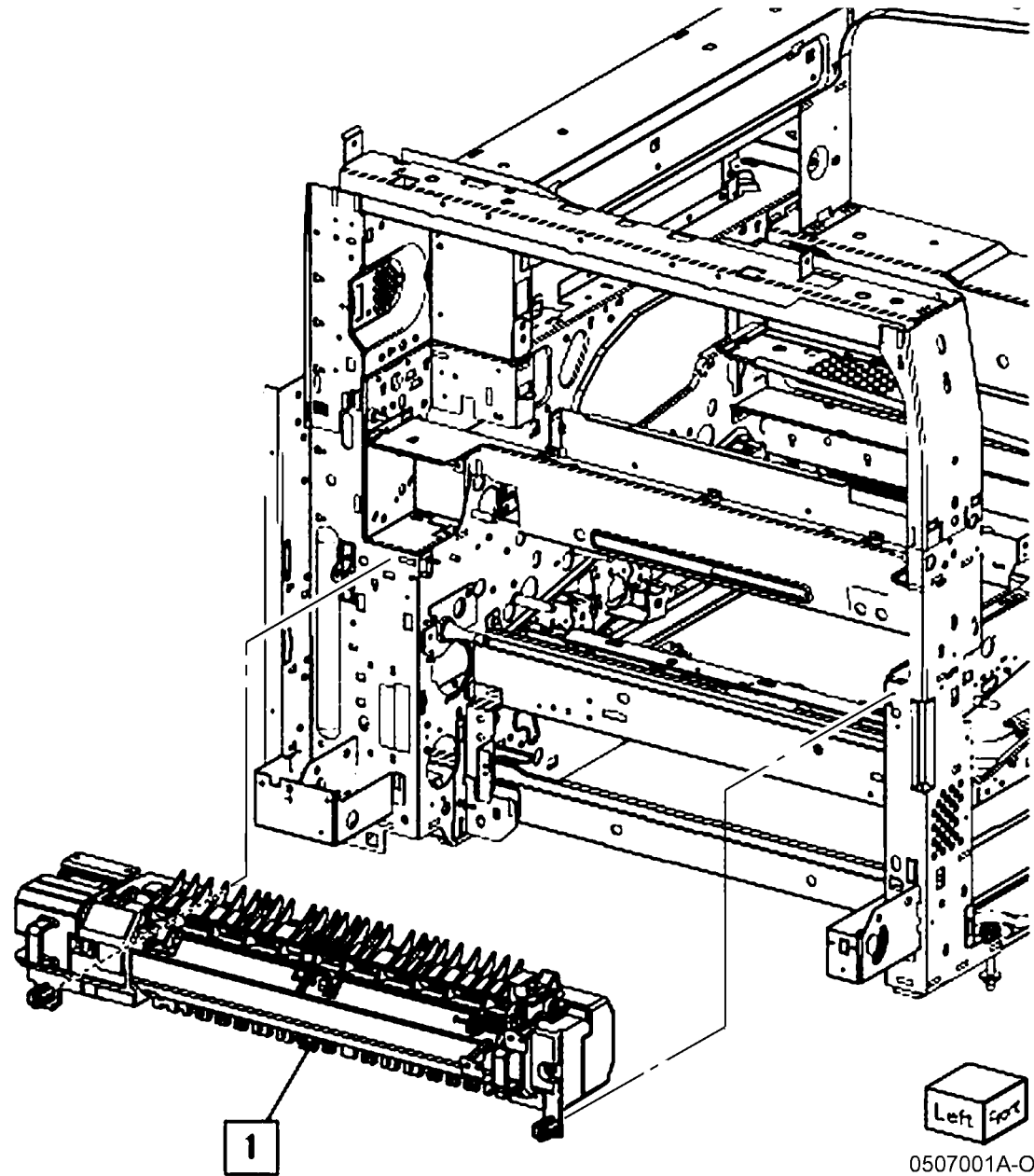
| Item | Part      | Description  |
|------|-----------|--|
| 1    | 015K77960 | Developer Plate Assembly                           |
| 2    | 848K08844 | Developer Housing Assembly (K, C, M, Y) (REP 9.11) |
| 3    | –         | Housing Assembly (P/O PL 6.2 Item 2)               |
| 4    | 130K71851 | ATC Sensor Assembly (K, C, M, Y)                   |
| 5    | –         | Seal (P/O PL 6.2 Item 2)                           |
| 6    | 675K67520 | Developer (K) (REP 9.12)                           |
| 7    | 675K67530 | Developer (C) (REP 9.12)                           |
| 8    | 675K67540 | Developer (M) (REP 9.12)                           |
| 9    | 675K67550 | Developer (Y) (REP 9.12)                           |
| 10   | –         | Bracket (Not Spared)                               |
| 11   | 130K71990 | NOHAD Thermistor                                   |
| 12   | –         | Bracket (Not Spared)                               |
| 13   | –         | Connector (Not Spared)                             |
| 14   | 815K02610 | Base Plate Assembly                                |
| 15   | 960K36700 | ATC PWB  |
| 16   | 010K91700 | Developer Bias Contact Assembly (REP 9.16)         |



Front View  
0506002A-OAK

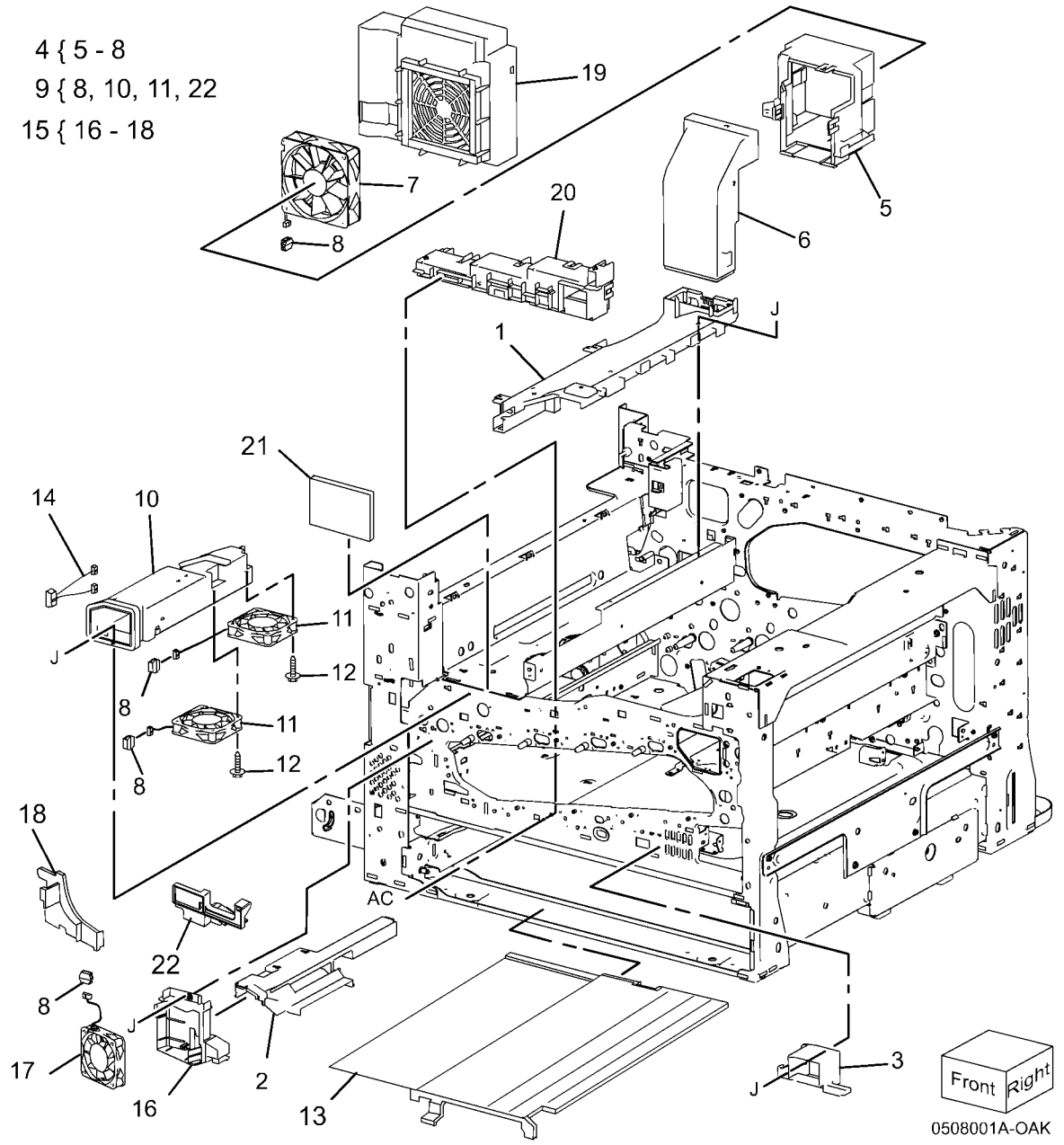
## PL 7.1 Fuser

| Item | Part      | Description                      |
|------|-----------|----------------------------------|
| 1    | 008R13062 | Fuser Assembly (110V) (REP 10.1) |
| -    | 008R13063 | Fuser Assembly (220V) (REP 10.1) |



# PL 8.1 NOHAD (1 of 2)

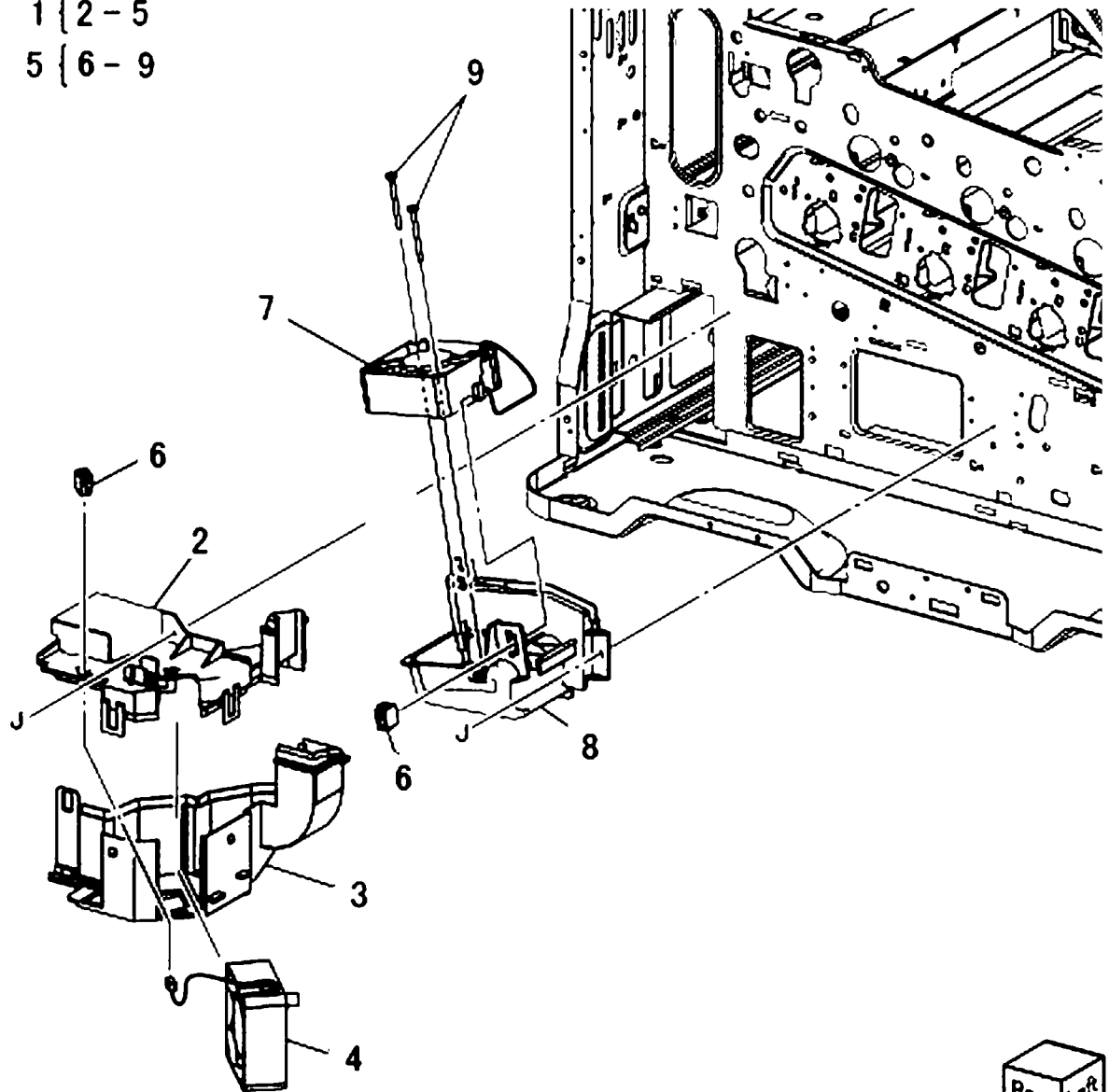
| Item | Part      | Description                        |
|------|-----------|------------------------------------|
| 1    | 054K36310 | Center Duct Assembly               |
| 2    | 054E34551 | Front Button Duct                  |
| 3    | 054E36160 | P1 Front Duct                      |
| 4    | 054K34520 | Fuser Fan Assembly                 |
| 5    | 054E33550 | Fuser Rear Duct                    |
| 6    | 054E34720 | Fuser Front Duct                   |
| 7    | 127K53050 | Fuser Fan                          |
| 8    | 913W13170 | Connector                          |
| 9    | 054K34542 | IBT Duct Assembly                  |
| 10   | -         | IBT Duct (P/O PL 8.1 Item 9)       |
| 11   | 927W00314 | IBT Fan 1/2                        |
| 12   | -         | Screw (P/O PL 8.1 Item 9)          |
| 13   | 848K26480 | Cover Assembly - HVPS              |
| 14   | -         | Wire Harness (Not Spared)          |
| 15   | 054K40410 | P2 Duct Assembly                   |
| 16   | -         | Fan Duct (P/O PL 8.1 Item 15)      |
| 17   | -         | Process Fan 2 (P/O PL 8.1 Item 15) |
| 18   | 815K02170 | Plate Assembly                     |
| 19   | 054K34530 | Duct Assembly                      |
| 20   | -         | Front Duct Assembly (Not Spared)   |
| 21   | 835E15500 | Seal                               |
| 22   | 815E51940 | Plate                              |



## PL 8.2 NOHAD (2 of 2)

| Item | Part      | Description                     |
|------|-----------|---------------------------------|
| 1    | 054K34551 | HV Fan Assembly                 |
| 2    | -         | Upper Duct (P/O PL 8.2 Item 1)  |
| 3    | -         | Lower Duct (P/O PL 8.2 Item 1)  |
| 4    | 127K57370 | HV Fan                          |
| 5    | 054K36221 | Bottom Fan Assembly             |
| 6    | 913W13170 | Connector                       |
| 7    | 927W00325 | Bottom Fan                      |
| 8    | -         | Bottom Duct (P/O PL 8.2 Item 6) |
| 9    | -         | Screw (P/O PL 8.2 Item 6)       |

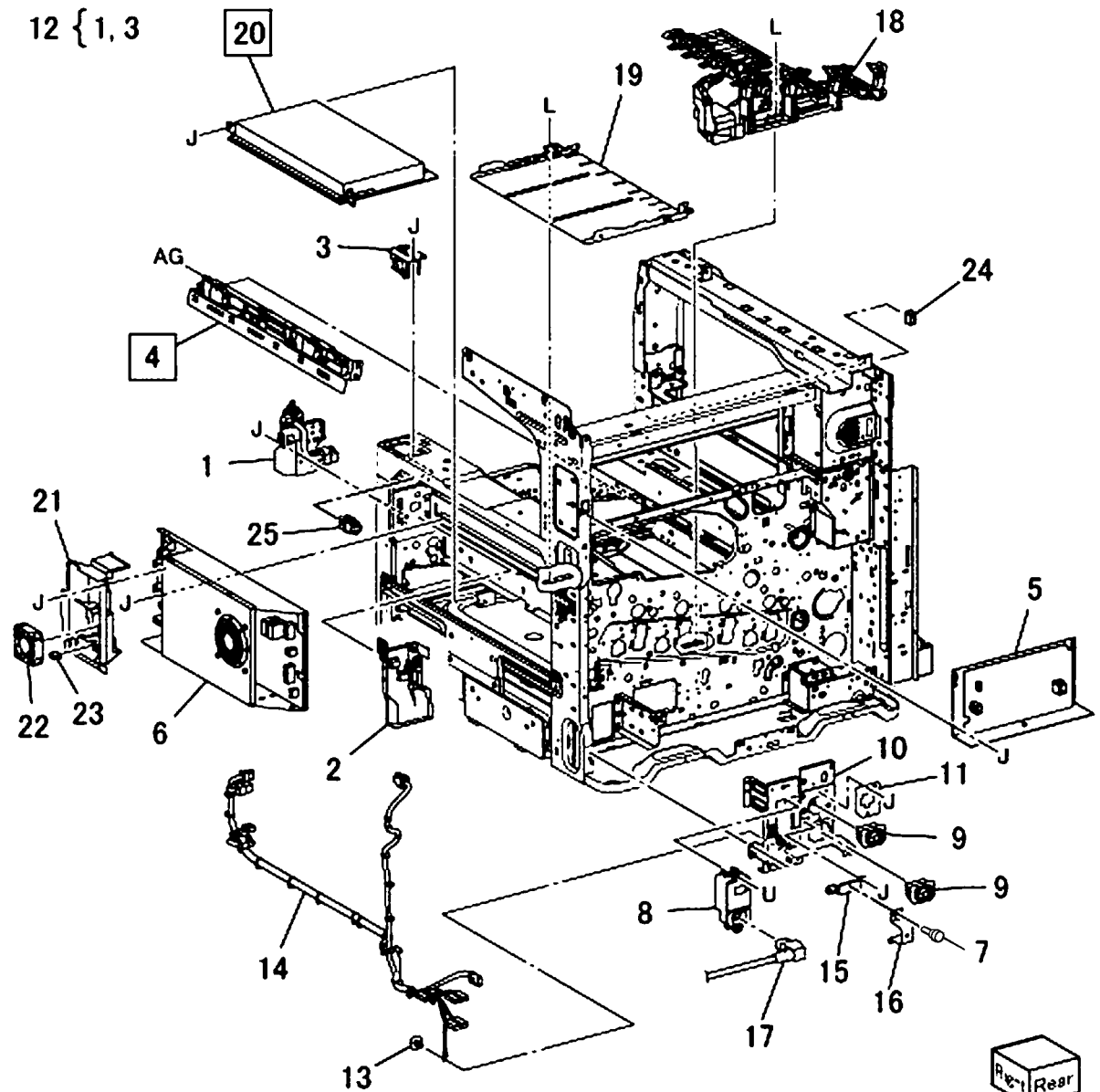
1 { 2 - 5  
5 { 6 - 9



0508002A-OAK

## PL 9.1 Electrical (1 of 2)

| Item | Part      | Description   |
|------|-----------|---|
| 1    | –         | Main Power Switch Chassis Assembly (P/O PL 9.1 Item 12) |
| 2    | –         | Main Switch Harness Guide (Not Spared)                  |
| 3    | –         | Cam Chassis Assembly (P/O PL 9.1 Item 12)               |
| 4    | 130K71470 | MOB/ADC Sensor Assembly (REP 9.3)                       |
| 5    | 105E17480 | AC Driver PWB   |
| 6    | 105E17642 | Main LVPS   |
| 7    | 826E39370 | Knurled Screw   |
| 8    | –         | GFI (Not Spared)  |
| 9    | 113E23720 | Finisher Outlet   |
| 10   | –         | GFI Chassis (Not Spared)                                |
| 11   | –         | Bracket (Not Spared)                                    |
| 12   | 604K49650 | Switch  |
| 13   | 826E08750 | Ground Screw  |
| 14   | –         | Wire Harness (Not Spared)                               |
| 15   | –         | Bracket (Not Spared)                                    |
| 16   | –         | Stopper (Not Spared)                                    |
| 17   | 917W03102 | Power Cord (220V)                                       |
| –    | 675K41570 | Power Cord (110V)                                       |
| 18   | 848K13850 | HVPS Housing  |
| 19   | –         | HVPS Guide (Not Spared)                                 |
| 20   | 105E17521 | HVPS (Developer/BCR) (REP 1.2)                          |
| 21   | –         | Duct (Not Spared)                                       |
| 22   | 127K58360 | Front LVPS Fan  |
| 23   | 913W13170 | Connector   |
| 24   | 110E12981 | IBT Front Cover Switch                                  |
| 25   | 110E11980 | Front Cover Interlock Switch                            |

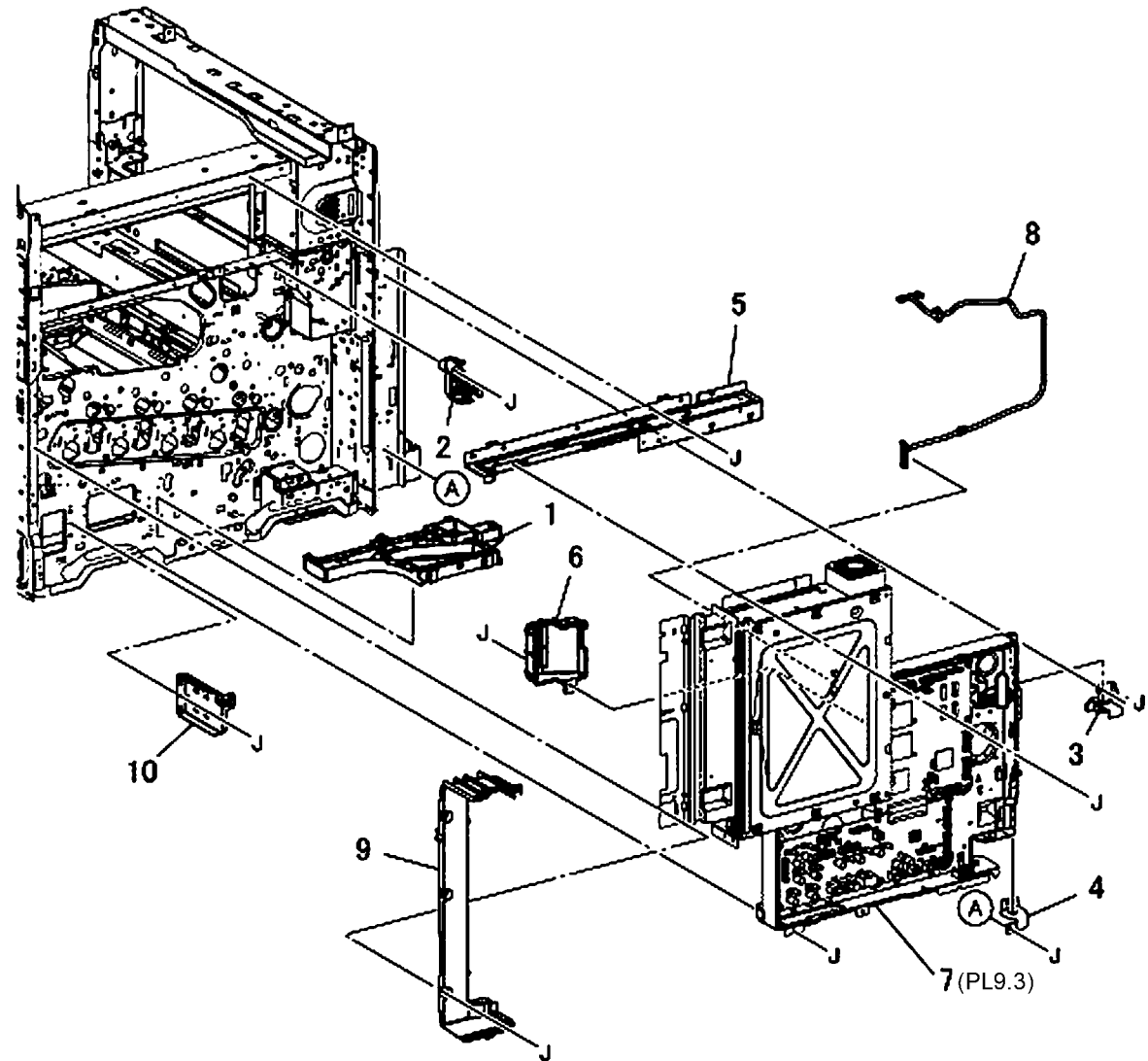


0509001A-OAK



## PL 9.2 Electrical (2 of 2)

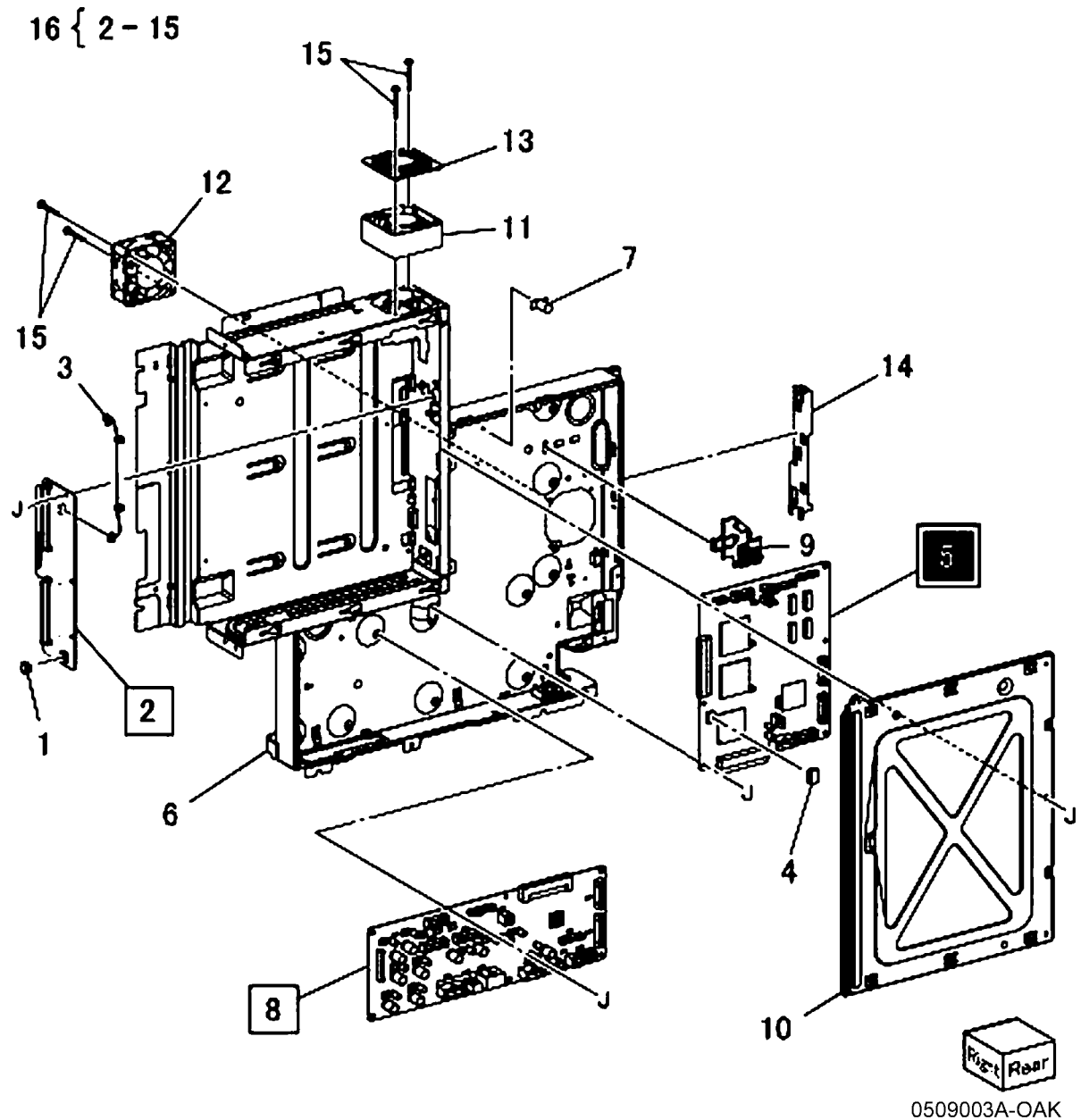
| Item | Part      | Description                    |
|------|-----------|--------------------------------|
| 1    | 032E29000 | Harness Holder                 |
| 2    | 032E28900 | Harness Holder                 |
| 3    | 015K78390 | Hinge Plate Assembly           |
| 4    | 868E07710 | Lower Hinge Bracket            |
| 5    | —         | Upper ESS Bracket (Not Spared) |
| 6    | 848E15910 | Connector Cover                |
| 7    | —         | PWB Chassis Unit (Not Spared)  |
| 8    | 117K38440 | IIT/Controller Cable           |
| 9    | 848E21271 | ESS Cover                      |
| 10   | —         | Bracket (Not Spared)           |



0509002A-OAK

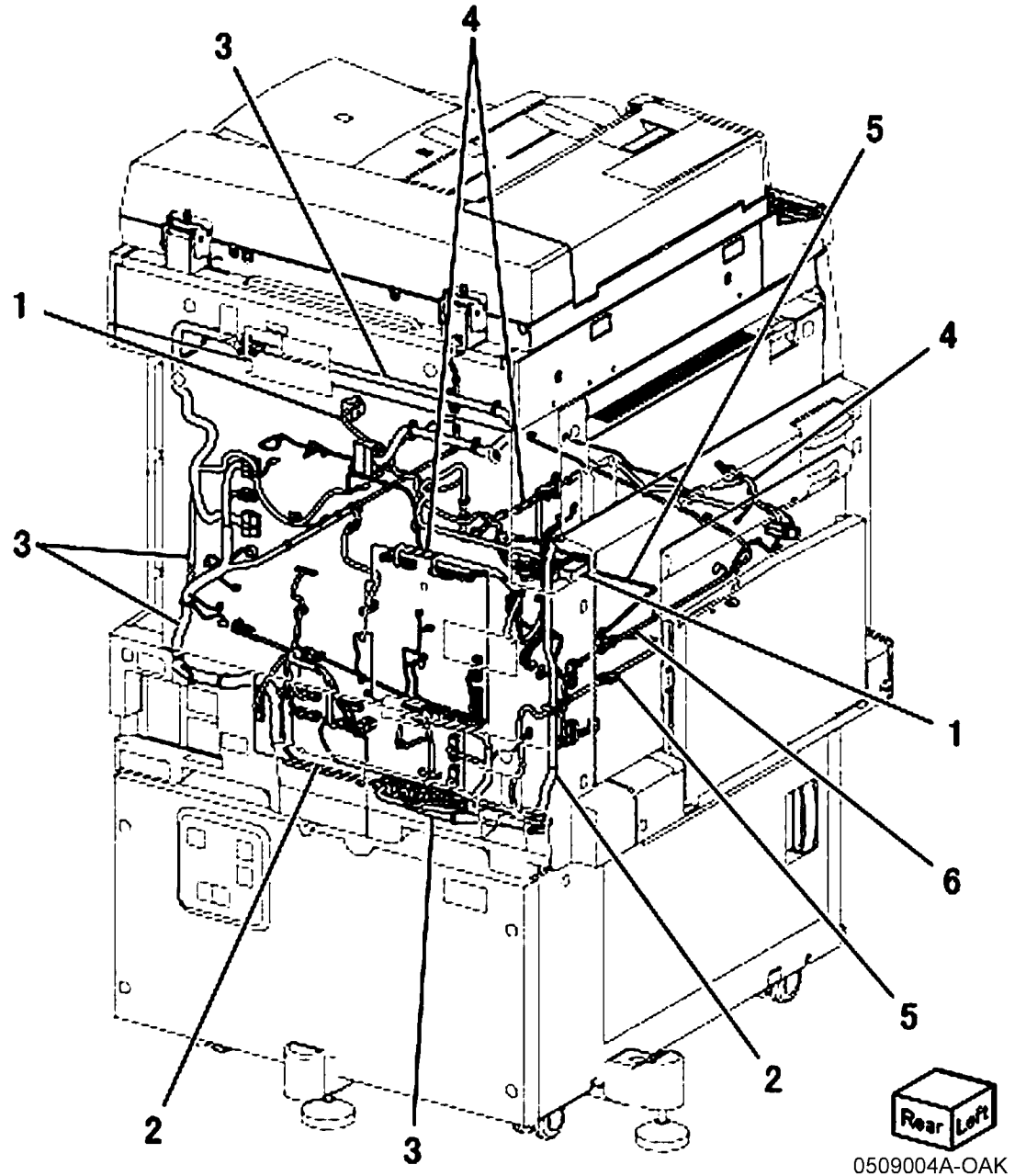
## PL 9.3 PWB Chassis Unit

| Item | Part      | Description                           |
|------|-----------|---------------------------------------|
| 1    | -         | BP PWB EEPROM (Not Spared)            |
| 2    | 960K37660 | BP PWB (REP 1.3)                      |
| 3    | 962K60090 | Wire Harness                          |
| 4    | 137E10800 | MCU EEPROM                            |
| 5    | 960K45694 | MCU PWB (REP 1.4)                     |
| 6    | -         | Chassis Assembly (P/O PL 9.3 Item 16) |
| 7    | 120P68262 | PWB Spacer                            |
| 8    | 960K38900 | MD PWB (REP 1.5)                      |
| 9    | -         | Cable Holder (P/O PL 9.3 Item 16)     |
| 10   | -         | ESS Cover (P/O PL 9.3 Item 16)        |
| 11   | 127K56980 | ESS Fan                               |
| 12   | 127K53040 | Drive Fan                             |
| 13   | 055E56400 | Fan Guard                             |
| 14   | -         | Cable Holder (P/O PL 9.3 Item 16)     |
| 15   | -         | Screw (P/O PL 9.3 Item 16)            |
| 16   | 101K59100 | PWB Chassis Unit                      |



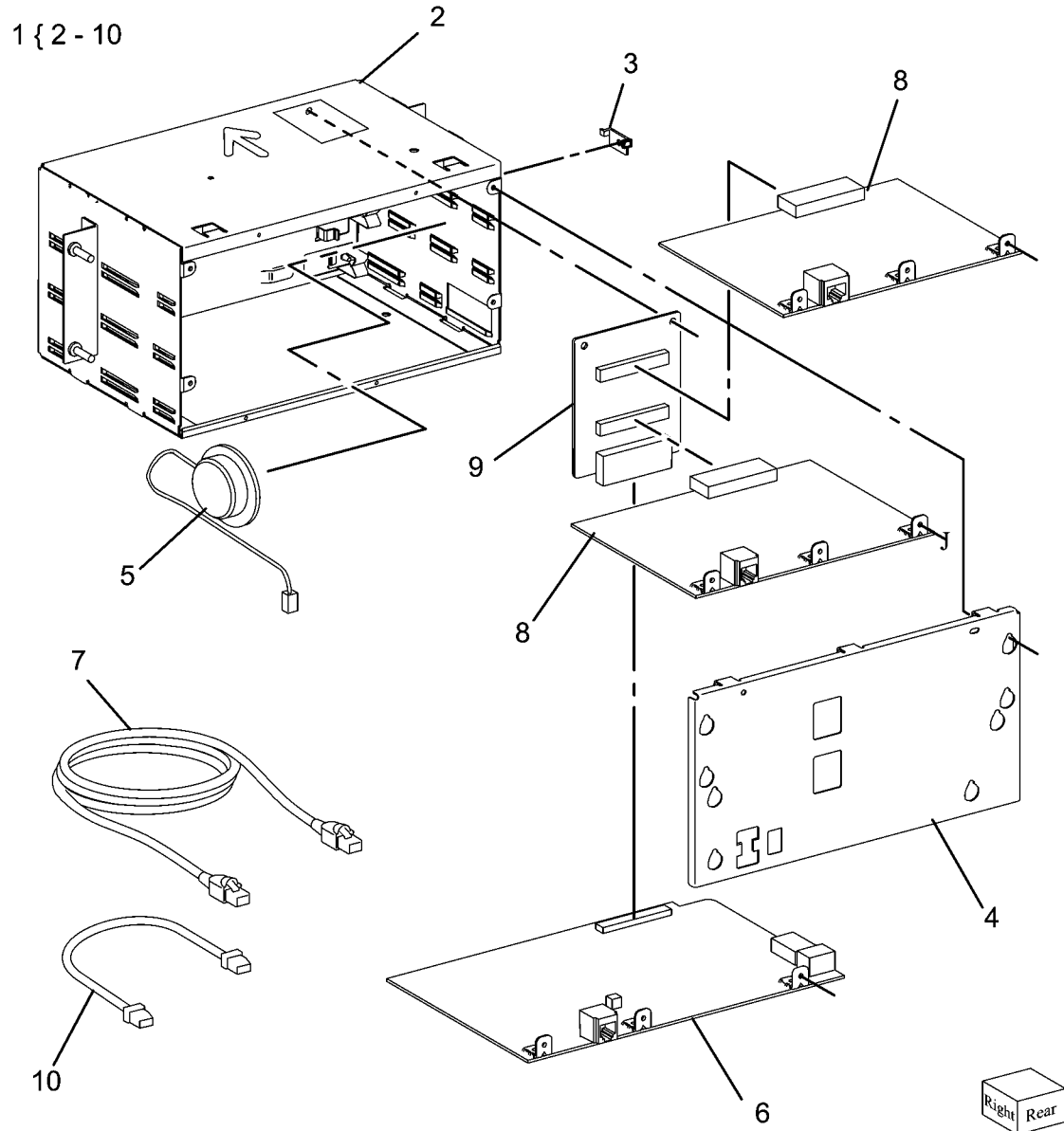
## PL 9.4 Wire Harness Left, Rear

| Item | Part      | Description               |
|------|-----------|---------------------------|
| 1    | 962K58281 | Wire Harness (Drawer)     |
| 2    | 962K60061 | Wire Harness (Main LH)    |
| 3    | 962K55564 | Wire Harness (Main RH)    |
| 4    | 962K60071 | Wire Harness (Main Top)   |
| 5    | 962K60081 | Wire Harness (Main Front) |
| 6    | 962K67180 | Wire Harness (HCF)        |



# PL 9.6 Fax Unit

| Item | Part      | Description                  |
|------|-----------|------------------------------|
| 1    | 498K18561 | 1 Line Fax Assembly (US/DMO) |
| -    | 498K18571 | 3 Line Fax Assembly (US/DMO) |
| 2    | -         | Fax Box (P/O PL 9.6 Item 1)  |
| 3    | -         | Bracket (P/O PL 9.6 Item 1)  |
| 4    | -         | Cover (P/O PL 9.6 Item 1)    |
| 5    | 130K73070 | Speaker Assembly             |
| 6    | 960K44865 | Fax PWB (XC)                 |
| -    | 960K44935 | Fax PWB (South America)      |
| -    | 960K44885 | Fax PWB (XE)                 |
| 7    | 117K37960 | Data Cable                   |
| 8    | 960K44874 | G3 PWB                       |
| -    | 960K44894 | G3 PWB (XE)                  |
| 9    | 960K39720 | Riser PWB                    |
| 10   | 117K38870 | USB Cable                    |

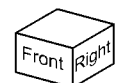
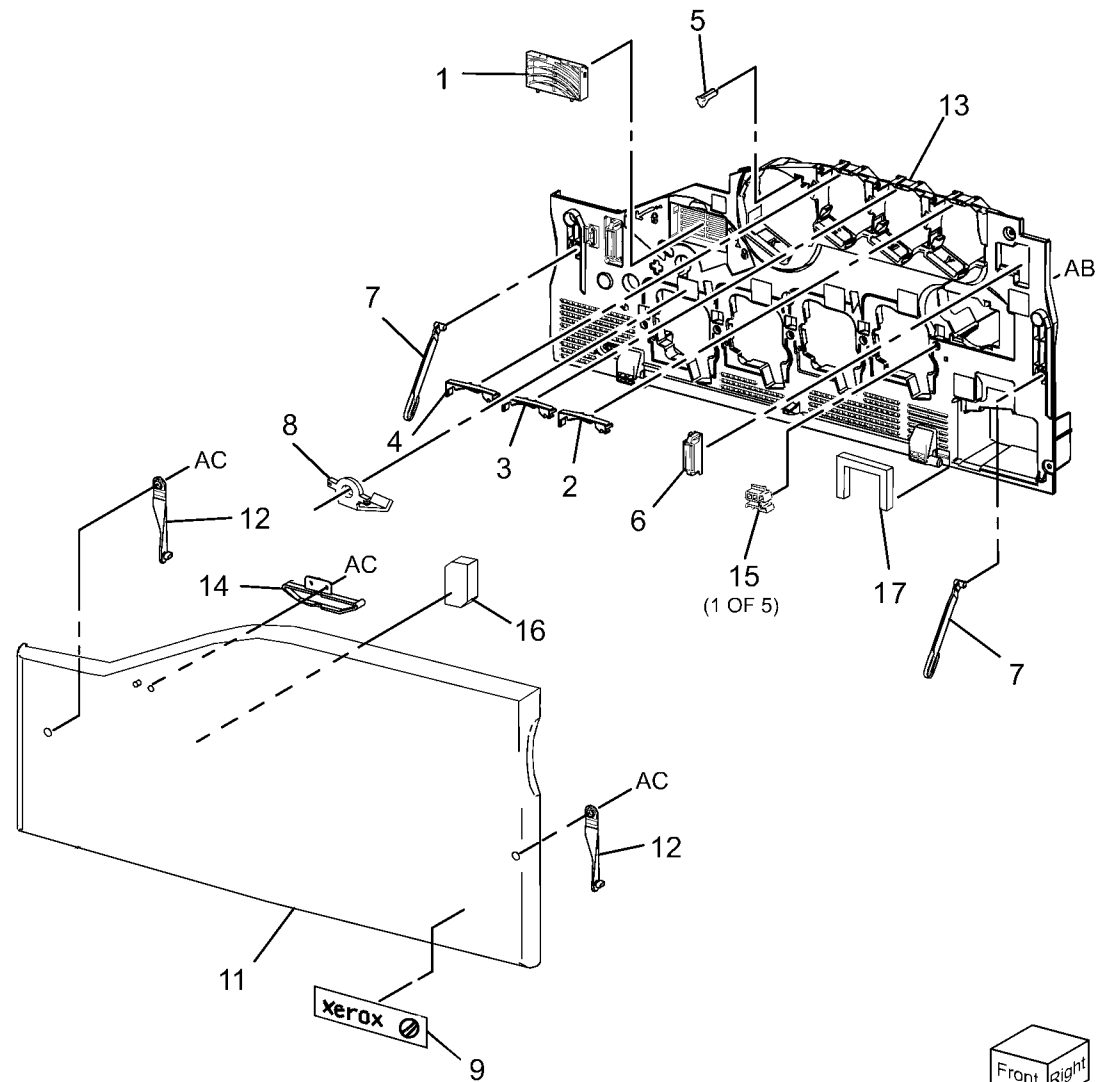


Right Rear  
0509006A-OAK

# PL 10.1 Covers (1 of 3)

| Item | Part      | Description                            |
|------|-----------|--|
| 1    | 848E18320 | Air Cover                              |
| 2    | 815E43271 | Cover Plate (Y)                        |
| 3    | 815E43281 | Cover Plate (M)                        |
| 4    | 815E43292 | Cover Plate (C)                        |
| 5    | 815E43300 | Cover Plate (K)                        |
| 6    | 121E21331 | Magnet Catch                           |
| 7    | 848E14020 | Strip (A)                              |
| 8    | 809E81200 | Guide Close Spring                     |
| 9    | -         | Xerox Logo Badge (P/O PL 10.1 Item 10) |
| 10   | 848K34240 | Front Cover Assembly                   |
| 11   | -         | Front Cover (P/O PL 10.1 Item 10)      |
| 12   | 848E14030 | Strip (B)                              |
| 13   | 848K27040 | Inner Cover Assembly                   |
| 14   | 032K05330 | Guide Assembly                         |
| 15   | 014E63022 | Block                                  |
| 16   | 835E13500 | D Seal                                 |
| 17   | 835E13530 | F Seal                                 |

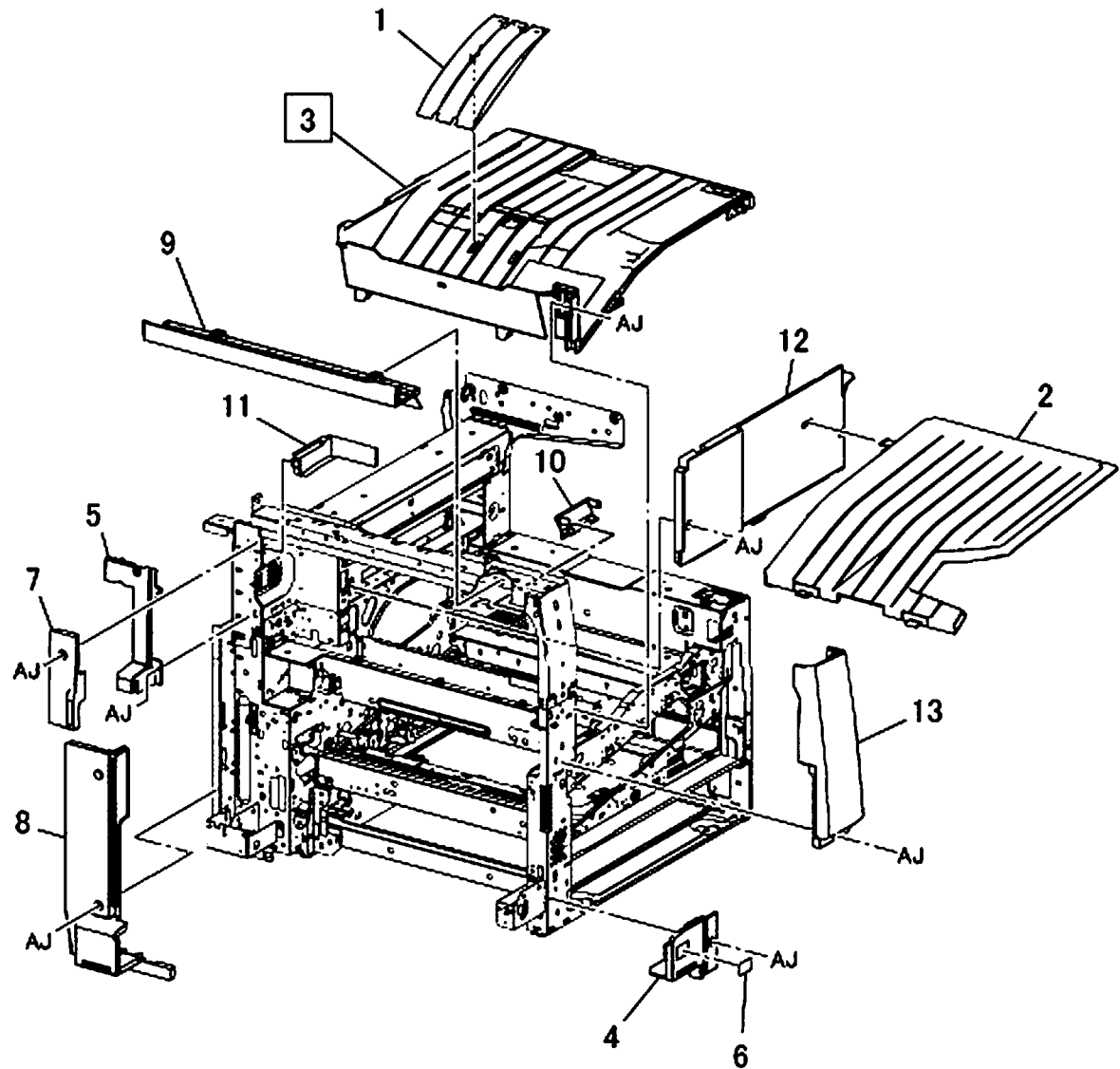
10 { 9, 11, 12



0510001B-OAK

## PL 10.2 Covers (2 of 3)

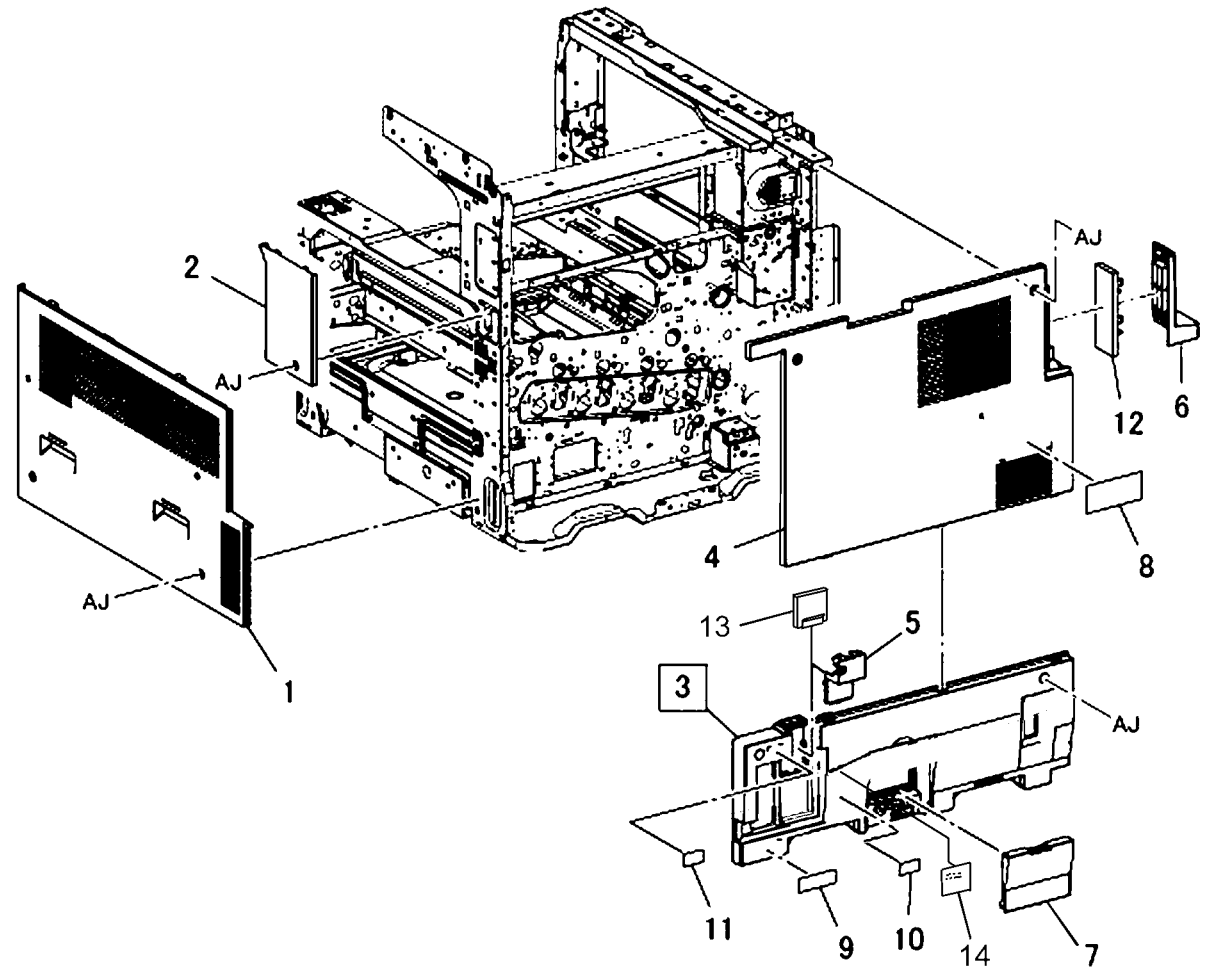
| Item | Part      | Description                        |
|------|-----------|------------------------------------|
| 1    | 050E24420 | Small Top Tray                     |
| 2    | 050E24490 | Exit 2 Tray                        |
| 3    | 848K05782 | Top Cover Assembly (REP 14.2)      |
| 4    | 848E21212 | Tray 5 Front Cover                 |
| 5    | -         | Left Rear Upper Cover (Not Spared) |
| 6    | -         | Number Label (Not Spared)          |
| 7    | -         | Left Cover (Not Spared)            |
| 8    | -         | Left Rear Lower Cover (Not Spared) |
| 9    | -         | Left Upper Cover (Not Spared)      |
| 10   | -         | Exit Front Cover (Not Spared)      |
| 11   | -         | Exit Rear Cover (Not Spared)       |
| 12   | -         | Top Rear Cover (Not Spared)        |
| 13   | 848E21202 | Front Left Cover                   |



0510002A-OAK

## PL 10.3 Covers (3 of 3)

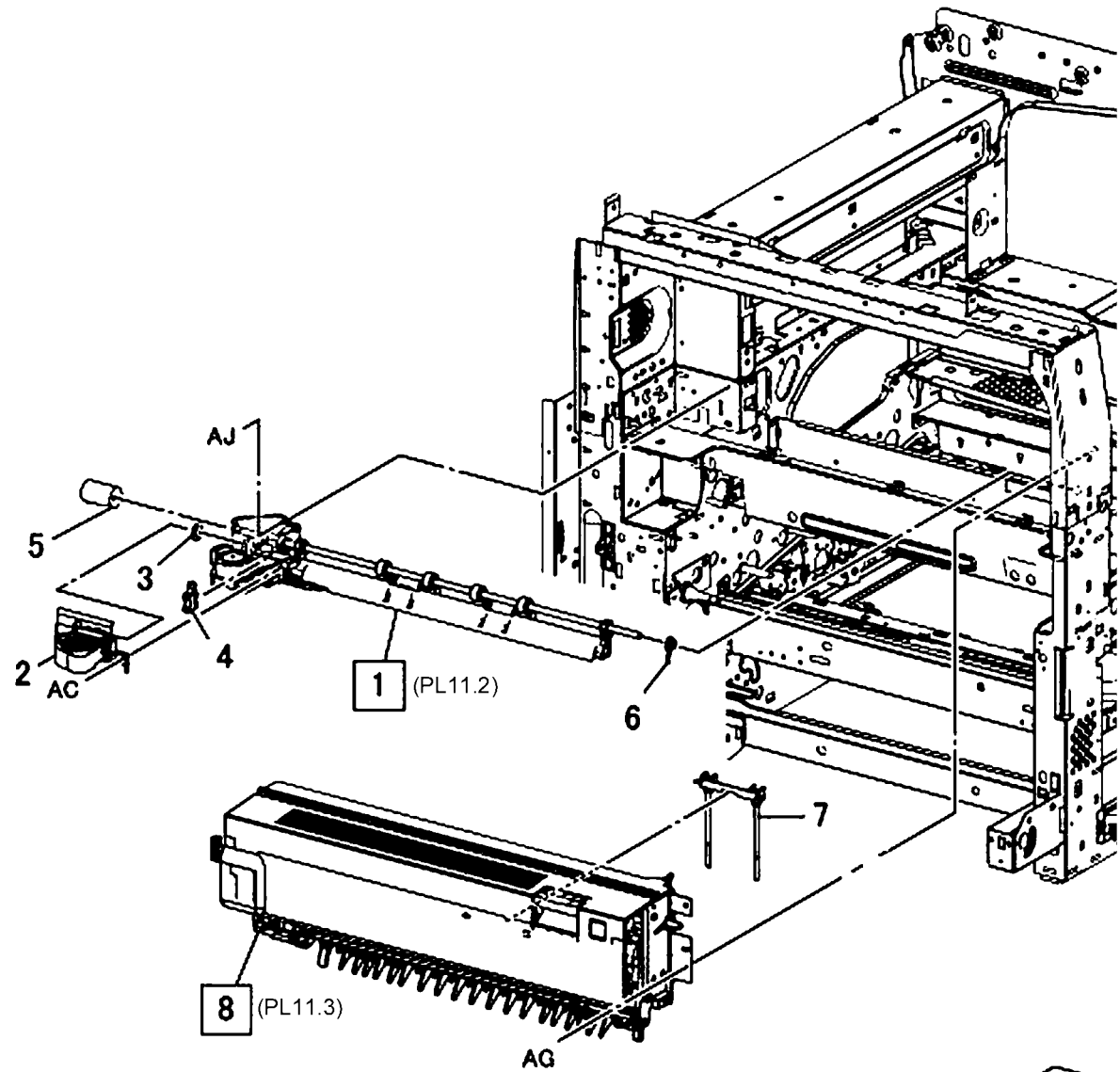
| Item | Part      | Description                   |
|------|-----------|-------------------------------|
| 1    | 848E21251 | Right Cover                   |
| 2    | -         | Right Rear Cover (Not Spared) |
| 3    | -         | Rear Lower Cover (Not Spared) |
| 4    | 848E21290 | Rear Upper Cover              |
| 5    | -         | DFE Outlet Cover (Not Spared) |
| 6    | -         | Filter Cover (Not Spared)     |
| 7    | -         | MCU Cover (Not Spared)        |
| 8    | -         | Data Plate (Not Spared)       |
| 9    | -         | Ground Label (Not Spared)     |
| 10   | -         | Label (Outlet) (Not Spared)   |
| 11   | -         | GFI Label (Not Spared)        |
| 12   | -         | Plate (Not Spared)            |
| 13   | -         | DFE Cover (Not Spared)        |
| 14   | -         | DFE Label (Not Spared)        |



0510003A-OAK

## PL 11.1 Exit 1/OCT, Exit 2

| Item | Part      | Description                                   |
|------|-----------|---|
| 1    | —         | Exit/OCT 1 Assembly (REF: PL 11.2) (REP 11.1) |
| 2    | —         | Motor Cover (Not Spared)                      |
| 3    | —         | Washer (Not Spared)                           |
| 4    | 930W00113 | Exit 1 OCT Home Position Sensor               |
| 5    | —         | Gear (19T) (Not Spared)                       |
| 6    | 013E33410 | Bearing                                       |
| 7    | 036K91801 | Paper Weight                                  |
| 8    | 059K62305 | Exit 2 Assembly (REP 11.2)                    |



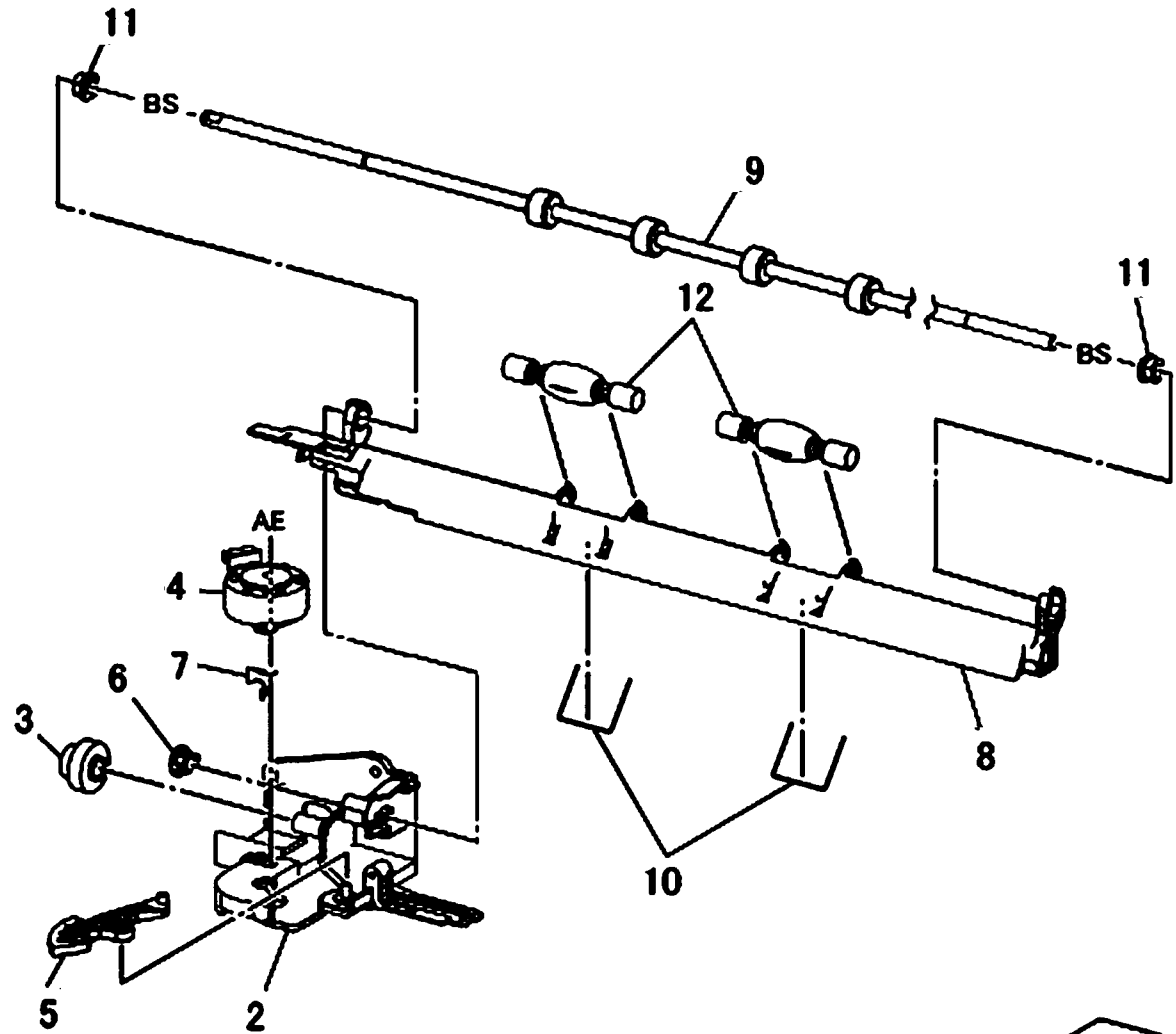
0511001A-OAK



# PL 11.2 Exit 1/OCT

| Item | Part      | Description                      |
|------|-----------|----------------------------------|
| 1    | 801K31222 | Exit 1 Base Assembly             |
| 2    | -         | Exit 1 Base (P/O PL 11.2 Item 1) |
| 3    | -         | Exit 1 Gear (P/O PL 11.2 Item 1) |
| 4    | 127K52280 | Exit 1 OCT Motor                 |
| 5    | -         | OCT Gear (P/O PL 11.2 Item 1)    |
| 6    | -         | Bearing (P/O PL 11.2 Item 1)     |
| 7    | -         | Ground Plate (Not Spared)        |
| 8    | 054E33690 | OCT Chute                        |
| 9    | 059K53440 | OCT 1 Roller                     |
| 10   | 809E67360 | Exit Pinch Spring                |
| 11   | 413W11660 | Sleeve Bearing                   |
| 12   | 059E04530 | Exit Pinch Roller                |

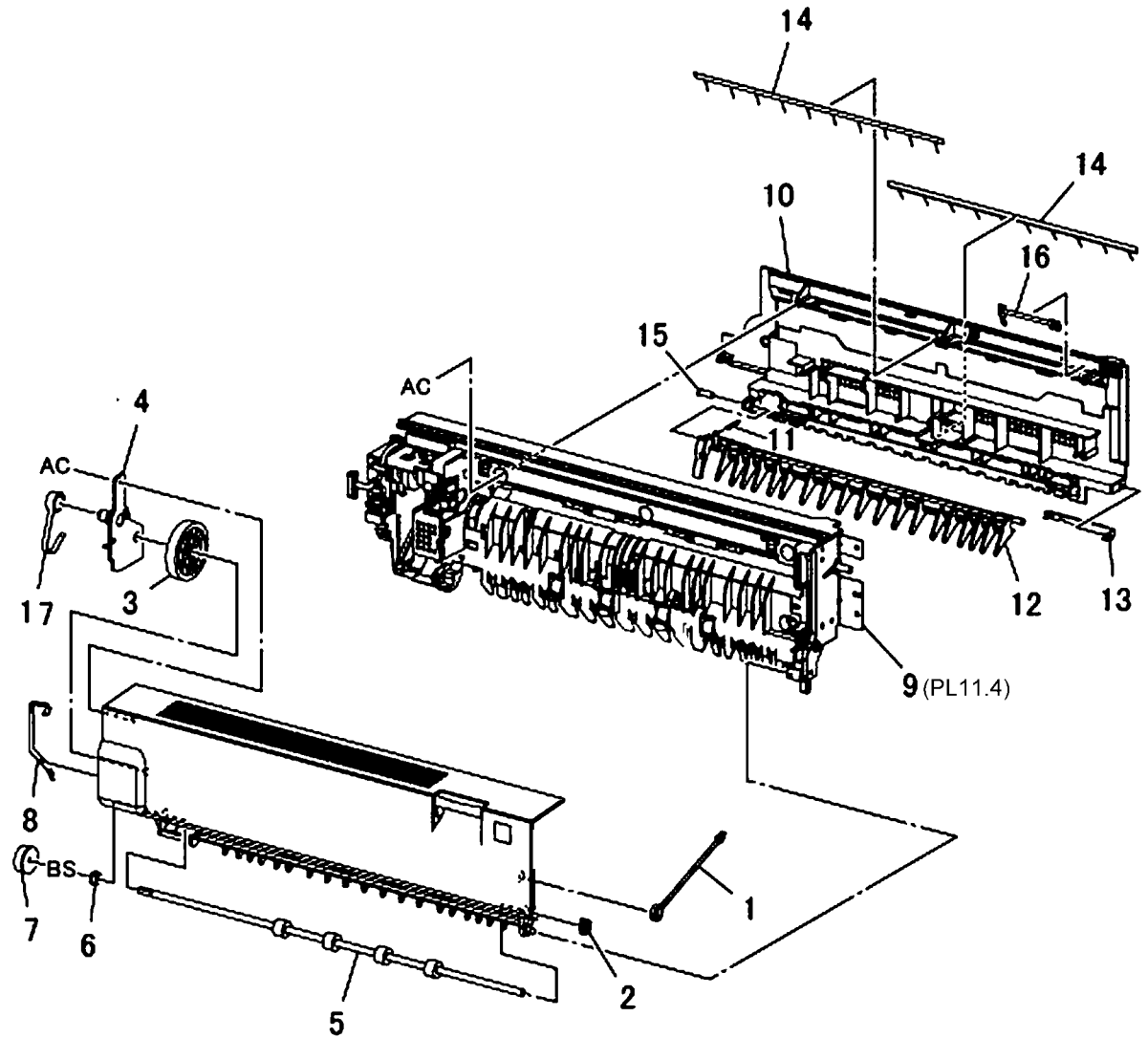
1 { 2-6



0511002A-OAK

## PL 11.3 Exit 2 (1 of 3)

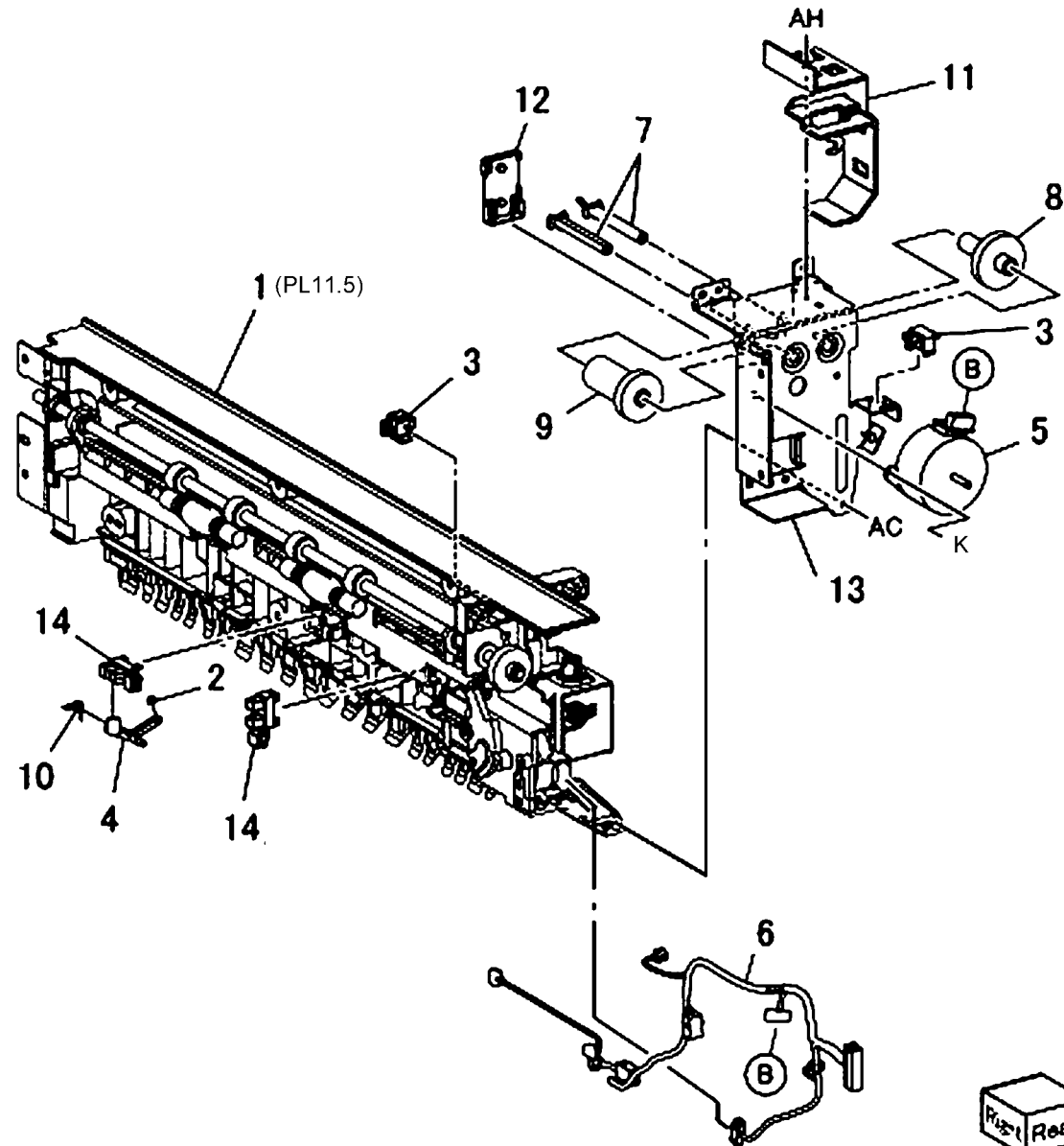
| Item | Part      | Description                                |
|------|-----------|--|
| 1    | —         | Exit 2 Front Stopper (P/O PL 11.1 Item 8)  |
| 2    | —         | Bearing (P/O PL 11.1 Item 8)               |
| 3    | —         | Gear (52T) (P/O PL 11.1 Item 8)            |
| 4    | —         | Gear Cover (P/O PL 11.1 Item 8)            |
| 5    | 059K53741 | Inverter Roll                              |
| 6    | 413W14660 | Sleeve Bearing                             |
| 7    | —         | Gear (22T) (P/O PL 11.1 Item 8)            |
| 8    | —         | Ground Plate (P/O PL 11.1 Item 8)          |
| 9    | —         | Exit 2 Drive Assembly (P/O PL 11.1 Item 8) |
| 10   | —         | Tray 2 Guide (P/O PL 11.1 Item 8)          |
| 11   | —         | Gate 1 Spring (P/O PL 11.1 Item 8)         |
| 12   | 050E94812 | Exit 2 Gate                                |
| 13   | —         | Ground Plate (P/O PL 11.1 Item 8)          |
| 14   | 925W00001 | Eliminator                                 |
| 15   | —         | Gate Stopper (P/O PL 11.1 Item 8)          |
| 16   | —         | Ground Plate (P/O PL 11.1 Item 8)          |
| 17   | —         | Exit 2 Stopper (P/O PL 11.1 Item 8)        |



0511003A-OAK

## PL 11.4 Exit 2 (2 of 3)

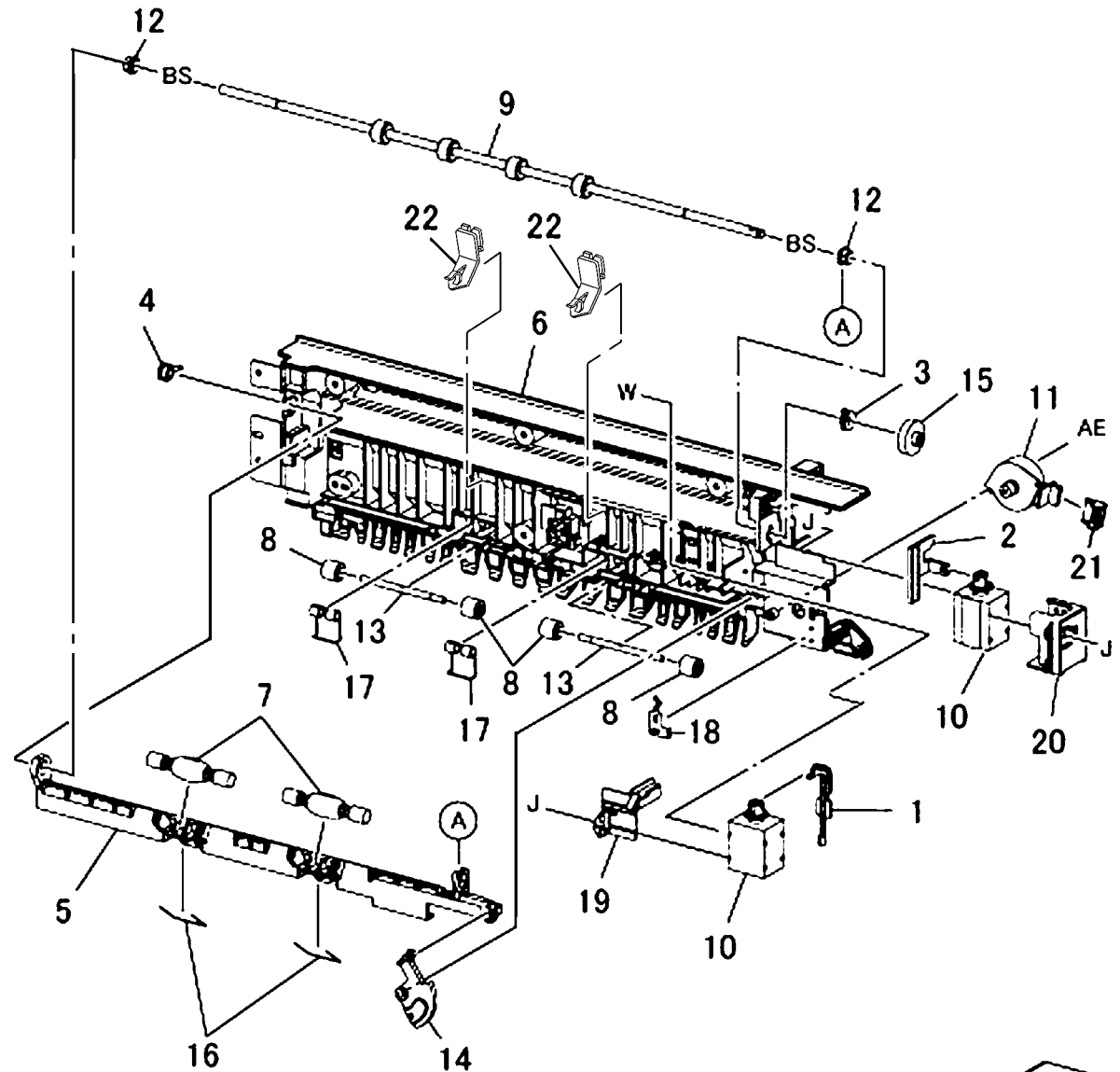
| Item | Part      | Description                                       |
|------|-----------|---|
| 1    | –         | Exit 2 OCT Assembly (P/O PL 11.1 Item 8)          |
| 2    | 059E98780 | Actuator Roller                                   |
| 3    | 110E11580 | Face Up Tray Detect Switch; L/H High Cover Switch |
| 4    | –         | Actuator (P/O PL 11.1 Item 8)                     |
| 5    | 127K58400 | Exit 2 Drive Motor                                |
| 6    | –         | Wire Harness (Exit 2) (P/O PL 11.1 Item 8)        |
| 7    | –         | Gear Shaft (P/O PL 11.1 Item 8)                   |
| 8    | –         | Gear (28T) (P/O PL 11.1 Item 8)                   |
| 9    | –         | Gear (16T/48T) (P/O PL 11.1 Item 8)               |
| 10   | –         | Spring (P/O PL 11.1 Item 8)                       |
| 11   | –         | Rear Cover (P/O PL 11.1 Item 8)                   |
| 12   | –         | Shaft Cover (P/O PL 11.1 Item 8)                  |
| 13   | –         | Rear Bracket (P/O PL 11.1 Item 8)                 |
| 14   | 930W00113 | Exit 2, OCT Home Position Sensor                  |



Fast Rear  
0511004A-OAK

## PL 11.5 Exit 2 (3 of 3)

| Item | Part      | Description                                      |
|------|-----------|--|
| 1    | -         | Exit Gate Link (P/O PL 11.1 Item 8)              |
| 2    | -         | Face Up Gate Solenoid Link (P/O PL 11.1 Item 8)  |
| 3    | -         | Bearing (P/O PL 11.1 Item 8)                     |
| 4    | 013E33410 | Bearing  |
| 5    | -         | OCT 2 Chute (P/O PL 11.1 Item 8)                 |
| 6    | -         | Low 2 Chute (P/O PL 11.1 Item 8)                 |
| 7    | 059E02150 | Exit Pinch Roller                                |
| 8    | 059E03531 | Inverter Pinch Roll                              |
| 9    | -         | OCT Roller (P/O PL 11.1 Item 8)                  |
| 10   | 121K37100 | Exit 2 Gate Solenoid; Face Up Gate Solenoid      |
| 11   | 127K52280 | Exit 2 OCT Motor                                 |
| 12   | 413W11660 | Sleeve Bearing                                   |
| 13   | -         | Inverter Pinch Shaft (P/O PL 11.1 Item 8)        |
| 14   | 807E00211 | Offset 2 Gear                                    |
| 15   | -         | Gear (22T) (P/O PL 11.1 Item 8)                  |
| 16   | 809E67360 | Exit Pinch Spring                                |
| 17   | 055E57521 | Exit Guard                                       |
| 18   | -         | Ground Plate (P/O PL 11.1 Item 8)                |
| 19   | -         | Exit 2 Gate Solenoid Cover (P/O PL 11.1 Item 8)  |
| 20   | -         | Face Up Gate Solenoid Cover (P/O PL 11.1 Item 8) |
| 21   | -         | Connector Cover (P/O PL 11.1 Item 8)             |
| 22   | 055E57581 | Center Exit Guard                                |

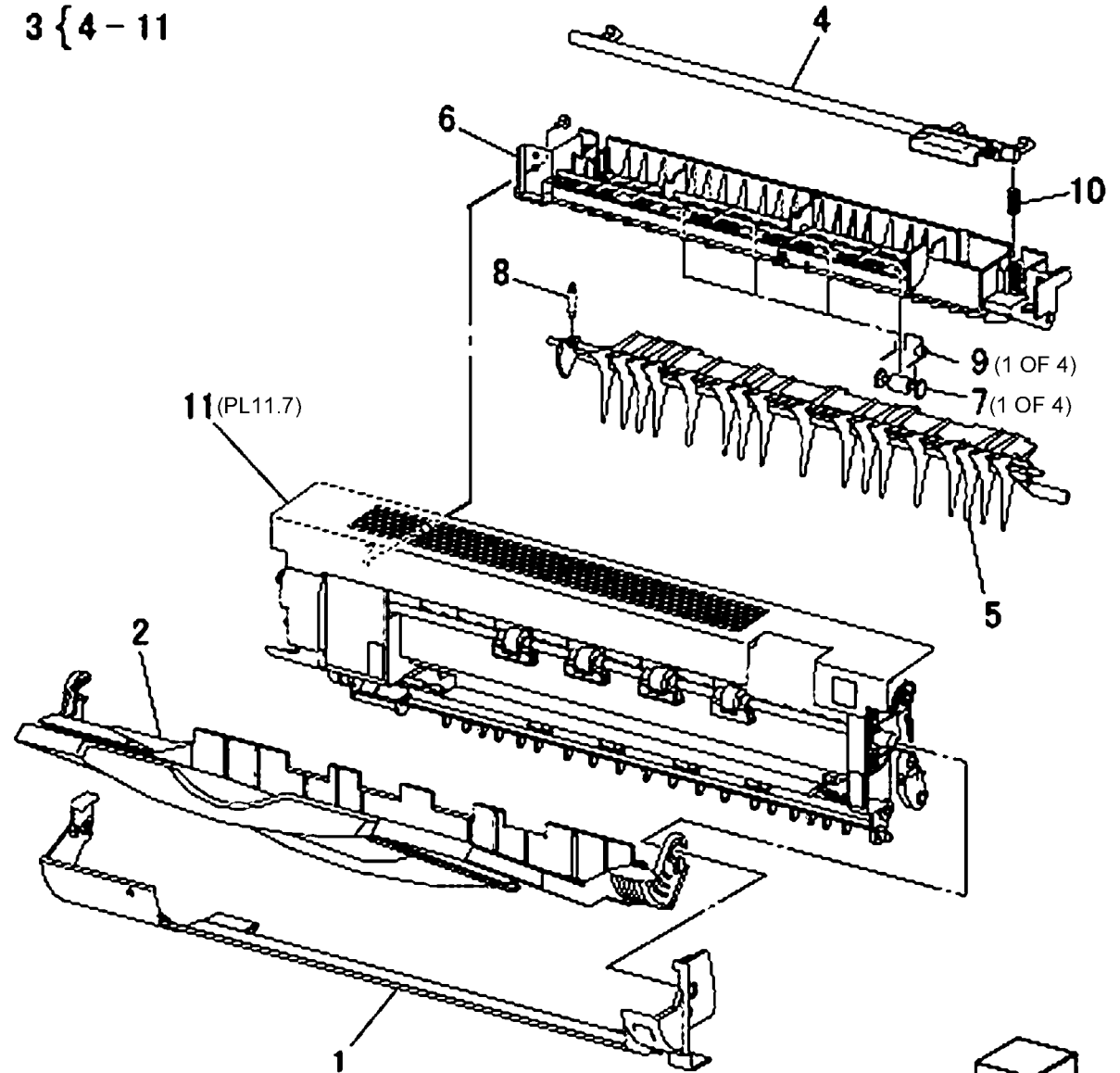


0511005A-OAK

## PL 11.6 Side Tray Unit (1 of 2)

| Item | Part      | Description                                  |
|------|-----------|--|
| 1    | 848E21531 | Tray Cover                                   |
| 2    | 050K62502 | Left Side Output Tray                        |
| 3    | 059K56286 | Left Side Output Tray Transport Assembly     |
| 4    | -         | Latch Handle (P/O PL 11.6 Item 3)            |
| 5    | -         | Exit 2 Gate (P/O PL 11.6 Item 3)             |
| 6    | -         | Upper Chute (P/O PL 11.6 Item 3)             |
| 7    | -         | Pinch Roll (P/O PL 11.6 Item 3)              |
| 8    | -         | Spring (P/O PL 11.6 Item 3)                  |
| 9    | -         | Pinch Spring (P/O PL 11.6 Item 3)            |
| 10   | -         | Spring (P/O PL 11.6 Item 3)                  |
| 11   | -         | Transport Roll Assembly (P/O PL 11.6 Item 3) |

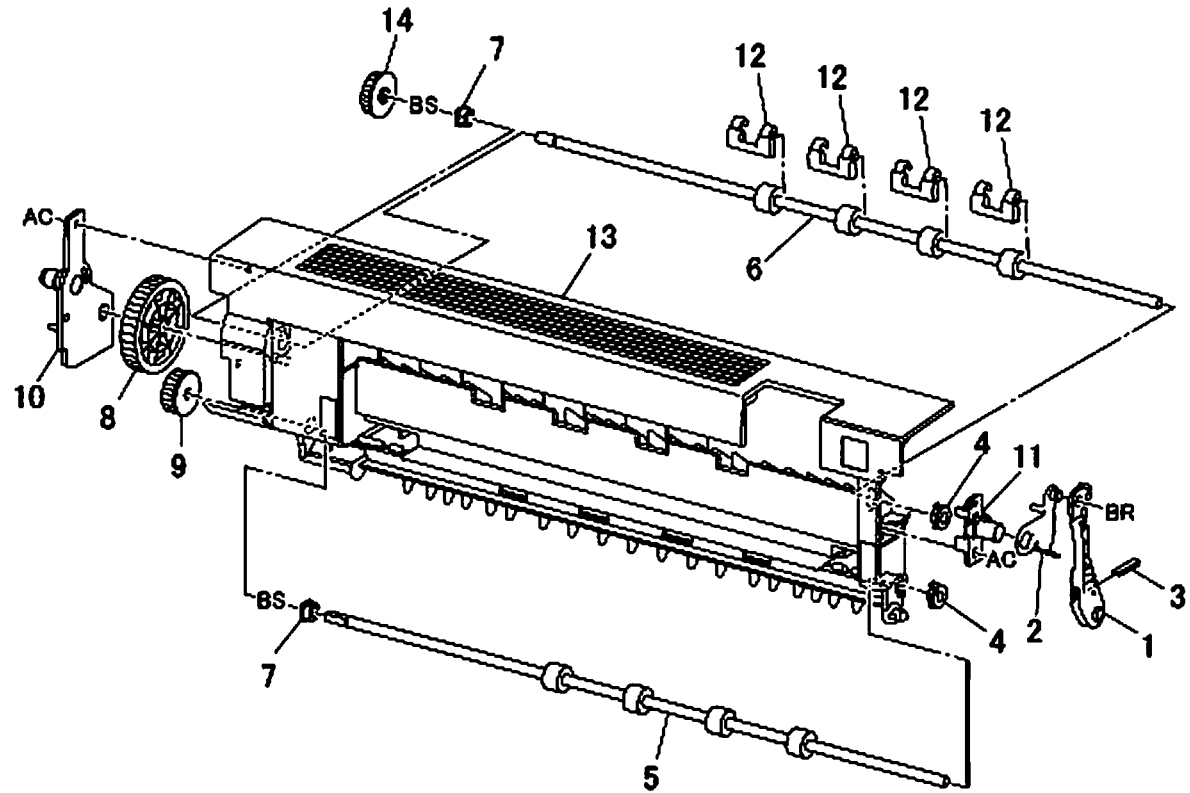
3 { 4 - 11



0511006A-OAK

## PL 11.7 Side Tray Unit (2 of 2)

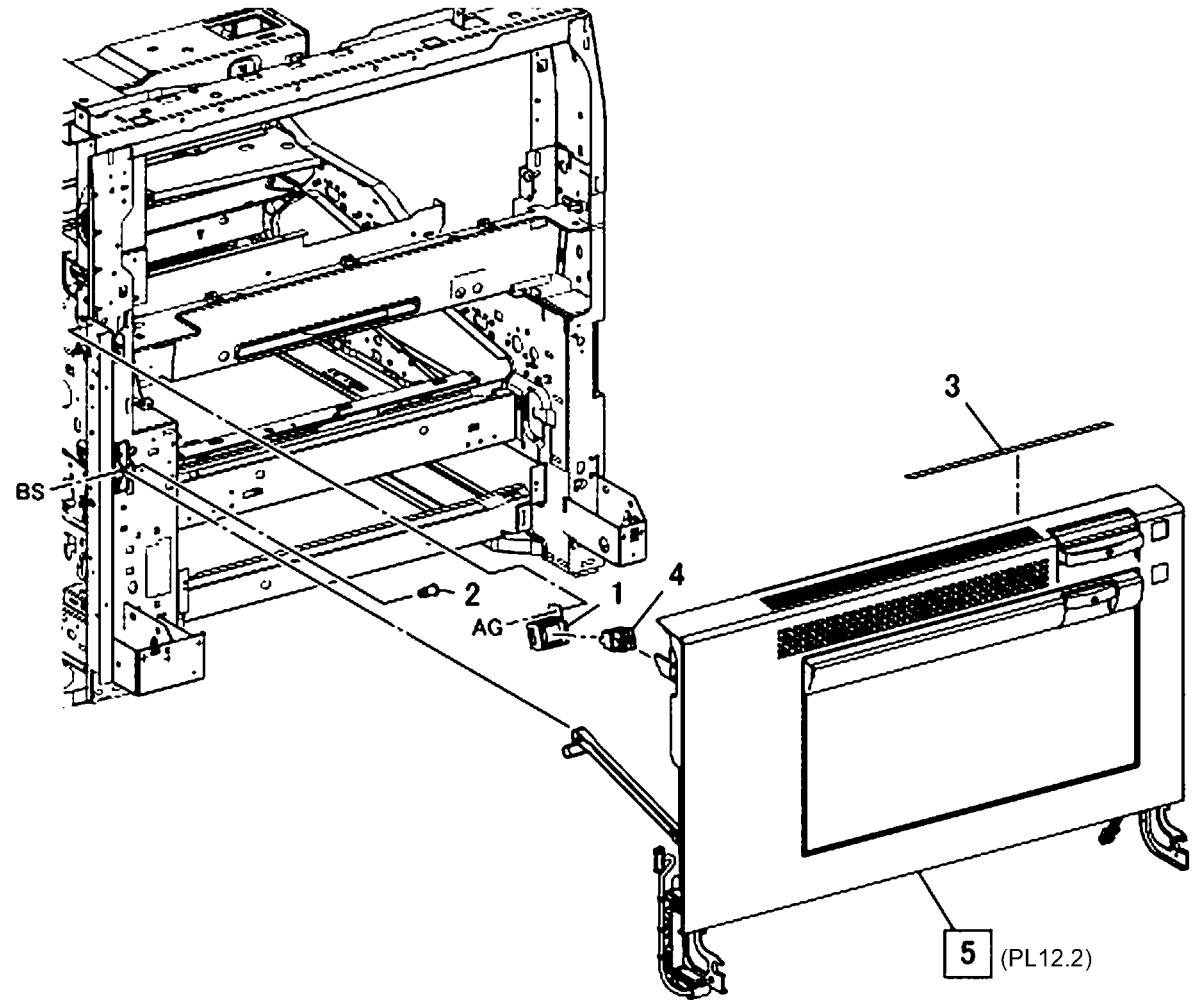
| Item | Part      | Description                          |
|------|-----------|--------------------------------------|
| 1    | -         | Link (P/O PL 11.6 Item 11)           |
| 2    | -         | Link Bracket (P/O PL 11.6 Item 11)   |
| 3    | -         | Spacer (P/O PL 11.6 Item 11)         |
| 4    | -         | Bearing (P/O PL 11.6 Item 11)        |
| 5    | 059K53741 | Inverter Roll                        |
| 6    | 059K53750 | Roll                                 |
| 7    | 413W14660 | Bearing                              |
| 8    | -         | Gear (52T) (P/O PL 11.6 Item 11)     |
| 9    | -         | Gear (22T) (P/O PL 11.6 Item 11)     |
| 10   | -         | Gear Cover (P/O PL 11.6 Item 11)     |
| 11   | -         | Tray Support (P/O PL 11.6 Item 11)   |
| 12   | 055E56571 | Exit Guard                           |
| 13   | -         | Cover Assembly (P/O PL 11.6 Item 11) |
| 14   | -         | Gear (P/O PL 11.6 Item 11)           |



0511007A-OAK

## PL 12.1 Left Hand Cover (1 of 2)

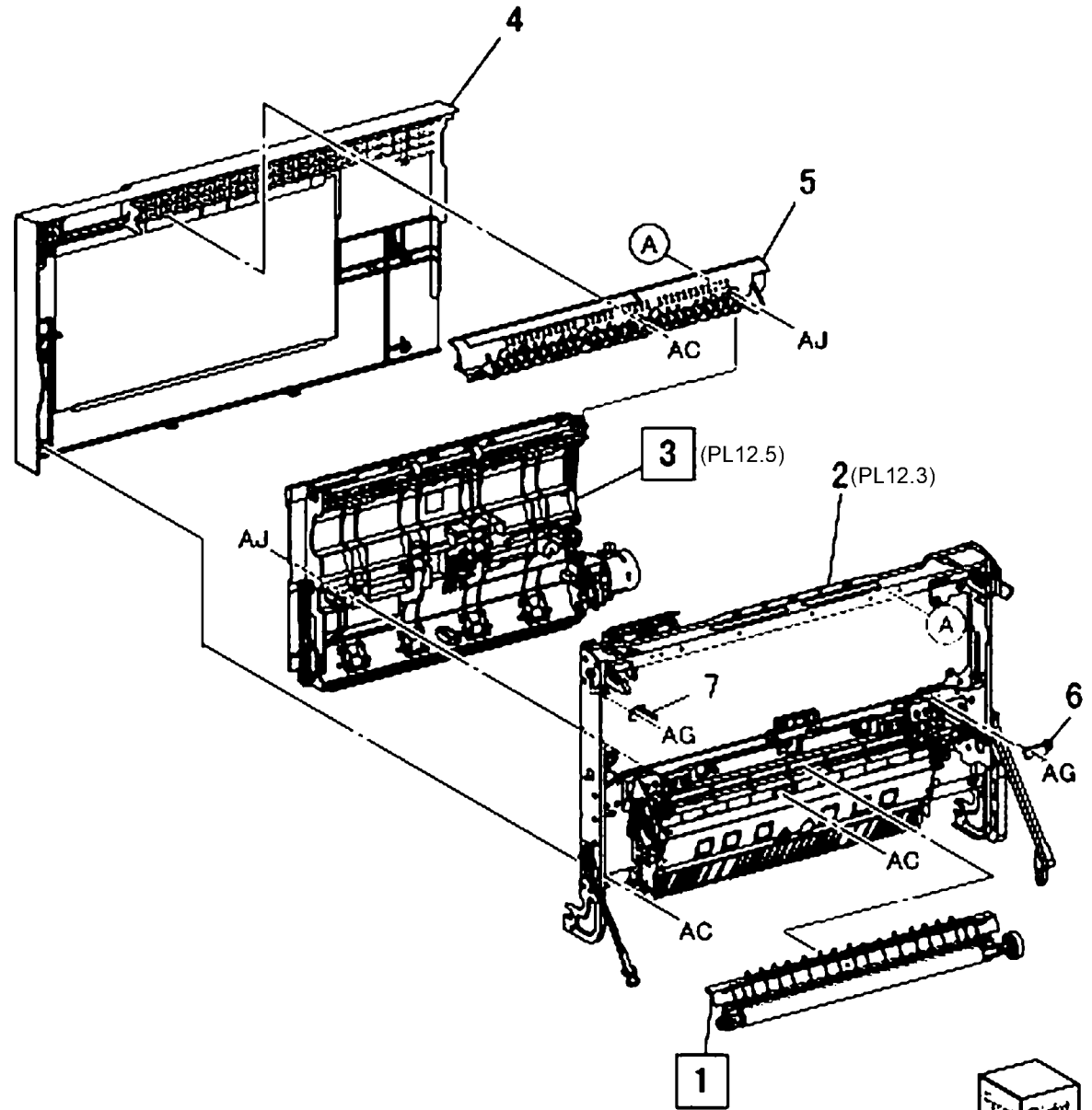
| Item | Part      | Description                                |
|------|-----------|--|
| 1    | -         | Bracket (Not Spared)                       |
| 2    | -         | Shaft (Not Spared)                         |
| 3    | -         | Label (Not Spared)                         |
| 4    | 110E11980 | Cover Interlock Switch                     |
| 5    | -         | Left Hand Cover (Not Spared)<br>(REP 14.1) |



0512001A-OAK

## PL 12.2 Left Hand Cover (2 of 2)

| Item | Part      | Description                          |
|------|-----------|--------------------------------------|
| 1    | 008R13064 | 2nd BTR Unit (REP 9.13)              |
| 2    | 848K26994 | Left Hand Cover Assembly             |
| 3    | 059K62401 | Duplex Assembly (REP 10.2)           |
| 4    | -         | Left Hand Cover (P/O PL 12.2 Item 2) |
| 5    | 054E34164 | Left Hand Cover Chute                |
| 6    | 012E15280 | Fuser Link                           |
| 7    | 014E62550 | Block                                |



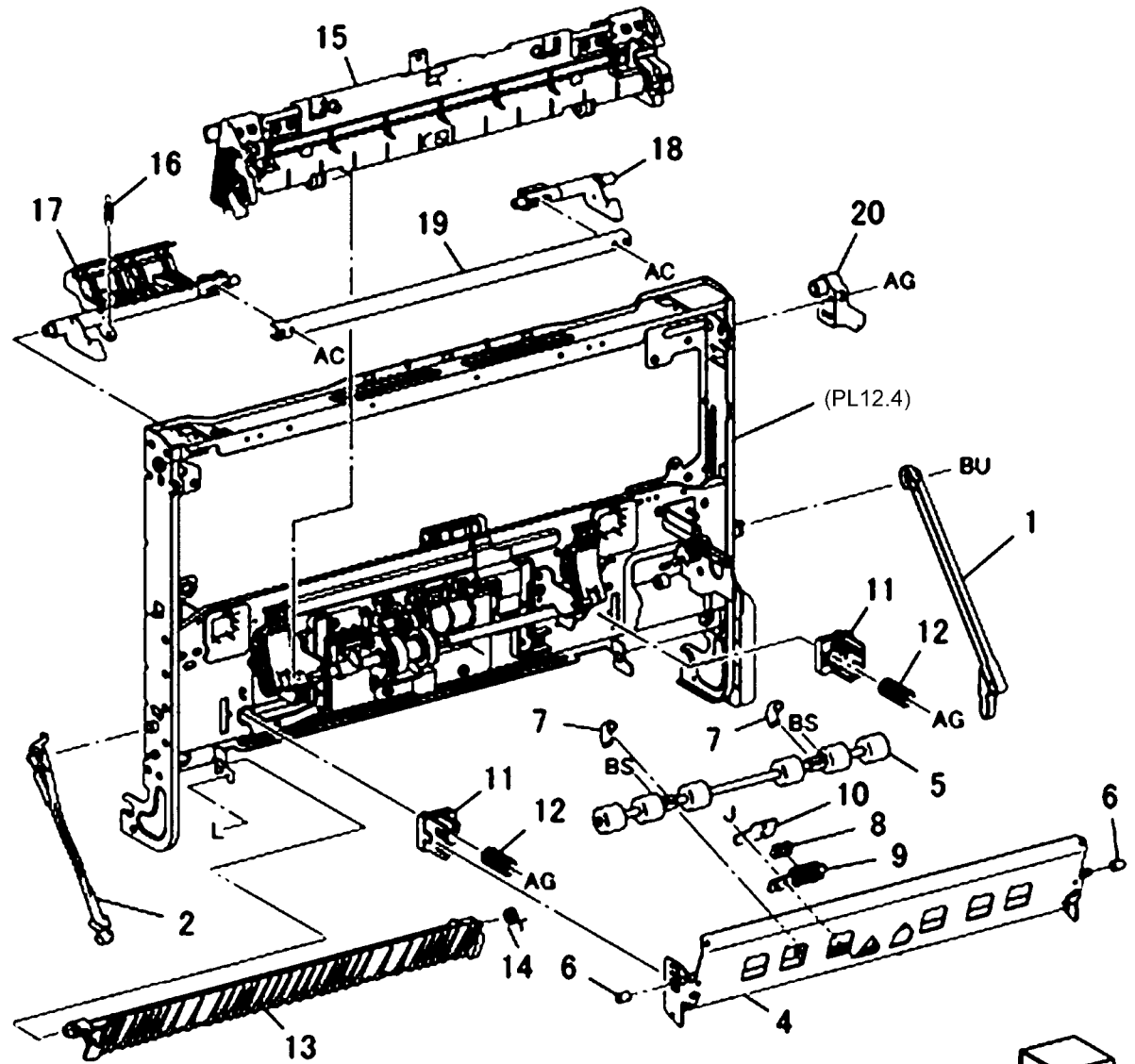
0512002A-OAK



# PL 12.3 Left Hand Cover Assembly (1 of 2)

| Item | Part      | Description                         |
|------|-----------|-------------------------------------|
| 1    | 849E97370 | Rear Support                        |
| 2    | 868E05450 | Front Support                       |
| 3    | 054K35151 | Pinch Chute Assembly                |
| 4    | -         | Chute Assembly (P/O PL 12.3 Item 3) |
| 5    | 059K56660 | Pinch Roll Assembly                 |
| 6    | -         | Pulley (P/O PL 12.3 Item 3)         |
| 7    | 809E79750 | Spring                              |
| 8    | 062E12020 | Reflector                           |
| 9    | 019E69230 | Holder                              |
| 10   | -         | Cap (P/O PL 12.3 Item 3)            |
| 11   | -         | Chute Support (P/O PL 12.2 Item 2)  |
| 12   | 809E65260 | Spring                              |
| 13   | 054K35160 | Duplex Chute Assembly               |
| 14   | -         | Spring (P/O PL 12.2 Item 2)         |
| 15   | 008R13064 | 2nd Bias Transfer Roll              |
| 16   | -         | Spring (P/O PL 12.2 Item 2)         |
| 17   | 011E21492 | Front Latch Lever                   |
| 18   | 011E20740 | Rear Latch Lever                    |
| 19   | -         | Latch Plate (P/O PL 12.2 Item 2)    |
| 20   | 120E29330 | Actuator                            |

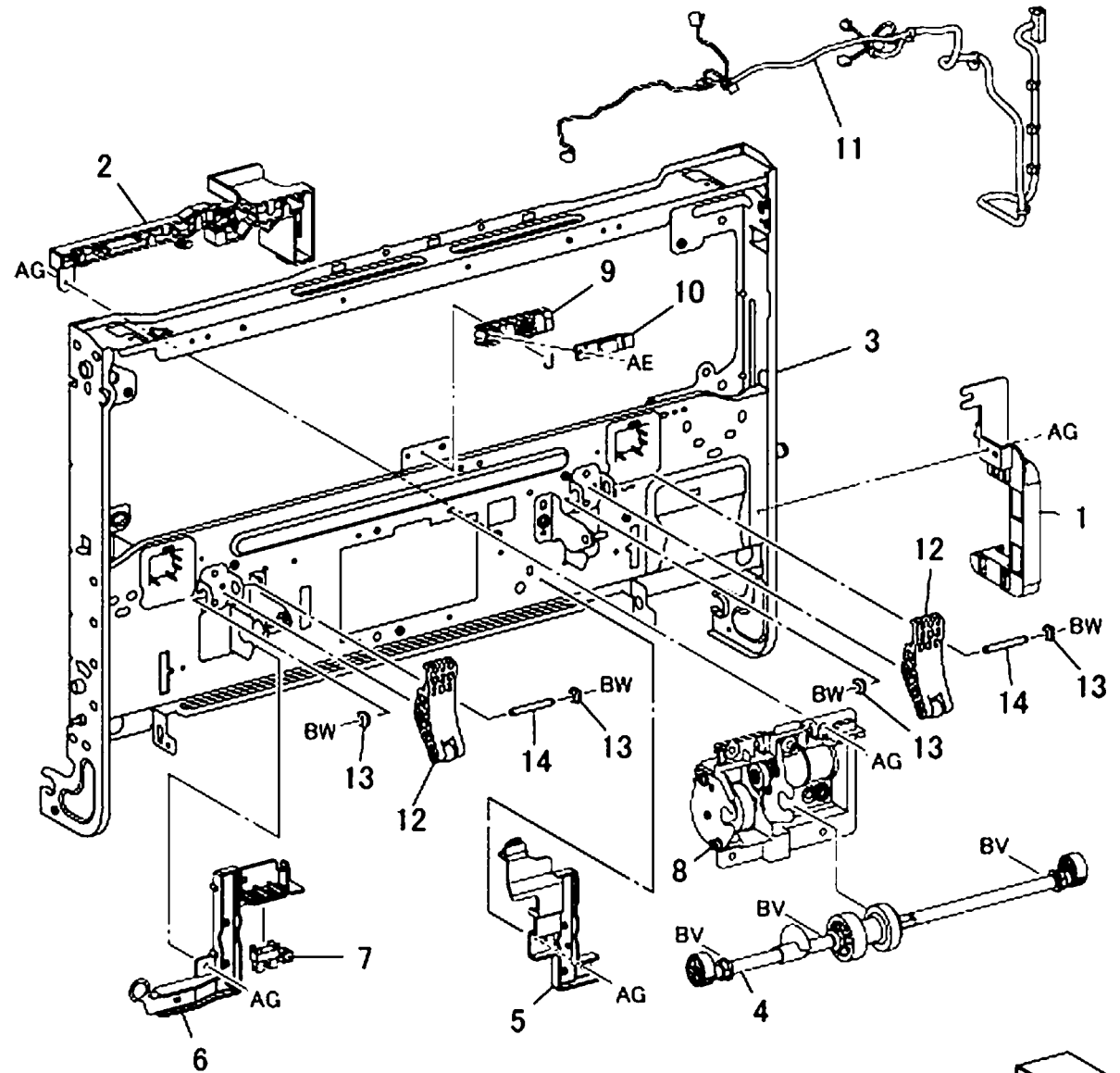
3{4-10



0512003A-OAK

## PL 12.4 Left Hand Cover Assembly (2 of 2)

| Item | Part      | Description                             |
|------|-----------|---|
| 1    | -         | Harness Holder (P/O PL 12.2 Item 2)     |
| 2    | -         | Harness Holder (P/O PL 12.2 Item 2)     |
| 3    | -         | Frame Assembly (P/O PL 12.2 Item 2)     |
| 4    | 006K86160 | Retard Shaft Assembly                   |
| 5    | -         | Conductor Assembly (P/O PL 12.2 Item 2) |
| 6    | -         | Conductor Assembly (P/O PL 12.2 Item 2) |
| 7    | 930W00111 | 2nd BTR Contact Retract Sensor          |
| 8    | 127K52251 | 2nd BTR Contact Retract Motor Assembly  |
| 9    | -         | Sensor Holder (P/O PL 12.2 Item 2)      |
| 10   | 130K87770 | POB Sensor                              |
| 11   | 962K58301 | Harness Assembly                        |
| 12   | 012K94970 | 2nd Link Assembly                       |
| 13   | 413W11360 | Sleeve Bearing                          |
| 14   | -         | Shaft (P/O PL 12.2 Item 2)              |

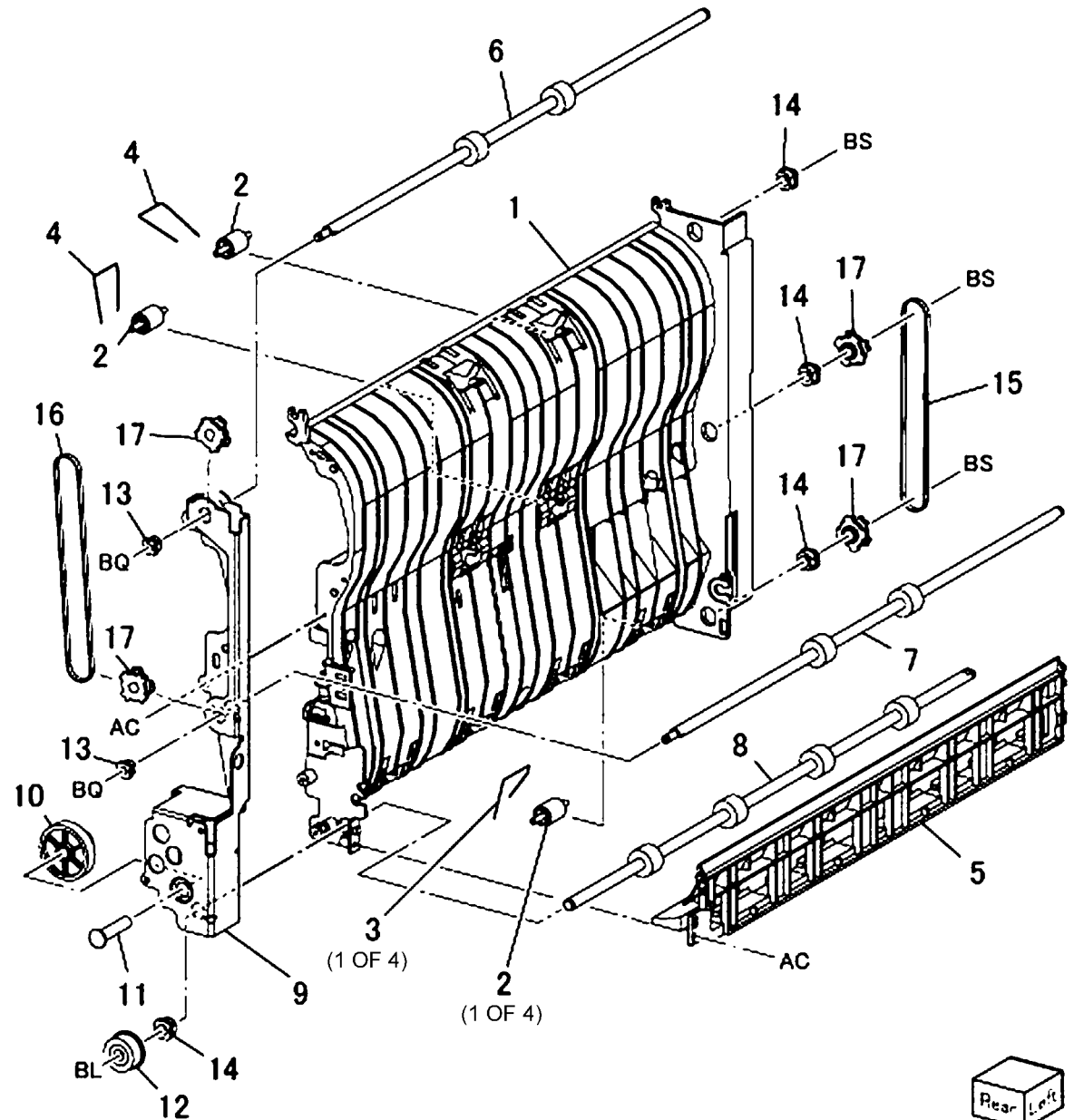


0512004A-OAK



## PL 12.6 Duplex Assembly (2 of 2)

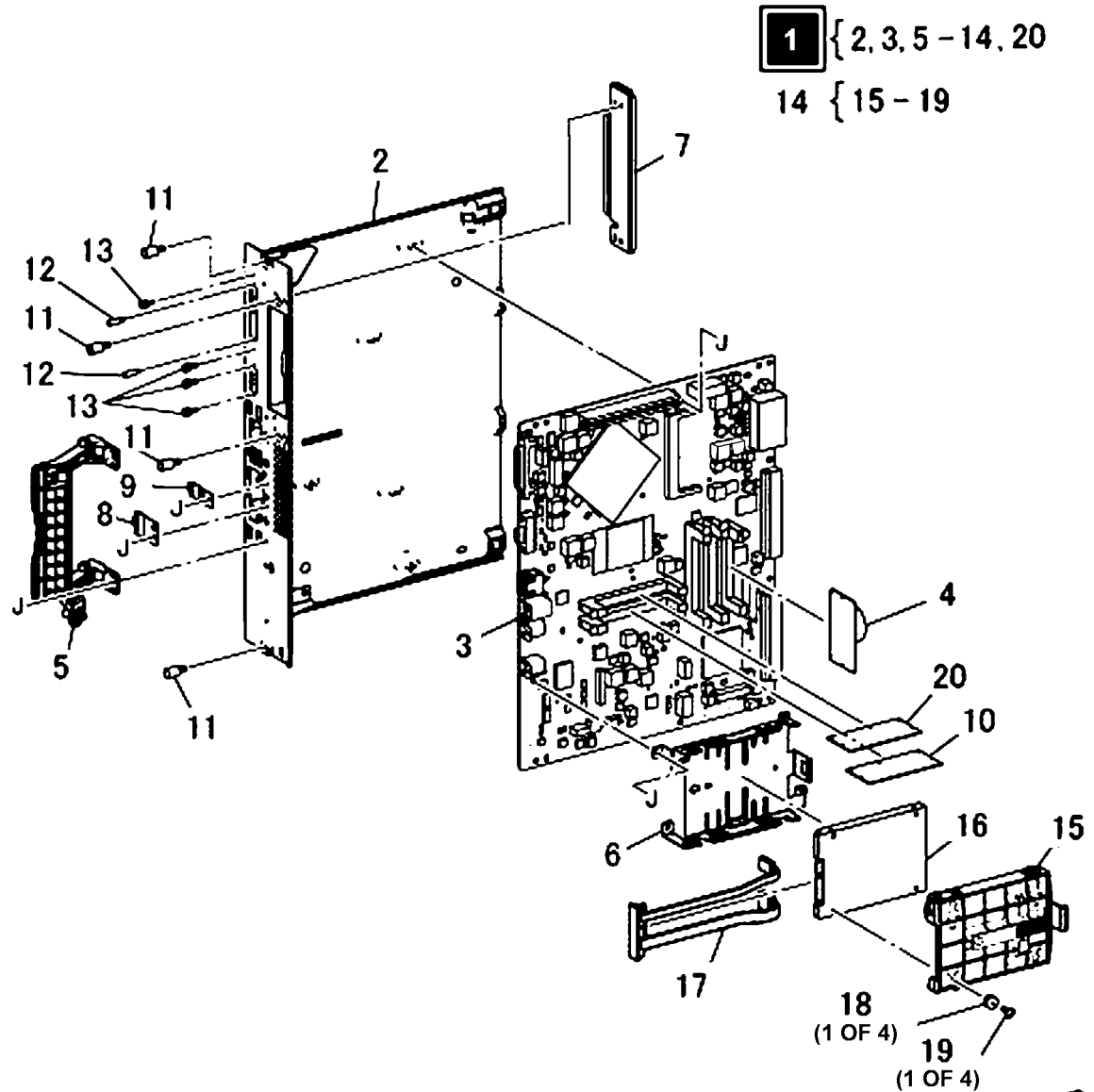
| Item | Part      | Description                            |
|------|-----------|--|
| 1    | -         | Inner Chute (P/O PL 12.2 Item 3)       |
| 2    | 059E04010 | Duplex Pinch Roll                      |
| 3    | 809E76000 | Pinch Spring 1                         |
| 4    | 809E75530 | Pinch Spring 2                         |
| 5    | -         | Lower Chute (P/O PL 12.2 Item 3)       |
| 6    | 059K53880 | Duplex Roller 1                        |
| 7    | 059K53890 | Duplex Roller 2                        |
| 8    | 059K53900 | Duplex Roller 3                        |
| 9    | -         | Duplex Rear Frame (P/O PL 12.2 Item 3) |
| 10   | 807E21210 | Idle Gear (13T/46T)                    |
| 11   | 029E45400 | Pin                                    |
| 12   | 007K14860 | Gear Assembly                          |
| 13   | -         | Sleeve Bearing (P/O PL 12.2 Item 3)    |
| 14   | -         | Sleeve Bearing (P/O PL 12.2 Item 3)    |
| 15   | 023E26770 | Belt                                   |
| 16   | 023E26780 | Belt                                   |
| 17   | 020E45140 | Pulley                                 |



0512006A-OAK

# PL 13.1 ESS

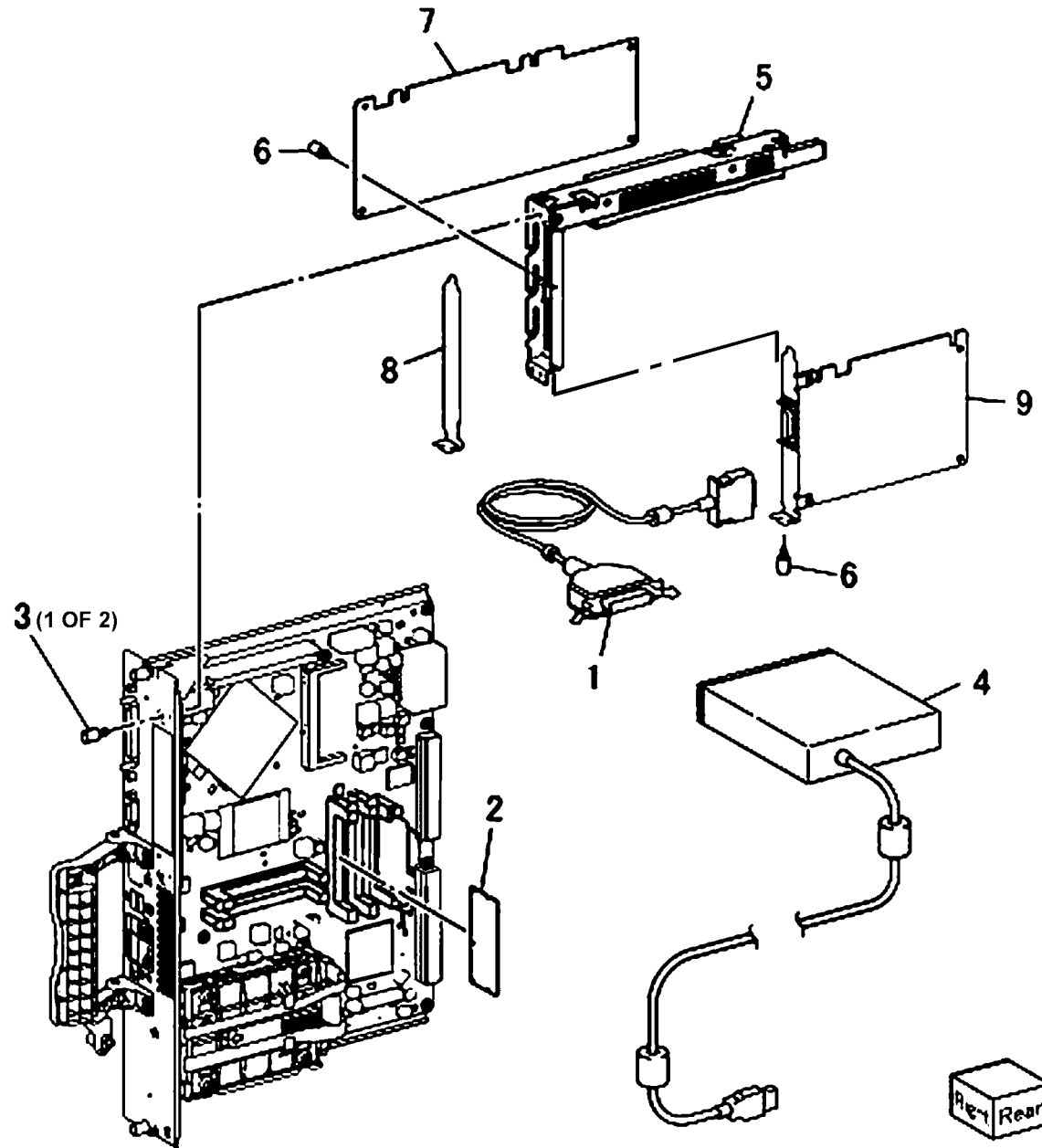
| Item | Part      | Description                             |
|------|-----------|---|
| 1    | 101K53023 | Controller Unit (XC)                    |
| -    | 101K59943 | Controller Unit (XE) (REP 1.6)          |
| 2    | -         | Controller Chassis (P/O PL 13.1 Item 1) |
| 3    | -         | ESS PWB (P/O PL 13.1 Item 1)            |
| 4    | 960K48990 | NVM PWB                                 |
| 5    | 003K17210 | Handle Assembly                         |
| 6    | -         | HDD Bracket (P/O PL 13.1 Item 1)        |
| 7    | -         | Panel (P/O PL 13.1 Item 1)              |
| 8    | -         | Panel (P/O PL 13.1 Item 1)              |
| 9    | -         | USB Panel (P/O PL 13.1 Item 1)          |
| 10   | 133K25530 | System Memory (512MB)                   |
| 11   | 826E39370 | Knurled Screw                           |
| 12   | 826E08490 | Screw                                   |
| 13   | 826E06490 | Lock Screw                              |
| 14   | 101K60180 | HDD Assembly                            |
| 15   | -         | Chassis (P/O PL 13.1 Item 14)           |
| 16   | -         | Hard Drive (40GB)                       |
| 17   | -         | Wire Harness (P/O PL 13.1 Item 14)      |
| 18   | -         | Bumper (P/O PL 13.1 Item 14)            |
| 19   | -         | Screw (P/O PL 13.1 Item 14)             |
| 20   | 133K25540 | System Memory (1GB)                     |



0513001A-OAK

## PL 13.2 ESS Options

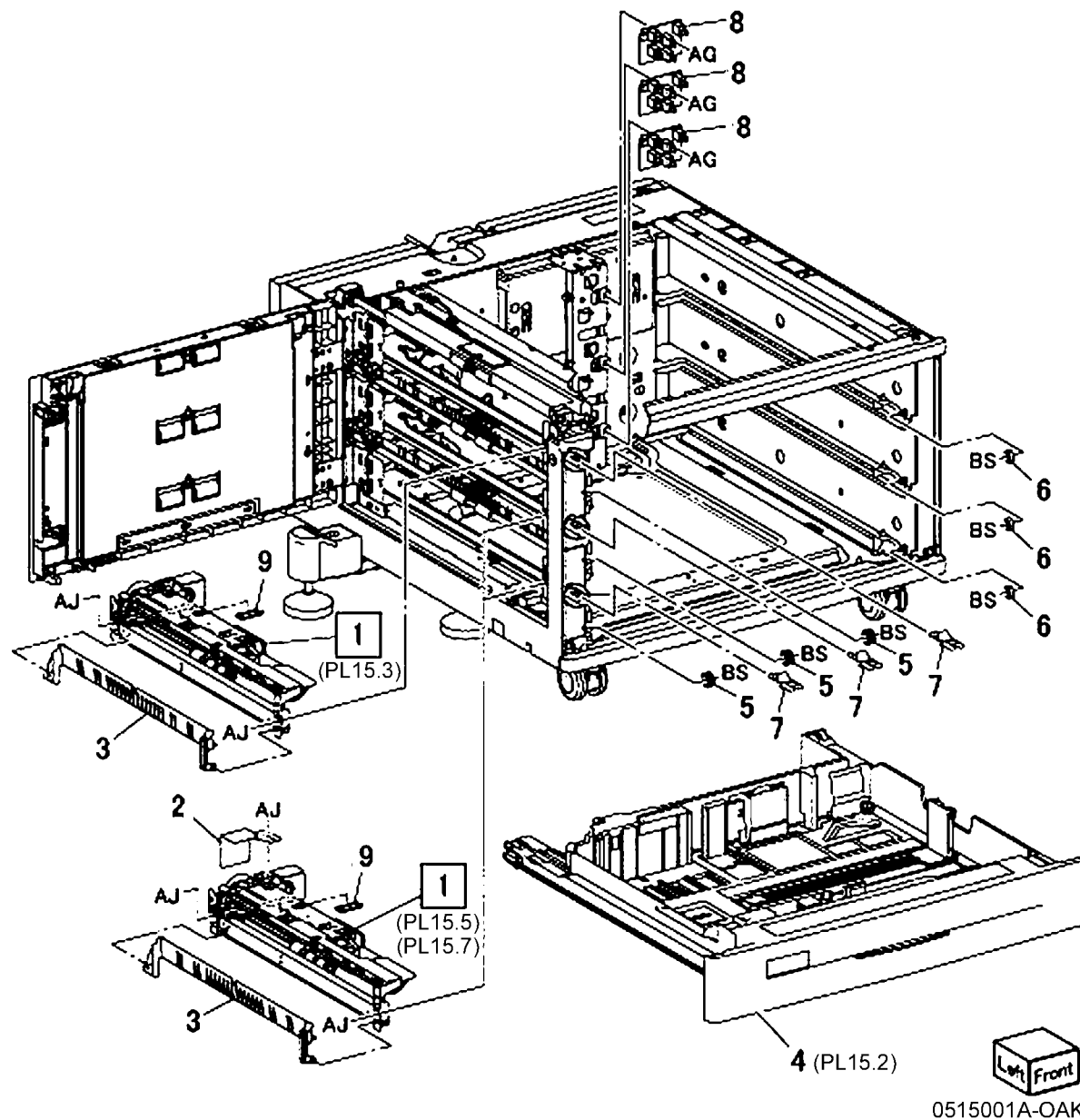
| Item | Part      | Description                     |
|------|-----------|---------------------------------|
| 1    | 962K65990 | Cable Assembly                  |
| 2    | 540K11172 | PS ROM (220V)                   |
| 3    | 826E39370 | Knurled Screw (M4)              |
| 4    | 497K04130 | Media Reader                    |
| 5    | 101K55361 | Riser PWB Assembly              |
| 6    | -         | Knurled Screw (M3) (Not Spared) |
| 7    | 960K16201 | Thumbnail PWB                   |
| 8    | -         | Plate (Not Spared)              |
| 9    | -         | Parallel Port PWB               |



0513002A-OAK

## PL 15.1 Three Tray Module

| Item | Part      | Description                            |
|------|-----------|--|
| 1    | 059K55532 | Tray 2, Tray 3, Tray 4 Feeder Assembly |
| 2    | —         | Feeder Bracket (Not Spared)            |
| 3    | 054E35381 | Feed Out Chute                         |
| 4    | 050K61016 | Tray 2, Tray 3, Tray 4 Unit            |
| 5    | 059E03500 | Roller                                 |
| 6    | 059E03510 | Roller                                 |
| 7    | 003E75430 | Stopper                                |
| 8    | 110K11680 | Paper Size Sensor                      |
| 9    | —         | Cover (Not Spared)                     |

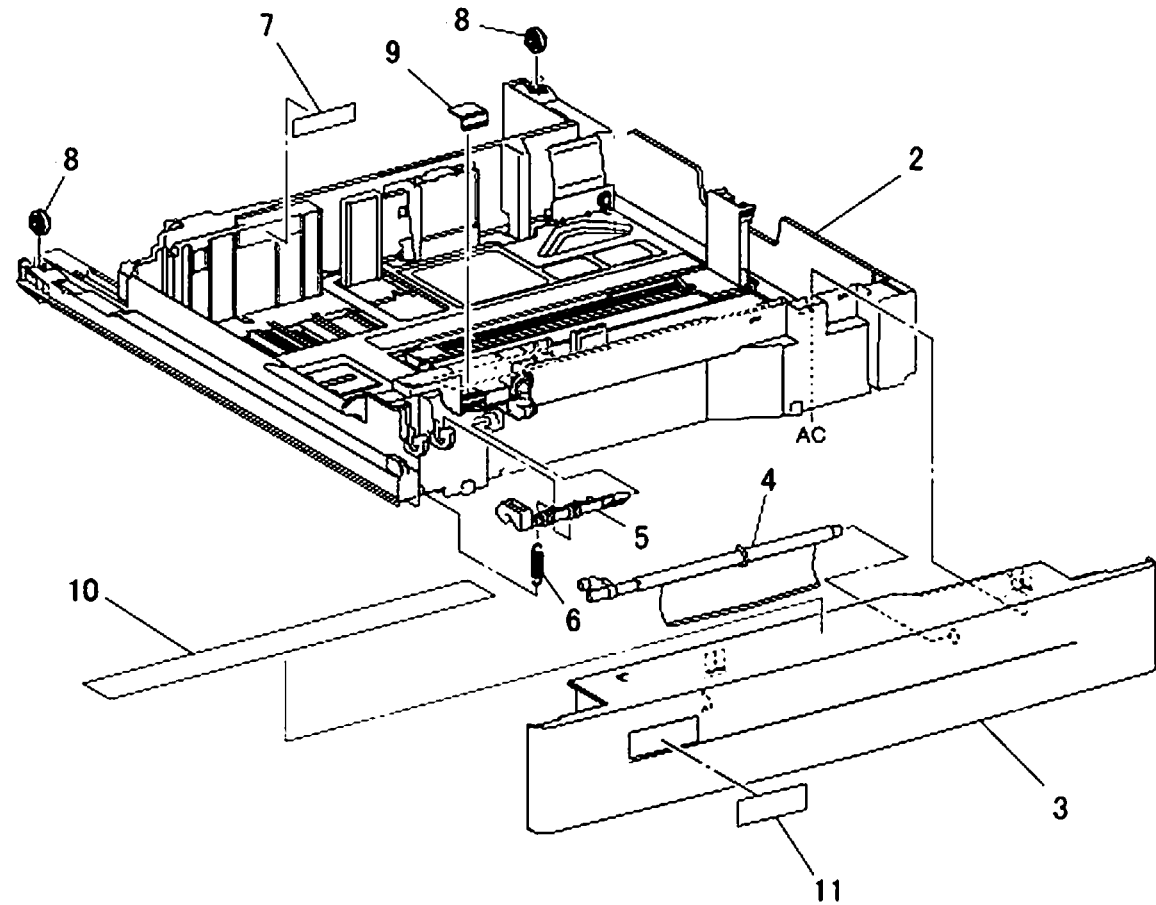


0515001A-OAK

## PL 15.2 Tray 2, 3, 4 Assembly

| Item | Part      | Description                              |
|------|-----------|--|
| 1    | 050K61016 | Tray Assembly                            |
| 2    | -         | Tray Frame (P/O PL 15.2 Item 1)          |
| 3    | 848E16762 | Front Cover                              |
| 4    | 011E21770 | Lever                                    |
| 5    | 003E76330 | Latch                                    |
| 6    | 809E80250 | Spring                                   |
| 7    | 893E09490 | Label (Max)                              |
| 8    | 059E03520 | Rear Roller                              |
| 9    | -         | Slide Lock Block (P/O PL 15.1 Item 4)    |
| 10   | -         | Label (Instruction) (P/O PL 15.1 Item 4) |
| 11   | -         | Tray Label (No 2) (P/O PL 15.1 Item 4)   |

1 { 2 - 8



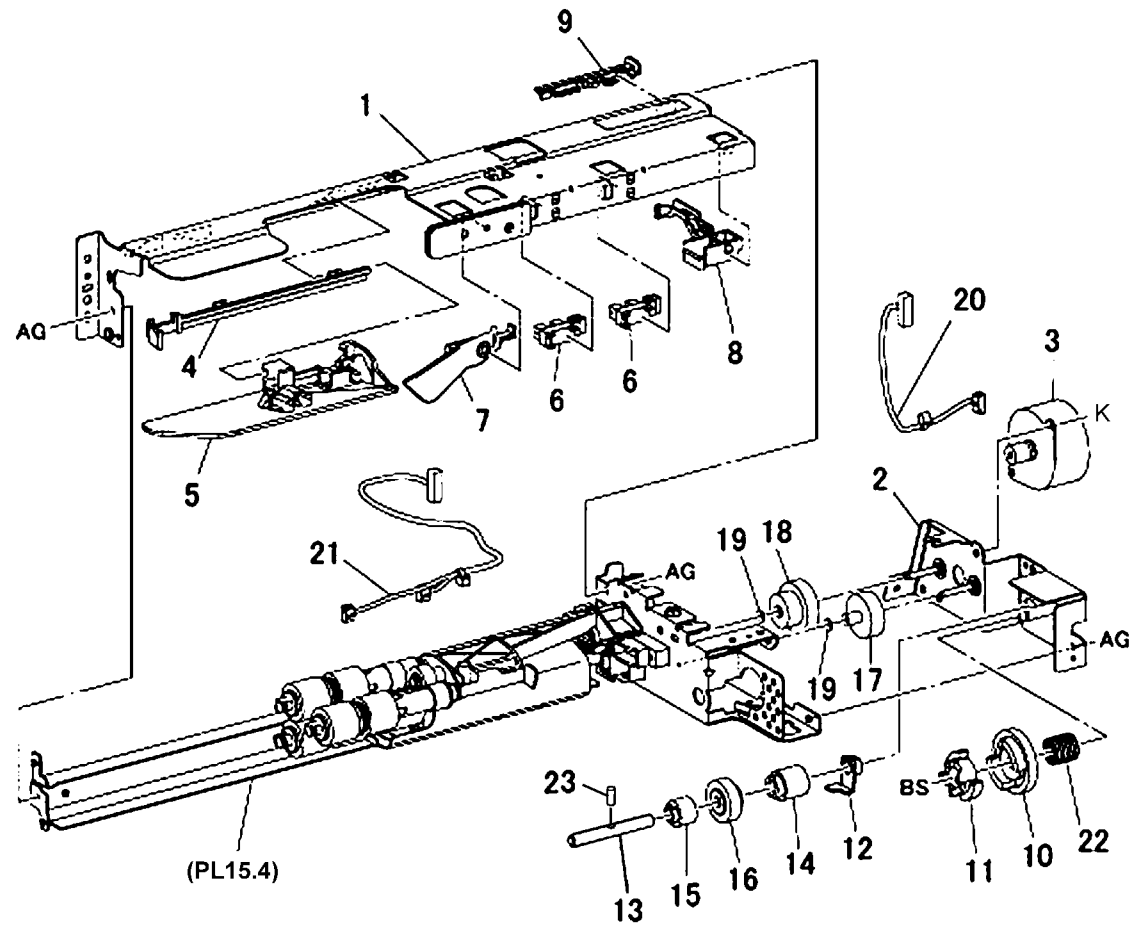
0515002A-OAK



# PL 15.3 Tray 2 Feeder Assembly (1 of 2)

24 { 13, 23

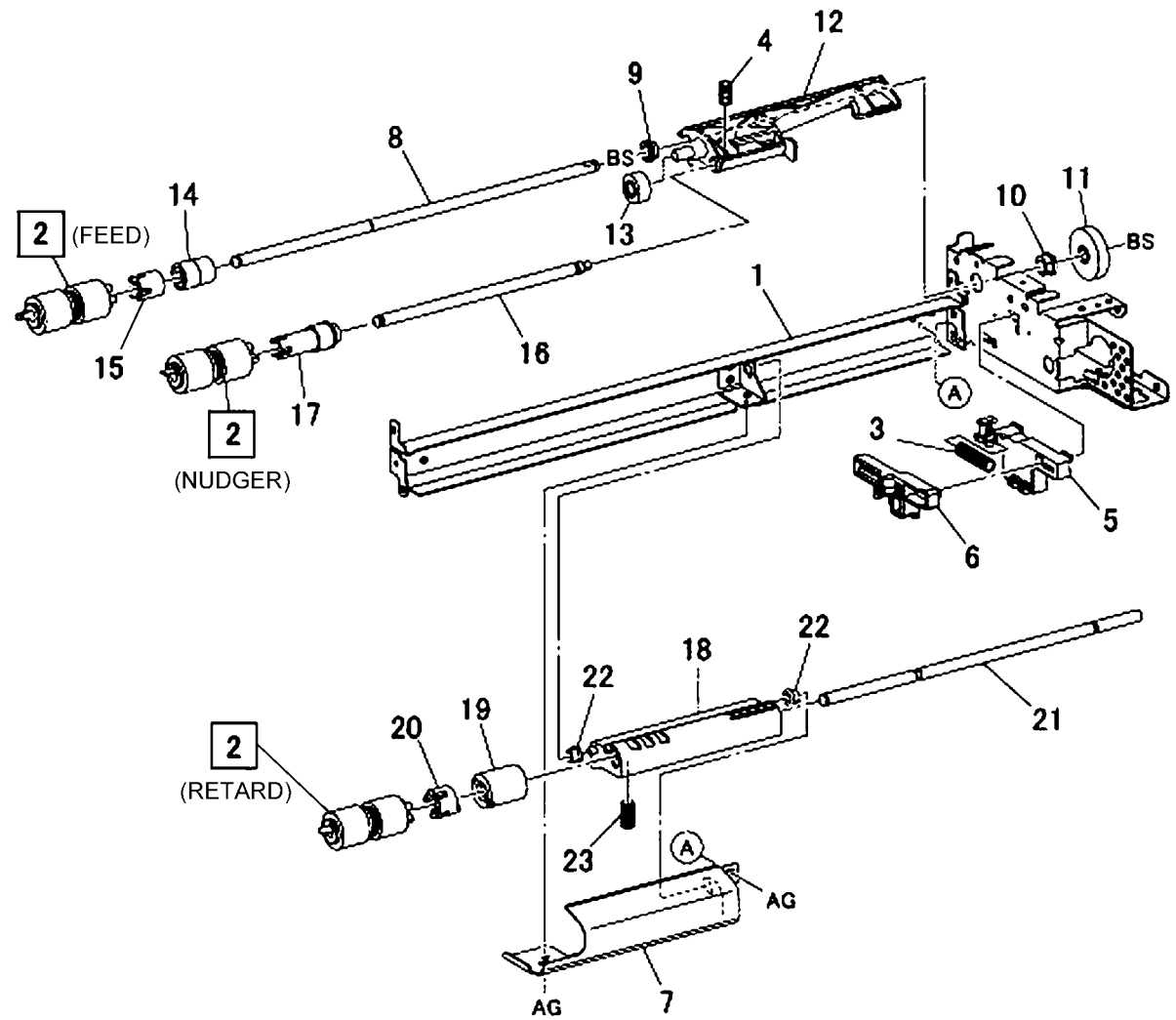
| Item | Part      | Description                                 |
|------|-----------|---|
| 1    | -         | Upper Frame Assembly (P/O PL 15.1 Item 1)   |
| 2    | -         | Drive Bracket Assembly (P/O PL 15.1 Item 1) |
| 3    | 127K52790 | Lift/Feed Motor Assembly                    |
| 4    | -         | Rail (P/O PL 15.1 Item 1)                   |
| 5    | -         | Chute (P/O PL 15.1 Item 1)                  |
| 6    | 930W00113 | Height Sensor, Tray Empty Sensor            |
| 7    | 120E22481 | Actuator                                    |
| 8    | -         | Upper Harness Holder (P/O PL 15.1 Item 1)   |
| 9    | -         | Rear Harness Holder (P/O PL 15.1 Item 1)    |
| 10   | 807E00390 | Gear  |
| 11   | 014E44770 | Spacer                                      |
| 12   | 013E26530 | Shaft Bearing                               |
| 13   | 006E78821 | Drive Shaft                                 |
| 14   | 807E00800 | Gear  |
| 15   | 005K83081 | One Way Clutch Assembly                     |
| 16   | 007K98130 | One Way Gear Assembly                       |
| 17   | 807E20300 | Helical Gear (25T)                          |
| 18   | -         | Helical Gear (29T/19T) (P/O PL 15.1 Item 1) |
| 19   | 028E94160 | Washer                                      |
| 20   | -         | Motor Harness Assembly (P/O PL 15.1 Item 1) |
| 21   | -         | Sensor Motor Harness (P/O PL 15.1 Item 1)   |
| 22   | -         | Spring (P/O PL 15.1 Item 1)                 |
| 23   | -         | Shaft Pin (P/O PL 15.3 Item 24)             |
| 24   | 006K23221 | Drive Shaft Assembly                        |



0515003A-OAK

# PL 15.4 Tray 2 Feeder Assembly (2 of 2)

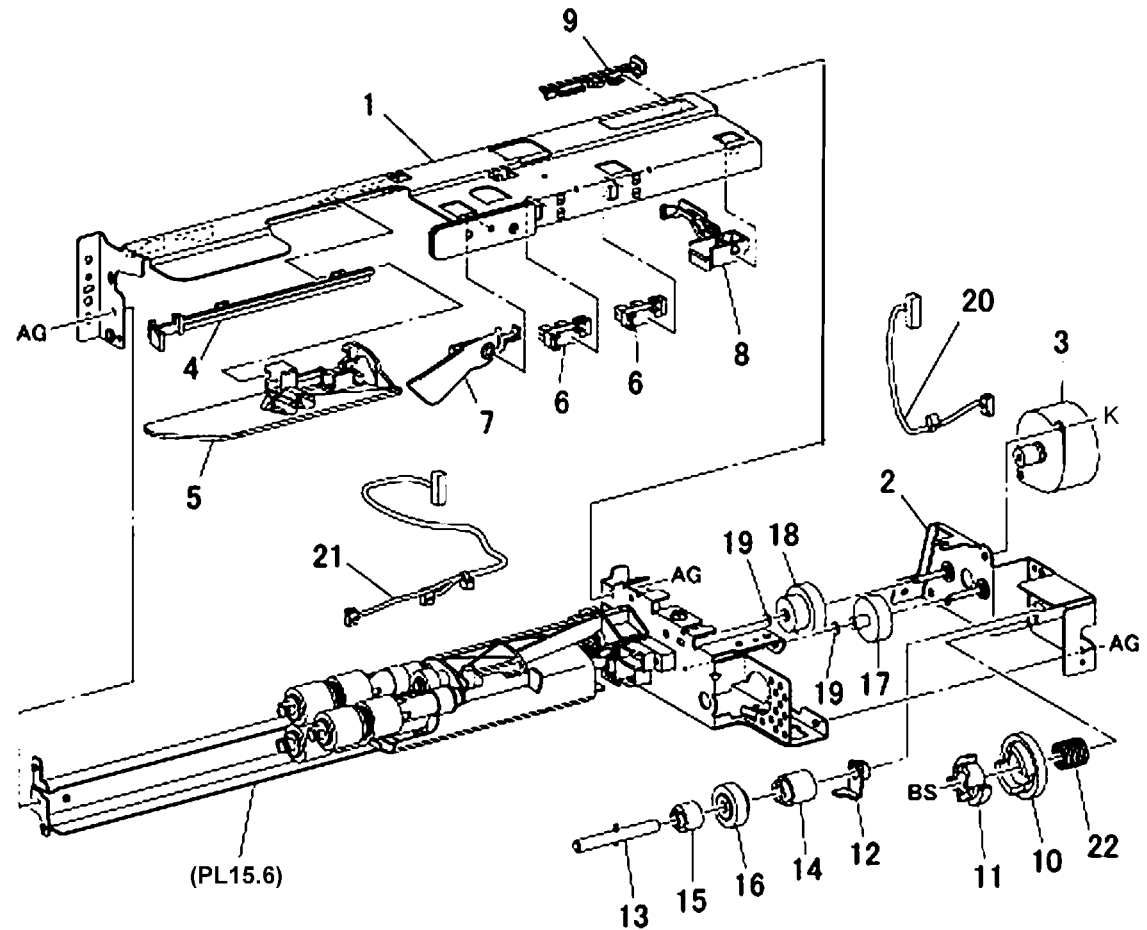
| Item | Part      | Description                                    |
|------|-----------|--|
| 1    | -         | Lower Frame Assembly (P/O PL 15.1 Item 1)      |
| 2    | 022K74870 | Feed Roll, Nudger Roll, Retard Roll Assembly   |
| 3    | -         | Compression Lever Spring (P/O PL 15.1 Item 1)  |
| 4    | -         | Nudger Compression Spring (P/O PL 15.1 Item 1) |
| 5    | -         | Holder (P/O PL 15.1 Item 1)                    |
| 6    | -         | Lever (P/O PL 15.1 Item 1)                     |
| 7    | -         | Feed In Chute (P/O PL 15.1 Item 1)             |
| 8    | -         | Feed Shaft (P/O PL 15.1 Item 1)                |
| 9    | -         | Bearing (P/O PL 15.1 Item 1)                   |
| 10   | 413W11660 | Plastic Bearing                                |
| 11   | -         | Helical Gear (30T) (P/O PL 15.1 Item 1)        |
| 12   | -         | Nudger Support (P/O PL 15.1 Item 1)            |
| 13   | -         | Spur Gear (29T) (P/O PL 15.1 Item 1)           |
| 14   | 005K08820 | Clutch Assembly (25T)                          |
| 15   | 005K07110 | One Way Clutch Assembly                        |
| 16   | -         | Nudger Shaft (P/O PL 15.1 Item 1)              |
| 17   | -         | Gear (P/O PL 15.1 Item 1)                      |
| 18   | -         | Retard Support (P/O PL 15.1 Item 1)            |
| 19   | 005K81880 | Friction Clutch Assembly                       |
| 20   | 014E45030 | Spacer   |
| 21   | -         | Retard Shaft (P/O PL 15.1 Item 1)              |
| 22   | -         | Retard Bearing (P/O PL 15.1 Item 1)            |
| 23   | -         | Compression Retard Spring (P/O PL 15.1 Item 1) |



0515004A-OAK

# PL 15.5 Tray 3 Feeder Assembly (1 of 2)

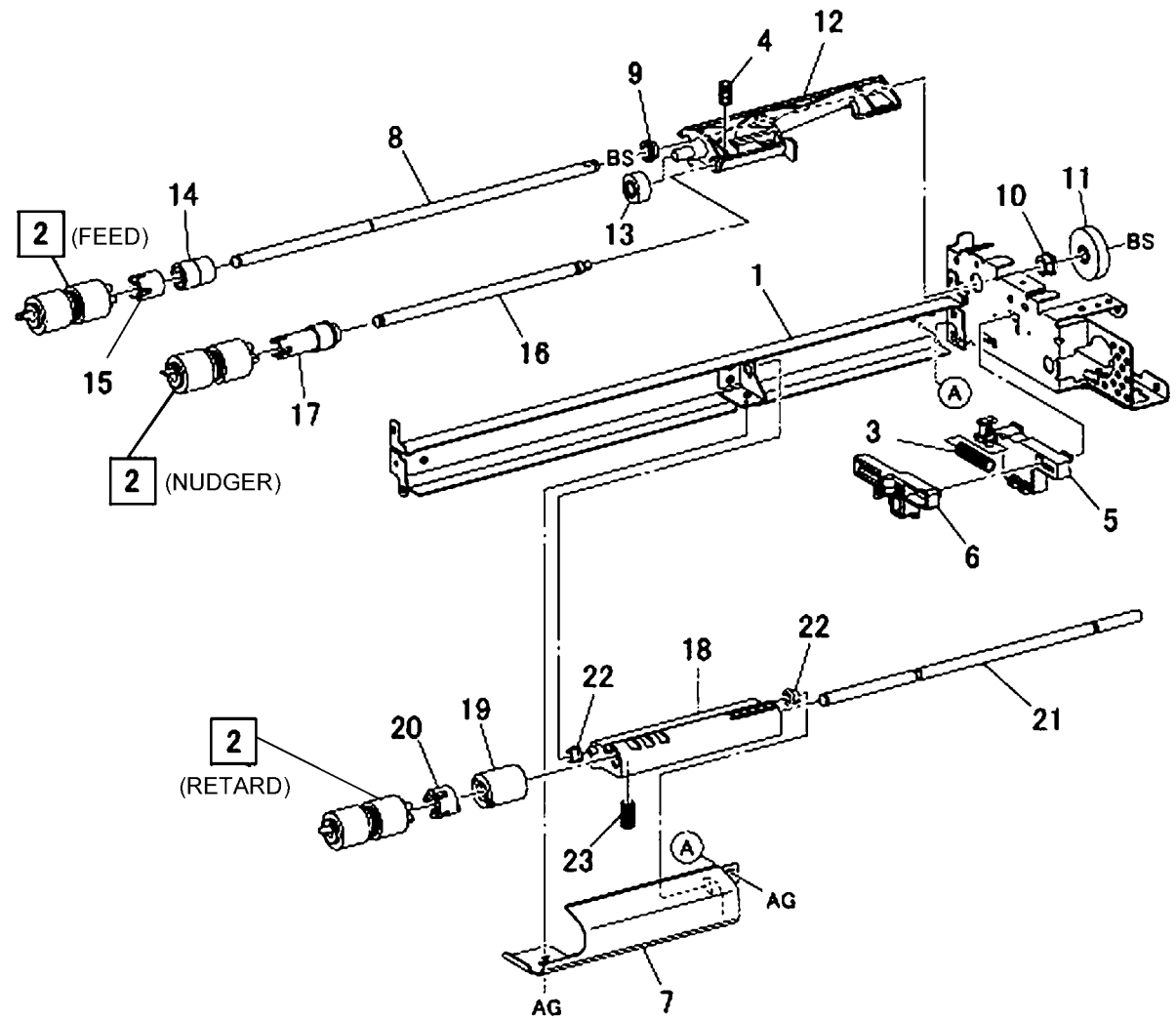
| Item | Part      | Description                                 |
|------|-----------|---|
| 1    | -         | Upper Frame Assembly (P/O PL 15.1 Item 1)   |
| 2    | -         | Drive Bracket Assembly (P/O PL 15.1 Item 1) |
| 3    | 127K52790 | Lift/Feed Motor Assembly                    |
| 4    | -         | Rail (P/O PL 15.1 Item 1)                   |
| 5    | -         | Chute (P/O PL 15.1 Item 1)                  |
| 6    | 930W00113 | Height Sensor, Tray Empty Sensor            |
| 7    | 120E22481 | Actuator                                    |
| 8    | -         | Upper Harness Holder (P/O PL 15.1 Item 1)   |
| 9    | -         | Rear Harness Holder (P/O PL 15.1 Item 1)    |
| 10   | 807E00390 | Gear  |
| 11   | 014E44770 | Spacer                                      |
| 12   | 013E26530 | Shaft Bearing                               |
| 13   | 006K23221 | Drive Shaft Assembly                        |
| 14   | 807E00800 | Gear  |
| 15   | 005K83081 | One Way Clutch Assembly                     |
| 16   | 007K98130 | One Way Gear Assembly                       |
| 17   | 807E20300 | Helical Gear (25T)                          |
| 18   | -         | Helical Gear (29T/19T) (P/O PL 15.1 Item 1) |
| 19   | 028E94160 | Washer                                      |
| 20   | -         | Motor Harness Assembly (P/O PL 15.1 Item 1) |
| 21   | -         | Sensor Motor Harness (P/O PL 15.1 Item 1)   |
| 22   | -         | Spring (P/O PL 15.1 Item 1)                 |



0515005A-OAK

# PL 15.6 Tray 3 Feeder Assembly (2 of 2)

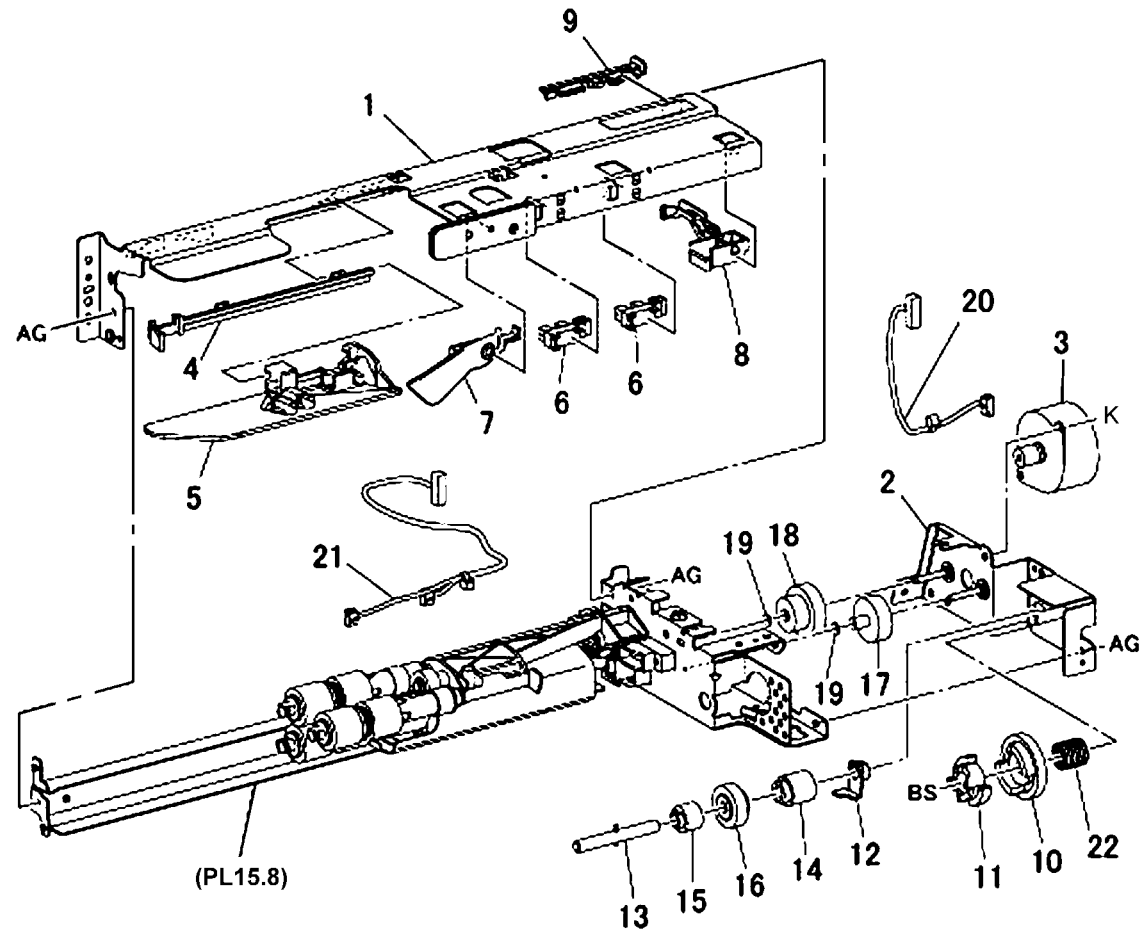
| Item | Part      | Description                                    |
|------|-----------|--|
| 1    | -         | Lower Frame Assembly (P/O PL 15.1 Item 1)      |
| 2    | 022K74870 | Feed Roll, Nudger Roll, Retard Roll Assembly   |
| 3    | -         | Compression Lever Spring (P/O PL 15.1 Item 1)  |
| 4    | -         | Nudger Compression Spring (P/O PL 15.1 Item 1) |
| 5    | -         | Holder (P/O PL 15.1 Item 1)                    |
| 6    | -         | Lever (P/O PL 15.1 Item 1)                     |
| 7    | -         | Feed In Chute (P/O PL 15.1 Item 1)             |
| 8    | -         | Feed Shaft (P/O PL 15.1 Item 1)                |
| 9    | -         | Bearing (P/O PL 15.1 Item 1)                   |
| 10   | 413W11660 | Plastic Bearing                                |
| 11   | -         | Helical Gear (30T) (P/O PL 15.1 Item 1)        |
| 12   | -         | Nudger Support (P/O PL 15.1 Item 1)            |
| 13   | -         | Spur Gear (29T) (P/O PL 15.1 Item 1)           |
| 14   | 005K08820 | Clutch Assembly (25T)                          |
| 15   | 005K07110 | One Way Clutch Assembly                        |
| 16   | -         | Nudger Shaft (P/O PL 15.1 Item 1)              |
| 17   | -         | Gear (P/O PL 15.1 Item 1)                      |
| 18   | -         | Retard Support (P/O PL 15.1 Item 1)            |
| 19   | 005K81880 | Friction Clutch Assembly                       |
| 20   | 014E45030 | Spacer   |
| 21   | -         | Retard Shaft (P/O PL 15.1 Item 1)              |
| 22   | -         | Retard Bearing (P/O PL 15.1 Item 1)            |
| 23   | -         | Compression Retard Spring (P/O PL 15.1 Item 1) |



0515006A-OAK

# PL 15.7 Tray 4 Feeder Assembly (1 of 2)

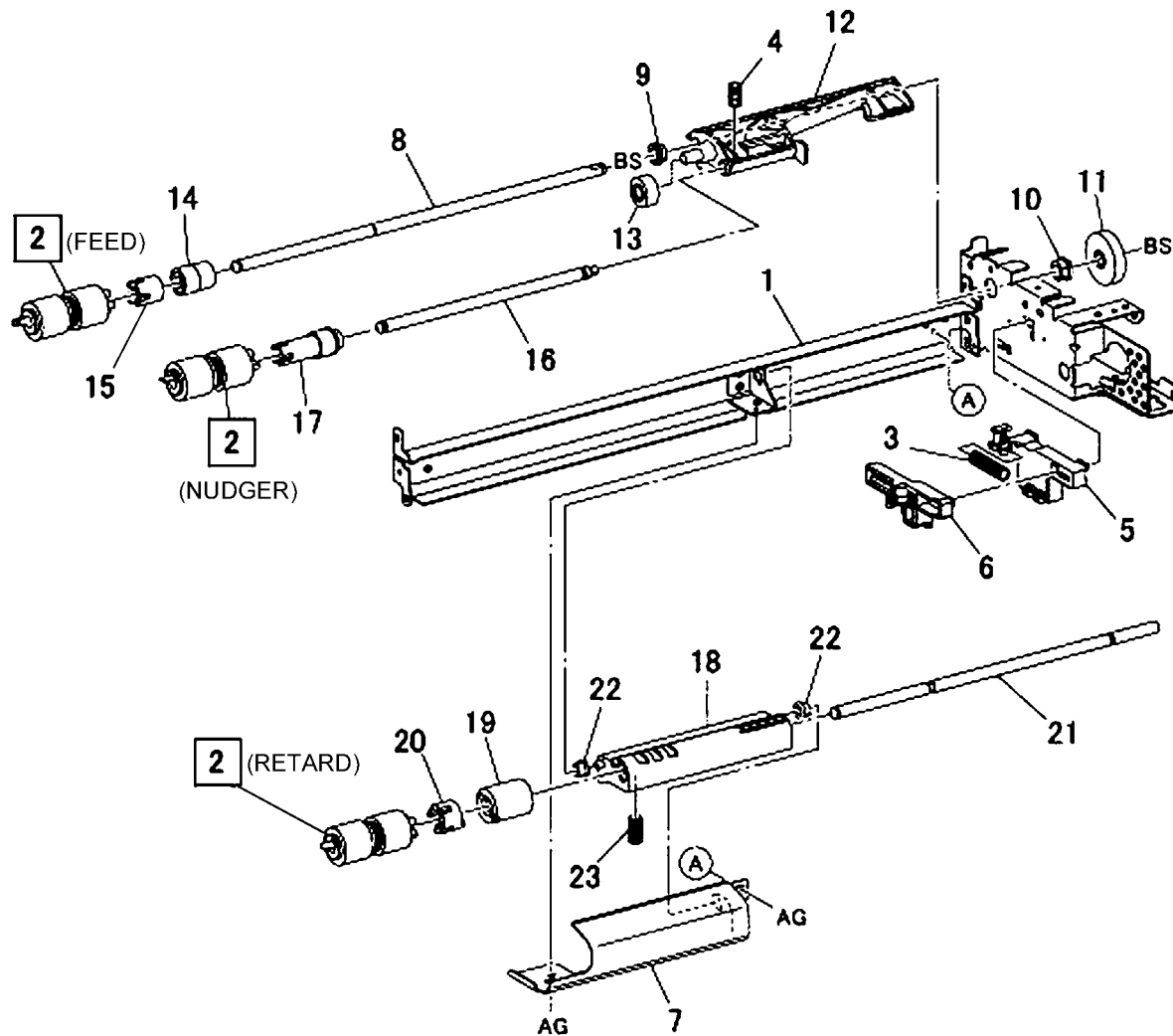
| Item | Part      | Description                                 |
|------|-----------|---|
| 1    | -         | Upper Frame Assembly (P/O PL 15.1 Item 1)   |
| 2    | -         | Drive Bracket Assembly (P/O PL 15.1 Item 1) |
| 3    | 127K52790 | Lift/Feed Motor Assembly                    |
| 4    | -         | Rail (P/O PL 15.1 Item 1)                   |
| 5    | -         | Chute (P/O PL 15.1 Item 1)                  |
| 6    | 930W00113 | Height Sensor, Tray Empty Sensor            |
| 7    | 120E22481 | Actuator                                    |
| 8    | -         | Upper Harness Holder (P/O PL 15.1 Item 1)   |
| 9    | -         | Rear Harness Holder (P/O PL 15.1 Item 1)    |
| 10   | 807E00390 | Gear  |
| 11   | 014E44770 | Spacer                                      |
| 12   | 013E26530 | Shaft Bearing                               |
| 13   | 006K23221 | Drive Shaft Assembly                        |
| 14   | 807E00800 | Gear  |
| 15   | 005K83081 | One Way Clutch Assembly                     |
| 16   | 007K98130 | One Way Gear Assembly                       |
| 17   | 807E20300 | Helical Gear (25T)                          |
| 18   | -         | Helical Gear (29T/19T) (P/O PL 15.1 Item 1) |
| 19   | 028E94160 | Washer                                      |
| 20   | -         | Motor Harness Assembly (P/O PL 15.1 Item 1) |
| 21   | -         | Sensor Motor Harness (P/O PL 15.1 Item 1)   |
| 22   | -         | Spring (P/O PL 15.1 Item 1)                 |



0515007A-OAK

# PL 15.8 Tray 4 Feeder Assembly (2 of 2)

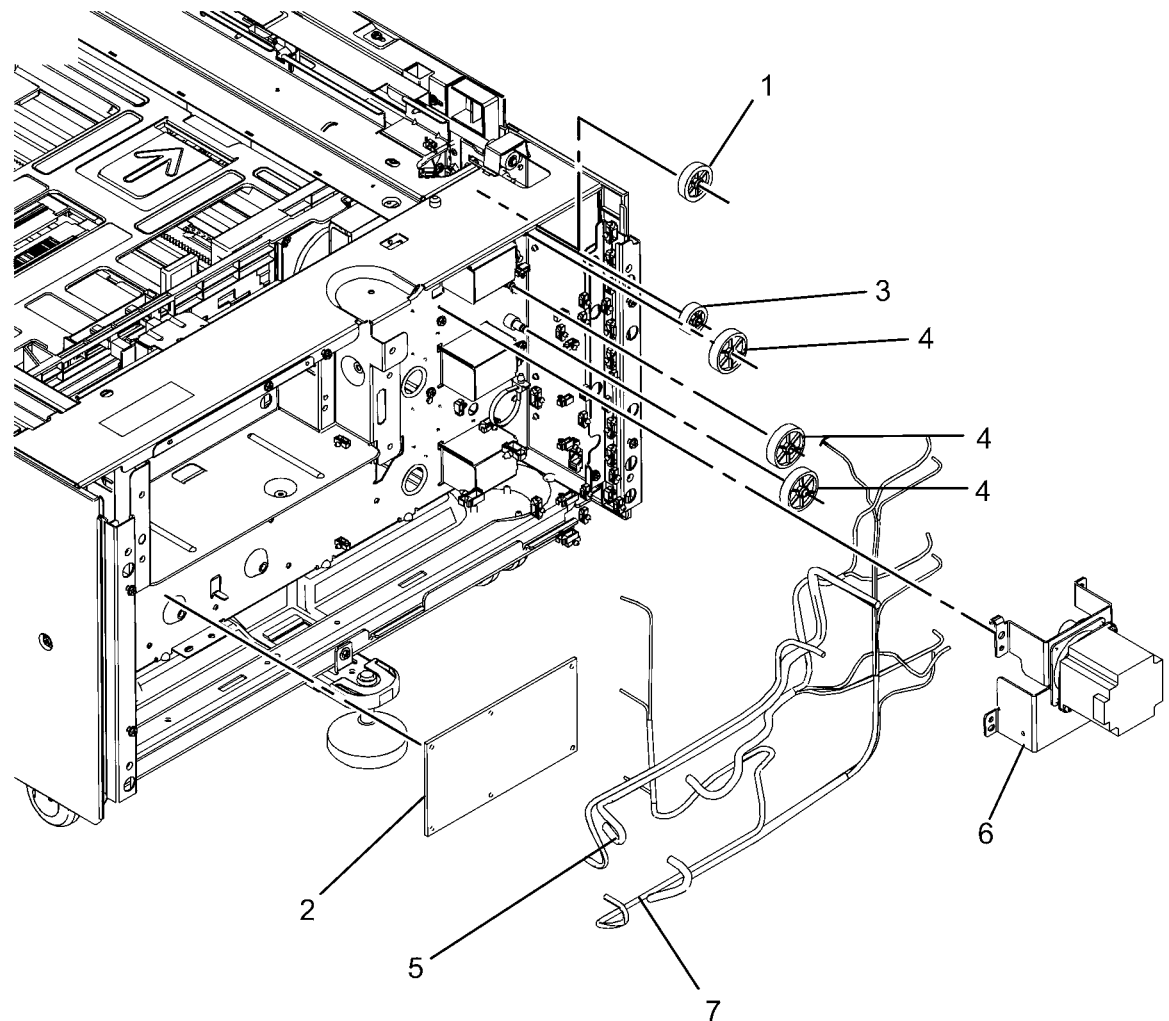
| Item | Part      | Description                                    |
|------|-----------|--|
| 1    | -         | Lower Frame Assembly (P/O PL 15.1 Item 1)      |
| 2    | 022K74870 | Feed Roll, Nudger Roll, Retard Roll Assembly   |
| 3    | -         | Compression Lever Spring (P/O PL 15.1 Item 1)  |
| 4    | -         | Nudger Compression Spring (P/O PL 15.1 Item 1) |
| 5    | -         | Holder (P/O PL 15.1 Item 1)                    |
| 6    | -         | Lever (P/O PL 15.1 Item 1)                     |
| 7    | -         | Feed In Chute (P/O PL 15.1 Item 1)             |
| 8    | -         | Feed Shaft (P/O PL 15.1 Item 1)                |
| 9    | -         | Bearing (P/O PL 15.1 Item 1)                   |
| 10   | 413W11660 | Plastic Bearing                                |
| 11   | -         | Helical Gear (30T) (P/O PL 15.1 Item 1)        |
| 12   | -         | Nudger Support (P/O PL 15.1 Item 1)            |
| 13   | -         | Spur Gear (29T) (P/O PL 15.1 Item 1)           |
| 14   | 005K08820 | Clutch Assembly (25T)                          |
| 15   | 005K07110 | One Way Clutch Assembly                        |
| 16   | -         | Nudger Shaft (P/O PL 15.1 Item 1)              |
| 17   | -         | Gear (P/O PL 15.1 Item 1)                      |
| 18   | -         | Retard Support (P/O PL 15.1 Item 1)            |
| 19   | 005K81880 | Friction Clutch Assembly                       |
| 20   | 014E45030 | Spacer   |
| 21   | -         | Retard Shaft (P/O PL 15.1 Item 1)              |
| 22   | -         | Retard Bearing (P/O PL 15.1 Item 1)            |
| 23   | -         | Compression Retard Spring (P/O PL 15.1 Item 1) |



0515008A-OAK

## PL 15.9 Electrical

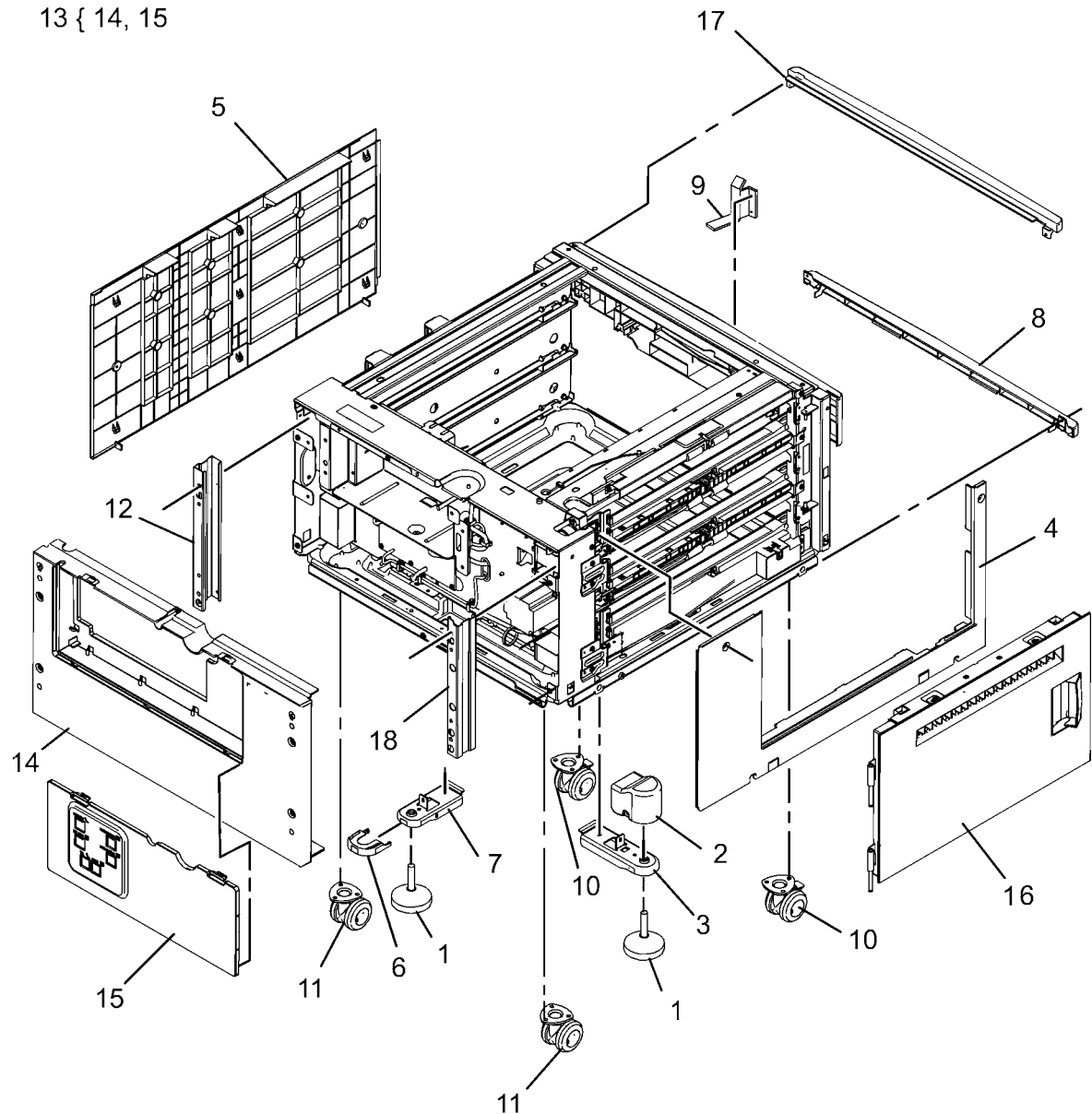
| Item | Part      | Description                 |
|------|-----------|-----------------------------|
| 1    | 807E20700 | Gear (34T)                  |
| 2    | 960K43172 | Tray Module PWB             |
| 3    | 807E20710 | Gear (21T)                  |
| 4    | 807E20720 | Gear (39T)                  |
| 5    | —         | IF2 Harness (Not Spared)    |
| 6    | 127K52641 | Motor Assembly              |
| 7    | —         | Sensor Harness (Not Spared) |



0515009B-OAK

# PL 15.10 Covers

| Item | Part      | Description                              |
|------|-----------|--|
| 1    | –         | Adjuster Foot Assembly (Not Spared)      |
| 2    | 848E27150 | Cover Foot L                             |
| 3    | 868E20860 | Bracket Foot L                           |
| 4    | 848E12691 | Left Cover                               |
| 5    | 848E12702 | Right Cover                              |
| 6    | 848E25150 | Cover Foot                               |
| 7    | 868E15860 | Foot Bracket                             |
| 8    | 848E12730 | Foot Cover                               |
| 9    | 868E34940 | Bracket Docking                          |
| 10   | 017K94580 | Locking Caster Assembly                  |
| 11   | 017K94570 | Caster Assembly                          |
| 12   | 868E32552 | Bracket BBQ Right                        |
| 13   | –         | Rear Cover Assembly (Not Spared)         |
| 14   | –         | Rear Cover (P/O PL 15.10 Item 13)        |
| 15   | –         | Rear Cover Insert (P/O PL 15.10 Item 13) |
| 16   | 848K16851 | Left Cover                               |
| 17   | 848E12720 | Top Cover                                |
| 18   | 868E32560 | Bracket BBQ Left                         |



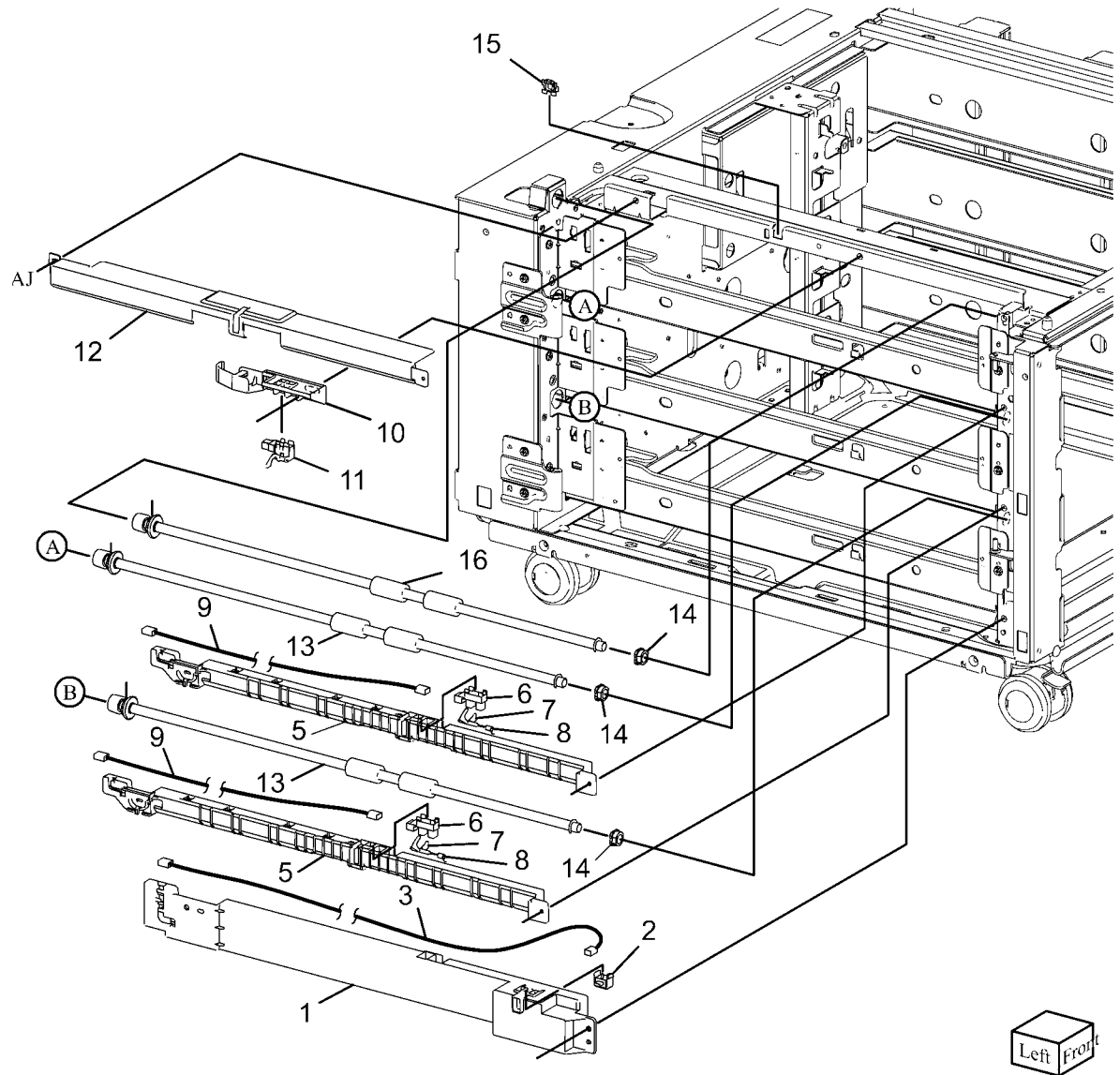
0515010A-OAK



# PL 15.11 Roller

| Item | Part      | Description                                    |
|------|-----------|--|
| 1    | 848E12670 | Cover  |
| 2    | 110E12220 | Switch   |
| 3    | 962K59480 | Harness Assembly                               |
| 4    | 054K34143 | Chute Assembly                                 |
| 5    | -         | Chute (P/O PL 15.11 Item 4)                    |
| 6    | 930W00111 | Tray 3 Feed Out Sensor, Tray 4 Feed Out Sensor |
| 7    | 120E29731 | Actuator Sensor                                |
| 8    | 809E82720 | Spring   |
| 9    | 962K59460 | Harness Assembly                               |
| 10   | 032E27970 | Guide  |
| 11   | 130K64121 | Tray 2 Feed Out Sensor                         |
| 12   | 054E34301 | Takeaway Chute                                 |
| 13   | 059K54381 | Roll Assembly                                  |
| 14   | 413W14860 | Bearing  |
| 15   | 120E18070 | Clamp  |
| 16   | 059K60191 | Roll Assembly                                  |

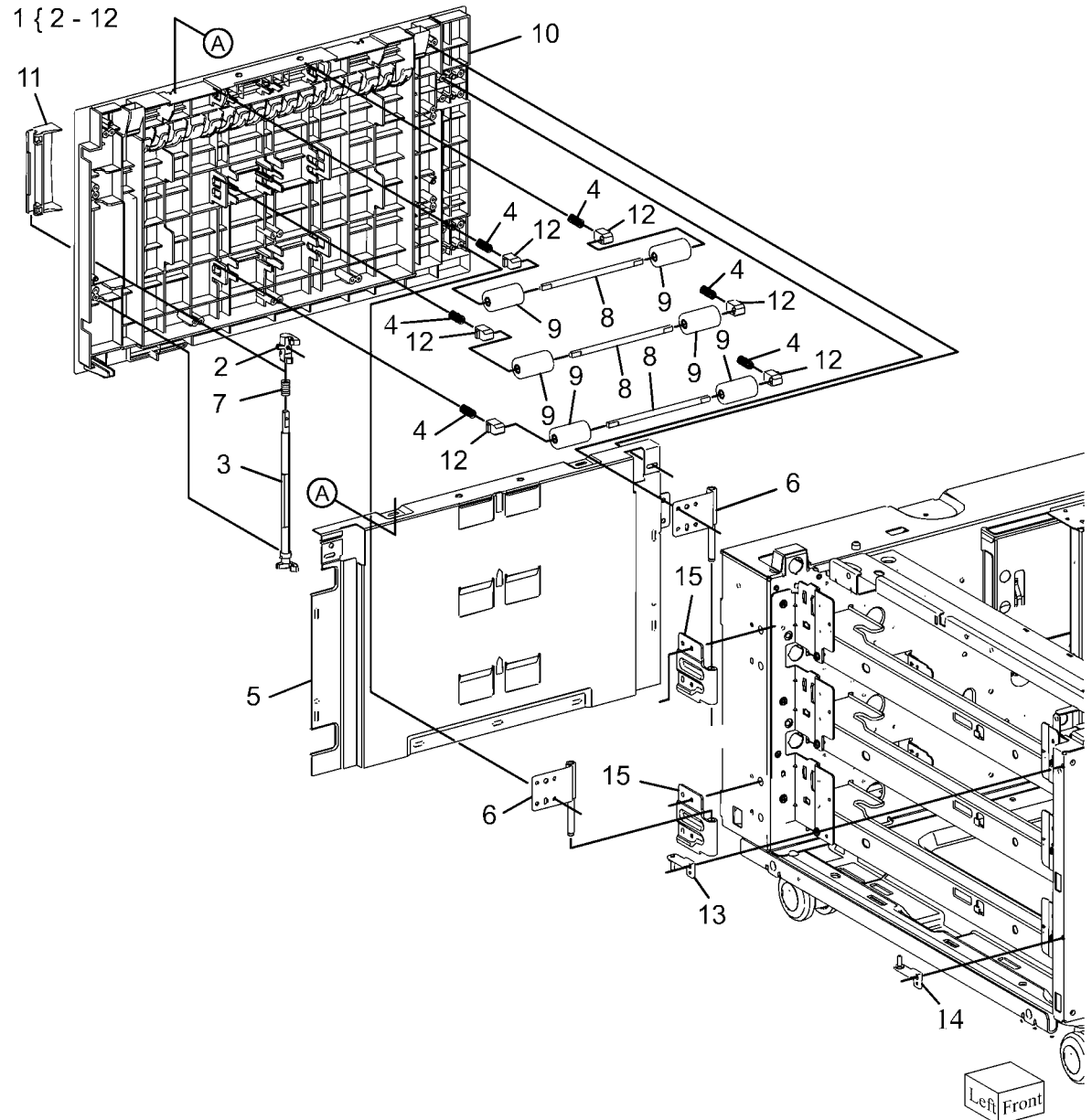
4 { 5 - 9



0515011A-OAK

# PL 15.12 Left Hand Cover Assembly

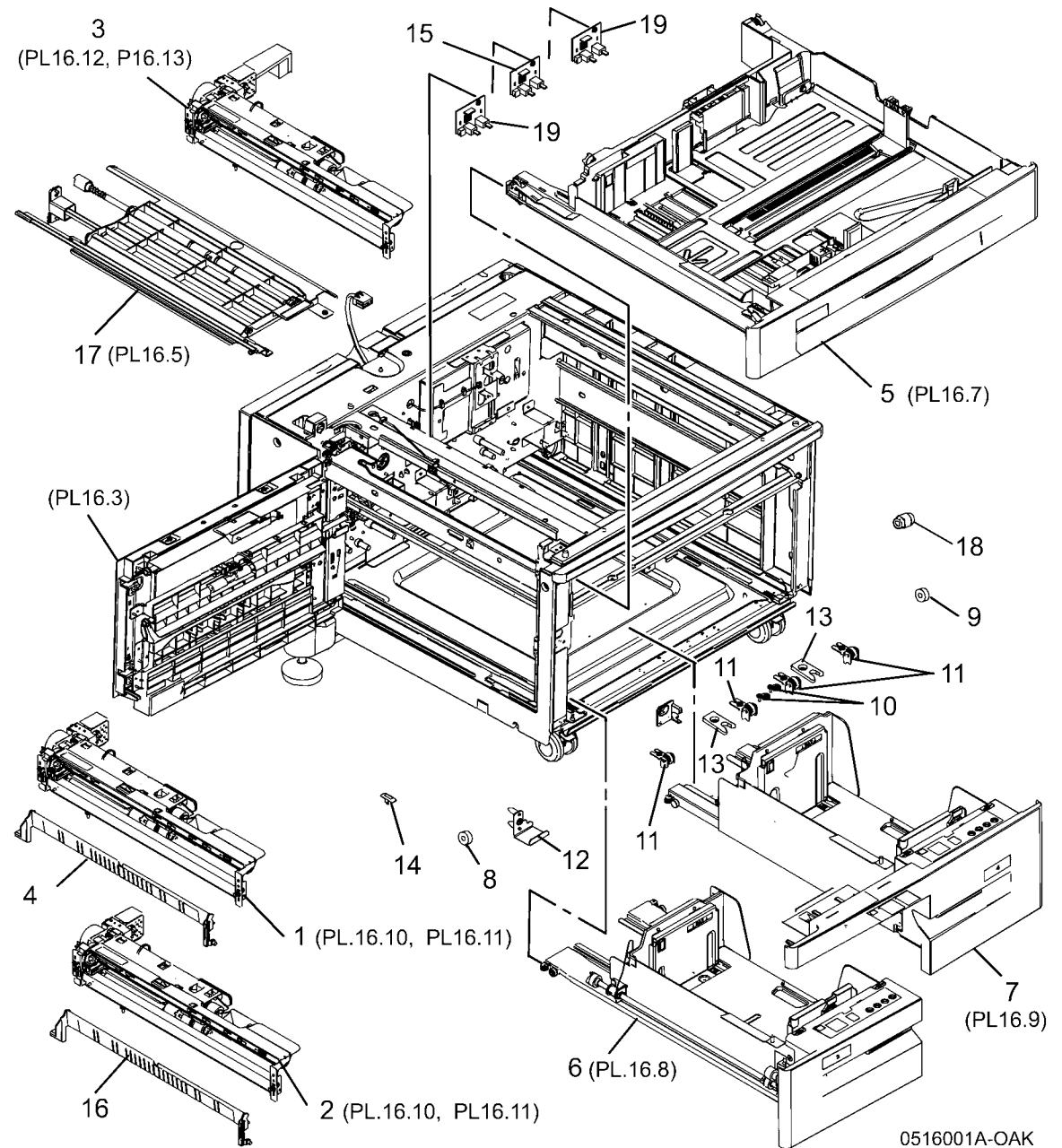
| Item | Part      | Description                           |
|------|-----------|---------------------------------------|
| 1    | -         | Left Hand Cover Assembly (Not Spared) |
| 2    | 019E69600 | Hook                                  |
| 3    | 003E75590 | Latch                                 |
| 4    | 809E76041 | Spring Pinch                          |
| 5    | 054E38250 | Left Hand Chute Low                   |
| 6    | 068K55791 | Bracket Assembly                      |
| 7    | 809E76030 | Spring                                |
| 8    | 806E22461 | Pinch Shaft                           |
| 9    | 059E99240 | Pinch Roll                            |
| 10   | 848E15042 | Left Hand Cover                       |
| 11   | 003E75570 | Handle                                |
| 12   | 013E33880 | Pinch Bearing                         |
| 13   | 068K55701 | Upper Bracket Assembly                |
| 14   | -         | Lower Bracket Assembly (Not Spared)   |
| 15   | -         | Hinge (Not Spared)                    |



0515012A-OAK

# PL 16.1 Tandem Tray Module

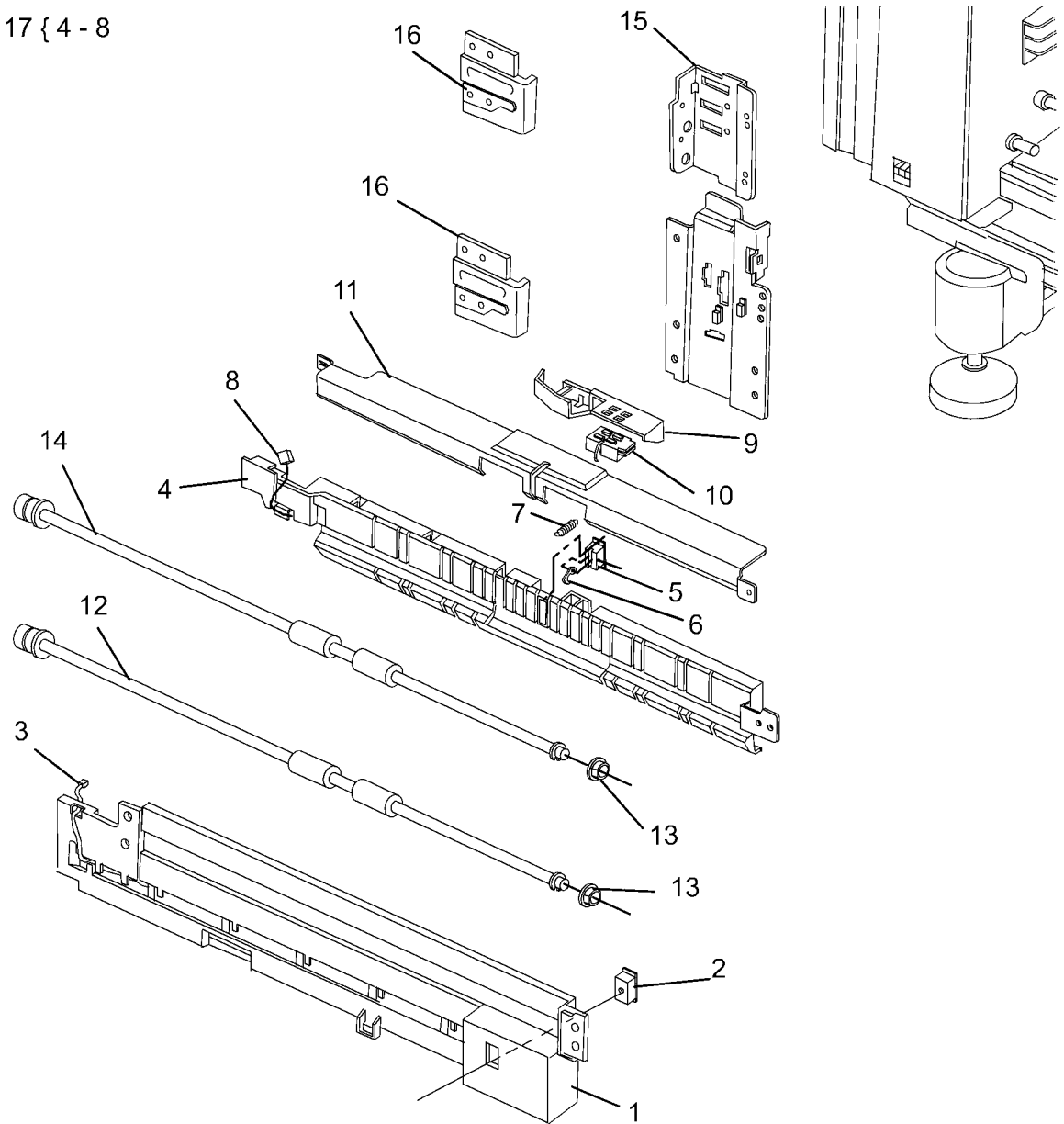
| Item | Part      | Description                       |
|------|-----------|-----------------------------------|
| 1    | 059K55532 | Tray 2 Feeder Assembly (REP 8.10) |
| 2    | 059K55052 | Tray 3 Feeder Assembly (REP 8.11) |
| 3    | 059K55520 | Tray 4 Feeder Assembly (REP 8.12) |
| 4    | 054E35381 | Feed Out Chute                    |
| 5    | 050K61016 | Tray 2 Assembly                   |
| 6    | 050K60500 | Tray 3 Assembly                   |
| 7    | 050K60520 | Tray 4 Assembly                   |
| 8    | 059E03500 | Front Left Roller                 |
| 9    | 059E03510 | Front Right Roller                |
| 10   | 059E04690 | Front Right Roller                |
| 11   | 059E05060 | Upper Roller                      |
| 12   | 003E75551 | Front Right Location Stopper      |
| 13   | 803E01200 | Stopper                           |
| 14   | 003E75430 | Front Stopper                     |
| 15   | 110K11680 | Tray 2 Size Sensor                |
| 16   | 054E33802 | Feed Out Chute                    |
| 17   | 059K54320 | Transport Assembly                |
| 18   | 059E05131 | Roller                            |
| 19   | 110K11820 | Tray 3, Tray 4 Size Sensor        |



# PL 16.2 Roller

| Item | Part      | Description                                    |
|------|-----------|--|
| 1    | 848E12680 | Cover  |
| 2    | 110E12220 | Cabinet Switch                                 |
| 3    | 962K59480 | Harness Assembly                               |
| 4    | 054E34320 | Feed Out Chute                                 |
| 5    | 930W00111 | Tray 3 Feed Out Sensor                         |
| 6    | -         | Feed Out Sensor Actuator (P/O PL 16.2 Item 17) |
| 7    | 809E82720 | Sensor Spring                                  |
| 8    | 962K59460 | Feed Out Harness Assembly                      |
| 9    | 032E27970 | Sensor Guide                                   |
| 10   | 130K64121 | Tray 2 Feed Out Sensor                         |
| 11   | -         | Left Hand Up Chute (Not Spared)                |
| 12   | 059K54381 | Take Away High Roll Assembly                   |
| 13   | 413W14860 | Bearing  |
| 14   | 059K60191 | Take Away No 2 Roll Assembly                   |
| 15   | -         | Feeder Bracket (Not Spared)                    |
| 16   | -         | Hinge Bracket (Not Spared)                     |
| 17   | 054K37430 | TTM Feed Out Chute Assembly                    |

17 { 4 - 8

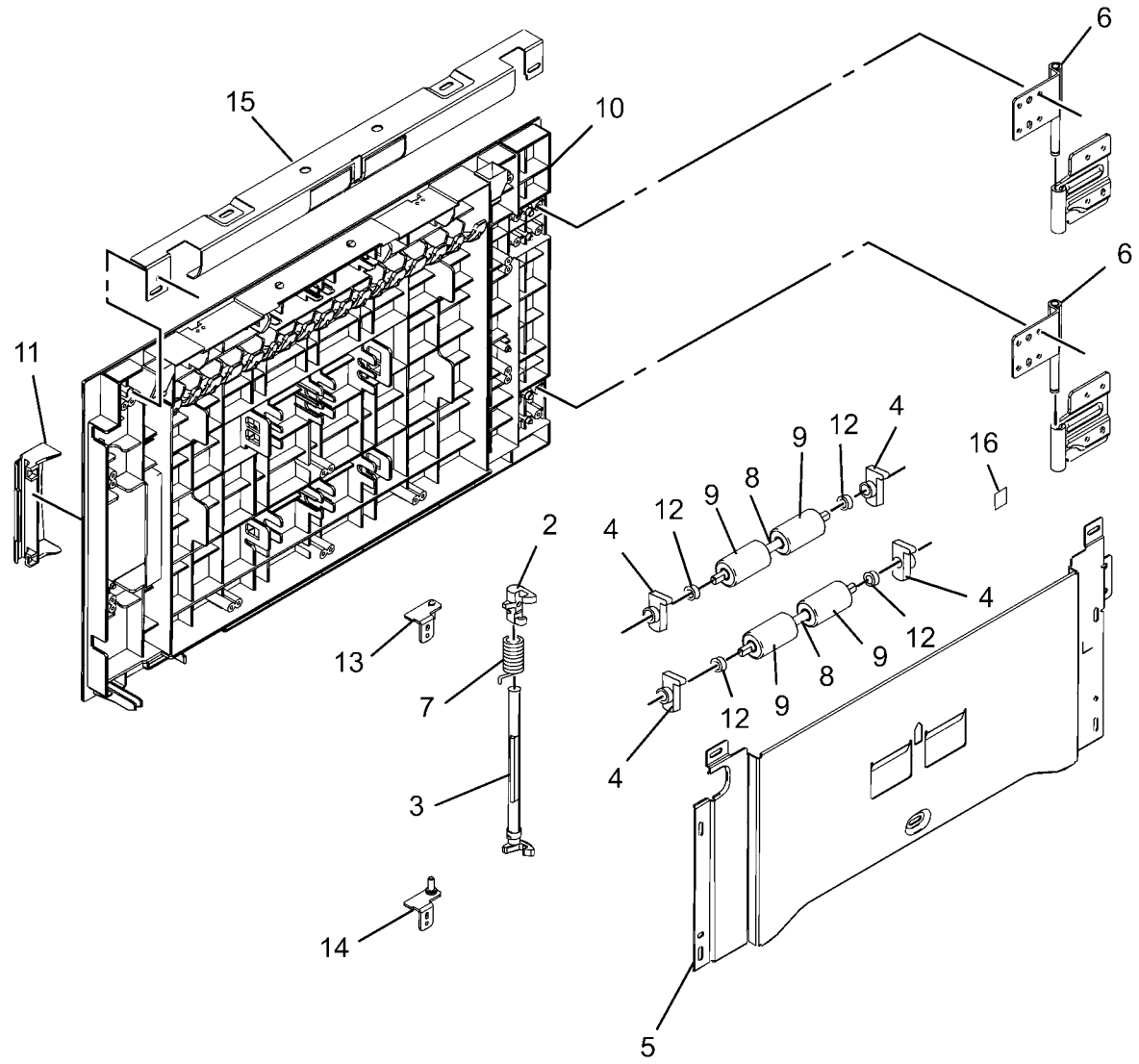


0516002A-OAK

# PL 16.3 Left Hand Cover Assembly

| Item | Part      | Description                                 |
|------|-----------|---|
| 1    | 848K17710 | Left Hand TTM Cover Assembly                |
| 2    | 019E69600 | Hook  |
| 3    | 003E75590 | Latch                                       |
| 4    | 809E76041 | Pinch Spring                                |
| 5    | 054E38450 | Left Hand Lower Chute                       |
| 6    | 068K55791 | Bracket Assembly                            |
| 7    | 809E76030 | Length Spring                               |
| 8    | 806E22461 | Pinch Shaft                                 |
| 9    | 059E99240 | Pinch Roll                                  |
| 10   | 848E12662 | Left Hand Cover                             |
| 11   | 003E75570 | Handle                                      |
| 12   | 013E33880 | Pinch Bearing                               |
| 13   | -         | Upper Bracket Assembly (P/O PL 16.3 Item 1) |
| 14   | 068K55711 | Lower Bracket Assembly                      |
| 15   | 054E38240 | Left Hand Up Chute                          |
| 16   | 896E78640 | Caution Label                               |

1 { 2 - 16

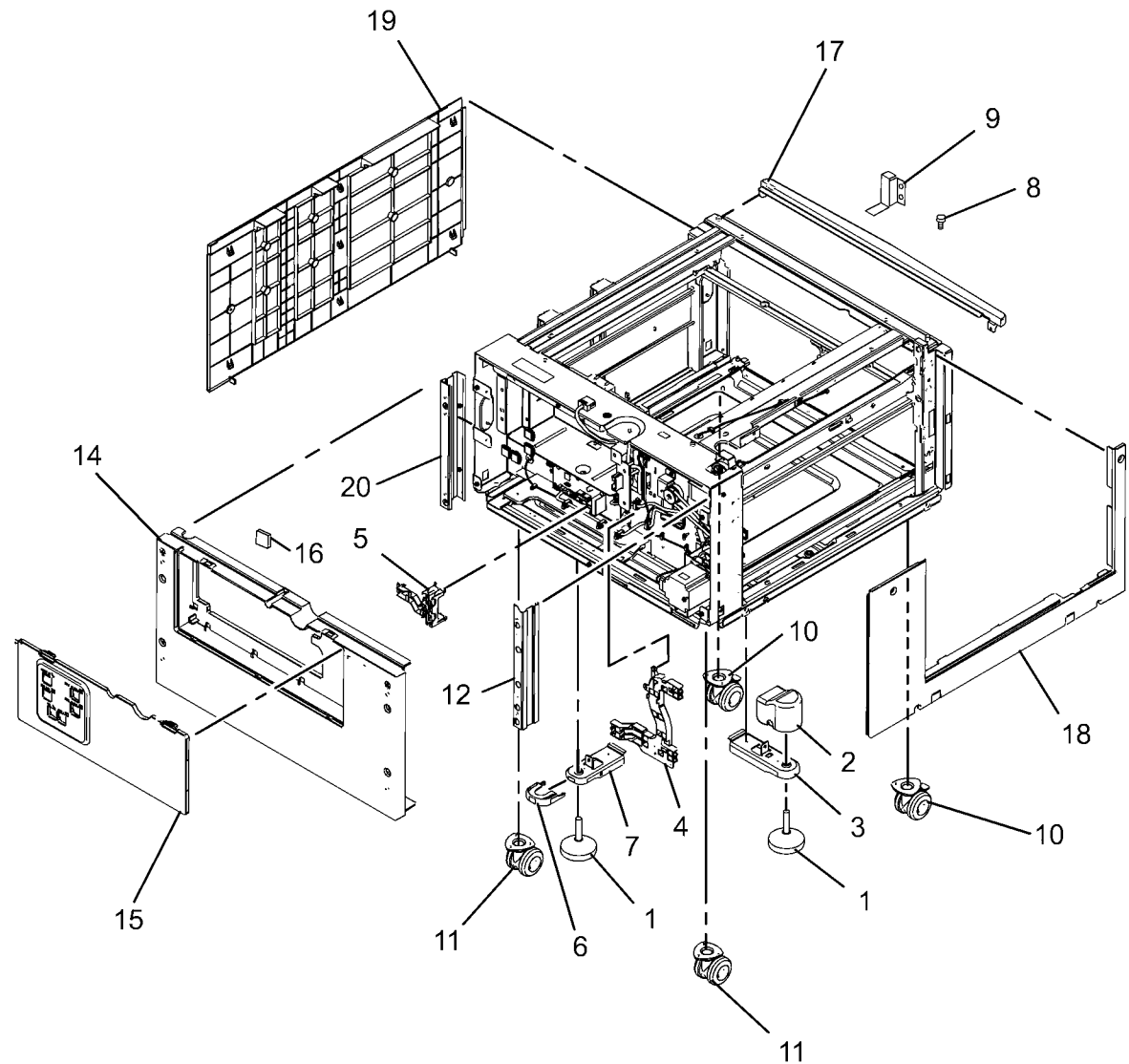


0516003A-OAK

# PL 16.4 Covers

| Item | Part      | Description                             |
|------|-----------|---|
| 1    | 017K94590 | Adjuster Foot Assembly                  |
| 2    | 848E27150 | Left Foot Cover                         |
| 3    | 868E20860 | Lower Foot Bracket                      |
| 4    | -         | Guide (Not Spared)                      |
| 5    | -         | Guide (Not Spared)                      |
| 6    | 848E25150 | Cover Foot                              |
| 7    | 868E15860 | Foot Bracket                            |
| 8    | 826E31690 | Docking Screw                           |
| 9    | 868E34940 | Docking Bracket                         |
| 10   | 017K94580 | Caster Assembly                         |
| 11   | 017K94570 | Caster Assembly                         |
| 12   | 868E32560 | Bracket                                 |
| 13   | 848K23191 | Rear Cover Assembly                     |
| 14   | -         | Rear Cover (P/O PL 16.4 Item 13)        |
| 15   | -         | Rear Cover Insert (P/O PL 16.4 Item 13) |
| 16   | -         | Blind Cover (P/O PL 16.4 Item 13)       |
| 17   | 848E12720 | Top Cover                               |
| 18   | 848E12691 | Left Cover                              |
| 19   | 848E12702 | Right Cover                             |
| 20   | 868E32552 | Bracket                                 |

13 { 14, 15, 16

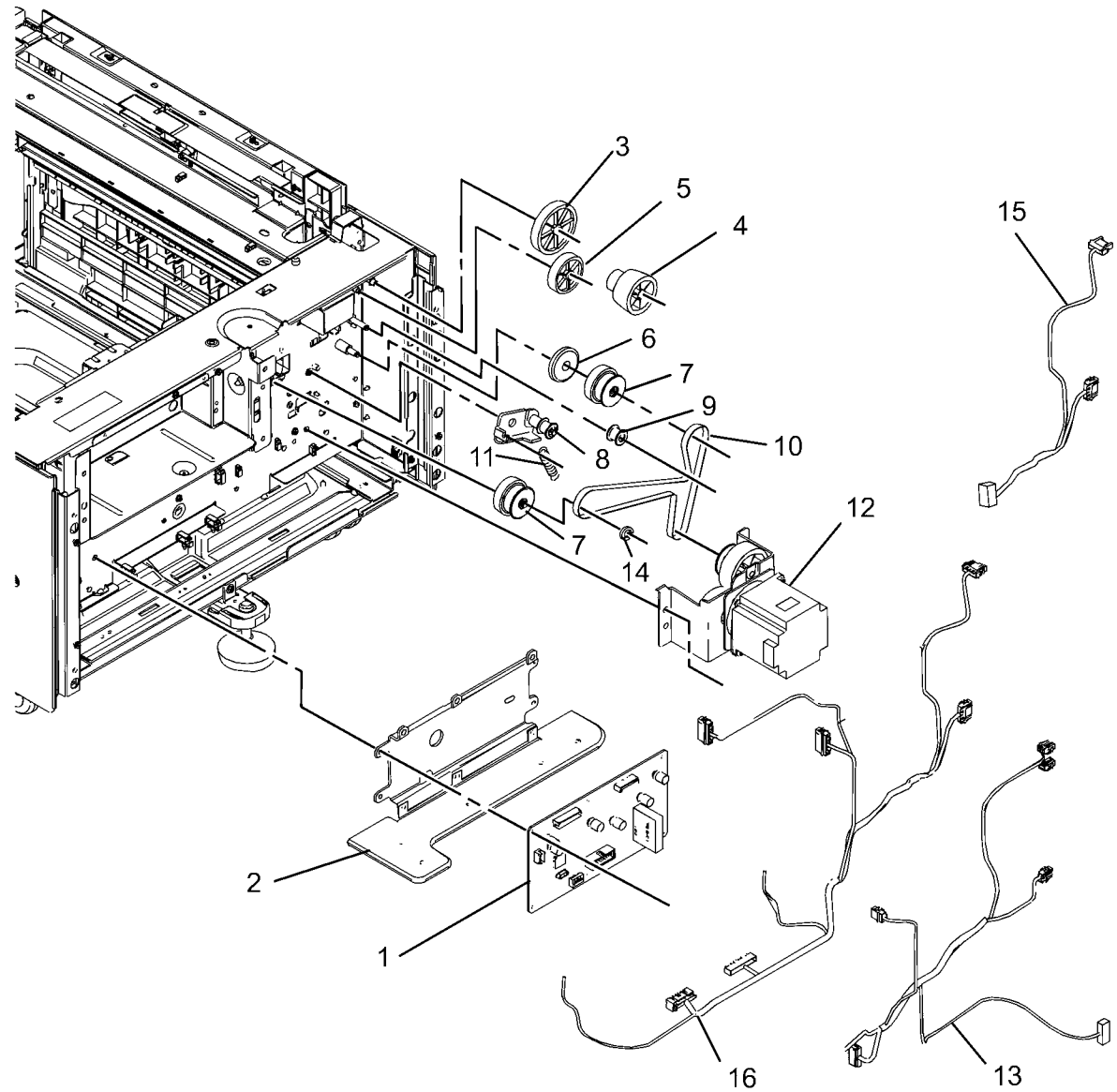


0516004A-OAK



## PL 16.6 Electrical

| Item | Part      | Description             |
|------|-----------|-------------------------|
| 1    | 960K43172 | Tray Module PWB         |
| 2    | 868E02000 | PWBA Bracket            |
| 3    | 807E20740 | Gear (52T)              |
| 4    | 807E20730 | Gear                    |
| 5    | 807E20720 | Gear (39T)              |
| 6    | 005E24940 | Collar                  |
| 7    | 020E45190 | Pulley (26T)            |
| 8    | 068K55630 | TS Bracket Assembly     |
| 9    | 059E03590 | Roller                  |
| 10   | 423W56254 | Belt                    |
| 11   | 809E75980 | Spring                  |
| 12   | 127K52550 | Motor Assembly          |
| 13   | 962K59571 | Motor Harness Assembly  |
| 14   | -         | E-Ring (Not Spared)     |
| 15   | 962K68641 | Harness Assembly        |
| 16   | 962K59560 | Sensor Harness Assembly |



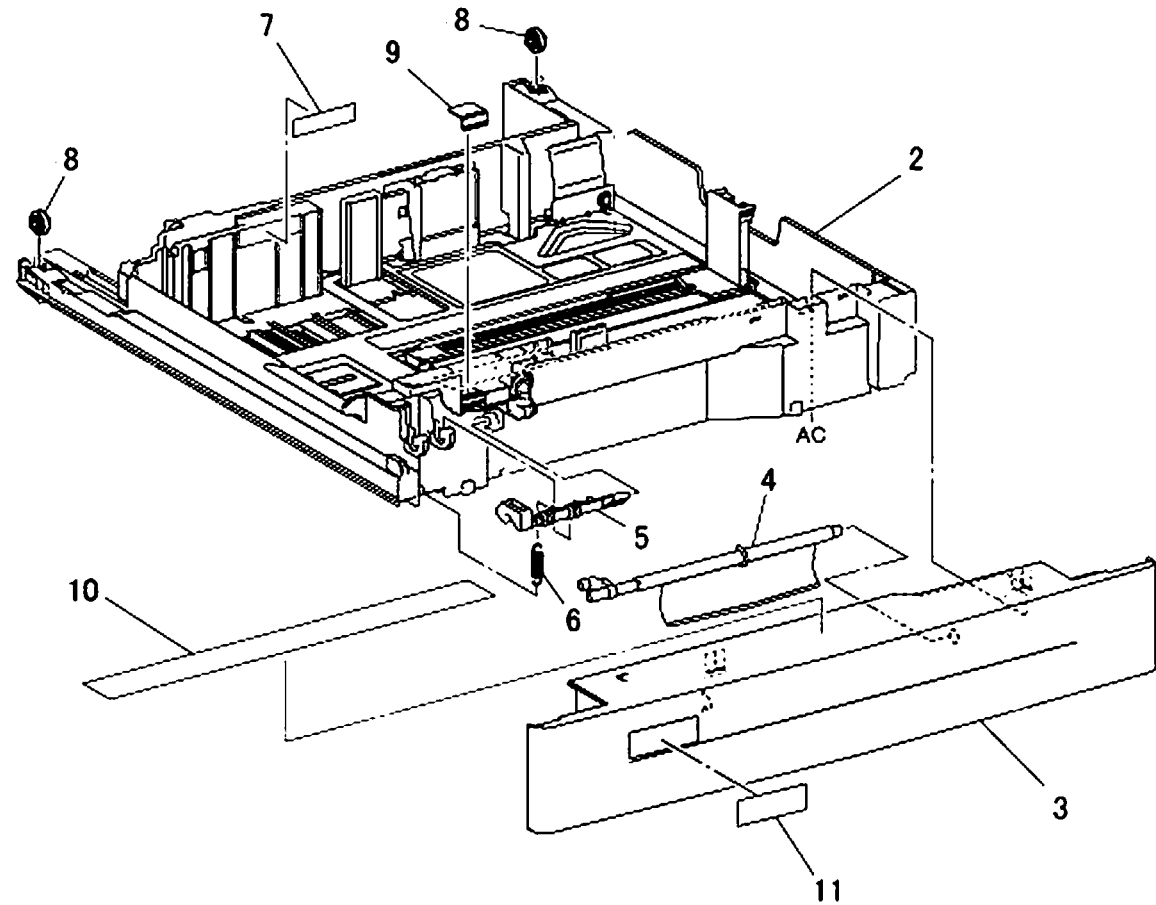
0516006B-OAK



## PL 16.7 Tray 2 Assembly

| Item | Part      | Description                        |
|------|-----------|------------------------------------|
| 1    | –         | Tray Assembly (P/O PL 16.1 Item 5) |
| 2    | –         | Tray Frame (P/O PL 16.1 Item 5)    |
| 3    | 848E16762 | Front Cover                        |
| 4    | 011E21770 | Lever                              |
| 5    | 003E76330 | Latch                              |
| 6    | 809E80250 | Spring                             |
| 7    | 893E09490 | Label (Max)                        |
| 8    | 059E03520 | Rear Roller                        |
| 9    | –         | Slide Lock Block (Not Spared)      |
| 10   | –         | Label (Instruction) (Not Spared)   |
| 11   | –         | Tray Label (No 2) (Not Spared)     |

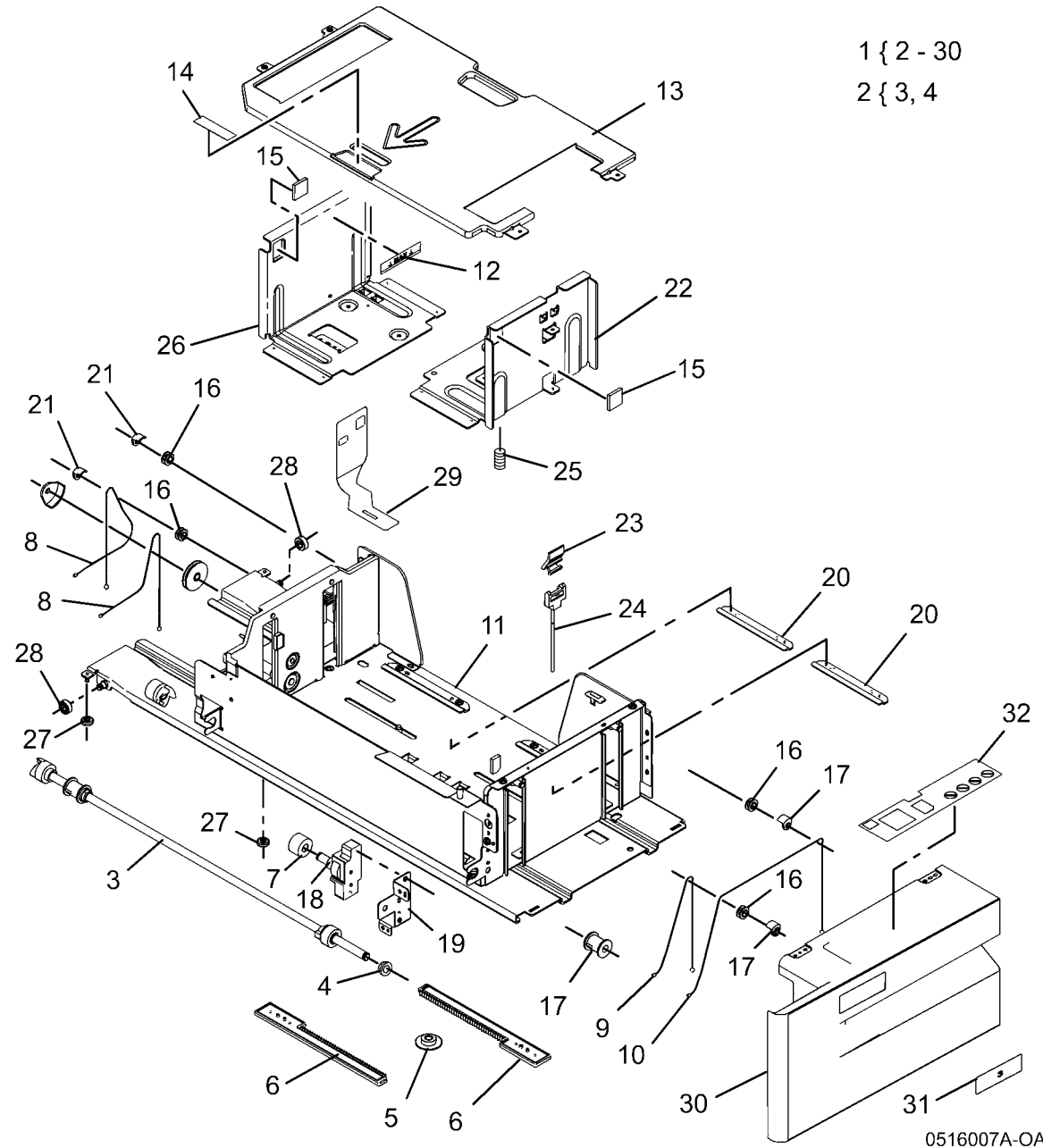
1 { 2 - 8



0515002A-OAK

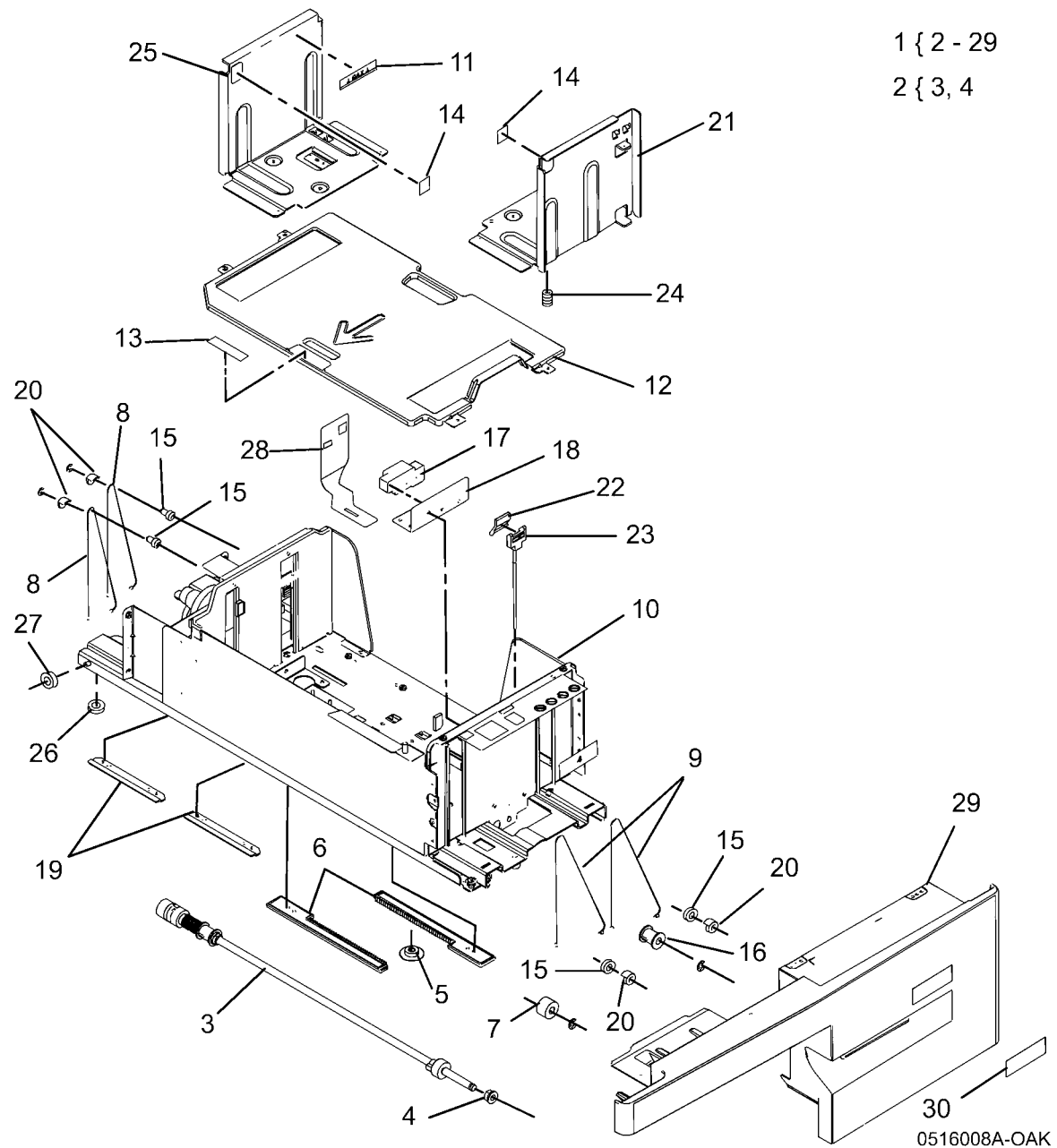
# PL 16.8 Tray 3 Assembly

| Item | Part      | Description  |
|------|-----------|--|
| 1    | -         | Tray Assembly (P/O PL 16.1 Item 6)                 |
| 2    | -         | Shaft Assembly, Lift (P/O PL 16.8 Item 1)          |
| 3    | -         | Shaft, Lift (P/O PL 16.8 Item 1)                   |
| 4    | -         | Bearing (P/O PL 16.8 Item 1)                       |
| 5    | 007E78190 | Pinion   |
| 6    | -         | Gear, Rack (P/O PL 16.8 Item 1)                    |
| 7    | 007E78390 | Gear (18T)   |
| 8    | 012E11101 | Tray Cable   |
| 9    | 012E11112 | Cable, Left, FL                                    |
| 10   | 012E11122 | Cable, Left, FR                                    |
| 11   | -         | Base Assembly (P/O PL 16.8 Item 1)                 |
| 12   | 893E09490 | Label Max  |
| 13   | -         | Bottom Plate (P/O PL 16.8 Item 1)                  |
| 14   | 019K09580 | Bottom Pad Assembly                                |
| 15   | 019E71680 | Pad  |
| 16   | 604K20730 | TTM Pulley Kit                                     |
| 17   | -         | Pulley (P/O PL 16.8 Item 1)                        |
| 18   | 019K93921 | Brake Assembly                                     |
| 19   | -         | Bracket Assembly (P/O PL 16.8 Item 1)              |
| 20   | -         | Side 1 Bracket Guide (P/O PL 16.8 Item 1)          |
| 21   | 604K20740 | Kit TTM Cable Guide                                |
| 22   | -         | Left Front Guide Assembly (P/O PL 16.8 Item 1)     |
| 23   | -         | Knob (P/O PL 16.8 Item 1)                          |
| 24   | -         | Left Knob Assembly (P/O PL 16.8 Item 1)            |
| 25   | -         | Spring (P/O PL 16.8 Item 1)                        |
| 26   | -         | Left Side Rear Guide Assembly (P/O PL 16.8 Item 1) |
| 27   | -         | Roller (P/O PL 16.8 Item 1)                        |
| 28   | 059E05040 | Upper Roller                                       |
| 29   | 120E22070 | Actuator Size                                      |
| 30   | 848E12561 | Left Cover Assembly                                |
| 31   | -         | Tray Label (3) (Not Spared)                        |
| 32   | -         | Label (Not Spared)                                 |



# PL 16.9 Tray 4 Assembly

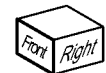
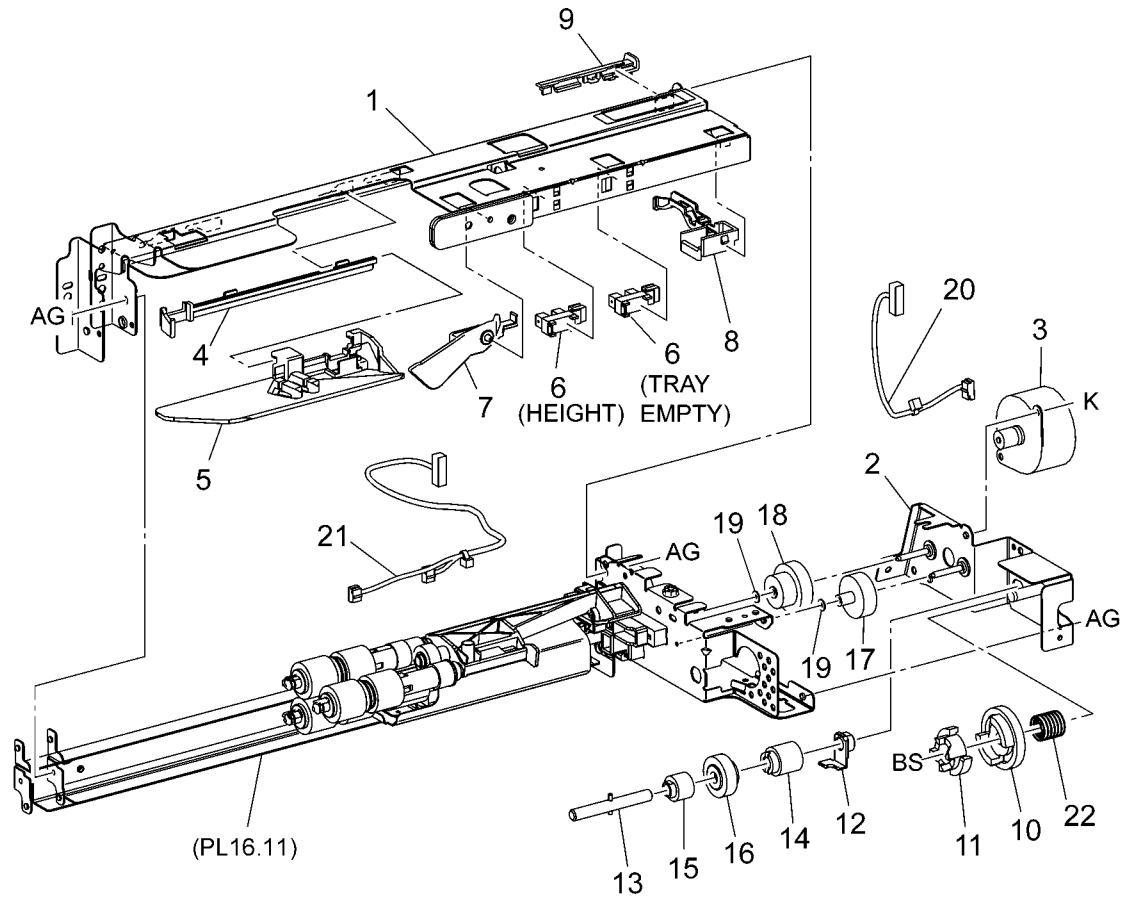
| Item | Part      | Description   |
|------|-----------|---|
| 1    | -         | Tray Assembly (P/O PL 16.1 Item 7)                  |
| 2    | -         | Shaft Assembly (P/O PL 16.9 Item 1)                 |
| 3    | -         | Lift Shaft (P/O PL 16.9 Item 1)                     |
| 4    | -         | Bearing (P/O PL 16.9 Item 1)                        |
| 5    | 007E78190 | Pinion  |
| 6    | -         | Gear Rack (P/O PL 16.9 Item 1)                      |
| 7    | 007E78390 | Gear (18T)  |
| 8    | 012E11131 | Right Rear Cable                                    |
| 9    | -         | Front Right Cable (P/O PL 16.9 Item 1)              |
| 10   | -         | Base Assembly (P/O PL 16.9 Item 1)                  |
| 11   | 893E09490 | Label Max   |
| 12   | -         | Bottom Plate (P/O PL 16.9 Item 1)                   |
| 13   | 019K09580 | Bottom Pad Assembly                                 |
| 14   | 019E71680 | Pad   |
| 15   | 604K20730 | TTM Pulley Kit                                      |
| 16   | -         | Pulley (P/O PL 16.9 Item 1)                         |
| 17   | 019K93921 | Brake Assembly                                      |
| 18   | -         | Right Bracket Brake (P/O PL 16.9 Item 1)            |
| 19   | -         | Side 1 Bracket Guide (P/O PL 16.9 Item 1)           |
| 20   | 604K20740 | TTM Cable Guide Kit (P/O PL 16.9 Item 1)            |
| 21   | -         | Right Front Guide Assembly (P/O PL 16.9 Item 1)     |
| 22   | 003E59730 | Knob  |
| 23   | 003K87460 | Right Knob Assembly                                 |
| 24   | -         | Spring (P/O PL 16.9 Item 1)                         |
| 25   | -         | Right Rear Side Guide Assembly (P/O PL 16.9 Item 1) |
| 26   | -         | Roller Upper (P/O PL 16.9 Item 1)                   |
| 27   | -         | Roller Upper (P/O PL 16.9 Item 1)                   |
| 28   | -         | Size Actuator (P/O PL 16.9 Item 1)                  |
| 29   | -         | Right Cover Assembly (P/O PL 16.9 Item 1)           |
| 30   | -         | Label Tray (4) (Not Spared)                         |



1 { 2 - 29  
2 { 3, 4

# PL 16.10 Tray 2/3 Feeder Assembly (1 of 2)

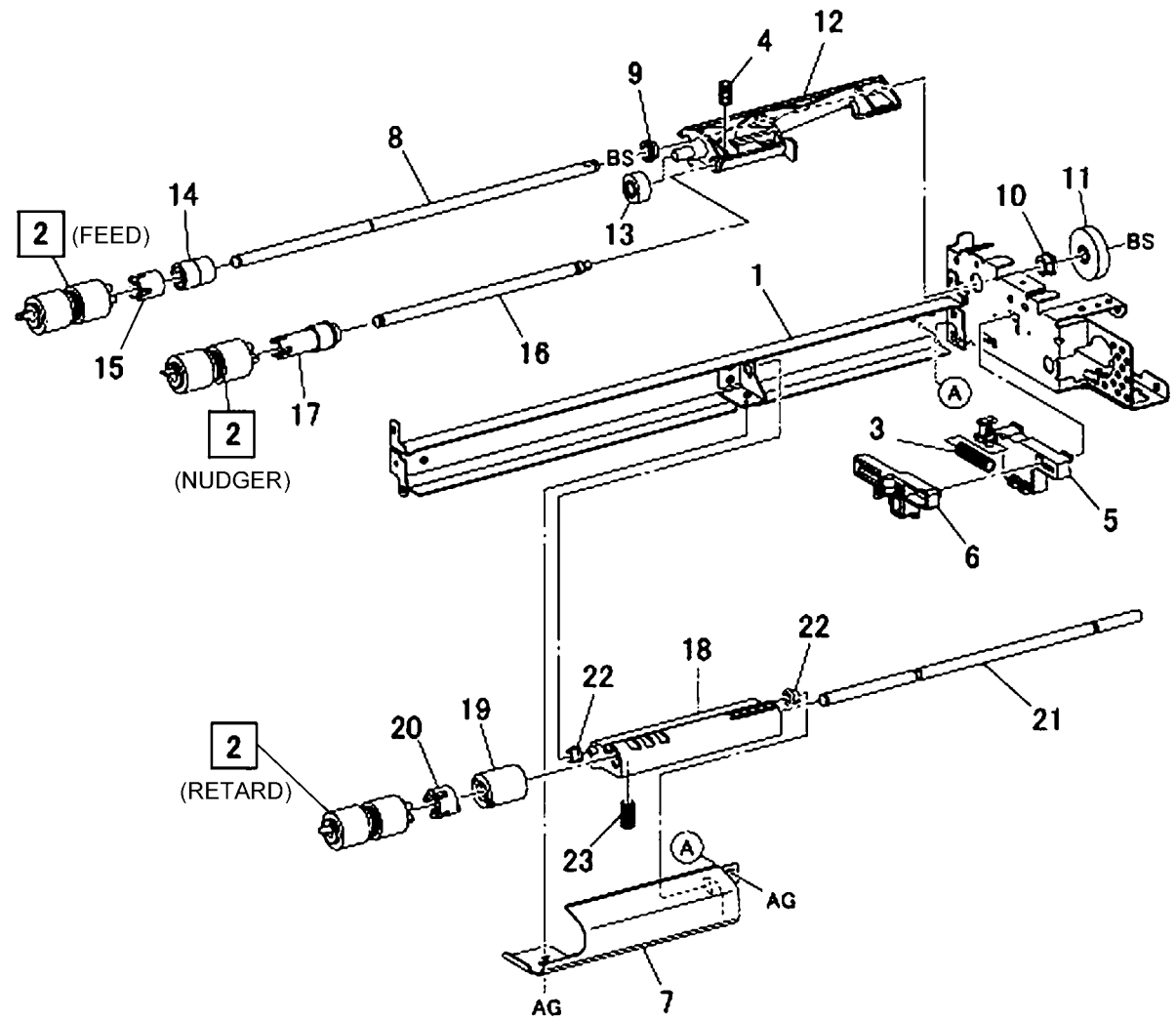
| Item | Part      | Description                                 |
|------|-----------|---|
| 1    | –         | Upper Frame Assembly (P/O PL 16.1 Item 1)   |
| 2    | –         | Drive Bracket Assembly (P/O PL 16.1 Item 1) |
| 3    | 127K52790 | Lift/Feed Motor Assembly                    |
| 4    | –         | Rail (P/O PL 16.1 Item 1)                   |
| 5    | –         | Chute (P/O PL 16.1 Item 1)                  |
| 6    | 930W00113 | Height Sensor, Tray Empty Sensor            |
| 7    | 120E22481 | Actuator                                    |
| 8    | –         | Upper Harness Holder (P/O PL 16.1 Item 1)   |
| 9    | –         | Rear Harness Holder (P/O PL 16.1 Item 1)    |
| 10   | 807E00390 | Gear  |
| 11   | 014E44770 | Spacer                                      |
| 12   | 013E26530 | Shaft Bearing                               |
| 13   | 006K23221 | Drive Shaft Assembly                        |
| 14   | 807E00800 | Gear  |
| 15   | 005K83081 | One Way Clutch Assembly                     |
| 16   | 007K98130 | One Way Gear Assembly                       |
| 17   | 807E20300 | Helical Gear (25T)                          |
| 18   | –         | Helical Gear (29T/19T) (P/O PL 16.1 Item 1) |
| 19   | 028E94160 | Washer                                      |
| 20   | –         | Motor Harness Assembly (P/O PL 16.1 Item 1) |
| 21   | –         | Sensor Motor Harness (P/O PL 16.1 Item 1)   |
| 22   | –         | Spring (P/O PL 16.1 Item 1)                 |



0516010A-OAK

# PL 16.11 Tray 2/3 Feeder Assembly (2 of 2)

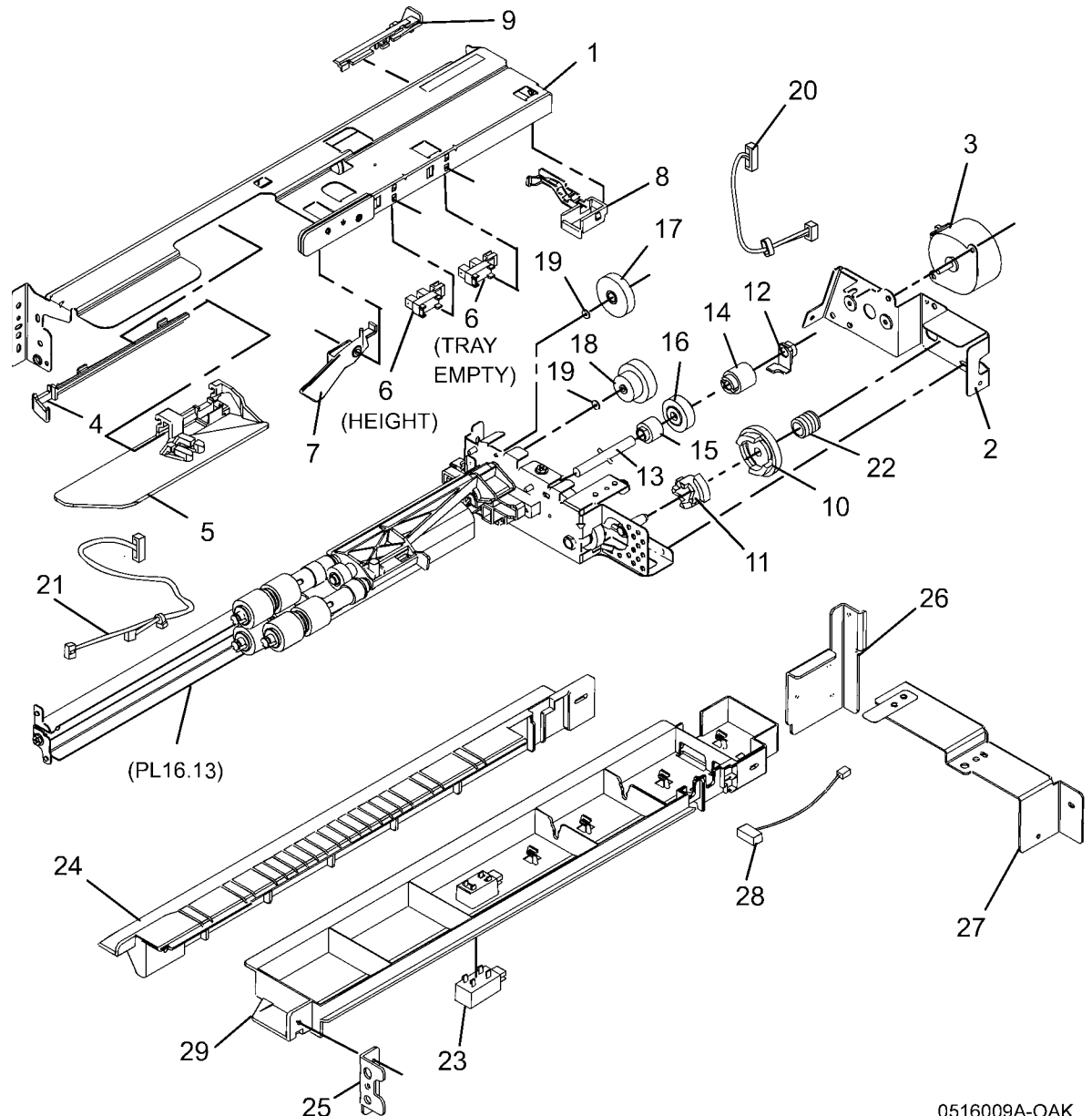
| Item | Part      | Description                                    |
|------|-----------|--|
| 1    | -         | Lower Frame Assembly (P/O PL 16.1 Item 1)      |
| 2    | 022K74870 | Feed Roll, Nudger Roll, Retard Roll Assembly   |
| 3    | -         | Compression Lever Spring (P/O PL 16.1 Item 1)  |
| 4    | -         | Nudger Compression Spring (P/O PL 16.1 Item 1) |
| 5    | -         | Holder (P/O PL 16.1 Item 1)                    |
| 6    | -         | Lever (P/O PL 16.1 Item 1)                     |
| 7    | -         | Feed In Chute (P/O PL 16.1 Item 1)             |
| 8    | -         | Feed Shaft (P/O PL 16.1 Item 1)                |
| 9    | -         | Bearing (P/O PL 16.1 Item 1)                   |
| 10   | 413W11660 | Plastic Bearing                                |
| 11   | -         | Helical Gear (30T) (P/O PL 16.1 Item 1)        |
| 12   | -         | Nudger Support (P/O PL 16.1 Item 1)            |
| 13   | -         | Spur Gear (29T) (P/O PL 16.1 Item 1)           |
| 14   | 005K08820 | Clutch Assembly (25T)                          |
| 15   | 005K07110 | One Way Clutch Assembly                        |
| 16   | -         | Nudger Shaft (P/O PL 16.1 Item 1)              |
| 17   | -         | Gear (P/O PL 16.1 Item 1)                      |
| 18   | -         | Retard Support (P/O PL 16.1 Item 1)            |
| 19   | 005K81880 | Friction Clutch Assembly                       |
| 20   | 014E45030 | Spacer   |
| 21   | -         | Retard Shaft (P/O PL 16.1 Item 1)              |
| 22   | -         | Retard Bearing (P/O PL 16.1 Item 1)            |
| 23   | -         | Compression Retard Spring (P/O PL 16.1 Item 1) |



0515004A-OAK

# PL 16.12 Tray 4 Feeder Assembly (1 of 2)

| Item | Part      | Description                                  |
|------|-----------|--|
| 1    | -         | Upper Frame Assembly (P/O PL 16.1 Item 3)    |
| 2    | -         | Drive Bracket Assembly (P/O PL 16.1 Item 3)  |
| 3    | 127K52790 | Stepping Motor Assembly                      |
| 4    | -         | Rail (P/O PL 16.1 Item 3)                    |
| 5    | -         | Chute (P/O PL 16.1 Item 3)                   |
| 6    | 930W00113 | Height Sensor, Tray Empty Sensor             |
| 7    | 120E22481 | Actuator                                     |
| 8    | -         | Upper Harness Holder (P/O PL 16.1 Item 3)    |
| 9    | -         | Rear Harness Holder (P/O PL 16.1 Item 3)     |
| 10   | 807E00390 | Gear (31T)                                   |
| 11   | 014E44770 | Spacer                                       |
| 12   | 013E26530 | Shaft Bearing                                |
| 13   | 006K23221 | Drive Shaft Assembly                         |
| 14   | 807E00800 | Gear (13T)                                   |
| 15   | -         | Clutch Assembly (P/O PL 16.1 Item 3)         |
| 16   | 007K98130 | One Way Gear Assembly                        |
| 17   | 807E20300 | Helical Gear (25T)                           |
| 18   | 807E20310 | Helical Gear (29/19T)                        |
| 19   | 028E94160 | Washer                                       |
| 20   | -         | Motor Harness Assembly (P/O PL 16.1 Item 3)  |
| 21   | -         | Sensor Harness Assembly (P/O PL 16.1 Item 3) |
| 22   | -         | Spring (Not Spared)                          |
| 23   | 930W00212 | Photo Sensor                                 |
| 24   | 054E34200 | Lower Chute                                  |
| 25   | 868E02270 | Feeder Front Bracket                         |
| 26   | -         | Feeder Rear Bracket (Not Spared)             |
| 27   | -         | Feeder Cover Assembly (Not Spared)           |
| 28   | -         | Sensor Harness Assembly (P/O PL 16.1 Item 3) |
| 29   | 054E34210 | Upper Chute                                  |

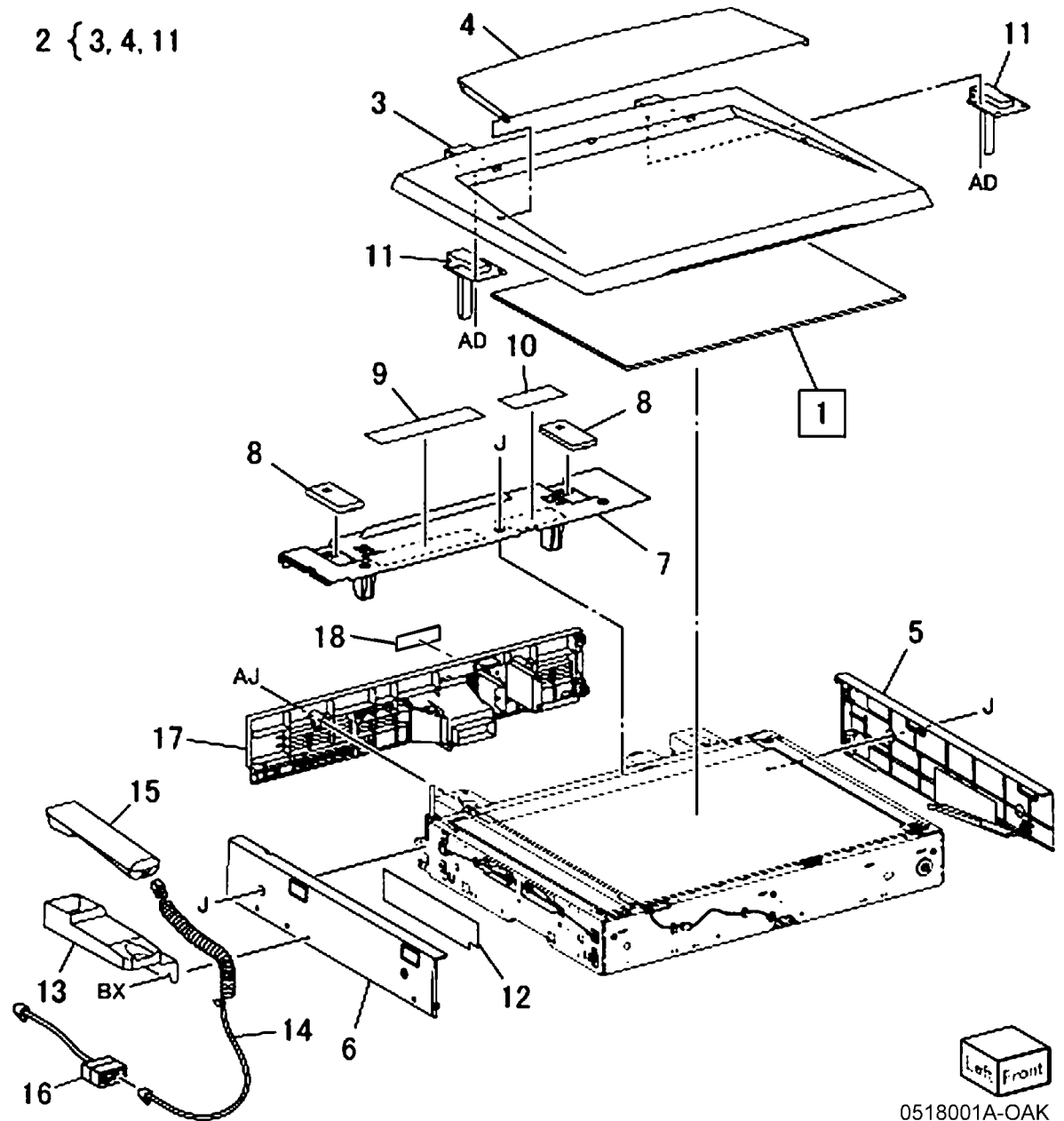


0516009A-OAK



## PL 18.1 Platen/IIT Cover

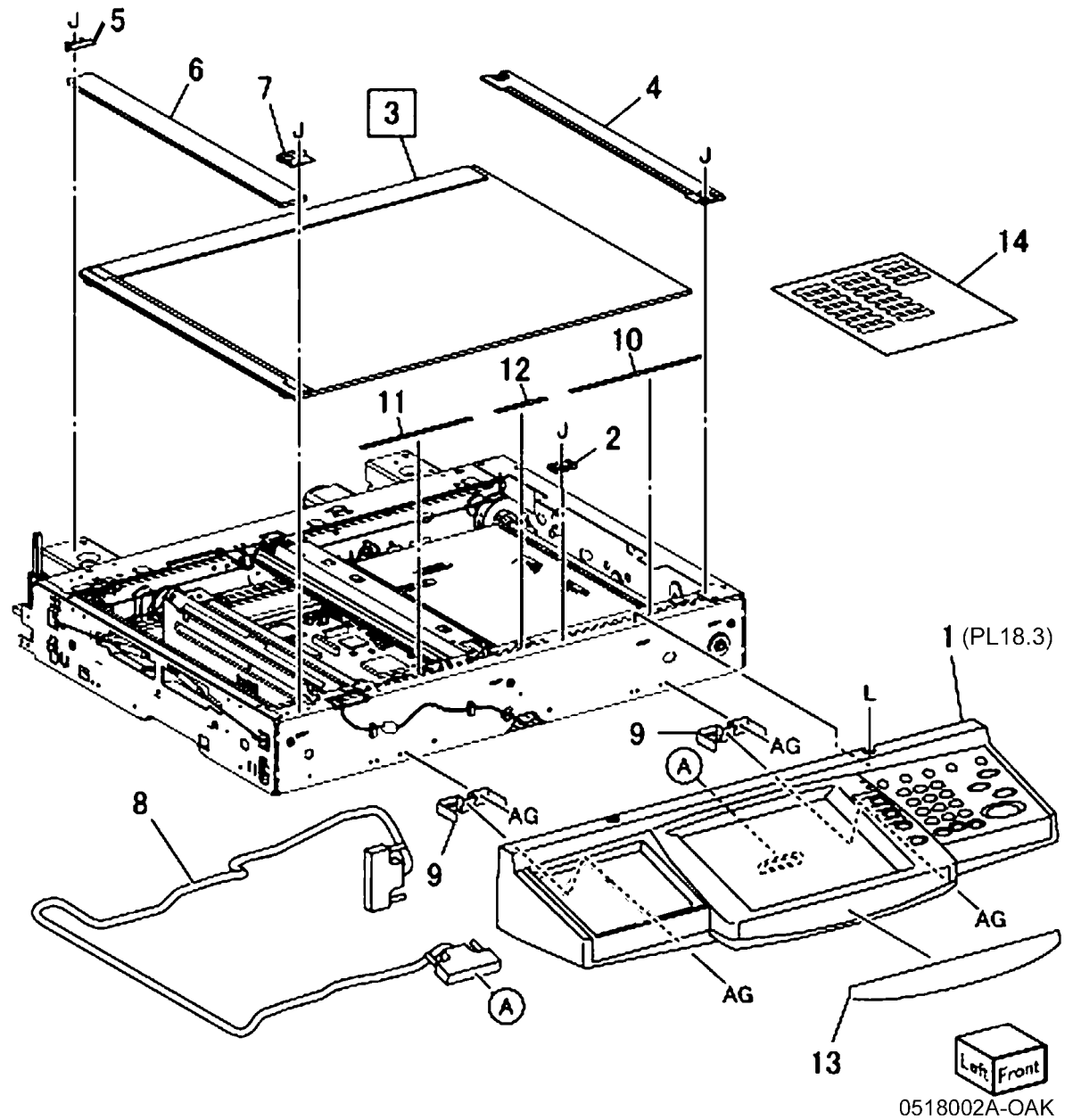
| Item | Part      | Description                          |
|------|-----------|--------------------------------------|
| 1    | 004E13450 | Platen Cushion (REP 6.1)             |
| 2    | 802K55690 | Platen Cover Assembly                |
| 3    | -         | Platen Cover (P/O PL 18.1 Item 2)    |
| 4    | -         | Pocket Cover (P/O PL 18.1 Item 2)    |
| 5    | 848E14970 | IIT Right Cover                      |
| 6    | 848E14951 | IIT Left Cover                       |
| 7    | -         | IIT Top Cover (Not Spared)           |
| 8    | -         | Blind Cover (Not Spared)             |
| 9    | -         | Label (Caution) (Not Spared)         |
| 10   | -         | Label (Not Spared)                   |
| 11   | 036K91630 | Counter Balance                      |
| 12   | 053K92890 | Filter                               |
| 13   | -         | Cradle Assembly (Not Spared)         |
| 14   | -         | Handset Cord (Not Spared)            |
| 15   | -         | Handset (Not Spared)                 |
| 16   | -         | Wire Harness (Not Spared)            |
| 17   | -         | IIT Rear Cover Assembly (Not Spared) |
| 18   | -         | Tag Matrix Label (Not Spared)        |





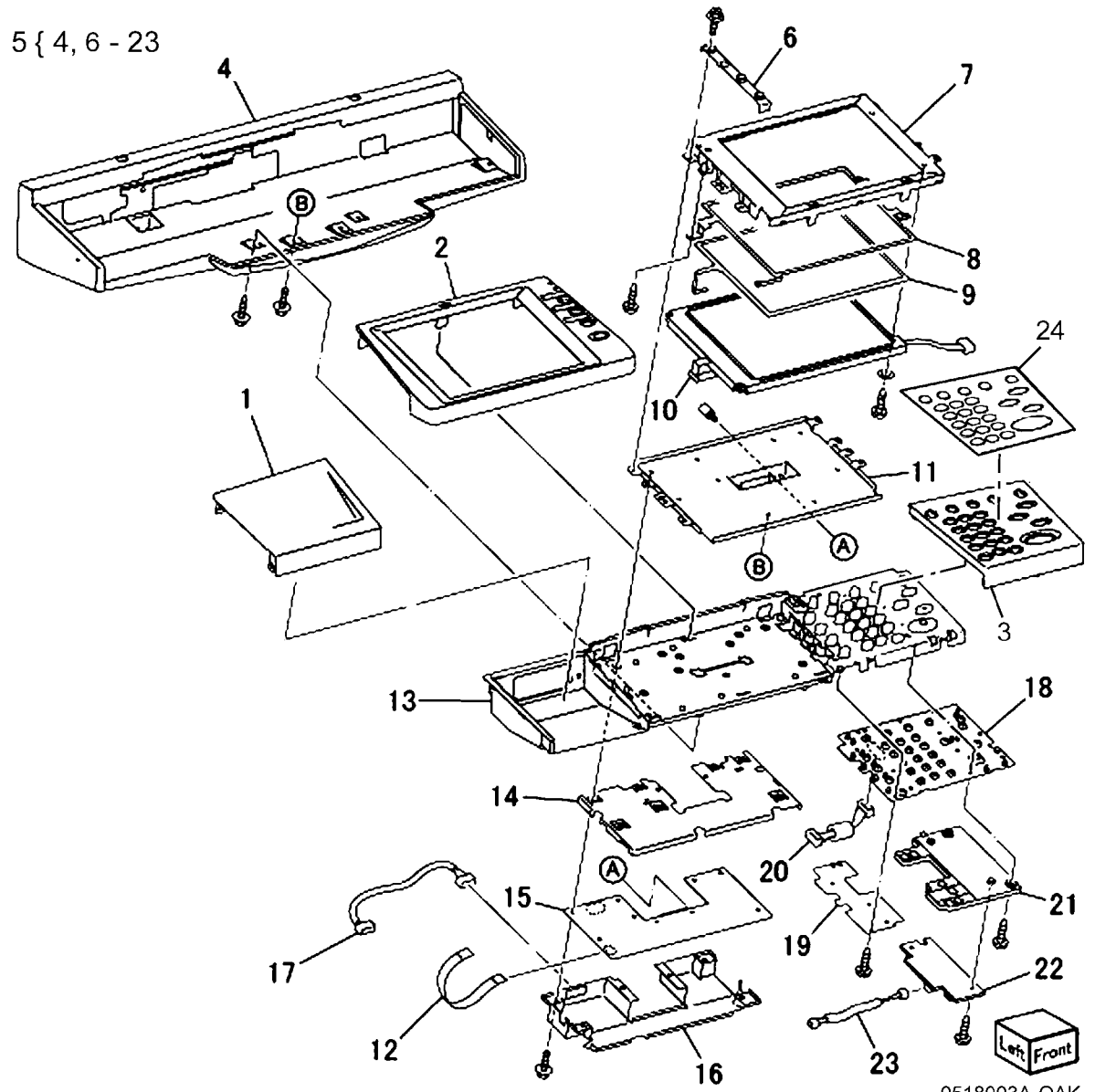
## PL 18.2 Control Panel/Platen Glass

| Item | Part      | Description  |
|------|-----------|--|
| 1    | –         | Control Panel (REF: PL 18.3)<br>(REP 6.3)            |
| 2    | 868E04890 | Glass Support  |
| 3    | 090K93250 | Platen Glass (REP 6.2)                               |
| 4    | 815E40270 | Plate  |
| 5    | 868E04450 | Rear Glass Support                                   |
| 6    | 090K93011 | CVT Platen Glass                                     |
| 7    | 868E04531 | Front Glass Support                                  |
| 8    | 117K38430 | UI Cable   |
| 9    | –         | Bracket (Not Spared)                                 |
| 10   | –         | Seal (Right) (Not Spared)                            |
| 11   | –         | Seal (Left) (Not Spared)                             |
| 12   | –         | Seal (Center) (Not Spared)                           |
| 13   | 092K05830 | WorkCentre 7425/35 Label Name<br>Plate Kit (EH Only) |
| –    | 897E08790 | WorkCentre 7425 Label (EH Only)                      |
| –    | 897E05130 | WorkCentre 7435 Label                                |
| –    | 897E05110 | WorkCentre 7425 Label (WH Only)                      |
| –    | 897E05120 | WorkCentre 7428 Label                                |
| 14   | –         | Key Label (Not Spared)                               |



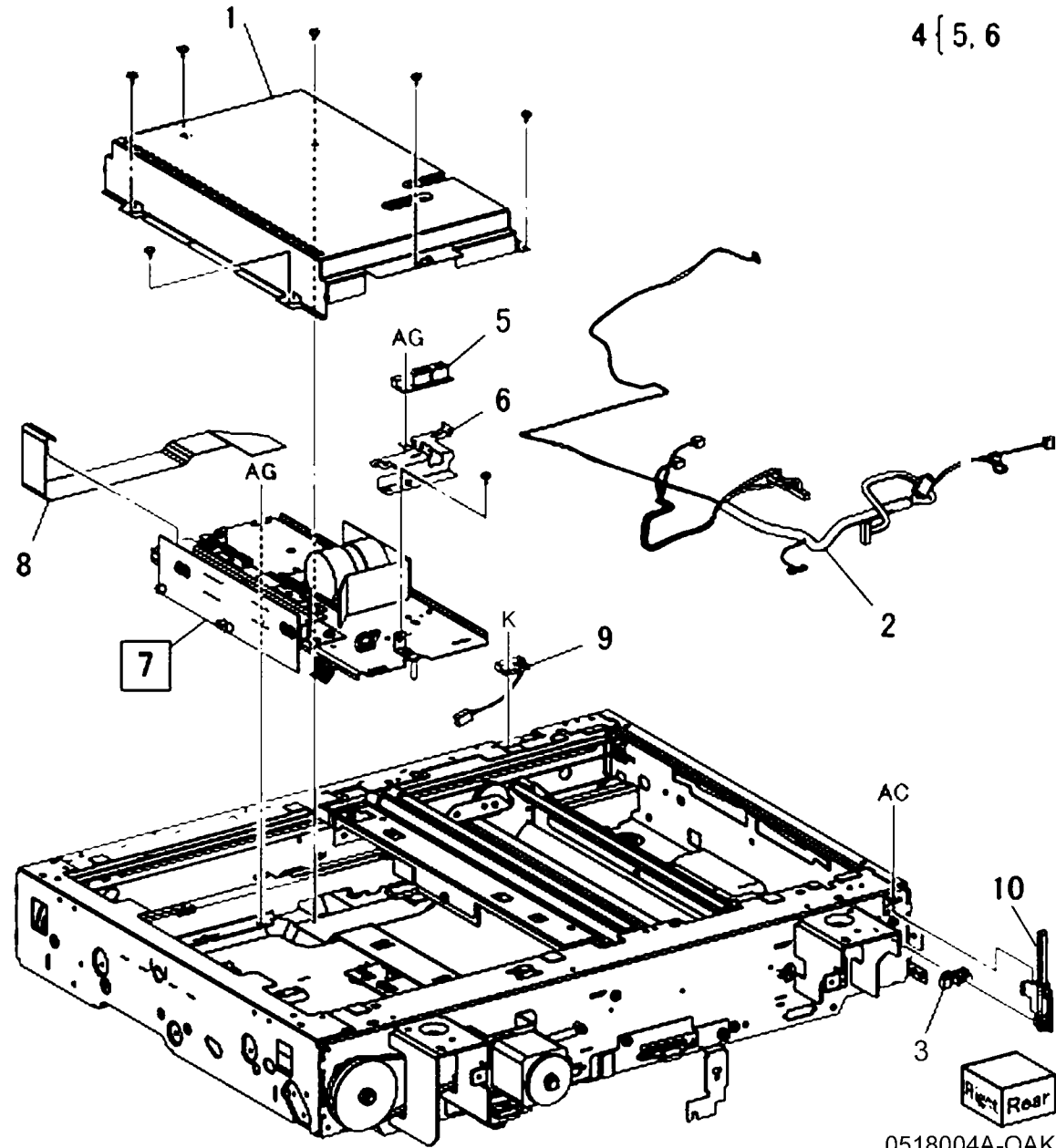
# PL 18.3 Control Panel

| Item | Part      | Description                            |
|------|-----------|--|
| 1    | 848E01540 | Left Panel                             |
| 2    | 802E97990 | Center Panel (220V)                    |
| -    | 848E37930 | Center Panel (110V)                    |
| 3    | 802E98000 | Right Panel (220V)                     |
| -    | 848E37940 | Right Panel (110V)                     |
| 4    | -         | Control Panel Surround (Not Spared)    |
| 5    | 848K19761 | Control Panel Assembly (REP 6.3)       |
| 6    | -         | Support (P/O PL 18.3 Item 5)           |
| 7    | -         | Frame (P/O PL 18.3 Item 5)             |
| 8    | -         | Ground Plate (P/O PL 18.3 Item 5)      |
| 9    | -         | Touch Panel (P/O PL 18.3 Item 5)       |
| 10   | 123K98171 | LCD Assembly                           |
| 11   | -         | Bracket (P/O PL 18.3 Item 5)           |
| 12   | -         | Flat Cable (P/O PL 18.3 Item 5)        |
| 13   | -         | Case (P/O PL 18.3 Item 5)              |
| 14   | -         | Bracket (P/O PL 18.3 Item 5)           |
| 15   | -         | UI I/F PWB (P/O PL 18.3 Item 5)        |
| 16   | -         | Bracket (P/O PL 18.3 Item 5)           |
| 17   | -         | Wire Harness (P/O PL 18.3 Item 5)      |
| 18   | -         | Control Panel PWB (P/O PL 18.3 Item 5) |
| 19   | -         | Sheet (P/O PL 18.3 Item 5)             |
| 20   | -         | UI Cable (P/O PL 18.3 Item 5)          |
| 21   | -         | Plate (P/O PL 18.3 Item 5)             |
| 22   | -         | Inverter PWB (P/O PL 18.3 Item 5)      |
| 23   | -         | Wire Harness (P/O PL 18.3 Item 5)      |
| 24   | 675K64081 | French UI Overlay                      |
| -    | 675K64091 | Spanish UI Overlay                     |
| -    | 675K64101 | BP UI Overlay                          |



# PL 18.4 CCD Lens Assembly

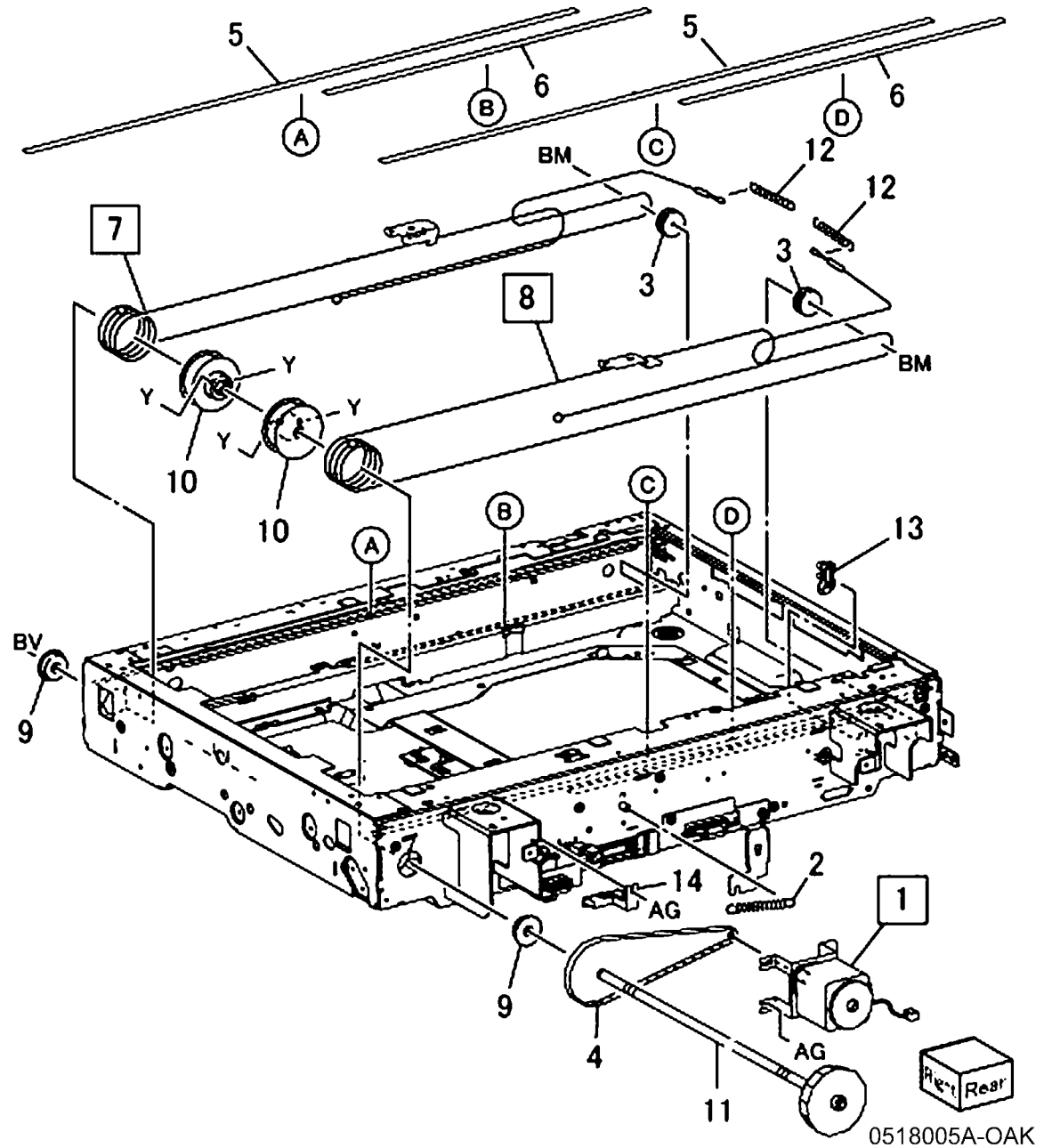
| Item | Part      | Description                  |
|------|-----------|------------------------------|
| 1    | -         | Lens Cover (Not Spared)      |
| 2    | 962K71730 | Wire Harness                 |
| 3    | 130E87280 | Platen Angle Sensor          |
| 4    | 130K73140 | APS Sensor Assembly          |
| 5    | 130K64150 | APS Sensor                   |
| 6    | -         | Bracket (P/O PL 18.4 Item 4) |
| 7    | 604K46310 | CCD Lens Assembly            |
| 8    | 117E26161 | FCC Flat Cable               |
| 9    | 110K11960 | Platen Interlock Switch      |
| 10   | 120K91971 | Actuator Assembly            |



4 { 5, 6

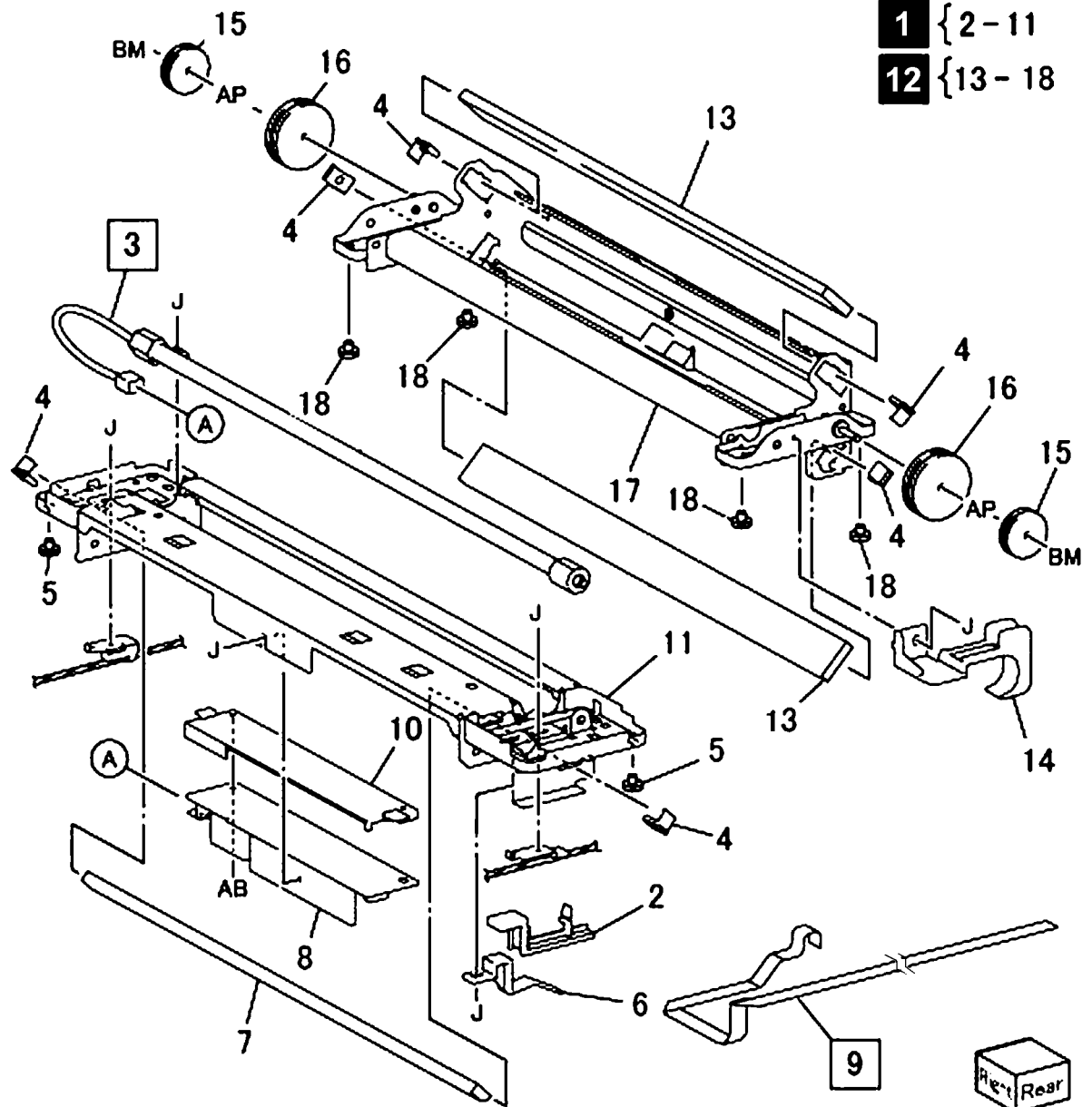
# PL 18.5 Carriage Cable/Motor

| Item | Part      | Description                    |
|------|-----------|--------------------------------|
| 1    | 127K49532 | Carriage Motor (REP 6.6)       |
| 2    | 809E76950 | Spring                         |
| 3    | 020E37030 | Pulley                         |
| 4    | 023E26430 | Belt                           |
| 5    | 063E97330 | Tape                           |
| 6    | 063E97340 | Tape                           |
| 7    | 012K94410 | Front Carriage Cable (REP 6.5) |
| 8    | 012K94420 | Rear Carriage Cable (REP 6.5)  |
| 9    | 413W91850 | Bearing                        |
| 10   | -         | Pulley (Not Spared)            |
| 11   | -         | Shaft (Not Spared)             |
| 12   | -         | Spring (Not Spared)            |
| 13   | 130E87280 | IIT Registration Sensor        |
| 14   | 019E70050 | Holder                         |



# PL 18.6 Full/Half Rate Carriage

| Item | Part      | Description                                      |
|------|-----------|--|
| 1    | 041K95880 | Full Rate Carriage (ADJ 6.2)                     |
| 2    | -         | Harness Guide (P/O PL 18.6 Item 1)               |
| 3    | 122K93910 | Exposure Lamp (REP 6.7)                          |
| 4    | 019E70080 | Clip   |
| 5    | -         | Pad (P/O PL 18.6 Item 1)                         |
| 6    | -         | Harness Guide (P/O PL 18.6 Item 1)               |
| 7    | -         | No. 1 Mirror (P/O PL 18.6 Item 1)                |
| 8    | 105E16700 | Lamp Ballast PWB                                 |
| 9    | 117E26350 | Lamp Wire Harness (REP 6.8)                      |
| 10   | 118E18810 | Insulator  |
| 11   | -         | Carriage Frame (P/O PL 18.6 Item 1)              |
| 12   | 041K95910 | Half Rate Carriage (ADJ 6.2)                     |
| 13   | -         | No. 2 Mirror, No. 3 Mirror (P/O PL 18.6 Item 12) |
| 14   | -         | Harness Guide (P/O PL 18.6 Item 12)              |
| 15   | 020E37030 | Pulley   |
| 16   | -         | Pulley (P/O PL 18.6 Item 12)                     |
| 17   | -         | Carriage Frame (P/O PL 18.6 Item 12)             |
| 18   | -         | Pad (P/O PL 18.6 Item 12)                        |



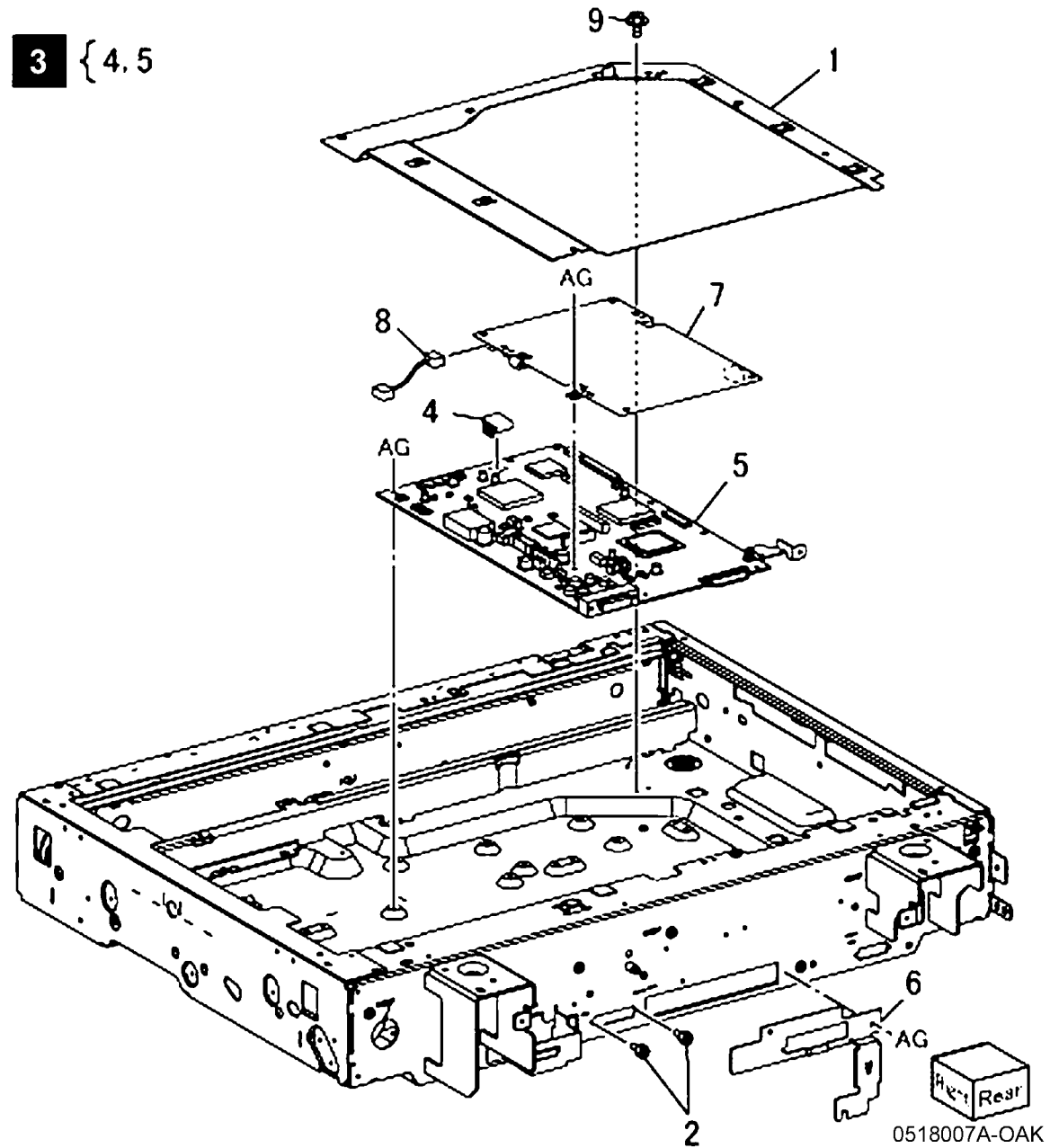
1 { 2-11  
12 { 13-18

0518006A-OAK

## PL 18.7 IIT/IPS PWB

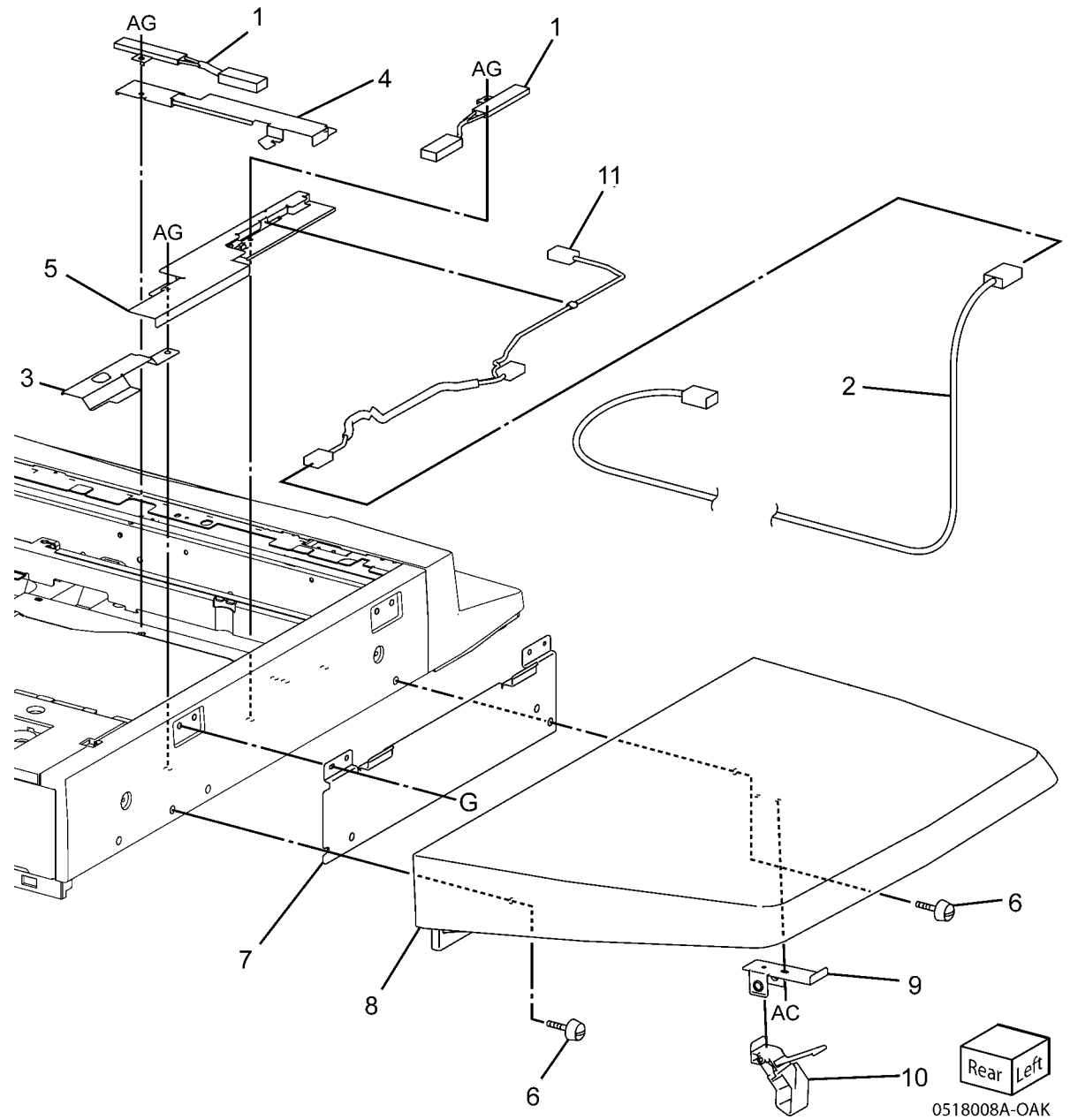
| Item | Part      | Description                      |
|------|-----------|----------------------------------|
| 1    | -         | PWB Cover (Not Spared)           |
| 2    | 826E06490 | Lock Screw                       |
| 3    | 960K45461 | IIT/IPS PWB Assembly (REP 6.9)   |
| 4    | -         | EEPROM (P/O PL 18.7 Item 3)      |
| 5    | -         | IIT/IPS PWB (P/O PL 18.7 Item 3) |
| 6    | -         | Plate (Not Spared)               |
| 7    | 960K18211 | HWM PWB (Option)                 |
| 8    | 962K42080 | Wire Harness (Option)            |
| 9    | -         | Screw (Not Spared)               |

**3** { 4, 5



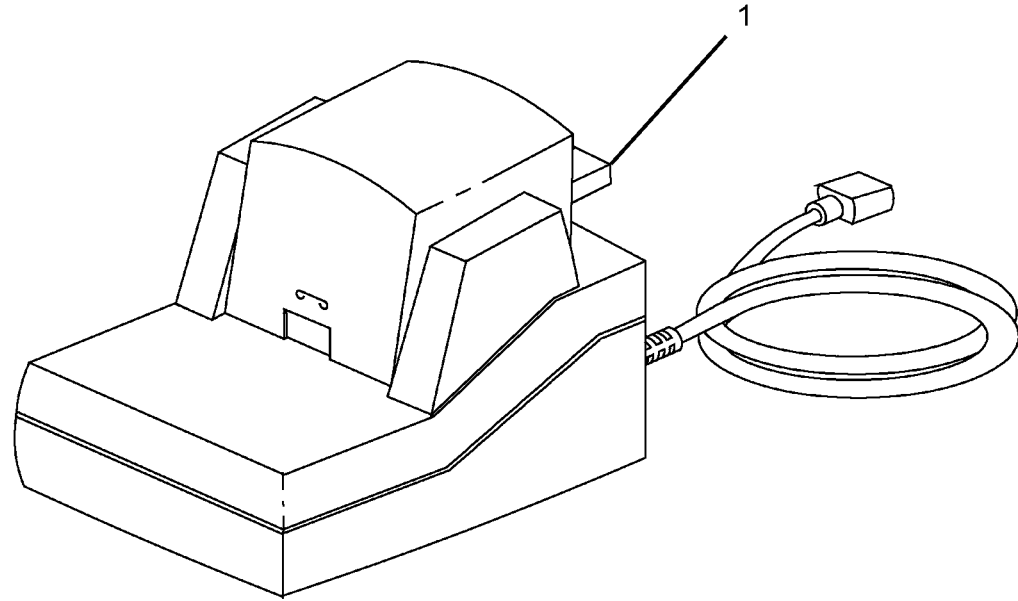
## PL 18.8 IIT Heater/Wing Tray (Option)

| Item | Part      | Description                      |
|------|-----------|----------------------------------|
| 1    | -         | IIT Heater (Not Spared)          |
| 2    | -         | IIT Wire Harness (Not Spared)    |
| 3    | -         | Harness Cover (Not Spared)       |
| 4    | -         | Harness Bracket (F) (Not Spared) |
| 5    | -         | Harness Bracket (R) (Not Spared) |
| 6    | 003E63230 | Thumb Screw                      |
| 7    | 868E17640 | Wing Bracket                     |
| 8    | 050E25220 | Wing Tray                        |
| 9    | -         | Latch Bracket (Not Spared)       |
| 10   | -         | Latch (Not Spared)               |
| 11   | -         | Wire Harness (Not Spared)        |



## PL 18.9 Convenience Stapler

| Item | Part      | Description                |
|------|-----------|----------------------------|
| 1    | 604K35700 | Convenience Stapler (220V) |
| -    | 604K35710 | Convenience Stapler (110V) |

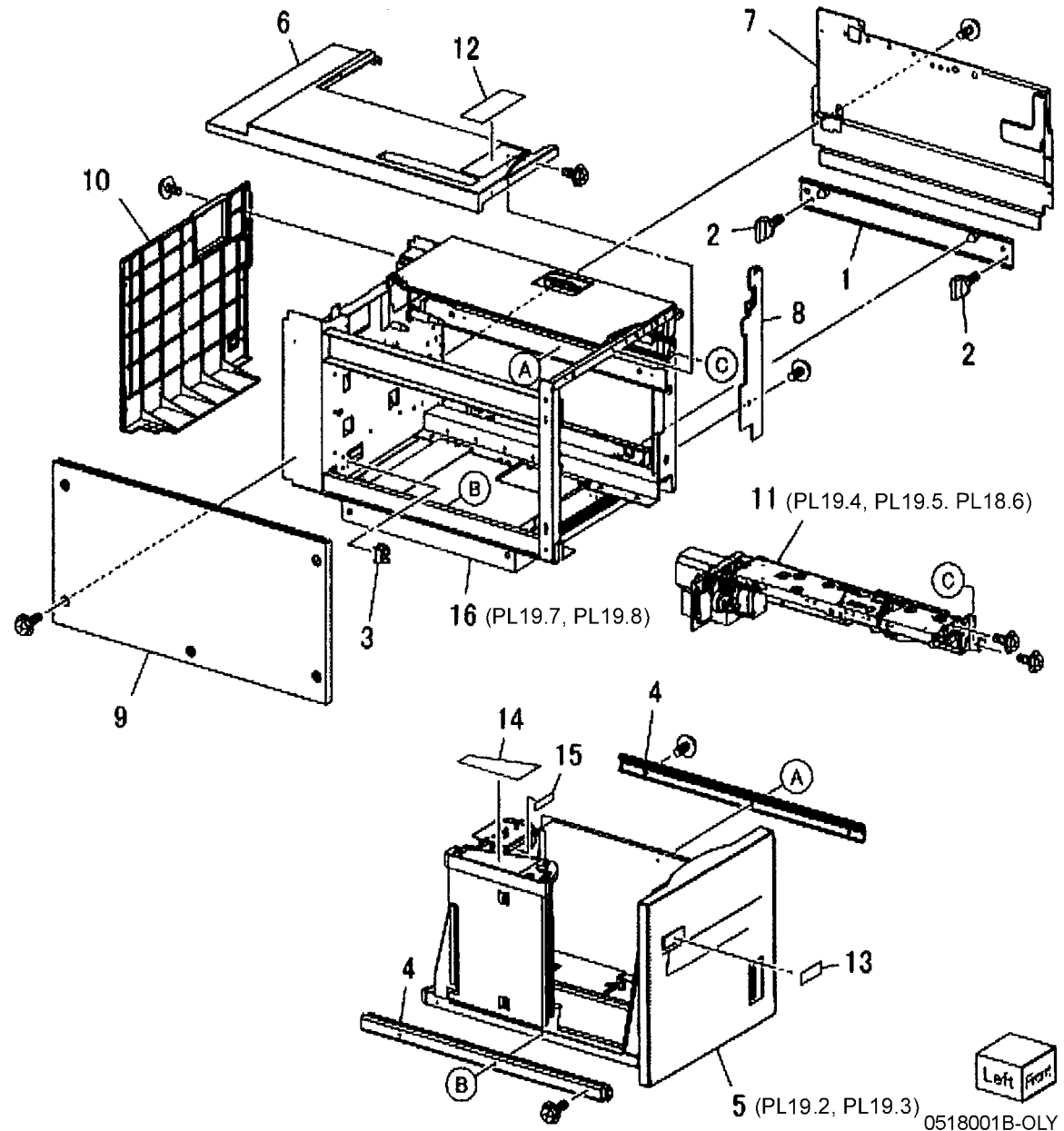


0518009A-OAK



# PL 19.1 HCF Unit

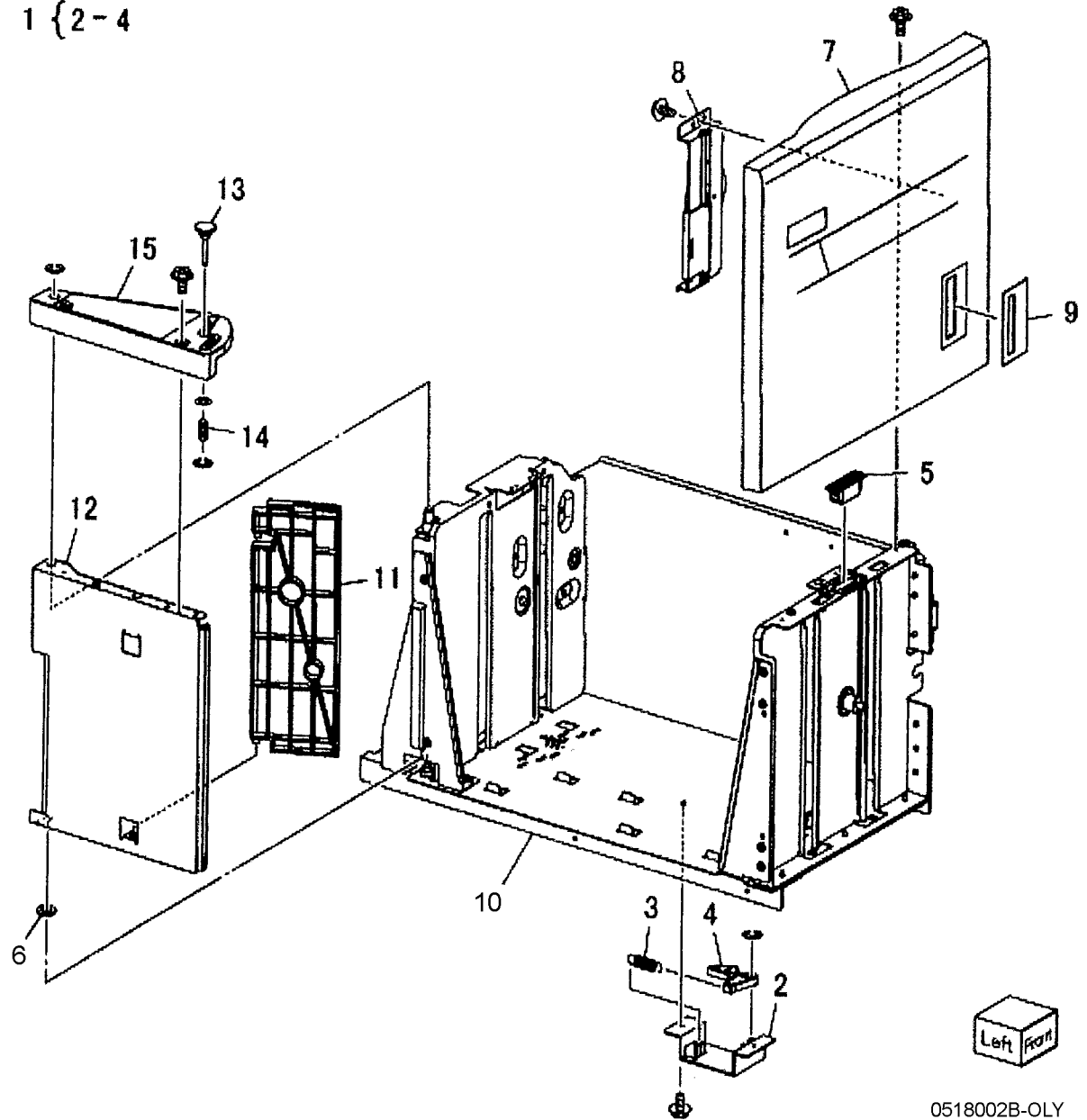
| Item | Part      | Description                                   |
|------|-----------|---|
| 1    | -         | Joint Plate (Not Spared)                      |
| 2    | 003K91881 | Knob  |
| 3    | 130K55590 | HCF Tray Set Sensor                           |
| 4    | 801K15700 | Tray Rail                                     |
| 5    | -         | HCF Tray 6 (REF: PL 19.2, PL 19.3) (REP 19.1) |
| 6    | -         | Left Top Cover (Not Spared)                   |
| 7    | -         | Right Cover (Not Spared)                      |
| 8    | -         | Front Right Cover (Not Spared)                |
| 9    | -         | Left Cover (Not Spared)                       |
| 10   | -         | Rear Cover (Not Spared)                       |
| 11   | -         | HCF Feeder (Not Spared) (REP 19.2)            |
| 12   | -         | Label (Top) (Not Spared)                      |
| 13   | -         | Label (Tray Number) (Not Spared)              |
| 14   | -         | Label (Size) (Not Spared)                     |
| 15   | -         | Label (End) (Not Spared)                      |
| 16   | -         | Frame Assembly (Not Spared)                   |



# PL 19.2 HCF Tray 6 (1 of 2)

| Item | Part      | Description                        |
|------|-----------|------------------------------------|
| 1    | -         | Tray Latch Assembly (Not Spared)   |
| 2    | 003K13592 | Tray Latch                         |
| 3    | -         | Spring (P/O PL 19.2 Item 1)        |
| 4    | -         | Latch Lever (P/O PL 19.2 Item 1)   |
| 5    | -         | Magnet (P/O PL 18.1 Item 5)        |
| 6    | -         | Wave Washer (P/O PL 19.1 Item 5)   |
| 7    | -         | Front Cover (P/O PL 19.1 Item 5)   |
| 8    | -         | Gear Bracket (P/O PL 19.1 Item 5)  |
| 9    | -         | Label (Gauge) (P/O PL 19.1 Item 5) |
| 10   | -         | Frame (P/O PL 19.1 Item 5)         |
| 11   | -         | Plate (P/O PL 19.1 Item 5)         |
| 12   | -         | Bracket (P/O PL 19.1 Item 5)       |
| 13   | -         | Pin (P/O PL 19.1 Item 5)           |
| 14   | -         | Spring (P/O PL 19.1 Item 5)        |
| 15   | -         | Top Plate (P/O PL 19.1 Item 5)     |

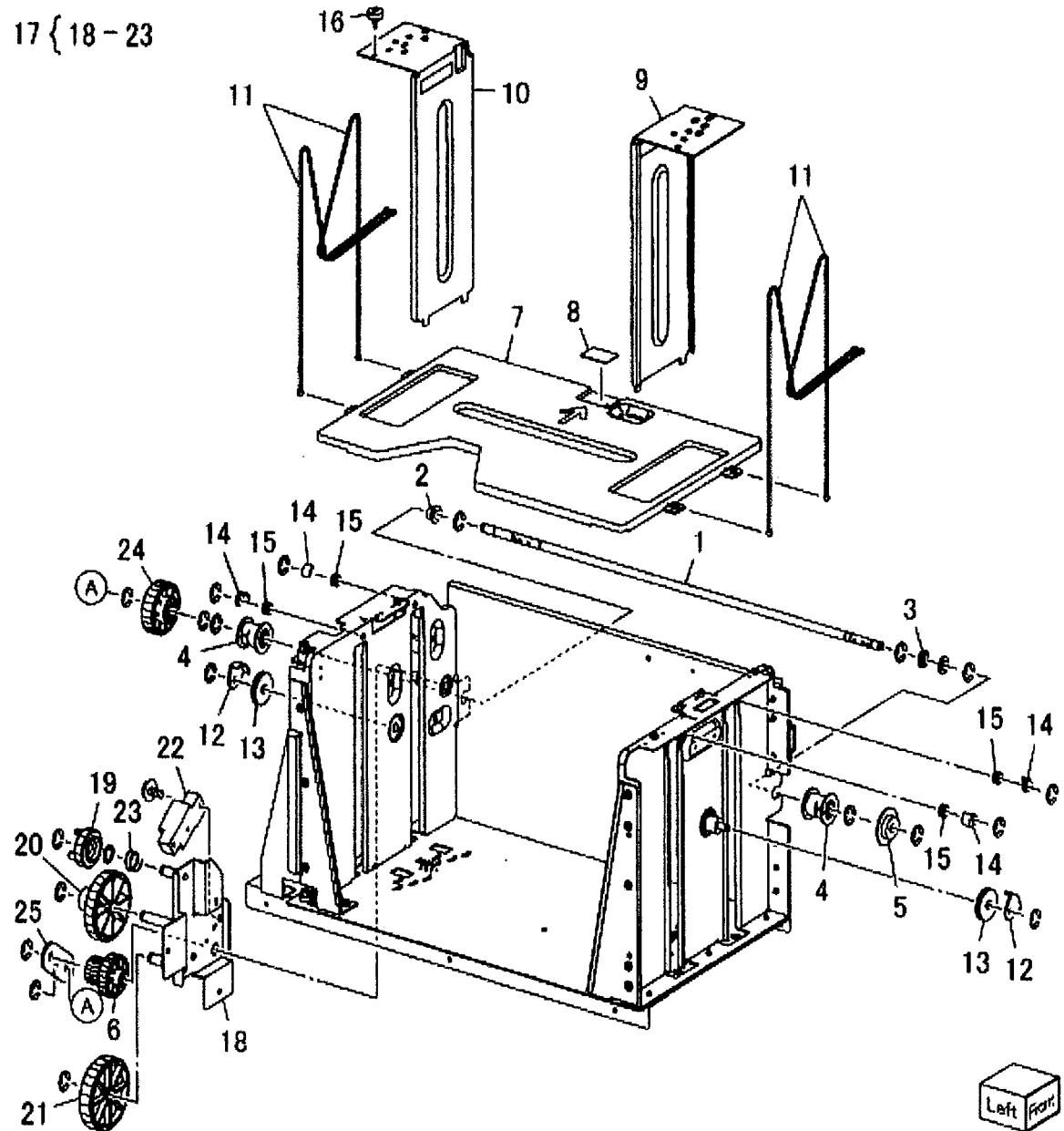
1 { 2-4



0518002B-OLY

# PL 19.3 HCF Tray 6 (2 of 2)

| Item | Part      | Description                           |
|------|-----------|---------------------------------------|
| 1    | -         | Lift Shaft (P/O PL 19.1 Item 5)       |
| 2    | -         | Bearing (P/O PL 19.1 Item 5)          |
| 3    | -         | Bearing (P/O PL 19.1 Item 5)          |
| 4    | 020E37620 | Tray Cable Pulley                     |
| 5    | -         | Gear (P/O PL 19.1 Item 5)             |
| 6    | -         | Gear (P/O PL 19.1 Item 5)             |
| 7    | 815E09030 | Bottom Plate                          |
| 8    | 019E58620 | Pad                                   |
| 9    | -         | Front Side Guide (P/O PL 19.1 Item 5) |
| 10   | -         | Rear Side Guide (P/O PL 19.1 Item 5)  |
| 11   | 604K19981 | Cable And Pulley Kit (REP 19.4)       |
| 12   | 032E22410 | Wire Guide (L)                        |
| 13   | -         | Pulley (P/O PL 19.1 Item 5)           |
| 14   | -         | Wire Guide (S) (P/O PL 19.1 Item 5)   |
| 15   | -         | Pulley (P/O PL 19.1 Item 5)           |
| 16   | -         | Screw (P/O PL 19.1 Item 5)            |
| 17   | 015K65532 | Gear Bracket Assembly                 |
| 18   | -         | Gear Bracket (P/O PL 19.3 Item 17)    |
| 19   | -         | Contact Gear (P/O PL 19.3 Item 17)    |
| 20   | -         | Gear (P/O PL 19.3 Item 17)            |
| 21   | -         | Gear (P/O PL 19.3 Item 17)            |
| 22   | -         | Brake (P/O PL 19.3 Item 17)           |
| 23   | -         | Spring (P/O PL 19.3 Item 17)          |
| 24   | 807E04500 | Lift Gear                             |
| 25   | -         | Plate (P/O PL 19.1 Item 5)            |

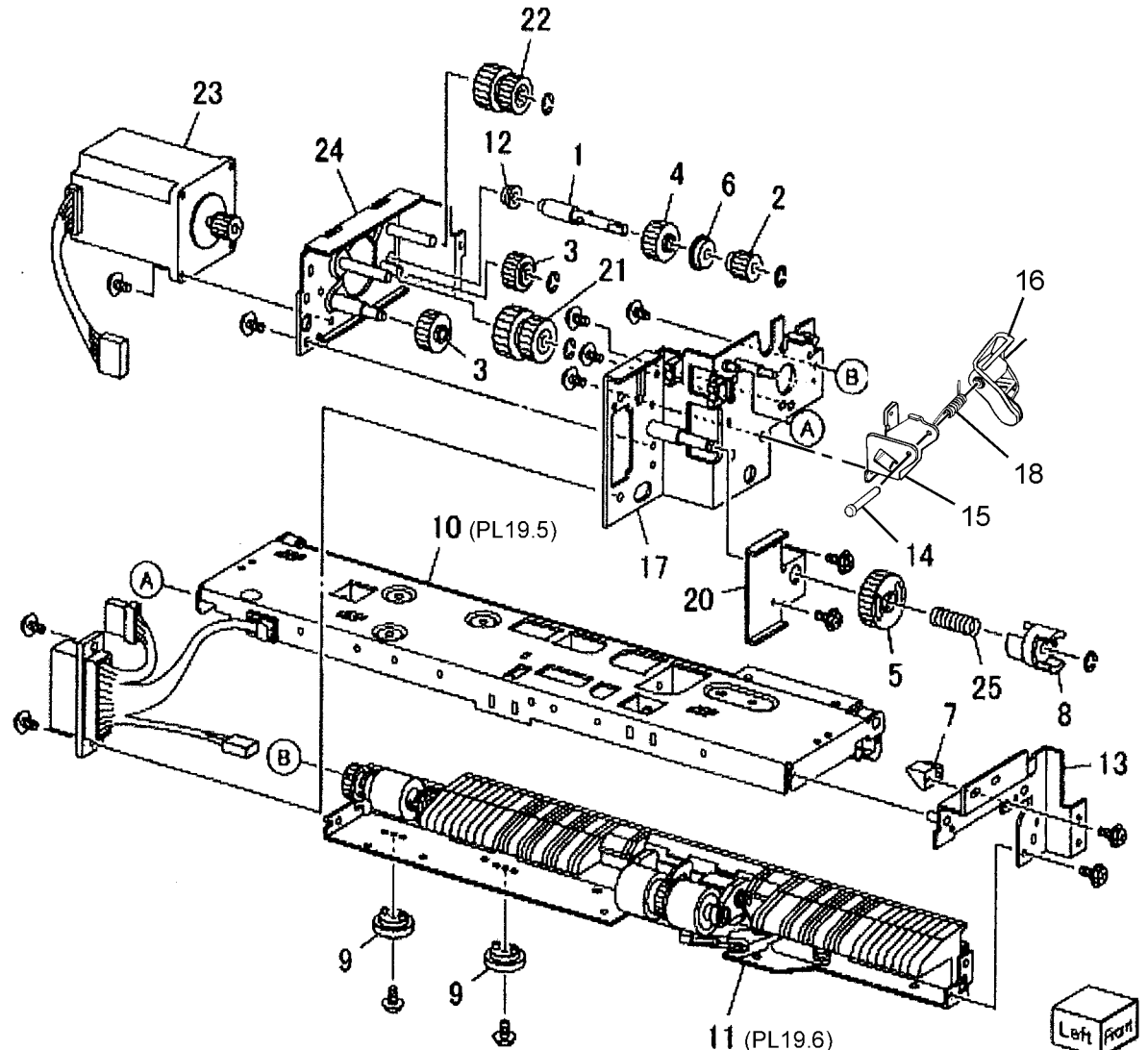


0518003B-OLY

# PL 19.4 HCF Feeder (1 of 3)

| Item | Part      | Description                                 |
|------|-----------|---|
| 1    | -         | Shaft (P/O PL 19.1 Item 11)                 |
| 2    | 007E78760 | Gear (19T)                                  |
| 3    | -         | Gear (25T) (P/O PL 19.1 Item 11)            |
| 4    | 007E78780 | Gear (25T)                                  |
| 5    | 007E78790 | Gear (40T)                                  |
| 6    | 013E25530 | Bearing                                     |
| 7    | -         | Block (P/O PL 19.1 Item 11)                 |
| 8    | -         | Spacer (P/O PL 19.1 Item 11)                |
| 9    | 019E56470 | Holder                                      |
| 10   | -         | Upper Feeder Assembly (P/O PL 19.1 Item 11) |
| 11   | -         | Lower Feeder Assembly (P/O PL 19.1 Item 11) |
| 12   | 413W66250 | Ball Bearing                                |
| 13   | -         | Front Frame (P/O PL 19.1 Item 11)           |
| 14   | -         | Pin (Not Spared)                            |
| 15   | -         | Down Bracket (Not Spared)                   |
| 16   | -         | Link Bracket (Not Spared)                   |
| 17   | -         | Rear Frame (P/O PL 19.1 Item 11)            |
| 18   | -         | Tension Spring (Not Spared)                 |
| 19   | -         | Lift/Motor Frame (P/O PL 19.1 Item 11)      |
| 20   | -         | Bracket (P/O PL 19.4 Item 19)               |
| 21   | 007K88520 | Gear (23T/27T)                              |
| 22   | 007K88530 | Gear (31T/36T)                              |
| 23   | 127K37901 | Lift/Feed Motor (REP 19.12)                 |
| 24   | -         | Plate (P/O PL 19.4 Item 19)                 |
| 25   | -         | Spring (Not Spared)                         |

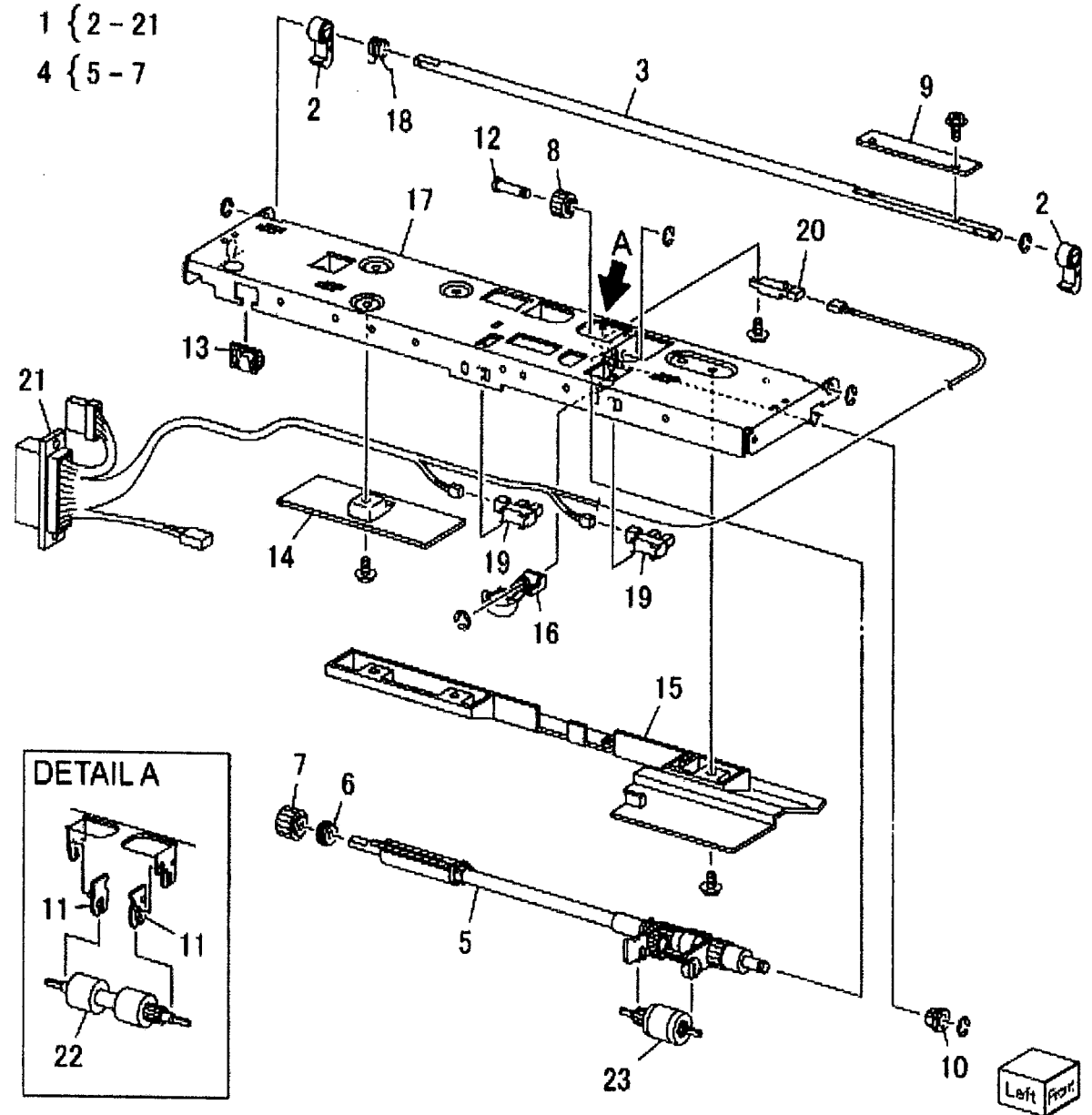
19 { 20 - 24



0518004B-OLY

## PL 19.5 HCF Feeder (2 of 3)

| Item | Part      | Description                                 |
|------|-----------|---|
| 1    | –         | Upper Feeder Assembly (P/O PL 18.4 Item 10) |
| 2    | 003E59570 | Latch                                       |
| 3    | –         | Shaft Latch (P/O PL 19.5 Item 1)            |
| 4    | 006K23124 | Feed Shaft Assembly                         |
| 5    | –         | Feed Shaft (P/O PL 19.5 Item 4)             |
| 6    | 413W66250 | Ball Bearing                                |
| 7    | –         | Gear (20T) (P/O PL 19.5 Item 4)             |
| 8    | 007E78180 | Feed Gear (25T)                             |
| 9    | –         | Lever (P/O PL 19.5 Item 1)                  |
| 10   | –         | Bearing (P/O PL 19.5 Item 1)                |
| 11   | –         | Spacer (P/O PL 19.5 Item 1)                 |
| 12   | –         | Pin Drive (P/O PL 19.5 Item 1)              |
| 13   | –         | Guide (P/O PL 19.5 Item 1)                  |
| 14   | –         | Rear Upper Chute (P/O PL 19.5 Item 1)       |
| 15   | –         | Upper Chute (P/O PL 19.5 Item 1)            |
| 16   | 120E21900 | Actuator                                    |
| 17   | –         | Upper Frame (P/O PL 19.5 Item 1)            |
| 18   | –         | Spring (P/O PL 19.5 Item 1)                 |
| 19   | 930W00112 | HCF Stack Height Sensor, HCF Paper Sensor   |
| 20   | 930W00211 | HCF Pre Feed Sensor                         |
| 21   | –         | Wire Harness (P/O PL 19.5 Item 1)           |
| 22   | 059K26691 | Feed Roll (REP 19.5)                        |
| 23   | 059K26702 | Nudger Roll (REP 19.5)                      |



0518005A-OLY

Revision

WorkCentre 7425/7428/7435

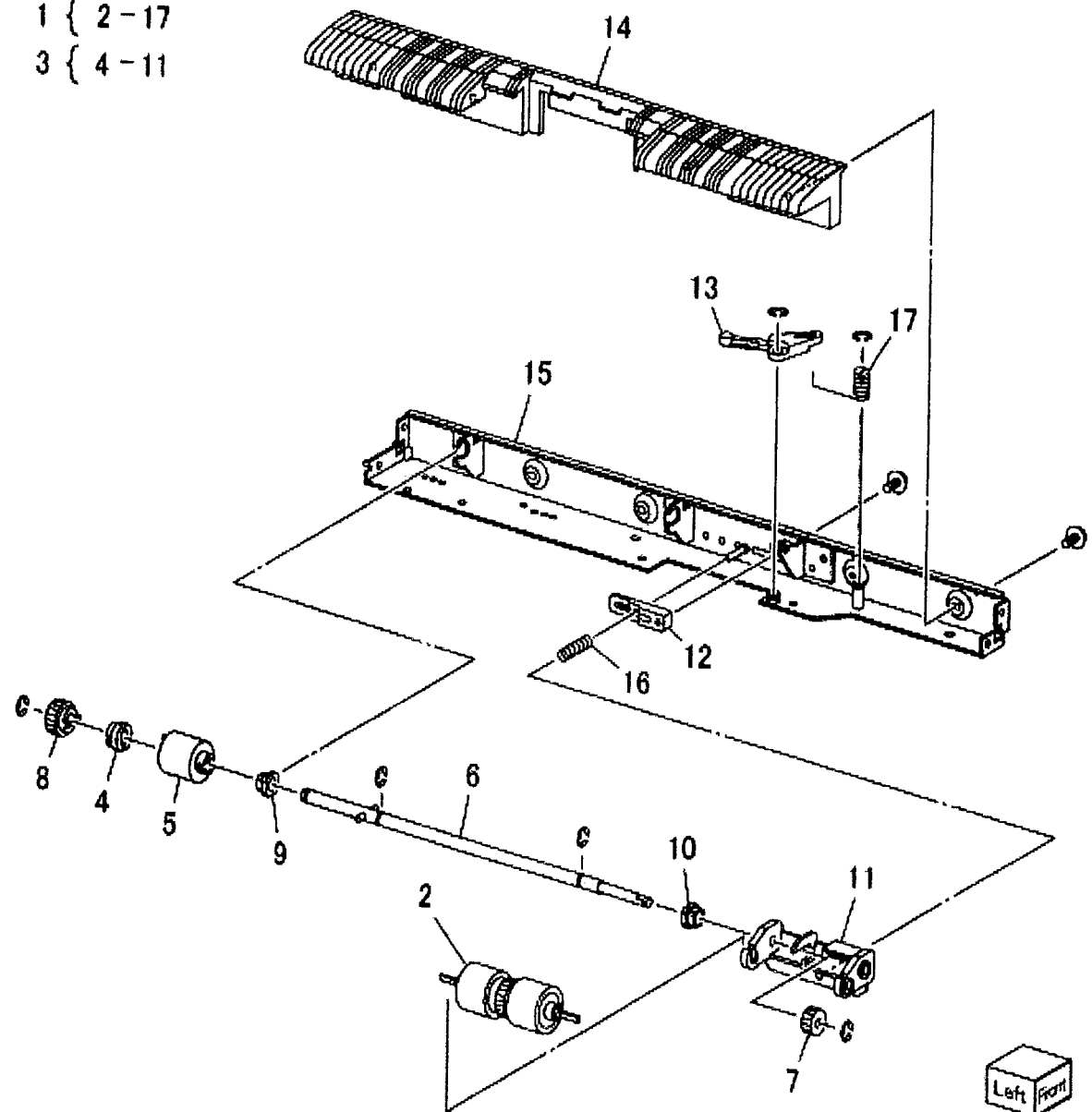
May, 2009  
5-97

Parts List  
PL 19.5

## PL 19.6 HCF Feeder (3 of 3)

| Item | Part      | Description  |
|------|-----------|--|
| 1    | 059K26591 | Lower Feed Assembly                                  |
| 2    | -         | Retard Roll Assembly (P/O PL 19.6 Item 1) (REP 19.5) |
| 3    | -         | Retard Shaft Assembly (P/O PL 19.6 Item 1)           |
| 4    | -         | Collar (P/O PL 19.6 Item 3)                          |
| 5    | 005K06701 | Friction Clutch                                      |
| 6    | -         | Shaft (P/O PL 19.6 Item 3)                           |
| 7    | 007E78170 | Gear (15T)   |
| 8    | 007E89760 | Gear (22T)   |
| 9    | 013E23600 | Bearing  |
| 10   | 013E23610 | Bearing  |
| 11   | -         | Retard Bracket (P/O PL 19.6 Item 1)                  |
| 12   | -         | Slide (P/O PL 19.6 Item 1)                           |
| 13   | -         | Lever (P/O PL 19.6 Item 1)                           |
| 14   | -         | Lower Chute (P/O PL 19.6 Item 1)                     |
| 15   | -         | Lower Frame (P/O PL 19.6 Item 1)                     |
| 16   | -         | Spring (P/O PL 19.6 Item 1)                          |
| 17   | -         | Spring (P/O PL 19.6 Item 1)                          |

1 { 2-17  
3 { 4-11

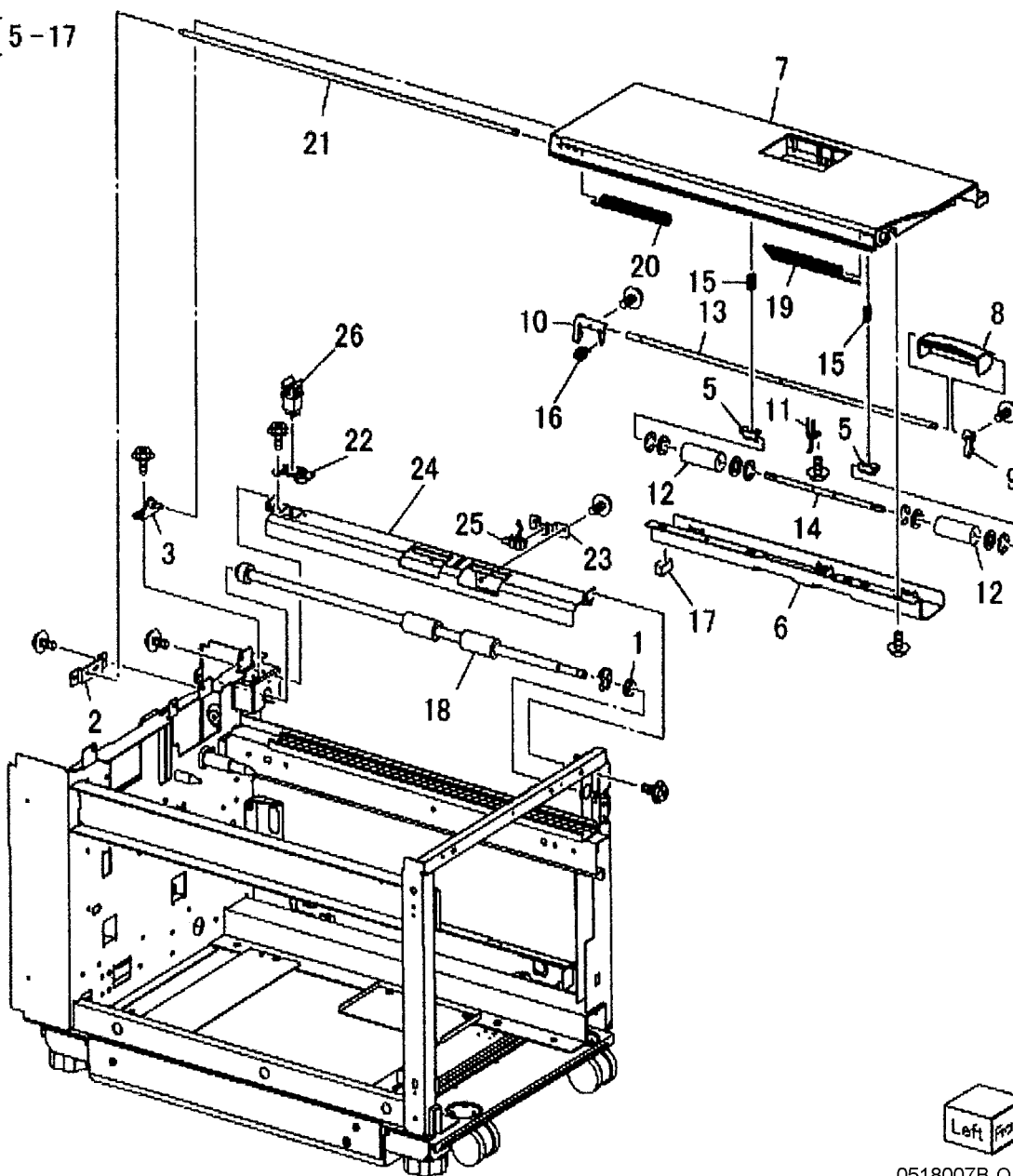


0518006B-KOH

## PL 19.7 HCF Top Cover Unit

| Item | Part      | Description                          |
|------|-----------|--------------------------------------|
| 1    | 013E17100 | Bearing                              |
| 2    | -         | Bracket (Not Spared)                 |
| 3    | -         | Pivot Bracket (Not Spared)           |
| 4    | -         | Top Cover Assembly (Not Spared)      |
| 5    | -         | Bearing (P/O PL 19.7 Item 4)         |
| 6    | -         | Upper Chute (P/O PL 19.7 Item 4)     |
| 7    | -         | Top Cover (P/O PL 19.7 Item 4)       |
| 8    | -         | Knob (P/O PL 19.7 Item 4)            |
| 9    | -         | Latch (P/O PL 19.7 Item 4)           |
| 10   | -         | Latch (P/O PL 19.7 Item 4)           |
| 11   | -         | Spring (P/O PL 19.7 Item 4)          |
| 12   | 059E01430 | Pinch Roller                         |
| 13   | -         | Shaft (P/O PL 19.7 Item 4)           |
| 14   | -         | Shaft (P/O PL 19.7 Item 4)           |
| 15   | -         | Spring (P/O PL 19.7 Item 4)          |
| 16   | -         | Spring (P/O PL 19.7 Item 4)          |
| 17   | -         | Gasket (P/O PL 19.7 Item 4)          |
| 18   | 059K36260 | Takeaway Roll (REP 19.10)            |
| 19   | -         | Spring (Left) (P/O PL 19.1 Item 16)  |
| 20   | -         | Spring (Right) (P/O PL 19.1 Item 16) |
| 21   | -         | Pivot Shaft (P/O PL 19.1 Item 16)    |
| 22   | -         | Bracket (P/O PL 19.1 Item 16)        |
| 23   | -         | Bracket (P/O PL 19.1 Item 16)        |
| 24   | -         | Lower Chute (P/O PL 19.1 Item 16)    |
| 25   | 130K88150 | Takeaway Sensor                      |
| 26   | 110E94770 | Top Cover Interlock Switch           |

4 { 5-17



0518007B-OLY

Revision

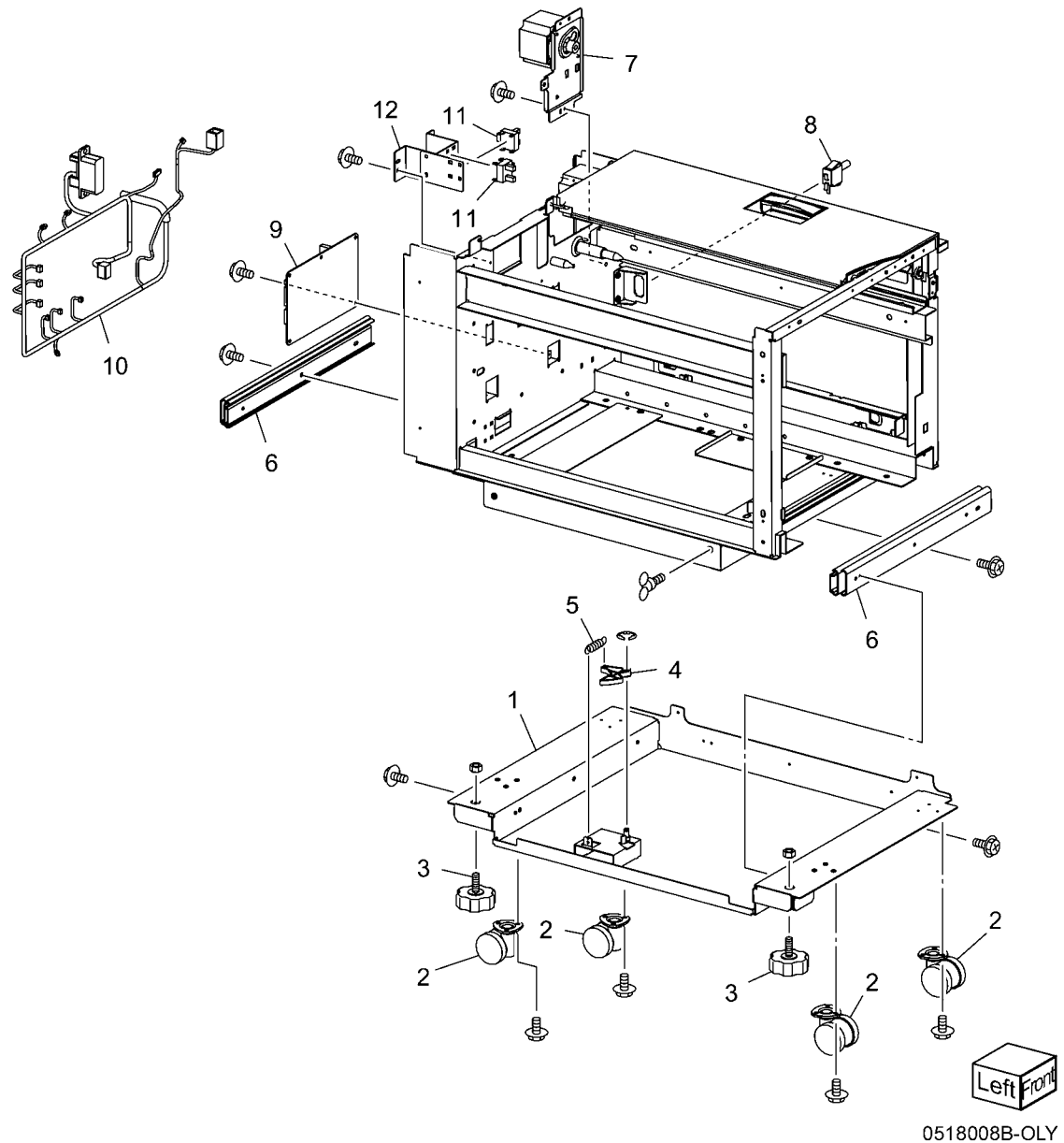
WorkCentre 7425/7428/7435

May, 2009  
5-99

Parts List  
PL 19.7

# PL 19.8 HCF Electrical and Rail

| Item | Part      | Description                        |
|------|-----------|------------------------------------|
| 1    | –         | Plate (Not Spared)                 |
| 2    | 017E92820 | Rack Caster (REP 19.9)             |
| 3    | –         | Foot (Not Spared)                  |
| 4    | –         | Latch Lever (Not Spared)           |
| 5    | –         | Spring (Not Spared)                |
| 6    | 801K15690 | Rail                               |
| 7    | 127K47150 | Takeaway Motor                     |
| 8    | –         | Docking Interlock Switch           |
| 9    | 960K31491 | HCF PWB (REP 19.11)                |
| 10   | –         | Wire Harness (P/O PL 19.1 Item 16) |
| 11   | 130K55590 | HCF Size Sensor R and L            |
| 12   | –         | Bracket (P/O PL 19.1 Item 16)      |

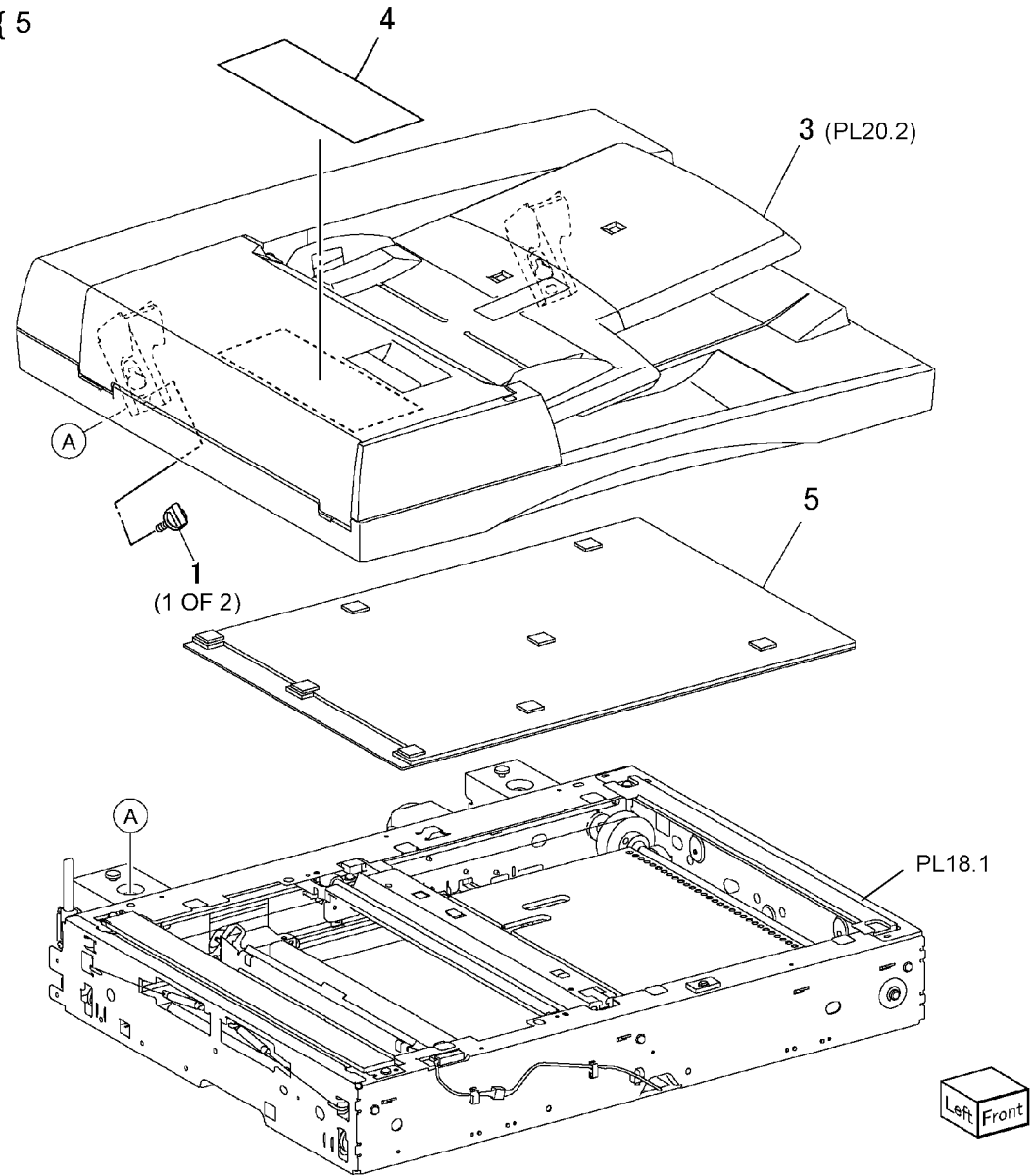




# PL 20.1 DADF

| Item | Part      | Description                   |
|------|-----------|-------------------------------|
| 1    | 003K91881 | Knob Screw                    |
| 2    | 604K25430 | Platen Cushion Kit            |
| 3    | 059K54649 | Feeder Assembly (REP 5.1)     |
| 4    | -         | Label (Not Spared)            |
| 5    | 004K02770 | DADF Platen Cushion (REP 5.2) |

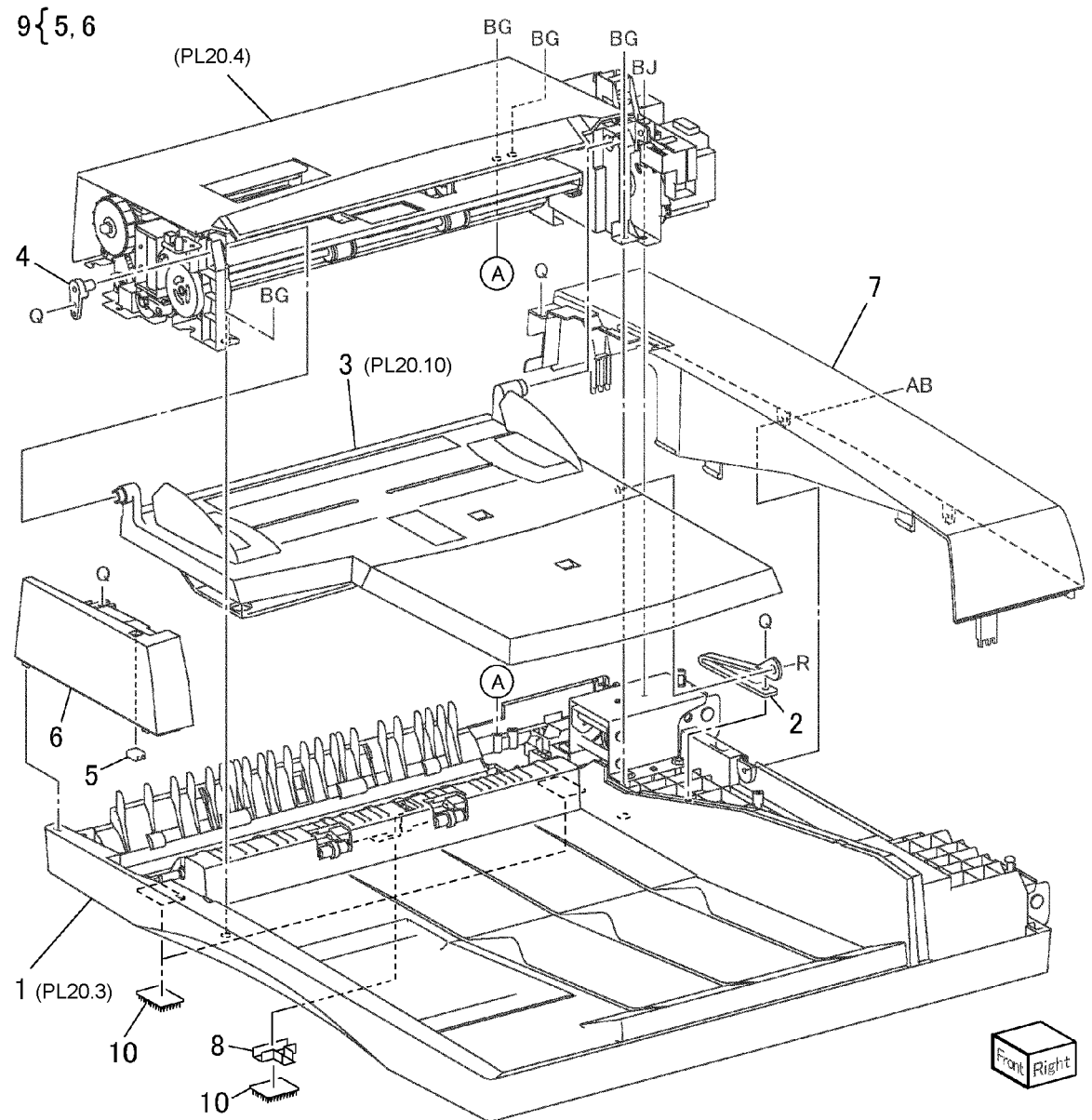
2 { 5



0520001A-OAK

## PL 20.2 DADF Component Cover

| Item | Part      | Description                           |
|------|-----------|---------------------------------------|
| 1    | 801K22544 | DADF Base Assembly                    |
| 2    | 849E38720 | Tray Support                          |
| 3    | 050K56180 | DADF Document Tray (REP 5.3)          |
| 4    | 003E60390 | Tray Hinge                            |
| 5    | -         | LED Cap (P/O PL 20.2 Item 9)          |
| 6    | -         | DADF Front Cover (P/O PL 20.2 Item 9) |
| 7    | -         | DADF Rear Cover (Not Spared)          |
| 8    | -         | Solenoid Cover (Not Spared)           |
| 9    | -         | DADF Front Cover (Not Spared)         |
| 10   | -         | Fastener Tape (Not Spared)            |

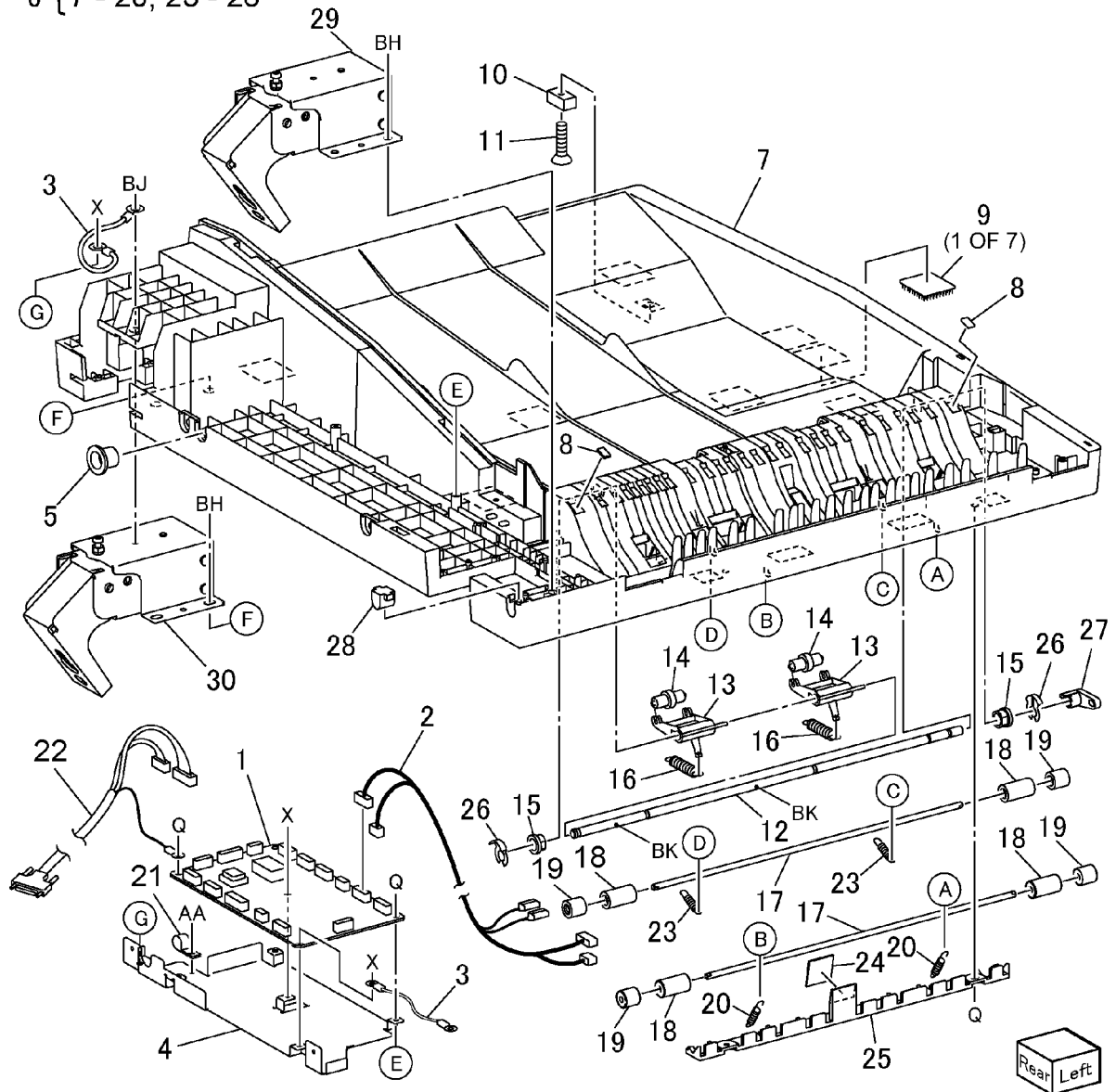


0520002A-OAK

# PL 20.3 DADF Base Cover

| Item | Part      | Description                                  |
|------|-----------|--|
| 1    | 960K32502 | DADF PWB (REP 5.5)                           |
| 2    | 962K19793 | Harness                                      |
| 3    | -         | Ground Wire (P/O PL 20.1 Item 3)             |
| 4    | -         | PWB Bracket                                  |
| 5    | -         | Open Type Bushing (P/O PL 20.1 Item 3)       |
| 6    | 801K22544 | Frame Assembly                               |
| 7    | -         | DADF Base Frame (P/O PL 20.3 Item 6)         |
| 8    | -         | Gate Pad (P/O PL 20.3 Item 6)                |
| 9    | -         | Tape (P/O PL 20.3 Item 6)                    |
| 10   | -         | Magnet (Interlock) (P/O PL 20.3 Item 6)      |
| 11   | -         | Magnet Screw (P/O PL 20.3 Item 6)            |
| 12   | -         | Exit Shaft (P/O PL 20.3 Item 6)              |
| 13   | -         | Exit Holder (P/O PL 20.3 Item 6)             |
| 14   | -         | Exit Pinch Roll (P/O PL 20.3 Item 6)         |
| 15   | -         | Bearing (P/O PL 20.3 Item 6)                 |
| 16   | -         | Exit Spring (P/O PL 20.3 Item 6)             |
| 17   | -         | Pinch Shaft (P/O PL 20.3 Item 6)             |
| 18   | -         | Registration Pinch Roll (P/O PL 20.3 Item 6) |
| 19   | -         | Registration Pinch Roll (P/O PL 20.3 Item 6) |
| 20   | -         | Registration Spring (P/O PL 20.3 Item 6)     |
| 21   | -         | P-Clamp (P/O PL 20.1 Item 3)                 |
| 22   | 117E27450 | DADF IIT Cable                               |
| 23   | -         | Spring (P/O PL 20.3 Item 6)                  |
| 24   | -         | Sensor Pad (P/O PL 20.3 Item 6)              |
| 25   | -         | Registration Cover (P/O PL 20.3 Item 6)      |
| 26   | 028E94260 | KL-Clip                                      |
| 27   | 011E14751 | Solenoid Lever                               |
| 28   | -         | Rear Cap Cover (P/O PL 20.1 Item 3)          |
| 29   | 036K91551 | Left Counter Balance (REP 5.6)               |
| 30   | 036K91561 | Right Counter Balance (REP 5.7)              |

6 { 7 - 20, 23 - 26

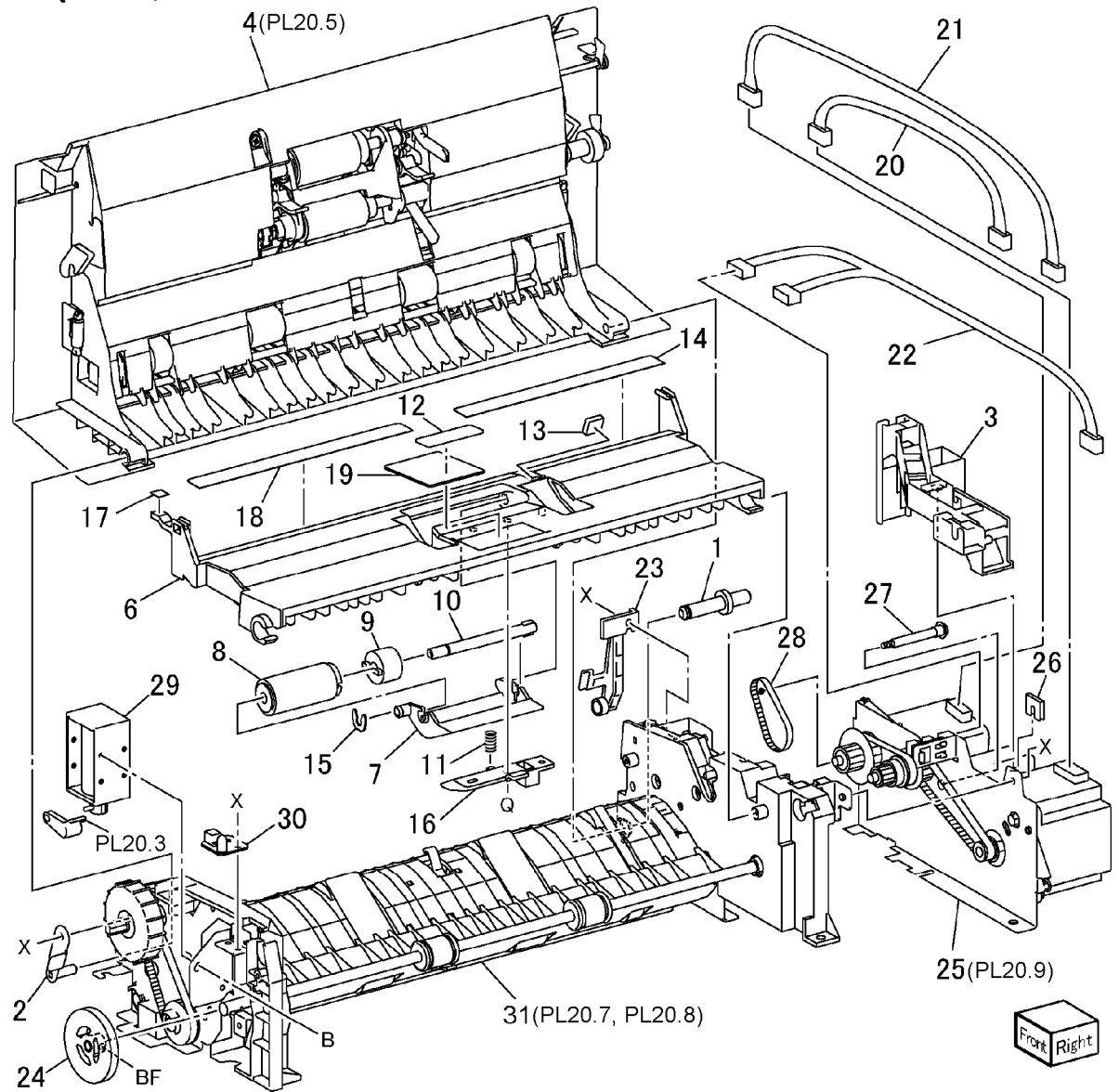


0520003A-IMP

# PL 20.4 DADF Feeder Component

| Item | Part      | Description                         |
|------|-----------|-------------------------------------|
| 1    | -         | Hinge Stud (P/O PL 20.2 Item 2)     |
| 2    | -         | Bracket (Not Spared)                |
| 3    | -         | Harness Guide (P/O PL 20.1 Item 3)  |
| 4    | -         | Upper Feed Assembly (Not Spared)    |
| 5    | 059K45234 | DADF Feeder Assembly                |
| 6    | 054K30840 | Retard Chute                        |
| 7    | -         | Retard Housing (P/O PL 20.4 Item 5) |
| 8    | 059K44920 | Retard Roll (REP 5.8)               |
| 9    | 019K98770 | Torque Limiter                      |
| 10   | -         | Retard Shaft (P/O PL 20.4 Item 5)   |
| 11   | -         | Retard Spring (P/O PL 20.4 Item 5)  |
| 12   | -         | Pad (P/O PL 20.4 Item 5)            |
| 13   | 019K99070 | Actuator Pad                        |
| 14   | -         | Seal (P/O PL 20.4 Item 5)           |
| 15   | -         | C-Clip (P/O PL 20.4 Item 5)         |
| 16   | -         | Retard Guide (P/O PL 20.4 Item 5)   |
| 17   | -         | Label (Retard) (P/O PL 20.4 Item 5) |
| 18   | -         | Front Seal (P/O PL 20.1 Item 3)     |
| 19   | -         | Retard Seal (P/O PL 20.4 Item 5)    |
| 20   | -         | FE Harness (Not Spared)             |
| 21   | -         | Harness (Not Spared)                |
| 22   | -         | Harness (Not Spared)                |
| 23   | -         | Harness Guide (P/O PL 20.1 Item 3)  |
| 24   | 004E13830 | Damper Roll                         |
| 25   | -         | Motor Assembly (P/O PL 20.1 Item 3) |
| 26   | -         | Harness Guide (Not Spared)          |
| 27   | -         | Screw (Not Spared)                  |
| 28   | 604K20780 | DADF Belt Kit                       |
| 29   | 121K31912 | Solenoid                            |
| 30   | -         | LED PWB (Not Spared)                |
| 31   | -         | DADF Feeder (P/O PL 20.4 Item 5)    |

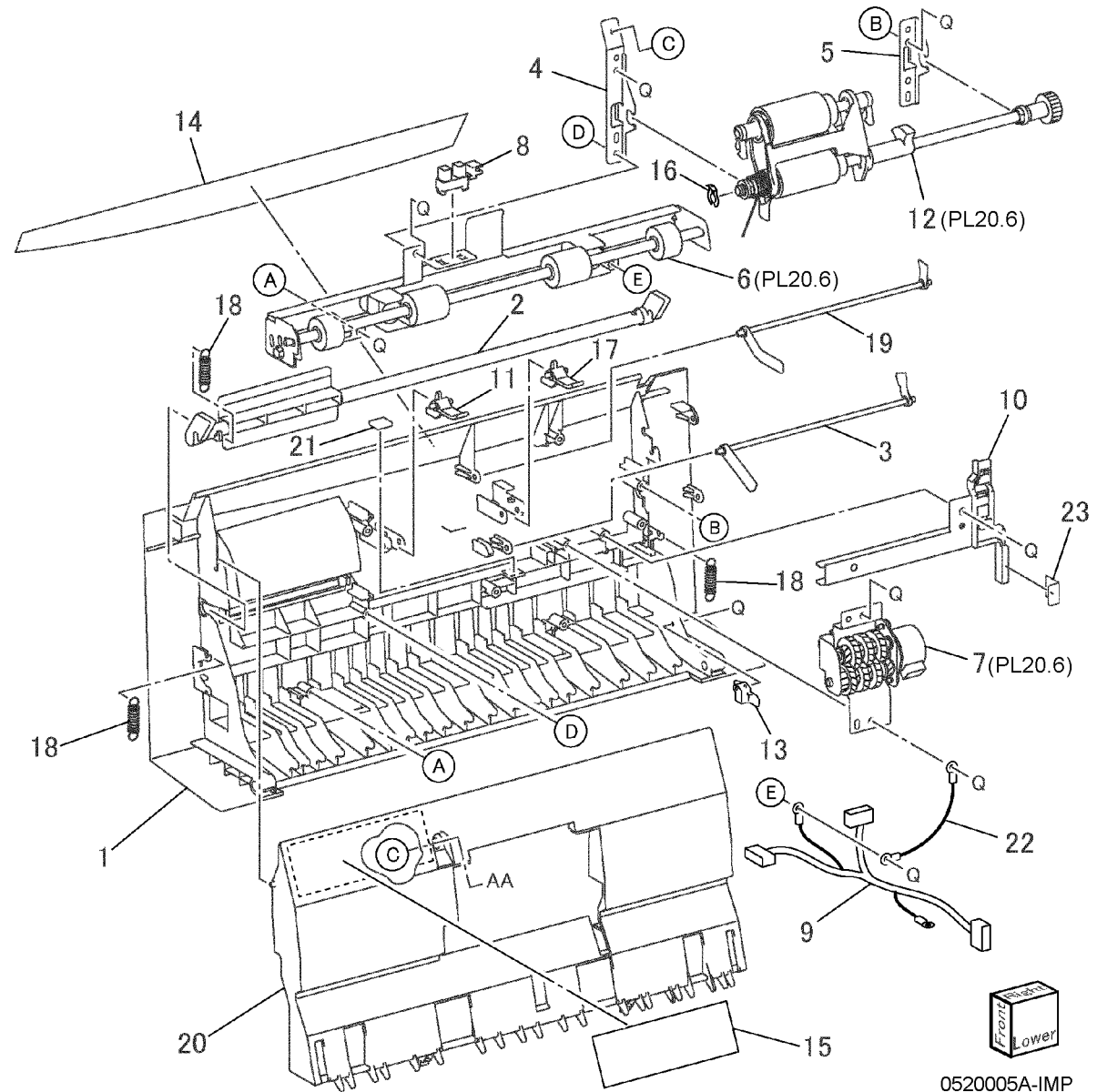
5 { 6 - 19, 31



0520004A-IMP

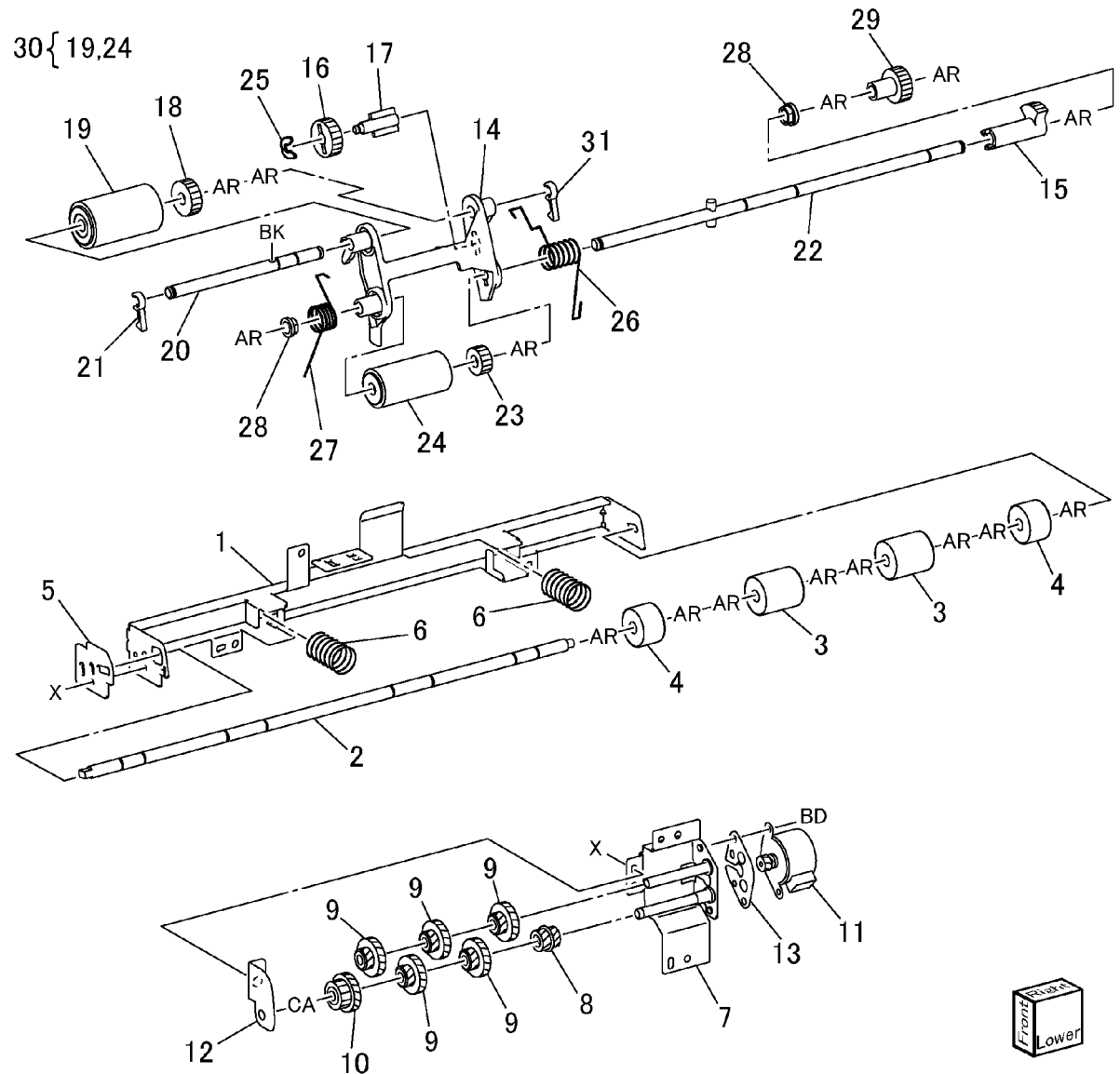
# PL 20.5 Top Cover Component

| Item | Part      | Description                                 |
|------|-----------|---|
| 1    | -         | Cover (P/O PL 20.4 Item 4)                  |
| 2    | 011E14742 | Handle Lever                                |
| 3    | 120E22361 | Actuator (Feed Out)                         |
| 4    | -         | Feeder Bracket (Front) (P/O PL 20.4 Item 4) |
| 5    | -         | Feeder Bracket (Rear) (P/O PL 20.4 Item 4)  |
| 6    | 059K60740 | Takeaway Pinch Roll                         |
| 7    | 127K38412 | DADF Nudger Motor                           |
| 8    | 930W00111 | DADF Nudger Sensor                          |
| 9    | -         | Nudger Harness (Not Spared)                 |
| 10   | -         | Harness Guide (P/O PL 20.4 Item 4)          |
| 11   | -         | Front Guide-Set (P/O PL 20.4 Item 4)        |
| 12   | -         | Feeder Assembly                             |
| 13   | -         | Harness Guide (P/O PL 20.4 Item 4)          |
| 14   | -         | Label (Size) (P/O PL 20.4 Item 4)           |
| 15   | -         | Label (Jam Clear) (P/O PL 20.4 Item 4)      |
| 16   | 028E94260 | KL-Clip                                     |
| 17   | -         | Rear Guide Set (P/O PL 20.4 Item 4)         |
| 18   | -         | Exit Spring (P/O PL 20.4 Item 4)            |
| 19   | 120E22352 | Actuator (Set)                              |
| 20   | -         | Chute (P/O PL 20.4 Item 4)                  |
| 21   | -         | Actuator Pad (P/O PL 20.4 Item 4)           |
| 22   | -         | Ground Wire (P/O PL 20.4 Item 4)            |
| 23   | -         | Harness Seal (P/O PL 20.4 Item 4)           |



# PL 20.6 Takeaway Pinch Roll, Nudger Motor, Nudger/Feed Roll

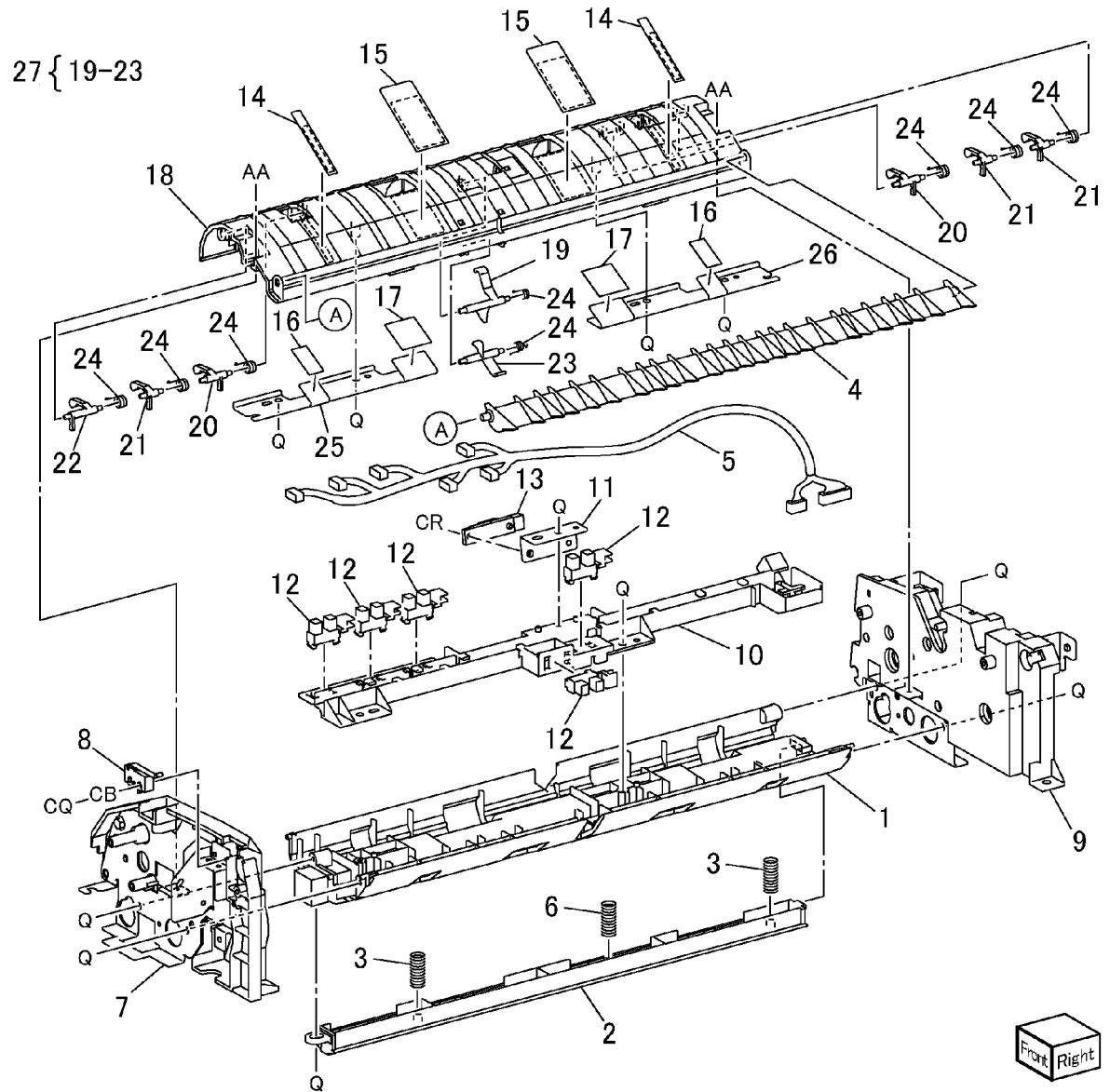
| Item | Part      | Description                                       |
|------|-----------|---|
| 1    | -         | Bracket (P/O PL 20.5 Item 6)                      |
| 2    | -         | Shaft (Takeaway Pinch Roll) (P/O PL 20.5 Item 6)  |
| 3    | -         | Roll (P/O PL 20.5 Item 6)                         |
| 4    | -         | Roll (P/O PL 20.5 Item 6)                         |
| 5    | -         | Bracket (P/O PL 20.5 Item 6)                      |
| 6    | -         | Spring (P/O PL 20.5 Item 6)                       |
| 7    | -         | Bracket (P/O PL 20.5 Item 7)                      |
| 8    | -         | Gear (18T/19T) (P/O PL 20.5 Item 7)               |
| 9    | -         | Gear (36T/19T) (P/O PL 20.5 Item 7)               |
| 10   | -         | Gear (36T/16T) (P/O PL 20.5 Item 7)               |
| 11   | -         | Lift Motor (P/O PL 20.5 Item 7)                   |
| 12   | -         | Lift Bracket (P/O PL 20.5 Item 7)                 |
| 13   | -         | Motor Bracket (P/O PL 20.5 Item 7)                |
| 14   | -         | Nudger Housing (P/O PL 20.5 Item 12)              |
| 15   | -         | Gear (28T) (P/O PL 20.5 Item 12)                  |
| 16   | -         | Idler Gear (36T) (P/O PL 20.5 Item 12)            |
| 17   | -         | Nudger Shaft (P/O PL 20.5 Item 12)                |
| 18   | 807E18970 | Nudger Gear (34T)                                 |
| 19   | -         | Nudger Roll (P/O PL 20.6 Item 30)<br>(REP 5.9)    |
| 20   | -         | Nudger Shaft (P/O PL 20.5 Item 12)                |
| 21   | 003E74960 | Set Stopper                                       |
| 22   | -         | Feed Shaft (P/O PL 20.5 Item 12)                  |
| 23   | 807E00550 | Feed Gear (26T)                                   |
| 24   | -         | Feed Roll (P/O PL 20.6 Item 30)<br>(REP 5.9)      |
| 25   | -         | C-Clip (P/O PL 20.5 Item 12)                      |
| 26   | -         | Rear Nudger/Feed Spring (P/O PL 20.5 Item 12)     |
| 27   | -         | Front Nudger/Feed Spring (P/O PL 20.5 Item 12)    |
| 28   | -         | Bearing (P/O PL 20.5 Item 12)                     |
| 29   | 007K88751 | Feed Gear (20T)                                   |
| 30   | 604K20760 | DADF Roll Kit<br>(Feeder/Nudger/Retard) (REP 5.9) |
| 31   | 003E72030 | Gate Stopper                                      |



0520006A-IMP

# PL 20.7 DADF Feeder-Chute

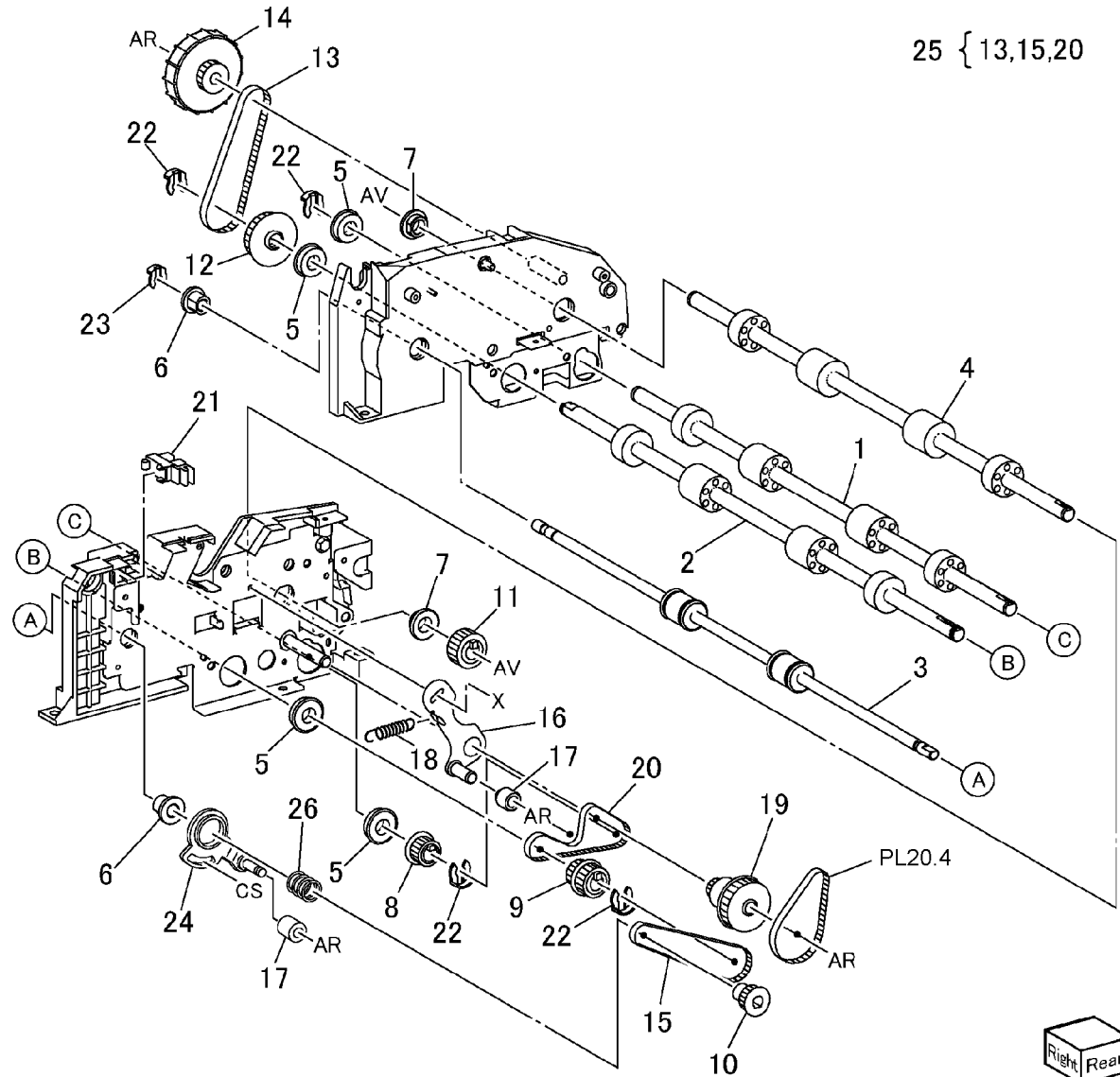
| Item | Part      | Description  |
|------|-----------|--|
| 1    | -         | Lower Chute (P/O PL 20.4 Item 5)   |
| 2    | 054K30631 | Chute (Scan Position)  |
| 3    | -         | Spring (P/O PL 20.4 Item 5)  |
| 4    | 038E26880 | Invert Guide   |
| 5    | 962K19722 | FE Harness   |
| 6    | -         | CVT Spring (P/O PL 20.4 Item 5)  |
| 7    | -         | Feed Frame (Front) (P/O PL 20.4 Item 5)  |
| 8    | 110K11981 | DADF Interlock Switch  |
| 9    | -         | Feed Frame (Rear) (P/O PL 20.4 Item 5)   |
| 10   | -         | Sensor Guide (P/O PL 20.4 Item 5)  |
| 11   | -         | Registration Sensor Bracket (P/O PL 20.4 Item 5)   |
| 12   | 930W00111 | DADF APS 1 Sensor, DADF APS 2 Sensor, DADF APS 3 Sensor, DADF Preregistration Sensor, DADF Invert Sensor |
| 13   | 930W00211 | Registration Sensor  |
| 14   | -         | Seal (P/O PL 20.4 Item 5)  |
| 15   | -         | Seal (P/O PL 20.4 Item 5)  |
| 16   | -         | Eliminator (P/O PL 20.4 Item 5)  |
| 17   | -         | Eliminator (P/O PL 20.4 Item 5)  |
| 18   | -         | Chute (P/O PL 20.4 Item 5)   |
| 19   | -         | Preregistration Actuator (P/O PL 20.7 Item 27)   |
| 20   | -         | Actuator (APS 1) (P/O PL 20.7 Item 27)   |
| 21   | -         | Actuator (APS 2) (P/O PL 20.7 Item 27)   |
| 22   | -         | Actuator (APS3) (P/O PL 20.7 Item 27)  |
| 23   | -         | Actuator (Invert) (P/O PL 20.7 Item 27)  |
| 24   | -         | Torsion Spring (P/O PL 20.4 Item 5)  |
| 25   | -         | Front Chute Bracket (P/O PL 20.4 Item 5)   |
| 26   | -         | Chute Bracket (Rear) (P/O PL 20.4 Item 5)  |
| 27   | 604K20770 | DADF Actuator Kit  |



0520007A-IMP

# PL 20.8 DADF Feeder-Roll

| Item | Part      | Description                                       |
|------|-----------|---|
| 1    | -         | Registration Roll (P/O PL 20.4 Item 5) (REP 5.10) |
| 2    | -         | Out Roll (P/O PL 20.4 Item 5)                     |
| 3    | -         | Exit Roll (P/O PL 20.4 Item 5)                    |
| 4    | -         | Takeaway Roll (P/O PL 20.4 Item 5)                |
| 5    | -         | Ball Bearing (P/O PL 20.4 Item 5)                 |
| 6    | -         | Exit Bearing (P/O PL 20.4 Item 5)                 |
| 7    | -         | Bearing (P/O PL 20.4 Item 5)                      |
| 8    | -         | Registration Pulley (P/O PL 20.4 Item 5) (ACO)    |
| 9    | -         | Pulley (Out) (P/O PL 20.4 Item 5)                 |
| 10   | -         | Pulley (Exit) (P/O PL 20.4 Item 5)                |
| 11   | -         | Gear (Takeaway) (P/O PL 20.4 Item 5)              |
| 12   | -         | Flange Pulley (P/O PL 20.4 Item 5)                |
| 13   | -         | Belt (P/O PL 20.8 Item 25)                        |
| 14   | -         | Handle Pulley (P/O PL 20.4 Item 5)                |
| 15   | -         | Belt (P/O PL 20.8 Item 25)                        |
| 16   | -         | Tension Bracket (P/O PL 20.4 Item 5)              |
| 17   | -         | Tension Roller (P/O PL 20.4 Item 5)               |
| 18   | 809E50763 | Tension Spring                                    |
| 19   | -         | Idler Pulley (P/O PL 20.4 Item 5)                 |
| 20   | 023E25640 | Belt (1.5GT)                                      |
| 21   | 930W00111 | DADF Document Set Sensor                          |
| 22   | -         | KL-Clip (P/O PL 20.4 Item 5)                      |
| 23   | 028E94260 | KL-Clip   |
| 24   | -         | Tension Bracket (P/O PL 20.4 Item 5)              |
| 25   | 604K20780 | DADF Belt Kit                                     |
| 26   | -         | Exit Spring (P/O PL 20.4 Item 5)                  |



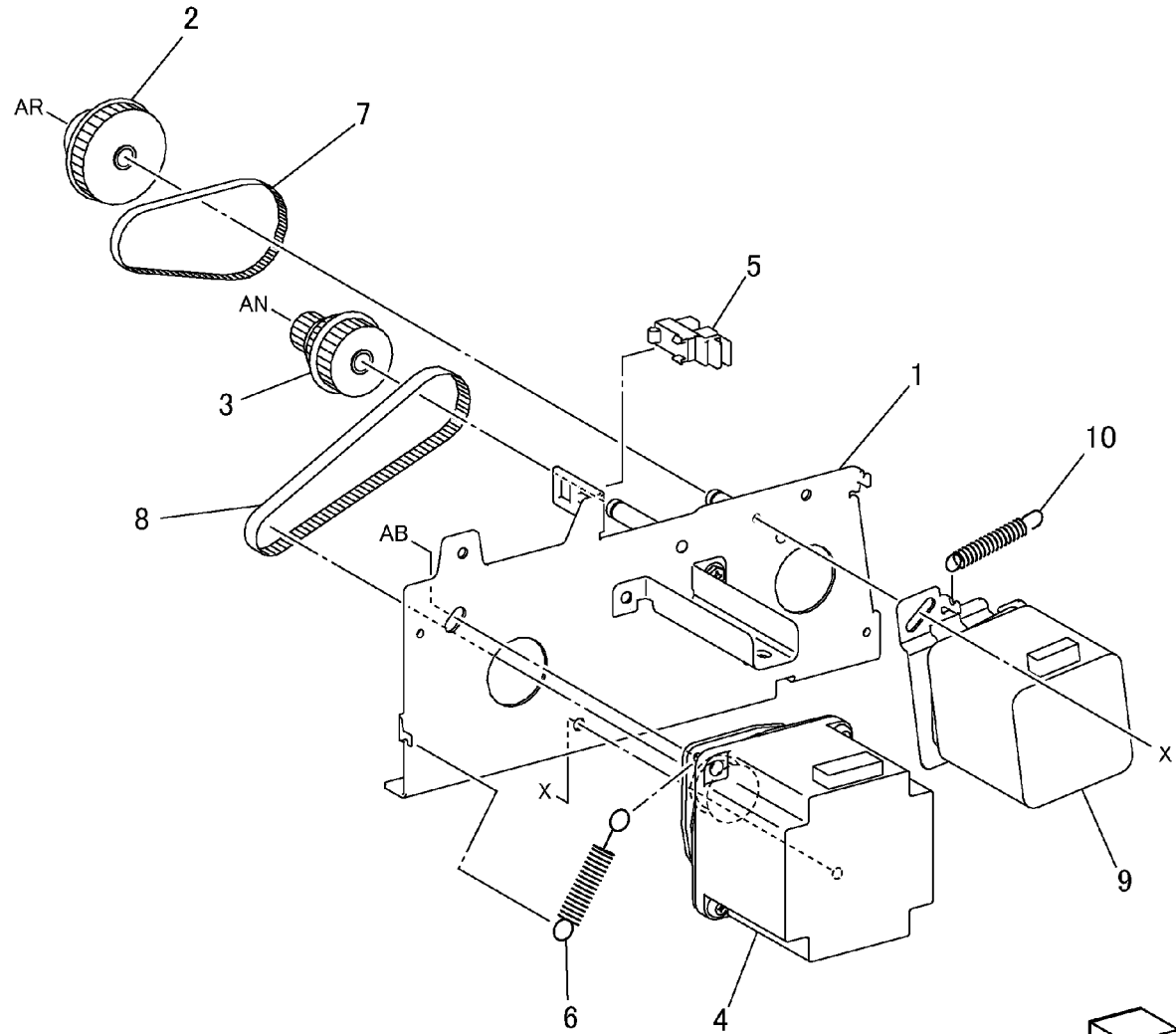
25 { 13,15,20

Right Rear  
0520008A-IMP



## PL 20.9 Motor Unit Assembly

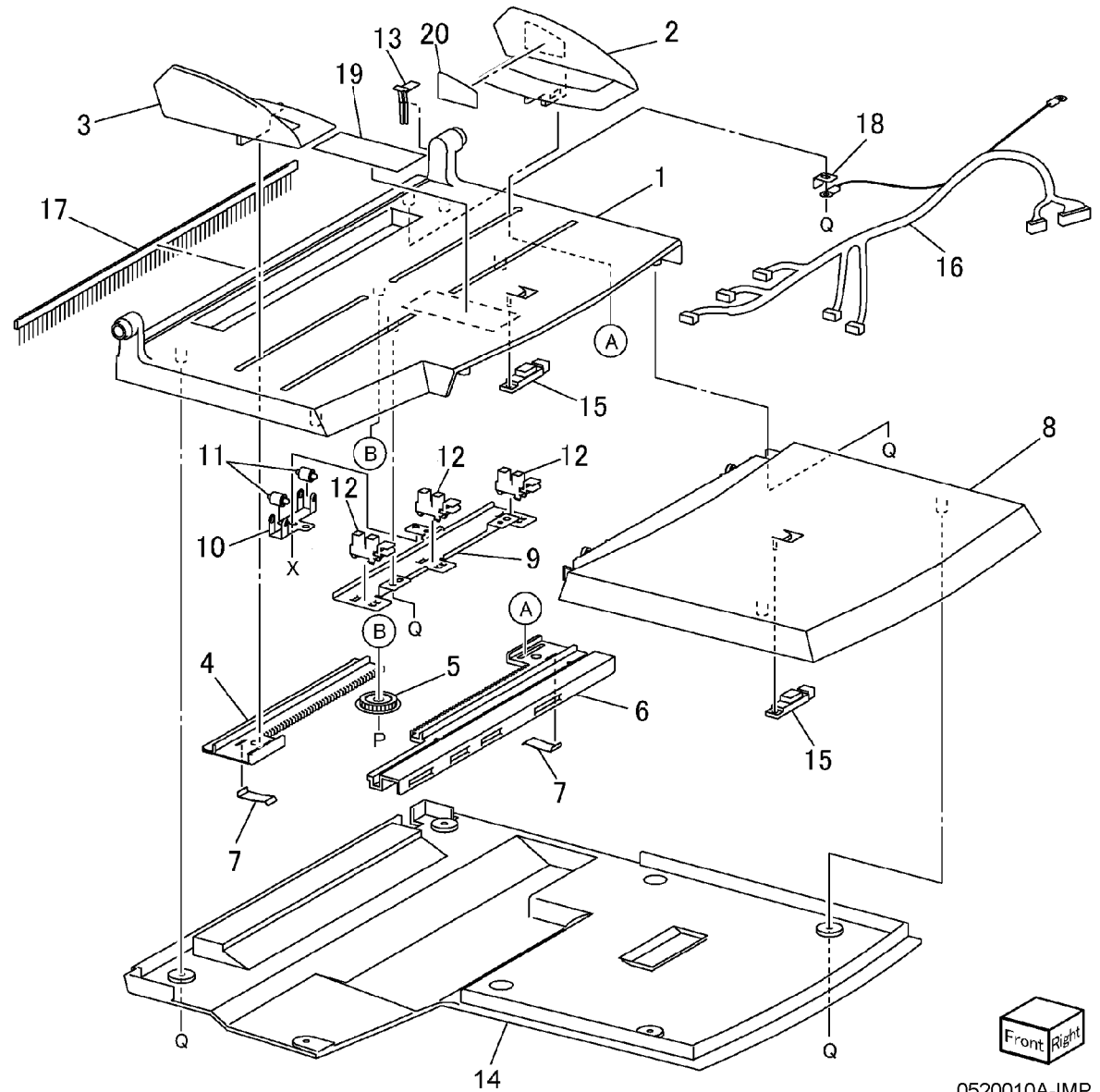
| Item | Part      | Description                                |
|------|-----------|--|
| 1    | –         | Motor Bracket (P/O PL 20.1 Item 3)         |
| 2    | –         | Gear Pulley (20/50) (P/O PL 20.1 Item 3)   |
| 3    | –         | Gear Pulley (14/32/37) (P/O PL20.1 Item 3) |
| 4    | 127K38440 | DADF Feed Motor                            |
| 5    | 930W00111 | DADF Feed Out Sensor                       |
| 6    | –         | Spring (Not Spared)                        |
| 7    | 423W08055 | Takeaway Belt (4mm)                        |
| 8    | 423W29955 | Feed Belt (6mm)                            |
| 9    | 127K38460 | DADF Registration Motor                    |
| 10   | 809E50763 | Spring                                     |



0520009A-IMP

# PL 20.10 DADF Document Tray

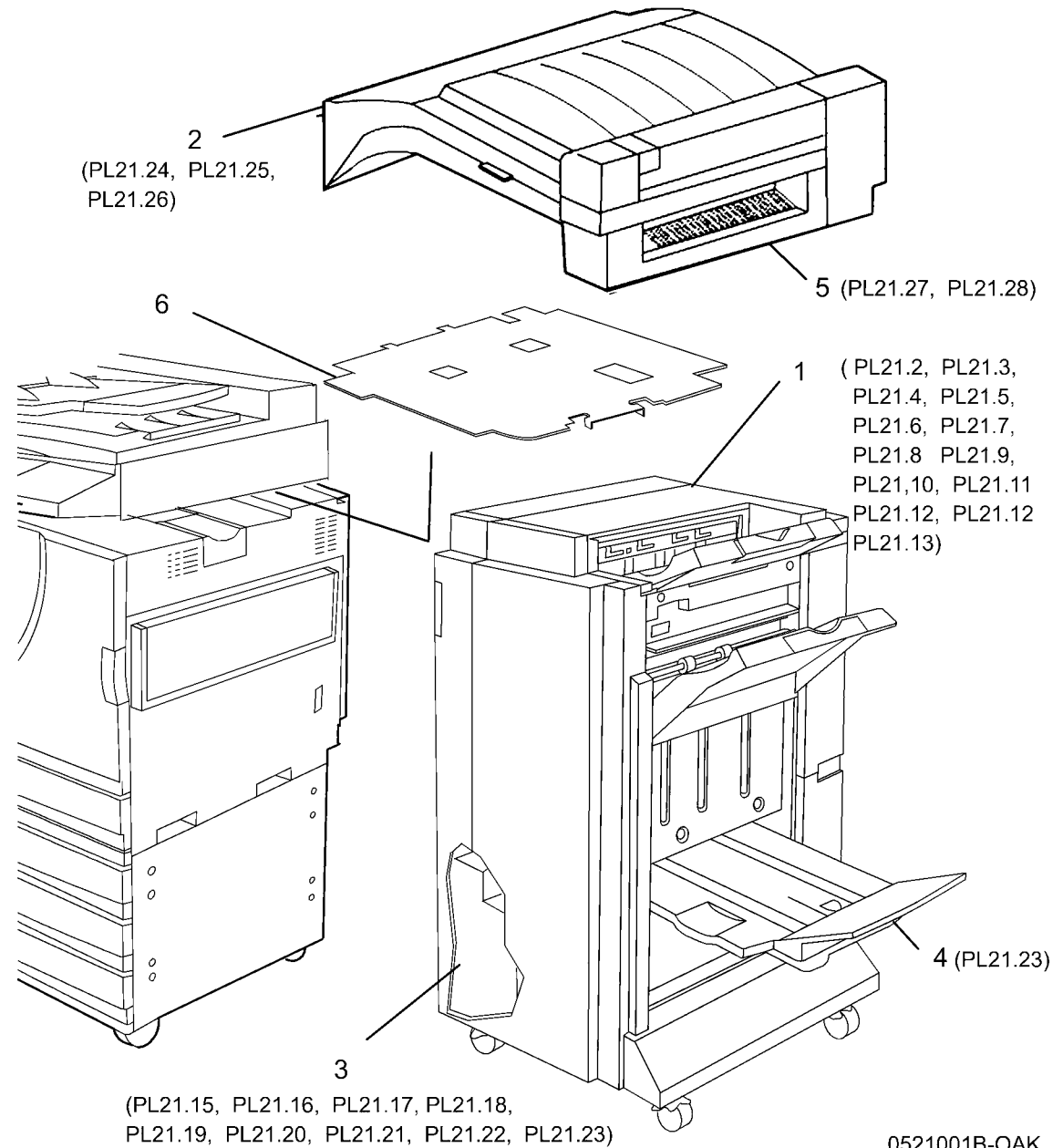
| Item | Part      | Description  |
|------|-----------|--|
| 1    | -         | Hinge Tray (P/O PL 20.2 Item 3)  |
| 2    | -         | Side Guide (Rear) (P/O PL 20.2 Item 3)   |
| 3    | -         | Side Guide (Front) (P/O PL 20.2 Item 3)  |
| 4    | 807E00600 | Rack Gear  |
| 5    | -         | Pinion Gear (P/O PL 20.2 Item 3)   |
| 6    | 120E22370 | Rack Gear and Actuator   |
| 7    | 809E51860 | Rack Spring  |
| 8    | -         | Tray Upper Cover (P/O PL 20.2 Item 3)  |
| 9    | -         | Sensor Bracket (P/O PL 20.2 Item 3)  |
| 10   | -         | Tray Spring (P/O PL 20.2 Item 3)   |
| 11   | -         | Roller (P/O PL 20.2 Item 3)  |
| 12   | 930W00111 | DADF Tray Set Guide Sensor 1, DADF Tray Set Guide Sensor 2, DADF Tray Set Guide Sensor 3 |
| 13   | -         | Harness Guide (P/O PL 20.2 Item 3)   |
| 14   | -         | Tray Lower Cover (P/O PL 20.2 Item 3)  |
| 15   | 130E89950 | DADF Tray Size 1 Sensor, DADF Tray Size 2 Sensor   |
| 16   | 962K19712 | Tray Wire Harness  |
| 17   | 105E06910 | Eliminator   |
| 18   | -         | Earth Bracket (P/O PL 20.2 Item 3)   |
| 19   | -         | Label (Installation) (P/O PL 20.2 Item 3)  |
| 20   | -         | Label (Max) (P/O PL 20.2 Item 3)   |



0520010A-IMP

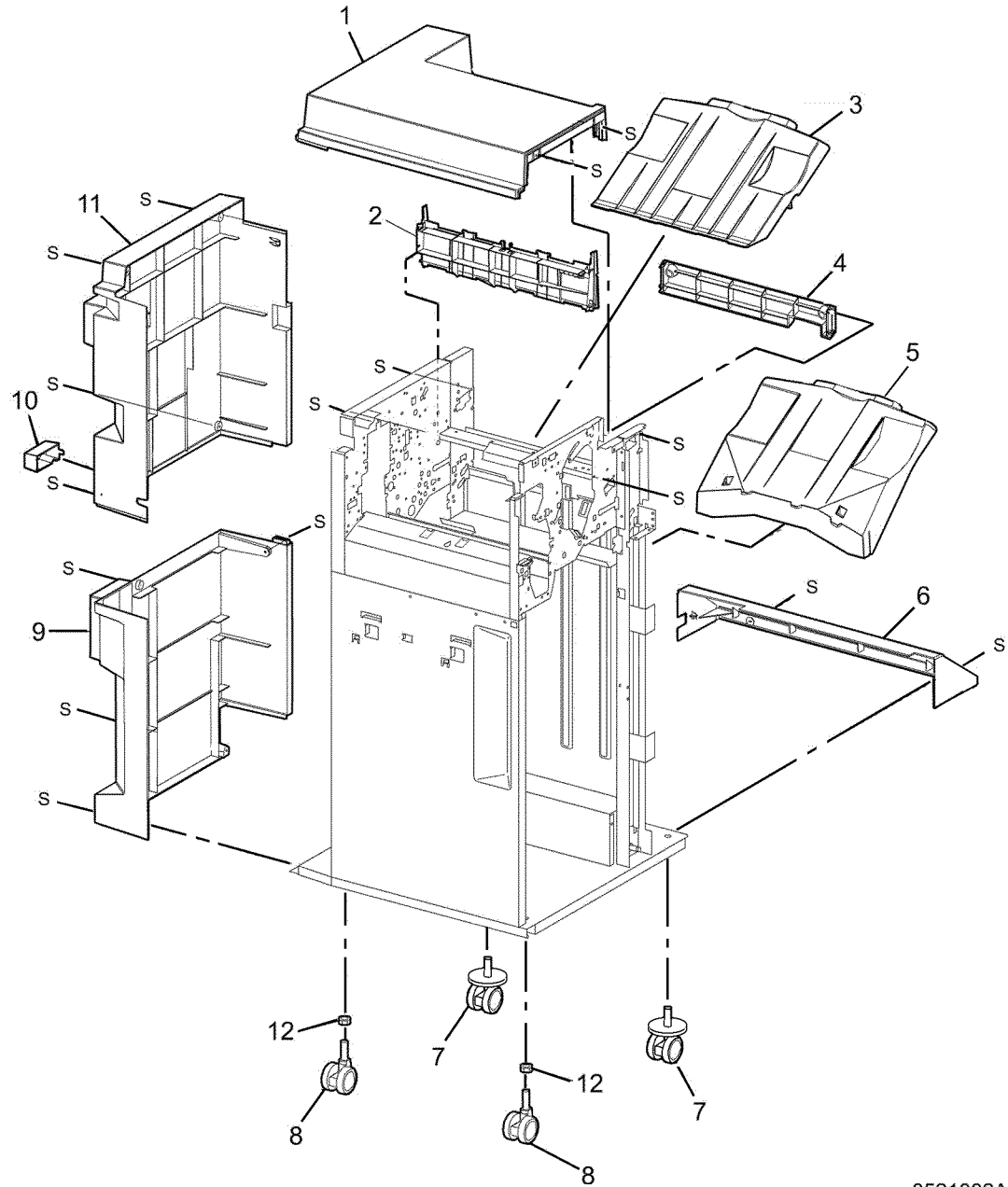
## PL 21.1 Professional Finisher

| Item | Part      | Description                              |
|------|-----------|--|
| 1    | –         | A/P Finisher (Not Spared) (REP 21.11)    |
| 2    | 059K66880 | H-Transport Assembly (REP 21.12)         |
| 3    | 801K36832 | Booklet Maker (REP 21.16)                |
| 4    | 050K63962 | Booklet Tray                             |
| 5    | –         | Decurler Transport Assembly (Not Spared) |
| 6    | 815E46360 | Finisher Plate                           |



## PL 21.2 Finisher Cover (1 of 2)

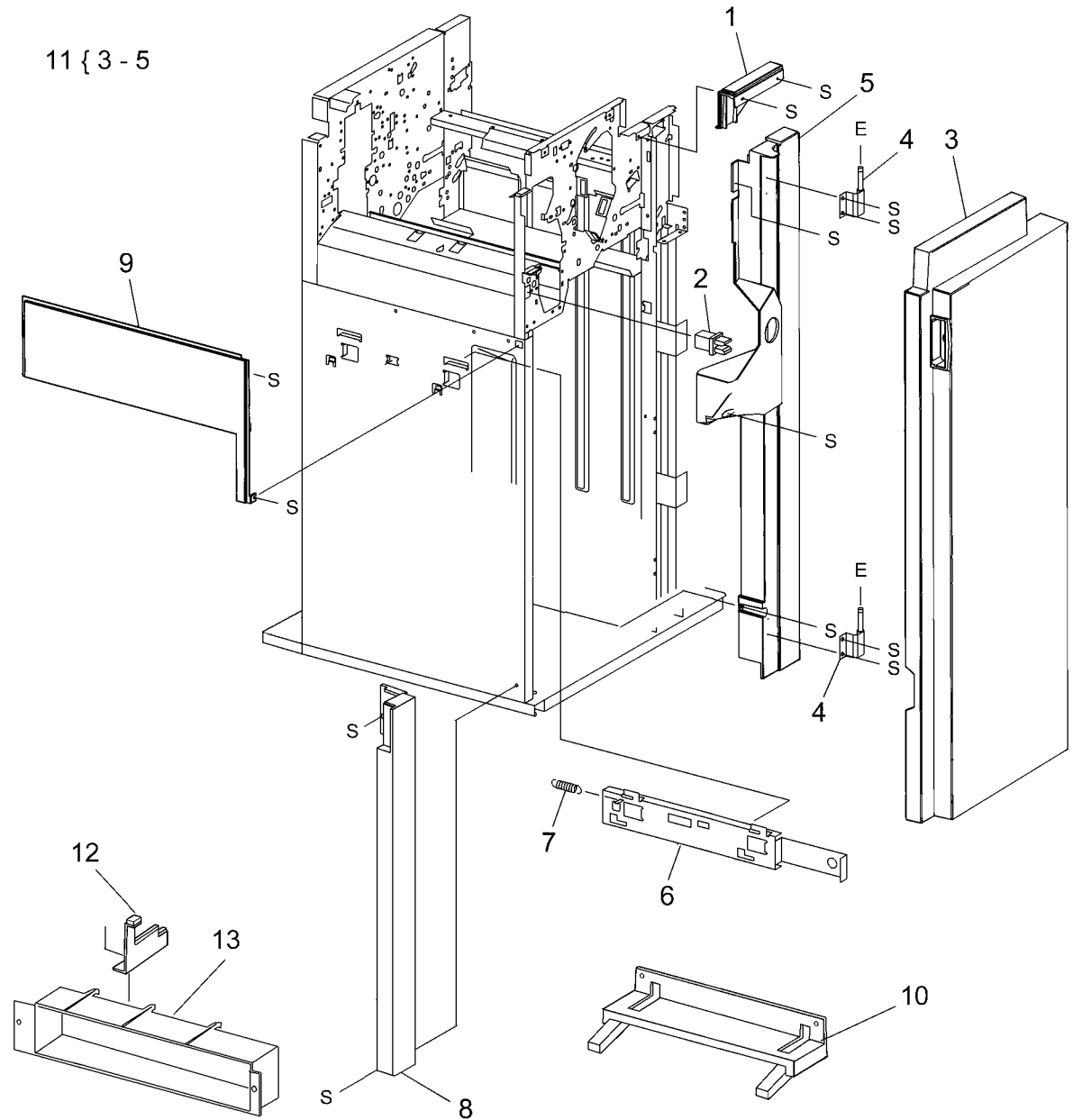
| Item | Part      | Description                               |
|------|-----------|---|
| 1    | 802E78090 | Top Cover (REP 21.4)                      |
| 2    | -         | Tray Spring Guide (Not Spared) (REP 21.8) |
| 3    | 050K51270 | Top Tray (REP 21.6)                       |
| 4    | -         | Eject Cover (Not Spared) (REP 21.7)       |
| 5    | 050K51280 | Stacker Tray (REP 21.19)                  |
| 6    | -         | Bottom Cover (Not Spared)                 |
| 7    | 017E98040 | Caster                                    |
| 8    | 017E97230 | Caster                                    |
| 9    | -         | Rear Lower Cover (Not Spared) (REP 21.3)  |
| 10   | -         | H-Transport Connector Cover (Not Spared)  |
| 11   | -         | Rear Upper Cover (Not Spared) (REP 21.2)  |
| 12   | -         | Nut M12X1.25 (Not Spared)                 |



0521002A-COP

## PL 21.3 Finisher Cover (2 of 2)

| Item | Part      | Description                                |
|------|-----------|--|
| 1    | -         | Front Top Cover (Not Spared)<br>(REP 21.5) |
| 2    | 110E97990 | Front Door Interlock Switch                |
| 3    | -         | Front Door (P/O PL 21.3 Item 11)           |
| 4    | -         | Hinge Bracket (P/O PL 21.3 Item 11)        |
| 5    | -         | Front Right Cover (P/O PL 21.3 Item 11)    |
| 6    | -         | Docking Plate (Not Spared)                 |
| 7    | -         | Spring (Not Spared)                        |
| 8    | 848E18470 | Front Gap Cover                            |
| 9    | -         | Left Top Cover (Not Spared) (REP 21.10)    |
| 10   | 015K78080 | Bottom Plate                               |
| 11   | 802K67130 | Front Door Assembly (REP 21.1)             |
| 12   | 055K31740 | Shield Assembly                            |
| 13   | 015K78071 | IOT Docking Plate                          |



0521003B-OAK

# PL 21.4 Finisher Stack

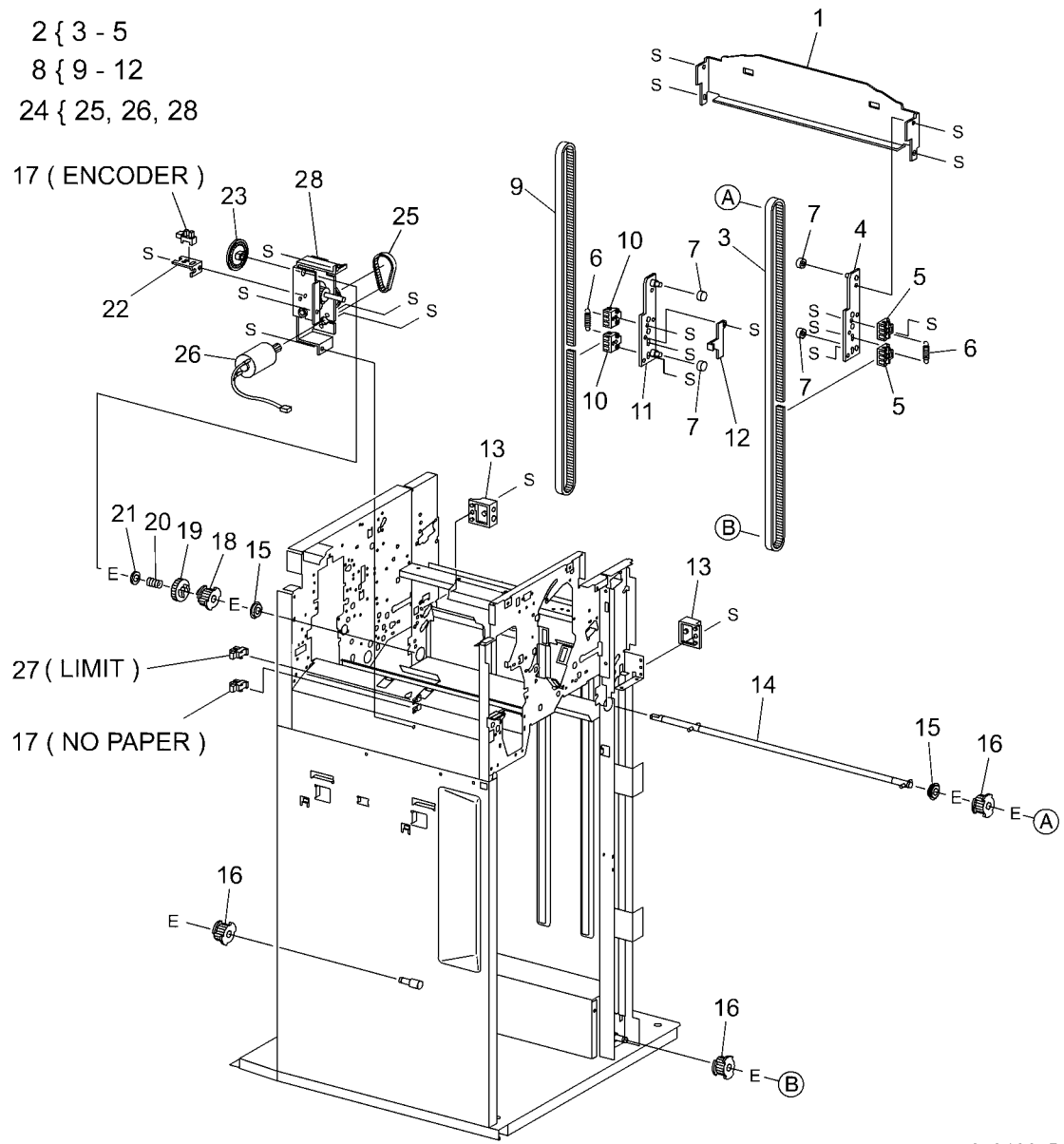
| Item | Part      | Description  |
|------|-----------|--|
| 1    | -         | Stacker Tray Bracket (Not Spared)                          |
| 2    | 041K94720 | Left Carriage Assembly                                     |
| 3    | -         | Stacker Drive Belt (P/O PL 21.4 Item 2) (REP 21.21)        |
| 4    | -         | Left Carriage Bracket (P/O PL 21.4 Item 2)                 |
| 5    | -         | Belt Clamp (P/O PL 21.4 Item 2)                            |
| 6    | 809E56850 | Spring   |
| 7    | 013E27150 | Carriage Bearing   |
| 8    | 041K94970 | Right Carriage Assembly                                    |
| 9    | 023E21520 | Stacker Drive Belt (REP 21.21)                             |
| 10   | 019E58660 | Belt Clamp   |
| 11   | -         | Right Carriage Bracket (P/O PL 21.4 Item 8)                |
| 12   | -         | Stacker Sensor Actuator (P/O PL 21.4 Item 8)               |
| 13   | 802K67140 | Stack Height Sensor (Front, Rear)                          |
| 14   | -         | Elevator Drive Shaft (Not Spared)                          |
| 15   | 413W77559 | Bearing  |
| 16   | 020E37720 | Pulley (18T)   |
| 17   | 130K88770 | Stacker Encoder Sensor, Stacker No Paper Sensor (No Paper) |
| 18   | 020E37710 | Clutch Pulley  |
| 19   | 807E04730 | Clutch Gear  |
| 20   | 809E56860 | Spring   |
| 21   | 251W31178 | Washer   |
| 22   | -         | Sensor Bracket (Not Spared)                                |
| 23   | 146E01770 | Stacker Encoder  |
| 24   | 015K69730 | Elevator Motor Assembly                                    |
| 25   | -         | Elevator Motor Drive Belt (P/O PL 21.4 Item 24)            |
| 26   | -         | Elevator Motor (P/O PL 21.4 Item 24)                       |
| 27   | 130E88340 | Upper Limit Sensor (Limit)                                 |
| 28   | -         | Bracket (P/O PL 21.4 Item 24)                              |

2 { 3 - 5  
 8 { 9 - 12  
 24 { 25, 26, 28

17 ( ENCODER )

27 ( LIMIT )

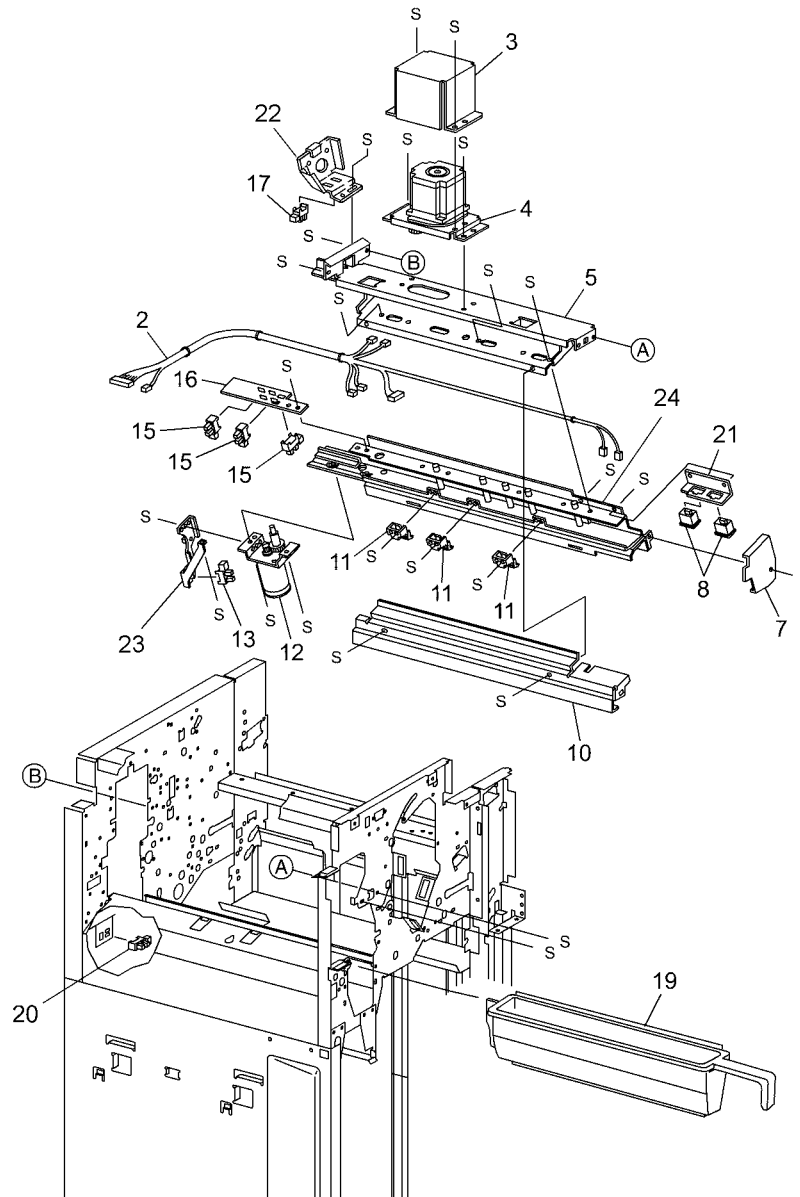
17 ( NO PAPER )



0521004B-OAK

# PL 21.5 Finisher Punch

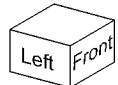
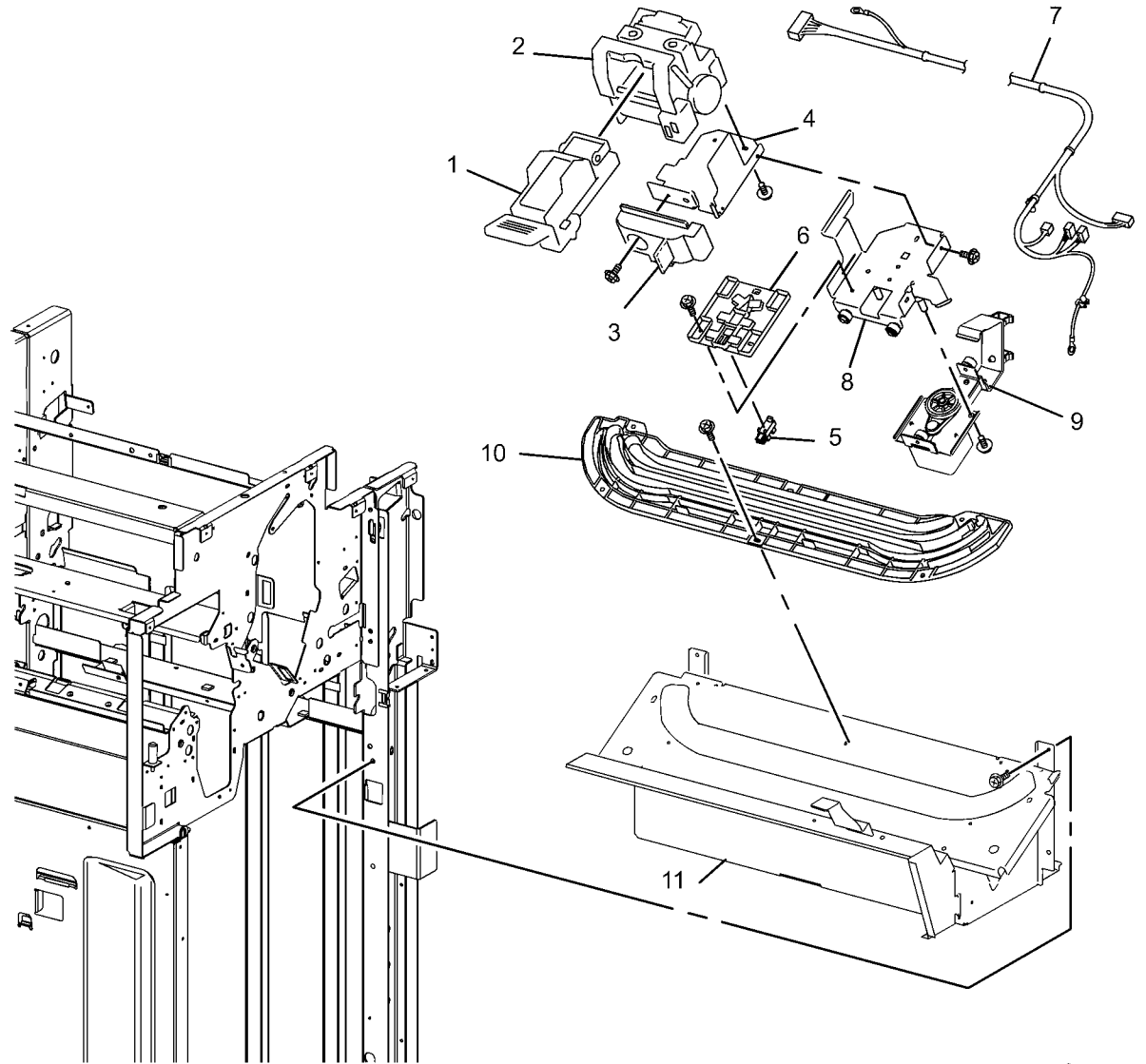
| Item | Part      | Description  |                |
|------|-----------|--|----------------|
| 1    | 801K30940 | 2/4 Hole Punch Assembly (REP 21.13)  | 1{ 2 - 8       |
| -    | 801K36440 | 2/3 Hole Punch Assembly  | 6{ 8, 21       |
| 2    | -         | Puncher Unit Harness (P/O PL 21.5 Item 9)  | 9{ 2, 6 - 16   |
| 3    | -         | Puncher Motor Cover (P/O PL 21.5 Item 1)   | 14{ 12, 13, 23 |
| 4    | 015K65880 | Puncher Move Motor   | 18{ 17, 22     |
| 5    | -         | Frame Assembly Holder (Not Spared)   |                |
| 6    | 015K65840 | Sensor Registration Bracket Assembly   |                |
| 7    | -         | Front Punch Cover (Not Spared)   |                |
| 8    | -         | Side Registration Sensor 1 (Reg 1) and 2 (Reg 2) (P/O PL 21.5 Item 6)                                      |                |
| 9    | 049K03200 | 2/3 Hole Punch Bracket Assembly  |                |
| -    | 068K59160 | 2/4 Punch Bracket Assembly   |                |
| 10   | -         | Left Punch Cover (Not Spared)  |                |
| 11   | -         | Guide Assembly (P/O PL 21.5 Item 9)  |                |
| 12   | -         | Punch Motor Assembly (P/O PL 21.5 Item 9)  |                |
| 13   | -         | Punch Motor Sensor (P/O PL 21.5 Item 14)   |                |
| 14   | 015K65921 | Punch Motor Bracket Assembly   |                |
| 15   | -         | Front Punch Sensor (Front), Home Punch Sensor (Home), Hole Select Punch Sensor (Hole) (P/O PL 21.5 Item 9) |                |
| 16   | -         | Sensor Bracket (P/O PL 21.5 Item 9)  |                |
| 17   | -         | Punch Move Home Sensor (P/O PL 21.5 Item 18)   |                |
| 18   | 068K55230 | Punch Move Home Sensor Assembly  |                |
| 19   | 060E91300 | Puncher Waste Bin  |                |
| 20   | 130K88770 | Puncher Box Set Sensor   |                |
| 21   | -         | Bracket (P/O PL 21.5 Item 6)   |                |
| 22   | -         | Bracket (P/O PL 21.5 Item 18)  |                |
| 23   | -         | Motor Bracket (P/O PL 21.5 Item 14)  |                |
| 24   | -         | Bracket (Not Spared)   |                |



0521005A-OAK

## PL 21.6 Finisher Stapler

| Item | Part      | Description                         |
|------|-----------|-------------------------------------|
| 1    | -         | Staple Cartridge (Not Spared)       |
| 2    | 029K92151 | Stapler Assembly (REP 21.14)        |
| 3    | -         | Stapler Cover (Not Spared)          |
| 4    | -         | Stapler Holder (Not Spared)         |
| 5    | 130K88770 | Stapler Move Position Sensor        |
| 6    | -         | Stapler Harness Guide (Not Spared)  |
| 7    | -         | Staple Harness (Not Spared)         |
| 8    | -         | Upper Stapler Carriage (Not Spared) |
| 9    | 041K94750 | Stapler Move Motor                  |
| 10   | 001E66640 | Stapler Rail (REP 21.15)            |
| 11   | -         | Stapler Frame (Not Spared)          |

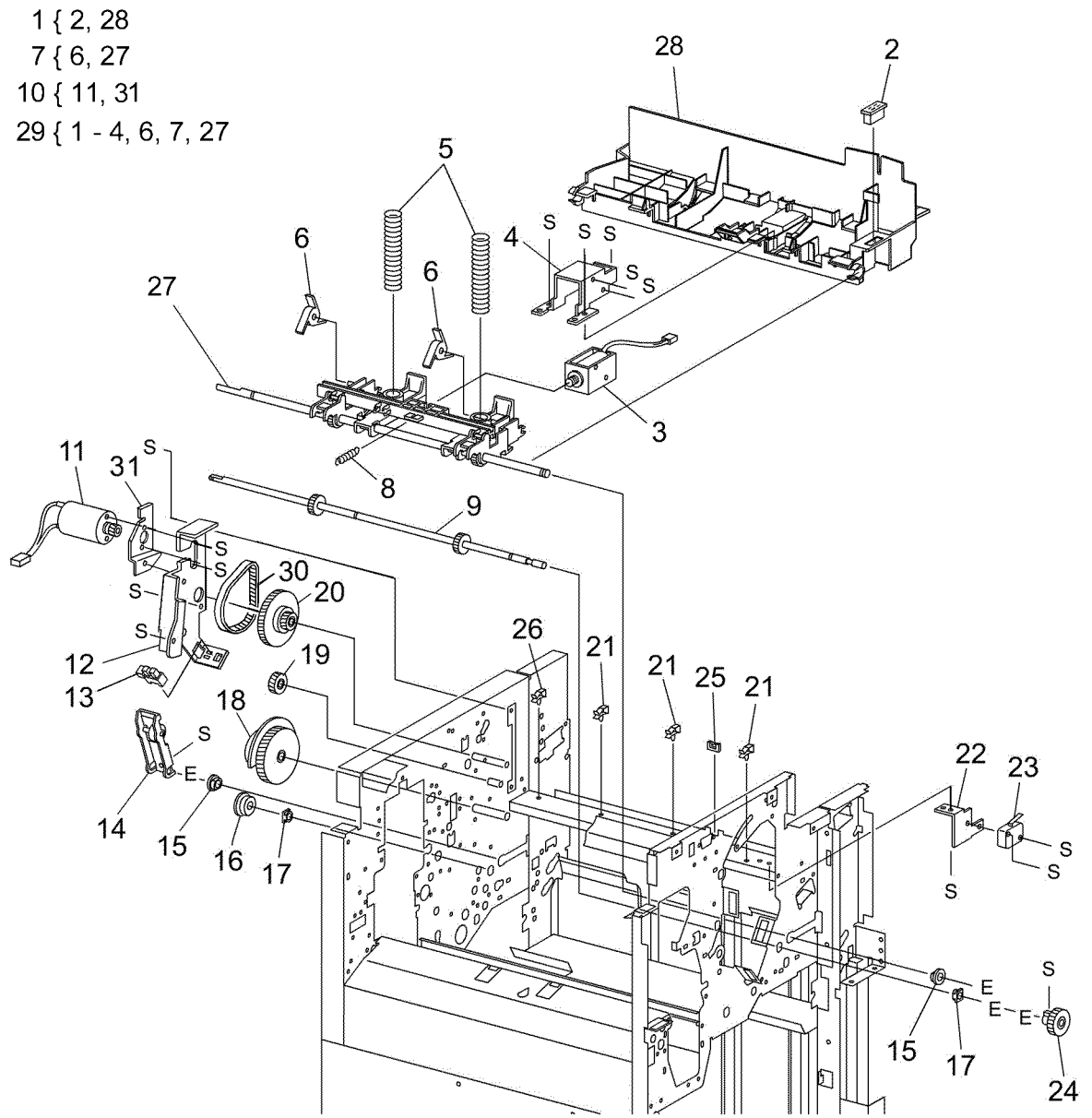


0521006A-OAK



# PL 21.7 Finisher Eject (1 of 3)

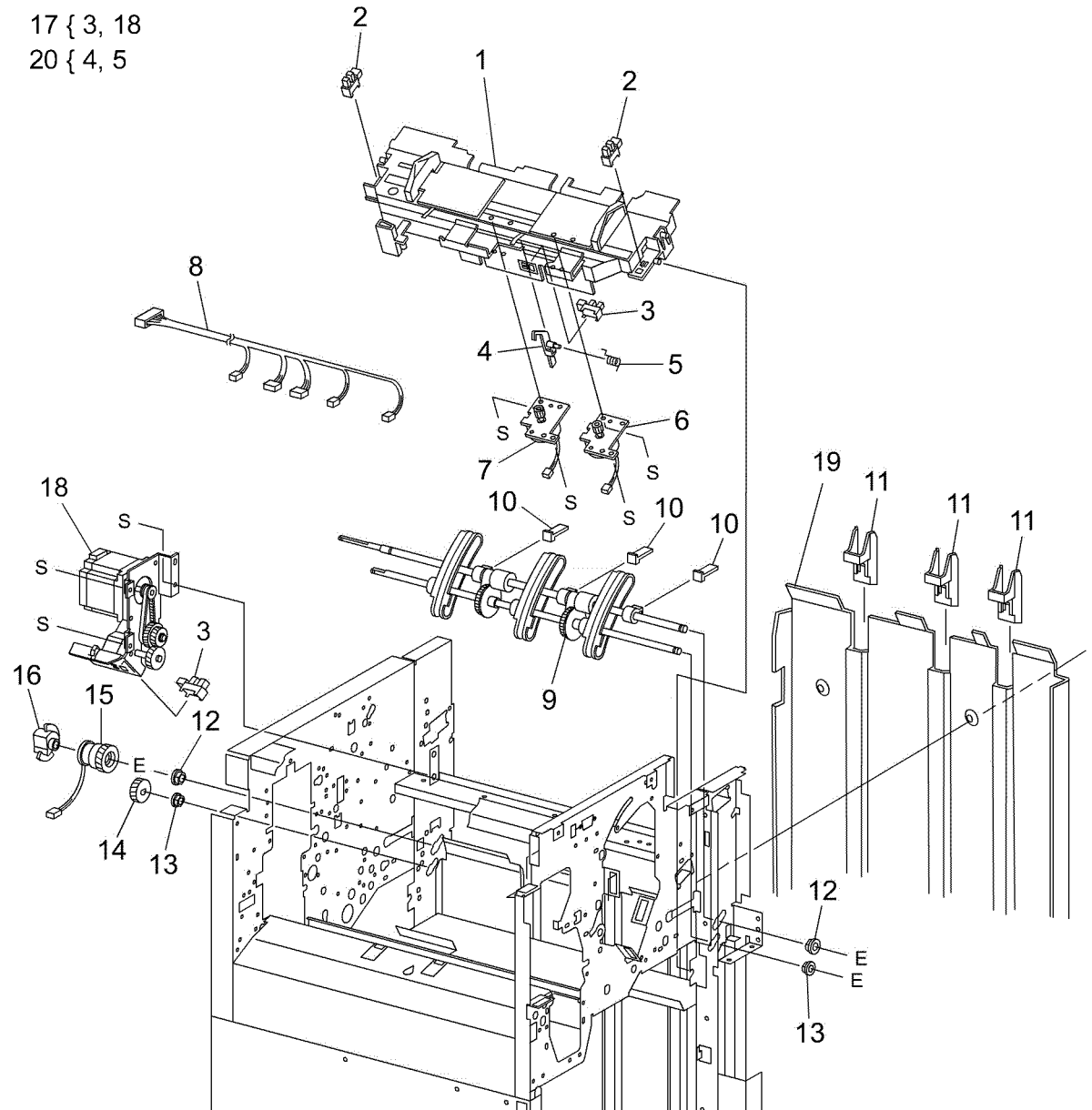
| Item | Part      | Description   |
|------|-----------|---|
| 1    | 054K38681 | Eject Chute Assembly                                    |
| 2    | 121E92720 | Magnet  |
| 3    | 121K34620 | Sub Paddle Solenoid                                     |
| 4    | -         | Solenoid Bracket (P/O PL 21.7 Item 29)                  |
| 5    | 809E56870 | Pinch Spring  |
| 6    | -         | Cyclone Paddle (P/O PL 21.7 Item 29)                    |
| 7    | 006K87641 | Eject Pinch Shaft Assembly                              |
| 8    | 809E56880 | Solenoid Spring   |
| 9    | 006K23860 | Paddle Shaft  |
| 10   | 049K02720 | Eject Clamp Motor Assembly                              |
| 11   | -         | Eject Clamp Motor (P/O PL 21.7 Item 10)                 |
| 12   | -         | Eject Clamp Bracket (P/O PL 21.7 Item 10)               |
| 13   | 130K70160 | Eject Clamp Home Sensor                                 |
| 14   | 011K97710 | Eject Cam Follower                                      |
| 15   | 413W77559 | Bushing   |
| 16   | 807E10800 | Gear (23T)  |
| 17   | 413W11660 | Bushing   |
| 18   | 807E20810 | Cam Gear (70T)  |
| 19   | 807E08990 | Gear (23T)  |
| 20   | 807E20800 | Gear (68T/20T)  |
| 21   | -         | Wire Clip (Not Spared)                                  |
| 22   | -         | Switch Bracket (Not Spared)                             |
| 23   | 110E11590 | Eject Cover Switch                                      |
| 24   | -         | Entrance Knob (Not Spared)                              |
| 25   | -         | Wire Clamp (Not Spared)                                 |
| 26   | -         | Wire Clip (Not Spared)                                  |
| 27   | -         | Eject Pinch Shaft (P/O PL 21.7 Item 7, PL 21.7 Item 29) |
| 28   | -         | Eject Chute (P/O PL 21.7 Item 1)                        |
| 29   | 054K38701 | Eject Chute Unit Assembly (REP 21.28)                   |
| 30   | -         | Belt (Not Spared)                                       |
| 31   | -         | Motor Bracket (P/O PL 21.7 Item 10)                     |



0521007B-OAK

## PL 21.8 Finisher Eject (2 of 3)

| Item | Part      | Description  |
|------|-----------|--|
| 1    | -         | Compiler Tray Assembly (REP 21.18)                   |
| 2    | 130K88770 | Tamper Home Sensor (Front, Rear)                     |
| 3    | 130K70160 | Compiler Tray No Paper Sensor, Set Clamp Home Sensor |
| 4    | -         | Sensor Actuator (P/O PL 21.8 Item 20)                |
| 5    | -         | Torsion Spring (P/O PL 21.8 Item 20)                 |
| 6    | -         | Front Tamper Motor (Not Spared)                      |
| 7    | -         | Rear Tamper Motor (Not Spared)                       |
| 8    | 962K59070 | Compiler Harness                                     |
| 9    | -         | Eject Roll Shaft Assembly (Not Spared)               |
| 10   | 033E93750 | Set Paddle Clamp                                     |
| 11   | -         | Paddle Guide (Not Spared)                            |
| 12   | -         | Bushing (Not Spared)                                 |
| 13   | -         | Bushing (Not Spared)                                 |
| 14   | 807E04760 | Gear (39T)   |
| 15   | 121K34631 | Set Clamp Clutch (34T)                               |
| 16   | 120E29570 | Set Clamp Actuator                                   |
| 17   | 015K65850 | Eject Motor Bracket Assembly                         |
| 18   | -         | Motor (P/O PL 21.8 Item 17)                          |
| 19   | -         | Inner Cover (Not Spared) (REP 21.9)                  |
| 20   | 604K50930 | Actuator Kit   |

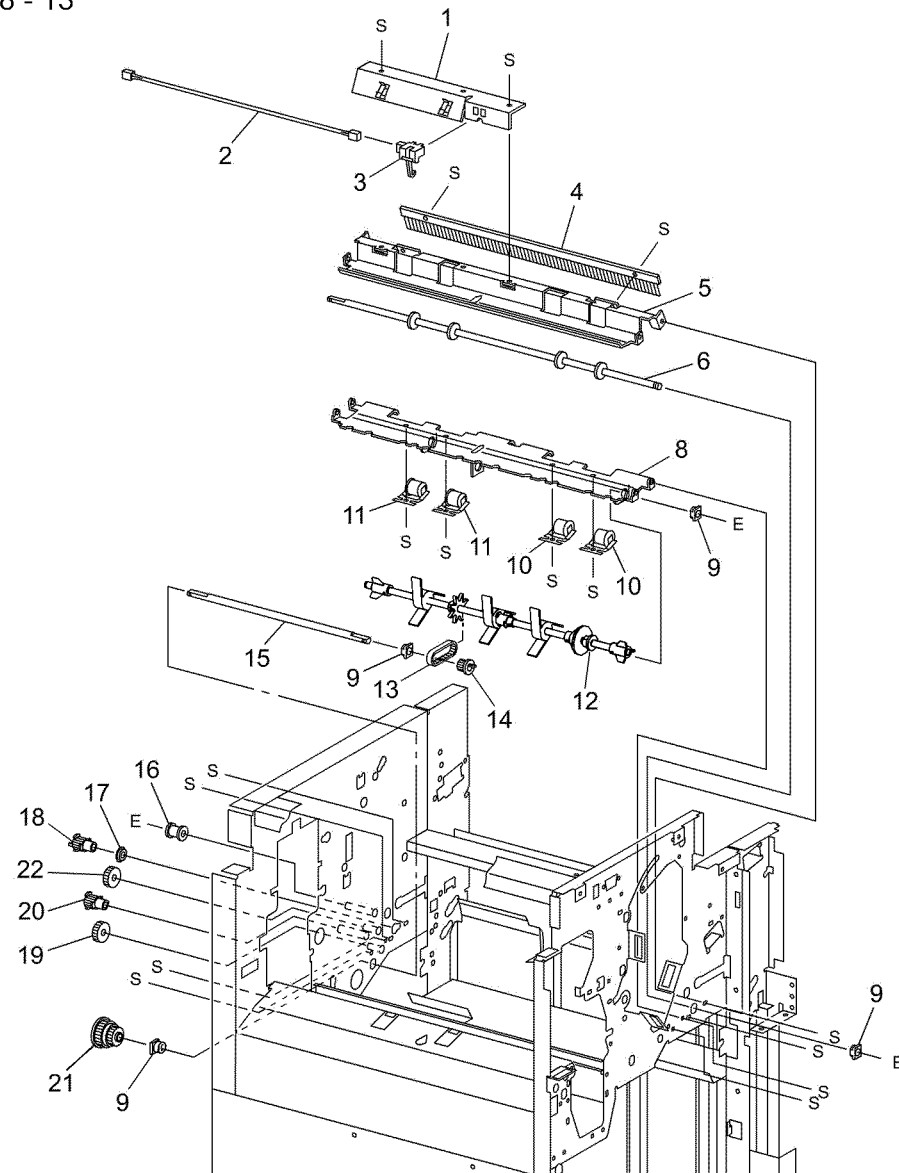


0521008A-OAK

## PL 21.9 Finisher Eject (3 of 3)

| Item | Part      | Description                                  |
|------|-----------|--|
| 1    | -         | Sensor Bracket Assembly (Not Spared)         |
| 2    | -         | Compiler Sensor Harness (P/O PL 21.9 Item 1) |
| 3    | 130K88190 | Compiler Exit Sensor                         |
| 4    | 105E13100 | Static Eliminator                            |
| 5    | -         | Upper Exit Chute (Not Spared)                |
| 6    | -         | Lower Exit Roll (Not Spared)                 |
| 7    | -         | Lower Exit Roll Chute Assembly               |
| 8    | -         | Lower Exit Roll Chute (P/O PL 21.9 Item 7)   |
| 9    | -         | Bushing (P/O PL 21.9 Item 7)                 |
| 10   | 022K67870 | Exit Pinch Roller 1                          |
| 11   | 022K67880 | Exit Pinch Roller 2                          |
| 12   | 006K87430 | Paddle Shaft (REP 21.20)                     |
| 13   | 423W25554 | Synchronous Belt (55T)                       |
| 14   | -         | Pulley (17T) (Not Spared)                    |
| 15   | -         | Paddle Drive Shaft (Not Spared)              |
| 16   | -         | Pulley (Not Spared)                          |
| 17   | -         | Bearing (Not Spared)                         |
| 18   | 020E37690 | Pulley (20T)                                 |
| 19   | -         | Gear (23T) (Not Spared)                      |
| 20   | 020E37660 | Pulley (20T)                                 |
| 21   | 020E37670 | Pulley (44T/20T)                             |
| 22   | -         | Gear (23T) (Not Spared)                      |

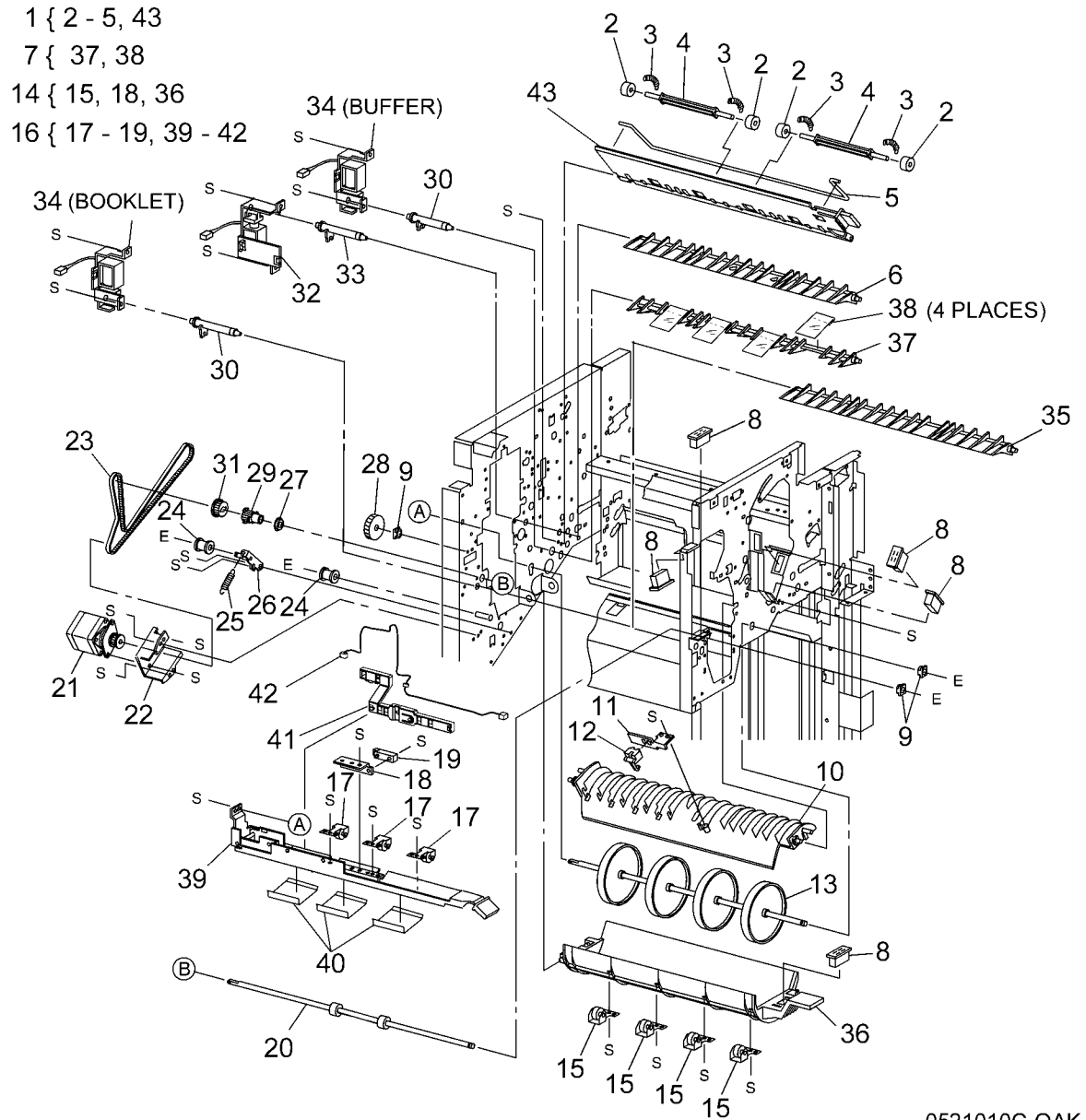
7 { 8 - 13



0521009B-OAK

# PL 21.10 Finisher Transport (1 of 2)

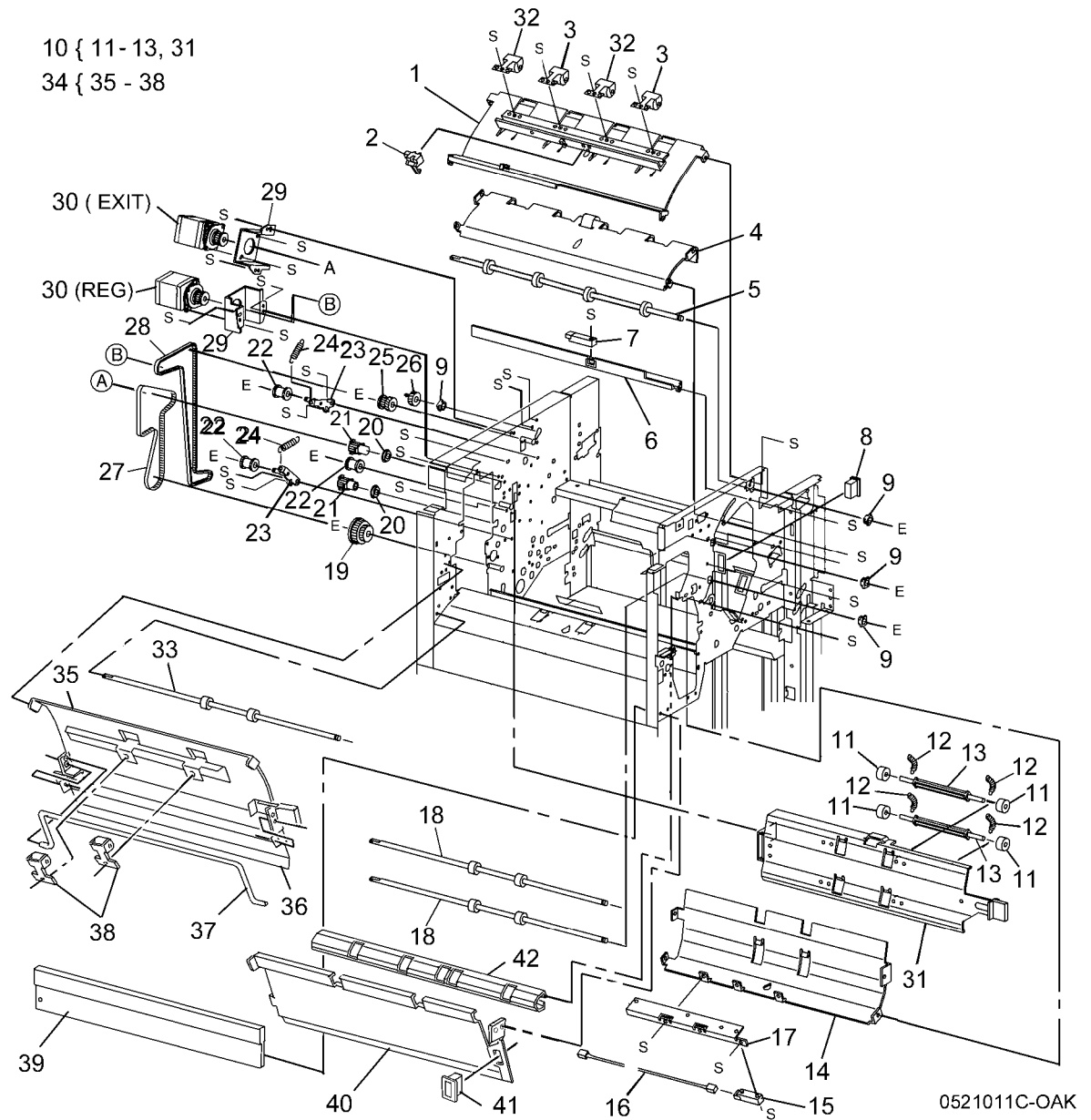
| Item | Part      | Description   |
|------|-----------|---|
| 1    | -         | Lower Exit Chute Assembly (Not Spared)                  |
| 2    | -         | Pinch Roller (P/O PL 21.10 Item 1)                      |
| 3    | -         | Spring (P/O PL 21.10 Item 1)                            |
| 4    | -         | Shaft (P/O PL 21.10 Item 1)                             |
| 5    | -         | Torsion Spring (P/O PL 21.10 Item 1)                    |
| 6    | 050E89750 | Transport Gate  |
| 7    | 050K60990 | Buffer Gate Assembly                                    |
| 8    | 121E92720 | Magnet  |
| 9    | 413W11660 | Bushing   |
| 10   | -         | Top Buffer Chute Assembly (Not Spared)                  |
| 11   | -         | Sensor Bracket (Not Spared)                             |
| 12   | 130K88190 | Buffer Path Sensor (REP 21.22)                          |
| 13   | 022K67891 | Buffer Roll (REP 21.25)                                 |
| 14   | 054K27160 | Bottom Buffer Chute Assembly (REP 21.26)                |
| 15   | -         | Exit Pinch roller (P/O PL 21.10 Item 14)                |
| 16   | -         | Upper Entrance Chute Assembly (Not Spared)              |
| 17   | 022K67850 | Entrance Pinch Roller                                   |
| 18   | -         | Sensor Bracket (P/O PL 21.10 Item 14, PL 21.10 Item 16) |
| 19   | 130E87370 | Transport Entrance Sensor                               |
| 20   | 022K74701 | Entrance Roll   |
| 21   | 127K40281 | Finisher Transport Motor                                |
| 22   | -         | Motor Bracket (Not Spared)                              |
| 23   | 423W87054 | Finisher Transport Motor Belt                           |
| 24   | -         | Pulley (Not Spared)                                     |
| 25   | -         | Tension Spring (Not Spared)                             |
| 26   | -         | Tension Bracket (Not Spared)                            |
| 27   | 413W66250 | Bearing   |
| 28   | 807E10810 | Gear (46T)  |
| 29   | 020E37660 | Pulley (20T)  |
| 30   | 012E11991 | Buffer Link   |
| 31   | 807E04700 | Gear (23T)  |
| 32   | 068K55250 | Transport Gate Solenoid                                 |
| 33   | 012E11980 | Transport Link  |
| 34   | 015K65821 | Buffer Gate Solenoid, Booklet Gate Solenoid             |
| 35   | -         | Booklet Gate (Not Spared)                               |
| 36   | -         | Chute (P/O PL 21.10 Item 14)                            |
| 37   | 050E89760 | Buffer Gate   |
| 38   | -         | Guide (P/O PL 21.10 Item 7)                             |
| 39   | -         | Upper Entrance Chute (P/O PL 21.10 Item 16)             |
| 40   | -         | Guide (P/O PL 21.10 Item 16)                            |
| 41   | -         | Harness Guide   |
| 42   | -         | Wire Harness (P/O PL 21.10 Item 16)                     |
| 43   | -         | Lower Exit Chute (P/O PL 21.10 Item 1)                  |



0521010C-OAK

# PL 21.11 Finisher Transport (2 of 2)

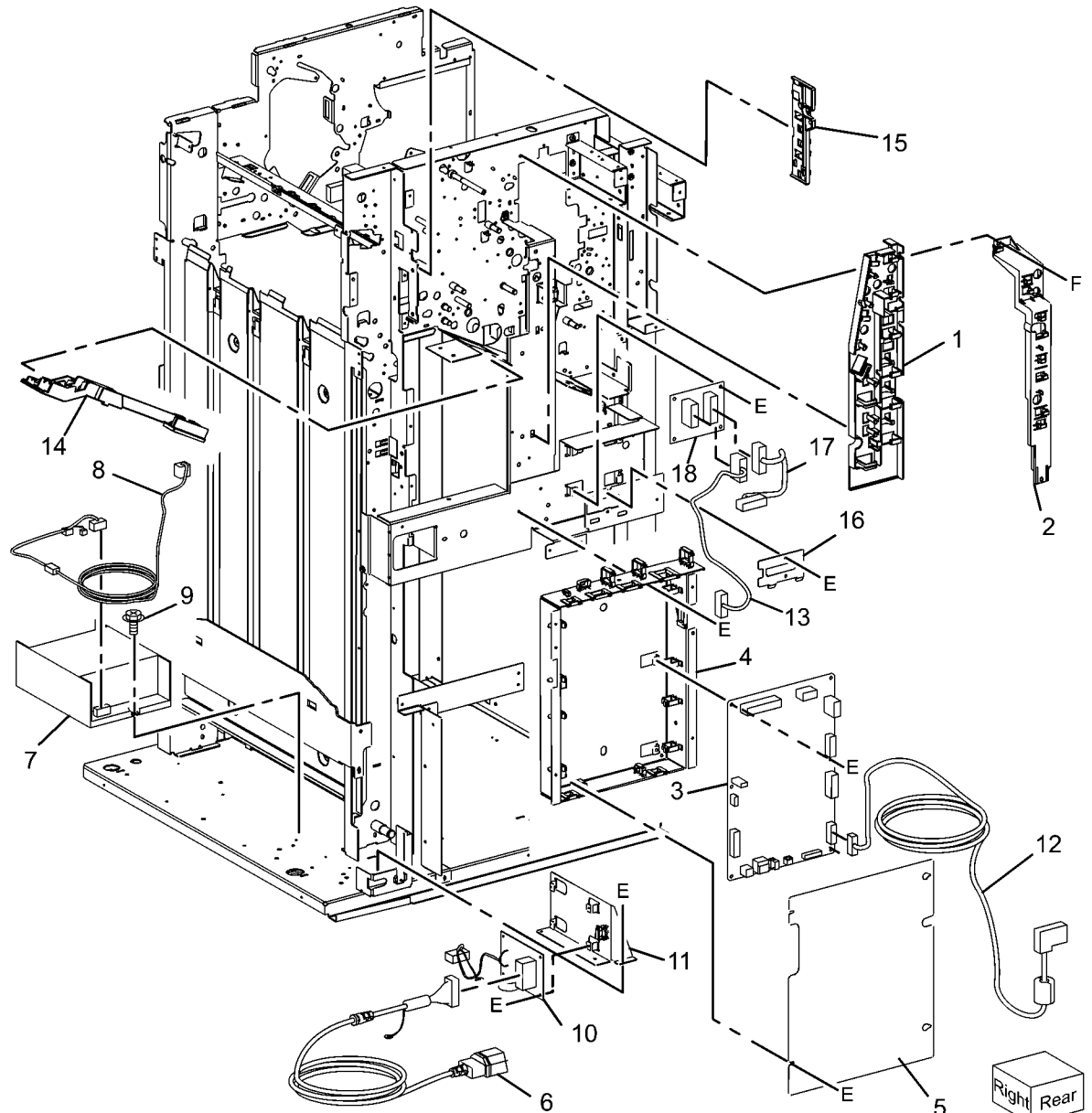
| Item | Part      | Description                                    |
|------|-----------|--|
| 1    | -         | Top Tray Exit Baffle Assembly (Not Spared)     |
| 2    | 130K88190 | Top Tray Exit Sensor                           |
| 3    | 022K74720 | Left Exit Pinch Roller                         |
| 4    | -         | Top Tray Lower Exit Baffle (Not Spared)        |
| 5    | 022K75720 | Exit Drive Shaft                               |
| 6    | -         | Sensor Bracket (Not Spared)                    |
| 7    | 130E87370 | Top Tray Full Sensor (REP 21.24)               |
| 8    | -         | Magnet (Not Spared)                            |
| 9    | 413W11660 | Bushing  |
| 10   | 054K28220 | Upper Exit Chute Assembly                      |
| 11   | -         | Pinch Roller (P/O PL 21.11 Item 10)            |
| 12   | -         | Spring (P/O PL 21.11 Item 10)                  |
| 13   | -         | Shaft (P/O PL 21.11 Item 10)                   |
| 14   | -         | Chute Assembly                                 |
| 15   | 130E87410 | Gate Sensor (REP 21.23)                        |
| 16   | -         | Sensor Harness (Not Spared)                    |
| 17   | -         | Sensor Bracket (Not Spared)                    |
| 18   | 022K71431 | Transport Roll                                 |
| 19   | 020E37680 | Pulley (53T/23T)                               |
| 20   | 413W66150 | Bearing  |
| 21   | 020E37690 | Pulley (20T)                                   |
| 22   | -         | Pulley (Not Spared)                            |
| 23   | -         | Tension Bracket (Not Spared)                   |
| 24   | -         | Tension Spring (Not Spared)                    |
| 25   | 020E37700 | Pulley (20T/20T)                               |
| 26   | 807E04720 | Gear (20T)                                     |
| 27   | 423W40054 | Registration Motor Drive Belt                  |
| 28   | 423W86454 | Exit Motor Drive Belt                          |
| 29   | -         | Motor Bracket (Not Spared)                     |
| 30   | 127K40281 | Registration Motor (Reg) and Exit Motor (Exit) |
| 31   | -         | Upper Exit Chute (P/O PL 21.11 Item 10)        |
| 32   | 022K74730 | Right Exit Pinch Roll                          |
| 33   | -         | Booklet Entrance Roll (Not Spared)             |
| 34   | -         | Booklet Chute Assembly (Not Spared)            |
| 35   | -         | Chute Assembly (P/O PL 21.11 Item 34)          |
| 36   | -         | Booklet Chute (P/O PL 21.11 Item 34)           |
| 37   | -         | Torsion Spring (P/O PL 21.11 Item 34)          |
| 38   | 022K67850 | Pinch Roll Assembly                            |
| 39   | -         | Plate (Not Spared)                             |
| 40   | -         | Booklet Upper Chute (Not Spared)               |
| 41   | 121E92720 | Magnet   |
| 42   | -         | Lower Entrance Chute (Not Spared)              |



0521011C-OAK

## PL 21.12 Finisher Electrical

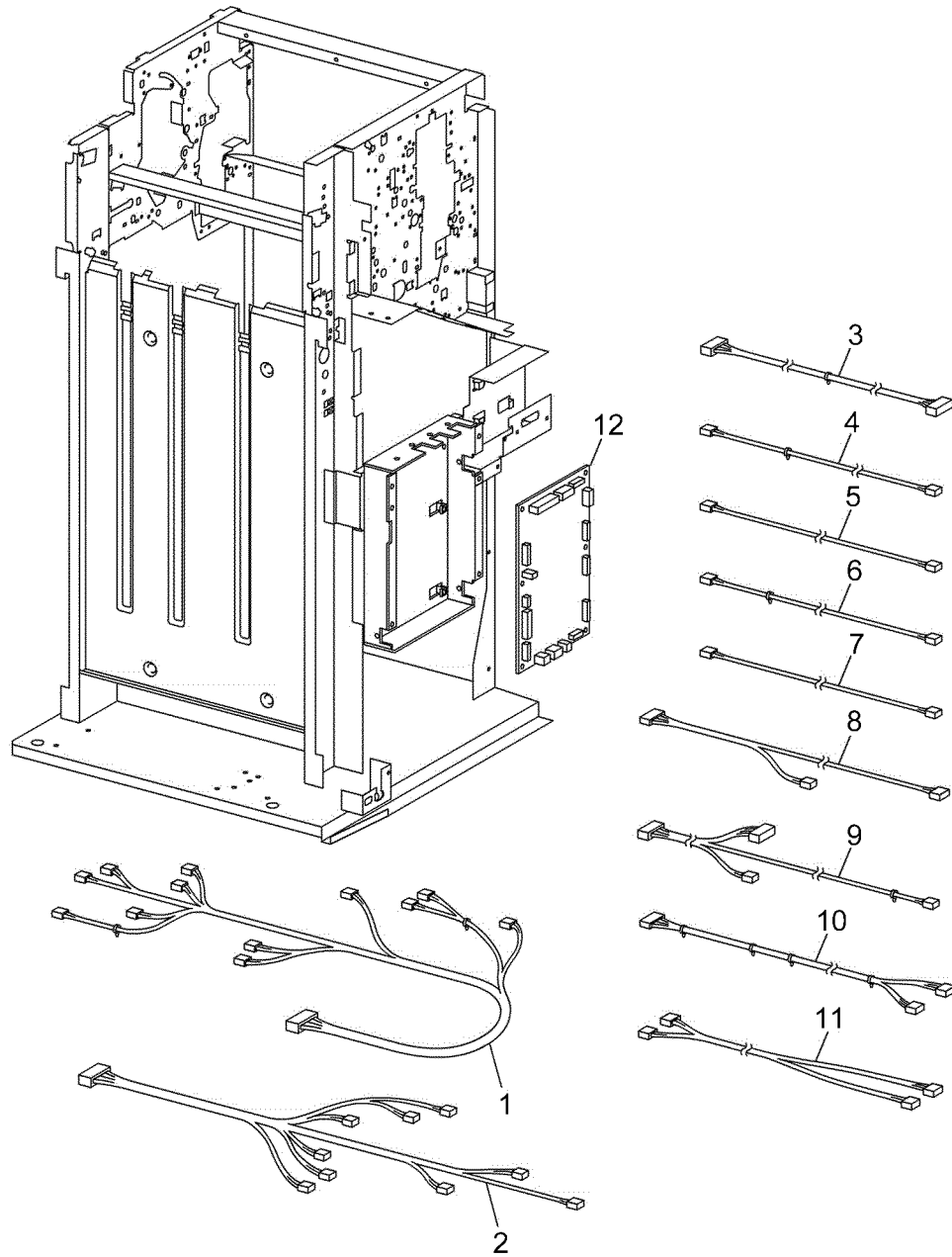
| Item | Part      | Description                      |
|------|-----------|----------------------------------|
| 1    | -         | Left Harness Guide (Not Spared)  |
| 2    | -         | Right Harness Guide (Not Spared) |
| 3    | 960K40127 | Finisher PWB (REP 21.29)         |
| 4    | -         | Finisher PWB Cover (Not Spared)  |
| 5    | -         | Finisher PWB Cover (Not Spared)  |
| 6    | 962K38740 | AC Inlet Harness                 |
| 7    | 105E15200 | Finisher LVPS                    |
| 8    | -         | LVPS Wire Harness (Not Spared)   |
| 9    | -         | Screw (Not Spared)               |
| 10   | -         | AC Filter (Not Spared)           |
| 11   | -         | Bracket (Not Spared)             |
| 12   | 962K67080 | I/F Finisher Cable               |
| 13   | -         | Harness Assembly (Not Spared)    |
| 14   | -         | Harness Guide (Not Spared)       |
| 15   | -         | Harness Guide (Not Spared)       |
| 16   | -         | Connector Plate (Not Spared)     |
| 17   | 962K29160 | Harness                          |
| 18   | 960K04681 | H-Transport PWB                  |



0521012B-OAK

## PL 21.13 Finisher Harness

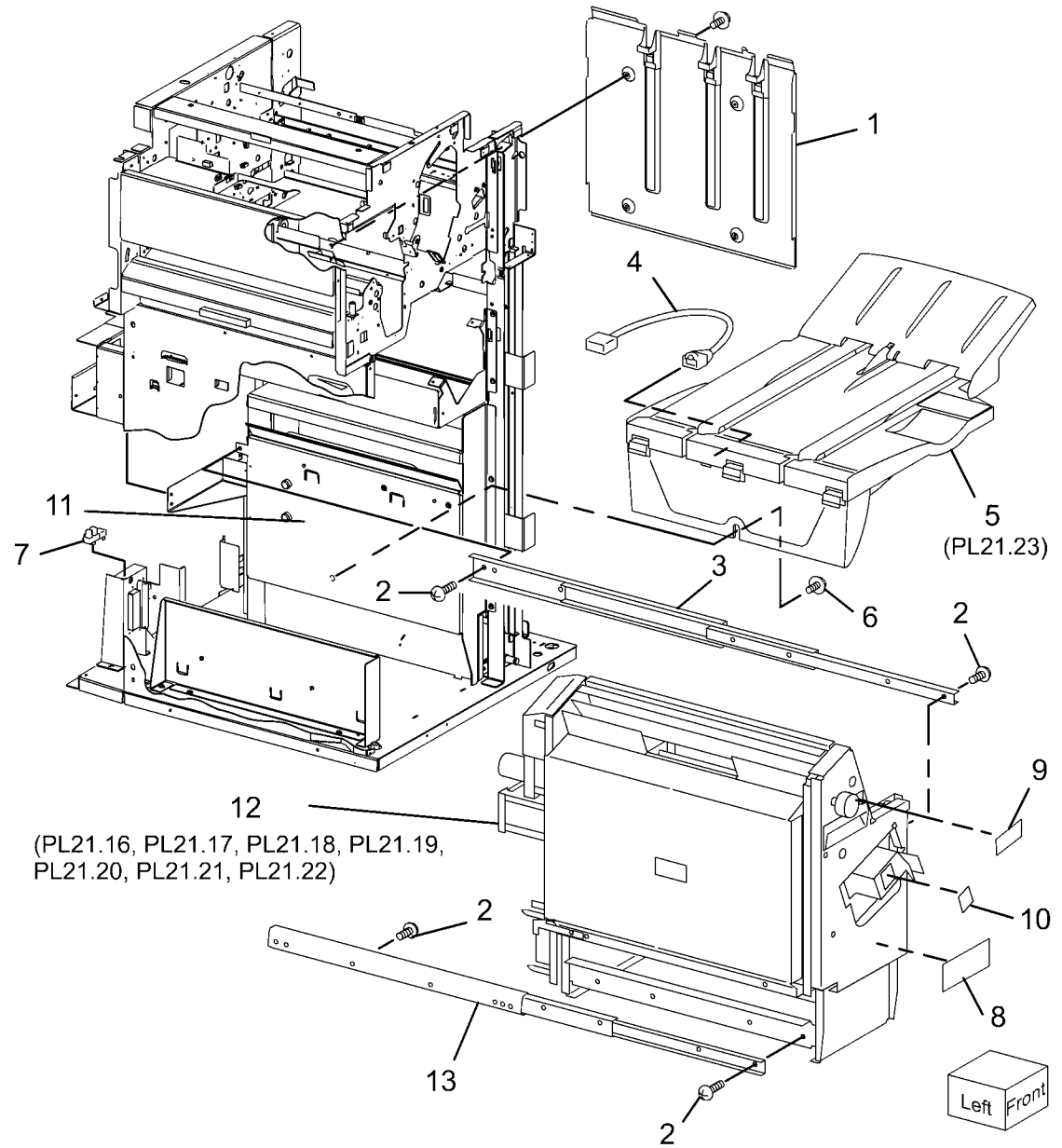
| Item | Part      | Description                                    |
|------|-----------|--|
| 1    | -         | Main Sensor Harness (Not Spared)               |
| 2    | -         | Main Drive Harness (Not Spared)                |
| 3    | -         | Interface Harness (Not Spared)                 |
| 4    | -         | Transport Entrance Sensor Harness (Not Spared) |
| 5    | -         | Buffer Sensor Harness (Not Spared)             |
| 6    | -         | Top Exit Sensor Harness (Not Spared)           |
| 7    | -         | Top Sensor Harness (Not Spared)                |
| 8    | -         | Punch Drive Harness (Not Spared)               |
| 9    | -         | Punch Sensor Harness (Not Spared)              |
| 10   | -         | LVPS Harness (Not Spared)                      |
| 11   | -         | Interlock Harness (Not Spared)                 |
| 12   | 960K04672 | Booklet PWB                                    |



0521013B-OAK

## PL 21.15 Booklet Accessory

| Item | Part      | Description                      |
|------|-----------|----------------------------------|
| 1    | –         | Tray Guide Assembly (Not Spared) |
| 2    | –         | Screw (Not Spared)               |
| 3    | 801K04510 | Right Rail                       |
| 4    | 962K29221 | Wire Harness                     |
| 5    | 050K62855 | Booklet Tray Assembly            |
| 6    | –         | Knob Screw (Not Spared)          |
| 7    | 130K88770 | Booklet Drawer Set Sensor        |
| 8    | –         | Label (Not Spared)               |
| 9    | –         | Label (Not Spared)               |
| 10   | –         | Label (Not Spared)               |
| 11   | –         | Right Side Assembly (Not Spared) |
| 12   | 801K29030 | Booklet Drawer Assembly          |
| 13   | 801K04180 | Left Rail                        |

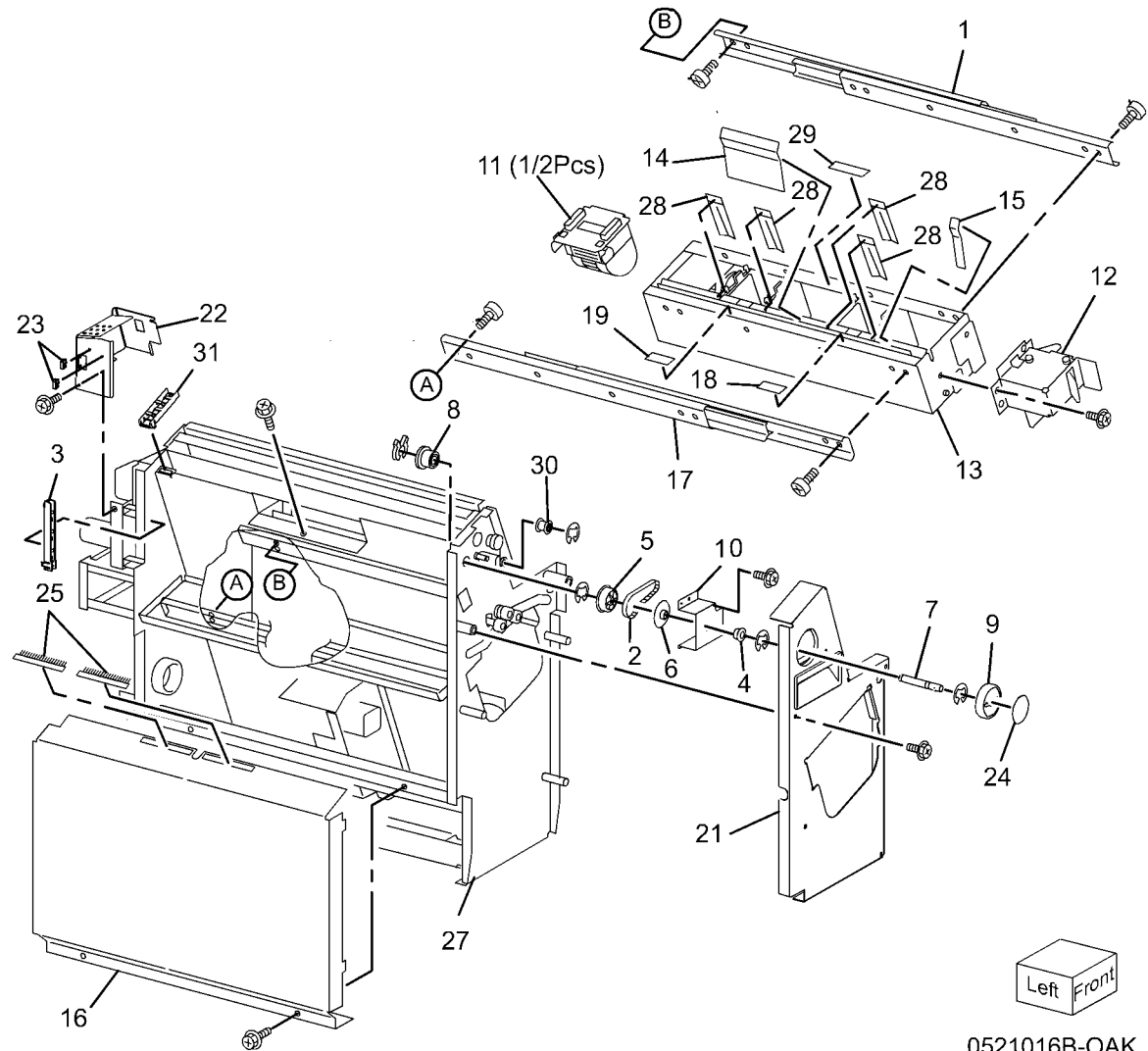




# PL 21.16 Booklet Component (1 of 7)

| Item | Part      | Description                              |
|------|-----------|--|
| 1    | 801K18730 | Right Stapler Rail                       |
| 2    | 423W97980 | Belt                                     |
| 3    | -         | Harness Cover (P/O PL 21.15 Item 12)     |
| 4    | -         | Bearing (P/O PL 21.15 Item 12)           |
| 5    | 499W14432 | Gear (31T)                               |
| 6    | 005E24900 | Collar                                   |
| 7    | -         | Shaft (P/O PL 21.15 Item 12)             |
| 8    | -         | Ball Bearing (P/O PL 21.15 Item 12)      |
| 9    | -         | Knob                                     |
| 10   | -         | Bracket (P/O PL 21.15 Item 12)           |
| 11   | 029K92042 | Staple (REP 21.17)                       |
| 12   | 015K67280 | Latch                                    |
| 13   | -         | Stapler Base (P/O PL 21.15 Item 12)      |
| 14   | 038K88481 | Front Cover                              |
| 15   | 038K88491 | Paper Guide                              |
| 16   | -         | Left Cover (P/O PL 21.15 Item 12)        |
| 17   | -         | Left Stapler Rail (P/O PL 21.15 Item 12) |
| 18   | -         | Label (P/O PL 21.15 Item 12)             |
| 19   | -         | Label (P/O PL 21.15 Item 12)             |
| 20   | 029K92175 | Booklet Stapler Unit                     |
| 21   | -         | Front Cover (P/O PL 21.15 Item 12)       |
| 22   | -         | Cover (P/O PL 21.15 Item 12)             |
| 23   | 120E27530 | Paper Guide (Clinch)                     |
| 24   | -         | (P/O 21.15 Item 12)                      |
| 25   | -         | Eliminator (P/O PL 21.15 Item 12)        |
| 26   | -         | Booklet Assembly (P/O PL 21.15 Item 12)  |
| 27   | -         | Frame Assembly (P/O PL 21.15 Item 12)    |
| 28   | -         | Paper Guide (P/O PL 21.16 Item 20)       |
| 29   | -         | Label (Not Spared)                       |
| 30   | -         | Pulley (P/O PL 21.16 Item 26)            |
| 31   | 032E27370 | Guide                                    |

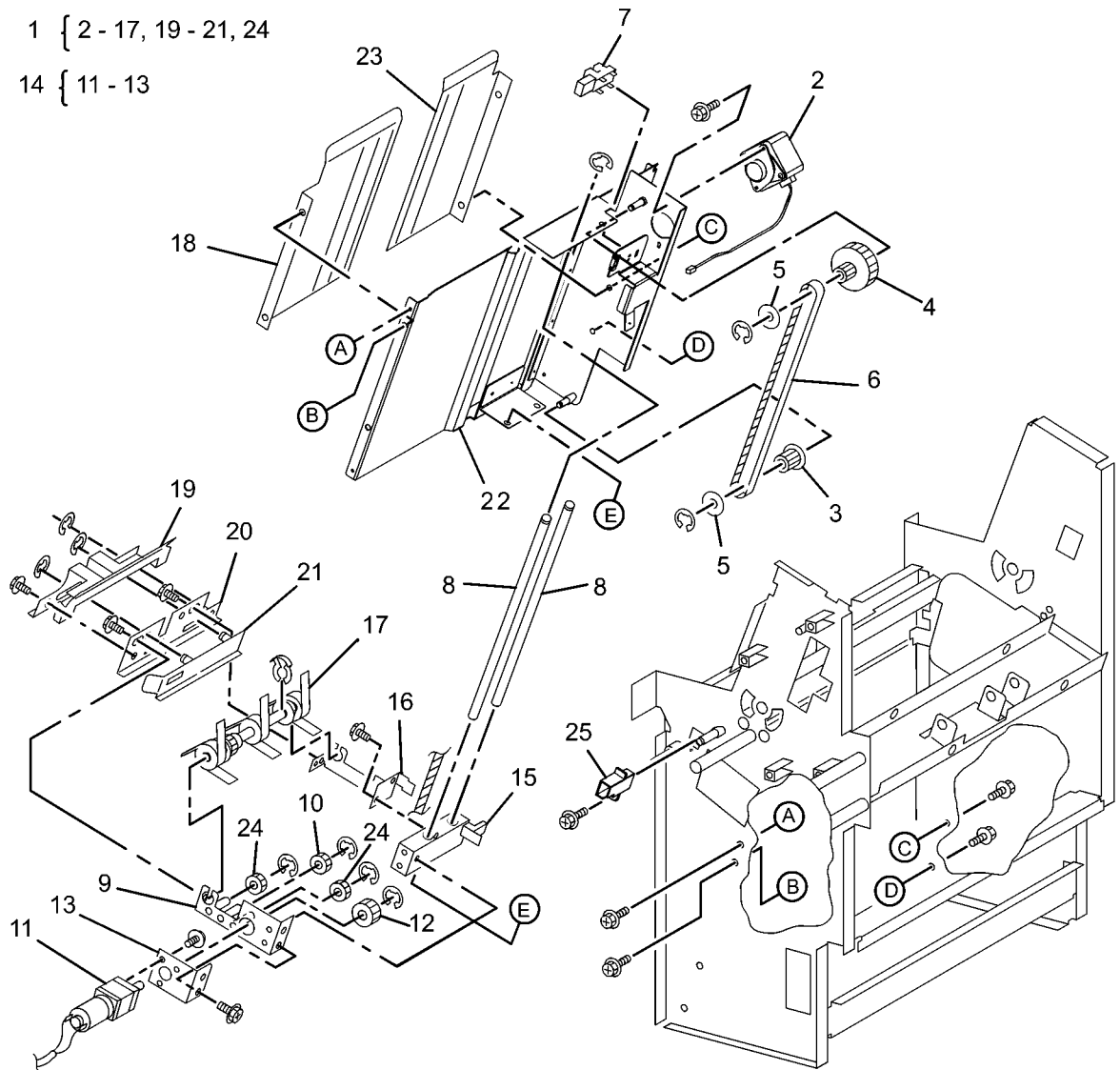
20 { 11 - 15, 28  
 26 { 3 - 9, 16, 21 - 23, 25, 27, 30, 31



0521016B-OAK

# PL 21.17 Booklet Component (2 of 7) (End Guide)

| Item | Part      | Description                           |
|------|-----------|---------------------------------------|
| 1    | 054K33900 | Compile Chute Assembly                |
| 2    | 127K51990 | Booklet End Guide Motor               |
| 3    | 020E37210 | Pulley                                |
| 4    | 807E02050 | Gear Pulley (40T/20T)                 |
| 5    | -         | Washer (P/O PL 21.17 Item 1)          |
| 6    | 423W86254 | Belt                                  |
| 7    | 130K70160 | Booklet End Guide Home Sensor         |
| 8    | -         | Shaft (P/O PL 21.17 Item 1)           |
| 9    | -         | Bracket (P/O PL 21.17 Item 1)         |
| 10   | 807E19200 | Gear (14T)                            |
| 11   | 127K46150 | Booklet Paddle Motor                  |
| 12   | 807E20480 | Gear (14T)                            |
| 13   | -         | Bracket (P/O PL 21.17 Item 14)        |
| 14   | 068K55210 | Booklet Paddle Motor Assembly         |
| 15   | -         | Belt Clamp (P/O PL 21.17 Item 1)      |
| 16   | -         | Paddle Bracket (P/O PL 21.17 Item 1)  |
| 17   | 006K25950 | Paddle Shaft Assembly                 |
| 18   | -         | Chute (Rear) (P/O PL 21.17 Item 1)    |
| 19   | -         | End Guide (P/O PL 21.17 Item 1)       |
| 20   | -         | Support Bracket (P/O PL 21.17 Item 1) |
| 21   | -         | Adjust Bracket (P/O PL 21.17 Item 1)  |
| 22   | -         | Compile Chute (P/O PL 21.17 Item 1)   |
| 23   | -         | Chute (Front) (P/O PL 21.17 Item 1)   |
| 24   | 807E19990 | Gear (14T)                            |
| 25   | 032E27920 | Guide                                 |

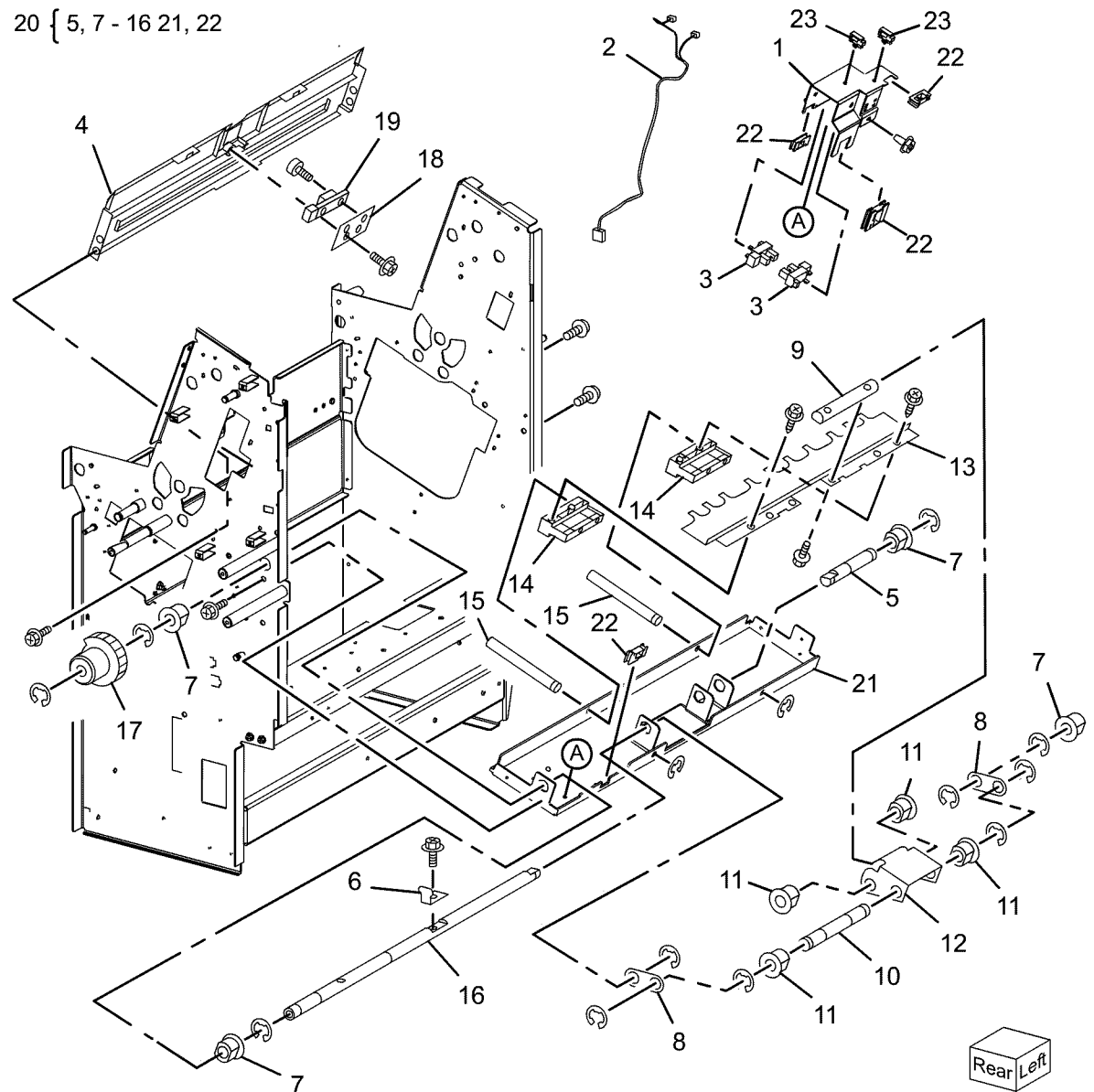


0521017B-OAK

# PL 21.18 Booklet Component (3 of 7)

| Item | Part      | Description                            |
|------|-----------|--|
| 1    | -         | Bracket (P/O PL 21.15 Item 12)         |
| 2    | 962K57720 | Wire Harness                           |
| 3    | 130K70160 | Knife Home Sensor, Knife Folder Sensor |
| 4    | -         | Chute (P/O PL 21.15 Item 12)           |
| 5    | -         | Shaft (P/O PL 21.18 Item 20)           |
| 6    | -         | Actuator (Not Spared)                  |
| 7    | 413W77559 | Bearing                                |
| 8    | -         | Joint (P/O PL 21.18 Item 20)           |
| 9    | -         | Shaft (P/O PL 21.18 Item 20)           |
| 10   | -         | Shaft (P/O PL 21.18 Item 20)           |
| 11   | -         | Bearing (P/O PL 21.18 Item 20)         |
| 12   | -         | Bracket (P/O PL 21.18 Item 20)         |
| 13   | 015K67272 | Knife Bracket Assembly                 |
| 14   | -         | Guide (P/O PL 21.18 Item 20)           |
| 15   | -         | Shaft (P/O PL 21.18 Item 20)           |
| 16   | -         | Shaft (P/O PL 21.18 Item 20)           |
| 17   | 807E02061 | Gear (42T)                             |
| 18   | -         | Bracket (P/O PL 21.15 Item 12)         |
| 19   | 130E87410 | Booklet Compile No Paper Sensor        |
| 20   | 015K75680 | Knife Assembly                         |
| 21   | -         | Tie Plate (P/O PL 21.18 Item 20)       |
| 22   | -         | Edge Saddle (P/O PL 21.18 Item 20)     |
| 23   | -         | Clamp (Not Spared)                     |

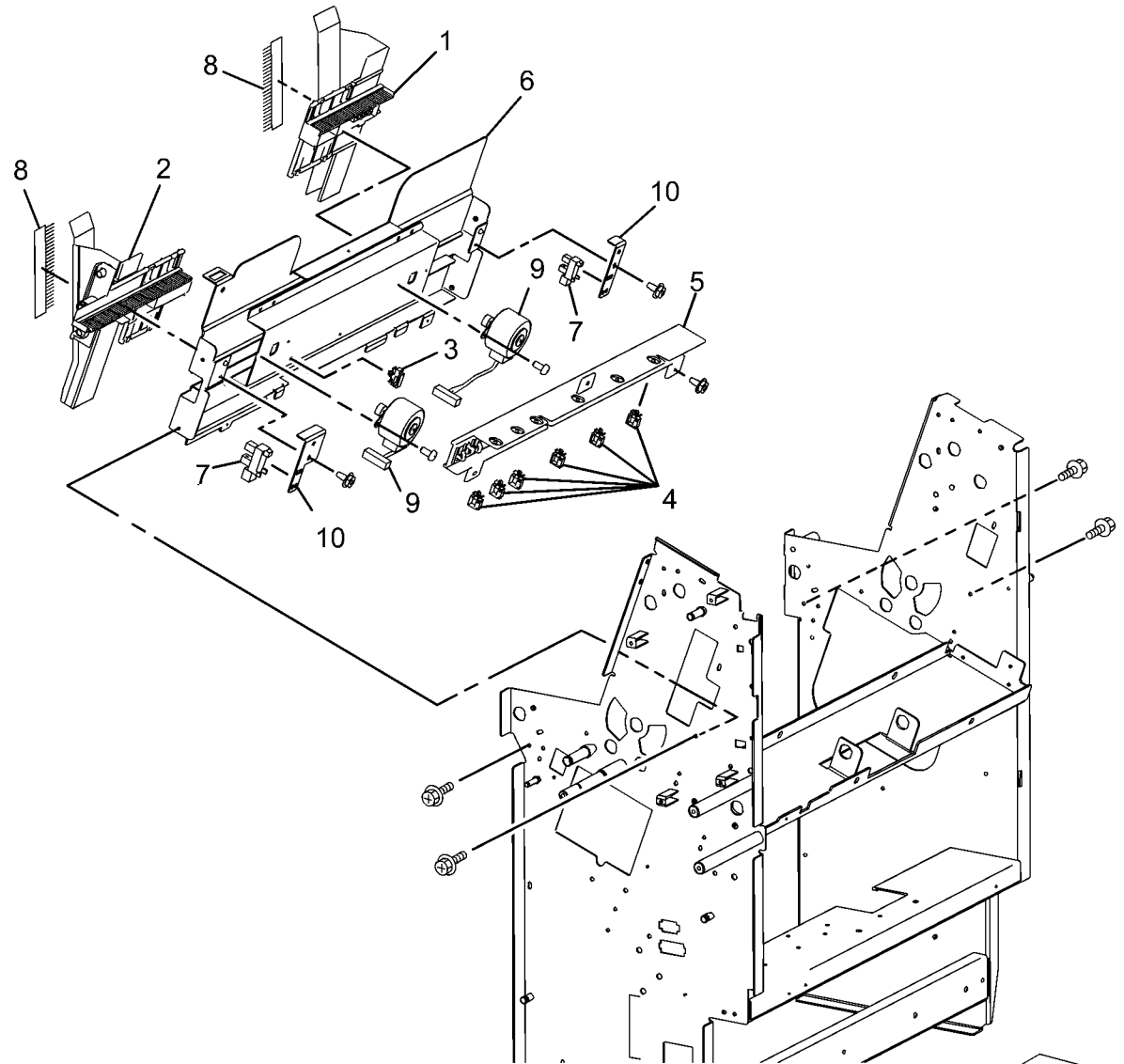
20 { 5, 7 - 16 21, 22



0521018B-OAK

## PL 21.19 Booklet Component (4 of 7)

| Item | Part      | Description                    |
|------|-----------|--------------------------------|
| 1    | 038E37430 | Front Tamper Guide             |
| 2    | —         | Rear Tamper Guide (Not Spared) |
| 3    | 120E27530 | Clamp                          |
| 4    | 120E27540 | Clamp                          |
| 5    | 032E27380 | Guide                          |
| 6    | —         | Frame (P/O PL 21.15 Item 12)   |
| 7    | 130K88760 | Booklet Tamper Home Sensor     |
| 8    | 105E15120 | Static Eliminator              |
| 9    | 127K58040 | Booklet Tamper Motor           |
| 10   | —         | Bracket (P/O PL 21.15 Item 12) |

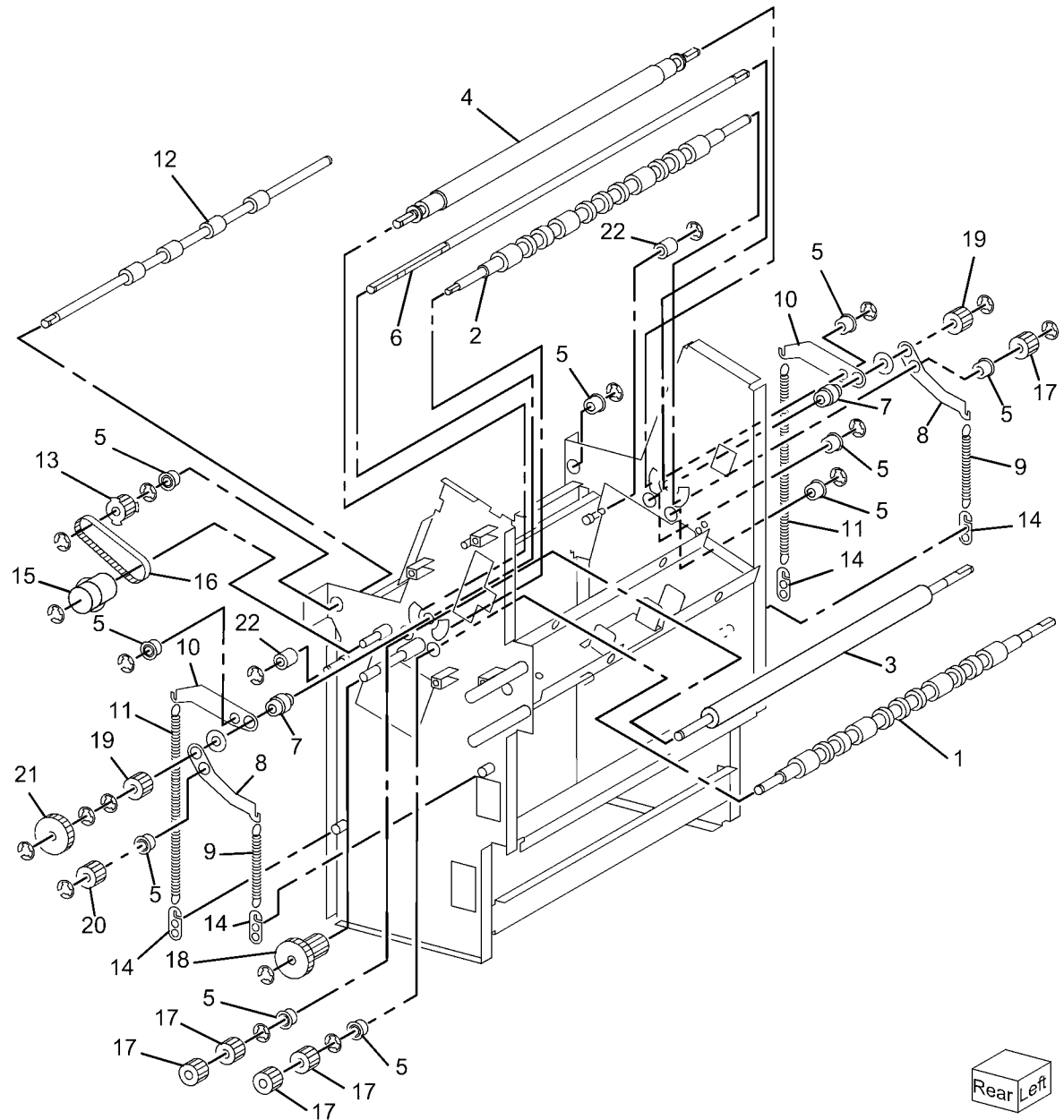


Rear Left

0521019A-OAK

# PL 21.20 Booklet Component (5 of 7)

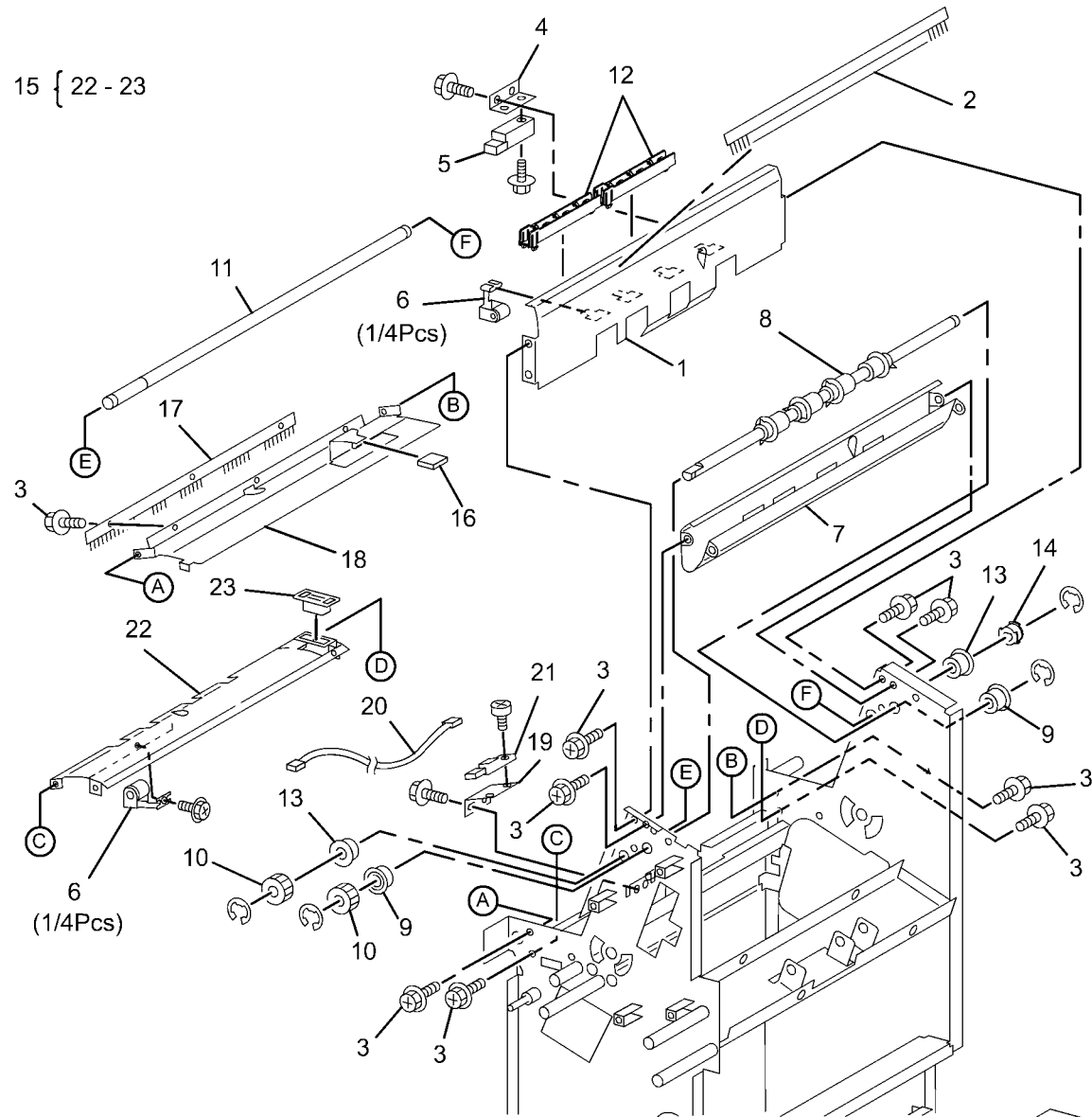
| Item | Part      | Description                               |
|------|-----------|---|
| 1    | 022K71020 | Booklet Pre-Folding Roll                  |
| 2    | 022K71040 | Booklet Pre-Folding Nip Roll              |
| 3    | 022K66870 | Booklet Folding Roll                      |
| 4    | 022K66880 | Booklet Folding Nip Roll                  |
| 5    | -         | Ball Bearing (P/O PL 21.15 Item 12)       |
| 6    | -         | Shaft (P/O PL 21.15 Item 12)              |
| 7    | 013E25480 | Bearing                                   |
| 8    | -         | Tension Plate 1 (P/O PL 21.15 Item 12)    |
| 9    | 809E59991 | Spring                                    |
| 10   | -         | Tension Plate 2 (P/O PL 21.15 Item 12)    |
| 11   | 809E59981 | Spring                                    |
| 12   | -         | Booklet Eject Roll (P/O PL 21.15 Item 12) |
| 13   | -         | Pulley (16T) (P/O PL 21.15 Item 12)       |
| 14   | -         | Flange (P/O PL 21.15 Item 12)             |
| 15   | 807E02040 | Gear Pulley (20T/25T)                     |
| 16   | 423W46754 | Belt                                      |
| 17   | 007E89980 | Gear (16T)                                |
| 18   | 007E89990 | Gear (38T/18T)                            |
| 19   | 007E89970 | Gear (18T)                                |
| 20   | 807E09510 | Gear (16T)                                |
| 21   | 007E77770 | Gear (38T)                                |
| 22   | -         | Roll (P/O PL 21.15 Item 12)               |



0521020B-OAK

# PL 21.21 Booklet Component (6 of 7) (Chute)

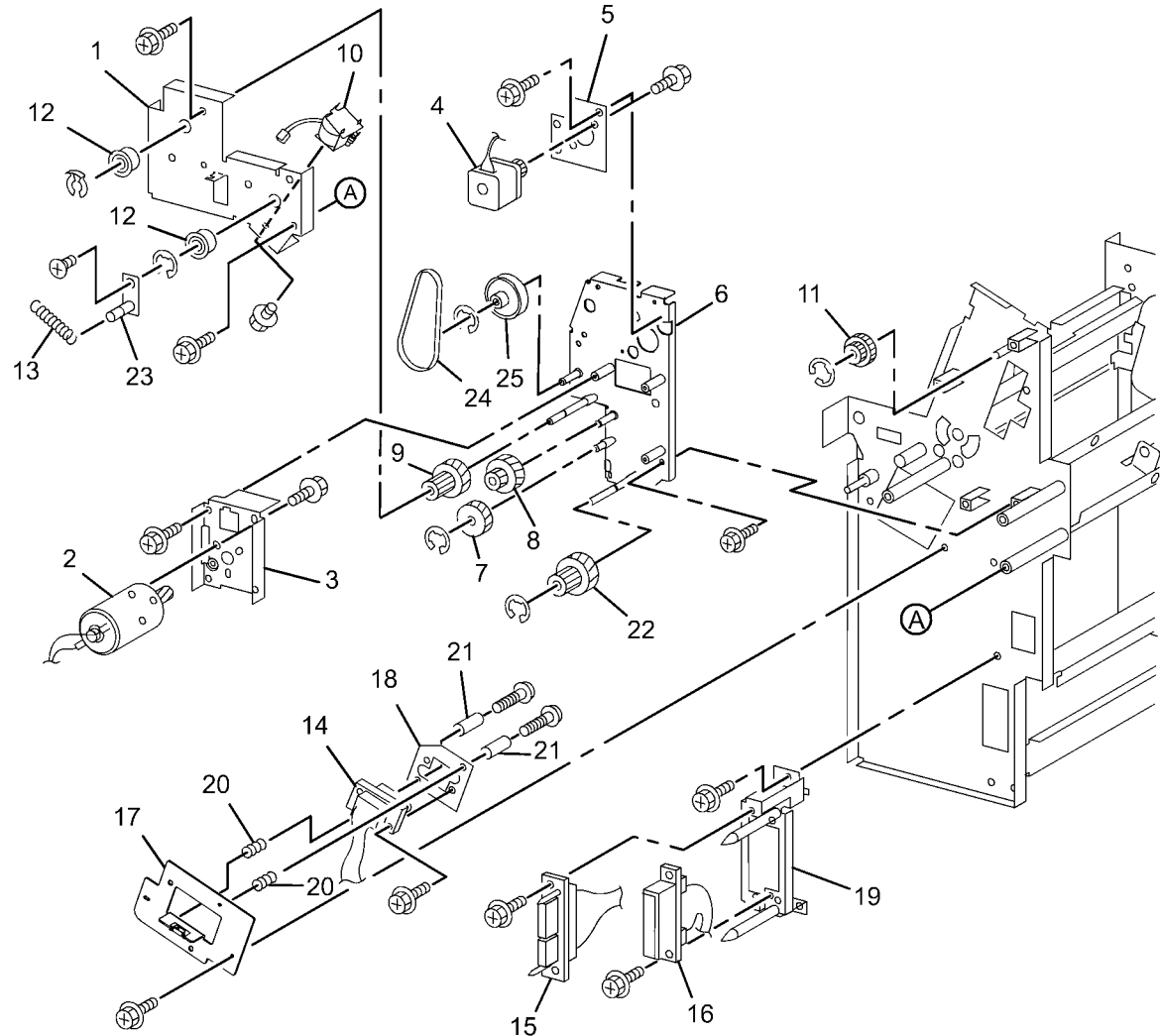
| Item | Part      | Description                             |
|------|-----------|---|
| 1    | -         | Chute (P/O PL 21.15 Item 12)            |
| 2    | 105E12060 | Static Eliminator                       |
| 3    | -         | Screw (P/O PL 21.21 Item 15)            |
| 4    | -         | Bracket (P/O PL 21.15 Item 12)          |
| 5    | 130E87370 | Booklet In Sensor                       |
| 6    | 022K75120 | Pinch Roll                              |
| 7    | -         | Chute (P/O PL 21.15 Item 12)            |
| 8    | -         | Booklet In Roll (P/O PL 21.15 Item 12)  |
| 9    | -         | Ball Bearing (P/O PL 21.15 Item 12)     |
| 10   | 807E09510 | Gear (16T)                              |
| 11   | -         | Shaft (P/O PL 21.15 Item 12)            |
| 12   | 802E97980 | Harness Cover                           |
| 13   | -         | Bearing (P/O PL 21.15 Item 12)          |
| 14   | -         | Gear (17T) (P/O PL 21.15 Item 12)       |
| 15   | 054K33910 | Upper Exit Chute Assembly               |
| 16   | 003E63380 | Knob                                    |
| 17   | 105E15140 | Static Eliminator                       |
| 18   | -         | Upper Exit Chute (P/O PL 21.21 Item 15) |
| 19   | -         | Bracket (P/O PL 21.15 Item 12)          |
| 20   | 962K18411 | Wire Harness                            |
| 21   | 130E87410 | Booklet Folder Roll Exit Sensor         |
| 22   | -         | Lower Exit Chute (P/O PL 21.21 Item 15) |
| 23   | 121E92720 | Magnet                                  |



0521021B-OAK

# PL 21.22 Booklet Component (7 of 7)

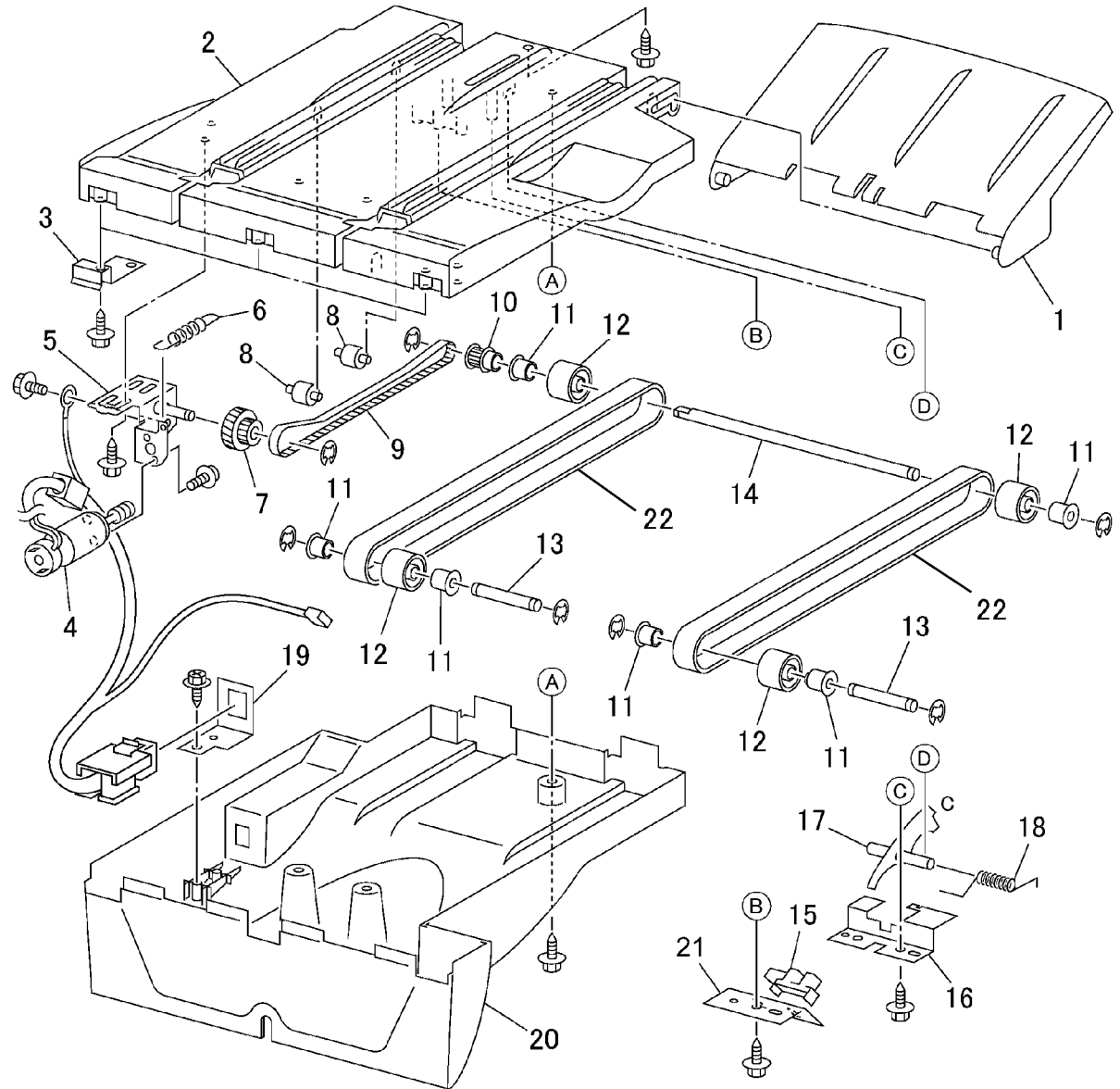
| Item | Part      | Description                         |
|------|-----------|-------------------------------------|
| 1    | -         | Bracket (P/O PL 21.15 Item 12)      |
| 2    | 127K52400 | Booklet Fold Motor                  |
| 3    | -         | Bracket (P/O PL 21.15 Item 12)      |
| 4    | 127K51990 | Booklet Paper Path Motor            |
| 5    | -         | Bracket (P/O PL 21.15 Item 12)      |
| 6    | -         | Bracket (P/O PL 21.15 Item 12)      |
| 7    | 007E77620 | Gear (45T)                          |
| 8    | 807E20000 | Gear (43T/14T)                      |
| 9    | 007E77600 | Gear (44T/16T)                      |
| 10   | 121K40660 | Knife Solenoid                      |
| 11   | 807E01750 | Gear (27T/34T)                      |
| 12   | -         | Ball Bearing (P/O PL 21.15 Item 12) |
| 13   | 809E41620 | Spring                              |
| 14   | 962K18421 | Wire Harness                        |
| 15   | 962K18431 | Wire Harness                        |
| 16   | 962K18441 | Wire Harness                        |
| 17   | -         | Bracket (P/O PL 21.15 Item 12)      |
| 18   | -         | Bracket (P/O PL 21.15 Item 12)      |
| 19   | -         | Bracket (P/O PL 21.15 Item 12)      |
| 20   | 809E41570 | Spring                              |
| 21   | -         | Spacer (P/O PL 21.15 Item 12)       |
| 22   | 807E02080 | Gear (48T/18T)                      |
| 23   | -         | Link (P/O PL 21.15 Item 12)         |
| 24   | -         | Belt                                |
| 25   | 807E19210 | Gear Pulley (41T/14T)               |



0521022-OAK

# PL 21.23 Booklet Tray Component

| Item | Part      | Description                       |
|------|-----------|-----------------------------------|
| 1    | 050E24681 | Tray                              |
| 2    | -         | Upper Tray (P/O PL 21.15 Item 5)  |
| 3    | -         | Bracket (P/O PL 21.15 Item 5)     |
| 4    | 127K58932 | Tray Belt Drive Motor             |
| 5    | -         | Bracket (P/O PL 21.15 Item 5)     |
| 6    | -         | Spring (P/O PL 21.15 Item 5)      |
| 7    | -         | Gear Pulley (P/O PL 21.15 Item 5) |
| 8    | -         | Roll (P/O PL 21.15 Item 5)        |
| 9    | -         | Belt (P/O PL 21.15 Item 5)        |
| 10   | -         | Pulley (P/O PL 21.15 Item 5)      |
| 11   | -         | Bearing (P/O PL 21.15 Item 5)     |
| 12   | -         | Roll (P/O PL 21.15 Item 5)        |
| 13   | -         | Shaft (P/O PL 21.15 Item 5)       |
| 14   | -         | Shaft (P/O PL 21.15 Item 5)       |
| 15   | 930W00112 | Booklet No Paper Sensor           |
| 16   | -         | Bracket (P/O PL 21.15 Item 5)     |
| 17   | -         | Actuator (P/O PL 21.23 Item 21)   |
| 18   | -         | Spring (P/O PL 21.23 Item 21)     |
| 19   | -         | Bracket (P/O PL 21.15 Item 5)     |
| 20   | -         | Lower Tray (P/O PL 21.15 Item 5)  |
| 21   | -         | Bracket (P/O PL 21.15 Item 5)     |
| 22   | 023E27160 | Belt                              |

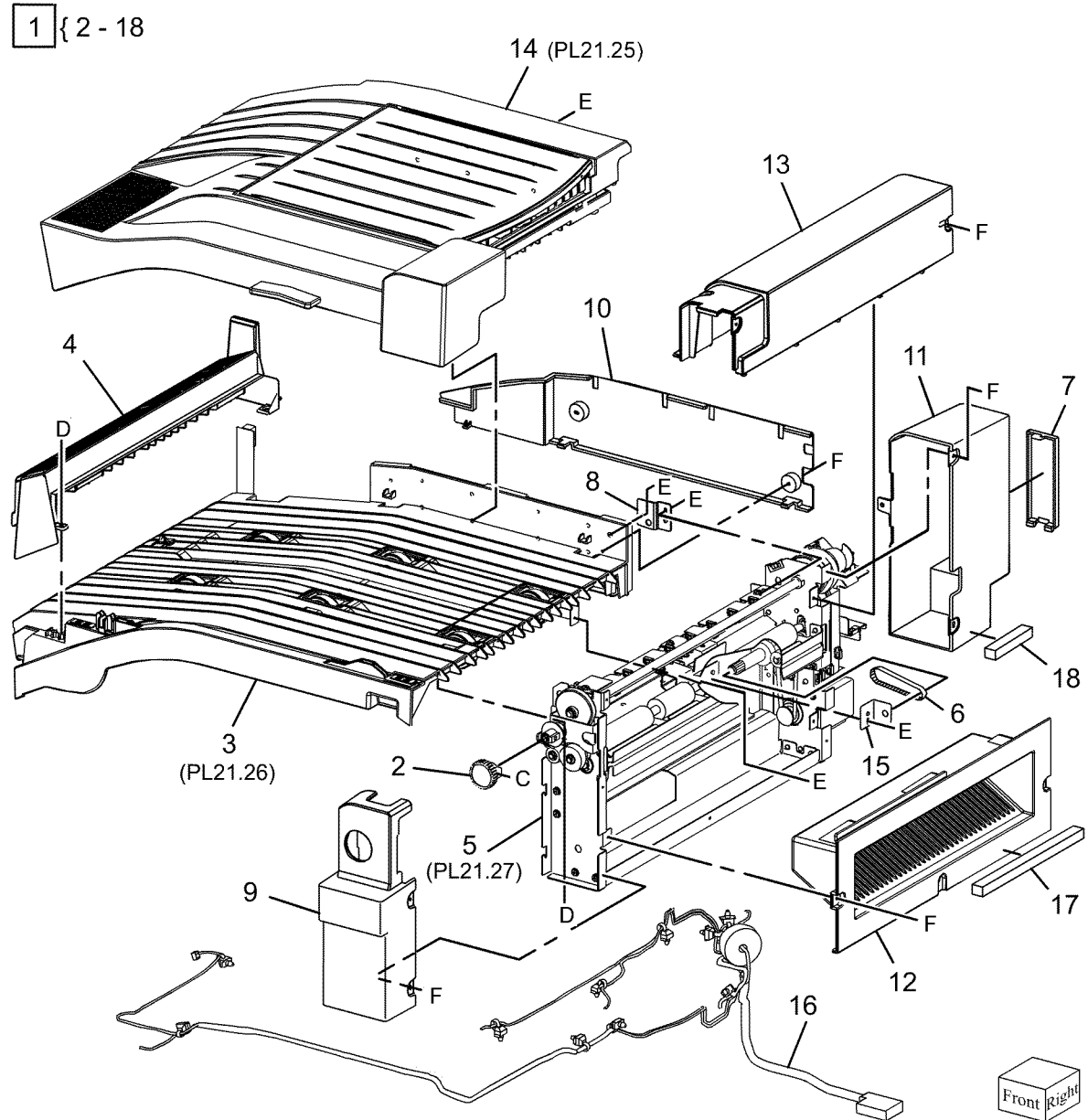


0521023B-OAK



# PL 21.24 H-Transport (1 of 5)

| Item | Part      | Description  |
|------|-----------|--|
| 1    | -         | H-Transport Assembly (REF: PL 21.1 Item 2) (REP 21.12) |
| 2    | 003K17251 | Knob   |
| 3    | -         | Lower Chute Assembly (P/O PL 21.24 Item 1)             |
| 4    | 054K35360 | Left Upper Chute Assembly                              |
| 5    | 059K55855 | Decurler Transport Assembly                            |
| 6    | 423W27054 | Belt   |
| 7    | -         | Connector Cover (P/O PL 21.24 Item 1)                  |
| 8    | -         | Bracket (P/O PL 21.24 Item 1)                          |
| 9    | 848E18461 | Decurler Front Cover                                   |
| 10   | 848E18480 | Rear Cover   |
| 11   | 848E18490 | Decurler Rear Cover                                    |
| 12   | 848E18501 | Decurler Right Hand Cover                              |
| 13   | 848E18521 | Decurler Top Cover                                     |
| 14   | -         | Top Cover Assembly (P/O PL 21.24 Item 1)               |
| 15   | -         | Stud Bracket (P/O PL 21.24 Item 1)                     |
| 16   | 962K61011 | Wire Harness   |
| 17   | -         | Shield (P/O PL 21.24 Item 1)                           |
| 18   | -         | Shield (P/O PL 21.24 Item 1)                           |

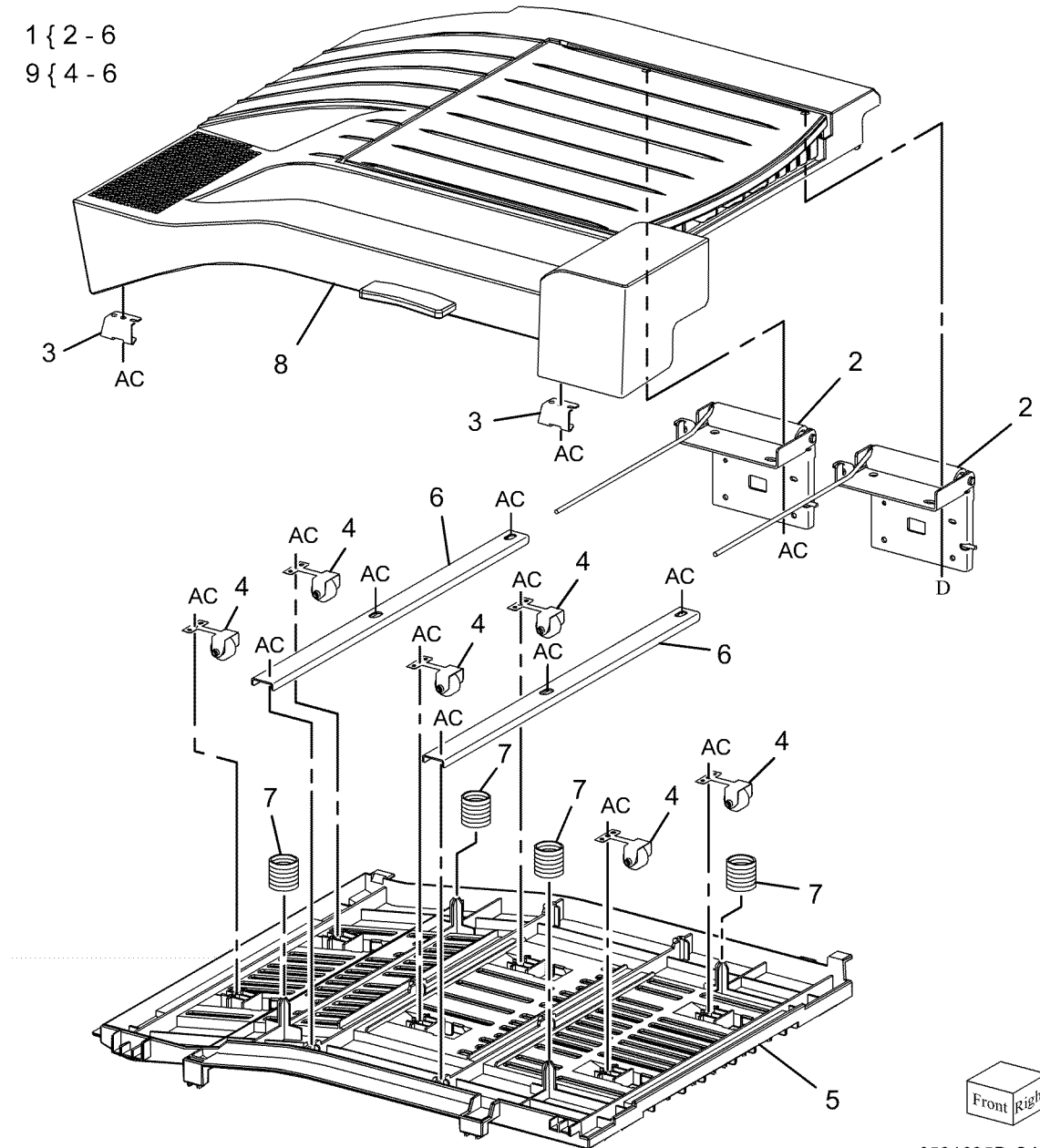


0521024A-OAK

# PL 21.25 H-Transport (2 of 5)

| Item | Part      | Description                              |
|------|-----------|--|
| 1    | 848K09644 | Top Cover Assembly                       |
| 2    | 003K16010 | Hinge Assembly                           |
| 3    | -         | Bracket (P/O PL 21.25 Item 1)            |
| 4    | 022K67860 | Pinch Roll Assembly                      |
| 5    | -         | Upper Chute (P/O PL 21.25 Item 1)        |
| 6    | -         | Upper Plate Chute (P/O PL 21.25 Item 1)  |
| 7    | 809E80030 | Upper Chute Spring                       |
| 8    | -         | Top Cover Assembly (P/O PL 21.25 Item 1) |
| 9    | 054K35351 | Upper Chute Assembly                     |

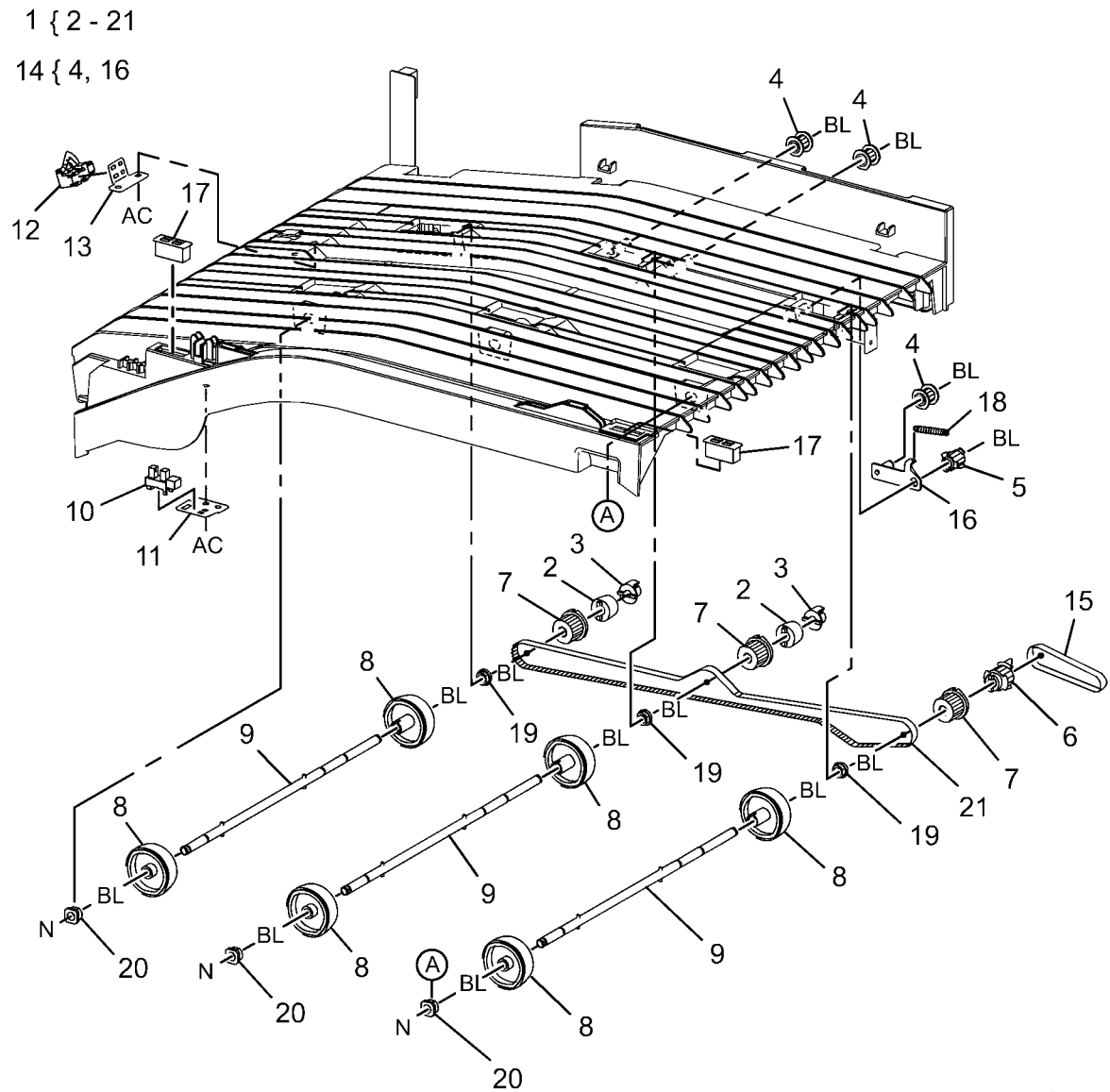
1 { 2 - 6  
9 { 4 - 6



0521025B-OAK

# PL 21.26 H-Transport (3 of 5)

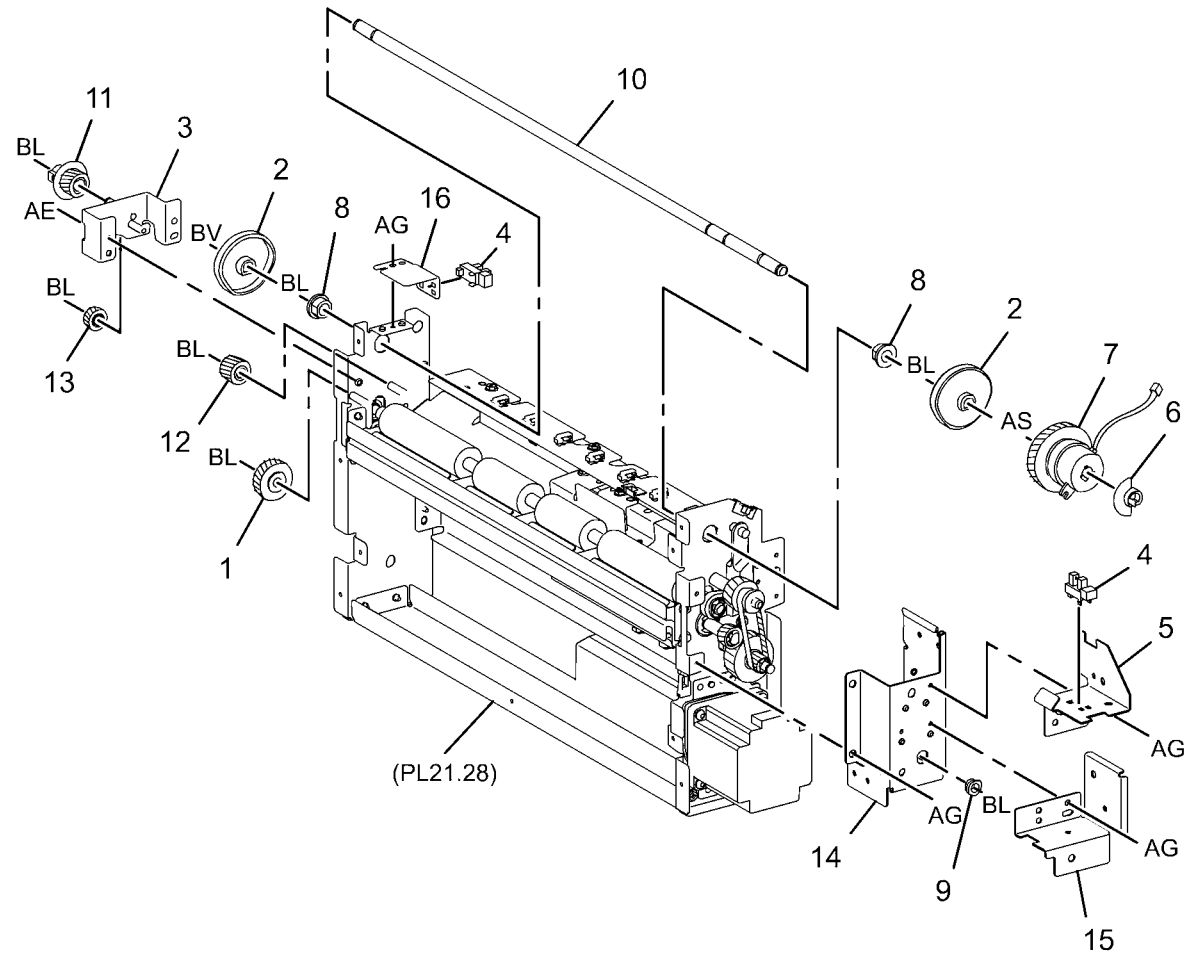
| Item | Part      | Description                        |
|------|-----------|------------------------------------|
| 1    | 054K35343 | Lower Chute Assembly               |
| 2    | 005E19650 | Clutch                             |
| 3    | 011E16881 | Joint                              |
| 4    | 020E37740 | Pulley                             |
| 5    | 020E45620 | Pulley                             |
| 6    | 020E45630 | Pulley                             |
| 7    | 020E45640 | Pulley                             |
| 8    | 059K55790 | Roll Assembly                      |
| 9    | 006K86870 | Roll Shaft Assembly                |
| 10   | 130K70160 | H-Transport Interlock Sensor       |
| 11   | 868E12671 | Sensor Bracket                     |
| 12   | 130K72310 | H-Transport Entrance Sensor        |
| 13   | 868E12650 | Sensor Bracket                     |
| 14   | 068K58520 | Tension Bracket Assembly           |
| 15   | -         | Belt (P/O PL 21.24 Item 6)         |
| 16   | 068K58530 | Bracket Assembly Tension           |
| 17   | 121E92720 | Magnet                             |
| 18   | 809E80040 | Spring                             |
| 19   | 413W85459 | Bearing                            |
| 20   | 413W11660 | Sleeve Bearing                     |
| 21   | 423W22055 | H-Transport Drive Belt (REP 21.27) |



0521026A-OAK

## PL 21.27 H-Transport (4 of 5)

| Item | Part      | Description   |
|------|-----------|---|
| 1    | 007K14910 | One Way Gear Assembly                                       |
| 2    | 008E96860 | Decurler Cam  |
| 3    | -         | Bracket (P/O PL 21.24 Item 5)                               |
| 4    | 130K70160 | H-Transport Interlock Sensor-R,<br>Decurler Cam Home Sensor |
| 5    | -         | Sensor Bracket (P/O PL 21.24 Item 5)                        |
| 6    | -         | Actuator (P/O PL 21.24 Item 5)                              |
| 7    | 121K41980 | Decurler Cam Clutch   |
| 8    | -         | Bearing (P/O PL 21.24 Item 5)                               |
| 9    | 413W85459 | Bearing   |
| 10   | -         | Shaft (P/O PL 21.24 Item 5)                                 |
| 11   | 807E24170 | Knob Gear (18T)   |
| 12   | 807E24180 | Gear (18T)  |
| 13   | 807E24190 | Gear (16T)  |
| 14   | -         | Bracket (P/O PL 21.24 Item 5)                               |
| 15   | -         | Harness Bracket (P/O PL 21.24 Item 5)                       |
| 16   | -         | Sensor Bracket (P/O PL 21.24 Item 5)                        |

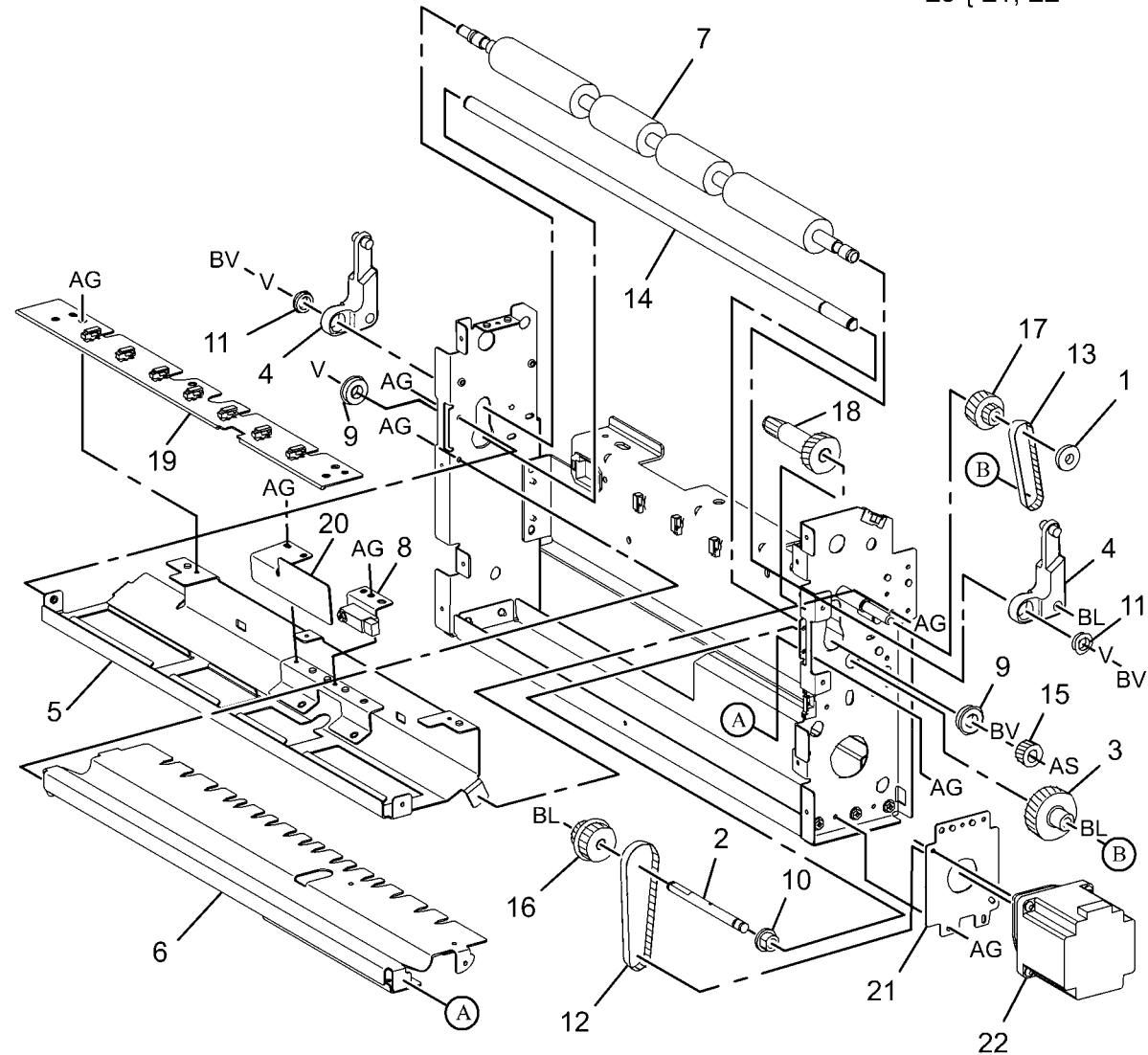


0521027A-OAK

# PL 21.28 H-Transport (5 of 5)

23 { 21, 22

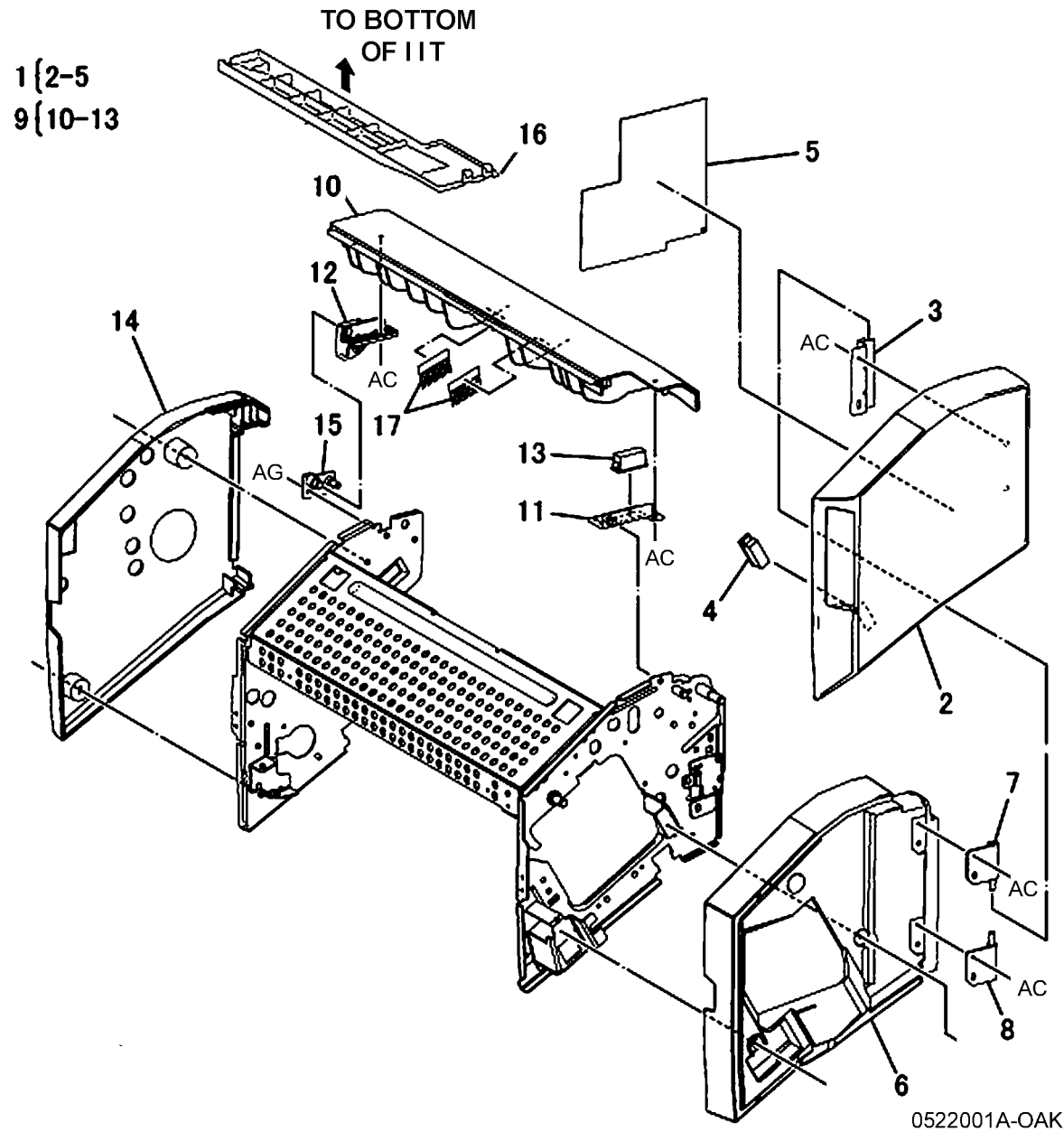
| Item | Part      | Description   |
|------|-----------|---|
| 1    | -         | Collar (P/O PL 21.24 Item 5)                        |
| 2    | -         | Shaft (P/O PL 21.24 Item 5)                         |
| 3    | -         | Gear (P/O PL 21.24 Item 5)                          |
| 4    | 031E97550 | Arm   |
| 5    | -         | Decurler Upper Chute Assembly (P/O PL 21.24 Item 5) |
| 6    | -         | Decurler Lower Chute Assembly (P/O PL 21.24 Item 5) |
| 7    | 059K55800 | Decurler Roll Assembly                              |
| 8    | 068K58501 | H-Transport Exit Sensor                             |
| 9    | -         | Bearing (P/O PL 21.24 Item 5)                       |
| 10   | -         | Bearing (P/O PL 21.24 Item 5)                       |
| 11   | 413W88650 | Bearing   |
| 12   | 423W29254 | Belt  |
| 13   | 423W26654 | Belt  |
| 14   | -         | Shaft (P/O PL 21.24 Item 5)                         |
| 15   | 807E22220 | Gear (16T)  |
| 16   | 807E22230 | Gear (18T/36T)                                      |
| 17   | 807E22240 | Gear (24T/20T)                                      |
| 18   | -         | Gear (27T/18T) (P/O PL 21.24 Item 5)                |
| 19   | -         | Harness Bracket (P/O PL 21.24 Item 5)               |
| 20   | -         | Decurler Shield (P/O PL 21.24 Item 5)               |
| 21   | -         | Plate (P/O PL 21.28 Item 23)                        |
| 22   | 127K46100 | H-Transport Motor                                   |
| 23   | 127K57060 | H-Transport Motor Assembly                          |



Right Rear  
0521028A-OAK

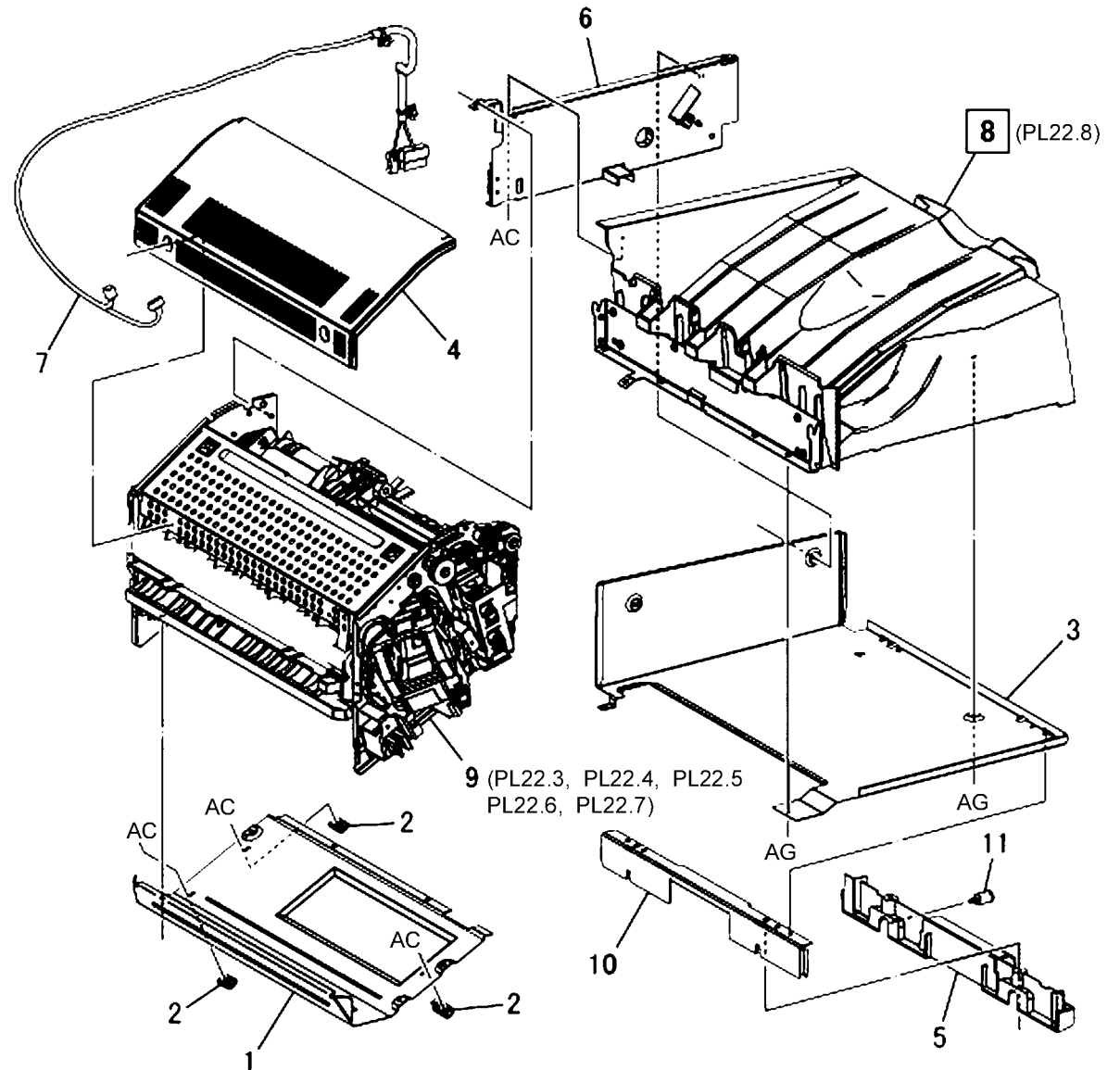
## PL 22.1 Finisher Assembly (Part 1 of 2) (Integrated Office Finisher)

| Item | Part      | Description                      |
|------|-----------|----------------------------------|
| 1    | 848K16210 | Front Cover Assembly             |
| 2    | -         | Front Cover (P/O PL 22.1 Item 1) |
| 3    | -         | Bracket (P/O PL 22.1 Item 1)     |
| 4    | -         | Magnet (P/O PL 22.1 Item 1)      |
| 5    | -         | Label (P/O PL 22.1 Item 1)       |
| 6    | -         | Front Inner Cover (Not Spared)   |
| 7    | 068K29871 | Hinge                            |
| 8    | 068K29880 | Hinge                            |
| 9    | 848K07550 | Top Cover Assembly               |
| 10   | -         | Top Cover (P/O PL 22.1 Item 9)   |
| 11   | -         | Bracket (P/O PL 22.1 Item 9)     |
| 12   | -         | Stopper (P/O PL 22.1 Item 9)     |
| 13   | -         | Magnet (P/O PL 22.1 Item 9)      |
| 14   | 848E14680 | Rear Cover                       |
| 15   | -         | Hinge (Not Spared)               |
| 16   | -         | IIT Cover (Not Spared)           |
| 17   | 042E92330 | Eliminator                       |



## PL 22.2 Finisher Assembly (Part 2 of 2) (Integrated Office Finisher)

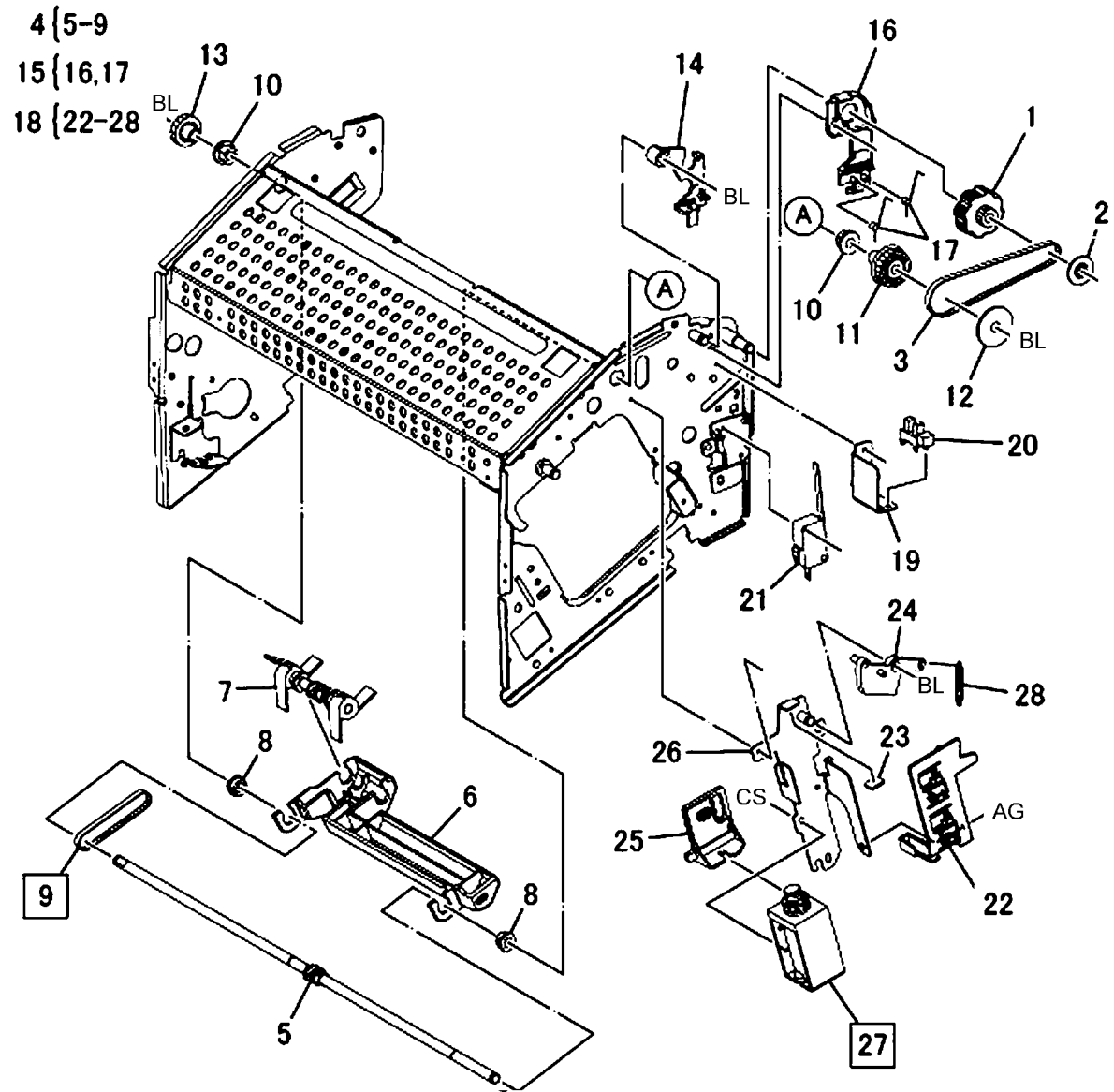
| Item | Part      | Description                        |
|------|-----------|------------------------------------|
| 1    | –         | Bottom Cover (Not Spared)          |
| 2    | –         | Spacer (Not Spared)                |
| 3    | –         | Tray Cover (Not Spared)            |
| 4    | 848E26250 | Left Cover                         |
| 5    | 068K58982 | Tray Support                       |
| 6    | –         | Rear Bracket (Not Spared)          |
| 7    | 962K42291 | Wire Harness                       |
| 8    | 050K61270 | Stacker Tray Assembly (REP 22.16)  |
| 9    | –         | Stacker Base Assembly (Not Spared) |
| 10   | 050K62810 | Extended Tray Assembly             |
| 11   | –         | Screw (Not Spared)                 |



0522002A-OAK

# PL 22.3 Stacker Base Assembly (Part 1 of 5) (Integrated Office Finisher)

| Item | Part      | Description                                    |
|------|-----------|--|
| 1    | 003E65500 | Knob   |
| 2    | 005E89470 | Collar   |
| 3    | 423W10454 | Belt   |
| 4    | 012K96370 | Link Shaft Assembly                            |
| 5    | -         | Link Shaft (P/O PL 22.3 Item 4)                |
| 6    | 012E16150 | Support  |
| 7    | -         | Sub Paddle Shaft Assembly (P/O PL 22.3 Item 4) |
| 8    | -         | Bearing (P/O PL 22.3 Item 4)                   |
| 9    | 423W06054 | Paddle Belt (REP 22.2)                         |
| 10   | 413W75959 | Bearing  |
| 11   | 020K13900 | Pulley   |
| 12   | 005E89490 | Collar   |
| 13   | 807E13260 | Gear (21T)                                     |
| 14   | 120E27240 | Actuator                                       |
| 15   | 802K85560 | Knob Cover Assembly                            |
| 16   | -         | Knob Cover (P/O PL 22.3 Item 15)               |
| 17   | -         | Spring (P/O PL 22.3 Item 15)                   |
| 18   | 012K94990 | Sub Paddle Solenoid Assembly                   |
| 19   | -         | Bracket (Not Spared)                           |
| 20   | 130K70160 | Finisher Top Cover Interlock Sensor            |
| 21   | 110K12980 | Finisher Top Cover Interlock (+24V)            |
| 22   | -         | Support (P/O PL 22.3 Item 18)                  |
| 23   | -         | Cushion (P/O PL 22.3 Item 18)                  |
| 24   | -         | Link (P/O PL 22.3 Item 18)                     |
| 25   | -         | Arm (P/O PL 22.3 Item 18)                      |
| 26   | -         | Bracket (P/O PL 22.3 Item 18)                  |
| 27   | 121K34620 | Sub Paddle Solenoid (REP 22.3)                 |
| 28   | -         | Spring (P/O PL 22.3 Item 18)                   |



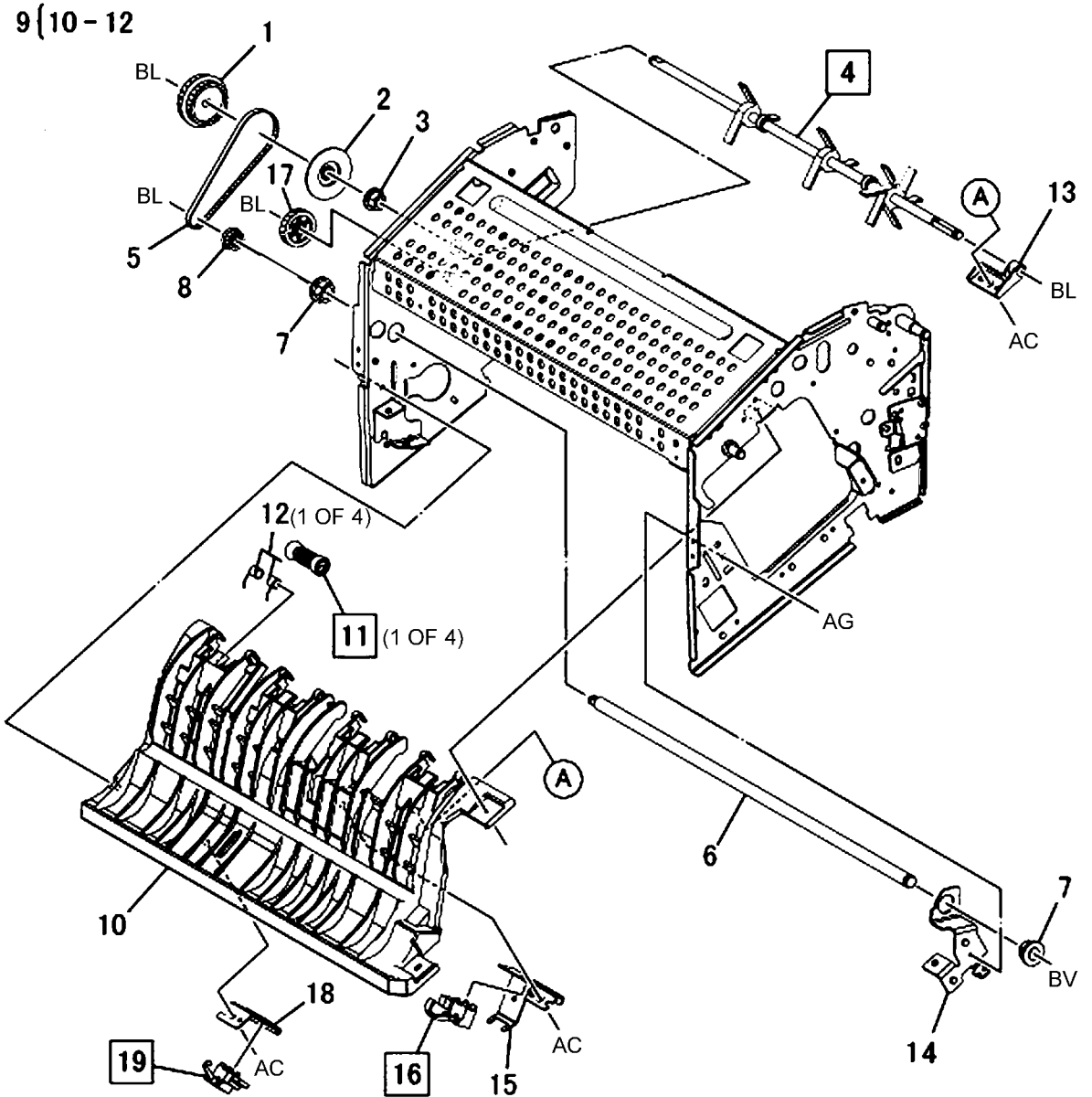
0522003A-OAK





# PL 22.5 Stacker Base Assembly (Part 3 of 5) (Integrated Office Finisher)

| Item | Part      | Description                            |
|------|-----------|--|
| 1    | 807E13250 | Gear Pulley (37T/45T)                  |
| 2    | 005E89480 | Collar                                 |
| 3    | 413W75959 | Bearing                                |
| 4    | 006K25001 | Main Paddle Shaft Assembly (REP 22.11) |
| 5    | 423W09854 | Belt                                   |
| 6    | -         | Shaft (Not Spared)                     |
| 7    | 413W77559 | Bearing                                |
| 8    | 020E43500 | Pulley (19T)                           |
| 9    | 054K30361 | Lower Chute Assembly (REP 22.12)       |
| 10   | -         | Lower Chute (P/O PL 22.5 Item 9)       |
| 11   | 022K73190 | Pinch Roll (REP 22.8)                  |
| 12   | 809E65931 | Spring                                 |
| 13   | -         | Support (Not Spared)                   |
| 14   | -         | Bracket (Not Spared)                   |
| 15   | -         | Bracket (Not Spared)                   |
| 16   | 130K93251 | Compile Exit Sensor (REP 22.10)        |
| 17   | 807E13240 | Gear (27T)                             |
| 18   | -         | Bracket (Not Spared)                   |
| 19   | 130K88190 | Finisher Entrance Sensor (REP 22.9)    |

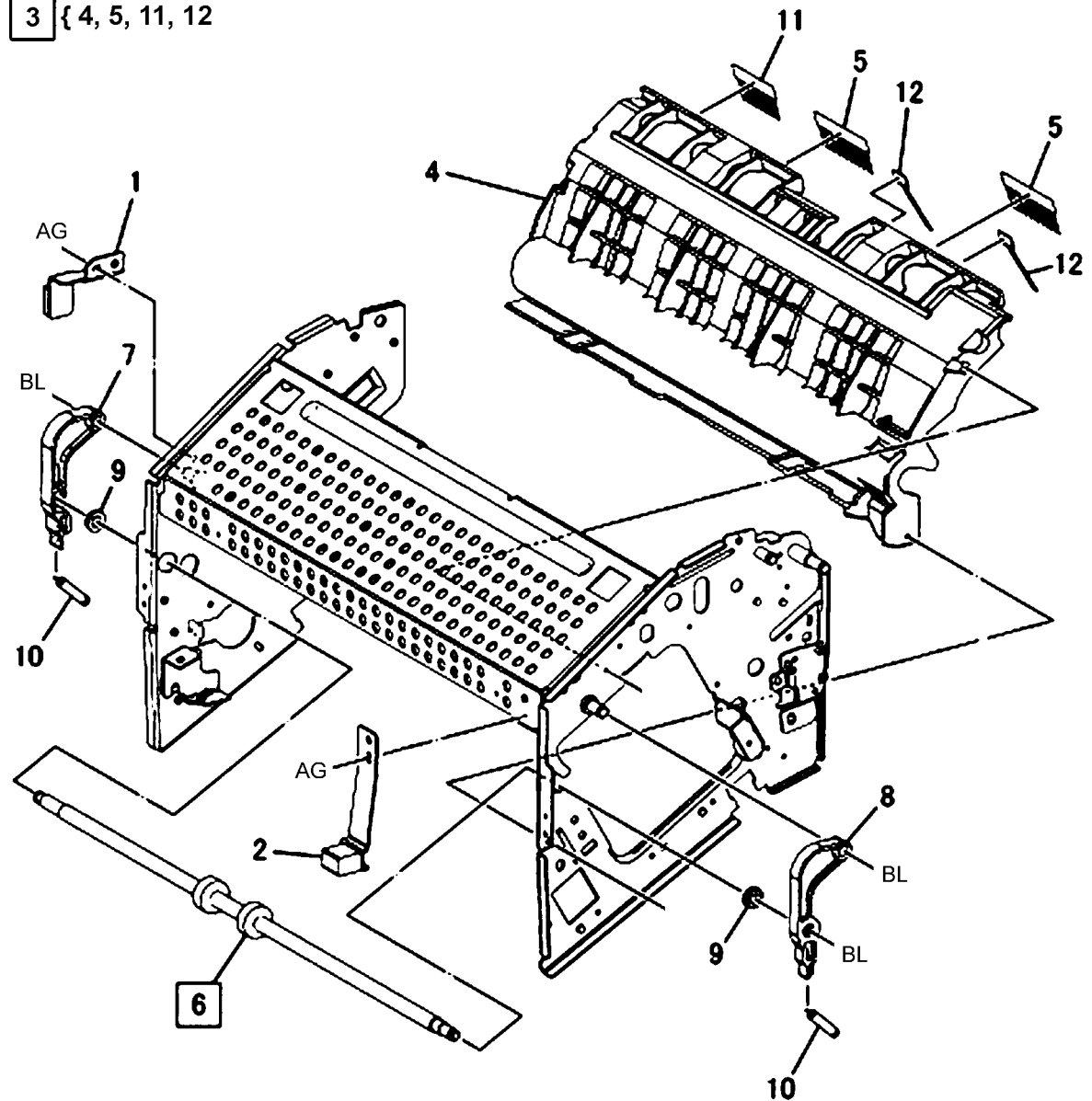


0522005A-OAK

# PL 22.6 Stacker Base Assembly (Part 4 of 5) (Integrated Office Finisher)

| Item | Part      | Description                        |
|------|-----------|------------------------------------|
| 1    | 068K29931 | Bracket                            |
| 2    | 068K29941 | Bracket                            |
| 3    | 054K30600 | Upper Chute Assembly (REP 22.14)   |
| 4    | -         | Upper Chute (P/O PL 22.6 Item 3)   |
| 5    | 042E92241 | Eliminator                         |
| 6    | 022K72782 | Entrance Roll Assembly (REP 22.13) |
| 7    | 031E97041 | Arm                                |
| 8    | 031E97020 | Arm                                |
| 9    | 413W66250 | Ball Bearing                       |
| 10   | -         | Spring (Not Spared)                |
| 11   | 042E92330 | Eliminator                         |
| 12   | -         | Guide Paper (P/O PL 22.6 Item 3)   |

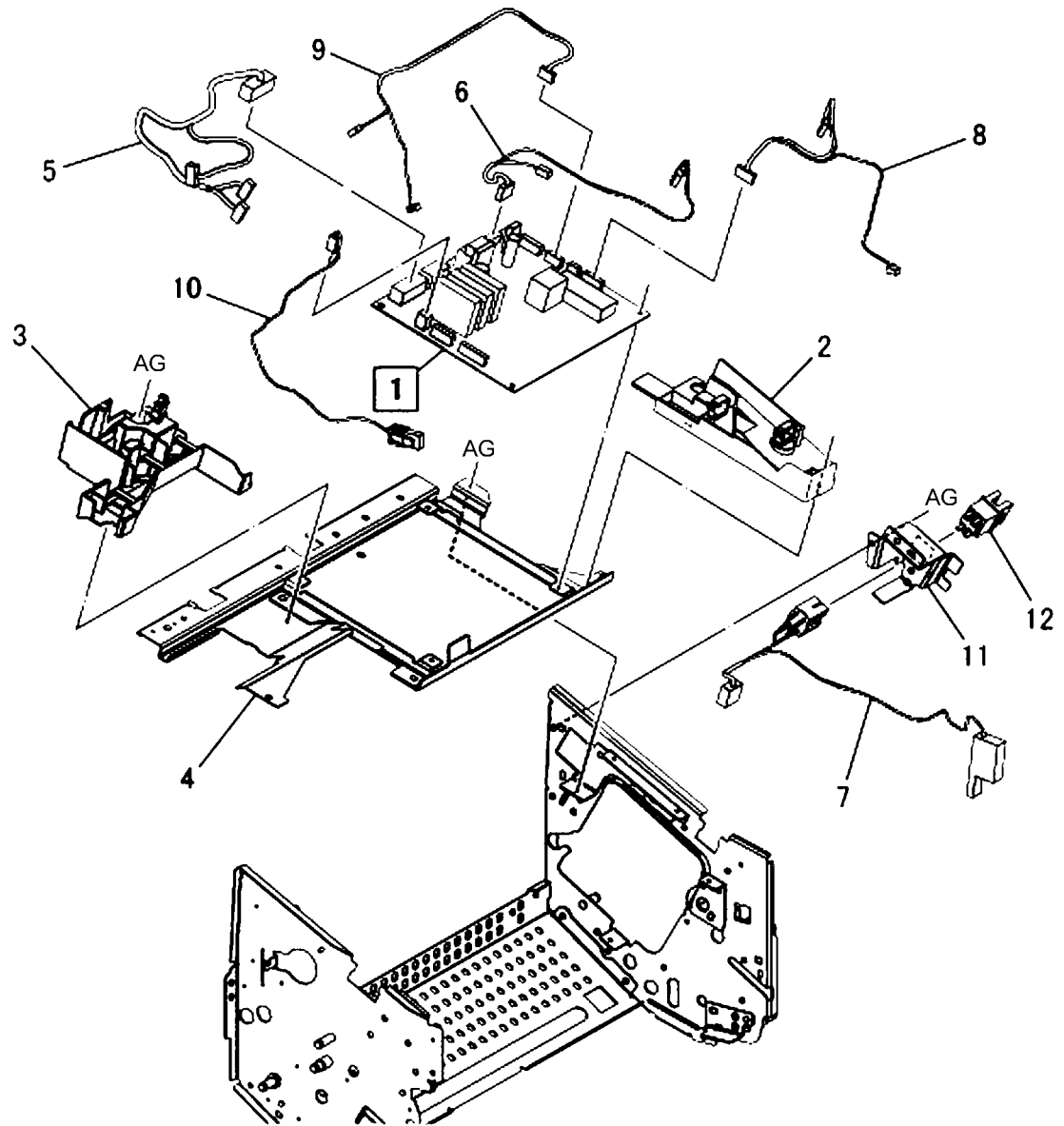
**3** { 4, 5, 11, 12



0522006A-OAK

## PL 22.7 Stacker Base Assembly (Part 5 of 5) (Integrated Office Finisher)

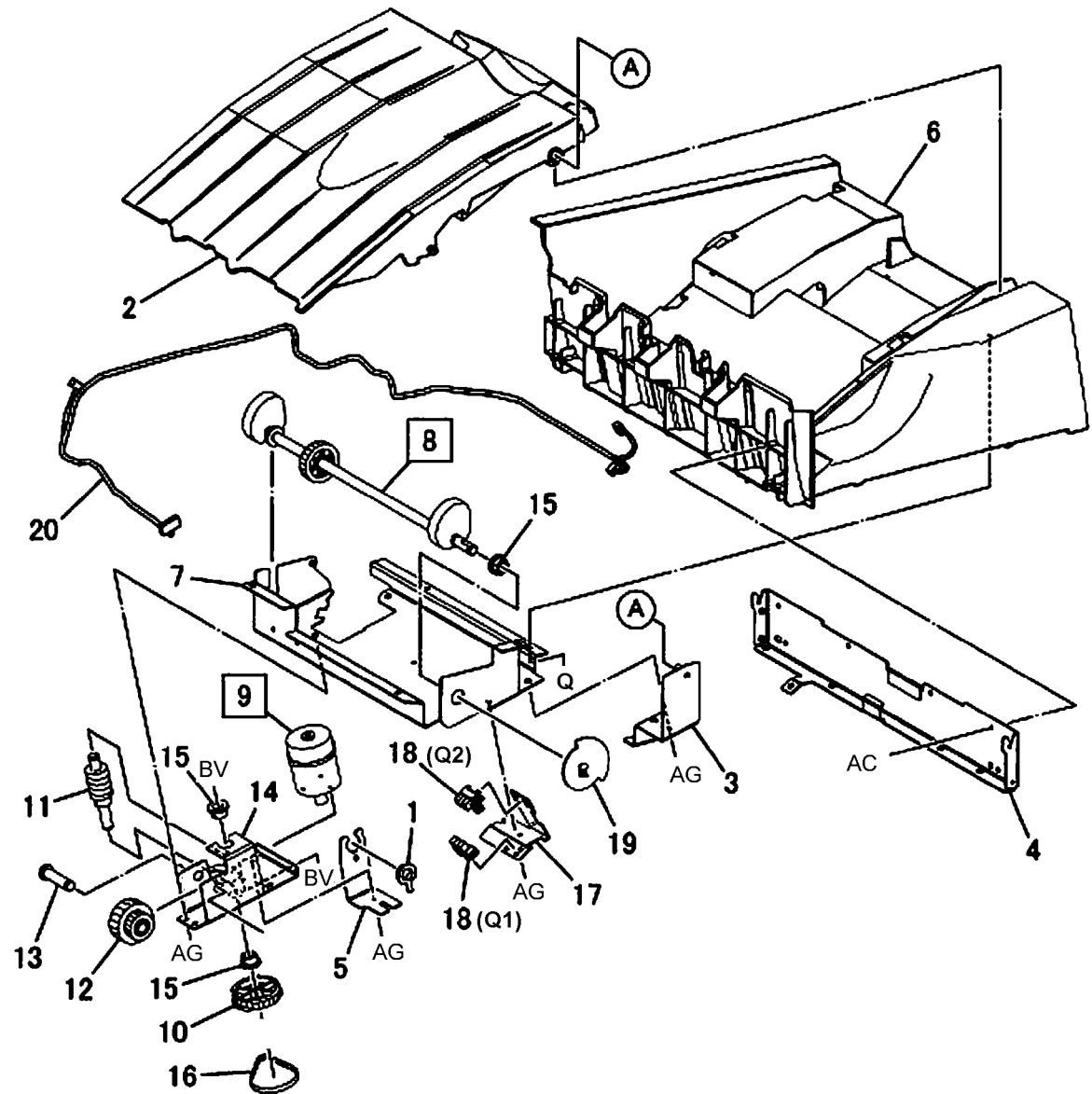
| Item | Part      | Description                              |
|------|-----------|--|
| 1    | 960K38286 | Finisher PWB (REP 22.15)                 |
| 2    | 055K30850 | Connector Bracket                        |
| 3    | —         | Harness Guide (Not Spared)               |
| 4    | —         | PWB Bracket (Not Spared)                 |
| 5    | —         | Wire Harness (Drive) (Not Spared)        |
| 6    | —         | Wire Harness (Stapler) (Not Spared)      |
| 7    | —         | Wire Harness (Interlock) (Not Spared)    |
| 8    | —         | Wire Harness (Front Sensor) (Not Spared) |
| 9    | —         | Wire Harness (Compile) (Not Spared)      |
| 10   | —         | Wire Harness (Stacker) (Not Spared)      |
| 11   | —         | Bracket (Not Spared)                     |
| 12   | 110E97990 | Finisher Front Interlock Switch          |



0522007A-OAK

## PL 22.8 Stacker Tray Assembly (Integrated Office Finisher)

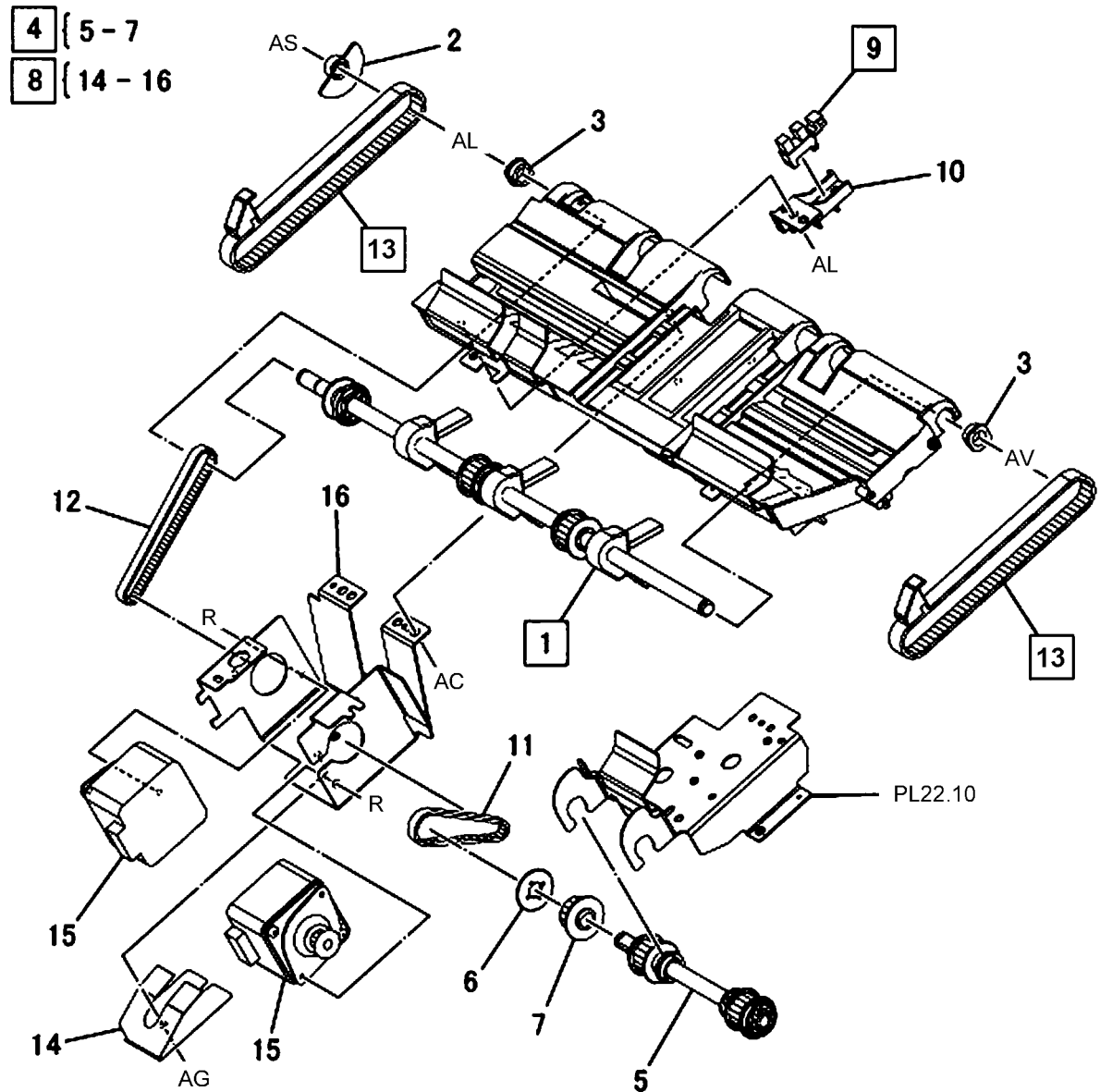
| Item | Part      | Description                                      |
|------|-----------|--|
| 1    | -         | Bearing (Not Spared)                             |
| 2    | -         | Top Tray (Not Spared)                            |
| 3    | -         | Bracket (Not Spared)                             |
| 4    | -         | Plate (Not Spared)                               |
| 5    | -         | Bracket (Not Spared)                             |
| 6    | -         | Base Tray (Not Spared)                           |
| 7    | -         | Base Bracket (Not Spared)                        |
| 8    | 006K25031 | Stacker Shaft Assembly (REP 22.17)               |
| 9    | 127K49420 | Stacker Motor (REP 22.18)                        |
| 10   | -         | Pulley (60T) (Not Spared)                        |
| 11   | -         | Worm Gear (Not Spared)                           |
| 12   | -         | Gear (16T/32T) (Not Spared)                      |
| 13   | -         | Stud (Not Spared)                                |
| 14   | -         | Bracket (Not Spared)                             |
| 15   | -         | Bearing (Not Spared)                             |
| 16   | 423W07354 | Belt   |
| 17   | -         | Bracket (Not Spared)                             |
| 18   | 930W00111 | Stacker Sensor 1 (Q1), Sensor 2 (Q2) (REP 22.19) |
| 19   | -         | Actuator (Not Spared)                            |
| 20   | -         | Wire Harness (Not Spared)                        |



0522008A-OAK

## PL 22.9 Compile Assembly (Part 1 of 2) (Integrated Office Finisher)

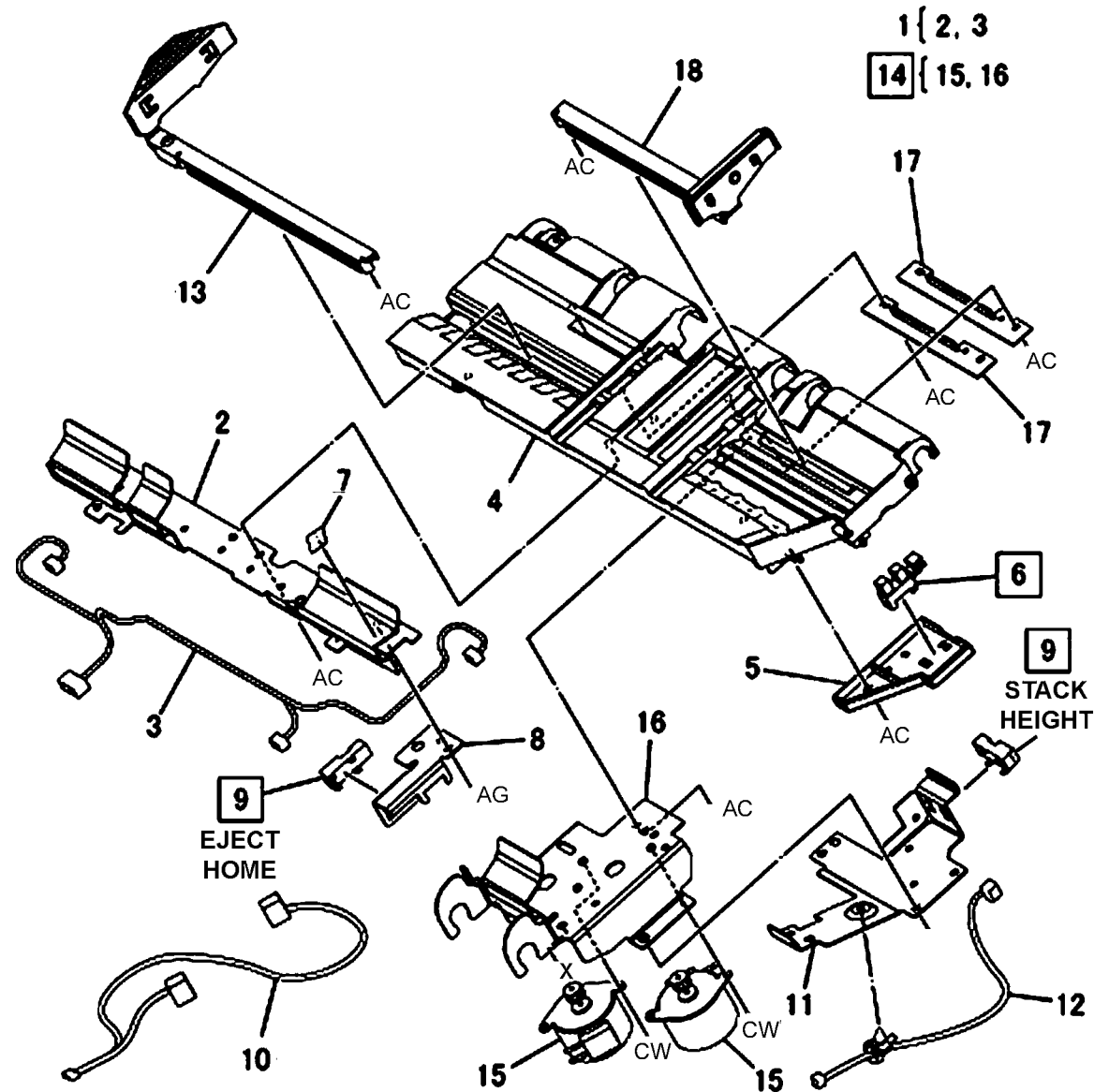
| Item | Part      | Description                                       |
|------|-----------|---|
| 1    | 006K25010 | Set Clamp Shaft (REP 22.21)                       |
| 2    | 120E27220 | Actuator  |
| 3    | 413W11860 | Bearing   |
| 4    | 006K25020 | Eject Shaft Assembly (REP 22.25)                  |
| 5    | -         | Eject Shaft (P/O PL 22.9 Item 4)                  |
| 6    | -         | Spacer (P/O PL 22.9 Item 4)                       |
| 7    | -         | Pulley (P/O PL 22.9 Item 4)                       |
| 8    | 068K29830 | Eject/Set Clamp Motor Assembly (REP 22.23)        |
| 9    | 930W00111 | Rear Tamper Home Sensor (REP 22.24)               |
| 10   | -         | Support (Not Spared)                              |
| 11   | 423W26754 | Belt  |
| 12   | 423W29554 | Belt  |
| 13   | 023K91530 | Eject Belt (REP 22.22)                            |
| 14   | -         | Spring (P/O PL 22.9 Item 8)                       |
| 15   | -         | Eject Motor, Set Clamp Motor (P/O PL 22.9 Item 8) |
| 16   | -         | Bracket (P/O PL 22.9 Item 8)                      |



0522009A-OAK

## PL 22.10 Compile Assembly (Part 2 of 2) (Integrated Office Finisher)

| Item | Part      | Description                                    |
|------|-----------|--|
| 1    | 068K30510 | Bracket Assembly                               |
| 2    | -         | Bracket (P/O PL 22.10 Item 1)                  |
| 3    | -         | Wire Harness (P/O PL 22.10 Item 1)             |
| 4    | 050E24260 | Compile Tray                                   |
| 5    | -         | Support (Not Spared)                           |
| 6    | 930W00111 | Front Tamper Home Sensor (REP 22.27)           |
| 7    | 038E34860 | Paper Guide                                    |
| 8    | -         | Bracket (Not Spared)                           |
| 9    | -         | Stack Height Sensor (REP 22.29)                |
| -    | 930W00212 | Eject Clamp Home Sensor (REP 22.28)            |
| 10   | 962K42270 | Wire Harness                                   |
| 11   | -         | Bracket (Not Spared)                           |
| 12   | -         | Wire Harness (Not Spared)                      |
| 13   | 038K88990 | Tamper Guide, Rear                             |
| 14   | 068K30740 | Front/Rear Tamper Motor Assembly (REP 22.26)   |
| 15   | -         | Front/Rear Tamper Motor (P/O PL 22.10 Item 14) |
| 16   | -         | Bracket (P/O PL 22.10 Item 14)                 |
| 17   | 001E70981 | Rail   |
| 18   | 038K89260 | Tamper Guide, Front                            |



0522010A-OAK

Revision

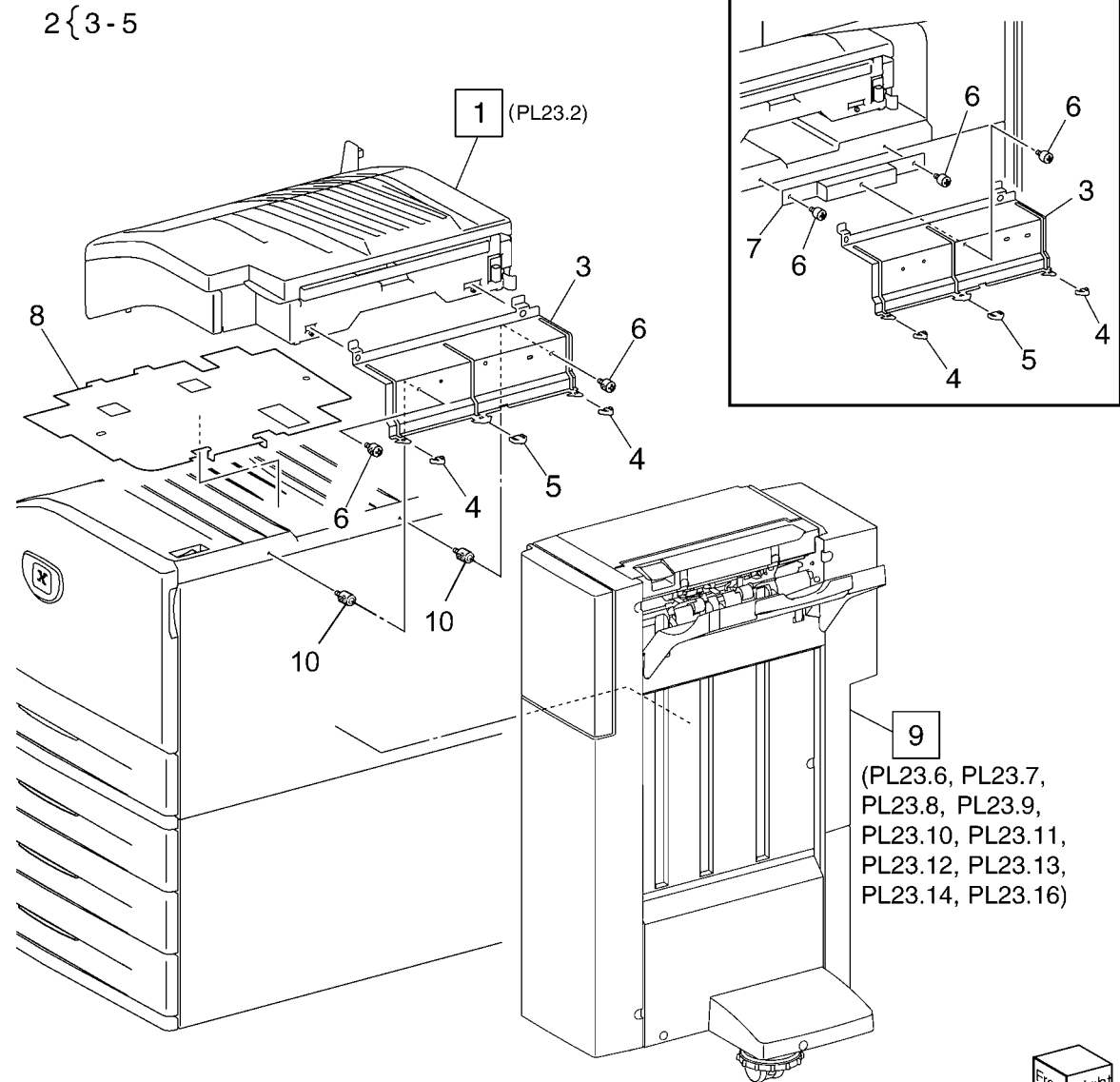
WorkCentre 7425/7428/7435

May, 2009  
5-147

Parts List  
PL 22.10

# PL 23.1 H-Transport Assembly (1 of 5) (Office Finisher LX)

| Item | Part      | Description                                     |
|------|-----------|---|
| 1    | 059K55691 | H-Transport Assembly (REP 23.1)                 |
| 2    | 068K59494 | Docking Plate Assembly                          |
| 3    | -         | Docking Plate (P/O PL 23.1 Item 2)              |
| 4    | -         | Side Guide (P/O PL 23.1 Item 2)                 |
| 5    | -         | Center Guide (P/O PL 23.1 Item 2)               |
| 6    | 826E07210 | Thumb Screw                                     |
| 7    | -         | Bracket   |
| 8    | 815E46360 | Finisher Plate                                  |
| 9    | -         | Finisher LX Assembly (Not Spared)<br>(REP 23.5) |
| 10   | 014E63901 | HTU Spacer                                      |

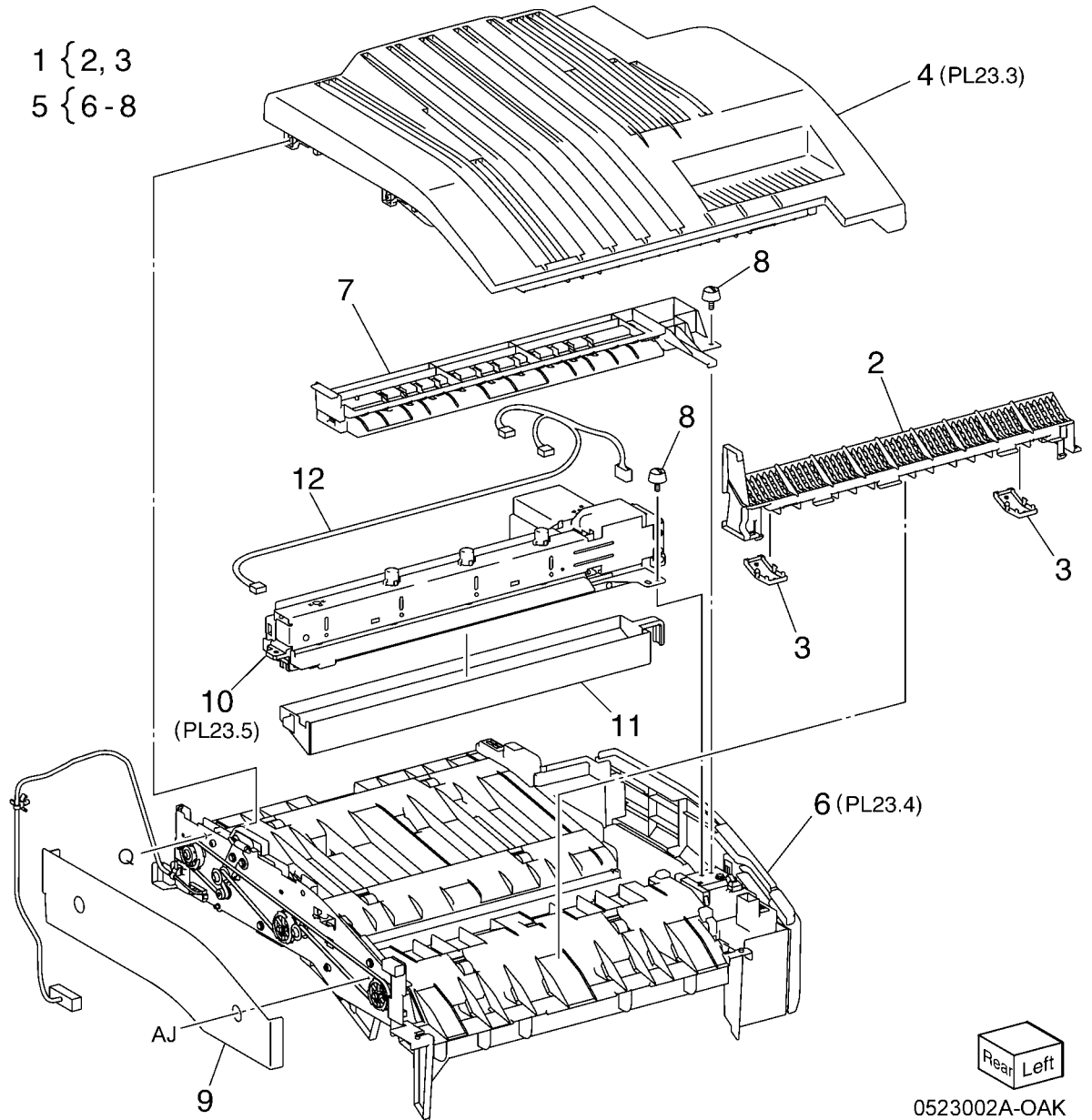


j0fb52301



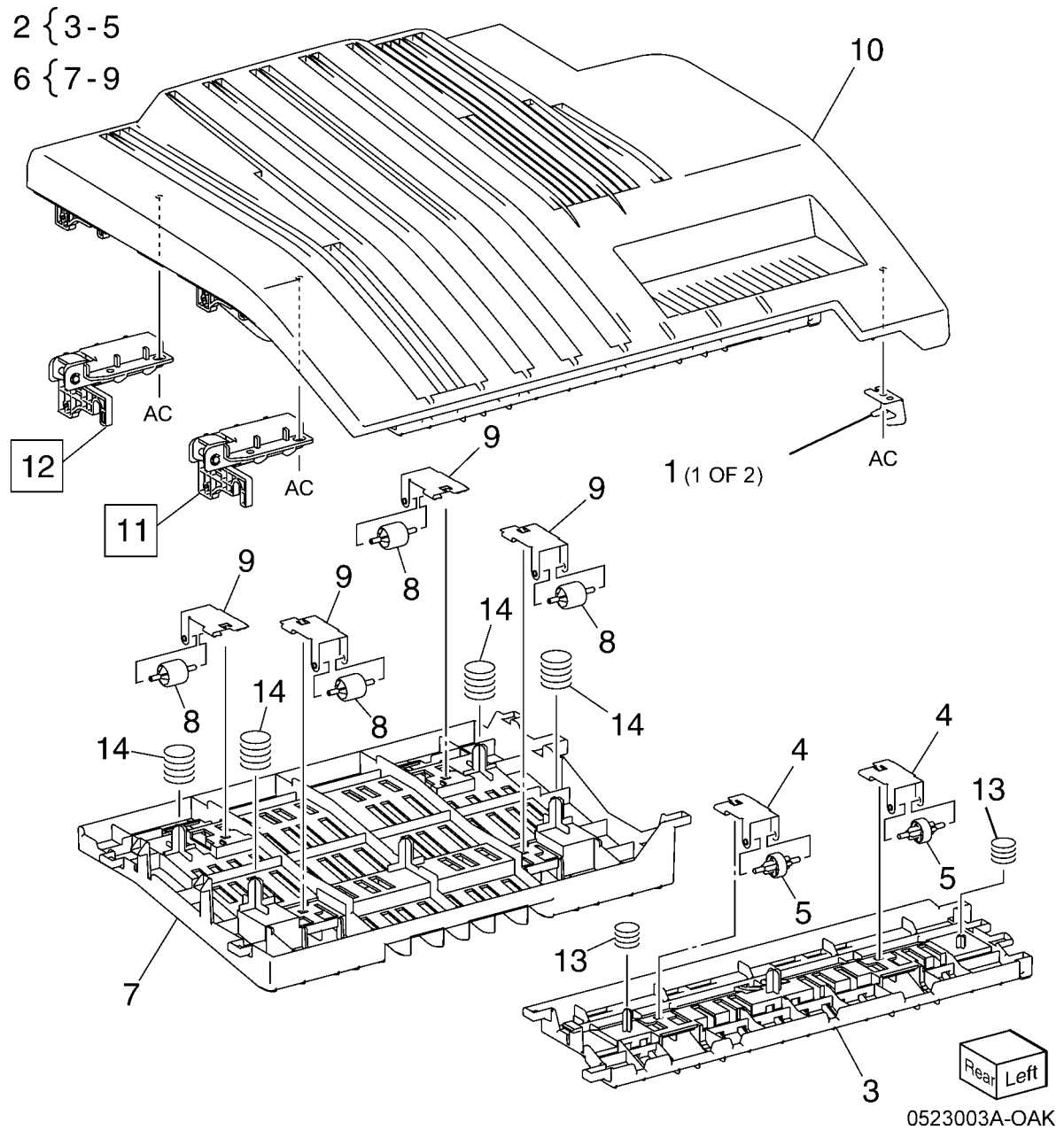
# PL 23.2 H - Transport Assembly (2 of 5) (Office Finisher LX)

| Item | Part      | Description                               |
|------|-----------|---|
| 1    | 848K09315 | Left Cover Assembly                       |
| 2    | -         | Left Cover (P/O PL 23.2 Item 1)           |
| 3    | -         | Paper Guide (P/O PL 23.2 Item 1)          |
| 4    | 848K09321 | Top Cover Assembly                        |
| 5    | -         | Lower Chute Assembly (P/O PL 23.1 Item 1) |
| 6    | -         | Lower Chute Assembly (P/O PL 23.2 Item 5) |
| 7    | 054K35264 | Chute Assembly                            |
| 8    | 026K81200 | Thumb Screw                               |
| 9    | 848E15160 | Rear Cover                                |
| 10   | 180K00390 | Punch Assembly (2/3 Hole) (REP 23.2)      |
| -    | 180K00400 | Punch Assembly (2/4 Hole) (REP 23.2)      |
| 11   | 695K19402 | Punch Box                                 |
| 12   | -         | Wire Harness (Not Spared)                 |



# PL 23.3 H - Transport Assembly (3 of 5) (Office Finisher LX)

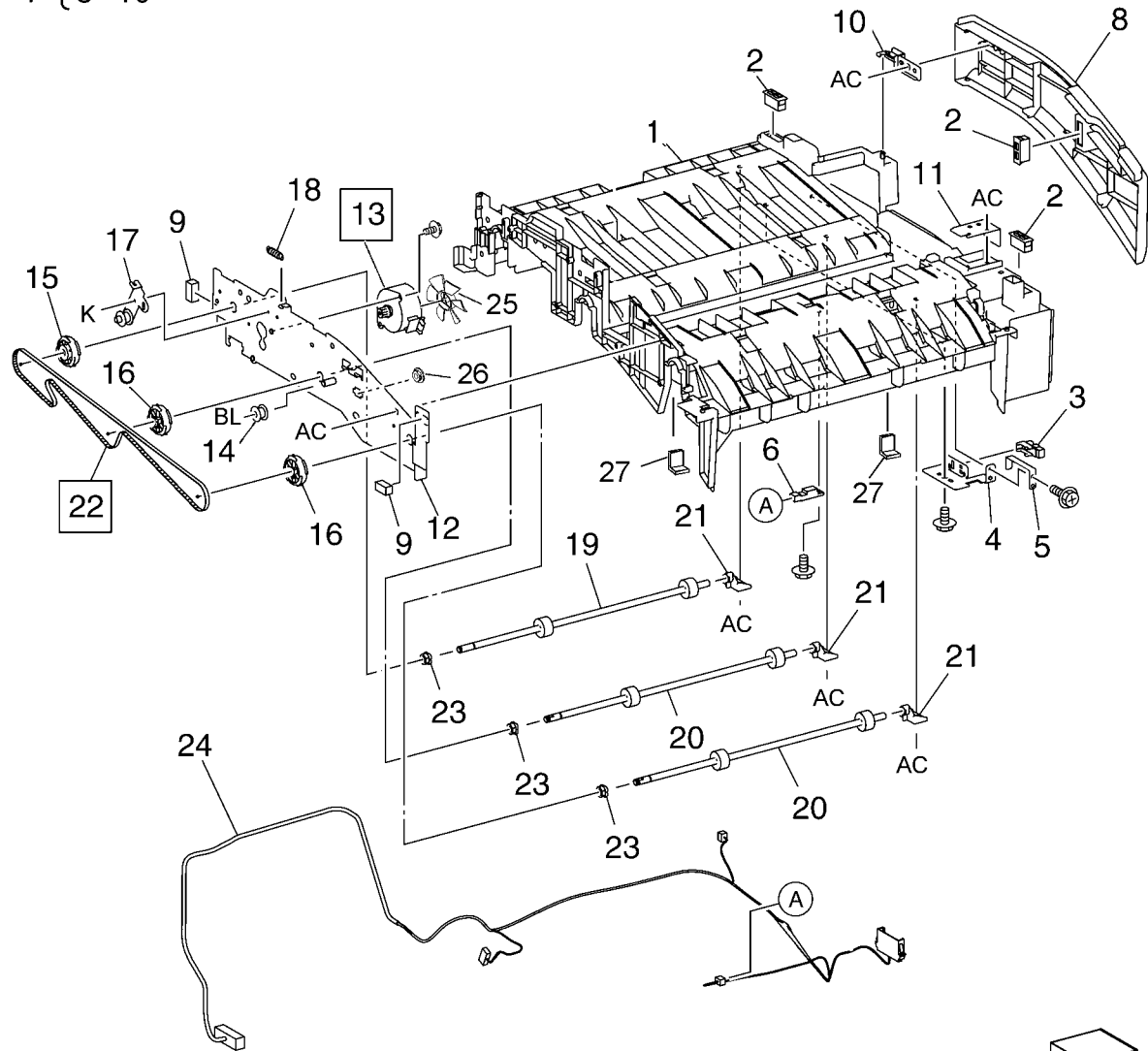
| Item | Part      | Description  |
|------|-----------|--|
| 1    | -         | Bracket (P/O PL 23.2 Item 4)                               |
| 2    | 054K35237 | Left Chute Assembly  |
| 3    | -         | Left Chute (P/O PL 23.3 Item 2)                            |
| 4    | -         | Pinch Spring (P/O PL 23.3 Item 2)                          |
| 5    | -         | Pinch Roller (P/O PL 23.3 Item 2)                          |
| 6    | 054K35244 | Right Chute Assembly                                       |
| 7    | -         | Right Chute (P/O PL 23.3 Item 6)                           |
| 8    | 022E27660 | Pinch Roller   |
| 9    | 809E76211 | Pinch Spring   |
| 10   | -         | Top Cover (P/O PL 23.2 Item 4)                             |
| 11   | 003K15983 | H - Transport Counter Balance (Left)                       |
| 12   | -         | H - Transport Counter Balance (Right) (P/O PL 23.2 Item 4) |
| 13   | 809E76240 | Spring   |
| 14   | 809E78940 | Spring   |



# PL 23.4 H - Transport Assembly (4 of 5) (Office Finisher LX)

| Item | Part      | Description                              |
|------|-----------|--|
| 1    | -         | Lower Chute (P/O PL 23.2 Item 6)         |
| 2    | -         | Magnet                                   |
| 3    | 130E81600 | H - Transport Open Sensor                |
| 4    | 868E15540 | Sensor Bracket                           |
| 5    | 809E81720 | Actuator                                 |
| 6    | 930W00211 | H - Transport Entrance Sensor            |
| 7    | 848K14231 | H - Transport Front Cover Assembly       |
| 8    | 848E15151 | H - Transport Front Cover                |
| 9    | 921W41142 | Gasket                                   |
| 10   | -         | Hinge (P/O PL 23.4 Item 7)               |
| 11   | -         | Bracket (P/O PL 23.2 Item 6)             |
| 12   | -         | Rear Frame Assembly (P/O PL 23.2 Item 6) |
| 13   | 127K57622 | H - Transport Motor (REP 23.4)           |
| 14   | 020E45330 | Tension Pulley                           |
| 15   | 020K15720 | Pulley (43T)                             |
| 16   | 020E45210 | Pulley (43T)                             |
| 17   | -         | Tension Bracket (P/O PL 23.2 Item 6)     |
| 18   | 809E78950 | Spring Tension                           |
| 19   | 059K54480 | Drive Roll                               |
| 20   | 059K55070 | Drive Roll                               |
| 21   | 013E33140 | Bearing                                  |
| 22   | 423W01154 | H - Transport Belt (REP 23.3)            |
| 23   | 413W14660 | Sleeve Bearing                           |
| 24   | 962K60422 | Wire Harness                             |
| 25   | 127E85570 | Fan Blade                                |
| 26   | 016E97311 | Pinch Bushing                            |
| 27   | 004E18112 | Pinch Cushion                            |

7 { 8 - 10



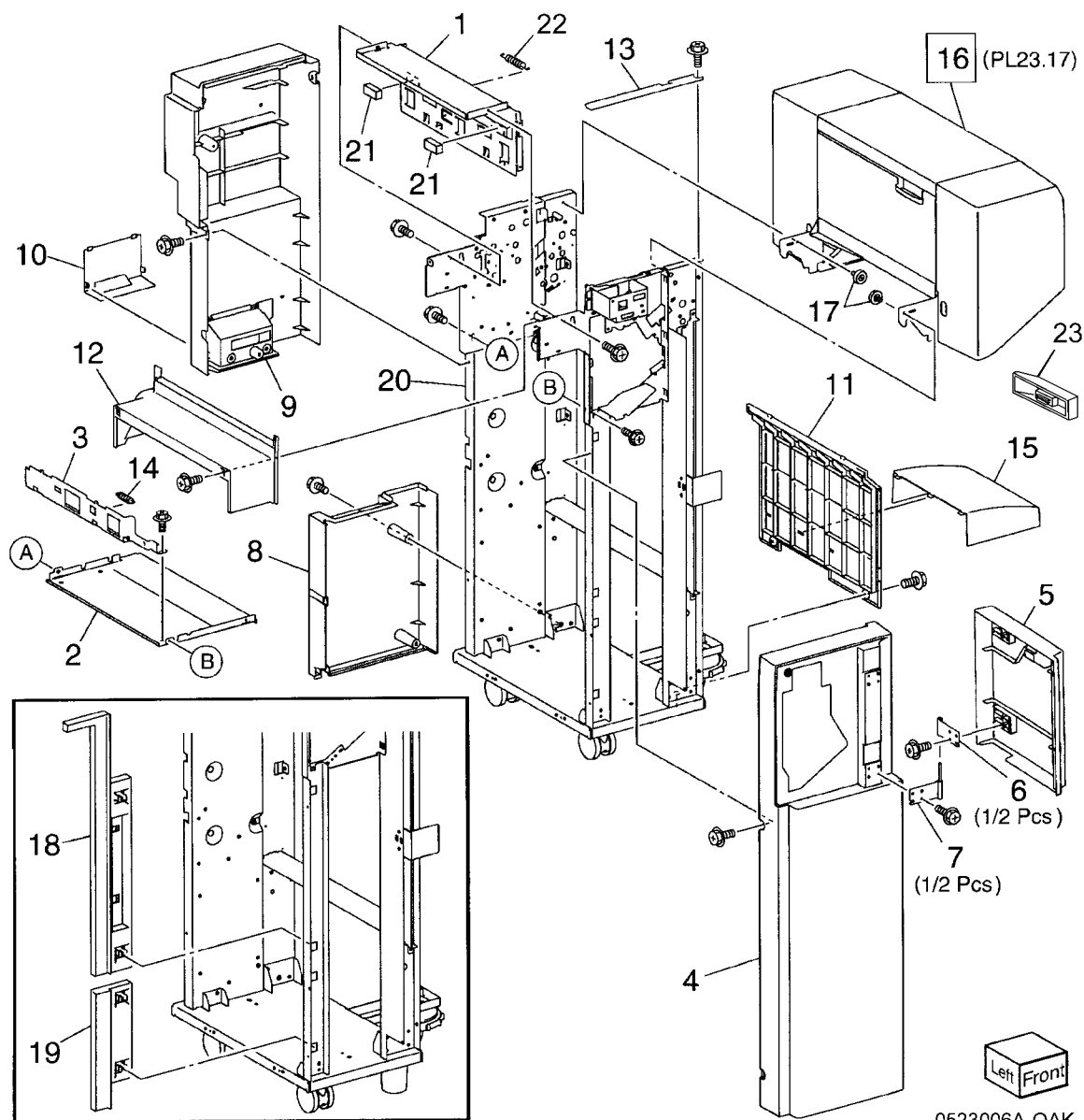
Rear Left

0523004A-OAK



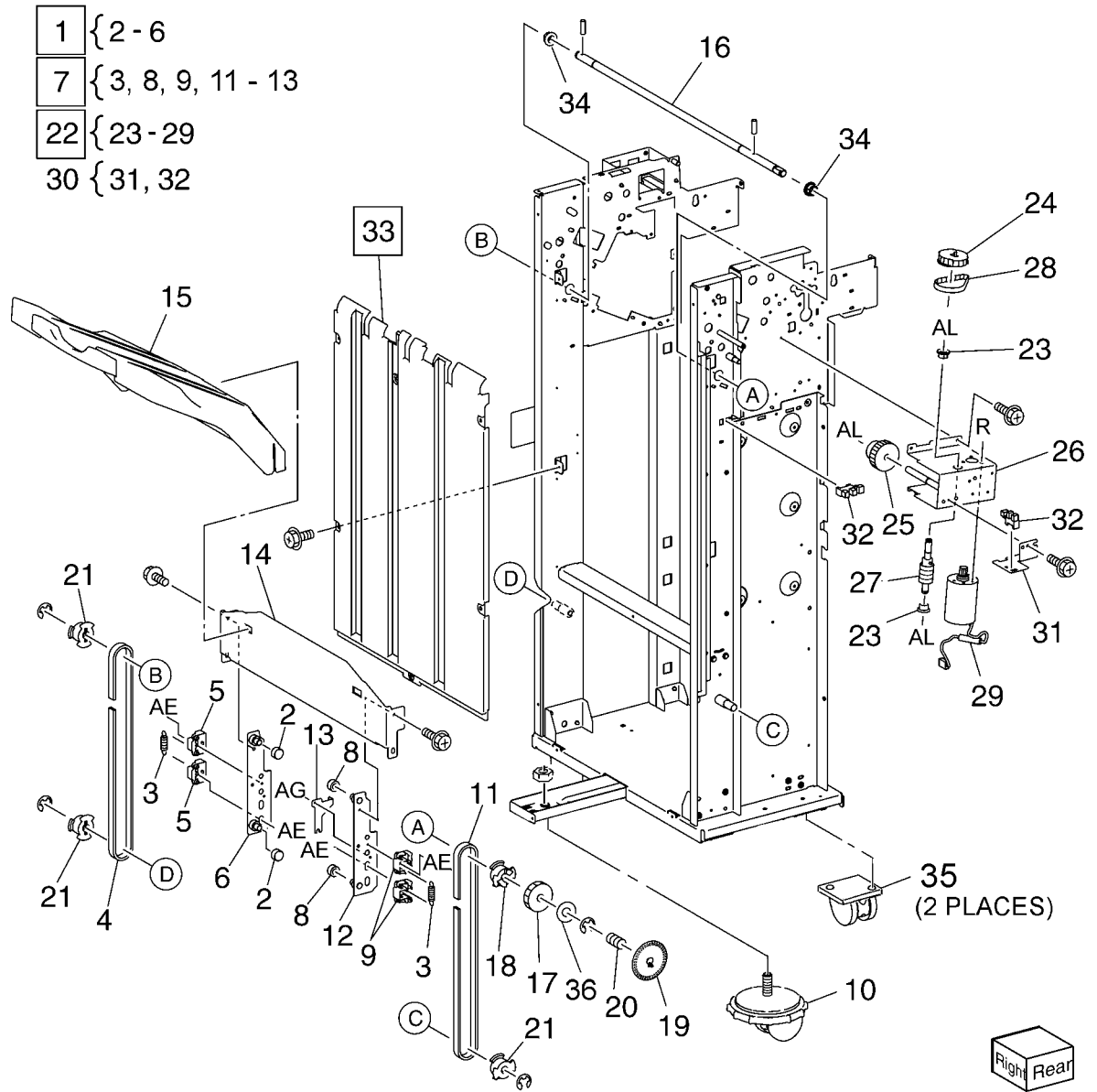
# PL 23.6 Finisher Covers (Office Finisher LX)

| Item | Part      | Description                      |
|------|-----------|----------------------------------|
| 1    | -         | Plate (Not Spared)               |
| 2    | -         | Lower Plate (Not Spared)         |
| 3    | -         | Docking Lever (Not Spared)       |
| 4    | 848E15190 | Front Cover (REP 23.6)           |
| 5    | -         | Front Door (Not Spared)          |
| 6    | -         | Bracket (Not Spared)             |
| 7    | -         | Hinge (Not Spared)               |
| 8    | 848E15210 | Rear Lower Cover (REP 23.8)      |
| 9    | 848E15221 | Rear Upper Cover (REP 23.7)      |
| 10   | 848E15232 | Connector Cover                  |
| 11   | 848E15240 | Stacker Lower Cover (REP 23.11)  |
| 12   | -         | LH Cover                         |
| 13   | -         | Cover (Not Spared)               |
| 14   | -         | Spring (Not Spared)              |
| 15   | 848E22450 | Foot Cover (REP 23.17)           |
| 16   | 801K30700 | Booklet Assembly (REP 23.31)     |
| 17   | 826E09910 | Thumb Screw                      |
| 18   | -         | Upper Adjust Cover (Not Spared)  |
| 19   | -         | Lower Adjust Cover (Not Spared)  |
| 20   | -         | Base Frame Assembly (Not Spared) |
| 21   | 921W41162 | Gasket                           |
| 22   | 809E81510 | Extension Spring                 |
| 23   | 038K19151 | Paper Guide                      |



# PL 23.7 Finisher Stacker (Office Finisher LX)

| Item | Part      | Description                                     |
|------|-----------|---|
| 1    | 041K95980 | Front Carriage Assembly (REP 23.29)             |
| 2    | -         | Bearing (P/O PL 23.7 Item 1)                    |
| 3    | 809E56850 | Spring  |
| 4    | -         | Front Stacker Belt (P/O PL 23.7 Item 1)         |
| 5    | -         | Clamp (P/O PL 23.7 Item 1)                      |
| 6    | -         | Front Carriage Assembly (P/O PL 23.7 Item 1)    |
| 7    | 041K95990 | Rear Carriage Assembly (REP 23.29)              |
| 8    | -         | Bearing (P/O PL 23.7 Item 7)                    |
| 9    | -         | Clamp (P/O PL 23.7 Item 7)                      |
| 10   | 017K94620 | Knob Caster Assembly                            |
| 11   | -         | Rear Stacker Belt (P/O PL 23.7 Item 7)          |
| 12   | -         | Rear Carriage (P/O PL 23.7 Item 7)              |
| 13   | -         | Actuator (P/O PL 23.7 Item 7)                   |
| 14   | -         | Carriage Tray (Not Spared)                      |
| 15   | 050K61105 | Stacker Tray (REP 23.20)                        |
| 16   | -         | Shaft (Not Spared)                              |
| 17   | 807E08990 | Gear  |
| 18   | 020E37710 | Pulley  |
| 19   | 146E90650 | Encoder   |
| 20   | 809E56860 | Spring  |
| 21   | 020E37720 | Pulley (18T)                                    |
| 22   | 068K58303 | Stacker Elevator Motor Assembly (REP 23.19)     |
| 23   | -         | Bearing (P/O PL 23.7 Item 22)                   |
| 24   | 020E44181 | Pulley (60T)                                    |
| 25   | -         | Gear (15T/37T) (P/O PL 23.7 Item 22)            |
| 26   | -         | Motor Bracket (P/O PL 23.7 Item 22)             |
| 27   | -         | Worm Shaft (P/O PL 23.7 Item 22)                |
| 28   | 423W27654 | Belt  |
| 29   | -         | Stacker Elevator Motor (P/O PL 23.7 Item 22)    |
| 30   | -         | Stacker Encoder Sensor Assembly (Not Spared)    |
| 31   | -         | Bracket (P/O PL 23.7 Item 30)                   |
| 32   | 930W00111 | Stacker Encoder Sensor, Stacker No Paper Sensor |
| 33   | -         | Stacker Upper Cover (REP 23.12)                 |
| 34   | 413W79359 | Bearing   |
| 35   | 017K94630 | Caster Assembly                                 |
| 36   | 251W31178 | Washer  |

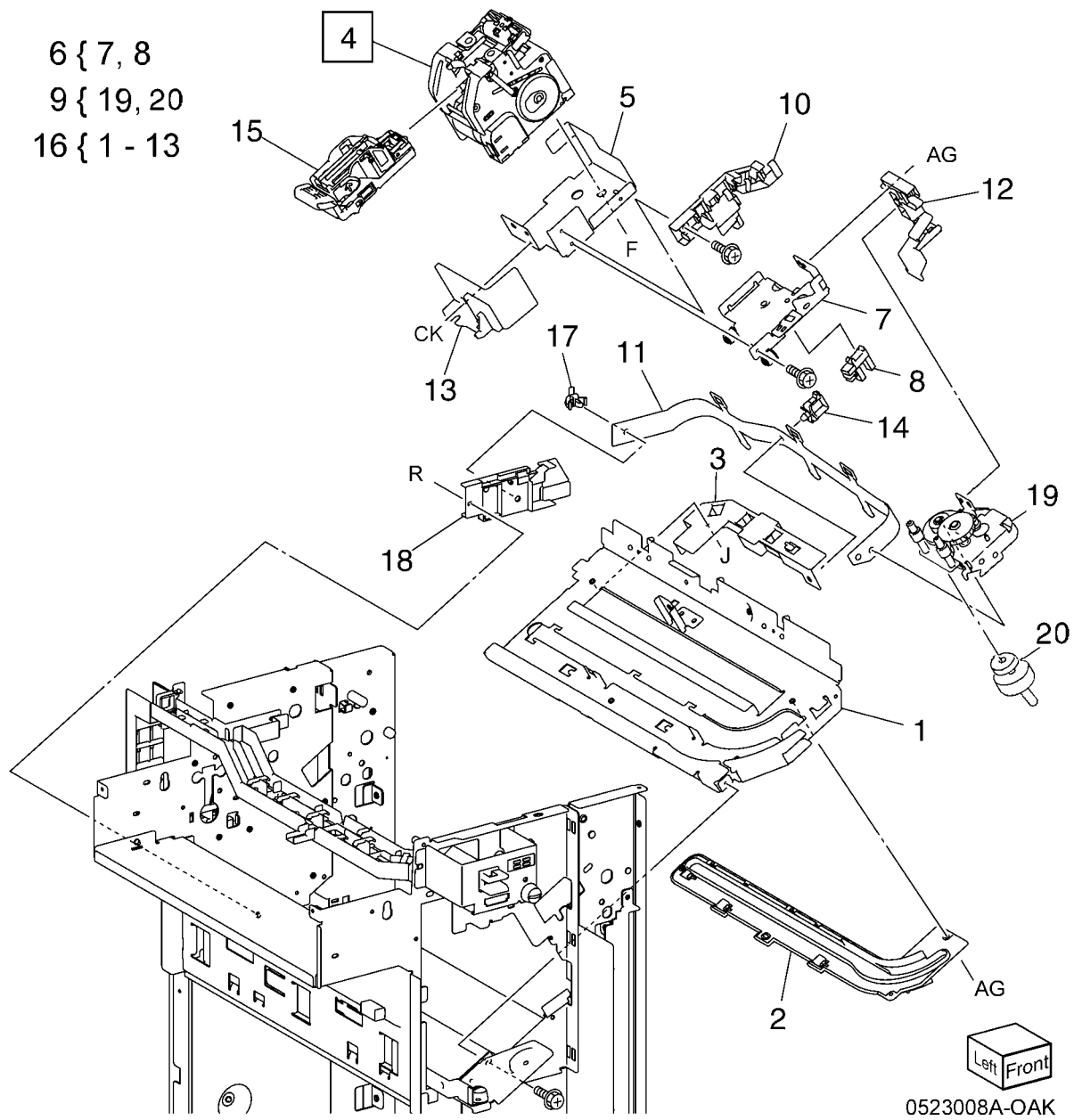


Right Rear  
0523007A-OAK

# PL 23.8 Finisher Stapler (Office Finisher LX)

| Item | Part      | Description   |
|------|-----------|---|
| 1    | -         | Base Frame (P/O PL 23.8 Item 16)                        |
| 2    | -         | Rail (P/O PL 23.8 Item 16)                              |
| 3    | -         | Harness Guide   |
| 4    | 029K92350 | Stapler Assembly (REP 23.16)                            |
| 5    | -         | Holder (Not Spared)                                     |
| 6    | -         | Stapler Move Position Sensor Assembly (Not Spared)      |
| 7    | -         | Bracket (P/O PL 23.8 Item 6)                            |
| 8    | 130E94940 | Stapler Move Position Sensor                            |
| 9    | -         | Stapler Move Motor Assembly (Not Spared)                |
| 10   | -         | Harness Guide (P/O PL 23.8 Item 16)                     |
| 11   | -         | Harness Support Guide (P/O PL 23.8 Item 16)             |
| 12   | -         | Harness Guide (P/O PL 23.8 Item 16)                     |
| 13   | -         | Stapler Cover (Not Spared)                              |
| 14   | -         | Clamp (Not Spared)                                      |
| 15   | -         | Stapler Cartridge (Not Spared)                          |
| 16   | -         | Stapler Unit (Not Spared)                               |
| 17   | -         | Cable Band (Not Spared)                                 |
| 18   | -         | Harness Guide (Not Spared)                              |
| 19   | -         | Stapler Motor Assembly (P/O PL 23.8 Item 9) (REP 23.15) |
| 20   | 127K57622 | Motor Assembly  |

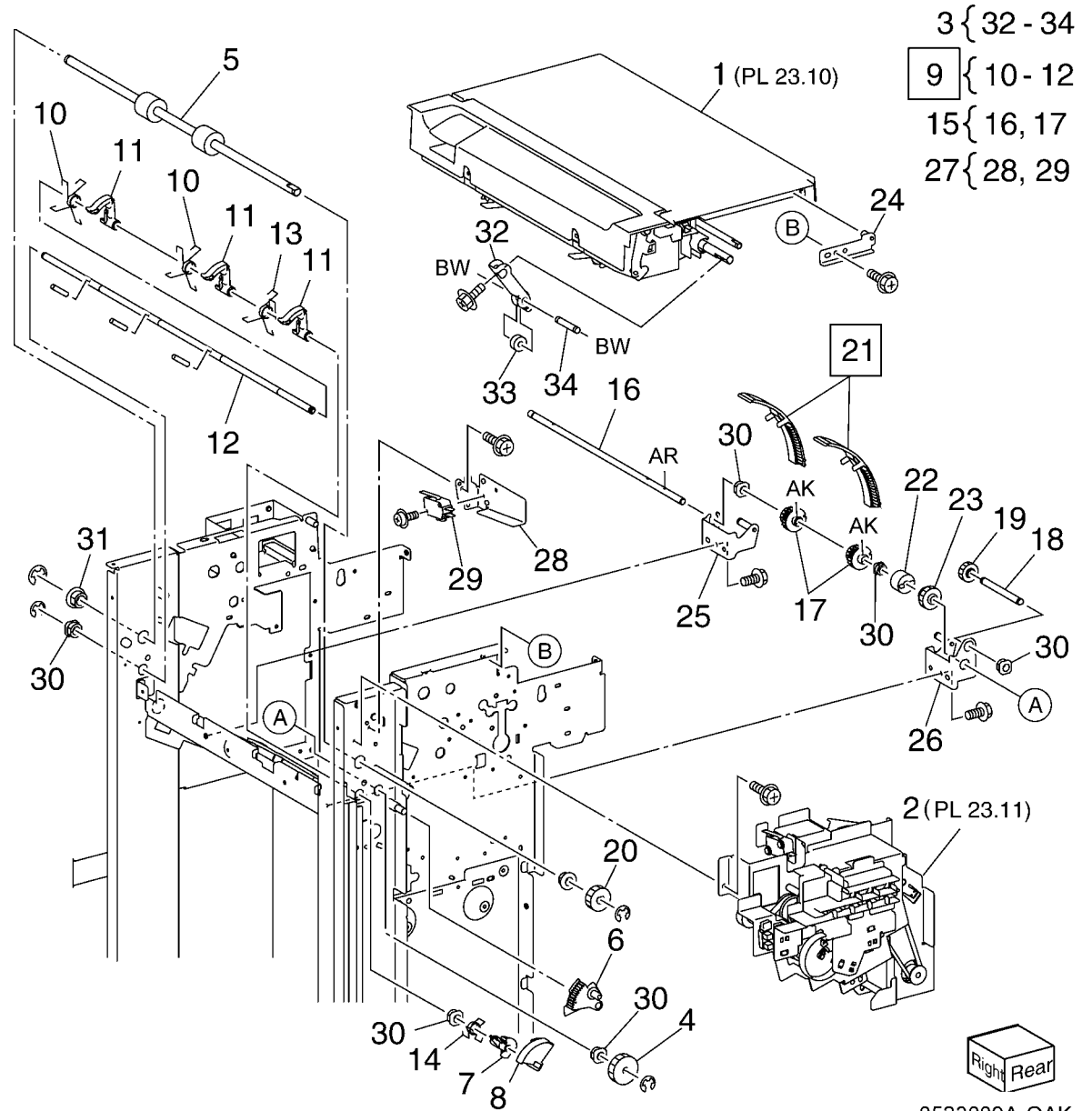
6 { 7, 8  
 9 { 19, 20  
 16 { 1 - 13



0523008A-OAK  
 Left Front

# PL 23.9 Finisher Eject (1 of 5) (Office Finisher LX)

| Item | Part      | Description                             |
|------|-----------|---|
| 1    | -         | Eject Cover Assembly (PL 23.10)         |
| 2    | -         | Eject Assembly (PL 23.11)               |
| 3    | 031K93790 | Clamp Arm Assembly                      |
| 4    | 807E21370 | Gear (25T)                              |
| 5    | 059K55111 | Eject Roller                            |
| 6    | 807E21380 | Gear (72T)                              |
| 7    | 807E21391 | Gear (18T)                              |
| 8    | 120E29771 | Actuator                                |
| 9    | 006K86731 | Set Clamp Shaft Assembly                |
| 10   | -         | Spring (P/O PL 23.9 Item 9)             |
| 11   | 019K09391 | Set Clamp Holder                        |
| 12   | -         | Shaft (Not Spared)                      |
| 13   | 809E79060 | Spring                                  |
| 14   | 809E79080 | Spring                                  |
| 15   | 006K86741 | Guide Paper Shaft Assembly              |
| 16   | -         | Guide Paper Shaft (P/O PL 23.9 Item 15) |
| 17   | -         | Gear (20T) (P/O PL 23.9 Item 15)        |
| 18   | -         | Shaft (Not Spared)                      |
| 19   | 807E21420 | Gear (19T)                              |
| 20   | 807E21400 | Gear (31T)                              |
| 21   | 038E36490 | Guide Paper (Left/Right)                |
| 22   | 005E25820 | Clutch                                  |
| 23   | 807E21970 | Gear (23T)                              |
| 24   | -         | Stopper (Not Spared)                    |
| 25   | -         | Bracket (Front) (Not Spared)            |
| 26   | -         | Bracket (Rear) (Not Spared)             |
| 27   | -         | Option Switch Assembly (Not Spared)     |
| 28   | -         | Bracket (Not Spared)                    |
| 29   | -         | Option Switch (Not Spared)              |
| 30   | 413W77559 | Sleeve Bearing                          |
| 31   | -         | Bearing (Not Spared)                    |
| 32   | -         | Clamp Arm (P/O PL 23.9 Item 3)          |
| 33   | -         | Roll (Not Spared)                       |
| 34   | -         | Shaft (P/O PL 23.9 Item 3)              |



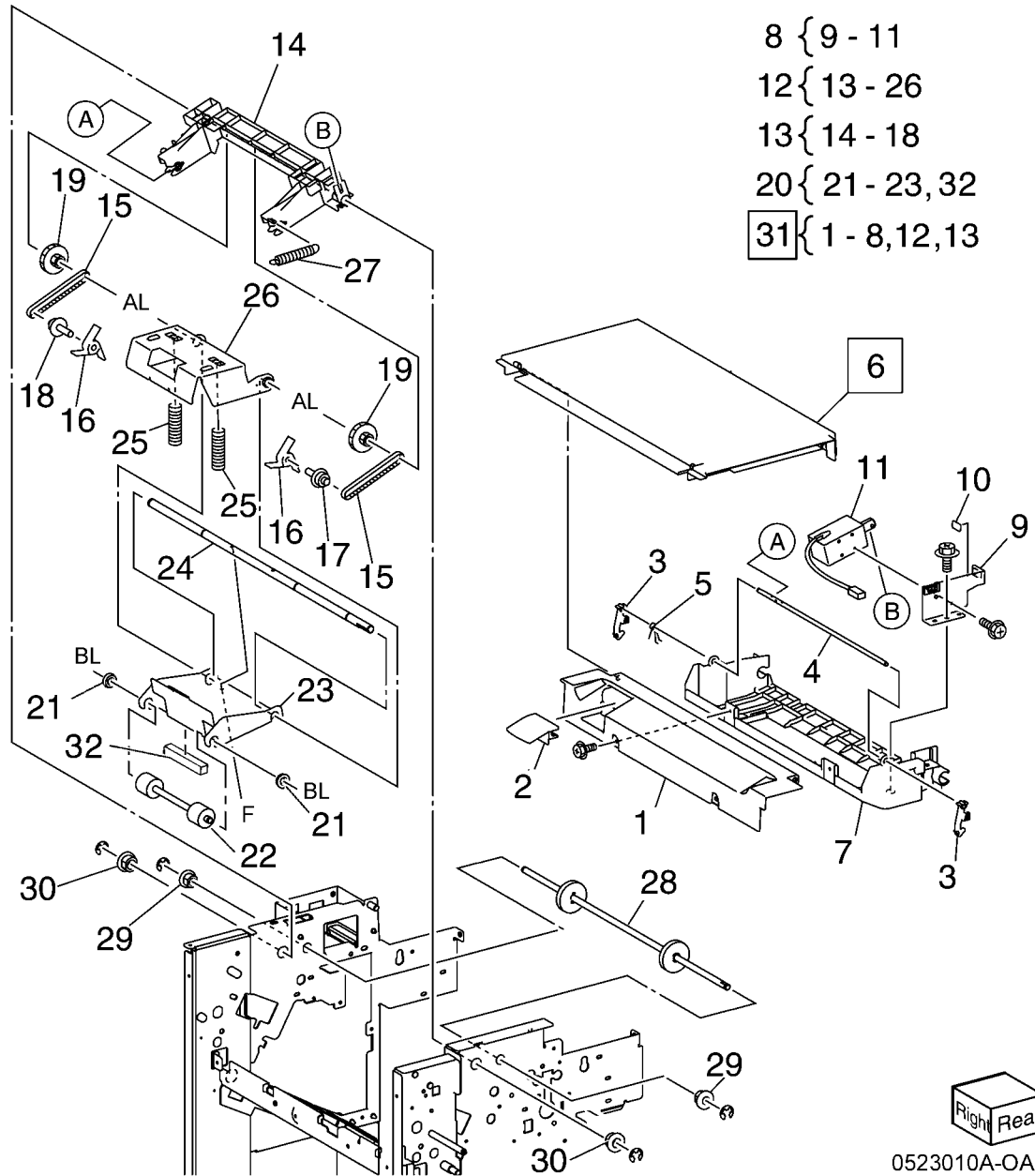
3 { 32 - 34  
 9 { 10 - 12  
 15 { 16, 17  
 27 { 28, 29

Right Rear  
 0523009A-OAK



# PL 23.10 Finisher Eject (2 of 5) (Office Finisher LX)

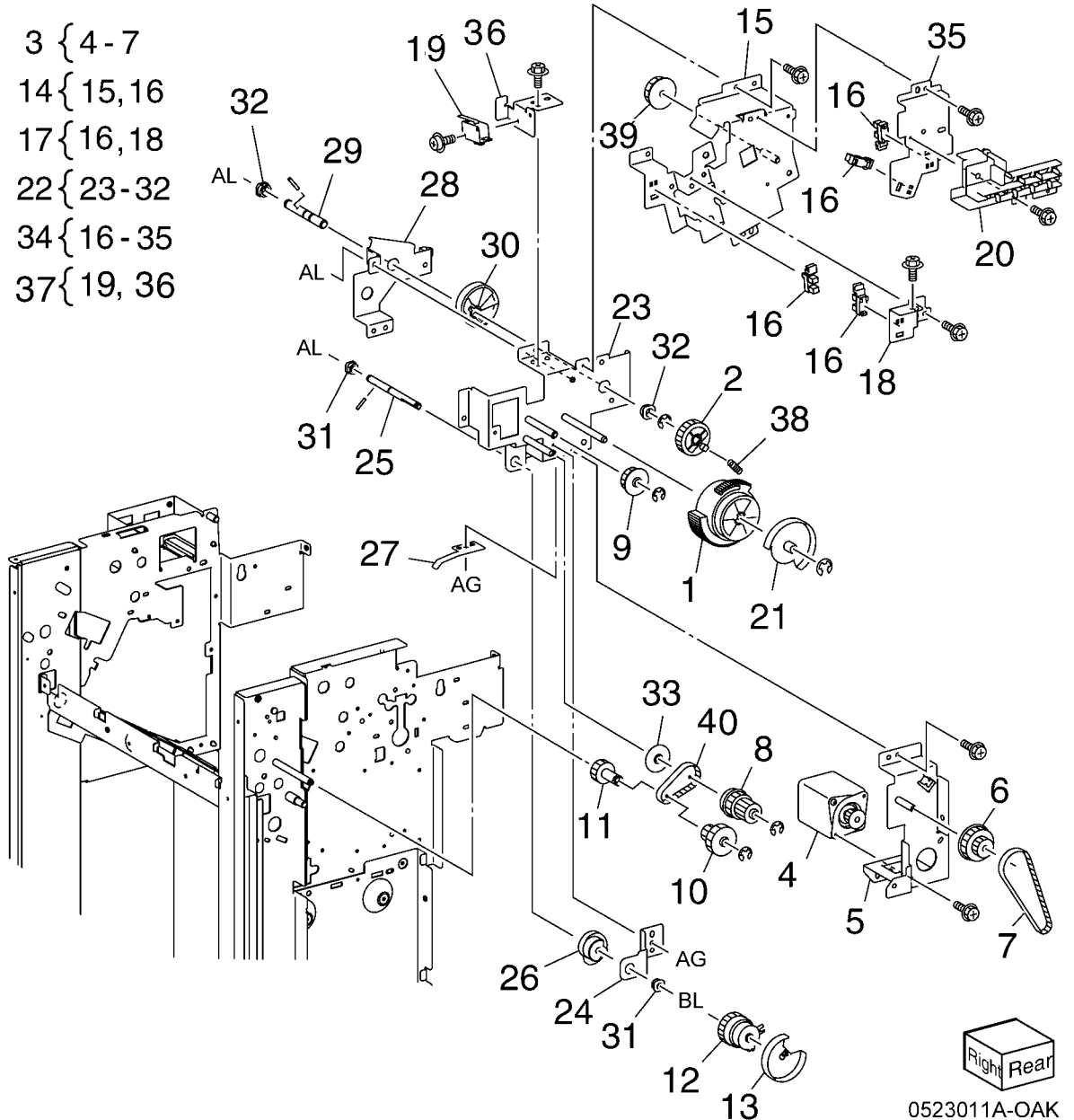
| Item | Part      | Description                               |
|------|-----------|---|
| 1    | 848E15291 | Top Right Hand Cover                      |
| 2    | 011E20781 | Top Cover Lever                           |
| 3    | 003E76111 | Top Cover Latch                           |
| 4    | -         | Shaft (Not Spared)                        |
| 5    | 809E79031 | Spring                                    |
| 6    | 848E15301 | Eject Cover (REP 23.9)                    |
| 7    | 054K35301 | Eject Chute                               |
| 8    | 121K41632 | Sub Paddle Solenoid Assembly (REP 23.14)  |
| 9    | -         | Bracket (P/O PL 23.10 Item 8)             |
| 10   | -         | Damper (P/O PL 23.10 Item 8)              |
| 11   | -         | Sub Paddle Solenoid (P/O PL 23.10 Item 8) |
| 12   | -         | Eject Roller Assembly (Not Spared)        |
| 13   | 031K93770 | Paddle Arm Assembly                       |
| 14   | -         | Sub Paddle Arm (Not Spared)               |
| 15   | 423W08655 | Belt                                      |
| 16   | -         | Sub Paddle (P/O PL 23.10 Item 13)         |
| 17   | -         | Pulley (P/O PL 23.10 Item 13)             |
| 18   | -         | Pulley (P/O PL 23.10 Item 13)             |
| 19   | -         | Gear/Pulley (31T/20T) (Not Spared)        |
| 20   | -         | Eject Pinch Roller Assembly (Not Spared)  |
| 21   | -         | Bearing (P/O PL 23.10 Item 20)            |
| 22   | 059K55102 | Eject Pinch Roller                        |
| 23   | -         | Bracket (P/O PL 23.10 Item 20)            |
| 24   | -         | Shaft (P/O PL 23.10 Item 12)              |
| 25   | -         | Spring (Not Spared)                       |
| 26   | -         | Bracket (P/O PL 23.10 Item 12)            |
| 27   | 809E79050 | Spring                                    |
| 28   | 006K86690 | Eject Drive Shaft                         |
| 29   | -         | Bearing (Not Spared)                      |
| 30   | -         | Bearing (Not Spared)                      |
| 31   | -         | Eject Chute Assembly (Not Spared)         |
| 32   | -         | Eject Eliminator (P/O PL 23.10 Item 20)   |



- 8 { 9 - 11
- 12 { 13 - 26
- 13 { 14 - 18
- 20 { 21 - 23, 32
- 31 { 1 - 8, 12, 13

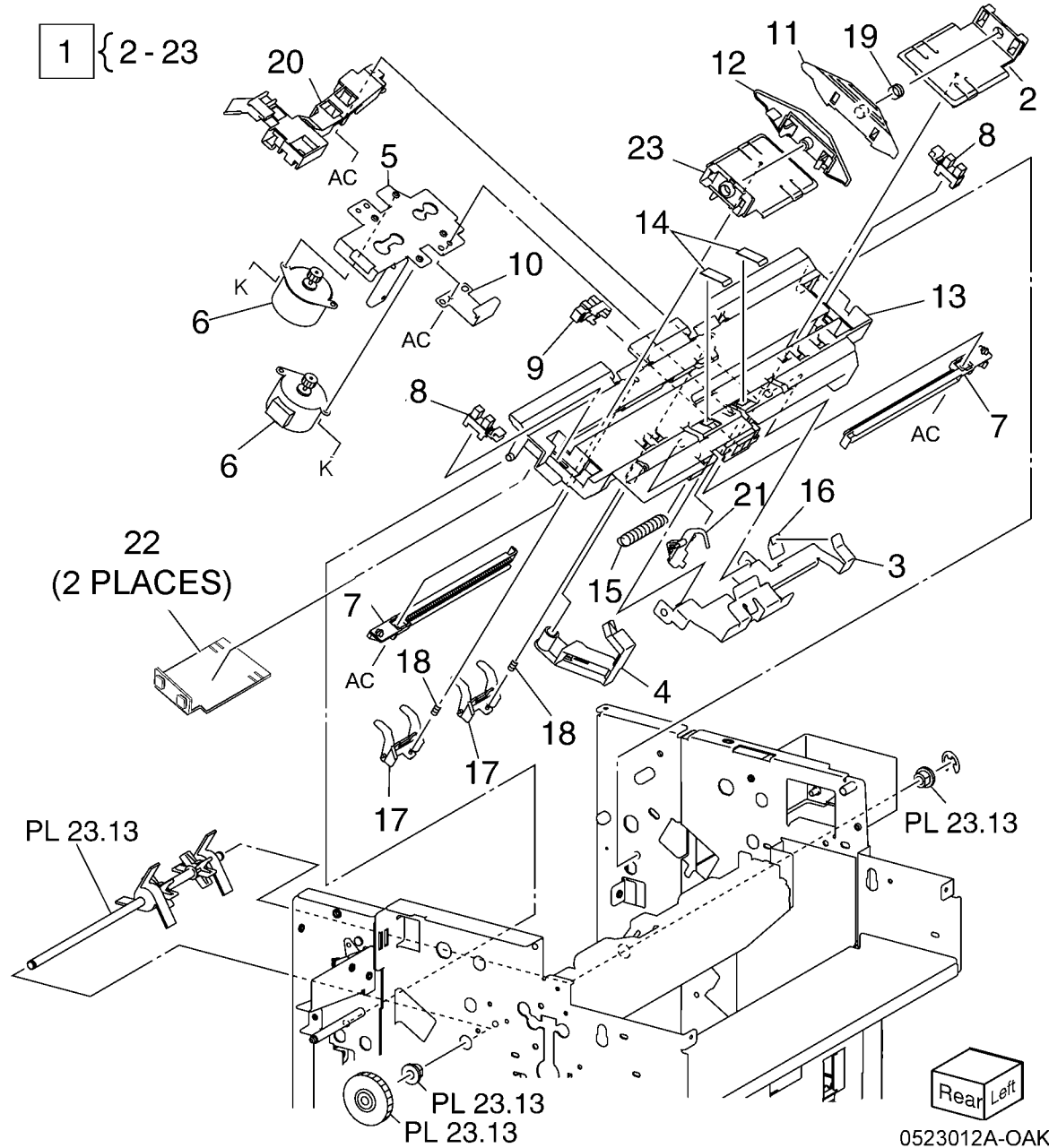
# PL 23.11 Finisher Eject (3 of 5) (Office Finisher LX)

| Item | Part      | Description  |
|------|-----------|--|
| 1    | 807E20931 | Gear (82T/77T/51T)   |
| 2    | 807E20940 | Gear (38T)   |
| 3    | -         | Eject Motor Assembly (Not Spared) (REP 23.22)  |
| 4    | 127K53140 | Eject Motor (REP 23.25)  |
| 5    | -         | Bracket (P/O PL 23.11 Item 3)  |
| 6    | 807E22030 | Gear/Pulley (20T/49T)  |
| 7    | 423W31054 | Belt   |
| 8    | 807E21330 | Gear (28T/22T/38T)   |
| 9    | 807E21340 | Gear (25T)   |
| 10   | 807E21350 | Gear/Pulley (32T/25T)  |
| 11   | 807E21360 | Gear (23T)   |
| 12   | 121K34631 | Set Clamp Clutch (34T)   |
| 13   | 120E29591 | Set Clamp Cam Actuator   |
| 14   | 130K72170 | Stacker Height Sensor 1 Assembly   |
| 15   | -         | Bracket (P/O PL 23.11 Item 14)   |
| 16   | 930W00111 | Stacker Height Sensor 1, Stacker Height Sensor 2, Eject Clamp Home Sensor, Set Clamp Home Sensor (REP 23.13) |
| 17   | 130K72180 | Stacker Height Sensor 2 Assembly   |
| 18   | -         | Bracket (P/O PL 23.11 Item 17)   |
| 19   | -         | Eject Cover Switch (P/O PL 23.11 Item 37)  |
| 20   | -         | Harness Guide (Not Spared)   |
| 21   | 120E29850 | Gear Select Actuator   |
| 22   | -         | Eject Drive Bracket Assembly (Not Spared)  |
| 23   | -         | Bracket (P/O PL 23.11 Item 22)   |
| 24   | -         | Bracket (P/O PL 23.11 Item 22)   |
| 25   | -         | Shaft (P/O PL 23.11 Item 22)   |
| 26   | 008E96770 | Clamp Set Cam  |
| 27   | 809E79070 | Spring   |
| 28   | -         | Bracket (P/O PL 23.11 Item 22)   |
| 29   | -         | Shaft (P/O PL 23.11 Item 22)   |
| 30   | 008E96691 | Eject Clamp Cam  |
| 31   | 413W11660 | Sleeve Bearing   |
| 32   | -         | Sleeve Bearing (P/O PL 23.11 Item 22)  |
| 33   | 005E25810 | Drive Eject Flange   |
| 34   | 130K72190 | Eject Clamp Home Sensor Assembly   |
| 35   | -         | Bracket (P/O PL 23.11 Item 34)   |
| 36   | -         | Bracket (P/O PL 23.11 Item 37)   |
| 37   | -         | Eject Cover Switch Assembly (Not Spared)   |
| 38   | 809E79820 | Spring   |
| 39   | 807E22040 | Gear (30T)   |
| 40   | 423W25954 | Belt   |



# PL 23.12 Finisher Eject (4 of 5) (Office Finisher LX)

| Item | Part      | Description   |
|------|-----------|---|
| 1    | 050K61091 | Compiler Tray Assembly (REP 23.17)                            |
| 2    | 038E36462 | Tamper Guide, Rear  |
| 3    | -         | Compiler Center Paper Guide (P/O PL 23.12 Item 1)             |
| 4    | -         | Compiler Rear Paper Guide (P/O PL 23.12 Item 1)               |
| 5    | -         | Bracket (P/O PL 23.12 Item 1)                                 |
| 6    | 127K48210 | Tamper Motor  |
| 7    | -         | Rack (Front) (P/O PL 23.12 Item 1)                            |
| 8    | 930W00111 | Front Tamper Home Sensor, Rear Tamper Home Sensor (REP 23.27) |
| 9    | 130E81600 | Compiler Tray No Paper Sensor (REP 23.28)                     |
| 10   | -         | Spring (P/O PL 23.12 Item 1)                                  |
| 11   | -         | Tamper Front Guide (P/O PL 23.12 Item 1)                      |
| 12   | -         | Tamper Rear Guide (P/O PL 23.12 Item 1)                       |
| 13   | -         | Compiler Tray (P/O PL 23.12 Item 1)                           |
| 14   | -         | Paper Paddle Guide (P/O PL 23.12 Item 1)                      |
| 15   | 809E79000 | Spring  |
| 16   | -         | Paper End Guide (P/O PL 23.12 Item 1)                         |
| 17   | -         | Paper Tray Guide (P/O PL 23.12 Item 1)                        |
| 18   | -         | Spring (P/O PL 23.12 Item 1)                                  |
| 19   | -         | Spring (P/O PL 23.12 Item 1)                                  |
| 20   | -         | Harness Guide (P/O PL 23.12 Item 1)                           |
| 21   | 120E29760 | Actuator  |
| 22   | 801E04903 | Tamper Base   |
| 23   | 038E36452 | Tamper Guide, Front   |

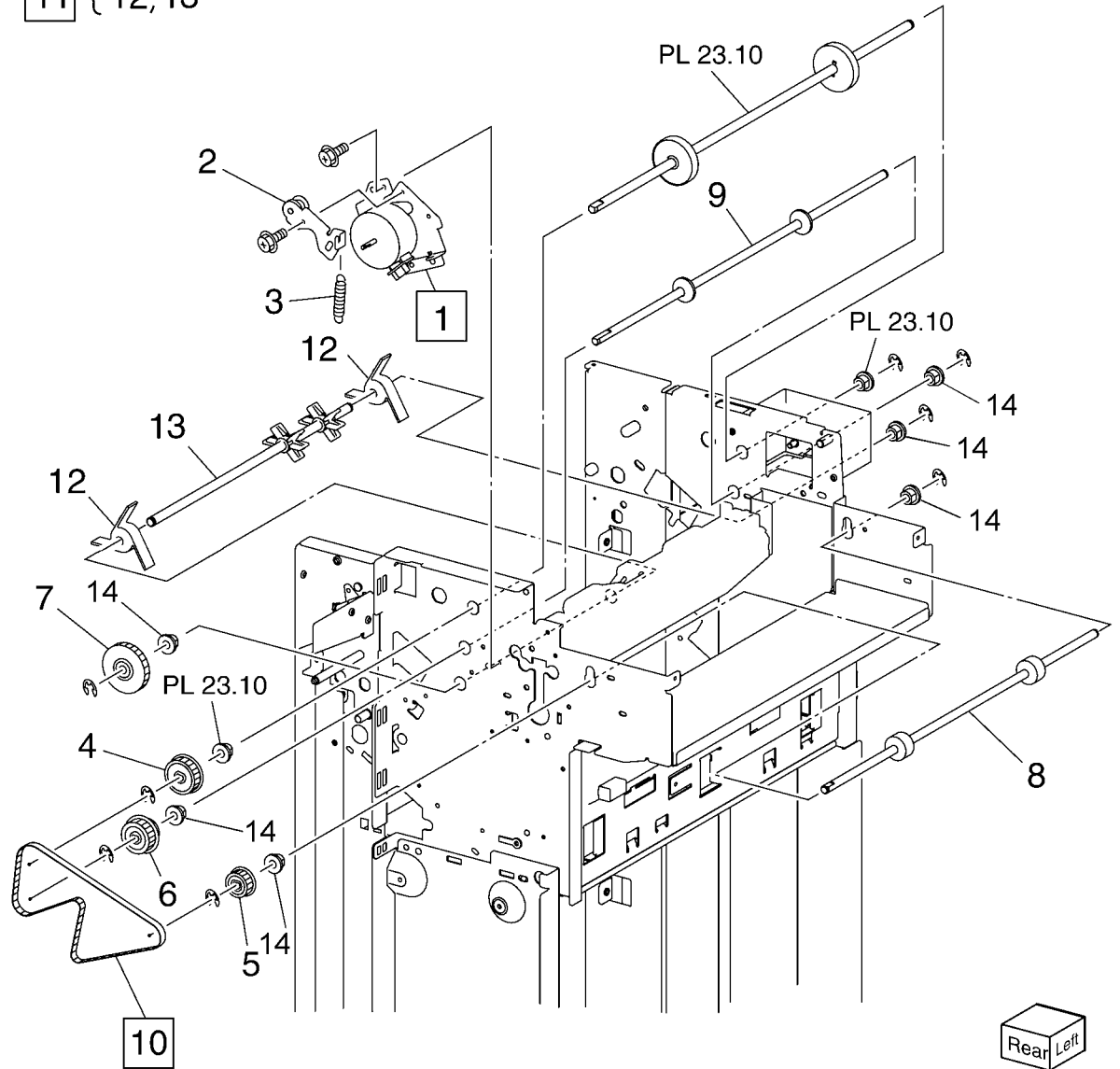


0523012A-OAK

# PL 23.13 Finisher Eject (5 of 5) (Office Finisher LX)

| Item | Part      | Description                         |
|------|-----------|-------------------------------------|
| 1    | 068K58822 | Transport Motor                     |
| 2    | 068K58832 | Tension Roller Assembly             |
| 3    | 809E78980 | Spring                              |
| 4    | 020E45340 | Pulley (30T)                        |
| 5    | 020E45570 | Pulley (41T)                        |
| 6    | -         | Gear/Pulley (27T/30T)               |
| 7    | 007K98300 | Gear                                |
| 8    | 059K55080 | Entrance Roller                     |
| 9    | 059K55090 | Exit Roller                         |
| 10   | 423W18754 | Eject Belt (REP 23.21)              |
| 11   | 006K86813 | Paddle Shaft Assembly               |
| 12   | 033E92850 | Cyclone Paddle                      |
| 13   | -         | Paddle Shaft (P/O PL 23.13 Item 11) |
| 14   | 413W75959 | Bearing                             |

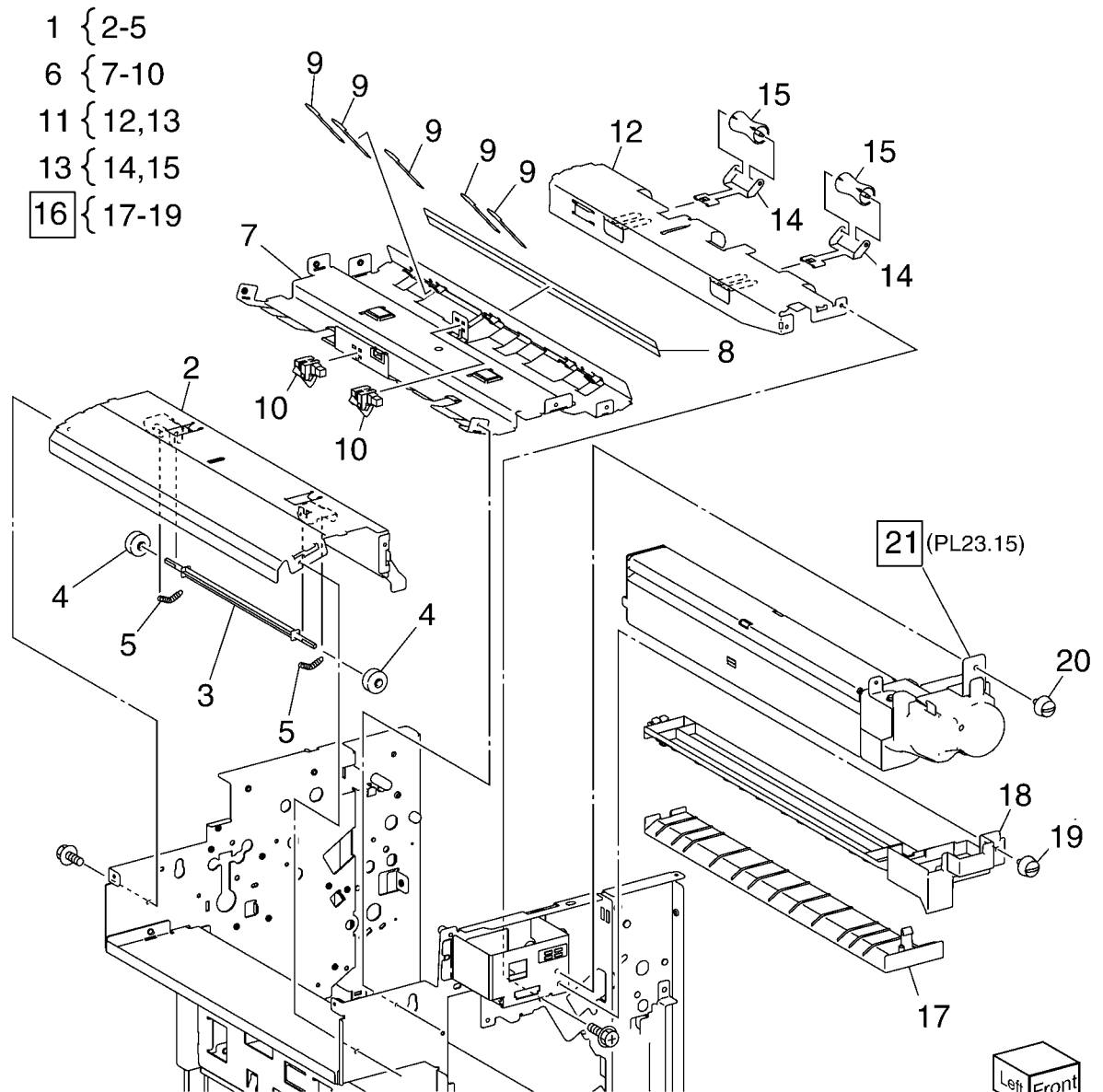
11 { 12, 13



Rear Left  
j0fb52313B

# PL 23.14 Finisher Exit/Folder Assembly (Office Finisher LX)

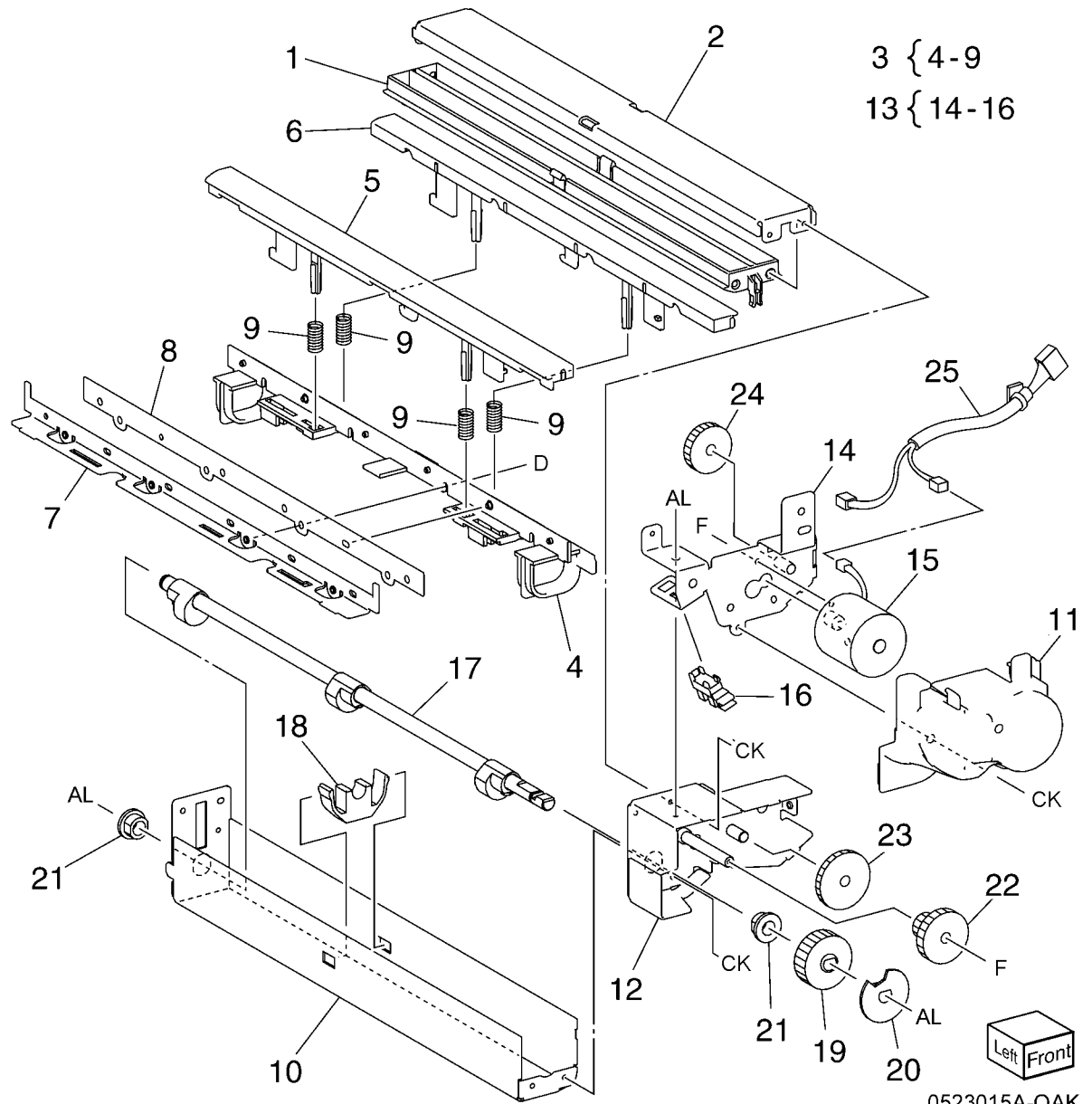
| Item | Part      | Description                                    |
|------|-----------|--|
| 1    | -         | Lower Chute Assembly (Not Spared)              |
| 2    | -         | Lower Chute (P/O PL 23.14 Item 1)              |
| 3    | 806E22120 | Shaft  |
| 4    | 059E03710 | Pinch Roll                                     |
| 5    | 809E78960 | Spring   |
| 6    | 054K35540 | Exit Upper Chute Assembly                      |
| 7    | -         | Exit Upper Chute (P/O PL 23.14 Item 6)         |
| 8    | 105E18000 | Static Eliminator                              |
| 9    | 038E36420 | Paper Guide                                    |
| 10   | 130K88311 | Compiler Exit Sensor, Finisher Entrance Sensor |
| 11   | 054K35558 | Exit Lower Chute Assembly                      |
| 12   | -         | Exit Lower Chute (P/O PL 23.14 Item 11)        |
| 13   | 059K56321 | Pinch Roll Assembly                            |
| 14   | -         | Spring (P/O PL 23.14 Item 13)                  |
| 15   | -         | Pinch Roll (P/O PL 23.14 Item 13)              |
| 16   | -         | Chute Assembly (Not Spared)                    |
| 17   | -         | Lower Chute (P/O PL 23.14 Item 16)             |
| 18   | -         | Upper Chute (P/O PL 23.14 Item 16)             |
| 19   | -         | Thumb Screw (P/O PL 23.14 Item 16)             |
| 20   | -         | Chute Assembly (Not Spared)                    |
| 21   | 695K18691 | Crease Assembly (Option) (REP 23.18)           |



Left Front  
j0fb52314

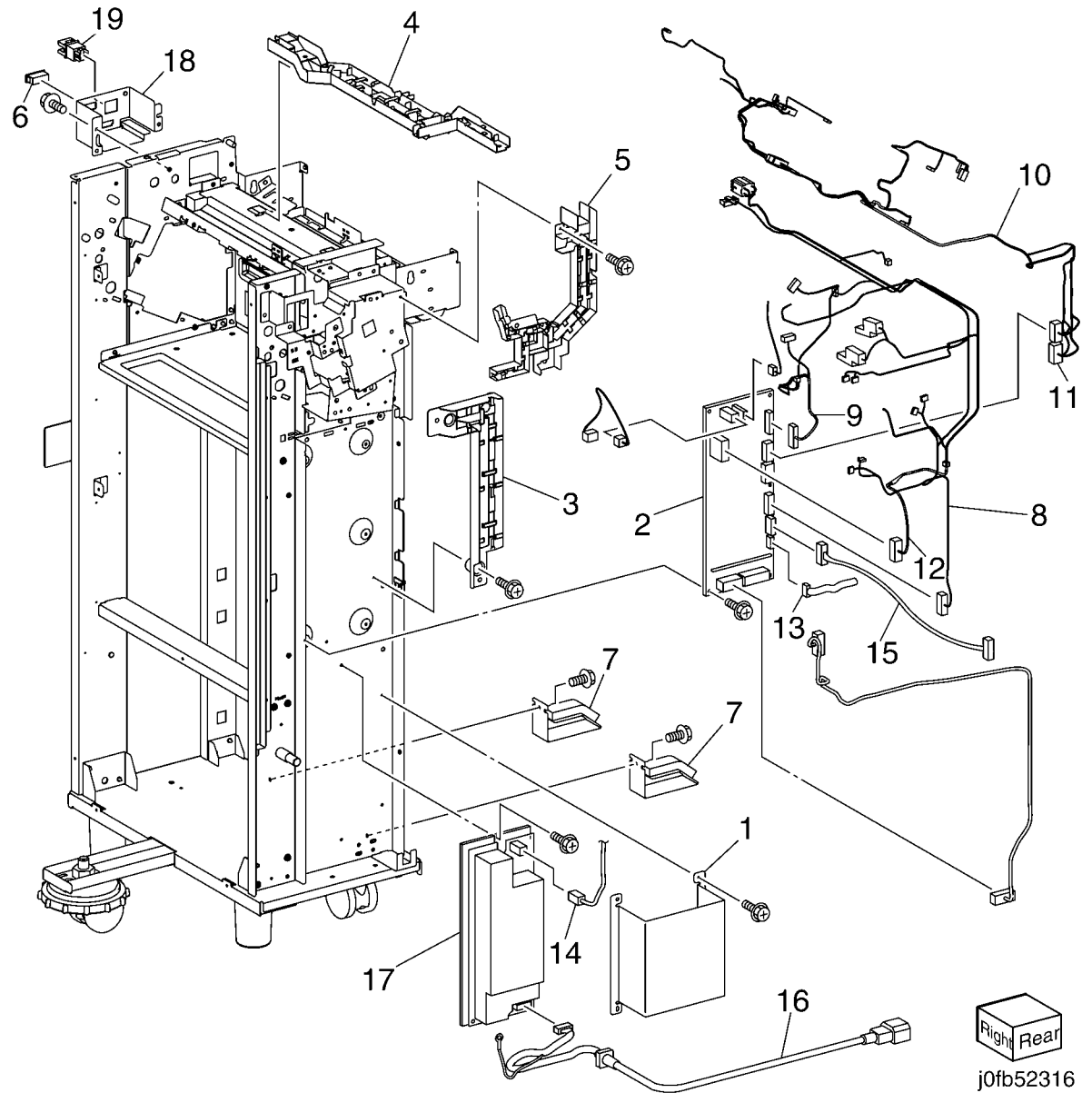
# PL 23.15 Folder Assembly (Office Finisher LX)

| Item | Part | Description  |
|------|------|--|
| 1    | -    | Upper Chute (P/O PL 23.14 Item 21)                 |
| 2    | -    | Upper Plate (P/O PL 23.14 Item 21)                 |
| 3    | -    | Knife Assembly (P/O PL 23.14 Item 21)              |
| 4    | -    | Blade Holder (P/O PL 23.15 Item 3)                 |
| 5    | -    | Lower Holder 1 (P/O PL 23.15 Item 3)               |
| 6    | -    | Lower Holder 2 (P/O PL 23.15 Item 3)               |
| 7    | -    | Bracket (P/O PL 23.15 Item 3)                      |
| 8    | -    | Blade (P/O PL 23.15 Item 3)                        |
| 9    | -    | Spring (P/O PL 23.14 Item 2)                       |
| 10   | -    | Frame (P/O PL 23.14 Item 21)                       |
| 11   | -    | Front Cover (P/O PL 23.14 Item 21)                 |
| 12   | -    | Bracket (P/O PL 23.14 Item 21)                     |
| 13   | -    | Folder Knife Motor Assembly (P/O PL 23.14 Item 21) |
| 14   | -    | Motor Bracket (P/O PL 23.15 Item 13)               |
| 15   | -    | Folder Knife Motor (P/O PL 23.15 Item 13)          |
| 16   | -    | Folder Home Sensor (P/O PL 23.15 Item 13)          |
| 17   | -    | Cam Shaft Assembly (P/O PL 23.14 Item 21)          |
| 18   | -    | Guide (P/O PL 23.14 Item 21)                       |
| 19   | -    | Gear (28T/8T) (P/O PL 23.14 Item 21)               |
| 20   | -    | Encoder (P/O PL 23.14 Item 21)                     |
| 21   | -    | Bearing (P/O PL 23.14 Item 21)                     |
| 22   | -    | Gear (12T/27T) (P/O PL 23.14 Item 21)              |
| 23   | -    | Gear (12T/30T) (P/O PL 23.14 Item 21)              |
| 24   | -    | Gear (12T/51T) (P/O PL 23.14 Item 21)              |
| 25   | -    | Wire Harness (P/O PL 23.14 Item 21)                |



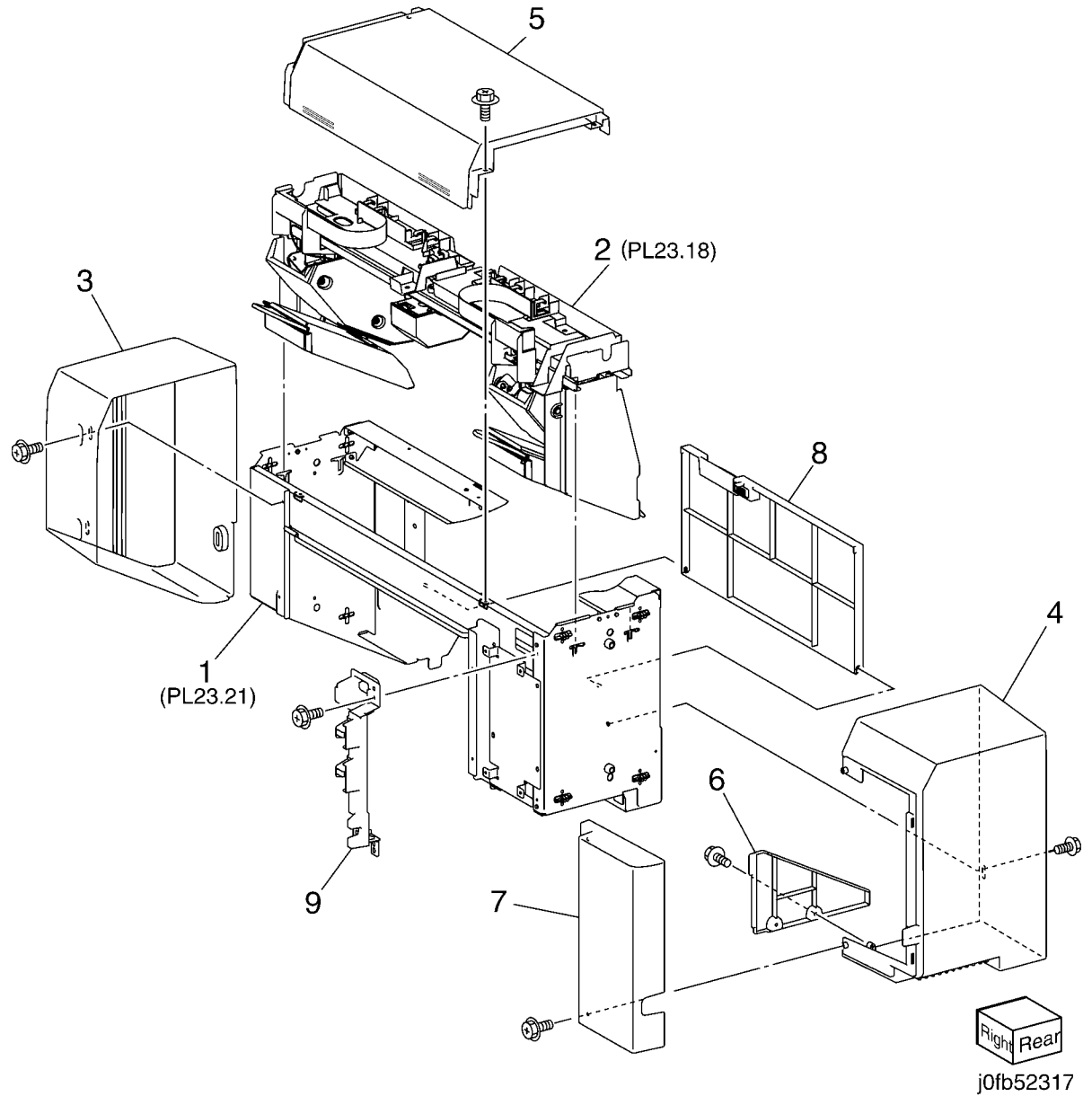
# PL 23.16 Finisher Electrical (Office Finisher LX)

| Item | Part      | Description                          |
|------|-----------|--------------------------------------|
| 1    | -         | LVPS Cover (Not Spared)              |
| 2    | 960K32539 | Finisher PWB (REP 23.23)             |
| 3    | -         | Harness Guide (Not Spared)           |
| 4    | -         | Harness Guide (Not Spared)           |
| 5    | -         | Harness Guide (Not Spared)           |
| 6    | -         | Magnet (Not Spared)                  |
| 7    | 015K78043 | Gasket Plate Assembly                |
| 8    | -         | Wire Harness (Not Spared)            |
| 9    | -         | Wire Harness (Not Spared)            |
| 10   | -         | Wire Harness (Not Spared)            |
| 11   | -         | Wire Harness (Not Spared)            |
| 12   | -         | Wire Harness (Not Spared)            |
| 13   | 962K60480 | Wire Harness                         |
| 14   | -         | Wire Harness (Not Spared)            |
| 15   | -         | Wire Harness (Not Spared)            |
| 16   | 962K74540 | Power Cable                          |
| 17   | 105E17550 | Finisher LVPS (REP 23.24)            |
| 18   | -         | Bracket (Not Spared)                 |
| 19   | 110E97990 | Finisher Front Door Interlock Switch |



# PL 23.17 Booklet Cover (Office Finisher LX)

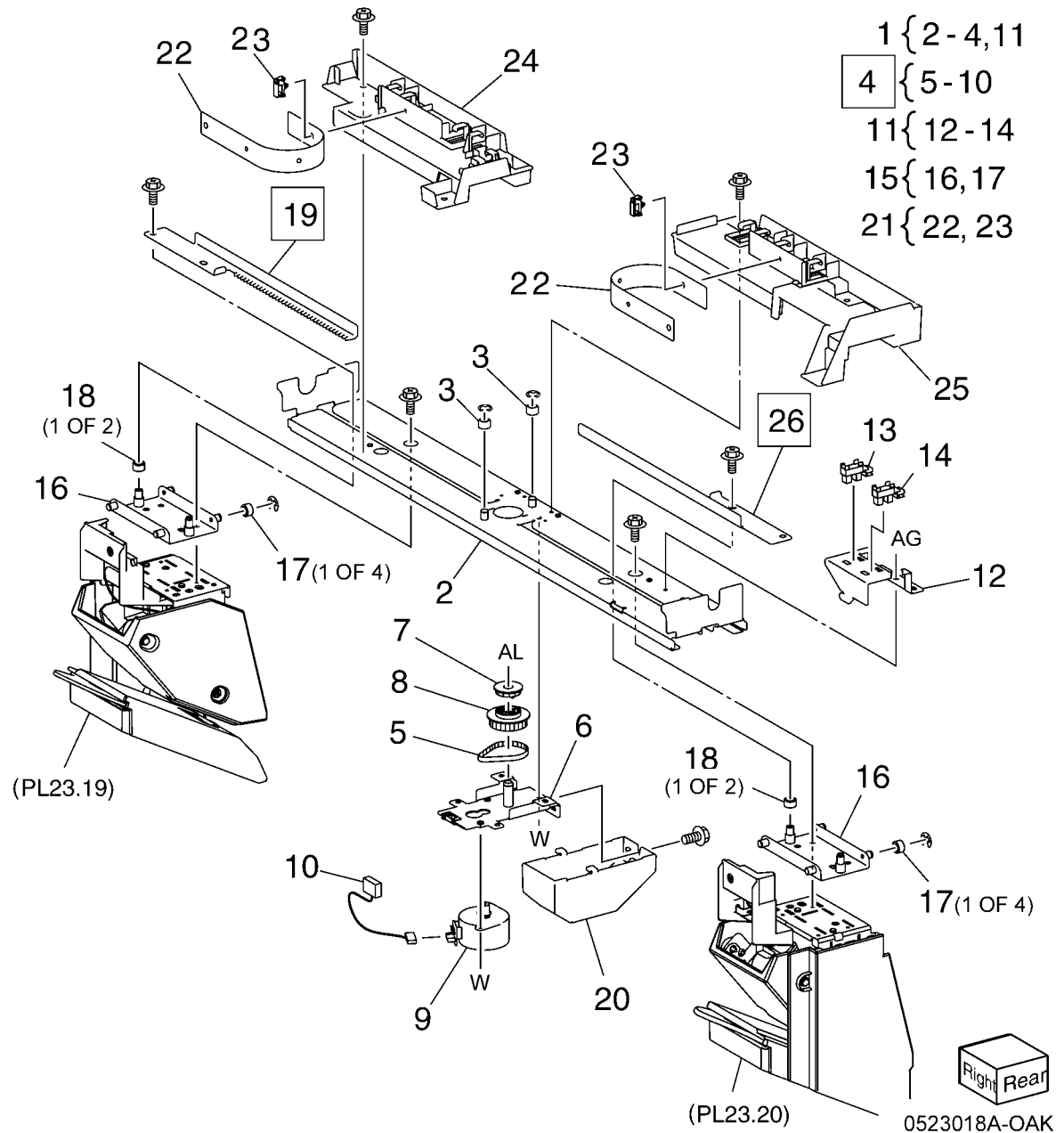
| Item | Part      | Description                              |
|------|-----------|--|
| 1    | -         | Frame Assembly (REF: PL 23.21)           |
| 2    | -         | Booklet Stapler Assembly (REF: PL 23.18) |
| 3    | 848E15333 | Rear Cover (REP 23.33)                   |
| 4    | 848E15323 | Front Cover (REP 23.32)                  |
| 5    | 848E15341 | Top Cover (REP 23.34)                    |
| 6    | 848E15350 | Side Cover                               |
| 7    | 848E15361 | PWB Cover (REP 23.35)                    |
| 8    | -         | Left Cover (Not Spared) (REP 23.36)      |
| 9    | -         | Harness Guide (Not Spared)               |





# PL 23.18 Booklet Stapler Assembly (Office Finisher LX)

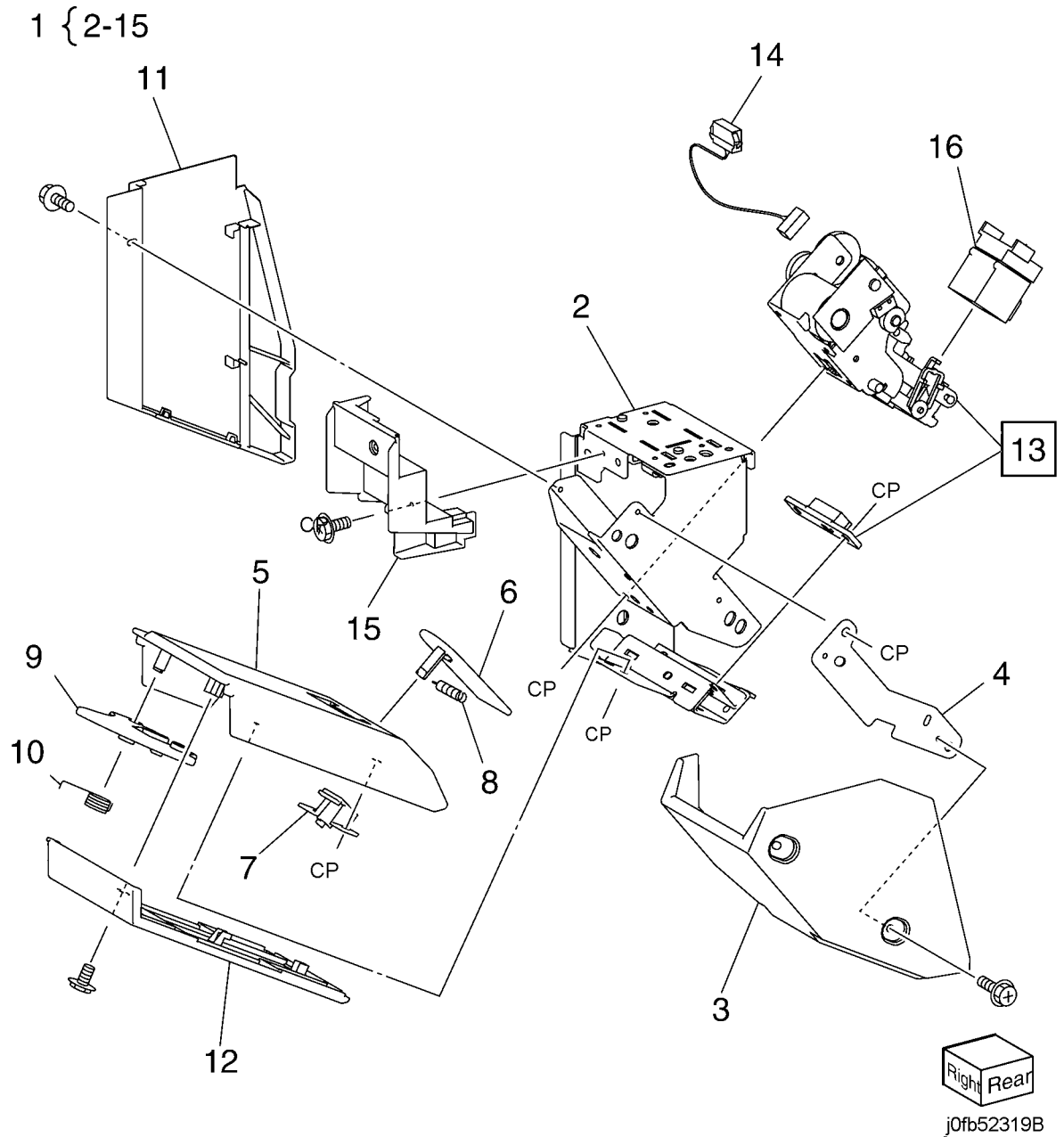
| Item | Part      | Description  |
|------|-----------|--|
| 1    | -         | Front Carriage Rail (Not Spared)                                       |
| 2    | -         | Frame (P/O PL 23.18 Item 1)  |
| 3    | -         | Core (P/O PL 23.18 Item 1)   |
| 4    | 127K57050 | Booklet Stapler Move Motor Assembly (REP 23.38)                        |
| 5    | -         | Belt (P/O PL 23.18 Item 4)   |
| 6    | -         | Bracket (P/O PL 23.18 Item 4)  |
| 7    | -         | Gear (12T) (P/O PL 23.18 Item 4)                                       |
| 8    | -         | Pulley (50T) (P/O PL 23.18 Item 4)                                     |
| 9    | 127K57622 | Booklet Stapler Move Motor   |
| 10   | -         | Wire Harness (P/O PL 23.18 Item 4)                                     |
| 11   | -         | Sensor Bracket Assembly (P/O PL 23.18 Item 1)                          |
| 12   | -         | Sensor Bracket (P/O PL 23.18 Item 11)                                  |
| 13   | 930W00111 | Booklet Stapler Move Home Sensor, Booklet Stapler Move Position Sensor |
| 14   | -         | Rear Rack Gear (Not Spared)  |
| 15   | -         | Carriage Assembly (Not Spared)   |
| 16   | -         | Carriage (P/O PL 23.18 Item 15)  |
| 17   | -         | Core (P/O PL 23.18 Item 15)  |
| 18   | -         | Core (Not Spared)  |
| 19   | -         | Front Rack Gear (Not Spared)   |
| 20   | 848E15400 | Motor Cover  |
| 21   | 032K05222 | Harness Guide Assembly   |
| 22   | -         | Harness Strap (P/O PL 23.18 Item 21)                                   |
| 23   | 920W01210 | Locking Clamp  |
| 24   | -         | Harness Guide (Front) (Not Spared)                                     |
| 25   | -         | Harness Guide (Rear) (Not Spared)                                      |
| 26   | -         | Rear Rack Guide (Not Spared)   |



- 1 { 2-4, 11
- 4 { 5-10
- 11 { 12-14
- 15 { 16, 17
- 21 { 22, 23

# PL 23.19 Booklet Front Stapler Assembly (Office Finisher LX)

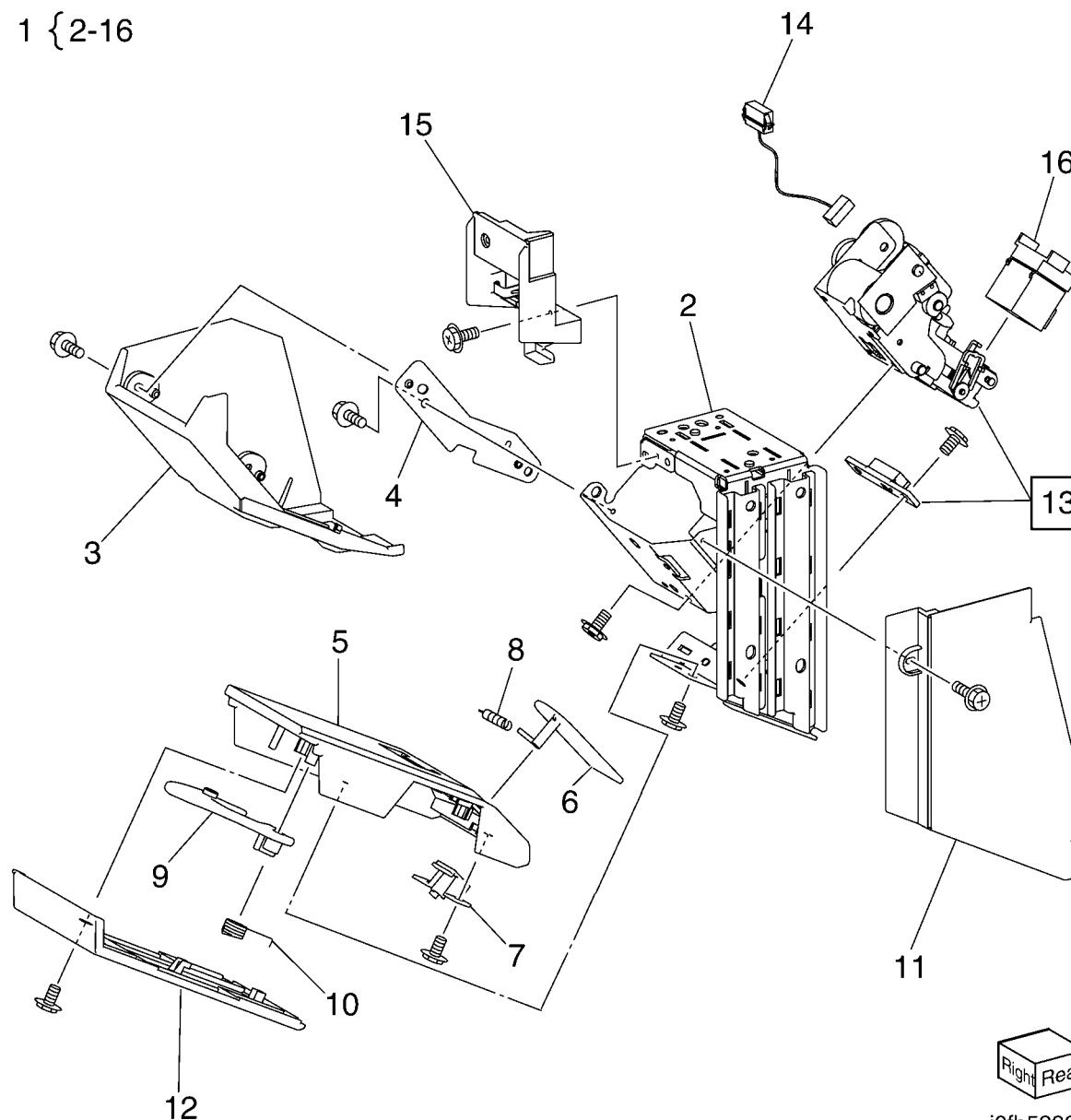
| Item | Part      | Description  |
|------|-----------|--|
| 1    | 029K92490 | Booklet Front Stapler Assembly                             |
| 2    | -         | Bracket (P/O PL 23.19 Item 1)                              |
| 3    | -         | Rear Cover (P/O PL 23.19 Item 1)                           |
| 4    | -         | Bracket (P/O PL 23.19 Item 1)                              |
| 5    | 054K35272 | Chute  |
| 6    | -         | Sub Chute (P/O PL 23.19 Item 1)                            |
| 7    | -         | Support (P/O PL 23.19 Item 1)                              |
| 8    | -         | Spring (P/O PL 23.19 Item 1)                               |
| 9    | -         | Exit Sub Chute (P/O PL 23.19 Item 1)                       |
| 10   | -         | Spring (P/O PL 23.19 Item 1)                               |
| 11   | -         | Front Cover (P/O PL 23.19 Item 1)                          |
| 12   | 848E15421 | Lower Cover  |
| 13   | -         | Booklet Stapler Assembly (P/O PL 23.19 Item 1) (REP 23.37) |
| 14   | -         | Wire Harness (P/O PL 23.19 Item 1)                         |
| 15   | -         | Guide (P/O PL 23.19 Item 1)                                |
| 16   | -         | Booklet Staple Cassette Assembly (Not Spared)              |



# PL 23.20 Booklet Rear Stapler Assembly (Office Finisher LX)

| Item | Part      | Description  |
|------|-----------|--|
| 1    | 029K92500 | Booklet Rear Stapler Assembly                              |
| 2    | -         | Bracket (P/O PL 23.20 Item 1)                              |
| 3    | -         | Rear Cover (P/O PL 23.20 Item 1)                           |
| 4    | -         | Bracket (P/O PL 23.20 Item 1)                              |
| 5    | 054K35282 | Chute  |
| 6    | -         | Sub Chute (P/O PL 23.20 Item 1)                            |
| 7    | -         | Support (P/O PL 23.20 Item 1)                              |
| 8    | -         | Spring (P/O PL 23.20 Item 1)                               |
| 9    | -         | Sub Chute (P/O PL 23.20 Item 1)                            |
| 10   | -         | Spring (P/O PL 23.20 Item 1)                               |
| 11   | -         | Front Cover (P/O PL 23.20 Item 1)                          |
| 12   | 848E15421 | Lower Cover  |
| 13   | -         | Booklet Stapler Assembly (P/O PL 23.20 Item 1) (REP 23.37) |
| 14   | -         | Wire Harness (P/O PL 23.20 Item 1)                         |
| 15   | -         | Guide (P/O PL 23.20 Item 1)                                |
| 16   | -         | Booklet Staple Cassette Assembly (P/O PL 23.20 Item 1)     |

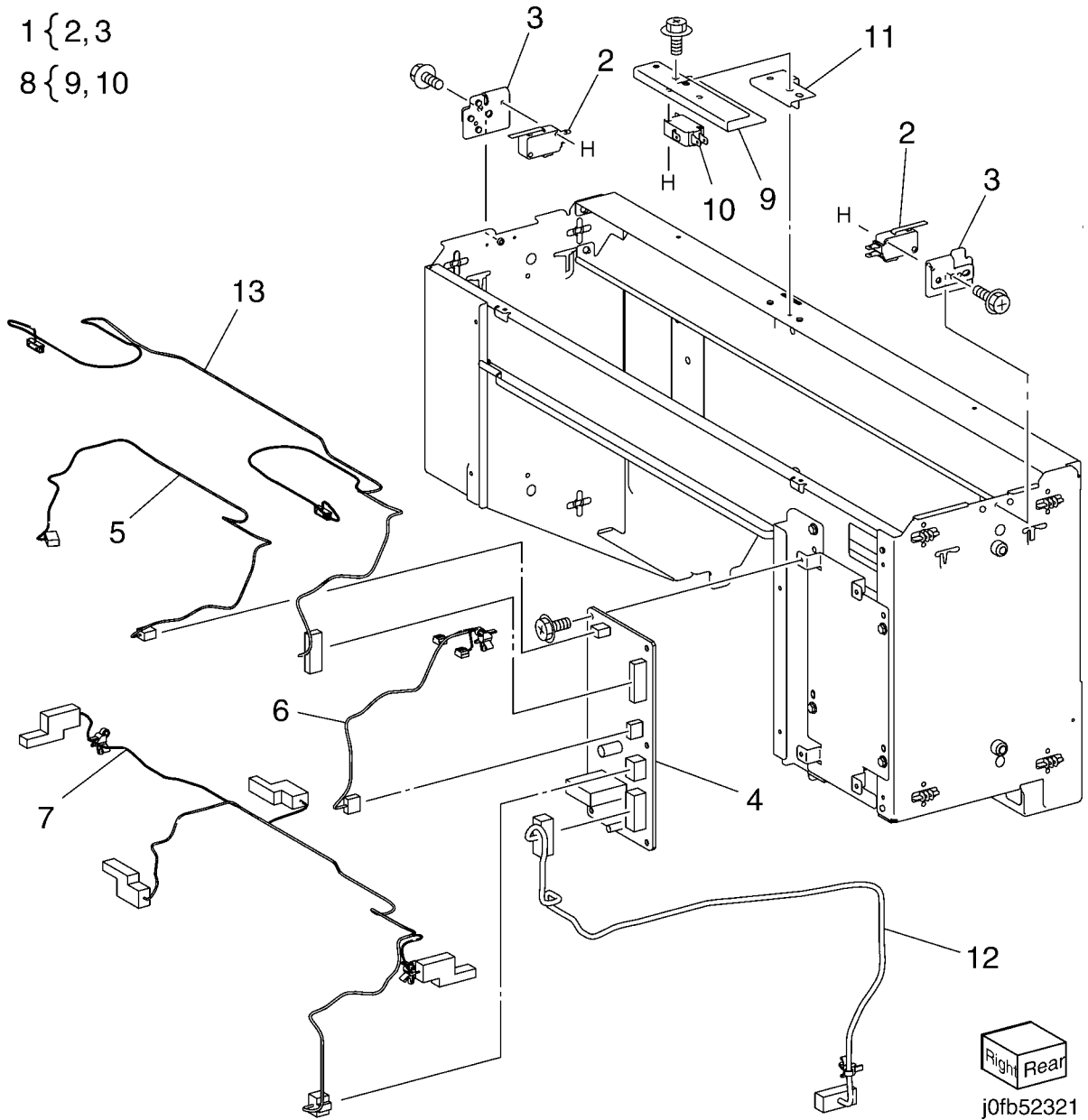
1 {2-16



j0fb52320

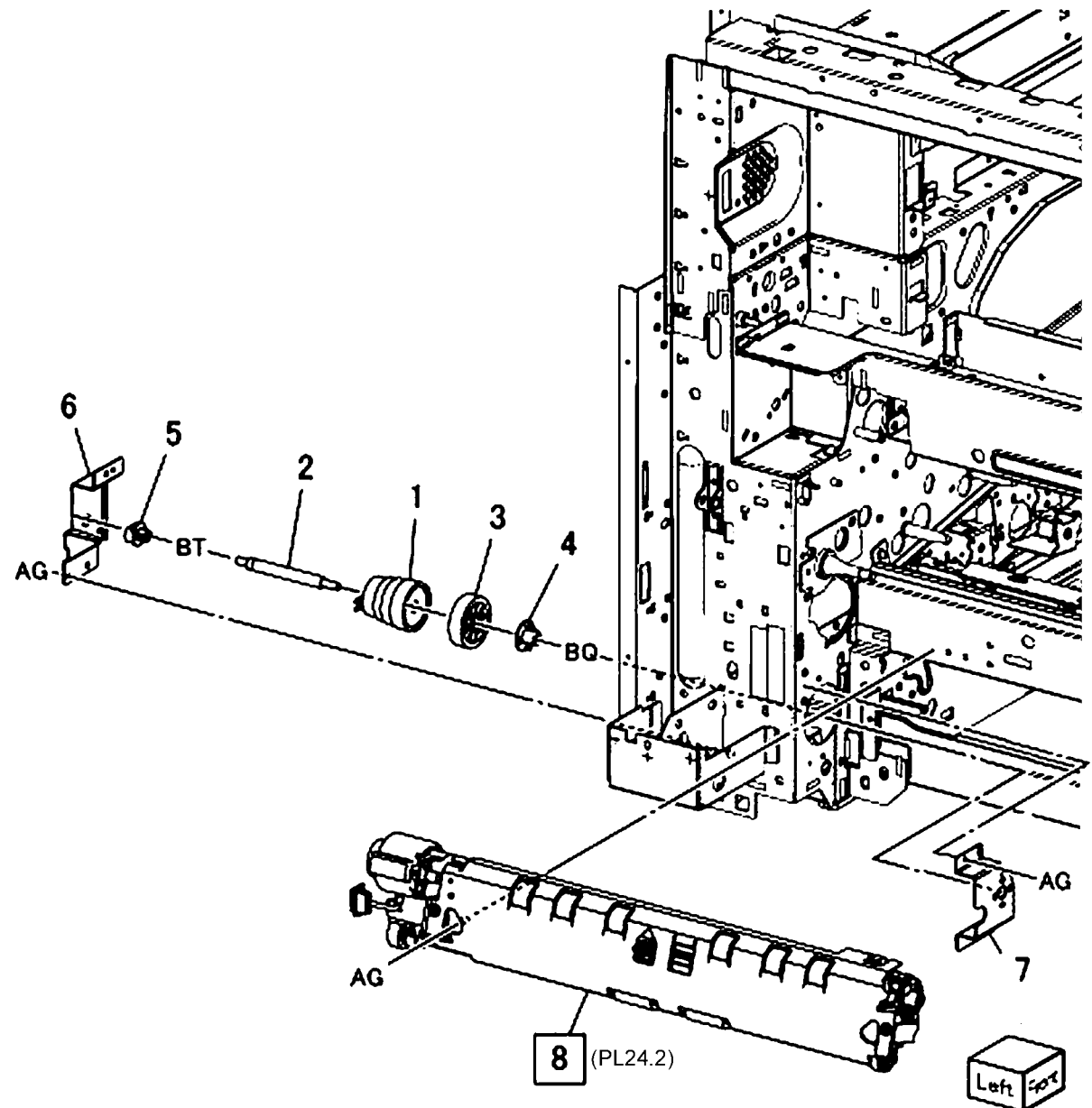
# PL 23.21 Booklet Electrical (Office Finisher LX)

| Item | Part      | Description  |
|------|-----------|--|
| 1    | 068K58350 | Booklet Stapler Safety Switch Assembly             |
| 2    | 110E12970 | Booklet Stapler Safety Switch                      |
| 3    | -         | Bracket (P/O PL 23.21 Item 1)                      |
| 4    | 960K32542 | Booklet PWB (REP 23.30)                            |
| 5    | -         | Wire Harness (Not Spared)                          |
| 6    | -         | Wire Harness (Not Spared)                          |
| 7    | -         | Wire Harness (Not Spared)                          |
| 8    | -         | Booklet Stapler Cover Switch Assembly (Not Spared) |
| 9    | -         | Bracket (P/O PL 23.21 Item 8)                      |
| 10   | -         | Booklet Stapler Cover Switch (P/O PL 23.21 Item 8) |
| 11   | -         | Plate (Not Spared)                                 |
| 12   | 962K60531 | Wire Harness                                       |
| 13   | 962K60540 | Wire Harness                                       |



## PL 24.1 Registration (1 of 2)

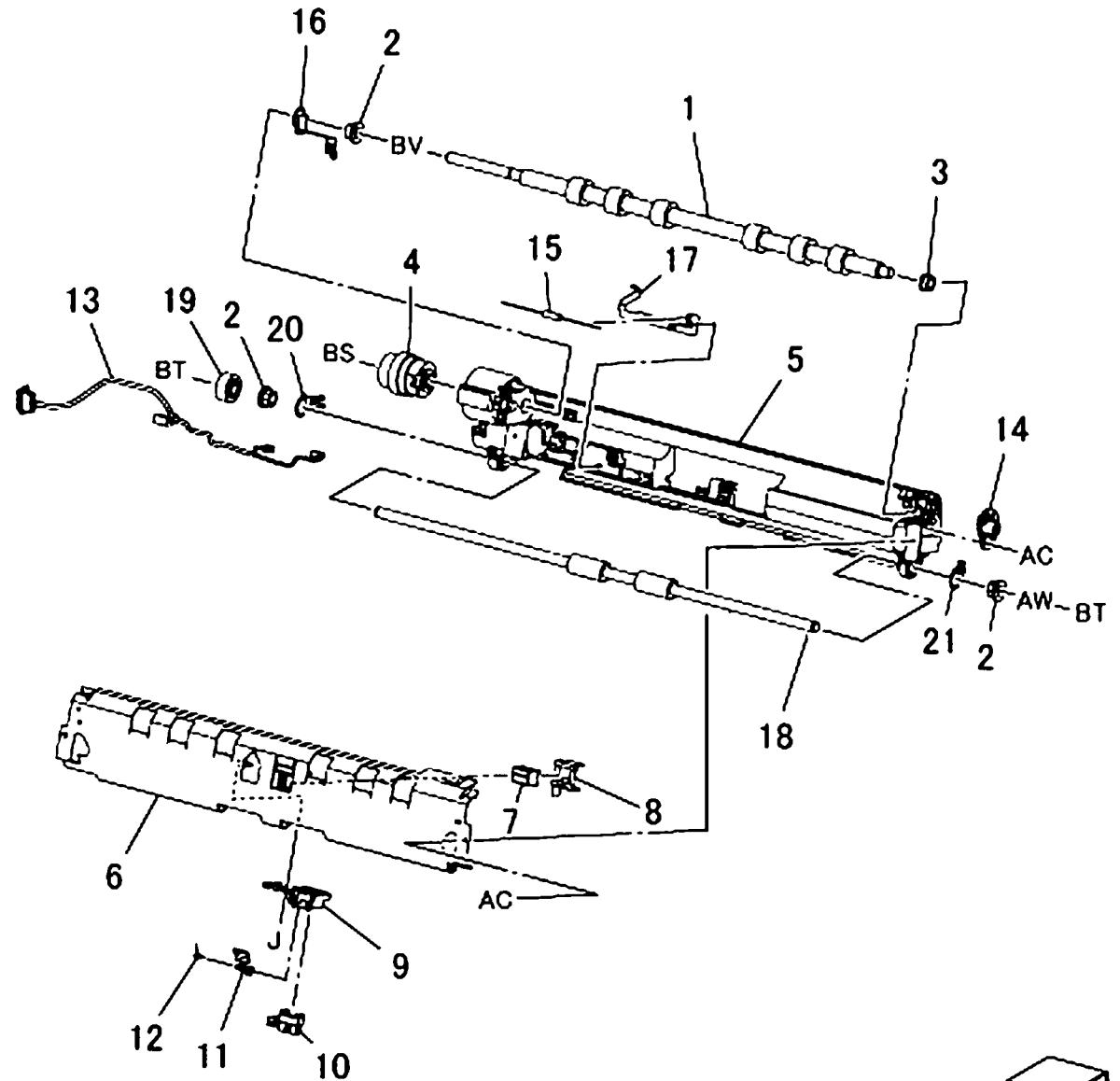
| Item | Part      | Description                                   |
|------|-----------|---|
| 1    | 121K41241 | Takeaway Clutch                               |
| 2    | 806E21440 | Shaft   |
| 3    | 807E20050 | Gear (40T)                                    |
| 4    | 013E33420 | Bearing                                       |
| 5    | 013E33460 | Takeaway Bearing                              |
| 6    | -         | Bracket (Not Spared)                          |
| 7    | -         | Bracket (Not Spared)                          |
| 8    | 059K55542 | Registration Transport Assembly<br>(REP 8.13) |



0524001A-OAK

## PL 24.2 Registration (2 of 2)

| Item | Part      | Description                                    |
|------|-----------|--|
| 1    | 059K53360 | Registration Roll                              |
| 2    | 413W77559 | Bearing  |
| 3    | 413W11860 | Sleeve Bearing                                 |
| 4    | 121K41200 | Registration Clutch                            |
| 5    | 054E33633 | Registration Chute                             |
| 6    | 054K33690 | Inlet Chute Assembly                           |
| 7    | 130K69250 | Transparency Sensor                            |
| 8    | -         | Cap (P/O PL 24.1 Item 8)                       |
| 9    | 019E70090 | Sensor Holder                                  |
| 10   | 930W00111 | Registration Sensor                            |
| 11   | 120E29700 | Actuator                                       |
| 12   | 809E78760 | Spring   |
| 13   | -         | Registration Wire Harness (P/O PL 24.1 Item 8) |
| 14   | 014E60380 | Skew Adjust Block                              |
| 15   | 103E36140 | Inlet Resistor                                 |
| 16   | -         | Conductor (In) (P/O PL 24.1 Item 8)            |
| 17   | -         | Conductor (Out) (P/O PL 24.1 Item 8)           |
| 18   | 059K53370 | Takeaway Roll                                  |
| 19   | 807E20190 | Gear (23T)                                     |
| 20   | -         | Conductor (P/O PL 24.1 Item 8)                 |
| 21   | -         | Conductor (P/O PL 24.1 Item 8)                 |



0524002A-OAK

## Common Hardware

| Item | Part      | Description              |
|------|-----------|--------------------------|
| A    | 220W21250 | Flange Nut               |
| B    | 113W28051 | Screw (M3x10)            |
| C    | 113W28851 | Screw (M3x20)            |
| D    | 112W27898 | Screw (M3x8)             |
| E    | –         | E-Clip                   |
| F    | 113W20678 | Screw (M3x6)             |
| G    | –         | Screw                    |
| H    | 113W21278 | Screw (M3x12)            |
| J    | –         | Screw (M3x6) (113W20678) |
| K    | 113W27688 | Screw (M3x6)             |
| L    | 113W20878 | Screw                    |
| M    | 113W21078 | Screw                    |
| N    | 354W24254 | KL Ring                  |
| P    | 113W21478 | Screw                    |
| Q    | –         | Screw                    |
| R    | 113W20478 | Tapping Screw            |
| S    | 153W17855 | Tread forming Screw      |
| T    | 158W28255 | Screw (M3x12)            |
| U    | –         | Screw (M3x6) (113w20678) |
| V    | 252W29250 | Plain Washer             |
| W    | –         | Screw (M3x6) (113W27688) |
| X    | 158W27855 | Screw (M3x8)             |
| Y    | –         | C-Clip                   |
| –    | 141W35651 | Set Screw                |
| Z    | 252W27450 | Nylon Washer             |
| AA   | 158W35855 | Screw (M4x8)             |
| AB   | 153W17688 | Tapping Screw            |
| AC   | 153W17888 | Screw (M3x12)            |
| AD   | 153W18088 | Tapping Screw            |
| AE   | 153W27878 | Tapping Screw (M3x8)     |
| AF   | 271W21250 | Dowel Pin (2.5x12)       |
| AG   | 158W27678 | Screw                    |
| AH   | 158W27688 | Round Tip Screw          |
| AJ   | 158W27878 | Screw                    |
| AK   | 285W16251 | Spring Pin (2x12)        |
| AL   | 354W28278 | E-Clip (7)               |
| AN   | –         | C-Clip                   |
| AP   | 251W21278 | Plain Washer             |
| AQ   | –         | C-Ring                   |
| AR   | 285W15851 | Spring Pin (2x8)         |
| AS   | 354W26278 | E-Clip (5)               |
| AT   | –         | E-Ring                   |
| AU   | 252W27350 | Nylon Washer             |
| AV   | 285W28651 | Spring Pin (3x16)        |
| AW   | 158W36255 | Screw (M4x12)            |
| BC   | 271W28250 | Dowel Pin                |
| BD   | 354W27251 | E-Clip (6)               |
| BF   | 354W29251 | E-Clip (8)               |
| BG   | 113W20657 | Screw (M3x6)             |

|    |           |                            |
|----|-----------|----------------------------|
| BH | 113W16051 | Screw (M5x10)              |
| BJ | 158W45055 | Screw (M5x10)              |
| BK | 158W36355 | Screw (M4x12)              |
| BL | 354W24278 | E-Ring                     |
| BM | 354W15278 | E-Ring                     |
| BQ | 354W21278 | E-Ring                     |
| BR | –         | Hex Head Screw (113W20678) |
| BS | –         | E-Ring (354W24278)         |
| BT | 113W20457 | Screw (M3x4)               |
| BU | 354W27254 | K-Ring                     |
| BV | 354W27278 | E-Ring                     |
| BW | 354W19278 | E-Ring                     |
| BX | –         | Screw                      |
| CA | 158W36055 | Screw (M4x10)              |
| CB | 153W71153 | Screw (M3x8)               |
| CC | 826E28390 | Screw (M4)                 |
| CD | 826E28400 | Screw (M4)                 |
| CK | 153W27278 | Screw                      |
| CP | 113W35578 | Screw (M4)                 |
| CS | 153W27855 | Tapping Screw (M3x8)       |
| CW | 113W27488 | Nylon Washer               |























## Part Number Index

The Part Number Index Table has been deleted from the EDOC.

Use SearchLite to search for Part Numbers and Part Descriptions.

