

Parts List

In this chapter...

- Serial Number Format
- Using the Parts List
- Overview Parts
- Print Engine Parts
- Option - 500-Sheet Feeder
- Option - Finisher
- Option - Printer Stand
- Xerox Supplies and Accessories

Chapter 9

Serial Number Format

Changes to Xerox products are made to accommodate improved components as they become available. It is important when ordering parts to include the following information:

- Component's part number
- Product type or model number
- Serial Number of the printer

The nine-digit serial number has the following format:

- **PPPRSSSSS**
- **PPP** = Three digit alphanumeric product code
- **R** = Single digit numeric revision digit, 0~9. To be rolled when a major product change occurs and initiated with a change request.

Product	Product Code
WorkCentre 6400 (110V)	KAA
WorkCentre 6400V (220V)	HYX

SSSSS = Five digit numeric serial number based on the following table:

Product	Starting Serial Number	Ending Serial Number	Total
WorkCentre 6400	00501	99999	69998
WorkCentre 6400V	00501	99999	69998

Example

KAA030001: Xerox Serial Number

KAA: Product Code for the WorkCentre 6400

1 = Revision Level

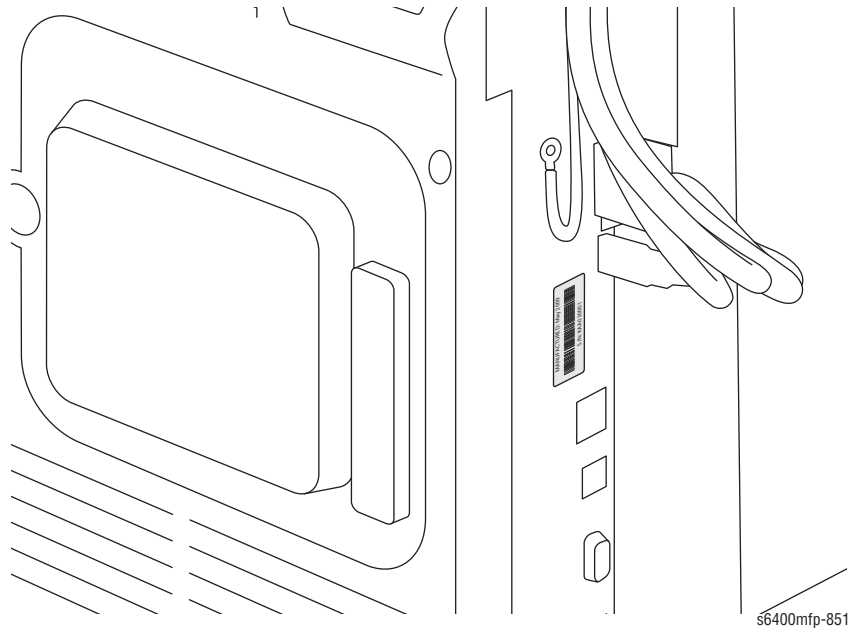
30001 = Serial Number for 6400

The serial number labels can be found at two locations of the printer.

Label Placement

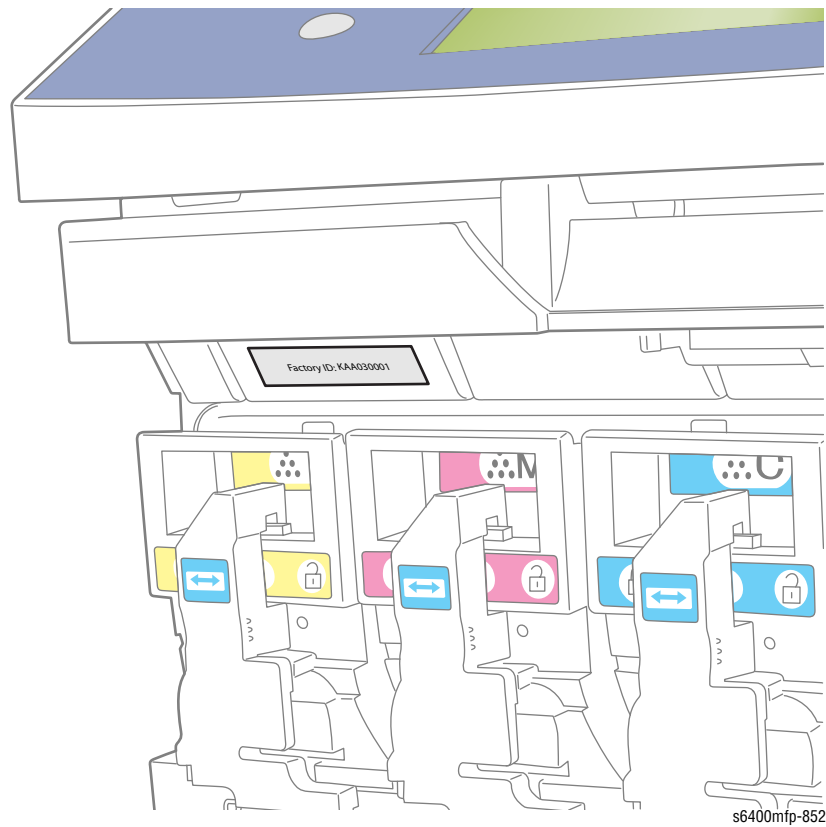
The Barcode label is applied to the Rear panel on the left side of the printer.

Barcode Label Location

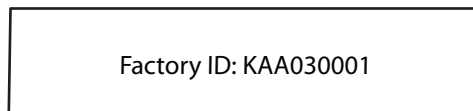
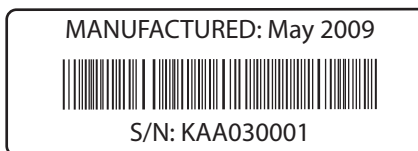


The Text-only label is applied to the front of the printer chassis.

Text-Only Label Location



Label Layout Examples



s6400mp-853

Using the Parts List

- **ID No.:** The callout number from the exploded part diagram.
- **Name/Description:** The name of the part to be ordered and the number of parts supplied per order.
- **Part Number:** The material part number used to order that specific part.
- **Qty:** The quantity indicates quantity per engine, not part number.
- Parts identified throughout this manual are referenced **PL#.#**; For example, PL3.10 means the part is item 10 of Parts List 3.1.
- A black triangle preceding a number followed by a parenthetical statement in an illustrated parts list means the item is a parent assembly, made up of the individual parts called out in parentheses.
- The notation “**with X~Y**” following a part name indicates an assembly that is made up of components X through Y. For example, “1 (with 2~4)” means part 1 consists of part 2, part 3, and part 4.
- An asterisk (*) following a part name indicates the page contains a note about this part.
- The notation “**J1<>J2 and P2**” is attached to a wire harness. It indicates that connector Jack 1 is attached to one end of the wire harness and connector J2 is attached to the other end that is plugged into P2.

Note

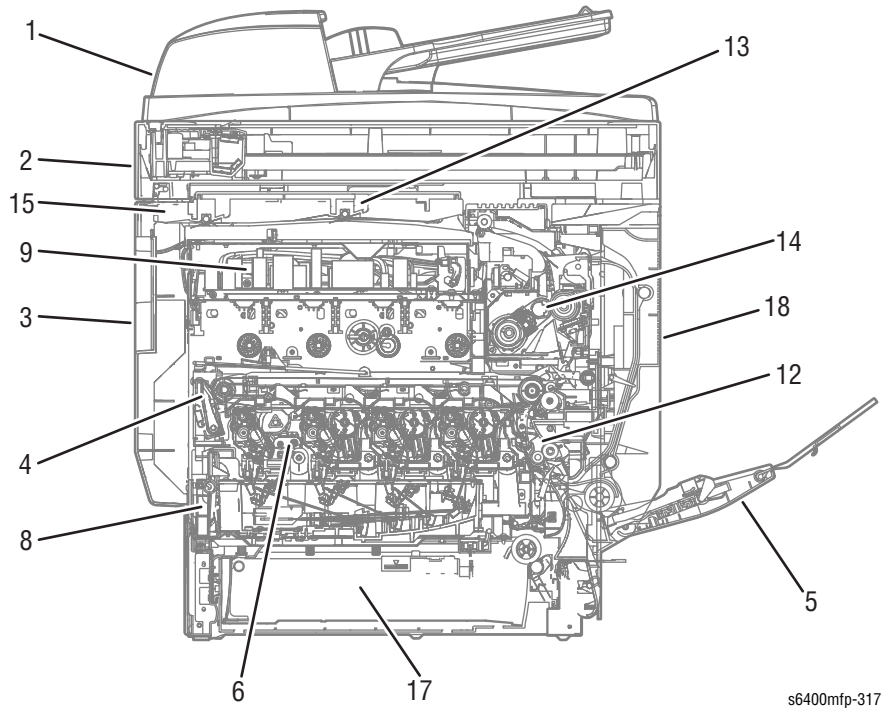
Only parts showing part numbers are available for ordering by support. Parts not showing part numbers are available on the parent assembly.

Abbreviations

Abbreviation	Meaning
C	C-ring
E	E-ring
KL	K-clip
S	Screw

Overview Parts

Parts List - Overview



Item	Description
1.	Horizontal Transport Unit
2.	Fusing Unit
3.	Duplex Unit
4.	Vertical Transport Unit
5.	Tray 1 (Manual Feed)
6.	Tray 2
7.	Laser Unit Section
8.	Waste Toner Transport Section
9.	Main Frame Section
10.	External Parts
11.	LVPS Section
12.	Paper Exit Section
13.	Scanner (IR Section)
14.	DADF Section

Table of Contents

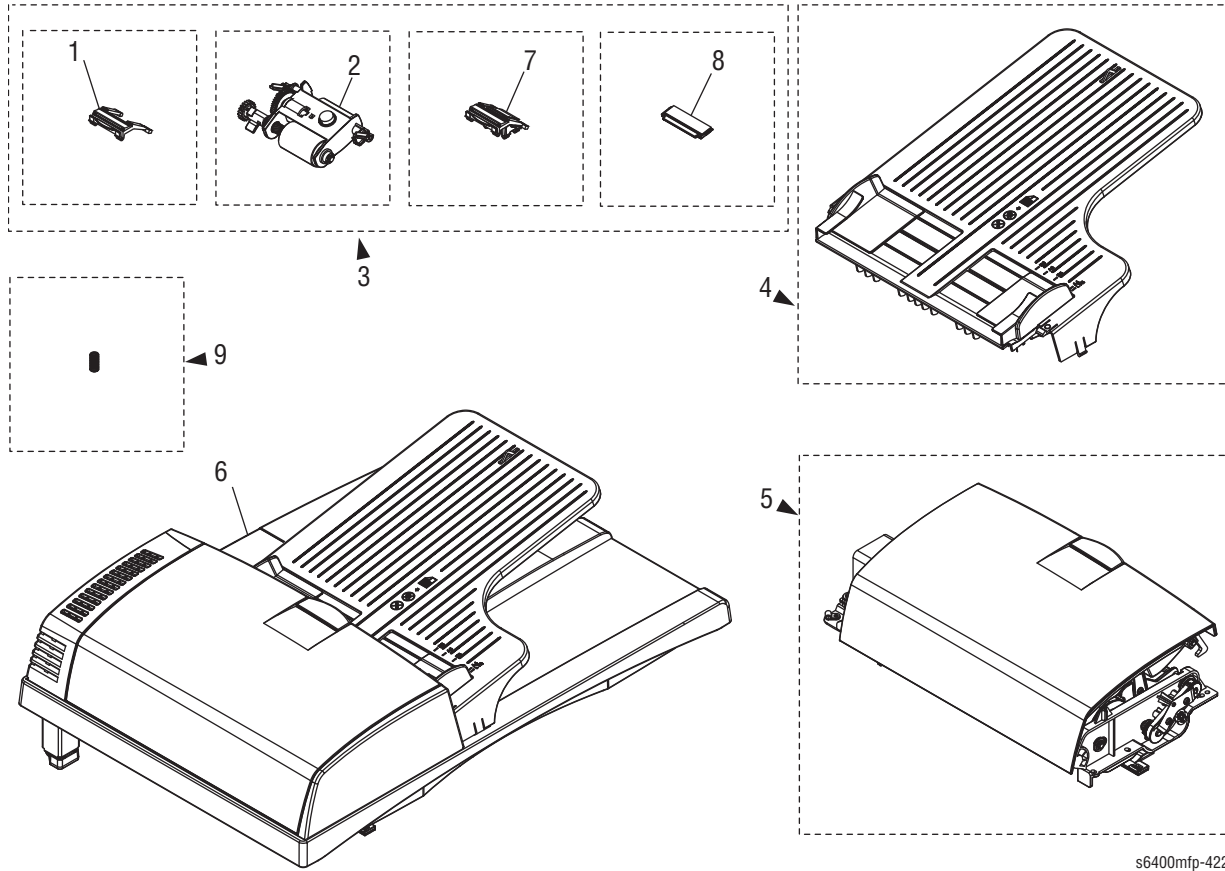
Name/Description	Parts List	Page
Duplex Automatic Document Feeder Assembly	PL 1.0	page 9-9
Scanner Assembly (IR Section)	PL 2.0	page 9-11
Covers	PL 3.0	page 9-13
Main Frame	PL 4.0	page 9-15
Tray 1 (Manual Feed)	PL 5.0	page 9-17
Imaging Unit Rail	PL 6.0	page 9-19
Imaging Unit Contact	PL 7.0	page 9-21
Waste Toner Transport	PL 8.0, PL 9.0	page 9-23
LVPS/ Laser Unit	PL 10.0	page 9-27
Drive Section (1 of 3) - 2nd Transfer Pressure/ Retraction	PL 11.0	page 9-29
Drive Section (2 of 3) - Main Drive	PL 12.0	page 9-31
Drive (3 of 3) - Toner Supply (Hopper)	PL 13.0	page 9-33
Transfer Belt Unit	PL 14.0	page 9-35
Vertical Transport Unit (1 of 2)	PL 15.0	page 9-37
Vertical Transport Unit (1 of 2)	PL 16.0	page 9-39
Horizontal Transport Unit	PL 17.0	page 9-41
Fuser Unit	PL 18.0	page 9-44
Paper Exit	PL 19.0	page 9-45
Electrical Components	PL 20.0	page 9-47
500-Sheet Tray	PL21.0	page 9-50
Duplex Unit (1 of 2)	PL 22.0	page 9-52
Duplex Unit (2 of 2)	PL 23.0	page 9-54
Wiring (1 of 2)	PL 24.0	page 9-56
Wiring (2 of 2)	PL 25.0	page 9-58
Wiring Accessories	PL 26.0	page 9-59
Accessories	PL 27.0	page 9-60
Optional 500-Sheet Tray 3/ Tray 4 (1 of 7)	PL 28.0	page 9-61
Optional 500-Sheet Tray 3/ Tray 4 (2 of 7) - Paper Take-Up Section (500-Sheet Feeder)	PL 29.0	page 9-63
Optional 500-Sheet Tray 3/ Tray 4 (3 of 7) - Drive Section (500-Sheet Feeder)	PL 30.0	page 9-65
Optional 500-Sheet Tray 3/ Tray 4 (4 of 7) - Paper Feed Tray Section (500-Sheet Feeder)	PL 31.0	page 9-67
Optional 500-Sheet Tray 3/ Tray 4 (5 of 7) - Paper Feed Tray Section (500-Sheet Feeder)	PL 32.0	page 9-69
Optional 500-Sheet Tray 3/ Tray 4 (6 of 7) - Wiring Accessories	PL 33.0	page 9-71
Optional 500-Sheet Tray 3/ Tray 4 (7 of 7) - Accessory Parts (500-Sheet Feeder)	PL 34.0	page 9-72
Option - Finisher, Cover (1 of 2)	PL 35.0	page 9-73
Option - Finisher, Cover (2 of 2)	PL 36.0	page 9-74
Frame (Finisher)	PL 37.0	page 9-76
Paper Entrance (Finisher)	PL 38.0	page 9-78

Table of Contents

Name/Description	Parts List	Page
Paper Transport (1 of 2) (Finisher) Paper Transport (1 of 2) (Finisher)	PL 39.0 PL 40.0	page 9-80 page 9-82
Alignment (1 of 2) (Finisher) Alignment (2 of 2) (Finisher)	PL 41.0 PL 42.0	page 9-83 page 9-84
Storage (1 of 2) (Finisher) Storage (2 of 2) (Finisher)	PL 43.0 PL 44.0	page 9-85 page 9-86
Stapler Unit (Finisher)	PL 45.0	page 9-88
Drive (1 of 2) (Finisher) Drive (2 of 2) (Finisher)	PL 46.0 PL 47.0	page 9-90 page 9-92
Main Tray (Finisher)	PL 48.0	page 9-94
Option - Printer Stand	PL 49.0	page 9-96

Print Engine Parts

Parts List 1.0 Duplex Automatic Document Feeder Assembly

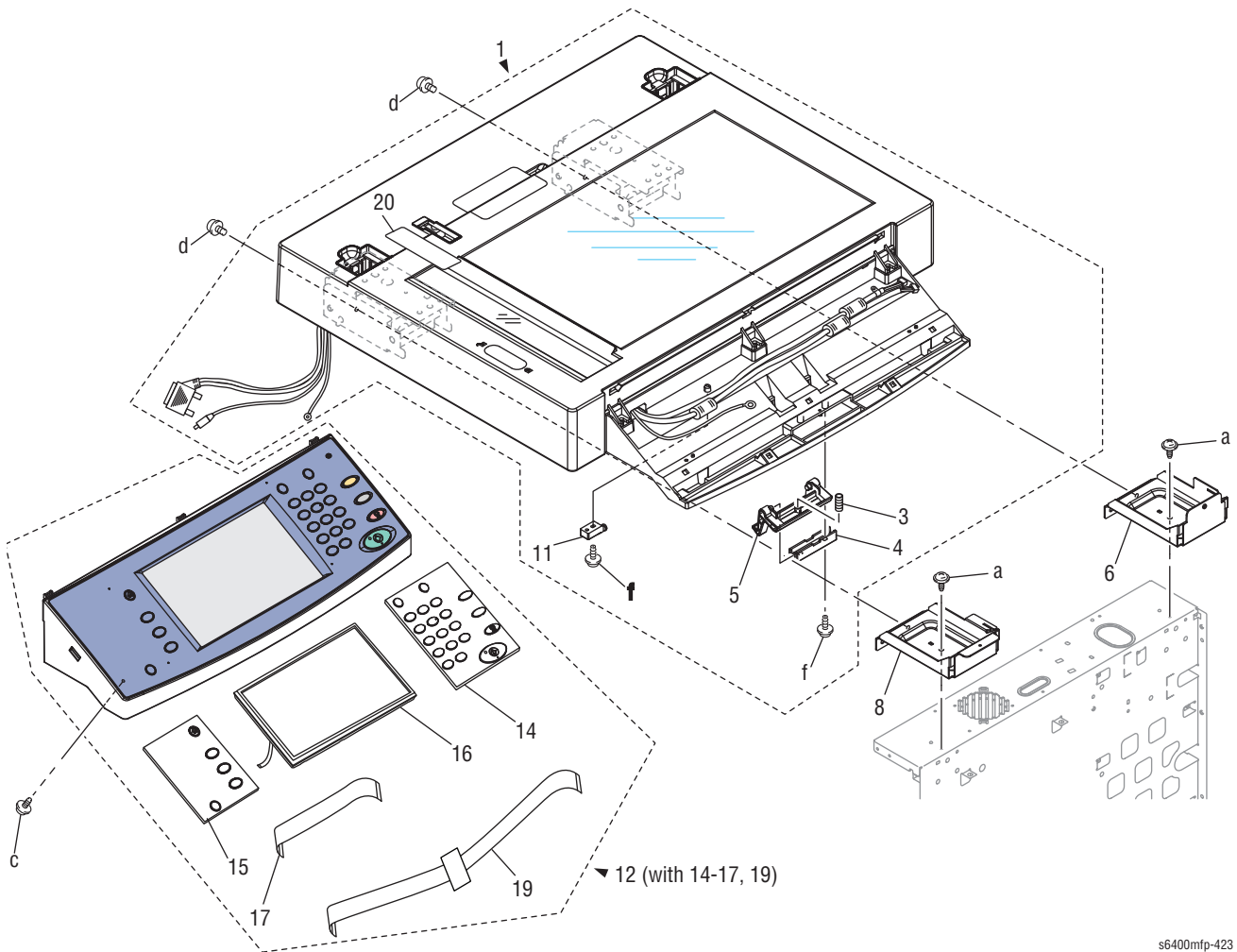


s6400mfp-422

Parts List 1.0 Duplex Automatic Document Feeder Assembly

ID No.	Name/Description	Part Number	Qty.	Comments
1.	Pre-Separator Pad Assy	014K10910	1	20K Life
2.	Separator Roller Assy		1	100K Life
3.	DADF Roller Kit Assy	108R00866	1	Up to 100K Life
4.	DADF Paper Tray Assy	050K68360	1	
5.	DADF Top Cover Assy	848K31450	1	Includes item 1.3
6.	DADF Assy (*)	059K69750	1	Complete Assy, 100K Life
7.	Separator Pad	019K14220	1	20K Life
8.	Friction Pad	019K14230	1	50K Life
9.	Pressure Spring	809E95220	1	
(*) Includes one Calibration Target and Instruction Sheet				

Parts List 2.0 Scanner Assembly

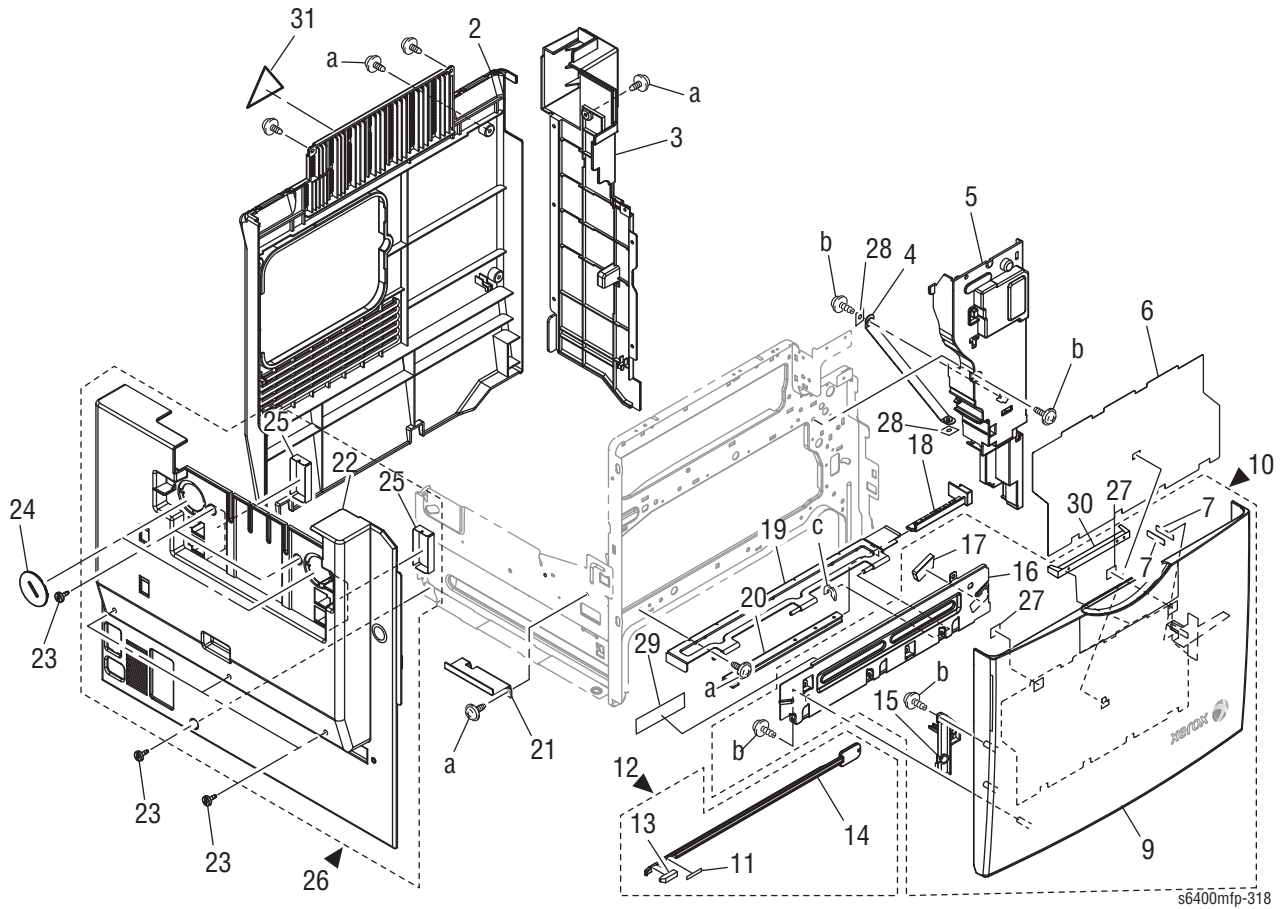


s6400mp-423

Parts List 2.0 Scanner Assembly

ID No.	Name/Description	Part Number	Qty.	Comments
1.	Scanner Assy (*)	062K22940	1	Includes Hinges, Latch, and Scanner to I/P Board Interface Cable
2.	-----			
3.	Pressure Spring		1	
4.	Holder		1	
5.	Scanner Latch	803E13730	1	
6.	Bracket		1	
7.	-----			
8.	Bracket		1	
9.	-----			
10.	-----			
11.	Holder		1	
12.	Control Panel - 120V (includes items 2.14, 2.15, 2.16, 2.17, and 2.19)	848K25660	1	Connection cable is part of 2.1.
	Control Panel - 220V (includes items 2.14, 2.15, 2.16, 2.17, and 2.19)	848K25670	1	Connection cable is part of 2.1.
13.	Control Panel Overlay - French	604K61380	1	Overlay Kit (Not shown) Contains 3 Overlays
	Control Panel Overlay - Spanish		1	
	Control Panel Overlay - Brazukuan/Portuguese		1	
14.	UI Main PWB	960K58180	1	
15.	UI Slave PWB	960K58190	1	
16.	Color LCD Module	123K08520	1	
17.	Ribbon Cable, Video	962K76250	1	
18.	-----			
19.	Ribbon Cable, Board Connector	117E36250	1	
20.	Label		1	
a.	Screw (Tapping)		2	P/O Hardware Kit
b.	Screw (P/O Hinge Assy)			Not shown
c.	Screw (Tapping)		3	P/O Hardware Kit
d.	Screw			
e.	Screw (Hinge Plate)		2	Not shown
f.	Screw			P/O Hardware Kit
(*) Includes one Calibration Target and Instruction Sheet				

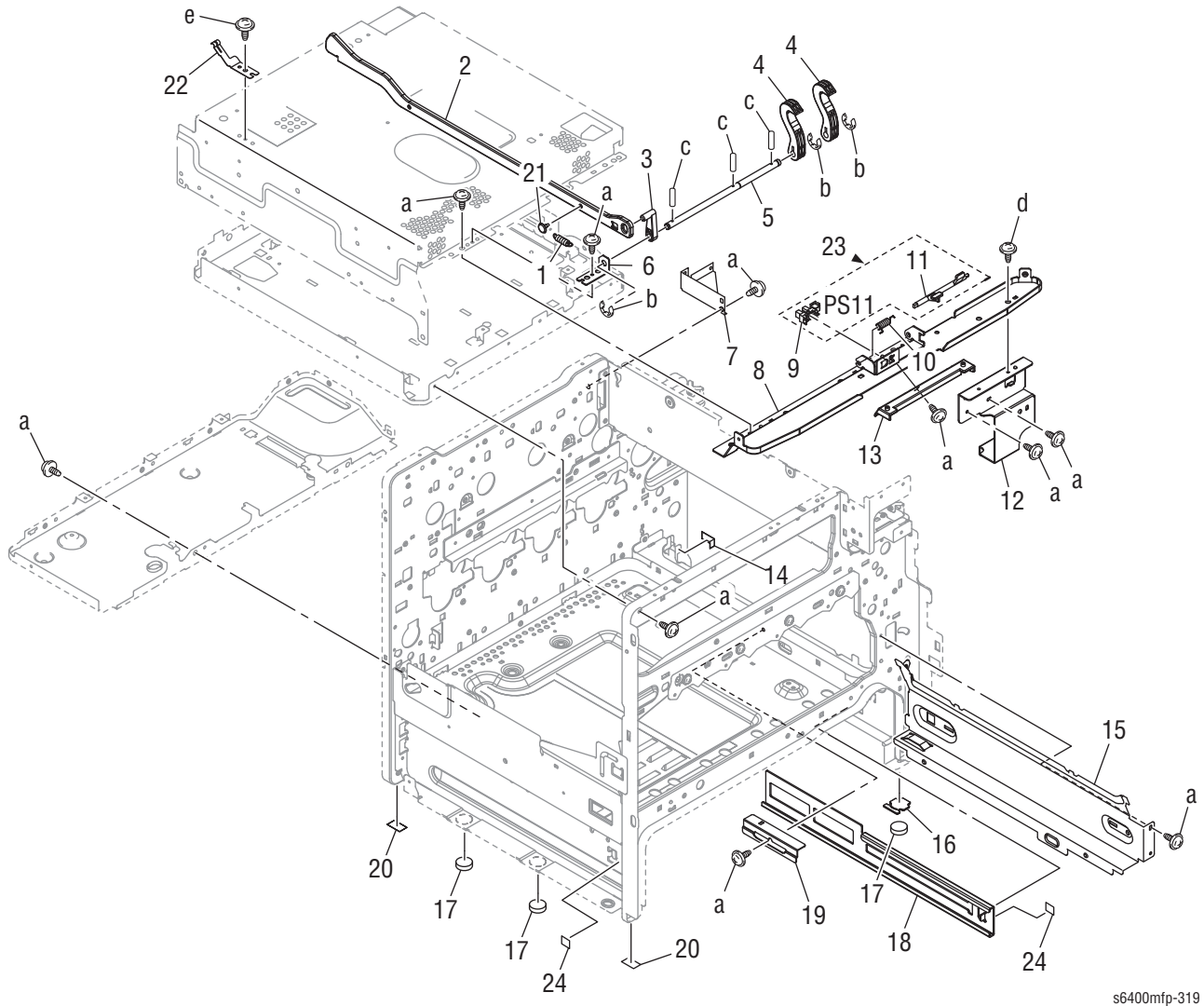
Parts List 3.0 Covers



Parts List 3.0 Covers

No.	Name/Description	Part Number	Qty.	Comments
1.	-----			
2.	Rear Cover	848E40070	1	
3.	Right Rear Cover	848E40080	1	
4.	Front Cover Strap	868E31260	1	
5.	Right Front Cover		1	
6.	Front Cover Label Set	896E86820	1	
7.	Seal		2	
8.	-----			
9.	Front Cover		1	Front Door
10.	Front Cover Assy	848E40090	1	Front Door Assembly
11.	Label Arrow		1	
12.	Laser Lense Cleaning Tool	600T80377	1	
13.	Cleaning Pad		1	
14.	Cleaning Rod		1	
15.	Lever		1	
16.	Reinforce Plate		1	
17.	Member		1	
18.	Cover		1	
19.	Hinge		1	
20.	Handle		1	
21.	Bracket		1	
22.	Cover		1	
23.	Shoulder Screw	826E49130	6	Qty 5 when ordered
24.	Cover	848E40100	2	
25.	Seal		2	
26.	Left Side Cover	848E40110	1	
27.	Label Arrow		2	
28.	Washer		1	
29.	Label		1	
30.	Door Latch		1	
31.	Label		1	
a.	Screw (Tapping)		3	P/O Hardware Kit
b.	Screw		4	P/O Hardware Kit
c.	C-Clip	019E81510	1	Also P/O Hardware Kit

Parts List 4.0 Main Frame

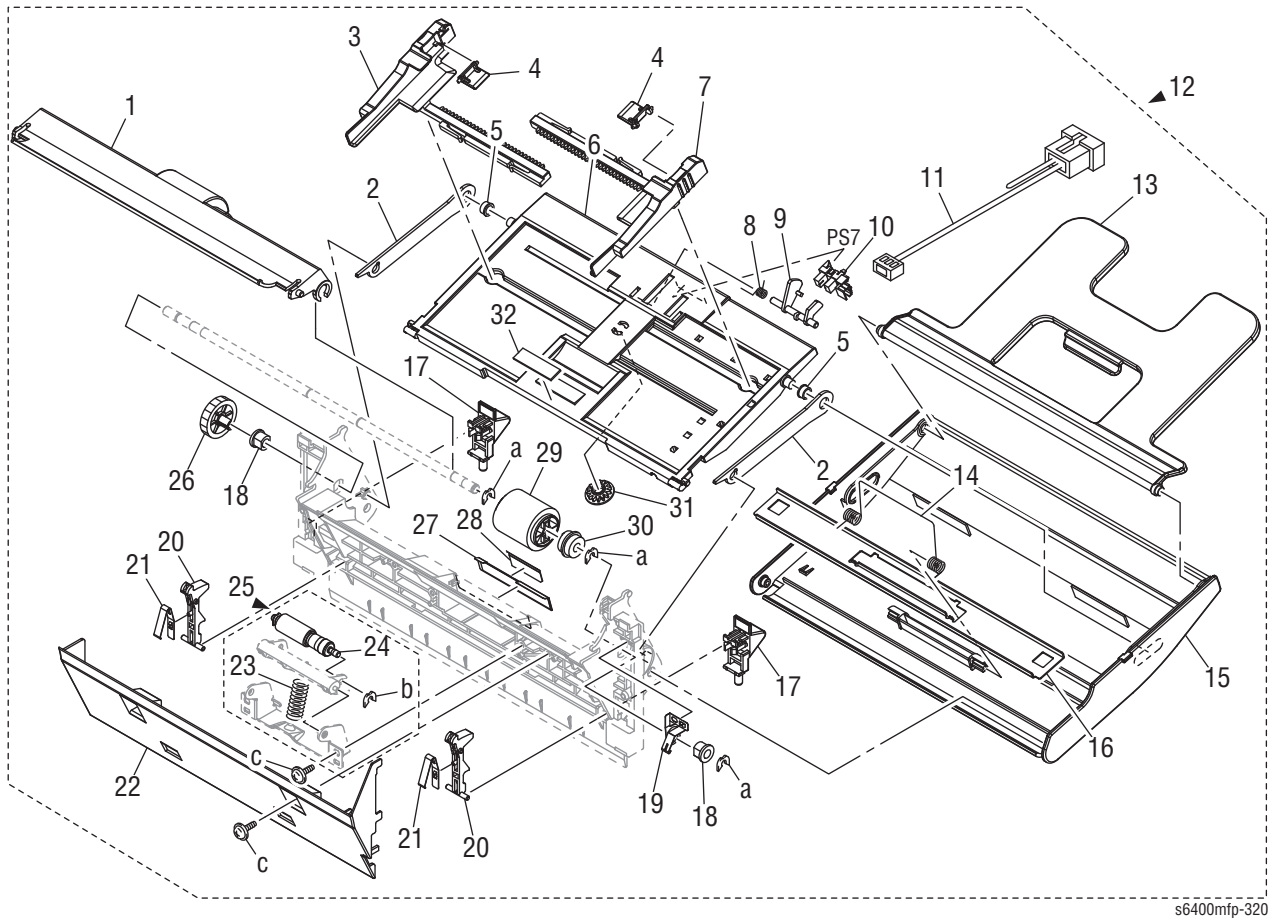


s6400mfp-319

Parts List 4.0 Main Frame

No.	Name/Description	Part Number	Qty.	Comments
1.	Tension Spring		1	
2.	Arm		1	
3.	Lever		1	
4.	Scanner Lock Latch	803E13980	2	Qty 1 when ordered
5.	Shaft		1	
6.	Bracket		1	
7.	Bracket		1	
8.	Bracket		1	
9.	Photo Interrupter (PS11)	130E11800	1	Scanner Unit Open/ Close Sensor
10.	Torsion Spring		1	
11.	Actuator		1	
12.	Reinforce Plate		1	
13.	Pawl		1	
14.	Cover		1	
15.	Rail		1	
16.	Spacer		1	
17.	Rubber Foot	017E11810	3	Sheet of 4 per part number
18.	Rail		1	
19.	Bracket		1	
20.	Seal		2	
21.	Shoulder Screw		1	Included in Hardware Kit
22.	Ground Strap		1	
23.	Scanner Open Sensor Kit	604K55020	1	
24.	Label		2	
a.	Screw (Tapping)		9	P/O Hardware Kit
b.	E-Ring		3	P/O Hardware Kit
c.	Pin		3	P/O Hardware Kit
d.	Screw (Tapping)		1	P/O Hardware Kit
e.	Screw			

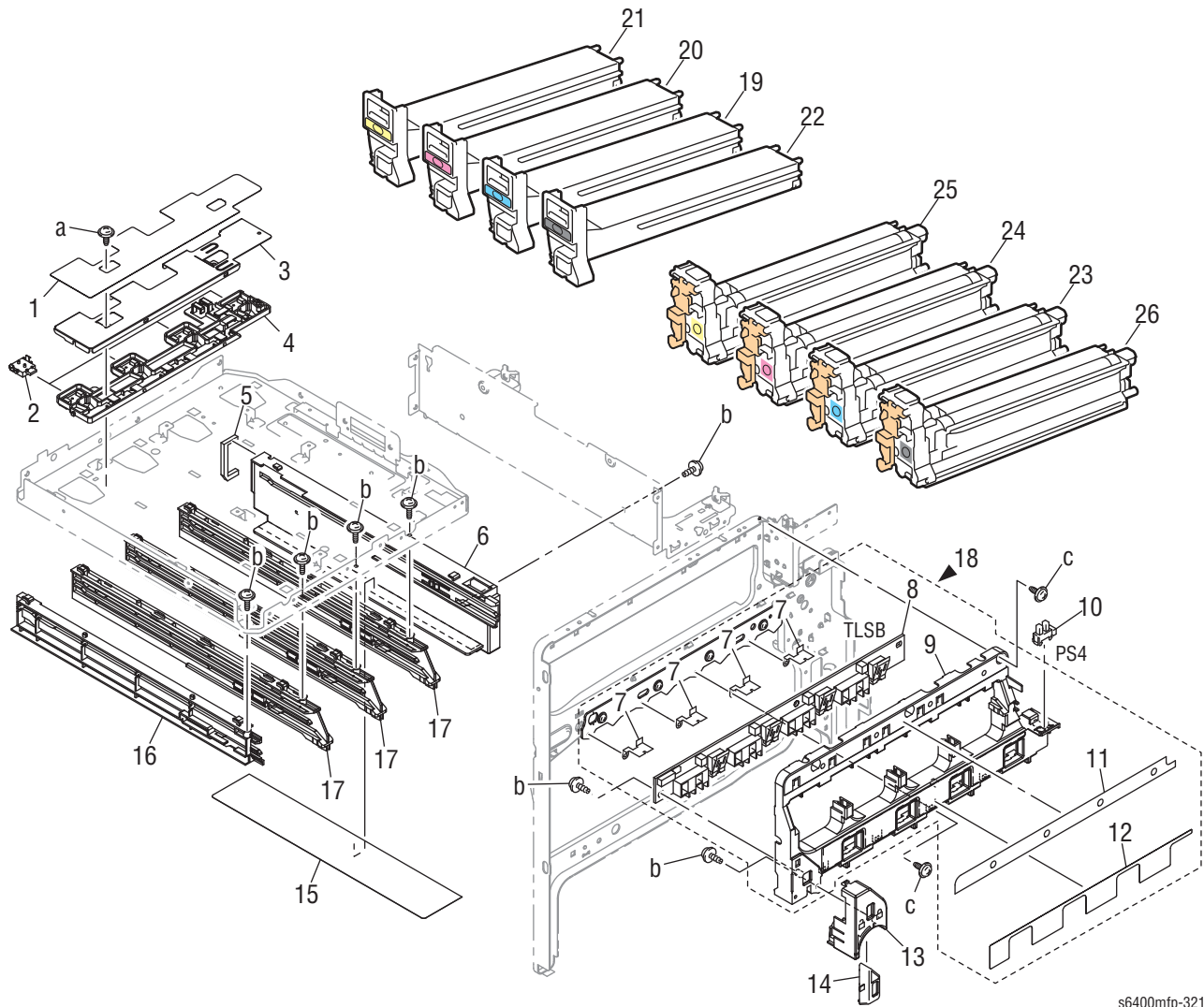
Parts List 5.0 Tray 1 (Manual Feed)



Parts List 5.0 Tray 1 (Manual Feed)

ID No.	Name/Description	Part Number	Qty.	Comments
1.	Guide		1	
2.	Lever		2	
3.	Regulating Plate		1	
4.	Guide		2	
5.	Collar		2	
6.	Lifting Plate		1	
7.	Regulating Plate		1	
8.	Torsion Spring		1	
9.	Actuator		1	
10.	Photo Interrupter (PS7)	130E11800	1	Tray 1 Paper Empty Sensor
11.	Wire Harness Assy (CN15-PJ5)	962K76260	1	Tray 1 to Main Engine
12.	Tray 1 Assy	054K43480	1	Complete Assembly
13.	Tray	050E28970	1	Tray 1 Extension
14.	Torsion Spring		1	
15.	Tray		1	
16.	Reinforce Plate		1	
17.	Lever		2	
18.	Bushing		2	
19.	Earth Ground		1	
20.	Stopper		2	
21.	Plate Spring		2	
22.	Guide		1	
23.	Pressure Spring		1	
24.	Separation Roller		1	
25.	Separation Roller Assy	059K69680	1	Complete Assembly
26.	Gear 25T		1	
27.	Guide Plate		1	
28.	Guide		1	
29.	Feed Roller	059E10850	1	120K Life
30.	Clutch		1	
31.	Gear 14T		1	
32.	Friction Sheet		1	
a.	C-Clip		3	
b.	C-Clip		1	P/O Hardware Kit
c.	Screw (Tapping)		2	P/O Hardware Kit

Parts List 6.0 Imaging Unit Rail

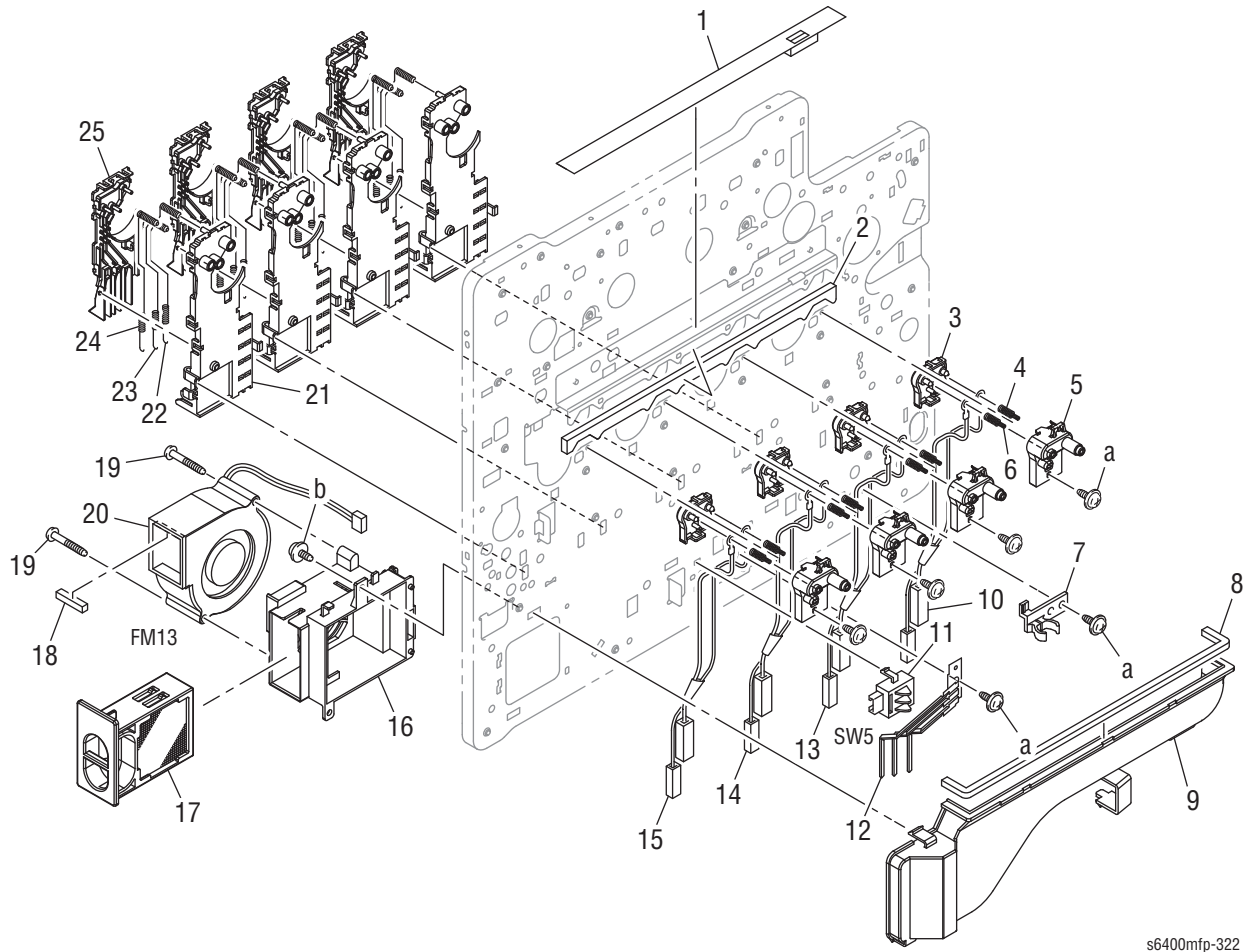


s6400mfp-321

Parts List 6.0 Imaging Unit Rail

ID No.	Name/Description	Part Number	Qty.	Comments
1.	Seal		1	
2.	CRUM Reader	101E29030	4	Qty 1 when ordered
3.	Cover		1	
4.	Bracket		1	
5.	Seal		1	
6.	Rail		1	
7.	Earth Ground		4	
8.	PWBA Assy		1	
9.	Cover		1	
10.	Photo Interrupter (PS4)	130E11800	1	Front Door Sensor
11.	Toner Cartridge Position Label		1	
12.	Imaging Unit Position Label		1	
13.	Cover		1	
14.	Lever		1	
15.	Shield		1	
16.	Rail		1	Toner Cartridge Rail (Y)
17.	Rail		3	Toner Cartridge Rail (M, C, K)
18.	PWB Assy (Toner Low Sensor Board - TLSB)	960K51950	1	Complete Assembly
19.	Toner Cartridge (C), High Capacity (12K)	106R01317	1	
	Toner Cartridge (C), Standard Capacity (6K)	106R01320	1	
	Toner Cartridge (C), Metered	106R01324	1	
20.	Toner Cartridge (M), High Capacity (12K)	106R01318	1	
	Toner Cartridge (M), Standard Capacity (6K)	106R01321	1	
	Toner Cartridge (M), Metered	106R01325	1	
21.	Toner Cartridge (Y), High Capacity (12K)	106R01319	1	
	Toner Cartridge (Y), Standard Capacity (6K)	106R01322	1	
	Toner Cartridge (Y), Metered	106R01326	1	
22.	Toner Cartridge (K), High Capacity (12K)	106R01316	1	
	Toner Cartridge (K), Metered	106R01323	1	
23.	Imaging Unit (C)	108R00775	1	
24.	Imaging Unit (M)	108R00776	1	
25.	Imaging Unit (Y)	108R00777	1	
26.	Imaging Unit (K)	108R00774	1	
a.	Screw		1	P/O Hardware Kit
b.	Screw (Tapping)		6	P/O Hardware Kit
c.	Screw (Tapping)		1	P/O Hardware Kit

Parts List 7.0 Imaging Unit Contact

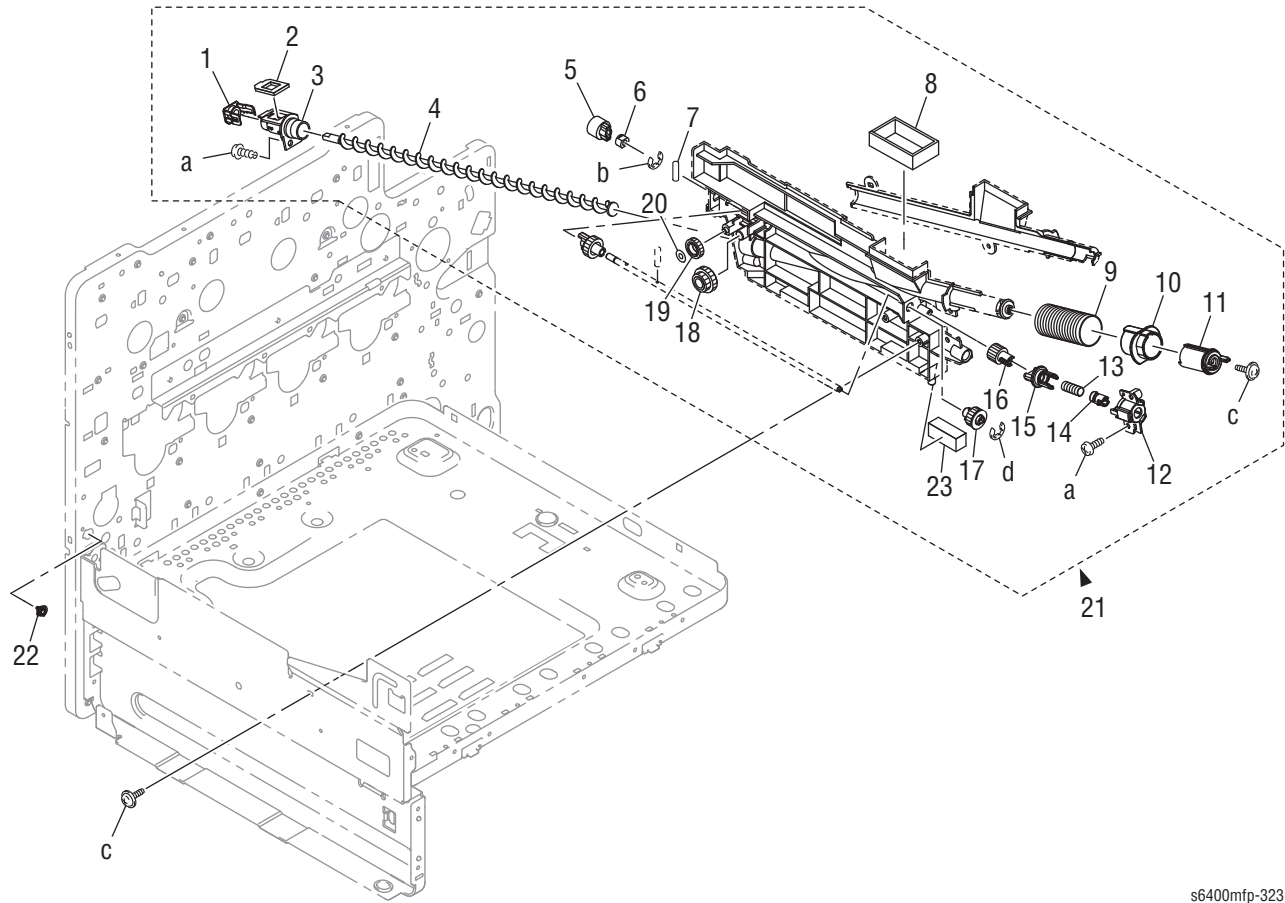


s6400mfp-322

Parts List 7.0 Imaging Unit Contact

ID No.	Name/Description	Part Number	Qty.	Comments
1.	Seal		1	
2.	Seal		1	
3.	Holder		4	
4.	Pressure Spring		4	
5.	Holder		4	
6.	Pressure Spring		4	
7.	Holder	019E81220	1	
8.	Seal		1	
9.	Duct		1	
10.	Wire Harness Assy (C4HV2, G4HV2)		1	Y Imaging Unit to HVPS-2
11.	Switch (SW5)	110E19930	1	Tray 2 Paper Size Switch
12.	Actuator	120E36330	1	Tray 2 Paper Size Actuator
13.	Wire Harness Assy (C3HV2, G3HV2)		1	M Imaging Unit to HVPS-2
14.	Wire Harness Assy (C2HV2, G2HV2)		1	C Imaging Unit to HVPS-2
15.	Wire Harness Assy (C1HV2, G1HV2)		1	K Imaging Unit to HVPS-2
16.	Duct		1	
17.	Ozone Filter	108R00815	1	Includes with Transfer Roller
18.	Seal		1	
19.	Screw		2	
20.	Fan Motor (FM13)	127E16410	1	Exhaust Fan Motor (Ozone Ventilation Fan)
21.	Cover		4	
22.	Contact (*)		4	
23.	Contact (*)		4	
24.	Contact (*)		4	
25.	Holder		4	
a.	Screw		6	P/O Hardware Kit
b.	Screw		1	P/O Hardware Kit
(*) Developer Bias Voltage contact from HVPS-1.				

Parts List 8.0 Waste Toner Transport (1 of 2)

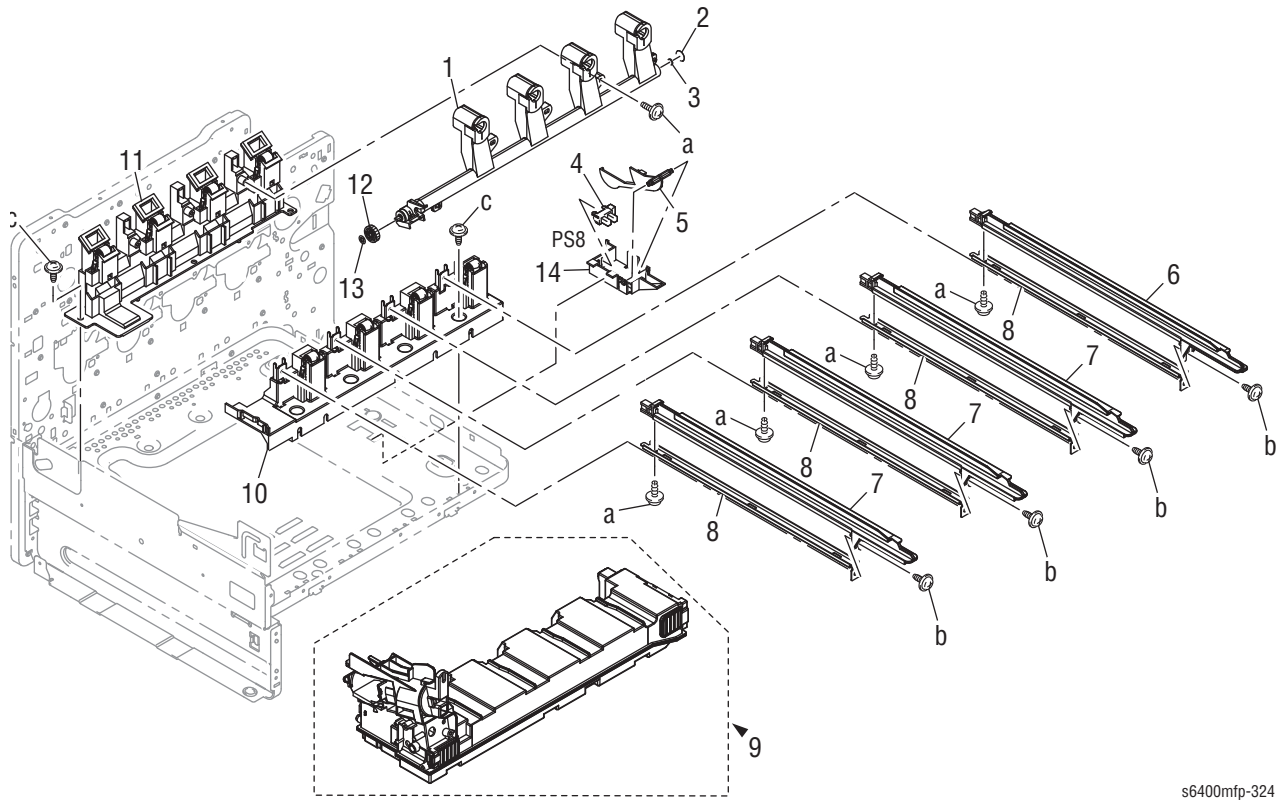


s6400mfp-323

Parts List 8.0 Waste Toner Transport (1 of 2)

ID No.	Name/Description	Part Number	Qty.	Comments
1.	Cover		1	
2.	Seal		1	
3.	Bushing Assy		1	
4.	Screw		1	
5.	Gear 16T		1	
6.	Bushing		1	
7.	Pin		1	
8.	Seal		1	
9.	Pressure Spring		1	
10.	Shutter		1	
11.	Shutter		1	
12.	Holder		1	
13.	Pressure Spring		1	
14.	Coupling		1	
15.	Joint		1	
16.	Gear 14T		1	
17.	Gear 16T		1	
18.	Gear 16/20T		1	
19.	Gear 17T		1	
20.	Stop Ring		1	
21.	Waste Toner Auger Assy	848K25680	1	Complete Assembly
22.	Holder	019E81230	1	Waste Auger Shaft Bearing
23.	Foam Seal		1	
a.	Screw		2	
b.	E-Ring		1	P/O Hardware Kit
c.	Screw		2	P/O Hardware Kit
d.	C-Clip		1	

Parts List 9.0 Waste Toner Transport (2 of 2)

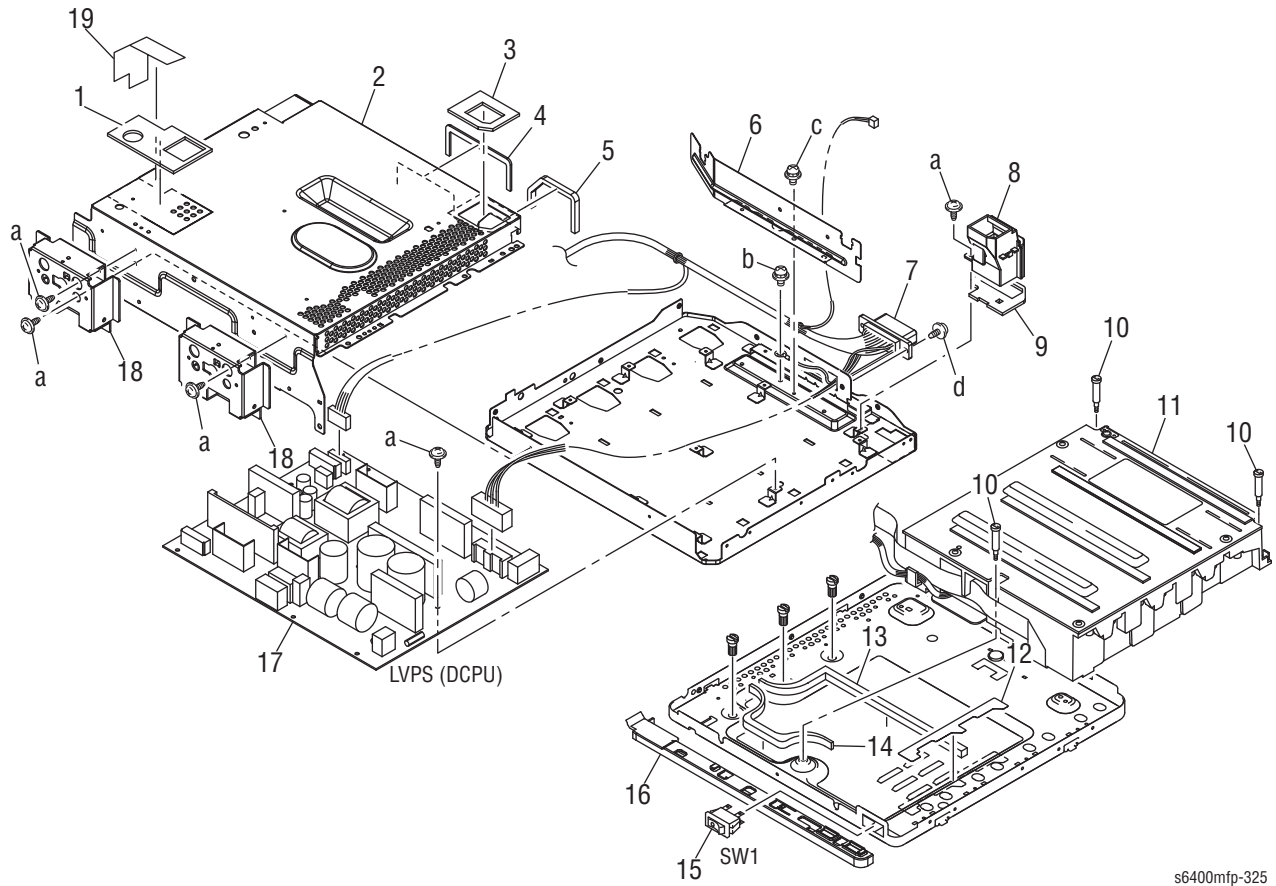


s6400mp-324

Parts List 9.0 Waste Toner Transport (2 of 2)

ID No.	Name/Description	Part Number	Qty.	Comments
1.	Holder Assy	019K13960	1	Waste Auger Delivery
2.	Seal		1	
3.	Seal		1	
4.	Photo Interrupter (PS8)	130E11800	1	Tray 2 Paper Empty Sensor
5.	Actuator	120E36340	1	Tray 2 Paper Empty Sensor Actuator
6.	Rail		1	Imaging Unit Cartridge Rail (K)
7.	Rail		3	Imaging Unit Cartridge Rail (Y, M, C)
8.	Reinforce Plate		4	
9.	Waste Cartridge	106R01368	1	Includes two Cartridges per part number
10.	Holder Assy	019K13970	1	Front Imaging Unit Holder
11.	Holder Assy	019K13980	1	Rear Imaging Unit Holder
12.	Gear 19T		1	
13.	Stop Ring		1	
14.	Bracket		1	
a.	Screw (Tapping)		5	P/O Hardware Kit
b.	Screw (Tapping)		4	P/O Hardware Kit
c.	Screw		2	P/O Hardware Kit

Parts List 10.0 LVPS/ Laser Unit

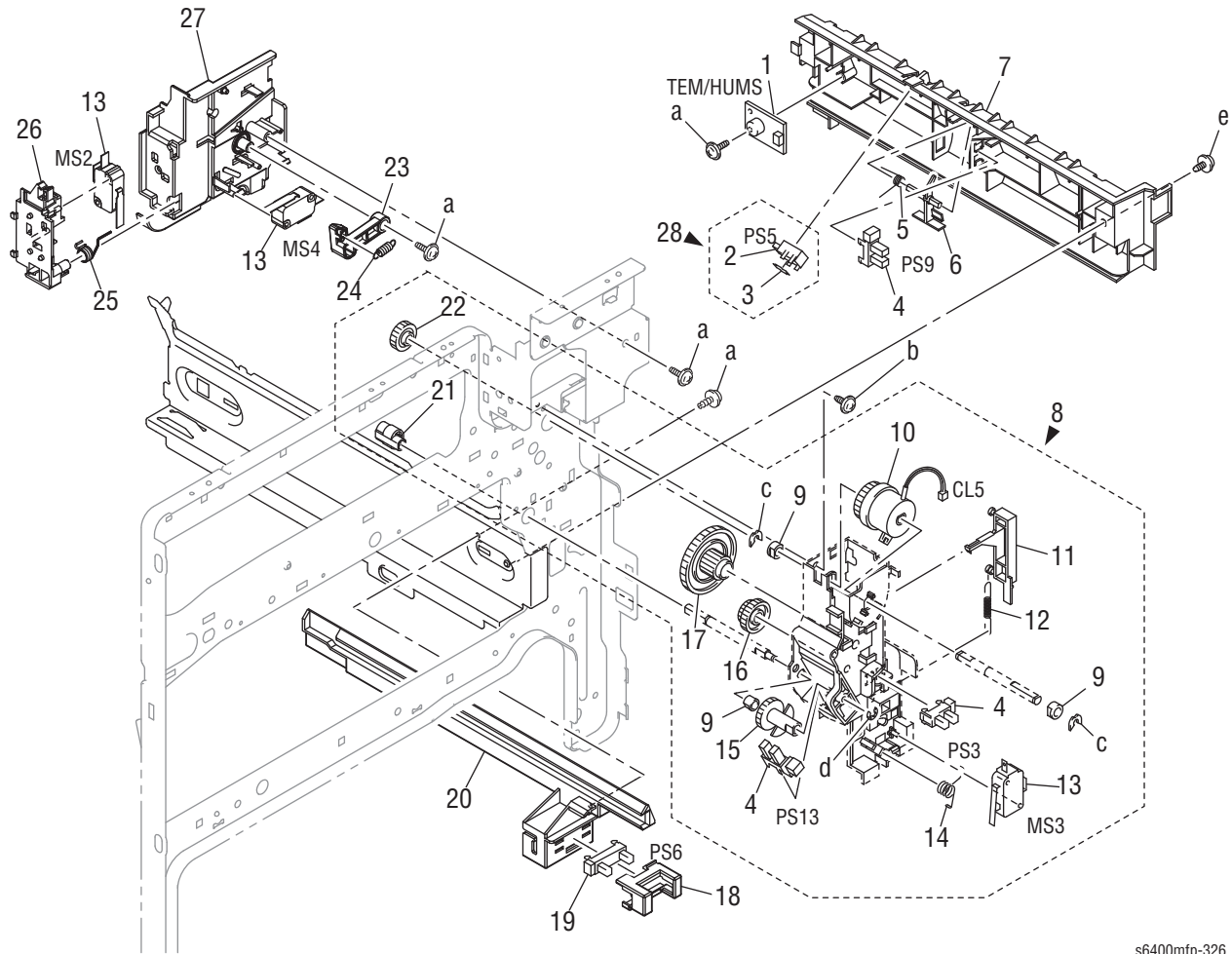


s6400mp-325

Parts List 10.0 LVPS/ Laser Unit

ID No.	Name/Description	Part Number	Qty.	Comments
1.	Seal		1	
2.	Reinforce Plate		1	LVPS Shield
3.	Seal		1	
4.	Seal		1	
5.	Seal		1	
6.	Bracket		1	
7.	Wire Harness Assy (*)	962K76270	1	"Map 1 - LVPS (DCPU)" on page 10-18
8.	Duct		1	
9.	Seal		1	
10.	Shoulder Screw	826E49140	3	Laser Unit Mounting Screw
11.	Laser Unit	017E16960	1	Print Head Assy (P/H)
12.	Seal		1	
13.	Seal		1	
14.	Seal		1	
15.	Switch	110E20890	1	Power Switch
16.	Cover		1	
17.	LVPS - 120V	105E24160	1	DCPU
	LVPS - 220V	105E24170	1	DCPU
18.	Bracket		2	
19.	Seal		1	
a.	Screw (Tapping)		5	P/O Hardware Kit
b.	Screw		1	
c.	Screw		1	P/O Hardware Kit
d.	Screw (Tapping)		2	P/O Hardware Kit
(*) Connections to Fuser, LVPS, I/P Board, MCU Board, Scanner. PL 10.7 includes Fuser Bulkhead connector.				

Parts List 11.0 Drive (1 of 3) - 2nd Transfer Pressure/ Retraction

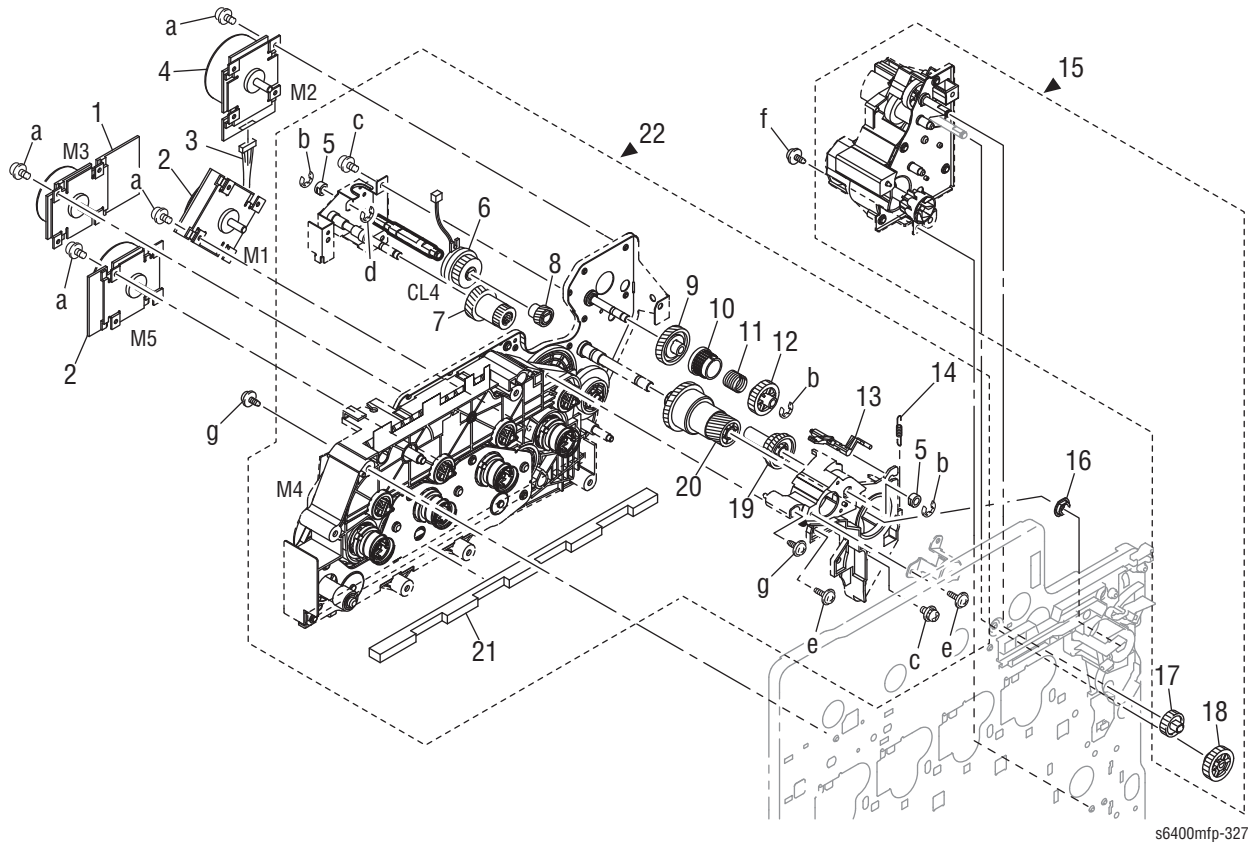


s6400mfp-326

Parts List 11.0 Drive (1 of 3) - 2nd Transfer Pressure/ Retraction

ID No.	Name/Description	Part Number	Qty.	Comments
1.	Temperature/Humidity Sensor	130E12990	1	
2.	Photo Interrupter (PS5)		1	OHP Sensor - P/O Item 28
3.	Stopper		1	
4.	Photo Interrupter (PS3, PS9, PS13)	130E11800	3	PS3 = Right Door Sensor PS9 = Registration Sensor PS13 = Pressure/ Retraction Sensor 2
5.	Torsion Spring	809E94730	1	Registration Sensor Actuator Spring
6.	Actuator	120E36350	1	Registration Sensor Actuator
7.	Guide Plate		1	
8.	Drive Assy Kit	604K54540	1	2nd Image Transfer Pressure/ Retraction Drive Assembly
9.	Bushing		3	
10.	Clutch (CL5)		1	Pressure/Retraction Clutch 2
11.	Lever		1	
12.	Tension Spring		1	
13.	Micro - Switch (MS2, MS3, MS4)	110K15620	3	MS2 = Front Door Safety Switch MS3 = Right Door Safety Switch MS4 = Fuser In Switch
14.	Torsion Spring		1	
15.	Gear 24T		1	
16.	Gear 18/25T		1	
17.	Gear 19/44T		1	
18.	Cover		1	
19.	Solid State Switch (PS6)	107E29990	1	Waste Toner Full Sensor
20.	Rail		1	
21.	Cam		1	
22.	Gear 17T		1	
23.	Lever		1	
24.	Tension Spring		1	
25.	Torsion Spring		1	
26.	Bracket		1	
27.	Cover		1	
28.	Photo Interrupter (PS5)	130E13000	1	OHP Sensor
a.	Screw (Tapping)		4	P/O Hardware Kit
b.	Screw (Tapping)		1	P/O Hardware Kit
c.	C-Clip			
d.	C-Clip	019E81510	2	P/O Hardware Kit
e.	Screw (Tapping)		2	P/O Hardware Kit

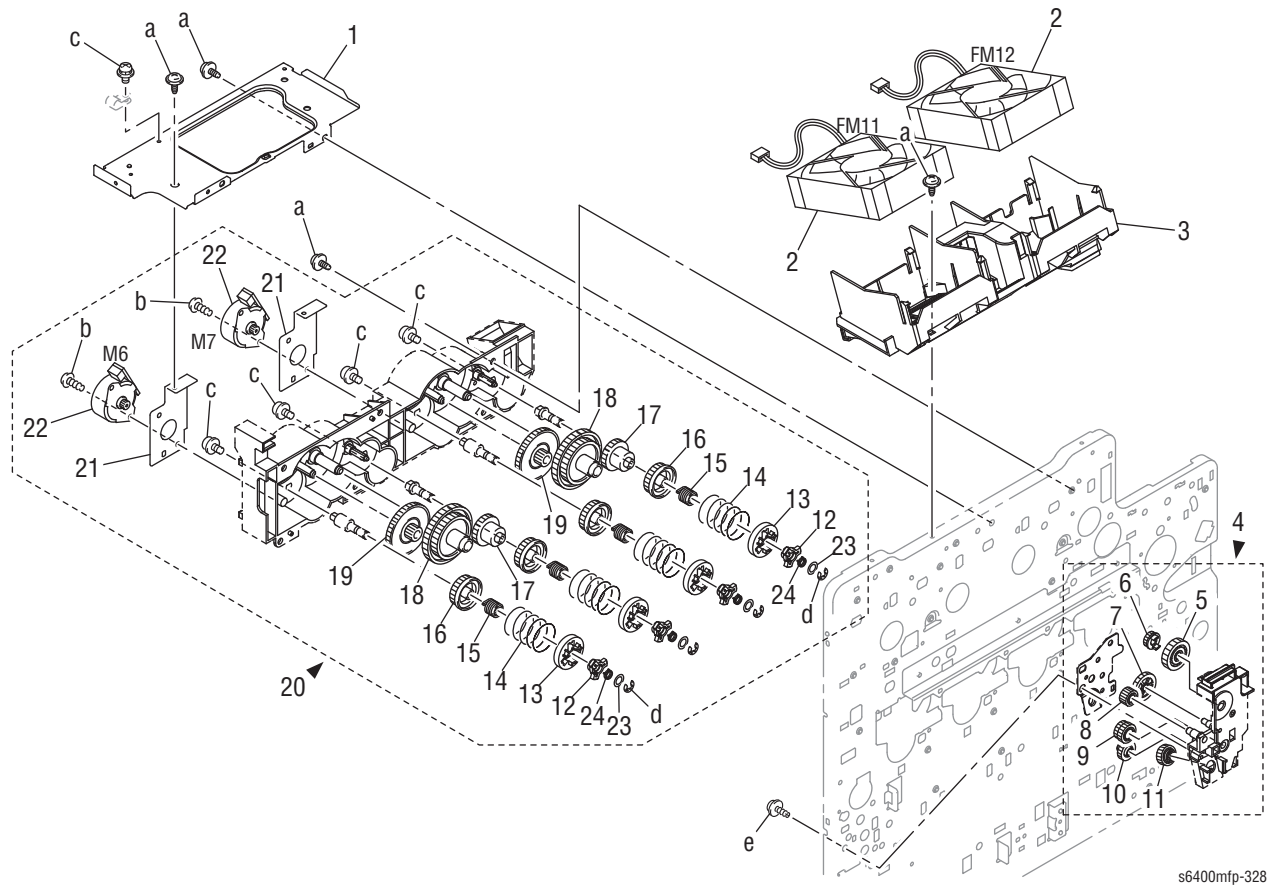
Parts List 12.0 Drive (2 of 3) - Main Drive



Parts List 12.0 Drive (2 of 3) - Main Drive

ID No.	Name/Description	Part Number	Qty.	Comments
1.	Brushless Motor (M3)	127E16420	1	Color PC Drum Motor
2.	Brushless Motor (M1, M5)	127E16430	2	M1 = Intermediate Transport Motor M5 = Developer K Motor
3.	Wire Harness Assy (PJ19MCU-PJ17)		1	MCU to Fusing Motor
4.	Brushless Motor (M2)	127E16520	1	Fusing Motor
5.	Bushing		2	
6.	Clutch (CL4)	121E26560	1	Pressure/ Retraction Clutch 1
7.	Gear 17 50T		1	
8.	Gear 28T		1	
9.	Gear 58T		1	
10.	Ratchet		1	
11.	Torsion Spring		1	
12.	Gear 26T		1	
13.	Lever		1	
14.	Tension Spring		1	
15.	Paper Take-Up Drive Assy	130K75990	1	Includes Tray 1 Paper Feed Clutch (CL1) & Tray 2 Paper Feed Clutch (CL3)
16.	Bushing		1	
17.	Gear 19T		1	P/O 15
18.	Gear 27T		1	P/O 15
19.	Gear 21 66T		1	
20.	Gear 40T		1	
21.	Seal		1	
22.	Main Drive Assy	007K19870	1	Includes Developer YMC Motor (M4) and Pressure Retraction Clutch 2. M4 requires factory alignment, do not remove it from the Assembly.
a.	Screw		4	P/O Hardware Kit
b.	C-Clip		3	
c.	Screw		2	P/O Hardware Kit
d.	C-Clip		2	
e.	Screw		2	
f.	Screw		1	P/O Hardware Kit
g.	Screw		2	P/O Hardware Kit

Parts List 13.0 Drive (3 of 3) - Toner Supply (Hopper)

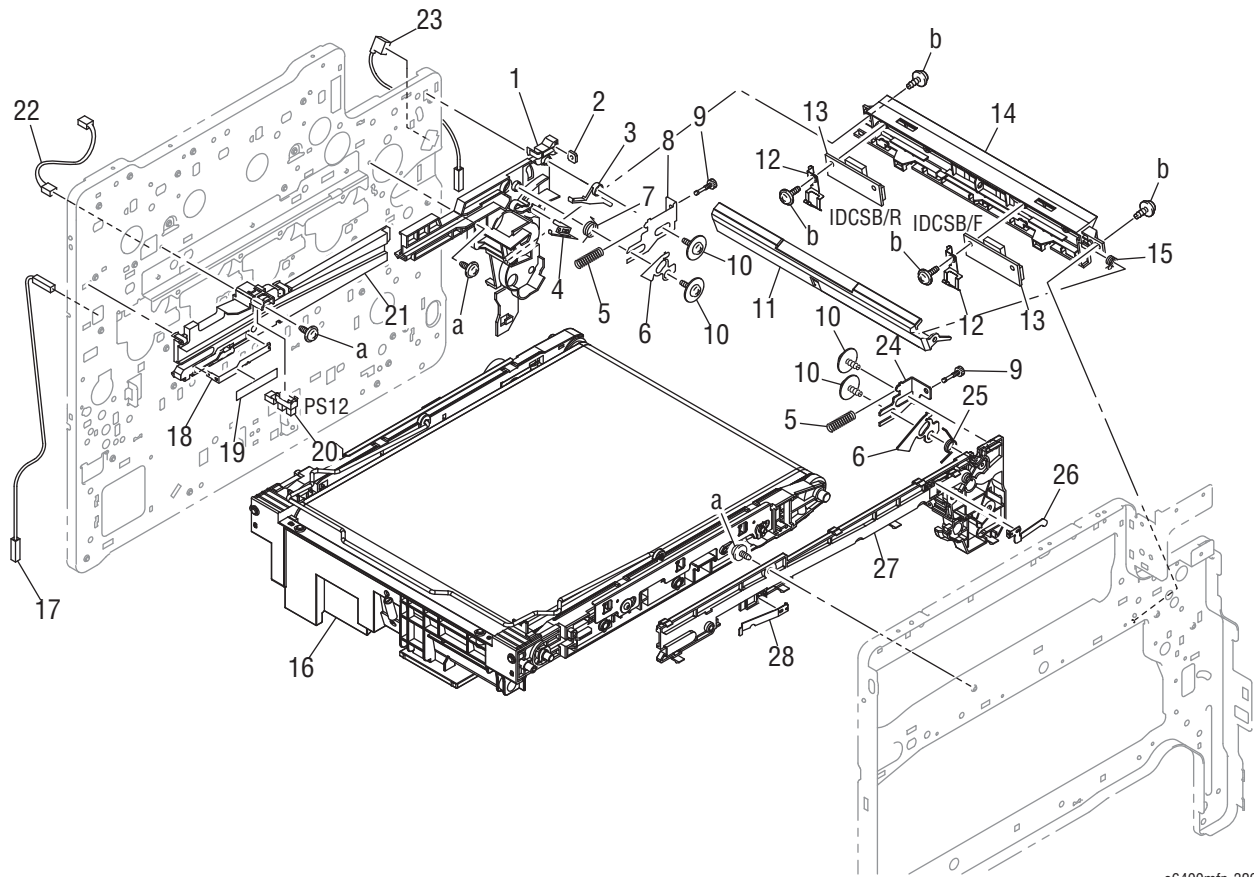


s6400mp-328

Parts List 13.0 Drive (3 of 3) - Toner Supply (Hopper)

ID No.	Name/Description	Part Number	Qty.	Comments
1.	Bracket		1	
2.	Fan Motor (FM11, FM12)	127E16440	2	FM11 = DC Power Supply Fan Motor FM12 = Fusing Fan Motor
3.	Duct		1	
4.	Waste Toner Drive Assy	007K19880	1	
5.	Gear 30T		1	
6.	Gear 14T		1	
7.	Gear 28T		1	
8.	Gear 15T		1	
9.	Gear 17/17T		1	
10.	Gear 17T		1	
11.	Gear 17T		1	
12.	Gear		4	
13.	Coupling		4	
14.	Pressure Spring		4	
15.	Torsion Spring		4	
16.	Gear 30T		4	
17.	Gear 30T		2	
18.	Gear 45/96T		2	
19.	Gear 22/108T		2	
20.	Hopper Drive Assy	007K19890	1	Includes Toner Supply Motors M6 and M7.
21.	Heat Sink		2	
22.	Motor (M6, M7)	127E16450	2	M6 = Toner Supply Motor Y/M M7 = Toner Supply Motor C/K
23.	Washer		4	
24.	Torsion Spring		4	
a.	Screw		4	P/O Hardware Kit
b.	Screw (Tapping)		2	P/O Hardware Kit
c.	Screw (Tapping)		4	P/O Hardware Kit
d.	E-Ring		2	P/O Hardware Kit
e.	Screw		1	P/O Hardware Kit

Parts List 14.0 Transfer Belt Unit

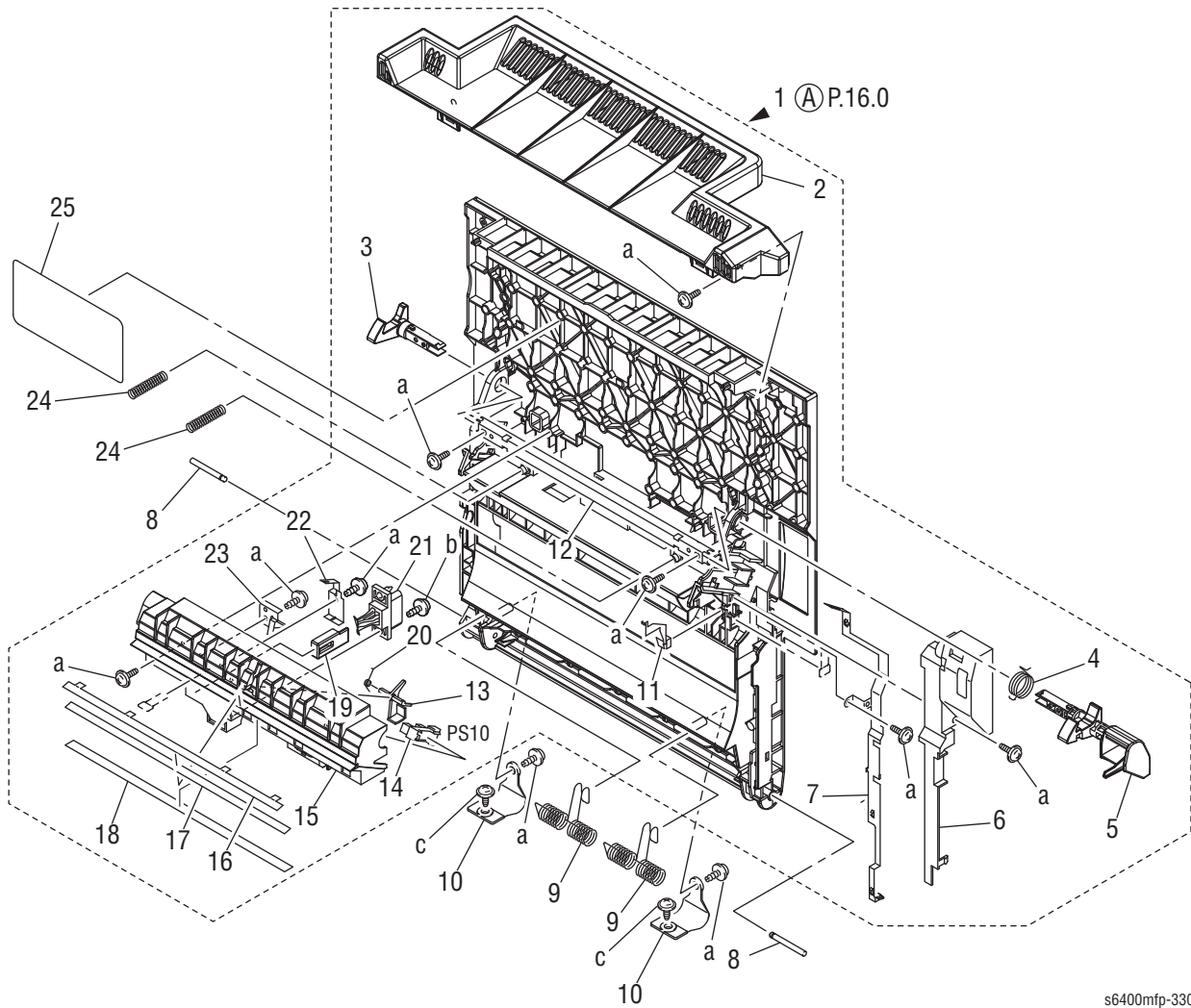


s6400mp-329

Parts List 14.0 Transfer Belt Unit

ID No.	Name/Description	Part Number	Qty.	Comments
1.	Rail		1	
2.	Plate Nut		1	
3.	Lever		1	
4.	Contact		1	
5.	Pressure Spring		2	
6.	Stop Plate		2	
7.	Torsion Spring		1	
8.	Guide Plate		1	
9.	Screw		2	
10.	Screw		4	
11.	Cover	848E40550	1	IDCSB Shutter
12.	Earth Ground		2	
13.	Image Density Control Board (IDCSB)	960K51960	2	R = Rear F = Front
14.	Guide		1	
15.	Torsion Spring	809E94740	1	IDCSB Shutter Spring
16.	Transfer Belt Unit	108R00816	1	
17.	Wire Harness Assy (T1HV2)		1	HV2 to 1st Image Transfer
18.	Contact		1	
19.	Guide Plate		1	
20.	Photo Interrupter (PS12)	130E11800	1	Pressure/ Retraction Sensor 1
21.	Rail		1	
22.	Wire Harness Assy (CN27-PJ13)		1	MCU to PS12
23.	Wire Harness Assy (T2HV2)		1	HV2 to 2nd Image Transfer
24.	Guide Plate		1	
25.	Torsion Spring		1	
26.	Contact		1	
27.	Rail		1	
28.	Plate Spring		1	
a.	Screw		3	P/O Hardware Kit
b.	Screw		2	P/O Hardware Kit

Parts List 15.0 Vertical Transport Unit (1 of 2)

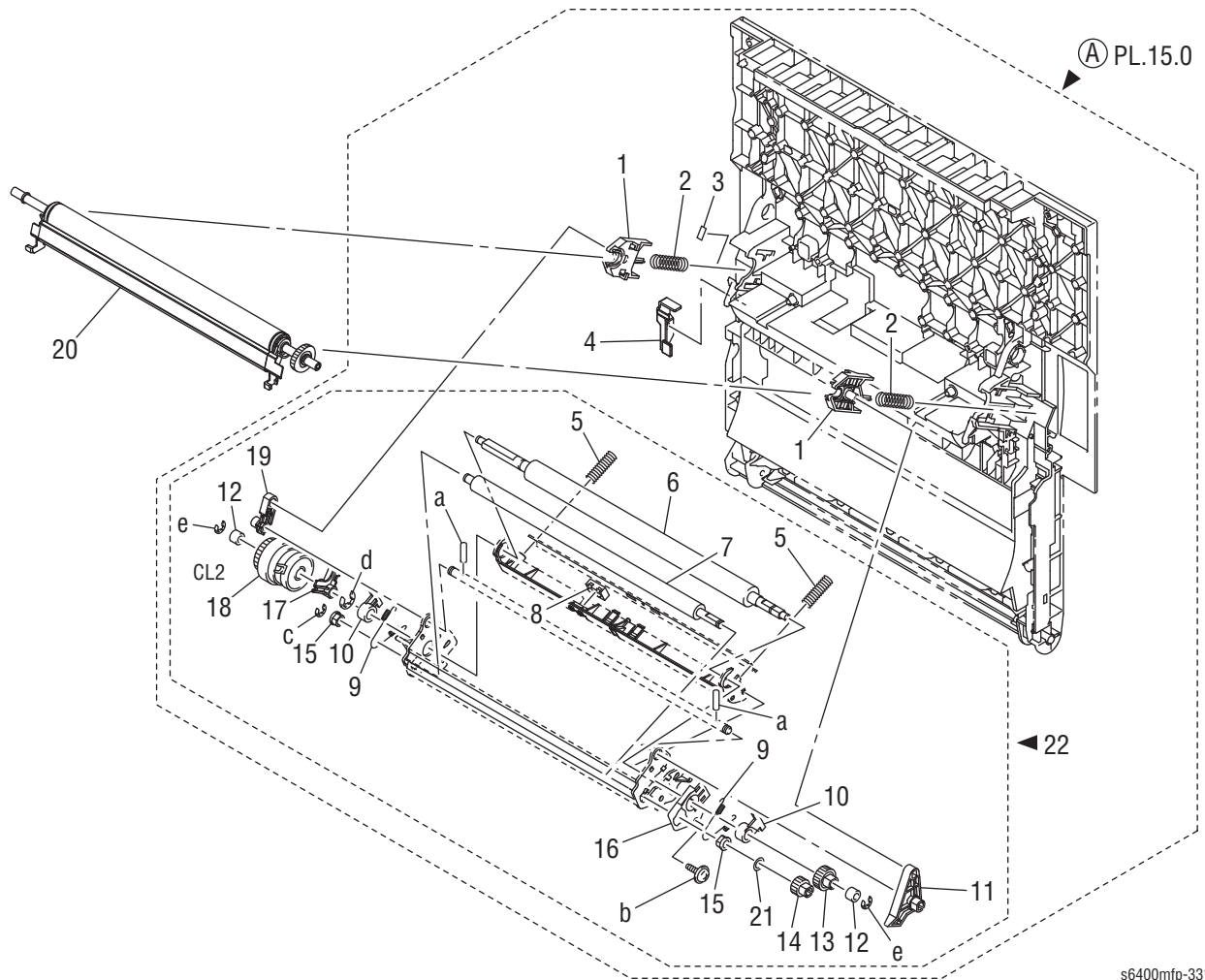


s6400mfp-330

Parts List 15.0 Vertical Transport Unit (1 of 2)

ID No.	Name/Description	Part Number	Qty.	Comments
1.	Vertical Transport Assy	059K69690	1	Complete Right Door Assembly
2.	Cover		1	
3.	Pawl		1	
4.	Torsion Spring		1	
5.	Claw		1	
6.	Cover		1	
7.	Ground Plate		1	
8.	Shaft		2	
9.	Torsion Spring		2	
10.	Stopper		2	
11.	Ground Plate		1	
12.	Bracket		1	
13.	Actuator	120E36360	1	Paper Loop Sensor Actuator
14.	Photo Interrupter (PS10)	130E11800	1	Paper Loop Sensor
15.	Guide		1	
16.	Plate Spring		1	
17.	Ground Plate		1	
18.	Guide		1	
19.	Guide		1	
20.	Torsion Spring		1	
21.	Wire Harness Assy (CN14A/B-PJ11)	962K76760	1	MCU to Duplex Unit
22.	Plate Spring		1	
23.	Plate Spring		1	
24.	Pressure Spring	809E94750	2	
25.	Label - Fuser Jam	896E86840	1	
a.	Screw (Tapping)		10	P/O Hardware Kit
b.	Screw		2	P/O Hardware Kit
c.	Screw (Tapping)		1	P/O Hardware Kit

Parts List 16.0 Vertical Transport Unit (2 of 2)

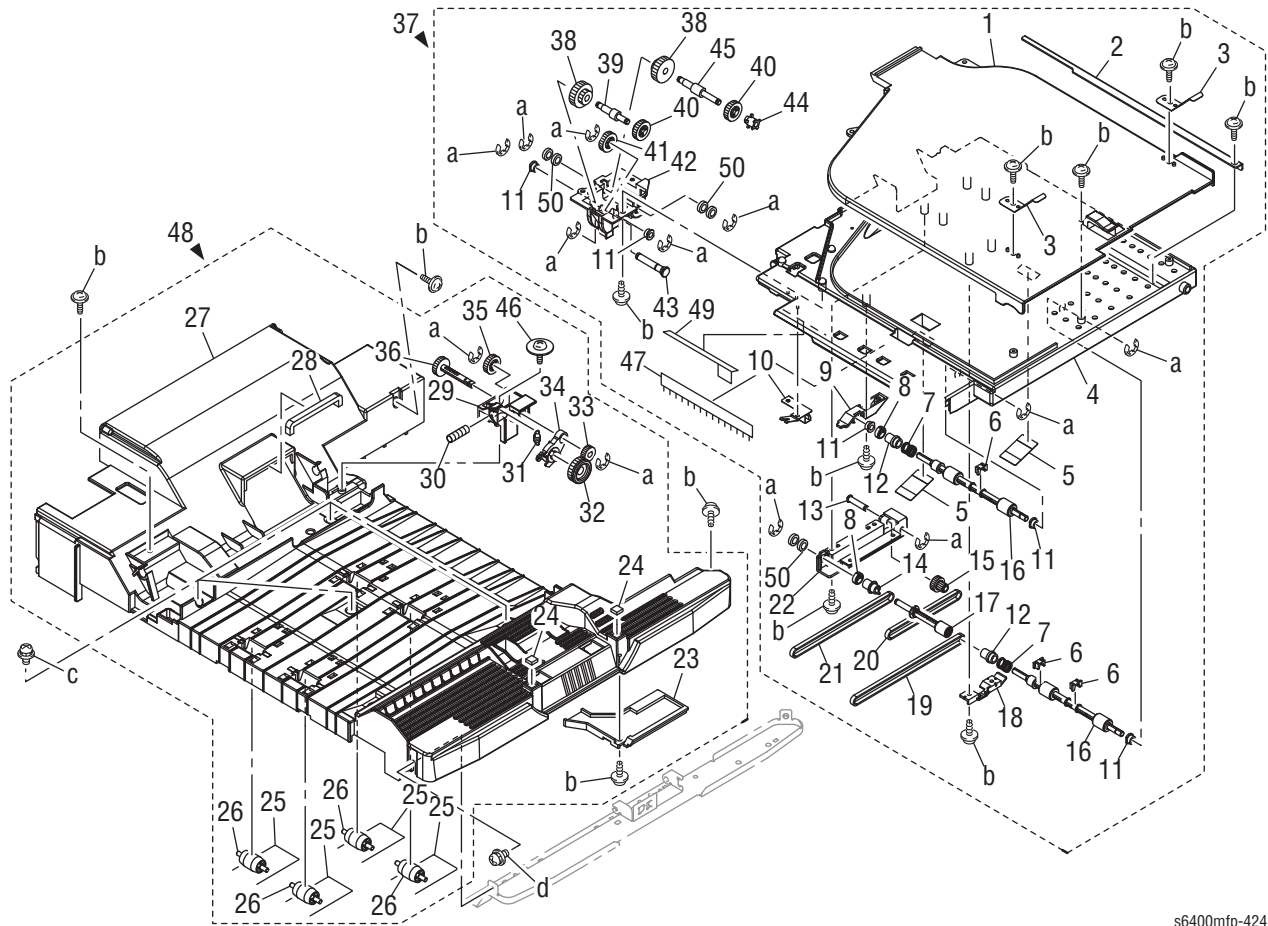


s6400mfp-331

Parts List 16.0 Vertical Transport Unit (2 of 2)

ID No.	Name/Description	Part Number	Qty.	Comments
1.	Holder		2	
2.	Pressure Spring		2	
3.	Stopper		1	
4.	Set Plate		1	
5.	Pressure Spring	809E94760	2	
6.	Roller		1	
7.	Roller		1	
8.	Solid State Switch		1	OHP Sensor Reflector
9.	Tension Spring		2	
10.	Bushing		2	
11.	Lever		1	
12.	Roll		2	
13.	Gear 20T		1	
14.	Gear 15T		1	
15.	Bushing		2	
16.	Earth Ground		1	
17.	Spacer		1	
18.	Clutch (CL2)	121E26560	1	Registration Clutch
19.	Lever		1	
20.	Transfer Roller	108R00815	1	Includes Ozone Filter
21.	Washer		1	
22.	Registration Roller Assy	059K69700	1	Complete Assembly
a.	Pin		2	
b.	Screw (Tapping)		1	P/O Hardware Kit
c.	E-Ring		2	P/O Hardware Kit
d.	E-Ring		1	
e.	C-Clip	019E81510	2	P/O Hardware Kit

Parts List 17.0 Horizontal Transport Unit



s6400mfp-424

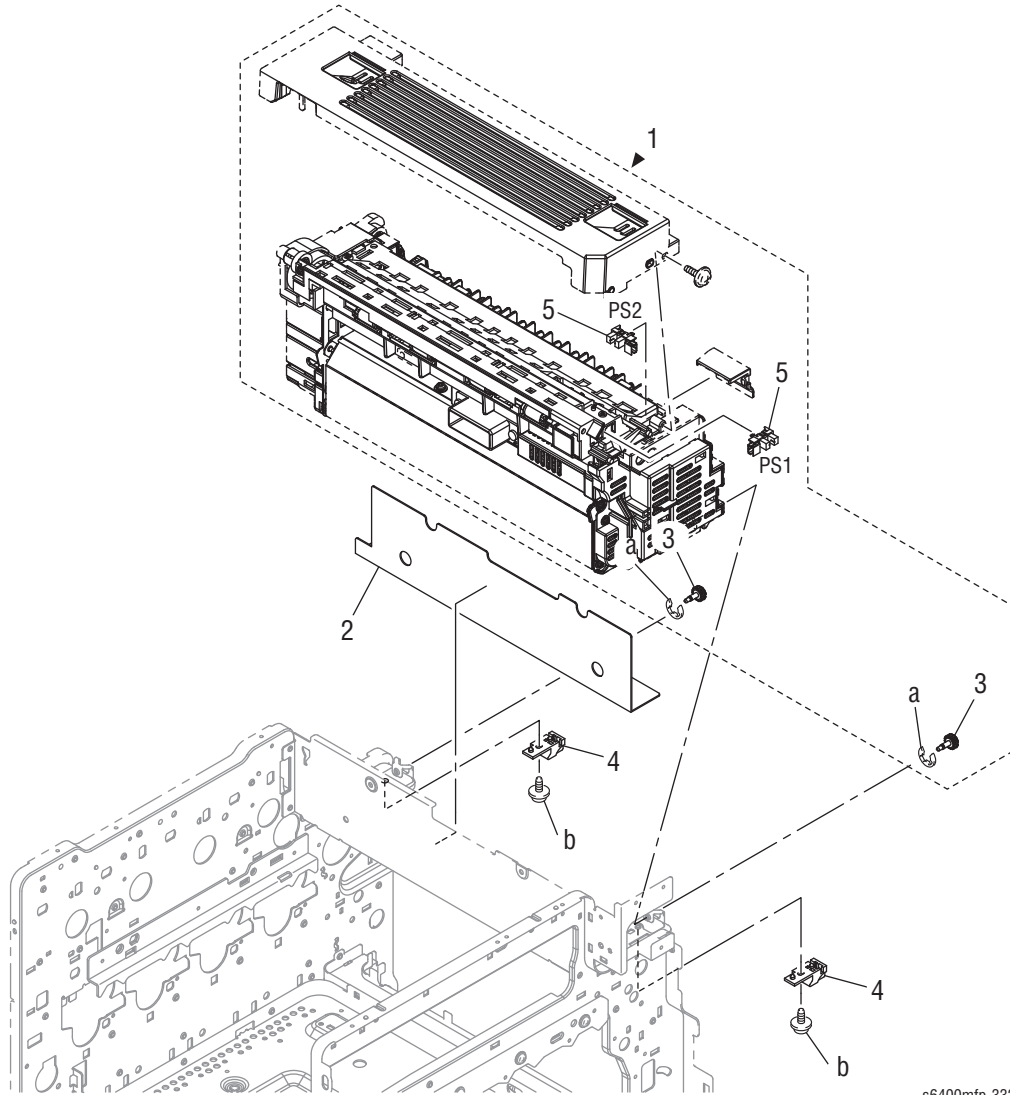
Parts List 17.0 Horizontal Transport Unit

ID No.	Name/Description	Part Number	Qty.	Comments
1.	Duct		1	
2.	Reinforce Plate		1	
3.	Spring		2	
4.	Guide		1	
5.	Guide		2	
6.	Bushing		3	
7.	Torsion Spring		2	
8.	Collar		2	
9.	Bracket		1	
10.	Ground		1	
11.	Bushing		5	
12.	Pulley 14T		2	
13.	Shaft		1	
14.	Pulley 14T		1	
15.	Gear 14/17T		1	
16.	Roller		2	
17.	Shaft		1	
18.	Bracket		1	
19.	Timing Belt 308L		1	
20.	Timing Belt 206L		1	
21.	Timing Belt 280L		1	
22.	Bracket		1	
23.	Duct		1	
24.	Cushion		2	
25.	Spring		4	
26.	Roll		4	
27.	Guide		1	
28.	Seal		1	
29.	Holder		1	
30.	Pressure Spring		1	
31.	Tension Spring		1	
32.	Gear 30T		1	
33.	Gear 16T		1	
34.	Arm		1	
35.	Gear 17T		1	
36.	Gear 16T		1	
37.	Horizontal Transport - Upper	059E10840	1	Complete Assembly
38.	Gear 22T		2	
39.	Shaft		1	
40.	Gear 17T		2	

Parts List 17.0 Horizontal Transport Unit (continued)

ID No.	Name/Description	Part Number	Qty.	Comments
41.	Gear 17T		1	
42.	Holder		1	
43.	Shaft		1	
44.	Pulley 14T		1	
45.	Shaft		1	
46.	Screw		1	
47.	Neutralizing Brush		1	
48.	Horizontal Transport - Lower	059E10830	1	Complete Assembly
49.	Seal		1	
50.	Bearing		6	
a.	E-Ring		10	P/O Hardware Kit
b.	Screw		8	P/O Hardware Kit
c.	Screw		2	

Parts List 18.0 Fuser Unit

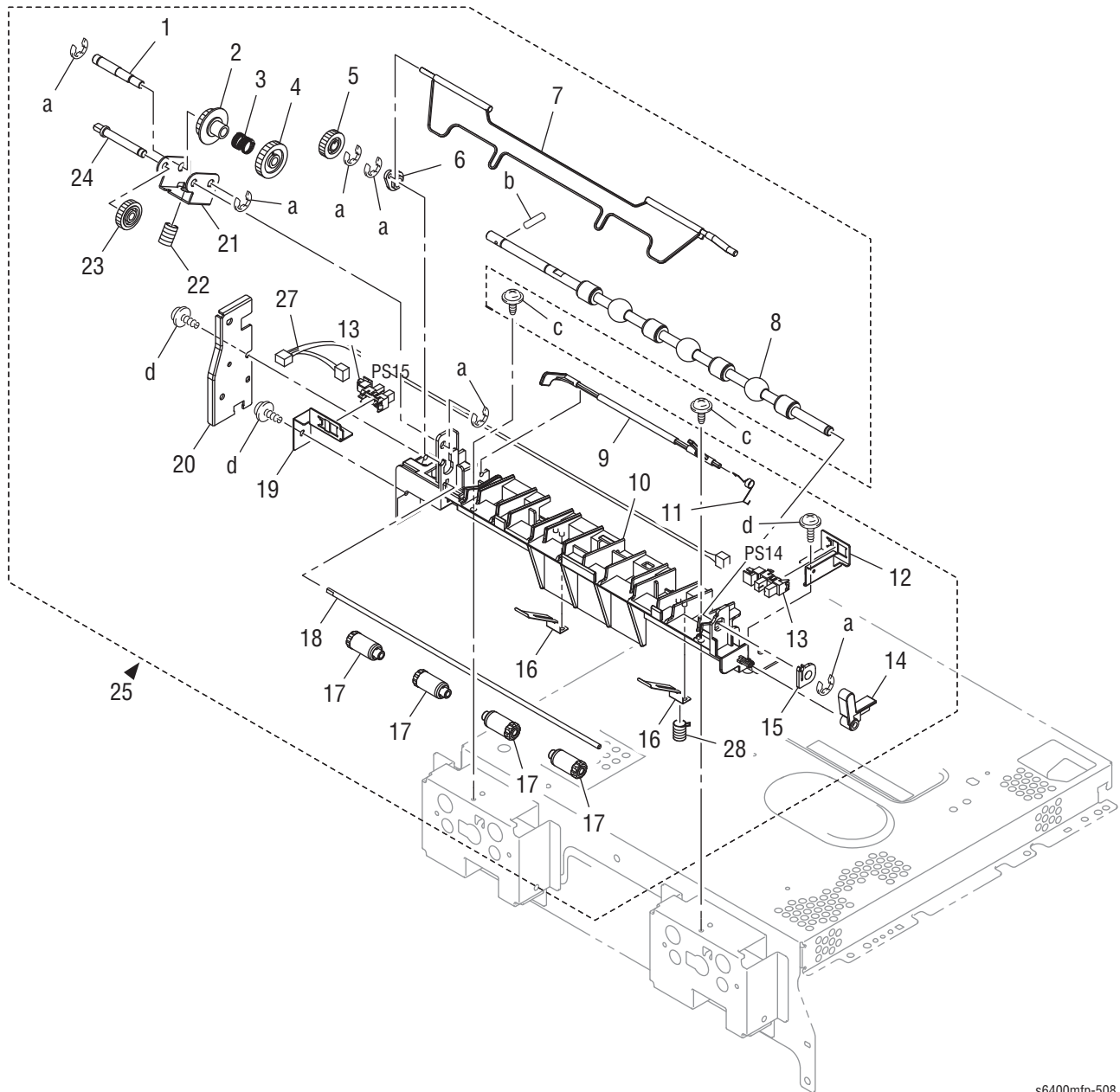


s6400mp-332

Parts List 18.0 Fuser Unit

ID No.	Name/Description	Part Number	Qty.	Comments
1.	Fuser Unit - 120V	115R00059	1	
	Fuser Unit - 220V	115R00060	1	
2.	Seal		1	
3.	Shoulder Screw		2	
4.	Pawl	807E34410	2	
5.	Photo Interrupter (PS1, PS2)	130E11800	2	PS1 = Fuser Exit Sensor PS2 = Paper Feed Sensor
a.	C-Clip	019E81510	2	P/O Hardware Kit
b.	Screw (Tapping)		2	P/O Hardware Kit

Parts List 19.0 Paper Exit

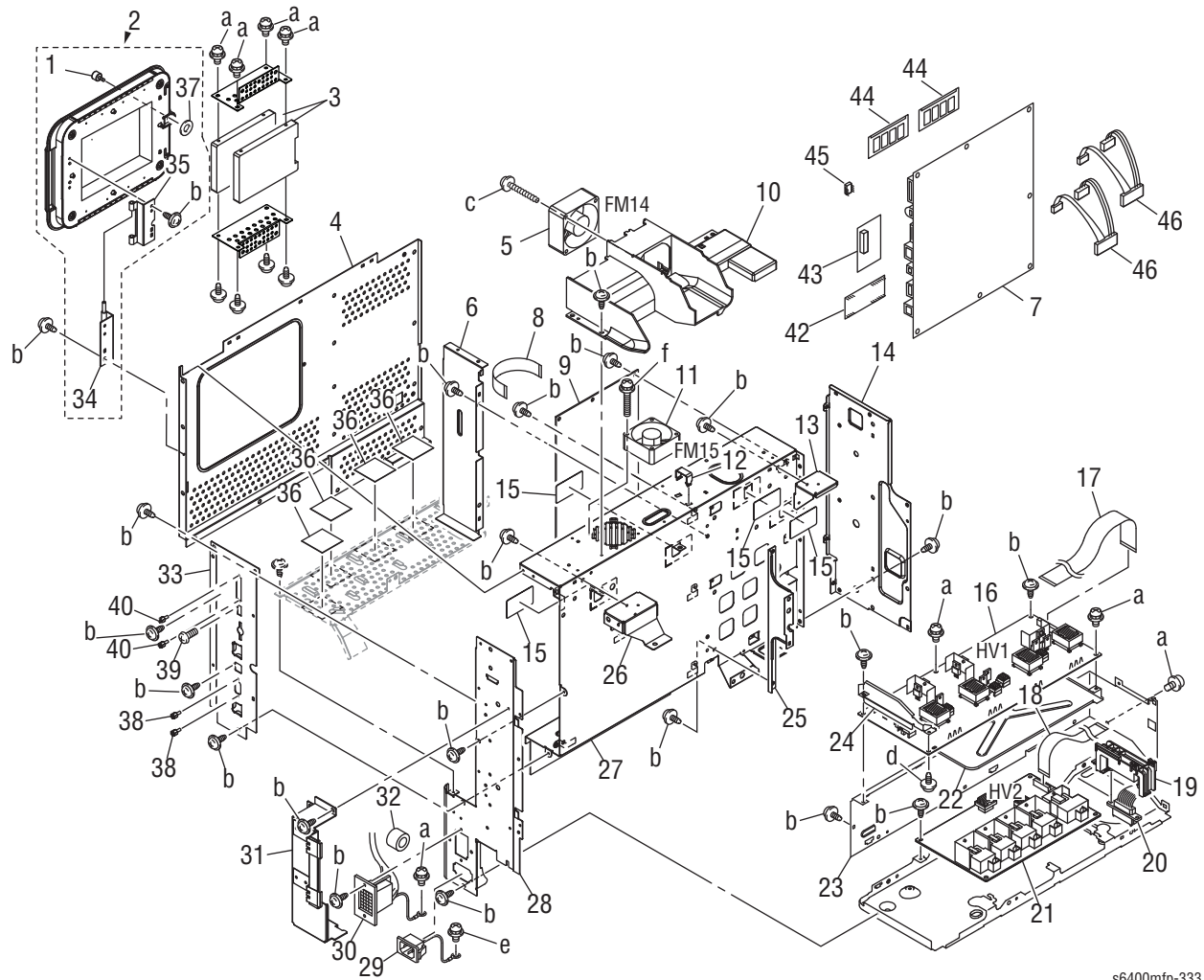


s6400mp-508

Parts List 19.0 Paper Exit

ID No.	Name/Description	Part Number	Qty.	Comments
1.	Shaft		1	
2.	Gear 17T		1	
3.	Torsion Spring		1	
4.	Gear 22T		1	
5.	Gear 16T		1	
6.	Bushing		1	
7.	Actuator	120E36490	1	Output Tray Full Actuator
8.	Roller		1	
9.	Actuator		1	Exit Sensor Actuator
10.	Guide		1	
11.	Torsion Spring		1	
12.	Bracket		1	
13.	Photo Interrupter (PS14, PS15)	130E11800	2	PS14 = Paper Tray Full Sensor PS15 = Exit Sensor 2
14.	Lever		1	
15.	Bushing		1	
16.	Plate Spring		2	
17.	Roll		4	
18.	Shaft		1	
19.	Bracket		1	
20.	Bracket		1	
21.	Bracket		1	
22.	Pressure Spring		1	
23.	Gear 17T		1	
24.	Shaft		1	
25.	Paper Exit Assy	848K25690	1	Complete Assembly
26.	-----			
27.	Sensor Wiring 2 Wiring Harness (*)		1	MCU Board to PS14, PS15
28.	Pressure Spring		1	
a.	E-Ring		6	P/O Hardware Kit
b.	Pin		1	P/O Hardware Kit
c.	Screw (Tapping)		2	P/O Hardware Kit
d.	Screw		2	P/O Hardware Kit
(*) Connections from CN-Exit, CN-Exit1, CN-Exit2 (PS14/PS15) to MCU Board.				

Parts List 20.0 Electrical Components



s6400mfp-333

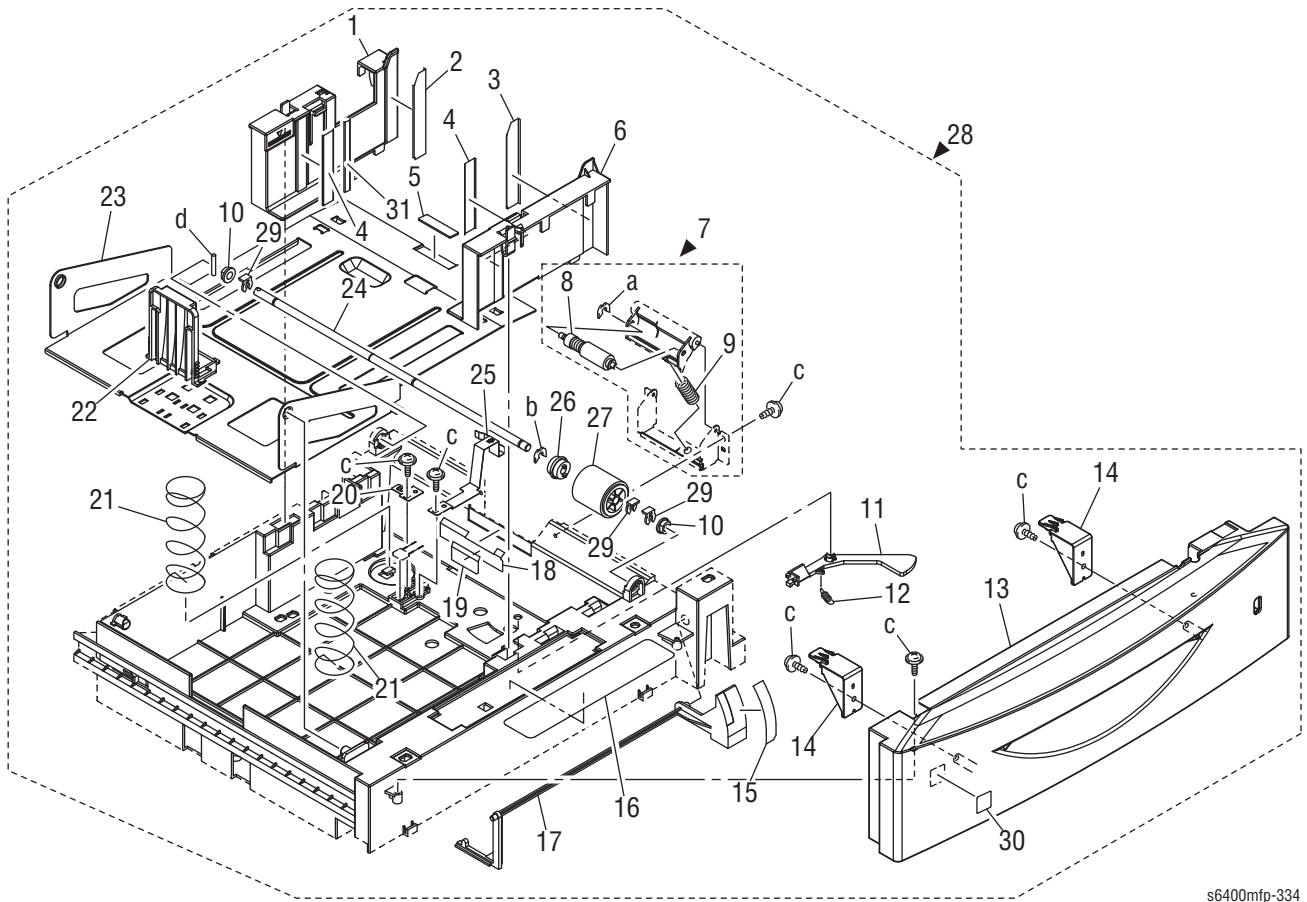
Parts List 20.0 Electrical Components

ID No.	Name/Description	Part Number	Qty.	Comments
1.	Shoulder Screw		1	Included with Hardware Kit
2.	Rear Cover Access Door	848E40120	1	
3.	HDD - CC	121K50770	1	Copy Controller
	HDD - NC	121K50810	1	Network Controller
4.	Shield		1	RF Protective Shield
5.	Horizontal Transport Fan (FM14)	127E16560	1	
6.	Bracket		1	
7.	Image Processor Board	960K51980	1	I/P Board (includes Fax and SATA Daughter Board)
8.	Ribbon Cable	962K76280	1	I/P Board to MCU Board Ribbon Cable
9.	Engine Controller Board (MFPB)	960K51970	1	MCU Board
10.	Duct		1	
11.	Cooling Fan (FM15)	127E16550	1	I/P Board Cooling Fan Motor
12.	Supporter		1	
13.	Bracket		1	
14.	Bracket		1	
15.	Seal		4	
16.	HVPS-1 (HV1)	105K35700	1	HV Power Supply 1
17.	Ribbon Cable (CN1HV1-PJ17MCU)	962K76290	1	MCU to HV1 Ribbon Cable
18.	Ribbon Cable (CN1HV2-PJ17MCU)	962K76300	1	MCU to HV2 Ribbon Cable
19.	Bracket		1	
20.	Wire Harness Assy (CN25-PJ20MCU)	962K76310	1	Engine to LTA Harness
21.	HVPS-2 (HV2)	105K35710	1	HV Power Supply 2
22.	Cover		1	
23.	Bracket		1	
24.	Shield		1	
25.	Hold Plate		1	
26.	Bracket		1	
27.	Bracket		1	Card Cage
28.	Bracket		1	
29.	Wire Harness Assy (CN1PG1)		1	AC Input
30.	Wire Harness Assy (CN29L/A-PJ34/35MCU)	962K76770	1	Engine to Finisher Harness
31.	Bracket		1	
32.	Ferrite Core		1	
33.	I/P Board Back Panel	848E40130	1	
34.	Hinge		1	
35.	Hinge		1	
36.	Seal		4	
37.	Washer		1	
38.	Screw		2	

Parts List 20.0 Electrical Components (continued)

ID No.	Name/Description	Part Number	Qty.	Comments
39.	Screw		1	
40.	Hex Nut		2	
41.	-----			
42.	Fax Board	960K51990	1	
43.	NVM Module	960K58220	1	
44.	RAM (Memory DIMM)	237E24920	2	512 MB each
45.	IP Board NVRAM Chip	960K52040	1	
46.	Hard Drive Cable	962K40460	1	Common harness for both NC and CC HDDs
a.	Screw		8	P/O Hardware Kit
b.	Screw (Tapping)		14	P/O Hardware Kit
c.	Screw		1	
d.	Screw (Tapping)		1	P/O Hardware Kit
e.	Screw		1	
f.	Screw		1	

Parts List 21.0 500-Sheet Tray

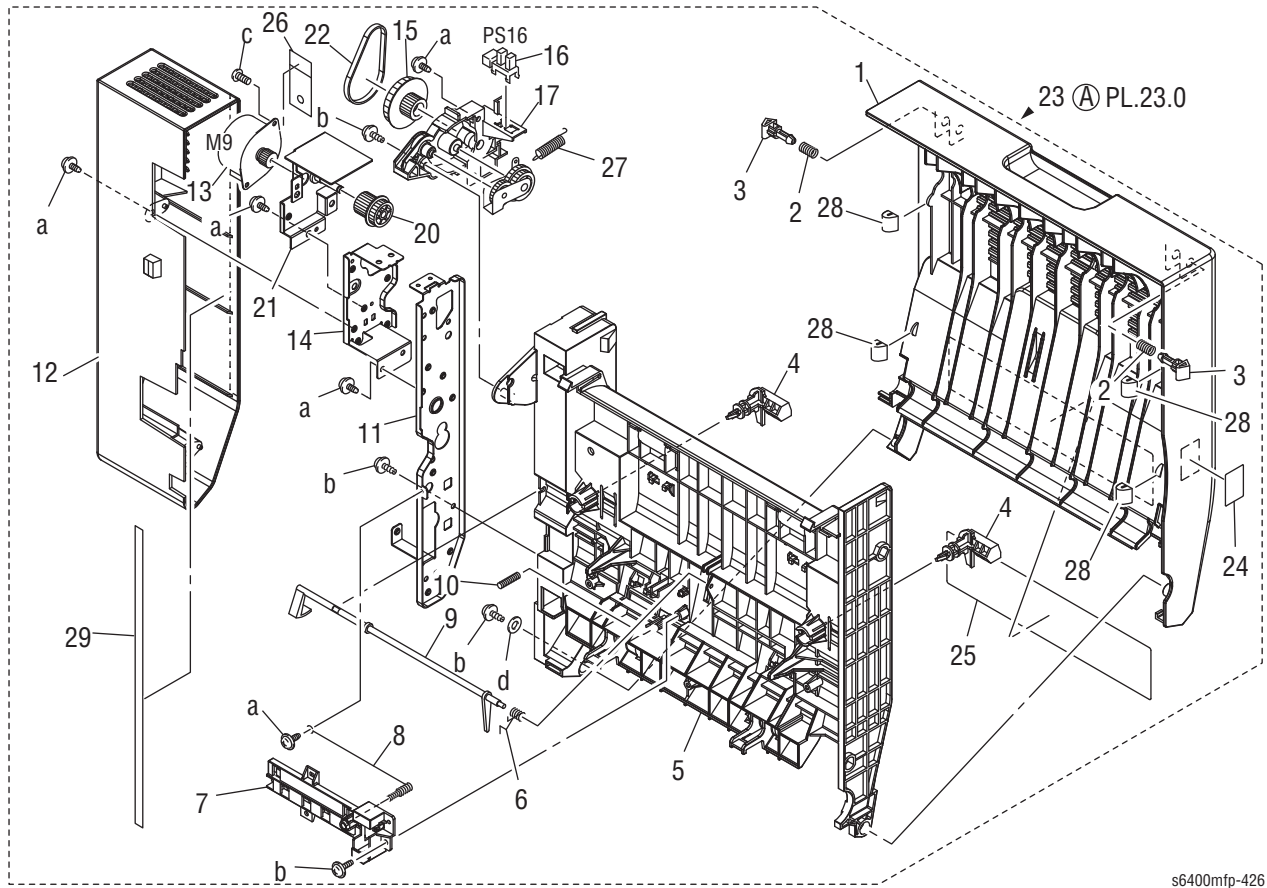


s6400mp-334

Parts List 21.0 500-Sheet Tray

ID No.	Name/Description	Part Number	Qty.	Comments
1.	Regulating Plate		1	
2.	Guide		1	
3.	Guide		1	
4.	Guide		2	
5.	Friction Sheet		1	
6.	Regulating Plate		1	
7.	Separation Roller Assy	059K69710	1	Complete Assembly
8.	Separation Roller		1	
9.	Pressure Spring		1	
10.	Bushing		2	
11.	Lever		1	
12.	Tension Spring		1	
13.	Front Cover		1	
14.	Hold Plate		2	
15.	Label		1	
16.	Label		1	
17.	Lever		1	
18.	Guide Plate		1	
19.	Guide		1	
20.	Plate Spring		1	
21.	Pressure Spring		2	
22.	Regulating Plate		1	
23.	Lifting Plate		1	
24.	Shaft		1	
25.	Plate Spring		1	
26.	Clutch	121E26580	1	Tray 2 Separation Roller Clutch
27.	Feed Roller	059E10850	1	120K Life
28.	Cassette Assy (A4)	050K68310	1	Complete Tray Assembly
	Cassette Assy (Letter)	050K68320	1	Complete Tray Assembly
29.	K Clip	019E81520	3	
30.	Label		1	
31.	Brake		1	
a.	E-Ring		1	P/O Hardware Kit
b.	E-Ring		1	
c.	Screw		6	P/O Hardware Kit
d.	Pin		1	

Parts List 22.0 Duplex Unit (1 of 2)

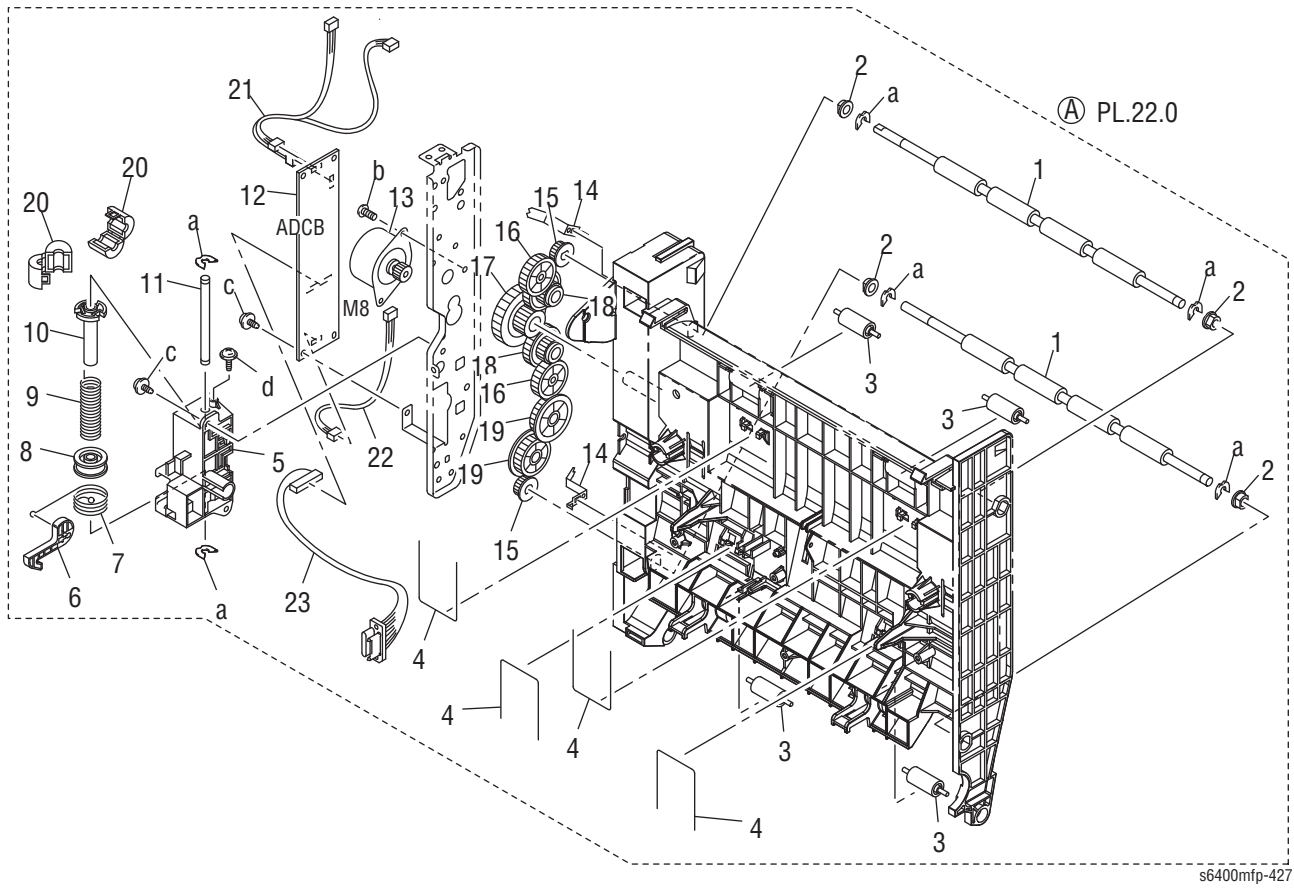


s6400mfp-426

Parts List 22.0 Duplex Unit (1 of 2)

ID No.	Name/Description	Part Number	Qty.	Comments
1.	Cover		1	
2.	Pressure Spring		2	
3.	Shaft		2	
4.	Lever		2	
5.	Frame		1	
6.	Torsion Spring		1	
7.	Cover		1	
8.	Pressure Spring		1	
9.	Actuator		1	
10.	Pressure Spring		1	
11.	Bracket		1	
12.	Cover		1	Right Cover
13.	Stepping Motor (M9)	127E16460	1	Duplex Reverse Motor
14.	Bracket		1	
15.	Gear 15/58T		1	
16.	Photo Interrupter (PS16)	130E11800	1	Duplex Door Sensor
17.	Holder		1	
18.	-----		1	
19.	-----		1	
20.	Gear 32T		1	
21.	Axle Plate (Drive)		1	
22.	Timing Belt 158L		1	
23.	Duplex Unit	084K36930	1	Complete Duplex Unit Assembly
24.	Label		1	
25.	Label		1	
26.	Seal		1	
27.	Spring		1	
28.	Seal		4	
29.	Seal		1	
a.	Screw		5	P/O Hardware Kit
b.	Screw		4	P/O Hardware Kit
c.	Screw		1	
d.	Washer		1	

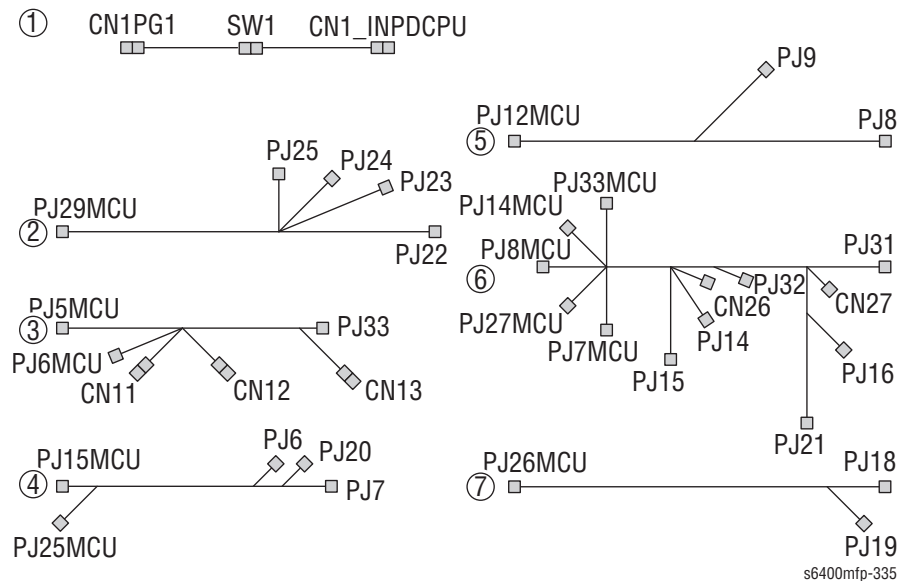
Parts List 23.0 Duplex Unit (2 of 2)



Parts List 23.0 Duplex Unit (2 of 2)

ID No.	Name/Description	Part Number	Qty.	Comments
1.	Roller		2	
2.	Bushing		4	
3.	Roll		4	
4.	Spring		4	
5.	Holder		1	
6.	Hook		1	
7.	Wire		1	
8.	Pulley		1	
9.	Torsion Spring		1	
10.	Collar		1	
11.	Shaft		1	
12.	PWB Assy (ADCB)	960K52000	1	Duplex Control Board
13.	Stepping Motor (M8)	127E16470	1	Duplex Transport Motor
14.	Plate Spring		1	
15.	Gear 12T		1	
16.	Gear 28T		2	
17.	Gear 17/52T		1	
18.	Gear 15/28T		2	
19.	Gear 30T		2	
20.	Ferrite Core		2	
21.	Wire Harness Assy (*)		1	
22.	Wiring Harness Assy (PJ2ADCB-PJ22)		1	ADCB to M8
23.	Wiring Harness Assy (CN14A/CN14B-PJ1ADCB)	117E36000	1	Duplex Unit to Engine Harness. Includes Bulkhead connector
a.	E-Ring		6	
b.	Screw		1	
c.	Screw		2	P/O Hardware Kit
d.	Screw		1	
(*) Connections from PJ3/PJ4ADCB to PJ23 (M9) and PJ25 (PS16).				

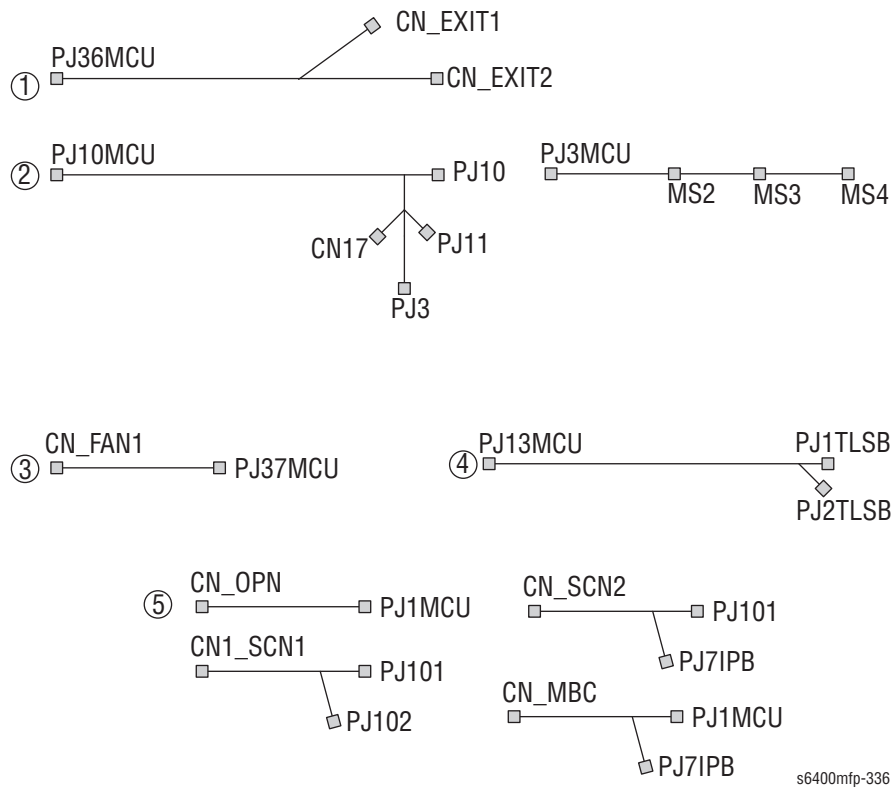
Parts List 24.0 Wiring (1 of 2)



Parts List 24.0 Wiring (1 of 2)

ID No.	Name/Description	Part Number	Qty.	Comments
1.	Wire Harness Assy ■ CN1PG1-SW1-CN1INPDCPU		1	
2.	Wire Harness Assy ■ PJ29MCU to PJ22(Y), PJ23(M), PJ24(C) & PJ25(K)	962K76780	1	CMYK Toner CRUM Harness
3.	Wire Harness Assy ■ PJ5MCU to PJ33(SW5) ■ PJ6MCU to CN11(CL3), CN12(CL1) & CN13(FM13)		1	
4.	Wire Harness Assy ■ PJ15MCU to PJ7(PS9) and PJ20(PS5) ■ PJ25MCU to PJ6(Temp/Hum Sensor)	962K76790	1	
5.	Wire Harness Assy ■ PJ12MCU to PJ8(IDCSB/R) & PJ9(IDCB/F)		1	
6.	Wire Harness Assy ■ PJ7MCU to PJ31(M6), PJ32(M7), CN26(CL4), CN27/PJ13(PS12) ■ PJ8MCU & PJ33MCU to PJ21(M5) & PJ16(M4) ■ PJ14MCU to PJ14(M3) ■ PJ27MCU to PJ15(M1)	962K76820	1	Developer Motors Harness
7.	Wire Harness Assy ■ PJ26MCU to PJ19(PS7) & PJ18(PS6)		1	

Parts List 25.0 Wiring (2 of 2)



s6400mfp-336

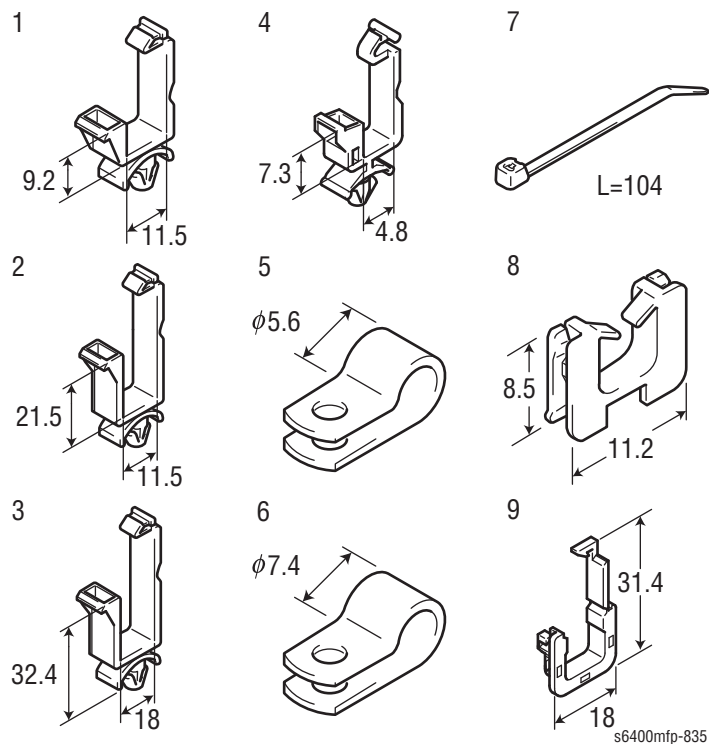
Parts List 25.0 Wiring (2 of 2)

ID No.	Name/Description	Part Number	Qty.	Comments
1.	Wire Harness Assy		1	Paper Full and Exit Sensor Harness
2.	Wire Harness Assy (Interlock) (*)	962K76800	1	Front and Right Door Sensor Harness
3.	Wire Harness Assy (Relay)		1	
4.	Wire Harness Assy	962K76810	1	TLSB Harness
5.	Wire Harness Assy (Power Source)	962K76270	1	Fuser Bulkhead Connector

(*)

- Connections from PJ10MCU to CN17, CL5, PJ10(PS3), PJ11(PS13) & PJ3 (PS4)
- Connections from PJ3MCU to MS2 & MS3 & MS4

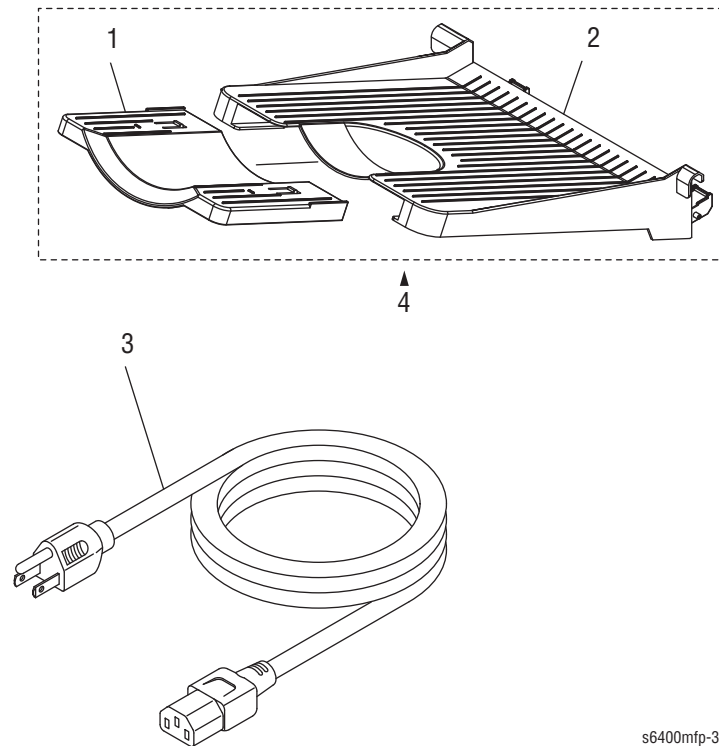
Parts List 26.0 Wiring Accessories



Parts List 26.0 Wiring Accessories

ID No.	Name/Description	Part Number	Qty.	Comments
1.	Saddle			
2.	Saddle			
3.	Saddle			
4.	Saddle		2	P/O Hardware Kit
5.	Clamp			
6.	Clamp			
7.	Band		2	P/O Hardware Kit
8.	Saddle			
9.	Holder			P/O Hardware Kit

Parts List 27.0 Accessories



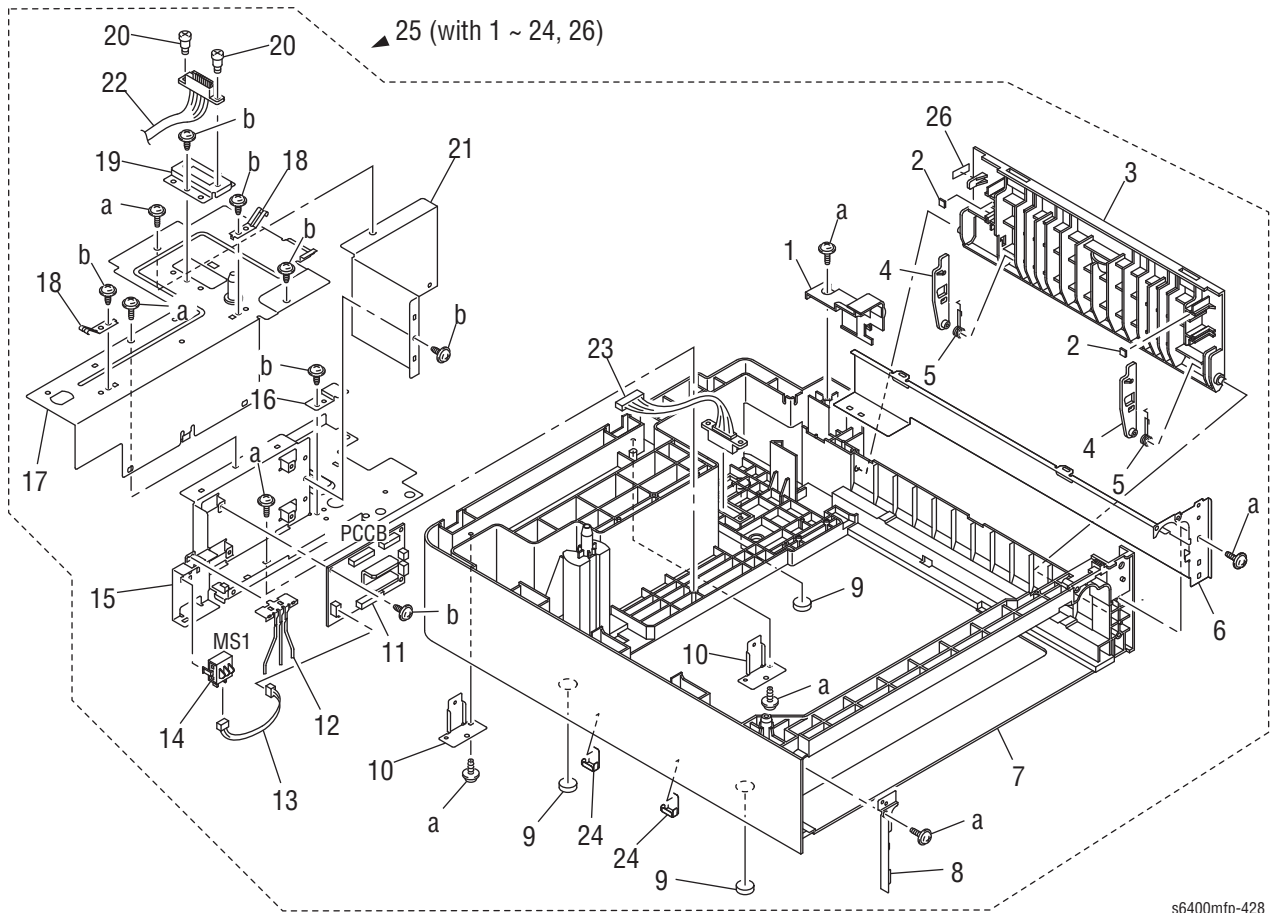
s6400mp-338

Parts List 27.0 Accessories

ID No.	Name/Description	Part Number	Qty.	Comments
1.	Tray		1	
2.	Tray		1	
3.	Power Cord, 120V	117E35990	1	Refer to "Xerox Supplies and Accessories" on page 9-98 for non-North America Power Cord part numbers.
4.	Output Tray	050E28910	1	

Option - 500-Sheet Feeder

Parts List 28.0 Optional 500-Sheet Tray 3/4 (1 of 7)

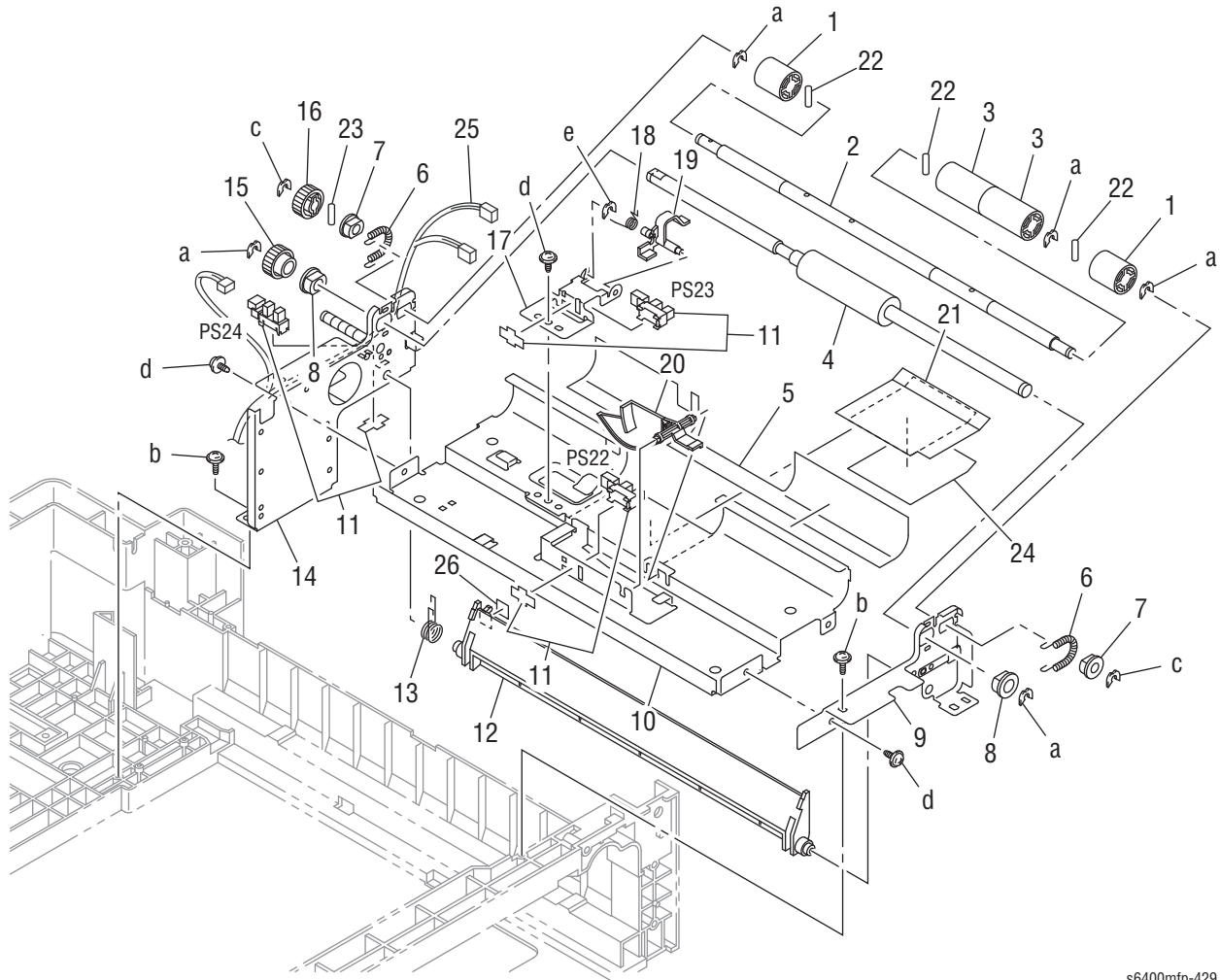


s6400mfp-428

Parts List 28.0 Optional 500-Sheet Tray 3/4 (1 of 7)

ID No.	Name/Description	Part Number	Qty.	Comments
1.	Cover		1	
2.	Sound Shield		2	
3.	Door		1	
4.	Lever		2	
5.	Torsion Spring		2	
6.	Rail		1	
7.	Frame		1	
8.	Bracket		1	
9.	Rubber Foot	017E11810	3	
10.	Bracket		2	
11.	PWB Assy (PCCB)	960K52010	1	LTA Circuit Board
12.	Actuator	120E36370	1	LTA Paper Size Switch Actuator
13.	Wire Harness Assy	962K76320	1	
14.	Switch (MSI)	110E19930	1	Paper Size Switch
15.	Bracket		1	
16.	Plate Spring		1	
17.	Cover		1	
18.	Plate Spring		2	
19.	Bracket		1	
20.	Shoulder Screw		2	
21.	Bracket		1	
22.	Wire Harness Assy (PJ20MCU-CN25)	962K76330	1	LTA to Engine
23.	Wire Harness Assy (PJ1PCCB-CN25)	962K77190	1	Tray 3 to Tray 4 Connector
24.	Reinforce Plate		2	
25.	Optional-500 Sheet Feeder	050K68330	1	Complete 500-Sheet Feeder Assembly (does not include Tray)
26.	Label		1	
a.	Screw		8	P/O Hardware Kit
b.	Screw		7	P/O Hardware Kit

Parts List 29.0 Optional 500-Sheet Tray 3/4 (2 of 7) - Paper Take-up Section

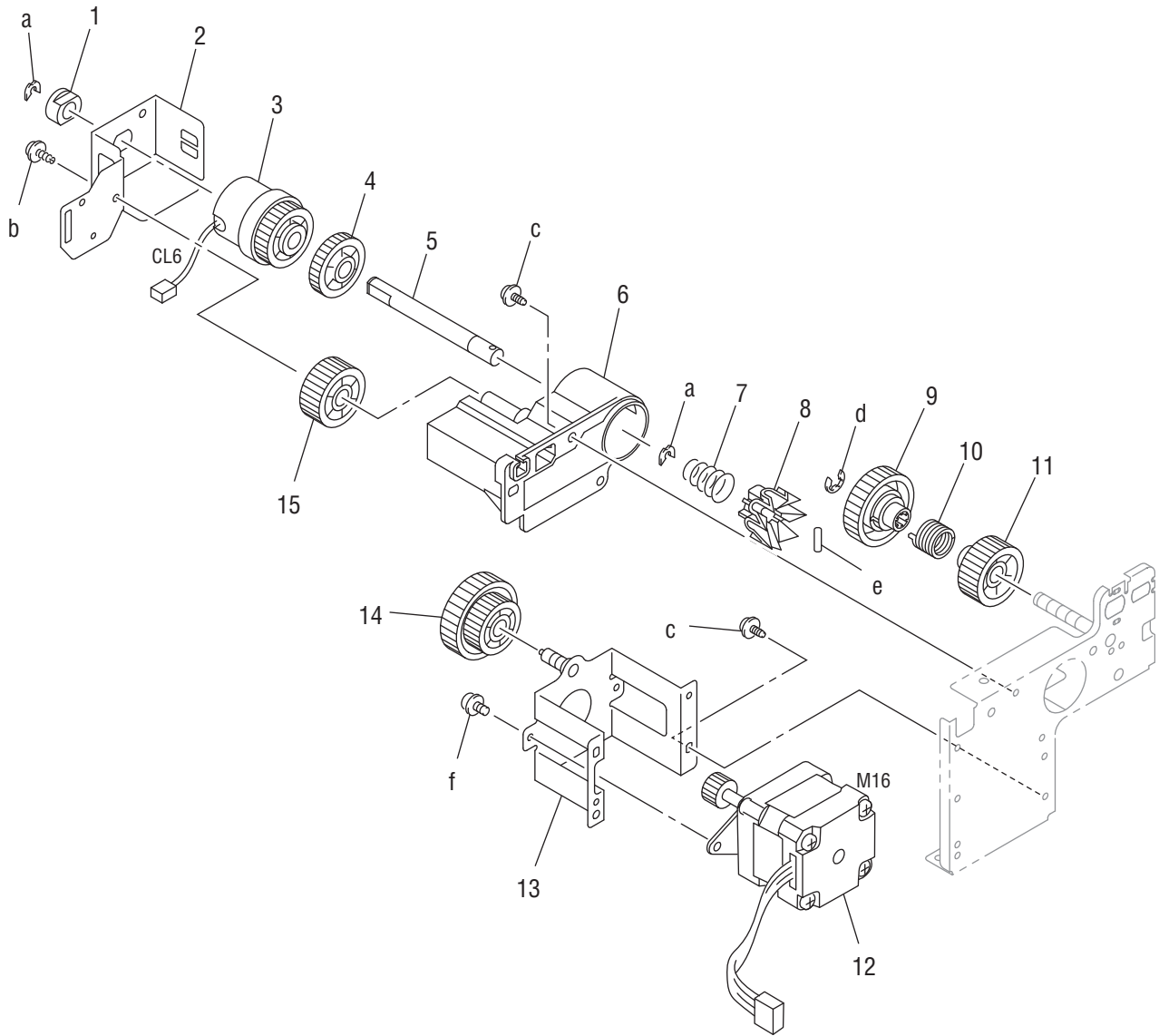


s6400mfp-429

Parts List 29.0 Optional 500-Sheet Tray 3/4 (2 of 7) - Paper Take-Up Section

ID No.	Name/Description	Part Number	Qty.	Comments
1.	Roller		2	
2.	Shaft		1	
3.	Roller		2	
4.	Roller		1	
5.	Sheet		1	
6.	Tension Spring		2	
7.	Bushing		2	
8.	Bushing		2	
9.	Frame		1	
10.	Guide Plate		1	
11.	Photo Interrupter (PS22, PS23, PS24)	130E13020	3	PS22 = Media Empty Sensor PS23 = Media Feed Sensor PS24 = Right Door Sensor
12.	Guide		1	
13.	Torsion Spring		1	
14.	Frame Assy		1	
15.	Gear 22T		1	
16.	Gear 22T		1	
17.	Bracket		1	
18.	Torsion Spring		1	
19.	Actuator	120E36400	1	Tray 3/4 Paper Feed Sensor Actuator
20.	Actuator		1	
21.	Guide		1	
22.	Pin		3	
23.	Pin		1	
24.	Slider		1	
25.	Wire Harness Assy (*)		1	
26.	Label		1	
a.	C-Clip		5	
b.	Screw		2	P/O Hardware Kit
c.	C-Clip		2	
d.	Screw		3	P/O Hardware Kit
e.	C-Clip		1	P/O Hardware Kit
(*) Connections from PJ5PCCB to PJ28(PS24), PJ29(PS23) & PJ30(PS22)				

Parts List 30.0 Optional 500-Sheet Tray 3/4 (3 of 7) - Drive Section

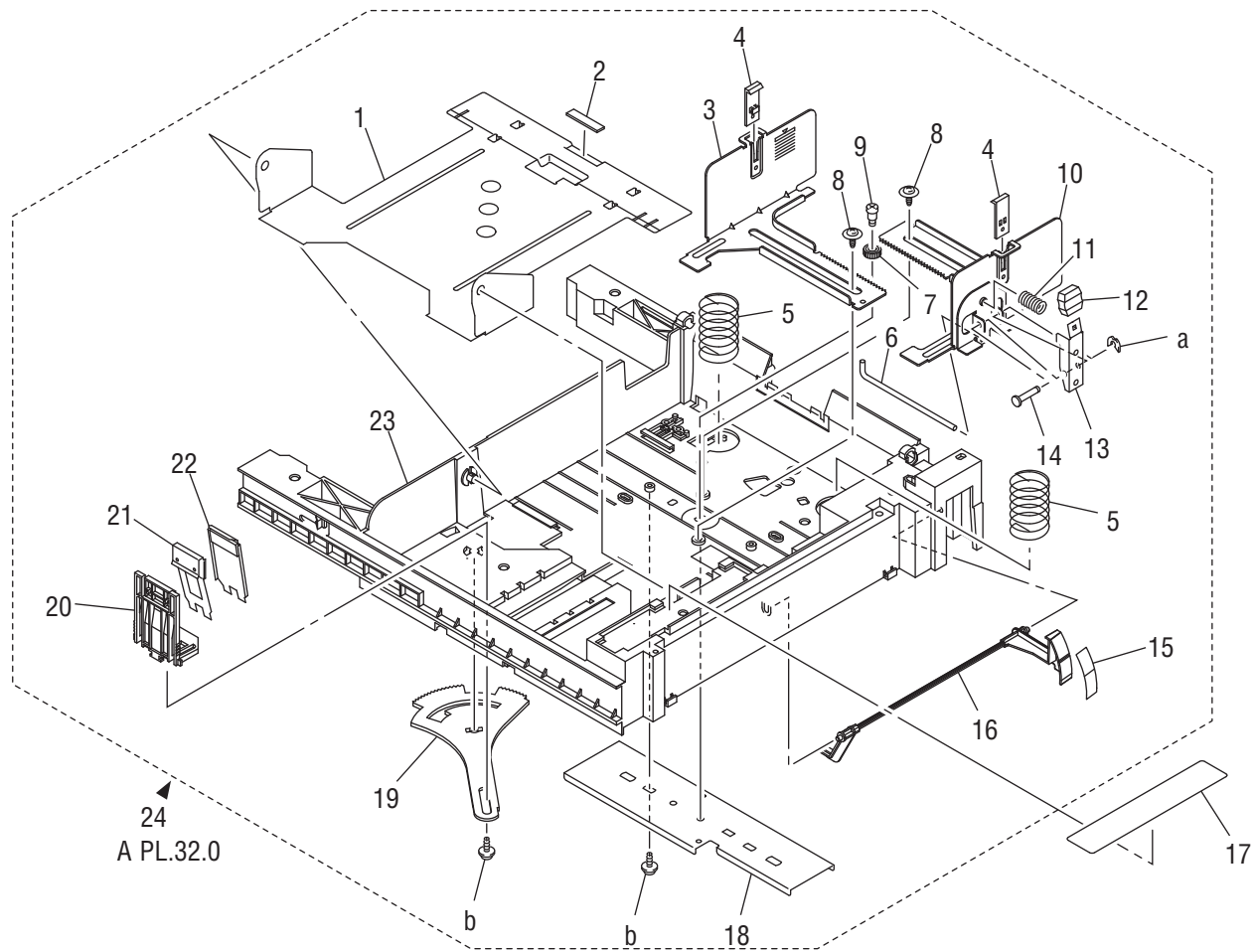


s6400mp-430

Parts List 30.0 Optional 500-Sheet Tray 3/4 (3 of 7) - Drive Section

ID No.	Name/Description	Part Number	Qty.	Comments
1.	Bushing		1	
2.	Bracket		1	
3.	Clutch (CL6)	121E26590	1	Paper Feed Clutch
4.	Gear 24T		1	
5.	Shaft		1	
6.	Holder		1	
7.	Pressure Spring		1	
8.	Pawl		1	
9.	Gear 32T		1	
10.	Torsion Spring		1	
11.	Gear		1	
12.	Motor (M16)	127E16480	1	Transport Motor
13.	Bracket		1	
14.	Gear 18/40T		1	
15.	Gear 24T		1	
a.	C-Clip		2	
b.	Screw		1	P/O Hardware Kit
c.	Screw		2	P/O Hardware Kit
d.	E-Ring		1	P/O Hardware Kit
e.	Pin		1	P/O Hardware Kit
f.	Screw		1	

Parts List 31.0 Optional 500-Sheet Tray 3/4 (4 of 7) - Paper Feed Tray Section

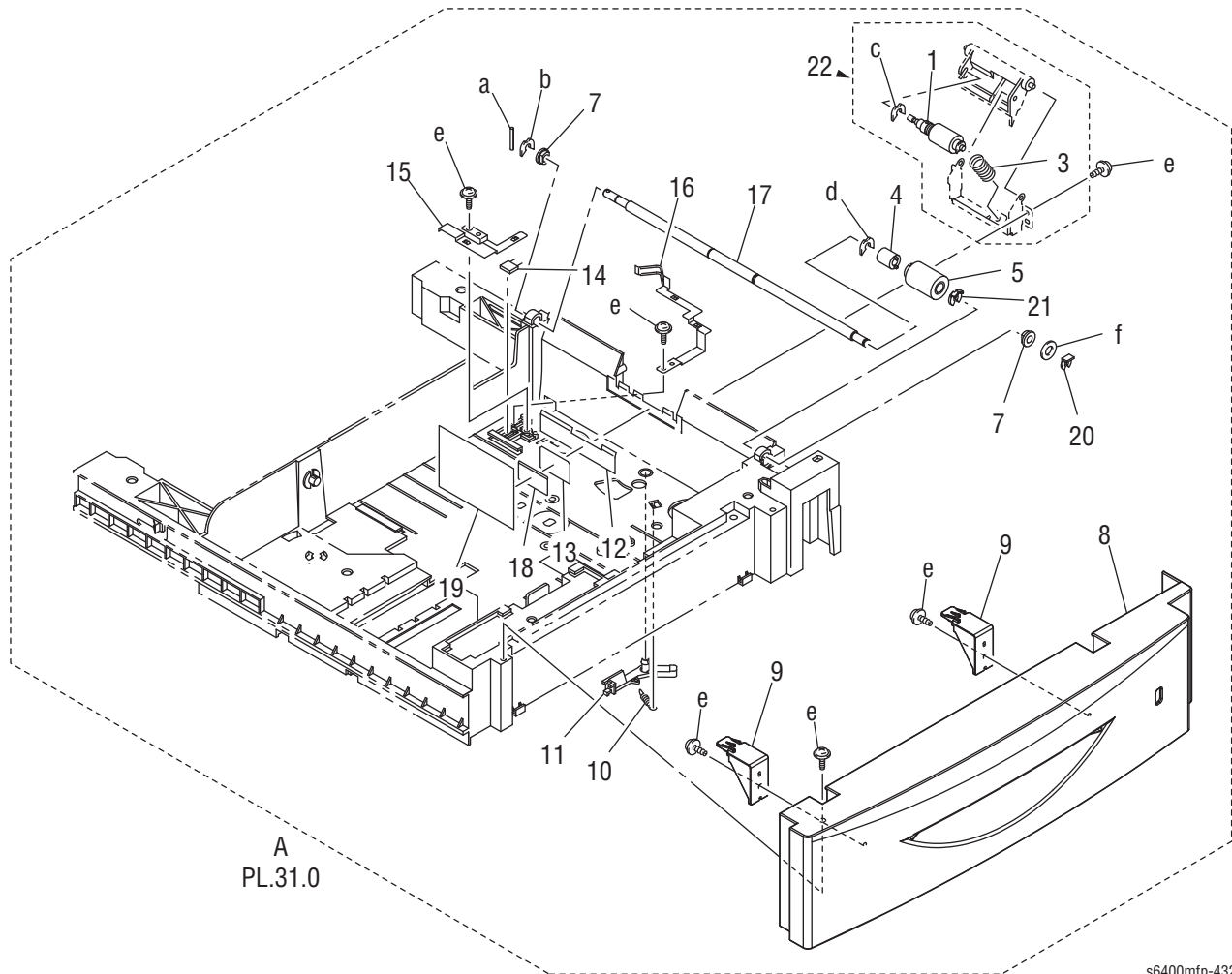


s6400mfp-431

Parts List 31.0 Optional 500-Sheet Tray 3/4 (4 of 7) - Paper Feed Tray Section

ID No.	Name/Description	Part Number	Qty.	Comments
1.	Lifting Plate		1	
2.	Friction Sheet		1	
3.	Guide		1	
4.	Guide		2	
5.	Pressure Spring		2	
6.	Shaft		1	
7.	Gear 14T		1	
8.	Screw		2	
9.	Shoulder Screw		1	
10.	Guide		1	
11.	Pressure Spring		1	
12.	Knob		1	
13.	Lever		1	
14.	Shaft		1	
15.	Label		1	
16.	Lever		1	
17.	Label Paper Supply		1	
18.	Bracket		1	
19.	Detecting Plate		1	
20.	Guide		1	
21.	Plate Spring		1	
22.	Back Stop		1	
23.	Cassette (Tray)		1	
24.	Cassette Assy (Tray Assy)	050K68340	1	Complete Tray Assembly
a.	E-Ring		1	P/O Hardware Kit
b.	Screw		2	

Parts List 32.0 Optional 500-Sheet Tray 3/4 (5 of 7) - Paper Feed Tray Section

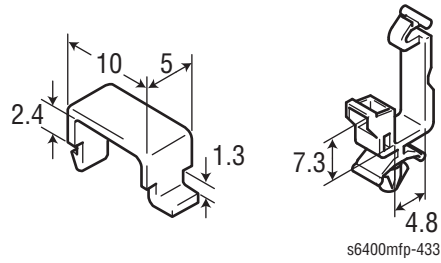


s6400mfp-432

Parts List 32.0 Optional 500-Sheet Tray 3/4 (5 of 7) - Paper Feed Tray Section

ID No.	Name/Description	Part Number	Qty.	Comments
1.	Separator Roller		1	
2.	-----			
3.	Pressure Spring		1	
4.	Clutch		1	
5.	Feed Roller	059E10880	1	240K Life
6.	-----			
7.	Bushing		2	
8.	Front Cover		1	
9.	Hold Plate		2	
10.	Tension Spring		1	
11.	Lever		1	
12.	Guide Plate		1	
13.	Guide		1	
14.	Resistor		1	
15.	Plate Spring		1	
16.	Plate Spring		1	
17.	Shaft		1	
18.	Guide		1	
19.	Guide		1	
20.	K-Clip	019E81520	1	
21.	K-Clip	005E29580	1	
22.	Separation Roller Assy	059K70360	1	Complete Assembly
a.	Pin		1	
b.	C-Clip		1	
c.	C-Clip		1	P/O Hardware Kit
d.	C-Clip		1	
e.	Screw		6	P/O Hardware Kit
f.	Washer		1	

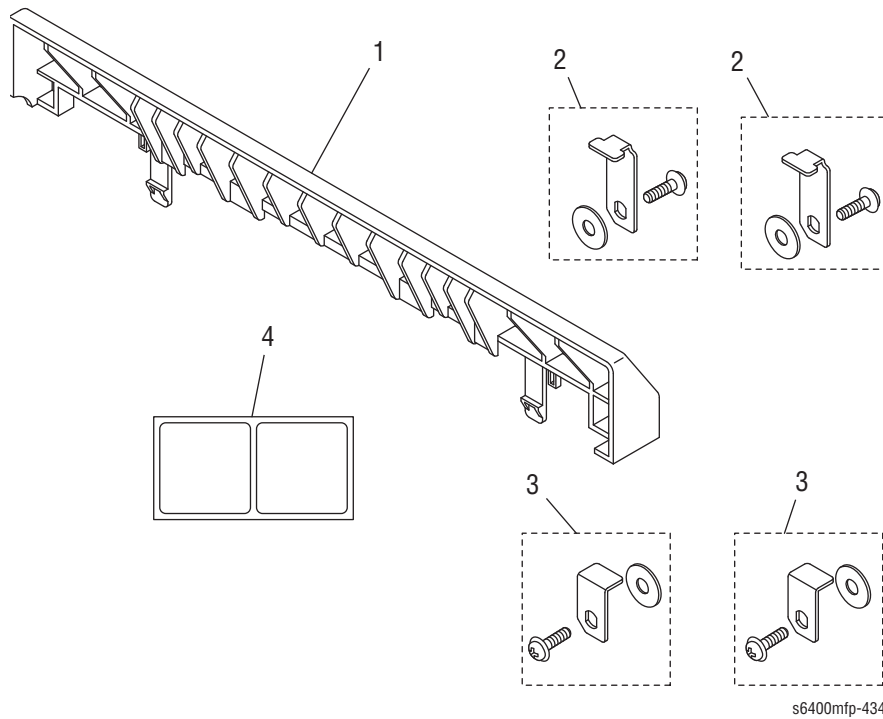
Parts List 33.0 Optional 500-Sheet Tray 3/4 (6 of 7) - Wiring Accessories



Parts List 33.0 Optional 500-Sheet Tray 3/4 (6 of 7) - Wiring Accessories

ID No.	Name/Description	Part Number	Qty.	Comments
1.	Cord Clamp			
2.	Saddle			

Parts List 34.0 Optional 500-Sheet Tray 3/4 (7 of 7) - Accessory Parts

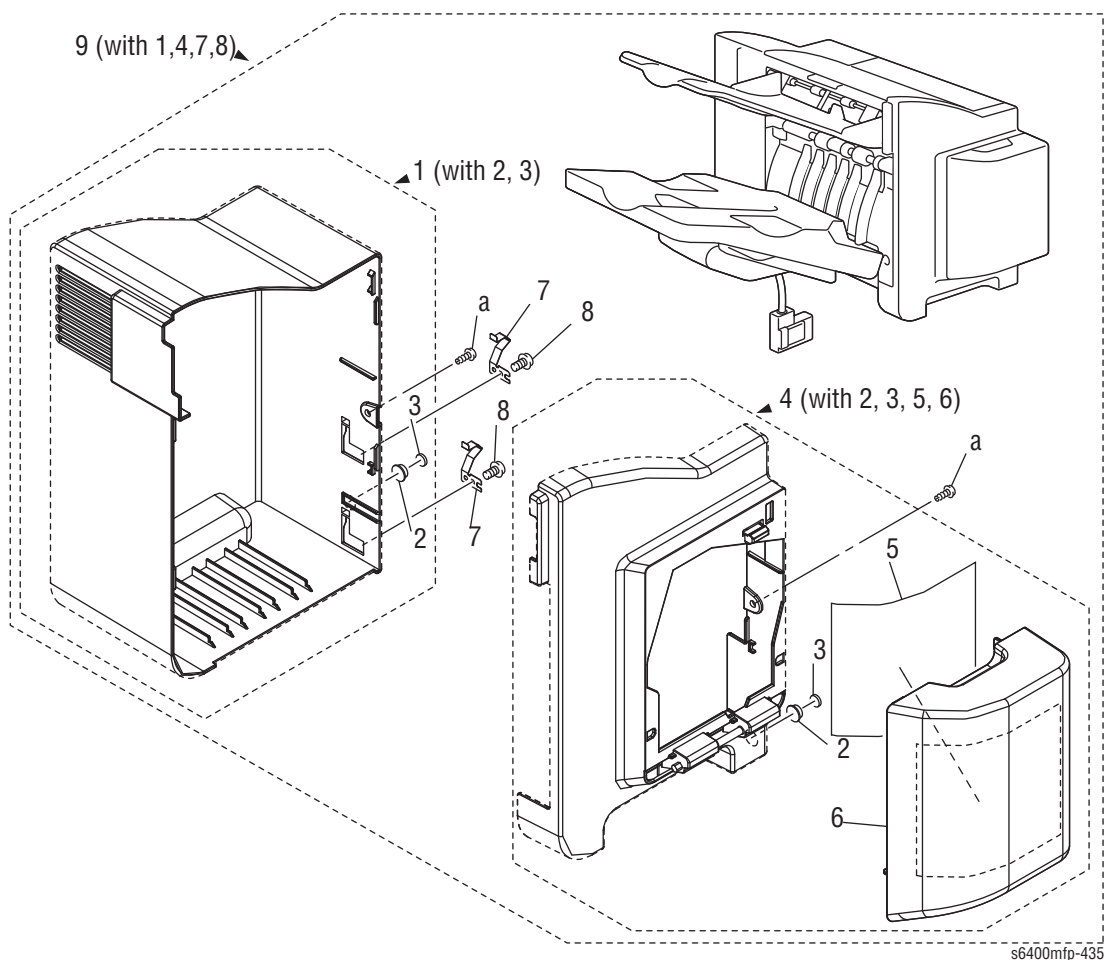


Parts List 34.0 Optional 500-Sheet Tray 3/4 (7 of 7) - Accessory Parts

ID No.	Name/Description	Part Number	Qty.	Comments
1.	Cover	848E40140	1	
2.	Rear LTA Fasteners	029E51120	2	
3.	Front LTA Fasteners	029E51160	2	
4.	Label Tray 3/4		1	

Option - Finisher

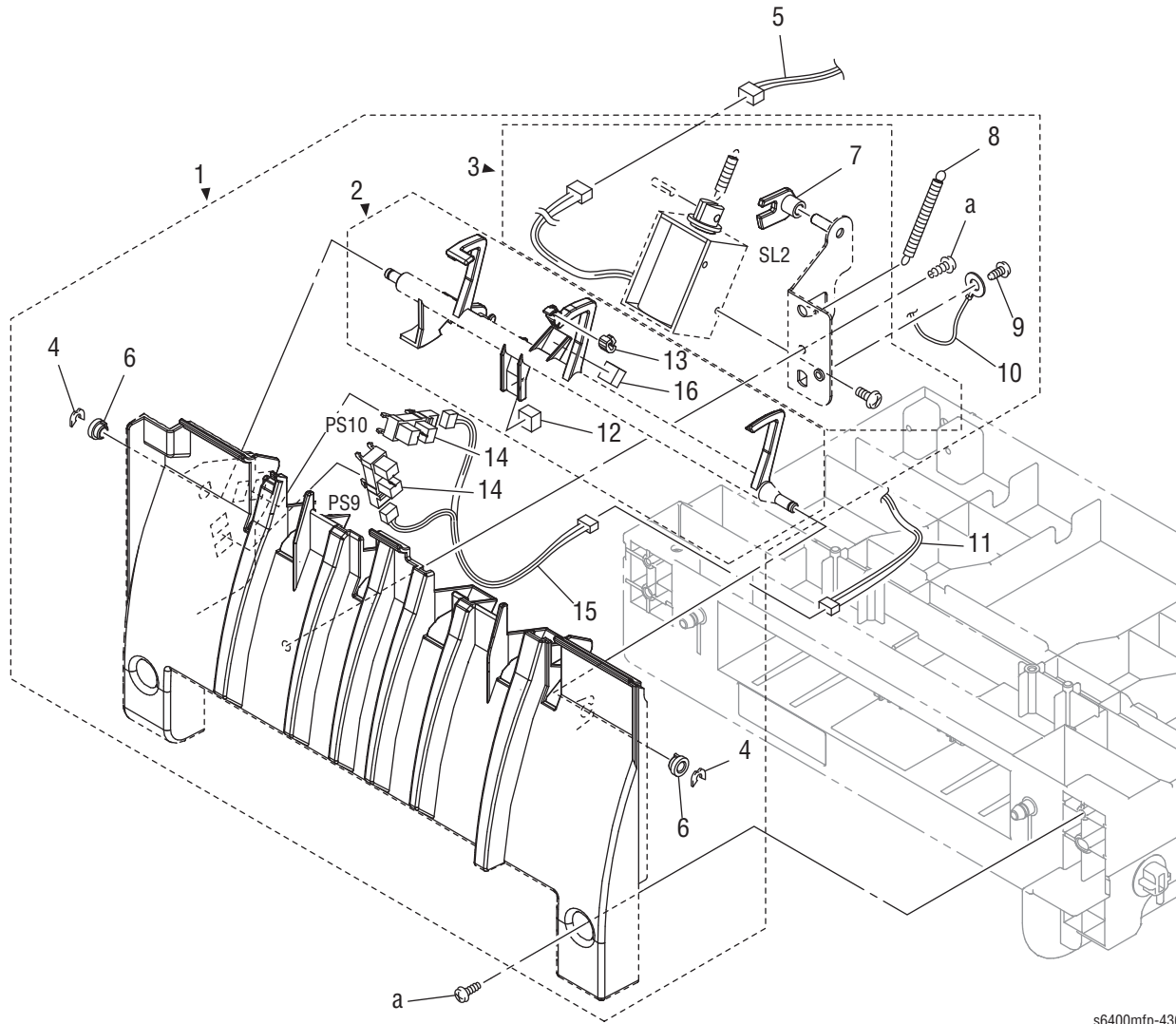
Parts List 35.0 Cover (1 of 2)



Parts List 35.0 Cover (1 of 2)

ID No.	Name/Description	Part Number	Qty.	Comments
1.	Rear Cover Assy		1	
2.	Cushion		2	
3.	Cushion		2	
4.	Front Cover Assy		1	
5.	Label Staple Supply		1	
6.	Front Door		1	
7.	Plate Spring		2	
8.	Tapping Screw		2	
9.	Finisher Assy	059K69720	1	Complete Assembly
a.	Screw		2	

Parts List 36.0 Cover (2 of 2)

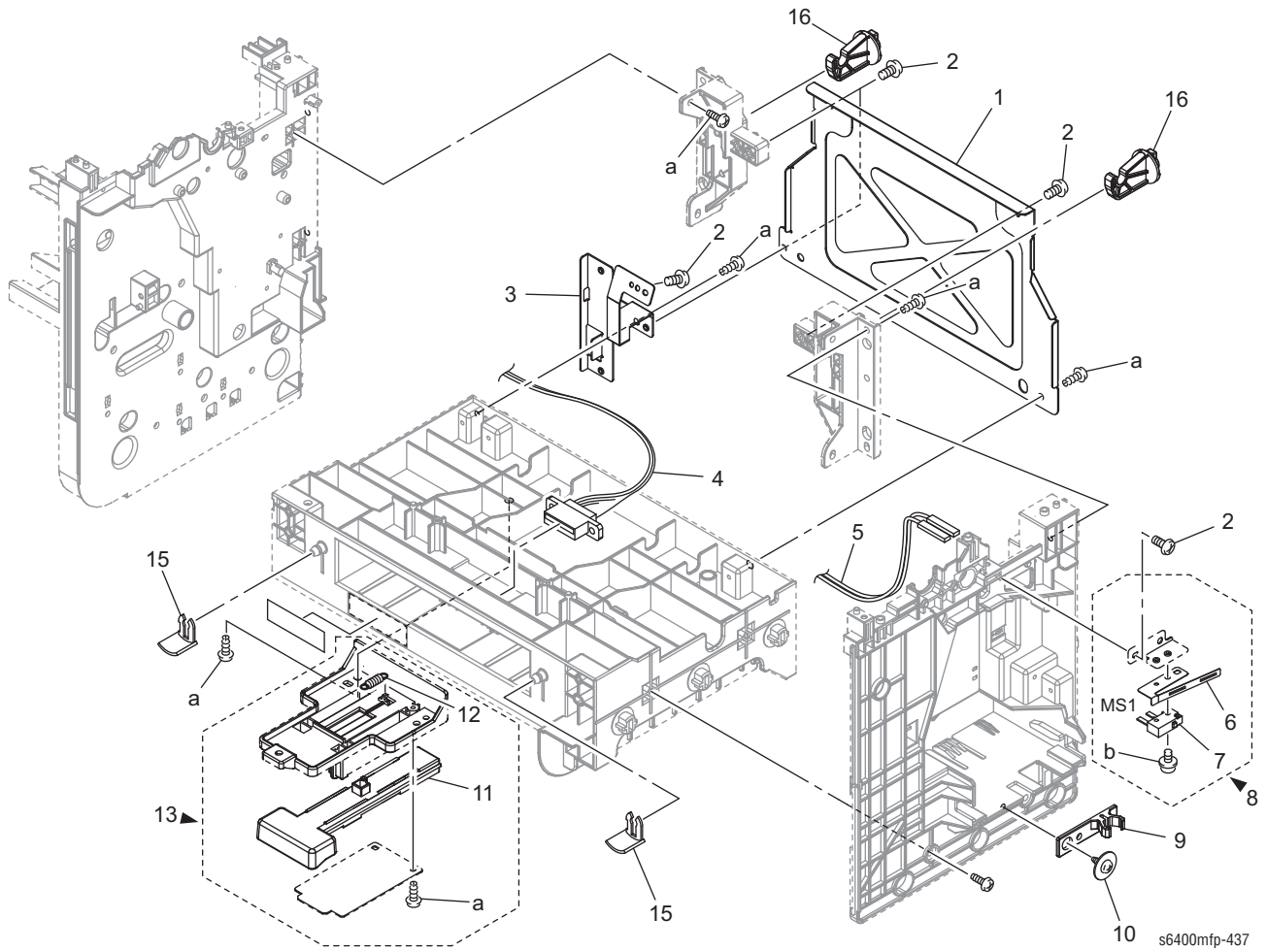


s6400mfp-436

Parts List 36.0 Cover (2 of 2)

ID No.	Name/Description	Part Number	Qty.	Comments
1.	Cover Assy	848K25700	1	Includes items 2 & 3
2.	Lever Assy		1	Paper Level Lever Actuator
3.	Solenoid Assy (SL2)		1	Paper Level Lever
4.	Retaining Ring		2	
5.	Wire Harness Assy (CN17FSCB-SL2)		1	
6.	Bushing		2	
7.	Lever		1	
8.	Tension Spring		1	
9.	Tapping Screw		1	
10.	Wire Harness Assy		1	
11.	Wire Harness Assy		1	
12.	Cushion		1	
13.	Cushion		1	
14.	Photo Interrupter (PS9, PS10)	130E13030	2	PS9 = Paper Level Sensor 1 PS10 = Paper Level Sensor 2 Caution: Connectors to PS9 and PS10 can get swapped. The wiring color is different, but the plugs are the same.
15.	Wire Harness Assy (CN8FSCB-PJ6, PJ7)		1	FSCB to PS9, PS10
16.	Cushion		1	
a.	Screw		2	

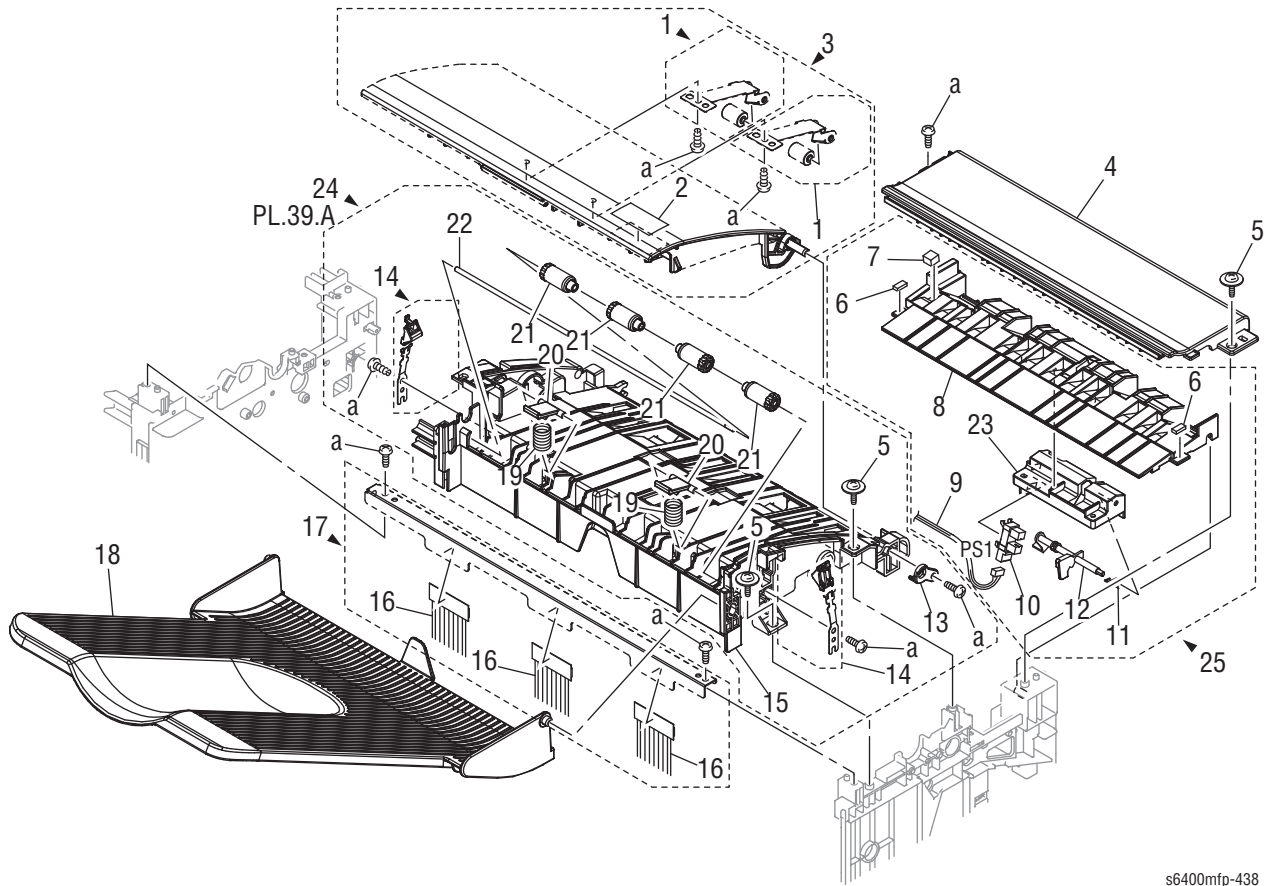
Parts List 37.0 Frame



Parts List 37.0 Frame

ID No.	Name/Description	Part Number	Qty.	Comments
1.	Bracket		1	Right Plate
2.	Tapping Screw		5	
3.	Bracket		1	
4.	Wire Harness Assy		1	
5.	Wire Harness Assy (CN24FSCB-MS1)		1	
6.	Bracket		1	
7.	Push Button Switch		1	
8.	Front Door Switch (MS1)	110K21050	1	Finisher Front Door Switch (Stapler Cover)
9.	Holder		1	
10.	Screw		1	
11.	Lever		1	
12.	Tension Spring		1	
13.	Lock Assy		1	
14.	-----			
15.	Stop Ring	005E29460	2	
16.	Hook	019E81240	2	Qty 1 when ordered
a.	Screw		5	
b.	Screw		1	

Parts List 38.0 Paper Entrance

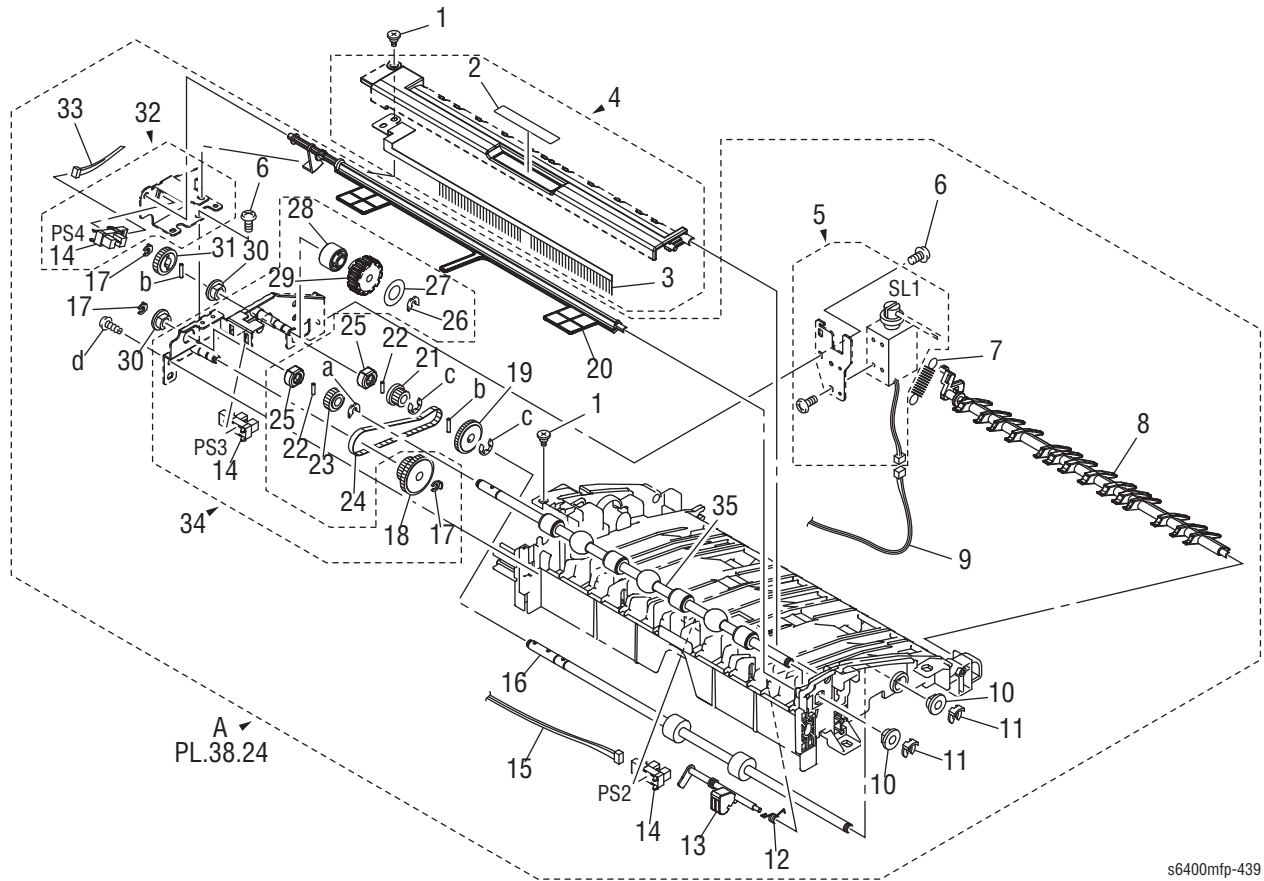


s6400mfp-438

Parts List 38.0 Paper Entrance

ID No.	Name/Description	Part Number	Qty.	Comments
1.	Roller Assy		2	
2.	Label Prohibition		1	
3.	Top Cover Assy	848K25710	1	Includes items 1 & 2
4.	Top Cover-Right		1	
5.	Screw		3	
6.	Cushion		2	
7.	Cushion		1	
8.	Guide		1	
9.	Wire Harness Assy		1	
10.	Photo Interrupter (PS1)	130E13030	1	Entrance Sensor
11.	Torsion Spring		1	
12.	Actuator		1	
13.	Bush		1	
14.	Plate Spring		2	
15.	Guide		1	
16.	Neutralizing Brush		3	
17.	Neutralizing Brush Assy	118K01690	1	
18.	Tray	050E28920	1	Top Tray
19.	Pressure Spring		2	
20.	Lever		2	
21.	Roller		4	
22.	Shaft		1	
23.	Holder		1	
24.	Paper Exit Assy	848K31460	1	Includes items 13-15, 19-22 Does not include 38.05
25.	Guide Assy	032K09700	1	Includes items 6-12, 23
a.	Screw		8	

Parts List 39.0 Paper Transport (1 of 2)

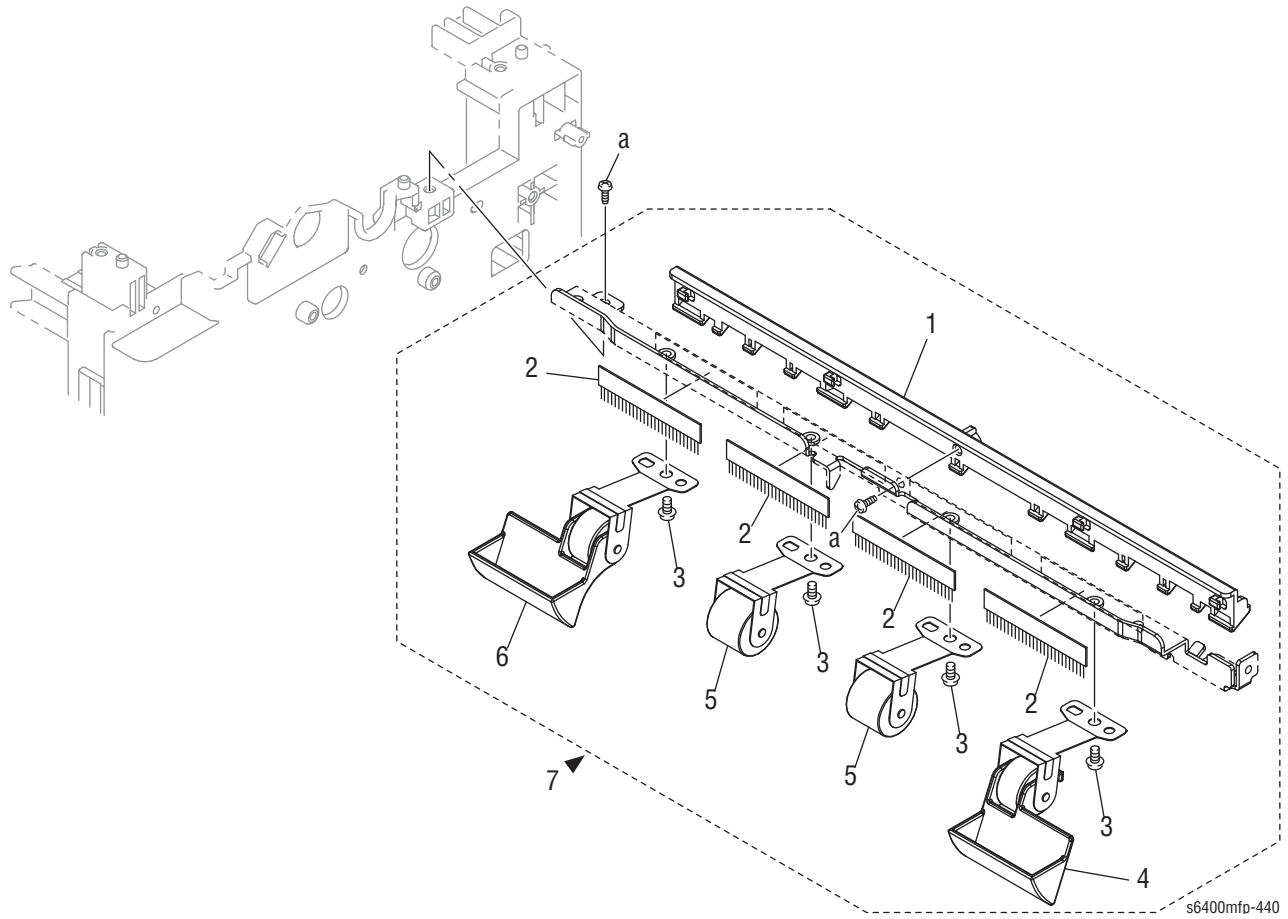


s6400mfp-439

Parts List 39.0 Paper Transport (1 of 2)

ID No.	Name/Description	Part Number	Qty.	Comments
1.	Shoulder Screw		2	
2.	Label Handle		1	
3.	Neutralizing Brush		1	
4.	Cover Assy	848K25720	1	
5.	Solenoid Assy (SL1)	121K50650	1	Entrance Solenoid
6.	Tapping Screw		2	
7.	Tension Spring		1	
8.	Guide		1	
9.	Wire Harness Assy (CN14FSCB-SL1)		1	
10.	Bushing		2	
11.	Stop Ring		2	
12.	Torsion Spring		1	
13.	Actuator		1	
14.	Photo Interrupter (PS2, PS3, PS4)	130E13030	3	PS2 = Transport Section Sensor PS3 = Top Cover Sensor PS4 = Paper Full Sensor
15.	Wire Harness Assy (CN6FSCB-PJ9, PJ10)		1	FSCB to PS2, PS3
16.	Roller		1	
17.	Stop Ring		3	
18.	Gear 32T		1	
19.	Gear		1	
20.	Lever		1	
21.	Pulley		1	
22.	Pin		2	
23.	Gear 16T		1	
24.	Timing Belt		1	
25.	Collar		2	
26.	Retaining Ring		1	
27.	Label Dial		1	
28.	Collar		1	
29.	Gear 18T		1	
30.	Bushing		2	
31.	Gear 16T		1	
32.	Sensor Assy		1	
33.	Wire Harness Assy (CN7FSCB-PS4)		1	
34.	Bracket Assy		1	
35.	Roller		1	
a.	C-Clip		1	
b.	Pin		2	P/O Hardware Kit
c.	E-Ring		2	
d.	Screw		1	

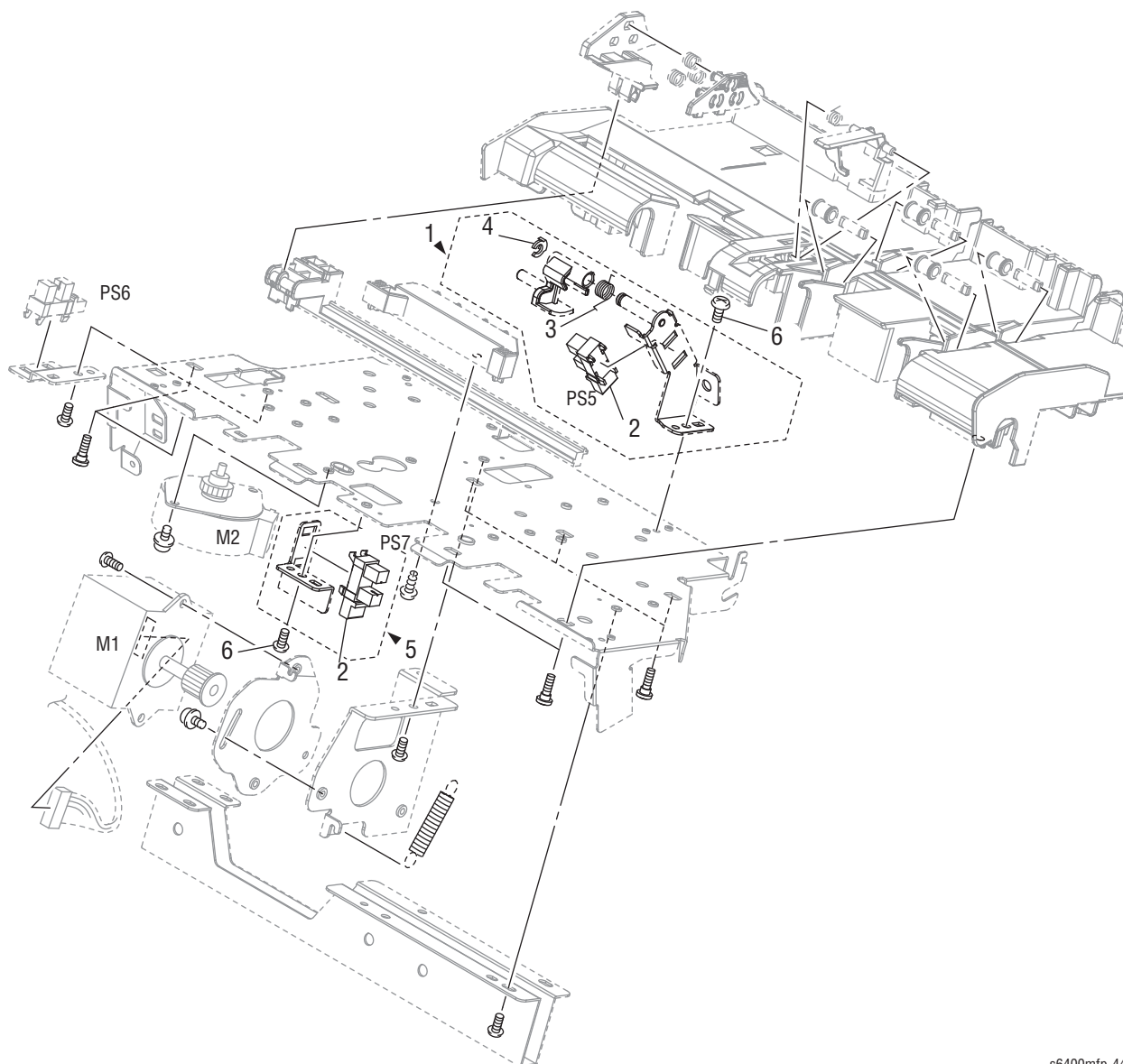
Parts List 40.0 Paper Transport (2 of 2)



Parts List 40.0 Paper Transport (2 of 2)

ID No.	Name/Description	Part Number	Qty.	Comments
1.	Guide		1	
2.	Neutralizing Brush		4	
3.	Tapping Screw		4	
4.	Roller Assy		1	
5.	Roller Assy		2	
6.	Roller Assy		1	
7.	Roller Assy	059K69730	1	Includes items 1-6
a.	Screw		2	

Parts List 41.0 Alignment (1 of 2)

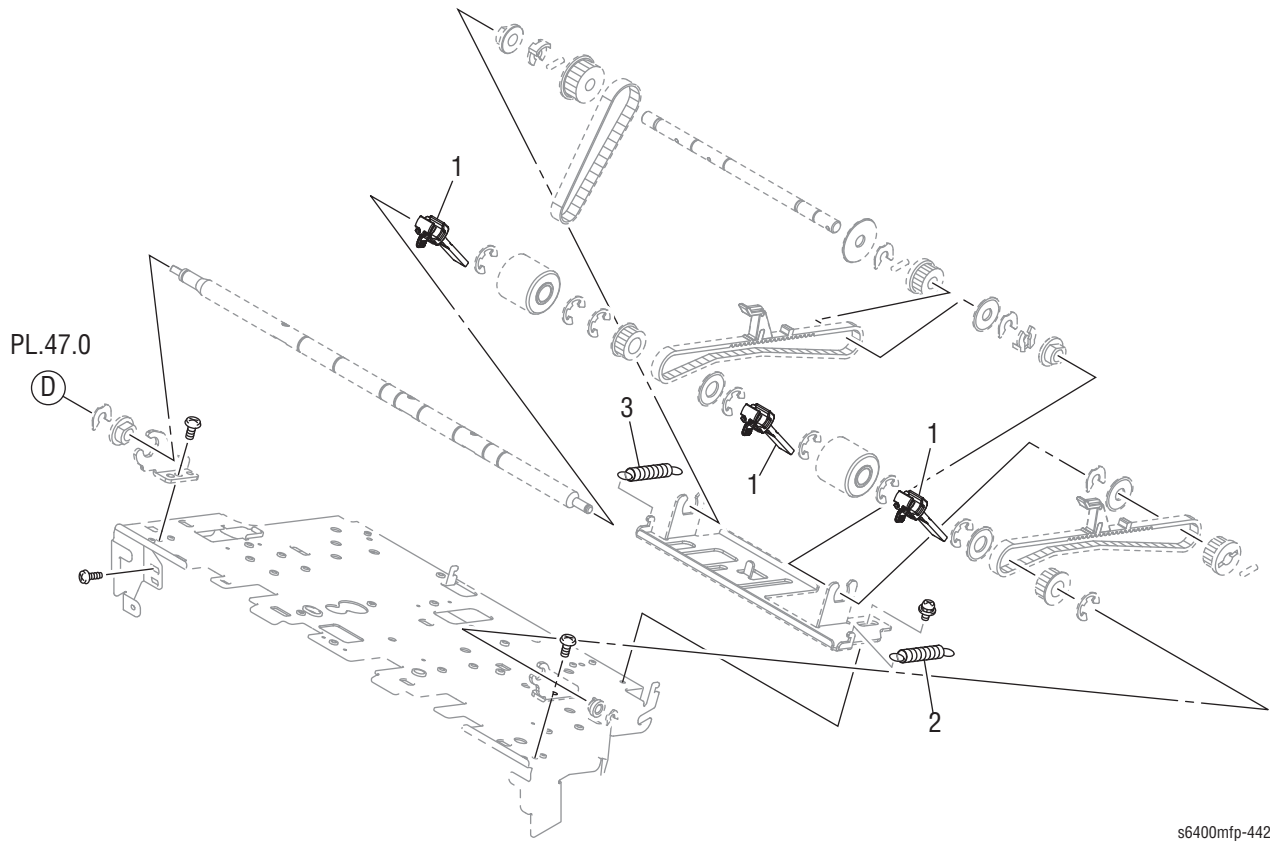


s6400mfp-441

Parts List 41.0 Alignment (1 of 2)

ID No.	Name/Description	Part Number	Qty.	Comments
1.	Sensor Assy	130K76010	1	Complete Assembly
2.	Photo Interrupter (PS5, PS7)	130E13030	2	PS5 = Paper Ejector Sensor PS7 = Storage Section Sensor
3.	Torsion Spring		1	
4.	Stop Ring		1	
5.	Sensor Assy		1	
6.	Tapping Screw		2	

Parts List 42.0 Alignment (2 of 2)

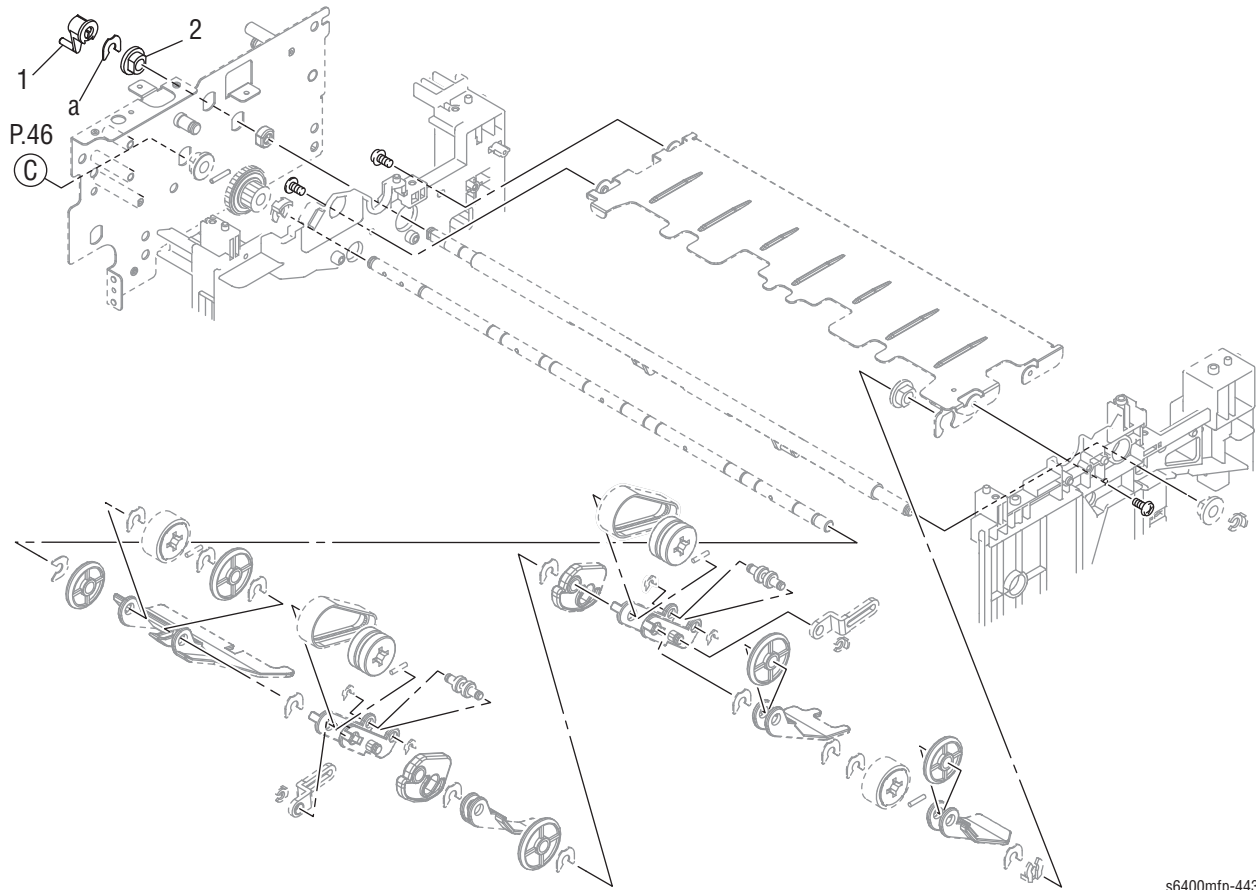


s6400mfp-442

Parts List 42.0 Alignment (2 of 2)

ID No.	Name/Description	Part Number	Qty.	Comments
1.	Paddle	033E05420	1	
2.	Tension Spring		1	
3.	Tension Spring		1	

Parts List 43.0 Storage (1 of 2)

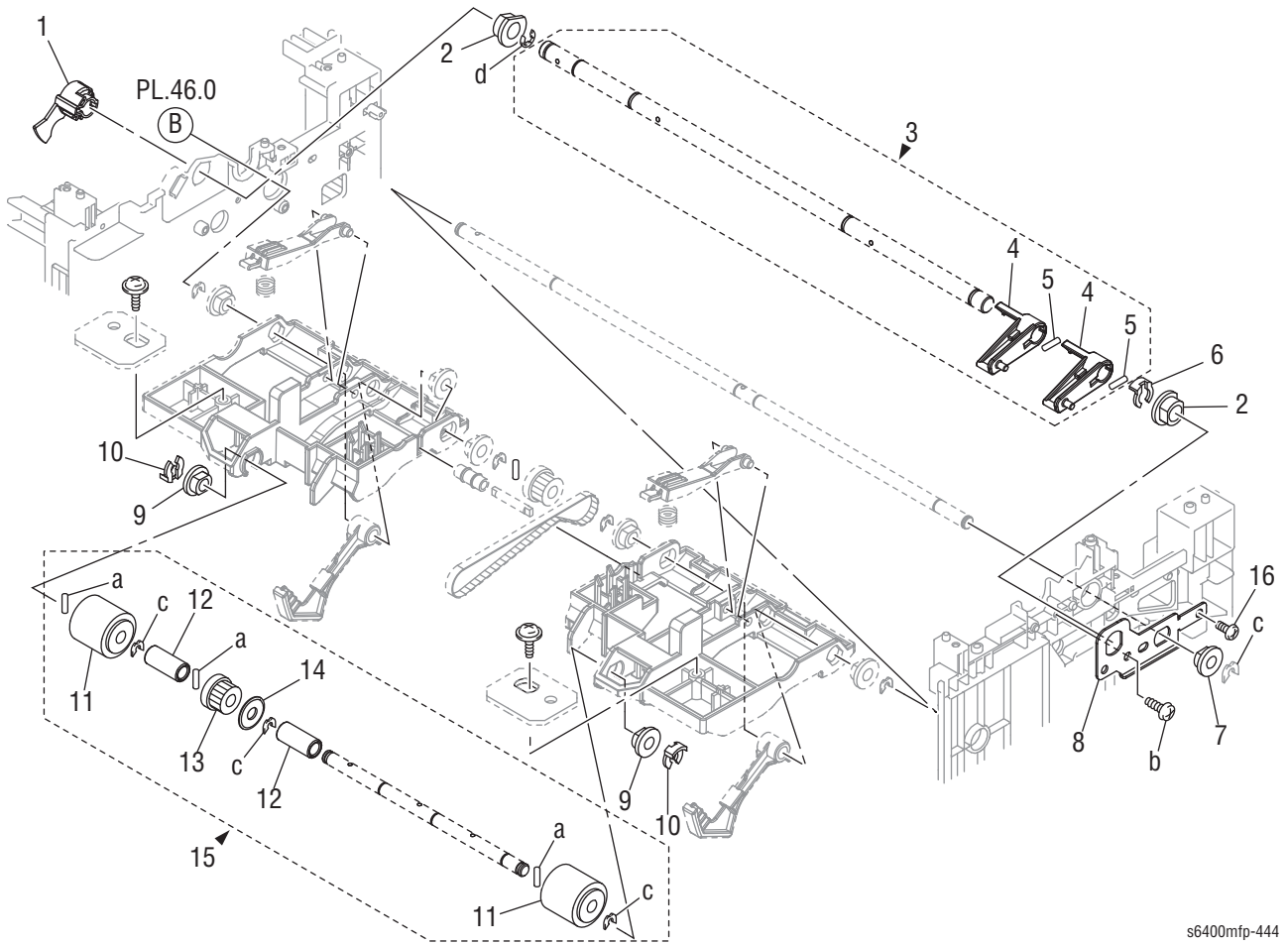


s6400mfp-443

Parts List 43.0 Storage (1 of 2)

ID No.	Name/Description	Part Number	Qty.	Comments
1.	Lever		1	
2.	Bushing		1	
a.	C-Clip		1	

Parts List 44.0 Storage (2 of 2)

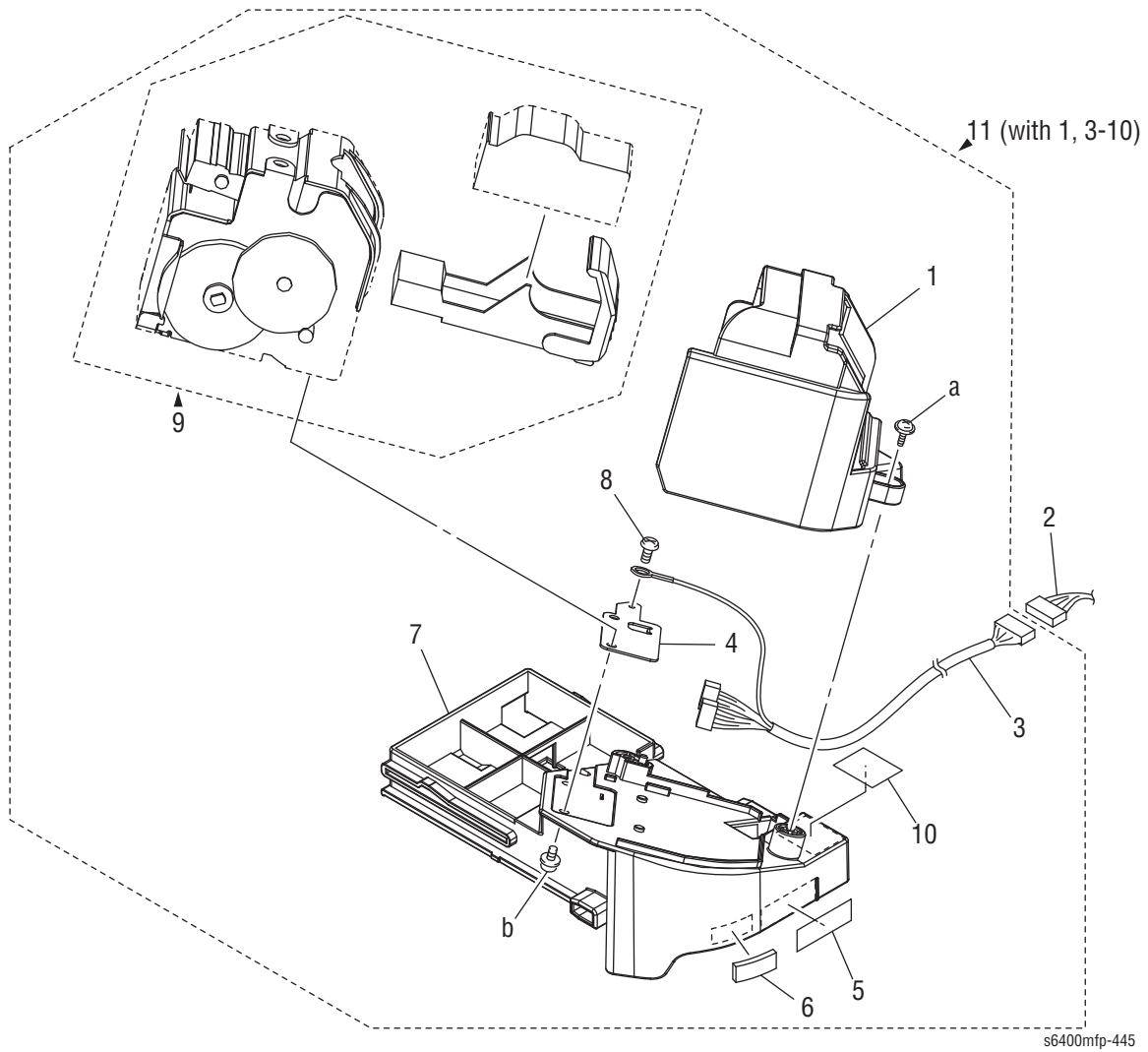


s6400mfp-444

Parts List 44.0 Storage (2 of 2)

ID No.	Name/Description	Part Number	Qty.	Comments
1.	Gear 14T		1	
2.	Bush		2	
3.	Shaft Assy		1	
4.	Arm		2	
5.	Pin		2	
6.	Stopper Ring		1	
7.	Bushing		1	
8.	Bracket		1	
9.	Bushing		2	
10.	Stop Ring		2	
11.	Roller		2	
12.	Collar		2	
13.	Pulley 22T		1	
14.	Flange		1	
15.	Roller Assy	059K69740	1	
16.	Tapping Screw		1	
a.	Pin		3	
b.	Screw		1	
c.	C-Clip		4	
d.	E-Ring		1	

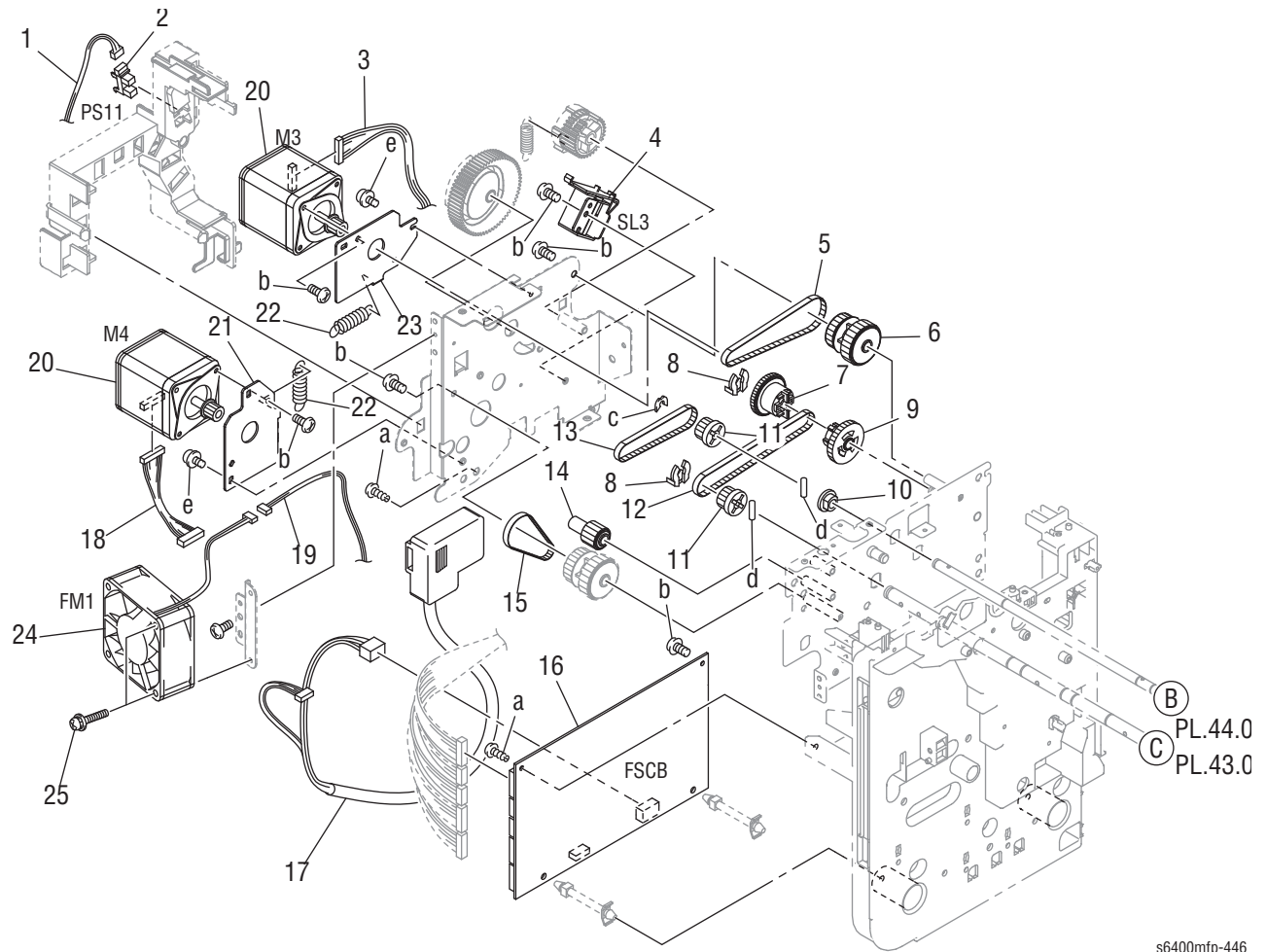
Parts List 45.0 Stapler Unit



Parts List 45.0 Stapler Unit

ID No.	Name/Description	Part Number	Qty,	Comments
1.	Cover		1	
2.	Wire Harness Assy (CN23FSCB - CN9)		1	
3.	Wire Harness Assy (CN9 - PJ20 & PJ19)		1	
4.	Bracket		1	
5.	Label		1	
6.	Cushion		1	
7.	Base Frame		1	
8.	Tapping Screw		1	
9.	Stapler Unit		1	
10.	Label Arrow		1	
11.	Stapler Assy	029K04650	1	Complete Stapler Assembly
a.	Screw		1	
b.	Screw		1	P/O Hardware Kit

Parts List 46.0 Drive (1 of 2)

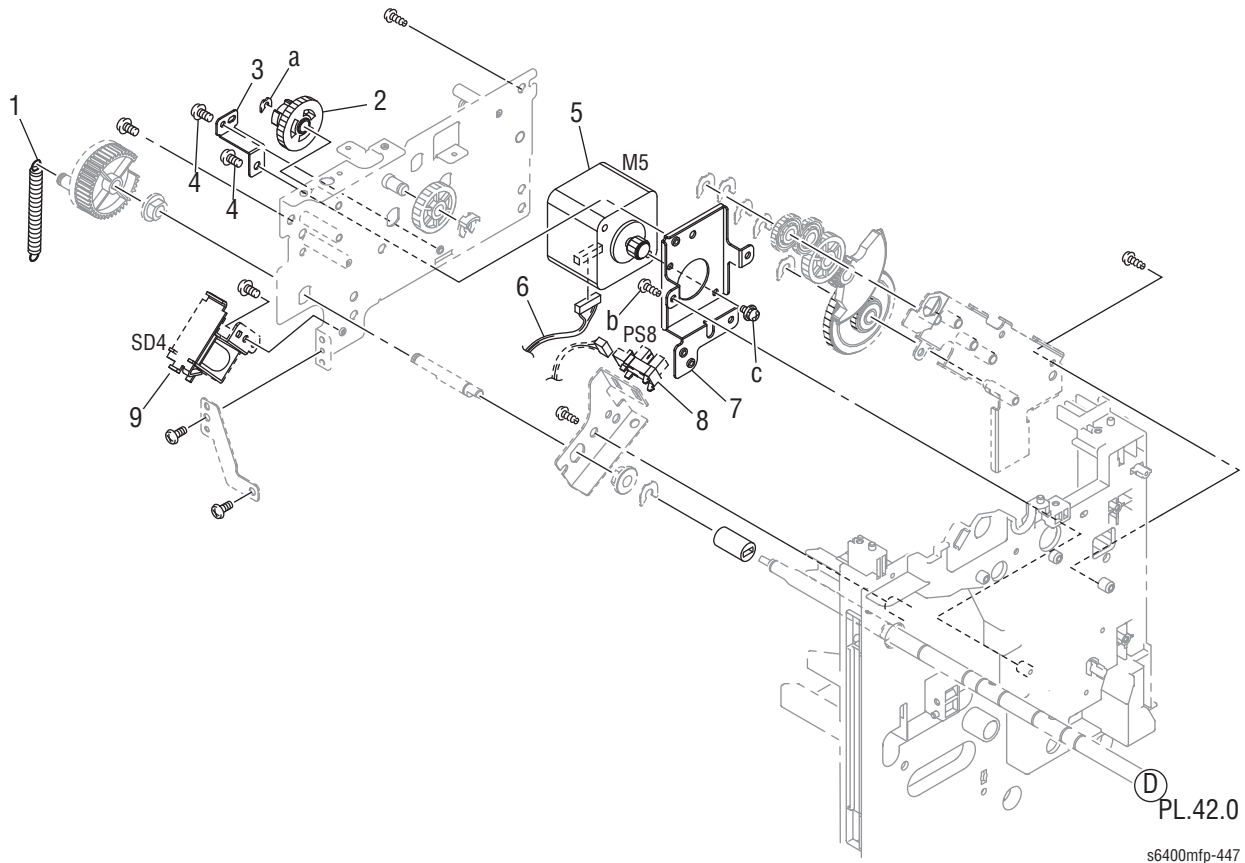


s6400mfp-446

Parts List 46.0 Drive (1 of 2)

ID No.	Name/Description	Part Number	Qty.	Comments
1.	Wire Harness Assy (CN11FSCB-PS11)		1	FSCB to PS11
2.	Photo Interrupter (PS11)	130E13030	1	Aligning Belt Sensor
3.	Wire Harness Assy (CN15FSCB-PJ12)		1	FSCB to M3
4.	Solenoid (SL3)	121E26600	1	Alignment Belt Up/ Down Solenoid
5.	Timing Belt		1	
6.	Gear 32/35T		1	
7.	Gear 32T		1	
8.	Stop Ring		2	
9.	Gear 32/18T		1	
10.	Bushing		1	
11.	Pulley 22T		2	
12.	Timing Belt		1	
13.	Timing Belt		1	
14.	Gear 16T		1	
15.	Timing Belt		1	
16.	PWB Assy (FSCB)	960K52030	1	Finisher Control Board
17.	Wire Harness Assy (*)	962K76340	1	FSCB to Engine
18.	Wire Harness Assy (CN16FSCB-PJ13)		1	FSCB to M4
19.	Wire Harness Assy (CN13FSCB-CN5)		1	FSCB to FM1
20.	Motor (M3, M4)	127E16490	2	M3 = Transport Motor M4 = Exit Motor
21.	Bracket		1	
22.	Tension Spring		2	
23.	Bracket		1	
24.	Fan Motor (FM1)	127E16500	1	FM1 = Fan Motor
25.	Screw		2	
a.	Screw		2	
b.	Screw		6	
c.	C-Clip		1	
d.	Pin		2	
e.	Screw		2	
(*) Connections from CN1/CNAFSCB to CN2/CN3 to Engine				

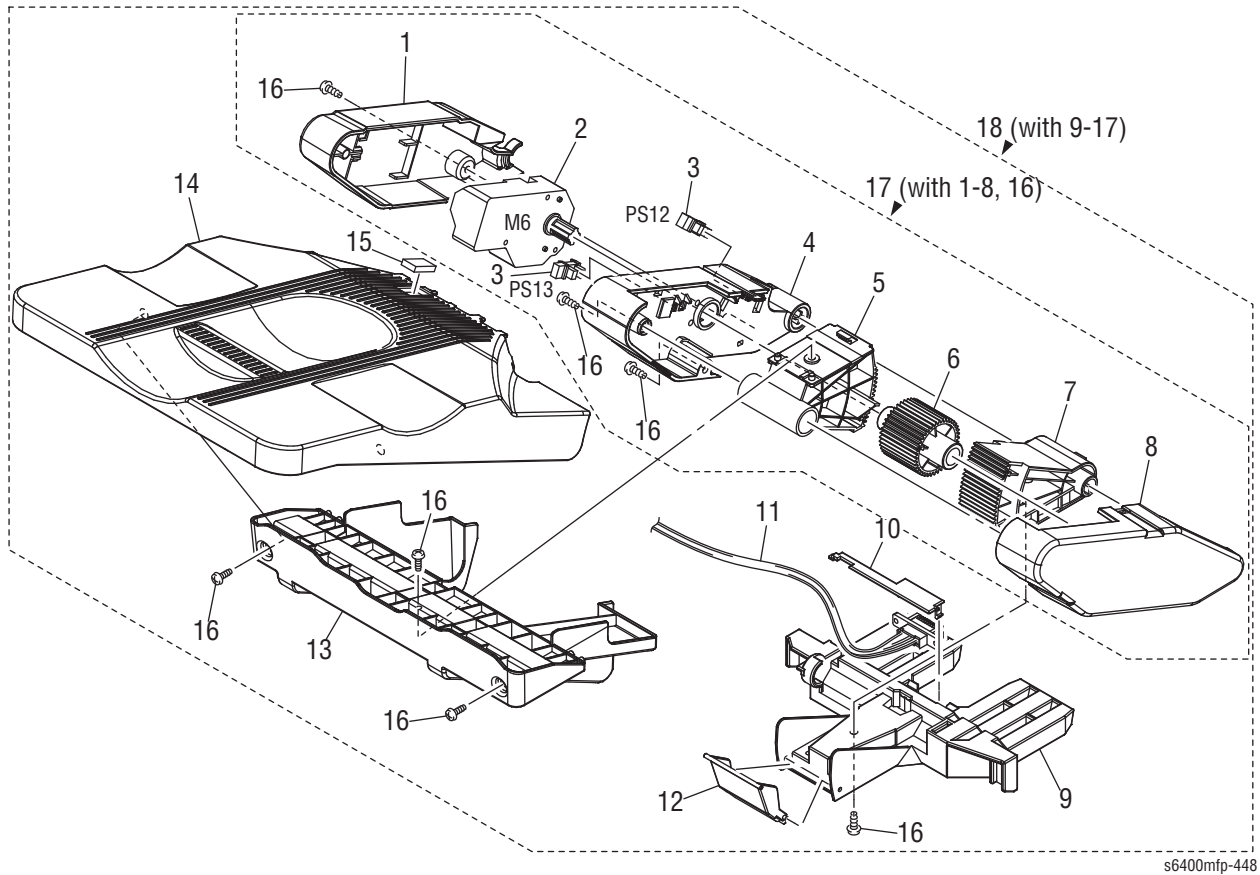
Parts List 47.0 Drive (2 of 2)



Parts List 47.0 Drive (2 of 2)

ID No.	Name/Description	Part Number	Qty.	Comments
1.	Tension Spring		1	
2.	Gear 32/18T		1	
3.	Bracket		1	
4.	Tapping Screw		2	
5.	Motor	127E16510	1	M5 = Exit Roller Up/ Down Motor
6.	Wire Harness Assy		1	
7.	Bracket		1	
8.	Photo Interrupter (PS8)		1	Exit Roller Sensor
9.	Solenoid (SD4)		1	Paddle Solenoid
a.	C-Clip		1	
b.	Screw		1	
c.	Screw		1	P/O Hardware Kit

Parts List 48.0 Main Tray

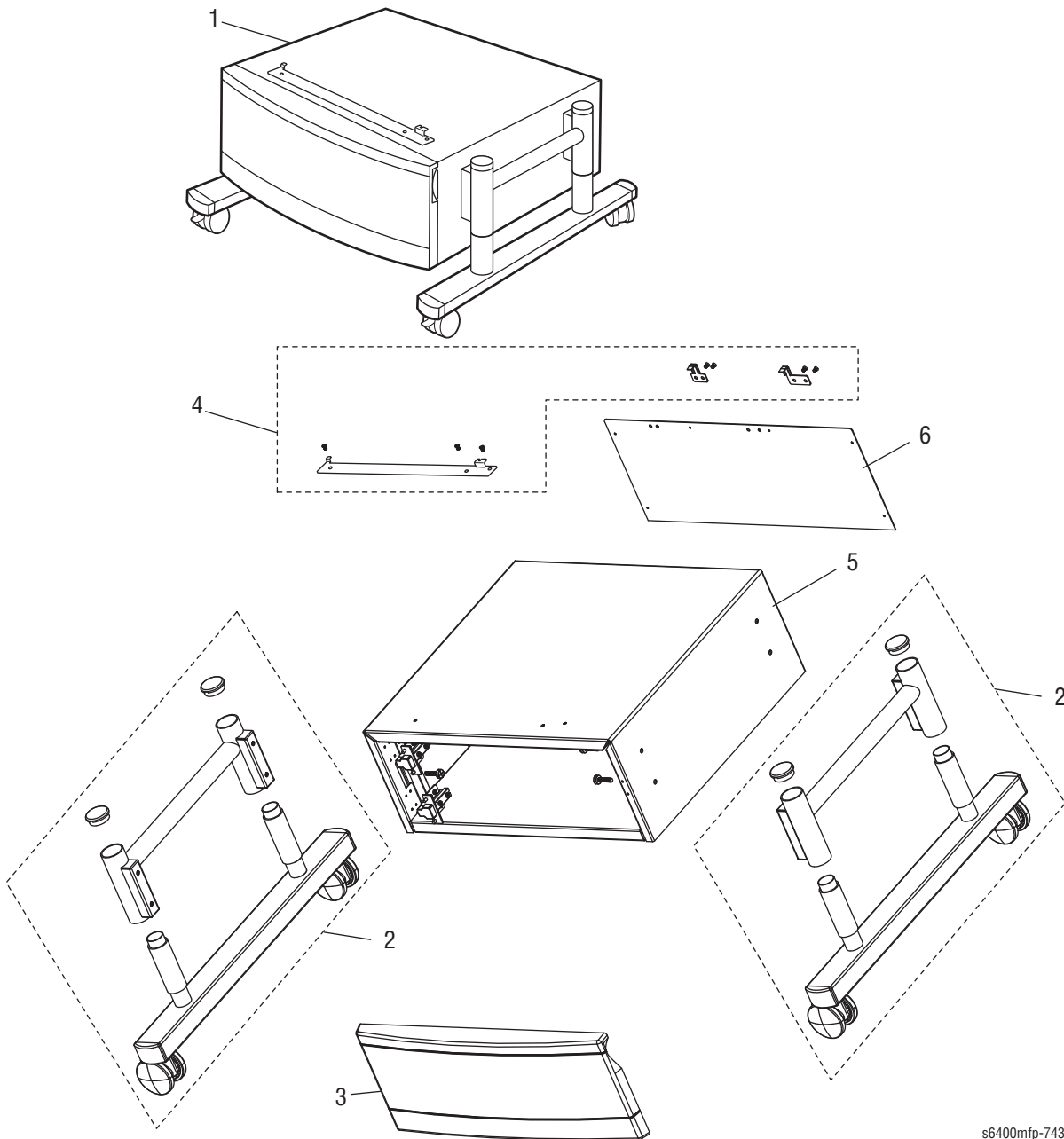


Parts List 48.0 Main Tray

ID No.	Name/Description	Part Number	Qty.	Part Number
1.	Cover		1	
2.	Motor (M6)		1	Tray Up/ Down Motor
3.	Photo Interrupter (PS12, PS13)	130E13030	2	PS12 = Tray Upper Sensor PS13 = Tray Lower Sensor
4.	Holder		1	
5.	Lever		1	
6.	Gear 40T		1	
7.	Lever		1	
8.	Holder		1	
9.	Holder		1	
10.	Cover		1	
11.	Wire Harness Assy		1	
12.	Lever		1	
13.	Holder		1	
14.	Tray		1	
15.	Cushion		1	
16.	Screw		7	
17.	Tray Motor Assy		1	
18.	Tray Assy	050K68350	1	Complete Main Tray Assembly

Option - Printer Stand

Parts List 49.0 Printer Stand



s6400mp-743

Parts List 49.0 Printer Stand

ID No.	Name/Description	Part Number	Qty.	Comments
1.	Stand Assembly	078K00820	1	Complete Assembly
2.	Leg Stand Assy	078K00830	1	Left/ Right Leg Assembly
3.	Door Assy	078K00840	1	
4.	Mounting Kit	604K55040	1	
5.	Frame Assy		1	
6.	Cover, Rear		1	
7.	RePack Kit	650K65000	1	Stand Repackaging Kit (Not shown)

Xerox Supplies and Accessories

World Kit

Description	Part Number
Inbox Kit - 110 V	604K60850
Inbox Kit - 2200 V	604K60860

Consumables and Maintenance Items

Description	Parts List Reference	Part Number
Toner Cartridge (C), High Capacity (12K)	6.19	106R01317
Toner Cartridge (C), Standard Capacity (6K)		106R01320
Toner Cartridge (C), Metered		106R01324
Toner Cartridge (M), High Capacity (12K)	6.20	106R01318
Toner Cartridge (M), Standard Capacity (6K)		106R01321
Toner Cartridge (M), Metered		106R01325
Toner Cartridge (Y), High Capacity (12K)	6.21	106R01319
Toner Cartridge (Y), Standard Capacity (6K)		106R01322
Toner Cartridge (Y), Metered		106R01326
Toner Cartridge (K), High Capacity (12K)	6.22	106R01316
Toner Cartridge (K), Metered		106R01323
Imaging Unit (C), (Up to 30K, 5-page jobs, or more, simplex, plain paper)	6.23	108R00775
Imaging Unit (M), (Up to 30K, 5-page jobs, or more, simplex, plain paper)	6.24	108R00776
Imaging Unit (Y), (Up to 30K, 5-page jobs, or more, simplex, plain paper)	6.25	108R00777
Imaging Unit (K) (Up to 30K, 5-page jobs, or more, simplex, plain paper)	6.26	108R00774
Waste Cartridge	9.9	106R01368
<ul style="list-style-type: none"> ■ Color (Up to 9K, 5% coverage) ■ Mono: (Up to 36K, 5% coverage) 		
Fuser Unit	18.1	
<ul style="list-style-type: none"> ■ Fuser Unit - 110V <ul style="list-style-type: none"> ■ 150K, continuous ■ 130K, 2-page jobs ■ Fuser Unit - 220V <ul style="list-style-type: none"> ■ 150K, continuous ■ 130K, 2-page jobs 		115R00059
		115R00060
Transfer Roller (Up to 120K)	16.20	108R00815

Consumables and Maintenance Items (continued)

Description	Parts List Reference	Part Number
Transfer Belt (Up to 120K)	14.16	108R00816
Ozone Filter (Up to 120K) (bundles with Ozone Filter)	7.17	108R00815
Tray 1 Feed Roller (Up to 120K)	5.29	059E10850
Tray 2 Feed Roller (Up to 120K)	21.27	059E10850
Lower Feed Unit Feed Roller (240K)	32.5	059E10880
Staple Cartridge - 5,000 each (3)	N/A	108R00813

Options

Description	Parts List Reference	Part Number
512 MB DDR2 Memory (1 x 512 MB)	20.44	237E24920
Finisher Assy	35.9	059K69720
Foreign Device Interface	N/A	097S03872
Lower Tray Unit (500-Sheet Tray 3/4)	28.25	050K68330
Printer Stand	49.1	078K00820

Power Cords

Description	Part Number
Power Cord, North America (NEMA 5-15), 125 V, 15A	117E29520
Power Cord, Cable Assy, EUR, 240 V	117E29500
Power Cord, Cable Assy, UK, 240 V	117E29510
Power Cord, Italy, 230V	117E29450
Power Cord, Denmark, 230V	117E29460
Power Cord, India/South Africa, 230V	117E29470
Power Cord, Israel, 230V	117E29480
Power Cord, Australia, 230V	117E29490
Power Cord, China, 220V	117E35030
Power Cord, Argentina, 220V	117E35040
Power Cord, Switzerland, 230V	117E35050

Service Kits/Tools

Service Kits are developed to provide an easy means to obtain spare parts normally associated with larger assemblies. A number of Service Kits have been developed for the WorkCentre 6400. The following tables list the contents for each kit.

Kits

Hardware Kit

Description	Quantity	Parts List Reference	Part Number
Hardware Kit		N/A	604K54550
Screw	2	12.0a	
Screw	6	10.0c, 12.0c, 20.0a, 45.0b, 47.0c	
Tapping Screw	10	2.0a, 4.0a, 6.0a, 7.0a, 9.0b, 10.0a, 11.0b, 12.0f, 13.0a, 14.0a, 19.0c, 20.0b, 22.0a, 23.0c, 28.0b, 29.0d, 30.0c	
Tapping Screw	2	3.0a, 10.0d, 15.0c	
Tapping Screw	4	4.0d, 6.0c, 7.0b, 9.0c, 11.0e, 12.0g, 18.0b, 20.0d	
Screw	8	2.0f, 3.0b, 5.0c, 6.0b, 8.0c, 9.0a, 11.0a, 14.0b, 15.0a, 16.0b, 17.0b, 19.0d, 21.0c, 22.0b, 28.0a, 29.0b, 30.0b, 31.0b, 32.0e	
Screw	2	13.0e, 15.0b	
E-ring	2	3.0c, 8.0b, 11.0d, 16.0e, 18.0a	
E-ring	4	4.0b, 13.0d, 16.0c, 17.0a, 30.0d	

Hardware Kit (continued)

Description	Quantity	Parts List Reference	Part Number
E-ring	2	5.0b, 21.0a, 29.0e, 31.0a, 32.0c	
Pin	1	19.0b	
Pin	1	4.0c, 39.0b	
Pin	1	30.0e	
Wire Saddle	2	26.04	
Clamp	2	26.07	
Edge Holder	2	26.09	
Steps Screw	1	4.21	
Steps Screw	1	20.1	

Repack Kit

Parts List Reference	Description	Part Number
N/A	Printer Packaging Kit	695K28270

Tools

Description	Parts List Reference	Part Number
USB Memory with Firmware	N/A	237E25350
DADF Registration Calibration Target Sheet	N/A	109K02300