

# 5 Parts Lists

## Overview

Introduction .....	5-3
Subsystem Information .....	5-4
Symbology .....	5-5

## Parts Lists

### 1. IIT

PL 1.1 IIT Covers .....	5-7
PL 1.2 CCD Lens Assembly/Platen Glass .....	5-8
PL 1.3 Full/Half Rate Carriage .....	5-9
PL 1.4 Full Rate Carriage.....	5-10
PL 1.5 CCD Lens Base Plate.....	5-11
PL 1.6 Motor/Transport PWB .....	5-12
PL 1.7 Control Panel .....	5-13
PL 1.9 Convenience Stapler .....	5-14

### 2. ROS

PL 2.1 ROS .....	5-15
------------------	------

### 3. DRIVE

PL 3.1 Main Drive (1 of 2) .....	5-16
PL 3.2 Main Drive (2 of 2) .....	5-17

### 4. NOHAD

PL 4.1 NOHAD .....	5-18
--------------------	------

### 6. Transfer

PL 6.1 Transfer .....	5-19
-----------------------	------

### 7. Fusing

PL 7.1 Fusing .....	5-20
---------------------	------

### 8. Xerographic/Development

PL 8.1 CRU, Toner Cartridge .....	5-21
PL 8.2 Toner System .....	5-22

### 9. Feeder/Tray 1/2

PL 9.1 Tray 1/2 Assembly .....	5-23
PL 9.2 Tray 1/2 (1 of 2) .....	5-24
PL 9.3 Tray 1/2 (2 of 2) .....	5-25
PL 9.4 Tray Feeder 1/2 Assembly.....	5-26
PL 9.5 Feeder 1/2 Assembly (1 of 2) .....	5-27
PL 9.6 Feeder 1/2 Assembly (2 of 2) .....	5-28
PL 9.7 Tray 1/2 Feed Roll, Nudger Roll, Retard Roll .....	5-29

### 9. Envelope Tray

PL 9.8 Envelope Tray Assembly .....	5-30
-------------------------------------	------

### 10. HCF

PL 10.1 HCF Unit .....	5-31
PL 10.2 HCF Tray 6 (1 of 2).....	5-32
PL 10.3 HCF Tray 6 (2 of 2).....	5-33
PL 10.4 HCF Feeder (1 of 3).....	5-34
PL 10.5 HCF Feeder (2 of 3).....	5-35
PL 10.6 HCF Feeder (3 of 3).....	5-36
PL 10.7 HCF Top Cover Unit .....	5-37
PL 10.8 HCF Electrical and Rail.....	5-38

### 11. Tray Module (TTM)

PL 11.1 Tray Module (TTM) (Option) .....	5-39
PL 11.2 Tray 3/4 Assembly .....	5-40
PL 11.3 Tray 3 Assembly (1 of 2).....	5-41
PL 11.4 Tray 3 Assembly (2 of 2).....	5-42
PL 11.5 Tray 4 Assembly (1 of 2).....	5-43
PL 11.6 Tray 4 Assembly (2 of 2).....	5-44
PL 11.7 Tray 3/4 Feeder Assembly, T/A Roll Assembly .....	5-45
PL 11.8 Tray 3/4 Feeder Assembly (1/2) .....	5-46
PL 11.9 Tray 3/4 Feeder Assembly (2/2) .....	5-47
PL 11.10 Tray 3/4 Feed/Nudger/Retard Roll.....	5-48
PL 11.11 Tray 3/4 Transport Assembly .....	5-49
PL 11.12 Tray 3/4 Switch Assembly.....	5-50
PL 11.13 Wire Harness .....	5-51
PL 11.14 TM Drive .....	5-52
PL 11.15 Takeaway Motor Assembly.....	5-53
PL 11.16 Cover .....	5-54
PL 11.17 L/H Cover Assembly .....	5-55

### 13. MSI

PL 13.1 MSI Assembly .....	5-56
PL 13.2 Lower Frame Assembly .....	5-57
PL 13.3 MSI Tray Assembly .....	5-58

### 14. Duplex/BTR

PL 14.1 L/H Cover Assembly, Duplex Unit.....	5-59
PL 14.2 L/H Chute Assembly .....	5-60
PL 14.3 L/H Frame Assembly .....	5-61
PL 14.4 Duplex Assembly .....	5-62

### 15. Registration

PL 15.1 Registration (1of2) .....	5-63
PL 15.2 Registration (2of2) .....	5-64

### 17. Exit

PL 17.1 Exit 1 .....	5-65
PL 17.2 Exit 2 .....	5-66
PL 17.3 Exit 2 Chute Assembly .....	5-67
PL 17.4 Exit 2 Transport Assembly (1of2).....	5-68
PL 17.5 Exit 2 Bracket Rear Assembly .....	5-69

PL 17.6 Exit 2 Guide Assembly (2of2) .....	5-70
<b>18. Electrical</b>	
PL 18.1 Electrical (1of2) .....	5-71
PL 18.2 Electrical (2of2) .....	5-72
PL 18.3 AC Chassis Assembly .....	5-73
PL 18.4 IOT Wire Harness .....	5-74
PL 18.5 FAX Unit .....	5-75
<b>19. Cover</b>	
PL 19.1 Cover-Front, Left .....	5-76
PL 19.2 Cover-Rear, Right .....	5-77
<b>22. Integrated Office Finisher</b>	
PL 22.1 Finisher Assembly (Part 1 of 2) .....	5-78
PL 22.2 Finisher Assembly (Part 2 of 2) .....	5-79
PL 22.3 Stacker Base Assembly (Part 1 of 5) .....	5-80
PL 22.4 Stacker Base Assembly (Part 2 of 5) .....	5-81
PL 22.5 Stacker Base Assembly (Part 3 of 5) .....	5-82
PL 22.6 Stacker Base Assembly (Part 4 of 5) .....	5-83
PL 22.7 Stacker Base Assembly (Part 5 of 5) .....	5-84
PL 22.8 Stacker Tray Assembly .....	5-85
PL 22.9 Compile Assembly (Part 1 of 2) .....	5-86
PL 22.10 Compile Assembly (Part 2 of 2) .....	5-87
<b>23. Office Finisher LX</b>	
PL 23.1 H - Transport Assembly (1 of 5) .....	5-88
PL 23.2 H - Transport Assembly (2 of 5) .....	5-89
PL 23.3 H - Transport Assembly (3 of 5) .....	5-90
PL 23.4 H - Transport Assembly (4 of 5) .....	5-91
PL 23.5 H - Transport Assembly (5 of 5) .....	5-92
PL 23.6 Finisher Covers .....	5-93
PL 23.7 Finisher Stacker .....	5-94
PL 23.8 Finisher Stapler .....	5-95
PL 23.9 Finisher Eject (1 of 5) .....	5-96
PL 23.10 Finisher Eject (2 of 5) .....	5-97
PL 23.11 Finisher Eject (3 of 5) .....	5-98
PL 23.12 Finisher Eject (4 of 5) .....	5-99
PL 23.13 Finisher Eject (5 of 5) .....	5-100
PL 23.14 Finisher Exit/Folder Assembly .....	5-101
PL 23.15 Folder Assembly .....	5-102
PL 23.16 Finisher Electrical .....	5-103
PL 23.17 Booklet Cover .....	5-104
PL 23.18 Booklet Stapler Assembly .....	5-105
PL 23.19 Booklet Front Stapler Assembly .....	5-106
PL 23.20 Booklet Rear Stapler Assembly .....	5-107
PL 23.21 Booklet Electrical .....	5-108
<b>35. ESS</b>	
PL 35.1 ESS (1/3) .....	5-109
PL 35.2 ESS (2/3) .....	5-110
PL 35.3 ESS (3/3) .....	5-111

## 51. DADF

PL 51.1 DADF Accessory .....	5-112
PL 51.2 Covers, PWB .....	5-113
PL 51.3 Base Frame .....	5-114
PL 51.4 Document Tray .....	5-115
PL 51.5 DADF Drives (1 of 2) .....	5-116
PL 51.6 DADF Drives (2 of 2) .....	5-117
PL 51.7 Front Belt .....	5-118
PL 51.8 Registration, Retard, Invert, Output Chutes .....	5-119
PL 51.9 Roll, Sensor Bracket .....	5-120
PL 51.10 Document Tray .....	5-121
PL 51.11 Top Cover .....	5-122
PL 51.12 Upper Feeder .....	5-123
PL 51.13 Registration Chute .....	5-124
PL 51.14 Retard Chute .....	5-125
PL 51.15 Invert Chute .....	5-126
PL 51.16 Output Chute .....	5-127
PL 51.17 Sensor Bracket .....	5-128

## Common Hardware

Common Hardware .....	5-129
Part Number Index .....	5-141

# Introduction

## Overview

The Parts List section identifies all part numbers and the corresponding location of all spared subsystem components.

## Organization

### Parts Lists

Each item number in the part number listing corresponds to an item number in the related illustration. All the parts in a given subsystem of the machine will be located in the same illustration or in a series of associated illustrations.

### Electrical Connectors and Fasteners

This section contains the illustrations and descriptions of the plugs, jacks, and fasteners used in the machine. A part number listing of the connectors is included.

### Common Hardware

The common hardware is listed in alphabetical order by the letter or letters used to identify each item in the part number listing and in the illustrations. Dimensions are in millimeters unless otherwise identified.

### Part Number Index

This index lists all the spared parts in the machine in numerical order. Each number is followed by a reference to the parts list on which the part may be found.

## Other Information

### Abbreviations

Abbreviations are used in the parts lists and the exploded view illustrations to provide information in a limited amount of space. The following abbreviations are used in this manual:

Table 1

Abbreviation	Meaning
A3	297 x 594 Millimeters
A4	210 x 297 Millimeters
A5	148 x 210 Millimeters
AD	Auto Duplex
AWG	American Wire Gauge
EMI	Electro Magnetic Induction
GB	Giga Byte
KB	Kilo Byte
MB	Mega Byte
MM	Millimeters
MOD	Magneto Optical Drive
NOHAD	Noise Ozone Heat Air Dirt
PL	Parts List
P/O	Part of

Table 1

Abbreviation	Meaning
R/E	Reduction/Enlargement
REF:	Refer to
SCSI	Small Computer Systems Interface
W/	With
W/O	Without

Table 2

Operating Companies	
Abbreviation	Meaning
AO	Americas Operations
NASG - US	North American Solutions Group - US
NASG - Canada	North American Solutions Group - Canada
XE	Xerox Europe

## Symbology

Symbology used in the Parts List section is identified in the Symbology section.

## Service Procedure Referencing

If a part or assembly has an associated repair or adjustment procedure, the procedure number will be listed at the end of the part description in the parts lists e.g. (REP 5.1, ADJ 5.3)

## Subsystem Information

### Use of the Term “Assembly”

The term “assembly” will be used for items in the part number listing that include other itemized parts in the part number listing. When the word “assembly” is found in the part number listing, there will be a corresponding item number on the illustrations followed by a bracket and a listing of the contents of the assembly.

### Brackets

A bracket is used when an assembly or kit is spared, but is not shown in the illustration. The item number of the assembly or kit precedes the bracket; the item numbers of the piece parts follow the bracket.

### Tag

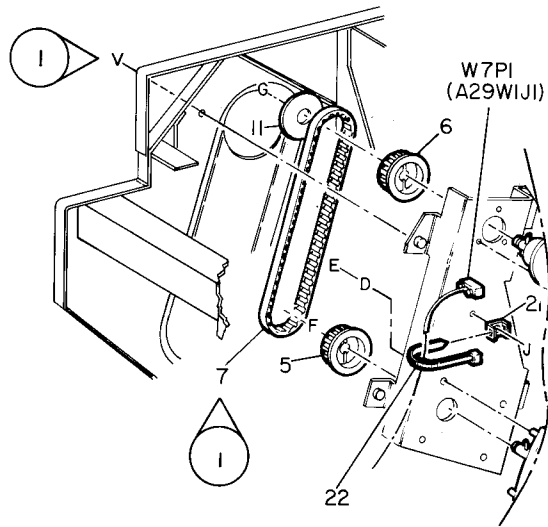
The notation “W/Tag” in the parts description indicates that the part configuration has been updated. Check the change Tag index in the General Information section of the Service Data for the name and purpose of the modification.

In some cases, a part or assembly may be spared in two versions: with the Tag and without the Tag. In those cases, use whichever part is appropriate for the configuration of the machine on which the part is to be installed. If the machine does not have a particular Tag and the only replacement part available is listed as “W/Tag”, install the Tag kit or all of the piece parts. The Change Tag Index tells you which kit or piece parts you need.

Whenever you install a Tag kit or all the piece parts that make up a Tag, mark the appropriate number on the Tag matrix.

## Symbology

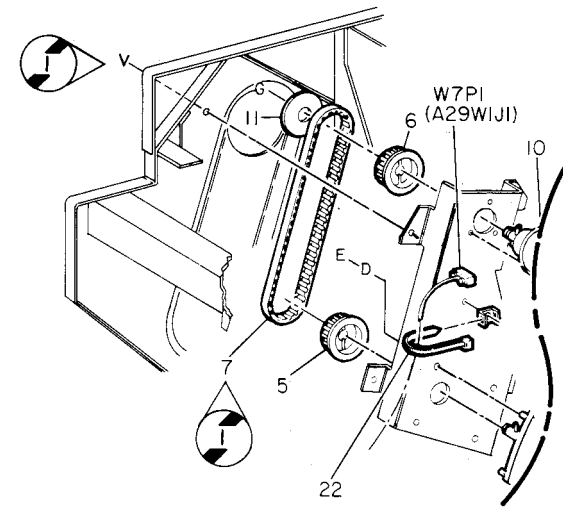
A Tag number within a circle pointing to an item number shows that the part has been changed by the tag number within the circle (Figure 1). Information on the modification is in the Change Tag Index.



O	Z004	A
850	PL	M I

Figure 1 With Tag Symbol

A Tag number within a circle having a shaded bar and pointing to an item number shows that the configuration of the part shown is the configuration before the part was changed by the Tag number within the circle (Figure 2).



O	Z005	A
850	PL	M I

Figure 2 Without Tag Symbol

A tag number within a circle with no apex shows that the entire drawing has been changed by the tag number within the circle (Figure 3). Information on the modification is in the Change Tag Index.

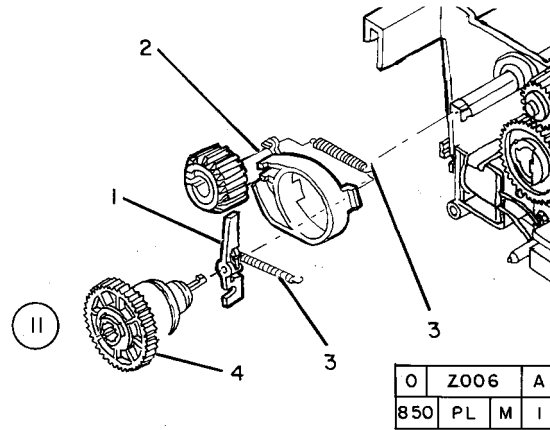


Figure 3 Entire Drawing With Tag Symbol

A tag number within a circle with no apex and having a shaded bar shows that the entire drawing was the configuration before being changed by the tag number within the circle (Figure 4).

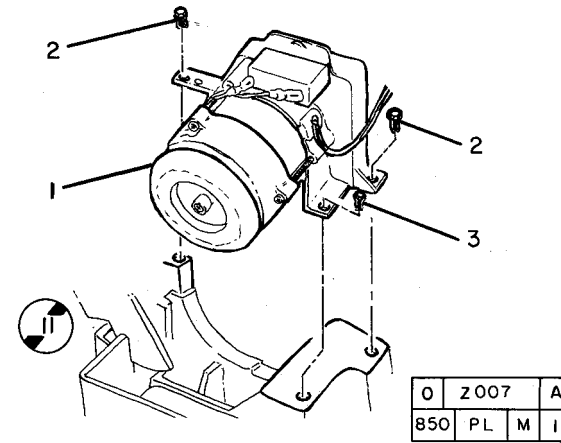
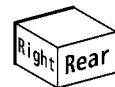
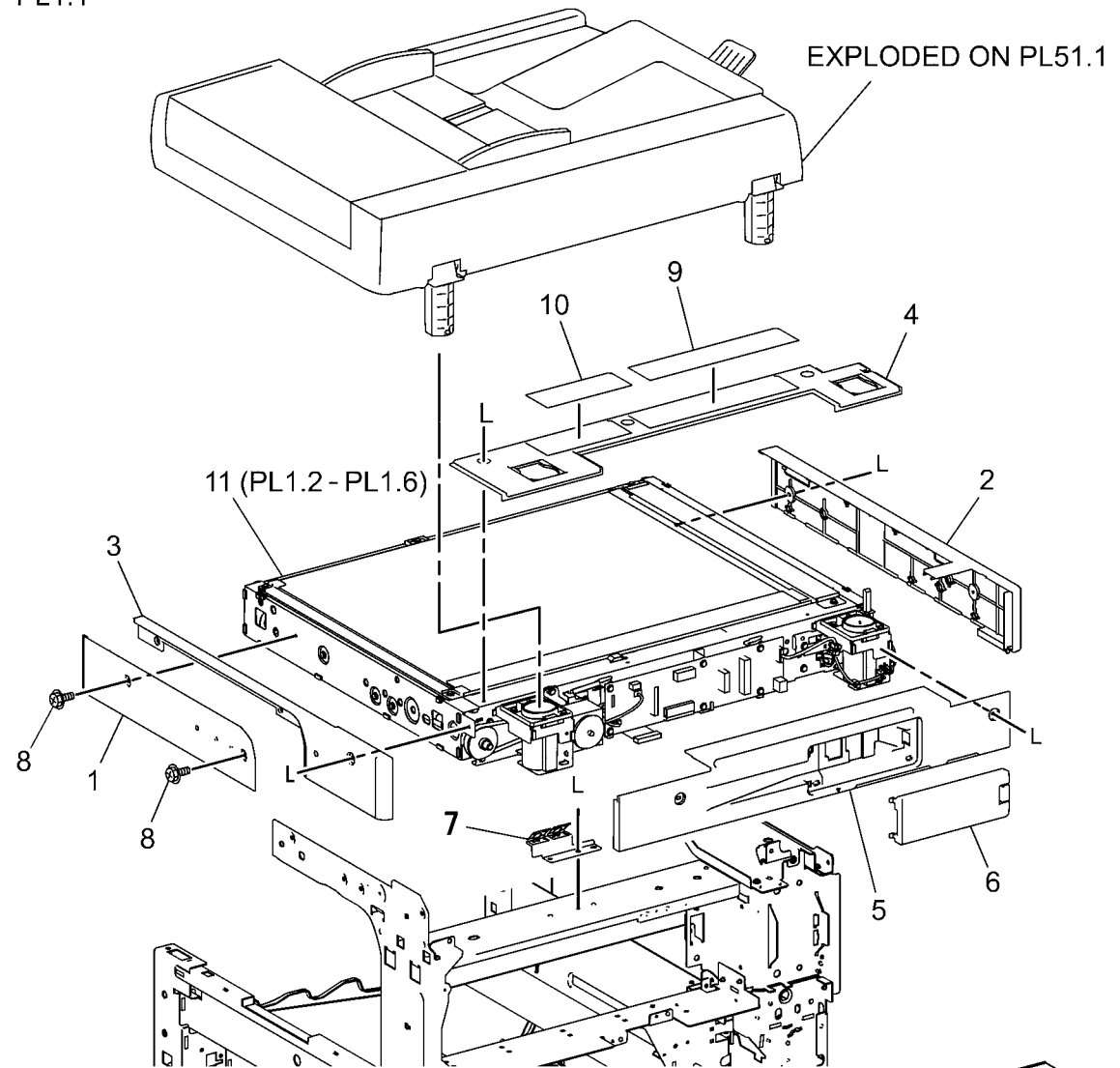


Figure 4 Entire Drawing Without Tag Symbol

## PL 1.1 IIT Covers

Item	Part	Description
1	–	Right Outer Cover
2	–	Left Cover
3	–	Right Cover
4	–	Top Cover
5	–	Rear Cover
6	848E49150	DADF Connector Cover
7	–	Transport Bracket Assembly
8	–	Screw
9	–	Caution Label
10	–	Label
11	062K21136	IIT Assembly

PL1.1

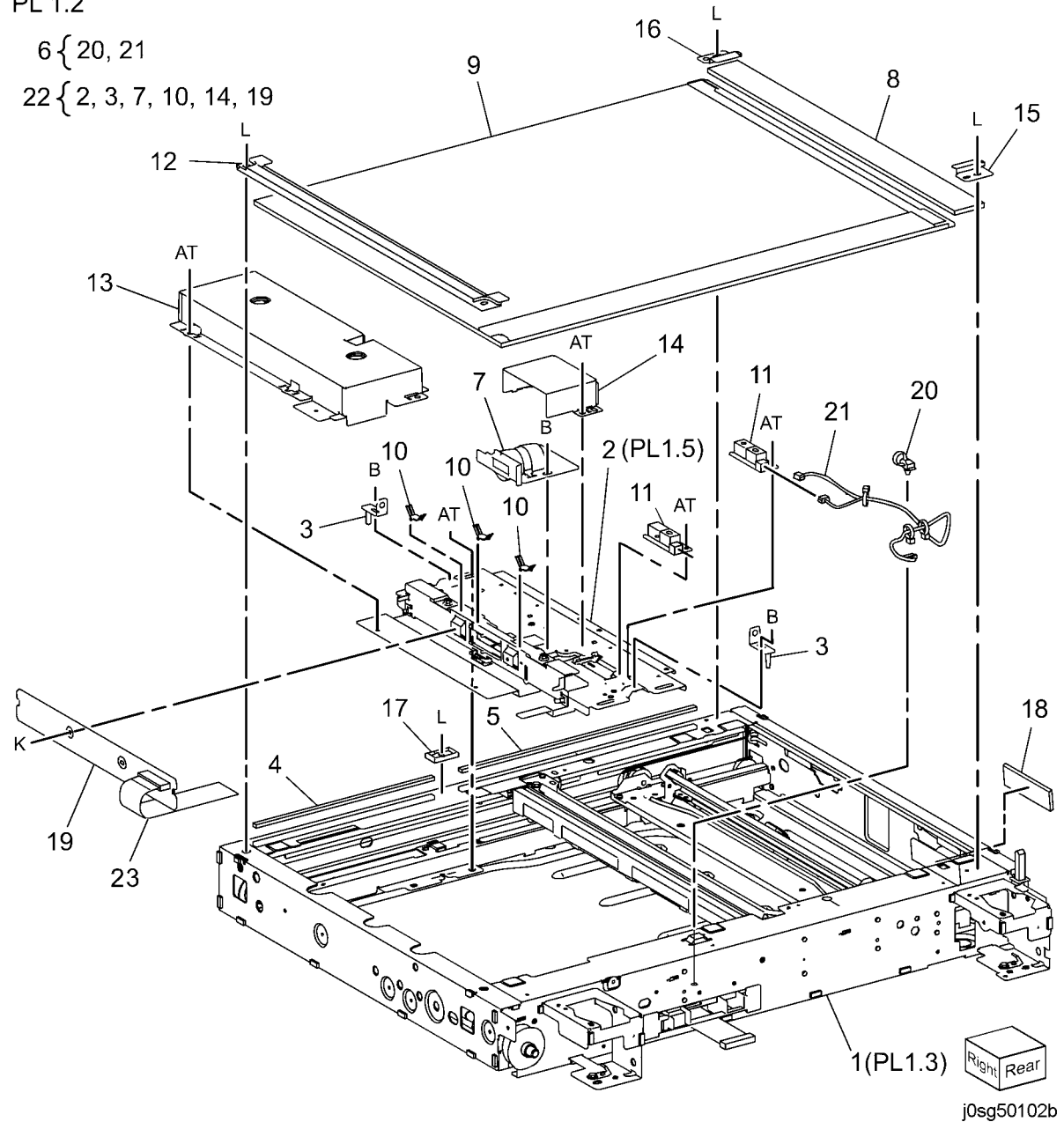


j0sg50101b

# PL 1.2 CCD Lens Assembly/Platen Glass

Item	Part	Description
1	-	IIT Assembly
2	-	CCD Lens Base Plate Assembly (P/O PL 1.2 Item 22)
3	-	Pin Assembly (P/O PL 1.2 Item 22)
4	-	Right Seal
5	-	Left Seal
6	-	Wire Harness Assembly (Includes Items 20, 21) (REP 6.7)
7	-	CCD Lens Assembly (P/O PL 1.2 Item 22) (REP 6.4)
8	090K93320	CVT Platen Glass (REP 6.3)
9	090K93330	Platen Glass (REP 6.3)
10	-	Conductor (P/O PL 1.2 Item 22)
11	130K64150	APS Sensor
12	815E58941	Right Plate
13	-	Lens Cover Assembly
14	-	Lens Bracket (P/O PL 1.2 Item 22)
15	849E15760	Rear Glass Support
16	849E22651	Front Glass Support
17	849E17910	Glass Support
18	-	Data Plate
19	-	PWB Assembly (P/O PL 1.2 Item 22)
20	-	Cable Band (P/O PL 1.2 Item 6)
21	-	Wire Harness Assembly (P/O PL 1.2 Item 6)
22	604K57500	Lens/CCD Kit (Includes Items 2, 3, 7, 10, 14, 19) (REP 6.4)
23	117E31780	CCD Flexible Flat Cable

PL 1.2

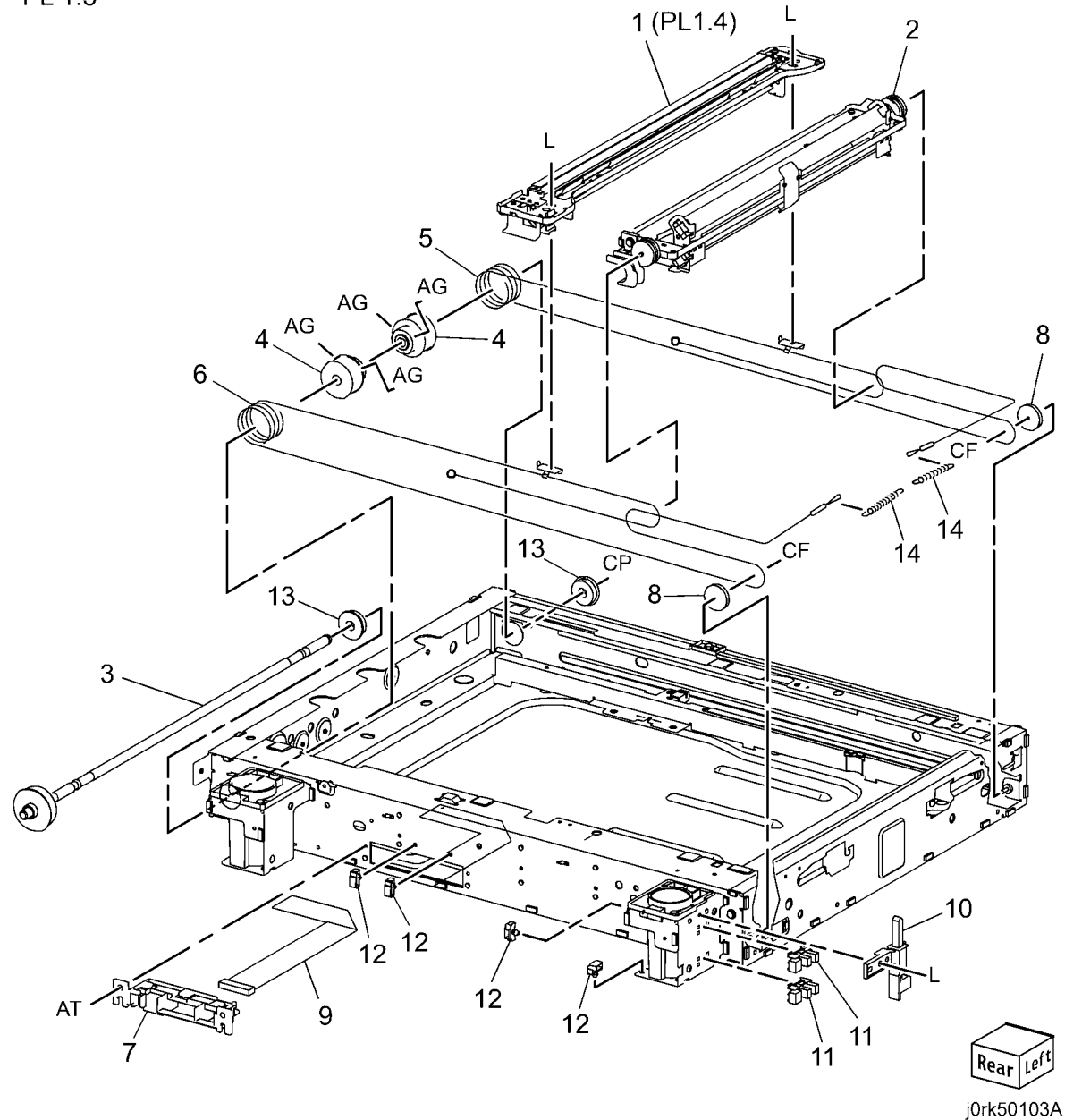




# PL 1.3 Full/Half Rate Carriage

Item	Part	Description
1	041K96191	Full Rate Carriage Assembly (ADJ 6.2)
2	041K96223	Half Rate Carriage Assembly (ADJ 6.2)
3	006K88780	Capstan Shaft
4	020E47040	Capstan Pulley
5	012K96780	Front Carriage Cable (REP 6.5)
6	012K96790	Rear Carriage Cable (REP 6.5)
7	-	Cord Holder (P/O PL 1.1 Item 11)
8	020E37030	Pulley
9	117E31780	Cable
10	120K92581	Actuator Assembly
11	930W00123	Platen Sensor, Angle Sensor
12	920W01235	Clamp
13	013E23640	Bearing
14	809E91540	Spring

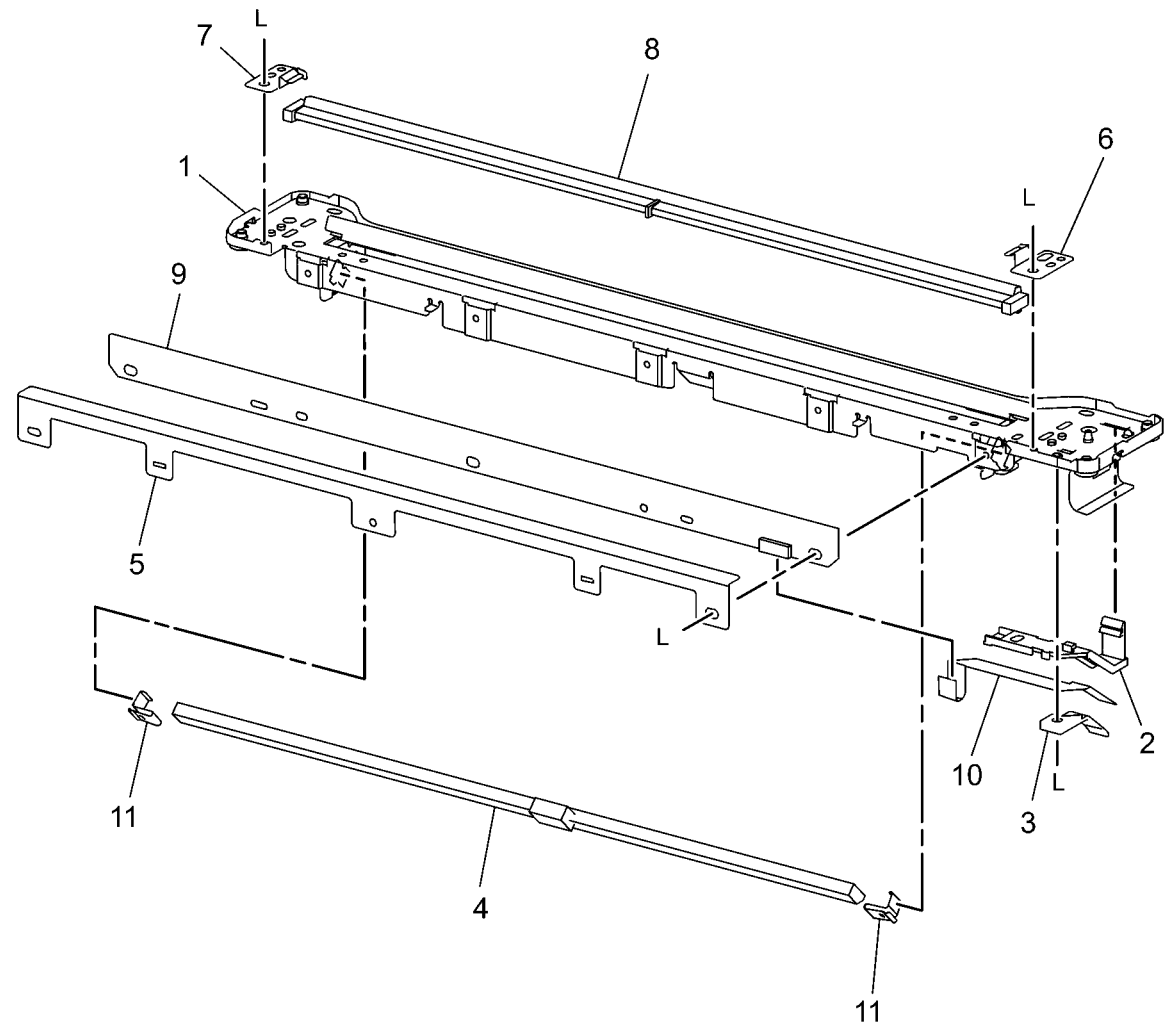
PL 1.3



## PL 1.4 Full Rate Carriage

Item	Part	Description
1	-	Full Rate Carriage (P/O PL 1.3 Item 1)
2	-	Harness Guide (P/O PL 1.3 Item 1)
3	-	Slide Harness Guide (P/O PL 1.3 Item 1)
4	-	No 1 Mirror (P/O PL 1.3 Item 1)
5	-	LED Bracket (P/O PL 1.3 Item 1)
6	-	Guide Spring (P/O PL 1.3 Item 1)
7	-	Guide Spring (P/O PL 1.3 Item 1)
8	-	Light Guide (P/O PL 1.3 Item 1) (REP 6.8)
9	960K51290	LED Lamp PWB (REP 6.6)
10	-	Slide Cord (P/O PL 1.3 Item 1)
11	-	Clip (P/O PL 1.3 Item 1)

PL 1.4

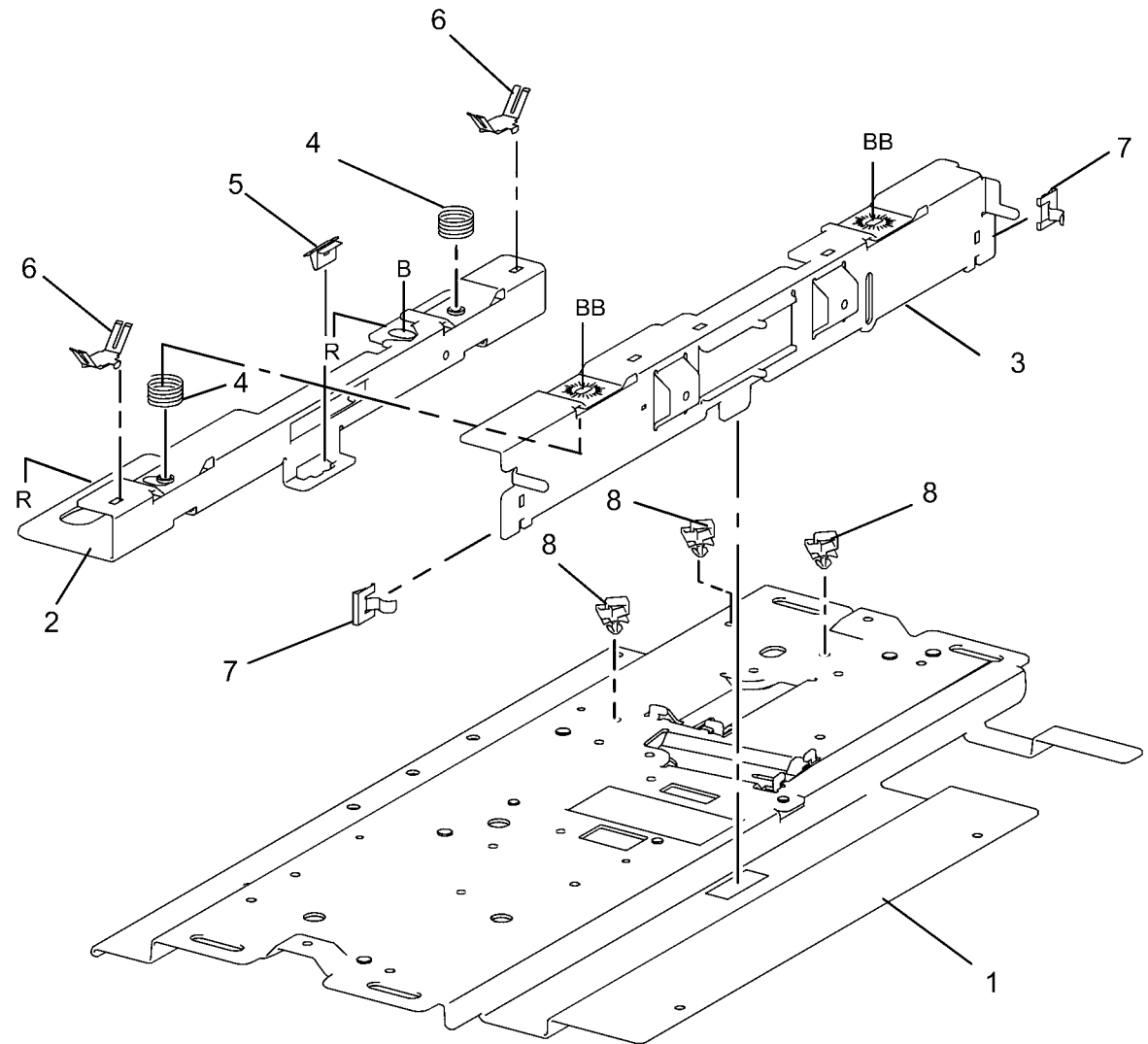


j0sg50104b

## PL 1.5 CCD Lens Base Plate

Item	Part	Description
1	-	Base Plate (P/O PL 1.2 Item 22)
2	-	Stage Plate (P/O PL 1.2 Item 22)
3	-	CCD Plate (P/O PL 1.2 Item 22)
4	-	Spring (P/O PL 1.2 Item 22)
5	-	Spring (P/O PL 1.2 Item 22)
6	-	Conductor (P/O PL 1.2 Item 22)
7	-	PWB Conductor (P/O PL 1.2 Item 22)
8	920W01235	Clamp

PL1.5



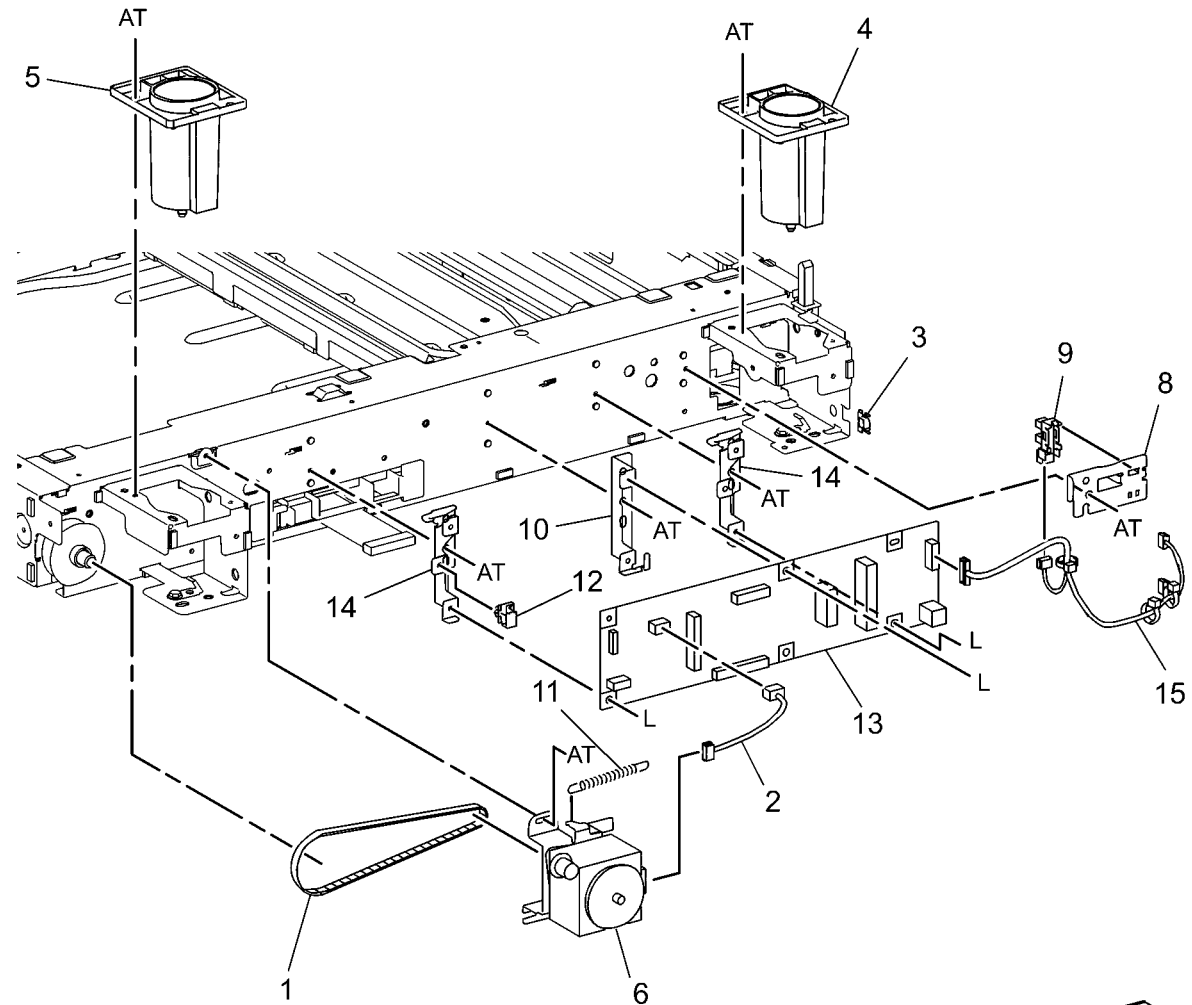
j0sg50105b

# PL 1.6 Motor/Transport PWB

Item	Part	Description
1	023E27590	Belt
2	962K83770	Motor Wire Harness
3	120E18070	Clamp
4	868E47600	Hinge Support
5	868E47610	Hinge Support
6	127K61330	Carriage Motor (REP 6.9)
7	130K76820	IIT Registration Sensor Assembly (Includes Items 8, 9)
8	-	Sensor Bracket (P/O PL 1.6 Item 7)
9	930W00123	IIT Registration Sensor
10	-	Bracket (Not Spared)
11	809E92410	Spring
12	920W01235	Clamp
13	960K49301	IIT PWB (REP 6.10)
14	-	Bracket (Not Spared)
15	962K83750	Sensor Wire Harness

PL1.6

7 { 8, 9

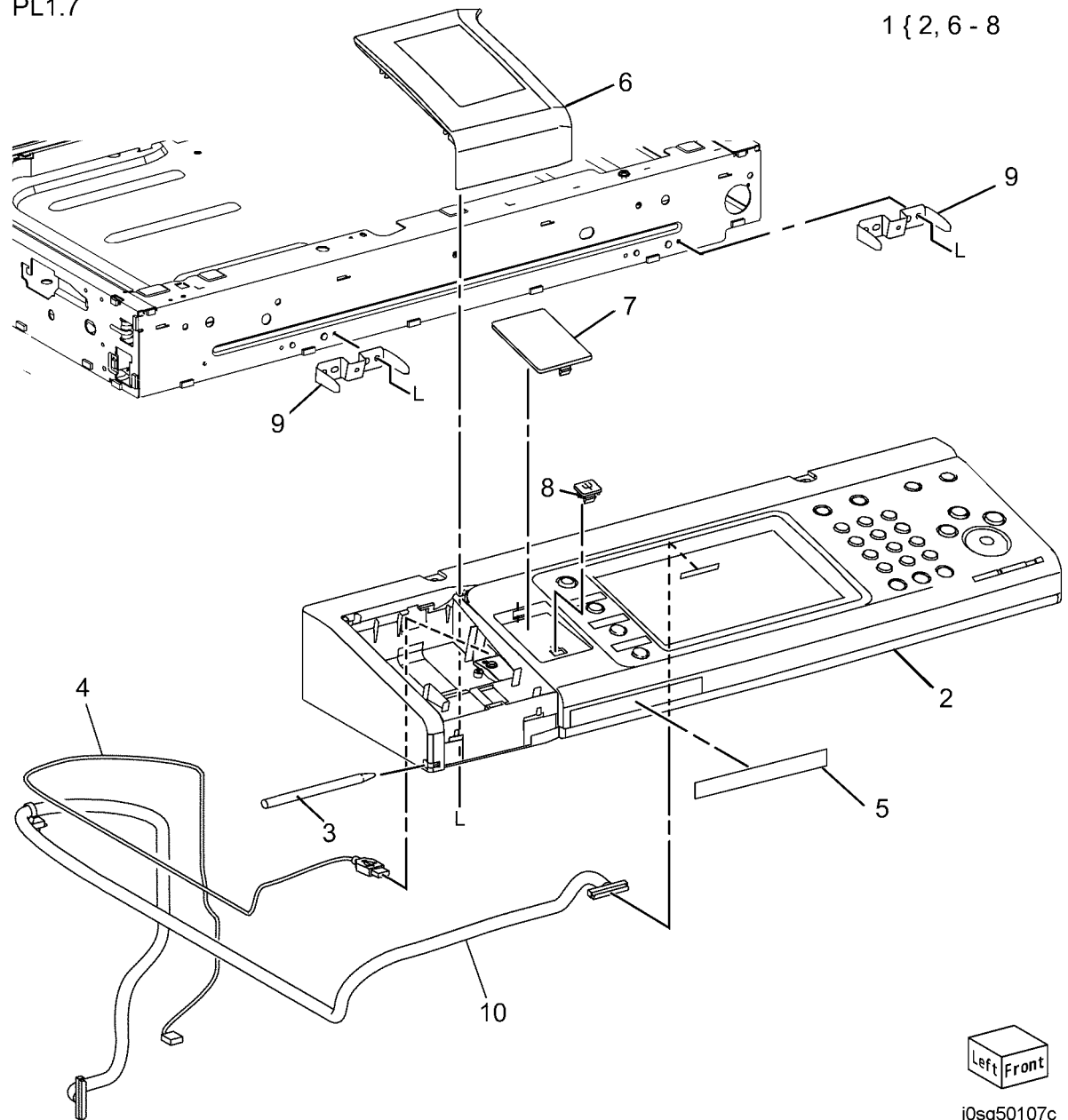


j0sg50106b

## PL 1.7 Control Panel

Item	Part	Description
1	848K57411	Control Panel Assembly (XE) (Includes Items 2, 6-9)
-	848K57401	Control Panel Assembly (XC) (Includes Items 2, 6-9) (REP 6.11)
2	-	Control Panel (P/O PL 1.7 Item 1)
3	-	Stylus (Not Spared)
4	-	UI Cable (Not Spared)
5	604K70430	Name Label
6	-	Clip Cover (P/O PL 1.7 Item 1)
7	-	USB Cover (P/O PL 1.7 Item 1)
8	-	USB Cap Cover
9	868E43540	Bracket
10	962K93370	UI USB Cable

PL1.7



1 { 2, 6 - 8

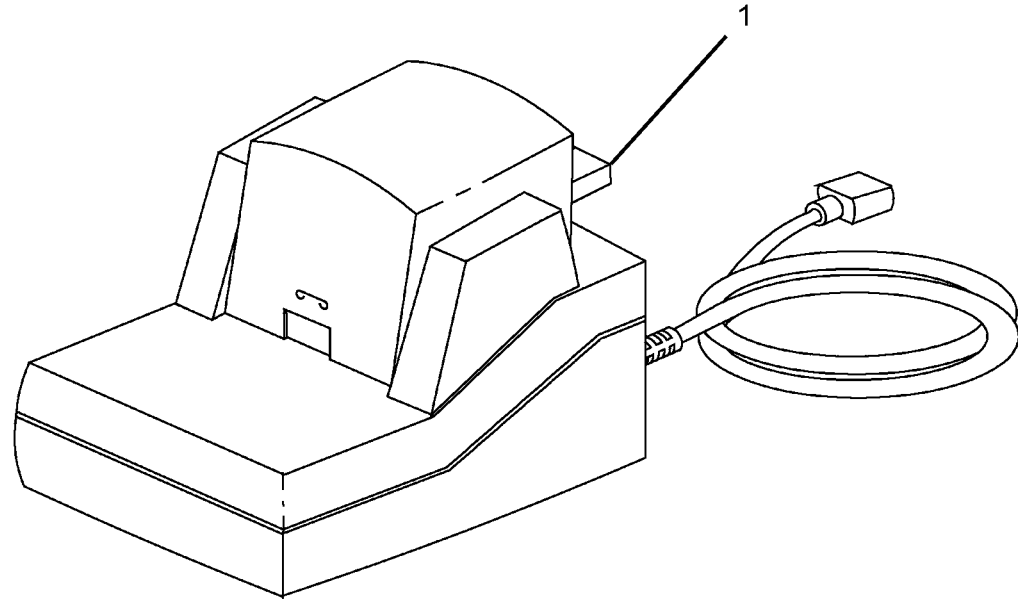


j0sg50107c

## PL 1.9 Convenience Stapler

Item	Part	Description
1	604K35710	Convenience Stapler (110V)
-	604K35700	Convenience Stapler (220V)

PL 1.9

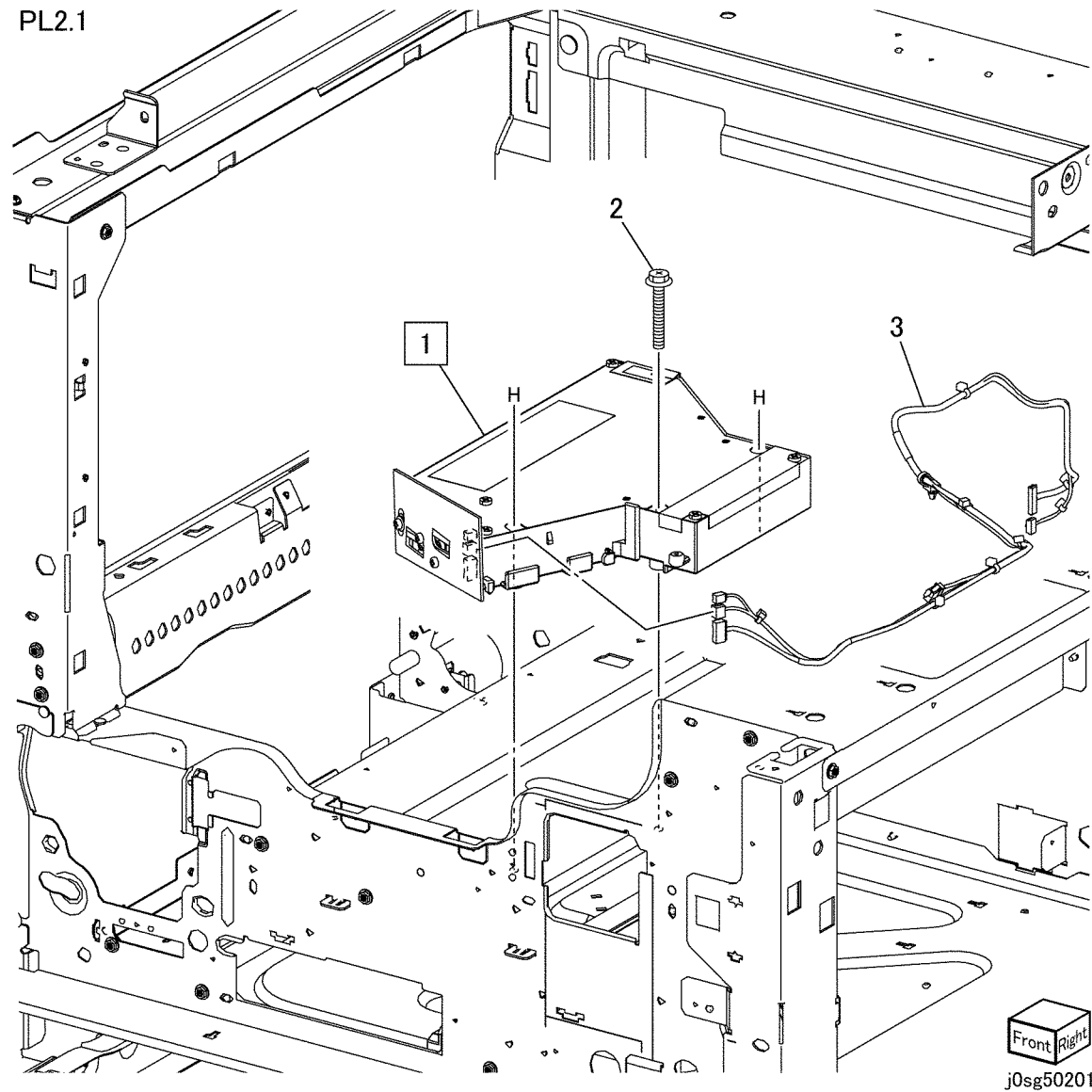


0501009A-NWD

## PL 2.1 ROS

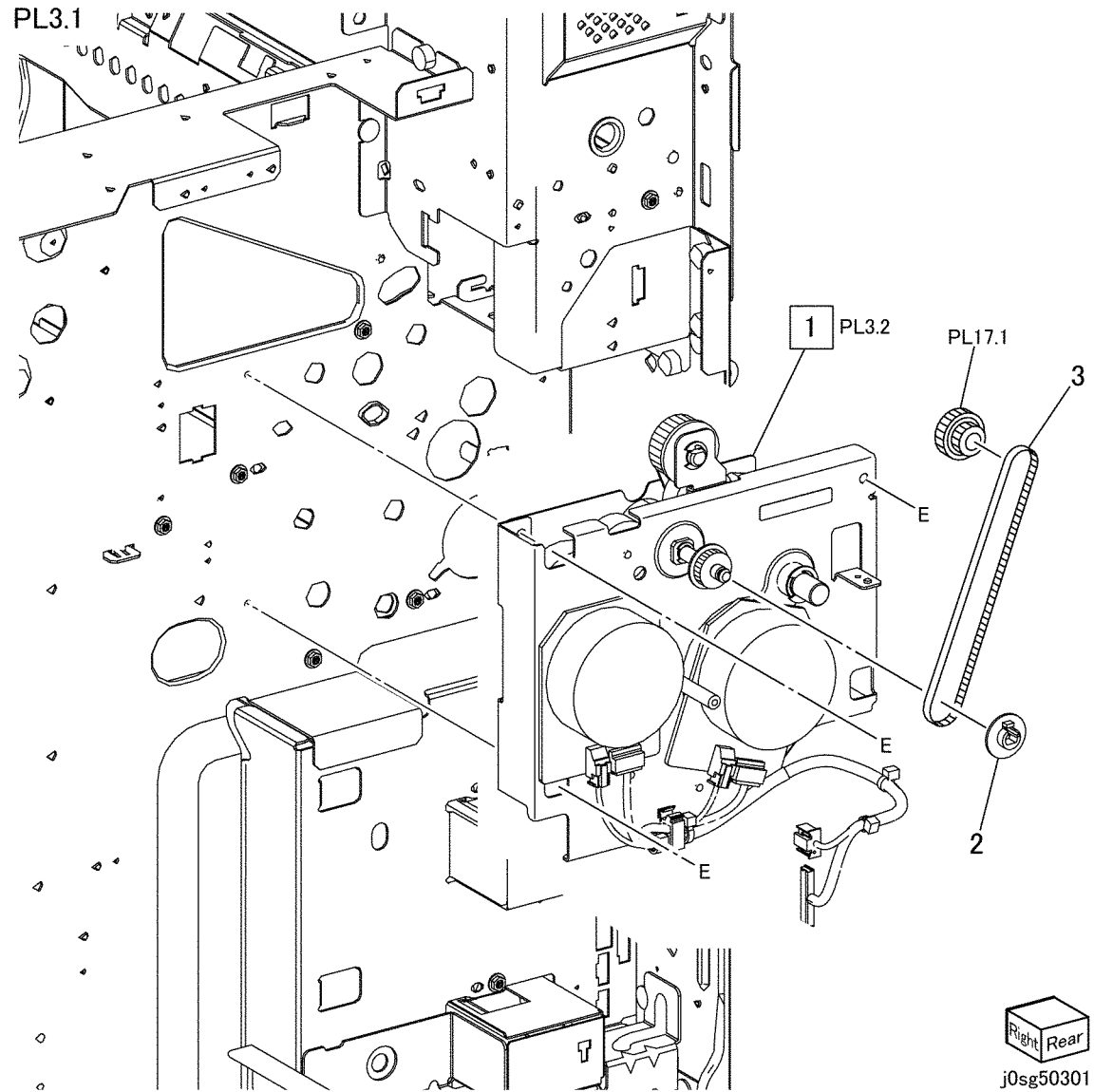
Item	Part	Description
1	604K68250	ROS Assembly (REP 6.2)
2	-	Screw (M3X38) (Not Spared)
3	-	Wire Harness (Not Spared)

PL2.1



## PL 3.1 Main Drive (1 of 2)

Item	Part	Description
1	007K17830	Main Drive Assembly (REF: PL 3.2) (REP 4.1)
2	-	Flange (Not Spared)
3	-	Belt (Not Spared)

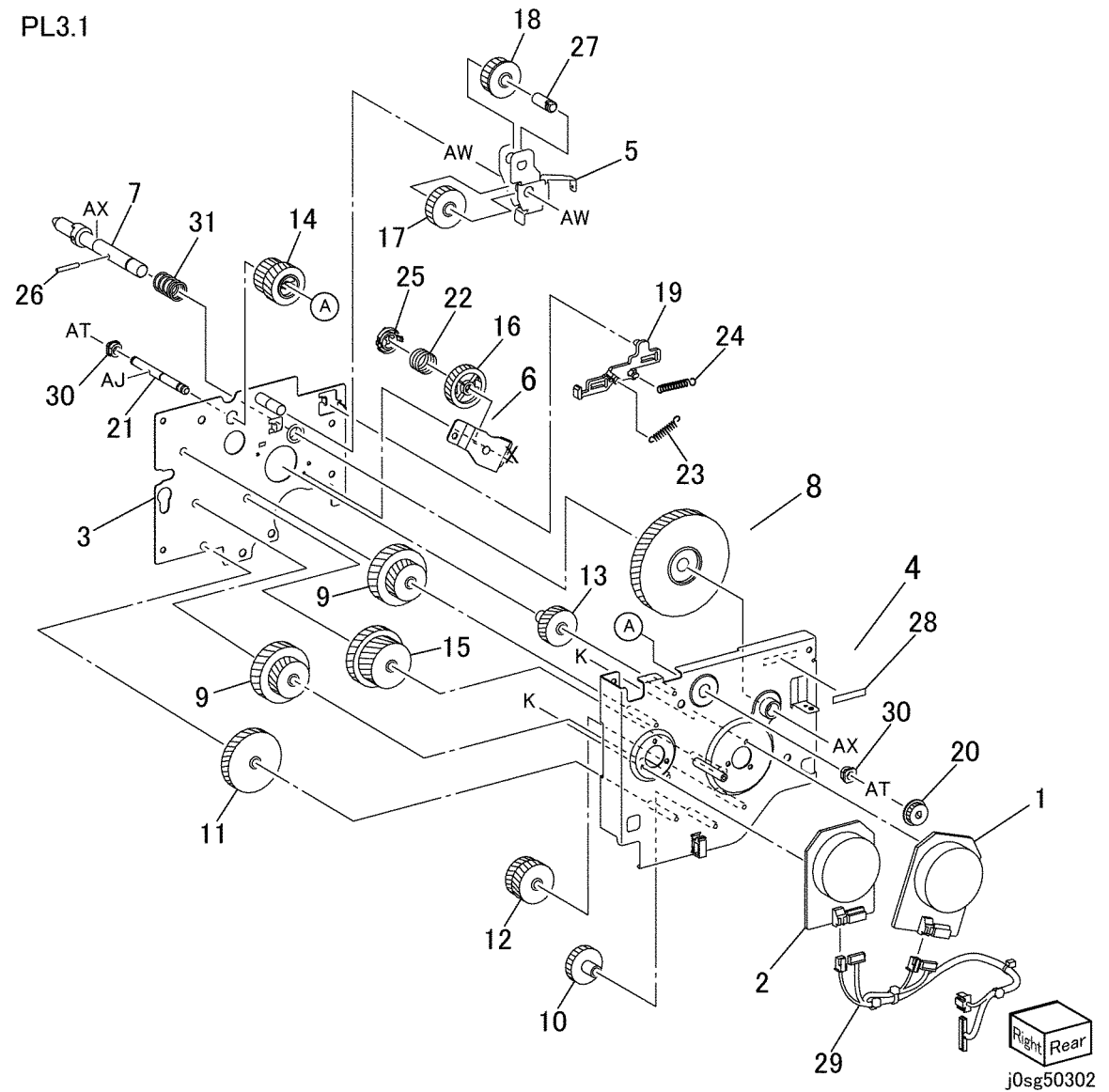




## PL 3.2 Main Drive (2 of 2)

Item	Part	Description
1	127K64040	Drum Motor
2	127K63770	Main Motor
3	-	Bracket (Not Spared)
4	-	Bracket (Not Spared)
5	-	Bracket (Not Spared)
6	-	Bracket (Not Spared)
7	-	Drum Shaft Assembly (with Item 31) (Not Spared)
8	-	Gear (Not Spared)
9	-	Gear (80T/28T) (Not Spared)
10	-	Gear (Not Spared)
11	-	Gear (Not Spared)
12	-	Gear (Not Spared)
13	-	Gear (27T) (Not Spared)
14	-	Gear (Not Spared)
15	-	Gear (64T/41T) (Not Spared)
16	-	Gear (28T) (Not Spared)
17	-	Gear (Not Spared)
18	-	Gear (Not Spared)
19	-	Link (Not Spared)
20	-	Pulley (25T) (Not Spared)
21	-	Exit Shaft (Not Spared)
22	-	Spring (Not Spared)
23	-	Spring (Not Spared)
24	-	Spring (Not Spared)
25	-	Coupling (Not Spared)
26	-	Pin Dowel (Not Spared)
27	-	Stud (Not Spared)
28	-	Label (Not Spared)
29	-	Wire Harness (Not Spared)
30	413W11660	Bearing
31	-	Spring (Not Spared)

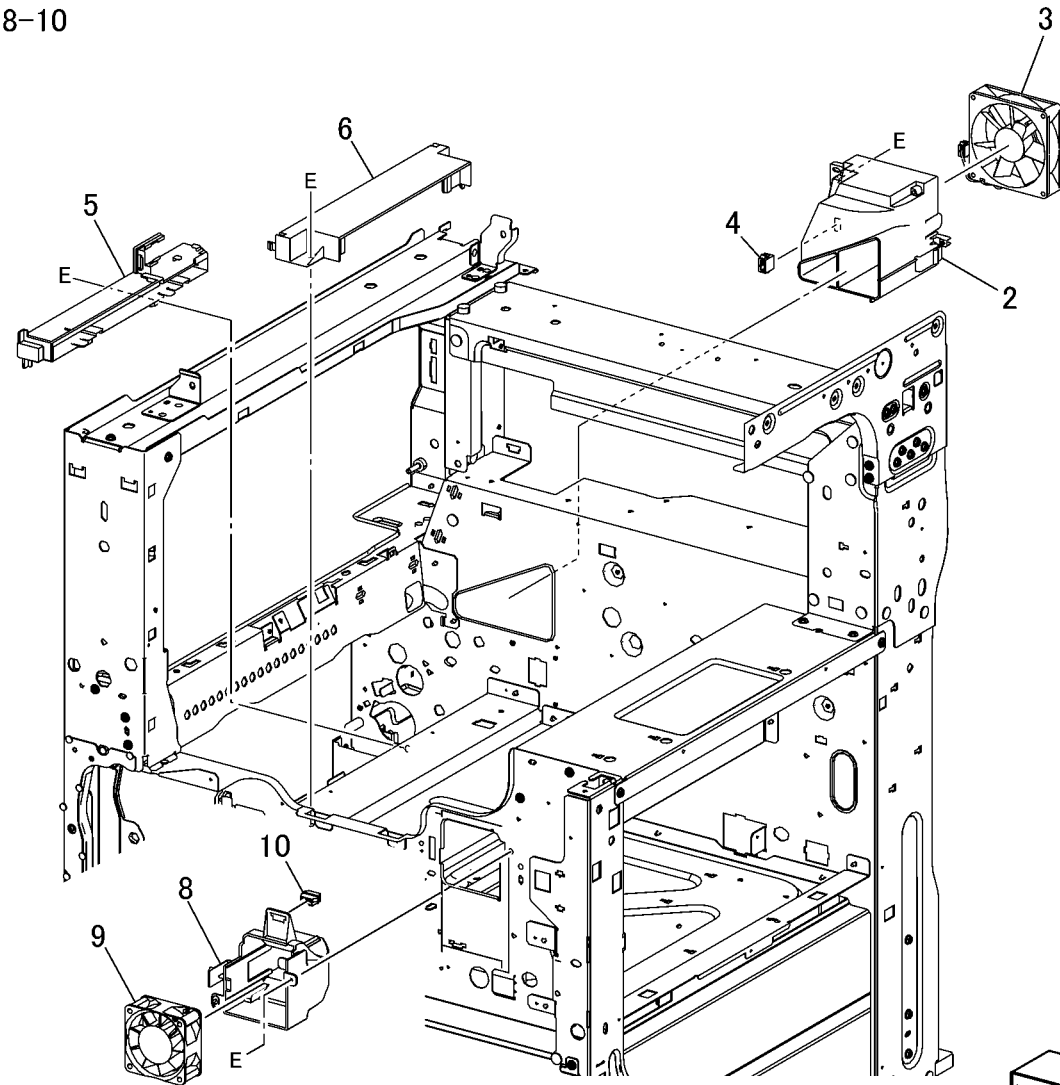
PL3.1



# PL 4.1 NOHAD

Item	Part	Description
1	054K45710	Fuser Duct Assembly (Includes Items 2-4)
2	-	Fuser Duct (P/O PL 4.1 Item 1)
3	-	Fuser Fan (P/O PL 4.1 Item 1)
4	-	Connector (P/O PL 4.1 Item 1)
5	-	ROS Housing Duct (Not Spared)
6	-	ROS Housing Cover (Not Spared)
7	054K45720	ROS Duct Assembly (Includes Items 8-10)
8	-	ROS Duct (P/O PL 4.1 Item 7)
9	-	Fan (Not Spared)
10	-	CRU Connector (P/O PL 4.1 Item 7)

PL4.1  
 1 { 2-4  
 7 { 8-10



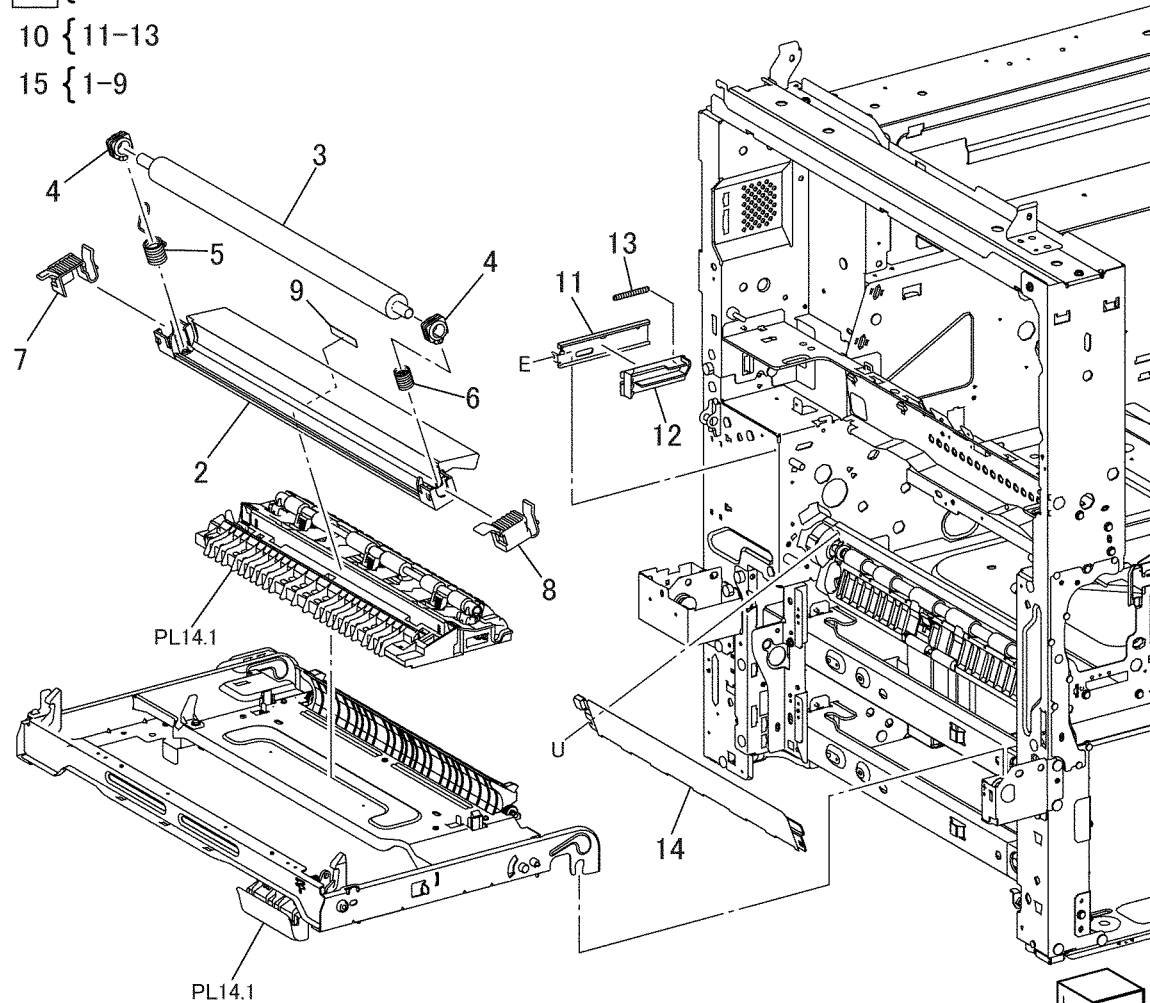
Front Right  
 j0sg50401b

# PL 6.1 Transfer

Item	Part	Description
1	-	BTR Assembly (Not Spared) (Includes Items 2-6)
2	-	BTR Housing (Not Spared)
3	-	BiasTransfer Roll (BTR) (Not Spared)
4	-	Bearing (Not Spared)
5	-	Spring (Not Spared)
6	-	Spring (Not Spared)
7	-	Rear Lever (Not Spared)
8	-	Front Lever (Not Spared)
9	-	Label (P/O PL 6.1 Item 15)
10	012K94341	Shutter Link Assembly (Includes Items 11-13)
11	-	Shutter Rod (P/O PL 6.1 Item 10)
12	-	Housing (P/O PL 6.1 Item 10)
13	-	Spring (P/O PL 6.1 Item 10)
14	054K47100	Chute
15	802K81270	BTR Housing Assembly (Includes Items 1-9)

## PL6.1

- 1 { 2-6
- 10 { 11-13
- 15 { 1-9



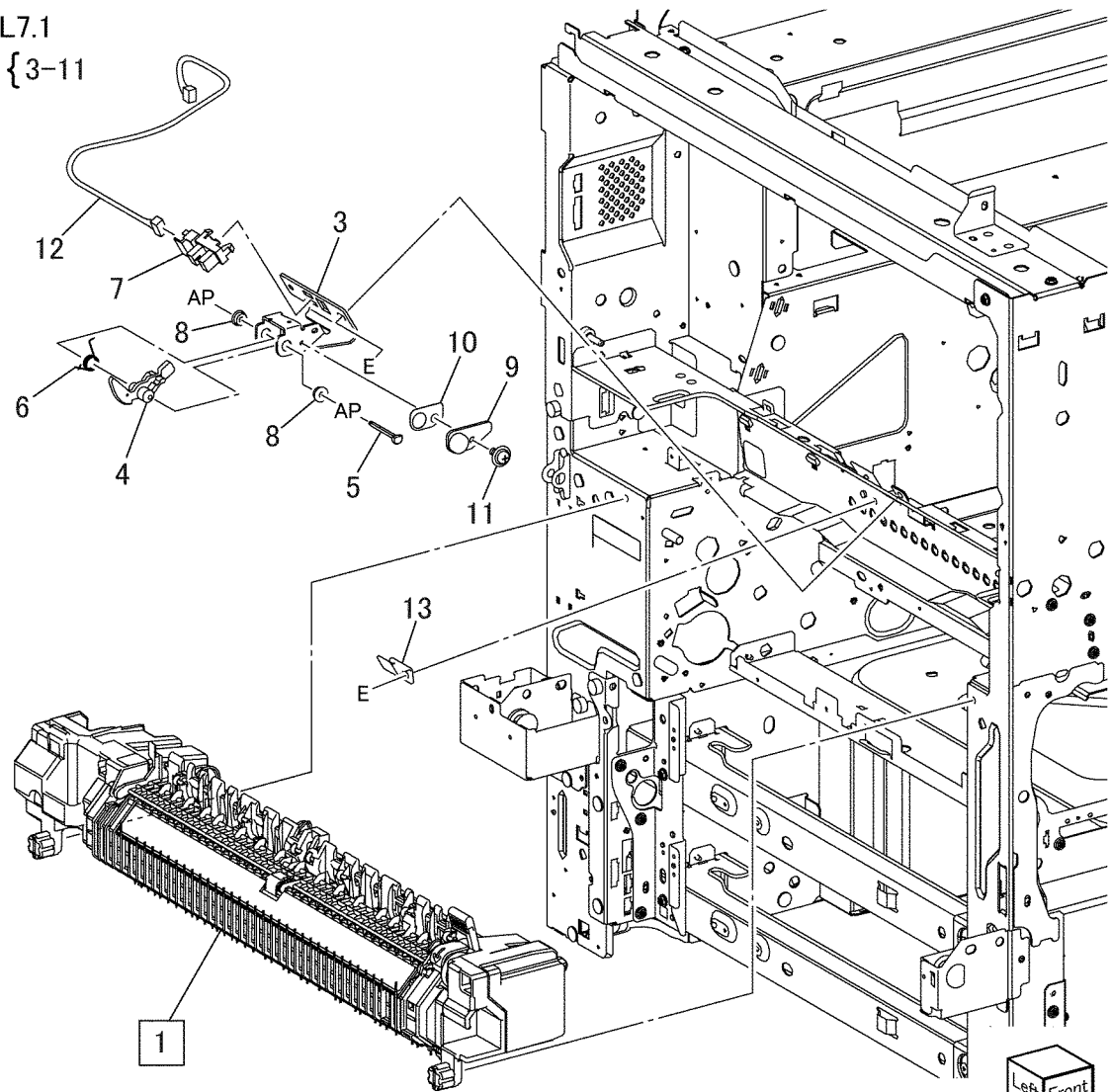
Left Front

j0sg50601

## PL 7.1 Fusing

Item	Part	Description
1	126K29392	Fuser (120V) (REP 10.3)
-	126K29403	Fuser (220V) (REP 10.3)
2	815K02550	Exit Sensor Plate Assembly (Includes Items 3-11) (REP 10.4)
3	-	Exit Sensor Bracket (P/O PL 7.1 Item 2)
4	-	Actuator (P/O PL 7.1 Item 2)
5	-	Shaft (P/O PL 7.1 Item 2)
6	-	Spring (P/O PL 7.1 Item 2)
7	-	Fuser Exit Sensor (P/O PL 7.1 Item 2)
8	-	Bearing (P/O PL 7.1 Item 2)
9	-	Actuator Stopper (P/O PL 7.1 Item 2)
10	-	Stopper Tape (P/O PL 7.1 Item 2)
11	-	Screw (P/O PL 7.1 Item 2)
12	-	Wire Harness (Not Spared)
13	-	Plate (Not Spared)

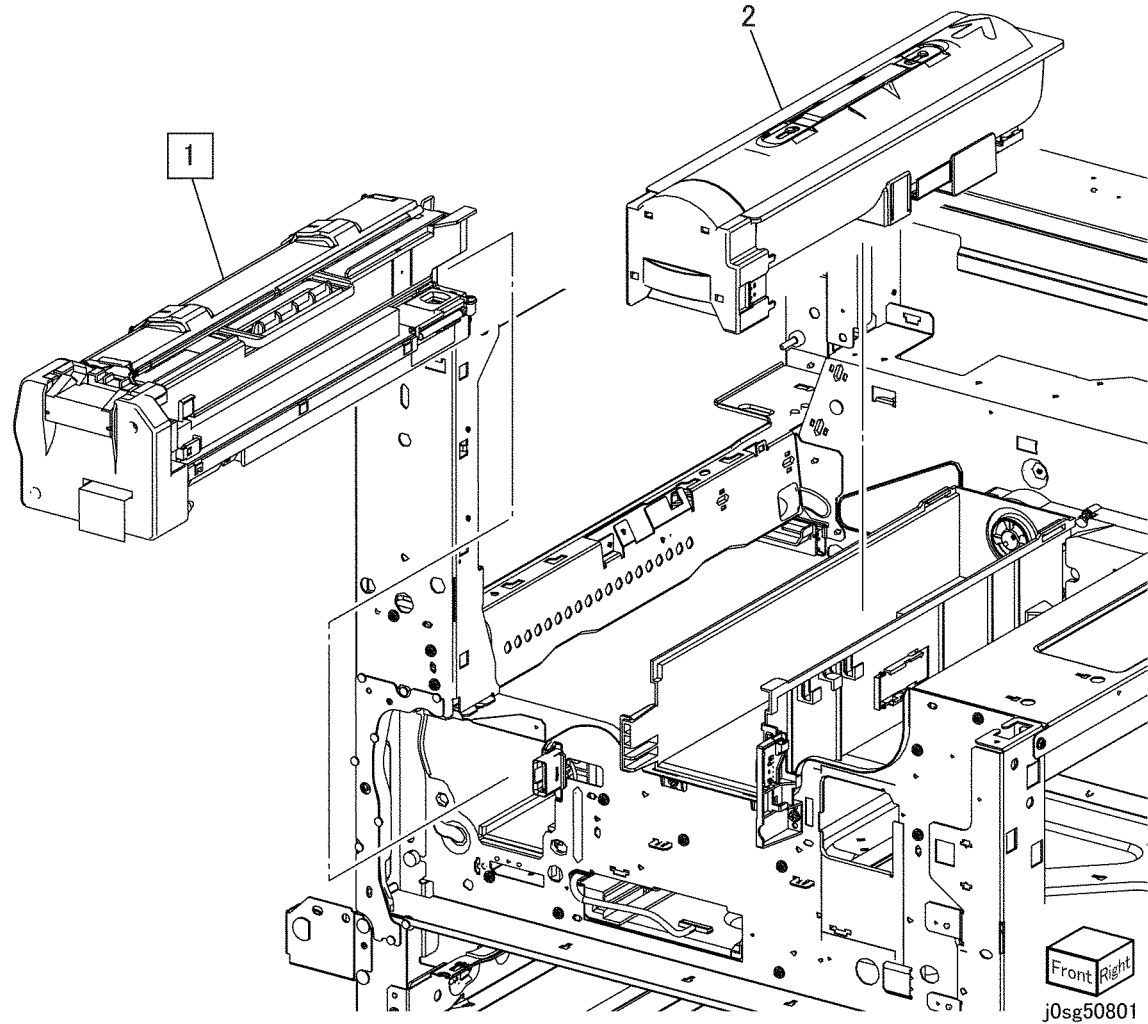
PL7.1  
2 {3-11}



## PL 8.1 CRU, Toner Cartridge

Item	Part	Description
1	013R00591	Xerographic (Drum) Cartridge
2	006R01158	Toner Cartridge(WW - Metered)
-	006R01159	Toner Cartridge (NA/ESG - Sold)
-	006R01160	Toner Cartridge (DMO - Sold)

PL8.1



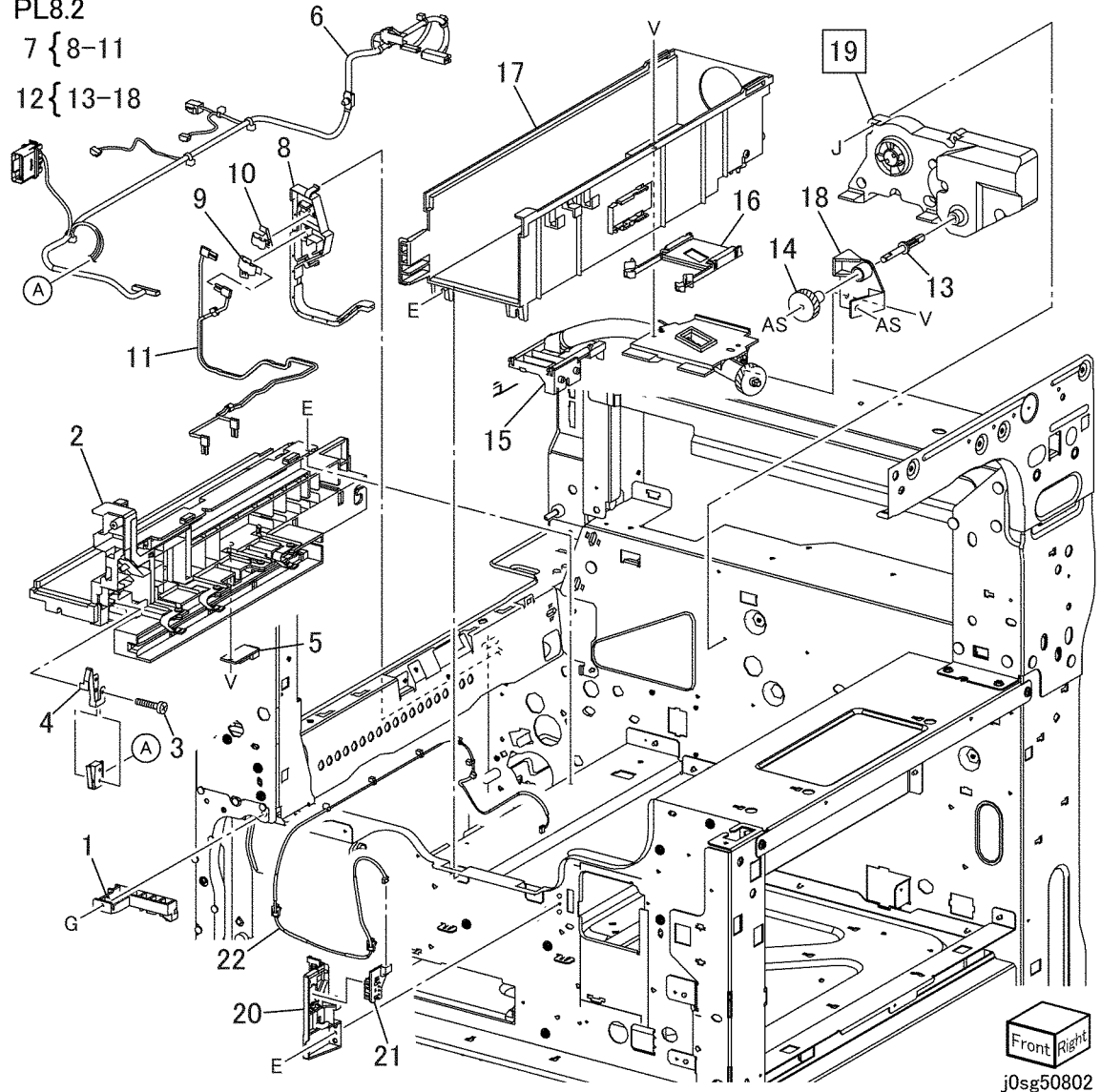
## PL 8.2 Toner System

Item	Part	Description
1	-	CRU Stopper (Not Spared)
2	-	Xero Cartridge Guide Assembly (Not Spared) (REP 9.1)
3	-	Screw (Not Spared)
4	-	Plate (Not Spared)
5	930W00803	Hum And Temp Sensor (REP 9.3)
6	962K90031	Xerographic Wire Harness (Includes the Interlock Switch) (REP 9.2)
7	-	Contact Cover Assembly (Not Spared) (Includes Items 8-11)
8	-	Contact Cover (P/O PL 8.2 Item 7)
9	-	Contact Spring (P/O PL 8.2 Item 7)
10	-	Contact Spring (P/O PL 8.2 Item 7)
11	-	Harness (Not Spared)
12	032K96941	Cartridge Guide Assembly (Includes Items 13-18)
13	-	Drive Shaft (Not Spared)
14	-	Gear 13T (Not Spared)
15	-	Dispenser (Not Spared)
16	-	Cartridge Stopper (Not Spared)
17	-	Toner Cartridge Guide (Not Spared) (REP 9.5)
18	-	Dispenser Support (Not Spared)
19	127K38040	Dispense Motor (REP 9.6)
20	-	PWB Bracket (Not Spared)
21	604K68220	CRUM PWB
22	-	Wire Harness (Not Spared)

PL8.2

7 { 8-11

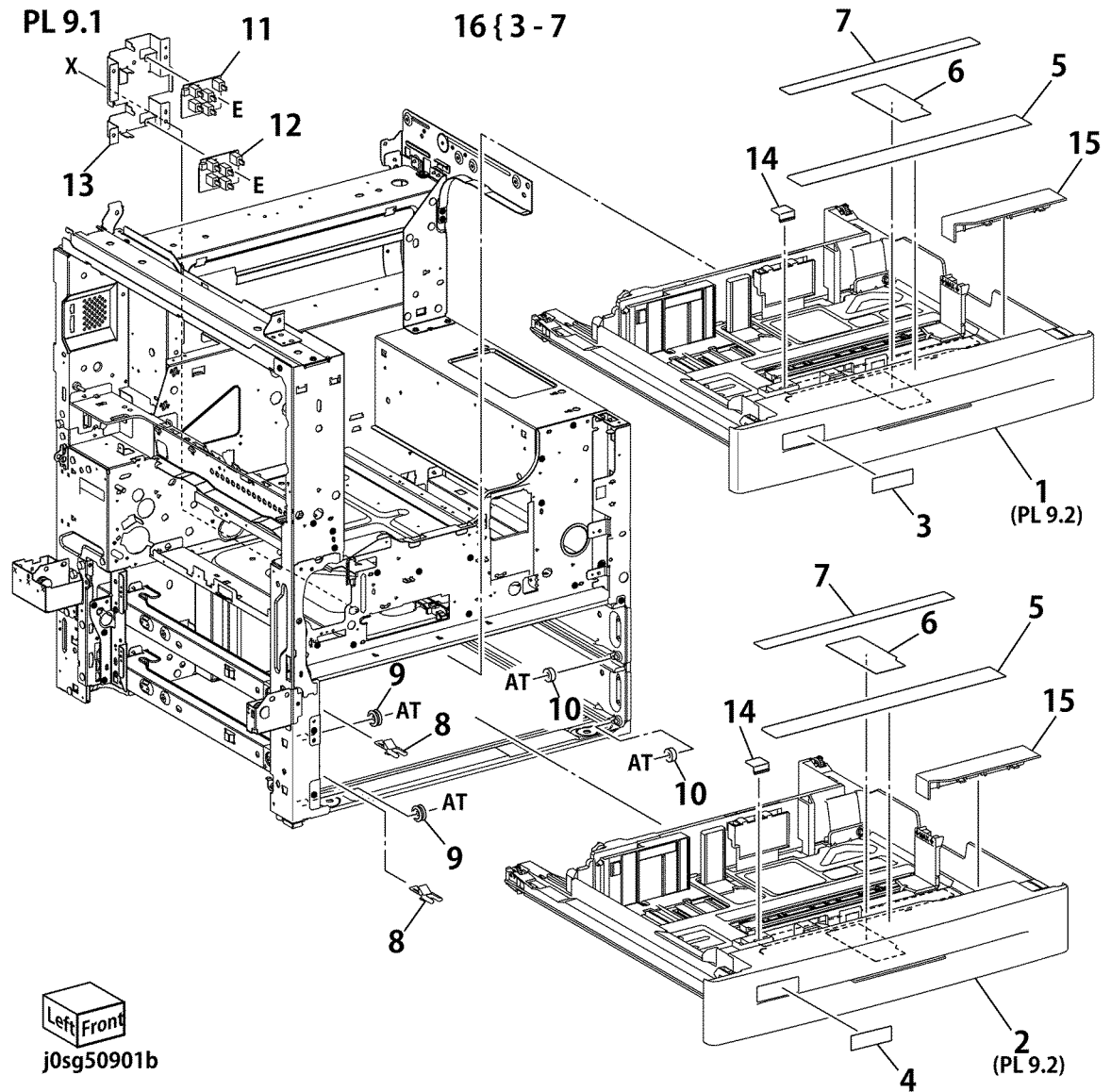
12 { 13-18



j0sg50802

## PL 9.1 Tray 1/2 Assembly

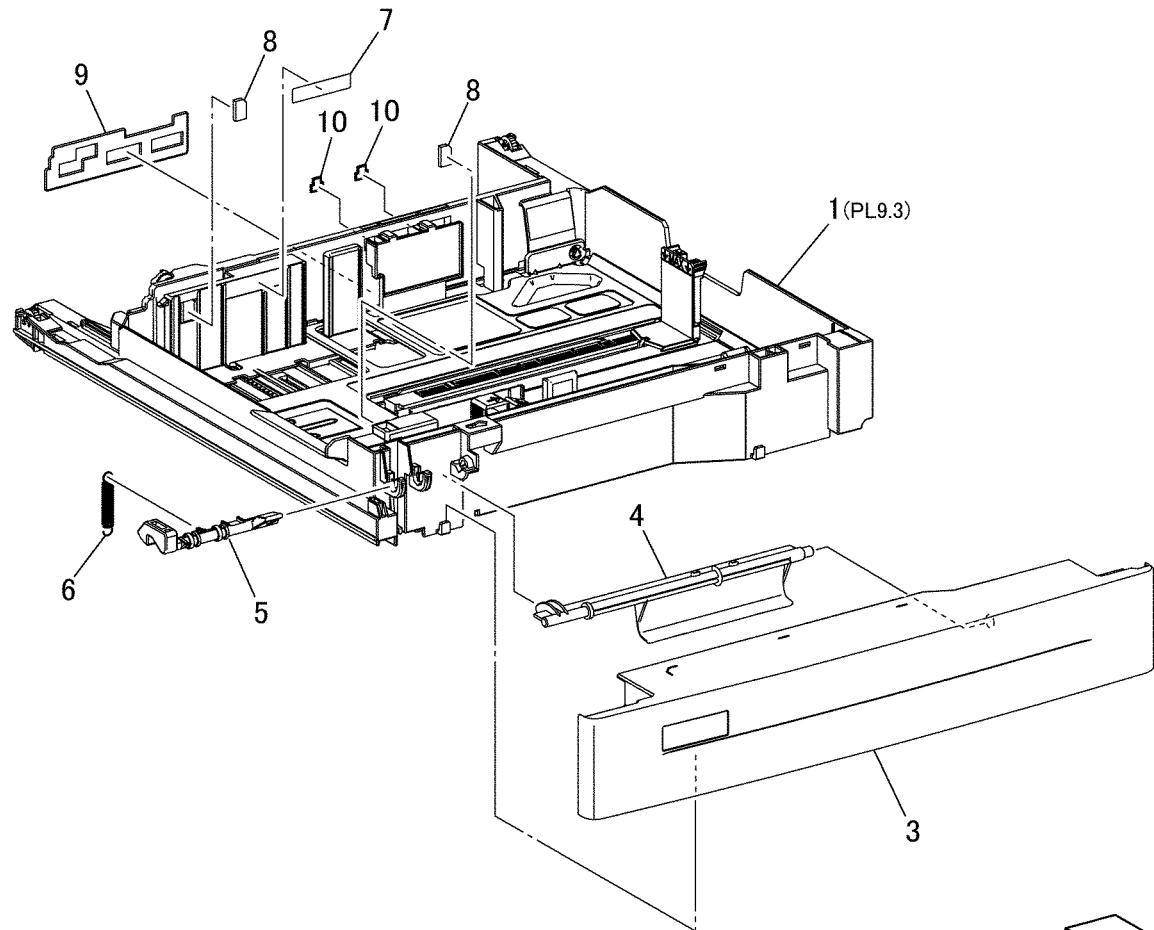
Item	Part	Description
1	050K65076	Tray 1 Assembly (REF: PL 9.2) (REP 7.1)
2	-	Tray 2 Assembly (REF: PL 9.2) (Same PN as Item 1) (REP 7.1)
3	-	No.1 Label (P/O PL 9.1 Item 16)
4	-	No.2 Label (P/O PL 9.1 Item 16)
5	-	Instruction Label (P/O PL 9.1 Item 16)
6	-	Side Size Label (P/O PL 9.1 Item 16)
7	-	End Size Label (P/O PL 9.1 Item 16)
8	003E75431	Stopper
9	059E03500	Roller
10	059E03510	Roller
11	110K12100	Tray 1 Size Switch
12	-	Tray 2 Size Switch (Same PN as Item 11)
13	-	Switch Bracket (Not Spared)
14	014E45291	Slide Lock Block
15	848E21141	Rail Cover
16	604K68210	Label Kit (Includes Item 3-7)



## PL 9.2 Tray 1/2 (1 of 2)

Item	Part	Description
1	-	Tray 1/2 Assembly (REF: PL 9.3)
2	848K40411	Tray 1/2 Front Cover Assembly (Includes Items 3, 4)
3	-	Tray 1/2 Front Cover (Not Spared)
4	-	Handle Lever (Not Spared)
5	003E75440	Latch
6	809E75730	Spring
7	-	Max Label (P/O PL 9.1 Item 16)
8	019E71680	Pad
9	-	End Spacer (Not Spared)
10	-	Side Spacer (Not Spared)

PL 9.2  
2 { 3,4



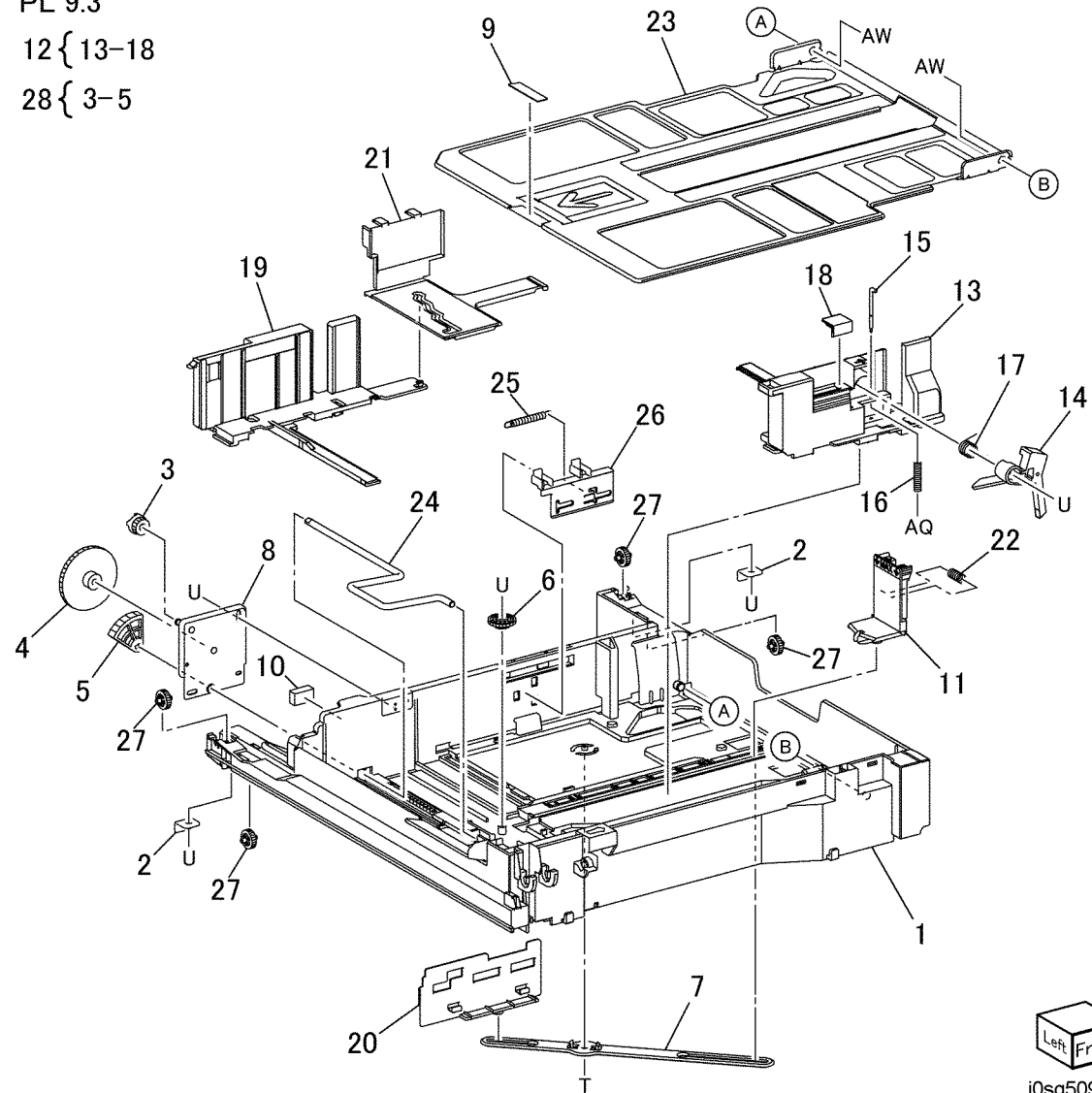
j0sg50902



## PL 9.3 Tray 1/2 (2 of 2)

Item	Part	Description
1	-	Housing Cassette (Not Spared)
2	-	Tray Stopper (Not Spared)
3	-	Gear (13T) (P/O PL 9.3 Item 28)
4	-	Gear (13T/60T) (P/O PL 9.3 Item 28)
5	-	Gear (60T) (P/O PL 9.3 Item 28)
6	807E13521	Pinion
7	-	End Guide Link (Not Spared)
8	-	Rear Plate (Not Spared)
9	019K09580	Bottom Pad
10	-	Gasket (Not Spared)
11	038E26533	End Guide
12	038K89450	Front Guide Assembly (Includes Items 13-18)
13	-	Front Guide (P/O PL 9.3 Item 12)
14	-	Knob (P/O PL 9.3 Item 12)
15	-	Pin (P/O PL 9.3 Item 12)
16	-	Spring (P/O PL 9.3 Item 12)
17	-	Spring (P/O PL 9.3 Item 12)
18	010E93341	Lock Slide
19	038E39090	Side Guide
20	-	End Guide Actuator (Not Spared)
21	-	Side Actuator (Not Spared)
22	-	Spring (Not Spared)
23	-	Bottom Plate (Not Spared)
24	-	Lift Shaft (Not Spared)
25	-	Spring (Not Spared)
26	-	Side Actuator (Not Spared)
27	059E03522	Rear Roller
28	604K20541	Gear Kit (Includes Items 3-5)

PL 9.3  
 12 { 13-18  
 28 { 3-5

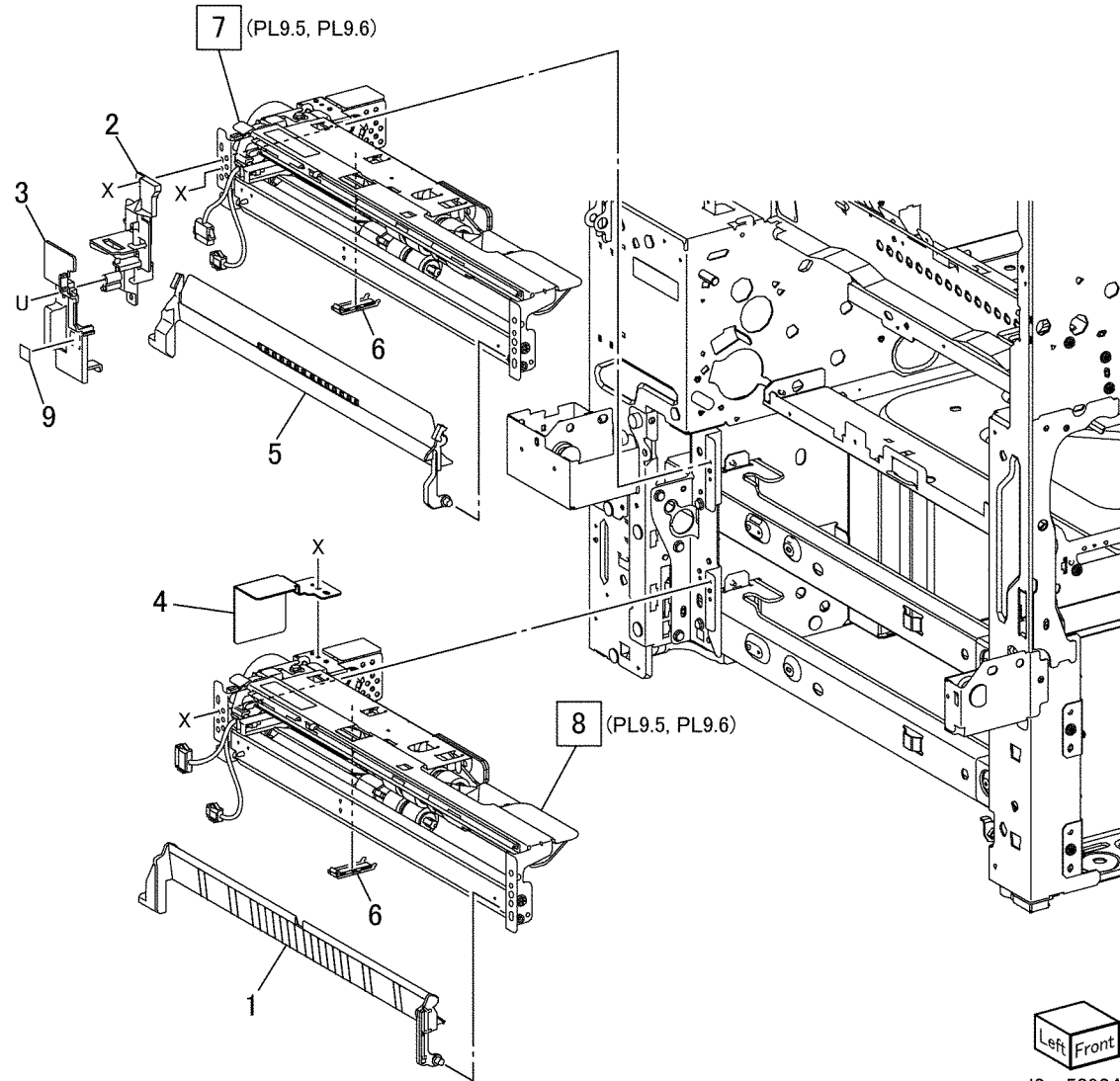


Left Front  
 j0sg50903b

## PL 9.4 Tray Feeder 1/2 Assembly

Item	Part	Description
1	054E33802	Feed Out Chute
2	–	Harness Holder (Not Spared)
3	–	Harness Cover (Not Spared)
4	–	Bracket (Not Spared)
5	054K45941	Feeder Chute
6	–	Sensor Cover (Not Spared)
7	059K71251	Tray 1 Feeder Assembly (REF: PL 9.5, PL 9.6) (REP 8.1)
8	–	Tray 2 Feeder Assembly (Same PN as Item 7) (REP 8.2)
9	–	BP Label (Not Spared)

PL9.4



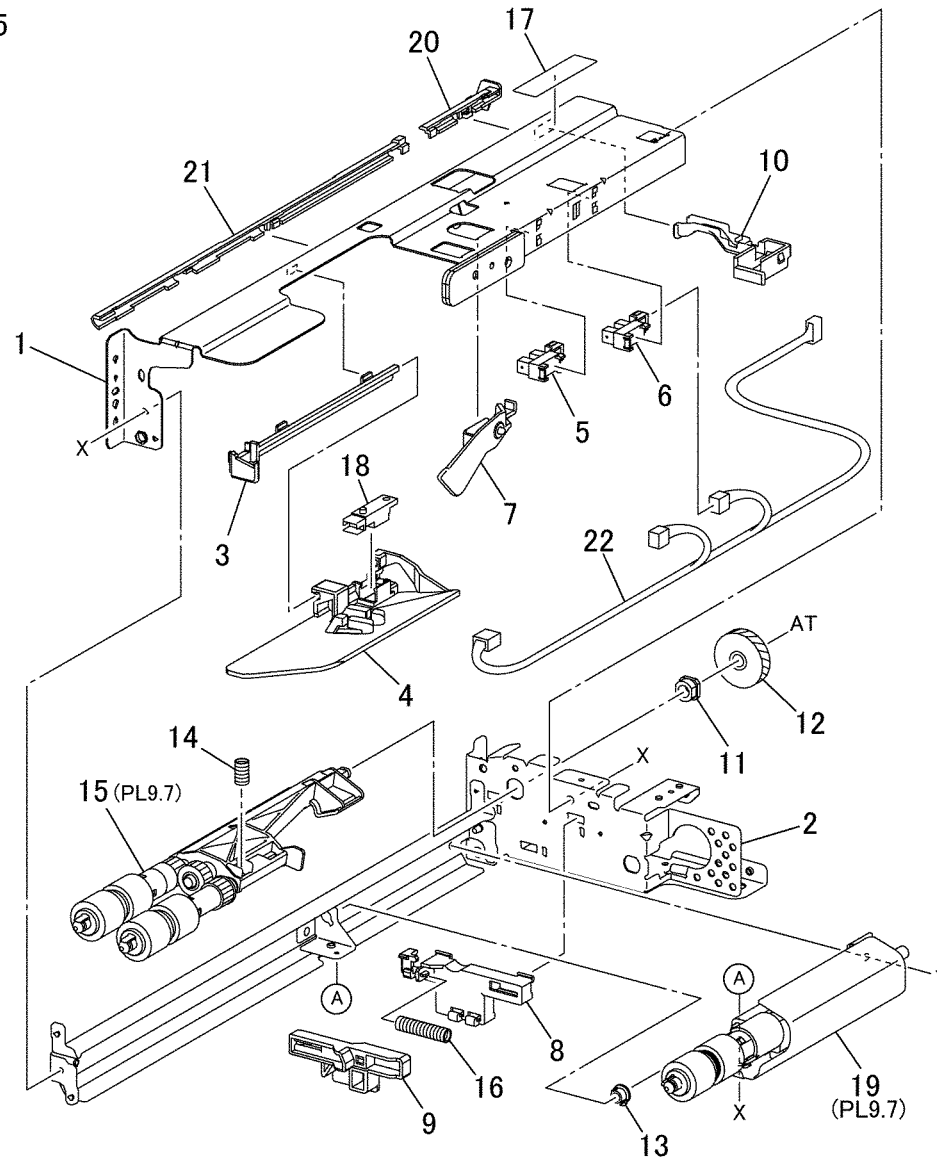
Left Front

j0sg50904

# PL 9.5 Feeder 1/2 Assembly (1 of 2)

Item	Part	Description
1	-	Upper Frame (Not Spared)
2	-	Lower Frame (Not Spared)
3	-	Rail (Not Spared)
4	-	Chute (Not Spared)
5	930W00113	Tray 1/2 No Paper Sensor
6	-	Tray 1/2 Level Sensor (Same PN as Item 5)
7	120E22481	Actuator
8	-	Holder (Not Spared)
9	-	Lever (Not Spared)
10	-	Holder Harness (Not Spared)
11	413W11660	Bearing
12	-	Gear (30T) (Not Spared)
13	-	Bearing (Not Spared)
14	-	Spring (Not Spared)
15	-	Feed Roll/Nudger Roll Assembly (REF: PL 9.7)
16	-	Spring (Not Spared)
17	-	Traceability Label (Not Spared)
18	930W00211	Tray 1/2 Prefeed Sensor
19	-	Retard Roll Assembly (REF: PL 9.7)
20	-	Rear Harness Holder (Not Spared)
21	-	Center Harness Holder (Not Spared)
22	-	Wire Harness (Not Spared)

PL9.5



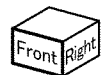
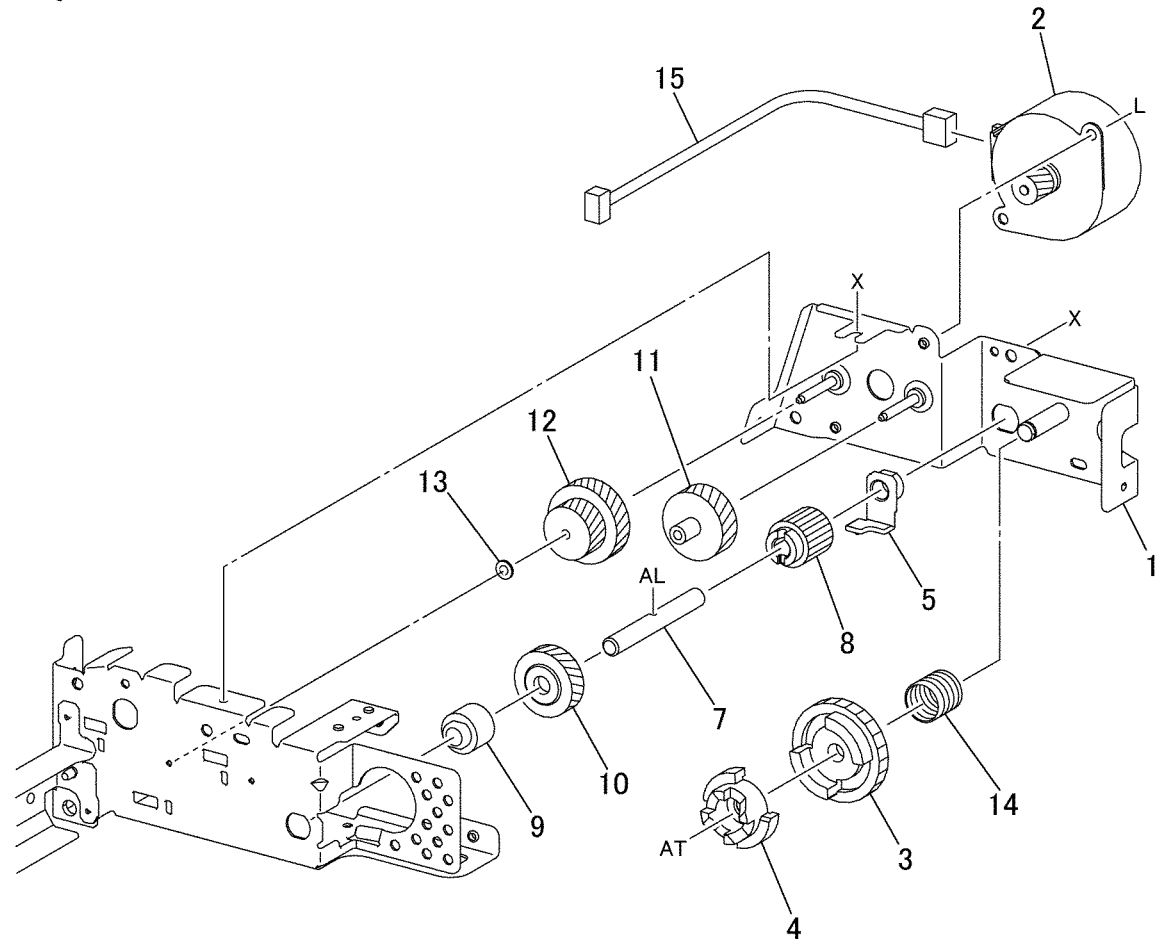
Front Right  
j0sg50905

## PL 9.6 Feeder 1/2 Assembly (2 of 2)

Item	Part	Description
1	-	Drive Bracket Assembly (Not Spared)
2	127K52790	Tray 1/2 Lift/Feed Motor
3	-	Gear (31T) (Not Spared)
4	-	Spacer (Not Spared)
5	-	Shaft Bearing (Not Spared)
6	-	Drive Shaft Assembly (Not Spared) (Includes Item 7)
7	-	Drive Shaft (P/O PL 9.6 Item 6)
8	-	Gear (13T) (Not Spared)
9	005K07130	Oneway Clutch
10	007K97870	Oneway Gear
11	-	Gear (25T) (Not Spared)
12	-	Gear (29T/19T) (Not Spared)
13	-	Washer (Not Spared)
14	-	Spring (Not Spared)
15	-	Wire Harness (Not Spared)

PL9.6

6 { 7

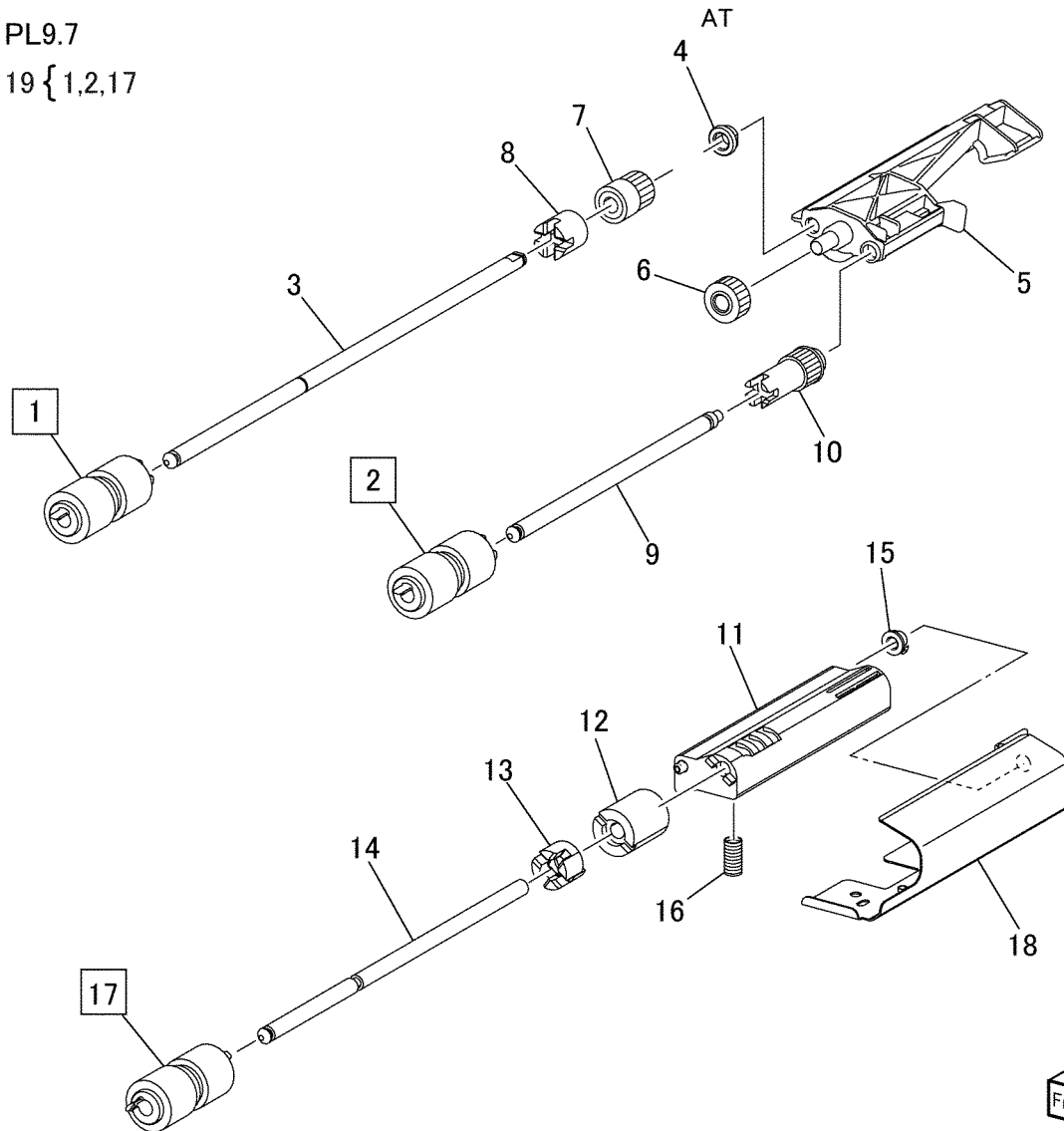


j0sg50906

# PL 9.7 Tray 1/2 Feed Roll, Nudger Roll, Retard Roll

Item	Part	Description
1	-	Feed Roll (P/O PL 9.7 Item 19) (REP 8.5)
2	-	Nudger Roll (P/O PL 9.7 Item 19) (REP 8.5)
3	-	Feed Shaft (Not Spared)
4	-	Bearing (Not Spared)
5	-	Nudger Support (Not Spared)
6	007E79380	Gear (33T)
7	005K06760	Clutch Assembly (22T)
8	005K05890	Oneway Clutch
9	-	Nudger Shaft (Not Spared)
10	-	Gear (25T) (Not Spared)
11	-	Retard Support (Not Spared)
12	005K09290	Friction Clutch
13	-	Spacer (Not Spared)
14	-	Retard Shaft (Not Spared)
15	-	Bearing (Not Spared)
16	-	Spring (Not Spared)
17	-	Retard Roll (P/O PL 9.7 Item 19) (REP 8.5)
18	-	Feed In Chute (Not Spared)
19	604K56080	FeedRoll/Nudger Roll/Retard Roll Kit (Includes Items 1, 2, 17) (REP 8.5)

PL9.7  
19 { 1,2,17

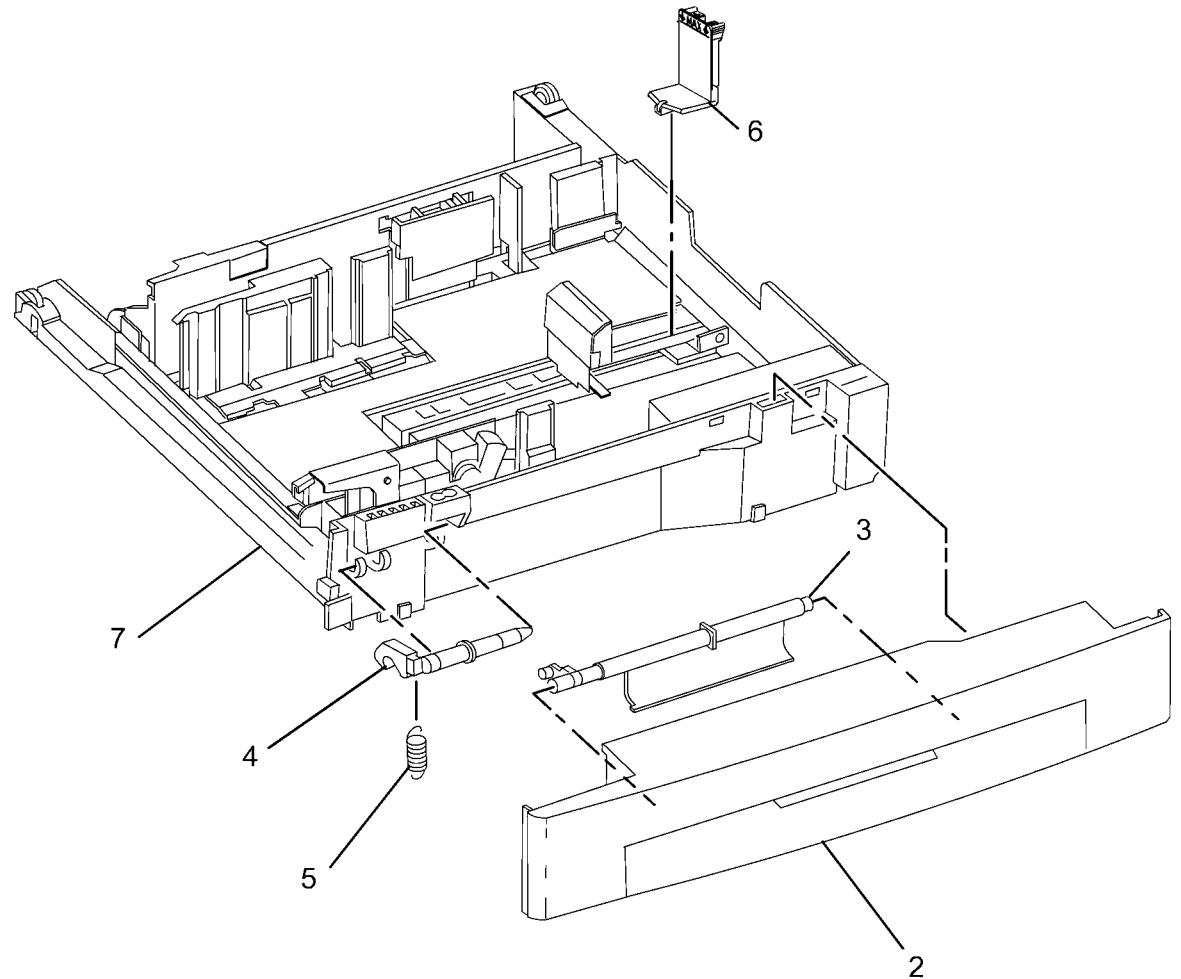


j0sg50907

## PL 9.8 Envelope Tray Assembly

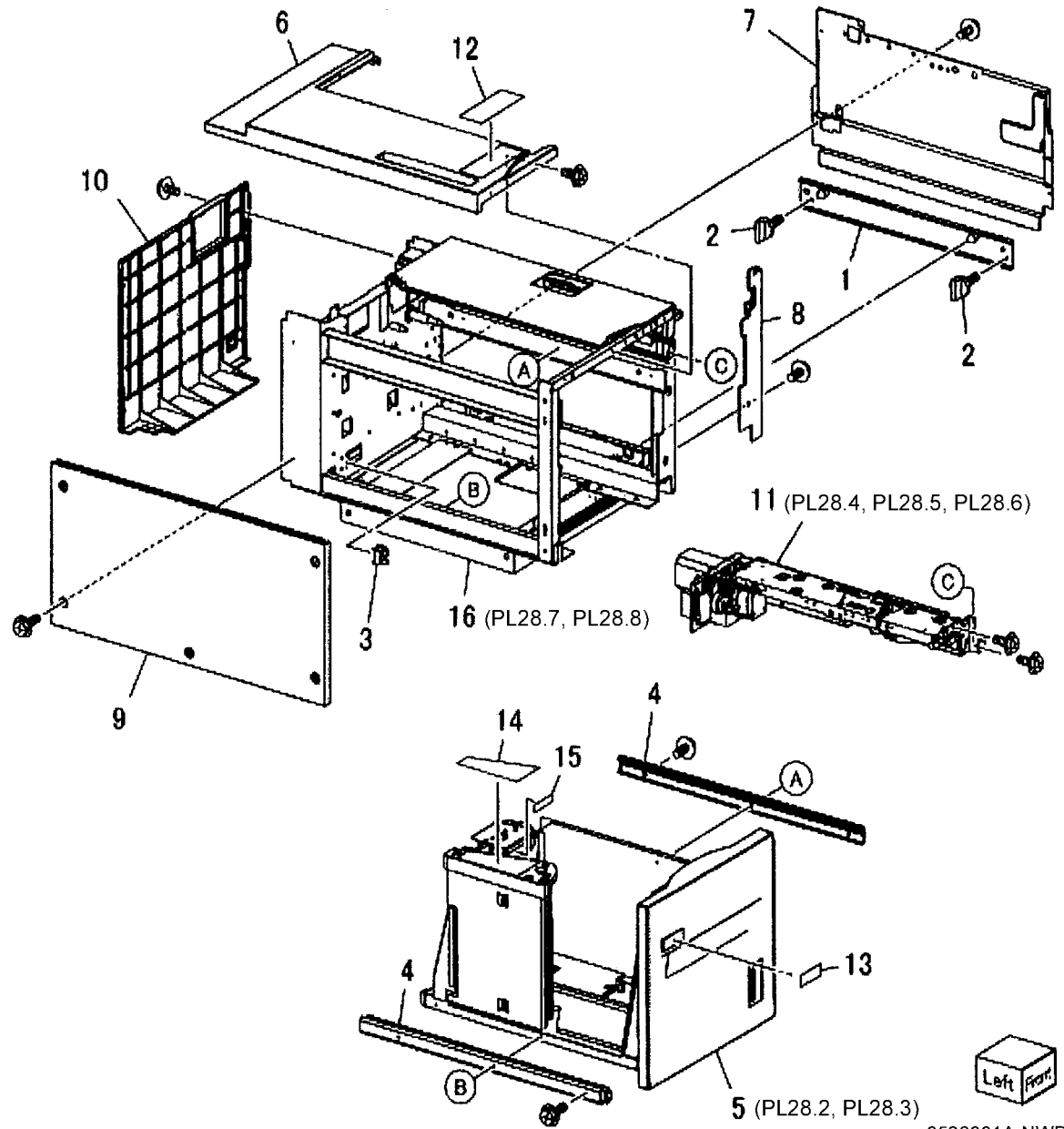
Item	Part	Description
1	604K70020	Envelope Tray Assembly
2	—	Front Cover (P/O PL 9.8 Item 1)
3	—	Lever (P/O PL 9.8 Item 1)
4	003E75440	Latch
5	809E75730	Spring
6	038E26533	End Guide
7	—	Envelope Tray Frame (P/O PL 9.8 Item 1)

1 { 2 - 7



# PL 10.1 HCF Unit

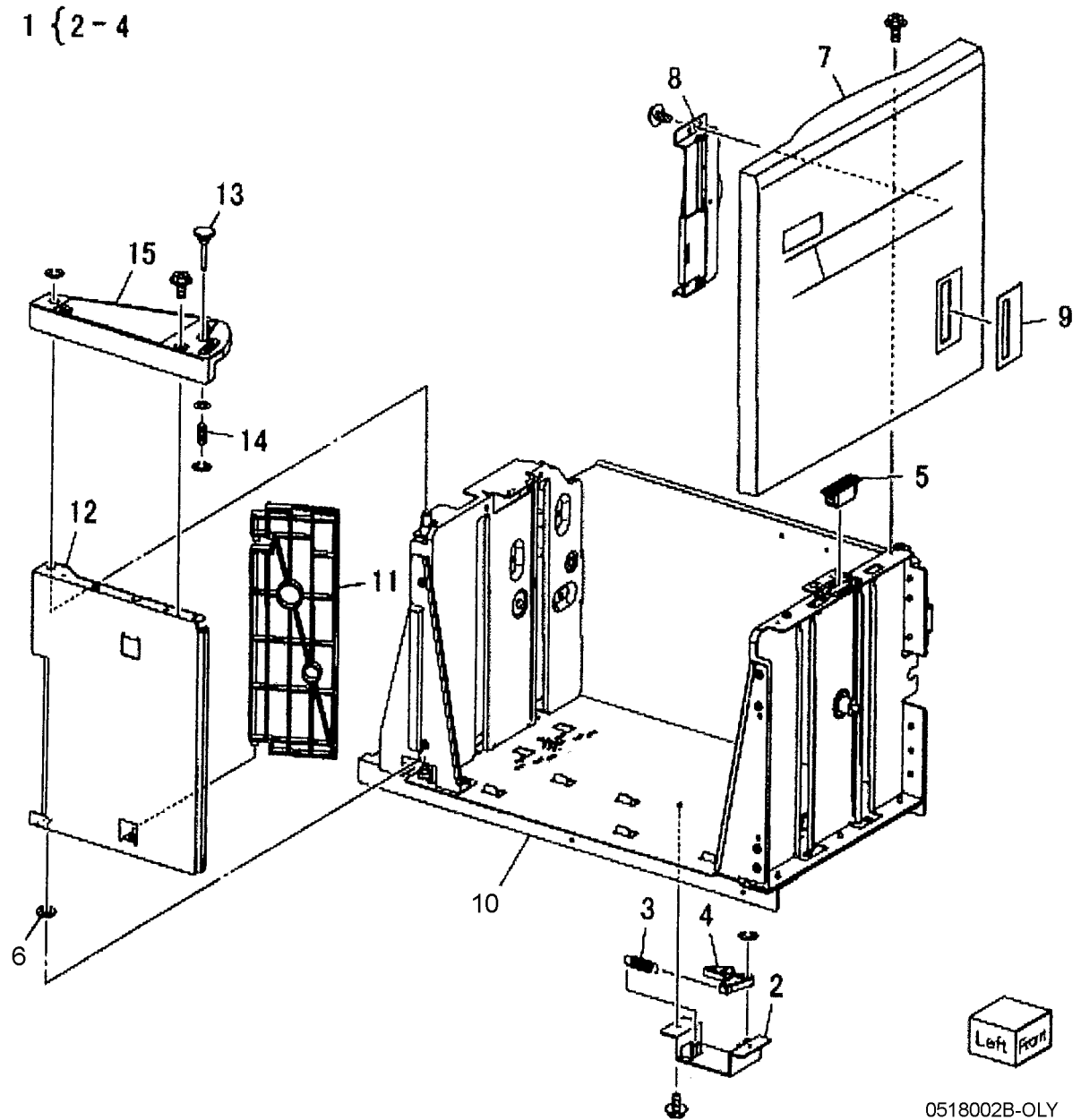
Item	Part	Description
1	-	Joint Plate (Not Spared)
2	003K91881	Knob
3	130K55590	HCF Tray Set Sensor
4	801K15700	Tray Rail
5	-	HCF Tray 6 (REP 19.1)
6	-	Left Top Cover (Not Spared)
7	-	Right Cover (Not Spared)
8	-	Front Right Cover (Not Spared)
9	-	Left Cover (Not Spared)
10	-	Rear Cover (Not Spared)
11	-	HCF Feeder (Not Spared) (REP 19.2)
12	-	Label (Top) (Not Spared)
13	-	Label (Tray Number) (Not Spared)
14	-	Label (Size) (Not Spared)
15	-	Label (End) (Not Spared)
16	-	Frame Assembly (Not Spared)



0528001A-NWD

## PL 10.2 HCF Tray 6 (1 of 2)

Item	Part	Description
1	-	Tray Latch Assembly (Not Spared)
2	003K13592	Tray Latch
3	-	Spring (P/O PL 10.2 Item 1)
4	-	Latch Lever (P/O PL 10.2 Item 1)
5	-	Magnet (P/O PL 10.1 Item 5)
6	-	Wave Washer (P/O PL 10.1 Item 5)
7	-	Front Cover (P/O PL 10.1 Item 5)
8	-	Gear Bracket (P/O PL 10.1 Item 5)
9	-	Label (Gauge) (P/O PL 10.1 Item 5)
10	-	Frame (P/O PL 10.1 Item 5)
11	-	Plate (P/O PL 10.1 Item 5)
12	-	Bracket (P/O PL 10.1 Item 5)
13	-	Pin (P/O PL 10.1 Item 5)
14	-	Spring (P/O PL 10.1 Item 5)
15	-	Top Plate (P/O PL 10.1 Item 5)

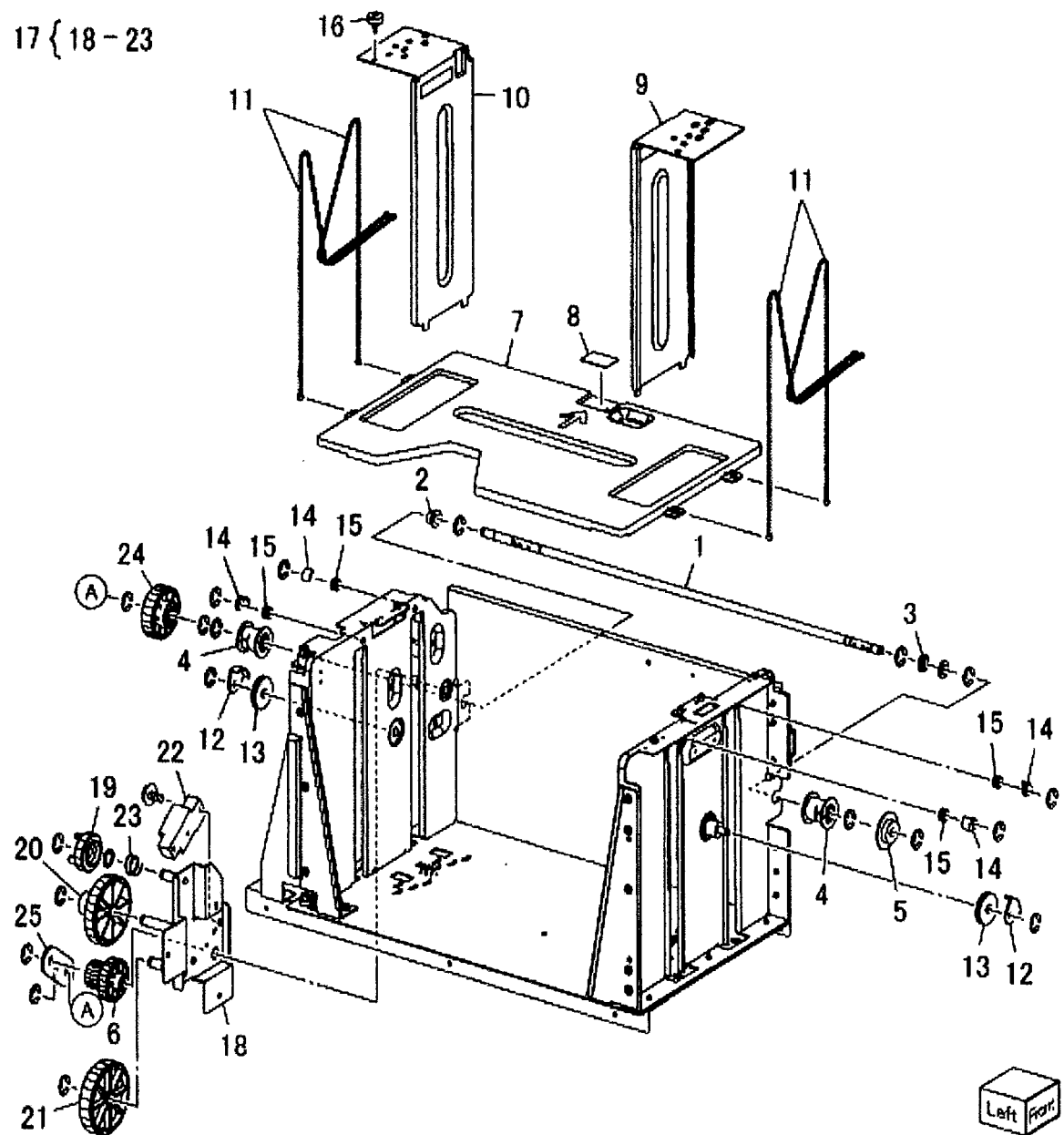




# PL 10.3 HCF Tray 6 (2 of 2)

Item	Part	Description
1	-	Lift Shaft (P/O PL 10.1 Item 5)
2	-	Bearing (P/O PL 10.1 Item 5)
3	-	Bearing (P/O PL 10.1 Item 5)
4	020E37620	Tray Cable Pulley
5	-	Gear (P/O PL 10.1 Item 5)
6	-	Gear (P/O PL 10.1 Item 5)
7	-	Bottom Plate (P/O PL 10.1 Item 5)
8	019E58620	Pad
9	-	Front Side Guide (P/O PL 10.1 Item 5)
10	-	Rear Side Guide (P/O PL 10.1 Item 5)
11	604K19981	Cable And Pulley Kit (REP 19.4)
12	032E22410	Wire Guide (L)
13	-	Pulley (P/O PL 10.1 Item 5)
14	-	Wire Guide (S) (P/O PL 10.1 Item 5)
15	-	Pulley (P/O PL 10.1 Item 5)
16	-	Screw (P/O PL 10.1 Item 5)
17	015K65532	Gear Bracket Assembly
18	-	Gear Bracket (P/O PL 10.3 Item 17)
19	-	Contact Gear (P/O PL 10.3 Item 17)
20	-	Gear (P/O PL 10.3 Item 17)
21	-	Gear (P/O PL 10.3 Item 17)
22	-	Brake (P/O PL 10.3 Item 17)
23	-	Spring (P/O PL 10.3 Item 17)
24	807E04500	Lift Gear
25	-	Plate (P/O PL 10.1 Item 5)

17 { 18 - 23

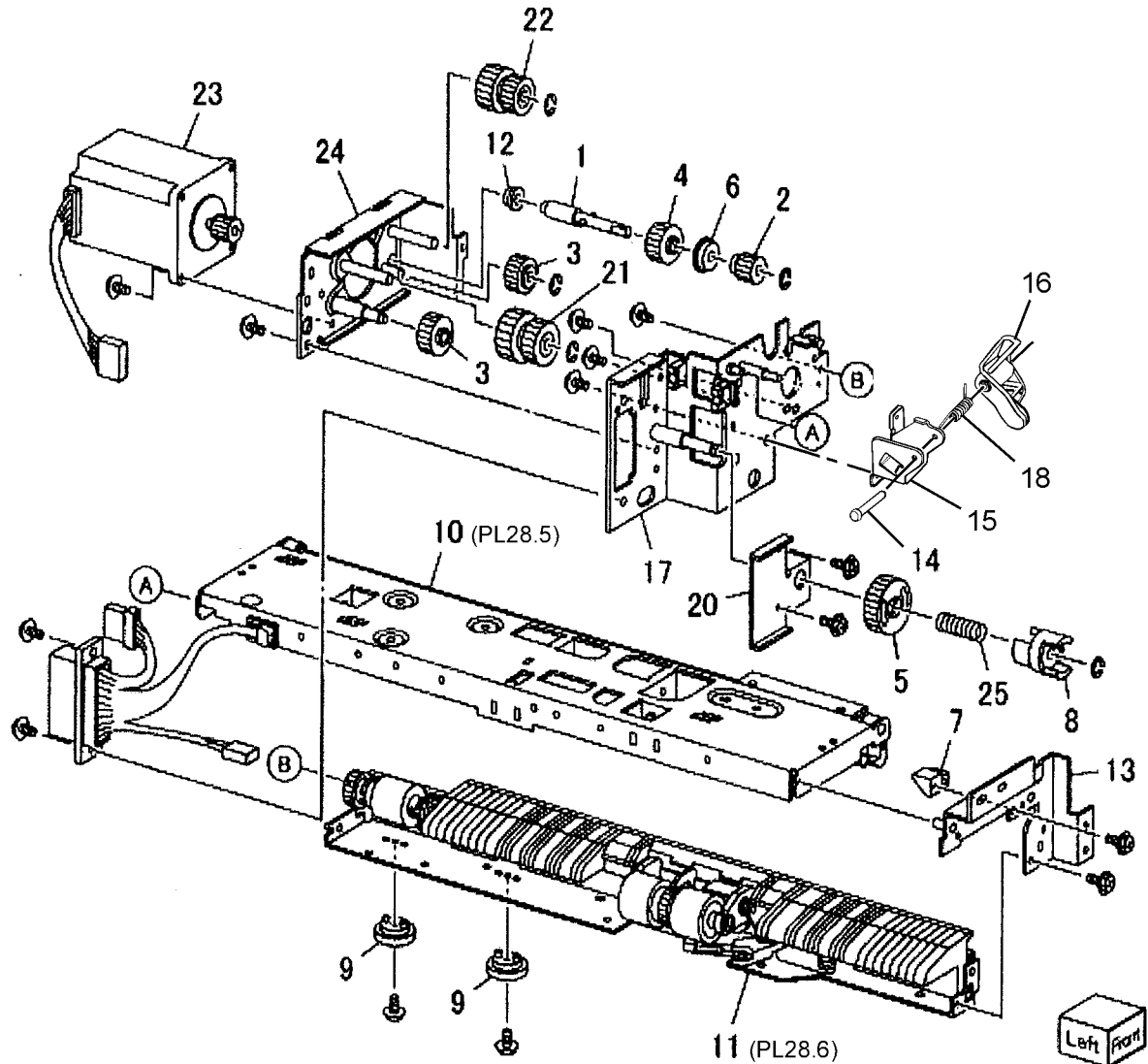


0518003B-OLY

# PL 10.4 HCF Feeder (1 of 3)

Item	Part	Description
1	-	Shaft (P/O PL 10.1 Item 11)
2	007E78760	Gear (19T)
3	-	Gear (25T) (P/O PL 10.1 Item 11)
4	007E78780	Gear (25T)
5	007E78790	Gear (40T)
6	013E25530	Bearing
7	-	Block (P/O PL 10.1 Item 11)
8	-	Spacer (P/O PL 10.1 Item 11)
9	019E56470	Holder
10	-	Upper Feeder Assembly (P/O PL 10.1 Item 11)
11	-	Lower Feeder Assembly (P/O PL 10.1 Item 11)
12	-	Ball Bearing (P/O PL 10.1 Item 11)
13	-	Front Frame (P/O PL 10.1 Item 11)
14	-	Pin (P/O PL 10.1 Item 11)
15	-	Down Bracket (P/O PL 10.1 Item 11)
16	-	Link Bracket (P/O PL 10.1 Item 11)
17	-	Rear Frame (P/O PL 10.1 Item 11)
18	-	Tension Spring (P/O PL 10.1 Item 11)
19	-	Lift/Motor Frame (P/O PL 10.1 Item 11)
20	-	Bracket (P/O PL 10.4 Item 19)
21	007K88520	Gear (23T/27T)
22	007K88530	Gear (31T/36T)
23	127K37901	Lift/Feed Motor (REP 19.12)
24	-	Plate (P/O PL 10.4 Item 19)
25	-	Spring (P/O PL 10.1 Item 11)

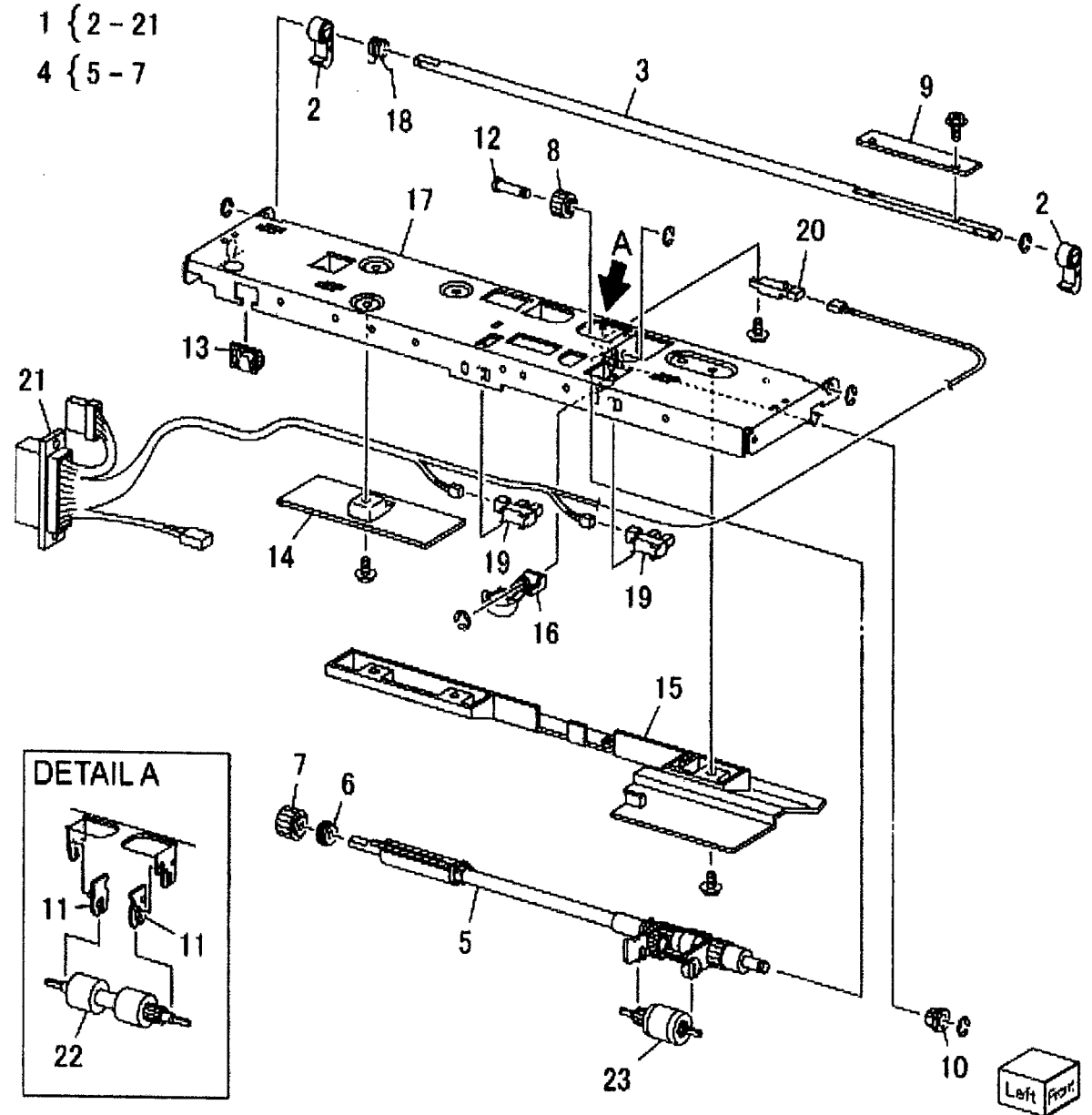
19 { 20 - 24



0528004A-NWD

# PL 10.5 HCF Feeder (2 of 3)

Item	Part	Description
1	-	Upper Feeder Assembly (P/O PL 10.1 Item 11)
2	003E59570	Latch
3	-	Shaft Latch (P/O PL 10.5 Item 1)
4	006K23124	Feed Shaft Assembly
5	-	Feed Shaft (P/O PL 10.5 Item 4)
6	-	Ball Bearing (P/O PL 10.5 Item 4)
7	-	Gear (20T) (P/O PL 10.5 Item 4)
8	007E78180	Feed Gear (25T)
9	-	Lever (P/O PL 10.5 Item 1)
10	-	Bearing (P/O PL 10.5 Item 1)
11	-	Spacer (P/O PL 10.5 Item 1)
12	-	Pin Drive (P/O PL 10.5 Item 1)
13	-	Guide (P/O PL 10.5 Item 1)
14	-	Rear Upper Chute (P/O PL 10.5 Item 1)
15	-	Upper Chute (P/O PL 10.5 Item 1)
16	120E21900	Actuator
17	-	Upper Frame (P/O PL 10.5 Item 1)
18	-	Spring (P/O PL 10.5 Item 1)
19	-	HCF Stack Height Sensor, HCF Paper Sensor (P/O PL 10.5 Item 1)
20	-	HCF Pre Feed Sensor (P/O PL 10.5 Item 1)
21	-	Wire Harness (P/O PL 10.5 Item 1)
22	059K26691	Feed Roll (REP 19.5)
23	059K26702	Nudger Roll (REP 19.5)

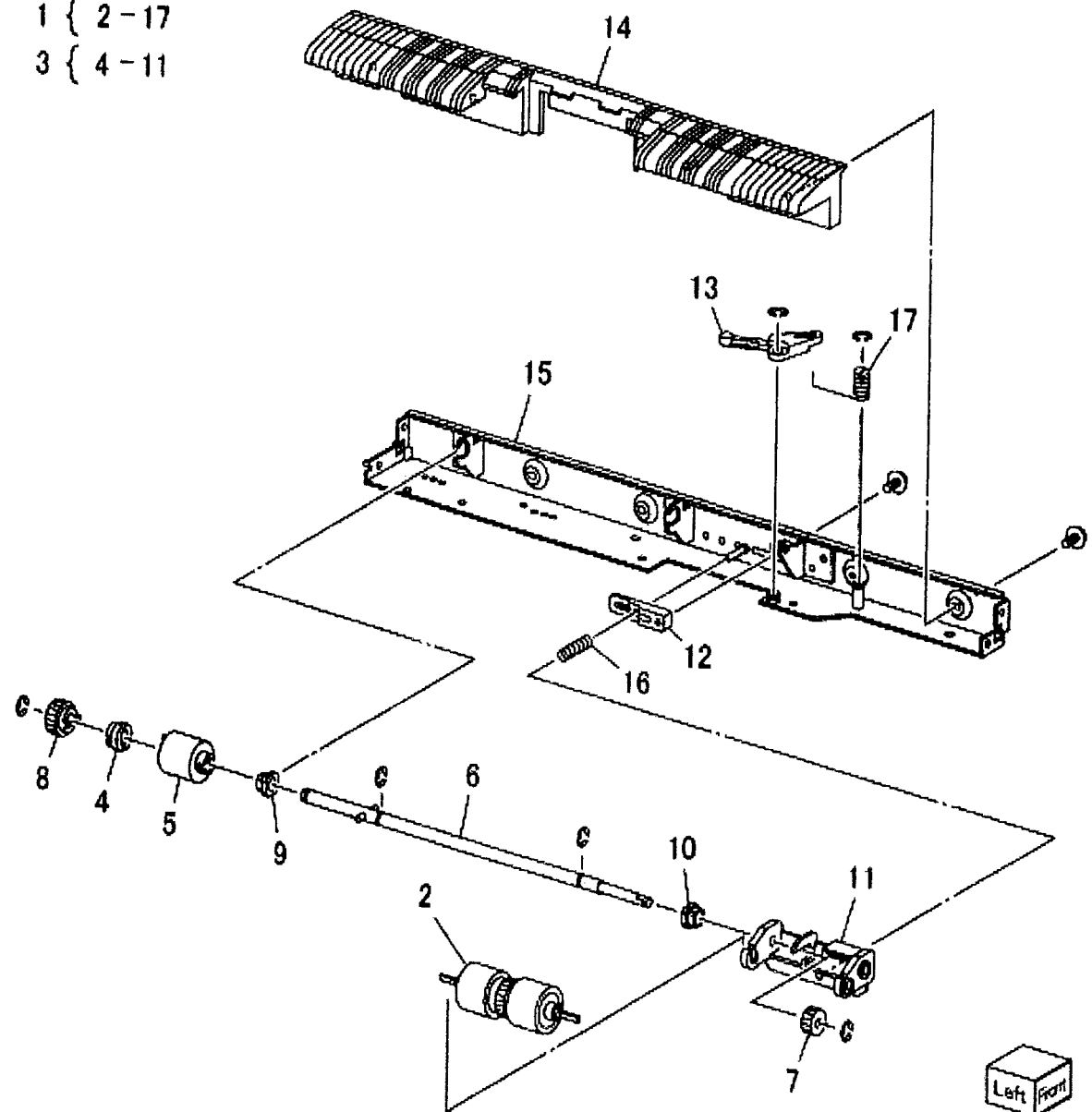


0518005A-OLY

## PL 10.6 HCF Feeder (3 of 3)

Item	Part	Description
1	059K26591	Lower Feed Assembly
2	-	Retard Roll Assembly (P/O PL 10.6 Item 1) (REP 19.5)
3	-	Retard Shaft Assembly (P/O PL 10.6 Item 1)
4	-	Collar (P/O PL 10.6 Item 3)
5	005K06701	Friction Clutch
6	-	Shaft (P/O PL 10.6 Item 3)
7	007E78170	Gear (15T)
8	007E89760	Gear (22T)
9	013E23600	Bearing
10	013E23610	Bearing
11	-	Retard Bracket (P/O PL 10.6 Item 1)
12	-	Slide (P/O PL 10.6 Item 1)
13	-	Lever (P/O PL 10.6 Item 1)
14	-	Lower Chute (P/O PL 10.6 Item 1)
15	-	Lower Frame (P/O PL 10.6 Item 1)
16	-	Spring (P/O PL 10.6 Item 1)
17	-	Spring (P/O PL 10.6 Item 1)

1 { 2-17  
3 { 4-11

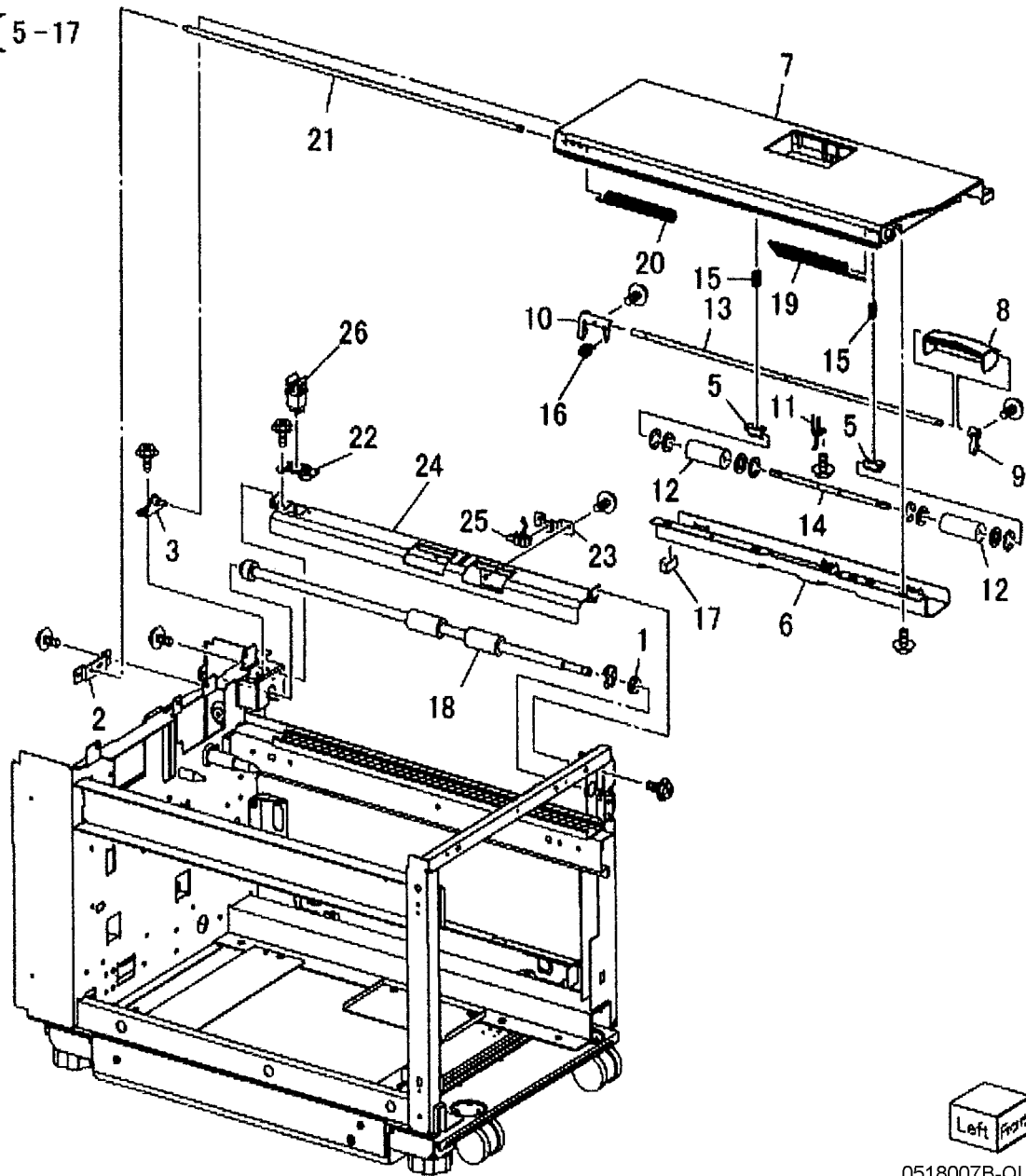


0518006B-KOH

## PL 10.7 HCF Top Cover Unit

Item	Part	Description
1	013E17100	Bearing
2	-	Bracket (Not Spared)
3	-	Pivot Bracket (Not Spared)
4	-	Top Cover Assembly (Not Spared)
5	-	Bearing (P/O PL 10.7 Item 4)
6	-	Upper Chute (P/O PL 10.7 Item 4)
7	-	Top Cover (P/O PL 10.7 Item 4)
8	-	Knob (P/O PL 10.7 Item 4)
9	-	Latch (P/O PL 10.7 Item 4)
10	-	Latch (P/O PL 10.7 Item 4)
11	-	Spring (P/O PL 10.7 Item 4)
12	059E01430	Pinch Roller
13	-	Shaft (P/O PL 10.7 Item 4)
14	-	Shaft (P/O PL 10.7 Item 4)
15	-	Spring (P/O PL 10.7 Item 4)
16	-	Spring (P/O PL 10.7 Item 4)
17	-	Gasket (P/O PL 10.7 Item 4)
18	059K36260	Takeaway Roll (REP 19.10)
19	-	Spring (Left) (P/O PL 10.1 Item 16)
20	-	Spring (Right) (P/O PL 10.1 Item 16)
21	-	Pivot Shaft (P/O PL 10.1 Item 16)
22	-	Bracket (P/O PL 10.1 Item 16)
23	-	Bracket (P/O PL 10.1 Item 16)
24	-	Lower Chute (P/O PL 10.1 Item 16)
25	130K88150	Takeaway Sensor
26	110E94770	Top Cover Interlock Switch

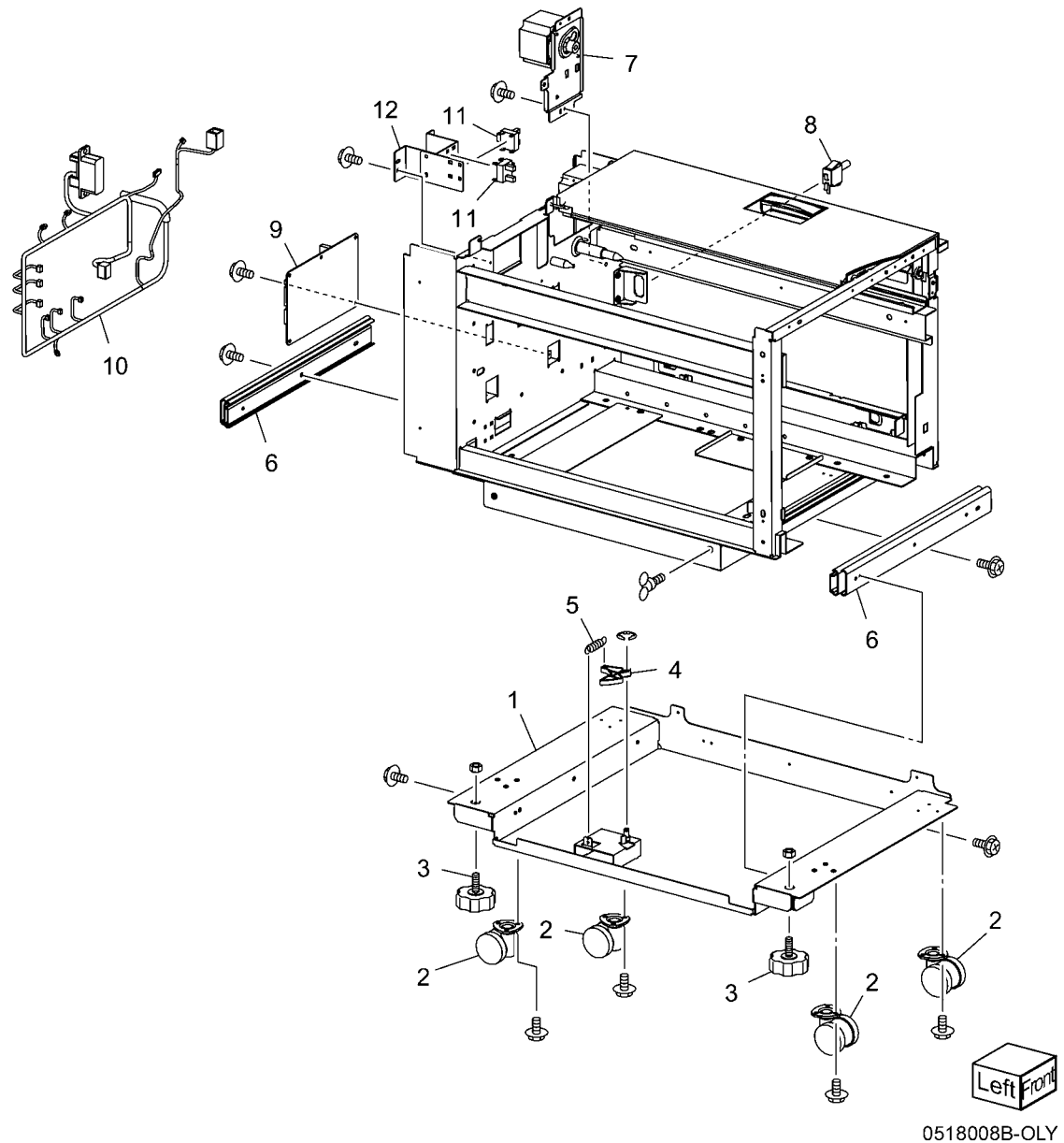
4 { 5-17



0518007B-OLY

# PL 10.8 HCF Electrical and Rail

Item	Part	Description
1	—	Plate (Not Spared)
2	017E92820	Rack Caster (REP 19.9)
3	—	Foot (Not Spared)
4	—	Latch Lever (Not Spared)
5	—	Spring (Not Spared)
6	801K15690	Rail
7	127K47150	Takeaway Motor
8	—	Docking Interlock Switch (Not Spared)
9	960K31492	HCF PWB (REP 19.11)
10	—	Wire Harness (P/O PL 10.1 Item 16)
11	130K55590	HCF Size Sensor R and L
12	—	Bracket (P/O PL 10.1 Item 16)

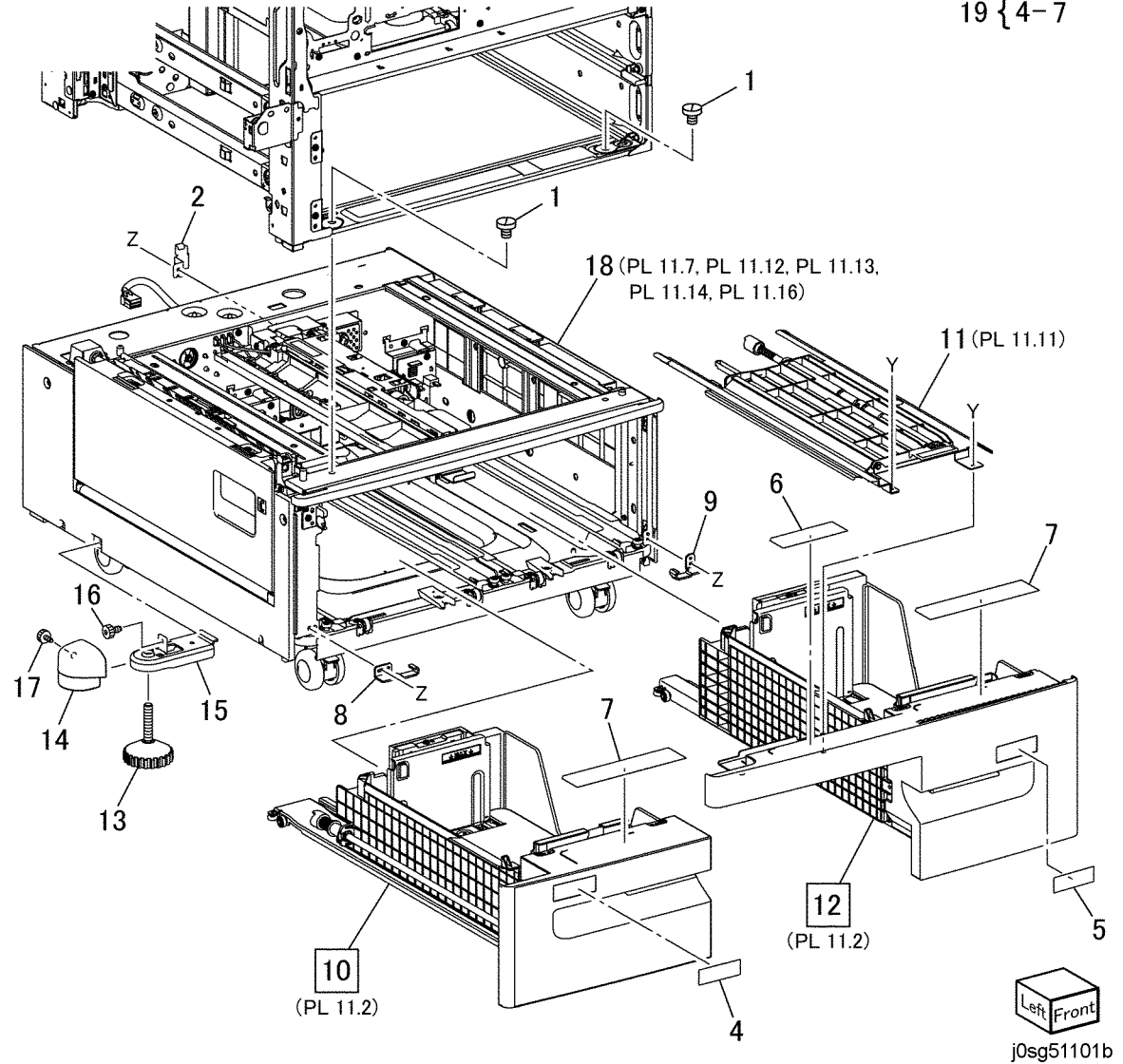


# PL 11.1 Tray Module (TTM) (Option)

Item	Part	Description
1	826E48400	Docking Screw
2	849E13150	Docking Bracket
3	-	Tray Module (TTM) (Not Spared) (Includes Items 4-17)
4	-	Label (Tray No.3) (P/O PL 11.1 Item 19)
5	-	Label (Tray No.4) (P/O PL 11.1 Item 19)
6	-	Label (TTM) (P/O PL 11.1 Item 19)
7	-	Label (Instruction TTM) (P/O PL 11.1 Item 19)
8	803E09040	Stopper (Tray 3)
9	803E09030	Stopper (Tray 4)
10	050K66262	Tray 3 Assembly (REF: PL 11.2)
11	059K71810	Transport Assembly (REF: PL 11.11)
12	050K66242	Tray 4 Assembly (REF: PL 11.2)
13	017K94590	Adjuster Foot Assembly
14	848E52692	Foot Cover
15	868E51271	Foot Bracket
16	-	Screw Tap (Not Spared)
17	826E28400	Screw Tap
18	032E37871	Guide Transport
19	604K68210	Label Kit (Includes Items 4-7)

PL 11.1

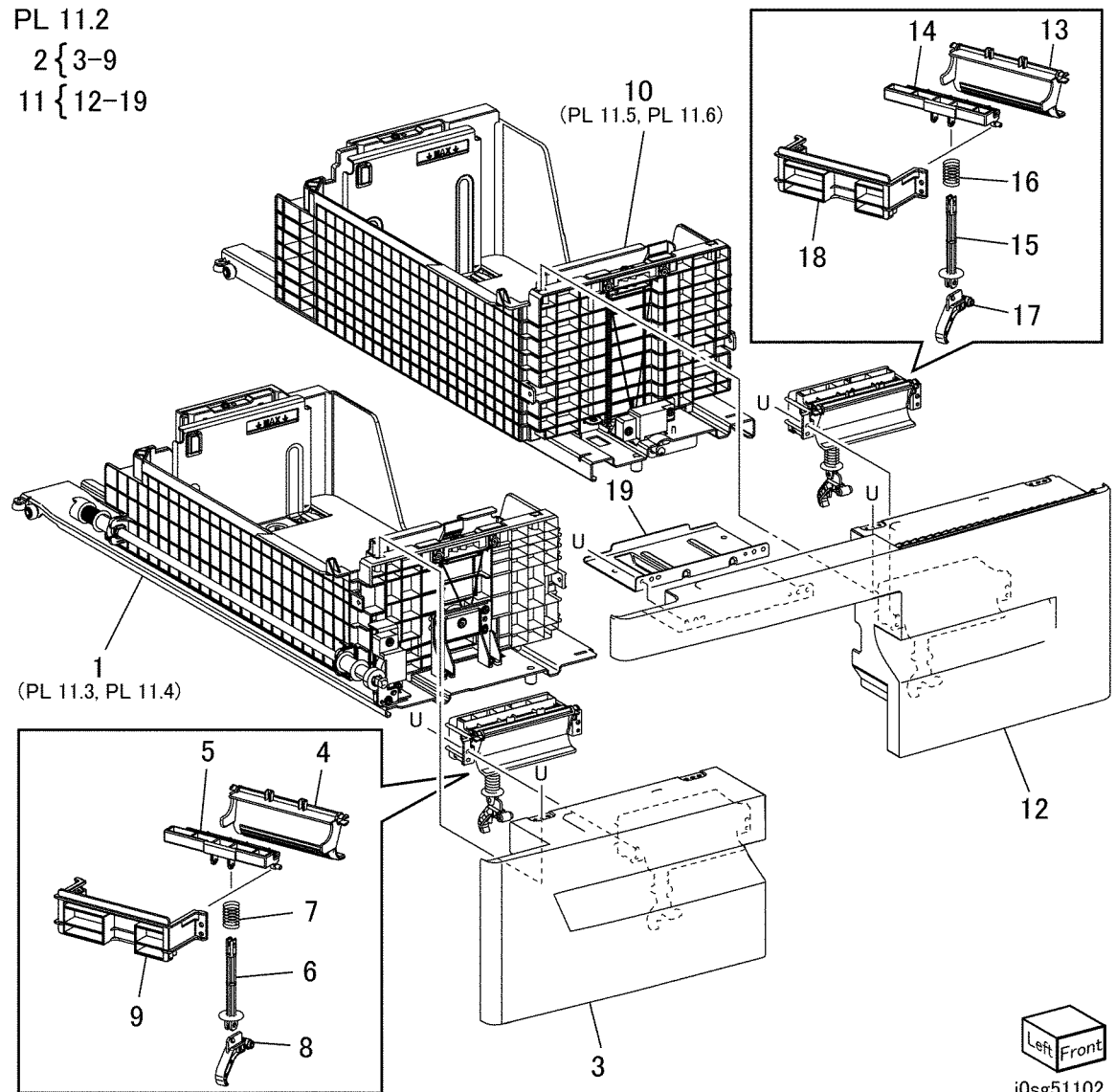
3 { 4-18  
19 { 4-7



# PL 11.2 Tray 3/4 Assembly

Item	Part	Description
1	-	Tray 3 Assembly (REF: PL 11.3, PL 11.4) (REP 7.1)
2	848K49481	Tray 3 Front Cover Assembly (Includes Items 3-9)
3	-	Tray 3 Front Cover (Not Spared)
4	-	Lever (Not Spared)
5	-	Link (Not Spared)
6	-	Link (Not Spared)
7	-	Spring (Not Spared)
8	-	Latch (Not Spared)
9	-	Cover (P/O PL 11.2 Item 2)
10	-	Tray 4 Assembly (REF: PL 11.5, PL 11.6) (REP 7.1)
11	848K49471	Tray 4 Front Cover Assembly (Includes Items 12-19)
12	-	Tray 4 Front Cover (Not Spared)
13	-	Lever (Not Spared)
14	-	Link (Not Spared)
15	-	Link (Not Spared)
16	-	Spring (Not Spared)
17	-	Latch (Not Spared)
18	-	Cover (P/O PL 11.2 Item 11)
19	-	Transport Bracket (P/O PL 11.2 Item 11)

PL 11.2  
 2 { 3-9  
 11 { 12-19



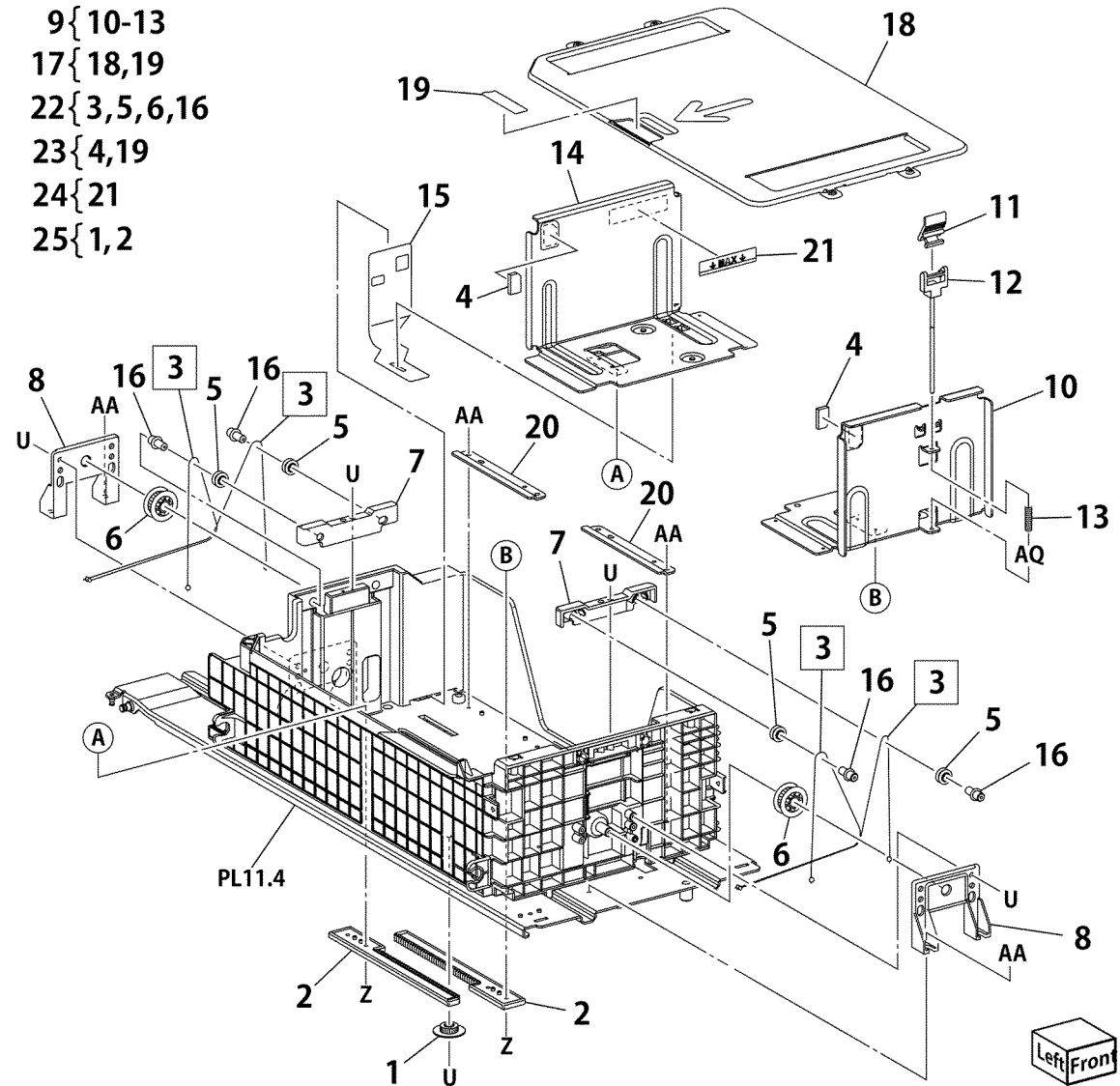


# PL 11.3 Tray 3 Assembly (1 of 2)

Item	Part	Description
1	-	Pinion (P/O PL 11.3 Item 25)
2	-	Rack Gear (P/O PL 11.3 Item 25)
3	-	Cable LT (P/O PL 11.3 Item 22) (REP 7.3)
4	019E71680	Pad
5	-	Pulley (S) (P/O PL 11.3 Item 22)
6	-	Pulley (L) (P/O PL 11.3 Item 22)
7	-	Guide (Not Spared)
8	-	Guide (Not Spared)
9	038K20970	Side Guide Assembly (Includes Items 10-13)
10	-	Side Guide (P/O PL 11.3 Item 9)
11	-	Knob (P/O PL 11.3 Item 9)
12	-	Knob Assembly (P/O PL 11.3 Item 9)
13	-	Spring (P/O PL 11.3 Item 9)
14	-	Guide Assembly (Not Spared)
15	-	Size Actuator (Not Spared)
16	-	Shaft (P/O PL 11.3 Item 22)
17	-	Bottom Plate Assembly (Not Spared) (Includes Items 18, 19)
18	-	Plate (P/O PL 11.3 Item 17)
19	019K09580	Pad
20	-	Side Bracket (Not Spared)
21	-	Label (Max) (P/O PL 11.3 Item 24)
22	604K68170	Pulley Cable Kit (Includes Items 3, 5, 6, 16)
23	604K68180	Pad Kit
24	604K68210	Label Kit (Includes Items 21)
25	604K68260	Rack and Pinion Kit (Includes Items 1, 2)

## PL 11.3

- 9 { 10-13
- 17 { 18,19
- 22 { 3,5,6,16
- 23 { 4,19
- 24 { 21
- 25 { 1,2



j0sg51103c

## PL 11.4 Tray 3 Assembly (2 of 2)

Item	Part	Description
1	006K89421	Lift Shaft Assembly (Includes Items 2-6)
2	—	Lift Shaft (P/O PL 11.4 Item 1)
3	413W11860	Bearing
4	—	Pulley (P/O PL 11.4 Item 19)
5	—	Spring (P/O PL 11.4 Item 1)
6	—	Joint (P/O PL 11.4 Item 1)
7	019K93921	Brake Assembly
8	—	Pulley C (Not Spared)
9	—	Upper Roll (P/O PL 11.4 Item 20)
10	059E05060	Upper Roll
11	—	Gear (18T) (P/O PL 11.4 Item 19)
12	—	Spring (Not Spared)
13	—	Bracket (Not Spared)
14	—	Sleeve Bearing (Not Spared)
15	—	Cassette Assembly (Not Spared) (Includes Items 16-18)
16	—	Cassette (P/O PL 11.4 Item 15)
17	—	Rail (P/O PL 11.4 Item 15)
18	—	Cover (P/O PL 11.4 Item 15)
19	604K68150	Pully Lift Kit (Includes Items 3, 4, 11)
20	604K68160	Roller Kit

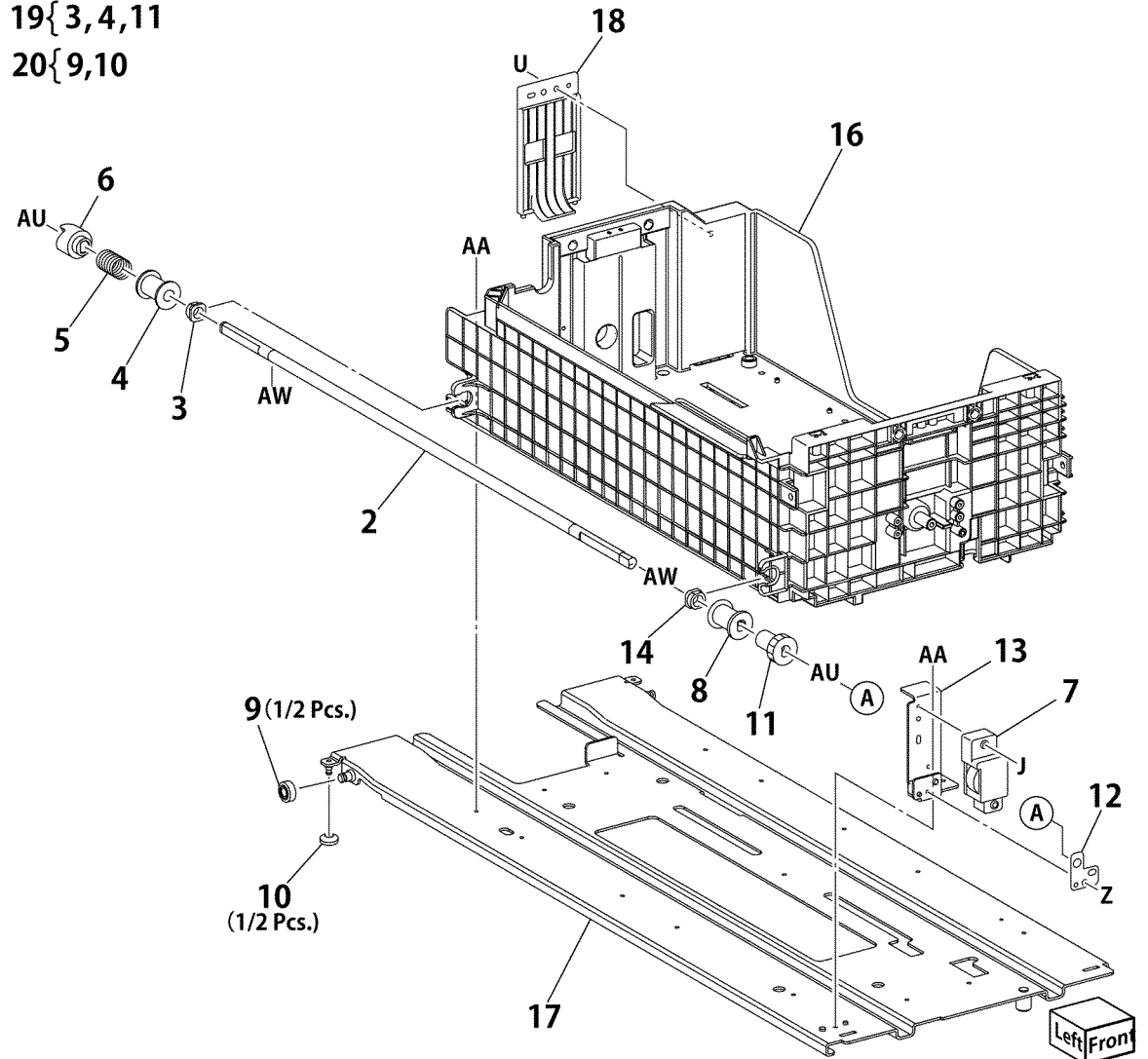
## PL 11.4

1 { 2-6

15 { 16-18

19 { 3, 4, 11

20 { 9, 10

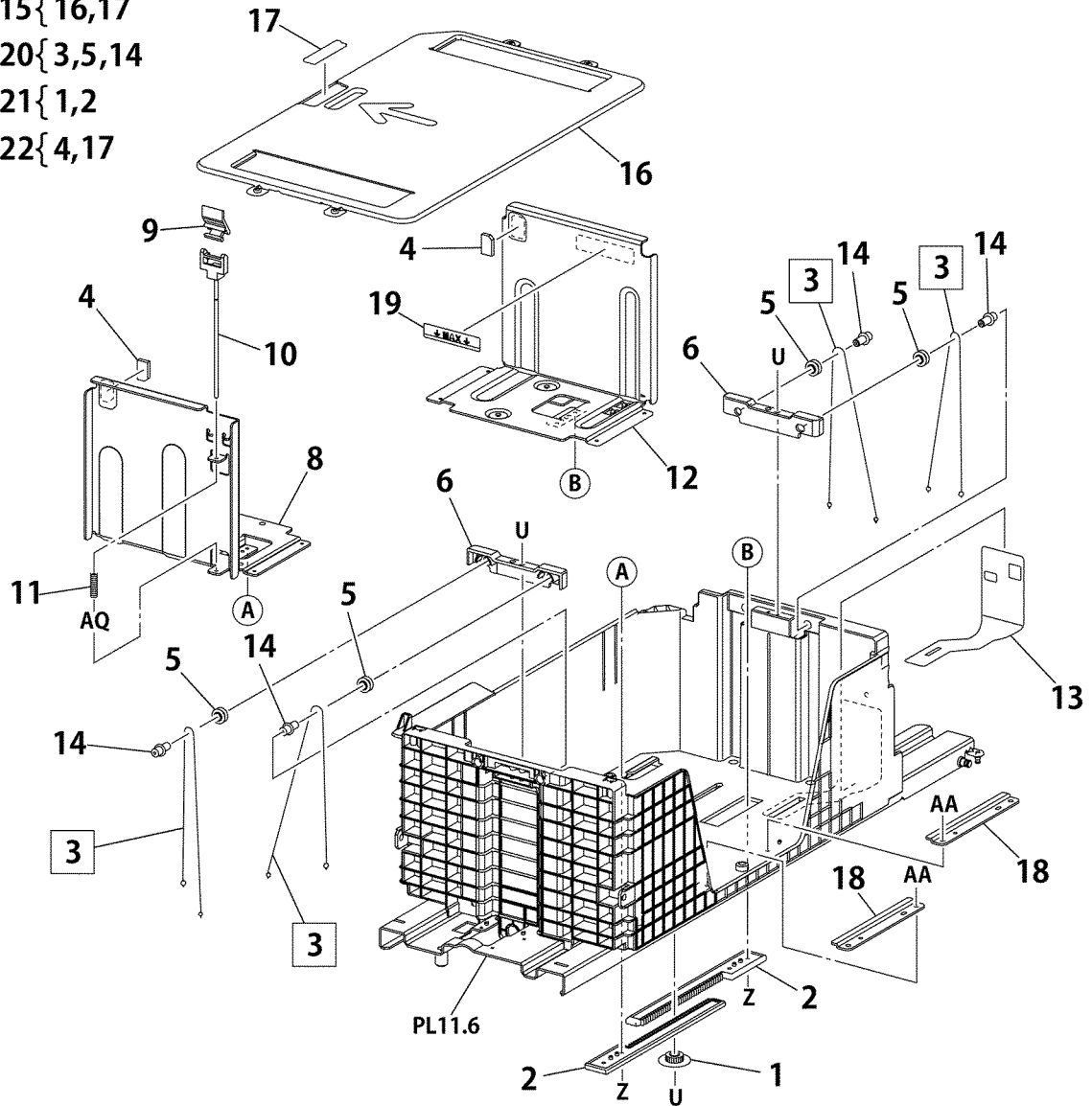


j0sg51104c

## PL 11.5 Tray 4 Assembly (1 of 2)

Item	Part	Description
1	-	Pinion (P/O PL 11.5 Item 21)
2	-	Rack Gear (P/O PL 11.5 Item 21)
3	-	Cable RT (P/O PL 11.5 Item 20) (REP 7.4)
4	019E71680	Pad
5	-	Pulley (P/O PL 11.5 Item 20)
6	-	Guide (Not Spared)
7	038K20950	Side Guide Assembly (Includes Items 8-11)
8	-	Side Guide (P/O PL 11.5 Item 7)
9	-	Knob (P/O PL 11.5 Item 7)
10	-	Knob Assembly (P/O PL 11.5 Item 7)
11	-	Spring (P/O PL 11.5 Item 7)
12	-	Guide Assembly (Not Spared)
13	-	Size Actuator (Not Spared)
14	-	Shaft (P/O PL 11.5 Item 20)
15	-	Bottom Plate Assembly (Not Spared) (Includes Items 16, 17)
16	-	Plate (Not Spared)
17	019K09580	Pad
18	-	Side Bracket (Not Spared)
19	-	Label (Max) (P/O PL 9.1 Item 16)
20	604K68190	Pulley Cable Kit (Includes Items 3, 5, 14)
21	604K68260	Rack and Pinion Kit (Includes Items 1, 2)
22	604K68180	Pad Kit (Includes Items 4, 17)

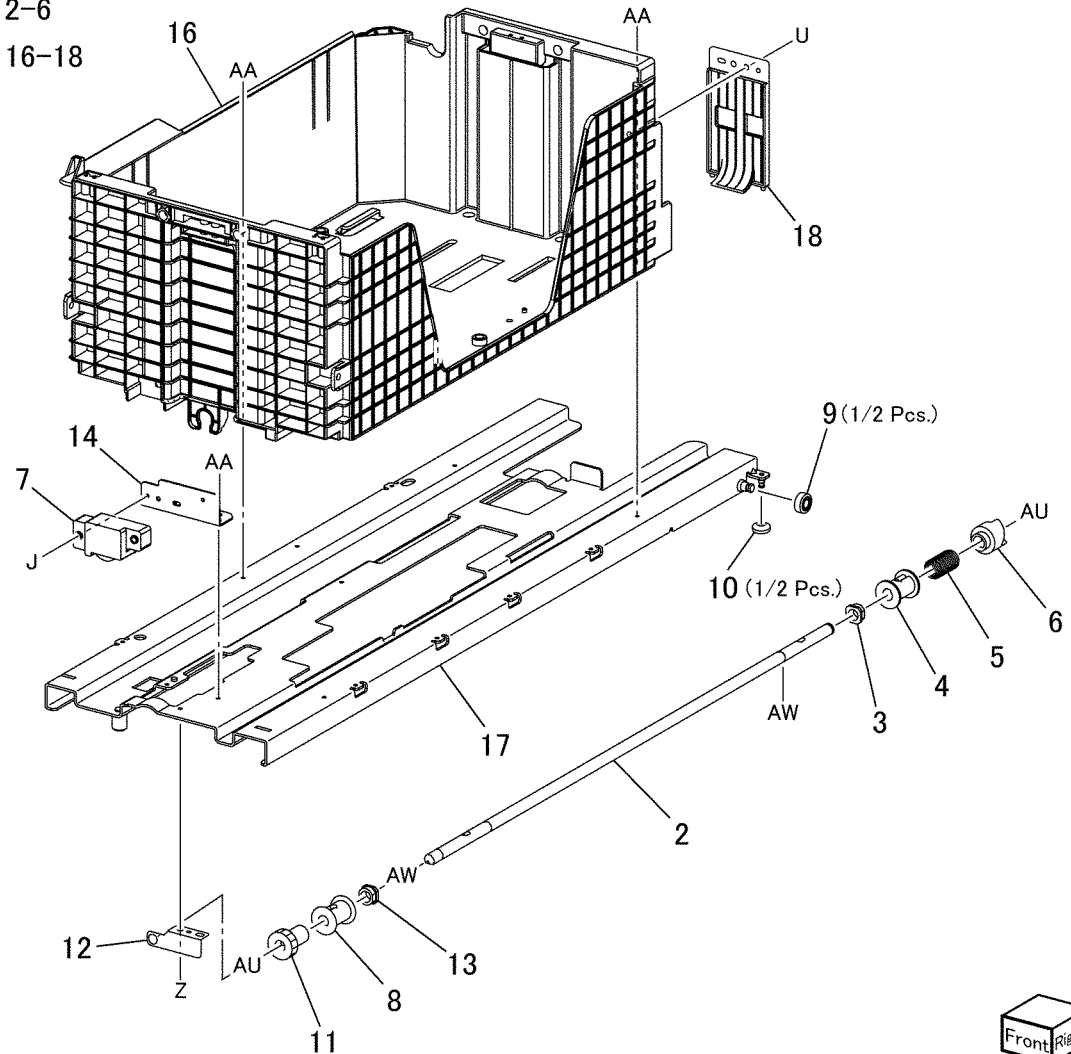
PL 11.5  
7{8-11  
15{16,17  
20{3,5,14  
21{1,2  
22{4,17



## PL 11.6 Tray 4 Assembly (2 of 2)

Item	Part	Description
1	006K89421	Lift Shaft Assembly (Includes Items 2-6)
2	-	Lift Shaft (P/O PL 11.6 Item 1)
3	413W11860	Bearing
4	-	Pulley (P/O PL 11.6 Item 1)
5	-	Spring (P/O PL 11.6 Item 1)
6	-	Joint (P/O PL 11.6 Item 1)
7	019K93921	Brake Assembly
8	-	Pulley (Not Spared)
9	-	Upper Roll (Not Spared)
10	059E05060	Upper Roll
11	-	Gear (18T) (Not Spared)
12	-	Spring (Not Spared)
13	-	Sleeve Bearing (Not Spared)
14	-	Bracket (Not Spared)
15	-	Cassette Assembly (Not Spared) (Includes Items 16-18)
16	-	Cassette (P/O PL 11.6 Item 15)
17	-	Rail (P/O PL 11.6 Item 15)
18	-	Cover (P/O PL 11.6 Item 15)

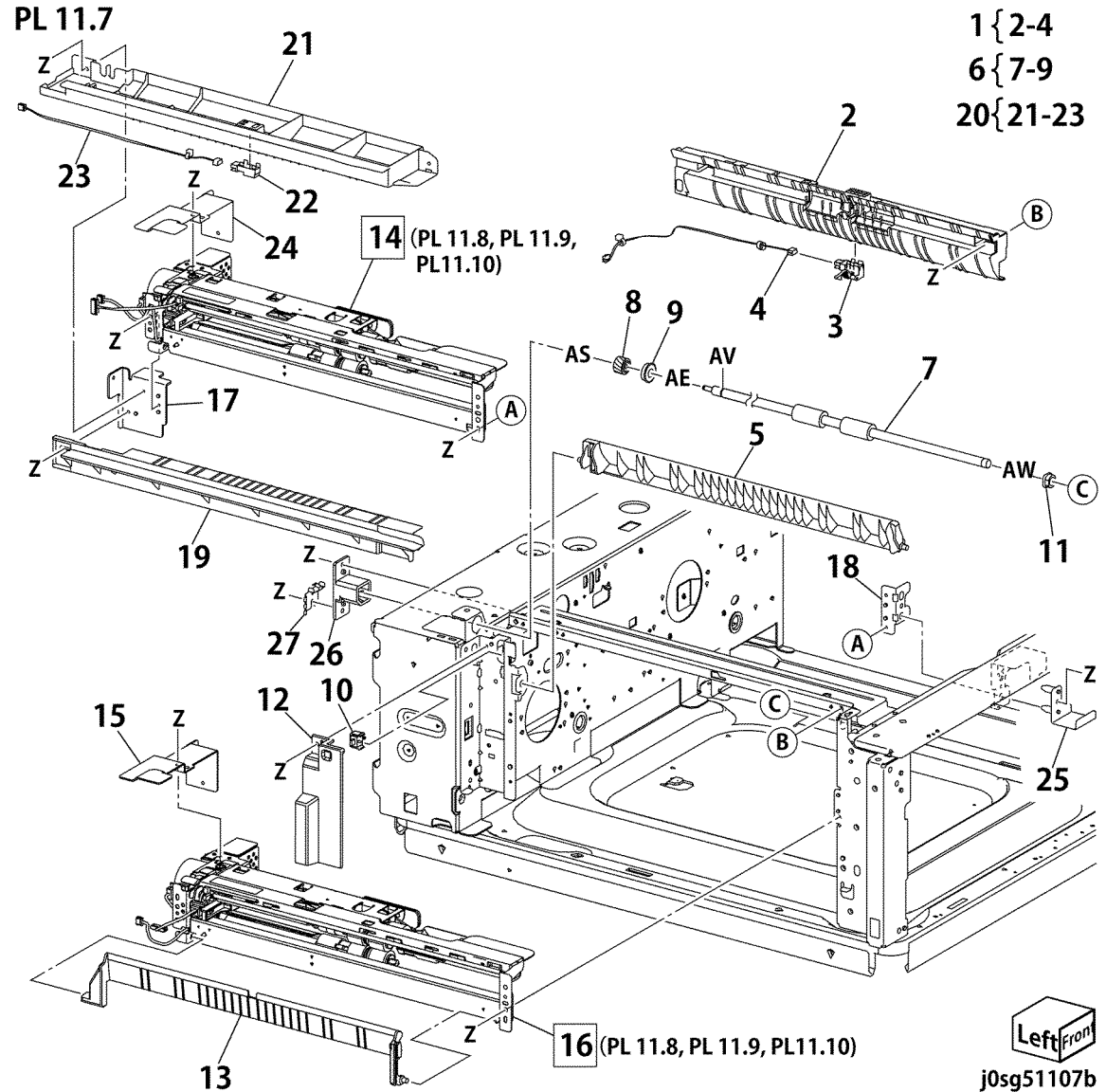
PL 11.6  
1 { 2-6  
15 { 16-18



j0sg51106

# PL 11.7 Tray 3/4 Feeder Assembly, T/A Roll Assembly

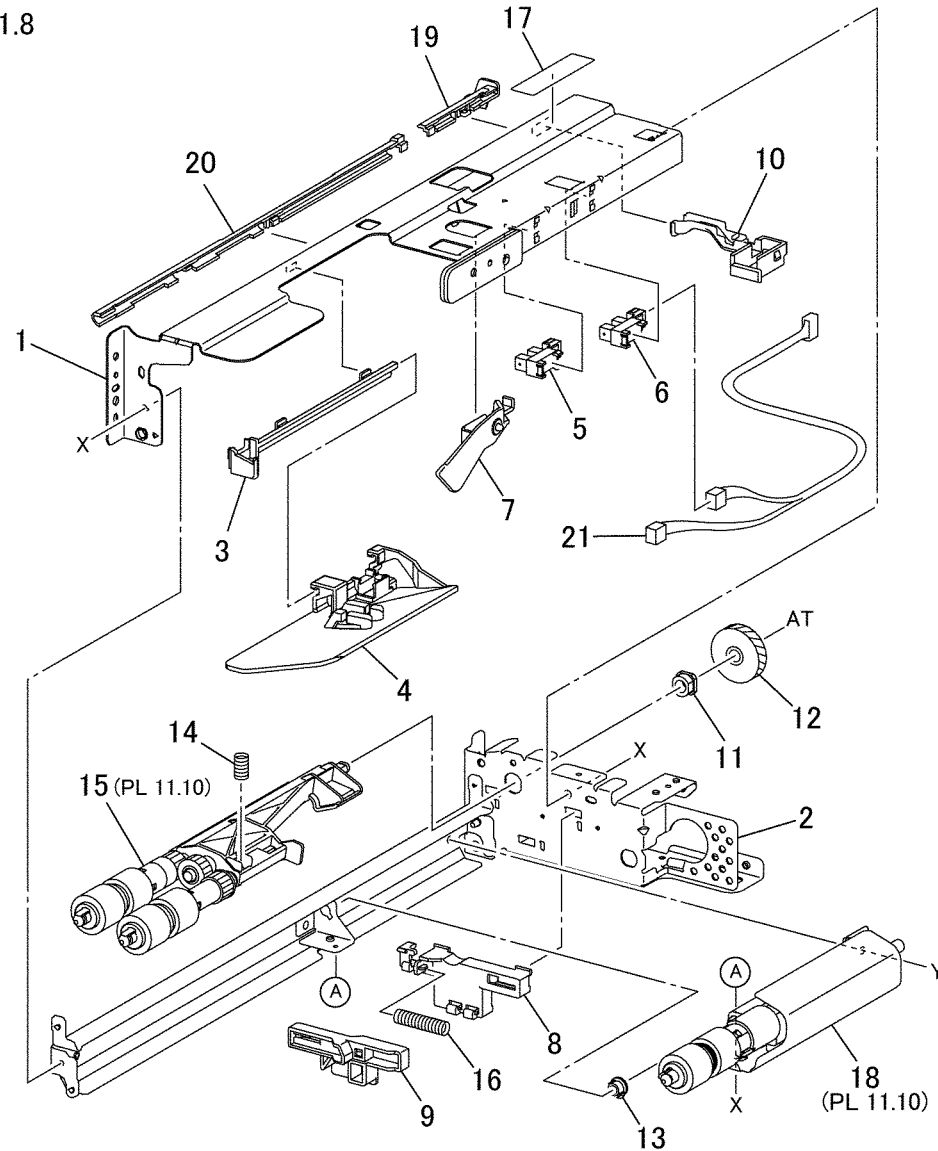
Item	Part	Description
1	054K46240	Chute Assembly (Includes Items 2-4)
2	—	Chute (Not Spared)
3	130K76530	Feed Out Sensor 3
4	—	Harness Assembly (Feed/Out 3) (Not Spared)
5	054E46500	Chute Feed Transport
6	059K71510	T/A Roll Assembly (Includes Item 7-9)
7	—	T/A Roll (Not Spared)
8	—	Gear (16T) (Not Spared)
9	—	Bearing (Not Spared)
10	110E12220	TM L/H Cover Interlock Switch
11	—	Bearing (Not Spared)
12	—	Harness Cover (Not Spared)
13	054E33802	Feed Out Chute
14	059K74280	Tray 3 Feeder Assembly (PL 11.8) (REP 8.3)
15	—	Cover (Not Spared)
16	—	Tray 4 Feeder Assembly (PN Same as Item 14) (REP 8.4)
17	—	Bracket (Not Spared)
18	—	Bracket (Not Spared)
19	—	Low Chute (Not Spared)
20	054K46340	Chute Assembly (Includes Items 21-23)
21	—	Chute (P/O PL 11.7 Item 20)
22	930W00212	Feed Out Sensor 4
23	—	Harness Assembly (Feed/Out 4) (P/O PL 11.7 Item 20)
24	—	Cover (Not Spared)
25	—	Pivot Bracket (Not Spared)
26	032E37871	Transport Guide
27	815E50081	Earth Plate



# PL 11.8 Tray 3/4 Feeder Assembly (1/2)

Item	Part	Description
1	-	Upper Frame (Not Spared)
2	-	Lower Frame (Not Spared)
3	-	Rail (Not Spared)
4	-	Chute (Not Spared)
5	930W00123	Tray 3/4 Level Sensor
6	930W00113	Tray 3/4 No Paper Sensor
7	120E22481	Actuator
8	-	Holder (Not Spared)
9	-	Lever (Not Spared)
10	-	Harness Holder (Not Spared)
11	413W11660	Bearing
12	-	Gear 30T (Not Spared)
13	-	Bearing (Not Spared)
14	-	Spring (Not Spared)
15	-	Feed/Nudger Roll Assembly (REF: PL 11.10)
16	-	Spring (Not Spared)
17	-	Traceability Label (Not Spared)
18	-	Retard Roll Assembly (REF: PL 11.10)
19	-	Rear Harness Holder (Not Spared)
20	-	Center Harness Holder (Not Spared)
21	-	Wire Harness (Not Spared)

PL 11.8



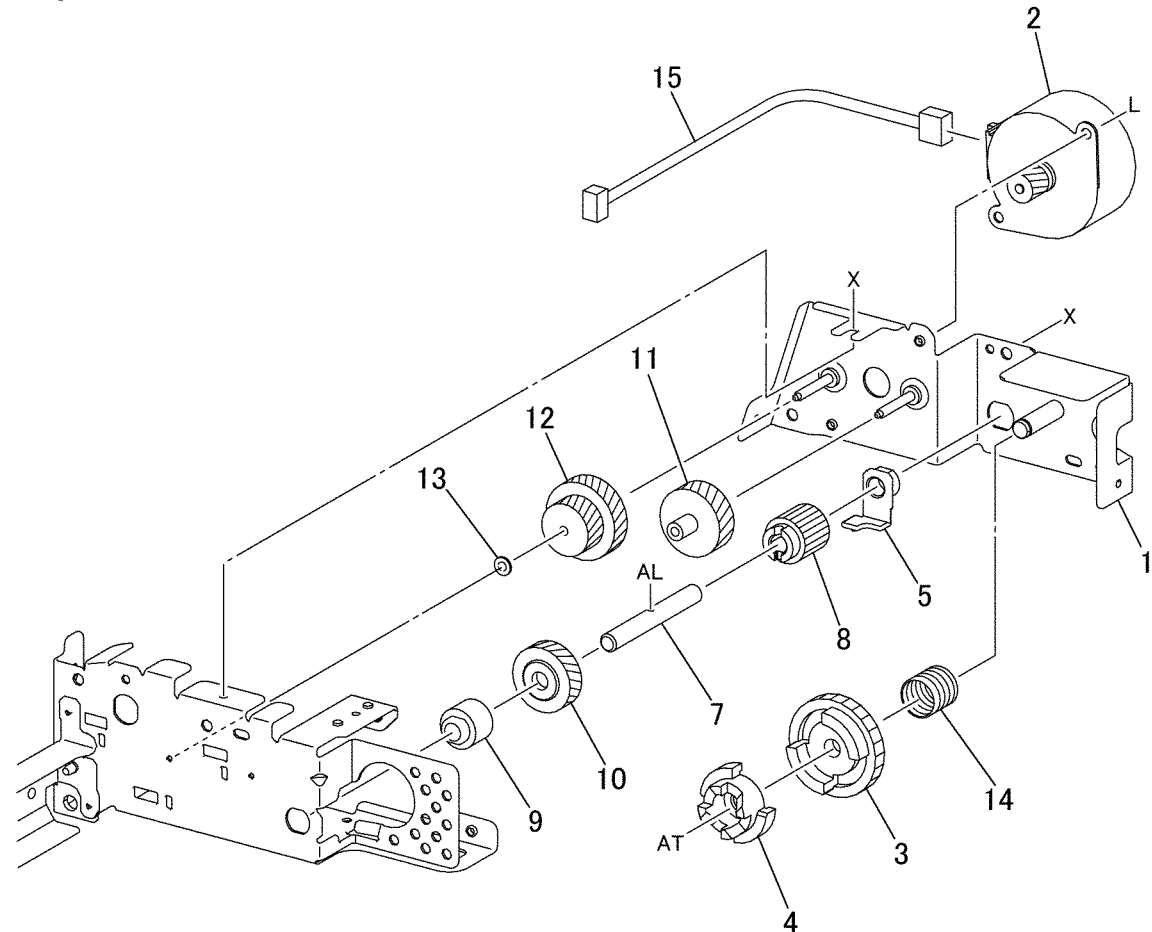
j0sg51108

# PL 11.9 Tray 3/4 Feeder Assembly (2/2)

Item	Part	Description
1	-	Drive Bracket Assembly (Not Spared)
2	127K52790	Tray 3/4 Lift/Feed Motor
3	-	Gear (31T) (Not Spared)
4	-	Spacer (Not Spared)
5	-	Shaft Bearing (Not Spared)
6	-	Drive Shaft Assembly (Not Spared) (Includes Item 7)
7	-	Drive Shaft (Not Spared)
8	-	Gear (13T) (Not Spared)
9	005K07130	Oneway Clutch
10	007K97870	Oneway Gear
11	-	Gear (25T) (Not Spared)
12	-	Gear (29T/19T) (Not Spared)
13	-	Washer (Not Spared)
14	-	Spring (Not Spared)
15	-	Wire Harness (Not Spared)

PL 11.9

6 { 7

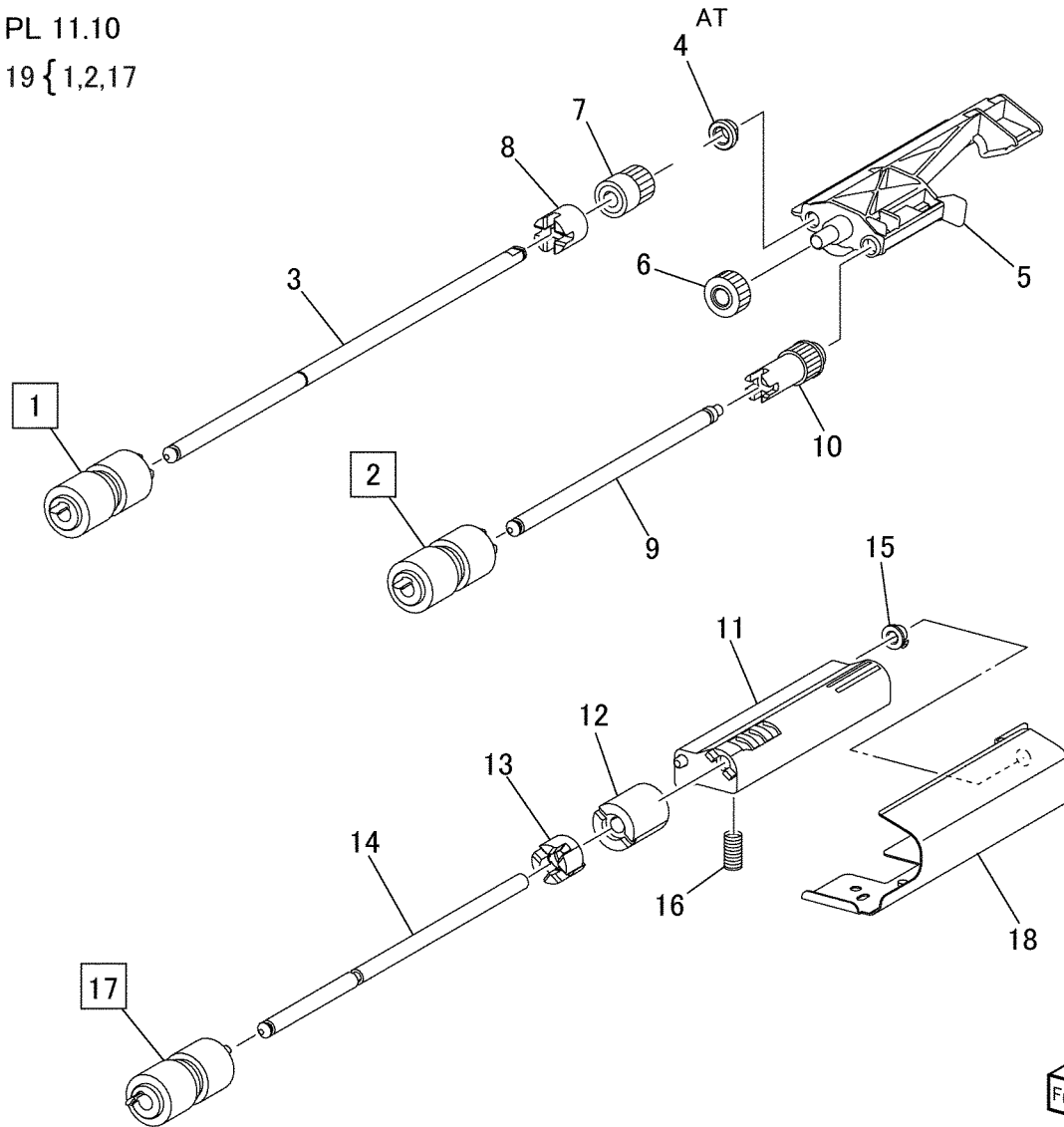


j0sg51109

# PL 11.10 Tray 3/4 Feed/Nudger/Retard Roll

Item	Part	Description
1	-	Feed Roll (Not Spared) (REP 8.5)
2	-	Nudger Roll (Not Spared) (REP 8.5)
3	-	Feed Shaft (Not Spared)
4	-	Bearing (Not Spared)
5	-	Nudger Support (Not Spared)
6	007E79380	Gear (33T) (Tray 3)
7	005K06760	Oneway Gear (22T) (Tray 3)
8	005K05890	Oneway Clutch
9	-	Nudger Shaft (Not Spared)
10	-	Gear (25T) (Not Spared)
11	-	Retard Support (Not Spared)
12	005K09290	Friction Clutch
13	-	Spacer (Not Spared)
14	-	Retard Shaft (Not Spared)
15	-	Bearing (Not Spared)
16	-	Spring (Not Spared)
17	-	Retard Roll (P/O PL 11.10 Item 19)
18	-	Feed In Chute (Not Spared)
19	604K56080	Feed/Nudger/Retard Roll Kit (REP 8.5)

PL 11.10  
19 {1,2,17}



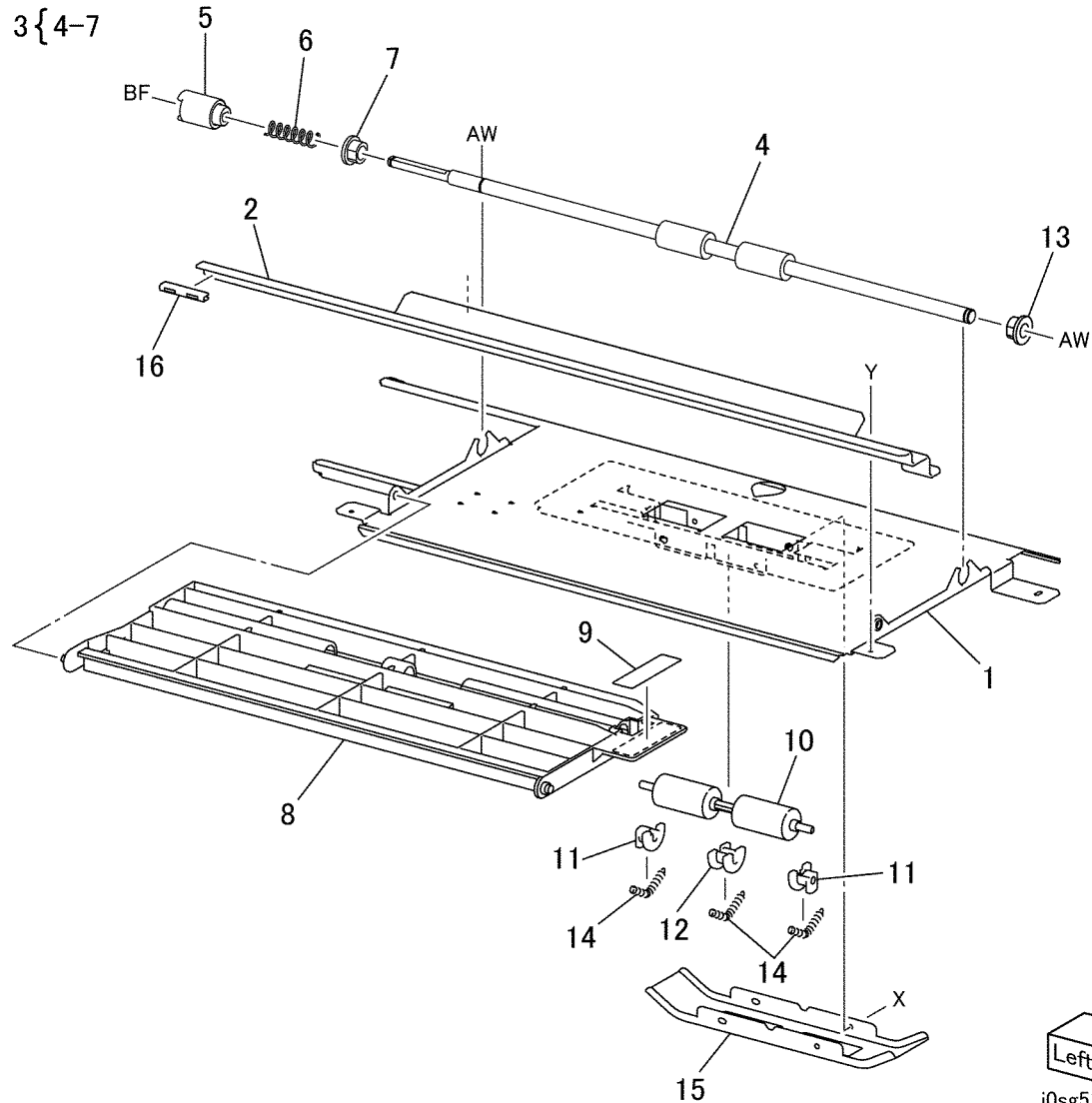
Front Right  
j0sg51110



# PL 11.11 Tray 3/4 Transport Assembly

Item	Part	Description
1	-	Chute Ay Low (Not Spared)
2	-	Rail Transport Lh (Not Spared)
3	059K26350	T/A Roll Assembly (Includes Items 4-7)
4	-	T/A Roll (P/O PL 11.11 Item 3)
5	-	Joint (P/O PL 11.11 Item 3)
6	-	Spring (P/O PL 11.11 Item 3)
7	-	Bearing (P/O PL 11.11 Item 3)
8	-	Chute Uo Trs (Not Spared)
9	-	Label Transport (Not Spared)
10	059E98860	Roll Pinch Transport
11	-	Bearing 2 (Not Spared)
12	-	Bearing 1 (Not Spared)
13	413W77559	Bearing
14	-	Spring (Not Spared)
15	-	Cover Pinch (Not Spared)
16	-	Spacer Rail (Not Spared)

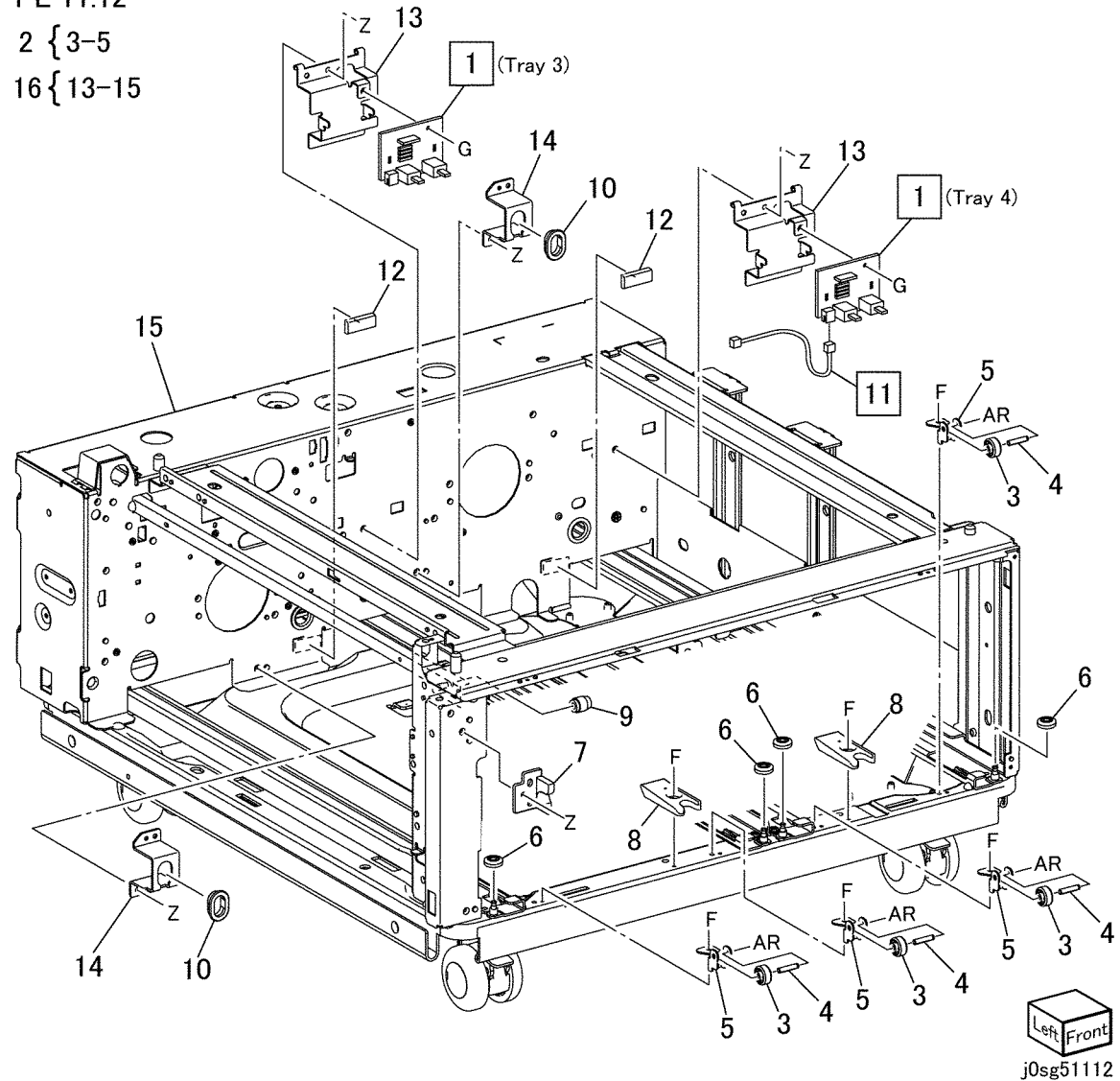
PL 11.11  
3 { 4-7



# PL 11.12 Tray 3/4 Switch Assembly

Item	Part	Description
1	110K15040	Tray 3 Size Switch
2	049K08250	Bracket Assembly (Includes Items 3-5)
3	-	Roll (P/O PL 11.12 Item 2)
4	-	Shaft (P/O PL 11.12 Item 2)
5	-	Bracket (P/O PL 11.12 Item 2)
6	059E05060	Roller Upper
7	-	Stopper Location Fr (Not Spared)
8	803E09020	Stopper
9	059E05131	Roller TR
10	-	Bracket Cv (Not Spared)
11	-	Harness Assembly Switch 4 (Not Spared)
12	-	Gasket (Not Spared)
13	-	Switch Bracket (Not Spared)
14	-	Bracket (Not Spared)
15	-	TTM Frame (P/O PL 11.12 Item 16)
16	-	TTM Frame Assembly (Not Spared) (Includes Items 13-15)

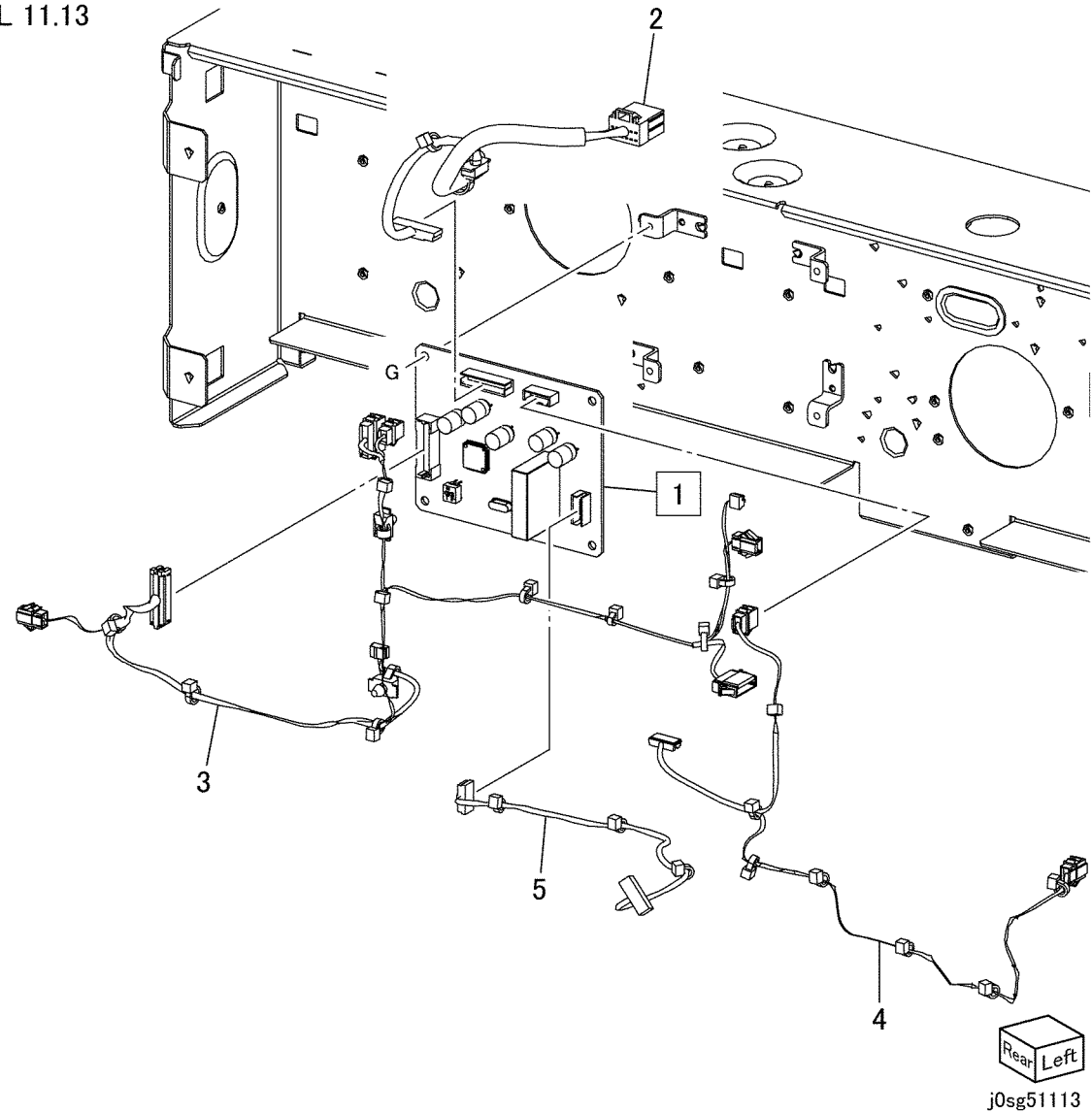
PL 11.12  
 2 { 3-5  
 16 { 13-15



## PL 11.13 Wire Harness

Item	Part	Description
1	960K55022	Tray Module PWB
2	-	Wire Harness (IF) (Not Spared)
3	-	Wire Harness (Sensor) (Not Spared)
4	-	Wire Harness (Motor 1) (Not Spared)
5	-	Wire Harness (Motor 2) (Not Spared)

PL 11.13



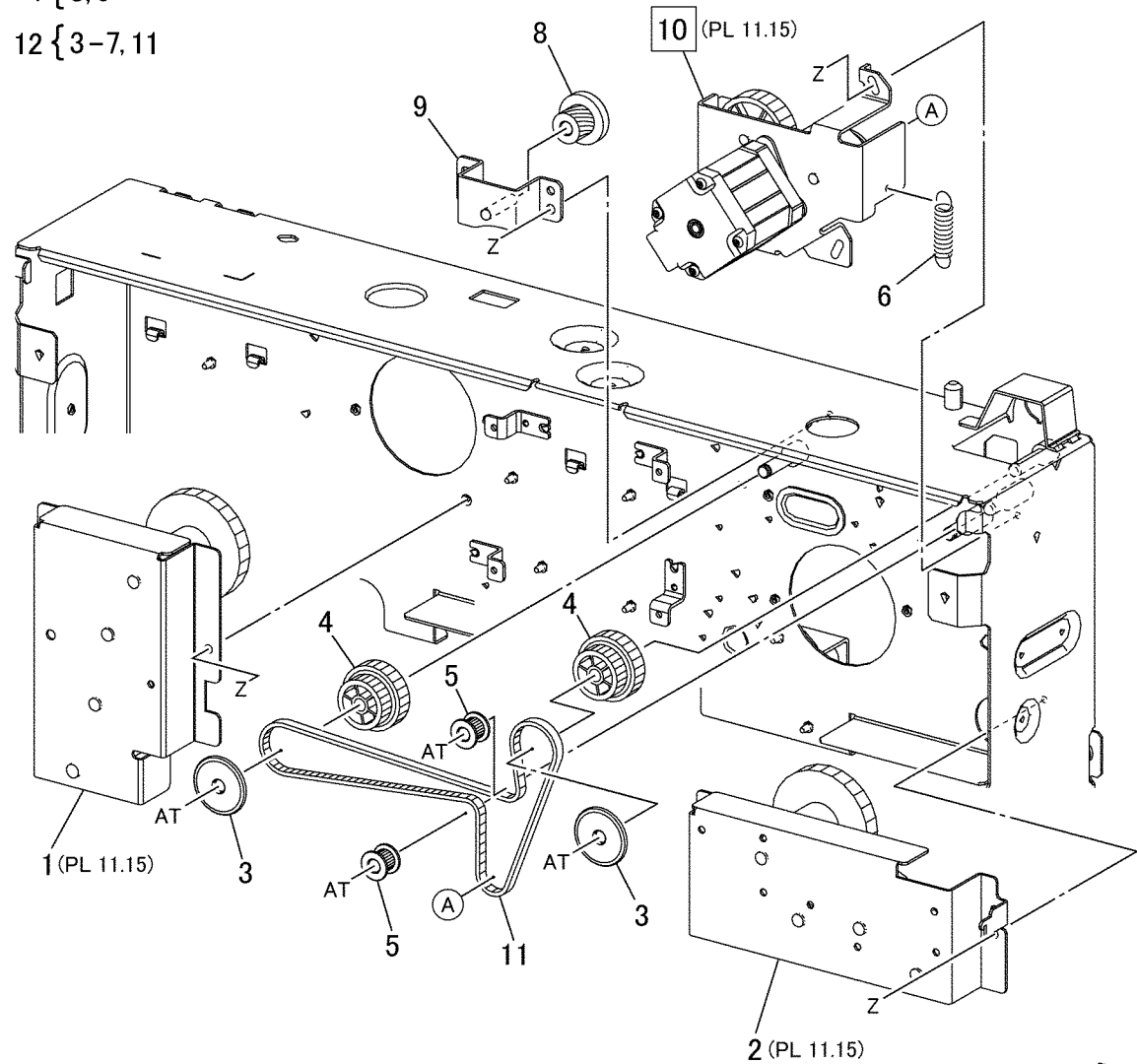
# PL 11.14 TM Drive

Item	Part	Description
1	049K07530	Gear Assembly (REF: PL 11.15)
2	049K07520	Bracket Assembly (REF: PL 11.15)
3	-	Collar 2 (P/O PL 11.14 Item 12)
4	-	Pulley (P/O PL 11.14 Item 12)
5	-	Roll (P/O PL 11.14 Item 12)
6	-	Spring (P/O PL 11.14 Item 12)
7	-	Gear Assembly (P/O PL 11.14 Item 12) (Includes Items 8, 9)
8	-	Gear (P/O PL 11.14 Item 7)
9	-	Bracket (P/O PL 11.14 Item 7)
10	049K07400	TM Takeaway Motor Assembly (REF: PL 11.15)
11	-	Belt (P/O PL 11.14 Item 12)
12	604K68200	Take Away Gear Kit (Includes Item 3-7, 11)

PL 11.14

7 { 8, 9

12 { 3-7, 11

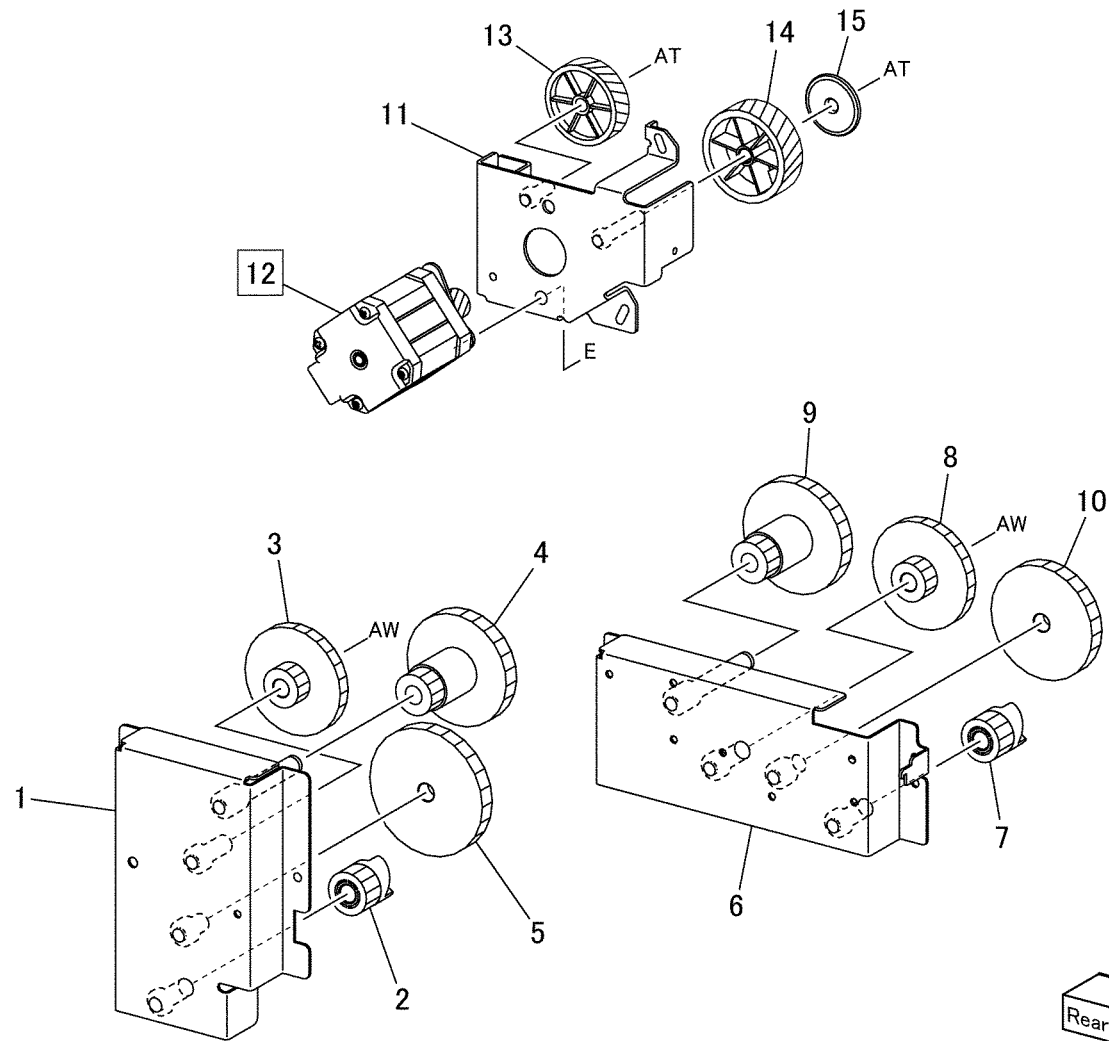


j0sg51114c

# PL 11.15 Takeaway Motor Assembly

Item	Part	Description
1	-	Bracket Assembly (Not Spared)
2	-	Gear (18T) (Not Spared)
3	-	Lift Gear (Not Spared)
4	-	Lift Gear (Not Spared)
5	-	Lift Gear (57) (Not Spared)
6	-	Bracket Assembly, TM Take Away Motor (Not Spared)
7	-	Gear (18T) (Not Spared)
8	-	Lift Gear (Not Spared)
9	-	Lift Gear (Not Spared)
10	-	Lift Gear (51) (Not Spared)
11	-	Bracket Assembly (Not Spared)
12	-	TM Take Away Motor (Not Spared)
13	-	Gear (70T) (Not Spared)
14	-	Gear (81T) (Not Spared)
15	-	Collar (Not Spared)

PL 11.15

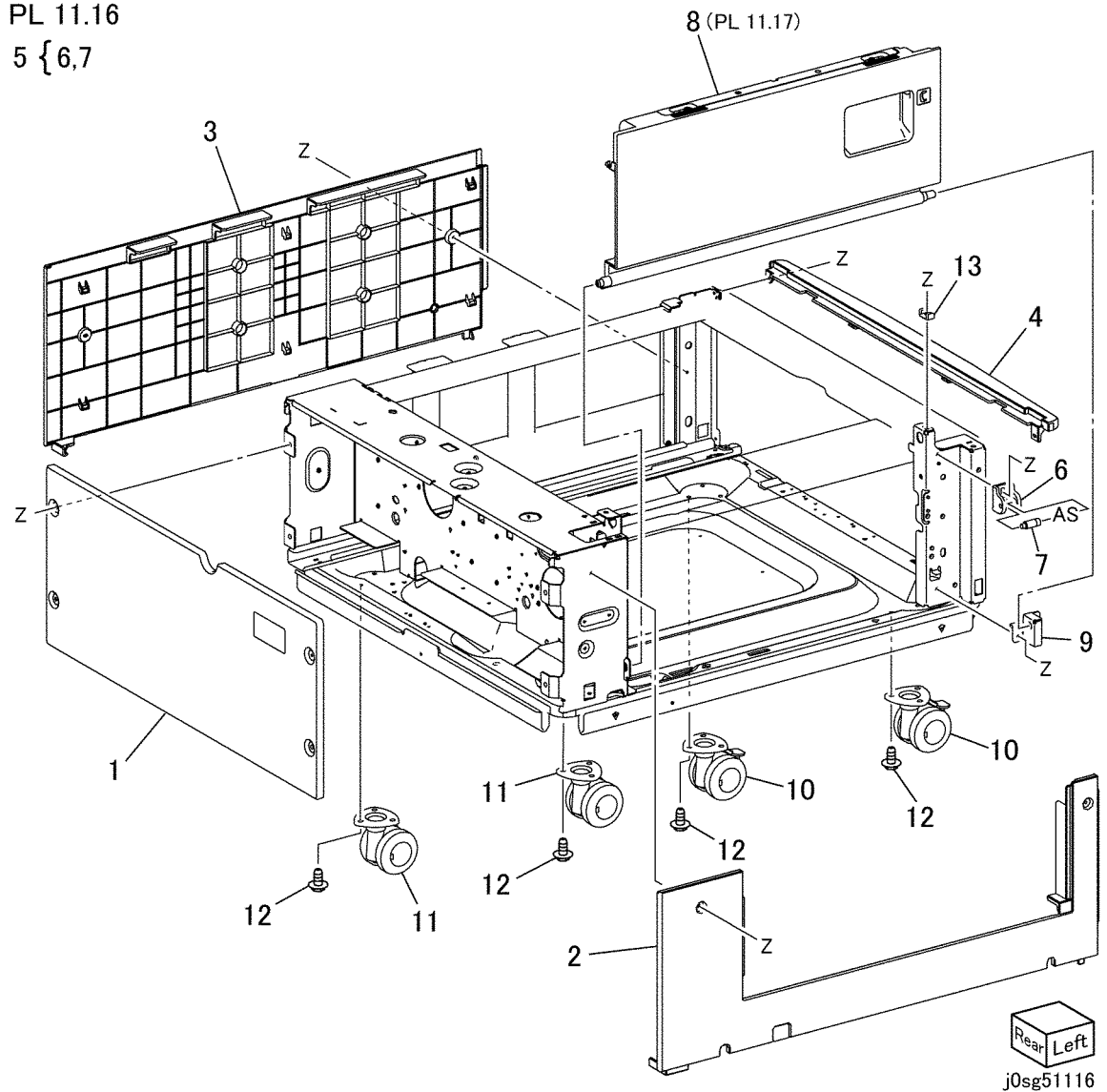


j0sg51115

# PL 11.16 Cover

Item	Part	Description
1	-	Rear Cover (Not Spared)
2	-	Left Cover (Not Spared)
3	-	Right Cover (Not Spared)
4	-	Top Cover (Not Spared)
5	-	Latch Assembly (Not Spared) (Includes Items 6, 7)
6	-	Latch (P/O PL 11.16 Item 5)
7	-	Shaft (P/O PL 11.16 Item 5)
8	848K49451	L/H Cover Assembly (REF: PL 11.17)
9	-	Pivot Bracket (Not Spared)
10	417W41349	Locking Caster
11	417W41449	Caster
12	-	Screw (Not Spared)
13	-	Support Block (Not Spared)

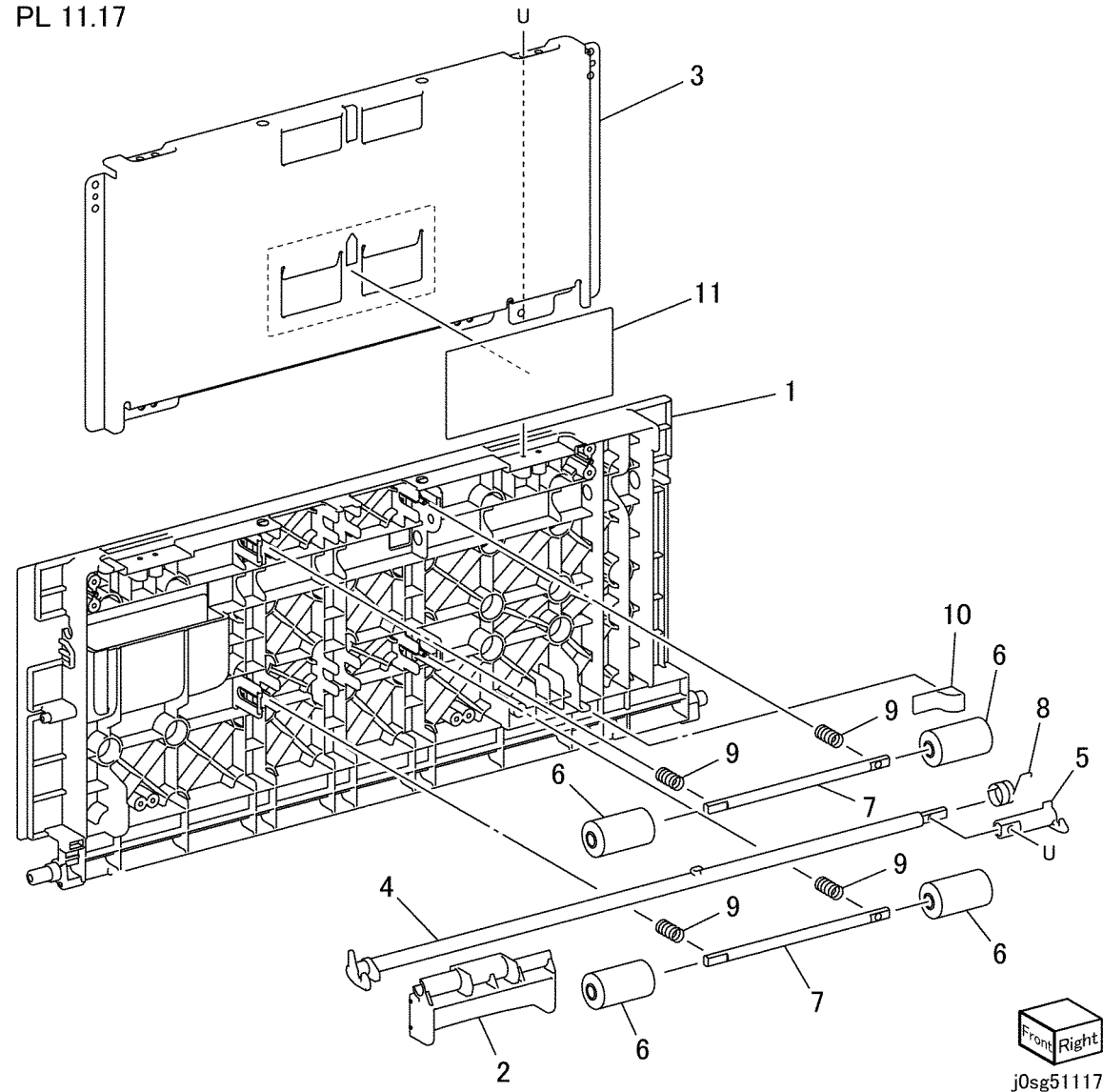
PL 11.16  
5 { 6,7



## PL 11.17 L/H Cover Assembly

Item	Part	Description
1	-	L/H Cover (Not Spared)
2	-	Handle (Not Spared)
3	-	L/H Chute (Not Spared)
4	-	Latch (Not Spared)
5	-	Hook (Not Spared)
6	059E99241	Pinch Roll
7	-	Pinch Shaft (Not Spared)
8	-	Latch Spring (Not Spared)
9	-	Pinch Spring (Not Spared)
10	-	Gasket (Not Spared)
11	-	Label (Not Spared)

PL 11.17



## PL 13.1 MSI Assembly

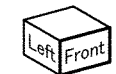
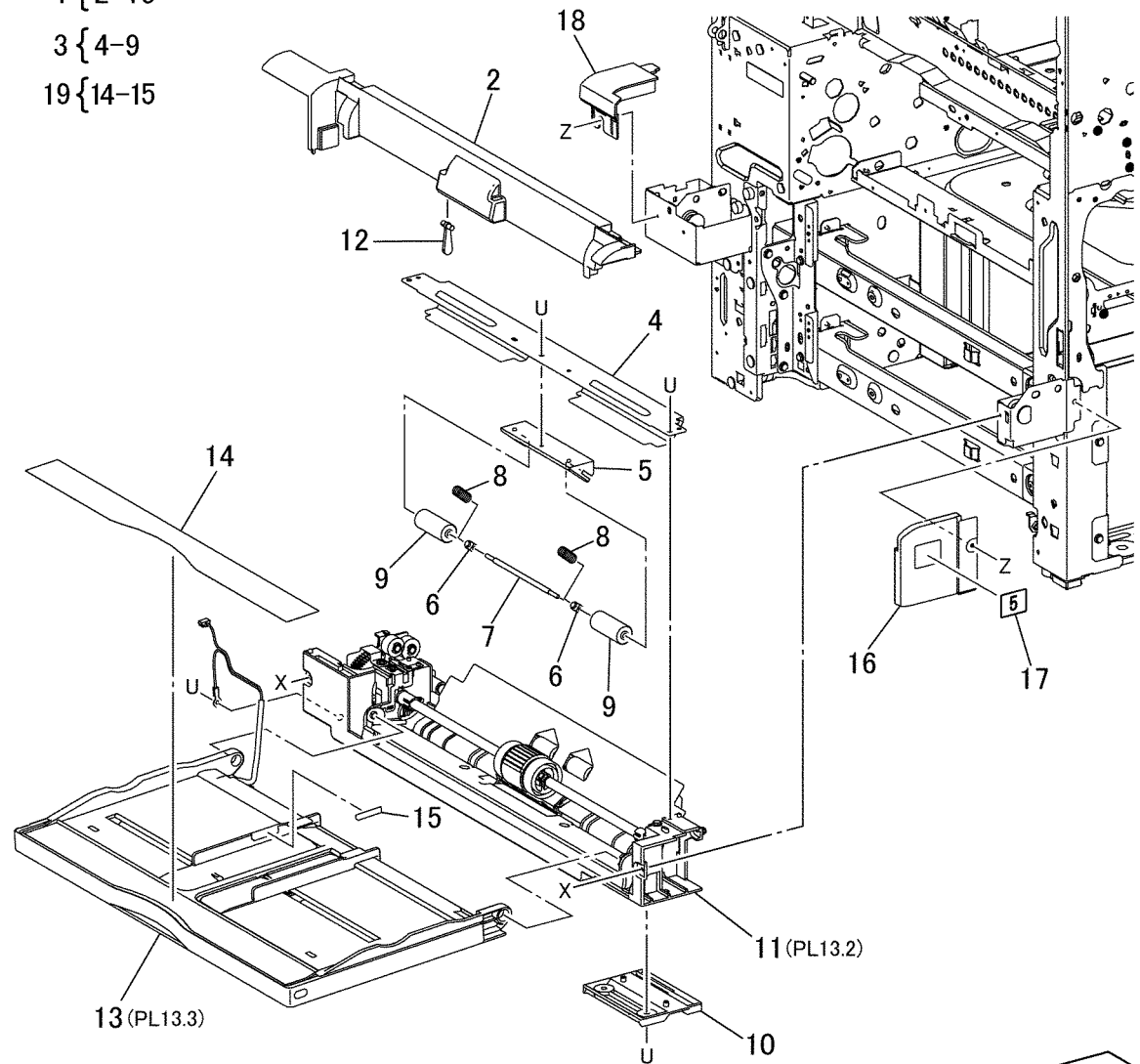
Item	Part	Description
1	059K71260	MSI Assembly (Includes Items 2-15) (REP 7.2)
2	—	MSI Top Cover (P/O PL 13.1 Item 1)
3	054K45960	Pinch Chute Assembly (Includes Items 4-9)
4	—	Pinch Chute (P/O PL 13.1 Item 3)
5	—	Pinch Guide (P/O PL 13.1 Item 3)
6	—	Pinch Spring Spacer (P/O PL 13.1 Item 3)
7	—	Pinch Shaft (P/O PL 13.1 Item 3)
8	—	Pinch Spring (P/O PL 13.1 Item 3)
9	—	Pinch Roll (P/O PL 13.1 Item 3)
10	—	MSI Front Handle (P/O PL 13.1 Item 1)
11	—	MSI Lower Assembly (P/O PL 13.1 Item 1)
12	120E32540	Actuator
13	050K67000	MSI Front Handle (REF: PL 13.3)
14	—	INST Label (P/O PL 13.1 Item 19)
15	—	Max Label (P/O PL 13.1 Item 19)
16	—	MSI Front Cover (Not Spared)
17	—	Number Label (Not Spared)
18	—	MSI Rear Cover (Not Spared)
19	604K68210	Label Kit (Includes Items 14, 15)

### PL13.1

1 { 2-15

3 { 4-9

19 { 14-15



j0sg51301b



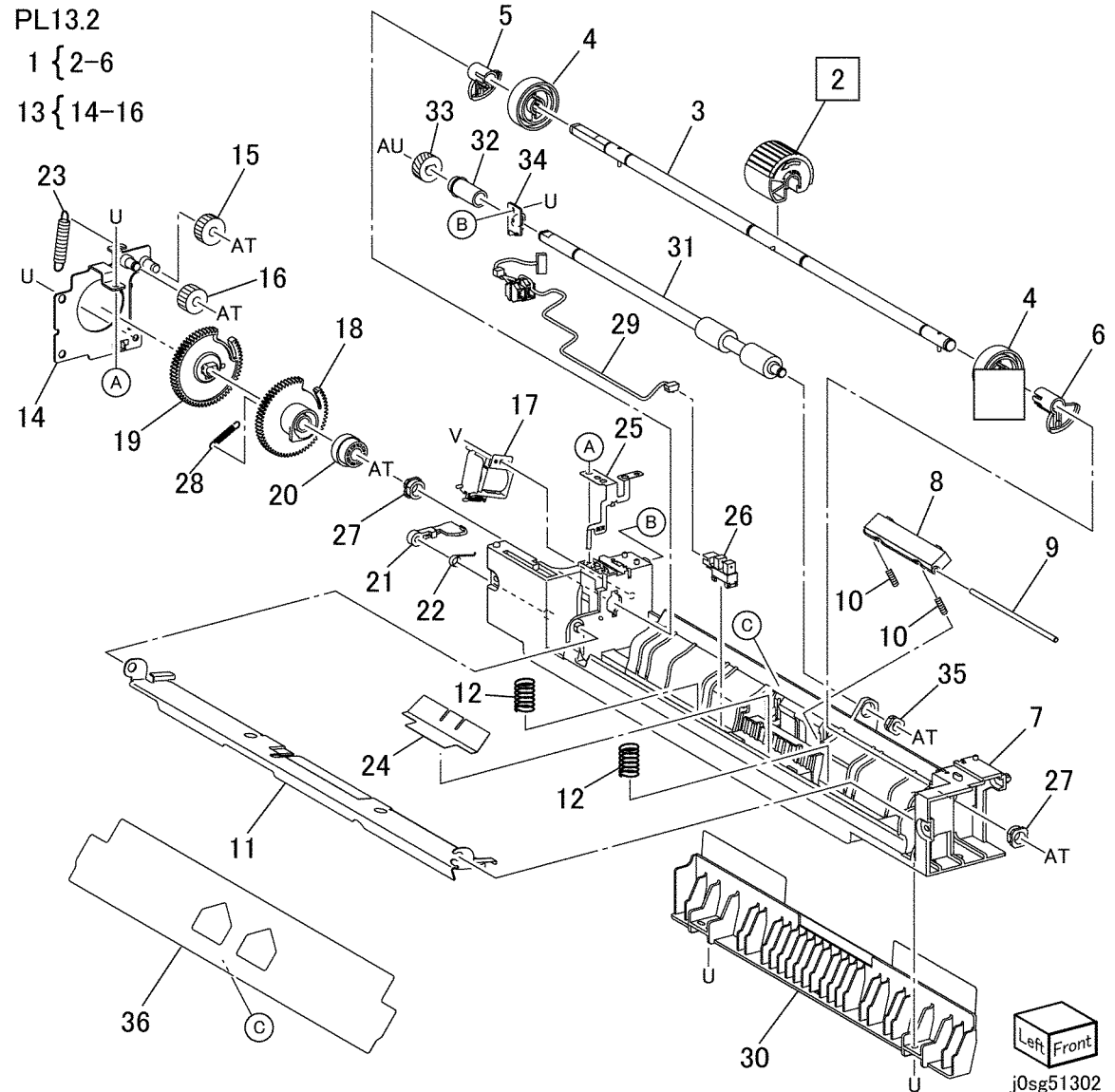
## PL 13.2 Lower Frame Assembly

Item	Part	Description
1	-	Feed Roll Assembly (Not Spared) (Includes Items 2-6)
2	059K40654	Feed Roll (REP 8.6)
3	-	Feed Shaft Assembly (P/O PL 13.2 Item 1)
4	-	Core Roll (P/O PL 13.2 Item 1)
5	-	Rear Lift Up Cam (P/O PL 13.2 Item 1)
6	-	Front Lift Up Cam (P/O PL 13.2 Item 1)
7	-	MSI Lower Frame (Not Spared)
8	019K09420	MSI Retard Pad
9	-	Retard Shaft (Not Spared)
10	-	Pad Spring (Not Spared)
11	815K04480	Bottom Plate
12	-	Spring (Not Spared)
13	049K07430	Drive Bracket Assembly (Includes Items 14-16)
14	-	Bracket (P/O PL 13.2 Item 13)
15	-	Idle Gear 18T (P/O PL 13.2 Item 13)
16	-	Gear 20T (P/O PL 13.2 Item 13)
17	121E92780	MSI Feed Solenoid
18	-	Gear Cam (Not Spared)
19	-	Pick Up Gear (Not Spared)
20	-	Stopper (Not Spared)
21	011E25210	Drive Lever
22	-	Spring (Not Spared)
23	-	Spring (Not Spared)
24	-	MSI Paper Guide (Not Spared)
25	-	Earth Plate (Not Spared)
26	930W00123	MSI No Paper Sensor
27	-	Bearing Sleeve (Not Spared)
28	-	Spring Gear Cam (Not Spared)
29	962K91070	Harness
30	-	Lower Chute (Not Spared)
31	059K71272	Takeaway Roll
32	-	Collar (Not Spared)
33	-	Gear 18T (Not Spared)
34	-	T/A Guide (Not Spared)
35	413W11660	Sleeve Bearing
36	-	Paper Guide (Not Spared)

PL13.2

1 { 2-6

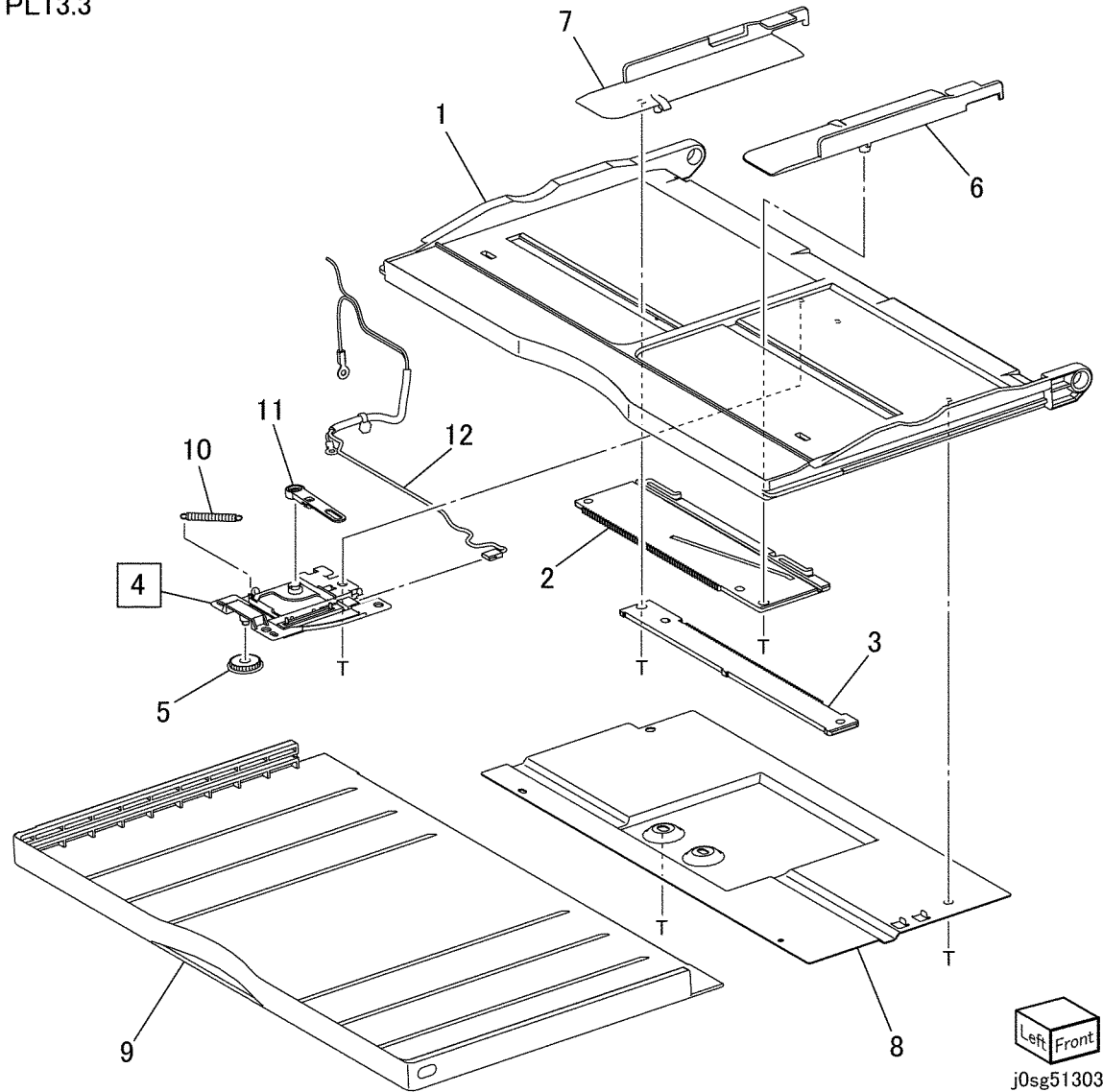
13 { 14-16



## PL 13.3 MSI Tray Assembly

Item	Part	Description
1	-	MSI Tray (Not Spared)
2	-	Front Rack (Not Spared)
3	-	Rear Rack (Not Spared)
4	-	MSI Paper Size Sensor Assembly (Not Spared)
5	-	Pinion Gear (Not Spared)
6	-	Front Side Guide (Not Spared)
7	-	Rear Side Guide (Not Spared)
8	-	Tray Cover (Not Spared)
9	-	Extension Tray (Not Spared)
10	-	Spring (Not Spared)
11	-	Sensor Link (Not Spared)
12	-	Harness (Not Spared)

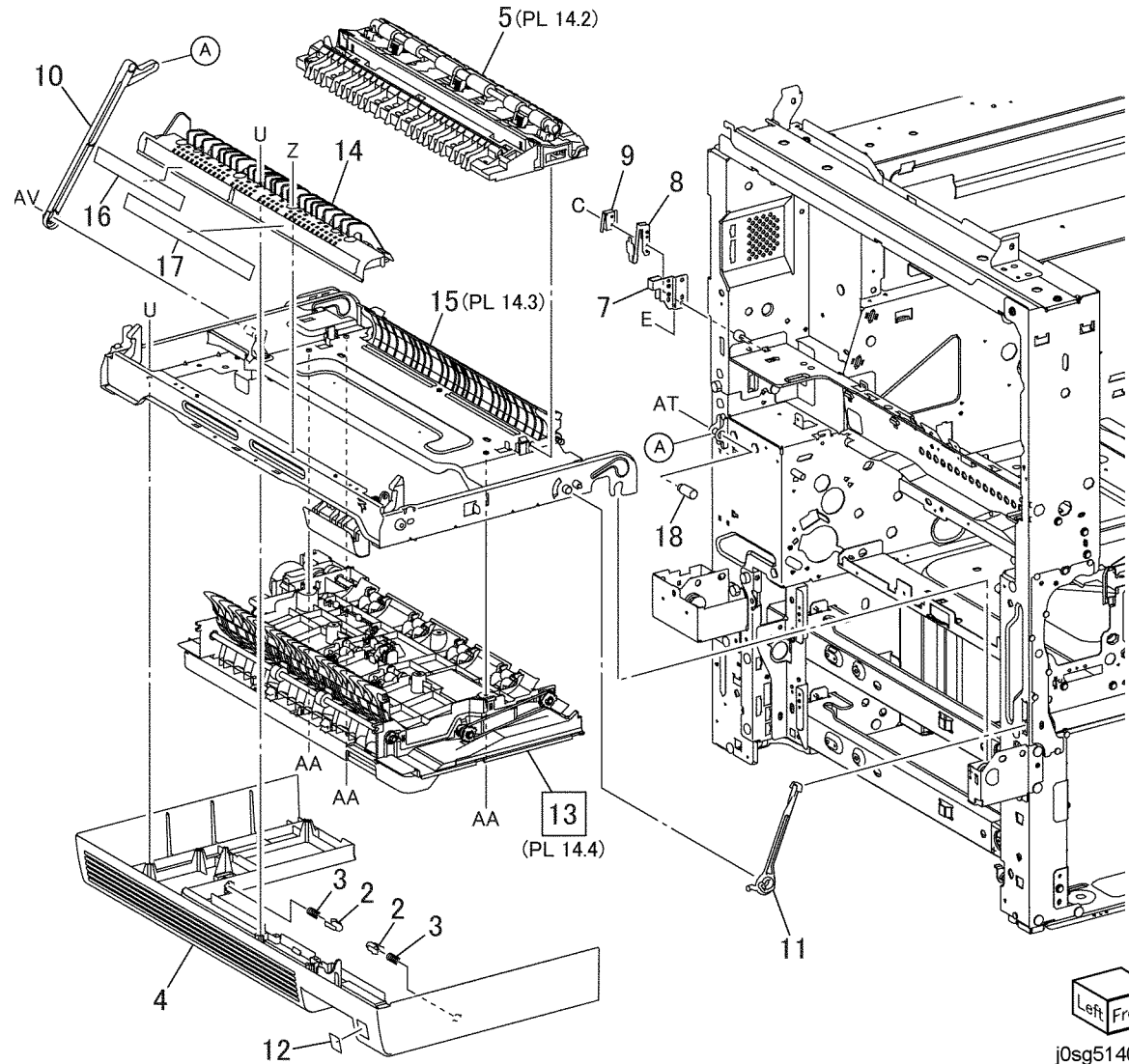
PL13.3



# PL 14.1 L/H Cover Assembly, Duplex Unit

Item	Part	Description
1	848K47760	Cover Kit (Includes Items 2, 3, 4)
2	803E06340	Tray Lock
3	809E91630	Spring
4	848K47770	L/H Cover
5	054K46020	L/H Chute Assembly (REF: PL 14.2)
6	110K16600	L/H Cover Interlock Assembly (Includes Items 7-9)
7	-	Bracket (P/O PL 14.1 Item 6)
8	-	Switch Plate (P/O PL 14.1 Item 6)
9	-	Interlock Switch (P/O PL 14.1 Item 6)
10	849E95630	Rear L/H Support
11	868E48840	Front L/H Support
12	-	Door Label (P/O PL 14.1 Item 15)
13	059K71300	Duplex Assembly (REF: PL 14.4)
14	054E46391	L/H Chute Cover
15	801K47070	L/H Frame (REF: PL 14.3)
16	-	L/H Label (FX) (Not Spared)
17	-	Label (Not Spared)
18	-	Shaft (Not Spared)
19	-	L/H Cover Assembly (Not Spared) (Includes Items 1-5, 10-15)

PL 14.1  
 1 {2,3,4  
 6 {7-9  
 19 {1-5, 10-15

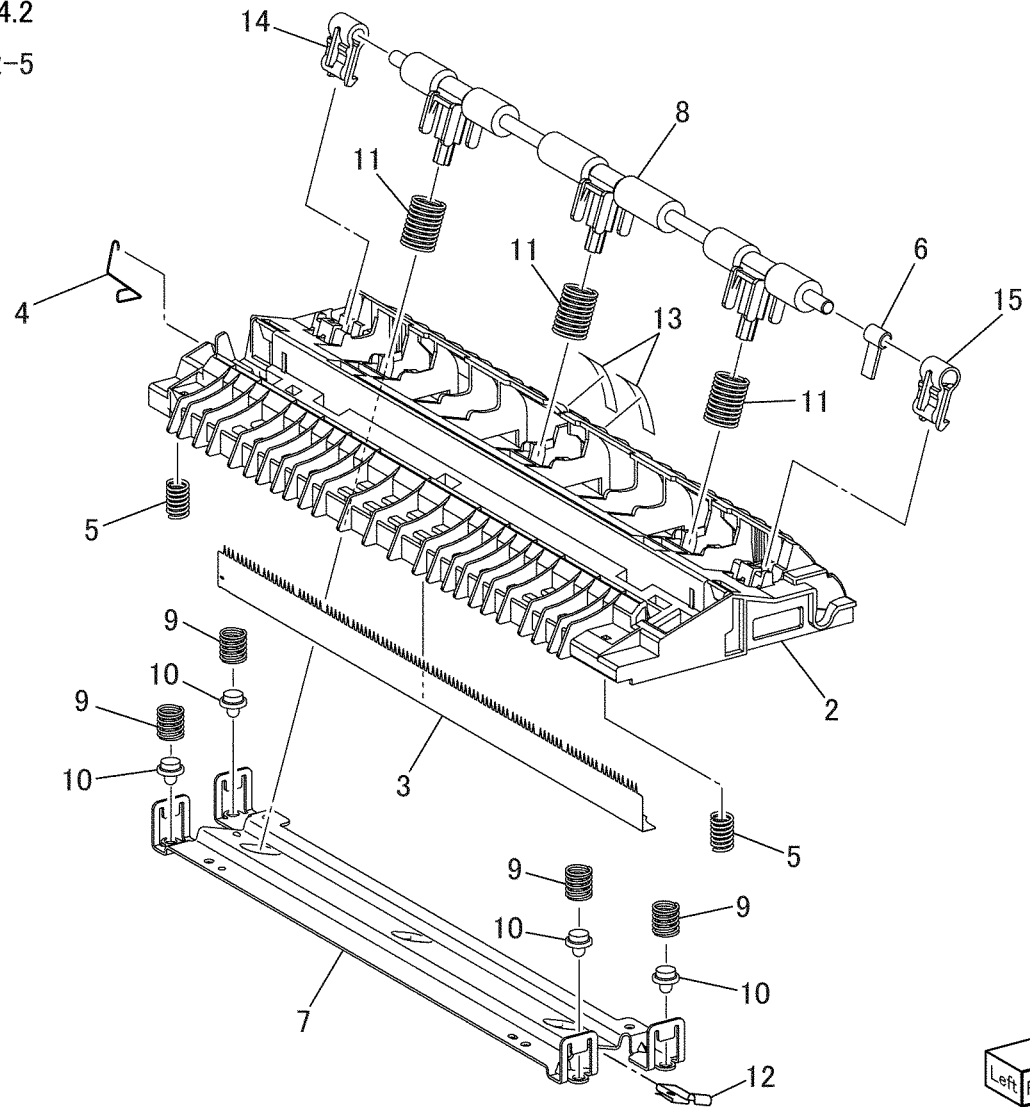


Left Front  
 j0sg51401b

## PL 14.2 L/H Chute Assembly

Item	Part	Description
1	–	BTR Chute Assembly (Not Spared) (Includes Items 2-5)
2	–	BTR Chute (P/O PL 14.2 Item 1)
3	–	Detack Saw (P/O PL 14.2 Item 1)
4	–	DTS Contact Spring (P/O PL 14.2 Item 1)
5	–	Spring (P/O PL 14.2 Item 1)
6	–	Bearing (Not Spared)
7	–	Tie Plate (Not Spared)
8	–	Registration Roll Assembly (Not Spared)
9	–	Spring (Not Spared)
10	–	Guide (Not Spared)
11	–	Pinch Spring (Not Spared)
12	–	Earth Plate (Not Spared)
13	–	Chute Guide (Not Spared)
14	–	Rear Holder (Not Spared)
15	–	Front Holder (Not Spared)

PL14.2  
1 {2-5}

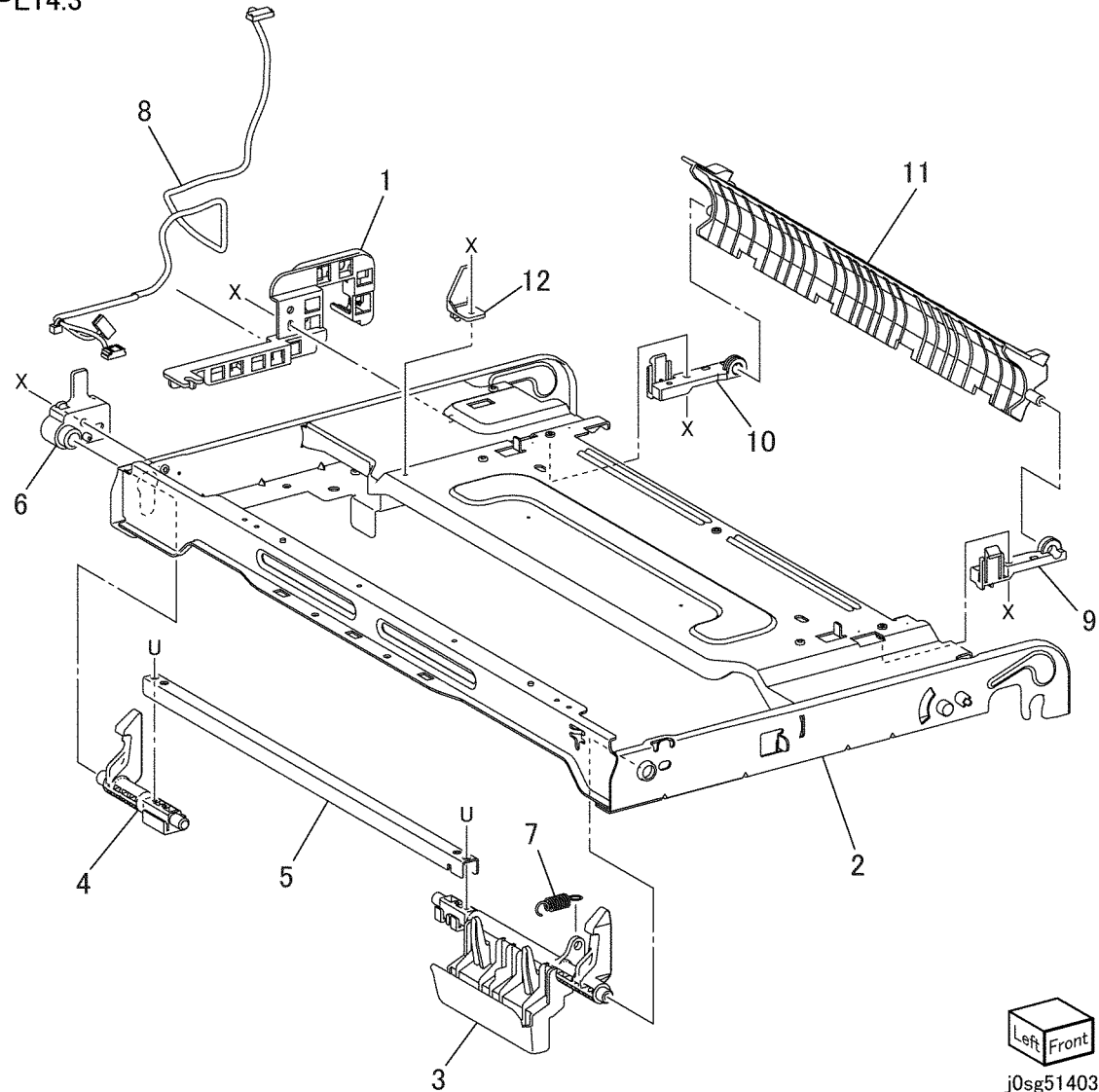


j0sg51402

## PL 14.3 L/H Frame Assembly

Item	Part	Description
1	-	Harness Guide (Not Spared)
2	-	L/H Frame (Not Spared)
3	011E25180	Front Latch Lever
4	011E24180	Rear Latch Lever
5	-	Latch Plate (Not Spared)
6	120E33110	Actuator
7	-	Spring (Not Spared)
8	-	Harness (Not Spared)
9	-	Front BTR Chute Lock (Not Spared)
10	-	Rear BTR Chute Lock (Not Spared)
11	-	Duplex Lower Chute (Not Spared)
12	024E04380	CRU Shutter Rod

PL14.3

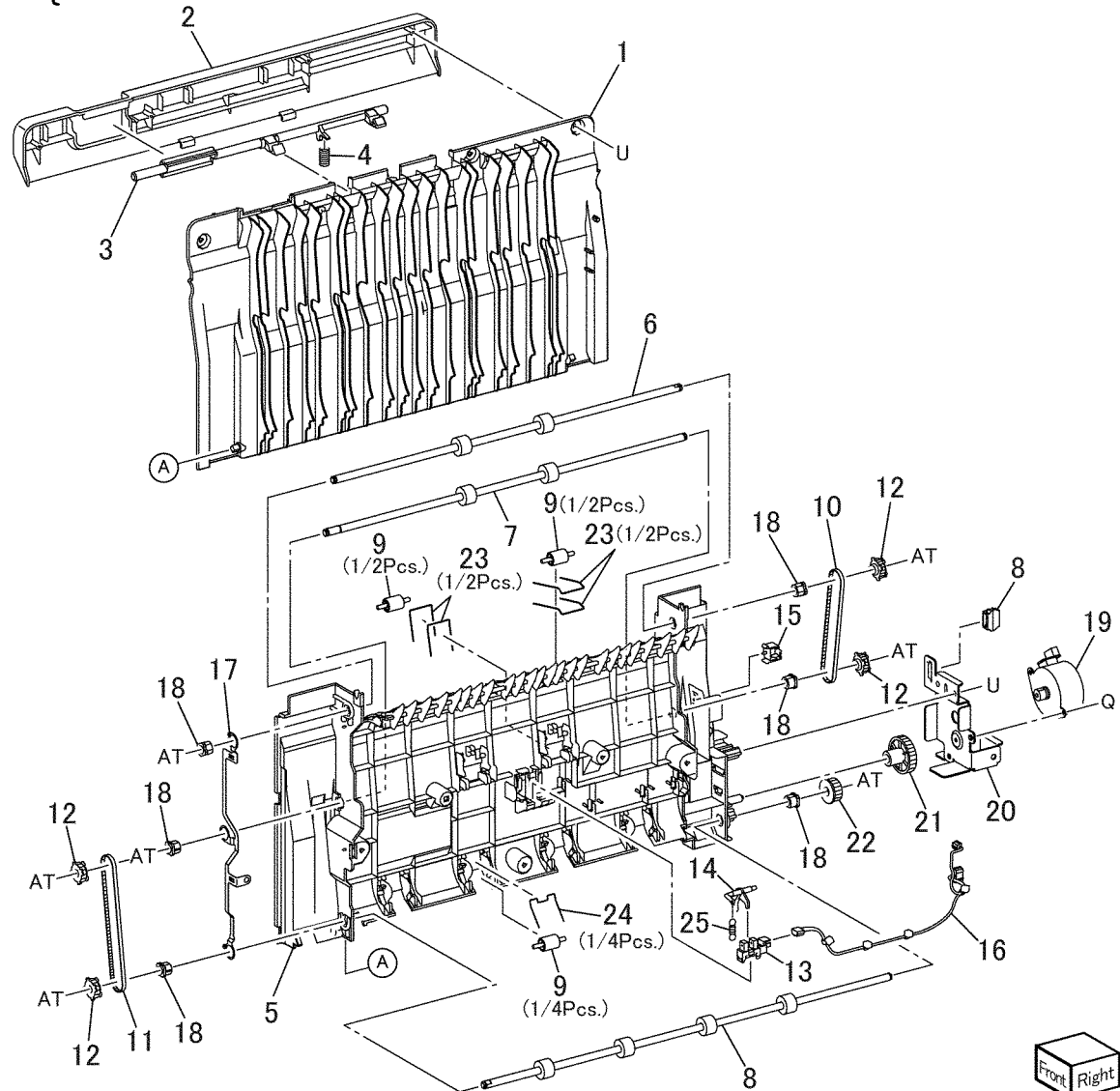


# PL 14.4 Duplex Assembly

Item	Part	Description
1	-	Duplex Cover (P/O PL 14.4 Item 26)
2	-	Lever Cover (P/O PL 14.4 Item 26)
3	-	Duplex Lever (P/O PL 14.4 Item 26)
4	-	Spring (P/O PL 14.4 Item 26)
5	-	Duplex Chute Assembly (Not Spared)
6	-	Duplex Roller 1 (Not Spared)
7	-	Duplex Roller 2 (Not Spared)
8	-	Duplex Roller 3 (Not Spared)
9	-	Duplex Pinch Roller (Not Spared)
10	-	Dup Belt 1 (Not Spared)
11	-	Dup Belt 2 (Not Spared)
12	-	Pulley (26T) (Not Spared)
13	930W00123	Duplex Sensor (REP 10.2)
14	-	Sensor Actuator (Not Spared)
15	110E11580	Duplex Cover Interlock Switch
16	-	Wire Harness (Not Spared)
17	-	Duplex Conductor (Not Spared)
18	-	Bearing (Not Spared)
19	127K58390	Duplex Motor (REP 10.1)
20	-	Bracket Assembly (Not Spared)
21	-	Idle Gear (13T/46T) (Not Spared)
22	-	Gear (Not Spared)
23	-	Spring (Not Spared)
24	-	Spring (Not Spared)
25	-	Spring (Not Spared)
26	848K47760	Cover Assembly (Includes Items 1-4)

PL14.4

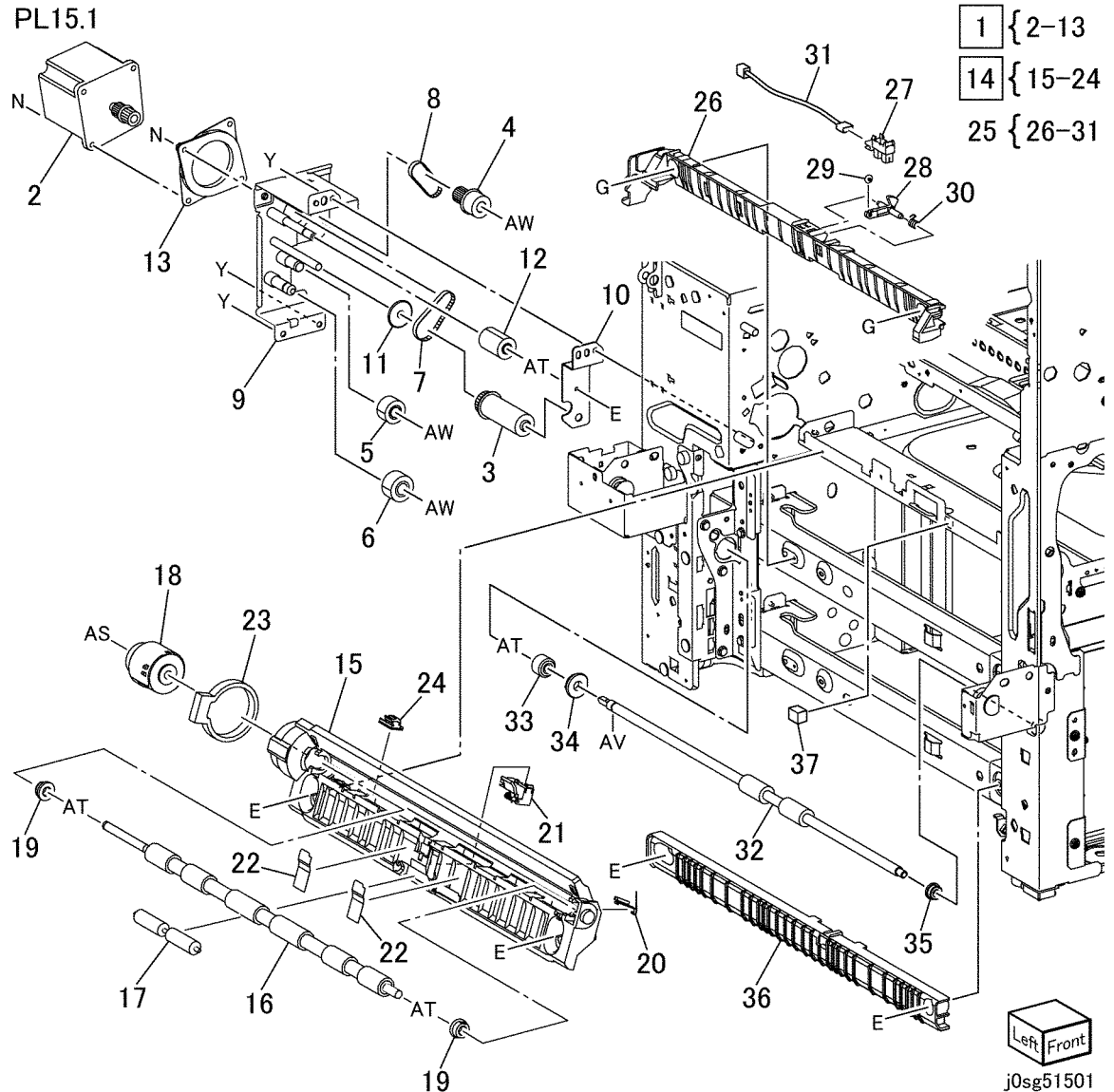
26 {1-4



j0sg51404b

# PL 15.1 Registration (1of2)

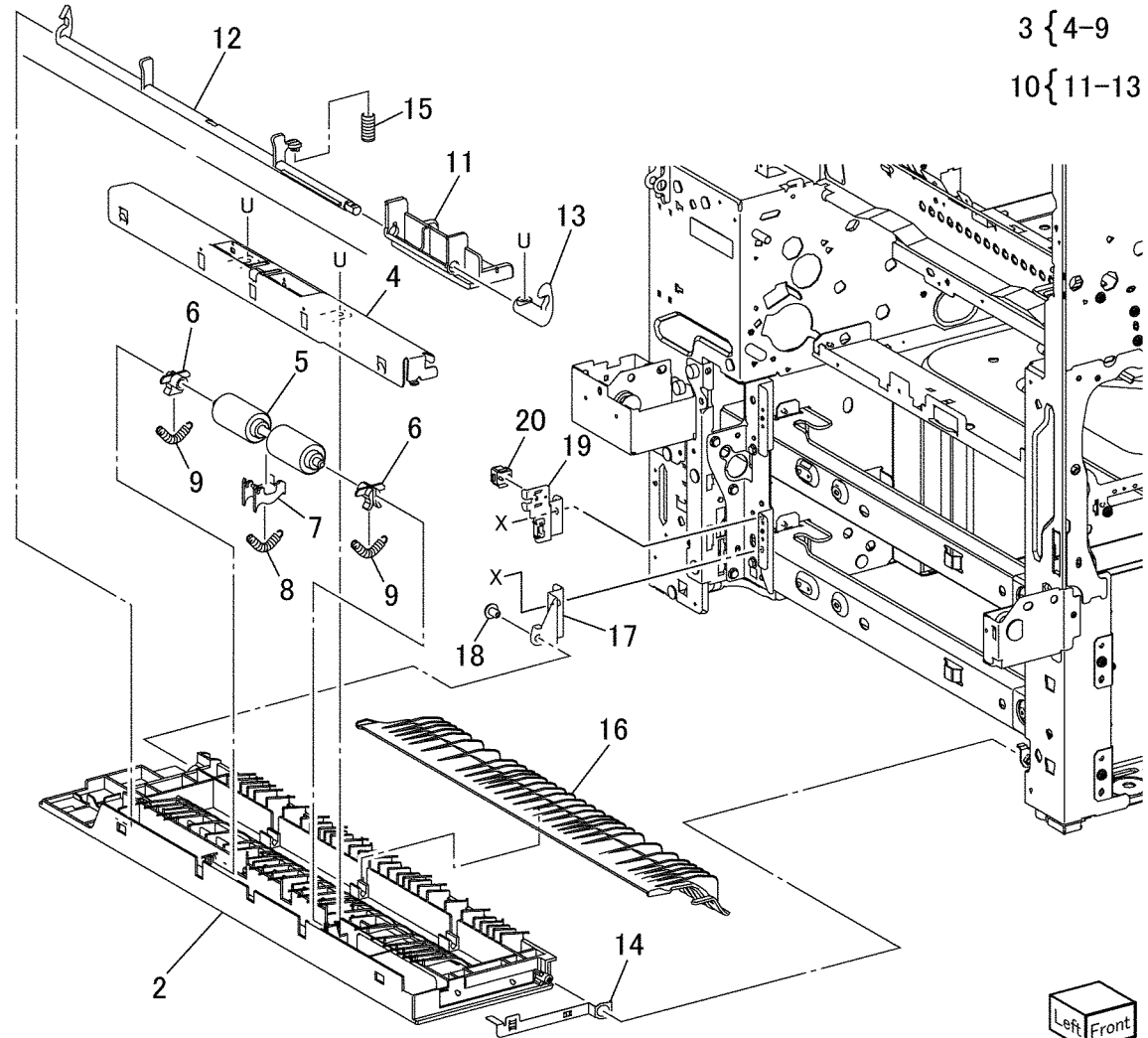
Item	Part	Description
1	127K63910	Takeaway Motor Assembly (Includes Items 2-13) (REP 8.7)
2	-	Takeaway Motor (P/O PL 15.1 Item 1)
3	-	Gear/Pulley (19T/29T) (P/O PL 15.1 Item 1)
4	-	Gear/Pulley (20T/20T) (P/O PL 15.1 Item 1)
5	-	Gear (20T) (P/O PL 15.1 Item 1)
6	-	Gear (23T) (P/O PL 15.1 Item 1)
7	-	Belt (P/O PL 15.1 Item 1)
8	-	Belt (P/O PL 15.1 Item 1)
9	-	Bracket (P/O PL 15.1 Item 1)
10	-	Gear Bracket (P/O PL 15.1 Item 1)
11	-	Collar (P/O PL 15.1 Item 1)
12	-	Gear (19T) (P/O PL 15.1 Item 1)
13	-	Motor Damper (P/O PL 15.1 Item 1)
14	059K71651	Registration Transport Assembly (Includes Items 15-24) (REP 10.12)
15	-	Registration Chute (P/O PL 15.1 Item 14)
16	-	Registration Roll Assembly (P/O PL 15.1 Item 14)
17	-	Idler Roller (P/O PL 15.1 Item 14)
18	121K37450	Registration Clutch Assembly
19	-	Bearing (P/O PL 15.1 Item 14)
20	-	Earth Plate (P/O PL 15.1 Item 14)
21	130K64270	Registration Sensor
22	-	Paper Guide (P/O PL 15.1 Item 14)
23	-	Seal (P/O PL 15.1 Item 14)
24	-	Clamp (P/O PL 15.1 Item 14)
25	054K46431	Takeaway Chute Assembly (Includes Items 26-31)
26	-	Takeaway Chute (P/O PL 15.1 Item 25)
27	930W00113	Feed Out Sensor and Bracket (Includes Items 14, 15)
28	-	Actuator (P/O PL 15.1 Item 25)
29	059E98780	Actuator Roller
30	-	Spring (P/O PL 15.1 Item 25)
31	-	Wire Harness (P/O PL 15.1 Item 25)
32	059K71200	Takeaway Roller 2
33	807E35950	Gear (18T)
34	013E39690	Bearing
35	-	Bearing (Not Spared)
36	054E46260	Lower Chute
37	-	Block (Not Spared)



## PL 15.2 Registration (2of2)

Item	Part	Description
1	848K47660	Left Lower Chute Cover Assembly (Includes Items 2-16)
2	-	Left Lower Chute Cover (P/O PL 15.2 Item 1)
3	-	L/H Bracket Assembly (P/O PL 15.2 Item 1) (Includes Items 4-9)
4	-	L/H Lower Chute (P/O PL 15.2 Item 3)
5	-	Pinch Roller (P/O PL 15.2 Item 3)
6	-	Bearing (P/O PL 15.2 Item 3)
7	-	Bearing (P/O PL 15.2 Item 3)
8	-	Spring (P/O PL 15.2 Item 3)
9	-	Spring (P/O PL 15.2 Item 3)
10	-	L/H Lower Handle Assembly (P/O PL 15.2 Item 1) (Includes Items 11-13)
11	-	L/H Lower Handle (P/O PL 15.2 Item 10)
12	-	Shaft (P/O PL 15.2 Item 10)
13	-	Front Hook (P/O PL 15.2 Item 10)
14	-	Earth Plate (P/O PL 15.2 Item 1)
15	-	Spring (P/O PL 15.2 Item 1)
16	-	L/H Lower Inner Chute (P/O PL 15.2 Item 1)
17	-	Bracket (Not Spared)
18	-	Rivet (Not Spared)
19	-	Bracket (Not Spared)
20	110E11580	L/H Lower Cover Interlock Switch

PL15.2



1 { 2-16

3 { 4-9

10 { 11-13

Left Front

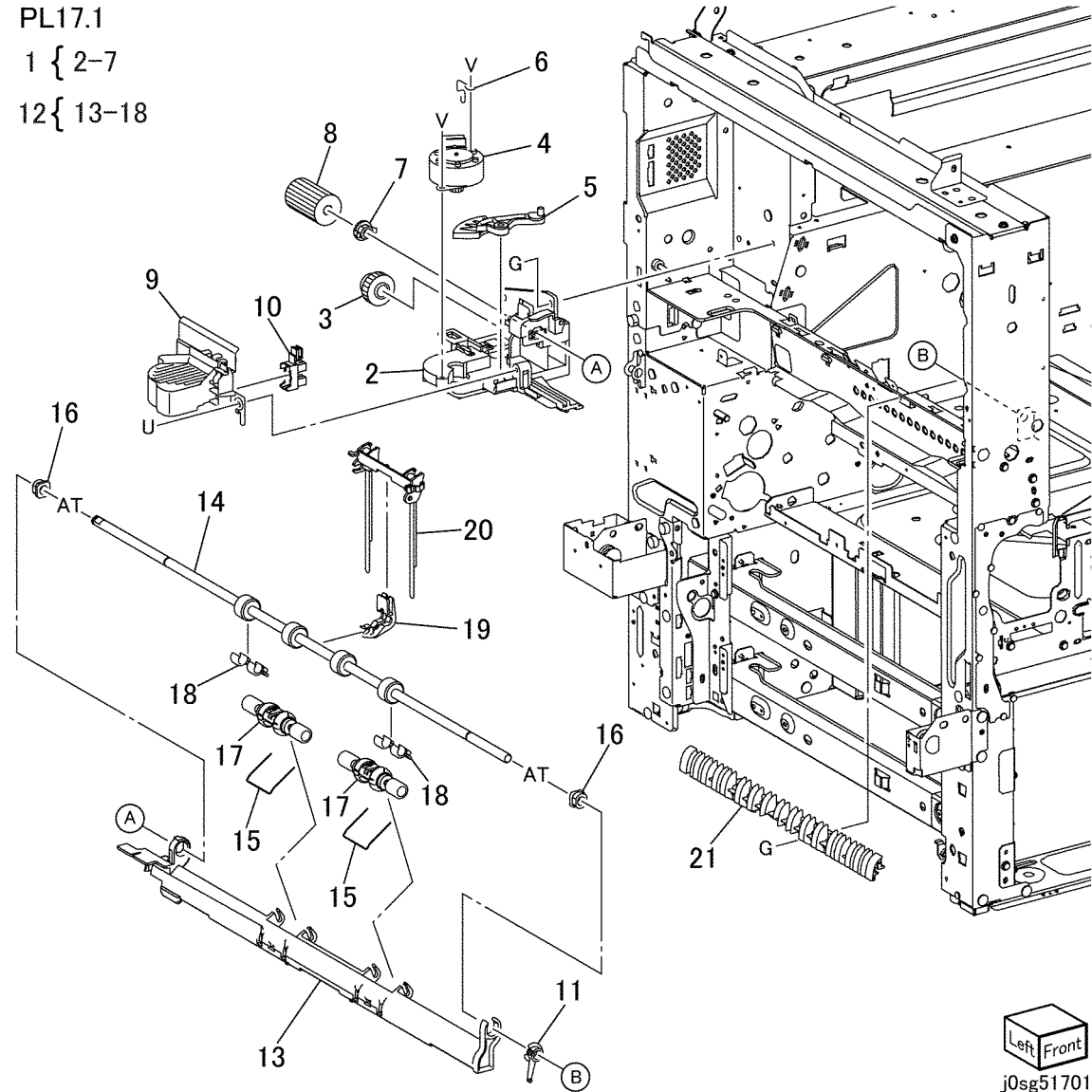
j0sg51502



# PL 17.1 Exit 1

Item	Part	Description
1	801K47080	Exit 1 Base Assembly (Includes Items 2-7)
2	—	Exit 1 Base (P/O PL 17.1 Item 1)
3	—	Exit 1 Gear (P/O PL 17.1 Item 1)
4	127K52280	Offset Motor (REP 10.10)
5	—	Offset Gear (P/O PL 17.1 Item 1)
6	—	Earth Spring (P/O PL 17.1 Item 1)
7	—	Bearing (P/O PL 17.1 Item 1)
8	807E35890	Gear (21T)
9	—	Motor Cover (Not Spared)
10	930W00113	OCT Home Position Sensor (REP 10.11)
11	013E33410	Bearing
12	054K46000	OCT Chute Assembly (Includes Items 13-18)
13	—	OCT Chute (P/O PL 17.1 Item 12)
14	—	OCT Roller (P/O PL 17.1 Item 12)
15	—	Pinch Spring (P/O PL 17.1 Item 12)
16	413W11660	Bearing
17	—	Exit Roller (P/O PL 17.1 Item 12)
18	055E57522	Exit Guard
19	055E58970	Paper Weight Guard
20	036K92030	Paper Weight
21	—	Lower OCT Chute (Not Spared)

PL17.1  
 1 { 2-7  
 12 { 13-18

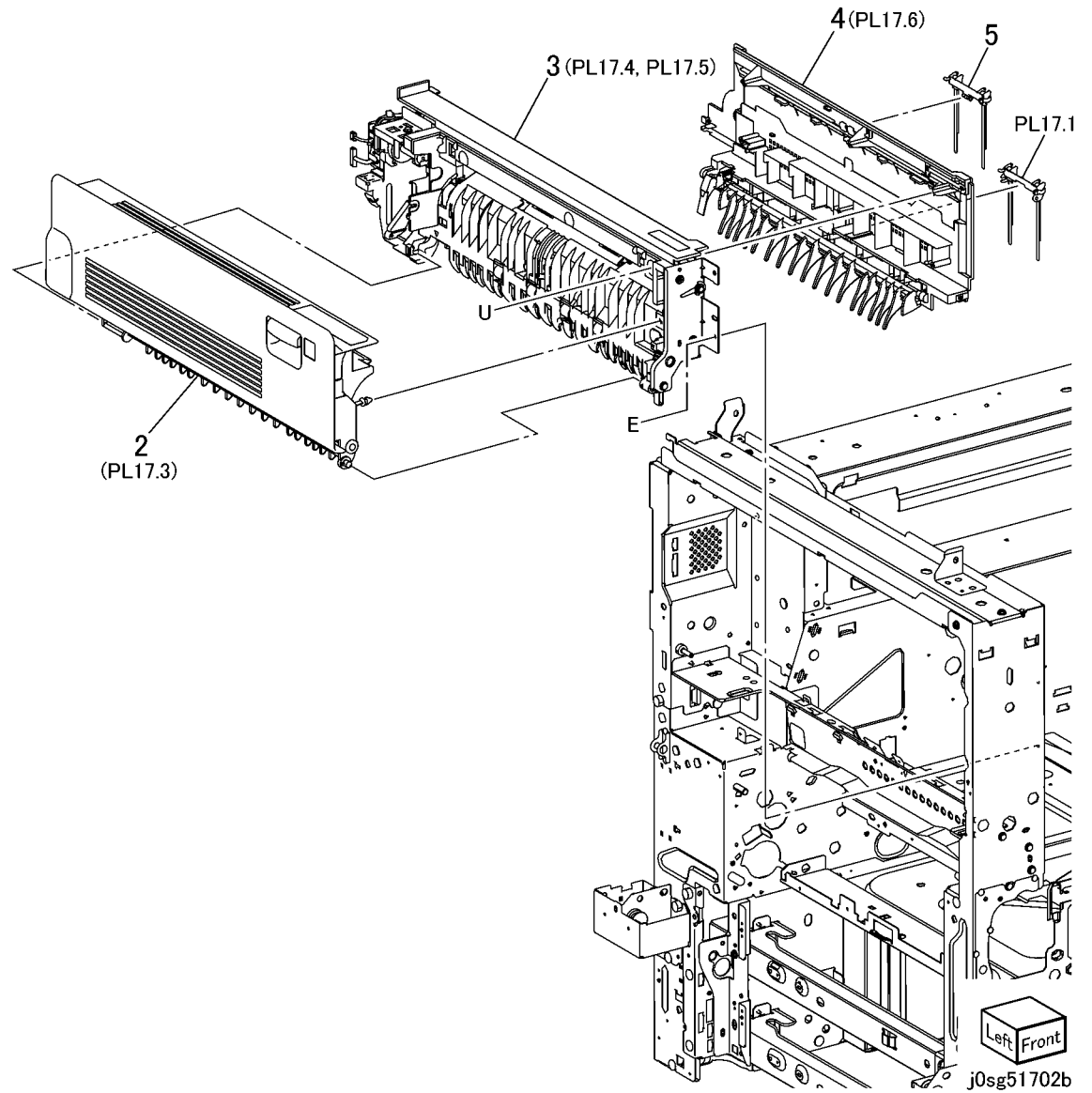


Left Front  
 j0sg51701

## PL 17.2 Exit 2

Item	Part	Description
1	059K71290	Left Upper Cover
2	–	Exit 2 Chute Assembly (REF: PL 17.3)
3	–	Exit 2 Transport and Bracket Assemblies (REF: PL 17.4, PL 17.5)
4	038K20750	Exit 2 Guide Assembly (REF: PL 17.6) (REP 10.5)
5	036K92050	Paper Weight

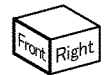
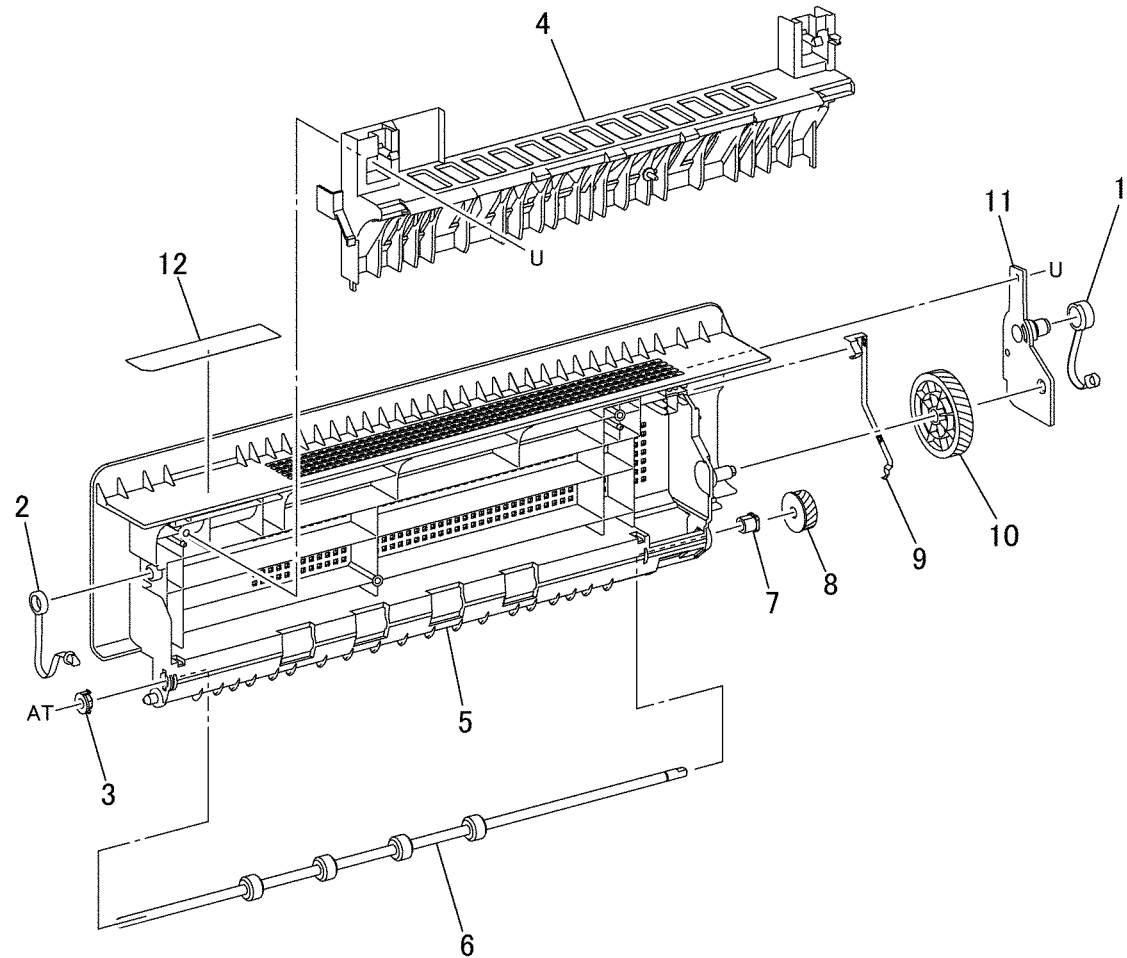
PL17.2  
1 { 2-4



# PL 17.3 Exit 2 Chute Assembly

Item	Part	Description
1	003E75360	Exit 2 Rear Stopper
2	003E76760	Exit 2 Front Stopper
3	-	Bearing (Not Spared)
4	-	Exit 2 Chute (Not Spared)
5	-	L/H High Chute (Not Spared)
6	059K53741	Inverter Roller
7	-	Sleeve Bearing (Not Spared)
8	-	Gear (22T) (Not Spared)
9	-	Earth Plate (Not Spared)
10	-	Gear (52T) (Not Spared)
11	-	Gear Cover (Not Spared)
12	-	Caution Label (Not Spared)

PL17.3

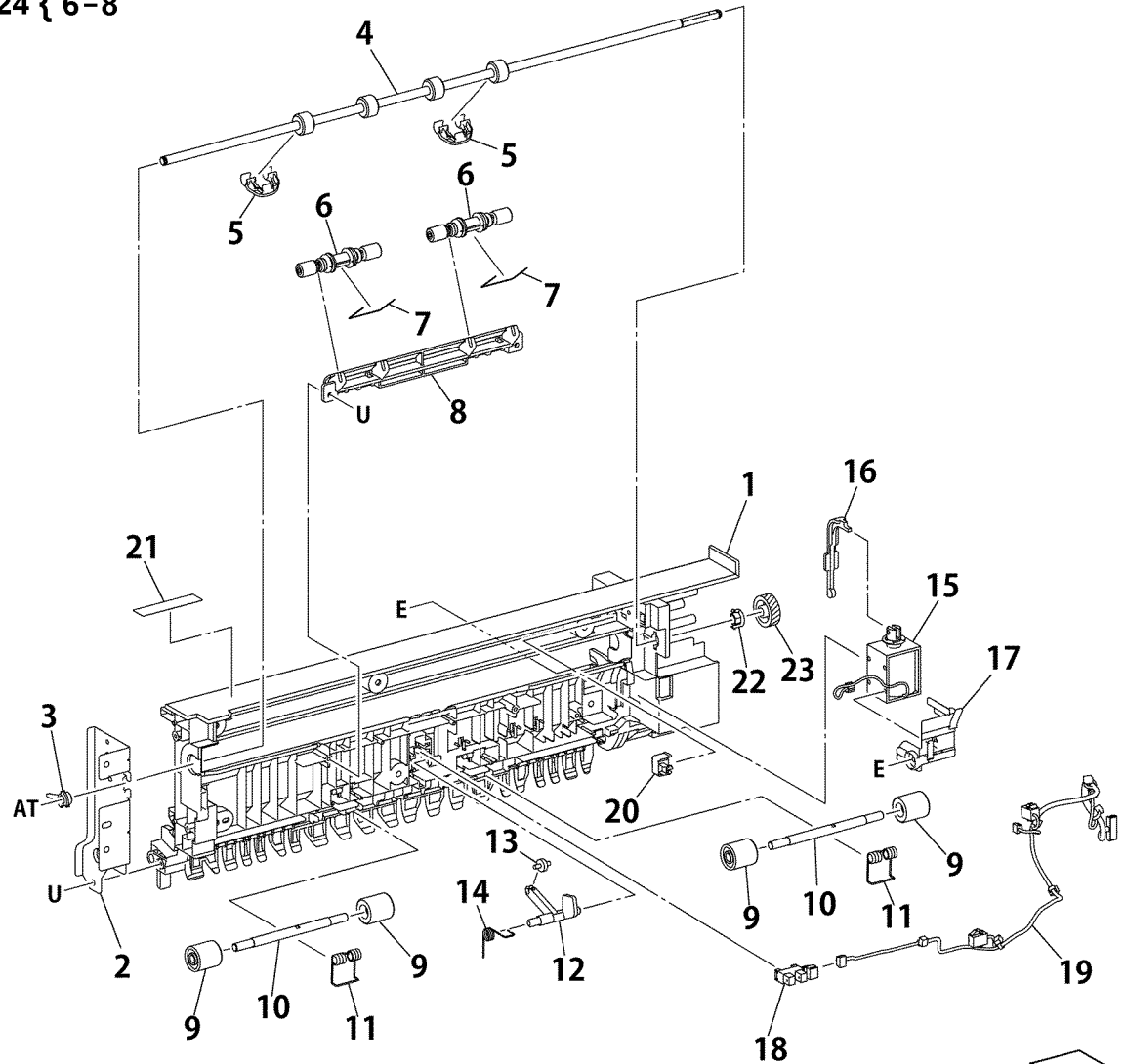


j0sg51703

# PL 17.4 Exit 2 Transport Assembly (1of2)

Item	Part	Description
1	-	Lower 2 Chute (Not Spared) (REP 10.5)
2	-	Bracket (Not Spared)
3	013E33410	Bearing
4	059K66230	Exit 2 Roller
5	055E57522	Exit Guard
6	-	Exit Pinch Roller (P/O PL 17.4 Item 24)
7	-	Exit Pinch Spring (P/O PL 17.4 Item 24)
8	-	Exit Chute (P/O PL 17.4 Item 24)
9	-	Inverter Pinch Roll (Not Spared)
10	-	Inverter Pinch Shaft (Not Spared)
11	809E75460	Spring
12	120E29430	Actuator
13	059E98780	Actuator Roller
14	809E37332	Spring
15	921W11601	Exit Gate Solenoid (REP 10.7)
16	-	Exit Gate Link (Not Spared)
17	-	Solenoid Cover (Not Spared)
18	930W00123	Exit 2 Sensor (REP 10.7)
19	-	Wire Harness (Not Spared)
20	110E11580	L/H High Chute Interlock Switch
21	-	Label (Not Spared)
22	-	Bearing (Not Spared)
23	807E31000	Gear 22T
24	059K73820	Exit Pinch Roll Assembly (Includes Items 6-8)

## PL17.4 24 { 6-8

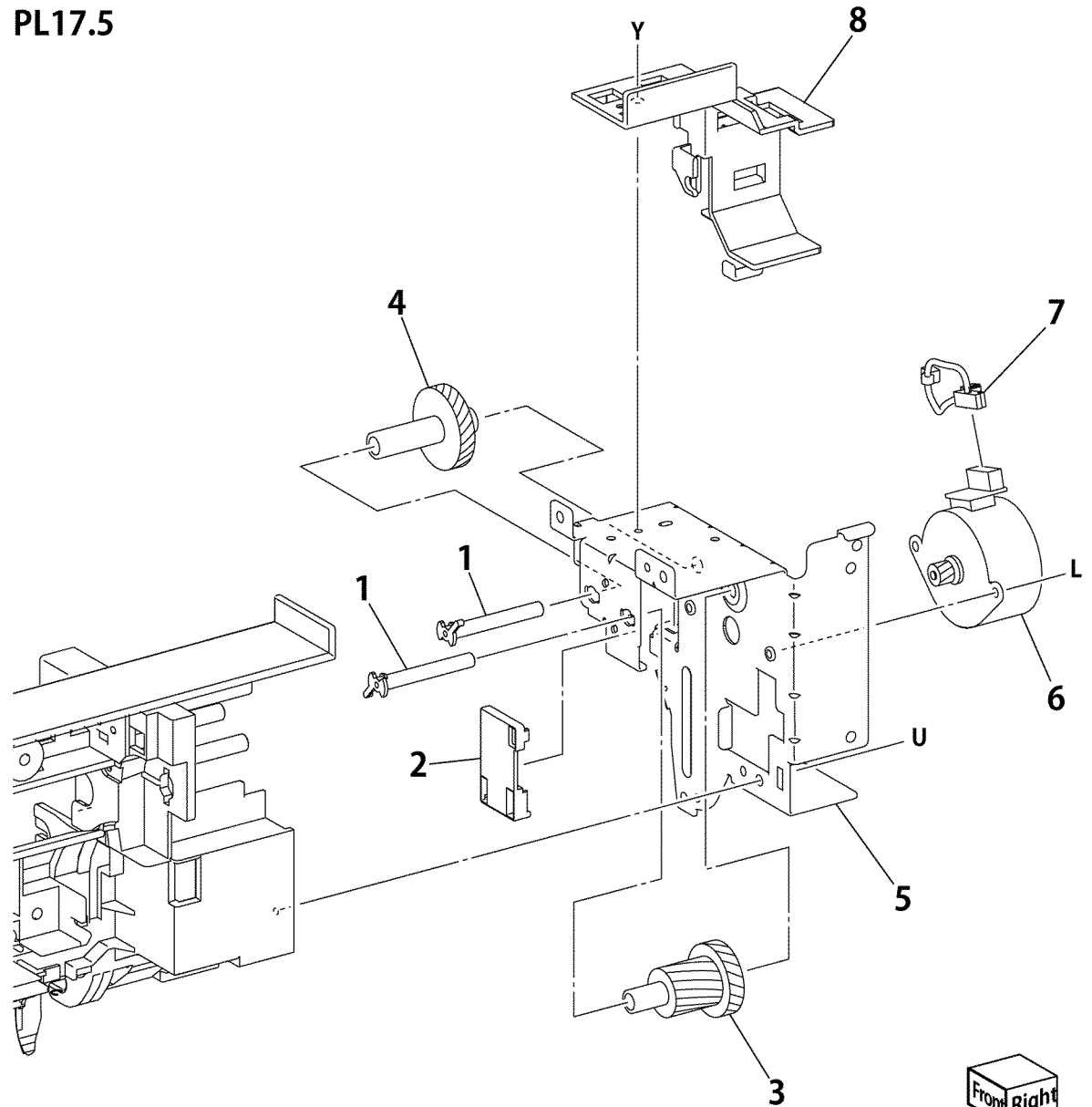


j0sg51704c

# PL 17.5 Exit 2 Bracket Rear Assembly

Item	Part	Description
1	-	Gear Shaft (Not Spared)
2	-	Shaft Cover (Not Spared)
3	-	Gear (16T/48T) (Not Spared)
4	-	Gear (28T) (Not Spared)
5	-	Rear Bracket (Not Spared)
6	127K58400	Exit 2 Motor (REP 10.9)
7	-	Wire Harness (Not Spared)
8	-	Rear Cover (Not Spared)

PL17.5



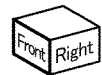
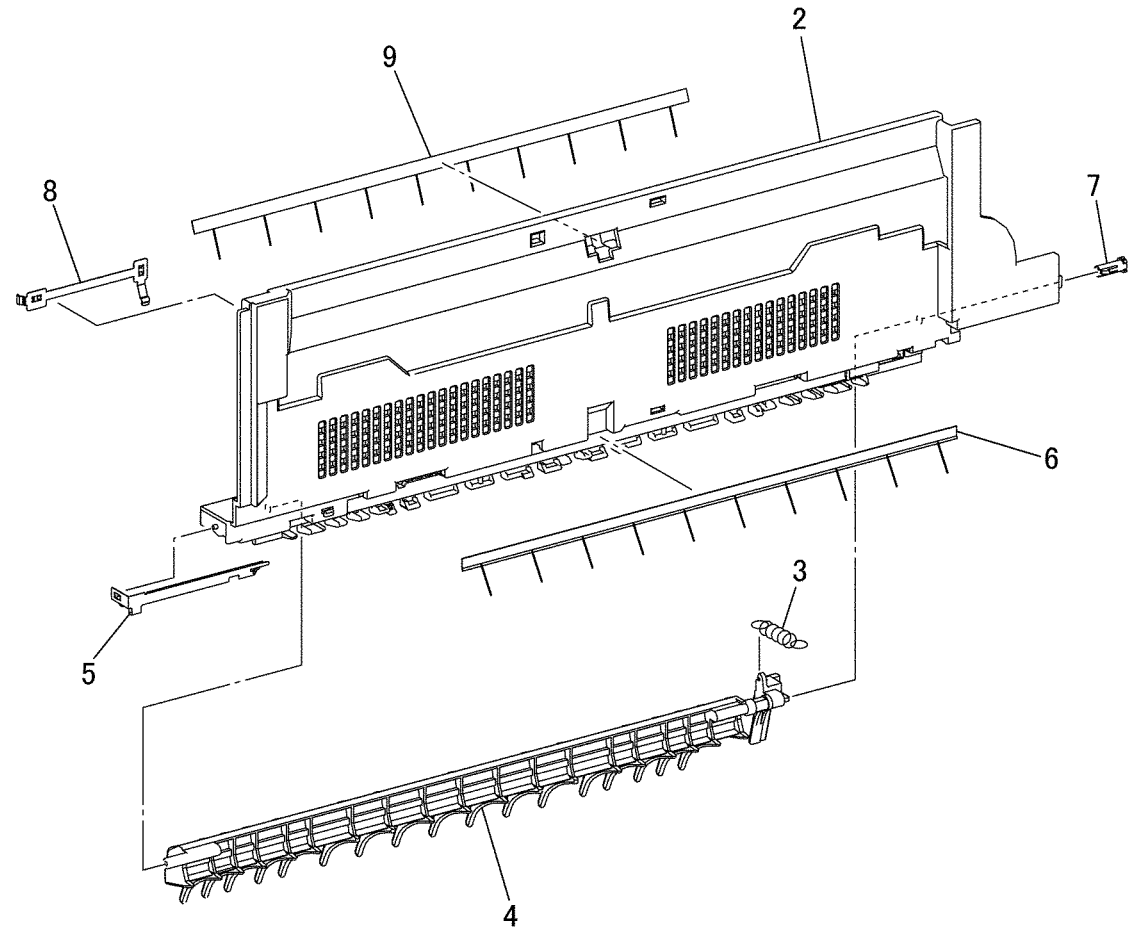
Front Right  
j0sg51705b

## PL 17.6 Exit 2 Guide Assembly (2of2)

Item	Part	Description
1	038K20750	Exit2 Guide Assembly (Includes Items 2-4)
2	-	Tray Guide (P/O PL 17.6 Item 1)
3	-	Gate Spring (P/O PL 17.6 Item 1)
4	-	Exit Gate (P/O PL 17.6 Item 1)
5	-	Earth Plate (Not Spared)
6	-	Exit Eliminator (Not Spared)
7	-	Gate Stopper (Not Spared)
8	-	Exit 2 Earth Plate (Not Spared)
9	-	Exit Eliminator (Not Spared)

PL17.6

1 { 2-4

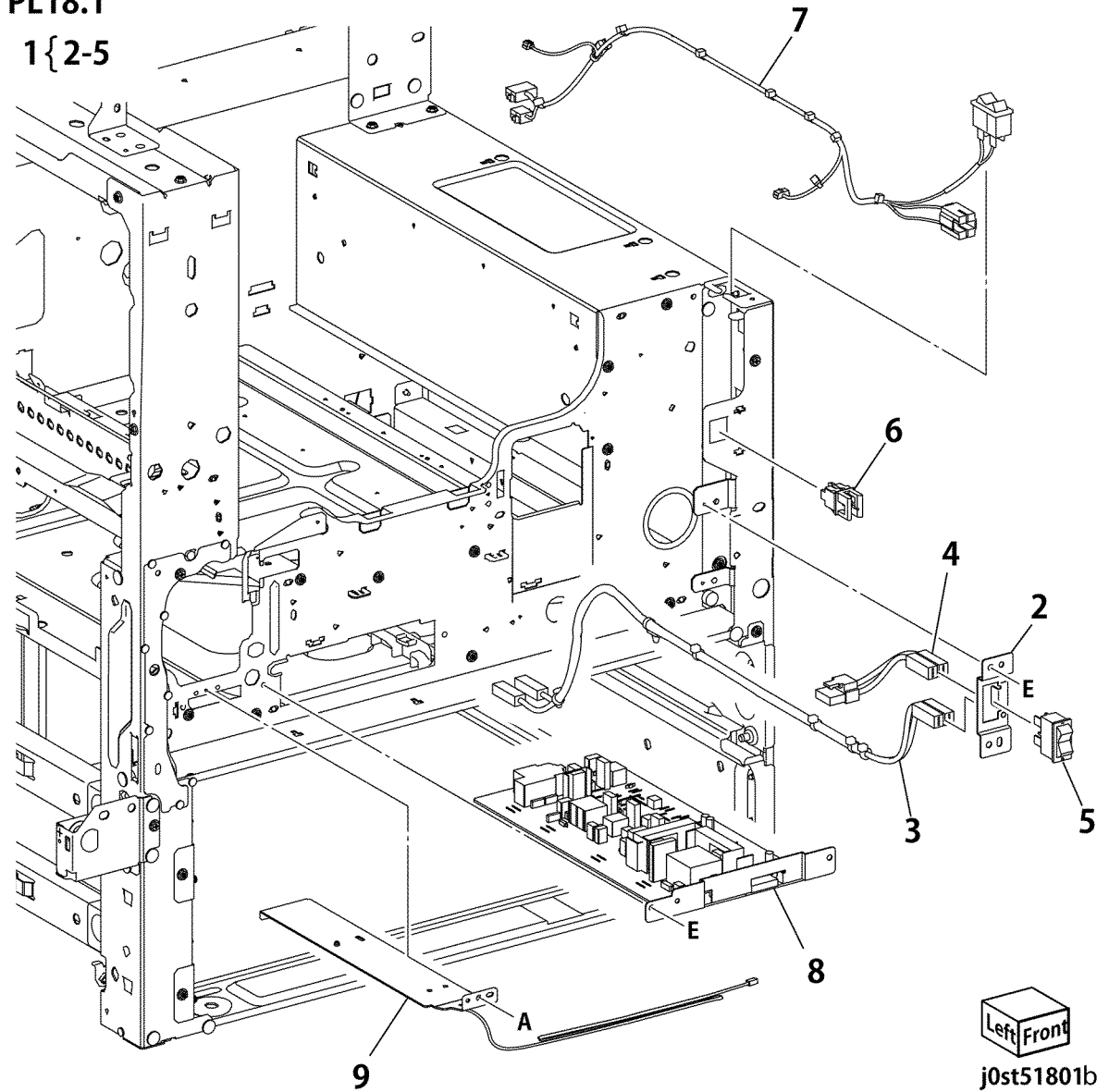


j0sg51706

## PL 18.1 Electrical (1of2)

Item	Part	Description
1	110K16590	Main Power Switch Assembly (Includes Items 2-5)
2	-	Switch Bracket (P/O PL 18.1 Item 1)
3	-	Wire Harness (P/O PL 18.1 Item 1)
4	-	Wire Harness (P/O PL 18.1 Item 1)
5	-	Switch (P/O PL 18.1 Item 1)
6	110E97990	Front Cover Interlock Switch
7	962K90921	Power Switch Assembly
8	105E19860	HVPS (REP 8.4)
9	-	IOT Heater Kit (Not Spared)

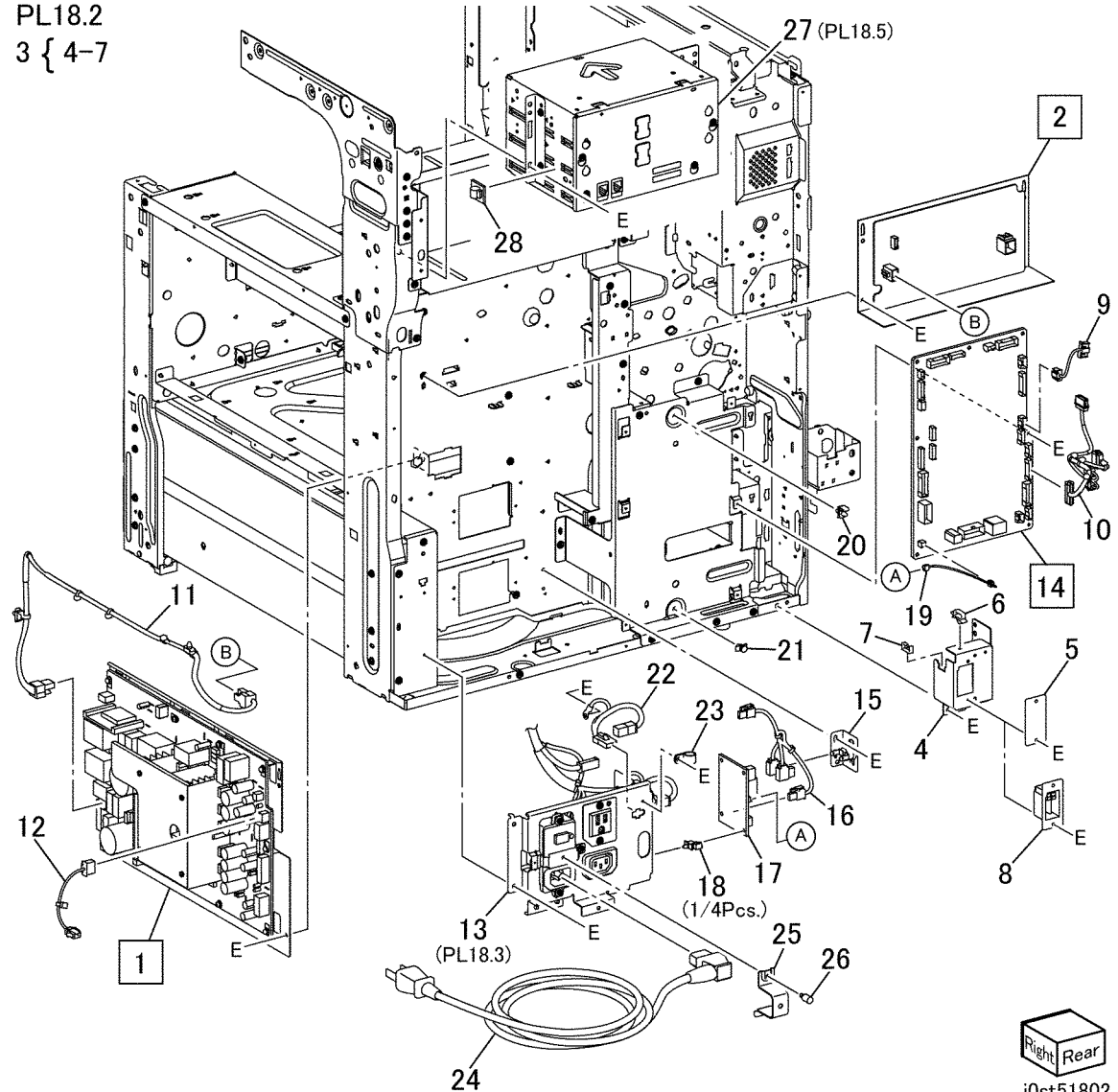
### PL18.1 1 { 2-5



## PL 18.2 Electrical (2of2)

Item	Part	Description
1	105E19980	Main LVPS (REP 3.6)
2	105E17480	AC Drive PWB (110-240V) (REP 3.4)
3	–	HCF Chassis Assembly (Not Spared) (Includes Items 4-7)
4	–	Connector Bracket (P/O PL 18.2 Item 3)
5	–	Blind Plate (P/O PL 18.2 Item 3)
6	920W01210	Clamp
7	–	Edge Bush (P/O PL 18.2 Item 3)
8	–	HCF Harness (HCF: Option) (Not Spared)
9	–	T/M Motor Harness (Not Spared)
10	–	Feeder Harness (Not Spared)
11	–	Fusing Unit Harness (Not Spared)
12	–	LVPS Harness (Not Spared)
13	–	AC Chassis (REF: PL 18.3) (FX, FXTW)
14	960K54911	MCU PWB (REP 3.5)
15	–	(Not Spared)
16	–	(Not Spared)
17	–	(Not Spared)
18	–	PWB Support (Not Spared)
19	–	Relay PWB Harness Assembly (Not Spared)
20	–	PWB Support (Not Spared)
21	–	PWB Support (Not Spared)
22	–	Harness (Not Spared)
23	–	Clamp (Not Spared)
24	917W03002	Power Cord (110V/15A)
–	917W03102	Power Cord (220V)
25	–	Stopper Bracket (Not Spared)
26	–	Thumb Screw (Not Spared)
27	–	Fax Chassis Assembly (REF: PL 18.5)
28	–	Clamp (Not Spared)
29	–	Screw (Not Spared)

PL18.2  
3 { 4-7



Right Rear  
j0st51802

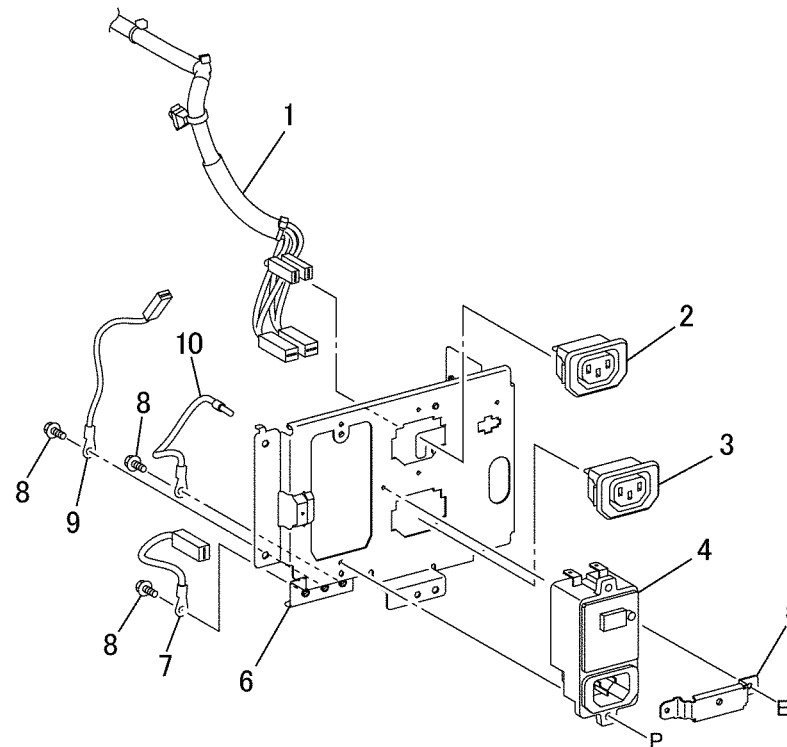


## PL 18.3 AC Chassis Assembly

Item	Part	Description
1	–	AC Out Harness Assembly (P/O PL 18.3 Item 11)
2	–	Outlet (P/O PL 18.3 Item 11)
3	–	Outlet (P/O PL 18.3 Item 11)
4	–	Inlet GFI Breaker (P/O PL 18.3 Item 11)
5	–	GFI Connector Bracket (P/O PL 18.3 Item 11)
6	–	AC Chassis (P/O PL 18.3 Item 11)
7	–	Wire Assembly 1 (P/O PL 18.3 Item 11)
8	–	Screw (P/O PL 18.3 Item 11)
9	–	Wire Assembly 4 (P/O PL 18.3 Item 11)
10	–	Wire Assembly 2 (P/O PL 18.3 Item 11)
11	101K62410	AC Chassis Assembly (110-240V) (Includes Items 1-10)

PL18.3

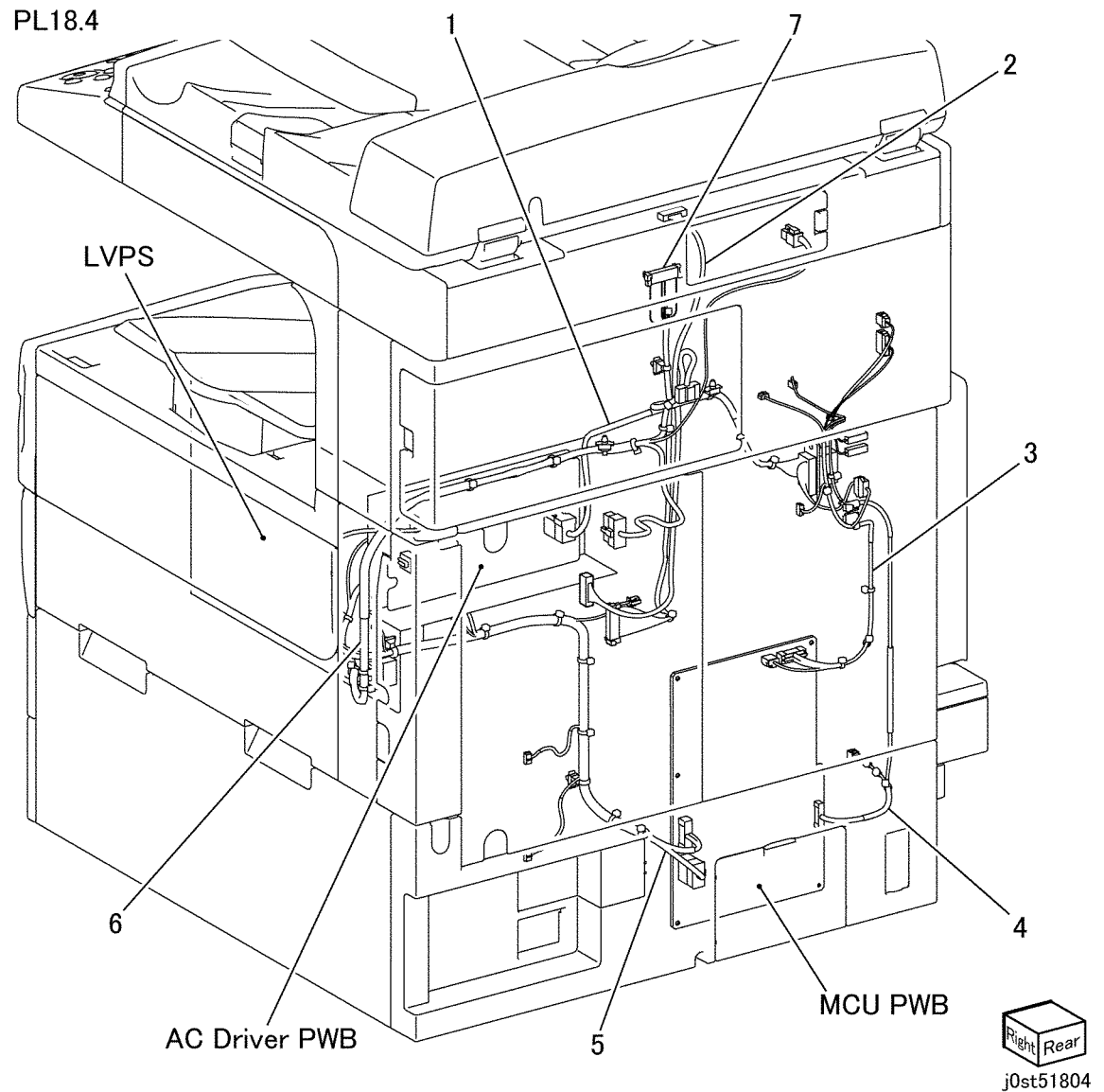
11 { 1-10



j0sg51803b

## PL 18.4 IOT Wire Harness

Item	Part	Description
1	-	AC Fusing Harness (Not Spared)
2	-	IIT-ESS I/O Cable (Not Spared)
3	-	L/H Main Harness (Not Spared)
4	-	Harness (Not Spared)
5	-	DC Power Harness 1 (Not Spared)
6	-	DC Power Harness 2 (Not Spared)
7	-	IIT-ESS Video Cable (Not Spared)

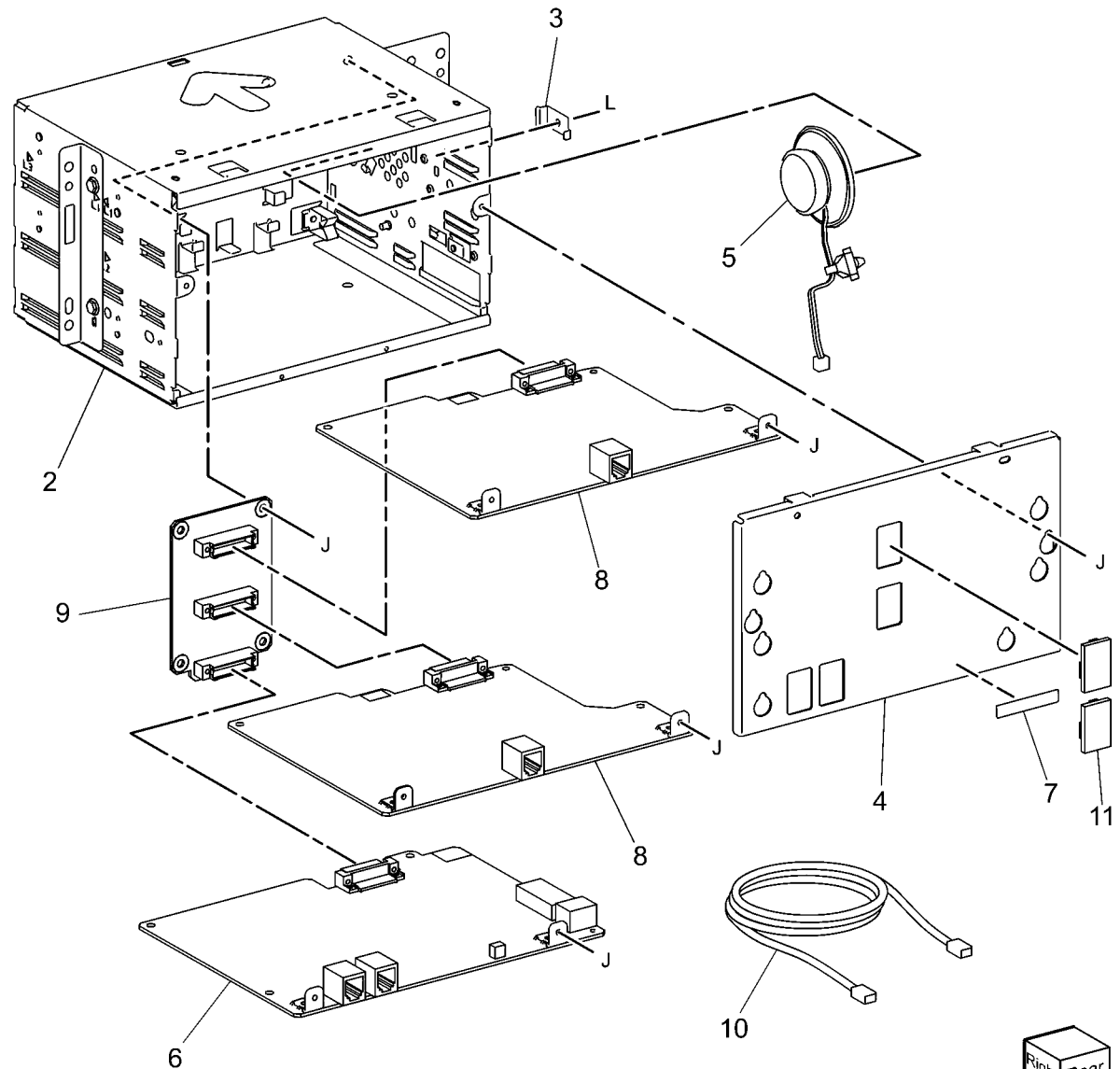


# PL 18.5 FAX Unit

Item	Part	Description
1	-	Fax Box Assembly (Not Spared)
2	-	Fax Box (P/O PL 18.5 Item 1)
3	-	Bracket (P/O PL 18.5 Item 1)
4	-	Cover (P/O PL 18.5 Item 1)
5	130K73070	Speaker
6	960K56901	Fax PWB (XC) (XC)
-	960K56911	Fax PWB (XE)
-	960K56921	Fax PWB (Argentina/Brazil/India)
7	-	Label (P/O PL 18.5 Item 1)
8	960K61730	G3 PWB (XE)
-	960K61720	G3 PWB (XC)
9	960K39720	Riser PWB
10	117K39110	USB Cable
11	-	Cover (Not Spared)

PL 18.5

1 { 2-7



j0sg51805b

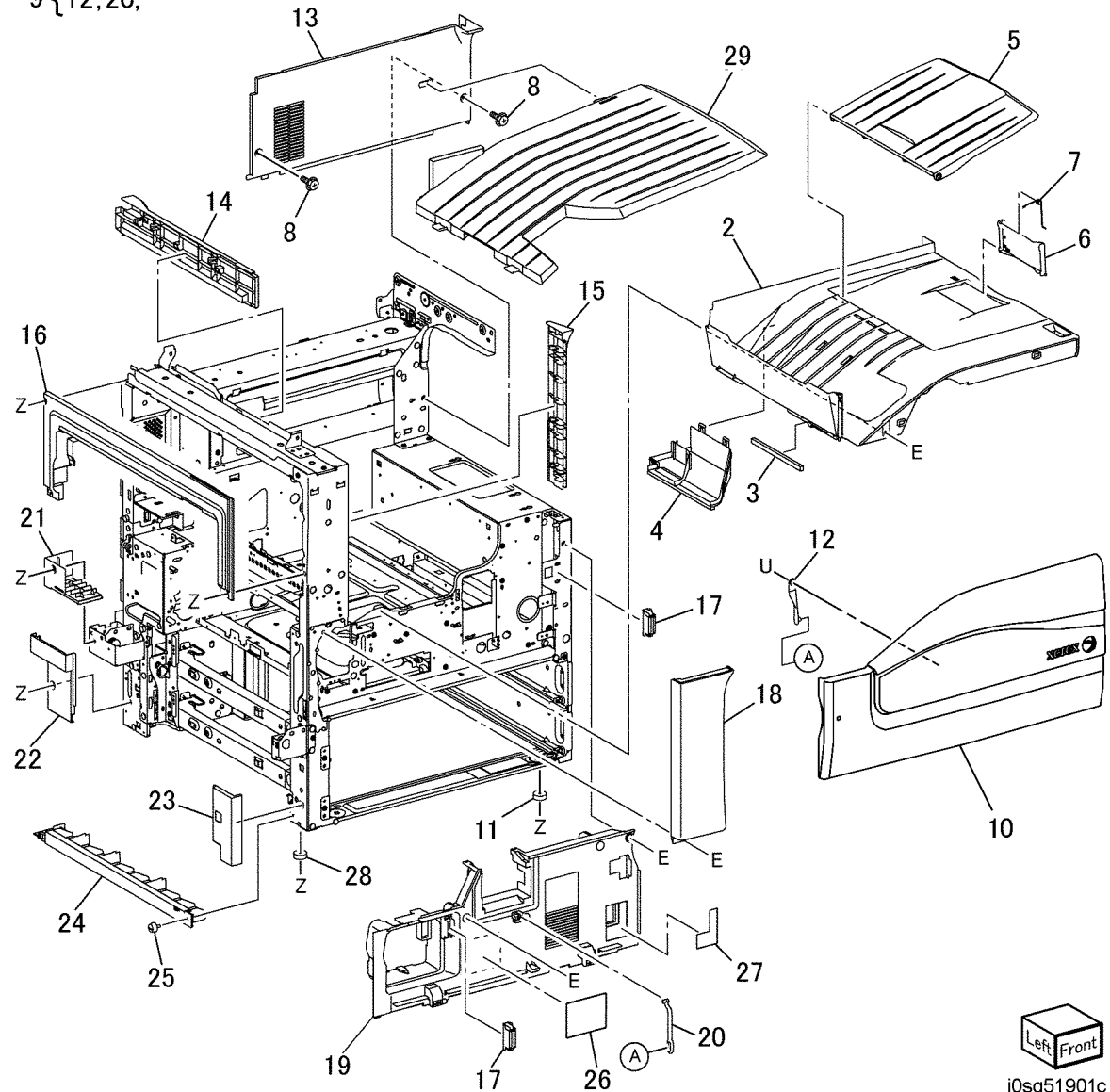
## PL 19.1 Cover-Front, Left

Item	Part	Description
1	848K46920	Top Cover Assembly (Includes Item 2-7)
2	—	Top Cover (P/O PL 19.1 Item 1)
3	—	Seal (P/O PL 19.1 Item 1)
4	—	Duct Cover Assembly (P/O PL 19.1 Item 1)
5	—	Add Tray (P/O PL 19.1 Item 1)
6	—	Stopper (P/O PL 19.1 Item 1)
7	—	Torsion Spring (P/O PL 19.1 Item 1)
8	—	Tapping Screw (Not Spared)
9	604K68230	Strip A & B Kit (Includes Items 12, 20)
10	848K59370	Front Cover Assembly
11	—	Front Right Foot (Not Spared)
12	—	Upper Stopper (P/O PL 19.1 Item 9)
13	—	Top Rear Cover (Not Spared)
14	—	Exit 2 Upper Cover (Not Spared)
15	—	Exit Front Cover (Not Spared)
16	—	Left Upper Cover (Not Spared)
17	121E21331	Catch Magnet
18	—	Front Left Cover (Not Spared)
19	848E62182	Inner Cover
20	—	Lower Stopper (P/O PL 19.1 Item 9)
21	—	Left Rear Cover (Not Spared)
22	—	Left Rear Lower Cover (Not Spared)
23	—	Left Front Lower Cover (Not Spared)
24	—	Left Lower Cover (Not Spared) (APO/GCO)
25	026K81200	Thumb Screw
26	—	CRU INST Label (Not Spared)
27	—	SW ELabel (Not Spared)
28	—	Front Left Foot (Not Spared)
29	050E27371	Exit 2 Tray

## PL 19.1

1 { 2-7

9 { 12, 20,



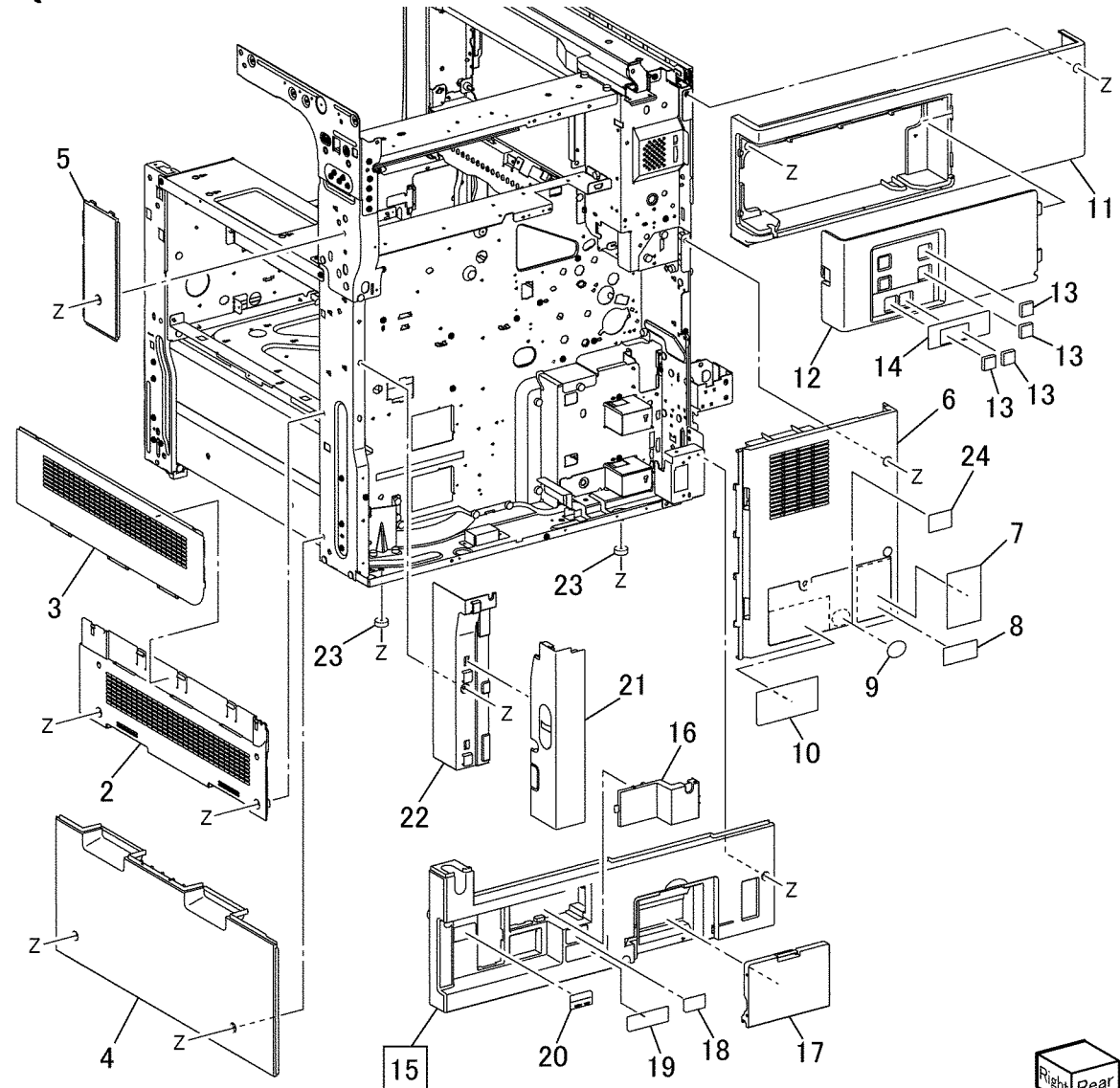
j0sg51901c

## PL 19.2 Cover-Rear, Right

Item	Part	Description
1	-	Right Upper Cover Assembly (Not Spared) (Includes Item 2, 3)
2	-	Right Cover 1 (P/O PL 19.2 Item 1)
3	-	Right Cover 2 (P/O PL 19.2 Item 1)
4	-	Right Lower Cover (Not Spared)
5	-	Right Rear Upper Cover (Not Spared)
6	-	Rear Middle Cover (Not Spared)
7	-	Energy Label (Not Spared)
8	-	AP Indonesia Label (Not Spared)
9	-	CCC Label (Not Spared)
10	-	Data Plate (Not Spared)
11	-	Rear Upper Cover (Not Spared)
12	-	Fax Cover (Not Spared)
13	-	Blind Fax Cover (Not Spared)
14	-	Connector Fax Label (Not Spared)
15	-	Rear Lower Cover (Not Spared)
16	-	EPSV Cover (Not Spared)
17	-	Connector Cover (Not Spared)
18	-	Outlet Label (Not Spared)
19	-	Earth Label (Not Spared)
20	-	GFI Label (Not Spared)
21	-	ESS Cap Cover (Not Spared)
22	-	ESS Right Cover (Not Spared)
23	-	Rear Foot (Not Spared)
24	-	Fax Label (Not Spared)

PL 19.2

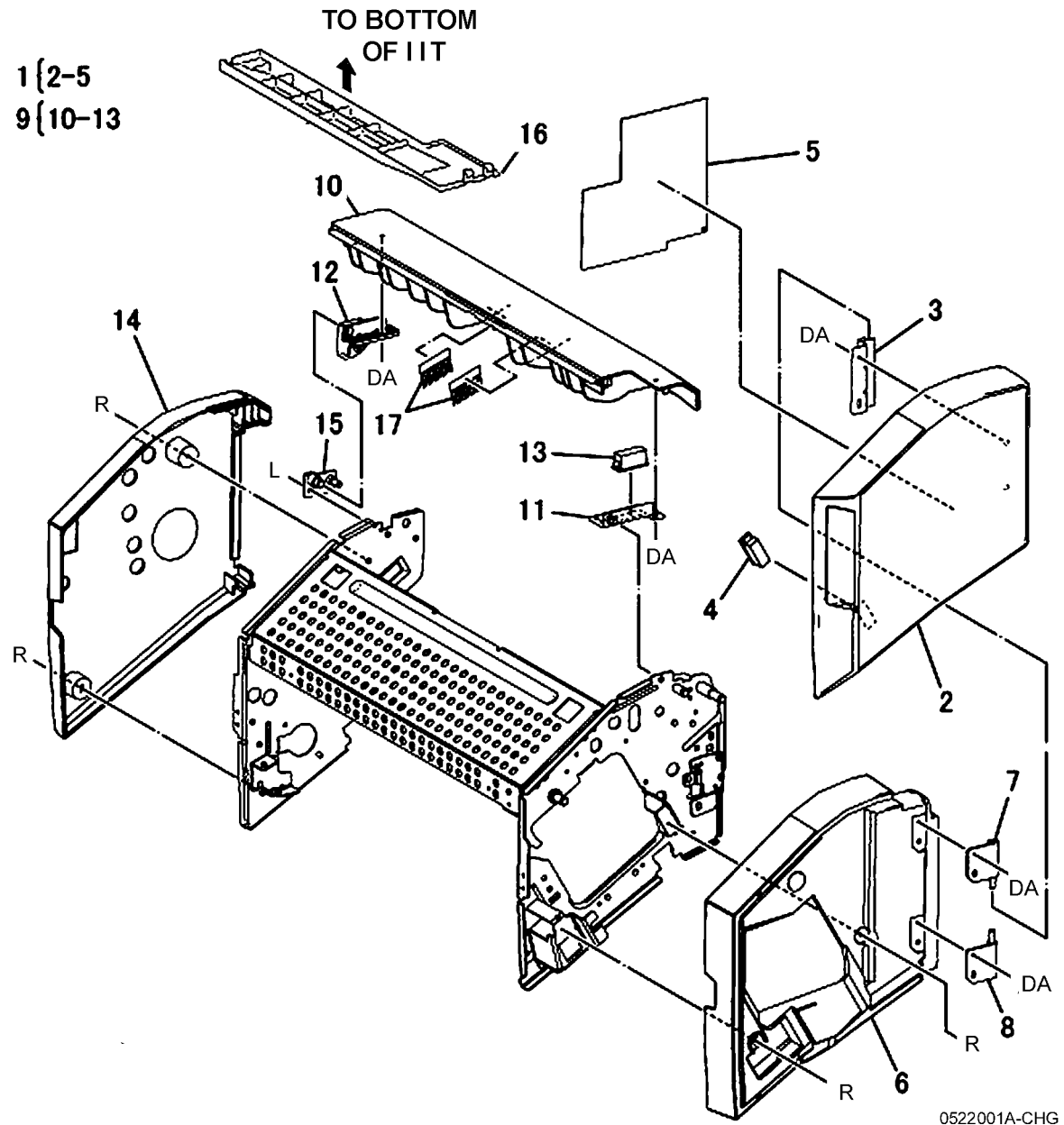
1 { 2,3



j0sg51902b

## PL 22.1 Finisher Assembly (Part 1 of 2)

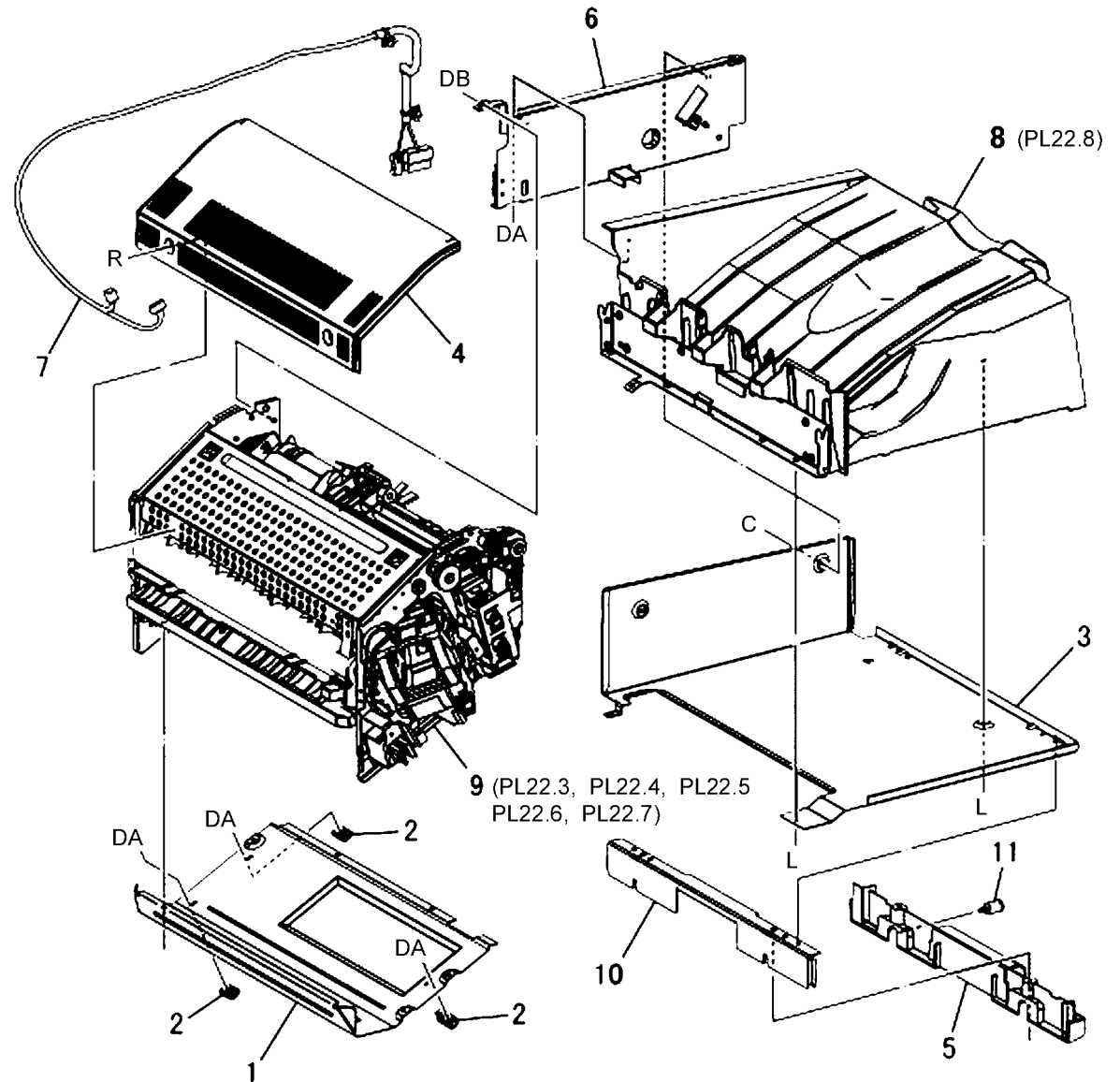
Item	Part	Description
1	848K36702	Front Cover Assembly
2	-	Front Cover (P/O PL 22.1 Item 1)
3	-	Bracket (P/O PL 22.1 Item 1)
4	-	Magnet (P/O PL 22.1 Item 1)
5	-	Label (P/O PL 22.1 Item 1)
6	848E50760	Front Inner Cover
7	068K29871	Hinge
8	068K29880	Hinge
9	848K38631	Top Cover Assembly
10	-	Top Cover (P/O PL 22.1 Item 9)
11	-	Bracket (P/O PL 22.1 Item 9)
12	-	Stopper (P/O PL 22.1 Item 9)
13	-	Magnet (P/O PL 22.1 Item 9)
14	848E50790	Rear Cover
15	-	Hinge (Not Spared)
16	815E60280	IIT Cover
17	042E92330	Static Eliminator



0522001A-CHG

## PL 22.2 Finisher Assembly (Part 2 of 2)

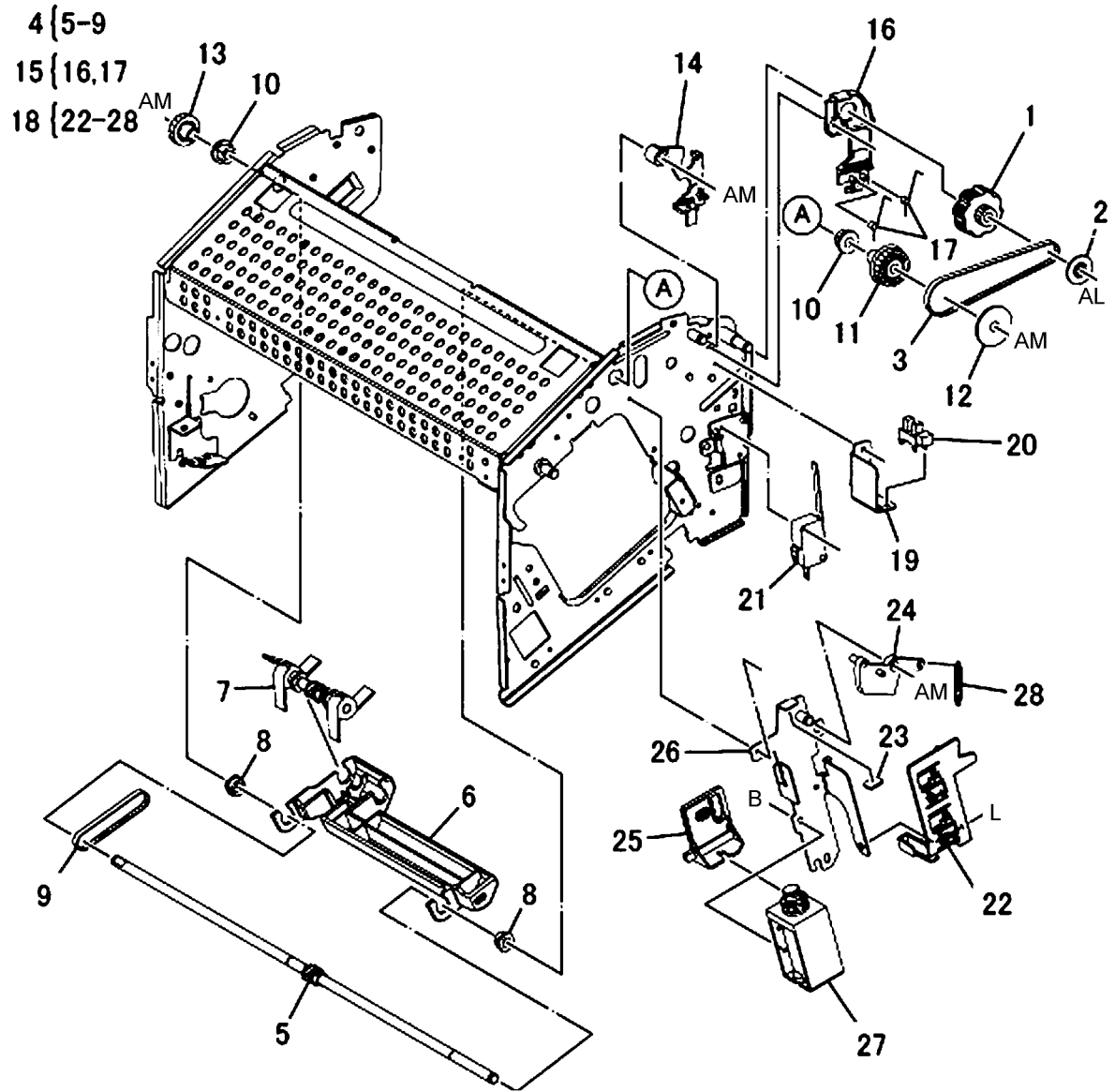
Item	Part	Description
1	–	Bottom Cover (Not Spared)
2	–	Spacer (Not Spared)
3	–	Tray Cover (Not Spared)
4	848E50770	Left Cover
5	068K69530	Tray Support
6	–	Rear Bracket (Not Spared)
7	962K42291	Wire Harness
8	050K64830	Stacker Tray Assembly (REP 12.16)
9	–	Stacker Base Assembly (Not Spared)
10	–	Extended Tray Assembly
11	826E24180	Thumb Screw



0522002A-CHG

# PL 22.3 Stacker Base Assembly (Part 1 of 5)

Item	Part	Description
1	003E65500	Pulley Knob
2	005E89470	Collar
3	423W10454	Paddle Belt (REP 12.2)
4	012K96370	Link Shaft Assembly
5	-	Link Shaft (P/O PL 22.3 Item 4)
6	012E16150	Support
7	-	Sub Paddle Shaft Assembly (P/O PL 22.3 Item 4)
8	-	Bearing (P/O PL 22.3 Item 4)
9	423W06054	Paddle Belt (REP 12.2)
10	413W11860	Bearing
11	020K13900	Pulley
12	005E89490	Collar
13	807E13260	Gear (21T)
14	120E27240	Actuator
15	802K85560	Knob Cover Assembly
16	-	Knob Cover (P/O PL 22.3 Item 15)
17	-	Spring (P/O PL 22.3 Item 15)
18	012K94990	Sub Paddle Solenoid Assembly
19	-	Bracket (Not Spared)
20	130K70160	Finisher Top Cover Interlock Sensor
21	110K12980	Finisher Top Cover Interlock (+24V)
22	-	Support (P/O PL 22.3 Item 18)
23	-	Cushion (P/O PL 22.3 Item 18)
24	-	Link (P/O PL 22.3 Item 18)
25	-	Arm (P/O PL 22.3 Item 18)
26	-	Bracket (P/O PL 22.3 Item 18)
27	121K34620	Sub Paddle Solenoid (REP 12.3)
28	-	Spring (P/O PL 22.3 Item 18)

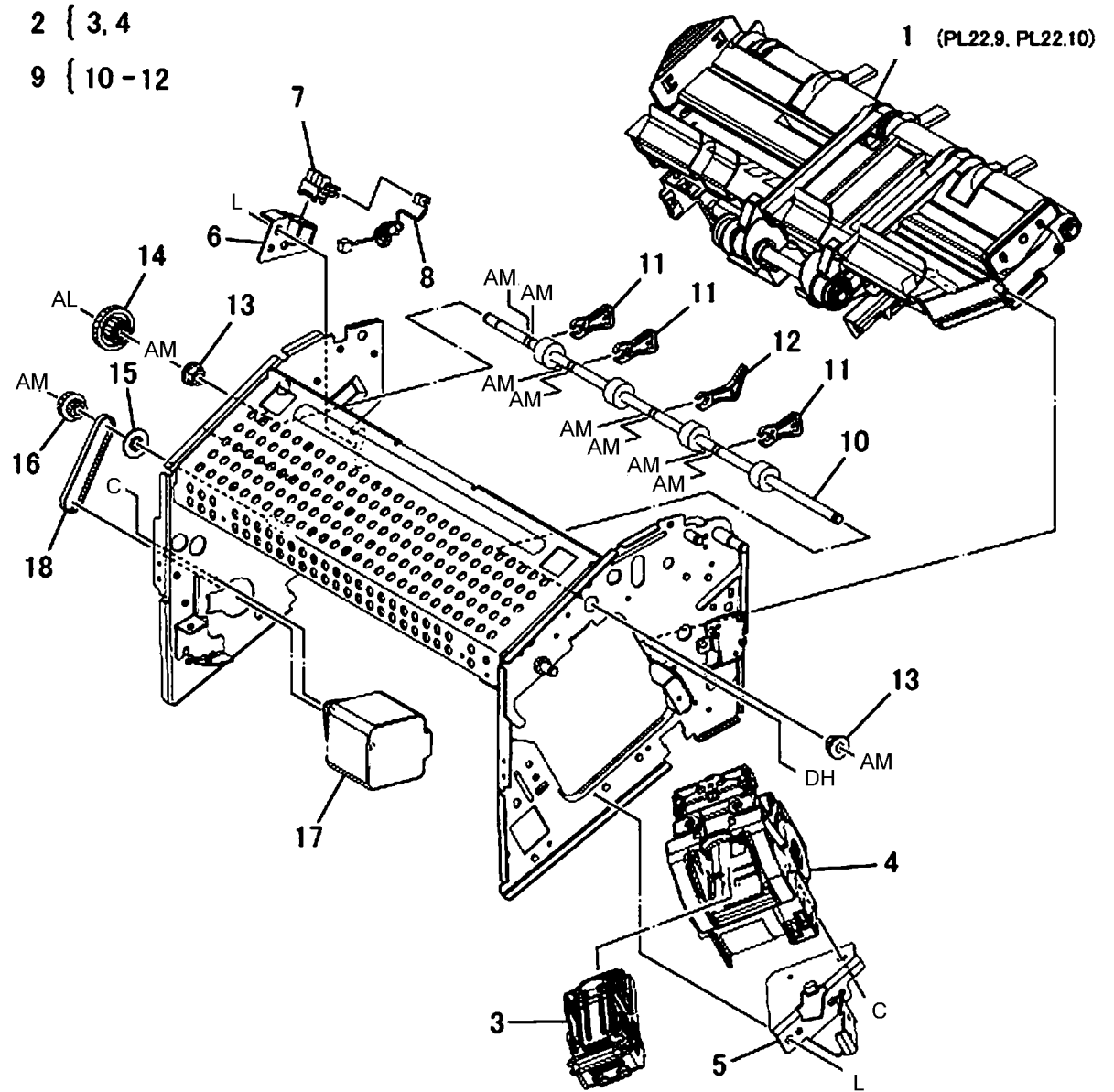


0522003A-CHG



# PL 22.4 Stacker Base Assembly (Part 2 of 5)

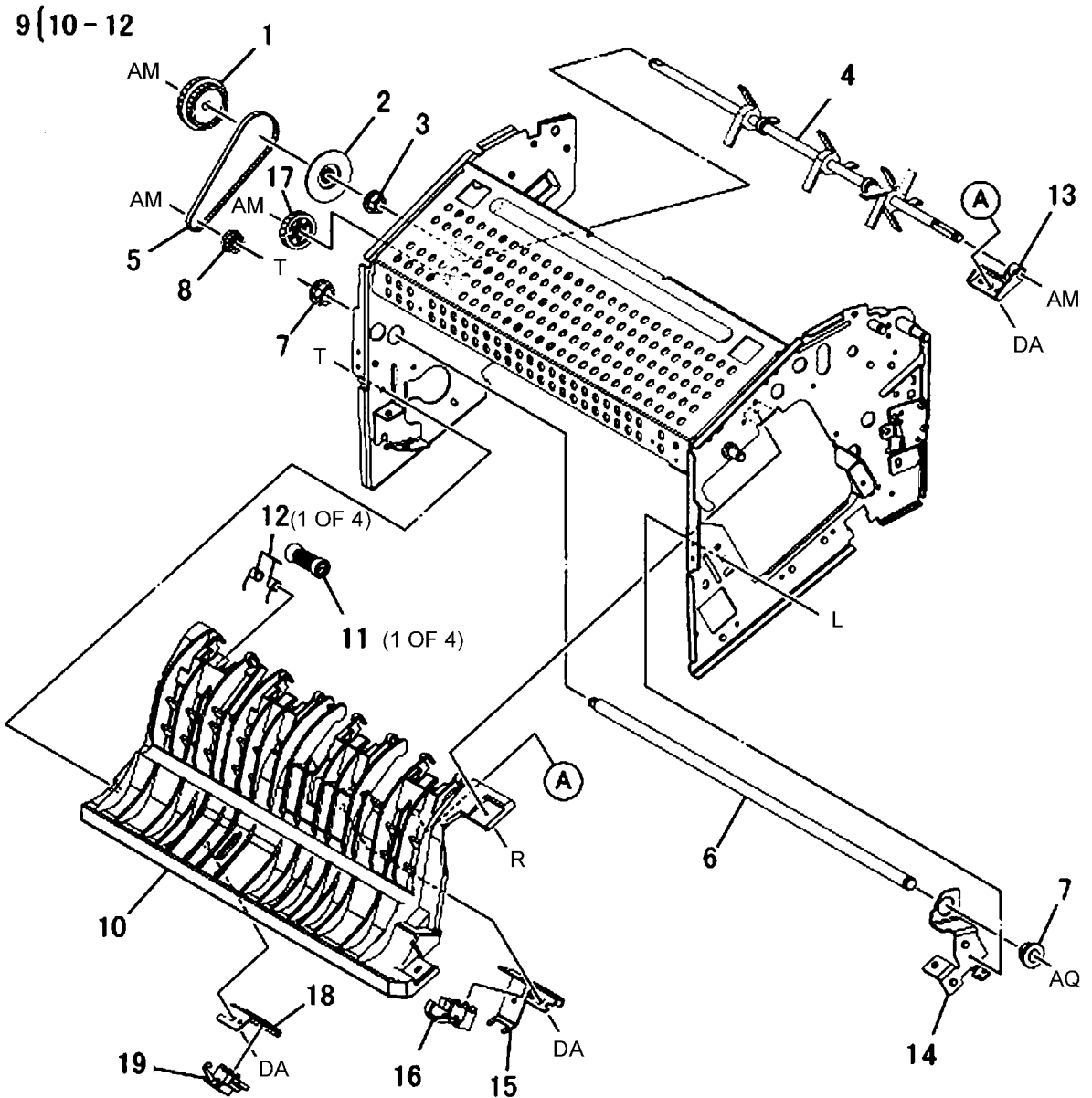
Item	Part	Description
1	050K65200	Compile Assembly (REP 12.20)
2	029K92350	Staple Assembly (REP 12.5)
3	-	Cartridge (P/O PL 22.4 Item 2)
4	-	Stapler (P/O PL 22.4 Item 2)
5	-	Bracket (Not Spared)
6	-	Support (Not Spared)
7	930W00111	Set Clamp Home Sensor (REP 12.6)
8	962K44980	Wire Harness
9	022K72790	Exit Roll Assembly (REP 12.7)
10	-	Exit Roll (P/O PL 22.4 Item 9)
11	004E15340	Damper
12	004E15330	Center Damper
13	-	Bearing (Not Spared)
14	007K94220	One Way Gear
15	005E89470	Collar
16	807E13230	Gear Pulley (16T/18T)
17	127K49800	Finisher Transport Motor
18	423W06954	Belt



j0fa52204-CHG

# PL 22.5 Stacker Base Assembly (Part 3 of 5)

Item	Part	Description
1	807E13250	Gear Pulley (37T/45T)
2	005E89480	Collar
3	413W75959	Bearing
4	006K25001	Main Paddle Shaft Assembly (REP 12.11)
5	423W09854	Belt
6	-	Shaft (Not Spared)
7	413W77559	Bearing
8	020E43500	Pulley (19T)
9	054K30361	Lower Chute Assembly (REP 12.12)
10	-	Lower Chute (P/O PL 22.5 Item 9)
11	022K73190	Pinch Roll (REP 12.8)
12	809E65931	Spring
13	-	Support (Not Spared)
14	-	Bracket (Not Spared)
15	-	Bracket (Not Spared)
16	130K93251	Compile Exit Sensor (REP 12.10)
17	807E13240	Gear (27T)
18	-	Bracket (Not Spared)
19	130K88190	Finisher Entrance Sensor (REP 12.9)

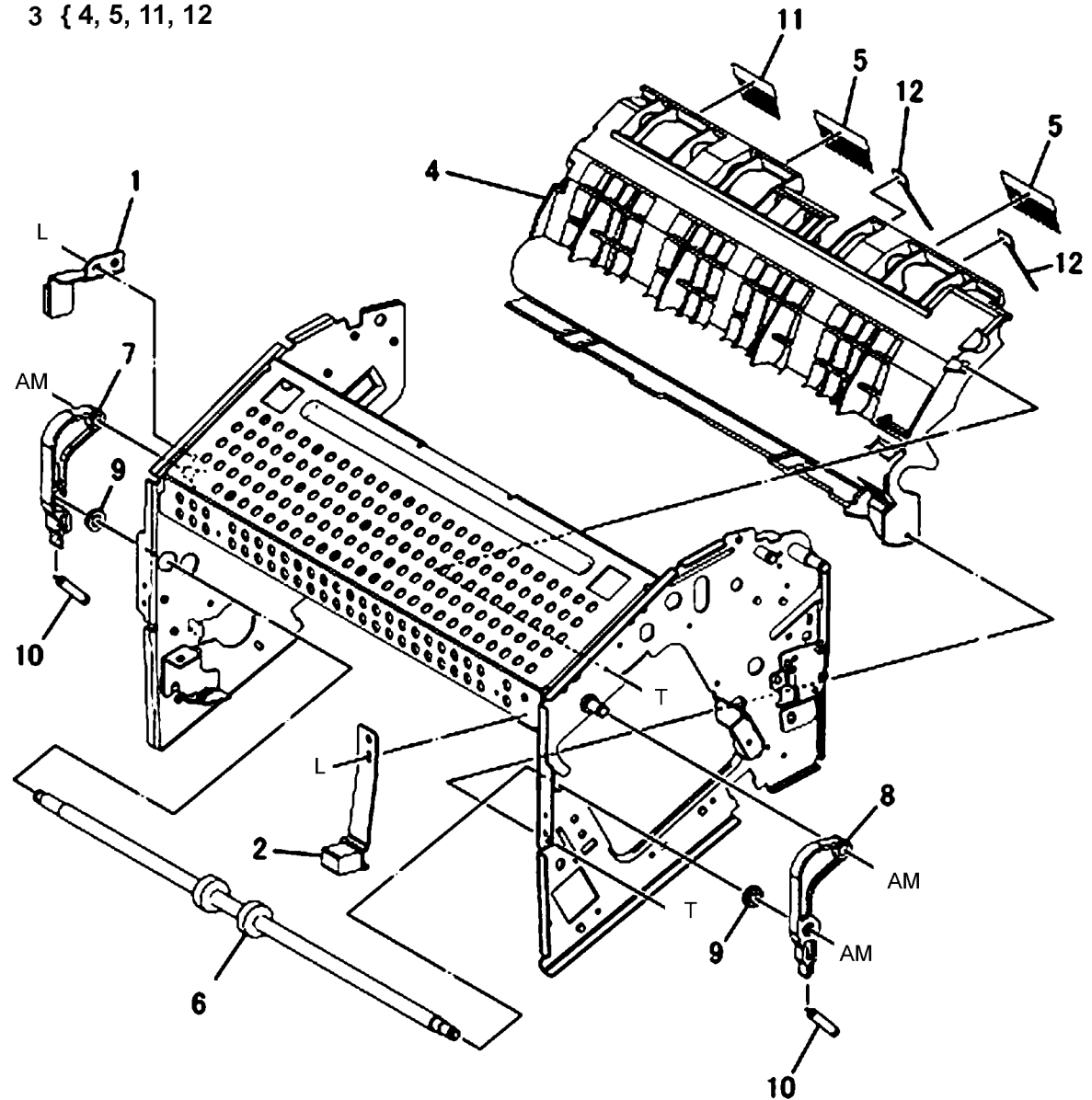


0522005A-CHG

# PL 22.6 Stacker Base Assembly (Part 4 of 5)

Item	Part	Description
1	068K29931	Bracket
2	068K29941	Bracket
3	054K42690	Upper Chute Assembly (REP 12.14)
4	-	Upper Chute (P/O PL 22.6 Item 3)
5	042E92241	Eliminator
6	022K72782	Entrance Roll Assembly (REP 12.13)
7	031E97041	Rear Arm
8	031E97020	Front Arm
9	413W66250	Ball Bearing
10	-	Spring (Not Spared)
11	042E92330	Eliminator
12	-	Guide Paper (P/O PL 22.6 Item 3)

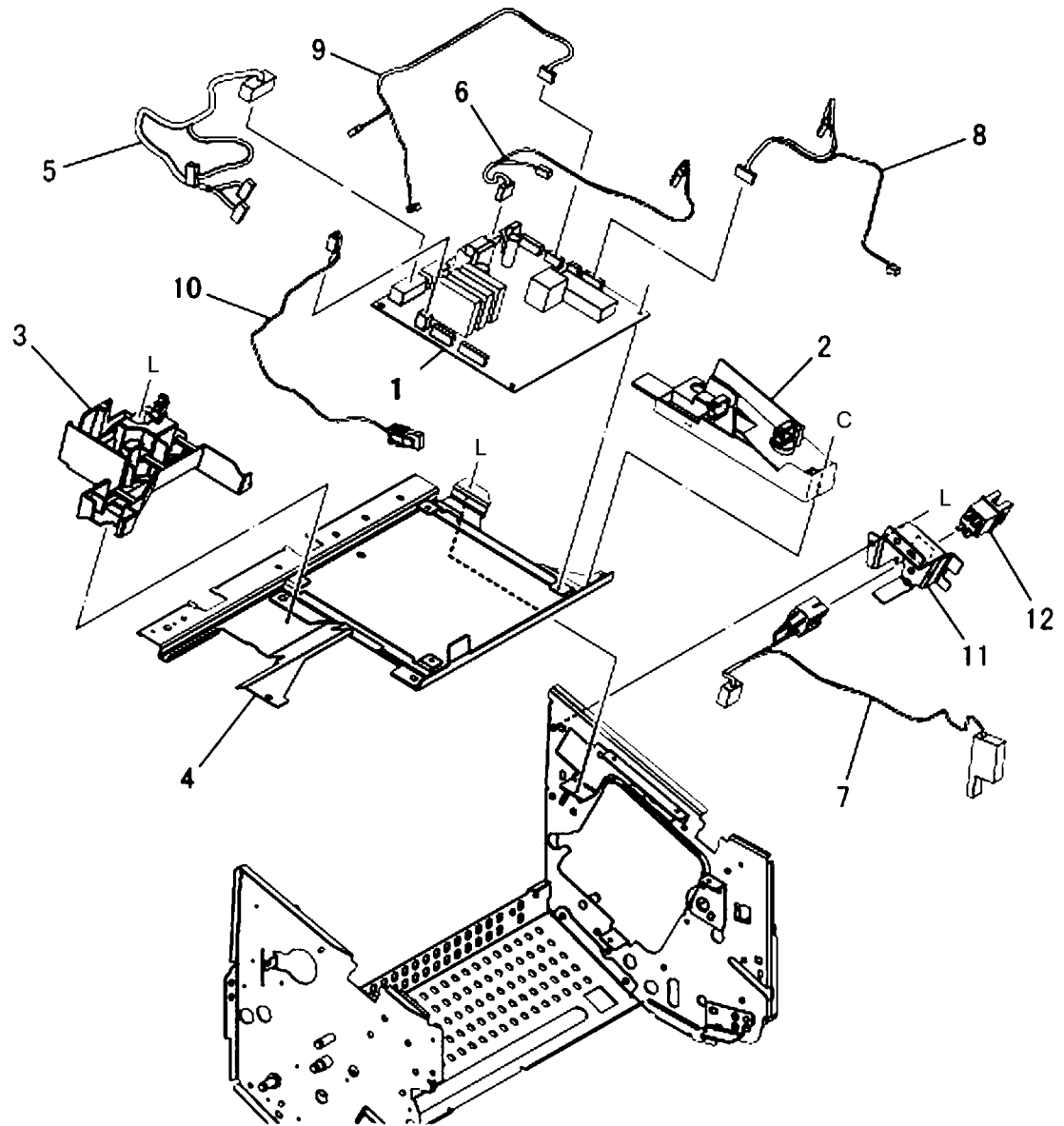
3 { 4, 5, 11, 12



0522006A-CHG

## PL 22.7 Stacker Base Assembly (Part 5 of 5)

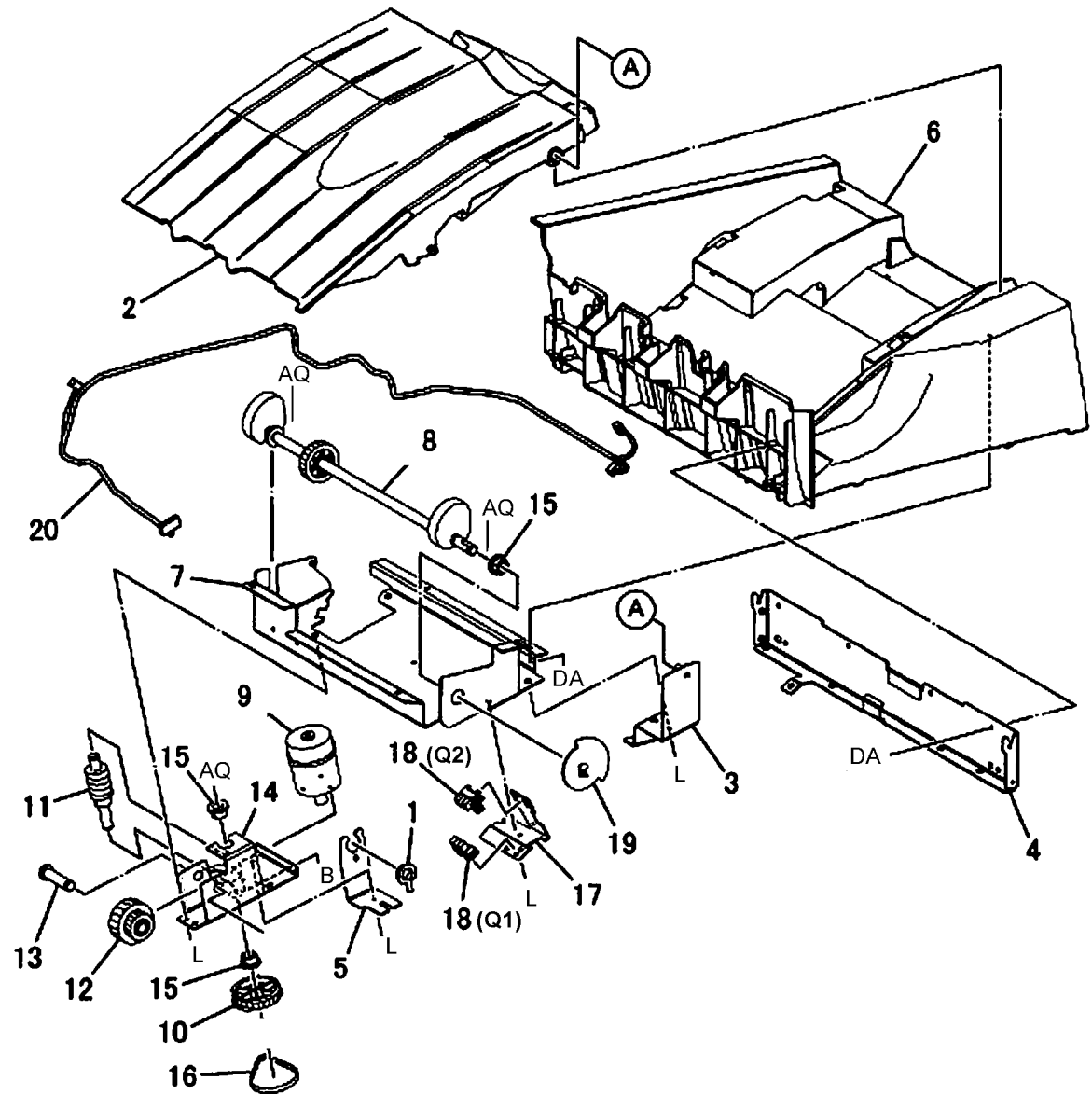
Item	Part	Description
1	960K50453	Finisher PWB (REP 12.15)
2	055K30850	Connector Bracket
3	-	Harness Guide (Not Spared)
4	-	PWB Bracket (Not Spared)
5	-	Wire Harness (Drive) (Not Spared)
6	-	Wire Harness (Stapler) (Not Spared)
7	-	Wire Harness (Interlock) (Not Spared)
8	-	Wire Harness (Front Sensor) (Not Spared)
9	-	Wire Harness (Compile) (Not Spared)
10	-	Wire Harness (Stacker) (Not Spared)
11	-	Bracket (Not Spared)
12	110E97990	Finisher Front Interlock Switch



0522007A-CHG

## PL 22.8 Stacker Tray Assembly

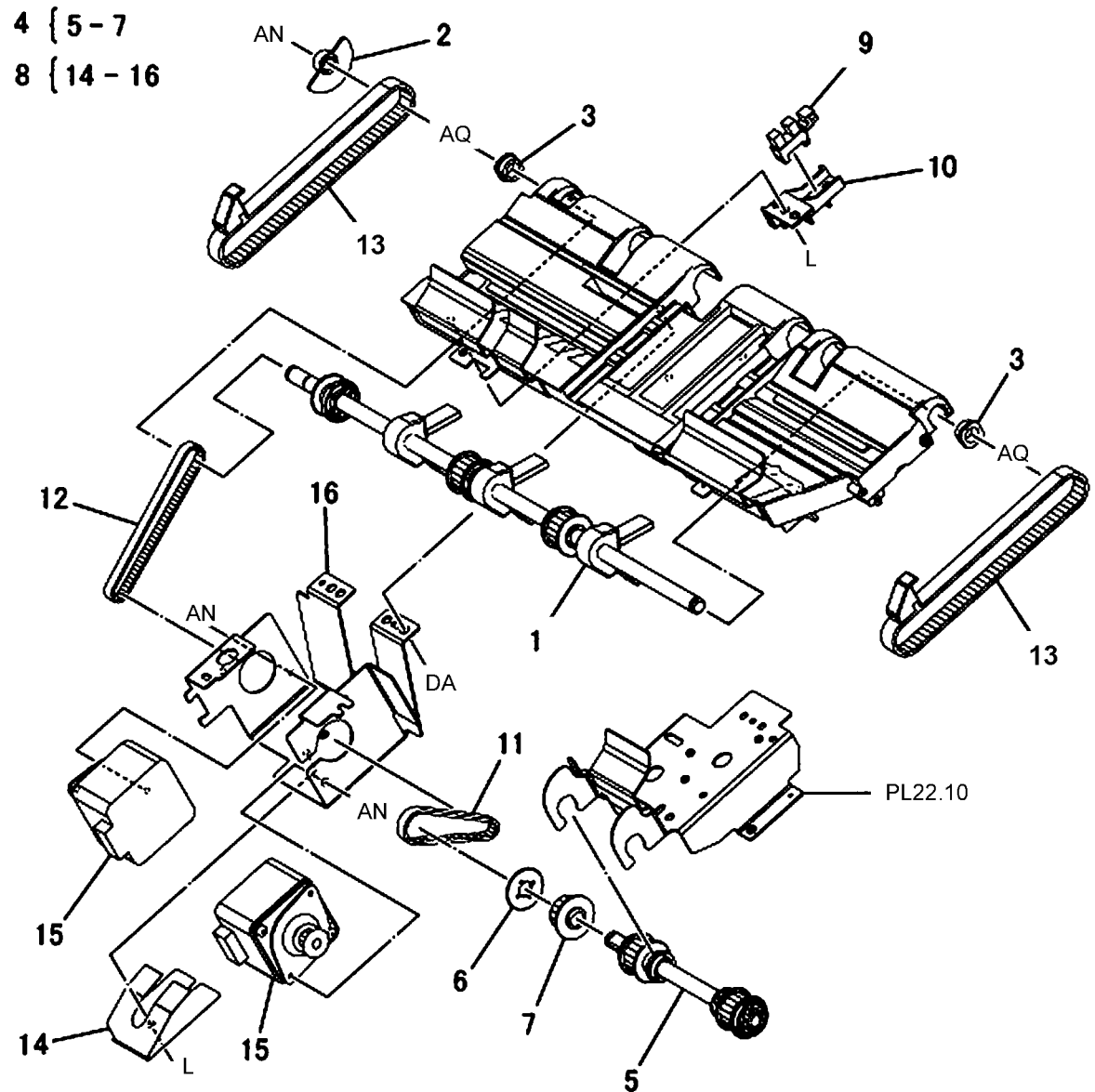
Item	Part	Description
1	-	Bearing (Not Spared)
2	-	Top Tray (Not Spared) (REP 12.16)
3	-	Bracket (Not Spared)
4	-	Plate (Not Spared)
5	-	Bracket (Not Spared)
6	-	Base Tray (Not Spared)
7	-	Base Bracket (Not Spared)
8	006K25032	Stacker Shaft Assembly (REP 12.17)
9	127K49420	Stacker Motor (REP 12.18)
10	-	Pulley (60T) (Not Spared)
11	-	Worm Gear (Not Spared)
12	-	Gear (16T/32T) (Not Spared)
13	-	Stud (Not Spared)
14	-	Bracket (Not Spared)
15	-	Bearing (Not Spared)
16	423W07354	Belt
17	-	Bracket (Not Spared)
18	930W00111	Stacker Sensor 1 (Q1), Sensor 2 (Q2) (REP 12.19)
19	-	Actuator (Not Spared)
20	-	Wire Harness (Not Spared)



0522008A-CHG

## PL 22.9 Compile Assembly (Part 1 of 2)

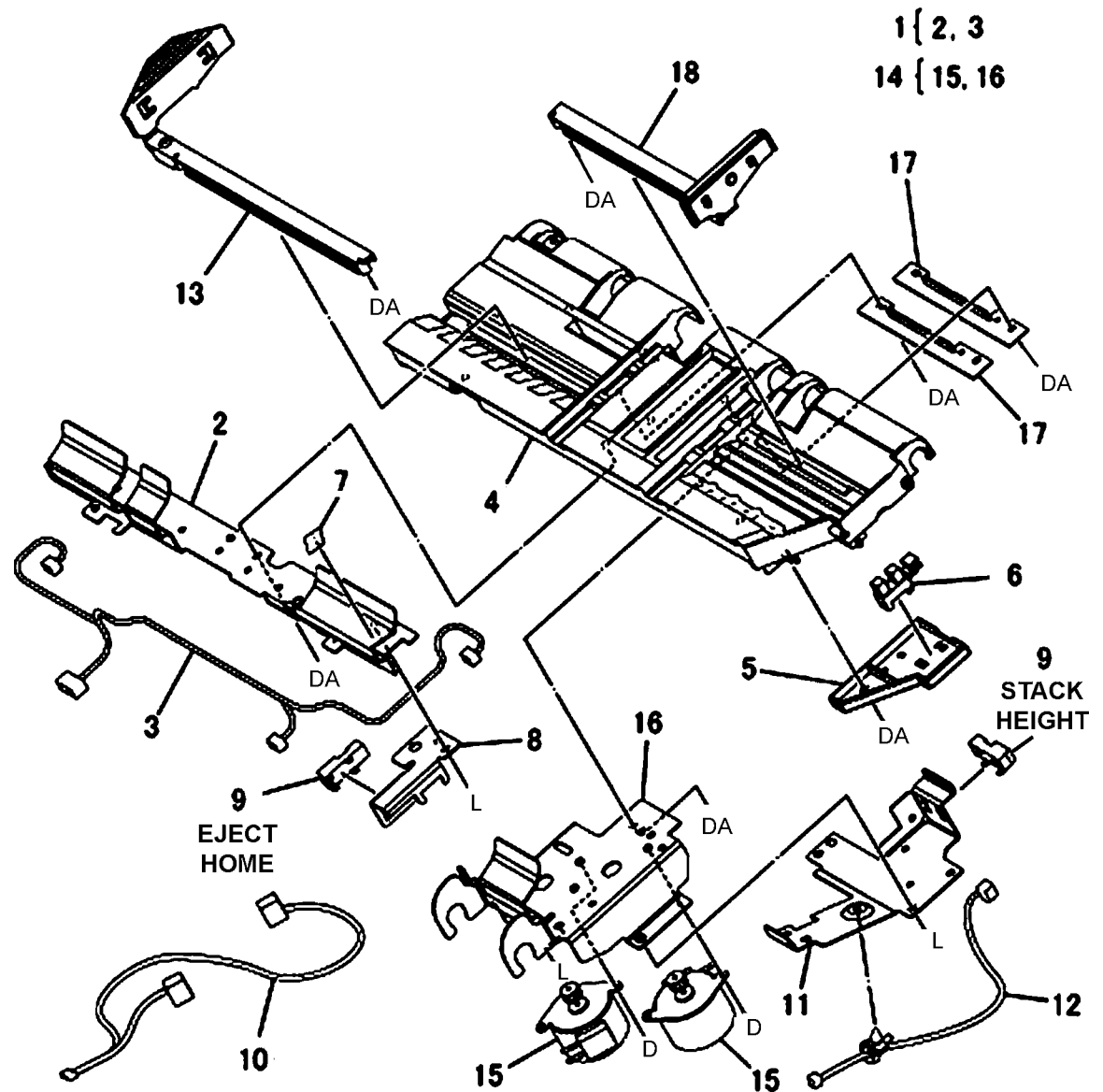
Item	Part	Description
1	006K25011	Set Clamp Shaft (REP 12.21)
2	120E27220	Actuator
3	413W11860	Bearing
4	006K25020	Eject Shaft Assembly (REP 12.25)
5	-	Eject Shaft (P/O PL 22.9 Item 4)
6	-	Spacer (P/O PL 22.9 Item 4)
7	-	Pulley (P/O PL 22.9 Item 4)
8	068K29830	Eject/Set Clamp Motor Assembly (REP 12.23)
9	930W00111	Rear Tamper Home Sensor (REP 12.24)
10	-	Support (Not Spared)
11	423W26754	Belt
12	423W29454	Belt
13	023K91530	Eject Belt (REP 12.22)
14	-	Spring (P/O PL 22.9 Item 8)
15	-	Eject Motor, Set Clamp Motor (P/O PL 22.9 Item 8)
16	-	Bracket (P/O PL 22.9 Item 8)



0522009A-CHG

## PL 22.10 Compile Assembly (Part 2 of 2)

Item	Part	Description
1	068K30510	Bracket Assembly
2	-	Bracket (P/O PL 22.10 Item 1)
3	-	Wire Harness (P/O PL 22.10 Item 1)
4	050E25900	Compile Tray
5	-	Support (Not Spared)
6	930W00111	Front Tamper Home Sensor (REP 12.27)
7	038E34860	Paper Guide
8	-	Bracket (Not Spared)
9	930W00212	Eject Clamp Home Sensor, Stack Height Sensor (REP 12.28, REP 12.29)
10	962K42270	Wire Harness
11	-	Bracket (Not Spared)
12	-	Wire Harness (Not Spared)
13	038K88990	Tamper Guide, Rear
14	068K30740	Front/Rear Tamper Motor Assembly (REP 12.26)
15	-	Front/Rear Tamper Motor (P/O PL 22.10 Item 14)
16	-	Bracket (P/O PL 22.10 Item 14)
17	001E70981	Rail
18	038K89260	Tamper Guide, Front

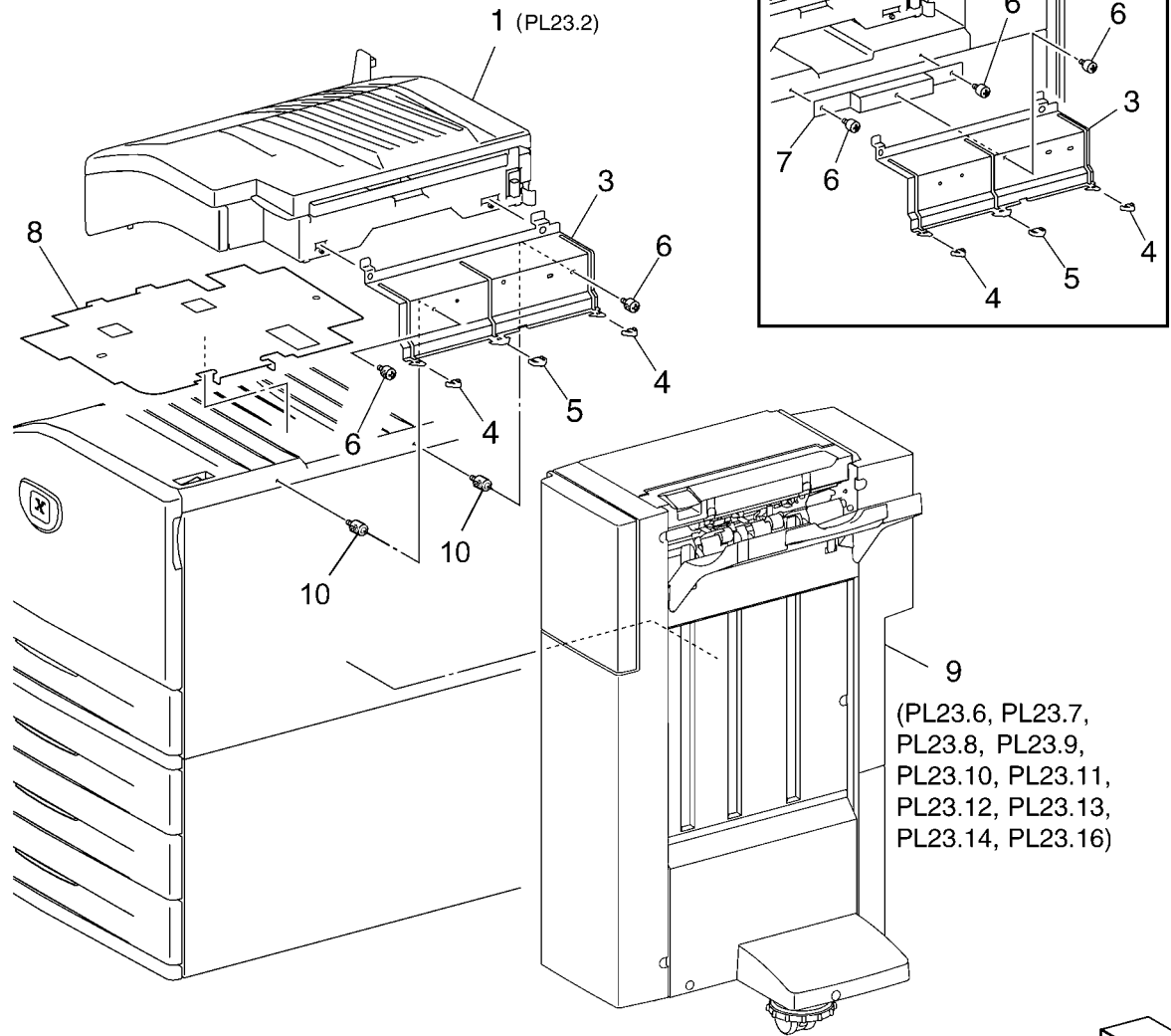


0522010A-CHG

# PL 23.1 H - Transport Assembly (1 of 5)

Item	Part	Description
1	059K65560	H-Transport Assembly (REP 13.1)
2	068K59494	Docking Plate Assembly
3	-	Docking Plate (P/O PL 23.1 Item 2)
4	-	Side Guide (P/O PL 23.1 Item 2)
5	-	Center Guide (P/O PL 23.1 Item 2)
6	826E07210	Thumb Screw
7	-	Bracket (P/O PL 23.1 Item 11)
8	-	Finisher Plate
9	-	Finisher LX Assembly (Not Spared)
10	-	HTU Spacer (Not Spared)
11	604K70010	Gap Kit (Includes Items 6, 7 and PL 23.6 Items 18, 19)

2 { 3-5  
 11 { 6, 7 PL23.6 Items 18, 19



9  
 (PL23.6, PL23.7,  
 PL23.8, PL23.9,  
 PL23.10, PL23.11,  
 PL23.12, PL23.13,  
 PL23.14, PL23.16)

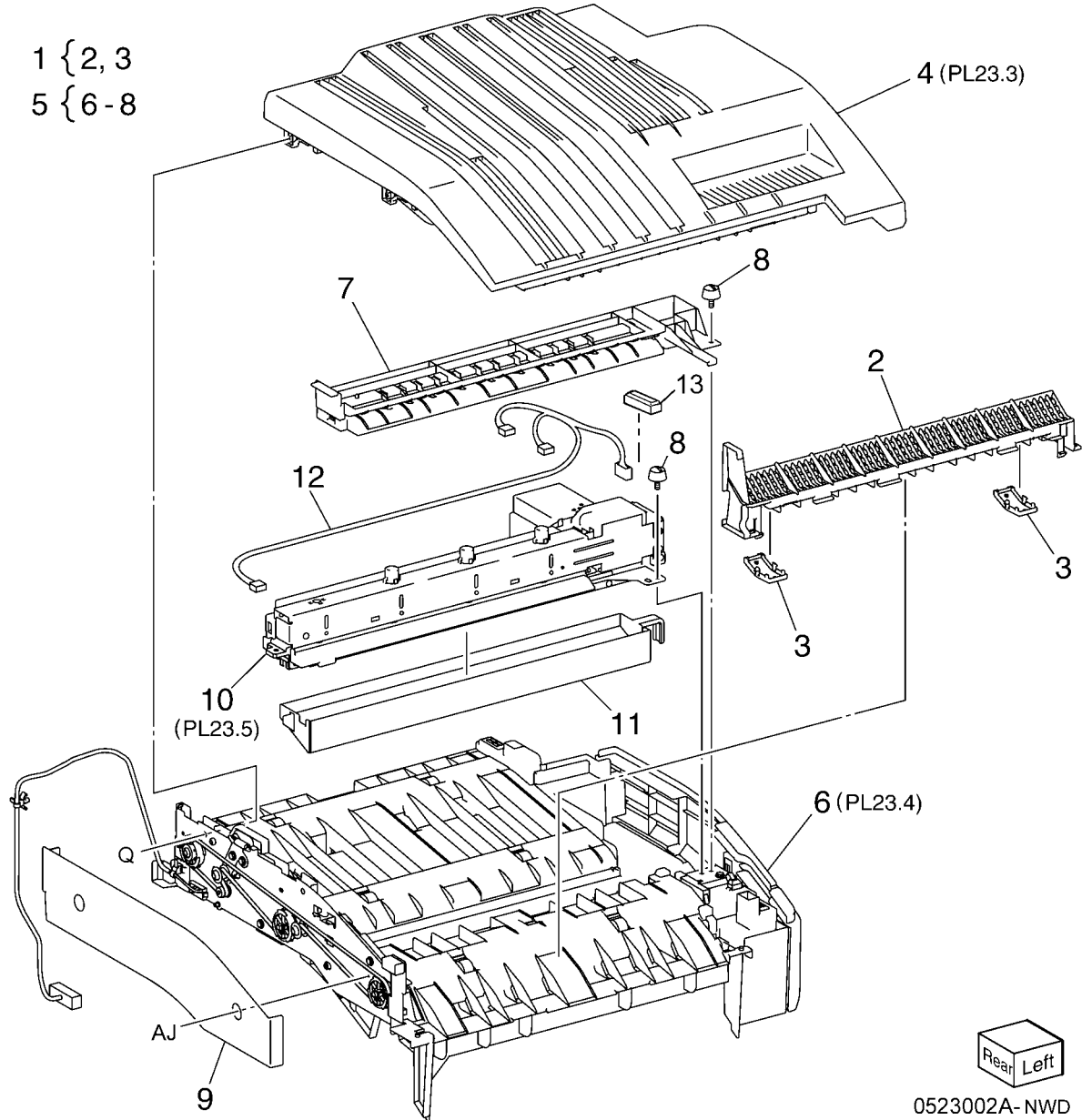


j0fb52301a



# PL 23.2 H - Transport Assembly (2 of 5)

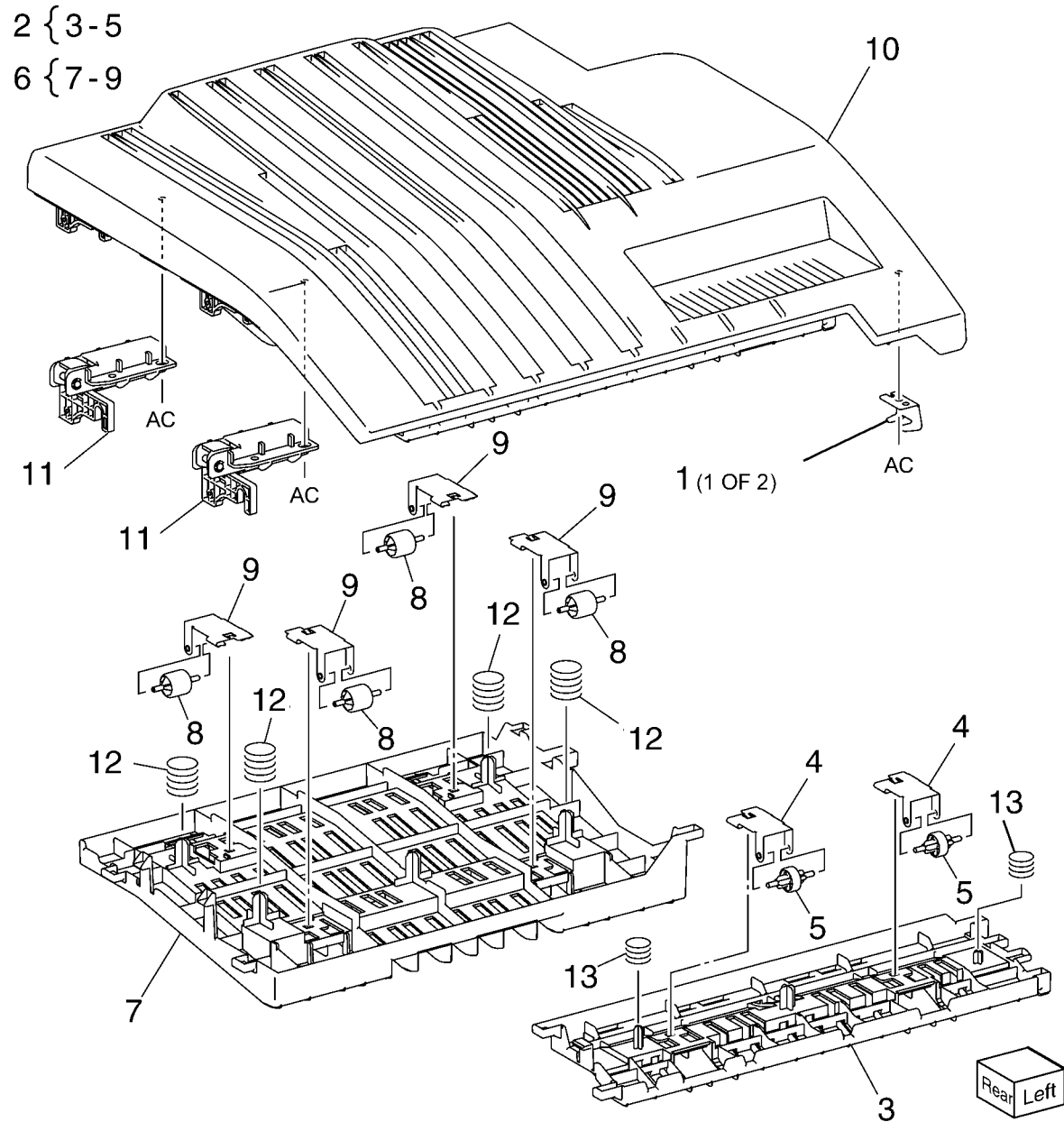
Item	Part	Description
1	848K34181	Left Cover Assembly
2	848E43670	Left Cover
3	-	Paper Guide (P/O PL 23.2 Item 1)
4	848K34170	Top Cover Assembly
5	-	Lower Chute Assembly (P/O PL 23.1 Item 1)
6	-	Lower Chute Assembly (P/O PL 23.2 Item 5)
7	054K35264	Chute Assembly
8	026K81200	Thumb Screw
9	-	Rear Cover (Not Spared)
10	180K00391	Punch Assembly (2/3 Hole) (REP 13.2)
-	180K00401	Punch Assembly (2/4 Hole) (REP 13.2)
11	-	Punch Box (Not Spared)
12	-	Wire Harness (Not Spared)
13	848E28010	Connector Cover



0523002A-NWD

# PL 23.3 H - Transport Assembly (3 of 5)

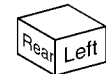
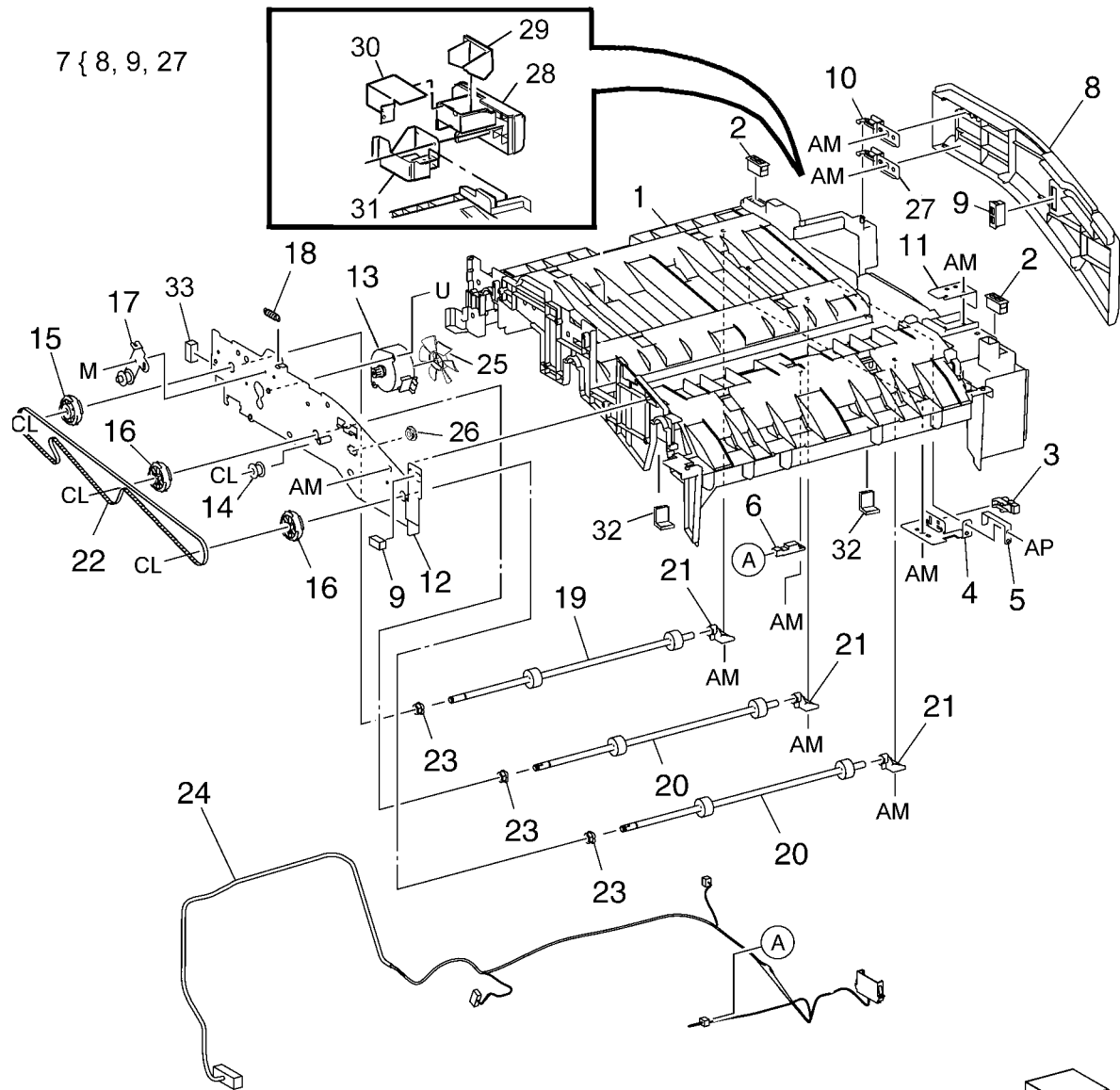
Item	Part	Description
1	-	Bracket (P/O PL 23.2 Item 4)
2	054K35238	Left Chute Assembly
3	-	Left Chute (P/O PL 23.3 Item 2)
4	-	Pinch Spring (P/O PL 23.3 Item 2)
5	-	Pinch Roller (P/O PL 23.3 Item 2)
6	054K35244	Right Chute Assembly
7	-	Right Chute (P/O PL 23.3 Item 6)
8	022E27660	Pinch Roller
9	809E76211	Pinch Spring
10	848E43662	Top Cover
11	003K15984	H - Transport Counter Balance (Left)
12	-	H - Transport Counter Balance (Right) (P/O PL 23.2 Item 4)
13	809E76240	Spring
14	809E78940	Spring



0523003A-NWD

# PL 23.4 H - Transport Assembly (4 of 5)

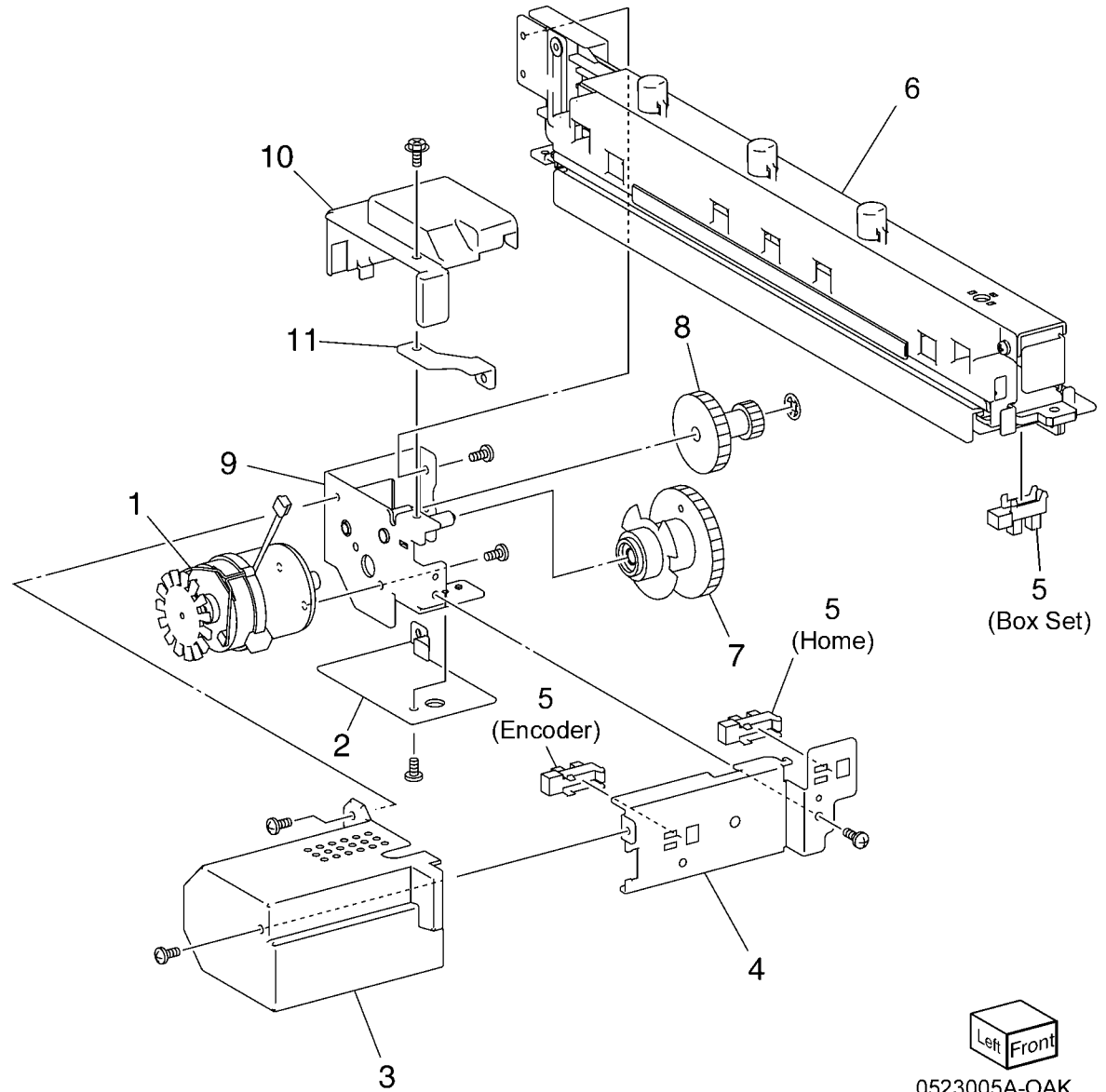
Item	Part	Description
1	-	Lower Chute (P/O PL 23.2 Item 6)
2	-	Magnet (P/O PL 23.2 Item 6)
3	130E81600	H - Transport Open Sensor
4	868E15540	Sensor Bracket
5	809E81720	Actuator
6	930W00211	H - Transport Entrance Sensor
7	848K34192	H - Transport Front Cover Assembly
8	848E43641	H - Transport Front Cover
9	921W41162	Gasket
10	-	Hinge
11	-	Bracket (P/O PL 23.2 Item 6)
12	-	Rear Frame Assembly (P/O PL 23.2 Item 6)
13	127K57622	H - Transport Motor (REP 13.4)
14	020E45330	Tension Pulley
15	020K15720	Pulley (43T)
16	020E45210	Pulley (43T)
17	-	Tension Bracket (P/O PL 23.2 Item 6)
18	809E78950	Spring Tension
19	059K54480	Drive Roll
20	059K55070	Drive Roll
21	013E33140	Bearing
22	423W01154	H - Transport Belt (REP 13.3)
23	413W14660	Sleeve Bearing
24	962K60422	Wire Harness
25	127E85570	Fan Blade
26	016E97311	Pinch Bushing
27	-	Lower Hinge (P/O PL 23.4 Item 7)
28	848E43630	Front Cover
29	848E43651	Switch Cover
30	-	Cover (Not Spared)
31	-	Bracket (Not Spared)
32	004E18112	Pinch Cushion
33	921W41142	Gasket



0523004A-NWD

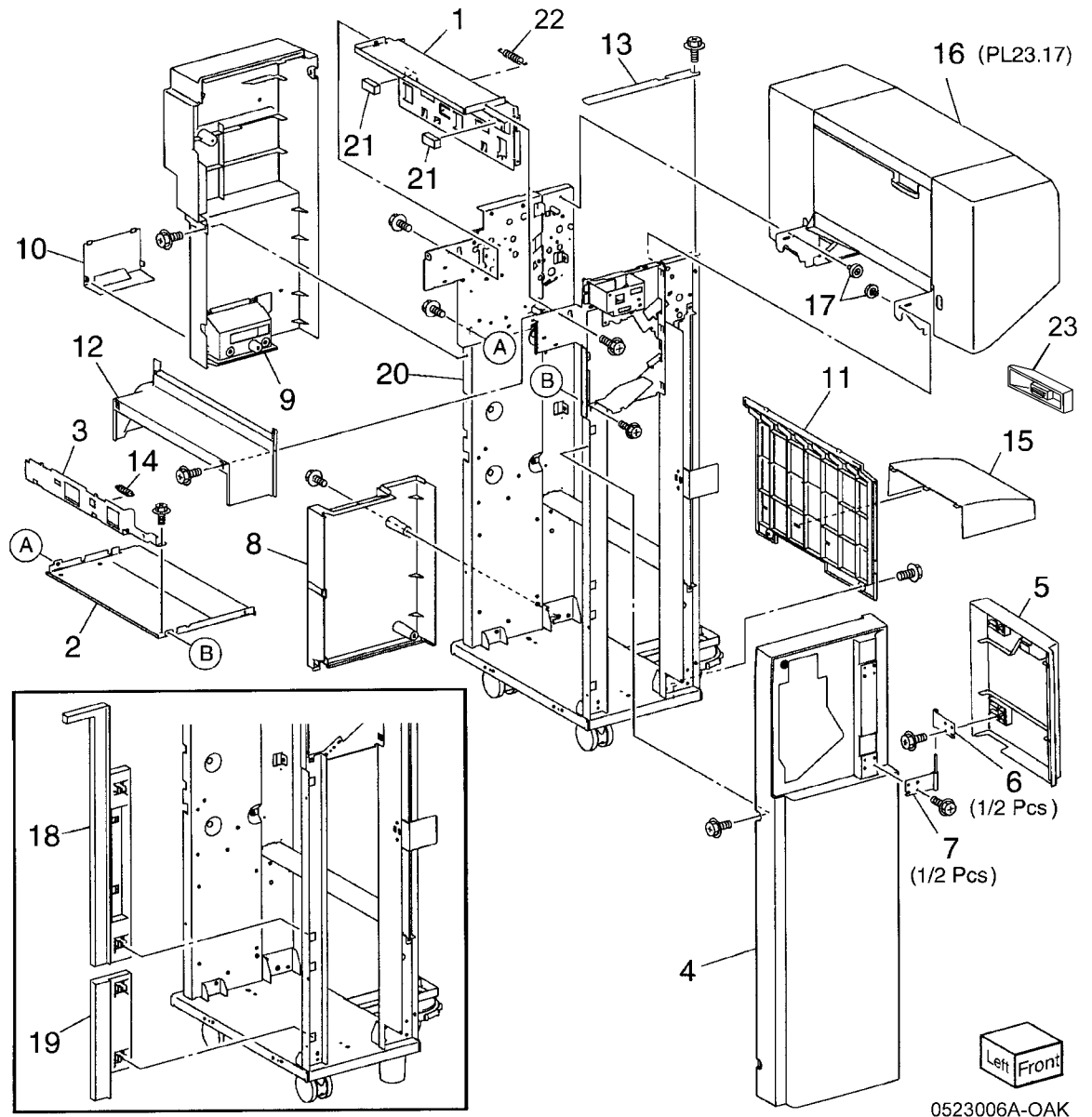
# PL 23.5 H - Transport Assembly (5 of 5)

Item	Part	Description
1	-	Punch Motor (P/O PL 23.2 Item 10)
2	-	Punch Lower Cover (P/O PL 23.2 Item 10)
3	-	Punch Motor Cover (P/O PL 23.2 Item 10)
4	-	Sensor Bracket (P/O PL 23.2 Item 10)
5	930W00111	Punch Encoder Sensor, Punch Home Sensor, Punch Box Set Sensor
6	-	Punch Frame Assembly (P/O PL 23.2 Item 10)
7	-	Encoder/Gear Assembly (P/O PL 23.2 Item 10)
8	-	Gear (P/O PL 23.2 Item 10)
9	-	Motor Bracket (P/O PL 23.2 Item 10)
10	-	Punch Top Cover (P/O PL 23.2 Item 10)
11	-	Bracket (P/O PL 23.2 Item 10)



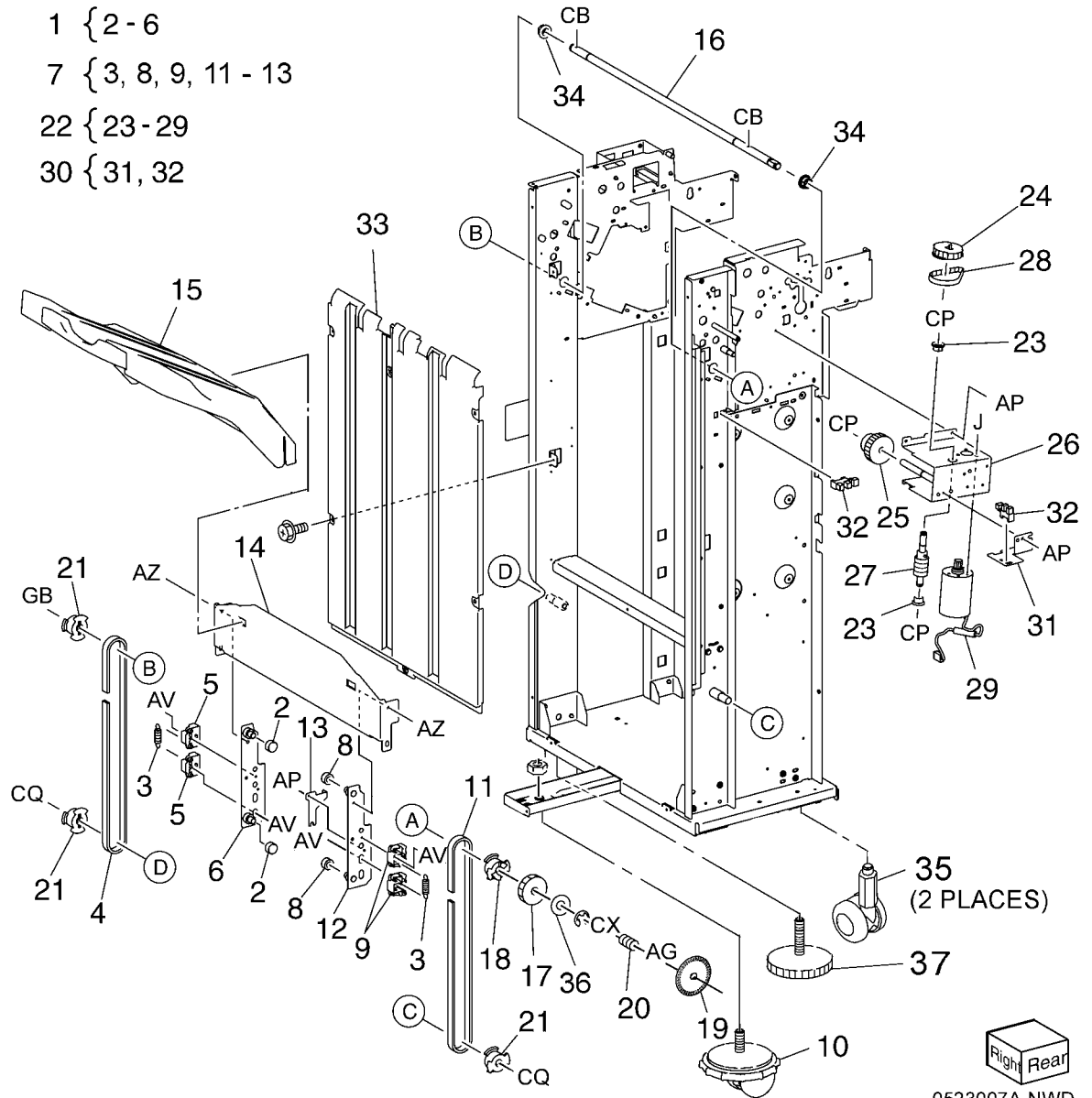
## PL 23.6 Finisher Covers

Item	Part	Description
1	-	Plate (Not Spared)
2	-	Lower Plate (Not Spared)
3	-	Docking Lever (Not Spared)
4	-	Front Cover (REP 13.6)
5	-	Front Door (Not Spared)
6	-	Bracket (Not Spared)
7	068K59531	Hinge
8	848E15210	Rear Lower Cover (REP 13.8)
9	848E15221	Rear Upper Cover (REP 13.7)
10	848E15231	Connector Cover
11	848E15241	Stacker Lower Cover (REP 13.11)
12	848E48790	LH Cover
13	-	Cover (Not Spared)
14	-	Spring (Not Spared)
15	848E22450	Foot Cover (REP 13.10)
16	801K30701	Booklet Assembly (REP 13.31)
17	-	Thumb Screw (P/O PL 23.1 Item 11)
18	-	Upper Adjust Cover (P/O PL 23.1 Item 11)
19	-	Lower Adjust Cover (Not Spared)
20	-	Base Frame Assembly (Not Spared)
21	921W41162	Gasket
22	-	Extension Spring (Not Spared)
23	-	Paper Guide



# PL 23.7 Finisher Stacker

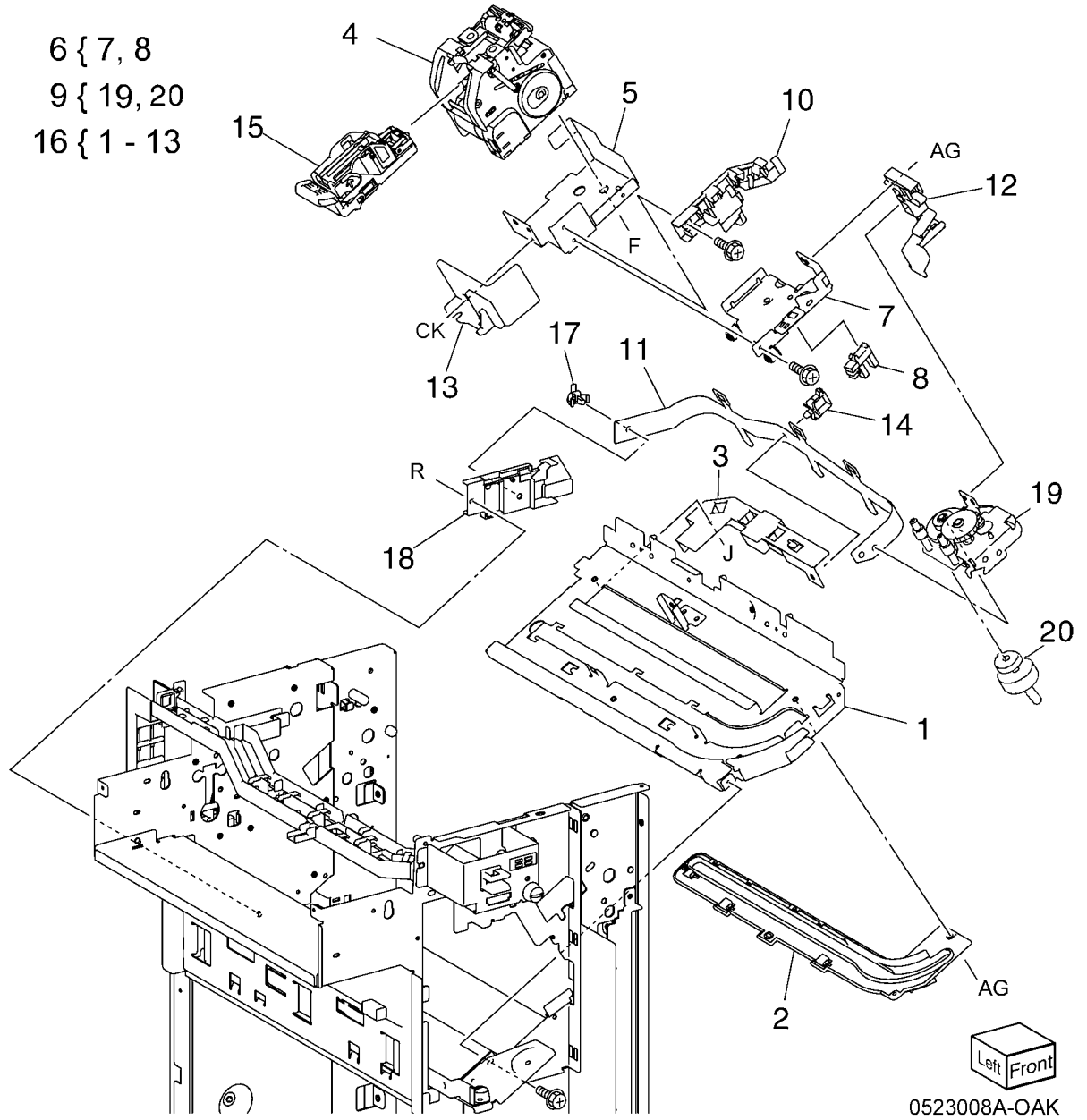
Item	Part	Description
1	041K95980	Front Carriage Assembly (REP 13.29)
2	-	Bearing (P/O PL 23.7 Item 1)
3	809E56850	Spring
4	-	Front Stacker Belt (P/O PL 23.7 Item 1)
5	-	Clamp (P/O PL 23.7 Item 1)
6	-	Front Carriage Assembly (P/O PL 23.7 Item 1)
7	041K95990	Rear Carriage Assembly (REP 13.29)
8	-	Bearing (P/O PL 23.7 Item 7)
9	-	Clamp (P/O PL 23.7 Item 7)
10	017K94890	Knob Caster Assembly
11	-	Rear Stacker Belt (P/O PL 23.7 Item 7)
12	-	Rear Carriage (P/O PL 23.7 Item 7)
13	-	Actuator (P/O PL 23.7 Item 7)
14	-	Carriage Tray (Not Spared)
15	050K61105	Stacker Tray (REP 13.20)
16	-	Shaft (Not Spared)
17	807E08990	Gear
18	020E37710	Pulley
19	146E90650	Encoder
20	809E56860	Spring
21	020E37720	Pulley (18T)
22	068K58304	Stacker Elevator Motor Assembly (REP 13.19)
-	068K58303	Stacker Elevator Motor Assembly (REP 13.19)
23	-	Bearing (P/O PL 23.7 Item 22)
24	020E44181	Pulley (60T)
25	-	Gear (15T/37T) (P/O PL 23.7 Item 22)
26	-	Motor Bracket (P/O PL 23.7 Item 22)
27	-	Worm Shaft (P/O PL 23.7 Item 22)
28	423W27654	Belt
29	-	Stacker Elevator Motor (P/O PL 23.7 Item 22)
30	-	Stacker Encoder Sensor Assembly (Not Spared)
31	-	Bracket (P/O PL 23.7 Item 30)
32	930W00111	Stacker Encoder Sensor, Stacker No Paper Sensor
33	-	Stacker Upper Cover (Not Spared) (REP 13.12)
34	413W79359	Bearing
35	017K94880	Caster Assembly
36	251W31178	Washer
37	017K94900	Adjustable Foot Assembly



# PL 23.8 Finisher Stapler

Item	Part	Description
1	-	Base Frame (P/O PL 23.8 Item 16)
2	-	Rail (P/O PL 23.8 Item 16)
3	-	Harness Guide
4	029K92350	Stapler Assembly (REP 13.16)
5	-	Holder (Not Spared)
6	-	Stapler Move Position Sensor Assembly (Not Spared)
7	-	Bracket (P/O PL 23.8 Item 6)
8	130E94940	Stapler Move Position Sensor
9	-	Stapler Move Motor Assembly (Not Spared)
10	-	Harness Guide (P/O PL 23.8 Item 16)
11	-	Harness Support Guide (P/O PL 23.8 Item 16)
12	-	Harness Guide (P/O PL 23.8 Item 16)
13	-	Stapler Cover (Not Spared)
14	-	Clamp (Not Spared)
15	-	Stapler Cartridge (Not Spared)
16	-	Stapler Unit (Not Spared)
17	-	Cable Band (Not Spared)
18	-	Harness Guide (Not Spared)
19	-	Stapler Motor Assembly (P/O PL 23.8 Item 9) (REP 13.15)
20	127K57622	Motor Assembly

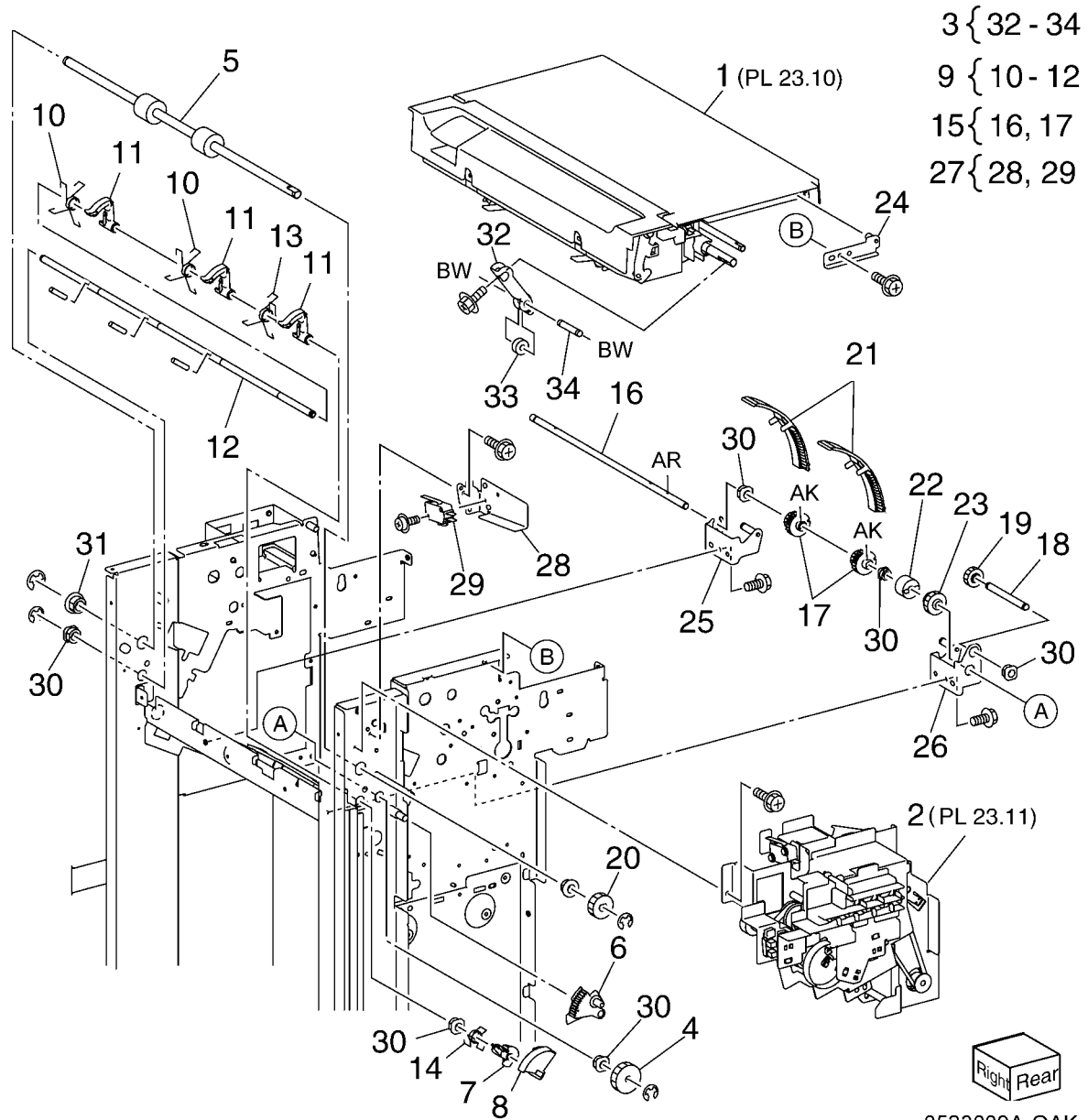
6 { 7, 8  
 9 { 19, 20  
 16 { 1 - 13



0523008A-OAK

# PL 23.9 Finisher Eject (1 of 5)

Item	Part	Description
1	-	Eject Cover Assembly (Not Spared)
2	-	Eject Assembly (Not Spared)
3	031K93790	Clamp Arm Assembly
4	807E21370	Gear (25T)
5	059K55111	Eject Roller
6	807E21380	Gear (72T)
7	807E21391	Gear (18T)
8	120E29772	Actuator
-	120E29771	Actuator
9	006K86731	Set Clamp Shaft Assembly
10	-	Spring (P/O PL 23.9 Item 9)
11	019K09391	Set Clamp Holder
12	-	Shaft (Not Spared)
13	809E79060	Spring
14	809E79080	Spring
15	006K86741	Guide Paper Shaft Assembly
16	-	Guide Paper Shaft (P/O PL 23.9 Item 15)
17	-	Gear (20T) (P/O PL 23.9 Item 15)
18	-	Shaft (Not Spared)
19	807E21420	Gear (19T)
20	807E21400	Gear (31T)
21	038E36490	Guide Paper (Left/Right)
22	005E25820	Clutch
23	807E21970	Gear (23T)
24	-	Stopper (Not Spared)
25	-	Bracket (Front) (Not Spared)
26	-	Bracket (Rear) (Not Spared)
27	-	Option Switch Assembly (Not Spared)
28	-	Bracket (Not Spared)
29	-	Option Switch (Not Spared)
30	413W77559	Sleeve Bearing
31	-	Bearing (Not Spared)
32	-	Clamp Arm (P/O PL 23.9 Item 3)
33	-	Roll (P/O PL 23.9 Item 3)
34	-	Shaft (P/O PL 23.9 Item 3)



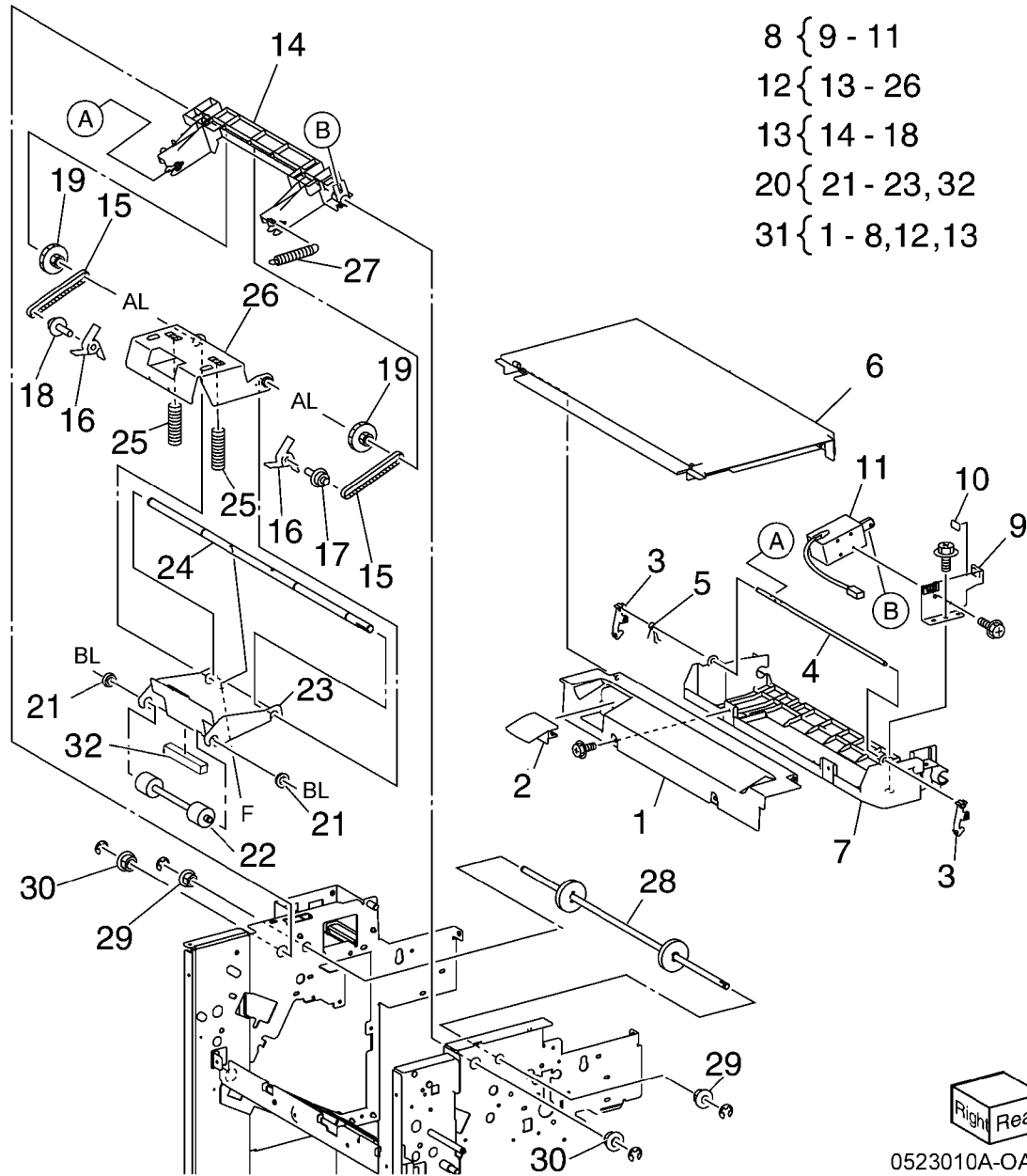
3 { 32 - 34  
 9 { 10 - 12  
 15 { 16, 17  
 27 { 28, 29

0523009A-OAK



# PL 23.10 Finisher Eject (2 of 5)

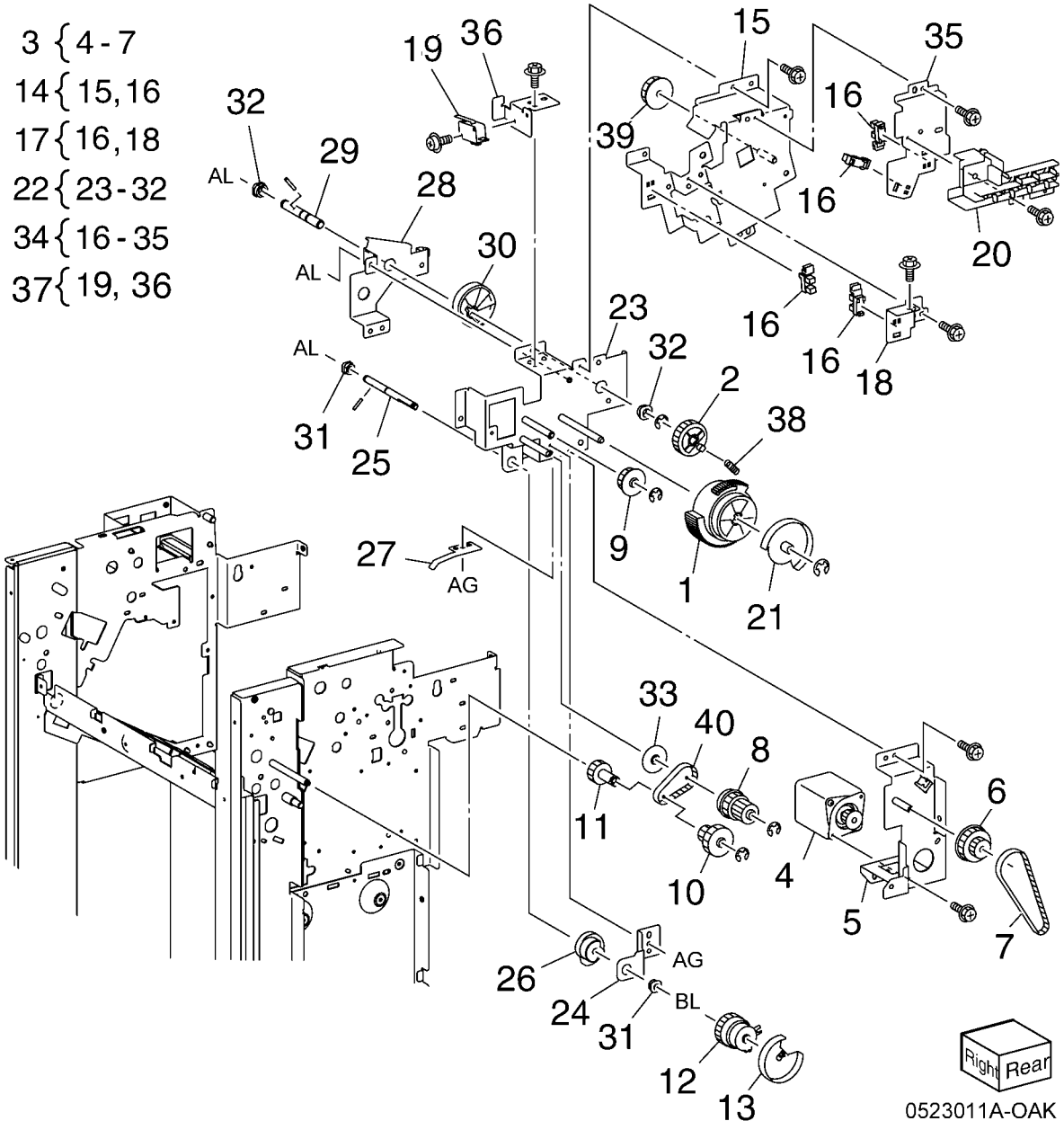
Item	Part	Description
1	848E15291	Top Right Hand Cover
2	011E20781	Top Cover Lever
3	003E76111	Top Cover Latch
4	-	Shaft (Not Spared)
5	809E79031	Spring
6	-	Eject Cover (REP 13.9)
7	054K35301	Eject Chute
8	121K41632	Sub Paddle Solenoid Assembly (REP 13.14)
9	-	Bracket (P/O PL 23.10 Item 8)
10	-	Damper (P/O PL 23.10 Item 8)
11	-	Sub Paddle Solenoid (P/O PL 23.10 Item 8)
12	-	Eject Roller Assembly (Not Spared)
13	031K93770	Paddle Arm Assembly
14	-	Sub Paddle Arm (Not Spared)
15	423W08655	Belt
16	-	Sub Paddle (P/O PL 23.10 Item 13)
17	-	Pulley (P/O PL 23.10 Item 13)
18	-	Pulley (P/O PL 23.10 Item 13)
19	-	Gear/Pulley (31T/20T) (Not Spared)
20	-	Eject Pinch Roller Assembly (Not Spared)
21	-	Bearing (P/O PL 23.10 Item 20)
22	059K55102	Eject Pinch Roller
23	-	Bracket (P/O PL 23.10 Item 20)
24	-	Shaft (P/O PL 23.10 Item 12)
25	-	Spring (Not Spared)
26	-	Bracket (P/O PL 23.10 Item 12)
27	809E79050	Spring
28	006K86690	Eject Drive Shaft
29	-	Bearing (Not Spared)
30	-	Bearing (Not Spared)
31	-	Eject Chute Assembly (Not Spared)
32	-	Eject Eliminator (P/O PL 23.10 Item 20)



0523010A-OAK

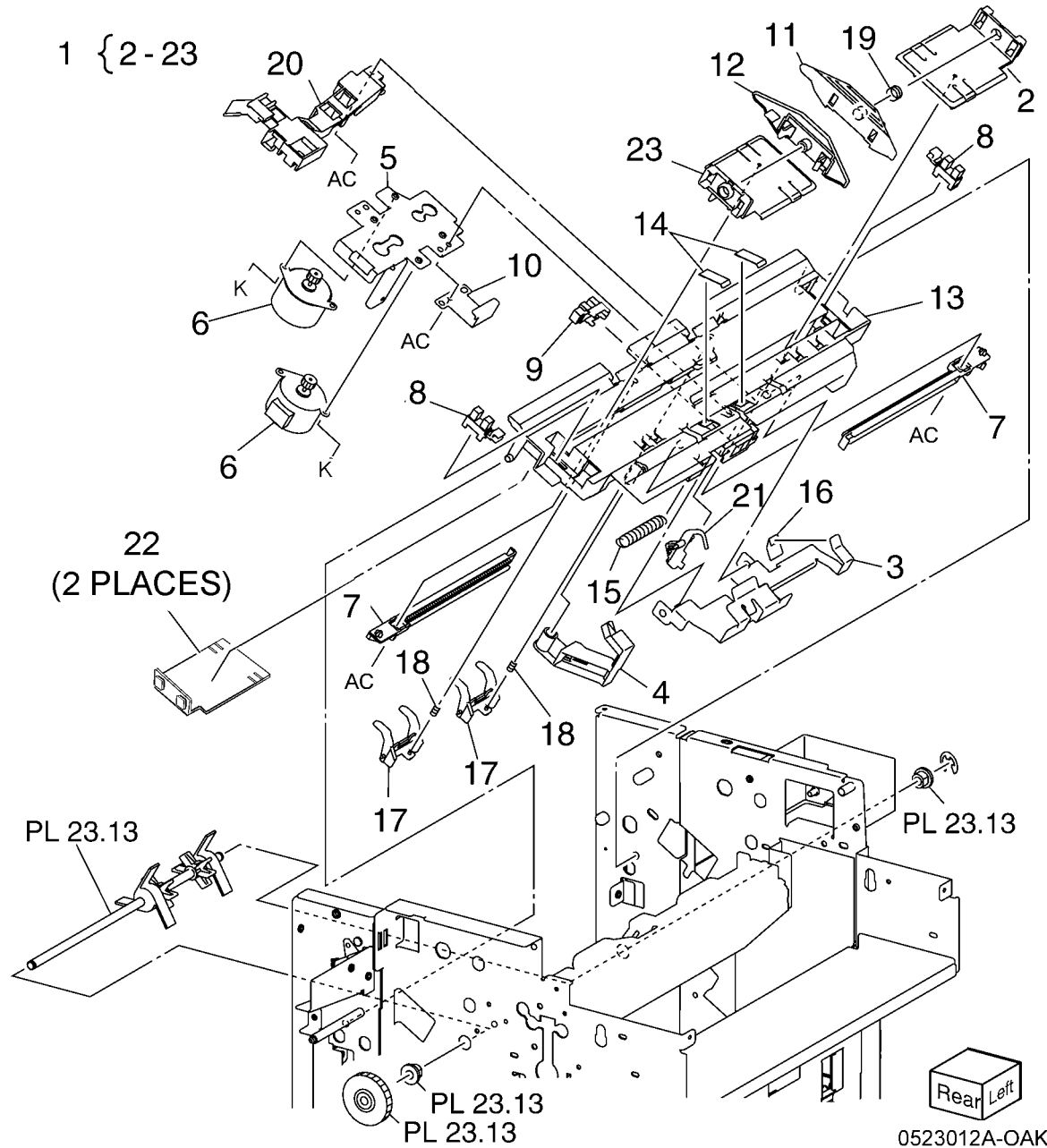
# PL 23.11 Finisher Eject (3 of 5)

Item	Part	Description
1	807E20931	Gear (82T/77T/51T)
2	807E20940	Gear (38T)
3	-	Eject Motor Assembly (Not Spared)
4	127K53140	Eject Motor (REP 13.25)
5	-	Bracket (P/O PL 23.11 Item 3)
6	807E22030	Gear/Pulley (20T/49T)
7	423W31054	Belt
8	807E21330	Gear (28T/22T/38T)
9	807E21340	Gear (25T)
10	807E21350	Gear/Pulley (32T/25T)
11	807E21360	Gear (23T)
12	121K34631	Set Clamp Clutch (34T)
13	120E29591	Set Clamp Cam Actuator
14	130K72170	Stacker Height Sensor 1 Assembly
15	-	Bracket (P/O PL 23.11 Item 14)
16	930W00111	Stacker Height Sensor 1, Stacker Height Sensor 2, Eject Clamp Home Sensor, Set Clamp Home Sensor (REP 13.13)
17	130K72180	Stacker Height Sensor 2 Assembly
18	-	Bracket (P/O PL 23.11 Item 17)
19	-	Eject Cover Switch (P/O PL 23.11 Item 37)
20	-	Harness Guide (Not Spared)
21	120E29850	Gear Select Actuator
22	-	Eject Drive Bracket Assembly (Not Spared)
23	-	Bracket (P/O PL 23.11 Item 22)
24	-	Bracket (P/O PL 23.11 Item 22)
25	-	Shaft (P/O PL 23.11 Item 22)
26	008E96770	Clamp Set Cam
27	809E79070	Spring
28	-	Bracket (P/O PL 23.11 Item 22)
29	-	Shaft (P/O PL 23.11 Item 22)
30	008E96691	Eject Clamp Cam
31	413W11660	Sleeve Bearing
32	-	Sleeve Bearing (P/O PL 23.11 Item 22)
33	005E25810	Drive Eject Flange
34	130K72190	Eject Clamp Home Sensor Assembly
35	-	Bracket (P/O PL 23.11 Item 34)
36	-	Bracket (P/O PL 23.11 Item 37)
37	-	Eject Cover Switch Assembly (Not Spared)
38	809E79820	Spring
39	807E22040	Gear (30T)
40	423W25954	Belt



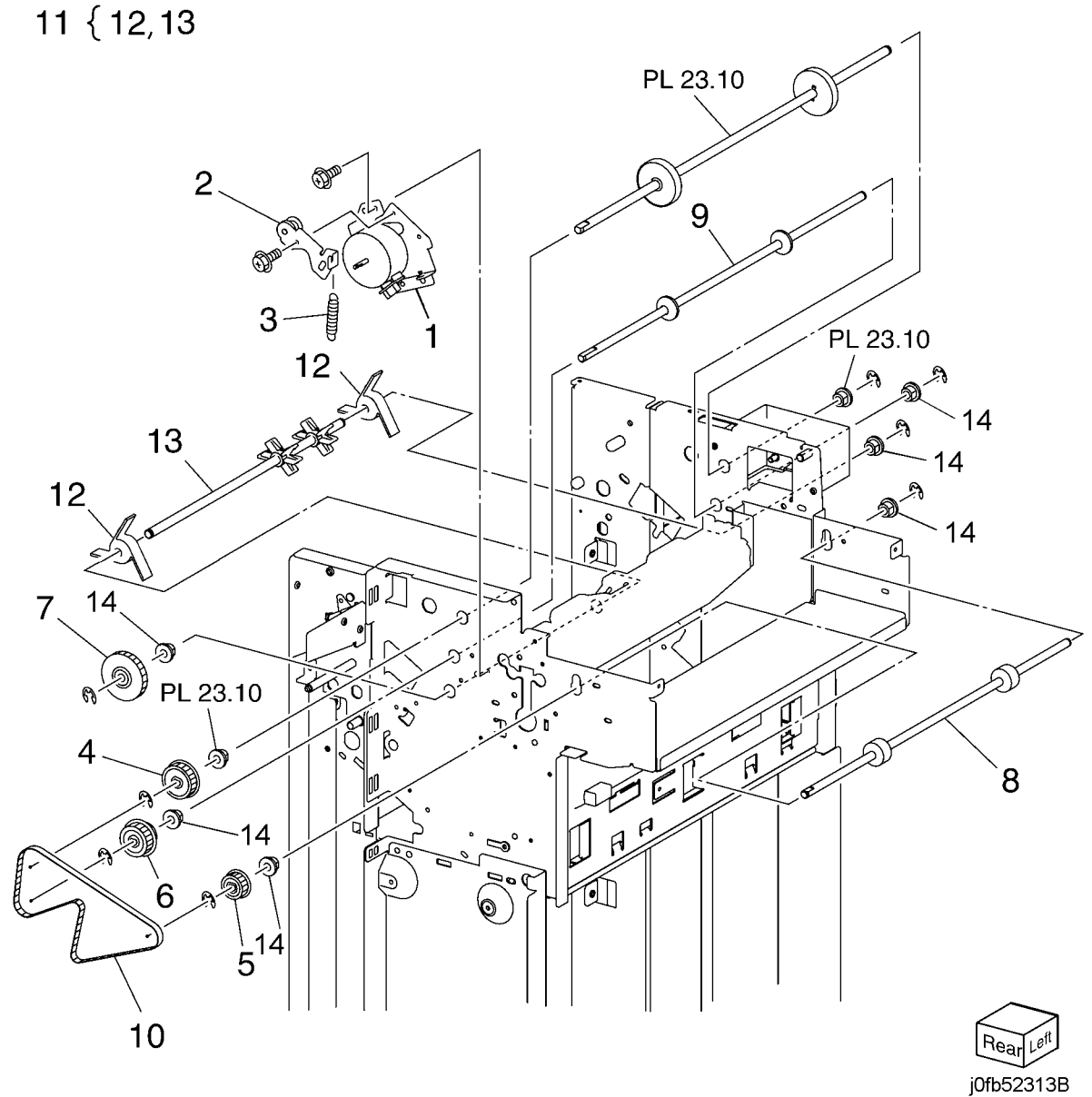
# PL 23.12 Finisher Eject (4 of 5)

Item	Part	Description
1	050K61091	Compiler Tray Assembly (REP 13.17)
2	038E36462	Tamper Guide, Rear
3	-	Compiler Center Paper Guide (P/O PL 23.12 Item 1)
4	-	Compiler Rear Paper Guide (P/O PL 23.12 Item 1)
5	-	Bracket (P/O PL 23.12 Item 1)
6	127K58040	Tamper Motor
7	-	Rack (Front) (P/O PL 23.12 Item 1)
8	930W00111	Front Tamper Home Sensor, Rear Tamper Home Sensor (REP 13.27)
9	130E81600	Compiler Tray No Paper Sensor (REP 13.28)
10	-	Spring (P/O PL 23.12 Item 1)
11	-	Tamper Front Guide (P/O PL 23.12 Item 1)
12	-	Tamper Rear Guide (P/O PL 23.12 Item 1)
13	-	Compiler Tray (P/O PL 23.12 Item 1)
14	-	Paper Paddle Guide (P/O PL 23.12 Item 1)
15	809E79000	Spring
16	-	Paper End Guide (P/O PL 23.12 Item 1)
17	-	Paper Tray Guide (P/O PL 23.12 Item 1)
18	-	Spring (P/O PL 23.12 Item 1)
19	-	Spring (P/O PL 23.12 Item 1)
20	-	Harness Guide (P/O PL 23.12 Item 1)
21	120E29760	Actuator
22	801E04903	Tamper Base
23	038E36452	Tamper Guide, Front



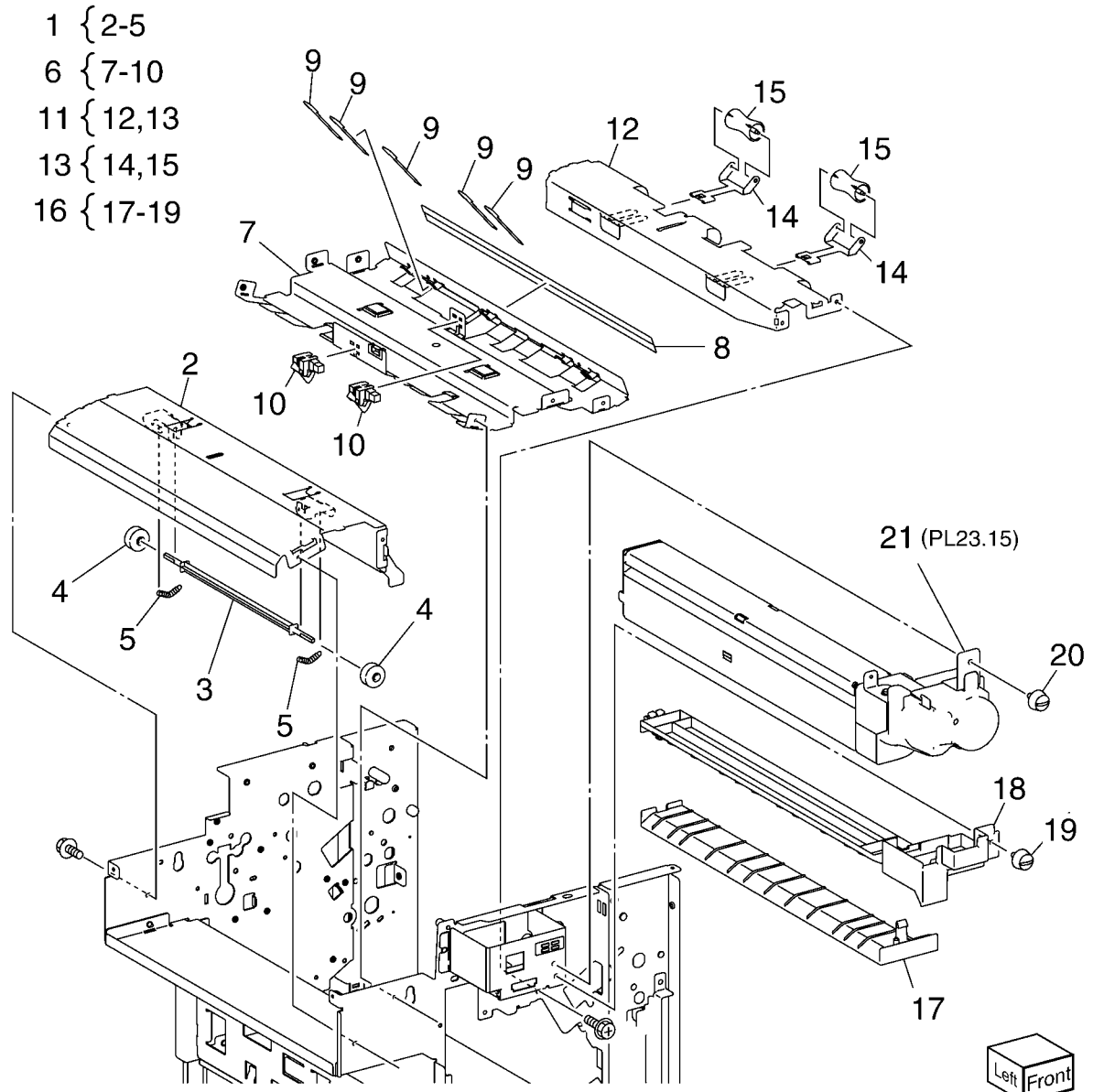
# PL 23.13 Finisher Eject (5 of 5)

Item	Part	Description
1	068K58823	Transport Motor
2	068K58832	Tension Roller Assembly
3	809E78980	Spring
4	020E45341	Pulley (30T)
5	020E45571	Pulley (41T)
6	-	Gear/Pulley (27T/30T) (Not Spared)
7	007K98300	Gear
8	059K55080	Entrance Roller
9	059K55090	Exit Roller
10	423W18754	Eject Belt (REP 13.21)
11	006K86813	Paddle Shaft Assembly
12	033E92850	Cyclone Paddle
13	-	Paddle Shaft (P/O PL 23.13 Item 11)
14	413W75959	Bearing



# PL 23.14 Finisher Exit/Folder Assembly

Item	Part	Description
1	-	Lower Chute Assembly (Not Spared)
2	-	Lower Chute (P/O PL 23.14 Item 1)
3	806E22121	Shaft
4	059E03710	Pinch Roll
5	809E78960	Spring
6	054K35540	Exit Upper Chute Assembly
7	-	Exit Upper Chute (P/O PL 23.14 Item 6)
8	105E18000	Static Eliminator
9	038E36420	Paper Guide
10	130K88311	Compiler Exit Sensor, Finisher Entrance Sensor
11	054K35559	Exit Lower Chute Assembly
-	054K35558	Exit Lower Chute Assembly (A)
12	-	Exit Lower Chute (P/O PL 23.14 Item 11)
13	-	Pinch Roll Assembly (P/O PL 23.14 Item 11)
14	-	Spring (P/O PL 23.14 Item 13)
15	059K56321	Pinch Roll
16	-	Chute Assembly (Not Spared)
17	-	Lower Chute (P/O PL 23.14 Item 16)
18	-	Upper Chute (P/O PL 23.14 Item 16)
19	-	Thumb Screw (P/O PL 23.14 Item 16)
20	-	Chute Assembly (Not Spared)
21	695K18691	Crease Assembly (Option) (REP 13.18)

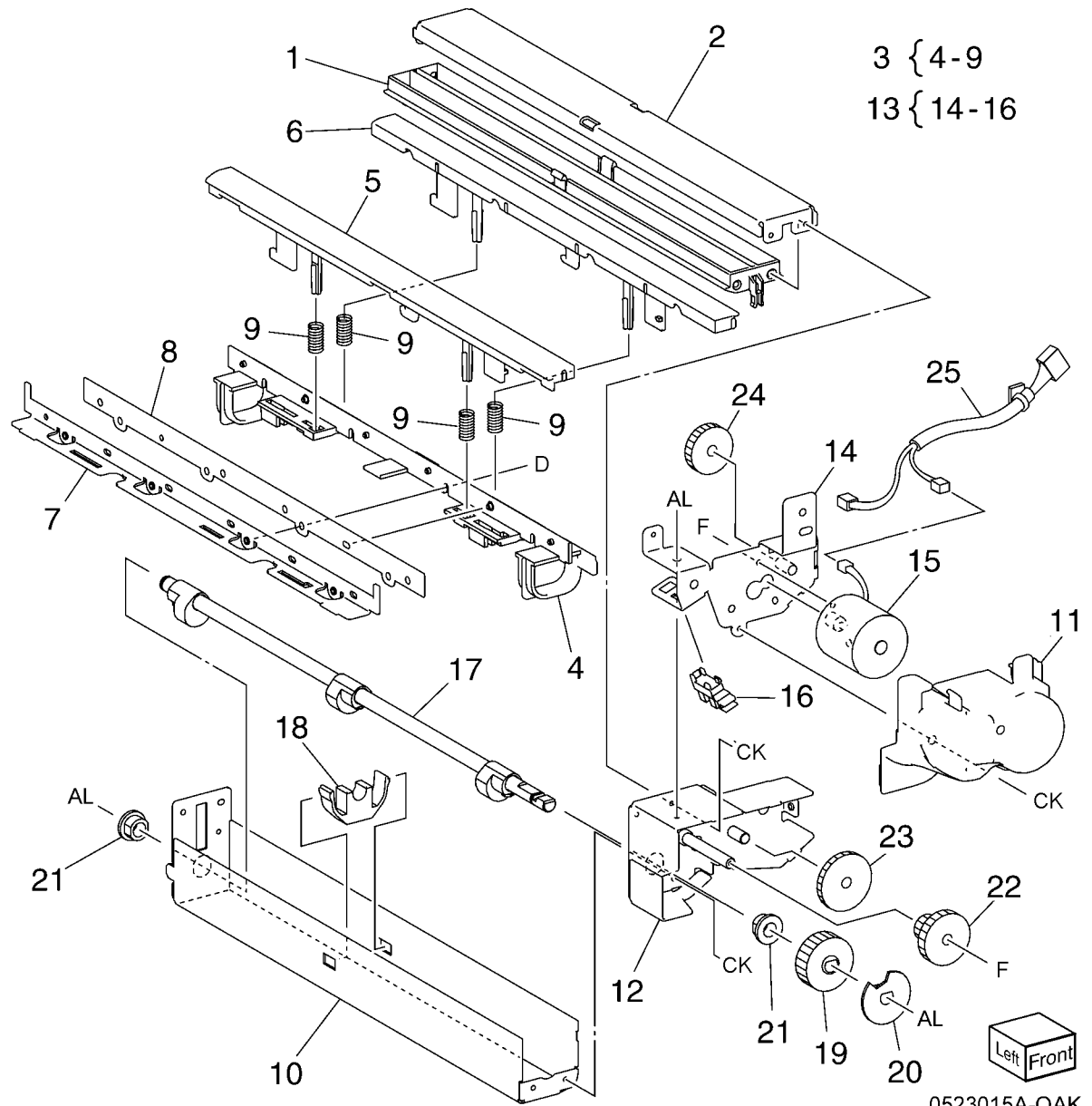


Left Front

j0fb52314

# PL 23.15 Folder Assembly

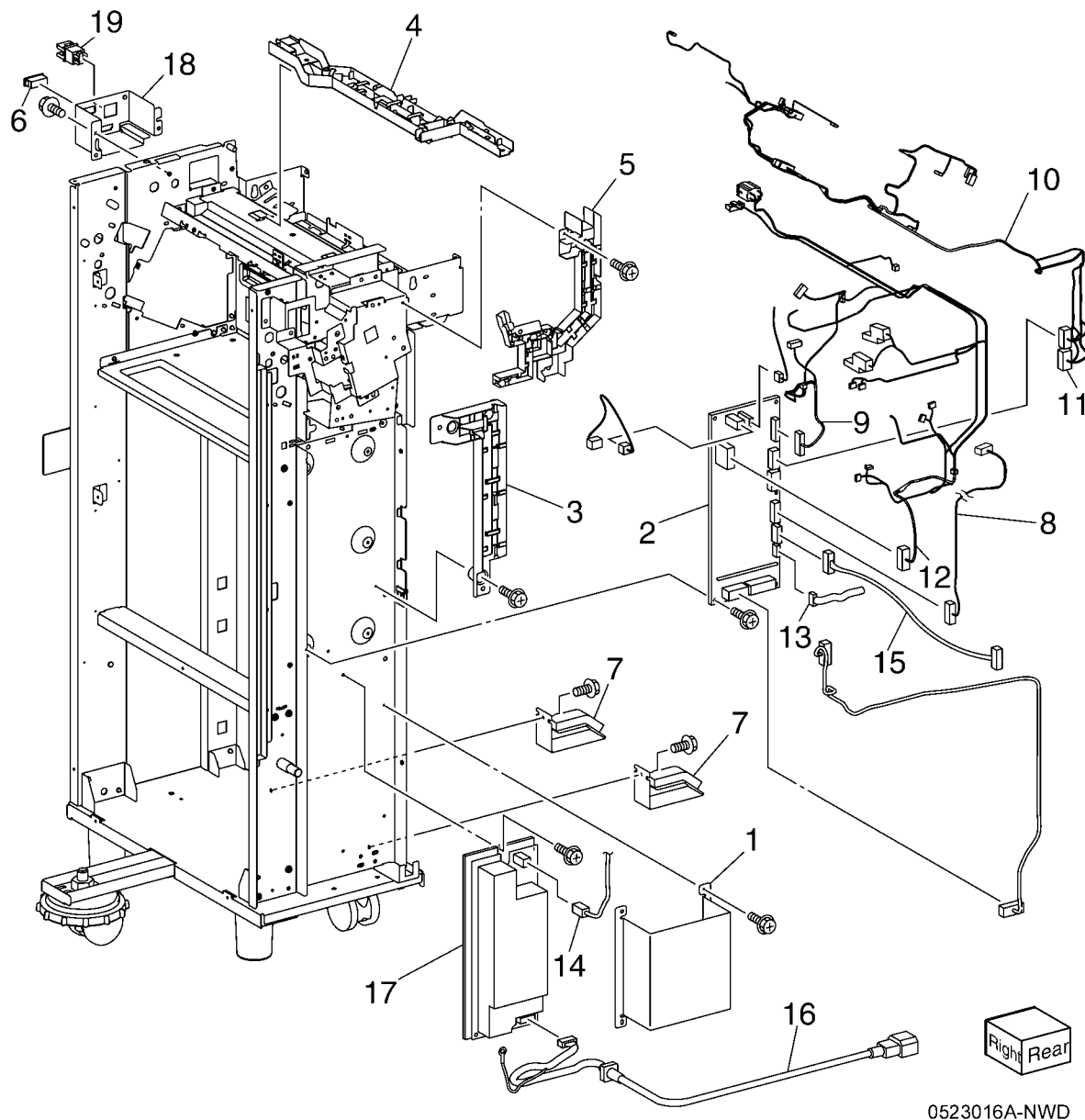
Item	Part	Description
1	-	Upper Chute (P/O PL 23.14 Item 21)
2	-	Upper Plate (P/O PL 23.14 Item 21)
3	-	Knife Assembly (P/O PL 23.14 Item 21)
4	-	Blade Holder (P/O PL 23.15 Item 3)
5	-	Lower Holder 1 (P/O PL 23.15 Item 3)
6	-	Lower Holder 2 (P/O PL 23.15 Item 3)
7	-	Bracket (P/O PL 23.15 Item 3)
8	-	Blade (P/O PL 23.15 Item 3)
9	-	Spring (P/O PL 23.14 Item 2)
10	-	Frame (P/O PL 23.14 Item 21)
11	-	Front Cover (P/O PL 23.14 Item 21)
12	-	Bracket (P/O PL 23.14 Item 21)
13	-	Folder Knife Motor Assembly (P/O PL 23.14 Item 21)
14	-	Motor Bracket (P/O PL 23.15 Item 13)
15	-	Folder Knife Motor (P/O PL 23.15 Item 13)
16	-	Folder Home Sensor (P/O PL 23.15 Item 13)
17	-	Cam Shaft Assembly (P/O PL 23.14 Item 21)
18	-	Guide (P/O PL 23.14 Item 21)
19	-	Gear (28T/8T) (P/O PL 23.14 Item 21)
20	-	Encoder (P/O PL 23.14 Item 21)
21	-	Bearing (P/O PL 23.14 Item 21)
22	-	Gear (12T/27T) (P/O PL 23.14 Item 21)
23	-	Gear (12T/30T) (P/O PL 23.14 Item 21)
24	-	Gear (12T/51T) (P/O PL 23.14 Item 21)
25	-	Wire Harness (P/O PL 23.14 Item 21)



0523015A-OAK

## PL 23.16 Finisher Electrical

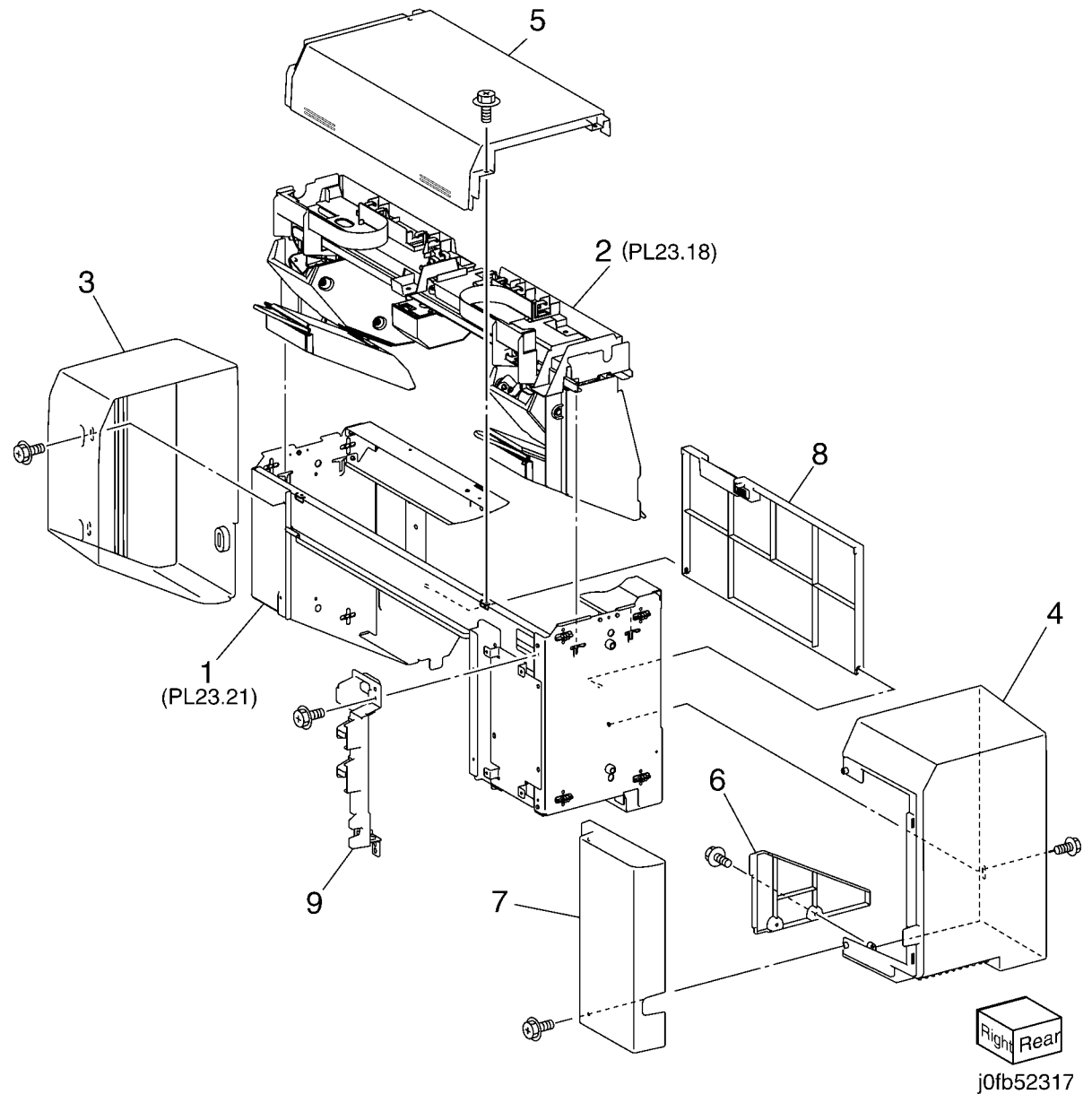
Item	Part	Description
1	-	LVPS Cover (Not Spared)
2	960K51447	Finisher PWB (REP 13.23)
-	960K50992	Finisher PWB
3	-	Harness Guide (Not Spared)
4	-	Harness Guide (Not Spared)
5	-	Harness Guide (Not Spared)
6	-	Magnet (Not Spared)
7	815K04920	Gasket Plate Assembly
8	962K60592	Wire Harness
9	-	Wire Harness (Not Spared)
10	-	Wire Harness (Not Spared)
11	-	Wire Harness (Not Spared)
12	-	Wire Harness (Not Spared)
13	962K60481	Wire Harness
14	-	Wire Harness (Not Spared)
15	-	Wire Harness (Not Spared)
16	962K74540	Power Cable
17	105E17550	Finisher LVPS (REP 13.24)
18	-	Bracket (Not Spared)
19	110E97990	Finisher Front Door Interlock Switch



0523016A-NWD

## PL 23.17 Booklet Cover

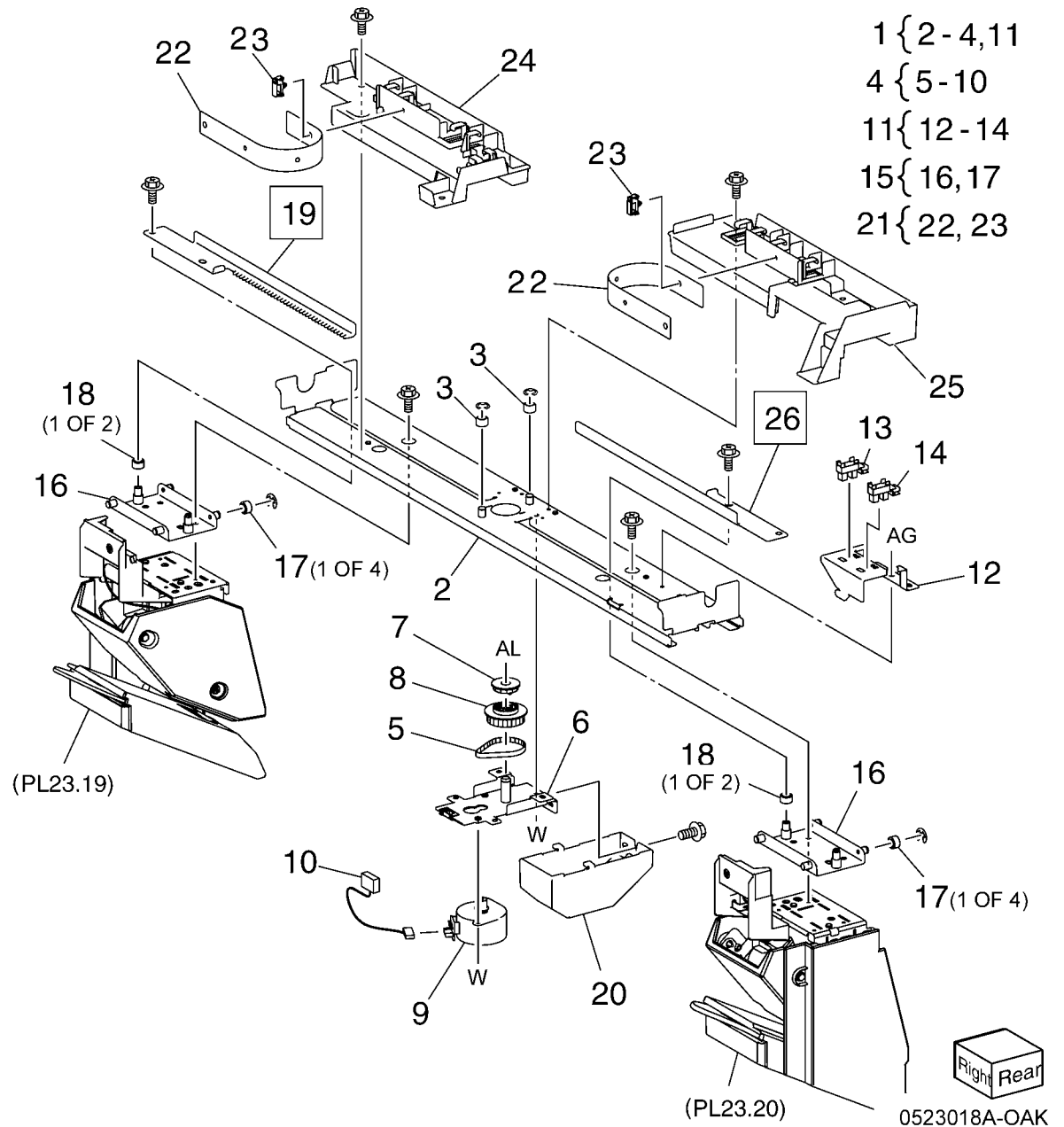
Item	Part	Description
1	-	Frame Assembly (Not Spared)
2	-	Booklet Stapler Assembly (Not Spared)
3	848E15333	Rear Cover (REP 13.33)
4	-	Front Cover (Not Spared) (REP 13.32)
5	-	Top Cover (REP 13.34)
6	848E15350	Side Cover
7	848E15361	PWB Cover (REP 13.35)
8	-	Left Cover (Not Spared) (REP 13.36)
9	-	Harness Guide (Not Spared)





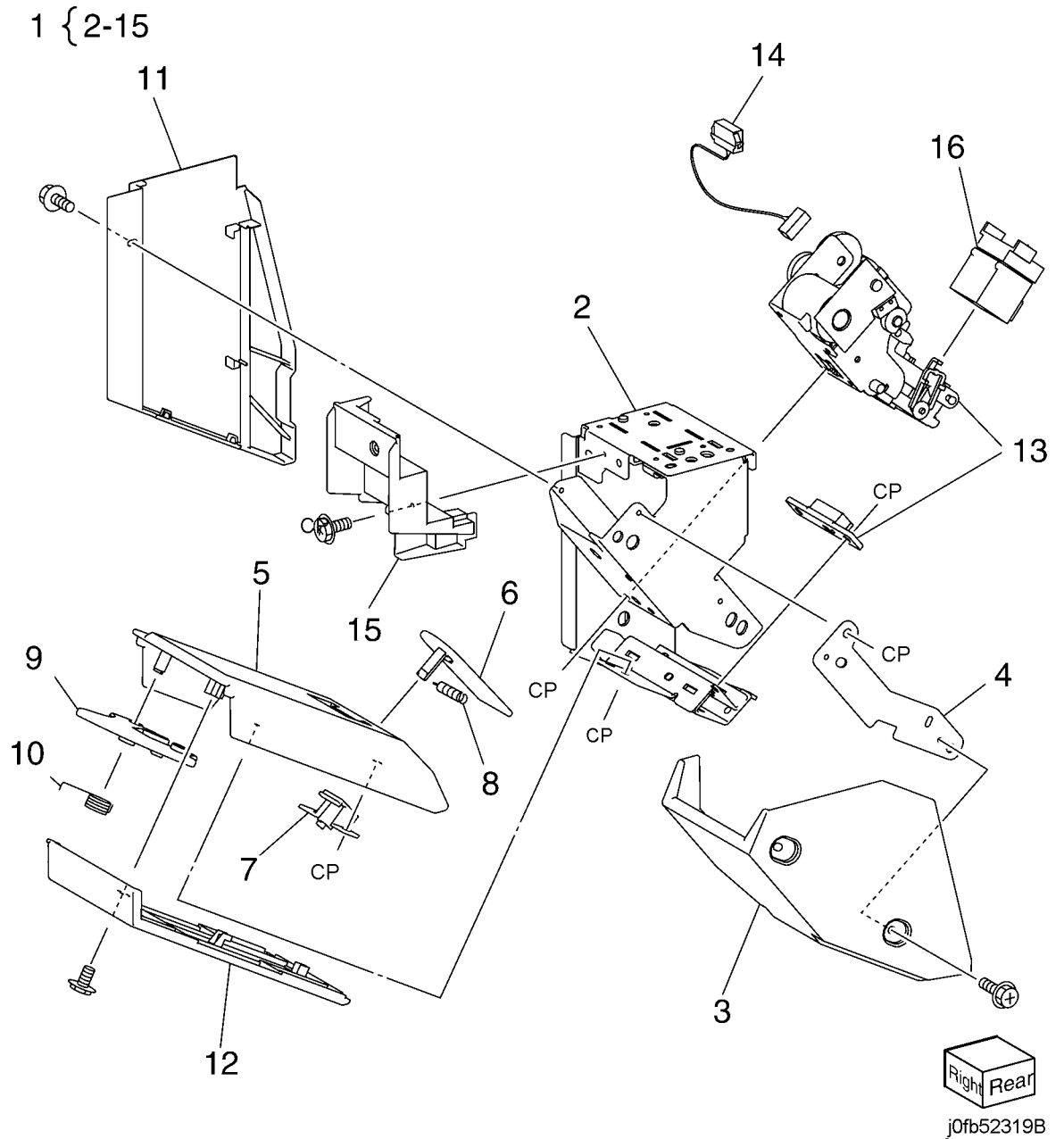
# PL 23.18 Booklet Stapler Assembly

Item	Part	Description
1	-	Front Carriage Rail (Not Spared)
2	-	Frame (P/O PL 23.18 Item 1)
3	-	Core (P/O PL 23.18 Item 1)
4	127K57051	Booklet Stapler Move Motor Assembly (REP 13.38)
5	-	Belt (P/O PL 23.18 Item 4)
6	-	Bracket (P/O PL 23.18 Item 4)
7	-	Gear (12T) (P/O PL 23.18 Item 4)
8	-	Pulley (50T) (P/O PL 23.18 Item 4)
9	127K57622	Booklet Stapler Move Motor
10	-	Wire Harness (P/O PL 23.18 Item 4)
11	-	Sensor Bracket Assembly (P/O PL 23.18 Item 1)
12	-	Sensor Bracket (P/O PL 23.18 Item 11)
13	930W00111	Booklet Stapler Move Home Sensor, Booklet Stapler Move Position Sensor
14	-	Rear Rack Gear (Not Spared)
15	-	Carriage Assembly (Not Spared)
16	-	Carriage (P/O PL 23.18 Item 15)
17	-	Core (P/O PL 23.18 Item 15)
18	-	Core (Not Spared)
19	-	Front Rack Gear (Not Spared)
20	848E15400	Motor Cover
21	032K05222	Harness Guide Assembly
22	-	Harness Strap (P/O PL 23.18 Item 21)
23	920W01210	Locking Clamp
24	-	Harness Guide (Front) (Not Spared)
25	-	Harness Guide (Rear) (Not Spared)
26	-	Rear Rack Guide (Not Spared)



## PL 23.19 Booklet Front Stapler Assembly

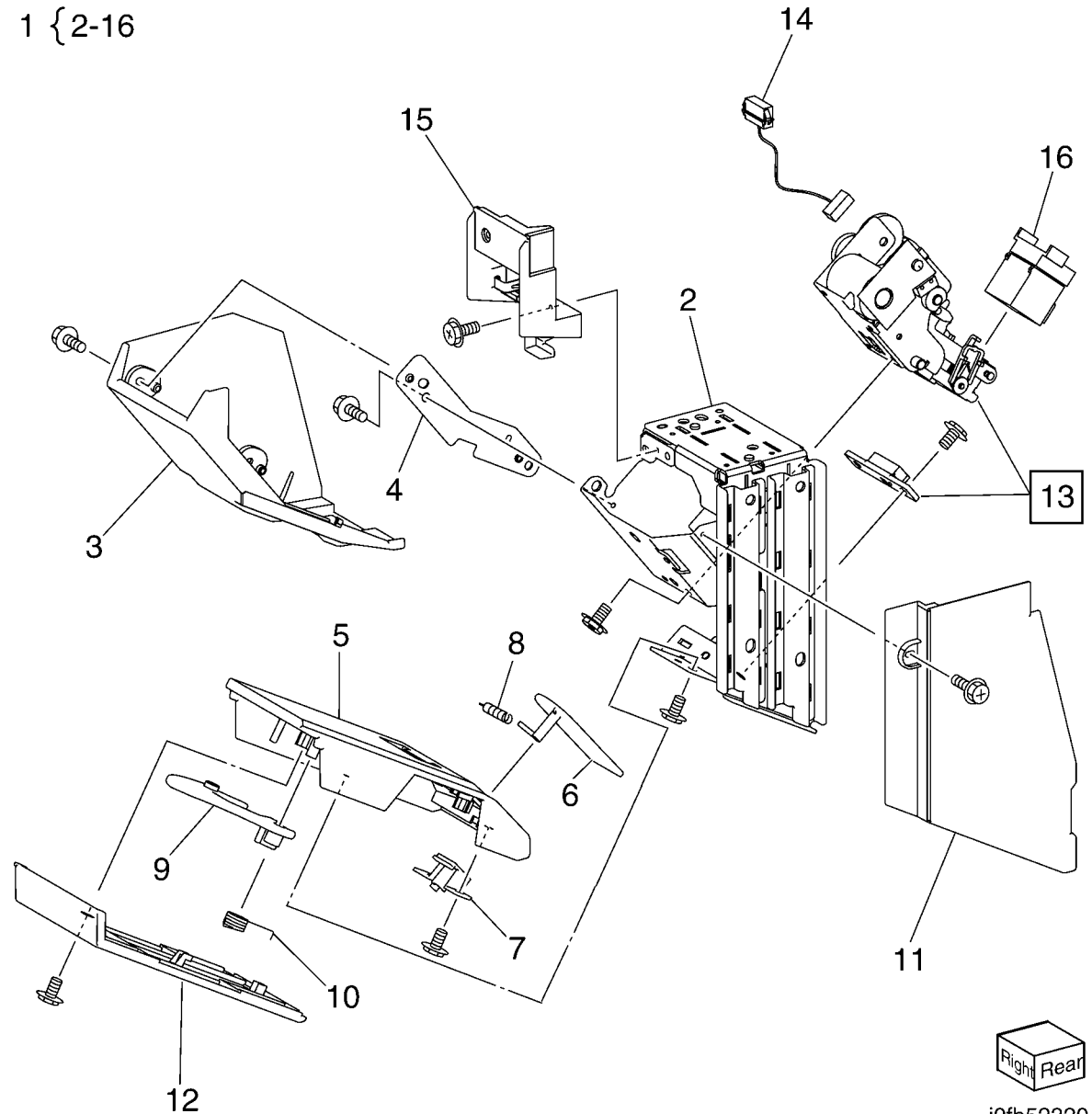
Item	Part	Description
1	–	Booklet Front Stapler Assembly
2	–	Bracket (P/O PL 23.19 Item 1)
3	–	Rear Cover (P/O PL 23.19 Item 1)
4	–	Bracket (P/O PL 23.19 Item 1)
5	–	Chute
6	–	Sub Chute (P/O PL 23.19 Item 1)
7	–	Support (P/O PL 23.19 Item 1)
8	–	Spring (P/O PL 23.19 Item 1)
9	–	Exit Sub Chute (P/O PL 23.19 Item 1)
10	–	Spring (P/O PL 23.19 Item 1)
11	–	Front Cover (P/O PL 23.19 Item 1)
12	848E15421	Lower Cover
13	–	Booklet Stapler Assembly (P/O PL 23.19 Item 1) (REP 13.37)
14	–	Wire Harness (P/O PL 23.19 Item 1)
15	–	Guide (P/O PL 23.19 Item 1)
16	–	Booklet Staple Cassette Assembly (Not Spared)



# PL 23.20 Booklet Rear Stapler Assembly

Item	Part	Description
1	029K92500	Booklet Rear Stapler Assembly
2	-	Bracket (P/O PL 23.20 Item 1)
3	-	Rear Cover (P/O PL 23.20 Item 1)
4	-	Bracket (P/O PL 23.20 Item 1)
5	054K35282	Chute
6	-	Sub Chute (P/O PL 23.20 Item 1)
7	-	Support (P/O PL 23.20 Item 1)
8	-	Spring (P/O PL 23.20 Item 1)
9	-	Sub Chute (P/O PL 23.20 Item 1)
10	-	Spring (P/O PL 23.20 Item 1)
11	-	Front Cover (P/O PL 23.20 Item 1)
12	848E15421	Lower Cover
13	-	Booklet Stapler Assembly (P/O PL 23.20 Item 1) (REP 13.37)
14	-	Wire Harness (P/O PL 23.20 Item 1)
15	-	Guide (P/O PL 23.20 Item 1)
16	-	Booklet Staple Cassette Assembly (P/O PL 23.20 Item 1)

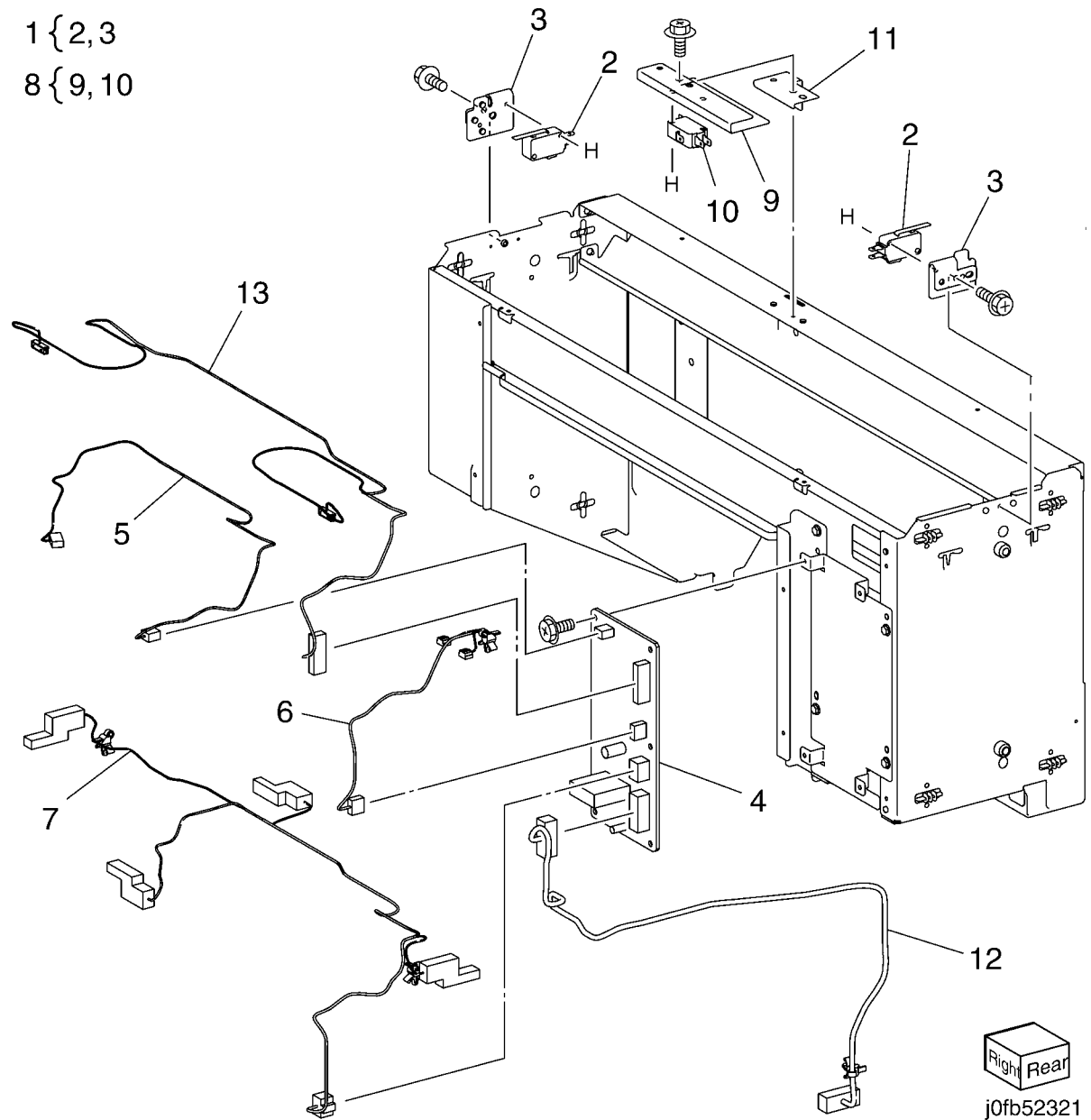
1 {2-16



Right Rear  
j0fb52320

## PL 23.21 Booklet Electrical

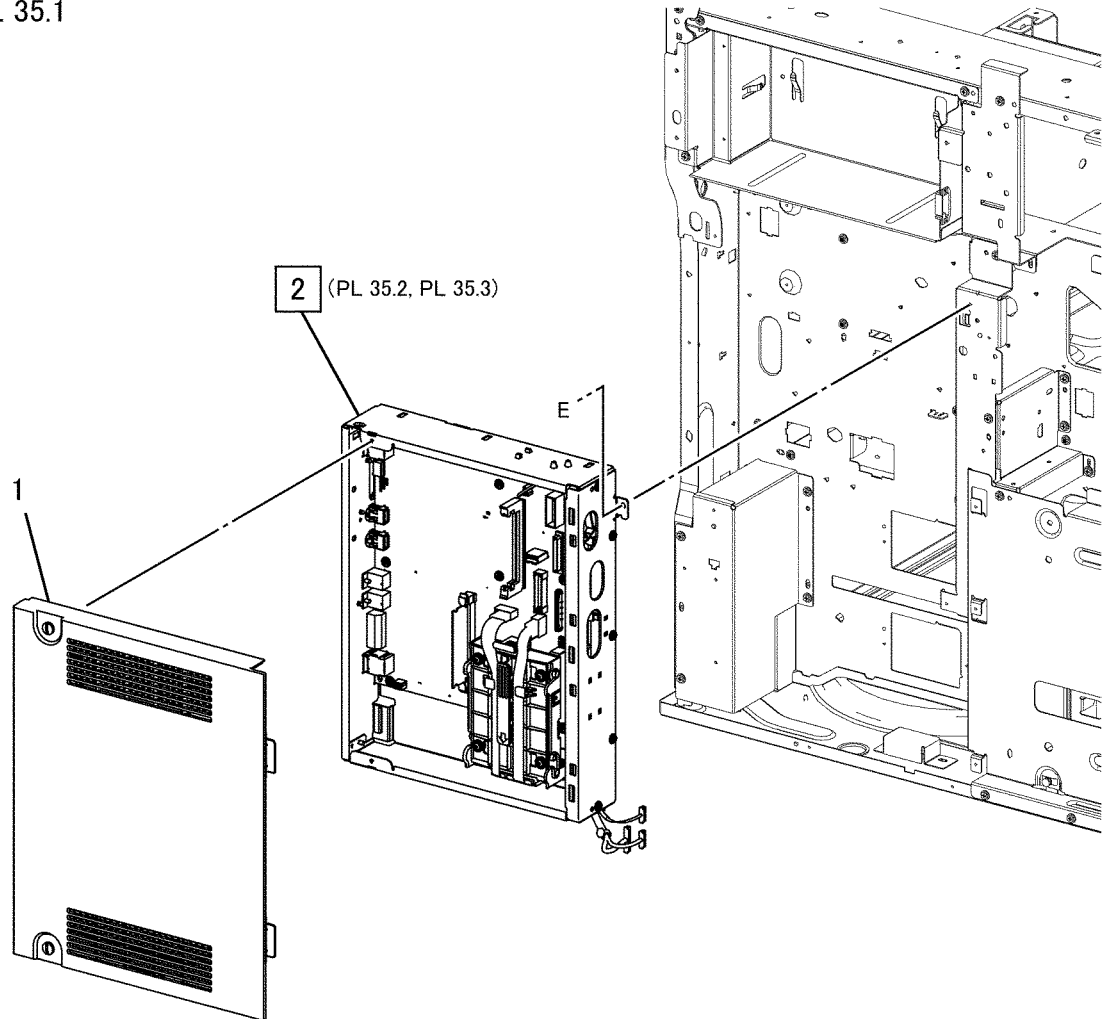
Item	Part	Description
1	068K58350	Booklet Stapler Safety Switch Assembly
2	110E12970	Booklet Stapler Safety Switch
3	-	Bracket (P/O PL 23.21 Item 1)
4	960K32543	Booklet PWB (REP 13.30)
5	-	Wire Harness (Not Spared)
6	-	Wire Harness (Not Spared)
7	-	Wire Harness (Not Spared)
8	-	Booklet Stapler Cover Switch Assembly (Not Spared)
9	-	Bracket (P/O PL 23.21 Item 8)
10	-	Booklet Stapler Cover Switch (P/O PL 23.21 Item 8)
11	-	Plate (Not Spared)
12	962K60533	Wire Harness
13	962K60540	Wire Harness



# PL 35.1 ESS (1/3)

Item	Part	Description
1	-	ESS Cover (Not Spared)
2	-	ESS Chassis Assembly (REF: PL 35.2, PL 35.3) (REP 3.2)

PL 35.1



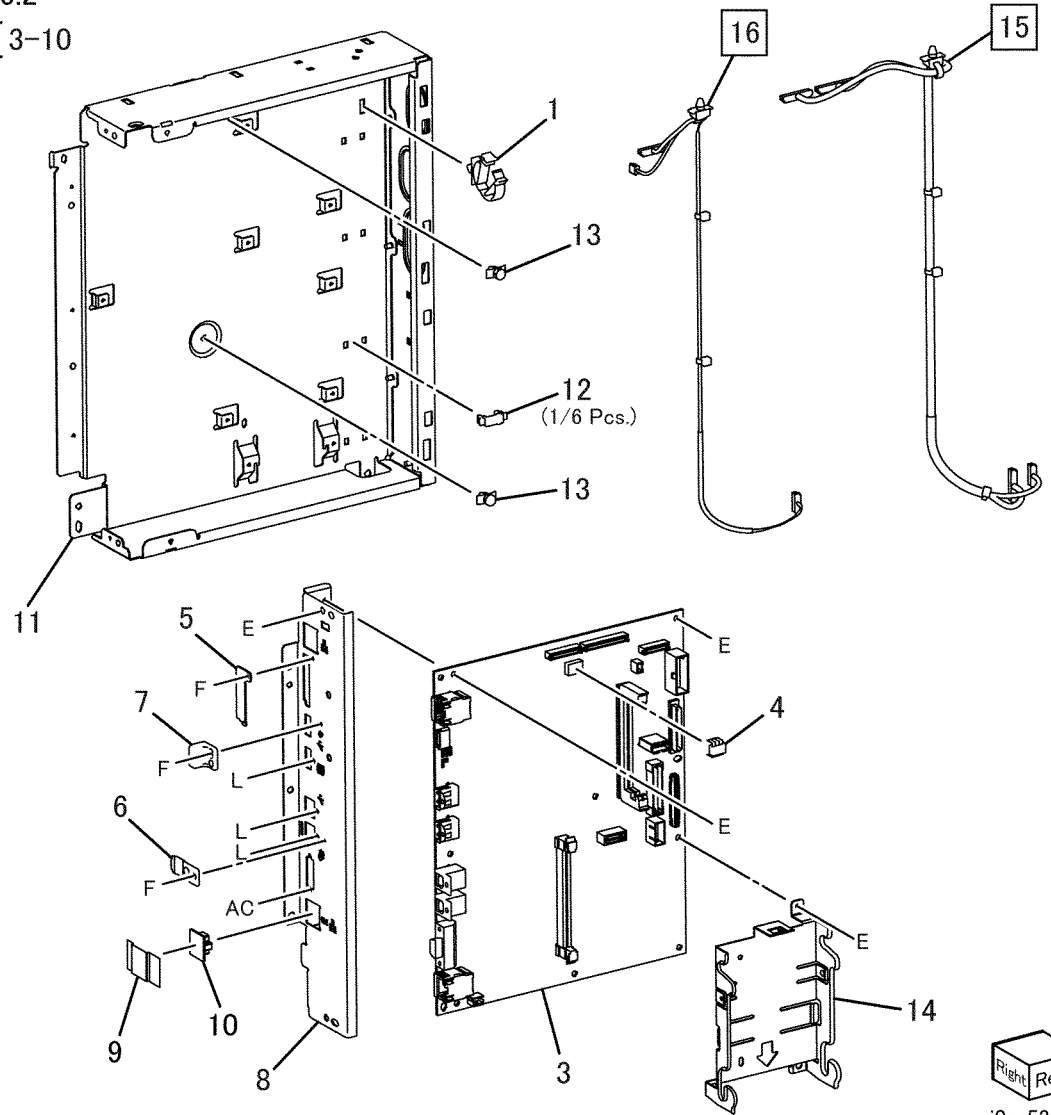
j0sg53501

# PL 35.2 ESS (2/3)

Item	Part	Description
1	-	Clamp (Not Spared)
2	604K68240	ESS PWB Assembly (Includes Items 3-10) (REP 3.3)
3	-	ESS PWB (P/O PL 35.2 Item 2) (REP 3.3)
4	-	EEPROM (P/O PL 35.2 Item 2)
5	-	ESS Plate (P/O PL 35.2 Item 2)
6	-	USB Panel (P/O PL 35.2 Item 2)
7	-	Cable Guard
8	-	Plate (P/O PL 35.2 Item 2)
9	-	Seal (P/O PL 35.2 Item 2)
10	-	Cap (P/O PL 35.2 Item 2)
11	-	ESS Chassis (Not Spared)
12	-	Clamp (Not Spared)
13	-	PWB Support (Not Spared)
14	-	HDD Bracket (Not Spared)
15	-	Wire Harness (Not Spared)
16	-	Video Harness (Not Spared)

PL 35.2

2 { 3-10



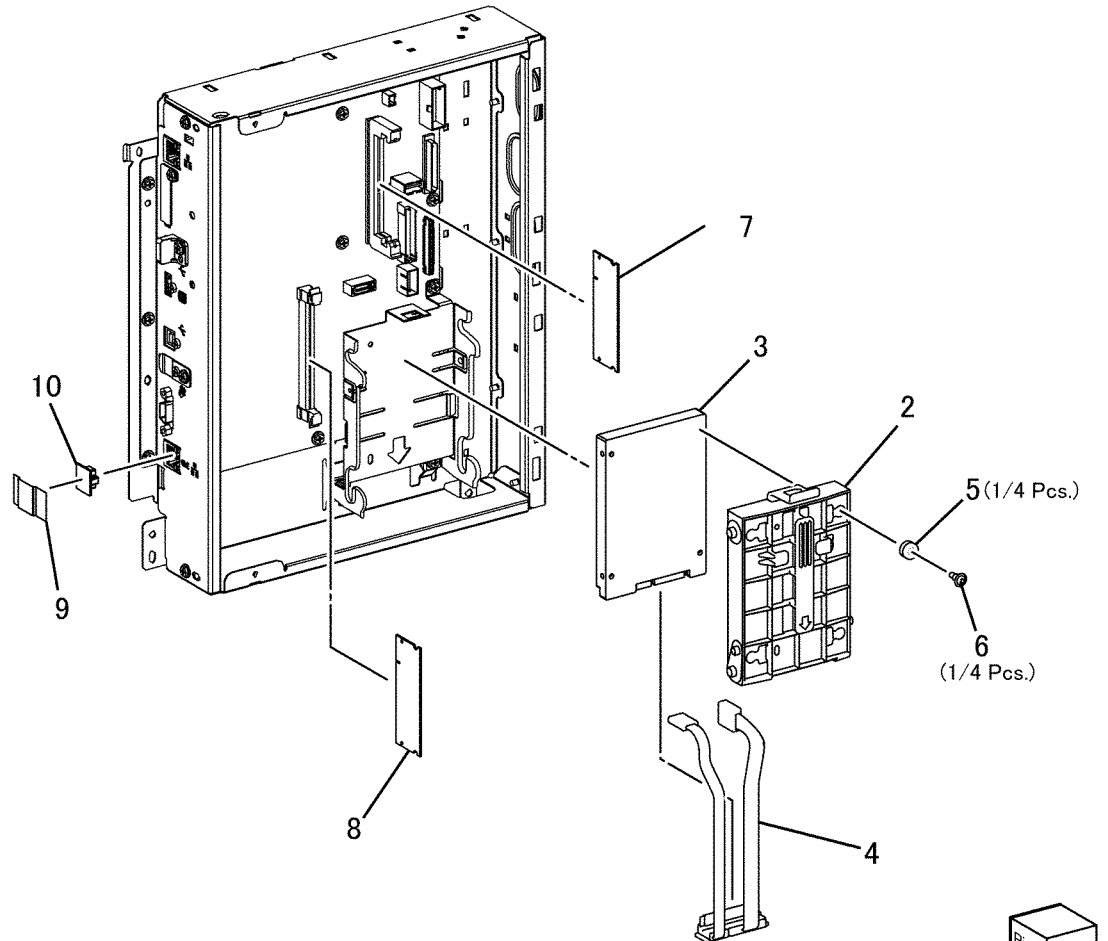
Right Rear

j0sg53502

## PL 35.3 ESS (3/3)

Item	Part	Description
1	101K61780	HDD Chassis Assembly (Includes Items 1-6)
2	—	HDD Chassis (P/O PL 35.3 Item 1) (REP 3.1)
3	—	HDD (P/O PL 35.3 Item 1)
4	—	Harness Assembly (P/O PL 35.3 Item 1)
5	—	Bumper (P/O PL 35.3 Item 1)
6	—	Flange Screw (P/O PL 35.3 Item 1)
7	540K14860	DIMM Post Script
8	133K26760	DIMM Memory (1GB)
—	133K26860	DIMM Memory (2GB) (Required to support Post Script)

PL 35.3  
1 { 2-6



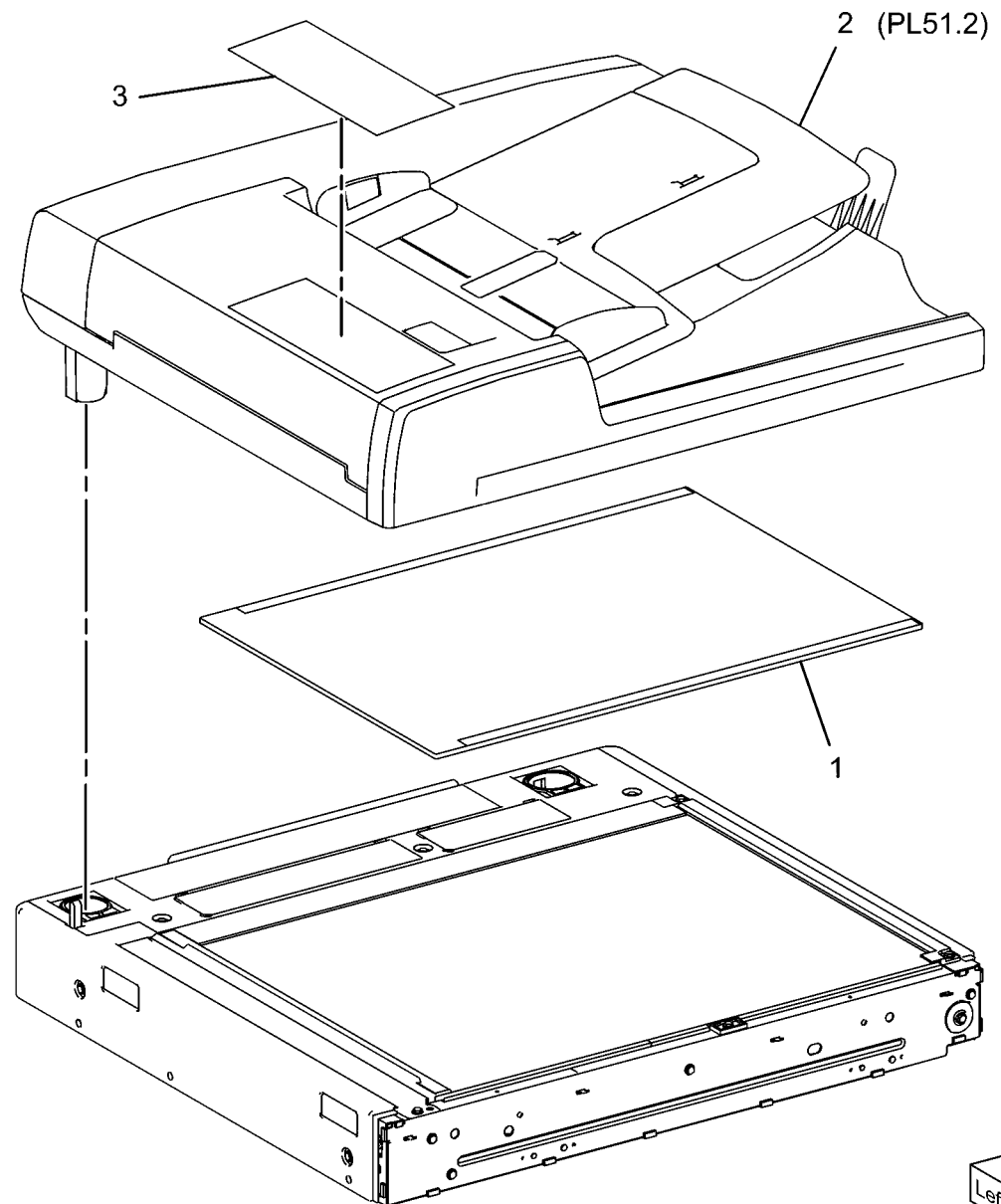
Right Rear

j0sg53503

## PL 51.1 DADF Accessory

Item	Part	Description
1	004K02962	DADF Platen Cushion (REP 5.2)
2	059K71382	DADF Assembly (REP 5.1)
3	-	Label

PL51.1



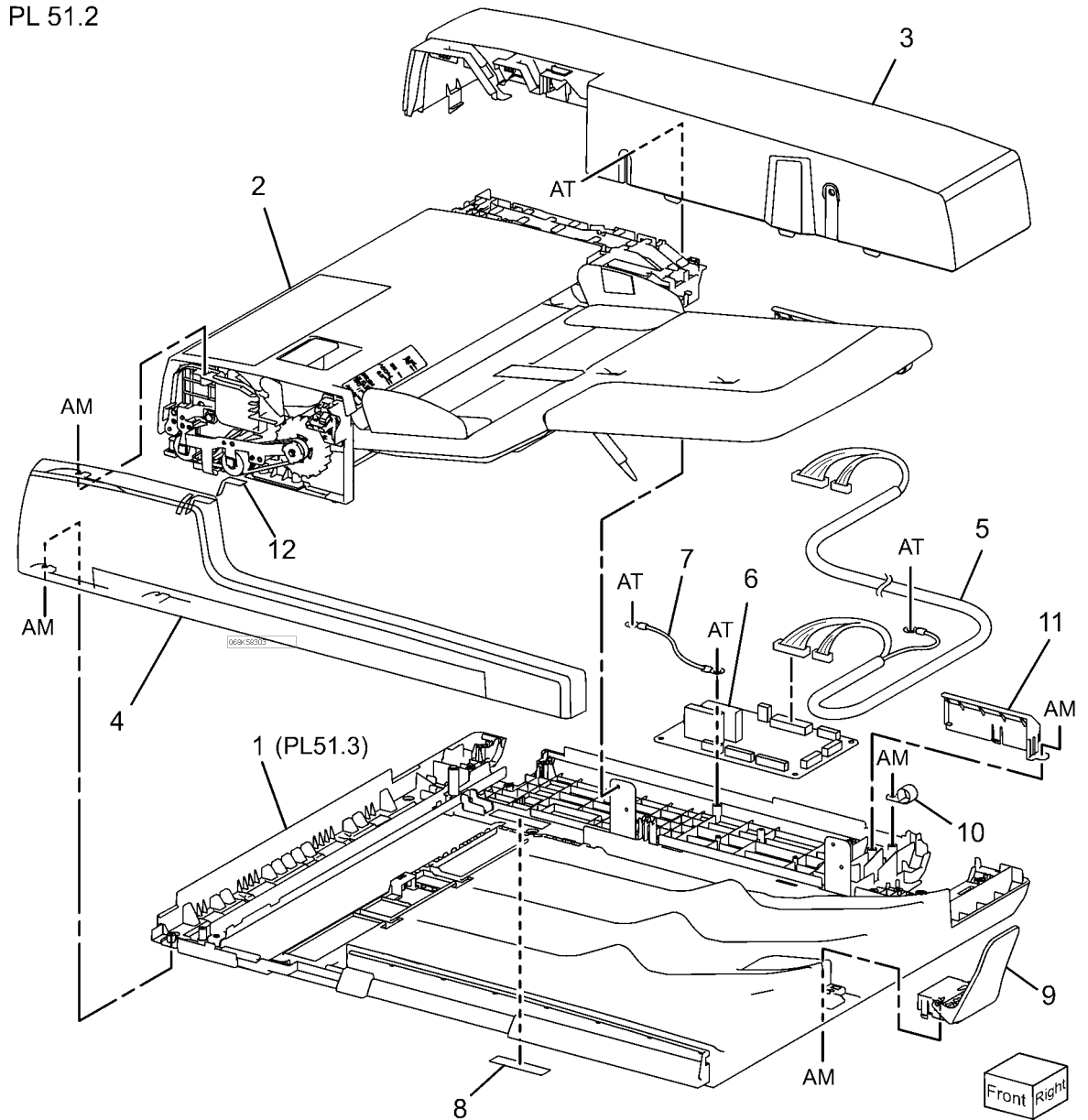
j0sg55101b



## PL 51.2 Covers, PWB

Item	Part	Description
1	-	Base Frame (P/O PL 51.1 Item 2)
2	-	Feeder Assembly (P/O PL 51.1 Item 2) (REP 5.5)
3	-	Rear Cover (P/O PL 51.1 Item 2) (REP 5.4)
4	-	Front Cover (P/O PL 51.1 Item 2) (REP 5.3)
5	962K71100	Transport Harness
6	960K47306	DADF PWB (REP 5.6)
7	-	Wire Harness (P/O PL 51.1 Item 2)
8	-	Data Plate (P/O PL 51.1 Item 2)
9	003K87990	Stopper
10	-	P Clamp (P/O PL 51.1 Item 2)
11	-	Bracket (P/O PL 51.1 Item 2)
12	-	Knob Label (Not Spared)

PL 51.2

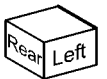
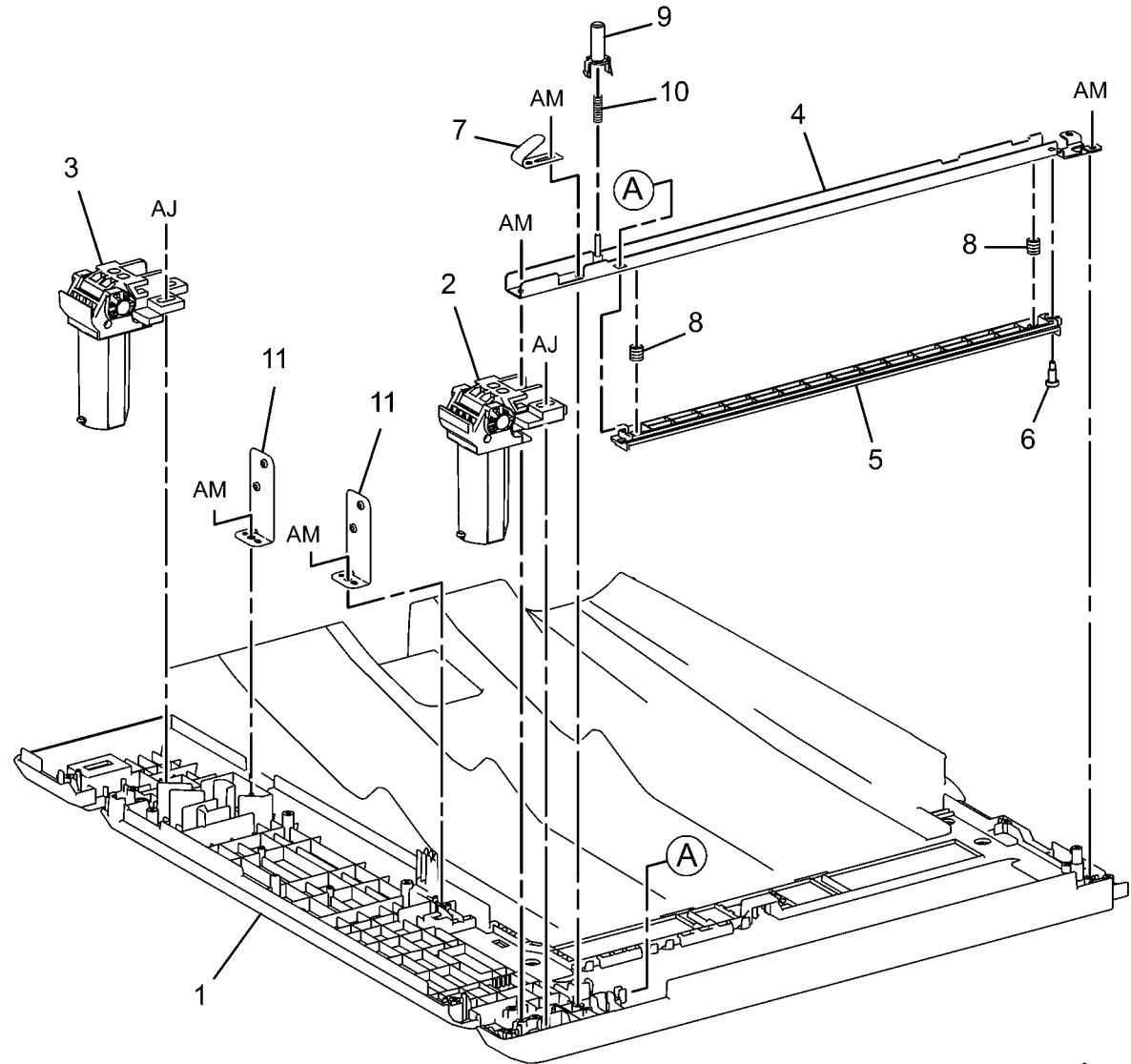


j0sg55102b

## PL 51.3 Base Frame

Item	Part	Description
1	–	Frame (P/O PL 51.1 Item 2)
2	036K91873	Left Counter Balance (REP 5.7)
3	036K91921	Right Counter Balance (REP 5.8)
4	–	Tie Plate (P/O PL 51.1 Item 2)
5	054K41230	CVT Chute
6	826E45980	Stud Screw
7	–	Ground Plate (P/O PL 51.1 Item 2)
8	809E86290	CVT Spring
9	019E73462	Floating Holder
10	809E89310	Floating Spring
11	–	Bracket (P/O PL 51.1 Item 2)

PL51.3

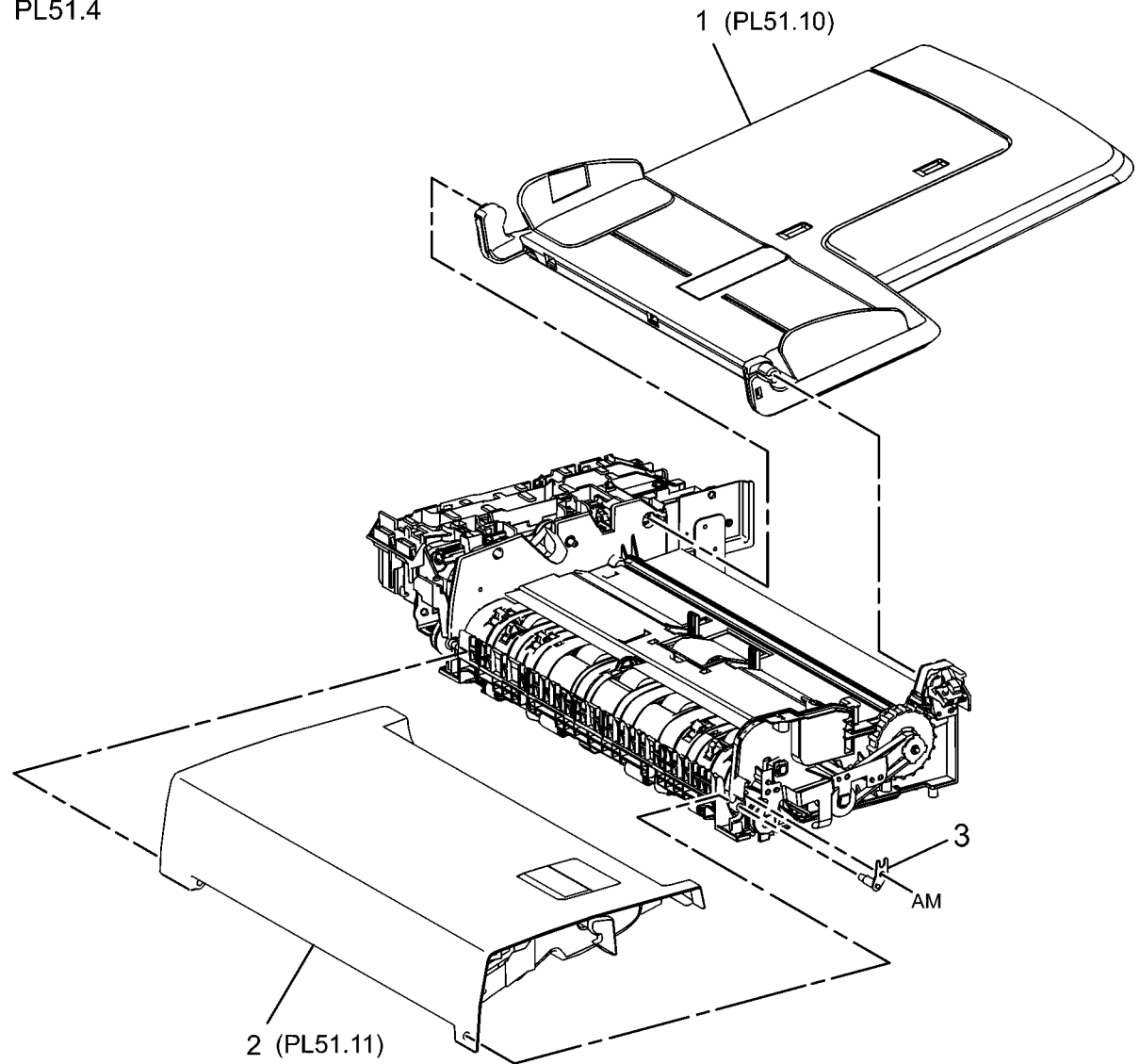


j0sg55103b

## PL 51.4 Document Tray

Item	Part	Description
1	050K64252	Document Tray Assembly (REP 5.9)
2	059K65063	Top Cover (REP 5.10)
3	—	Stud Bracket (P/O PL 51.1 Item 2)

PL51.4



j0sg55104b

Initial Issue

WorkCentre 5335 Family Service Documentation

07/2011

5-115

Parts List

PL 51.4

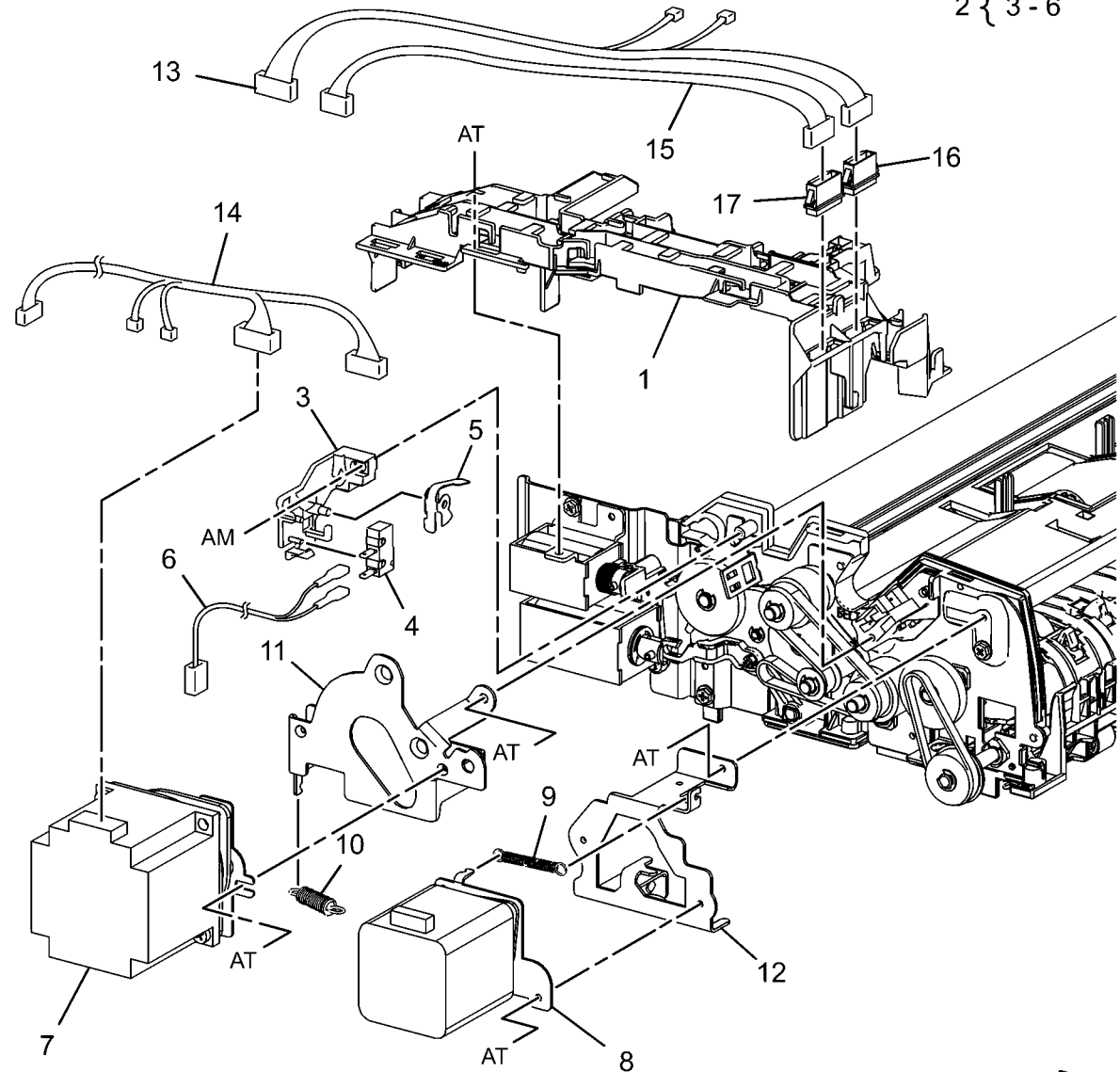
BUS Updated 12/2011

# PL 51.5 DADF Drives (1 of 2)

Item	Part	Description
1	032E32642	Harness Guide (REP 5.11)
2	110K15933	Interlock Switch and Harness Assembly
3	-	Bracket (P/O PL 51.5 Item 2)
4	-	Interlock Switch (P/O PL 51.5 Item 2)
5	-	Spring (P/O PL 51.5 Item 2)
6	-	Switch Wire Harness (P/O PL 51.5 Item 2)
7	127K62910	Feed Motor (REP 5.13)
8	127K62891	Registration Motor (REP 5.12)
9	809E50763	Spring
10	809E91390	Spring
11	-	Bracket (P/O PL 51.1 Item 2)
12	-	Bracket (P/O PL 51.1 Item 2)
13	-	Feeder Wire Harness (P/O PL 51.1 Item 2)
14	-	Motor Wire Harness (P/O PL 51.1 Item 2)
15	-	APS Wire Harness
16	-	Connector (Not Spared)
17	-	Connector (Not Spared)

PL51.5

2 { 3 - 6

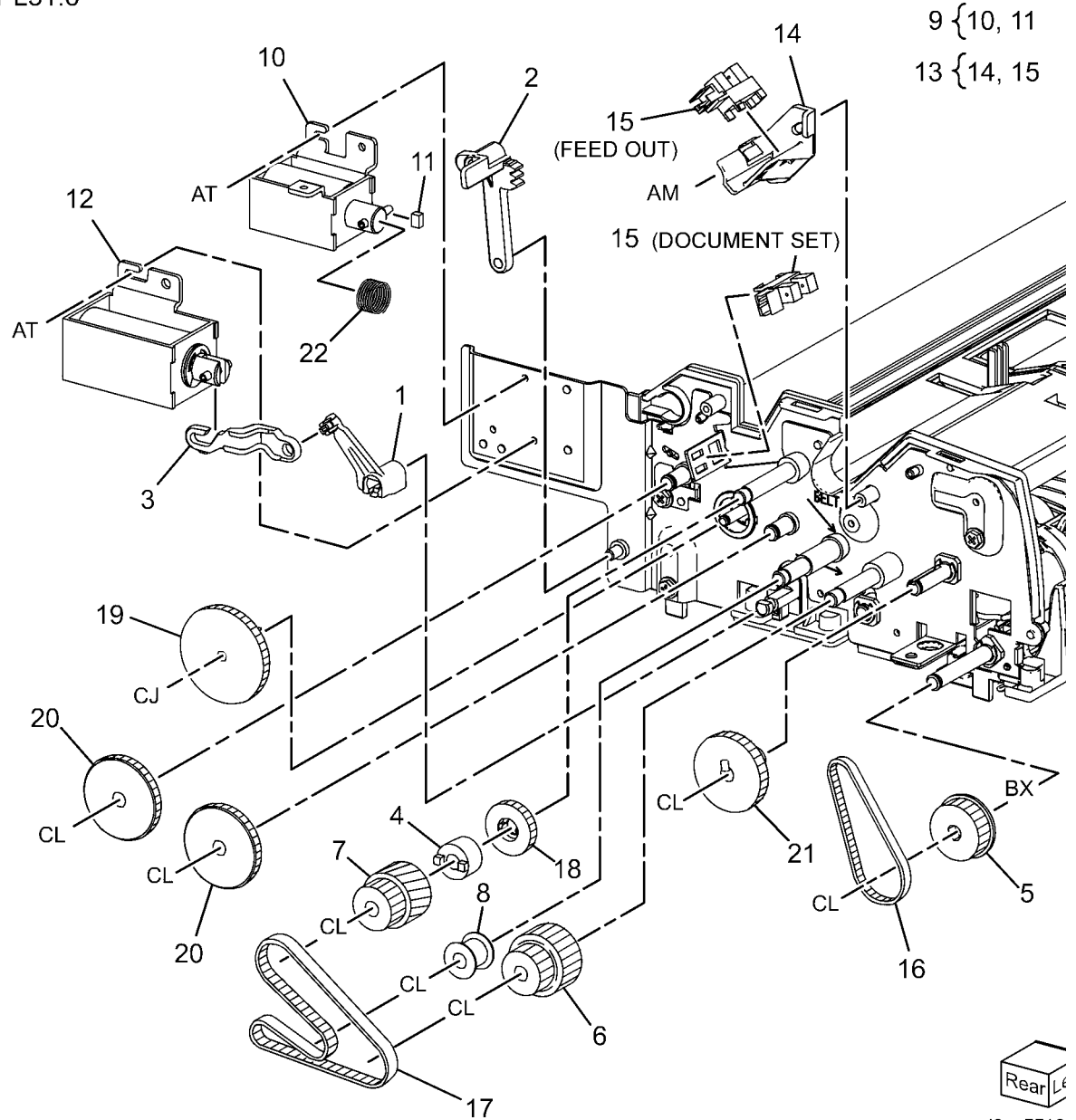


j0sg55105b

# PL 51.6 DADF Drives (2 of 2)

Item	Part	Description
1	011E22861	Nip Lever
2	012E17151	Stopper Link
3	012E17161	Release Link
4	019K10320	Brake
5	020E46551	Registration Roll Pulley
6	020E46561	Pulley Gear
7	020E46571	Pulley Gear
8	059E98620	Roll
9	121K46620	Gate Solenoid
10	-	Gate Solenoid (P/O PL 51.6 Item 9)
11	-	Cushion (P/O PL 51.6 Item 9)
12	121K43660	Exit Nip Release Solenoid
13	130K73000	Feed Out Sensor Assembly
14	-	Sensor Bracket (P/O PL 51.6 Item 13)
15	930W00121	Feed Out Sensor, Document Set Sensor
16	423W06555	Belt
17	423W31354	Belt
18	807E26971	Gear
19	807E26981	Exit Roll Gear
20	807E26991	Gear
21	807E27011	Take Away Roll Gear
22	809E86320	Spring

PL51.6



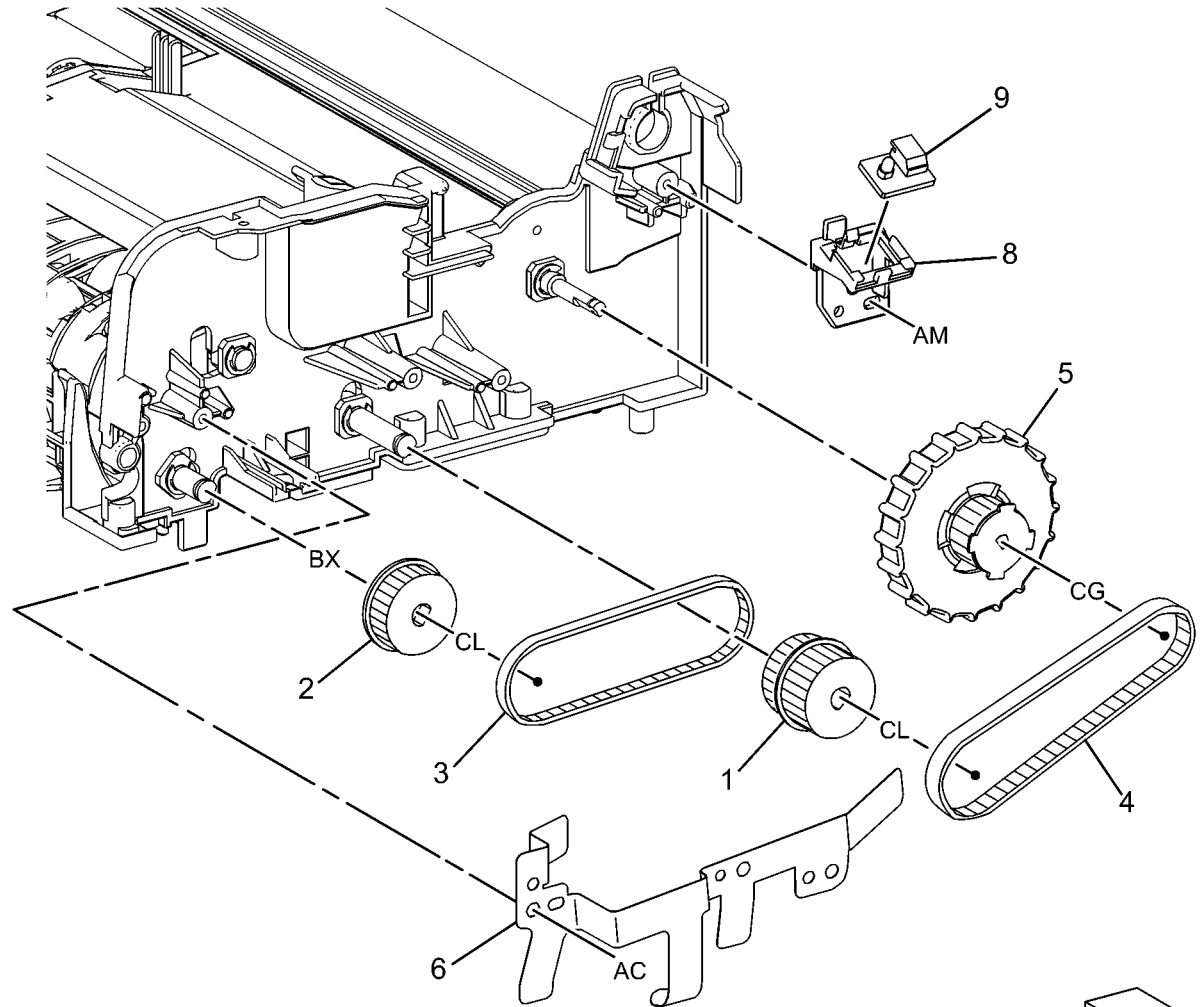
Rear L6  
j0sg5510

# PL 51.7 Front Belt

Item	Part	Description
1	020E46540	Out Roll Pulley
2	020E46551	Registration Roll Pulley
3	423W08855	Belt
4	-	Belt (Not Spared)
5	803E02200	Knob Handle
6	-	Ground Plate (Not Spared)
7	960K48840	Document LED Set
8	-	LED Bracket (P/O PL 51.7 Item 7)
9	-	Document LED (P/O PL 51.7 Item 7)

PL51.7

7 { 8, 9

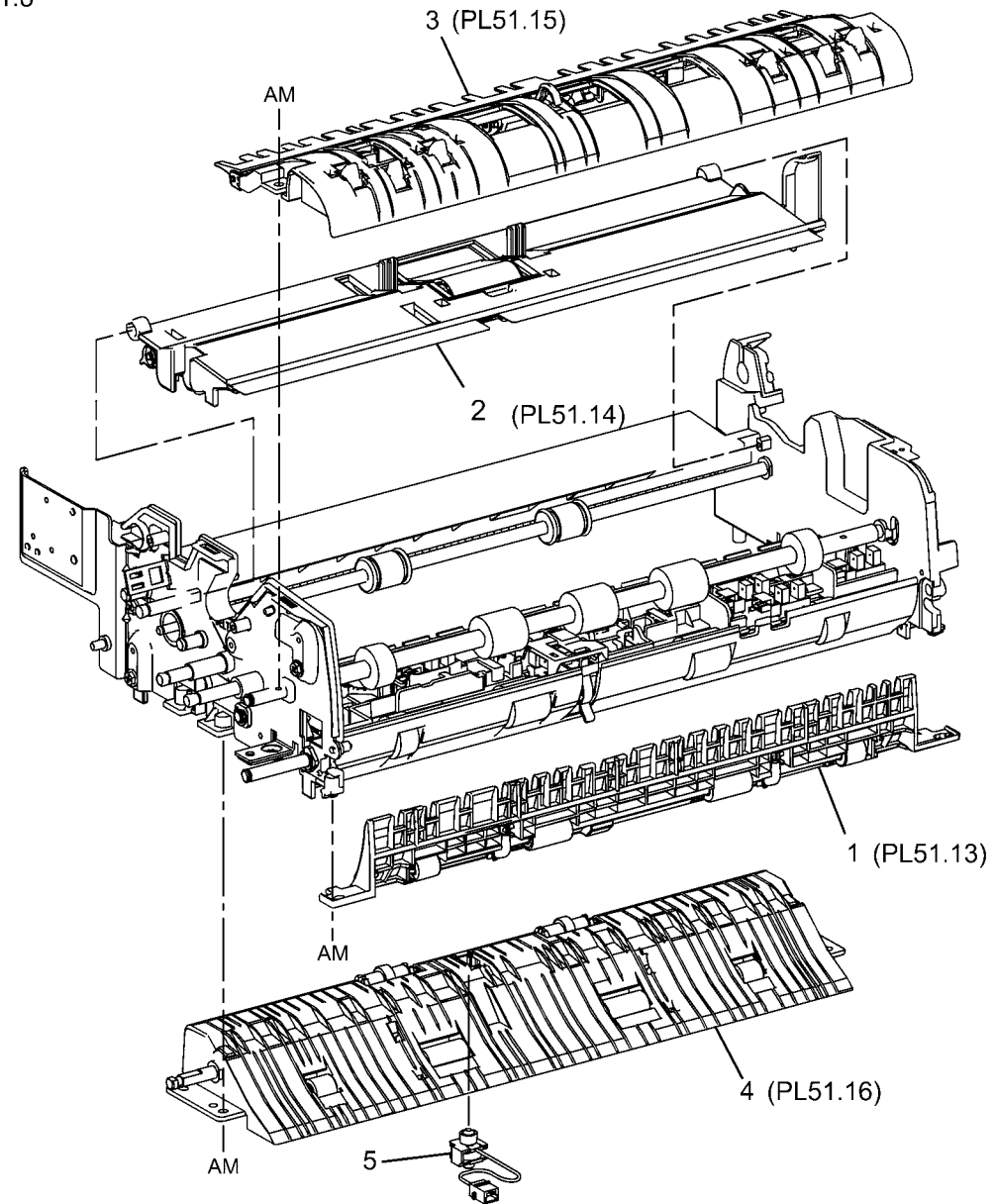


j0sg55107b

# PL 51.8 Registration, Retard, Invert, Output Chutes

Item	Part	Description
1	054K39700	Registration Chute (REP 5.14)
2	054K44171	Retard Chute (REP 5.15)
3	054K41044	Invert Chute (REP 5.15)
4	054K41050	Output Chute
5	-	Stamp Solenoid (Not Spared)

PL51.8

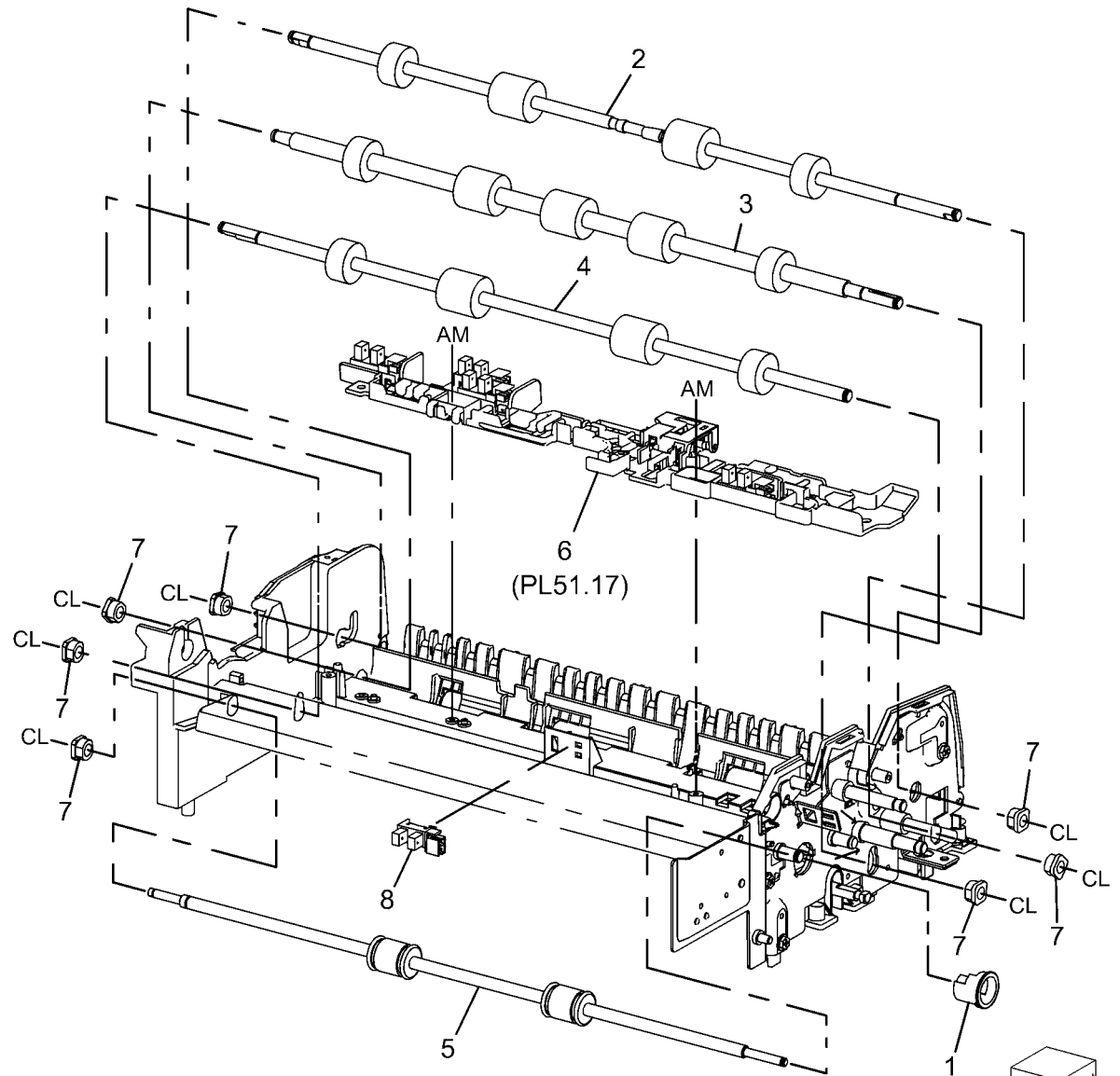


j0sg55108b

# PL 51.9 Roll, Sensor Bracket

Item	Part	Description
1	-	Bearing (Not Spared)
2	059K65081	Registration Roll
3	-	Take Away Roll (Not Spared) (REP 5.16)
4	-	Output Roll (Not Spared)
5	-	Exit Roll (Not Spared)
6	068K69460	Sensor Bracket Assembly (REP 5.17)
7	-	Bearing (Not Spared)
8	930W00121	Invert Sensor

PL51.9



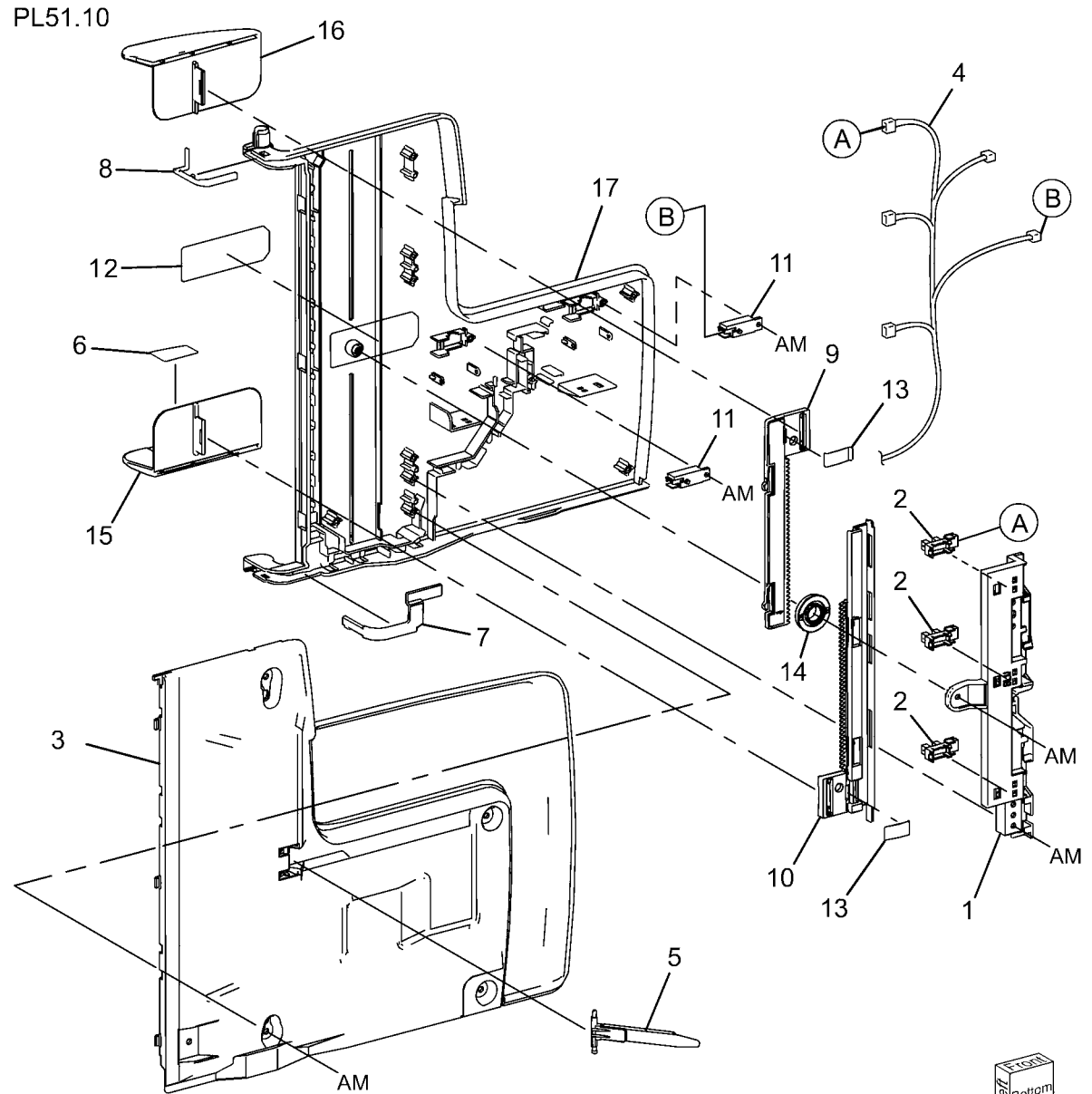
Left Front

j0sg55109b



# PL 51.10 Document Tray

Item	Part	Description
1	-	Sensor Bracket (P/O PL 51.4 Item 1)
2	930W00121	Tray Guide Set Sensor 1, Sensor 2, Sensor 3
3	-	Tray Cover (P/O PL 51.4 Item 1)
4	-	Tray Wire Harness (P/O PL 51.4 Item 1)
5	032K05861	Guide
6	-	Max Label (Not Spared)
7	-	Harness Cover (P/O PL 51.4 Item 1)
8	-	Harness Cover (P/O PL 51.4 Item 1)
9	-	Front Gear Rack (P/O PL 51.4 Item 1)
10	-	Rear Gear Rack (P/O PL 51.4 Item 1)
11	930W00241	Size Sensor 1, Size Sensor 2
12	-	Instruction Label (Not Spared)
13	-	Rack Spring (P/O PL 51.4 Item 1)
14	-	Pinion Gear (P/O PL 51.4 Item 1)
15	-	Side Guide (P/O PL 51.4 Item 1)
16	-	Side Guide (P/O PL 51.4 Item 1)
17	-	Upper Tray (P/O PL 51.4 Item 1)

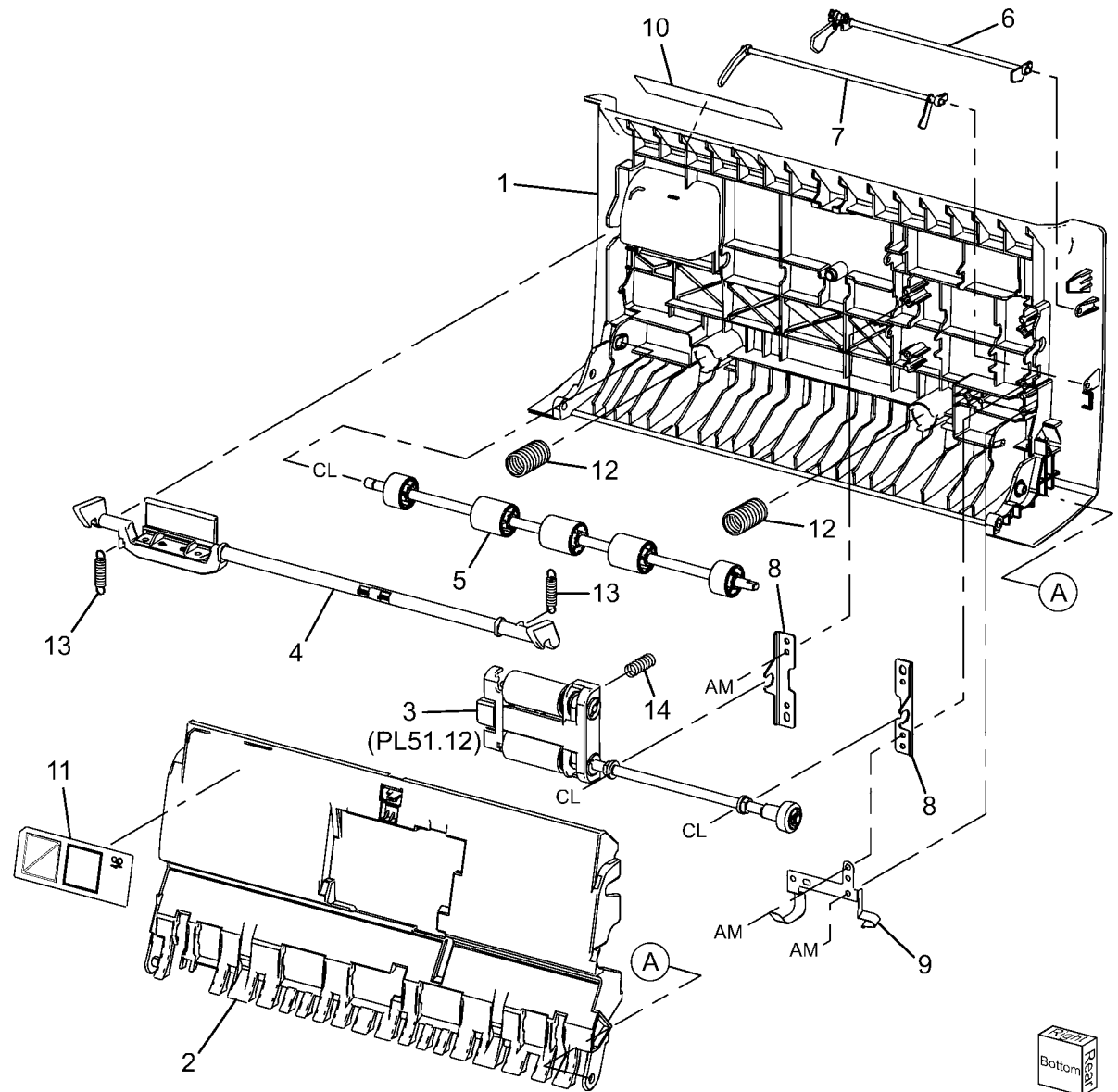


j0sg55110b

# PL 51.11 Top Cover

Item	Part	Description
1	-	Top Cover (P/O PL 51.4 Item 2)
2	-	Upper Feed Chute (P/O PL 51.4 Item 2)
3	059K65070	Upper Feeder (REP 5.5)
4	011K03520	Lever Latch
5	059K61230	Take Away Pinch Roll
6	120K92500	Document Set Actuator
7	120E32200	Feed Out Actuator
8	-	Bracket (P/O PL 51.4 Item 2)
9	-	Ground Plate (P/O PL 51.4 Item 2)
10	897E24010	Size Label
11	897E24000	Jam Label
12	-	Spring (Not Spared)
13	-	Spring (Not Spared)
14	-	Spring (Not Spared)

PL51.11



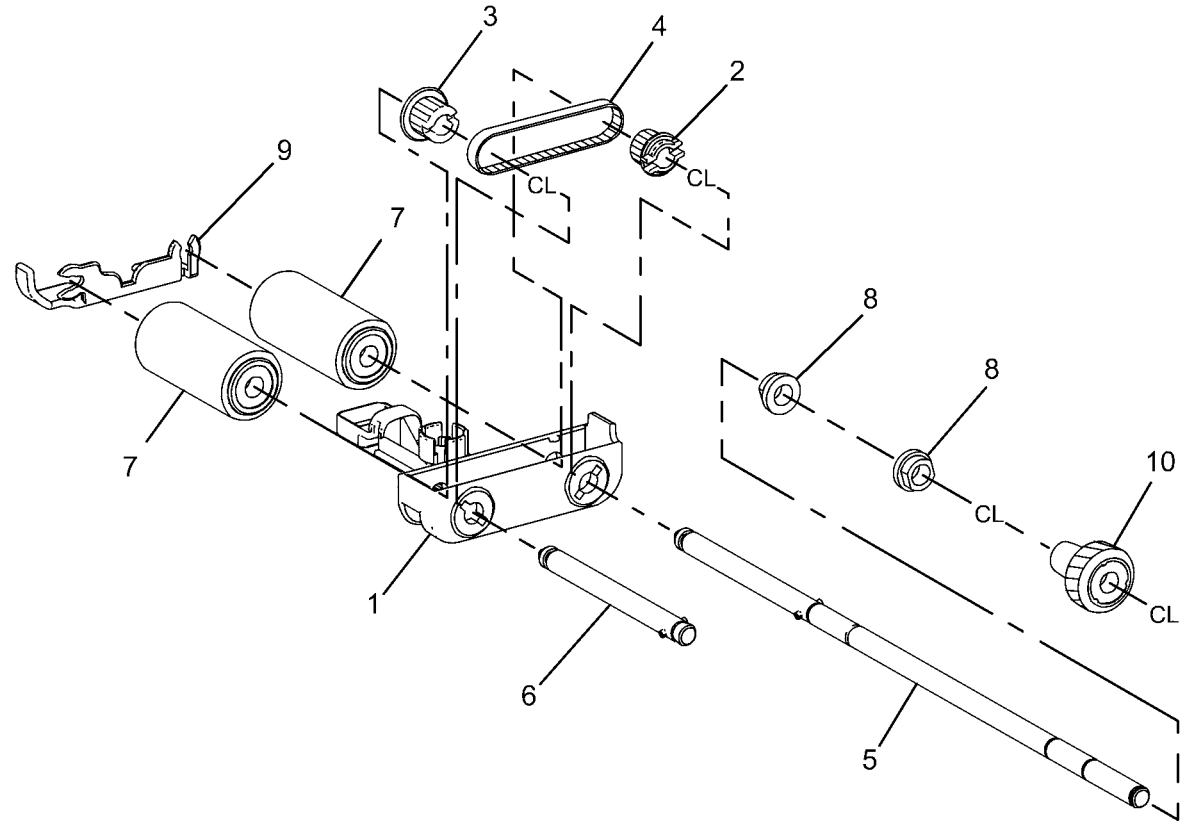
j0sg55111b

# PL 51.12 Upper Feeder

Item	Part	Description
1	-	Housing (P/O PL 51.11 Item 3)
2	-	Feeder Pulley (P/O PL 51.12 Item 3)
3	-	Nudger Pulley (P/O PL 51.11 Item 3)
4	-	Belt (P/O PL 51.11 Item 3)
5	-	Feed Shaft (P/O PL 51.11 Item 3)
6	-	Nudger Shaft (P/O PL 51.11 Item 3)
7	-	Feed Roll, Nudger Roll (P/O PL 51.12 Item 11) (REP 5.18)
8	-	Bearing (P/O PL 51.11 Item 3)
9	-	Housing (P/O PL 51.12 Item 11)
10	-	Gear (P/O PL 51.11 Item 3)
11	604K58410	DADF Feed Roll Kit

PL51.12

11 { 7, 9, PL51.14 Items 5, 10

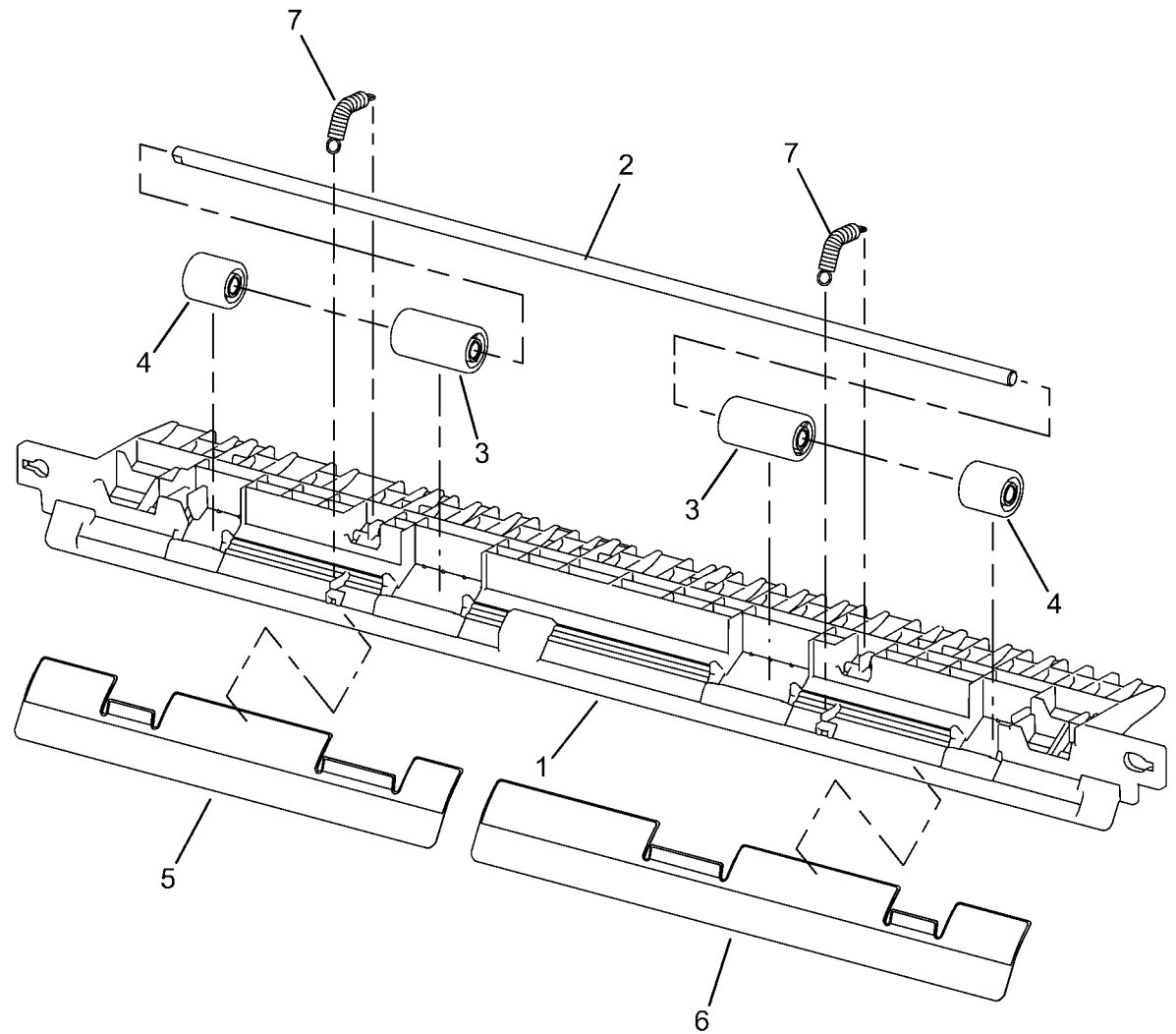


j0sg55112b

# PL 51.13 Registration Chute

Item	Part	Description
1	-	Registration Chute (P/O PL 51.8 Item 1)
2	-	Pinch Shaft (P/O PL 51.8 Item 1)
3	-	Registration Wide Pinch Roll (P/O PL 51.8 Item 1)
4	-	Registration Short Pinch Roll (P/O PL 51.8 Item 1)
5	-	Seal (P/O PL 51.8 Item 1)
6	-	Seal (P/O PL 51.8 Item 1)
7	-	Spring (P/O PL 51.8 Item 1)

PL51.13

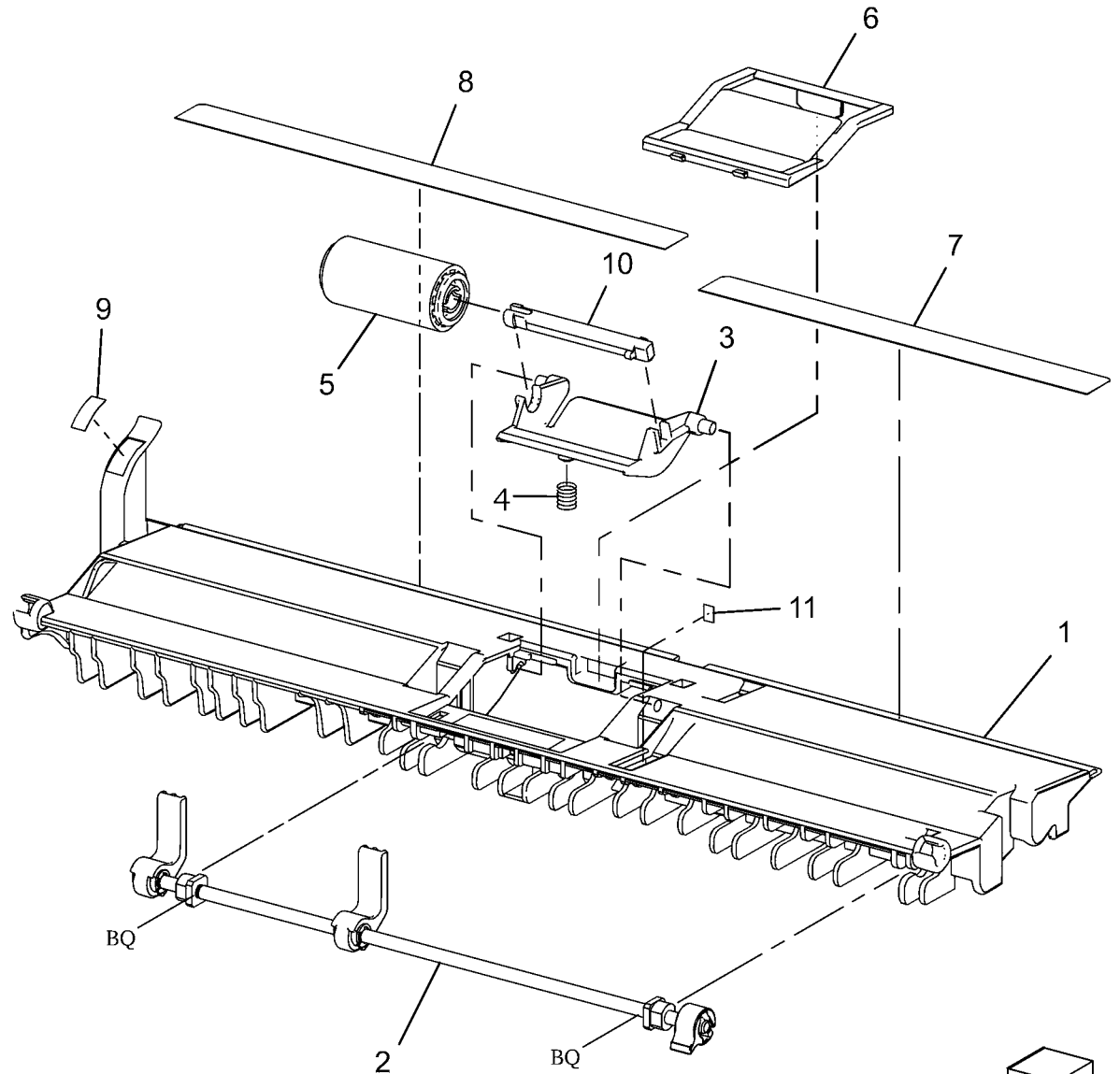


j0sg55113b

## PL 51.14 Retard Chute

Item	Part	Description
1	-	Chute (P/O PL 51.8 Item 2)
2	-	Set Gate (P/O PL 51.8 Item 2)
3	-	Housing (P/O PL 51.8 Item 2)
4	-	Spring (P/O PL 51.8 Item 2)
5	-	Retard Roll (P/O PL 51.8 Item 2) (REP 5.19)
6	848K43600	Retard Roll Cover
7	-	Seal (P/O PL 51.8 Item 2)
8	-	Seal (P/O PL 51.8 Item 2)
9	-	Label (P/O PL 51.8 Item 2)
10	-	Shaft (P/O PL 51.12 Item 11)
11	-	Pad (P/O PL 51.8 Item 2)

PL51.14

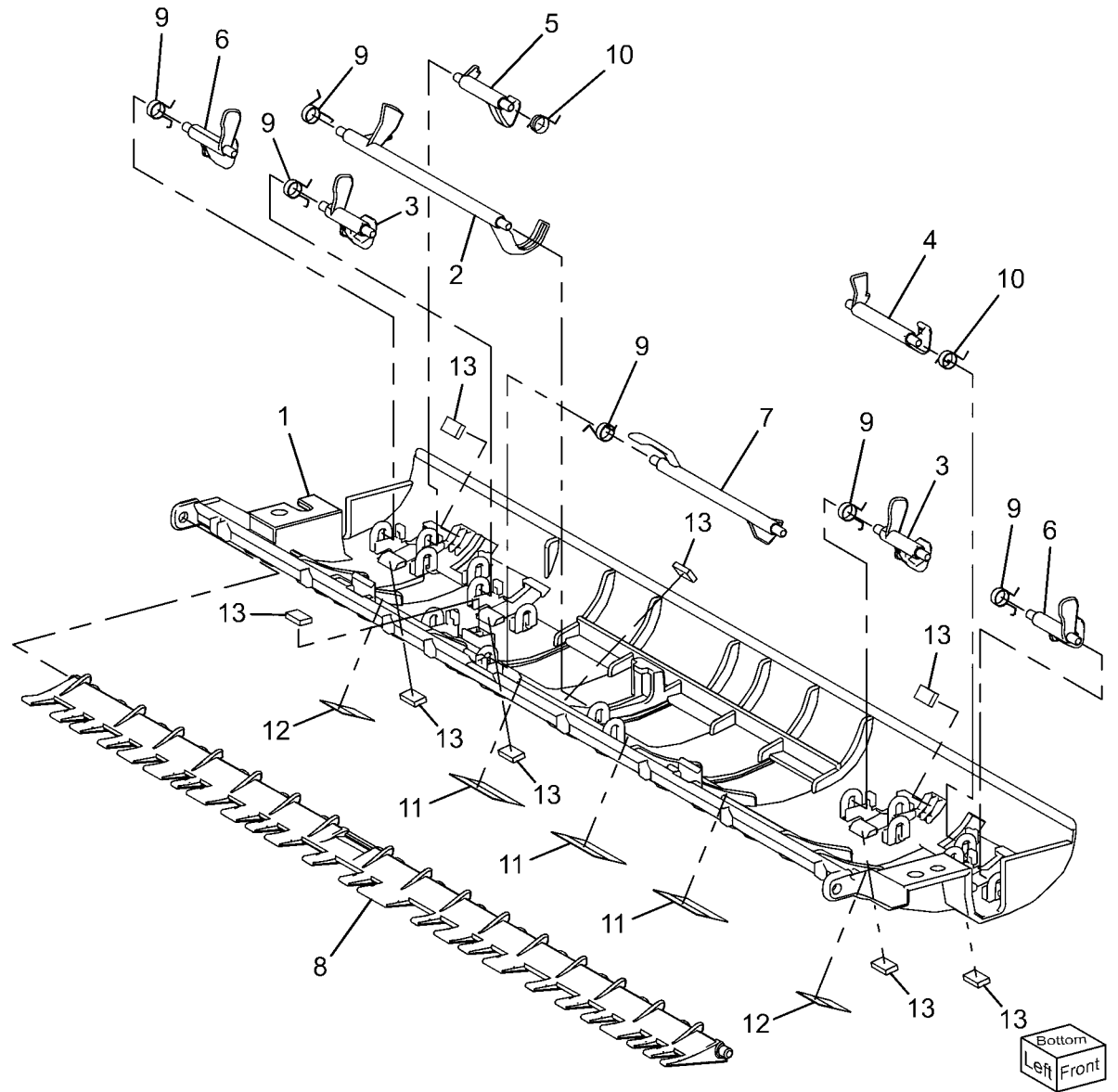


j0sg55114b

## PL 51.15 Invert Chute

Item	Part	Description
1	-	Invert Chute (P/O PL 51.8 Item 3)
2	-	Pre Registration Actuator (P/O PL 51.8 Item 3)
3	-	Actuator (Aps 1) (P/O PL 51.8 Item 3)
4	-	Actuator (Aps 2) (P/O PL 51.8 Item 3)
5	-	Actuator (Aps 2) (P/O PL 51.8 Item 3)
6	-	Actuator (Aps 3) (P/O PL 51.8 Item 3)
7	-	Invert Actuator (P/O PL 51.8 Item 3)
8	-	Invert Gate (P/O PL 51.8 Item 3)
9	-	Spring (P/O PL 51.8 Item 3)
10	-	Spring (P/O PL 51.8 Item 3)
11	-	Seal (P/O PL 51.8 Item 3)
12	-	Seal (P/O PL 51.8 Item 3)
13	-	Pad (P/O PL 51.8 Item 3)

PL 51.15

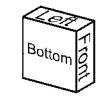
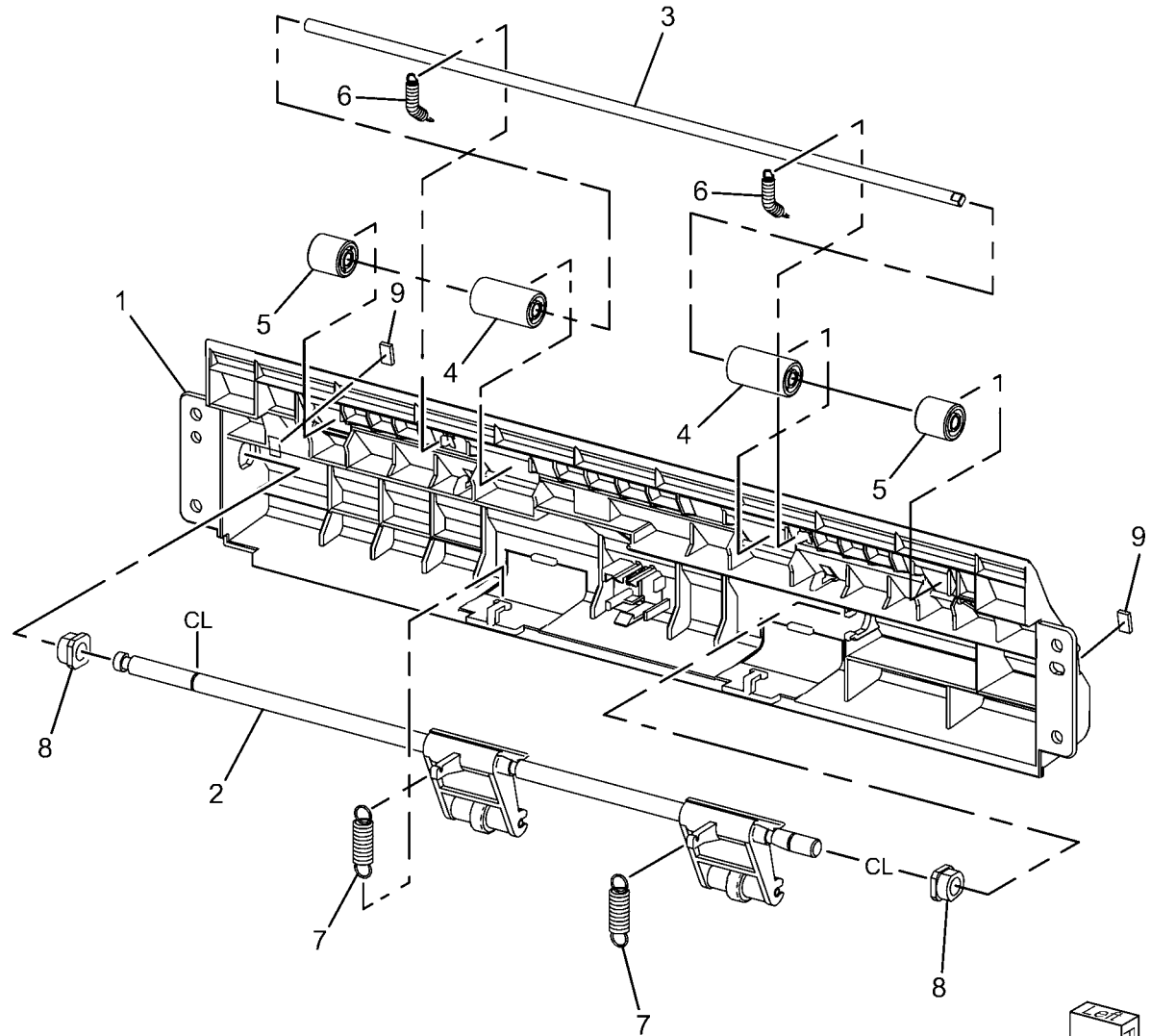


j0sg55115b

# PL 51.16 Output Chute

Item	Part	Description
1	-	Chute (P/O PL 51.8 Item 4)
2	-	Exit Pinch Roll (P/O PL 51.8 Item 4)
3	-	Pinch Shaft (P/O PL 51.8 Item 4)
4	-	Wide Registration Pinch Roll (P/O PL 51.8 Item 4)
5	-	Short Registration Pinch Roll (P/O PL 51.8 Item 4)
6	-	Spring (P/O PL 51.8 Item 4)
7	-	Spring (P/O PL 51.8 Item 4)
8	-	Bearing (P/O PL 51.8 Item 4)
9	-	Pad (P/O PL 51.8 Item 4)

PL51.16

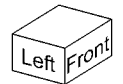
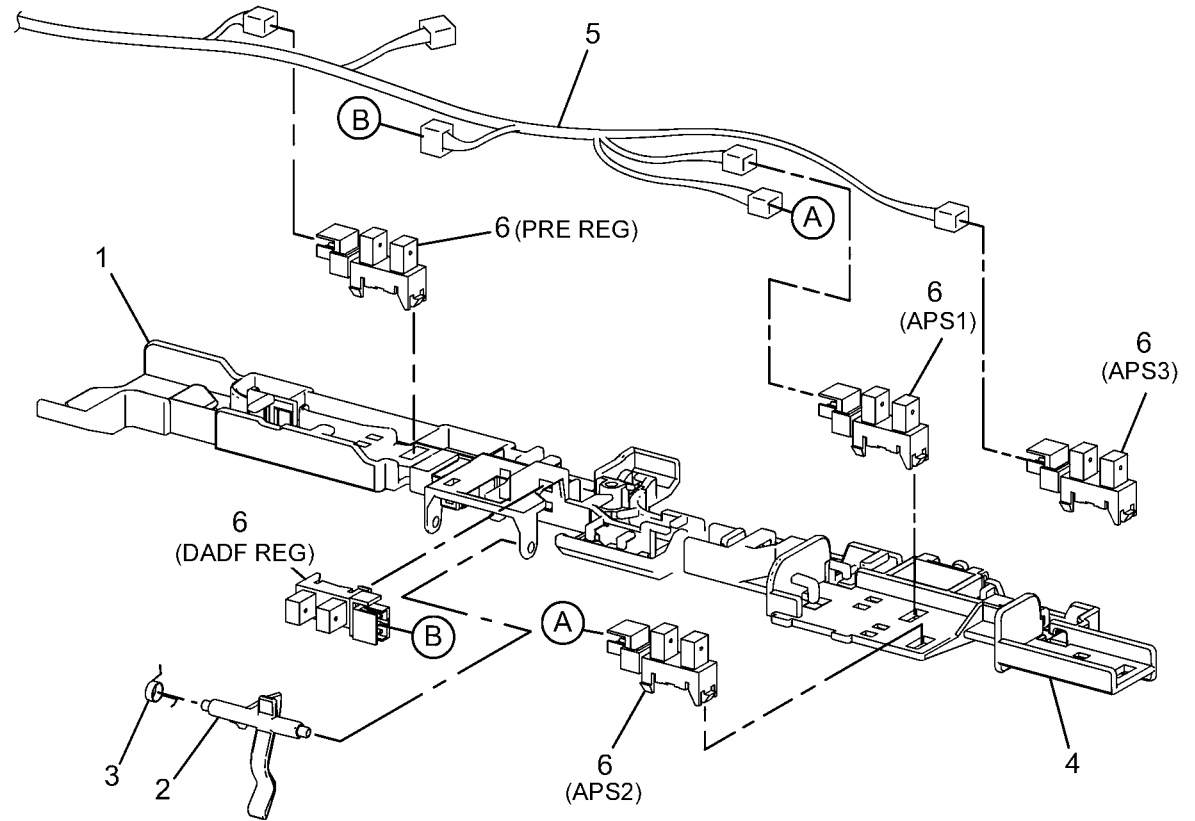


j0sg55116b

# PL 51.17 Sensor Bracket

Item	Part	Description
1	-	Sensor Housing (P/O PL 51.4 Item 1)
2	120E31741	Registration Actuator
3	-	Spring (P/O PL 51.4 Item 1)
4	-	Sensor Guide (P/O PL 51.4 Item 1)
5	-	Wire Harness (Not Spared)
6	930W00121	APS Sensor 1, APS Sensor 2, APS Sensor 3, Registration Sensor, Pre Registration Sensor

PL51.17



j0sg55117c



## Common Hardware

Item	Part	Description
A	112W27677	SEMS SCREW (M3x6) (RED)
B	112W28098	SEMS SCREW (M3x10)
C	113W16088	SCREW (M2x10)
D	113W20677	SCREW (M3x6) (RED)
E	113W20678	SCREW (M3x6)
F	113W20698	ROUND SCREW (M3x6)
G	113W20878	SCREW (M3x8)
H	113W21278	SCREW (M3x12)
J	113W21678	SCREW (M3x16)
K	113W27488	PAN HEAD SCREW (M3x4)
L	113W27688	PAN HEAD SCREW (M3x6)
M	113W35878	SCREW (M4x8)
N	113W35888	PAN HEAD SCREW (M4x8)
P	113W36078	SCREW (M4x10)
Q	114W27678	BIND HEAD SCREW (M3x6)
R	141W35651	SETSCREW (M4x6)
S	153W16088	TAPPING SCREW (M4x8)
T	153W17688	TAPPING SCREW (M3x6)
U	153W17888	TAPPING SCREW (M3x8)
V	153W27878	TAPPING SCREW (M3x8)
W	158W27677	SCREW (M3x6) (RED)
X	158W27678	SCREW (M3x6)
Y	158W27688	ROUND SCREW (M3x7)
Z	158W27878	SCREW (M3x8)
AA	158W27888	ROUND SCREW (M3x9)
AB	220W21278	FLANGE NUT (3)
AC	237W00178	NUT SCREW
AD	251W21278	WASHER (3) (t0.5)
AE	252W29450	NYLON WASHER (8) (t1)
AF	271W10850	DOWEL PIN (1.6x8)
AG	271W16050	DOWEL PIN (2x10)
AH	271W21050	DOWEL PIN (2.5x10)
AJ	271W21250	DOWEL PIN (2.5x12)
AK	285W15851	SPRING PIN (2x8)
AL	285W16251	SPRING PIN (2x12)
AM	285W28651	SPRING PIN (2x16)
AN	285W28751	SPRING PIN (2x18)
AP	354W12278	E-CLIP (1.2)
AQ	354W15278	E-CLIP (2)
AR	354W19278	E-CLIP (2.5)
AS	354W21278	E-CLIP (3)
AT	354W24278	E-CLIP (4)
AU	354W26278	E-CLIP (5)
AV	354W27254	KL-CLIP (8)
AW	354W27278	E-CLIP (6)
AX	354W29278	E-CLIP (8)
AY	370W32150	INSERT NUT
AZ	370W32750	INSERT NUT
BA	–	KNOB SCREW (Not Spared)

BB	153W18288	TAPPING SCREW (M3x12)
BC	354W24254	KL-CLIP (6)
BD	113W20478	SCREW (M3x4)
BE	251W21278	Washer (3) (10.5)
BF	251W24178	Washer (4) (10.8)
BG	251W24278	Washer (4) (10.8)
BQ	252W29450	Nylon Washer (8) (11)
BW	271W16250	Dowel Pin (2x12)
BX	271W21050	Dowel Pin (3x10)
CB	271W28650	Dowel Pin (3x16)
CF	354W15278	E-Ring (2)
CJ	354W21278	E-Ring (3)
CK	354W24254	KL Ring (6)
CL	354W24278	E-Clip (4)
CP	354W27278	E-Ring (6)
CZ	112W27851	Screw (M3x8)
DA	113W15488	Screw (M2x4)
DB	113W20857	Screw (M3x8)