

5 Parts List

Overview

Introduction 5-3
 Subsystem Information 5-4
 Symbology 5-5

Parts Lists

Drive

PL 1.1 Drive Paper 5-7
 PL 1.2 Developer 5-8

Paper Transport

PL 2.1 Manual Paper Feed 5-9
 PL 2.2 Lower Baffle Component 5-10
 PL 2.3 Manual Feed Baffle-3 Assembly 5-11
 PL 2.4 Horizontal Lower Baffle Component 5-12
 PL 2.5 Horizontal Lower Baffle Component 5-13

IIT

PL 3.1 IIT Document Transport 5-14
 PL 3.2 IIT Electrical 5-15
 PL 3.3 Upper Document Transport 5-16

LPH

PL 4.1 LPH Accessory 5-17
 PL 4.2 LPH Component 5-18

Developer Assembly

PL 5.1 Developer Assembly 5-19
 PL 5.2 Developer Assembly Components 5-20

Xerographics

PL 6.1 Xerographics Accessory 5-21
 PL 6.2 Xerographics Module Component 5-22
 PL 6.3 BTR Housing Component 5-23
 PL 6.4 Xerographics Housing Component 5-24

Fuser

PL 7.1 Fuser Assembly Accessory 5-25
 PL 7.2 Fuser Assembly Component-Roll 5-26
 PL 7.3 Fuser Assembly Component-Chute 5-27
 PL 7.4 Upper Exit Baffle Component 5-28
 PL 7.5 Thermistor Plate Component 5-29

Electrical

PL 8.1 Electrical-Rear 1 5-30
 PL 8.2 Electrical-Rear 2 5-31
 PL 8.3 Lower Right Electrical 5-32
 PL 8.4 Upper Right Electrical 5-33
 PL 8.5 Electrical-Left Side 5-34

PL 8.6 Console Component 5-35

Cover

PL 9.1 Cover-Front, Right, Top 5-36
 PL 9.2 Cover-Rear, Left 5-37

Covers

PL 9.3 Document Shelf Component 5-38

RFC

PL 10.1 2-RFC Type Accessory 5-39
 PL 10.2 RFC-Type 1 Accessory 5-40
 PL 10.3 RFC A-Type Accessory 5-41
 PL 10.4 RFC B-Type Accessory 5-42
 PL 10.5 RFC Component-Paper Feed 5-43
 PL 10.6 RFC Component-Latch, Roll Paper Tube Support 5-44
 PL 10.7 Paper Heater/Paper Size Housing Component 5-45
 PL 10.8 Take Away Baffle Component 5-46

Common Hardware

Common Hardware 5-47

Introduction

Overview

The Parts List section identifies all part numbers and the corresponding location of all spared subsystem components.

Organization

Parts Lists

Each item number in the part number listing corresponds to an item number in the related illustration. All the parts in a given subsystem of the machine will be located in the same illustration or in a series of associated illustrations.

Electrical Connectors and Fasteners

This section contains the illustrations and descriptions of the plugs, jacks, and fasteners used in the machine. A part number listing of the connectors is included.

Common Hardware

The common hardware is listed in alphabetical order by the letter or letters used to identify each item in the part number listing and in the illustrations. Dimensions are in millimeters unless otherwise identified.

Part Number Index

This index lists all the spared parts in the machine in numerical order. Each number is followed by a reference to the parts list on which the part may be found.

Other Information

Abbreviations

Abbreviations are used in the parts lists and the exploded view illustrations to provide information in a limited amount of space. The following abbreviations are used in this manual:

Table 1

Abbreviation	Meaning
A3	297 x 594 Millimeters
A4	210 x 297 Millimeters
A5	148 x 210 Millimeters
AD	Auto Duplex
AWG	American Wire Gauge
EMI	Electro Magnetic Induction
GB	Giga Byte
KB	Kilo Byte
MB	Mega Byte
MM	Millimeters
MOD	Magneto Optical Drive
NOHAD	Noise Ozone Heat Air Dirt
PL	Parts List
P/O	Part of

Table 1

Abbreviation	Meaning
R/E	Reduction/Enlargement
REF:	Refer to
SCSI	Small Computer Systems Interface
W/	With
W/O	Without

Table 2

Operating Companies	
Abbreviation	Meaning
AO	Americas Operations
NASG - US	North American Solutions Group - US
NASG - Canada	North American Solutions Group - Canada
XE	Xerox Europe

Symbology

Symbology used in the Parts List section is identified in the Symbology section.

Service Procedure Referencing

If a part or assembly has an associated repair or adjustment procedure, the procedure number will be listed at the end of the part description in the parts lists e.g. (REP 5.1, ADJ 5.3)

Subsystem Information

Use of the Term “Assembly”

The term “assembly” will be used for items in the part number listing that include other itemized parts in the part number listing. When the word “assembly” is found in the part number listing, there will be a corresponding item number on the illustrations followed by a bracket and a listing of the contents of the assembly.

Brackets

A bracket is used when an assembly or kit is spared, but is not shown in the illustration. The item number of the assembly or kit precedes the bracket; the item numbers of the piece parts follow the bracket.

Tag

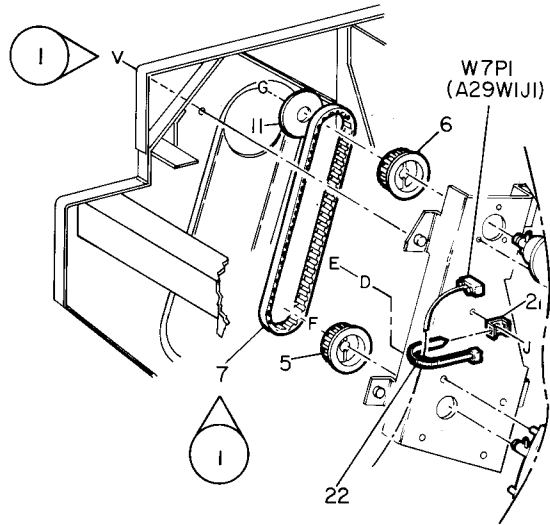
The notation “W/Tag” in the parts description indicates that the part configuration has been updated. Check the change Tag index in the General Information section of the Service Data for the name and purpose of the modification.

In some cases, a part or assembly may be spared in two versions: with the Tag and without the Tag. In those cases, use whichever part is appropriate for the configuration of the machine on which the part is to be installed. If the machine does not have a particular Tag and the only replacement part available is listed as “W/Tag”, install the Tag kit or all of the piece parts. The Change Tag Index tells you which kit or piece parts you need.

Whenever you install a Tag kit or all the piece parts that make up a Tag, mark the appropriate number on the Tag matrix.

Symbology

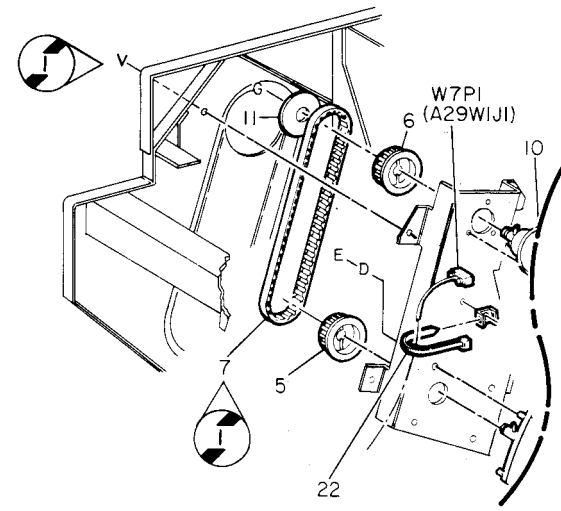
A Tag number within a circle pointing to an item number shows that the part has been changed by the tag number within the circle (Figure 1). Information on the modification is in the Change Tag Index.



O	Z004	A
850	PL	M I

Figure 1 With Tag Symbol

A Tag number within a circle having a shaded bar and pointing to an item number shows that the configuration of the part shown is the configuration before the part was changed by the Tag number within the circle (Figure 2).



O	Z005	A
850	PL	M I

Figure 2 Without Tag Symbol

A tag number within a circle with no apex shows that the entire drawing has been changed by the tag number within the circle (Figure 3). Information on the modification is in the Change Tag Index.

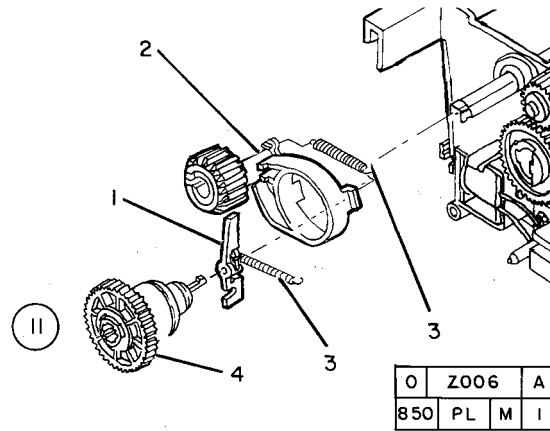


Figure 3 Entire Drawing With Tag Symbol

A tag number within a circle with no apex and having a shaded bar shows that the entire drawing was the configuration before being changed by the tag number within the circle (Figure 4).

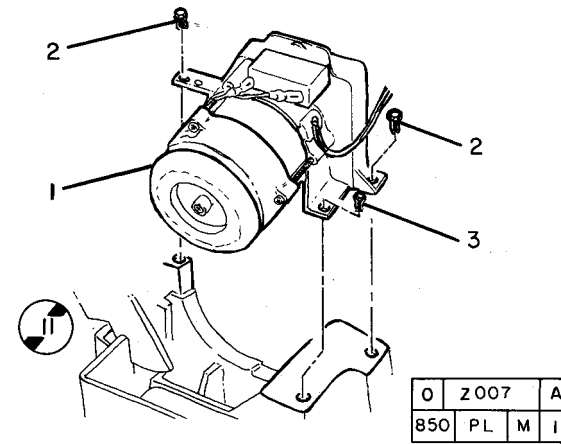
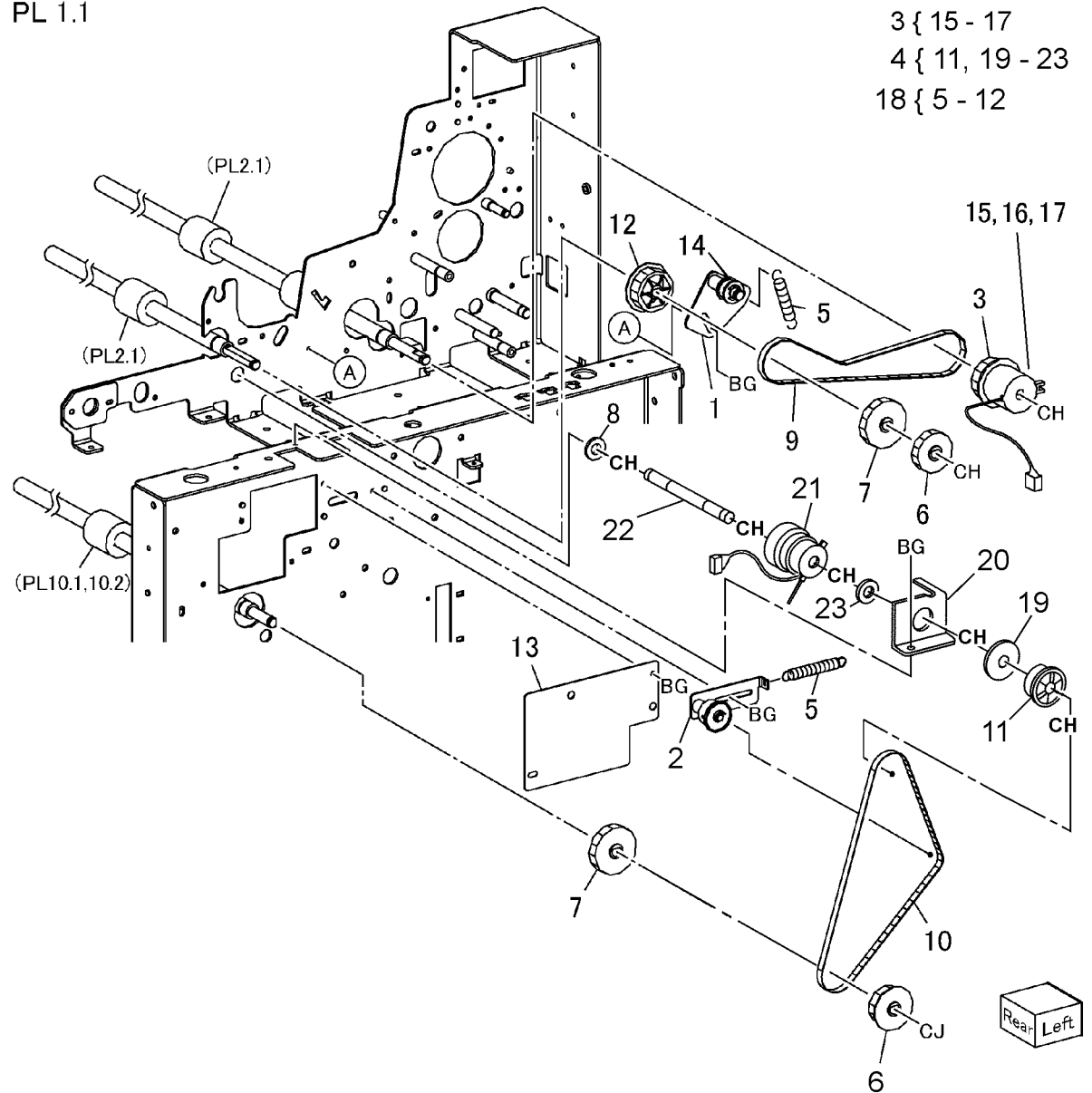


Figure 4 Entire Drawing Without Tag Symbol

PL 1.1 Drive Paper

Item	Part	Description
1	020E98790	Idler Pulley
2	-	Tension Pulley (Not Spared)
3	121K34540	Manual Feed Clutch Assembly (CL8-2)
4	121K34890	RFC Take Away Clutch Assembly (CL8-1)
5	-	Tension Spring (Not Spared)
6	-	Gear (30T) (Not Spared)
7	-	Gear (36T) (Not Spared)
8	413W77359	Bearing
9	-	Belt (6mm)
10	-	Belt (10mm) (Not Spared)
11	499W14432	Pulley (32T)
12	-	Pulley (35T) (Not Spared)
13	-	Plate (Not Spared)
14	-	Shoulder Screw (Not Spared)
15	-	Friction Clutch (Not Spared)
16	-	Stopper Pin (Not Spared)
17	-	Bracket (Not Spared)
18	499K13520	Gear/Pulley/Belt Kit
19	-	Pulley Flange (P/O Item 4)
20	-	Clutch Bracket (P/O Item 4)
21	-	RFC Clutch (P/O Item 4)
22	-	RFC Shaft (P/O Item 4)
23	413W08350	Bearing

PL 1.1



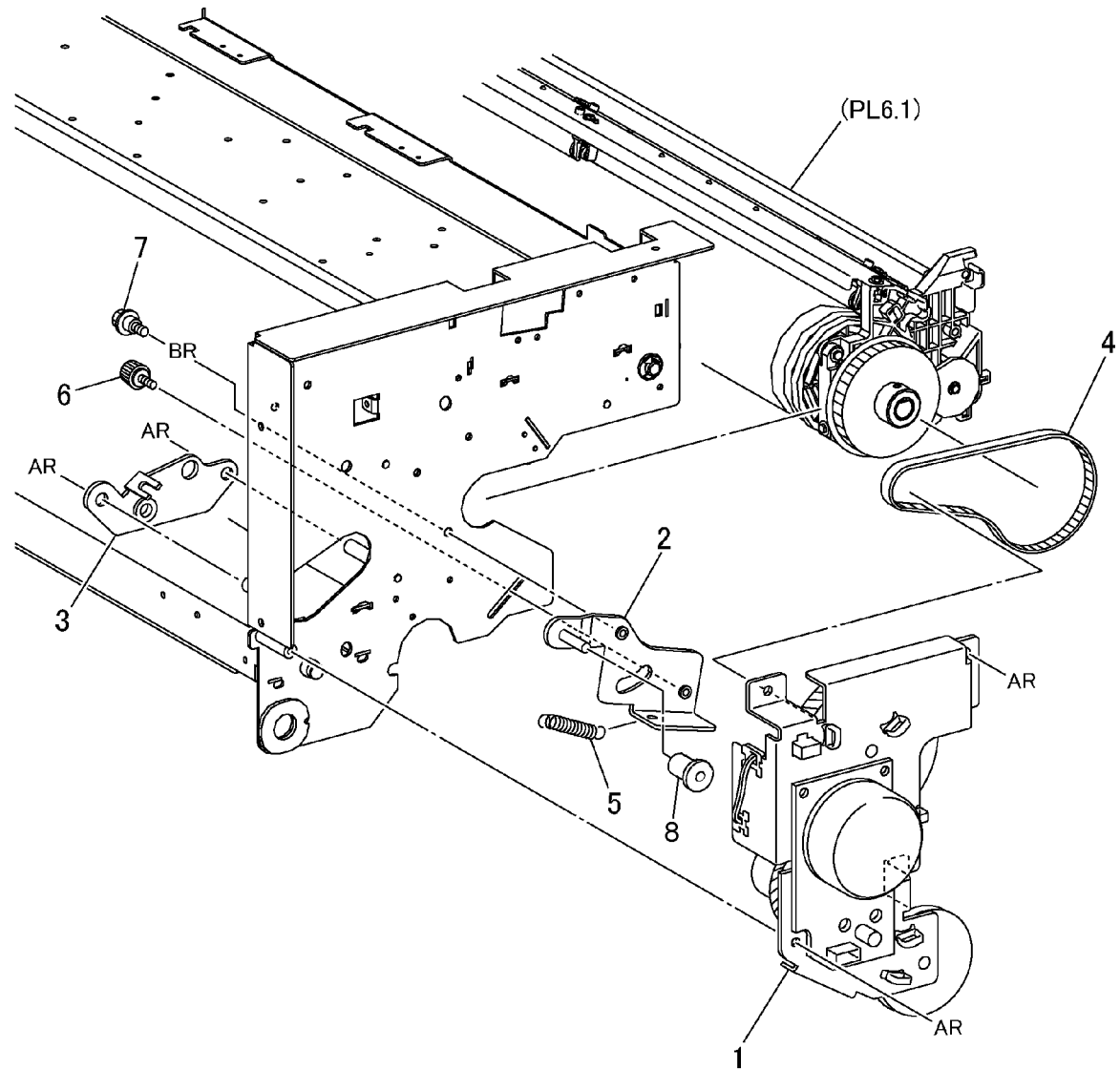
3 { 15 - 17
 4 { 11, 19 - 23
 18 { 5 - 12

0501001C-RYO

PL 1.2 Developer

Item	Part	Description
1	127K35821	Main Drive Motor/Developer Drive Clutch (MOT4-1/CL9-1)
2	—	Tension Arm (Not Spared)
3	—	Bearing Plate (Not Spared)
4	023E21500	Belt
5	809E56800	Tension Spring
6	—	Knob Screw (Not Spared)
7	—	Shoulder Screw (M4) (Not Spared)
8	499W17062	Roller

PL1.2

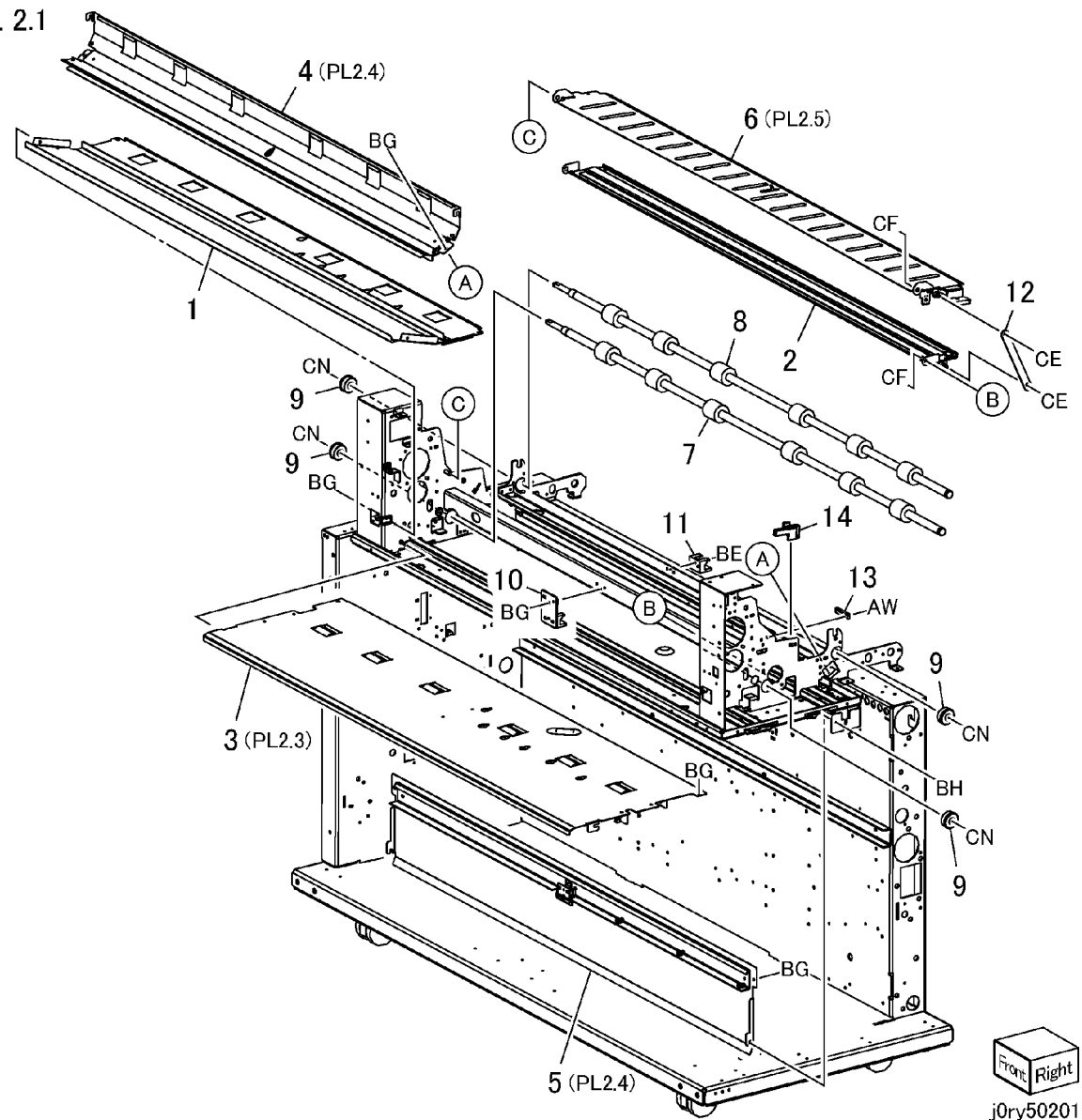


0501002A-RYO

PL 2.1 Manual Paper Feed

Item	Part	Description
1	-	Manual Feed Upper Baffle-1 (Not Spared)
2	-	Manual Feed Upper Baffle-2 (Not Spared)
3	-	Manual Feed Lower Baffle (Not Spared)
4	-	Manual Feed Baffle-3 (Not Spared)
5	-	Vertical front Baffle (Not Spared)
6	-	Horizontal Lower Baffle (Not Spared)
7	059K36210	Manual Feed Roll
8	059K36220	Registration Roll
9	013P61299	Bearing
10	-	Manual Feed Roll Block (Not Spared)
11	-	Registration Roll Block (Not Spared)
12	-	Link (Not Spared)
13	121E89780	Catch Magnet
14	-	Actuator Block (Not Spared)

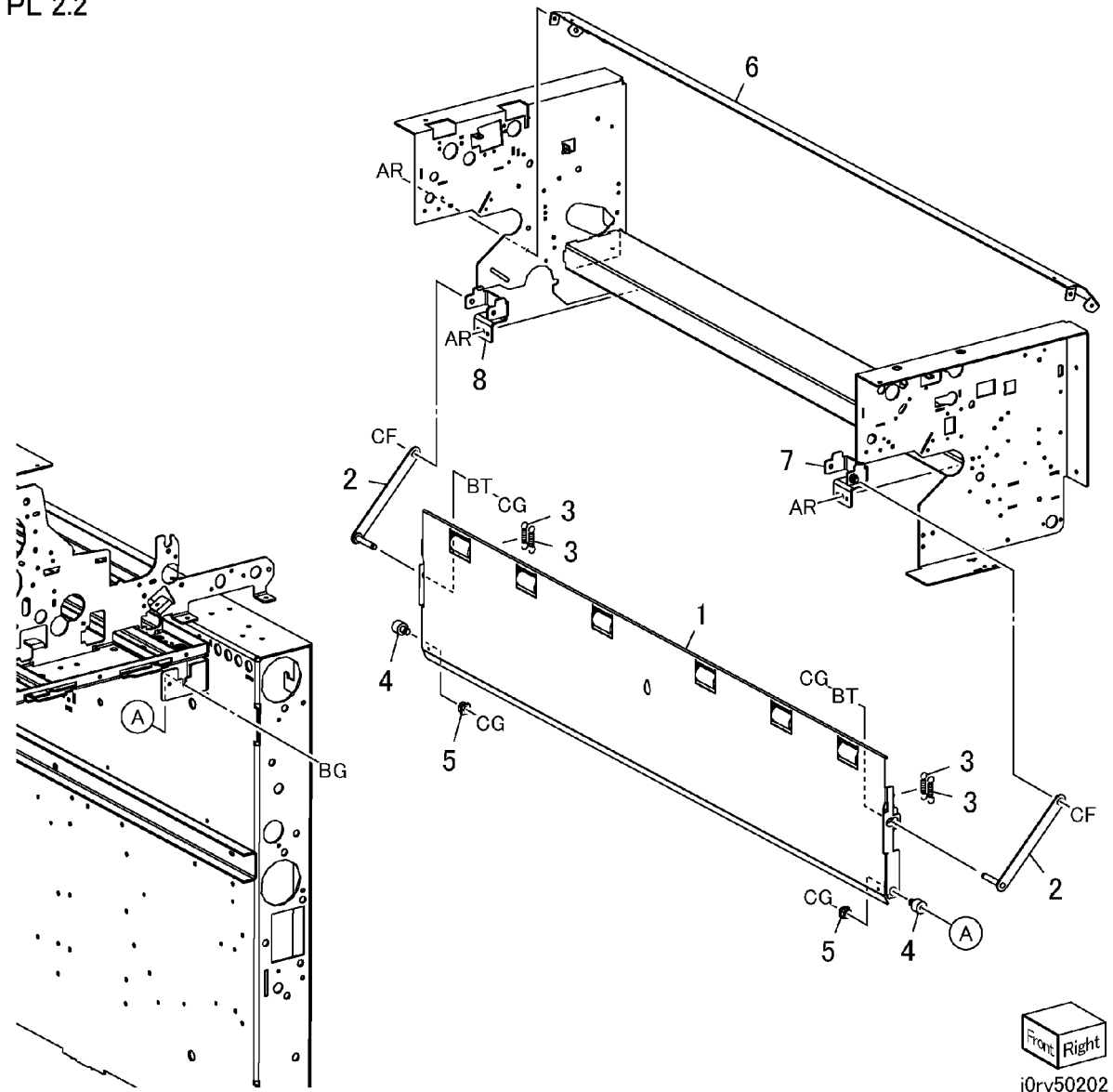
PL 2.1



PL 2.2 Lower Baffle Component

Item	Part	Description
1	-	Vertical Rear Baffle (Not Spared)
2	-	Link (Not Spared)
3	-	Tension Spring (Not Spared)
4	-	Stud (Not Spared)
5	413W11660	Bearing
6	-	BTR In Upper Baffle (Not Spared)
7	-	Right Bracket (Not Spared)
8	-	Left Bracket (Not Spared)

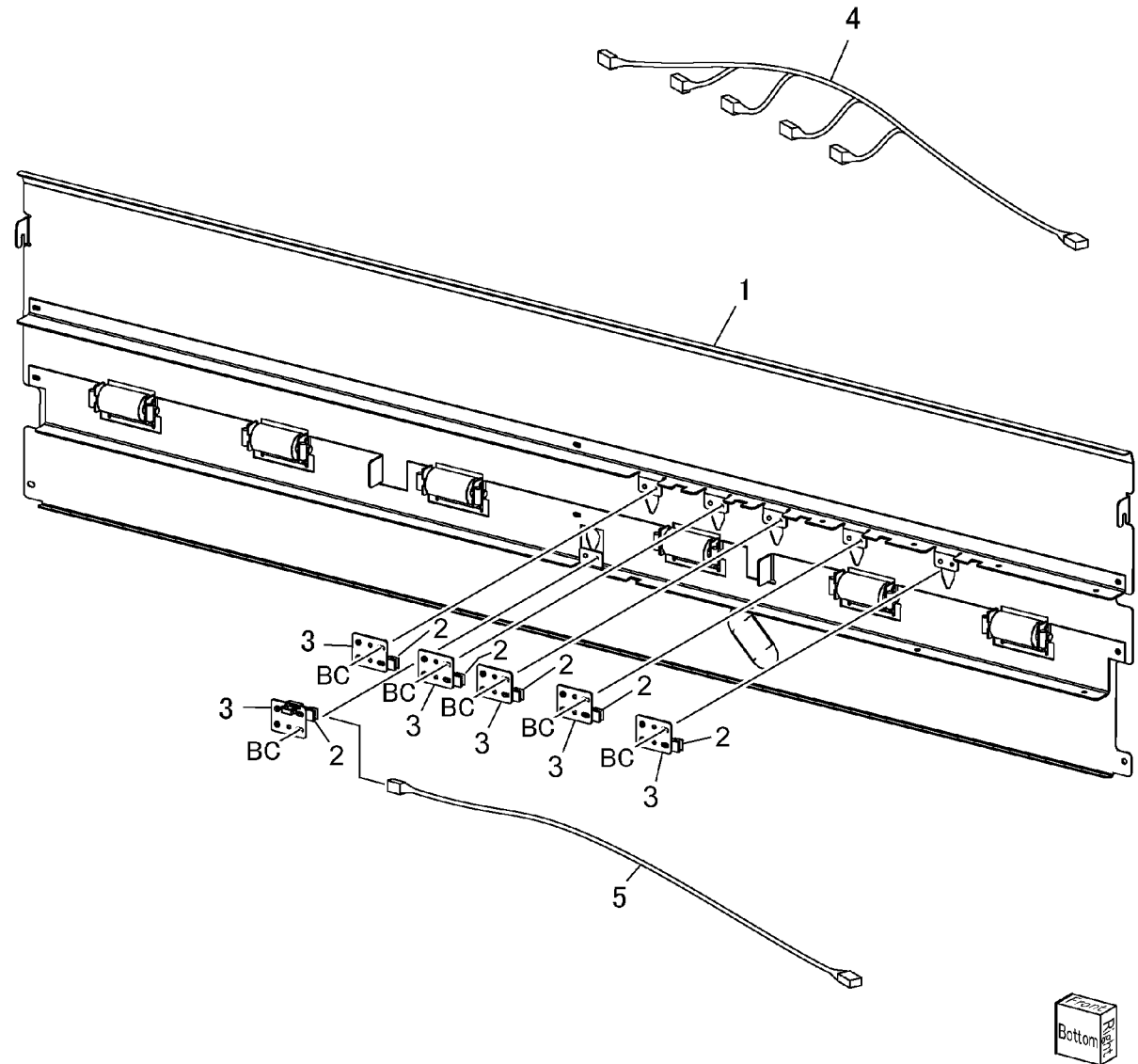
PL 2.2



PL 2.3 Manual Feed Baffle-3 Assembly

Item	Part	Description
1	-	Manual Feed Lower Baffle (Not Spared) (REP 8.1)
2	930W00211	30" Sensor (Q7-16), A1 Sensor (Q7-13) , A2 Sensor (Q7-14), A3 Sensor (Q7-15), No Paper Sensor (Q7-17), Feed Stop Sensor (Q8-4)
3	-	Sensor Bracket (Not Spared)
4	-	Sensor Harness (Not Spared)
5	-	Stop Sensor Harness (Not Spared)
6	809E36250	Extension Spring

PL 2.3



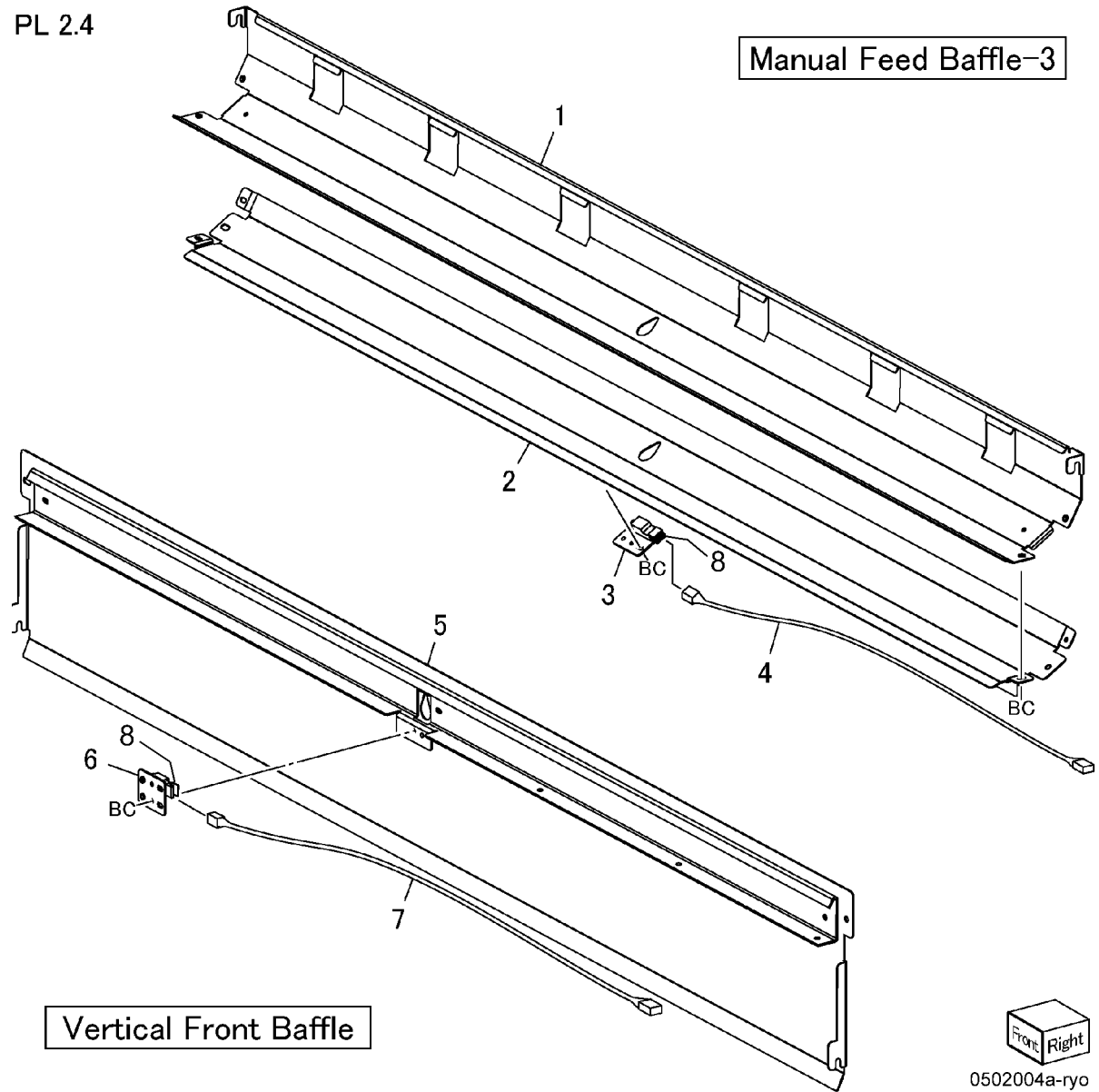
0502003B-RYO

PL 2.4 Horizontal Lower Baffle Component

Item	Part	Description
1	-	Manual Feed Baffle-3 (Upper) (Not Spared)
2	-	Manual Feed Baffle-3 (Lower) (Not Spared)
3	-	Manual Page Sync Sensor Bracket (Not Spared)
4	-	Sensor Wire Harness (Not Spared)
5	-	Vertical Front Baffle (Not Spared)
6	-	RFC Page Sync Sensor Bracket (Not Spared)
7	-	Sensor Wire Harness (Not Spared)
8	930W00211	Manual Page Sync Sensor (Q8-5), RFC Page Sync Sensor Assembly (Q8-6)

PL 2.4

Manual Feed Baffle-3



Vertical Front Baffle

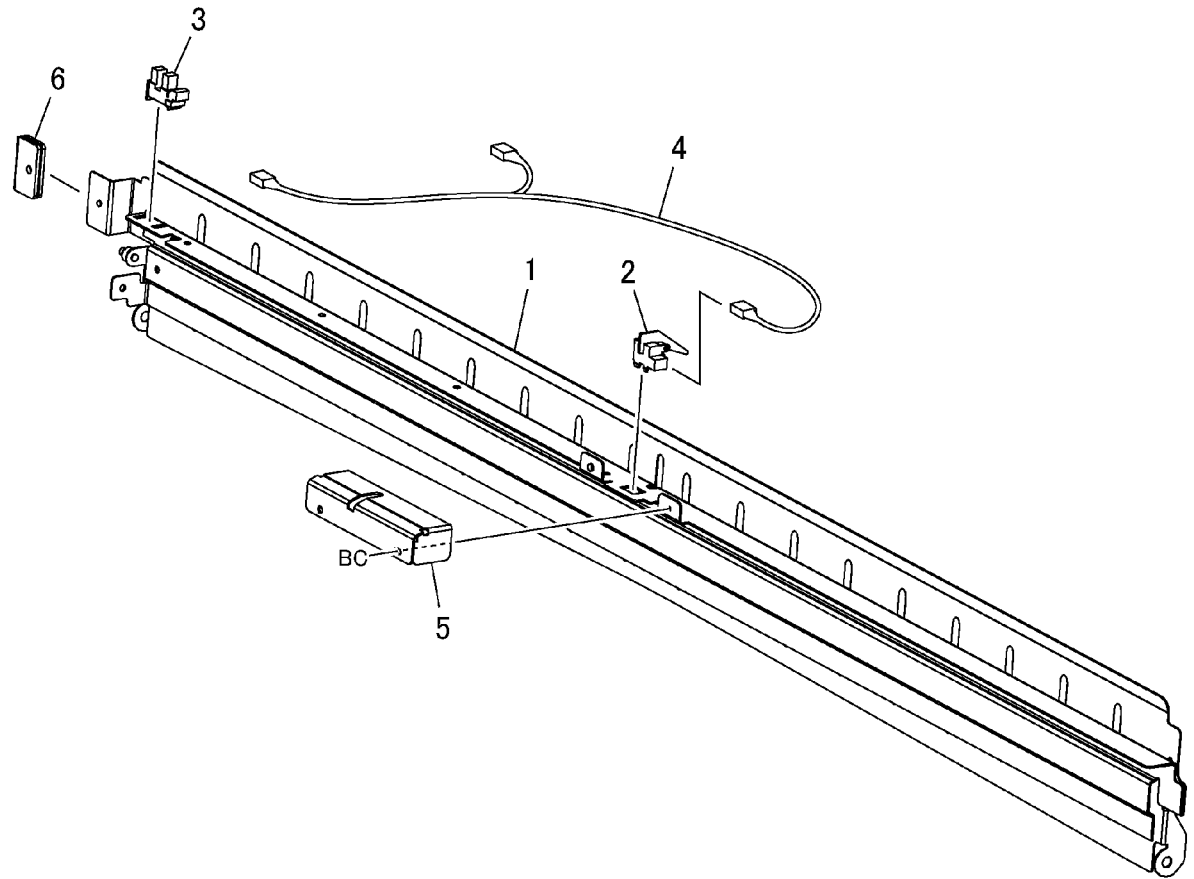


0502004a-ryo

PL 2.5 Horizontal Lower Baffle Component

Item	Part	Description
1	–	Horizontal Lower Baffle (Not Spared)
2	130K70430	Horizontal Transport Jam Sensor (Q10-1)
3	930W00112	Horizontal Transport Open Sensor (Q10-2)
4	–	Sensor Wire Harness (Not Spared)
5	–	Sensor Cover (Not Spared)
6	003E84580	Knob

PL 2.5



j0ry50205

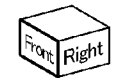
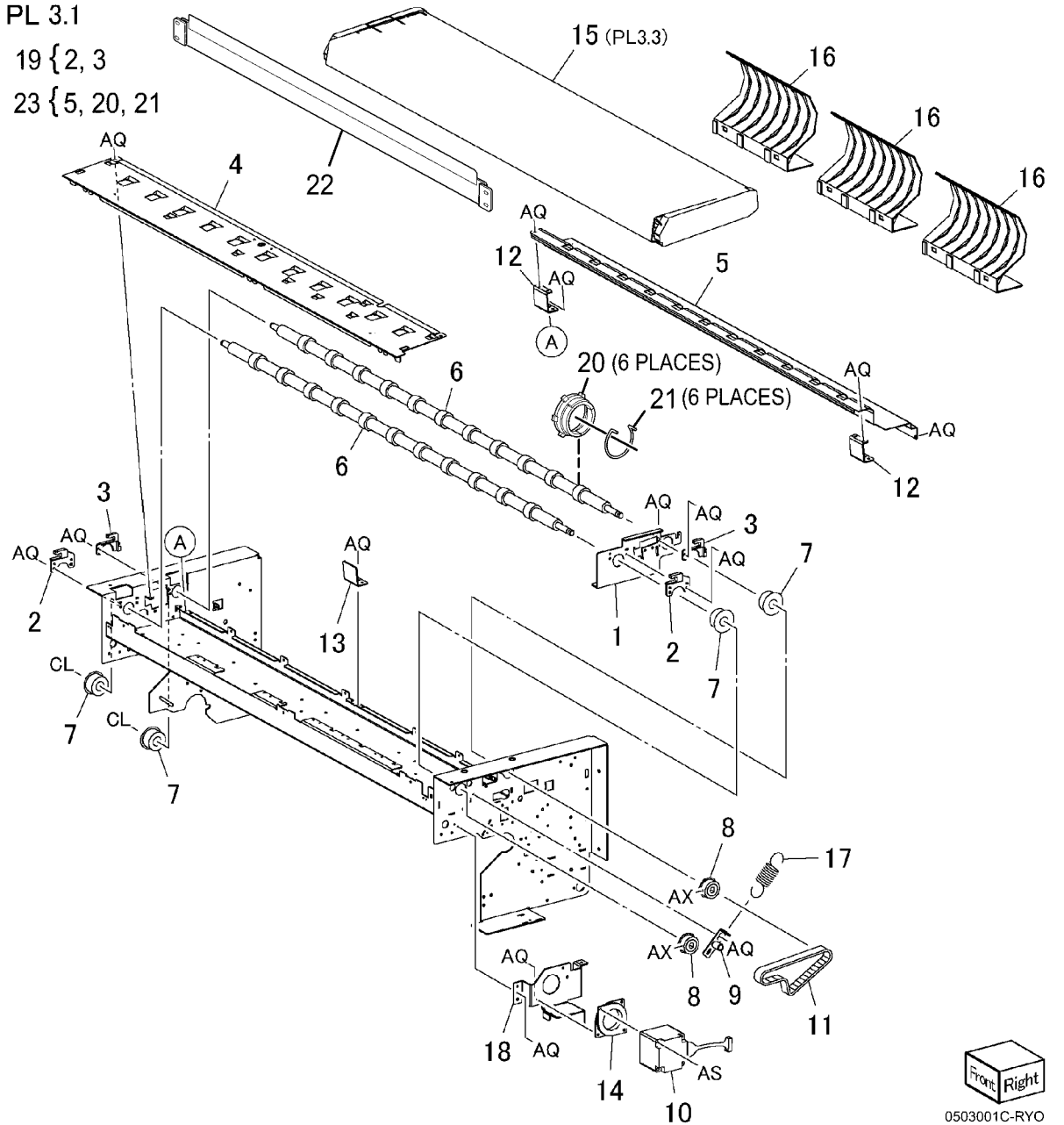
PL 3.1 IIT Document Transport

Item	Part	Description
1	-	IIT Right Frame (Not Spared)
2	-	Latch Front Guide (Not Spared)
3	-	Latch Rear Guide (Not Spared)
4	-	Front Baffle (Not Spared)
5	-	Guide (Not Spared)
6	022K70620	IIT Roll
7	-	Ball Bearing (Not Spared)
8	-	Pulley (Not Spared)
9	022K70630	Tension Roll
10	127K40250	IIT Drive Motor (MOT6-1)
11	423W72055	Belt
12	-	Support Plate (Not Spared)
13	-	Support Plate (Not Spared)
14	004E12820	Motor Damper
15	022K72800	Upper Document Transport
16	038E31501	Turn Guide
17	809E61101	Tension Spring
18	-	Motor Bracket (Not Spared)
19	499K13500	Document Handler Latch Kit
20	022E32900	Kicker Roller (6)
21	019E75110	Clip (6)
22	499K13510	Platen Glass Kit
23	604K42240	Kicker Kit

PL 3.1

19 { 2, 3

23 { 5, 20, 21



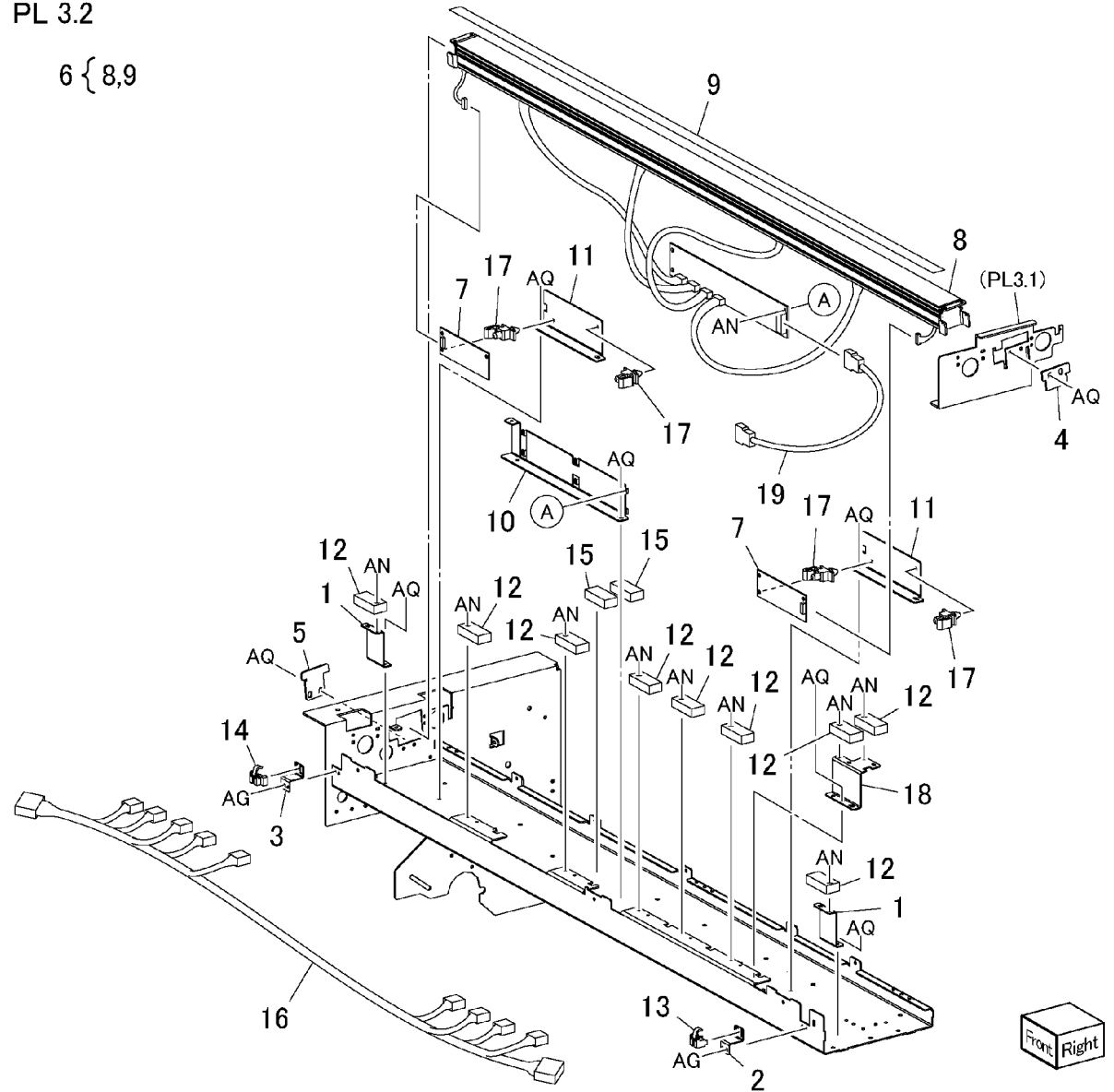
0503001C-RYO

PL 3.2 IIT Electrical

Item	Part	Description
1	-	Sensor Bracket (Not Spared)
2	-	Sensor Bracket (Not Spared)
3	-	Sensor Bracket (Not Spared)
4	-	Right CIS Plate (Not Spared)
5	-	Left CIS Plate (Not Spared)
6	-	CIS Guide Assembly (Not Spared)
7	112E00960	CIS Inverter
8	130K69620	CIS
9	-	Guide (P/O Item 6)
10	-	CIS PWB Bracket (Not Spared)
11	-	Inverter Bracket (Not Spared)
12	930W00211	Left Skew Sensor (Q6-6), Right Skew Sensor (Q6-7), Registration Sensor (Q6-9), Feed Stop Sensor (Q6-8), A4/B5 Sensor (Q6-5), A3/B4 Sensor (Q6-4), A2/B3 Sensor (Q6-3), A1/B2 Sensor (Q6-2), A0 Sensor (Q6-1)
13	130K88870	Open Right Cover Sensor (Q1-2)
14	130K88860	Open Left Cover Sensor (Q1-3)
15	-	CIS Gasket (Not Spared)
16	-	IIT Wire Harness (Not Spared)
17	-	PWB Support (Not Spared)
18	-	Sensor Bracket (Not Spared)
19	-	CIS Cable (Not Spared)

PL 3.2

6 { 8,9

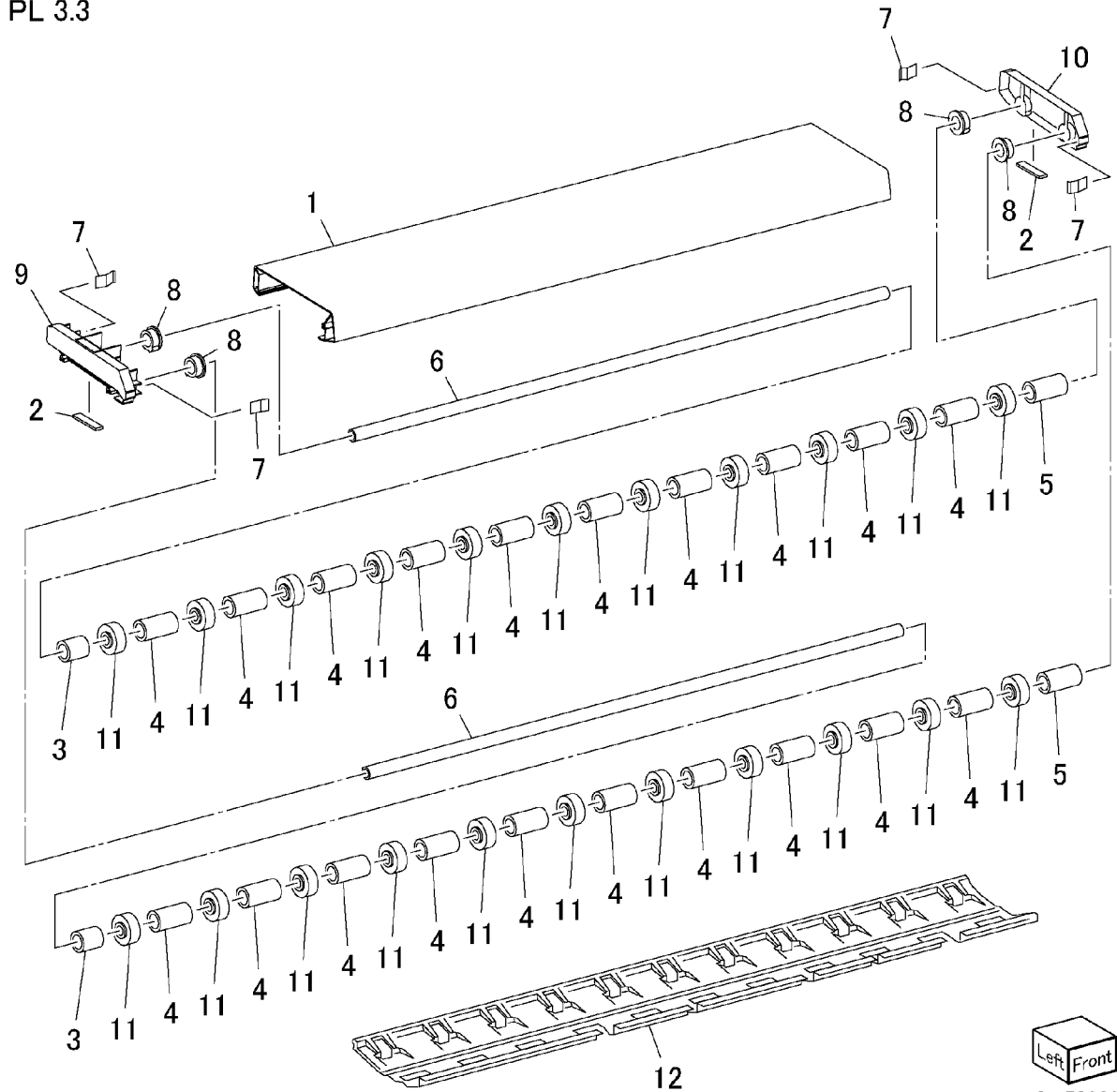


0503002A-RYO

PL 3.3 Upper Document Transport

Item	Part	Description
1	-	Housing (Not Spared)
2	-	Cushion (Not Spared)
3	-	Left Collar (Not Spared)
4	-	Collar (Not Spared)
5	-	Right Collar (Not Spared)
6	-	Pinch Shaft (Not Spared)
7	-	Spring (Not Spared)
8	-	Bearing (Not Spared)
9	021K91861	Left End Cap
10	021K91871	Right End Cap
11	-	Pinch Roll (Not Spared)
12	090K93121	White Platen

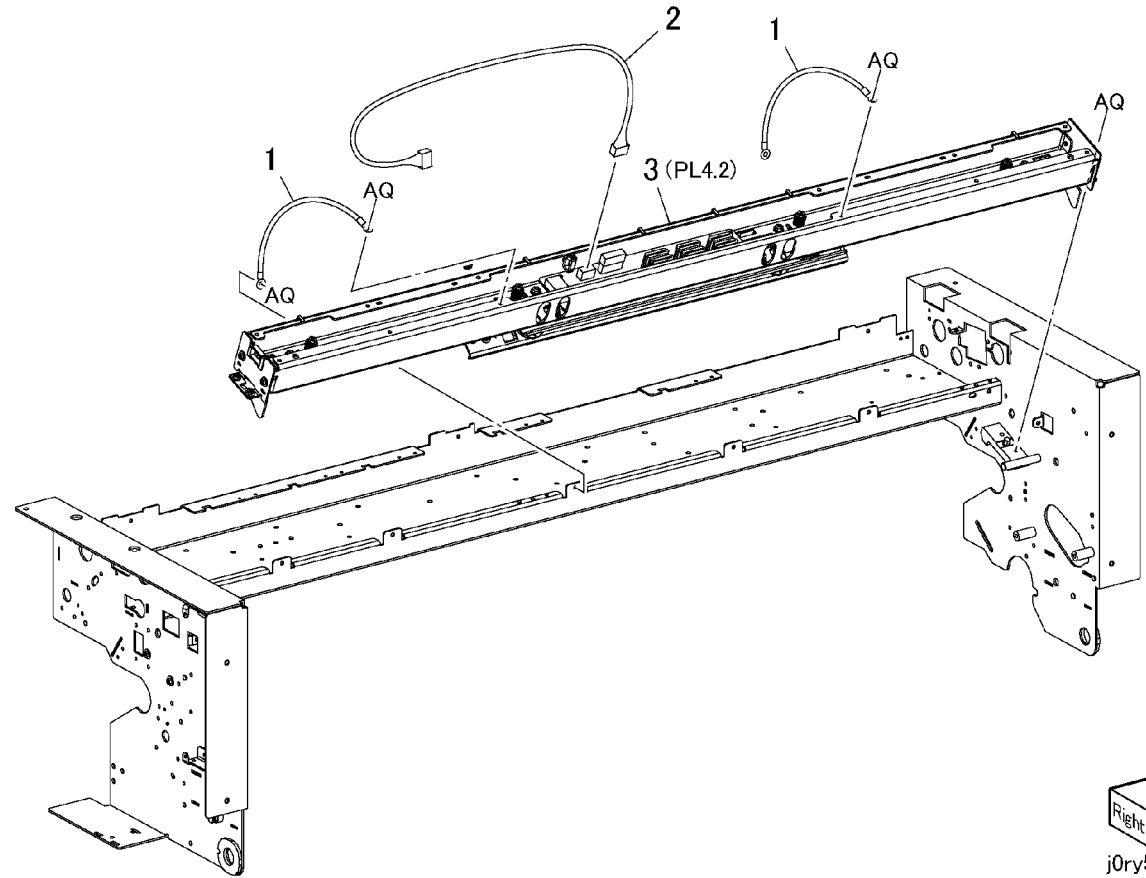
PL 3.3



PL 4.1 LPH Accessory

Item	Part	Description
1	117E21380	Earth Wire
2	—	LPH Wire Harness (Not Spared)
3	130K70260	LPH Assembly

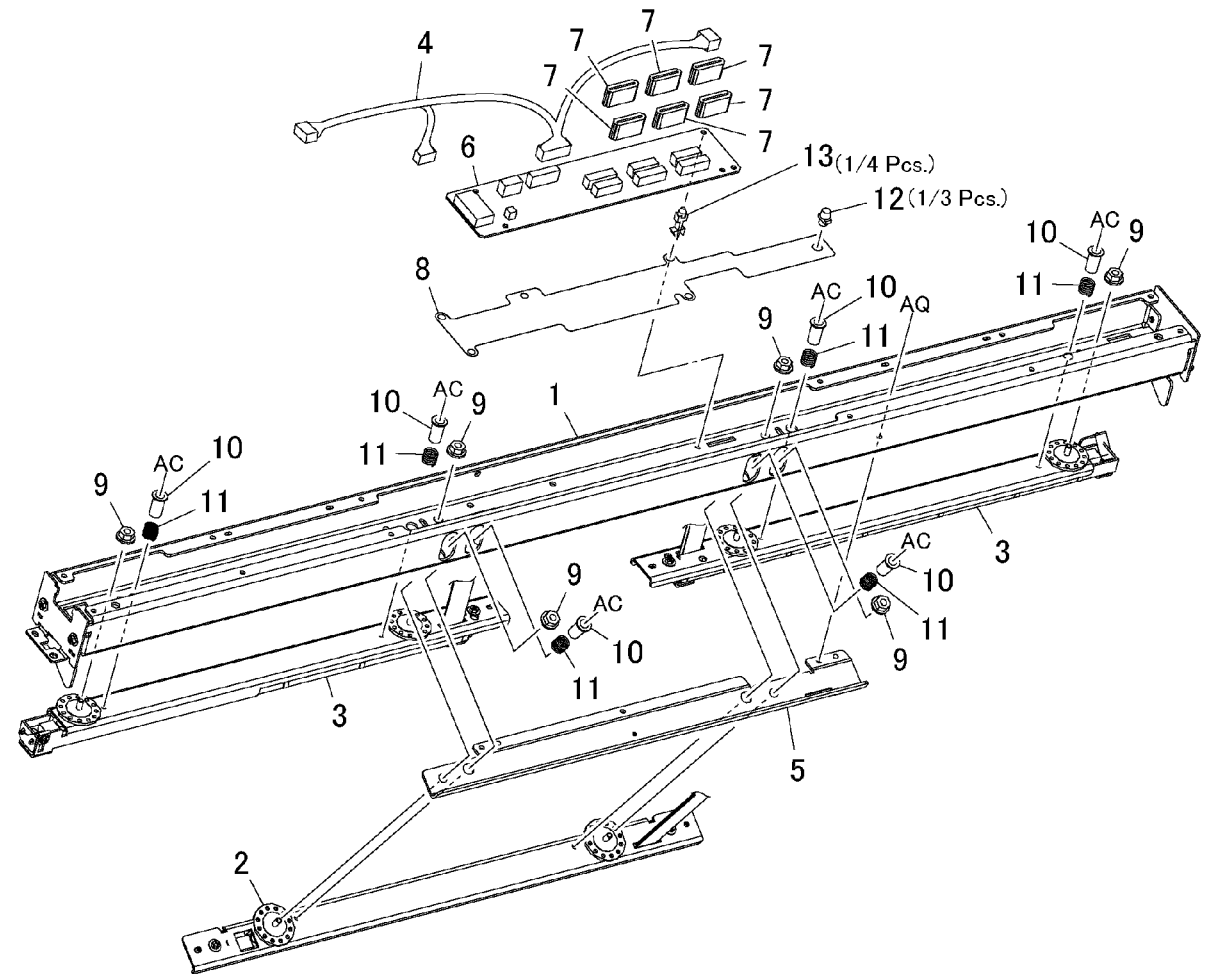
PL 4.1



PL 4.2 LPH Component

Item	Part	Description
1	-	LPH Frame (Not Spared)
2	-	Center LPH (Not Spared)
3	-	Left LPH, Right LPH (Not Spared)
4	-	LPH Power Harness (Not Spared)
5	-	Plate (Not Spared)
6	960K01870	LPH I/F PWB
7	-	Core (Not Spared)
8	-	Shield (Not Spared)
9	-	Nut (Not Spared)
10	-	Collar (Not Spared)
11	-	Spring (Not Spared)
12	-	PWB Spacer (Not Spared)
13	-	PWB Support (Not Spared)

PL 4.2

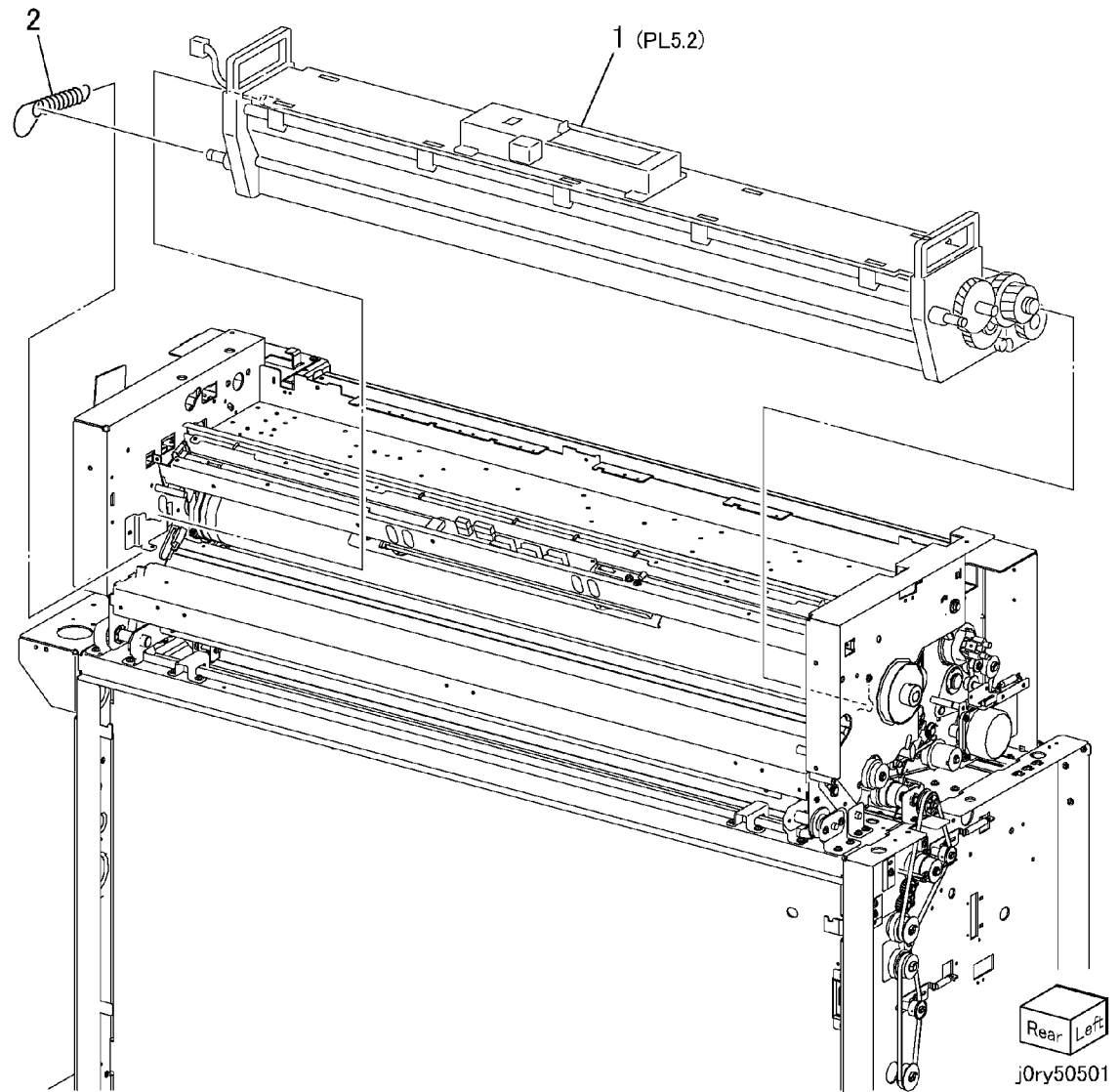


0504002A-RYO

PL 5.1 Developer Assembly

Item	Part	Description
1	802K67450	Developer Assembly (REP 9.10)
2	809E58190	Tension Spring

PL5.1



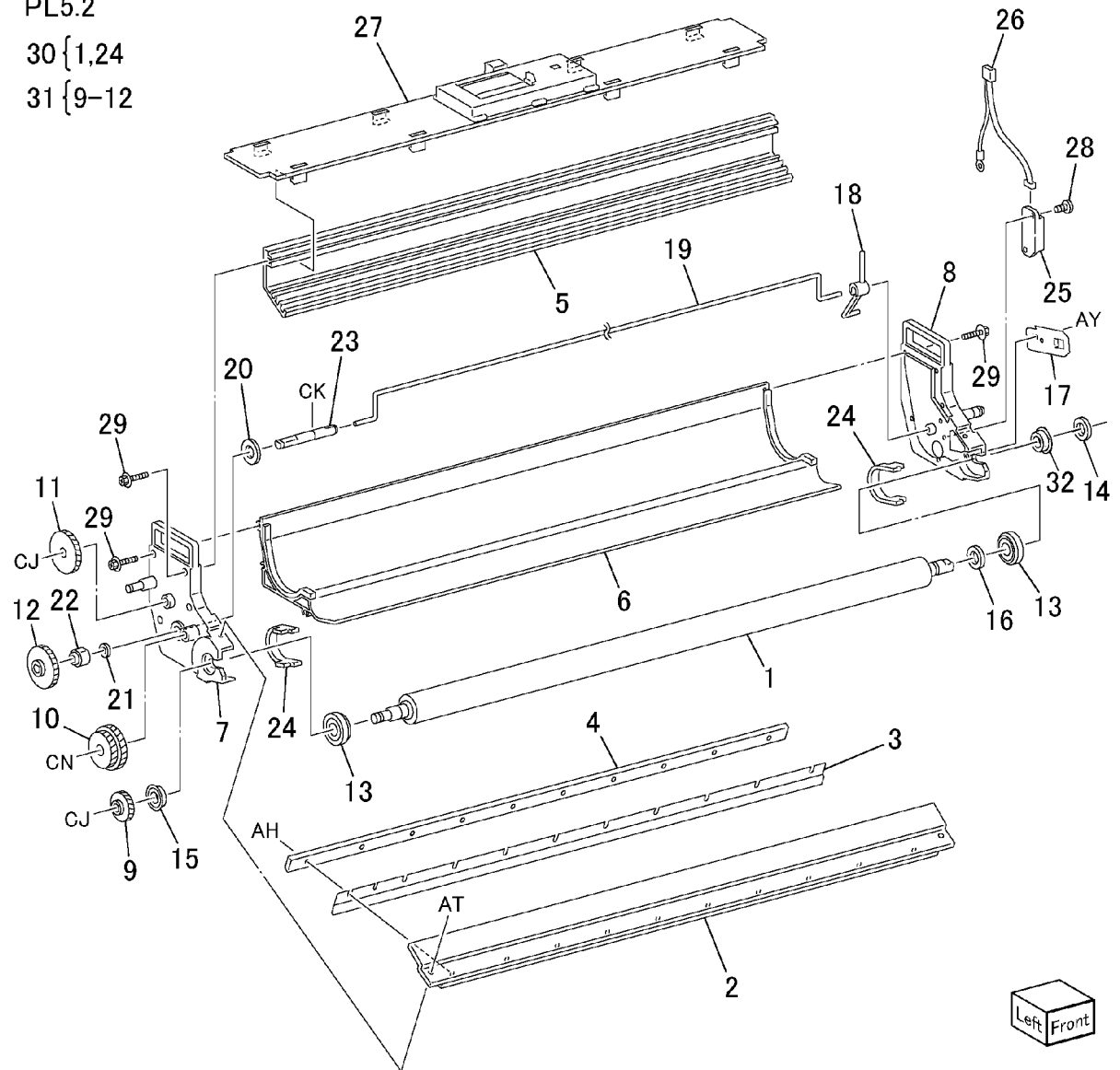
PL 5.2 Developer Assembly Components

Item	Part	Description
1	121K34530	Magnet Roll
2	-	Blade Holder (P/O PL5.1 Item 1)
3	033K94710	Metering Blade (REP 9.11)
4	-	Blade Block (P/O PL5.1 Item 1)
5	-	Upper Housing (P/O PL5.1 Item 1)
6	-	Lower Housing (P/O PL5.1 Item 1)
7	-	Left Frame (P/O PL5.1 Item 1)
8	-	Right Frame (P/O PL5.1 Item 1)
9	-	Magnet Roll Gear (Helical 34T) (P/O PL5.1 Item 1)
10	-	Drive Gear (Helical 50/60T) (P/O PL5.1 Item 1)
11	-	Idler Gear (Spur 46T) (P/O Item 31)
12	-	Agitator Gear (Spur 46T) (P/O Item 31)
13	022K62850	Tracking Roll
14	016E95410	Magnet Roll Bush
15	013E96820	Ball Bearing
16	014E97200	Spacer
17	-	MSA Plate (P/O PL5.1 Item 1)
18	-	Sensor Bar (P/O PL5.1 Item 1)
19	-	Agitator Rod (P/O PL5.1 Item 1)
20	-	Spacer (P/O PL5.1 Item 1)
21	-	Seal (P/O PL5.1 Item 1)
22	-	Agitator Bush (P/O PL5.1 Item 1)
23	-	Shaft (P/O PL5.1 Item 1)
24	035E76960	Magnet Roll Seal
25	130K81230	Toner Empty Sensor (Q9-1)
26	962K24610	Sensor Wire Harness
27	802K67150	Toner Housing
28	-	Tapping Screw (3 x 5) (P/O PL5.1 Item 1)
29	-	Screw (M4 x 25) (P/O PL5.1 Item 1)
30	-	Magnet Roll and Seal Kit (Not Spared)
31	499K13540	Gear Kit
32	413W17559	Bearing

PL5.2

30 { 1,24

31 { 9-12



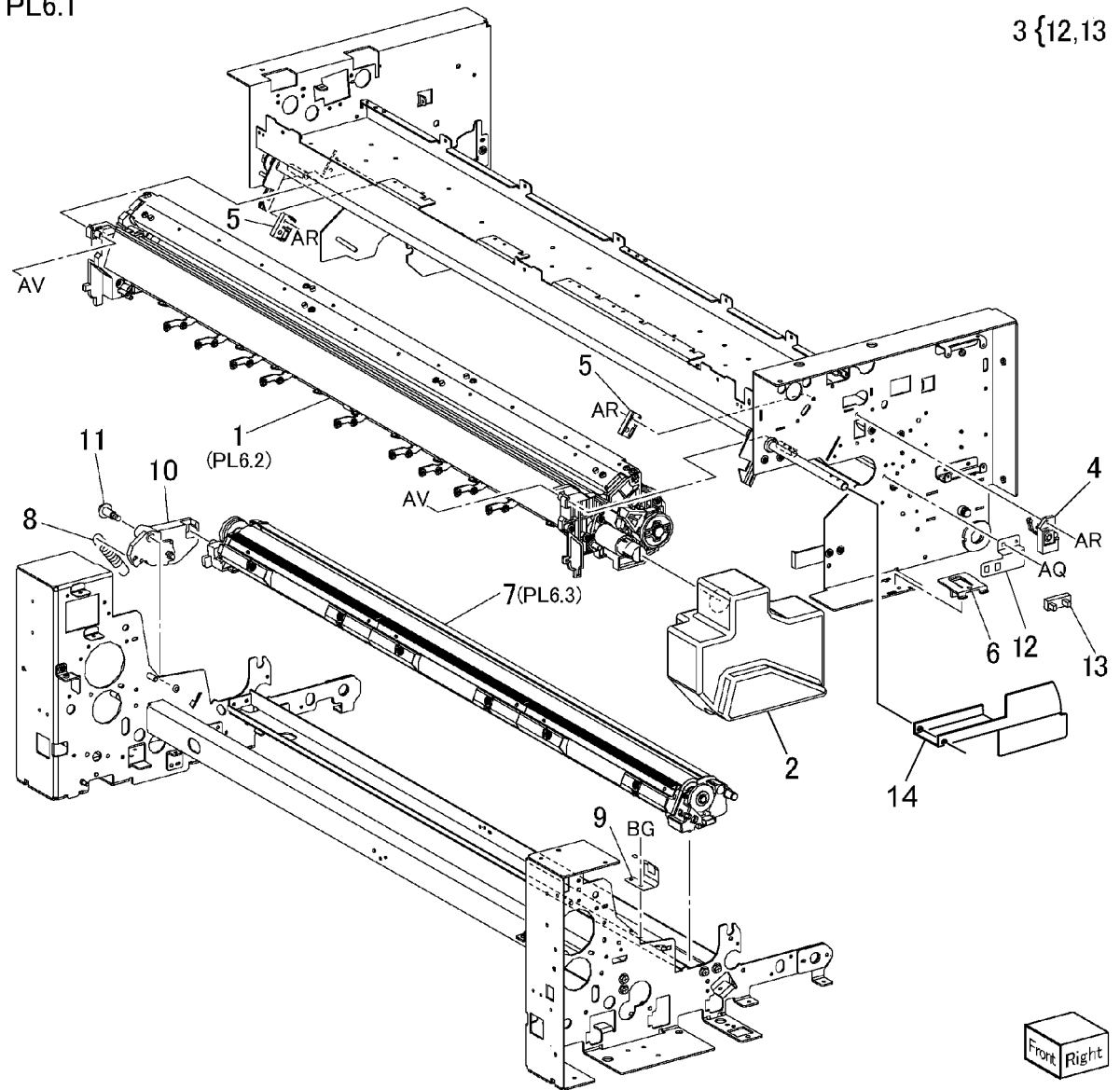
0505002A-RYO

PL 6.1 Xerographics Accessory

Item	Part	Description
1	–	Xerographics Module (Not Spared) (REP 9.1)
2	008R13014	Toner Bottle
3	–	Toner Full Sensor Assembly (Not Spared)
4	014K82160	Spring Block
5	–	Stopper Block (Not Spared)
6	815E08940	Interlock Switch Actuator
7	022K67500	BTR Housing (REP 9.6)
8	809E56640	Tension Spring
9	809E56650	Earth Spring
10	–	BTR Link Plate (Not Spared)
11	–	Shoulder Screw (M4) (Not Spared)
12	–	Toner Full Sensor Bracket (P/O Item 3)
13	130E91010	Toner Full Sensor (Q9-2)
14	011E12700	Lever

PL6.1

3 {12,13}



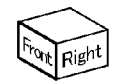
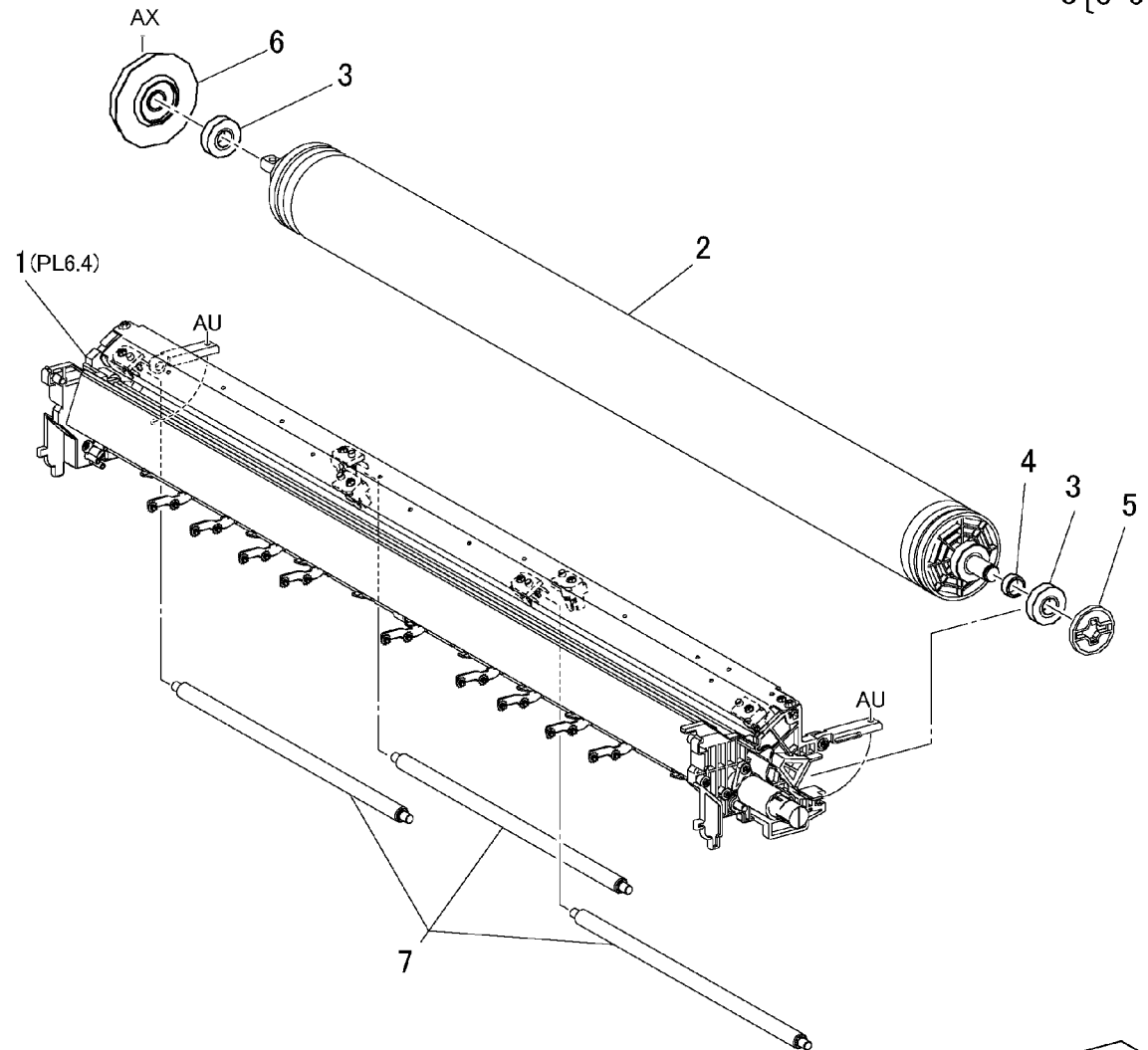
0506001B-RYO

PL 6.2 Xerographics Module Component

Item	Part	Description
1	802K67010	Xerographics Housing
2	001R00583	Photoreceptor (REP 9.2)
3	—	Photoreceptor Bearing (P/O Item 8)
4	—	Photoreceptor Collar (P/O Item 8)
5	—	Photoreceptor Guide (P/O Item 8)
6	020E37560	Photoreceptor Pulley
7	499K89060	BCR Kit (3) (REP 9.5)
8	499K89050	Bearing Kit
		Non RoHS

PL6.2

8{3-5

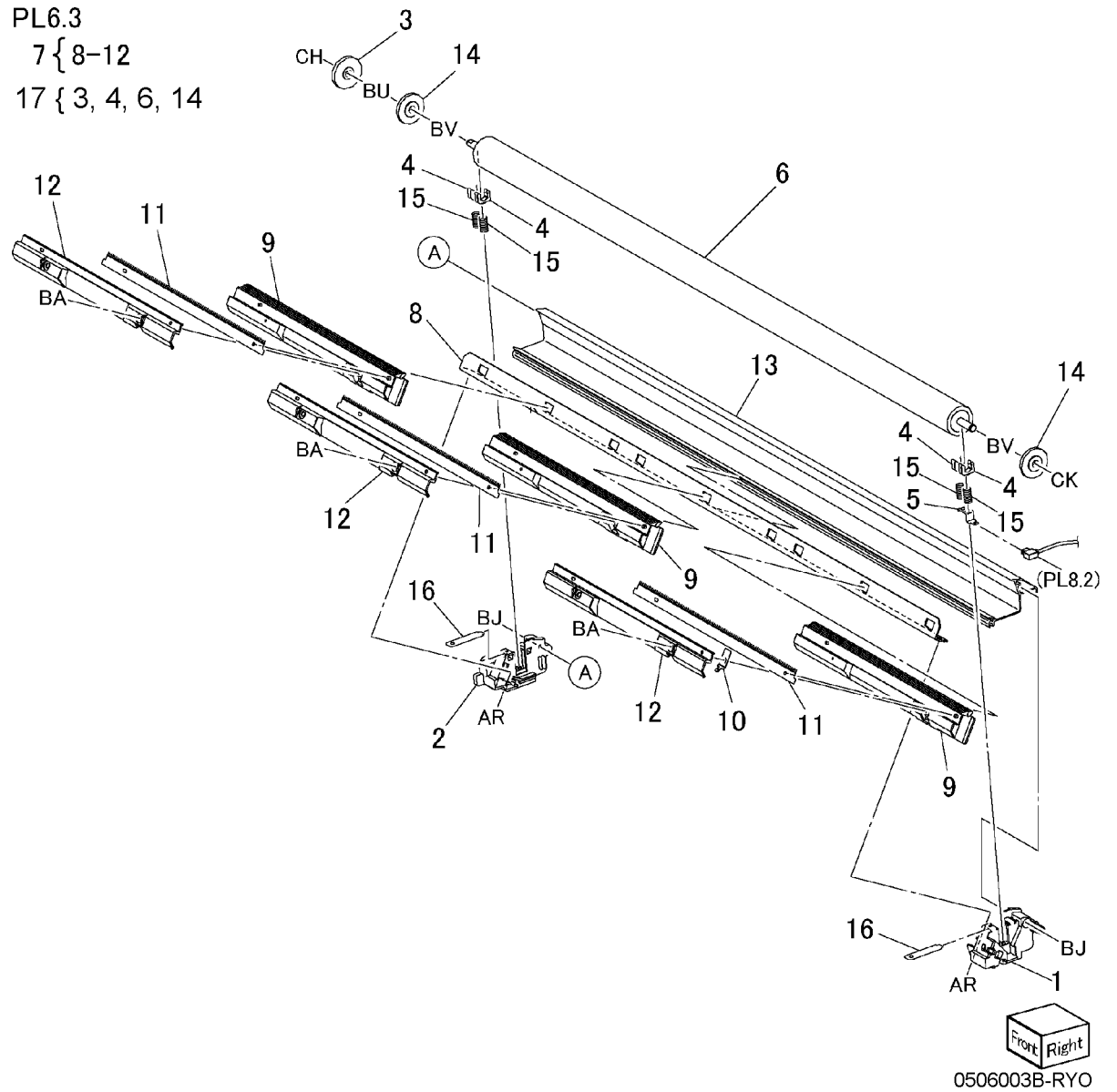


0506002A-RYO

PL 6.3 BTR Housing Component

Item	Part	Description
1	-	BTR Right Frame (P/O PL6.1 Item 7)
2	-	BTR Left Frame (P/O PL6.1 Item 7)
3	-	BTR Gear (P/O PL6.1 Item 7)
4	-	BTR Bearing (P/O PL6.1 Item 7)
5	-	Bias Plate (P/O PL6.1 Item 7)
6	-	BTR (P/O PL6.1 Item 7) (REP 9.8)
7	-	DTS Assembly (P/O PL6.1 Item 7) (REP 9.7)
8	-	DTS Bias Plate (P/O Item 7)
9	-	DTS Bias Holder (P/O Item 7)
10	-	DTS Bias Plate (P/O Item 7)
11	815E09000	DTS Plate
12	-	DTS Holder (P/O Item 7)
13	-	BTR In Chute (P/O PL6.1 Item 7)
14	-	Tracking Roll (P/O PL6.1 Item 7)
15	809E22970	BTR Spring
16	-	BTR Stopper Plate (P/O PL6.1 Item 7)
17	499K13550	BTR & Gear Kit

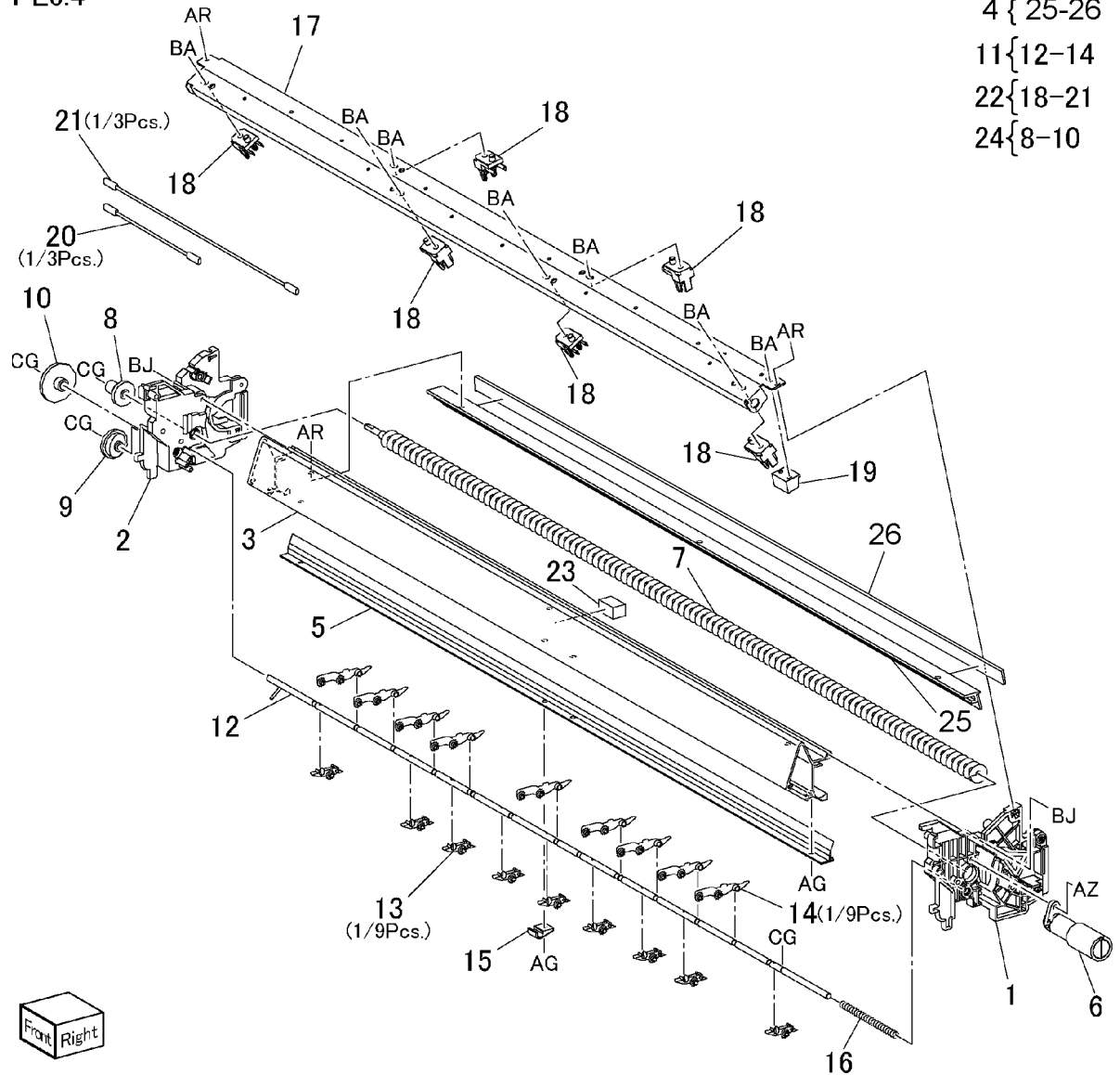
PL6.3
 7 { 8-12
 17 { 3, 4, 6, 14



PL 6.4 Xerographics Housing Component

Item	Part	Description
1	-	Right Frame (Not Spared)
2	-	Left Frame (Not Spared)
3	-	Housing Frame (Not Spared)
4	033K94740	Cleaning Blade Assembly (REP 9.3)
5	035K82960	Toner Seal (REP 9.4)
6	052K92220	Toner Pipe
7	006K23770	Auger Shaft
8	-	Auger Gear (P/O Item 24)
9	-	Finger Gear (P/O Item 24)
10	-	Gear (P/O Item 24)
11	006K23780	Finger Shaft
12	-	Shaft (P/O Item 11)
13	019K06901	PR Stripper Finger (REP 9.9)
14	038K88110	Paper Guide
15	-	Shaft Holder (Not Spared)
16	809E56630	Compression Spring
17	-	BCR Frame (Not Spared)
18	-	BCR Holder (P/O Item 22)
19	-	Contact Block (P/O Item 22)
20	-	BCR Short Cord (P/O Item 22)
21	-	BCR Long Cord (P/O Item 22)
22	499K89070	BCR Holder Kit
23	-	Auger Stopper (Not Spared)
24	499K89080	Gear Kit
25	-	Blade Holder (P/O Item 4)
26	033E93320	Blade Doctor (REP 9.3)

PL6.4

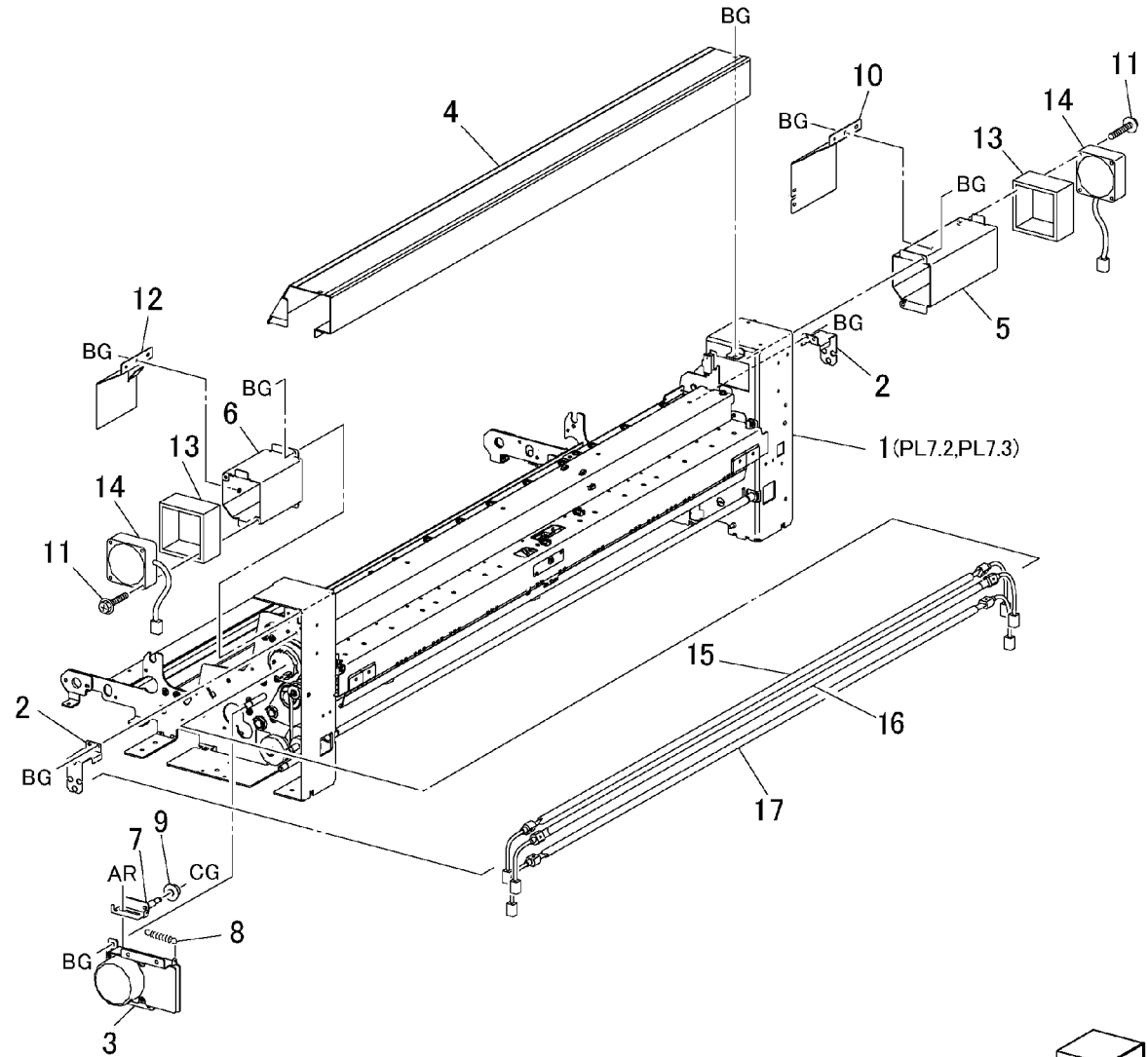


0506004B-RYO

PL 7.1 Fuser Assembly Accessory

Item	Part	Description
1	-	Fuser Assembly (Not Spared)
2	849E34160	Lamp Bracket
3	127K31870	Fuser Drive Motor (MOT10-1) (REP 10.4)
4	-	Upper Duct (Not Spared) (REP 10.1)
5	-	Right Duct (Not Spared)
6	-	Left Duct (Not Spared)
7	-	Tension Bracket (Not Spared)
8	809E58370	Tension Spring
9	499W17061	Pulley
10	-	Right Inner Cover (Not Spared)
11	-	Screw (M4 x 30) (Not Spared)
12	-	Left Inner Cover (Not Spared)
13	-	Seal (Not Spared)
14	127K29331	Exhaust Fan (Left, Right) (MOT10-2, MOT10-3)
15	126K17760	Side Heat Rod 240V (REP 10.5)
-	126K17730	Side Heat Rod 120V (REP 10.5)
16	126K17740	Sub Heat Rod 120V (REP 10.5)
-	126K17770	Sub Heat Rod 240V (REP 10.5)
17	126K17750	Center Heat Rod 240V (REP 10.5)
-	126K17720	Center Heat Rod 120V (REP 10.5)

PL7.1



0507001A-RYO

PL 7.2 Fuser Assembly Component-Roll

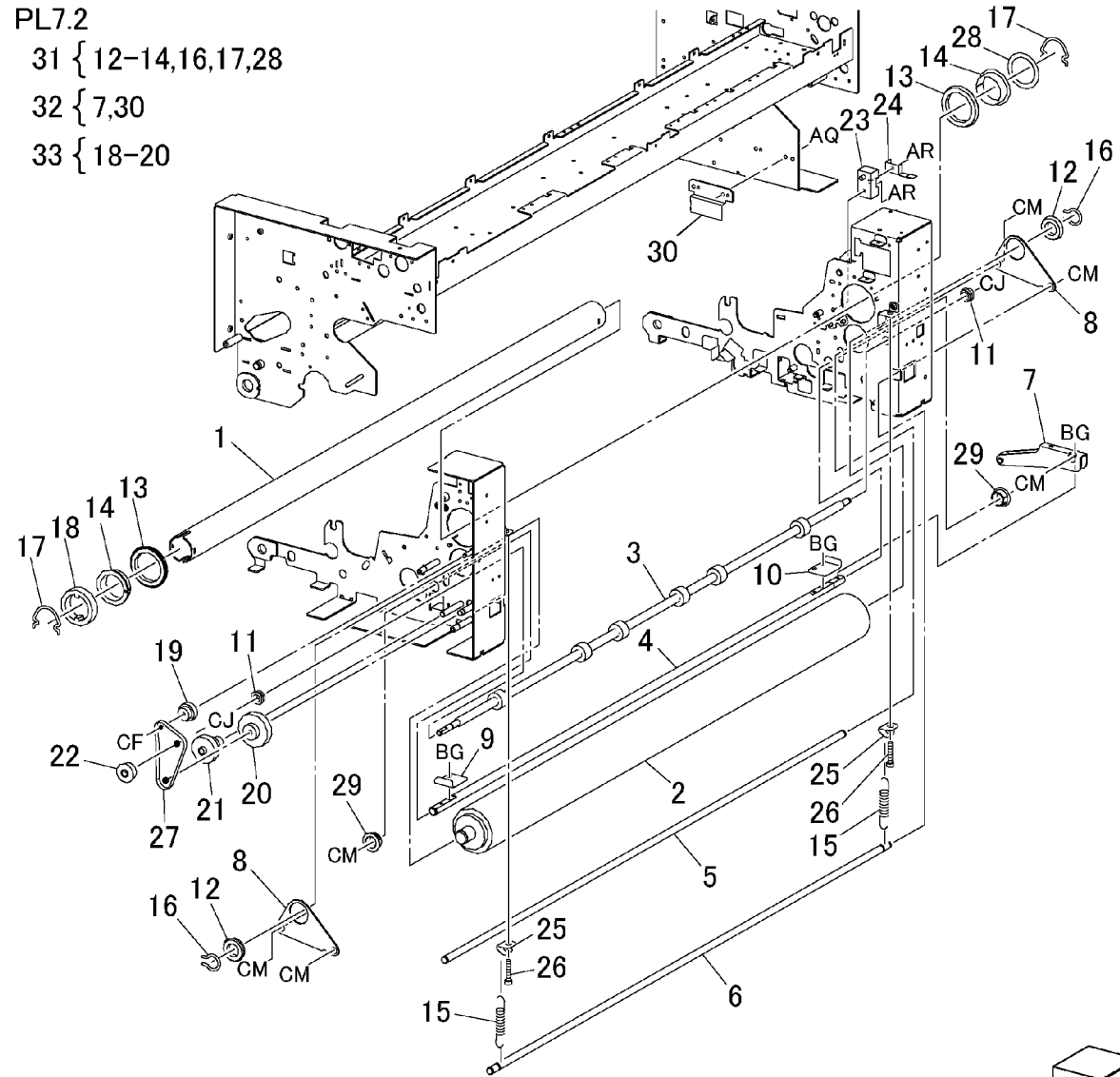
Item	Part	Description
1	059K33800	Fuser Roll (REP 10.10)
2	059K33820	Pressure Roll (REP 10.7)
3	022K70580	Fuser Exit Roll (REP 10.6)
4	-	Pivot Shaft (Not Spared)
5	-	Nip Shaft (Not Spared)
6	-	Load Shaft (Not Spared)
7	-	Nip Lever (P/O Item 32)
8	-	Arm (Not Spared)
9	-	Nip Left Bracket (Not Spared)
10	-	Nip Right Bracket (Not Spared)
11	413W11860	Plastic Sleeve Bearing
12	-	Pressure Roll Ball Bearing (P/O Item 31)
13	-	Heat Roll Ball Bearing (P/O Item 31)
14	-	Bearing Collar (P/O Item 31)
15	809E66250	Nip Spring
16	-	Pressure Roll Ring (P/O Item 31)
17	-	Heat Roll Ring (P/O Item 31)
18	-	Heat Roll Gear (P/O Item 33)
19	-	Gear Pulley (20/24T) (P/O Item 33)
20	-	Gear Pulley (24/48T) (P/O Item 33)
21	-	Gear (Spur13T/Helical 62T) (Not Spared)
22	499W14426	Pulley
23	-	Contact Block (Not Spared)
24	-	Eliminator (Not Spared)
25	-	Nip Spring Bracket (Not Spared)
26	-	Adjust Screw (Not Spared)
27	423W48154	Belt
28	-	Collar (Not Spared)
29	013P60672	Bearing
30	-	Nip Lever (P/O Item 32)
31	499K13450	Heat/Pressure Roll Bearing Kit
32	499K13460	Nip Lever Kit
33	499K13470	Gear Kit

PL7.2

31 { 12-14,16,17,28

32 { 7,30

33 { 18-20

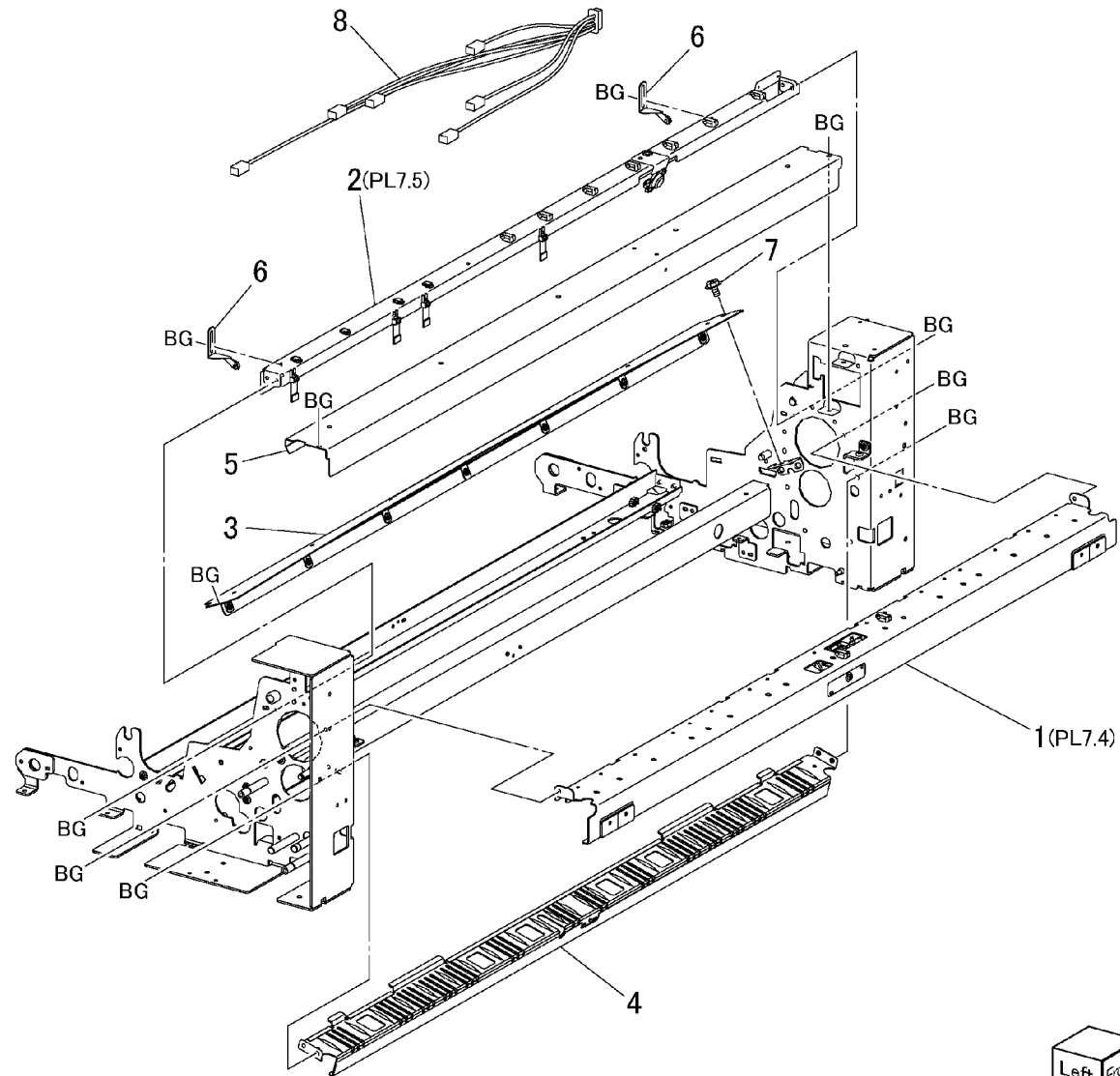


0507002a-ryo

PL 7.3 Fuser Assembly Component-Chute

PL7.3

Item	Part	Description
1	055K28653	Upper Exit Baffle Assembly (REP 10.2)
2	-	Thermistor Plate (Not Spared) (REP 10.9)
3	054K30050	Inlet Chute
4	054E26510	Lower Exit Chute (REP 10.3)
5	-	Lower Duct (Not Spared) (REP 10.8)
6	038K88450	Inlet Guide
7	-	Shoulder Screw (M4) (Not Spared)
8	-	Fuser Wire Harness (Not Spared)



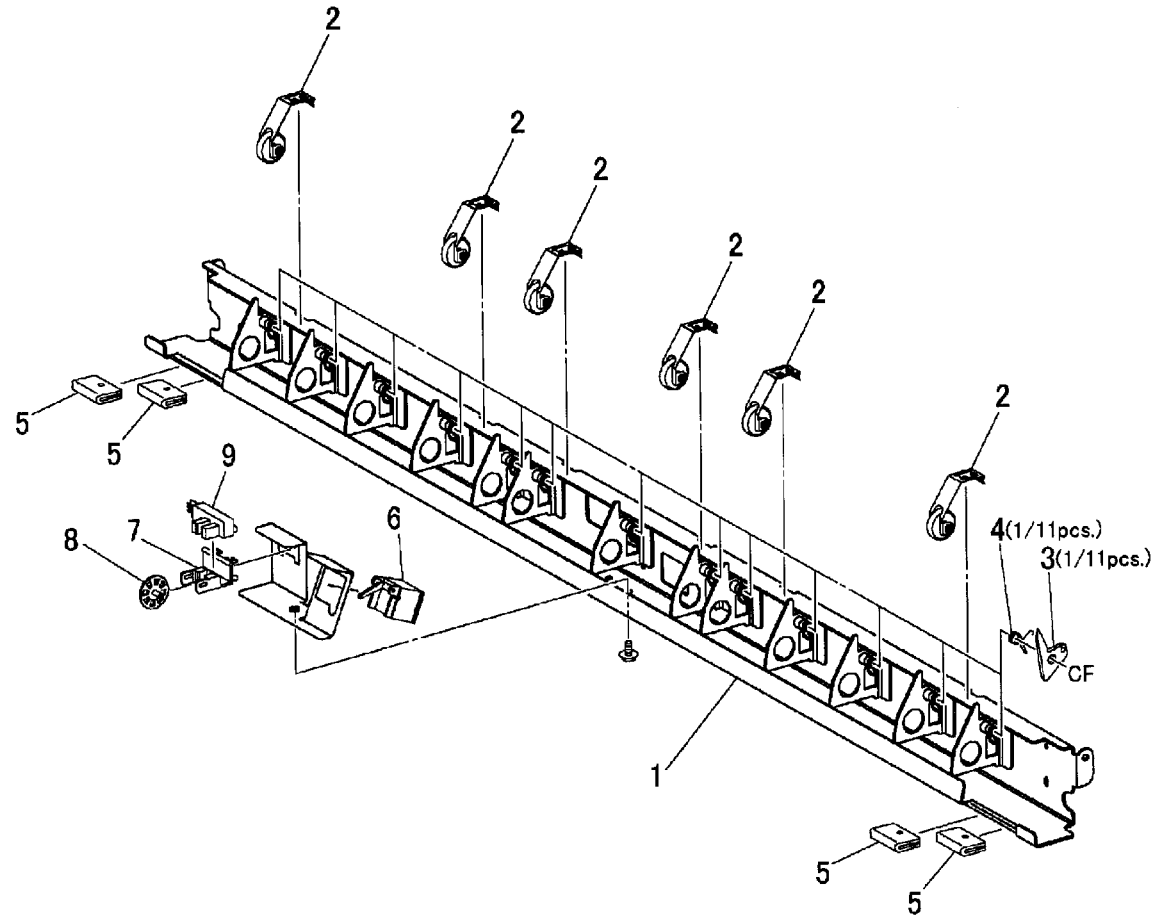
Left
Front
j0ry50703

PL 7.4 Upper Exit Baffle Component

Item	Part	Description
1	-	Upper Exit Baffle (P/O PL7.3 Item 1)
2	022K72481	Pinch Roll
3	019E92900	Fuser Stripper Finger
4	009E58670	Torsion Spring
5	003E84580	Knob
6	110K14610	Exit Jam Switch (S10-1)
7	019E19161	Sensor Holder
8	020E15691	Sensor Wheel
9	130E89260	Exit Motion Sensor (Q10-3)
10	130K68992	Sensor Assembly

PL7.4

10 { 7 - 9

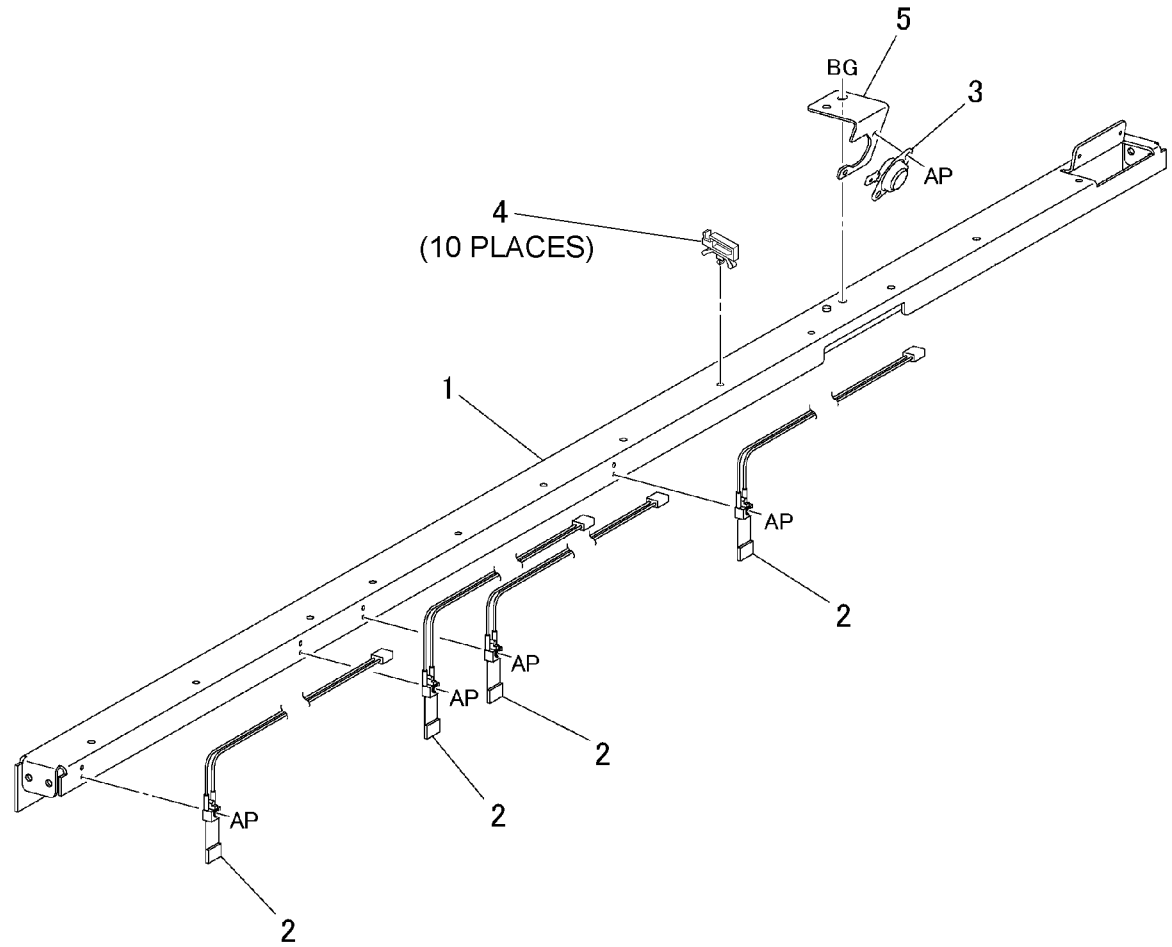


0505004A-RYO

PL 7.5 Thermistor Plate Component

PL7.5

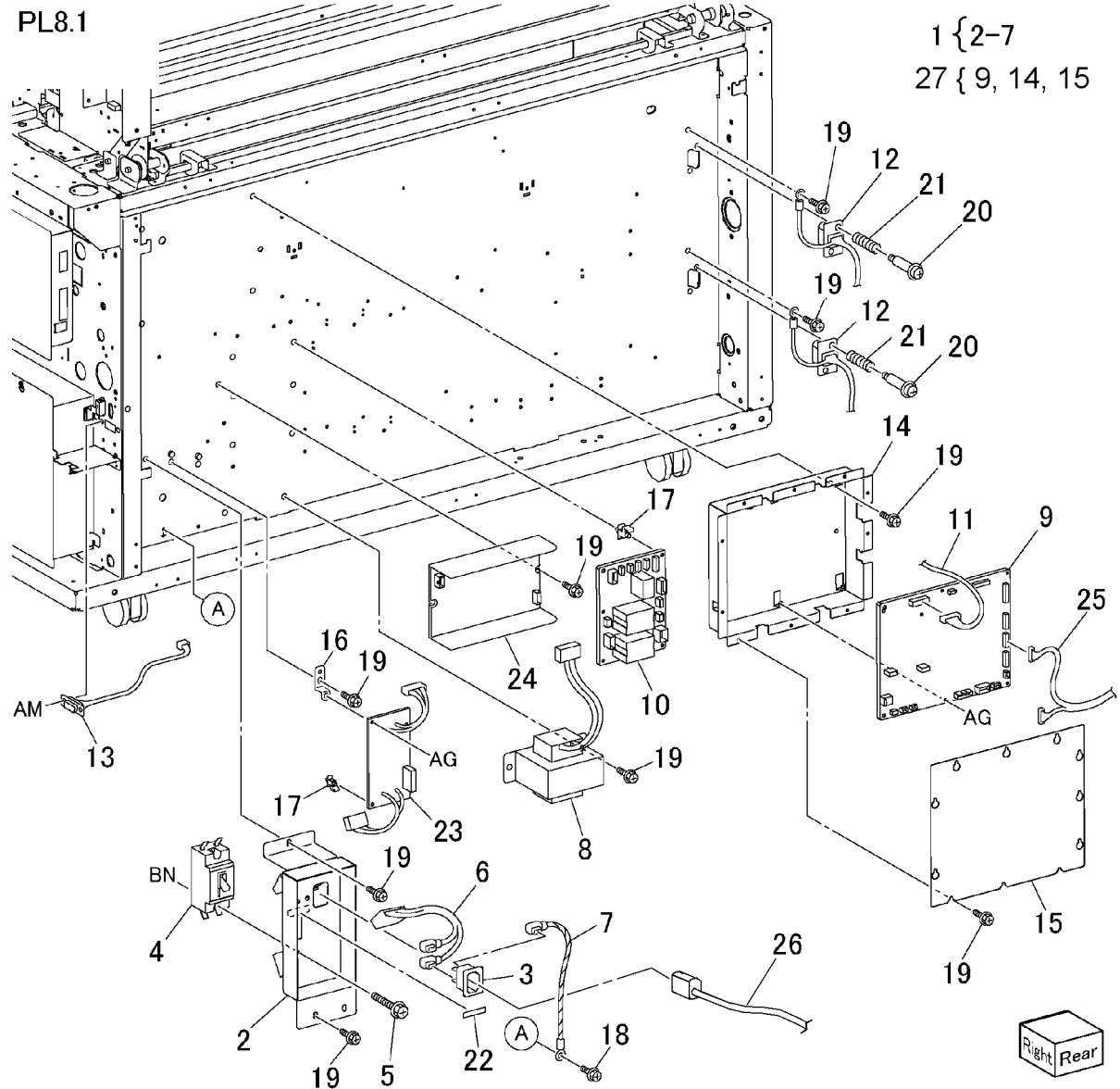
Item	Part	Description
1	-	Upper Tie Plate (Not Spared)
2	130K86451	Thermistor (RT10-1, RT10-2, RT10-3, RT10-4)
3	130E82881	Over Heat Thermostat (THS10-1)
4	019E45520	Wire Saddle
5	-	Thermostat Bracket (Not Spared)



0507005A-RYO

PL 8.1 Electrical-Rear 1

Item	Part	Description
1	101K46220	Inlet and Breaker Assembly
2	101E15040	Breaker Chassis
3	913W02320	Inlet Connector
4	908W00916	Circuit Breaker (CB1-1)
5	-	Screw (M 4 x 45) (P/O Item 1)
6	962K24220	Inlet Harness
7	-	Earth Wire (P/O Item 1)
8	-	Choke Coil (Not Spared)
9	-	IOT Control PWB (P/O Item 27)
10	960K06220	AC Relay PWB
11	-	LPH I/F Cable (Not Spared)
12	-	RFC 1 Drawer Connector Harness (Not Spared)
13	-	PWS Connector Harness (Not Spared)
14	-	IOT Control PWB Chassis (Not Spared)
15	-	IOT Control PWB Cover (Not Spared)
16	-	PWB Bracket (Not Spared)
17	-	PWB Support (Not Spared)
18	-	Screw (M4 x 6) (Not Spared)
19	-	Forming Screw (Not Spared)
20	-	Shoulder Screw (M3) (Not Spared)
21	-	Compression Spring (Not Spared)
22	-	Label (Not Spared)
23	960K08750	AC Filter PWB
24	105E16290	LVPS (24A)
25	-	RFC 2 Wire Harness (Not Spared)
26	117E17420	Power Cord Non RoHS
27	960K09924	IOT Control PWB Kit



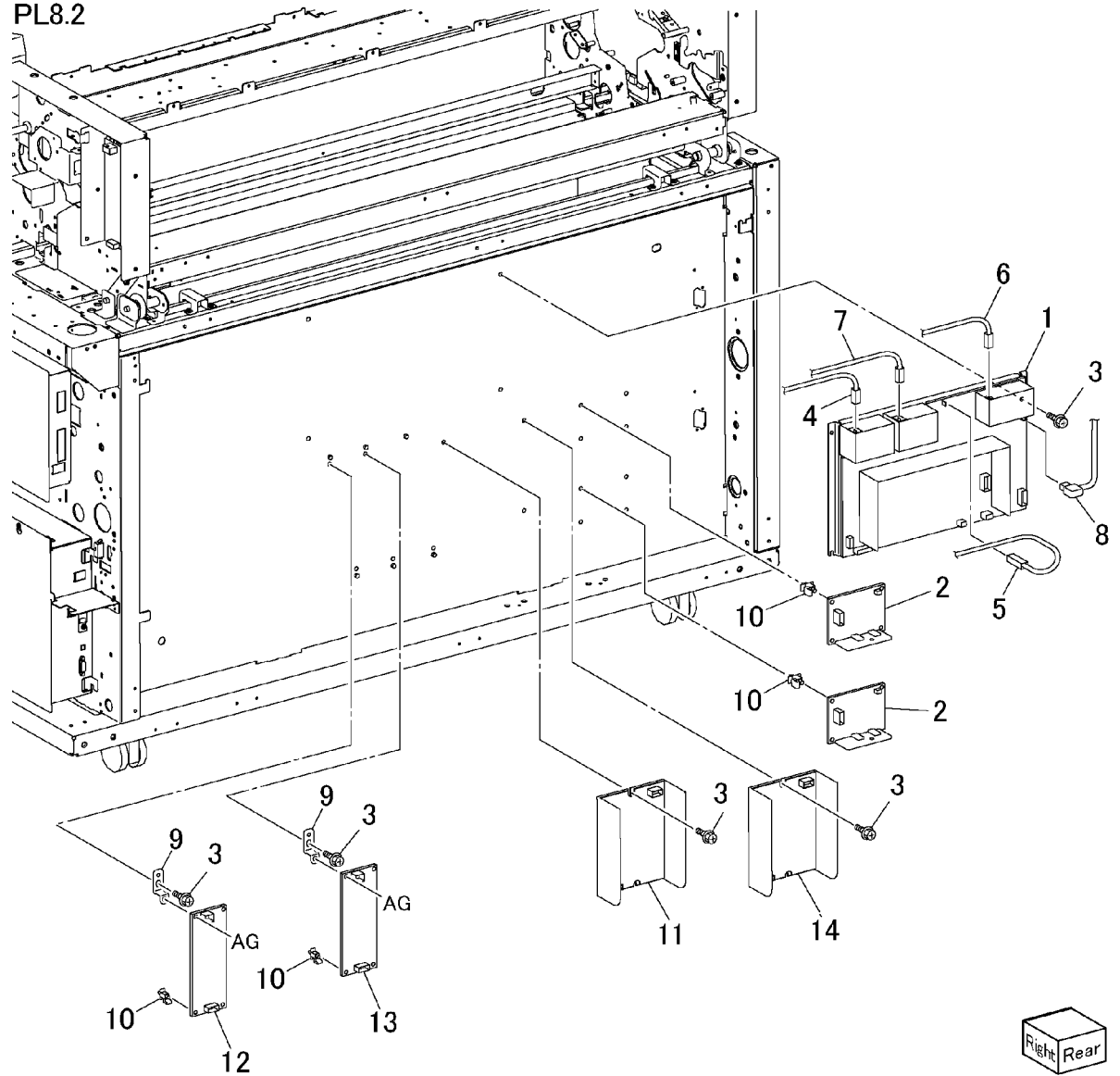
1 { 2-7
27 { 9, 14, 15

0508001B-RYO

PL 8.2 Electrical-Rear 2

Item	Part	Description
1	105K20901	HVPS
2	960K08820	Side Triac PWB (SSR10-1), Center Triac PWB (SSR10-2)
3	-	Forming Screw (M4 x 8) (Not Spared)
4	117K36421	BCR Cord
5	117K36451	Developer Bias Cord
6	117K36461	BTR Cord
7	117K36471	DTS Cord
8	-	Fuser Bias Cord (Not Spared)
9	-	PWB Bracket (Not Spared)
10	-	PWB Support (Not Spared)
11	105E15200	24B LVPS
12	105E16250	3.5 LVPS 110V (NACO)
-	105E16260	3.5 LVPS 220V (EO)
13	105E16270	5B1, 5B2 LVPS 110V (NACO)
-	105E16280	5B1, 5B2 LVPS 220V (EO)
14	-	24C LVPS (Not Spared)

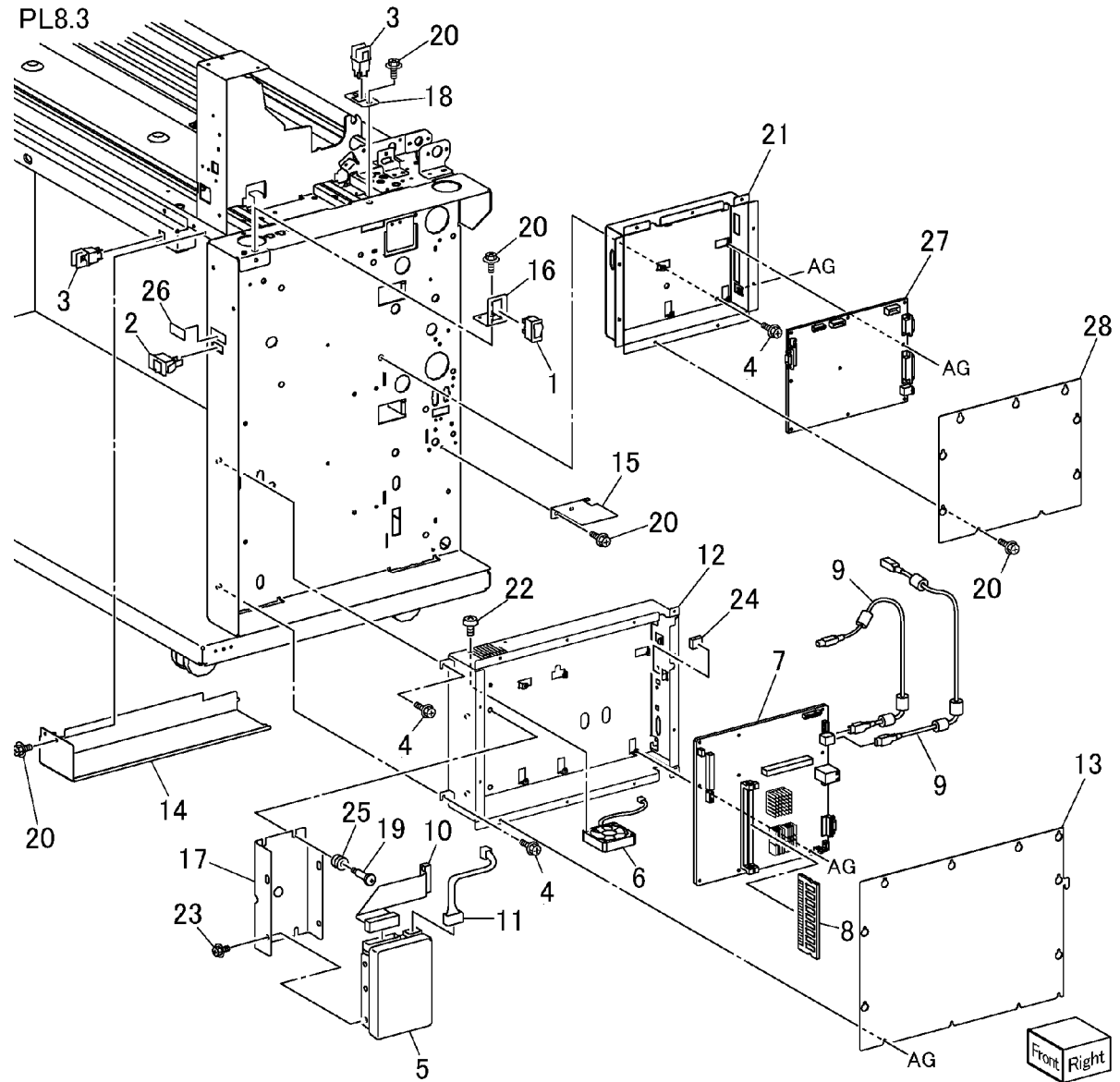
PL8.2



0508002B-RYO

PL 8.3 Lower Right Electrical

Item	Part	Description
1	110E11230	Stand-by Switch (S1-1)
2	110E10660	Paper Heater Switch (S1-2)
3	110E97990	Front Door R/H Interlock Switch (S1-4), Swing Frame Interlock Switch (S1-5)
4	-	Round Point Screw (M4) (Not Spared)
5	121K35083	HDD (40GB) (REP 3.1)
6	-	HDD Cooling Fan (Not Spared)
7	960K02014	BPS Control PWB-NVRAM
8	960K00940	Memory PWB
9	117K36500	IOT USB Cable
10	-	HDD Flat Cable (Not Spared)
11	-	HDD Wire Harness (Not Spared)
12	-	BPS Control PWB Chassis (Not Spared)
13	-	BPS Control PWB Cover (Not Spared)
14	-	Cable Cover (Not Spared)
15	-	Arm Guard (Not Spared)
16	-	Switch Bracket (Not Spared)
17	-	HDD Bracket (Not Spared)
18	-	Switch Bracket (Not Spared)
19	-	Shoulder Screw (M4) (Not Spared)
20	-	Forming Screw (M4 x 8) (Not Spared)
21	-	IIT Control PWB Chassis (Not Spared)
22	-	Tapping Screw (Not Spared)
23	-	Screw (no.6-32UNC) (Not Spared)
24	-	Shield Gasket (Not Spared)
25	-	HDD Bumper (Not Spared)
26	-	Label (Not Spared)
27	960K03163	IIT Control PWB
28	-	IIT Control PWB Cover (Not Spared)

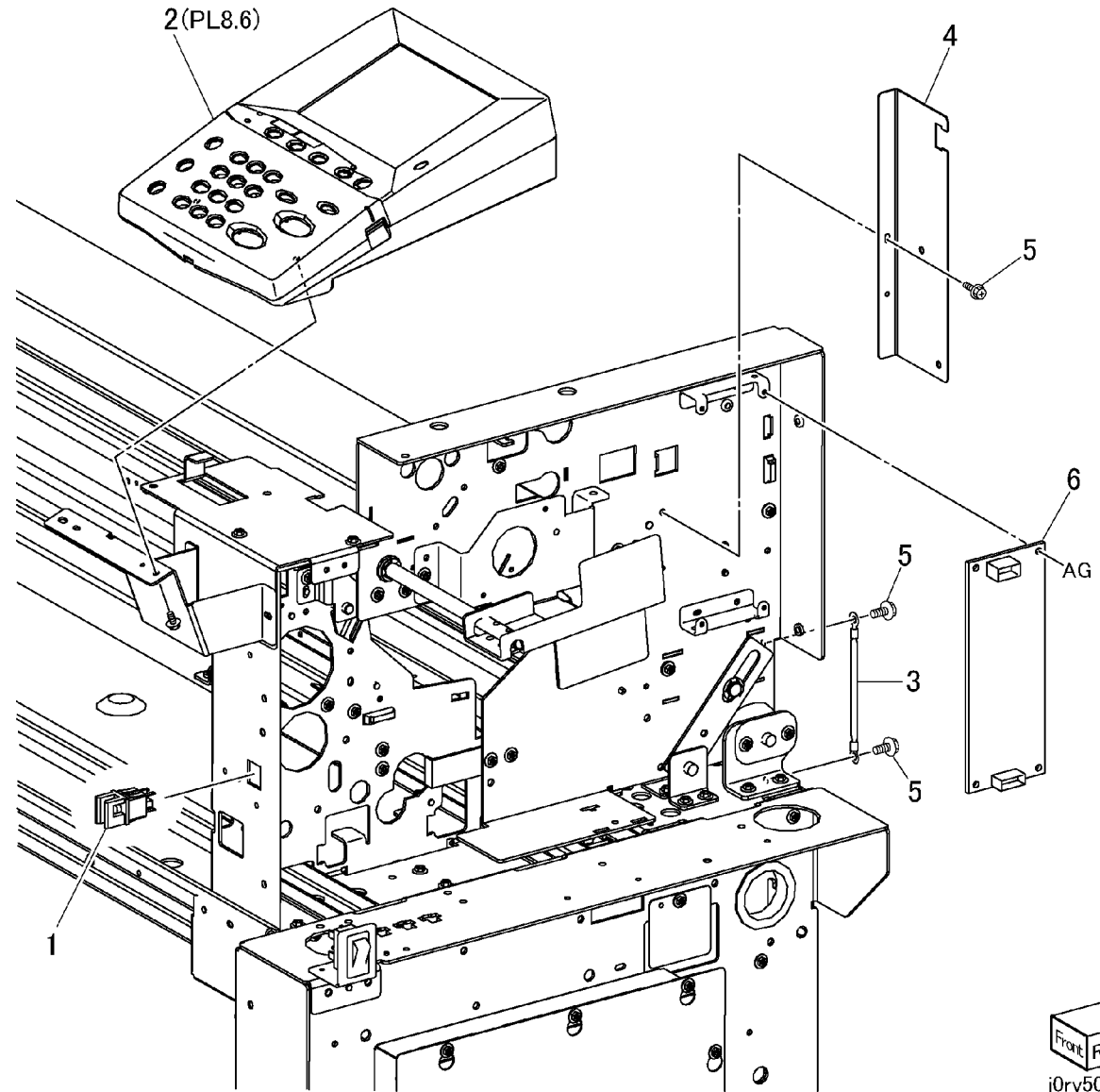


0508003A-RYO

PL 8.4 Upper Right Electrical

Item	Part	Description
1	110E97990	Fuser Cover Interlock Switch (S1-6)
2	802K67755	Console Assembly (REP 2.1)
3	117E21380	Earth Wire
4	-	Harness Bracket (Not Spared)
5	-	Forming Screw (M4 x 8) (Not Spared)
6	105E16270	LVPS 110V (5VDC)
-	105E16280	LVPS 220V (5VDC)

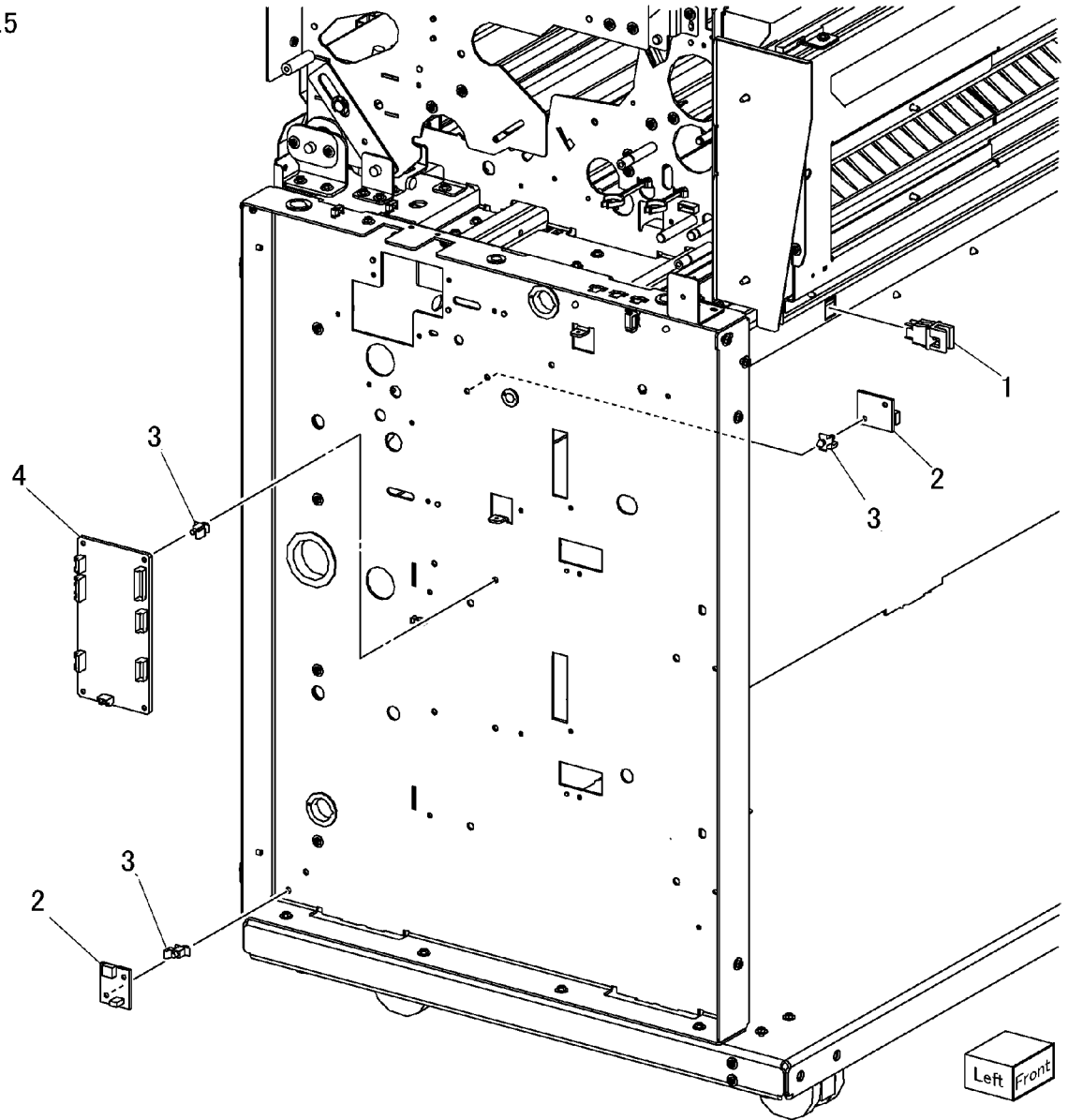
PL8.4



PL 8.5 Electrical-Left Side

Item	Part	Description
1	110E97990	Front Left Door Interlock Switch (S1-3)
2	130K87980	RFC Air Sensor (Q7-18), Open Air Sensor (Q9-3) (Q9-3)
3	—	PWB Support (Not Spared)
4	960K01560	RFC Motor PWB

PL8.5

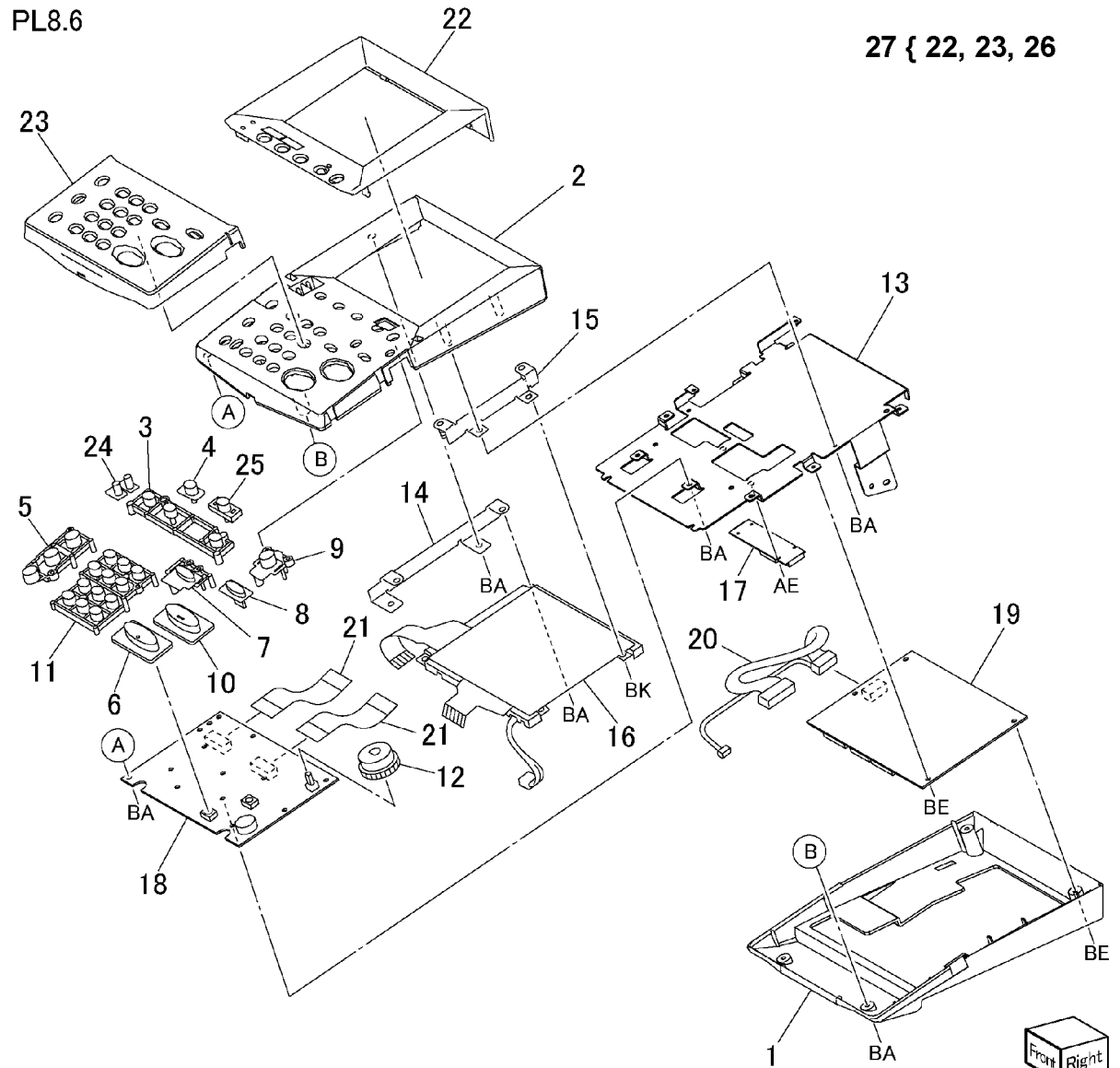


0508005A-RYO

PL 8.6 Console Component

Item	Part	Description
1	—	Button Cover (P/O PL8.4 Item 2)
2	—	Upper Cover (P/O PL8.4 Item 2)
3	—	Copy 3 Key (P/O PL8.4 Item 2)
4	—	Menu Key (P/O PL8.4 Item 2)
5	—	Paper 3 Key (P/O PL8.4 Item 2)
6	—	Start Key (P/O PL8.4 Item 2)
7	—	Intrpt Key (P/O PL8.4 Item 2)
8	—	Reset Key (P/O PL8.4 Item 2)
9	—	Save Key (P/O PL8.4 Item 2)
10	—	Stop Key (P/O PL8.4 Item 2)
11	—	Ten Key (P/O PL8.4 Item 2)
12	—	Dial (P/O PL8.4 Item 2)
13	—	PWB Bracket (P/O PL8.4 Item 2)
14	—	LCD Left Bracket (P/O PL8.4 Item 2)
15	—	LCD Right Bracket (P/O PL8.4 Item 2)
16	—	LCD Display (P/O PL8.4 Item 2)
17	—	LCD Inverter (P/O PL8.4 Item 2)
18	—	Switch PWB (P/O PL8.4 Item 2)
19	—	Control PWB (P/O PL8.4 Item 2)
20	—	LCD Harness (P/O PL8.4 Item 2)
21	—	Panel Cable (P/O PL8.4 Item 2)
22	802K83371	LCD Face Cover
—	802K86450	LCD Face Cover (Italian)
—	802K86460	LCD Face Cover (German)
—	802K86470	LCD Face Cover (Spanish)
—	802K86440	LCD Face Cover (French)
—	802K86480	LCD Face Cover (Portuguese)
—	802K86490	LCD Face Cover (Russian)
23	802E86991	Key Face Cover
—	802E92190	Key Face Cover (Spanish)
—	802E92150	Key Face Cover (Italian)
—	802E92210	Key Face Cover (Portuguese)
—	802E92230	Key Face Cover (Russian)
—	802E95360	Key Face Cover (French)
—	802E92170	Key Face Cover (German)
24	—	LED Lens (Double) (P/O PL8.4 Item 2)
25	—	LED Lens (Single) (P/O PL8.4 Item 2)
26	893E83550	Label (EFIGSP+R)
27	604K32950	UI Panel Kit (German)
—	604K32920	UI Panel Kit
—	604K32960	UI Panel Kit (Spanish)
—	604K32970	UI Panel Kit (Portuguese)
—	604K32980	UI Panel Kit (Russian)
—	604K32930	UI Panel Kit (French)
—	604K32940	UI Panel Kit (Italian)

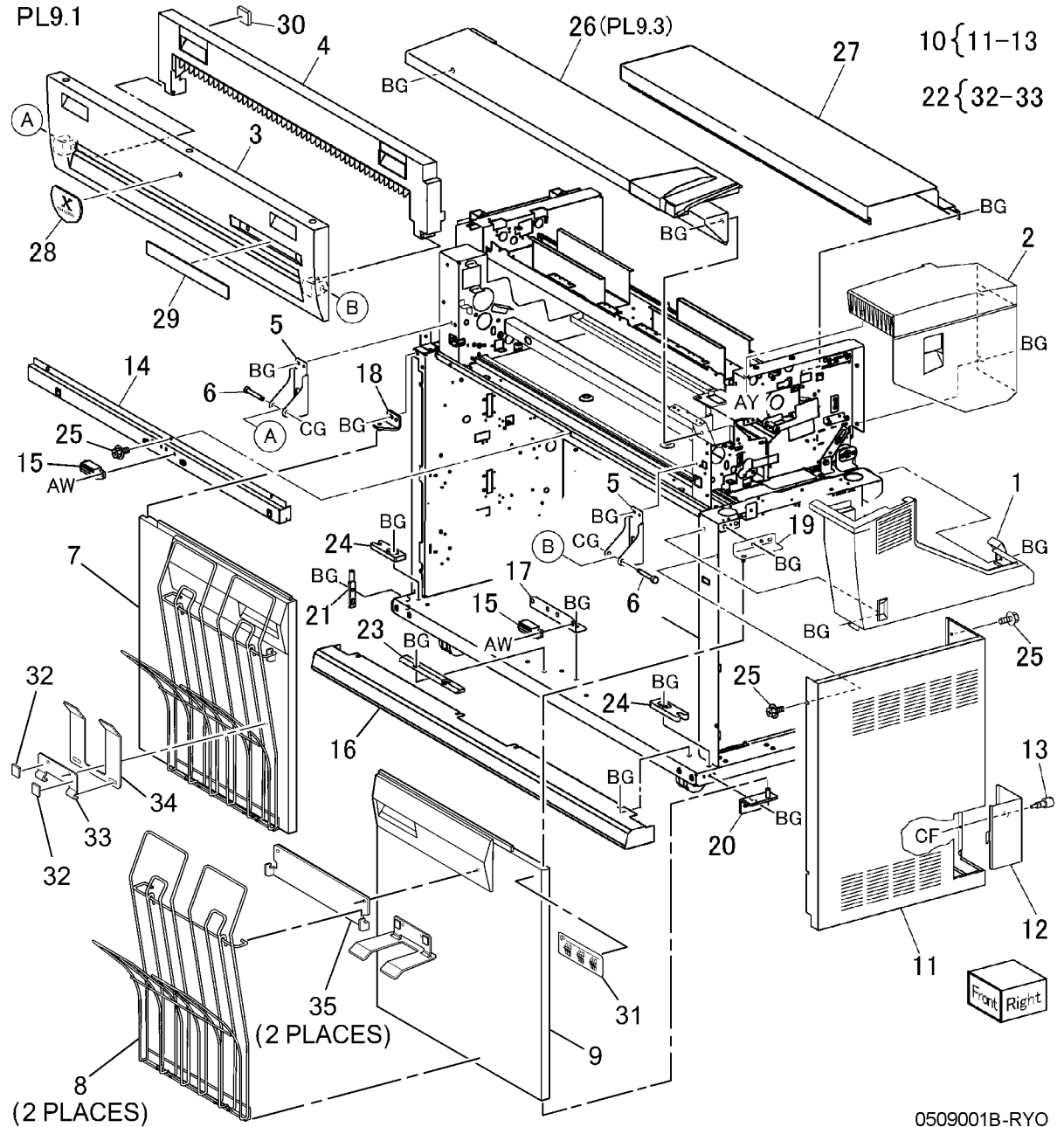
PL8.6



27 { 22, 23, 26

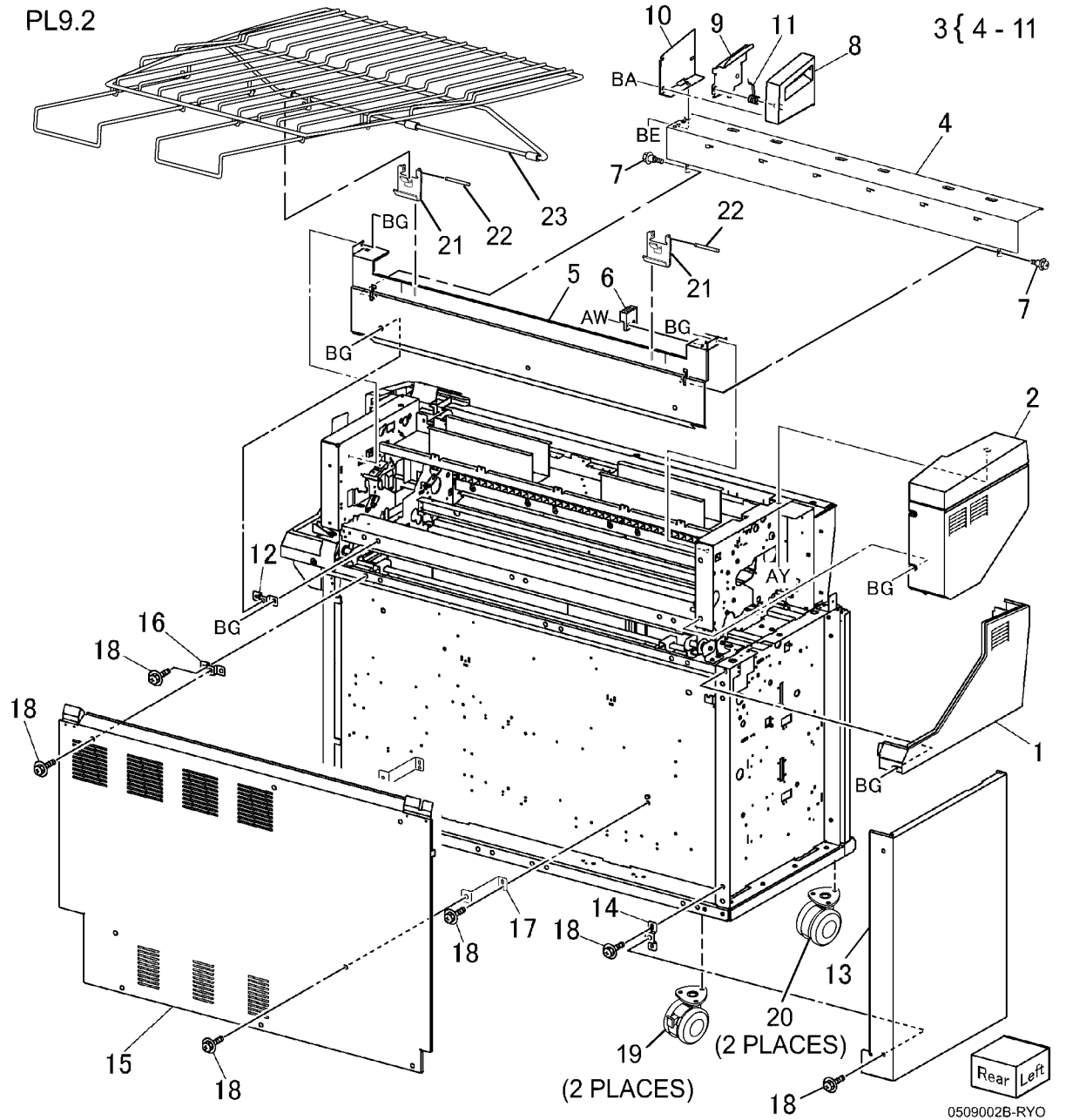
PL 9.1 Cover-Front, Right, Top

Item	Part	Description
1	802K68330	Right Upper Cover (REP 16.7)
2	802K68340	Right Swing Cover (REP 16.6)
3	802K68200	Front Upper Cover (REP 16.4)
-	802K85720	Front Upper Cover (NACO/EO) (REP 16.4)
4	802K77120	Fuser Cover
-	802K85730	Fuser Cover (AP/NACO/EO)
5	-	Pivot Bracket (Not Spared)
6	-	Pivot (Not Spared)
7	802K71221	Front Left Door
8	-	Catch Tray (Not Spared)
9	802K71231	Front Right Door
10	802K68251	Right Lower Cover Assembly
11	802K71000	Right Lower Cover (REP 16.5)
12	802E72121	I/F Cover
13	826E12420	Knob Screw
14	-	Bracket (Not Spared)
15	121E86350	Catch Magnet
16	802E72150	Foot Cover
17	-	Magnet Bracket (Not Spared)
18	068K27650	Bracket
19	068K27660	Bracket
20	068K27670	Bracket
21	029E35731	Pin
22	068K48710	Bracket Flap Assembly
23	-	Spacer (Not Spared)
24	014E58570	Spacer
25	-	Forming Screw (M4x8) (Not Spared)
26	068K27910	Document Shelf
27	802E89010	Top Cover
28	848K06221	Logo Plate
29	-	Name Plate (Not Spared)
30	121E84820	Catch Magnet
31	896E11160	Catch Tray Label
32	121E07680	Shelf Magnet
33	-	Flap Bracket (P/O Item 8)
34	-	Bracket Flap (Not Spared)
35	-	Bracket Mount (Not Spared)



PL 9.2 Cover-Rear, Left

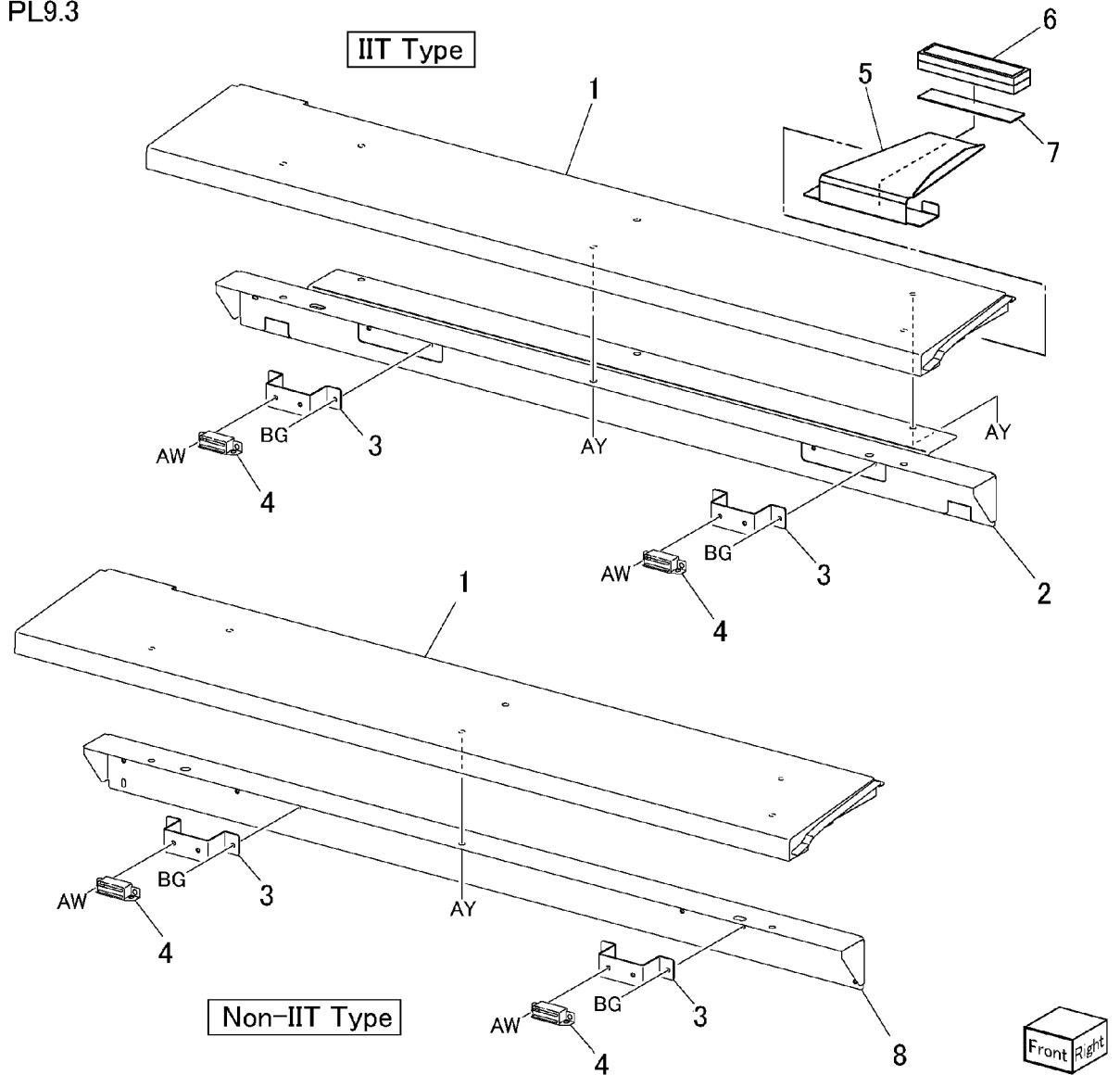
Item	Part	Description
1	802K68190	Left Upper Cover (REP 16.3)
2	802K68320	Left Swing Cover (REP 16.2)
3	802K68223	Rear Cover Assembly (REP 16.8)
4	-	Rear Top Cover (P/O Item 3)
5	-	Rear Cover (P/O Item 3)
6	121E89690	Catch Magnet
7	-	Shoulder Screw (M4) (P/O Item 3)
8	-	Lever Cover (P/O Item 3)
9	-	Lever (P/O Item 3)
10	-	Plate (P/O Item 3)
11	-	Torsion Spring (P/O Item 3)
12	-	Rear Cover Bracket (Not Spared)
13	802E72100	Left Lower Cover (REP 16.1)
14	-	Cover Bracket (Not Spared)
15	802K76780	Rear Lower Cover (REP 16.9)
16	-	Cover Bracket (Not Spared)
17	-	Cover Bracket (Not Spared)
18	-	Forming Screw (M4x8) (Not Spared)
19	017K93160	Caster (Rear)
20	017K93170	Caster (Front)
21	849E76410	Bracket Support
22	-	Bracket Cover Pin (Not Spared)
23	-	Tray Scanner Catch Tray (Not Spared)



PL 9.3 Document Shelf Component

Item	Part	Description
1	849E34991	Document Shelf (REP 16.10)
2	-	Shelf Bracket (Not Spared)
3	849E38520	Catch Magnet Bracket
4	121E86350	Catch Magnet
5	-	Side Guide (Not Spared)
6	-	Cushion (Not Spared)
7	-	Rubber Magnet (Not Spared)
8	-	Shelf Bracket (Not Spared)

PL9.3

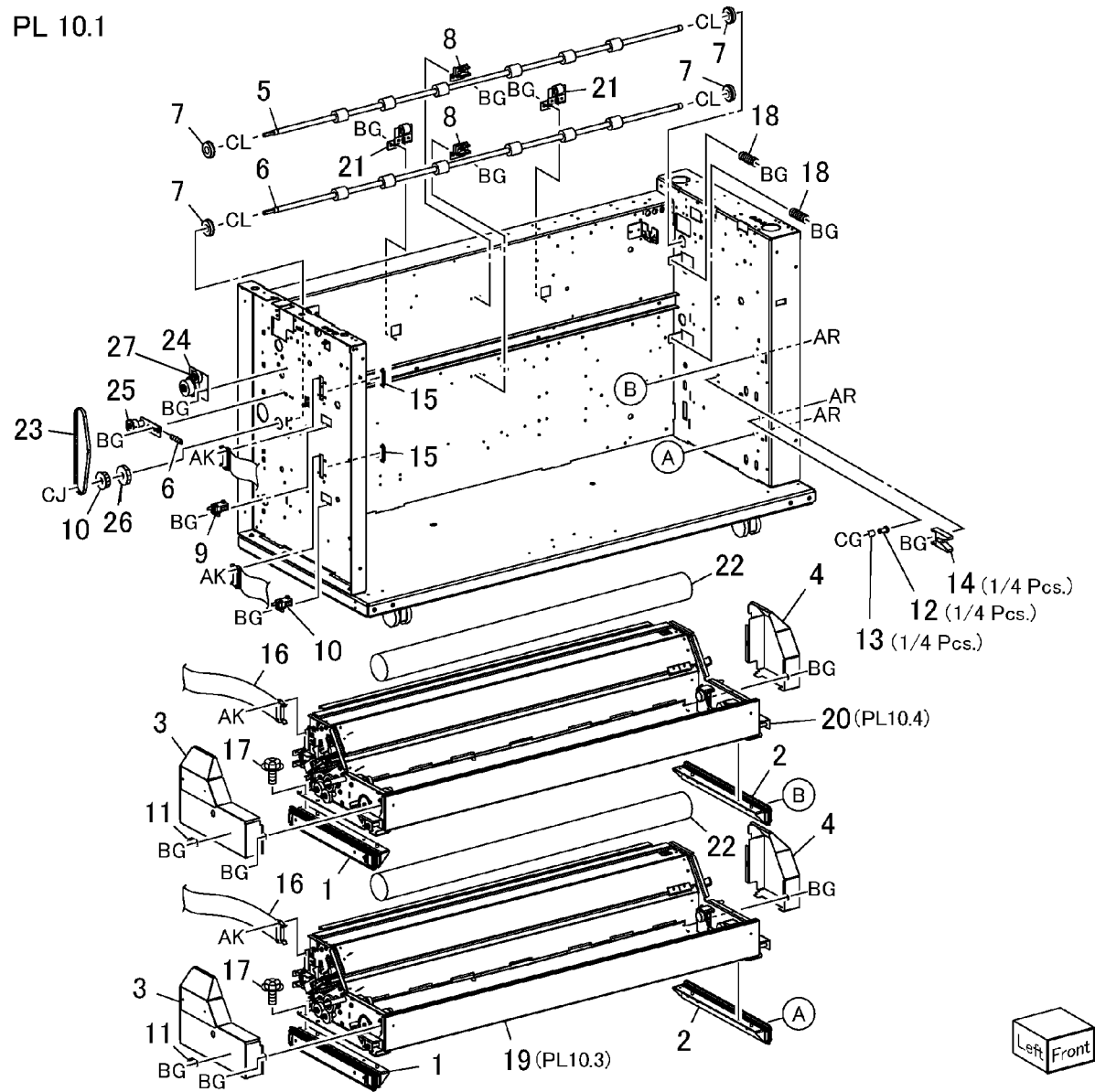


0509003A-RYO

PL 10.1 2-RFC Type Accessory

Item	Part	Description
1	801K15630	Left Rail
2	801K15640	Right Rail
3	-	Left Inner Cover (Not Spared)
4	-	Right Inner Cover (Not Spared)
5	059K36240	RFC Take Away Roll
6	-	Tension Spring (Not Spared)
7	413W12350	Ball Bearing
8	014K82210	RFC Take Away Roll Block
9	110K10520	Drawer Open Switch (S1-9, S1-10)
10	-	Pulley (Not Spared)
11	120E26860	Actuator Spring
12	-	Stud (Not Spared)
13	005E19270	Collar
14	014E51340	Block
15	-	Clamp (Not Spared)
16	117K36551	RFC Flat Cable
17	-	Round Point Screw (M4) (Not Spared)
18	809E58220	Tension Spring
19	-	RFC A-Type (Not Spared)
20	-	RFC B-Type (Not Spared)
21	014E55930	Block
22	052K93681	Roll Paper Tube
23	423W73154	Belt
24	007K85260	RFC 2 Gear and Pulley
25	-	Tension Pulley (Not Spared)
26	-	Gear (Spur 36T) (Not Spared)
27	407W07421	Gear

PL 10.1

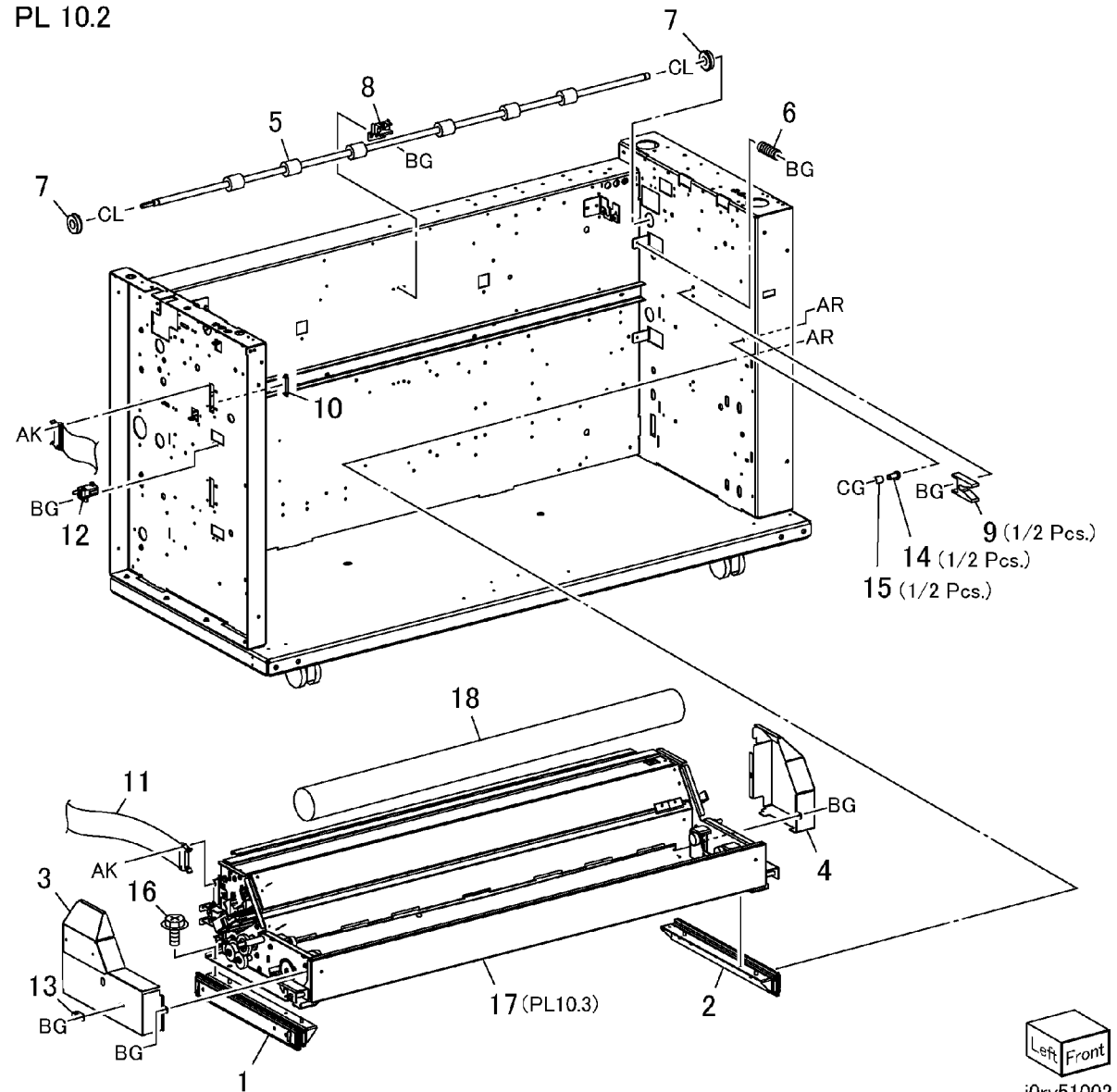


0510001A-RYO

PL 10.2 RFC-Type 1 Accessory

Item	Part	Description
1	801K15630	Left Rail
2	801K15640	Right Rail
3	-	Left Inner Cover (Not Spared)
4	-	Right Inner Cover (Not Spared)
5	059K36240	RFC Take Away Roll
6	809E58220	Tension Spring
7	413W12350	Ball Bearing
8	014K82210	RFC Take Away Roll Block
9	-	Block (Not Spared)
10	-	Clamp (Not Spared)
11	117K36551	RFC Flat Cable
12	110K10520	Drawer Open Switch (S1-9, S1-10)
13	120E26860	Actuator Spring
14	826E12370	Stud
15	005E19270	Collar
16	-	Round Point Screw (M4) (Not Spared)
17	-	RFC-A-Type (Not Spared)
18	052K93681	Roll Paper Tube

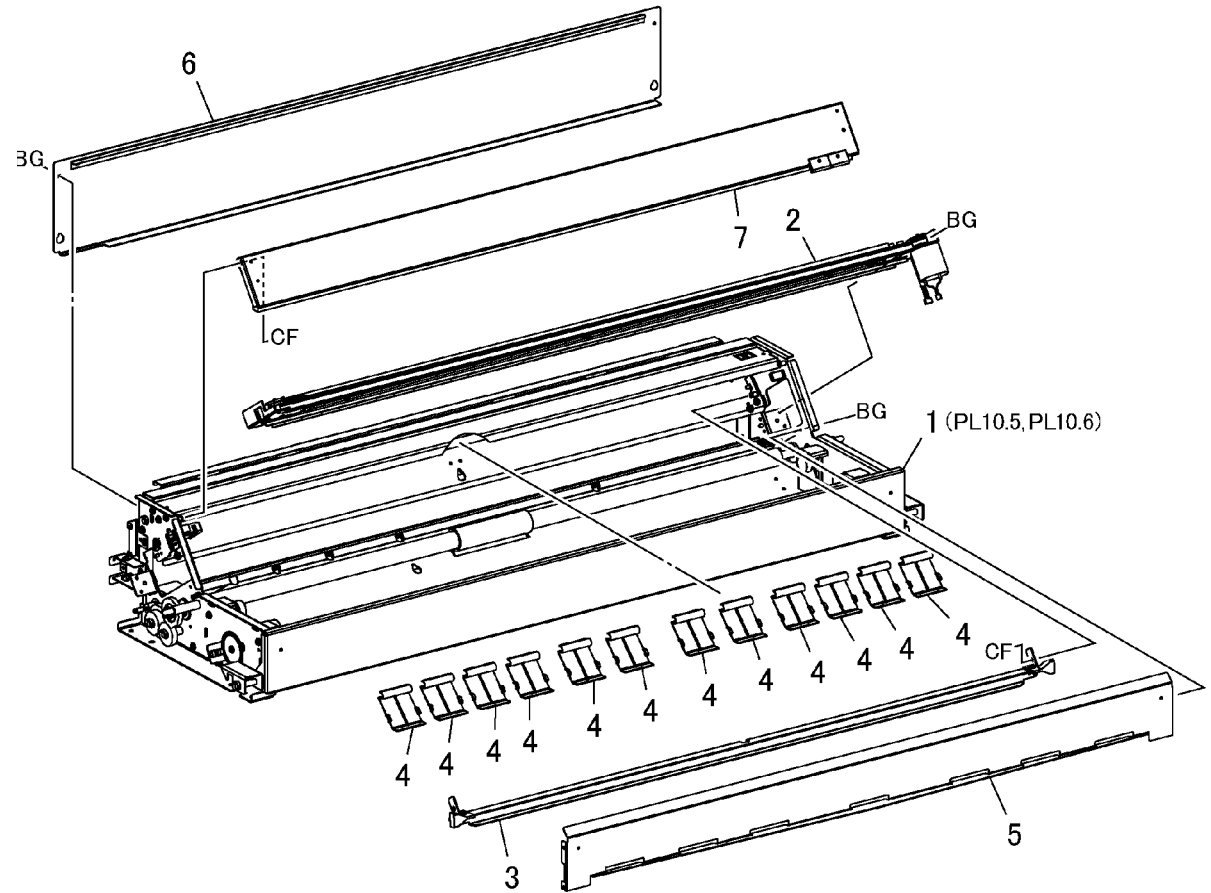
PL 10.2



PL 10.3 RFC A-Type Accessory

Item	Part	Description
1	-	RFC (Not Spared)
2	037K90800	Cutter
3	055K30131	Upper Baffle
4	-	Swing Baffle (Not Spared)
5	-	Feed Guide (Not Spared)
6	-	Vertical Cover (Not Spared)
7	-	Cutter Cover (Not Spared)

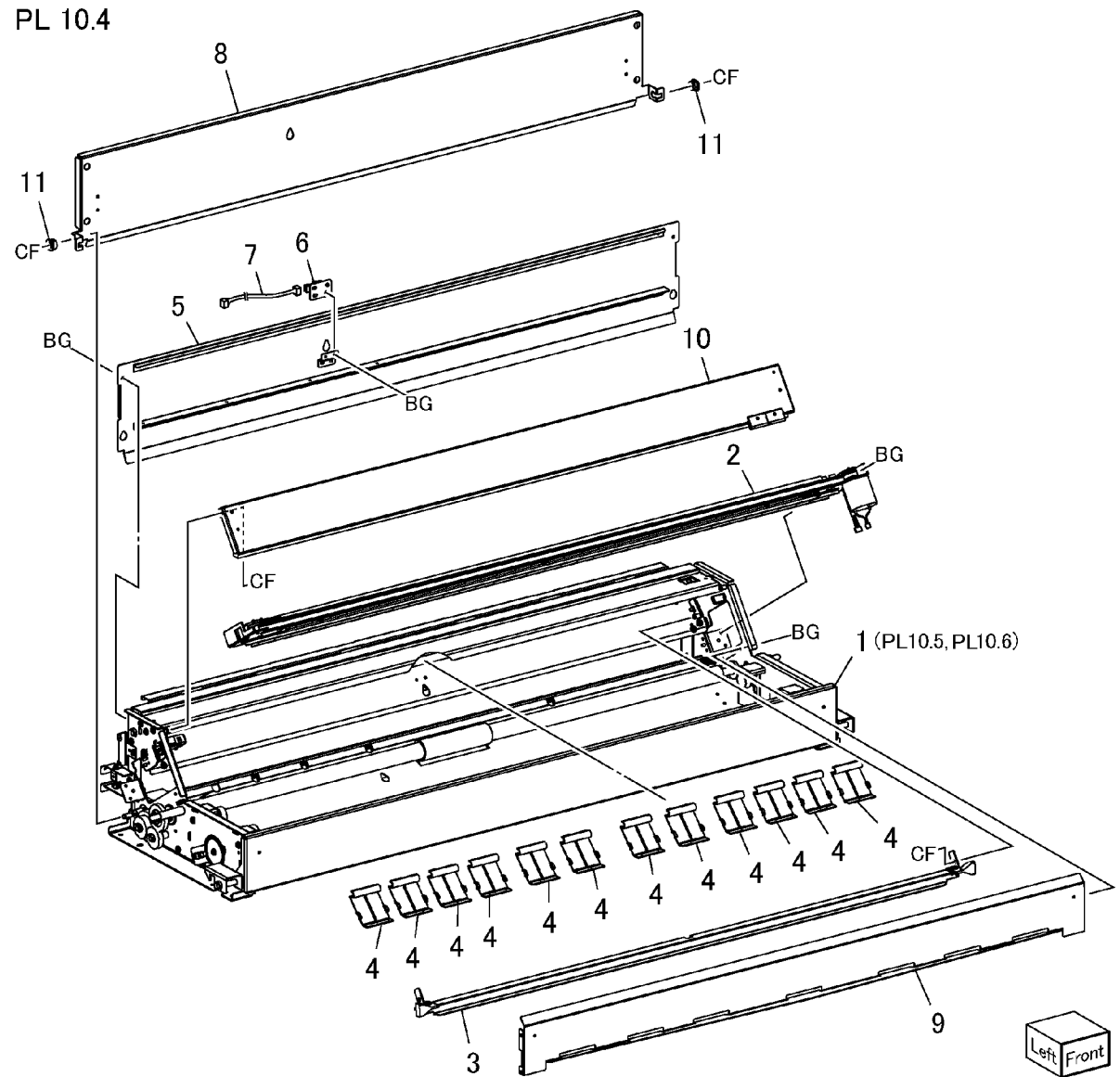
PL 10.3



0510003A-RYO

PL 10.4 RFC B-Type Accessory

Item	Part	Description
1	-	RFC (Not Spared)
2	037K90800	Cutter (MOT8-2, MOT8-4, S8-1, S8-2, S8-4, S8-5)
3	055K30131	Upper Baffle
4	-	Swing Baffle (Not Spared)
5	-	Verical Baffle-1 (Not Spared)
6	130K62700	RFC Vertical Jam Sensor (Q8-3)
7	-	Sensor Wire Harness (Not Spared)
8	-	Vertical Baffle-2 (Not Spared)
9	-	Feed Guide (Not Spared)
10	-	Cutter Cover (Not Spared)
11	413W11660	Plastic Sleeve Bearing

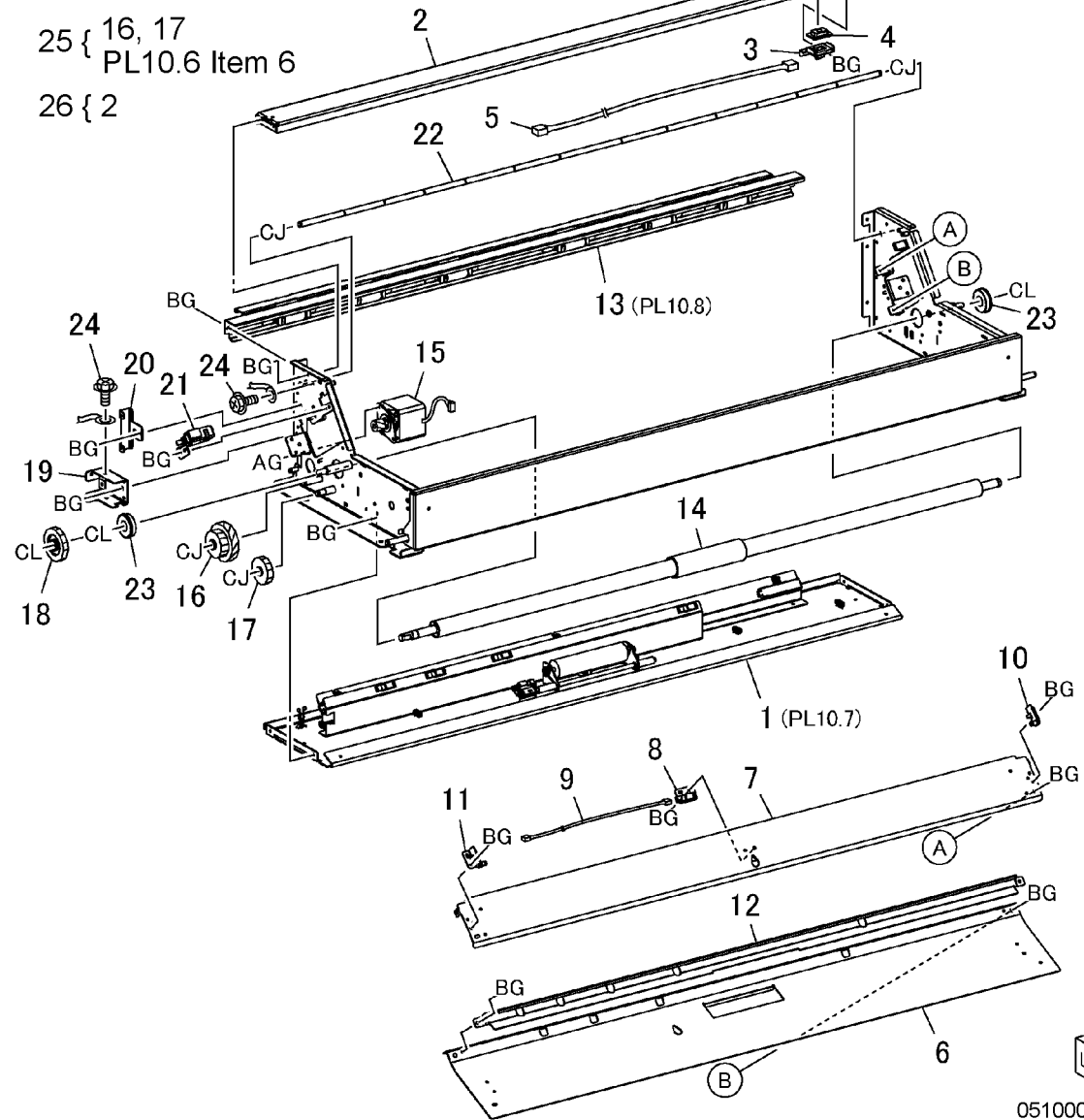


0510004A-RYO

PL 10.5 RFC Component-Paper Feed

Item	Part	Description
1	-	Paper Heater/Paper Size Sensor Housing Assembly (Not Spared)
2	024K93010	Top Tie Plate
3	110K11380	Auto Cut Switch (S8-3, S8-6)
4	-	Button (Not Spared)
5	-	Switch Wire Harness (Not Spared)
6	-	Lower Baffle-1 (Not Spared)
7	-	Lower Baffle-2 (Not Spared)
8	130K62700	Cut Trigger Sensor (Q8-1, Q8-2)
9	-	Sensor Wire Harness (Not Spared)
10	-	Right Bracket (Not Spared)
11	-	Left Bracket (Not Spared)
12	-	Upper Baffle (Not Spared)
13	055K28731	Take Away Baffle
14	059K36230	Feed Roll
15	127K33340	Feeder Motor (MOT8-1, MOT8-3)
16	-	Gear (Spur 32T/Herical 56T) (P/O Item 25)
17	-	Gear (Spur 32T) (P/O Item 25)
18	007P60934	Gear (40T)
19	-	Connector Bracket (Not Spared)
20	-	Connector Bracket (Not Spared)
21	110K11370	Cutter Interlock Switch (S1-7, S1-8)
22	-	Shaft (Not Spared)
23	413W12350	Ball Bearing
24	-	Forming Screw (M4 x 8) (Not Spared)
25	499K89090	RFC Gear Kit Non RoHS
26	024K93060	Top Tie Plate Kit With Label

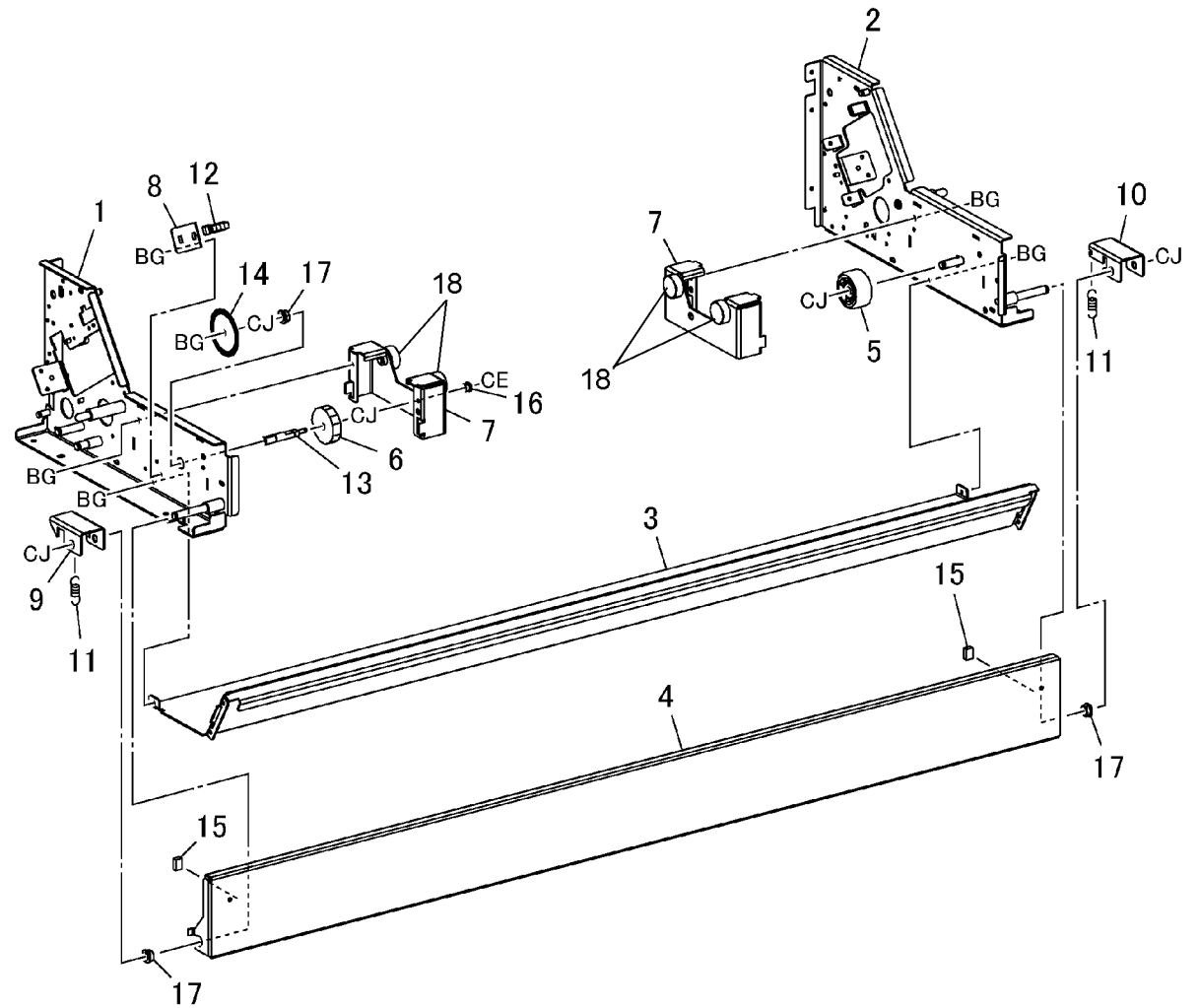
PL 10.5



PL 10.6 RFC Component-Latch, Roll Paper Tube Support

PL 10.6

Item	Part	Description
1	-	RFC Left Frame (Not Spared)
2	-	RFC Right Frame (Not Spared)
3	024K93010	Lower Tie Plate
4	-	Lever (Not Spared)
5	005K07210	Friction Clutch
6	-	Gear (Spur 24T) (P/O PL10.5 Item 25)
7	-	Tube Bracket (Not Spared)
8	-	Sensor Bracket (Not Spared)
9	003E56250	Left Latch
10	003E56260	Right Latch
11	-	Tension Spring (Not Spared)
12	930W00112	No Paper Sensor (Q7-5, Q7-11)
13	-	Shaft (Not Spared)
14	005E88740	Wheel
15	-	Damper (Not Spared)
16	413W11460	Plastic Sleeve Bearing
17	413W11860	Plastic Sleeve Bearing
18	013E19240	Bearing



Left Front

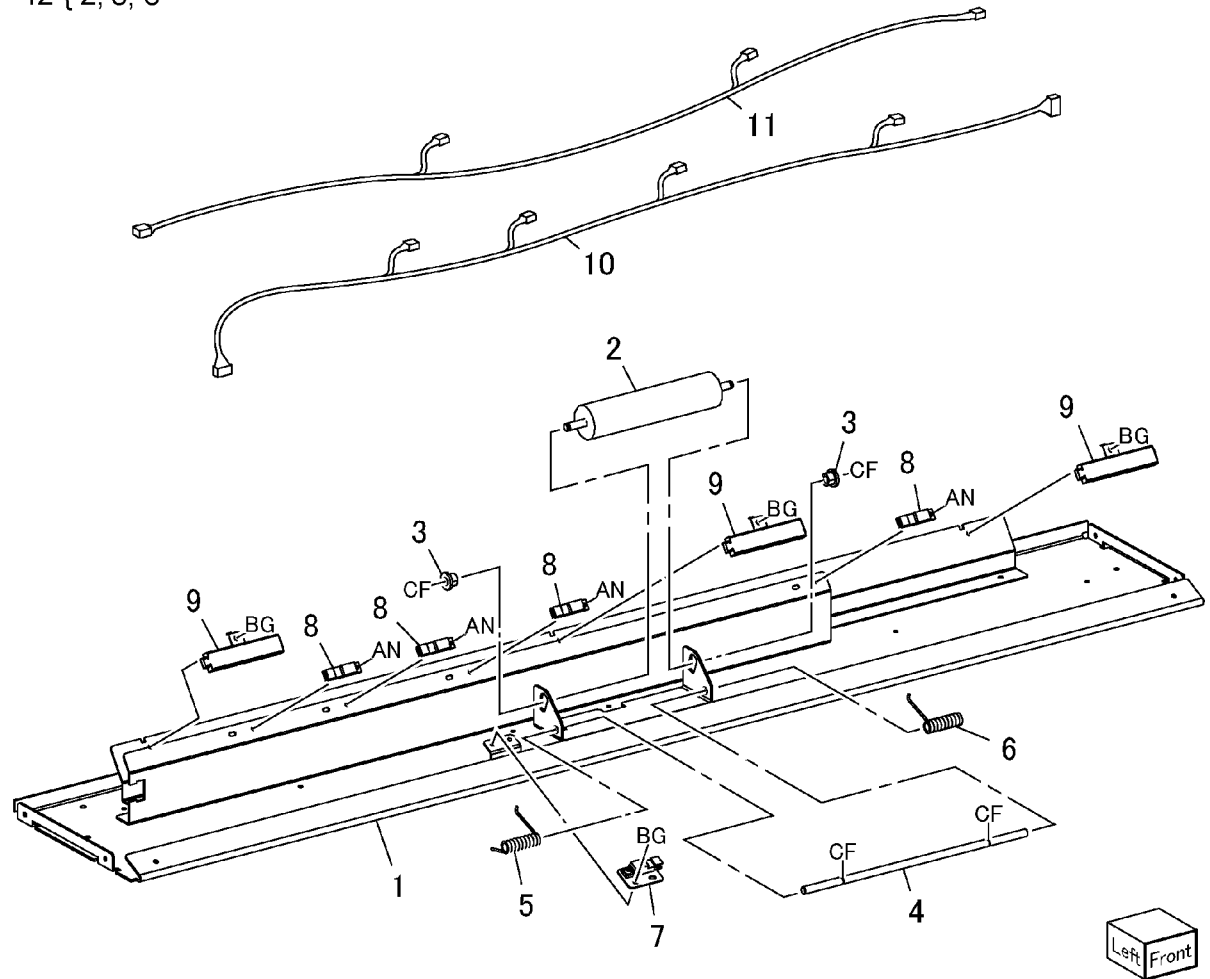
0510006A-RYO

PL 10.7 Paper Heater/Paper Size Housing Component

PL 10.7

12 { 2, 5, 6

Item	Part	Description
1	-	Tie Plate (Not Spared)
2	-	Pinch Roll (P/O Item 12)
3	413W75959	Metal Bearing
4	-	Spring Shaft (Not Spared)
5	-	Left Torsion Spring (P/O Item 12)
6	-	Right Torsion Spring (P/O Item 12)
7	130K62700	Roll 1 Set Sensor (Q7-6), Roll 2 Set Sensor (Q7-12)
8	930W00211	A1 Sensor (Q7-1, Q7-7), A2 Sensor (Q7-2, Q7-8), A3 Sensor (Q7-3, Q7-9), 30" Sensor (Q7-4, Q7-10)
9	126E02260	L/H Paper Heater (HTR7-1, HTR7-4), Center Paper Heater (HTR7-2, HTR7-5), R/H Paper Heater (HTR7-3, HTR7-6)
-	126E93150	L/H Paper Heater (HTR7-1, HTR7-4), Center Paper Heater (HTR7-2, HTR7-5), R/H Paper Heater (HTR7-3, HTR7-6) 220V (EO)
10	-	Sensor Wire Harness (Not Spared)
11	-	Heater Wire Harness (Not Spared)
12	499K89100	Feed Pinch Roll Kit Non RoHS

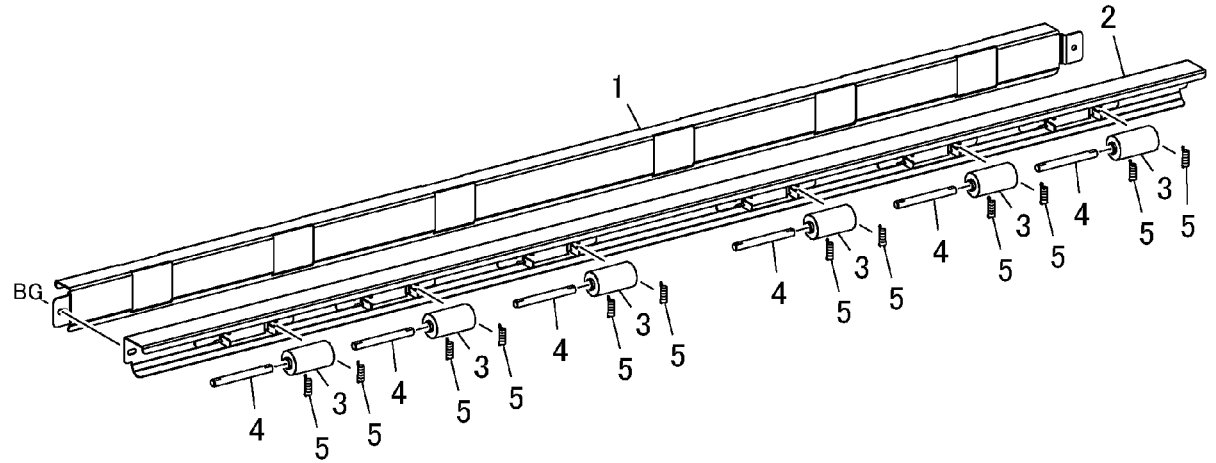


0510007B-RYO

PL 10.8 Take Away Baffle Component

PL 10.8

Item	Part	Description
1	-	Front Take Away Baffle (P/O PL10.5 Item 13)
2	-	Rear Take Away Baffle (P/O PL10.5 Item 13)
3	059E92390	Pinch Roll
4	-	Shaft (P/O PL10.5 Item 13)
5	-	Tension Spring (P/O PL10.5 Item 13)



Common Hardware

Item	Part	Description
AA	112W28451	Screw
AB	112W35878	Screw Sems (M4x8)
AC	112W37188	Screw Sems
AD	112W50688	Screw Sems
AE	113W15588	Screw Pan Head
AF	113W20478	Screw Machine T
AG	113W20678	Screw Machine T
AH	113W20878	Screw Machine T
AJ	113W21478	Kit Guard Inlet
AK	113W21488	Screw Pan (M2.5)
AL	113W21678	Screw Machine T
AM	113W27488	Screw Pan Head
AN	113W27688	Screw Pan Head
AP	113W27888	Screw Pan Head
AQ	113W35678	Screw Machine T
AR	113W35878	Screw Machine T
AS	113W36078	Screw Machine T
AT	113W36278	Screw Machine T
AU	113W36478	Screw Machine T
AV	113W36678	Screw Hex (M4x16)
AW	114W27678	Screw Bind Head
AX	141W35651	Screw Set
AY	153W15888	Screw WP TP
AZ	153W16288	Screw Tap WP
BA	153W17888	Screw Tap WP
BB	153W27678	Screw Tap Bind
BC	158W27678	Screw Del TP
BD	158W27863	Deltite TP 026
BE	158W27878	Screw Del TP
BF	158W35678	Screw Del TP
BG	158W35878	Screw Del TP
BH	158W36078	Screw Del TP
BJ	158W36678	Screw Del TP
BK	201W21278	Nut Hex
BL	201W24278	Nut Hex (M4)
BM	201W29278	Nut Hex
BN	220W24378	Flange Nut
BP	220W26278	Flange Nut
BQ	251W15178	Washer
BR	251W27278	Washer #6
BS	251W29278	Washer Plain
BT	252W27350	Nylon Washer
BU	252W29350	Nylon Washer
BV	252W29550	Nylon Washer
BW	256W24278	Spring L Washer
BX	256W29278	Spring L Washer
BY	271W21850	Pin Dowel
BZ	271W28050	Pin Dowel
CA	285W16251	Pan Spring

CB	354W13278	Ring-E
CC	354W15251	Ring-E
CD	354W15278	Ring-E
CE	354W21254	Ring KL
CF	354W24254	Ring KL
CG	354W24278	Ring-E
CH	354W26278	Ring-E
CJ	354W27254	Ring KL
CK	354W27278	Ring-E
CL	354W29254	Ring KL
CM	354W29278	Ring-E
CN	354W30278	Ring-E
CP	354W33278	Ring-E
CQ	251W26478	Washer