

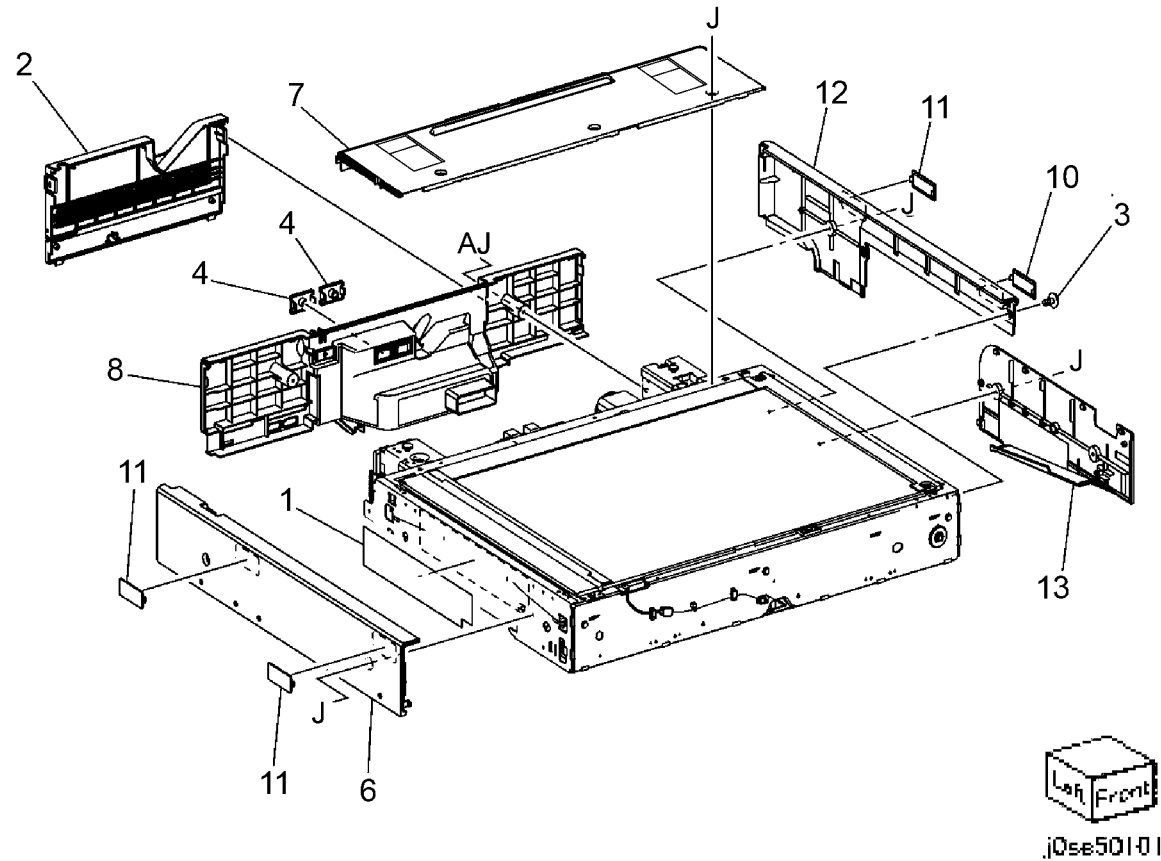
PL 1.1 Platen/IIT Cover

Item	Part	Description
1	-	Filter (Not Spared)
2	848E81971	IIT Rear Cap Cover
3	113W20678	Screw (Black)
4	-	USB Cover (P/O PL 1.1 Item 9)
5	-	IIT Right Cover (Not Spared)
6	848E78390	IIT Left Cover
7	848E80100	IIT Top Cover
8	-	IIT Rear Cover (P/O PL 1.1 Item 9)
9	848K78320	IIT Rear Cover (REP 6.14)
10	-	Blind Cover (Blue)
11	-	Blind Cover (Not Spared) (White)
12	-	IIT Right Cover (Rear) (P/O PL 1.1 Item 5)
13	-	IIT Right Cover (Front) (P/O PL 1.1 Item 5)

PL 1.1

5{12,13

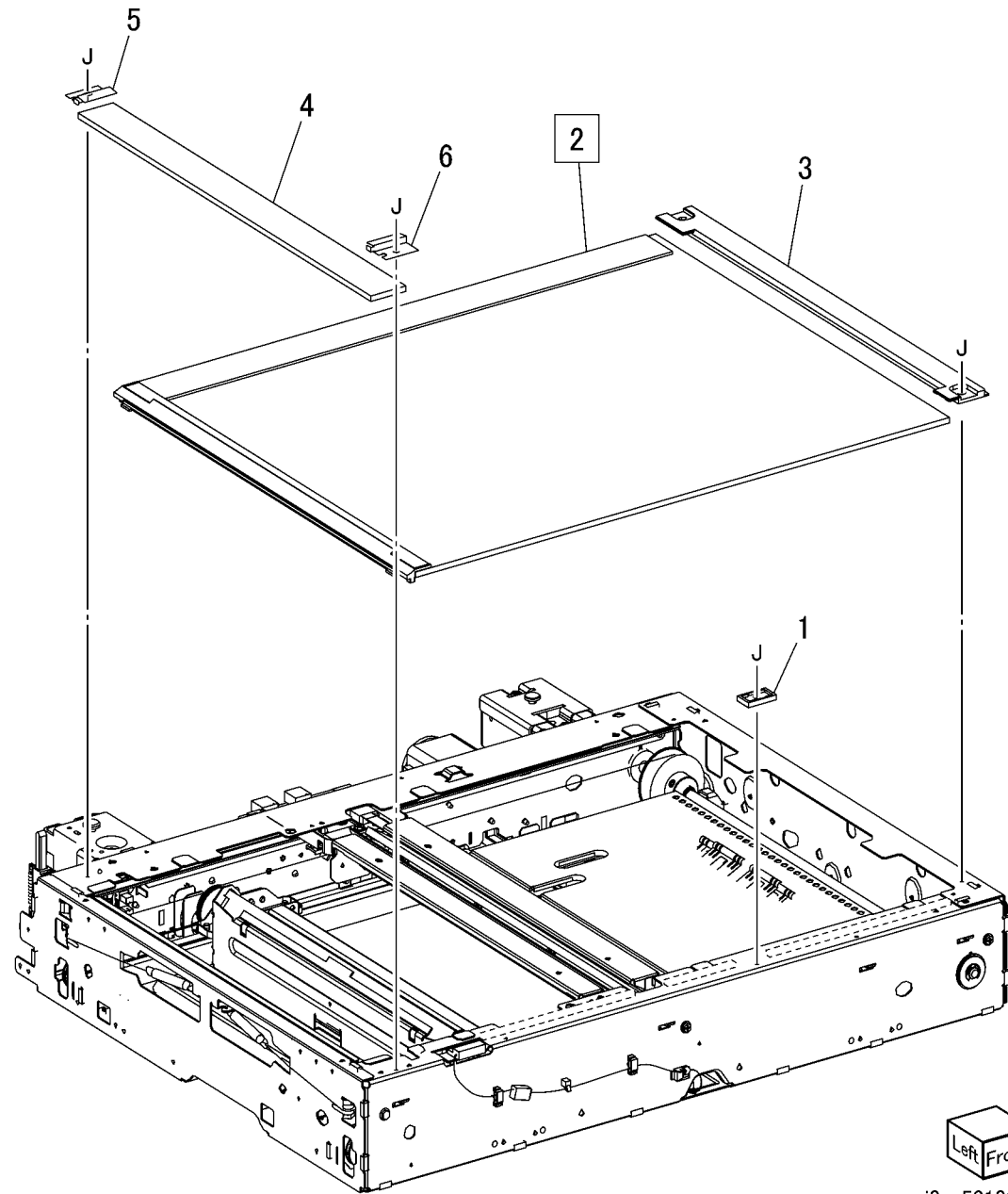
9{4,8



PL 1.2 Platen Glass

Item	Part	Description
1	868E04891	Glass Support
2	090K93251	Platen Glass (REP 6.2)
3	815E40271	Plate
4	090K93011	CVT Platen Glass
5	868E04450	Rear Glass Support
6	868E04530	Front Glass Support

PL 1.2



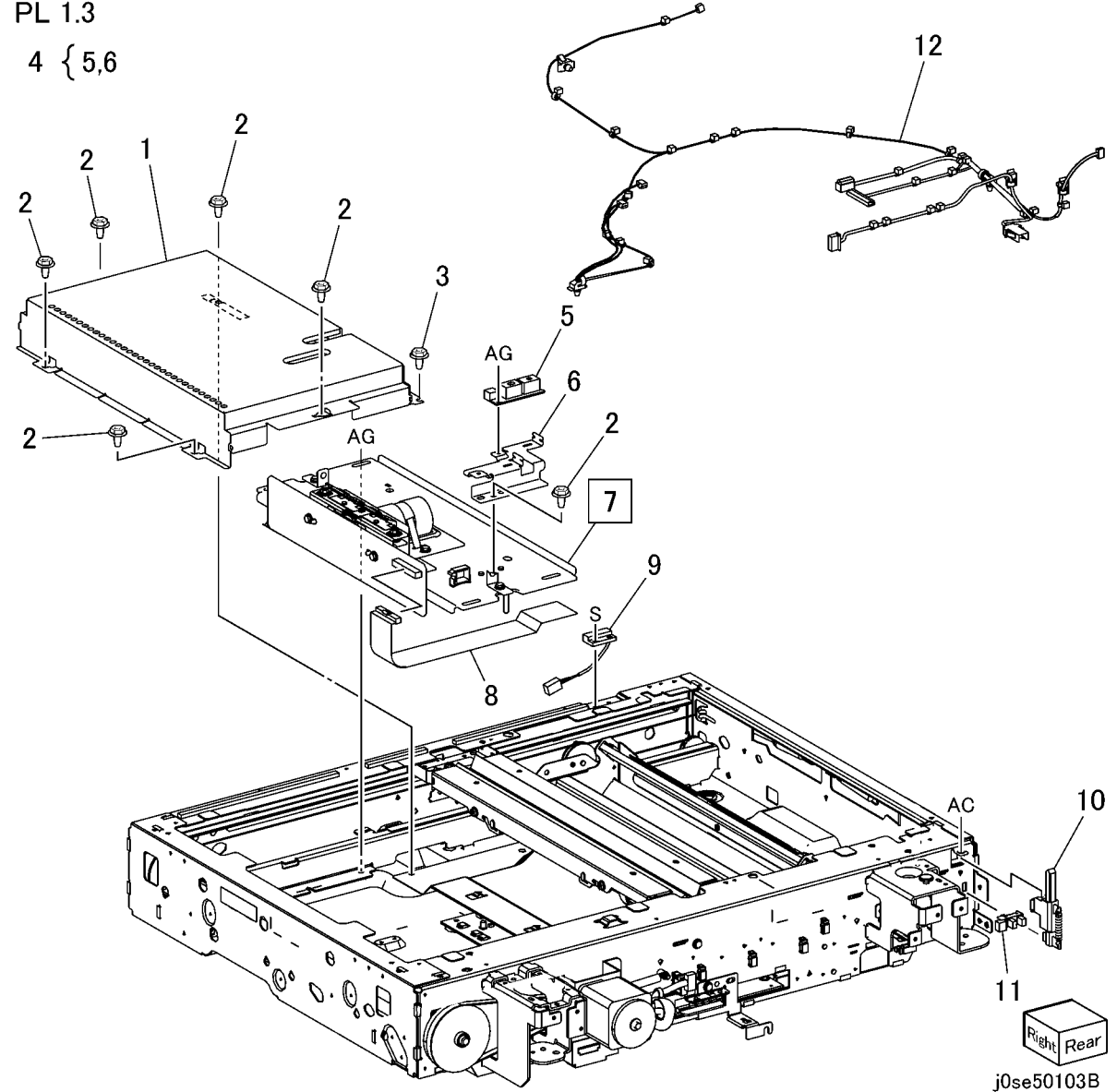
Left Front
j0se50102A

PL 1.3 CCD Lens Assembly

Item	Part	Description
1	-	Lens Cover (Not Spared)
2	826E11600	Screw
3	-	Screw (Blue)
4	130K73140	APS Sensor Assembly
5	130K64150	APS Sensor
6	-	Bracket (P/O PL 1.3 Item 4)
7	062K25940	CCD Lens Assembly (REP 6.6)
8	117K47560	CCD Flexible Print Cable
9	910W00901	Platen Interlock Switch
10	120K92541	Actuator Assembly
11	930W00123	Platen Angle Sensor
12	-	Wire Harness (Not Spared)

PL 1.3

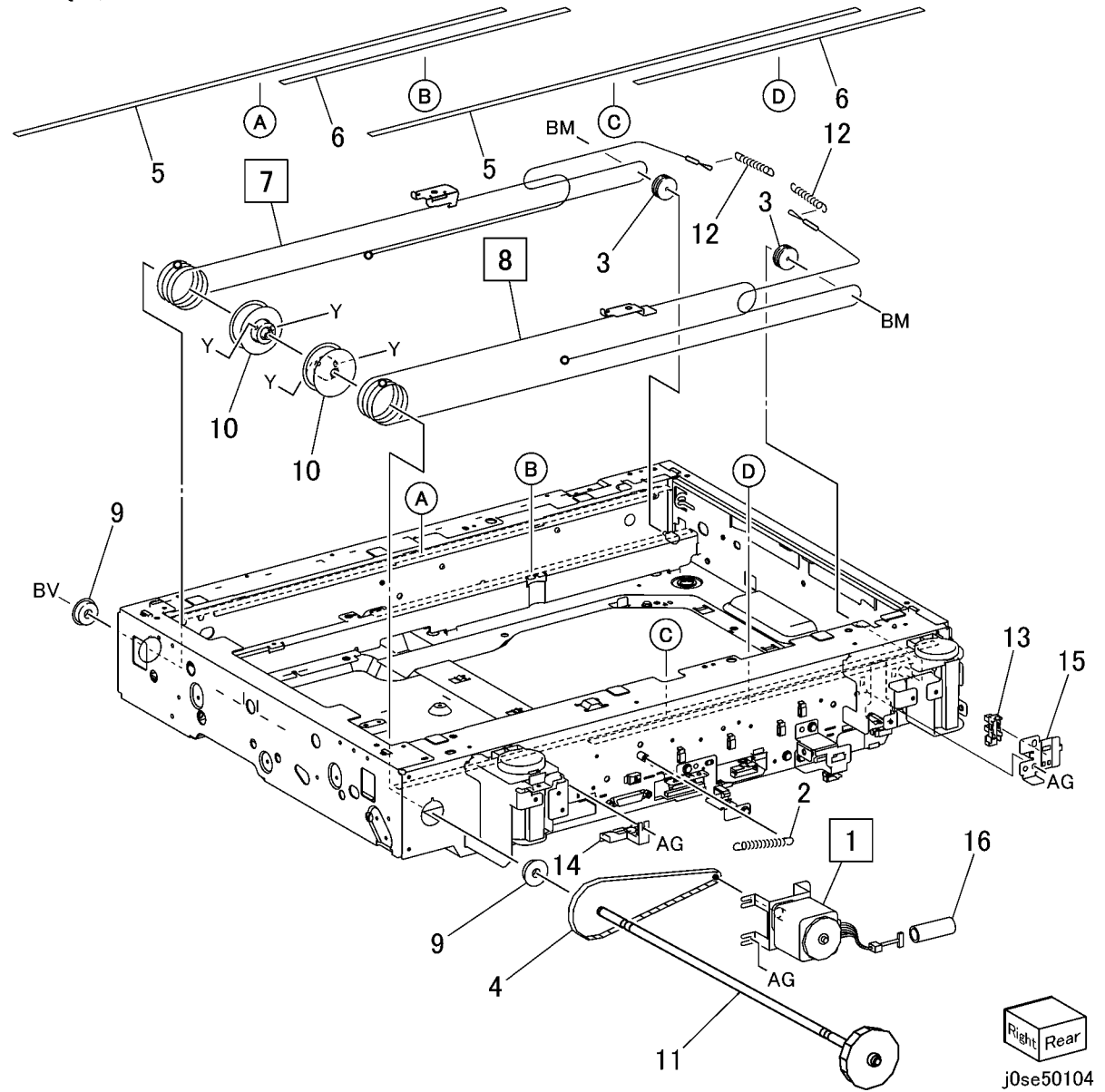
4 { 5,6



PL 1.4 Carriage Cable/Motor

Item	Part	Description
1	127K71090	Carriage Motor (REP 6.8)
2	809E76950	Spring
3	020E50660	Pulley
4	023E26430	Belt
5	063E97330	Tape
6	063E97340	Tape
7	-	Front Carriage Cable (REP 6.7)
8	-	Rear Carriage Cable (REP 6.7)
9	413W91750	Bearing
10	020E45300	Capstan Pulley
11	006K86470	Capstan Shaft
12	809E76840	Spring
13	930W00123	IIT Registration Sensor
14	019E70051	Holder
15	-	Sensor Bracket (P/O PL 1.4 Item 17)
16	-	Tube (Not Spared)
17	130K76201	IIT Registration Sensor And Bracket
18	604K20510	IIT Cable Kit (PL 1.4 Item 7)

17 { 13,15
18 { 7,8



Right Rear
j0se50104

PL 1.5 Full/Half Rate Carriage

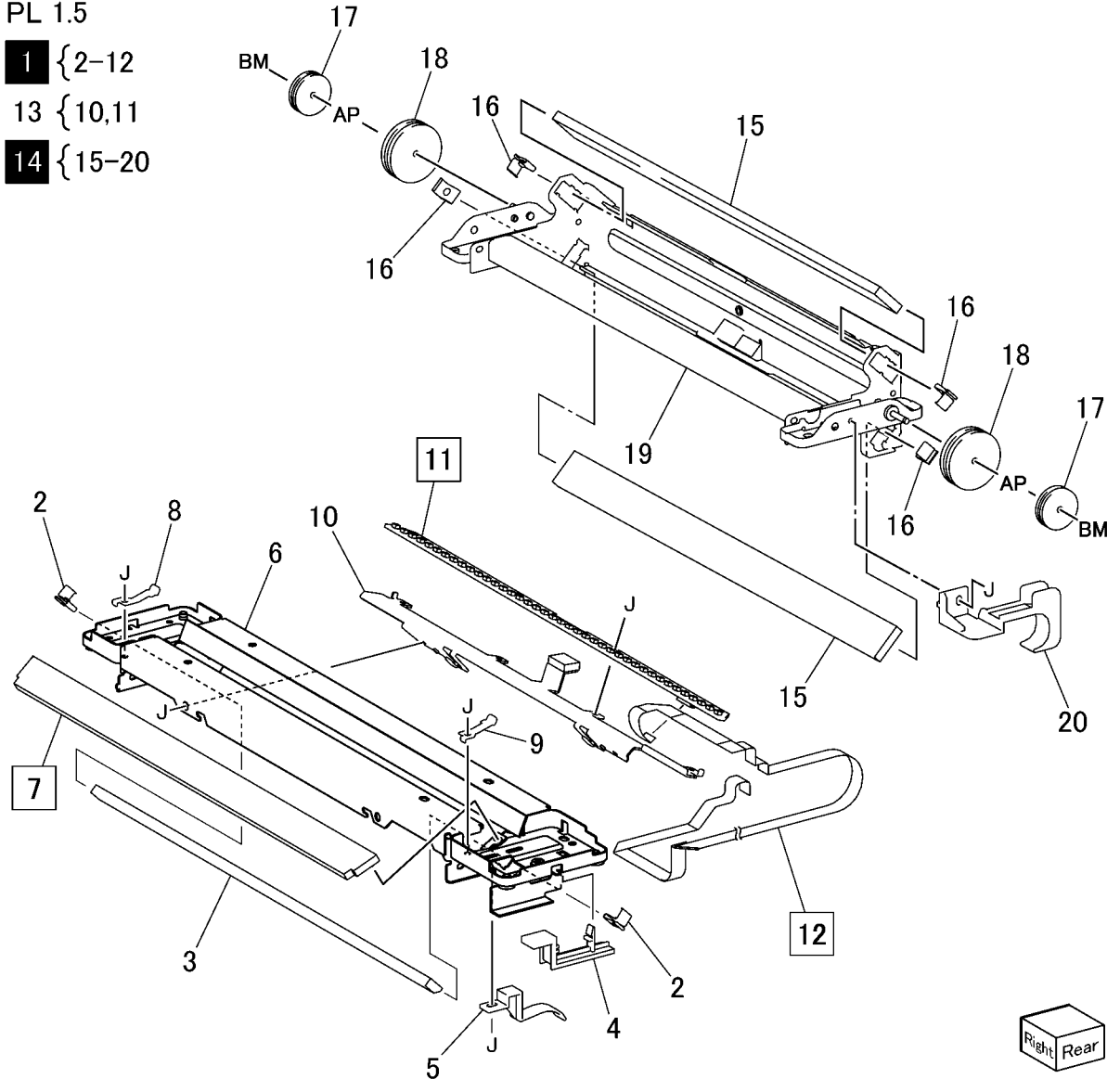
Item	Part	Description
1	041K96670	Full Rate Carriage (ADJ 6.1)
2	019E70080	Clip
3	-	No. 1 Mirror (P/O PL 1.5 Item 1)
4	-	Harness Guide (P/O PL 1.5 Item 1)
5	-	Harness Guide (P/O PL 1.5 Item 1)
6	-	Full Rate Carriage (P/O PL 1.5 Item 1)
7	-	Light Guide (P/O PL 1.5 Item 1) (REP 6.11)
8	-	Front Clip (P/O PL 1.5 Item 1)
9	-	Rear Clip (P/O PL 1.5 Item 1)
10	-	Bracket (P/O PL 1.5 Item 13)
11	960K87130	LED Lamp PWB (REP 6.9)
12	117E30981	LED Lamp Wire Harness (REP 6.10)
13	122K94810	LED Lamp
14	041K95910	Half Rate Carriage (ADJ 6.1)
15	-	No. 2/3 Mirror (P/O PL 1.5 Item 14)
16	-	Harness Guide (P/O PL 1.5 Item 14)
17	020E50660	Pulley
18	-	Pulley (P/O PL 1.5 Item 14)
19	-	Carriage Frame (P/O PL 1.5 Item 14)
20	-	Harness Guide (P/O PL 1.5 Item 14)

PL 1.5

1 { 2-12

13 { 10,11

14 { 15-20

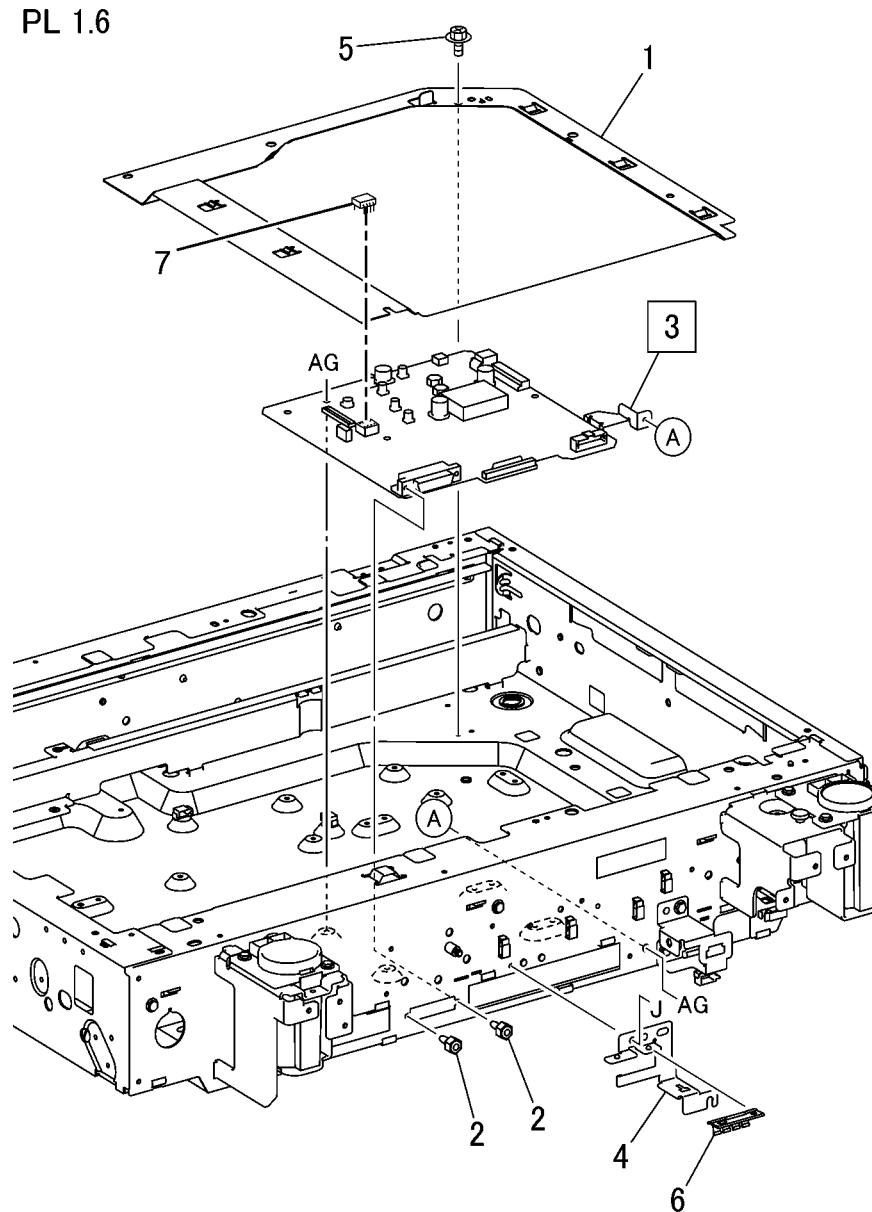


j0se50105

PL 1.6 IIT/IPS PWB

Item	Part	Description
1	-	PWB Cover (Not Spared)
2	237W00178	Lock Screw
3	960K61760	IIT PWB Assembly (REP 6.12)
4	868E40511	Harness Bracket Assembly
5	826E11600	Screw (Not Spared)
6	-	Conductor (Not Spared)
7	-	EEROM

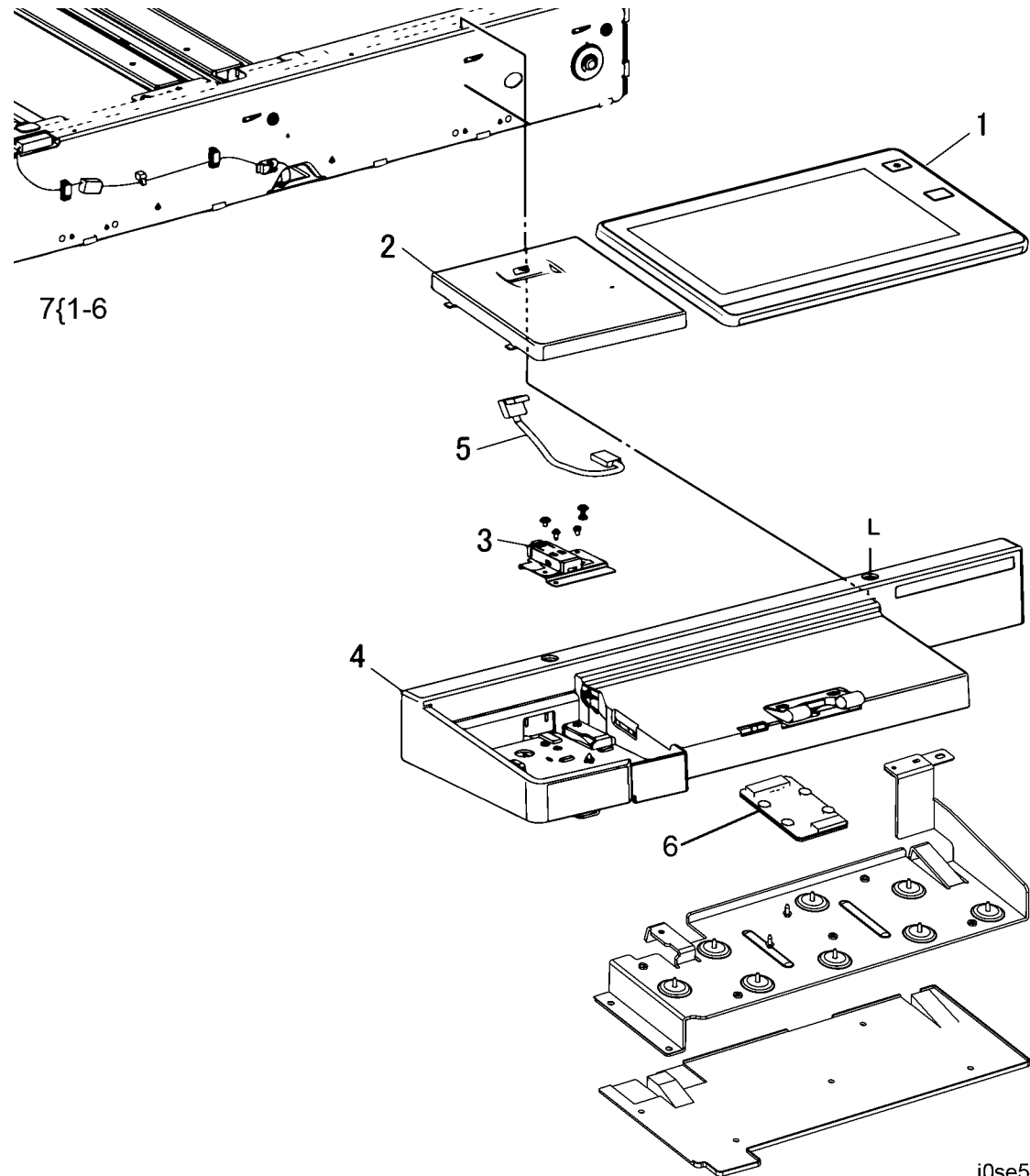
NOTE: Do not trash or damage Item 7 (EEROM). Due to lose or damage, MC can't be recovered.



j0se50106A

PL 1.7 Control Panel

Item	Part	Description
1	084K43150	UI (REP 6.3)
2	056E05870	Garage Door
3	-	USB Mounting Assembly (Not Spared) (REP 6.13)
4	056E05860	UI Base (Bathtub)
5	952K63420	Garage Door USB Harness Assembly (REP 6.16)
6	961K02480	Interface PWB
7	056K03010	IU Front Assembly

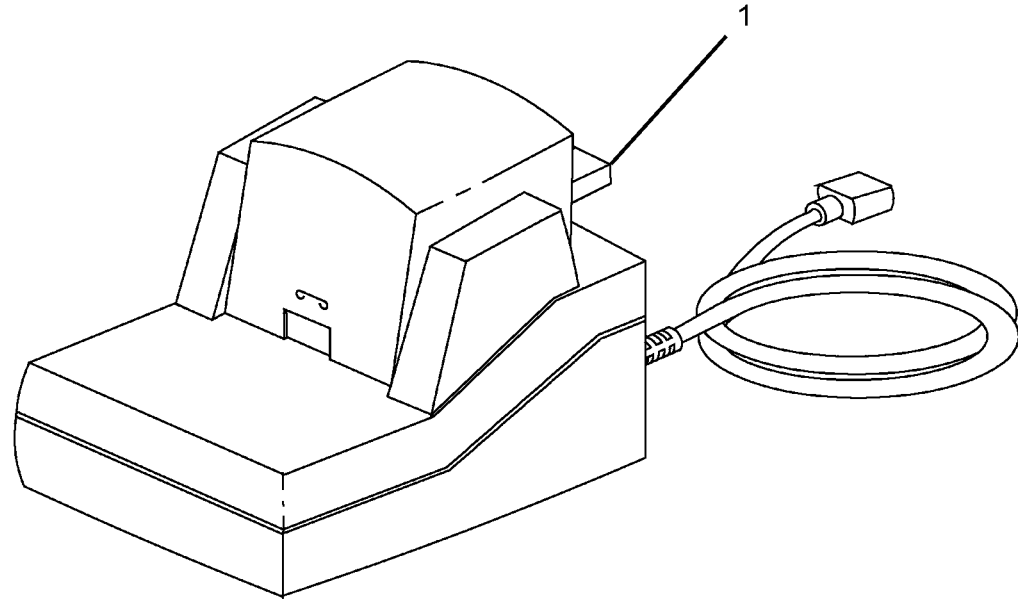


j0se50107d

PL 1.9 Convenience Stapler

Item	Part	Description
1	604K35710	Convenience Stapler (110V)
-	604K35700	Convenience Stapler (220V)

PL 1.9

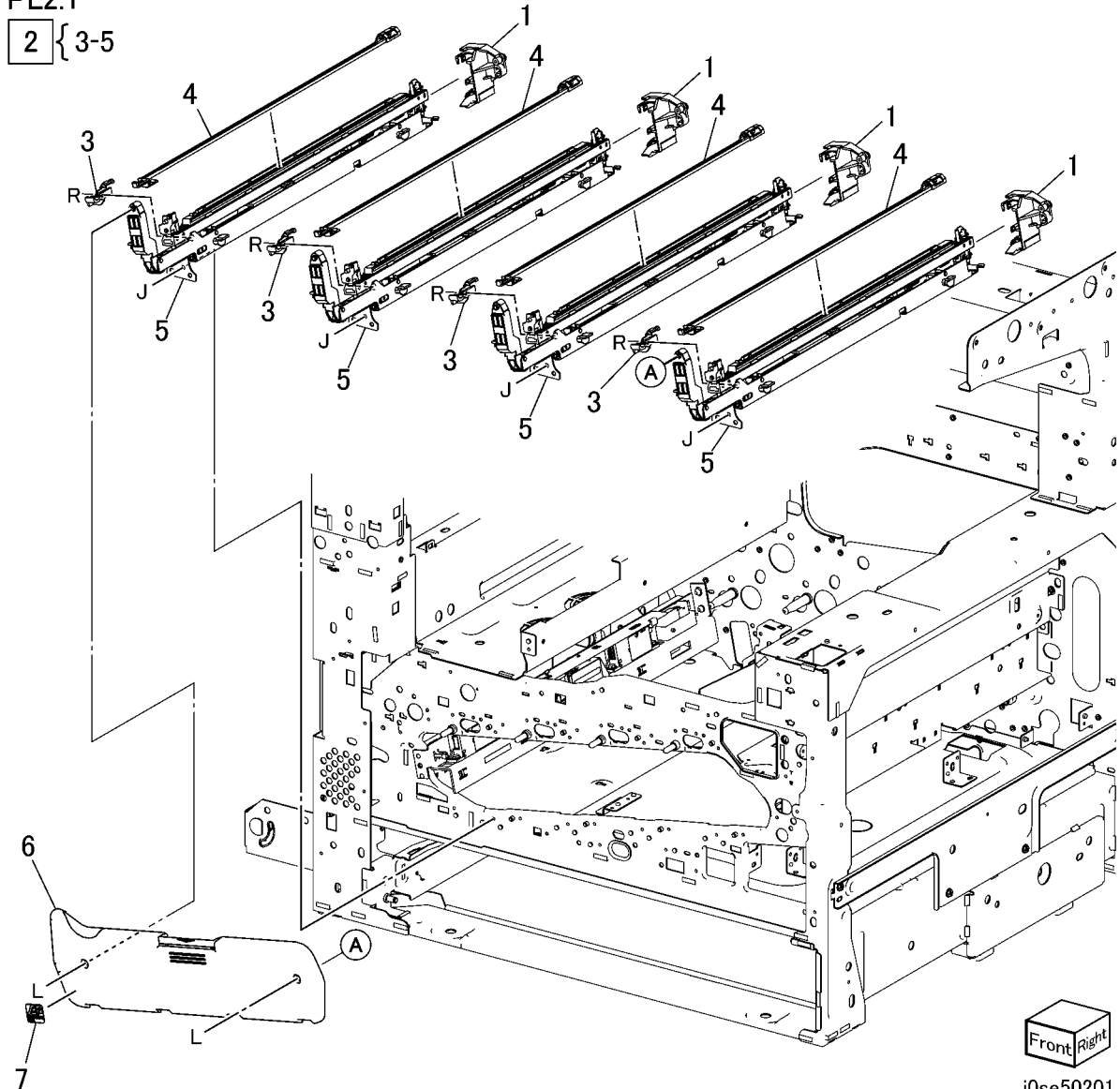


0501009A-NWD

PL 2.1 LED Print Head (1 of 2)

Item	Part	Description
1	019K12490	Rear Holder Assembly
2	130K89233	LED Print Head Assembly (C8070)
-	130K89242	LED Print Head Assembly (C8030/35, C8045/55) (REP 9.10)
3	-	Guide (P/O PL 2.1 Item 2)
4	042K93520	LED Print Head Cleaner
5	107K92301	LED Print Head (C8070)
-	107K92325	LED Print Head (C8030/35, C8045/55)
6	011K04840	Drum Cover
7	-	BP Label

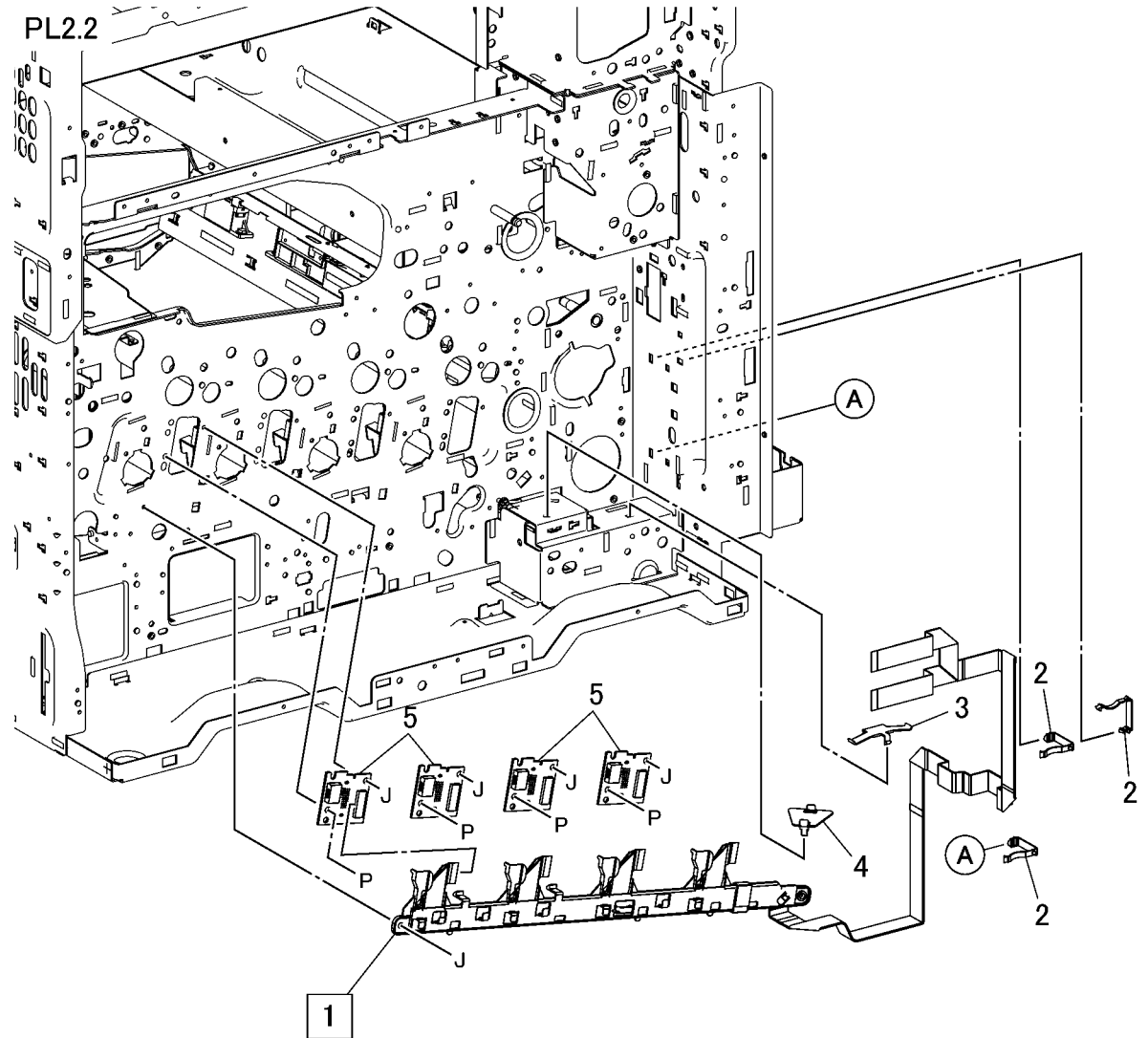
PL2.1
2 { 3-5



j0se50201

PL 2.2 LED Print Head (2 of 2)

Item	Part	Description
1	952K15360	LED Print Head Cable Assembly (REP 9.12)
2	—	Cable Holder (Not Spared)
3	—	Cable Holder (Not Spared)
4	—	Cable Holder (Not Spared)
5	960K86890	LED Print Head Rear PWB
—	960K87450	LED Print Head Rear PWB (Alt)



j0se50202

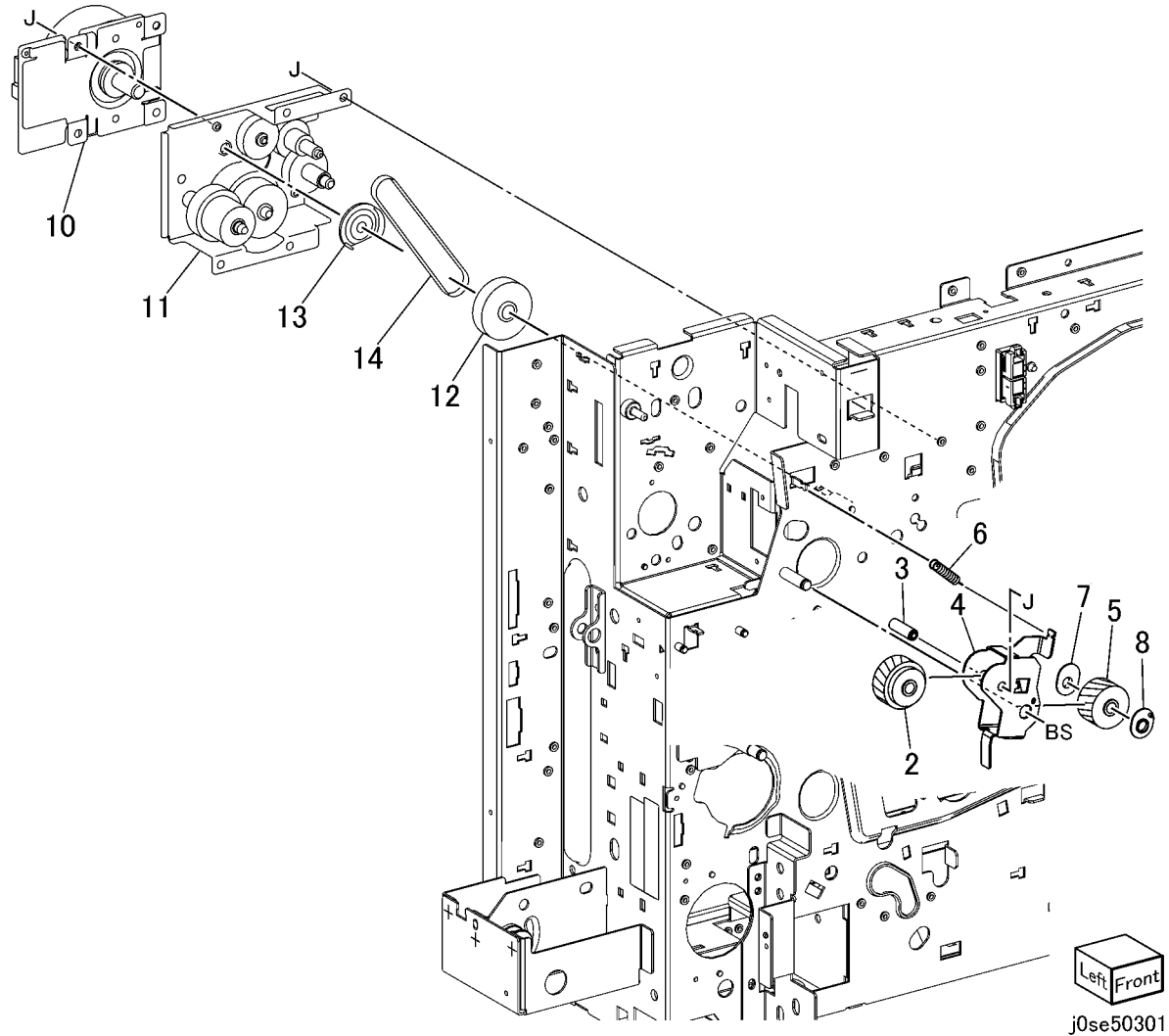
PL 3.1 Drives (1 of 4)

Item	Part	Description
1	049K26151	Fuser Input Bracket Assembly
2	-	Helical Gear (26T) (P/O PL 3.1 Item 1)
3	-	Fuser Shaft (P/O PL 3.1 Item 1)
4	-	Fuser Input Bracket (P/O PL 3.1 Item 1)
5	-	Helical Gear (25T) (P/O PL 3.1 Item 1)
6	809E74960	Spring
7	-	Bearing (P/O PL 3.1 Item 1)
8	-	Bearing (P/O PL 3.1 Item 1)
9	007K19640	Fuser Drive Motor Assembly (C8070)
-	007K19630	Fuser Drive Motor Assembly (C8030/35, C8045/55)
10	-	Fuser Drive Motor (P/O PL 3.1 Item 9)
11	-	Gear Bracket Assembly (P/O PL 3.1 Item 9)
12	807E43261	Helical Gear (40T/23T)
13	005E26140	Flange
14	423W10355	Belt

PL 3.1

1 {2-5, 7, 8}

9 {10,11}



PL 3.2 Drives (2 of 4)

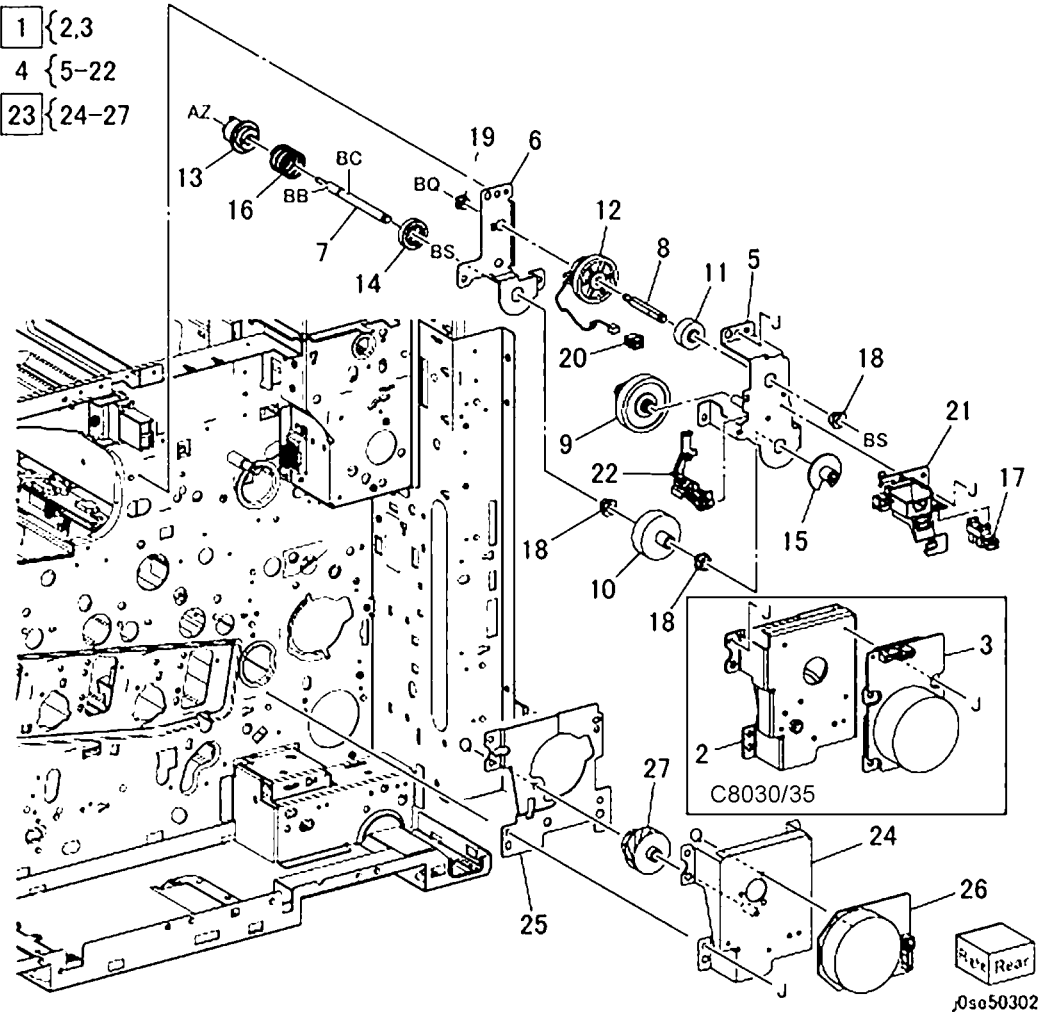
Item	Part	Description
1	007K98480	Registration Drive Assembly (C8030/35)
2	-	Bracket Assembly (P/O PL 3.2 Item 1)
3	-	Registration Drive Motor (P/O PL 3.2 Item 1)
4	007K98092	Retract Drive Assembly
5	-	Retract Bracket Assembly (P/O PL 3.2 Item 4)
6	-	Retract Lower Bracket (P/O PL 3.2 Item 4)
7	-	Retract Shaft (P/O PL 3.2 Item 4)
8	-	Clutch Shaft (P/O PL 3.2 Item 4)
9	-	Helical Gear (45T/23T) (P/O PL 3.2 Item 4)
10	-	Helical Gear (36T) (P/O PL 3.2 Item 4)
11	-	Helical Gear (21T) (P/O PL 3.2 Item 4)
12	121K40850	1st BTR Contact Retract Clutch
13	005E24620	Coupling
14	-	Retainer (P/O PL 3.2 Item 4)
15	-	Cam Wheel (P/O PL 3.2 Item 4)
16	-	Spring (P/O PL 3.2 Item 4)
17	930W00111	1st BTR Contact Retract Sensor
18	413W14660	Sleeve Bearing
19	-	Sleeve Bearing (P/O PL 3.2 Item 4)
20	-	Connector (P/O PL 3.2 Item 4)
21	-	Harness Holder (P/O PL 3.2 Item 4)
22	-	Harness Holder (P/O PL 3.2 Item 4)
23	007K98490	Registration Drive Assembly (C8045/55)
24	-	Motor Bracket (P/O PL 3.2 Item 23)
25	-	Bracket (P/O PL 3.2 Item 23)
26	-	Registration Drive Motor (P/O PL 3.2 Item 23)
27	-	Helical Gear (46T/21T) (P/O PL 3.2 Item 23)

PL 3.2

1 {2,3}

4 {5-22}

23 {24-27}

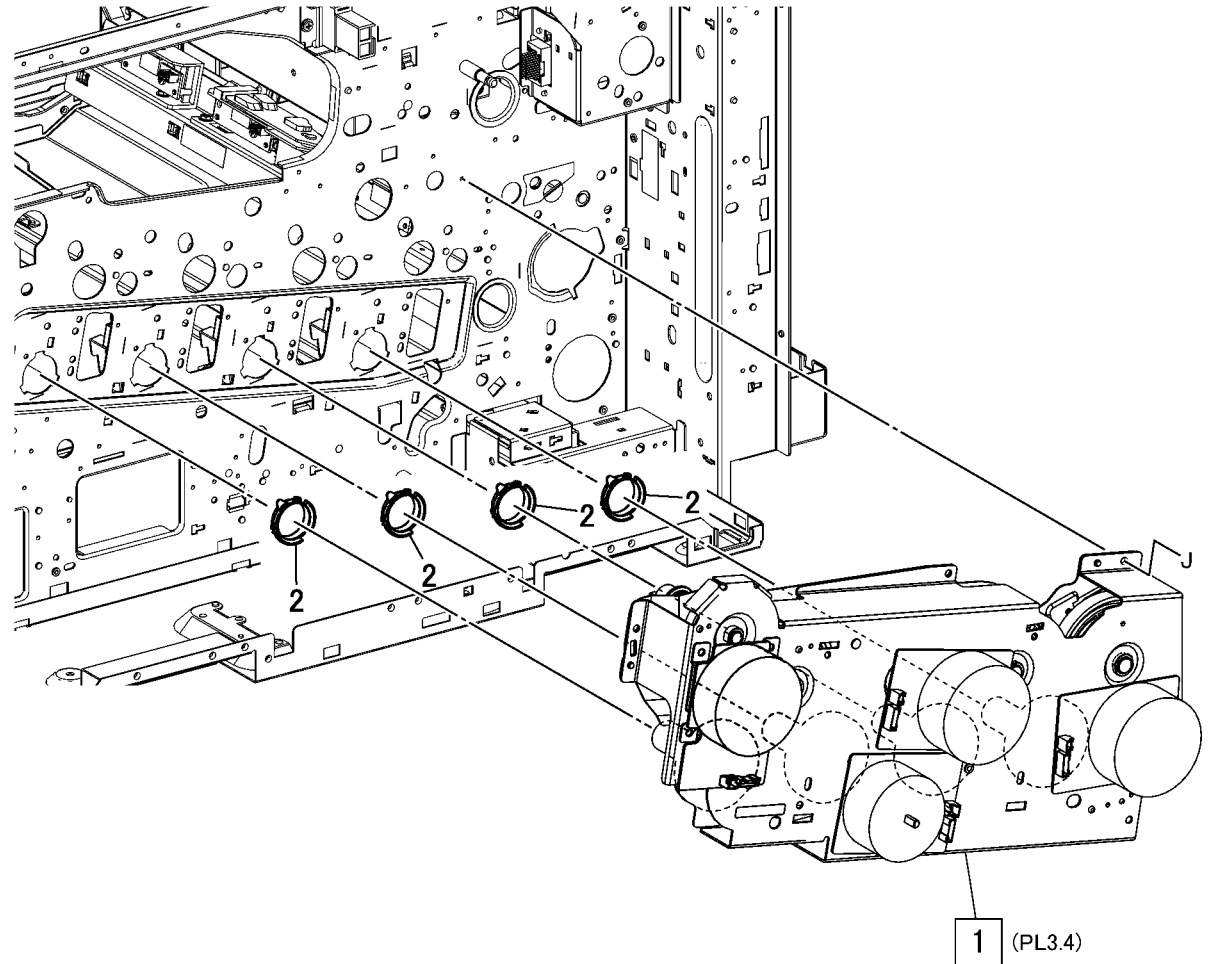


,0so50302

PL 3.3 Drives(3 of 4)

Item	Part	Description
1	007K19653	Drum/Developer Drive Assembly (C8030/35)
-	007K98332	Drum/Developer Drive Assembly (C8045/55)
-	007K98470	Drum/Developer Drive Assembly (C8070) (REP 4.4)
2	055E56042	Gear Guide

PL 3.3

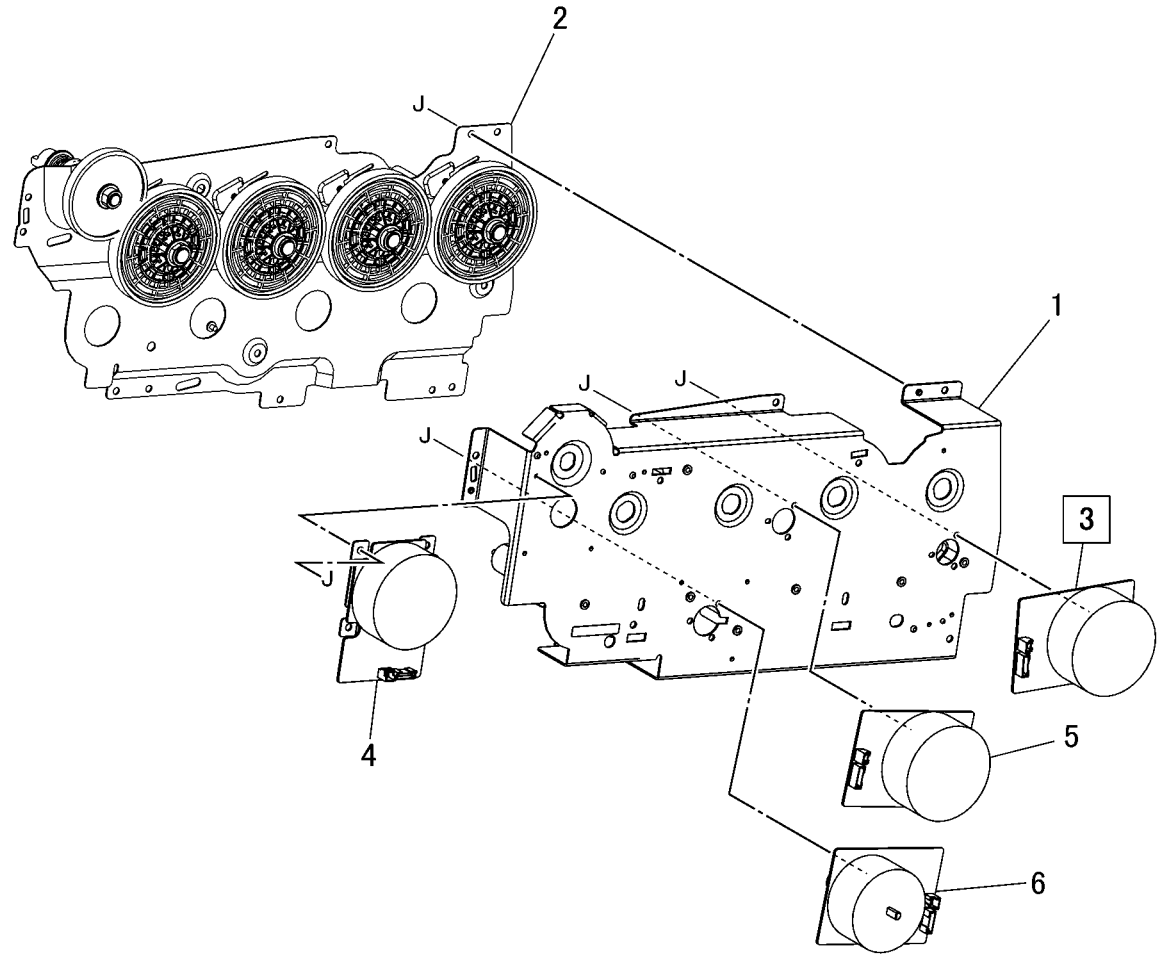


j0se50303

PL 3.4 Drives (3 of 3)

Item	Part	Description
1	-	Drive Upper Bracket
2	-	Drive Lower Bracket
3	127K70431	Drum /Developer Drive Motor (K) (REP 4.7)
4	127K71300	IBT Drive Motor (C8030/35)
-	127K71310	IBT Drive Motor (C8045/55, C8070)
5	127K70490	Drum Drive Motor (Y, M, C)
6	127K70441	Developer Drive Motor (Y, M, C)

PL 3.4



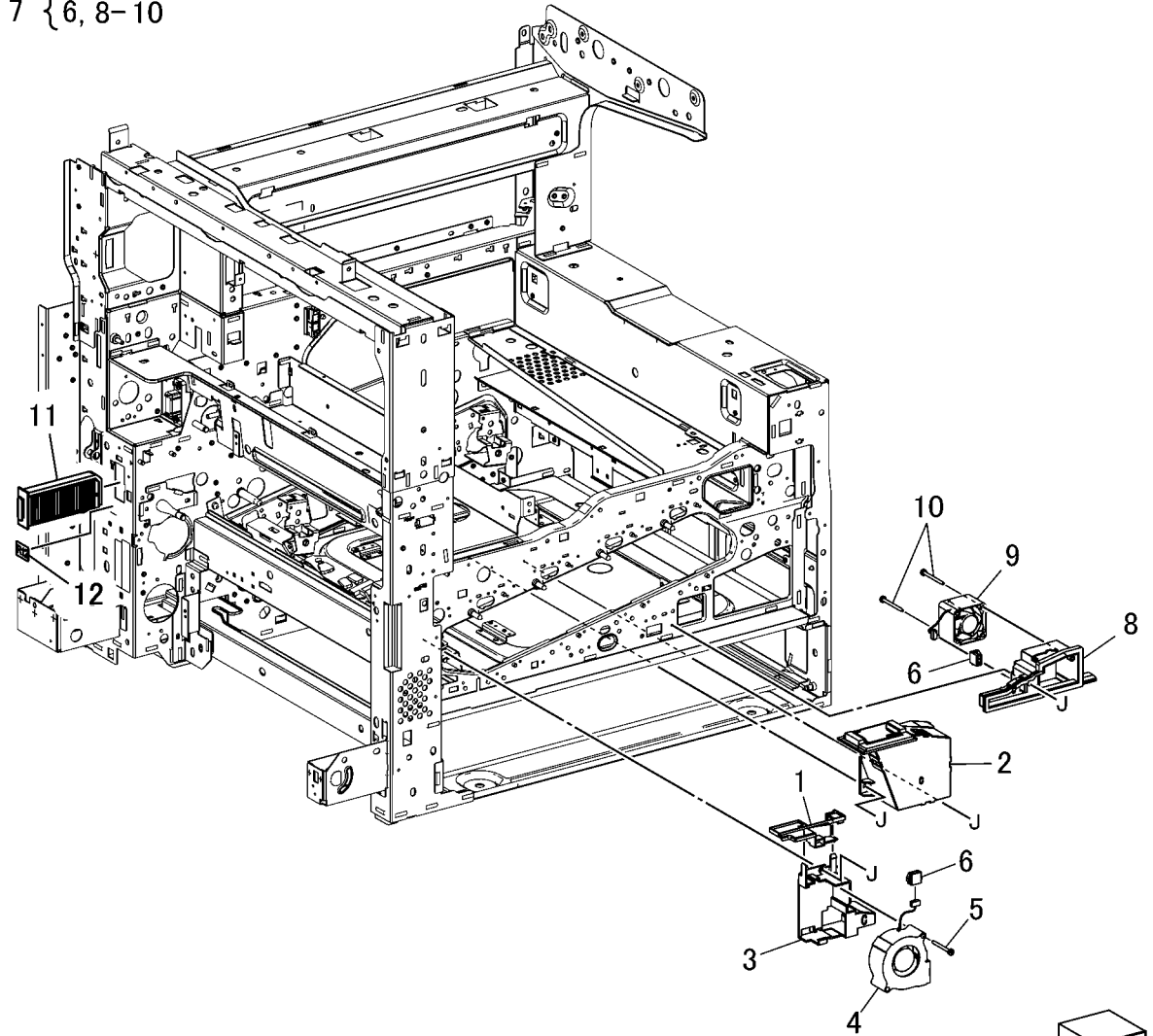
j0se50304

PL 4.1 NOHAD (Front,Left)

Item	Part	Description
1	-	Plate F
2	-	IBT Fan and Duct Assembly
3	054E41751	P2 Duct
4	127K60700	Process 2 Fan (C8070)
5	-	Screw
6	913W13170	Connector (C8070)
7	054K58370	Process 1 Duct Assembly (C8045/55, C8070)
8	-	P1 Duct
9	-	Process 1 Fan
10	-	Screw Tp
11	053K94611	Filter Assembly (C8045/55, C8070)
12	-	Label Filter

PL 4.1

7 { 6, 8-10



j0se50401b

PL 4.2 NOHAD (Top)

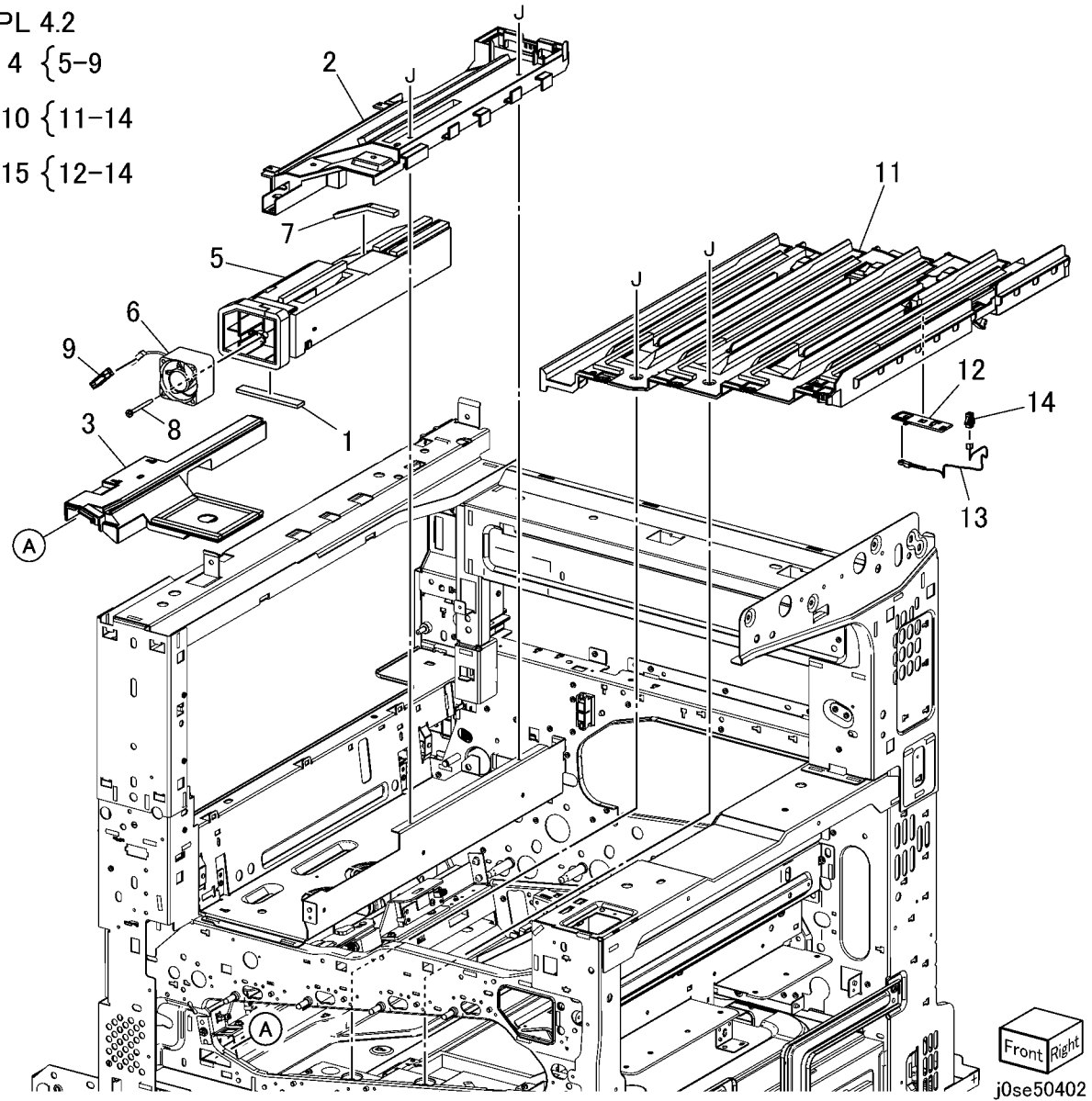
Item	Part	Description
1	-	Seal (Not Spared)
2	-	Duct Assembly Center
3	-	Duct Assembly
4	054K48512	Duct Assembly (C8030/35)
-	054K50152	Duct Assembly (C8045/55)
-	054K51571	Duct Assembly (C8070)
5	-	IBT Duct (P/O PL 4.2 Item 4)
6	-	Cartridge Fan (P/O PL 4.2 Item 4)
7	-	Seal (P/O PL 4.2 Item 4)
8	-	Screw (P/O PL 4.2 Item 4)
9	-	Connector Amp Ct Series (P/O PL 4.2 Item 4)
10	815K03602	Plate Assembly Base (C8030/35, C8045/55)
-	815K14901	Plate Assembly Base (C8070)
11	-	Plate Assembly (P/O PL 4.2 Item 10)
12	-	Bracket Sensor (P/O PL 4.2 Item 10)
13	-	Thermo Sensor (P/O PL 4.2 Item 10)
14	-	Connector Amp Ct Series (P/O PL 4.2 Item 10)
15	130K71990	NOHAD Sensor Assembly

PL 4.2

4 { 5-9

10 { 11-14

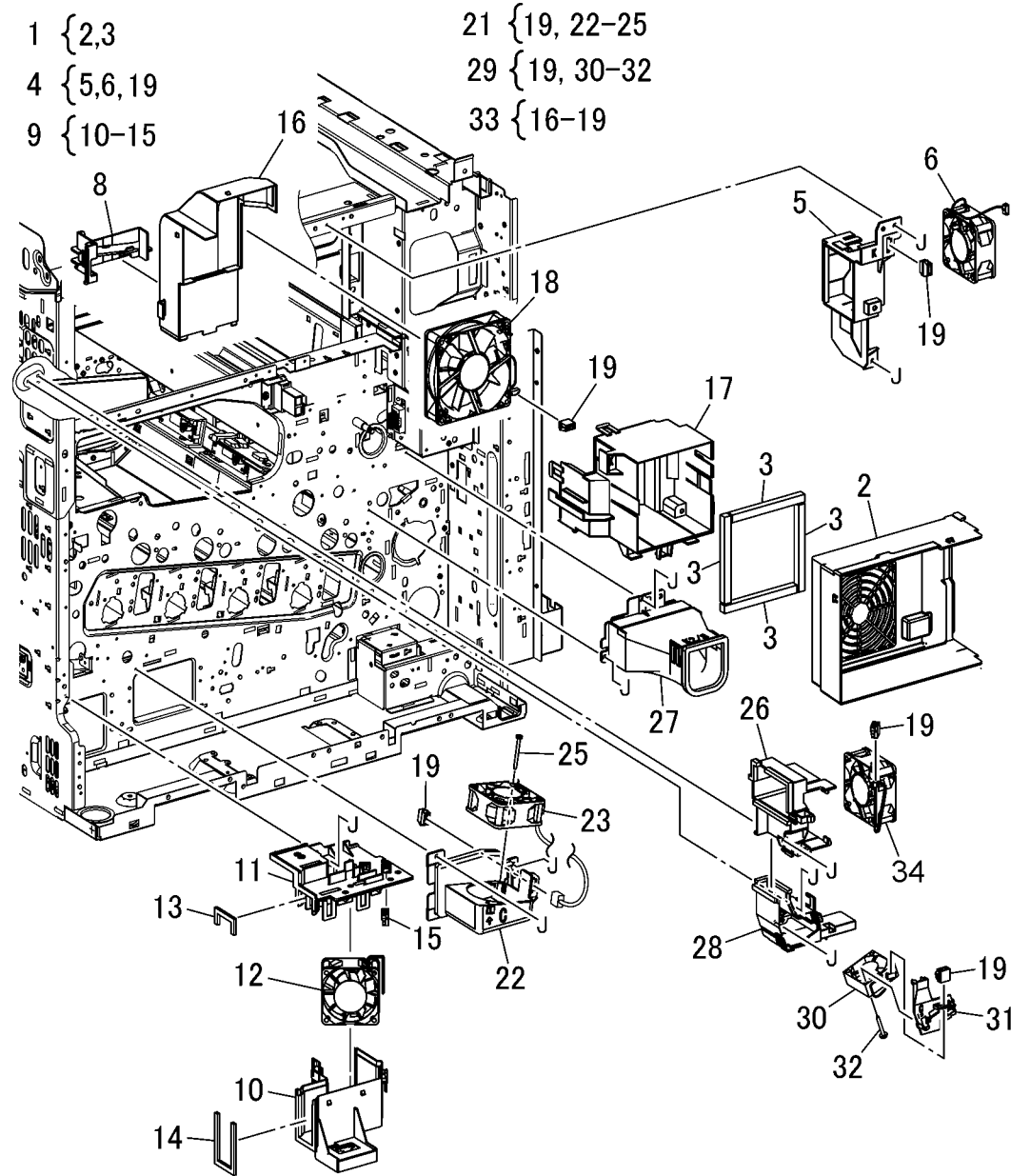
15 { 12-14



PL 4.3 NOHAD (Rear)

Item	Part	Description
1	054K52290	Duct Assembly
2	-	Duct Filter
3	-	Seal
4	054K52391	Duct Assembly IHP
5	-	Duct IHP
6	127K64480	IH Intake Fan
8	-	Guide Coil
9	-	Duct Assembly M
10	-	Lower Duct
11	-	Upper Duct
12	127K66140	Marking Fan (C8070)
-	127K66181	Fan Assembly HVPS (C8030/35, C8045/55)
13	-	Seal Mhvps
14	-	Seal Mhvps
15	-	Connector Amp Ct Series
16	-	Fuser Duct
17	-	Fuser Duct
18	-	Fuser Fan
19	913W13170	Connector Amp Ct Series
21	054K58380	Duct Assembly Rear (C8045/55, C8070)
22	-	Duct Rear
23	-	Bottom Fan
25	-	Screw
26	-	Duct Assembly IHP
27	-	Duct Assembly Suction
28	-	Dust Assembly C
29	127K76860	Exhaust Fan And Duct (C8045/55, C8070)
30	-	Exit Fan
31	-	Duct C
32	-	Screw
33	054K48181	Fuser Fan and Duct Assembly
34	-	IH Exhaust Fan (C8045/55, C8070), P/N as Item 12 Marking Fan (C8070)

PL 4.3

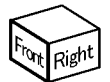
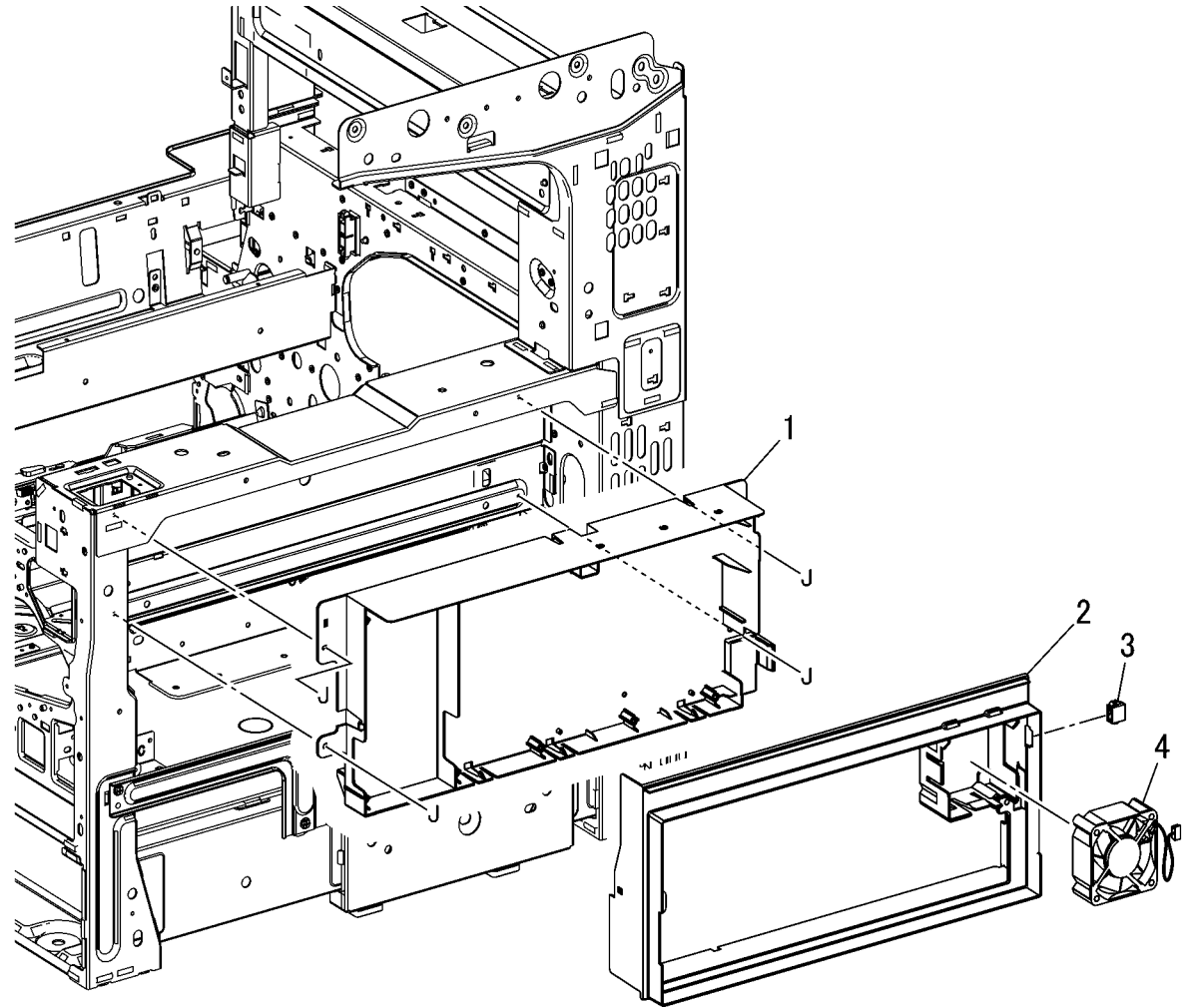


Right Rear
j0se50403

PL 4.4 NOHAD (Right)

Item	Part	Description
1	—	Duct HVPS
2	—	Duct HVPS
3	913W13170	Connector Amp Ct Series (C8045/55, C8070)
4	927W06116	Developer HVPS Fan (C8045/55, C8070)

PL 4.4



j0se50404

PL 5.1 Development (1 of 2)

Item	Part	Description
1	006R01509	K-Toner (WW)
-	006R01697	K-Toner (NA/E)
-	006R01701	K-Toner (DMO)
2	006R01512	C-Toner (WW)
-	006R01702	C-Toner (DMO)
-	006R01698	C-Toner (NA/E)
3	006R01703	M-Toner (DMO)
-	006R01511	M-Toner (WW)
-	006R01699	M-Toner (NA/E)
4	006R01700	Y-Toner (NA/E)
-	006R01704	Y-Toner (DMO)
-	006R01510	Y-Toner (WW)
5	127K66671	Toner Dispense Motor Assembly) (REP 9.13)
6	-	Dispense Assembly (P/O PL 5.1 Item 5)
7	127K65930	Toner Dispense Motor (K, C, M, Y)
8	113K83244	Toner CRUM Coupler Assembly
9	094K93670	Dispense Pipe Assembly (C, M, Y)
10	-	Guide Assembly (C, M, Y) (P/O PL 5.1 Item 9)
11	-	Auger Gear (Y, M, C) (P/O PL 5.1 Item 9)
12	-	Spring (P/O PL 5.1 Item 9)
13	052K13580	Dispense Pipe (Y) (P/O PL 5.1 Item 9)
14	052K13590	Dispense Pipe (M) (P/O PL 5.1 Item 9)
15	052K13600	Dispense Pipe (C) (P/O PL 5.1 Item 9)
16	094K93680	Dispense Pipe Assembly (K)
17	-	Guide Assembly (P/O PL 5.1 Item 16)
18	052K13610	Dispense Pipe Assembly (K)
19	-	Auger Gear (K) (P/O PL 5.1 Item 16)
20	094K93660	Dispense Pipe Assembly (Y, M, C, K)

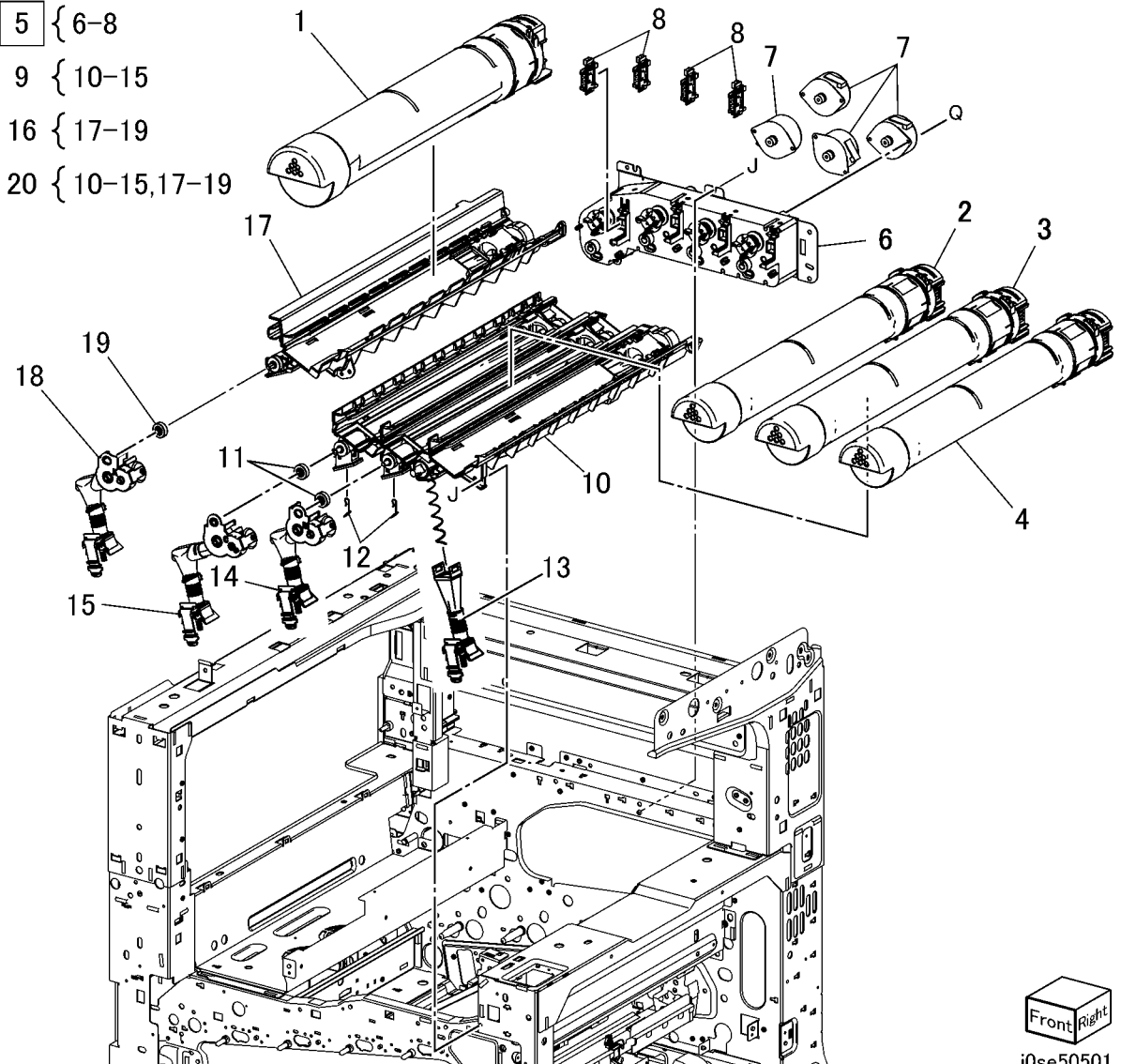
PL 5.1

5 { 6-8

9 { 10-15

16 { 17-19

20 { 10-15,17-19

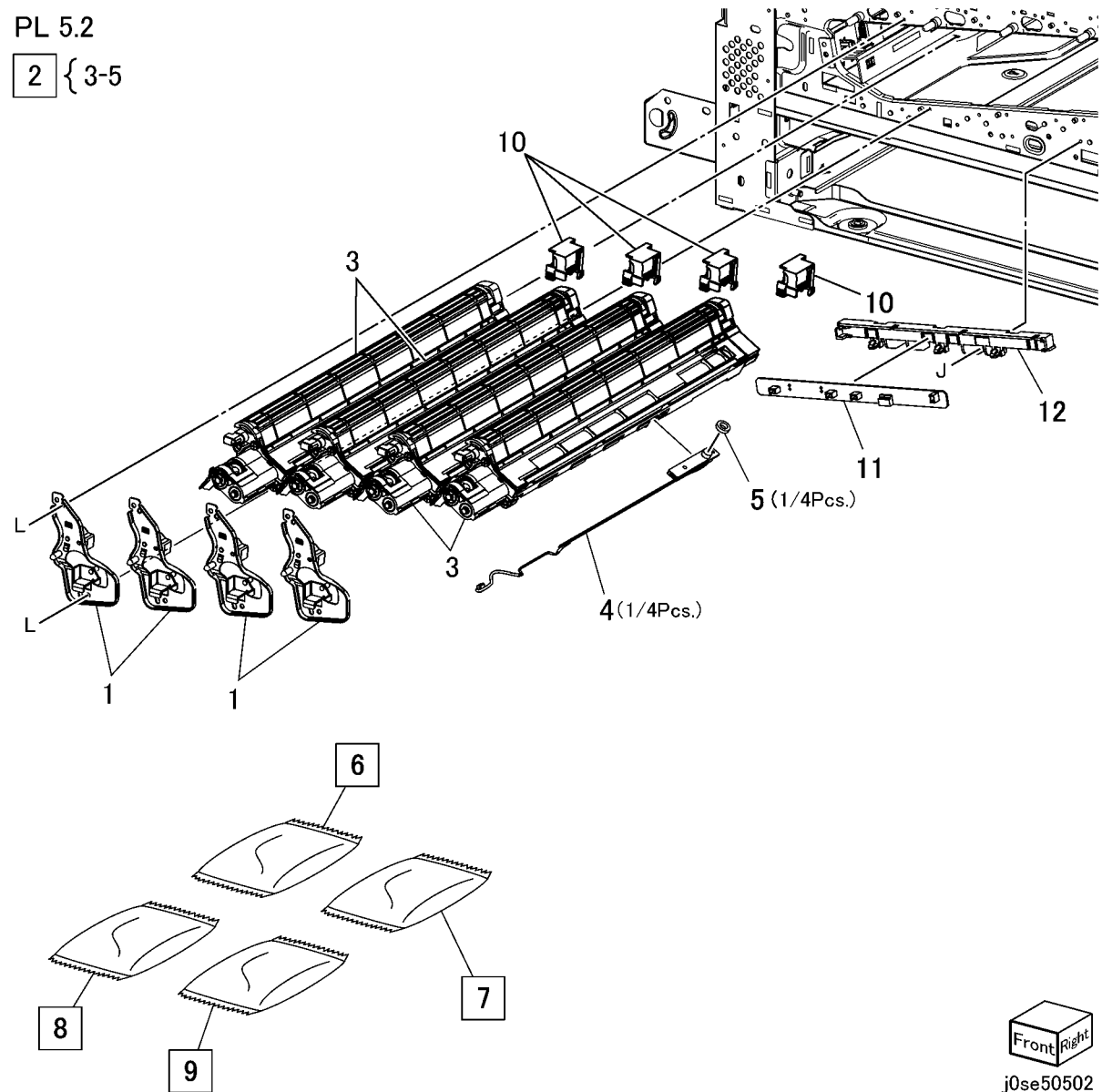


j0se50501

PL 5.2 Development (2 of 2)

Item	Part	Description
1	015K77960	Developer Plate
2	848K85591	Developer Housing Assembly (K, C, M, Y) (REP 9.14)
3	–	Housing Assembly (P/O PL 5.2 Item 2)
4	130K89330	ATC Sensor (K, C, M, Y)
5	–	Seal (P/O PL 5.2 Item 2)
6	675K85030	Developer (K) (REP 9.15)
7	675K85040	Developer (C) (REP 9.15)
8	675K85050	Developer (M) (REP 9.15)
9	675K85060	Developer (Y) (REP 9.15)
10	010K91700	Plunger Assembly
11	960K49660	ATC PWB
12	849E96934	Bracket

PL 5.2
2 { 3-5



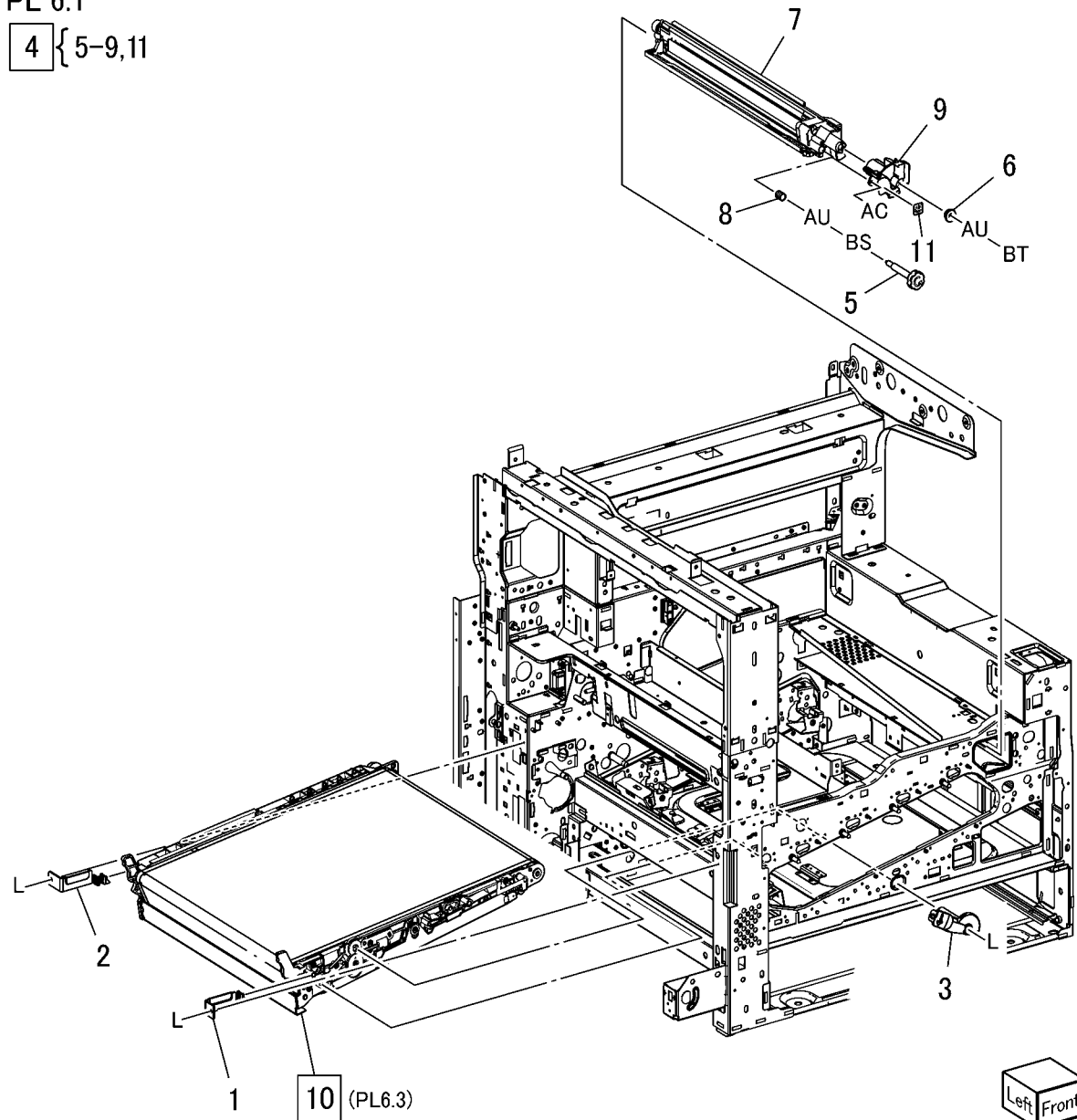
Front
 Right
 j0se50502

PL 6.1 Transfer (1 of 2)

Item	Part	Description
1	068K53690	Front Lock Bracket
2	068K53680	Rear Lock Bracket
3	003E78891	Tension Lever
4	042K94851	Transfer Belt Cleaner Assembly (REP 9.1)
5	-	Knob (P/O PL 6.1 Item 4)
6	-	Bearing (P/O PL 6.1 Item 4)
7	-	Transfer Belt Cleaner (P/O PL 6.1 Item 4)
8	-	Spring (P/O PL 6.1 Item 4)
9	-	Shutter (P/O PL 6.1 Item 4)
10	604K87530	IBT Assembly (PL 6.3) (REP 9.2)
11	-	BP Label

PL 6.1

4 { 5-9,11



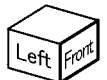
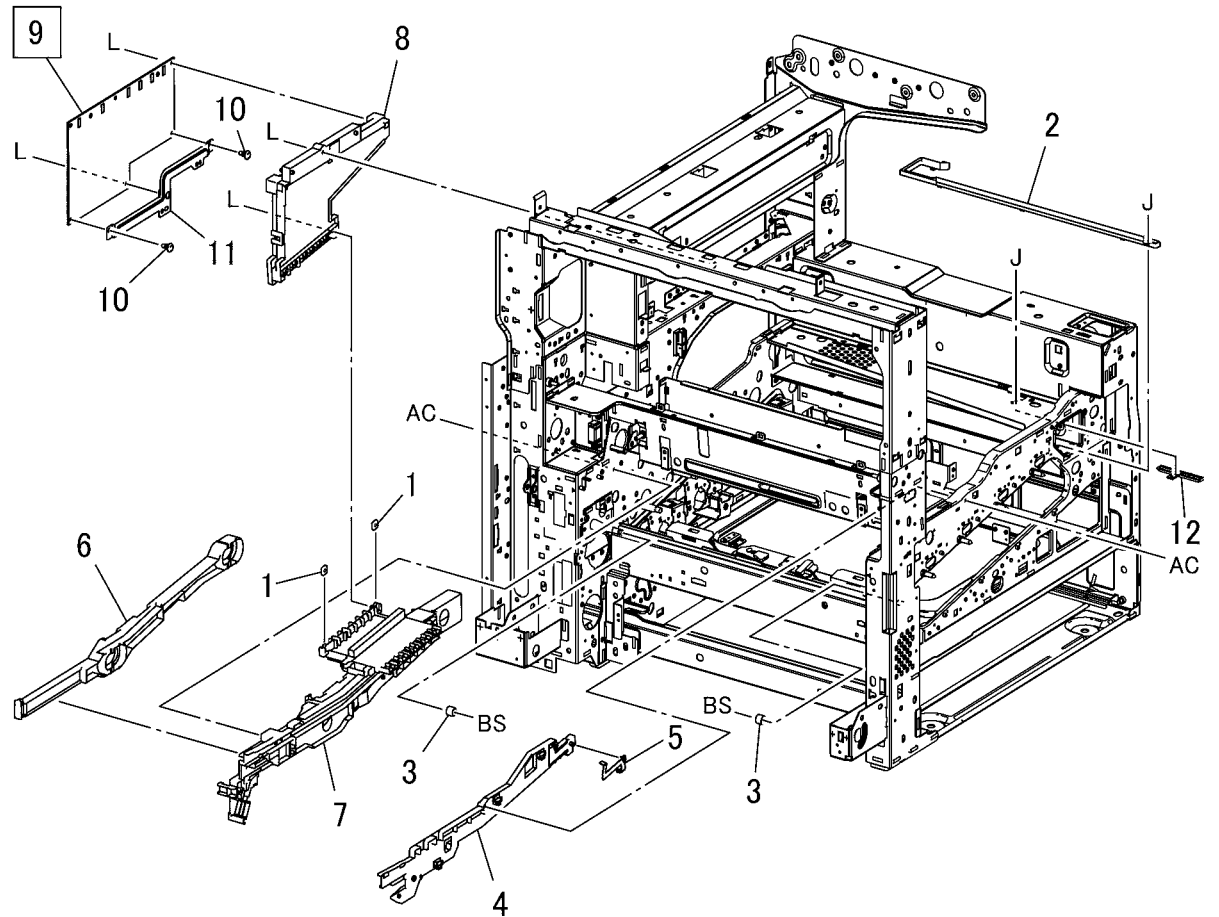
Left Front

j0se50601A

PL 6.2 Transfer (2 of 2)

Item	Part	Description
1	815E38150	Plate Nut
2	032K06051	IBT Cleaner Guide
3	013E41030	Metal Bearing
4	032E27610	IBT Front Guide
5	130E94310	Conductor
6	120E29341	Actuator
7	032K05311	Guide Assembly (C8030/35)
-	032K06321	Guide Assembly (C8045/55, C8070)
8	848K13961	Conductor Housing Assembly
9	105E20501	HVPS (1ST/2ND/BTR) (REP 1.1)
10	-	PWB Support (Not Spared)
11	-	Bracket (Not Spared)
12	-	Upper Guide

PL 6.2

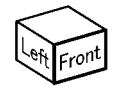
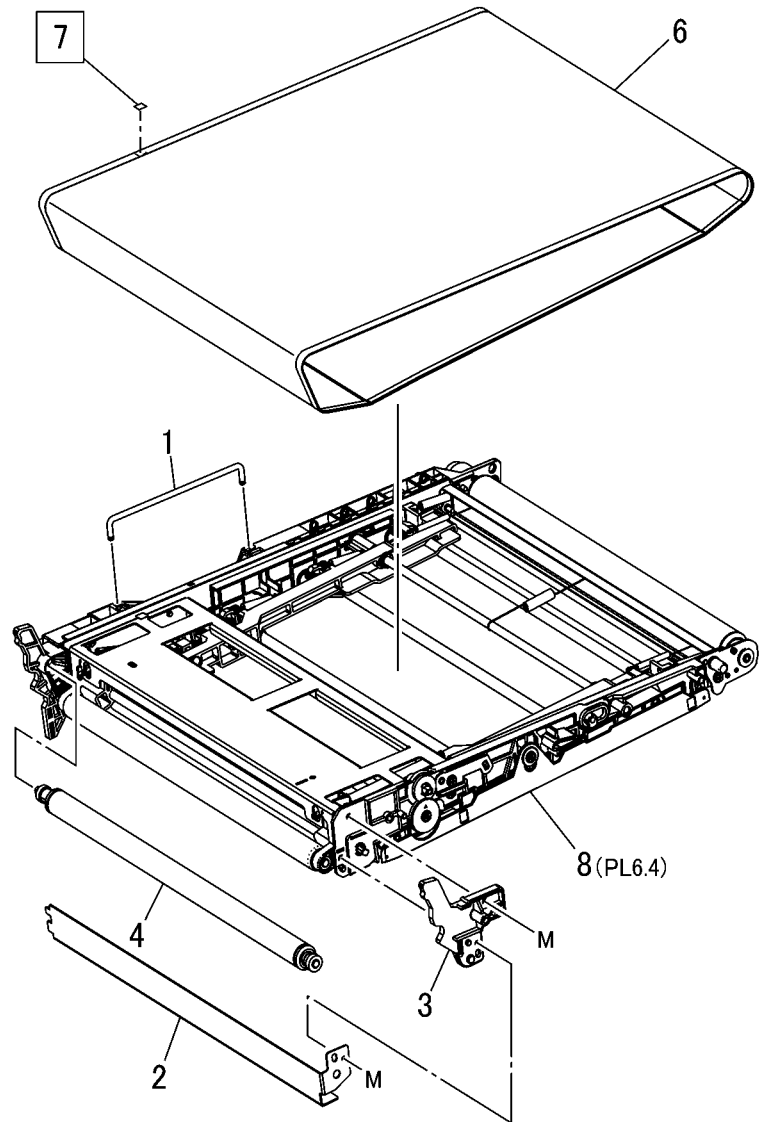


j0se50602

PL 6.3 IBT Assembly (1 of 2)

Item	Part	Description
1	003E75420	Handle
2	054K34291	Inlet Chute
3	801E03440	BUR Front Frame
4	059K54991	Back-up Roll
5	064K93623	Transfer Belt (PL 6.3 Item 6) (REP 9.3)
6	-	Transfer Belt (P/O PL 6.3 Item 5)
7	-	TR0 Seal (P/O PL 6.3 Item 5) (REP 9.4)
8	604K87530	IBT Belt Assembly (PL 6.4)

PL 6.3
5 { 6,7

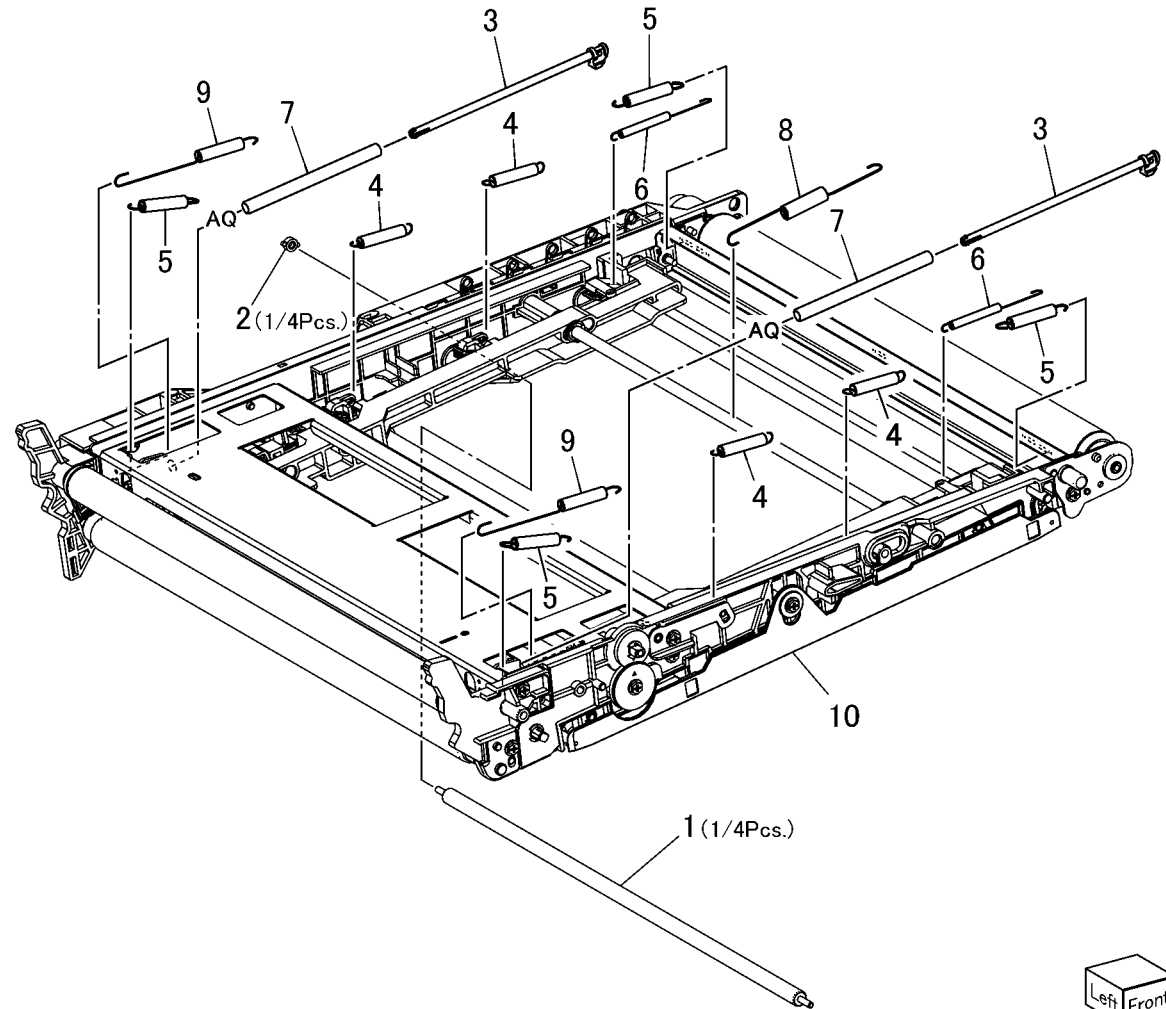


j0kt50603A

PL 6.4 IBT Belt Unit (2 of 2)

Item	Part	Description
1	059E03290	1st BTR Roll
2	130E93970	1st BTR Conductor
3	806E21460	Tension Spring Shaft
4	809E74790	Spring
5	809E74800	Spring
6	809E74810	Spring
7	809E74870	Spring
8	809E76320	Spring
9	809E76810	Spring
10	-	IBT Belt Assembly

PL 6.4

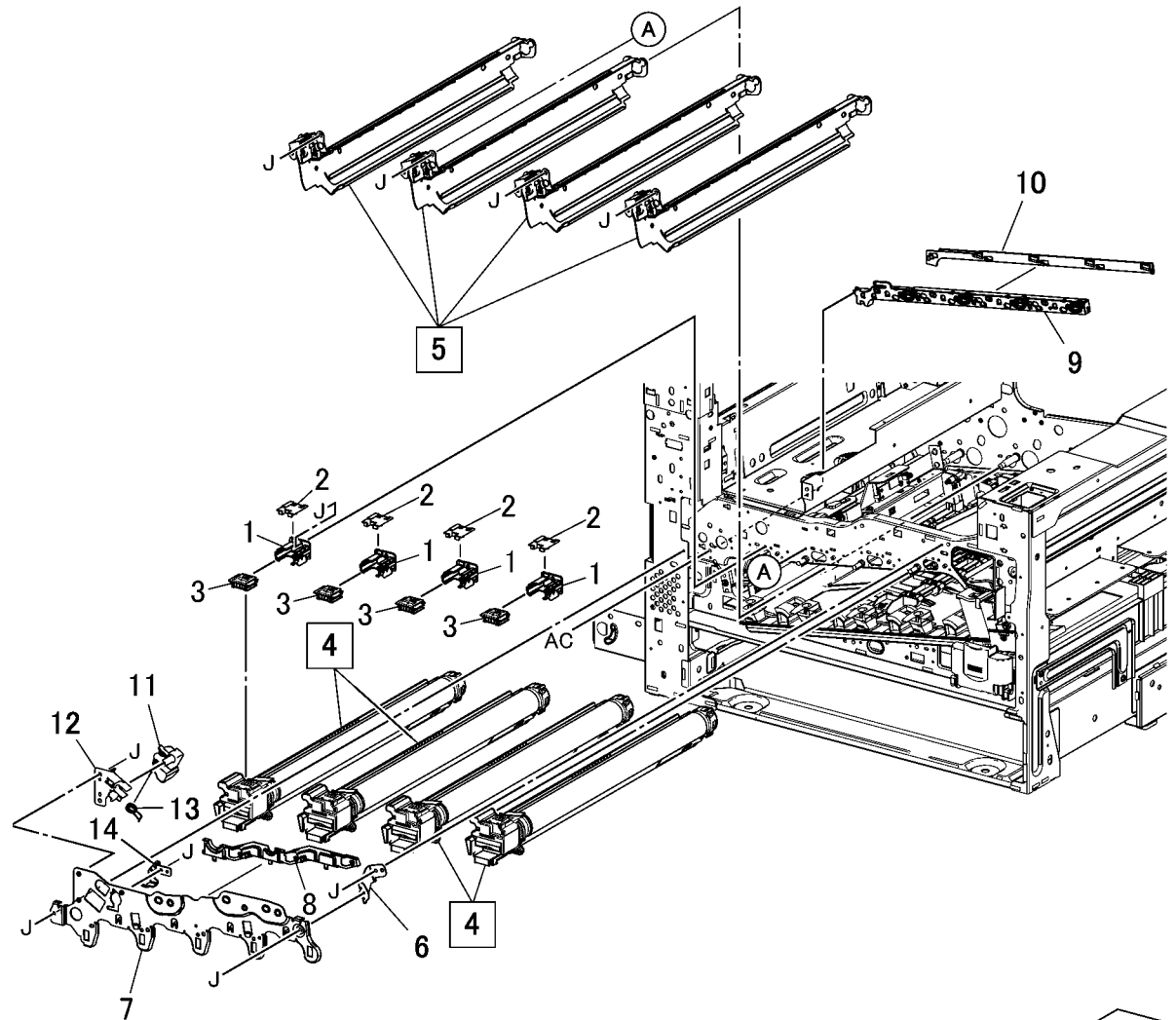


Left Front
j0se50604

PL 8.1 Xerographic (1 of 2)

Item	Part	Description
1	019E76370	CRUM Holder
2	848E21521	CRUM Cover
3	113K83810	Drum CRUM Coupler Assembly (K, C, M, Y)
4	013R00662	Drum (K, C, M, Y) (REP 9.5)
5	032K08450	Erase Lamp Unit (K) (REP 9.6) , Erase Lamp Unit (C, M, Y) (REP 9.7)
6	868E06271	Bracket
7	868E06281	Plate
8	-	Harness Holder (Not Spared)
9	-	Harness Holder (Not Spared)
10	848E15090	Cover
11	011E20901	Handle Lock Lever
12	868E08980	Bracket
13	809E79410	Spring
14	809E79420	Spring

PL 8.1

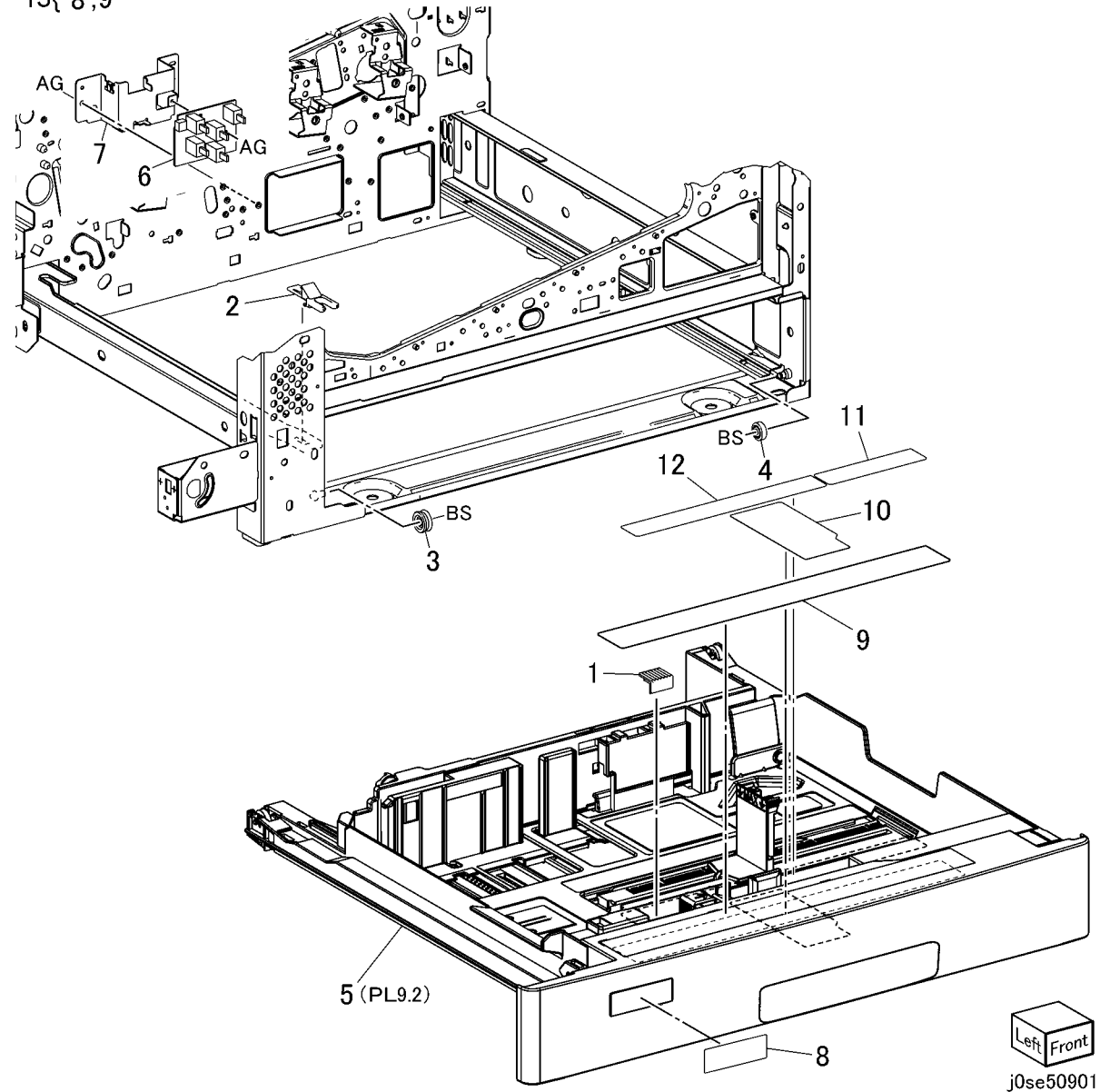


j0se50801

PL 9.1 Tray 1/2 (1 of 2)

Item	Part	Description
1	014E59990	Slide Lock Block
2	003E76461	Front Stopper
3	059E03500	Front Left Roller
4	059E03510	Front Right Roller
5	050K77610	Tray 1 Assembly (PL 9.2)
6	110K12100	Tray 1 Paper Size Sensor
-	110K11680	Tray 1 Paper Size Sensor
7	-	Switch Bracket (Not Spared)
8	-	Tray 1, Tray 2 Label (P/O PL 9.1 Item 13)
9	-	Instruction Label (P/O PL 9.1 Item 13)
10	-	Side Size Label (Not Spared)
11	-	End Size Label (Not Spared)
12	-	End Size Label
13	607K09820	Tray Lable Kit

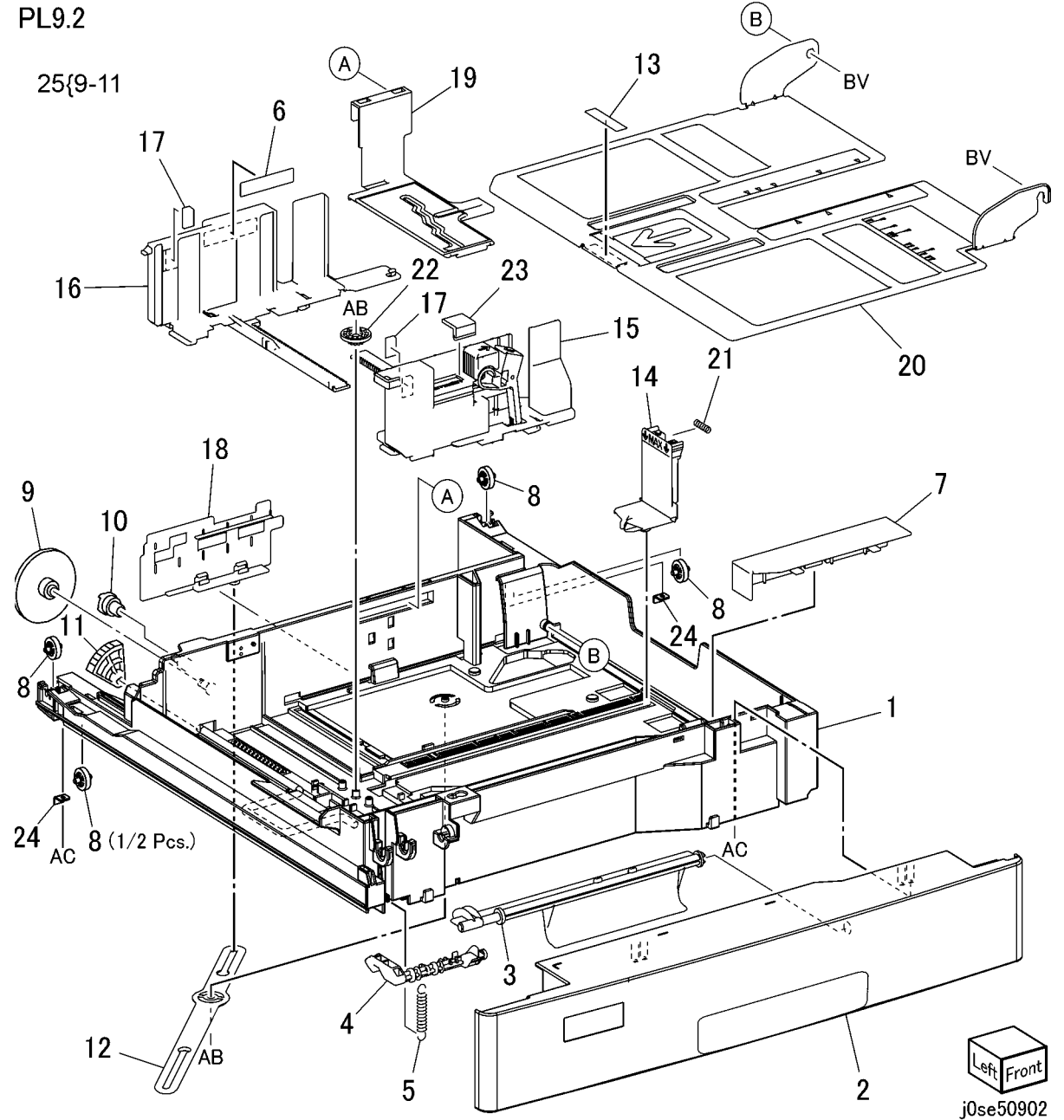
PL9.1
13{ 8,9



PL 9.2 Tray 1/2 (2 of 2)

Item	Part	Description
1	-	Tray Assembly
2	822E45720	Front Trim Cover
3	011E24400	Tray Lever
4	003E75440	Latch
5	809E75730	Latch Spring
6	893E09490	Label (Max)
7	848E21141	Rail Cover
8	059E03522	Roller
9	-	Gear (13/60T) (P/O PL 9.2 Item 25)
10	-	Gear (13T) (P/O PL 9.2 Item 25)
11	-	Gear (60T) (P/O PL 9.2 Item 25)
12	-	Link (Not Spared)
13	019K09580	Bottom Pad
14	-	End Guide (Not Spared)
15	-	Front Side Guide Assembly (with Item 23) (Not Spared)
16	-	Rear Side Guide Assembly (Not Spared)
17	019E71680	Pad
18	120E33930	End Guide Actuator
19	-	Side Actuator
20	-	Bottom Plate (Not Spared)
21	-	Spring (Not Spared)
22	807E13521	Pinion
23	010E94361	Slide Lock
24	-	Stopper
25	604K20541	Gear Kit

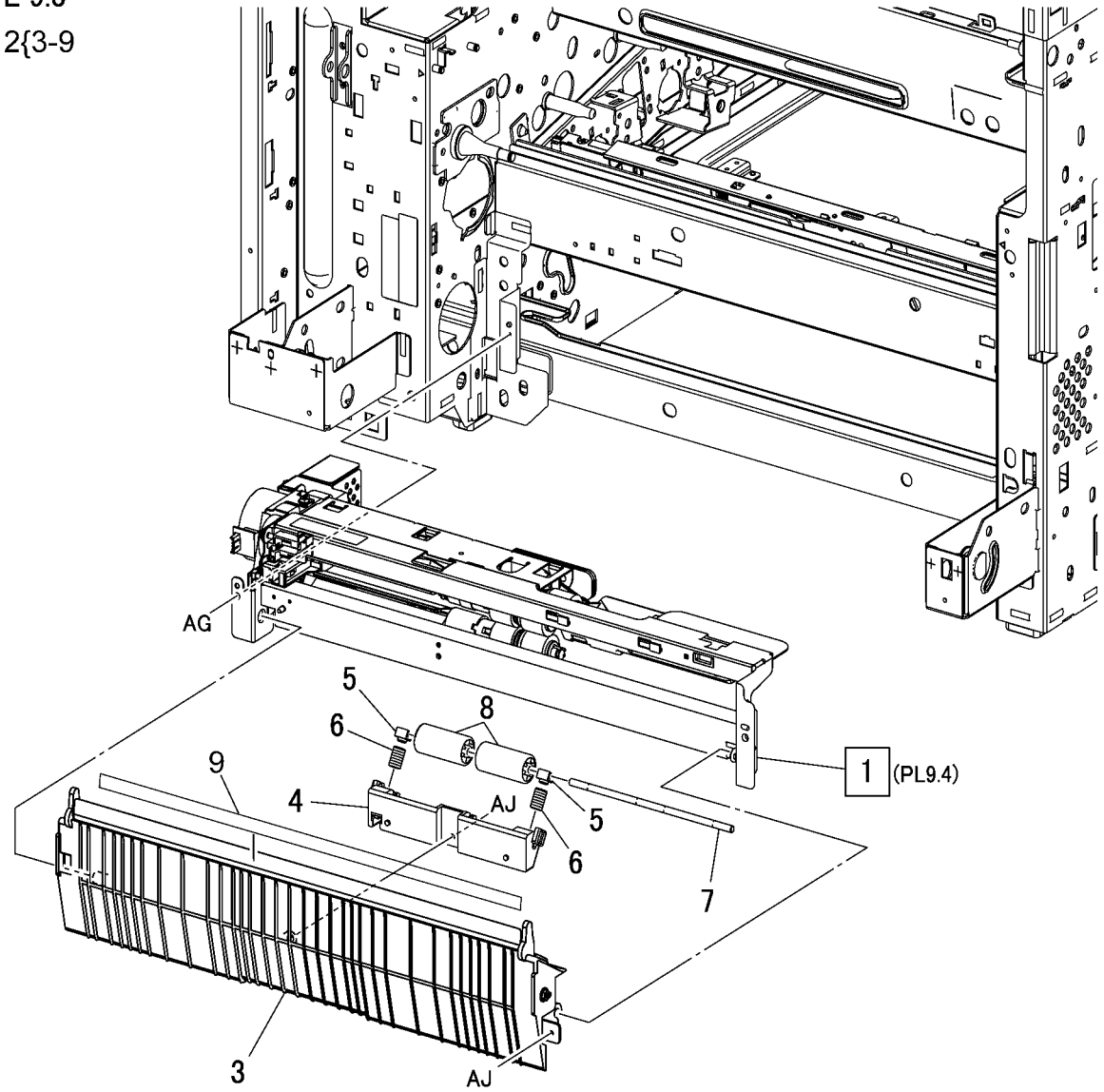
PL9.2



PL 9.3 Tray 1 Feeder

Item	Part	Description
1	059K87221	Tray 1 Feeder Assembly (C8030/35) (PL 9.4)
-	059K87231	Tray 1 Feeder Assembly (C8045/55, C8070) (PL 9.4) (REP 7.1)
2	054K51620	Chute Assembly
3	-	Chute (P/O PL 9.3 Item 2)
4	-	Pinch Guide (P/O PL 9.3 Item 2)
5	-	Spacer (P/O PL 9.3 Item 2)
6	-	Spring (P/O PL 9.3 Item 2)
7	-	Pinch Shaft (P/O PL 9.3 Item 2)
8	-	Pinch Roll (P/O PL 9.3 Item 2)
9	-	Guide-Paper Feeder

PL 9.3
2{3-9

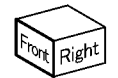
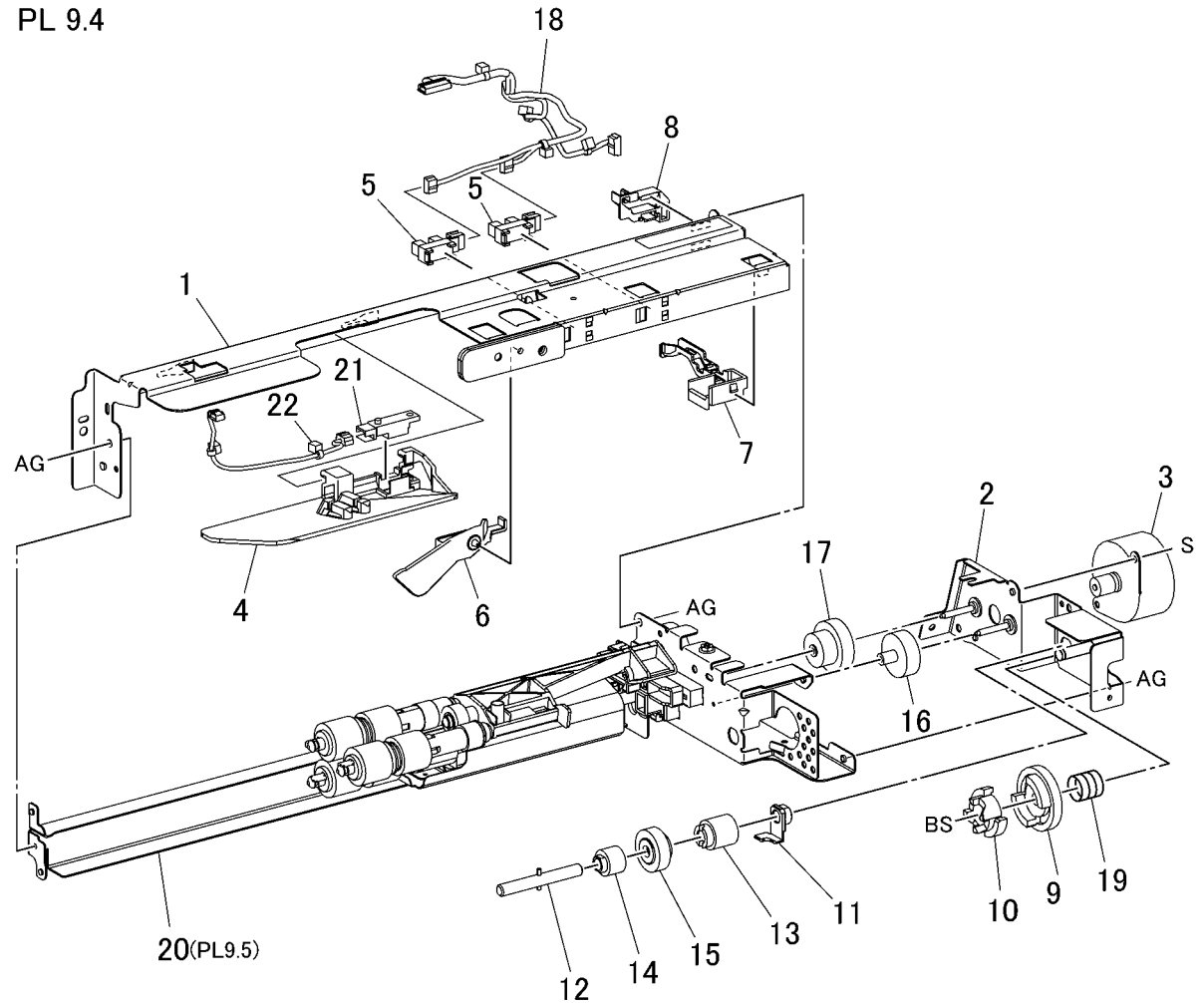


j0se50903A

PL 9.4 Tray 1 Feeder Assembly (1 of 2)

Item	Part	Description
1	-	Upper Frame Assembly
2	-	Drive Bracket Assembly (P/O PL 9.3 Item 1)
3	127K52790	Tray 1 Feed/Lift Up Motor
4	-	Chute (Not Spared)
5	930W00123	Tray 1 Nudger Level Sensor, No Paper Sensor (Alternate)
-	930W00113	Tray 1 Nudger Level Sensor, No Paper Sensor (Alternate)
6	120E22481	Actuator
7	-	Upper Harness Holder (P/O PL 9.3 Item 1)
8	-	Rear Harness Holder (P/O PL 9.3 Item 1)
9	807E00390	Gear (31T)
10	014E44770	Spacer
11	-	Bearing (P/O PL 9.3 Item 1)
12	006K23221	Drive Shaft
13	807E00800	Gear (13T)
14	005K83081	One way Clutch
15	007K98130	One Way Gear
16	807E20300	Helical Gear (25T)
17	807E20310	Helical Gear (29T/19T) (C8030/35)
-	807E30640	Helical Gear (29T/19T) (C8045/55, C8070)
18	-	Wire Harness (P/O PL 9.3 Item 1)
19	-	Spring (P/O PL 9.3 Item 1)
20	-	Roll Assembly (PL 9.5)
21	930W00211	Tray 1 Pre Feed Sensor (C8045/55, C8070)
22	-	Pre Feed Sensor Harness

PL 9.4



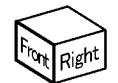
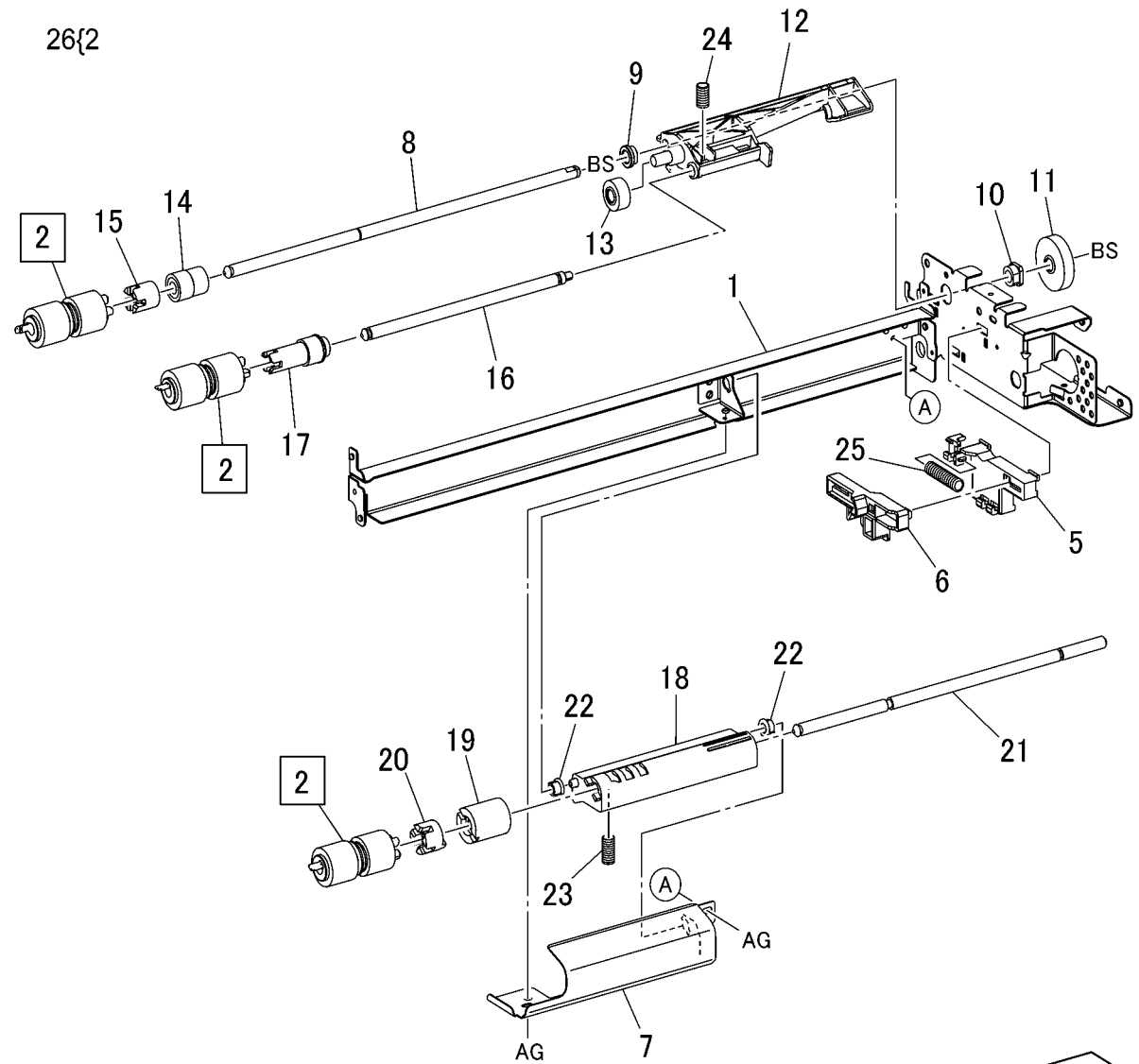
j0se50904

PL 9.5 Tray 1 Feeder Assembly (2 of 2)

Item	Part	Description
1	-	Frame Assembly (P/O PL 9.3 Item 1)
2	-	Feed/Nudger/Retard Roll (P/O PL 9.5 Item 26) (REP 7.2)
5	-	Holder (P/O PL 9.3 Item 1)
6	-	Lever (P/O PL 9.3 Item 1)
7	-	Feed In Chute (P/O PL 9.3 Item 1)
8	-	Feed Shaft (P/O PL 9.3 Item 1)
9	-	Bearing (P/O PL 9.3 Item 1)
10	-	Sleeve Bearing (P/O PL 9.3 Item 1)
11	-	Helical Gear (30T) (P/O PL 9.3 Item 1)
12	-	Nudger Support (P/O PL 9.3 Item 1)
13	-	Spur Gear (29T) (P/O PL 9.3 Item 1)
14	005K10090	Clutch Assembly (25T) (Alternate)
-	005K08820	Clutch Assembly (25T) (Alternate)
15	005K05890	One Way Clutch
16	-	Nudger Shaft (P/O PL 9.3 Item 1)
17	-	Gear (25T) (P/O PL 9.3 Item 1)
18	-	Retard Support (P/O PL 9.3 Item 1)
19	005K83300	Friction Clutch
20	014E45030	Spacer
21	-	Retard Shaft (P/O PL 9.3 Item 1)
22	-	Retard Bearing (P/O PL 9.3 Item 1)
23	-	Spring
24	-	Spring (P/O PL 9.3 Item 1)
25	-	Spring (P/O PL 9.3 Item 1)
26	604K56080	3 Roll Kit

PL 9.5

26{2

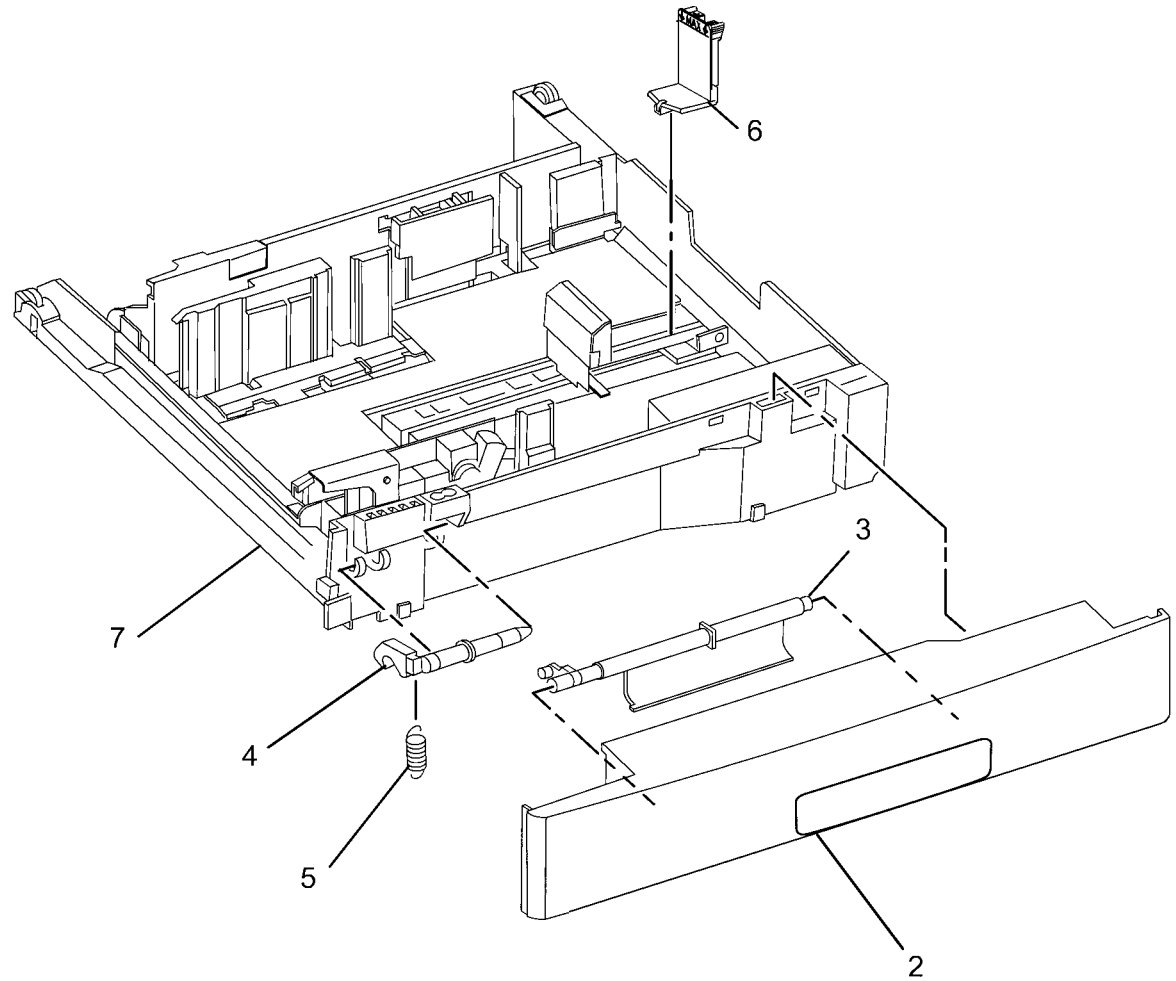


j0se50905A

PL 9.6 Envelope Tray Assembly

Item	Part	Description
1	050K77720	Envelope Tray Assembly
2	822E45720	Front Cover
3	011E21572	Lever
4	003E75440	Latch
5	809E75730	Spring
6	038E26533	End Guide
7	-	Envelope Tray Frame (P/O PL 9.6 Item 1)

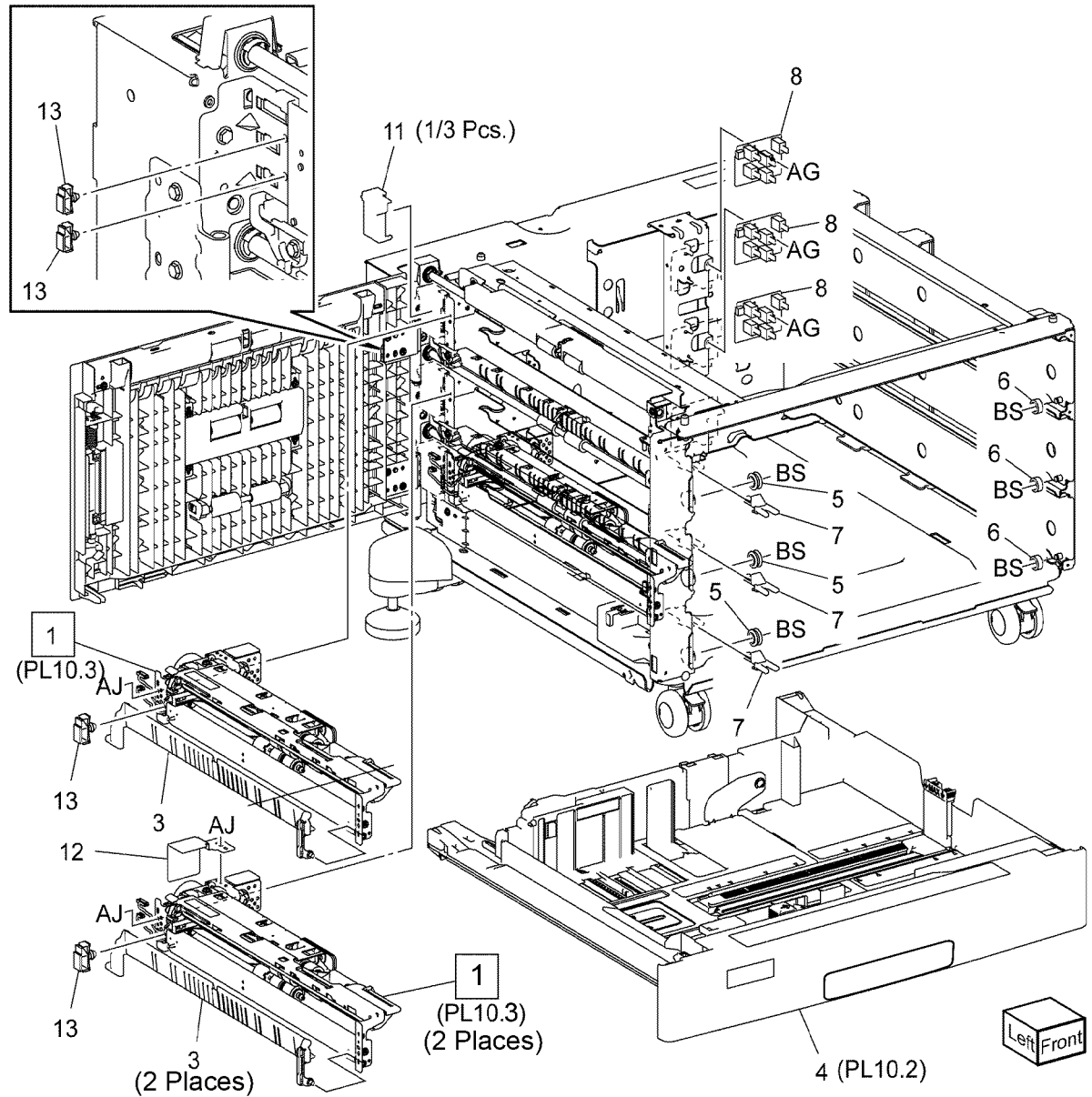
1 { 2 - 7



0502016A-OAK

PL 10.1 Three Tray Module (3TM - C8030/35)

Item	Part	Description
1	059K74830	Tray 2, Tray 3, Tray 4 Feeder Assembly (REP 7.3, REP 7.4, REP 7.5)
3	054E36442	Feed Out Chute
4	050K77620	Tray 2, Tray 3, Tray 4 Unit
5	059E03500	Roller
6	059E08410	Roller
7	003E75431	Stopper
8	110K11680	Paper Size Sensor
-	110K12100	Paper Size Sensor (Alt)
9	-	Not Used
10	-	Not Used
11	-	Connector Cover
12	-	Feeder Bracket (Not Spared)
13	-	Clamp (Not Spared)

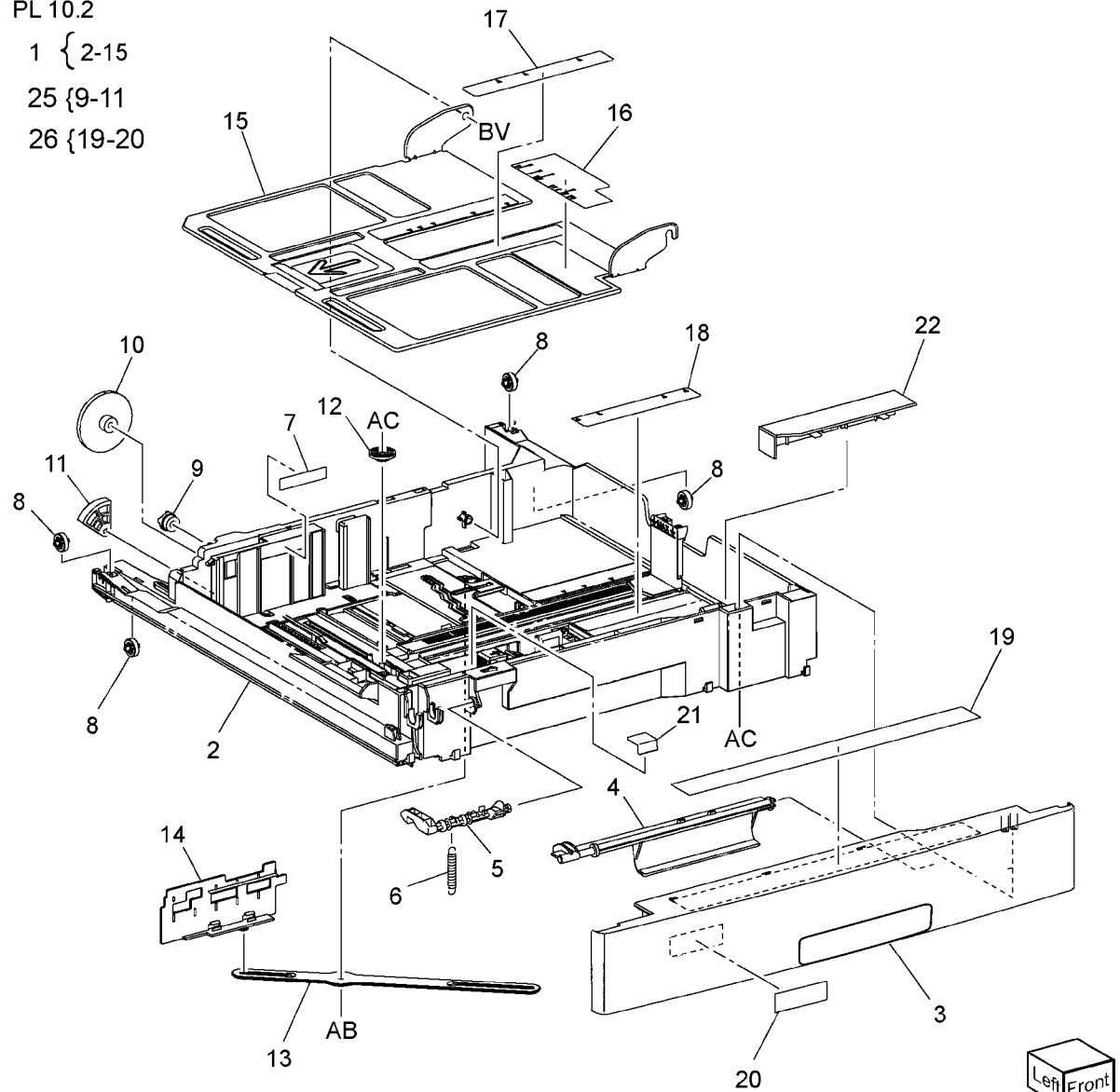


j0kt51001

PL 10.2 Tray 2, 3, 4 Assembly (3TM - C8030/35)

Item	Part	Description
1	-	Tray Assembly
2	-	Tray Assembly (P/O PL 10.2 Item 1)
3	822E45740	Front Cover
4	011E24093	Lever
5	003E76330	Latch (P/O PL 10.2 Item 1)
6	809E80250	Spring (P/O PL 10.2 Item 1)
7	893E09490	Label (Max)
8	059E03522	Rear Roller
9	-	Gear (13T)
10	-	Gear (13T/60T) (P/O PL 10.2 Item 1)
11	-	Gear (60T) (P/O PL 10.2 Item 1)
12	807E13521	Pinion
13	-	Link (P/O PL 10.2 Item 1)
14	-	End Actuator (P/O PL 10.2 Item 1)
15	-	Bottom Plate (P/O PL 10.2 Item 1)
16	-	Side Size Label
17	-	End Front Label
18	-	End Rear Label
19	-	Instruction Label
20	-	Tray Label (No 2)
21	014E59990	Slide Lock Block
22	848E21141	Rai Cover (Tray 2 Only)
23	-	Tray Label (No 3)
24	-	Tray Label (No 4)
25	604K20543	Gear Kit
26	607K09820	Label Kit

PL 10.2
 1 { 2-15
 25 { 9-11
 26 { 19-20

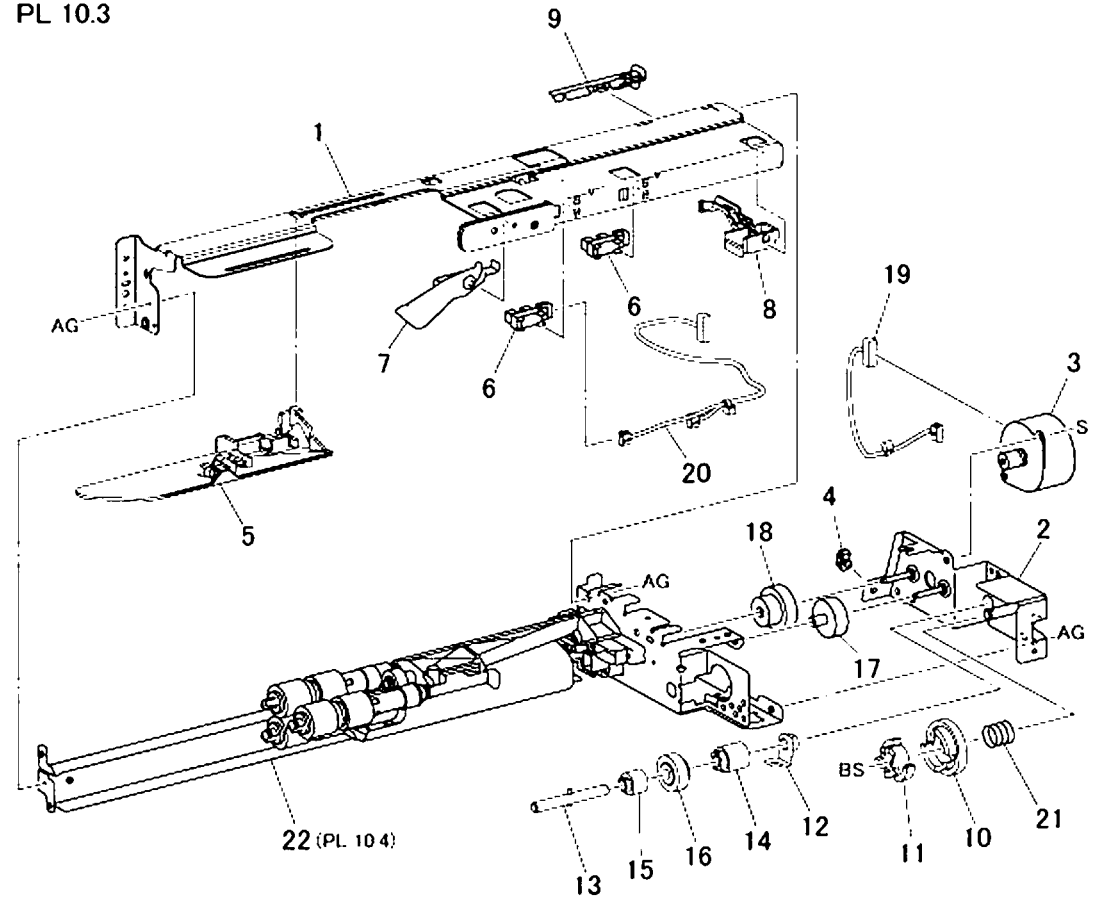


j0kt51002

PL 10.3 Tray 2, 3 & 4 Feeder Assembly (1 of 2) (3TM - C8030/35)

Item	Part	Description
1	-	Upper Frame Assembly (P/O PL 10.1 Item 1)
2	-	Drive Bracket Assembly (Not Spared)
3	127K52790	Feed/Lift Up Motor Assembly
4	-	Clamp
5	-	Chute (Not Spared)
6	930W00113	Nudger Level Sensor, No Paper Sensor
7	120E22481	Actuator
8	-	Upper Harness Holder (P/O PL 10.1 Item 1)
9	-	Rear Harness Holder (P/O PL 10.1 Item 1)
10	807E00390	Gear (31T)
11	014E44770	Spacer
12	-	Shaft Bearing (Not Spared)
13	006K23221	Drive Shaft
14	807E00800	Gear (13T)
15	005K83081	One Way Clutch Assembly
16	007K98130	One Way Gear
17	807E20300	Helical Gear (25T)
18	807E20310	Helical Gear (29T/19T)
19	-	Motor Harness Assembly (P/O PL 10.1 Item 1)
20	-	Sensor Motor Harness (P/O PL 10.1 Item 1)
21	809E50531	Spring
22	-	Roll Assembly (REF: PL 10.4)

PL 10.3



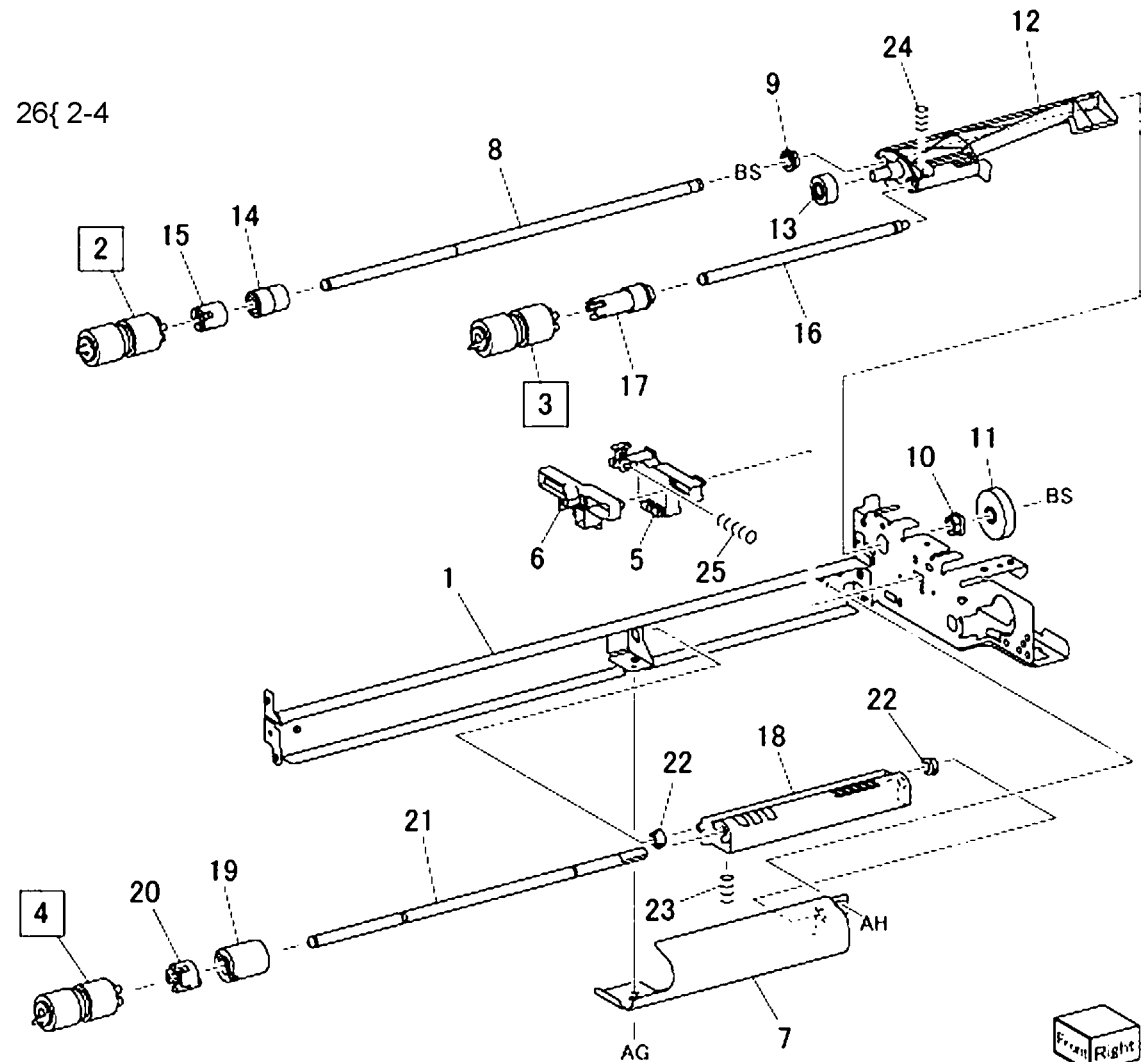
j0se51003

PL 10.4 Tray 2, 3, 4 Feeder Assembly (3TM) (2 of 2) (3TM - C8030/35)

Item	Part	Description
1	-	Lower Frame Assembly (P/O PL 10.1 Item 1)
2	-	Feed Roll (REP 7.6)
3	-	Nudger Roll (Same as Part 2) (REP 7.7)
4	-	Retard Roll (Same as Part 2) (REP 7.8)
5	-	Holder (P/O PL 10.1 Item 1)
6	-	Lever (P/O PL 10.1 Item 1)
7	-	Feed In Chute (P/O PL 10.1 Item 1)
8	-	Feed Shaft (P/O PL 10.1 Item 1)
9	-	Bearing (P/O PL 10.1 Item 1)
10	-	Plastic Bearing (P/O PL 10.1 Item 1)
11	-	Helical Gear (30T) (P/O PL 10.1 Item 1)
12	-	Nudger Support (Not Spared)
13	-	Spur Gear (29T) (P/O PL 10.1 Item 1)
14	005K10090	Clutch Assembly (25T) (Alternate)
-	005K08820	Clutch Assembly (25T)
15	005K10080	One Way Clutch (Alternate)
-	005K05890	One Way Clutch
16	-	Nudger Shaft (P/O PL 10.1 Item 1)
17	-	Gear (25T) (P/O PL 10.1 Item 1)
18	-	Retard Support (P/O PL 10.1 Item 1)
19	005K83300	Friction Clutch Assembly
20	014E45030	Spacer
21	-	Retard Shaft
22	-	Retard Bearing (P/O PL 10.1 Item 1)
23	-	Compression Retard Spring
24	-	Nudger Compression Spring (P/O PL 10.1 Item 1)
25	-	Compression Lever Spring (P/O PL 10.1 Item 1)
26	604K56080	3 Roll Kit

PL 10.4

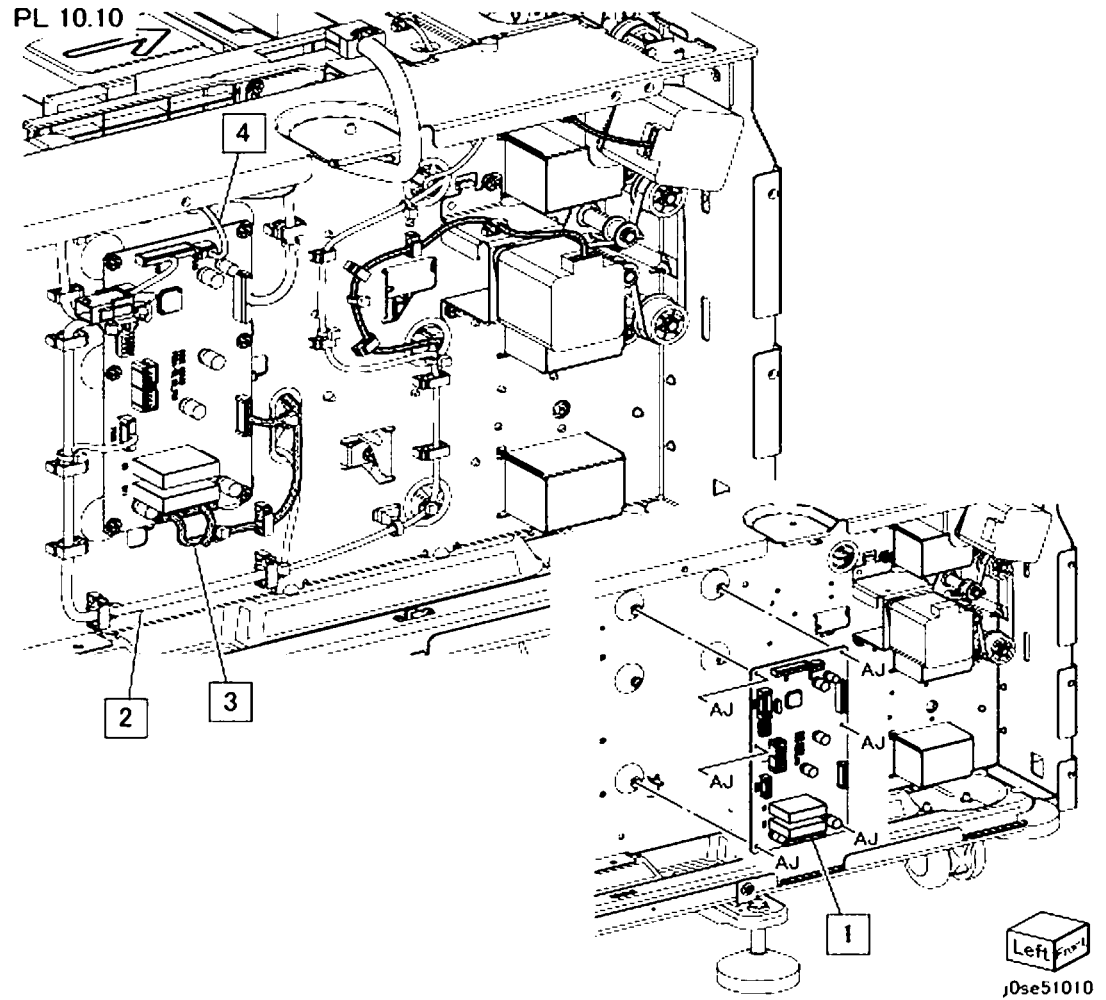
26{ 2-4



Front/Right
j0se51004

PL 10.9 Electrical (3TM)

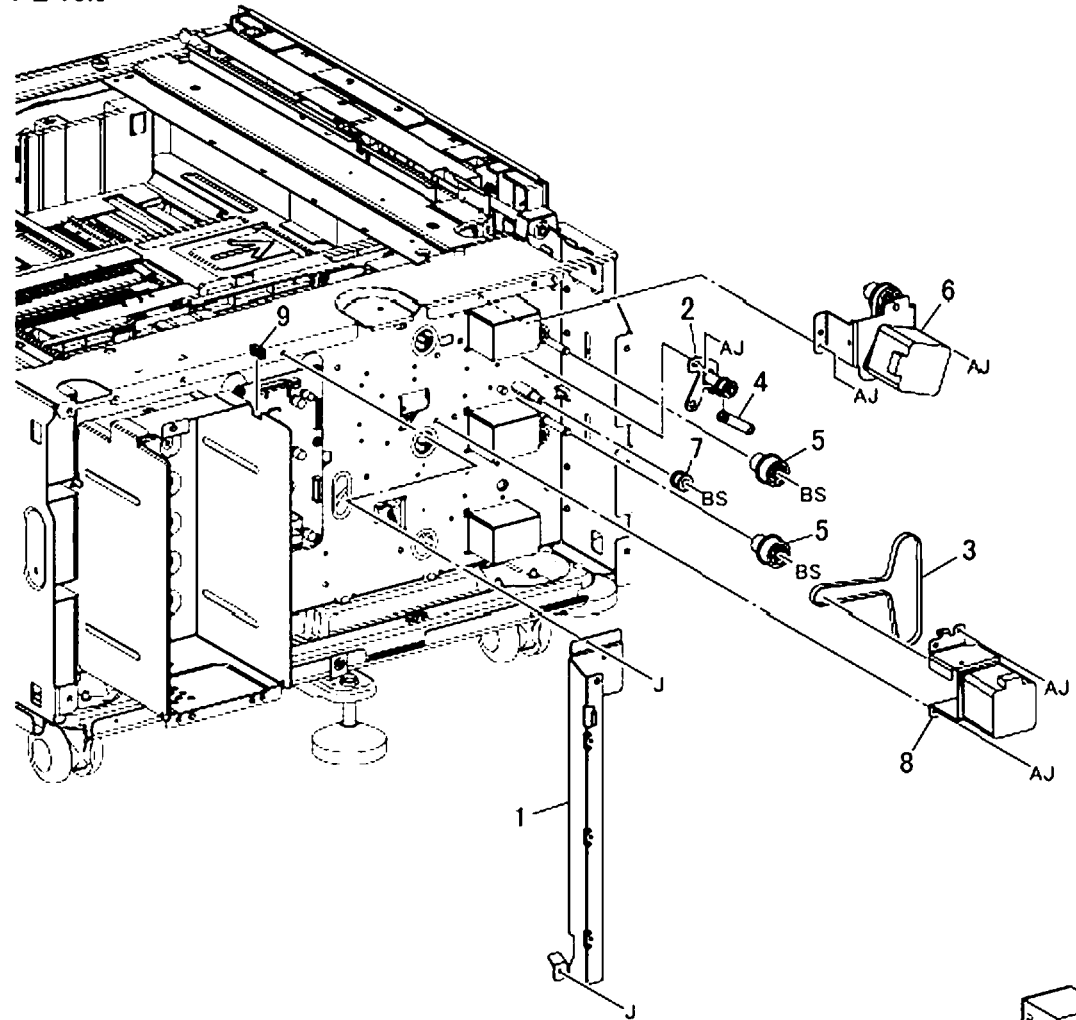
Item	Part	Description
1	960K68544	Tray Module PWB (REP 7.9)
2	-	Sensor Harness Assembly
3	-	Motor Harness Assembly
4	952K03041	I/F Harness



PL 10.10 Drive

Item	Part	Description
1	-	Bracket
2	049K19880	Tension Bracket
3	423W52054	Belt
4	-	Spring
5	020E49940	Pulley (24T)
6	127K67810	TM Take Away Motor (3TM) (REP 7.25)
7	059E03590	Roll
8	127K67820	TM Take Away Motor 2 (3TM) (REP 7.26)
9	918W00014	Bush

PL 10.9

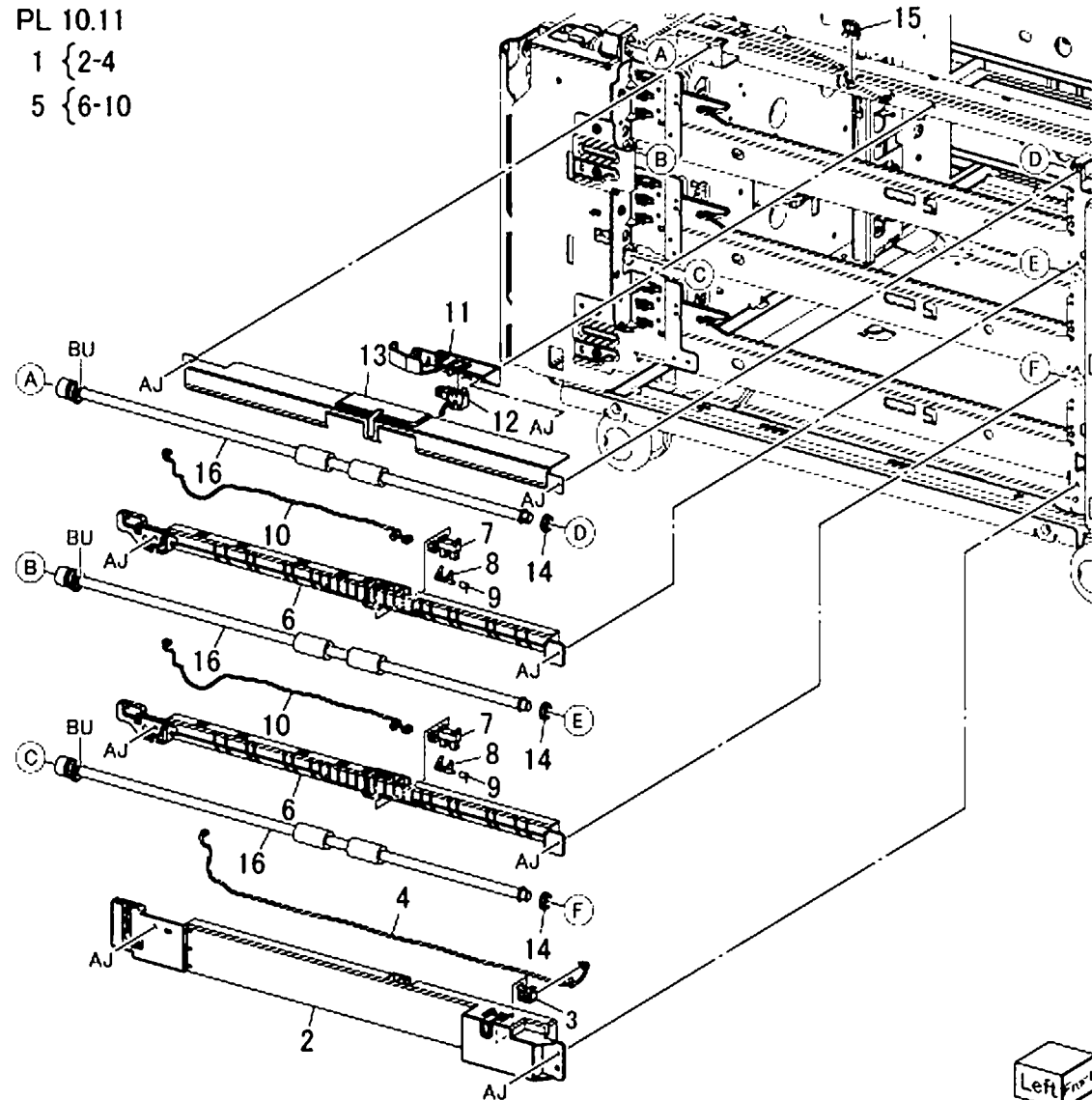


j0se51009

PL 10.11 Roller (3TM)

Item	Part	Description
1	848K49341	Cover
2	-	Cover
3	110E12220	Switch
4	-	Harness Assembly
5	054K34143	Chute Assembly
6	-	Chute
7	930W00111	Tray 3, Tray 4 Feed Out Sensor
8	-	Actuator
9	-	Spring Sensor
10	-	Wire Harness
11	-	Guide Sensor
12	130K64121	Tray 2 Feed Out Sensor
13	054E34301	Chute
14	013E42200	Bearing Sleeve
15	-	Clamp
16	059K60191	Take Away Roll Assembly 2/3/4

PL 10.11
 1 {2-4
 5 {6-10

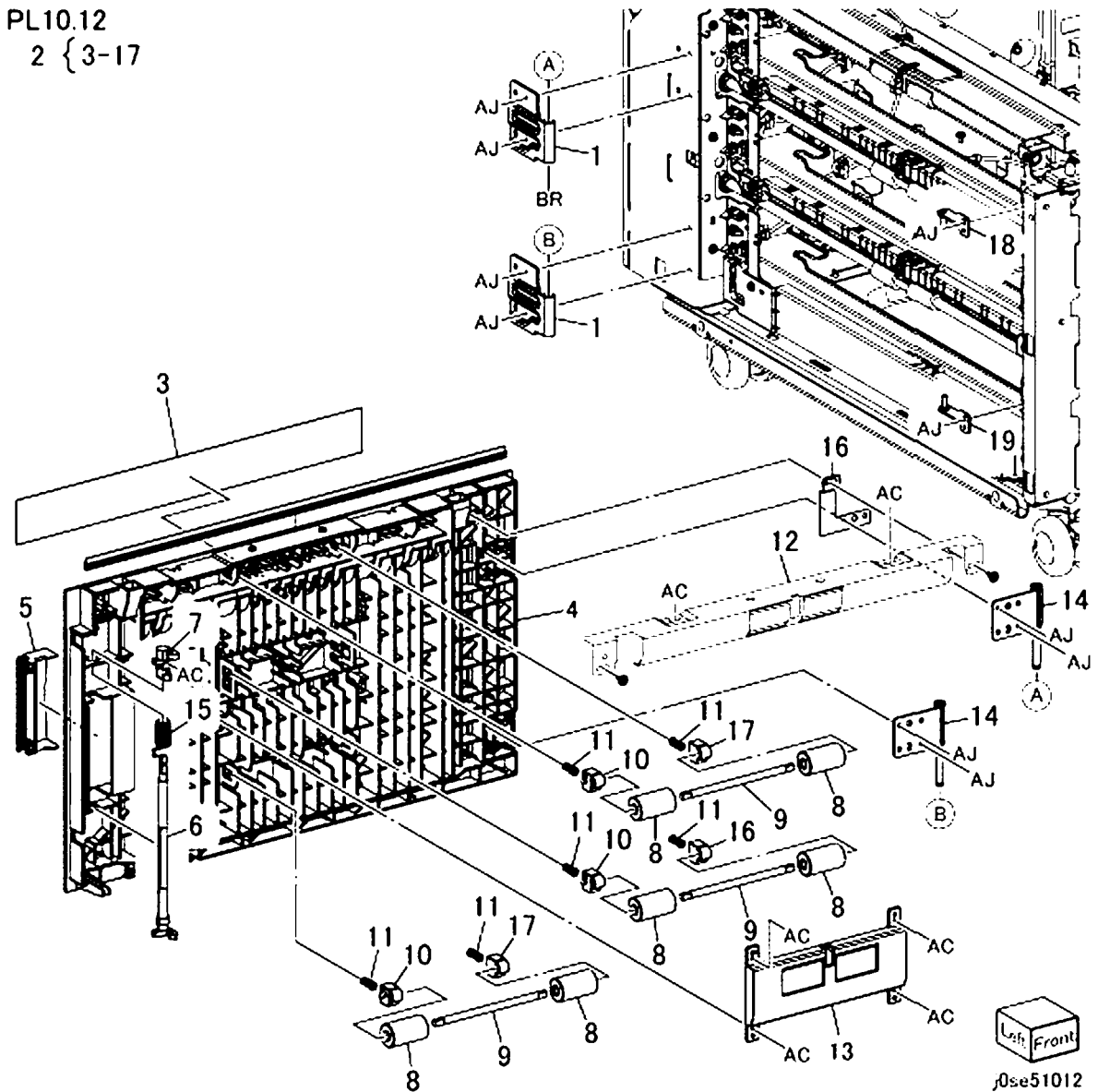


j0se51011

PL 10.12 Left Hand Cover Assembly (3TM)

Item	Part	Description
1	868E02200	Hinge Bracket
2	848K76920	Left Hand Cover Assembly
3	-	Noise Label
4	-	Left Hand Cover (P/O PL 10.12 Item 2)
5	003E75571	Handle
6	803E08671	Latch
7	019E69600	Hook
8	059E99241	Pinch Roll
9	-	Pinch Shaft (P/O PL 10.12 Item 2)
10	-	Pinch Bearing (Front)
11	-	Spring Pinch (P/O PL 10.12 Item 2)
12	054K52500	Left Hand Chute
13	-	Chute Pinch (P/O PL 10.12 Item 2)
14	068K55791	Hinge Bracket
15	-	Spring (P/O PL 10.12 Item 2)
16	-	Plate Spring (P/O PL 10.12 Item 2)
17	-	Pinch Bearing (Rear)
18	068K55701	Upper Bracket Assembly
19	068K55711	Lower Bracket Assembly

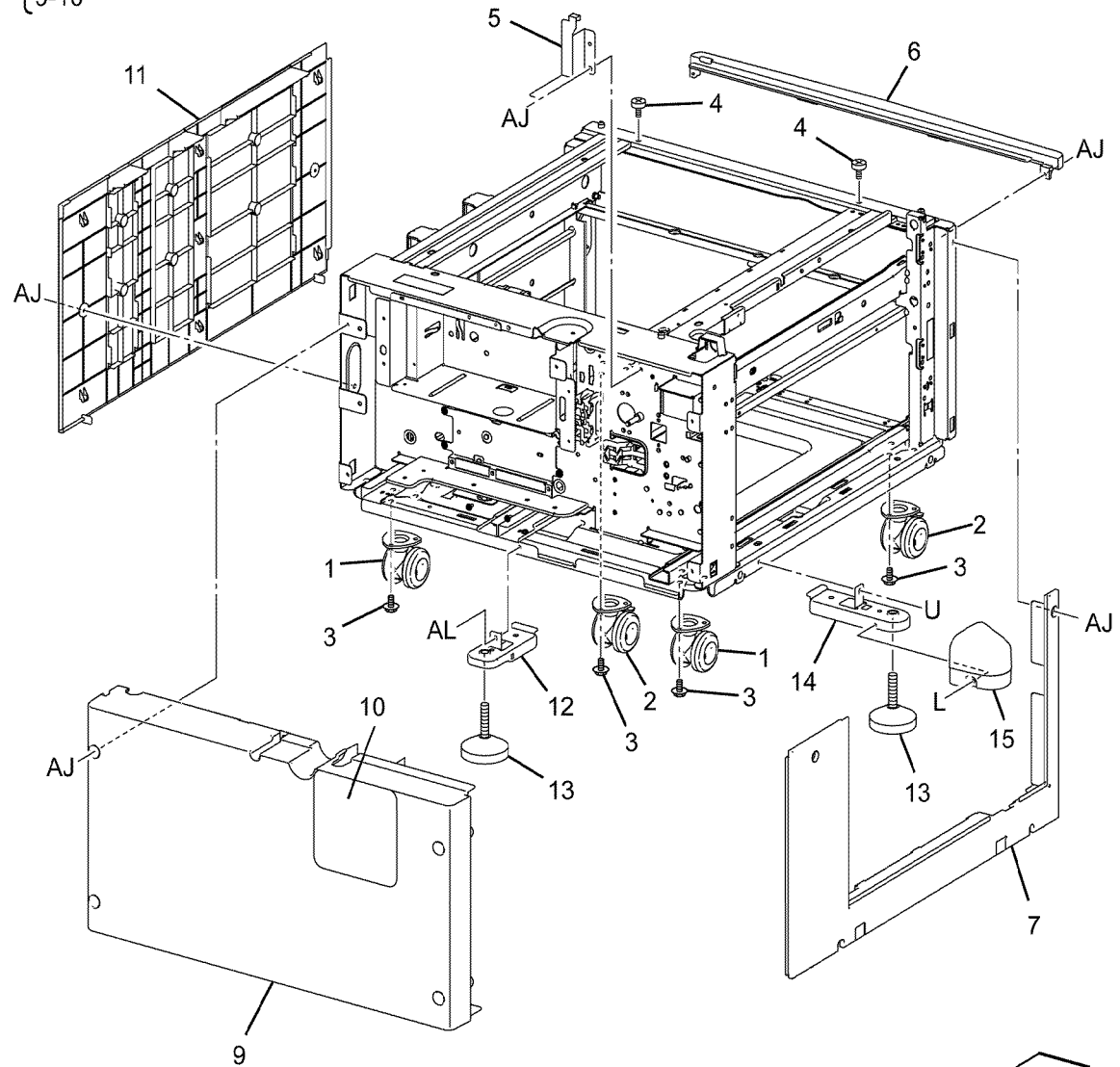
PL10.12
2 { 3-17



PL 10.14 Covers (3TM)

Item	Part	Description
1	017K94570	Caster Assembly
2	017K94580	Locking Caster Assembly
3	-	Screw
4	-	Docking Screw (Not Spared)
5	-	Docking Bracket (Not Spared)
6	848E95730	Top Cover
7	-	Left Cover
8	848K75970	Rear Cover Assembly
9	-	Rear Cover
10	-	Cover Rear S
11	-	Right Cover
12	868E92340	Foot Bracket
13	017K94590	Adjuster Foot Assembly
14	868E20861	Foot Bracket L
15	848E45610	Foot Cover L

PL 11.18
8 { 9-10



j0kt51118

PL 11.1 Tandem Tray Assembly (TTM)

Item	Part	Description
1	050K77540	Tray 4 Assembly (REP 7.11)
2	-	Tray 4 (P/O PL 11.1 Item 1) (PL 11.4)
3	-	Tray 4 Cover (P/O PL 11.1 Item 15)
4	-	Lever (P/O PL 11.1 Item 15)
5	-	Link (P/O PL 11.1 Item 15)
6	-	Link (P/O PL 11.1 Item 15)
7	-	Spring (P/O PL 11.1 Item 15)
8	-	Latch (P/O PL 11.1 Item 15)
9	-	Cover (P/O PL 11.1 Item 15)
10	-	Transport Bracket (P/O PL 11.1 Item 15)
11	-	Label (Instruction)
12	-	Label (Tray No 4) (P/O PL 11.1 Item 30)
13	-	Label
14	019E71680	Pad
15	948K15330	Tray 4 Cover
16	050K77560	Tray 3 Assembly (REP 7.10)
17	-	Tray 3 (P/O PL 11.1 Item 16) (PL 11.3)
18	-	Tray 3 Cover (P/O PL 11.1 Item 27)
19	-	Lever
20	-	Link (P/O PL 11.1 Item 27)
21	-	Link (P/O PL 11.1 Item 27)
22	-	Spring (P/O PL 11.1 Item 27)
23	-	Latch (P/O PL 11.1 Item 27)
24	-	Cover (P/O PL 11.1 Item 27)
25	-	Label (Instruction)
26	-	Label (Tray No3) (P/O PL 11.1 Item 30)
27	948K15340	Tray 3 Cover
28	-	Pad (Same as Item 14)
29	050K77620	Tray 2 Assembly (PL 11.2)
30	607K09820	Tray Label Kit

PL 11.1

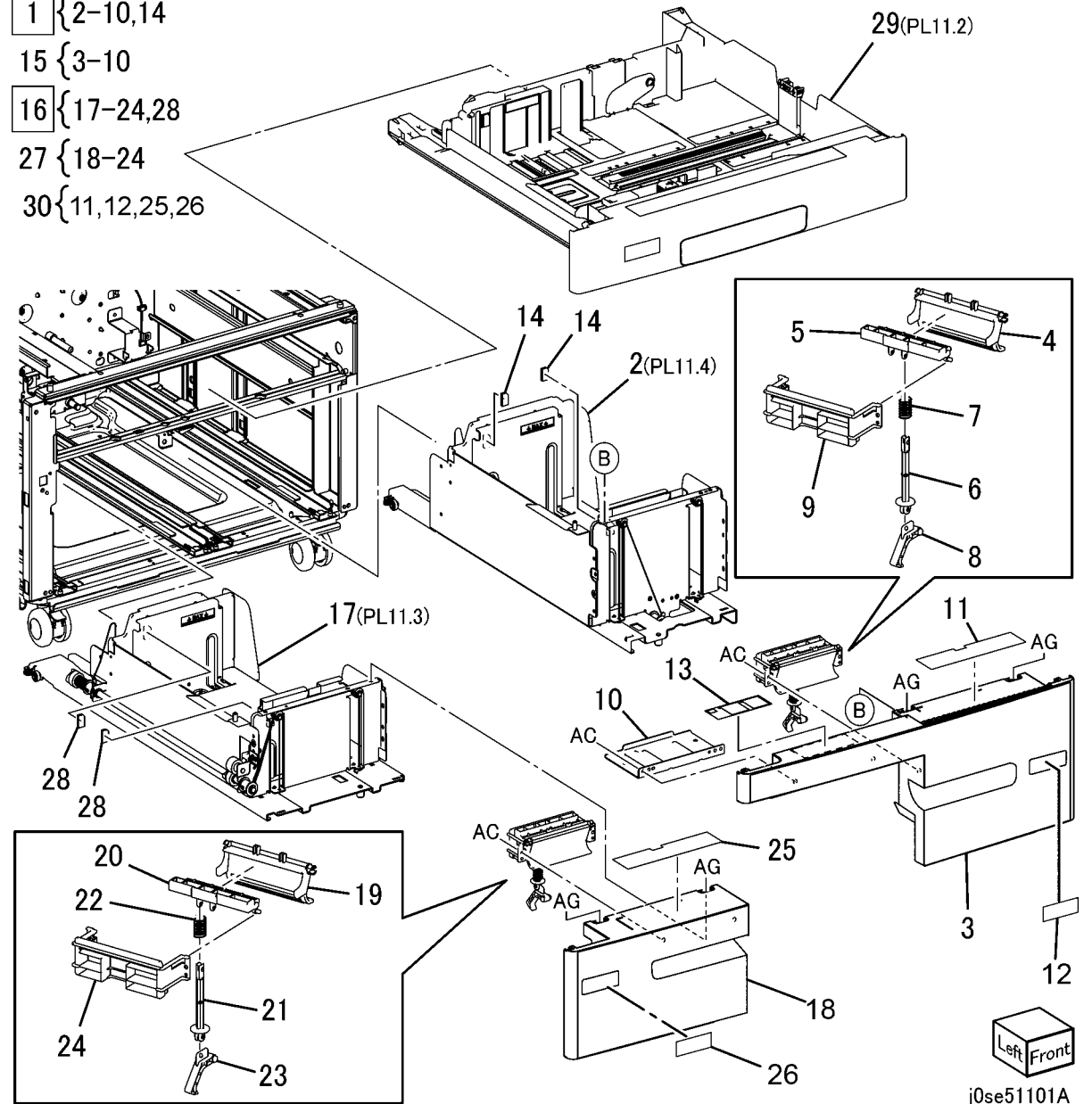
1 {2-10,14

15 {3-10

16 {17-24,28

27 {18-24

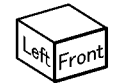
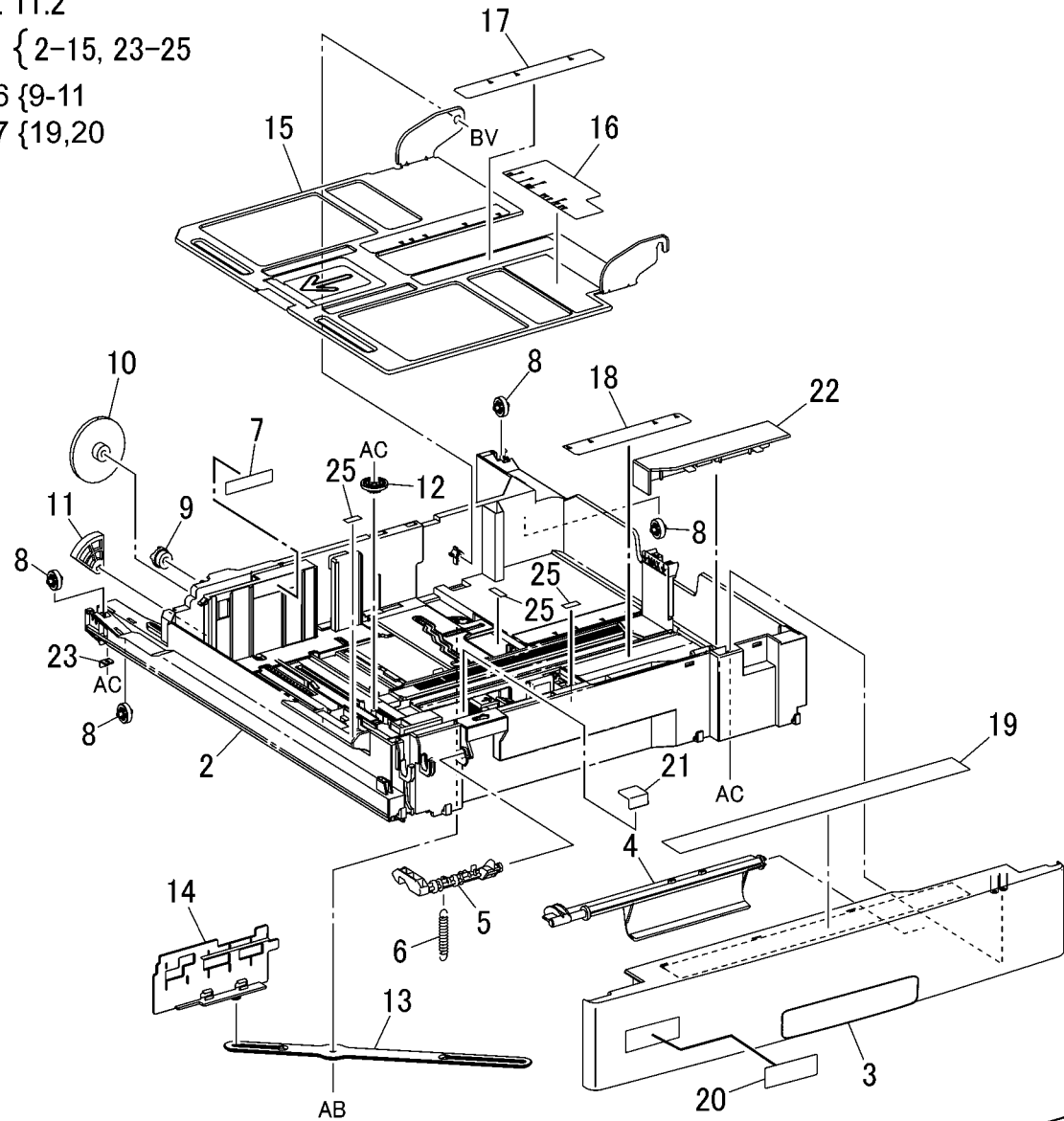
30 {11,12,25,26



PL 11.2 Tray 2 (TTM)

Item	Part	Description
1	-	Tray 2 Assembly (Not Spared)
2	-	Tray Assembly (P/O PL 11.2 Item 1)
3	822E45740	Front Cover
4	011E24092	Lever
5	003E76330	Latch
6	809E80250	Spring
7	893E09490	Lab (Max)
8	059E03522	Rear Roller
9	-	Gear (13T) (P/O PL 11.2 Item 26)
10	-	Gear (13T/60T) (P/O PL 11.2 Item 26)
11	-	Gear (60T) (P/O PL 11.2 Item 26)
12	807E13521	Pinion
13	-	Link (P/O PL 11.2 Item 1)
14	-	End Actuator (Not Spared)
15	-	Bottom Plate (P/O PL 11.2 Item 1)
16	-	Label (Side)
17	-	Label (End Front)
18	-	Label (End Rear)
19	-	Label (Instruction) (P/O PL 11.2 Item 27)
20	-	Label (No.2) (P/O PL 11.2 Item 27)
21	014E59990	Slide Lock Block
22	848E21141	Rai Cover
23	-	Stopper
25	-	Pad
26	604K20541	Gear Kit
27	607K09820	Label Kit

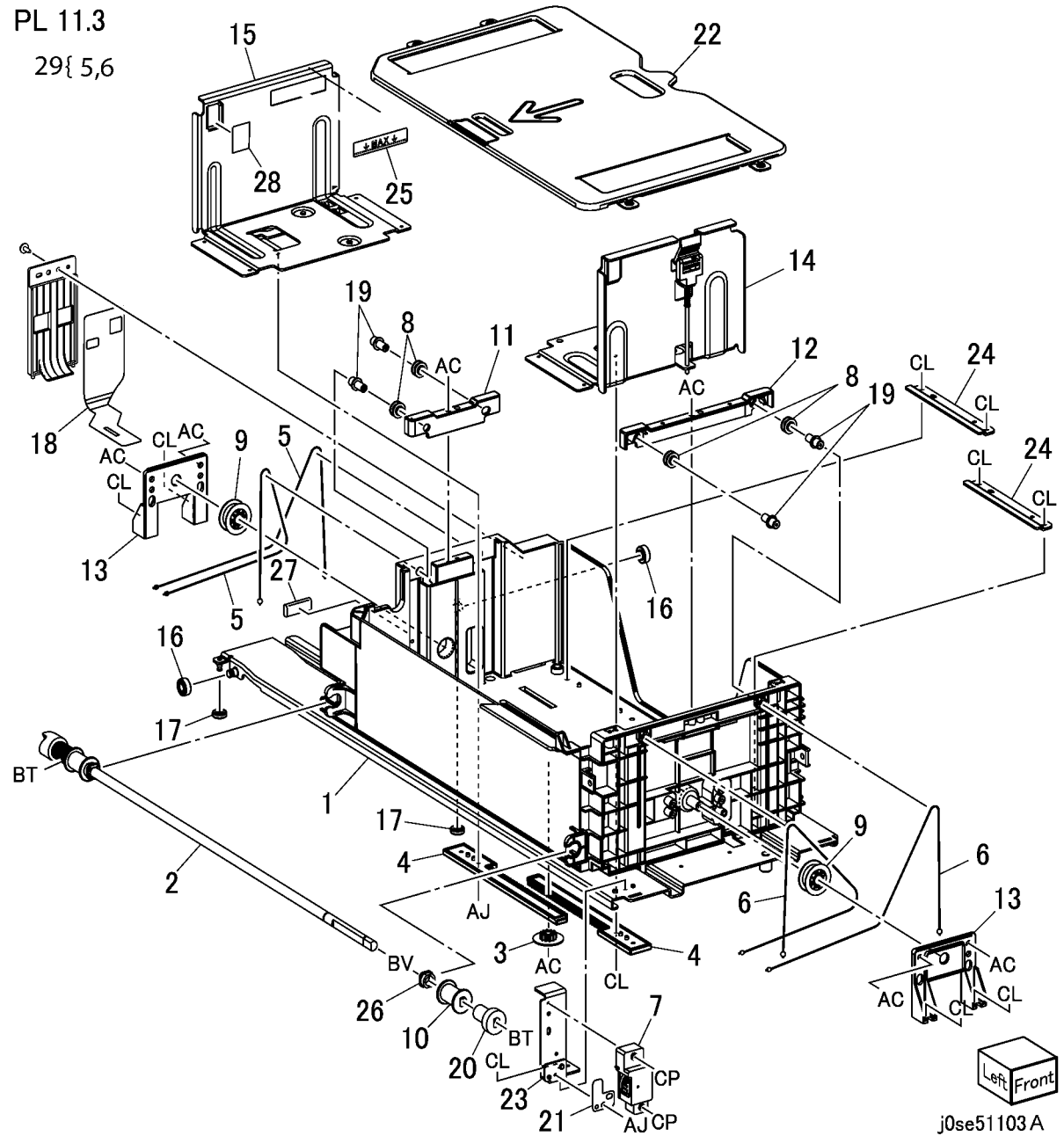
PL 11.2
 1 { 2-15, 23-25
 26 { 9-11
 27 { 19,20



j0se51102A

PL 11.3 Tray 3 (TTM)

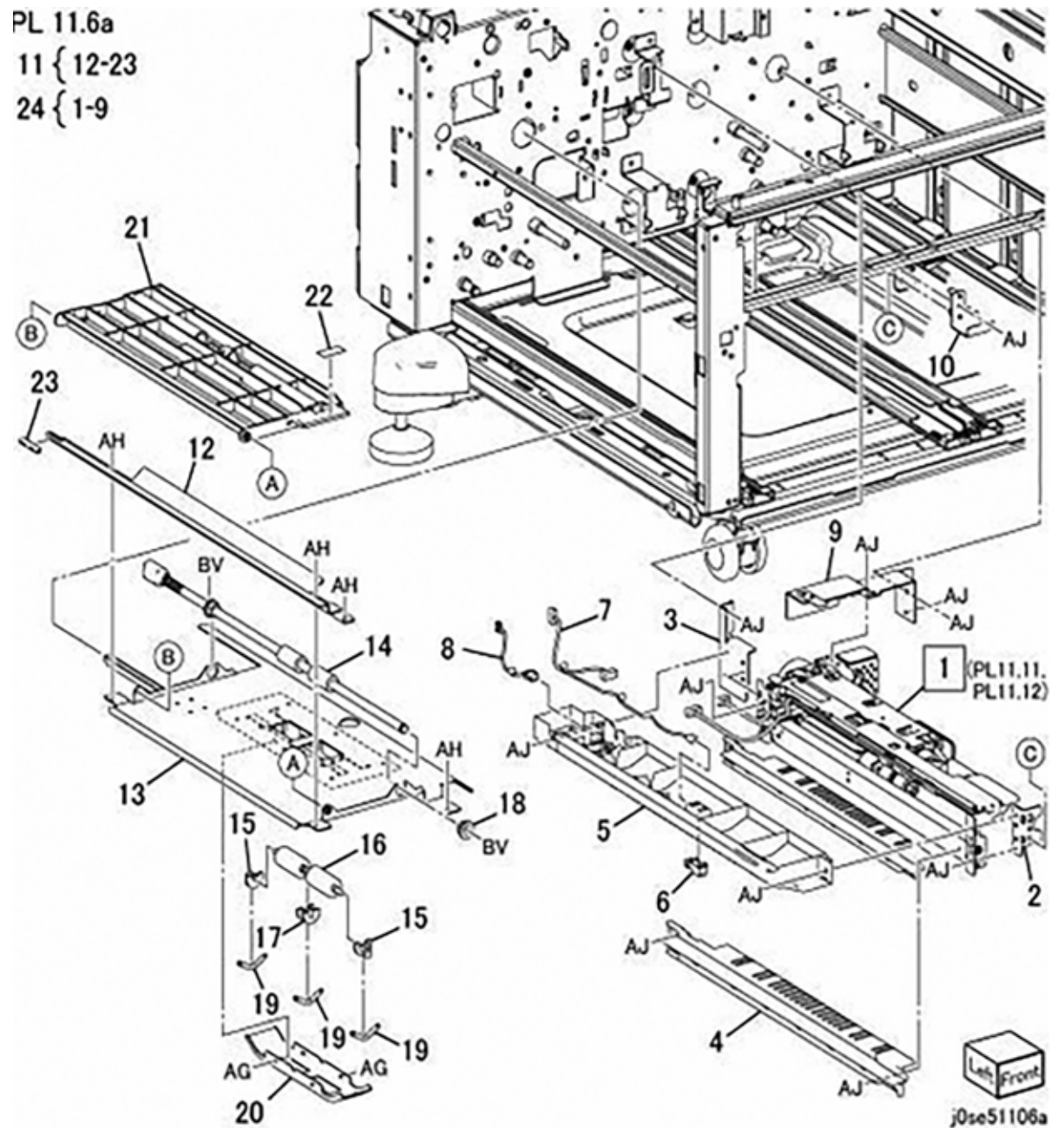
Item	Part	Description
1	-	Base Tray
2	006K89421	Lift Shaft
3	007E78190	Pinion
4	007E78370	Rack Gear
5	-	Rear Cable
6	-	Front Cable
7	019K93921	Brake
8	604K20730	4 Pulley Kit
9	020E48770	Pulley
10	020E48870	Pulley
11	-	Guide
12	-	Guide
13	-	Guide
14	-	Side Front Guide
15	-	Side Rear Guide
16	059E05040	Side Roll
17	059E05060	Lower Roll
18	-	Size Actuator
19	-	Shaft
20	807E36210	Gear
21	-	Spring
22	815K10461	Bottom Plate
23	-	Bracket
24	-	Bracket
25	893E09490	Label (Max)
26	413W11860	Bearing
27	-	Gasket
28	019E71680	Pad
29	604K91950	Tray 3 Cable Kit



PL 11.5A Tray 4 Paper Feed (TTM) (C8030/35/45/55)

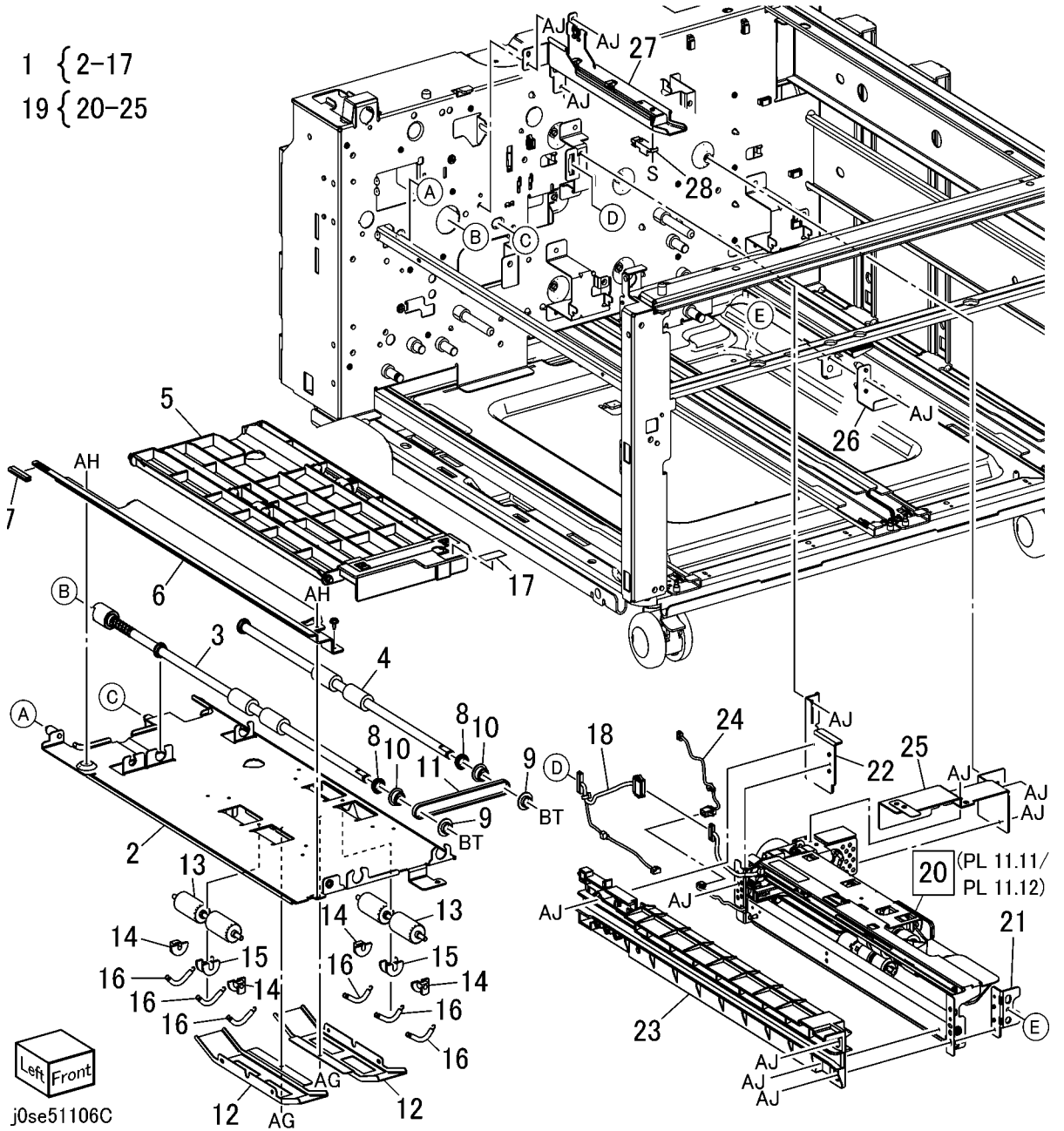
Item	Part	Description
1	059K86690	Tray 4 Feeder (C8030/35/45/55) (REP 7.13)
2	-	Bracket (P/O PL 11.5A Item 24)
3	-	Bracket (P/O PL 11.5A Item 24)
4	-	Lower Chute (P/O PL 11.5A Item 24)
5	-	Upper Chute (P/O PL 11.5A Item 24)
6	-	Tray 4 Feed Out Sensor (P/O PL 11.5A Item 24)
7	-	Wire Harness (Sensor) (P/O PL 11.5A Item 24)
8	-	Wire Harness (Motor) (P/O PL 11.5A Item 24)
9	-	Cover (P/O PL 11.5A Item 24)
10	-	Stud Bracket
11	059K87740	Tray 4 Transport Assembly (C8030/35/45/55)
12	-	Transport Rail (P/O PL 11.5A Item 11)
13	-	Lower Chute (P/O PL 11.5A Item 11)
14	-	Tray 4 Transport Roll (P/O PL 11.5A Item 11)
15	-	Bearing (P/O PL 11.5A Item 11)
16	-	Pinch Roll (P/O PL 11.5A Item 11)
17	-	Bearing (P/O PL 11.5A Item 11)
18	-	Bearing (P/O PL 11.5A Item 11)
19	-	Spring (P/O PL 11.5A Item 11)
20	-	Cover (P/O PL 11.5A Item 11)
21	-	Upper Chute (P/O PL 11.5A Item 11)
22	-	Label (P/O PL 11.5A Item 11)
23	-	Spacer (P/O PL 11.5A Item 11)
24	059K82001	Tray 4 Feeder and Chute (C8030/35/45/55)

PL 11.6a
11 { 12-23
24 { 1-9



PL 11.5B Tray 4 Paper Feed (TTM) (C8070)

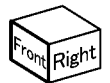
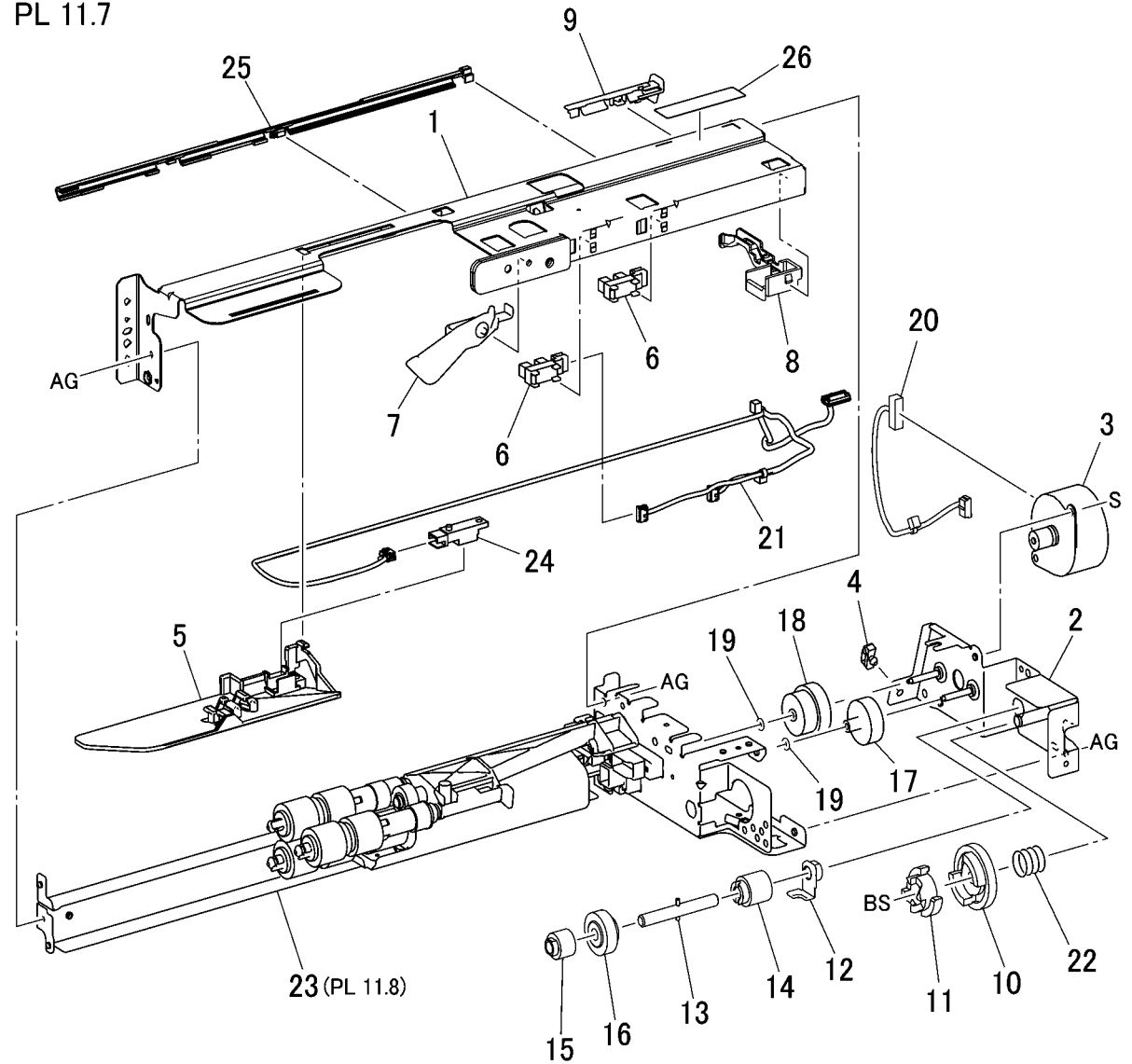
Item	Part	Description
1	059K80151	Transport Assembly (C8070)
2	-	Chute Assembly Low
3	-	Roll Assembly Transport
4	-	Roll Assembly Trs
5	-	Chute Upper Trs
6	-	Rail Transport Lh
7	-	Spacer Rail
8	-	Bearing Ball
9	-	Collar Trs
10	-	Pulley Sync S2m
11	-	Belt Synchronous
12	-	Cover Pinch
13	-	Roll Pinch Transport
14	-	Bearing 2
15	-	Bearing 1
16	-	Spring Pinch Trs
17	-	Label Transport
18	-	Harness Assembly In
19	059K80981	Feeder Assembly (C8070)
20	059K86690	Tray 4 Feeder (C8070) (REP 7.13)
21	-	Bracket Fdr Front
22	-	Bracket Fdr Rear
23	-	Chute Fdr Transport
24	-	Harness Assembly Motor Int
25	-	Cover Assembly Fdr Fo
26	-	Bracket Assembly Pivot
27	-	Bracket Assembly Sensor
28	930W00211	Tray 4 Feed Out Sensor (C8070)



PL 11.7 Tray 2 Feeder (TTM) (1 of 2)

Item	Part	Description
1	-	Upper Frame Assembly (P/O PL 11.6 Item 10)
2	-	Drive Bracket Assembly (P/O PL 11.6 Item 10)
3	127K52790	Tray 2 Feed/Lift Up Motor
4	-	Clamp
5	-	Chute (P/O PL 11.6 Item 10)
6	930W00123	Tray 2 Nudger Level Sensor, Tray 2 No Paper Sensor
-	930W00113	Tray 2 Nudger Level Sensor, Tray 2 No Paper Sensor (Alternate)
7	120E22481	Actuator
8	-	Upper Harness Holder (P/O PL 11.6 Item 10)
9	-	Rear Harness Holder (Not Spared)
10	807E00390	Gear (31T)
11	014E44770	Spacer
12	-	Bearing (Not Spared)
13	006K23221	Drive Shaft
14	807E00800	Gear (13T)
15	005K83081	One Way Clutch
16	007K16960	One Way Gear
-	007K98130	One Way Gear (Alternate)
17	807E20300	Helical Gear (25T)
18	807E30640	Helical Gear (29T/24T) (C8070)
-	807E20310	Helical Gear (29T/24T) (C8030/35/45/55)
20	-	Motor Harness Assembly (P/O PL 11.6 Item 10)
21	-	Sensor Harness Assembly (P/O PL 11.6 Item 10)
22	-	Spring (P/O PL 11.6 Item 10)
23	-	Roll Assembly (PL 11.8) (P/O PL 11.6 Item 10)
24	930W00211	Tray 2 Pre-Feed Sensor
25	-	Holder-Harness
26	-	Label

PL 11.7



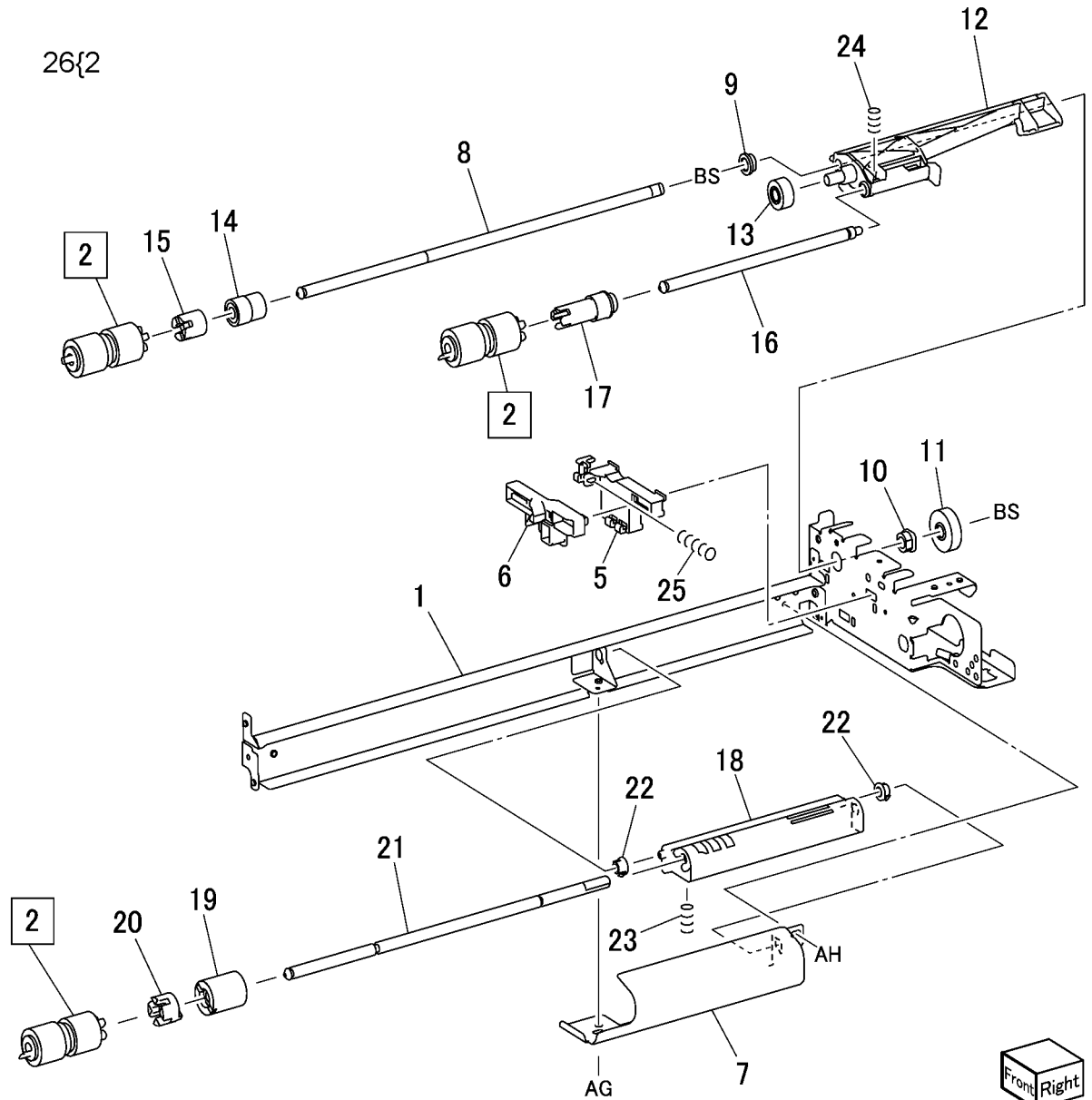
j0se51107

PL 11.8 Tray 2 Feeder (TTM) (2 of 2)

Item	Part	Description
1	-	Lower Frame Assembly (Not Spared)
2	-	Feed Roll , Nudger Roll, Retard Roll (P/O PL 11.8 Item 26) (REP 7.16)
5	-	Holder (Not Spared)
6	-	Level (Not Spared)
7	-	Feed In Chute (Not Spared)
8	-	Feed Shaft (Not Spared)
9	-	Bearing (Not Spared)
10	-	Sleeve Bearing (Not Spared)
11	-	Helical Gear (25T) (Not Spared)
12	-	Nudger Support (Not Spared)
13	-	Spur Gear (29T) (Not Spared)
14	005K10090	Clutch Assembly (25T) (Alternate)
-	005K08820	Clutch Assembly (25T) (Alternate)
15	005K10080	One Way Clutch (Alternate)
-	005K05890	One Way Clutch (Alternate)
16	-	Nudger Shaft (Not Spared)
17	-	Gear (25T) (Not Spared)
18	-	Retard Support (Not Spared)
19	005K83300	Friction Clutch
20	014E45030	Spacer
21	-	Retard Shaft (Not Spared)
22	-	Retard Bearing (Not Spared)
23	-	Spring (Not Spared)
24	-	Spring (Not Spared)
25	-	Spring
26	604K56080	Feed Roll Kit

PL 11.8

26{2

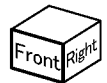
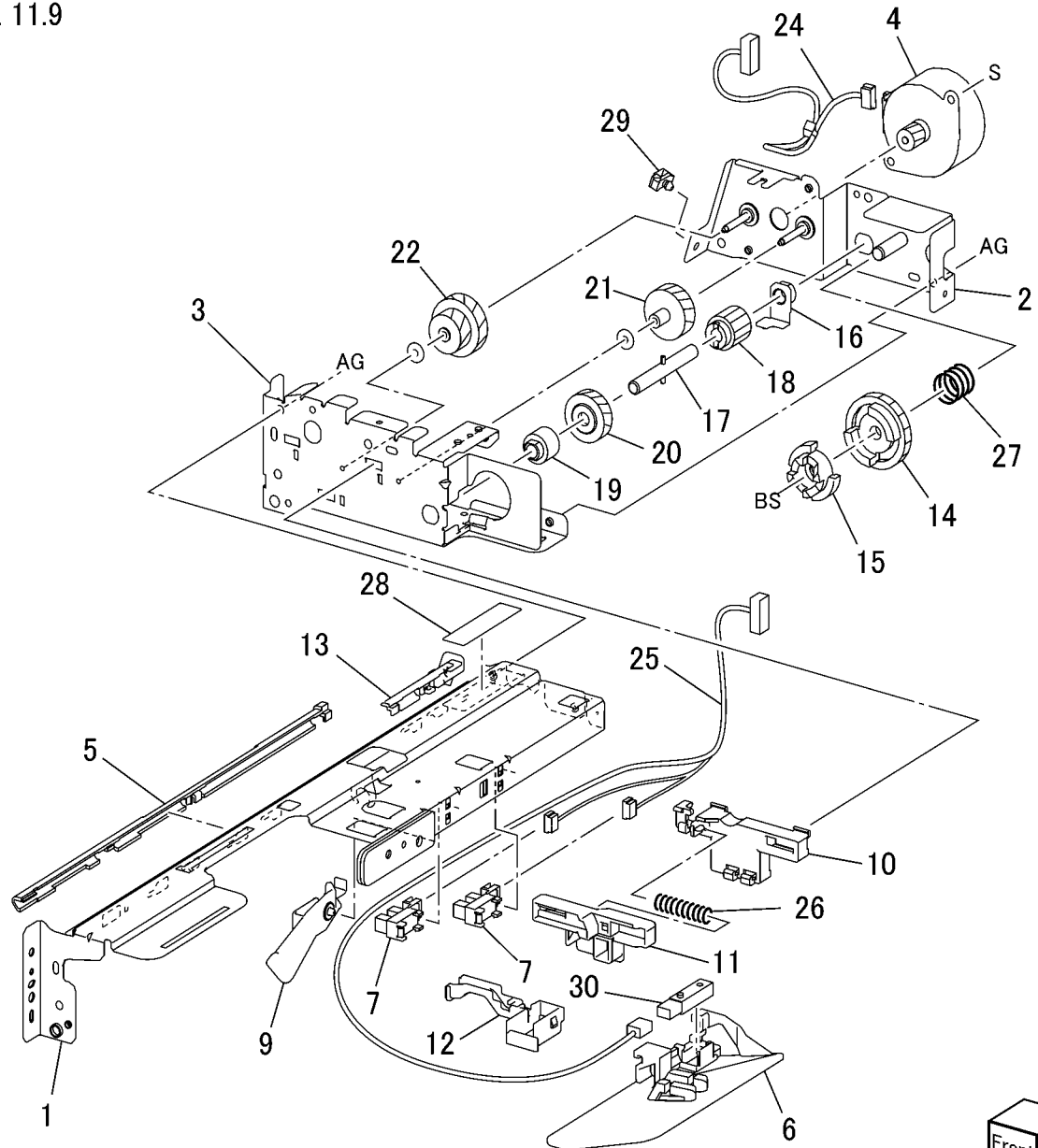


j0se51108 A

PL 11.9 Tray 3 Feeder (TTM) (1 of 2)

Item	Part	Description
1	-	Frame (P/O PL 11.6 Item 13)
2	-	Bracket (P/O PL 11.6 Item 13)
3	-	Frame (P/O PL 11.6 Item 13)
4	127K52790	Tray 3 Feed/Lift Up Motor
5	-	Harness Holder (Not Spared)
6	-	Chute (Not Spared)
7	930W00123	Tray 3 Nudger Level, No Paper Sensor (Alternate)
-	930W00113	Tray 3 Nudger Level, No Paper Sensor (Alternate)
9	120E22481	Actuator
10	-	Holder (P/O PL 11.6 Item 13)
11	-	Level (P/O PL 11.6 Item 13)
12	-	Upper Harness Holder (Not Spared)
13	-	Rear Harness Holder (Not Spared)
14	807E00390	Gear
15	014E44770	Spacer
16	013E26530	Bearing
17	006K23221	Drive Shaft
18	807E00800	Gear
19	005K10100	One Way Clutch (Alternate)
-	005K83081	One Way Clutch
20	007K16960	One Way Gear (Alternate)
-	007K98130	One Way Gear (Alternate)
21	807E20300	Gear (25T)
22	807E30640	Gear (29T/24T)
24	-	Harness Assembly (Motor) (Not Spared)
25	-	Harness Assembly (Sensor) (P/O PL 11.6 Item 13)
26	-	Spring (P/O PL 11.6 Item 13)
27	-	Spring (P/O PL 11.6 Item 13)
28	-	Label (Not Spared)
29	-	Clamp (Not Spared)
30	930W00211	Tray 3 Pre Feed Sensor (C8045/55, C8070)

PL 11.9



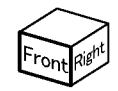
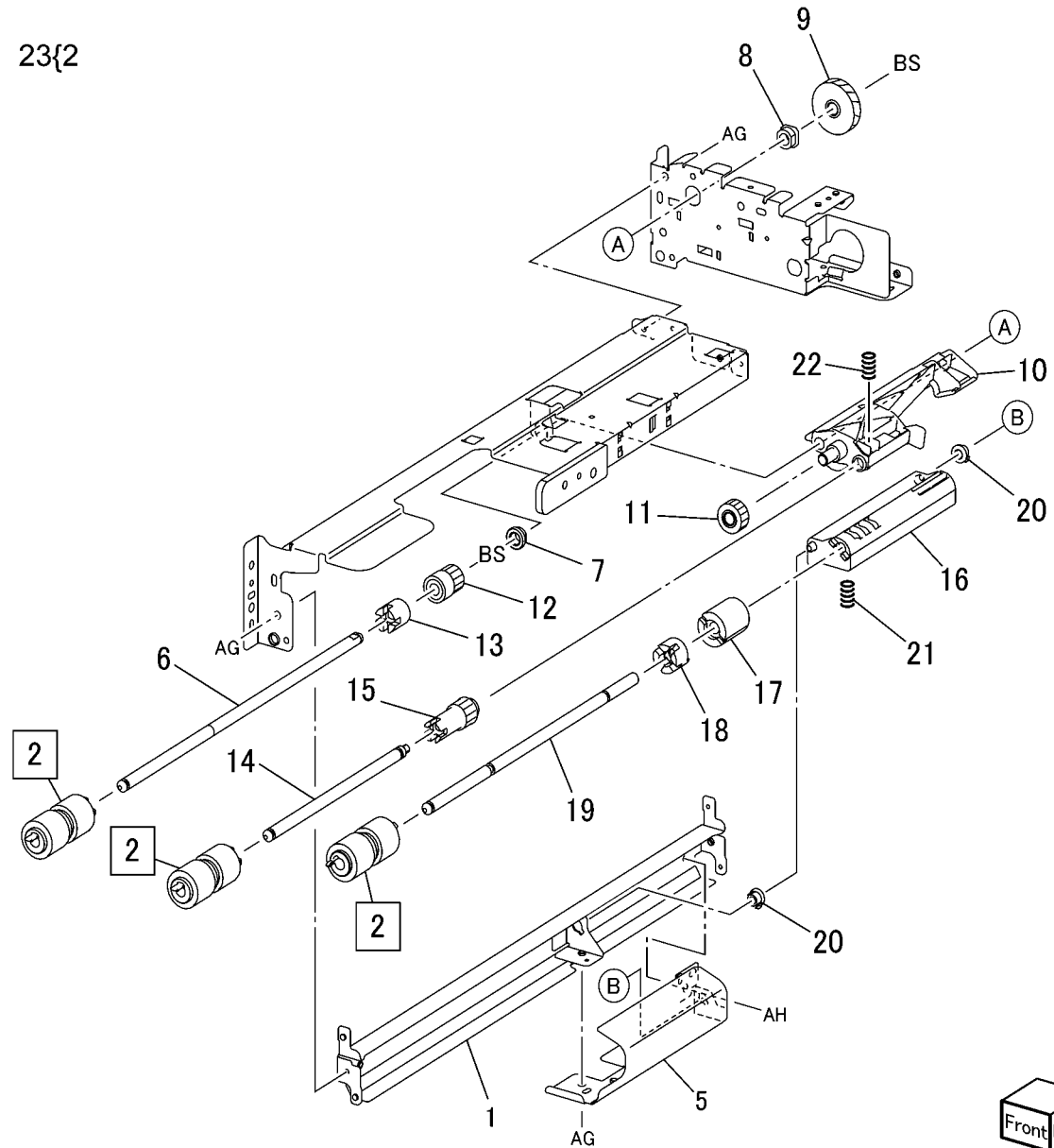
j0kt51109A

PL 11.10 Tray 3 Feeder (TTM) (2 of 2)

Item	Part	Description
1	-	Lower Frame Assembly (Not Spared)
2	-	Nudger, Retard, Feed Roll (P/O PL 11.10 Item 23) (REP 7.18)
5	-	Feed In Chute (Not Spared)
6	-	Feed Shaft (P/O PL 11.6 Item 13)
7	-	Bearing (Not Spared)
8	-	Sleeve Bearing (Not Spared)
9	-	Gear (25T) (Not Spared)
10	-	Support (Not Spared)
11	-	Gear (29T) (Not Spared)
12	005K10090	Clutch (25T) (Alternate)
-	005K08820	Clutch (25T) (Alternate)
13	005K10080	One Way Clutch (Alternate)
-	005K05890	One Way Clutch (Alternate)
14	-	Nudger Shaft (P/O PL 11.6 Item 13)
15	-	Gear (25T) (Not Spared)
16	-	Support (Not Spared)
17	005K83300	Friction Clutch
18	014E45030	Spacer
19	-	Retard Shaft (Not Spared)
20	-	Retard Bearing (Not Spared)
21	-	Spring (Not Spared)
22	-	Spring (Not Spared)
23	604K56080	Feed Roll Kit

PL 11.10

23{2}

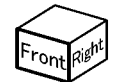
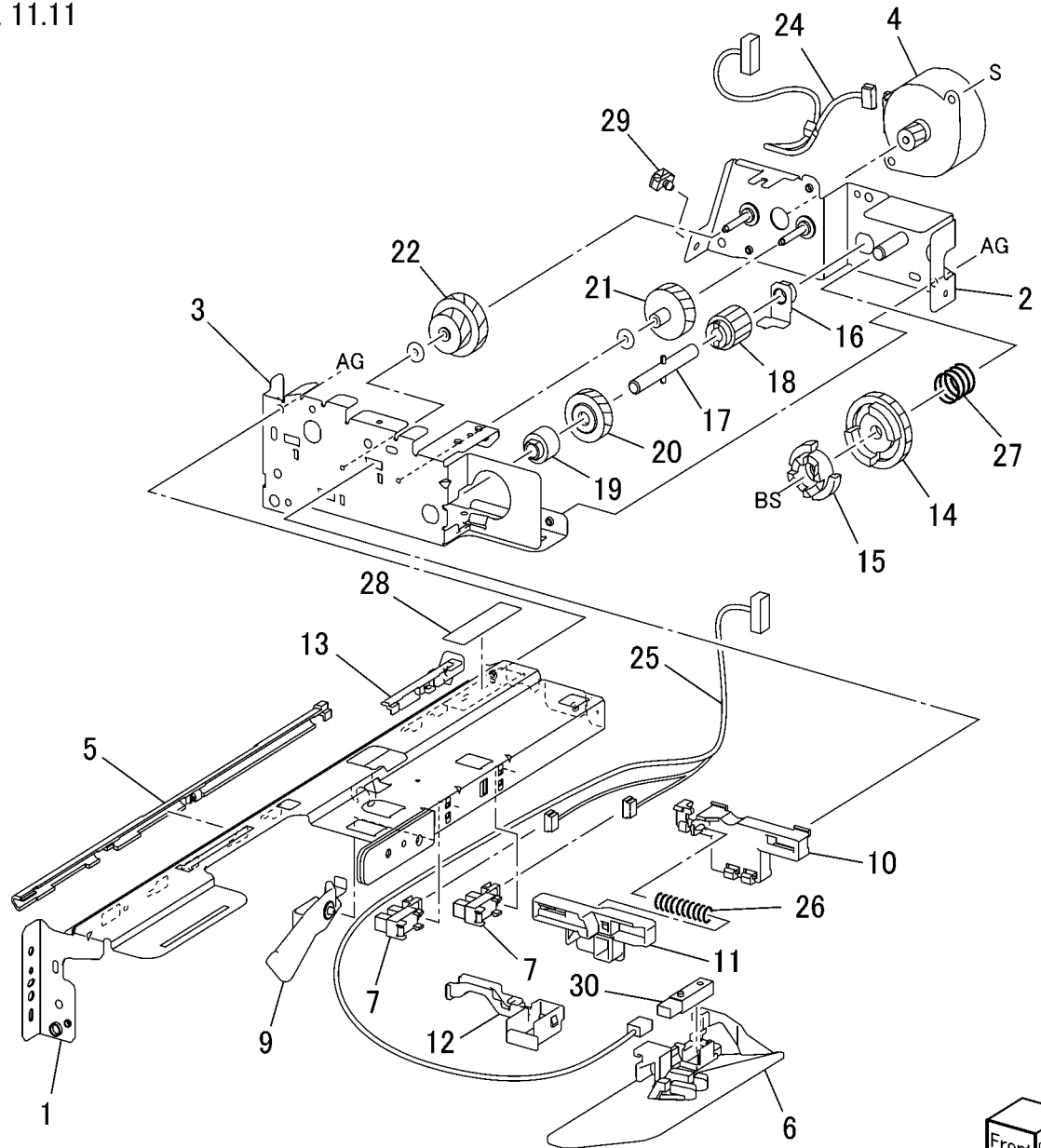


j0kt51110A

PL 11.11 Tray 4 Feeder (TTM) (1 of 2)

Item	Part	Description
1	-	Upper Frame Assembly (P/O PL 11.6 Item 13)
2	-	Drive Bracket Assembly (P/O PL 11.6 Item 13)
3	-	Frame (P/O PL 11.6 Item 13)
4	127K52790	Tray 4 Feed/Lift Up Motor
5	-	Harness Holder (Not Spared)
6	-	Chute
7	930W00123	Tray 4 Nudger Level, No Paper Sensor (Alternate)
-	930W00113	Tray 4 Nudger Level, No Paper Sensor (Alternate)
9	120E22481	Actuator
10	-	Holder (P/O PL 11.6 Item 13)
11	-	Level (P/O PL 11.6 Item 13)
12	-	Upper Harness Holder (Not Spared)
13	-	Rear Harness Holder (Not Spared)
14	807E00390	Gear
15	014E44770	Spacer
16	013E26530	Bearing
17	006K23221	Drive Shaft
18	807E00800	Gear
19	005K10100	One Way Clutch (Alternate)
-	005K83081	One Way Clutch
20	007K16960	One Way Gear
-	007K98130	One Way Gear (Alternate)
21	807E20300	Gear (25T)
22	807E30640	Gear (29T/24T)
24	-	Harness Assembly (Motor) (Not Spared)
25	-	Harness Assembly Sensor (P/O PL 11.6 Item 13)
26	-	Spring (P/O PL 11.6 Item 13)
27	-	Spring (P/O PL 11.6 Item 13)
28	-	Label (Not Spared)
29	-	Clamp (Not Spared)
30	930W00211	Tray 4 Pre Feed Sensor

PL 11.11



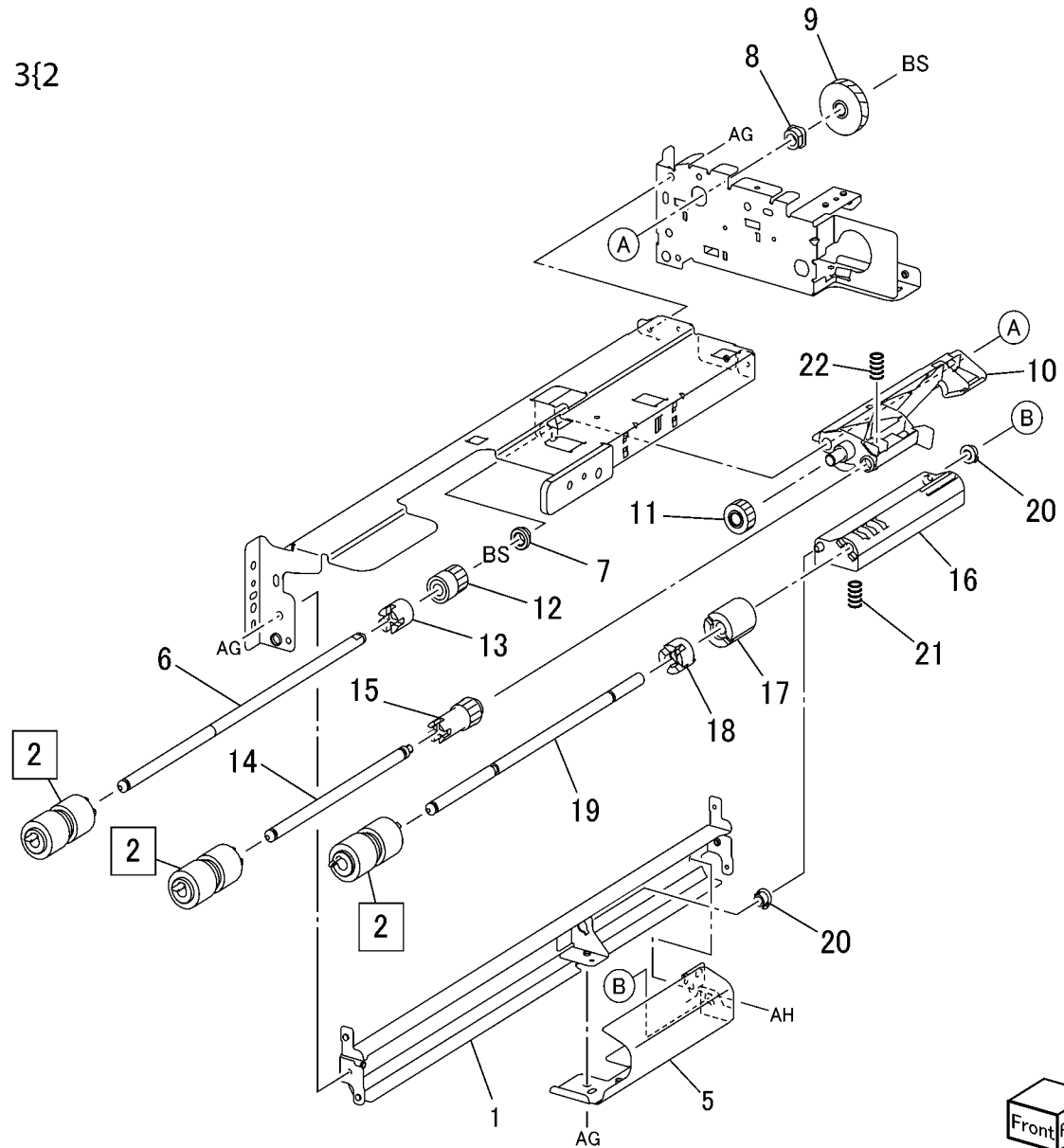
j0kt51111A

PL 11.12 Tray 4 Feeder (TTM) (2 of 2)

Item	Part	Description
1	-	Lower Frame Assembly (Not Spared)
2	-	Nudger, Retard, Feed Roll (P/O PL 11.12 Item 3) (REP 7.19)
3	604K56080	Feed Roll Kit
5	-	Feed In Chute (Not Spared)
6	-	Feed Shaft (Not Spared)
7	-	Bearing (Not Spared)
8	-	Sleeve Bearing (Not Spared)
9	-	Gear (25T) (Not Spared)
10	-	Support-Nudger (Not Spared)
11	-	Gear (29T) (Not Spared)
12	005K10090	Clutch (25T) (Alternate)
-	005K08820	Clutch (25T) (Alternate)
13	005K05890	One Way Clutch
-	005K10080	One Way Clutch
14	-	Nudger Shaft
15	-	Gear (25T) (Not Spared)
16	-	Support (Not Spared)
17	005K83300	Friction Clutch
18	014E45030	Spacer
19	-	Retard Shaft
20	-	Retard Bearing (Not Spared)
21	-	Spring (Not Spared)
22	-	Spring (Not Spared)

PL 11.12

3{2

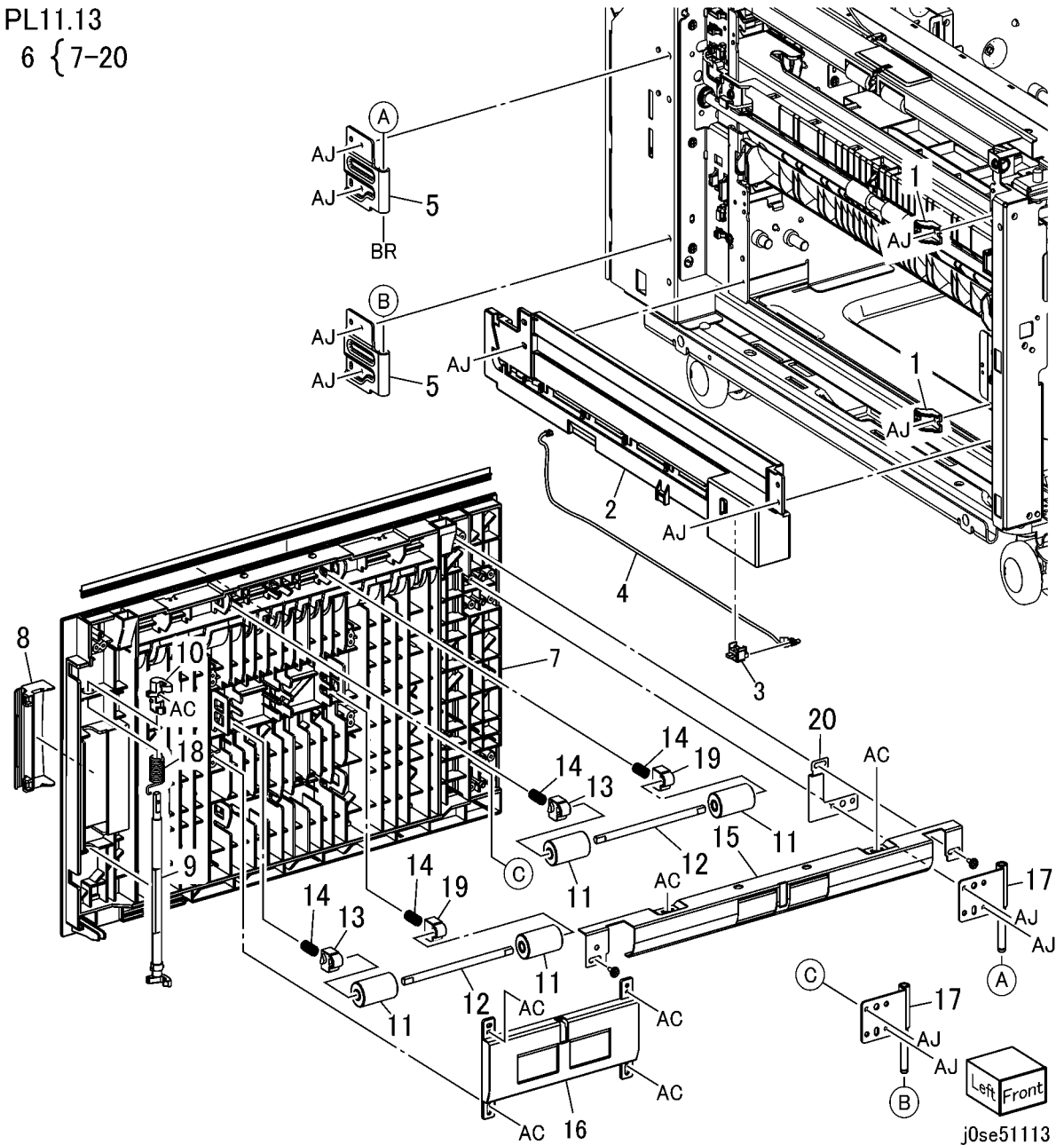


j0kt51112A

PL 11.13 Left Cover Assembly (TTM)

Item	Part	Description
1	868E76791	Bracket
2	848K49361	Cover
3	110E12220	Left Hand Cover Switch
4	962K59480	Wire Harness (Not Spared)
5	868E02200	Hinge Bracket
6	848K76130	Left Cover Assembly
7	-	Left Cover (P/O PL 11.13 Item 6)
8	003E75571	Handle (P/O PL 11.13 Item 6)
9	803E08671	Latch
10	019E69600	Hook
11	059E99241	Pinch Roll
12	-	Pinch Shaft (P/O PL 11.13 Item 6)
13	-	Front Pinch Bearing (P/O PL 11.13 Item 6)
14	-	Pinch Spring (P/O PL 11.13 Item 6)
15	054K52500	Upper Chute
16	-	Lower Chute (P/O PL 11.13 Item 6)
17	068K55791	Hinge Bracket
18	809E76031	Spring (P/O PL 11.13 Item 6)
19	-	Rear Pinch Bearing
20	-	Spring LH (P/O PL 11.13 Item 6)

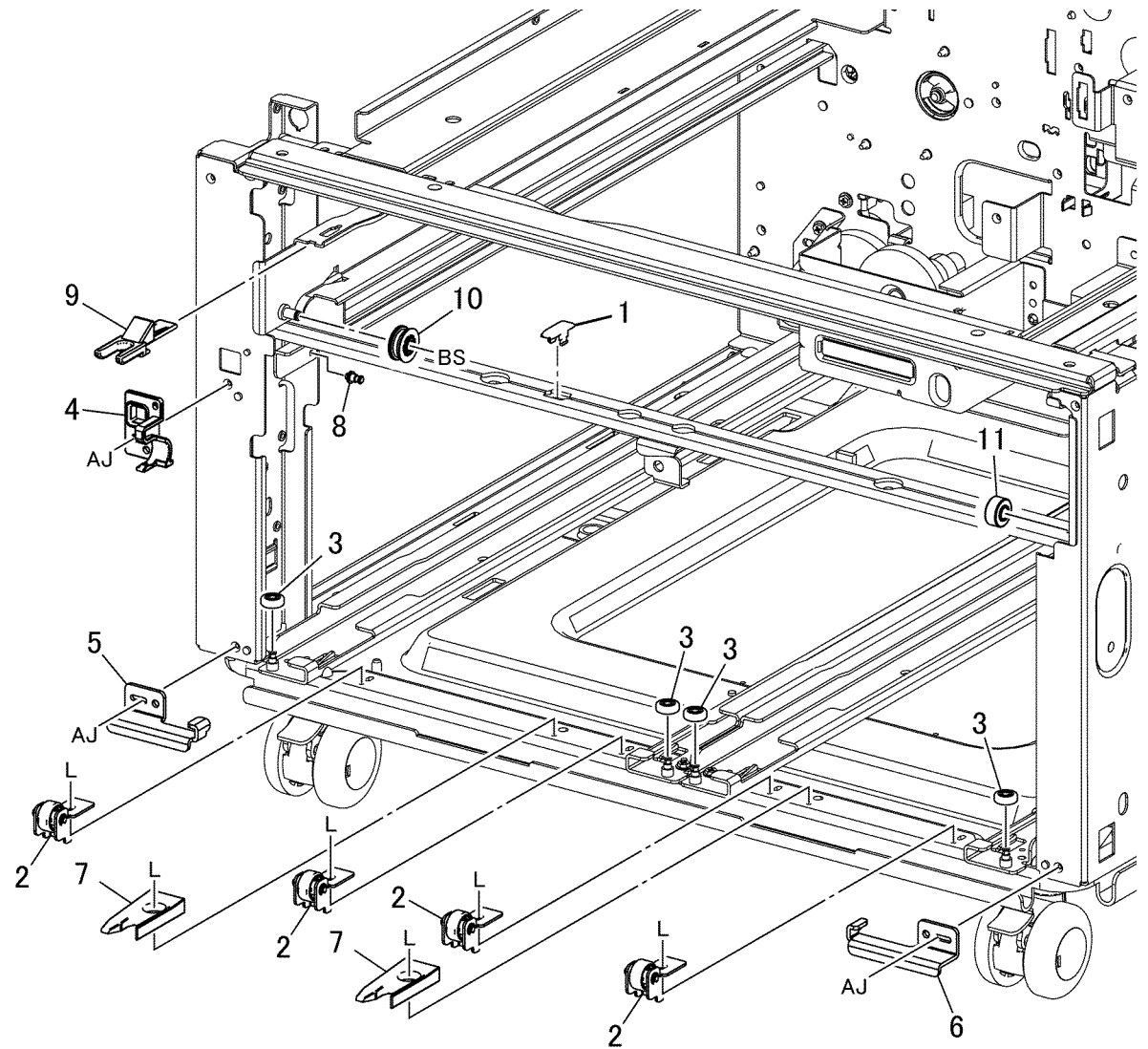
PL11.13
6 { 7-20



PL 11.14 Tray Front Supports (TTM)

Item	Part	Description
1	-	Spacer (Not Spared)
2	068K63522	Roll and Bracket
3	-	Roll
4	-	Stopper
5	803E02420	Stopper
6	803E02430	Stopper
7	803E01200	Stopper LO FR
8	-	Roll
9	003E75431	Stopper-RT
10	059E03500	Roll
11	059E08410	Roll

PL11.14

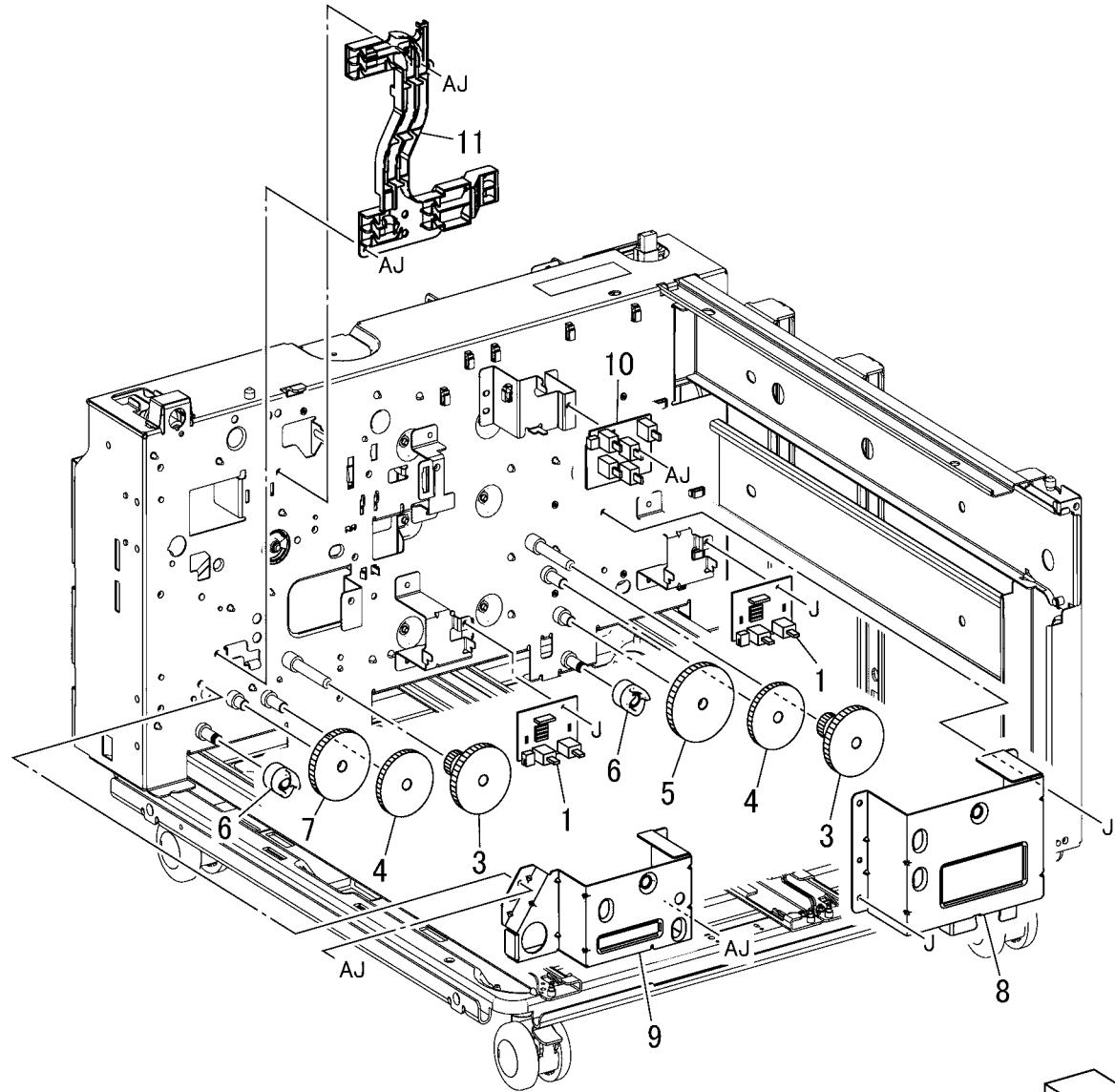


j0se51114

PL 11.15 Tray 2/3/4 Paper and Lift Sensors (TTM)

PL11.15

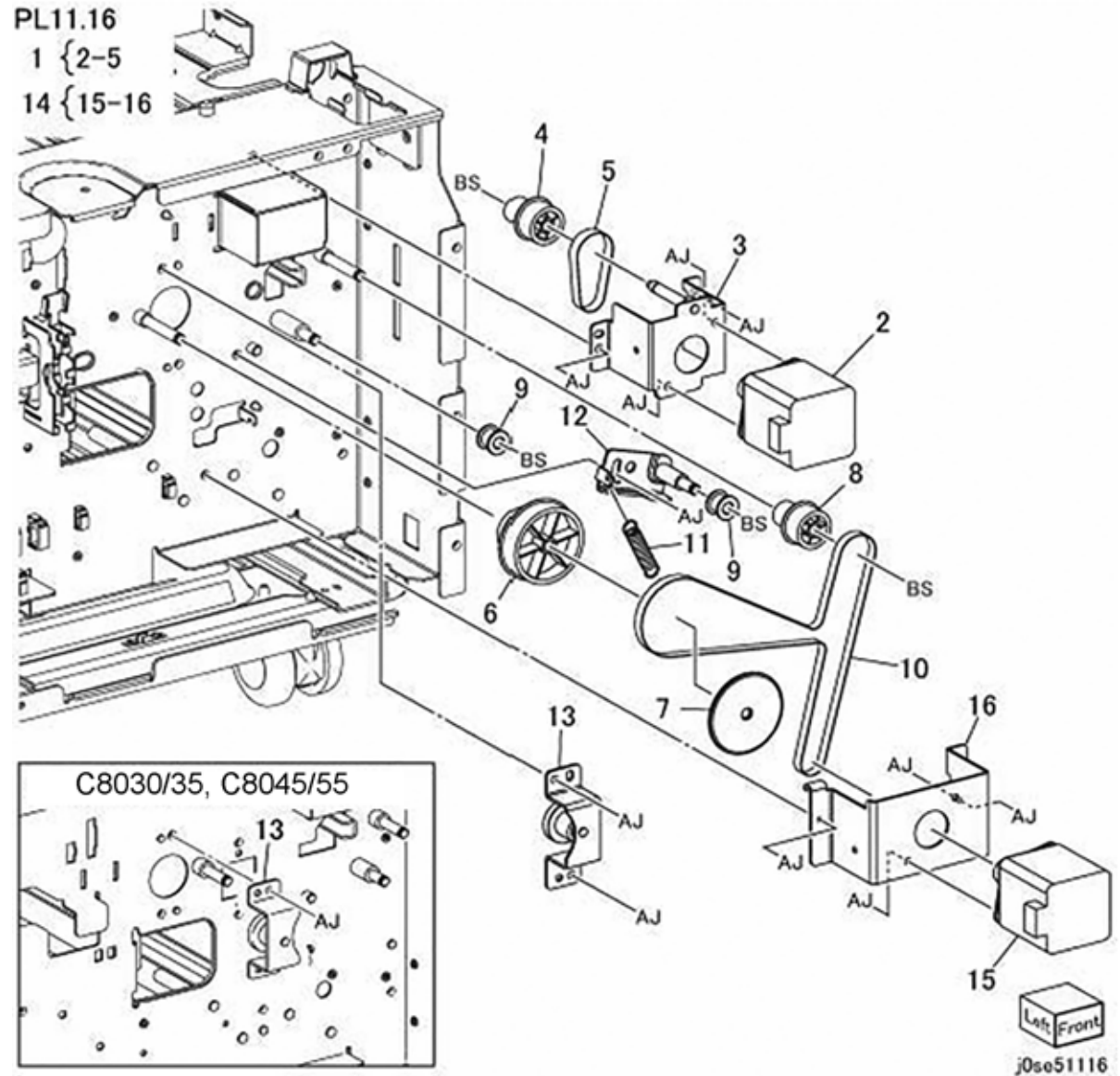
Item	Part	Description
1	110K17960	Tray 3, 4 Paper Size Sensor
3	007E78320	Gear (17T/50T)
4	007E78330	Gear (16T/48T)
5	007E78340	Gear (57T)
6	807E16730	Gear (18T)
7	007E78350	Gear (51T)
8	-	Bracket (Not Spared)
9	-	Bracket (Not Spared)
10	110K11680	Tray 2 Paper Size Sensor
-	110K12100	Tray 2 Paper Size Sensor (Alternate)
11	-	Guide



j0se51115A

PL 11.16 Drive (TTM)

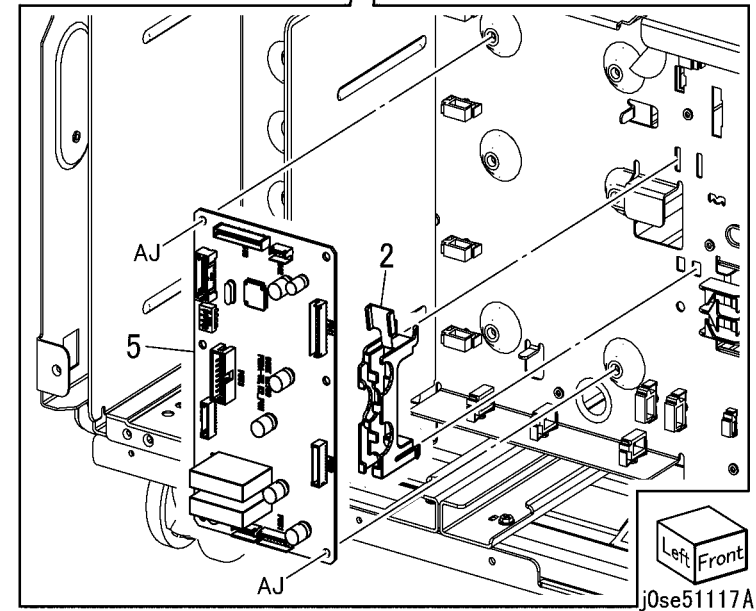
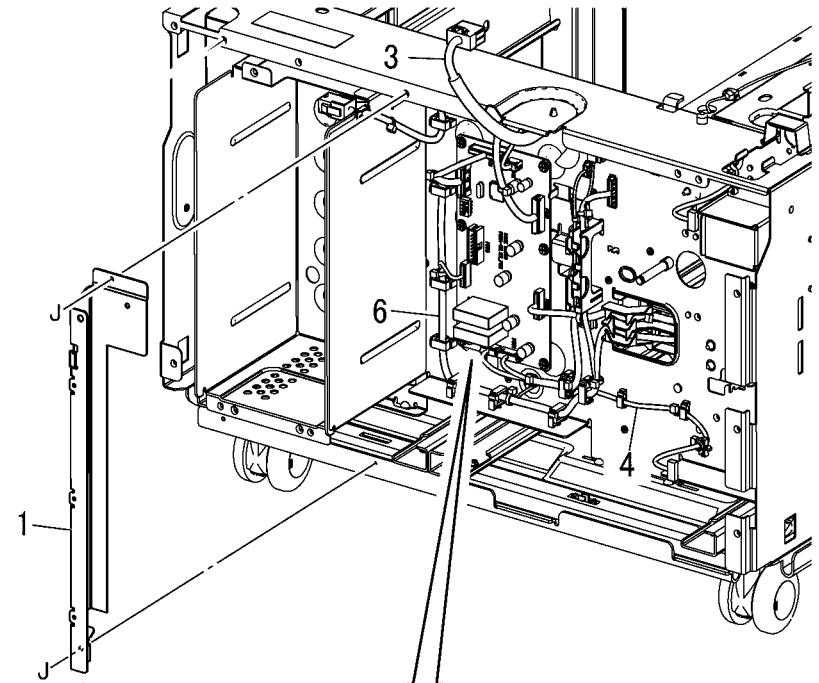
Item	Part	Description
1	-	Motor Assembly Bracket 1 (REP 7.27)
2	127K67830	Takeaway Motor Assembly
3	-	Takeaway Bracket Assembly (Not Spared)
4	423W43854	Belt Synchronous
5	020E49940	Pulley 24t
6	020E50170	Pulley 48t
7	005E34540	Collar
8	059E03590	Roller
9	423W59154	Belt Synchronous
10	-	Spring
11	-	Bracket Assembly Ts (Not Spared)
12	049K20061	Bracket Assembly Tr (C8030/35, C8045/55)
-	049K20041	Bracket Assembly Tr (C8070)
13	-	Motor Assembly Bracket 2 (REP 7.28)
14	-	Bracket Motor2 (P/O PL 11.16 Item 13)



PL 11.17 Electrical (TTM)

PL11.17

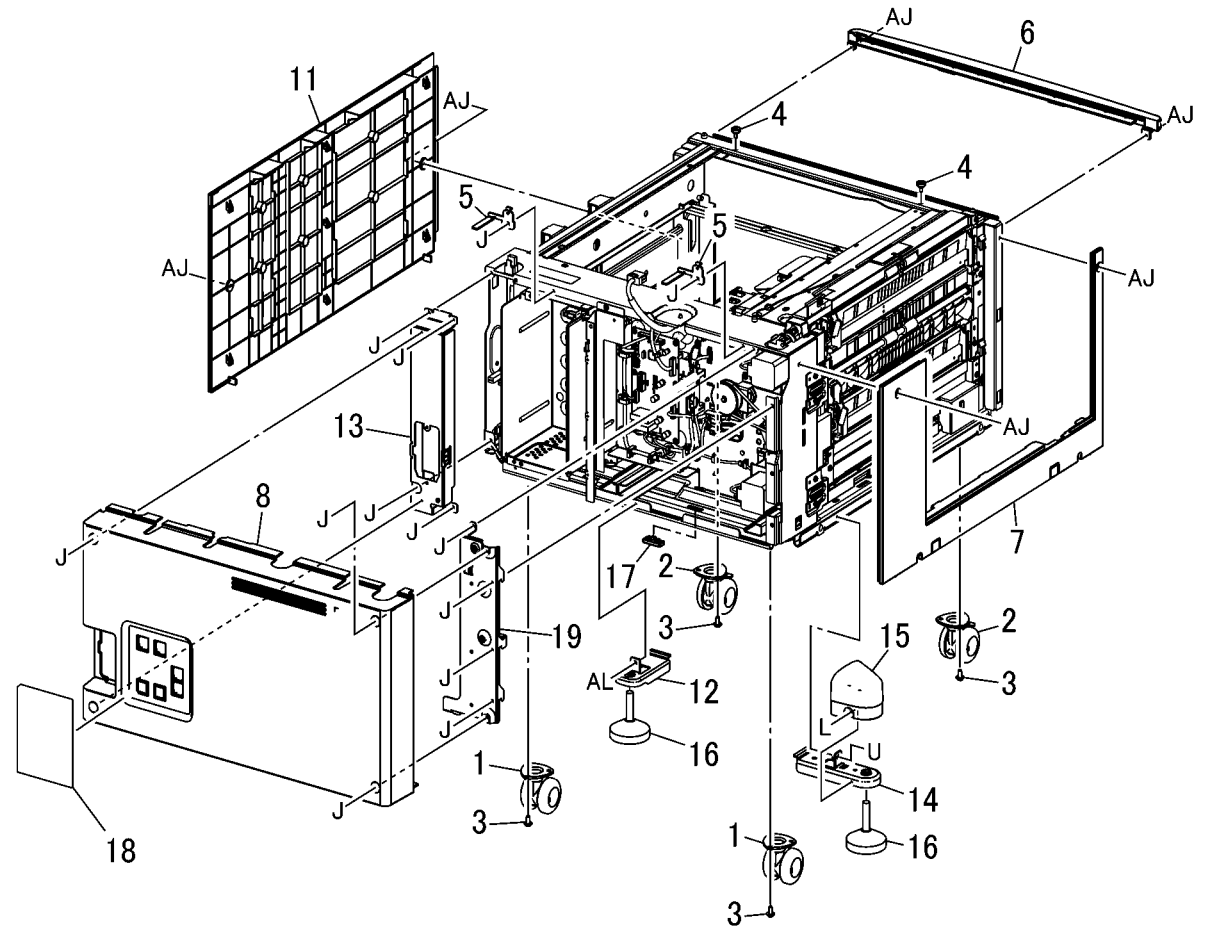
Item	Part	Description
1	-	Bracket
2	-	Guide H Fo
3	952K03061	Harness Assembly IF
4	-	Harness Assembly Motor
5	960K68542	Tray Module PWB (C8030/35, C8045/55)
-	960K62164	Tray Module PWB (C8070) (REP 7.20)
6	-	Harness Assembly Sensor (Not Spared)



PL 11.18 Covers (TTM)

PL11.18

Item	Part	Description
1	017K94570	Caster Assembly
2	017K94580	Locking Caster Assembly (S)
3	-	Screw
4	-	Docking Screw
5	-	Docking Bracket
6	-	Top Cover (Not Spared)
7	-	Left Cover (Not Spared)
8	848K78501	Rear Cover
11	-	Right Cover
12	868E92340	Foot Bracket
13	-	Bracket
14	868E20861	Foot Bracket
15	848E45610	Foot Cover
16	017K94590	Adjuster Foot Assembly
17	-	Cap
18	-	Seal
19	-	Bracket



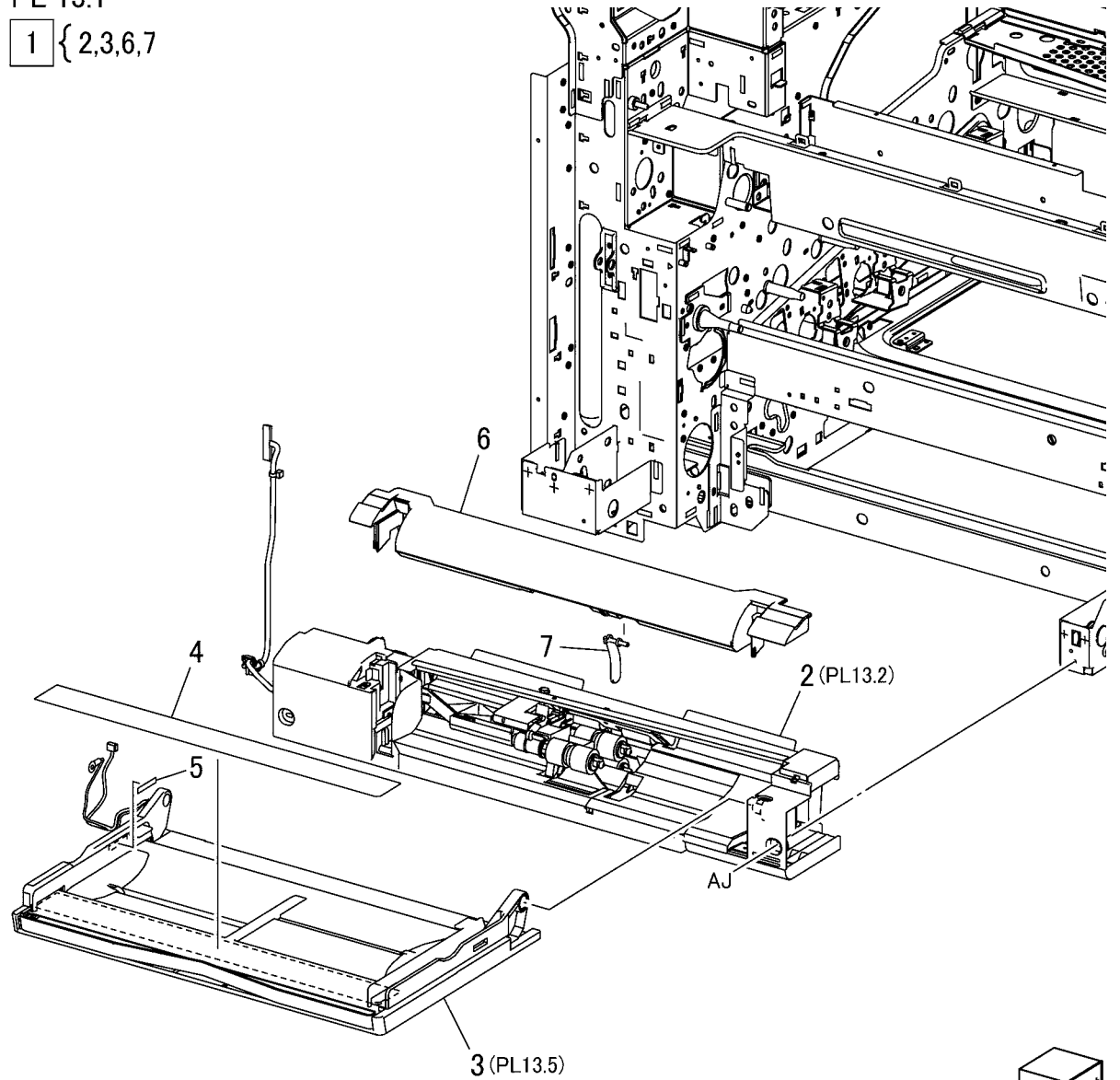
j0se51118A

PL 13.1 MSI Tray Assembly (1 of 5)

Item	Part	Description
1	059K75180	MSI Tray (PL 13.1 Item 2) (REP 7.21)
2	—	MSI Feeder Assembly (PL 13.2)
3	050K64540	MSI Tray Assembly (PL 13.5)
4	897E04930	Label (Instruction)
5	896E46040	Label (Max)
6	848E44583	Top Cover
7	120E29441	Actuator

PL 13.1

1 { 2,3,6,7

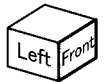
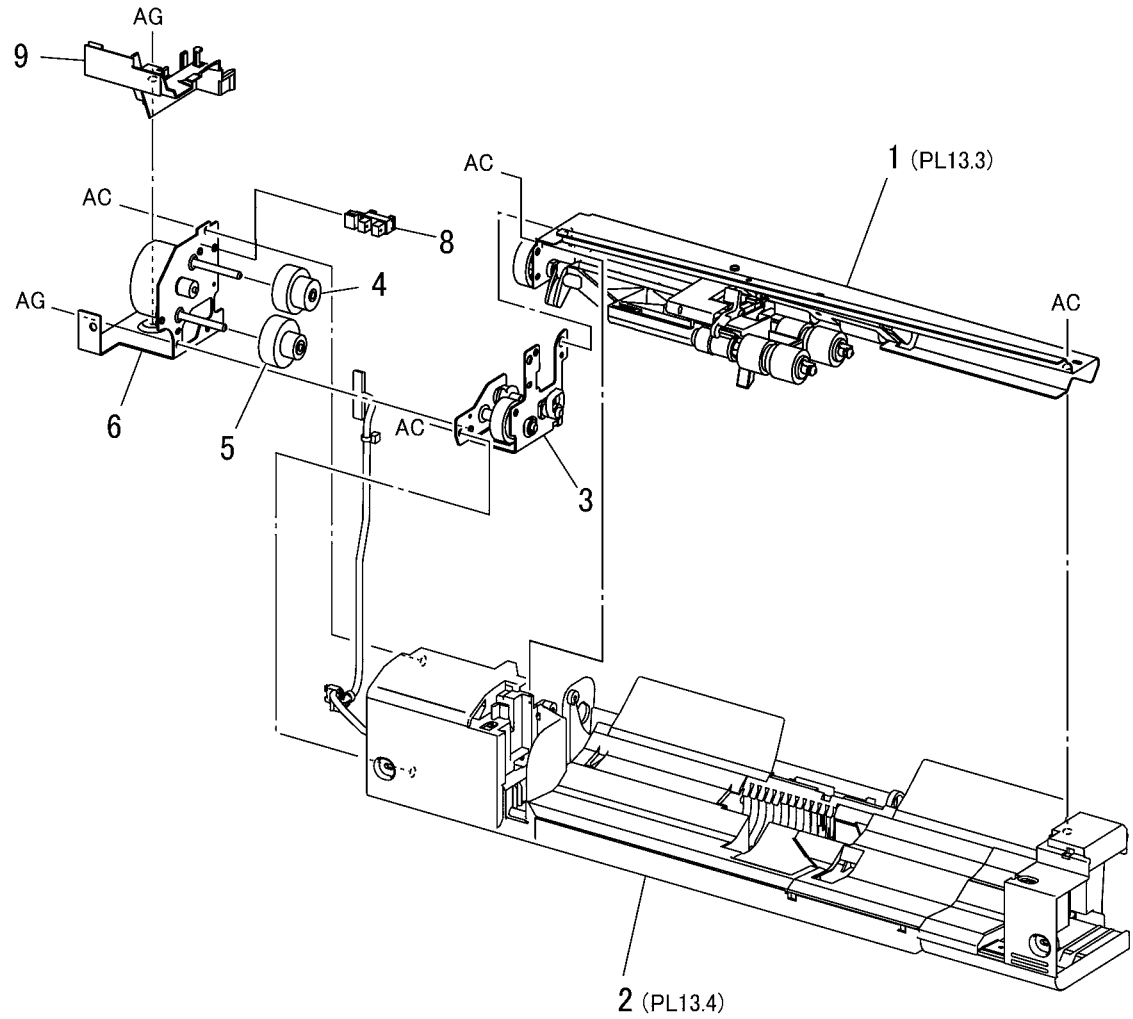


j0kt51301A

PL 13.2 MSI Tray Assembly (2 of 5)

Item	Part	Description
1	-	Upper Frame Assembly (PL 13.3)
2	-	Lower Frame Assembly (PL 13.4)
3	-	Drive Bracket Assembly
4	-	Gear (29T/19T)
5	-	Gear (31T/15T)
6	127K57070	MSI Feed/Nudger Motor
8	930W00113	MSI Nudger Position Sensor (Alternate)
-	930W00123	MSI Nudger Position Sensor (Alternate)
9	-	Harness Holder

PL 13.2



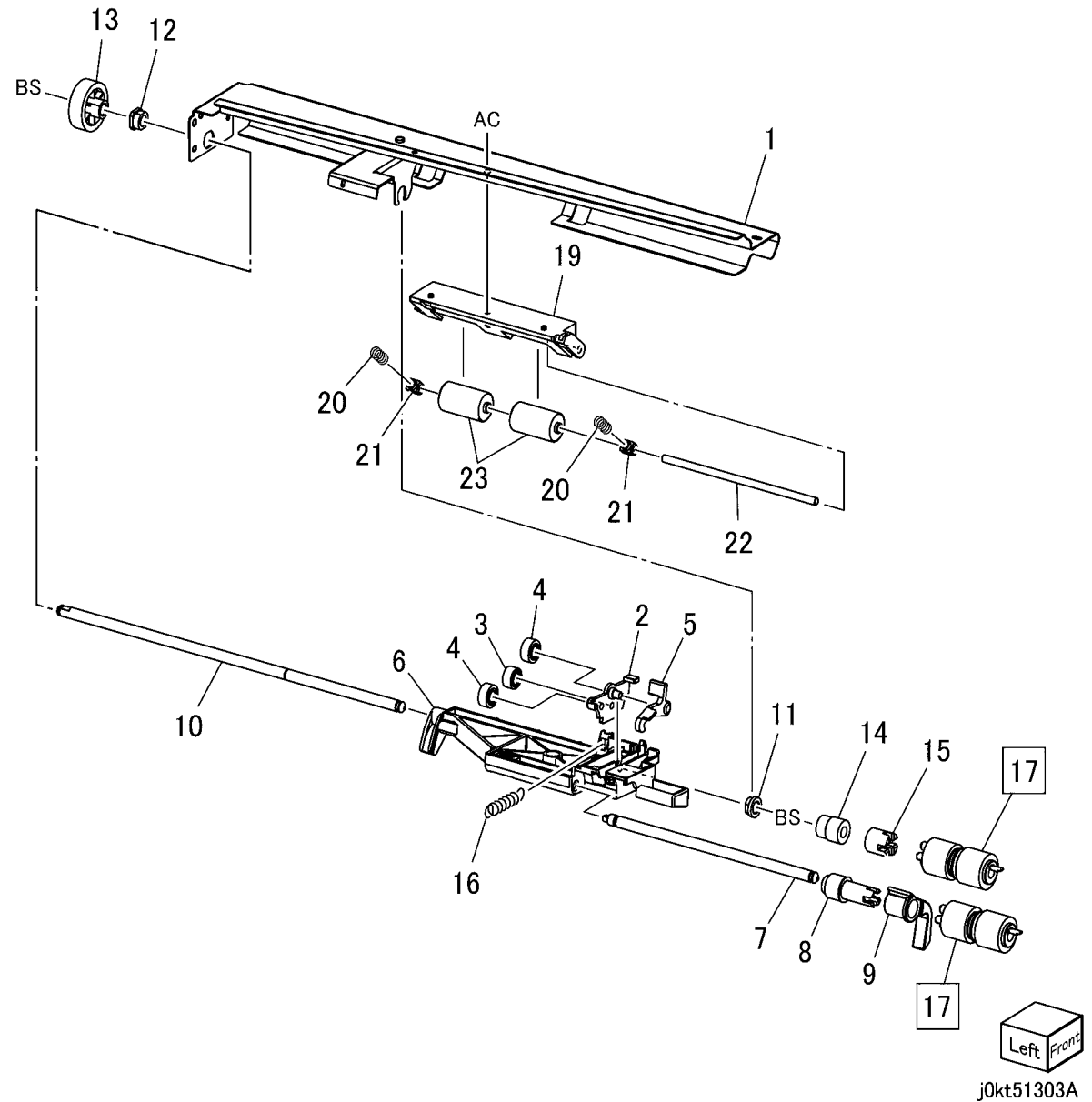
j0kt51302A

PL 13.3 MSI Tray Assembly (3 of 5)

Item	Part	Description
1	-	Pinch Chute Assembly (P/O PL 13.1 Item 1)
2	-	Gear Support (P/O PL 13.1 Item 1)
3	-	Gear (21T) (P/O PL 13.1 Item 1)
4	-	Gear (23T) (P/O PL 13.1 Item 1)
5	-	Lock Stopper (P/O PL 13.1 Item 1)
6	-	Nudger Support (P/O PL 13.1 Item 1)
7	-	Nudger Shaft (P/O PL 13.1 Item 1)
8	-	Gear (25T) (P/O PL 13.1 Item 1)
9	-	Stopper (P/O PL 13.1 Item 1)
10	-	Feed Shaft (P/O PL 13.1 Item 1)
11	413W85459	Bearing
12	413W11660	Sleeve Bearing
13	-	Gear (30T) (P/O PL 13.1 Item 1)
14	005K08370	One Way Clutch (22T)
15	-	One Way Clutch (P/O PL 13.1 Item 1)
16	-	Spring (P/O PL 13.1 Item 1)
17	-	Feed Roll, Nudger Roll (P/O PL 13.3 Item 24) (REP 7.22)
19	-	Guide
20	-	Pinch Spring
21	-	Spacer (P/O PL 13.1 Item 1)
22	-	Shaft (P/O PL 13.1 Item 1)
23	022K77220	Pinch Roll
24	604K66430	MSI Roll Kit

PL 13.3

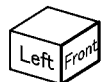
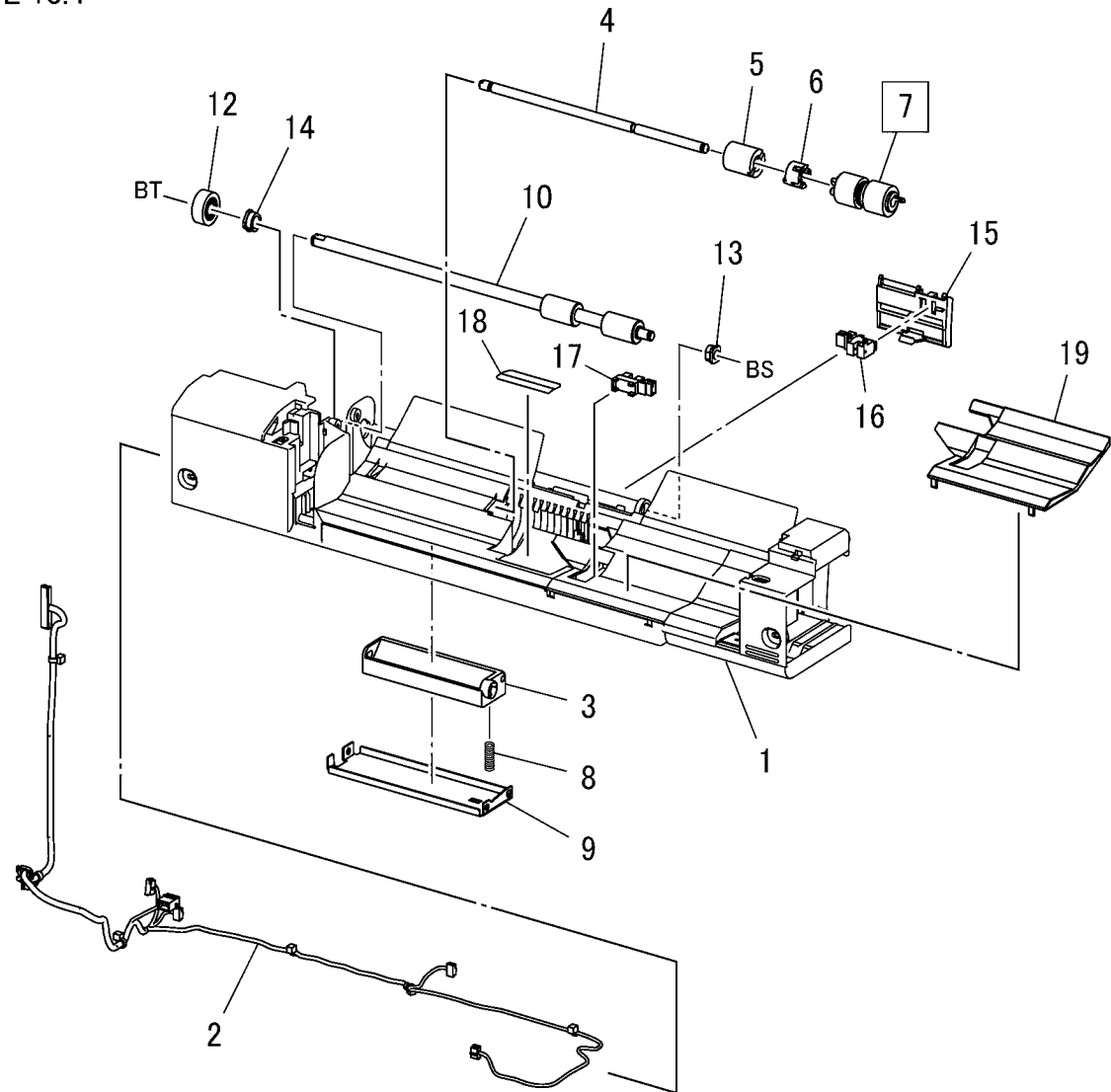
24{17, PL13.4 Item7



PL 13.4 MSI Tray Assembly (4 of 5)

Item	Part	Description
1	-	MSI Lower Frame (P/O PL 13.2 Item 2)
2	-	Wire Harness (MSI) (P/O PL 13.2 Item 2)
3	-	Retard Support (P/O PL 13.2 Item 2)
4	-	Shaft (P/O PL 13.2 Item 2)
5	005K83330	Friction Clutch
6	014E45030	Spacer
7	-	Retard Roll (P/O PL 13.3 Item 24) (REP 7.22)
8	-	Retard Spring (P/O PL 13.2 Item 2)
9	-	Plate (P/O PL 13.2 Item 2)
10	059K53691	Drive Roll Assembly
12	-	Gear (23T) (P/O PL 13.2 Item 2)
13	413W11660	Sleeve Bearing
14	413W11860	Sleeve Bearing
15	-	Sensor Plate (P/O PL 13.2 Item 2)
16	130K72110	MSI Feed Out Sensor
17	930W00123	MSI No Paper Sensor (Alternate)
-	930W00113	MSI No Paper Sensor (Alternate)
18	019E68980	Bottom Pad
19	054E33950	Front Chute

PL 13.4

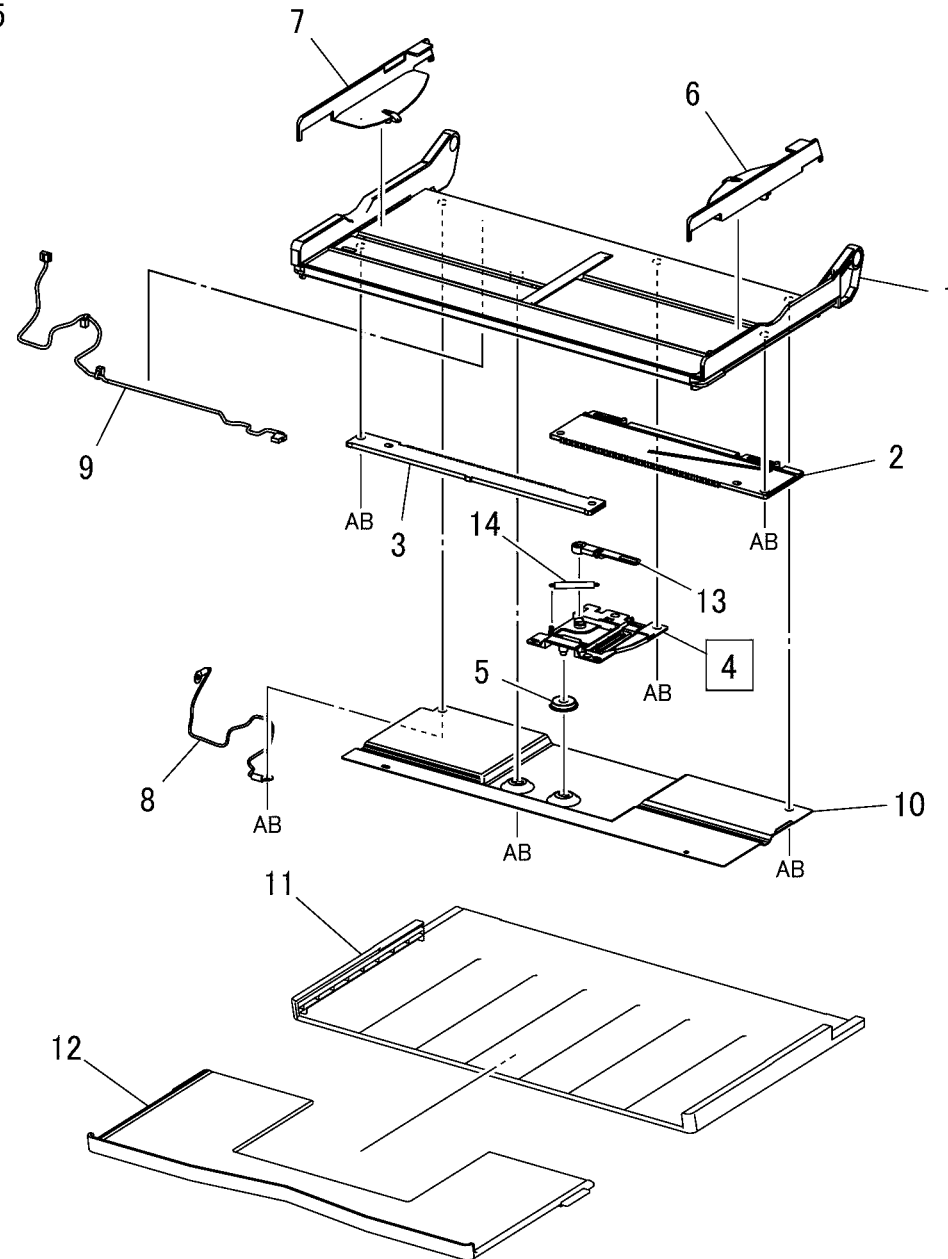


j0kt51304A

PL 13.5 MSI Tray Assembly (5 of 5)

Item	Part	Description
1	-	MSI Tray (P/O PL 13.1 Item 3)
2	-	Front Rack (P/O PL 13.1 Item 3)
3	-	Rear Rack (P/O PL 13.1 Item 3)
4	130K70661	MSI Paper Size Sensor (REP 7.23)
5	007E79700	Pinion Gear
6	-	Front Side Guide (P/O PL 13.1 Item 3)
7	-	Rear Side Guide (P/O PL 13.1 Item 3)
8	-	Wire Harness (P/O PL 13.1 Item 3)
9	-	Wire Harness (P/O PL 13.1 Item 3)
10	-	Plate (P/O PL 13.1 Item 3)
11	-	Extension Tray (L1) (P/O PL 13.1 Item 3)
12	-	Extension Tray (L2) (P/O PL 13.1 Item 3)
13	012E11760	Sensor Link
14	809E49930	Sensor Spring

PL 13.5

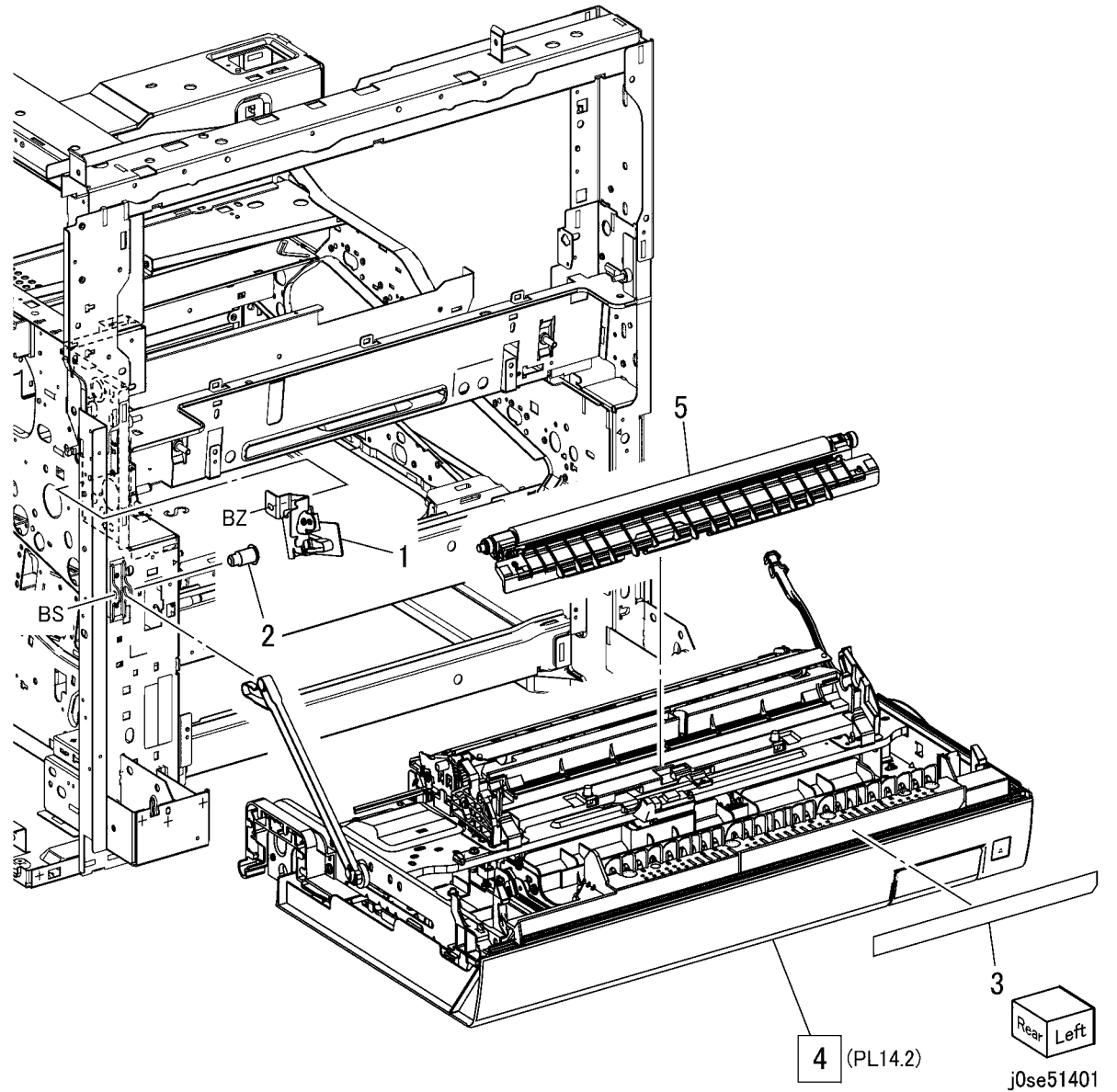


j0kt51305A

PL 14.1 Left Hand Cover (1 of 2)

Item	Part	Description
1	110K17101	L/H Cover Interlock Switch
2	806E21420	Shaft
3	896E89601	Label Kit
4	948K17150	Left Hand Cover Unit (C8030/35) (PL 14.2)
-	948K17160	Left Hand Cover Unit (C8045/55) (PL 14.2)
-	848K90963	Left Hand Cover Unit (C8070) (PL 14.2) (REP 14.1)
5	859K03830	2ND BTR Assembly (REP 9.9)

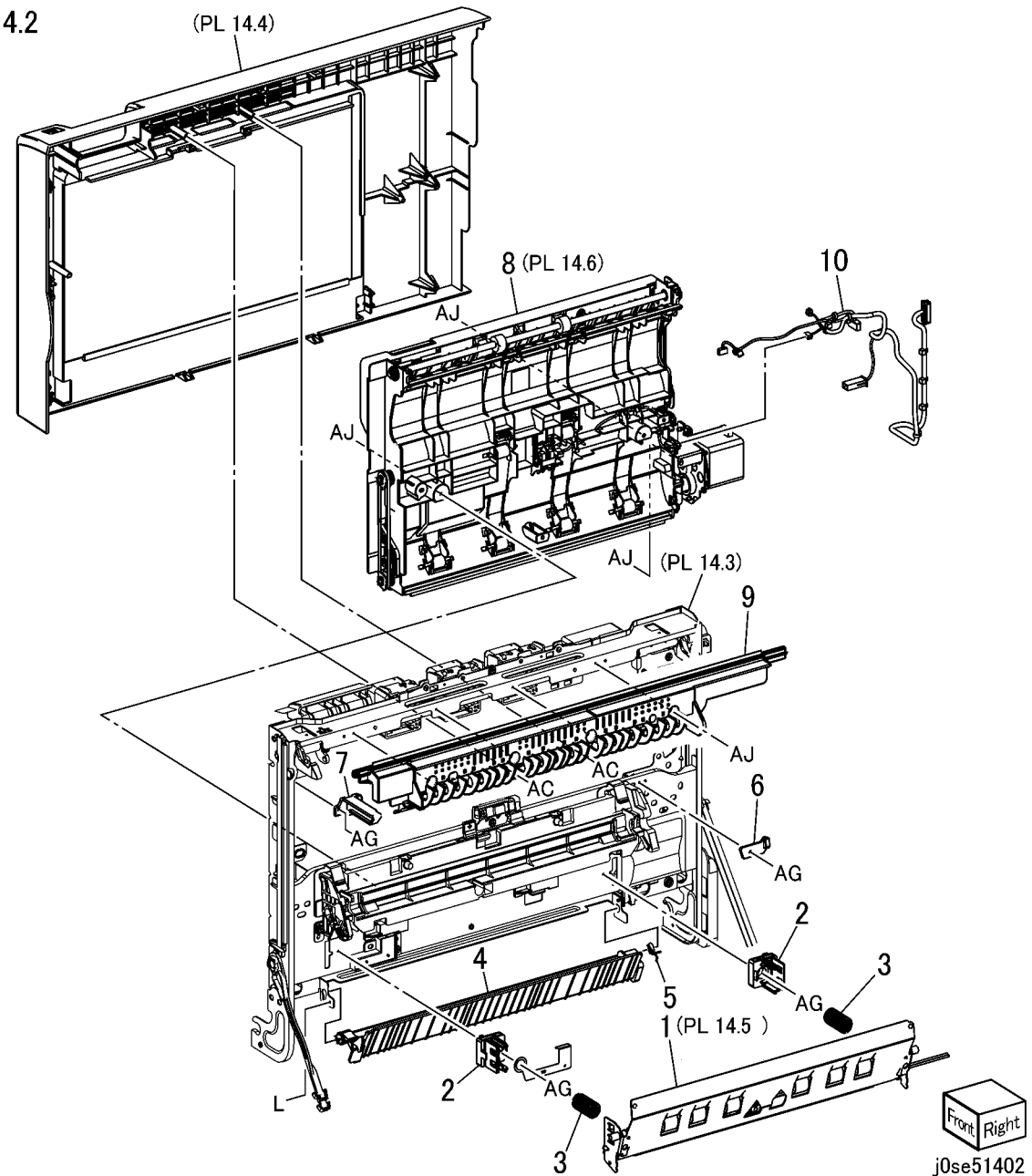
PL 14.1



PL 14.2 Left Hand Cover (2 of 2)

Item	Part	Description
1	054K48291	Chute Assembly Pinch (C8030/35, C8045/55) (PL 14.5)
-	054K51360	Chute Assembly Pinch (C8070) (PL 14.5)
2	-	Support Chute
3	809E65260	Spring Compression FI
4	054K35160	Chute Assembly Duplex
5	809E76900	Spring Torsion
6	012E15280	Link Fuser Lh
7	014E72100	Block Dec
8	059K82201	Duplex Assembly (C8030/35) (PL 14.5) (REP 10.2)
-	059K82211	Duplex Assembly (C8045/55) (PL 14.5) (REP 10.2)
-	059K82222	Duplex Assembly (C8070) (PL 14.5) (REP 10.2)
9	054E53720	Left Hand Cover Chute
10	-	Harness Assembly

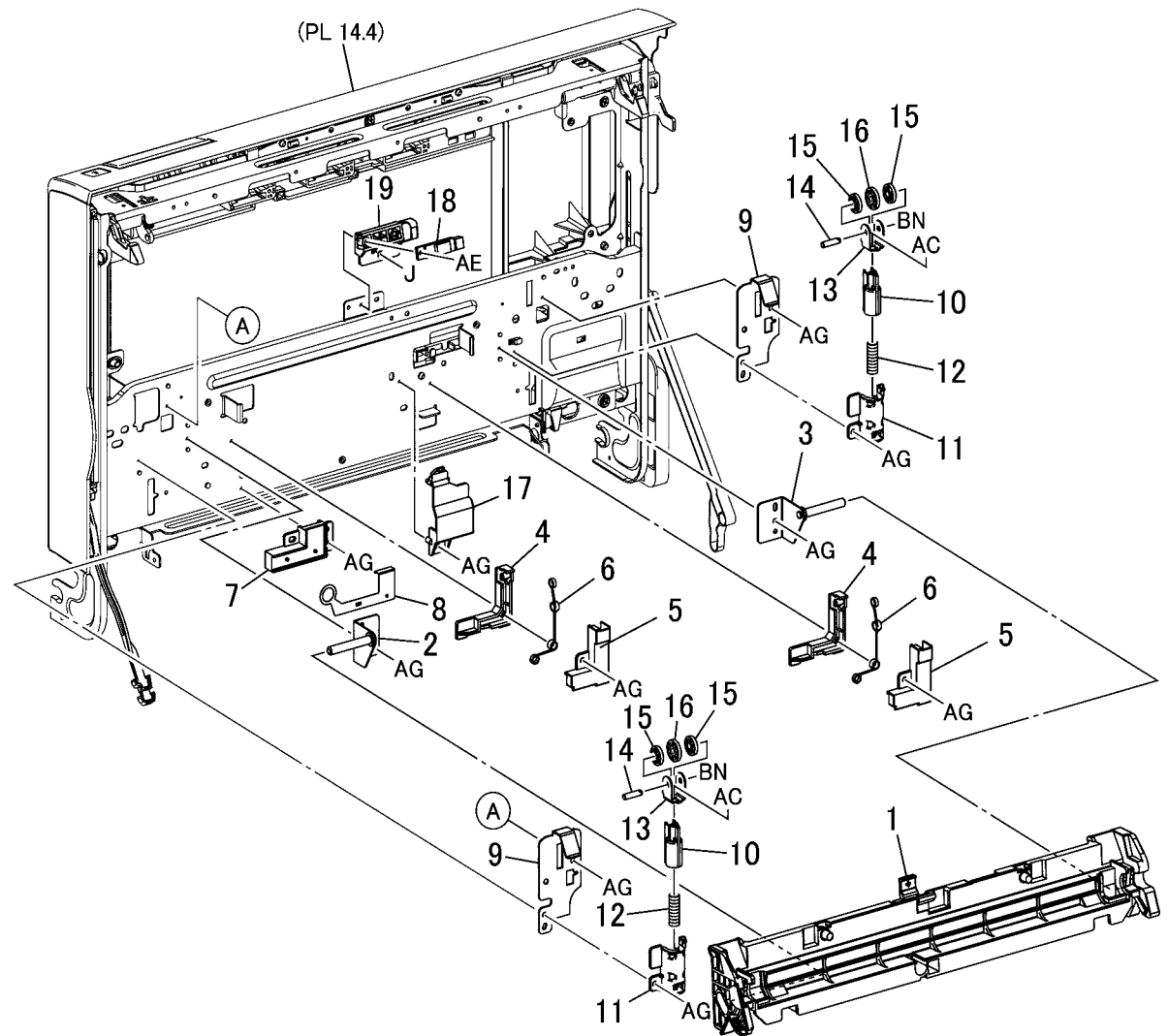
PL 14.2



PL 14.3 Left Hand Cover Assembly (1 of 2)

PL 14.3

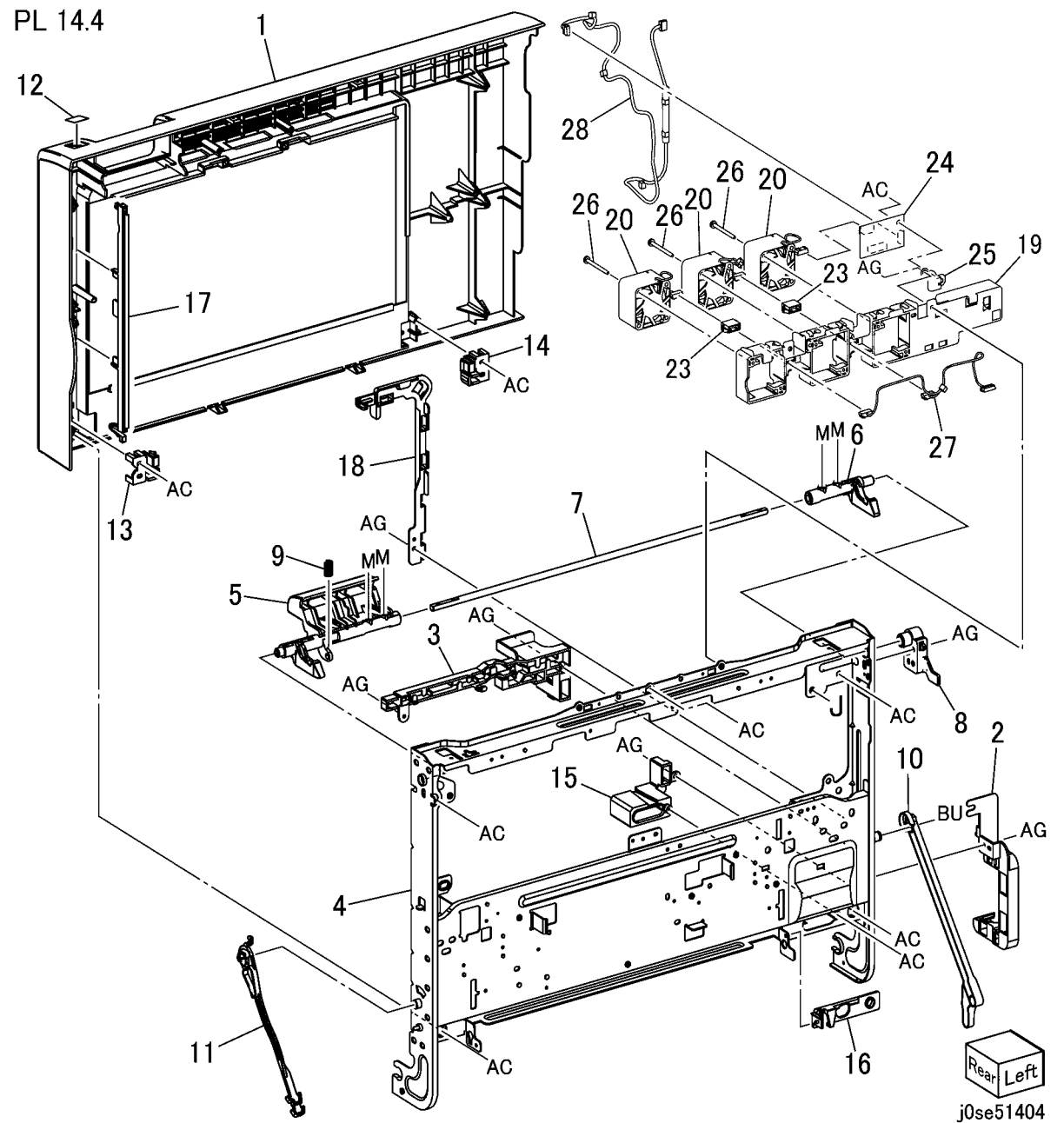
Item	Part	Description
1	848K61850	2nd Bias Housing
2	-	2nd Bias Bracket
3	-	2nd Bias Bracket
4	-	Housing Conductor
5	-	Cover Conductor
6	-	Conductor Exit
7	-	Housing Conductor
8	-	Conductor Chute
9	-	Plate Lh
10	-	Spring
11	-	Holder Spring
12	-	Spring Compression
13	-	Bracket Roll
14	-	Roller Shaft
15	-	Push Roller
16	-	Push Roller
17	-	Cover Harness
18	130E87410	POB Sensor
19	-	POB Sensor Holder



j0se51403

PL 14.4 Left Hand Cover Assembly (2 of 2)

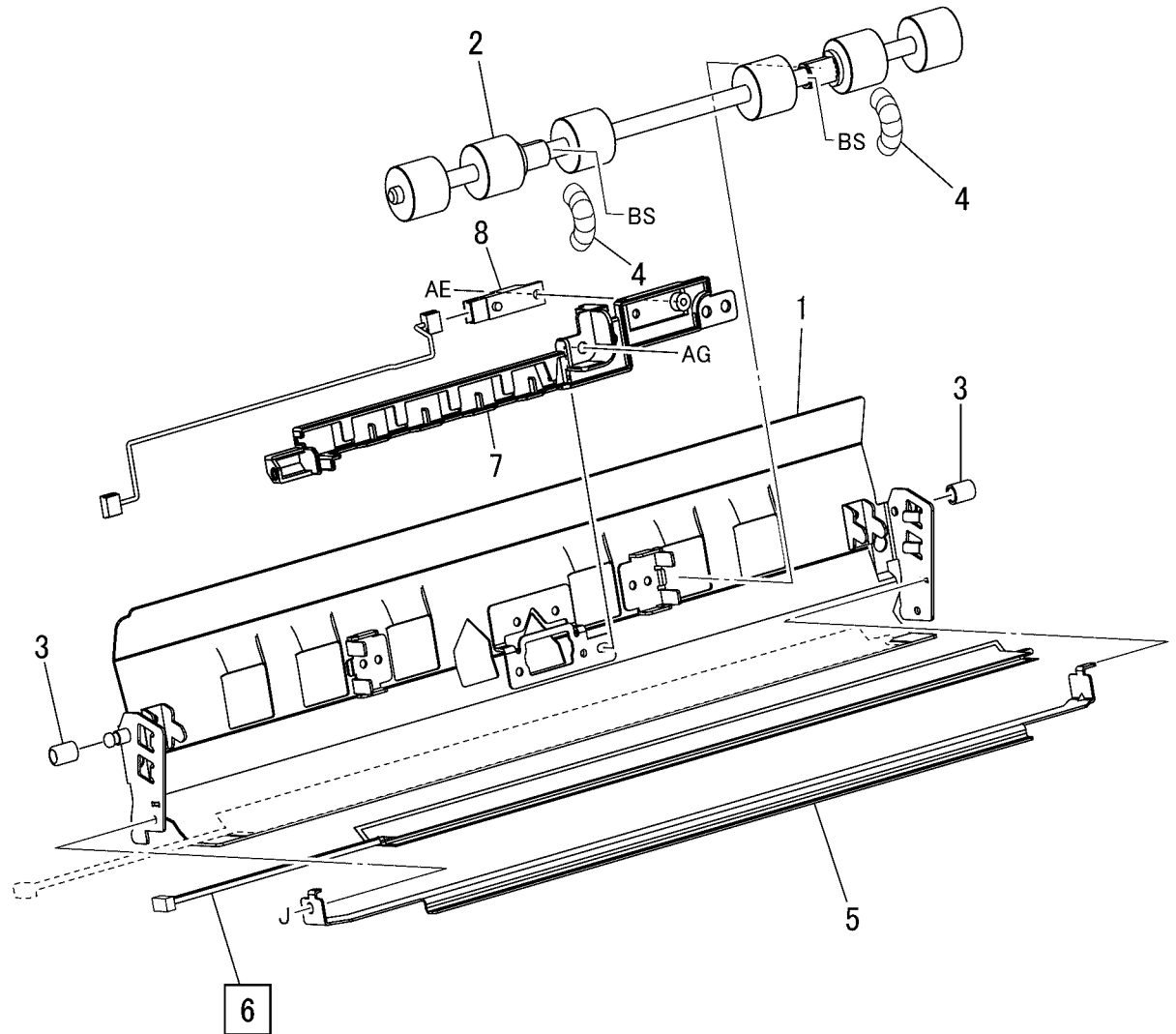
Item	Part	Description
1	-	Left Hand Cover
2	-	Guide Hrns In
3	-	Guide Hrns Out L42
4	-	Frame Assembly Lh
5	011E24361	Lever Latch Front MF
6	011E24380	Lever Latch R (C8070)
-	011E20740	Lever Latch R (C8030/35, C8045/55)
7	-	Shaft
8	120E34041	Actuator
9	-	Spring
10	849E97370	Support Lhcover
11	868E05450	Support Lhcover F
12	-	Label Door A
13	-	Latch Lhcover F
14	-	Latch Lhcover R
15	-	Guide Hrns Heaterin L42
16	-	Guide Hrns Heaterout
17	-	Holder Assembly
18	-	Guide Hrns Fan
19	-	Holder Fan
20	127K61510	L/H Fan Assembly 1, L/H Fan Assembly 2, L/H Fan Assembly 3 (C8070)
21	-	Harness Guide
22	-	Harness Holder
23	-	Connector Amp Ct Series
24	960K50361	PWB Fan (C8070)
25	-	Conductor Fan
26	-	Screw
27	-	Harness Assembly Lhfan
28	-	Harness Assembly Lhfan



PL 14.5 Chute Assembly

PL 14.5

Item	Part	Description
1	-	Chute Assembly Regi Pinch
2	059K56660	Pinch Assembly Roll (C8030/35, C8045/55)
-	059K82300	Pinch Assembly Roll (C8070)
3	-	Pulley
4	809E79750	Spring Regi
5	-	Heater Bracket
6	-	DC Heater
7	-	Bracket Sensor Regi (C8070 Only)
8	930W00211	Registration Sensor (C8070 Only)

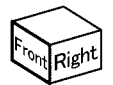
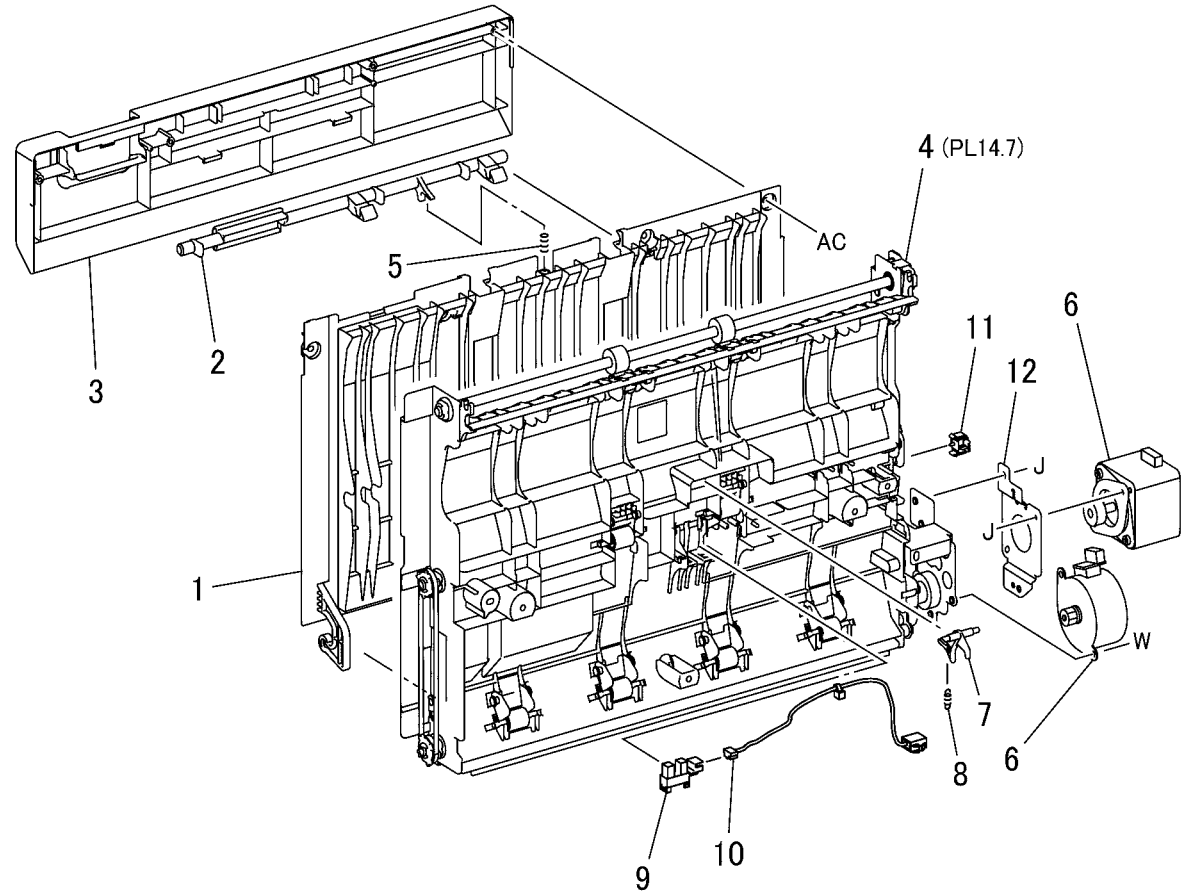


j0se51405

PL 14.6 Duplex Assembly (1 of 2)

Item	Part	Description
1	848E24142	Duplex Cover
2	011E23681	Duplex Lever
3	848E43860	Level Cover
4	-	Frame Assembly
5	-	Spring
6	127K58390	Duplex Motor (C8030/35)
-	127K65880	Duplex Motor (C8045/55)
-	127K70410	Duplex Motor (C8070)
7	120E32340	Actuator
8	809E75960	Spring
9	930W00113	Duplex Path Sensor
-	930W00123	Duplex Path Sensor (Alternate)
10	-	Wire Harness
11	110E11580	Dulpex Cover Switch
12	-	Motor Bracket

PL 14.6

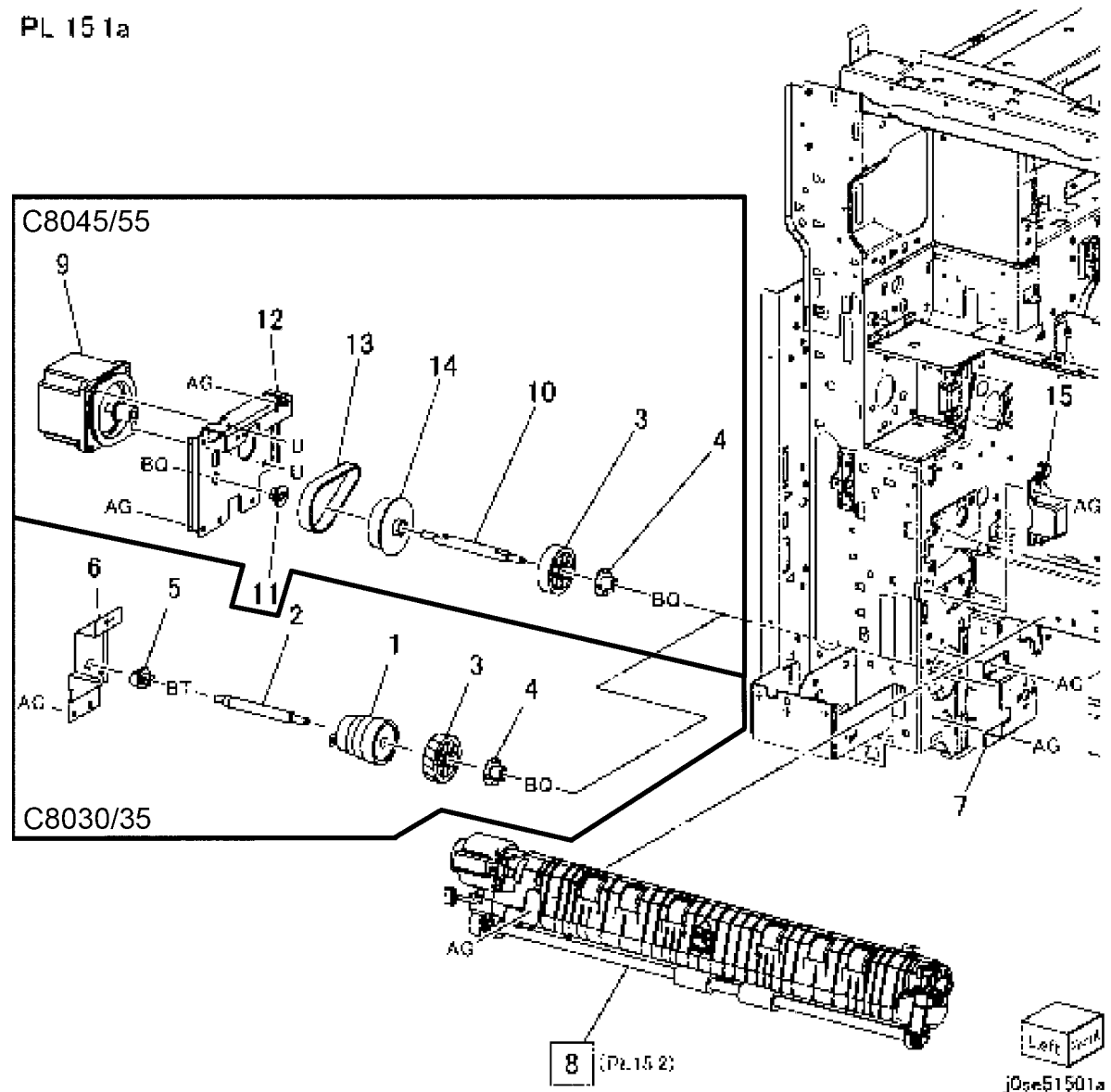


j0se51406

PL 15.1A Registration (1 of 2)
(C8030/35/45/55)

Item	Part	Description
1	121K41242	Take Away Clutch (C8030/35)
2	-	Shaft
3	807E20050	Gear (40T)
4	013E33420	Bearing
5	013E33460	Bearing (C8030/35)
6	-	Bracket
7	-	Bracket
8	059K75652	Registration Transport Assembly (C8030/35) (PL 15.2A)
-	059K82361	Registration Transport Assembly (C8045/55) (PL 15.2A)
9	127K71030	Take Away Motor (C8045/55)
10	-	Shaft
11	013E36280	Bearing (C8045/55)
12	-	Bracket
13	423W65754	Belt (C8045/55)
14	020E50730	Pulley (40T) (C8045/55)
15	-	Connector Cover

PL 15 1a

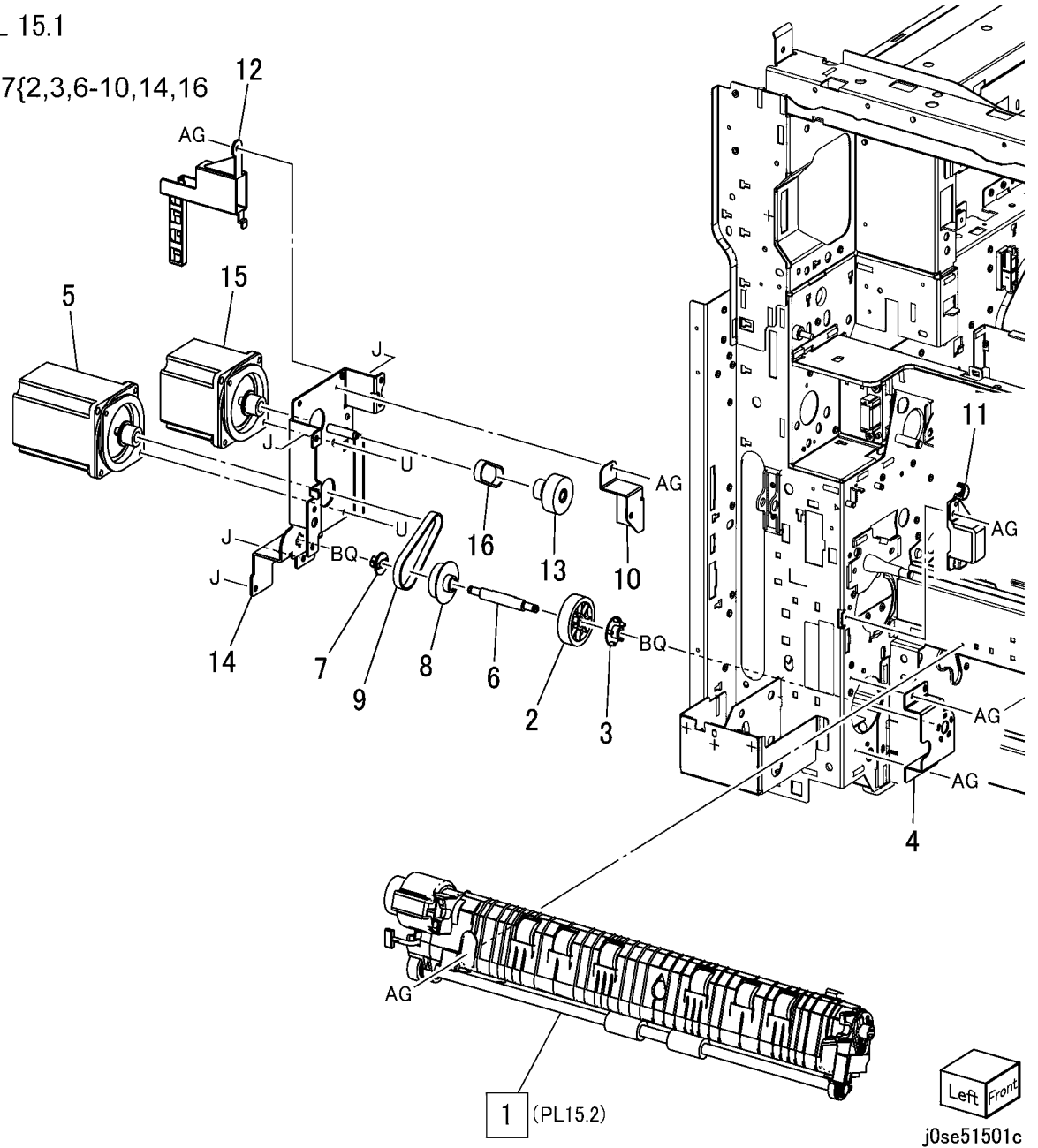


PL 15.1B Registration (2 of 2) (C8070)

Item	Part	Description
1	059K82261	Registration Transport Assembly (C8070) (REP 7.24)
2	807E20050	Gear (40T) (C8070)
3	-	Bearing Ta F
4	-	Bracket Ta H
5	127K71020	Takeaway Motor (C8070) (REP 4.5)
6	-	Shaft Idl Ta H
7	013E36280	Bearing Ta (C8070)
8	020E50740	Pulley Ta 40t (C8070)
9	-	Belt Synchronous (C8070)
10	-	Bracket Idl Regi
11	-	Cover Regi Connector
12	-	Bracket Harness Regi Hi
13	-	Pulley Regi 23t
14	-	Bracket Assembly Regi
15	127K71010	Registration Transport Drive Motor (C8070) (REP 4.6)
16	-	Belt Synchronous
17	604K91130	Registration Transport Drive Assembly

PL 15.1

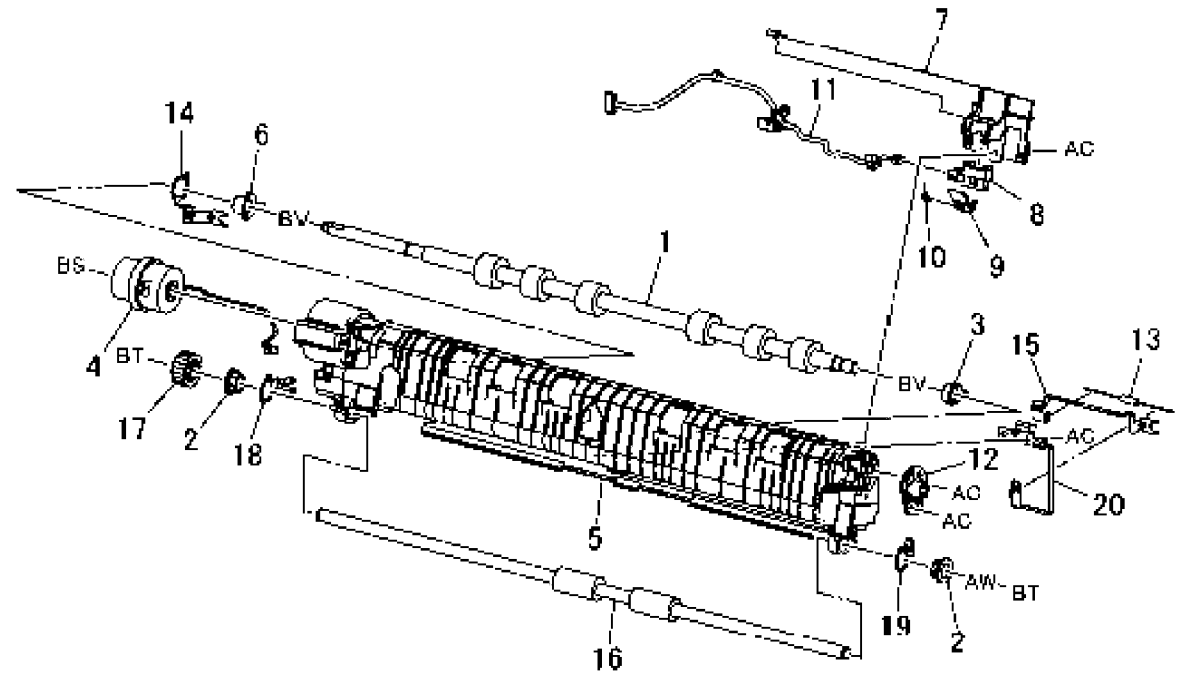
17{2,3,6-10,14,16



PL 15.2A Registration (1 of 2)
(C8030/35/45/55)

Item	Part	Description
1	059K83120	Registration Roll
2	013E40520	Bearing Regi
3	013E44360	Front Registration Bearing
4	121K41201	Clutch Assembly Regi (C8030/35)
-	-	Clutch Assembly Regi (C8045/55)
5	054E54251	Chute Registration Transport
6	013E44370	Rear Registration Bearing
7	019E86331	Sensor Holder
8	930W00111	Sensor Regi
9	120E29700	Actuator
10	809E78760	Torsion Spring
11	-	Harness Regi
12	-	Skew Adjust Block
13	103E48370	Resistor Inlet
14	-	Conductor Rear
15	-	Conductor Regi Under
16	059K53370	Takeaway Roll
17	807E20190	Gear 23T
18	-	Conductor Ta
19	-	Conductor Ta
20	-	Conductor Regi IBT

PL 15.2a

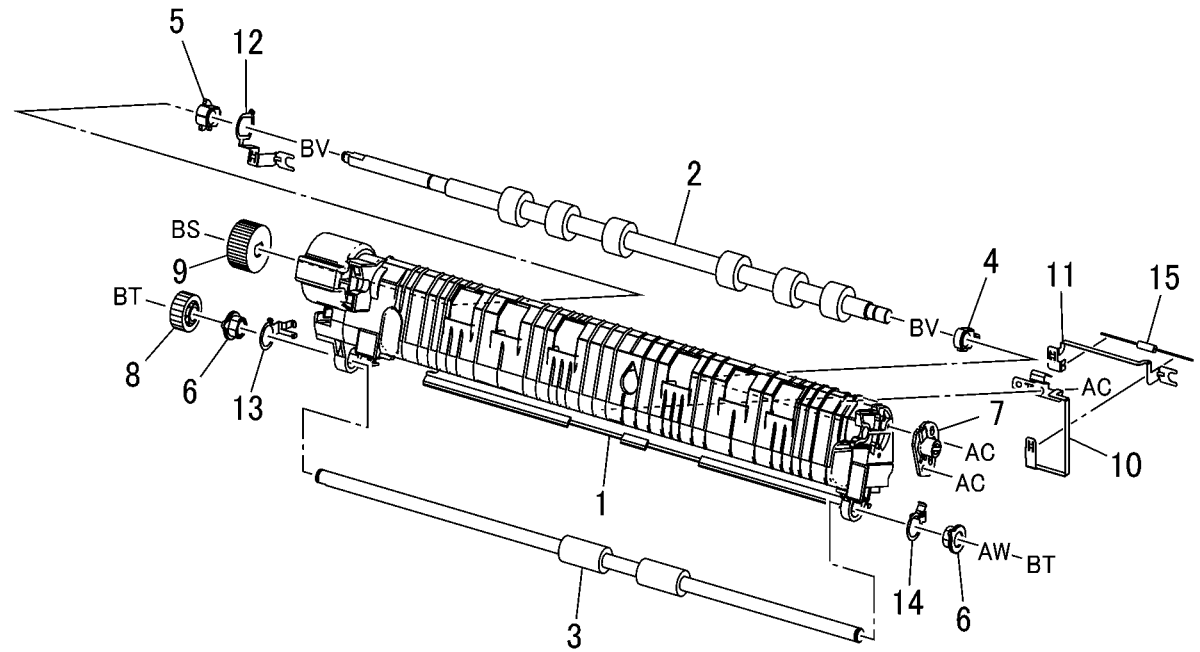


.j0se51502a

PL 15.2B Registration (2 of 2) (C8070)

Item	Part	Description
1	054E53731	Chute Registration Transport
2	059K82270	Registration Roll
3	059K53370	Takeaway Roll
4	013E44360	Front Registration Bearing
5	013E44380	Rear Registration Bearing
6	013E44400	Bearing
7	-	Skew Adjust Block
8	807E20190	Gear 23T
9	807E43640	Gear Regi 40t
10	-	Conductor Regi IBT
11	-	Conductor Regi Under
12	-	Conductor Rear
13	-	Conductor Ta
14	-	Conductor Ta
15	103E45060	Resistor Inlet

PL 15.2

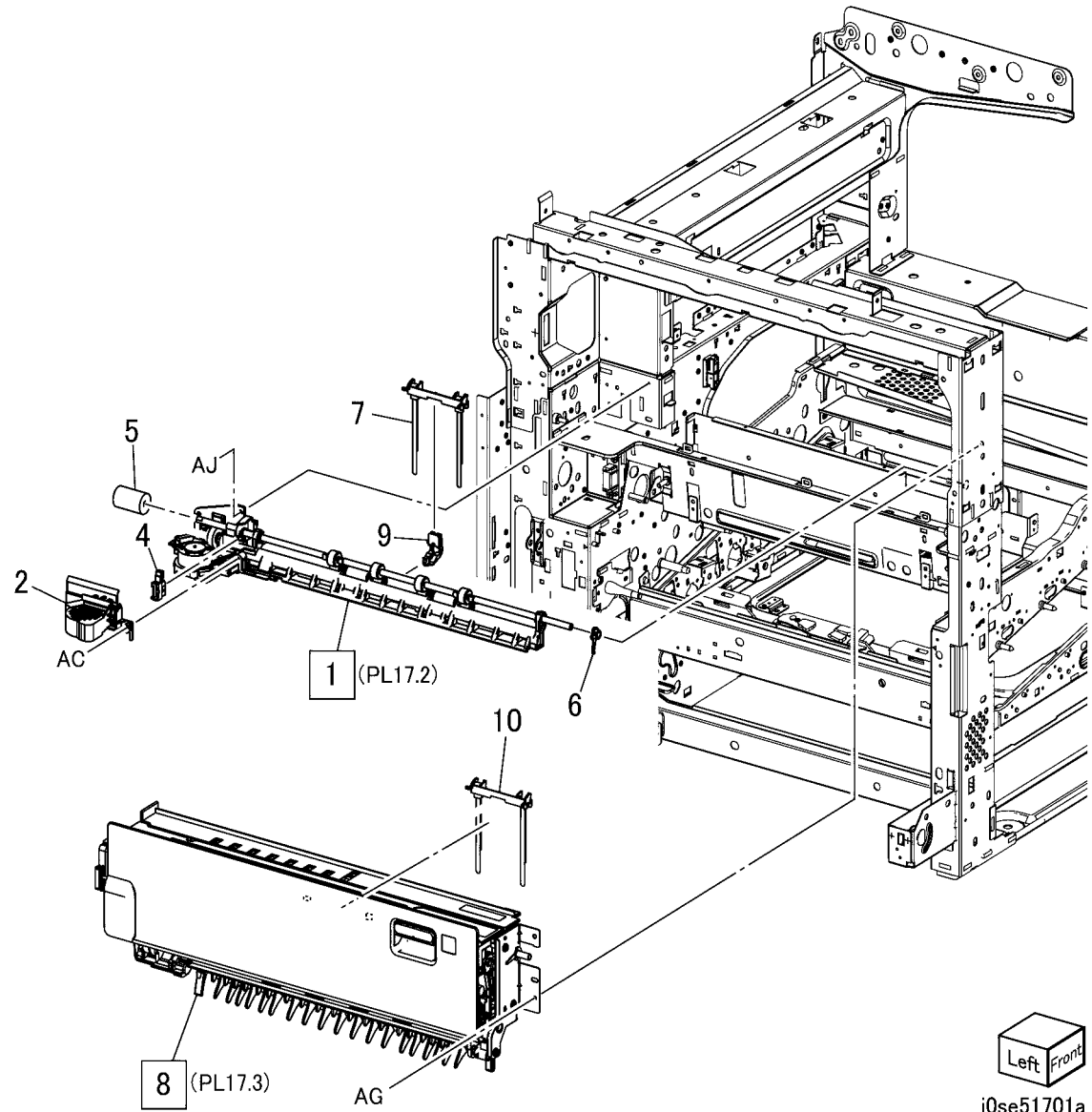


j0se51502c

PL 17.1 Exit 1/OCT

Item	Part	Description
1	–	Exit/OCT 1 Assembly (PL 17.2) (REP 11.1)
2	–	Motor Cover
4	930W00123	Exit 1 OCT Home Position Sensor
5	807E20620	Gear (19T)
6	013E33410	Bearing
7	036K92210	Paper Weight
8	859K10490	Exit 2 Assembly (C8030/35) (REP 11.2)
–	859K10500	Exit 2 Assembly (C8045/55) (REP 11.2)
–	859K10480	Exit 2 Assembly (C8070) (REP 11.2)
9	055E58970	Exit 1 Guard
10	822E03700	Paper Weight

PL 17.1



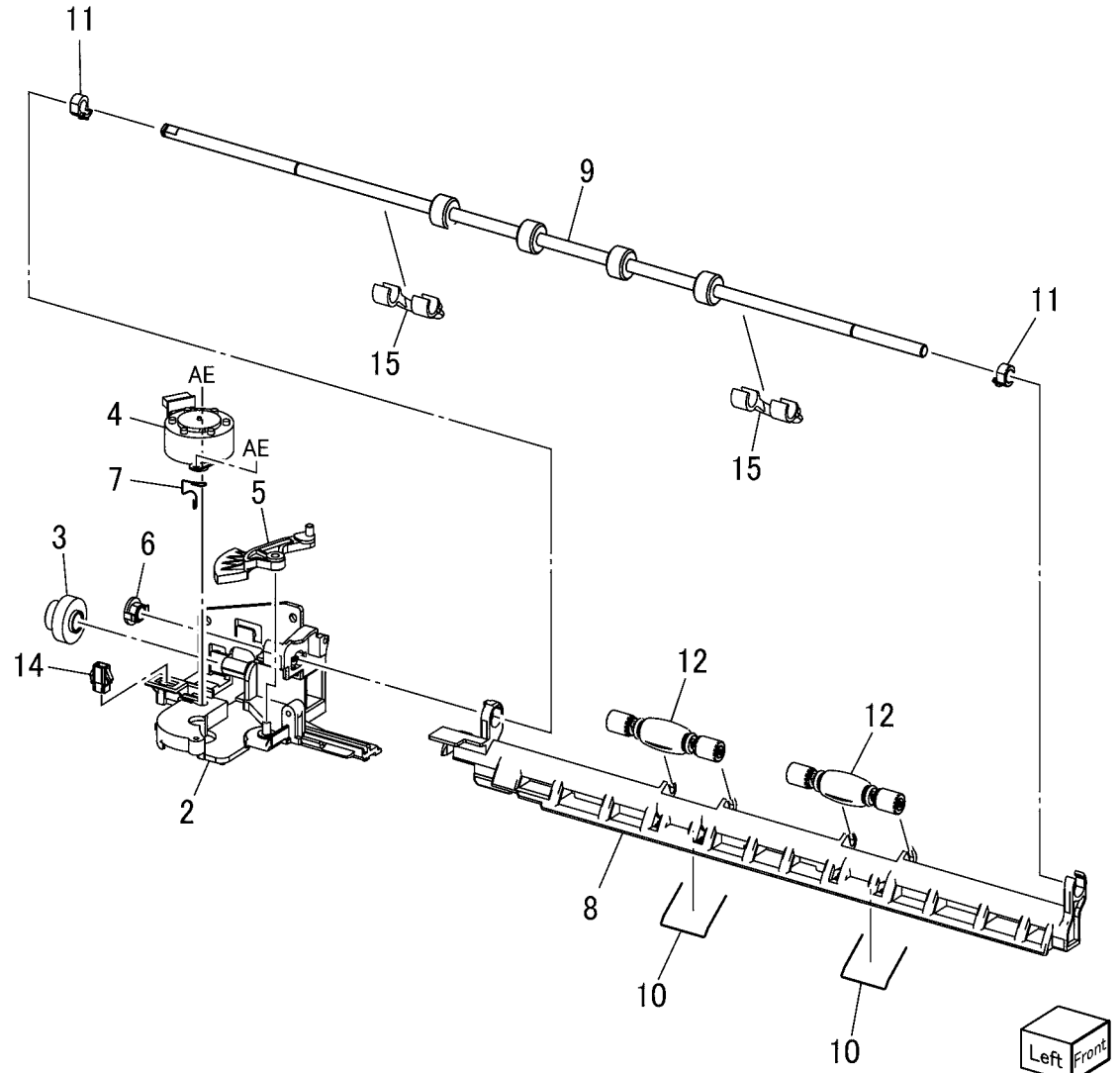
PL 17.2 Exit 1/OCT

Item	Part	Description
1	801K42591	Exit 1 Base Assembly (C8030/35)
-	801K42601	Exit 1 Base Assembly (C8045/55, C8070)
2	-	Exit 1 Base (P/O PL 17.2 Item 1)
3	-	Exit 1 Gear (P/O PL 17.2 Item 1)
4	127K52280	Exit 1 OCT Motor (C8030/35)
-	127K60880	Exit 1 OCT Motor (C8045/55, C8070)
5	-	OCT Gear (P/O PL 17.2 Item 1)
6	013E30050	Bearing
7	-	Ground Plate (P/O PL 17.2 Item 1)
8	-	OCT Chute (P/O PL 17.2 Item 13)
9	-	OCT 1 Roller (P/O PL 17.2 Item 13)
10	-	Exit Pinch Spring (P/O PL 17.2 Item 13)
11	013E36390	Bearing
12	059K65781	Exit Pinch Roller
13	054K51660	OCT 1 Assembly
14	-	Connector (P/O PL 17.2 Item 1)
15	-	Guide (P/O PL 17.2 Item 13)

PL 17.2

1 { 2-7,14

13 { 8-12,15



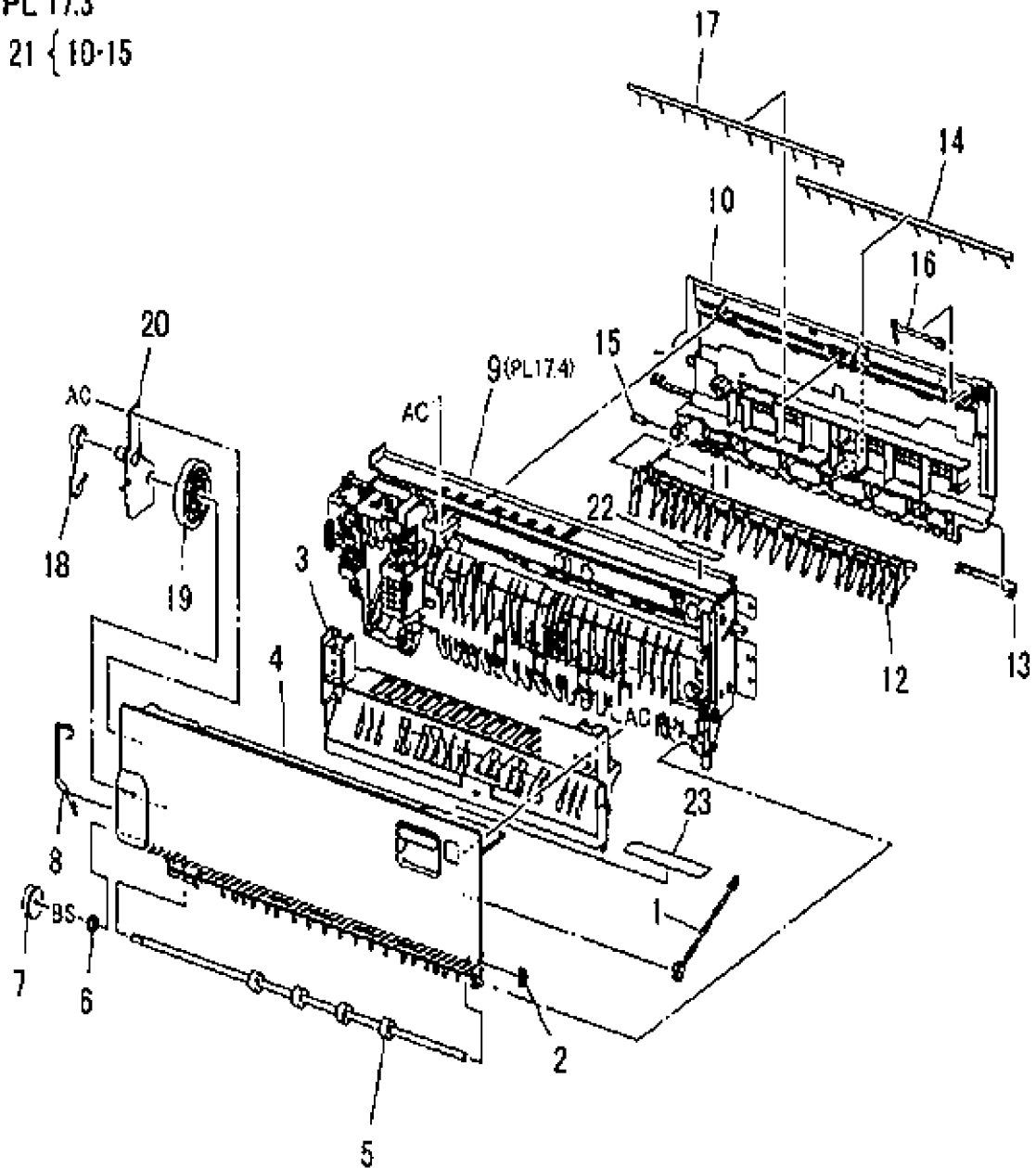
Left Front

j0se51702a

PL 17.3 Exit 2 (1 of 3)

Item	Part	Description
1	003E76760	Exit 2 Front Stopper
2	-	Bearing
3	-	Exit 2 Chute
4	-	L/H High Chute
5	059K53742	Inverter Roll
6	413W14760	Sleeve Bearing
7	-	Gear (22T)
8	-	Ground Plate (Not Spared)
9	-	Exit 2 Drive Assembly (PL 17.4)
10	-	Tray 2 Guide (P/O PL 17.3 Item 21)
11	-	Gate 1 Spring (P/O PL 17.3 Item 21)
12	-	Exit 1 Gate (P/O PL 17.3 Item 21)
13	-	Ground Plate (P/O PL 17.3 Item 21)
14	925W00001	Eliminator
15	-	Gate Stopper
16	-	Ground Plate
17	-	Eliminator Same as Item 14
18	003E75360	Exit 2 Stopper
19	-	Gear (52T)
20	-	Gear Cover
21	-	Exit 2 Guide Assembly
22	-	Label
23	-	Caution Label

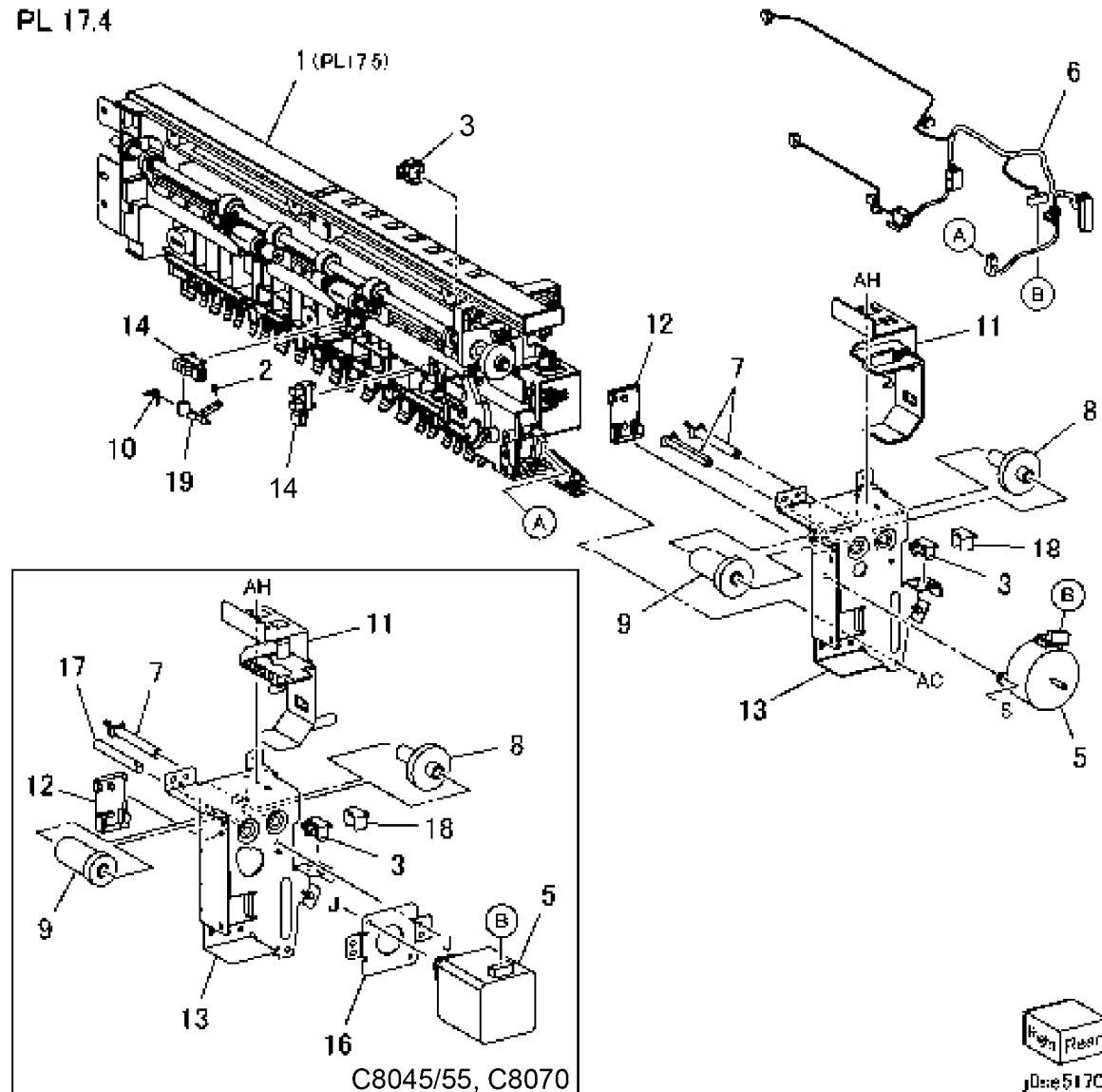
PL 17.3
21 { 10-15



PL 17.4 Exit 2 (2 of 3)

Item	Part	Description
1	-	Exit 2 OCT Assembly (PL 17.5)
2	059E98780	Actuator Roller
3	110E11580	Face Up Tray Detect Switch; L/H High Cover Switch
5	127K58400	Exit 2 Drive Motor (C8030/35)
-	127K65890	Exit 2 Drive Motor (C8045/55)
-	127K60830	Exit 2 Drive Motor (C8070)
6	-	Wire Harness (Exit 2) (Not Spared)
7	-	Gear Shaft
8	-	Gear (28T) (Not Spared)
9	-	Gear (16T/23T) (Not Spared)
10	809E37332	Spring
11	-	Rear Cover (Not Spared)
12	-	Shaft Cover (Not Spared)
13	-	Rear Bracket
14	930W00123	Exit 2, OCT Home Position, Exit 2 Sensor
16	-	Motor Bracket
17	-	Gear Shaft (Not Spared)
18	-	Switch Cover (Not Spared)
19	-	Actuator

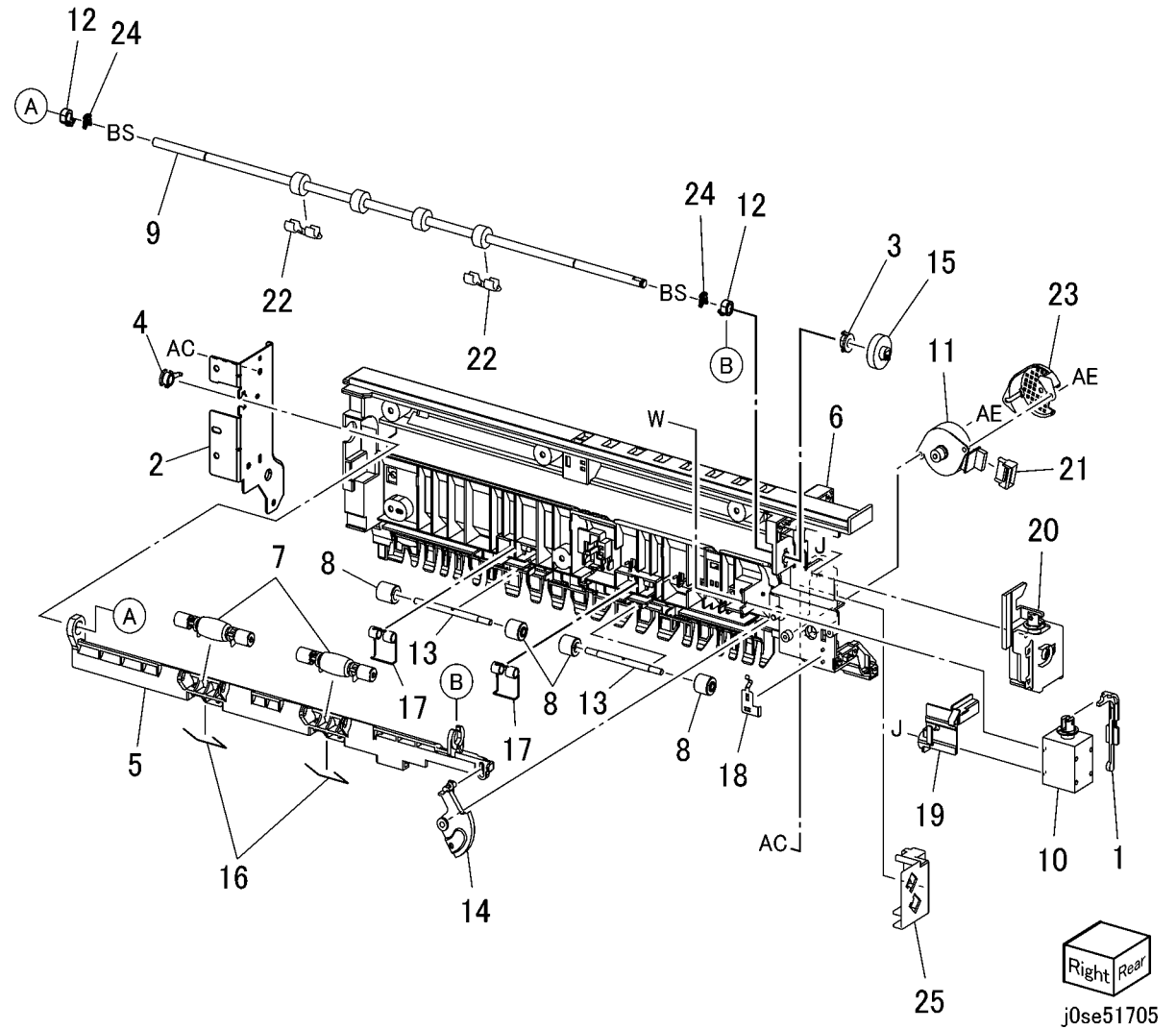
PL 17.4



PL 17.5 Exit 2 (3 of 3)

Item	Part	Description
1	-	Exit Gate Link
2	-	Front Bracket
3	-	Bearing
4	013E33410	Bearing
5	-	OCT 2 Chute
6	-	Low 2 Chute
7	059K65781	Exit Pinch Roller
8	059E03531	Inverter Pinch Roll
9	-	OCT Roller
10	921W11601	Exit Gate Solenoid
11	127K52280	Exit 2 OCT Motor (C8030/35)
-	127K60880	Exit 2 OCT Motor (C8045/55, C8070)
12	013E36390	Bearing
13	-	Inverter Pinch Shaft
14	-	Offset 2 Gear
15	-	Gear (22T)
16	809E99520	Exit Pinch Spring
17	809E75460	Inverter Pinch Spring
18	-	Ground Plate (P/O PL 17.1 Item 8)
19	-	Exit 2 Gate Solenoid Cover
20	-	Fuse Up Tray Gate Solenoid Assembly
21	-	Connector Cover
22	055E57522	Exit 2 Guard
23	-	Motor Cover (Not Spared)
24	-	Clip (Not Spared)
25	-	Harness Guide

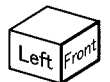
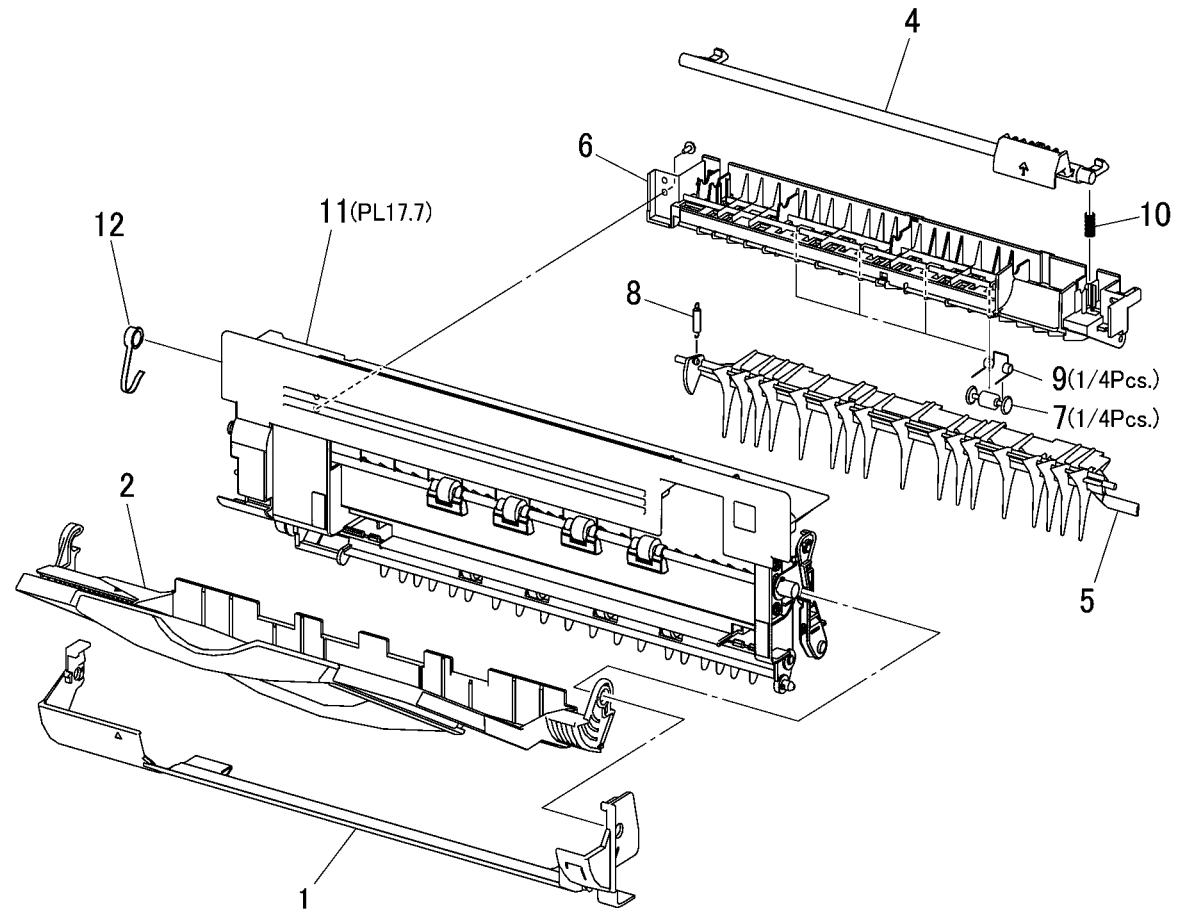
PL 17.5



PL 17.6 Side Tray Unit (1 of 2)

Item	Part	Description
1	848E21532	Tray Cover
2	050K62502	Face Up Tray
3	059K65892	Face Up Transport Assembly (REP 11.3)
4	803E04720	Latch Handle
5	-	Exit 2 Gate (P/O PL 17.6 Item 3)
6	-	Upper Chute (P/O PL 17.6 Item 3)
7	-	Pinch Roll (P/O PL 17.6 Item 3)
8	-	Spring (P/O PL 17.6 Item 3)
9	-	Pinch Spring (P/O PL 17.6 Item 3)
10	-	Spring (P/O PL 17.6 Item 3)
11	-	Transport Roll Assembly (P/O PL 17.6 Item 3) (PL 17.7)
12	003E75360	Exit 2 Stopper

PL 17.6
3 { 4-12

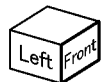
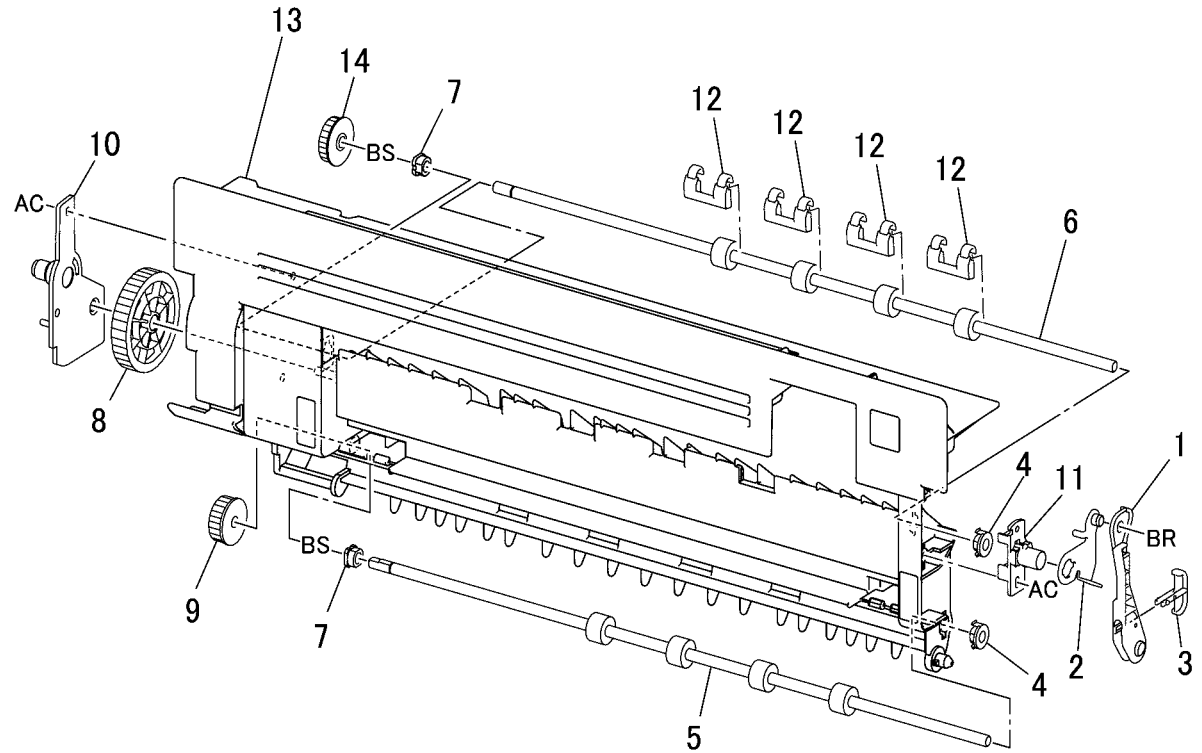


j0kt51706A

PL 17.7 Side Tray Unit (2 of 2)

Item	Part	Description
1	-	Link (P/O PL 17.6 Item 11)
2	-	Link Bracket (P/O PL 17.6 Item 11)
3	-	Spacer (P/O PL 17.6 Item 11)
4	-	Bearing (P/O PL 17.6 Item 11)
5	-	INV Roll (P/O PL 17.6 Item 11)
6	-	FU Roll (P/O PL 17.6 Item 11)
7	-	Bearing (P/O PL 17.6 Item 11)
8	-	Gear (52T) (P/O PL 17.6 Item 11)
9	-	Gear (22T)
10	-	Gear Cover (P/O PL 17.6 Item 11)
11	-	Tray Support (P/O PL 17.6 Item 11)
12	-	Guard (P/O PL 17.6 Item 11)
13	-	Cover Assembly (P/O PL 17.6 Item 11)
14	-	Gear (P/O PL 17.6 Item 11)

PL 17.7

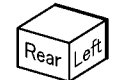
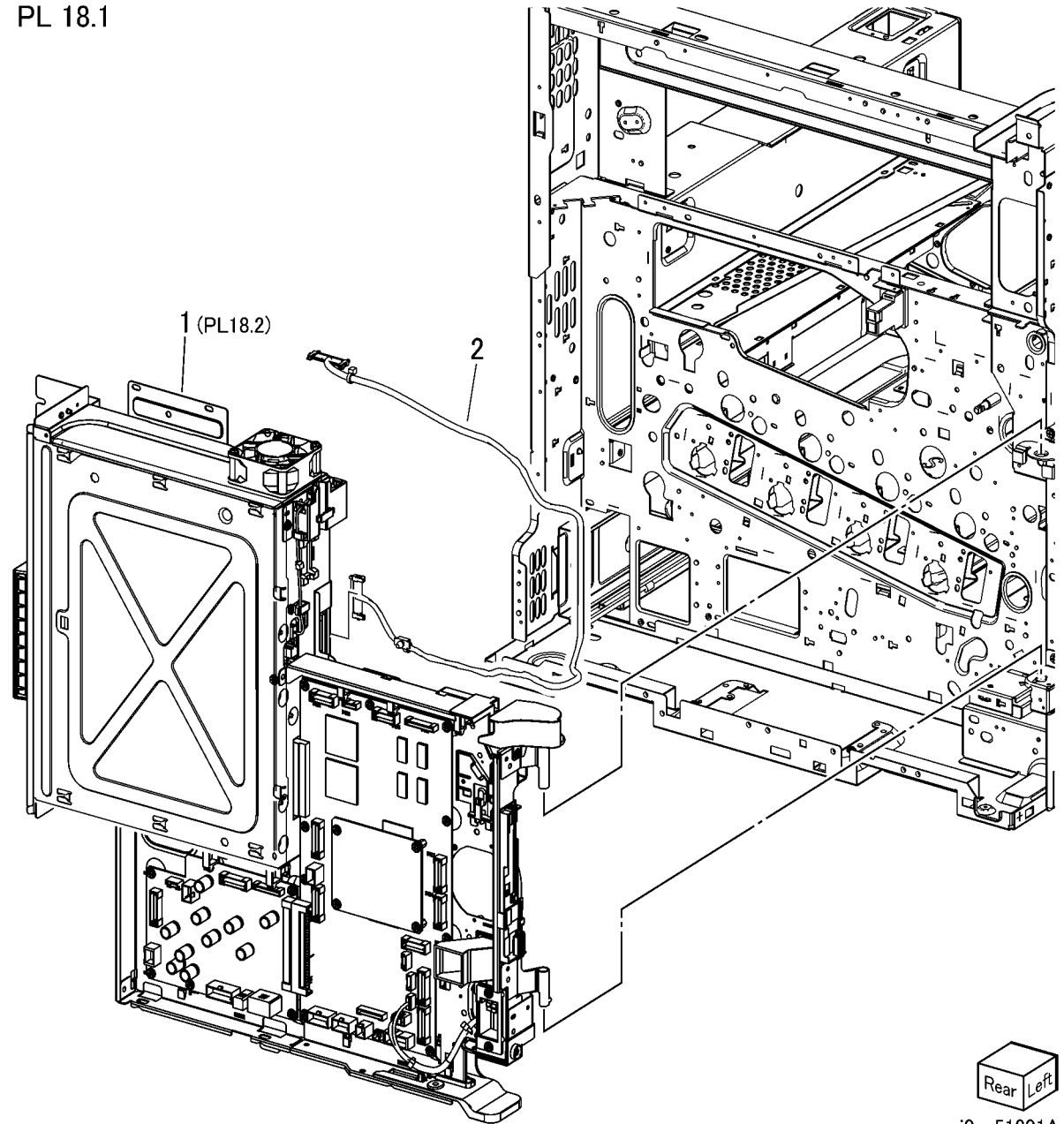


j0kt51707A

PL 18.1 PWB Chassis Unit (1 of 2)

Item	Part	Description
1	-	PWB Chassis Unit (PL 18.2) (Not Spared) (REP 1.14)
2	117K48002	IIT Control Cable

PL 18.1

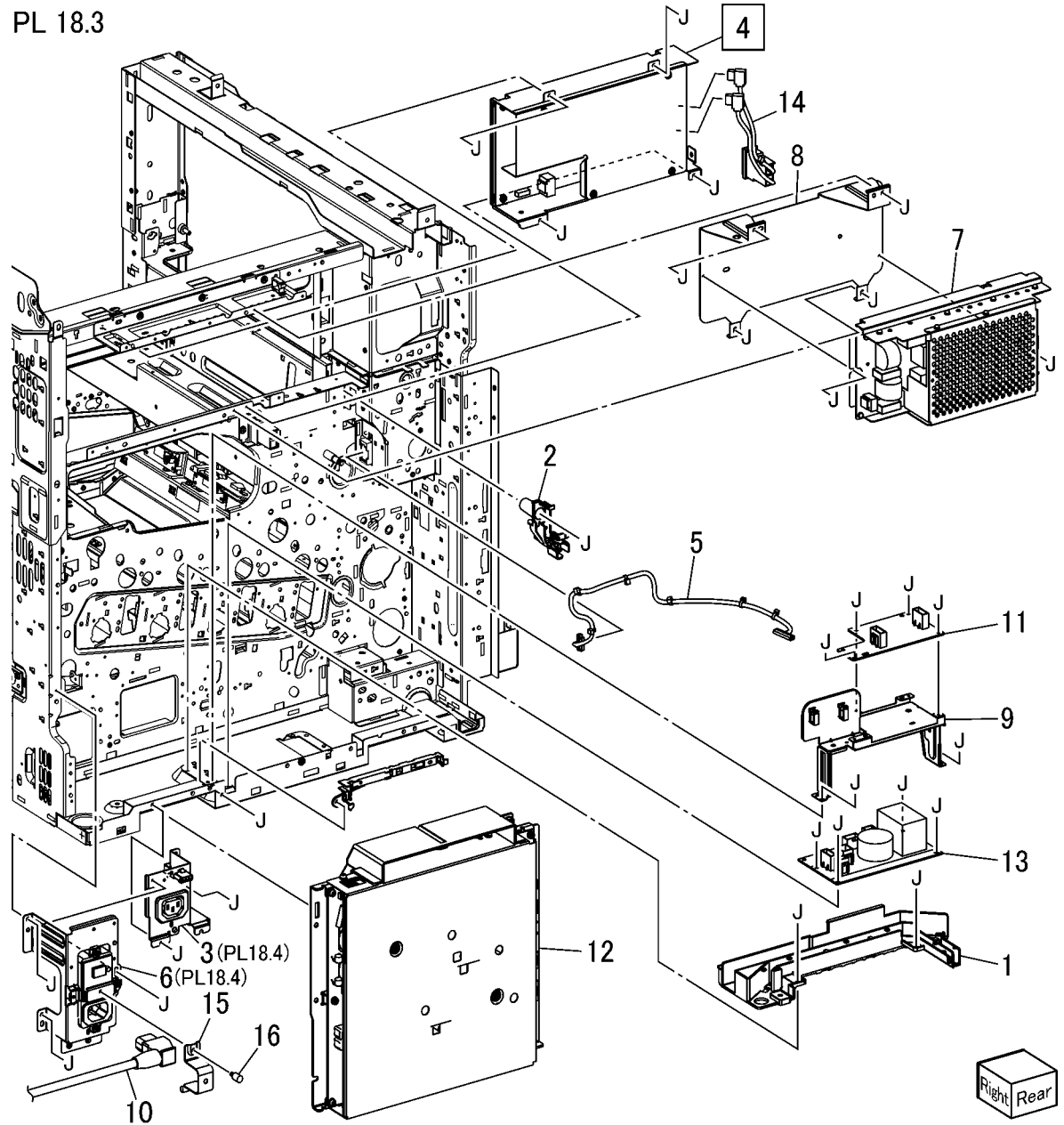


j0se51801A

PL 18.3 IOT Rear

Item	Part	Description
1	-	Harness Guide (Not Spared)
2	032E42350	Harness Guide
3	101K67470	GFI Chassis Assembly (C8030/35, C8045/55)
-	101K67480	GFI Chassis Assembly (C8070)
4	105E21342	110V IH Driver PWB (C8030/35, C8045/55)
-	105E21372	110V IH Driver PWB (C8070) (REP 1.8)
-	105E21363	220V IH Driver PWB (C8030/35, C8045/55)
-	105E21382	220V IH Driver PWB (C8070)
5	952K11530	Fusing Unit Drawer Harness
6	101K68010	CHASSIS Assy-Breaker GFI (PL 18.4)
7	105E20940	Sub LVPS (C8070 Only)
8	-	Bracket
9	-	Bracket
10	917W03005	Power Cord (C8030/35, C8045/55) 110V
-	117E24670	Power Cord (C8070) 110V
-	917W03102	Power Cord, 220V
11	105K32510	Noise Filter (C8070 Only) (REP 1.18)
12	112K91110	Main LVPS (C8030/35) (REP 1.17)
-	112K91121	Main LVPS (C8045/55, C8070) (REP 1.17)
13	105K32480	110V AC Power Supply (C8030/35, C8045/55)
-	105K32500	110V AC Power Supply (C8070)
-	105K32490	220V AC Power Supply
14	952K14040	220V IH Drive Out Harness
-	952K11520	110V IH Drive Out Harness
15	-	Bracket
16	-	Screw

PL 18.3

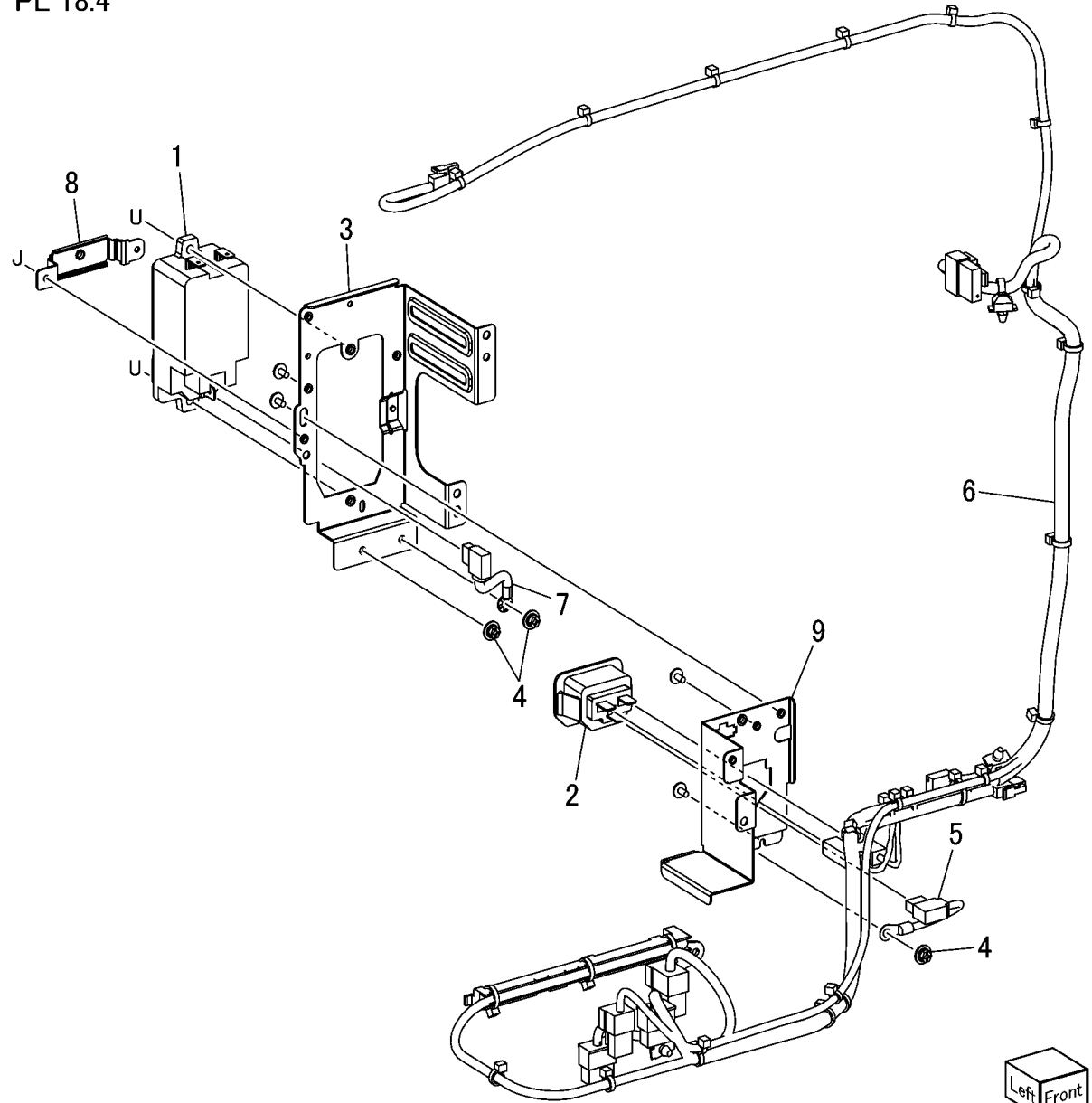


Right Rear
j0se51803A

PL 18.4 GFI Chassis

Item	Part	Description
1	-	GFI (P/O PL 18.3 Item 6)
2	-	Finisher/PSW Outlet
3	-	GFI Chassis (P/O PL 18.3 Item 6)
4	-	Screw (P/O PL 18.3 Item 6)
5	-	220V Wire Harness (Blue)
6	-	Wire Harness (Not Spared)
7	-	Wire Harness (P/O PL 18.3 Item 6)
8	-	Wire Harness (P/O PL 18.3 Item 6)
9	-	Inlet

PL 18.4

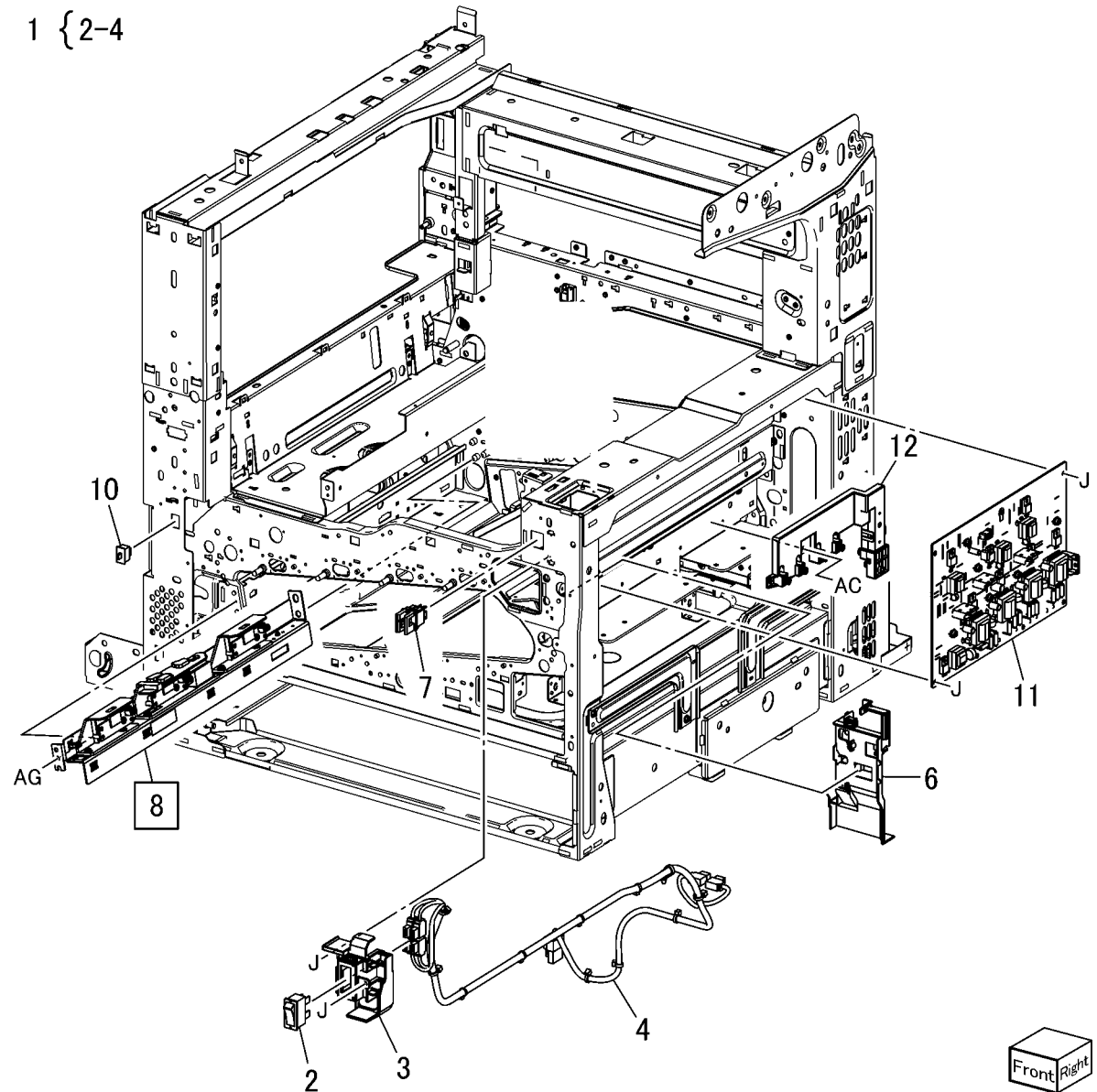


Left Front
j0se51804A

PL 18.5 Electrical-Front/Right

Item	Part	Description
1	101K68000	110V Main Power Switch And Harness
-	101K67290	220V Main Power Switch And Harness
2	910W00704	Main Power Switch (P/O PL 18.5 Item 1)
3	-	Bracket (P/O PL 18.5 Item 1)
4	-	Wire Harness (P/O PL 18.5 Item 1)
6	-	Harness Guide (Not Spared)
7	110E15090	Front Cover Interlock Switch
8	930K03160	MOB ADC Sensor Assembly (REP 9.16)
10	110E12981	IBT Front Cover Switch
11	105E21470	Developer HVPS (REP 1.2)
12	-	Developer HVPS Housing

PL 18.5
1 { 2-4

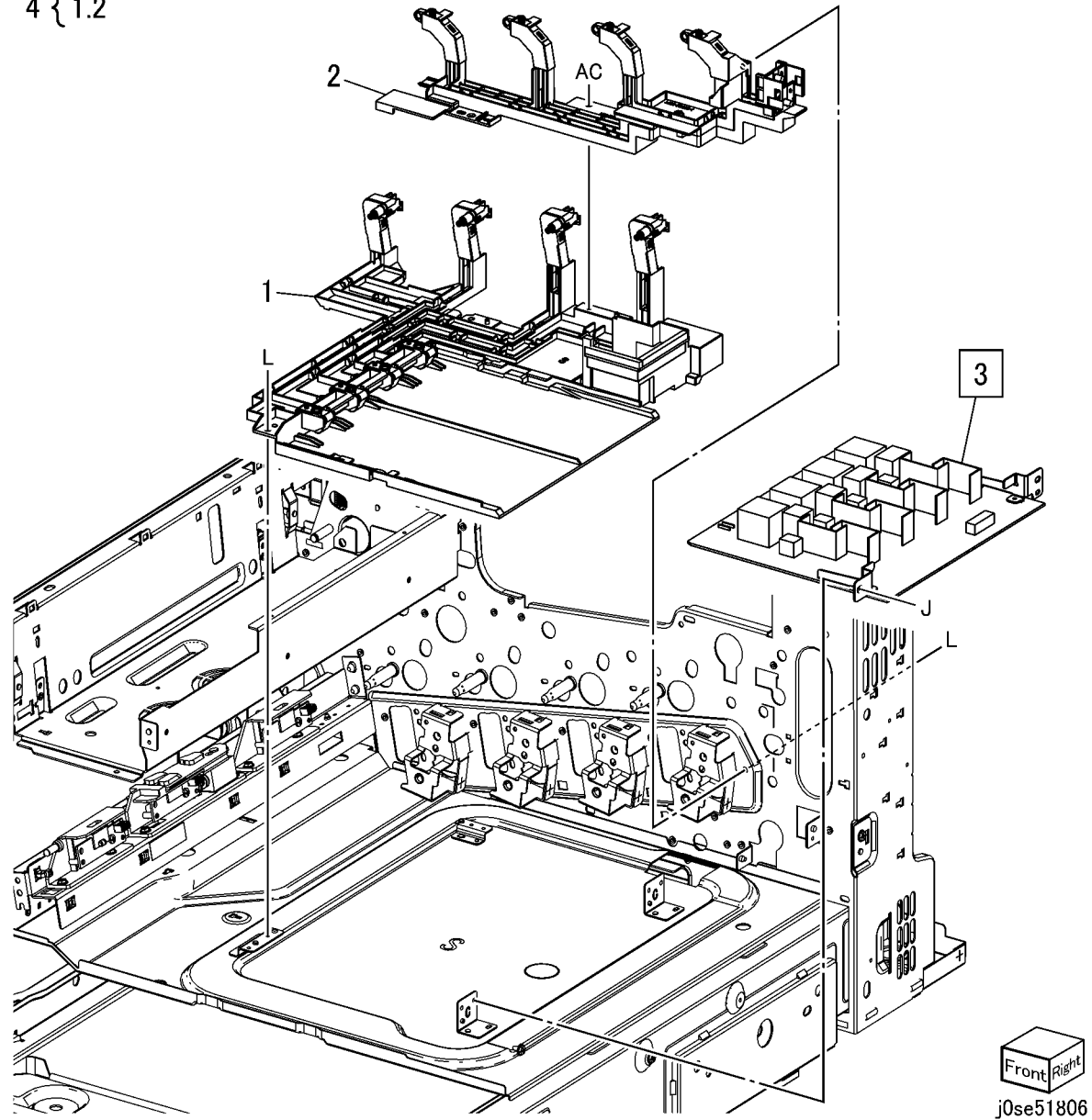


j0se51805

PL 18.6 Bottom

Item	Part	Description
1	-	HVPS Housing (P/O PL 18.6 Item 4)
2	-	HVPS Housing (P/O PL 18.6 Item 4)
3	105E21441	HVPS (BCR) (C8030/35) (REP 1.9)
-	105E21451	HVPS (BCR) (C8045/55) (REP 1.9)
-	105E21461	HVPS (BCR) (C8070) (REP 1.9)
4	848K84910	HVPS Housing

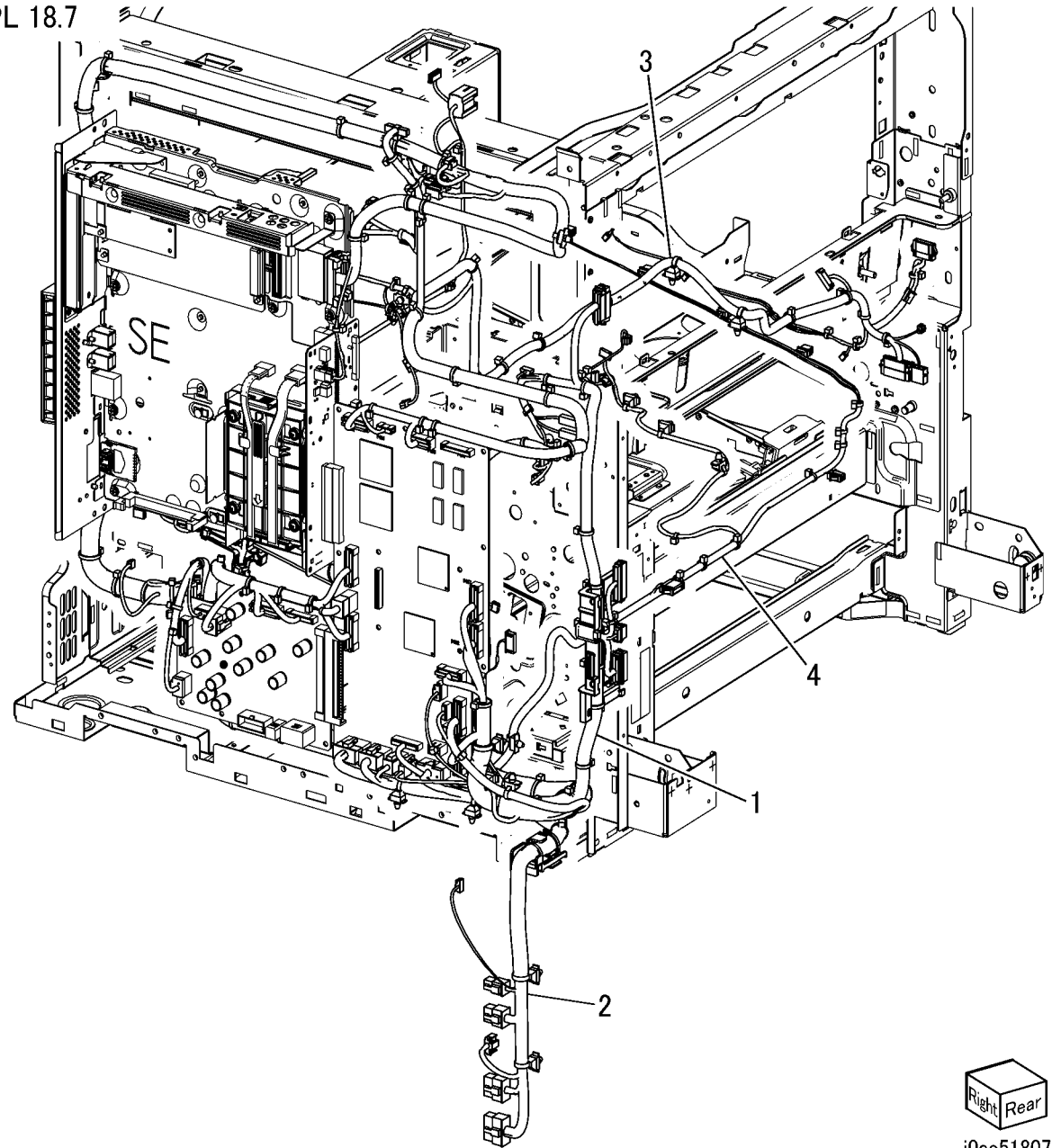
PL 18.6
4 { 1.2



PL 18.7 Wire Harness

Item	Part	Description
1	-	Wire Harness (Left)
2	-	Wire Harness (Right)
3	-	Wire Harness (Top)
4	-	Wire Harness (Front)

PL 18.7



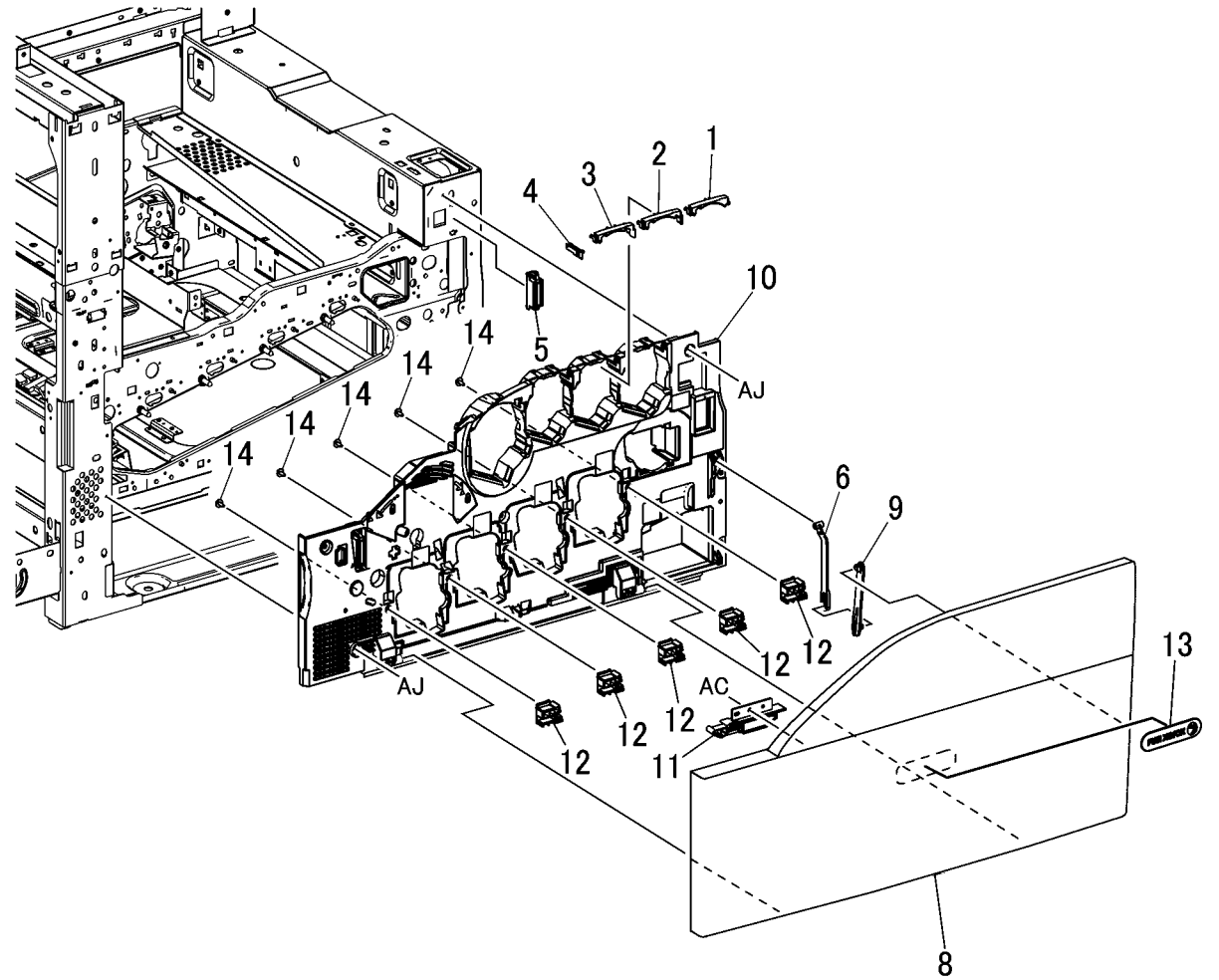
PL 19.1 Covers (1 of 3)

Item	Part	Description
1	815E58601	Plate (Y)
2	815E58610	Plate (M)
3	815E58621	Plate (C)
4	815E43300	Plate (K)
5	121E21331	Magnet Catch
6	848E14020	Strip (A)
7	-	Front Cover Assembly (Not Spared)
8	-	Front Cover (P/O PL 19.1 Item 7)
9	822E03000	Strip (B)
10	848K91590	Inner Cover
11	032K05331	Guide
12	014E63022	Block
13	-	Logo Badge
14	-	Tapping Screw
15	948K17110	Front Cover and Logo Plate and Badge (PL 19.1 Item 8)

PL 19.1

7 { 8,9

15 { 8,9,13

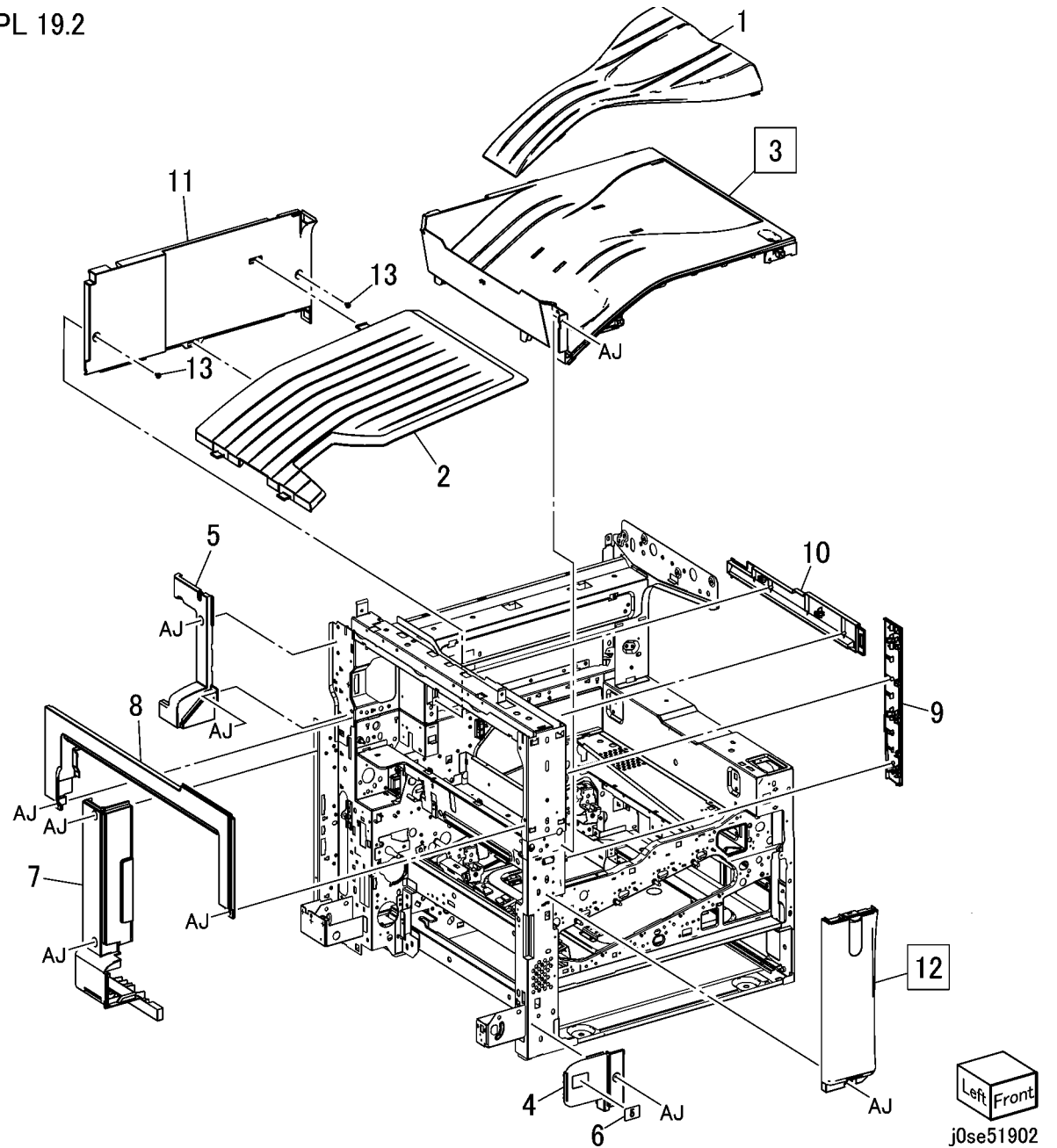


j0se51901

PL 19.2 Covers (2 of 3)

Item	Part	Description
1	050E32850	Add Tray (C8030/35)
-	050E33330	Add Tray (C8045/55, C8070)
2	050E33340	Exit 2 Tray
3	-	Top Cover (Not Spared) (REP 14.2)
4	-	MSI Front Cover
5	-	Left Rear Upper Cover (Not Spared)
6	-	Number Label (5) (Not Spared)
7	-	Left Rear Lower Cover
8	-	Left Upper Cover (Not Spared)
9	-	Exit Front Cover (Not Spared)
10	-	Exit Upper Cover (Not Spared)
11	-	Top Rear Cover (Not Spared)
12	822E46150	Front Left Cover (REP 1.14)
13	-	Screw (Black)

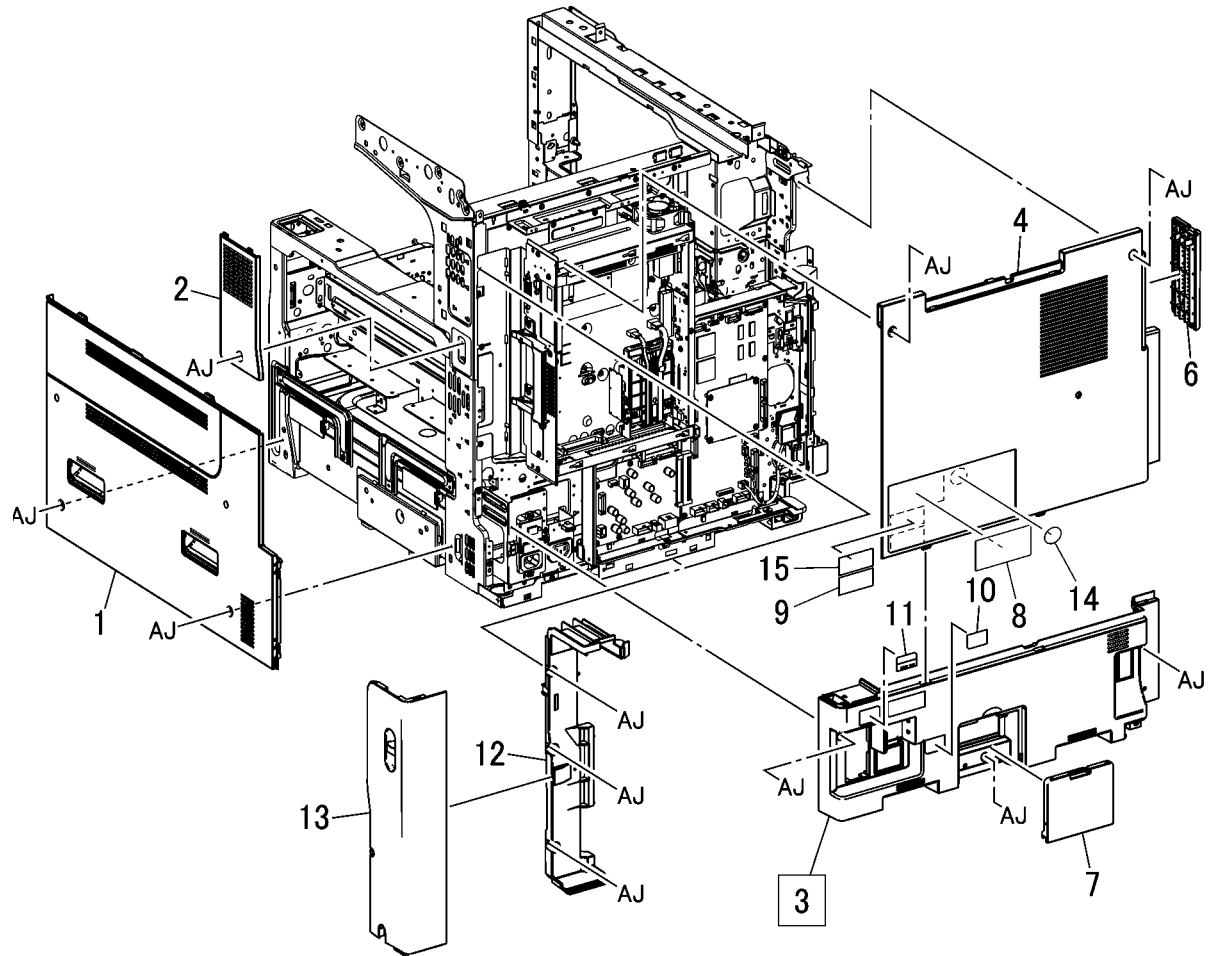
PL 19.2



PL 19.3 Covers (3 of 3)

PL 19.3

Item	Part	Description
1	-	Right Cover (Not Spared)
2	-	Right Rear Cover (Not Spared)
3	-	Rear Lower Cover (Not Spared) (REP 14.3)
4	-	Rear Upper Cover (Not Spared)
6	-	Filter Cover (Not Spared)
7	-	MCU Cover (Not Spared)
8	-	Data Plate (Not Spared)
9	-	Ground Label
10	-	Label (Outlet) (Not Spared)
11	-	GFI Label (Not Spared)
12	-	Rear Control Unit Cover (Not Spared)
13	-	Control Unit Connector Cover (Not Spared)
14	-	CCC Label (SC) (Not Spared)
15	-	Fax Label

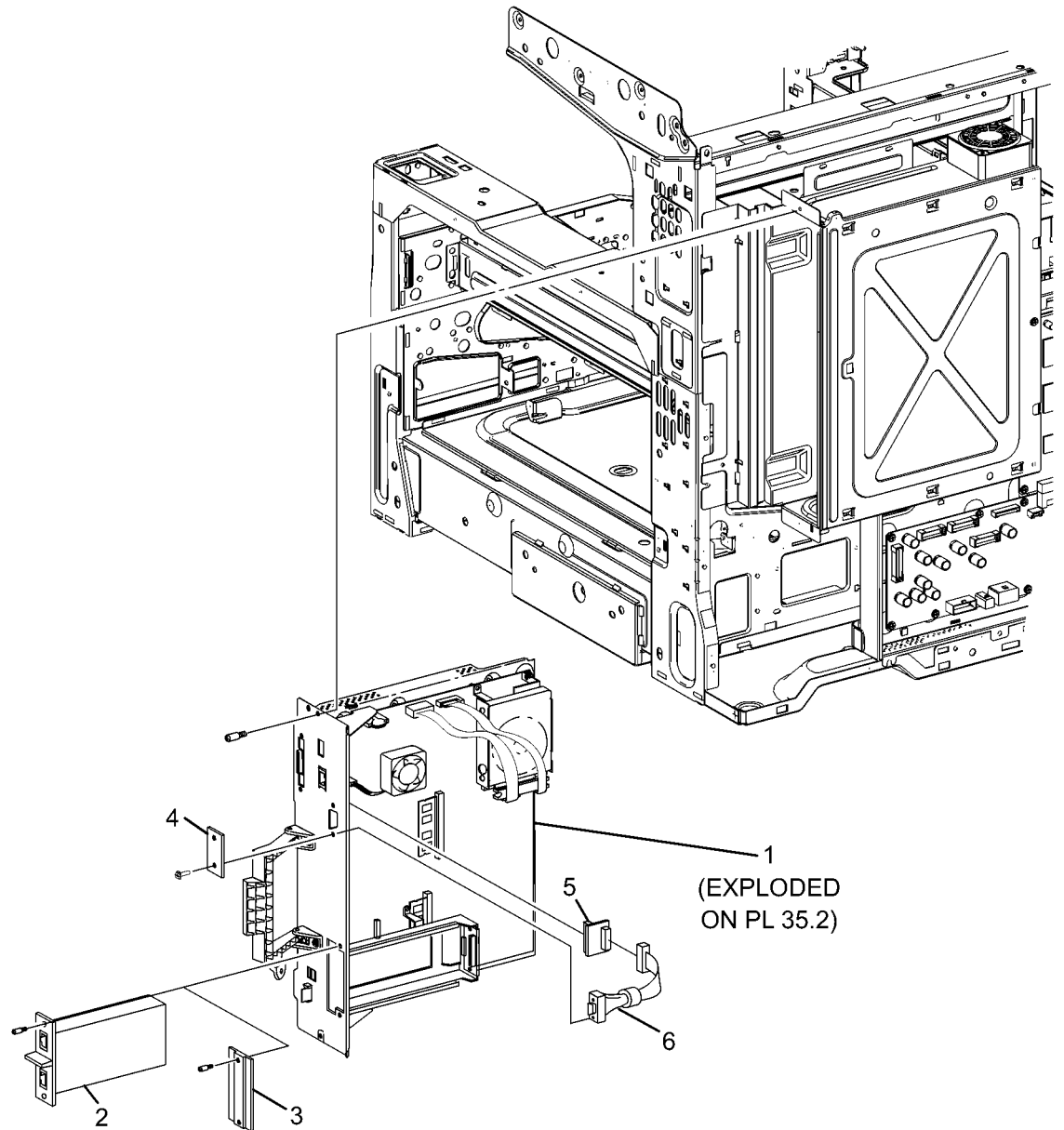


j0se51903

PL 35.1 Single Board Controller (1 of 2)

Item	Part	Description
1	–	SBC Unit (REF: PL 35.2) (REP 1.10)
2	960K65970	Two Line Fax Assembly
–	960K65960	One Line Fax Assembly
3	848E74310	Fax Filler Panel
4	–	FDI Filler Panel
5	960K27451	FDI Interface Board
6	962K41361	FDI Internal Cable

NOTE: Item 5 FDI Interface Board Part # is 960K27451.
Order for replacement only, not to install option.

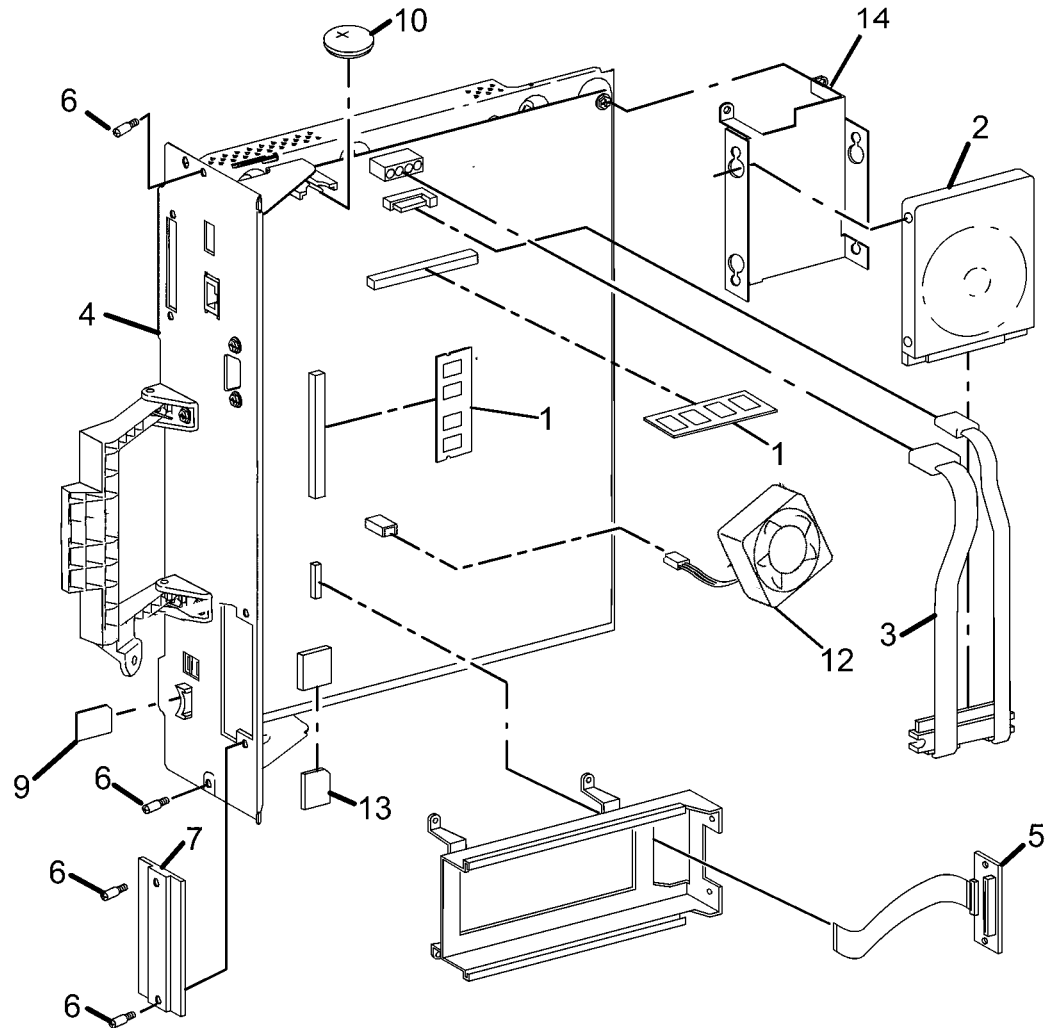


PL 35.2 Single Board Controller (2 of 2)

15 { 2, 3, 14

Item	Part	Description
1	833W39053	System Memory (4GB) DDR3
2	121E28131	Hard Drive (See Notes) (REP 1.13)
3	962K40460	SATA/Power Cable Assembly
4	607K17631	SBC PWB (C8030/35, C8045/55) (REP 1.12)
-	607K17621	SBC PWB (C8070)
5	112K01140	Fax Riser PWBA
6	826E39370	Thumb Screw (M4)
7	-	Fax Filler Panel (P/O PL 35.1 Item 3)
9	-	SIM Card (REP 1.15)
10	207E22240	Battery/RTC
12	107E44330	Heat Sink Fan (REP 1.19)
13	237E28150	SD Card (C8030/35) (See Notes) (REP 1.11)
-	237E28140	SD Card (C8045/55) (REP 1.11)
-	237E28130	SD Card (C8070) (REP 1.11)
14	-	HDD Chassis
15	-	HDD Chassis Assembly (REP 1.13)

NOTE: Note: Please follow REP, AltBoot procedures may be required.

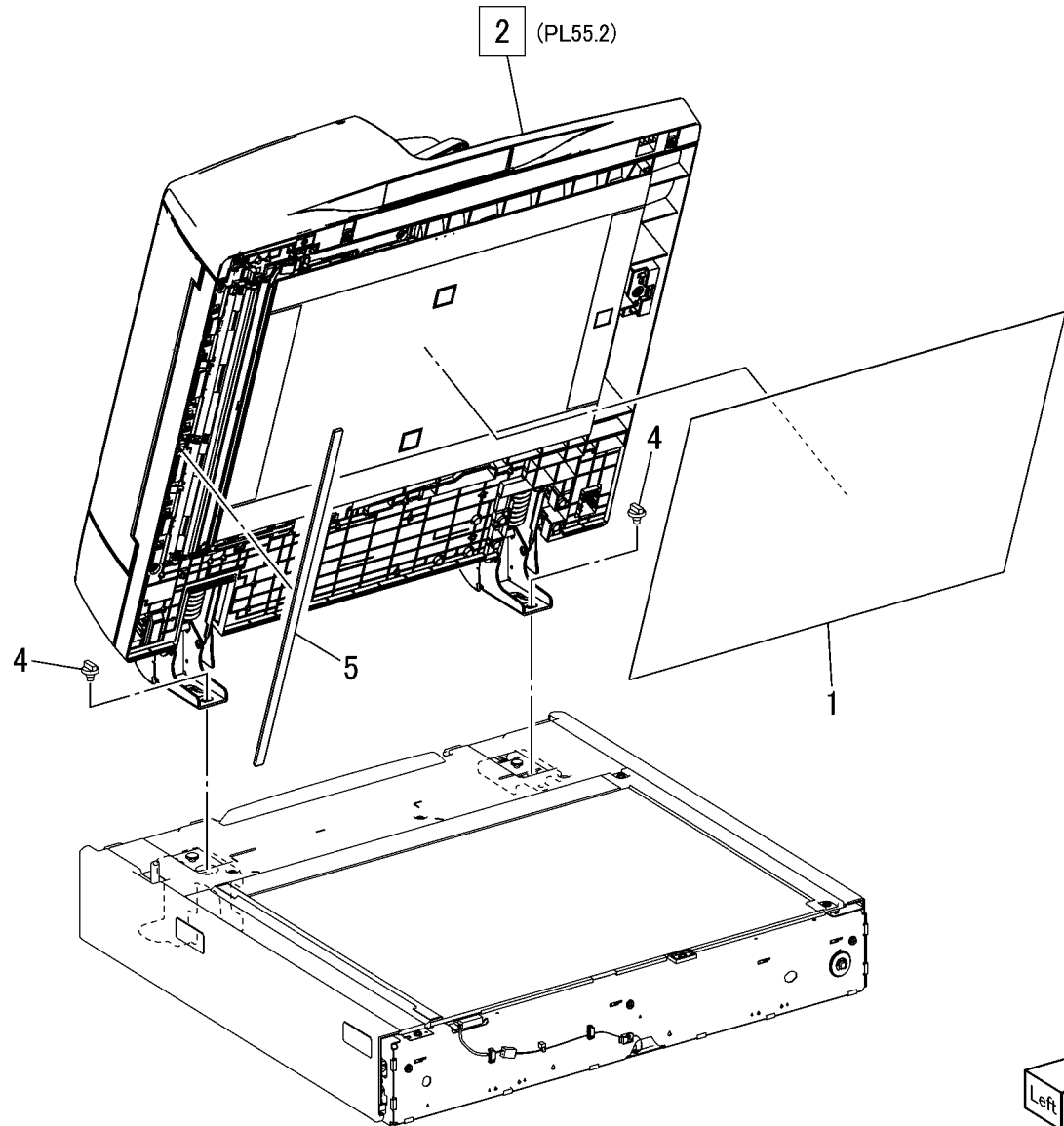


0535002

PL 55.1 DADF Accessory

Item	Part	Description
1	004K03242	DADF Platen Cushion (REP 55.2)
2	059K87930	DADF (PL 55.2) (REP 55.1)
4	-	Sckrew
5	-	Cushion

PL 55.1



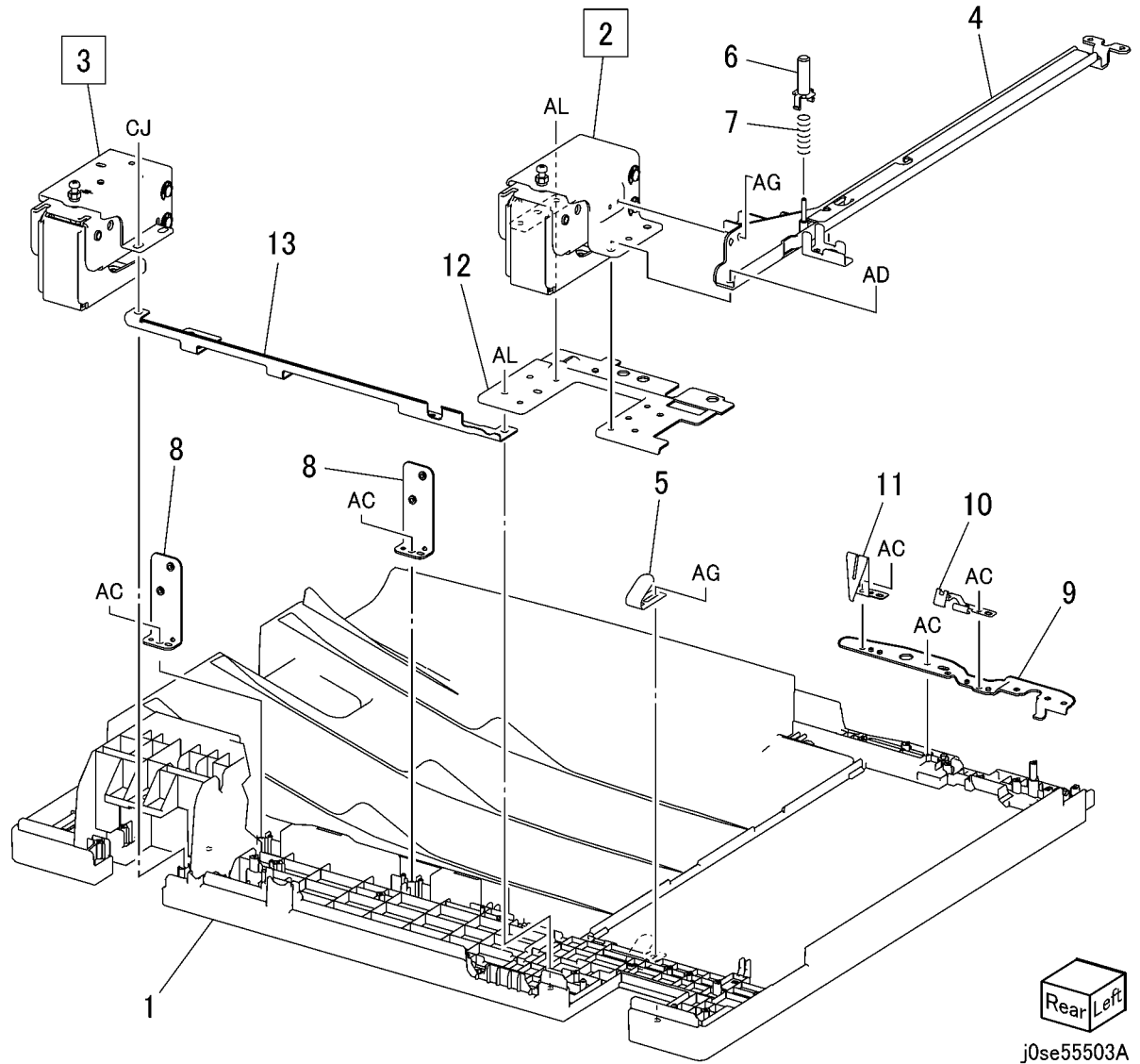
Left Front

j0se55501A

PL 55.3 DADF Base Frame

Item	Part	Description
1	-	DADF Base Frame (Not Spared)
2	036K92080	Left Counter Balance (REP 55.8)
3	036K92090	Right Counter Balance (REP 55.9)
4	-	Tie Plate (Not Spared)
5	-	Ground Plate (Not Spared)
6	-	Floating Holder (Not Spared)
7	-	Floating Spring (Not Spared)
8	-	Bracket (Not Spared)
9	-	Bracket (Not Spared)
10	-	Ground Plate (Not Spared)
11	-	Ground Plate (Not Spared)
12	-	Bracket
13	-	Ground Plate (Not Spared)

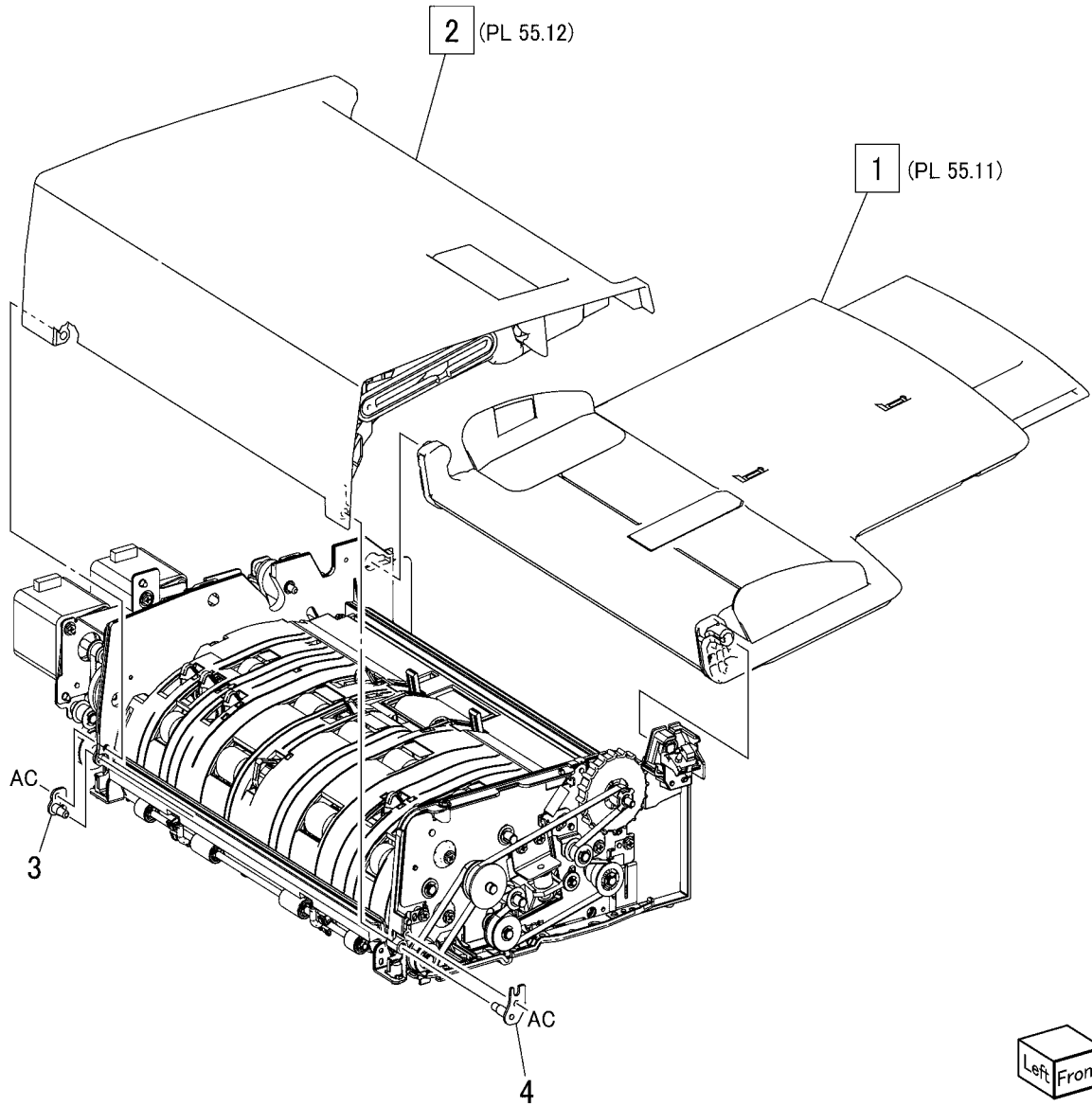
PL 55.3



PL 55.4 DADF Document Tray, Top Cover

PL 55.4

Item	Part	Description
1	050K71680	DADF Document Tray (REP 55.10)
2	059K87900	Top Cover (REP 55.11)
3	-	Rear Stud Bracket (Not Spared)
4	-	Front Stud Bracket (Not Spared)

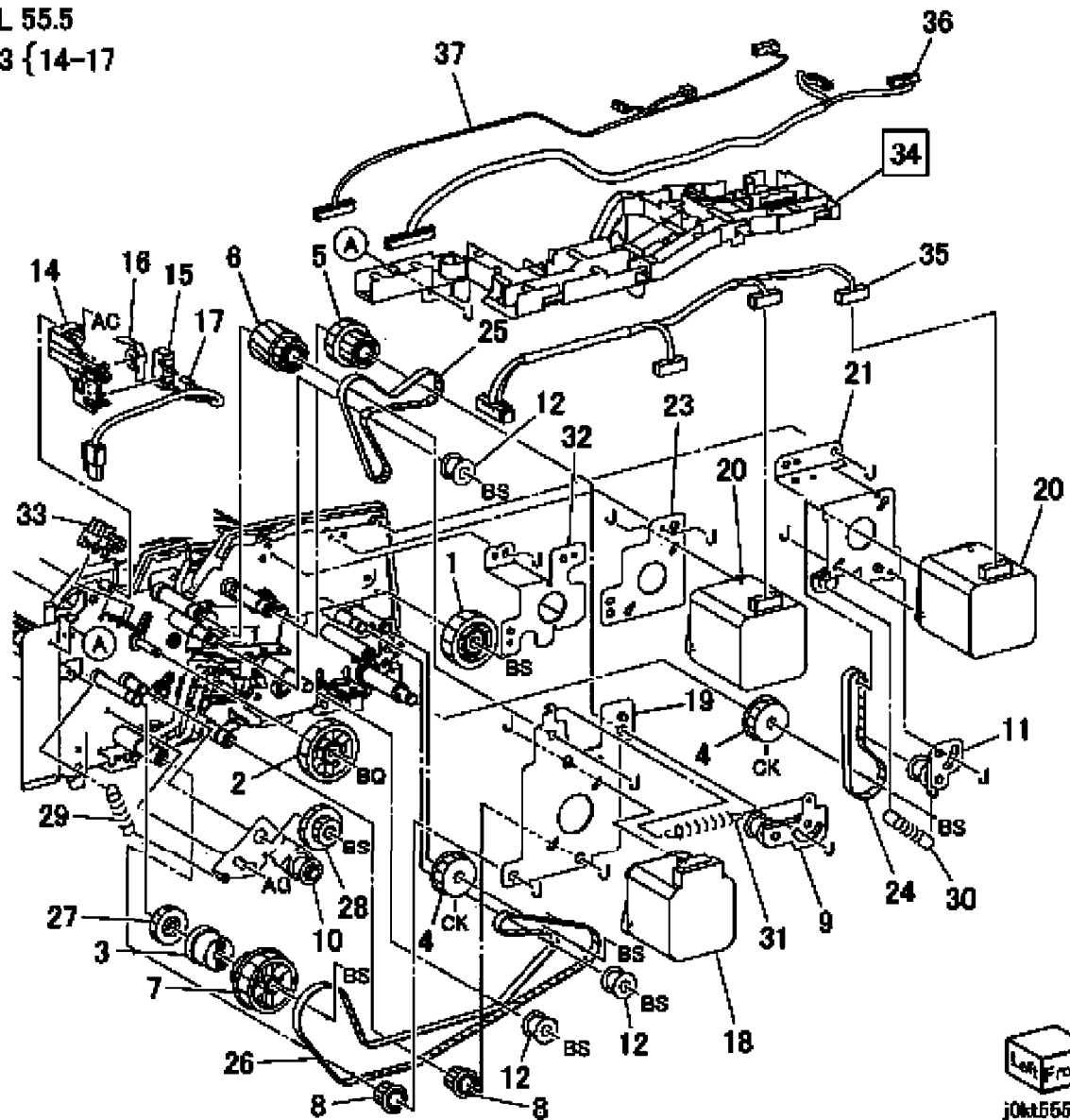


j0se55504A

PL 55.5 DADF Motor, Wire Harness

Item	Part	Description
1	007K18200	Gear (35T)
2	007K18210	Gear (39T)
3	019K12410	Brake
4	020E46551	Pulley
5	020E49060	Gear Pulley
6	020E49070	Gear Pulley
7	020E49110	Pulley (50T)
8	020E49370	Pulley (20T)
9	-	Tension Pully Bracket (Not Spared)
10	-	Tension Pully Bracket (Not Spared)
11	-	Tension Pully Bracket (Not Spared)
12	-	Roller (Not Spared)
13	110K17111	DADF Interlock Switch and Harness
14	-	Bracket (P/O PL 55.5 Item 13)
15	110K16320	DADF Interlock Switch
16	-	Spring (P/O PL 55.5 Item 13)
17	-	Switch Wire Harness (P/O PL 55.5 Item 13)
18	127K66070	Feed Motor (REP 55.14)
19	-	Motor Bracket (Not Spared)
20	127K60562	Registration Motor, Pre Registration Motor (REP 55.15)
21	-	Motor Bracket (Not Spared)
23	-	Motor Bracket (Not Spared)
24	423W28654	Belt (Alternate)
-	423W28655	Belt (Alternate)
25	423W32255	Belt (Alternate)
-	423W32254	Belt (Alternate)
26	423W86454	Belt (Alternate)
-	423W87655	Belt (Alternate)
27	807E37950	Gear (18T)
28	807E37960	Gear (16T/32T)
29	809E98250	Spring
30	809E98260	Spring
31	809E98271	Spring
32	-	Motor Bracket (Not Spared)
33	930W00121	DADF Feed Out Sensor
34	-	Harness Guide (Not Spared)
35	-	Wire Harness (Motor) (Not Spared)
36	-	Wire Harness (Regi) (Not Spared)
37	-	Wire Harness (Feed) (Not Spared)

PL 55.5
13 {14-17}

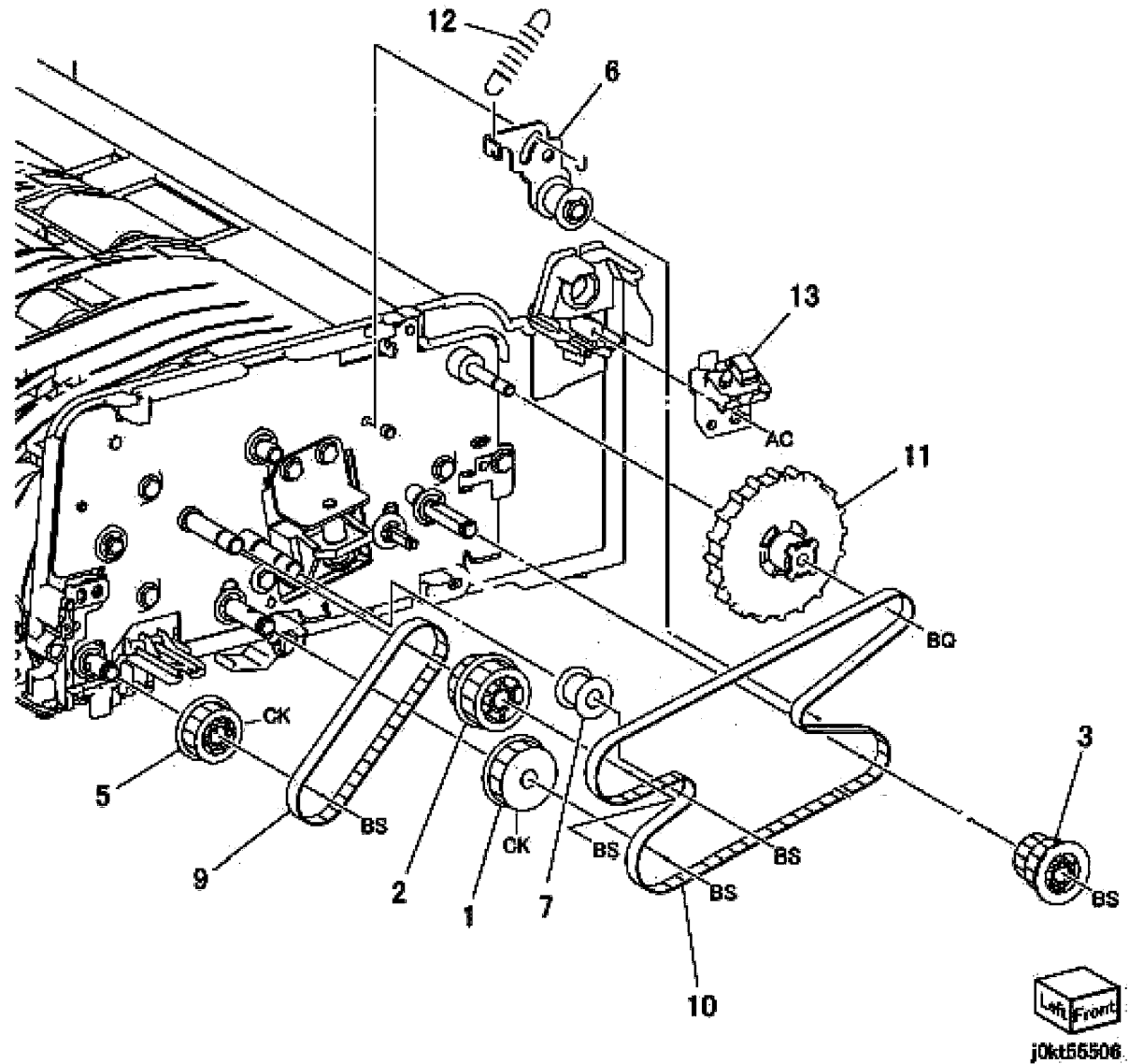


Left Front
j0kt55506

PL 55.6 DADF Front Belt

Item	Part	Description
1	020E46551	Pulley (Out Roll)
2	020E49050	Pulley
3	020E49080	Pulley (Exit Roll)
5	020E49380	Pulley (Registration Roll)
6	-	Tension Roll Bracket
7	-	Roller (Not Spared)
9	423W28654	Belt (Alternate)
10	423W85254	Belt (Alternate)
11	803E19650	Knob Handle
12	809E98250	Spring
13	960K48841	DADF Document Set LED

PL 55.6

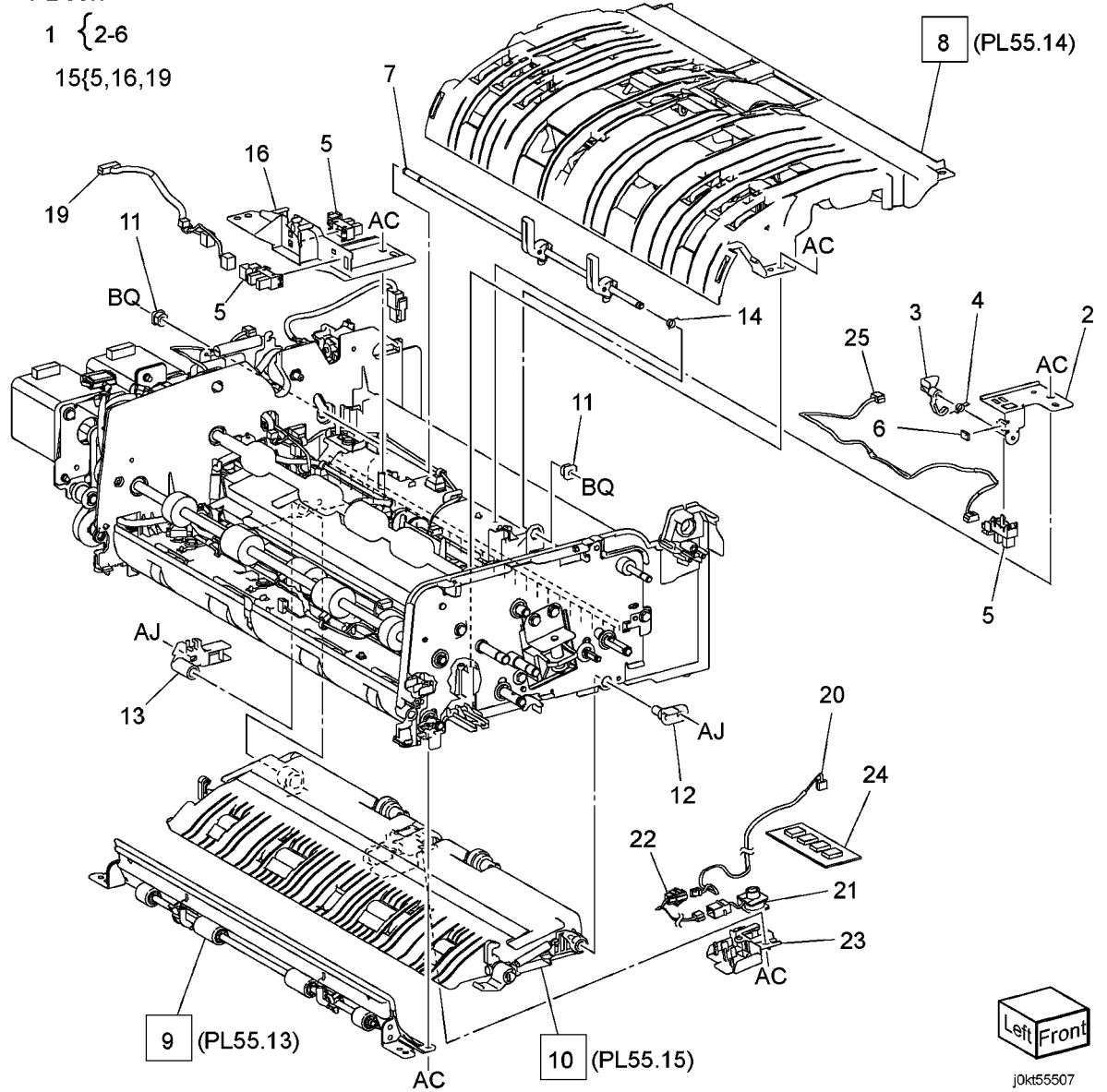


PL 55.7 DADF Regi/Retard/Out Chute

Item	Part	Description
1	049K10081	Exit Sensor and Bracket
2	-	Bracket (P/O PL 55.7 Item 1)
3	-	Actuator (P/O PL 55.7 Item 1)
4	-	Spring (P/O PL 55.7 Item 1)
5	930W00121	Exit Sensor, Feed In Sensor, Feed In Sensor
6	-	Pad (P/O PL 55.7 Item 1)
7	050K68831	Set Gate
8	054K47692	Retard Chute (PL 55.14) (REP 55.17)
9	054K47891	Registration Chute (PL 55.13) (REP 55.16)
10	-	Out Chute (PL 55.15) (REP 55.18)
11	-	Bearing (Not Spared)
12	-	Front Hinge (Not Spared)
13	-	Rear Hinge (Not Spared)
14	809E98140	Spring
15	848K58071	Sensor Housing Assembly
16	-	Housing (P/O PL 55.7 Item 15)
19	-	Senor Wire Harness (P/O PL 55.7 Item 15)
20	-	Stamp Wire Harness (Not Spared)
21	-	Stamp Solenoid (Option) (Not Spared)
22	-	Stamp Wire Harness (Option) (Not Spared)
23	-	Stamp Bracket (Option) (Not Spared)
24	-	Stamp Plunger (Not Spared)
25	-	Harness Wire (Not Spared)

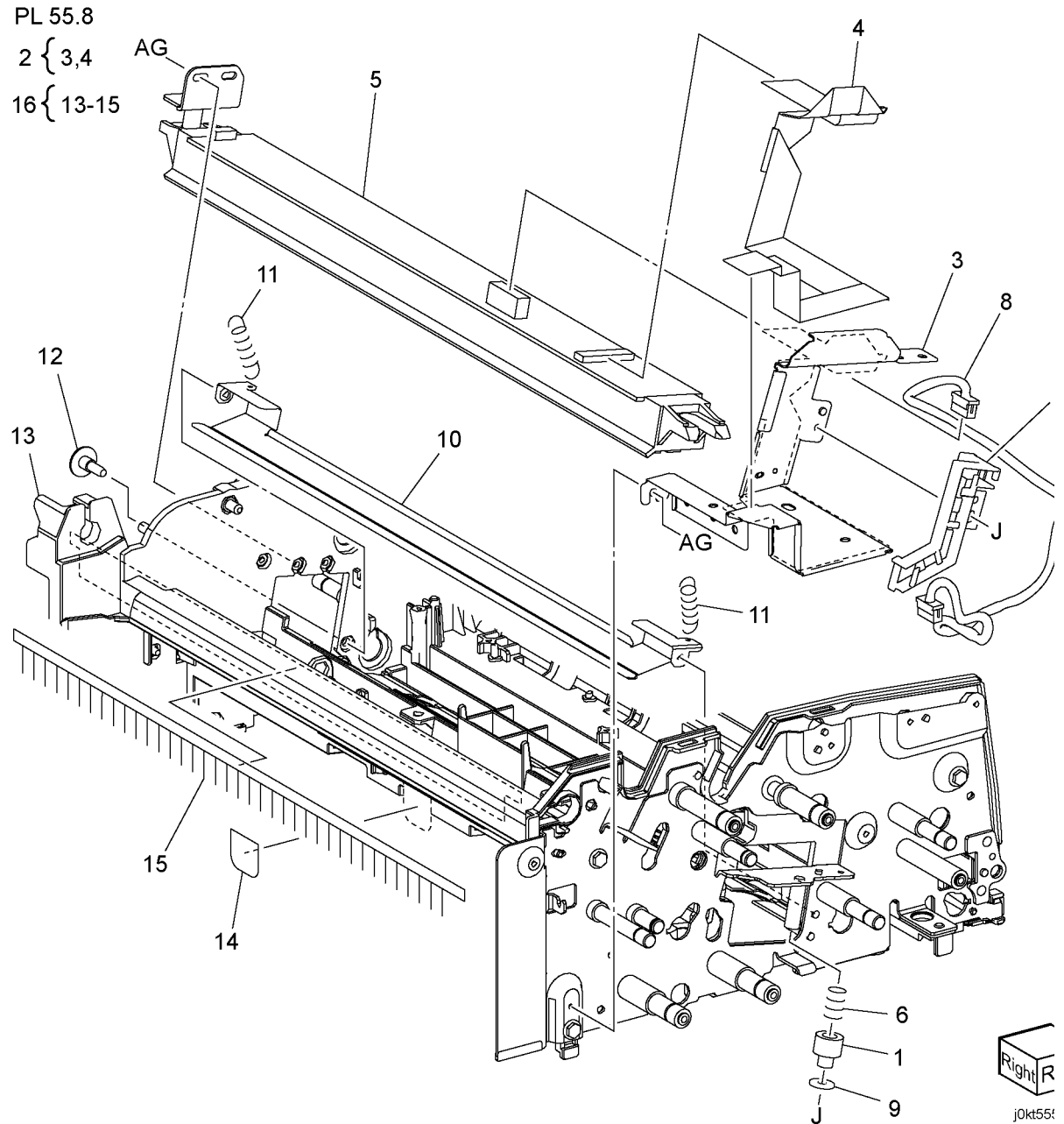
PL 55.7

1 {2-6
15{5,16,19



PL 55.8 DADF CIS

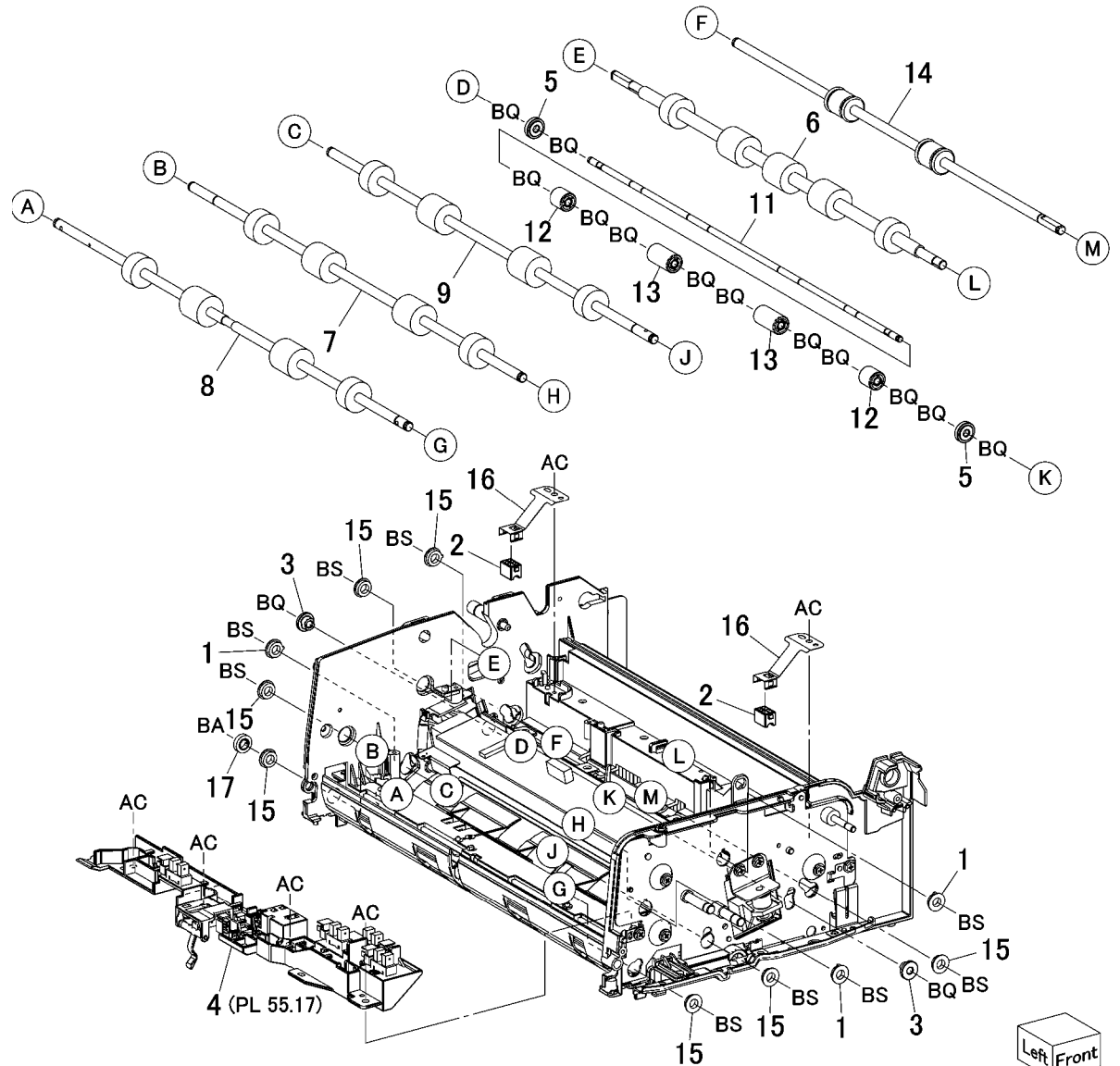
Item	Part	Description
1	-	CIS Bushing (Not Spared)
2	049K17400	CIS Cable and Bracket (PL 55.8 Item 3)
3	-	Bracket (P/O PL 55.8 Item 2)
4	-	CIS Cable
5	130K78710	CIS (REP 55.19)
6	-	Spring (Not Spared)
7	-	Harness Guide (Not Spared)
8	-	Wire Harness (Not Spared)
9	-	Washer (Not Spared)
10	-	CIS Plate
11	-	Spring
12	-	Shoulder Screw
13	-	Frame (P/O PL 55.8 Item 16)
14	-	Seal
15	-	Eliminator
16	-	Frame Assembly



PL 55.9 DADF Roll, Sensor Bracket

Item	Part	Description
1	013E26250	Bearing
2	-	Bearing Block
3	013E40690	Bearing (REP 55.20)
4	-	Bracket Ass
5	-	Roller T
6	059K73240	Roll Assy Ta
7	059K73250	Roll Assy Pre
8	059K73261	Roll Assy Regi
9	059K73270	Roll Assy Out
10	059K83090	Roll Assy CIS
11	-	Shaft CIS
12	-	Roll Regi Pinch W
13	-	Roll Regi Pinch S
14	059K73291	Roll Assy Exit
15	413W93450	Bearing Ball
16	-	Plate Spring
17	-	Holder Regi

PL 55.9
10 { 11-13

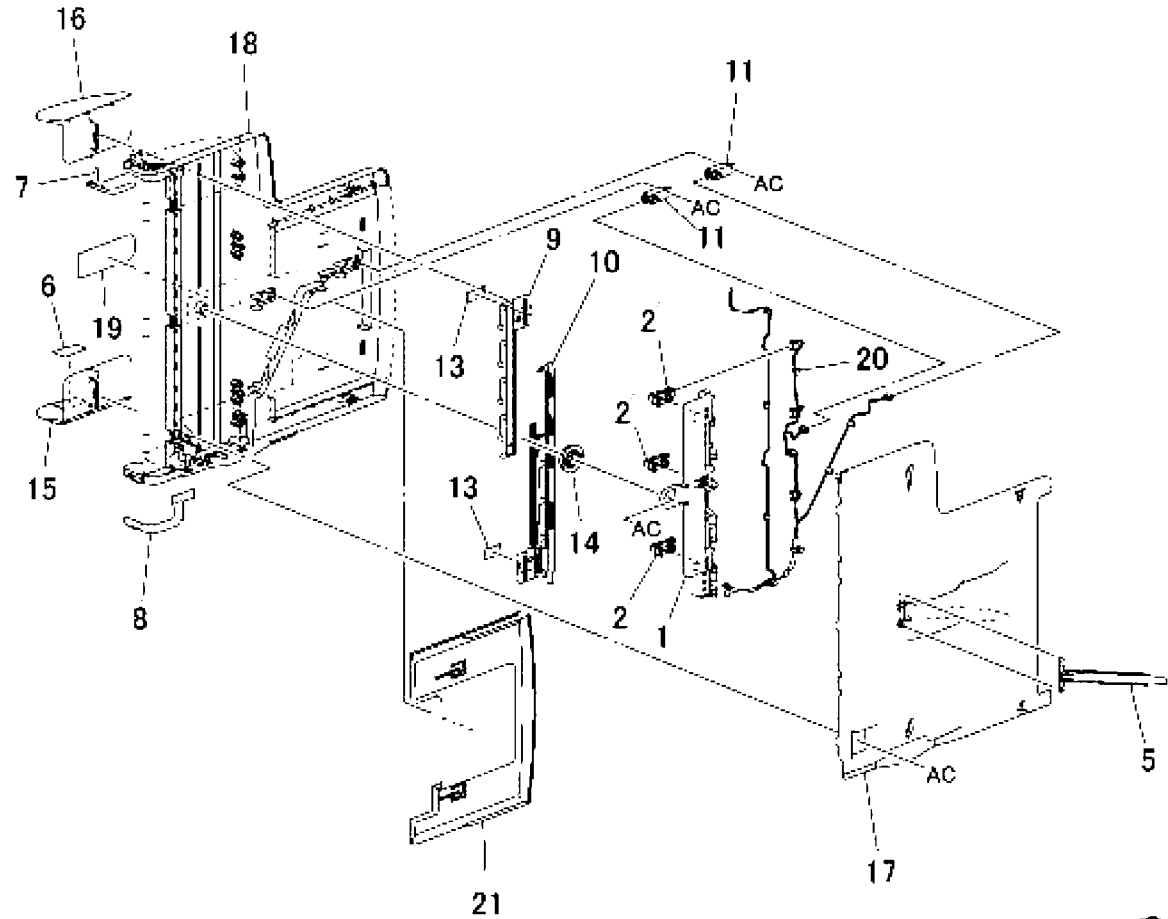


Left Front

j0se55509

PL 55.10 DADF Document Tray

Item	Part	Description
1	-	Sensor Bracket
2	930W00121	DADF Tray Set Guide Sensor 1, DADF Tray Set Guide Sensor 2, DADF Tray Set Guide Sensor 3
5	-	Guide
6	-	Label (Max)
7	-	Harness Cover
8	-	Harness Cover
9	-	Rack Rear (Front)
10	-	Rack Rear (Rear)
11	930W00241	Document Tray Size Sensor 1, Document Tray Size Sensor 2
13	-	Rack Spring
14	-	Pinion
15	-	Side Guide
16	-	Side Guide
17	-	Tray Cover
18	-	Upper Tray
19	890E01210	Label (Instruction)
20	-	Tray Wire Harness
21	-	End Tray

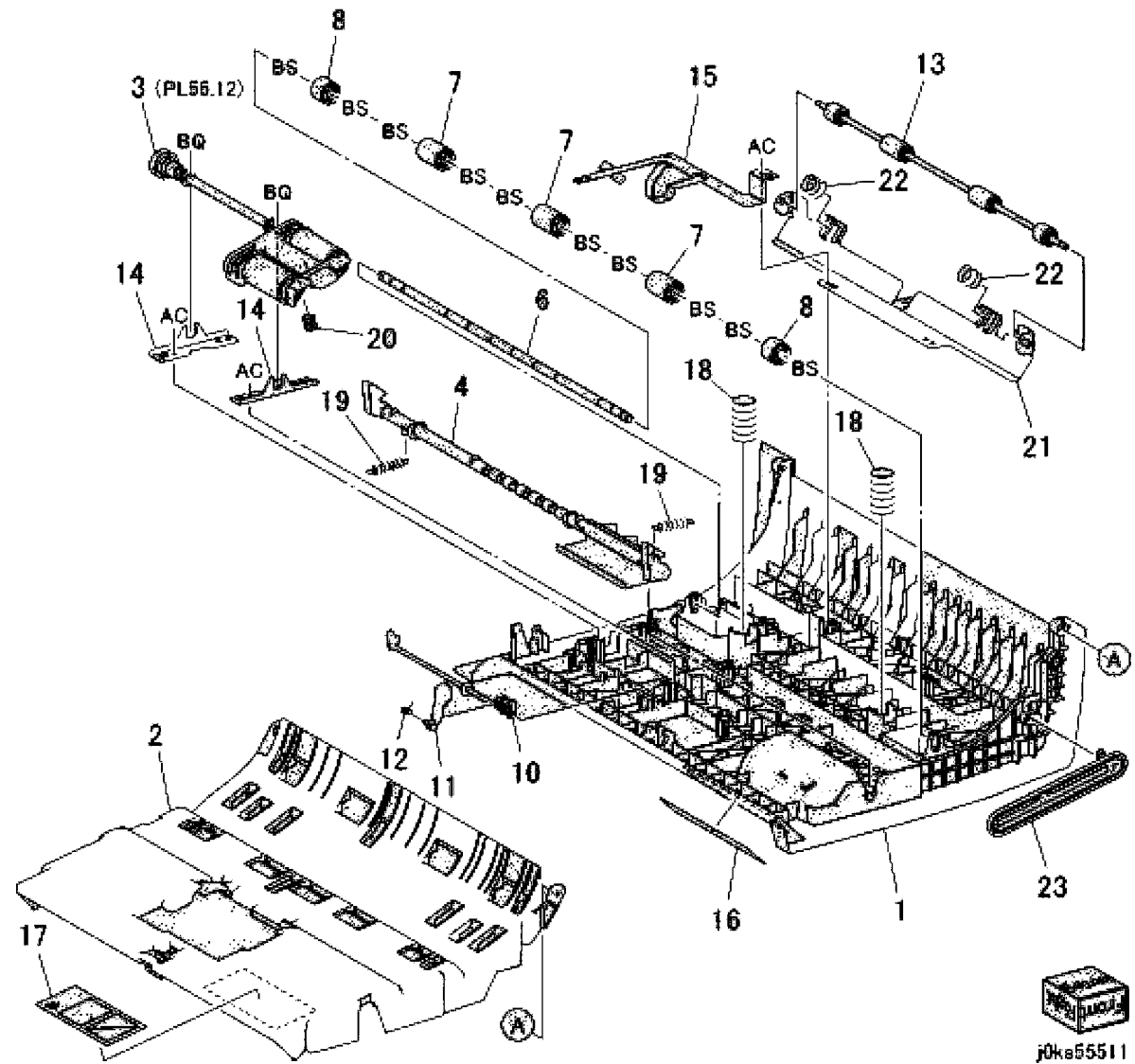


i0ks55510

PL 55.11 DADF Top Cover

Item	Part	Description
1	-	Top Cover
2	-	Feed Upper Chute
3	059K73511	Upper Feeder (PL 55.12)
4	011K04040	Latch Lever
5	059K74420	Take Away Pinch Roll
6	-	Shaft (P/O PL 55.11 Item 5)
7	-	Pinch Roll
8	-	Pinch Roll (Side)
9	120K92810	Actuator
10	-	Actuator (Base)
11	-	Actuator (Arm)
12	-	Spring (P/O PL 55.11 Item 9)
13	-	Pre Registration Pinch Roll
14	-	Bracket
15	-	Ground Plate
16	-	Label (Size)
17	898E43430	Label (Jam)
18	-	Spring
19	-	Spring (Lever)
20	-	Spring (Nudger)
21	-	Bracket
22	-	Spring
23	-	Link

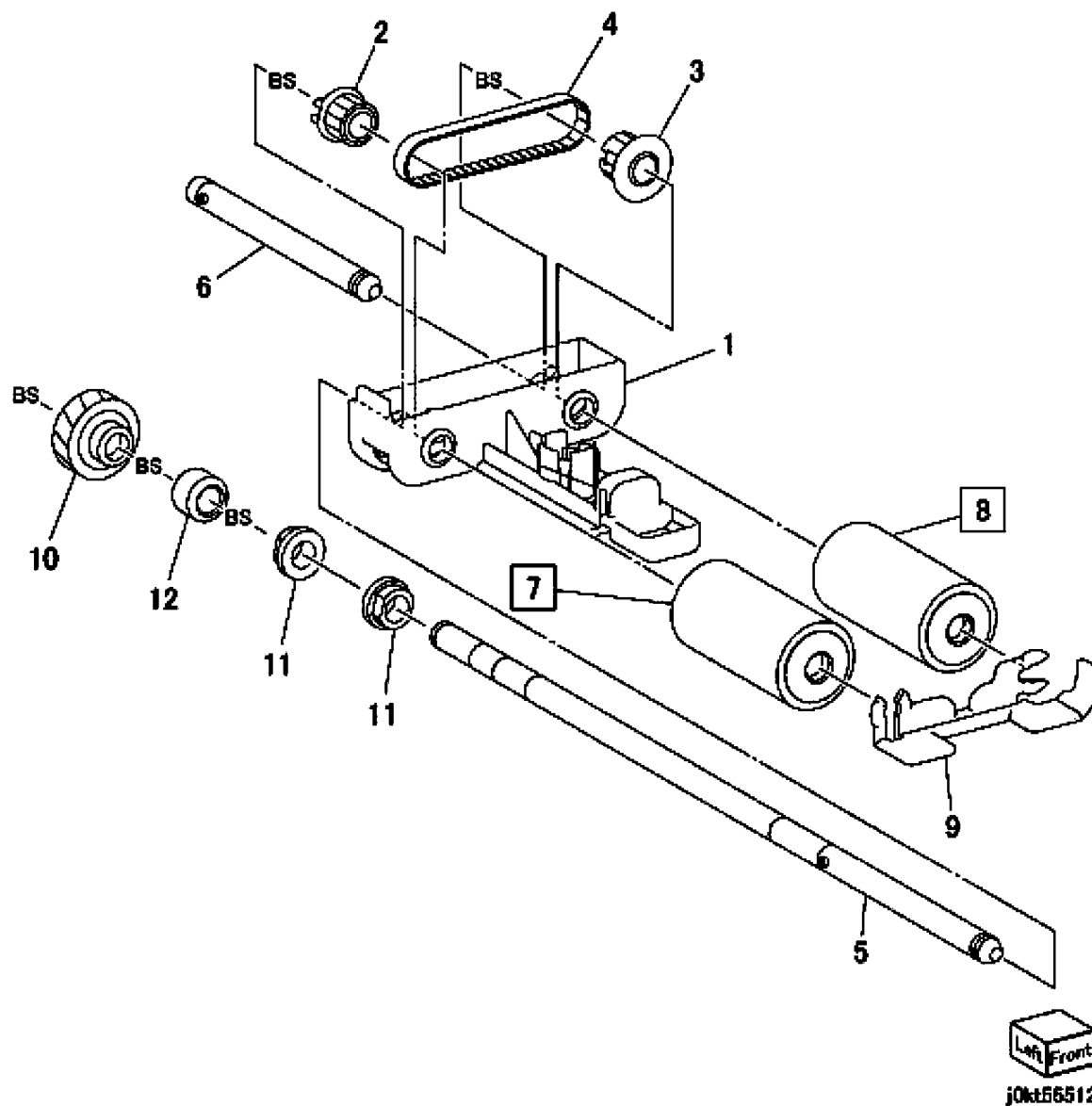
5 { 6 - 8
9 { 10 - 12



PL 55.12 DADF Upper Feeder

Item	Part	Description
1	-	Nudger Housing
2	-	Pulley (Feeder)
3	-	Pulley (Nudger)
4	-	Belt (Alternate)
5	-	Feed Shaft
6	-	Nudger Shaft
7	-	Feed Roll (REP 55.21)
8	-	Nudger Roll (REP 55.21)
9	-	Housing
10	-	Gear
11	-	Bearing
12	-	Collar
13	604K77810	Feed Roll Kit

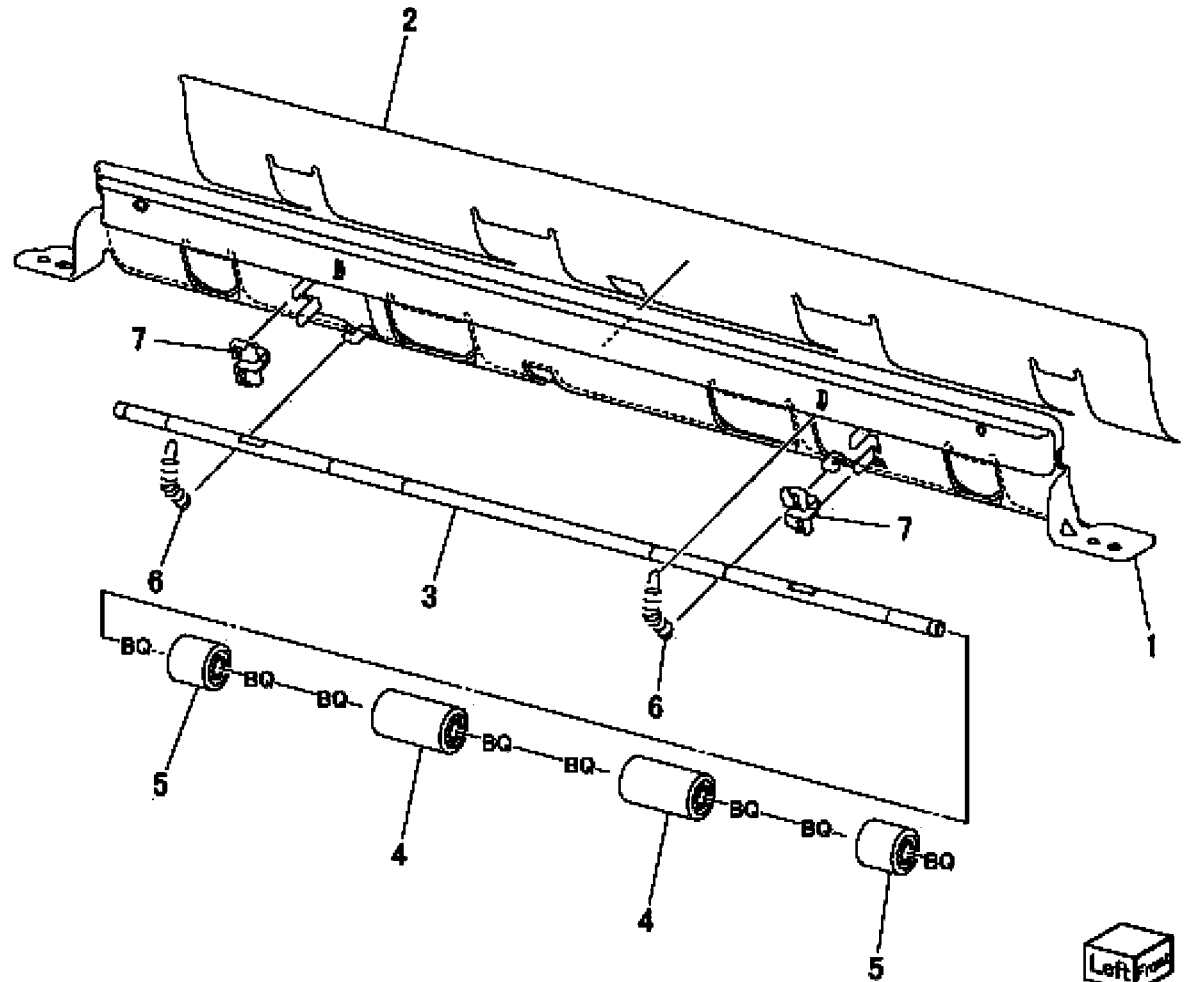
13 { 7, 8, PL 55.14 Item 4



PL 55.13 DADF Regi Chute

Item	Part	Description
1	-	Registration chute
2	-	Seal Regi
3	-	Pinch Shaft
4	-	Registration Pinch Roll (W)
5	-	Registration Pinch Roll (S)
6	-	Spring
7	-	Bearing

PL 55.13

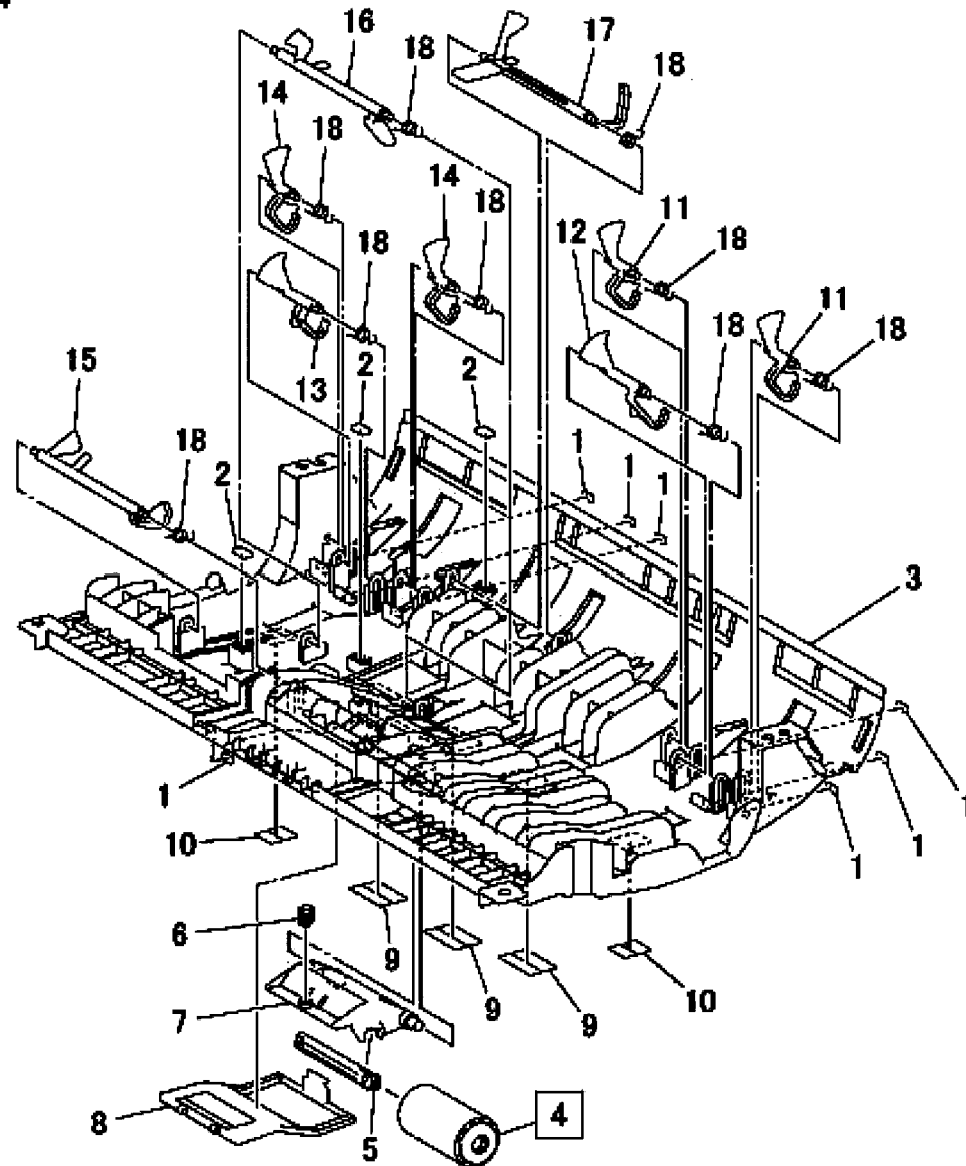


Left
j0ka55513

PL 55.14 DADF Retard Chute

Item	Part	Description
1	-	Pad
2	-	Pad (Gate)
3	-	Retard Chute
4	-	Retard Roll (P/O 55.12 Item 13) (REP 55.22)
5	-	Retard Shaft
6	-	Spring Retard
7	-	Retard Housing
8	848K43601	Retard Roll Cover
9	-	Seal (W)
10	-	Seal (S)
11	-	Actuator (APS1)
12	-	Actuator (APS2)
13	-	Actuator (APS dummy 1)
14	-	Actuator (APS Dummy 2)
15	-	Actuator (Feed In)
16	-	Actuator (Feed Out)
17	-	Actuator (Registration)
18	-	Torsion Spring

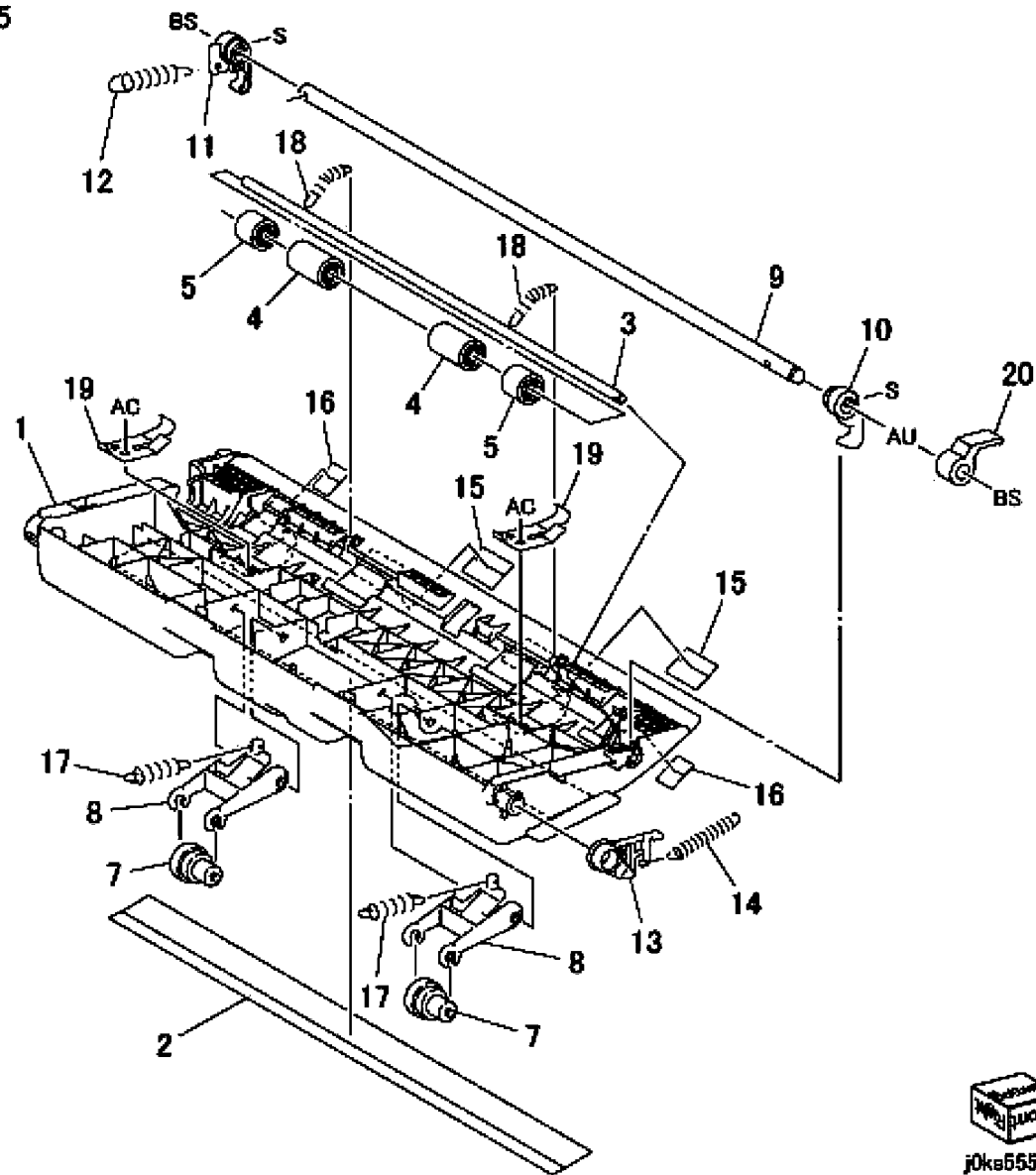
PL 55.14



PL 55.15 DADF Out Chute

Item	Part	Description
1	-	Out Chute
2	-	Seal
3	-	Pinch Shaft
4	-	Registration Pinch Roll (W)
5	-	Registration Pinch Roll (S)
6	-	Exit Pinch Roll (PL 55.15 Item 7)
7	-	Pinch Roll
8	-	Exit Holder
9	-	Latch Shaft
10	-	Latch (Front)
11	-	Latch (Rear)
12	-	Spring
13	-	Link
14	-	Spring
15	-	Seal (W)
16	-	Seal (S)
17	-	Spring
18	-	Spring
19	-	Ground Plate
20	-	Handle

PL 55.15
6 {7,8}

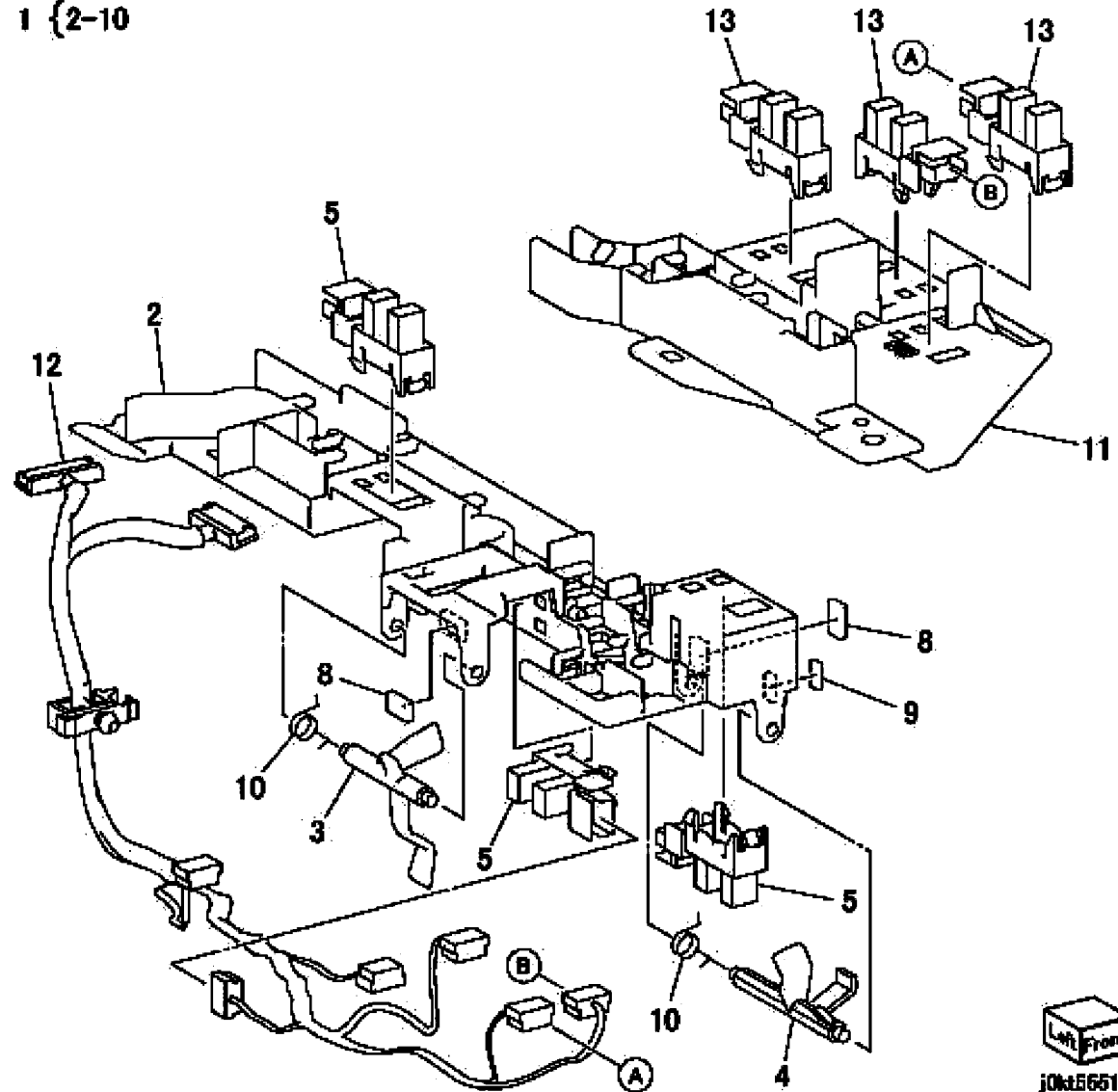


j0kb55516

PL 55.16 DADF Sensor Bracket

Item	Part	Description
1	-	DADF Sensor Bracket (REP 55.20)
2	-	Sensor Guide (P/O PL 55.16 Item 1)
3	120E31741	Actuator (Regi.)
4	120E33740	Actuator (Out)
5	930W00121	DADF Registration Sensor, DADF Pre Registration Sensor, DADF Out Sensor
8	-	Pad (Gate) (P/O PL 55.16 Item 1)
9	-	Pad (P/O PL 55.16 Item 1)
10	-	Torsion Spring (P/O PL 55.16 Item 1)
11	-	Sensor Guide
12	-	Wire Harness
13	-	DADF APS Sensor 1, DADF APS Sensor 2. Same as Item 5

PL 55.16
1 {2-10}



Common Hardware

Item	Part	Description	Item	Part	Description
A	112W27677	SEMS SCREW (M3x6)	BB	271W16250	DOWEL PIN (2x12)
B	112W27678	SEMS SCREW (M3x6)	BC	271W28250	DOWEL PIN (3x12)
C	112W27898	SEMS SCREW (M3x8)	BD	271W28450	DOWEL PIN (3x14)
D	112W28098	SEMS SCREW (M3x10)	BE	271W28650	DOWEL PIN (3x16)
E	113W15588	PAN HEAD SCREW (M2x5)	BF	271W36650	DOWEL PIN (4x16)
F	113W16088	PAN HEAD SCREW (M2x10)	BG	285W16251	SPRING PIN (2x12)
G	113W20478	SCREW (M3x4)	BH	285W28051	SPRING PIN (3x10)
H	113W20677	SCREW (M3x6)	BJ	285W28651	SPRING PIN (3x16)
J	113W20678	SCREW (M3x6)	BK	351W29250	C-CLIP (8)
K	113W20688	PAN HEAD SCREW (M2.5x6)	BL	354W13278	E-CLIP (1.5)
L	113W20878	SCREW (M3x8)	BM	354W15278	E-CLIP (2)
M	113W21078	SCREW (M3x10)	BN	354W19278	E-CLIP (2.5)
N	113W21278	SCREW (M3x12)	BP	354W21254	RING KL (4)
P	113W21478	SCREW (M3x14)	BQ	354W21278	E-CLIP (3)
Q	113W27488	PAN HEAD SCREW (M3x4)	BR	354W24254	KL-CLIP (6)
R	113W27588	PAN HEAD SCREW (M3x5)	BS	354W24278	E-CLIP (4)
S	113W27688	PAN HEAD SCREW (M3x6)	BT	354W26278	E-CLIP (5)
T	113W27888	PAN HEAD SCREW (M3x8)	BU	354W27254	KL-CLIP (8)
U	113W35878	SCREW (M4x8)	BV	354W27278	E-CLIP (6)
V	113W35888	PAN HEAD SCREW (M4x8)	BW	354W29278	E-CLIP (8)
W	114W27678	BIND HEAD SCREW (M3x6)	BX	180W16878	WING SCREW
X	141W27451	SETSCREW (M3x4)	BY	113W35678	SCREW (M4x6)
Y	141W35651	SETSCREW (M4x6)	BZ	153W27678	SCREW (M6x6)
Z	153W15888	TAPPING SCREW (M4x8)	CA	271W16050	DOWEL PIN (2x10)
AA	153W16288	TAPPING SCREW (M4x12)	CB	112W27659	SEMS SCREW (M3x6)
AB	153W17688	TAPPING SCREW (M3x6)	CC	158W27663	SCREW (M3x6)
AC	153W17888	TAPPING SCREW (M3x8)	CD	113W27551	SCREW (M3x5)
AD	153W18088	TAPPING SCREW (M3x10)	CE	113W16051	SCREW (M2x10)
AE	153W27878	TAPPING SCREW (M3x8)	CF	114W27878	BIND HEAD SCREW (M3x8)
AF	153W28078	TAPPING SCREW (M3x10)	CG	113W21778	SCREW (M3x18)
AG	158W27678	SCREW (M3x6)	CH	113W20698	ROUND SCREW (M3x6)
AH	158W27688	ROUND SCREW (M3x7)	CJ	153W16088	TAPPING SCREW (M4x10)
AJ	158W27878	SCREW (M3x8)	CK	271W21050	DOWEL PIN (2.5x10)
AK	158W28078	SCREW (M3x10)	CL	158W27888	ROUND SCREW (M3x9)
AL	158W35878	SCREW (M4x8)	CM	252W29450	NYLON WASHER (8) (t1)
AM	220W21278	FLANGE NUT (3)	CN	185W30178	SPACER SCREW (M3)
AN	251W19278	WASHER (2.5) (t0.5)			
AP	251W21278	WASHER (3) (t0.5)			
AQ	251W24278	WASHER (4) (t0.8)			
AR	251W26278	WASHER (5) (t1)			
AS	252W24350	NYLON WASHER (4)			
AT	252W26450	NYLON WASHER (5)			
AU	252W27350	NYLON WASHER (6) (t0.5)			
AV	252W27450	NYLON WASHER (6) (t1)			
AW	252W29350	NYLON WASHER (8) (t0.5)			
AX	252W31250	NYLON WASHER (10) (t0.25)			
AY	252W31350	NYLON WASHER (10) (t0.5)			
AZ	256W15278	SPRING WASHER (2) (t0.5)			
BA	271W10850	DOWEL PIN (1.6x8)			

