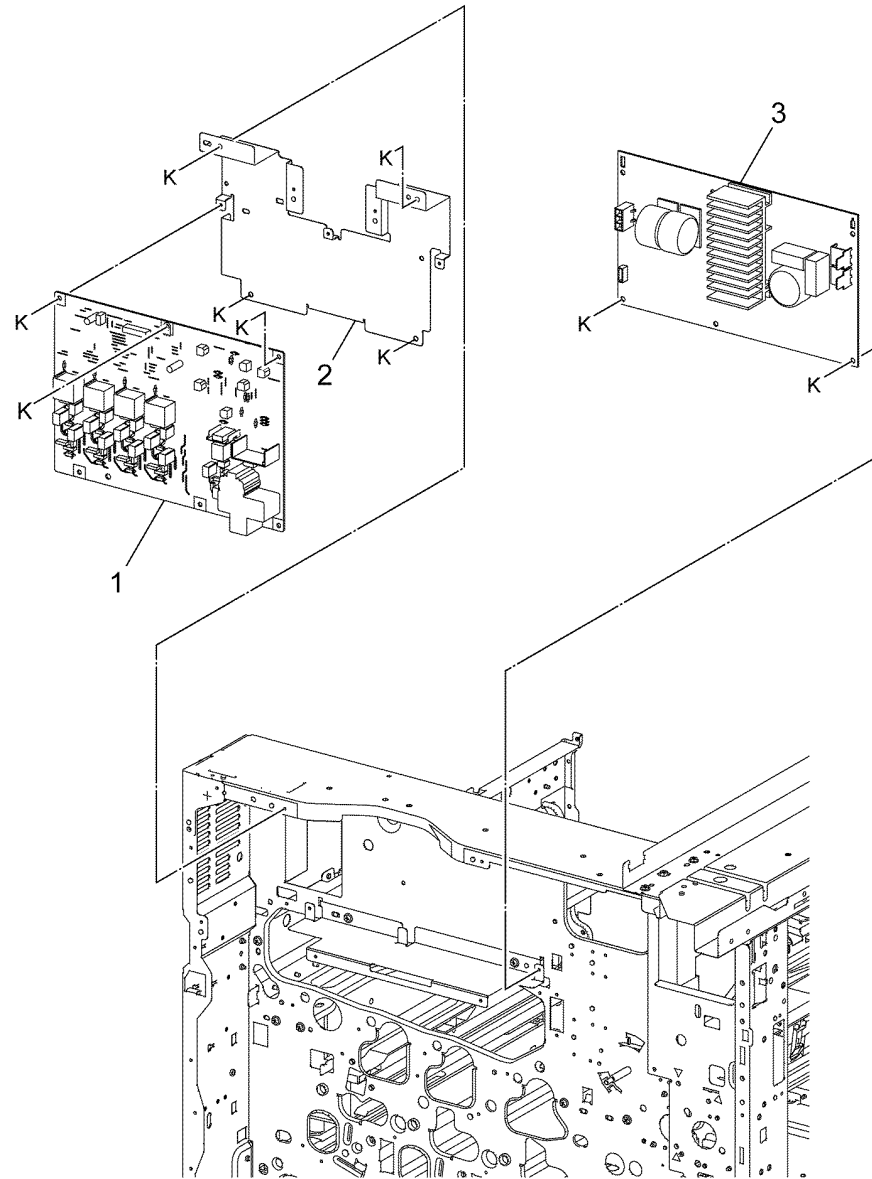


PL 1.05 Electrical - Rear (1 of 3)

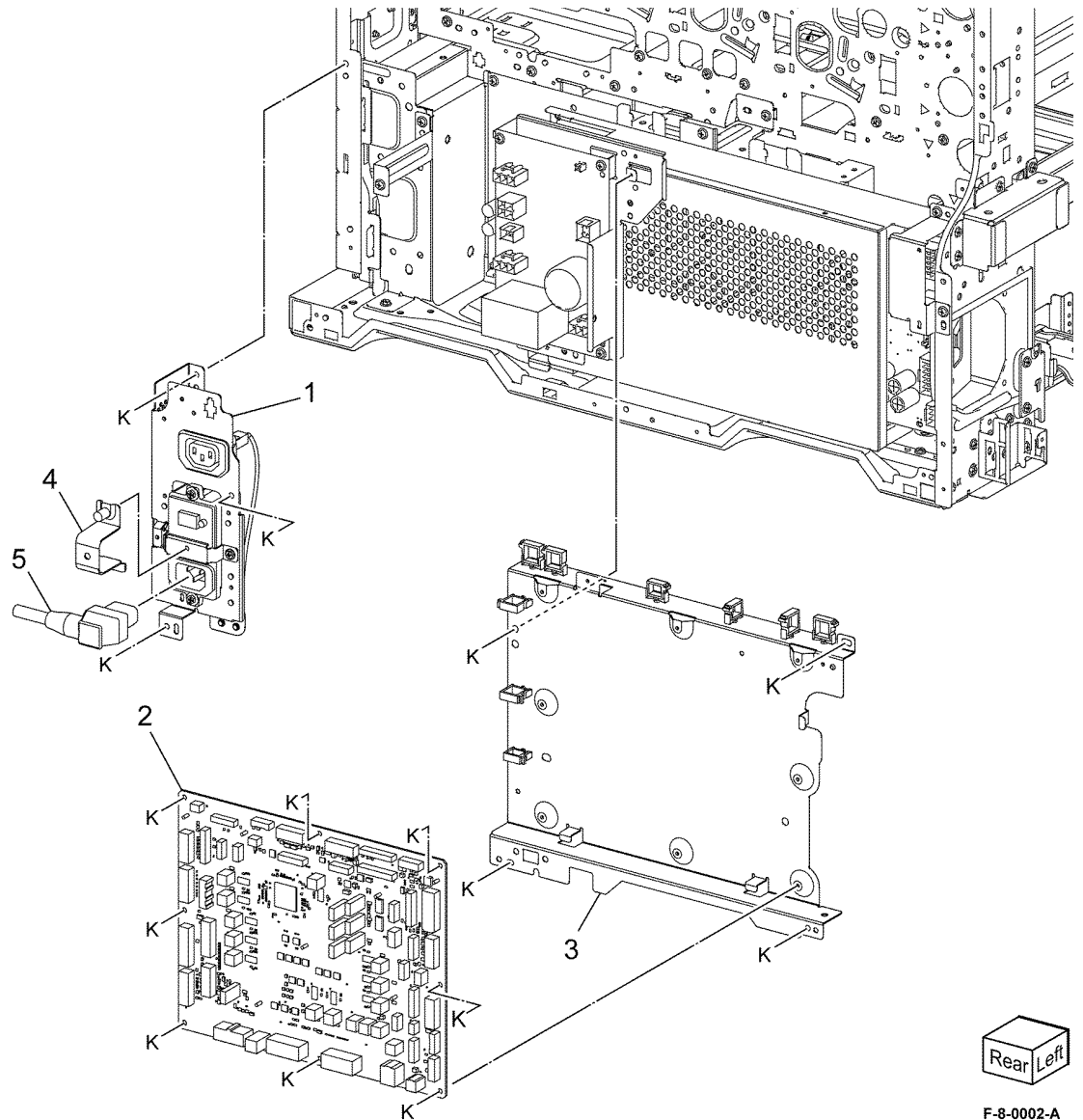
Item	Part	Description
1	105E23240	BTR HVPS PWB (REP 1.1)
2	—	Bracket (Not Spared)
3	105E23001	Fuser heater power supply (110V) (REP 1.2)
—	105E22322	Fuser heater power supply (220V) (REP 1.2)



F-8-0001-A

PL 1.10 Electrical - Rear (2 of 3)

Item	Part	Description
1	101K69950	GFI chassis assembly (REP 1.3)
2	960K81545	Motor drive PWB (REP 1.4)
3	-	Motor drive chassis assembly (Not Spared)
4	-	Power cord bracket (Not Spared)
5	- </td <td>Power cord (Not Spared)</td>	Power cord (Not Spared)

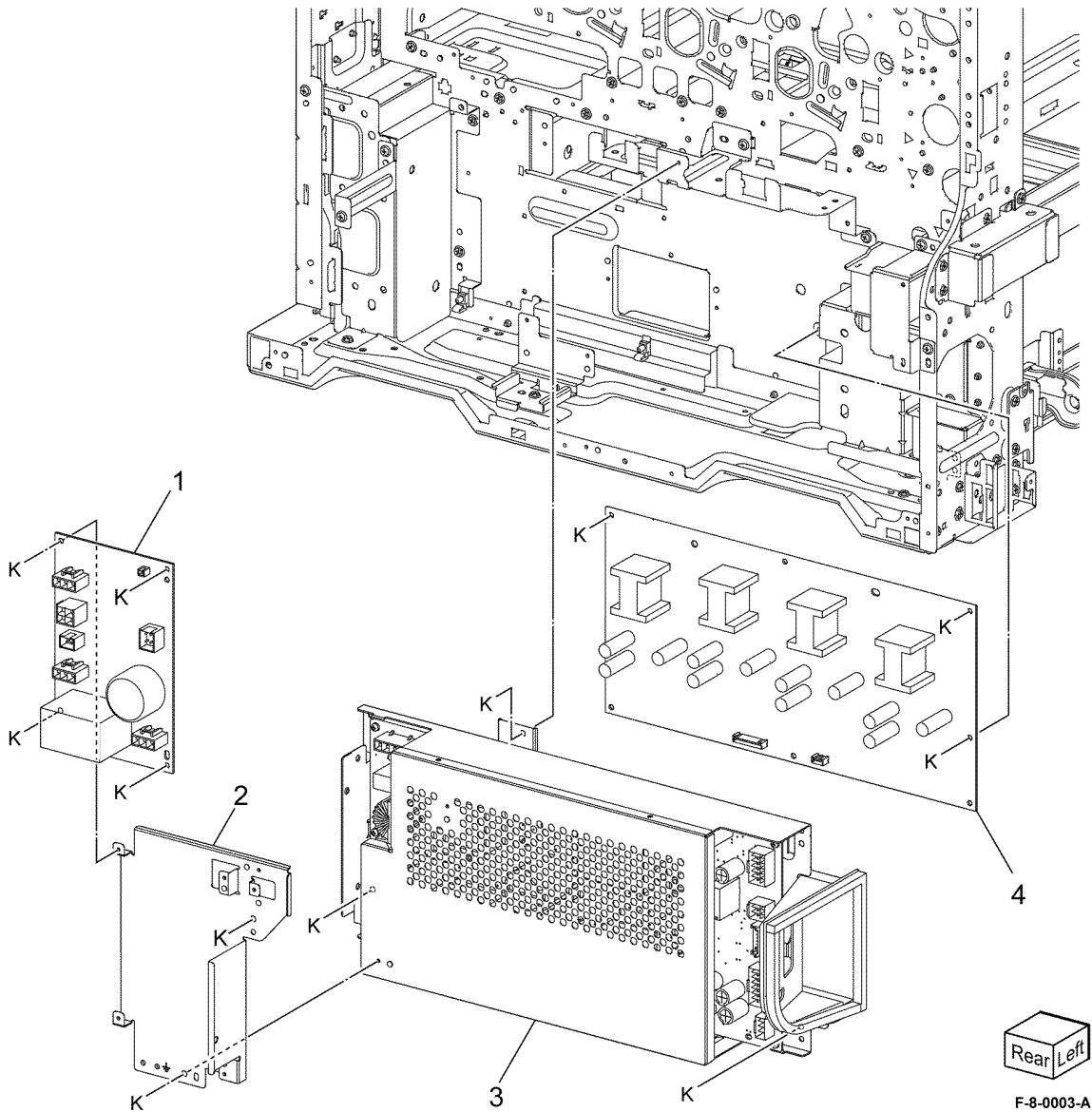


Rear Left

F-8-0002-A

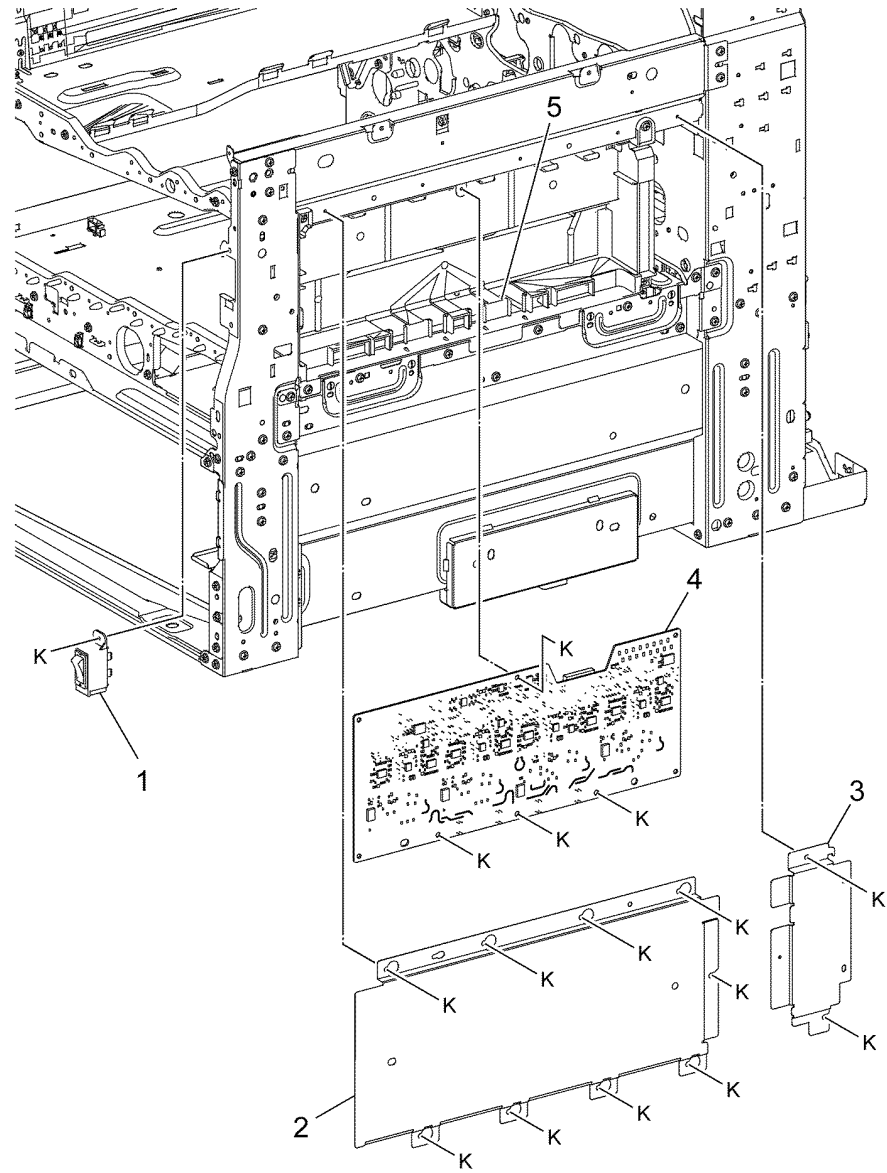
PL 1.15 Electrical - Rear (3 of 3)

Item	Part	Description
1	105K32890	AC drive PWB (110V) (REP 1.5)
-	105K33530	AC drive PWB (110V) (REP 1.5) (alternative)
-	105K32900	AC drive PWB (220V) (REP 1.5)
-	105K33540	AC drive PWB (220V) (REP 1.5) (alternative)
2	-	AC bracket (Not Spared)
3	112K91350	LVPS (REP 1.6)
4	105E22572	Developer bias HVPS PWB (REP 1.7)



PL 1.20 Electrical - Front/Right

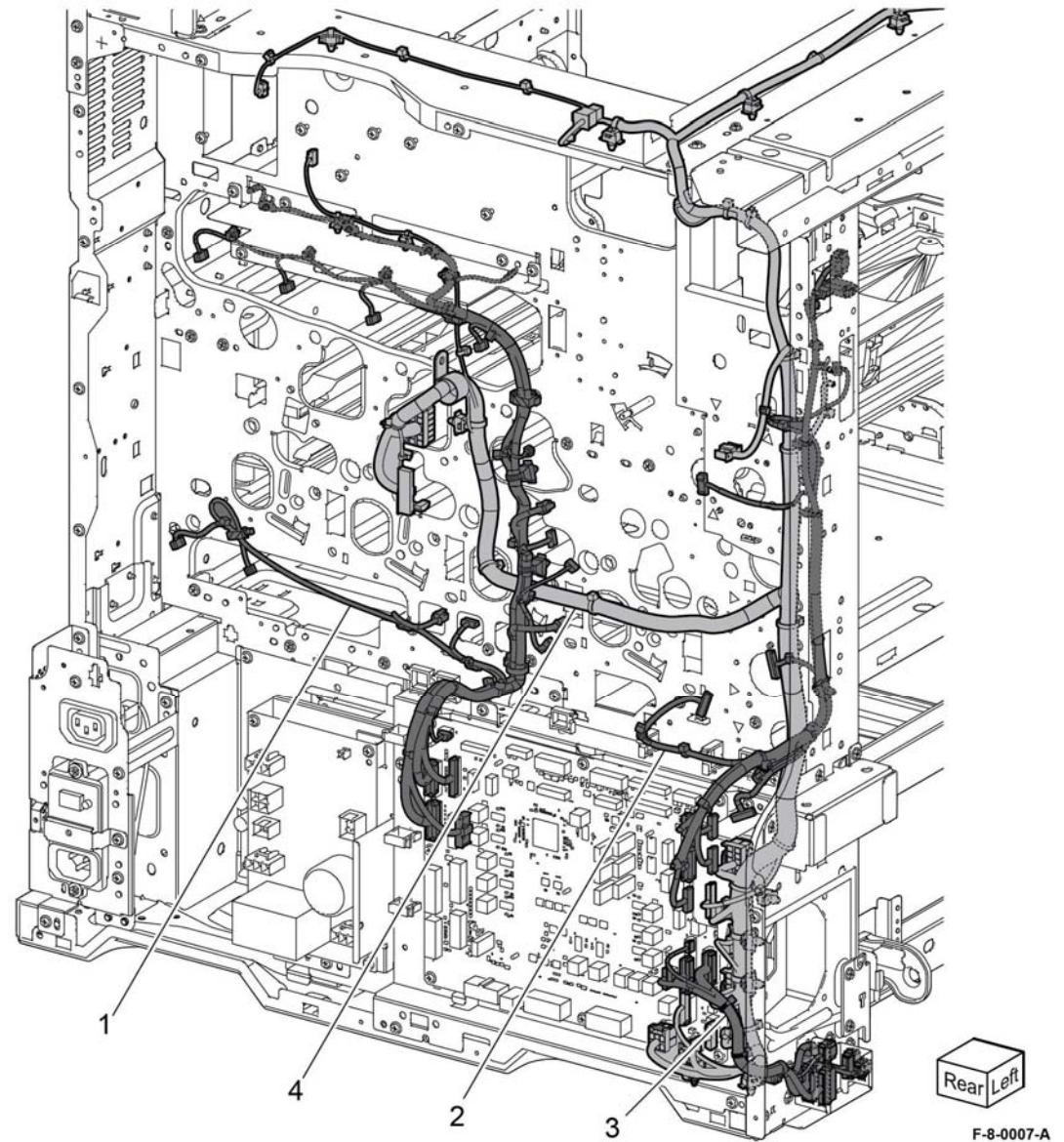
Item	Part	Description
1	049K35050	Main power switch (REP 1.8)
2	-	BCR HVPS cover (Not Spared)
3	-	Cover (Not Spared)
4	105E23230	BCR HVPS PWB (REP 1.9)
5	-	Conductor assembly (Not Spared)



F-8-0006-A

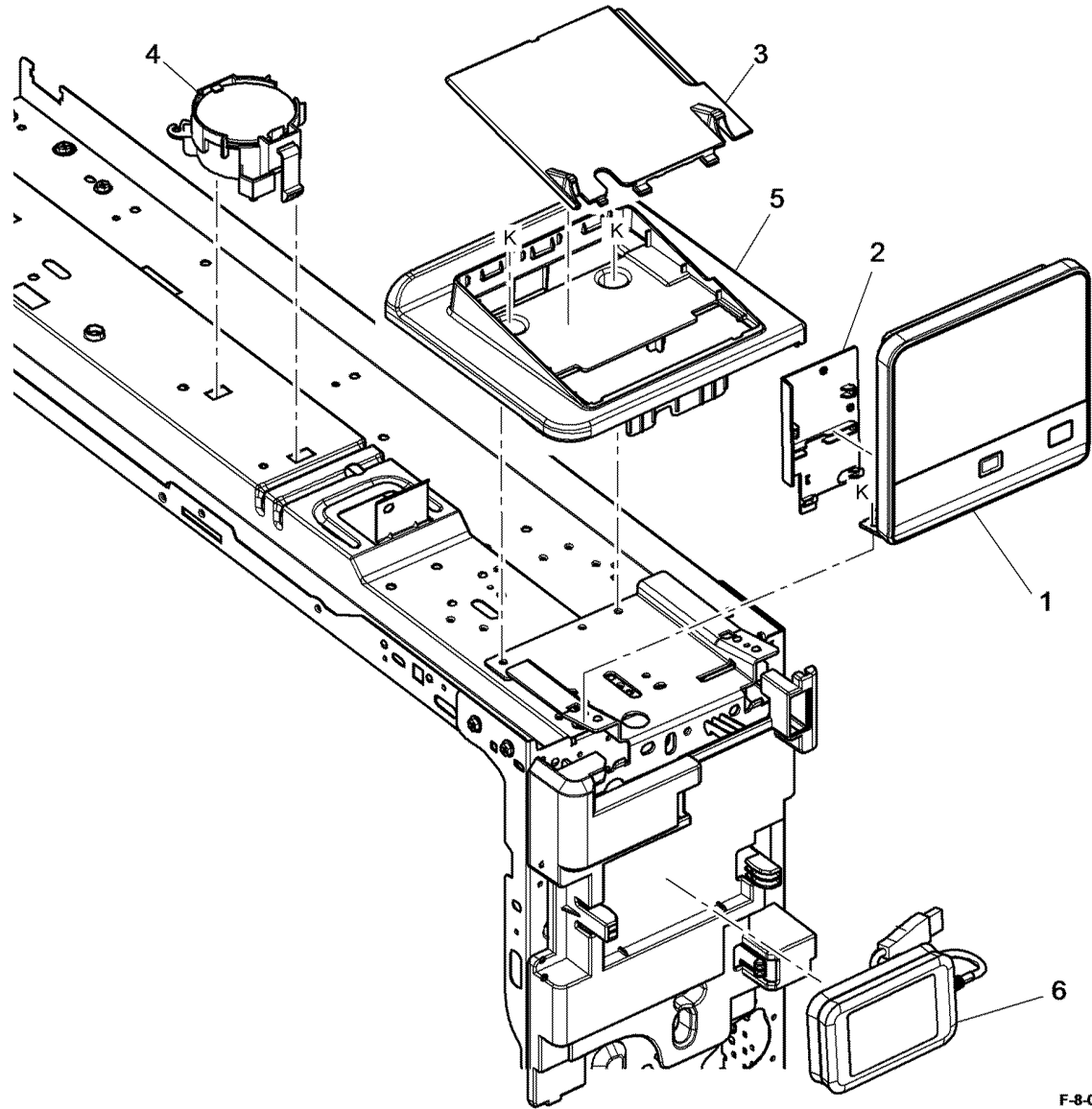
PL 1.25 Wire Harness

Item	Part	Description
1	—	Drive harness (Not Spared)
2	—	PH drive harness (Not Spared)
3	—	LH harness (Not Spared)
4	—	DC power harness (Not Spared)



PL 2.05 User Interface

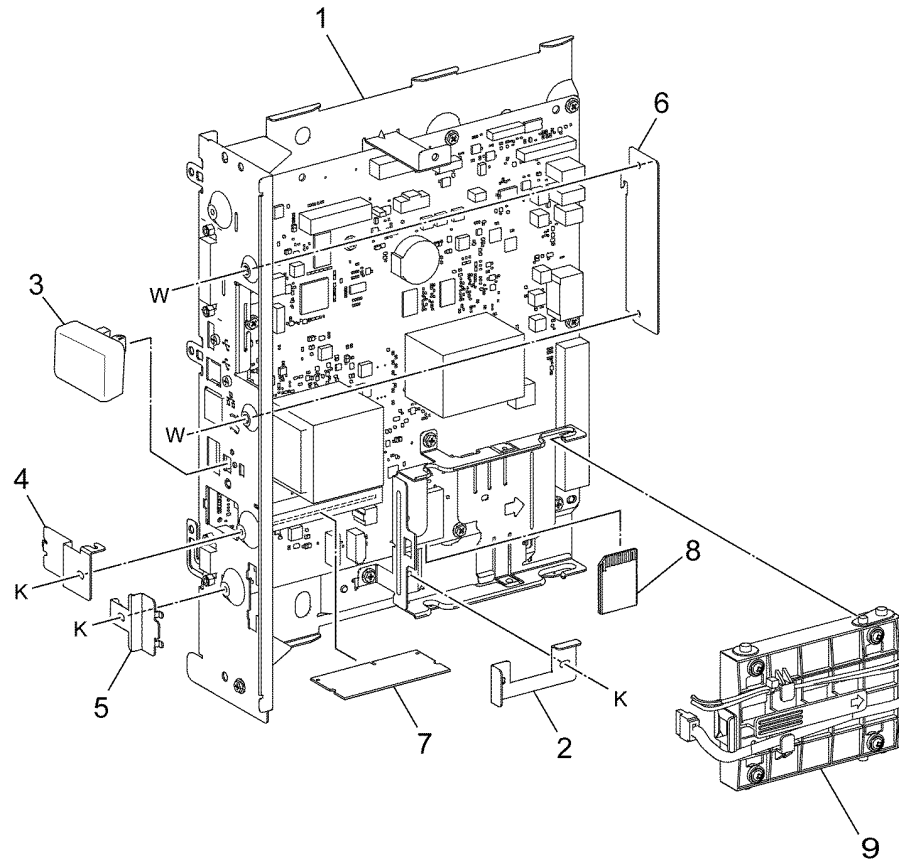
Item	Part	Description
1	948K19282	UI console assembly (REP 2.1)
2	822E32001	Cable cover (REP 2.1)
3	822E48500	UI top cover
4	-	Speaker assembly (Not Spared)
5	822E48510	UI base cover
6	-	Card reader assembly (Not Spared)



F-8-0008-A

PL 3.05 Control Unit (ESS PWB)

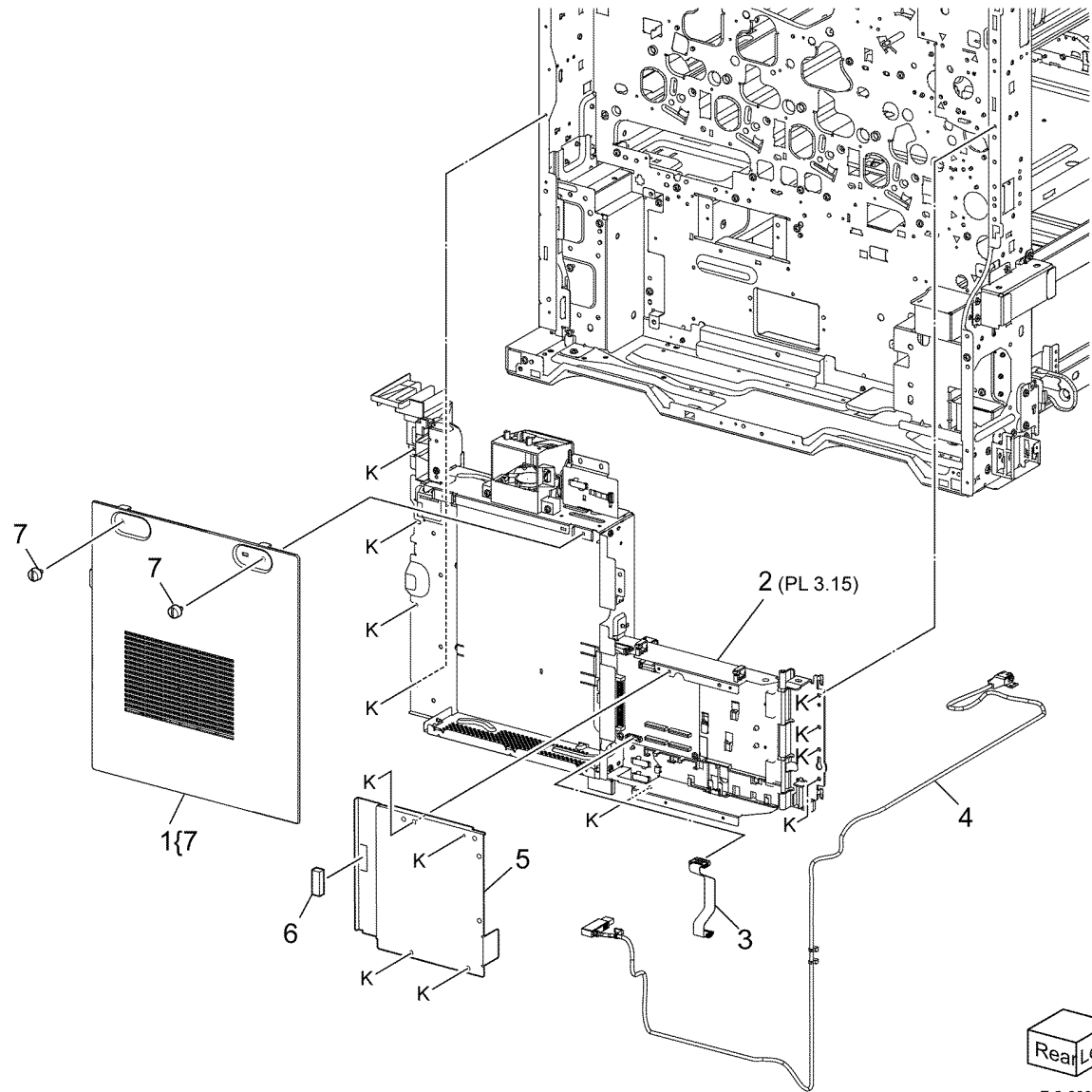
Item	Part	Description
1	101K69280	Controller PWB assembly (REP 3.1)
2	–	SD card clip (Not Spared)
3	101K72680	Wi-fi dongle
4	–	Blanking cover (Not Spared)
5	–	SIM card blanking cover (Not Spared)
6	–	PCI blanking cover (Not Spared)
7	133K28271	DIMM (4GB)
8	540K22511	SD memory card (REP 3.2)
9	101K73920	HDD



F-8-0010-A

PL 3.10 Video Contact Chassis Unit

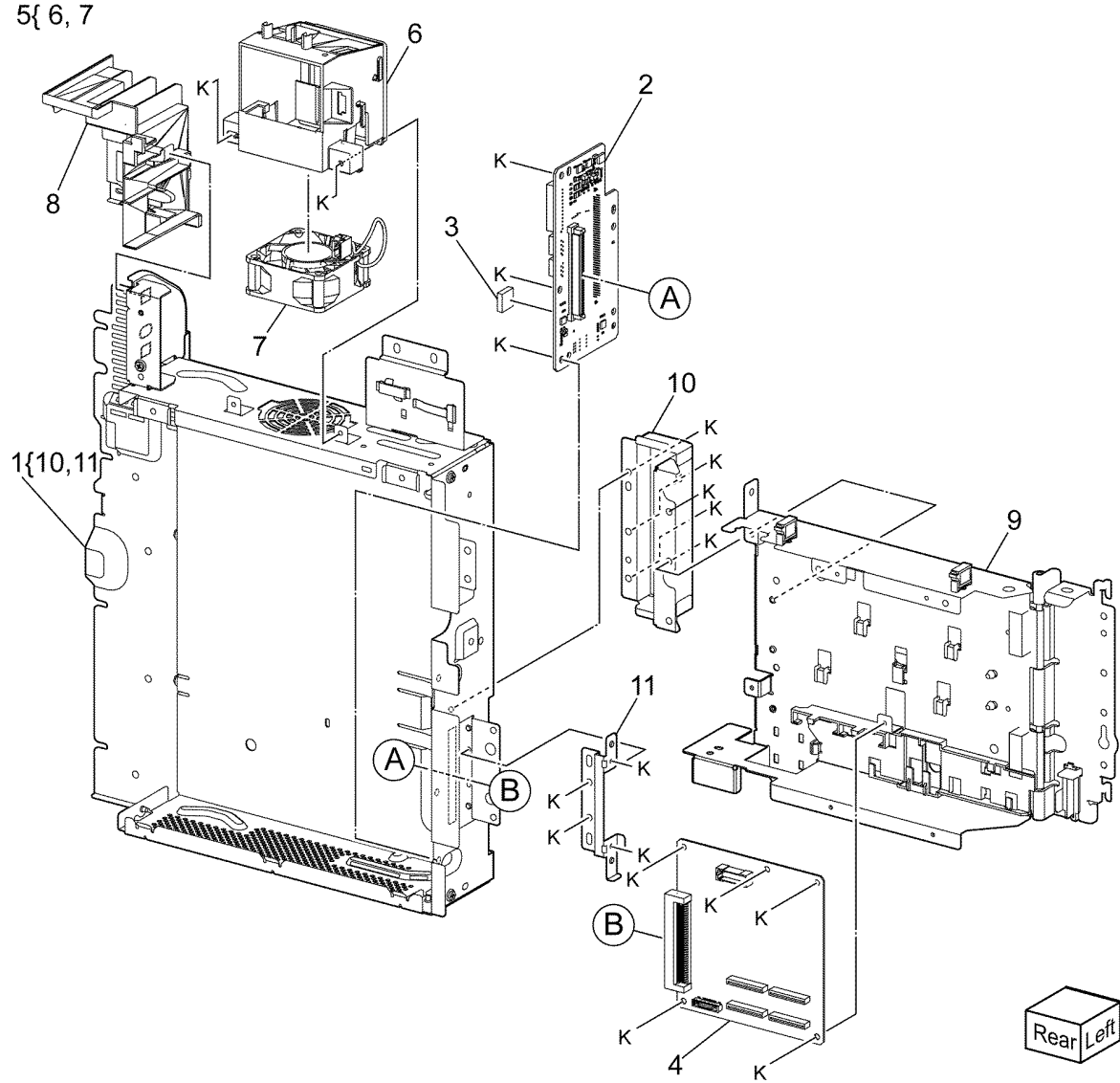
Item	Part	Description
1	607K11840	Controller cover assembly kit
2	-	Video contact chassis assembly (Not Spared)
3	117K49232	Motor drive ribbon cable
4	117K49390	USB cable
-	117K50010	USB cable (alternative)
-	117K49210	USB cable (alternative)
5	-	DFE cover (Not Spared)
6	-	Shield gasket (Not Spared)
7	-	Thumbscrew (P/O PL 3.10 Item 1)



F-8-0004-A

PL 3.15 Video Contact Chassis Assembly

Item	Part	Description
1	-	Controller chassis assembly (Not Spared)
2	960K89800	Back plane PWB (REP 3.3)
3	-	SEEPROM (Not Spared)
4	960K81373	Halftone PWB (REP 3.4)
5	-	ESS duct assembly
6	-	ESS duct (P/O PL 3.15 Item 5)
7	127K66150	ESS fan
-	127K77940	ESS fan (alternative)
8	-	ESS inner cover (Not Spared)
9	-	Video chassis assembly (P/O PL 3.15 Item 1)
10	-	BP bracket cover (P/O PL 3.15 Item 1)
11	-	BP bracket (P/O PL 3.15 Item 1)

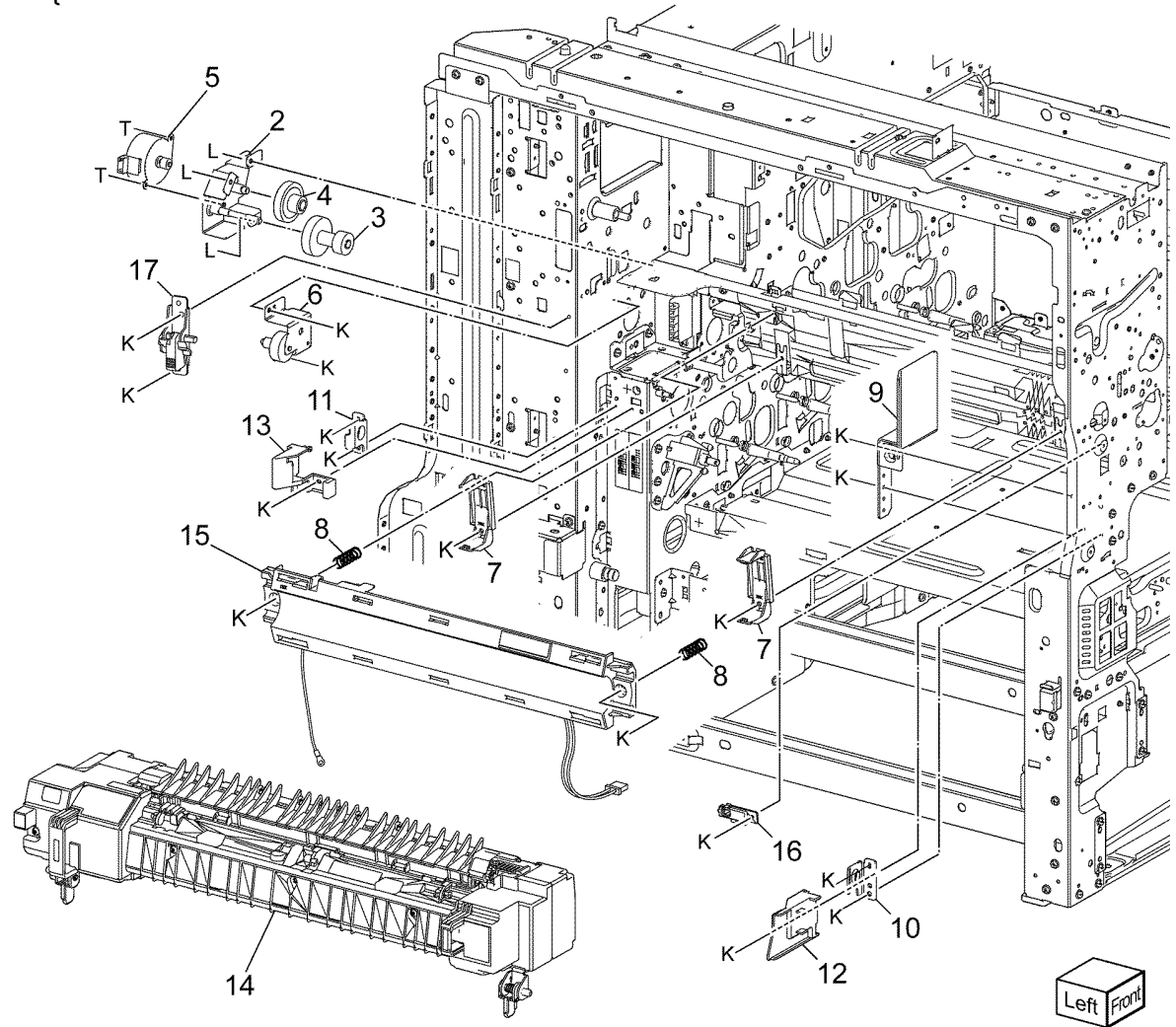


F-8-0005-A

PL 10.05 Fuser

Item	Part	Description
1	007K21640	Retract motor assembly (REP 10.1)
2	-	Motor bracket (P/O PL 10.05 Item 1)
3	-	Gear (17/40T) (P/O PL 10.05 Item 1)
4	-	Gear (17/54T) (P/O PL 10.05 Item 1)
5	-	Roll latch motor (P/O PL 10.05 Item 1)
6	007K21650	Retract gear assembly
7	-	Support (Not Spared)
8	-	Spring (Not Spared)
9	-	Adjust plate (Not Spared)
10	-	Front fuser bracket (Not Spared)
11	-	Rear fuser bracket (Not Spared)
12	-	Front stopper lever (Not Spared)
13	-	Rear stopper lever (Not Spared)
14	115R00143	Fuser (110/220V) (REP 10.2)
15	-	Fuser heater coil - see below for variants
-	104K91373	110V (REP 10.3)
-	104K91393	220V (REP 10.3)
16	-	Holder (Not Spared)
17	-	Stopper lever assembly (Not Spared)

1{ 2-5



Left Front

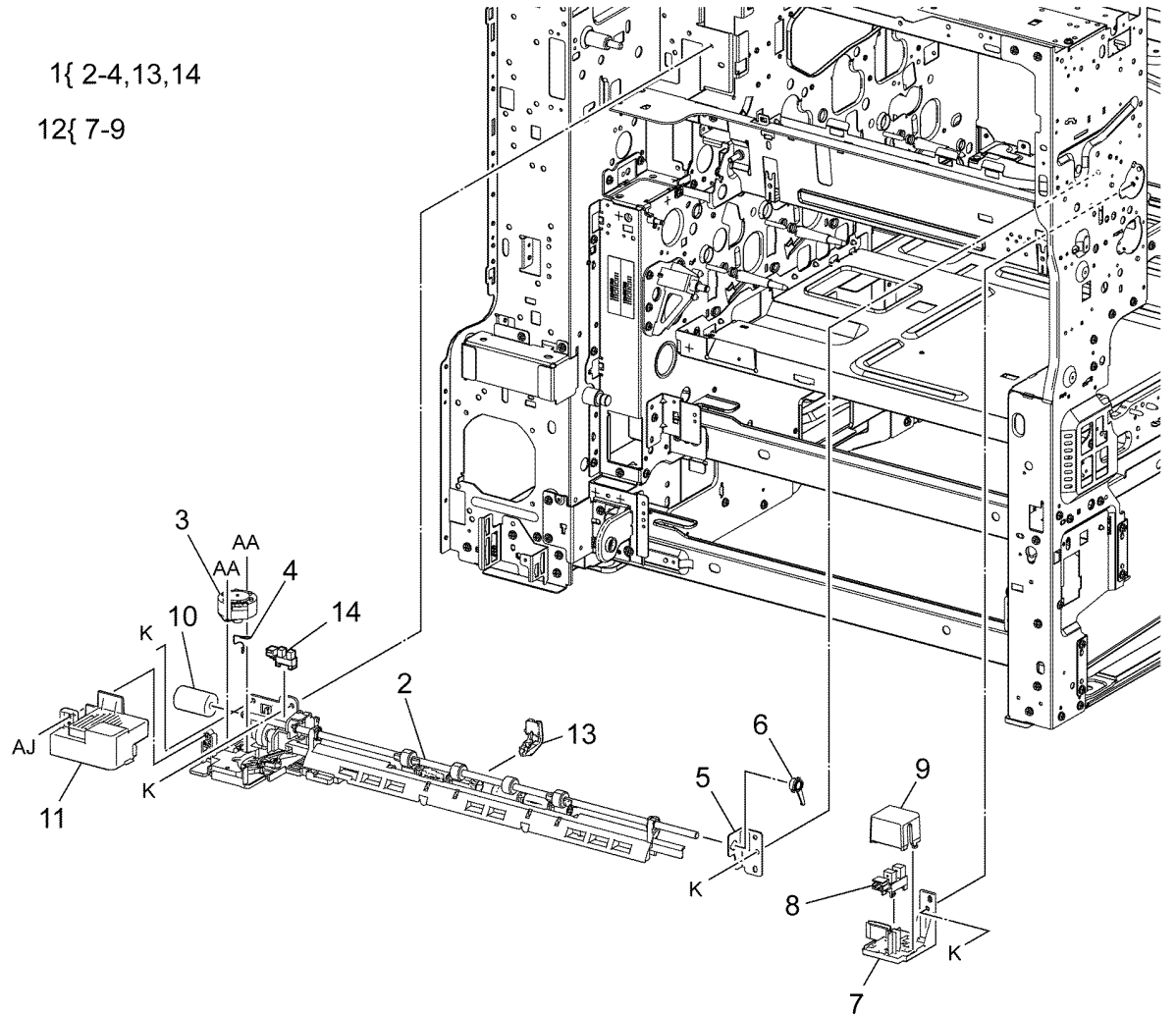
F-8-0011-A

PL 10.10 Exit 1 Transport Components

Item	Part	Description
1	859K08131	Exit 1 transport assembly (REP 10.4)
2	-	Exit 1 transport (P/O PL 10.10 Item 1)
3	-	Exit 1 OCT motor (MOT77-040) (REP 10.5)
4	-	Ground spring (P/O PL 10.10 Item 1)
5	-	Bracket (Not Spared)
6	013E46800	Bearing
7	-	Front guide (P/O PL 10.10 Item 12)
8	-	Exit 1 OCT home position sensor (Q77-109) (P/O PL 10.10 Item 12) (REP 10.6)
9	-	Exit 1 OCT home position sensor cover (P/O PL 10.10 Item 12)
10	807E20620	Exit 1 drive gear (REP 10.7)
11	948K02070	Motor cover
12	032K10662	Exit 1 sensor guide assembly
13	-	Guard (P/O PL 10.10 Item 1)
14	-	Exit 1 OCT full stack sensor (Q77-124) (P/O PL 10.10 Item 1)

1{ 2-4,13,14

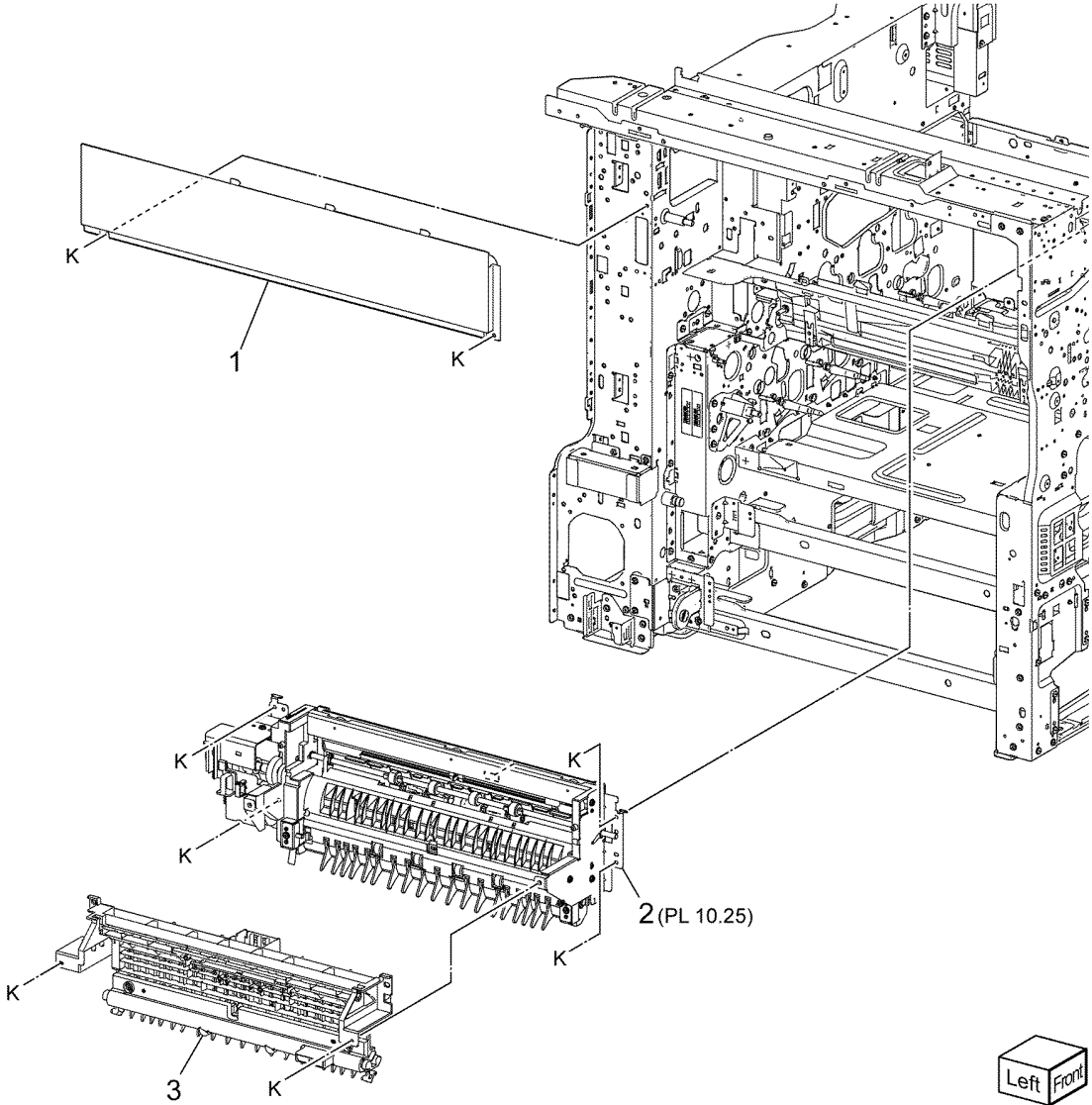
12{ 7-9



F-8-0012-A

PL 10.15 Exit 2 Transport Components

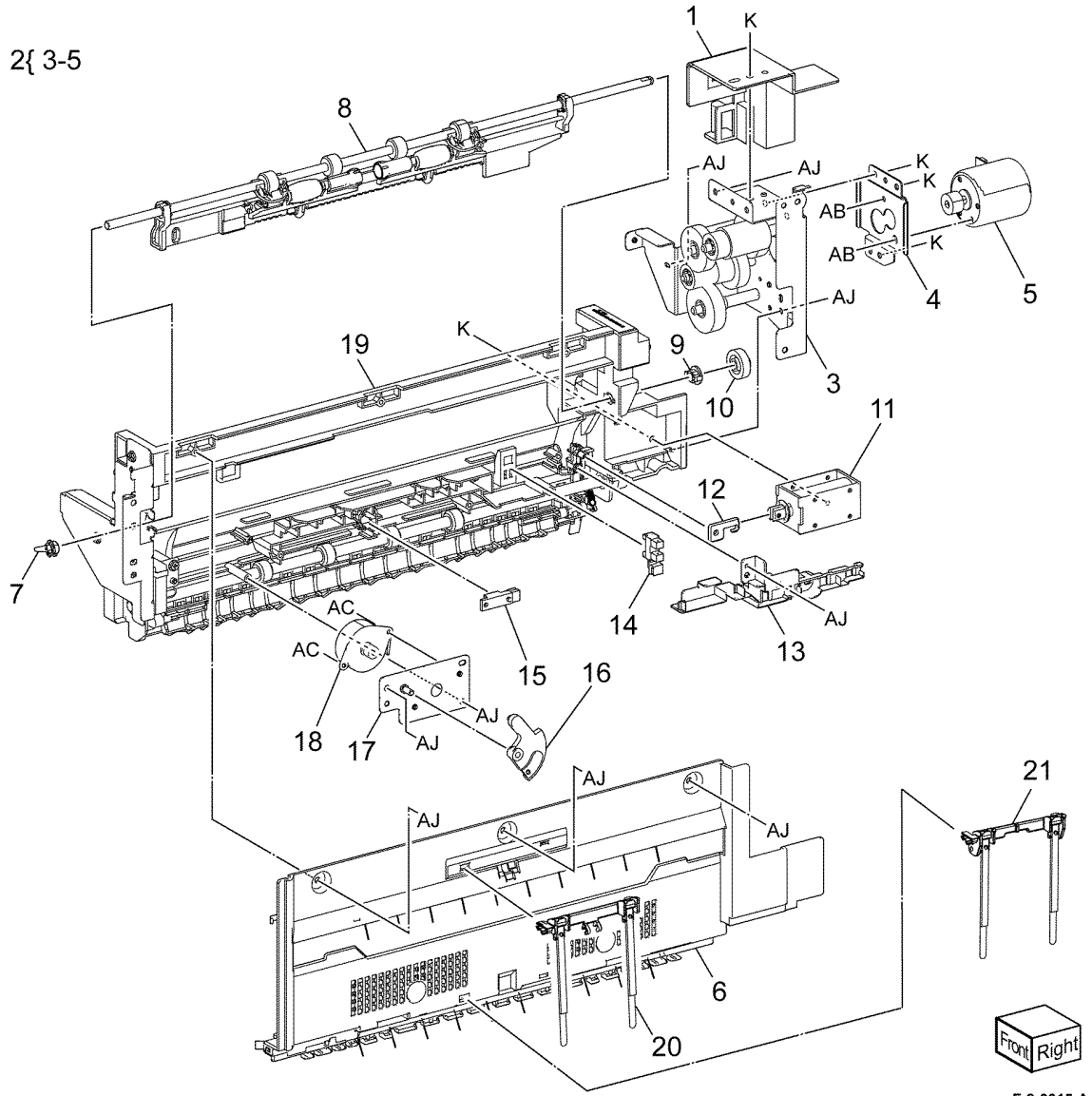
Item	Part	Description
1	822E33800	Left top cover
2	859K10296	Exit 2 transport assembly (REP 10.8)
3	-	Top chute assembly (Not Spared)



F-8-0013-A

PL 10.25 Exit 2 Transport Assembly

Item	Part	Description
1	-	Harness guide (P/O PL 10.15 Item 2)
2	-	Exit 2 drive assembly (P/O PL 10.15 Item 2) (REP 10.9)
3	-	Exit 2 drive bracket assembly (P/O PL 10.25 Item 2)
4	-	Motor bracket (P/O PL 10.25 Item 2)
5	-	Exit 2 drive motor (MOT77-060) (P/O PL 10.25 Item 2)
6	-	Exit 2 guide assembly (P/O PL 10.15 Item 2)
7	-	Bearing (P/O PL 10.15 Item 2)
8	-	Exit 2 chute assembly (P/O PL 10.15 Item 2)
9	-	Bearing (P/O PL 10.15 Item 2)
10	-	Gear (P/O PL 10.15 Item 2)
11	-	Exit 1 gate solenoid (SOL77-003) (P/O PL 10.15 Item 2) (REP 10.10)
12	-	Link (P/O PL 10.15 Item 2)
13	-	Harness guide (P/O PL 10.15 Item 2)
14	-	Exit 2 OCT home position sensor (Q77-110) (P/O PL 10.15 Item 2) (REP 10.11)
15	-	Exit 2 sensor (Q77-113) (P/O PL 10.15 Item 2)
16	-	Offset gear (P/O PL 10.15 Item 2) (REP 10.12)
17	-	Motor bracket (P/O PL 10.15 Item 2)
18	-	Exit 2 OCT motor (MOT77-045) (P/O PL 10.15 Item 2)
19	-	Exit 2 transport chassis (P/O PL 10.15 Item 2)
20	036K92441	Exit 2 bail arm assembly
21	036K92431	Exit 1 bail arm assembly



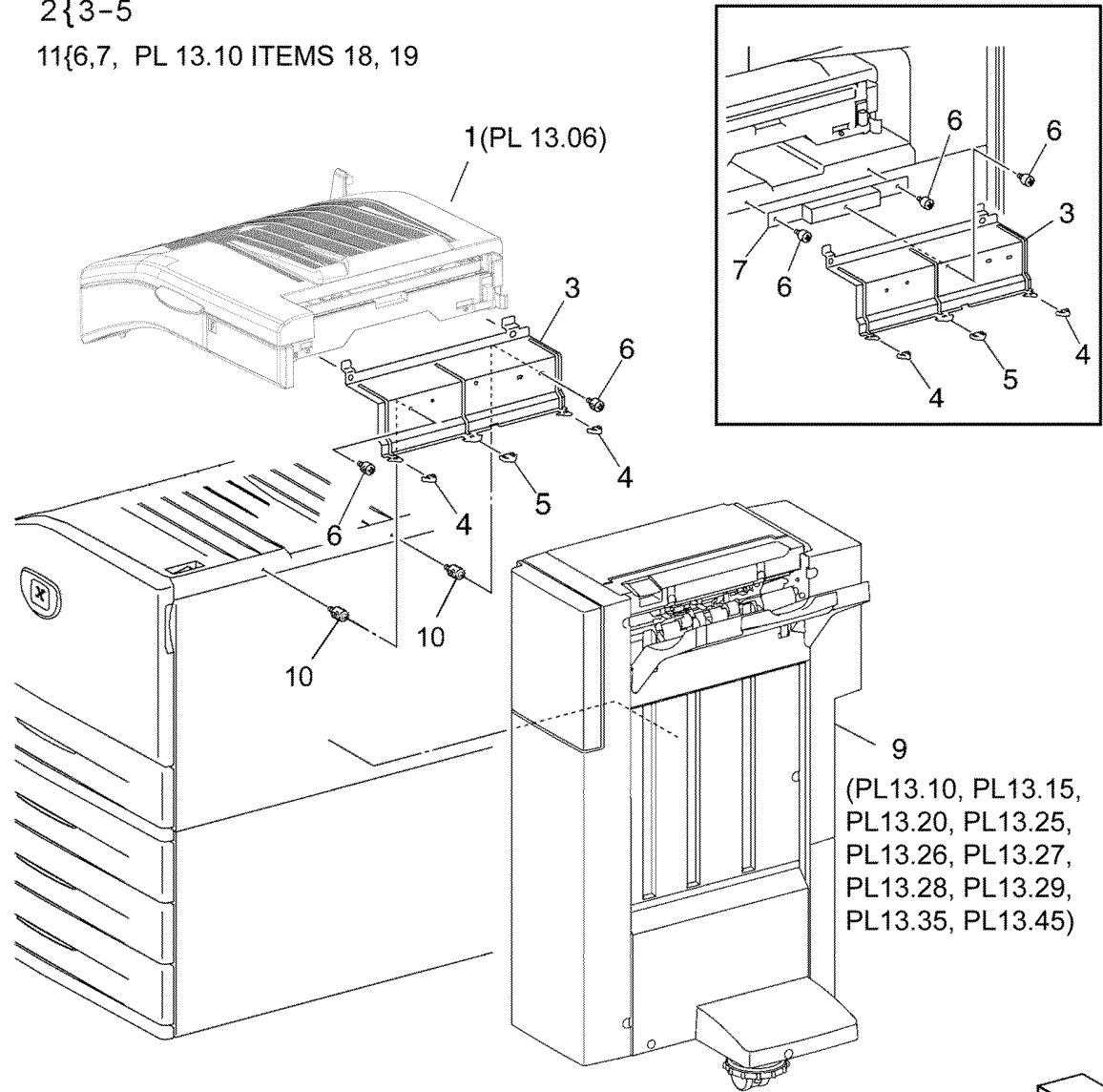
2{ 3-5

F-8-0015-A

PL 13.05 Office Finisher LX - Horizontal Transport Assembly (1 of 5)

Item	Part	Description
1	859K04770	Horizontal transport assembly (REP 13.1)
2	068K59494	Docking plate assembly
3	-	Docking plate (P/O PL 13.05 Item 2)
4	-	Side guide (P/O PL 13.05 Item 2)
5	-	Center guide (P/O PL 13.05 Item 2)
6	026K81200	Thumb screw
7	868E51550	Docking bracket
8	-	Not used
9	-	Finisher LX assembly (Not Spared) (REP 13.5)
10	-	HTU spacer (Not Spared)
11	-	Gap kit

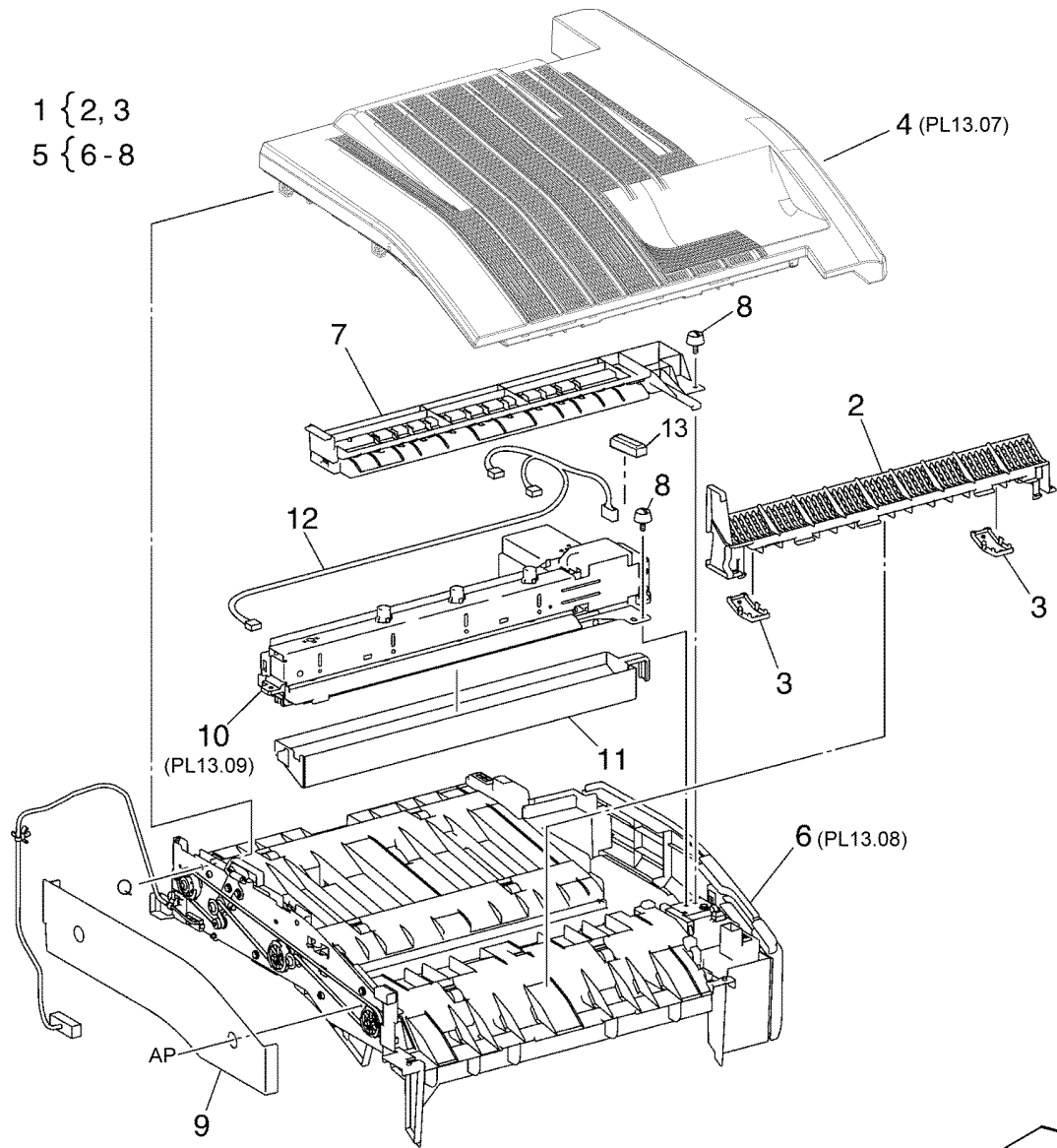
2{3-5
11{6,7, PL 13.10 ITEMS 18, 19



F-8-0088-A

PL 13.06 Office Finisher LX - Horizontal Transport Assembly (2 of 5)

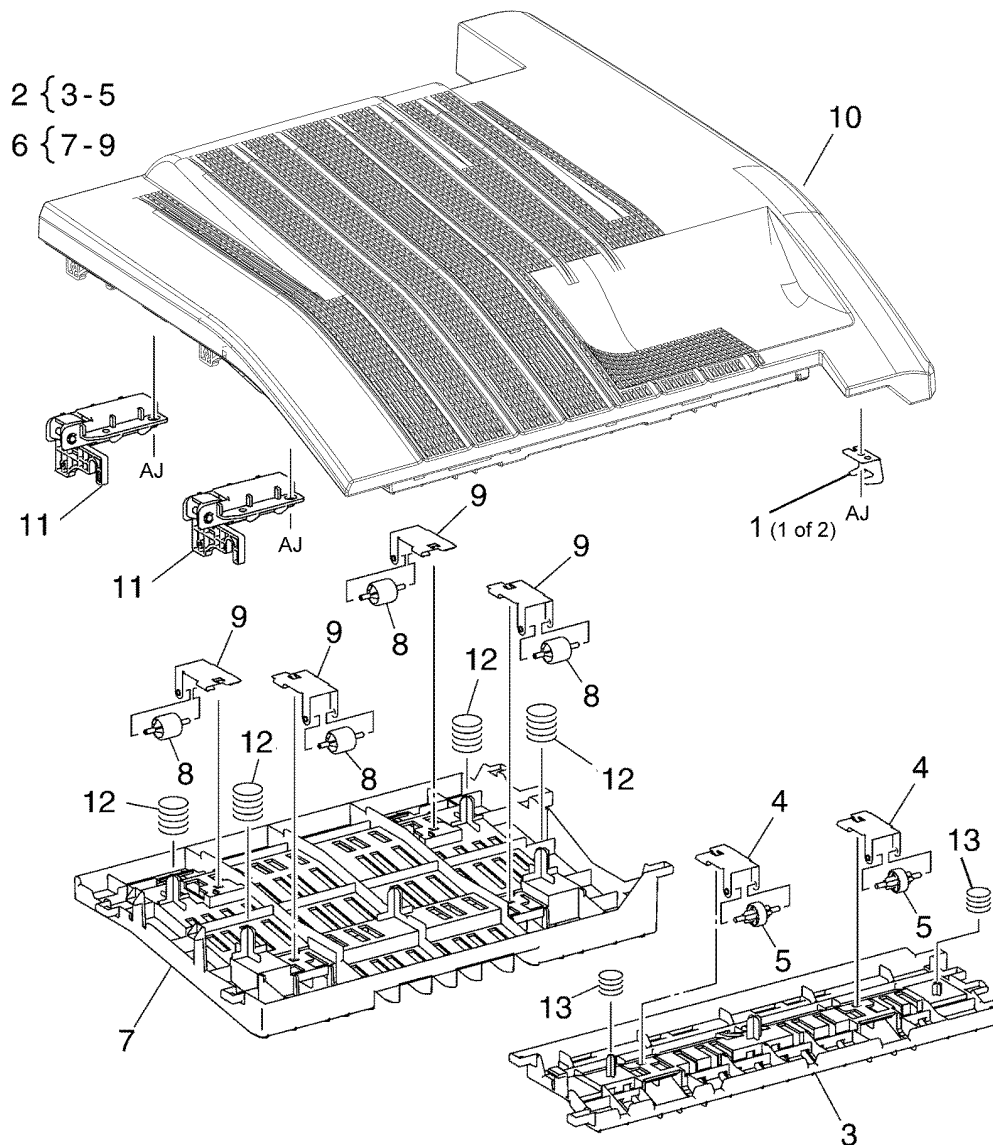
Item	Part	Description
1	-	Left cover assembly (Not Spared)
2	-	Left cover (P/O PL 13.06 Item 1)
3	-	Paper guide (P/O PL 13.06 Item 1)
4	-	Top cover assembly (Not Spared)
5	-	Lower chute assembly (Not Spared)
6	-	Lower chute assembly (P/O PL 13.06 Item 5)
7	-	Chute assembly (P/O PL 13.06 Item 5)
8	026K81200	Thumb screw
9	-	Rear cover (Not Spared)
10	180K00393	Punch assembly (2/3 Hole) (REP 13.2, ADJ 13.1)
-	180K00403	Punch assembly (2/4 Hole) (REP 13.2, ADJ 13.1)
11	695K19403	Punch box
12	-	Wire harness (Not Spared)
13	-	Connector cover (Not Spared)



F-8-0089-A

PL 13.07 Office Finisher LX - Horizontal Transport Assembly (3 of 5)

Item	Part	Description
1	-	Bracket (P/O PL 13.06 Item 4)
2	054K50020	Left chute assembly
3	-	Left chute (P/O PL 13.07 Item 2)
4	-	Pinch spring (P/O PL 13.07 Item 2)
5	-	Pinch roller (P/O PL 13.07 Item 2)
6	054K35246	Right chute assembly
7	-	Right chute (P/O PL 13.07 Item 6)
8	-	Nip roll (P/O PL 13.07 Item 6)
9	-	Nip spring (P/O PL 13.07 Item 6)
10	-	Top cover (Not Spared)
11	-	Horizontal transport counter balance (Not Spared)
12	-	Spring (Not Spared)
13	-	Spring (Not Spared)

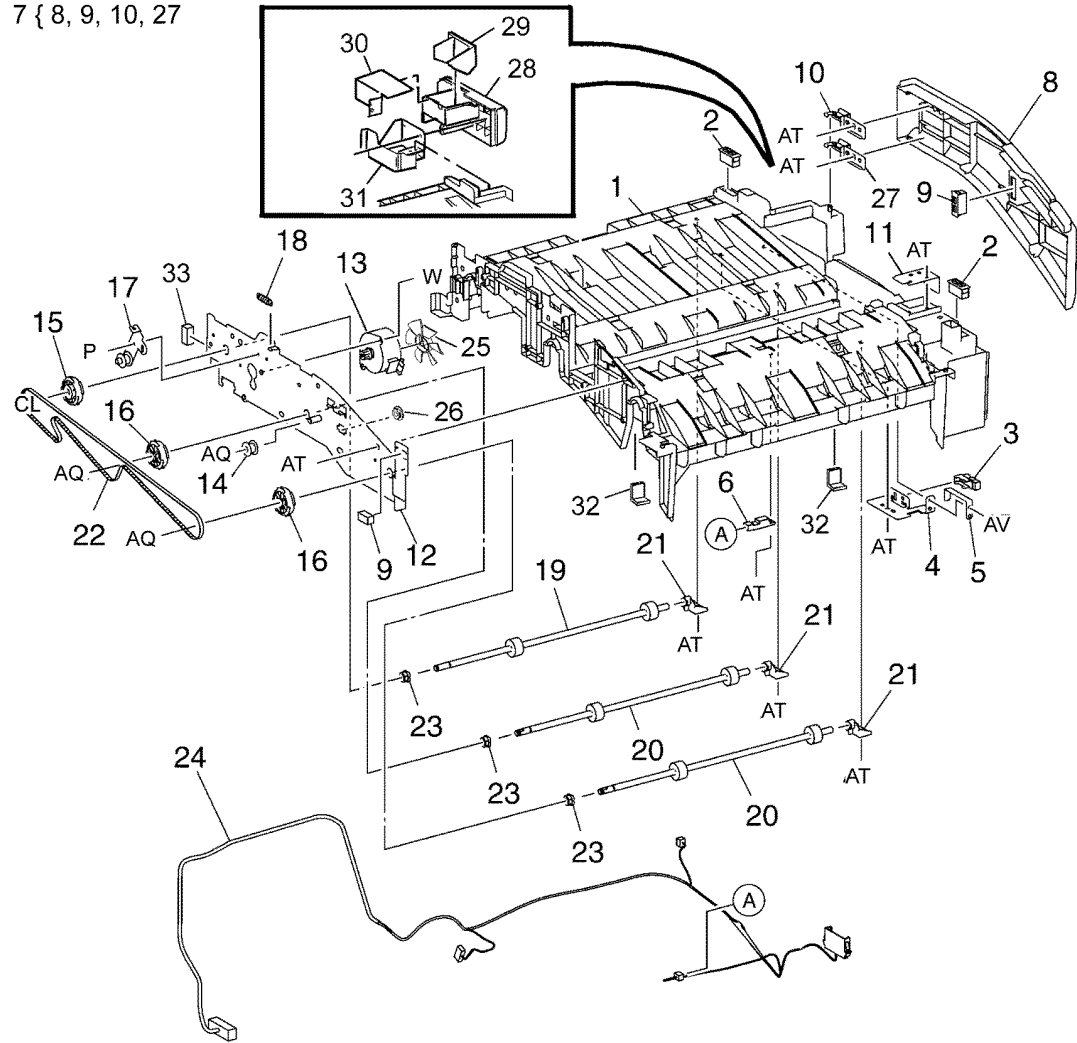


F-8-0090-A

PL 13.08 Office Finisher LX - Horizontal Transport Assembly (4 of 5)

Item	Part	Description
1	-	Lower chute (P/O PL 13.06 Item 6)
2	-	Magnet (P/O PL 13.06 Item 6)
3	930W00125	Horizontal transport open sensor (Q12-303)
4	-	Sensor bracket (Not Spared)
5	-	Actuator (Not Spared)
6	930W00211	Horizontal transport entrance sensor (Q12-190)
7	948K05100	Horizontal transport front cover assembly
8	-	Horizontal transport front cover (P/O PL 13.08 Item 7)
9	835E43650	Gasket
10	-	Hinge (P/O PL 13.08 Item 7)
11	-	Bracket (P/O PL 13.06 Item 6)
12	-	Rear frame assembly (P/O PL 13.06 Item 6)
13	127K57622	Horizontal transport motor (MOT12-032) (REP 13.4)
14	-	Tension pulley (Not Spared)
15	-	Pulley (43T) (Not Spared)
16	-	Pulley (43T) (Not Spared)
17	-	Tension bracket (P/O PL 13.06 Item 6)
18	-	Spring tension (Not Spared)
19	-	Drive roll (Not Spared)
20	-	Drive roll (Not Spared)
21	-	Bearing (Not Spared)
22	423W01154	Horizontal transport belt (REP 13.3)
23	-	Sleeve bearing (Not Spared)
24	-	Wire harness (Not Spared)
25	-	Fan blade (Not Spared)
26	-	Pinch bushing (Not Spared)
27	-	Lower hinge (P/O PL 13.08 Item 7)
28	-	Front cover (Not Spared)
29	-	Switch cover (Not Spared)
30	-	Cover (Not Spared)
31	-	Bracket (Not Spared)
32	-	Pinch cushion (Not Spared)
33	-	Gasket (Not Spared)

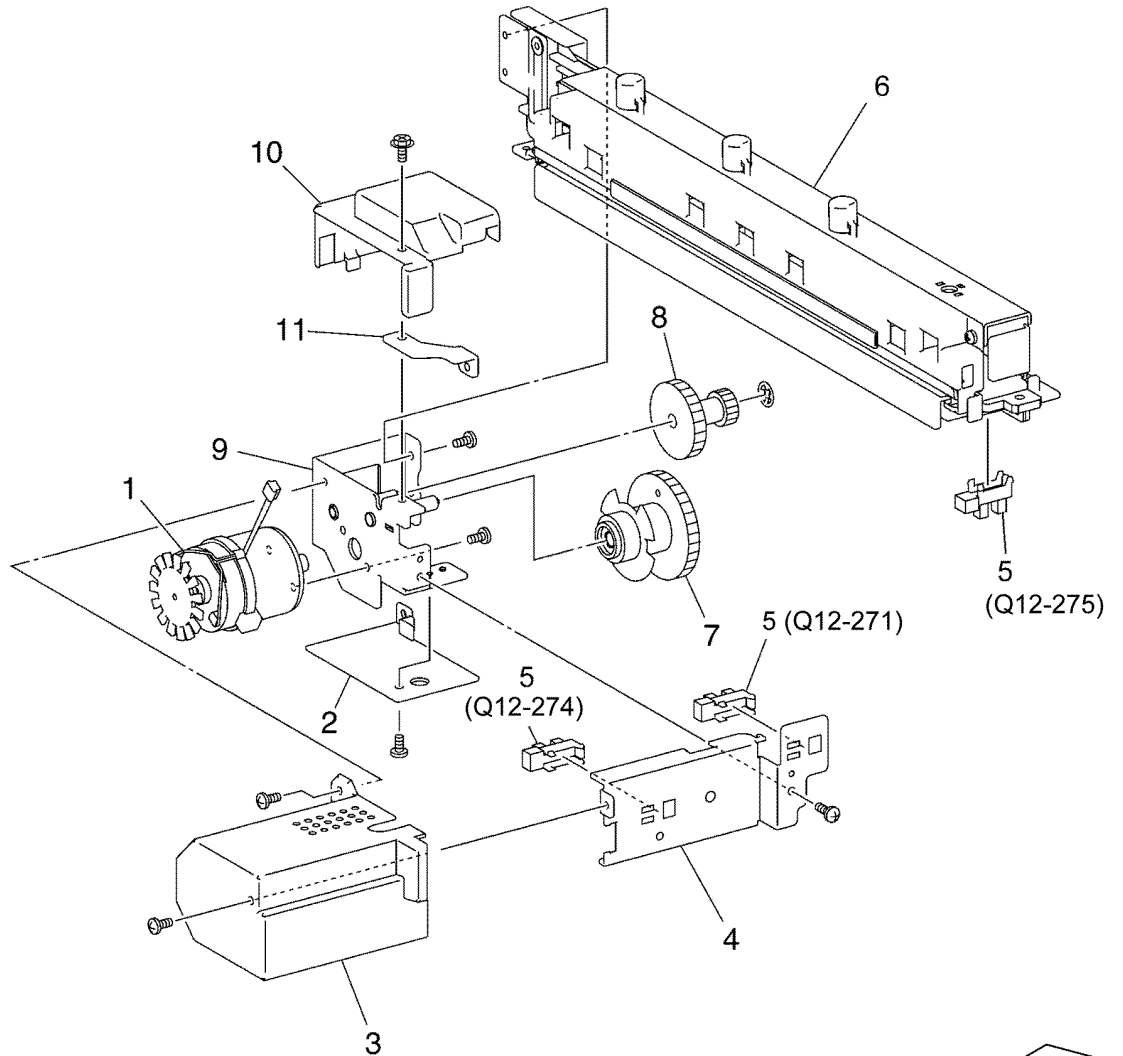
7 { 8, 9, 10, 27



F-8-0091-A

PL 13.09 Office Finisher LX - Horizontal Transport Assembly (5 of 5)

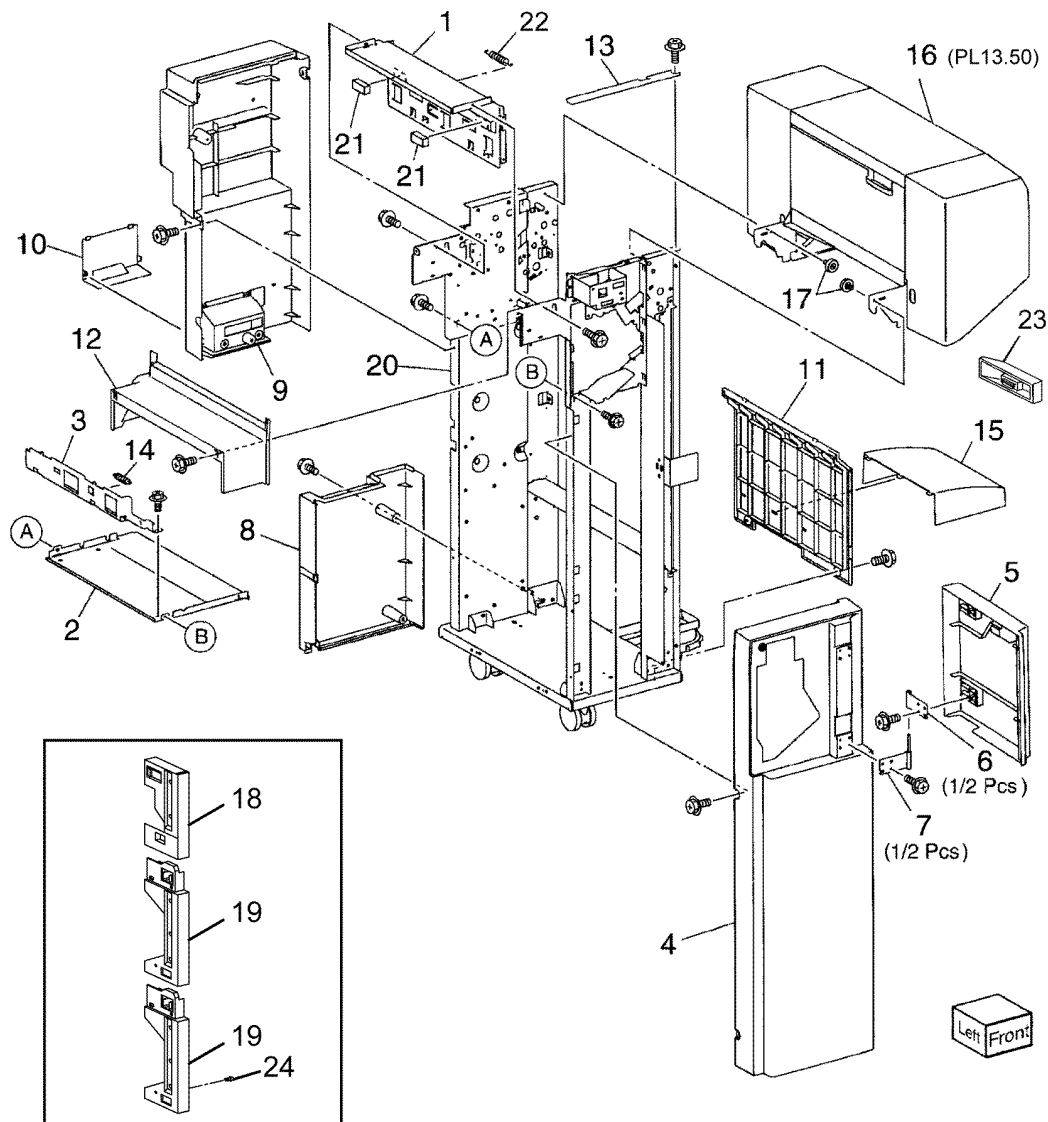
Item	Part	Description
1	-	Punch motor (MOT12-074) (P/O PL 13.06 Item 10)
2	-	Punch lower cover (P/O PL 13.06 Item 10)
3	-	Punch motor cover (P/O PL 13.06 Item 10)
4	-	Sensor bracket (P/O PL 13.06 Item 10)
5	930W00111	Punch encoder sensor (Q12-274)/ Punch home sensor (Q12-271)/ Punch box set sensor (Q12-275)
6	-	Punch frame assembly (P/O PL 13.06 Item 10)
7	-	Encoder/gear assembly (P/O PL 13.06 Item 10)
8	-	Gear (P/O PL 13.06 Item 10)
9	-	Motor bracket (P/O PL 13.06 Item 10)
10	-	Punch top cover (P/O PL 13.06 Item 10)
11	-	Bracket (P/O PL 13.06 Item 10)



F-8-0092-A

PL 13.10 Office Finisher LX Covers

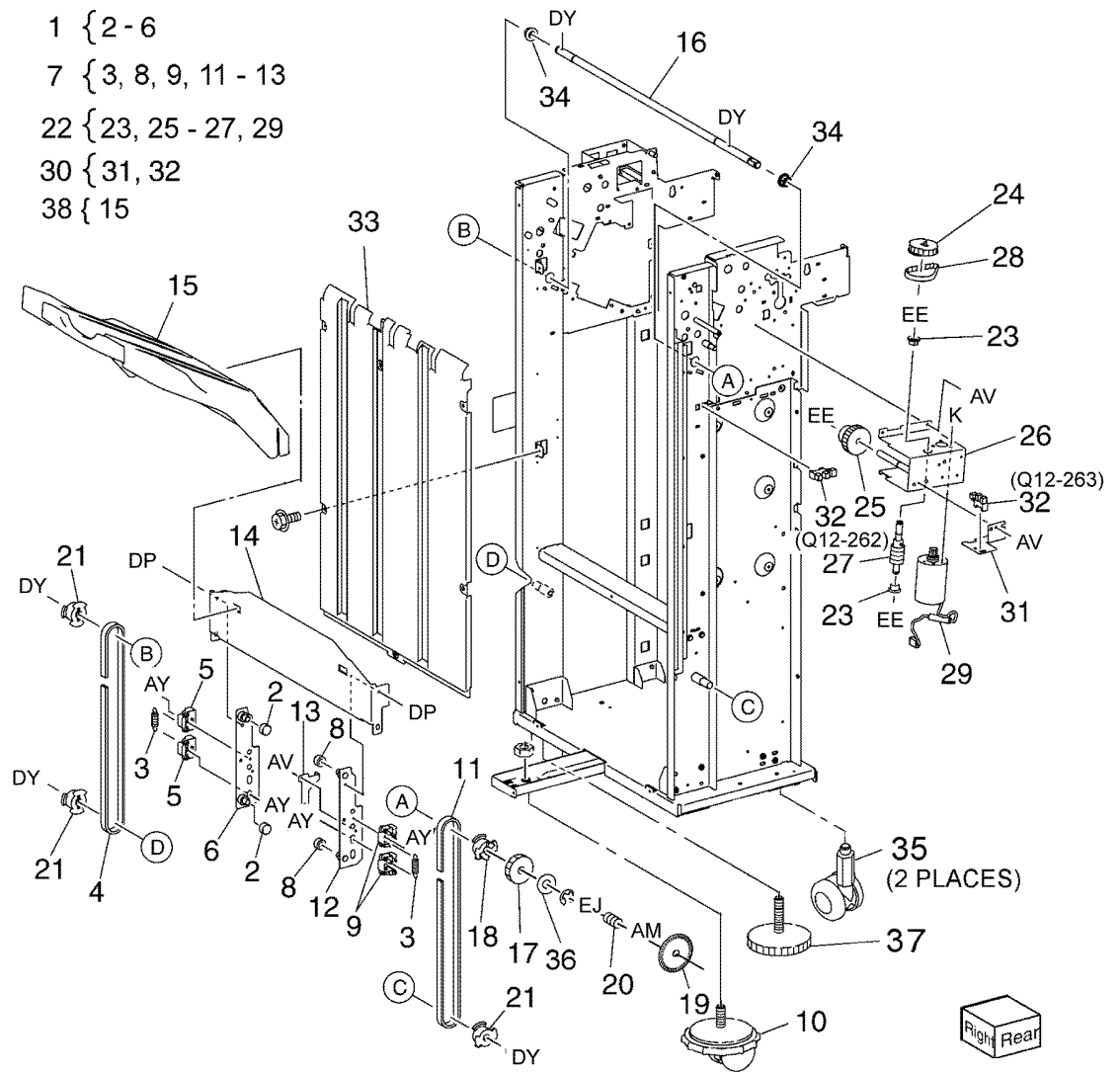
Item	Part	Description
1	848E22730	Plate
2	-	Lower plate (Not Spared)
3	-	Docking lever (Not Spared)
4	848E75671	Front cover (REP 13.6)
5	848K57230	Front door
6	-	Bracket (Not Spared)
7	-	Hinge (Not Spared)
8	-	Rear lower cover (Not Spared) (REP 13.8)
9	-	Rear upper cover (Not Spared) (REP 13.7)
10	-	Connector cover (Not Spared)
11	848E75711	Stacker lower cover (REP 13.11)
12	-	LH cover (Not Spared)
13	-	Cover (Not Spared)
14	-	Spring (Not Spared)
15	-	Foot cover (Not Spared) (REP 13.10)
16	801K30704	Booklet maker assembly (REP 13.31)
17	-	Thumb screw (Not Spared)
18	-	Upper adjust cover (Not Spared)
19	-	Lower adjust cover (Not Spared)
20	-	Base frame assembly (Not Spared)
21	835E43650	Gasket
22	-	Extension spring (Not Spared)
23	-	Paper guide (Not Spared)
24	-	Thumb screw (Not Spared)



F-8-0093-A

PL 13.15 Office Finisher LX Stacker

Item	Part	Description
1	-	Front carriage assembly (Not Spared) (REP 13.29)
2	-	Bearing (P/O PL 13.15 Item 1)
3	-	Spring (P/O PL 13.15 Item 1)
4	-	Front stacker belt (P/O PL 13.15 Item 1)
5	-	Clamp (P/O PL 13.15 Item 1)
6	-	Front carriage assembly (P/O PL 13.15 Item 1)
7	-	Rear carriage assembly (REP 13.29)
8	-	Bearing (P/O PL 13.15 Item 7)
9	-	Clamp (Not Spared)
10	-	Knob caster assembly (Not Spared)
11	-	Rear stacker belt (P/O PL 13.15 Item 7)
12	-	Rear carriage (P/O PL 13.15 Item 7)
13	-	Actuator (P/O PL 13.15 Item 7)
14	-	Carriage tray (Not Spared)
15	-	Stacker tray (REP 13.20)
16	-	Shaft (Not Spared)
17	-	Gear (Not Spared)
18	-	Pulley (Not Spared)
19	146E90651	Encoder
20	-	Spring (Not Spared)
21	-	Pulley (18T) (Not Spared)
22	068K58304	Stacker elevator motor assembly
23	-	Bearing (P/O PL 13.15 Item 22)
24	-	Pulley (60T) (Not Spared)
25	-	Gear (15T/37T) (P/O PL 13.15 Item 22)
26	-	Motor bracket (P/O PL 13.15 Item 22)
27	-	Worm shaft (P/O PL 13.15 Item 22)
28	-	Belt (Not Spared)
29	-	Stacker elevator motor (MOT12-060) (P/O PL 13.15 Item 22) (REP 13.19)
30	-	Stacker encoder sensor assembly (Not Spared)
31	-	Bracket (P/O PL 13.15 Item 30)
32	930W00111	Stacker encoder sensor (Q12-263)/stacker paper sensor (Q12-262)
33	-	Stacker upper cover (Not Spared) (REP 13.12)
34	-	Bearing (Not Spared)
35	017K96450	Caster assembly
36	-	Washer (Not Spared)
37	017K94901	Adjustable foot assembly
38	607K04580	Stacker tray kit

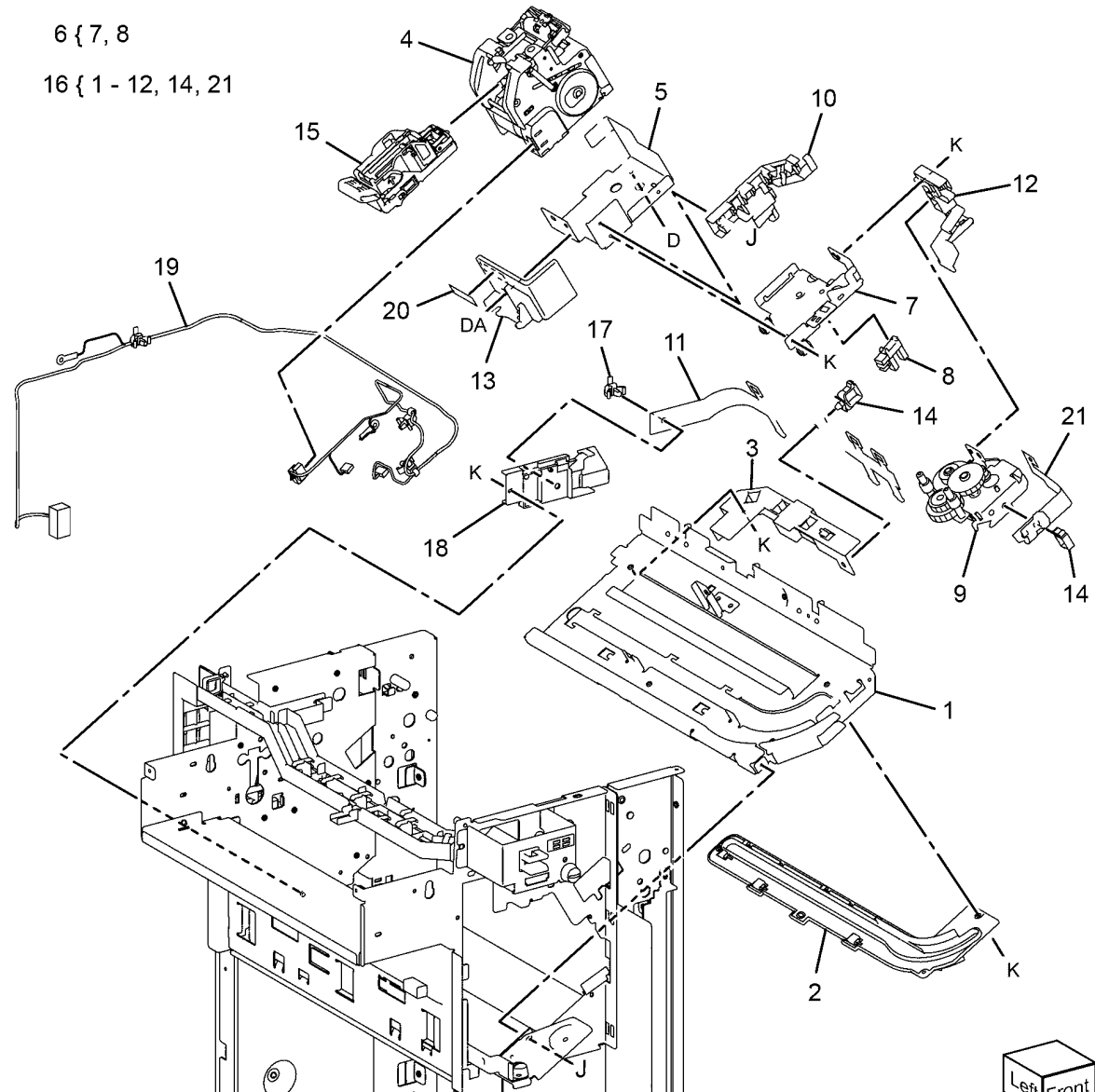


F-8-0094-A

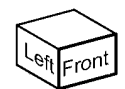
PL 13.20 Office Finisher LX Stapler

Item	Part	Description
1	-	Base frame (P/O PL 13.20 Item 16)
2	-	Rail (P/O PL 13.20 Item 16)
3	-	Harness guide (P/O PL 13.20 Item 16)
4	029K93260	Stapler assembly (REP 13.16)
5	-	Holder (P/O PL 13.20 Item 16)
6	-	Stapler move position sensor assembly (Not Spared)
7	-	Bracket (P/O PL 13.20 Item 6)
8	130E94940	Stapler move position sensor (Q12-241)
9	068K58811	Stapler move motor assembly (MOT12-046) (REP 13.15)
10	-	Harness guide (P/O PL 13.20 Item 16)
11	-	Harness support guide (P/O PL 13.20 Item 16)
12	-	Harness guide (P/O PL 13.20 Item 16)
13	-	Stapler cover (Not Spared)
14	-	Clamp (P/O PL 13.20 Item 16)
15	-	Stapler cartridge (See NOTE)
16	801K64900	Stapler unit
17	-	Cable band (Not Spared)
18	-	Harness guide (Not Spared)
19	952K35890	Wire harness
20	-	Label (Not Spared)
21	-	Stapler move motor bracket (P/O PL 13.20 Item 9)

6 { 7, 8
16 { 1 - 12, 14, 21



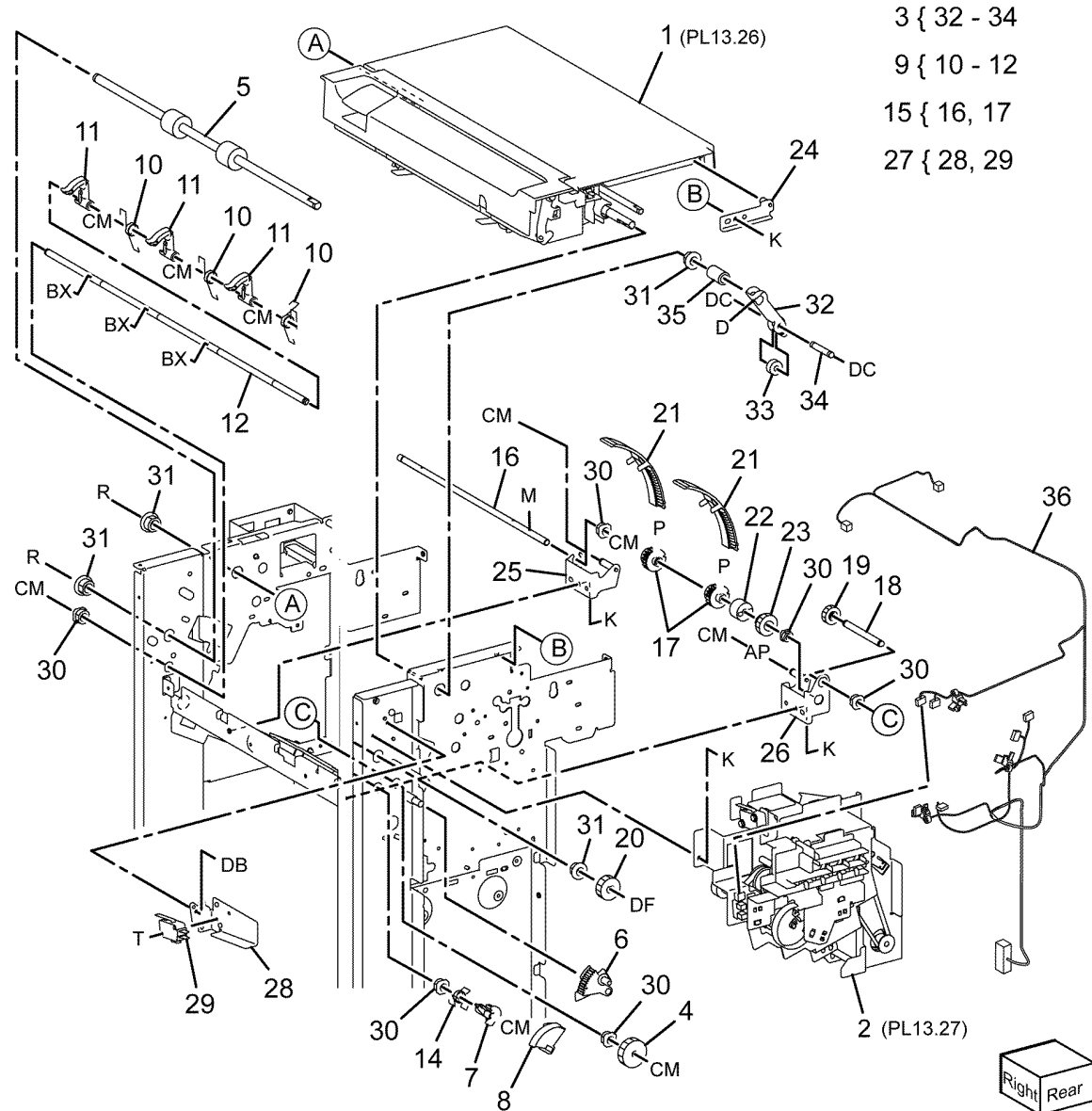
NOTE: Refer to PL 25.10 for the staple refills and cartridge.



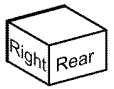
F-8-0095-A

PL 13.25 Office Finisher LX Ejector (1 of 5)

Item	Part	Description
1	-	Eject cover assembly (Not Spared)
2	-	Eject assembly (Not Spared)
3	031K93790	Clamp arm assembly
4	807E21400	Gear (31T)
5	059K55111	Eject roller
6	807E21380	Sector gear (72T)
7	807E21391	Gear (18T)
8	120E29773	Actuator
9	006K86733	Set clamp shaft assembly
10	809E79060	Spring
11	-	Set clamp holder (P/O PL 13.25 Item 9)
12	-	Shaft (P/O PL 13.25 Item 9)
13	-	Not used
14	809E79080	Spring
15	006K86743	Guide paper shaft assembly
16	-	Guide paper shaft (P/O PL 13.25 Item 15)
17	-	Gear (20T) (P/O PL 13.25 Item 15)
18	-	Shaft (Not Spared)
19	807E21420	Gear (19T)
20	807E21370	Gear (25T)
21	038E36490	Guide paper (left/right)
22	005K14950	Clutch
23	807E45590	Gear (23T)
24	-	Stopper (Not Spared)
25	-	Bracket (front) (Not Spared)
26	-	Bracket (rear) (Not Spared)
27	-	Option switch assembly (Not Spared)
28	-	Bracket (P/O PL 13.25 Item 27)
29	-	Option switch (P/O PL 13.25 Item 27)
30	413W11660	Sleeve bearing
31	-	Bearing (Not Spared)
32	-	Clamp arm (P/O PL 13.25 Item 3)
33	-	Roll (P/O PL 13.25 Item 3)
34	-	Shaft (P/O PL 13.25 Item 3)
35	-	Spacer (Not Spared)
36	962K60434	Wire harness



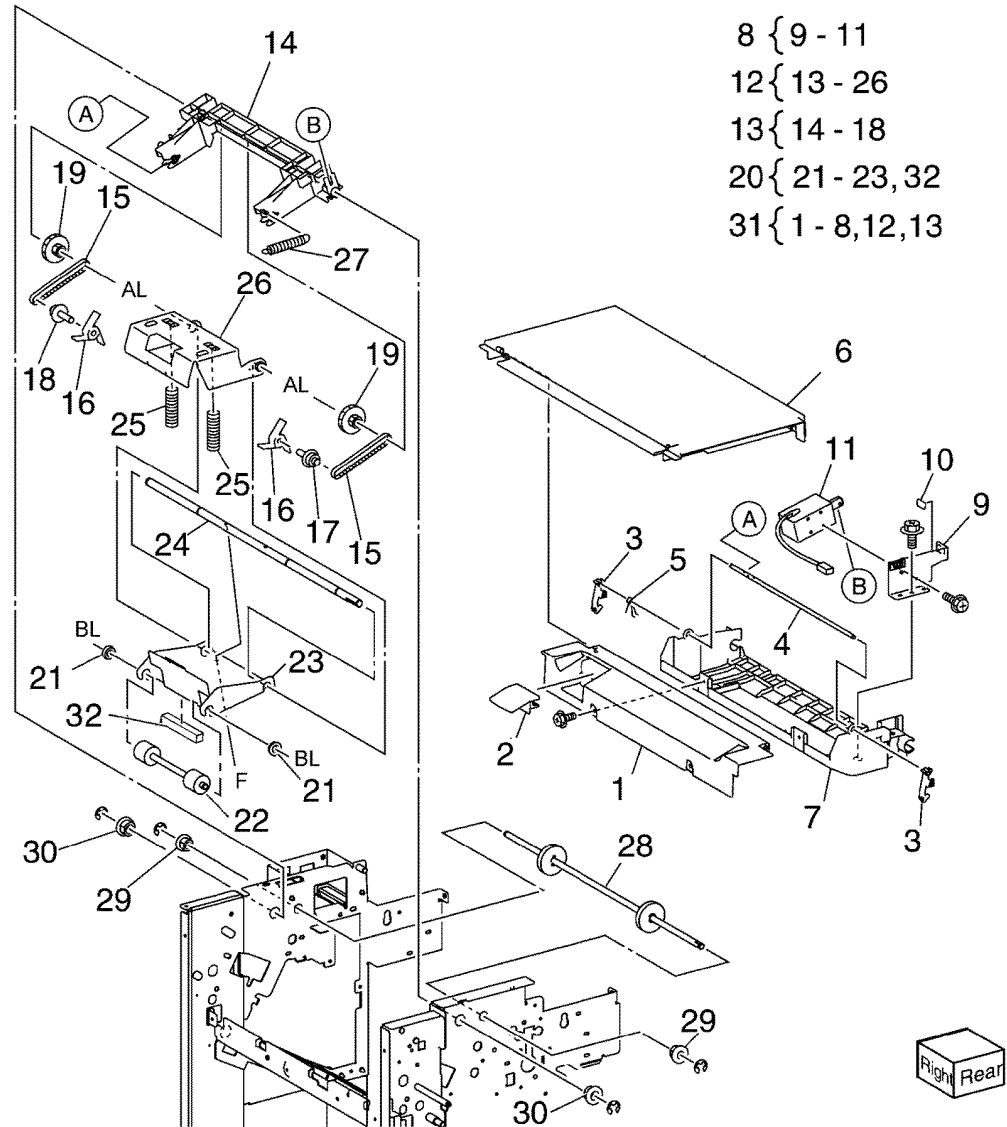
3 { 32 - 34
 9 { 10 - 12
 15 { 16, 17
 27 { 28, 29



F-8-0096-A

PL 13.26 Office Finisher LX Ejector (2 of 5)

Item	Part	Description
1	-	Top right cover (P/O PL 13.26 Item 31)
2	-	Top cover lever (P/O PL 13.26 Item 31)
3	-	Top cover latch (P/O PL 13.26 Item 31)
4	-	Shaft (P/O PL 13.26 Item 31)
5	-	Spring (P/O PL 13.26 Item 31)
6	-	Eject cover (P/O PL 13.26 Item 31) (REP 13.9)
7	-	Eject chute (P/O PL 13.26 Item 31)
8	121K41632	Sub paddle solenoid assembly (REP 13.14)
9	-	Bracket (P/O PL 13.26 Item 8)
10	-	Damper (P/O PL 13.26 Item 8)
11	-	Sub paddle solenoid (SOL12-013) (P/O PL 13.26 Item 8)
12	-	Eject roller assembly (P/O PL 13.26 Item 31)
13	031K94470	Paddle arm assembly
14	-	Sub paddle arm (P/O PL 13.26 Item 13)
15	-	Belt (P/O PL 13.26 Item 14)
16	-	Sub paddle (P/O PL 13.26 Item 13)
17	-	Pulley (P/O PL 13.26 Item 13)
18	-	Pulley (P/O PL 13.26 Item 13)
19	-	Gear/Pulley (31T/20T) (Not Spared)
20	059K55715	Eject nip roll assembly
21	-	Bearing (P/O PL 13.26 Item 20)
22	-	Eject nip roll (P/O PL 13.26 Item 20)
23	-	Bracket (P/O PL 13.26 Item 20)
24	-	Shaft (P/O PL 13.26 Item 12)
25	-	Spring (P/O PL 13.26 Item 12)
26	-	Bracket (P/O PL 13.26 Item 12)
27	-	Spring (Not Spared)
28	006K86691	Eject drive shaft
29	-	Bearing (Not Spared)
30	-	Bearing (Not Spared)
31	-	Eject chute assembly (Not Spared)
32	-	Static eliminator (P/O PL 13.26 Item 20)

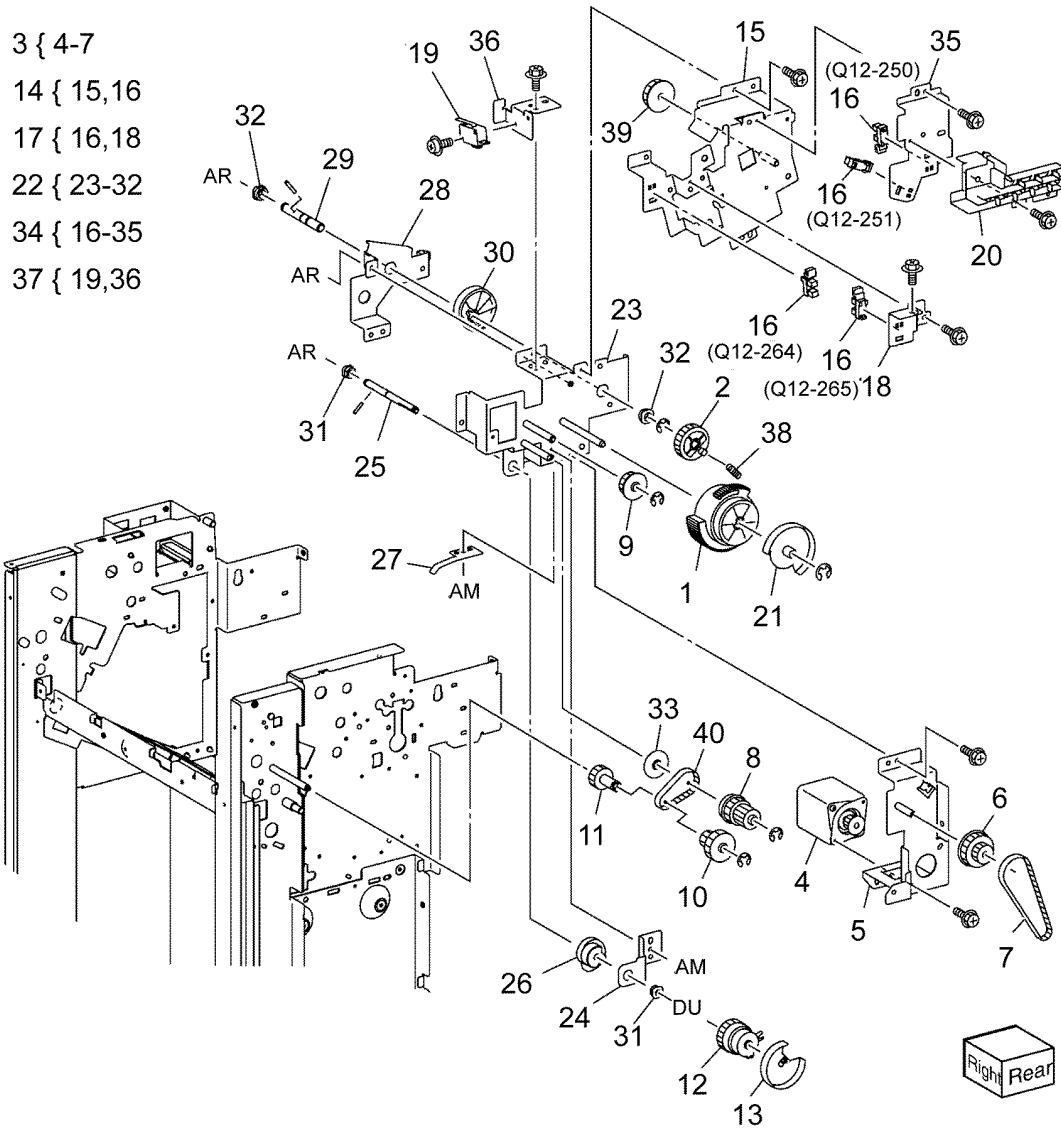


- 8 { 9 - 11
- 12 { 13 - 26
- 13 { 14 - 18
- 20 { 21 - 23, 32
- 31 { 1 - 8, 12, 13

F-8-0097-A

PL 13.27 Office Finisher LX Ejector (3 of 5)

Item	Part	Description
1	007K15451	Gear (82T/77T/51T)
2	-	Gear (38T) (Not Spared)
3	127K57196	Eject motor assembly
4	-	Eject motor (MOT12-054) (P/O PL 13.27 Item 3) (REP 13.22)
5	-	Bracket (P/O PL 13.27 Item 3)
6	-	Gear/Pulley (20T/49T) (P/O PL 13.27 Item 3)
7	-	Belt (P/O PL 13.27 Item 7)
8	-	Gear (28T/22T/38T) (Not Spared)
9	-	Gear (25T) (Not Spared)
10	-	Gear/Pulley (32T/25T) (Not Spared)
11	-	Gear (23T) (Not Spared)
12	121K34631	Set clamp clutch (34T) (CL12-050)
13	120E29593	Set clamp cam actuator
14	130K72171	Stacker height sensor 1 assembly
15	-	Bracket (P/O PL 13.27 Item 14)
16	930W00111	Stack height sensor 1 (Q12-264) (REP 13.13)/Stack height sensor 2 (Q12-265) (REP 13.13)/Eject clamp home sensor (Q12-250)/(Set clamp home sensor (Q12-251) (
17	-	Stacker height sensor 2 assembly (P/O PL 13.27 Item 34)
18	-	Bracket (P/O PL 13.27 Item 17)
19	-	Eject cover switch (S12-300) (P/O PL 13.27 Item 37)
20	-	Harness guide (P/O PL 13.27 Item 34)
21	120E29852	Gear select actuator
22	068K58732	Eject drive bracket assembly
23	-	Bracket (P/O PL 13.27 Item 22)
24	-	Bracket (P/O PL 13.27 Item 22)
25	-	Shaft (P/O PL 13.27 Item 22)
26	-	Clamp set cam (P/O PL 13.27 Item 22)
27	809E79070	Spring
28	-	Bracket (P/O PL 13.27 Item 22)
29	-	Shaft (P/O PL 13.27 Item 22)
30	-	Eject clamp cam (P/O PL 13.27 Item 22)
31	413W11660	Sleeve bearing
32	-	Sleeve bearing (P/O PL 13.27 Item 22)
33	-	Drive eject flange (Not Spared)
34	-	Eject clamp home sensor assembly (Not Spared)
35	-	Bracket (P/O PL 13.27 Item 34)
36	-	Bracket (P/O PL 13.27 Item 37)
37	068K58742	Eject cover switch assembly
38	809E79820	Spring
39	807E22040	Gear (30T)
40	-	Belt (Not Spared)



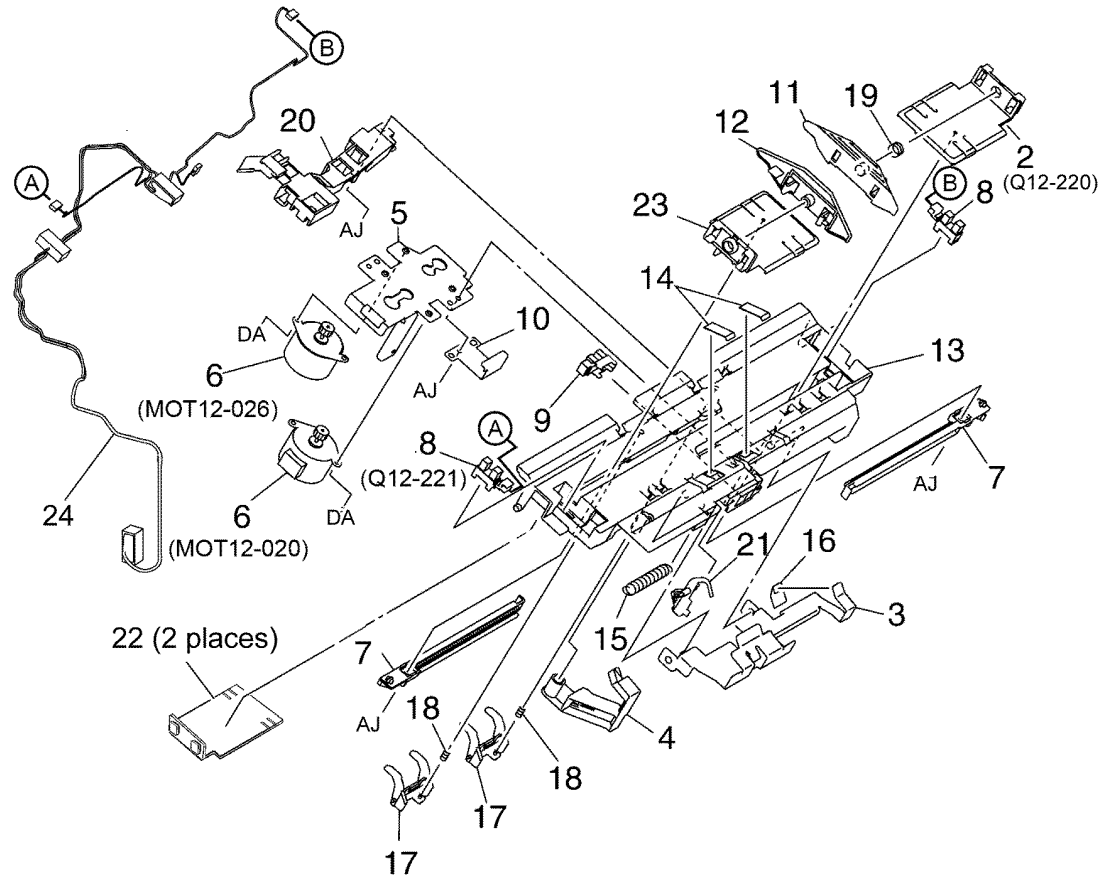
- 3 { 4-7
- 14 { 15,16
- 17 { 16,18
- 22 { 23-32
- 34 { 16-35
- 37 { 19,36

F-8-0098-A

PL 13.28 Office Finisher LX Ejector (4 of 5)

Item	Part	Description
1	050K61092	Compiler tray assembly (REP 13.17)
2	-	Rear tamper guide (P/O PL 13.28 Item 1)
3	-	Compiler center paper guide (P/O PL 13.28 Item 1)
4	-	Compiler rear paper guide (P/O PL 13.28 Item 1)
5	-	Bracket (P/O PL 13.28 Item 1)
6	127K58040	Front tamper motor (MOT12-020)/Rear tamper motor (MOT12-026) (REP 13.26)
7	-	Rack (front) (P/O PL 13.28 Item 1)
8	930W00111	Front tamper home sensor (Q12-220)/Rear tamper home sensor (Q12-221) (REP 13.27)
9	930W00211	Compiler tray no paper sensor (Q12-151) (REP 13.27)
10	-	Spring (P/O PL 13.28 Item 1)
11	-	Tamper front guide (P/O PL 13.28 Item 1)
12	-	Tamper rear guide (P/O PL 13.28 Item 1)
13	-	Compiler tray (P/O PL 13.28 Item 1)
14	-	Paper paddle guide (P/O PL 13.28 Item 1)
15	-	Spring (P/O PL 13.28 Item 1)
16	-	Paper end guide (P/O PL 13.28 Item 1)
17	-	Paper tray guide (P/O PL 13.28 Item 1)
18	-	Spring (P/O PL 13.28 Item 1)
19	-	Spring (P/O PL 13.28 Item 1)
20	-	Harness guide (P/O PL 13.28 Item 1)
21	-	Actuator (P/O PL 13.28 Item 1)
22	-	Tamper base (P/O PL 13.28 Item 1)
23	-	Front tamper guide (P/O PL 13.28 Item 1)
24	962K60454	Wire harness

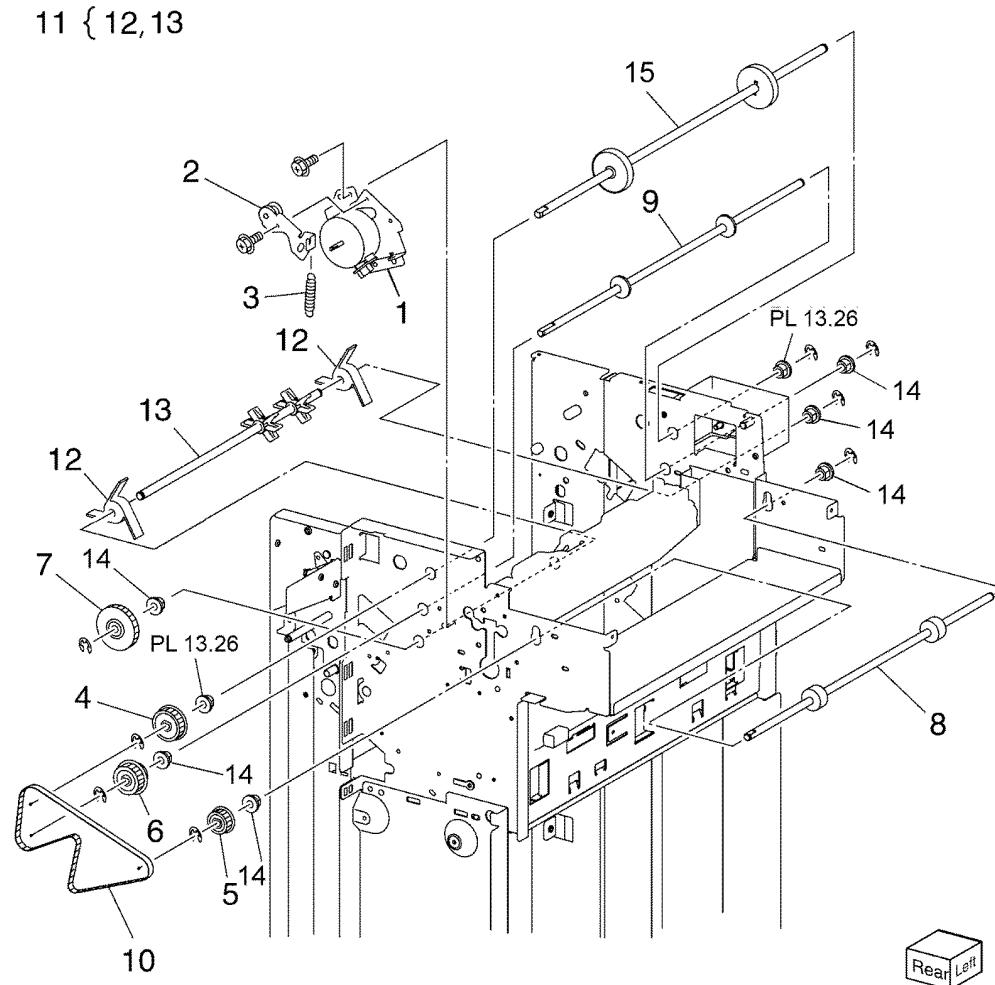
1 { 2-23



F-8-0099-A

PL 13.29 Office Finisher LX Ejector (5 of 5)

Item	Part	Description
1	068K58823	Transport motor (MOT12-013)
2	-	Tension roller assembly (Not Spared)
3	-	Spring (Not Spared)
4	-	Pulley (30T) (Not Spared)
5	-	Pulley (41T) (Not Spared)
6	-	Gear/Pulley (27T/30T) (Not Spared)
7	-	Gear (Not Spared)
8	059K55082	Entrance roller
9	059K55092	Exit roller
10	-	Transport belt (Not Spared) (REP 13.21)
11	006K98010	Paddle shaft assembly
12	-	Cyclone paddle (P/O PL 13.29 Item 11)
13	-	Paddle shaft (P/O PL 13.29 Item 11)
14	413W75959	Bearing
15	-	Eject drive shaft (REF: PL 13.26 Item 28)

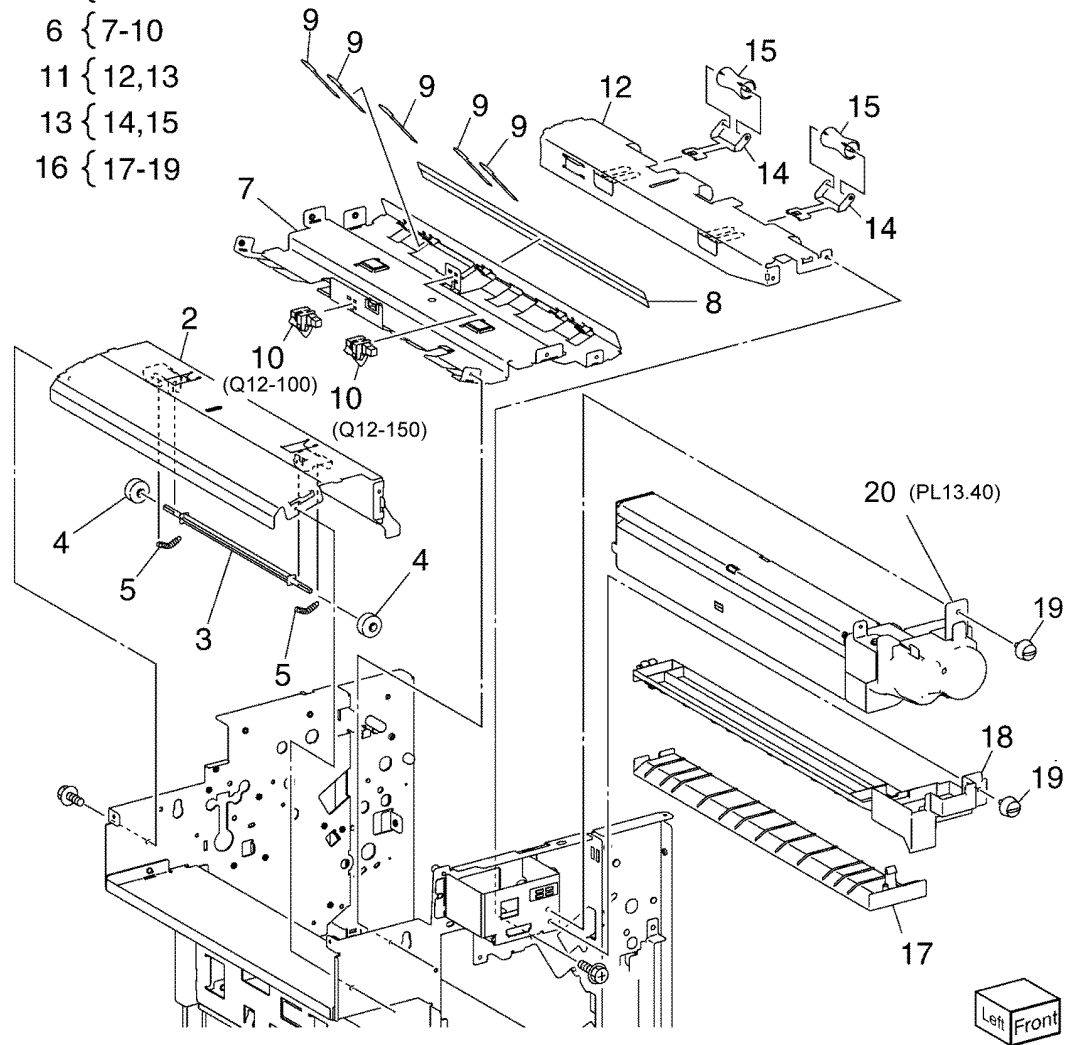


F-8-0100-A

PL 13.35 Office Finisher LX Exit and Folder Assembly

Item	Part	Description
1	054K35532	Lower chute assembly
2	-	Lower chute (P/O PL 13.35 Item 1)
3	-	Shaft (P/O PL 13.35 Item 1)
4	-	Nip roll (P/O PL 13.35 Item 1)
5	-	Spring (P/O PL 13.35 Item 1)
6	054K35540	Exit upper chute assembly
7	-	Exit upper chute (P/O PL 13.35 Item 6)
8	-	Static eliminator (P/O PL 13.35 Item 6)
9	-	Paper guide (P/O PL 13.35 Item 6)
10	130K88311	Compiler exit sensor (Q12-150)/ Finisher entrance sensor (Q12-100)
11	054K48531	Exit lower chute assembly
12	-	Exit lower chute (P/O PL 13.35 Item 11)
13	-	Nip roll assembly (P/O PL 13.35 Item 11)
14	-	Spring (P/O PL 13.35 Item 13)
15	-	Nip roll (P/O PL 13.35 Item 13)
16	607K03960	Chute assembly
17	-	Lower chute (P/O PL 13.35 Item 16)
18	-	Upper chute (P/O PL 13.35 Item 16)
19	026K81200	Thumb screw
20	695K18692	Crease assembly (Option) (REP 13.18)

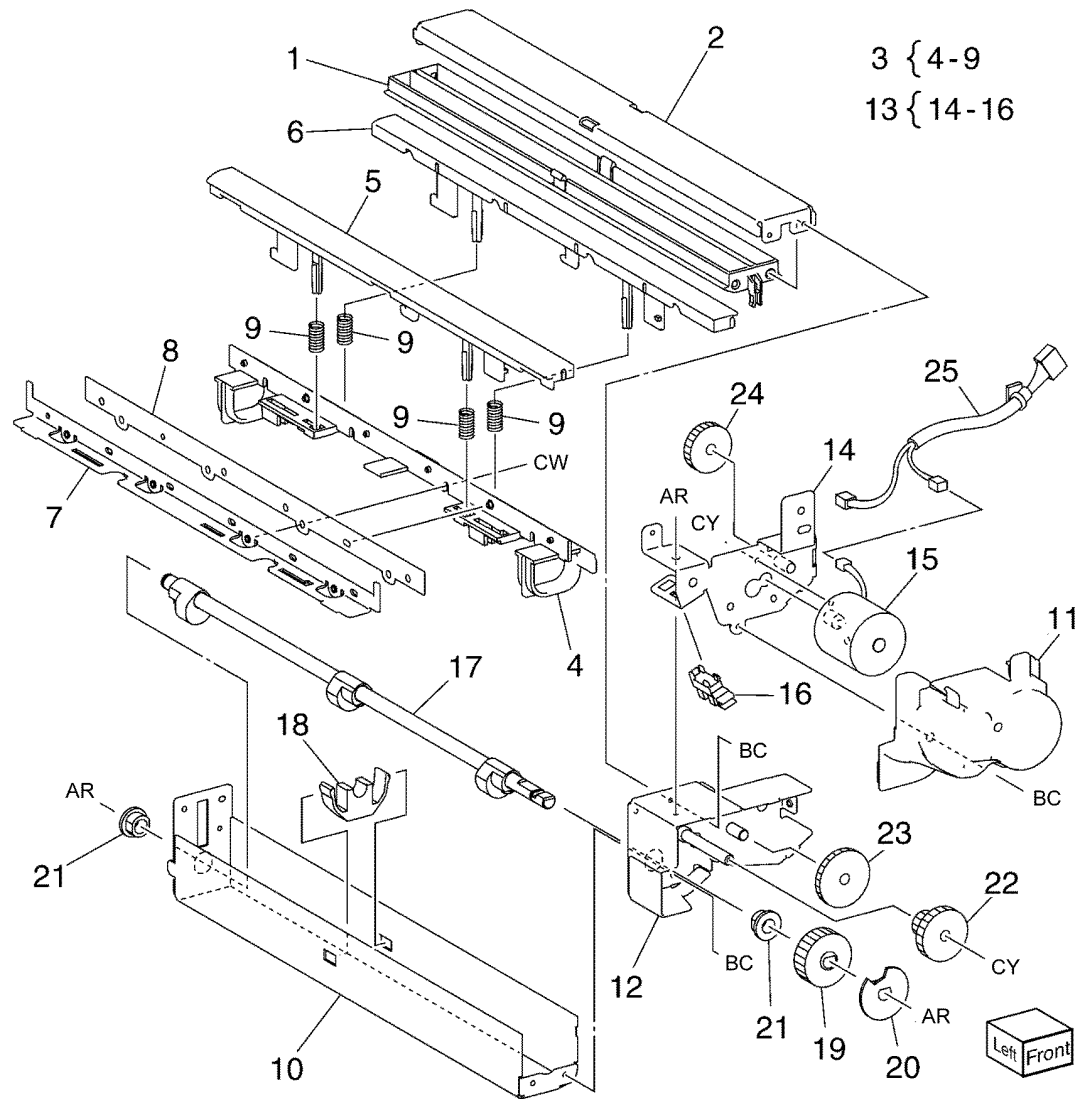
- 1 { 2-5
- 6 { 7-10
- 11 { 12,13
- 13 { 14,15
- 16 { 17-19



F-8-0101-A

PL 13.40 Office Finisher LX Folder Assembly

Item	Part	Description
1	-	Upper chute (P/O PL 13.35 Item 20)
2	-	Upper plate (P/O PL 13.35 Item 20)
3	-	Knife assembly (P/O PL 13.35 Item 20)
4	-	Blade holder (P/O PL 13.40 Item 3)
5	-	Lower holder 1 (P/O PL 13.40 Item 3)
6	-	Lower holder 2 (P/O PL 13.40 Item 3)
7	-	Bracket (P/O PL 13.40 Item 3)
8	-	Blade (P/O PL 13.40 Item 3)
9	-	Spring (P/O PL 13.35 Item 2)
10	-	Frame (P/O PL 13.35 Item 20)
11	-	Front cover (Not Spared)
12	-	Bracket (P/O PL 13.35 Item 20)
13	-	Knife motor assembly (P/O PL 13.35 Item 20)
14	-	Motor bracket (P/O PL 13.40 Item 13)
15	-	Knife motor (MOT13-022) (P/O PL 13.40 Item 13)
16	930W00111	Folder home sensor (Q12-101)
17	-	Cam shaft assembly (P/O PL 13.35 Item 20)
18	-	Guide (P/O PL 13.35 Item 20)
19	-	Gear (28T/8T) (P/O PL 13.35 Item 20)
20	-	Encoder (P/O PL 13.35 Item 20)
21	-	Bearing (P/O PL 13.35 Item 20)
22	-	Gear (12T/27T) (P/O PL 13.35 Item 20)
23	-	Gear (12T/30T) (P/O PL 13.35 Item 20)
24	-	Gear (12T/51T) (P/O PL 13.35 Item 20)
25	-	Wire harness (P/O PL 13.35 Item 20)

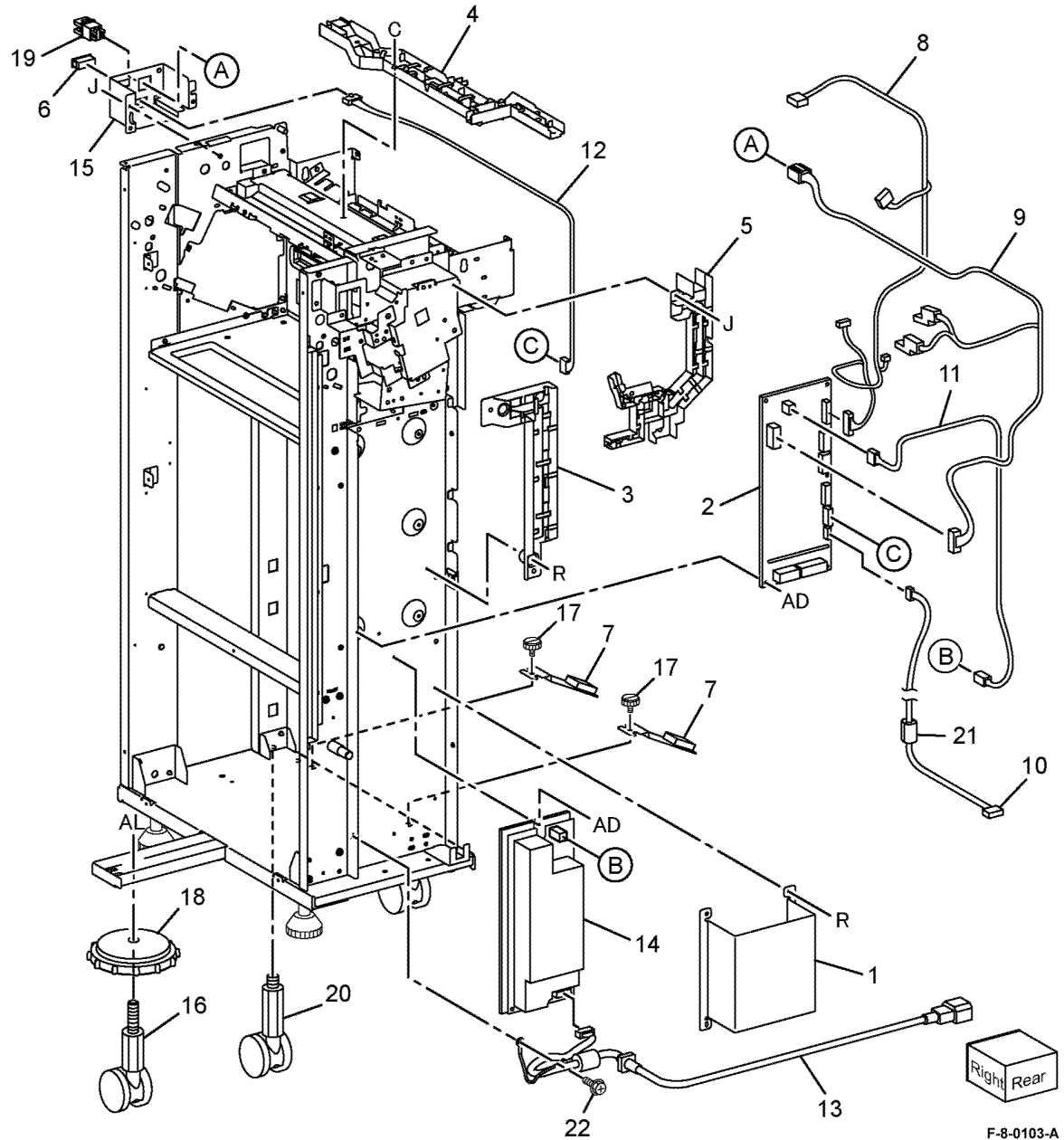


3 { 4-9
13 { 14-16

F-8-0102-A

PL 13.45 Office Finisher LX Folder Electrical

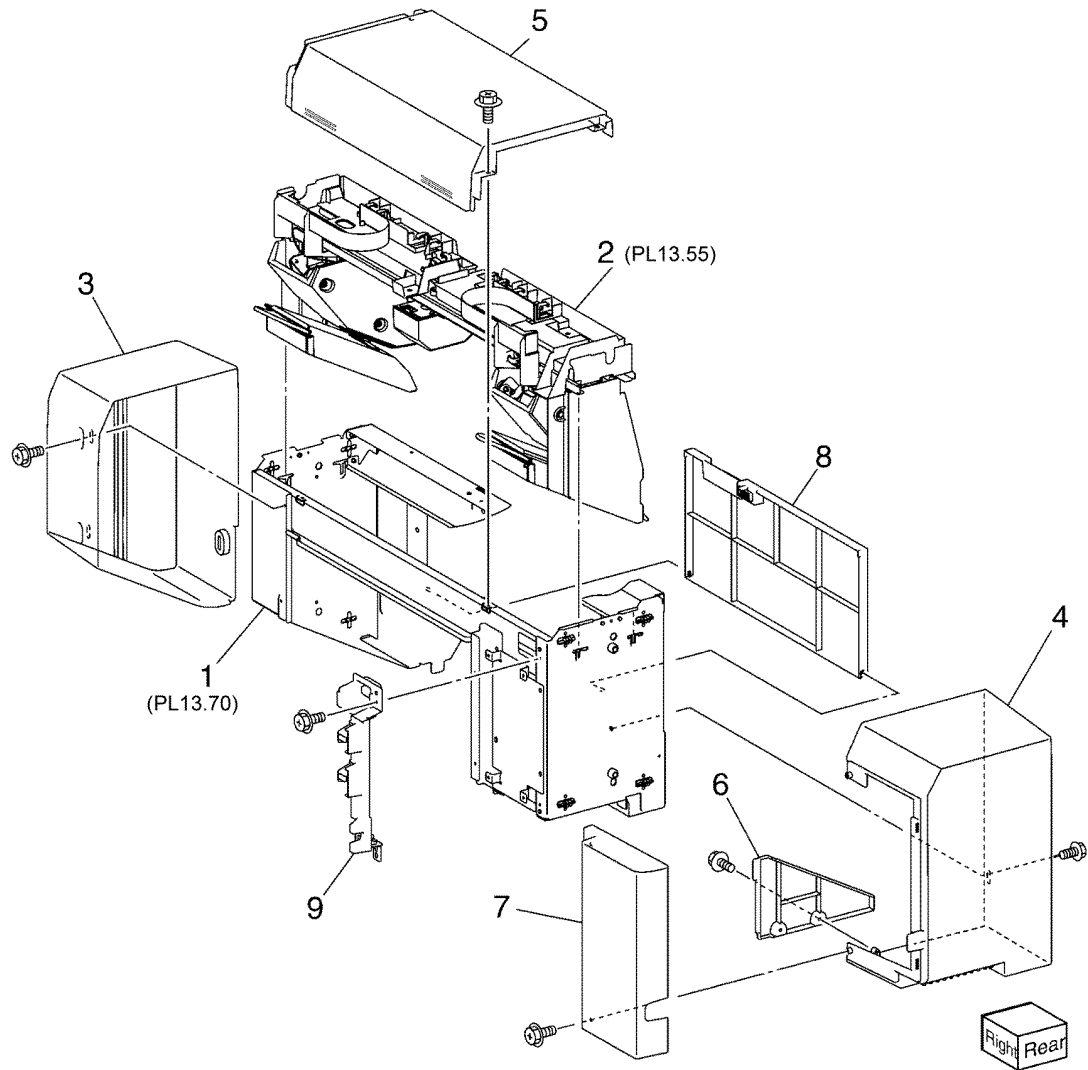
Item	Part	Description
1	-	LVPS cover (Not Spared)
2	960K96561	Finisher PWB (REP 13.23)
3	-	Harness guide (Not Spared)
4	-	Harness guide (Not Spared)
5	-	Harness guide (Not Spared)
6	-	Magnet (Not Spared)
7	-	Gasket plate assembly (Not Spared)
8	-	Wire harness (Not Spared)
9	-	Wire harness (Not Spared)
10	962K60482	Wire harness (IF)
11	962K60493	Wire harness (LVPS)
12	962K60594	Wire harness (IF)
13	962K60511	Power cable
14	105E22590	Finisher LVPS (REP 13.24)
15	-	Bracket (Not Spared)
16	-	Caster (Not Spared)
17	-	Thumb Screw (Not Spared)
18	-	Knob (Not Spared)
19	110E97990	Finisher front door interlock switch (S12-302)
20	017K96450	Caster
21	-	Core (Not Spared)
22	-	Screw (Not Spared)



F-8-0103-A

PL 13.50 Office Finisher LX Booklet Cover

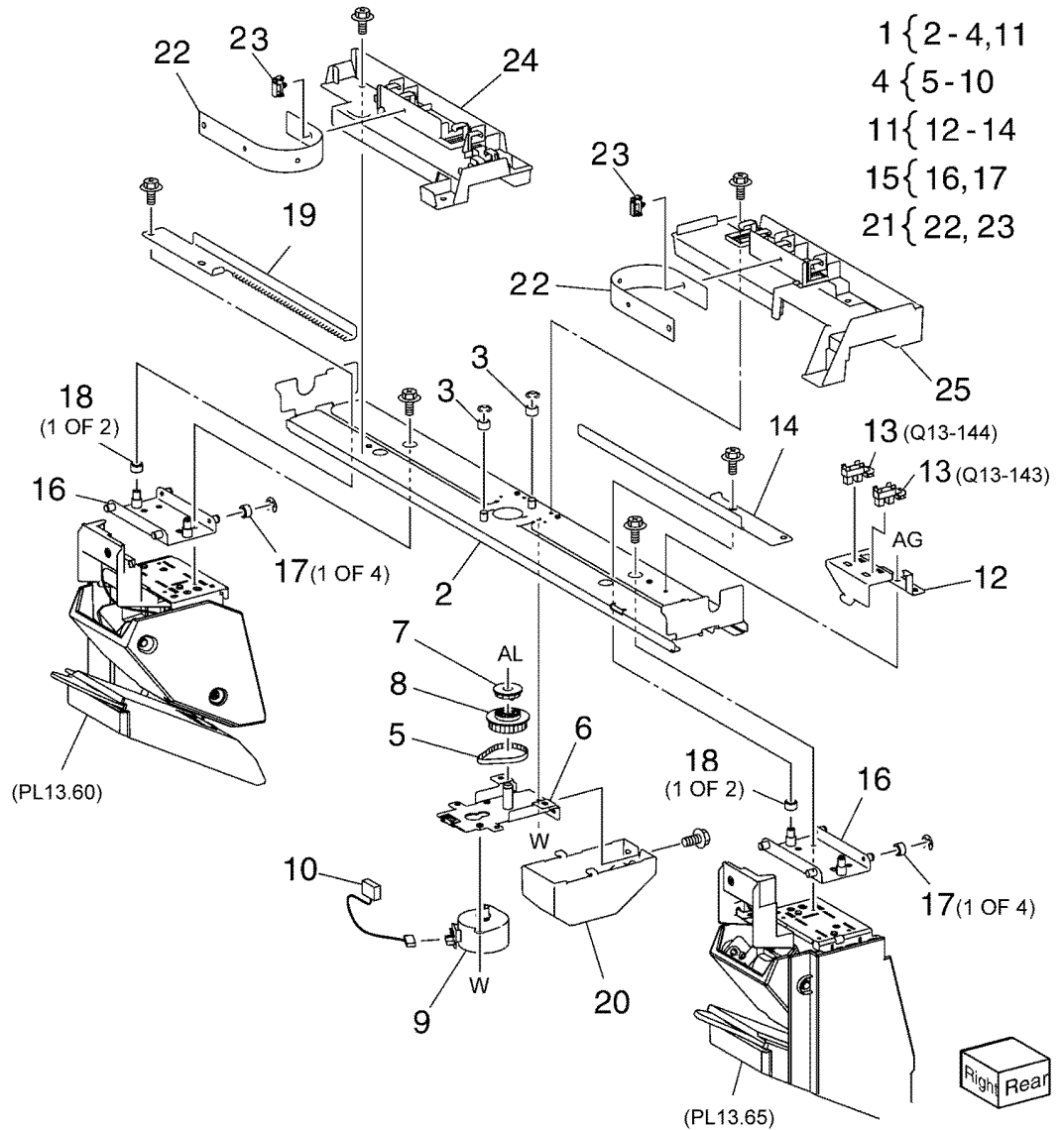
Item	Part	Description
1	-	Frame assembly (Not Spared)
2	-	Booklet stapler assembly (Not Spared) (ADJ 13.1)
3	-	Front cover (Not Spared)(REP 13.32)
4	-	Rear cover (Not Spared) (REP 13.33)
5	-	Top cover (Not Spared) (REP 13.34)
6	-	Side cover (Not Spared)
7	-	PWB cover (Not Spared) (REP 13.35)
8	-	Left cover (Not Spared) (REP 13.36)
9	-	Harness guide (Not Spared)



F-8-0104-A

PL 13.55 Office Finisher LX Booklet Stapler Assembly

Item	Part	Description
1	-	Front carriage rail (Not Spared)
2	-	Frame (P/O PL 13.55 Item 1)
3	-	Core (P/O PL 13.55 Item 1)
4	127K57052	Booklet stapler move motor assembly
5	-	Belt (P/O PL 13.55 Item 4)
6	-	Bracket (P/O PL 13.55 Item 4)
7	-	Gear (12T) (P/O PL 13.55 Item 4)
8	-	Pulley (50T) (P/O PL 13.55 Item 4)
9	-	Booklet stapler move motor (MOT13-028) (P/O PL 13.55 Item 4) (REP 13.38)
10	-	Wire harness (P/O PL 13.55 Item 4)
11	-	Sensor bracket assembly (P/O PL 13.55 Item 1)
12	-	Sensor bracket (P/O PL 13.55 Item 11)
13	930W00111	Booklet stapler move position sensor (Q13-143)/Booklet stapler move home sensor (Q13-144)
14	-	Rear rack gear (Not Spared)
15	-	Carriage assembly (Not Spared)
16	-	Carriage (P/O PL 13.55 Item 15)
17	-	Core (P/O PL 13.55 Item 15)
18	-	Core (Not Spared)
19	-	Front rack gear (Not Spared)
20	-	Motor cover (Not Spared)
21	-	Harness guide assembly (Not Spared)
22	-	Harness strap (P/O PL 13.55 Item 21)
23	-	Locking clamp (P/O PL 13.55 Item 21)
24	-	Harness guide (front) (Not Spared)
25	-	Harness guide (rear) (Not Spared)

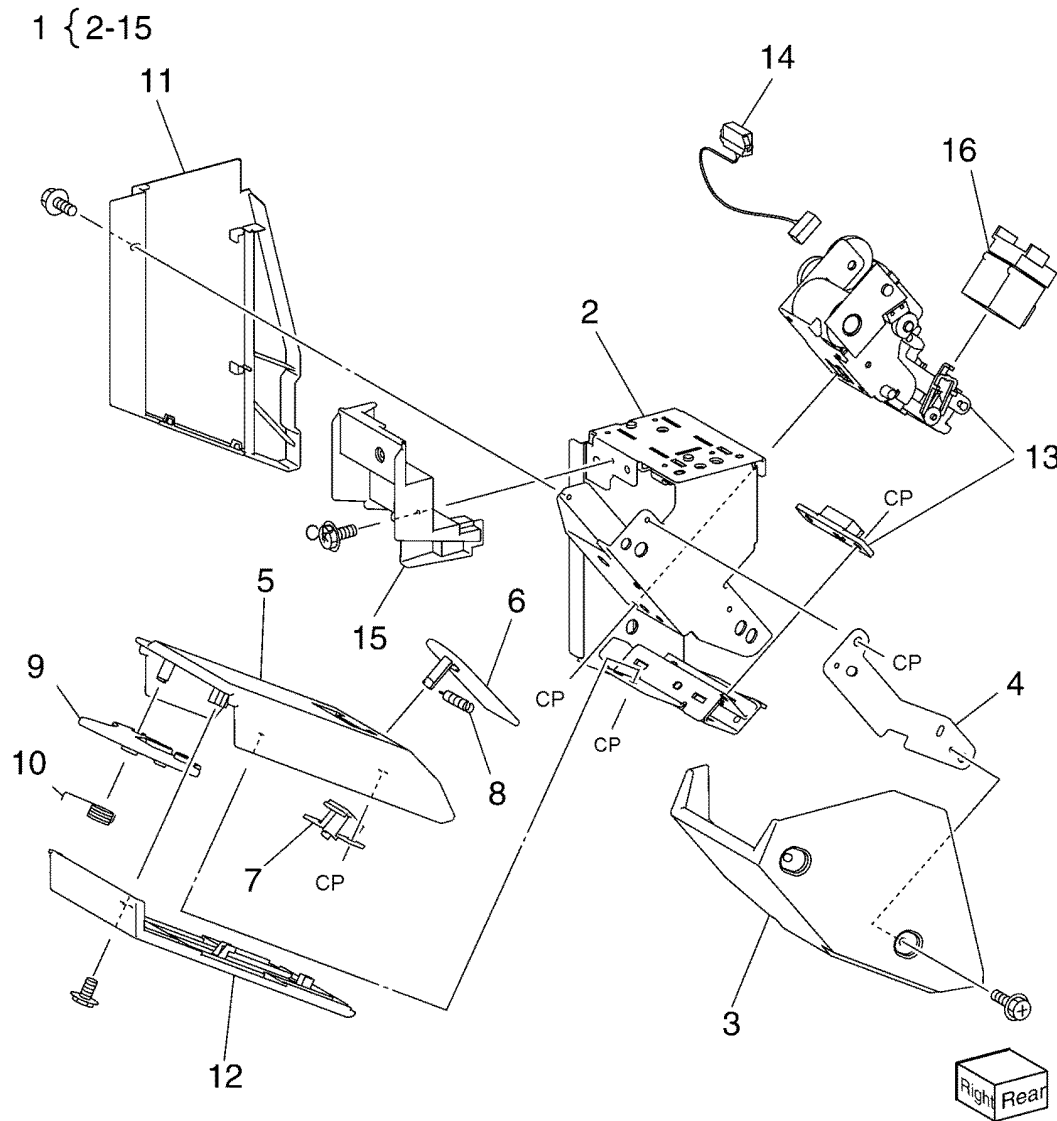


- 1 { 2-4, 11
- 4 { 5-10
- 11 { 12-14
- 15 { 16, 17
- 21 { 22, 23

F-8-0105-A

PL 13.60 Office Finisher LX Booklet Front Stapler Assembly

Item	Part	Description
1	029K92491	Booklet front stapler assembly
2	-	Bracket (P/O PL 13.60 Item 1)
3	-	Rear cover (P/O PL 13.60 Item 1)
4	-	Bracket (P/O PL 13.60 Item 1)
5	-	Chute (P/O PL 13.60 Item 1)
6	-	Sub chute (P/O PL 13.60 Item 1)
7	-	Support (P/O PL 13.60 Item 1)
8	-	Spring (P/O PL 13.60 Item 1)
9	-	Exit sub chute (P/O PL 13.60 Item 1)
10	-	Spring (P/O PL 13.60 Item 1)
11	-	Front cover (P/O PL 13.60 Item 1)
12	-	Lower cover (P/O PL 13.60 Item 1)
13	-	Booklet stapler assembly (P/O PL 13.60 Item 1) (REP 13.37, ADJ 13.1)
14	-	Wire harness (P/O PL 13.60 Item 1)
15	-	Guide (P/O PL 13.60 Item 1)
16	-	Booklet staple cassette assembly

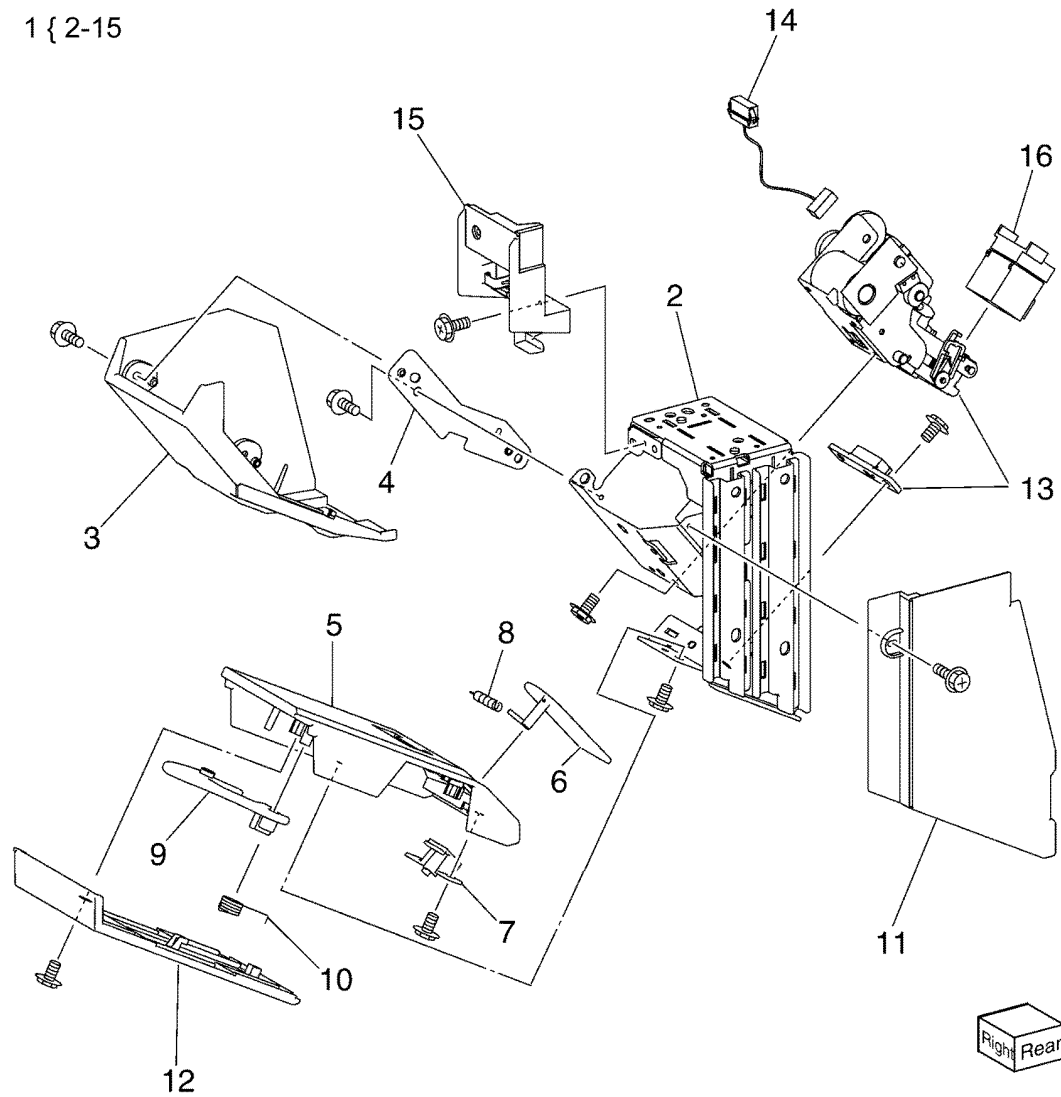


F-8-0106-A

PL 13.65 Office Finisher LX Booklet Rear Stapler Assembly

Item	Part	Description
1	029K92501	Booklet rear stapler assembly
2	-	Bracket (P/O PL 13.65 Item 1)
3	-	Rear cover (P/O PL 13.65 Item 1)
4	-	Bracket (P/O PL 13.65 Item 1)
5	-	Chute (P/O PL 13.65 Item 1)
6	-	Sub chute (P/O PL 13.65 Item 1)
7	-	Support (P/O PL 13.65 Item 1)
8	-	Spring (P/O PL 13.65 Item 1)
9	-	Sub chute (P/O PL 13.65 Item 1)
10	-	Spring (P/O PL 13.65 Item 1)
11	-	Front cover (P/O PL 13.65 Item 1)
12	-	Lower cover (P/O PL 13.65 Item 1)
13	-	Booklet stapler assembly (P/O PL 13.65 Item 1) (REP 13.37, ADJ 13.1)
14	-	Wire harness (P/O PL 13.65 Item 1)
15	-	Guide (P/O PL 13.65 Item 1)
16	-	Booklet staple cassette assembly

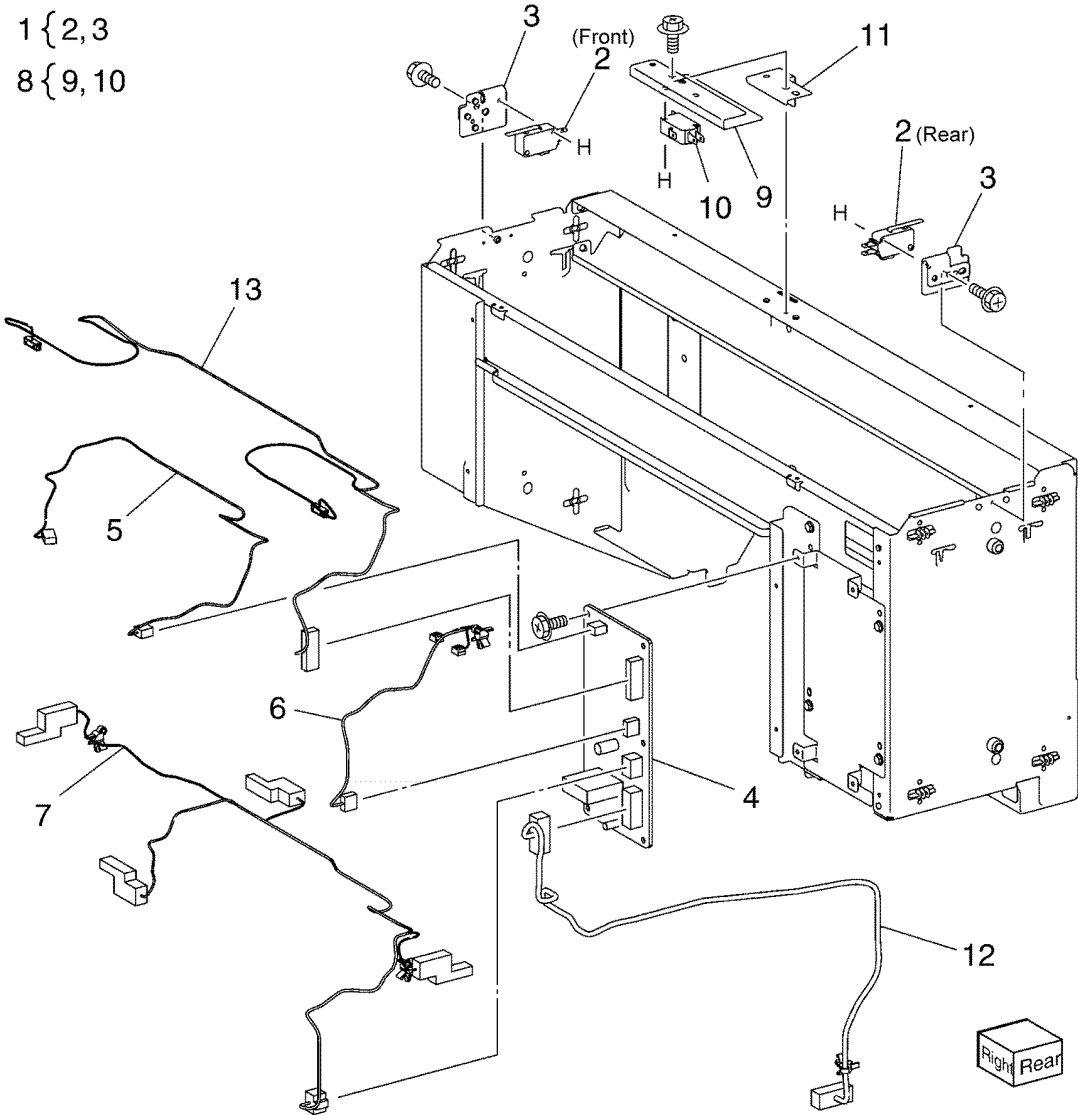
1 { 2-15



F-8-0107-A

PL 13.70 Office Finisher LX Booklet Electrical

Item	Part	Description
1	068K58351	Stapler rear safety switch/stapler front safety switch
2	-	Booklet stapler safety switch assembly (P/O PL 13.70 Item 1)
3	-	Bracket (P/O PL 13.70 Item 1)
4	960K32545	Booklet PWB (REP 13.30)
5	-	Wire harness (Not Spared)
6	-	Wire harness (Not Spared)
7	-	Wire harness (Not Spared)
8	068K58361	Booklet stapler cover switch assembly
9	-	Bracket (P/O PL 13.70 Item 8)
10	-	Booklet cover open switch (S13-300) (P/O PL 13.70 Item 8)
11	-	Plate (Not Spared)
12	-	Wire harness (Not Spared)
13	-	Wire harness (Not Spared)



F-8-0108-A

PL 25.05 Consumables and Tools (1 of 2)

Item	Part	Description
1	–	Toner cartridge (C) - see variants below
–	106R04034	45ppm Standard (7.6K) (XC)
–	106R04038	45ppm Standard (7.6K) (XE)
–	106R04042	45ppm Standard (7.6K) (DMO)
–	106R04046	45ppm High capacity (16.5K) (XC)
–	106R04050	45ppm High capacity (16.5K) (XE)
–	106R04054	45ppm High capacity (16.5K) (DMO)
–	106R04058	45ppm WW metered (26K)
–	106R04062	55ppm Standard (12.3K) (XC)
–	106R04066	55ppm Standard (12.3K) (XE)
–	106R04070	55ppm Standard (12.3K) (DMO)
–	106R04074	55ppm High capacity (26.5K) (XC)
–	106R04078	55ppm High capacity (26.5K) (XE)
–	106R04082	55ppm High capacity (26.5K) (DMO)
–	106R04086	55ppm WW metered (26K)
2	–	Toner cartridge (M)- see variants below
–	106R04035	45ppm Standard (7.6K) (XC)
–	106R04039	45ppm Standard (7.6K) (XE)
–	106R04043	45ppm Standard (7.6K) (DMO)
–	106R04047	45ppm High capacity (16.5K) (XC)
–	106R04051	45 ppm High capacity (16.5K) (XE)
–	106R04055	45ppm High capacity (16.5K) (DMO)
–	106R04059	45ppm WW metered (26K)
–	106R04063	55ppm Standard (12.3K) (XC)
–	106R04067	55ppm Standard (12.3K) (XE)
–	106R04071	55ppm Standard (12.3K) (DMO)
–	106R04075	55ppm High capacity (26.5K) (XC)
–	106R04079	55ppm High capacity (26.5K) (XE)
–	106R04083	55ppm High capacity (26.5K) (DMO)
–	106R04087	55ppm WW metered (26K)

**NO EXPLODED
VIEW PROVIDED**

F-3-0115-A

PL 25.10 Consumables and Tools (2 of 2)

Item	Part	Description
1	–	Toner cartridge (Y) - see variants below
–	106R04036	45ppm Standard (7.6K) (XC)
–	106R04040	45ppm Standard (7.6K) (XE)
–	106R04044	45ppm Standard (7.6K) (DMO)
–	106R04048	45ppm High capacity (16.5K) (XC)
–	106R04052	45ppm High capacity (16.5K) (XE)
–	106R04056	45ppm High capacity (16.5K) (DMO)
–	106R04060	45ppm WW metered (26K)
–	106R04064	55ppm Standard (12.3K) (XC)
–	106R04068	55ppm Standard (12.3K) (XE)
–	106R04072	55ppm Standard (12.3K) (DMO)
–	106R04076	55ppm High capacity (26.5K) (XC)
–	106R04080	55ppm High capacity (26.5K) (XE)
–	106R04084	55ppm High capacity (26.5K) (DMO)
–	106R04088	55ppm WW metered (26K)
2	–	Toner cartridge (K)- see variants below
–	106R04037	45ppm Standard (12.6K) (XC)
–	106R04041	45ppm Standard (12.6K) (XE)
–	106R04045	45ppm Standard (12.6K) (DMO)
–	106R04049	45ppm High capacity (20.9K) (XC)
–	106R04053	45ppm High capacity (20.9K) (XE)
–	106R04057	45ppm High capacity (20.9K) (DMO)
–	106R04061	45ppm WW metered (36K)
–	106R04065	55ppm Standard (18.9K) (XC)
–	106R04069	55ppm Standard (18.9K) (XE)
–	106R04073	55ppm Standard (18.9K) (DMO)
–	106R04077	55ppm High capacity (31.4K) (XC)
–	106R04081	55ppm High capacity (31.4K) (XE)
–	106R04085	55ppm High capacity (31.4K) (DMO)
–	106R04089	55ppm WW metered (36K)
3	008R12964	Staple cartridge (5000) - LX Finisher and BR Finisher
4	008R13177	Staple refills - BR Finisher BM (5000)
5	109R00790	Tray 1-4 feed rolls
6	104R00256	Transfer belt cleaner
7	101R00602	Drum cartridge
8	108R01504	Waste cartridge
9	116R00016	Tray 5 feed rolls (REF: PL 80.120 Item 6)
10	116R00015	2nd BTR roller
11	115R00143	Fuser assembly
12	116R00017	Tray 6 feed rolls (REF: PL 80.105 Item 24)

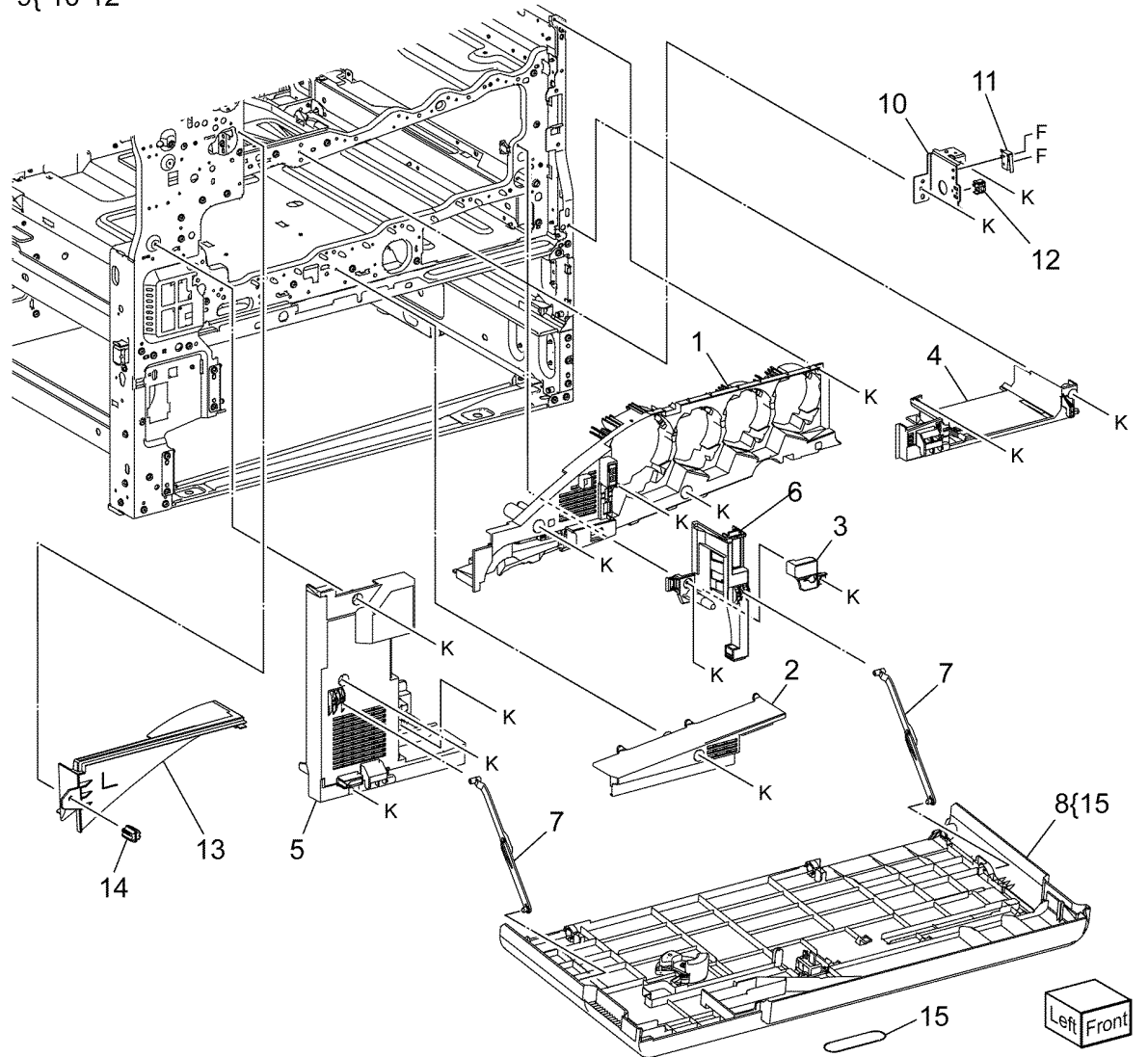
**NO EXPLODED
VIEW PROVIDED**

F-8-0185-A

PL 28.05 Covers (1 of 3)

Item	Part	Description
1	-	Inner cover assembly (Not Spared)
2	-	Inner lower cover (Not Spared)
3	-	Inner right cap cover (Not Spared)
4	-	Inner hinge cover assembly (Not Spared)
5	-	Inner left cover (Not Spared)
6	-	Inner right cover (Not Spared)
7	674K05081	Front cover strap kit
8	948K13110	Front cover assembly
9	110K18350	Front cover interlock switch assembly (S77-303)
10	-	Bracket (P/O PL 28.05 Item 9)
11	-	Front cover interlock switch (P/O PL 28.05 Item 9)
12	-	Front cover open switch (P/O PL 28.05 Item 9)
13	-	Inner upper cover (Not Spared)
14	-	Knob (Not Spared)
15	-	Logo badge (P/O PL 28.05 Item 8)

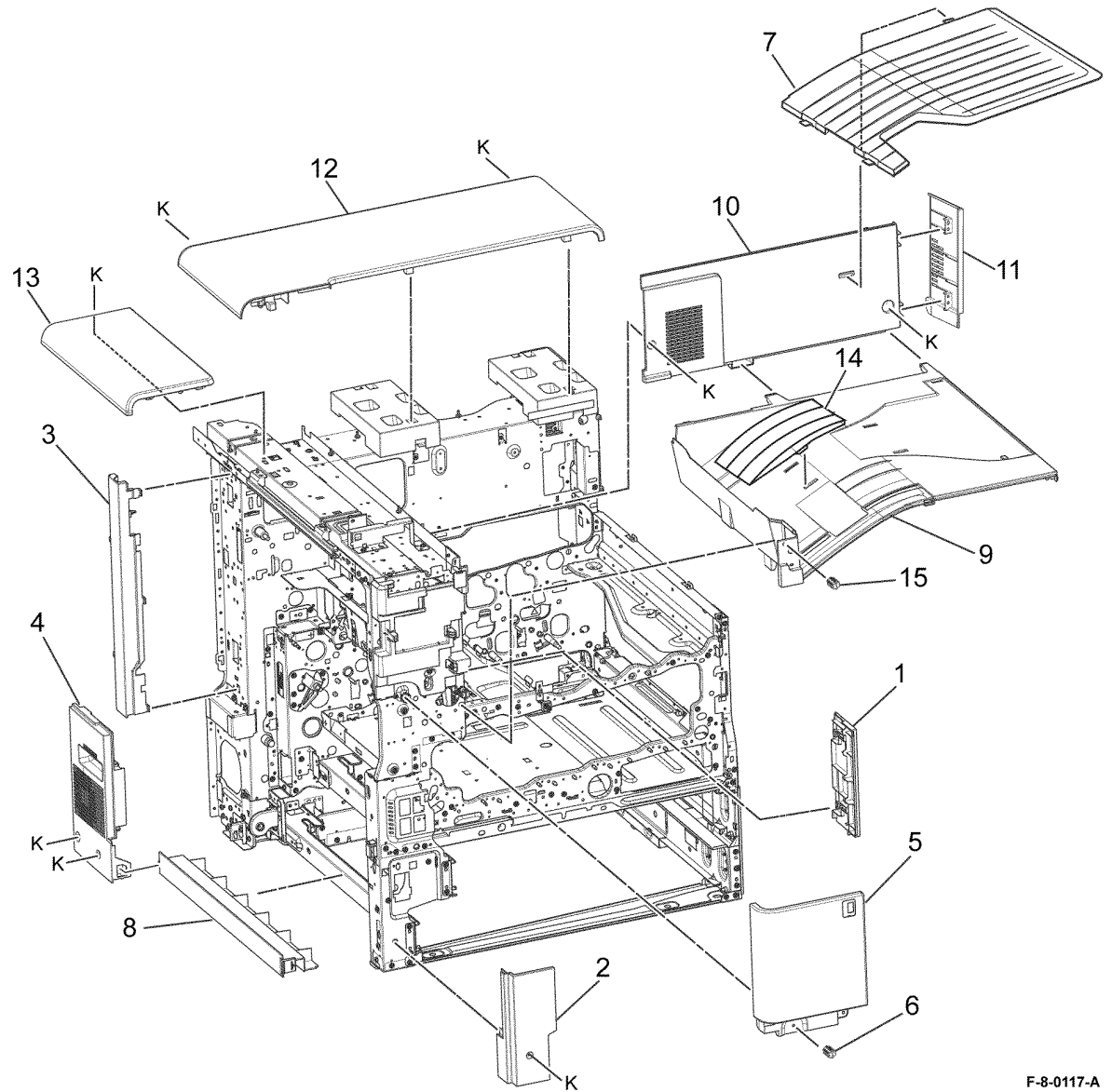
9{ 10-12



F-8-0116-A

PL 28.10 Covers (2 of 3)

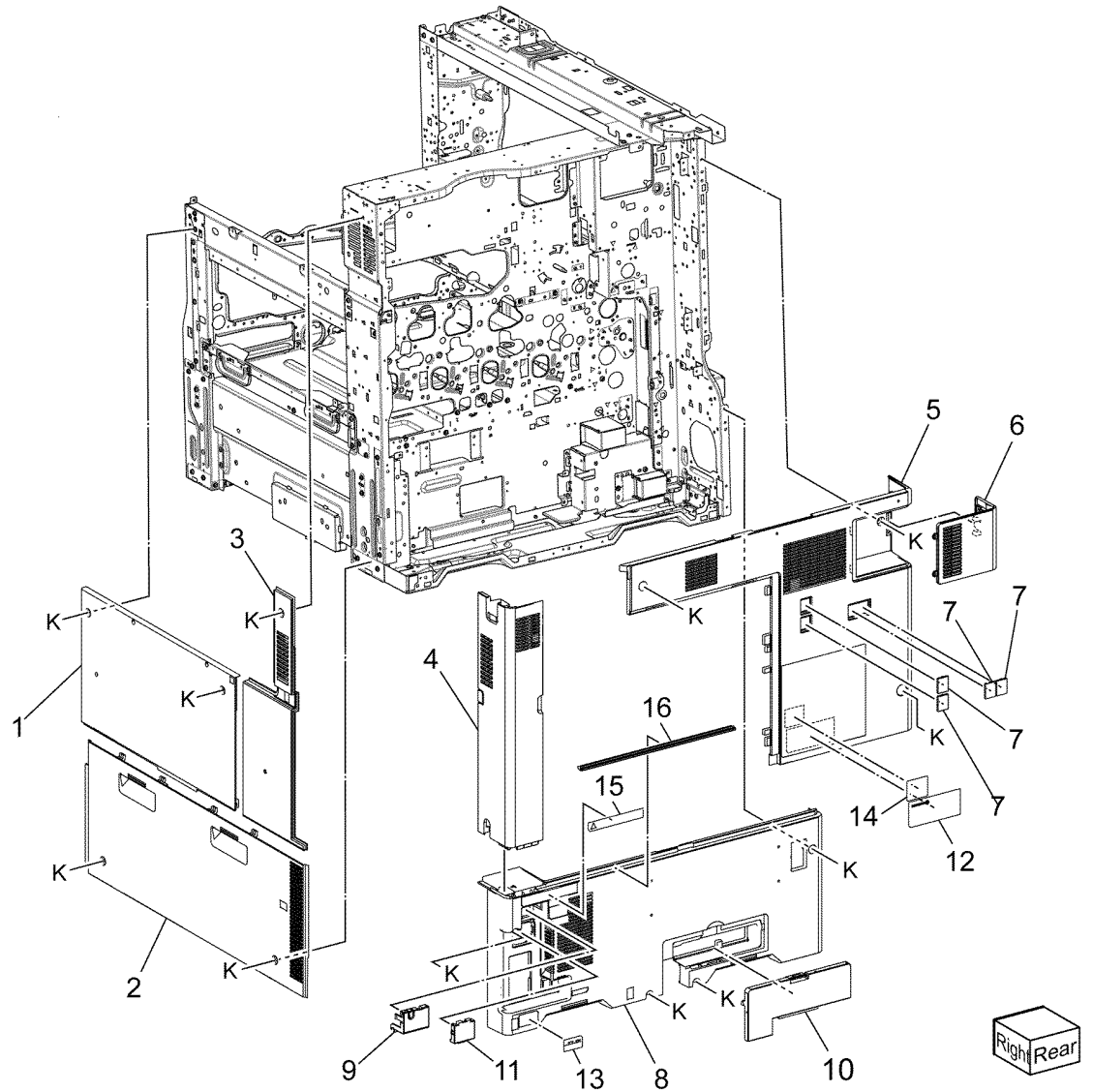
Item	Part	Description
1	–	Front exit cover (Not Spared)
2	–	Tray inner cover (Not Spared)
3	822E25072	Upper left cover
4	822E25112	Lower left cover
5	822E46761	Pillar cover
6	–	Thumbscrew (Not Spared)
7	050E32924	Exit 2 tray
8	–	Bottom left cover (Not Spared)
9	822E24855	Top cover
10	–	Top rear cover (Not Spared)
11	822E46741	Right upper cover
12	822E46701	Upper top cover
13	822E46680	Top left cover
14	050K79510	Add tray
15	–	Thumbscrew (Not Spared)



F-8-0117-A

PL 28.15 Covers (3 of 3)

Item	Part	Description
1	822E25191	Upper right front cover
2	822E25133	Lower right front cover
3	822E33951	Upper right rear cover
4	822E25311	ESS rear cover
5	822E25321	Upper rear cover
6	822E25420	Left rear cover
7	-	Cap cover (Not Spared)
8	822E25443	Lower rear cover
9	-	EPSV cover (Not Spared)
10	822E25601	MCU cover
11	-	Outlet cover (Not Spared)
12	-	Label (Date) (Not Spared)
13	-	Label (GFI) (Not Spared)
14	-	Label (Warning) (Not Spared)
15	-	Label (Earth) (Not Spared)
16	-	Gasket (Not Spared)



F-8-0118-A

PL 31.05 Maintenance/Removal/Installation Kits

Item	Part	Description
1	607K10570	FFC Cable assembly kit (REF: PL 60.05 Item 9)
2	607K10600	Tray 1 kit (REF: PL 70.05 Item 1)
3	607K10631	Bypass tray kit (REF: PL 70.50 Item 16)
4	607K10642	Bypass feeder kit (REF: PL 70.50 Item 17)
5	--	Not used
6	674K05081	Front cover strap kit (REF: PL 28.05 Item 7)
7	607K10610	Tray 2-4 kit (REF: PL 70.05 Item 2)

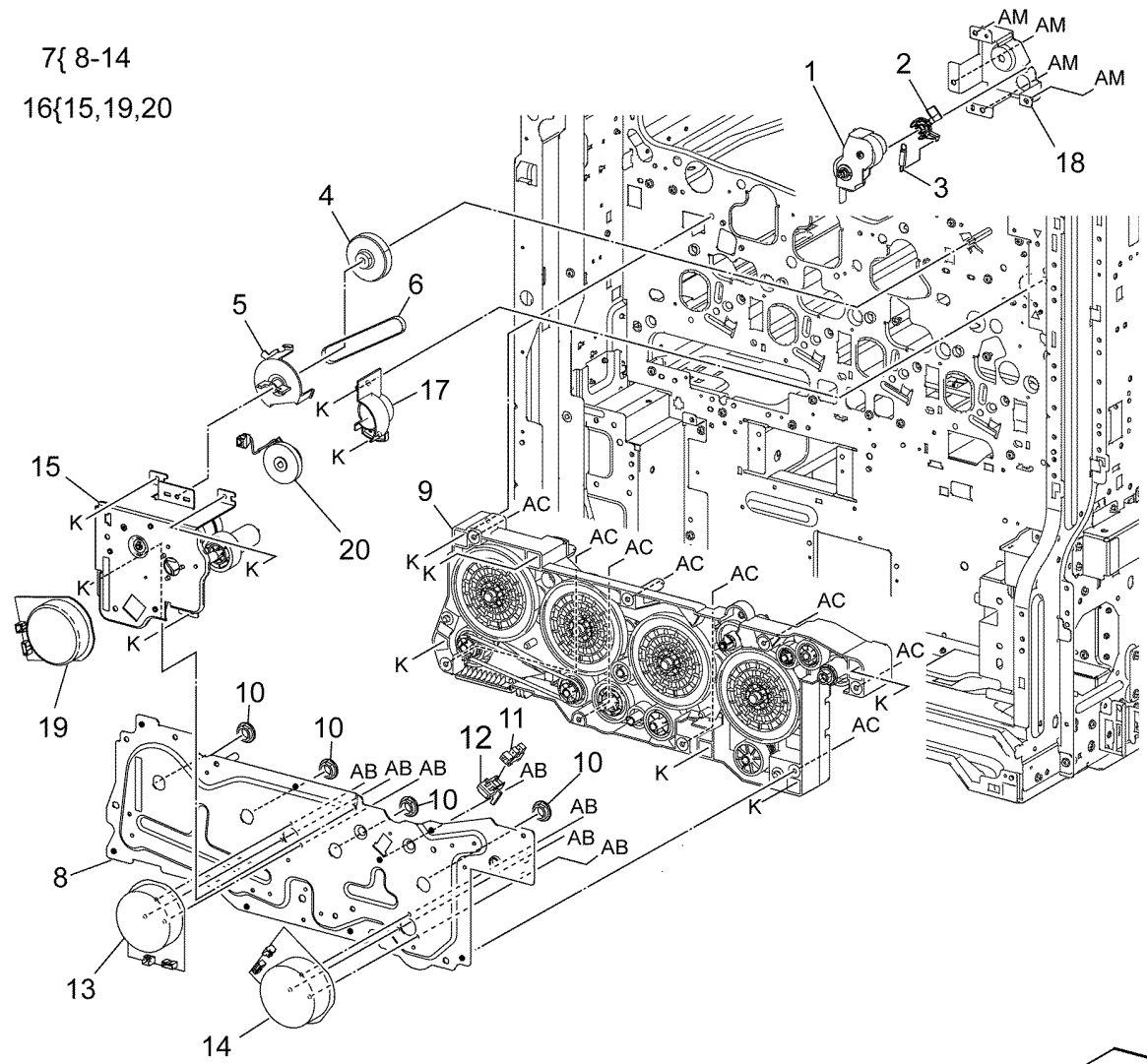
**NO EXPLODED
VIEW PROVIDED**

F-8-0121-A

PL 40.05 Main Drive Assembly

Item	Part	Description
1	-	Fuser input bracket assembly (Not Spared)
2	-	Spacer (Not Spared)
3	-	Spring (Not Spared)
4	807E51730	Helical gear
5	-	Flange (Not Spared)
6	423W10354	Drive belt
-	423W10355	Drive belt (alternative)
7	007K22595	Main drive assembly (MOT42-018) (REP 40.1)
8	-	Drum drive bracket assembly (P/O PL 40.05 Item 7)
9	-	Drum drive housing assembly (P/O PL 40.05 Item 7)
10	-	Bearing (P/O PL 40.05 Item 7)
11	930W00121	BTR contact/retract sensor (Q94-200)
12	-	Sensor bracket (P/O PL 40.05 Item 7)
13	-	Drum/developer (C, M, Y) motor (MOT42-007) (P/O PL 40.05 Item 7)
14	-	Drum/developer (K)/ IBT motor (MOT42-001) (P/O PL 40.05 Item 7)
15	-	Fuser drive bracket assembly (P/O PL 40.05 Item 16)
16	007K21444	Fuser drive assembly (REP 40.2)
17	-	Gear lever (Not Spared)
18	-	Bracket (Not Spared)
19	-	Fuser unit drive motor (P/O PL 40.05 Item 16)
20	-	BTR contact/retract clutch assembly (P/O PL 40.05 Item 16)

7{ 8-14
16{15,19,20

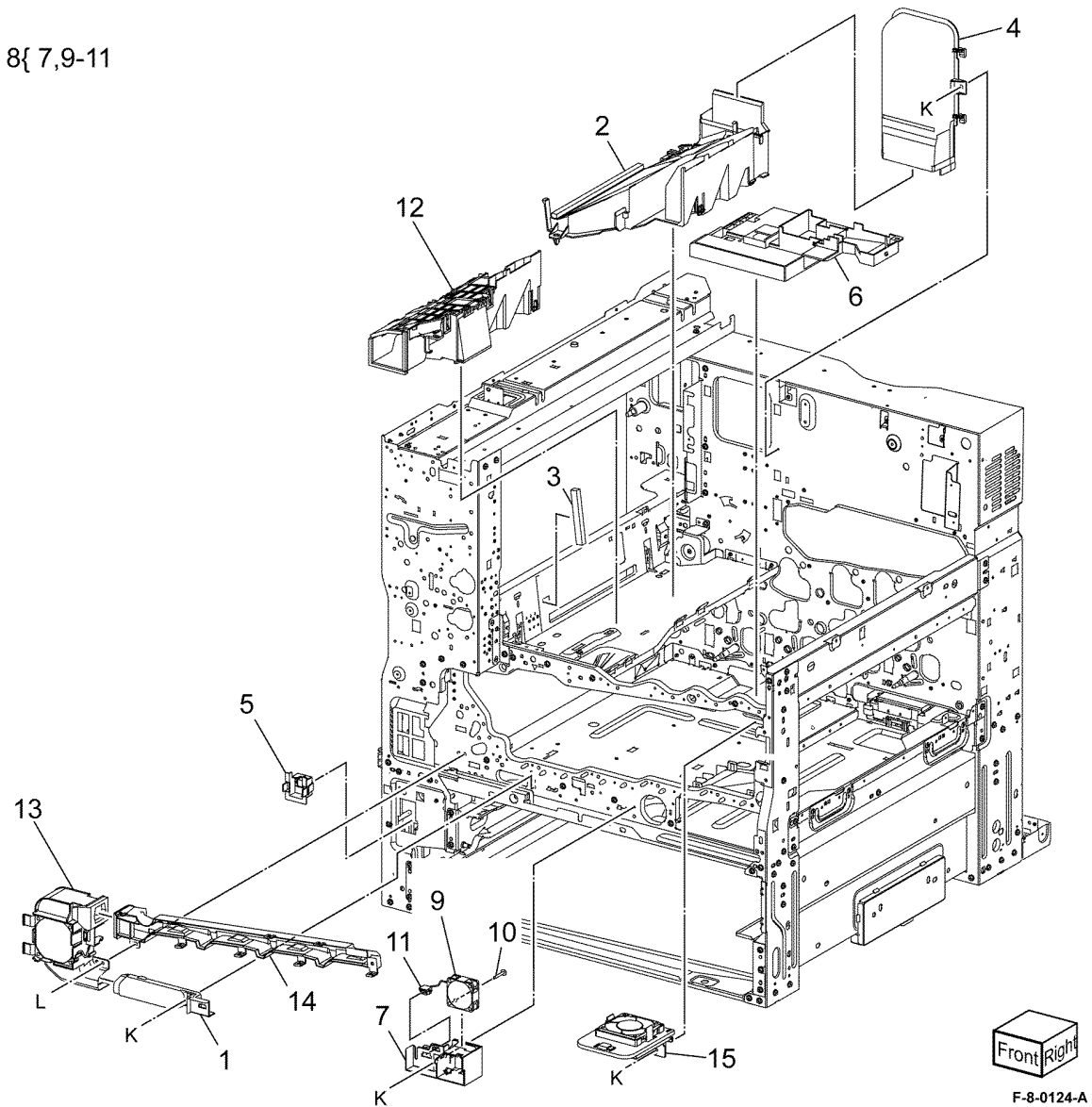


F-8-0123-A

PL 40.10 NOHAD (front)

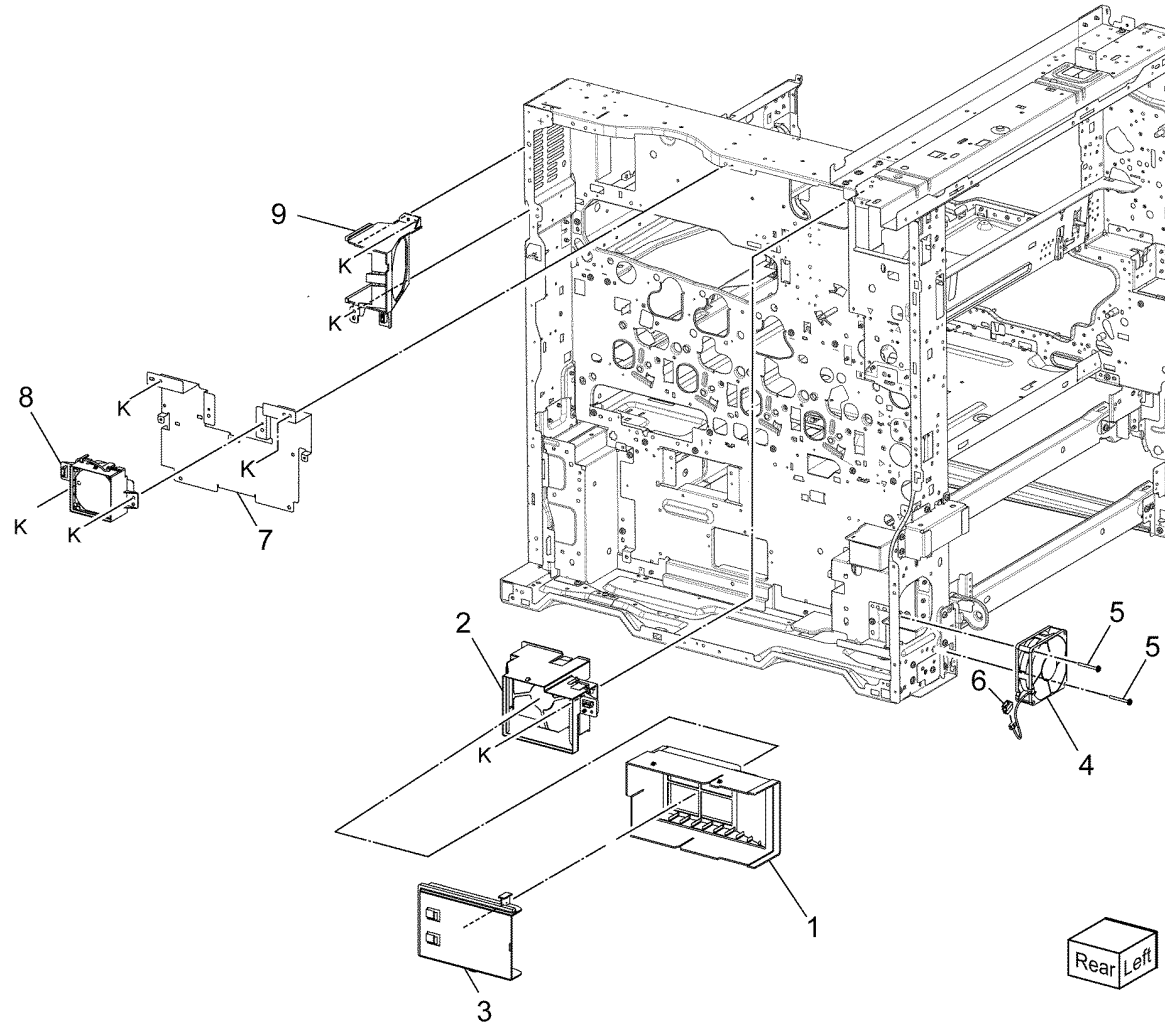
Item	Part	Description
1	–	Duct (Not Spared)
2	–	Fuser duct assembly (Not Spared)
3	–	Fuser seal (Not Spared)
4	–	Fuser duct (Not Spared)
5	930K00500	Temp/Humidity sensor (external) (REP 40.3)
6	–	Rear duct (Not Spared)
7	–	P1 duct (P/O PL 40.10 Item 8)
8	–	Duct assembly (Not Spared) (REP 40.4)
9	127K69610	Front/right marking fan
10	–	Screw (P/O PL 40.10 Item 8)
11	–	Connector (P/O PL 40.10 Item 8)
12	127K74190	Toner cartridge cooling fan assembly (REP 40.5)
13	054K55030	Front/Left marking fan assembly (MOT42-067) (REP 40.6)
14	–	Front duct (Not Spared)
15	054K55060	Marking fan duct assembly (MOT42-025)

8{ 7,9-11



PL 40.15 NOHAD (rear)

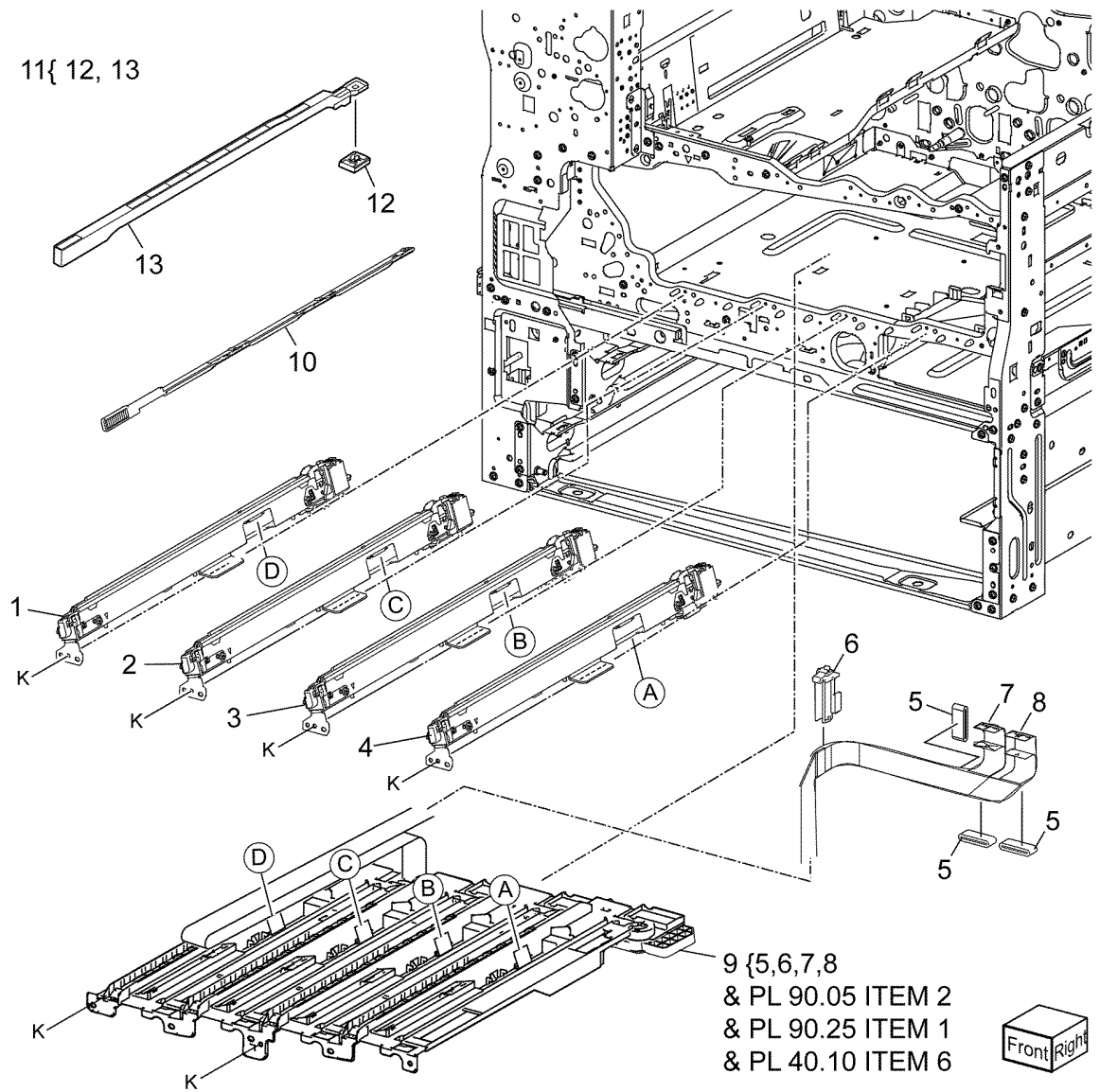
Item	Part	Description
1	–	Rear fuser duct assembly (Not Spared) (REP 40.7)
2	054K55050	Fuser unit exhaust fan assembly (MOT42-058)
3	815K16761	Side plate
4	127K74210	LVPS fan assembly (MOT42-052) (REP 40.8)
5	–	Screw (P/O PL 40.15 Item 4)
6	–	Connector (P/O PL 40.15 Item 4)
7	–	Bracket (P/O PL 40.15 Item 8)
8	054K55210	IHPS intake duct assembly (MOT42-069) (REP 40.9)
9	054K54990	Toner cartridge exhaust fan assembly (REP 40.10)



F-8-0125-A

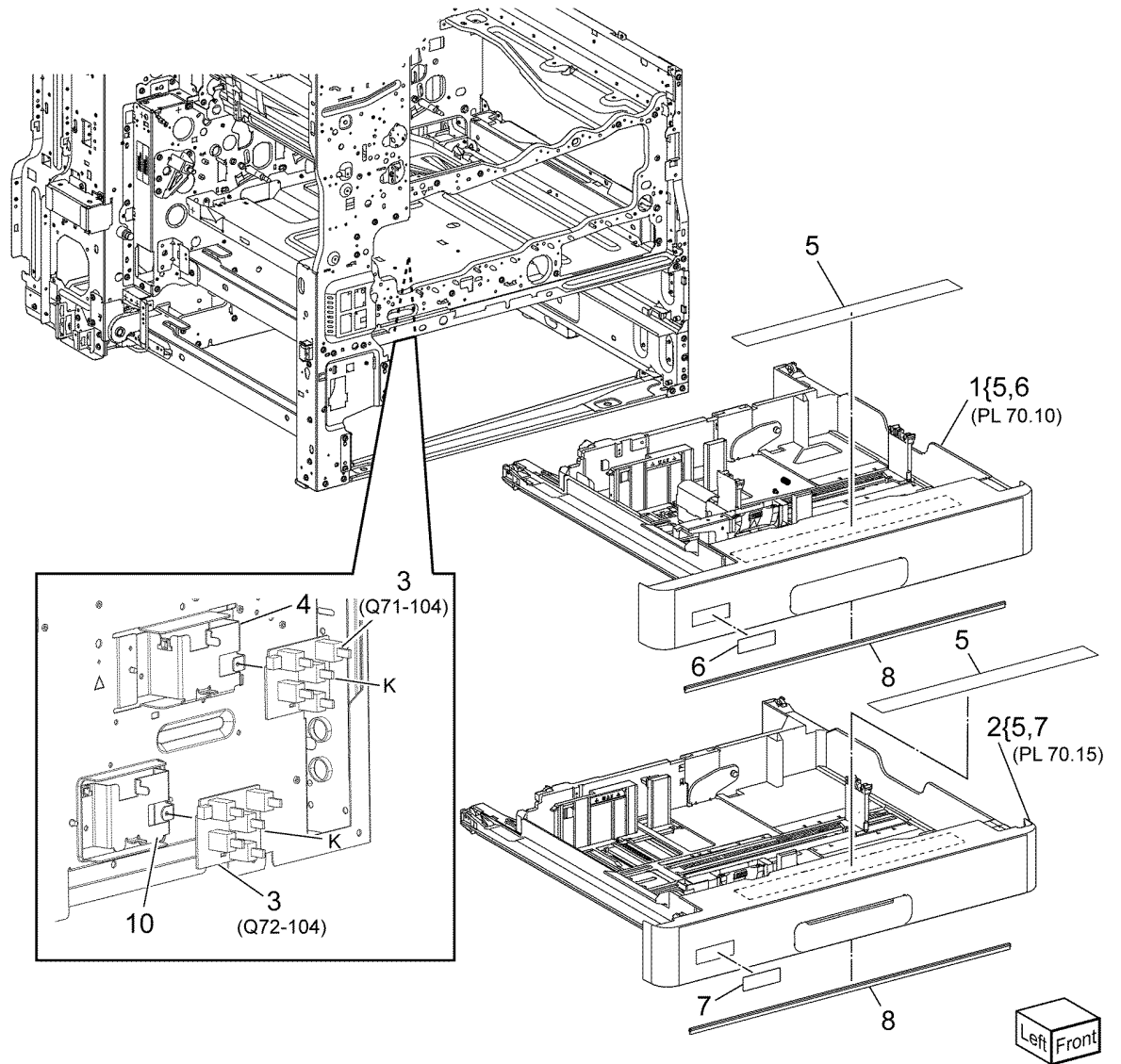
PL 60.05 LPH Module

Item	Part	Description
1	930K00722	LPH assembly (K) (REP 60.1)
2	-	LPH assembly (C) (REP 60.1)
3	-	LPH assembly (M) (REP 60.1)
4	-	LPH assembly (Y) (REP 60.1)
5	-	Core ferrite (P/O PL 60.05 Item 9)
6	-	FFC guide (P/O PL 60.05 Item 9)
7	-	FFC cable (P/O PL 60.05 Item 9)
8	-	FFC cable (P/O PL 60.05 Item 9)
9	607K10570	FFC cable assembly kit (REP 60.2)
10	042K94930	LPH cleaner
11	-	Cleaner assembly kit
12	-	Cleaner base assembly (P/O PL 60.05 Item 11)
13	-	Cleaner rod (P/O PL 60.05 Item 11)



PL 70.05 Tray 1 & 2 Assembly

Item	Part	Description
1	607K10600	Tray 1 assembly
2	607K10610	Tray 2 assembly
3	110K12100	Tray 1 paper size sensor (Q71-104) / Tray 2 paper size sensor (Q72-104) (REP 70.1)
-	110K17951	Tray 1 paper size sensor (Q71-104) (REP 70.1) / Tray 2 paper size sensor (Q72-104) (REP 70.1) (Alternative)
4	-	Bracket (Not Spared)
5	-	Label (instruction) (P/O PL 70.05 Item 1 & PL 70.05 Item 2)
6	-	Label (No. 1) (P/O PL 70.05 Item 1)
7	-	Label (No. 2) (P/O PL 70.05 Item 2)
8	-	Gasket (Not Spared)
9	-	Not used
10	-	Bracket (Not Spared)

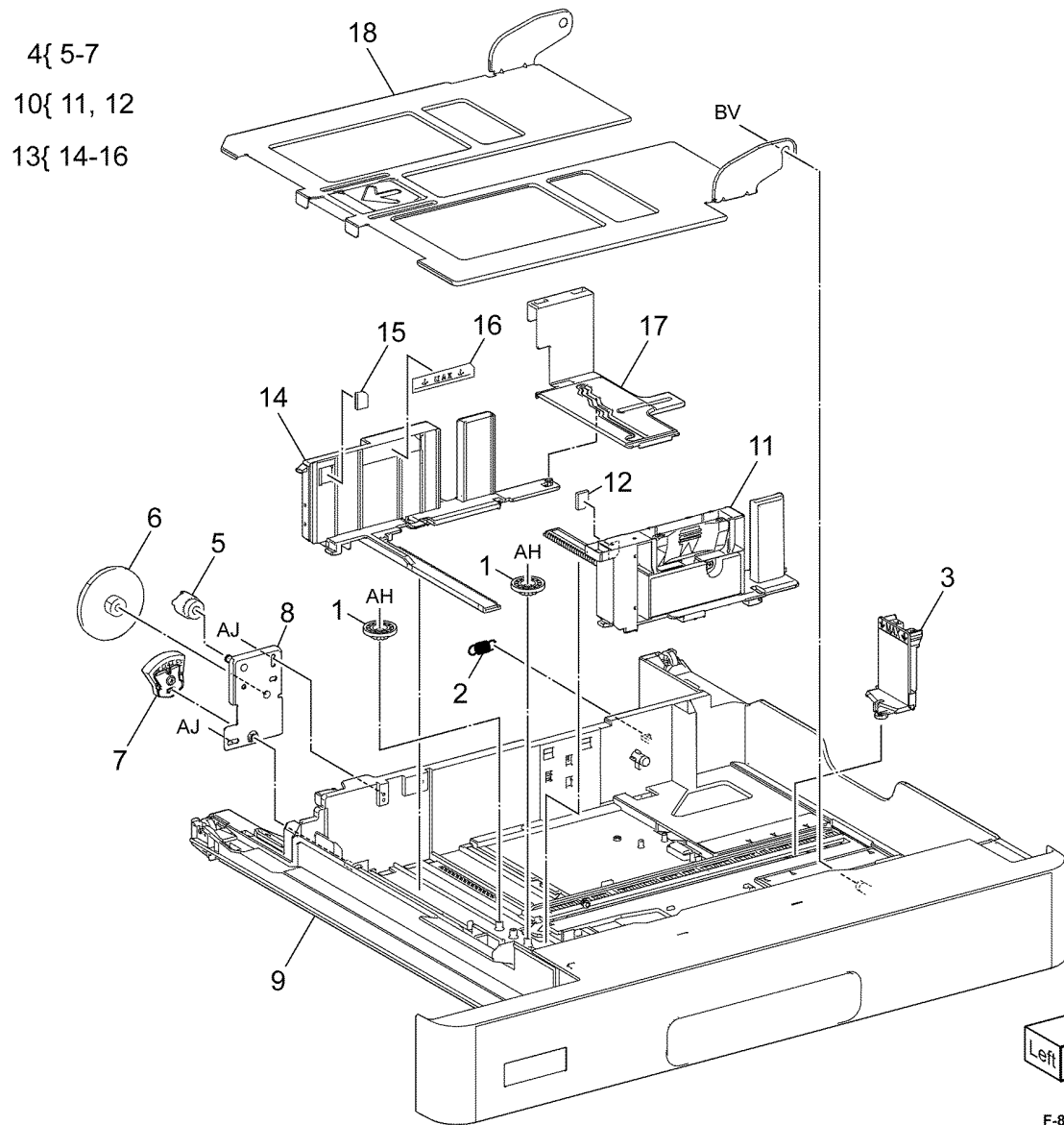


F-8-0127-A

PL 70.10 Tray 1 Assembly

Item	Part	Description
1	-	Pinion (P/O PL 70.05 Item 1)
2	-	Spring (P/O PL 70.05 Item 1)
3	-	End guide (Not Spared)
4	-	Tray gear assembly (Not Spared)
5	-	Gear (13) (P/O PL 70.10 Item 4)
6	-	Gear (13/60) (P/O PL 70.10 Item 4)
7	-	Gear assembly (P/O PL 70.10 Item 4)
8	-	Bracket (P/O PL 70.05 Item 1)
9	-	Cassette assembly (P/O PL 70.05 Item 1)
10	-	Front side guide assembly (Not Spared)
11	-	Front side guide (P/O PL 70.10 Item 10)
12	-	Pad (P/O PL 70.10 Item 10)
13	-	Rear side guide assembly (Not Spared)
14	-	Rear side guide (P/O PL 70.10 Item 13)
15	-	Pad (P/O PL 70.10 Item 13)
16	-	Label (MAX) (P/O PL 70.10 Item 13)
17	-	Side actuator (P/O PL 70.05 Item 1)
18	-	Lift plate (P/O PL 70.05 Item 1)

NOTE: All parts are part of PL 70.05 Item 1.

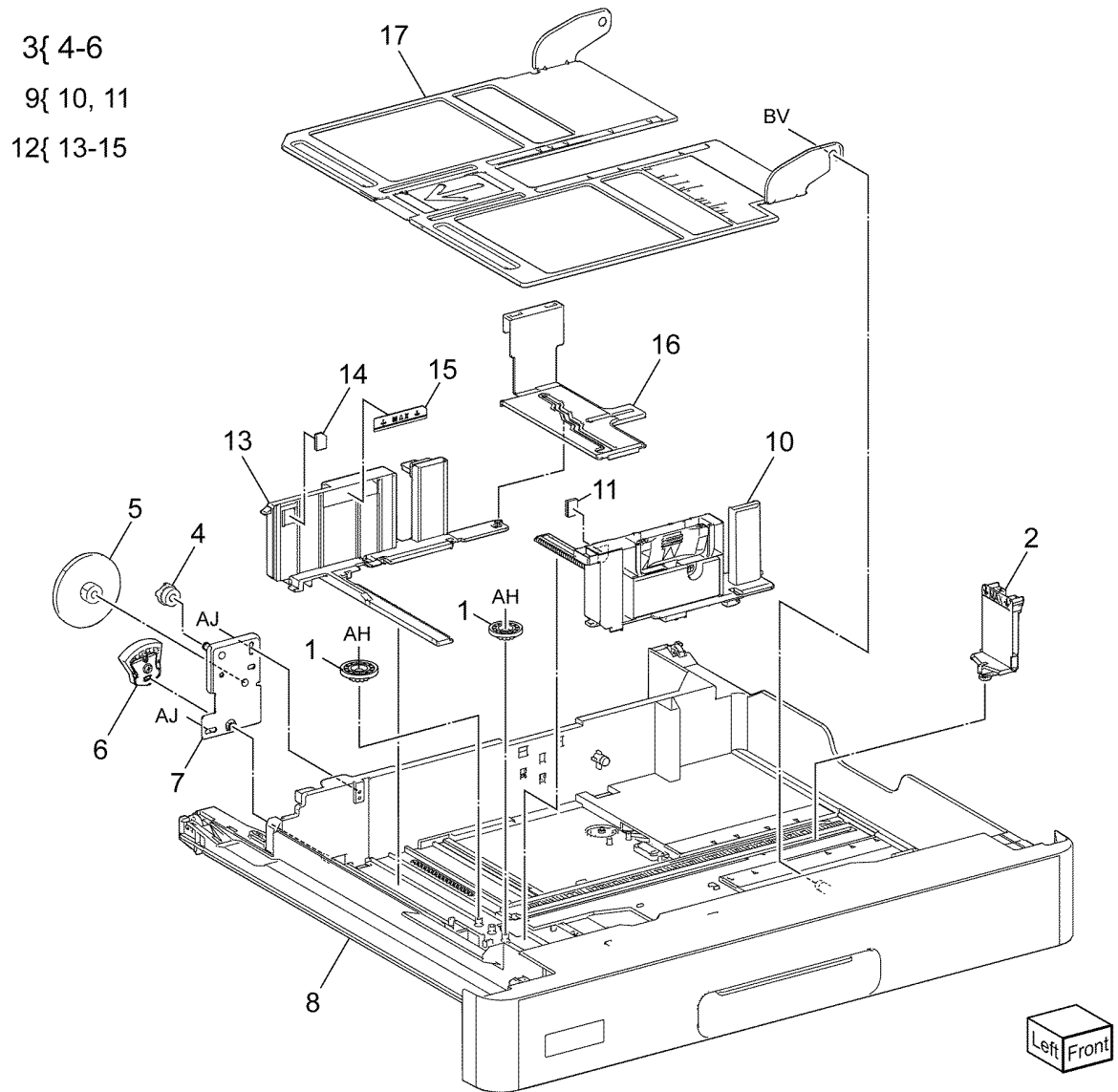


F-8-0128-A

PL 70.15 Tray 2 Assembly

Item	Part	Description
1	-	Pinion (P/O PL 70.05 Item 2)
2	-	End guide kit (Not Spared)
3	-	Tray gear kit (Not Spared)
4	-	Gear (13) (P/O PL 70.15 Item 3)
5	-	Gear (13/60) (P/O PL 70.15 Item 3)
6	-	Gear assembly (P/O PL 70.15 Item 3)
7	-	Bracket (P/O PL 70.05 Item 2)
8	-	Cassette assembly (P/O PL 70.05 Item 2)
9	-	Front side guide kit (Not Spared)
10	-	Front side guide (P/O PL 70.15 Item 9)
11	-	Pad (P/O PL 70.15 Item 9)
12	-	Rear side guide kit (Not Spared)
13	-	Rear side guide (P/O PL 70.15 Item 12)
14	-	Pad (P/O PL 70.15 Item 12)
15	-	Label (MAX) (P/O PL 70.15 Item 12)
16	-	Side actuator (P/O PL 70.05 Item 2)
17	-	Lift plate (P/O PL 70.05 Item 2)

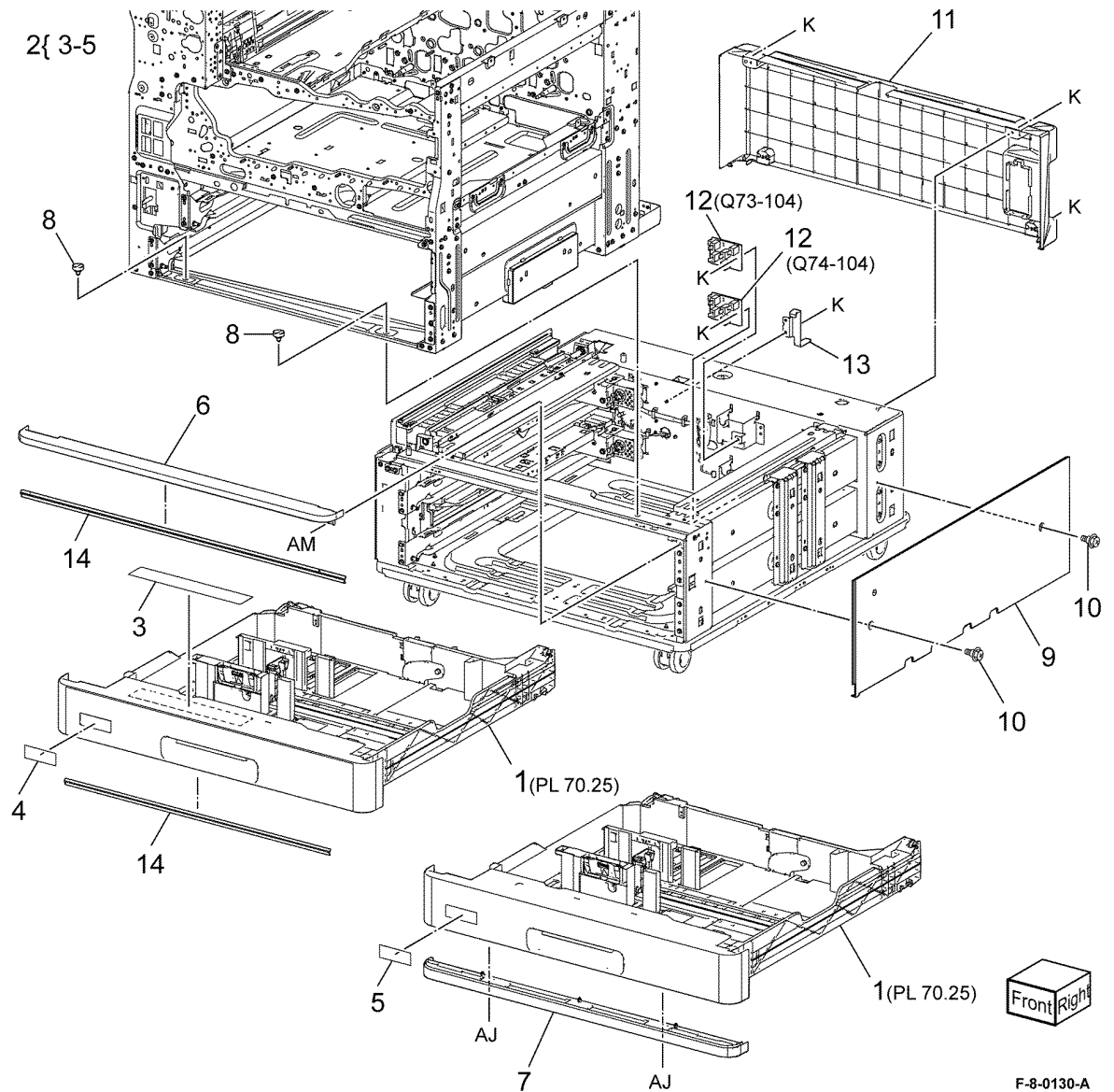
NOTE: All parts are part of PL 70.05 Item 2.



F-8-0129-A

PL 70.20 2TM Components

Item	Part	Description
1	-	Tray 3 & 4 assembly (REF:PL 70.25)
2	-	2TM tray label kit (P/O PL 31.05 Item 7)
3	-	Label (instruction) (P/O PL 31.05 Item 7)
4	-	Label (No. 3) (P/O PL 31.05 Item 7)
5	-	Label (No. 4) (P/O PL 31.05 Item 7)
6	-	Top cover (Not Spared)
7	822E41111	Foot cover
8	-	Docking screw (Not Spared)
9	822E41071	Right cover
10	-	Shoulder screw (Not Spared)
11	822E41013	Rear cover
12	110K12100	Tray 3 paper size sensor (Q73-104) / Tray 4 paper size sensor (Q74-104) (REP 70.5)
-	110K17951	Tray 3 paper size sensor (Q73-104)/ Tray 4 paper size sensor (Q74-104) (alternative) (REP 70.5)
13	-	Joint bracket (Not Spared)
14	-	Gasket (Not Spared)

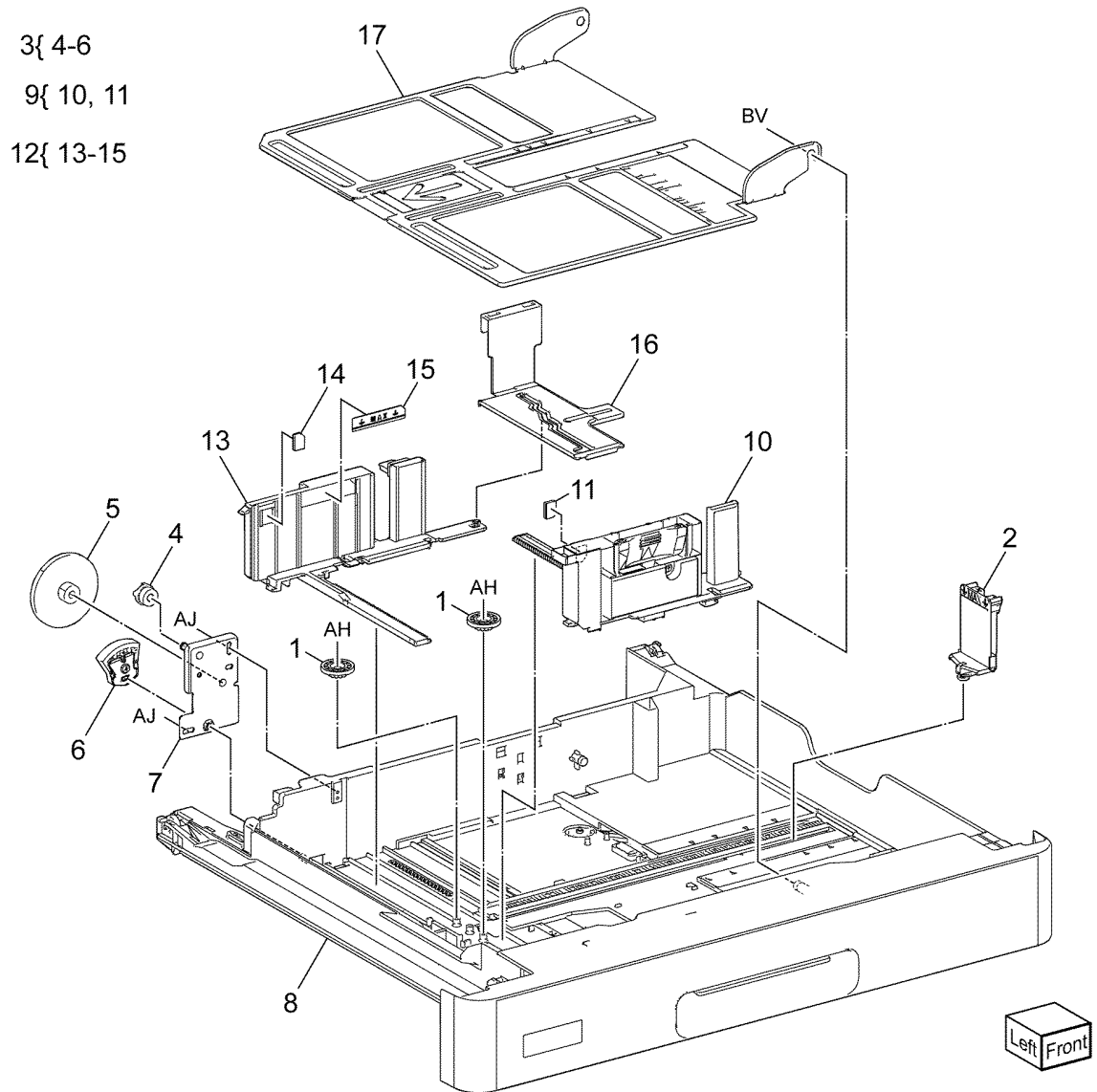


F-8-0130-A

PL 70.25 2TM Tray 3/4 Assembly

Item	Part	Description
1	-	Pinion (P/O PL 70.20 Item 1)
2	-	End guide (P/O PL 70.20 Item 1)
3	-	Tray gear kit (Not Spared)
4	-	Gear (13) (P/O PL 70.25 Item 3)
5	-	Gear (13/60) (P/O PL 70.25 Item 3)
6	-	Gear assembly (P/O PL 70.25 Item 3)
7	-	Bracket (P/O PL 70.20 Item 1)
8	-	Cassette assembly (P/O PL 70.20 Item 1)
9	-	Front side guide kit (Not Spared)
10	-	Front side guide (P/O PL 70.25 Item 9)
11	-	Pad (P/O PL 70.25 Item 9)
12	-	Rear side guide kit (Not Spared)
13	-	Rear side guide (P/O PL 70.25 Item 12)
14	-	Pad (P/O PL 70.25 Item 12)
15	-	Label (MAX) (P/O PL 70.25 Item 12)
16	-	Side actuator (P/O PL 70.20 Item 1)
17	-	Lift plate (P/O PL 70.20 Item 1)

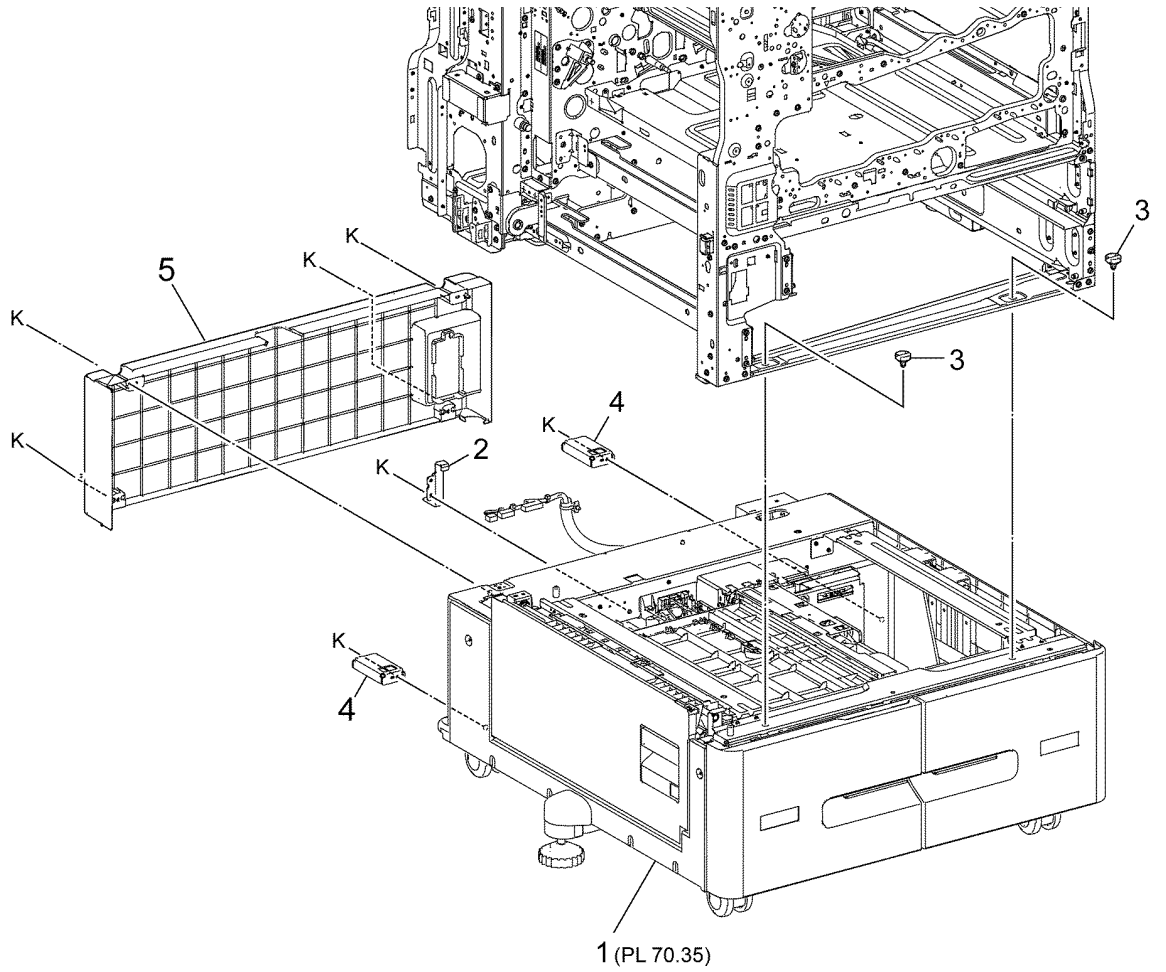
NOTE: All parts are part of PL 70.20 Item 1.



F-8-0131-A

PL 70.30 TTM Components

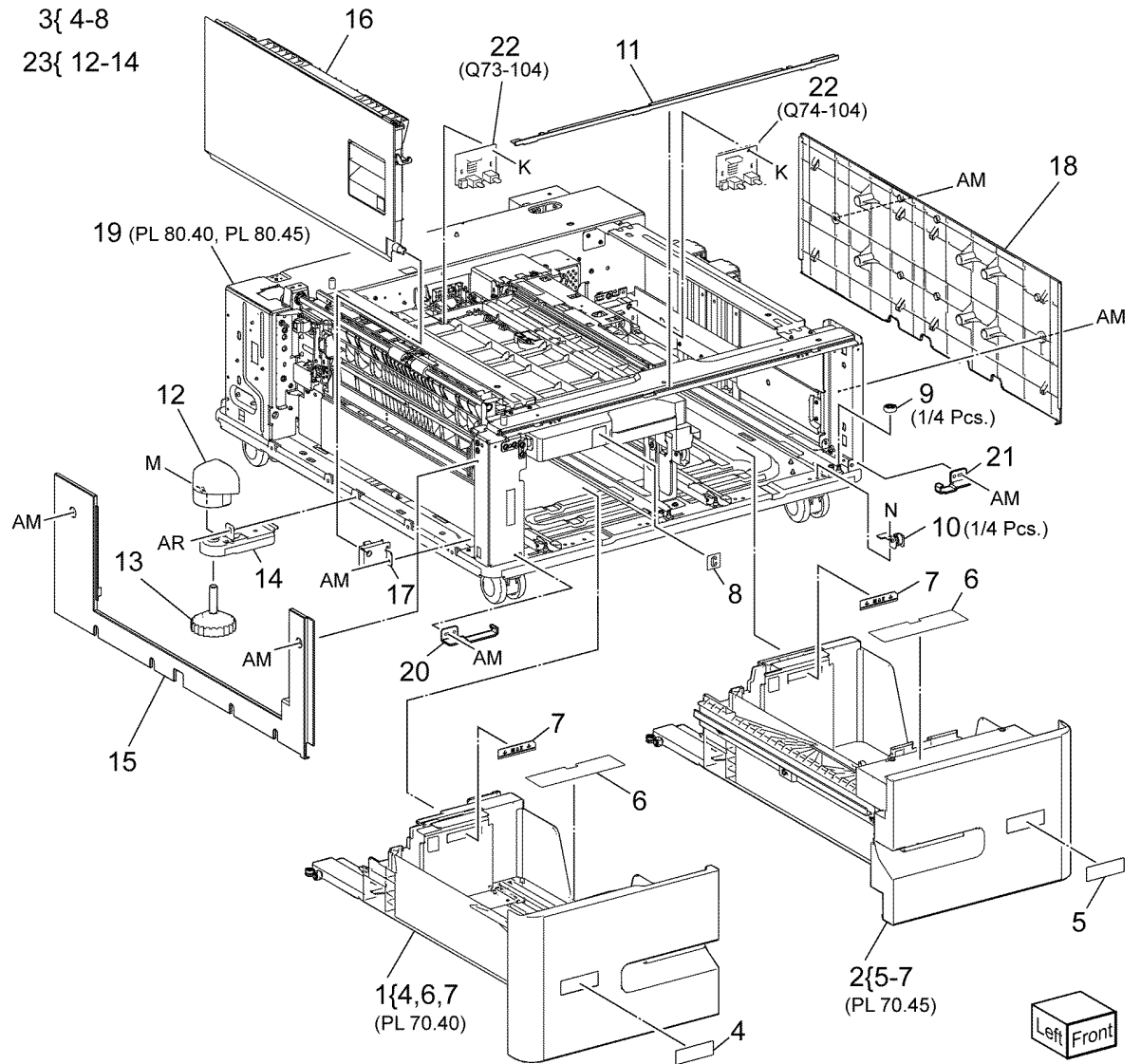
Item	Part	Description
1	—	TTM module
2	—	Joint bracket (Not Spared)
3	—	Docking screw (Not Spared)
4	—	Cover bracket (Not Spared)
5	822E41013	Rear cover



F-8-0132-A

PL 70.35 TTM Covers and Tray 3/4 Assembly

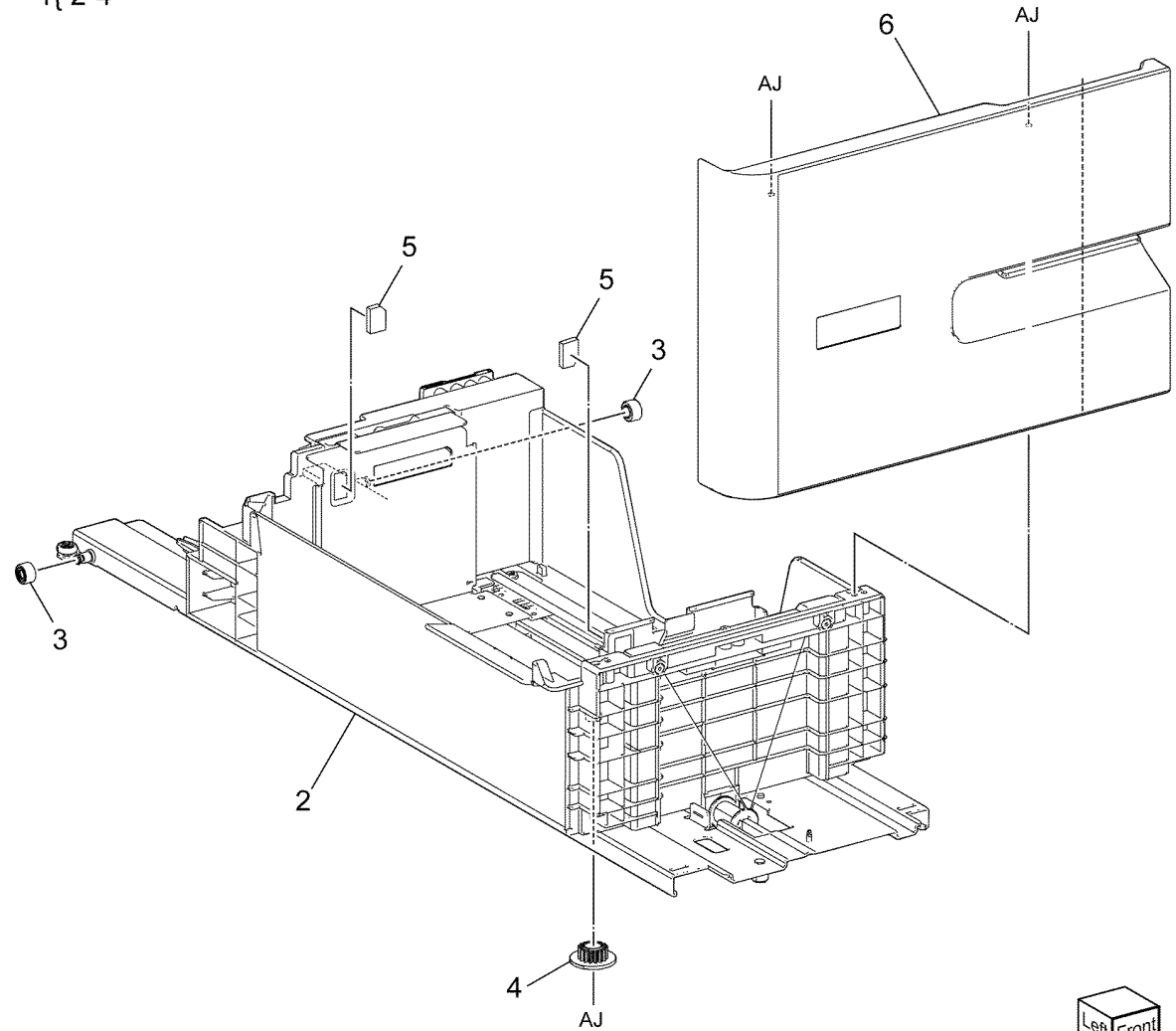
Item	Part	Description
1	607K10491	TTM Tray 3 assembly
2	607K10500	TTM Tray 4 assembly
3	-	Not used
4	-	Label (No. 3) (P/O PL 70.35 Item 1)
5	-	Label (No. 4) (P/O PL 70.35 Item 2)
6	-	Label (instruction) (P/O PL 70.35 Item 1 & PL 70.35 Item 2)
7	-	Label (MAX) (P/O PL 70.35 Item 1 & PL 70.35 Item 2)
8	-	Label (C) (Not Spared)
9	-	Upper roller (Not Spared)
10	-	Roller bracket assembly (Not Spared)
11	-	Top cover (Not Spared)
12	-	Foot cover (P/O PL 70.35 Item 23)
13	-	Adjuster foot (P/O PL 70.35 Item 23)
14	-	Foot bracket (P/O PL 70.35 Item 23)
15	822E41053	Left cover
16	948K12040	Left door assembly
17	-	Pivot bracket (Not Spared)
18	822E41071	Right cover
19	-	TTM frame assembly (Not Spared)
20	-	Left stopper (Not Spared)
21	-	Right stopper (Not Spared)
22	110K17960	Tray 3 paper size sensor (Q73-104)/ Tray 4 paper size sensor (Q74-104) (REP 70.6)
-	110K15040	Tray 3 paper size sensor (Q73-104)/ Tray 4 paper size sensor (Q74-104) (alternative) (REP 70.6)
-	110K11820	Tray 3 paper size sensor (Q73-104)/ Tray 4 paper size sensor (Q74-104) (alternative) (REP 70.6)
23	607K11480	Adjuster foot assembly



PL 70.40 TTM Tray 3 Assembly

Item	Part	Description
1	-	Tray 3 chassis assembly
2	-	Tray 3 chassis (P/O PL 70.40 Item 1)
3	-	Upper roller (P/O PL 70.40 Item 1)
4	-	Pinion (P/O PL 70.40 Item 1)
5	-	Pad (P/O PL 70.35 Item 1)
6	-	Tray 3 cover assembly (P/O PL 70.35 Item 1)

1{ 2-4

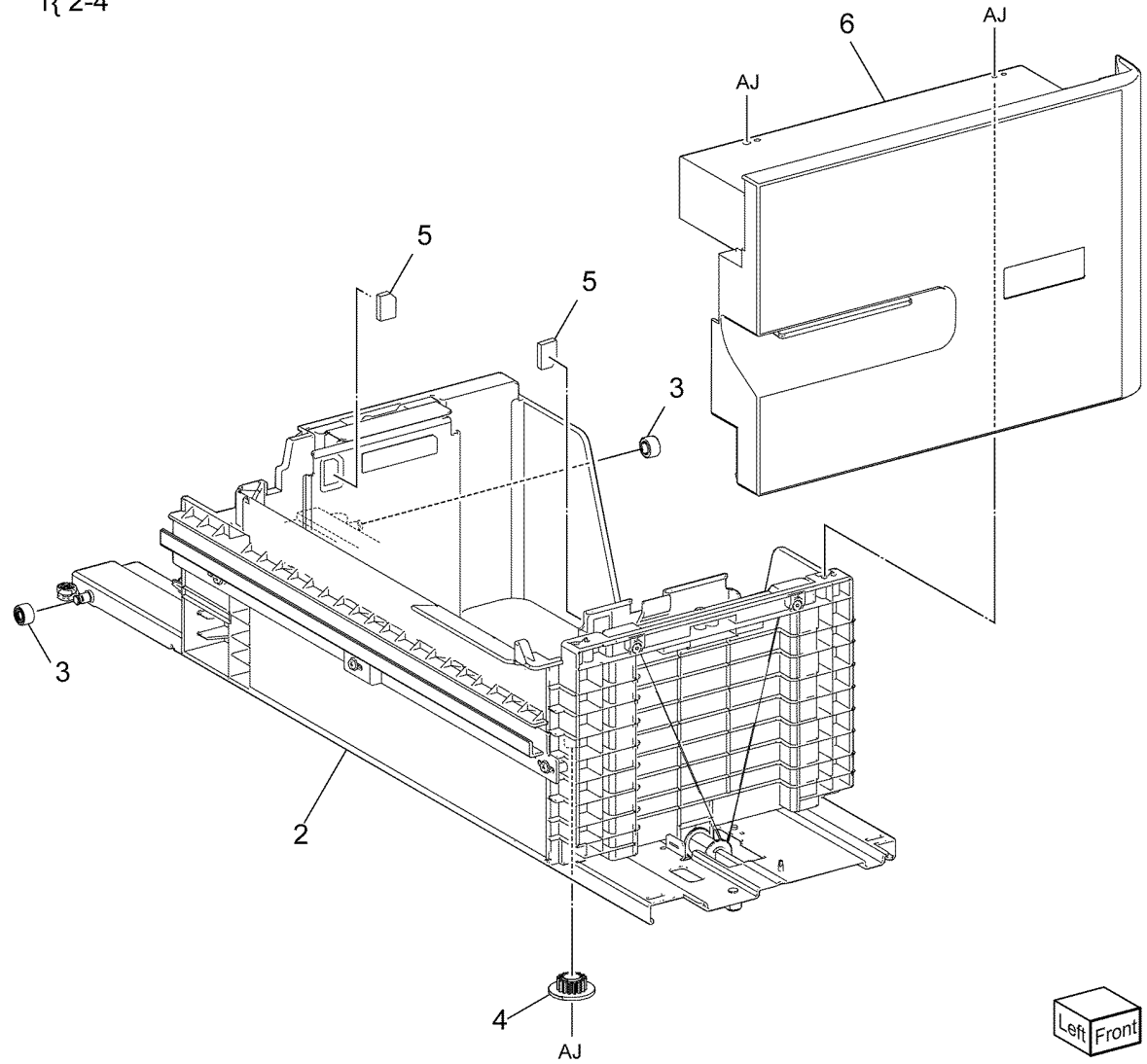


F-8-0134-A

PL 70.45 TTM Tray 4 Assembly

Item	Part	Description
1	-	Tray 4 chassis assembly (P/O PL 70.35 Item 2)
2	-	Tray 4 chassis (P/O PL 70.45 Item 1)
3	-	Upper roller (P/O PL 70.45 Item 1)
4	-	Pinion (P/O PL 70.45 Item 1)
5	-	Pad (P/O PL 70.35 Item 2)
6	-	Tray 4 cover assembly (P/O PL 70.35 Item 2)

1{ 2-4



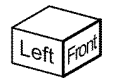
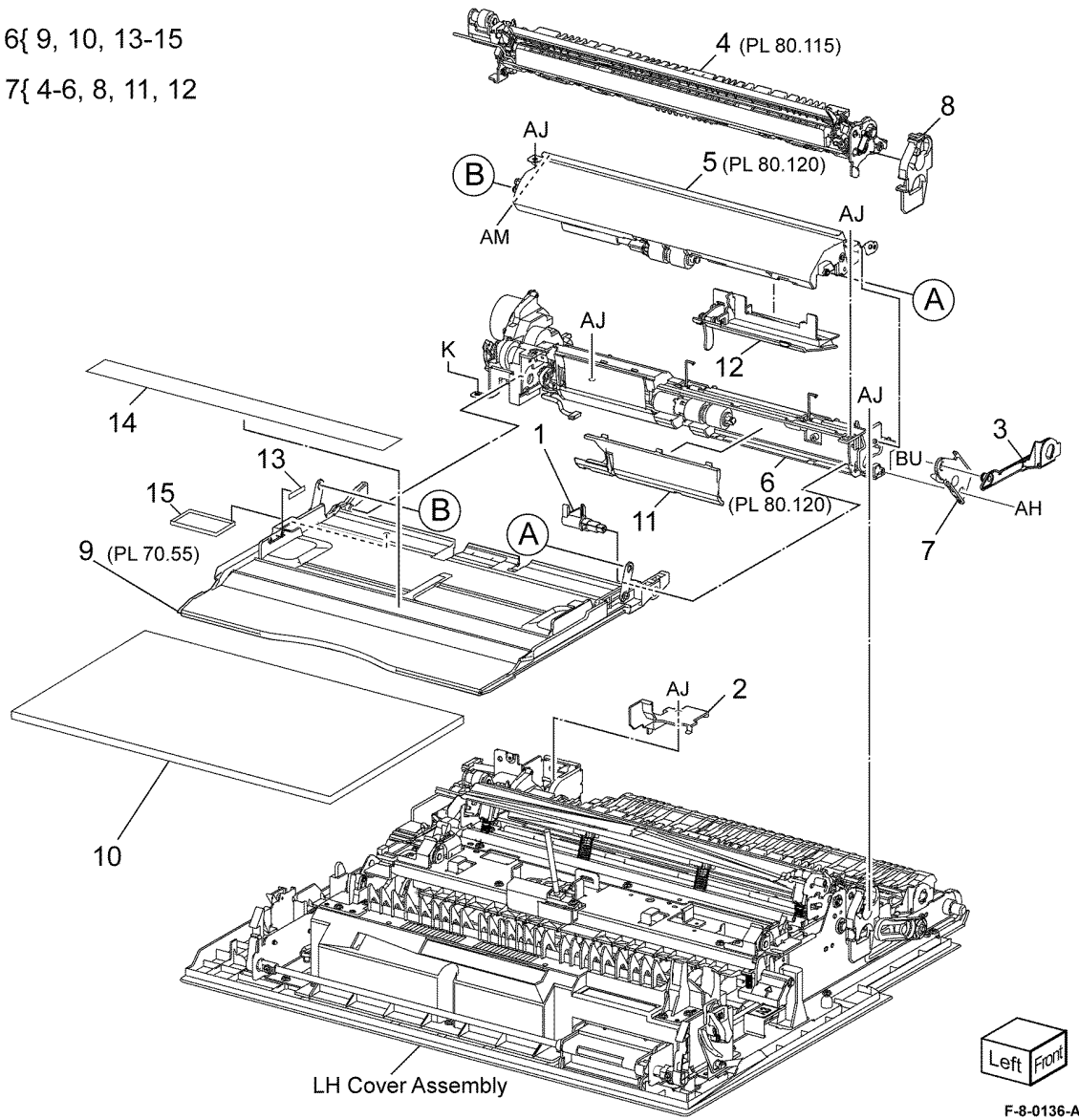
F-8-0135-A

PL 70.50 Bypass Tray Components

Item	Part	Description
1	029E54380	Pivot (REP 70.2)
2	-	Harness guide (Not Spared)
3	-	Stopper link (Not Spared)
4	054K55424	Takeaway assembly
5	-	Upper feedhead assembly (P/O PL 70.50 Item 17)
6	-	Lower feedhead assembly (P/O PL 70.50 Item 17)
7	-	Stopper plate (Not Spared)
8	-	Knob (P/O PL 70.50 Item 17)
9	-	Tray assembly (P/O PL 70.50 Item 16)
10	-	Extension tray (P/O PL 70.50 Item 16)
11	-	Chute front (P/O PL 70.50 Item 17)
12	-	Top chute assembly (P/O PL 70.50 Item 17)
13	-	Label (MAX) (P/O PL 70.50 Item 16)
14	-	Label (instruction) (P/O PL 70.50 Item 16)
15	-	Harness cover (P/O PL 70.50 Item 16)
16	607K10631	Bypass tray kit
17	607K10642	Bypass feeder kit

16{ 9, 10, 13-15

17{ 4-6, 8, 11, 12

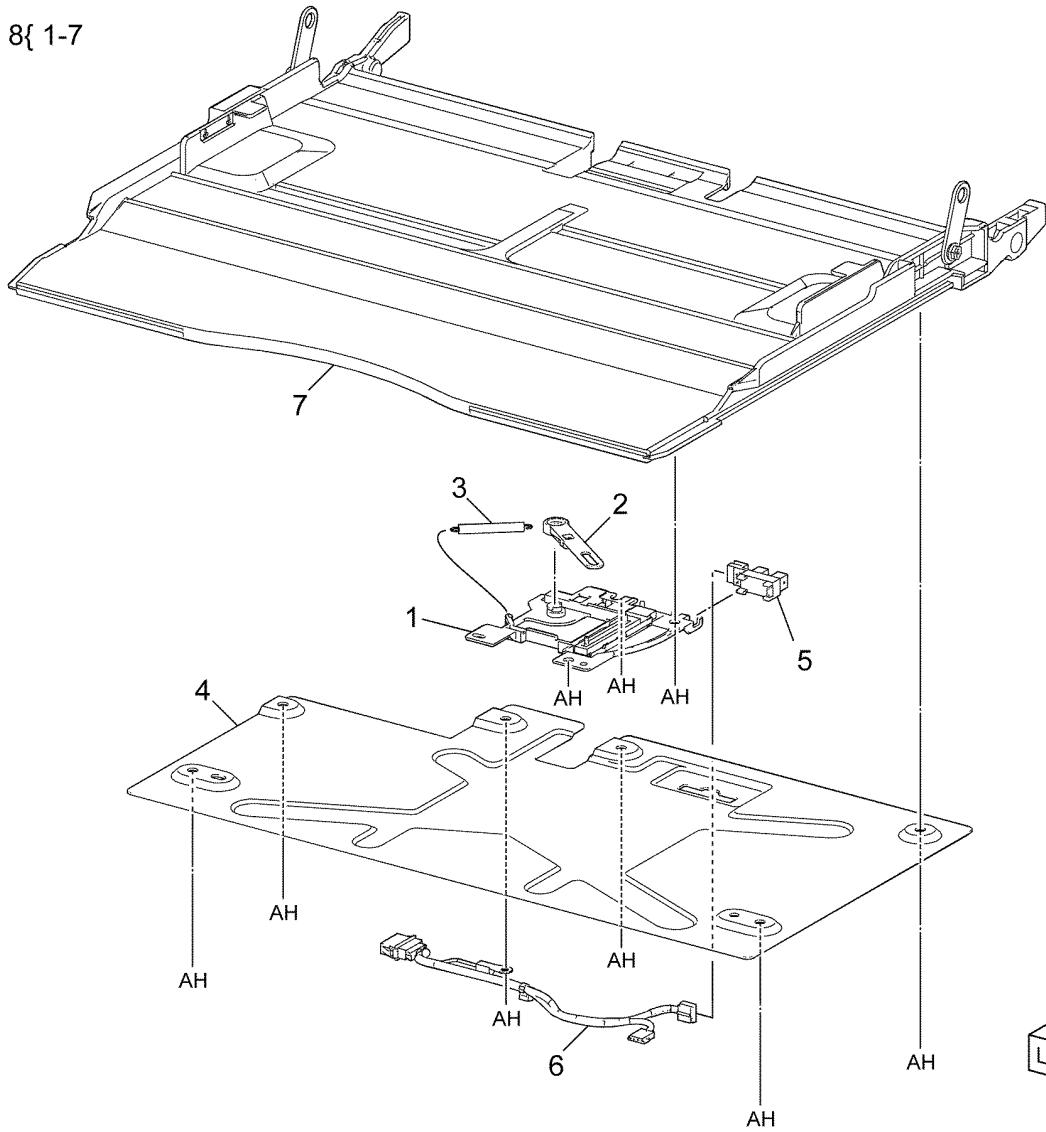


F-8-0136-A

PL 70.55 Bypass Tray Assembly

Item	Part	Description
1	-	Paper size sensor assembly (P/O PL 70.55 Item 8) (REP 70.4)
2	-	Link (P/O PL 70.55 Item 8)
3	-	Spring (P/O PL 70.55 Item 8)
4	-	Tray plate (P/O PL 70.55 Item 8)
5	-	No paper sensor (Q75-101) (P/O PL 70.55 Item 8)
6	-	No paper sensor harness (P/O PL 70.55 Item 8)
7	-	Bypass tray (P/O PL 70.55 Item 8)
8	-	Bypass tray assembly (P/O PL 70.50 Item 16) (REP 70.3)

8{ 1-7

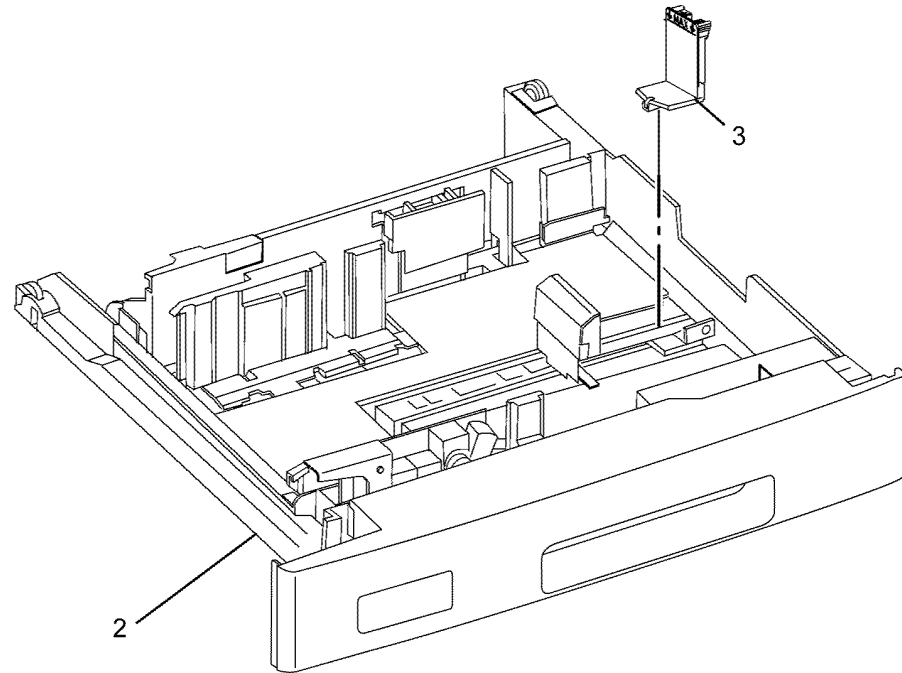


F-8-0139-A

PL 70.70 Envelope Tray

Item	Part	Description
1	050K76591	Envelope tray assembly
2	-	Envelope tray (P/O PL 70.70 Item 1)
3	-	End guide (P/O PL 70.70 Item 1)

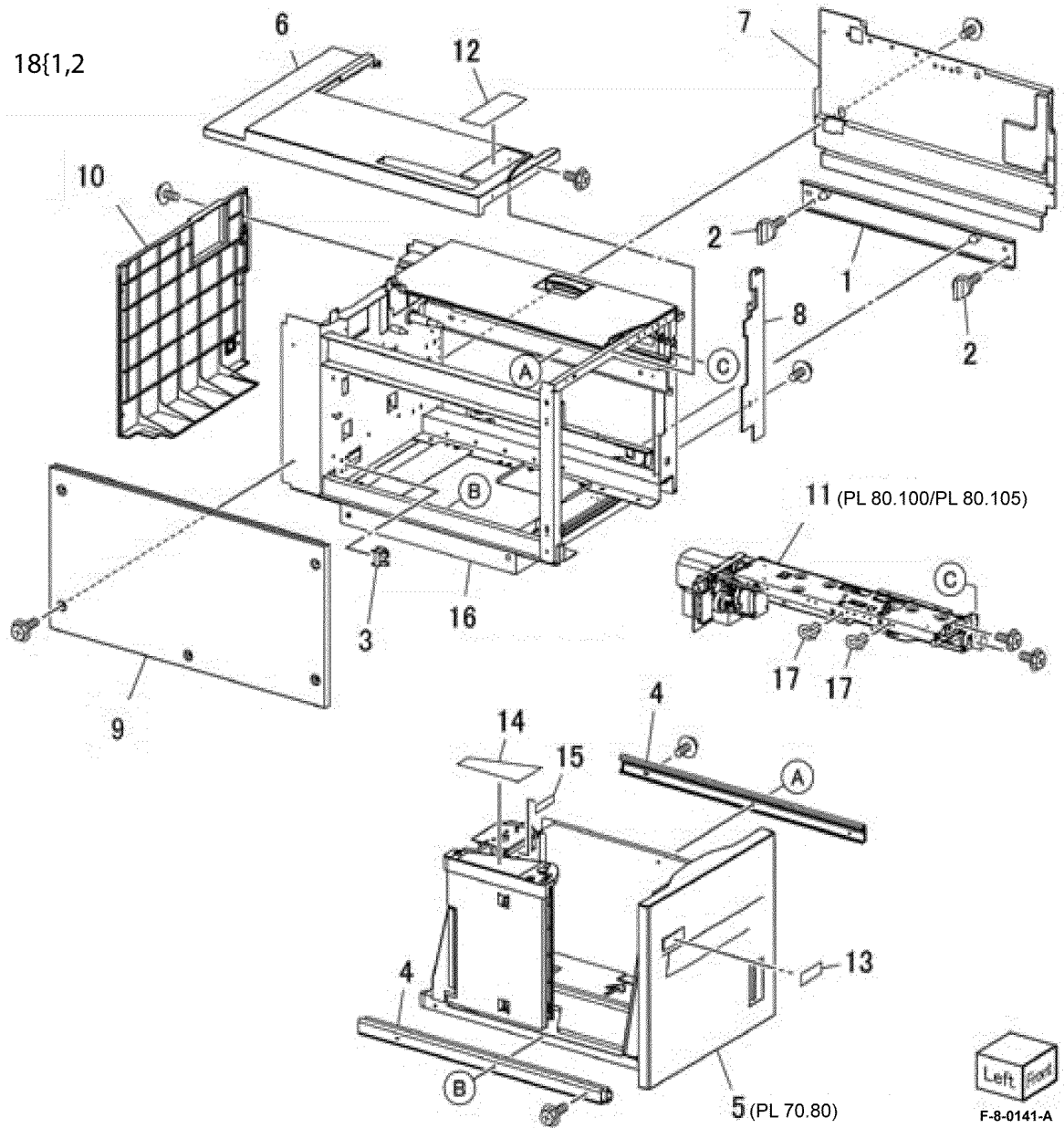
1 { 2 , 3



F-8-0140-A

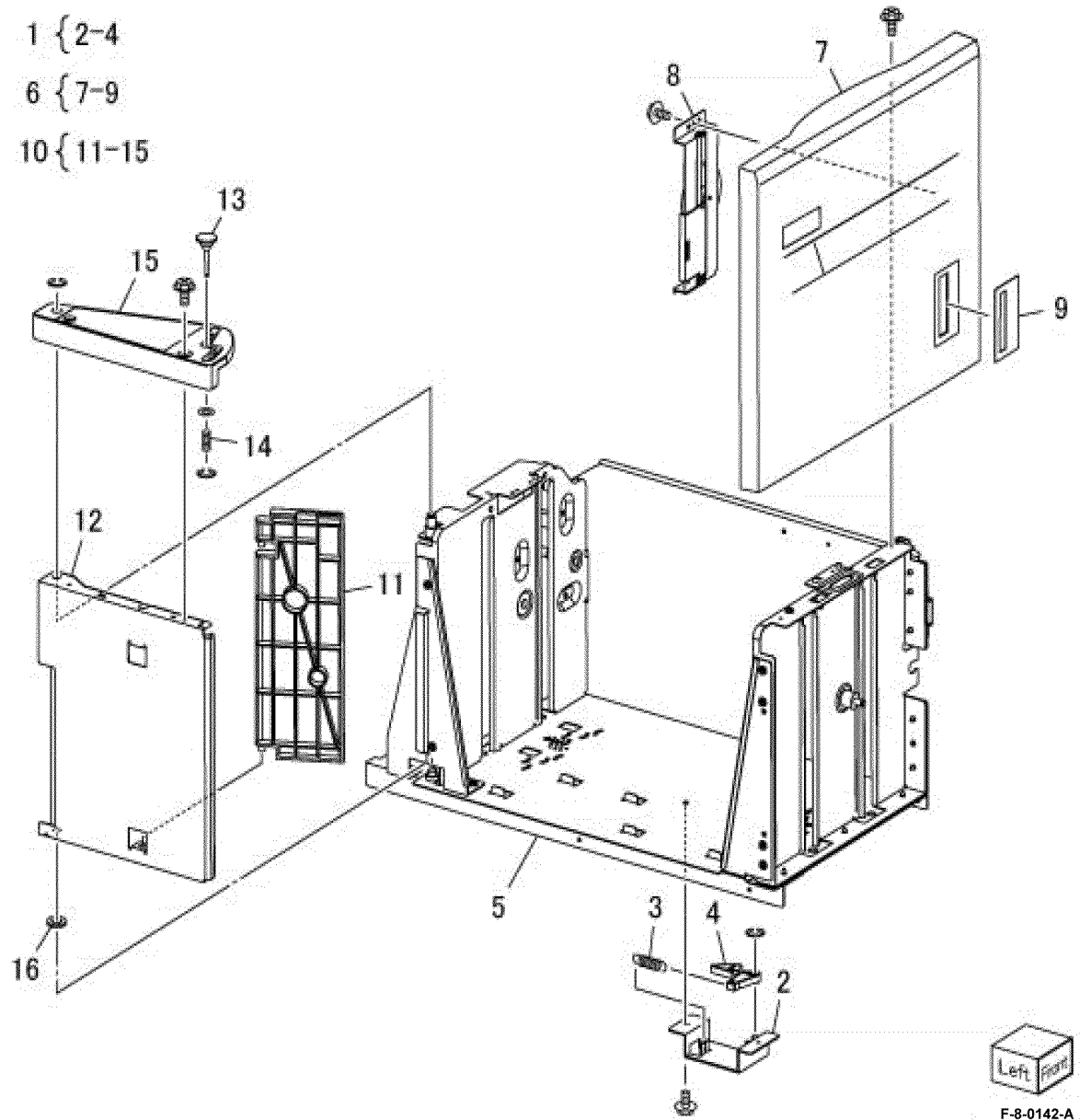
PL 70.75 HCF Unit

Item	Part	Description
1	–	Joint plate (P/O PL 70.75 Item 18)
2	003K91881	Knob
3	130K55590	Tray set sensor (Q78-204)(REP 70.9)
4	801K15701	Tray rail
5	050K51976	HCF tray (REP 70.7, REP 70.8)
6	–	Left top cover (Not Spared)
7	–	Right cover (Not Spared)
8	–	Front right cover (Not Spared)
9	–	Left cover (Not Spared)
10	–	Rear cover (Not Spared)
11	–	HCF feed head (REF: PL 80.100 & PL 80.105) (REP 70.23)
12	–	Label (Top) (Not Spared)
13	–	Label (Tray number) (Not Spared)
14	–	Label (End) (Not Spared)
15	–	Label (Size) (Not Spared)
16	–	Frame assembly (Not Spared)
17	–	Plate assembly (Not Spared)
18	604K23830	HCF docking plate



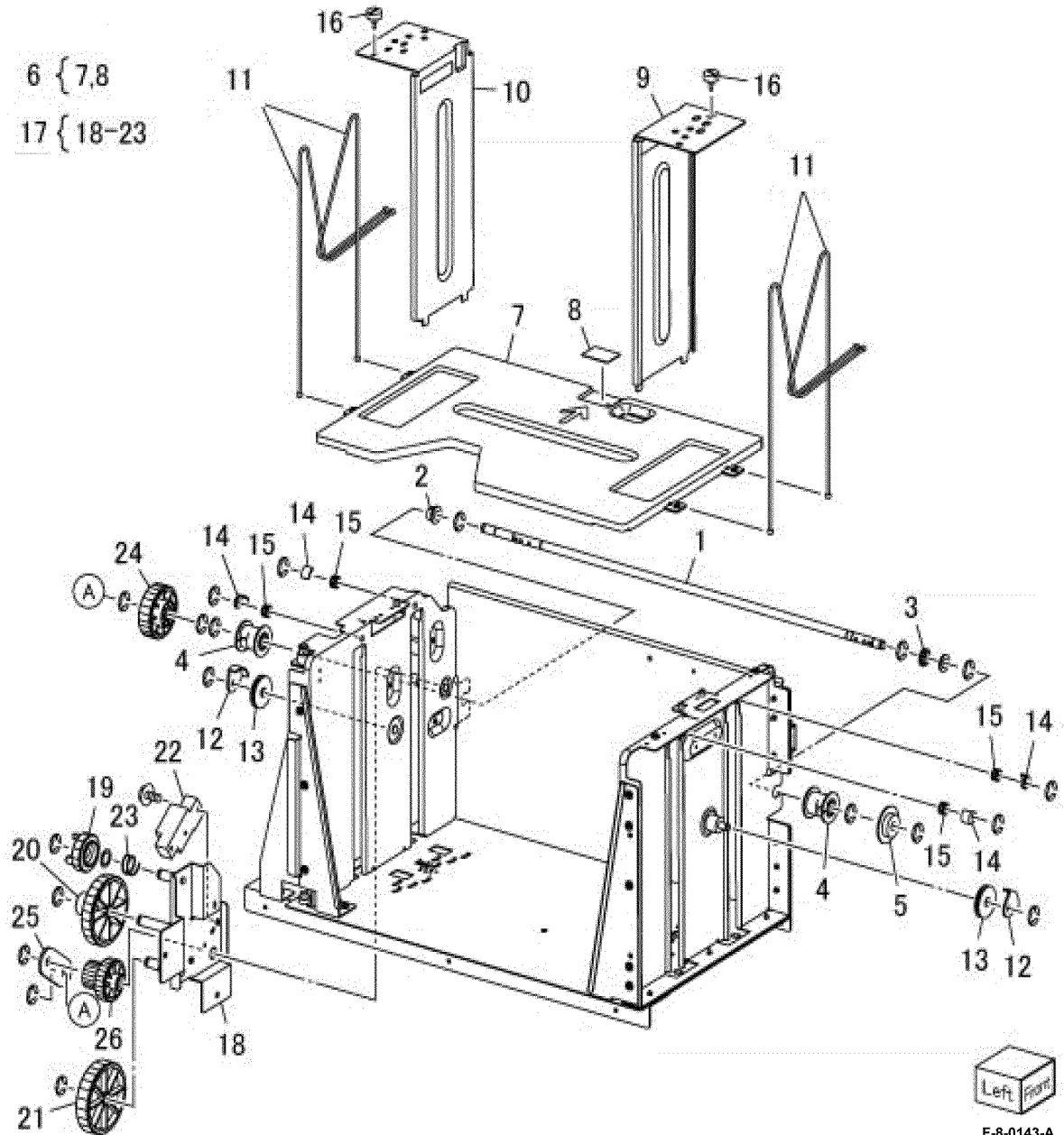
PL 70.80 HCF Tray 6 (1 of 2)

Item	Part	Description
1	003K13592	Tray latch assembly (REP 70.10)
2	-	Bracket (P/O PL 70.80 Item 1)
3	-	Spring (P/O PL 70.80 Item 1)
4	-	Latch lever (P/O PL 70.80 Item 1)
5	-	Tray
6	-	Front cover assembly
7	-	Front cover (P/O PL 70.80 Item 6)
8	-	Gear bracket (P/O PL 70.80 Item 6)
9	-	Label (Gauge) (P/O PL 70.80 Item 6)
10	-	Frame
11	-	Plate (P/O PL 70.80 Item 10)
12	-	Bracket (P/O PL 70.80 Item 10)
13	-	Pin (P/O PL 70.80 Item 10)
14	-	Spring (P/O PL 70.80 Item 10)
15	-	Top plate (P/O PL 70.80 Item 10)
16	-	Wave washer (Not Spared)



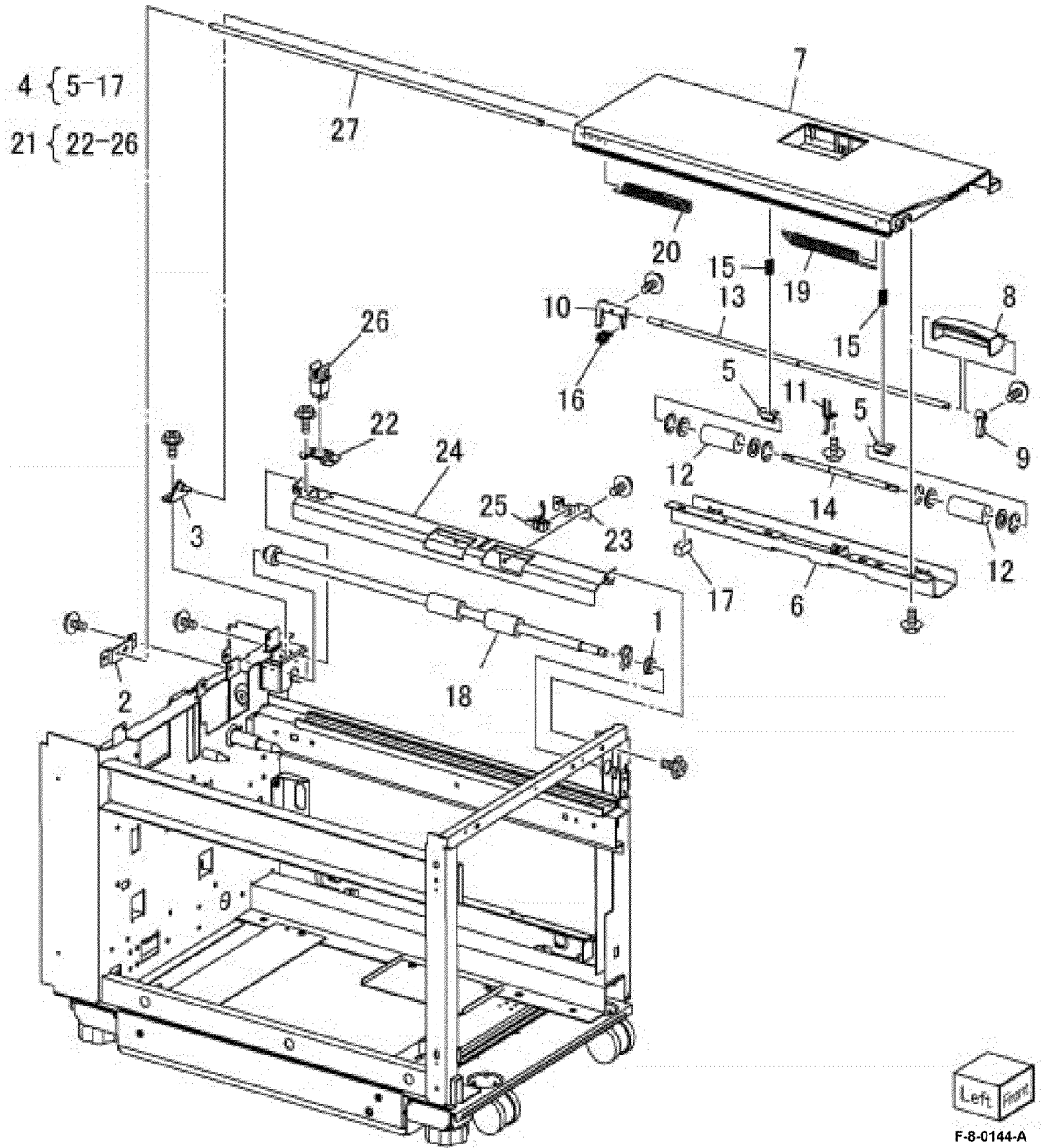
PL 70.85 HCF Tray 6 (2 of 2)

Item	Part	Description
1	-	Lift shaft (P/O PL 70.75 Item 5)
2	-	Bearing (P/O PL 70.75 Item 5)
3	-	Bearing (P/O PL 70.75 Item 5)
4	020E37620	Pulley
5	-	Gear (P/O PL 70.75 Item 5)
6	-	Bottom plate assembly (P/O PL 70.75 Item 5)
7	-	Bottom plate (P/O PL 70.85 Item 6)
8	019E58620	Pad
9	-	Front side guide (P/O PL 70.75 Item 5)
10	-	Rear side guide (P/O PL 70.75 Item 5)
11	604K19981	Cable and pulley kit (REP 70.13)
12	032E22410	Long wire guide
13	-	Pulley (P/O PL 70.75 Item 5)
14	-	Short wire guide (P/O PL 70.75 Item 5)
15	-	Pulley (P/O PL 70.75 Item 5)
16	-	Screw (P/O PL 70.75 Item 5)
17	015K65532	Gear bracket assembly (REP 70.12)
18	-	Gear bracket (P/O PL 70.85 Item 17)
19	-	Contact gear (P/O PL 70.85 Item 17)
20	-	Gear (P/O PL 70.85 Item 17)
21	-	Gear (P/O PL 70.85 Item 17)
22	-	Brake (P/O PL 70.85 Item 17)
23	-	Spring (P/O PL 70.85 Item 17)
24	807E04500	Lift gear (REP 70.11)
25	-	Plate (P/O PL 70.75 Item 5)
26	-	Gear (P/O PL 70.75 Item 5)



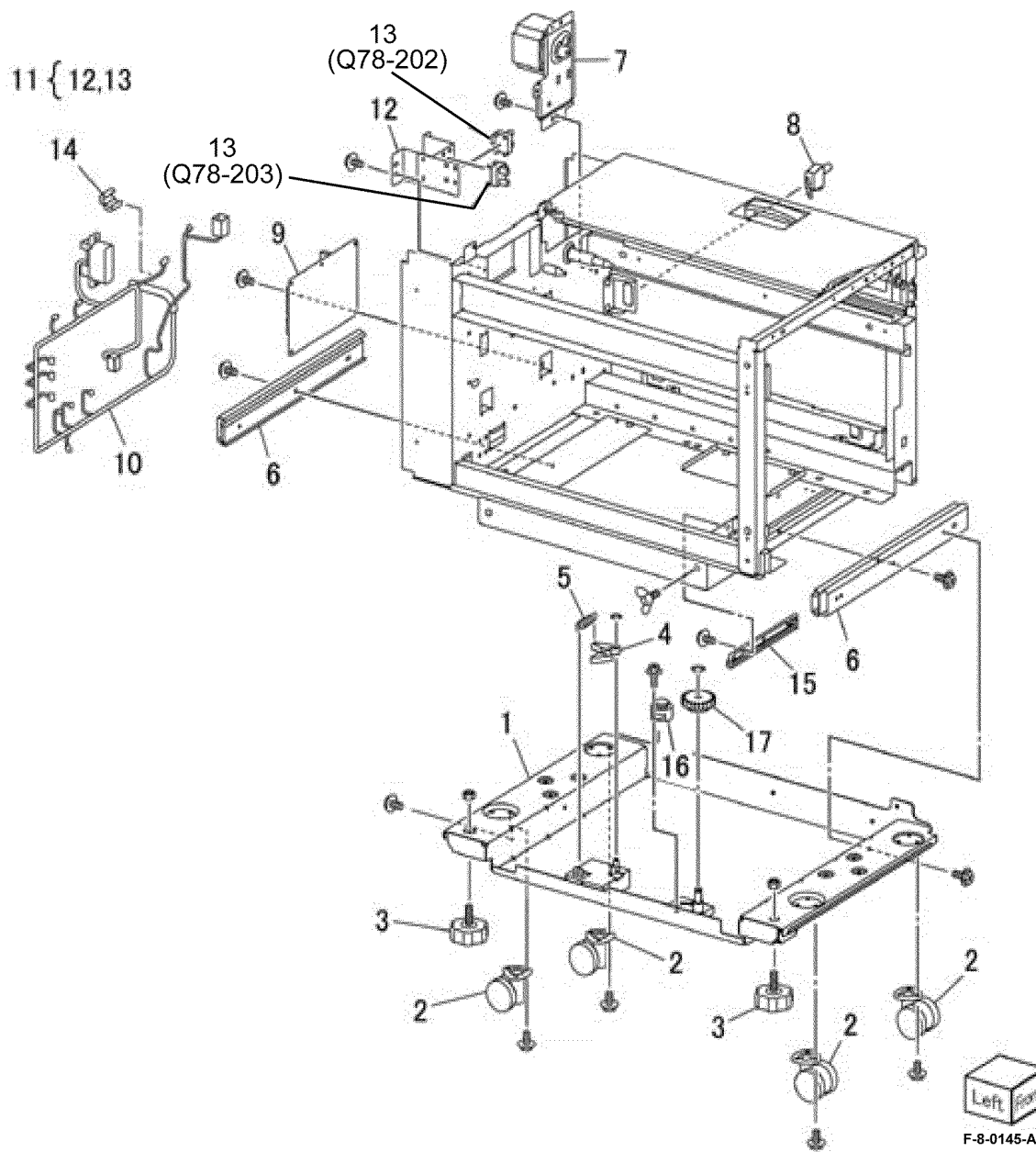
PL 70.90 HCF Top Cover Unit

Item	Part	Description
1	013E17100	Bearing
2	-	Bracket (Not Spared)
3	-	Pivot bracket (Not Spared)
4	-	Transport cover assembly
5	-	Bearing (P/O PL 70.90 Item 4)
6	-	Upper chute (P/O PL 70.90 Item 4)
7	-	Top cover (P/O PL 70.90 Item 4)
8	-	Knob (P/O PL 70.90 Item 4)
9	-	Latch (P/O PL 70.90 Item 4)
10	-	Latch (P/O PL 70.90 Item 4)
11	-	Spring (P/O PL 70.90 Item 4)
12	059E01430	Pinch roller
13	-	Shaft (P/O PL 70.90 Item 4)
14	-	Shaft (P/O PL 70.90 Item 4)
15	-	Spring (P/O PL 70.90 Item 4)
16	-	Spring (P/O PL 70.90 Item 4)
17	-	Gasket (P/O PL 70.90 Item 4)
18	059K36260	Takeaway roll (REP 70.15)
19	-	Spring (Left) (Not Spared)
20	-	Spring (Right) (Not Spared)
21	-	Lower chute assembly (Not Spared)
22	-	Bracket (P/O PL 70.90 Item 21)
23	-	Bracket (P/O PL 70.90 Item 21)
24	-	Lower chute (P/O PL 70.90 Item 21)
25	130K88150	Feed out sensor (Q78-101) (REP 70.16)
26	110E94770	Transport interlock switch (S78-300) (REP 70.17)
27	-	Pivot shaft (Not Spared)



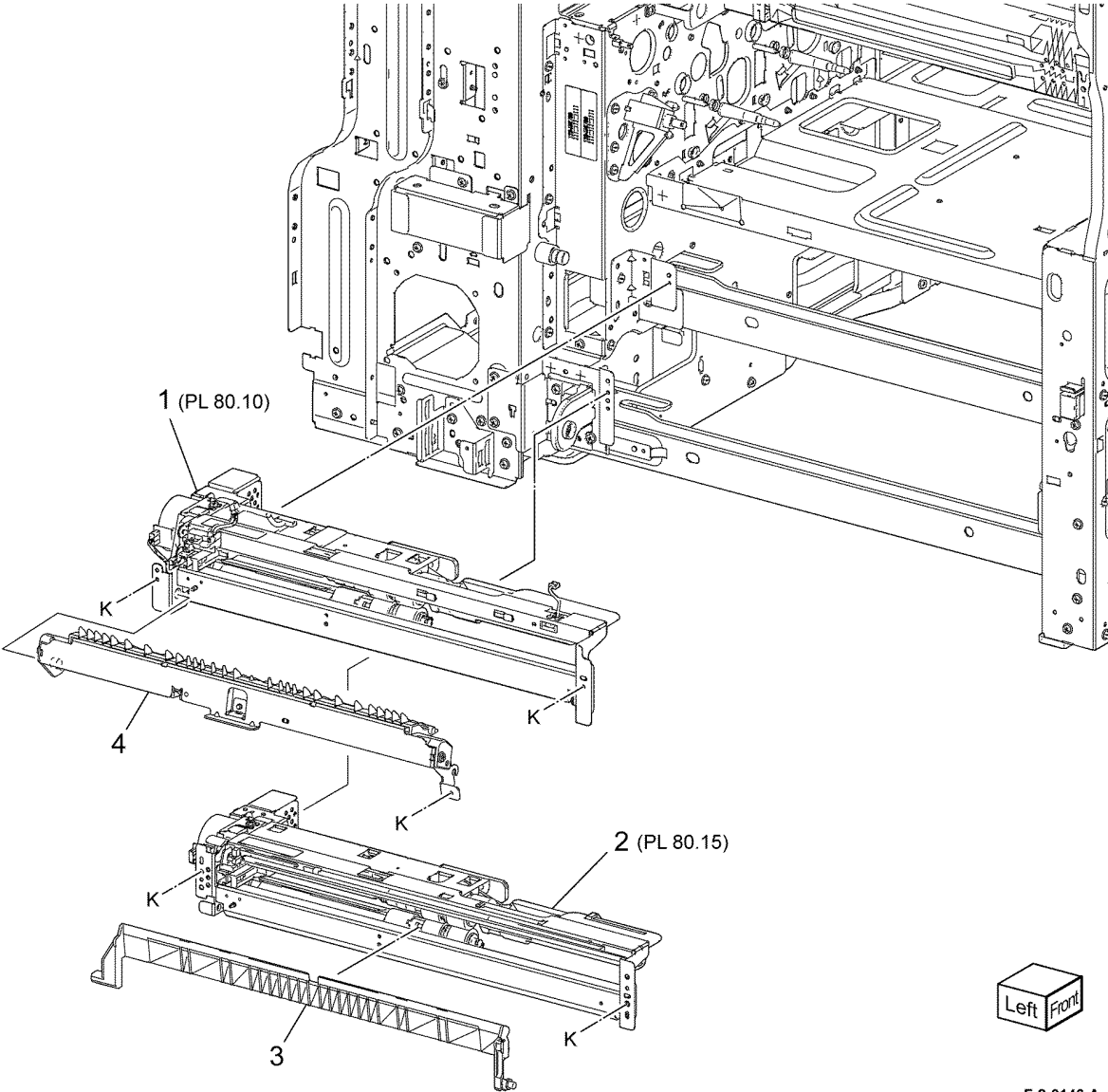
PL 70.95 HCF Electrical and Rail

Item	Part	Description
1	-	Plate (Not Spared)
2	017E92820	Rack caster
3	017E97191	Foot
4	-	Latch lever (Not Spared)
5	-	Spring (Not Spared)
6	801K15690	Rail
7	127K47152	Takeaway motor (MOT78-007) (REP 70.18)
8	110E10381	Slide out switch (S78-301)(REP 70.19)
9	960K88140	HCF PWB (REP 70.20)
10	-	Wire harness (Not Spared)
11	130K55590	HCF Size Sensor Assembly (REP 70.21)
12	-	Bracket (P/O PL 70.95 Item 11)
13	-	HCF paper sensor (Letter) (Q78- 202) / HCF paper sensor (A4) (Q78-203) (P/O PL 70.95 Item 11)
14	-	Core (Not Spared)
15	-	Gear rack (Not Spared)
16	004K03000	Damper (REP 70.22)
17	807E32730	Pinion (REP 70.22)



PL 80.05 Tray 1 & 2 Feedhead Assembly

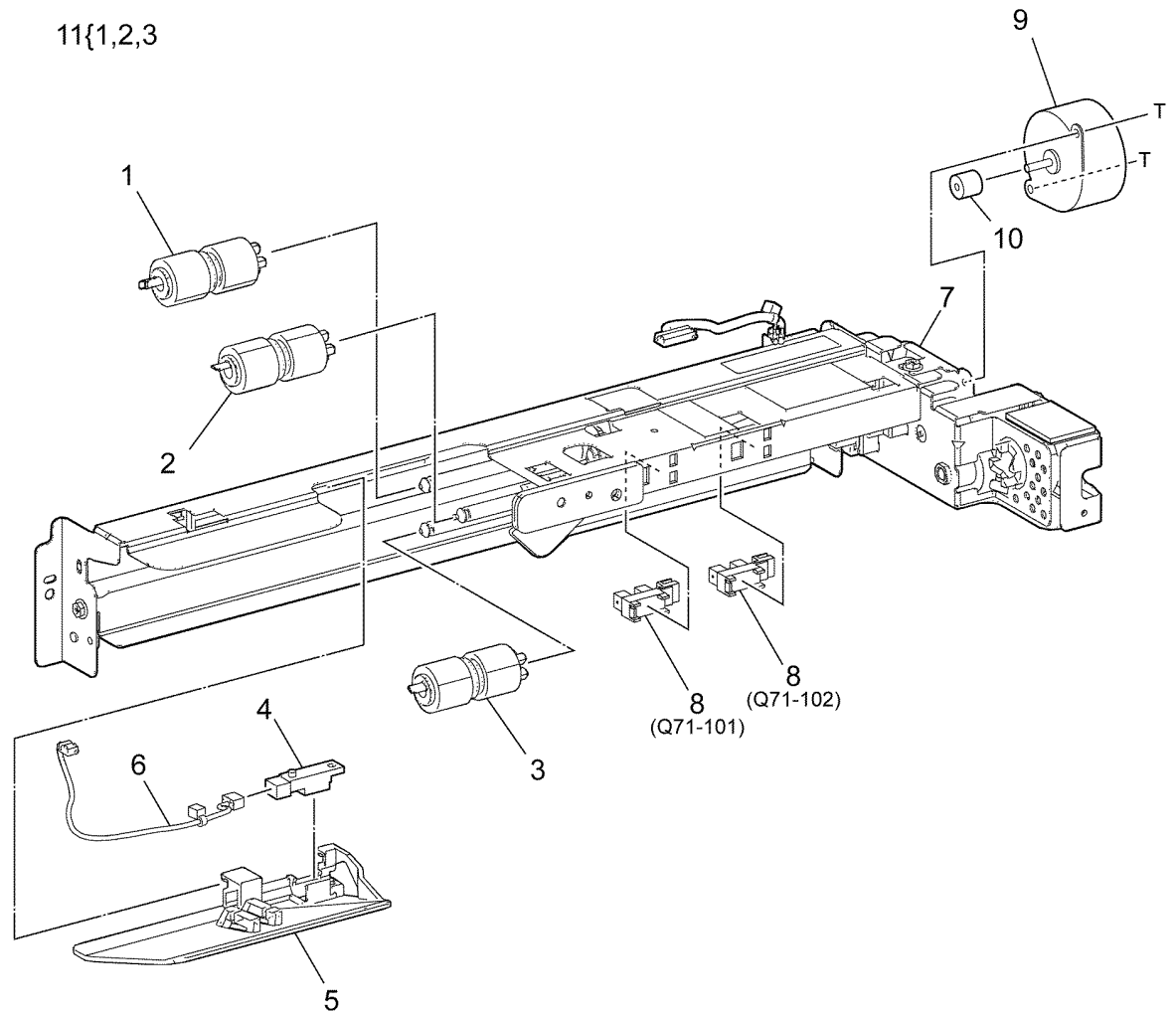
Item	Part	Description
1	859K14361	Tray 1 feedhead assembly (REP 80.1)
2	859K14380	Tray 2 feedhead assembly (REP 80.2)
3	054E36442	Feed out chute
4	054K55444	Feedhead chute assembly



F-8-0146-A

PL 80.10 Tray 1 Feedhead Assembly

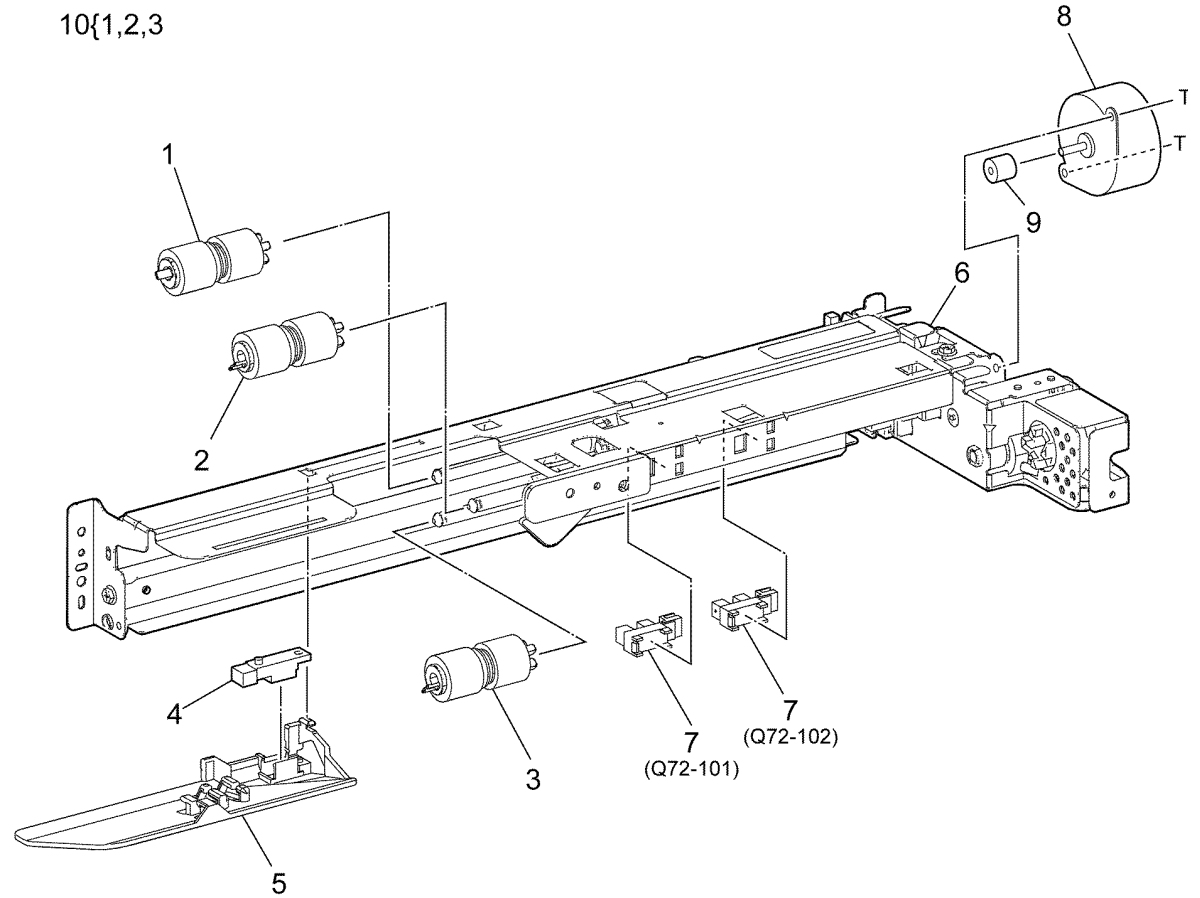
Item	Part	Description
1	-	Feed roll (P/O PL 80.10 Item 11) (REP 80.3)
2	-	Nudger roll (P/O PL 80.10 Item 11) (REP 80.3)
3	-	Retard roll (P/O PL 80.10 Item 11) (REP 80.3)
4	930W00211	Tray 1 pre-feed sensor (Q71-105)
5	-	Chute (P/O PL 80.10 Item 7)
6	-	Wire harness (P/O PL 80.10 Item 7)
7	-	Feedhead assembly (P/O PL 80.05 Item 1)
8	-	Tray 1 no paper sensor (Q71-101)/ Tray 1 level sensor (Q71-102) (P/ O PL 80.05 Item 1)
9	-	Tray 1 feed /lift motor (MOT71-001) (P/O PL 80.05 Item 1)
10	-	Gear (P/O PL 80.10 Item 9)
11	109R00790	Tray 1-4 feed rolls



F-8-0147-A

PL 80.15 Tray 2 Feedhead Assembly

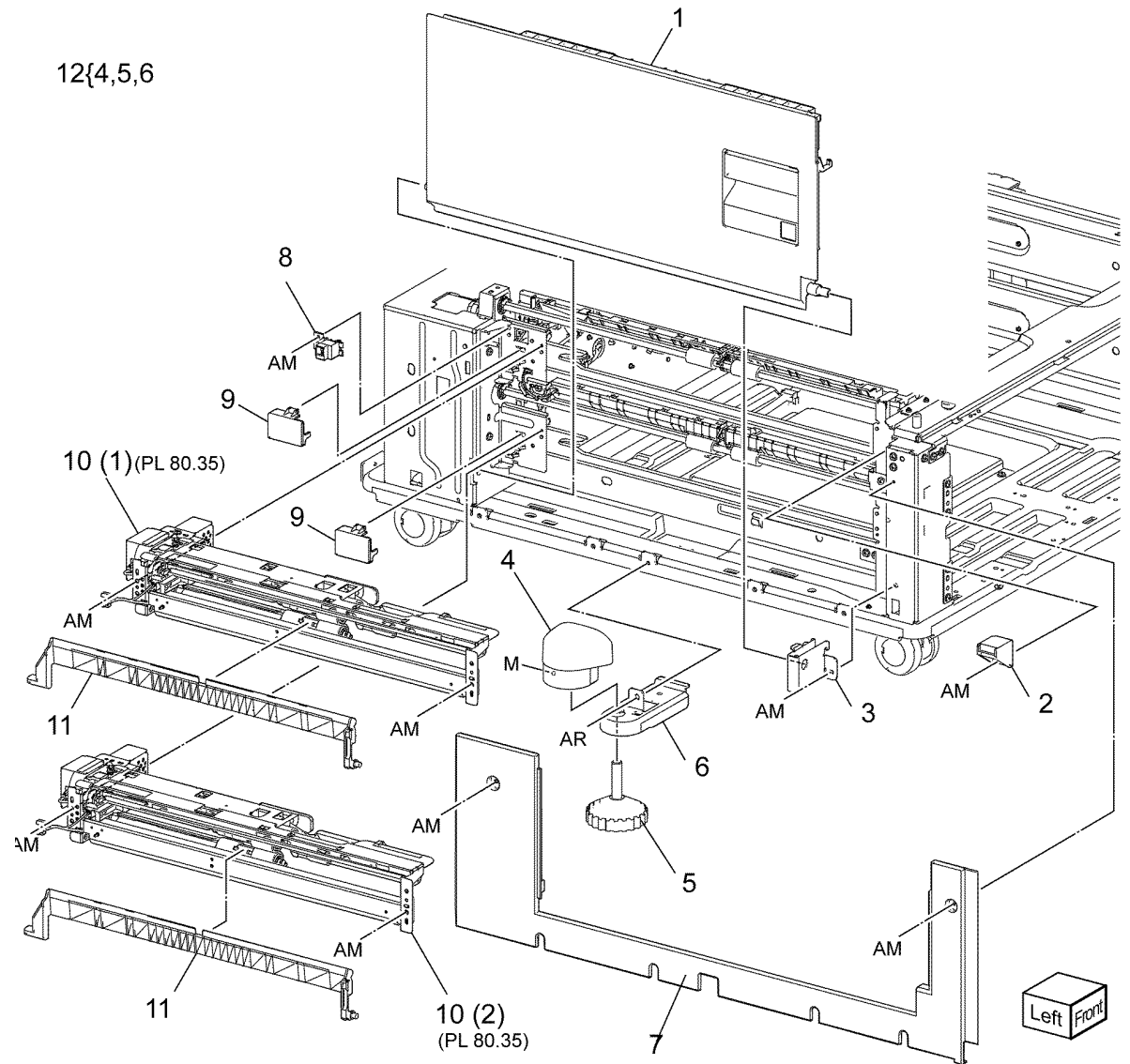
Item	Part	Description
1	-	Feed roll (P/O PL 80.15 Item 10) (REP 80.3)
2	-	Nudger roll (P/O PL 80.15 Item 10) (REP 80.3)
3	-	Retard roll (P/O PL 80.15 Item 10) (REP 80.3)
4	930W00211	Tray 2 pre-feed sensor (Q72-105)
5	-	Chute (P/O PL 80.15 Item 6)
6	-	Feedhead assembly (P/O PL 80.05 Item 2)
7	-	Tray 2 no paper sensor (Q72-101) / Tray 2 level sensor (Q72-102) (P/O PL 80.05 Item 2)
8	-	Tray 2 feed/lift motor (MOT72-001) (P/O PL 80.05 Item 2)
9	-	Gear (P/O PL 80.15 Item 8)
10	109R00790	Tray 1-4 feed rolls



F-8-0148-A

PL 80.20 2TM Left Cover Feedhead Assembly

Item	Part	Description
1	948K12050	Left door assembly
2	-	Latch holder (Not Spared)
3	-	Pivot bracket (Not Spared)
4	-	Foot cover (P/O PL 80.20 Item 12)
5	-	Adjuster foot (P/O PL 80.20 Item 12)
6	-	Foot bracket (P/O PL 80.20 Item 12)
7	822E41053	Left cover
8	948K01810	2TM left door interlock switch (S77-306)
9	822E27982	Connector cover
10	859K04741	2TM feedhead 1 assembly (REP 80.4)/ 2TM feedhead 2 assembly (REP 80.5) (REF: PL 80.35)
11	054E36442	Feed out chute
12	607K11480	Adjuster foot assembly

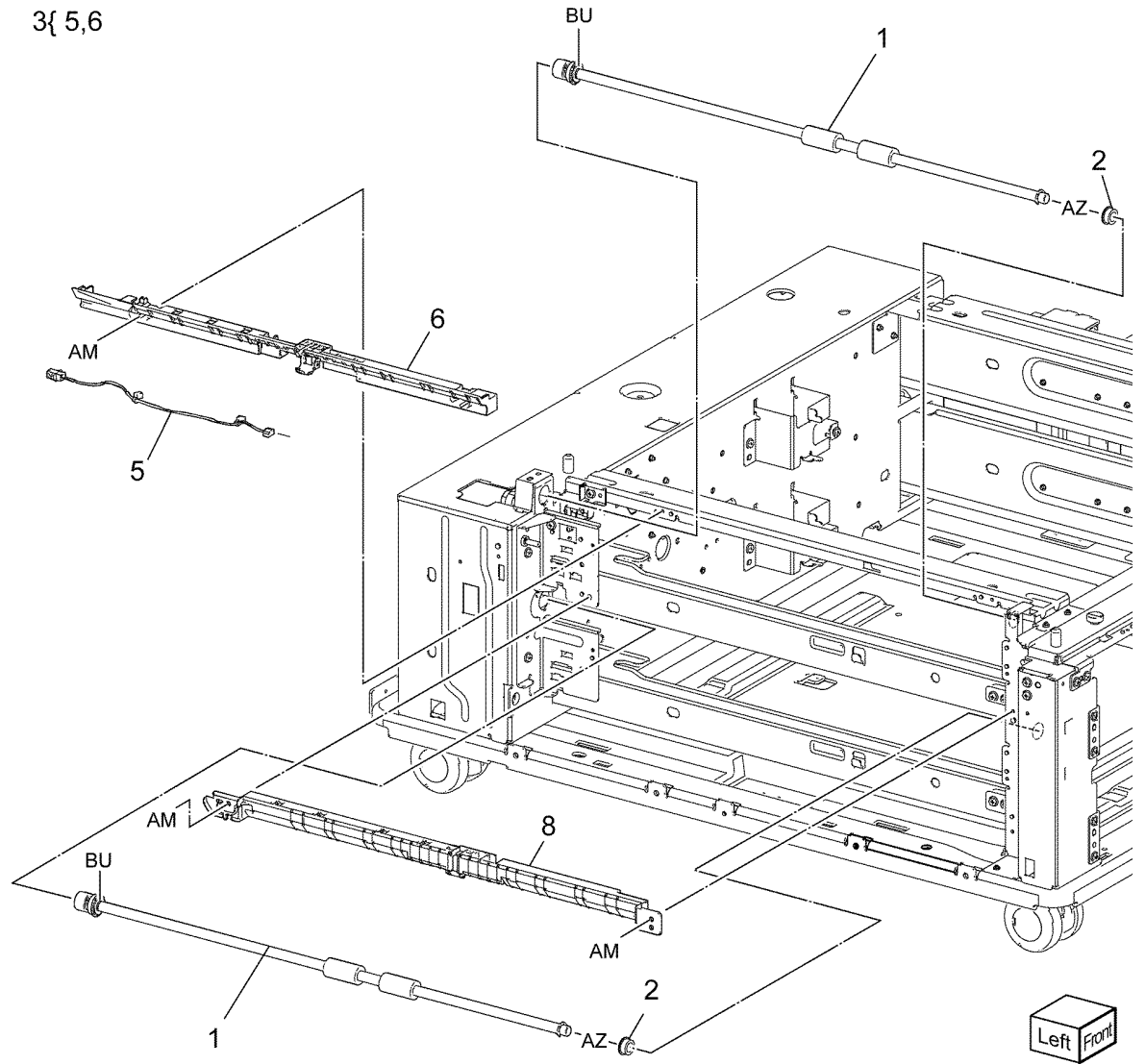


F-8-0149-A

PL 80.25 2TM Takeaway Assembly

Item	Part	Description
1	859K07790	Takeaway roll assembly (upper) (REP 80.6)/ Takeaway roll assembly (lower) (REP 80.8)
2	413W88650	Bearing
3	054K55191	Tray 3 chute assembly (REP 80.7)
4	-	Not used
5	-	Tray 3 feed out sensor harness (P/ O PL 80.25 Item 3)
6	-	Tray 3 chute (P/O PL 80.25 Item 3)
7	-	Not used
8	-	Tray 4 chute assembly (Not Spared)

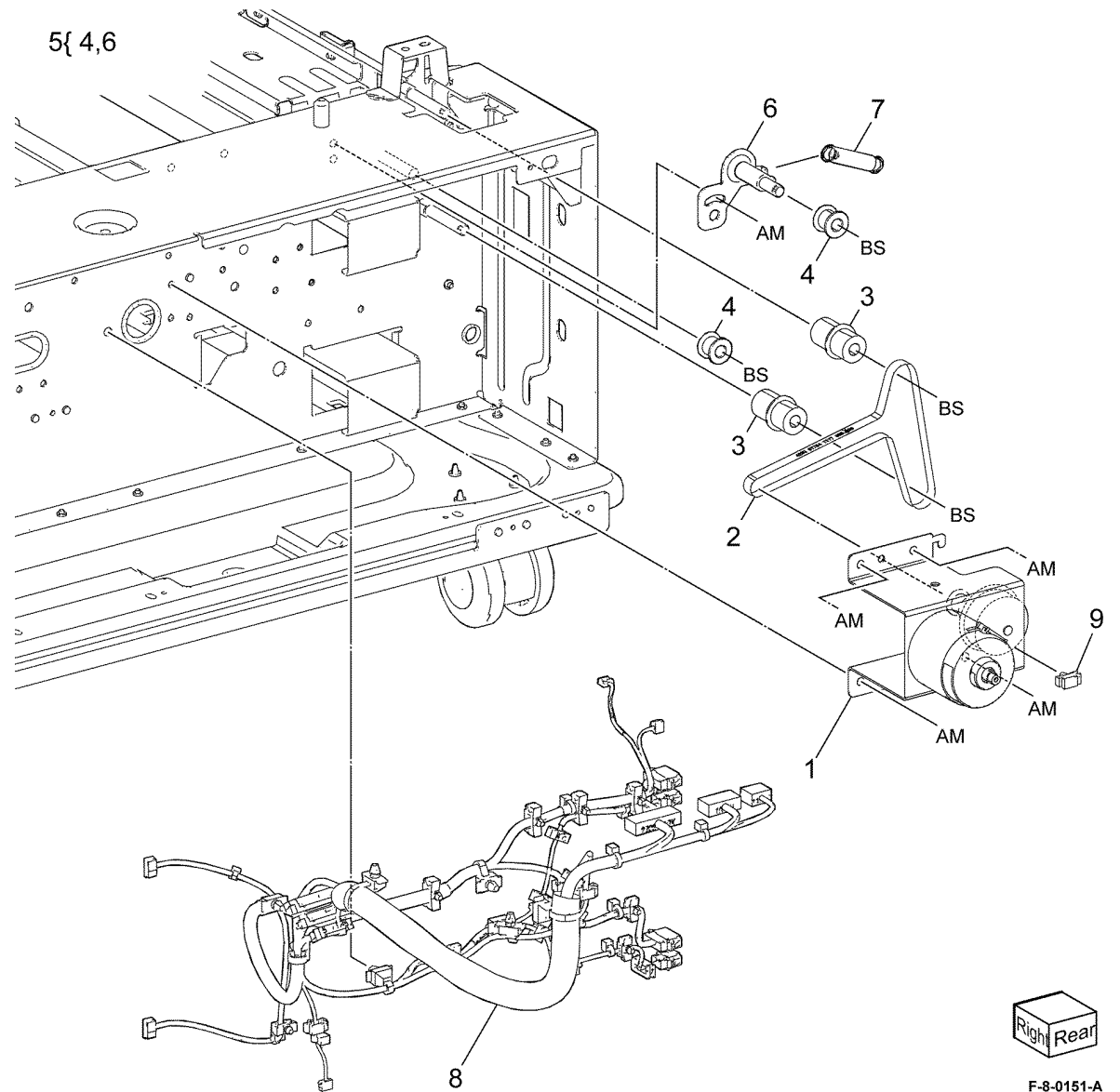
3{ 5,6



F-8-0150-A

PL 80.30 2TM Drive Assembly

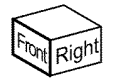
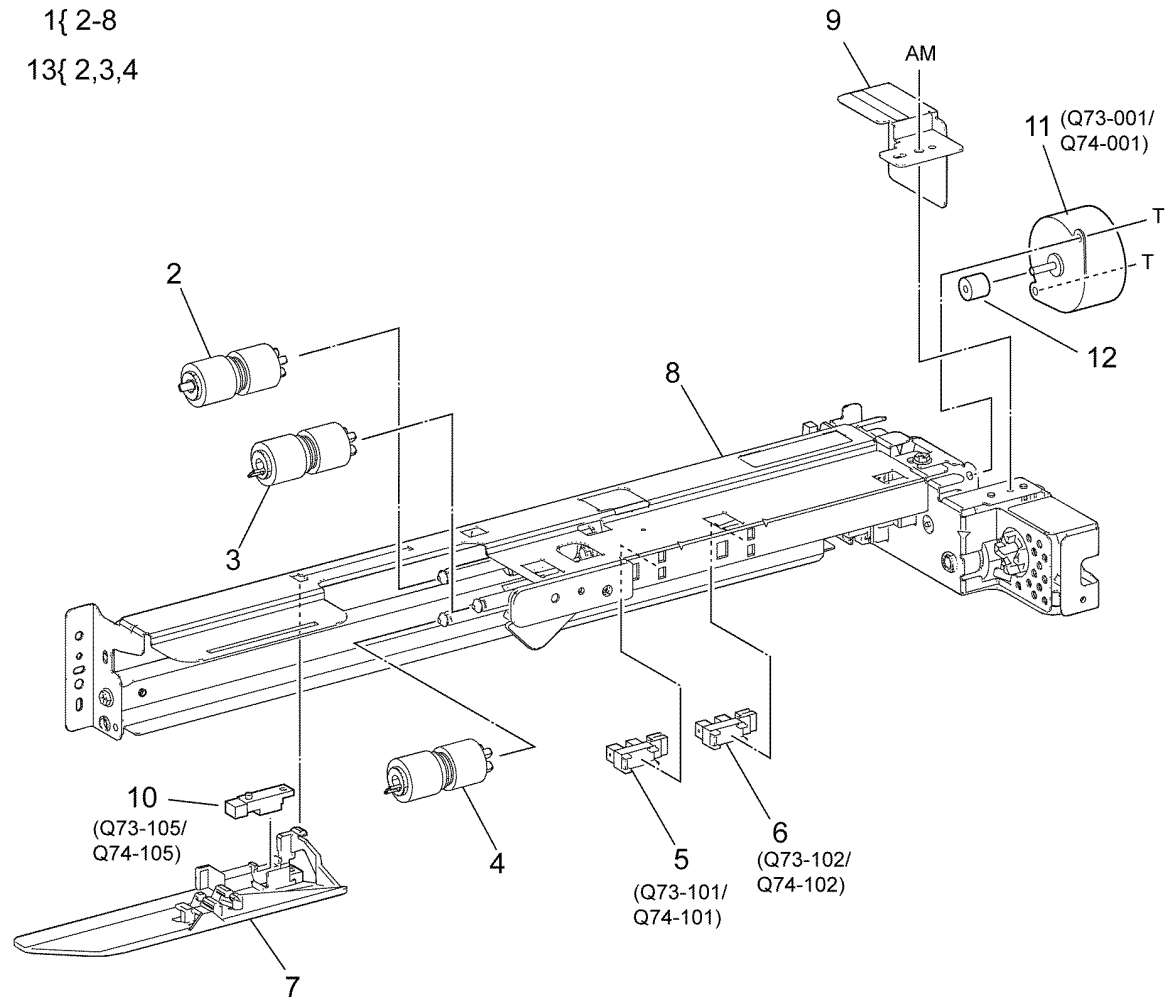
Item	Part	Description
1	049K41791	Takeaway motor assembly (REP 80.9)
2	423W37754	Belt (REP 80.10)
3	-	Pulley (24T) (Not Spared)
4	-	Roller (P/O PL 80.30 Item 5)
5	-	Tension bracket assembly (Not Spared)
6	-	Tension bracket (P/O PL 80.30 Item 5)
7	-	Spring (Not Spared)
8	-	Wire harness assembly (Not Spared)
9	-	Clamp (Not Spared)



F-8-0151-A

PL 80.35 2TM Tray 3 & 4 Feedhead Assembly

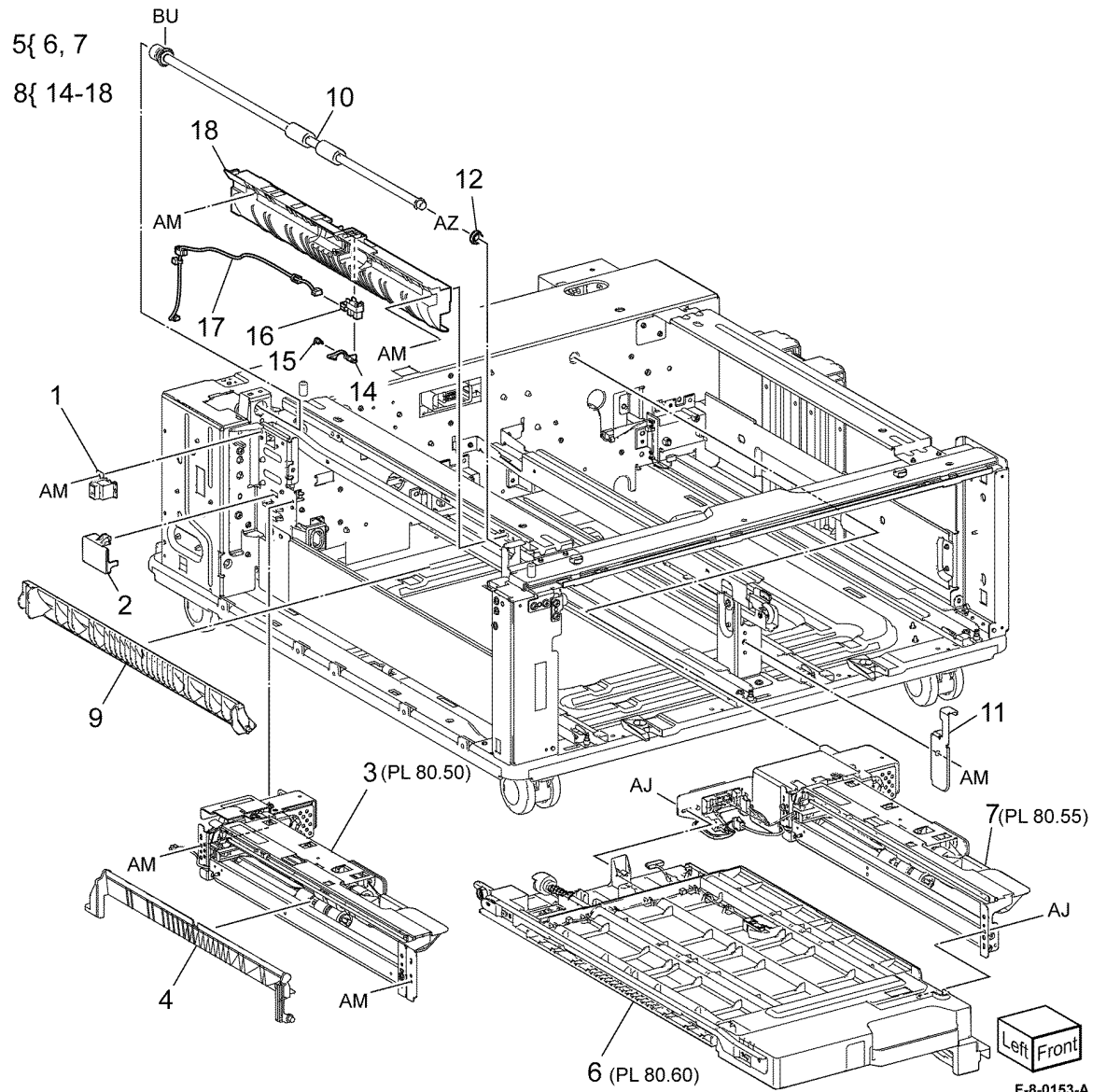
Item	Part	Description	
1	-	Feedhead assembly (REF: PL 80.40 Item 3 & PL 80.40 Item 7)	1{ 2-8
2	-	Feed roll (P/O PL 80.35 Item 13) (REP 80.12)	13{ 2,3,4
3	-	Nudger roll (P/O PL 80.35 Item 13) (REP 80.12)	
4	-	Retard roll (P/O PL 80.35 Item 13) (REP 80.12)	
5	-	Tray 3 no paper sensor (Q73-101)/ Tray 4 no paper sensor (Q74-101) (P/O PL 80.20 Item 10)	
6	-	Tray 3 level sensor (Q73-102)/ Tray 4 level sensor (Q74-102) (P/O PL 80.20 Item 10)	
7	-	Chute (P/O PL 80.35 Item 1)	
8	-	Feedhead frame (P/O PL 80.35 Item 1)	
9	-	Bracket (Not Spared)	
10	930W00211	Tray 3 pre-feed sensor (Q73-105)/ Tray 4 pre-feed sensor (Q74-105)	
11	-	Tray 3 lift motor (MOT73-001)/Tray 4 lift motor (MOT74-001) (P/O PL 80.35 Item 1)	
12	-	Gear (P/O PL 80.35 Item 11)	
13	109R00790	Tray 1-4 feed rolls	



F-8-0152-A

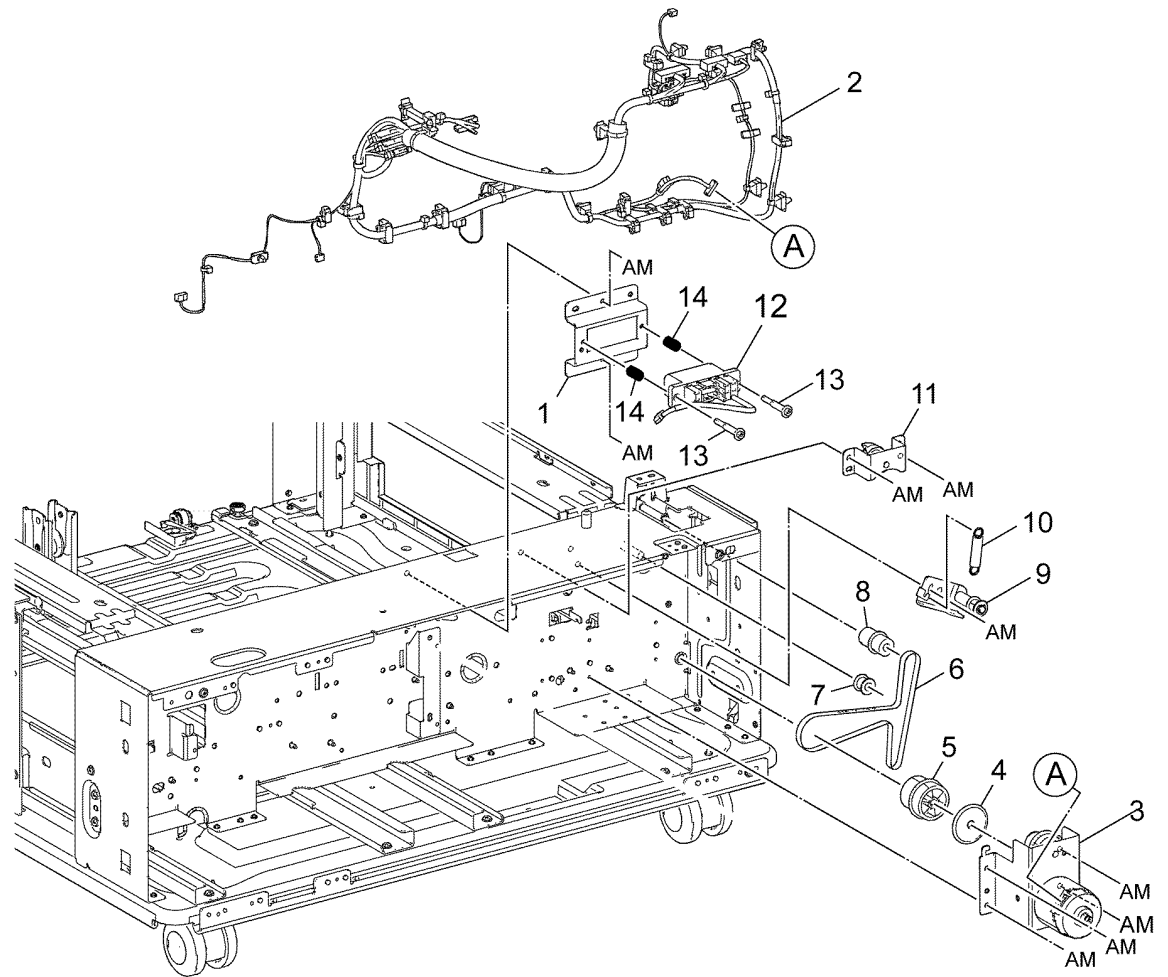
PL 80.40 TTM Transport assembly / Tray 3 & 4 Feedhead Assembly

Item	Part	Description
1	948K01810	TTM left door interlock switch (S77-306)
2	-	Connector cover (Not Spared)
3	859K02411	Tray 3 feedhead assembly (REP 80.14)
4	054E33803	Feed out chute
5	859K02862	Transport assembly (REF: PL 80.60)
6	-	TTM transport assembly (P/O PL 80.40 Item 5)
7	859K02931	Tray 4 feedhead assembly (REP 80.15)
8	054K56450	Takeaway chute assembly
9	054E39560	Transport feed chute
10	859K07790	Takeaway roll assembly
11	-	Transport stopper (Not Spared)
12	413W88650	Bearing
13	-	Not used
14	-	Actuator (P/O PL 80.40 Item 8)
15	-	Spring (P/O PL 80.40 Item 8)
16	-	Feed out sensor 3 (Q73-103) (P/O PL 80.40 Item 8)
17	-	Harness assembly (P/O PL 80.40 Item 8)
18	-	Takeaway chute (P/O PL 80.40 Item 8)



PL 80.45 TTM Drive Assembly

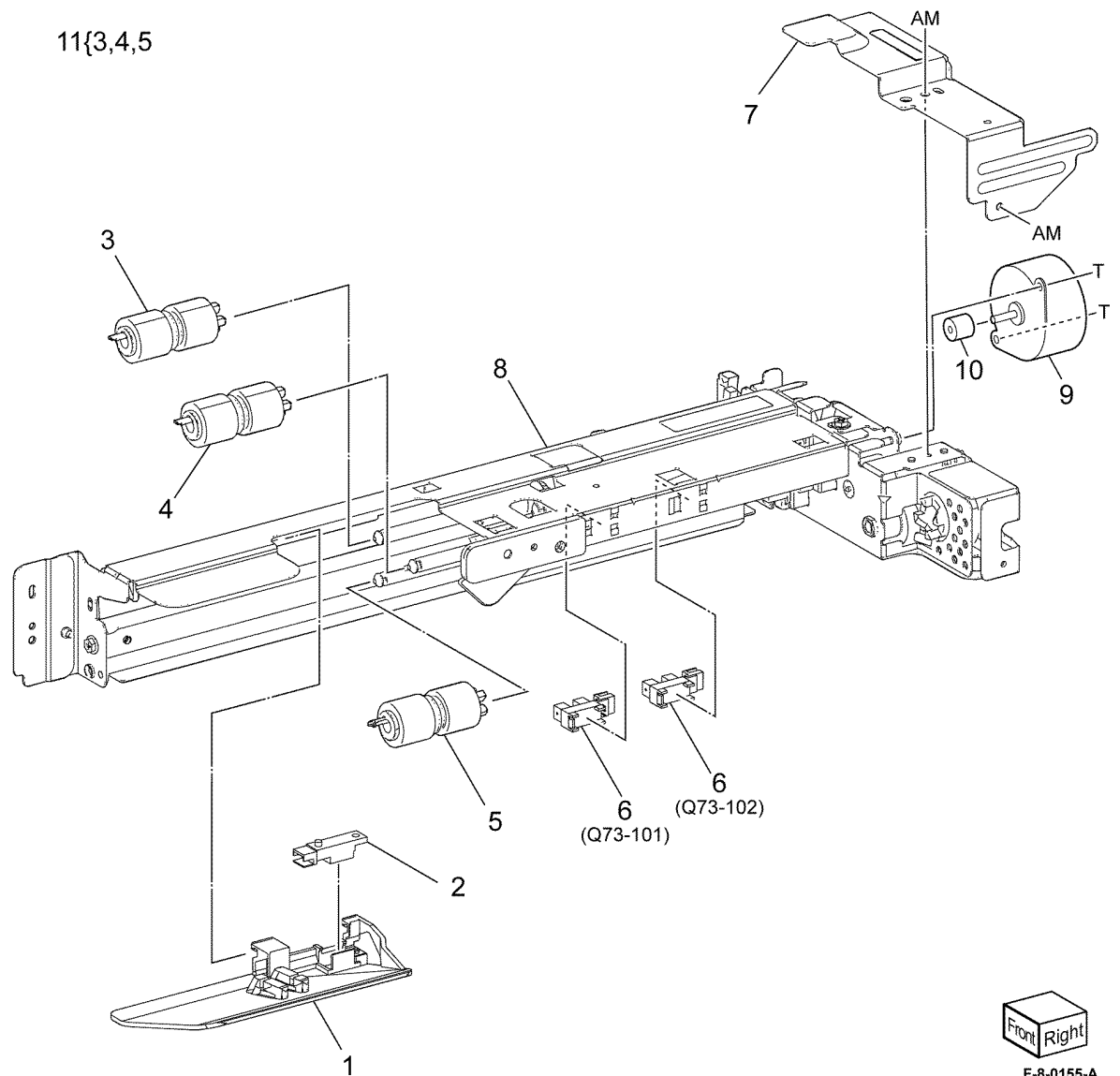
Item	Part	Description
1	-	Connector bracket (Not Spared)
2	-	Wire harness (Not Spared)
3	049K31871	Takeaway motor assembly (MOT77-035)
4	-	Collar (Not Spared)
5	-	Pulley (48T) (Not Spared)
6	423W85054	Belt
7	-	Roller (Not Spared)
8	-	Pulley (Not Spared)
9	-	Tension bracket assembly (Not Spared)
10	-	Spring (Not Spared)
11	-	Transport bracket assembly (Not Spared)
12	-	Drawer harness (Not Spared)
13	-	Shoulder screw (Not Spared)
14	-	Spring (Not Spared)



F-8-0154-A

PL 80.50 TTM Tray 3 Feedhead Assembly

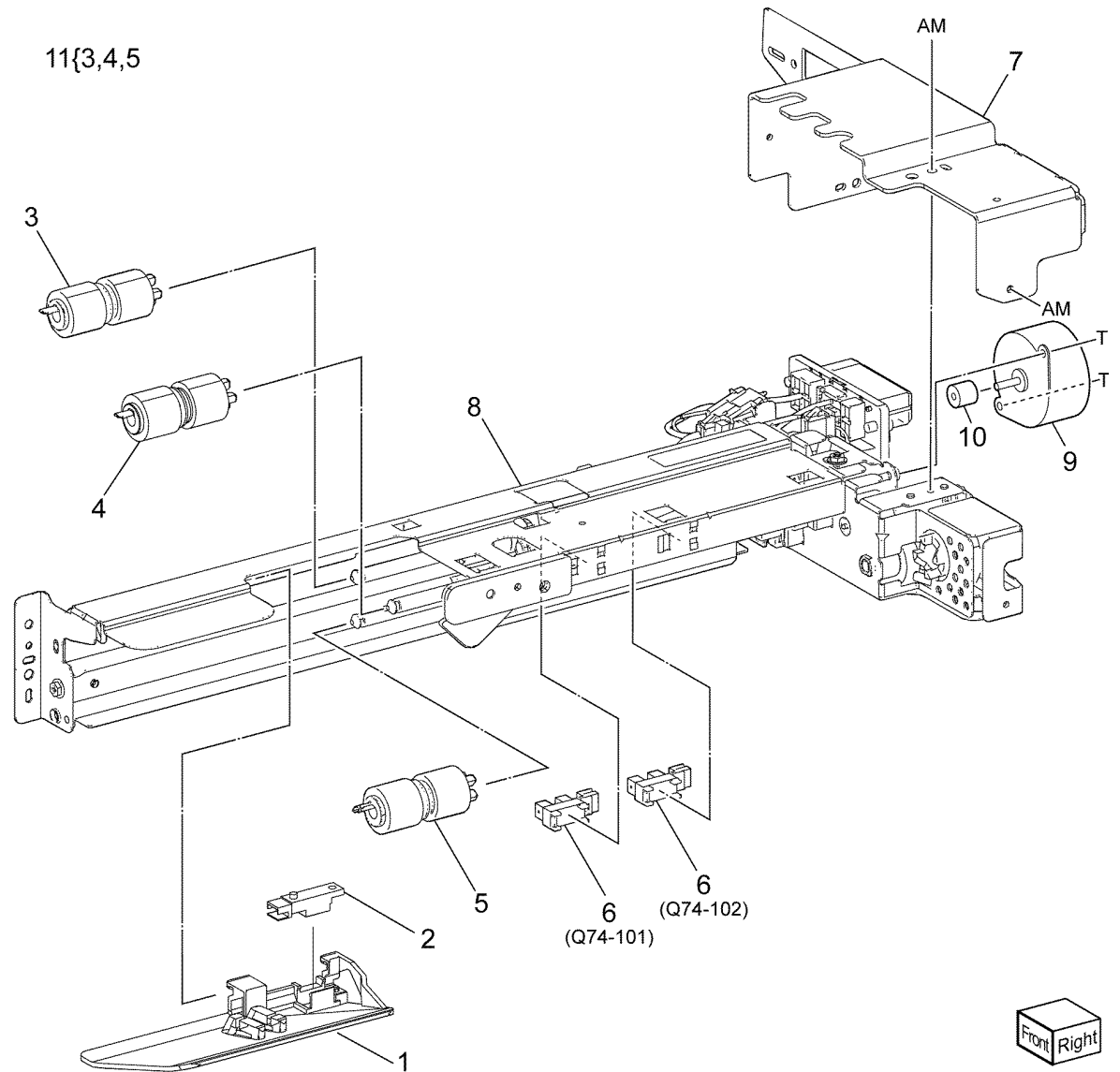
Item	Part	Description
1	-	Chute (P/O PL 80.40 Item 3)
2	930W00211	Tray 3 pre-feed sensor (Q73-105)
3	-	Feed roll (P/O PL 80.50 Item 11) (REP 80.16)
4	-	Nudger roll (P/O PL 80.50 Item 11) (REP 80.16)
5	-	Retard roll (P/O PL 80.50 Item 11) (REP 80.16)
6	-	Tray 3 no paper sensor (Q73-101)/ Tray 3 level sensor (Q73-102) (P/ O PL 80.40 Item 3)
7	-	Feedhead cover (P/O PL 80.40 Item 3)
8	-	Feedhead frame (P/O PL 80.40 Item 3)
9	-	Tray 3 feed/lift motor (MOT73-001) (P/O PL 80.40 Item 3)
10	-	Gear (P/O PL 80.50 Item 9)
11	109R00790	Tray 1-4 feed rolls



Front Right
F-8-0155-A

PL 80.55 TTM Tray 4 Feedhead Assembly

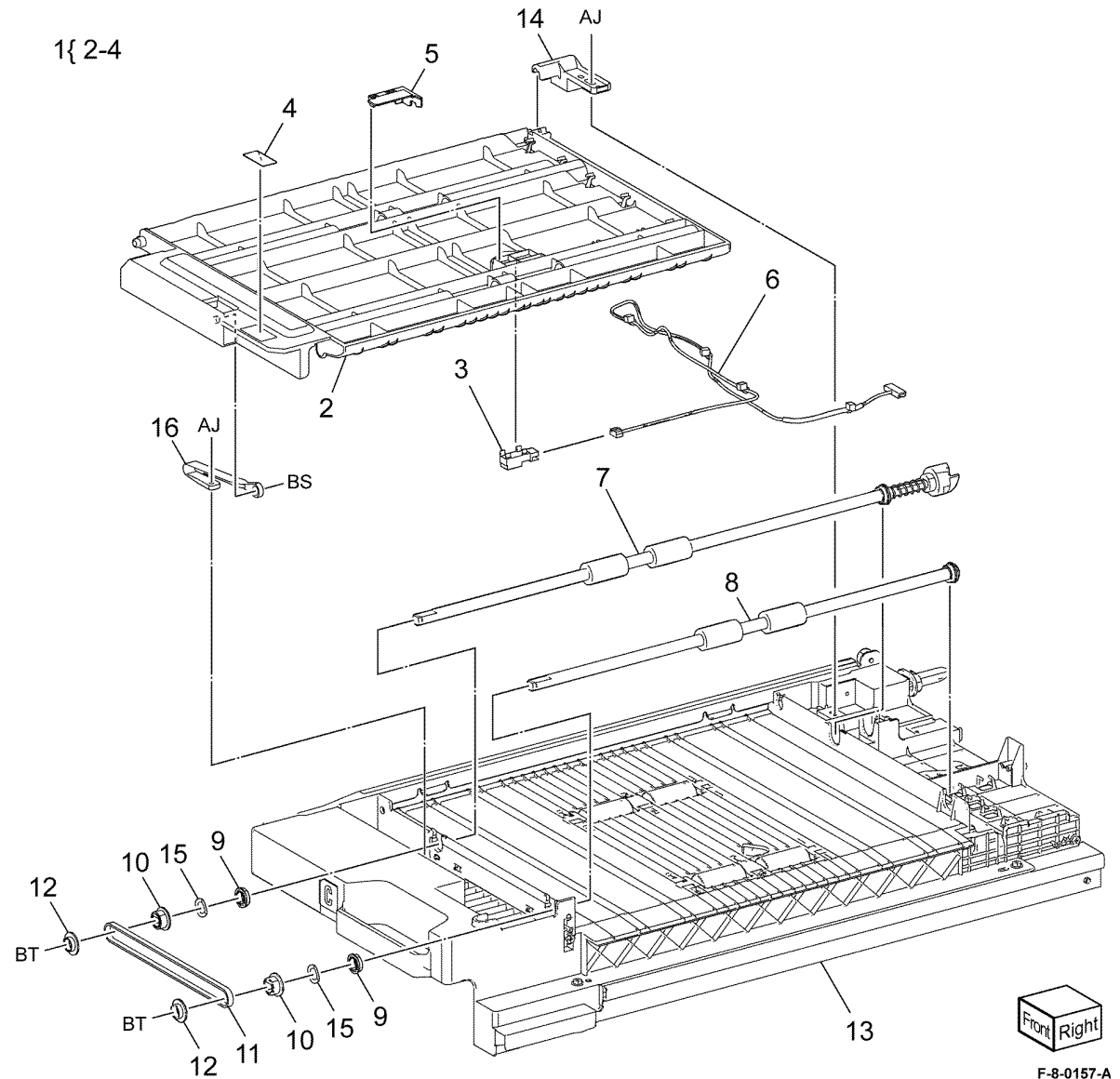
Item	Part	Description
1	-	Chute (P/O PL 80.40 Item 7)
2	930W00211	Tray 4 pre-feed sensor (Q74-105)
3	-	Feed roll (P/O PL 80.55 Item 11) (REP 80.16)
4	-	Nudger roll (P/O PL 80.55 Item 11) (REP 80.16)
5	-	Retard roll (P/O PL 80.55 Item 11) (REP 80.16)
6	-	Tray 4 no paper sensor (Q74-101)/ Tray 4 level sensor (Q74-102) (P/ O PL 80.40 Item 7)
7	-	Feedhead cover (P/O PL 80.40 Item 7)
8	-	Feedhead frame (P/O PL 80.40 Item 7)
9	-	Tray 4 feed/lift motor (MOT74-001) (P/O PL 80.40 Item 7)
10	-	Gear (P/O PL 80.55 Item 9)
11	109R00790	Tray 1-4 feed rolls



F-8-0156-A

PL 80.60 TTM Transport Assembly

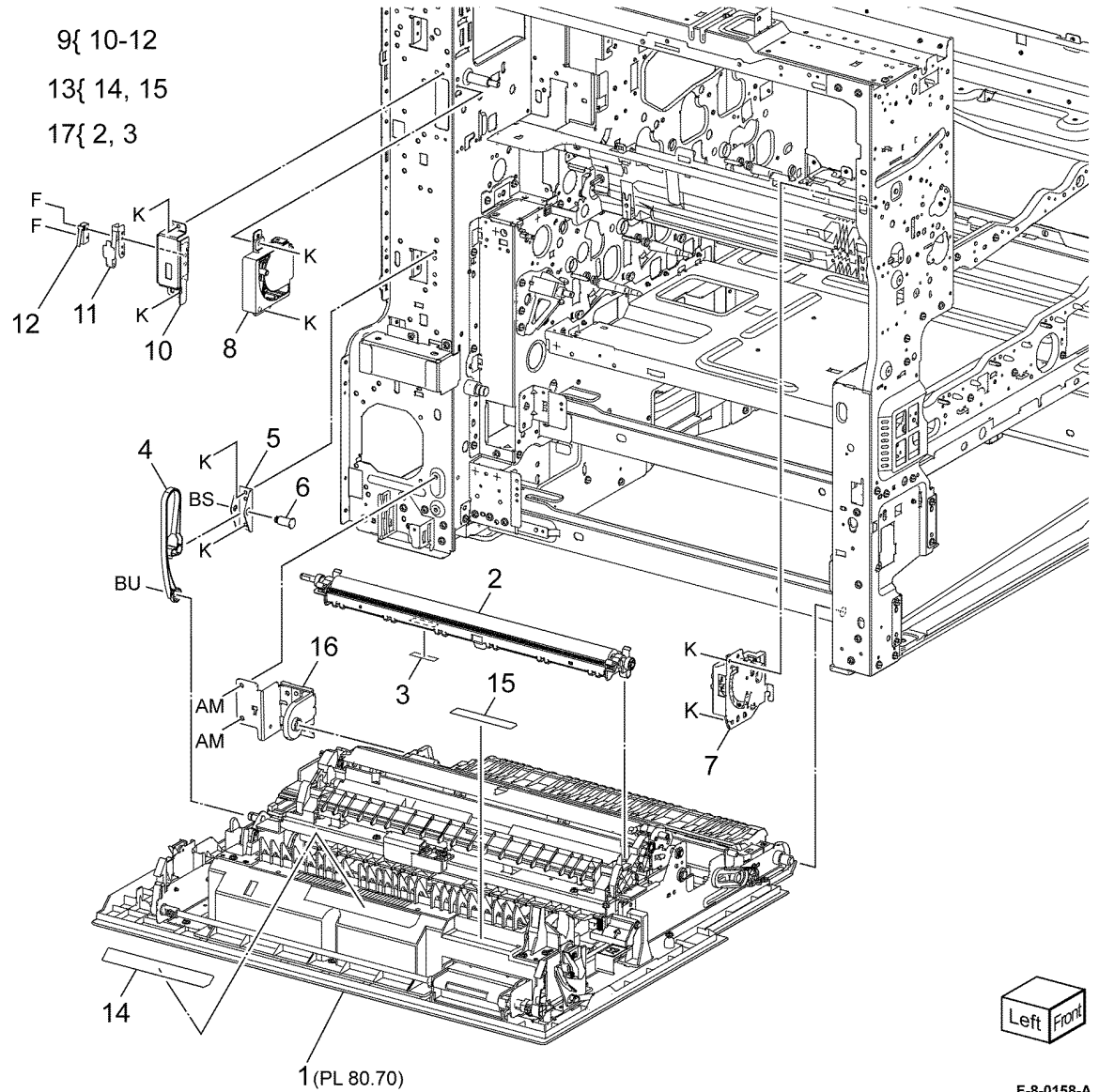
Item	Part	Description
1	-	Upper chute transport kit (REF: PL 80.40 Item 5)
2	-	Upper chute transport (P/O PL 80.60 Item 1)
3	-	Feed out sensor 4 (Q74-103) (P/O PL 80.60 Item 1)
4	-	Label (Transport) (P/O PL 80.60 Item 1)
5	-	Feed out sensor cover (Not Spared)
6	-	Feed out sensor harness (Not Spared)
7	-	Transport roll assembly (Not Spared) (REP 80.17)
8	-	Transport roll (Not Spared)
9	-	Bearing (Not Spared)
10	-	Pulley (Not Spared)
11	-	Belt (Not Spared)
12	-	Collar (Not Spared)
13	-	Lower chute transport (Not Spared)
14	-	Rear jam clearance handle (Not Spared)
15	-	Washer (Not Spared)
16	-	Front jam clearance handle (Not Spared)



F-8-0157-A

PL 80.65 Left Cover Components

Item	Part	Description
1	859K14042	Left cover assembly (REP 80.21)
2	-	2nd BTR roll assembly (P/O PL 80.65 Item 17) (REP 80.22)
3	-	Label (P/O PL 80.65 Item 17)
4	869E24730	Rear left support
5	-	Support bracket (Not Spared)
6	-	Shaft (Not Spared)
7	-	Front lever assembly (Not Spared)
8	-	Rear lever assembly (Not Spared)
9	110K18150	Interlock switch assembly (S77-300) (REP 80.29)
10	-	Switch bracket (P/O PL 80.65 Item 9)
11	-	Switch plate (P/O PL 80.65 Item 9)
12	-	Left cover interlock switch (P/O PL 80.65 Item 9)
13	-	Caution label kit (Not Spared)
14	-	Label (Finger caution) (P/O PL 80.65 Item 1)
15	-	Label (Caution) (P/O PL 80.65 Item 1)
16	-	Rear bracket (Not Spared)
17	116R00015	2nd BTR assembly



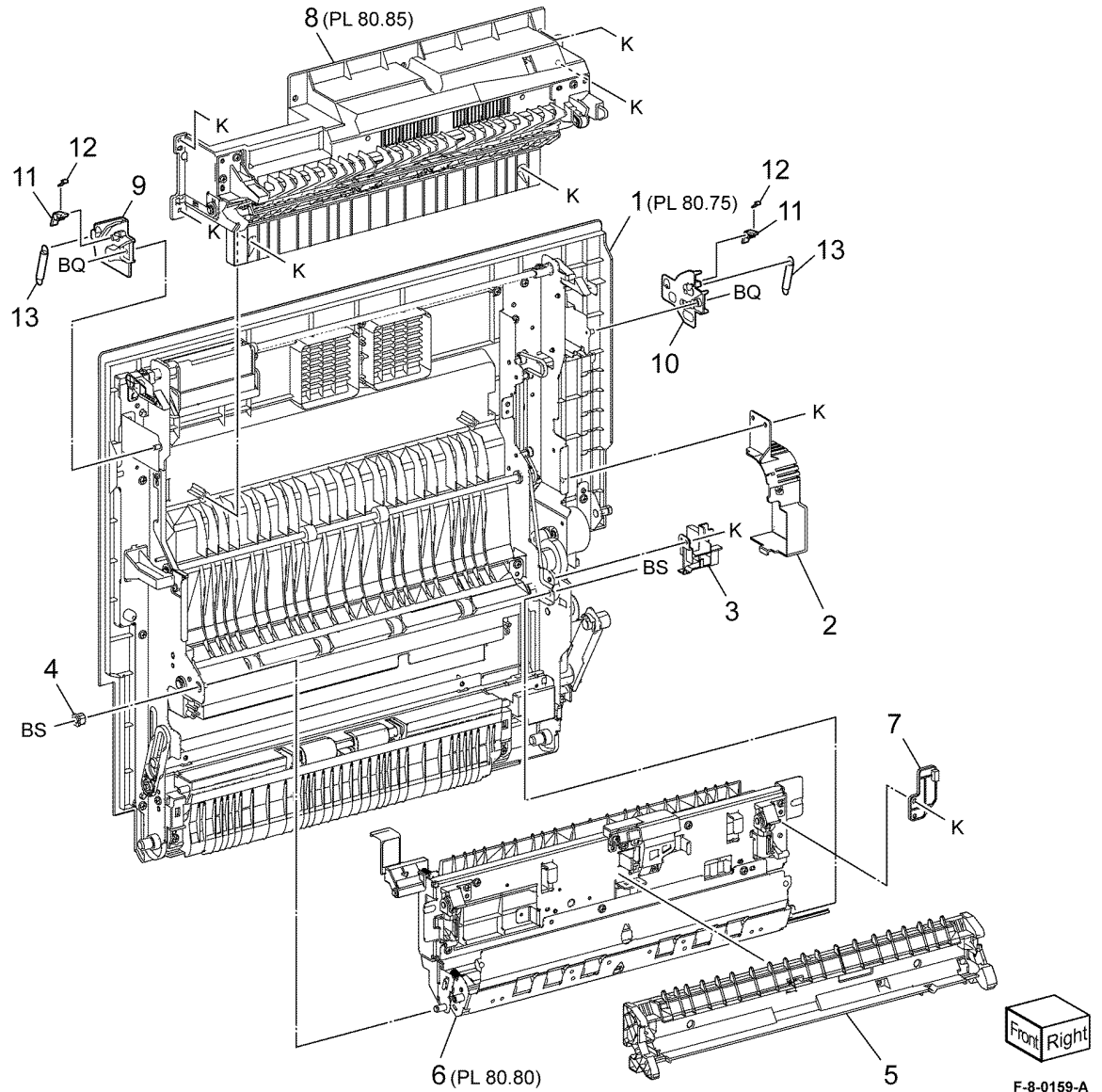
Left Front

F-8-0158-A

PL 80.70 Left Cover Transport Components

Item	Part	Description
1	-	Left cover assembly (REF: PL 80.75)
2	-	Duplex motor cover
3	-	Harness guide
4	-	Bearing
5	-	2nd BTR housing assembly (REF: PL 80.65 Item 17) (REP 80.23)
6	-	Duplex inner chute assembly (REF: PL 80.80) (REP 80.24)
7	-	Link (P/O PL 80.70 Item 6)
8	-	Duplex chute assembly (REF: PL 80.85)
9	-	Front toggle guide
10	-	Rear toggle guide
11	-	Toggle gate
12	-	Spring
13	-	Toggle spring

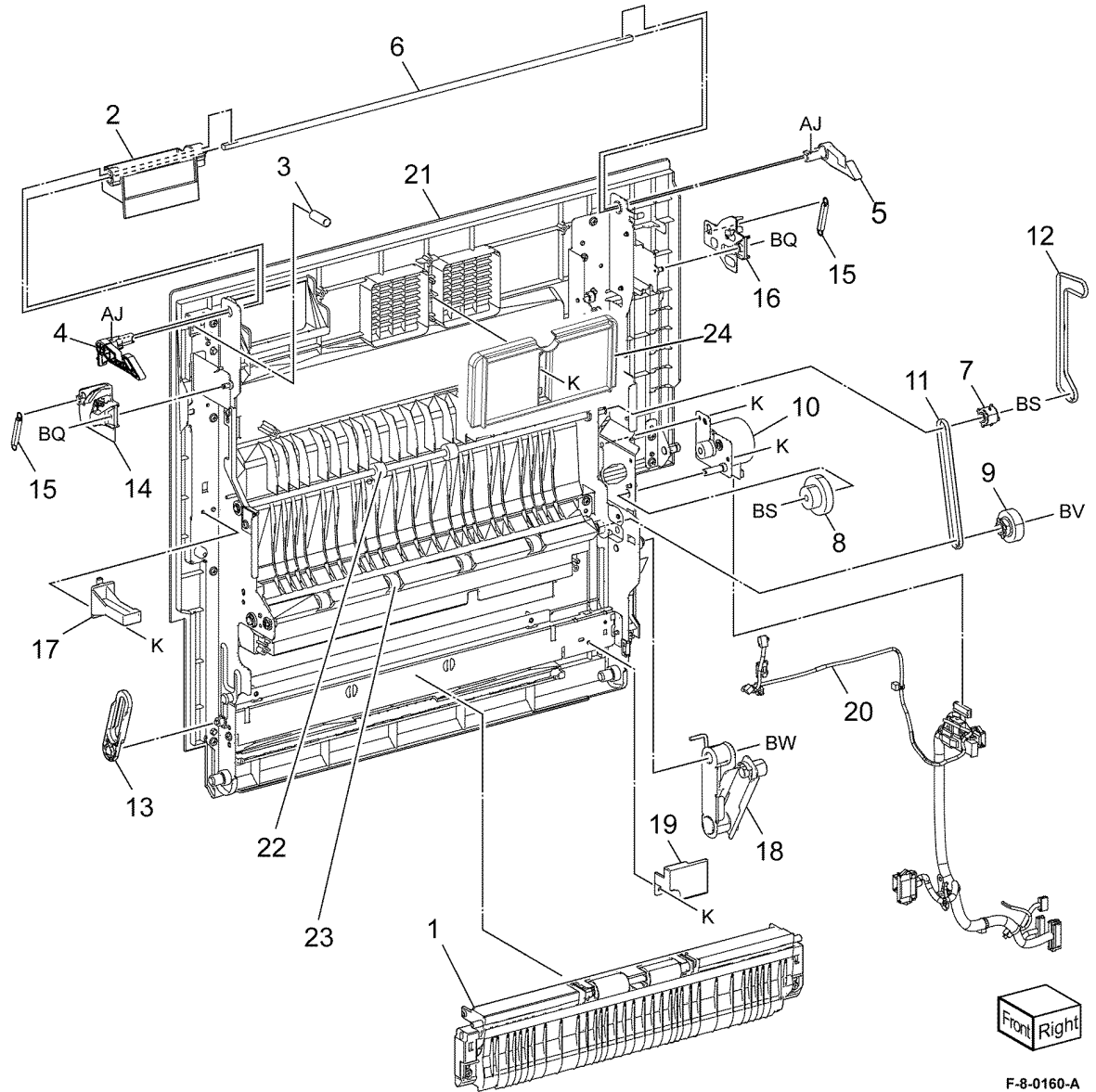
NOTE: All parts are part of PL 80.65 Item 1.



PL 80.75 Left Cover Transport Assembly

Item	Part	Description
1	-	Lower chute assembly (REP 80.25)
2	-	Handle
3	-	Spring
4	-	Front latch
5	-	Rear latch
6	-	Shaft
7	-	Pulley
8	-	Gear
9	-	Gear/pulley
10	-	Duplex motor and bracket assembly (MOT77-071)
11	-	Belt
12	-	Belt
13	-	Front support
14	-	Front toggle guide assembly
15	-	Spring
16	-	Rear toggle guide assembly
17	-	Close stopper
18	-	Link assembly
19	-	Connector cover
20	-	Harness assembly
21	-	Left cover assembly
22	-	Mid duplex roll assembly
23	-	Lower duplex roll assembly
24	-	Vent cover

NOTE: All components are part of PL 80.65 Item 1.

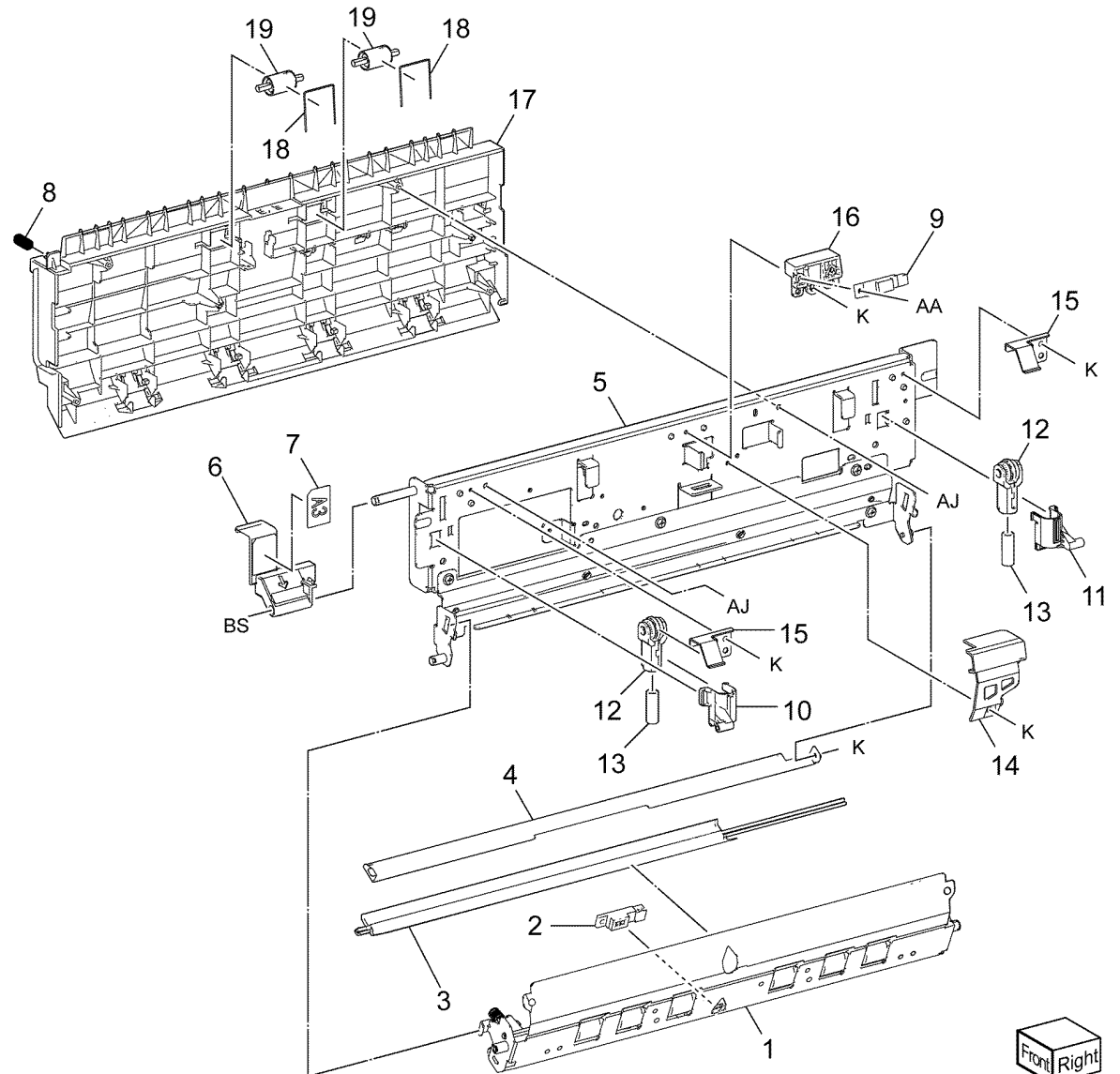


F-8-0160-A

PL 80.80 Duplex Inner Chute Assembly

Item	Part	Description
1	-	Registration chute assembly
2	-	Registration sensor (Q77-103) (REP 80.26)
3	-	Registration heater assembly
4	-	Registration heater bracket
5	-	Registration tie plate
6	-	Handle (REP 80.27)
7	-	Label (A3)
8	-	Spring
9	-	POB jam sensor (Q94-201) (REP 80.28)
10	-	Front spring housing
11	-	Rear spring housing
12	-	2nd roller assembly
13	-	Spring
14	-	Harness cover
15	-	BTR bracket
16	-	POB jam sensor holder
17	-	Duplex inner chute
18	-	Pinch spring
19	-	Pinch roller

NOTE: All components are part of PL 80.65 Item 1.

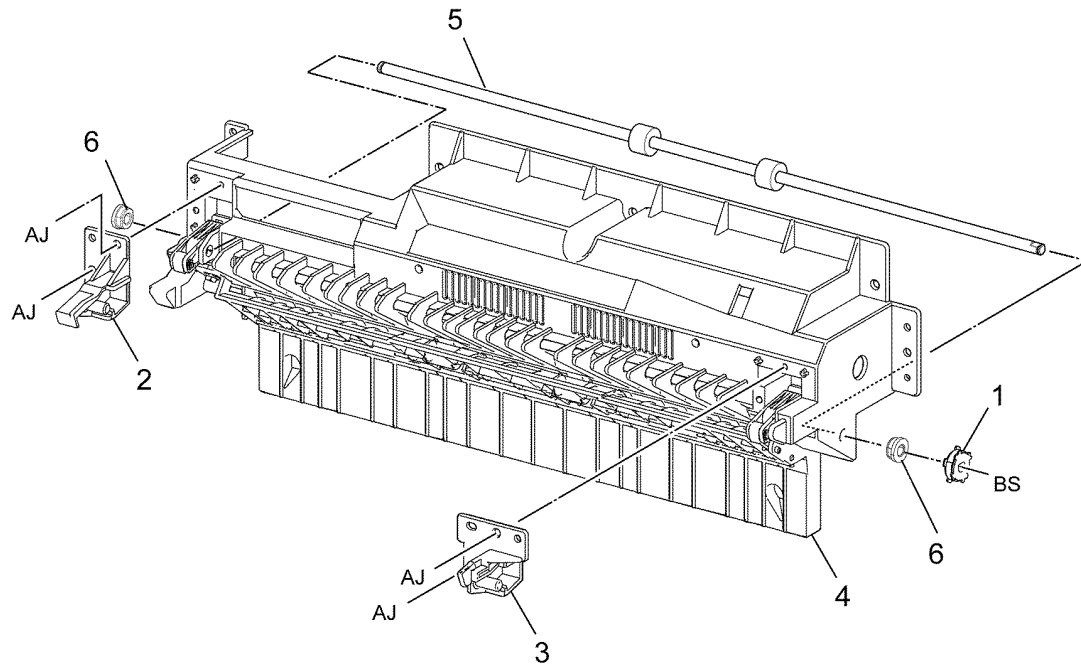


F-8-0161-A

PL 80.85 Duplex Chute Assembly

Item	Part	Description
1	—	Pulley
2	—	Front holder assembly
3	—	Rear holder assembly
4	—	Duplex chute housing assembly
5	—	Upper duplex roll assembly
6	—	Bearing

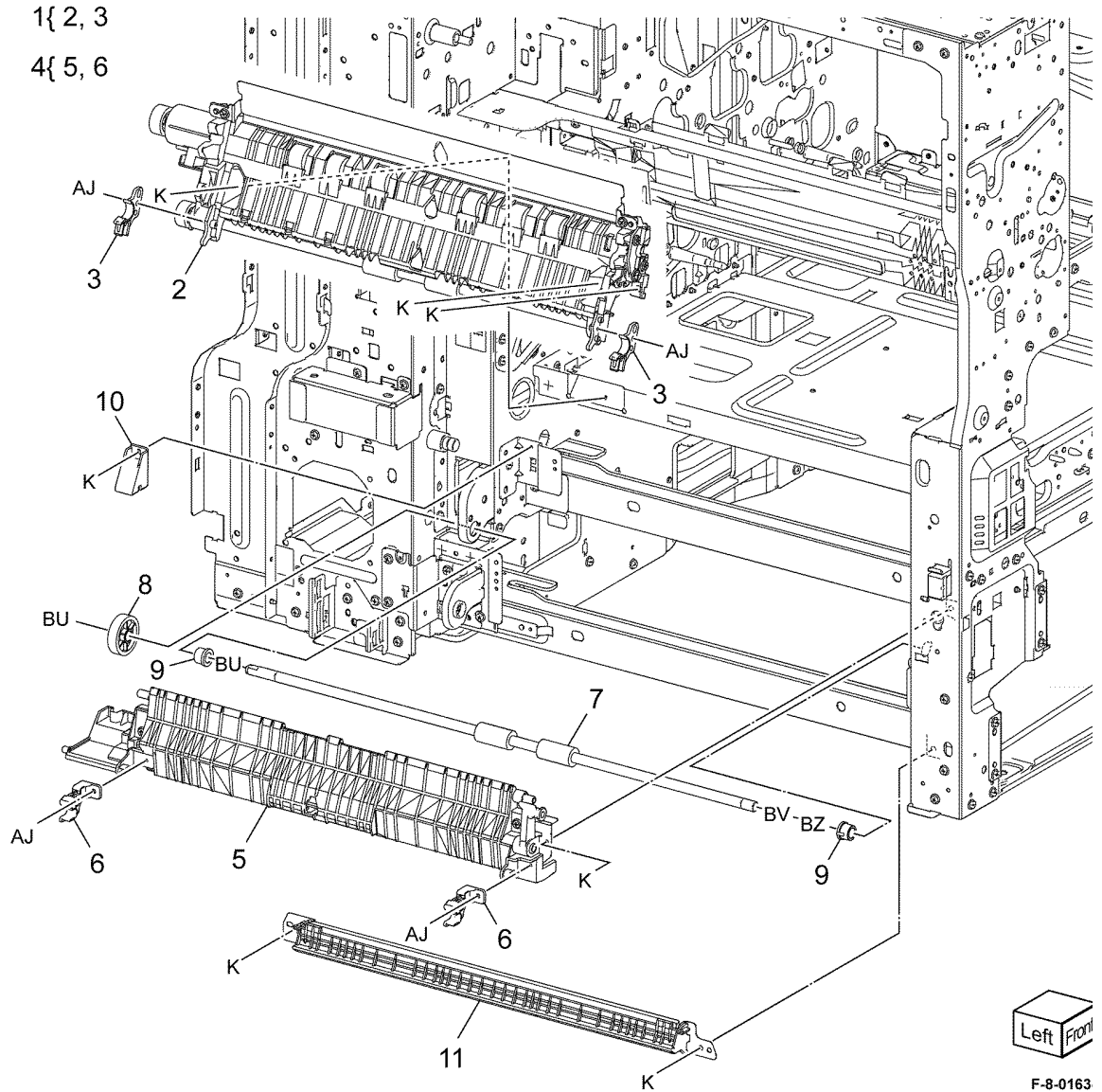
NOTE: All components are part of PL 80.65 Item 1.



F-8-0162-A

PL 80.90 Registration Transport Assembly

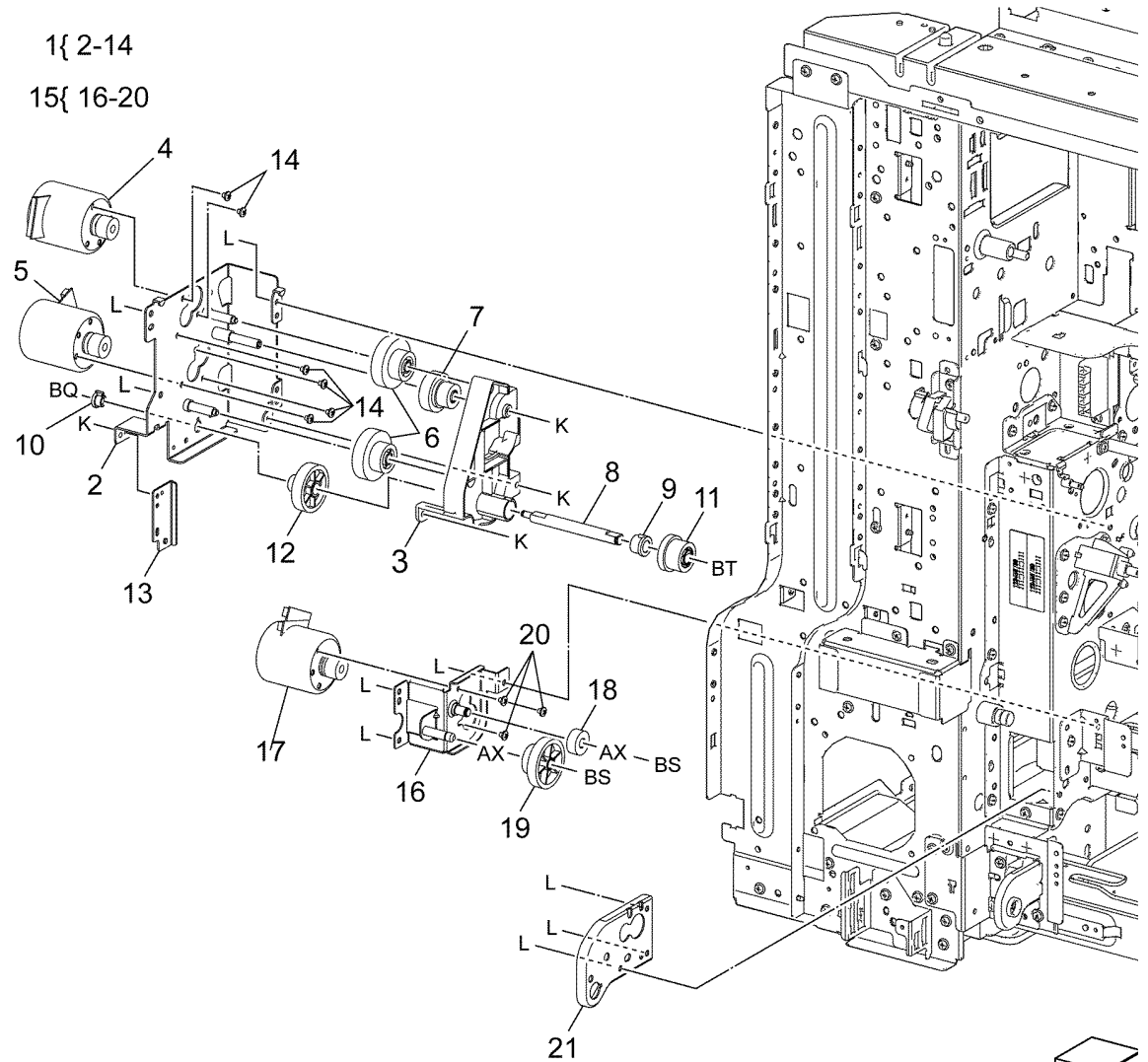
Item	Part	Description
1	859K03317	Registration transport assembly (REP 80.30)
2	-	Registration transport (P/O PL 80.90 Item 1)
3	-	Chute holder (P/O PL 80.90 Item 1)
4	-	Chute assembly (Not Spared) (REP 80.31)
5	-	Chute (P/O PL 80.90 Item 4)
6	-	Chute guide (P/O PL 80.90 Item 4)
7	859K07200	Takeaway roll 2 assembly (REP 80.32)
-	859K02290	Takeaway roll 2 assembly (alternative)(REP 80.32)
8	807E52000	Drive gear
9	013E46820	Bearing
10	-	Connector cover (Not Spared)
11	-	Upper chute assembly (Not Spared)



F-8-0163

PL 80.95 Registration Drive Assembly

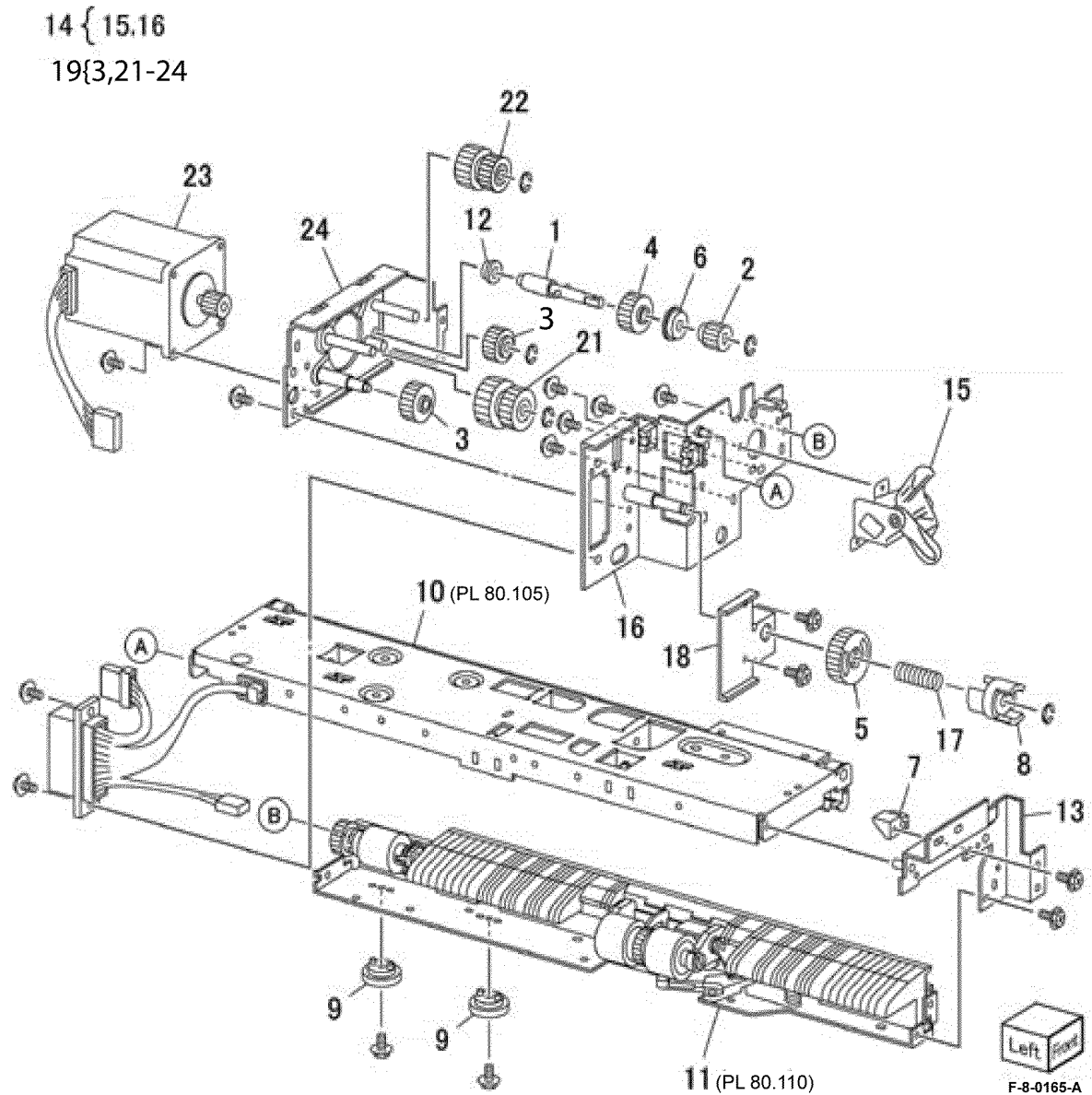
Item	Part	Description
1	007K22002	Registration drive assembly (REP 80.33)
2	-	Motor bracket (P/O PL 80.95 Item 1)
3	-	Block (P/O PL 80.95 Item 1)
4	-	Registration motor (MOT77-055) (P/O PL 80.95 Item 1)
5	-	Takeaway motor 1 (MOT77-050) (P/O PL 80.95 Item 1)
6	-	Gear (39/22) (P/O PL 80.95 Item 1)
7	-	Gear (30/18) (P/O PL 80.95 Item 1)
8	-	Shaft (P/O PL 80.95 Item 1)
9	-	Bearing
10	-	Bearing (P/O PL 80.95 Item 1)
11	-	Gear (37) (P/O PL 80.95 Item 1)
12	-	Gear (25) (P/O PL 80.95 Item 1)
13	-	Bracket (P/O PL 80.95 Item 1)
14	-	Screw (P/O PL 80.95 Item 1)
15	007K22022	Takeaway drive assembly (REP 80.34)
16	-	Takeaway motor 2 bracket (P/O PL 80.95 Item 15)
17	-	Takeaway motor 2 (MOT77-051) (P/O PL 80.95 Item 15)
18	-	Gear (18) (P/O PL 80.95 Item 15)
19	-	Gear (Z39/22) (P/O PL 80.95 Item 15)
20	-	Screw (P/O PL 80.95 Item 15)
21	-	Drive bracket (Not Spared)



F-8-0164-

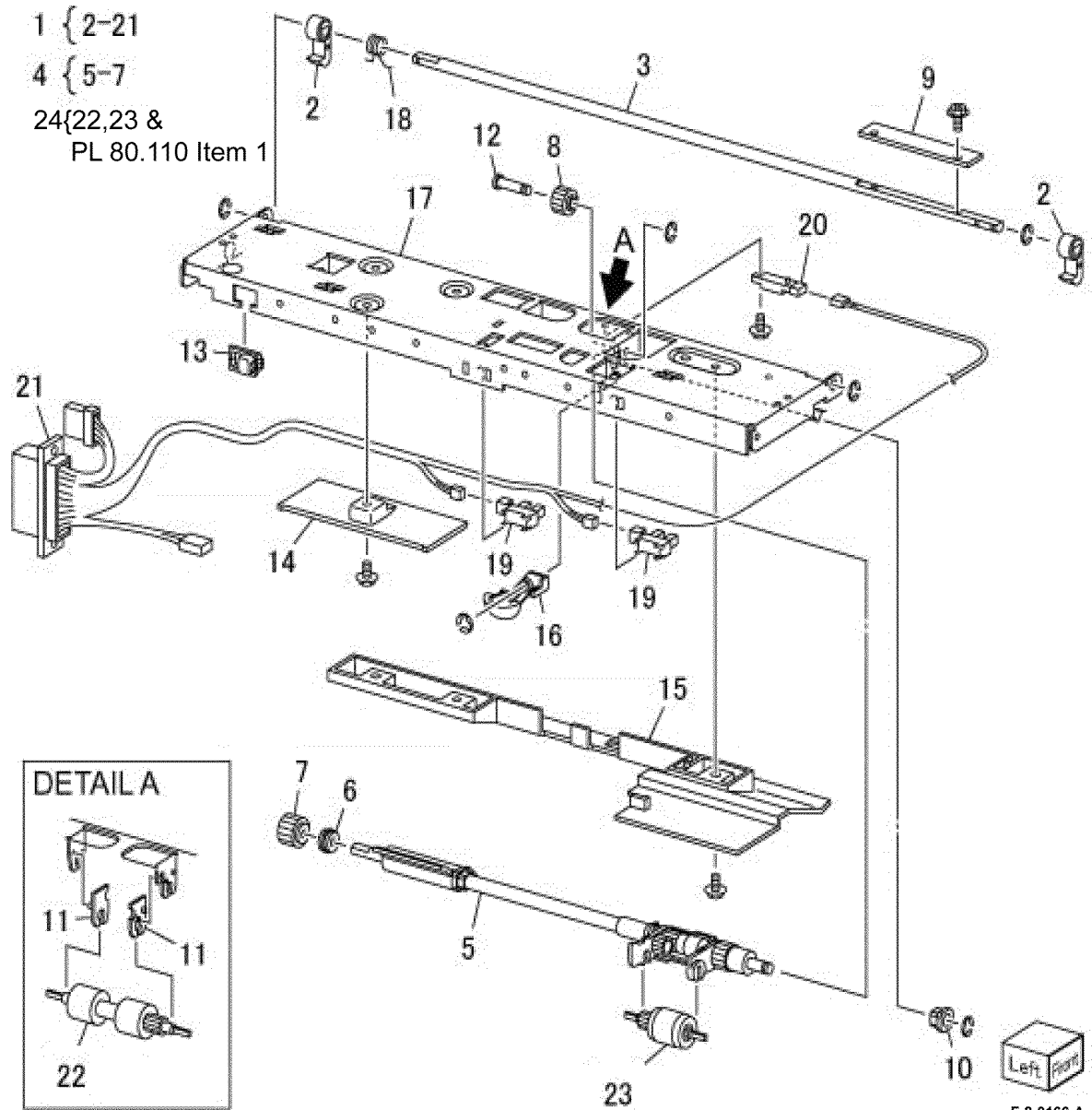
PL 80.100 HCF Feeder (1 of 3)

Item	Part	Description
1	-	Shaft (P/O PL 70.75 Item 11)
2	007E78760	Gear (19T)
3	007E78770	Gear (25T)
4	007E78780	Gear (25T)
5	007E78790	Gear (40T)
6	013E25530	Bearing
7	-	Block (P/O PL 70.75 Item 11)
8	-	Spacer (P/O PL 70.75 Item 11)
9	019E56470	Holder
10	-	Upper feeder assembly (P/O PL 70.75 Item 11)
11	-	Lower feeder assembly (P/O PL 70.75 Item 11)
12	413W66250	Ball bearing
13	-	Front frame (P/O PL 70.75 Item 11)
14	-	Rear frame assembly (P/O PL 70.75 Item 11)
15	-	Link assembly (P/O PL 80.100 Item 14)
16	-	Rear frame (P/O PL 80.100 Item 14)
17	-	Spring (P/O PL 70.75 Item 11)
18	-	Bracket (P/O PL 70.75 Item 11)
19	-	Drive gear assembly (P/O PL 70.75 Item 11)
21	007K88520	Gear (23T/27T)
22	007K88530	Gear (31T/36T)
23	127K37901	HCF feed lift motor (MOT78-003) (REP 80.39)
24	-	Motor frame (P/O PL 80.100 Item 19)



PL 80.105 HCF Feeder (2 of 3)

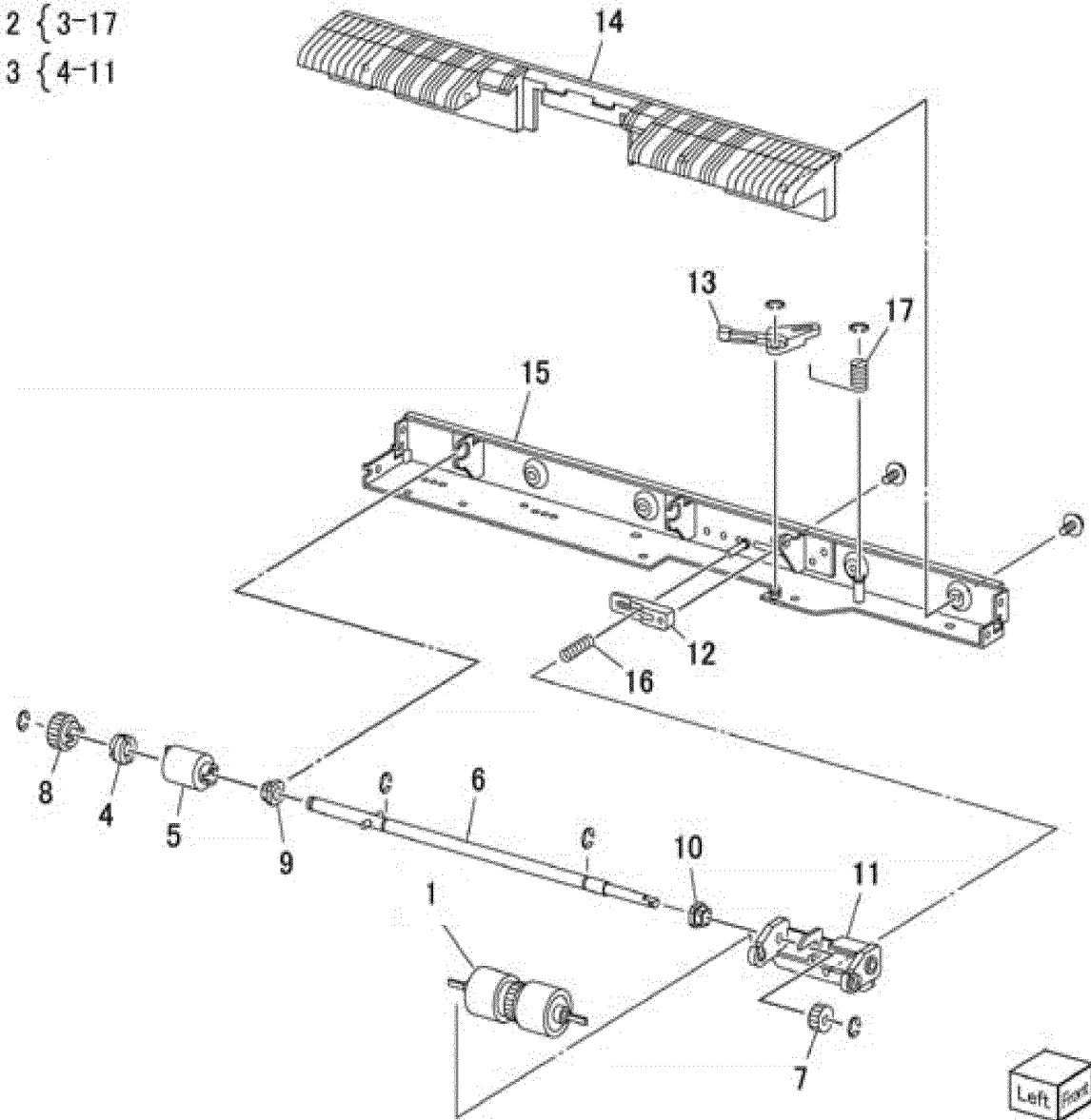
Item	Part	Description
1	-	Upper feeder assembly (P/O PL 70.75 Item 11)
2	003E59570	Latch (REP 80.37)
3	-	Shaft latch (P/O PL 80.105 Item 1)
4	006K23124	Feed shaft assembly (REP 80.36)
5	-	Feed shaft (P/O PL 80.105 Item 4)
6	413W66250	Ball bearing (REP 80.36)
7	-	Gear (20T) (P/O PL 80.105 Item 4)
8	007E78180	Feed gear (25T) (REP 80.36)
9	-	Lever (P/O PL 80.105 Item 1)
10	-	Bearing (P/O PL 80.105 Item 1)
11	-	Spacer (P/O PL 80.105 Item 1)
12	-	Pin drive (P/O PL 80.105 Item 1)
13	-	Guide (P/O PL 80.105 Item 1)
14	-	Rear upper chute (P/O PL 80.105 Item 1)
15	-	Upper chute (P/O PL 80.105 Item 1)
16	120E21900	Actuator
17	-	Upper Frame (P/O PL 80.105 Item 1)
18	-	Spring (P/O PL 80.105 Item 1)
19	930W00112	HCF level sensor / HCF no paper sensor (REP 80.38)
20	930W00211	HCF pre feed sensor (REP 80.38)
21	-	Wire harness (P/O PL 80.105 Item 1)
22	-	Feed roll (P/O PL 80.105 Item 24)
23	-	Nudger roll (P/O PL 80.105 Item 24)
24	116R00017	Tray 6 feed rolls



PL 80.110 HCF Feeder (3 of 3)

Item	Part	Description
1	-	Retard roll (P/O PL 80.105 Item 24)
2	-	Lower feeder assembly (P/O PL 70.75 Item 11)
3	-	Retard shaft assembly (P/O PL 80.110 Item 2)
4	-	Collar (P/O PL 80.110 Item 3)
5	005K06701	Friction clutch
6	-	Shaft (P/O PL 80.110 Item 3)
7	007E78170	Gear (15T)
8	007E89760	Gear (22T)
9	013E23600	Bearing
10	013E23610	Bearing
11	-	Retard bracket (P/O PL 80.110 Item 3)
12	-	Slide (P/O PL 80.110 Item 2)
13	-	Lever (P/O PL 80.110 Item 2)
14	-	Lower chute (P/O PL 80.110 Item 2)
15	-	Lower frame (P/O PL 80.110 Item 2)
16	-	Spring (P/O PL 80.110 Item 2)
17	-	Spring (P/O PL 80.110 Item 2)

2 { 3-17
3 { 4-11

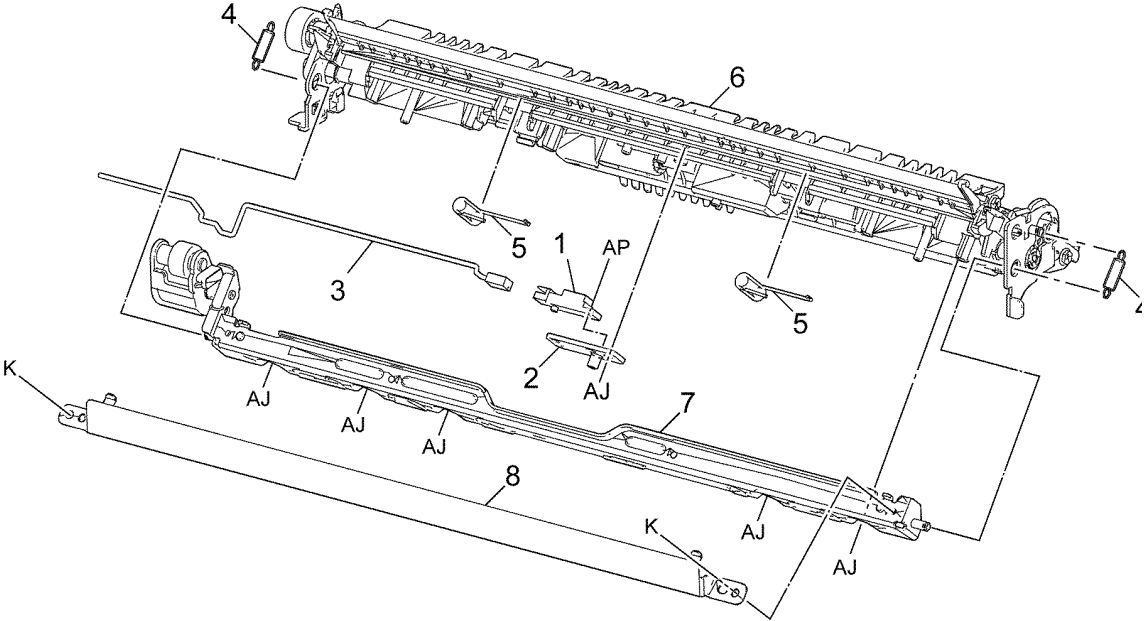


F-8-0167-A

PL 80.115 Bypass Tray Takeaway Assembly

Item	Part	Description
1	930W00211	Feed out sensor (Q77-104)
2	-	Feed out sensor holder
3	-	Feed out sensor harness
4	-	Spring
5	-	Spring
6	-	Pinch chute
7	-	Tie plate
8	-	Miler plate

NOTE: All parts are part of PL 70.50 Item 4.

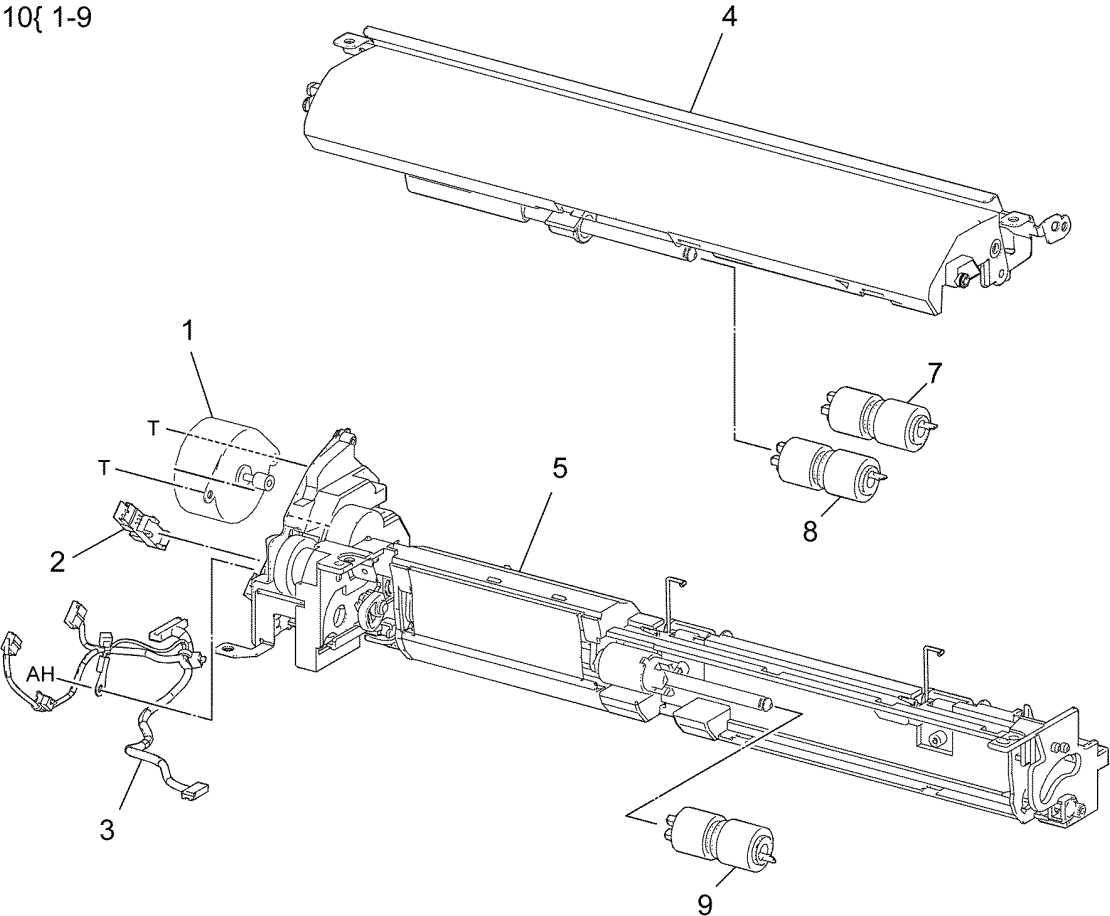


F-8-0137

PL 80.120 Bypass Tray Feedhead Assembly

Item	Part	Description
1	-	Bypass tray feed/lift motor (MOT75-003) (P/O PL 80.120 Item 10)
2	-	Bypass tray nudger position sensor (Q75-102) (P/O PL 80.120 Item 10)
3	-	Harness assembly (P/O PL 80.120 Item 10)
4	-	Upper feedhead assembly (P/O PL 80.120 Item 10)
5	-	Lower frame (P/O PL 80.120 Item 10)
6	116R00016	Bypass tray roll kit (REP 80.20)
7	-	Feed roll (P/O PL 80.120 Item 6)
8	-	Nudger roll (P/O PL 80.120 Item 6)
9	-	Retard roll (P/O PL 80.120 Item 6)
10	-	Bypass tray feedhead assembly (P/O PL 70.50 Item 17) (REP 80.19)

6{ 7-9
10{ 1-9

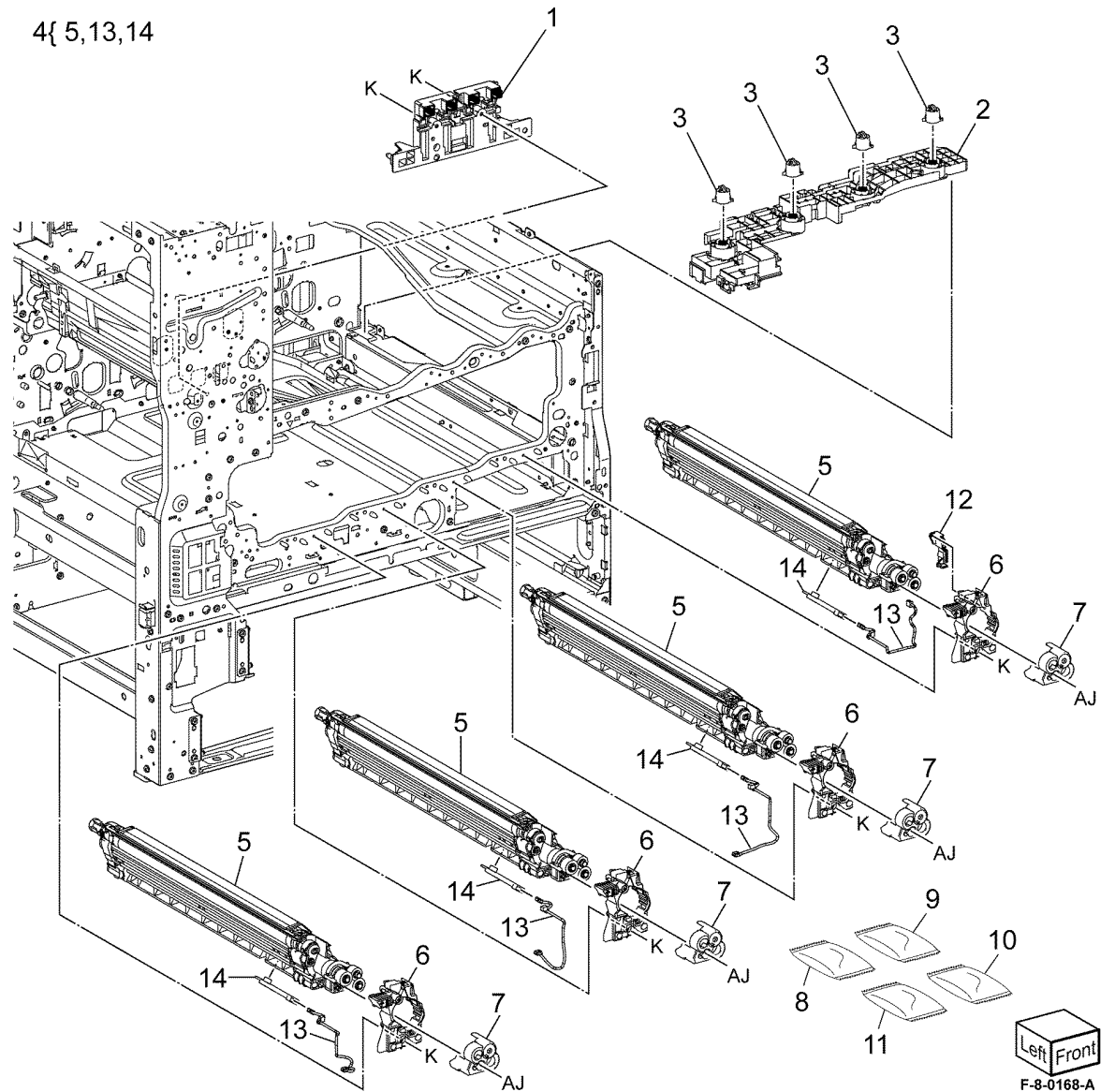


F-8-0138-

PL 90.05 Developer Unit

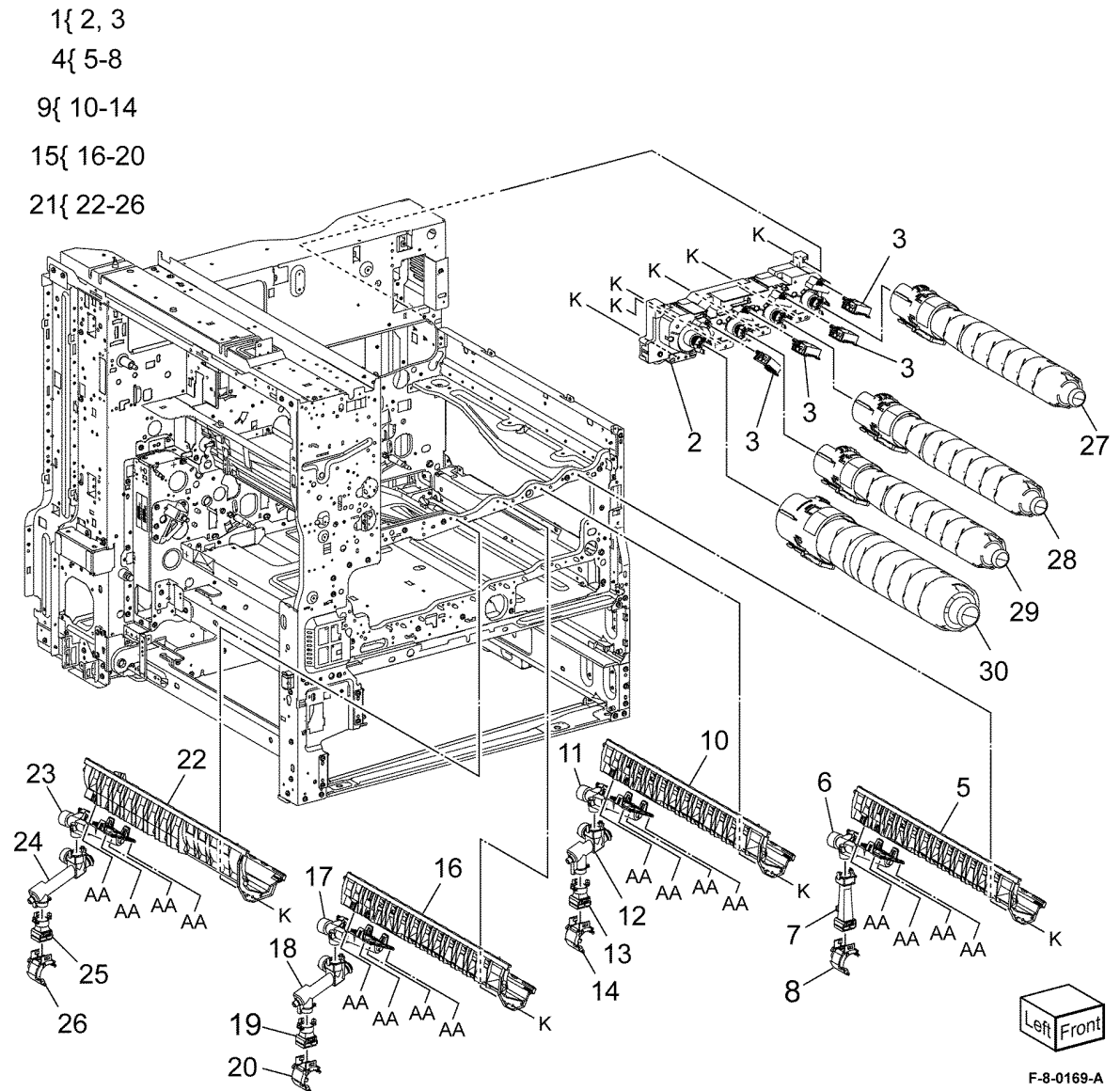
Item	Part	Description
1	948K01510	Conductor housing assembly (REP 90.1)
2	948K01530	Developer conductor housing assembly
3	010E96730	Plunger (REP 90.2)
4	948K13033	Developer housing kit (See NOTE)
5	-	Developer assembly (P/O PL 90.05 Item 4) (REP 90.3)
6	-	Developer plate assembly (Not Spared)
7	-	Gear cover (Not Spared)
8	607K12421	Developer material (Y) (REP 90.7)
9	607K12411	Developer material (M) (REP 90.7)
10	607K12401	Developer material (C) (REP 90.7)
11	607K12391	Developer material (K) (REP 90.7)
12	-	Harness guide (Not Spared)
13	-	Wire harness (P/O PL 90.05 Item 4)
14	-	ATC sensor (P/O PL 90.05 Item 4)

NOTE: When ordering item 4 also order relevant Developer material items 8,9,10 or 11.



PL 90.10 Toner Dispense

Item	Part	Description
1	007K23170	Toner dispense motor assembly (MOT92-005) (REP 90.4)
2	-	Drive assembly (P/O PL 90.10 Item 1)
3	019K16490	Toner CRUM connector assembly (REP 90.5)
4	094K94141	Dispenser assembly (Y) (REP 90.6)
5	-	Toner guide assembly (P/O PL 90.10 Item 4)
6	-	Main pipe (Y) (P/O PL 90.10 Item 4)
7	-	Lower pipe (Y) (P/O PL 90.10 Item 4)
8	-	Shutter (Y) (P/O PL 90.10 Item 4)
9	094K94151	Dispenser assembly (M) (REP 90.6)
10	-	Toner guide assembly (M) (P/O PL 90.10 Item 9)
11	-	Main pipe (M) (P/O PL 90.10 Item 9)
12	-	Sub pipe (M) (P/O PL 90.10 Item 9)
13	-	Lower pipe (M) (P/O PL 90.10 Item 9)
14	-	Shutter (M) (P/O PL 90.10 Item 9)
15	094K94161	Dispenser assembly (C) (REP 90.6)
16	-	Toner guide assembly (C) (P/O PL 90.10 Item 15)
17	-	Main pipe (C) (P/O PL 90.10 Item 15)
18	-	Sub pipe (C) (P/O PL 90.10 Item 15)
19	-	Lower pipe (C) (P/O PL 90.10 Item 15)
20	-	Shutter (C) (P/O PL 90.10 Item 15)
21	094K94171	Dispenser assembly (K) (REP 90.6)
22	-	Toner guide assembly (K) (P/O PL 90.10 Item 21)
23	-	Main pipe (K) (P/O PL 90.10 Item 21)
24	-	Sub pipe (K) (P/O PL 90.10 Item 21)
25	-	Lower pipe (K) (P/O PL 90.10 Item 21)
26	-	Shutter (K) (P/O PL 90.10 Item 21)
27	-	Toner cartridge (Y) (REF: PL 25.10 Item 1)
28	-	Toner cartridge (M) (REF: PL 25.05 Item 2)
29	-	Toner cartridge (C) (REF: PL 25.05 Item 1)
30	-	Toner cartridge (K) (REF: PL 25.10 Item 2)

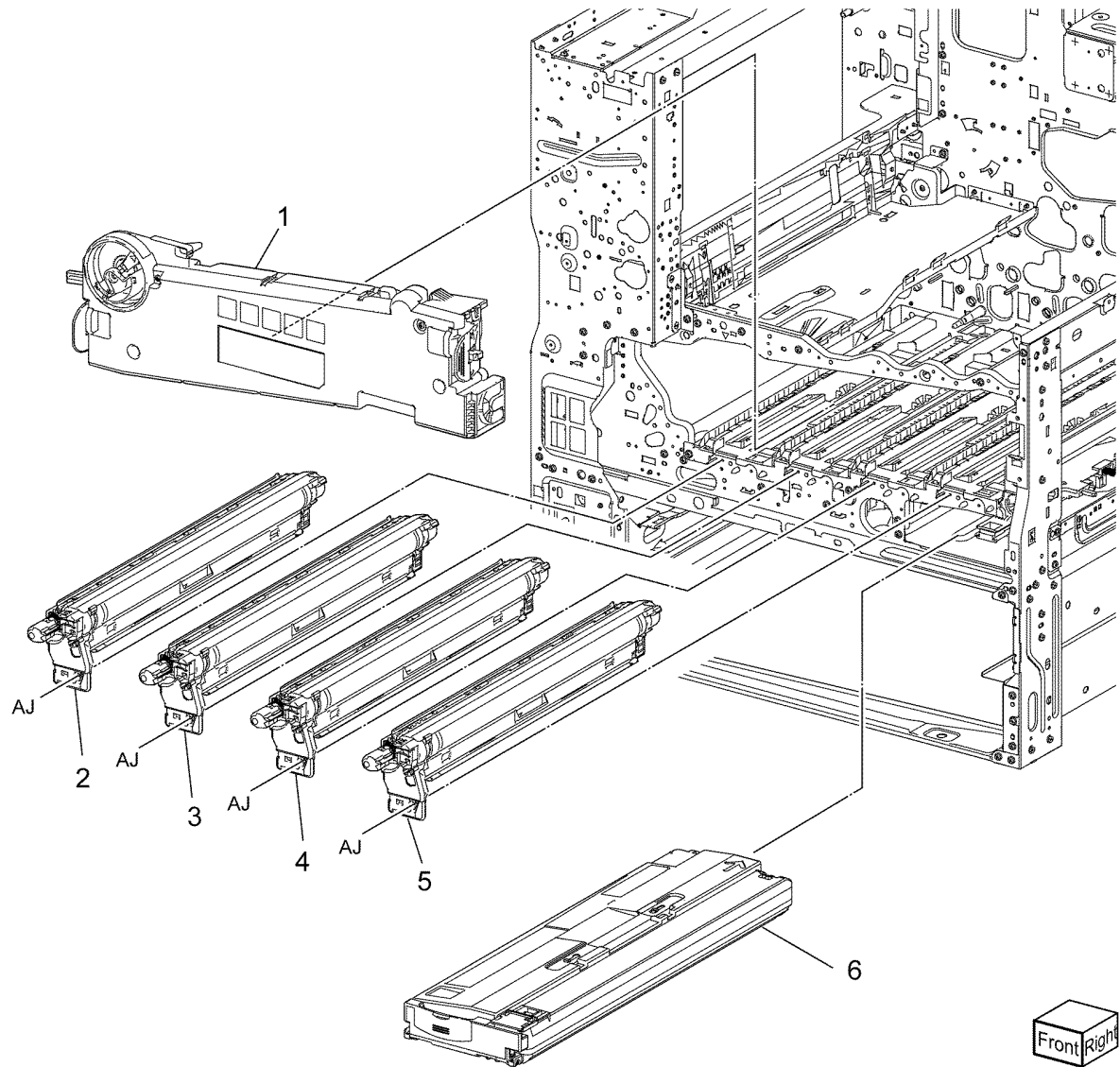


F-8-0169-A

PL 90.15 Xerographic Components

Item	Part	Description
1	948K00016	Waste toner transport assembly
2	-	Drum assembly (K) (NOTE) (REP 90.11)
3	-	Drum assembly (C) (NOTE) (REP 90.11)
4	-	Drum assembly (M) (NOTE) (REP 90.11)
5	-	Drum assembly (Y) (NOTE) (REP 90.11)
6	108R01504	Waste cartridge

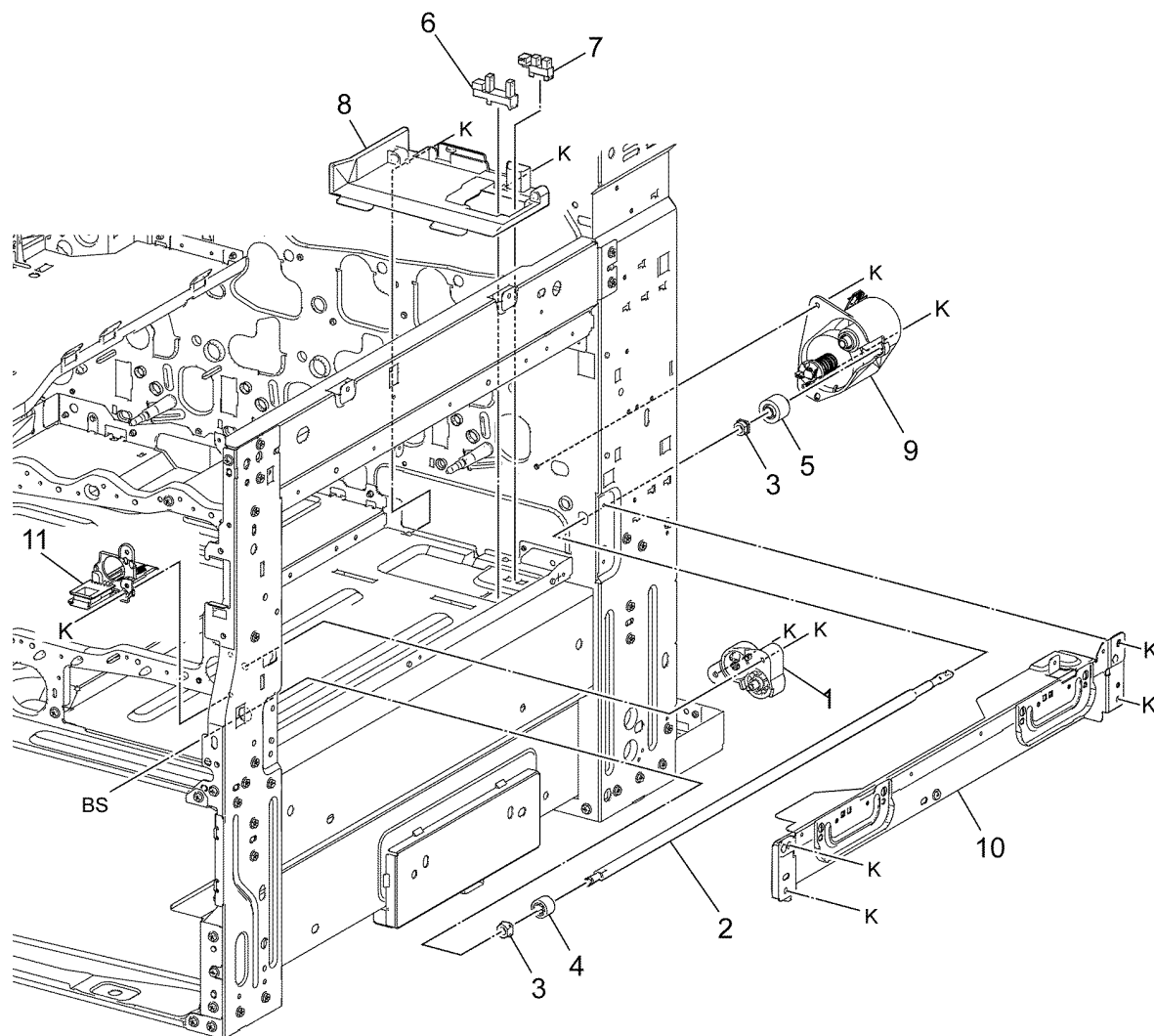
NOTE: The part number for all Drum assemblies is 101R00602.



F-8-0170-A

PL 90.20 Xerographic Assembly (1 of 2)

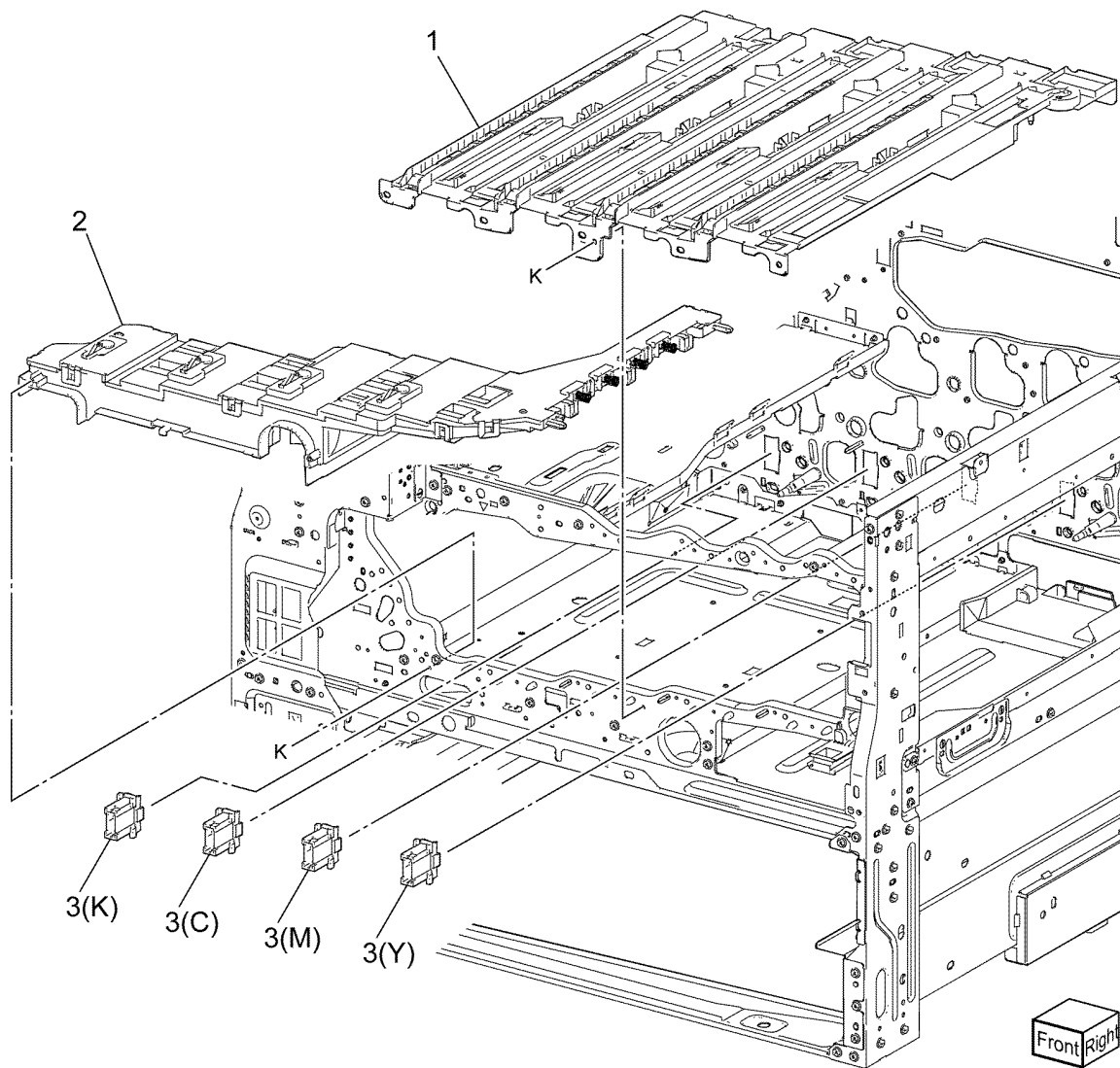
Item	Part	Description
1	948K02890	Gear housing assembly (REP 90.12)
2	-	Drive shaft (Not Spared) (REP 90.13)
3	413W11660	Sleeve bearing (REP 90.17)
4	807E52060	Gear
5	807E51980	Helical gear
6	930W00511	Waste toner bottle full sensor (Q91-201) (REP 90.18)
7	130E81600	Waste toner bottle position sensor (Q91-200) (REP 90.18)
8	-	Bottle guide (Not Spared)
9	948K00350	Agitator motor assembly (MOT91-006) (REP 90.14)
10	-	Handle assembly (Not Spared)
11	052K14000	Joint pipe assembly (REP 90.15)



F-8-0171-A

PL 90.25 Xerographic Assembly (2 of 2)

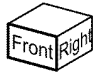
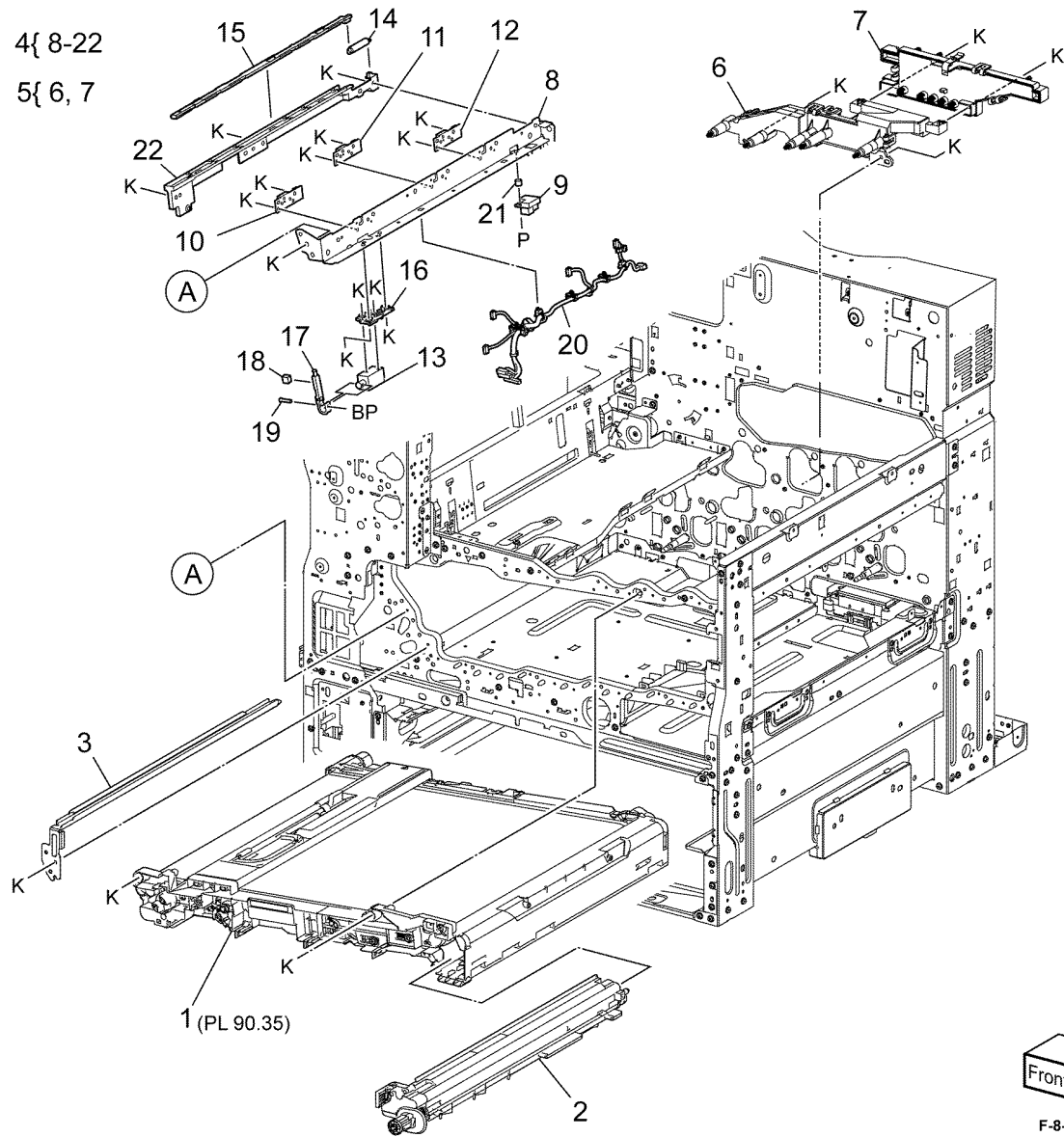
Item	Part	Description
1	-	Marking guide (P/O PL 60.05 Item 1)
2	948K00060	Housing assembly (REP 90.16)
3	113E48880	Drum CRUM connector



F-8-0172-A

PL 90.30 IBT Belt Unit Components

Item	Part	Description
1	064K02536	IBT belt assembly (REP 90.8)
2	104R00256	IBT belt cleaner assembly
3	-	IBT lower guide (Not Spared)
4	930K02752	MOB/ADC Assembly (REP 90.9)
5	948K01955	Conductor housing assembly (REP 90.10)
6	-	Lower conductor housing assembly (P/O PL 90.30 Item 5)
7	-	Upper conductor housing assembly (P/O PL 90.30 Item 5)
8	-	Bracket (P/O PL 90.30 Item 4)
9	-	Temp/Humidity sensor (internal) (P/O PL 90.30 Item 4)
10	-	Front MOB sensor (P/O PL 90.30 Item 4)
11	-	ADC sensor (Q92-029) (P/O PL 90.30 Item 4)
12	-	Rear MOB sensor (P/O PL 90.30 Item 4)
13	-	Shutter solenoid (P/O PL 90.30 Item 4)
14	-	Spring (P/O PL 90.30 Item 4)
15	-	Shutter (P/O PL 90.30 Item 4)
16	-	Solenoid holder (P/O PL 90.30 Item 4)
17	-	Arm (P/O PL 90.30 Item 4)
18	-	Cushion (P/O PL 90.30 Item 4)
19	-	Pin (P/O PL 90.30 Item 4)
20	-	MOBC harness assembly (P/O PL 90.30 Item 4)
21	-	Humidity spacer (P/O PL 90.30 Item 4)
22	-	Cover (P/O PL 90.30 Item 4)



F-8-0173-A

PL 90.35 IBT Belt Unit Assembly

Item	Part	Description
1	—	Cleaner housing guide
2	—	Handle holder
3	—	IBT upper guide
4	—	Belt arm
5	—	Tension holder assembly
6	—	Tension gear
7	—	Tension collar
8	—	Tension roller assembly
9	—	IBT belt
10	—	IBT handle unit

NOTE: All parts are part of PL 90.30 Item 1.

