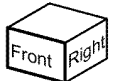
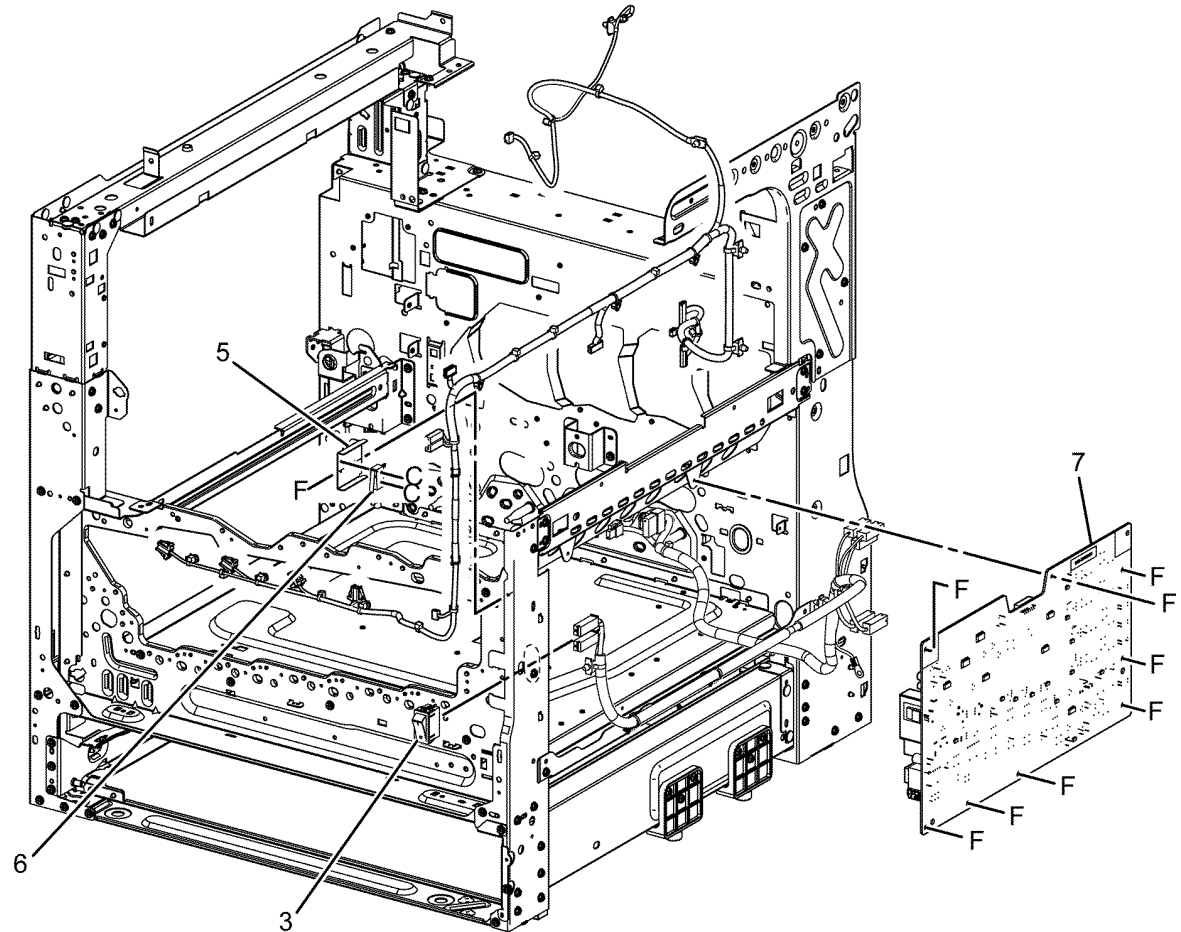


PL 1.05 Electrical-Front Upper

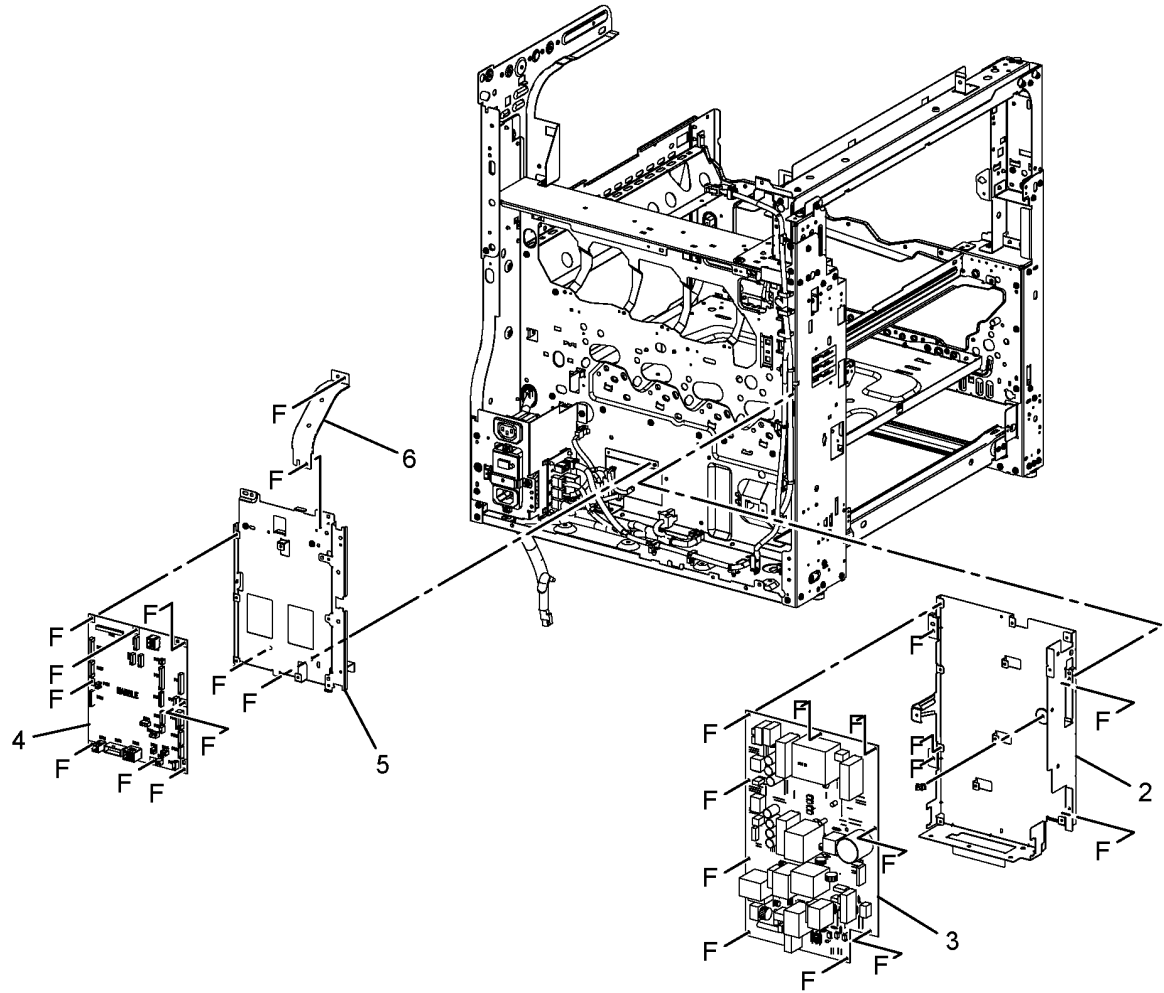
Item	Part	Description	4 { 5, 6
1	-	Not used	
2	-	Not used	
3	110E15080	Main power switch	
4	110K18110	Interlock switch assembly	
5	-	Interlock switch bracket (P/O PL 1.05 Item 4)	
6	-	Front cover interlock switch (P/O PL 1.05 Item 4)	
7	105K32184	HVPS (REP 1.1)	



C-8-0067-A

PL 1.10 Electrical-Lower Rear

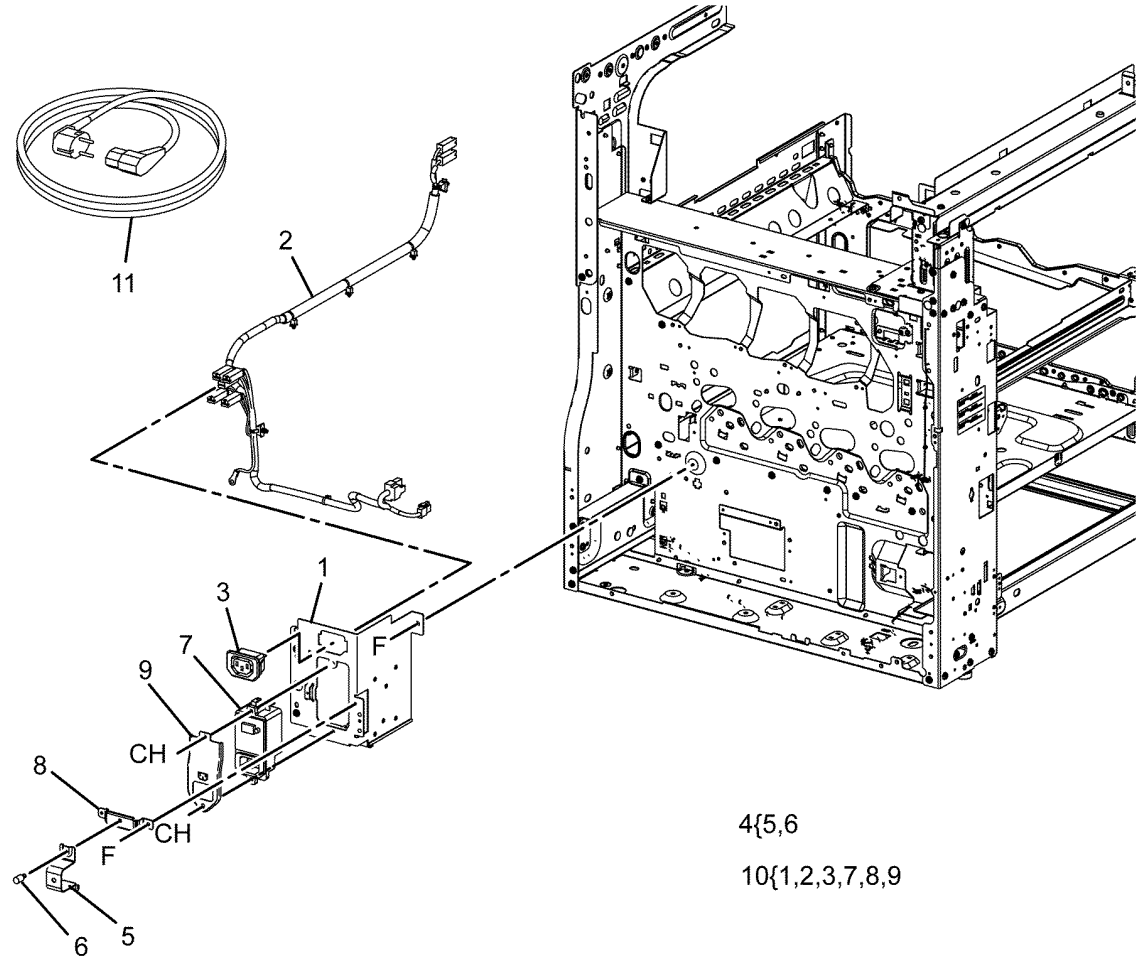
Item	Part	Description	
1	105E21802	LVPS assembly (REP 1.4)	
2	-	LVPS chassis (P/O PL 1.10 Item 1)	
3	-	LVPS (P/O PL 1.10 Item 1) (REP 1.3)	1 { 2, 3
4	960K82655	Drive PWB (REP 1.2)	
5	-	PWB drive bracket (Not Spared) (REP 1.5)	
6	-	Harness upper bracket (Not Spared)	



C-8-0068-A

PL 1.15 GFI Breaker

Item	Part	Description
1	-	Support bracket (P/O PL 1.15 Item 10)
2	-	AC main harness assembly (P/O PL 1.15 Item 10)
3	913W03100	Finisher outlet
4	-	AC bracket assembly (Not Spared)
5	-	AC stopper bracket (P/O PL 1.15 Item 4)
6	-	Screw (P/O PL 1.15 Item 4)
7	908W01201	Inlet GFI breaker
8	-	Connect bracket (P/O PL 1.15 Item 10)
9	-	Inlet bracket (P/O PL 1.15 Item 10)
10	101K73240	AC chassis assembly (C7030F)
-	101K73250	AC chassis assembly (C7000)
11	917W03005	Power cord (110V)
-	917W03102	Power cord (220V)



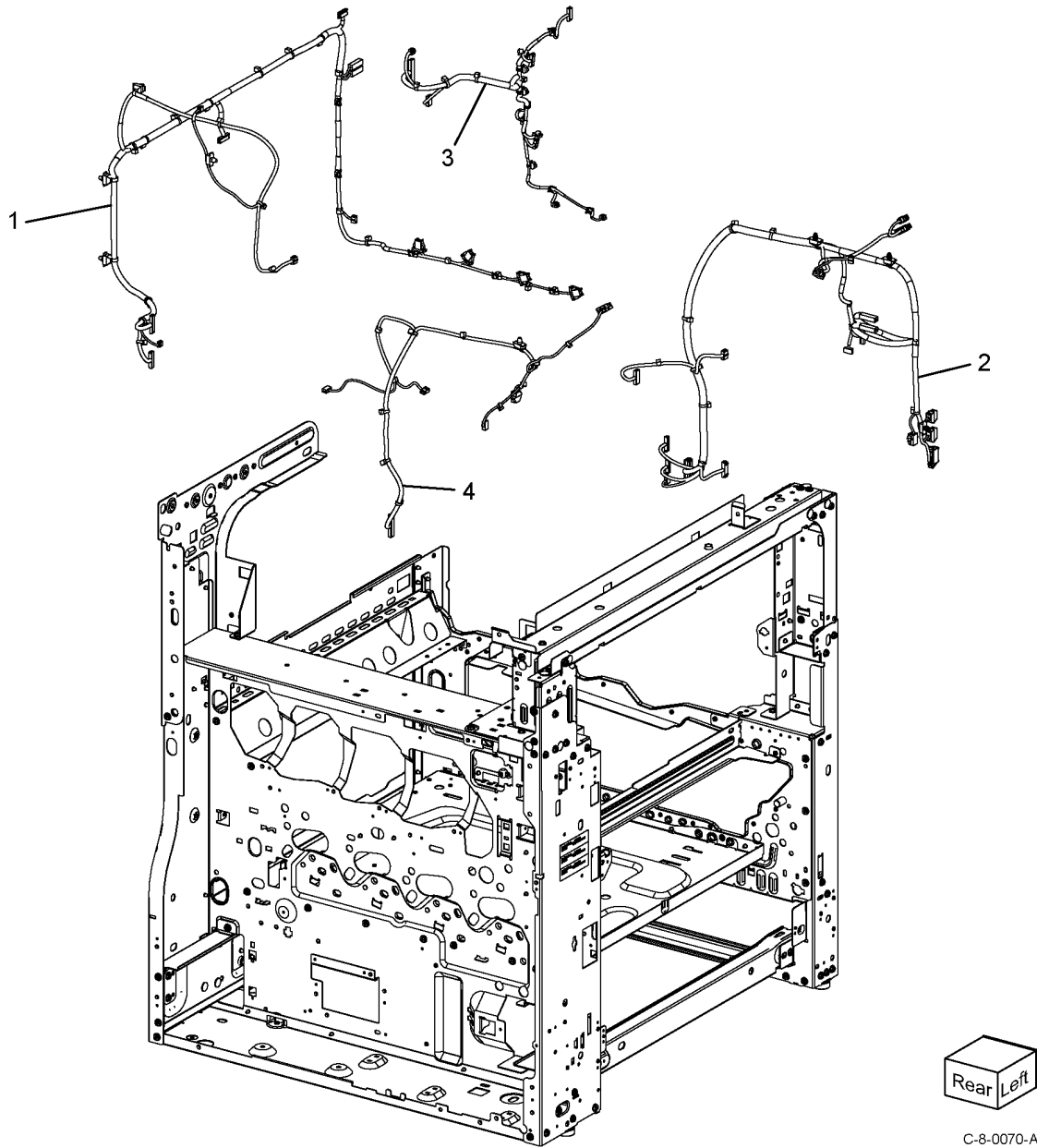
4{5,6
10{1,2,3,7,8,9



C-8-0069-A

PL 1.20 Wire Harness (1 of 2)

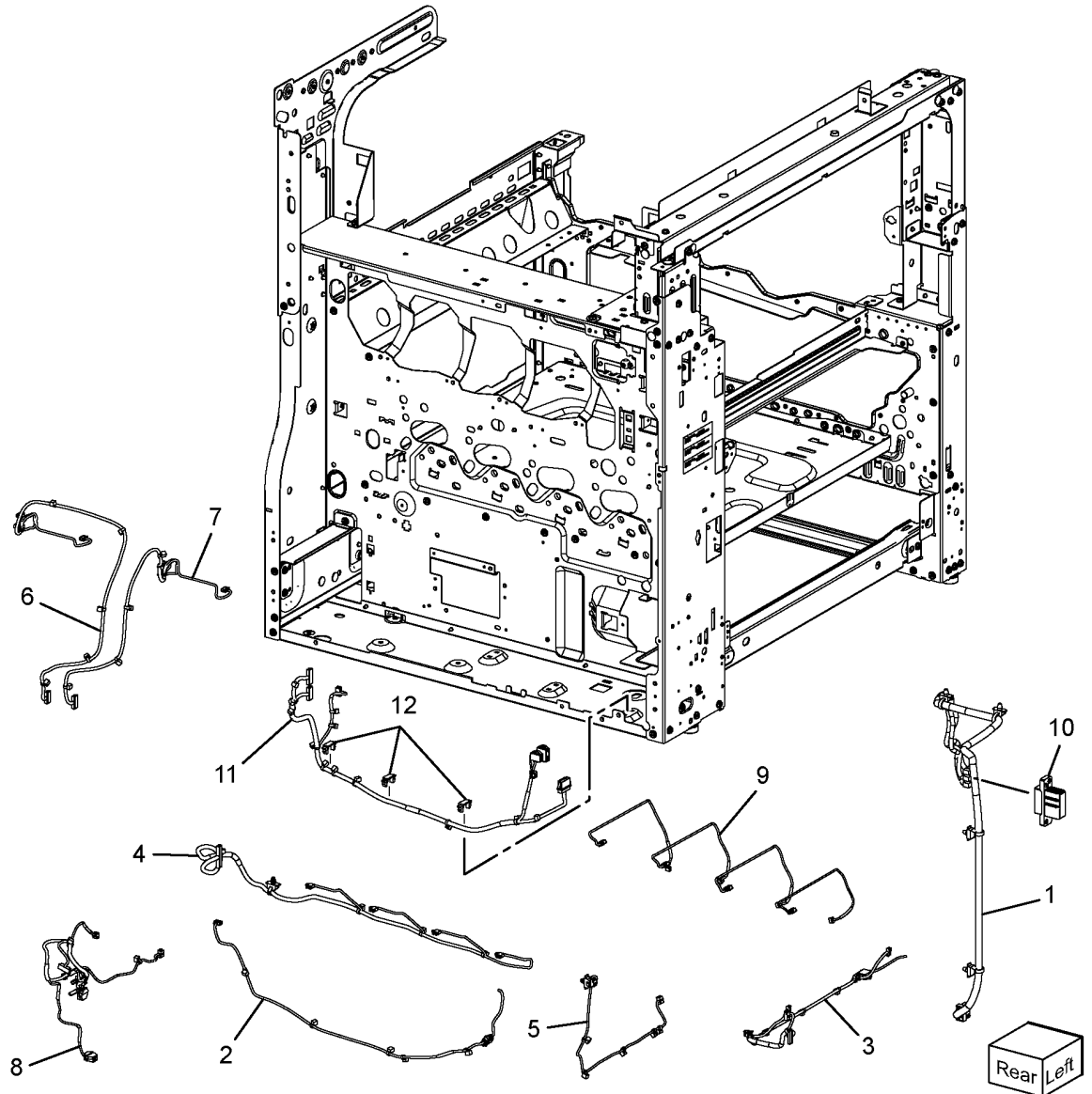
Item	Part	Description
1	952K34492	HVPS harness assembly
2	-	LH Main harness assembly (Not Spared)
3	952K36352	Drive harness assembly
4	-	Motor harness assembly (Not Spared)



C-8-0070-A

PL 1.25 Wire Harness (2 of 2)

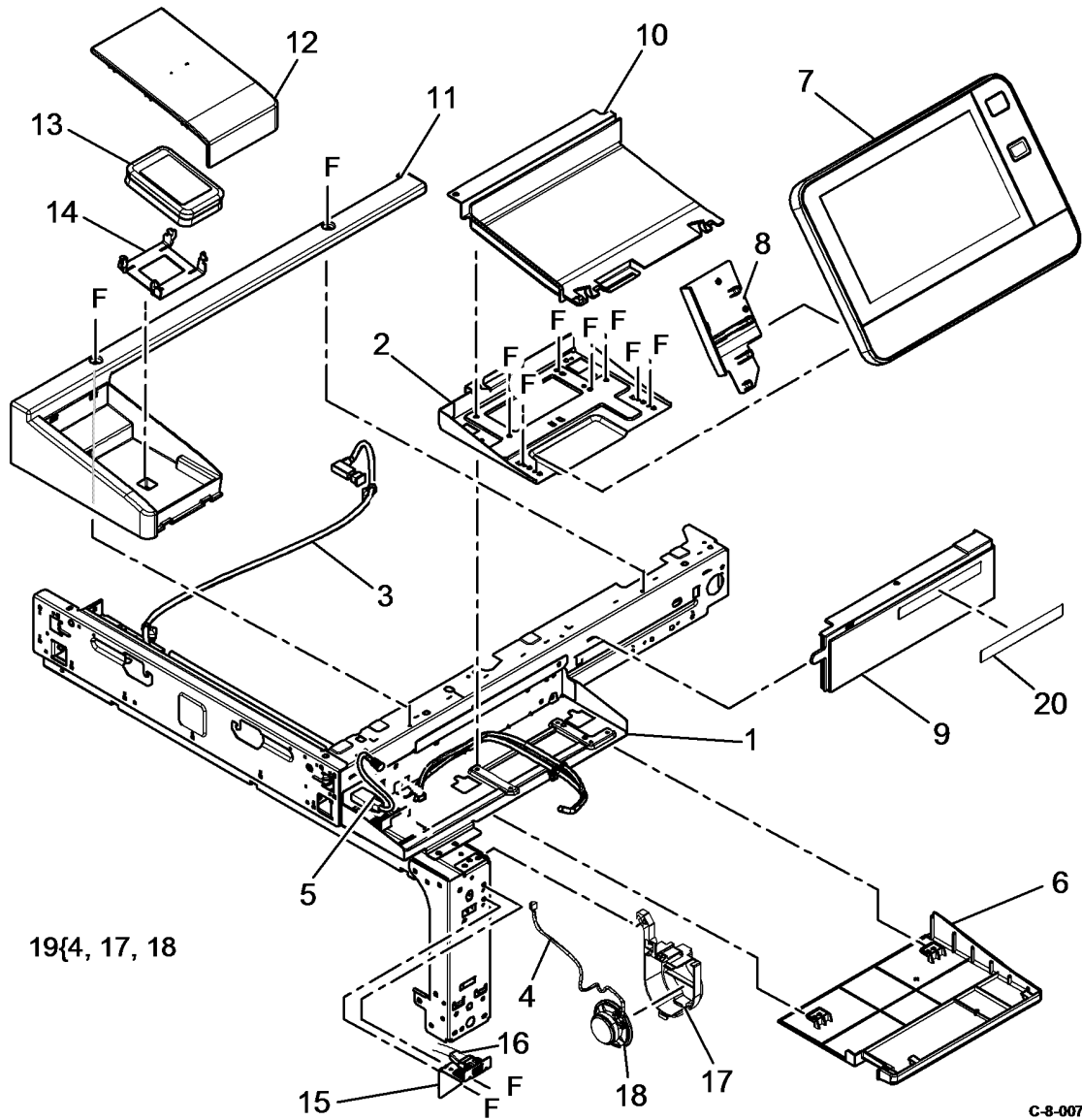
Item	Part	Description
1	952K19221	Fusing unit MM harness assembly
2	-	Feed M MM harness assembly (Not Spared)
3	-	MOB harness assembly (Not Spared)
4	-	Xerographic CRM harness assembly (REF: PL 90.25 Item 5)
5	-	Registration sensor harness assembly (Not Spared)
6	-	Toner CRM Y, M harness assembly (Not Spared)
7	-	Toner CRM C, K harness assembly (Not Spared)
8	952K21202	Exit 2 MM harness assembly
9	-	ATC harness assembly (Not Spared)
10	-	04R-XCM-KGB-S3 connector panel (Not Spared)
11	-	LH Low MM harness assembly (Not Spared)
12	-	Press clamp (Not Spared)



C-8-0071-A

PL 2.05 User Interface (C7030F)

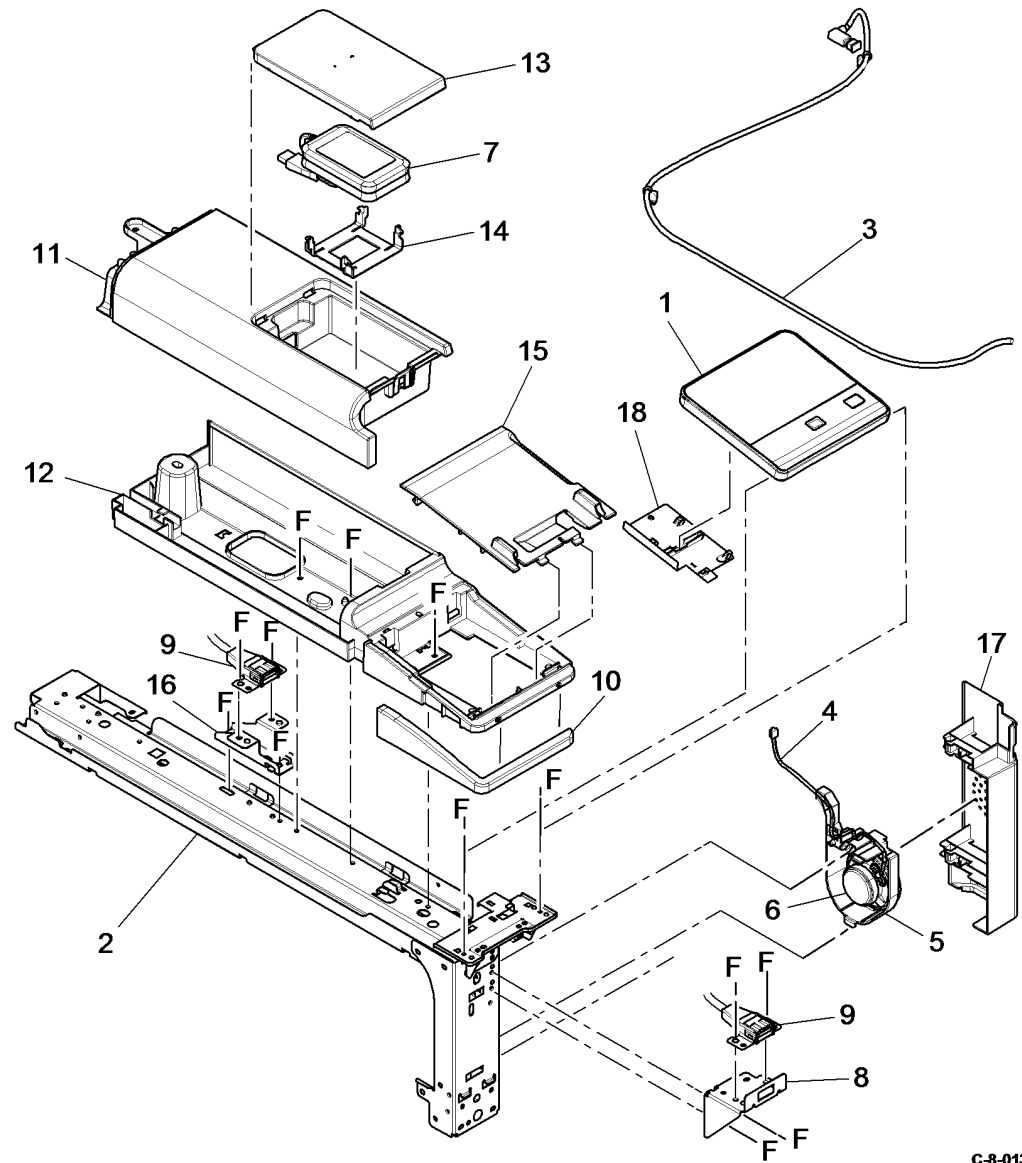
Item	Part	Description
1	-	UI bracket (Not Spared)
2	-	UI frame (Not Spared)
3	952K33680	UI harness
4	-	UI speaker harness (P/O PL 2.05 Item 19)
5	952K33380	USB ICCR harness
6	-	Bottom cover (Not Spared)
7	948K24770	UI assembly (REP 2.1)
8	-	Cable cover (Not Spared)
9	-	Lower cover (Not Spared)
10	822E25851	Inner cover
11	-	Upper cover (Not Spared)
12	-	ICCR cover (Not Spared)
13	144K00660	RFID card reader
14	-	ICCR bottom cover (Not Spared)
15	-	Front USB bracket (Not Spared)
16	952K33390	USB cable assembly
17	-	Speaker holder (P/O PL 2.05 Item 19)
18	-	Speaker assembly (P/O PL 2.05 Item 19)
19	-	Speaker bracket assembly (Not Spared)
20	-	Name label (Not Spared)



C-8-0075-A

PL 2.10 User Interface (C7000)

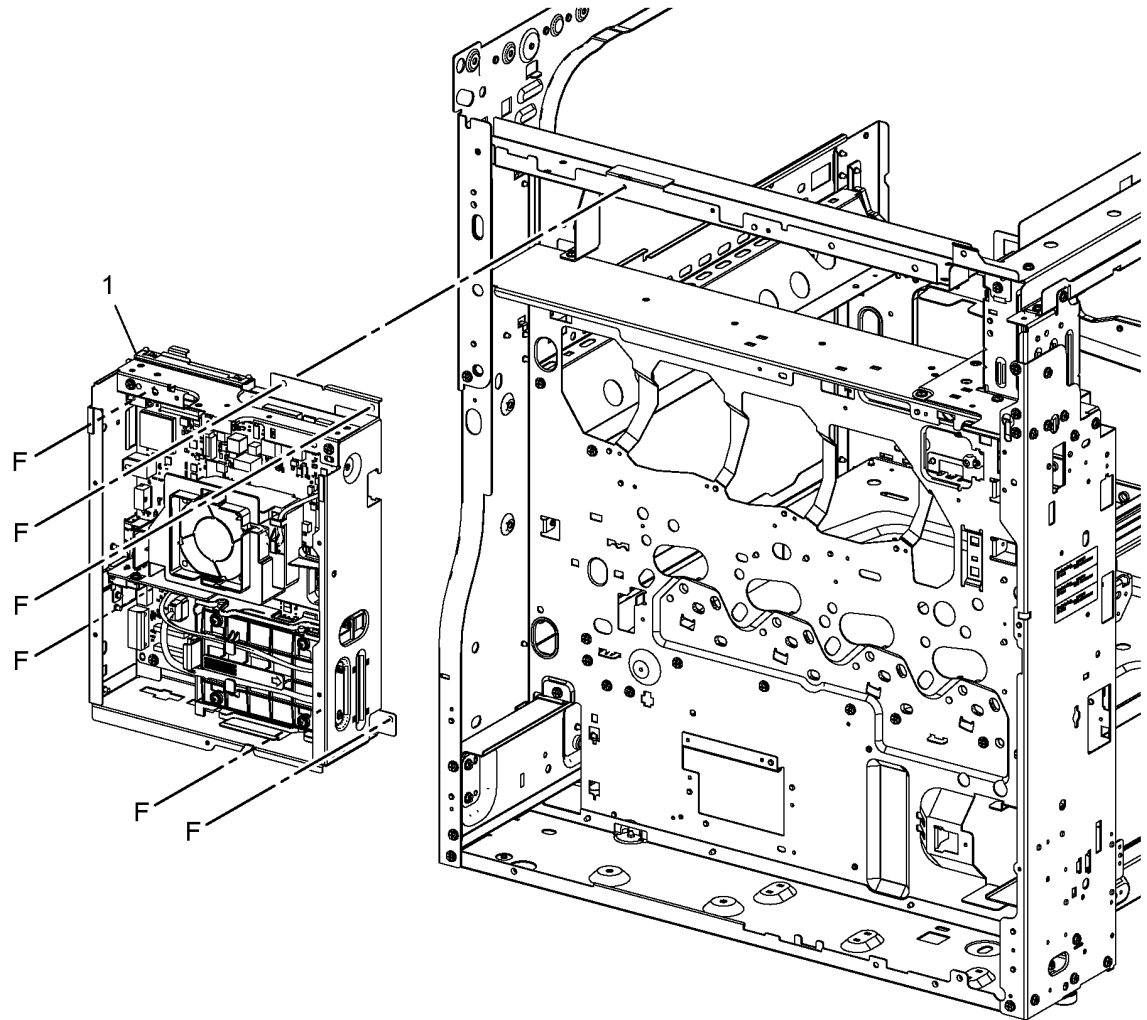
Item	Part	Description
1	948K21074	UI assembly
2	-	UI frame (Not Spared)
3	952K33680	UI harness
4	-	Speaker harness (Not Spared)
5	-	Speaker holder (Not Spared)
6	-	Speaker (Not Spared)
7	144K00660	RFID card reader
8	-	Front USB bracket (Not Spared)
9	952K33380	USB cable assembly
10	822E35090	Side cover
11	-	Top cover (Not Spared)
12	-	Lower cover (Not Spared)
13	-	ICCR upper cover (Not Spared)
14	-	ICCR lower cover (Not Spared)
15	822E37141	Inner cover
16	-	Rear USB bracket (Not Spared)
17	-	Front exit cover (Not Spared)
18	822E32001	Cable cover



C-8-0135-A

PL 3.05 Control Unit

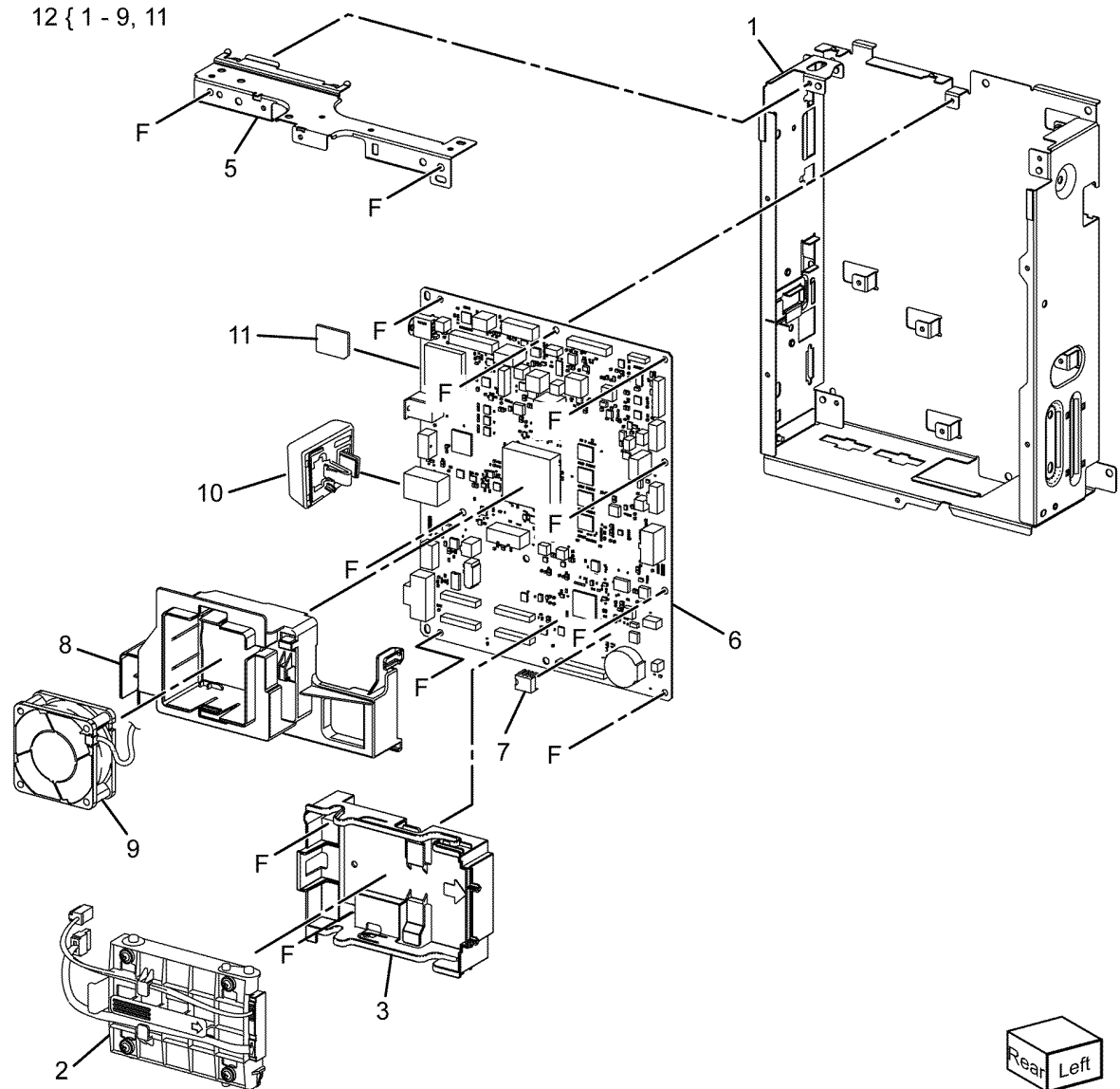
Item	Part	Description
1	-	ESS PWB chassis assembly (REF: PL 3.10)



C-8-0074-A

PL 3.10 ESS PWB Chassis Components

Item	Part	Description
1	-	ESS PWB chassis (P/O PL 3.10 Item 12)
2	101K73882	HDD chassis assembly
3	-	HDD bracket (P/O PL 3.10 Item 12)
4	-	Not used
5	-	ESS upper panel (P/O PL 3.10 Item 12)
6	960K93713	ESS PWB (C7030F) (W/TAG 001) (REP 3.1)
-	960K89393	ESS PWB (C7000) (W/O TAG 001) (REP 3.1)
-	960K89373	ESS PWB (C7030F) (W/O TAG 001) (REP 3.1)
-	960K93732	ESS PWB (C7000) (W/TAG 001) (REP 3.1)
7	-	EPROM assembly (C7030F) (P/O PL 3.10 Item 12)
-	-	EPROM assembly (C7000) (P/O PL 3.10 Item 12)
8	-	ESS fan bracket (P/O PL 3.10 Item 12)
9	127E87190	ESS fan
10	101K72680	WiFi dongle
11	540K23290	SD card (C7030F) (W/TAG 001) (REP 3.3)
-	540K22280	SD card (C7000) (W/O TAG 001) (REP 3.3)
-	540K22270	SD card (C7030F) (W/O TAG 001) (REP 3.3)
-	540K23300	SD card (C7000) (W/TAG 001) (REP 3.3)
12	-	ESS PWB chassis assembly (Not Spared) (REP 3.2)



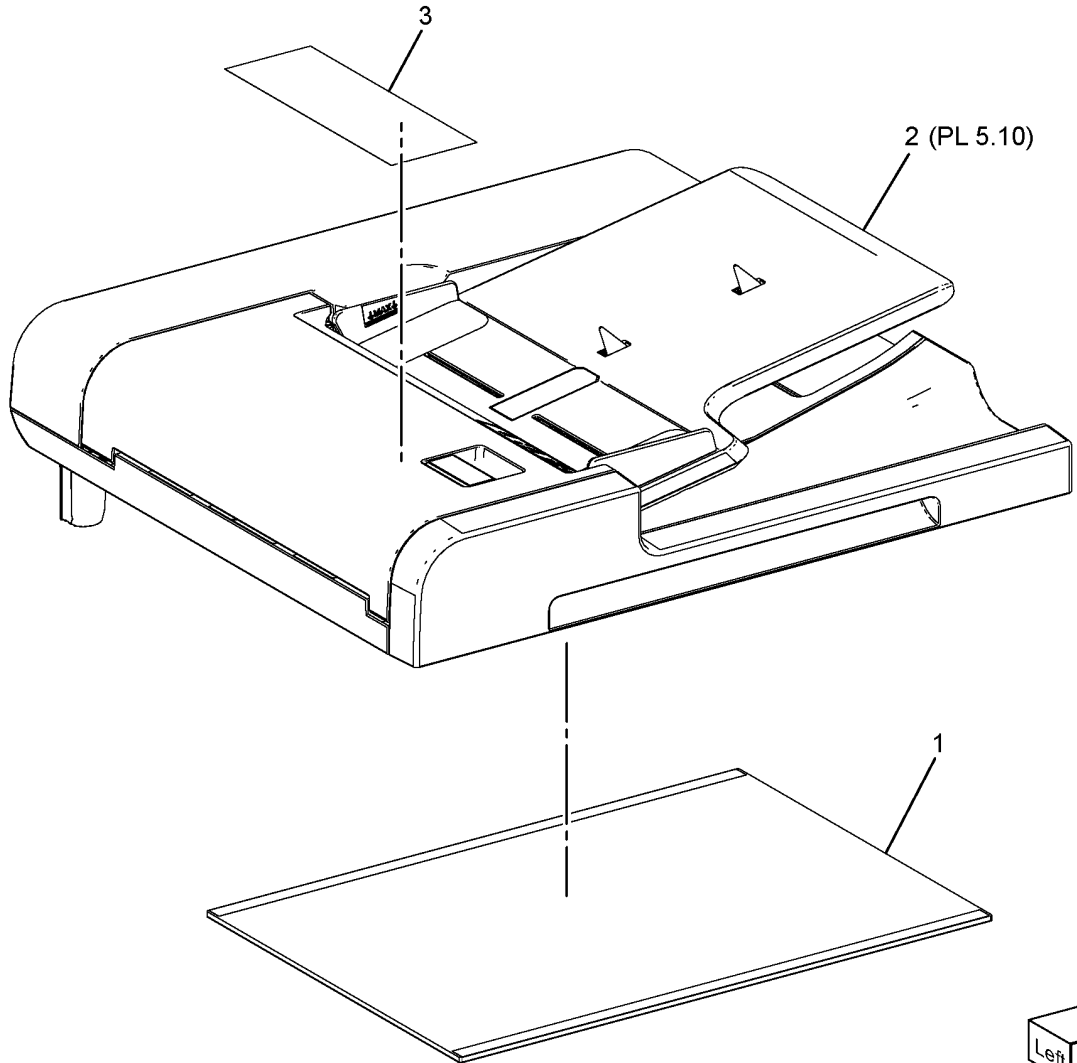
C-8-0076-A

PL 5.05 DADF Accessory

Item	Part	Description
1	004K03920	Document cushion (REP 5.2)
2	-	DADF (REF: PL 5.10) (REP 5.1)
3	-	Mix label (P/O PL 5.05 Item 4)
4	607K02952	DADF kit
5	859K01912	DADF LH cover

4 { 1, 2

5 { 3, PL 5.10 Item 10

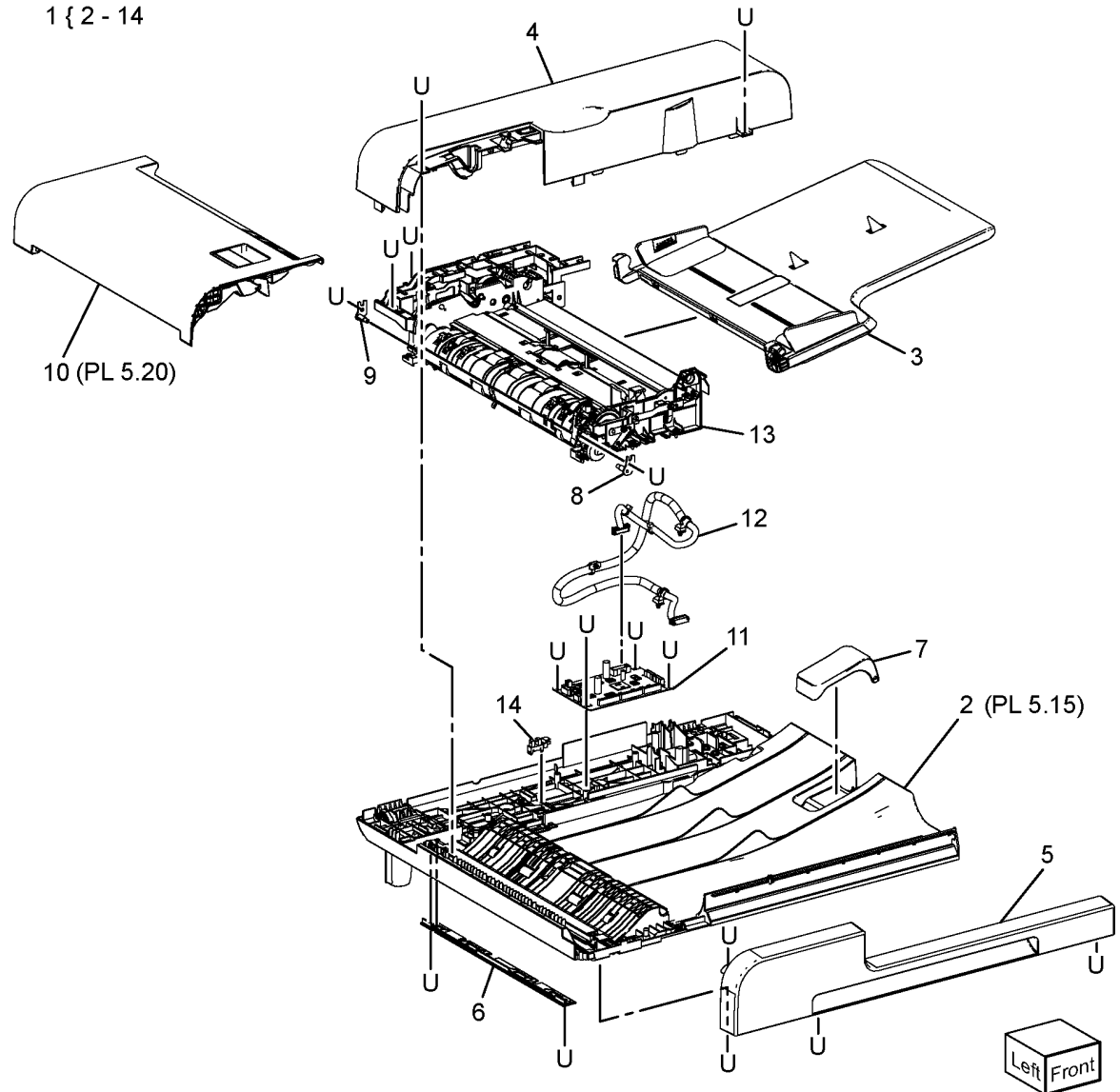


C-8-0001-A

PL 5.10 DADF Components

Item	Part	Description
1	-	Base frame and feeder assembly (Not Spared)
2	-	Base frame (P/O PL 5.10 Item 1)
3	050K73354	Document tray
4	-	Rear cover (P/O PL 5.10 Item 1) (REP 5.4)
5	-	Front cover (P/O PL 5.10 Item 1) (REP 5.3)
6	-	Registration pinch cover (P/O PL 5.10 Item 1)
7	-	Tray stopper (P/O PL 5.10 Item 1)
8	-	Front hinge bracket (P/O PL 5.10 Item 1)
9	-	Rear hinge bracket (P/O PL 5.10 Item 1)
10	-	Upper feeder assembly (P/O PL 5.05 Item 5) (REP 5.6)
11	960K96990	DADF PWB (alternative) (REP 5.5)
-	960K78322	DADF PWB (REP 5.5)
12	-	I/F wire harness (P/O PL 5.10 Item 1)
13	-	Feeder assembly (P/O PL 5.10 Item 1) (REP 5.7)
14	930W00121	CVT feeder cover sensor (Q05-212)

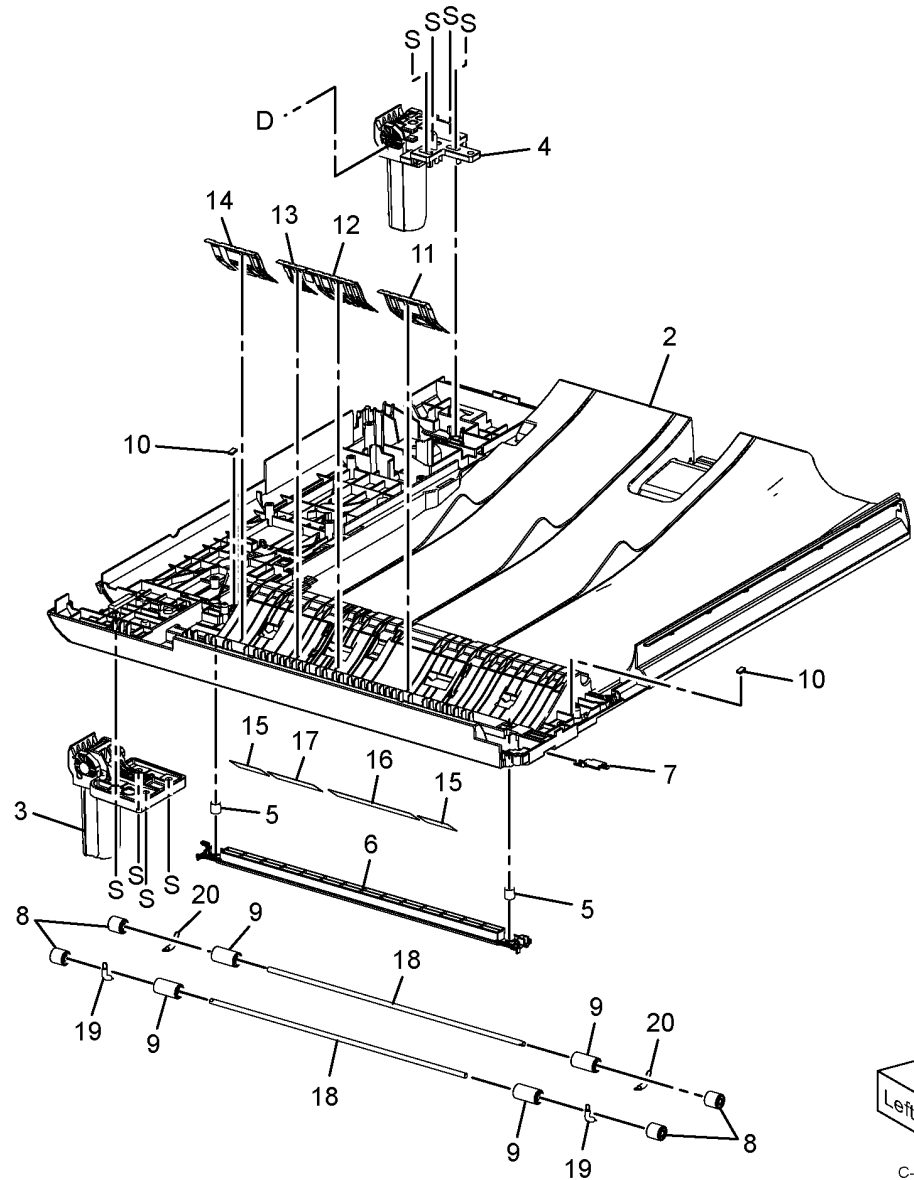
1 { 2 - 14



C-8-0002-A

PL 5.15 DADF Base Frame

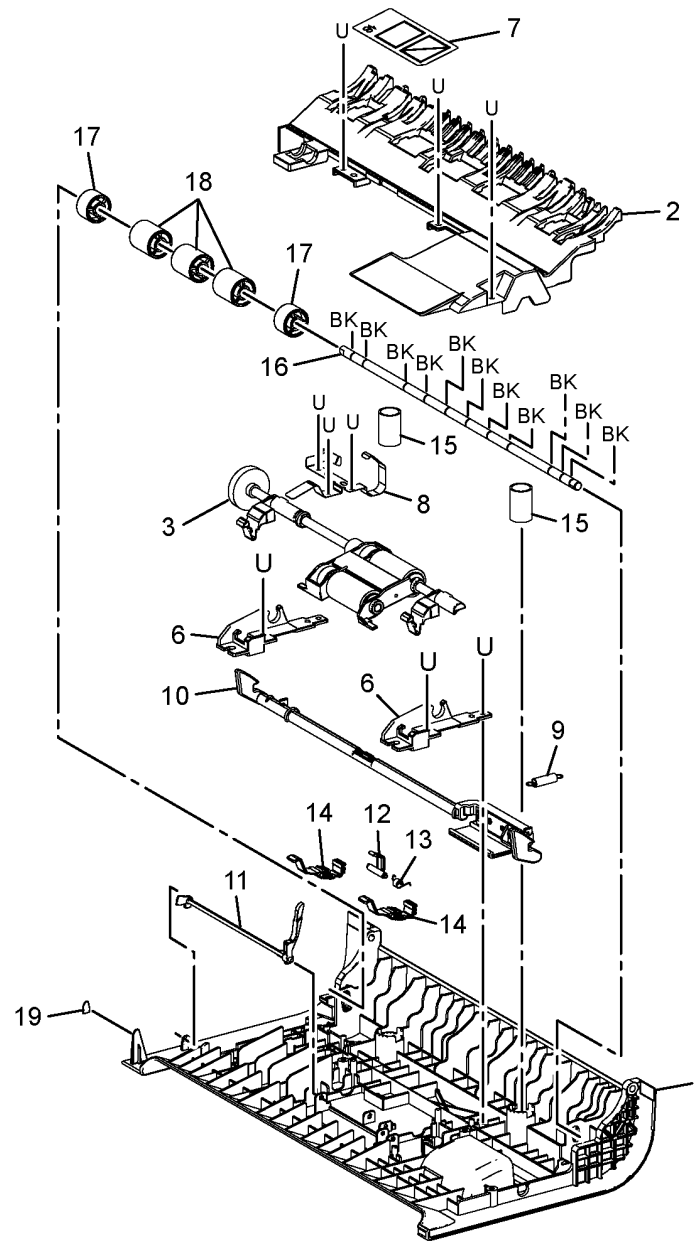
Item	Part	Description	
1	-	Base frame assembly (Not Spared)	
2	-	Base frame (P/O PL 5.15 Item 1)	1 { 2 - 20
3	-	Left counterbalance (P/O PL 5.15 Item 21) (REP 5.8)	21 { 3, 4
4	-	Right counterbalance (P/O PL 5.15 Item 21) (REP 5.9)	
5	-	Spring CVT (P/O PL 5.15 Item 1)	
6	-	Chute CVT (P/O PL 5.15 Item 1)	
7	-	Stopper CVT (P/O PL 5.15 Item 1)	
8	-	Registration pinch roller (short) (P/O PL 5.15 Item 1)	
9	-	Registration pinch roller (long) (P/O PL 5.15 Item 1)	
10	-	Gate pad assembly (P/O PL 5.15 Item 1)	
11	-	Seal chute 2 (P/O PL 5.15 Item 1)	
12	-	Seal chute 3 (P/O PL 5.15 Item 1)	
13	-	Seal chute 4 (P/O PL 5.15 Item 1)	
14	-	Seal chute 5 (P/O PL 5.15 Item 1)	
15	-	Seal B1 (P/O PL 5.15 Item 1)	
16	-	Seal B2 (P/O PL 5.15 Item 1)	
17	-	Seal B3 (P/O PL 5.15 Item 1)	
18	-	Shaft (P/O PL 5.15 Item 1)	
19	-	Spring (P/O PL 5.15 Item 1)	
20	-	Spring (P/O PL 5.15 Item 1)	
21	-	DADF counter balance kit (Not Spared)	



C-8-0003-A

PL 5.20 Upper Feeder

Item	Part	Description
1	-	Upper feeder assembly (Not Spared)
2	-	DADF feeder assembly (P/O PL 5.20 Item 1)
3	-	Feed roll nudger roll assembly (REF: PL 5.25)
4	-	Upper feeder cover (P/O PL 5.20 Item 1)
5	-	Pinch roller takeaway (P/O PL 5.20 Item 1)
6	-	Bracket (P/O PL 5.20 Item 1)
7	-	Jam label (P/O PL 5.20 Item 1)
8	-	Ground plate (P/O PL 5.20 Item 1)
9	-	Exit spring (P/O PL 5.20 Item 1)
10	011K04261	Handle lever
11	120E34245	Document sensor actuator
12	-	Actuator stopper (P/O PL 5.20 Item 1)
13	-	Spring (P/O PL 5.20 Item 1)
14	-	Link set (P/O PL 5.20 Item 1)
15	-	TA spring (P/O PL 5.20 Item 1)
16	-	Shaft (P/O PL 5.20 Item 5)
17	-	Nip roll (P/O PL 5.20 Item 5)
18	-	Nip roll (P/O PL 5.20 Item 5)
19	-	Interlock seal assembly (P/O PL 5.20 Item 1)



1 { 2 - 19
5 { 16 - 18



C-8-0004-A

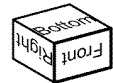
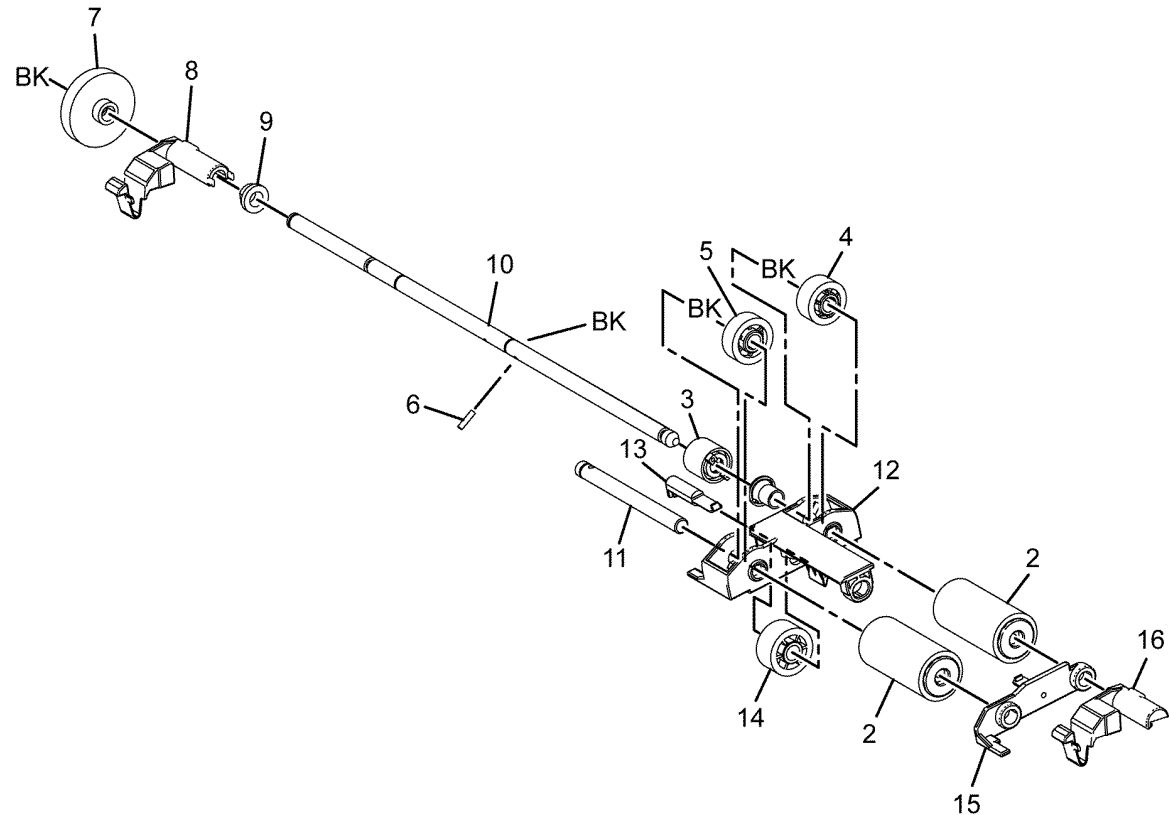
PL 5.25 Feed Roll Nudger Roll Assembly

Item	Part	Description
1	-	Feed roll nudger roll assembly (Not Spared)
2	-	Feeder roll assembly (P/O PL 5.65 Item 22) (see NOTE) (REP 5.10)
3	-	Brake assembly (P/O PL 5.25 Item 1)
4	-	Feed gear (P/O PL 5.25 Item 1)
5	-	Feed idler gear (P/O PL 5.25 Item 1)
6	-	TL pin (P/O PL 5.25 Item 1)
7	-	Feed gear (P/O PL 5.25 Item 1)
8	-	Feed rear handle (P/O PL 5.25 Item 1)
9	-	Bearing (P/O PL 5.25 Item 1)
10	-	Feed shaft assembly (P/O PL 5.25 Item 1)
11	-	Nudger shaft assembly (P/O PL 5.25 Item 1)
12	-	Nudger housing (P/O PL 5.25 Item 1)
13	-	Idler pin (P/O PL 5.25 Item 1)
14	-	Nudger gear (P/O PL 5.25 Item 1)
15	-	Nudger CRU housing (P/O PL 5.25 Item 1)
16	-	Feed front handle (P/O PL 5.25 Item 1)
17	-	DADF feeder kit (Not Spared)

NOTE: HFSI. To reset the HFSI counter, refer to dC135.

1 { 2 - 16

17 { 2 & PL 5.65 ITEMS 4,5

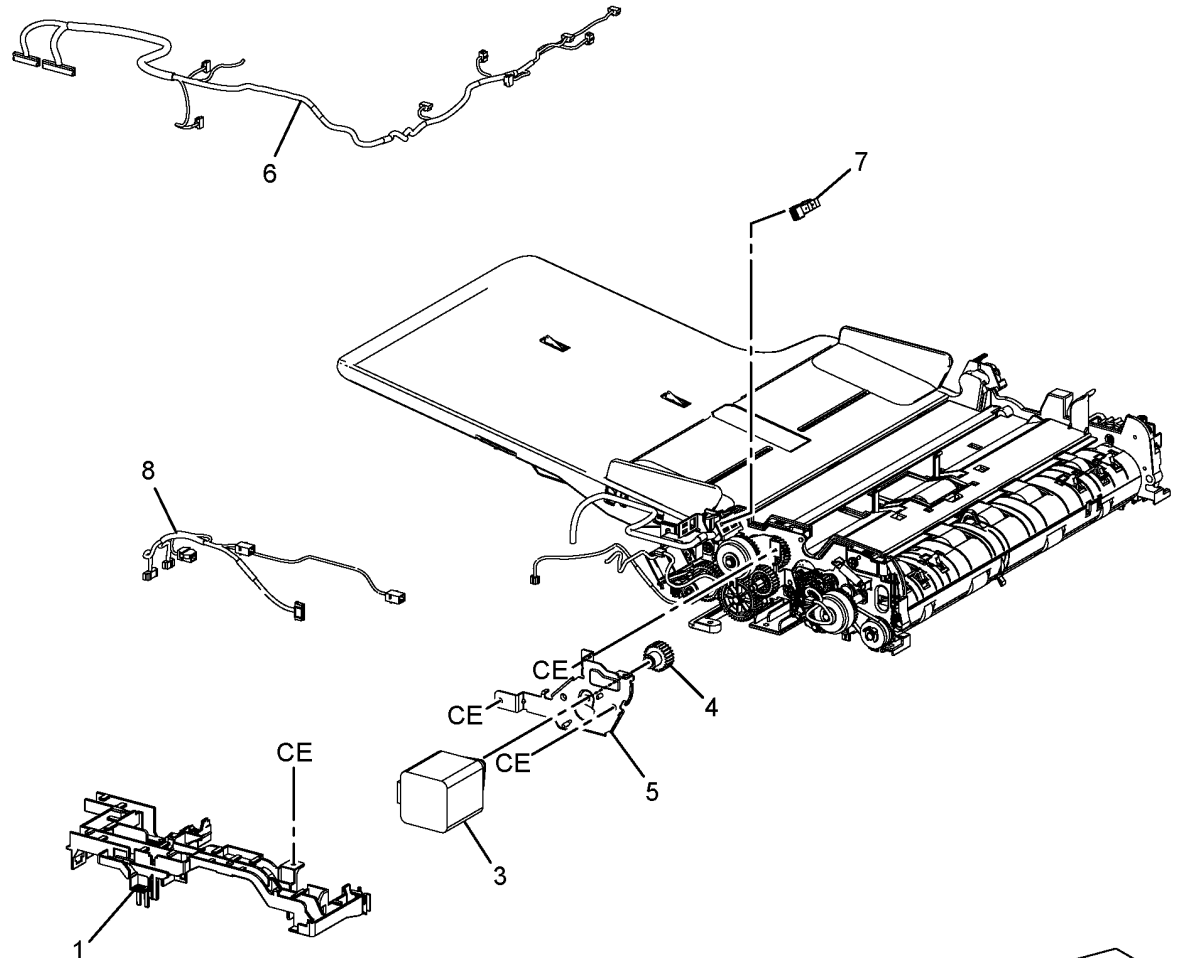


C-8-0005-A

PL 5.30 DADF Feed Motor and Harness Guide

Item	Part	Description
1	-	Harness guide (Not Spared) (REP 5.11)
2	-	DADF feed motor assembly (Not Spared) (REP 5.12)
3	127K76840	DADF feed motor (MOT05-004)
4	-	Idler motor gear (P/O PL 5.30 Item 2)
5	-	Motor bracket assembly (P/O PL 5.30 Item 2)
6	-	DADF harness assembly (Not Spared)
7	930W00121	Document sensor (S05-102)
8	-	Wire harness (motor/clutch) (Not Spared) (REP 5.11)

2 { 3 - 5

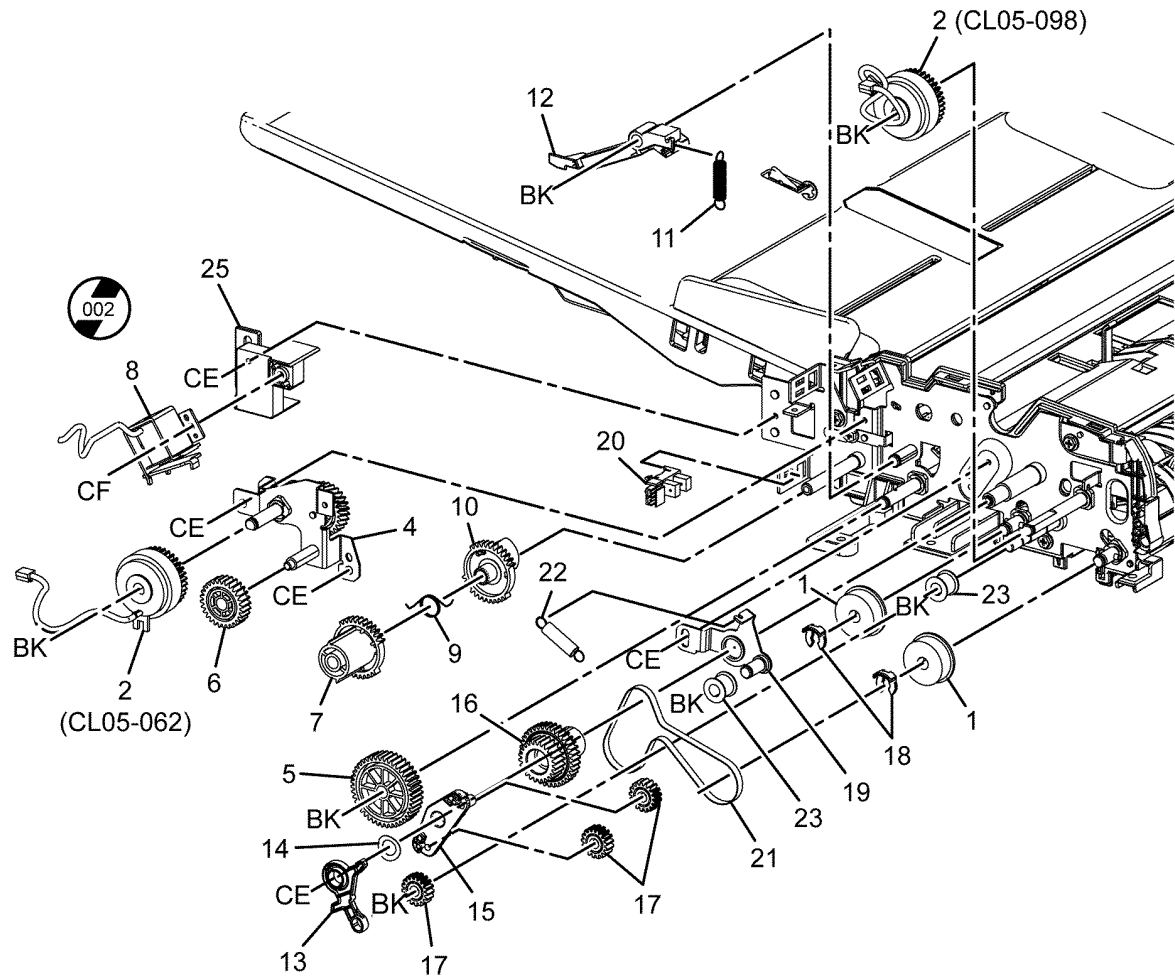


C-8-0006-A

PL 5.35 DADF Feeder Rear Frame (W/ O TAG 002)

24 { 8, 25

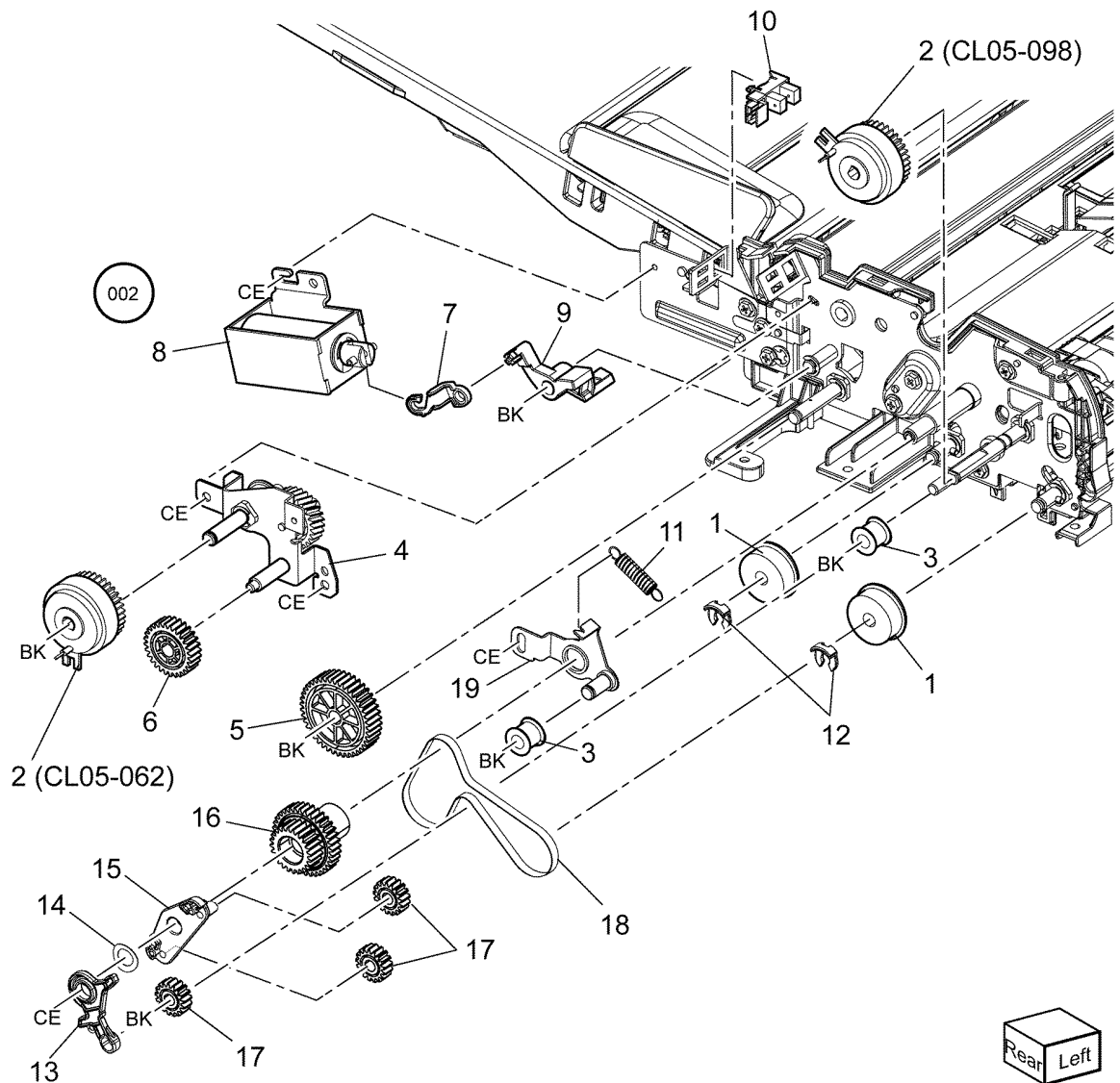
Item	Part	Description
1	-	Registration pulley (Not Spared)
2	121K52310	DADF feed clutch (CL05-062)/ Takeaway clutch (CL05-098)
3	-	Not used
4	-	Clutch gear bracket assembly (Not Spared)
5	-	Exit gear (Not Spared)
6	-	Exit gear idler (Not Spared)
7	-	Lock gear (Not Spared)
8	-	Exit nip release solenoid (SOL05-072) (P/O PL 5.35 Item 24)
9	-	Gear cam spring (Not Spared)
10	-	Cam gear (Not Spared)
11	-	Link invert spring (Not Spared)
12	-	Set link (Not Spared)
13	-	Stopper link (Not Spared)
14	-	Idler spring (Not Spared)
15	-	Idler gear bracket (Not Spared)
16	-	Gear pulley (Not Spared)
17	-	Gear idler T17 (Not Spared)
18	-	KL ring (Not Spared)
19	-	Tension bracket assembly (Not Spared)
20	930W00121	DADF home position sensor (S05-234)
21	-	DADF drive belt (Not Spared) (REP 5.13)
22	-	Tension spring (Not Spared)
23	-	Roller (Not Spared)
24	121K57710	Nip release solenoid assembly
25	-	Solenoid bracket (P/O PL 5.35 Item 24)



C-8-0007-B

PL 5.36 DADF Feeder Rear Frame (W/ TAG 002)

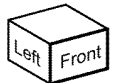
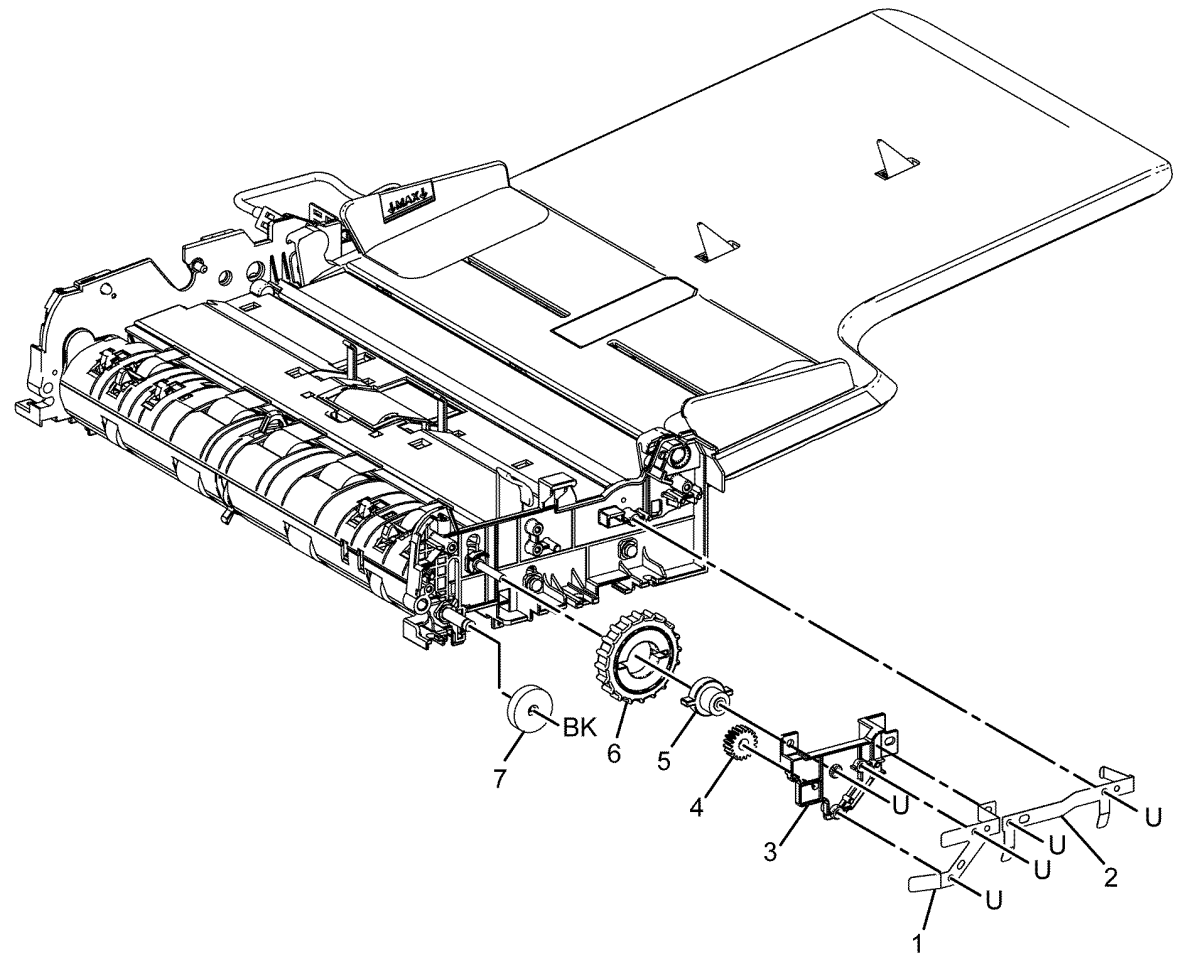
Item	Part	Description
1	-	Registration pulley (Not Spared)
2	121K52310	DADF feed clutch (CL05-062)/ Takeaway clutch (CL05-098)
3	-	Roller (Not Spared)
4	-	Clutch gear bracket assembly (Not Spared)
5	-	Exit gear (Not Spared)
6	-	Exit gear idler (Not Spared)
7	-	Exit release link (Not Spared)
8	121K55430	Exit nip release solenoid (SOL05-072)
-	121K52471	Exit nip release solenoid (SOL05-072)
9	-	Exit cam open link (Not Spared)
10	930W00121	DADF home position sensor (S05-234)
11	-	Tension spring (Not Spared)
12	-	KL ring (Not Spared)
13	-	Stopper link (Not Spared)
14	-	Idler spring (Not Spared)
15	-	Idler gear bracket (Not Spared)
16	-	Gear pulley (Not Spared)
17	-	Gear idler T17 (Not Spared)
18	-	DADF drive belt (Not Spared) (REP 5.13)
19	-	Tension bracket assembly (Not Spared)



C-8-0137-A

PL 5.40 DADF Feeder Front Frame

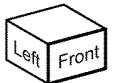
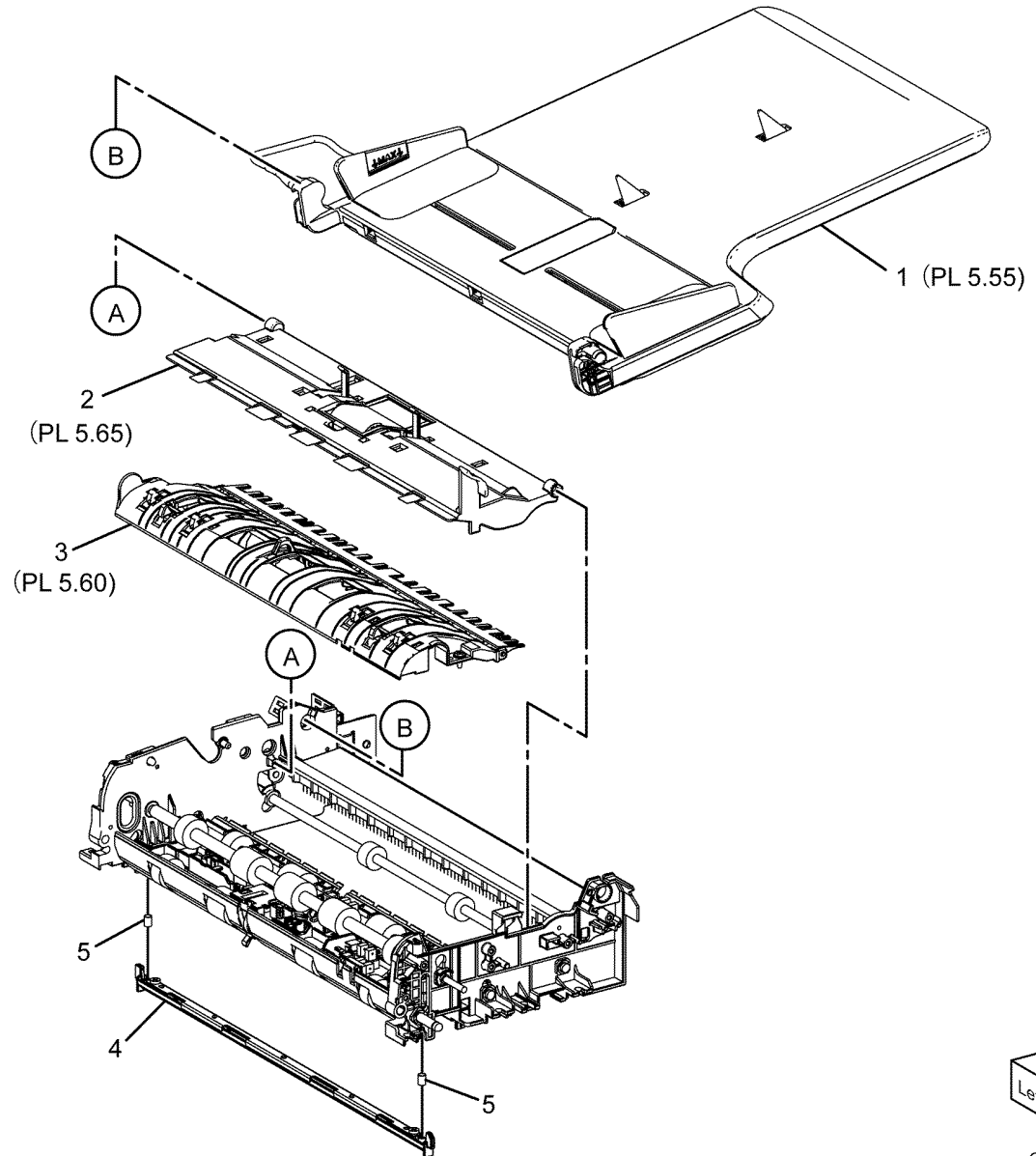
Item	Part	Description
1	–	Earth roller plate (Not Spared)
2	–	Earth roller 2 plate (Not Spared)
3	–	Handle knob bracket (Not Spared)
4	–	Gear idler (Not Spared)
5	–	Gear handle (Not Spared)
6	–	Handle knob (Not Spared)
7	–	Registration knob gear (Not Spared)



C-8-0008-A

PL 5.45 DADF Tray and Chute

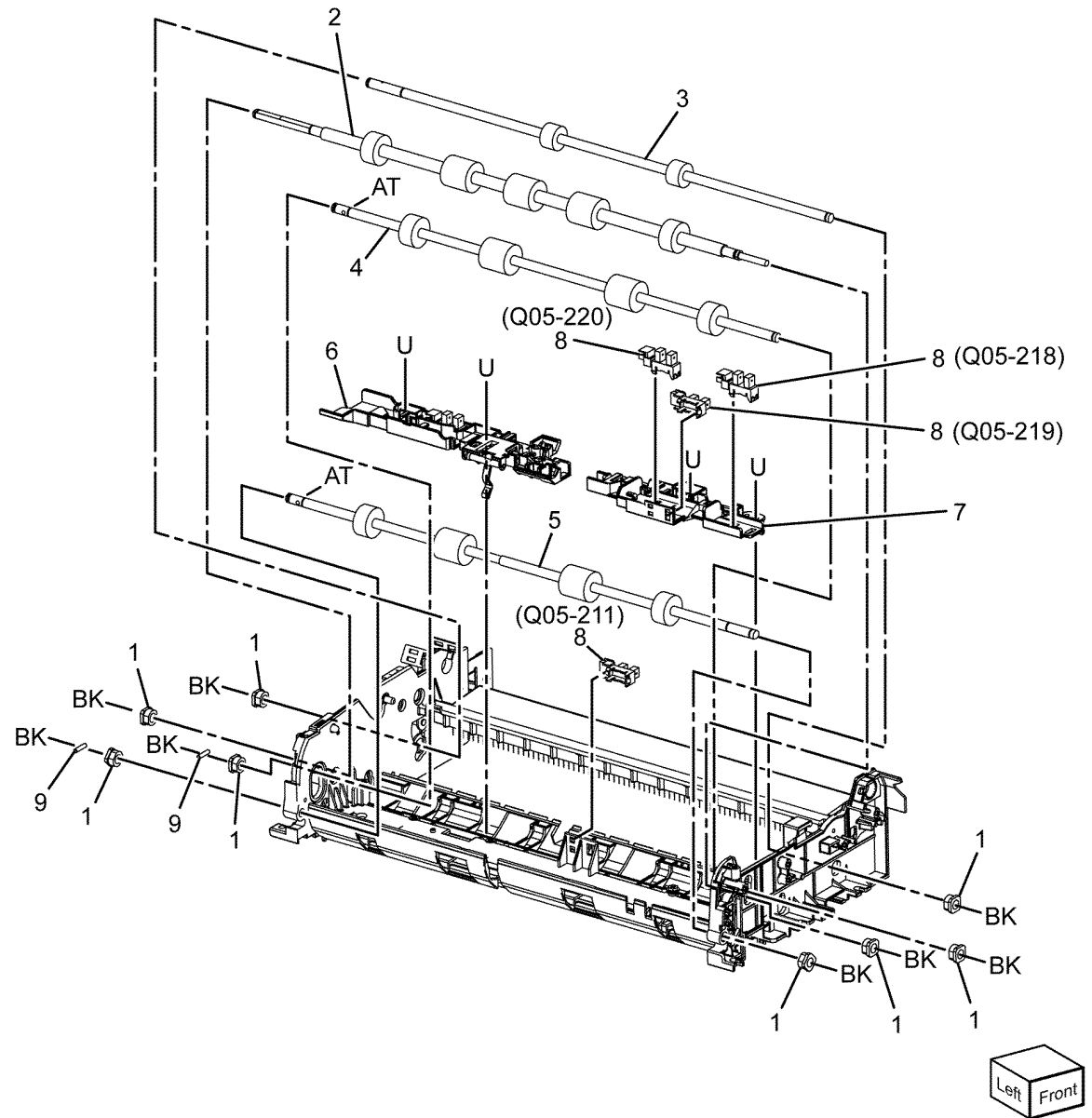
Item	Part	Description
1	-	Document tray (REF: PL 5.55) (REP 5.14)
2	054K54872	Retard chute assembly (REF: PL 5.65) (REP 5.15)
3	054K54860	Invert chute assembly (REF: PL 5.60) (REP 5.16)
4	-	FLT chute assembly (Not Spared)
5	-	Floating spring (Not Spared)



C-8-0009-A

PL 5.50 DADF Roller and Sensor Bracket

Item	Part	Description
1	-	Plastic bearing sleeve (Not Spared)
2	-	DADF takeaway roll (Not Spared)
3	-	Exit roll (Not Spared)
4	-	Out roll (Not Spared)
5	-	Registration roll (Not Spared)
6	-	Registration sensor bracket (P/O PL 5.70 Item 1) (REP 5.18)
7	-	APS sensor bracket (Not Spared)
8	930W00121	APS sensor 1 (Q05-218)/APS sensor 2 (Q05-219)/APS sensor 3 (Q05-220)/Invert sensor (Q05-211)
9	-	Ring KL (Not Spared)

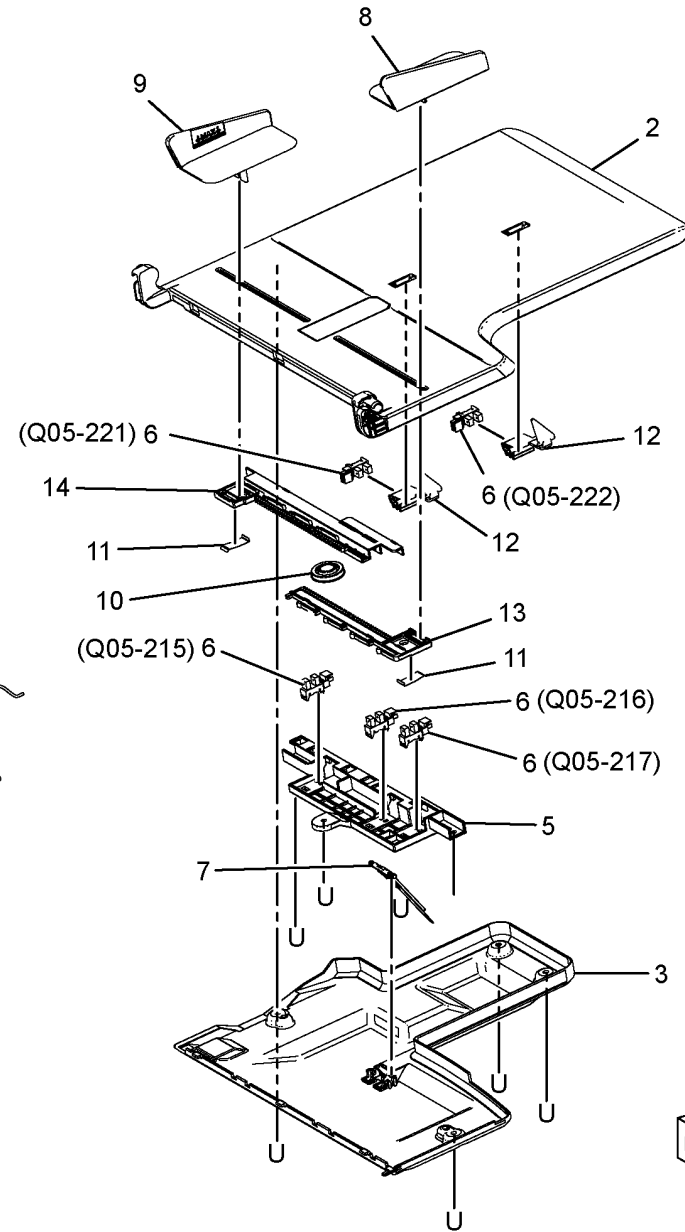
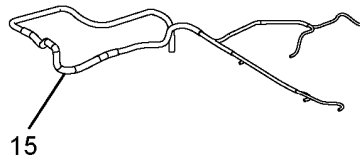


C-8-0010-A

PL 5.55 Document Tray

Item	Part	Description
1	-	Tray assembly (Not Spared)
2	-	Upper tray (P/O PL 5.55 Item 1)
3	-	Lower tray (P/O PL 5.55 Item 1)
4	-	Sensor bracket assembly (P/O PL 5.55 Item 1)
5	-	Sensor bracket (P/O PL 5.55 Item 4)
6	930W00121	Tray APS sensor 1 (Q05-215)/Tray APS sensor 2 (Q05-216)/Tray APS sensor 3 (Q05-217)/Tray size sensor 1 (Q05-221)/Tray size sensor 2 (Q05-222)
7	-	Scatter guide assembly (P/O PL 5.55 Item 1)
8	-	Front document guide (P/O PL 5.55 Item 1)
9	-	Rear document guide (P/O PL 5.55 Item 1)
10	-	Gear pinion (P/O PL 5.55 Item 1)
11	-	Rack spring (P/O PL 5.55 Item 1)
12	-	Actuator (P/O PL 5.55 Item 1)
13	-	Front gear guide (P/O PL 5.55 Item 1)
14	-	Rear gear guide (P/O PL 5.55 Item 1)
15	-	Document tray harness (P/O PL 5.55 Item 1)

1 { 2 - 15
4 { 5, 6

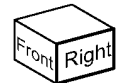
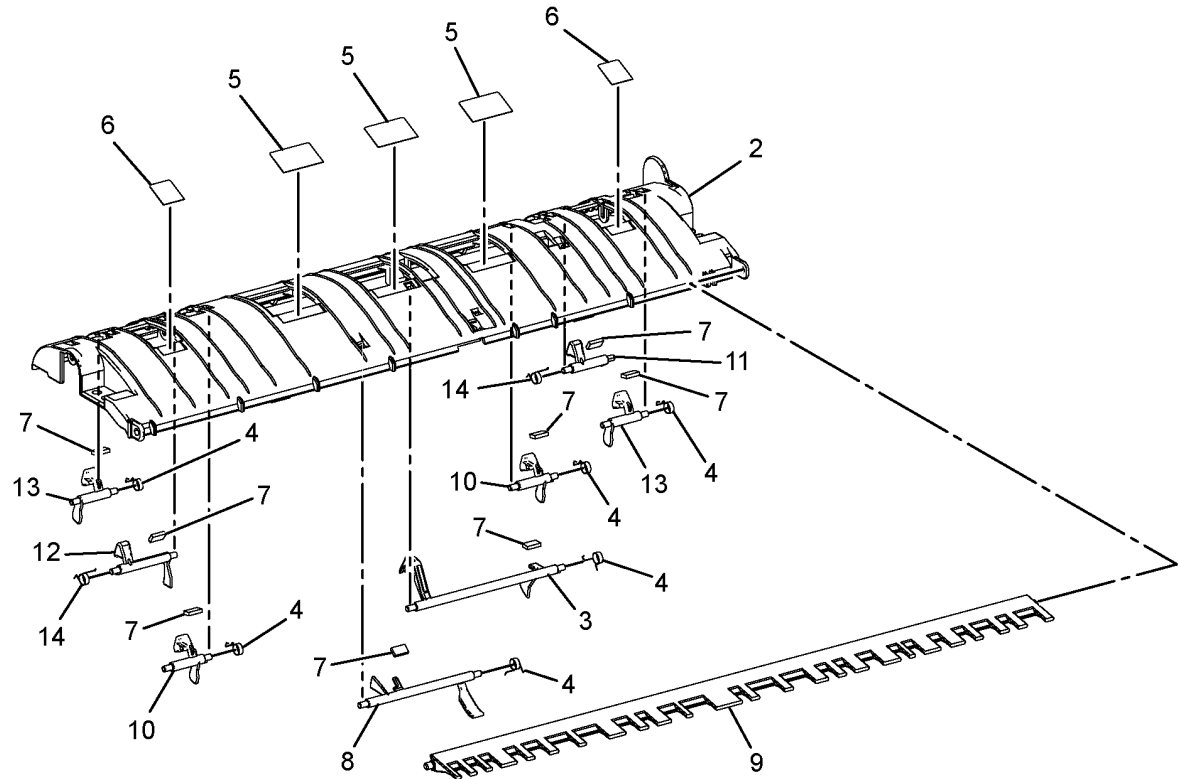


C-8-0011-A

PL 5.60 Invert Chute

Item	Part	Description
1	-	Invert chute assembly (REF: PL 5.45 Item 3)
2	-	Invert chute (P/O PL 5.60 Item 1)
3	-	Pre-registration actuator (P/O PL 5.60 Item 1)
4	-	Spring (P/O PL 5.60 Item 1)
5	-	W seal (P/O PL 5.60 Item 1)
6	-	S seal (P/O PL 5.60 Item 1)
7	-	Pad (P/O PL 5.60 Item 1)
8	-	Invert actuator (P/O PL 5.60 Item 1)
9	-	Invert gate (P/O PL 5.60 Item 1)
10	-	APS 1 actuator (P/O PL 5.60 Item 1)
11	-	APS 2 actuator (P/O PL 5.60 Item 1)
12	-	APS 2 dummy actuator (P/O PL 5.60 Item 1)
13	-	APS 3 actuator (P/O PL 5.60 Item 1)
14	-	Spring (P/O PL 5.60 Item 1)

1 { 2 - 14

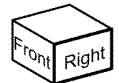
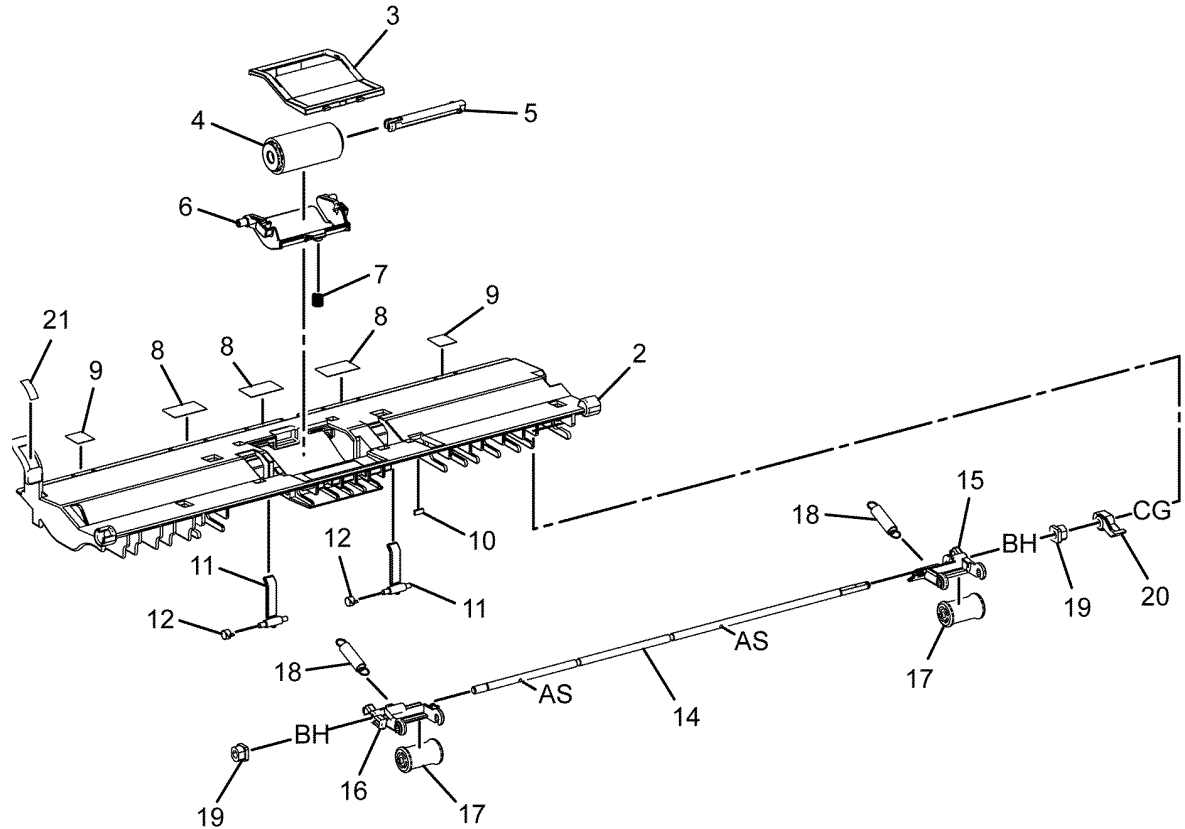


C-8-0012-A

PL 5.65 Retard Chute

Item	Part	Description	
1	-	Retard chute assembly (P/O PL 5.45 Item 3)	1 { 2 - 21
2	-	Retard chute (P/O PL 5.65 Item 1)	13 { 14 - 17
3	848K99190	Retard CRU cover assembly	
4	-	Retard roll assembly (P/O PL 5.65 Item 1) (See NOTE) (REP 5.19)	22 { 4, 5, PL 5.25 Item 2
5	-	Retard shaft (P/O PL 5.65 Item 1)	
6	-	Retard housing (P/O PL 5.65 Item 1)	
7	-	Retard spring (P/O PL 5.65 Item 1)	
8	-	W seal (P/O PL 5.65 Item 1)	
9	-	S seal (P/O PL 5.65 Item 1)	
10	-	Pad (P/O PL 5.65 Item 1)	
11	-	Set gate (P/O PL 5.65 Item 1)	
12	-	Torsion set spring (P/O PL 5.65 Item 1)	
13	-	Exit nip roll (P/O PL 5.65 Item 1)	
14	-	Exit roll shaft (P/O PL 5.65 Item 13)	
15	-	Exit R holder (P/O PL 5.65 Item 13)	
16	-	Exit F holder (P/O PL 5.65 Item 13)	
17	-	Exit nip roll (P/O PL 5.65 Item 13)	
18	-	Exit spring (P/O PL 5.65 Item 1)	
19	-	Bearing (P/O PL 5.65 Item 1)	
20	-	Exit cam 2 link (P/O PL 5.65 Item 1)	
21	-	Retard label (P/O PL 5.65 Item 1)	
22	604K97930	DADF feeder kit	

NOTE: HFSI. To reset the HFSI counter, refer to dC135.

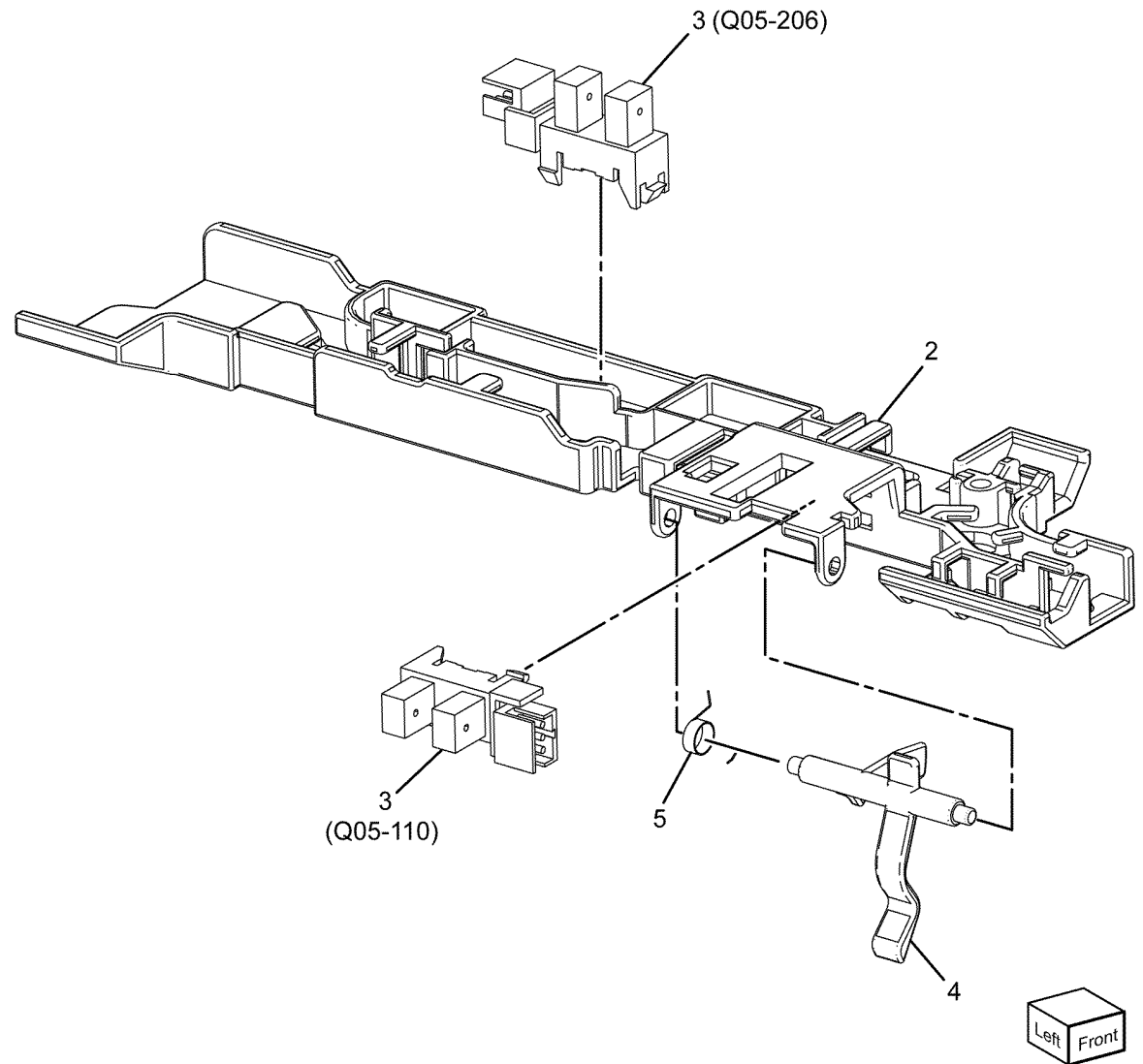


C-8-0013-A

PL 5.70 Registration Sensor Bracket

Item	Part	Description
1	-	Registration sensor bracket assembly (Not Spared)
2	-	Bracket (P/O PL 5.70 Item 1)
3	930W00121	Registration sensor (Q05-110)/pre-registration sensor (Q05-206)
4	-	Actuator (P/O PL 5.70 Item 1)
5	-	Torsion spring (P/O PL 5.70 Item 1)

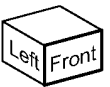
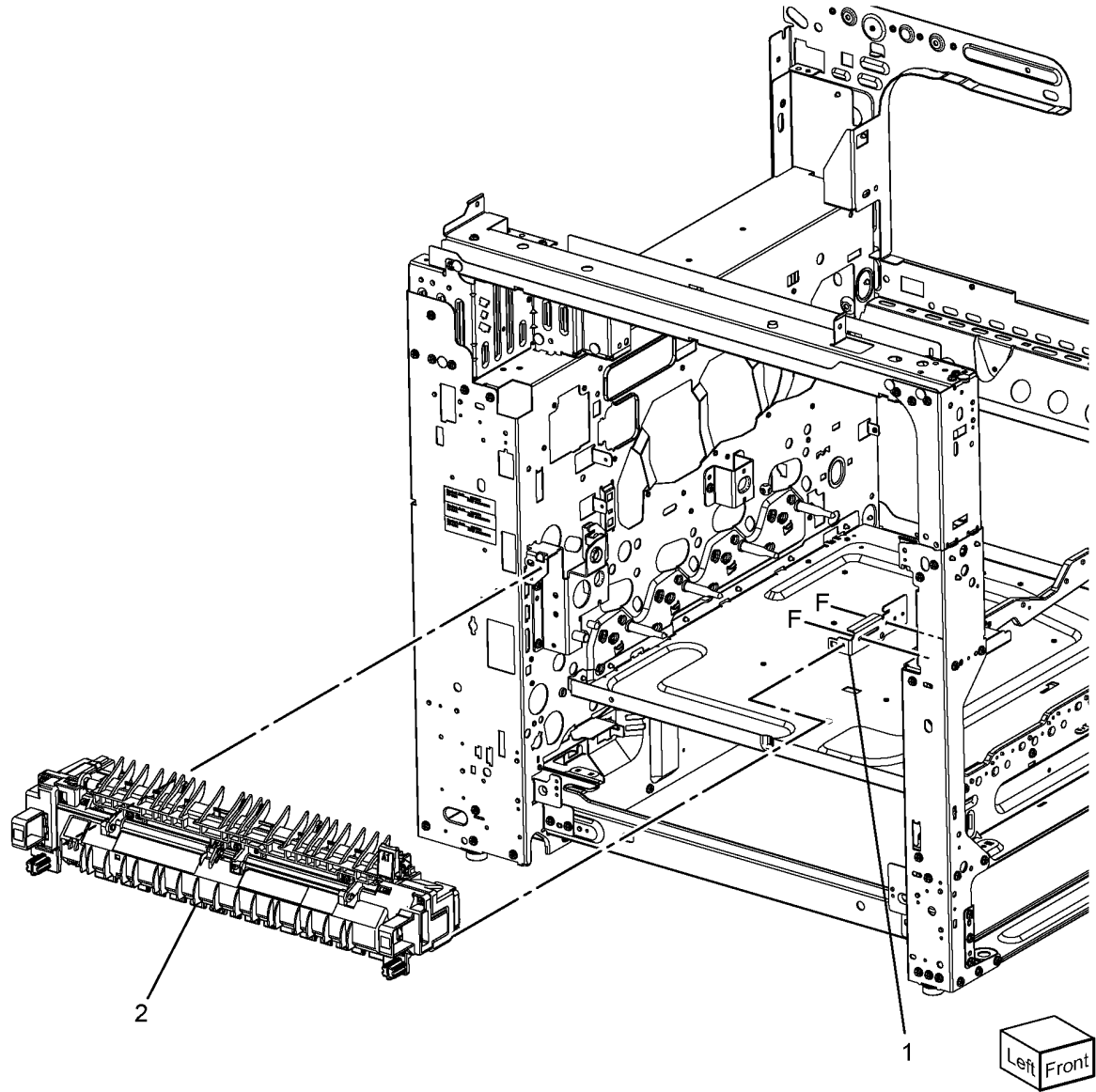
1 { 2 - 5



C-8-0014-A

PL 10.05 Fuser

Item	Part	Description
1	–	Adjust plate (Not Spared)
2	115R00114	Fuser 120V (C7030F) (REP 10.3)
–	115R00115	Fuser 220V (C7030F) (REP 10.3)
–	115R00137	Fuser 120V (C7000) (REP 10.3)
–	115R00138	Fuser 220V (C7000) (REP 10.3)

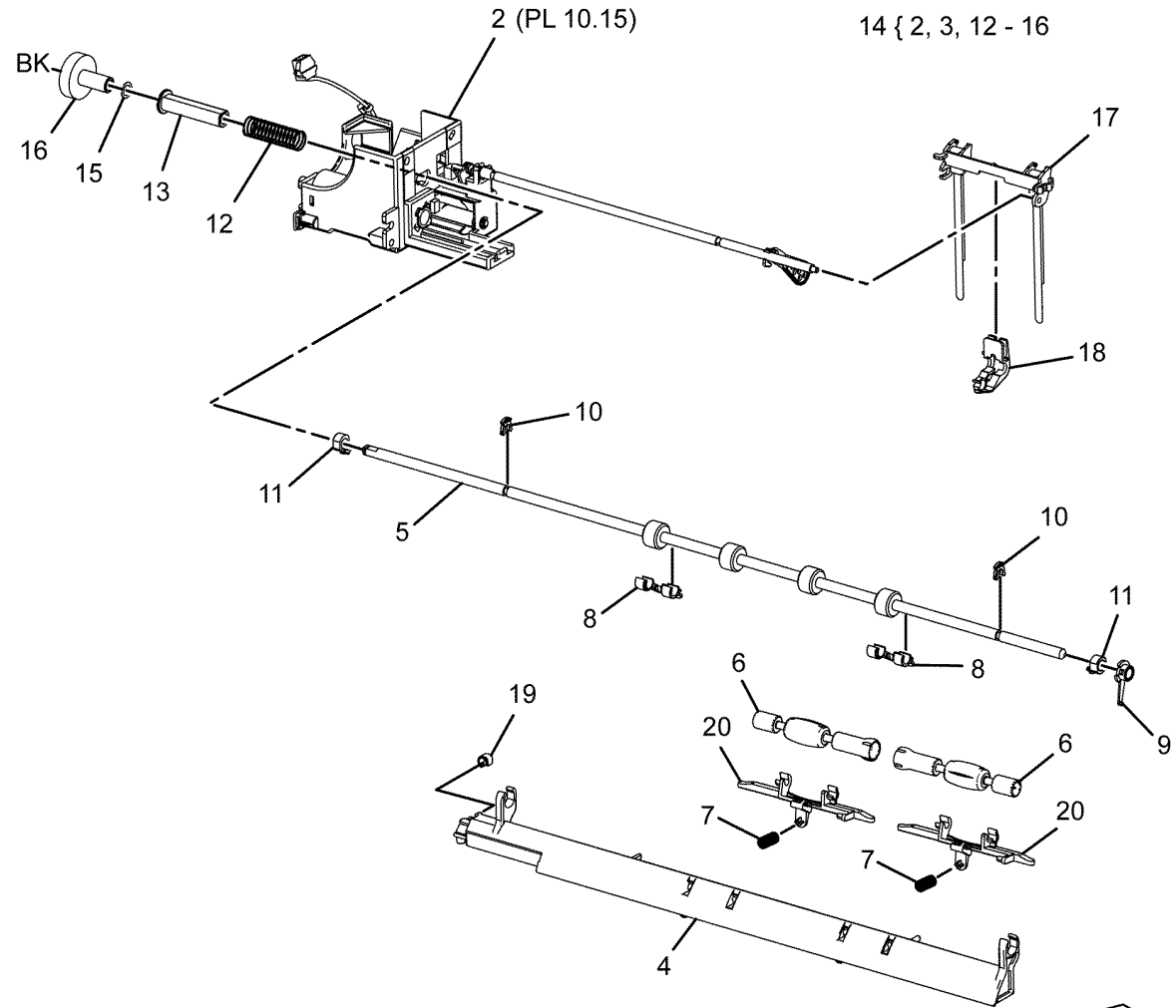


C-8-0062-A

PL 10.10 Exit 1

Item	Part	Description
1	859K00504	Exit 1 OCT assembly (REP 10.1)
2	-	Exit 1 base assembly (P/O PL 10.10 Item 1)
3	-	OCT chute assembly (P/O PL 10.10 Item 1)
4	-	OCT chute (P/O PL 10.10 Item 3)
5	-	Exit 1 roller assembly (P/O PL 10.10 Item 3)
6	-	Nip roll (P/O PL 10.10 Item 3)
7	-	Spring (P/O PL 10.10 Item 3)
8	-	Exit guard (P/O PL 10.10 Item 3)
9	-	Bearing (Not Spared)
10	-	Clip shaft (P/O PL 10.10 Item 3)
11	-	Bearing (P/O PL 10.10 Item 3)
12	-	OCT back spring (P/O PL 10.10 Item 1)
13	-	Bearing OCT (P/O PL 10.10 Item 1)
14	-	Full stack chute assembly (Not Spared)
15	-	Plain washer (P/O PL 10.10 Item 1)
16	-	OCT gear (P/O PL 10.10 Item 1)
17	036K92030	Paper exit 1 weight assembly
18	-	Exit 1 CTR guard (Not Spared)
19	-	OCT collar (P/O PL 10.10 Item 3)
20	-	Nip roll holder (P/O PL 10.10 Item 1)

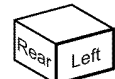
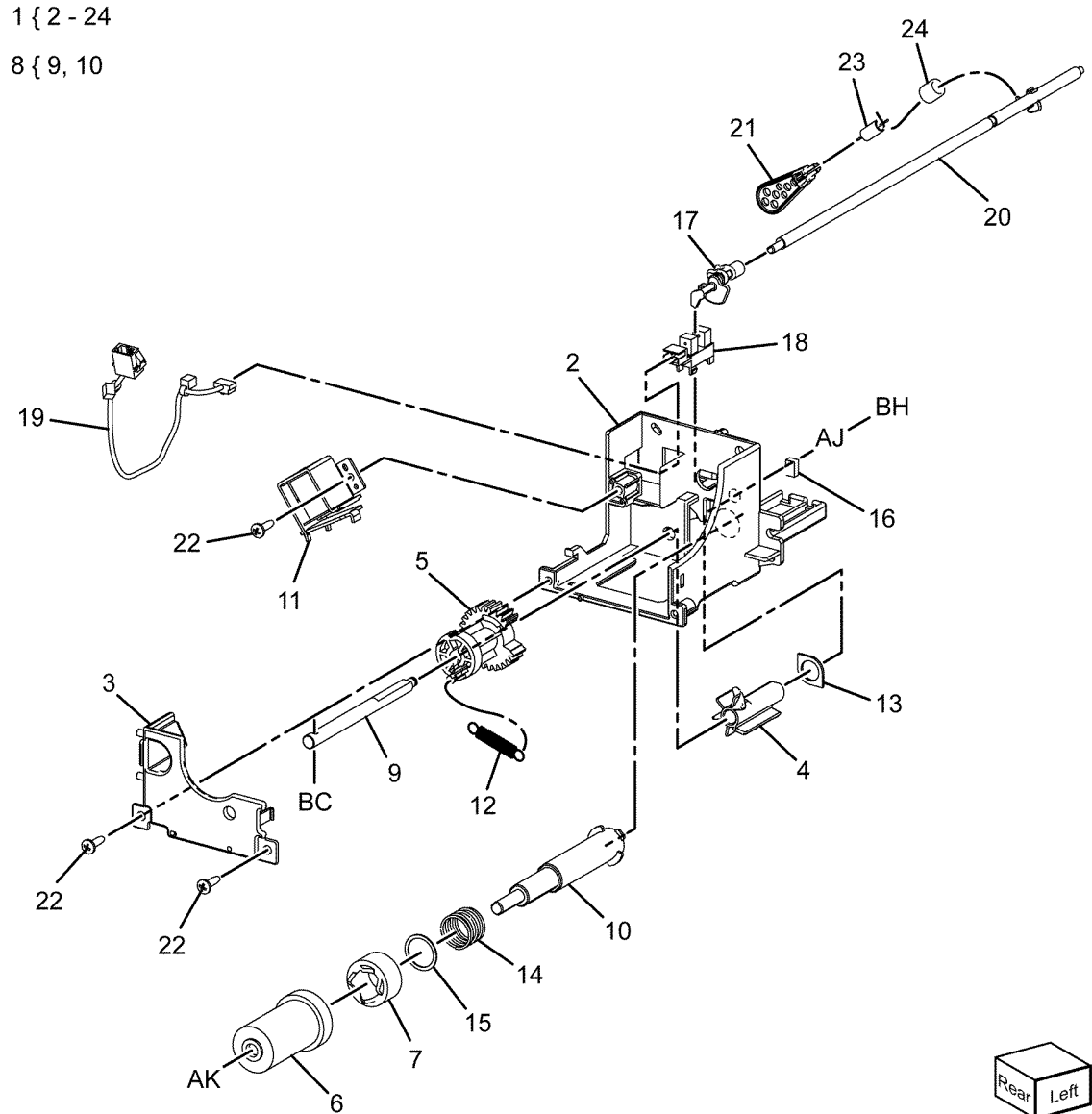
- 1 { 2, 3, 12, 13, 15, 16, 20
- 3 { 4 - 8, 10, 11, 19
- 14 { 2, 3, 12 - 16



C-8-0077-A

PL 10.15 Exit 1 Base Assembly

Item	Part	Description
1	-	Exit 1 base assembly (Not Spared)
2	-	Base exit 1 (P/O PL 10.15 Item 1)
3	-	Base exit 1 cover (P/O PL 10.15 Item 1)
4	-	Cam screw (P/O PL 10.15 Item 1)
5	-	OCT segment gear (P/O PL 10.15 Item 1)
6	-	Exit 1 idler gear (P/O PL 10.15 Item 1)
7	-	Coupling gear (P/O PL 10.15 Item 1)
8	-	Exit 1 shaft assembly (P/O PL 10.15 Item 1)
9	-	Cam shaft (P/O PL 10.15 Item 8)
10	-	Idler gear shaft (P/O PL 10.15 Item 8)
11	121E25150	Exit 1 offset solenoid (SOL77-010)
12	-	Cam spring (P/O PL 10.15 Item 1)
13	-	Cam screw pad (P/O PL 10.15 Item 1)
14	-	OCT safety spring (P/O PL 10.15 Item 1)
15	-	Exit 1 washer (P/O PL 10.15 Item 1)
16	-	OCT back pad (P/O PL 10.15 Item 1)
17	-	Full sensor actuator (P/O PL 10.15 Item 1)
18	930W00113	Exit 1 OCT full stack sensor (Q77-124)
19	-	Exit harness assembly (P/O PL 10.15 Item 1)
20	-	Full stack B shaft (P/O PL 10.15 Item 1)
21	-	Full actuator (P/O PL 10.15 Item 1)
22	-	Screw (P/O PL 10.15 Item 1)
23	-	Spring pipe (P/O PL 10.15 Item 1)
24	-	Spring (P/O PL 10.15 Item 1)

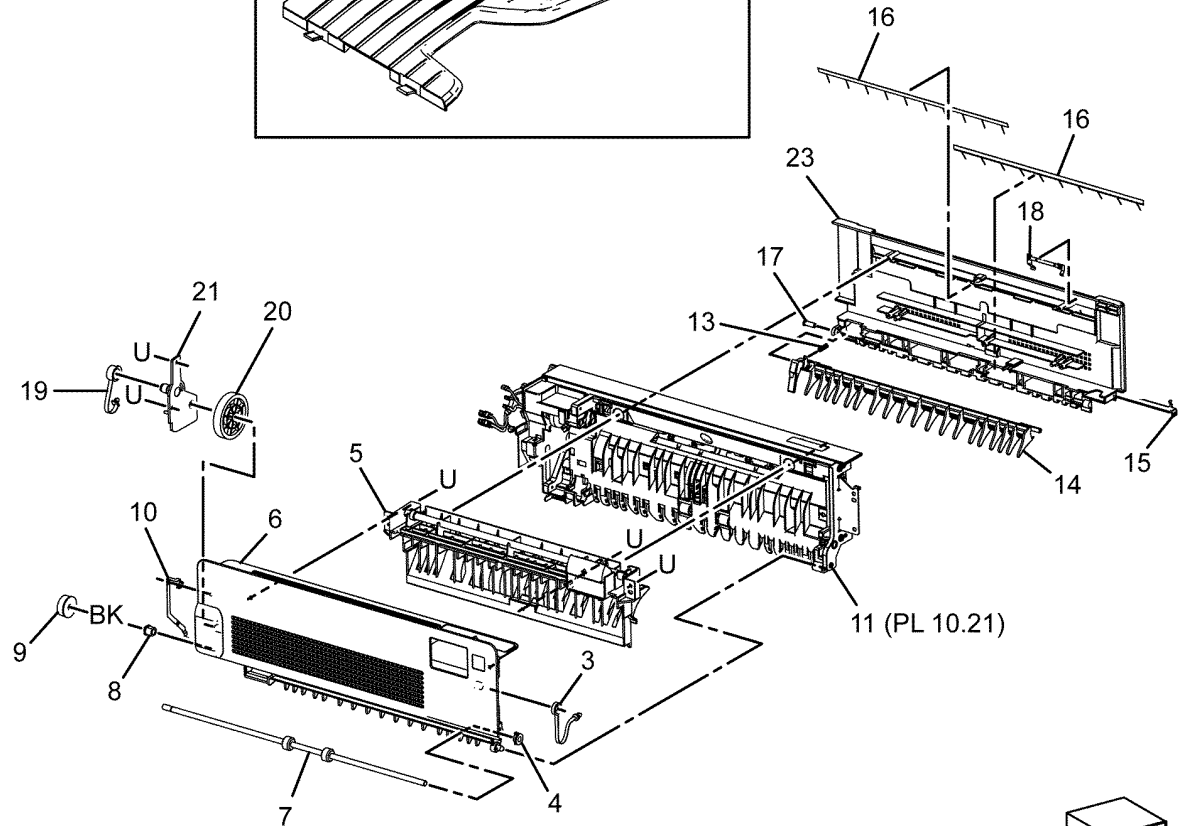
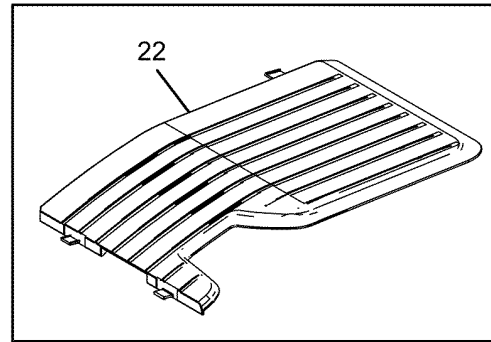


C-8-0078-A

PL 10.20 Exit 2 (1 of 3)

Item	Part	Description
1	859K04963	Exit 2 transport assembly
2	-	Chute LH transport assembly (P/O PL 10.20 Item 1)
3	-	Exit 2 stopper (P/O PL 10.20 Item 1)
4	-	Bearing (P/O PL 10.20 Item 1)
5	-	Exit 2 chute (P/O PL 10.20 Item 1)
6	-	LH high chute (P/O PL 10.20 Item 1)
7	-	Inverter roller assembly (P/O PL 10.20 Item 1)
8	-	Bearing sleeve (P/O PL 10.20 Item 1)
9	-	Inverter gear (P/O PL 10.20 Item 1)
10	-	Earth plate (P/O PL 10.20 Item 1)
11	-	Exit 2 drive assembly (REF: PL 10.21)
12	-	Exit 2 guide assembly (P/O PL 10.20 Item 1)
13	-	Gate 1 spring (P/O PL 10.20 Item 12)
14	050E94761	Exit 1 diverter gate
15	-	Exit 1 conductor (P/O PL 10.20 Item 12)
16	-	Static eliminator (P/O PL 10.20 Item 12)
17	-	Gate stopper (P/O PL 10.20 Item 12)
18	-	Exit 2 conductor (P/O PL 10.20 Item 12)
19	-	Exit 2 stopper (P/O PL 10.20 Item 1)
20	-	Gear (P/O PL 10.20 Item 1)
21	-	Gear cover (P/O PL 10.20 Item 1)
22	050E32542	Center tray / dual catch tray
23	-	Exit 2 guide (P/O PL 10.20 Item 12)

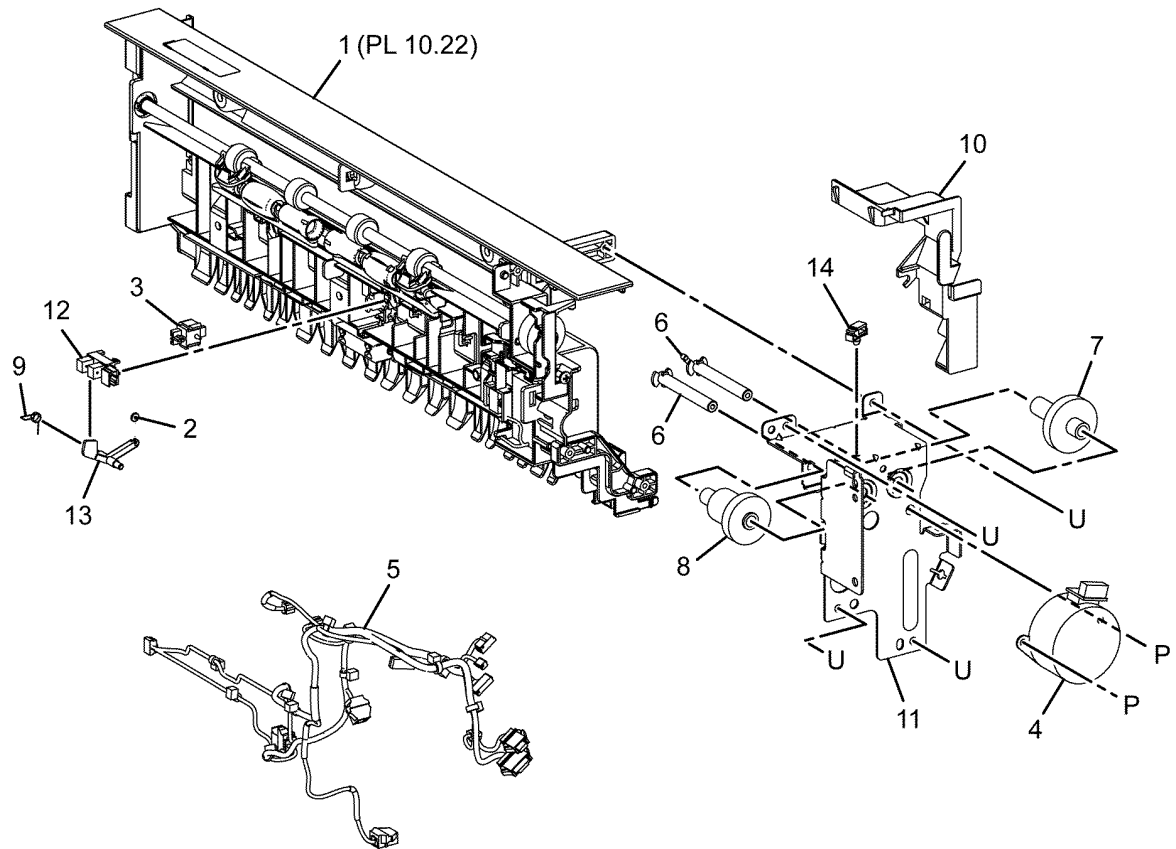
1 { 2 - 21, 23
 2 { 3 - 10, 20, 21
 12 { 13 - 18, 23



C-8-0079-A

PL 10.21 Exit 2 (2 of 3)

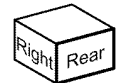
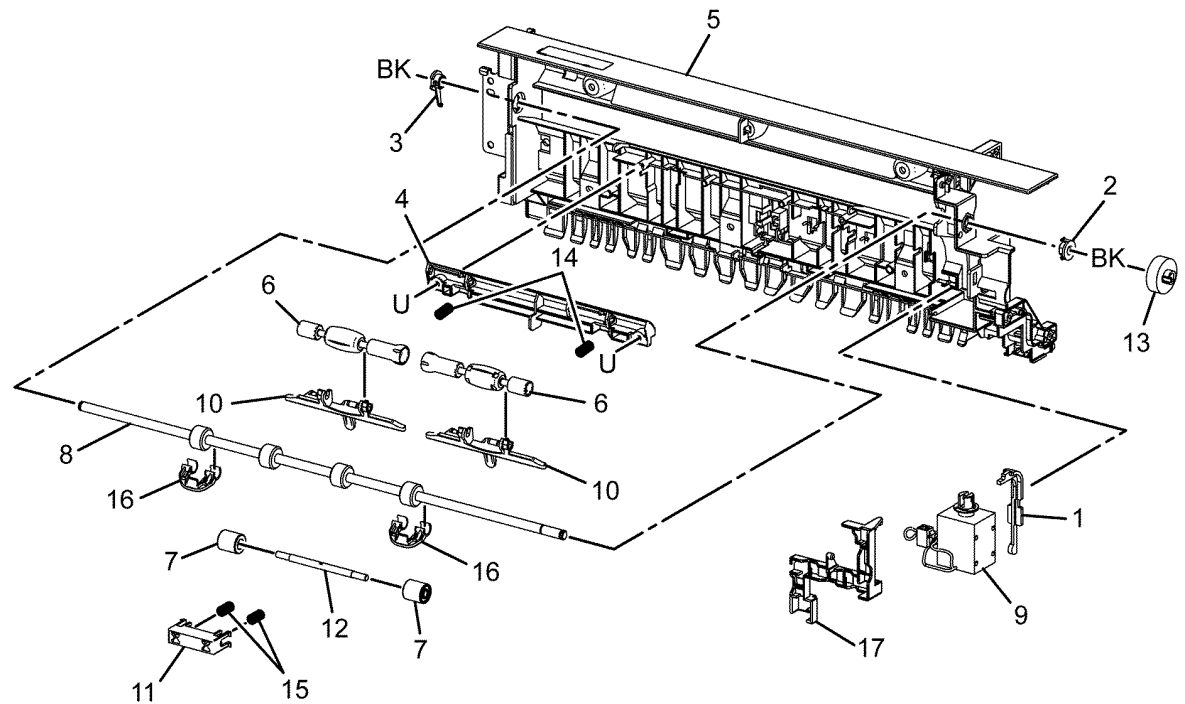
Item	Part	Description
1	-	Exit 2 OCT assembly (REF: PL 10.22)
2	-	Roller actuator (Not Spared)
3	110E11580	LH high cover switch (S77-302)
-	110E15190	LH high cover switch (S77-302) (alternative)
4	127K58400	Exit 2 motor (MOT77-014)
5	952K21202	Exit 2 harness assembly
6	-	Gear shaft (Not Spared)
7	-	Gear 28T (Not Spared)
8	-	Gear 16/48T (Not Spared)
9	-	Actuator spring (Not Spared)
10	-	Rear cover (Not Spared)
11	-	Rear bracket (Not Spared)
12	930W00123	Exit 2 sensor (Q77-100)
13	-	Actuator (Not Spared)
14	-	Locking clamp (Not Spared)



C-8-0080-A

PL 10.22 Exit 2 (3 of 3)

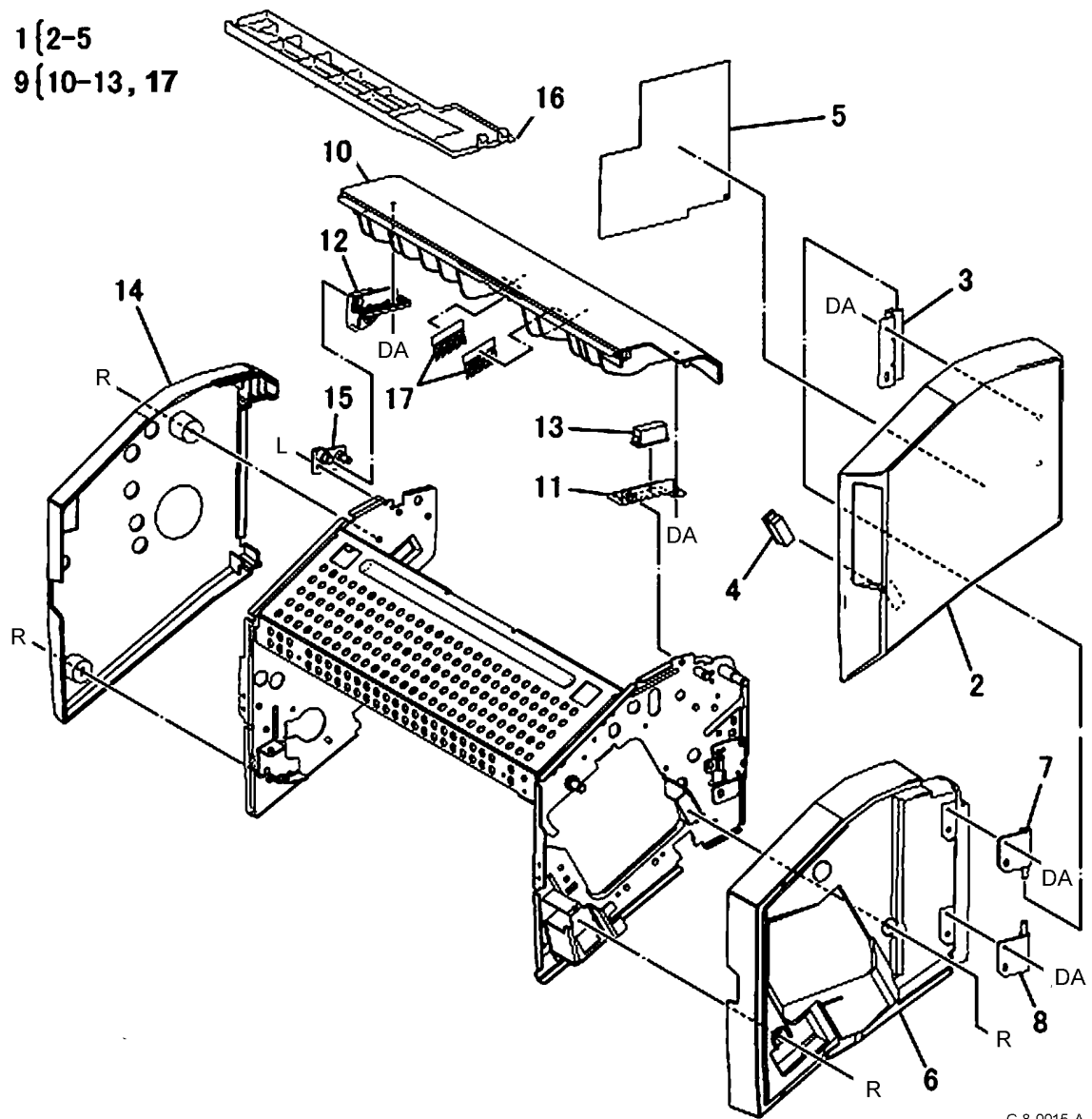
Item	Part	Description
1	–	Gate exit link (Not Spared)
2	–	Bearing (Not Spared)
3	–	Bearing (Not Spared)
4	–	Exit chute (Not Spared)
5	–	Low exit 2 chute (Not Spared)
6	059E10261	Pinch roller
7	–	Inverter nip roll (Not Spared)
8	–	Exit 2 roll (Not Spared) (REP 10.2)
9	–	Exit gate solenoid (SOL77-004)(P/O PL 10.20 Item 1)
10	–	Nip roll holder (Not Spared)
11	–	Spring holder (Not Spared)
12	–	Shaft (Not Spared)
13	–	Gear 22T (Not Spared)
14	–	Exit nip spring (Not Spared)
15	–	Inverter nip spring (Not Spared)
16	–	Exit guard (Not Spared)
17	–	Exit 2 guide harness (Not Spared)



C-8-0081-A

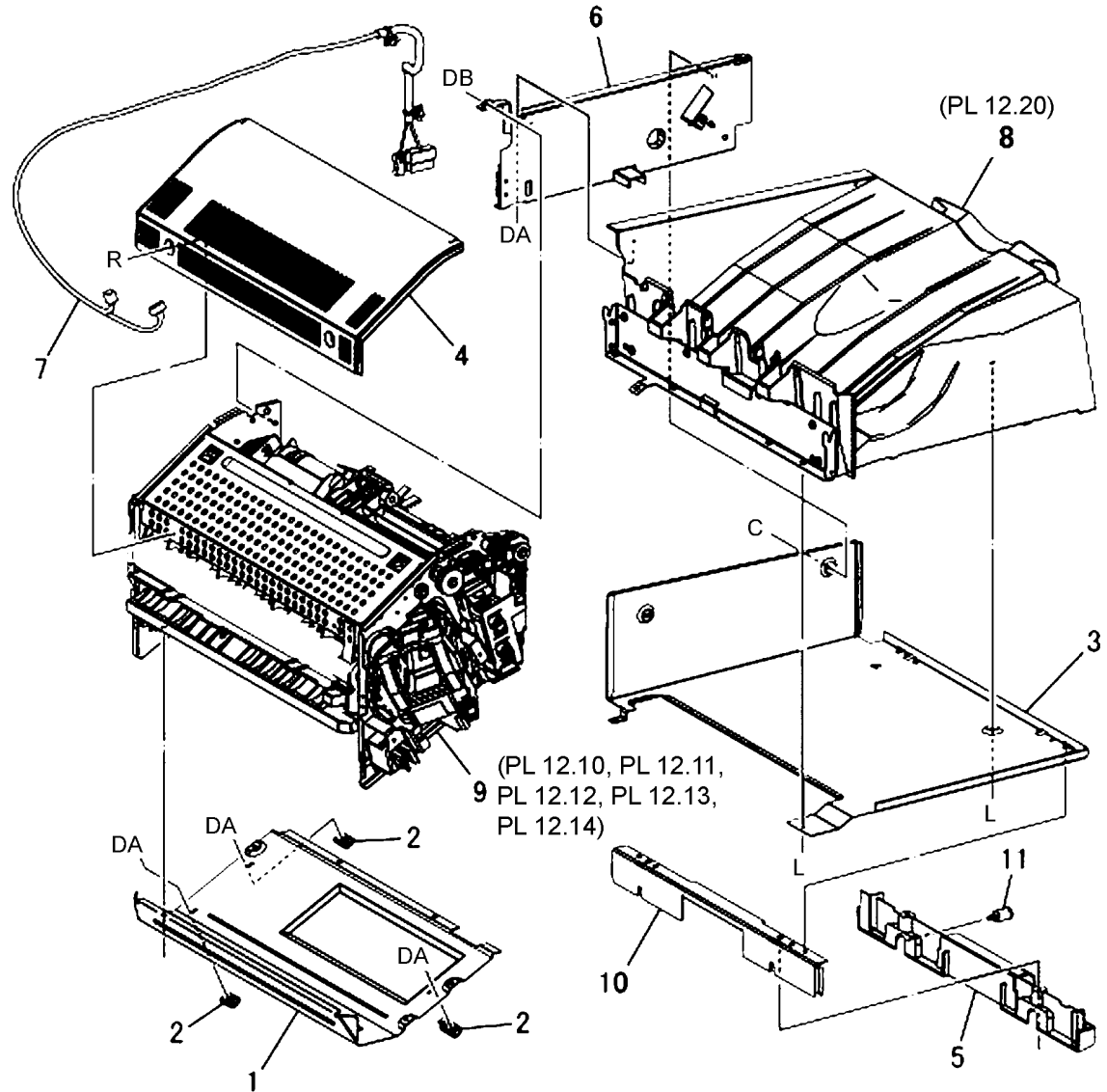
PL 12.05 Integrated Office Finisher (1 of 2)

Item	Part	Description
1	948K05201	Front cover assembly
2	-	Front cover (P/O PL 12.05 Item 1)
3	-	Bracket (P/O PL 12.05 Item 1)
4	-	Magnet (P/O PL 12.05 Item 1)
5	-	Label (P/O PL 12.05 Item 1)
6	-	Front inner cover (Not Spared)
7	-	Hinge (Not Spared)
8	-	Hinge (Not Spared)
9	948K05210	Top cover assembly
10	-	Top cover (P/O PL 12.05 Item 9)
11	-	Bracket (P/O PL 12.05 Item 9)
12	-	Stopper (P/O PL 12.05 Item 9)
13	-	Magnet (P/O PL 12.05 Item 9)
14	-	Rear cover (Not Spared)
15	-	Hinge (Not Spared)
16	-	IIT cover (Not Spared)
17	-	Static eliminator (P/O PL 12.05 Item 9)



PL 12.06 Integrated Office Finisher (2 of 2)

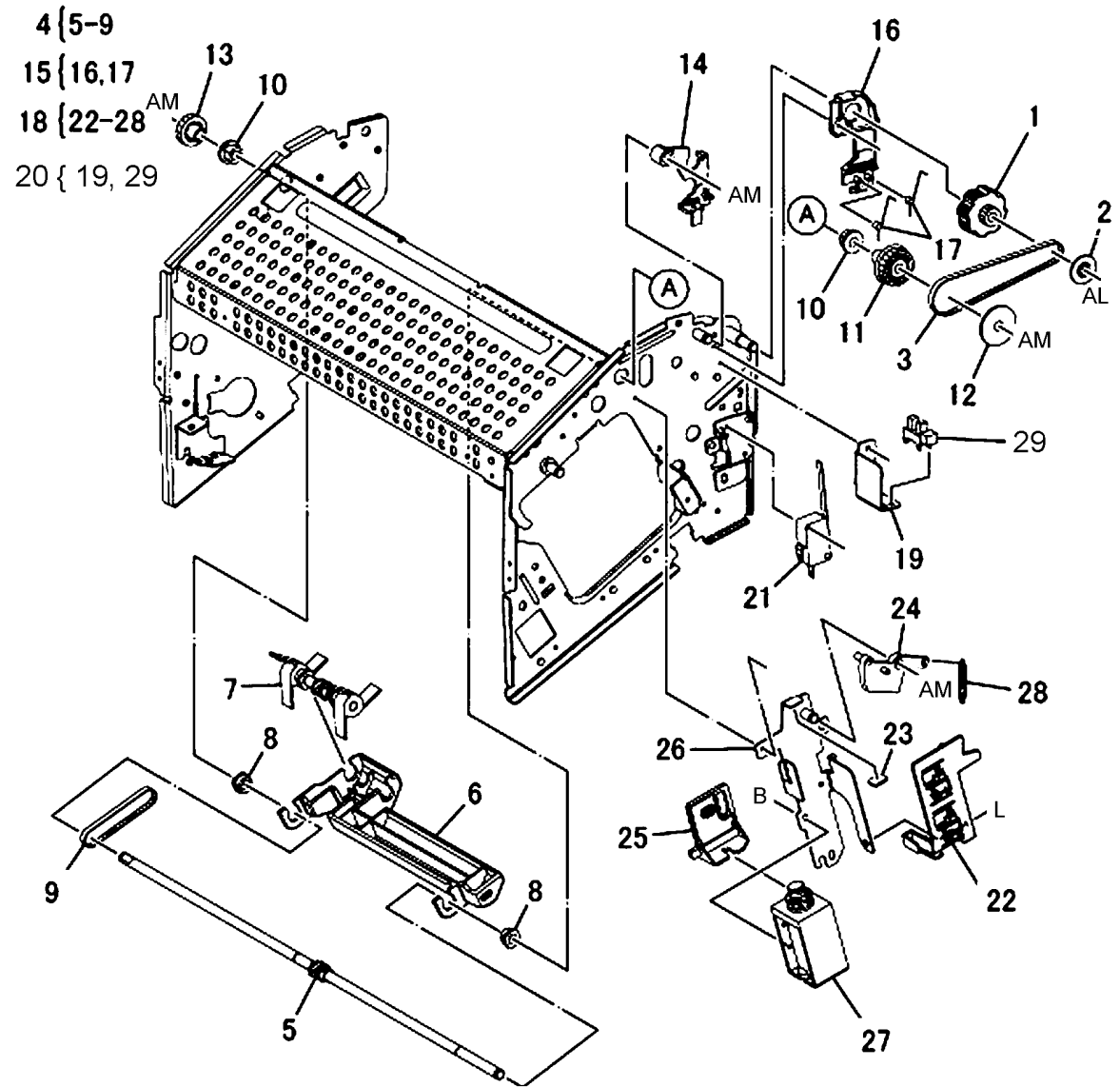
Item	Part	Description
1	-	Bottom cover (Not Spared)
2	-	Spacer (Not Spared)
3	-	Tray cover (Not Spared)
4	-	Left cover (Not Spared)
5	-	Tray support (Not Spared)
6	-	Rear bracket (Not Spared)
7	962K42291	Wire harness
8	050K75640	Stacker tray assembly (REP 12.15)
9	-	Stacker base assembly (Not Spared)
10	-	Extended tray assembly (Not Spared)
11	826E24180	Thumb screw



C-8-0016-A

PL 12.10 Integrated Office Finisher Base Assembly (1 of 5)

Item	Part	Description
1	-	Pulley knob (Not Spared)
2	005E89470	Collar
3	423W10455	Front paddle belt (REP 12.2)
4	012K96371	Link shaft assembly
5	-	Link shaft (P/O PL 12.10 Item 4)
6	-	Support (P/O PL 12.10 Item 4)
7	-	Sub paddle shaft assembly (P/O PL 12.10 Item 4)
8	-	Bearing (P/O PL 12.10 Item 4)
9	423W06055	Front paddle belt (REP 12.2)
10	413W75959	Bearing
11	-	Pulley (Not Spared)
12	-	Collar (Not Spared)
13	-	Gear (21T) (Not Spared)
14	-	Actuator (Not Spared)
15	-	Knob cover assembly (Not Spared)
16	-	Knob Cover (P/O PL 12.10 Item 15)
17	-	Spring (P/O PL 12.10 Item 15)
18	-	Sub paddle solenoid assembly (Not Spared)
19	-	Bracket (P/O PL 12.10 Item 20)
20	068K30000	Finisher top cover interlock sensor assembly
21	110K12980	Finisher top cover interlock (Q12-300) (+24V)
22	-	Support (P/O PL 12.10 Item 18)
23	-	Cushion (P/O PL 12.10 Item 18)
24	-	Link (P/O PL 12.10 Item 18)
25	-	Arm (P/O PL 12.10 Item 18)
26	-	Bracket (P/O PL 12.10 Item 18)
27	121K34621	Sub paddle solenoid (SOL12-013) (REP 12.3)
28	-	Spring (P/O PL 12.10 Item 18)
29	130K70160	Finisher top cover interlock sensor (P/O PL 12.10 Item 20)

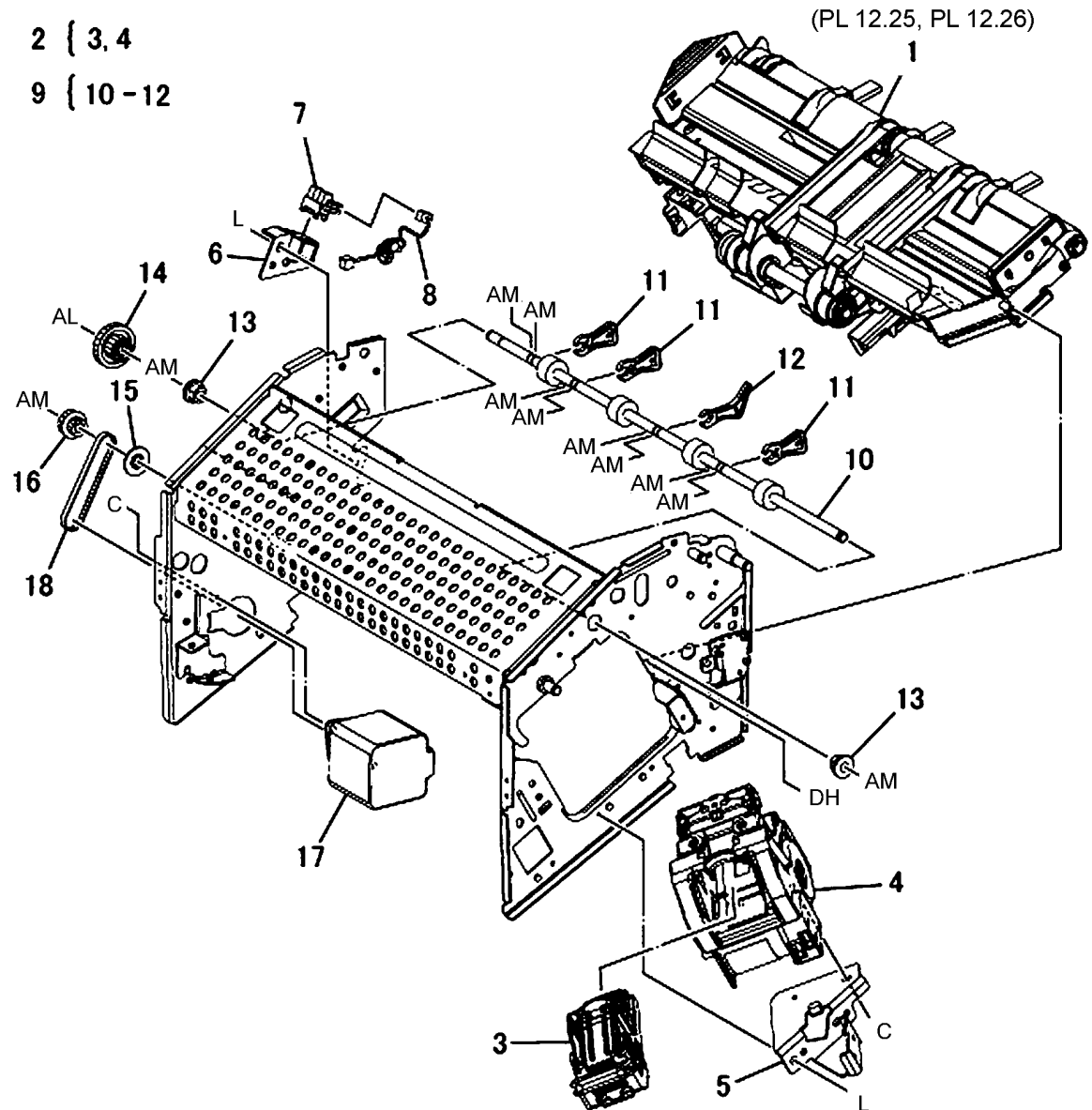


C-8-0017-A

PL 12.11 Integrated Office Finisher Base Assembly (2 of 5)

Item	Part	Description
1	050K75630	Compiler assembly (REP 12.19)
2	029K93260	Stapler assembly (alternative) (REP 12.4)
-	029K92350	Stapler assembly (REP 12.4)
3	-	Cartridge (P/O PL 12.11 Item 2) (See NOTE)
4	-	Stapler (P/O PL 12.11 Item 2)
5	-	Bracket (Not Spared)
6	-	Support (Not Spared)
7	930W00111	Set clamp home sensor (Q12-251) (REP 12.5)
8	962K44981	Wire harness
9	022K72791	Exit roll assembly (REP 12.6)
10	-	Exit roll (P/O PL 12.11 Item 9)
11	-	Damper (P/O PL 12.11 Item 9)
12	-	Center damper (P/O PL 12.11 Item 9)
13	-	Bearing (Not Spared)
14	007K94220	One way gear
15	005E89470	Collar
16	-	Gear pulley (16T/18T) (Not Spared)
17	127K49800	Transport motor (MOT12-095)
18	423W06954	Belt

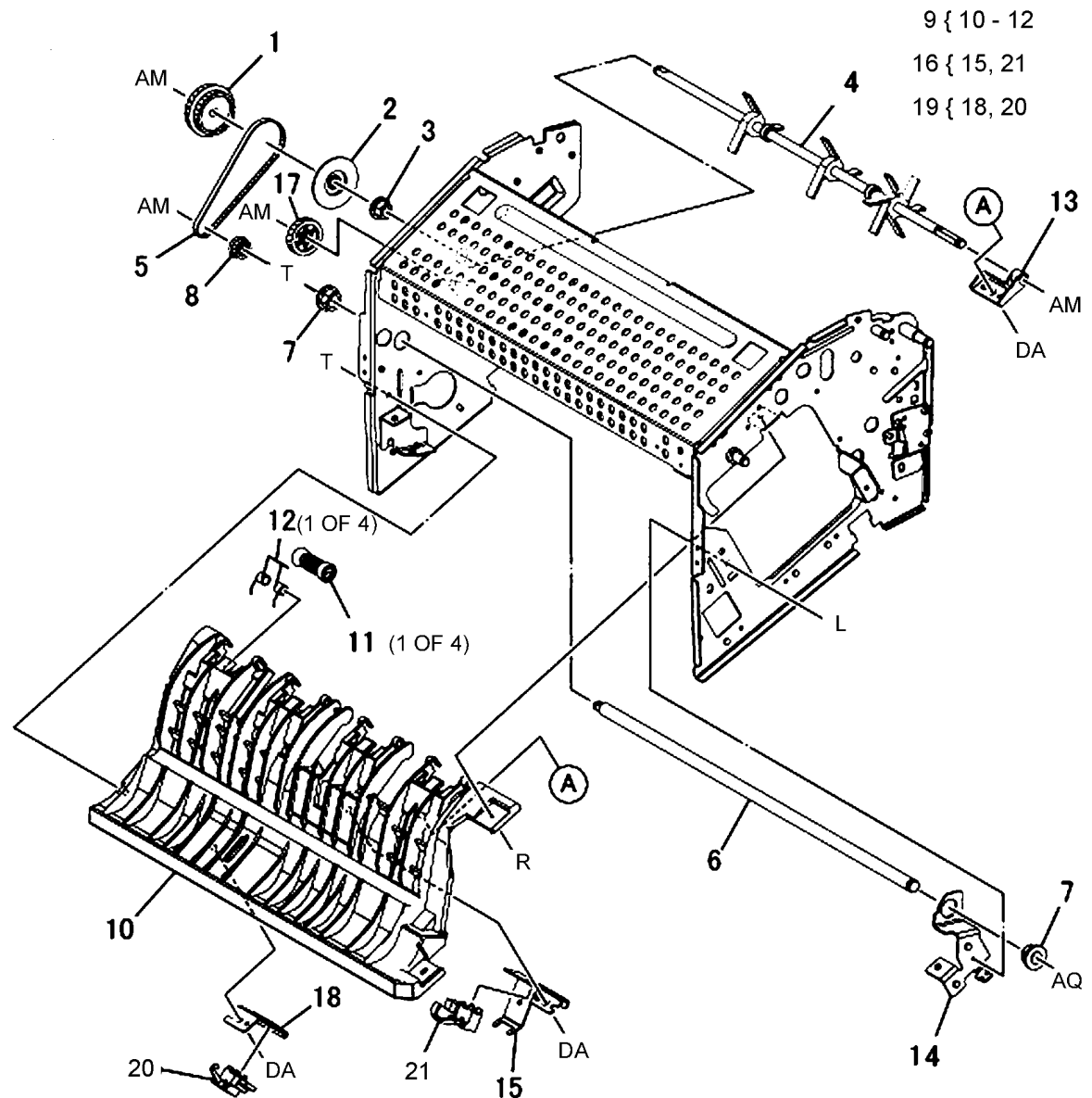
NOTE: Refer to PL 26.05 for the staple refills and cartridge.



C-8-0018-A

PL 12.12 Integrated Office Finisher Base Assembly (3 of 5)

Item	Part	Description
1	-	Gear pulley (37T/45T) (Not Spared)
2	-	Collar (Not Spared)
3	-	Bearing (Not Spared)
4	006K25002	Main paddle shaft assembly (REP 12.10)
5	-	Belt (Not Spared)
6	-	Shaft (Not Spared)
7	413W11860	Bearing
8	-	Pulley (19T) (Not Spared)
9	054K30361	Lower chute assembly (REP 12.11)
10	-	Lower chute (P/O PL 12.12 Item 9)
11	022K73190	Nip roll (REP 12.7)
12	809E65931	Spring (REP 12.7)
13	-	Support (Not Spared)
14	-	Bracket (Not Spared)
15	-	Bracket (P/O PL 12.12 Item 16)
16	130K93251	Compiler exit sensor assembly (Q12-150) (REP 12.9)
17	-	Gear (27T) (Not Spared)
18	-	Bracket (P/O PL 12.12 Item 19)
19	068K30520	Entry sensor assembly (Q12-140) (REP 12.8)
20	-	Entry sensor (Q12-140) (P/O PL 12.12 Item 19)
21	-	Compiler exit sensor (Q12-150) (P/O PL 12.12 Item 16)



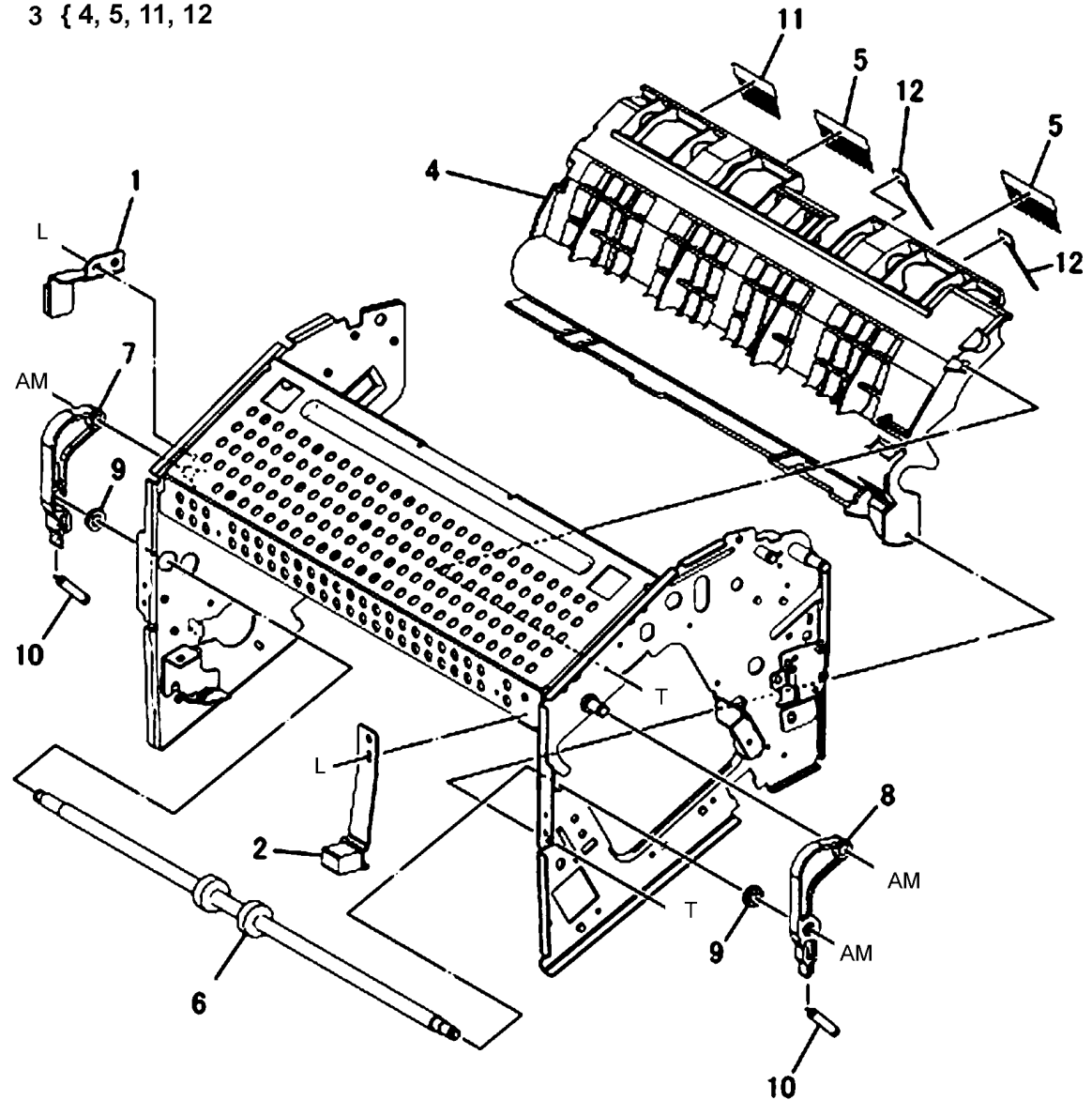
9 { 10 - 12
16 { 15, 21
19 { 18, 20

C-8-0019-A

PL 12.13 Integrated Office Finisher Base Assembly (4 of 5)

Item	Part	Description
1	-	Bracket (Not Spared)
2	-	Bracket (Not Spared)
3	054K42690	Upper chute assembly (REP 12.13)
4	-	Upper chute (P/O PL 12.13 Item 3)
5	-	Static eliminator (P/O PL 12.13 Item 3)
6	022K72784	Entry roll (REP 12.12)
-	859K18560	Entry roll (alternative) (REP 12.12)
7	-	Rear arm (Not Spared)
8	-	Front arm (Not Spared)
9	413W66250	Ball bearing
10	-	Spring (Not Spared)
11	042E92330	Static eliminator
12	-	Paper guide (P/O PL 12.13 Item 3)

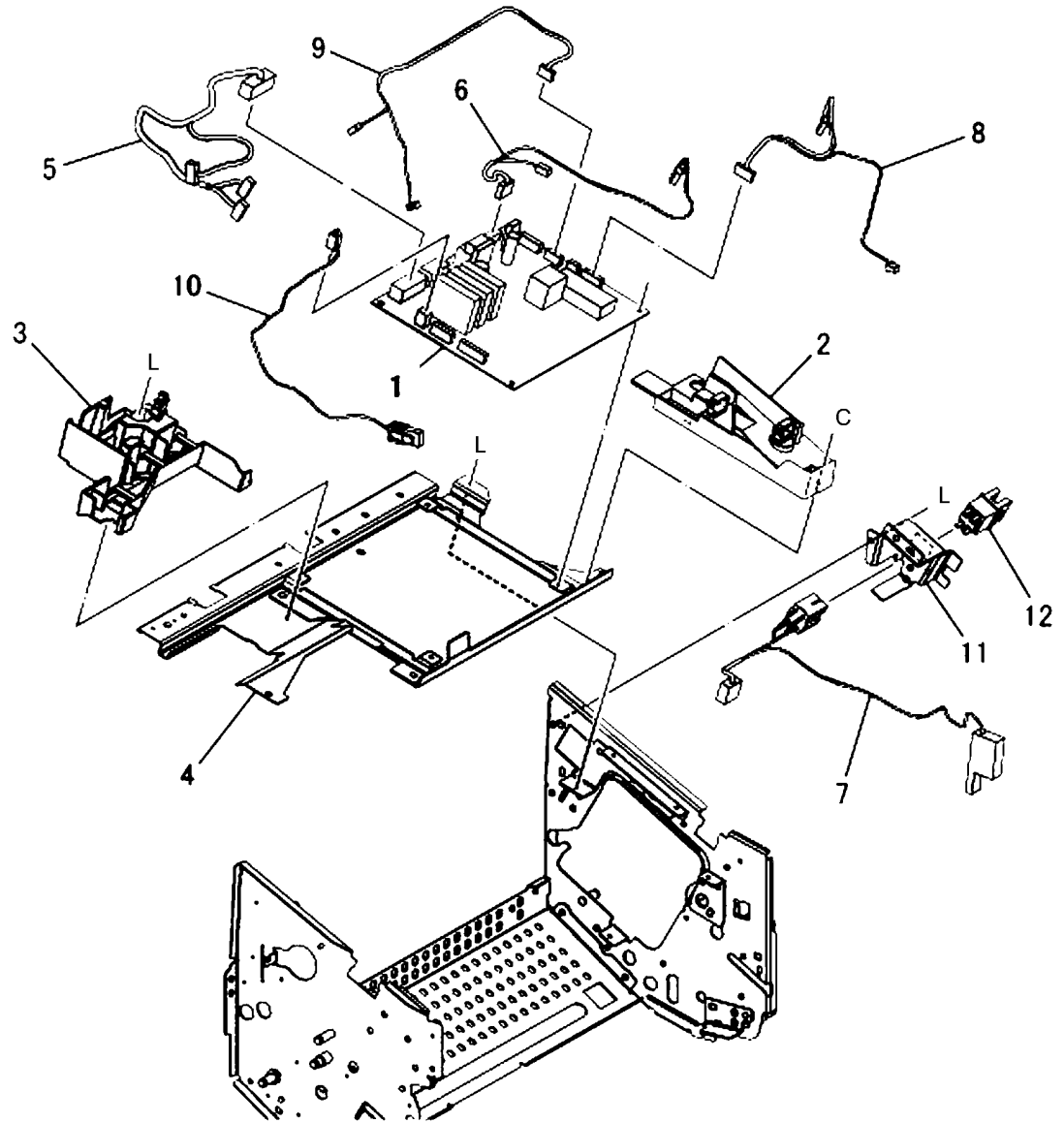
3 { 4, 5, 11, 12



C-8-0020-A

PL 12.14 Integrated Office Finisher Base Assembly (5 of 5)

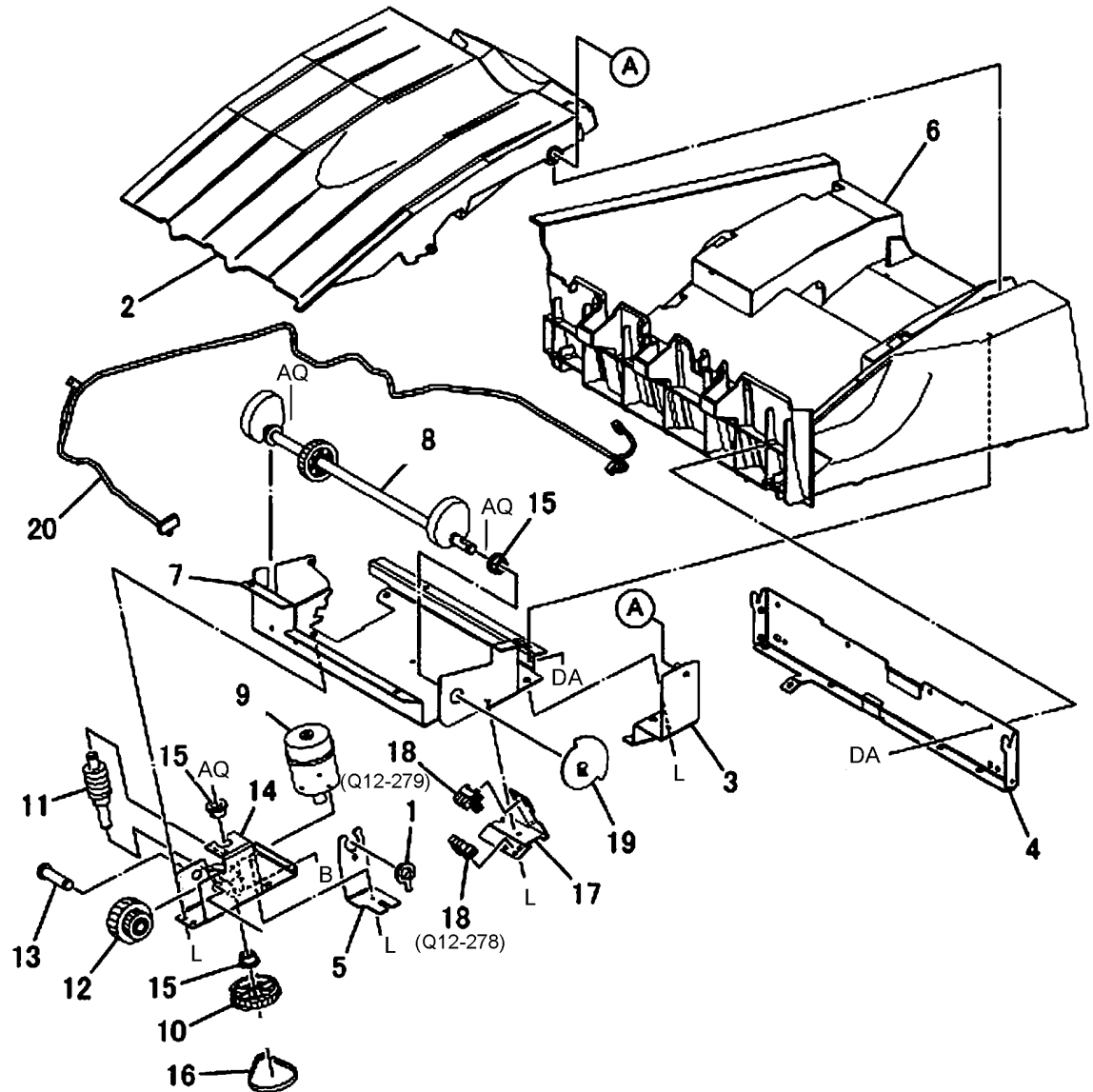
Item	Part	Description
1	960K97280	Finisher PWB (REP 12.14)
2	-	Connector bracket (Not Spared)
3	-	Harness guide (Not Spared)
4	-	PWB bracket (Not Spared)
5	-	Wire harness (drive) (Not Spared)
6	-	Wire harness (stapler) (Not Spared)
7	-	Wire harness (interlock) (Not Spared)
8	-	Wire harness (front sensor) (Not Spared)
9	-	Wire harness (compile) (Not Spared)
10	-	Wire harness (stacker) (Not Spared)
11	-	Bracket (Not Spared)
12	110E97990	Front door interlock switch (S12-302)



C-8-0021-A

PL 12.20 Integrated Office Finisher Stacker Tray Assembly

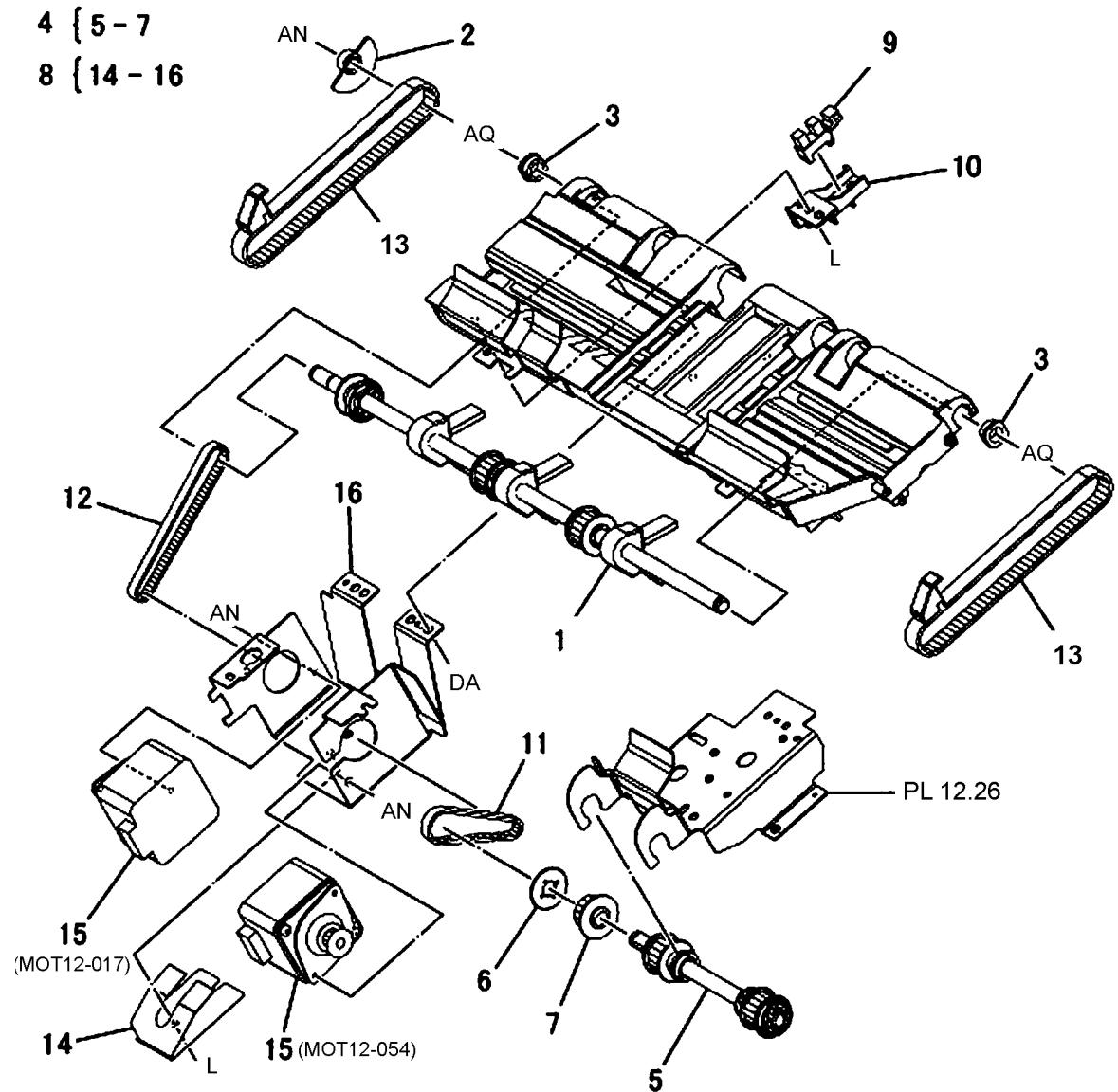
Item	Part	Description
1	-	Bearing (Not Spared)
2	-	Top tray (Not Spared)
3	-	Bracket (Not Spared)
4	-	Plate (Not Spared)
5	-	Bracket (Not Spared)
6	-	Base tray (Not Spared)
7	-	Base bracket (Not Spared)
8	-	Stacker shaft assembly (Not Spared) (REP 12.16)
9	-	Stacker motor (MOT12-060) (Not Spared) (REP 12.17)
10	-	Pulley (60T) (Not Spared)
11	-	Worm gear (Not Spared)
12	-	Gear (16T/32T) (Not Spared)
13	-	Stud (Not Spared)
14	-	Bracket (Not Spared)
15	-	Bearing (Not Spared)
16	-	Belt (Not Spared)
17	-	Bracket (Not Spared)
18	930W00111	Stack sensor 1 (Q12-278)/Stack sensor 2 (Q12-279) (REP 12.18)
19	-	Actuator (Not Spared)
20	-	Wire harness (Not Spared)



C-8-0022-A

PL 12.25 Integrated Office Finisher Compile Assembly (1 of 2)

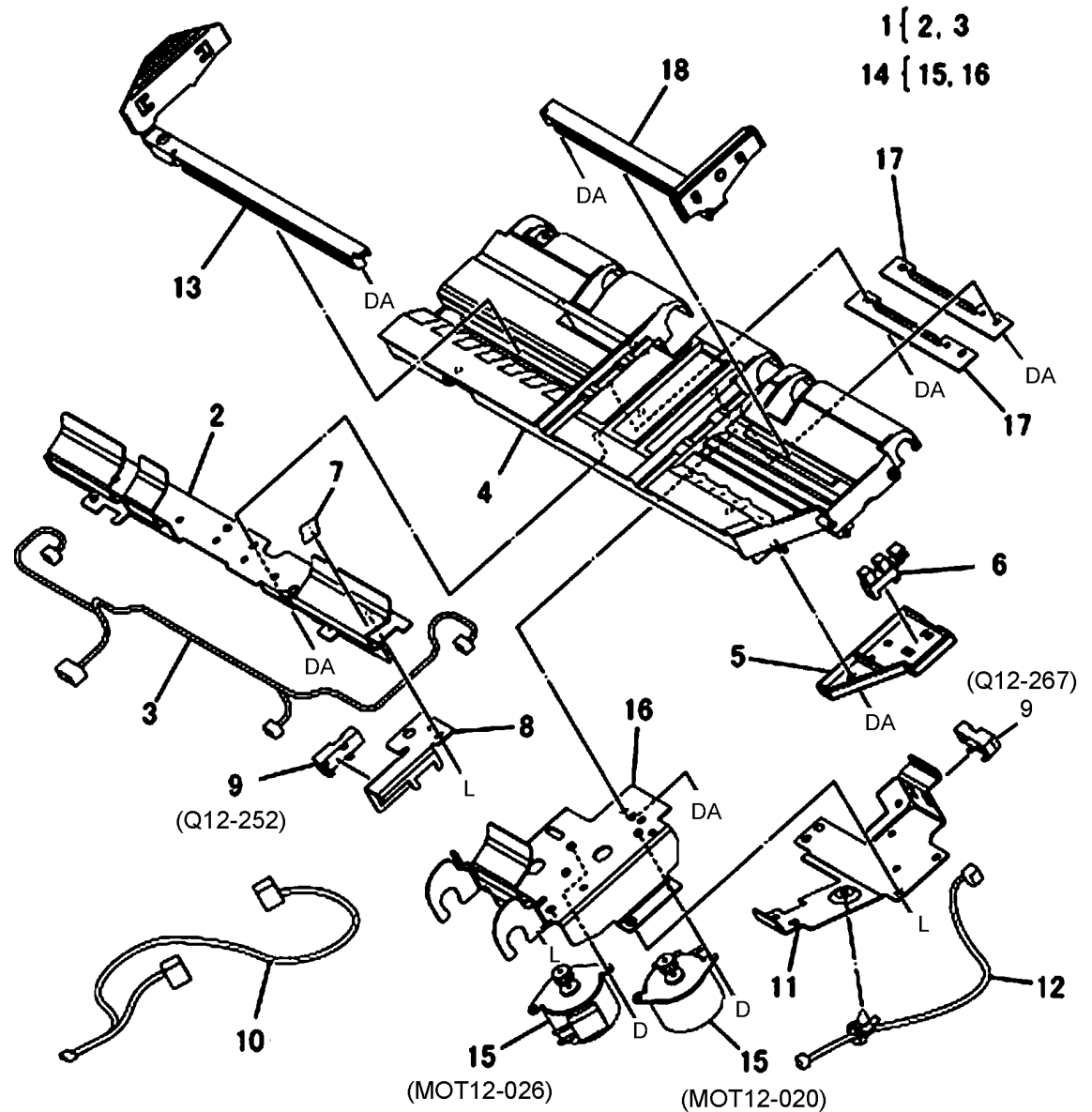
Item	Part	Description
1	006K25012	Set clamp shaft (REP 12.20)
2	120E27221	Actuator
3	413W11860	Bearing
4	006K25020	Eject shaft assembly (REP 12.24)
5	-	Eject shaft (P/O PL 12.25 Item 4)
6	-	Spacer (P/O PL 12.25 Item 4)
7	-	Pulley (P/O PL 12.25 Item 4)
8	068K29830	Eject/set clamp motor assembly (REP 12.22)
9	930W00111	Rear tamper home sensor (Q12-221) (REP 12.23)
10	-	Support (Not Spared)
11	423W26755	Belt
12	423W29455	Belt
13	023K91530	Eject belt (REP 12.21)
14	-	Spring (P/O PL 12.25 Item 8)
15	-	Eject motor (MOT12-054)/Set clamp motor (MOT12-017) (P/O PL 12.25 Item 8)
16	-	Bracket (P/O PL 12.25 Item 8)



C-8-0023-A

PL 12.26 Integrated Office Finisher Compile Assembly (2 of 2)

Item	Part	Description
1	068K30511	Bracket assembly
2	-	Bracket (P/O PL 12.26 Item 1)
3	-	Wire harness (P/O PL 12.26 Item 1)
4	050E32490	Compile tray
5	-	Support (Not Spared)
6	930W00111	Front tamper home sensor (Q12-220) (REP 12.26)
7	-	Paper guide (Not Spared)
8	-	Bracket (Not Spared)
9	930W00212	Eject home sensor (Q12-252) (REP 12.27)/Stack height sensor (Q12-267) (REP 12.28)
10	-	Wire harness (Not Spared)
11	-	Bracket (Not Spared)
12	-	Wire harness (Not Spared)
13	-	Rear tamper guide (Not Spared)
14	068K30740	Front/Rear tamper motor assembly (REP 12.25)
15	-	Front tamper motor (MOT12-020)/Rear tamper motor (MOT12-026) (P/O PL 12.26 Item 14)
16	-	Bracket (P/O PL 12.26 Item 14)
17	-	Rail (Not Spared)
18	-	Front tamper guide (Not Spared)

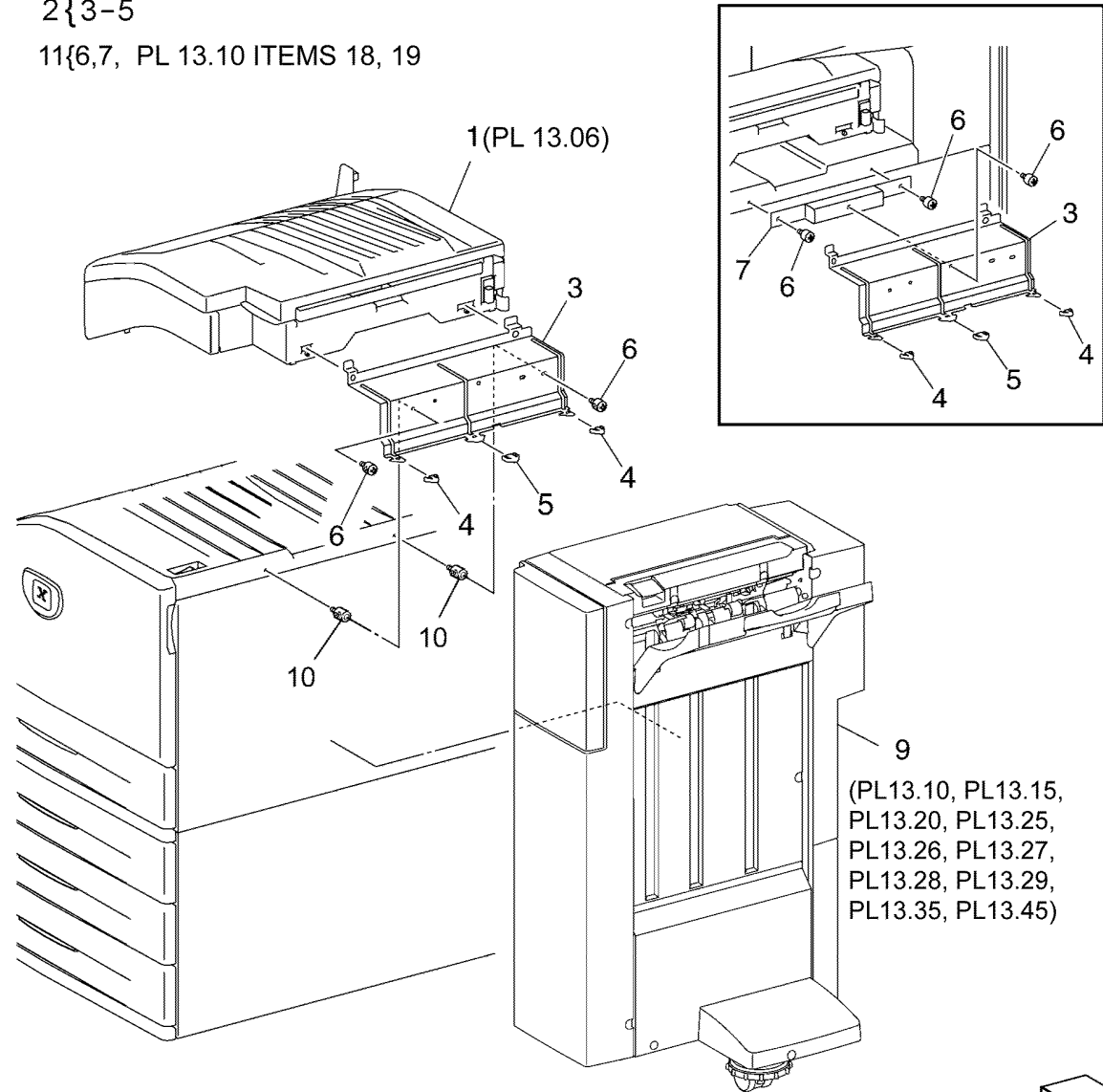


C-8-0024-A

PL 13.05 H-Transport Assembly (1 of 5)

Item	Part	Description
1	859K04770	H-Transport assembly (REP 13.1)
2	068K59494	Docking plate assembly
3	-	Docking plate (P/O PL 13.05 Item 2)
4	-	Side guide (P/O PL 13.05 Item 2)
5	-	Center guide (P/O PL 13.05 Item 2)
6	-	Thumb screw (Not Spared)
7	868E51550	Docking bracket
8	-	Not used
9	-	Finisher LX assembly (Not Spared) (REP 13.5)
10	-	HTU spacer (Not Spared)
11	-	Gap kit (Not Spared)

2{3-5
11{6,7, PL 13.10 ITEMS 18, 19

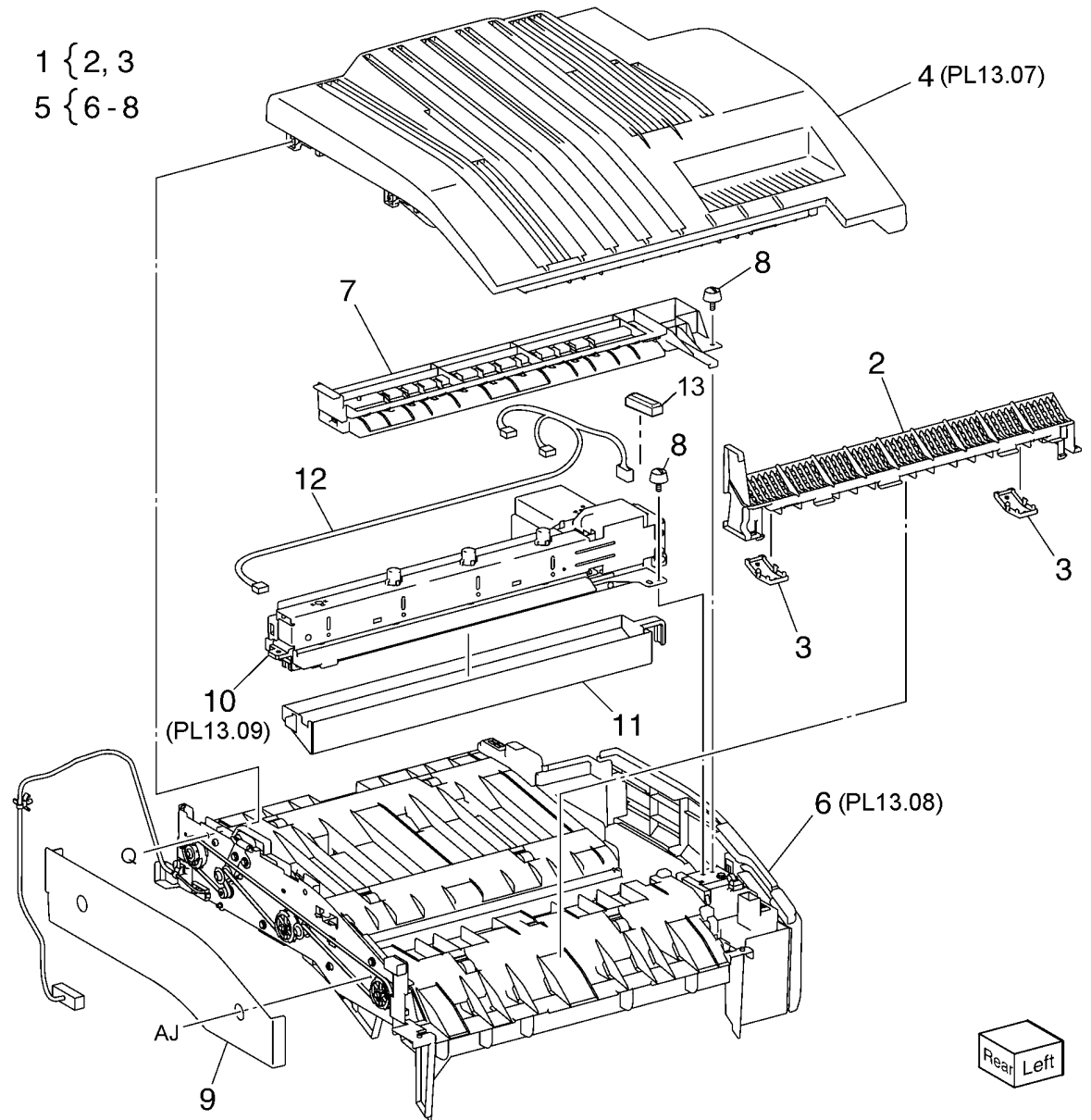


C-8-0025-A

PL 13.06 H-Transport Assembly (2 of 5)

Item	Part	Description
1	-	Left cover assembly (Not Spared)
2	-	Left cover (P/O PL 13.06 Item 1)
3	-	Paper guide (P/O PL 13.06 Item 1)
4	-	Top cover assembly (Not Spared)
5	-	Lower chute assembly (Not Spared)
6	-	Lower chute assembly (P/O PL 13.06 Item 5)
7	-	Chute assembly (P/O PL 13.06 Item 5)
8	-	Thumb screw (P/O PL 13.06 Item 5)
9	-	Rear cover (Not Spared)
10	180K00393	Punch assembly (2/3 Hole) (REP 13.2)
-	180K00403	Punch assembly (2/4 Hole) (REP 13.2)
11	695K19403	Punch box
12	-	Wire harness (Not Spared)
13	-	Connector cover (Not Spared)

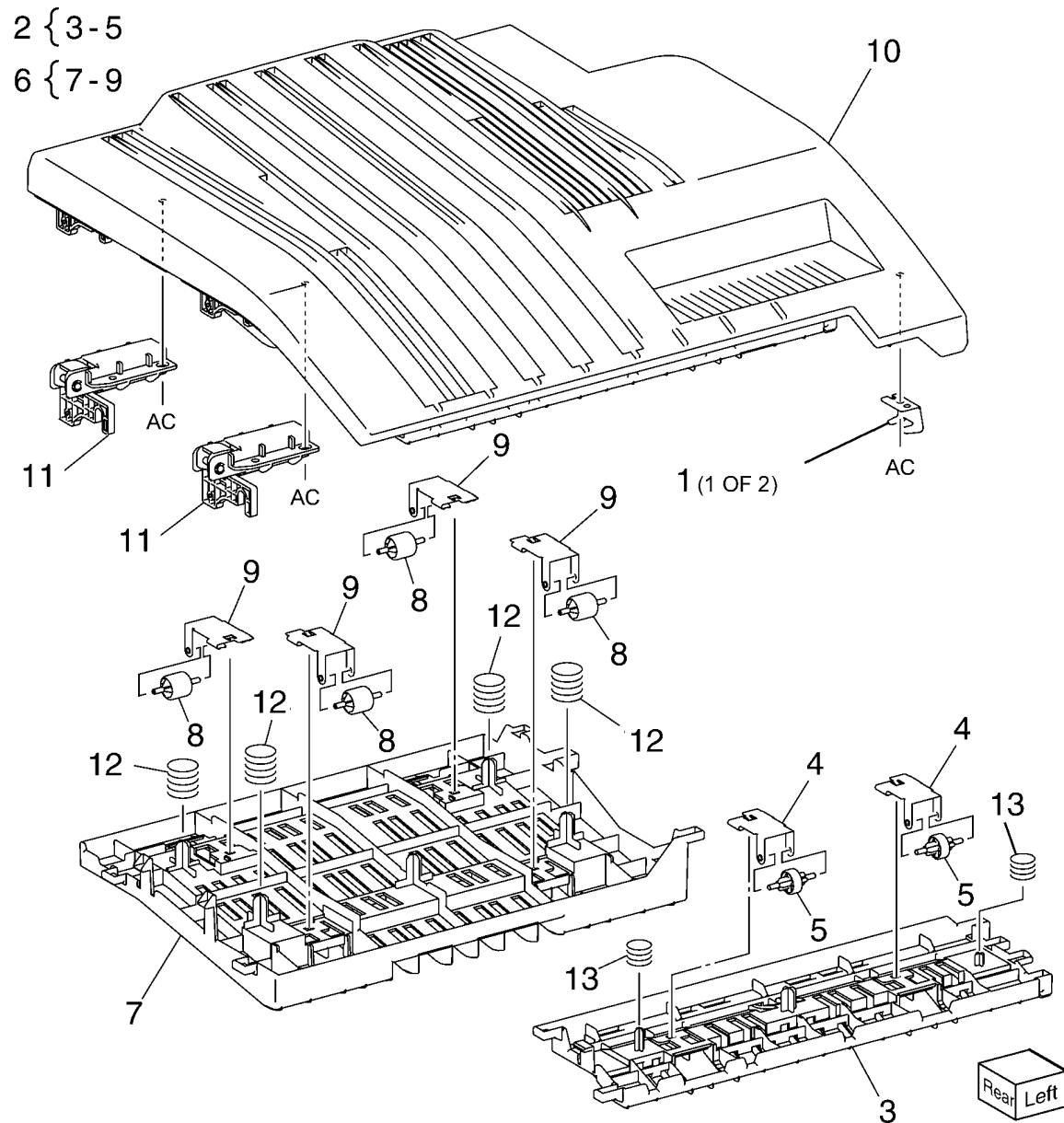
NOTE: Refer to PL 31.05 for the punch assembly kits.



C-8-0026-A

PL 13.07 H-Transport Assembly (3 of 5)

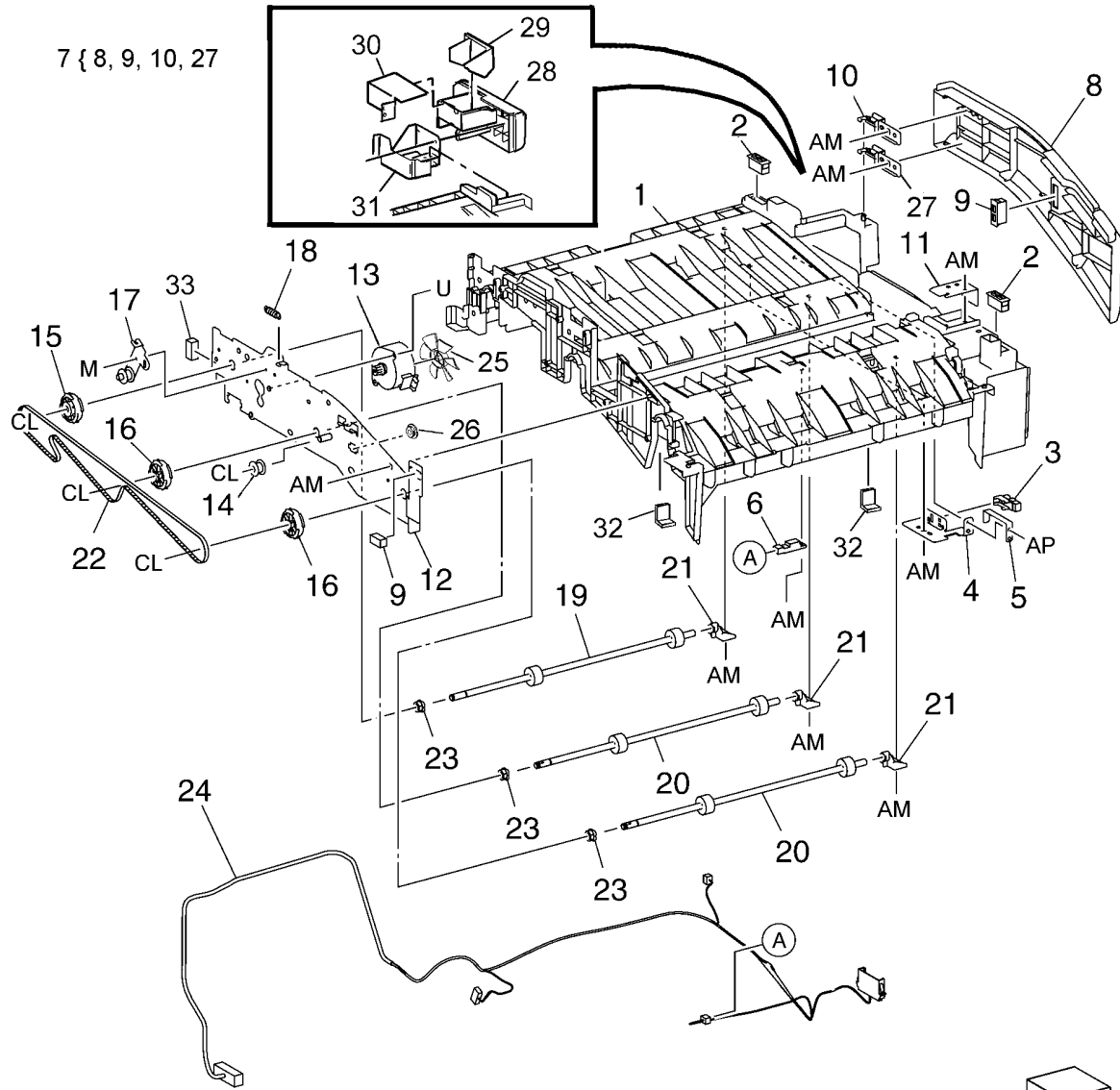
Item	Part	Description
1	–	Bracket (P/O PL 13.06 Item 4)
2	054K50020	Left chute assembly
3	–	Left chute (P/O PL 13.07 Item 2)
4	–	Pinch spring (P/O PL 13.07 Item 2)
5	–	Pinch roller (P/O PL 13.07 Item 2)
6	054K35246	Right chute assembly
7	–	Right chute (P/O PL 13.07 Item 6)
8	–	Nip roll (P/O PL 13.07 Item 6)
9	–	Nip spring (P/O PL 13.07 Item 6)
10	–	Top cover (Not Spared)
11	–	H-Transport counter balance (Not Spared)
12	–	Spring (Not Spared)
13	–	Spring (Not Spared)



C-8-0027-A

PL 13.08 H-Transport Assembly (4 of 5)

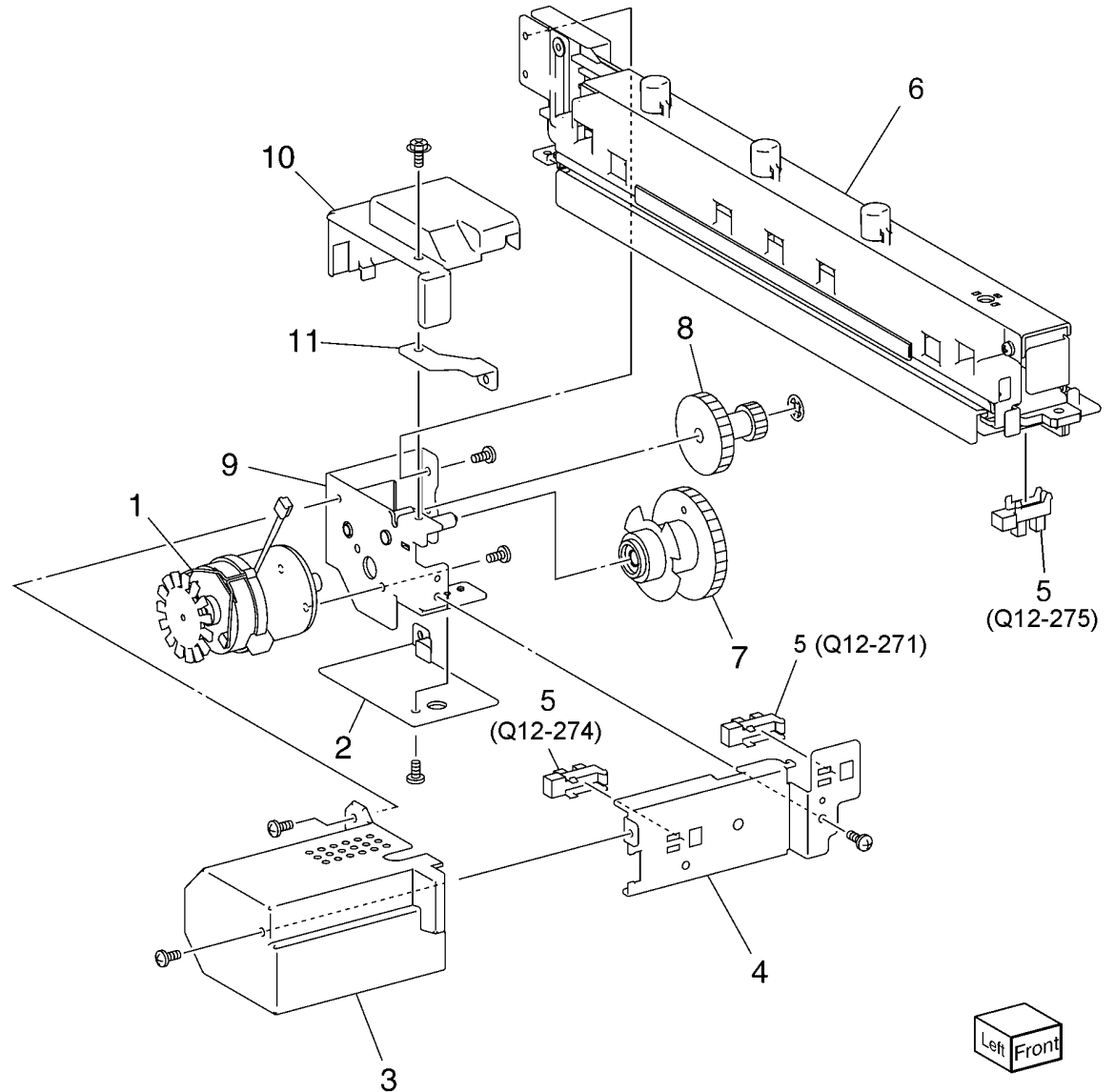
Item	Part	Description
1	-	Lower chute (P/O PL 13.06 Item 6)
2	-	Magnet (P/O PL 13.06 Item 6)
3	930W00125	H-Transport open sensor (Q12-303)
4	-	Sensor bracket (Not Spared)
5	-	Actuator (Not Spared)
6	930W00211	H-Transport entrance sensor (Q12-100)
7	948K05100	H-Transport front cover assembly
8	-	H-Transport front cover (P/O PL 13.08 Item 7)
9	835E43650	Gasket
10	-	Hinge (P/O PL 13.08 Item 7)
11	-	Bracket (P/O PL 13.06 Item 6)
12	-	Rear frame assembly (P/O PL 13.06 Item 6)
13	127K57622	H-Transport motor (MOT12-032) (REP 13.4)
14	-	Tension pulley (Not Spared)
15	-	Pulley (43T) (Not Spared)
16	-	Pulley (43T) (Not Spared)
17	-	Tension bracket (P/O PL 13.06 Item 6)
18	-	Spring tension (Not Spared)
19	-	Drive roll (Not Spared)
20	-	Drive roll (Not Spared)
21	-	Bearing (Not Spared)
22	423W01154	H-Transport belt (REP 13.3)
23	-	Sleeve bearing (Not Spared)
24	-	Wire harness (Not Spared)
25	-	Fan blade (Not Spared)
26	-	Pinch bushing (Not Spared)
27	-	Lower hinge (P/O PL 13.08 Item 7)
28	-	Front cover (Not Spared)
29	-	Switch cover (Not Spared)
30	-	Cover (Not Spared)
31	-	Bracket (Not Spared)
32	-	Pinch cushion (Not Spared)
33	-	Gasket (Not Spared)



C-8-0028-A

PL 13.09 H-Transport Assembly (5 of 5)

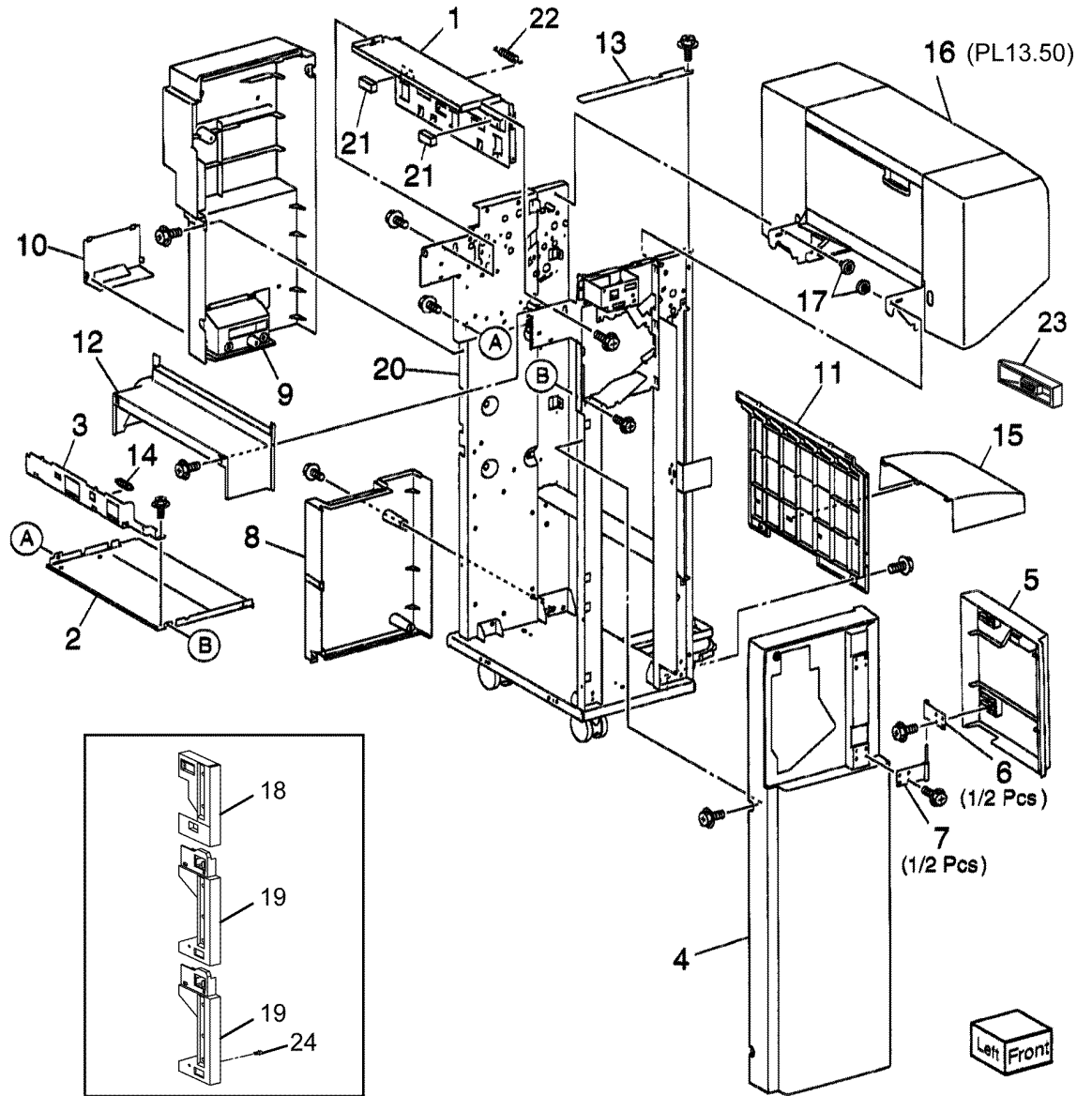
Item	Part	Description
1	-	Punch motor (MOT12-074) (P/O PL 13.06 Item 10)
2	-	Punch lower cover (P/O PL 13.06 Item 10)
3	-	Punch motor cover (P/O PL 13.06 Item 10)
4	-	Sensor bracket (P/O PL 13.06 Item 10)
5	930W00111	Punch encoder sensor (Q12-274)/ Punch home sensor (Q12-271)/ Punch box set sensor (Q12-275)
6	-	Punch frame assembly (P/O PL 13.06 Item 10)
7	-	Encoder/gear assembly (P/O PL 13.06 Item 10)
8	-	Gear (P/O PL 13.06 Item 10)
9	-	Motor bracket (P/O PL 13.06 Item 10)
10	-	Punch top cover (P/O PL 13.06 Item 10)
11	-	Bracket (P/O PL 13.06 Item 10)



C-8-0029-A

PL 13.10 Office Finisher LX Covers

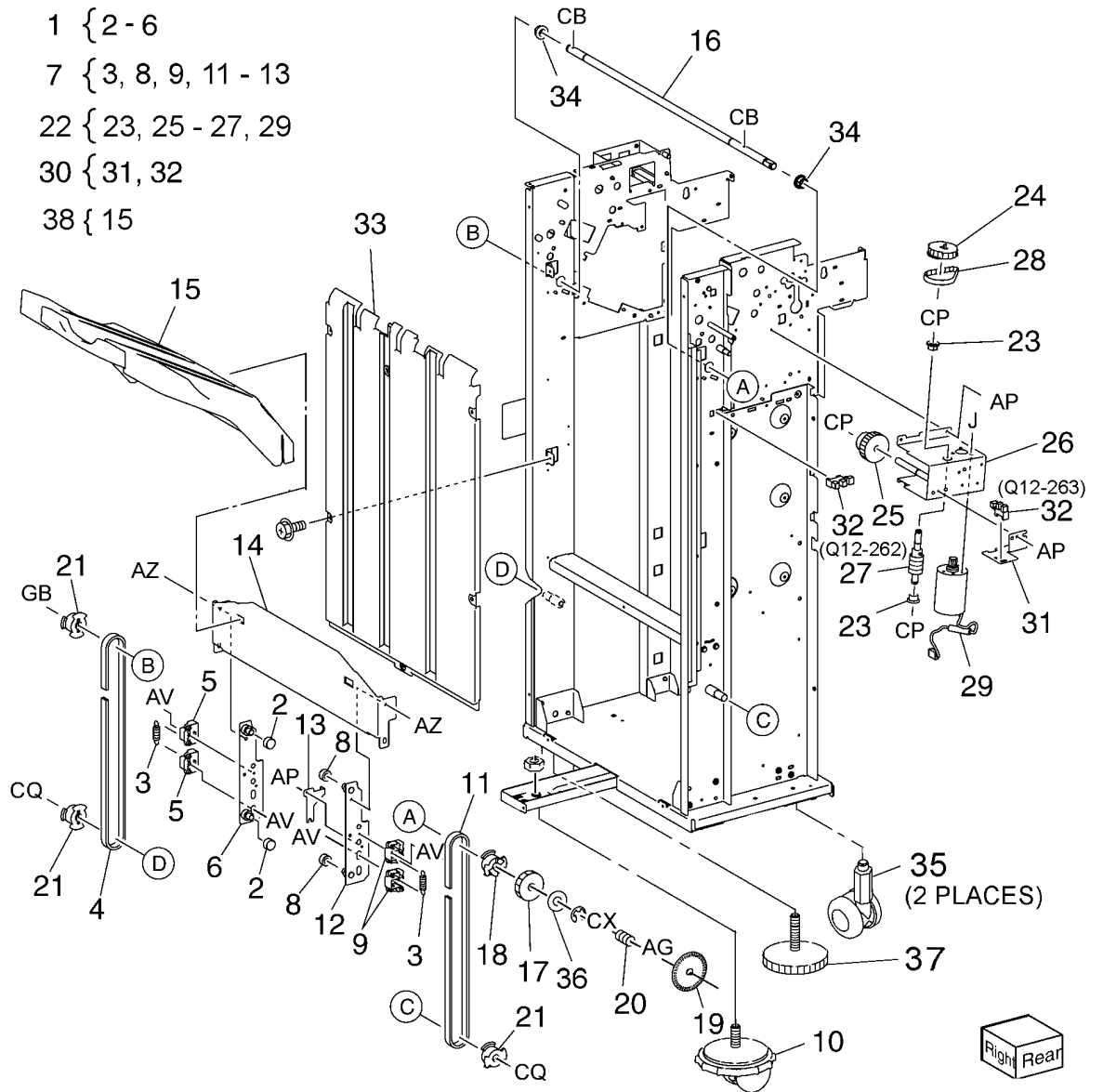
Item	Part	Description
1	848E22730	Plate
2	-	Lower plate (Not Spared)
3	-	Docking lever (Not Spared)
4	848E75671	Front cover (REP 13.6)
5	848K57230	Front door
6	-	Bracket (Not Spared)
7	-	Hinge (Not Spared)
8	-	Rear lower cover (Not Spared) (REP 13.8)
9	-	Rear upper cover (Not Spared) (REP 13.7)
10	-	Connector cover (Not Spared)
11	848E75711	Stacker lower cover (REP 13.11)
12	-	LH cover (Not Spared)
13	-	Cover (Not Spared)
14	-	Spring (Not Spared)
15	-	Foot cover (Not Spared) (REP 13.10)
16	801K30704	Booklet assembly (REP 13.31)
17	-	Thumb screw (Not Spared)
18	-	Upper adjust cover (Not Spared)
19	-	Lower adjust cover (Not Spared)
20	-	Base frame assembly (Not Spared)
21	835E43650	Gasket
22	-	Extension spring (Not Spared)
23	-	Paper guide (Not Spared)
24	-	Thumb screw (Not Spared)



C-8-0030-A

PL 13.15 Office Finisher LX Stacker

Item	Part	Description
1	-	Front carriage assembly (Not Spared) (REP 13.29)
2	-	Bearing (P/O PL 13.15 Item 1)
3	-	Spring (P/O PL 13.15 Item 1)
4	-	Front stacker belt (P/O PL 13.15 Item 1)
5	-	Clamp (P/O PL 13.15 Item 1)
6	-	Front carriage assembly (P/O PL 13.15 Item 1)
7	-	Rear carriage assembly (REP 13.29)
8	-	Bearing (P/O PL 13.15 Item 7)
9	-	Clamp (Not Spared)
10	-	Knob caster assembly (Not Spared)
11	-	Rear stacker belt (P/O PL 13.15 Item 7)
12	-	Rear carriage (P/O PL 13.15 Item 7)
13	-	Actuator (P/O PL 13.15 Item 7)
14	-	Carriage tray (Not Spared)
15	-	Stacker tray (REP 13.20)
16	-	Shaft (Not Spared)
17	-	Gear (Not Spared)
18	-	Pulley (Not Spared)
19	146E90651	Encoder
20	-	Spring (Not Spared)
21	-	Pulley (18T) (Not Spared)
22	068K58304	Stacker elevator motor assembly
23	-	Bearing (P/O PL 13.15 Item 22)
24	-	Pulley (60T) (Not Spared)
25	-	Gear (15T/37T) (P/O PL 13.15 Item 22)
26	-	Motor bracket (P/O PL 13.15 Item 22)
27	-	Worm shaft (P/O PL 13.15 Item 22)
28	-	Belt (Not Spared)
29	-	Stacker elevator motor (MOT12-060) (P/O PL 13.15 Item 22) (REP 13.19)
30	-	Stacker encoder sensor assembly (Not Spared)
31	-	Bracket (P/O PL 13.15 Item 30)
32	930W00111	Stacker encoder sensor (Q12-263)/stacker paper sensor (Q12-262)
33	-	Stacker upper cover (Not Spared) (REP 13.12)
34	-	Bearing (Not Spared)
35	017K96450	Caster assembly
36	-	Washer (Not Spared)
37	017K94901	Adjustable foot assembly
38	607K04580	Stacker tray kit

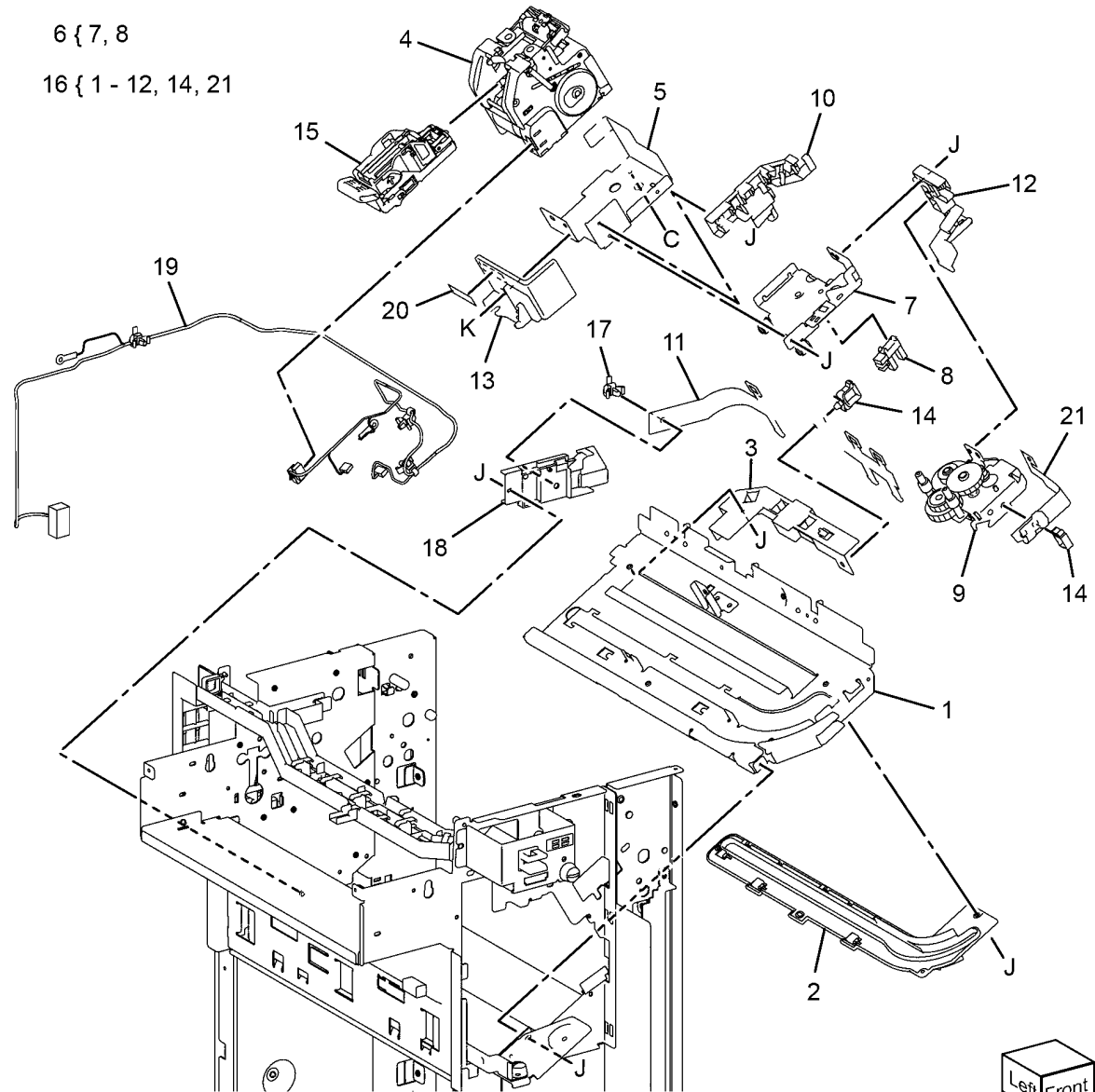


C-8-0031-A

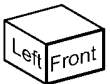
PL 13.20 Office Finisher LX Stapler

Item	Part	Description
1	-	Base frame (P/O PL 13.20 Item 16)
2	-	Rail (P/O PL 13.20 Item 16)
3	-	Harness guide (P/O PL 13.20 Item 16)
4	029K92350	Stapler assembly (REP 13.16)
5	-	Holder (P/O PL 13.20 Item 16)
6	-	Stapler move position sensor assembly (Not Spared)
7	-	Bracket (P/O PL 13.20 Item 6)
8	130E94940	Stapler move position sensor (Q12-241)
9	068K58811	Stapler move motor assembly (MOT12-046) (REP 13.15)
10	-	Harness guide (P/O PL 13.20 Item 16)
11	-	Harness support guide (P/O PL 13.20 Item 16)
12	-	Harness guide (P/O PL 13.20 Item 16)
13	-	Stapler cover (Not Spared)
14	-	Clamp (P/O PL 13.20 Item 16)
15	-	Stapler cartridge (See NOTE)
16	801K64900	Stapler unit
17	-	Cable band (Not Spared)
18	-	Harness guide (Not Spared)
19	952K35890	Wire harness
20	-	Label (Not Spared)
21	-	Stapler move motor bracket (P/O PL 13.20 Item 9)

6 { 7, 8
16 { 1 - 12, 14, 21



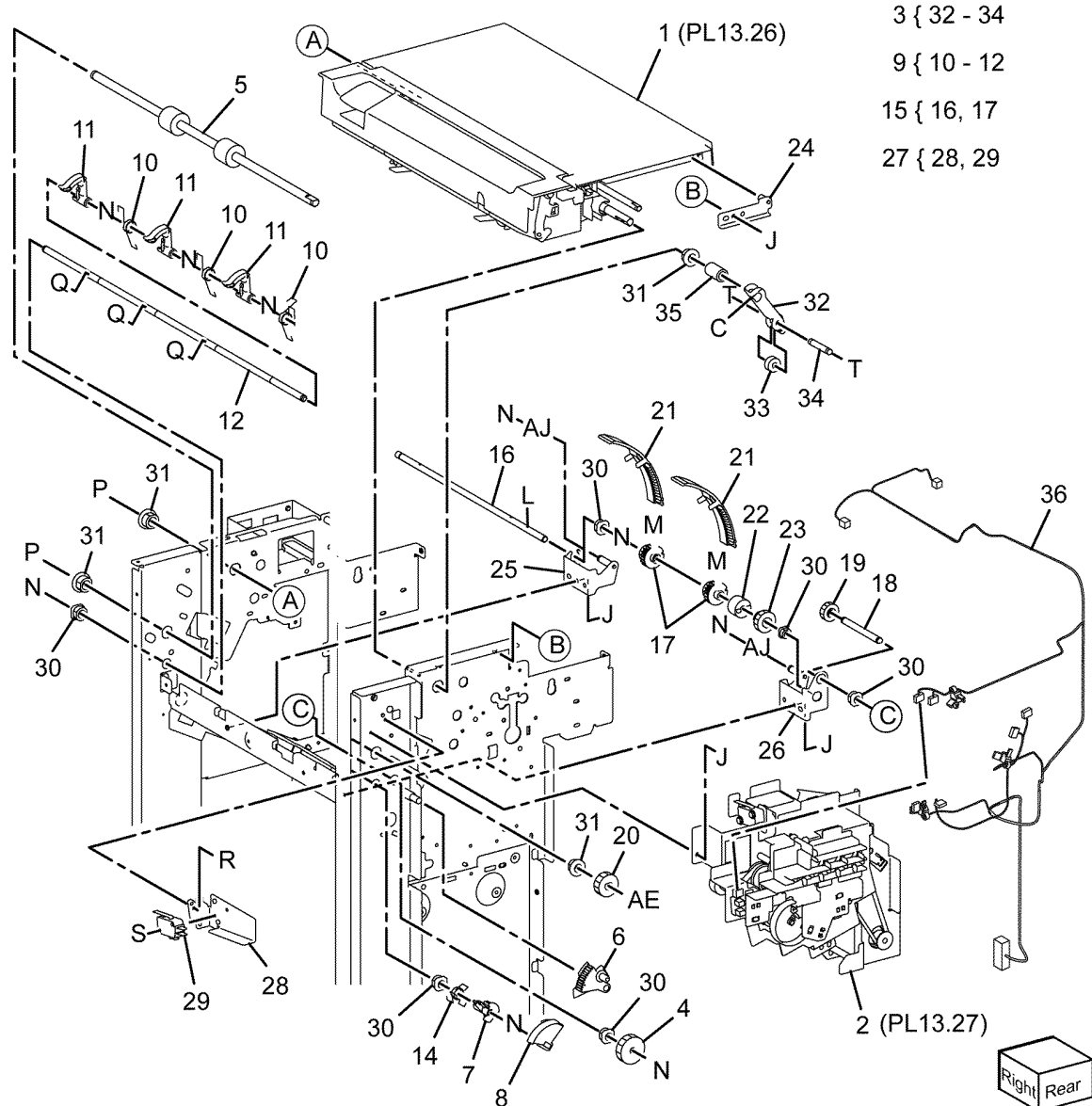
NOTE: Refer to PL 26.05 for the staple refills and cartridge.



C-8-0032-A

PL 13.25 Office Finisher LX Ejector (1 of 5)

Item	Part	Description
1	-	Eject cover assembly (Not Spared)
2	-	Eject assembly (Not Spared)
3	031K93790	Clamp arm assembly
4	807E21400	Gear (31T)
5	059K55111	Eject roller
6	807E21380	Sector gear (72T)
7	807E21391	Gear (18T)
8	120E29773	Actuator
9	006K86733	Set clamp shaft assembly
10	809E79060	Spring
11	-	Set clamp holder (P/O PL 13.25 Item 9)
12	-	Shaft (P/O PL 13.25 Item 9)
13	-	Not used
14	809E79080	Spring
15	006K86743	Guide paper shaft assembly
16	-	Guide paper shaft (P/O PL 13.25 Item 15)
17	-	Gear (20T) (P/O PL 13.25 Item 15)
18	-	Shaft (Not Spared)
19	807E21420	Gear (19T)
20	807E21370	Gear (25T)
21	038E36490	Guide paper (left/right)
22	005K14950	Clutch
23	807E45590	Gear (23T)
24	-	Stopper (Not Spared)
25	-	Bracket (front) (Not Spared)
26	-	Bracket (rear) (Not Spared)
27	-	Option switch assembly (Not Spared)
28	-	Bracket (P/O PL 13.25 Item 27)
29	-	Option switch (P/O PL 13.25 Item 27)
30	413W11660	Sleeve bearing
31	-	Bearing (Not Spared)
32	-	Clamp arm (P/O PL 13.25 Item 3)
33	-	Roll (P/O PL 13.25 Item 3)
34	-	Shaft (P/O PL 13.25 Item 3)
35	-	Spacer (Not Spared)
36	962K60434	Wire harness



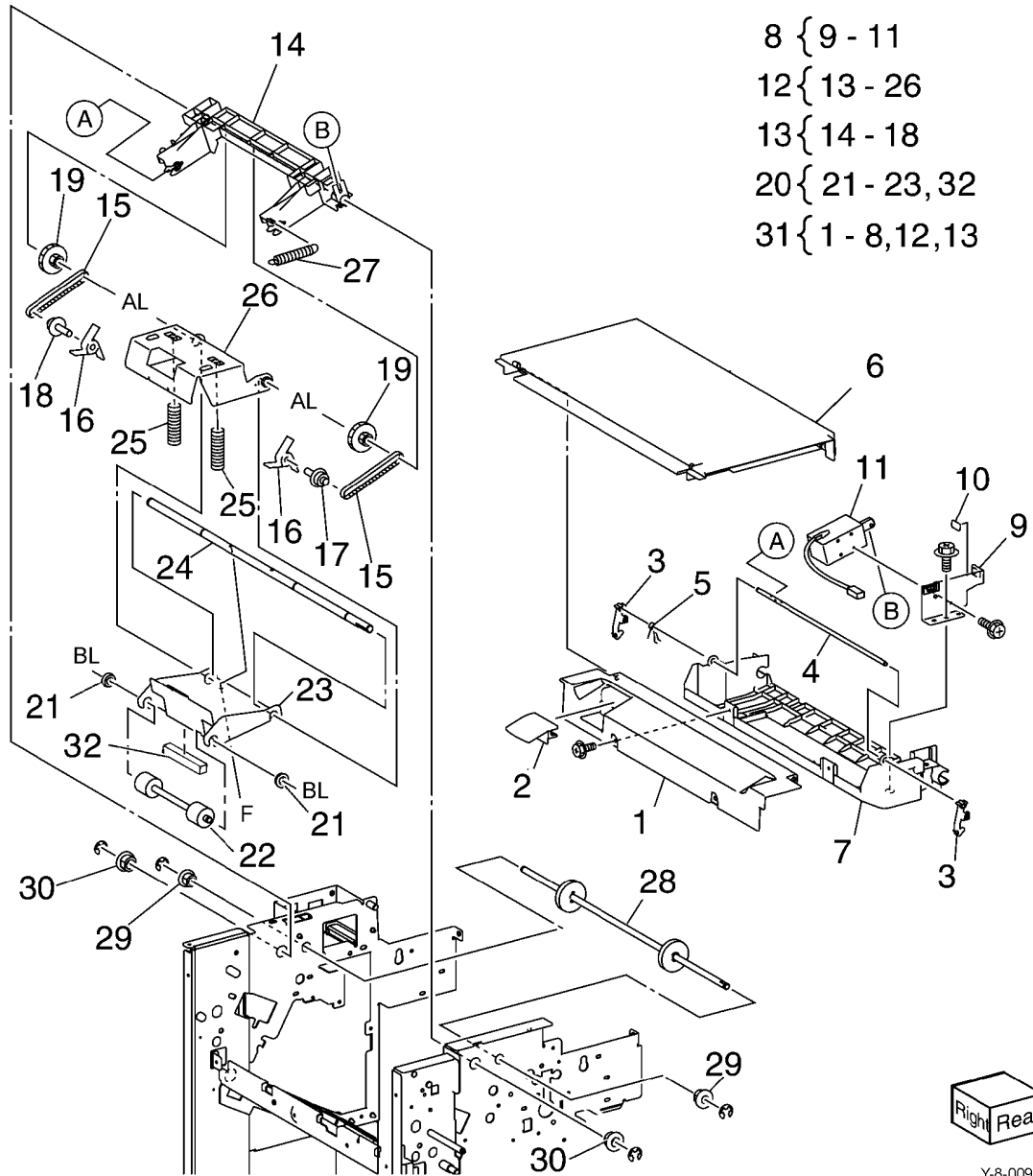
3 { 32 - 34
 9 { 10 - 12
 15 { 16, 17
 27 { 28, 29



C-8-0033-A

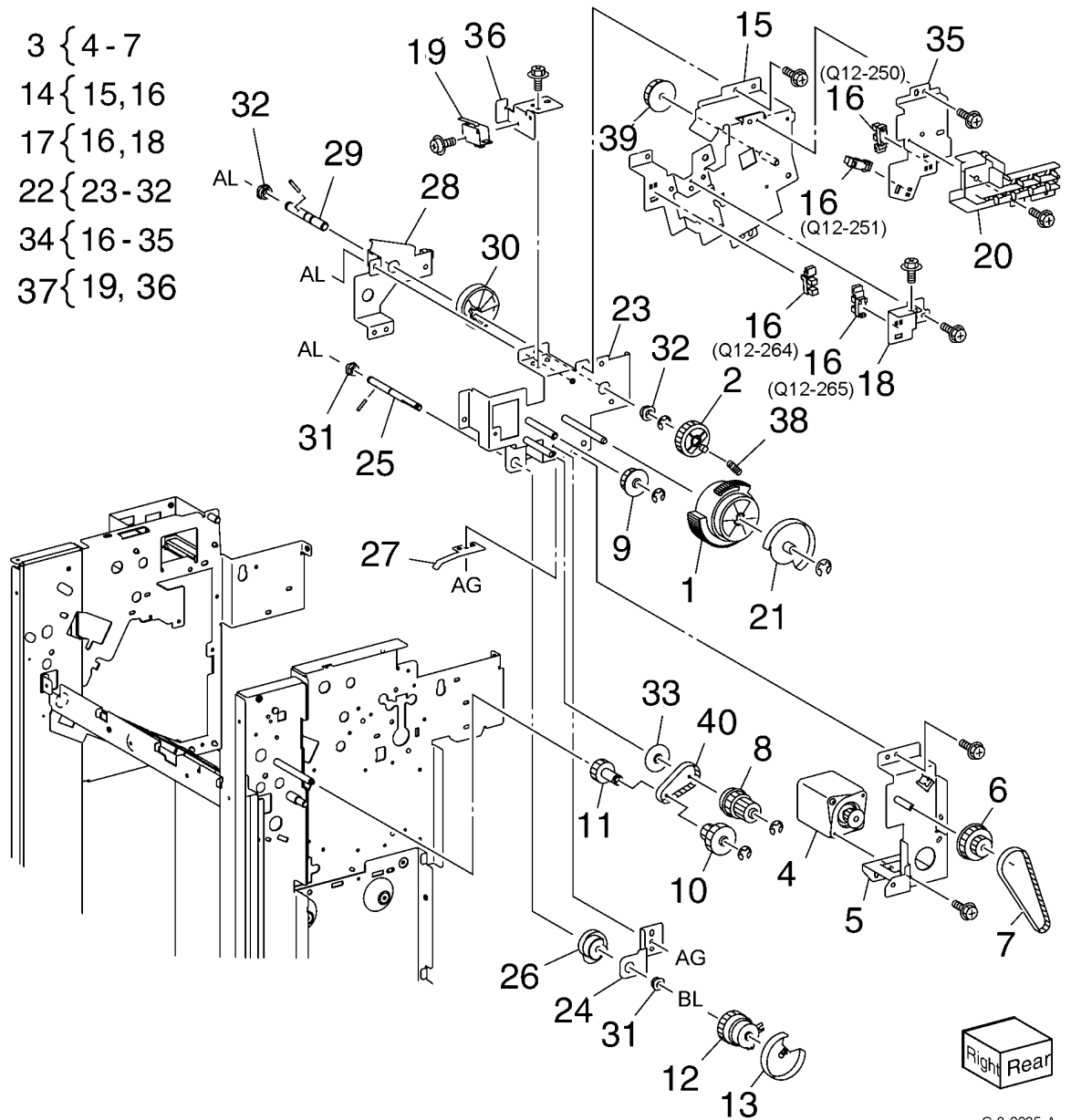
PL 13.26 Office Finisher LX Ejector (2 of 5)

Item	Part	Description
1	-	Top right hand cover (P/O PL 13.26 Item 31)
2	-	Top cover lever (P/O PL 13.26 Item 31)
3	-	Top cover latch (P/O PL 13.26 Item 31)
4	-	Shaft (P/O PL 13.26 Item 31)
5	-	Spring (P/O PL 13.26 Item 31)
6	-	Eject cover (P/O PL 13.26 Item 31) (REP 13.9)
7	-	Eject chute (P/O PL 13.26 Item 31)
8	121K41632	Sub paddle solenoid assembly (REP 13.14)
9	-	Bracket (P/O PL 13.26 Item 8)
10	-	Damper (P/O PL 13.26 Item 8)
11	-	Sub paddle solenoid (SOL12-013) (P/O PL 13.26 Item 8)
12	-	Eject roller assembly (P/O PL 13.26 Item 31)
13	031K94470	Paddle arm assembly
14	-	Sub paddle arm (P/O PL 13.26 Item 13)
15	-	Belt (P/O PL 13.26 Item 14)
16	-	Sub paddle (P/O PL 13.26 Item 13)
17	-	Pulley (P/O PL 13.26 Item 13)
18	-	Pulley (P/O PL 13.26 Item 13)
19	-	Gear/Pulley (31T/20T) (Not Spared)
20	059K55715	Eject nip roll assembly
21	-	Bearing (P/O PL 13.26 Item 20)
22	-	Eject nip roll (P/O PL 13.26 Item 20)
23	-	Bracket (P/O PL 13.26 Item 20)
24	-	Shaft (P/O PL 13.26 Item 12)
25	-	Spring (P/O PL 13.26 Item 12)
26	-	Bracket (P/O PL 13.26 Item 12)
27	-	Spring (Not Spared)
28	006K86691	Eject drive shaft
29	-	Bearing (Not Spared)
30	-	Bearing (Not Spared)
31	-	Eject chute assembly (Not Spared)
32	-	Static eliminator (P/O PL 13.26 Item 20)



PL 13.27 Office Finisher LX Ejector (3 of 5)

Item	Part	Description
1	007K15451	Gear (82T/77T/51T)
2	-	Gear (38T) (Not Spared)
3	127K57196	Eject motor assembly (REP 13.22)
4	-	Eject motor (MOT12-054) (P/O PL 13.27 Item 3) (REP 13.25)
5	-	Bracket (P/O PL 13.27 Item 3)
6	-	Gear/Pulley (20T/49T) (P/O PL 13.27 Item 3)
7	-	Belt (P/O PL 13.27 Item 7)
8	-	Gear (28T/22T/38T) (Not Spared)
9	-	Gear (25T) (Not Spared)
10	-	Gear/Pulley (32T/25T) (Not Spared)
11	-	Gear (23T) (Not Spared)
12	121K34631	Set clamp clutch (34T) (CL12-050)
13	120E29593	Set clamp cam actuator
14	130K72171	Stacker height sensor 1 assembly
15	-	Bracket (P/O PL 13.27 Item 14)
16	930W00111	Stack height sensor 1 (Q12-264) (REP 13.13)/Stack height sensor 2 (Q12-265) (REP 13.13)/Eject clamp home sensor (Q12-250)/Set clamp home sensor (Q12-251) ()
17	-	Stacker height sensor 2 assembly (P/O PL 13.27 Item 34)
18	-	Bracket (P/O PL 13.27 Item 17)
19	-	Eject cover switch (S12-300) (P/O PL 13.27 Item 37)
20	-	Harness guide (P/O PL 13.27 Item 34)
21	120E29852	Gear select actuator
22	068K58732	Eject drive bracket assembly
23	-	Bracket (P/O PL 13.27 Item 22)
24	-	Bracket (P/O PL 13.27 Item 22)
25	-	Shaft (P/O PL 13.27 Item 22)
26	-	Clamp set cam (P/O PL 13.27 Item 22)
27	809E79070	Spring
28	-	Bracket (P/O PL 13.27 Item 22)
29	-	Shaft (P/O PL 13.27 Item 22)
30	-	Eject clamp cam (P/O PL 13.27 Item 22)
31	-	Sleeve bearing (P/O PL 13.27 Item 22)
32	-	Sleeve bearing (P/O PL 13.27 Item 22)
33	-	Drive eject flange (Not Spared)
34	-	Eject clamp home sensor assembly (Not Spared)
35	-	Bracket (P/O PL 13.27 Item 34)
36	-	Bracket (P/O PL 13.27 Item 37)
37	068K58742	Eject cover switch assembly
38	809E79820	Spring
39	807E22040	Gear (30T)
40	-	Belt (Not Spared)

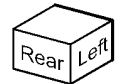
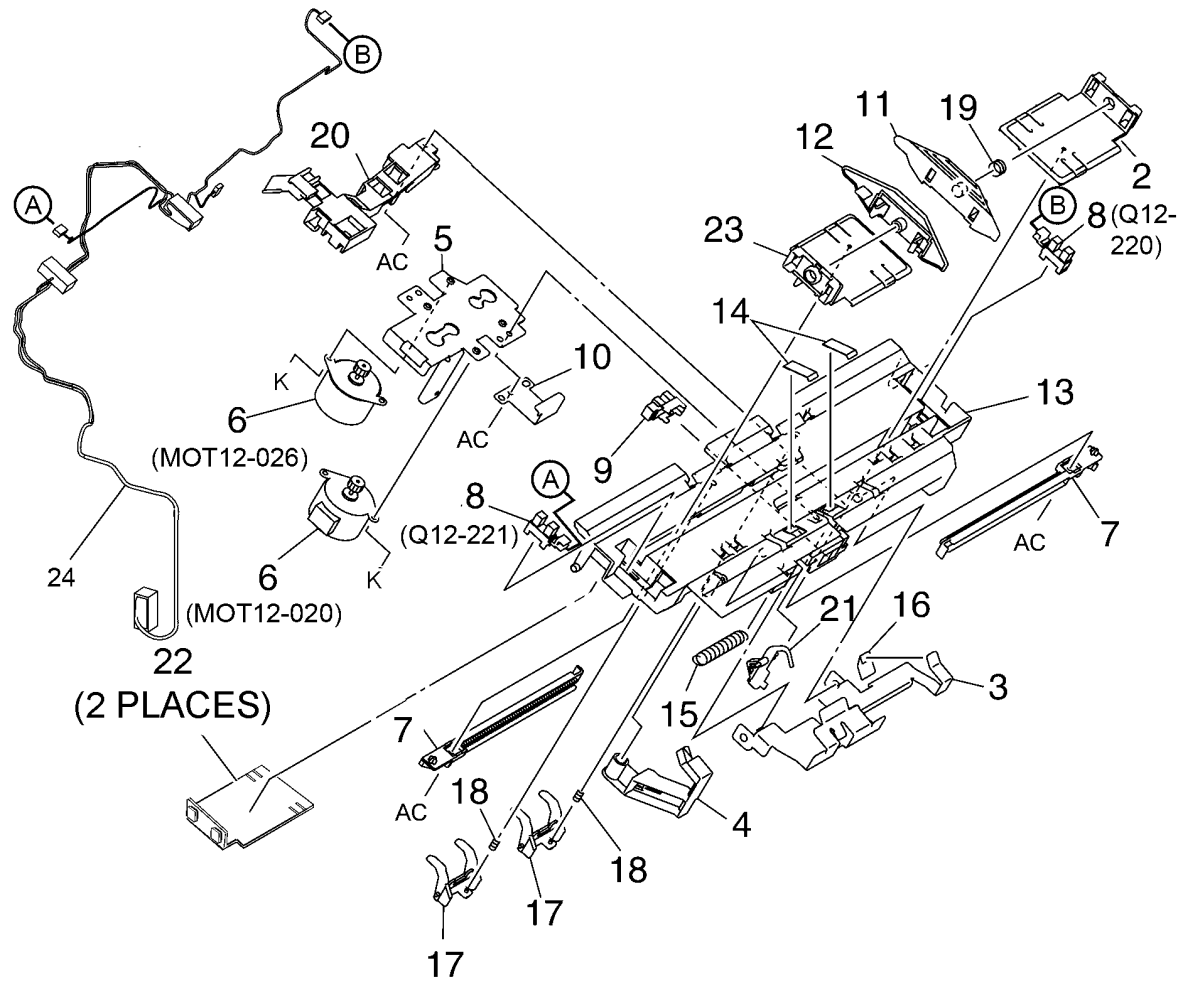


C-8-0035-A

PL 13.28 Office Finisher LX Ejector (4 of 5)

Item	Part	Description
1	050K61092	Compiler tray assembly (REP 13.17)
2	-	Rear tamper guide (P/O PL 13.28 Item 1)
3	-	Compiler center paper guide (P/O PL 13.28 Item 1)
4	-	Compiler rear paper guide (P/O PL 13.28 Item 1)
5	-	Bracket (P/O PL 13.28 Item 1)
6	127K58040	Front tamper motor (MOT12-020)/Rear tamper motor (MOT12-026) (REP 13.26)
7	-	Rack (front) (P/O PL 13.28 Item 1)
8	930W00111	Front tamper home sensor (Q12-220)/Rear tamper home sensor (Q12-221) (REP 13.27)
9	930W00211	Compiler tray no paper sensor (Q12-151) (REP 13.28)
10	-	Spring (P/O PL 13.28 Item 1)
11	-	Tamper front guide (P/O PL 13.28 Item 1)
12	-	Tamper rear guide (P/O PL 13.28 Item 1)
13	-	Compiler tray (P/O PL 13.28 Item 1)
14	-	Paper paddle guide (P/O PL 13.28 Item 1)
15	-	Spring (P/O PL 13.28 Item 1)
16	-	Paper end guide (P/O PL 13.28 Item 1)
17	-	Paper tray guide (P/O PL 13.28 Item 1)
18	-	Spring (P/O PL 13.28 Item 1)
19	-	Spring (P/O PL 13.28 Item 1)
20	-	Harness guide (P/O PL 13.28 Item 1)
21	-	Actuator (P/O PL 13.28 Item 1)
22	-	Tamper base (P/O PL 13.28 Item 1)
23	-	Front tamper guide (P/O PL 13.28 Item 1)
24	962K60454	Wire harness

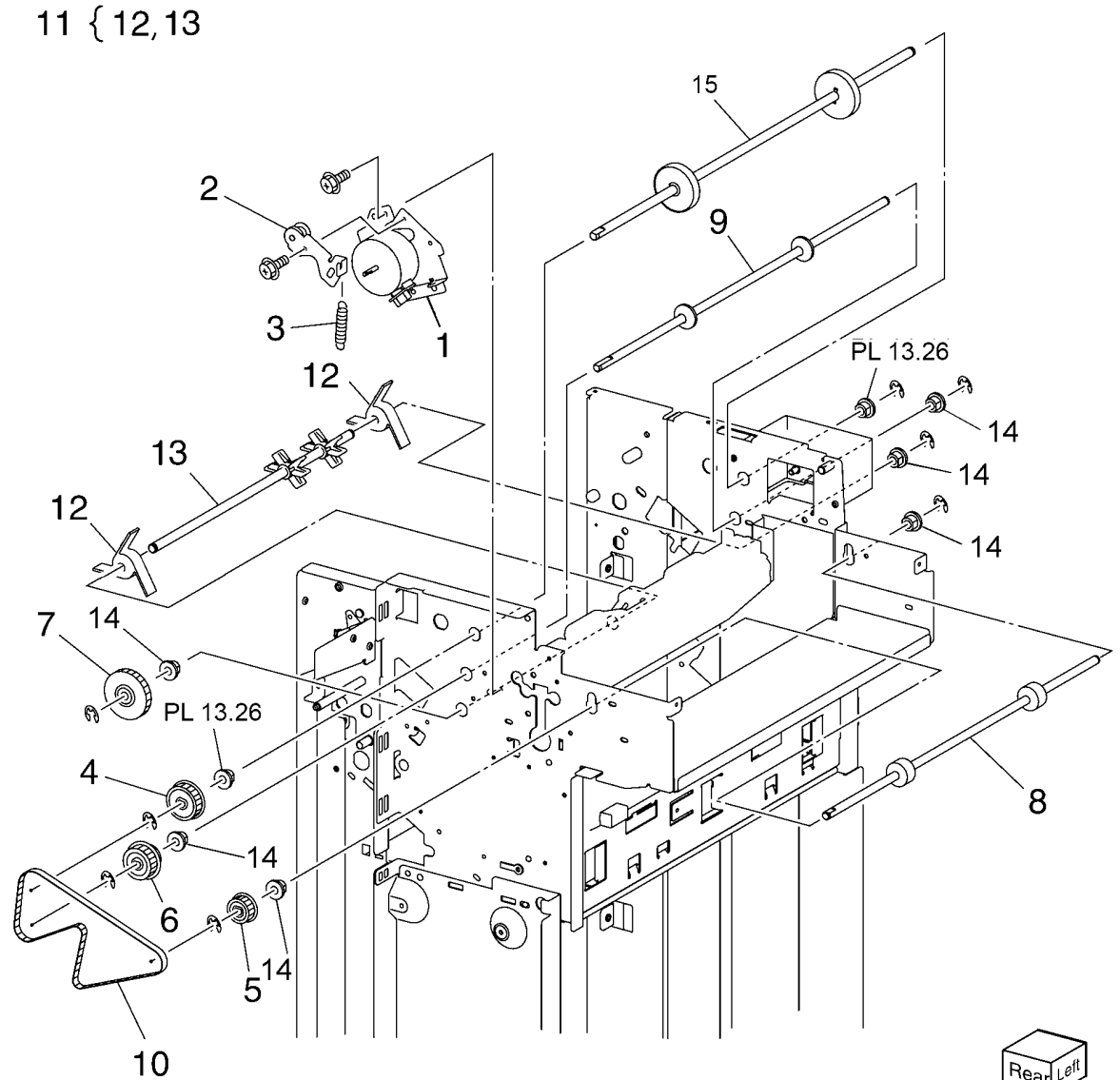
1 { 2 - 23



C-8-0036-A

PL 13.29 Office Finisher LX Ejector (5 of 5)

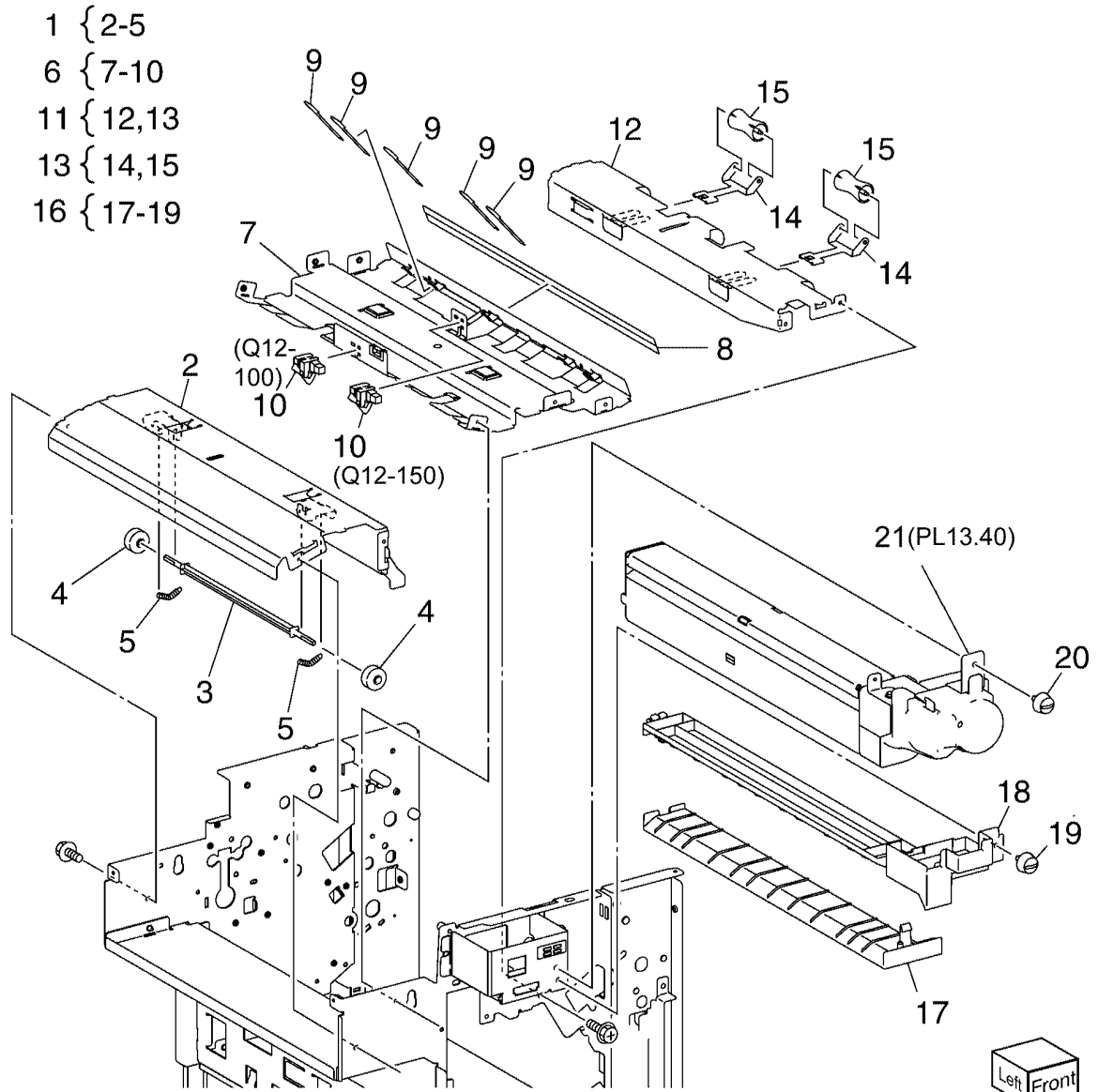
Item	Part	Description
1	068K58823	Transport motor (MOT12-013)
2	-	Tension roller assembly (Not Spared)
3	-	Spring (Not Spared)
4	-	Pulley (30T) (Not Spared)
5	-	Pulley (41T) (Not Spared)
6	-	Gear/Pulley (27T/30T) (Not Spared)
7	-	Gear (Not Spared)
8	059K55082	Entrance roller
9	859K18540	Exit roller
10	-	Eject belt (Not Spared) (REP 13.21)
11	006K98010	Paddle shaft assembly
12	-	Cyclone paddle (P/O PL 13.29 Item 11)
13	-	Paddle shaft (P/O PL 13.29 Item 11)
14	413W75959	Bearing
15	-	Eject drive shaft (REF: PL 13.26 Item 28)



C-8-0037-A

PL 13.35 Office Finisher LX Exit and Folder Assembly

Item	Part	Description
1	054K35532	Lower chute assembly
2	-	Lower chute (P/O PL 13.35 Item 1)
3	-	Shaft (P/O PL 13.35 Item 1)
4	-	Nip roll (P/O PL 13.35 Item 1)
5	-	Spring (P/O PL 13.35 Item 1)
6	054K35540	Exit upper chute assembly
7	-	Exit upper chute (P/O PL 13.35 Item 6)
8	-	Static eliminator (P/O PL 13.35 Item 6)
9	-	Paper guide (P/O PL 13.35 Item 6)
10	130K88311	Compiler exit sensor (Q12-150)/ Transport entry sensor (Q12-100)
11	054K48531	Exit lower chute assembly
12	-	Exit lower chute (P/O PL 13.35 Item 11)
13	-	Nip roll assembly (P/O PL 13.35 Item 11)
14	-	Spring (P/O PL 13.35 Item 13)
15	-	Nip roll (P/O PL 13.35 Item 13)
16	607K03960	Chute assembly
17	-	Lower chute (P/O PL 13.35 Item 16)
18	-	Upper chute (P/O PL 13.35 Item 16)
19	-	Thumb screw (P/O PL 13.35 Item 16)
20	-	Thumb screw (Not Spared)
21	695K18692	Crease assembly (Option) (REP 13.18)

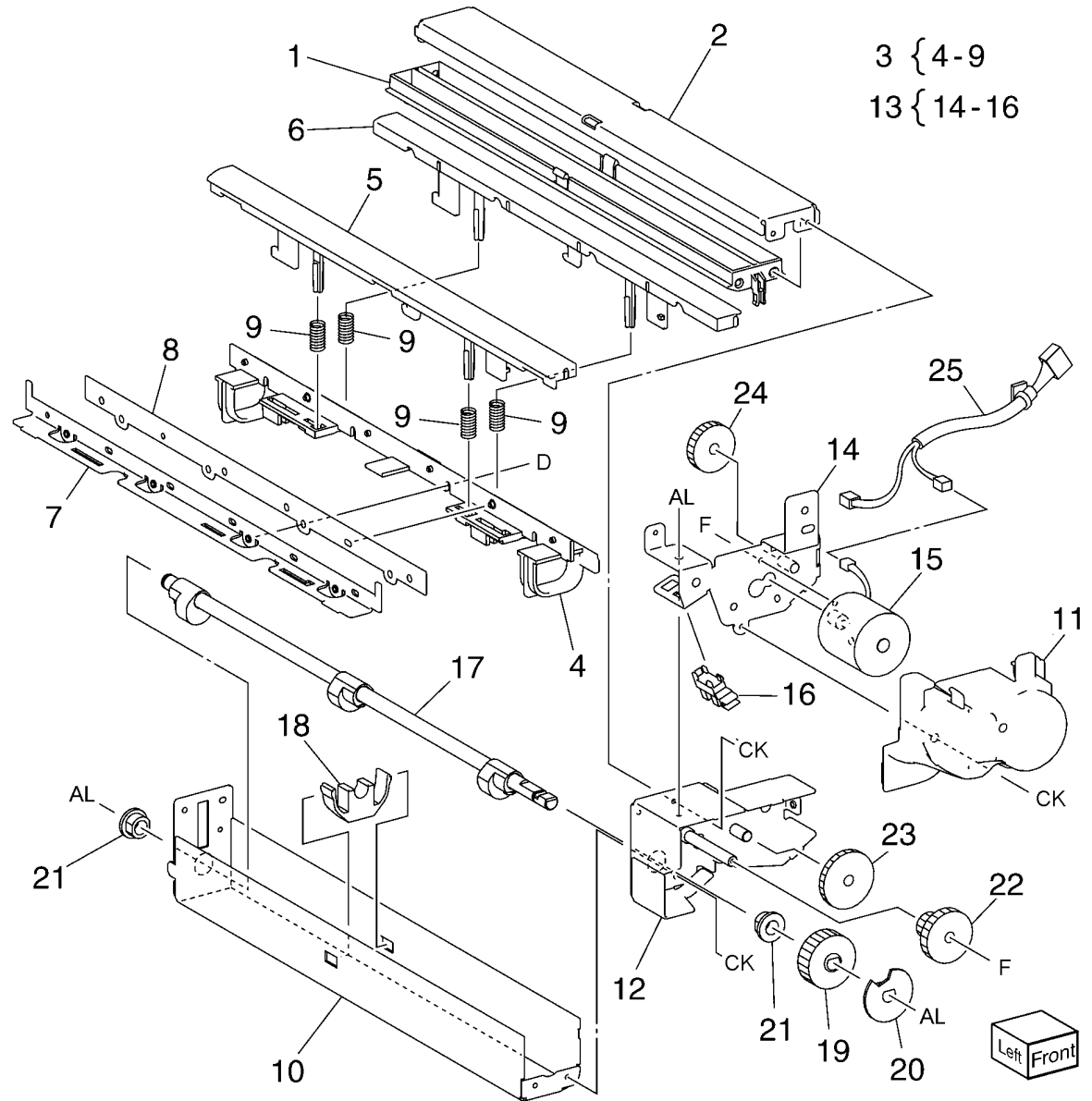


Left Front

C-8-0038-B

PL 13.40 Office Finisher LX Folder Assembly

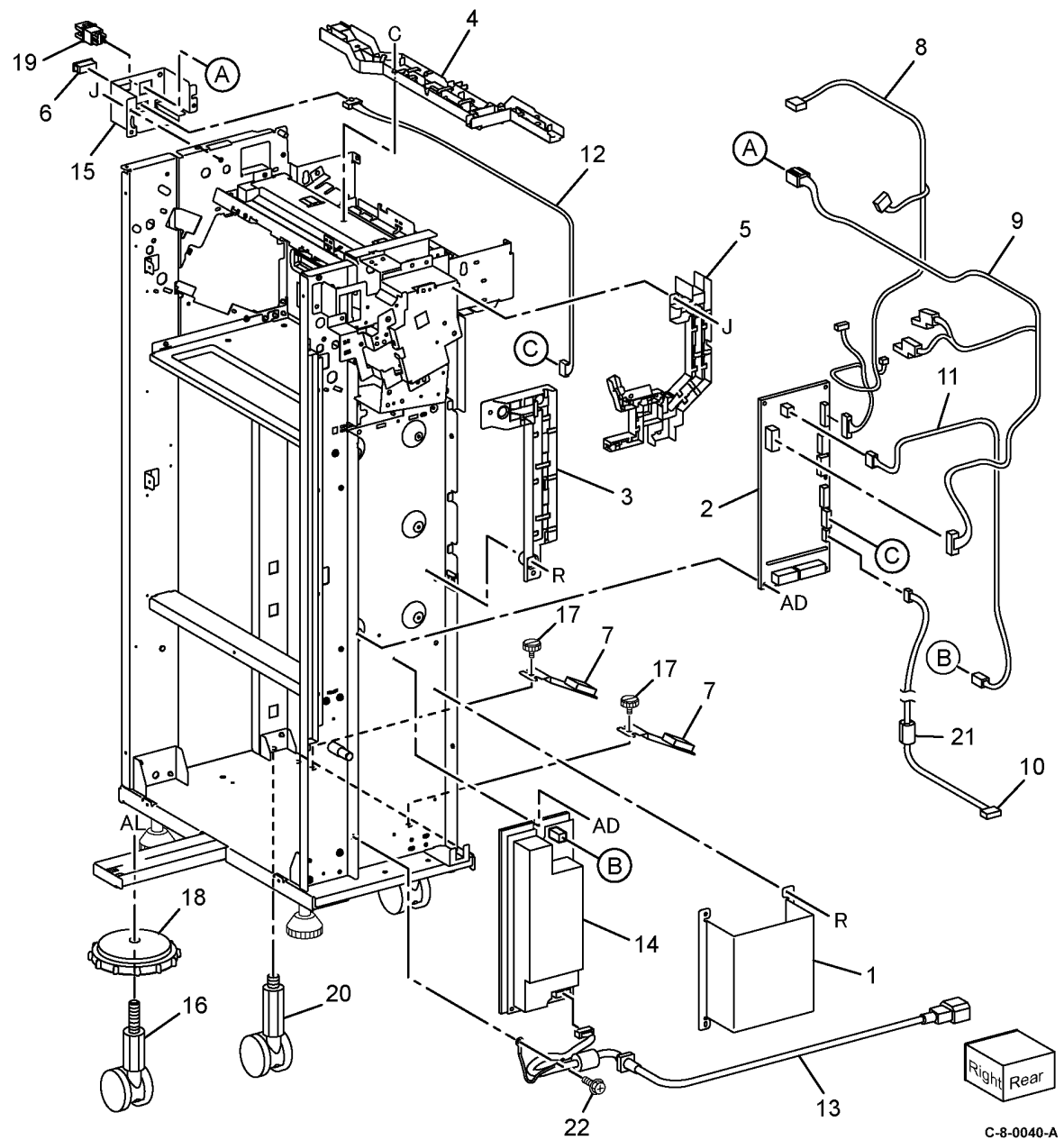
Item	Part	Description
1	-	Upper chute (P/O PL 13.35 Item 21)
2	-	Upper plate (P/O PL 13.35 Item 21)
3	-	Knife assembly (P/O PL 13.35 Item 21)
4	-	Blade holder (P/O PL 13.40 Item 3)
5	-	Lower holder 1 (P/O PL 13.40 Item 3)
6	-	Lower holder 2 (P/O PL 13.40 Item 3)
7	-	Bracket (P/O PL 13.40 Item 3)
8	-	Blade (P/O PL 13.40 Item 3)
9	-	Spring (P/O PL 13.35 Item 2)
10	-	Frame (P/O PL 13.35 Item 21)
11	-	Front cover (Not Spared)
12	-	Bracket (P/O PL 13.35 Item 21)
13	-	Knife motor assembly (P/O PL 13.35 Item 21)
14	-	Motor bracket (P/O PL 13.40 Item 13)
15	-	Knife motor (MOT13-022) (P/O PL 13.40 Item 13)
16	930W00111	Folder home sensor (Q12-101)
17	-	Cam shaft assembly (P/O PL 13.35 Item 21)
18	-	Guide (P/O PL 13.35 Item 21)
19	-	Gear (28T/8T) (P/O PL 13.35 Item 21)
20	-	Encoder (P/O PL 13.35 Item 21)
21	-	Bearing (P/O PL 13.35 Item 21)
22	-	Gear (12T/27T) (P/O PL 13.35 Item 21)
23	-	Gear (12T/30T) (P/O PL 13.35 Item 21)
24	-	Gear (12T/51T) (P/O PL 13.35 Item 21)
25	-	Wire harness (P/O PL 13.35 Item 21)



C-8-0039-A

PL 13.45 Office Finisher LX Folder Electrical

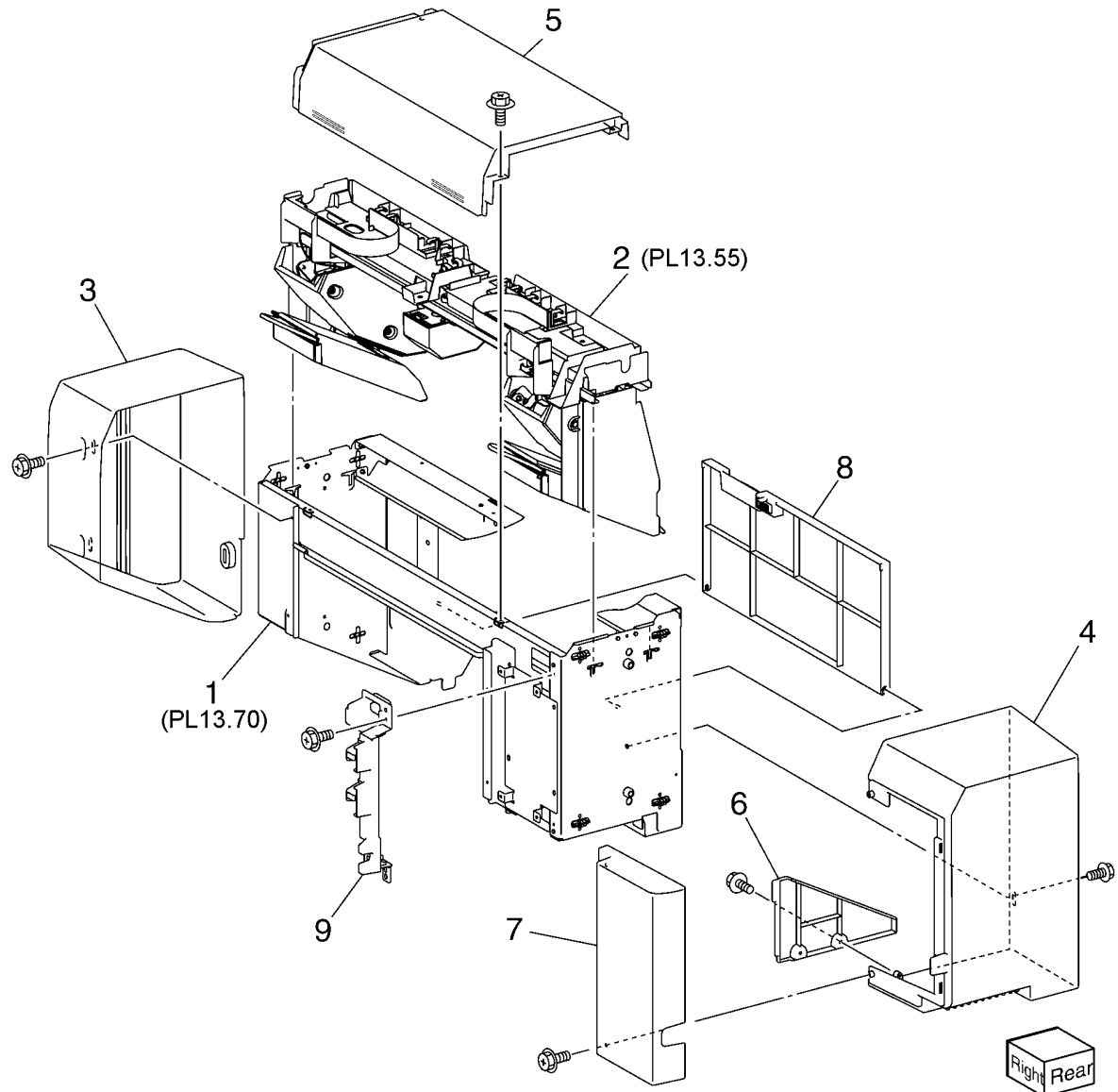
Item	Part	Description
1	-	LVPS cover (Not Spared)
2	960K96561	Finisher PWB (REP 13.23)
3	-	Harness guide (Not Spared)
4	-	Harness guide (Not Spared)
5	-	Harness guide (Not Spared)
6	-	Magnet (Not Spared)
7	-	Gasket plate assembly (Not Spared)
8	-	Wire harness (Not Spared)
9	-	Wire harness (Not Spared)
10	962K60482	Wire harness (IF)
11	962K60493	Wire harness (LVPS)
12	962K60594	Wire harness (IF)
13	962K60511	Power cable
14	105E22590	Finisher LVPS (REP 13.24)
15	-	Bracket (Not Spared)
16	-	Caster (Not Spared)
17	-	Thumb Screw (Not Spared)
18	-	Knob (Not Spared)
19	110E97990	Finisher front door interlock switch (S12-302)
20	017K96450	Caster
21	-	Core (Not Spared)
22	-	Screw (Not Spared)



C-8-0040-A

PL 13.50 Office Finisher LX Booklet Cover

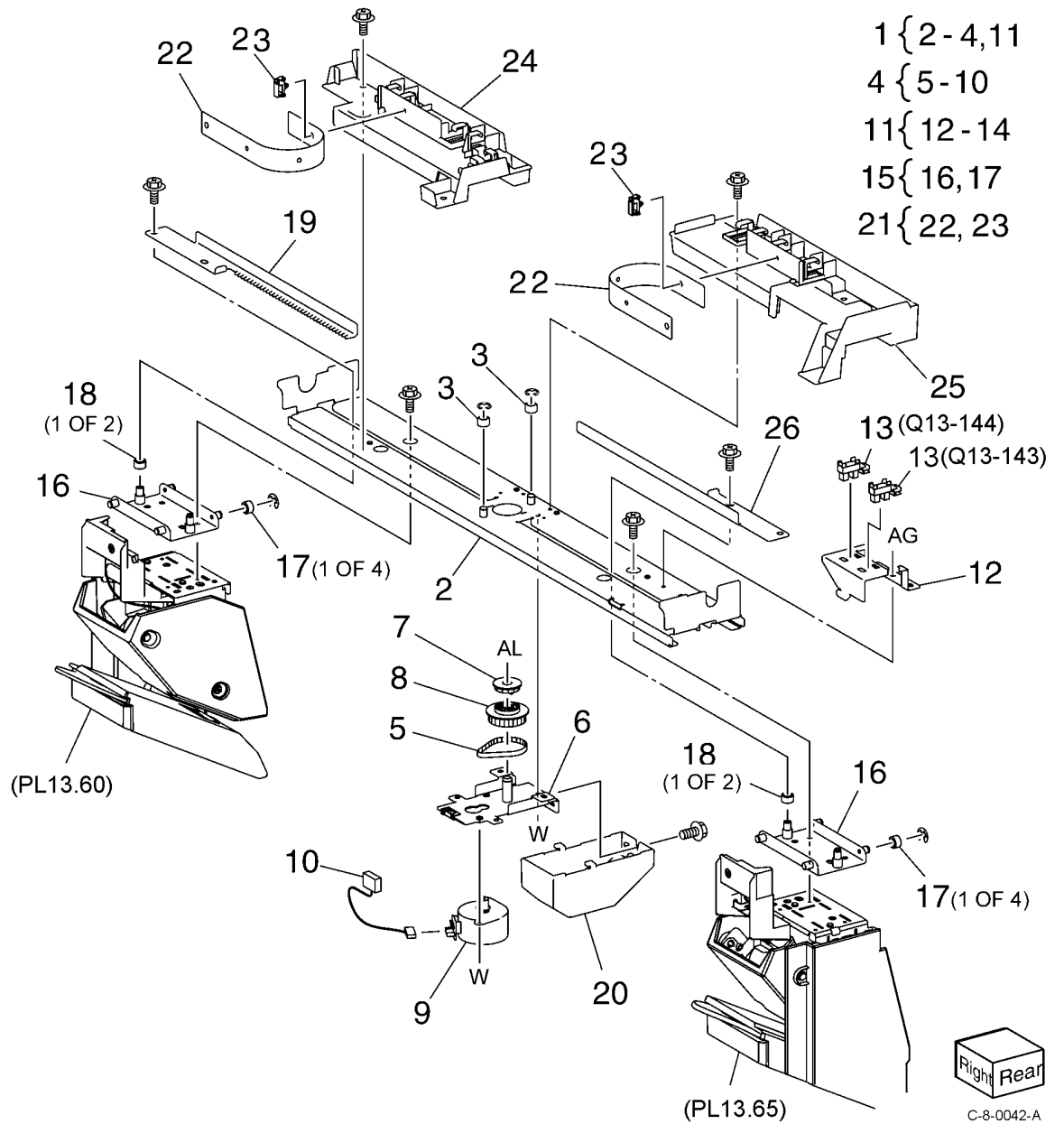
Item	Part	Description
1	-	Frame assembly (Not Spared)
2	-	Booklet stapler assembly (Not Spared) (ADJ 13.2)
3	-	Rear cover (REP 13.33)
4	-	Front cover (Not Spared) (REP 13.32)
5	-	Top cover (Not Spared) (REP 13.34)
6	-	Side cover (Not Spared)
7	-	PWB cover (Not Spared) (REP 13.35)
8	-	Left cover (Not Spared) (REP 13.36)
9	-	Harness guide (Not Spared)



C-8-0041-A

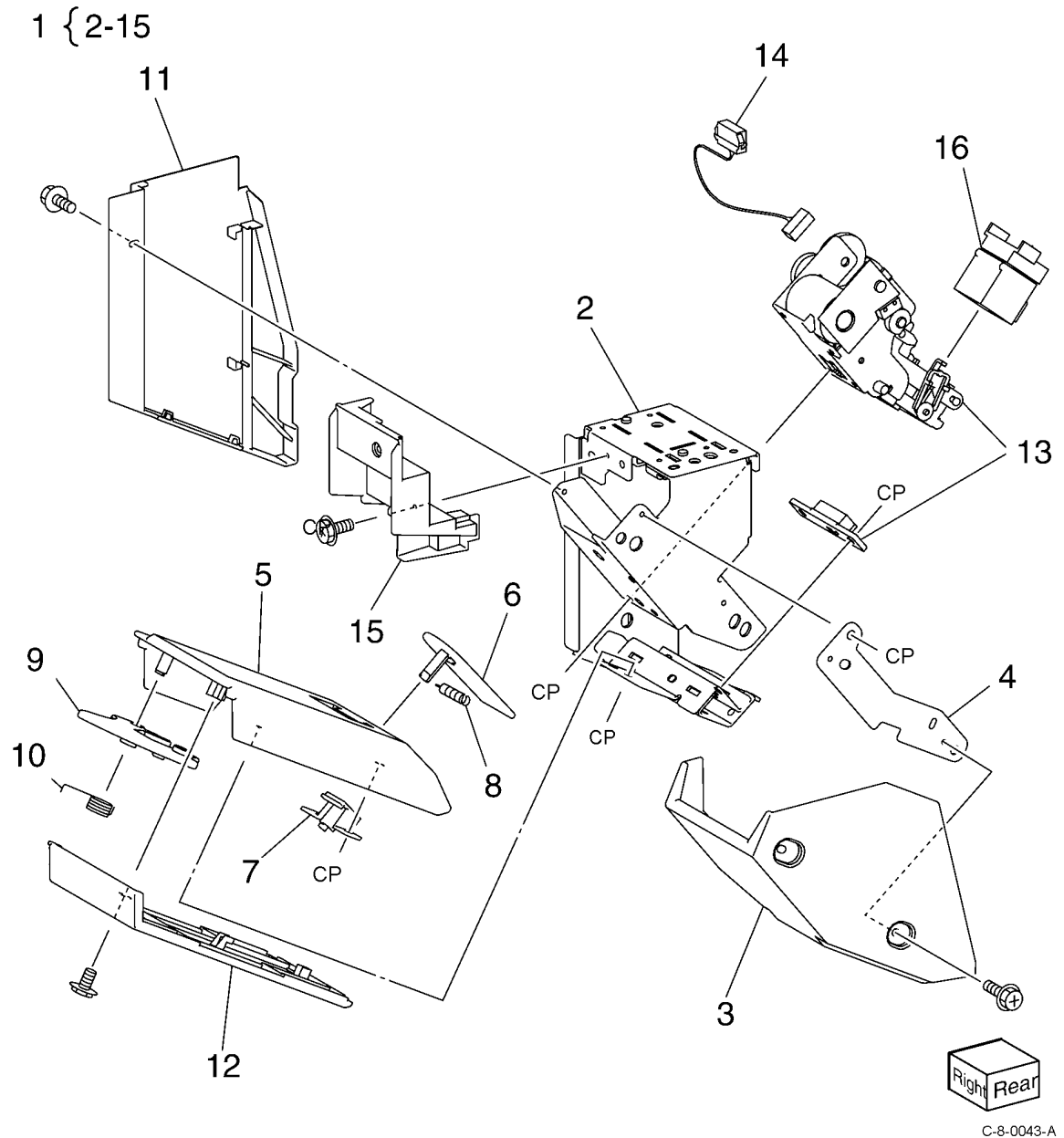
PL 13.55 Office Finisher LX Booklet Stapler Assembly

Item	Part	Description
1	-	Front carriage rail (Not Spared)
2	-	Frame (P/O PL 13.55 Item 1)
3	-	Core (P/O PL 13.55 Item 1)
4	127K57052	Booklet stapler move motor assembly
5	-	Belt (P/O PL 13.55 Item 4)
6	-	Bracket (P/O PL 13.55 Item 4)
7	-	Gear (12T) (P/O PL 13.55 Item 4)
8	-	Pulley (50T) (P/O PL 13.55 Item 4)
9	-	Booklet stapler move motor (MOT13-028) (P/O PL 13.55 Item 4) (REP 13.38)
10	-	Wire harness (P/O PL 13.55 Item 4)
11	-	Sensor bracket assembly (P/O PL 13.55 Item 1)
12	-	Sensor bracket (P/O PL 13.55 Item 11)
13	930W00111	Booklet stapler move position sensor (Q13-143)/Booklet stapler move home sensor (Q13-144)
14	-	Rear rack gear (Not Spared)
15	-	Carriage assembly (Not Spared)
16	-	Carriage (P/O PL 13.55 Item 15)
17	-	Core (P/O PL 13.55 Item 15)
18	-	Core (Not Spared)
19	-	Front rack gear (Not Spared)
20	-	Motor cover (Not Spared)
21	-	Harness guide assembly (Not Spared)
22	-	Harness strap (P/O PL 13.55 Item 21)
23	-	Locking clamp (P/O PL 13.55 Item 21)
24	-	Harness guide (front) (Not Spared)
25	-	Harness guide (rear) (Not Spared)
26	-	Rear rack guide (Not Spared)



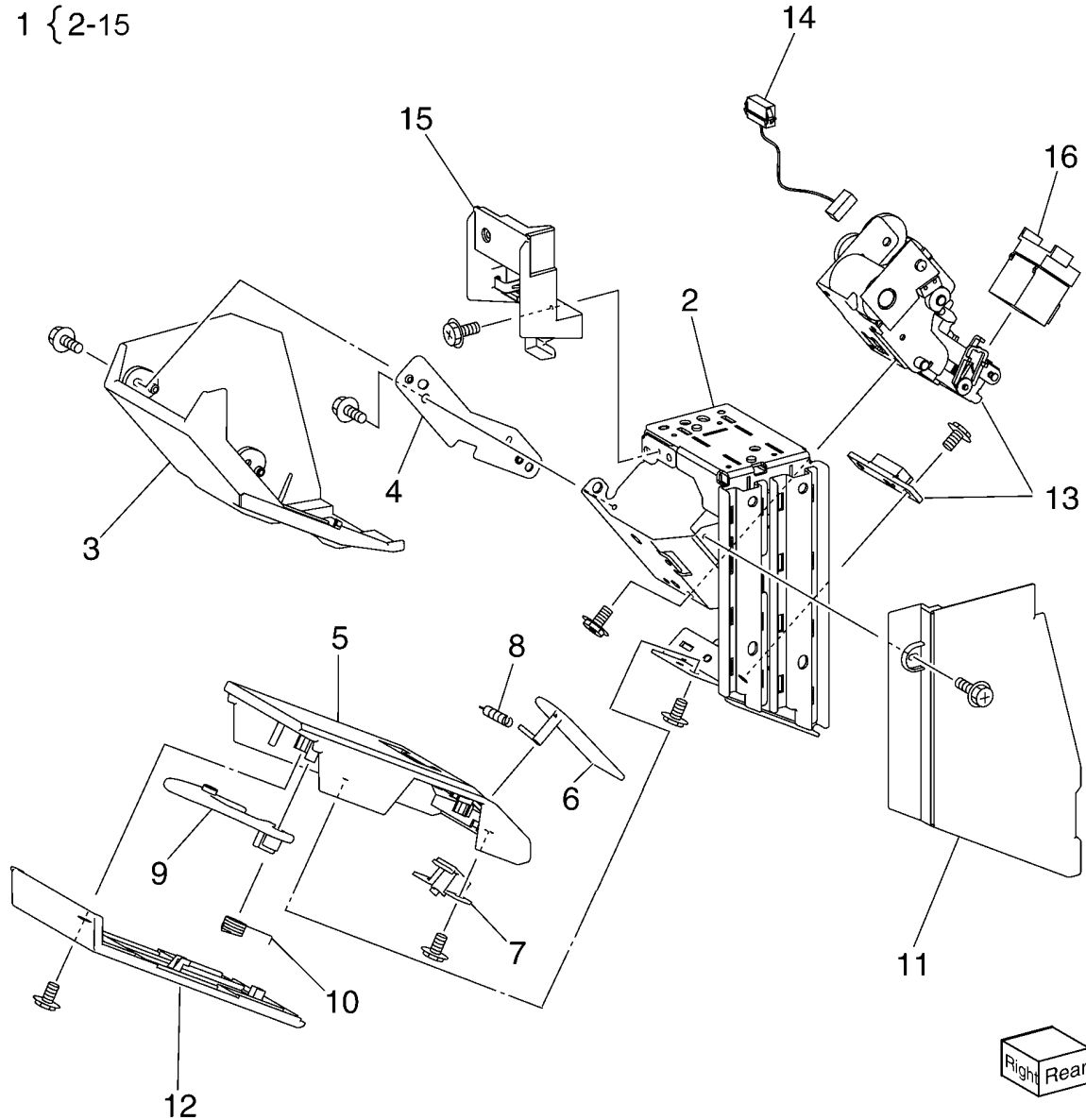
PL 13.60 Office Finisher LX Booklet Front Stapler Assembly

Item	Part	Description
1	029K92491	Booklet front stapler assembly
2	-	Bracket (P/O PL 13.60 Item 1)
3	-	Rear cover (P/O PL 13.60 Item 1)
4	-	Bracket (P/O PL 13.60 Item 1)
5	-	Chute (P/O PL 13.60 Item 1)
6	-	Sub chute (P/O PL 13.60 Item 1)
7	-	Support (P/O PL 13.60 Item 1)
8	-	Spring (P/O PL 13.60 Item 1)
9	-	Exit sub chute (P/O PL 13.60 Item 1)
10	-	Spring (P/O PL 13.60 Item 1)
11	-	Front cover (P/O PL 13.60 Item 1)
12	-	Lower cover (P/O PL 13.60 Item 1)
13	-	Booklet stapler assembly (P/O PL 13.60 Item 1) (REP 13.37)
14	-	Wire harness (P/O PL 13.60 Item 1)
15	-	Guide (P/O PL 13.60 Item 1)
16	-	Booklet staple cassette assembly (REF: PL 26.05 Item 6)



PL 13.65 Office Finisher LX Booklet Rear Stapler Assembly

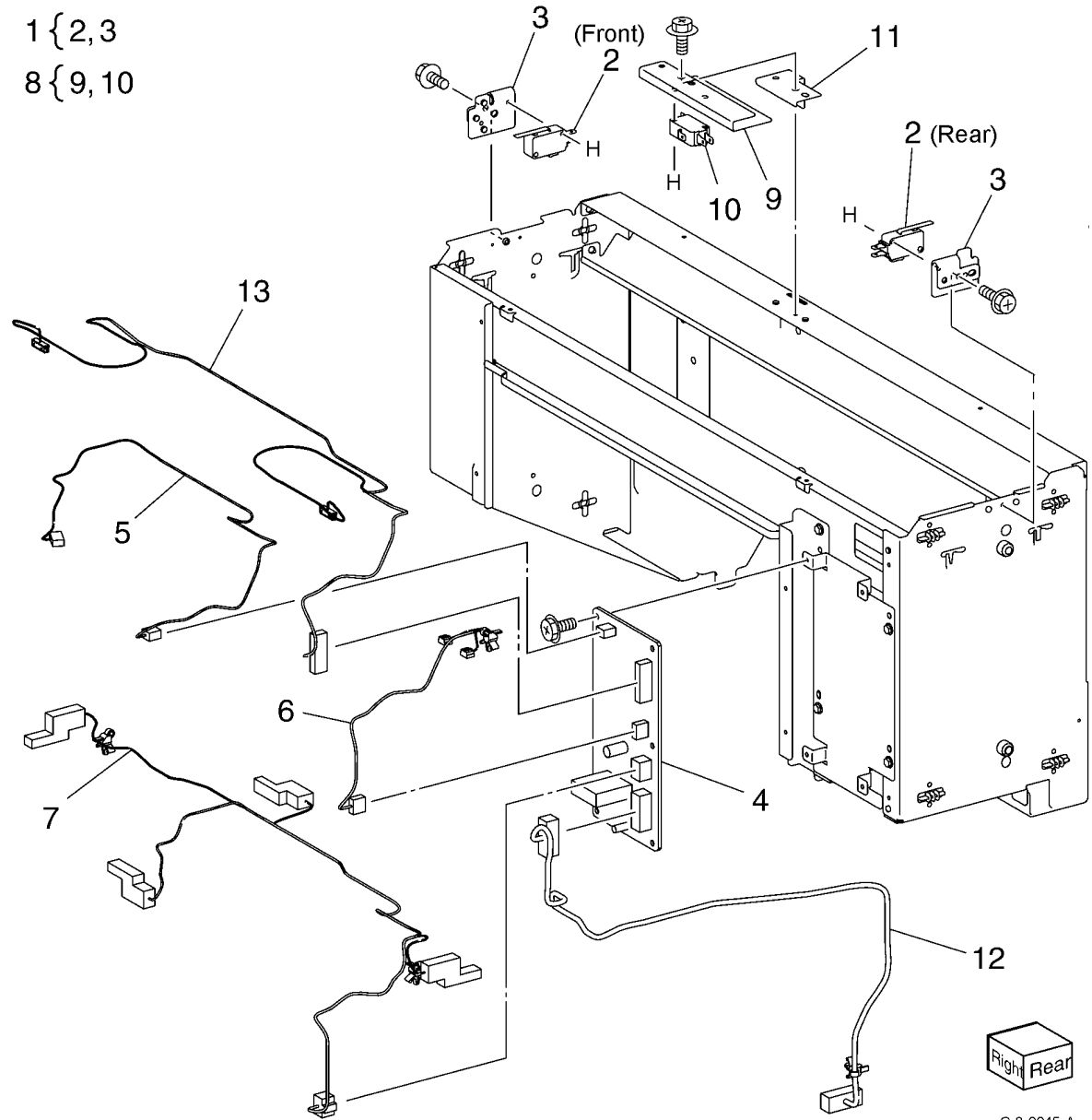
Item	Part	Description
1	029K92502	Booklet rear stapler assembly
2	-	Bracket (P/O PL 13.65 Item 1)
3	-	Rear cover (P/O PL 13.65 Item 1)
4	-	Bracket (P/O PL 13.65 Item 1)
5	-	Chute (P/O PL 13.65 Item 1)
6	-	Sub chute (P/O PL 13.65 Item 1)
7	-	Support (P/O PL 13.65 Item 1)
8	-	Spring (P/O PL 13.65 Item 1)
9	-	Sub chute (P/O PL 13.65 Item 1)
10	-	Spring (P/O PL 13.65 Item 1)
11	-	Front cover (P/O PL 13.65 Item 1)
12	-	Lower cover (P/O PL 13.65 Item 1)
13	-	Booklet stapler assembly (P/O PL 13.65 Item 1) (REP 13.37)
14	-	Wire harness (P/O PL 13.65 Item 1)
15	-	Guide (P/O PL 13.65 Item 1)
16	-	Booklet staple cassette assembly (REF: PL 26.05 Item 6)



C-8-0044-A

PL 13.70 Office Finisher LX Booklet Electrical

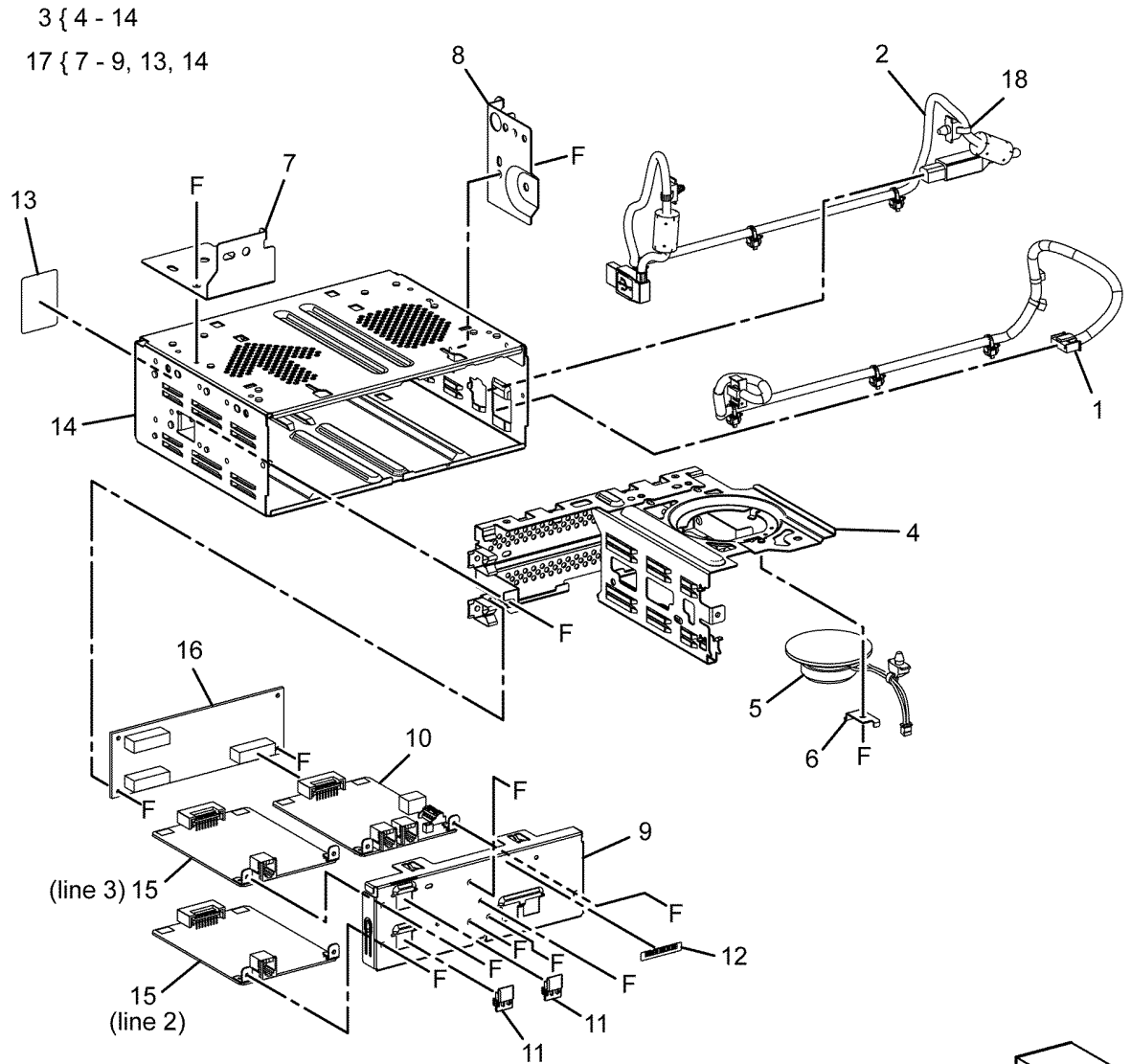
Item	Part	Description
1	068K58351	Stapler rear safety switch/stapler front safety switch
2	-	Booklet stapler safety switch assembly (P/O PL 13.70 Item 1)
3	-	Bracket (P/O PL 13.70 Item 1)
4	960K32546	Booklet PWB (REP 13.30)
5	-	Wire harness (Not Spared)
6	-	Wire harness (Not Spared)
7	-	Wire harness (Not Spared)
8	068K58361	Booklet stapler cover switch assembly
9	-	Bracket (P/O PL 13.70 Item 8)
10	-	Booklet cover open switch (S13-300) (P/O PL 13.70 Item 8)
11	-	Plate (Not Spared)
12	-	Wire harness (Not Spared)
13	-	Wire harness (Not Spared)



C-8-0045-A

PL 20.05 Fax

Item	Part	Description
1	952K19382	Fax harness
2	117K48410	USB harness
3	-	Fax chassis assembly (Not Spared)
4	-	Riser bracket assembly (P/O PL 20.05 Item 3)
5	-	Fax speaker (P/O PL 20.05 Item 3)
6	-	Speaker bracket (P/O PL 20.05 Item 3)
7	-	Fax L1 bracket (P/O PL 20.05 Item 3)
8	-	Fax R1 bracket (P/O PL 20.05 Item 3)
9	-	Fax panel (P/O PL 20.05 Item 3)
10	960K79264	Line 1 Fax PWB (XC)
-	960K81234	Line 1 Fax PWB (XE)
-	960K87694	Line 1 fax PWB (ARZ)
11	-	Snap fax cover (P/O PL 20.05 Item 3)
12	-	Traceability label (P/O PL 20.05 Item 3)
13	-	FX2A label (P/O PL 20.05 Item 3)
14	-	Fax chassis (P/O PL 20.05 Item 3)
15	960K77544	Line 2/3 fax PWB
16	960K77550	Riser PWB
17	-	Fax kit (Not Spared)
18	-	Locking clamp (Not Spared)



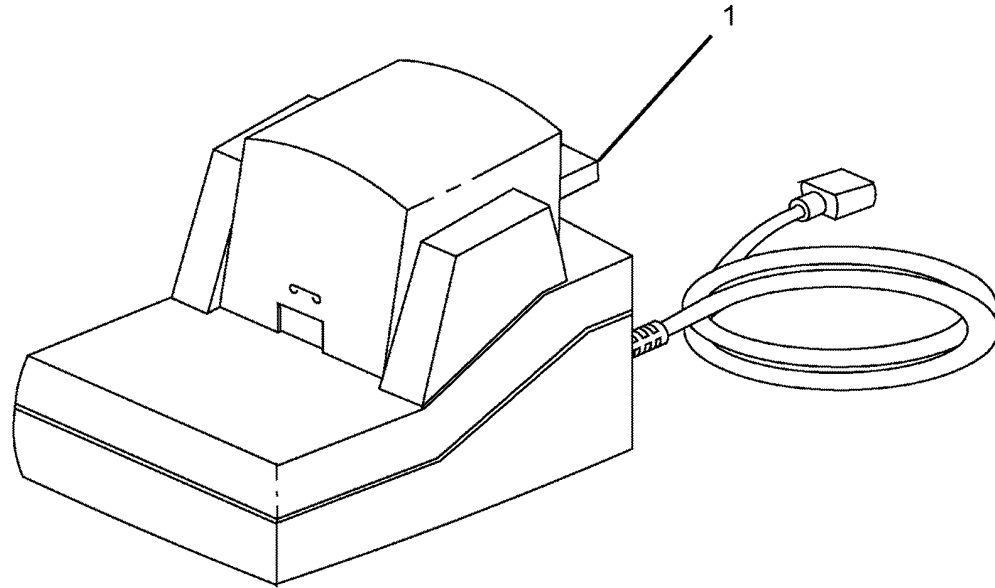
C-8-0082-A

PL 25.05 Convenience Stapler

Item	Part	Description
1	–	Convenience stapler (110V) (See NOTE 1 & 2)
–	–	Convenience stapler (220V) (See NOTE 1 & 2)

NOTE: 1. Refer to PL 31.05 for the convenience stapler kits.

NOTE: 2. Refer to PL 26.05 for the staple refills and cartridge.



C-8-0083-A

PL 26.05 Consumables and Tools (1 of 2)

2J 106R03738 Extra High capacity - 15.5K (NA/XE-SOLD) (C7030F)
 2K 106R03746 Extra high capacity -15.5K (DMO-SOLD) (C7030F)

Item	Part	Description
1	–	Toner (K) - see below for variants
2	–	Toner cartridge (Y) - see variants below
3	–	Toner cartridge (M) (REF: PL 26.10)
4	–	Toner cartridge (C) (REF: PL 26.10)
5	–	Staple cartridge (convenience stapler)
6	–	Office finisher LX booklet maker staple cartridge
7	–	Staple refills (convenience stapler)
1A	106R03761	Standard -5K (NAS/XE-SOLD) (C7000)
1B	106R03769	Standard -5K (DMO-SOLD) (C7000)
1C	106R03753	Metered -12K (Worldwide) (C7000)
1E	106R03757	High capacity -12K (NA/XE-SOLD) (C7000)
1F	106R03765	High capacity - 12K (DMO-SOLD) (C7000)
1G	106R03733	Metered -22K (Worldwide) (C7030F)
1H	106R03741	High capacity - 15.5K (NA/XE-SOLD) (C7030F)
1I	106R03749	High capacity -15.5K (DMO-SOLD) (C7030F)
1K	106R03737	Extra high capacity -22K (NA/XE-SOLD) (C7030F)
–	106R03745	High capacity -22K (DMO-SOLD) (C7030F)
2A	106R03762	Standard - 3K (NA/XE-SOLD) (C7000)
2B	106R03770	Standard - 3K (DMO-SOLD) (C7000)
2C	106R03766	Standard - 8K (DMO-SOLD) (C7000)
2D	106R03754	Metered - 8K (Worldwide) (C7000)
2E	106R03734	Metered -15.5K (Worldwide) (C7030F)
2F	106R03758	High capacity - 8K (NA/XE-SOLD) (C7000)
2G	106R03742	High capacity - 9K (NA/XE-SOLD) (C7030F)
2I	106R03750	High capacity - 9K (DMO-SOLD) (C7030F)

PL 26.10 Consumables and Tools (2 of 2)

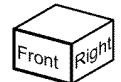
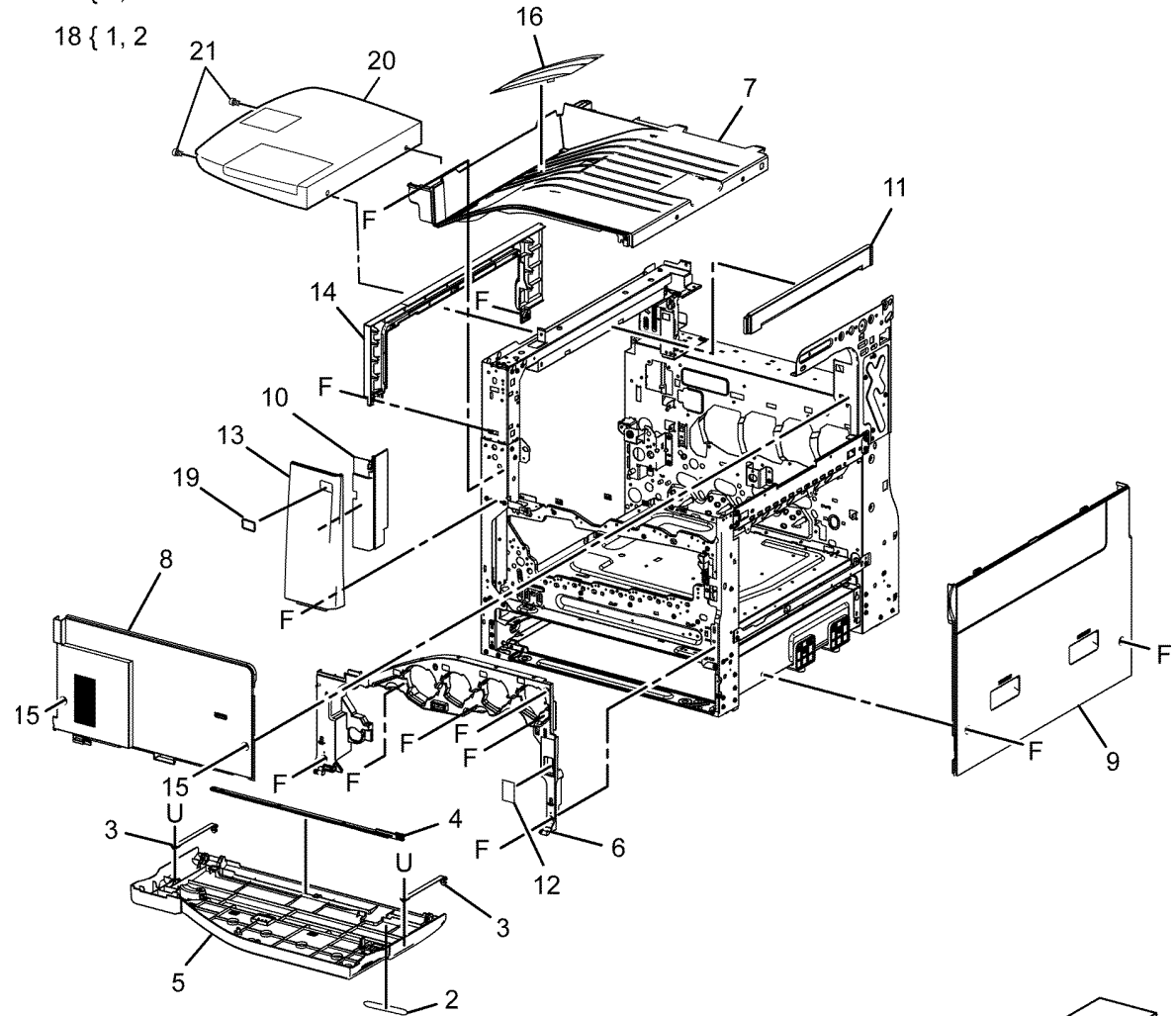
Item	Part	Description
1	–	Toner cartridge (M) - see variants below
2	–	Toner cartridge (C) - see variants below
1A	106R03763	Standard -3K (NA/XE-SOLD) (C7000)
1B	106R03771	Standard - 3K (DMO-SOLD) (C7000)
1C	106R03755	Metered - 8K (Worldwide) (C7000)
1D	106R03759	High capacity -8K (NA/XE-SOLD) (C7000)
1E	106R03767	High capacity -8K (DMO-SOLD) (C7000)
1F	106R03735	Metered - 15.5K (Worldwide) (C7030F)
1G	106R03743	High capacity -9K (NA/XE-SOLD) (C7030F)
1I	106R03751	High capacity - 9K (DMO-SOLD) (C7030F)
1J	106R03739	Extra High capacity -15K (NA/XE-SOLD) (C7030F)
1K	106R03747	Extra high capacity -15.5K (DMO-SOLD) (C7030F)
2A	106R03764	Standard - 3K (NA/XE-SOLD) (C7000)
2B	106R03772	Standard - 3K (DMO-SOLD) (C7000)
2C	106R03756	Metered - 8K (Worldwide) (C7000)
2E	106R03760	High capacity -8K (NA/XE-SOLD) (C7000)
2F	106R03768	High capacity - 8K (DM)-SOLD) (C7000)
2G	106R03736	Metered - 15.5K (Worldwide) (C7030F)
2H	106R03744	High capacity -9K (NA/XE-SOLD) (C7030F)
2J	106R03752	High capacity - 9K (DMO-SOLD) (C7030F)
2M	106R03740	Extra High capacity -15.5K (NA/XE-SOLD) (C7030F)
2N	106R03748	Extra High capacity -15.5K (DMO-SOLD) (C7030F)

**NO EXPLODED
VIEW PROVIDED**

**NO EXPLODED
VIEW PROVIDED**

PL 28.05 Covers (1 of 2)

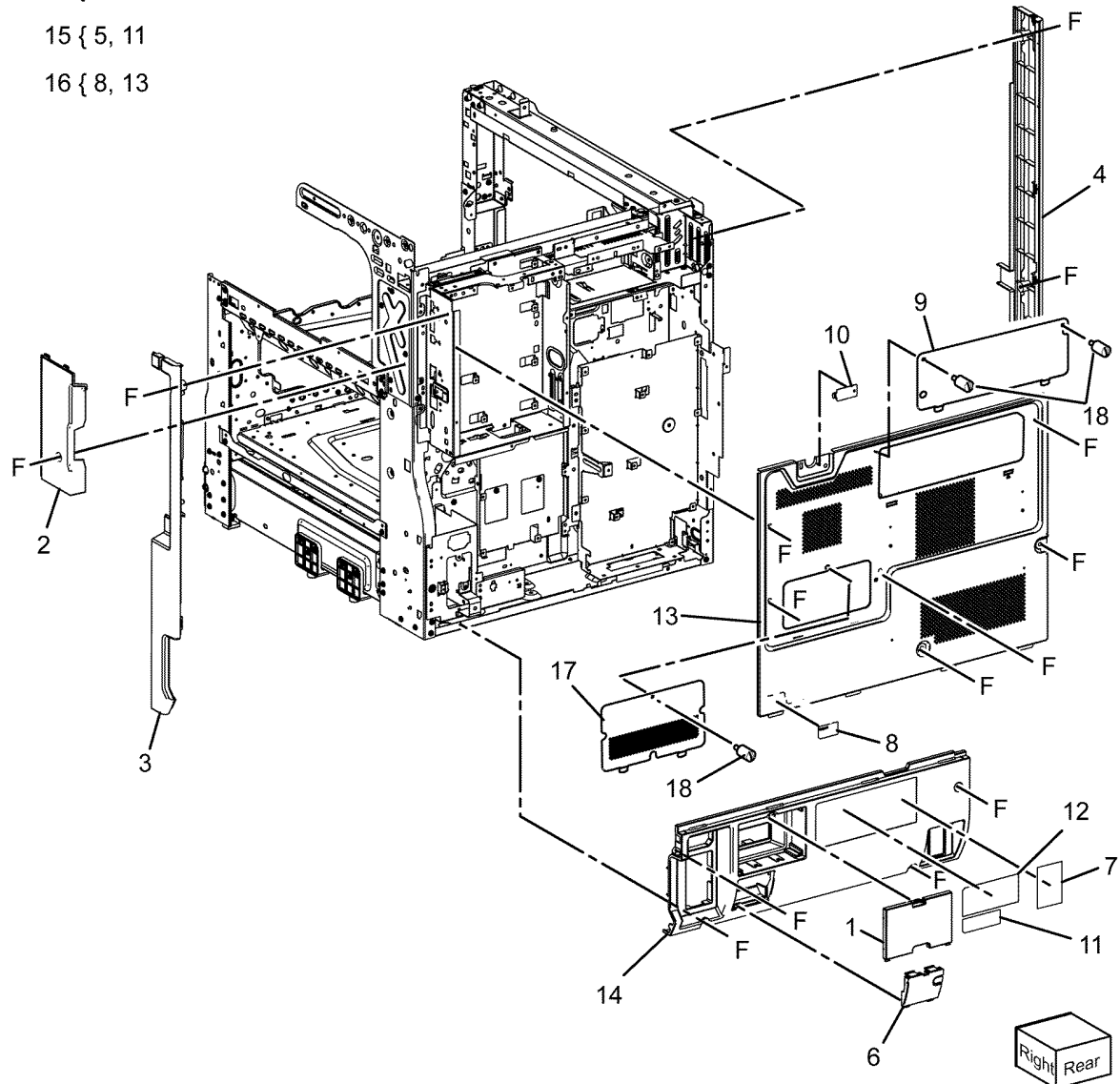
Item	Part	Description	
1	-	Front cover assembly (P/O PL 28.05 Item 18) (REP 28.1)	1 { 3 - 5
2	-	Logo plate assembly (P/O PL 28.05 Item 18)	17 { 6, 12
3	-	BS Strap (P/O PL 28.05 Item 1)	18 { 1, 2
4	-	Cleaner assembly (P/O PL 28.05 Item 1)	
5	-	Front cover (P/O PL 28.05 Item 1)	
6	-	Inner cover (P/O PL 28.05 Item 17) (REP 28.2)	
7	-	Top cover (Not Spared) (REP 28.4)	
8	-	Top rear cover (Not Spared)	
9	-	Right cover (Not Spared) (REP 28.3)	
10	-	Exit front cover (Not Spared)	
11	-	Exit upper cover (Not Spared)	
12	-	SW label (P/O PL 28.05 Item 17)	
13	-	Pillar left cover (Not Spared)	
14	-	LH top cover (Not Spared)	
15	-	Screw TP black (Not Spared)	
16	050E32531	Tray insert	
17	607K07130	Inner cover kit (ACO)	
18	607K07121	Front cover kit	
19	822E35790	USB cover	
20	-	Work surface (C7030F) (P/O PL 31.05 Item 7)	
21	003E63230	Thumbscrew (C7030F)	



C-8-0072-A

PL 28.06 Covers (2 of 2)

Item	Part	Description	
1	-	STM Cover (Not Spared)	5 { 6, 14
2	-	RH top cover (Not Spared)	
3	-	RH rear cover (Not Spared)	15 { 5, 11
4	-	LH rear cover (Not Spared)	
5	-	Rear lower cover assembly (P/O PL 28.06 Item 15) (REP 28.6)	16 { 8, 13
6	-	EPSV cover	
7	-	Label-PTT (APO) (Not Spared)	
8	-	Outlet label (P/O PL 28.06 Item 16)	
9	-	Blind FAX cover (Not Spared)	
10	-	Blind cover (C7030F)	
11	-	Earth label (P/O PL 28.06 Item 15)	
12	-	Data FX plate (Not Spared)	
13	-	Upper rear cover (P/O PL 28.06 Item 13) (REP 28.5)	
14	-	Lower rear cover (P/O PL 28.06 Item 5)	
15	-	Rear lower cover kit (Not Spared) (REP 28.6)	
16	-	Rear upper cover kit (Not Spared)	
17	822E17170	HDD cover	
18	826E14330	Thumbscrew	



C-8-0073-A

PL 31.05 Maintenance / Installation / Removal Kits

Item	Part	Description
1	–	Punch assembly kit (2/3 hole)
2	–	Punch assembly kit (2/4 hole)
3	–	Convenience stapler kit (110V)
4	–	Convenience stapler kit (220V)
5	498K14141	Foreign device interface kit
6	–	Envelope tray kit
7	–	Work surface kit (C7030F)
8	497K18120	RFID install kit (WH)
–	497K18140	RFID install kit (EH)
9	497K19070	Smart card mount kit
10	497K19550	CAC reader kit

**NO EXPLODED
VIEW PROVIDED**

C-8-0085-A

PL 31.10 Line 1 Fax Kits

Item	Part	Description
1	-	Line 1 fax kit (India/Brazil/ Argentina)
2	-	Line 1 fax kit (XC/DMO)
3	-	Line 1 fax kit (XE/South Africa)

**NO EXPLODED
VIEW PROVIDED**

C-8-0086-A

PL 31.15 3 Line Fax Kits

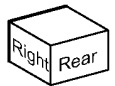
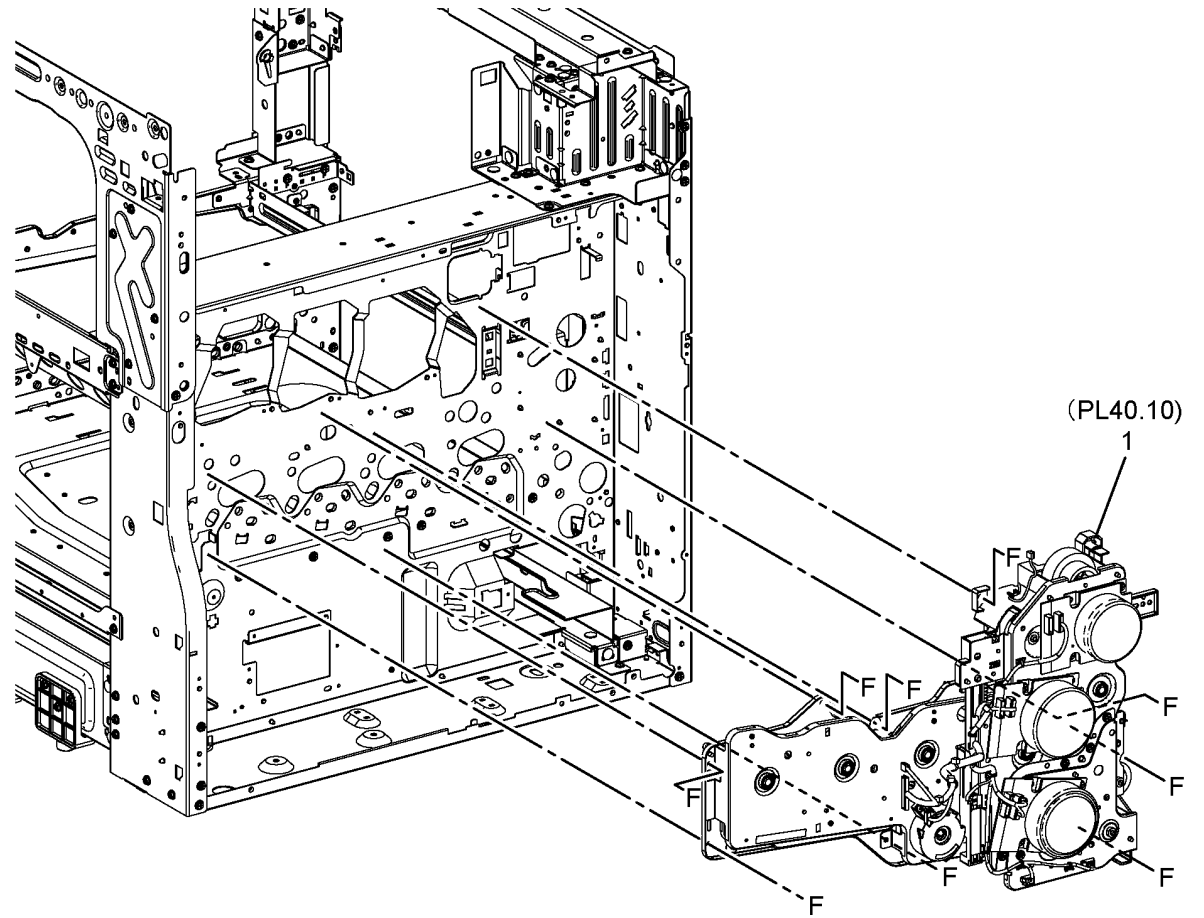
Item	Part	Description
1	–	3 Line fax kit (XC/DMO)
2	–	3 Line fax kit (XE/South Africa)

**NO EXPLODED
VIEW PROVIDED**

C-8-0087-A

PL 40.05 Drive Assembly

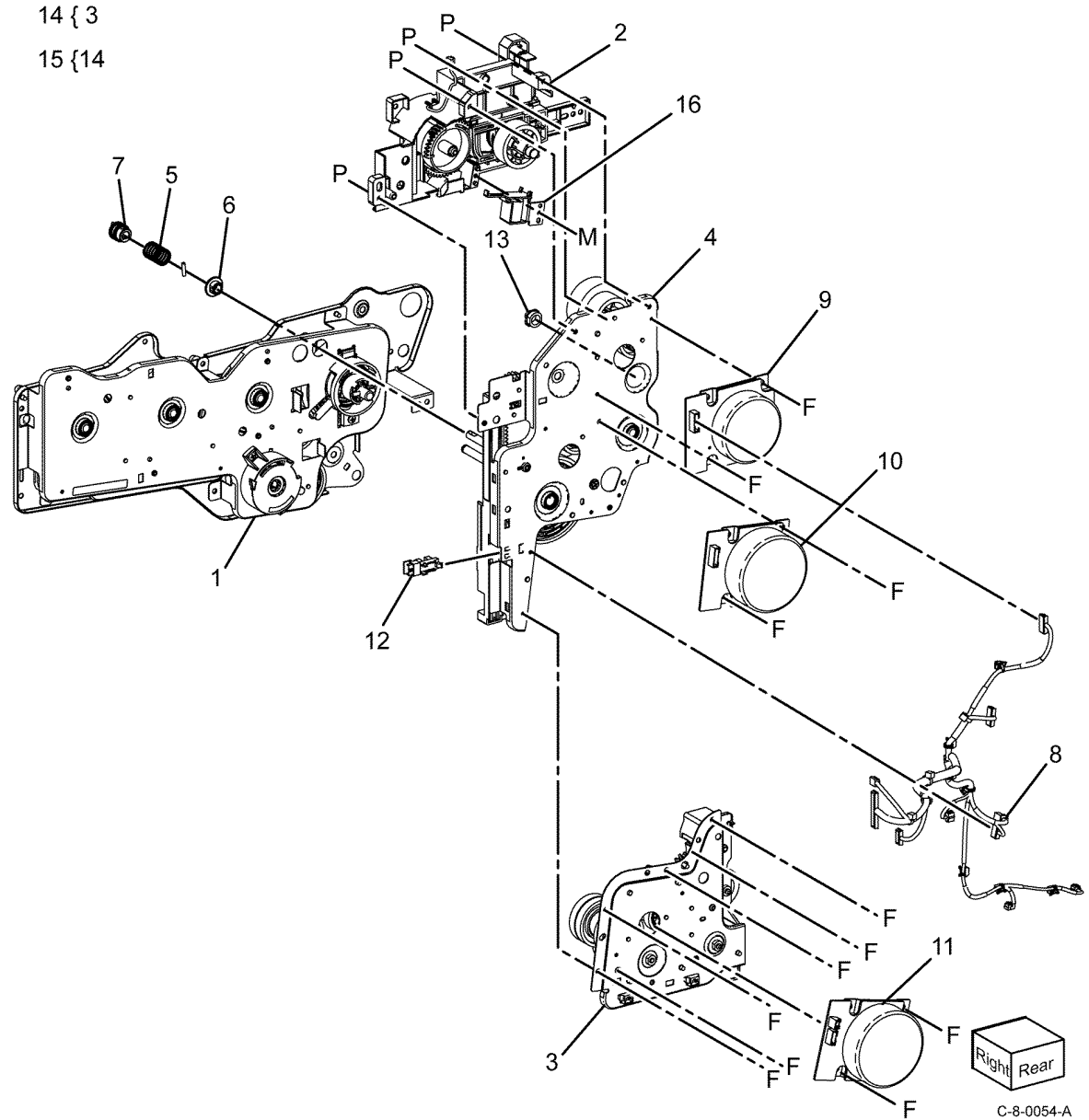
Item	Part	Description
1	007K23181	Drive assembly (REP 40.1)



C-8-0053-A

PL 40.10 Drive Components

Item	Part	Description
1	-	Main drive assembly (Not Spared)
2	-	Fusing COH drive assembly (Not Spared)
3	-	PH drive assembly (P/O PL 40.10 Item 14)
4	-	Motor drive assembly (Not Spared)
5	-	Spring (Not Spared)
6	-	Bearing (Not Spared)
7	-	Coupling (Not Spared)
8	-	Harness assembly drive (Not Spared)
9	127K72520	Fusing unit drive motor (MOT42-009)
10	127K72500	Main motor (MOT42-001) (REP 40.3)
11	-	Sub motor (MOT42-004) (Not Spared) (REP 40.4)
12	930W00123	YMC link sensor (Q12-200)
13	413W11860	Sleeve plastic bearing
14	-	Drive assembly spare (P/O PL 40.10 Item 15)
15	604K97081	SP drive assembly kit
16	-	YMC link solenoid (SOL42-010) (Not Spared)

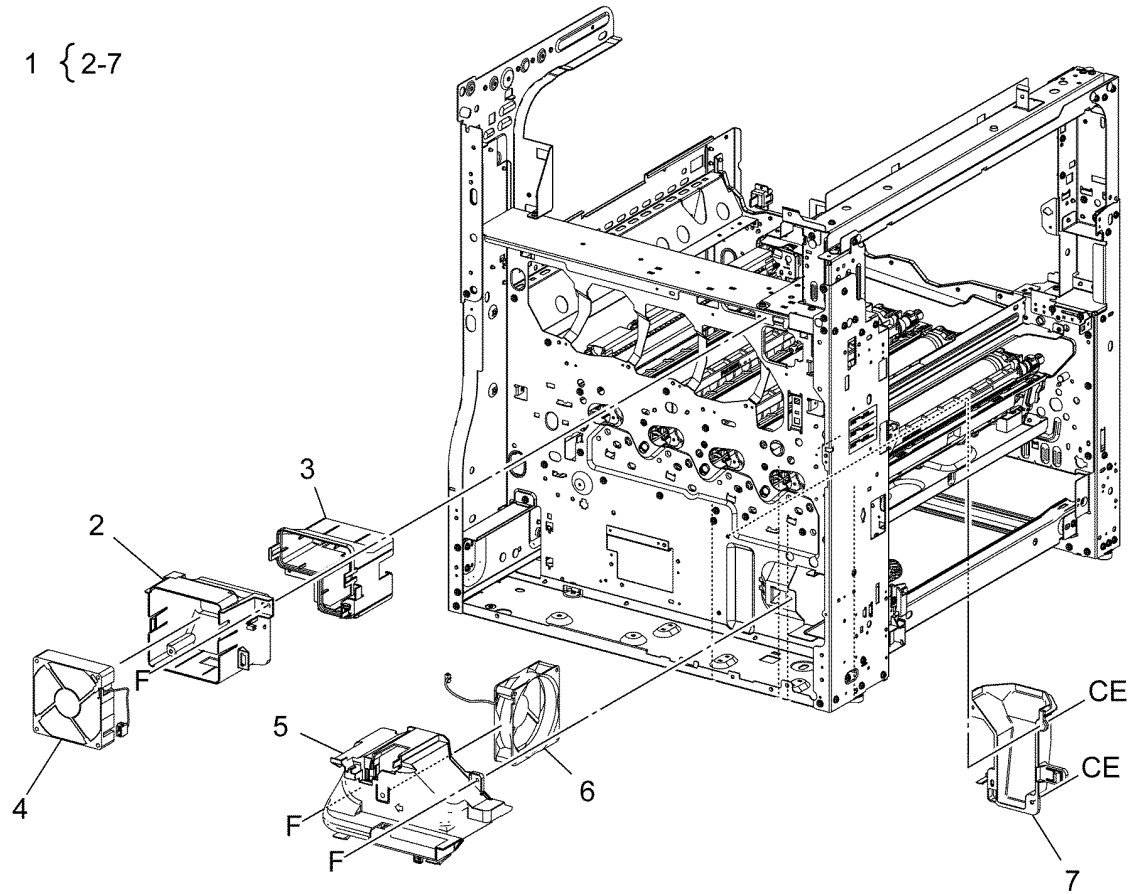


C-8-0054-A

PL 40.15 NOHAD

Item	Part	Description
1	-	Fuser fan duct assembly (Not Spared)
2	-	Rear duct fuser A (P/O PL 40.15 Item 1) (REP 10.4)
3	-	Rear duct fusing B (P/O PL 40.15 Item 1) (REP 10.6)
4	127K74080	Fuser unit exhaust fan (MOT42-050) (REP 10.5)
5	-	Rear duct marking (P/O PL 40.15 Item 1)
6	127K53050	Marking fan (MOT42-052)
7	-	Front duct marking (P/O PL 40.15 Item 1)

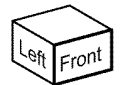
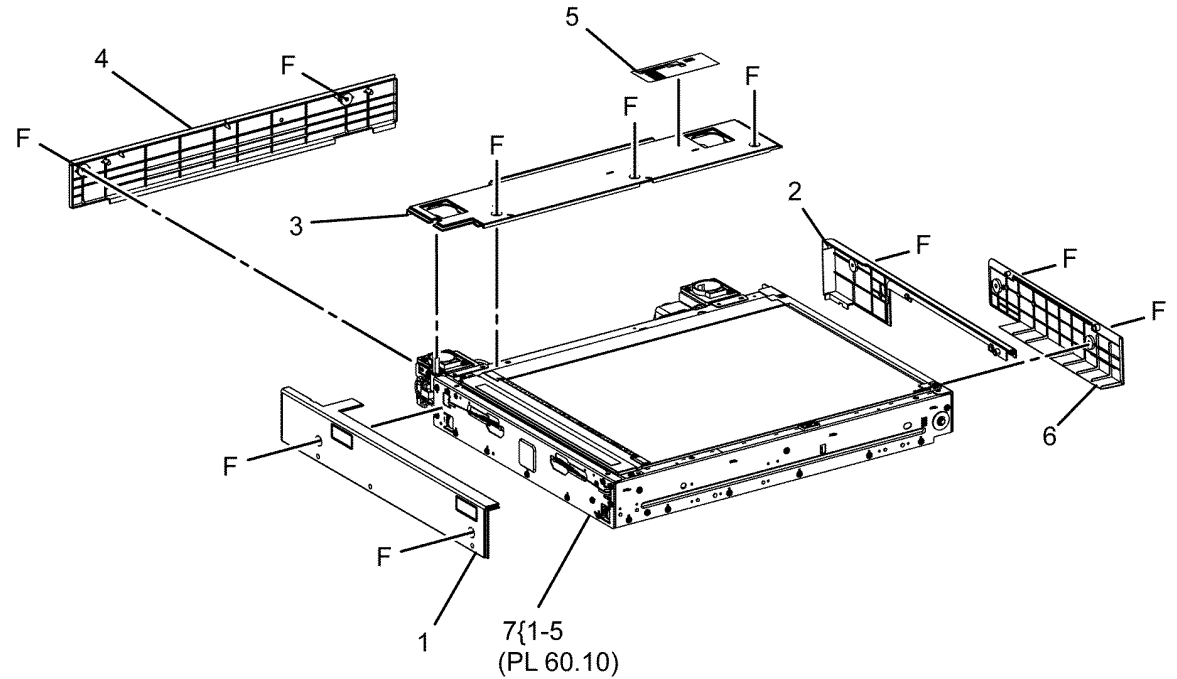
1 { 2-7



C-8-0088-A

PL 60.05 IIT Covers

Item	Part	Description
1	–	Left cover (P/O PL 60.05 Item 7)
2	–	Right cover (white) (P/O PL 60.05 Item 7)
3	–	Top cover (P/O PL 60.05 Item 7)
4	–	Rear cover (P/O PL 60.05 Item 7)
5	–	Caution N label (P/O PL 60.05 Item 7)
6	–	Right cover (blue)
7	062K27503	Scanner (IIT) assembly



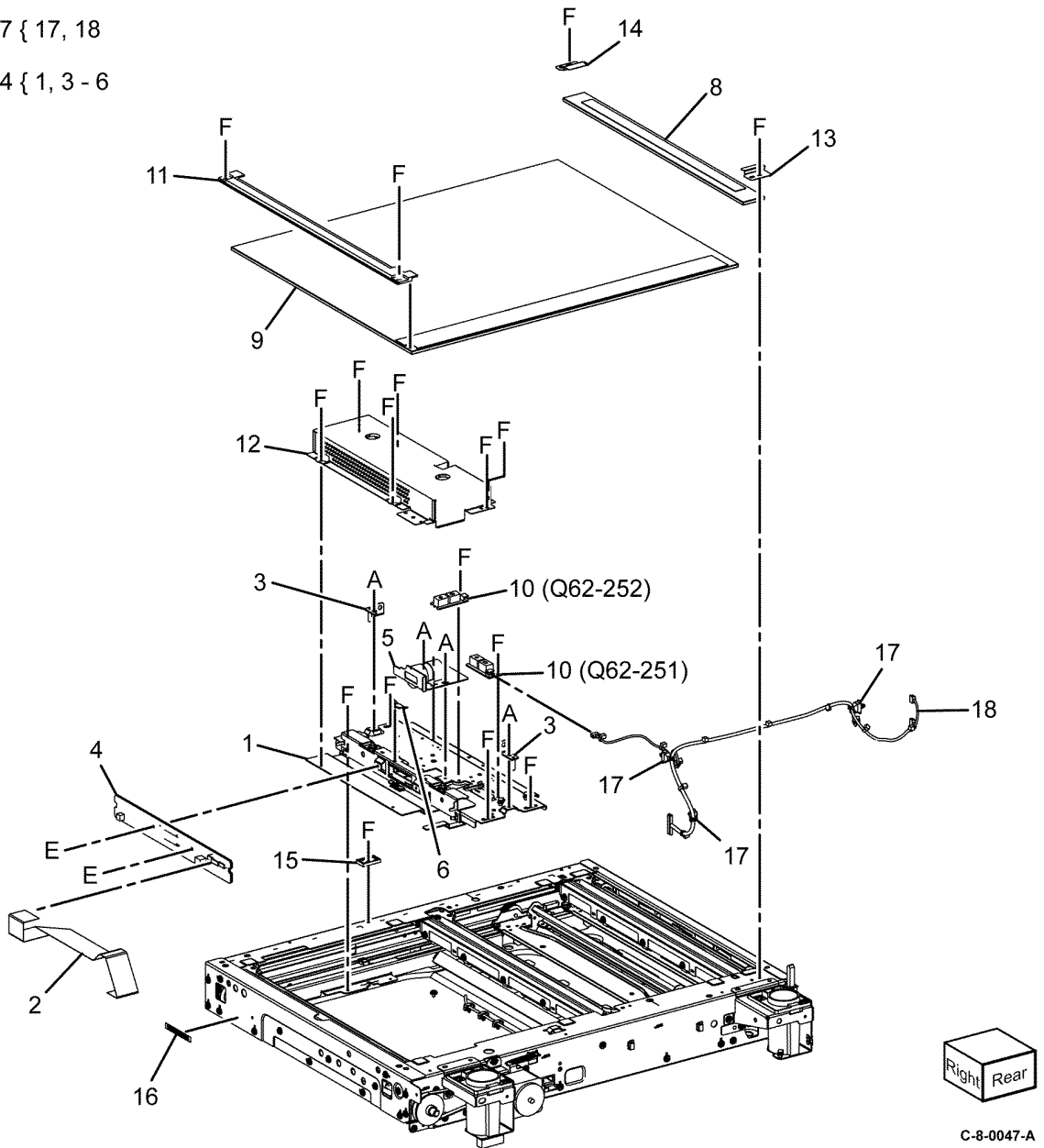
C-8-0046-A

PL 60.10 CCD Lens Assembly/ Document Glass (C7030F)

Item	Part	Description
1	-	Base plate assembly (P/O PL 60.10 Item 24)
2	952K42870	CCD FFC contact cable assembly (Alternative)
-	952K20511	CCD FFC contact cable assembly
3	-	Pin assembly (P/O PL 60.10 Item 24)
4	-	CCD assembly (P/O PL 60.10 Item 24)
5	-	CCD lens assembly (P/O PL 60.10 Item 24) (REP 60.2, ADJ 60.6)
6	-	Conductor (P/O PL 60.10 Item 24)
7	952K33890	Sensor harness assembly
8	090K93320	CVT glass
9	090K93580	Document glass (REP 60.1)
10	130K64150	APS sensor 1 (Q62-251)/ APS sensor 3 (Q62-252)
11	815E58943	Right plate
12	-	Lens cover assembly (P/O PL 60.05 Item 7)
13	-	Rear glass support (P/O PL 60.05 Item 7)
14	-	Front glass support (P/O PL 60.05 Item 7)
15	-	Glass support (P/O PL 60.05 Item 7)
16	-	Data plate (P/O PL 60.05 Item 7)
17	-	Cable tie (P/O PL 60.10 Item 7)
18	-	Wire harness assembly (P/O PL 60.10 Item 7)
19	-	Not used
20	-	Not used
21	-	Not used
22	-	Not used
23	-	Not used
24	604K97090	Lens kit

7 { 17, 18

24 { 1, 3 - 6

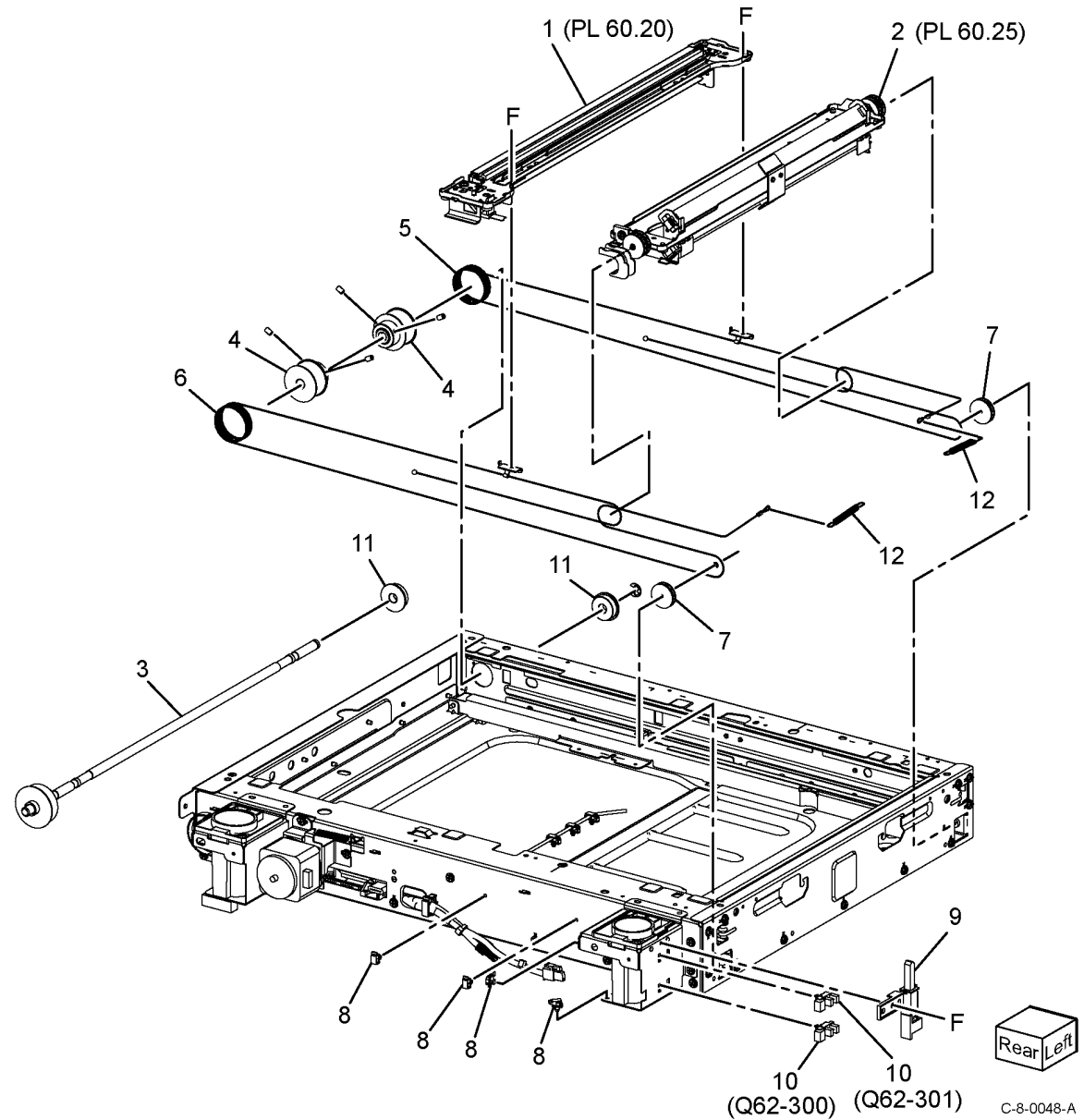


C-8-0047-A

PL 60.15 Full/Half Rate Carriage/ Carriage Cable (C7030F)

Item	Part	Description
1	041K96680	Full rate carriage (REF: PL 60.20) (See NOTE) (ADJ 60.1)
2	041K96431	Half rate carriage (REF: PL 60.25) (ADJ 60.1)
3	-	Capstan shaft (P/O PL 60.05 Item 7)
4	-	Capstan pulley (P/O PL 60.05 Item 7)
5	-	Front carriage cable (P/O PL 60.05 Item 7) (REP 60.3)
6	-	Rear carriage cable (P/O PL 60.05 Item 7) (REP 60.3)
7	-	Pulley (P/O PL 60.05 Item 7)
8	-	Locking clamp (P/O PL 60.05 Item 7)
9	120K92581	Actuator assembly
10	930W00123	Platen angle sensor (Q62-301)/ Platen I/L sensor (Q62-300)
11	-	Bearing (P/O PL 60.05 Item 7)
12	-	Extension spring (P/O PL 60.05 Item 7)

NOTE: HFSI. To reset the HFSI count, refer to dC135.

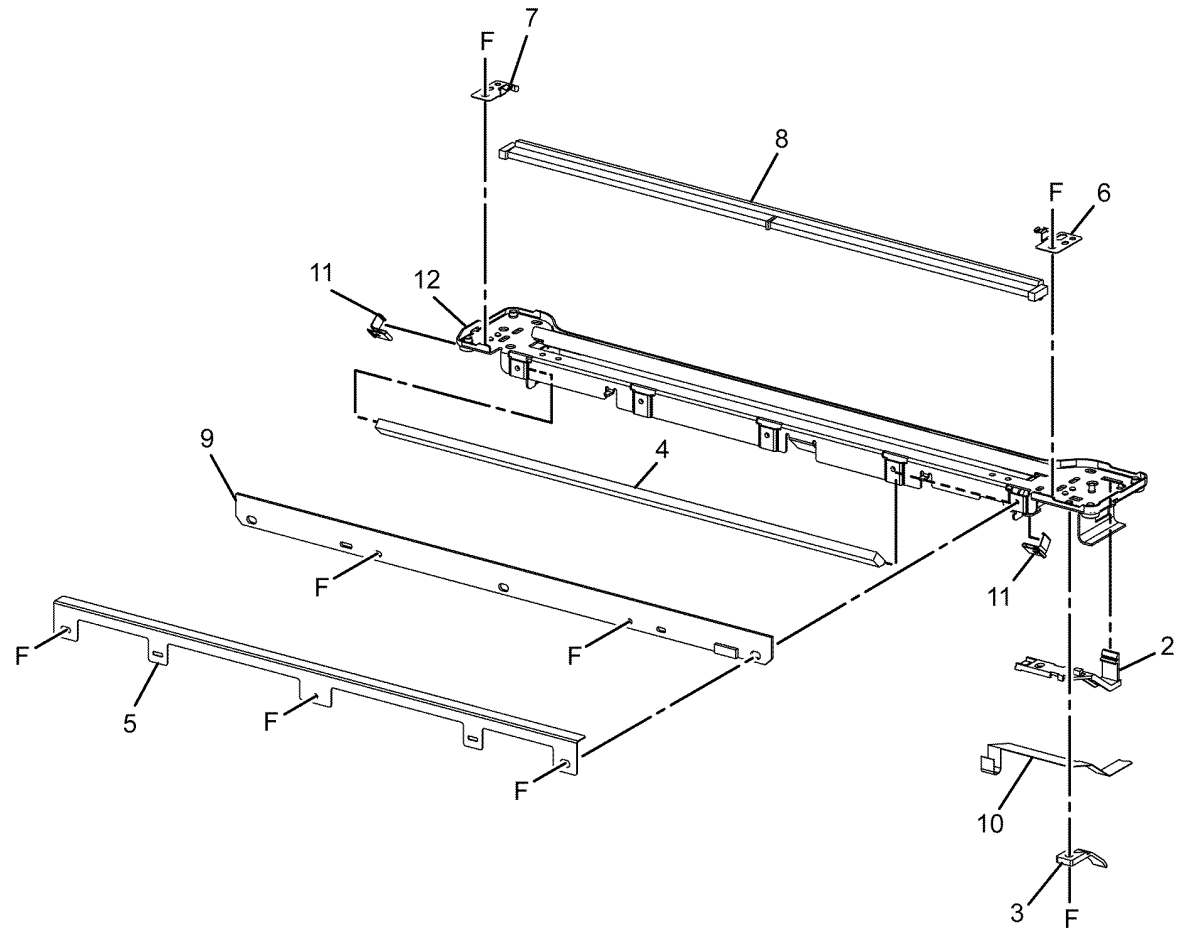


PL 60.20 Full Rate Carriage (C7030F)

Item	Part	Description
1	-	Full rate carriage assembly (REF: PL 60.15 Item 1) (See NOTE)
2	-	Cable guide A (P/O PL 60.20 Item 1)
3	-	Cable guide FR (P/O PL 60.20 Item 1)
4	-	Mirror 1 (P/O PL 60.20 Item 1)
5	-	LED bracket (P/O PL 60.20 Item 1)
6	-	Front spring guide (P/O PL 60.20 Item 1)
7	-	Rear spring guide (P/O PL 60.20 Item 1)
8	-	Light guide (P/O PL 60.20 Item 1) (REP 60.6)
9	960K61572	Lamp assembly (P/O PL 60.20 Item 1) (REP 60.4)
10	952K20520	FFC LED cable assembly (REP 60.5)
-	952K43570	FFC LED cable assembly (alternative) (REP 60.5)
11	-	Mirror SL clip (P/O PL 60.20 Item 1)
12	-	Full rate carriage (P/O PL 60.20 Item 1)

NOTE: HFSI. To reset the HFSI counter, refer to dC135.

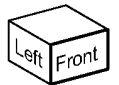
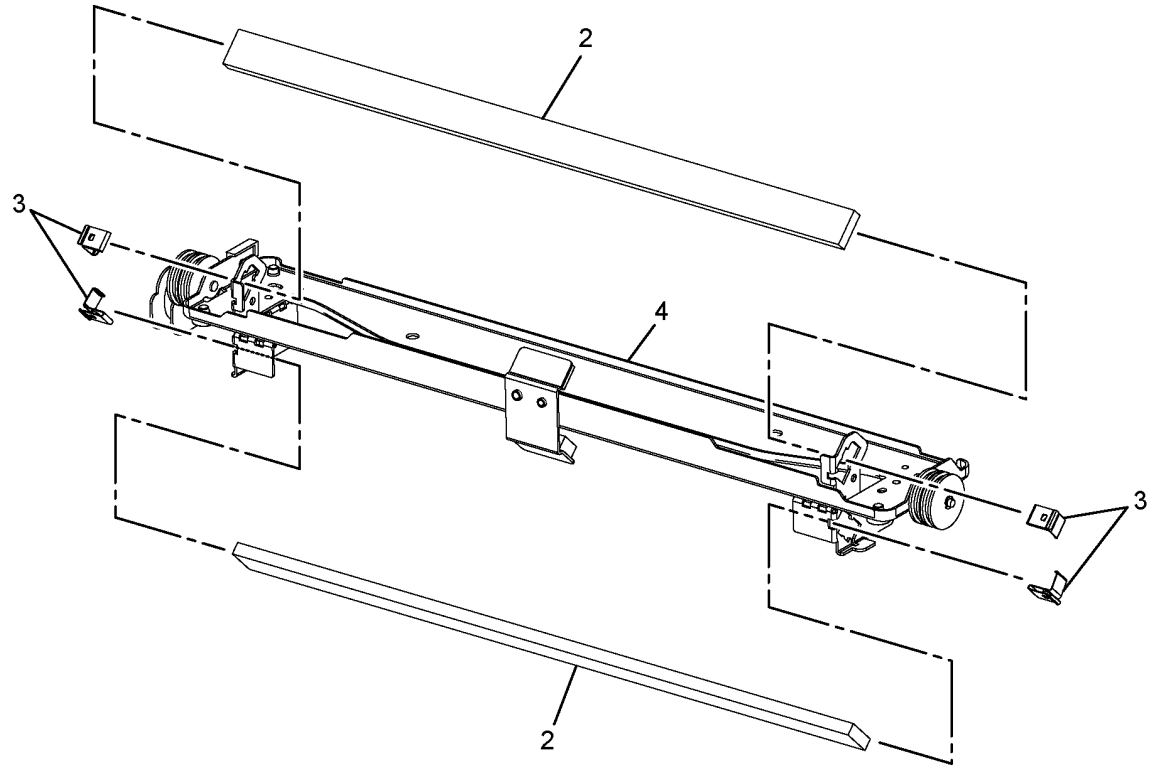
1 { 2 - 12



C-8-0049-A

PL 60.25 Half Rate Carriage (C7030F)

Item	Part	Description	
1	-	Half rate carriage assembly (REF: PL 60.15 Item 2)	1 { 2 - 4
2	-	Mirror 2 (P/O PL 60.25 Item 1)	
3	-	Mirror SI clip (P/O PL 60.25 Item 1)	
4	-	Half rate carriage (P/O PL 60.25 Item 1)	

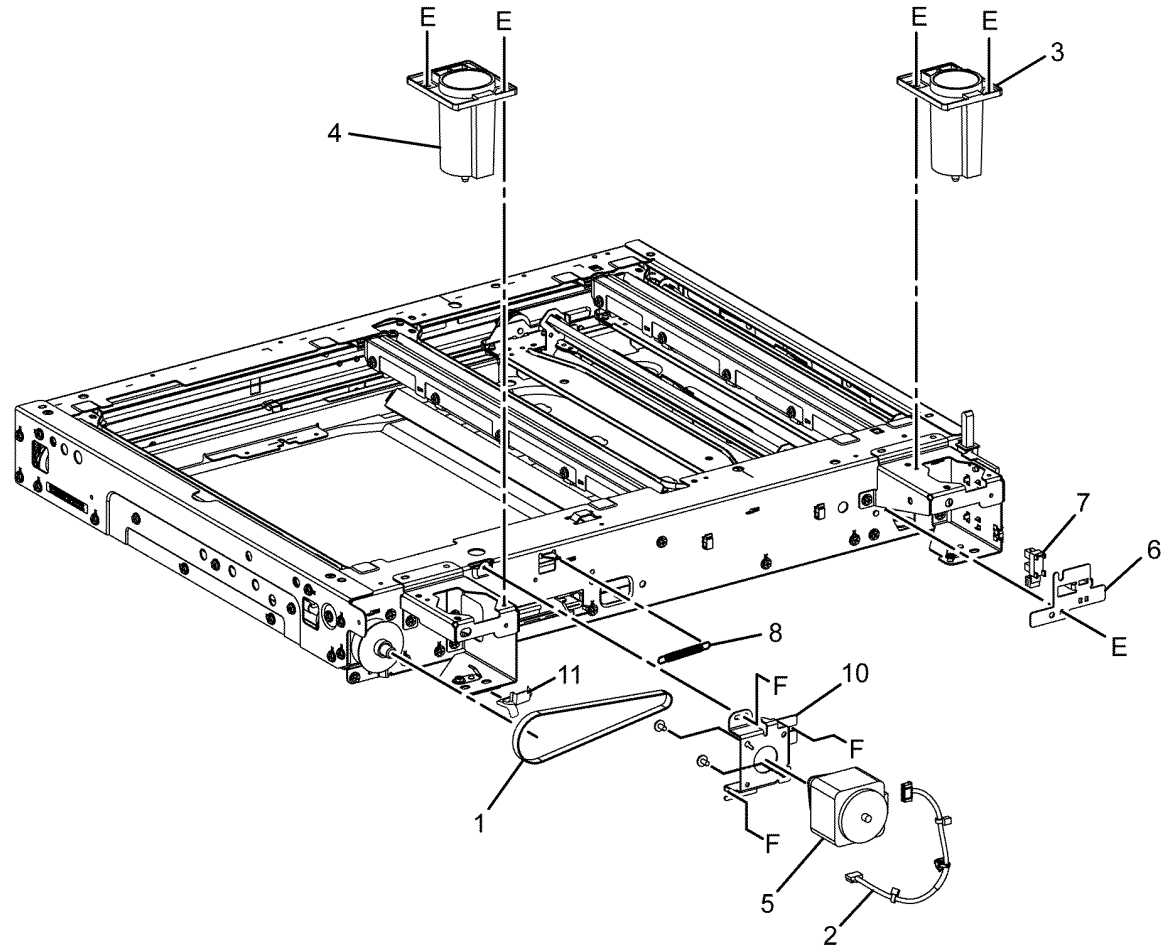


C-8-0050-A

PL 60.30 Motor/Transport PWB (C7030F)

9 { 5, 10

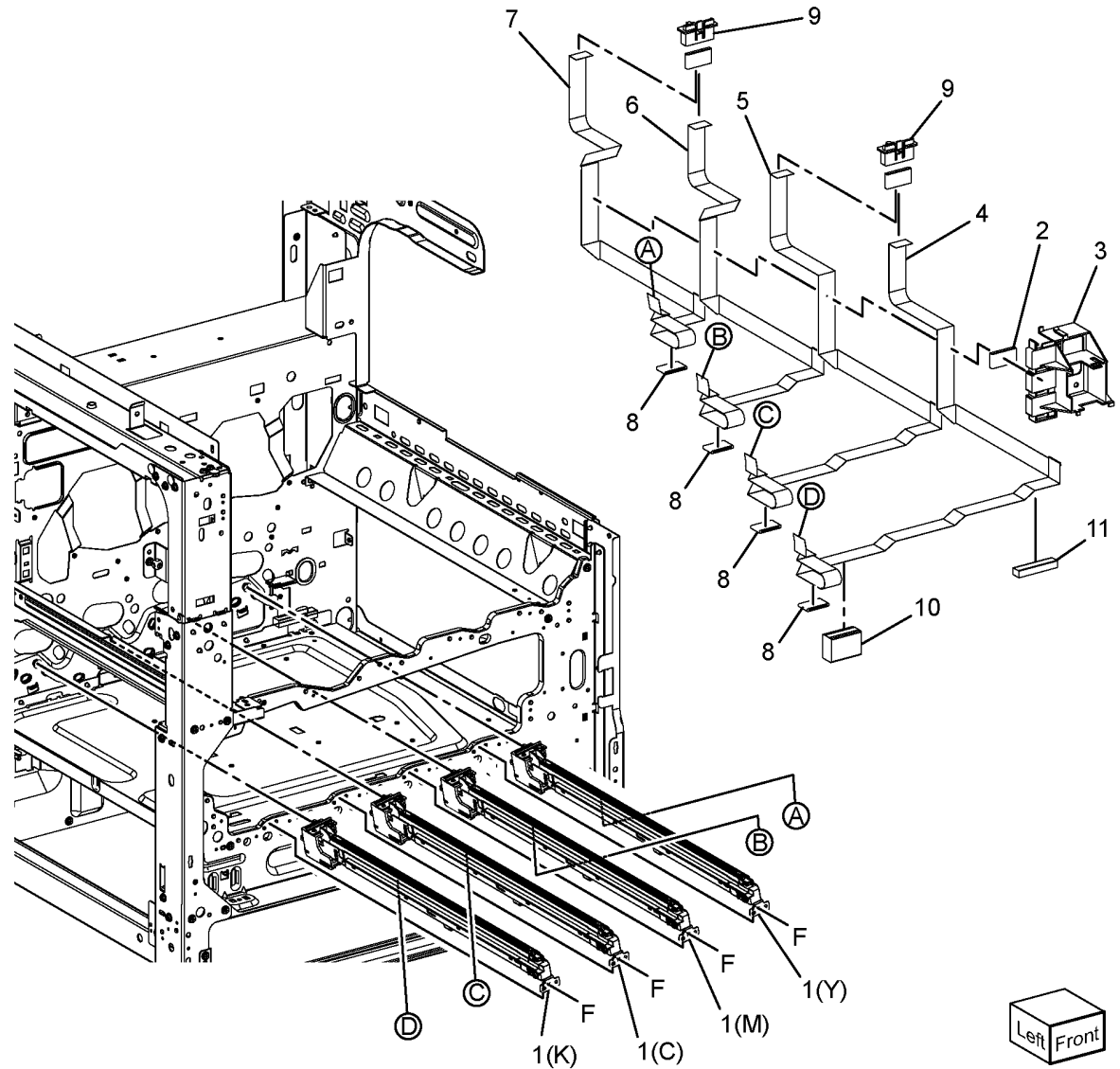
Item	Part	Description
1	-	Drive belt (Not Spared)
2	-	Scan motor harness (Not Spared)
3	-	Left counterbalance support (Not Spared)
4	-	Right counterbalance support (Not Spared)
5	-	IIT scan motor (MOT62-005) (P/O PL 60.30 Item 9)
6	-	Bracket (Not Spared)
7	930W00123	IIT registration sensor (Q62-212)
8	-	Extension spring (Not Spared)
9	127K76592	IIT scan motor assembly (REP 60.7)
10	-	Motor bracket (P/O PL 60.30 Item 9)
11	-	Rear cover ground clip (Not Spared)



C-8-0051-A

PL 60.35 LPH

Item	Part	Description
1	930K03052	Print head assembly (REP 60.8)
2	-	Core ferrite (Not Spared)
3	-	FFC guide (Not Spared)
4	117E39650	FFC cable (K) (REP 60.9)
5	117E39660	FFC cable (C) (REP 60.9)
6	117E39670	FFC cable (M) (REP 60.9)
7	117E39680	FFC cable (Y) (REP 60.9)
8	-	Core ferrite (Not Spared)
9	-	FFC guard (Not Spared)
10	-	Gasket (Not Spared)
11	-	Gasket (Not Spared)

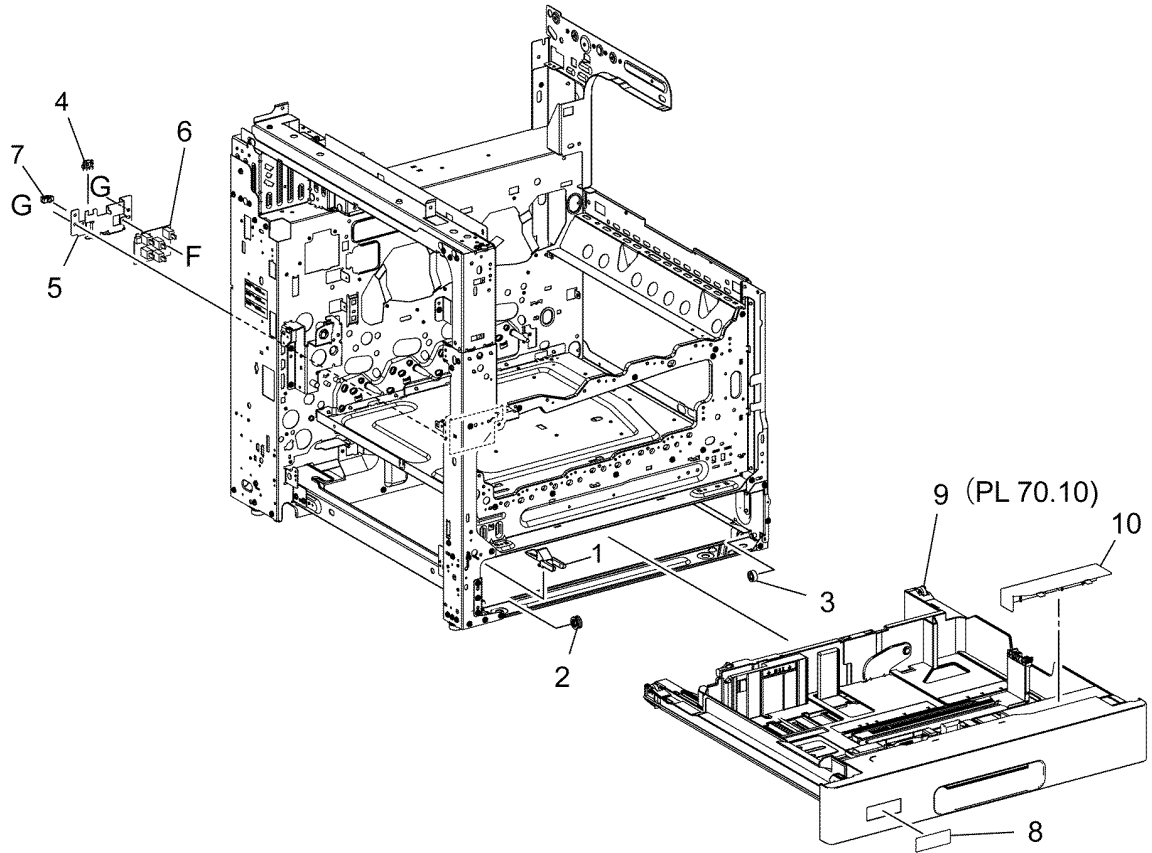


Left Front

C-8-0052-A

PL 70.05 Tray 1

Item	Part	Description
1	003E75433	Stopper
2	059E10660	Left roller
3	059E08410	Right roller
4	-	Locking clamp (Not Spared)
5	-	Switch bracket (Not Spared)
6	110K12100	Tray 1 size sensor (REP 70.1)
7	-	Locking clamp (Not Spared)
8	-	Tray label (P/O PL 70.05 Item 9)
9	-	Tray 1 assembly (REF: PL 70.10 Item 1) (REP 70.11)
10	-	RAI cover (P/O PL 70.05 Item 9)

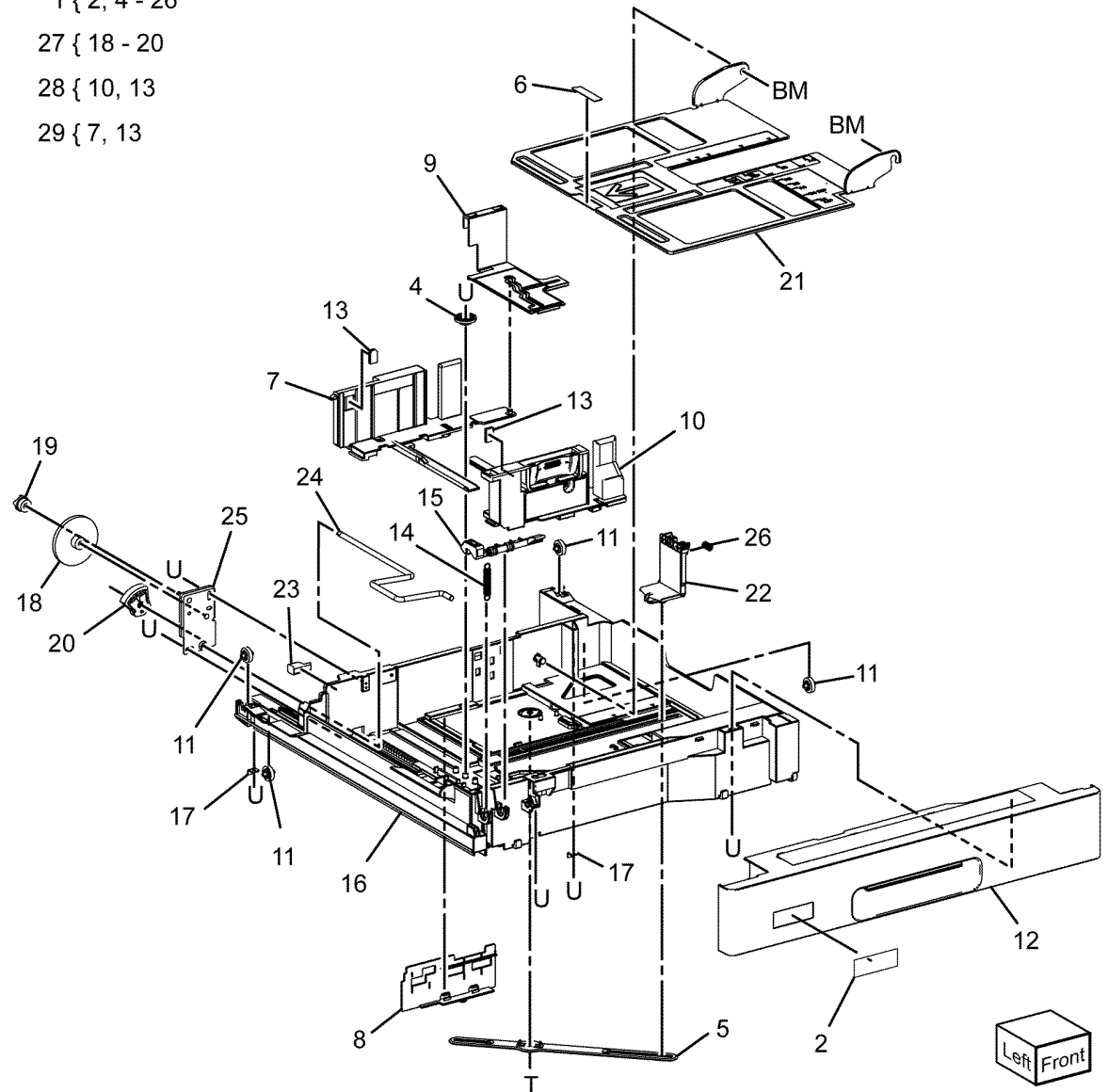


C-8-0089-A

PL 70.10 Tray Components

Item	Part	Description	
1	607K01932	A3 tray kit (See NOTE)	1 { 2, 4 - 26
2	-	Label (P/O PL 70.10 Item 1)	27 { 18 - 20
3	-	Not used	
4	807E13521	Pinion	28 { 10, 13
5	-	End link guide (P/O PL 70.10 Item 1)	29 { 7, 13
6	-	Bottom pad assembly (P/O PL 70.10 Item 1)	
7	-	Rear side guide (P/O PL 70.10 Item 1)	
8	-	End A3 actuator (P/O PL 70.10 Item 1)	
9	-	Side A3 actuator (P/O PL 70.10 Item 1)	
10	-	Front side guide assembly (P/O PL 70.10 Item 1)	
11	059E03523	Rear roller	
12	-	Front cover assembly (P/O PL 70.10 Item 1)	
13	819E04110	Pad	
14	-	Spring (P/O PL 70.10 Item 1)	
15	-	Latch (P/O PL 70.10 Item 1)	
16	-	A3 cassette housing (P/O PL 70.10 Item 1)	
17	-	Tray RH stopper (P/O PL 70.10 Item 1)	
18	-	Gear 13/60 (P/O PL 70.10 Item 27)	
19	-	Gear 13 (P/O PL 70.10 Item 27)	
20	-	Gear Z60 assembly (P/O PL 70.10 Item 27)	
21	-	Bottom A3 plate (P/O PL 70.10 Item 1)	
22	038E44700	End guide	
23	-	Gasket (P/O PL 70.10 Item 1)	
24	-	Lift shaft (P/O PL 70.10 Item 1)	
25	-	Rear plate assembly (P/O PL 70.10 Item 1)	
26	-	Spring (P/O PL 70.10 Item 1)	
27	604K20543	Gear kit	
28	607K01941	Front side guide and pad	
29	607K01951	Rear side guide and pad	

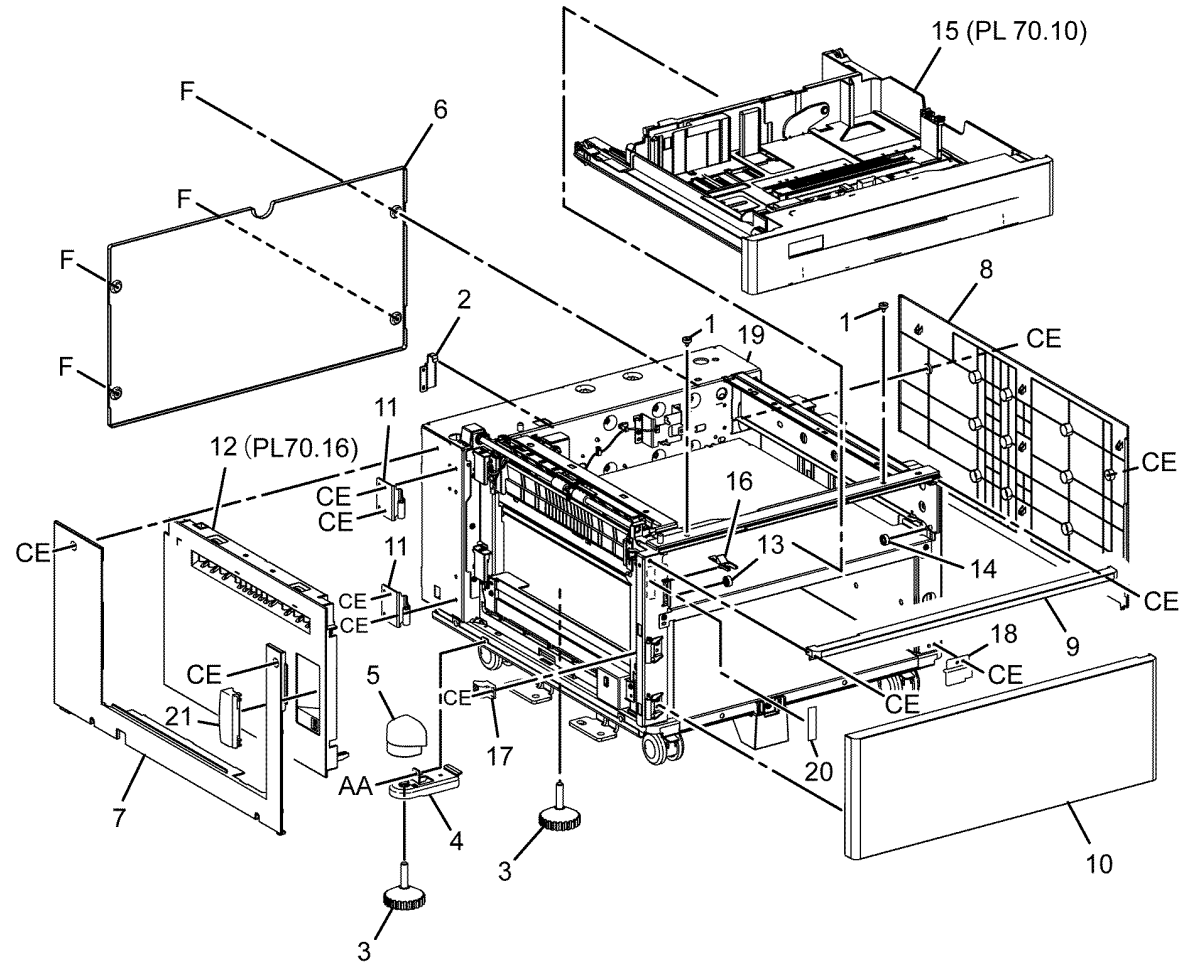
NOTE: Includes labels for trays 1, 2, 3 and 4.



C-8-0090-A

PL 70.15 1TM (1 of 3)

Item	Part	Description
1	-	Docking screw (Not Spared)
2	-	Joint bracket (Not Spared)
3	-	Foot adjuster assembly (Not Spared)
4	-	Left bracket (Not Spared)
5	-	Left cover (Not Spared)
6	-	Bracket cover (Not Spared)
7	-	Left cover (Not Spared)
8	-	Right cover (Not Spared)
9	-	MA Top cover (Not Spared)
10	848K94153	Front cover assembly
11	-	Hinge frame bracket (Not Spared)
12	-	Left cover assembly (P/O PL 70.16)
13	059E03500	Front left roller
14	059E08410	Front right roller
15	-	A3 tray assembly (P/O PL 70.10)
16	003E75431	Front TM stopper
17	-	LTH holder (Not Spared)
18	-	Foot right cover (Not Spared)
19	-	Frame assembly (Not Spared)
20	-	Label (Not Spared)
21	-	Handle (Not Spared)

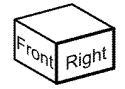
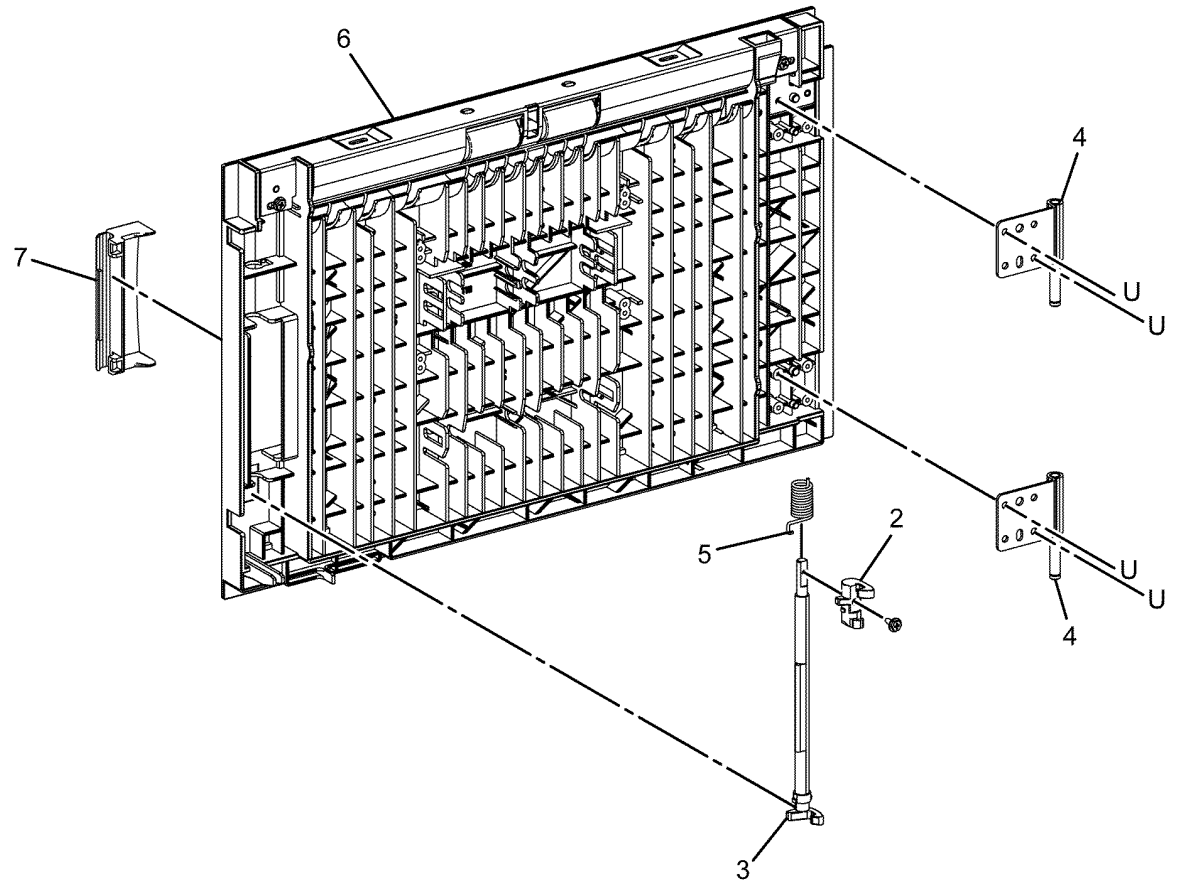


C-8-0091-A

PL 70.16 1TM (2 of 3)

Item	Part	Description
1	948K03930	Left cover assembly
2	-	Hook (P/O PL 70.16 Item 1)
3	-	Latch (P/O PL 70.16 Item 1)
4	-	Hinge bracket assembly (P/O PL 70.16 Item 1)
5	-	Spring (P/O PL 70.16 Item 1)
6	-	Cover (P/O PL 70.16 Item 1)
7	-	Handle (P/O PL 70.16 Item 1)

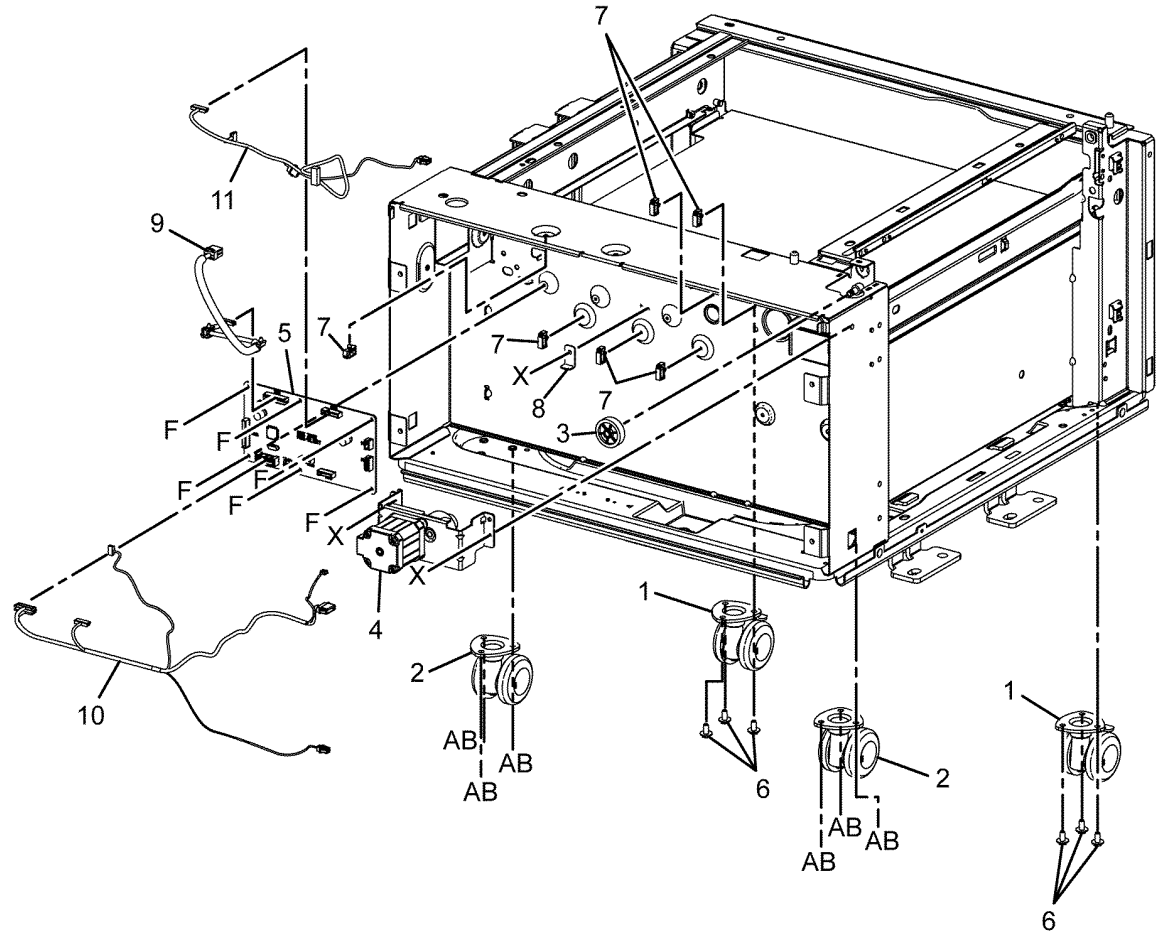
1 { 2 - 7



C-8-0092-A

PL 70.17 1TM (3 of 3)

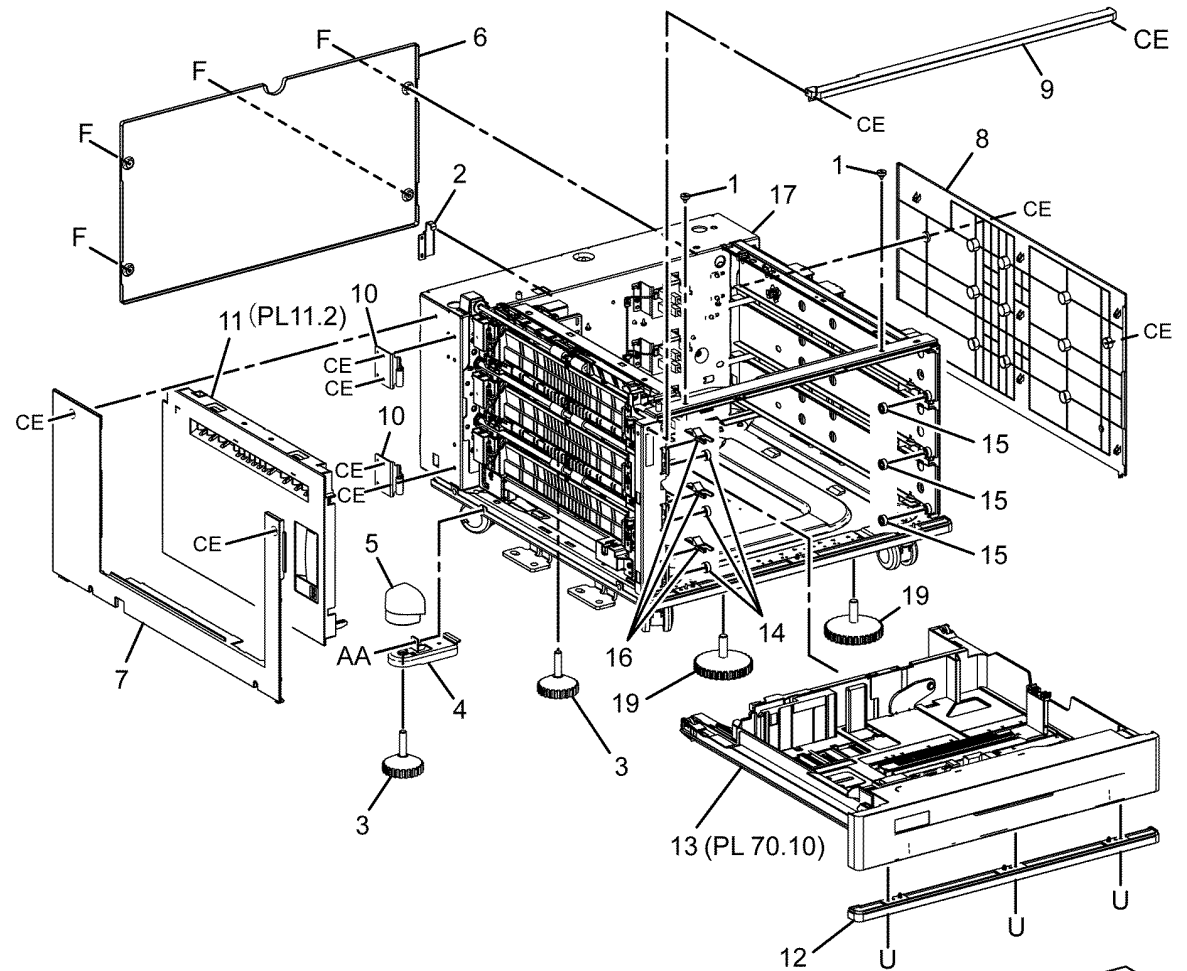
Item	Part	Description
1	417W41349	Front caster
2	417W41449	Rear caster
3	-	Gear 34T (Not Spared)
4	127K75990	Takeaway motor (MOT77-033) (REP 80.5)
5	960K85453	1TM PWB (REP 80.4)
6	-	Screw (Not Spared)
7	920W01211	Locking clamp
8	-	Bracket (Not Spared)
9	952K20151	Harness
10	952K20182	Harness
11	952K20192	Harness



C-8-0093-A

PL 70.20 3TM (1 of 4)

Item	Part	Description
1	-	Docking screw (Not Spared)
2	-	Joint bracket (Not Spared)
3	-	Rear adjustable foot (Not Spared)
4	-	Left bracket (Not Spared)
5	-	Bracket cover (Not Spared)
6	-	Rear cover (Not Spared)
7	-	Left cover (Not Spared)
8	-	Right cover (Not Spared)
9	-	MA top cover (Not Spared)
10	-	Hinge frame bracket (Not Spared)
11	-	Left cover assembly (Not Spared)
12	-	Foot MA cover (Not Spared)
13	-	A3 tray assembly (REF: PL 70.10)
14	059E03500	Front left roller
15	059E08410	Front right roller
16	003E75431	Front right TM stopper
17	-	Frame assembly (Not Spared)
18	-	Not used
19	-	Front adjustable foot (Not Spared)



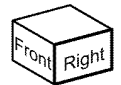
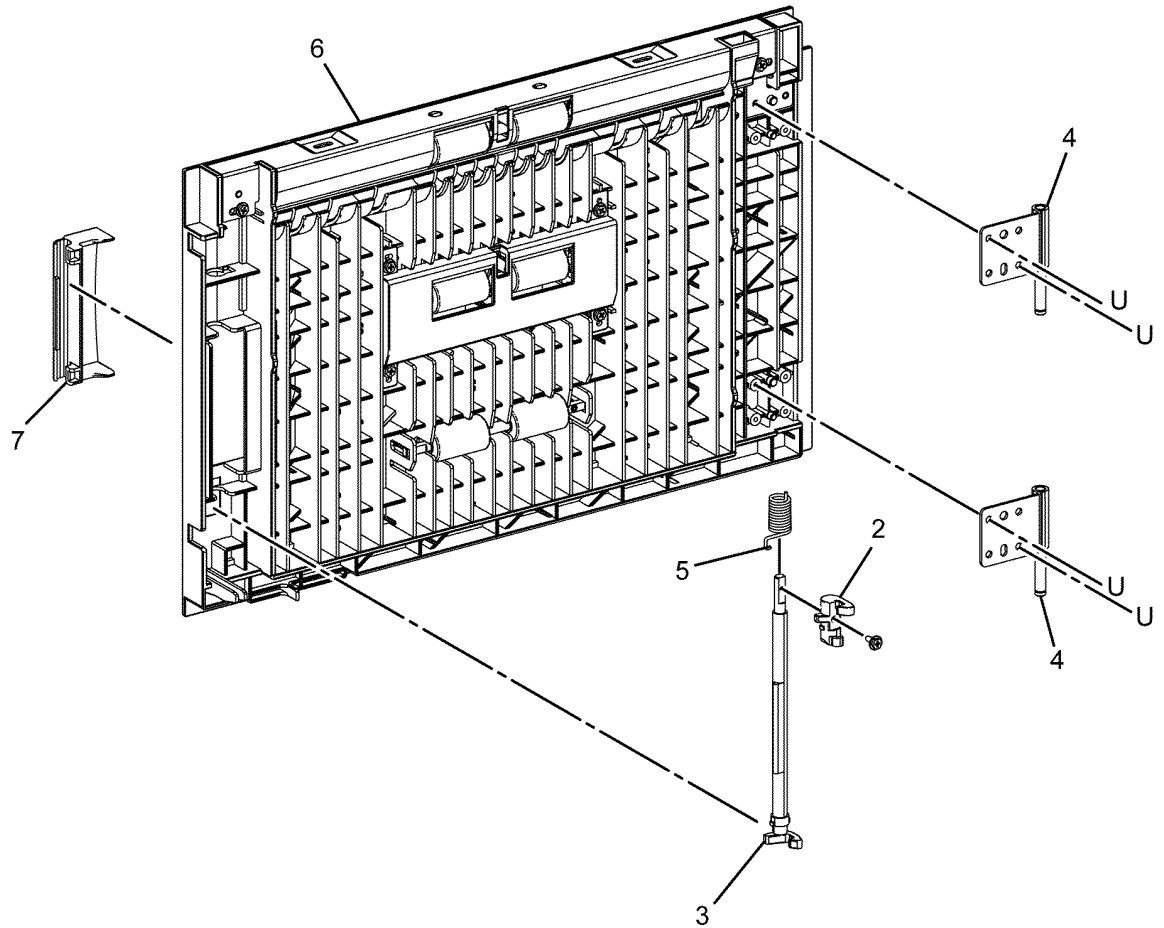
Left Front

Y-8-0018-A

PL 70.21 3TM (2 of 4)

Item	Part	Description
1	948K03140	Left cover assembly
2	-	Hook (P/O PL 70.21 Item 1)
3	-	Latch (P/O PL 70.21 Item 1)
4	-	Hinge bracket assembly (P/O PL 70.21 Item 1)
5	-	Spring (P/O PL 70.21 Item 1)
6	-	LH cover (P/O PL 70.21 Item 1)
7	-	Handle (P/O PL 70.21 Item 1)

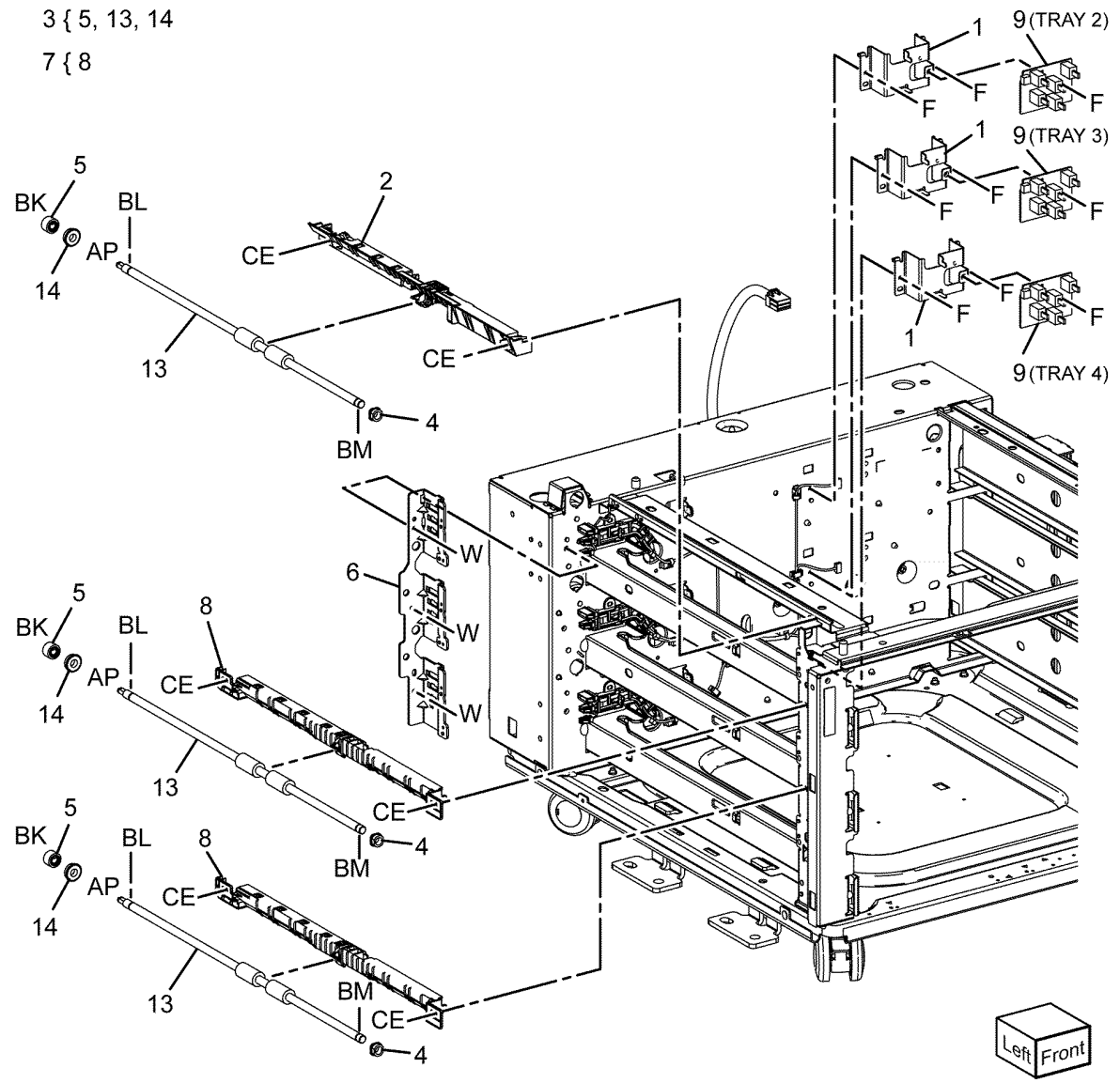
1 { 2 - 7



C-8-0095-A

PL 70.22 3TM (3 of 4)

Item	Part	Description	
1	-	Sensor bracket (Not Spared)	
2	054K55730	Takeaway chute	3 { 5, 13, 14
3	859K03850	Takeaway roll assembly	7 { 8
4	013E46870	Bearing	
5	-	Gear 16T (P/O PL 70.22 Item 3)	
6	-	Bracket (Not Spared)	
7	-	Feed chute assembly (Not Spared)	
8	054E58810	Exit chute	
9	110K17951	Tray 2 paper size sensor (Q72-104)/Tray 3 paper size sensor (Q73-104)/Tray 4 paper size sensor (Q74-104)	
10	-	Not used	
11	-	Not used	
12	-	Not used	
13	-	Takeaway roll (P/O PL 70.22 Item 3)	
14	-	Bearing (P/O PL 70.22 Item 3)	

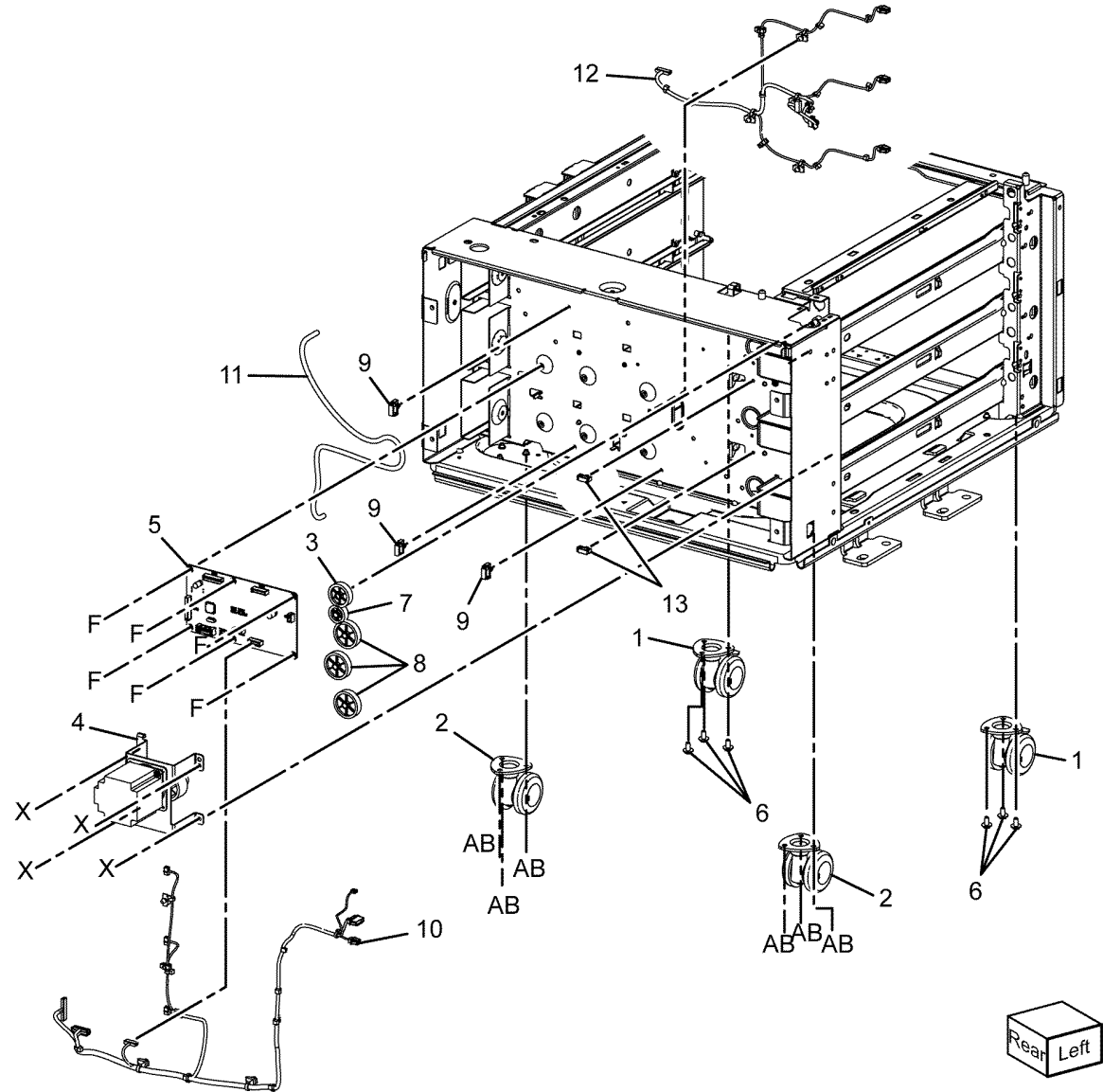


Left Front

C-8-0096-A

PL 70.23 3TM (4 of 4)

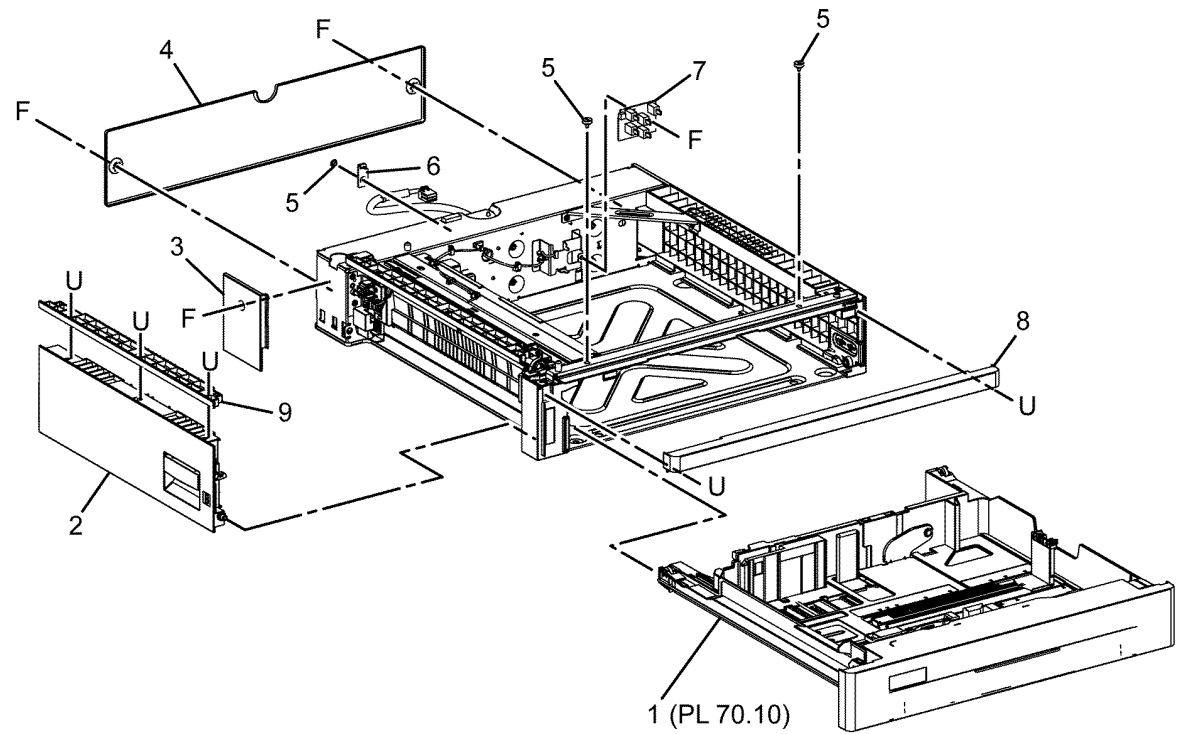
Item	Part	Description
1	417W41349	Front caster
2	417W41449	Rear caster
3	807E20700	Gear 34T
4	127K72691	Takeaway motor (MOT77-033) (REP 80.11)
5	960K85443	3TM PWB (REP 80.10)
6	-	Screw (Not Spared)
7	807E20710	Gear 26T
8	807E20720	Gear 39T
9	920W01211	Locking clamp
10	952K20130	Harness
11	-	Harness (Not Spared)
12	-	Harness (Not Spared)
13	920W01210	Locking clamp



C-8-0097-A

PL 70.25 STM (1 of 4)

Item	Part	Description
1	–	A3 tray assembly (REF: PL 70.10)
2	–	Left cover assembly (Not Spared)
3	–	Left cover (Not Spared)
4	–	Rear cover (Not Spared)
5	–	Docking screw (Not Spared)
6	–	Docking bracket (Not Spared)
7	110K17951	Paper size sensor
8	–	MA top cover (Not Spared)
9	–	Chute (Not Spared)

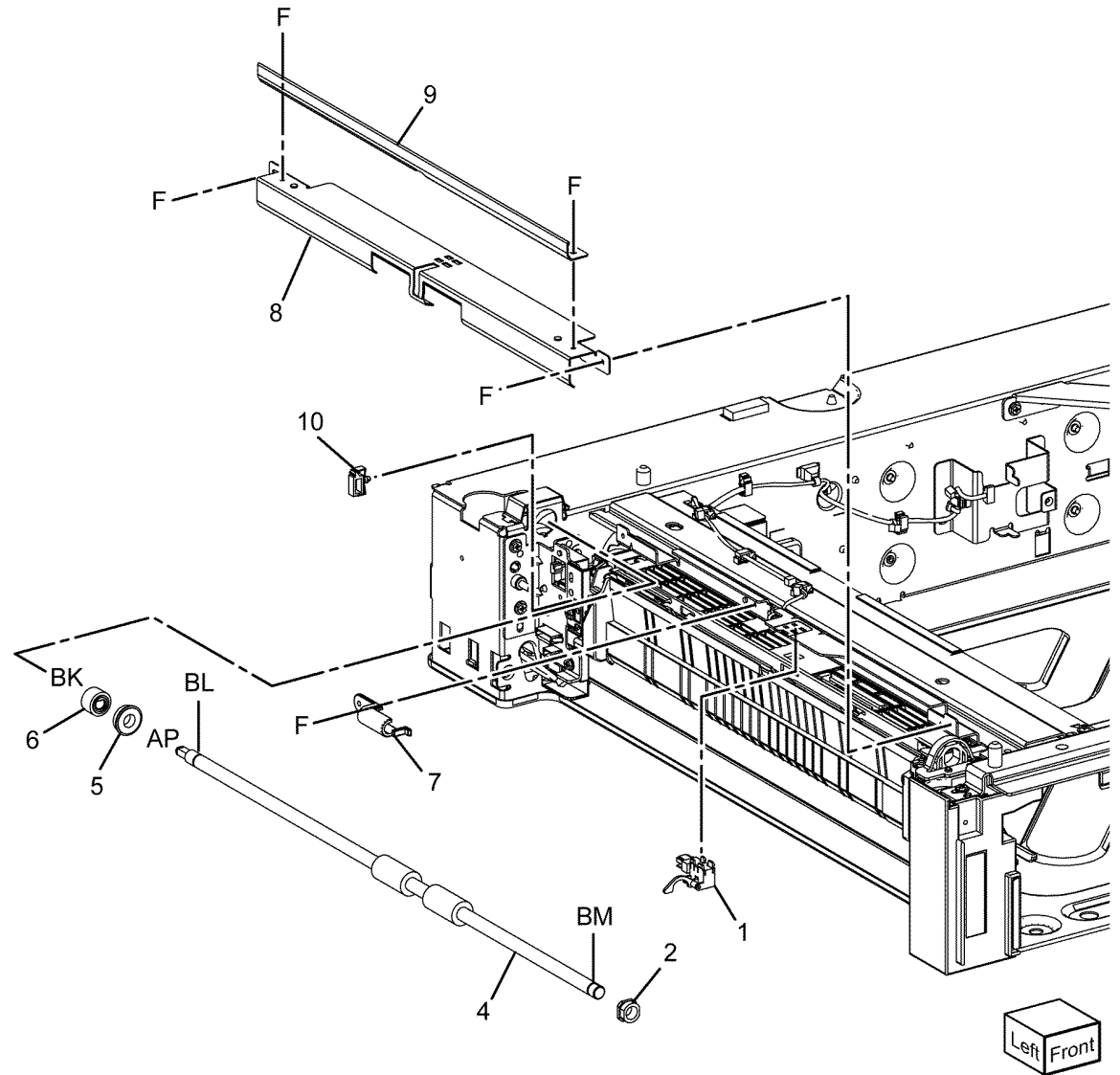


C-8-0098-A

PL 70.26 STM (2 of 4)

Item	Part	Description
1	130K64121	Tray 2 feed out sensor (Q72-103)
2	413W11860	Bearing
3	059K86600	Takeaway roll assembly
4	-	Roller assembly (P/O PL 70.26 Item 3)
5	-	Bearing (P/O PL 70.26 Item 3)
6	-	Gear 16T (P/O PL 70.26 Item 3)
7	-	LH harness guide (Not Spared)
8	-	Takeaway chute (Not Spared)
9	-	Exit chute (Not Spared)
10	920W01209	Locking clamp

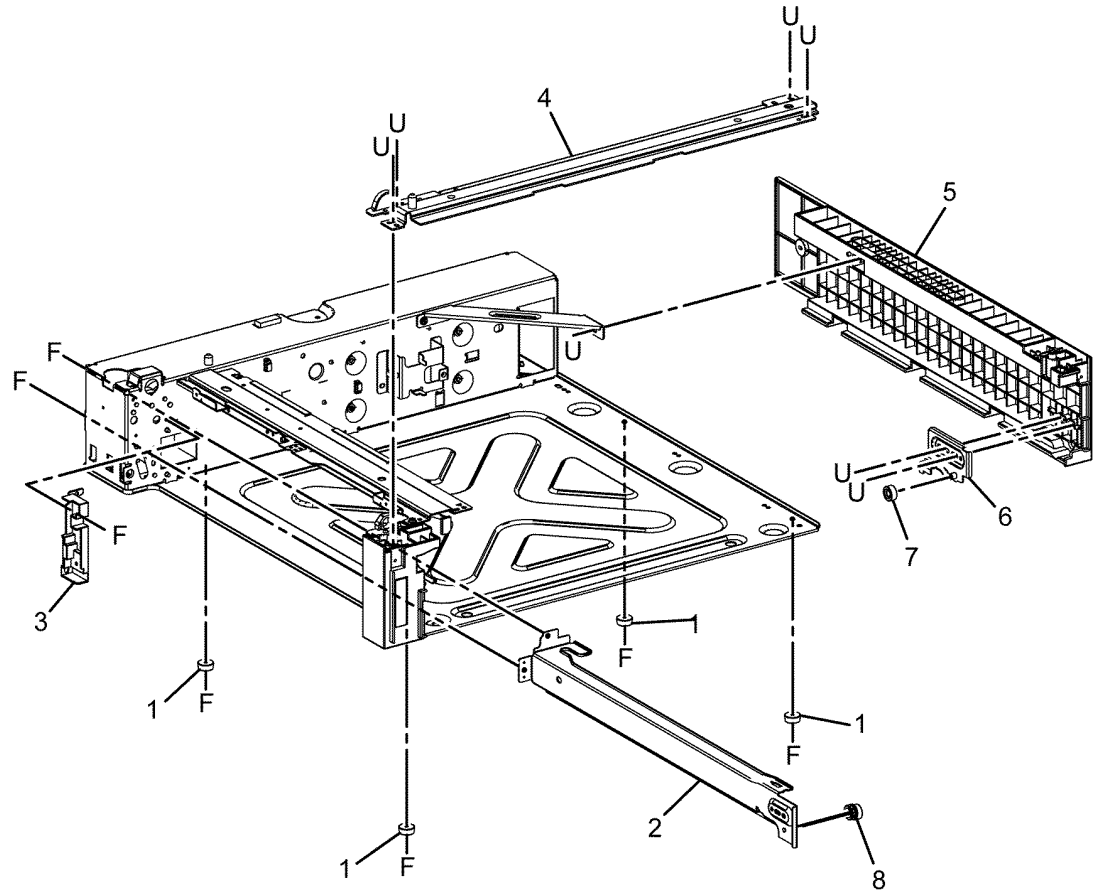
3 { 4 - 6



C-8-0099-A

PL 70.27 STM (3 of 4)

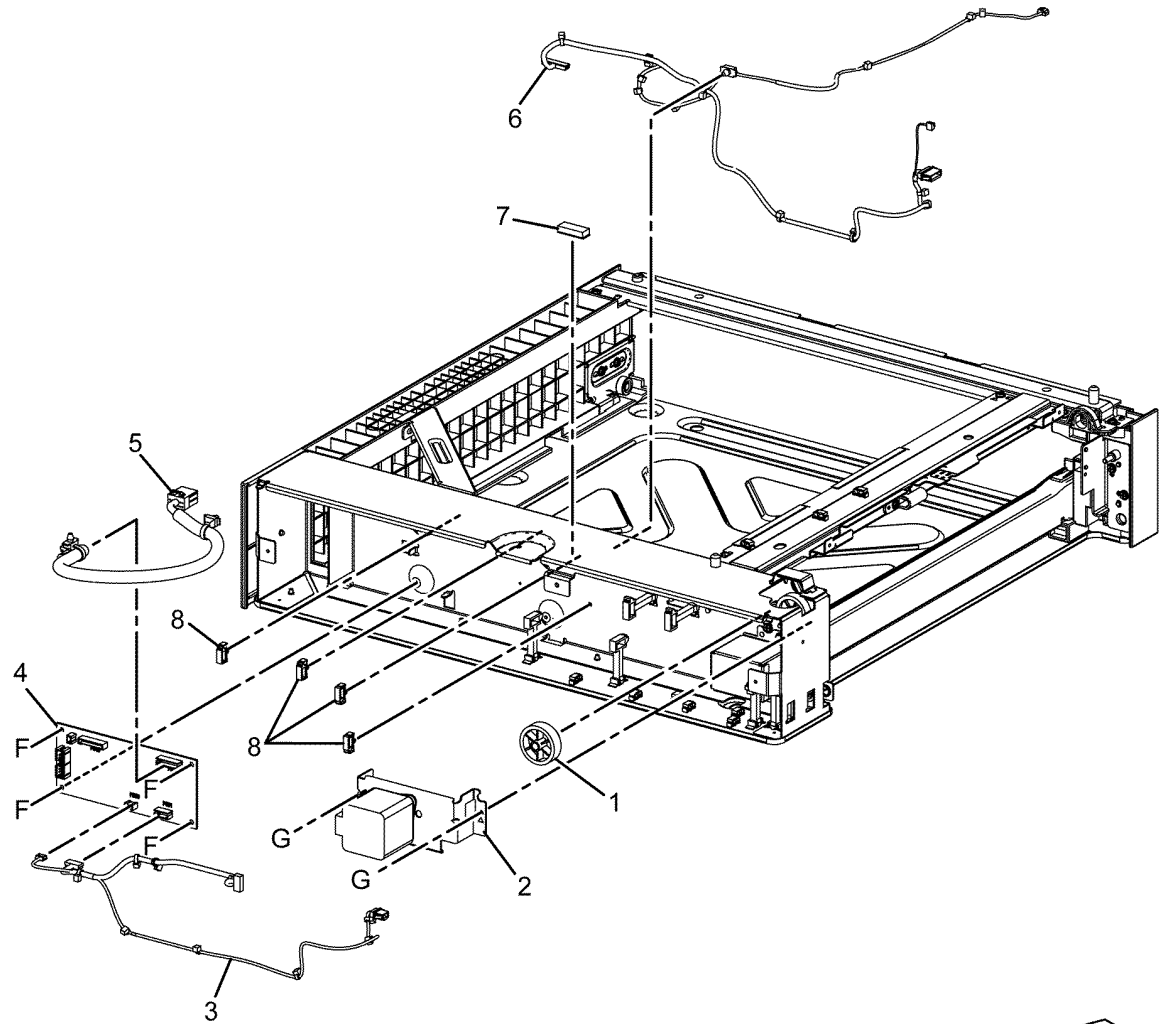
Item	Part	Description
1	-	Foot (Not Spared)
2	-	Left rail assembly (Not Spared)
3	-	Harness guide (Not Spared)
4	-	Top front frame assembly (Not Spared)
5	-	RH guide (Not Spared)
6	-	Right rail assembly (Not Spared)
7	059E08410	Front right roller
8	059E03500	Front left roller



C-8-0100-A

PL 70.28 STM (4 of 4)

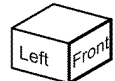
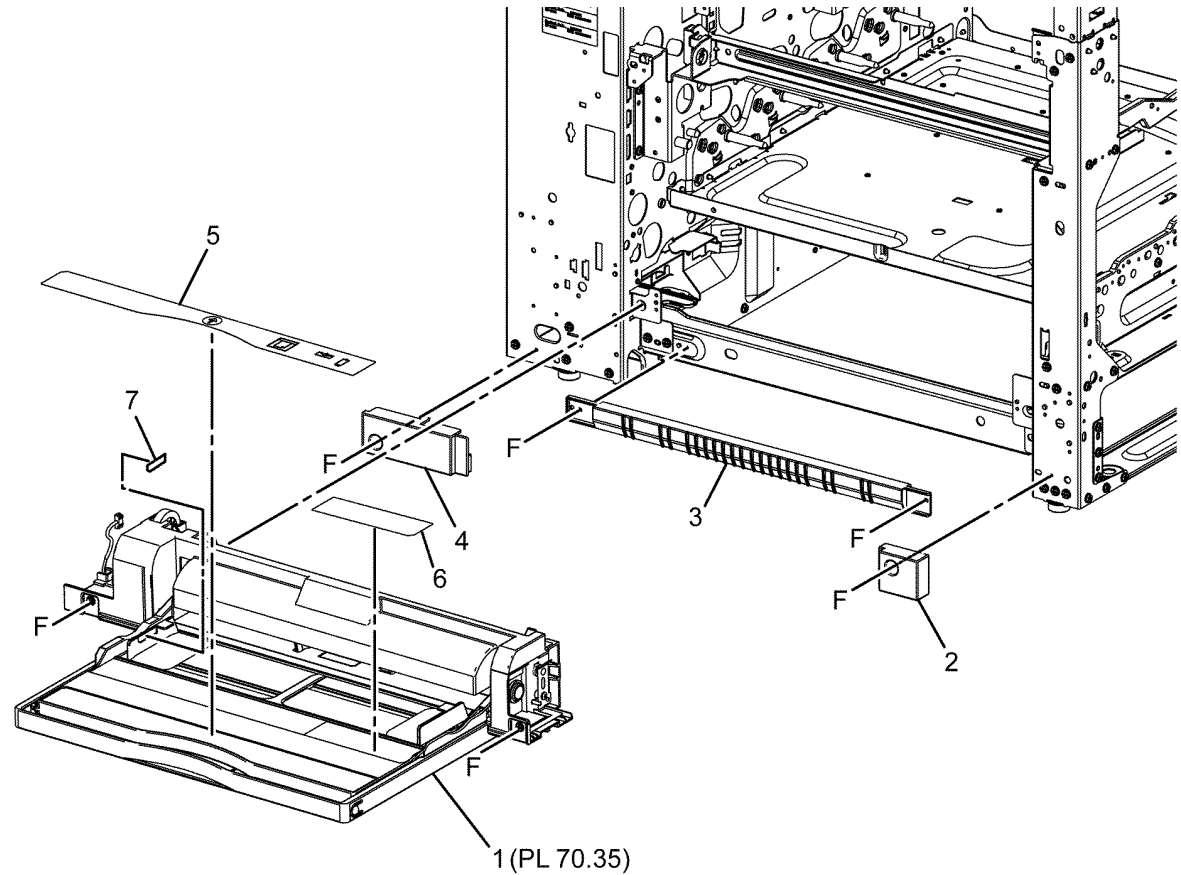
Item	Part	Description
1	807E45050	Gear 65/20
2	049K28360	Takeaway motor (MOT77-033) (REP 80.14)
3	952K15720	Harness
4	607K04440	STM PWB (REP 80.13)
5	952K15700	Harness
6	952K15710	Harness
7	-	Gasket shield (Not Spared)
8	920W01210	Locking clamp



C-8-0101-A

PL 70.30 Bypass Tray

Item	Part	Description	
1	-	Bypass tray (REF: PL 70.35) (REP 70.2)	8 { 1, 5 - 7
2	-	Bypass tray front cover (Not Spared)	
3	-	TM out chute (Not Spared)	
4	-	Bypass tray right cover (Not Spared)	
5	-	Bypass tray instruction label (P/O PL 70.30 Item 8)	
6	-	Bypass tray size label (P/O PL 70.30 Item 8)	
7	-	Max label (P/O PL 70.30 Item 8)	
8	607K01966	Bypass tray assembly kit (Option)	

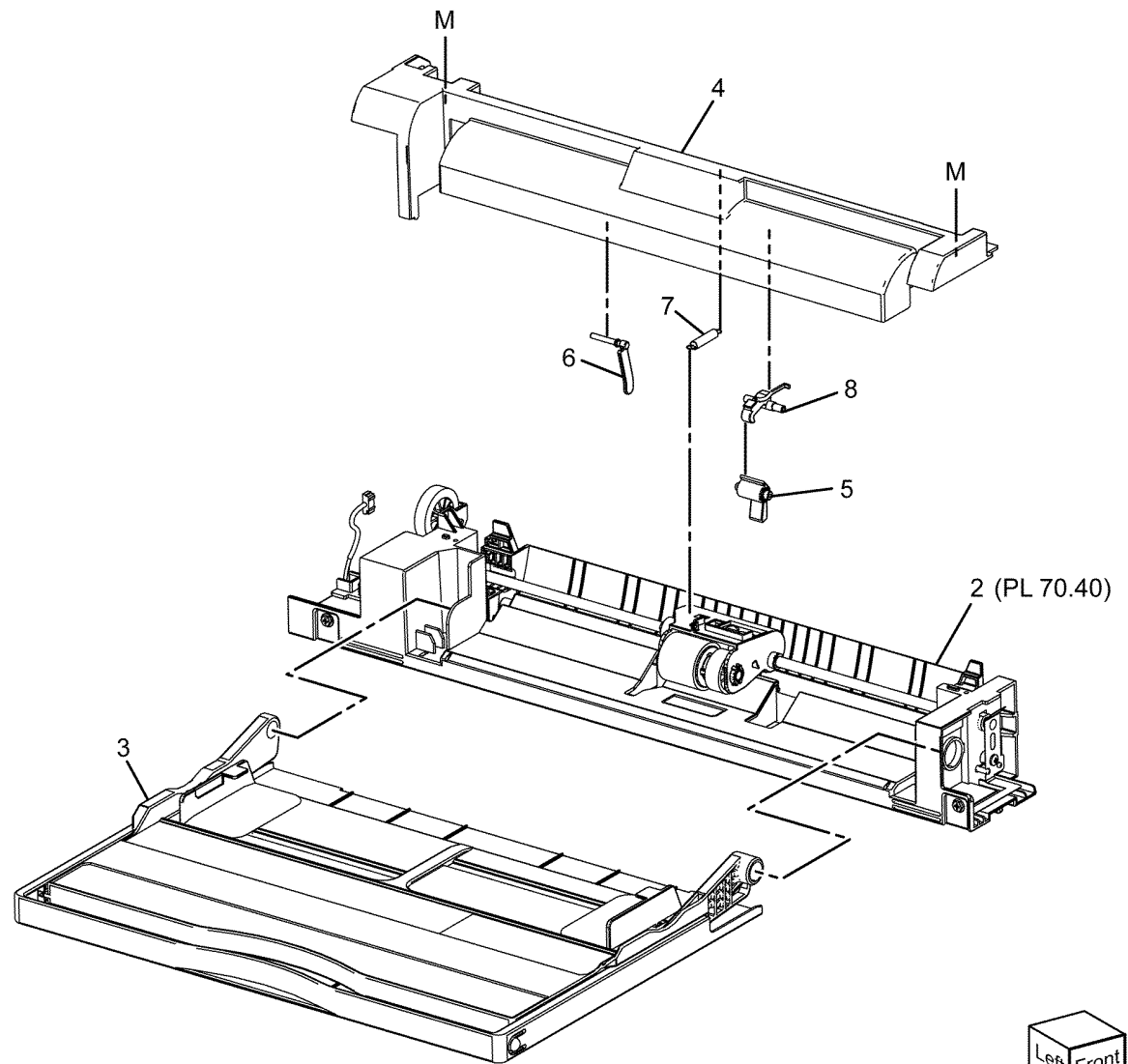


C-8-0065-A

PL 70.35 Bypass Tray Components

Item	Part	Description
1	-	Bypass tray feeder assembly (P/O PL 70.30 Item 8)
2	-	Bypass tray lower feeder assembly (REF: PL 70.40)
3	-	Bypass tray assembly (P/O PL 70.35 Item 1)
4	-	Upper frame (P/O PL 70.35 Item 1)
5	-	Paper stopper (P/O PL 70.35 Item 1)
6	-	No paper sensor actuator (P/O PL 70.35 Item 1)
7	-	Spring (P/O PL 70.35 Item 1)
8	-	Paper lock stopper (P/O PL 70.35 Item 1)

1 { 2 - 8

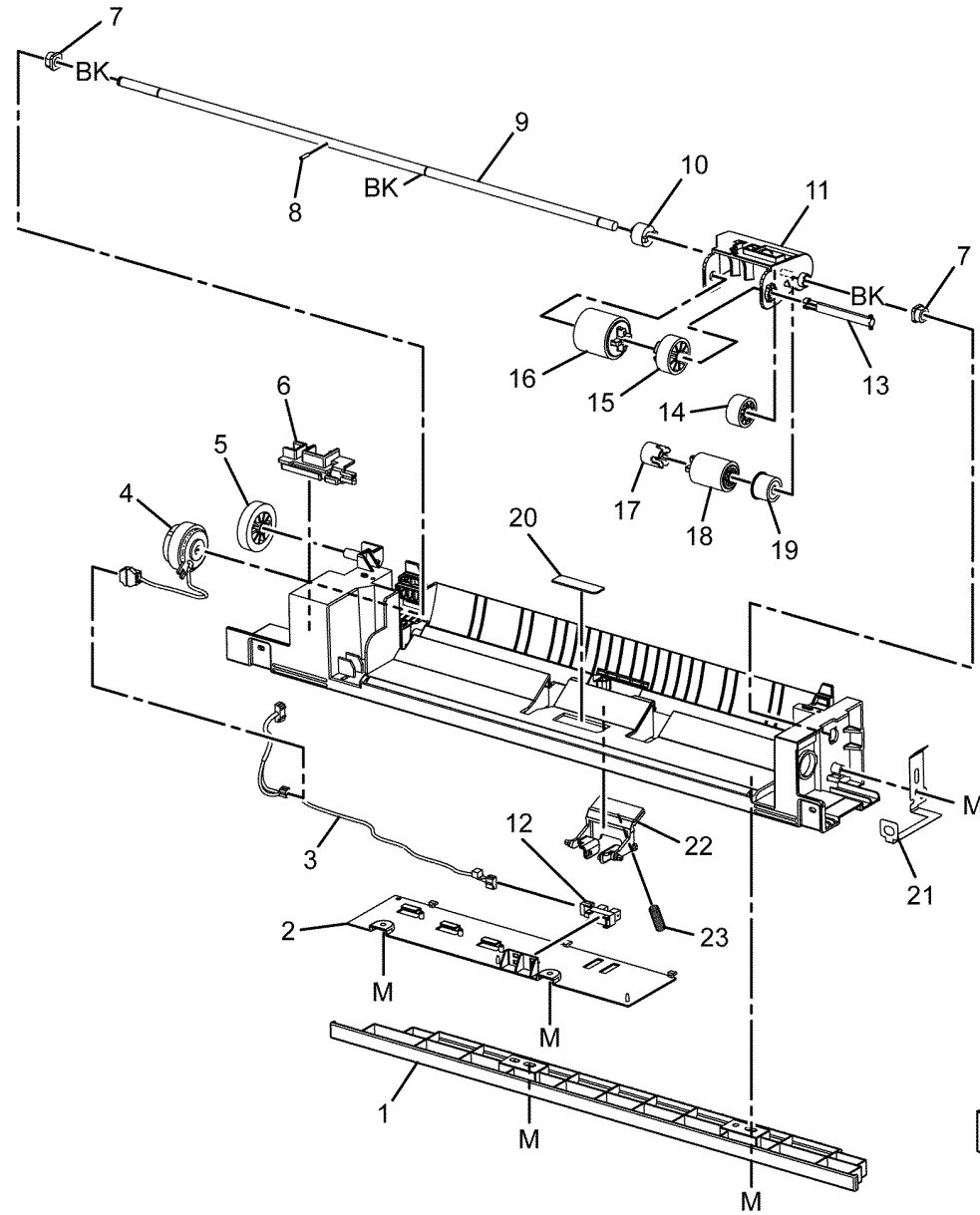


C-8-0102-A

PL 70.40 Bypass Tray Lower Feeder

Item	Part	Description
1	-	Bypass tray low chute (Not Spared)
2	-	Lower cover (Not Spared)
3	-	Bypass tray harness assembly (Not Spared)
4	121K56480	Bypass tray feed clutch (CL75-001)
5	-	Drive gear 22T (Not Spared)
6	-	Connector cover (Not Spared)
7	-	Bearing (Not Spared)
8	-	Pin (Not Spared)
9	-	Shaft (Not Spared)
10	-	Friction clutch assembly (Not Spared)
11	-	Nudger holder (Not Spared)
12	930W00123	Bypass tray no paper sensor (Q75-100)
13	-	Shaft (Not Spared)
14	-	Idler gear 37T (Not Spared)
15	-	Nudger gear 46T (Not Spared)
16	022K78481	Bypass tray nudger roll (See NOTE) (REP 80.16)
17	-	One way clutch (Not Spared)
18	022K77450	Feed roll (REP 80.16)
19	-	Feed gear 30T (Not Spared)
20	-	Pad (Not Spared)
21	-	Earth plate (Not Spared)
22	019K12820	Retard pad (See NOTE) (REP 80.17)
23	-	Spring (Not Spared)

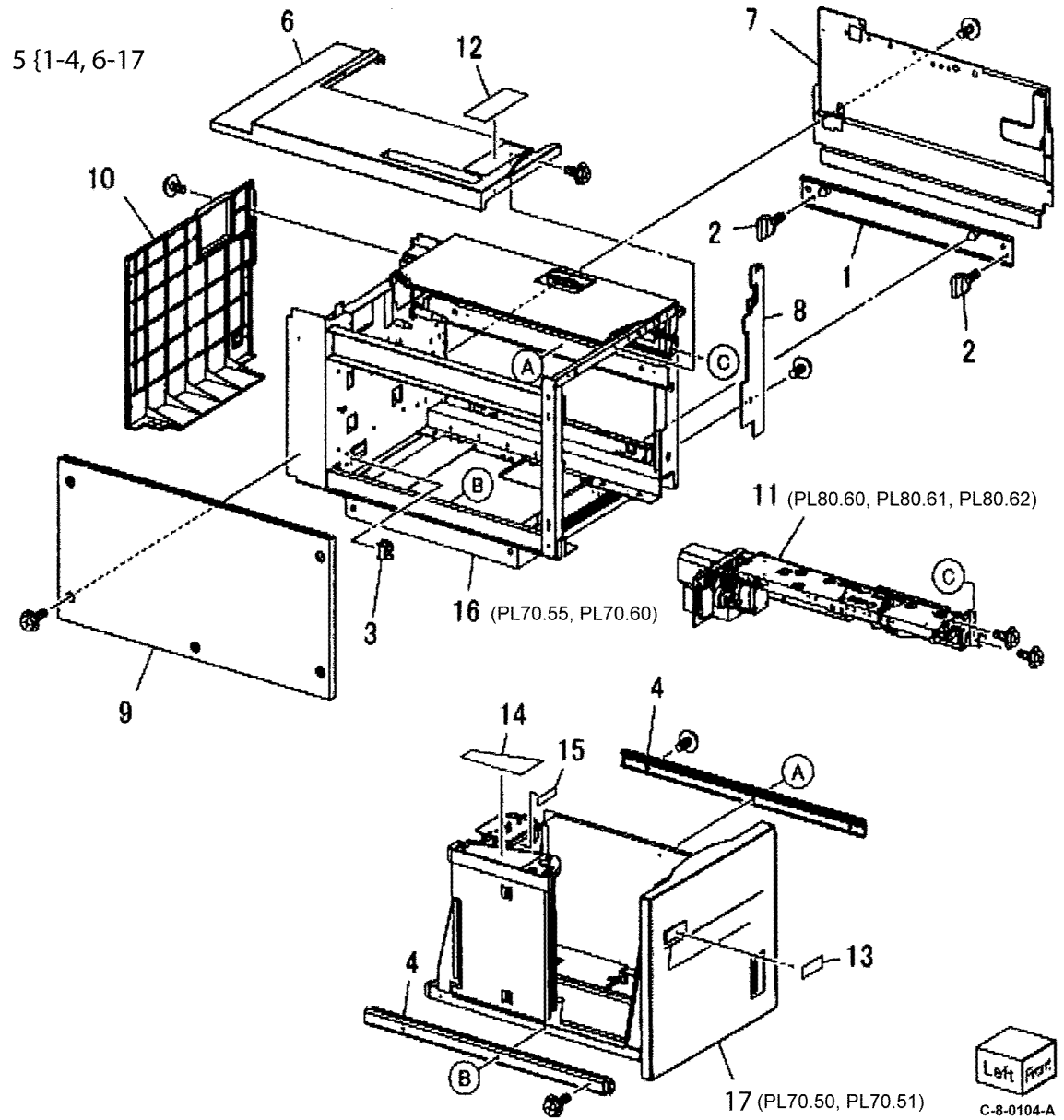
NOTE: HFSI. To reset the HFSI counter, refer to dC135.



C-8-0103-A

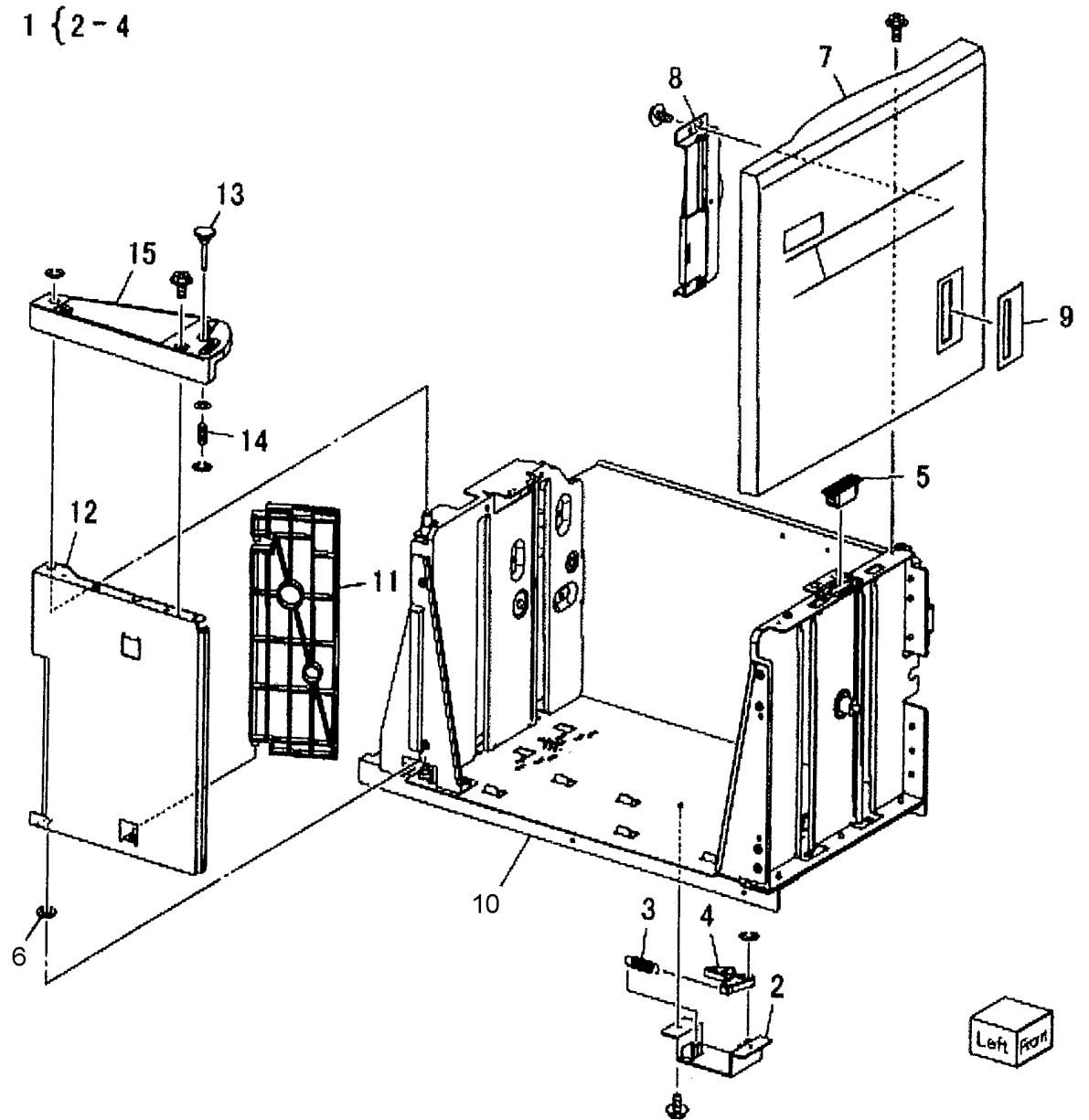
PL 70.45 HCF Assembly

Item	Part	Description
1	604K23830	Docking plate
2	003K91881	Knob
3	130K55590	HCF tray in sensor (Q78-204)
4	801K15701	Tray rail
5	050K51976	HCF Tray 6 (REP 70.3, REP 70.4)
6	-	Left top cover (Not Spared)
7	-	Right cover (Not Spared)
8	-	Front right cover (Not Spared)
9	-	Left cover (Not Spared)
10	-	Rear cover (Not Spared)
11	-	HCF feeder (Not Spared) (REP 80.21)
12	-	Label (top) (Not Spared)
13	-	Label (tray number) (Not Spared)
14	-	Label (size) (Not Spared)
15	-	Label (end) (Not Spared)
16	-	Frame assembly (Not Spared)
17	-	HCF tray (P/O PL 70.45 Item 5)



PL 70.50 HCF (1 of 2)

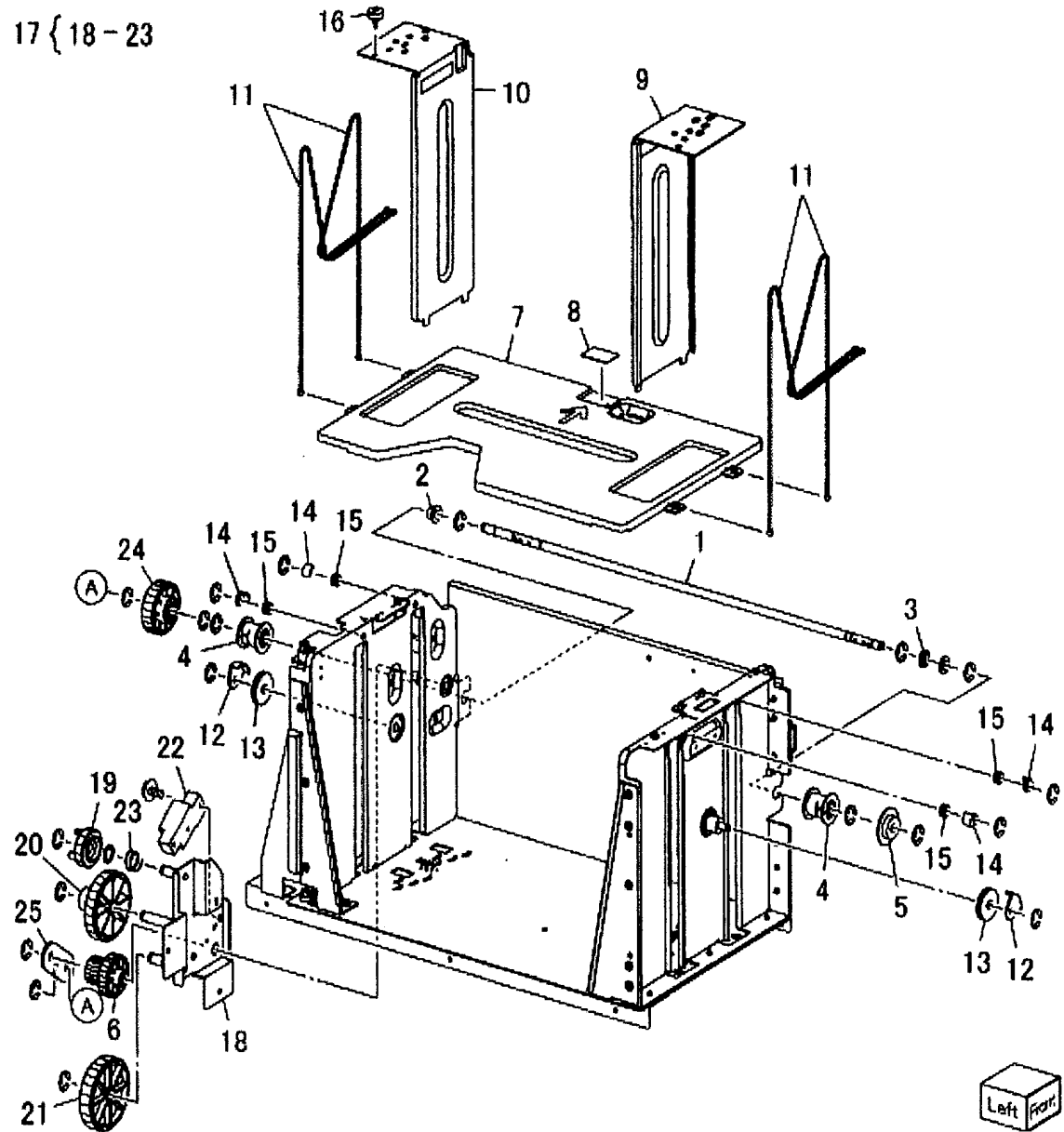
Item	Part	Description
1	003K13592	Tray latch assembly
2	-	Bracket
3	-	Spring (P/O PL 70.50 Item 1)
4	-	Latch lever (P/O PL 70.50 Item 1)
5	-	Magnet (P/O PL 70.45 Item 5)
6	-	Wave washer (P/O PL 70.45 Item 5)
7	-	Front cover (P/O PL 70.45 Item 5)
8	-	Gear bracket (P/O PL 70.45 Item 5)
9	-	Label (Gauge) (P/O PL 70.45 Item 5)
10	-	Frame (P/O PL 70.45 Item 5)
11	-	Plate (P/O PL 70.45 Item 5)
12	-	Bracket (P/O PL 70.45 Item 5)
13	-	Pin (P/O PL 70.45 Item 5)
14	-	Spring (P/O PL 70.45 Item 5)
15	-	Top plate (P/O PL 70.45 Item 5)



C-8-0105-A

PL 70.51 HCF (2 of 2)

Item	Part	Description
1	-	Lift shaft (P/O PL 70.45 Item 5)
2	-	Bearing (P/O PL 70.45 Item 5)
3	-	Bearing (P/O PL 70.45 Item 5)
4	020E37620	Tray cable pulley
5	-	Gear (P/O PL 70.45 Item 5)
6	-	Gear (P/O PL 70.45 Item 5)
7	-	Bottom plate (P/O PL 70.45 Item 5)
8	019E58620	Pad
9	-	Front side guide (P/O PL 70.45 Item 5)
10	-	Rear side guide (P/O PL 70.45 Item 5)
11	604K19981	Rear cables (REP 70.5)/front cables (REP 70.6)
12	032E22410	Wire guide (L)
13	-	Pulley (P/O PL 70.45 Item 5)
14	-	Wire guide (S) (P/O PL 70.45 Item 5)
15	-	Pulley (P/O PL 70.45 Item 5)
16	-	Screw (P/O PL 70.45 Item 5)
17	015K65532	Gear bracket assembly
18	-	Gear bracket (P/O PL 70.51 Item 17)
19	-	Contact gear (P/O PL 70.51 Item 17)
20	-	Gear (P/O PL 70.51 Item 17)
21	-	Gear (P/O PL 70.51 Item 17)
22	-	Brake (P/O PL 70.51 Item 17)
23	-	Spring (P/O PL 70.51 Item 17)
24	807E04500	Lift gear
25	-	Plate (P/O PL 70.45 Item 5)



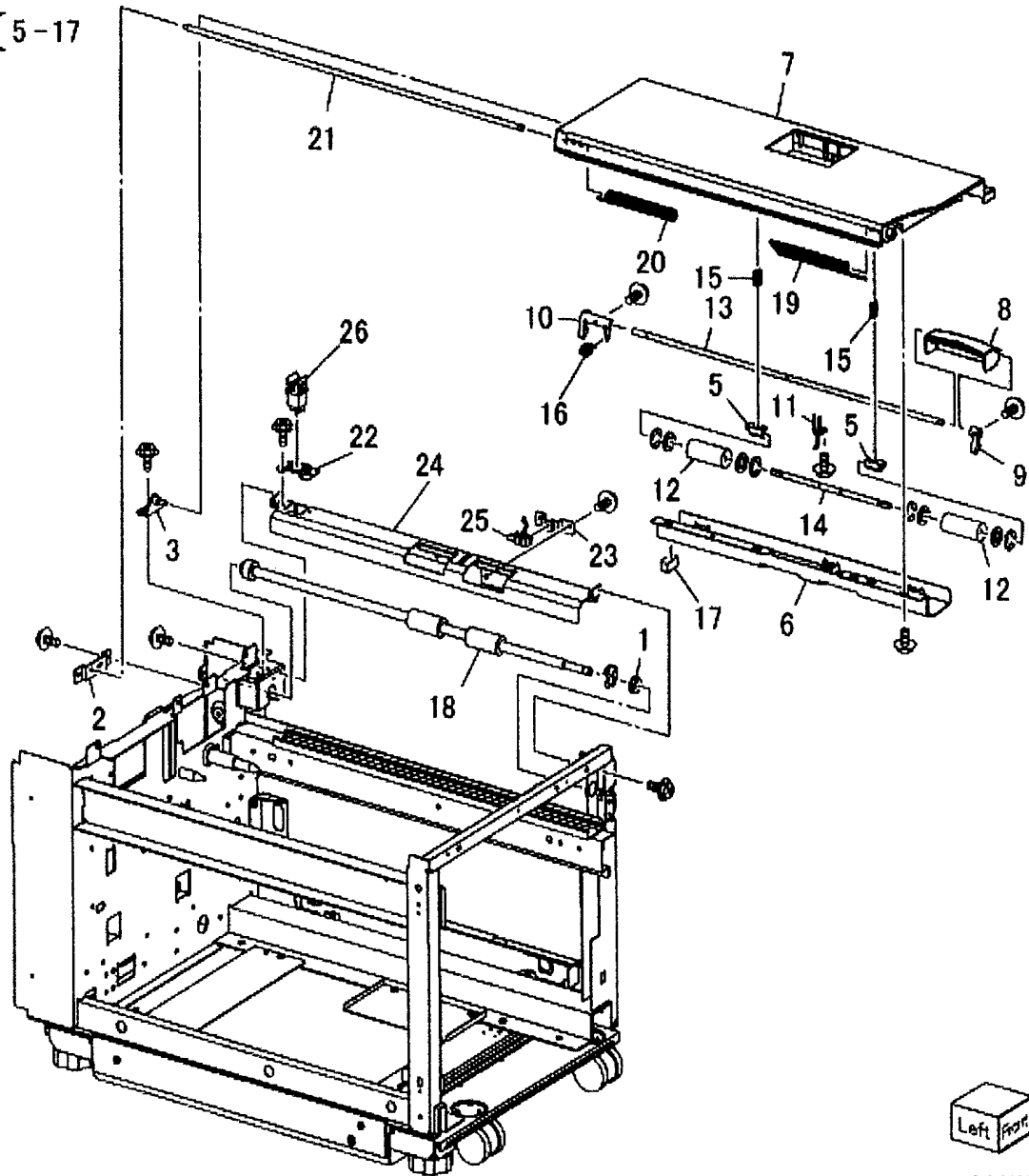
Left from

C-8-0106-A

PL 70.55 HCF Top Cover Assembly

Item	Part	Description
1	013E17100	Bearing
2	-	Bracket (Not Spared)
3	-	Pivot bracket (Not Spared)
4	-	Top cover assembly (Not Spared)
5	-	Bearing (P/O PL 70.55 Item 4)
6	-	Upper chute (P/O PL 70.55 Item 4)
7	-	Top cover (P/O PL 70.55 Item 4)
8	-	Knob (P/O PL 70.55 Item 4)
9	-	Latch (P/O PL 70.55 Item 4)
10	-	Latch (P/O PL 70.55 Item 4)
11	-	Spring (P/O PL 70.55 Item 4)
12	059E01430	Nip roll
13	-	Shaft (P/O PL 70.55 Item 4)
14	-	Shaft (P/O PL 70.55 Item 4)
15	-	Spring (P/O PL 70.55 Item 4)
16	-	Spring (P/O PL 70.55 Item 4)
17	-	Gasket (P/O PL 70.55 Item 4)
18	059K36260	Takeaway roll (REP 80.26)
19	-	Spring (left) (P/O PL 70.45 Item 16)
20	-	Spring (right) (P/O PL 70.45 Item 16)
21	-	Pivot shaft (P/O PL 70.45 Item 16)
22	-	Bracket (P/O PL 70.45 Item 5)
23	-	Bracket (P/O PL 70.45 Item 16)
24	-	Lower chute (P/O PL 70.45 Item 16)
25	130K88150	HCF feed out sensor (Q78-101)
26	110E94770	Top cover interlock switch

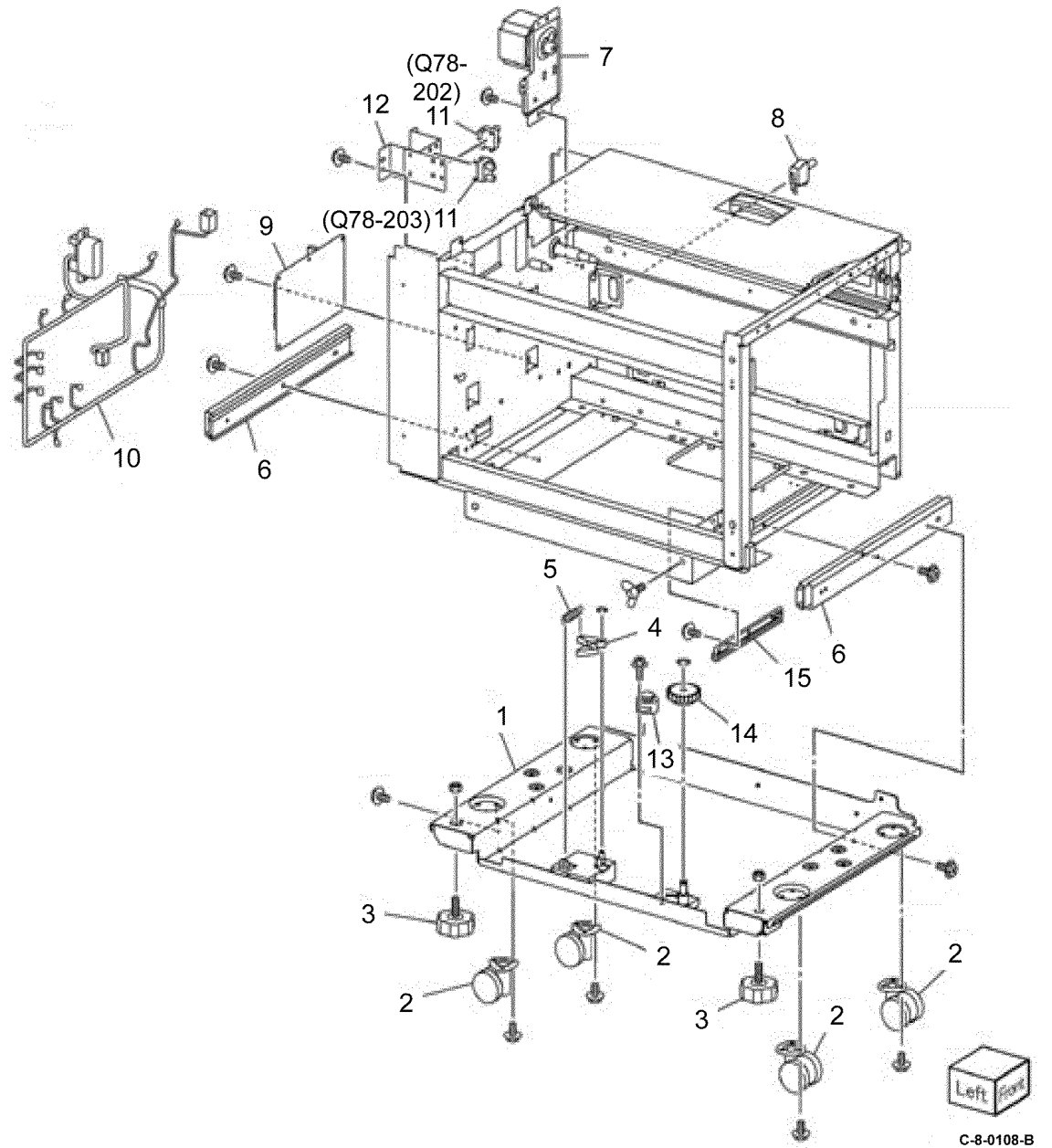
4 { 5-17



C-8-0107-A

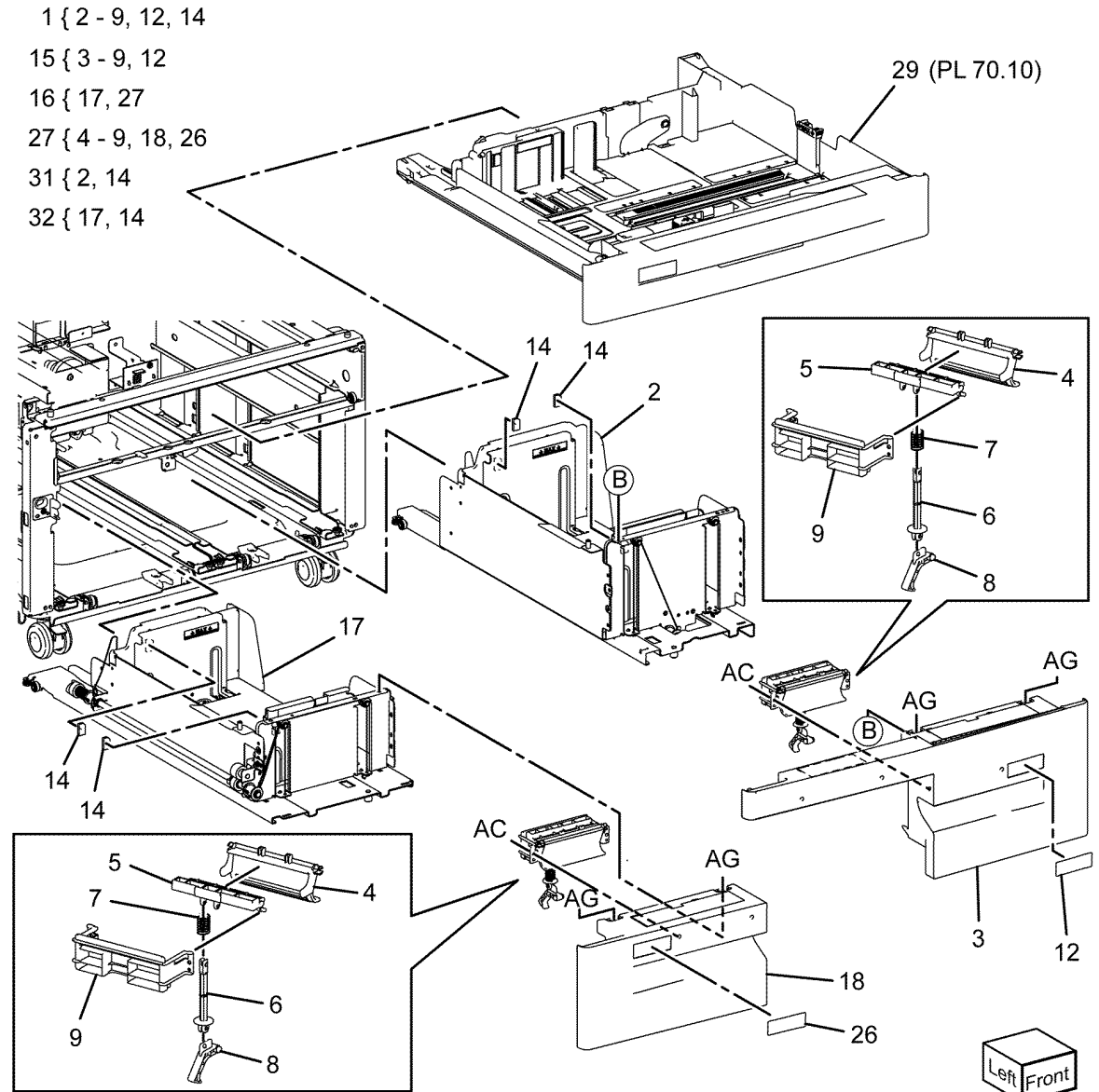
PL 70.60 HCF Electrical and Rails

Item	Part	Description
1	-	Plate (Not Spared)
2	017E92820	Caster (REP 70.7)
-	017E14770	Caster (alternative)
3	017E97191	Foot
4	-	Latch lever (Not Spared)
5	-	Spring (Not Spared)
6	801K15690	Rail
7	127K47152	Takeaway motor (MOT78-093)
8	110E10381	HCF side out switch (S78-301)
9	960K77822	HCF PWB (REP 70.8)
-	960K74413	HCF PWB (alternative) (REP 70.8)
10	-	Wire Harness (P/O PL 70.45 Item 16)
11	130K55590	HCF size sensor A (Q78-202)/HCF size sensor B (Q78-203)
12	-	Bracket (P/O PL 70.45 Item 5)
13	004K03000	Damper
14	807E32730	Pinion
15	-	Rack



PL 70.65 TTM (1 of 3)

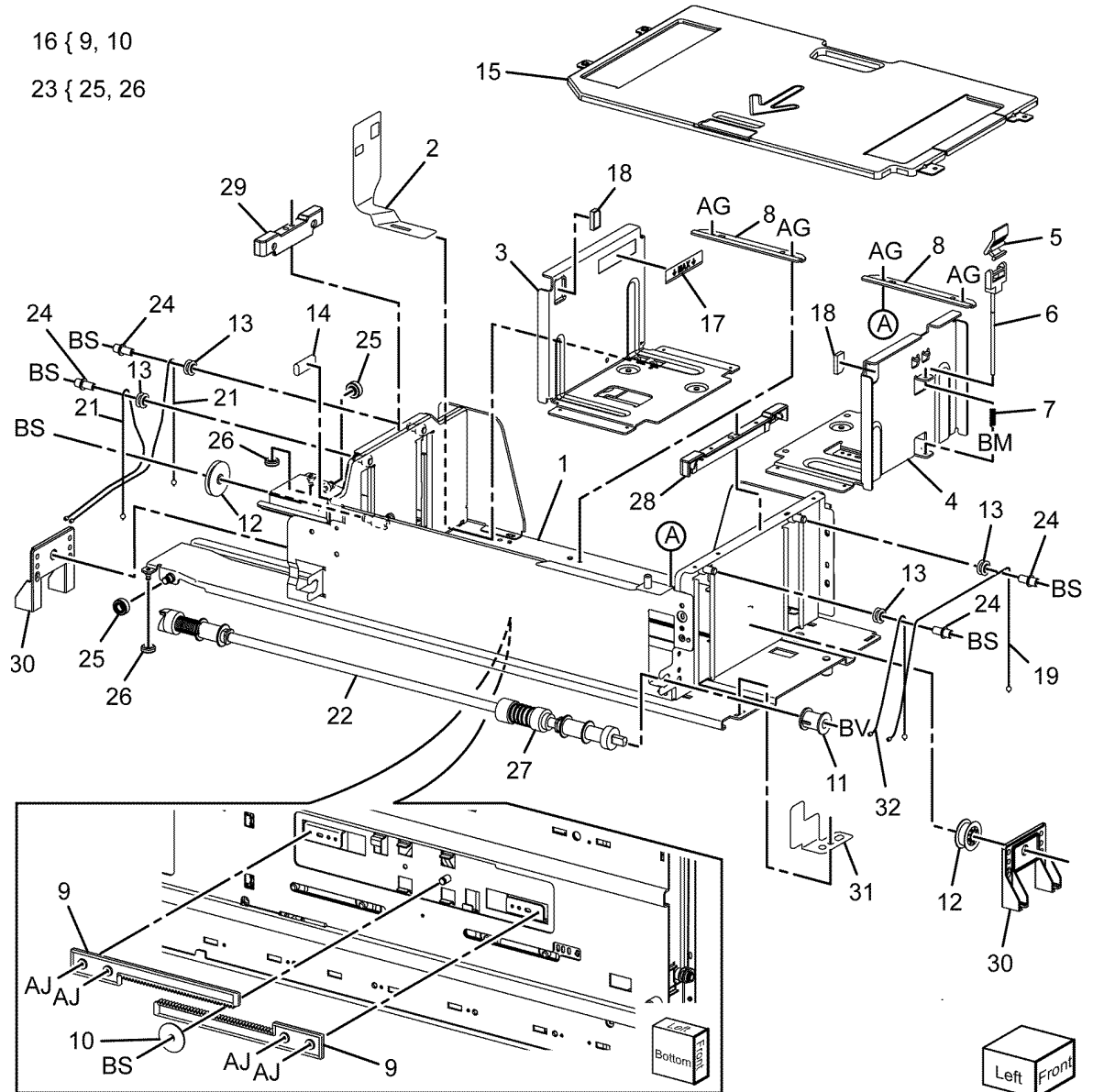
Item	Part	Description	
1	-	Tray 4 assembly (P/O PL 70.65 Item 31)	1 { 2 - 9, 12, 14
2	-	Tray 4 (P/O PL 70.65 Item 31)	15 { 3 - 9, 12
3	-	Tray 4 cover (P/O PL 70.65 Item 15)	16 { 17, 27
4	-	Lever (P/O PL 70.65 Item 15)	27 { 4 - 9, 18, 26
5	-	Link (P/O PL 70.65 Item 15)	31 { 2, 14
6	-	Link (P/O PL 70.65 Item 15)	32 { 17, 14
7	-	Spring (P/O PL 70.65 Item 15)	
8	-	Latch (P/O PL 70.65 Item 15)	
9	-	Cover (P/O PL 70.65 Item 15)	
10	-	Not used	
11	-	Not used	
12	-	Label (P/O PL 70.65 Item 15)	
13	-	Not used	
14	819E04150	Pad	
15	607K08830	Tray 4 cover assembly	
16	050K73153	Tray 3 assembly	
17	-	Tray 3 (P/O PL 70.65 Item 32)	
18	-	Tray 3 cover (P/O PL 70.65 Item 27)	
19	-	Not used	
20	-	Not used	
21	-	Not used	
22	-	Not used	
23	-	Not used	
24	-	Not used	
25	-	Not used	
26	-	Label (P/O PL 70.65 Item 27)	
27	607K08820	Tray 3 cover assembly	
28	-	Not used	
29	-	Tray 2 assembly (REF: PL 70.10)	
30	-	Not used	
31	050K73143	Tray 4 kit	
32	050K73163	Tray 3 kit	



C-8-0109-A

PL 70.66 TTM (2 of 3)

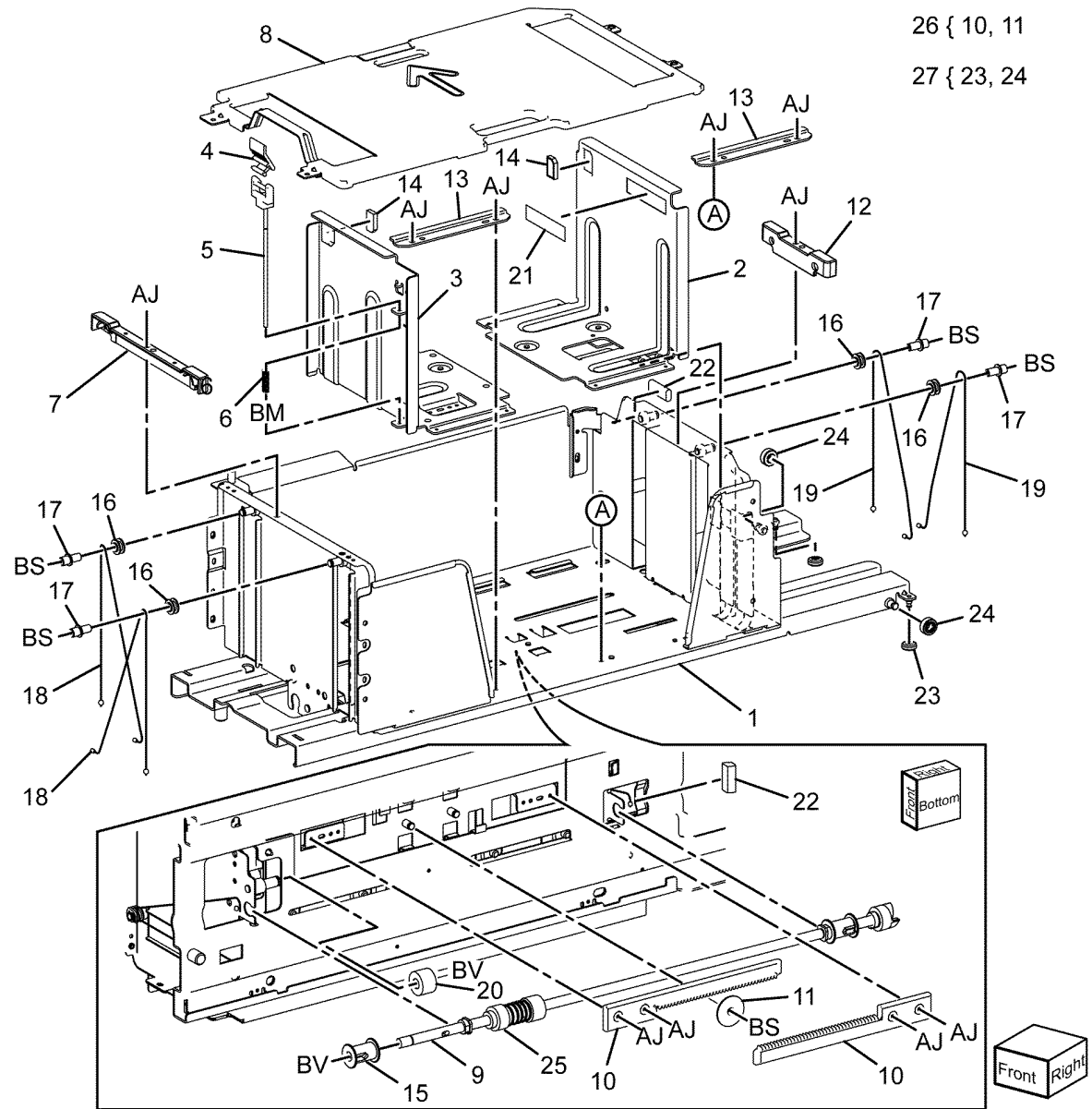
Item	Part	Description
1	-	Tray 3 cassette assembly (Not Spared)
2	-	Size actuator (Not Spared)
3	-	Side rear guide (Not Spared)
4	-	Side front guide (Not Spared)
5	-	Knob (Not Spared)
6	-	Knob assembly (Not Spared)
7	-	Spring (Not Spared)
8	-	Bracket (Not Spared)
9	-	Rack gear (P/O PL 70.66 Item 16)
10	-	Pinion (P/O PL 70.66 Item 16)
11	-	Pulley (Not Spared)
12	-	Pulley (Not Spared)
13	-	Pulley (Not Spared)
14	-	Gasket (Not Spared)
15	-	Bottom plate (Not Spared)
16	604K68260	Rack gear and pinion kit
17	-	Label (Max) (Not Spared)
18	819E04150	Pad
19	-	Front lift cable (long) (Not Spared)
20	-	Not used
21	-	Rear lift cable (Not Spared)
22	006K35290	Lift shaft (REP 70.9)
23	604K68160	Roller kit
24	-	PL shaft (Not Spared)
25	-	Side roller (P/O PL 70.66 Item 23)
26	-	Lower roller (P/O PL 70.66 Item 23)
27	019K17181	Brake assembly (REP 70.9)
28	-	Guide - WF (Not Spared)
29	-	Guide - W (Not Spared)
30	-	Guide - WL (Not Spared)
31	-	Spring (Not Spared)
32	-	Front lift cable (short) (Not Spared)



C-8-0110-A

PL 70.67 TTM (3 of 3)

Item	Part	Description
1	-	Tray 4 cassette assembly (Not Spared)
2	-	Side rear guide (Not Spared)
3	-	Side front guide (Not Spared)
4	-	Knob (Not Spared)
5	-	Knob assembly (Not Spared)
6	-	Spring (Not Spared)
7	-	Guide - WF (Not Spared)
8	-	Bottom plate (Not Spared)
9	006K35290	Lift shaft (REP 70.10)
10	-	Rack gear (P/O PL 70.67 Item 26)
11	-	Pinion (P/O PL 70.67 Item 26)
12	-	Guide - W (Not Spared)
13	-	Bracket (Not Spared)
14	819E04150	Pad (REP 70.10)
15	-	Pulley (Not Spared)
16	-	Pulley (Not Spared)
17	-	Shaft - PL (Not Spared)
18	-	Front lift cable (Not Spared)
19	-	Rear lift cable (Not Spared)
20	-	Size actuator (Not Spared)
21	-	Label (Not Spared)
22	-	Gasket (Not Spared)
23	-	Lower roller (P/O PL 70.67 Item 27)
24	-	Side roller (P/O PL 70.67 Item 27)
25	019K17181	Brake assembly (REP 70.10)
26	604K68260	Rack gear and pinion kit
27	604K68160	Roller kit

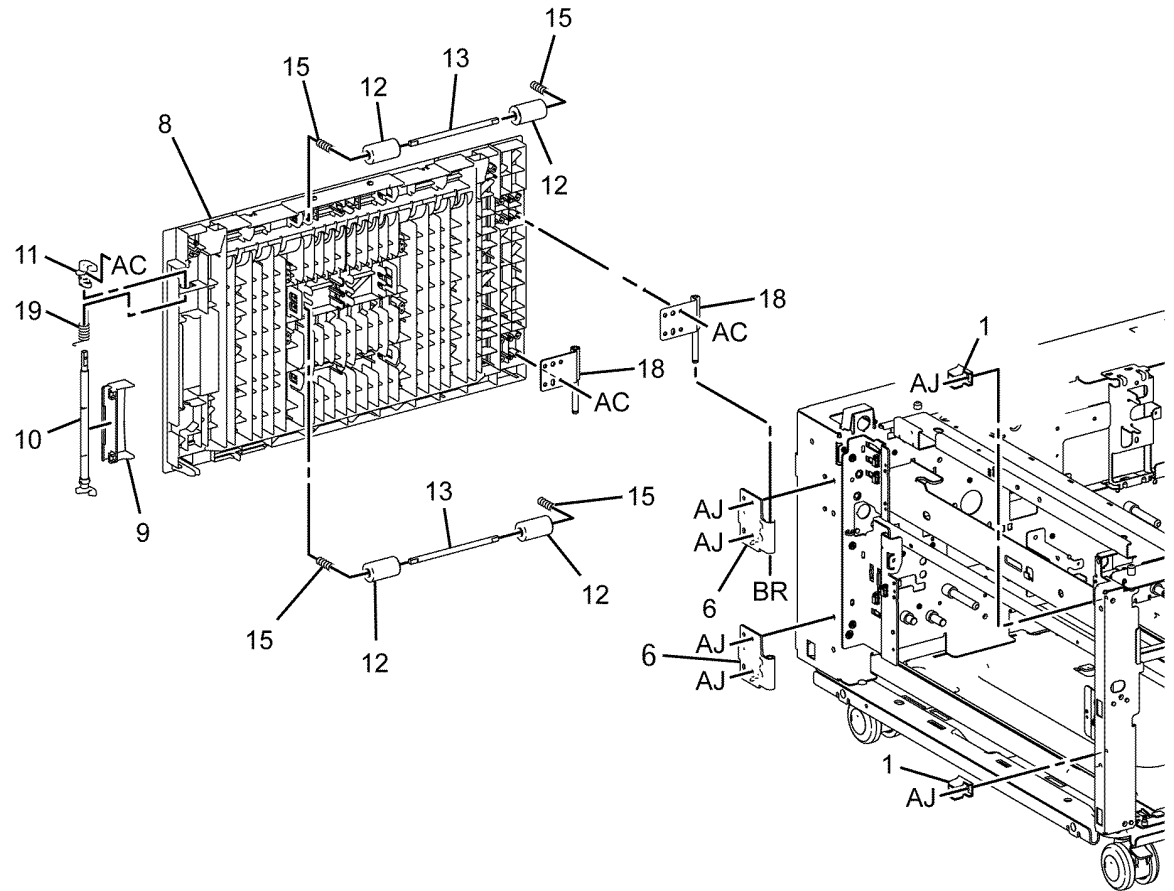


C-8-0111-A

PL 70.70 TTM Left Cover Assembly

Item	Part	Description
1	-	Door catch (Not Spared)
2	-	Not used
3	-	Not used
4	-	Not used
5	-	Not used
6	-	Hinge frame bracket (Not Spared)
7	948K03890	Left cover assembly
8	-	Left cover (P/O PL 70.70 Item 7)
9	-	Handle (P/O PL 70.70 Item 7)
10	-	Latch (P/O PL 70.70 Item 7)
11	-	Hook (P/O PL 70.70 Item 7)
12	059E99241	Nip roll
13	-	Nip spring (P/O PL 70.70 Item 7)
14	-	Not used
15	-	Pinch spring (P/O PL 70.70 Item 7)
16	-	Not used
17	-	Not used
18	-	Hinge bracket assembly (P/O PL 70.70 Item 7)
19	-	Spring (P/O PL 70.70 Item 7)

7 { 8 - 13, 15, 18, 19

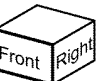
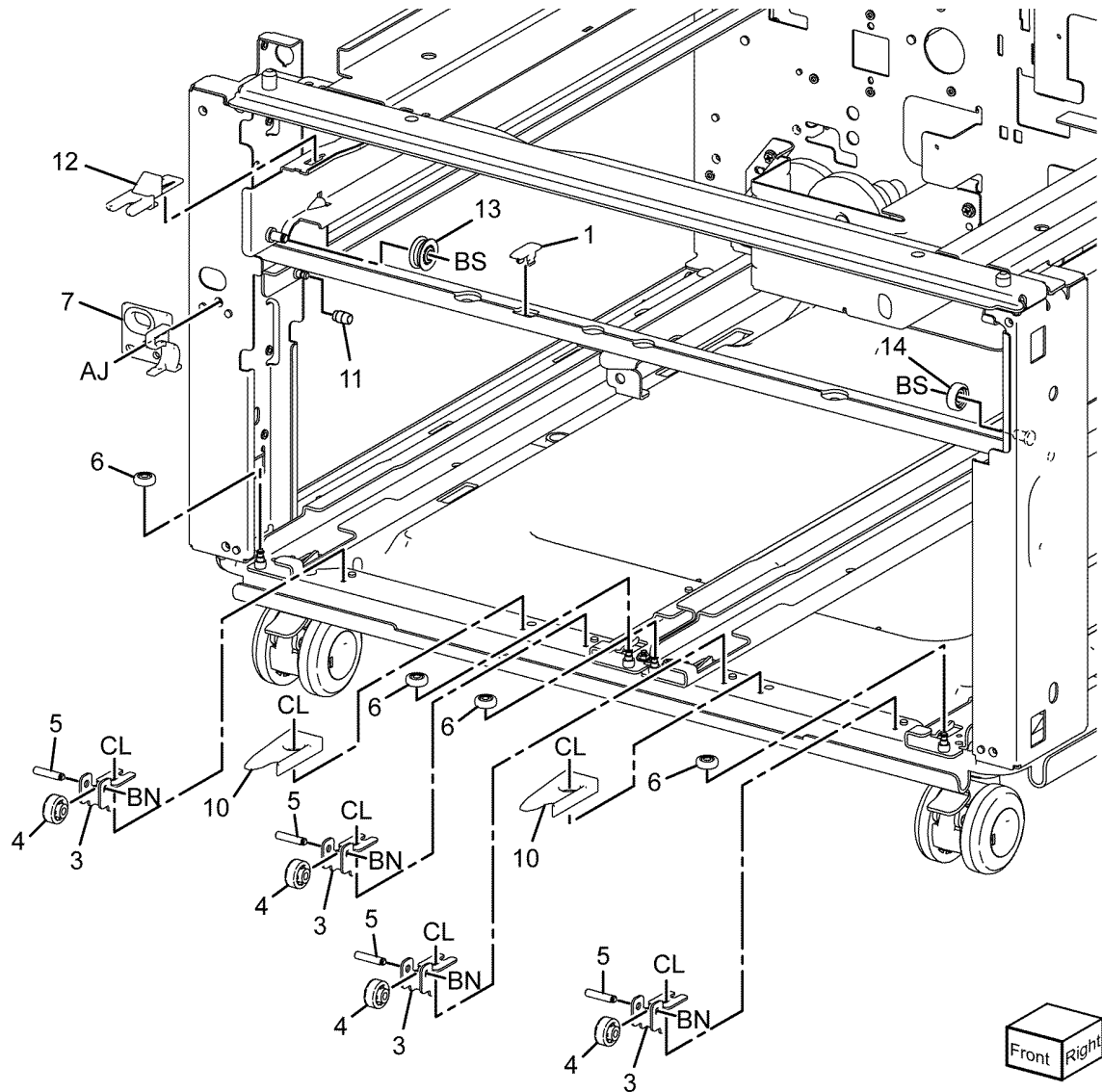


C-8-0112-A

PL 70.75 TTM Front Support

Item	Part	Description
1	-	Spacer (Not Spared)
2	-	Roller assembly (Not Spared)
3	-	Stopper bracket (P/O PL 70.75 Item 2)
4	-	Roller (P/O PL 70.75 Item 2)
5	-	Shaft (P/O PL 70.75 Item 2)
6	059E05060	Upper roller
7	-	Tray stop (Not Spared)
8	-	Not used
9	-	Not used
10	803E09020	Stopper
11	059E05131	Roller
12	003E75433	Tray stop
13	059E03500	Front left roller
14	059E08410	Front right roller

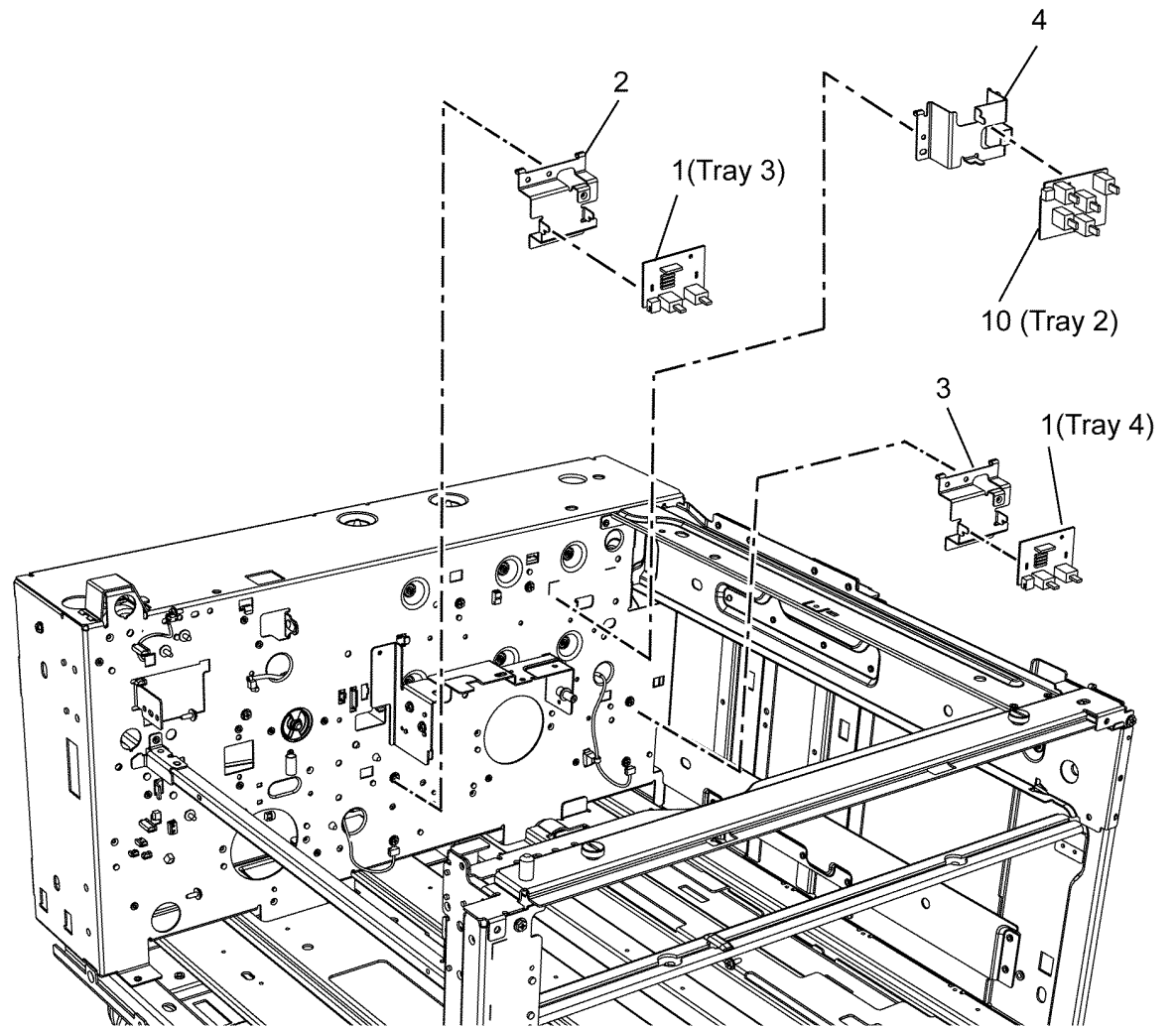
2 { 3 - 5



C-8-0113-A

PL 70.80 TTM Size Sensing

Item	Part	Description
1	110K15040	Paper size sensor
2	-	Sensor bracket (Not Spared)
3	-	Sensor bracket (Not Spared)
4	-	Sensor bracket (Not Spared)
5	-	Not used
6	-	Not used
7	-	Not used
8	-	Not used
9	-	Not used
10	110K11680	Tray 2 paper size sensor

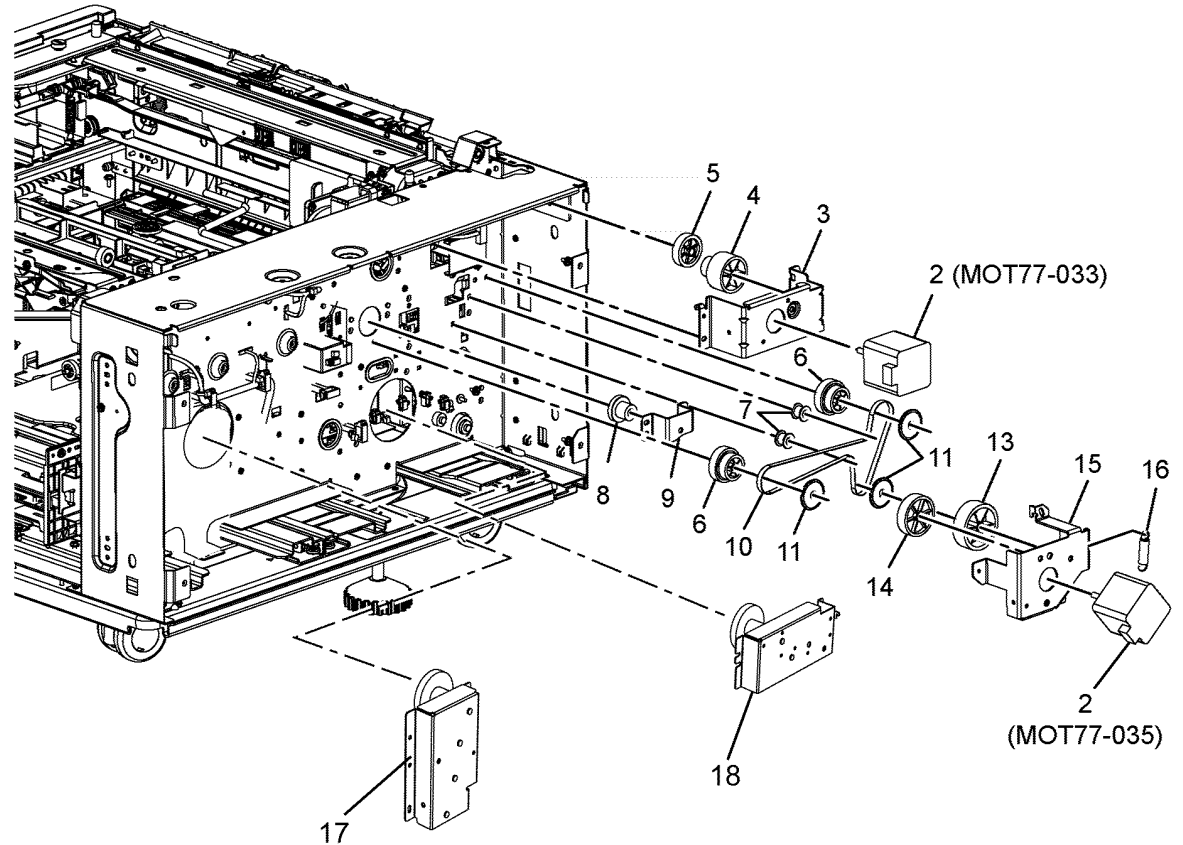


C-8-0114-B

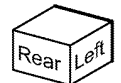
PL 70.85 TTM Drive Components

Item	Part	Description
1	127K75990	Takeaway motor 1 assembly
2	-	Takeaway motor 1 (MOT77-033) (P/O PL 70.85 Item 1)/Takeaway motor 2 (MOT77-035) (P/O PL 70.85 Item 12)
3	-	Motor bracket (P/O PL 70.85 Item 1)
4	-	Gear M2 (P/O PL 70.85 Item 1)
5	-	Gear 34T (Not Spared)
6	-	Gear 26T (Not Spared)
7	-	Roller (Not Spared)
8	807E35860	Transfer gear (REP 80.40)
9	-	Trans bracket assembly (Not Spared)
10	023E28900	Drive belt (REP 80.28)
11	-	Collar - 2 (P/O PL 70.85 Item 12)
12	127K76000	Takeaway motor 2 assembly (REP 80.37)
13	-	Gear 81T (P/O PL 70.85 Item 12)
14	-	Gear 70T (P/O PL 70.85 Item 12)
15	-	Motor bracket (P/O PL 70.85 Item 12)
16	-	Spring (Not Spared)
17	-	Gear assembly (NOTE)
18	-	Bracket assembly (NOTE)

NOTE: Part number for item 17 is 049K07531 and part number for item 18 is 049K07521.



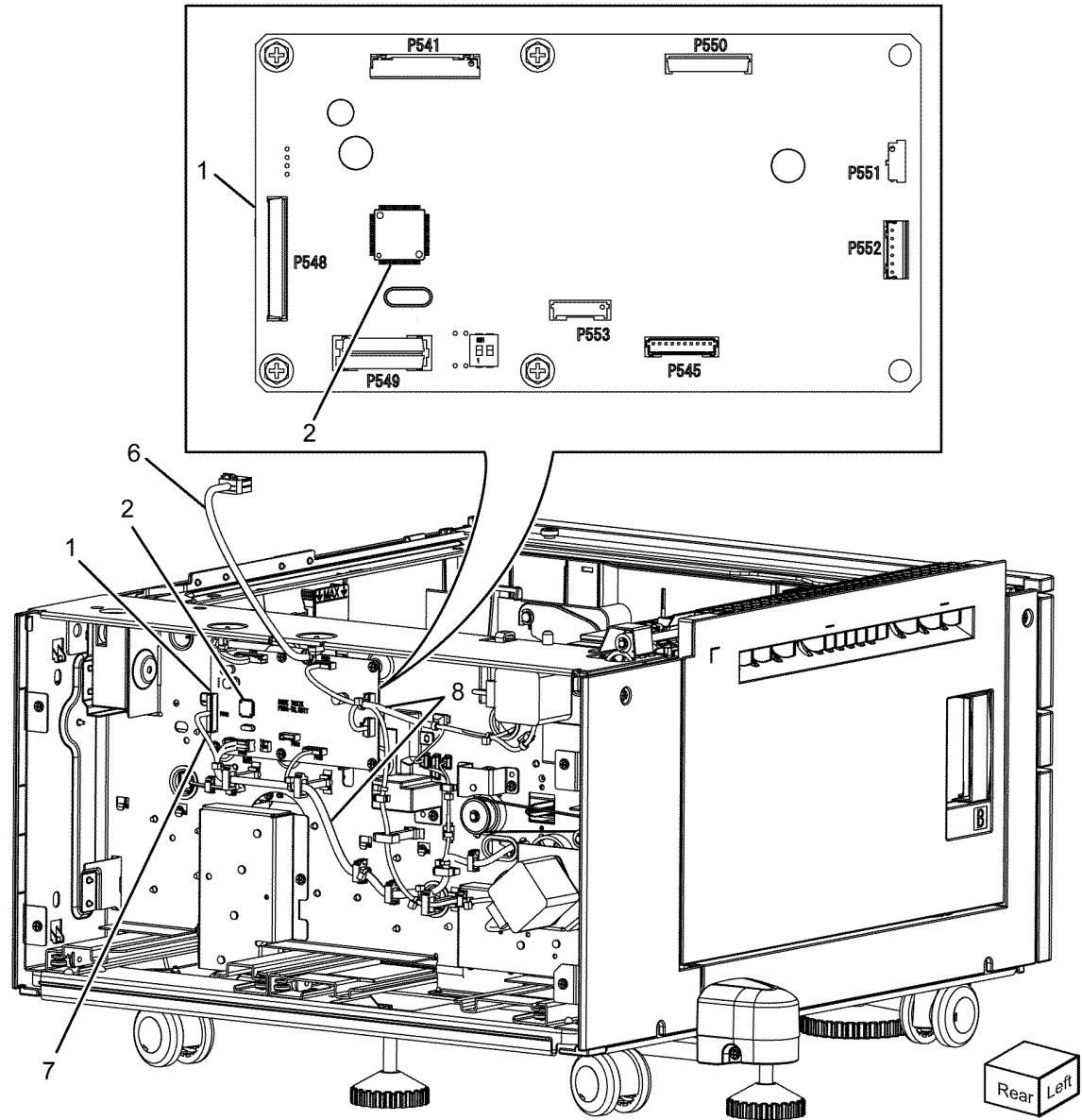
1 { 2 - 4
12 { 2, 11, 13 - 15



C-8-0115-B

PL 70.90 TTM Electrical

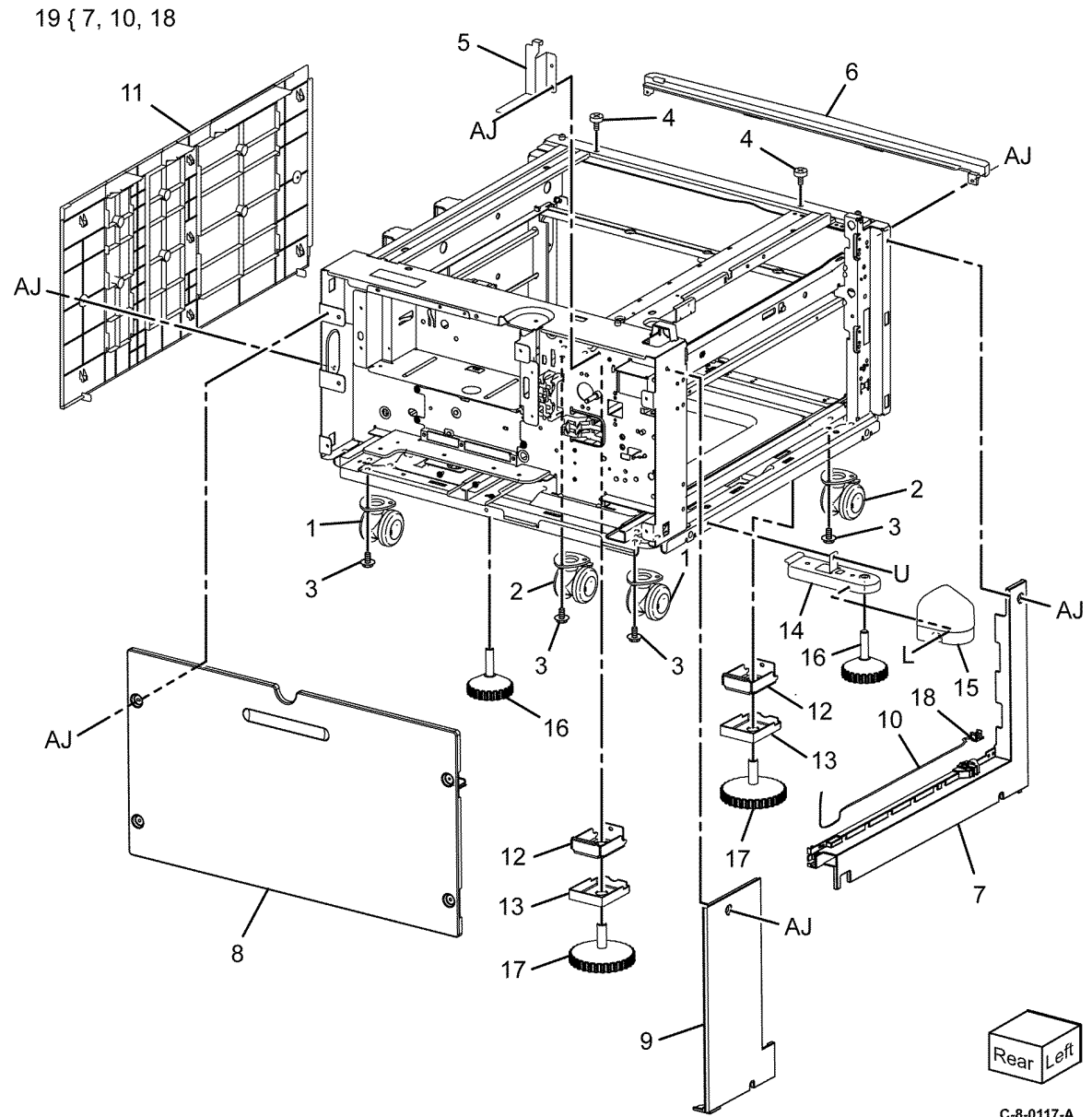
Item	Part	Description
1	-	TTM PWB (REP 80.42)
2	-	Flash CPU (Not Spared)
3	-	Not used
4	-	Not used
5	-	Not used
6	952K20151	IOT harness
7	952K20161	Sensor harness assembly
8	952K20171	Motor harness assembly



C-8-0116-A

PL 70.95 TTM Casters

Item	Part	Description
1	417W41449	Caster
2	417W41349	Locking caster
3	-	Screw (Not Spared)
4	-	Docking screw (Not Spared)
5	-	Docking bracket (Not Spared)
6	-	Top cover (Not Spared)
7	-	Left front cover (Not Spared)
8	-	Rear cover (Not Spared)
9	-	Left rear cover (Not Spared)
10	-	Harness (Not Spared)
11	-	Right cover (Not Spared)
12	-	Front foot bracket (Not Spared)
13	-	Front foot cover (Not Spared)
14	-	Left foot bracket (Not Spared)
15	-	Foot cover (Not Spared)
16	017K94910	Foot assembly adjuster
17	017K96680	Front foot assembly adjuster
18	110E11580	TM left hand interlock switch (77-306)
19	-	Left front cover assembly (Not Spared)

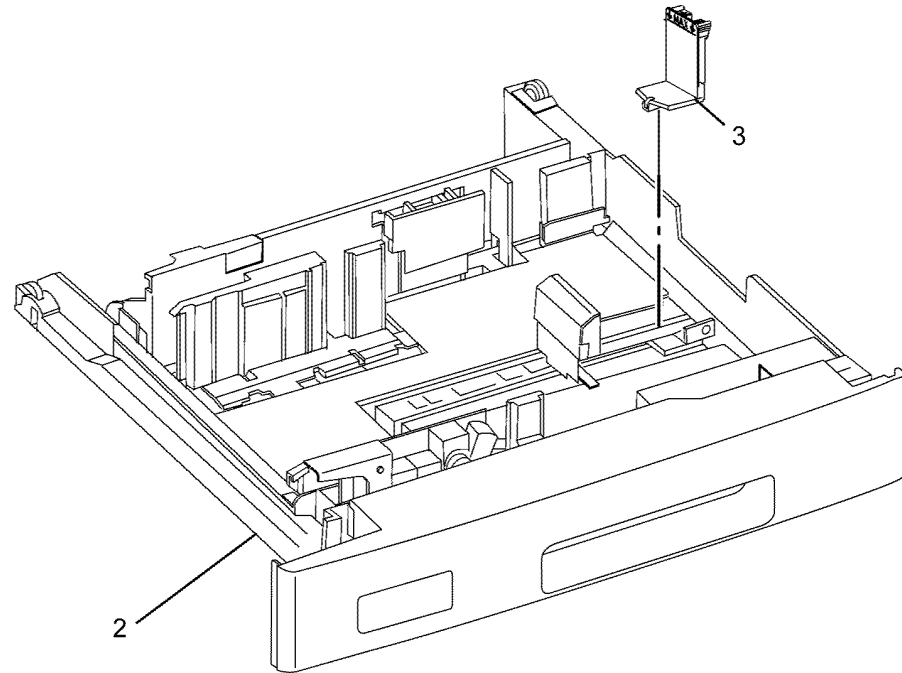


C-8-0117-A

PL 70.100 Envelope Tray

Item	Part	Description	
1	–	Envelope tray assembly (See NOTE)	1 { 2 , 3
2	–	Envelope tray (P/O PL 70.100 Item 1)	
3	038E44700	End guide	

NOTE: Refer to PL 31.05 for the Envelope tray kit.

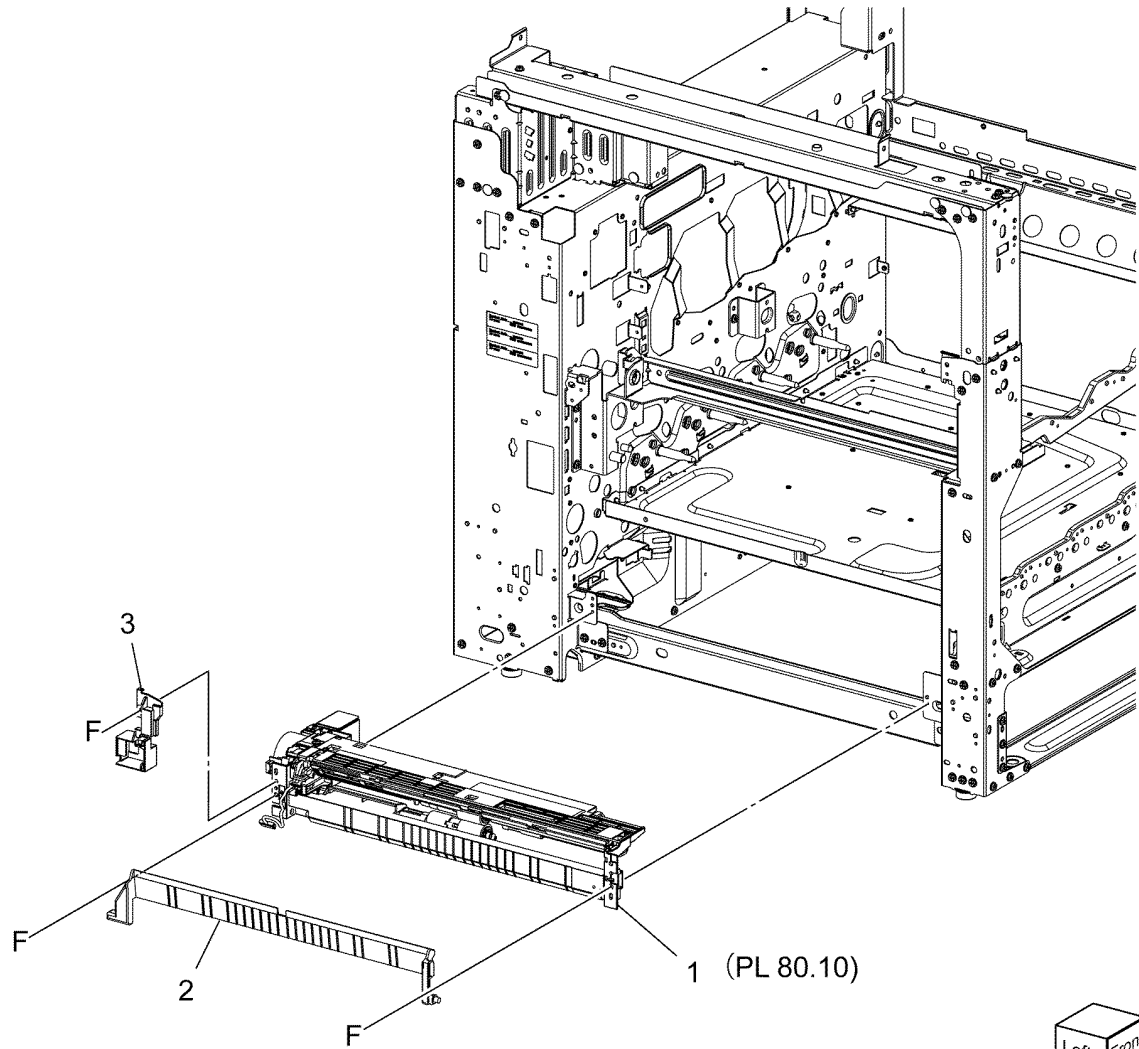


C-8-0118-A

PL 80.05 Tray 1 Feeder

Item	Part	Description
1	859K08544	Tray 1 feeder assembly (REF: PL 80.10, PL 80.11) (See NOTE) (REP 80.1)
2	054E33803	Feed out chute
3	-	Harness holder (Not Spared)

NOTE: HFSI. To reset the HFSI count, refer to dC135.

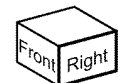
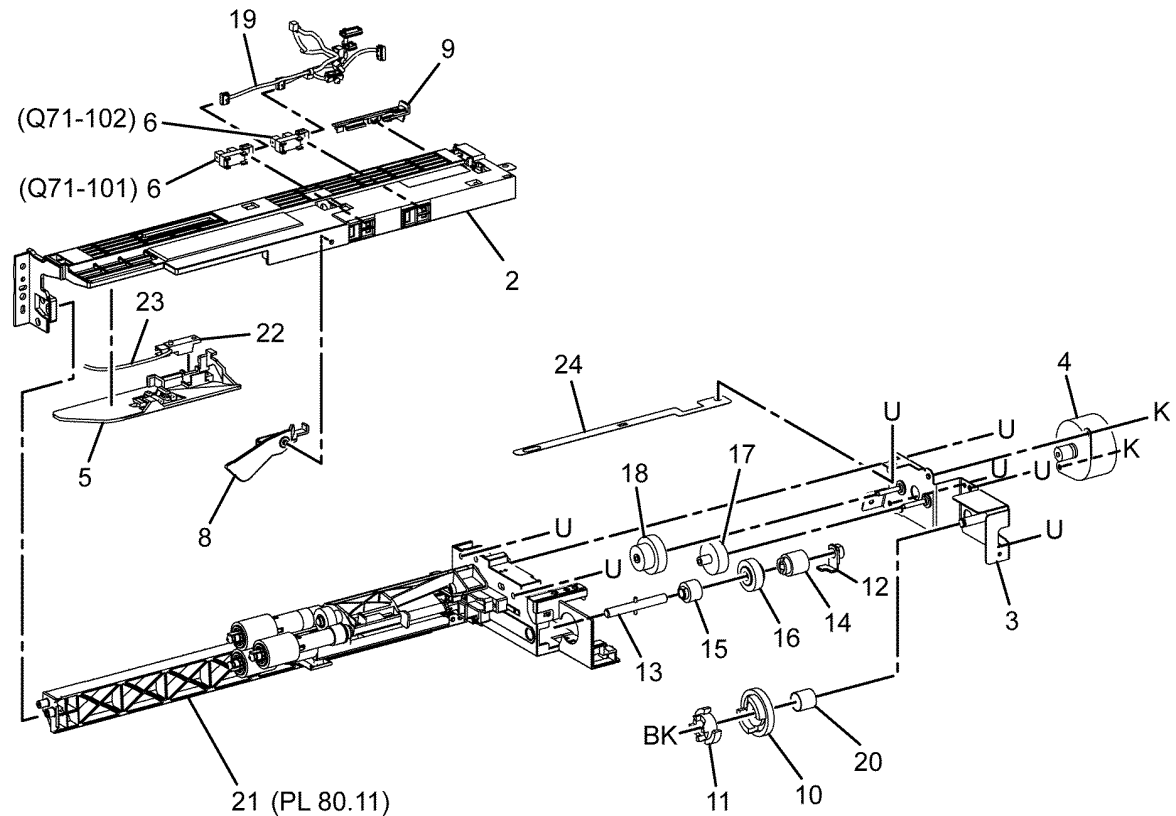


C-8-0119-A

PL 80.10 Tray 1 Feeder Assembly (1 of 2)

Item	Part	Description
1	-	Tray 1 feeder assembly (REF: PL 80.05 Item 1)
2	-	Upper frame (P/O PL 80.10 Item 1)
3	-	Drive bracket assembly (P/O PL 80.10 Item 1)
4	127K52790	Tray 1 feed/lift motor (MOT71-001)
5	-	Chute (P/O PL 80.10 Item 1)
6	930W00123	Tray 1 level sensor (Q71-102)/Tray 1 no paper sensor (Q71-101)
7	-	Not used
8	120E22481	Sensor actuator
9	-	Harness rear holder (P/O PL 80.10 Item 1)
10	-	Gear 31T (P/O PL 80.10 Item 1)
11	-	Spacer (P/O PL 80.10 Item 1)
12	-	Bearing shaft (P/O PL 80.10 Item 1)
13	-	Drive shaft assembly (P/O PL 80.10 Item 1)
14	-	Gear 13 (P/O PL 80.10 Item 1)
15	005K83081	One way clutch assembly (P/O PL 80.10 Item 1)
16	-	One way gear assembly (P/O PL 80.10 Item 1)
17	-	Helical gear 25T (P/O PL 80.10 Item 1)
18	-	Helical gear 29/19T (P/O PL 80.10 Item 1)
19	-	Sensor harness assembly (P/O PL 80.10 Item 1)
20	-	Spring (P/O PL 80.10 Item 1)
21	-	Roll assembly (P/O PL 80.10 Item 1)
22	930W00211	Tray 1 pre feed sensor (Q71-105)
23	-	Pre feed sensor harness (P/O PL 80.10 Item 1)
24	-	Plate earth nudger (P/O PL 80.10 Item 1)

1 { 2 - 24, PL 80.11 items 1 - 23

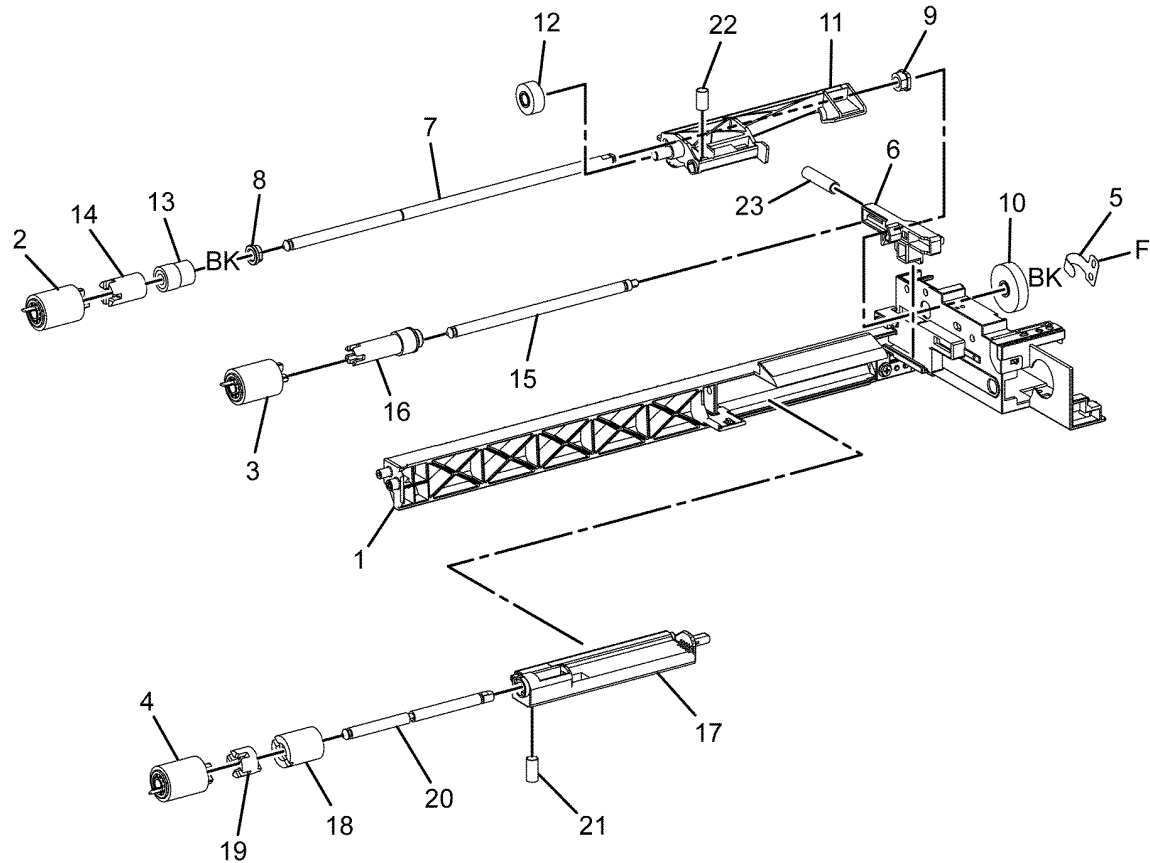


C-8-0120-A

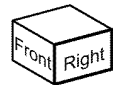
PL 80.11 Tray 1 Feeder Assembly (2 of 2)

24 { 2 - 4

Item	Part	Description
1	-	Lower frame (P/O PL 80.10 Item 1)
2	-	Feed roll (P/O PL 80.11 Item 24) (REP 80.2)
3	-	Nudger roll (P/O PL 80.11 Item 24) (REP 80.2)
4	-	Retard roll (P/O PL 80.11 Item 24) (REP 80.2)
5	-	Earth feed plate (P/O PL 80.10 Item 1)
6	-	Lever (P/O PL 80.10 Item 1)
7	-	Feed shaft (P/O PL 80.10 Item 1)
8	-	Bearing (P/O PL 80.10 Item 1)
9	-	Bearing (P/O PL 80.10 Item 1)
10	-	Helical gear 30T (P/O PL 80.10 Item 1)
11	-	Nudger support (P/O PL 80.10 Item 1)
12	-	Spur gear 33T (P/O PL 80.10 Item 1)
13	005K06760	Clutch assembly 22T
14	005K05890	Clutch assembly
15	-	Nudger shaft (P/O PL 80.10 Item 1)
16	-	Gear 25T (P/O PL 80.10 Item 1)
17	-	Retard support (P/O PL 80.10 Item 1)
18	005K14200	Friction clutch assembly
19	-	Spacer (P/O PL 80.10 Item 1)
20	-	Retard shaft (P/O PL 80.10 Item 1)
21	-	Retard spring compression (P/O PL 80.10 Item 1)
22	-	Nudger spring compression (P/O PL 80.10 Item 1)
23	-	Lever spring compression (P/O PL 80.10 Item 1)
24	607K12020	Feed roller kit (See NOTE) (REP 80.2)



NOTE: HFSI. To reset the HFSI counter, refer to dC135.

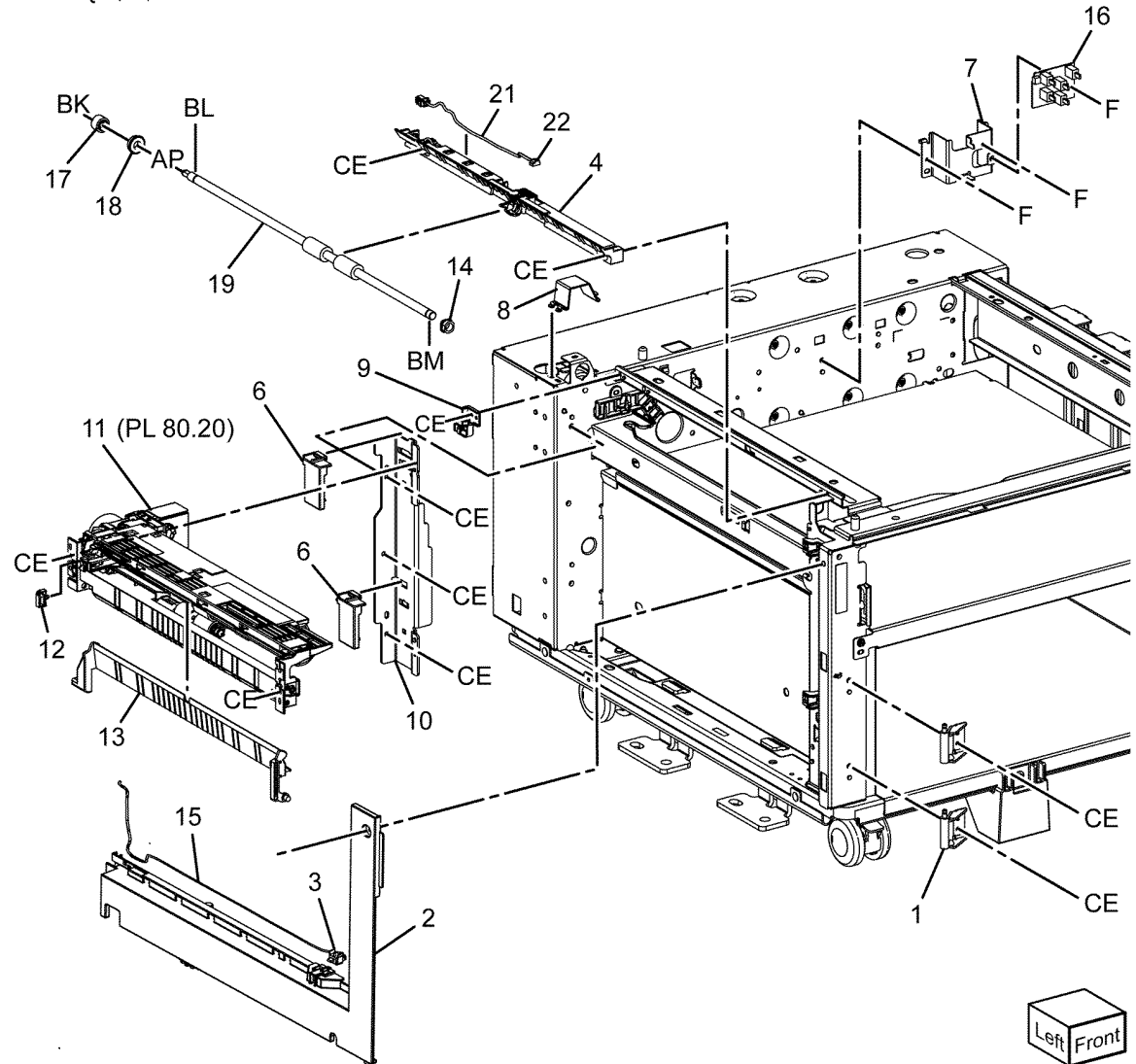


C-8-0121-A

PL 80.15 1TM Feeder

Item	Part	Description	
1	-	Hinge bracket (Not Spared)	5 { 17 - 19
2	-	Left front cover (P/O PL 80.15 Item 20)	20 { 2, 3, 15
3	110E11580	TM left hand interlock switch (S77-306)	
4	-	Exit chute (Not Spared)	
5	859K03850	Takeaway roll assembly	
6	-	ESD cover (Not Spared)	
7	-	Sensor bracket (Not Spared)	
8	-	Cover bracket (Not Spared)	
9	-	Left guide (Not Spared)	
10	-	Bracket (Not Spared)	
11	859K09731	Feeder assembly (REF: PL 80.20, PL 80.25) (See NOTE) (REP 80.3)	
12	920W01210	Locking clamp	
13	054E33803	Feed chute	
14	013E46870	Bearing	
15	-	Harness assembly (P/O PL 80.15 Item 20)	
16	110K17951	Tray 2 paper size sensor	
17	-	Gear 16T (P/O PL 80.15 Item 5)	
18	-	Ball bearing (P/O PL 80.15 Item 5)	
19	-	Takeaway roll (P/O PL 80.15 Item 5)	
20	-	Left front cover assembly (Not Spared)	
21	-	Feed out sensor harness (P/O PL 80.15 Item 4)	
22	930W00123	Tray 2 feed out sensor (Q72-103)	

NOTE: HFSI. To reset the HFSI counter, refer to dC135.



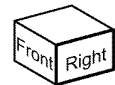
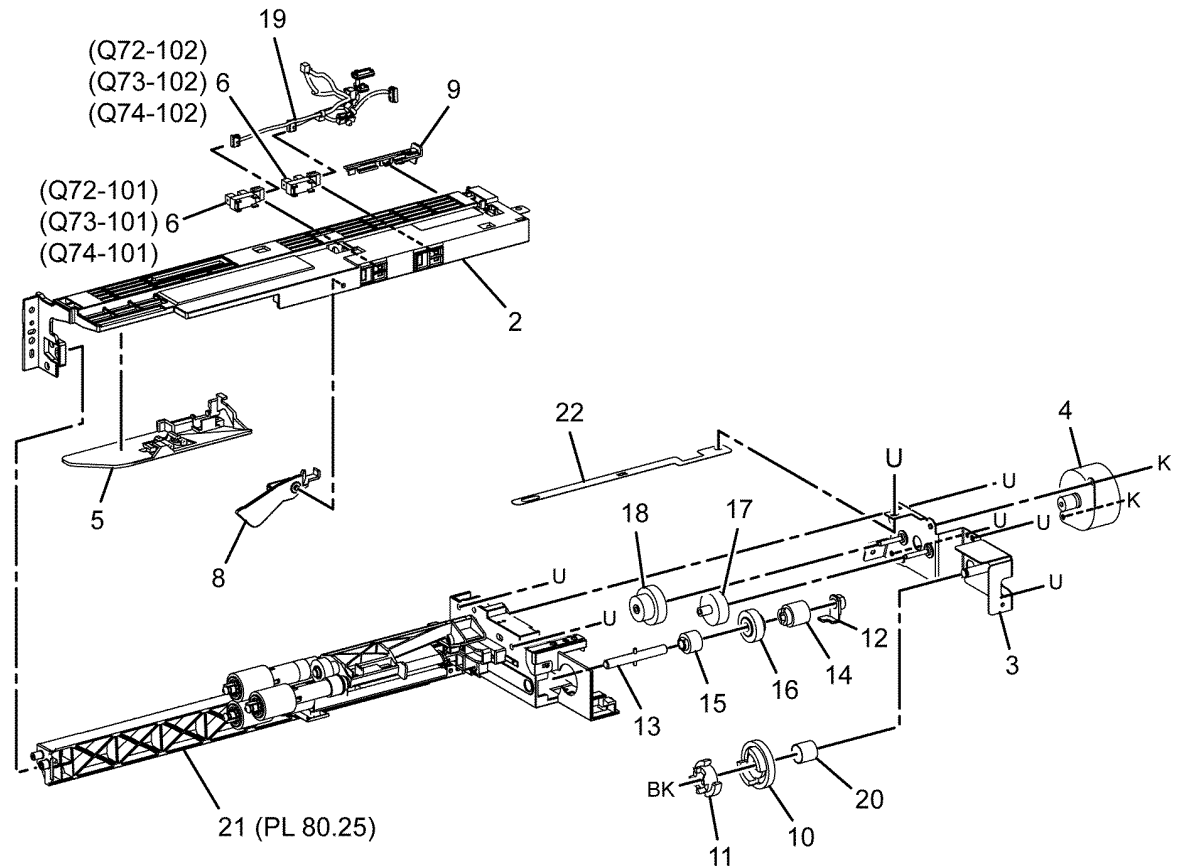
Left Front

C-8-0122-A

PL 80.20 Tray 2, 3 and 4 Feeder Assembly (1 of 2)

Item	Part	Description
1	-	Tray 2/3/4 feeder assembly (REF: PL 80.15, PL 80.30, PL 80.35, PL 80.65, PL 80.70)
2	-	Upper frame (P/O PL 80.20 Item 1)
3	-	Drive bracket assembly (P/O PL 80.20 Item 1)
4	127K52790	Tray 2 feed/lift motor (MOT72-001)/ Tray 3 feed/lift motor (MOT73-001)/Tray 4 feed/lift motor (MOT74-001) (P/O PL 80.20 Item 1)
5	-	Chute (P/O PL 80.20 Item 1)
6	930W00123	Tray 2 level sensor (Q72-102)/Tray 3 level sensor (Q73-102)/Tray 4 level sensor (Q74-102)/Tray 2 no paper sensor (Q72-101)/Tray 3 no paper sensor (Q73-101)/Tray 4 no paper sensor (Q74-101)
7	-	Not used
8	120E22481	Tray 2 no paper sensor actuator
9	-	Harness rear holder (P/O PL 80.20 Item 1)
10	-	Gear 31 (P/O PL 80.20 Item 1)
11	-	Spacer (P/O PL 80.20 Item 1)
12	-	Bearing shaft (P/O PL 80.20 Item 1)
13	-	Drive shaft assembly (P/O PL 80.20 Item 1)
14	-	Gear 13T (P/O PL 80.20 Item 1)
15	005K83081	One way clutch assembly (P/O PL 80.20 Item 1)
16	-	One way gear assembly (P/O PL 80.20 Item 1)
17	-	Helical gear 25T (P/O PL 80.20 Item 1)
18	-	Helical gear 29/19T (P/O PL 80.20 Item 1)
19	-	Sensor harness assembly (P/O PL 80.20 Item 1)
20	-	Spring (P/O PL 80.20 Item 1)
21	-	Roll assembly (P/O PL 80.20 Item 1)
22	-	Plate earth nudger (P/O PL 80.20 Item 1)

1 { 2 - 22, PL 80.25 items 1 - 23

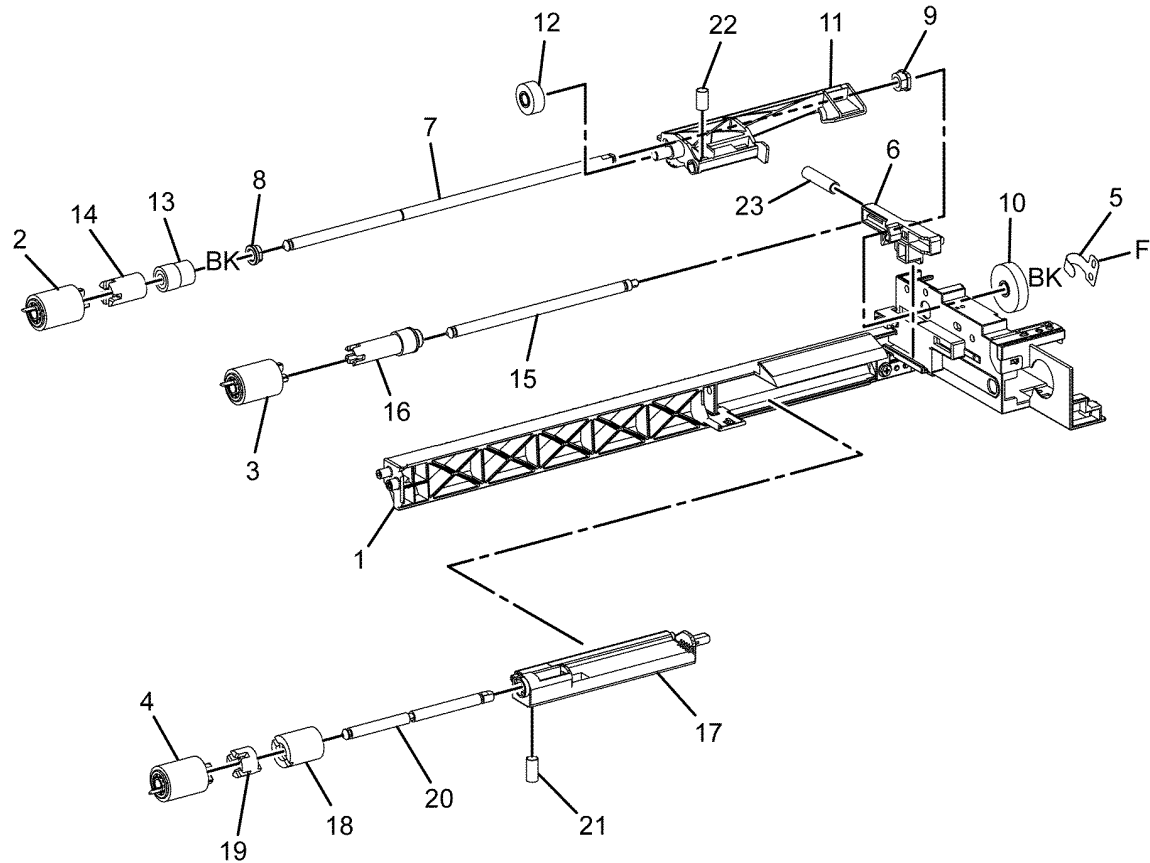


C-8-0123-A

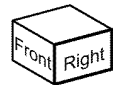
PL 80.25 Tray 2, 3 and 4 Feeder Assembly (2 of 2)

24 { 2 - 4

Item	Part	Description
1	–	Lower frame (P/O PL 80.20 Item 1)
2	–	Feed roll (P/O PL 80.25 Item 24) (REP 80.6)
3	–	Nudger roll (P/O PL 80.25 Item 24) (REP 80.6)
4	–	Retard roll (P/O PL 80.25 Item 24) (REP 80.6)
5	–	Earth feed plate (P/O PL 80.20 Item 1)
6	–	Lever (P/O PL 80.20 Item 1)
7	–	Feed shaft (P/O PL 80.20 Item 1)
8	–	Bearing (P/O PL 80.20 Item 1)
9	–	Bearing (P/O PL 80.20 Item 1)
10	–	Helical gear 30T (P/O PL 80.20 Item 1)
11	–	Nudger support (P/O PL 80.20 Item 1)
12	–	Spur gear 33T (P/O PL 80.20 Item 1)
13	005K06760	Clutch assembly 22T
14	005K05890	Clutch assembly
15	–	Nudger shaft (P/O PL 80.20 Item 1)
16	–	Gear 25T (P/O PL 80.20 Item 1)
17	–	Retard support (P/O PL 80.20 Item 1)
18	005K14200	Friction clutch assembly
19	–	Spacer (P/O PL 80.20 Item 1)
20	–	Retard shaft (P/O PL 80.20 Item 1)
21	–	Retard spring compression (P/O PL 80.20 Item 1)
22	–	Nudger spring compression (P/O PL 80.20 Item 1)
23	–	Lever spring compression (P/O PL 80.20 Item 1)
24	607K12020	Feed roller kit (See NOTE) (REP 80.6, REP 80.12, REP 80.15)



NOTE: HFSI. To reset the HFSI counter, refer to dC135.

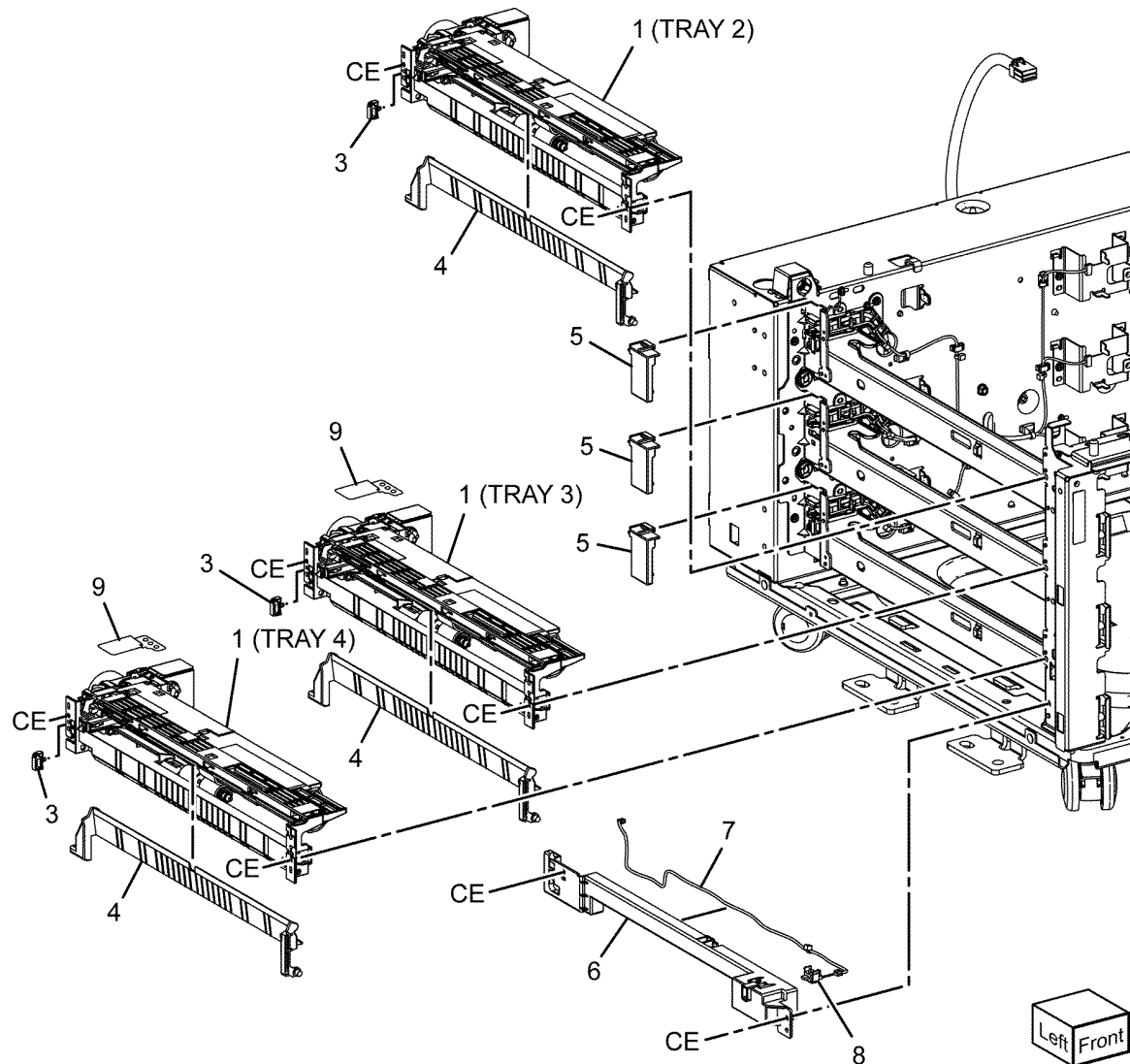


C-8-0124-A

PL 80.30 3TM Feeders

Item	Part	Description
1	859K09731	Tray 2/3/4 feeder assembly (REF: PL 80.20, PL 80.25) (See NOTE) (tray 2 - REP 80.7, tray 3 - REP 80.8, tray 4 - REP 80.9)
2	-	Not used
3	920W01209	Locking clamp
4	054E33803	Feed chute
5	-	ESD cover (Not Spared)
6	-	IL cover assembly (Not Spared)
7	-	IL harness assembly (Not Spared)
8	110E11580	TM left hand interlock switch (S77-306)
9	-	FDR 2T cover (Not Spared)

NOTE: HFSI. To reset the HFSI counter, refer to dC135.

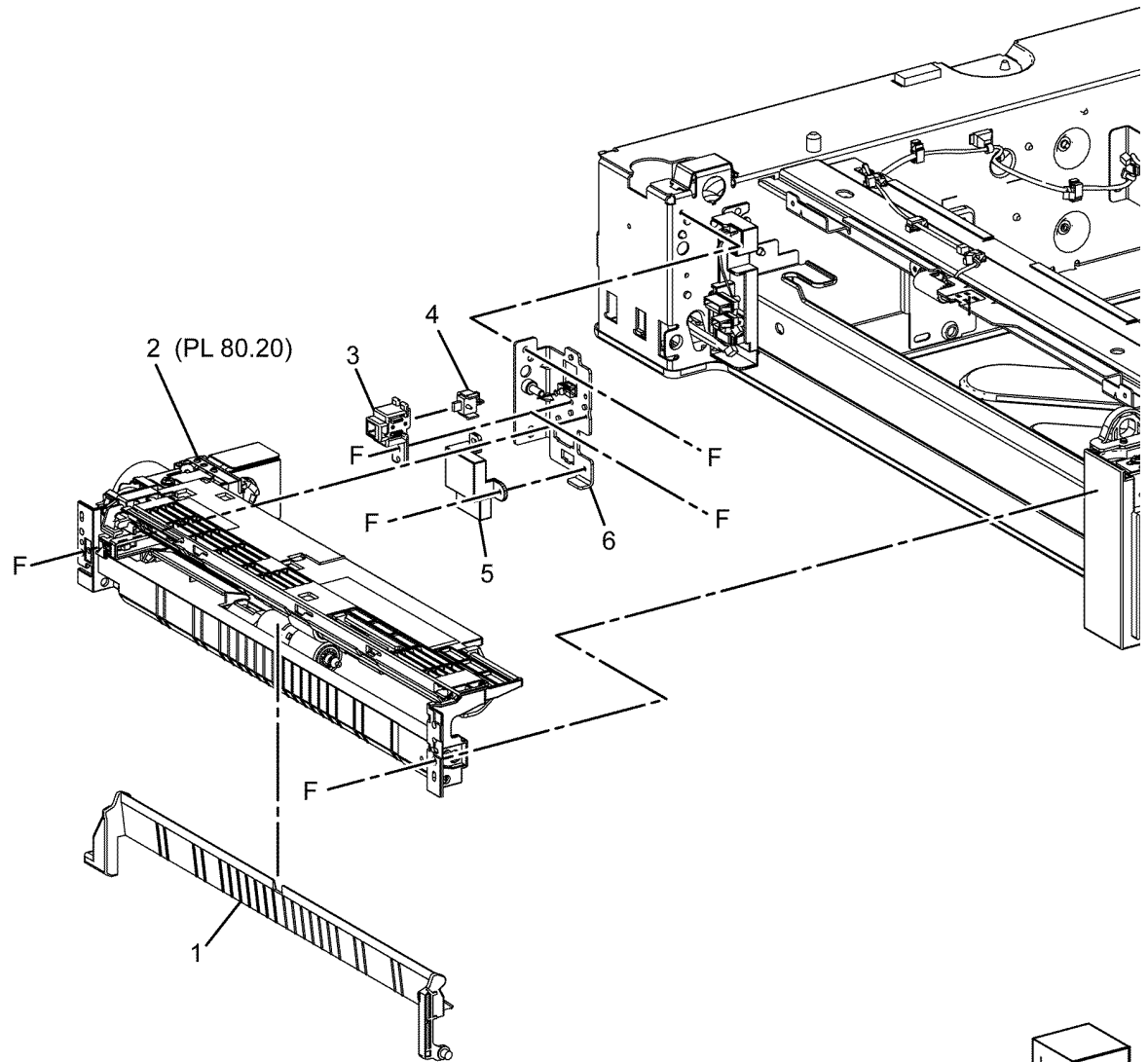


C-8-0125-A

PL 80.35 STM Feeder

Item	Part	Description
1	054E33803	Feed chute
2	859K09731	Tray 2 feeder assembly (See NOTE)
3	–	IL cover (Not Spared)
4	110E12220	TM left hand interlock switch (S77-306)
5	–	ESD STM cover (Not Spared)
6	–	Latch bracket assembly (Not Spared)

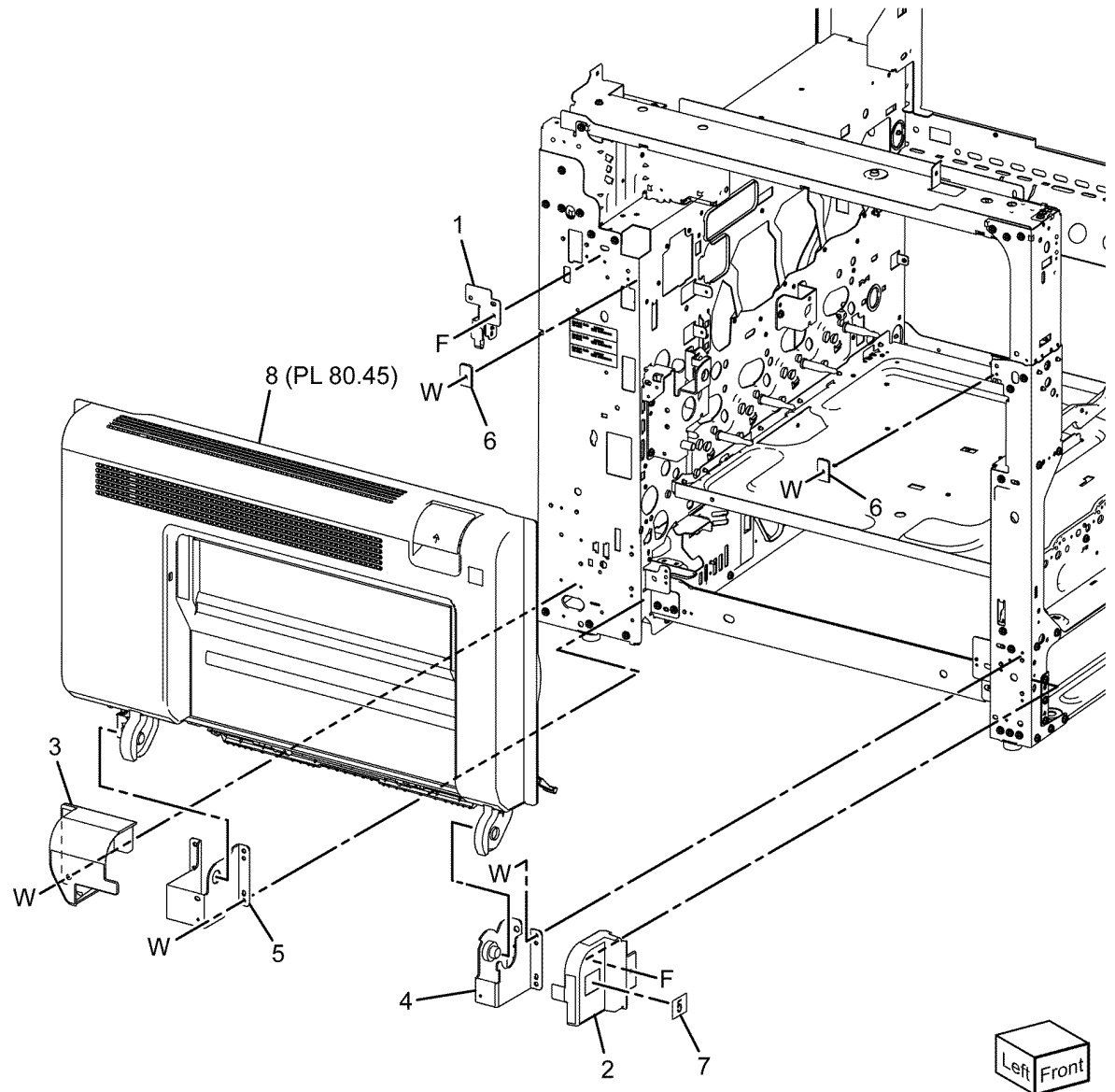
NOTE: HFSI. To reset the HFSI count, refer to dC135.



C-8-0126-A

PL 80.40 LH Transport Components

Item	Part	Description
1	110K18072	Left hand high cover switch (S77-302)
2	-	Front hinge cover (Not Spared)
3	-	Rear hinge cover (Not Spared)
4	-	Bypass tray front frame assembly (Not Spared)
5	-	Bypass tray rear frame assembly (Not Spared)
6	-	Latch guide (Not Spared)
7	-	Number label (5) (Not Spared)
8	859K09611	L/H cover (REP 80.18)



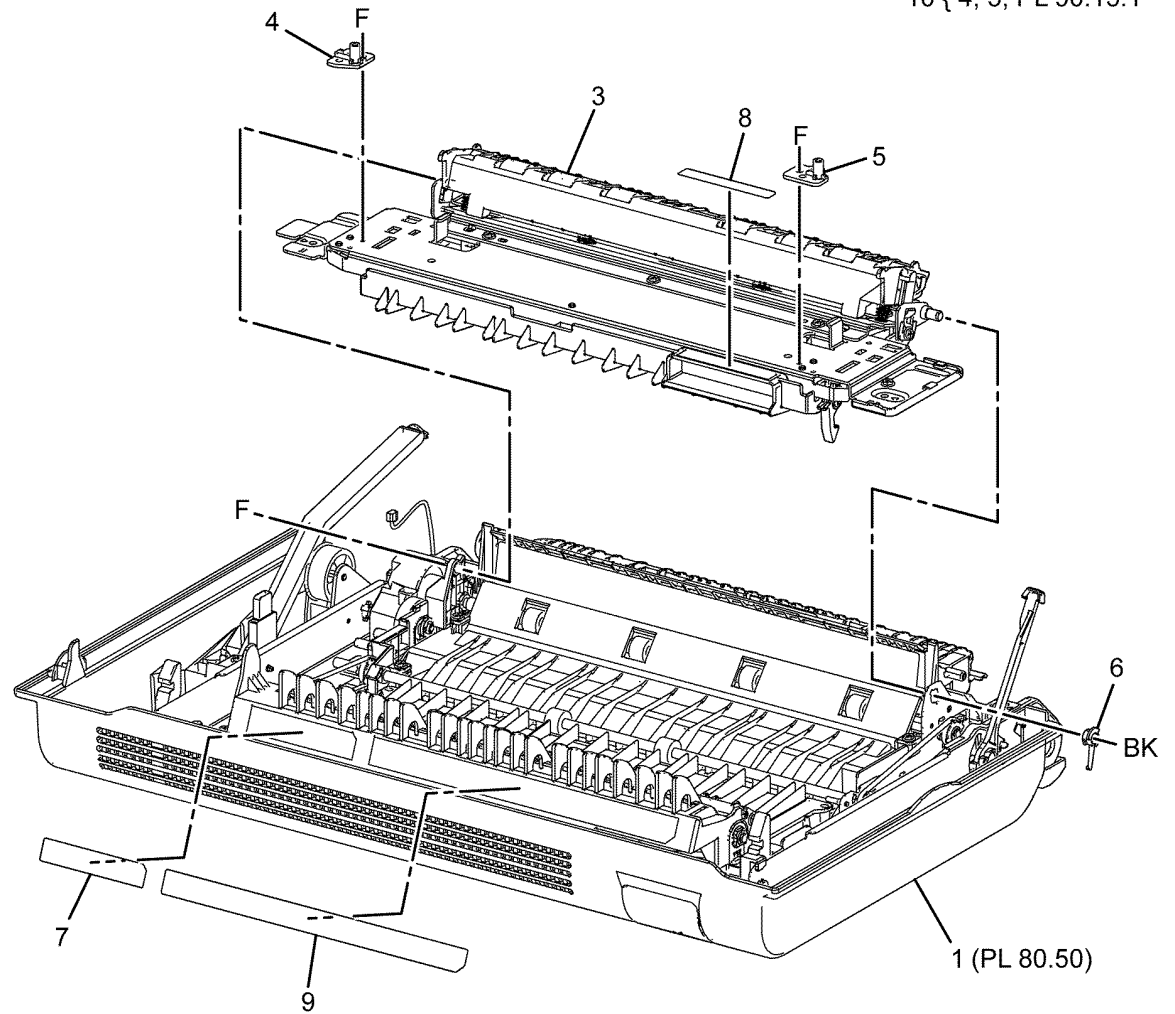
C-8-0127-A

PL 80.45 LH Transport Assembly

Item	Part	Description
1	-	LH cover assembly (REF: PL 80.50)
2	-	Inner duplex chute assembly
3	-	Inner duplex chute (P/O PL 80.45 Item 2)
4	-	Holder-in (P/O PL 80.45 Item 2)
5	-	Holder-out (P/O PL 80.45 Item 1)
6	-	Bearing (Not Spared)
7	-	Caution label (Not Spared)
8	-	Inner label (Not Spared)
9	-	Label (Not Spared)
10	-	Transfer chute assembly (Not Spared)

2 { 3 - 5

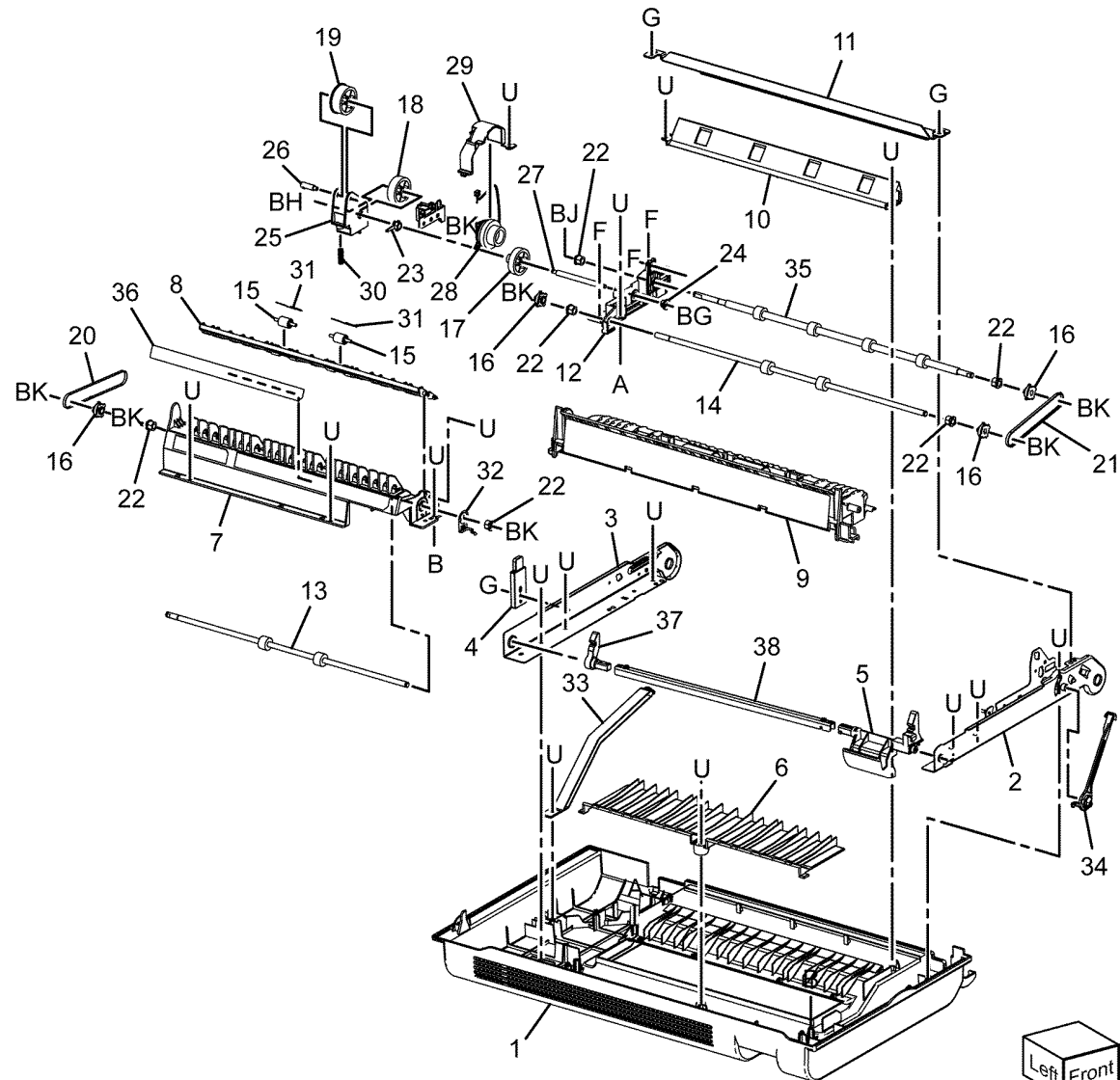
10 { 4, 5, PL 90.15.1



C-8-0128-A

PL 80.50 Duplex LH Cover Components

Item	Part	Description
1	-	Left cover (Not Spared)
2	-	Front frame (Not Spared)
3	-	Rear frame (Not Spared)
4	-	Fusing plate (Not Spared)
5	011E28352	Lever latch front mat
6	-	Duplex cover chute (Not Spared)
7	-	LH cover duplex chute (Not Spared)
8	-	LH low chute (Not Spared)
9	-	TA pinch chute assembly (Not Spared)
10	-	Duplex out chute (Not Spared)
11	-	Plate tie TA (Not Spared)
12	-	Gear bracket (Not Spared)
13	-	Duplex 1 roll (Not Spared)
14	-	Duplex 2 roll (Not Spared)
15	-	Duplex nip roll (Not Spared)
16	-	Pulley (Not Spared)
17	-	Gear (Not Spared)
18	-	Gear (Not Spared)
19	-	Swing gear (Not Spared)
20	-	Belt (Not Spared)
21	-	Belt (Not Spared)
22	-	Bearing (Not Spared)
23	-	Bearing (Not Spared)
24	-	Bearing (Not Spared)
25	-	Swing bracket (Not Spared)
26	-	Swing shaft (Not Spared)
27	-	Clutch shaft (Not Spared)
28	121K56560	Duplex clutch (CL77-003)
29	-	Clutch cover (Not Spared)
30	-	Spring (Not Spared)
31	-	Pinch spring (Not Spared)
32	-	Ground plate (Not Spared)
33	869E14461	LH rear support
34	868E48840	LH front support
35	-	Duplex 3 roll (Not Spared)
36	-	Label (Not Spared)
37	011E29140	Rear latch lever
38	-	Plate latch (Not Spared)

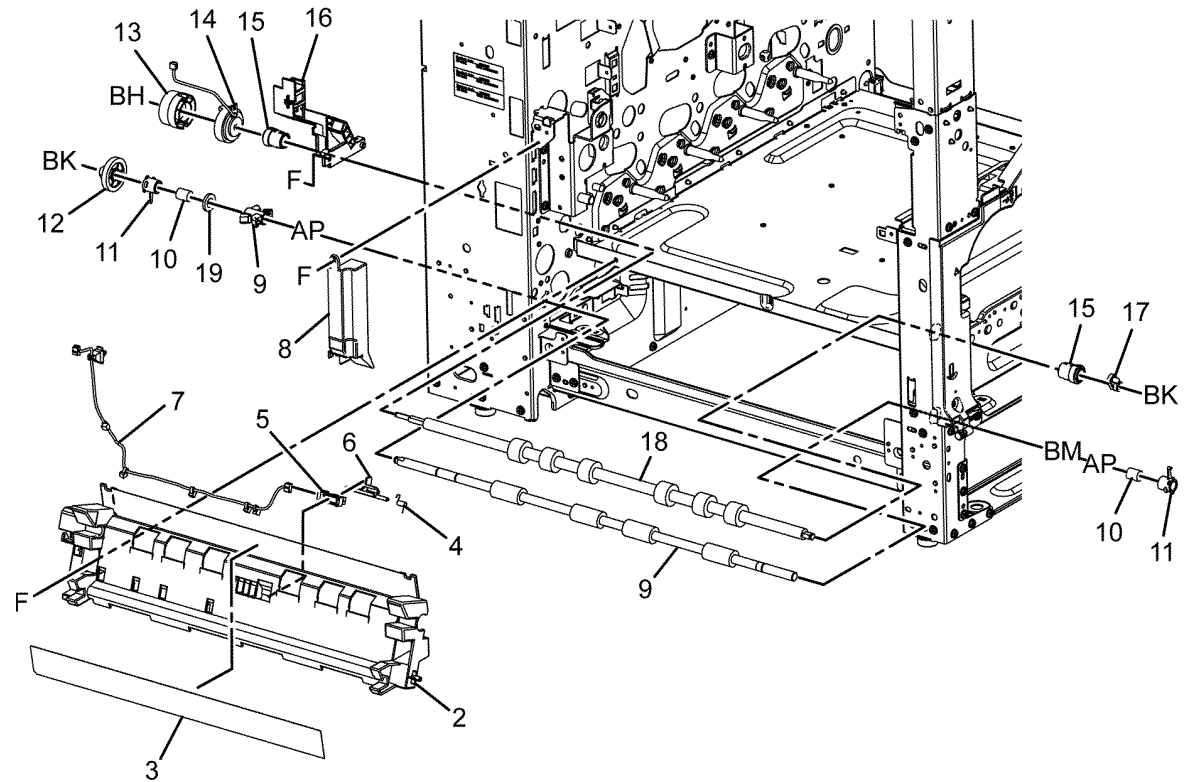


Left Front

C-8-0129-A

PL 80.55 Registration

Item	Part	Description	
1	859K01531	Registration transport assembly (REP 80.19)	1 { 2 - 7
2	-	Registration MA chute (P/O PL 80.55 Item 1)	20 { 13, 14
3	-	Inlet film chute (P/O PL 80.55 Item 1)	
4	-	Registration spring actuator (P/O PL 80.55 Item 1)	
5	930W00123	Registration sensor (Q77-104)	
6	120E35300	Registration actuator	
7	-	Registration sensor IBK harness assembly (P/O PL 80.55 Item 1)	
8	-	Connect cover (Not Spared)	
9	859K01520	Takeaway roll 1	
10	899E10940	TA spring	
11	013E45340	TA bearing	
12	807E48210	Gear 36T	
13	807E45610	Registration clutch gear	
14	121K55550	Registration clutch (CL77-002)	
15	013E45090	Registration bearing	
16	-	Guide harness (Not Spared)	
17	005E94862	Registration coupling	
18	059K87340	Registration roll (REP 80.20)	
19	-	Washer NY 8-1 (Not Spared)	
20	-	Registration clutch assembly (Not Spared)	

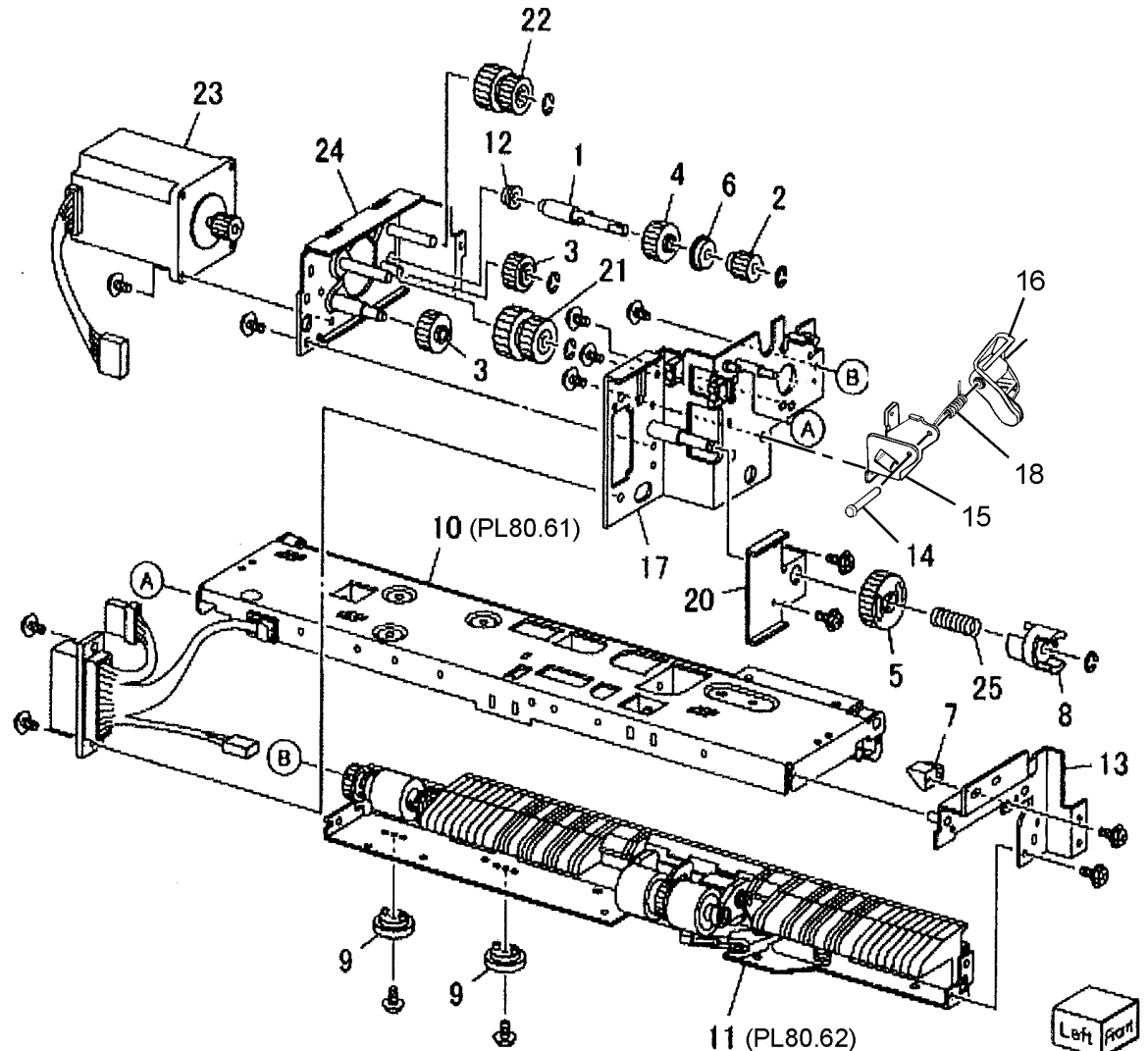


C-8-0066-B

PL 80.60 HCF Feeder (1 of 3)

Item	Part	Description
1	-	Shaft (P/O PL 70.45 Item 11)
2	007E78760	Gear 19T
3	007E78770	Gear 25T
4	007E78780	Gear 25T
5	007E78790	Gear 40T
6	013E25530	Bearing
7	-	Block (P/O PL 70.45 Item 11)
8	-	Spacer (P/O PL 70.45 Item 11)
9	019E56470	Holder
10	-	Upper feeder assembly (P/O PL 70.45 Item 11)
11	-	Lower feeder assembly (P/O PL 70.45 Item 11)
12	413W66250	Ball bearing
13	-	Front frame (P/O PL 70.45 Item 11)
14	-	Pin (P/O PL 70.45 Item 11)
15	-	Down bracket (P/O PL 70.45 Item 11)
16	-	Link bracket (P/O PL 70.45 Item 11)
17	-	Rear frame (P/O PL 70.45 Item 11)
18	-	Tension spring (P/O PL 70.45 Item 11)
19	-	Lift/Motor frame (P/O PL 70.45 Item 11)
20	-	Bracket (P/O PL 80.60 Item 19)
21	007K88520	Gear 23T/27T
22	007K88530	Gear 31T/36T
23	127K37901	HCF feed/lift motor (MOT78-003) (REP 80.27)
24	-	Plate (P/O PL 80.60 Item 19)
25	-	Spring (P/O PL 70.45 Item 11)

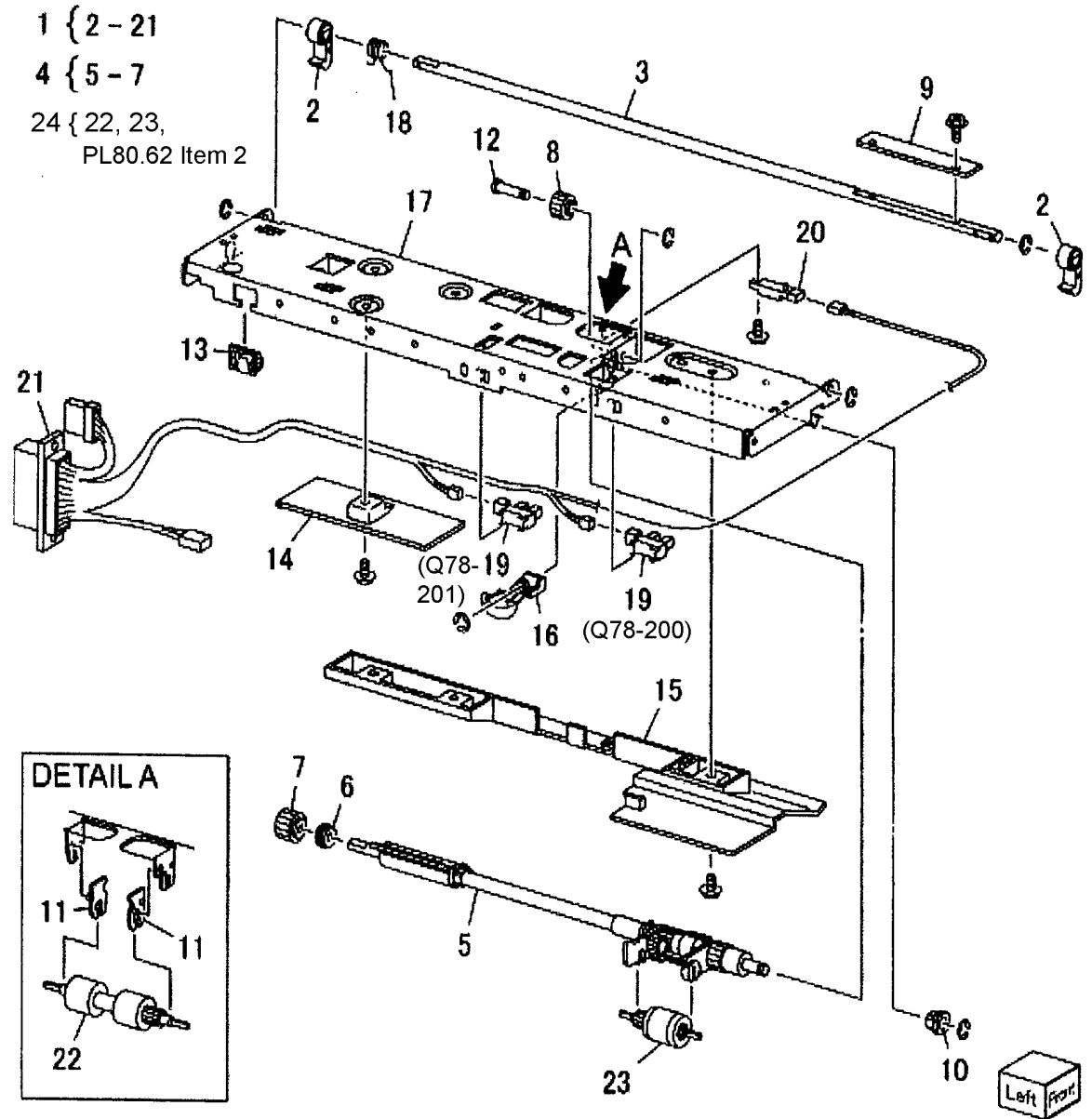
19 { 20 - 24



C-8-0130-A

PL 80.61 HCF Feeder (2 of 3)

Item	Part	Description
1	-	Upper feeder assembly (P/O PL 70.45 Item 11)
2	003E59570	Latch
3	-	Shaft latch (P/O PL 80.61 Item 1)
4	006K23124	Feed shaft assembly (REP 80.23, REP 80.25)
5	-	Feed shaft (P/O PL 80.61 Item 4)
6	413W66250	Ball bearing
7	-	Gear 20T (P/O PL 80.61 Item 4)
8	007E78180	Feed gear 25T
9	-	Lever (P/O PL 80.61 Item 1)
10	-	Bearing (P/O PL 80.61 Item 1)
11	-	Spacer (P/O PL 80.61 Item 1)
12	-	Pin drive (P/O PL 80.61 Item 1)
13	-	Guide (P/O PL 80.61 Item 1)
14	-	Rear upper chute (P/O PL 80.61 Item 1)
15	-	Upper chute (P/O PL 80.61 Item 1)
16	120E21900	Actuator
17	-	Upper frame (P/O PL 80.61 Item 1)
18	-	Spring (P/O PL 80.61 Item 1)
19	930W00112	HCF no paper sensor (Q78-200)/ HCF level sensor (78-201)
20	-	HCF Pre feed sensor (Q78-100) (P/O PL 80.61 Item 1)
21	-	Wire harness (P/O PL 80.61 Item 1)
22	-	Feed roll (P/O PL 80.61 Item 24)
23	-	Nudger roll (P/O PL 80.61 Item 24)
24	604K23660	Feed roller kit (REP 80.22)

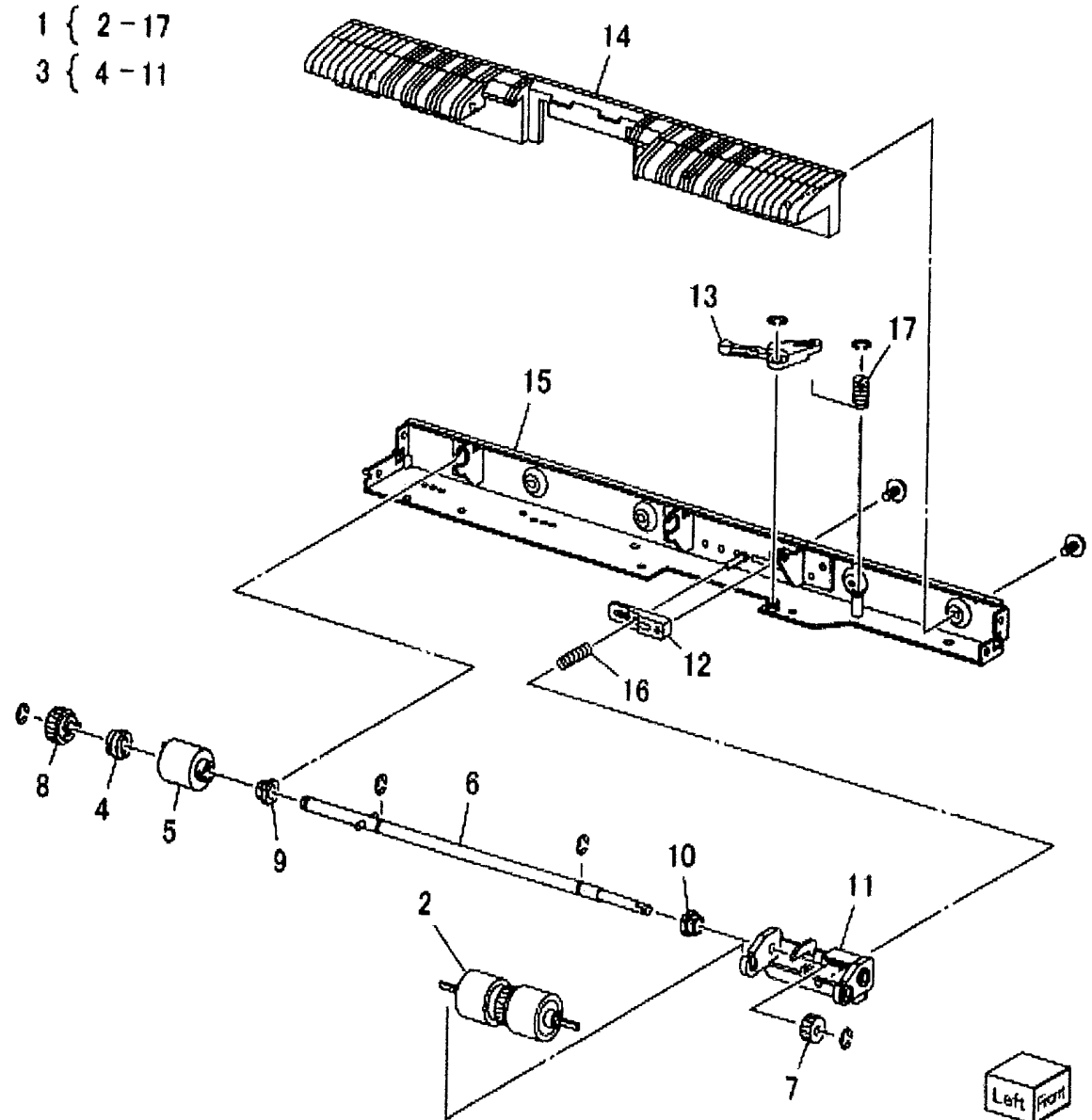


C-8-0131-A

PL 80.62 HCF Feeder (3 of 3)

Item	Part	Description
1	-	Lower feed assembly (Not Spared)
2	-	Retard roll (P/O PL 80.61 Item 24)
3	-	Retard shaft assembly (P/O PL 80.62 Item 1)
4	-	Collar (P/O PL 80.62 Item 3)
5	005K84000	Friction clutch
6	-	Shaft (P/O PL 80.62 Item 3)
7	007E78170	Gear 15T
8	007E89760	Gear 22T
9	013E23600	Bearing
10	013E23610	Bearing
11	-	Retard bracket (P/O PL 80.62 Item 3)
12	-	Slide (P/O PL 80.62 Item 1)
13	-	Lever (P/O PL 80.62 Item 1)
14	-	Lower chute (P/O PL 80.62 Item 1)
15	-	Lower frame (P/O PL 80.62 Item 1)
16	-	Spring (P/O PL 80.62 Item 1) (REP 80.25)
17	-	Spring (P/O PL 80.62 Item 1) (REP 80.24)

1 { 2-17
3 { 4-11

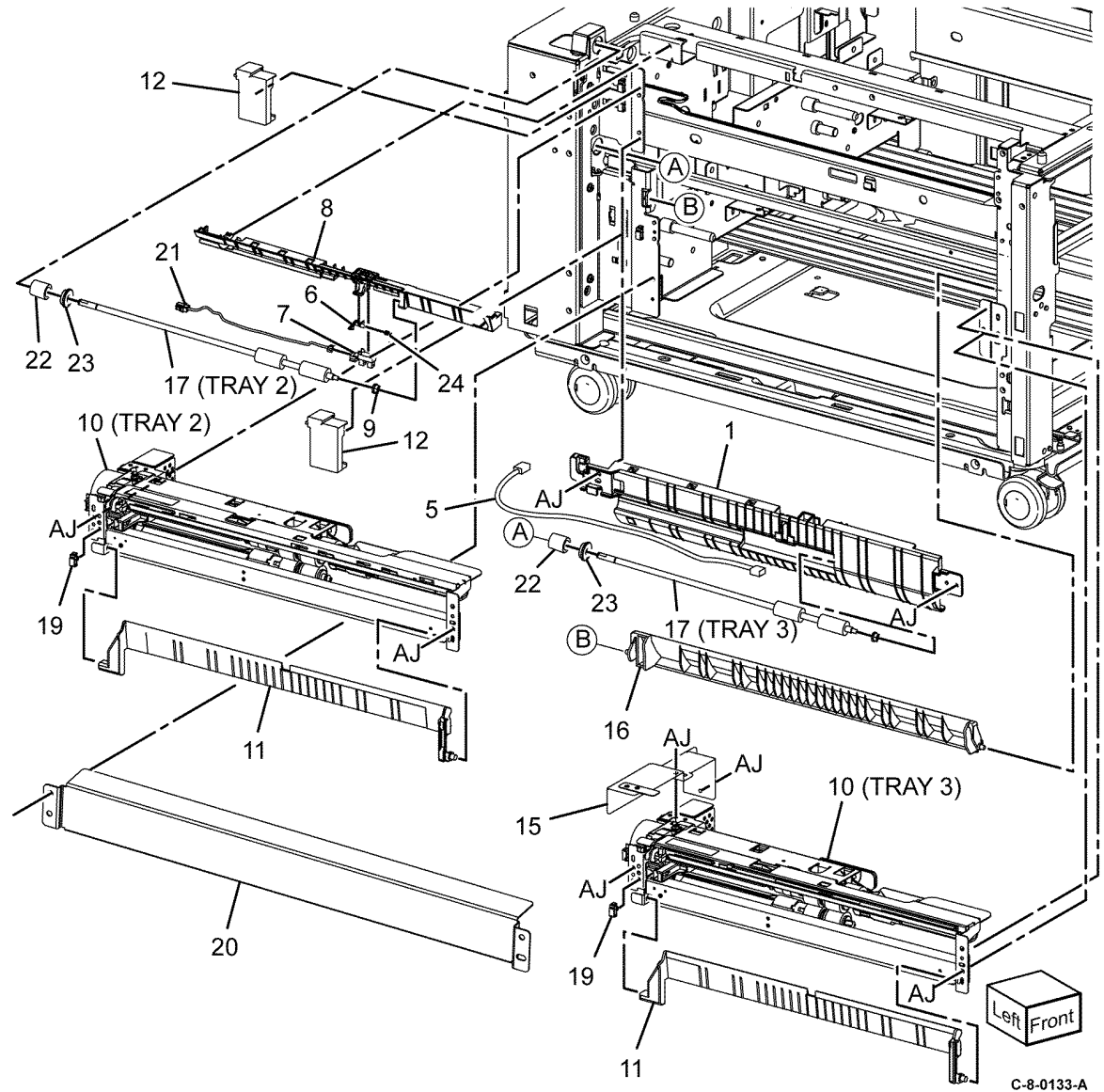


C-8-0132-A

PL 80.65 TTM Tray 2 and 3 Feeders

Item	Part	Description
1	054E59220	TTM chute (REP 80.30)
2	-	Not used
3	-	Not used
4	-	Not used
5	-	Harness assembly (Not Spared)
6	120E37920	Sensor actuator
7	930W00123	Tray 2 feed out sensor (Q72-103) (REP 80.36)
8	-	TA chute (Not Spared)
9	013E46870	Plastic bearing
10	859K09731	Tray 2/3 feeder assembly (REF: PL 80.20, PL 80.25) (See NOTE) (tray 2 - REP 80.33, tray 3 - REP 80.34)
11	054E33803	Feed chute
12	-	ESD cover (Not Spared)
13	-	Not used
14	-	Not used
15	-	Feeder cover (Not Spared)
16	-	Feed trans - chute (Not Spared)
17	859K04560	Takeaway roll (See NOTE) (REP 80.41)
18	-	Not used
19	-	Clamp (Not Spared)
20	-	Inner cover (Not Spared)
21	-	Harness assembly (Not Spared)
22	-	Gear 16T (Not Spared)
23	-	Sleeve bearing (Not Spared)
24	-	Spring (Not Spared)

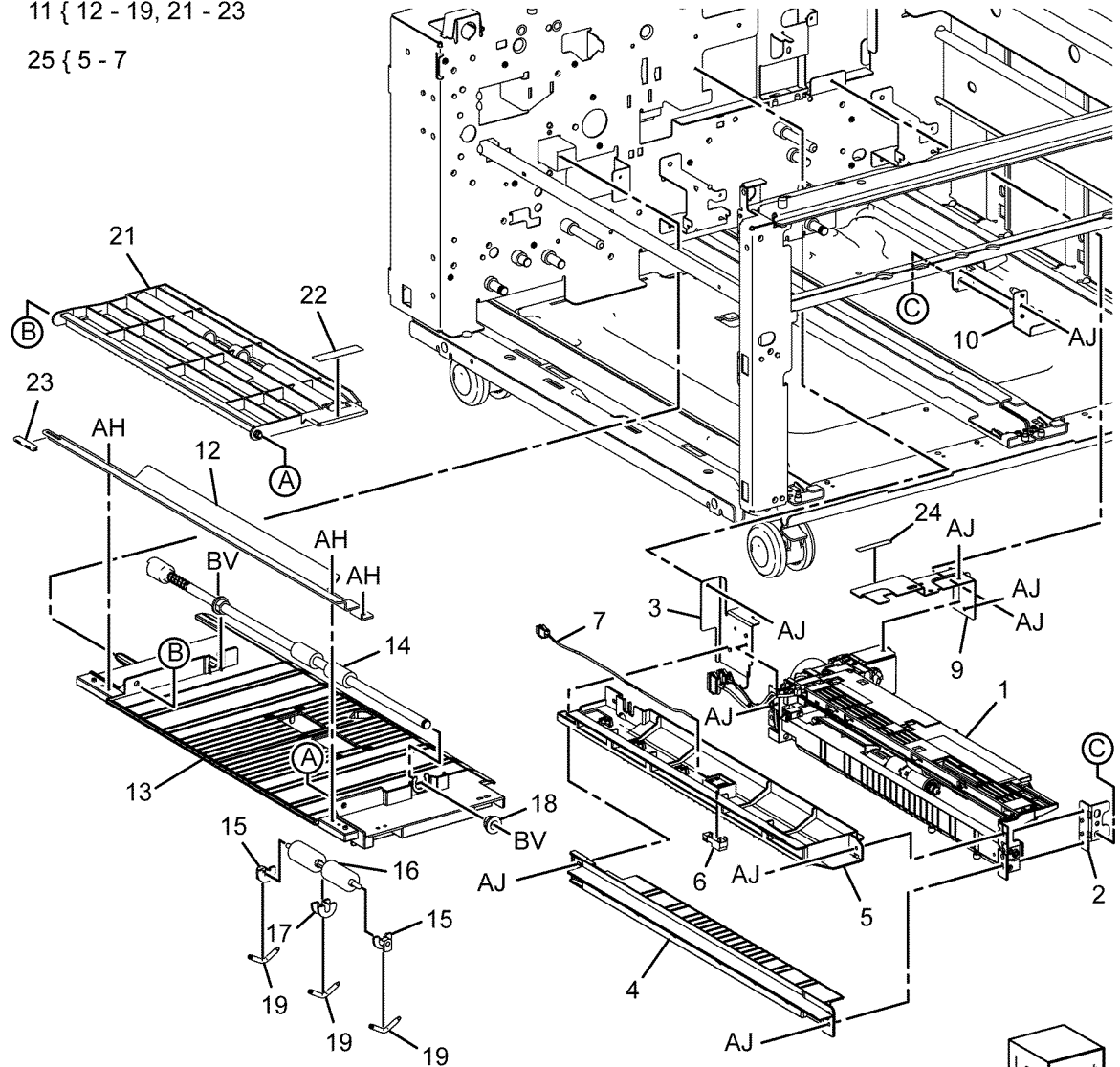
NOTE: HFSI. To reset the HFSI count, refer to dC135.



PL 80.70 TTM Tray 4 Feeder

Item	Part	Description
1	859K00483	Tray 4 feeder assembly (REF: PL 80.20, PL 80.25) (See NOTE) (REP 80.35)
2	-	Bracket (Not Spared)
3	-	Bracket (Not Spared)
4	054E57341	Lower feed chute (REP 80.29)
5	-	Upper feed chute (P/O PL 80.70 Item 25) (REP 80.31)
6	930W00212	Tray 4 feed out sensor
7	-	Wire harness (P/O PL 80.70 Item 25)
8	-	Not used
9	-	Feeder cover (Not Spared)
10	-	Support bracket (Not Spared)
11	-	Tray 4 transport assembly (Not Spared)
12	-	Transport rail (P/O PL 80.70 Item 11)
13	-	Lower chute (P/O PL 80.70 Item 11)
14	-	Transport roll assembly (P/O PL 80.70 Item 11)
15	-	Bearing (P/O PL 80.70 Item 11)
16	059E98860	Nip roll (REP 80.32)
17	-	Bearing (P/O PL 80.70 Item 11)
18	-	Bearing (P/O PL 80.70 Item 11)
19	-	Spring (P/O PL 80.70 Item 11)
20	-	Not used
21	-	Upper chute (P/O PL 80.70 Item 11)
22	-	Label (P/O PL 80.70 Item 11)
23	-	Spacer (P/O PL 80.70 Item 11)
24	-	Label (Not Spared)
25	054K54480	Upper chute assembly

11 { 12 - 19, 21 - 23
25 { 5 - 7



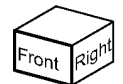
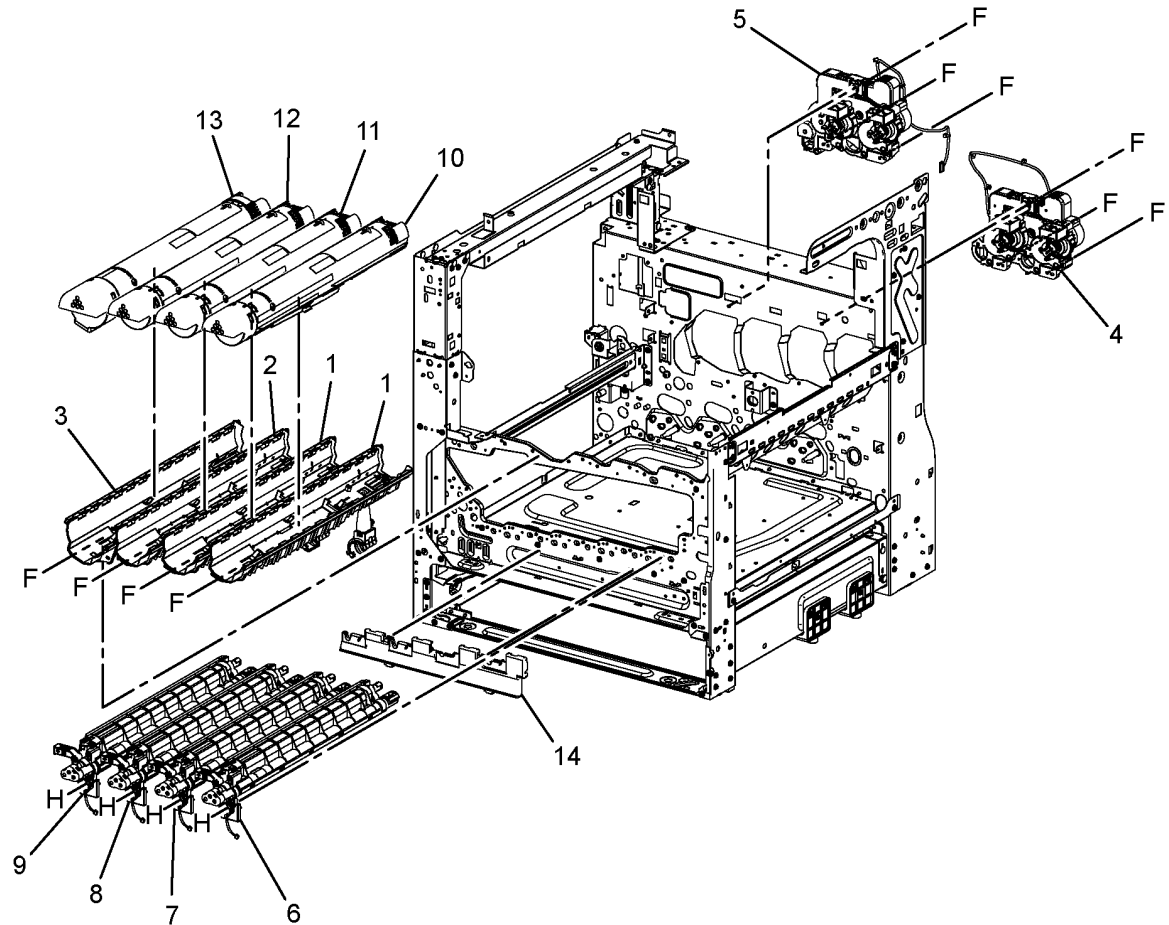
NOTE: HFSI. To reset the HFSI count, refer to dC135.

C-8-0134-A

PL 90.05 Dispenser, Developer Unit

Item	Part	Description
1	-	Dispenser YM (REF: PL 90.10)
2	-	Dispenser C (REF: PL 90.10)
3	-	Dispenser K (REF: PL 90.10)
4	-	Dispenser Drive YM (REF: PL 90.15)
5	-	Dispenser Drive CK (REF: PL 90.15)
6	-	Developer Unit Y (REF: PL 90.30) (REP 90.1)
7	-	Developer Unit M (REF: PL 90.30) (REP 90.1)
8	-	Developer Unit C (REF: PL 90.30) (REP 90.1)
9	-	Developer Unit K (REF: PL 90.30) (REP 90.1)
10	-	Toner cartridge Y (REF: PL 26.05) (See NOTE)
11	-	Toner cartridge M (REF: PL 26.10) (See NOTE)
12	-	Toner cartridge C (REF: PL 26.10) (See NOTE)
13	-	Toner cartridge K (REF: PL 26.05) (See NOTE)
14	-	Harness cover

NOTE: For Toner cartridge variants look in Consumables at PL 26.05 and PL 26.10.

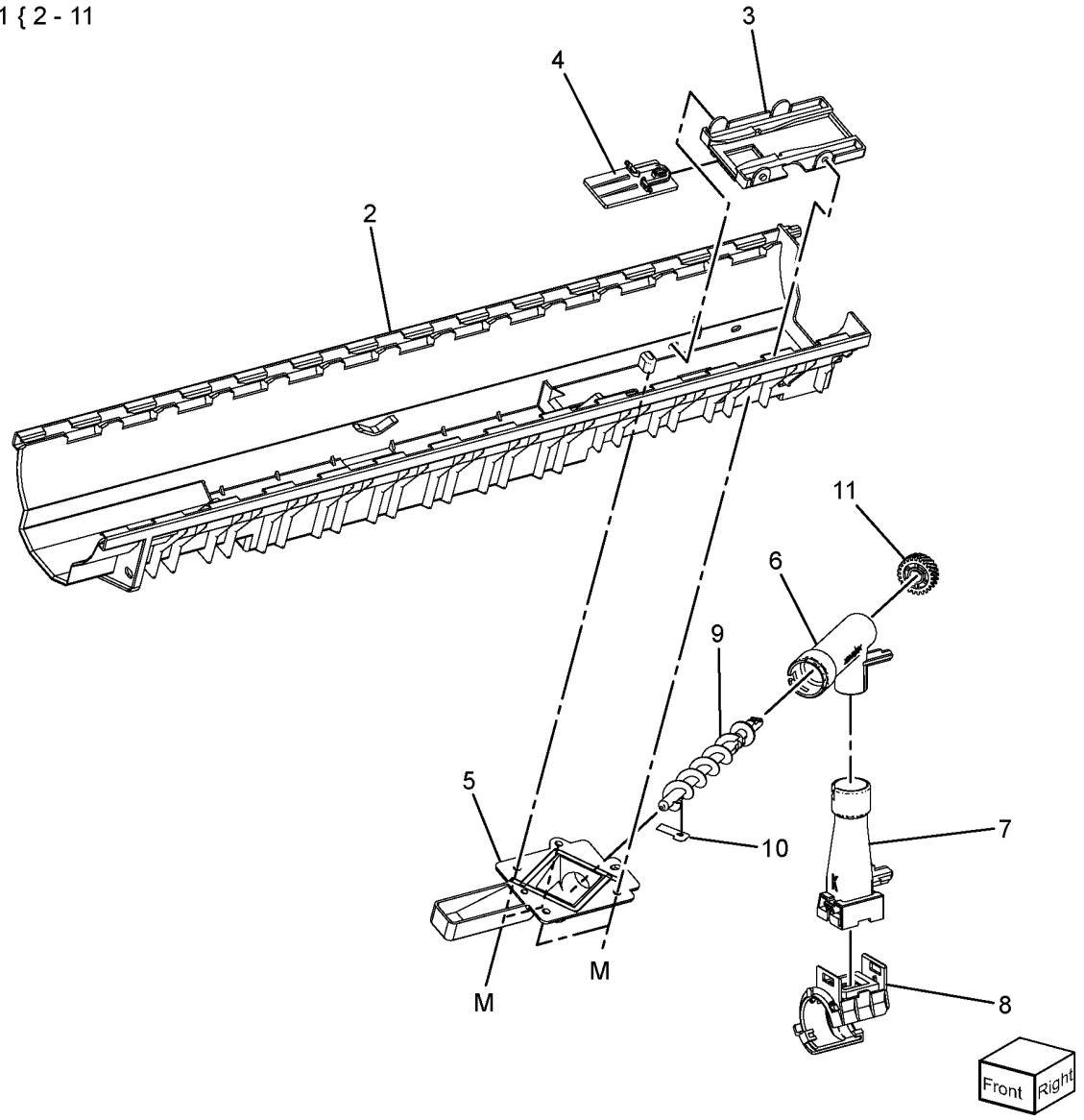


C-8-0055-A

PL 90.10 Dispenser Components

Item	Part	Description
1	094K93870	Dispenser Y,M (REP 90.4)
-	094K94062	Dispenser C (REP 90.4)
-	094K94072	Dispenser K (REP 90.4)
2	-	Holder cartridge STD Y,M,C (P/O PL 90.10 Item 1)
3	-	Shutter guide assembly (P/O PL 90.10 Item 1)
4	-	Shutter dispenser (P/O PL 90.10 Item 1)
5	-	Pipe dispenser main (P/O PL 90.10 Item 1)
6	-	Pipe dispenser assembly middle (P/O PL 90.10 Item 1)
7	-	Pipe dispenser assembly Lower Y,M,C (P/O PL 90.10 Item 1)
8	-	Pipe dispenser joint assembly (P/O PL 90.10 Item 1)
9	-	Auger (P/O PL 90.10 Item 1)
10	-	Paddle (P/O PL 90.10 Item 1)
11	-	Gear Y,M,K (P/O PL 90.10 Item 1)

1 { 2 - 11

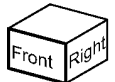
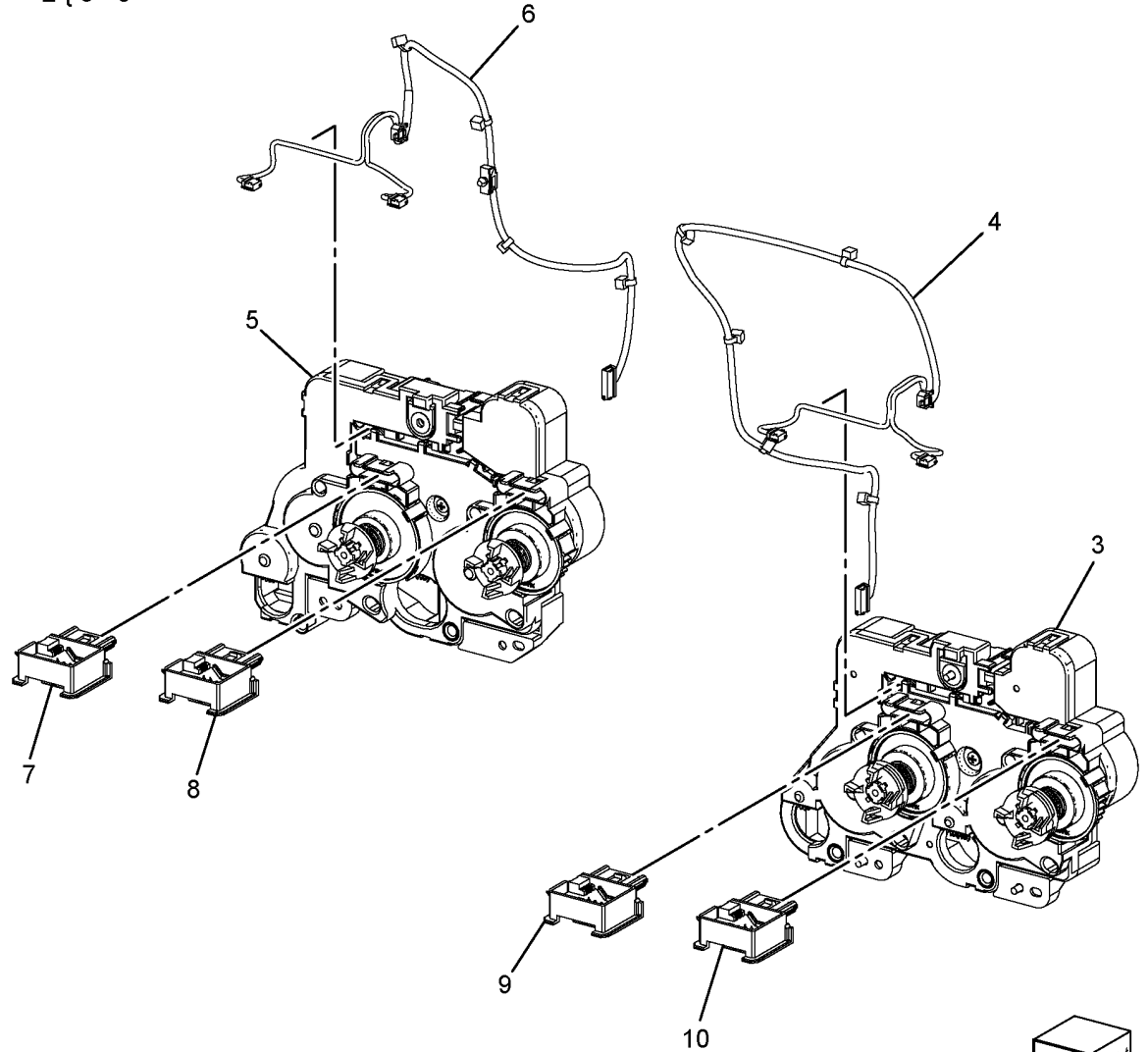


C-8-0056-A

PL 90.15 Dispenser Drive Components

Item	Part	Description
1	007K21081	Dispenser drive (Y, M) (REP 90.2)
2	007K21090	Dispenser drive (C, K) (REP 90.3)
3	-	Toner dispense motor (Y, M) (MOT93-001) (P/O PL 90.15 Item 1)
4	-	Toner CRUM YM harness assembly (P/O PL 90.15 Item 1)
5	-	Toner dispense motor (C, K) (MOT93-001) (P/O PL 90.15 Item 2)
6	-	Toner CRUM CK harness assembly (P/O PL 90.15 Item 2)
7	-	Toner CRUM connector assembly (K) (P/O PL 90.15 Item 2)
8	-	Toner CRUM connector assembly (C) (P/O PL 90.15 Item 2)
9	-	Toner CRUM connector assembly (M) (P/O PL 90.15 Item 1)
10	-	Toner CRUM connector assembly (Y) (P/O PL 90.15 Item 1)

1 { 3, 4, 9, 10
2 { 5 - 8



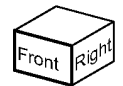
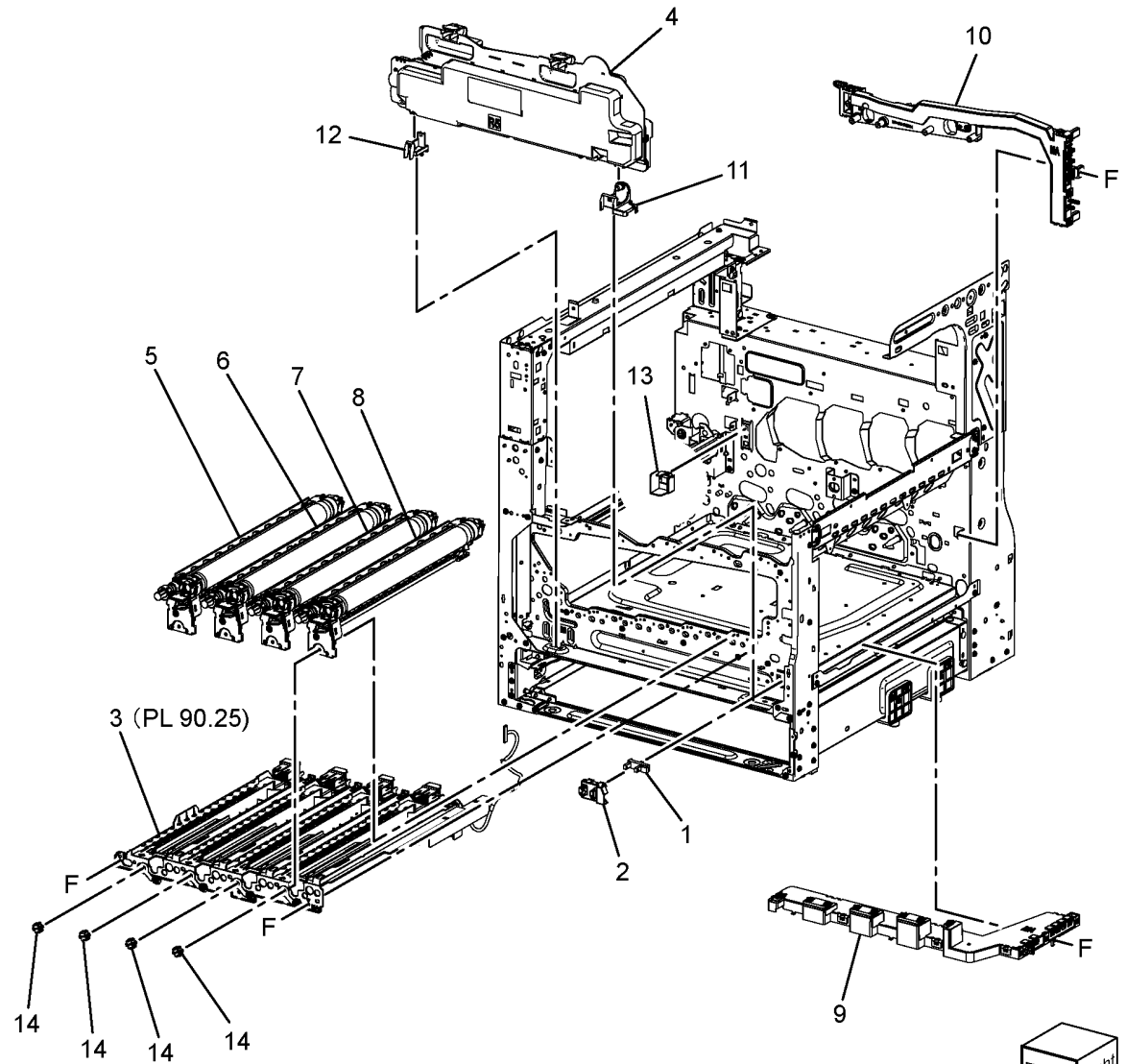
C-8-0057-A

PL 90.20 Xerographic Components

Item	Part	Description
1	930W00511	Waste toner bottle full sensor (Q91-200)
2	-	Sensor waste cover (Not Spared)
3	-	Marking guide assembly (REF: PL 90.25)
4	115R00129	Waste bottle assembly (C7000) (REP 90.6)
-	115R00128	Waste bottle assembly (C7030F) (REP 90.6)
5	113R00780	Drum cartridge (K) (C7030F) (See NOTE 1 & 2) (REP 90.12)
-	113R00782	Drum cartridge (K) (C7000)
6	-	Drum cartridge (C) (See NOTES 1 & 2) (REP 90.12)
7	-	Drum cartridge (M) (See NOTES 1 & 2) (REP 90.12)
8	-	Drum cartridge (Y) (See NOTES 1 & 2) (REP 90.12)
9	848K93810	HVPS housing assembly
10	848K93830	Conductor housing assembly
11	869E04962	Bottle right support
12	869E04972	Bottle left support
13	930K00290	Environment sensor
14	801K70720	Knob strap assembly

NOTE: 1.HFSI. To reset the HFSI count, refer to dC135.

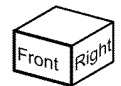
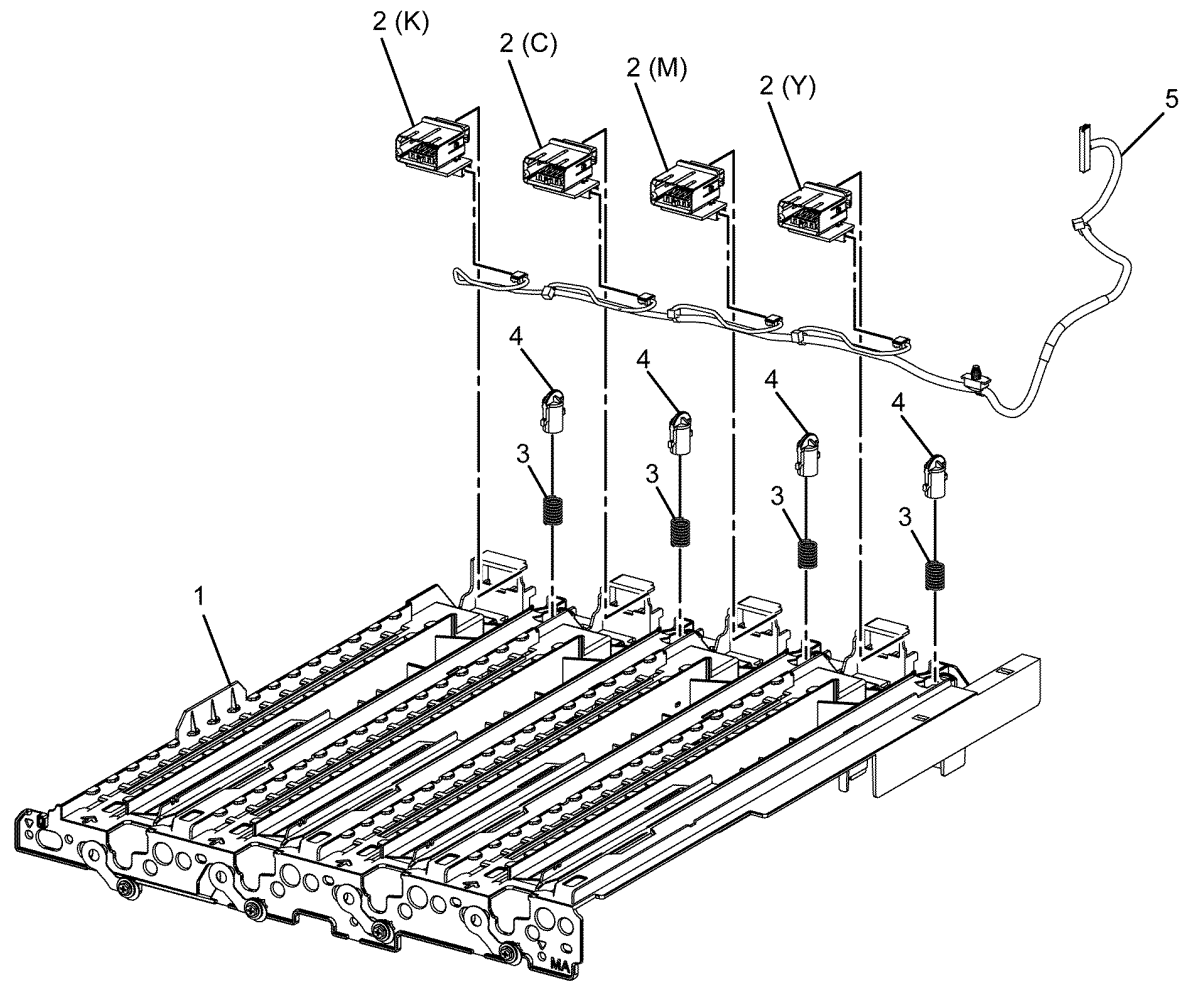
NOTE: 2.For all C/M/Y Drum cartridges order 113R00780 (C7030F) or 113R00782 (C7000) as per item 5.



C-8-0063-A

PL 90.25 Marking Guide Components

Item	Part	Description
1	032K09600	Guide marking
2	019K17630	Xero CRUM connector assembly (C, M, Y, K)
3	–	Tracking rear spring (Not Spared)
4	–	Developer rear plunger (Not Spared)
5	952K21420	Xero CRUM harness assembly

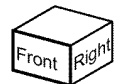
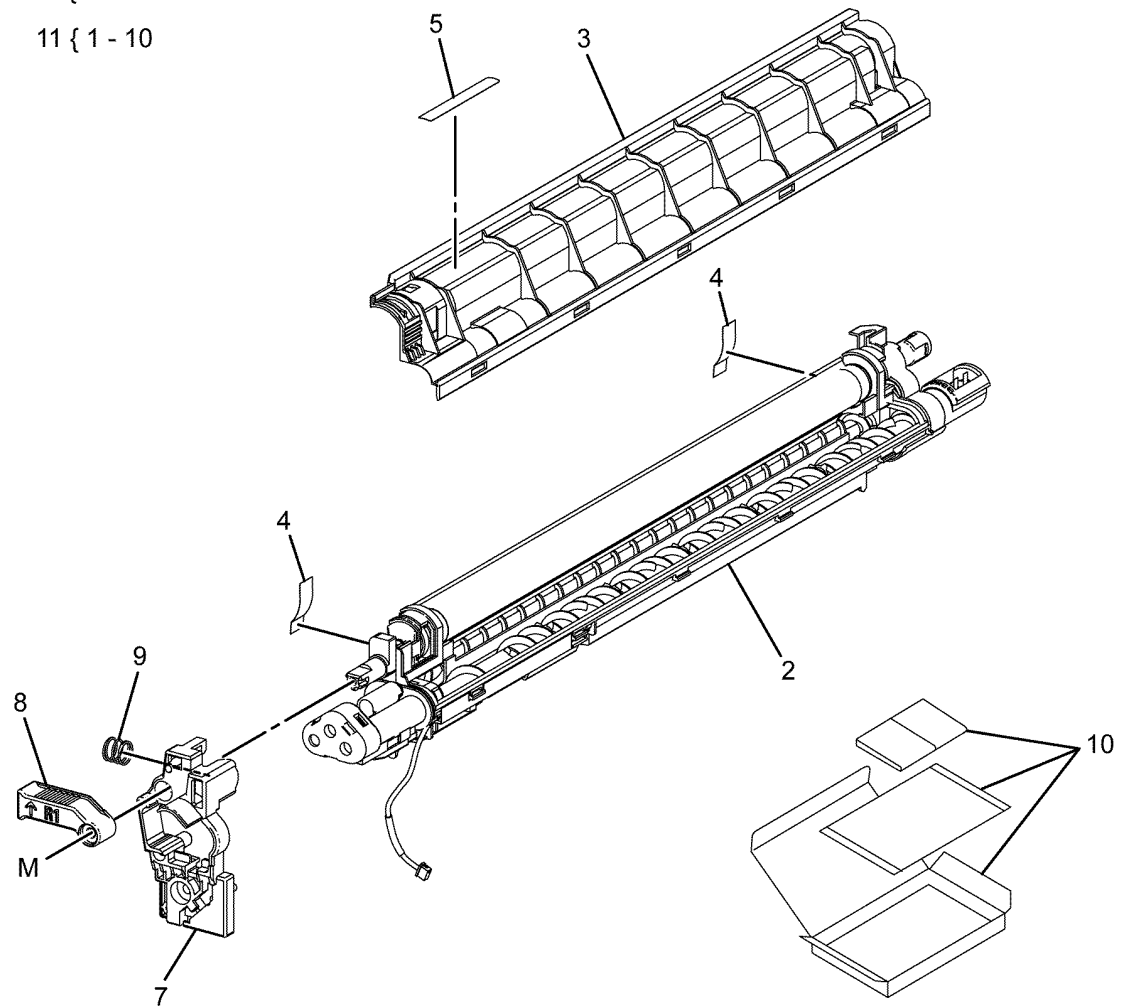


C-8-0064-A

PL 90.30 Developer Unit Components

Item	Part	Description	
1	-	Developer unit Y (P/O PL 90.30 Item 11) (See NOTE) (REP 90.1)	1 { 2 - 9
-	-	Developer unit M (P/O PL 90.30 Item 11) (See NOTE) (REP 90.1)	6 { 7 - 9
-	-	Developer unit C (P/O PL 90.30 Item 11) (See NOTE) (REP 90.1)	11 { 1 - 10
-	-	Developer unit K (P/O PL 90.30 Item 11) (See NOTE) (REP 90.1)	
2	-	Lower sub COH housing assembly (P/O PL 90.30 Item 1)	
3	-	Upper sub cover assembly (P/O PL 90.30 Item 1)	
4	-	Seal (P/O PL 90.30 Item 1)	
5	-	Traceability label (P/O PL 90.30 Item 1)	
6	-	Developer front cover assembly (P/O PL 90.30 Item 1)	
7	-	Developer front cover (P/O PL 90.30 Item 6)	
8	-	Lever (P/O PL 90.30 Item 6)	
9	-	Track out spring (P/O PL 90.30 Item 6)	
10	-	Developer kit - Y (P/O PL 90.30 Item 11)	
-	-	Developer kit - M (P/O PL 90.30 Item 11)	
-	-	Developer kit - C (P/O PL 90.30 Item 11)	
-	-	Developer kit - K (P/O PL 90.30 Item 11)	
11	607K07260	Developer assembly kit Y (REP 90.5)	
-	607K07270	Developer assembly kit M (REP 90.5)	
-	607K07280	Developer assembly kit C (REP 90.5)	
-	607K07290	Developer assembly kit K (REP 90.5)	

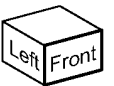
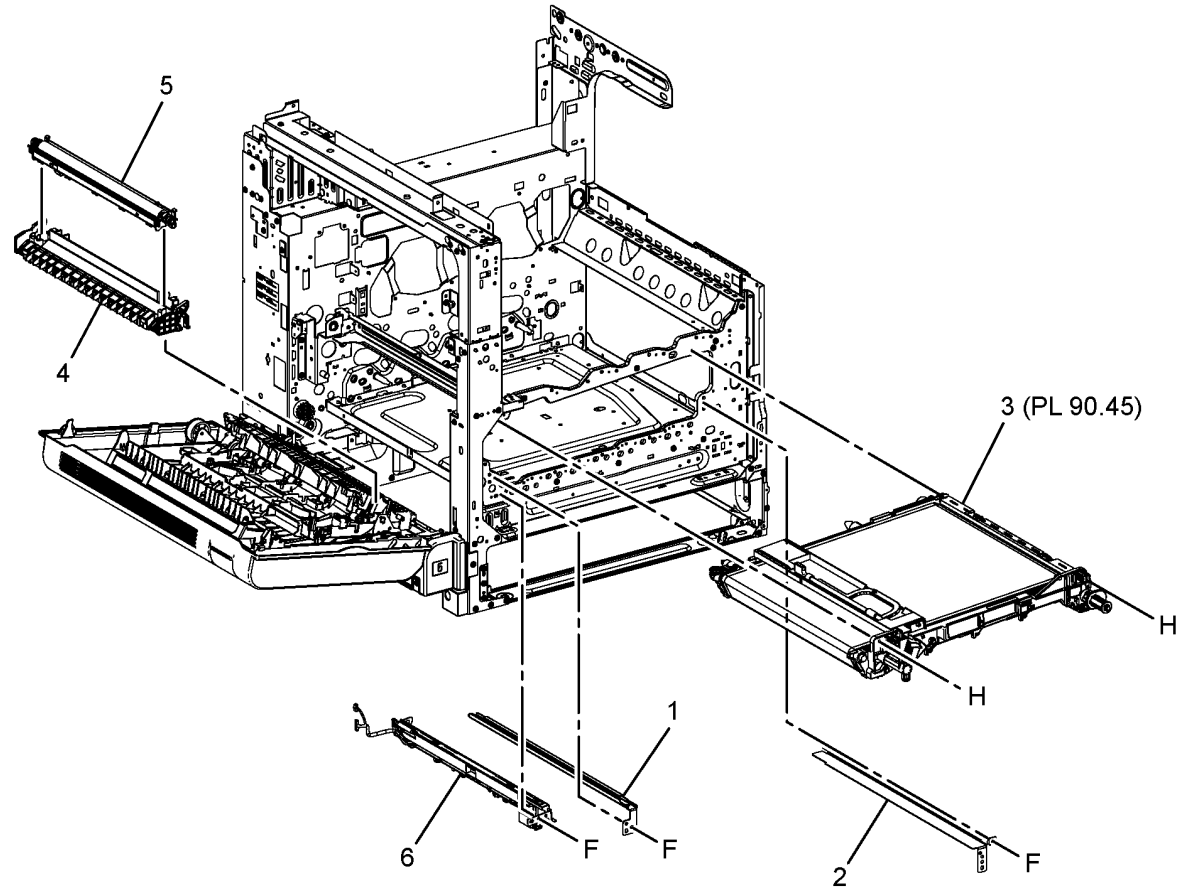
NOTE: HFSI. To reset the HFSI count, refer to dC135.



C-8-0058-C

PL 90.40 IBT Belt Unit, 2nd BTR Roll, MOB ADC

Item	Part	Description
1	-	IBT lower left guide (Not Spared)
2	-	IBT lower right uide (Not Spared)
3	-	IBT belt unit (REF: PL 90.45)
4	-	2nd housing assembly (Not Spared)
5	115R00126	2nd BTR roll assembly (REP 90.8)
6	930K03260	MOB ADC assembly (REP 90.9)

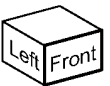
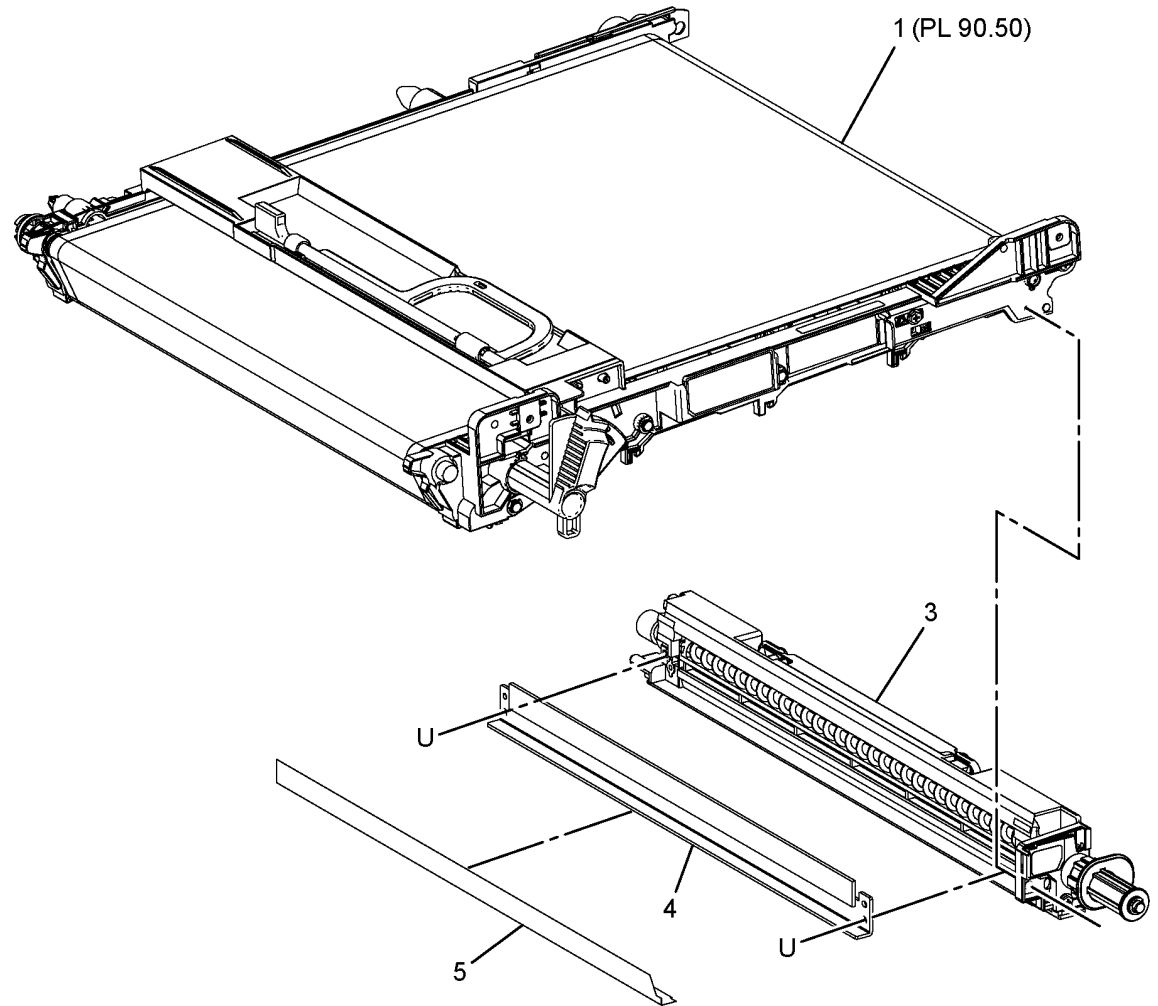


C-8-0059-A

PL 90.45 IBT Belt Unit Components

Item	Part	Description
1	-	IBT unit belt assembly (REF: PL 90.50) (REP 90.7)
2	042K95951	IBT FX cleaner assembly
3	-	Housing cleaner (P/O PL 90.45 Item 2)
4	-	Belt cleaner blade (P/O PL 90.45 Item 2) (REP 90.10)
5	-	Seal film (P/O PL 90.45 Item 2)

2 { 3 - 5



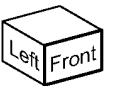
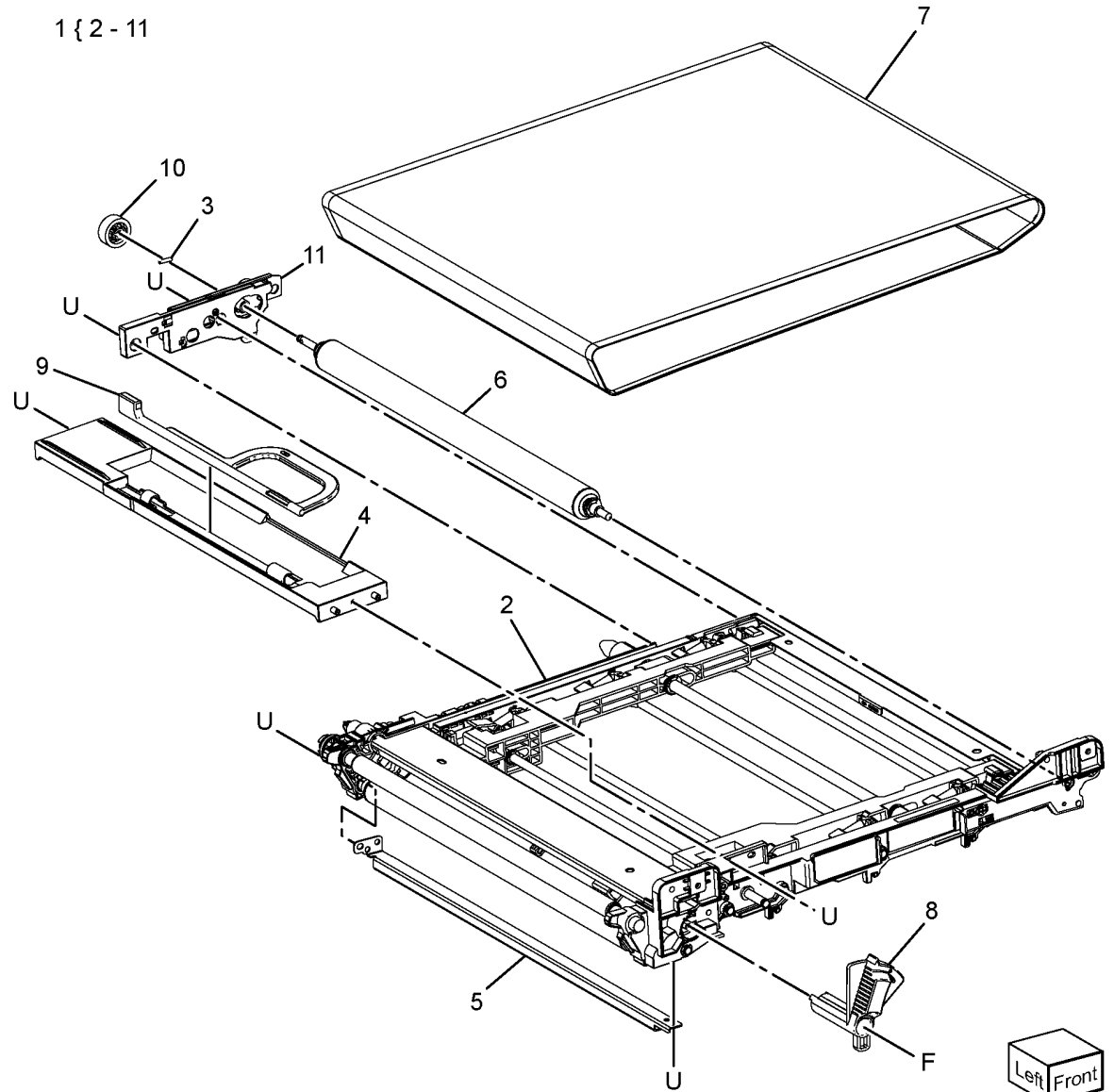
C-8-0060-A

PL 90.50 IBT Belt Assembly

Component

Item	Part	Description
1	064K94731	IBT unit belt assembly (See NOTE) (REP 90.7)
-	115R00127	IBT unit belt assembly (alternative)
2	-	IBT belt housing (P/O PL 90.50 Item 1)
3	-	Pin (P/O PL 90.50 Item 1)
4	-	Handle holder (P/O PL 90.50 Item 1)
5	-	Guide (P/O PL 90.50 Item 1)
6	-	Tension roller (P/O PL 90.50 Item 1)
7	064K93512	IBT belt (See NOTES 1 & 2) (REP 90.11)
8	803E18691	Retract handle
9	-	IBT unit handle (P/O PL 90.50 Item 1)
10	-	Tension gear (P/O PL 90.50 Item 1)
11	-	Rear holder (P/O PL 90.50 Item 1)

NOTE: HFSI. To reset the HFSI count, refer to dC135.



C-8-0061-A

Common Hardware

Item	Part	Description
A	112W27677	Screw - Del3 Sems TP Head Red
B	112W87688	Screw - Sems Hex Head
C	113W16088	Screw - Pan Head
D	113W20478	Screw - Tp Head
E	113W20677	Screw - Tp Head Red
F	113W20678	Screw - Tp Head
G	113W20698	Screw - Tp Head Round
H	113W20878	Screw - Tp Head
J	113W27488	Screw - Pan Head
K	113W27688	Screw - Pan Head
L	113W35578	Screw - Tp Head
M	115W27878	Screw - LP Bind Shuthead
N	116W27478	Screw - Bind Head
P	116W27678	Screw - Bind Head
Q	141W35651	Screw - Set W Point
R	153W16088	Screw - Wp Tp Head
S	153W16288	Screw - Wp Tp Head
T	153W17688	Screw - Wp Tp Head
U	153W17888	Screw - Wp Tp Head
V	153W18088	Screw - Wp Tp Head
W	153W27678	Screw - Del2 Bind Head
X	158W27688	Screw - Del3 Tp Head Round
Y	158W27878	Screw - Del3 Tp Head Round
Z	158W27888	Screw - Del3 Tp Head Round
AA	158W35878	Screw- Del3 Tp Head
AB	158W45078	Screw - Del3 Tp Head
AC	184W04178	Screw - Knurling Flat Head
AD	201W29278	Nut
AE	237W00178	Nut
AF	251W21278	Plain Washer
AG	251W26278	Plain Washer
AH	251W31178	Plain Washer
AJ	252W24350	Washer
AK	252W27250	Plain Washer
AL	252W27350	Nylon Washer
AM	252W27450	Nylon Washer
AN	252W29250	Plain Washer
AP	252W29450	Nylon Washer
AQ	252W31350	Nylon Washer
AR	256W29278	Spring Lock Washer
AS	271W11250	Dowel Pin
AT	271W21050	Dowel Pin
AU	271W21060	Parallel Pin
AV	271W28250	Pin Dowel
AW	271W28260	Parallel Pin
AX	271W28650	Dowel Pin
AY	271W28850	Pin
AZ	285W15851	Pin - Spring Slotted Tubular
BA	285W16051	Pin - Spring Slotted Tubular
BB	285W16251	Pin - Spring Slotted Tubular
BC	285W21251	Pin - Spring Slotted Tubular
BD	285W21651	Pin - Spring Slotted Tubular
BE	285W28051	Pin - Spring Slotted Tubular
BF	354W13278	E Ring
BG	354W21254	KL Clip
BH	354W21278	E Ring
BJ	354W24254	KL Clip
BK	354W24278	E Ring
BL	354W27254	KL Clip
BM	354W27278	E Ring
BN	370W32050	Insert Nut T
BP	370W32450	Insert Nut T
BQ	-	Oneway Clutch (Ncz)
BR	-	Oneway Clutch (Ewc)
BS	-	Oneway Clutch (Owc)
BT	-	Oneway Clutch (Owc)
BU	-	Ball Bearing
BV	-	Ball Bearing
BW	-	Ball Bearing
BX	-	Bearing - Powdered Metal
BY	-	Bearing - Powdered Metal
BZ	-	Bearing - Powdered Metal
CA	-	Bearing - Powdered Metal
CB	-	Ball Bearing
CC	-	Ball Bearing
CD	-	Ball Bearing
CE	158W27678	Screw
CF	115W28078	LP Bind Shuthad Screw
CG	354W19278	E Ring
CH	113W36078	Screw Tp Head

