

Parts List Overview 5-3
Serial Number Format..... 5-3

Parts Lists

Covers
PL 1.0 Covers 5-4

Imaging
PL 2.0 Imaging 5-5

Paper Path
PL 3.0 Paper Path..... 5-6

Drive
PL 4.0 Drive 5-7

Electrical
PL 5.0 Electrical 5-8

Sensors and Actuators
PL 6.0 Sensors and Actuators 5-9
Xerox Supplies 5-10

Parts List Overview

The Parts List section identifies all part numbers and the corresponding location of all spared subsystem components.

Use of the Term “Assembly”

The term “assembly” is used for items in the parts listing that may include other itemized parts. When the word “assembly” is found in the part number listing, there will be a corresponding item number on the illustrations followed by a bracket and a listing of the contents of the assembly.

Using the Parts Lists

Only those parts listed with part numbers are available for order. Parts listed without part numbers are only available as part of a parent assembly or Service Kit.

- Item.: The callout number from the exploded part diagram.
- Part Number: The material part number used to order specific parts
- Description: Name of the part and number supplied per order.
- Parts throughout this manual are referenced PL#.#.#; For example, PL 3.0.10 means the part is item 10 of Parts List 3.0.
- A black triangle preceding a number followed by a parenthetical statement indicates the item is a parent assembly, made up of the parts listed in parentheses and enclosed by a dashed line.
- The notation “(with X~Y)” following a part name indicates an assembly includes components X through Y. For example, “1 (with 2~4)” means part 1 consists of parts 2, 3, and 4
- The notation “J1<->J2 and P2” is attached to a wire harness. It indicates that connector Jack 1 is attached to one end of the wire harness and connector J2 is attached to the other end that is plugged into P2.

Serial Number Format

Changes to Xerox products are made to accommodate improved components. As improvements are made, part numbers may change from those appearing in this section. To get the latest part, provide the following information when ordering:

- Component's part number
- Product type or configuration number
- Serial number of the printer

The serial number is coded as follows:

- The text “S/N” followed by the serial number in the barcode.
- The barcode does not include a field identifier.
- The nine digit serial number format PPPRSSSSS where:
PPP - Is the alphanumeric Product Code

Table 1 8560MFP Multifunction Product Code

Product	Configuration	Voltage	Product Code
8560	Any	110 / 220 V	CXF

R - Is the numeric revision digit. Changes at major product updates or when the serial number is reset to a starting value.

SSSSS - Is the five digit numeric serial number.

For example: S/N CXF453072

- **CXF** = Product code for the 8560, configuration DN, 110 V Printer
- **4** = Revision level
- **53072** = Serial number for 8560 DN

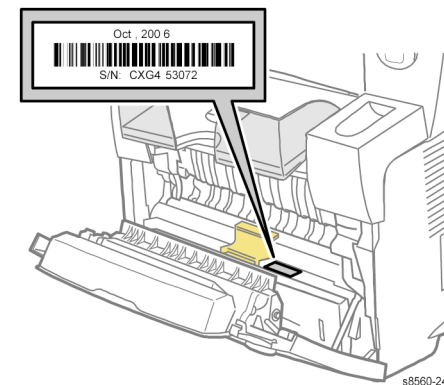
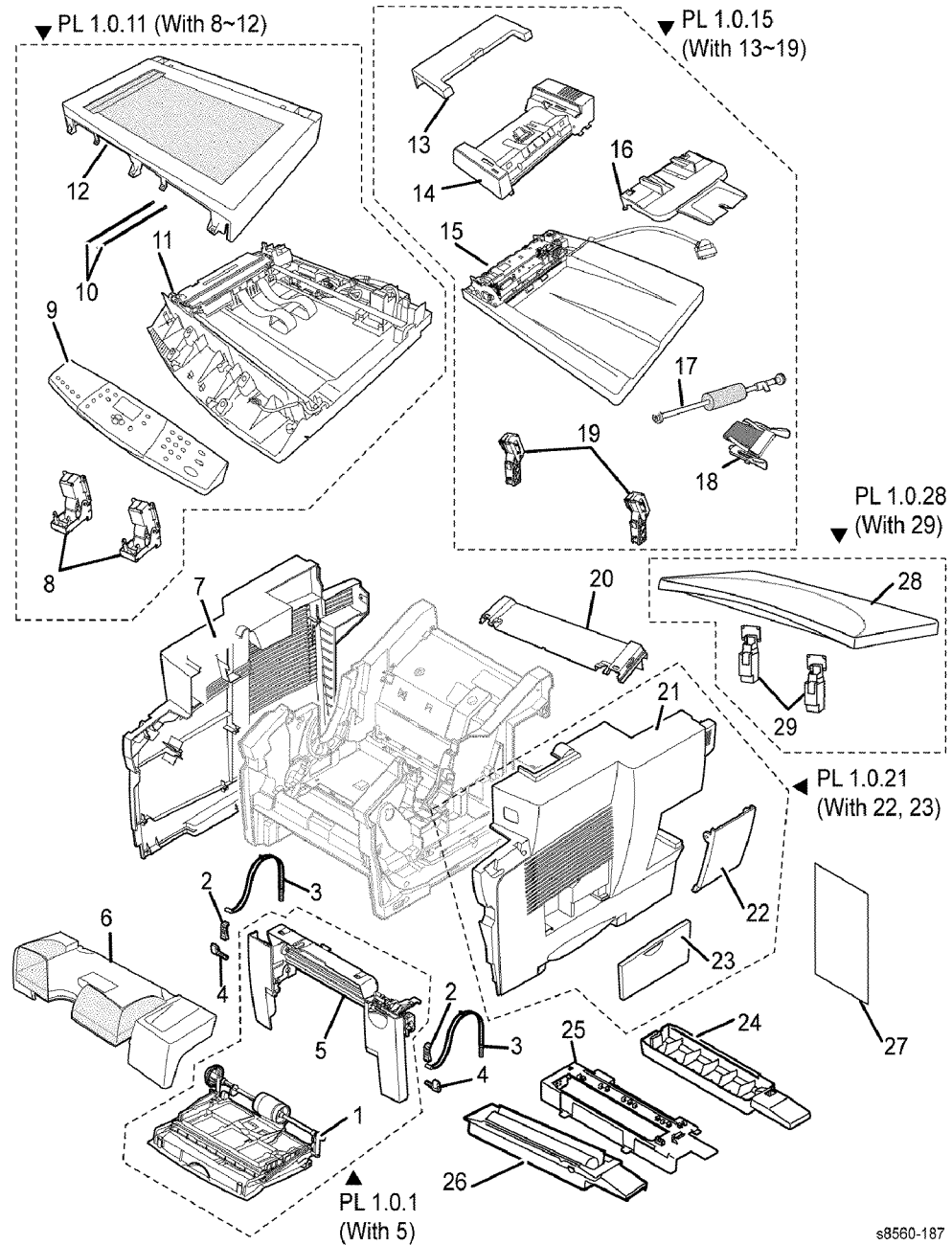


Figure 1 Serial Number Location

PL 1.0 Covers

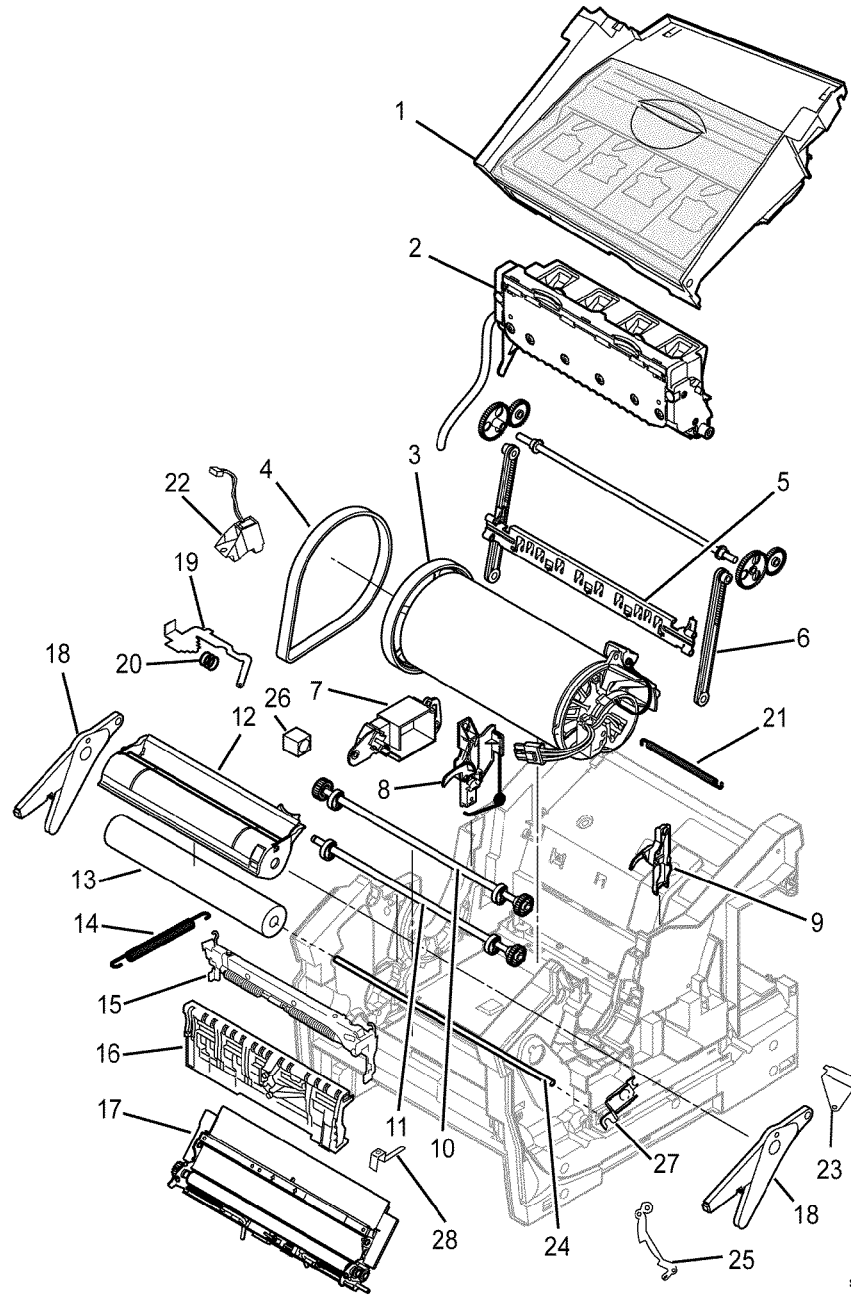
Item	Part	Description
1	848K06520	Front Door / Tray 1 Assembly
2	120E29140	Front Door Stay Retainer
3	009K02390	Front Door Stay with Spring
4	029E49330	Hinge Pins, Front Door
5	-	Front Door (P/O PL 1.0 Item 1)
6	050E23550	Output Tray
7	101E23660	Left Side Cover
8	003K20530	Scanner Hinge
9	848E11560	Control Panel (without Overlays)
10	-	Lamp Assembly
11	062K22590	Scanner Assembly (with 8-12)
12	-	Upper Housing (P/O PL 1.0 Item 11) (Includes Glass)
13	-	DADF Front Cover (P/O PL 1.0 Item 15)
14	-	DADF Upper Cover (P/O PL 1.0 Item 15)
15	059K58460	DADF Assembly (with 13-19)
16	050K67610	DADF Input Tray
17	059K58650	DADF Pick Roller and Pad Kit
18	-	Separator Pad (P/O PL 1.0 Item 17)
19	003K20520	DADF Hinge
20	848E17250	Rear Cover
21	101E23670	Right Side Cover (with doors)
22	848E11530	I/O Access Door
23	848E11540	Drum Maintenance Door
24	-	Waste Tray
25	802E93880	Waste Tray Cover
26	-	Maintenance Kit Standard Capacity
27	109K02110	Scanner Calibration Page
28	848K06410	Document Cover
29	-	Document Cover Hinges (P/O PL 1.0 Item 28)



s8560-187

PL 2.0 Imaging

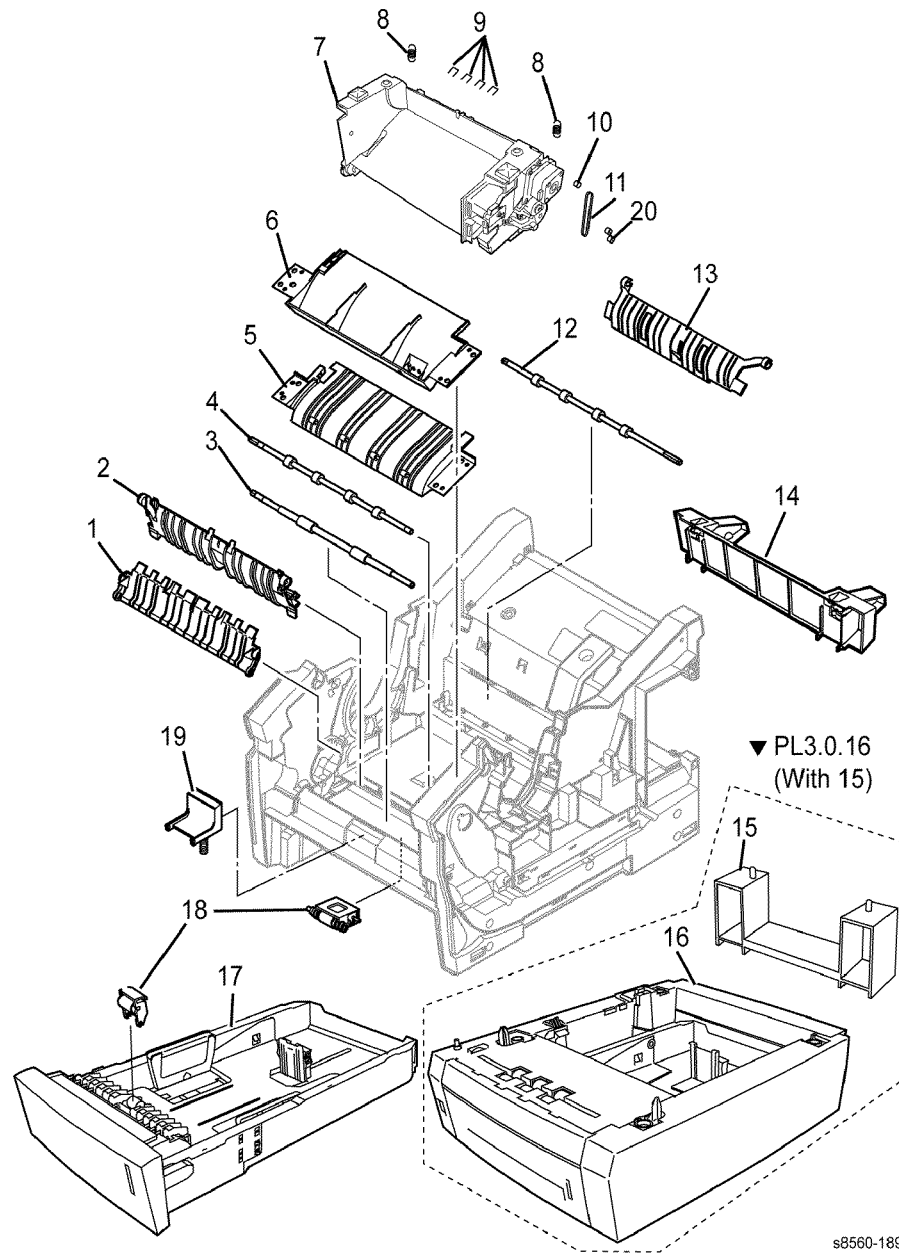
Item	Part	Description
1	848K06380	Ink Loader
-	848K06390	Ink Loader (metered)
2	017K04540	Printhead
3	020K15090	Drum Assembly
4	023E30670	Y-Axis Belt
5	033E05210	Printhead Wiper Blade
6	023E30660	Wiper Drive Belt
7	094E02790	Purge Pressure Pump
8	120E29160	Left Printhead Restraint
9	120E29150	Right Printhead Restraint
10	020K14800	Drum Maintenance Camshaft
11	008K02160	Transfix Camshaft
12	041K06500	Stripper Carriage Assembly
13	022E32290	Transfix Roller
14	809E69920	Y-Axis Tension Spring
15	137E24130	Transfix Load Module
16	020K15100	Drum Maintenance Pivot Plate
17	126E02720	Preheater and Deskew Assembly
18	059K50011	Transfix Arm Kit (with pins)
19	019E75180	X-Axis Bias Spring Hook
20	809E69940	X-Axis Roll Adjuster Spring
21	809E69930	X-Axis Bias Spring
22	121K44430	Preheater Lift Solenoid
23	-	X-Axis Bias Spring Retainer (Not Spared)
24	-	Transfix Roller Shaft (Not Spared)
25	-	Drum Ground Plate (Not Spared)
26	-	Roll Block (Not Spared)
27	-	Transfix Roller Shaft Restraint (Not Spared)
28	-	Transfix Load Module Ground Strap (Not Spared)



s8560-188

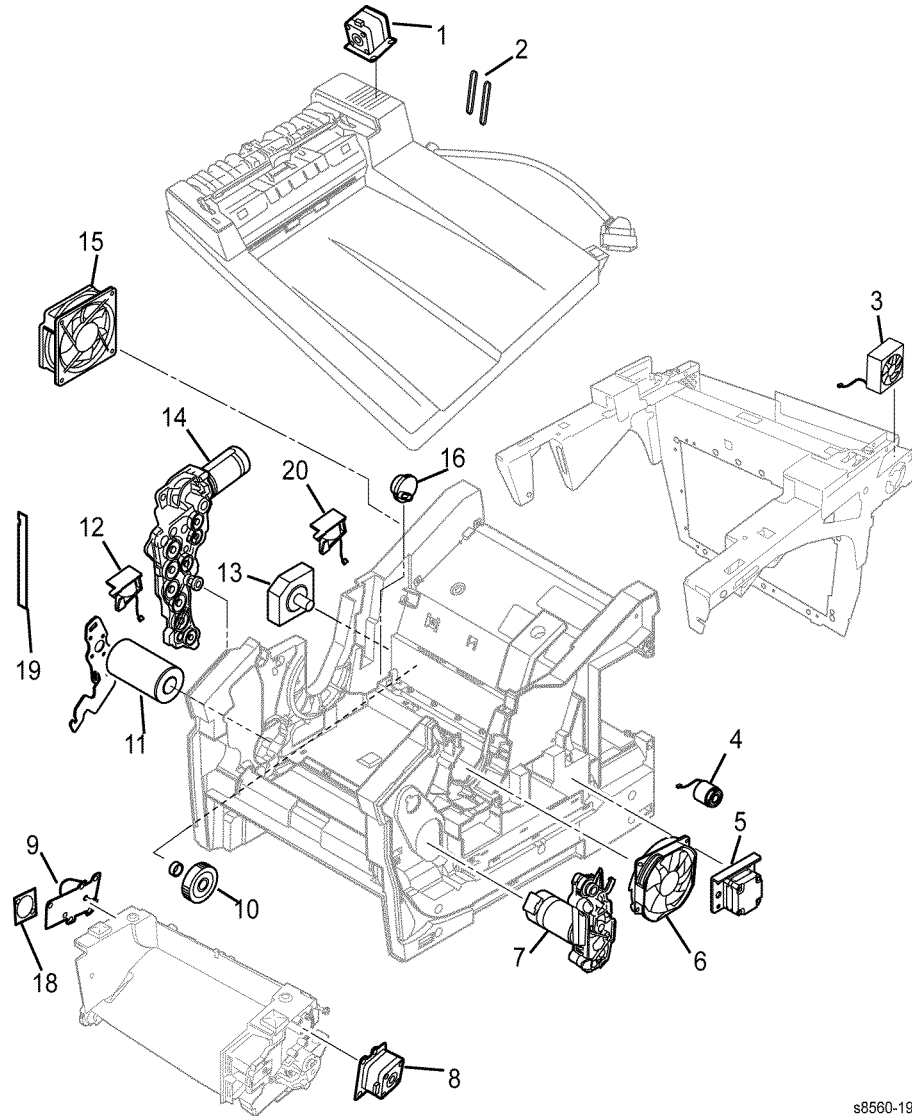
PL 3.0 Paper Path

Item	Part	Description
1	032E29480	Inner Simplex Guide
2	038K16870	Lower Inner Duplex Guide
3	022E32420	Take Away Roller
4	022E32410	Duplex Roller
5	032K04630	Upper Duplex Guide with Solenoid
6	032K04640	Outer Duplex Guide with Switches
7	133K27680	Exit Module Assembly (with 10, 11, 20)
8	809E78710	Spring Carriage
9	809E78700	Spring, Carriage Roller
10	–	Pulley, Exit Module (P/O PL 3.0 Item 7)
11	–	Belt, Exit Module (P/O PL 3.0 Item 7)
12	059E05610	Roller, Idler, Exit
13	038K17800	Lower Exit Guide Assembly
14	674E02820	Stabilizer, Printer
15	674E00760	525-Sheet Feeder Stabilizer
16	059K53140	525-Sheet Feeder, Tray, Stabilizer (P/O PL 3.0 Item 15)
17	050E23570	525-Sheet Tray, Adjustable to Legal
18	604K42200	Pick Assembly and Retard Roller Kit
19	604K31140	Separator Pad Kit
20	–	Belt Tensioner (P/O PL 3.0 Item 7)



PL 4.0 Drive

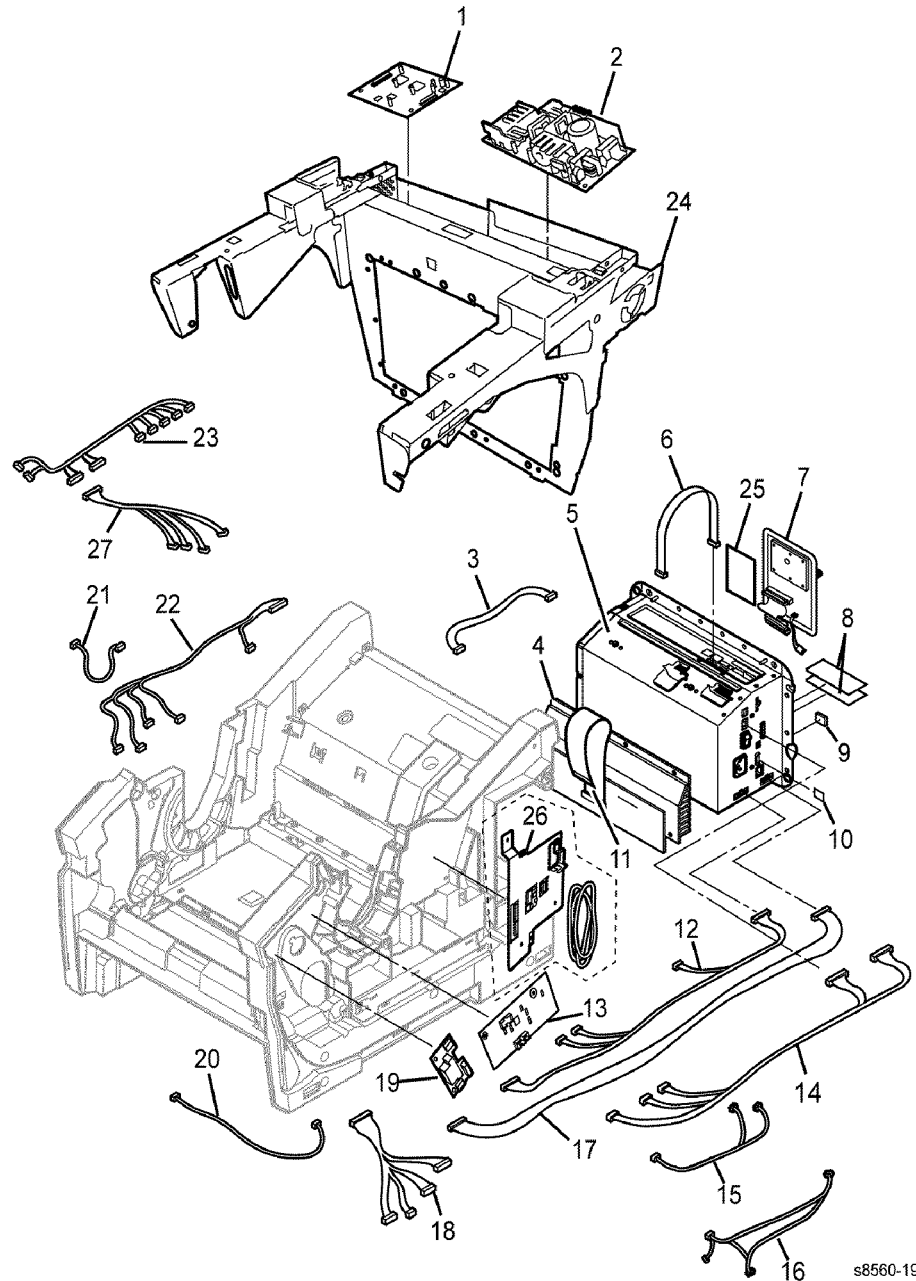
Item	Part	Description
1	–	ASM, Motor (Not Spared) (DADF)
2	–	DADF Belt Kit (Not Spared)
3	127E15910	Scanner Power Supply Fan
4	033E05190	Head Maintenance Clutch
5	127K53580	X-Axis Motor Assembly
6	127E16010	Drum Fan
7	005K12670	Process Drive Assembly
8	127K56300	Exit Motor
9	059K58470	Elevator Motor Assembly
10	–	Lift Motor Gear (Not Spared)
11	127K56070	Y-Axis Motor Assembly
12	121E20120	Tray 1 Pick Solenoid
13	604K31810	Tray Lift Motor Kit
14	807E23090	Media Drive Assembly with 2 Clutches
15	133K25010	Electronics Module Fan
16	807E16060	Head Tilt Gear
18	130E12580	FAX Speaker
19	–	Head Tilt Gear Spring (Not Spared)
20	121K44480	Head Tilt Solenoid



s8560-190

PL 5.0 Electrical

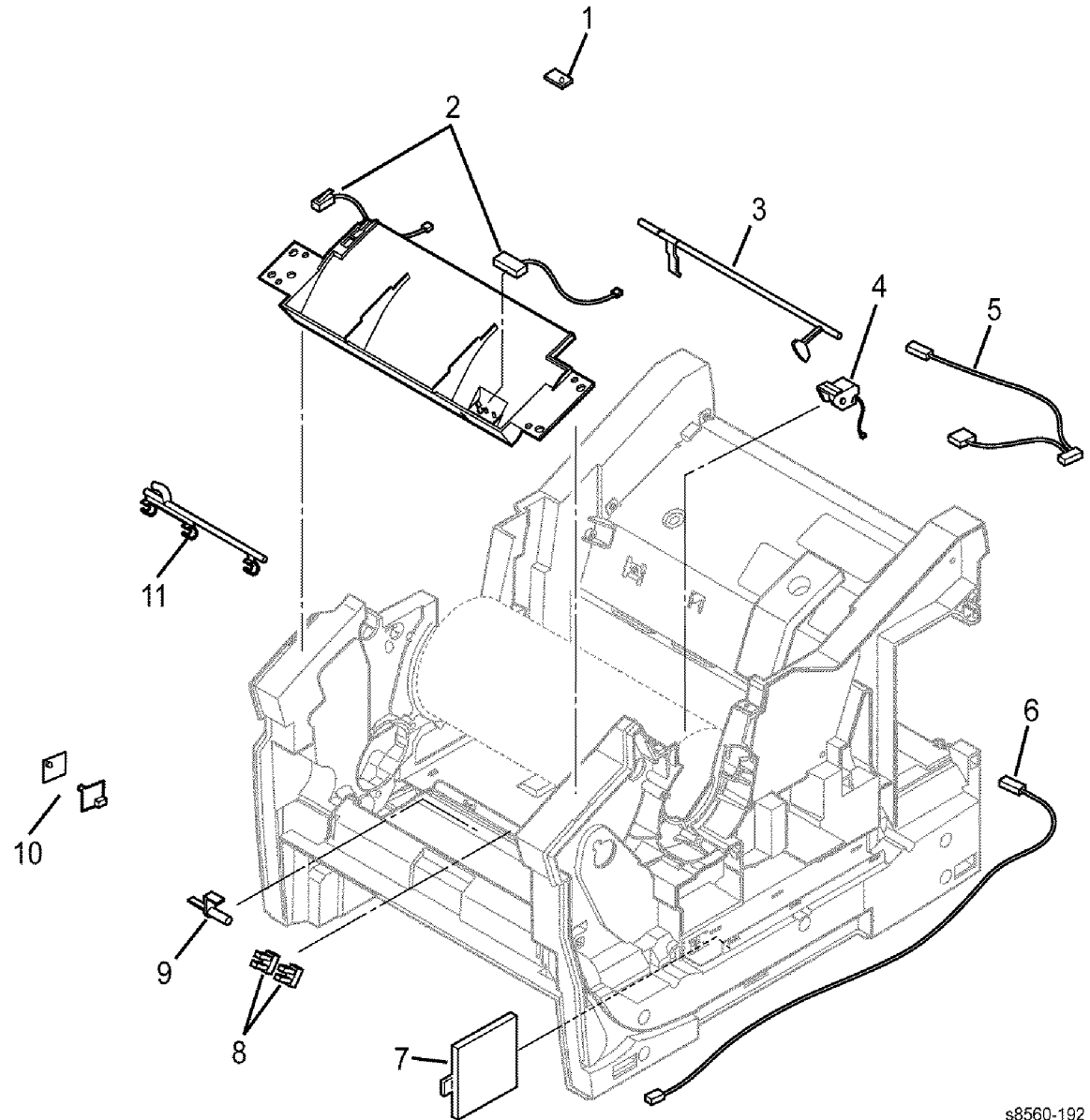
Item	Part	Description
1	960K34960	Exit Module Control Board
2	105E23670	Scanner Power Supply
3	117E34870	Cable, Wave Amp Signal
4	960K21181	Wave Amplifier
5	084K35870	Electronics Module (w/o RAM, Configuration Card, NVRAM)
6	117E29840	Cable, Printhead Interface
7	007K14420	Hard Drive Assembly (8560 only)
8	237E23640	256 MB SDRAM
–	237E23650	512 MB SDRAM
9	237E23880	8-pin NVRAM
10	069E00400	Configuration Card
11	117E29790	Cable, ZIF, Wave Amp Drive
12	117E29820	Harness, Right Side
13	960K22331	I/O Board
14	117E29810	Cable, Right Combined
15	117E29650	Cable, Scanner PS to System PS
16	117E29660	Cable, Scanner PS it IP, Exit Module and Fan
17	117E29830	Cable, I/O Board Power Control
18	117E28790	Cable, Right Umbilical
19	960K35170	Drum Heater Relay Board
20	117E28780	Cable, Front Door
21	117E34880	Cable., Y-Axis Motor Ground
22	117E29800	Harness, Left Side
23	117E29670	Cable, Exit Module Rear
24	801K33480	Back Frame
25	–	Flash Disk
26	050K67600	Foreign Device Interface
27	117E29680	Cable, Exit Module Front



s8560-191

PL 6.0 Sensors and Actuators

Item	Part	Description
1	130E12570	IIT Cover Sensor (Scanner Detect)
2	110E20390	Front Door Interlock Switch
3	137E24280	Engine Exit Flag
4	130K75210	Drum Temperature Sensor Assembly
5	130K75220	Exit Module Sensor Assembly
6	130E12620	Waste Tray Sensor
7	130K75230	Paper Size Switch
8	-	No Paper or Paper Height Sensor
9	130E11550	Paper Present Flag
10	130E12600	Output Tray Full Sensor
11	137E24290	Exit Module Flag



s8560-192

Xerox Supplies

Table 1 Kits, Supplies, and Options

Description	Part Number
Mechanical Kit Print Engine:	604K42210
• Backframe Cable Clamps (2 ea.)	
• Exit Module KL-Clips 5 mm (5 ea.)	
• Exit Module Plastic Washers (2 ea.)	
• Scanner Power Supply and Exit Module Control Board screws M4x6 (5 ea.)	
• DADF/Scanner Hinge Screws M4x12 (5 ea.)	
Mechanical Kit IIT:	604K42670
Maintenance Kit Standard Capacity	108R00675
Maintenance Kit Extended Capacity	108R00676
Cleaning Kit	109R00642
Repackaging Kit	695K17720
Stabilizer	674E00750
525-Sheet Feeder Stabilizer	674E00760
Cart	137E11900
Stopper, Retainer	003E77400
Clip, Retainer	019E68680
Scanner Calibration Page	109K02110
Control Panel Overlay Kit, Hungarian	650K26620
Control Panel Overlay Kit, Polish	650K26630
Control Panel Overlay Kit, Turkish	650K26640
Control Panel Overlay Kit, Italian	650K26650
Control Panel Overlay Kit, German	650K26660
Control Panel Overlay Kit, Spanish	650K26670
Control Panel Overlay Kit, Dutch	650K26680
Control Panel Overlay Kit, Swedish	650K26690
Control Panel Overlay Kit, B. Port	650K26700
Control Panel Overlay Kit, Russian	650K26710
Control Panel Overlay Kit, Czech	650K26720
Control Panel Overlay Kit, Danish	650K26730
Control Panel Overlay Kit, Greek	650K27210
Control Panel Overlay Kit, Norwegian	650K27200
Control Panel Overlay Kit, Finnish	650K27190
Control Panel Overlay Kit, French	650K26740

Table 2 Power Cords

Description	Part Number
Cord, Power, Standard, 115V	117E29520
Cord, Power, EURO, 220V	117E29500
Cord, Power, UK, 240V	117E29510
Cord, Power, AUST, 240V	117E29490
Cord, Power, SWISS, 220V	117E35050
Cord, Power, DANISH	117E29460
Cord, Power, CHINESE	117E35030
Cord, Power, ARGENTINA, 240V	117E35040

Table 3 Ink Supplies

Description	Part Number
Xerox Solid Ink Cyan, Phaser 8560MFP (3 Sticks)	108R00723
Xerox Solid Ink Magenta, Phaser 8560MFP (3 Sticks)	108R00724
Xerox Solid Ink Yellow, Phaser 8560MFP (3 Sticks)	108R00725
Xerox Solid Ink Black, Phaser 8560MFP (3 Sticks)	108R00726
Xerox Solid Ink Black, Phaser 8560MFP (6 Sticks)	108R00727
Xerox Metered Solid Ink Cyan, Phaser 8510MFP, 8560MFP (6 Sticks)	108R00687
Xerox Metered Solid Ink Magenta, Phaser 8510MFP, 8560MFP (6 Sticks)	108R00688
Xerox Metered Solid Ink Yellow, Phaser 8510MFP, 8560MFP (6 Sticks)	108R00689
Xerox Metered Solid Ink Black, Phaser 8510MFP, 8560MFP (6 Sticks)	108R00690
Xerox Colorstix, Rainbow Pack Phaser 8560MFP (CMYK)	058K00220

6 Diagnostics

System Power On Process	6-3
Hidden Service Menu	6-5
Service Diagnostics.....	6-5
Print Engine Check Menu Tests.....	6-13
General Troubleshooting.....	6-34
Electrical Troubleshooting.....	6-36
DADF Malfunction	6-39
Scanner Malfunction	6-40
Control Panel Malfunction	6-40
Exit Module Malfunction	6-41
Media Path and Transport Problems	6-41
Operating System and Application Problems.....	6-42
Network Problems.....	6-43
USB Port Testing	6-45
Fax Troubleshooting	6-45
Remote Fax Does Not Ring	6-47
Remote Fax Answers Then Fails	6-48
Fax Does Not Answer	6-48
Fax Answers Then Fails.....	6-49
Printhead Troubleshooting Checklist	6-49
Printhead Cleaning Cycle.....	6-51