

Parts Lists

In this chapter...

- Serial Number Format
- Using the Parts List
- Xerox Supplies

Chapter 9

Serial Number Format

Changes to Xerox products are made to accommodate improved components as they become available. It is important when ordering parts to include the following information:

- Component's part number
- Product type or model number
- Serial number of the printer

Serial numbering. Particular fields in the serial number indicate the modification level of the printer, the date of its manufacture and the sequence number of the printer produced on that day.

The serial number is coded as follows:

- The text "S/N" followed by the serial number in the barcode.
- The barcode does not include a field identifier.
- The nine digit serial number is based on the following format: PPPRSSSSS.

PPP = Three digit alphanumeric product code

Product	Model	Product Code
8400	B, BD, N, DP, DX	RPC
8400	DPF	TMV
8500	N, DN	WYN
8550	DP, CT, DX	WYP
8550	DPF	L91
8560	N, DP, DT, DX	FBT

R - Single digit numeric revision digit. To be rolled when a major product change occurs. Initiated with a change request.

SSSSS - Five digit numeric serial number.

Serial Number Example:

RPC453072:

4 = Revision level

53072 = Serial number

Using the Parts List

1. No.: The callout number from the exploded part diagram.
2. Part Number: The material part number used to order specific parts.
3. Qty: This number represents the parts per printer, not the number of parts supplied in the actual part order.
4. Name/Description: Details the name of the part to be ordered and the number of parts supplied per order.
5. Parts identified throughout this manual are referenced PL#.##. For example, PL3.1.10 means the part is item 10 of Parts List 3.1.
6. A black triangle preceding a number followed by a parenthetical statement in an illustrated parts list means the item is a parent assembly, made up of the individual parts called out in parentheses.
7. The notation “with X~Y” following a part name indicates an assembly that is made up of components X through Y. For example, “1 (with 2~4)” means part 1 consists of part 2, part 3, and part 4.
8. An asterisk (*) following a part name indicates the page contains a note about this part.
9. The notation (NS) next to a part indicates that particular part is not spared, but contained in a kit or major assembly.
10. The notation “J1<>J2 and P2” is attached to a wire harness. It indicates that connector Jack 1 is attached to one end of the wire harness and connector J2 is attached to the other end that is plugged into P2.

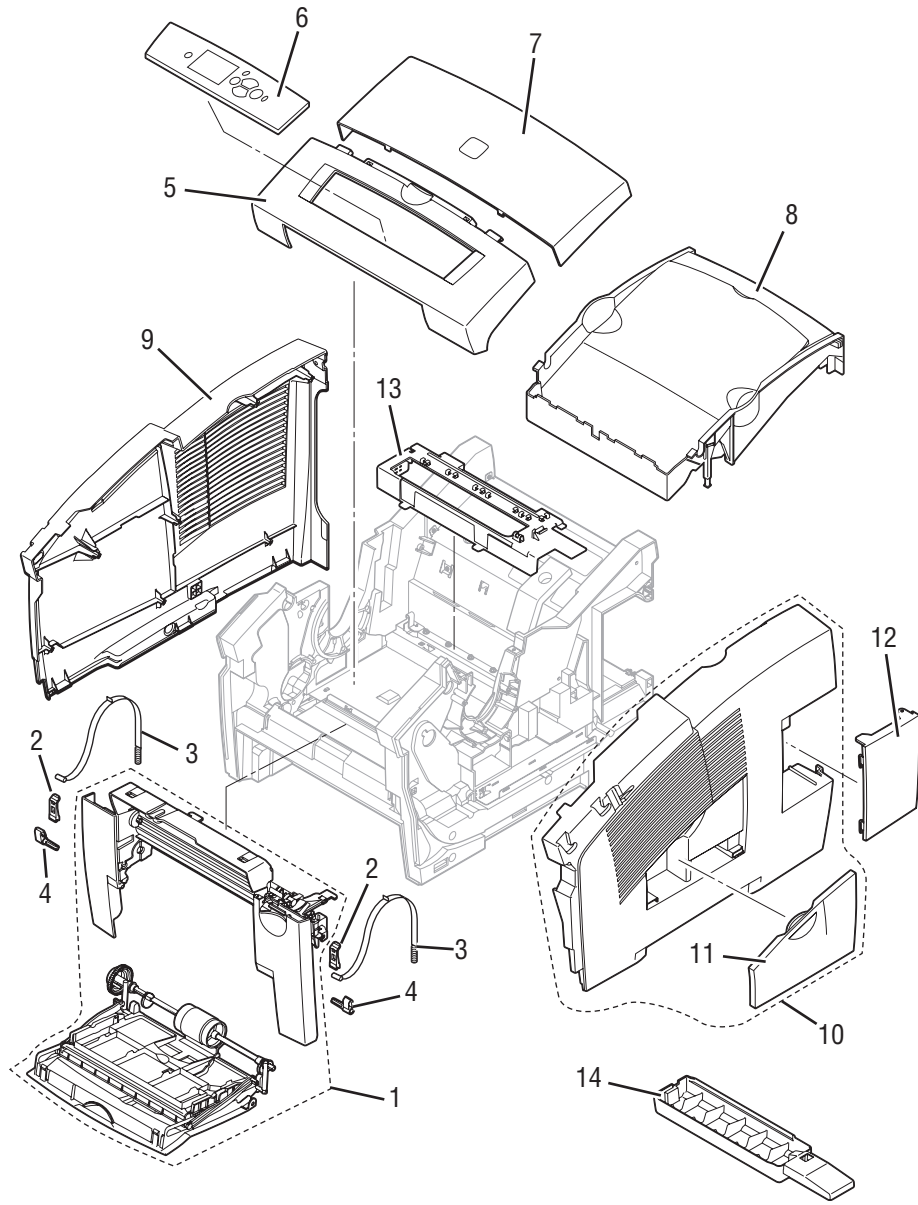
Note

Only parts showing part numbers are available for support. Parts not showing part numbers are available on the parent assembly.

Legend:

Identifier	Meaning
C	C-ring
E	E-ring
KL	KL-clip
S	Screw

PL 1.0 Covers

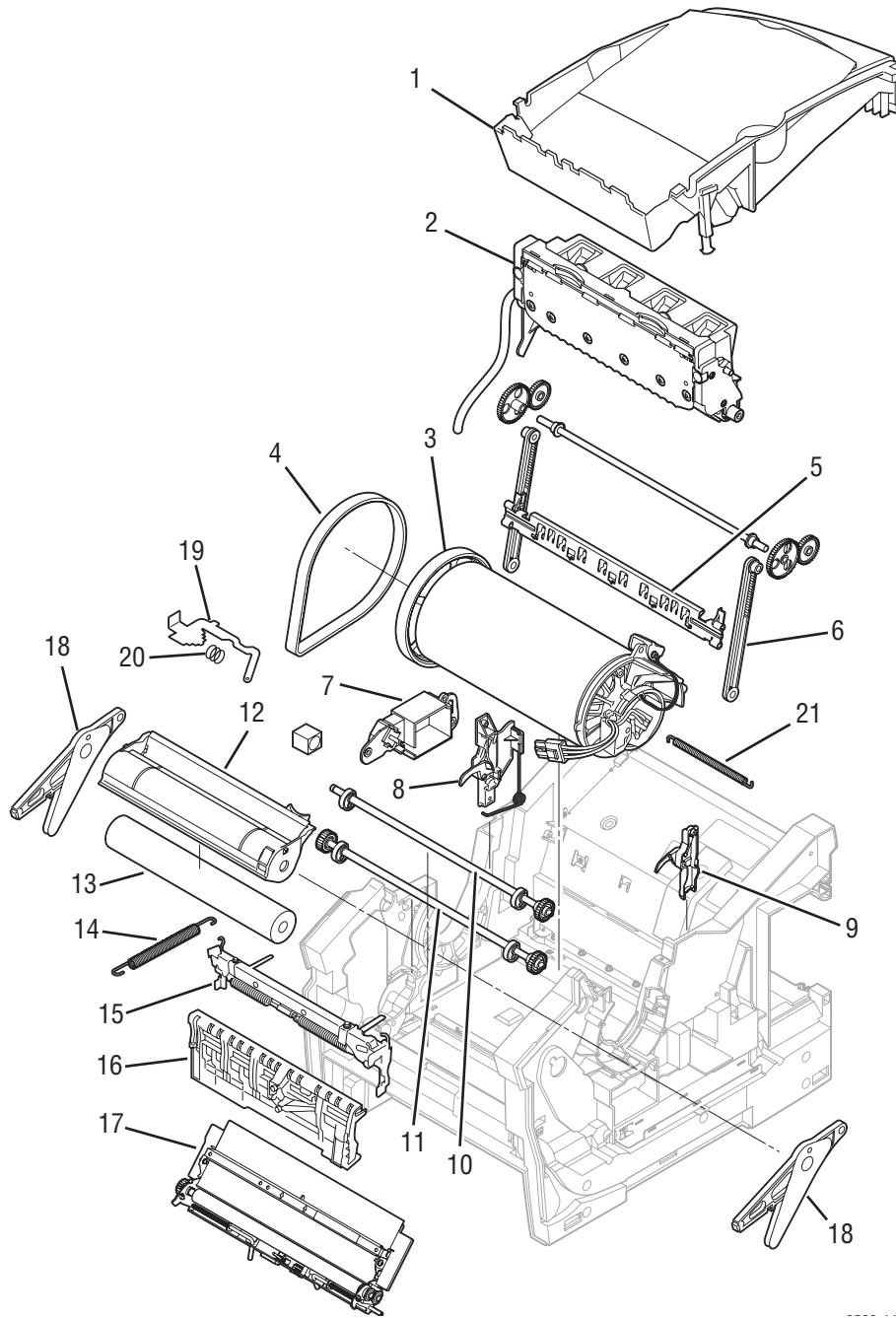


s8500-117

Parts List 1.0 Covers

No.	Name/Description	Qty	Part Number
1	Front Door (MPT) Assembly	1	200467880 (8400) 848K06520 (8500/8550/8560)
2	Front Door Stay Retainer Clip	2	120E29140
3	Front Door Stay with Spring	2	009K02390
4	Hinge Pins, Front Door	2	029E49330
5	Control Panel Cover	1	200467380 (8400) 802E93850 (8500/8550/8560)
6	Control Panel with Bezel	1	657012880 (8400) 802K93650 (8500/8550/8560)
7	Exit Cover Assembly Exit Cover with Badge	1	200469380 (8400) 802K93590 (8500) 802K88420 (8550) 848K12760 (8560)
8	Ink Loader Door (part of PL 2.1)	1	See PL2.0.1
9	Left Side Cover	1	200467680 (8400) 802K93660 (8500/8550/8560)
10	Right Side Cover Assembly with Doors	1	200467580 (8400) 802K93570 (8500/8550/8560)
11	Drum Maintenance Door (Side)	1	200469480 (8400) 802E93870 (8500/8550/8560)
12	I/O Access Door	1	200468480 (8400) 802E93860 (8500/8550/8560)
13	Waste Tray Cover	1	802E93880
14	Waste Tray	1	109R00736

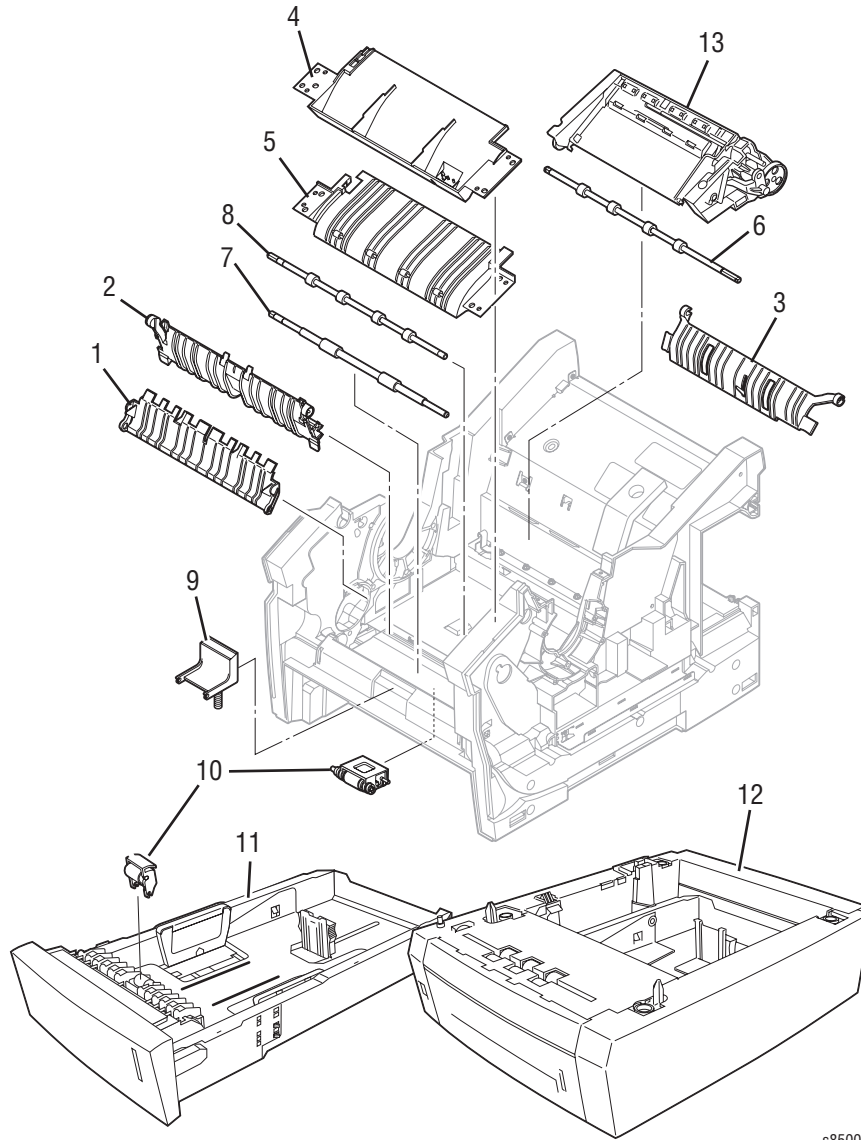
PL 2.0 Imaging



Parts List 2.0 Imaging

No.	Name/Description	Qty	Part Number
1	Ink Loader Assembly and Door	1	200469880 (8400) 133K27710 (8500/8550) 133K27770 (8560) 103K01600 (Metered 8550/8560)
2	Printhead	1	650430300 (8400) 046K00530 (8500/8550) 017K04540 (8560)
3	Drum Assembly, includes Encoder	1	105115080 (8400) 020K15090 (8500/8550/8560)
4	Belt, Y-Axis Drum	1	214498780 (8400) 023E30670 (8500/8550/8560)
5	Printhead Wiper	1	367053480 (8400/8500/8550) 033E05290 (8560)
6	Belt, Wiper Drive	1	214501280 (8400/8500/8550) 023E31250 (8560)
7	Purge Pressure Pump	1	094E02790
8	Left Printhead Restraint	1	120E29160
9	Right Printhead Restraint	1	120E29150
10	Transfix Camshaft Assembly	1	384187480 (8400) 008K02160 (8500/8550/8560)
11	Drum Maintenance Camshaft Assembly	1	401100380 (8400) 020K14800 (8500/8550/8560)
12	Stripper Carriage Assembly	1	386735280 (8400) 041K06500 (8500/8550/8560)
13	Transfix Roller	1	022E32290
14	Y-Axis Tension Spring	1	809E69920
15	Transfix Load Module	1	386739380 (8400) 137E24130 (8500/8550/8560)
16	Drum Maintenance Pivot Plate Assembly	1	020K15100
17	Preheater and Deskew Assembly	1	119641980 (8400) 126E02721 (8500/8550/8560)
18	Transfix Arm Assembly	1	401101280 (8400) 059K50011 (8500/8550/8560)
19	X-Axis Bias Spring Hook	1	019E75180
20	X-Axis Roll Adjuster Spring	1	809E69940
21	X-Axis Bias Spring	1	809E69930

PL 3.0 Paper Path

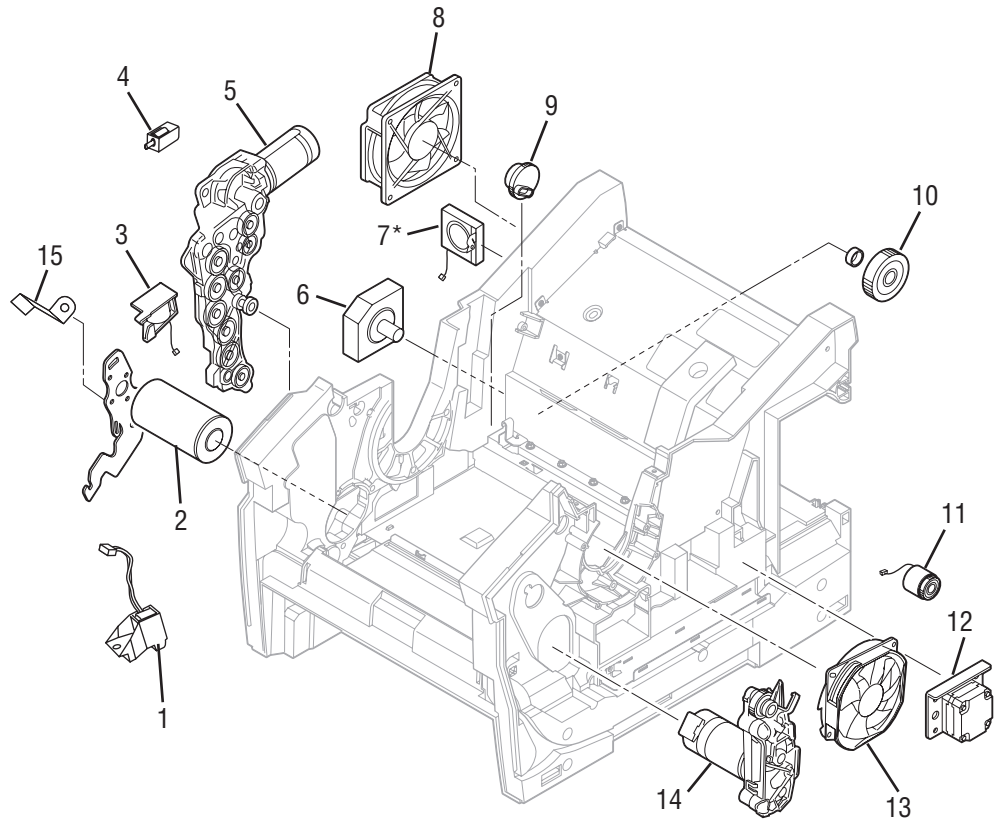


s8500-119

Parts List 3.0 Paper Path

No.	Name/Description	Qty	Part Number
1	Inner Simplex Guide	1	351111480 (8400) 032E29480 (8500/8550/8560)
2	Lower Inner Duplex Guide	1	038K16870
3	Lower Exit Guide Assembly with Strip Flag	1	038K17800
4	Outer Duplex Paper Guide with Sensors (Safety Interlocks)	1	032K04640
5	Upper Duplex Guide with Solenoid	1	351113280 (8400) 032K04630 (8500/8550/8560)
6	Exit Roller	1	059E05610
7	Take Away Roller	1	022E32420
8	Duplex Roller	1	022E32410
9	Separator Pad Kit	1	650429300 (8400) 604K31140 (8500/8550/8560)
10	Pick Assembly and Retard Roller Kit	1	650429200 (8400) 604K42200 (8500/8550/8560)
11	Main Tray (Tray 2)	1	650433200 (8400) 050E23080 (8500/8550/8560)
12	525-Sheet Feeder and Tray 525-Sheet Feeder and Tray	1	059K58610 (8400) 050E23570 (8500/8550/8560)
13	Exit Module Assembly	1	441223980 (8400) 133K27700 (8500/8550/8560)

PL 4.0 Motors, Gears, Solenoids, Clutches, and Fans

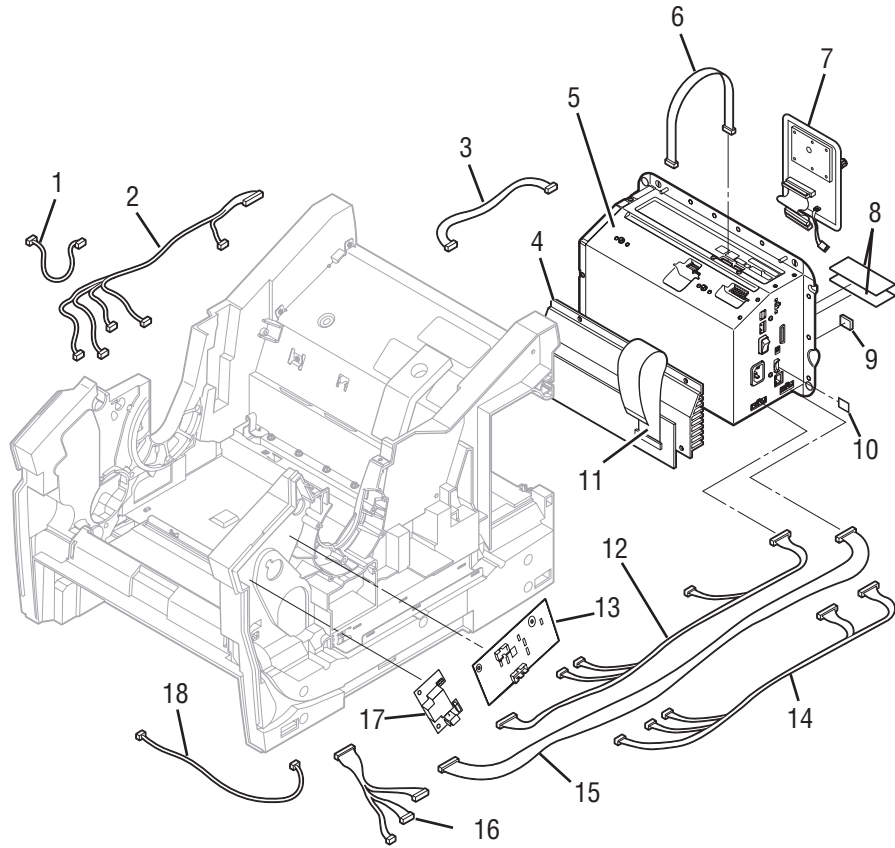


s8500-120

Parts List 4.0 Motors, Gears, Solenoids, Clutches, and Fans

No.	Name/Description	Qty	Part Number
1	Preheater Lift Solenoid	1	121K44430 (8500/8550/8560)
2	Motor, Y-Axis Drive	1	127K56520
3	Pick Solenoid, Tray 1	1	121E20120
4	Head Tilt Solenoid	1	121K44480 (8500/8550/8560)
5	Gearbox, Media Drive with 2 Clutches, Solenoid	1	401098480 (8400) 807E23090 (8500/8550/8560)
6	Tray Lift Motor Kit and Gear (plus item 10)	1	604K31810
7	Paper Path Cooling fan	1	119650580 (8400) No longer orderable (refer to service bulletin 655).
8	Electronics Module System Fan	1	119642680 (8400) 133K25010 (8500/8550/8560)
9	Compound Gear, Head Tilt	1	807E16060
10	Tray Lift Motor Kit and Gear (plus item 6)	1	604K31810
11	Electric Clutch, Wiper (Head Maintenance Clutch)	1	033E05190
12	X-Axis Motor Assembly	1	127K53580
13	Drum Cooling Fan	1	119641780 (8400) 127E16010 (8500/8550/8560)
14	Gearbox and Motor, Process Drive	1	401100080 (8400) 005K12670 (8500/8550/8560)
15	Ground Clip, Pick Clutch	1	650442700 (8500/8550/8560)

PL 5.0 Circuit Boards

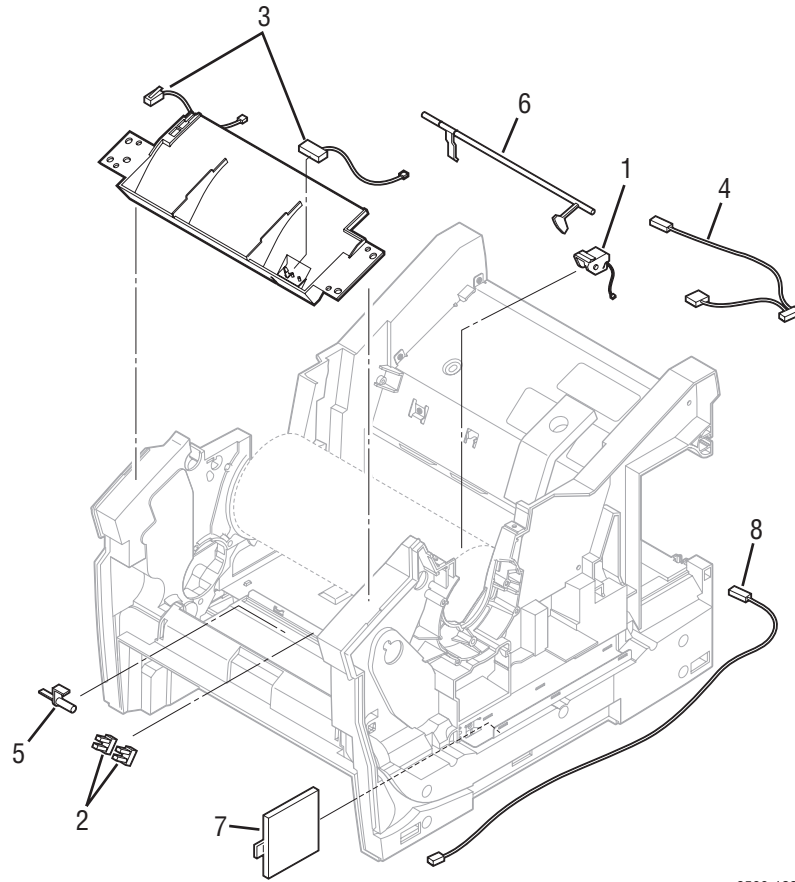


s8500-121

Parts List 5.0 Circuit Boards and Cables

No.	Name/Description	Qty	Part Number
1	Cable, Y-Axis Motor Ground	1	117E34880
2	Wiring Harness, Left Side Power Control	1	174449480 (8400) 117E29800 (8500/8550/8560)
3	Cable, Wave Amp Signal	1	174446580 (8400) 117E34870 (8500/8550/8560)
4	Wave Amp	1	671522380 (8400) 960K21181 (8500/8550/8560)
5	Electronics Module (no RAM, NVRAM, or Configuration Card)	1	119649580 (8400) 137E14020 (8500/8550) 137E24440 (8560)
6	Cable, Printhead Interface	1	117E29840
7	Hard Drive Hard Drive with Japanese Fonts	1	097S03172 (8400) 121K44411 (8500/8550) 121K45340 (8560) 097S03173 (8400) 121K44420 (8500/8550)
8	128 MB SDRAM 256 MB SDRAM 128 MB SDRAM 256 MB SDRAM 512 MB SDRAM	1	156483700 (8400) 156466300 (8400) 237E23890 (8500/8550/8560) 237E23640 (8500/8550/8560) 237E23650 (8550/8560)
9	8-pin NVRAM	1	856476800
10	Configuration Card-B Configuration Card-BD Configuration Card-N Configuration Card-DP Configuration Card-DX Configuration Card-DN Configuration Card-DP, DT and DX Configuration Card-DN, DT and DX	1	650431200 (8400) 650431300 (8400) 650431400 (8400) 069E00360 (8500) 069E00550 (8560) 650431500 (8400) 650431600 (8400) 069E00370 (8500) 069E00380 (8550) 069E00560 (8560)
11	Cable, Flex, Wave Amp Drive	1	174448680 (8400) 117E29790 (8500/8550/8560)
12	Cable, Right Side Power Control	1	117E29820
13	I/O Board	1	671529100 (8400) 960K22331 (8550/8550)
14	Cable, Combined Right (Ink Loader Data, Preheater AC)	1	174451180 (8400) 117E29810 (8500/8550/8560)
15	Cable, I/O Board Data	1	117E29830
16	Cable, Right Umbilical	1	117E28790
17	Drum Heater Relay Board	1	960K35170
18	Cable, Front Door	1	117E28780

PL 6.0 Sensors and Flags (Actuators)



s8500-122

Parts List 6.0 Sensors and Flags (Actuators)

No.	Name/Description	Qty	Part Number
1	Drum Temperature Sensor	1	130K75210
2	Optical Sensor (Generic Snap-In)	1	130E11530
3	Safety Interlock Switch (Mech)	1	110E20390
4	Exit Module Sensor Assembly	1	130K75220
5	Paper Present Flag	1	130E11550
6	Exit Flag	1	386732680
7	Sensor Assembly, Paper Tray	1	130K75230
8	Waste Tray Detect Sensor	1	130E12620

Xerox Supplies

Kits

Description	Part Number
Mechanical Kit (Hardware)	604K42210
<ul style="list-style-type: none"> ■ Nut Plate - 2 ea. ■ 6 mm press nut - 2 ea. ■ #8 SAE washer - 5 ea. ■ Thumbscrews - 2 ea. ■ M4 x 12 delta pt/ hexhead - 5 ea. ■ M4 x 32, partial thread flanged hex - 5 ea. ■ M4 x 32, partial thread flanged hex, left-hand thread, yellow - 5 ea. ■ M4 x 12, taptite flanged - 5 ea. ■ ASMO clip, lift motor - 2 ea. ■ E-ring, bent M6 5 mm - 5 ea. ■ Bushing 6 mm - 2 ea. ■ Cable Restraint - 2 ea. ■ Left-hand Drum screw (yellow - 2 ea.) ■ Frame Replace Screw (red tint - 5 ea.) 	
Repackaging Kit	065062800 (8400) 659K22810 (8500/8550/8560)
Cleaning Kit	016184500

Power Cords

Description	Part Number
Cable Assembly, 3,18 AWG, 115 V, 98, 0 L	117E29520
Cable Power EURO 220 V, 99 L	117E29500
Cable Power U.K. 240 V, 96 L	117E29510
Cable Power AUST 240 V, 96 L	117E29490
Cable Assembly SWISS 220/240 V, 50 Hz	117E35050
Cable Assembly PWR. DANISH, 250 V	117E29460
Cable Assy PWR, CHINESE	117E35030
Cable Power, 240 V, ARGENTINA	117E35040

Upgrade Kits and Options

Description	Part Number
Hard Drive Upgrade Kit	097S03172 (8400) 121K44410 (8500/8550/8560)
Hard Drive Upgrade with Japanese Fonts	097S03173 (8400) 121K44420 (8500/8550/8560)

Upgrade Kits and Options

Description	Part Number
Memory (8400) 128 MB, 16M x 64, PC133; Memory DIMM	ZMD128
256 MB, 32M x 64, PC133; Memory DIMM	ZMD256
Memory (8500) 128 MB, SDRAM	097S03380
256 MB, SDRAM	097S03381
Memory (8550/8560) 256 MB, SDRAM	097S03381
512 MB, SDRAM	097S03382
525-Sheet Feeder with Tray	097S03174
Wireless Network Adapter with N/A Power Converter 110V	097S03740
Wireless Network Adapter with Euro Power Converter 220V	097S03741
Wireless Network Adapter with UK Power Converter 220V	097S03742

Recommended Tools

Description	Part Number
Torque Screwdriver	003082700
T20 Screwdriver Tip	003086600
Mechanical Parts Kit	650429700
Flashlight	
Grease	070E00890
Serial Cable Adapter	600T80374

Consumables and Routine Maintenance Items

Description	Part Number
Standard-Capacity Maintenance Kit	108R00602 (8400) 108R00675 (8500/8550/8560)
Extended-Capacity Maintenance Kit	108R00603 (8400) 108R00676 (8500/8550/8560)
Genuine Xerox Solid Ink Black (3 sticks)	108R00604 (8400) 108R00668 (8500/8550) 108R00726 (8560)
Genuine Xerox Solid Ink Cyan (3 sticks)	108R00605 (8400) 108R00669 (8500/8550) 108R00723 (8560)

Consumables and Routine Maintenance Items

Description	Part Number
Genuine Xerox Solid Ink Magenta (3 sticks)	108R00606 (8400) 108R00670 (8500/8550) 108R00724 (8560)
Genuine Xerox Solid Ink Yellow (3 sticks)	108R00607 (8400) 108R00671 (8500/8550) 108R00725 (8560)
Genuine Xerox Solid Ink Black (6 sticks)	108R00608 (8400) 108R00672 (8500/8550) 108R00727 (8560)
Rainbow Pack	108R00612 (8400) 058K00220 (8560)
Genuine Xerox Metered Solid Ink Cyan (6 sticks)	108R00707 (8550) 108R00687 (8560)
Genuine Xerox Metered Solid Ink Magenta (6 sticks)	108R00708 (8550) 108R00688 (8560)
Genuine Xerox Metered Solid Ink Yellow (6 sticks)	108R00709 (8550) 108R00689 (8560)
Genuine Xerox Metered Solid Ink Black (6 sticks)	108R00706 (8550) 108R00690 (8560)
Genuine Xerox Solid Ink Cyan (1 stick)	108R00687 (8500/8550)
Genuine Xerox Solid Ink Magenta (1 stick)	108R00688 (8500/8550)
Genuine Xerox Solid Ink Yellow (1 stick)	108R00689 (8500/8550)
Genuine Xerox Solid Ink Black (1 stick)	108R00690 (8500/8550)

Software and Documentation

Description	8400	8500/8550	8560
Setup Guide (poster)	001153600	001167300	
Quick Reference Guide	71086500	721P58550	
World Kit	061449300	650K24290	650K27770
Printer Installer and Utilities CD-ROM	063344900	N/A	N/A
User Documentation CD-ROM	063345000	N/A	N/A
Software and Documentation CD-ROM	N/A	063347500	

Phaser Color Printing Media

Description	Part Number
Phaser Premium Color Printing Paper, 24 lb. Letter, 500 Sheets	016136800
Phaser Premium Color Printing Paper, 24 lb. A4, 500 Sheets	016136900

Phaser Color Printing Media (Continued)

Description	Part Number
Phaser Premium Cover Paper, Letter, 100 Sheets	016182300
Phaser Premium Cover Paper, A4, 100 Sheets	016182400
Phaser Professional Solid Ink Transparency, Letter, 50 Sheets	103R01039
Phaser Professional Solid Ink Transparency, A4, 50 Sheets	103R01040
Phaser Professional Solid Ink Business Cards, Letter,10/ sheet, 25 sheets	103R01041
Phaser Professional Solid Ink Business Cards, A4,10/sheet, 25 Sheets	103R01042
Phaser Color Printing Labels, Letter, 30/Sheet, 100 Sheets	016181200
Phaser Color Printing Labels, Letter, 6/Sheet, 100 Sheets	016181300
Phaser Color Printing Labels, A4, 14/Sheet, 100 Sheets	016181400
Phaser Color Printing Labels, A4, 8/Sheet, 100 Sheets	016181500
Phaser Premium Postcards, Letter, 4/Sheet, 100 Sheets	103R01016
Phaser Premium Postcards, A4, 4/Sheet, 100 Sheets	103R01017
Phaser Trifold Brochures, Letter, 150 Sheets	103R01018
Phaser Trifold Brochures, A4, 150 Sheets	103R01019
Phaser Weatherproof Paper, Letter, 150 Sheets	103R01020
Phaser Weatherproof Paper, A4,150 Sheets	103R01021
Supplies Startup Kit, Standard Size Media	097S03180
Supplies Startup Kit, Metric Size Media	097S03181