

5 Parts Lists

Parts Lists Overview

Parts List Introduction	5-3
Subsystem Information	5-3

PL 1 - Overview

PL 1.0 System	5-4
PL 1.1 Processor (1 of 2)	5-5
PL 1.2 Processor (2 of 2)	5-6
PL 1.3 3TM Overview	5-7
PL 1.4 TTM Overview	5-8

PL 2 - LED Printhead

PL 2.1 LED Print Head (1 of 2)	5-9
PL 2.2 LED Print Head (2 of 2)	5-10

PL 3 - Main Drives

PL 3.1 Drive (1 of 3)	5-11
PL 3.2 Drive (2 of 3)	5-12
PL 3.3 Drive (3 of 3)	5-13

PL 4 - Cooling

PL 4.1 NOHAD Common	5-14
PL 4.2 NOHAD (1 of 3)	5-15
PL 4.3 NOHAD (2 of 3)	5-16
PL 4.4 NOHAD (3 of 3)	5-17

PL 5 - Development

PL 5.1 Development (1 of 2)	5-18
PL 5.2 Development (2 of 2)	5-19
PL 5.3 HVPS (DEVE)	5-20

PL 6 - Paper Transport

PL 6.1 Transfer (1 of 2)	5-21
PL 6.2 Transfer (2 of 2)	5-22
PL 6.3 IBT Belt Unit	5-23

PL 7 - Paper Transfer

PL 7.1 Fuser	5-24
--------------------	------

PL 8 - Xerographic

PL 8.1 Xerographic (1 of 2)	5-25
PL 8.2 Xerographic (2 of 2)	5-26

PL 9 - Paper Supply

PL 9.1 Tray 2 Feeder/Tray2	5-27
PL 9.2 Tray 2	5-28
PL 9.3 Tray 2 Feeder	5-29
PL 9.4 Tray 2 Feeder Assembly (1 of 2)	5-30
PL 9.5 Tray 2 Feeder Assembly (2 of 2)	5-31

PL 10 - 3TM Module

PL 10.1 3 Tray Module	5-32
PL 10.2 Tray 3/4/5	5-33
PL 10.3 Tray 3/4/5 Feeder Assembly (1 of 2)	5-34
PL 10.4 Tray 3/4/5 Feeder Assembly (2 of 2)	5-35
PL 10.9 Electrical - 3T	5-36
PL 10.12 Roller	5-37
PL 10.13 3 TM Left Hand Cover Assembly	5-38
PL 10.14 3TM Covers	5-39

PL 11 - TT Paper Supply

PL 11.1 Tray 3/4/5 Feeder Assembly - TT	5-40
PL 11.5 Tray 5 Paper Feed - TT	5-41
PL 11.6 Tray 3/4 Paper Feed - TT	5-42
PL 11.7 Tray 3 Feeder -TT (1 of 2)	5-43
PL 11.8 Tray 3 Feeder - TT (2 of 2)	5-44
PL 11.9 Tray 4 Feeder - TT (1 of 2)	5-45
PL 11.10 Tray 4 Feeder - TT (2 of 2)	5-46
PL 11.11 Tray 5 Feeder - TT (1 of 2)	5-47
PL 11.12 Tray 5 Feeder - TT (2 of 2)	5-48
PL 11.13 Left Cover Assembly - TT	5-49
PL 11.15 Tray 3/4/5 Paper Size Sensor, Tray 4/5 Lift Gear - TT	5-50
PL 11.16 Drive - TT	5-51
PL 11.17 Electrical - TT	5-52
PL 11.18 Cover, Caster - TT	5-53

PL 13 - Tray 1

PL 13.1 Tray 1 (MPT) (1 of 5)	5-54
PL 13.2 Tray 1 (MPT) (2 of 5)	5-55
PL 13.3 Tray 1 (MPT) (3 of 5)	5-56
PL 13.4 Tray 1 (MPT) (4 of 5)	5-57
PL 13.5 Tray 1 (MPT) (5 of 5)	5-58

PL 14 - Covers

PL 14.1 Left Hand Cover (1 of 2)	5-59
PL 14.2 Left Hand Cover (2 of 2)	5-60
PL 14.3 Left Hand Cover Assembly (1 of 2)	5-61
PL 14.4 Left Hand Cover Assembly (2 of 2)	5-62
PL 14.5 Duplex Assembly (1 of 2)	5-63
PL 14.6 Duplex Assembly (2 of 2)	5-64

PL 15 - Registration

PL 15.1 Registration (1 of 2)	5-65
PL 15.2 Registration (2 of 2)	5-66

PL 17 - Exit Assembly

PL 17.1 Exit 1/OCT, Exit 2	5-67
PL 17.2 Exit 1/OCT	5-68
PL 17.3 Exit 2 (1 of 3)	5-69

PL 17.4 Exit 2 (2 of 3)	5-70	PL 24.38 Finisher SCT	5-116
PL 17.5 Exit 2 (3 of 3)	5-71	PL 24.41 Finisher Transport (1 of 3)	5-117
PL 18 - Electrical		PL 24.42 Finisher Transport (2 of 3)	5-118
PL 18.1 PWB Chassis Unit (1 of 2)	5-72	PL 24.43 Finisher Transport (3 of 3)	5-119
PL 18.2 PWB Chassis unit (2 of 2)	5-73	PL 24.44 Finisher Electrical	5-120
PL 18.3 Electrical IOT Rear	5-74	PL 24.45 Finisher Harness	5-121
PL 18.4 GFI Chassis	5-75	PL 24.51 Booklet Accessory	5-122
PL 18.5 Electrical Front/Right	5-76	PL 24.52 Booklet - Stapler	5-123
PL 18.6 Electrical Bottom	5-77	PL 24.53 Booklet - End Guide	5-124
PL 18.7 Wire Harness	5-78	PL 24.54 Booklet - Knife	5-125
PL 19 - Main Covers		PL 24.55 Booklet - Tamper	5-126
PL 19.1 Covers (1 of 3)	5-79	PL 24.56 Booklet - Roll	5-127
PL 19.2 Covers (2 of 3)	5-80	PL 24.57 Booklet - Chute	5-128
PL 19.3 Covers (3 of 3)	5-81	PL 24.58 Booklet - Motor	5-129
PL 23 - SB Finisher		PL 24.59 Booklet Tray Components	5-130
PL 23.1 H-Transport Assembly (1 of 5)	5-82	PL 35 - ESS	
PL 23.2 H- Transport Assembly (2 of 5)	5-83	PL 35.1 ESS (1 of 2)	5-132
PL 23.3 H-Transport Assembly (3 of 5)	5-84	PL 35.2 ESS (2 of 2)	5-132
PL 23.4 H-Transport Assembly (4 of 5)	5-85	PL 36 - Kits	
PL 23.5 H-Transport Assembly (5 of 5)	5-86	PL 36.1 Kits	5-134
PL 23.6 Finisher Covers	5-87	Part Number Index	
PL 23.7 Finisher Stacker	5-88	Part Number Index	5-135
PL 23.8 Finisher Stapler	5-89		
PL 23.9 Finisher Eject (1 of 5)	5-90		
PL 23.10 Finisher Eject (2 of 5)	5-91		
PL 23.11 Finisher Eject (3 of 5)	5-92		
PL 23.12 Finisher Eject (4 of 5)	5-93		
PL 23.13 Finisher Eject (5 of 5)	5-94		
PL 23.14 Finisher Exit/Folder Assembly	5-95		
PL 23.15 Folder Assembly	5-96		
PL 23.16 Finisher Electrical	5-97		
PL 23.17 Booklet Maker Covers	5-98		
PL 23.18 Booklet Stapler Assembly	5-99		
PL 23.19 Booklet Front Stapler Assembly	5-100		
PL 23.20 Booklet Rear Stapler Assembly	5-101		
PL 23.21 Booklet Electrical	5-102		
PL 24 - C Finisher			
PL 24.2 H-Transport Assembly (1 of 4)	5-104		
PL 24.4 H-Transport Assembly (2 of 4)	5-105		
PL 24.5 H-Transport Assembly (3 of 4)	5-106		
PL 24.6 H-Transport Assembly (4 of 4)	5-107		
PL 24.11 Covers (1 of 2)	5-108		
PL 24.12 Covers (2 of 2)	5-109		
PL 24.31 Finisher Stack	5-110		
PL 24.32 Finisher Punch	5-111		
PL 24.33 Finisher Stapler	5-112		
PL 24.34 Finisher Eject (1 of 3)	5-113		
PL 24.35 Finisher Eject (2 of 3)	5-114		
PL 24.36 Finisher Eject (3 of 3)	5-115		

Parts List Introduction

Overview

The Parts List section identifies all part numbers and the corresponding location of all spared subsystem components.

Organization

Parts Lists

Each item number in the part number listing corresponds to an item number in the related illustration. All the parts in a given subsystem of the machine will be located in the same illustration or in a series of associated illustrations.

Electrical Connectors and Fasteners

This section contains the illustrations and descriptions of the plugs, jacks, and fasteners used in the machine. A part number listing of the connectors is included.

Common Hardware

The common hardware is listed in alphabetical order by the letter or letters used to identify each item in the part number listing and in the illustrations. Dimensions are in millimeters unless otherwise identified.

Symbology

Symbology used in the Parts List section is identified in the Symbology section.

Service Procedure Referencing

If a part or assembly has an associated repair or adjustment procedure, the procedure number will be listed at the end of the part description in the parts lists e.g. (REP 5.1, ADJ 5.3)

Subsystem Information

Use of the Term “Assembly”

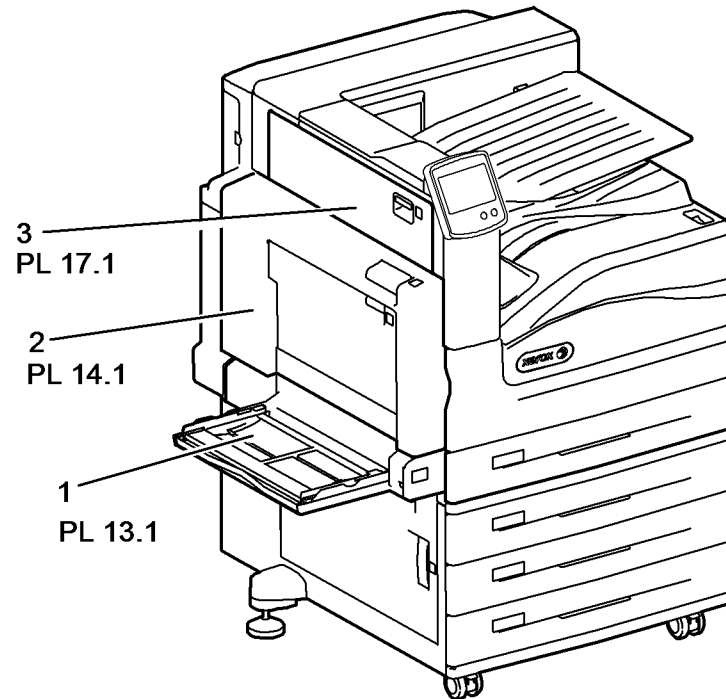
The term “assembly” will be used for items in the part number listing that include other itemized parts in the part number listing. When the word “assembly” is found in the part number listing, there will be a corresponding item number on the illustrations followed by a bracket and a listing of the contents of the assembly.

Brackets

A bracket is used when an assembly or kit is spared, but is not shown in the illustration. The item number of the assembly or kit precedes the bracket; the item numbers of the piece parts follow the bracket.

PL 1.0 System

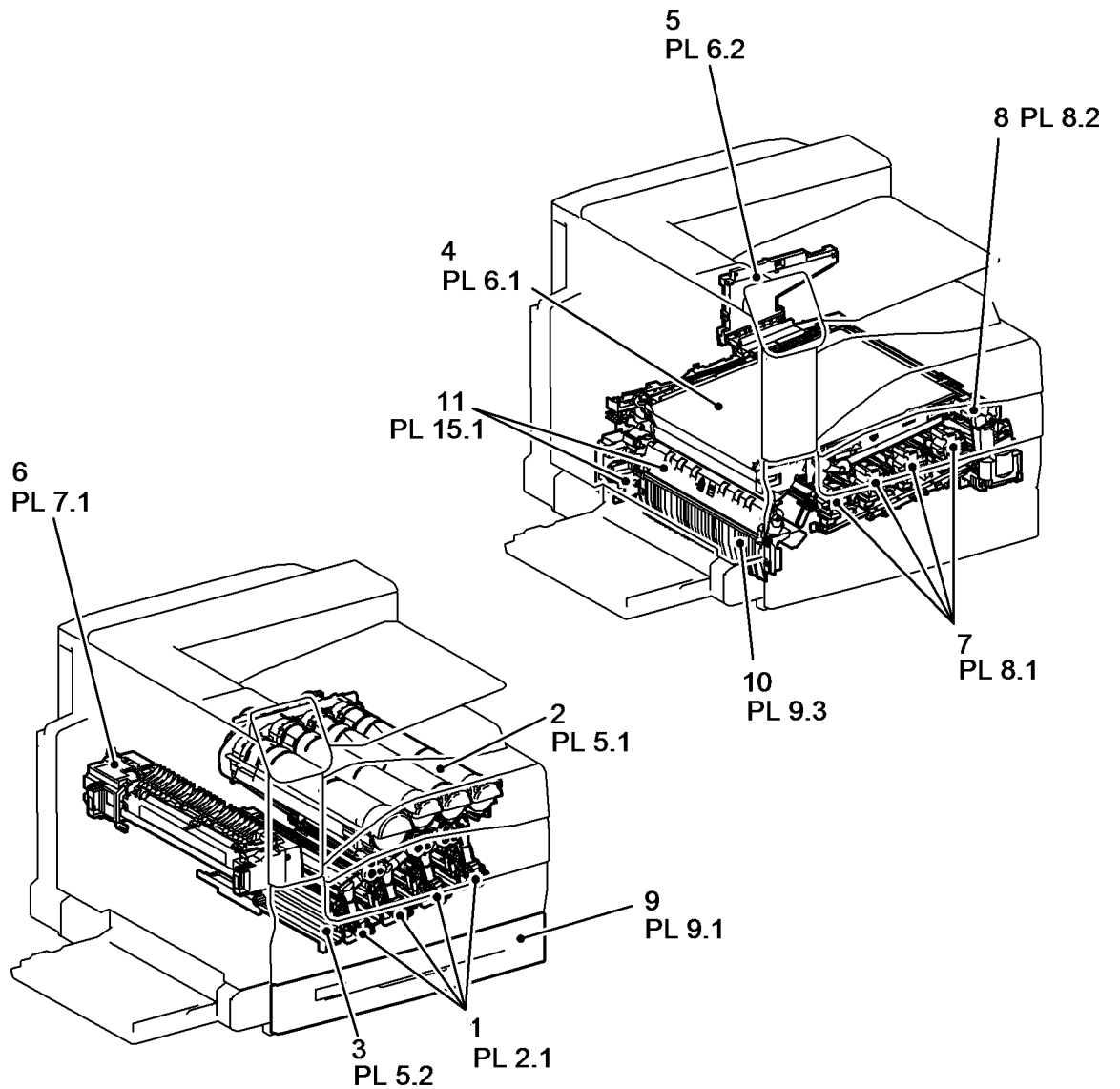
Item	Part	Description
1	–	Tray 1 (MPT) (REF: PL 13.1)
2	–	Left Hand Cover (REF: PL 14.1)
3	–	Exit 1/OCT, Exit 2 (REF: PL 17.1)



s7800-101

PL 1.1 Processor (1 of 2)

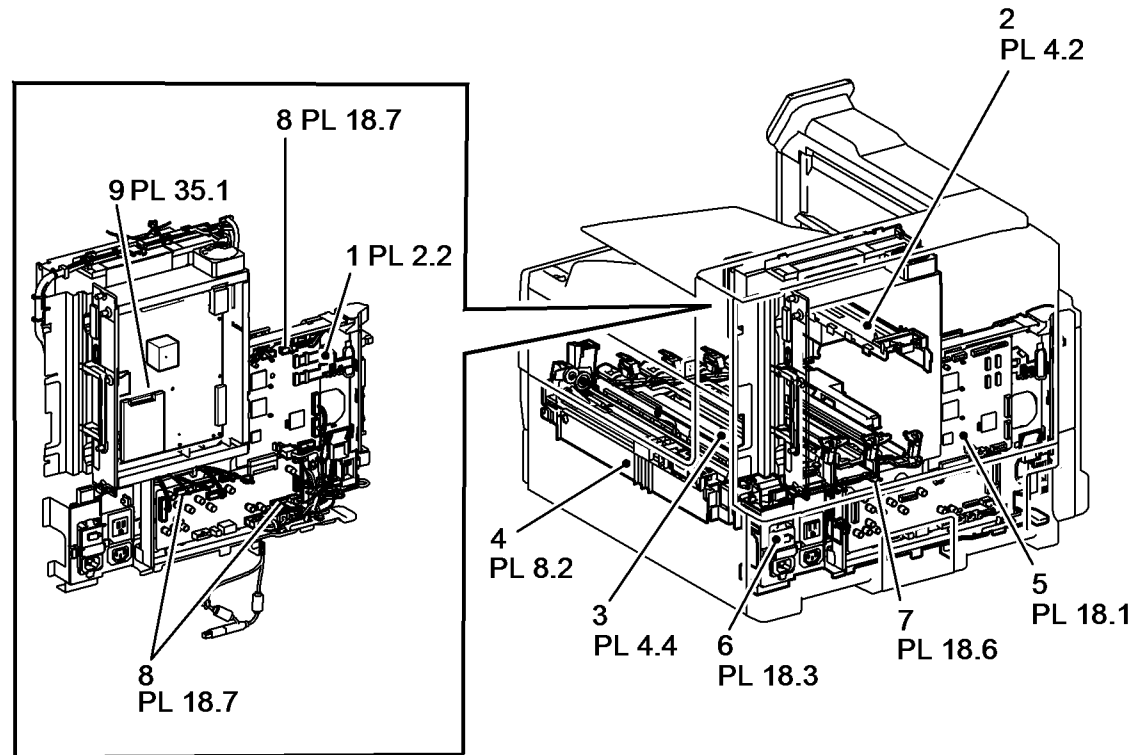
Item	Part	Description
1	–	LED Print Head (1 of 2) (REF: PL 2.1)
2	–	Development (1 of 2) (REF: PL 5.1)
3	–	Development (2 of 2) (REF: PL 5.2)
4	–	Transfer (1 of 2) (REF: PL 6.1)
5	–	Transfer (2 of 2) (REF: PL 6.2)
6	–	Fuser (REF: PL 7.1)
7	–	Xerographic (1 of 2) (REF: PL 8.1)
8	–	Xerographic (2 of 2) (REF: PL 8.2)
9	–	Tray 2 Feeder/Tray 2 (REF: PL 9.1)
10	–	Tray 2 Feeder (REF: PL 9.3)
11	–	Registration (1 of 2) (REF: PL 15.1)



s7800-102

PL 1.2 Processor (2 of 2)

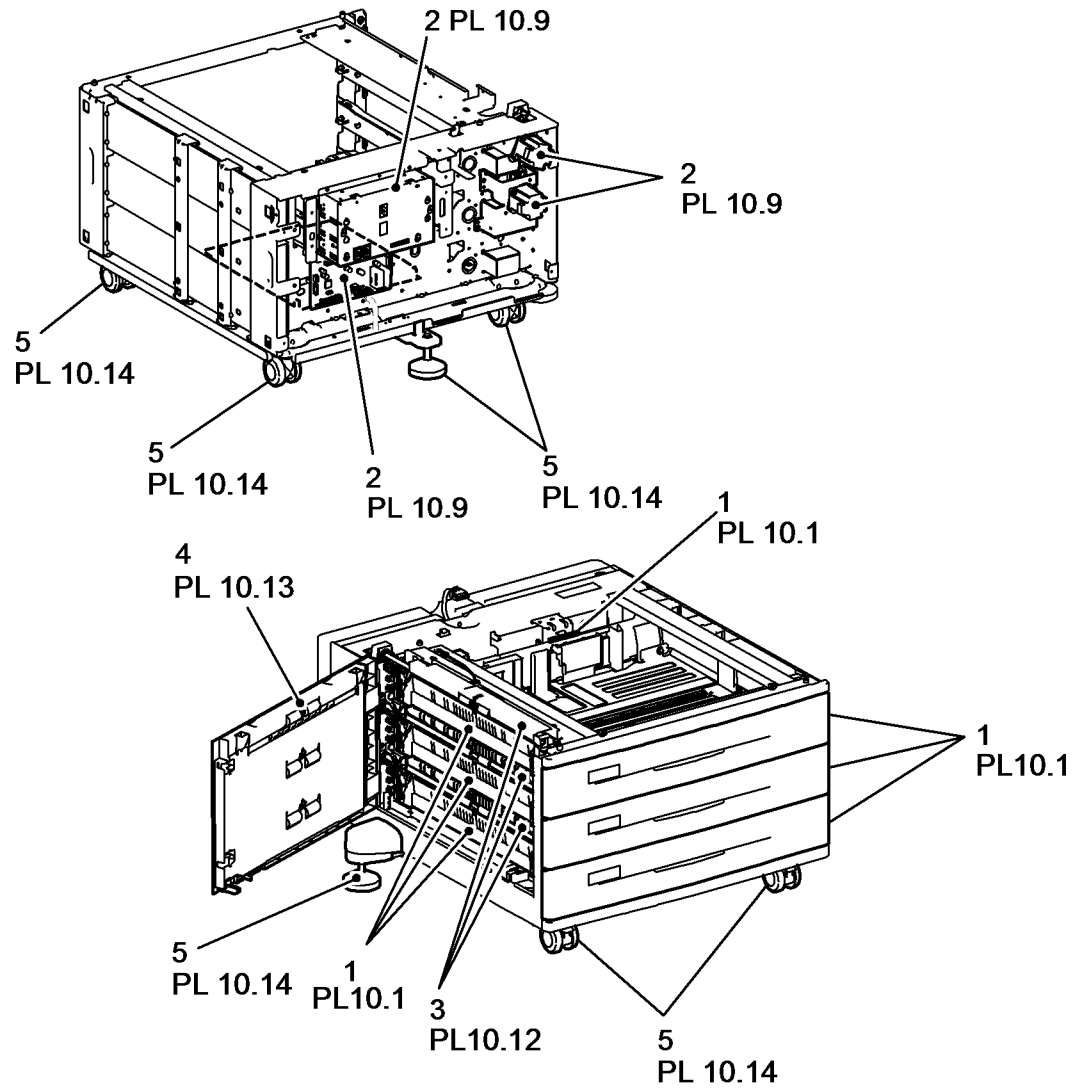
Item	Part	Description
1	—	LED Print Head (2 of 2) (REF: PL 2.2)
2	—	NOHAD (1 of 3) (REF: PL 4.2)
3	—	NOHAD (3 of 3) (REF: PL 4.4)
4	—	Xerographic (2 of 2) (REF: PL 8.2)
5	—	PWB Chassis Unit (REF: PL 18.1)
6	—	Electrical IOT Rear (REF: PL 18.3)
7	—	Electrical Bottom (REF: PL 18.6)
8	—	Wire Harness (REF: PL 18.7)
9	—	ESS (1 of 2) (REF: PL 35.1)



s7800-103

PL 1.3 3TM Overview

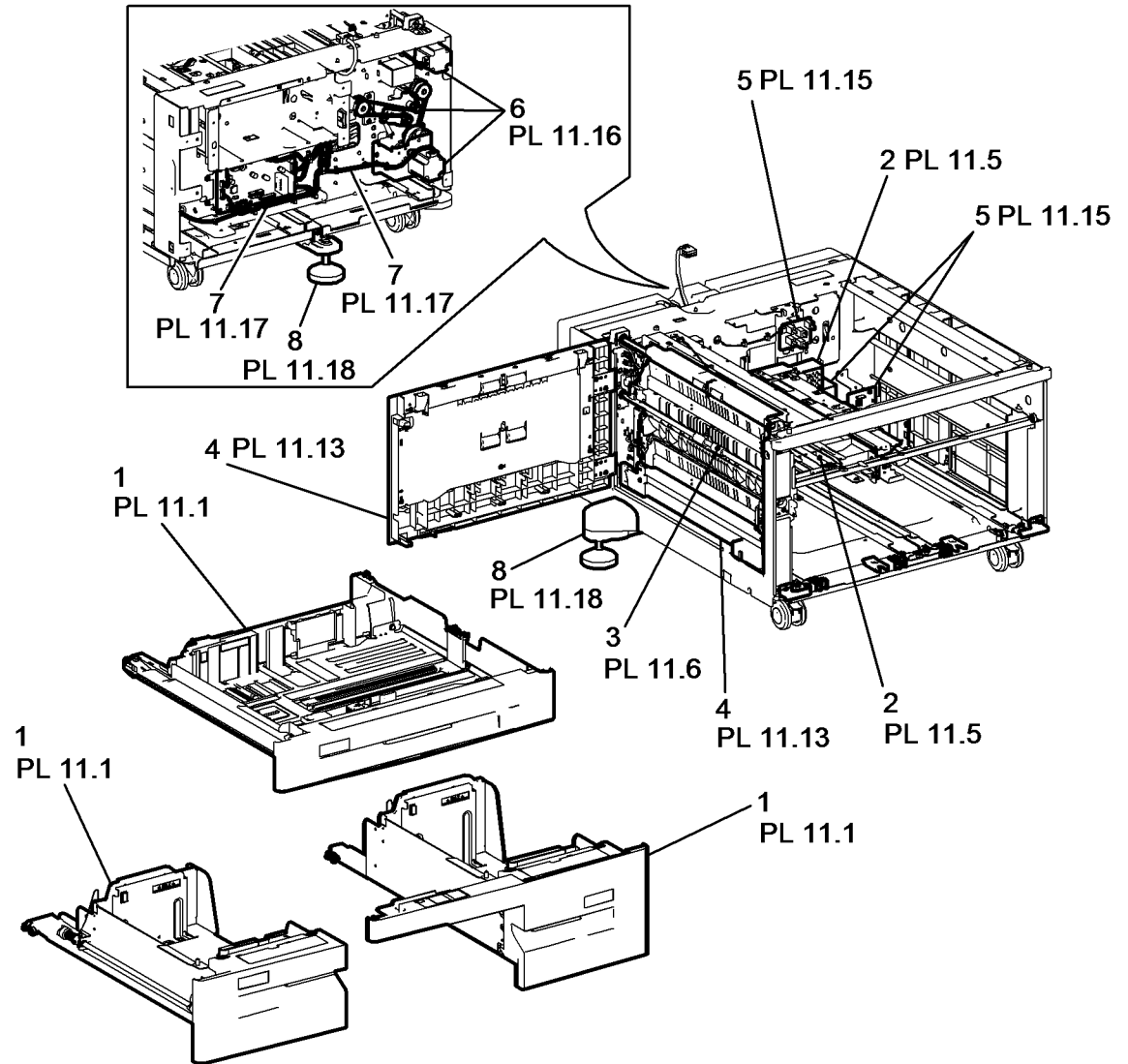
Item	Part	Description
1	-	Tray Module (3T) (REF: PL 10.1)
2	-	Electrical (REF: PL 10.9)
3	-	Roller (REF: PL 10.12)
4	-	Left Hand Cover Assembly (REF: PL 10.13)
5	-	Cover (REF: PL 10.14)



s7800-104

PL 1.4 TTM Overview

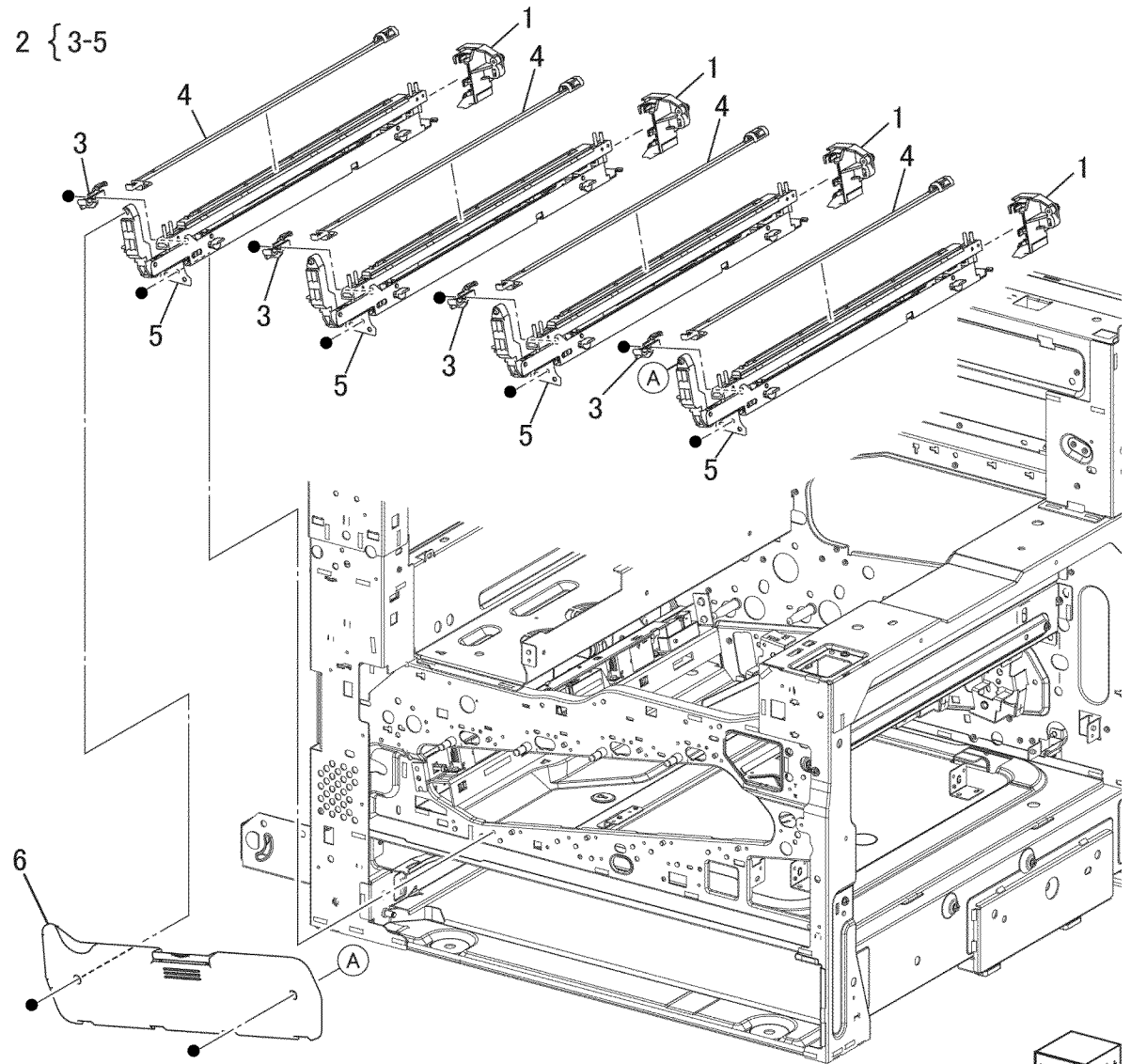
Item	Part	Description
1	-	Tray 3/4/5 Assembly - TT (REF: PL 11.1)
2	-	Tray 5 Paper Feed - TT (REF: PL 11.5)
3	-	Tray 3/4 Paper Feed - TT (REF: PL 11.6)
4	-	Left Cover Assembly - TT (REF: PL 11.13)
5	-	Tray 3/4/5 Paper Size Sensor, Tray 4/5 Lift Gear - TT (REF: PL 11.15)
6	-	Drive - TT (REF: PL 11.16)
7	-	Electrical - TT (REF: PL 11.17)
8	-	Cover, Castor - TT (REF: PL 11.18)



s7800-105

PL 2.1 LED Print Head (1 of 2)

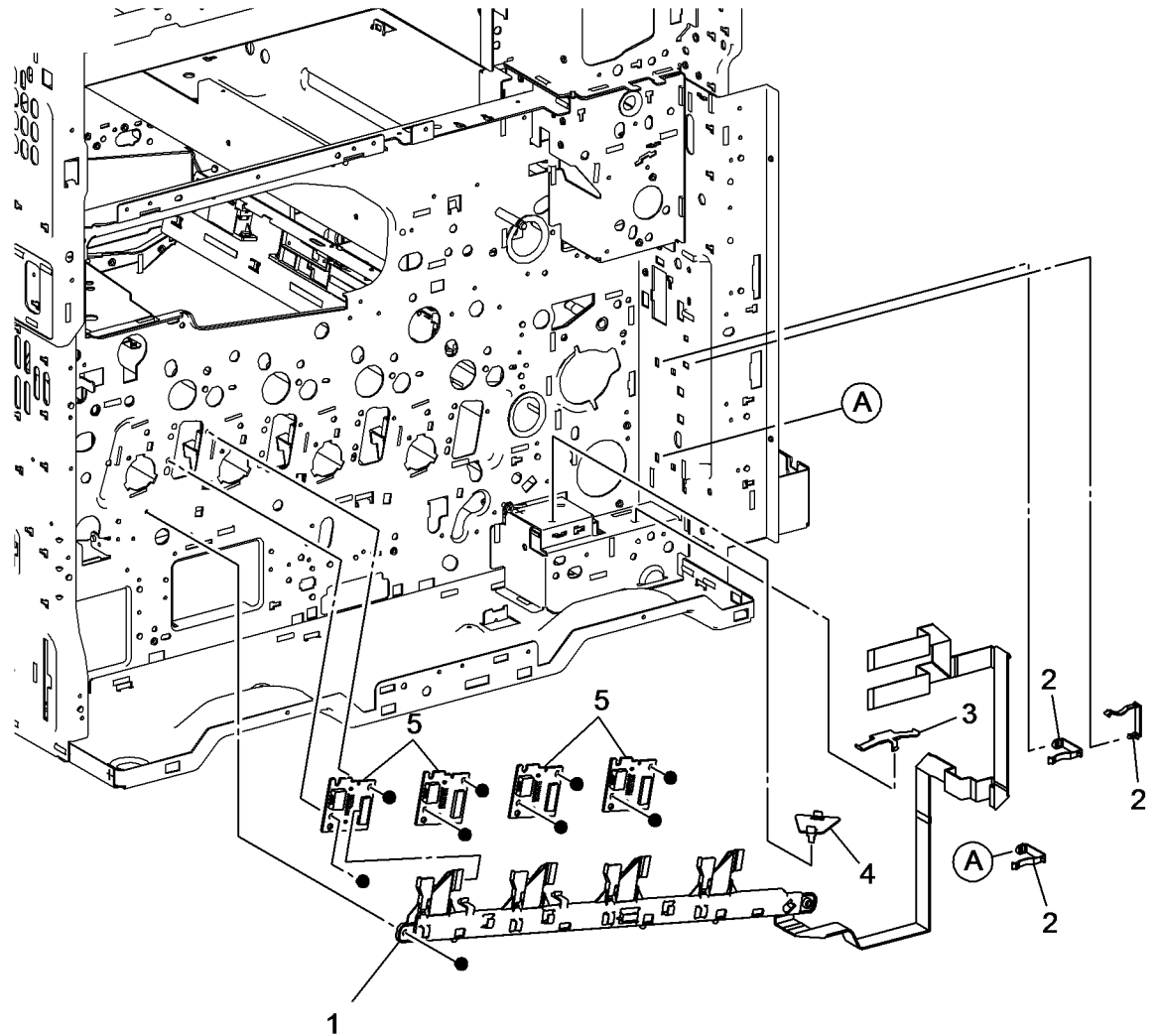
Item	Part	Description
1	019K09281	Rear Holder Assembly (REP 2.1)
2	130K78680	LED Print Head (REP 2.2)
3	-	Guide (P/O PL 2.1 Item 2)
4	-	LED Print Head Cleaner (Not Spared) (REP 2.3)
5	-	LED Print Head Assembly (P/O PL 2.1 Item 2)
6	011K98621	Imaging Unit Cover (REP 2.4)



s7800-228

PL 2.2 LED Print Head (2 of 2)

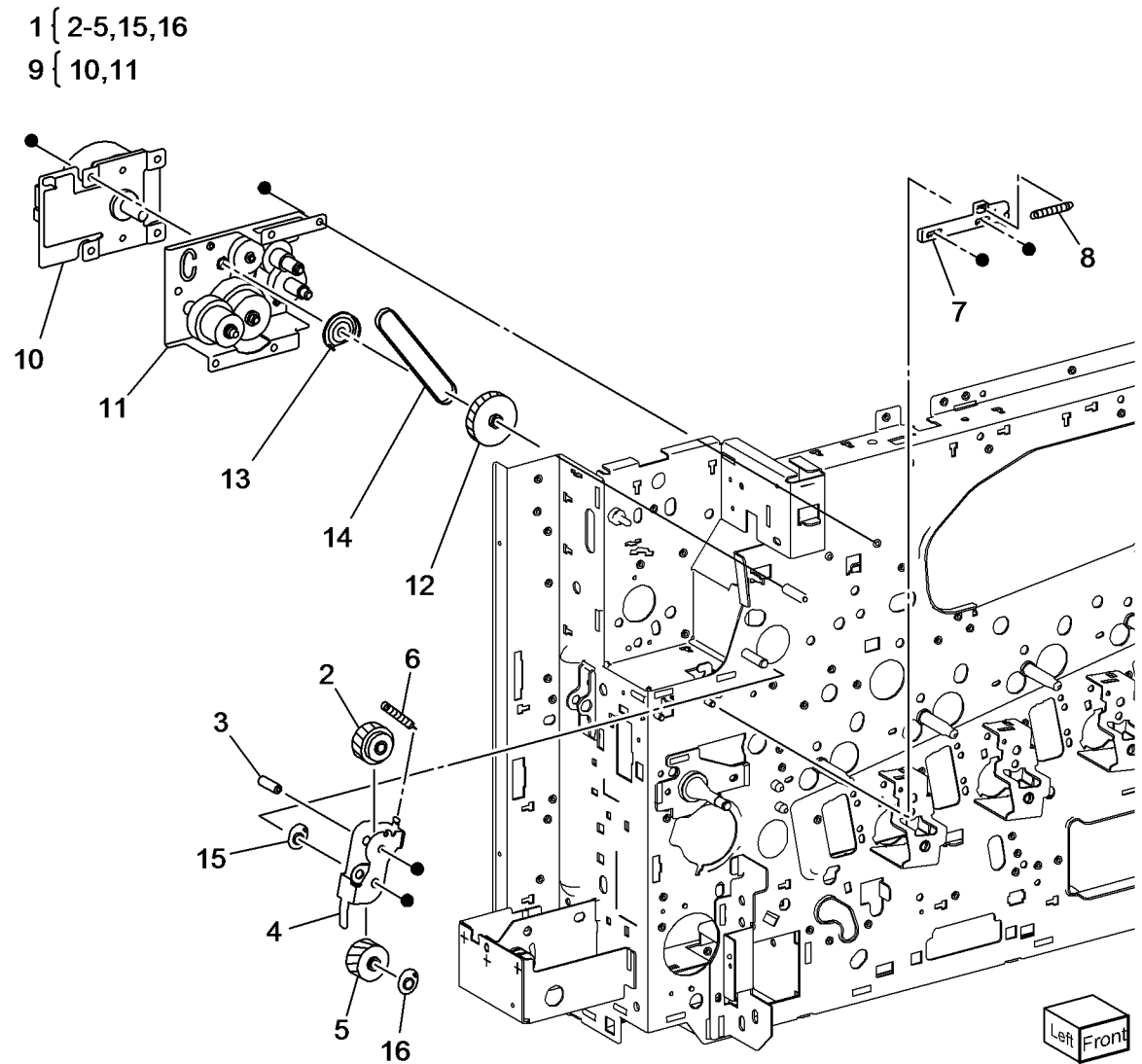
Item	Part	Description
1	962K77431	LED Print Head Cable Assembly (REP 2.5)
2	—	Cable Holder (Not Spared)
3	—	Cable Holder (Not Spared)
4	—	Cable Holder (Not Spared)
5	960K36952	LED Print Head Rear PWB (REP 2.6)



s7800-106

PL 3.1 Drive (1 of 3)

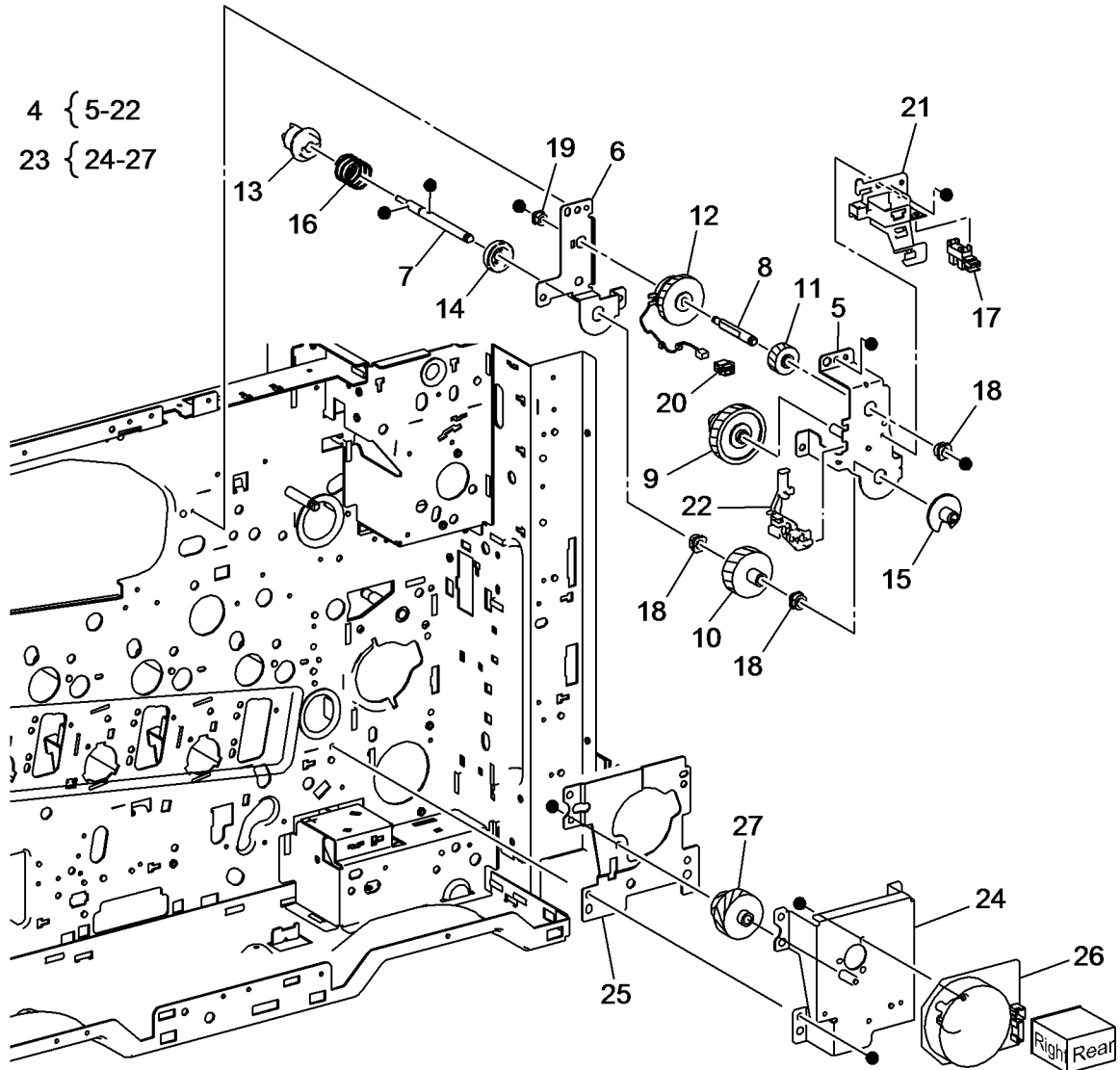
Item	Part	Description
1	068K69160	Fuser Input Bracket Assembly (REP 3.1)
2	-	Helical Gear (26T) (with bearing) (P/O PL 3.1 Item 1)
3	-	Fuser Shaft (P/O PL 3.1 Item 1)
4	-	Fuser Input Bracket (P/O PL 3.1 Item 1)
5	-	Helical Gear (25T) (with bearing) (P/O PL 3.1 Item 1)
6	809E74960	Spring
7	012E15930	Fuser Link (REP 3.2)
8	809E74950	Spring (REP 3.2)
9	007K16861	Fuser Drive Motor Assembly (REP 3.3)
10	-	Fuser Drive Motor (MOT10-001) (P/O PL 3.1 Item 9)
11	-	Gear Bracket Assembly (P/O PL 3.1 Item 9)
12	807E27930	Helical Gear (40T/23T)
13	005E24620	Flange
14	423W10355	Belt
15	-	Bearing (P/O PL 3.1 Item 1)
16	-	Bearing (P/O PL 3.1 Item 1)



s7800-107

PL 3.2 Drive (2 of 3)

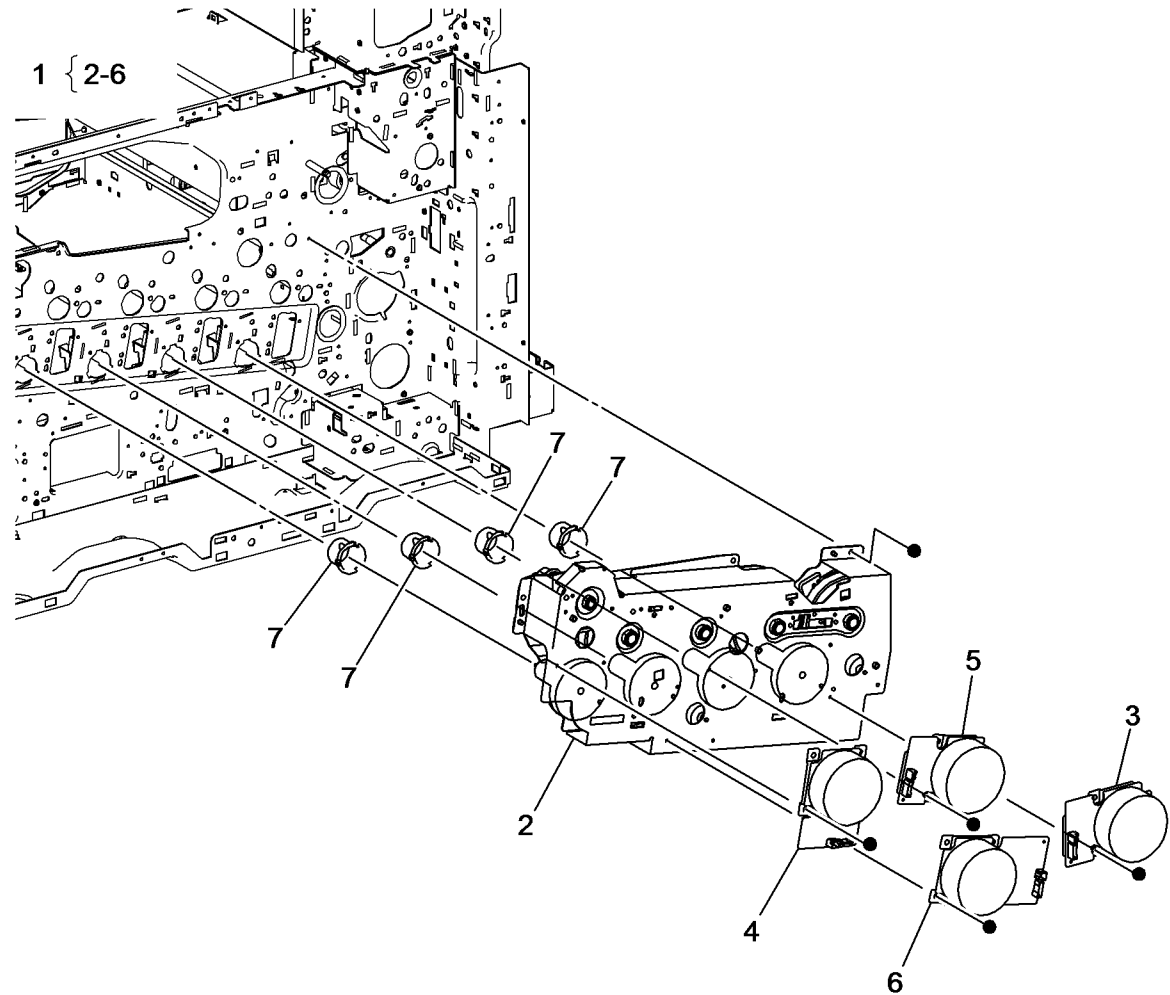
Item	Part	Description
1	-	Not Used
2	-	Not Used
3	-	Not Used
4	007K98090	Retract Drive Assembly (REP 3.4)
5	-	Retract Bracket Assembly (P/O PL 3.2 Item 4)
6	-	Retract Lower Bracket (P/O PL 3.2 Item 4)
7	-	Retract Shaft (P/O PL 3.2 Item 4)
8	-	Clutch Shaft (P/O PL 3.2 Item 4)
9	-	Helical Gear (45T/23T) (P/O PL 3.2 Item 4)
10	-	Helical Gear (36T) (P/O PL 3.2 Item 4)
11	-	Helical Gear (21T) (P/O PL 3.2 Item 4)
12	-	1st BTR Contact Retract Clutch (P/O PL 3.2 Item 4)
13	-	Coupling (P/O PL 3.2 Item 4)
14	-	Retainer (P/O PL 3.2 Item 4)
15	-	Cam Wheel (P/O PL 3.2 Item 4)
16	-	Spring (P/O PL 3.2 Item 4)
17	-	1st BTR Contact Retract Sensor (Q94-200) (P/O PL 3.2 Item 4) (REP 3.5)
18	-	Sleeve Bearing (P/O PL 3.2 Item 4)
19	-	Sleeve Bearing (P/O PL 3.2 Item 4)
20	-	Connector (P/O PL 3.2 Item 4)
21	-	Harness Holder (P/O PL 3.2 Item 4)
22	-	Harness Holder (P/O PL 3.2 Item 4)
23	007K16841	Main Drive Assembly (REP 3.6)
24	-	Motor Bracket (P/O PL 3.2 Item 23)
25	-	Bracket (P/O PL 3.2 Item 23)
26	-	Main Drive Motor (MOT42-001) (P/O PL 3.2 Item 23) (REP 3.7)
27	-	Helical Gear (46T/21T) (P/O PL 3.2 Item 23)



s7800-108

PL 3.3 Drive (3 of 3)

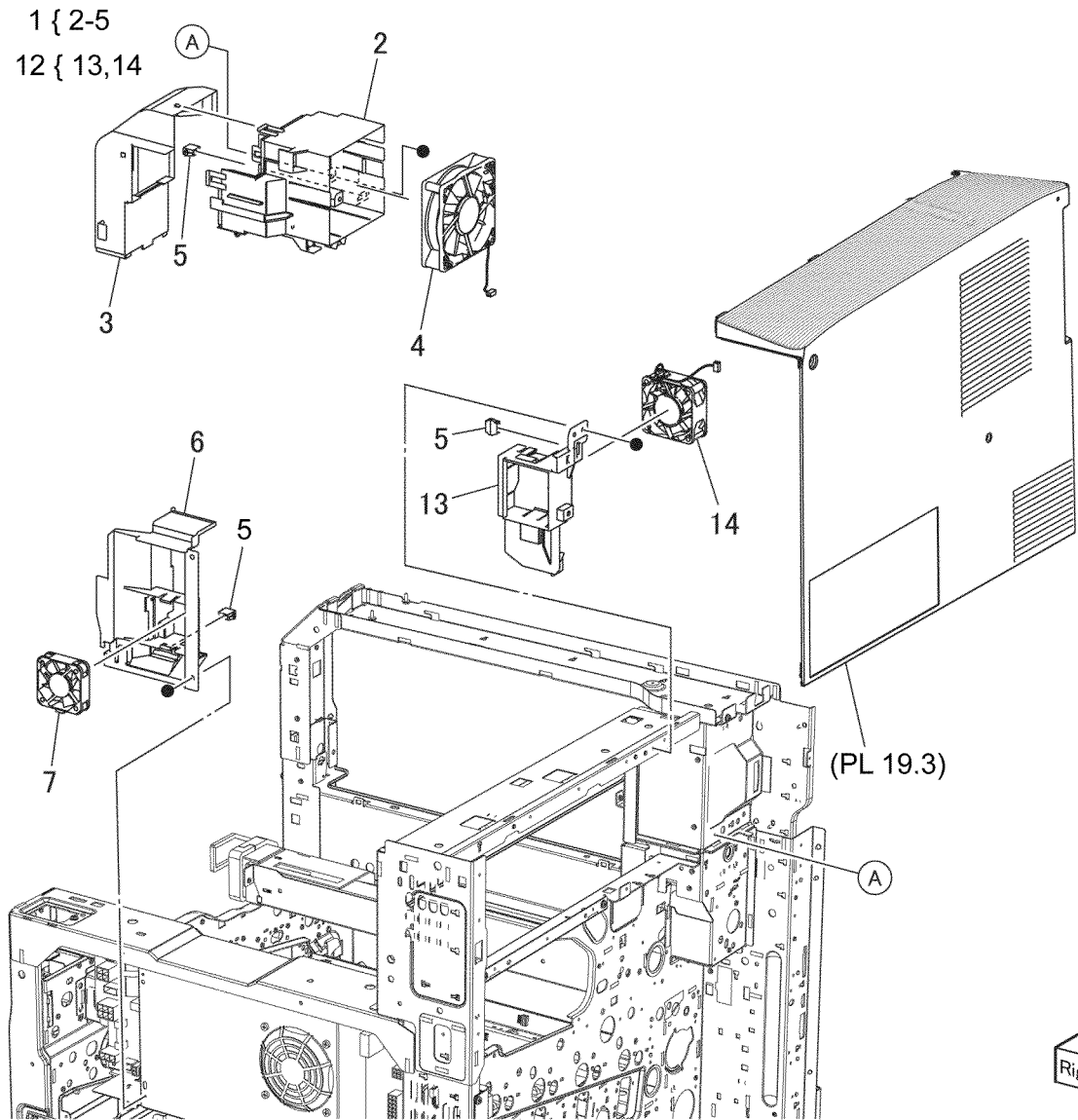
Item	Part	Description
1	007K16823	Drum/Deve Drive Assembly (REP 3.8)
2	—	Drive Assembly (P/O PL 3.3 Item 1)
3	—	Drum/Deve Drive Motor (K) (MOT91-032) (P/O PL 3.3 Item 1) (REP 3.9)
4	—	IBT Drive Motor (MOT94-005) (P/O PL 3.3 Item 1) (REP 3.10)
5	—	Drum Drive Motor (Y/M/C) (P/O PL 3.3 Item 1) (REP 3.11)
6	—	Deve Drive Motor (Y/M/C) (MOT93-022) (P/O PL 3.3 Item 1) (REP 3.12)
7	055E56040	Gear Guide



s7800-109

PL 4.1 NOHAD Common

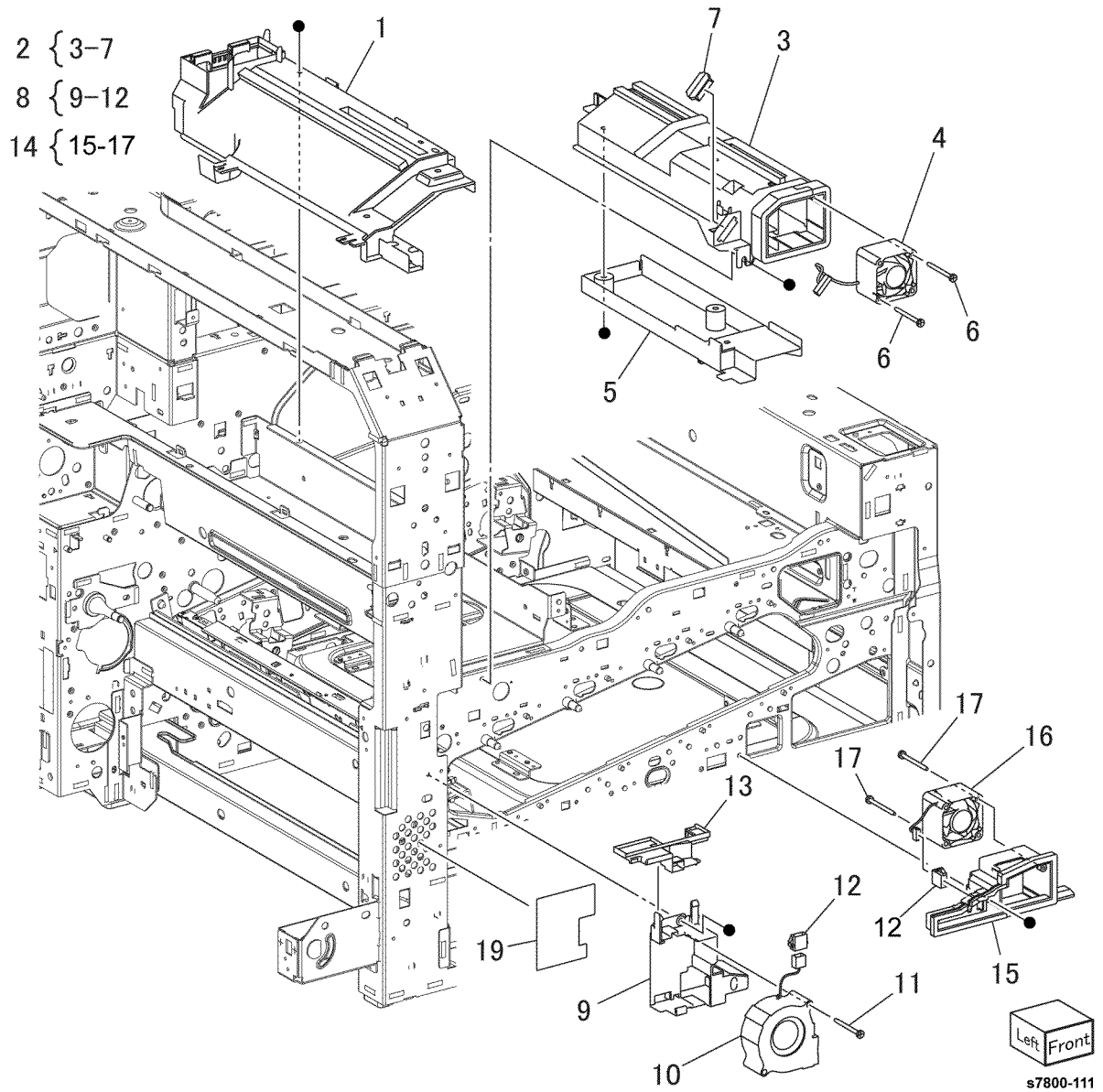
Item	Part	Description
1	054K41420	Fuser Fan and Duct (REP 4.1)
2	-	Duct (P/O PL 4.1 Item 1)
3	-	Duct (P/O PL 4.1 Item 1)
4	-	Fuser Fan (MOT42-11) (P/O PL 4.1 Item 1) (REP 4.1)
5	913W13170	Connector
6	-	LVPS Duct (Not Spared)
7	127K58360	Front LVPS Fan (MOT42-14) (REP 4.2)
8	-	Not Used
9	-	Not Used
10	-	Not Used
11	-	Not Used
12	054K41490	IH Intake Fan and Duct (REP 4.3)
13	-	Duct (P/O PL 4.1 Item 12)
14	-	IH Intake Fan (MOT42-16) (P/O PL 4.1 Item 12) (REP 4.3)



s7800-110

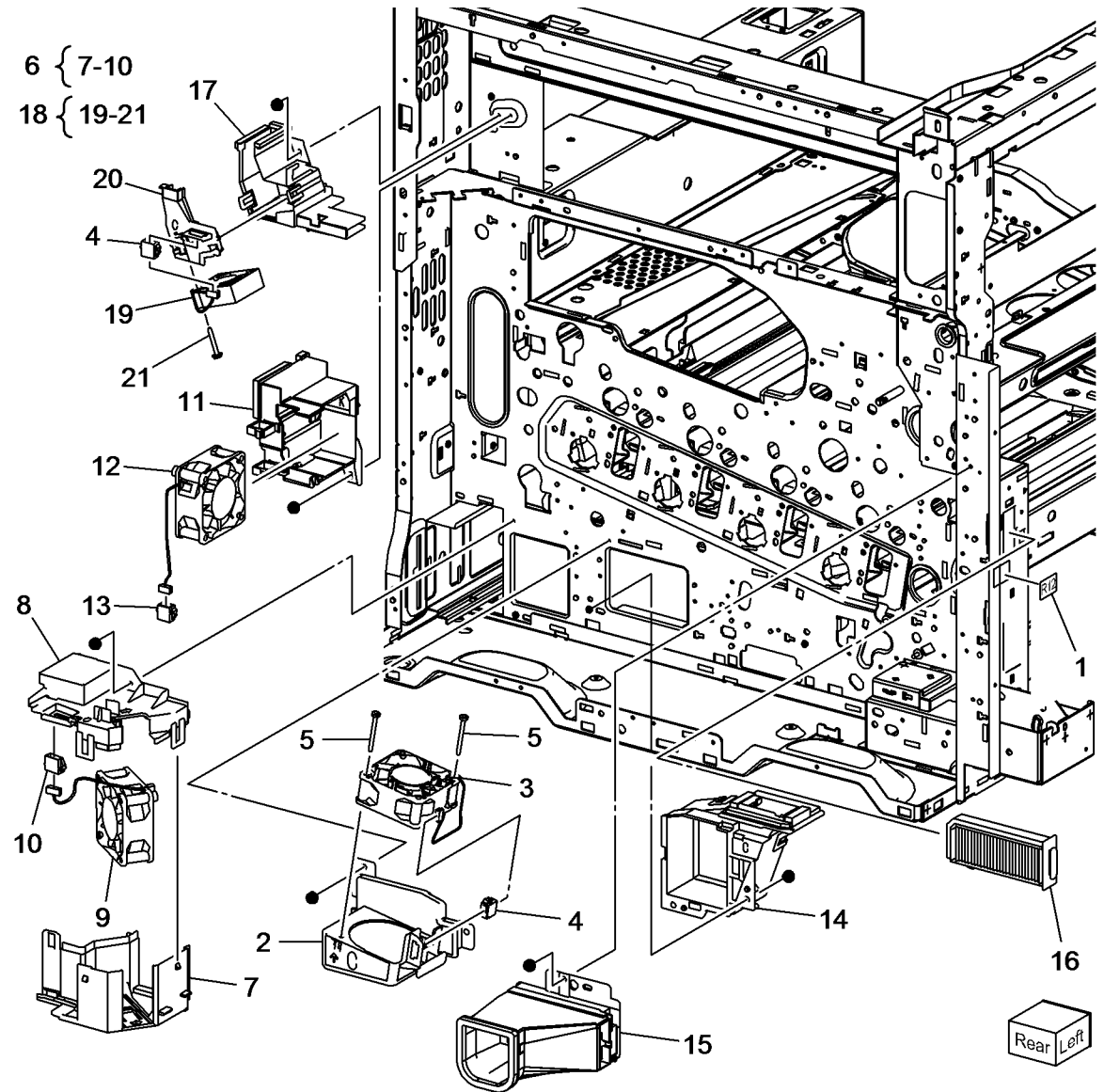
PL 4.2 NOHAD (1 of 3)

Item	Part	Description
1	-	Center Duct (Not Spared)
2	054K41430	C Fan and Duct (REP 4.4)
3	-	Duct (P/O PL 4.2 Item 2)
4	-	C Fan (MOT42-24) (P/O PL 4.2 Item 2)
5	-	Plate (P/O PL 4.2 Item 2)
6	-	Screw (P/O PL 4.2 Item 2)
7	-	Connector (P/O PL 4.2 Item 2)
8	054K41440	Process 2 Fan and Duct (REP 4.5)
9	-	P2 Duct (P/O PL 4.2 Item 8)
10	-	Process 2 Fan (MOT42-13) (P/O PL 4.2 Item 8)
11	-	Screw (P/O PL 4.2 Item 8)
12	-	Connector (P/O PL 4.2 Item 8)
13	815E51940	Plate (REP 4.6)
14	054K41410	Process 1 Fan and Duct (REP 4.7)
15	-	P1 Duct (P/O PL 4.2 Item 14)
16	-	Process 1 Fan (MOT42-22) (P/O PL 4.2 Item 14)
17	-	Screw (P/O PL 4.2 Item 14)
18	-	Not Used
19	-	Seal (Not Spared)



PL 4.3 NOHAD (2 of 3)

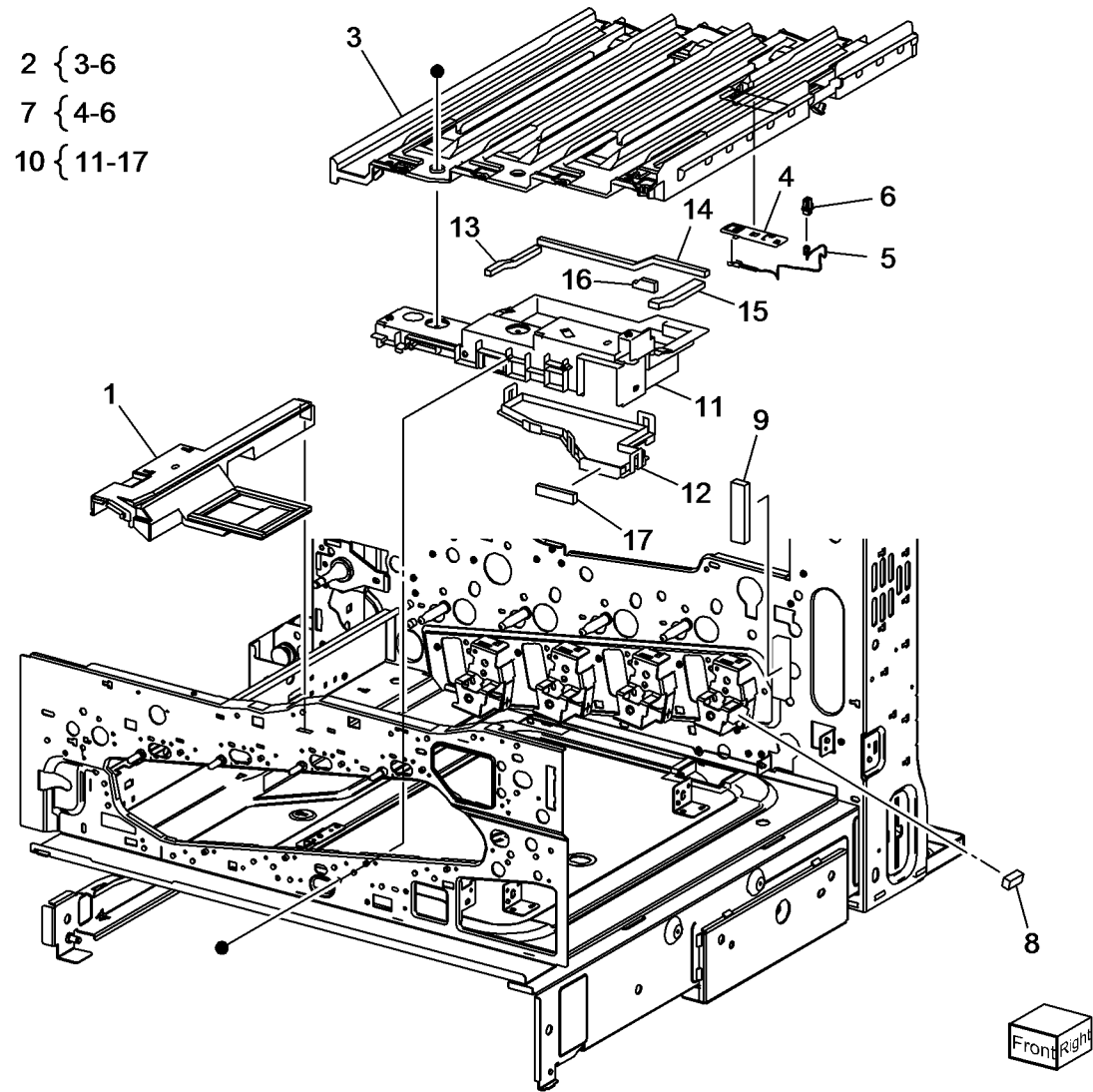
Item	Part	Description
1	-	Label (R12) (Not Spared)
2	-	Bottom Duct (Not Spared)
3	127K64480	Bottom Fan (MOT42-15) (REP 4.8)
4	-	Connector (Not Spared)
5	-	Screw (Not Spared)
6	054K41460	M Fan and Duct (REP 4.9)
7	-	Lower Duct (P/O PL 4.3 Item 6)
8	-	Upper Duct (P/O PL 4.3 Item 6)
9	-	M Fan (MOT42-12) (P/O PL 4.3 Item 6)
10	-	Connector (P/O PL 4.3 Item 6)
11	-	IH Exhaust Duct (Not Spared)
12	-	IH Exhaust Fan (MOT42-17) (REP 4.10)
13	-	Connector (Not Spared)
14	-	Duct (Not Spared)
15	-	Suction Duct (Not Spared)
16	108R01037	Suction Filter (REP 4.11)
17	-	Rear Fan Duct (Not Spared)
18	127K61230	C Exit Fan and Duct (REP 4.12)
19	-	C Exit Fan (P/O PL 4.3 Item 18) (REP 4.12)
20	-	Duct (P/O PL 4.3 Item 18) (REP 4.12)
21	-	Screw (P/O PL 4.3 Item 18)



s7800-112

PL 4.4 NOHAD (3 of 3)

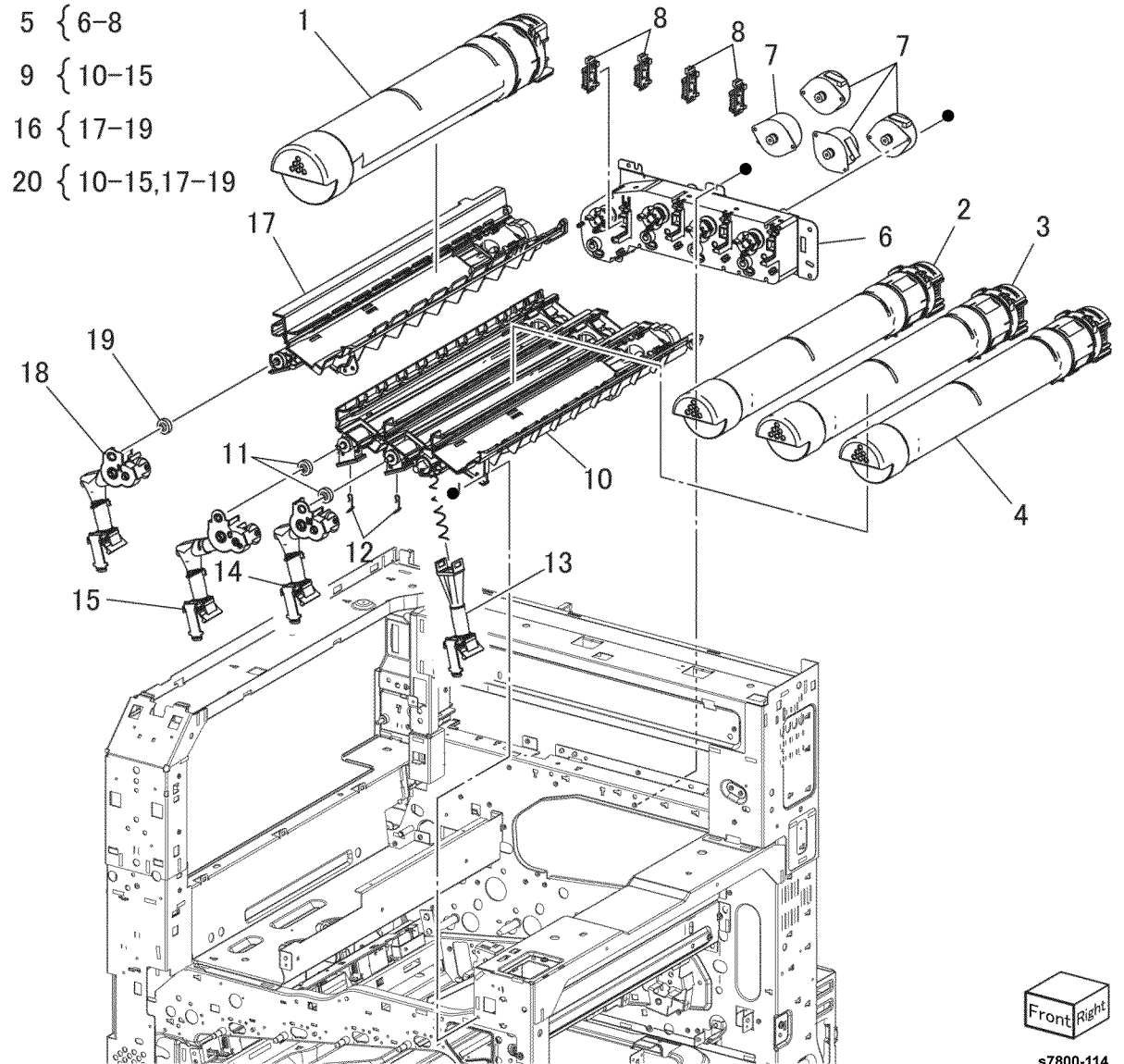
Item	Part	Description
1	-	Front Bottom Duct (Not Spared)
2	815K03601	Base Plate Assembly
3	-	Base Plate (P/O PL 4.4 Item 2)
4	-	Bracket (P/O PL 4.4 Item 7)
5	-	NOHAD Thermistor (P/O PL 4.4 Item 7)
6	-	Connector (P/O PL 4.4 Item 7)
7	130K71990	NOHAD Thermistor and Bracket (REP 4.13)
8	-	Seal (Not Spared)
9	-	Seal (Not Spared)
10	-	Front Duct Assembly (Not Spared)
11	-	Front Duct (P/O PL 4.4 Item 10)
12	-	Lower Plate (P/O PL 4.4 Item 10)
13	-	Seal (P/O PL 4.4 Item 10)
14	-	Seal (P/O PL 4.4 Item 10)
15	-	Seal (P/O PL 4.4 Item 10)
16	-	Seal (P/O PL 4.4 Item 10)
17	-	Seal (P/O PL 4.4 Item 10)



s7800-113

PL 5.1 Development (1 of 2)

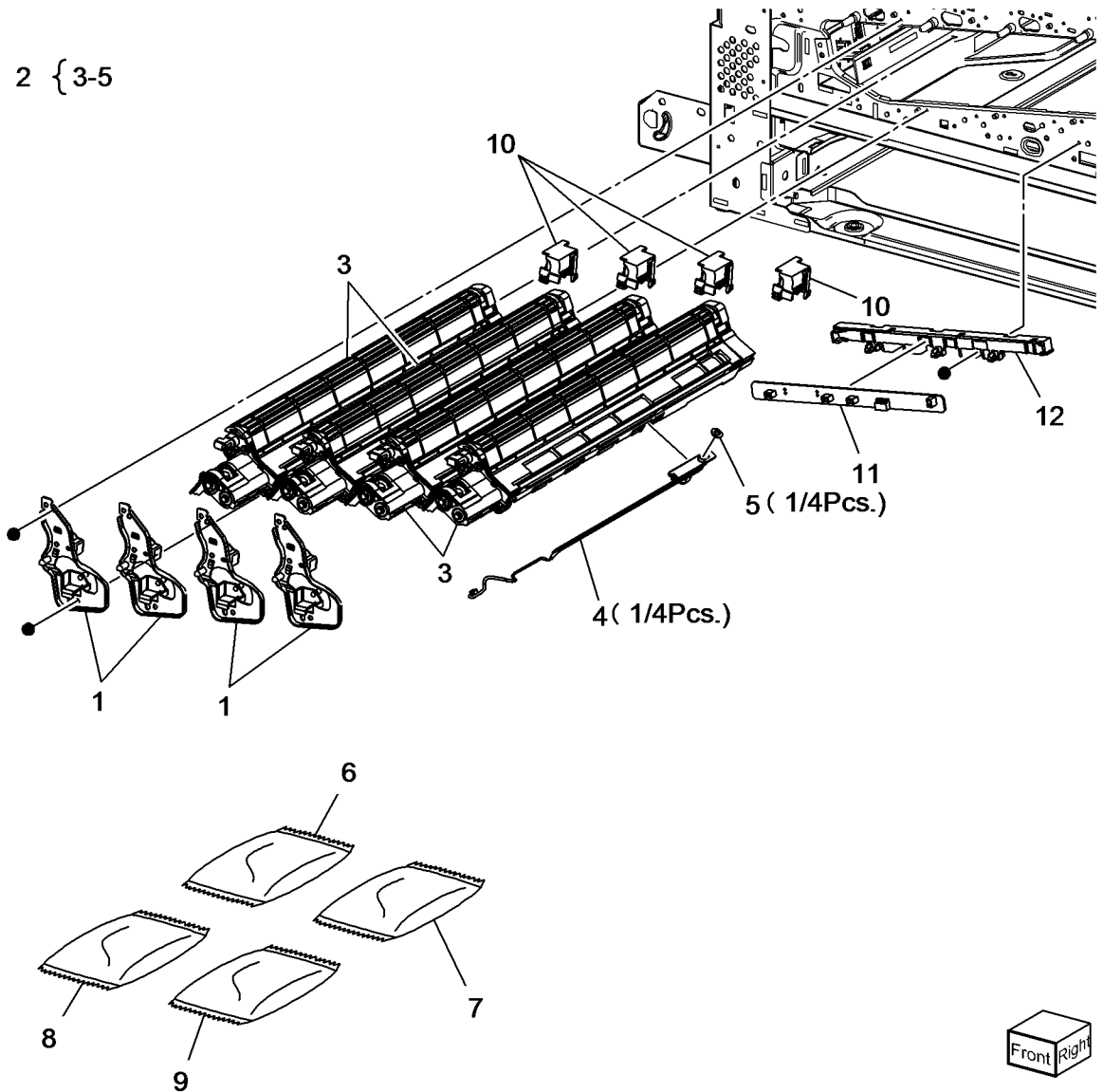
Item	Part	Description
1	-	Toner Cartridge (K) (REP 5.1)
2	-	Toner Cartridge (C) (REP 5.1)
3	-	Toner Cartridge (M) (REP 5.1)
4	-	Toner Cartridge (Y) (REP 5.1)
5	127K64540	Toner Dispenser Motor Assembly (REP 5.2)
6	-	Dispense Assembly (P/O PL 5.1 Item 5)
7	-	Toner Dispenser Motor (Y/M/C/K) (P/O PL 5.1 Item 5) (REP 5.3)
8	-	Toner CRUM Coupler Assembly (Y/M/C/K) (P/O PL 5.1 Item 5)
9	094K92391	Dispenser Pipe Assembly (Y/M/C) (REP 5.4)
10	-	Guide Assembly (Y/M/C) (P/O PL 5.1 Item 9)
11	807E20080	Auger Gear (Y/M/C)
12	-	Spring (P/O PL 5.1 Item 9)
13	-	Dispenser Pipe (Y) (P/O PL 5.1 Item 9) (REP 5.5)
14	-	Dispenser Pipe (M) (P/O PL 5.1 Item 9) (REP 5.5)
15	-	Dispenser Pipe (C) (P/O PL 5.1 Item 9) (REP 5.5)
16	094K92770	Dispenser Pipe Assembly (K)
17	-	Guide Assembly (K) (P/O PL 5.1 Item 16)
18	-	Dispenser Pipe (K) (P/O PL 5.1 Item 16) (REP 5.5)
19	807E20100	Auger Gear (K)
20	-	Dispenser Pipe Assembly (Y/M/C/K) (REP 5.4)



s7800-114

PL 5.2 Development (2 of 2)

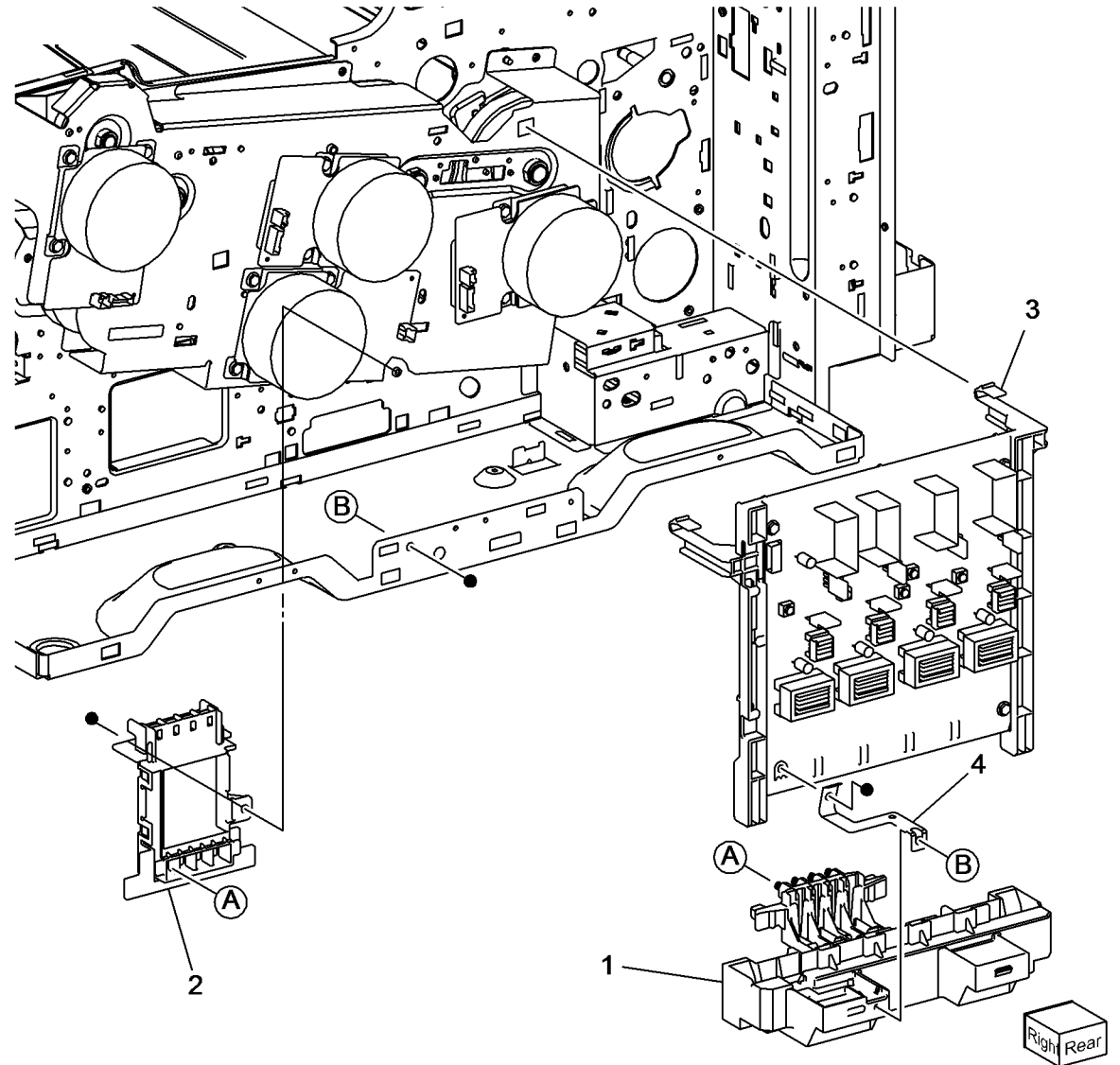
Item	Part	Description
1	—	Deve Plate Assembly (Not Spared) (REP 5.6)
2	604K63570	Developer Housing Assembly (Y/M/C/K) (REP 5.7)
3	—	Housing Assembly (P/O PL 5.2 Item 2)
4	—	ATC Sensor (Y/M/C/K) (P/O PL 5.2 Item 2)
5	—	Seal (P/O PL 5.2 Item 2)
6	675K85030	Developer (K)
7	675K85040	Developer (C)
8	675K85050	Developer (M)
9	675K85060	Developer (Y)
10	—	Plunger Assembly (Not Spared)
11	960K49660	ATC PWB (REP 5.8)
12	849E96933	Bracket



s7800-115

PL 5.3 HVPS (DEVE)

Item	Part	Description
1	848K37870	HVPS Housing (REP 5.10)
2	019K11110	Conductor Holder
3	815K04490	HVPS (DEVE) (REP 5.11)
4	130E13880	Ground Conductor

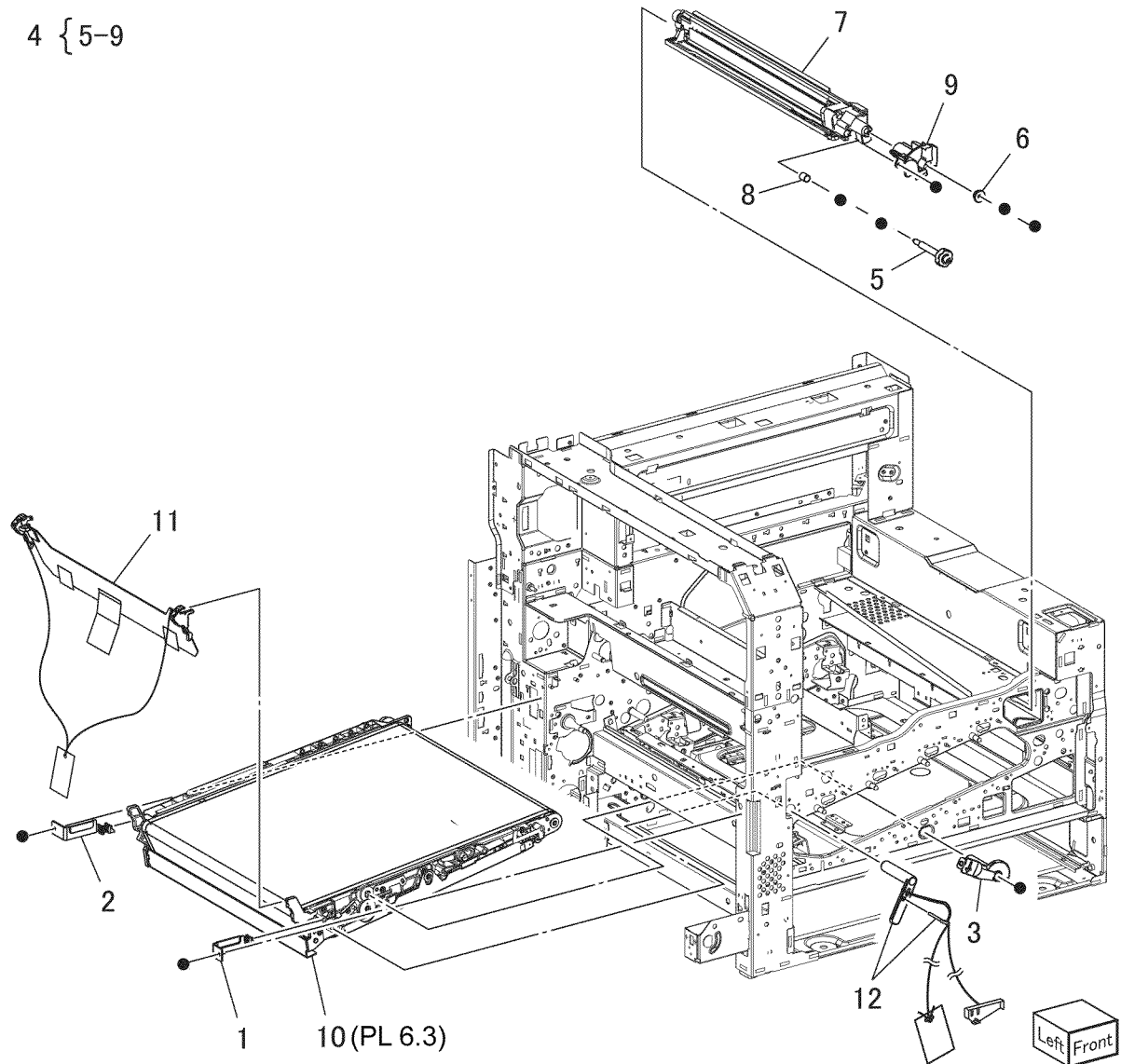


s7800-116

PL 6.1 Transfer (1 of 2)

Item	Part	Description
1	-	Front Lock Bracket (Not Spared) (REP 6.2)
2	-	Rear Lock Bracket (Not Spared) (REP 6.2)
3	-	Tension Lever (Not Spared) (REP 6.2)
4	108R01036	IBT Belt Cleaner Assembly (REP 6.1)
5	-	Knob (P/O PL 6.1 Item 4)
6	-	Bearing (P/O PL 6.1 Item 4)
7	-	IBT Belt Cleaner (P/O PL 6.1 Item 4)
8	-	Spring (P/O PL 6.1 Item 4)
9	-	Shutter (P/O PL 6.1 Item 4)
10	604K57384	IBT Belt Assembly (REP 6.2)
11	-	Packaging Assembly (Cushion) (P/O PL 6.1 Item 12)
12	604K56410	Packaging Assembly (IBT)

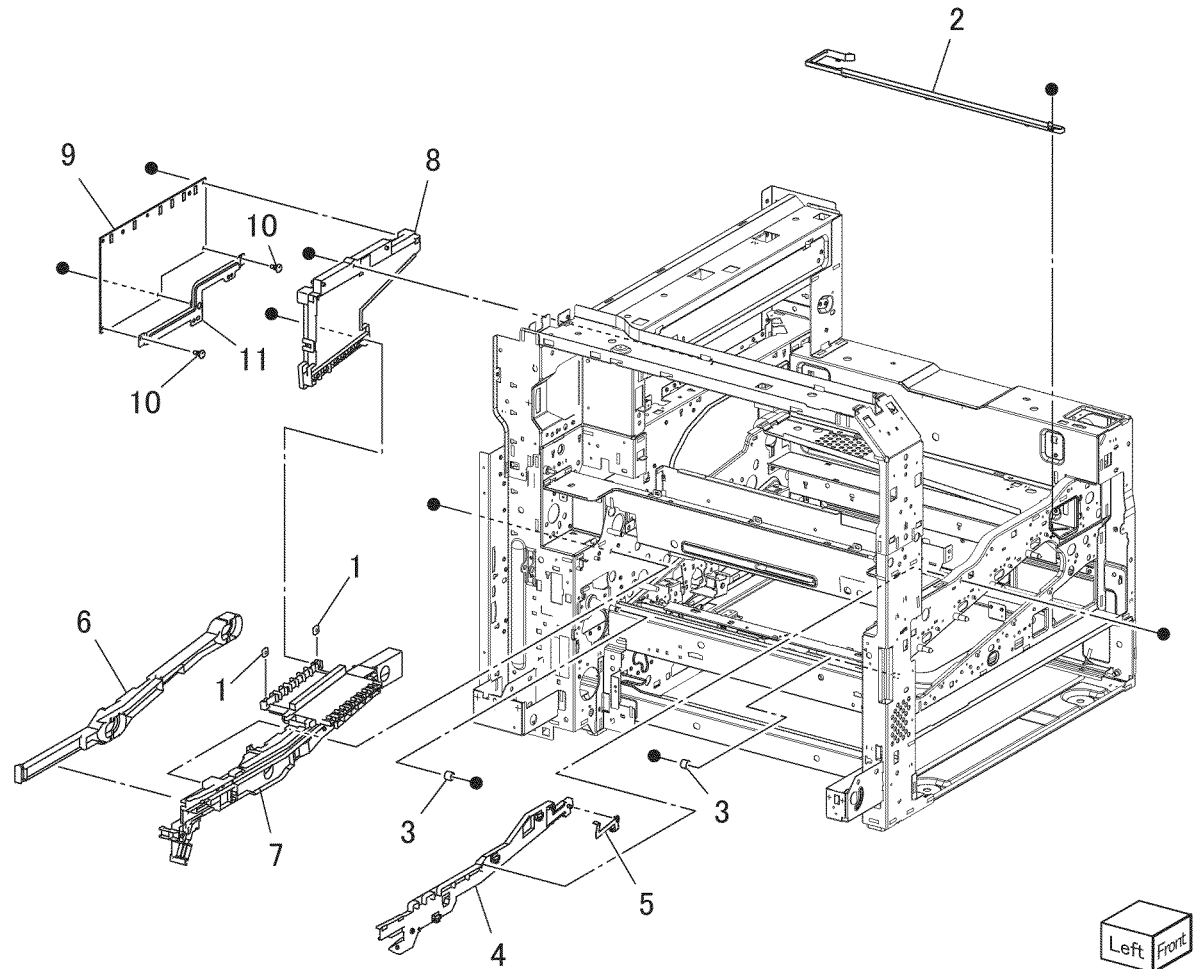
4 { 5-9



s7800-117

PL 6.2 Transfer (2 of 2)

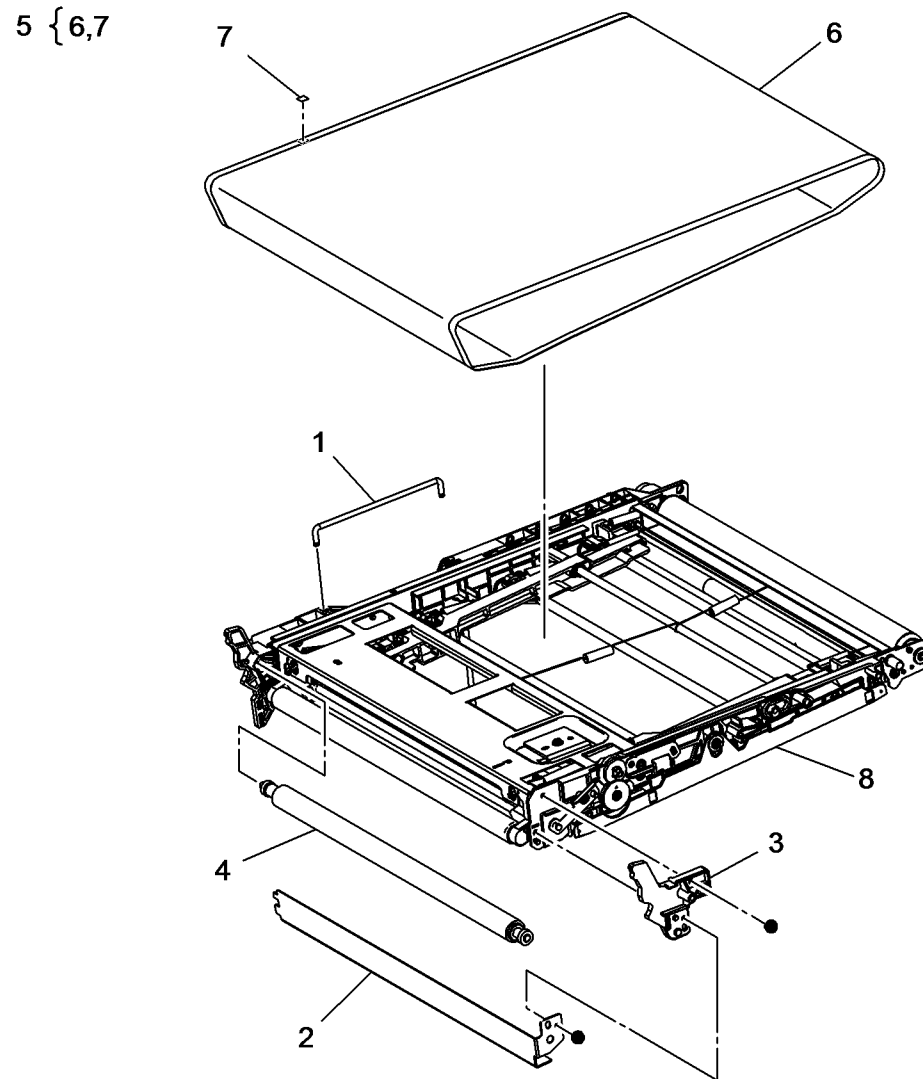
Item	Part	Description
1	-	Plate Nut (Not Spared)
2	-	IBT Cleaner Guide (Not Spared)
3	-	Metal Bearing (Not Spared)
4	-	IBT Front Guide (Not Spared)
5	-	Conductor (Not Spared)
6	120E29340	Actuator
7	-	Guide Assembly (Not Spared)
8	-	Conductor Housing Assembly (Not Spared)
9	105E17530	HVPS (1st/2nd/DTC) (REP 6.3)
10	-	PWB Support (Not Spared)
11	-	Bracket (Not Spared)



s7800-118

PL 6.3 IBT Belt Unit

Item	Part	Description
1	—	Handle (Not Spared)
2	—	Inlet Chute (Not Spared)
3	—	BUR Front Frame (Not Spared)
4	—	Backup Roll (Not Spared)
5	064K93621	IBT Belt (REP 6.2.1)
6	—	IBT Belt (P/O PL 6.3 Item 5) (REP 6.2.1)
7	—	TR0 Seal (P/O PL 6.3 Item 5)
8	—	IBT Belt Assembly (Not Spared) (REP 6.2)

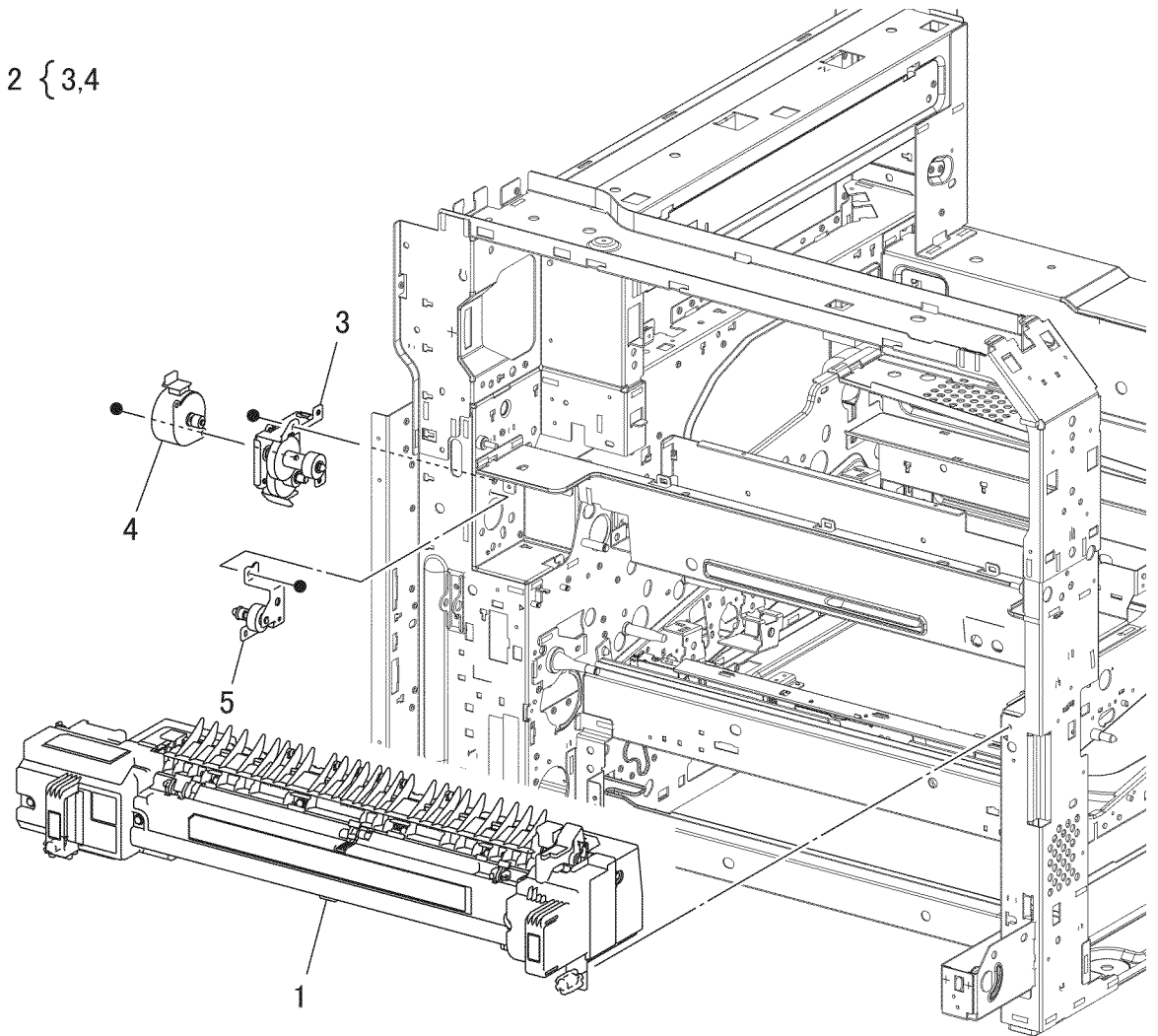


s7800-119

PL 7.1 Fuser

Item	Part	Description
1	115R00073	Fuser Assembly (110V) (REP 7.1)
-	115R00074	Fuser Assembly (220V) (REP 7.1)
2	007K16060	Retract Motor and Bracket (REP 7.2)
3	-	Motor Bracket (P/O PL 7.1 Item 2)
4	-	P/R Latch Motor (P/O PL 7.1 Item 2)
5	007K16071	Retract Gear

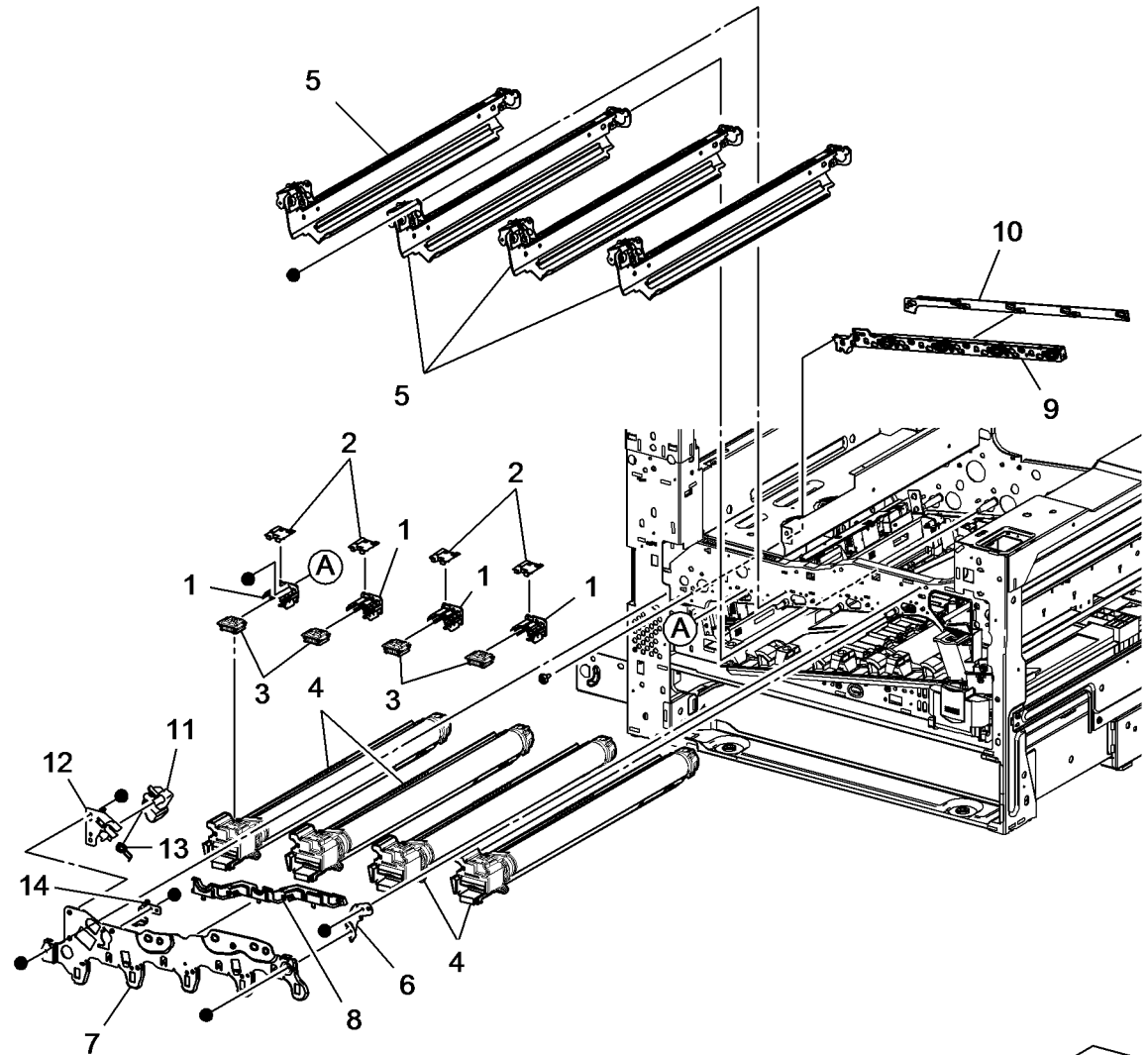
2 { 3,4



s7800-120

PL 8.1 Xerographic (1 of 2)

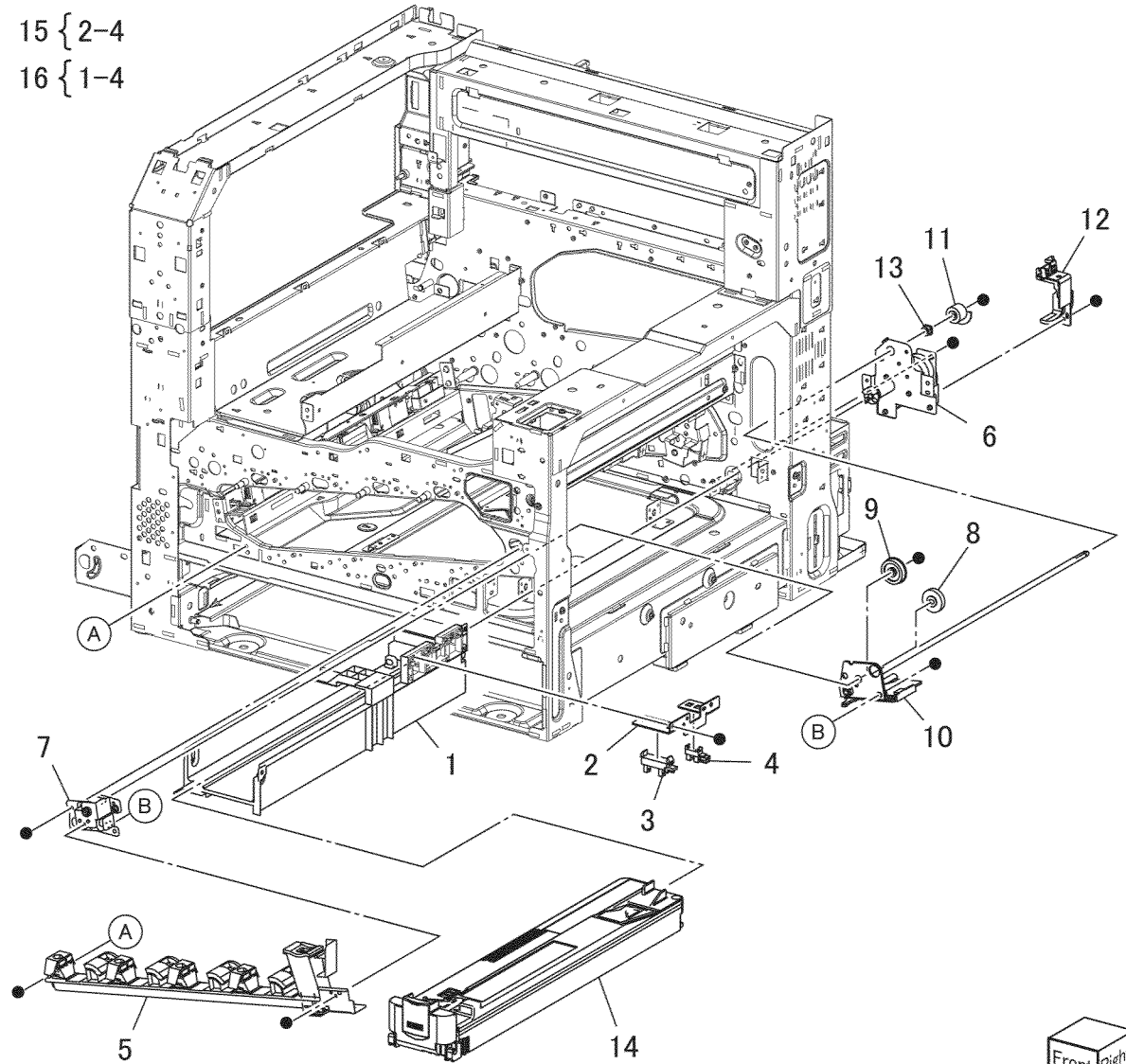
Item	Part	Description
1	—	Holder CRUM (Not Spared)
2	—	Cover CRUM (Not Spared)
3	—	Drum CRUM Coupler Assembly (Y/M/C/K) (Not Spared)
4	106R01582	Imaging Unit (Y/M/C/K) (REP 8.1)
5	032K04701	Erase Lamp Unit (K) (REP 8.2)/ Erase Lamp Unit (Y/M/C) (REP 8.3)
6	—	Bracket (Not Spared)
7	—	Plate (Not Spared)
8	—	Harness Holder (Not Spared)
9	—	Harness Holder (Not Spared)
10	—	Cover (Not Spared)
11	—	Handle Lock Lever (Not Spared)
12	868E08980	Bracket
13	809E79410	Spring
14	809E79420	Spring



s7800-121

PL 8.2 Xerographic (2 of 2)

Item	Part	Description
1	-	Bottle Guide (P/O PL 8.2 Item 16)
2	-	Sensor Bracket (P/O PL 8.2 Item 16)
3	-	Waste Toner Bottle Full Sensor (Q91-201) (P/O PL 8.2 Item 16) (REP 8.4)
4	-	Waste Toner Bottle Position Sensor (Q91-200) (P/O PL 8.2 Item 16) (REP 8.4)
5	052K97773	Waste Toner Pipe Assembly (REP 8.5)
6	068K59502	Agitator Motor Assembly (MOT91-045) (REP 8.6)
7	-	Gear Bracket Assembly (Not Spared) (REP 8.7)
8	-	Helical Gear (29T) (Not Spared)
9	-	Helical Gear (31T) (Not Spared)
10	-	Drive Shaft Assembly (Not Spared) (REP 8.8)
11	-	Helical Gear (20T) (Not Spared)
12	868E14631	Harness Holder
13	-	Sleeve Bearing (Not Spared)
14	108R00982	Waste Cartridge (REP 8.9)
15	068K58211	Sensor and Bracket (REP 8.4)
16	032K05160	Bottle Guide and Sensor (REP 8.10)

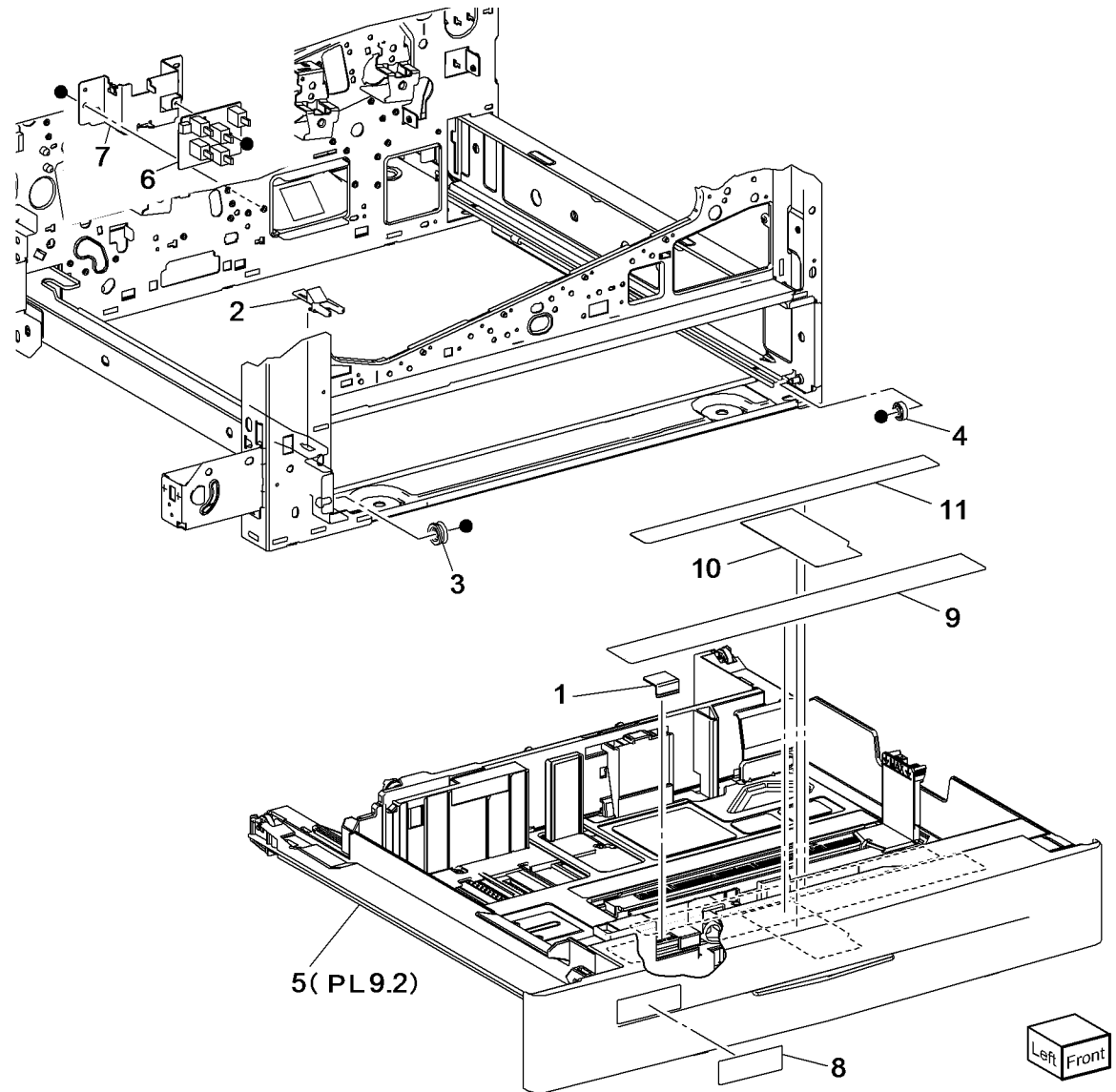


Front
Right

s7800-12:

PL 9.1 Tray 2 Feeder/Tray2

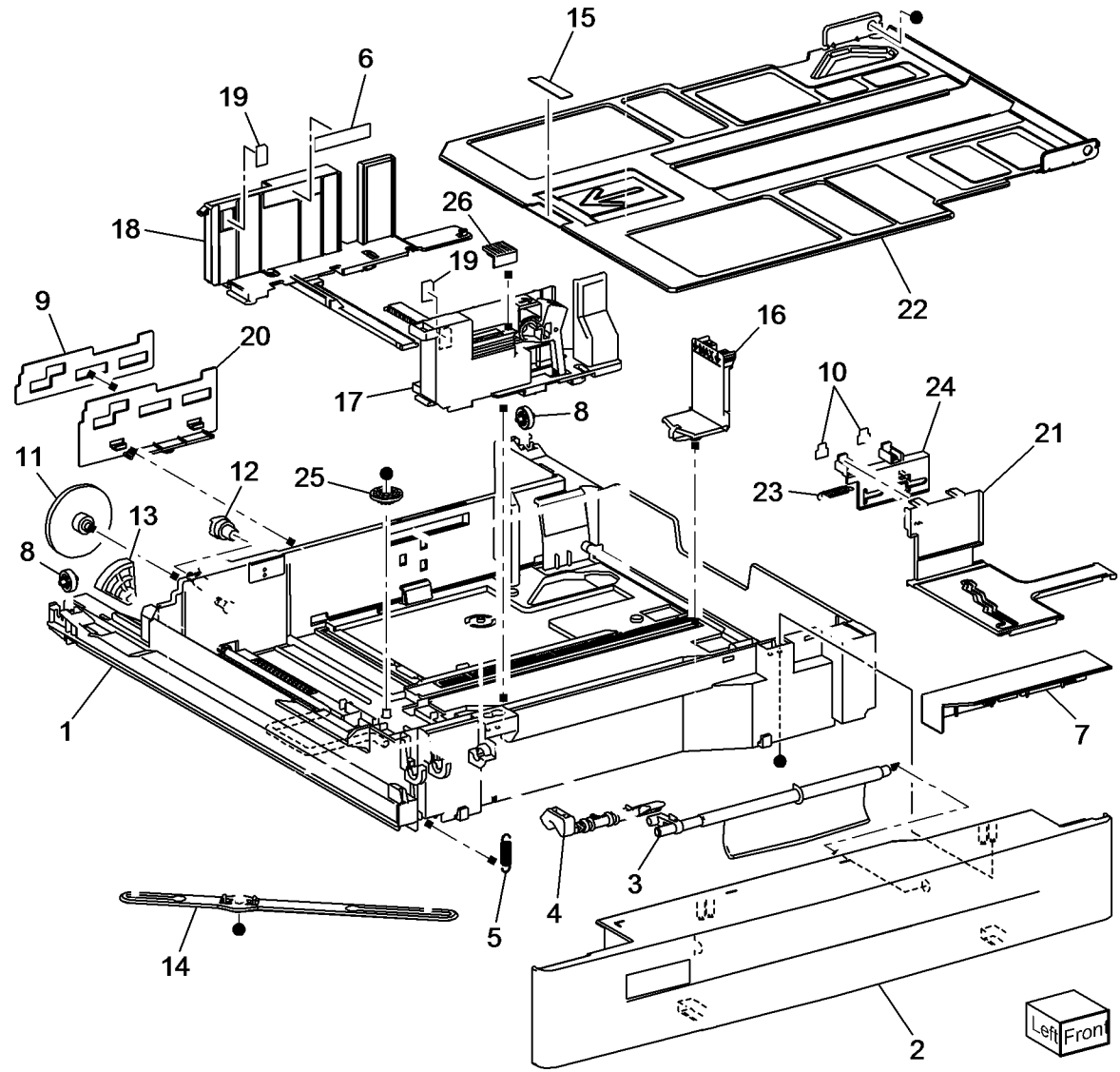
Item	Part	Description
1	—	Slide Lock Block (Not Spared)
2	—	Stopper (Not Spared)
3	—	Roller (Not Spared)
4	—	Roller (Not Spared)
5	050K65383	Tray 2 Assembly (REP 9.1)
6	110K11680	Tray 2 Paper Size Sensor (Q71-104) (REP 9.2)
7	—	Switch Bracket (Not Spared)
8	—	No.1 Tray Label (Not Spared)
9	—	Label (Not Spared)
10	—	Side Size Label (Not Spared)
11	—	End Size Label (Not Spared)



s7800-123

PL 9.2 Tray 2

Item	Part	Description
1	-	Tray 2 Assembly (REP 9.1)
2	-	Front Cover (P/O PL 9.2 Item 1)
3	-	Lever (P/O PL 9.2 Item 1)
4	-	Latch (P/O PL 9.2 Item 1)
5	-	Spring (P/O PL 9.2 Item 1)
6	-	Label (Max) (P/O PL 9.2 Item 1)
7	-	Rail Cover (P/O PL 9.2 Item 1)
8	-	Roll (P/O PL 9.2 Item 1)
9	-	Spacer (End) (P/O PL 9.2 Item 1)
10	-	Spacer (Side) (P/O PL 9.2 Item 1)
11	-	Gear (13T/60T) (P/O PL 9.2 Item 1)
12	-	Gear (13T) (P/O PL 9.2 Item 1)
13	-	Gear (60T) (P/O PL 9.2 Item 1)
14	-	Link (P/O PL 9.2 Item 1)
15	-	Bottom Pad (P/O PL 9.2 Item 1)
16	-	End Guide (P/O PL 9.2 Item 1)
17	-	Side Guide (front) (P/O PL 9.2 Item 1)
18	-	Side Guide (rear) (P/O PL 9.2 Item 1)
19	-	Pad (P/O PL 9.2 Item 1)
20	-	End Actuator (P/O PL 9.2 Item 1)
21	-	Side Actuator (P/O PL 9.2 Item 1)
22	-	Bottom Plate (P/O PL 9.2 Item 1)
23	-	Spring (P/O PL 9.2 Item 1)
24	-	Side Actuator (P/O PL 9.2 Item 1)
25	-	Pinion (P/O PL 9.2 Item 1)
26	-	Lock Slide (P/O PL 9.2 Item 1)

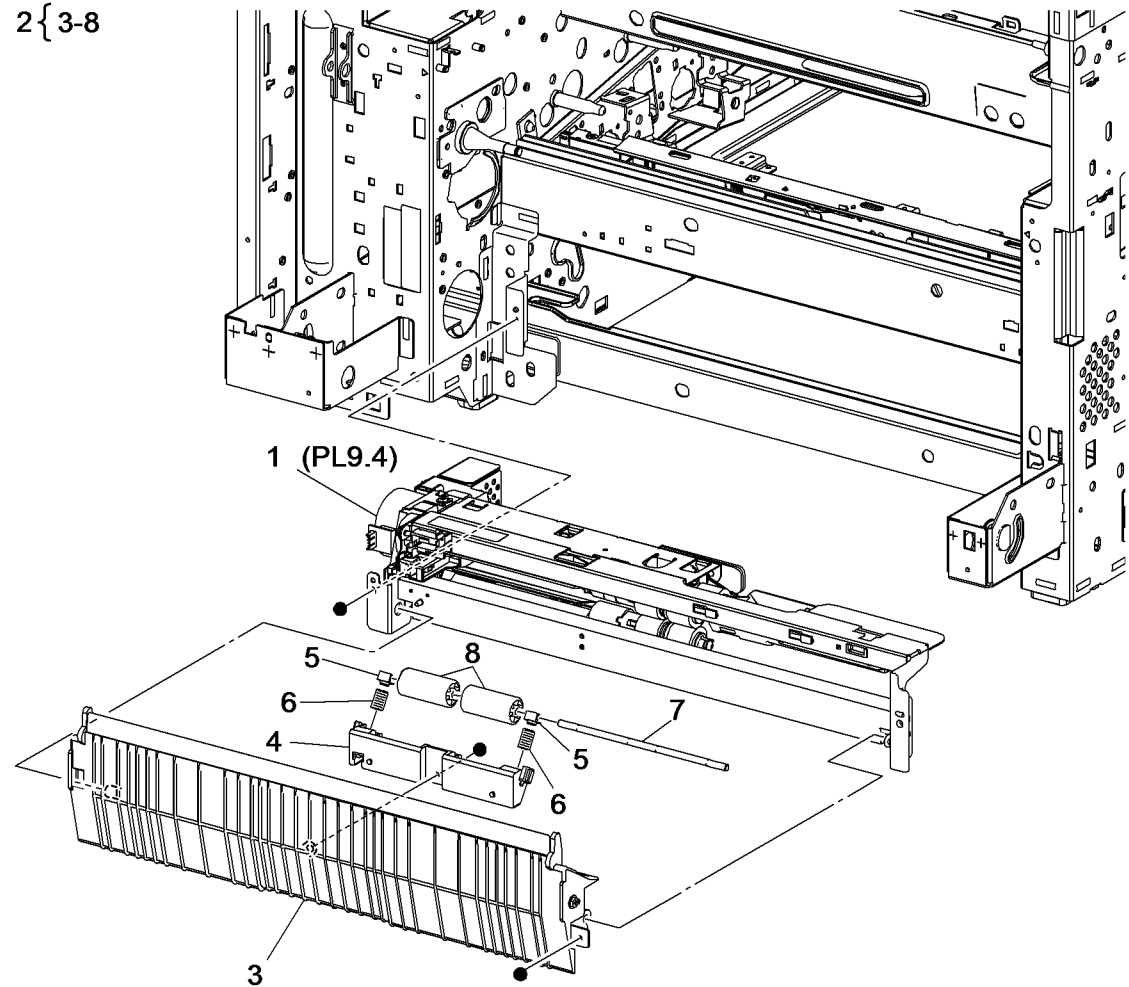


s7800-124

PL 9.3 Tray 2 Feeder

Item	Part	Description
1	059K66610	Tray 2 Feeder Assembly (REP 9.3)
2	054K35142	Chute Assembly (REP 9.4)
3	—	Chute (P/O PL 9.3 Item 2)
4	—	Pinch Guide (P/O PL 9.3 Item 2)
5	—	Spacer (P/O PL 9.3 Item 2)
6	—	Spring (P/O PL 9.3 Item 2)
7	—	Pinch Shaft (P/O PL 9.3 Item 2)
8	—	Pinch Roll (P/O PL 9.3 Item 2)

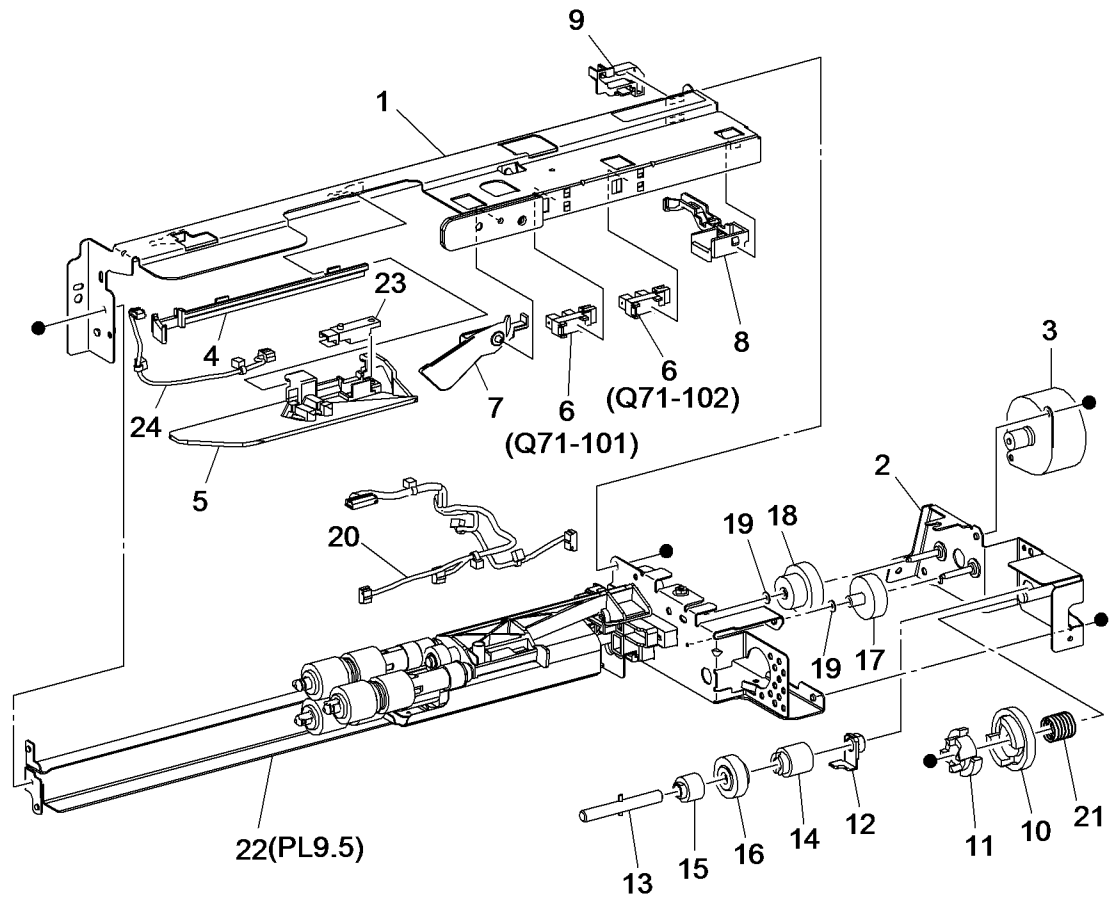
2 { 3-8



s7800-125

PL 9.4 Tray 2 Feeder Assembly (1 of 2)

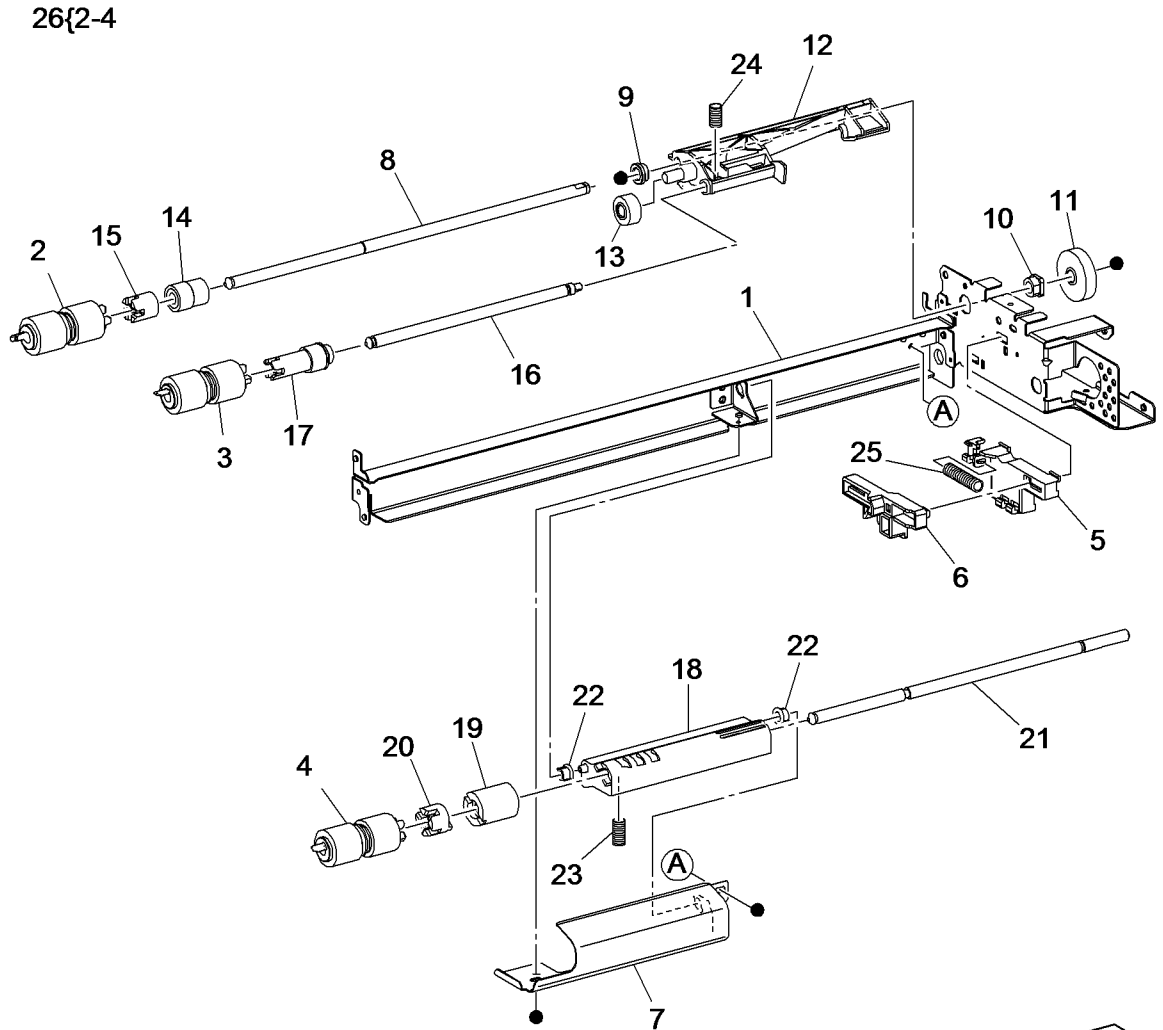
Item	Part	Description
1	-	Upper Frame Assembly (Not Spared)
2	-	Drive Bracket Assembly (Not Spared)
3	-	Tray 2 Feed/Lift Up Motor (MOT72-001) (Not Spared)
4	-	Rail (Not Spared)
5	-	Chute (Not Spared)
6	930W00123	Tray 2 Nudger Level Sensor (Q71-102) / Tray 2 No Paper Sensor (Q71-101) (REP 9.5)
7	120E22481	Actuator (REP 9.6)
8	-	Upper Harness Holder (Not Spared) (ACO)
9	-	Rear Harness Holder (Not Spared)
10	-	Gear (31T) (Not Spared)
11	-	Spacer (Not Spared)
12	-	Bearing (Not Spared)
13	-	Drive Shaft (Not Spared)
14	-	Gear (13T) (Not Spared)
15	-	One Way Clutch (Not Spared)
16	-	One Way Gear (Not Spared)
17	-	Helical Gear (25T) (Not Spared)
18	-	Helical Gear (29T/24T) (Not Spared)
19	-	Washer (Not Spared)
20	-	Wire Harness (Not Spared)
21	-	Spring (Not Spared)
22	-	Roll Assembly (Not Spared)
23	-	Tray 2 Pre Feed Sensor (Q71-105) (Not Spared) (REP 9.5)
24	-	Pre Feed Sensor Harness (Not Spared)



s7800-126

PL 9.5 Tray 2 Feeder Assembly (2 of 2)

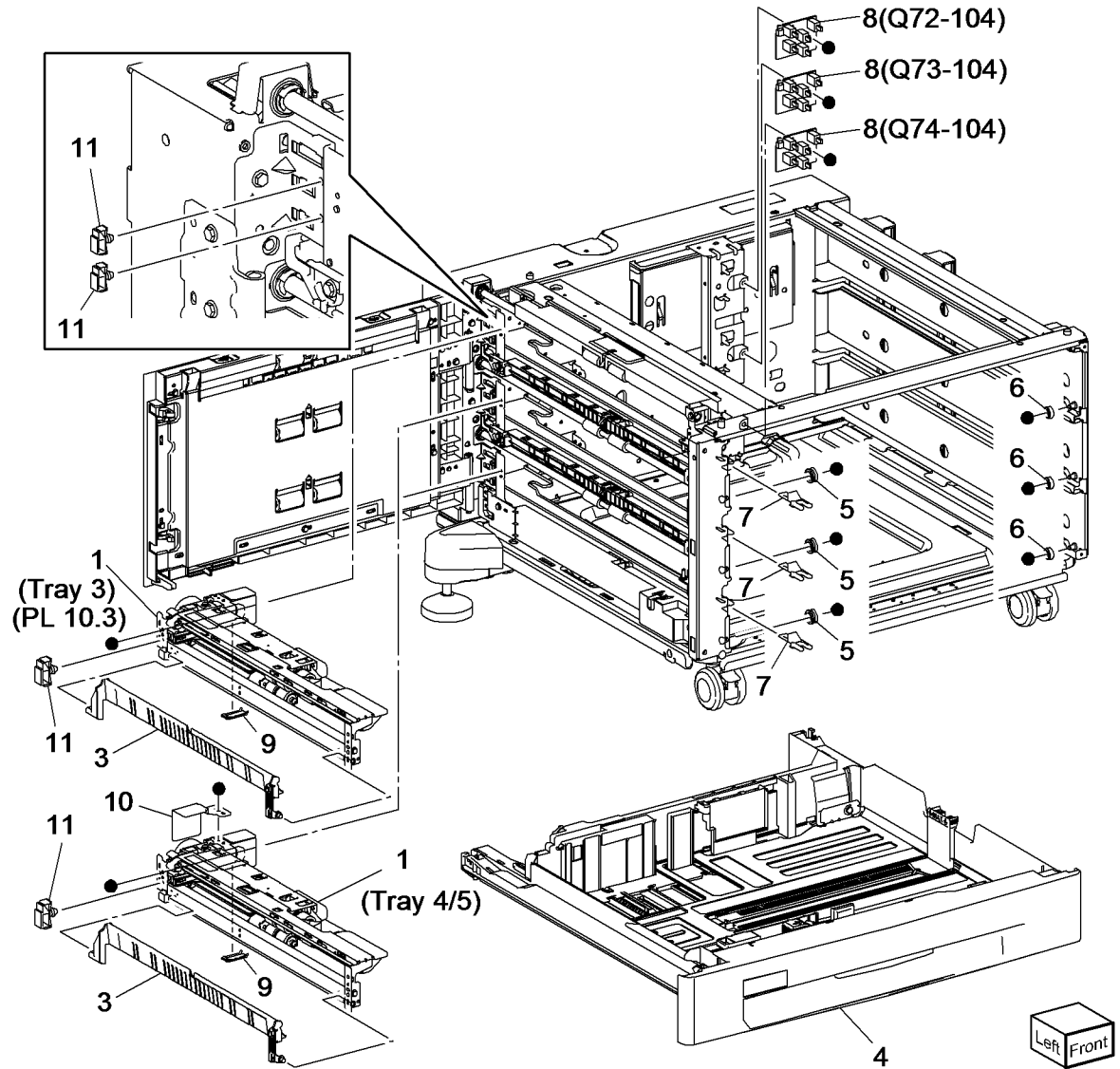
Item	Part	Description
1	-	Frame Assembly (Not Spared)
2	-	Feed Roll (P/O PL 9.5 Item 26) (REP 9.7)
3	-	Nudger Roll (P/O PL 9.5 Item 26) (REP 9.7)
4	-	Retard Roll (P/O PL 9.5 Item 26) (REP 9.7)
5	-	Holder (Not Spared)
6	-	Lever (Not Spared)
7	-	Feed-in Chute (Not Spared)
8	-	Feed Shaft (Not Spared)
9	-	Bearing (Not Spared)
10	-	Sleeve Bearing (Not Spared)
11	-	Helical Gear (25T) (Not Spared)
12	-	Nudger Support (Not Spared)
13	-	Spur Gear (29T) (Not Spared)
14	-	Clutch Assembly (25T) (Not Spared) (REP 9.8)
15	-	One Way Clutch (Not Spared) (REP 9.8)
16	-	Nudger Shaft (Not Spared)
17	-	Gear (25T) (Not Spared)
18	-	Retard Support (Not Spared)
19	005K09290	Friction Clutch (REP 9.8)
20	-	Spacer (Not Spared)
21	-	Retard Shaft (Not Spared)
22	-	Retard Bearing (Not Spared)
23	-	Spring (Not Spared)
24	-	Spring (Not Spared)
25	-	Spring (Not Spared)
26	109R00790	Feed Roll Kit



s7800-127

PL 10.1 3 Tray Module

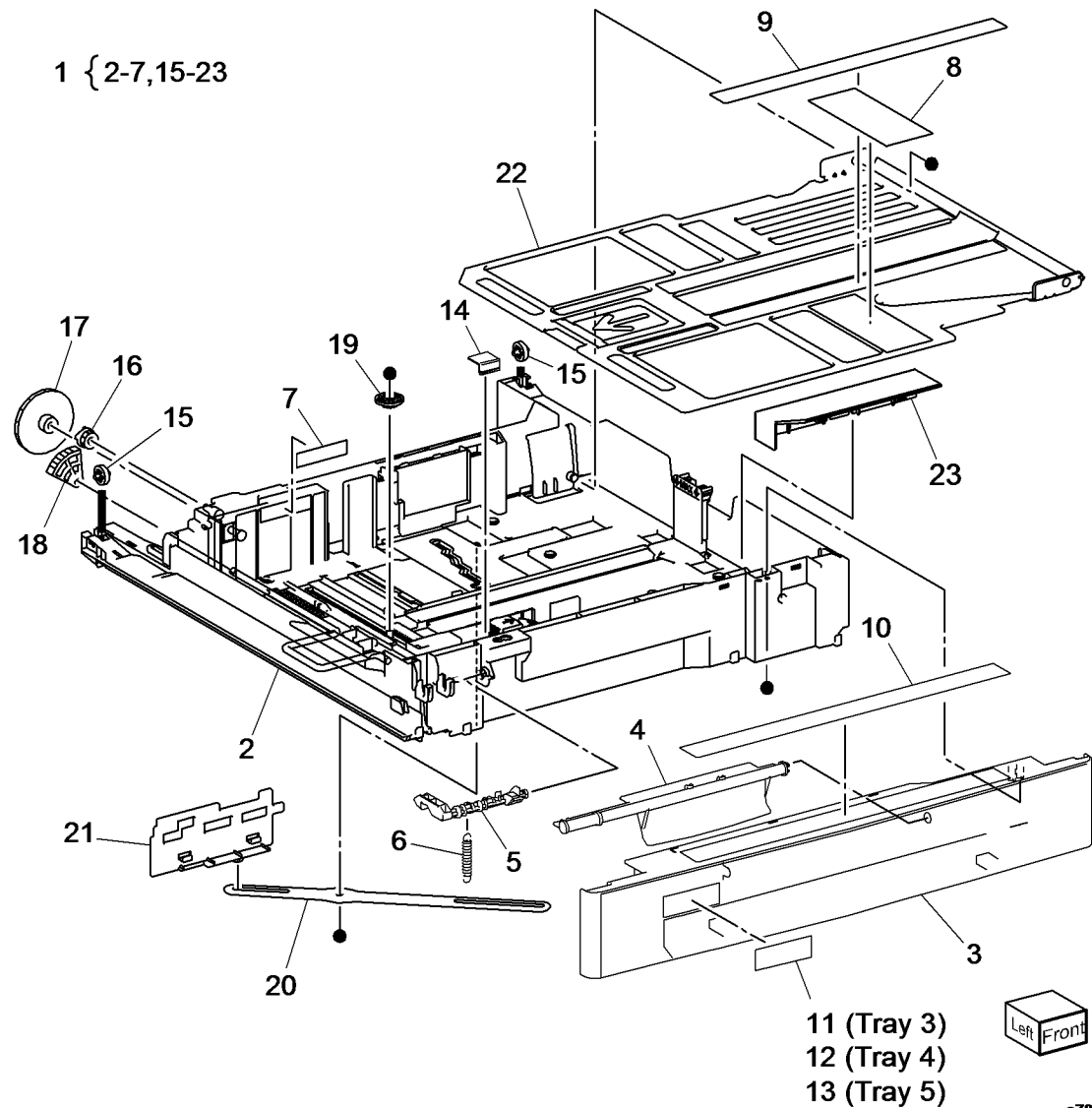
Item	Part	Description
1	059K67140	Tray 3 Feeder Assembly (REP 10.1)/Tray 4 Feeder Assembly (REP 10.2)/Tray 5 Feeder Assembly (REP 10.3)
2	-	Not Used
3	054E36441	Feed Out Chute (REP 10.1, REP 10.2, REP 10.3)
4	-	Tray 3/4/5 Unit (Not Spared)
5	-	Roller (Not Spared)
6	-	Roller (Not Spared)
7	-	Stopper (Not Spared)
8	110K12100	Tray 3 Paper Size Sensor (Q72-104)/Tray 4 Paper Size Sensor (Q73-104)/Tray 5 Paper Size Sensor (Q74-104) (REP 10.4)
9	-	Sensor Cover (Not Spared)
10	-	Bracket (Not Spared)
11	-	Clamp (Not Spared)



s7800-128

PL 10.2 Tray 3/4/5

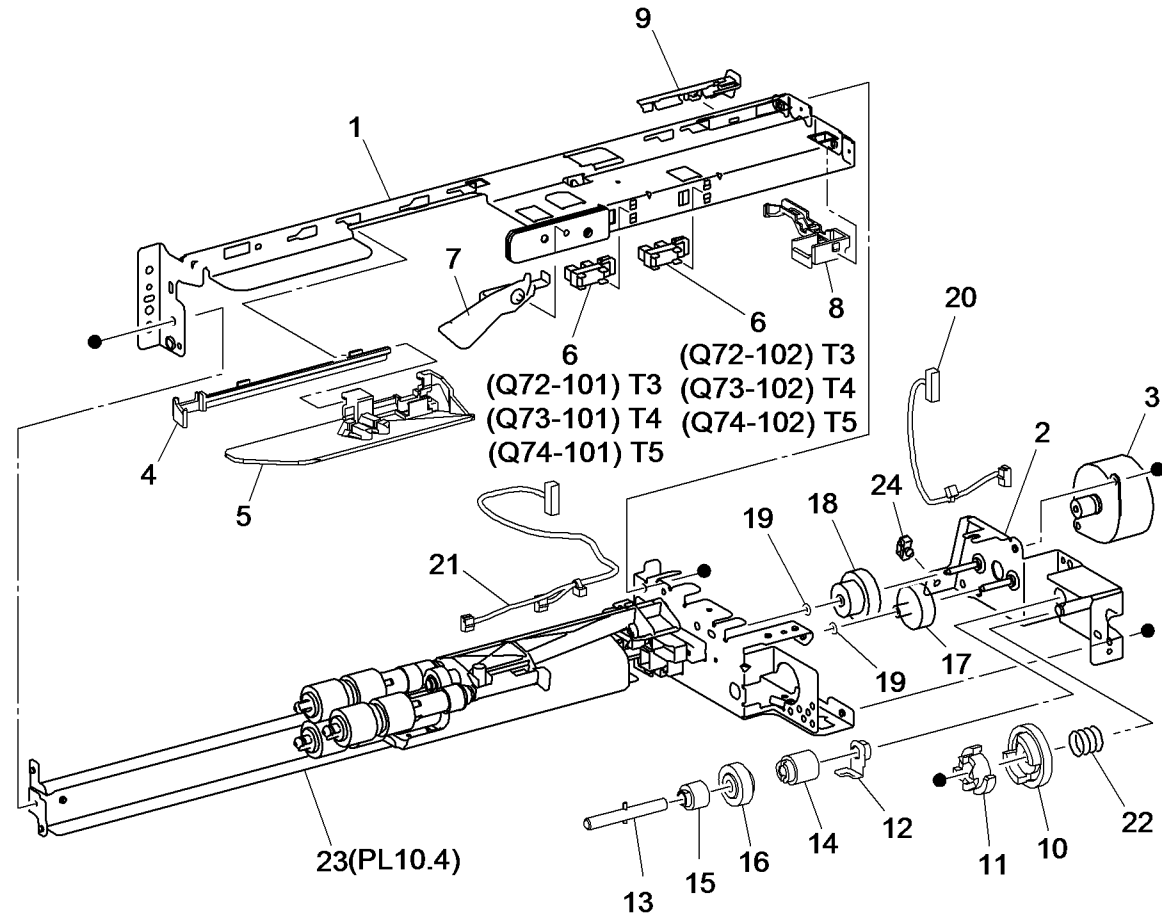
Item	Part	Description
1	050K65255	Tray 3/4/5 Assembly
2	-	Tray Assembly (P/O PL 10.2 Item 1)
3	-	Front Cover (P/O PL 10.2 Item 1)
4	-	Lever (P/O PL 10.2 Item 1)
5	-	Latch (P/O PL 10.2 Item 1)
6	-	Spring (P/O PL 10.2 Item 1)
7	-	Label (Max) (P/O PL 10.2 Item 1)
8	-	Side Size Label (Not Spared)
9	-	End Size Label (Not Spared)
10	-	Label (Instruction) (Not Spared)
11	-	Label Tray No 3 (Not Spared)
12	-	Label Tray No 4 (Not Spared)
13	-	Label Tray No 5 (Not Spared)
14	-	Slide lock block (Not Spared)
15	-	Roll (P/O PL 10.2 Item 1)
16	-	Gear (13T) (P/O PL 10.2 Item 1)
17	-	Gear (13T/60T) (P/O PL 10.2 Item 1)
18	-	Gear (60T) (P/O PL 10.2 Item 1)
19	-	Pinion (P/O PL 10.2 Item 1)
20	-	Link (P/O PL 10.2 Item 1)
21	-	End Actuator (P/O PL 10.2 Item 1)
22	-	Bottom Plate (P/O PL 10.2 Item 1)
23	-	Rail Cover (Tray 3 only) (P/O PL 10.2 Item 1)



s7800-227

PL 10.3 Tray 3/4/5 Feeder Assembly (1 of 2)

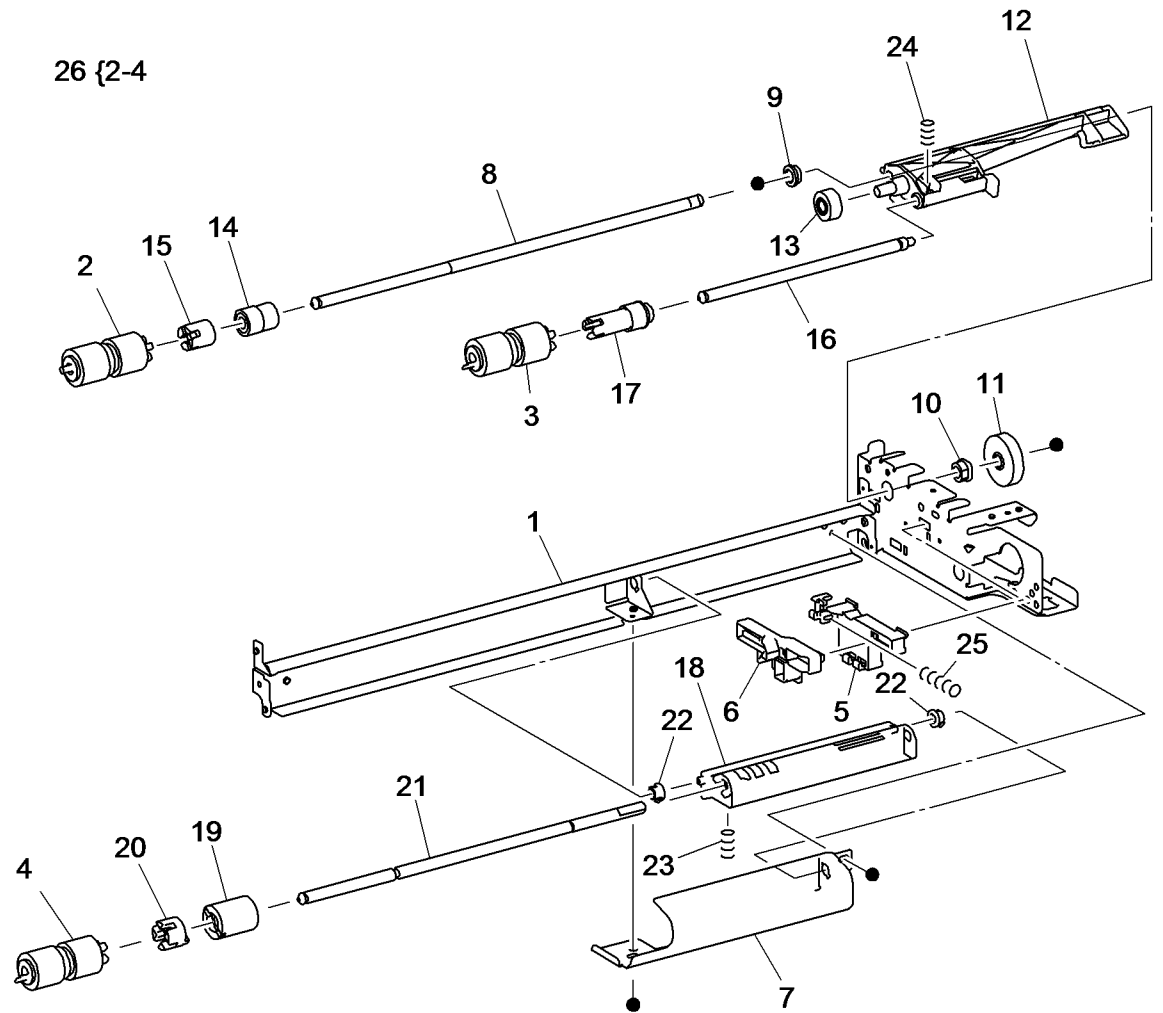
Item	Part	Description
1	-	Upper Frame Assembly (P/O PL 10.1 Item 1)
2	-	Drive Bracket Assembly (Not Spared)
3	-	Tray 3/4/5 Feed/Lift Up Motor (Not Spared)
4	-	Rail (P/O PL 10.1 Item 1)
5	-	Chute (Not Spared)
6	930W00123	Tray 3 Nudger Level Sensor (Q72-102), Tray 3 No Paper Sensor (Q72-101)/Tray 4 Nudger Level Sensor (Q73-102), Tray 4 No Paper Sensor (Q73-101)/Tray 5 Nudger Level Sensor (Q74-102), Tray 5 No Paper Sensor (Q74-101) (REP 10.5)
7	120E22481	Actuator (REP 9.6)
8	-	Upper Harness Holder (P/O PL 10.1 Item 1)
9	-	Rear Harness Holder (P/O PL 10.1 Item 1)
10	-	Gear (31T) (Not Spared)
11	-	Spacer (Not Spared)
12	-	Bearing (Not Spared)
13	-	Drive Shaft (P/O PL 10.3 Item 24)
14	-	Gear (13T) (Not Spared)
15	-	One Way Clutch (Not Spared)
16	-	One Way Gear (Not Spared)
17	-	Helical Gear (25T) (Not Spared)
18	-	Helical Gear (29T/19T) (P/O PL 10.1 Item 1)
19	-	Washer (P/O PL 10.1 Item 1)
20	-	Harness Assembly (Motor) (P/O PL 10.1 Item 1)
21	-	Harness Assembly (Sensor) (P/O PL 10.1 Item 1)
22	-	Spring (P/O PL 10.1 Item 1)
23	-	Roll Assembly (REF: PL 10.4)
24	-	Clamp (Not Spared)



s7800-129

PL 10.4 Tray 3/4/5 Feeder Assembly (2 of 2)

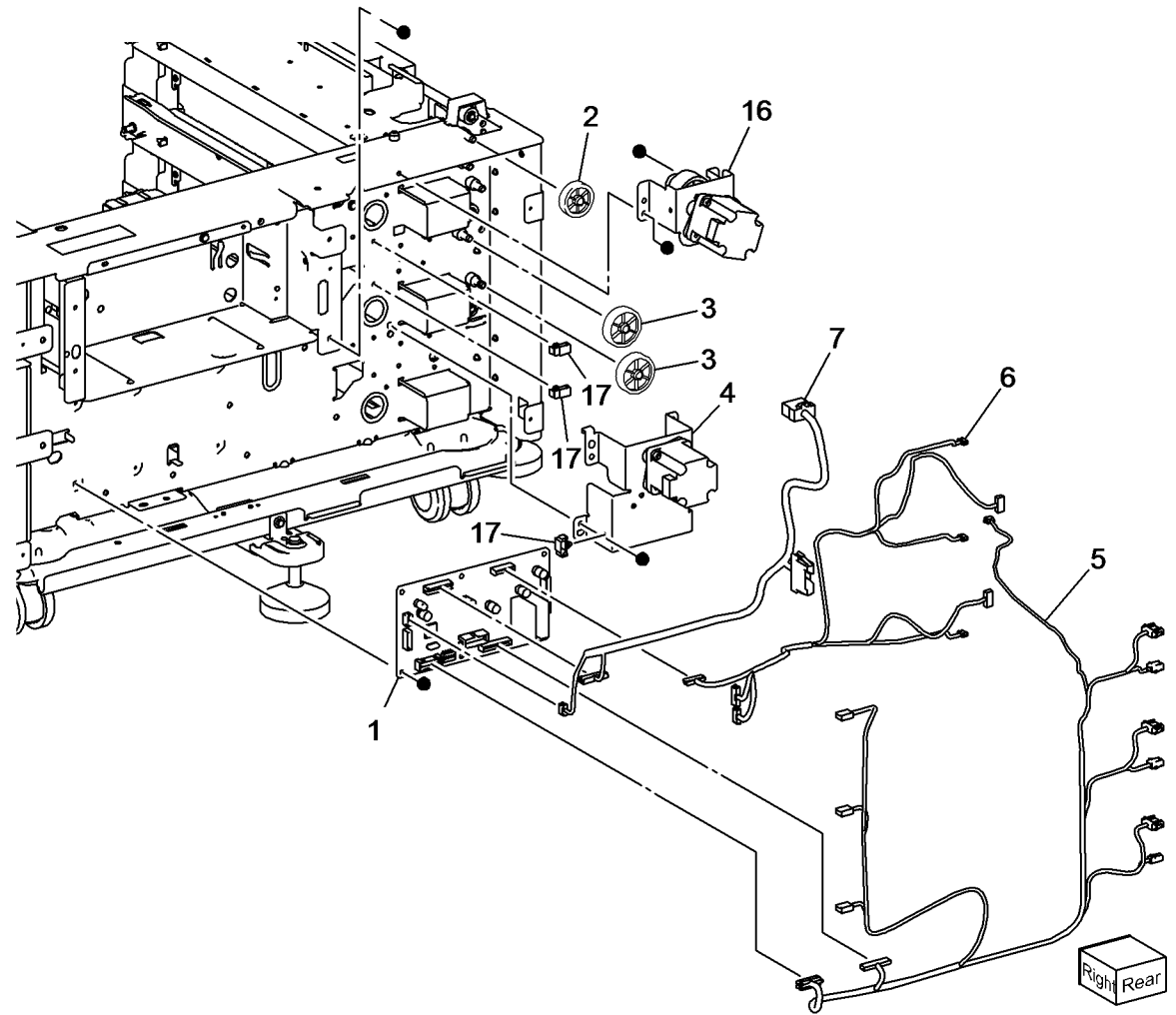
Item	Part	Description
1	-	Frame Assembly (P/O PL 10.1 Item 1)
2	-	Feed Roll (P/O PL 10.4 Item 26) (REP 10.6)
3	-	Nudger Roll (P/O PL 10.4 Item 26) (REP 10.6)
4	-	Retard Roll (P/O PL 10.4 Item 26) (REP 10.6)
5	-	Holder (Not Spared)
6	-	Lever (Not Spared)
7	-	Feed In Chute (Not Spared)
8	-	Feed Shaft (Not Spared)
9	-	Bearing (Not Spared)
10	-	Sleeve Bearing (Not Spared)
11	-	Helical Gear (30T) (Not Spared)
12	-	Nudger Support (Not Spared)
13	-	Spur Gear (29T) (Not Spared)
14	-	Clutch Assembly (25T) (Not Spared) (REP 10.7)
15	-	One Way Clutch (Not Spared) (REP 10.7)
16	-	Nudger Shaft (Not Spared)
17	-	Gear (25T) (Not Spared)
18	-	Retard Support (Not Spared)
19	005K09290	Friction Clutch (REP 10.7)
20	-	Spacer (Not Spared)
21	-	Retard Shaft (Not Spared)
22	-	Retard Bearing (Not Spared)
23	-	Compression Retard Spring (Not Spared)
24	-	Nudger Compression Spring (P/O PL 10.1 Item 1)
25	-	Compression Lever Spring (P/O PL 15.1 Item 1)
26	109R00790	Feed Roll Kit



s7800-130

PL 10.9 Electrical - 3T

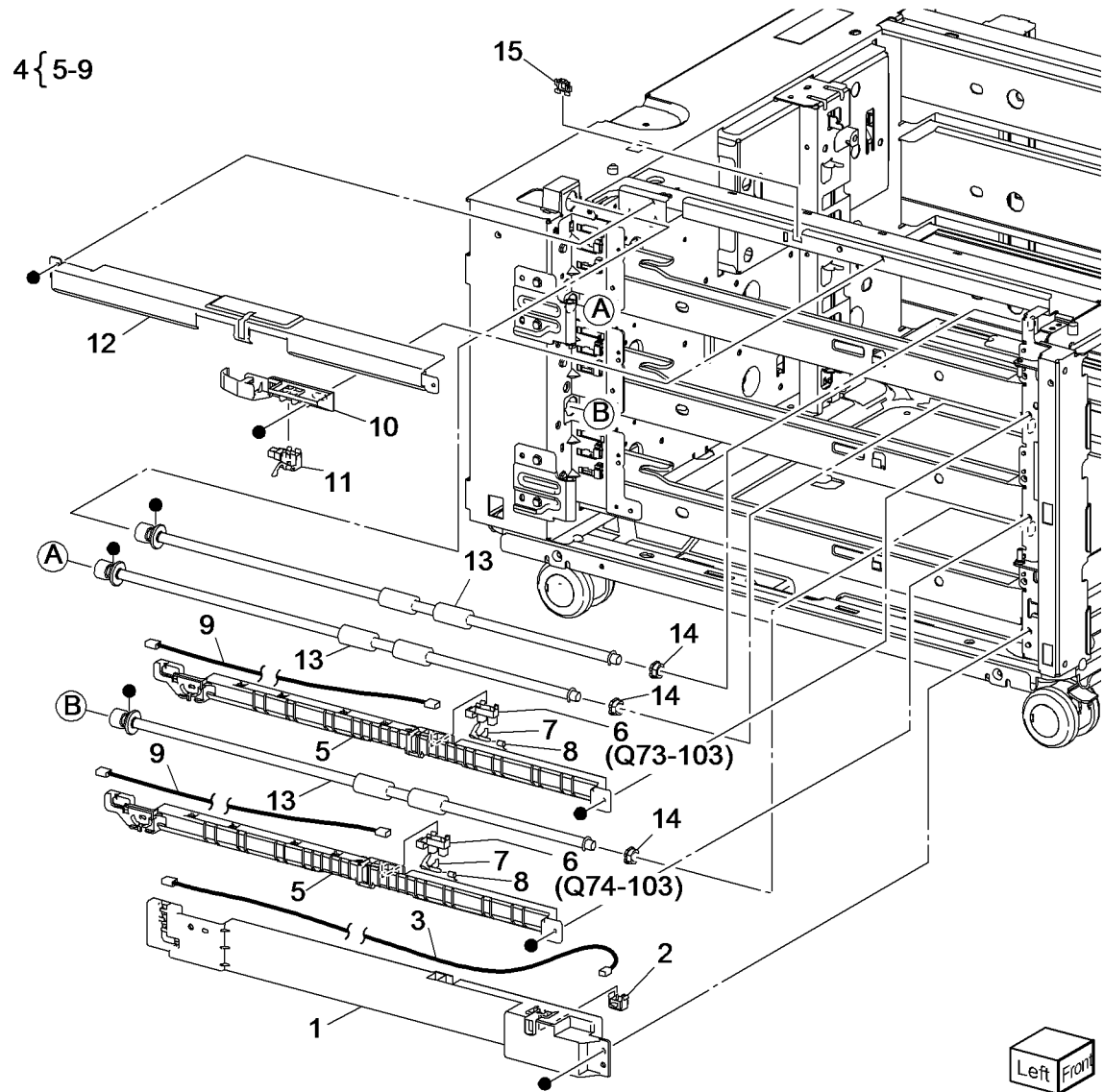
Item	Part	Description
1	960K54151	Tray Module PWB (REP 10.8)
2	807E20700	Gear (34T) (REP 10.9)
3	807E20720	Gear (39T) (REP 10.9)
4	127K60810	Tray Module Take Away Motor (MOT77-050) (REP 10.10)
5	-	Harness Assembly (Sensor) (Not Spared)
6	-	Harness Assembly (Motor) (Not Spared)
7	-	Harness assembly (Not Spared)
8	-	Not Used
9	-	Not Used
10	-	Not Used
11	-	Not Used
12	-	Not Used
13	-	Not Used
14	-	Not Used
15	-	Not Used
16	127K60800	Tray Module Take Away Motor 2 (MOT77-050) (REP 10.11)
17	-	Clamp (Not Spared)



s7800-131

PL 10.12 Roller

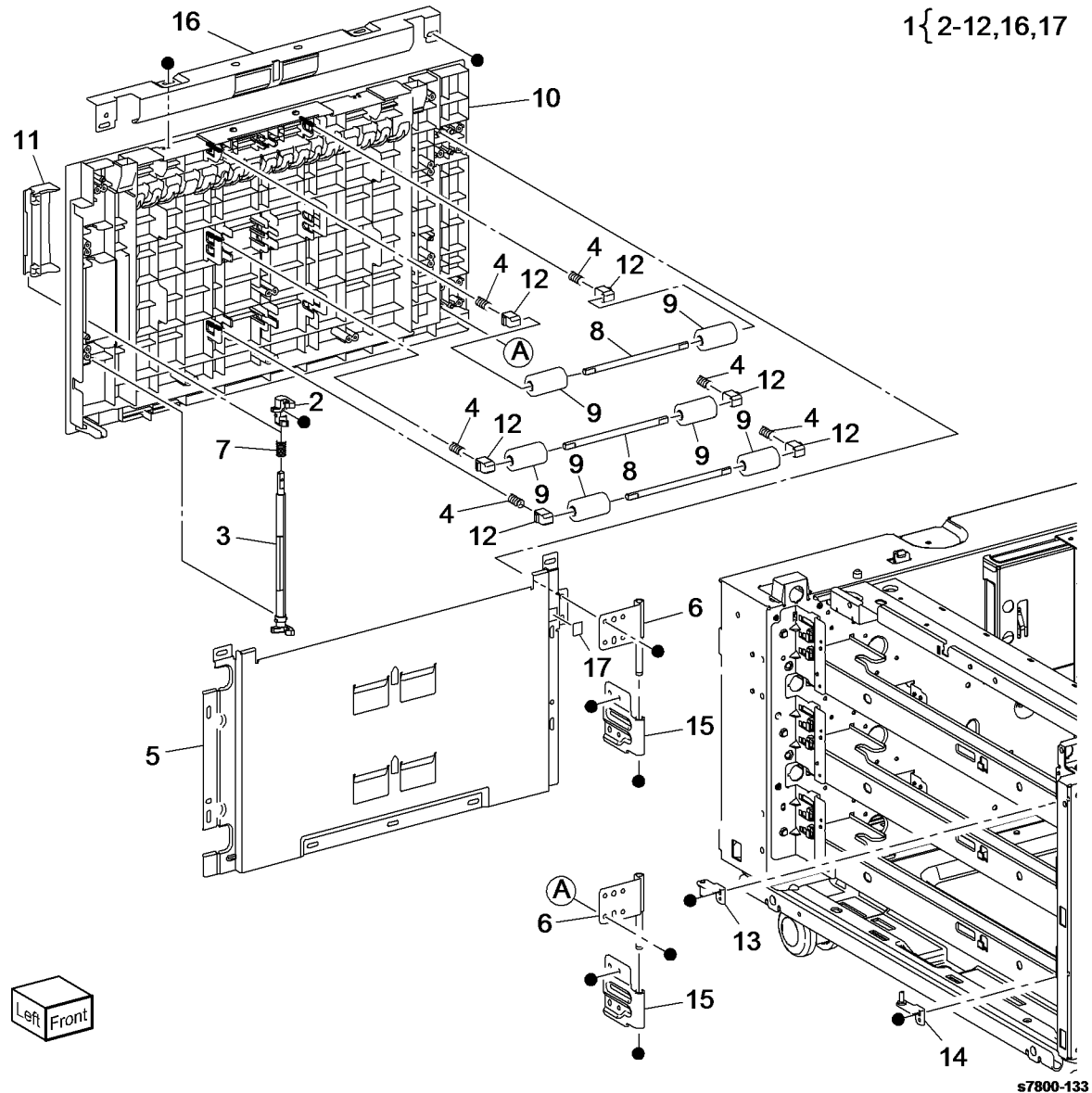
Item	Part	Description
1	-	Cover
2	110E12220	Tray Module Left Hand Cover Switch (S77-306) (REP 10.12)
3	-	Wire Harness (Not Spared)
4	054K34144	Chute Assembly (REP 10.13)
5	-	Chute (P/O PL 10.12 Item 4)
6	930W00123	Tray 4 Feed Out Sensor (Q73-103)/ Tray 5 Feed Out Sensor (Q74-103) (REP 10.13)
7	-	Actuator (P/O PL 10.12 Item 4)
8	809E82720	Spring
9	-	Wire Harness (P/O PL 10.12 Item 4)
10	032E27970	Sensor Guide
11	130K64121	Tray 3 Feed Out Sensor (Q72-103) (REP 10.14)
12	-	Chute (Not Spared)
13	059K60191	Tray 3/4/5 Take Away Roll (REP 10.15)
14	413W88650	Ball Bearing
15	-	Clamp (Not Spared)



s7800-132

PL 10.13 3 TM Left Hand Cover Assembly

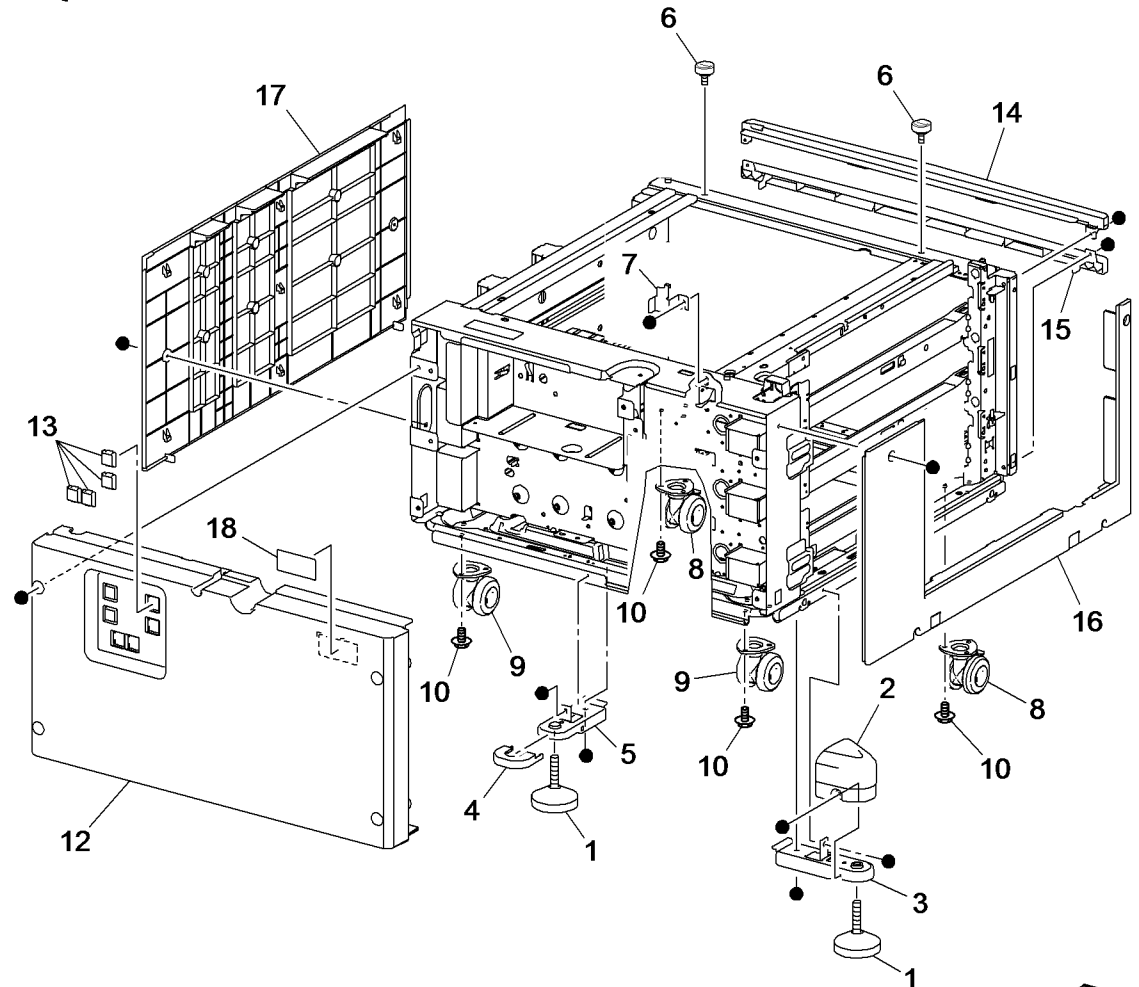
Item	Part	Description
1	848K16851	Left Hand Cover Assembly (REP 10.16)
2	-	Hook (P/O PL 10.13 Item 1)
3	-	Latch (P/O PL 10.13 Item 1)
4	-	Pinch Spring (P/O PL 10.13 Item 1)
5	-	Left Hand Chute (P/O PL 10.13 Item 1)
6	-	Bracket Assembly (P/O PL 10.13 Item 1)
7	-	Spring (P/O PL 10.13 Item 1)
8	-	Pinch Shaft (P/O PL 10.13 Item 1)
9	-	Pinch Roll (P/O PL 10.13 Item 1)
10	-	Left Hand Cover (P/O PL 10.13 Item 1)
11	-	Handle (P/O PL 10.13 Item 1)
12	-	Pinch Bearing (P/O PL 10.13 Item 1)
13	068K55701	Bracket Assembly
14	068K55711	Bracket Assembly
15	-	Bracket
16	-	Left Hand Upper Chute (P/O PL 10.13 Item 1)
17	-	Label (P/O PL 10.13 Item 1)



PL 10.14 3TM Covers

Item	Part	Description
1	017K94590	Adjuster Foot Assembly
2	848E27150	Foot Cover
3	-	Foot Bracket (Not Spared) (ACO)
4	-	Foot Cover (Not Spared)
5	-	Foot Bracket (Not Spared)
6	-	Docking Screw (Not Spared)
7	-	Joint Bracket (Not Spared)
8	-	Caster Assembly (S) (Not Spared)
9	-	Caster Assembly (Not Spared)
10	-	Screw (Not Spared)
11	-	Rear Cover Assembly (Not Spared)
12	-	Rear Cover (P/O PL 10.14 Item 11)
13	-	Blind Cover (P/O PL 10.14 Item 11)
14	-	Top Cover (Not Spared)
15	-	Foot Cover (Not Spared)
16	-	Left Cover (Not Spared)
17	-	Right Cover (Not Spared)
18	-	Label (Not Spared)

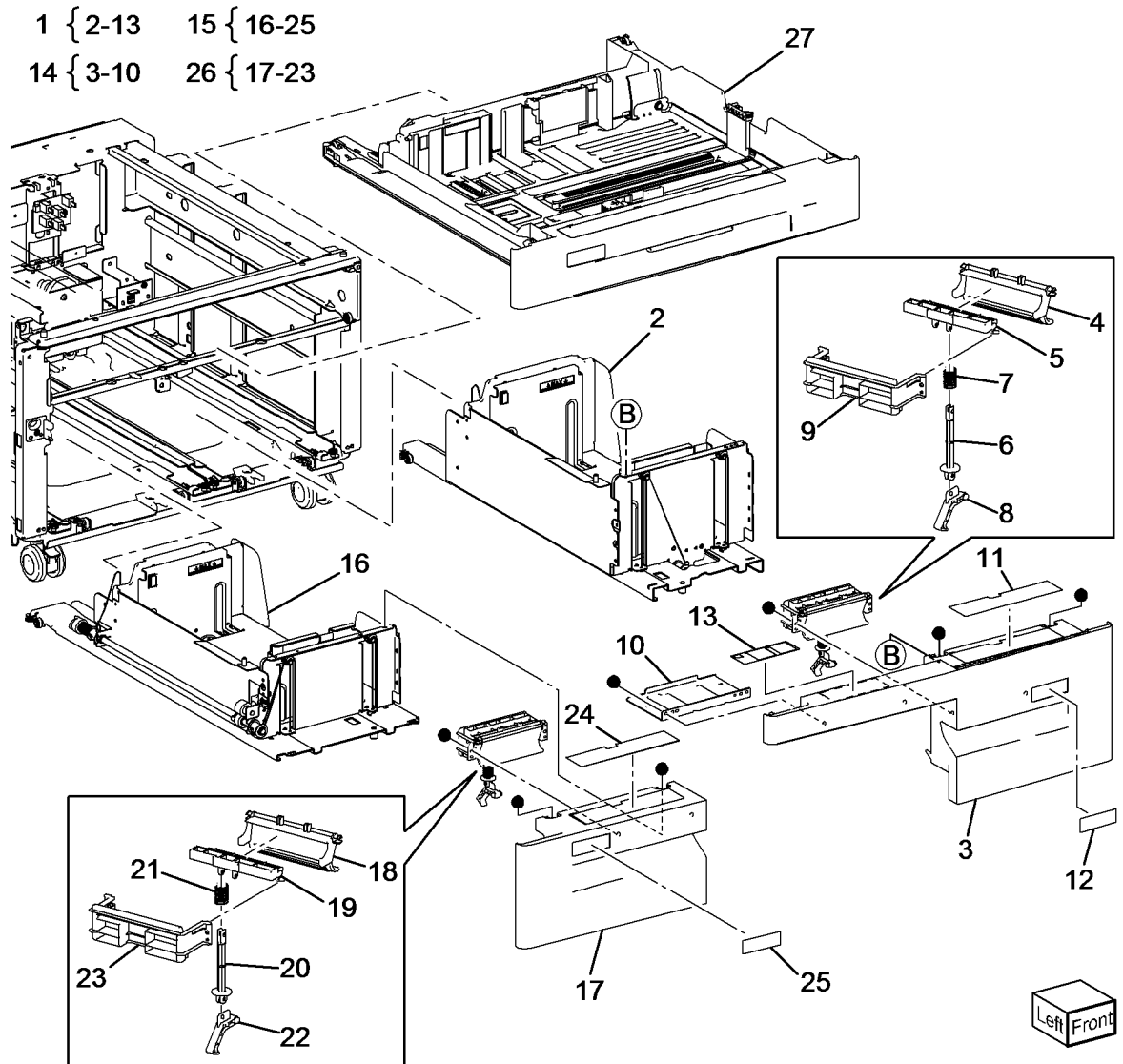
11 { 12,13



s7800-134

PL 11.1 Tray 3/4/5 Feeder Assembly - TT

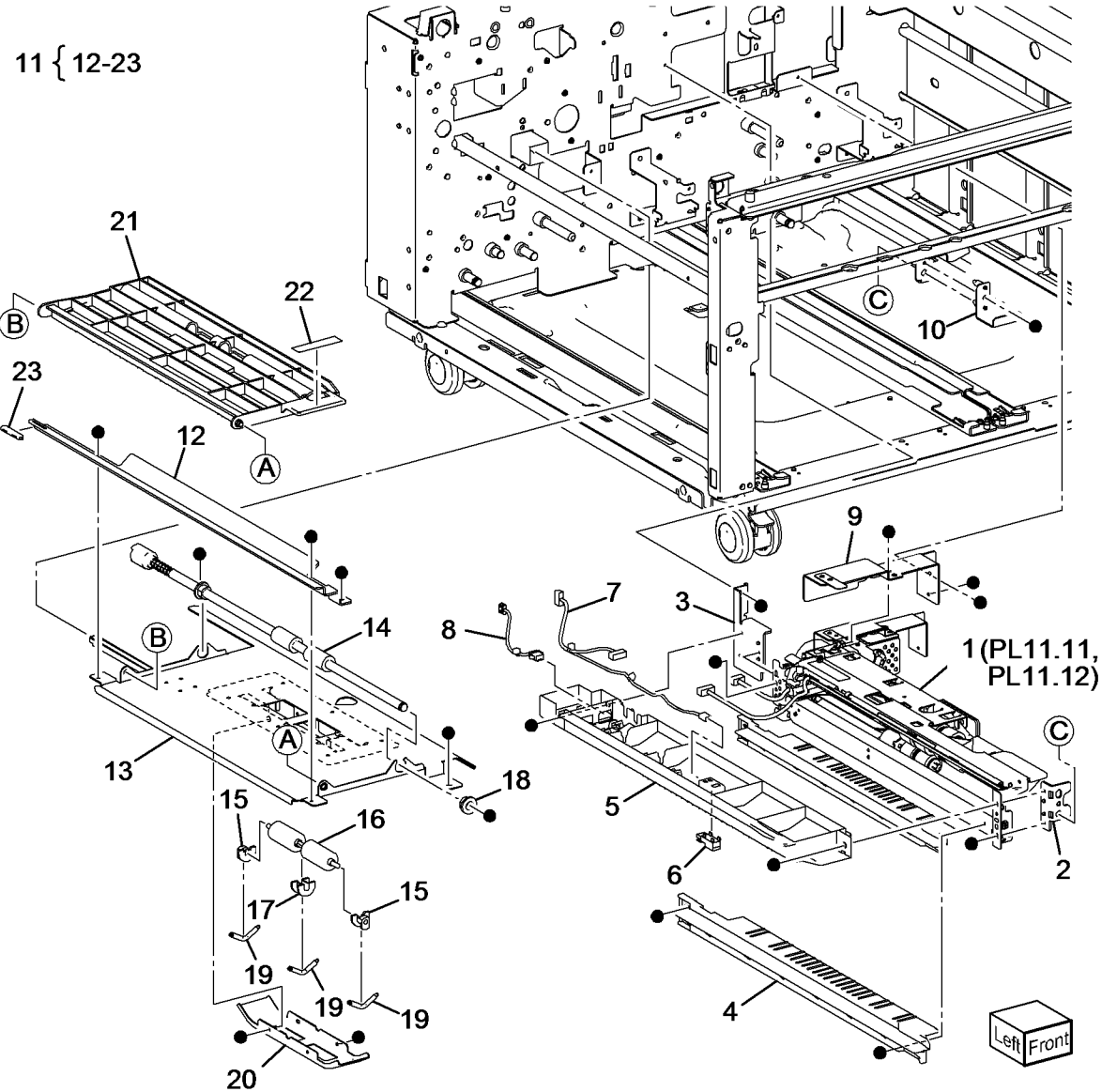
Item	Part	Description
1	050K66710	Tray 5 Assembly (REP 11.1)
2	-	Tray 5 (P/O PL 11.1 Item 1)
3	-	Tray 5 Cover (P/O PL 11.1 Item 14)
4	-	Lever (P/O PL 11.1 Item 14)
5	-	Link (P/O PL 11.1 Item 14)
6	-	Link (P/O PL 11.1 Item 14)
7	-	Spring (P/O PL 11.1 Item 14)
8	-	Latch (P/O PL 11.1 Item 14)
9	-	Cover (P/O PL 11.1 Item 14)
10	-	Transport Bracket (P/O PL 11.1 Item 14)
11	-	Label (Instruction) (P/O PL 11.1 Item 1)
12	-	Label (Tray No 5) (P/O PL 11.1 Item 1)
13	-	Label (P/O PL 11.1 Item 1)
14	-	Tray 5 Cover (Not Spared)
15	050K66700	Tray 4 Assembly (REP 11.2)
16	-	Tray 4 (P/O PL 11.1 Item 15)
17	-	Tray 4 Cover (P/O PL 11.1 Item 15)
18	-	Lever (P/O PL 11.1 Item 26)
19	-	Link (P/O PL 11.1 Item 26)
20	-	Link (P/O PL 11.1 Item 26)
21	-	Spring (P/O PL 11.1 Item 26)
22	-	Latch (P/O PL 11.1 Item 26)
23	-	Cover (P/O PL 11.1 Item 26)
24	-	Label (Instruction) (P/O PL 11.1 Item 15)
25	-	Label (Tray No 4) (P/O PL 11.1 Item 15)
26	-	Tray 4 Cover (Not Spared)
27	-	Tray 3 Assembly



s7800-135

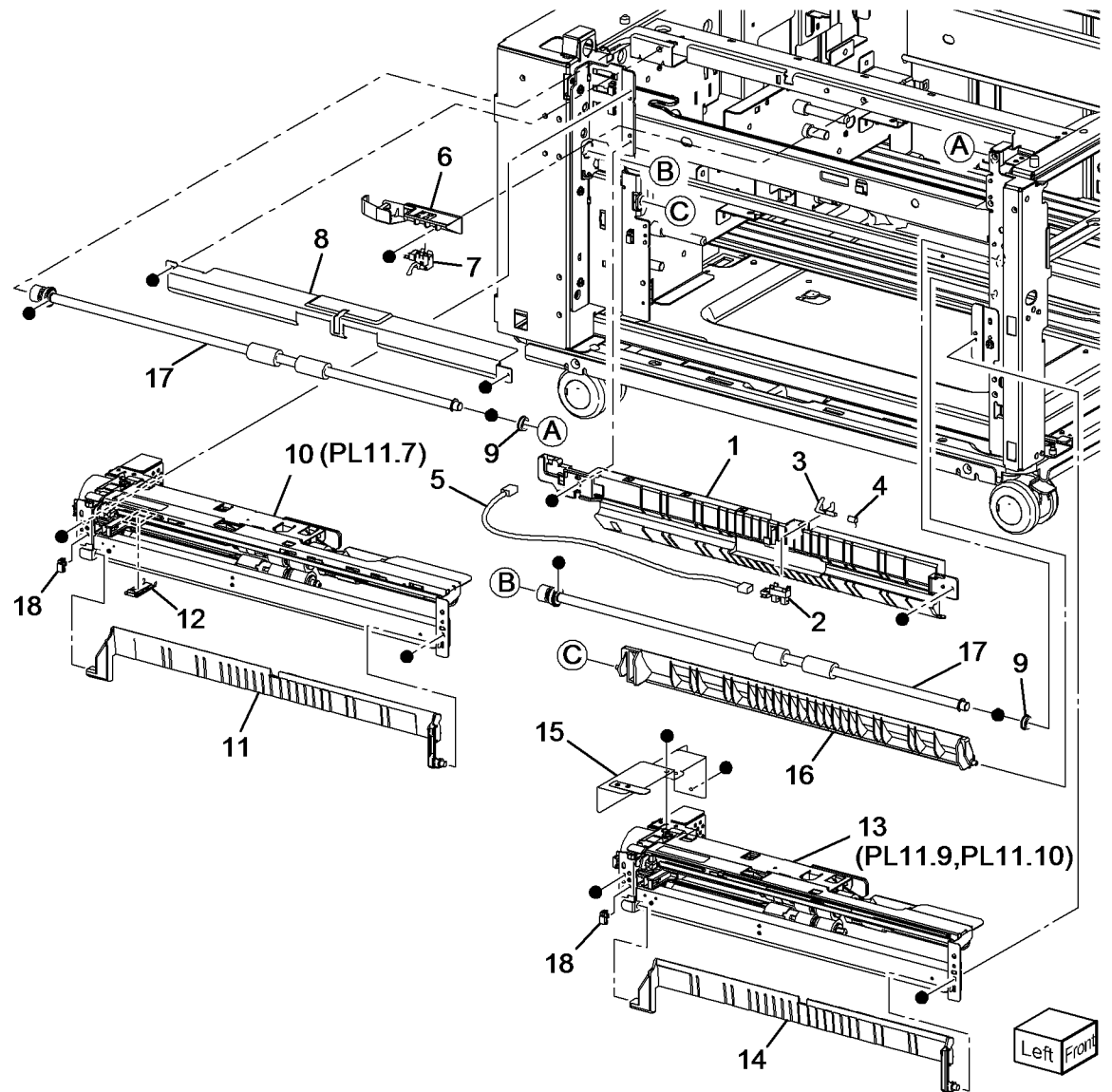
PL 11.5 Tray 5 Paper Feed - TT

Item	Part	Description
1	059K66621	Tray 5 Feeder Assembly (REP 11.3)
2	-	Bracket (Not Spared)
3	-	Bracket (Not Spared)
4	-	Lower Chute (Not Spared)
5	-	Upper Chute (Not Spared)
6	930W00211	Tray 5 Feed Out Sensor (Q74-103)
7	-	Wire Harness (Sensor) (Not Spared)
8	-	Wire Harness (Motor) (Not Spared)
9	-	Cover (Not Spared)
10	-	Stud Bracket (Not Spared)
11	059K54320	Tray 5 Transport Assembly (REP 11.4)
12	-	Transport Rail (P/O PL 11.5 Item 11)
13	-	Lower Chute (P/O PL 11.5 Item 11)
14	-	Tray 5 Transport Roll (P/O PL 11.5 Item 11)
15	-	Bearing (P/O PL 11.5 Item 11)
16	-	Pinch roll (P/O PL 11.5 Item 11)
17	-	Bearing (P/O PL 11.5 Item 11)
18	-	Bearing (P/O PL 11.5 Item 11)
19	-	Spring (P/O PL 11.5 Item 11)
20	-	Cover (P/O PL 11.5 Item 11)
21	-	Upper Chute (P/O PL 11.5 Item 11)
22	-	Label (P/O PL 11.5 Item 11)
23	-	Spacer (P/O PL 11.5 Item 11)



PL 11.6 Tray 3/4 Paper Feed - TT

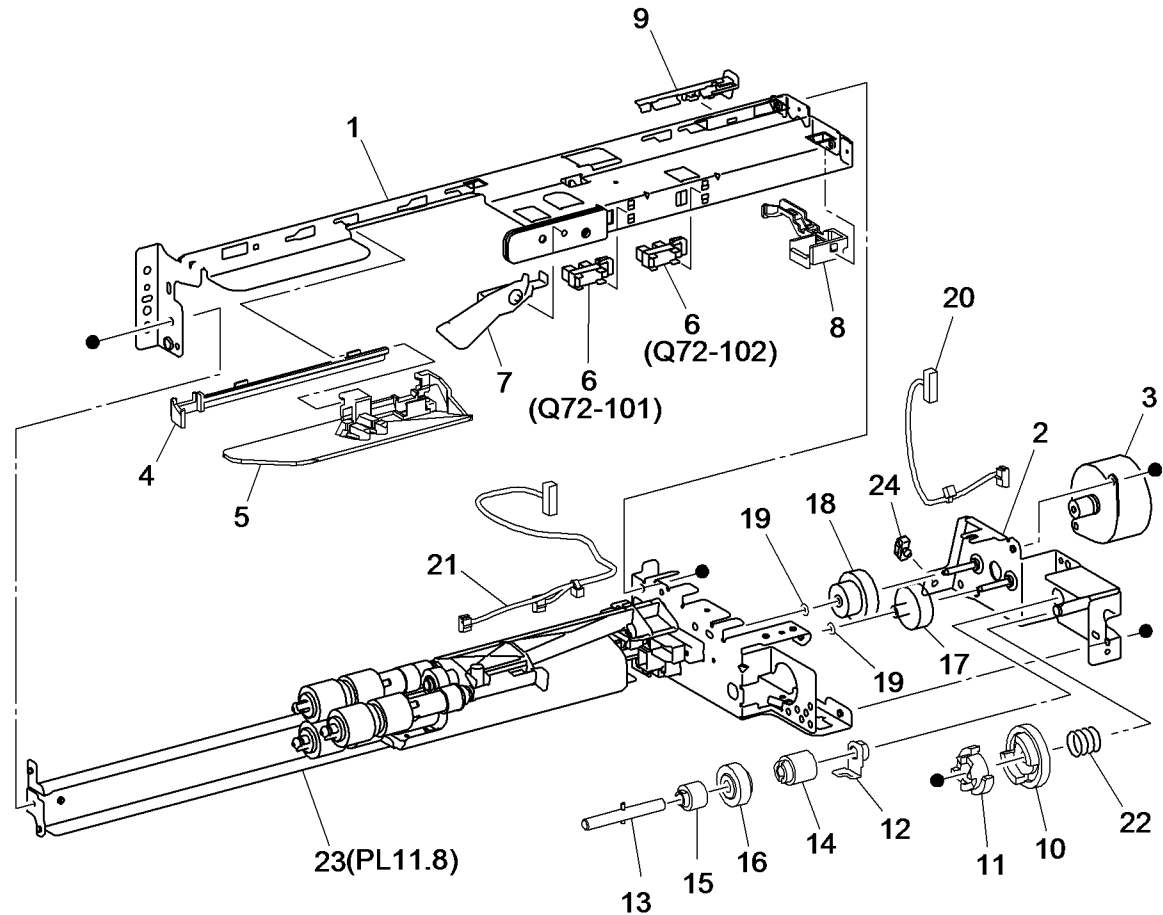
Item	Part	Description
1	-	Chute (Not Spared)
2	930W00123	Tray 4 Feed Out Sensor (Q73-103)
3	-	Actuator (Not Spared)
4	-	Spring (Not Spared)
5	-	Wire Harness (Not Spared)
6	-	Sensor Guide (Not Spared)
7	130K64121	Tray 3 Feed Out Sensor (Q72-103)
8	-	Chute (Not Spared)
9	-	Ball Bearing (Not Spared)
10	059K67140	Tray 3 Feeder Assembly (REF: PL 11.7) (REP 11.5)
11	054E36441	Feed Out Chute
12	-	Sensor Cover (Not Spared)
13	059K66621	Tray 4 Feeder Assembly (REF: PL 11.9, PL 11.10) (REP 11.6)
14	054E36441	Feed Out Chute
15	-	Cover (Not Spared)
16	-	Lower Chute (Not Spared)
17	059K60191	Take Away Roll Assembly
18	-	Clamp (Not Spared)



s7800-137

PL 11.7 Tray 3 Feeder -TT (1 of 2)

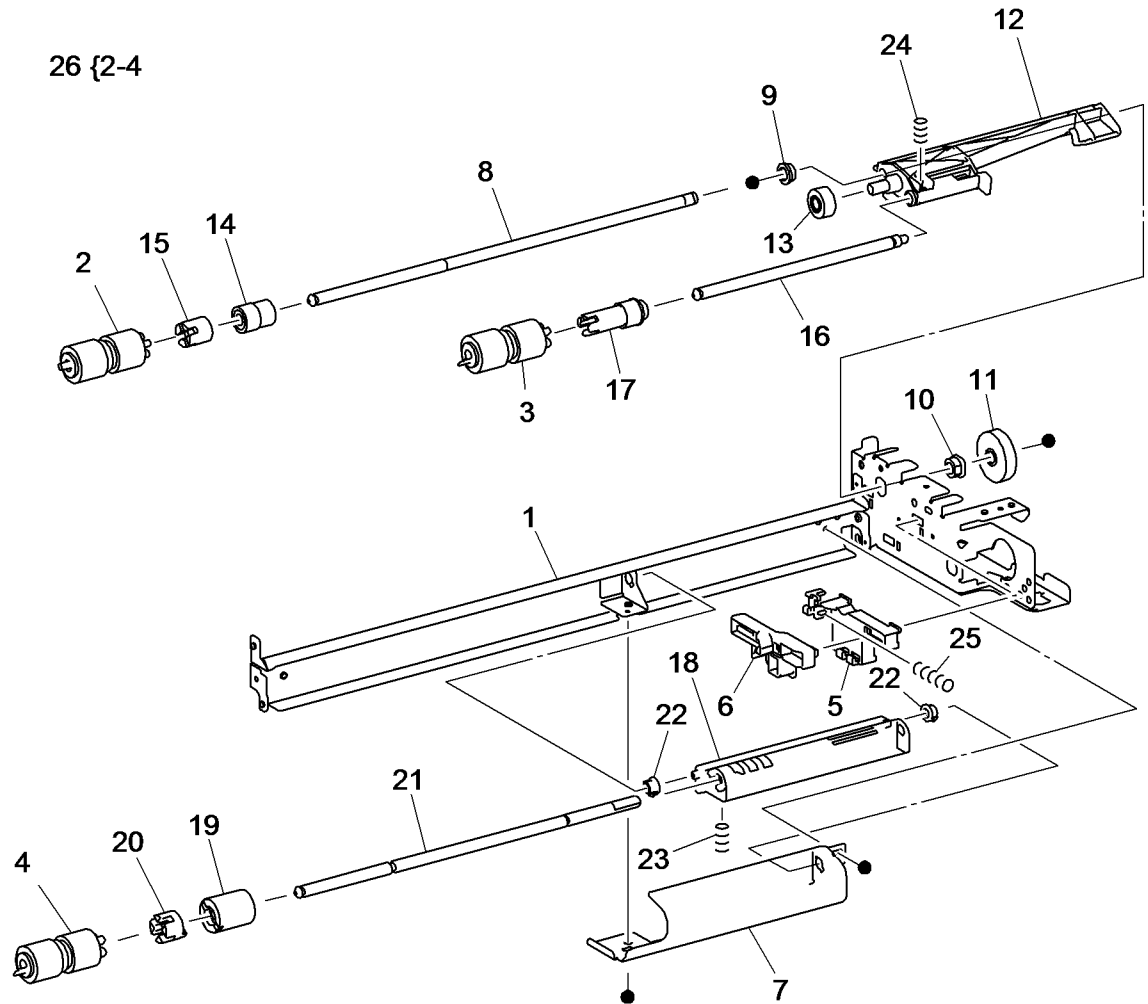
Item	Part	Description
1	-	Upper Frame Assembly (P/O PL 11.6 Item 10)
2	-	Drive Bracket Assembly (P/O PL 11.6 Item 10)
3	-	Tray 3 Feed / Lift Up Motor (MOT73-001)
4	-	Rail (Not Spared)
5	-	Chute (P/O PL 11.6 Item 10)
6	930W00123	Tray 3 Nudger Level Sensor (Q72-102)/Tray 3 No Paper Sensor (Q72-101)
7	120E22481	Actuator
8	-	Upper Harness Holder (P/O PL 11.6 Item 10)
9	-	Rear Harness Holder (Not Spared)
10	-	Gear (31T) (Not Spared)
11	-	Spacer (Not Spared)
12	-	Bearing (Not Spared)
13	-	Drive Shaft (Not Spared)
14	-	Gear (13T) (Not Spared)
15	-	One Way Clutch (Not Spared)
16	-	One Way Gear (Not Spared)
17	-	Helical Gear (25T) (Not Spared)
18	-	Helical Gear (29T/19T) (Not Spared)
19	-	Washer (P/O PL 11.6 Item 10)
20	-	Harness Assembly (Motor) (P/O PL 11.6 Item 10)
21	-	Harness Assembly (Sensor) (P/O PL 11.6 Item 10)
22	-	Spring (P/O PL 11.6 Item 10)
23	-	Roll Assembly (P/O PL 11.6 Item 10)
24	-	Clamp (P/O PL 11.6 Item 10)



s7800-138

PL 11.8 Tray 3 Feeder - TT (2 of 2)

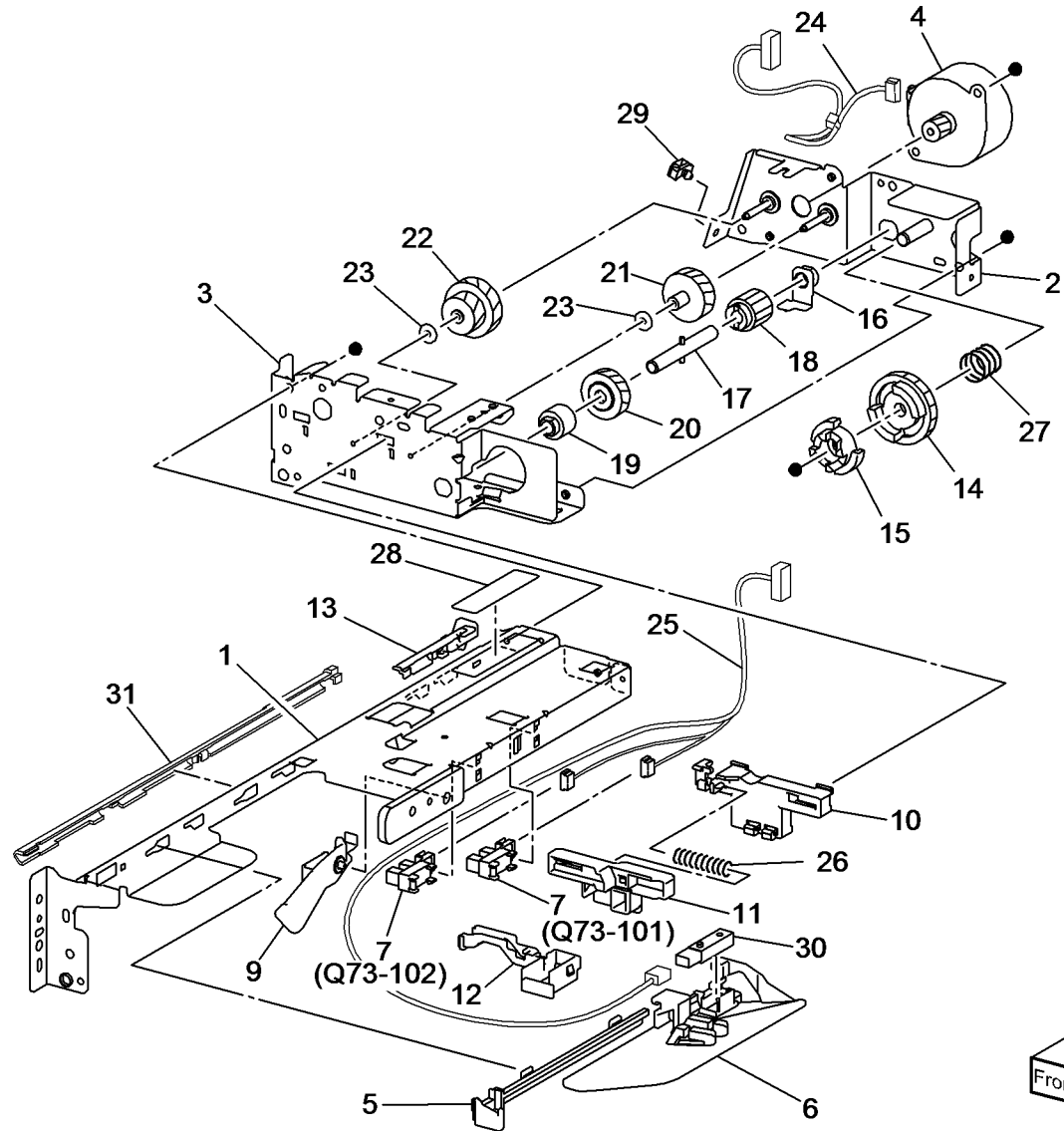
Item	Part	Description
1	-	Frame Assembly (Not Spared)
2	-	Feed Roll (P/O PL 11.8 Item 26) (REP 11.7)
3	-	Nudger Roll (P/O PL 11.8 Item 26) (REP 11.7)
4	-	Retard Roll (P/O PL 11.8 Item 26) (REP 11.7)
5	-	Holder (Not Spared)
6	-	Lever (Not Spared)
7	-	Feed In Chute (Not Spared)
8	-	Feed Shaft (Not Spared)
9	-	Bearing (Not Spared)
10	-	Sleeve Bearing (Not Spared)
11	-	Helical Gear (30T) (Not Spared)
12	-	Nudger Support (Not Spared)
13	-	Spur Gear (29T) (Not Spared)
14	-	Clutch Assembly (25T) (Not Spared)
15	-	One Way Clutch (Not Spared)
16	-	Nudger Shaft (Not Spared)
17	-	Gear (25T) (Not Spared)
18	-	Retard Support (Not Spared)
19	005K09290	Friction Clutch
20	-	Spacer (Not Spared)
21	-	Retard Shaft (Not Spared)
22	-	Retard Bearing (Not Spared)
23	-	Spring (Not Spared)
24	-	Spring (Not Spared)
25	-	Spring (Not Spared)
26	109R00790	Feed Roll Kit



s7800-139

PL 11.9 Tray 4 Feeder - TT (1 of 2)

Item	Part	Description
1	-	Frame (P/O PL 11.6 Item 13)
2	-	Bracket (P/O PL 11.6 Item 2)
3	-	Frame (P/O PL 11.6 Item 13)
4	-	Tray 4 Feed /Lift Up motor (MOT74-001) (Not Spared)
5	-	Rail (Not Spared)
6	-	Chute (Not Spared)
7	930W00123	Tray 4 Nudger Level Sensor (Q73-102)/ Tray 4 No Paper Sensor (Q73-101)
8	-	Not Used
9	120E22481	Actuator
10	-	Holder (P/O PL 11.6 Item 13)
11	-	Lever (P/O PL 11.6 Item 13)
12	-	Upper Harness Holder (P/O PL 11.6 Item 13)
13	-	Rear Harness Holder (P/O PL 11.6 Item 13)
14	-	Gear (Not Spared)
15	-	Spacer (Not Spared)
16	-	Bearing (Not Spared)
17	-	Drive Shaft (Not Spared)
18	-	Gear (Not Spared)
19	-	One Way Clutch (Not Spared)
20	-	One Way Gear (Not Spared)
21	-	Gear (25T) (Not Spared)
22	-	Gear (29T/24T) (Not Spared)
23	-	Washer (P/O PL 11.6 Item 13)
24	-	Harness Assembly (Motor) (P/O PL 11.6 Item 13)
25	-	Harness Assembly (Sensor) (P/O PL 11.6 Item 13)
26	-	Spring (P/O PL 11.6 Item 13)
27	-	Spring (P/O PL 11.6 Item 13)
28	-	Label (Not Spared)
29	-	Clamp (Not Spared)
30	-	Tray 4 Pre Feed Sensor (Q73-105) (Not Spared)
31	-	Harness Holder (Not Spared)

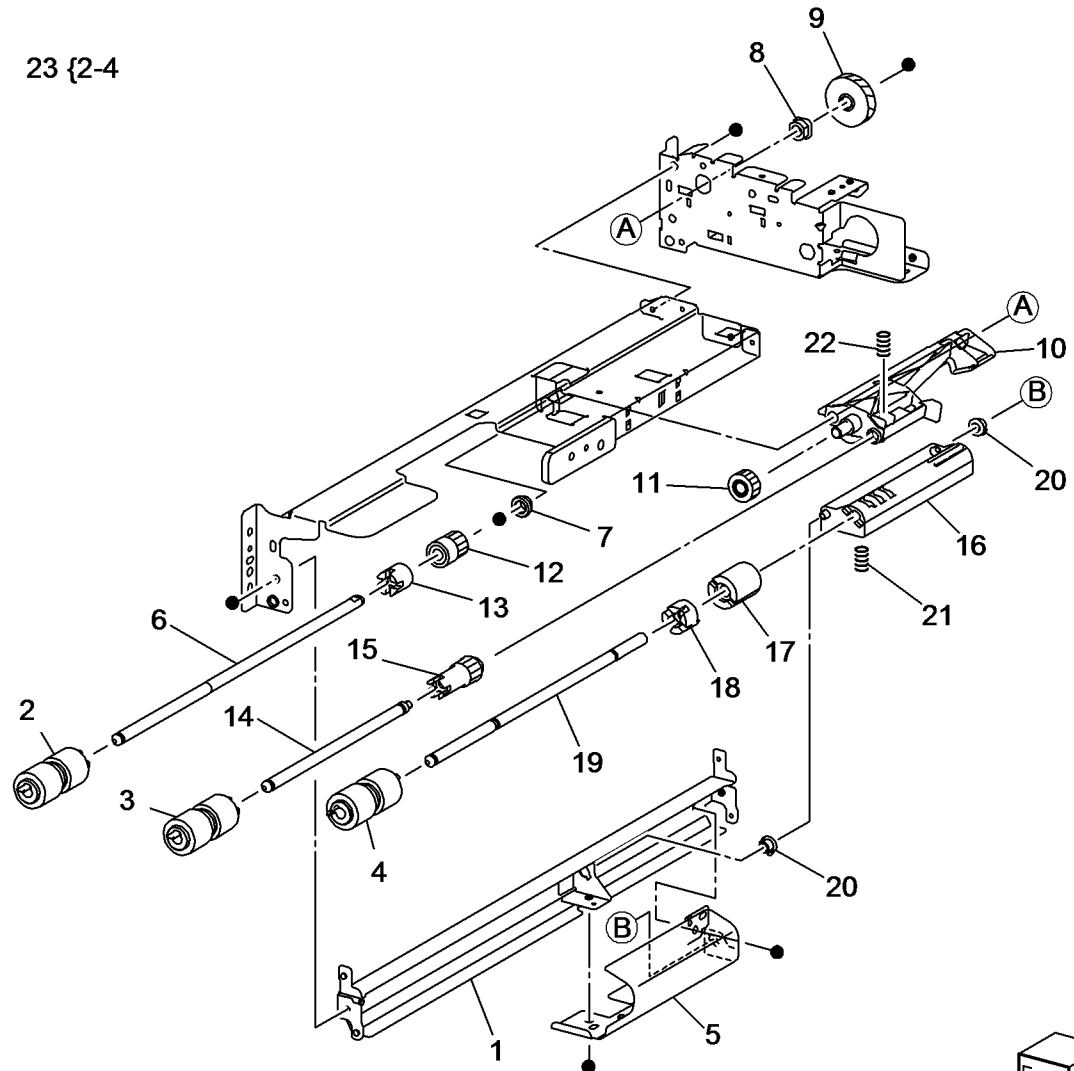


s7800-140

PL 11.10 Tray 4 Feeder - TT (2 of 2)

Item	Part	Description
1	-	Frame (P/O PL 11.6 Item 13)
2	-	Feed Roll (P/O PL 11.10 Item 23) (REP 11.7)
3	-	Nudger Roll (P/O PL 11.10 Item 23) (REP 11.7)
4	-	Retard Roll (P/O PL 11.10 Item 23) (REP 11.7)
5	-	Feed In Chute (Not Spared)
6	-	Feed Shaft (P/O PL 11.6 Item 13)
7	-	Bearing (Not Spared)
8	-	Sleeve Bearing (Not Spared)
9	-	Gear (25T) (Not Spared)
10	-	Support (P/O PL 11.6 Item 13)
11	-	Gear (29T) (Not Spared)
12	-	Clutch (25T) (Not Spared)
13	-	One Way Clutch (Not Spared)
14	-	Nudger Shaft (P/O PL 11.6 Item 13)
15	-	Gear (25T) (Not Spared)
16	-	Support (P/O PL 11.6 Item 13)
17	005K09290	Friction Clutch
18	-	Spacer (Not Spared)
19	-	Retard Shaft (P/O PL 11.6 Item 13)
20	-	Retard Bearing (Not Spared)
21	-	Spring (P/O PL 11.6 Item 13)
22	-	Spring (Not Spared)
23	109R00790	Feed Roll Kit

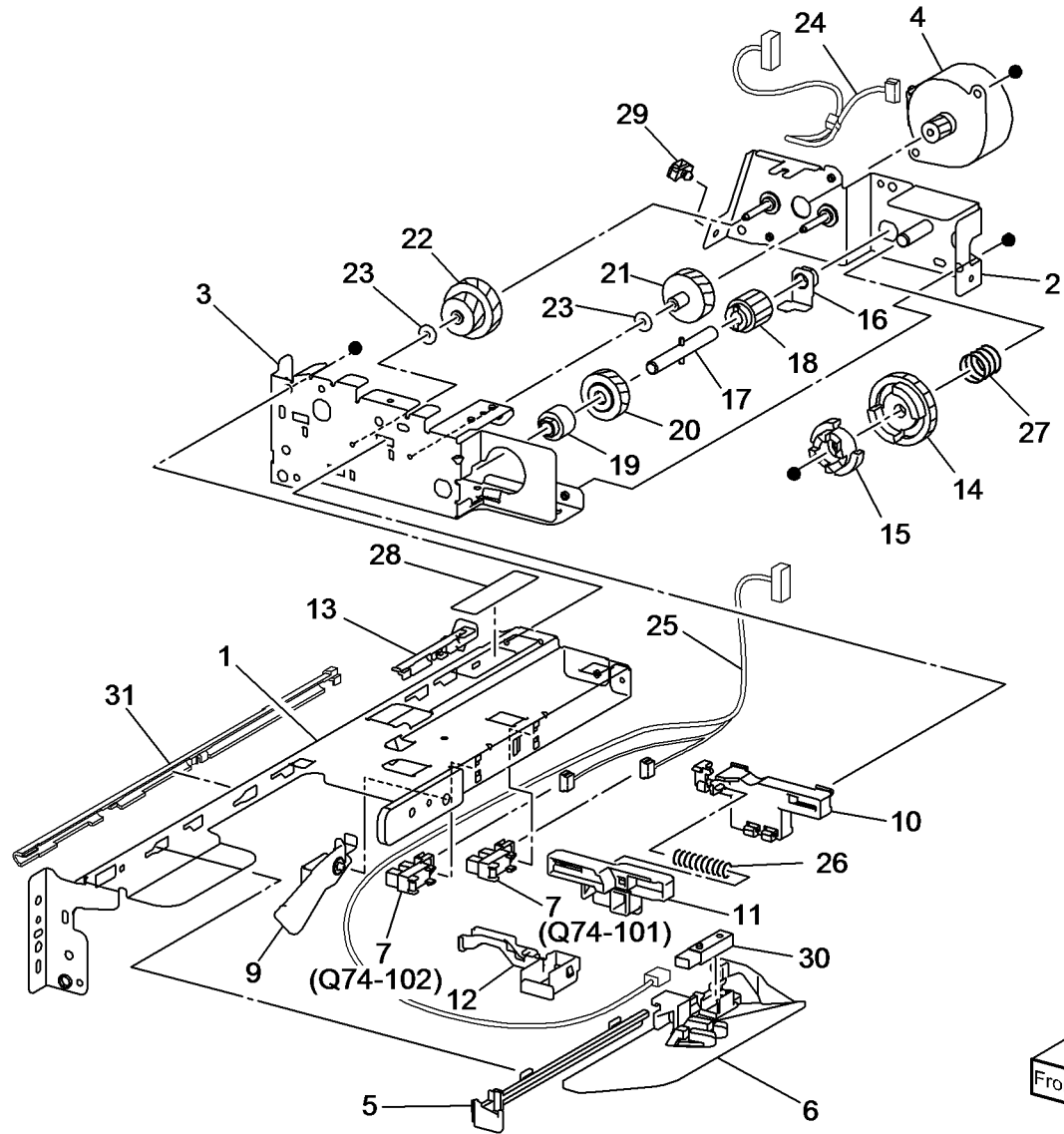
23 {2-4}



s7800-141

PL 11.11 Tray 5 Feeder - TT (1 of 2)

Item	Part	Description
1	-	Frame (P/O PL 11.5 Item 1)
2	-	Bracket (P/O PL 11.5 Item 1)
3	-	Frame (P/O PL 11.5 Item 1)
4	-	Tray 5 Feed /Lift Up Motor (Not Spared)
5	-	Rail (Not Spared)
6	-	Chute (Not Spared)
7	930W00123	Tray 5 Nudger Level Sensor (Q74-102)/Tray 5 No Paper Sensor (Q74-101)
8	-	Not Used
9	120E22481	Actuator
10	-	Holder (P/O PL 11.5 Item 1)
11	-	Lever (Not Spared)
12	-	Upper Harness Holder (P/O PL 11.5 Item 1)
13	-	Rear Harness Holder (P/O PL 11.5 Item 1)
14	-	Gear (Not Spared)
15	-	Spacer (Not Spared)
16	-	Bearing (Not Spared)
17	-	Drive Shaft (Not Spared)
18	-	Gear (Not Spared)
19	-	One Way Clutch (Not Spared)
20	-	One Way Gear (Not Spared)
21	-	Gear (25T) (Not Spared)
22	-	Gear (29T/19T) (Not Spared)
23	-	Washer (Not Spared)
24	-	Harness Assembly (Motor) (P/O PL 11.5 Item 1)
25	-	Harness Assembly (Sensor) (P/O PL 11.5 Item 1)
26	-	Spring (P/O PL 11.5 Item 1)
27	-	Spring (P/O PL 11.5 Item 1)
28	-	Label (Not Spared)
29	-	Clamp (P/O PL 11.5 Item 1)
30	-	Tray 5 Pre Feed Sensor (Q74-105) (Not Spared)
31	-	Harness Holder (Not Spared)

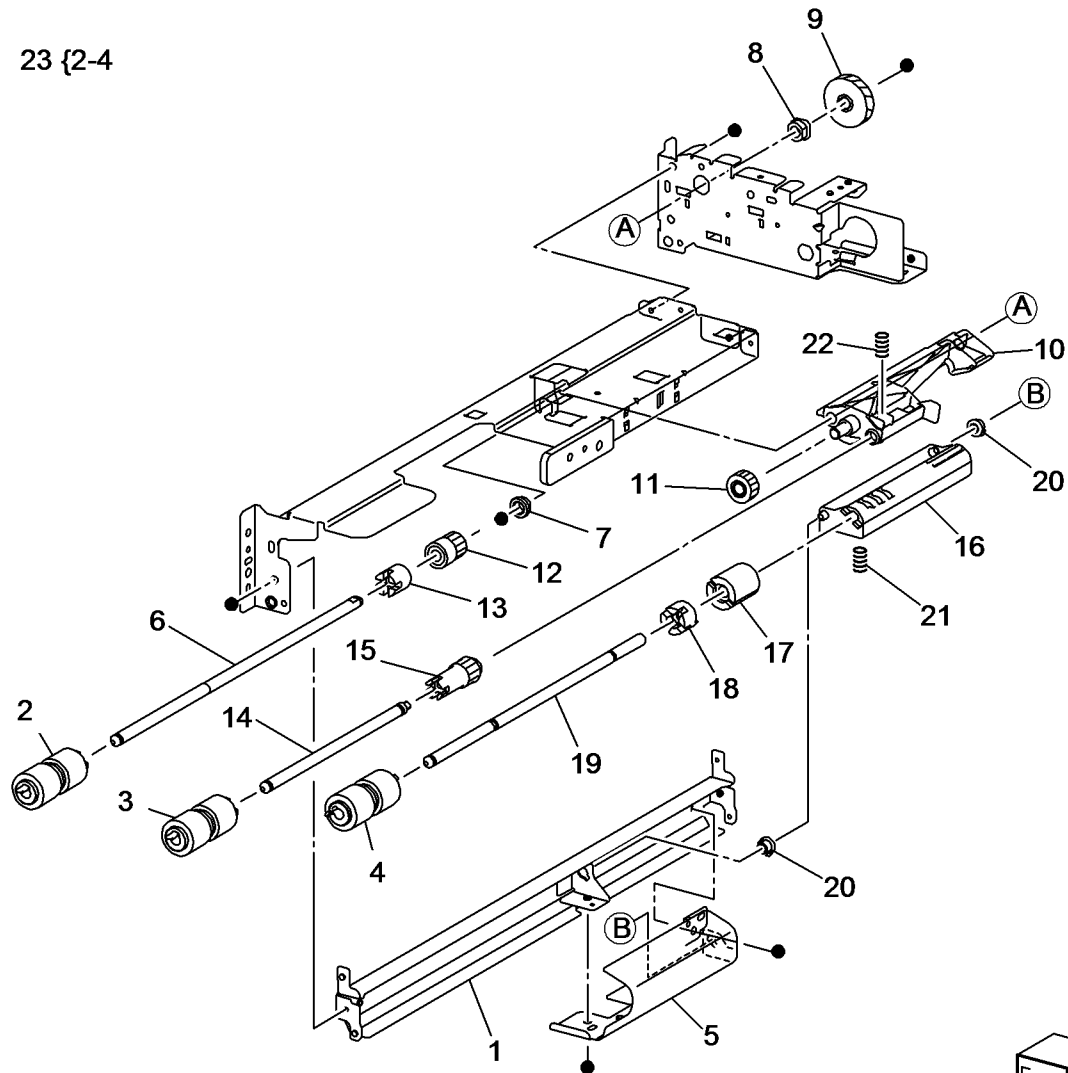


s7800-142

PL 11.12 Tray 5 Feeder - TT (2 of 2)

Item	Part	Description
1	-	Frame (Not Spared)
2	-	Feed Roll (P/O PL 11.12 Item 23) (REP 11.8)
3	-	Nudger Roll (P/O PL 11.12 Item 23) (REP 11.8)
4	-	Retard Roll (P/O PL 11.12 Item 23) (REP 11.8)
5	-	Feed In Chute (Not Spared)
6	-	Feed Shaft (Not Spared)
7	-	Bearing (Not Spared)
8	-	Sleeve Bearing (Not Spared)
9	-	Gear (25T) (Not Spared)
10	-	Support (Not Spared)
11	-	Gear (29T) (Not Spared)
12	-	Clutch (25T) (Not Spared)
13	-	One Way Clutch (Not Spared)
14	-	Nudger Shaft (Not Spared)
15	-	Gear (25T) (Not Spared)
16	-	Support (Not Spared)
17	005K09290	Friction Clutch
18	-	Spacer (Not Spared)
19	-	Retard Shaft (Not Spared)
20	-	Retard Bearing (Not Spared)
21	-	Spring (Not Spared)
22	-	Spring (Not Spared)
23	109R00790	Feed Roll Kit

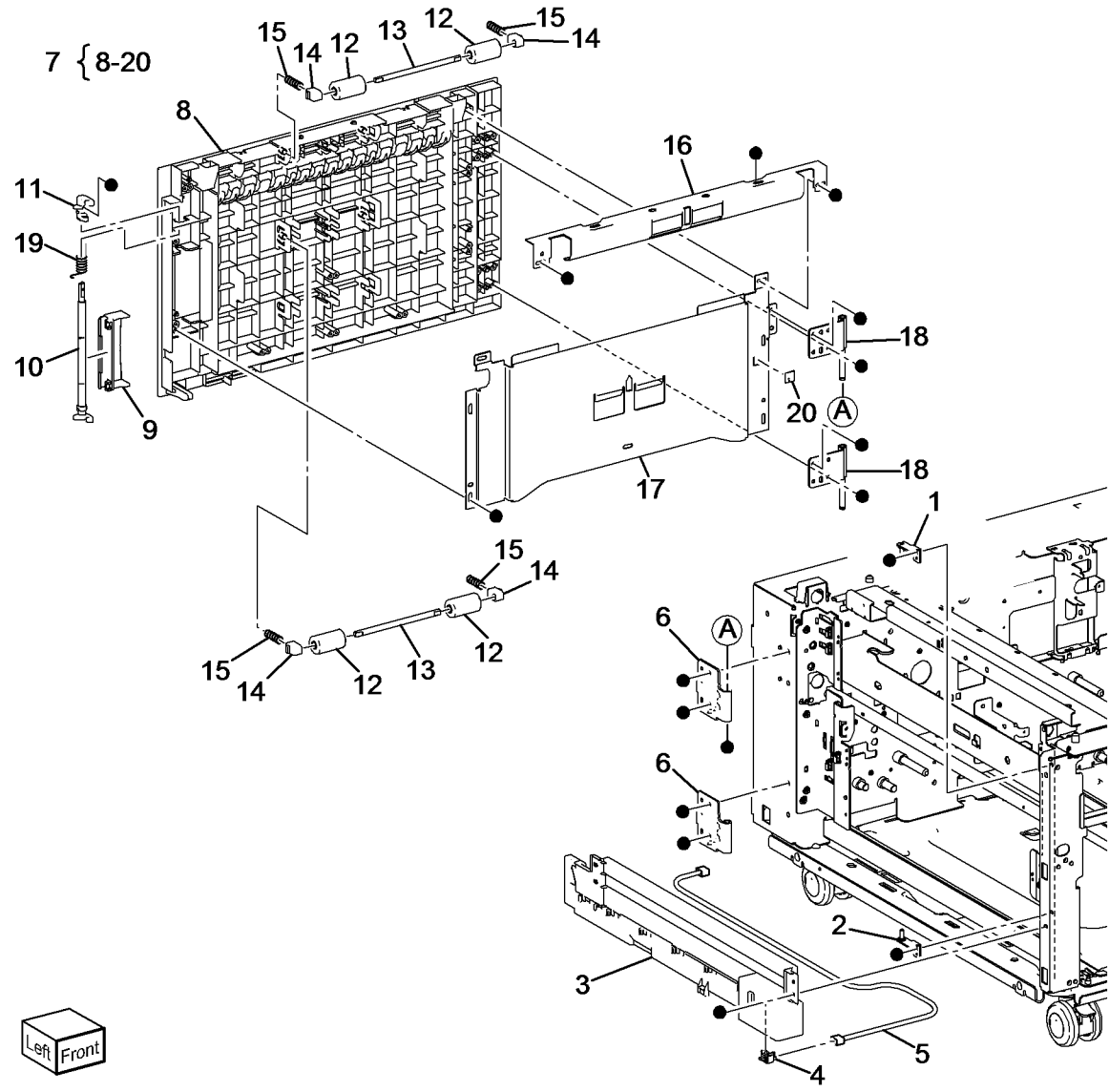
23 {2-4



s7800-143

PL 11.13 Left Cover Assembly - TT

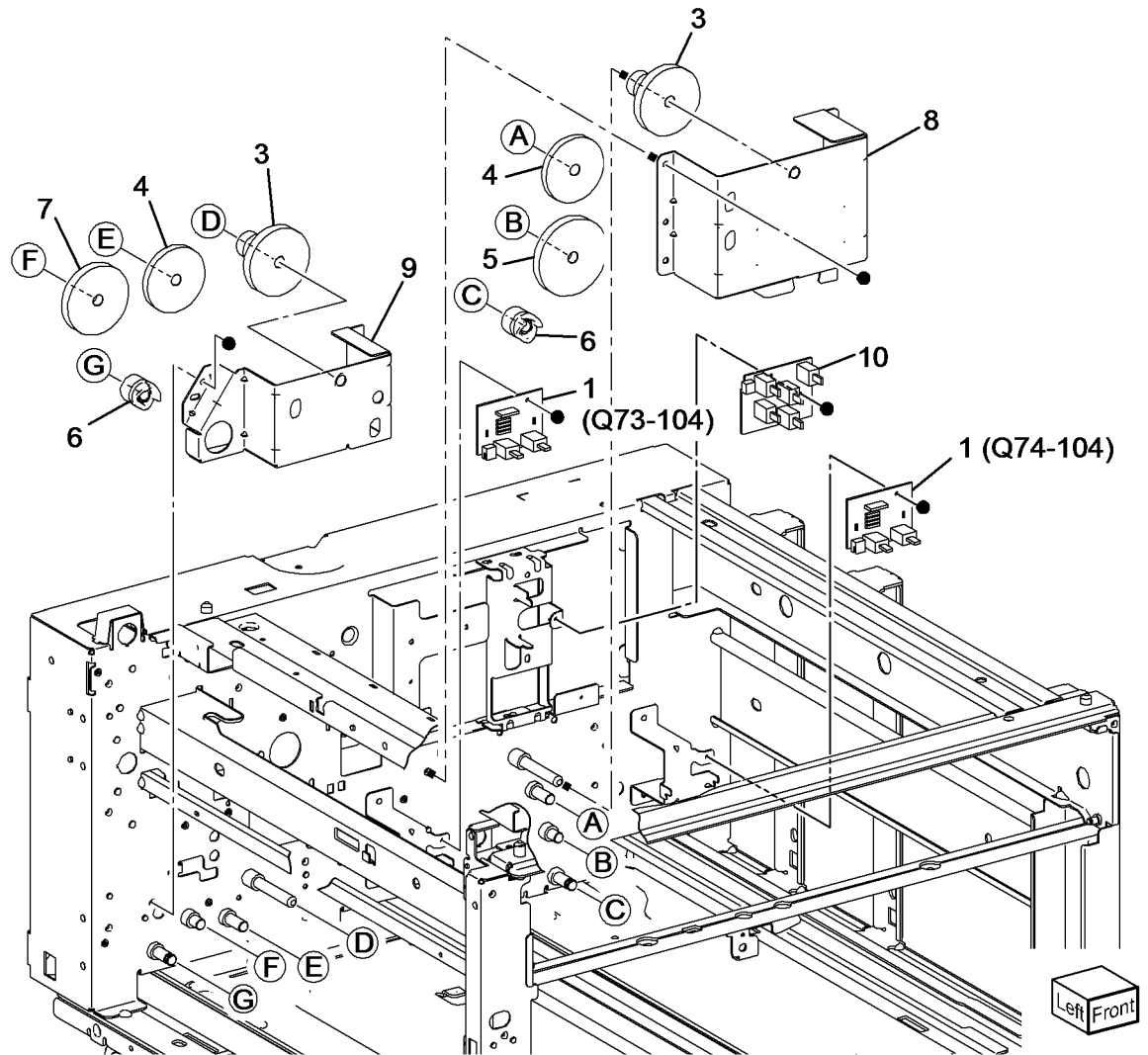
Item	Part	Description
1	-	Bracket (Upper) (Not Spared)
2	-	Bracket (Lower) (Not Spared)
3	-	Cover (Not Spared)
4	-	Tray Module Left Hand Cover Switch (Not Spared)
5	-	Wire Harness (Not Spared)
6	068K55791	Hinge Bracket
7	848K17711	Left Cover Assembly
8	-	Left Cover (P/O PL 11.13 Item 7) (REP 11.9)
9	-	Handle (P/O PL 11.13 Item 7)
10	-	Latch (P/O PL 11.13 Item 7)
11	-	Hook (P/O PL 11.13 Item 7)
12	-	Pinch Roll (P/O PL 11.13 Item 7)
13	-	Pinch Shaft (P/O PL 11.13 Item 7)
14	-	Pinch Bearing (P/O PL 11.13 Item 7)
15	-	Pinch Spring (P/O PL 11.13 Item 7)
16	-	Upper Chute (P/O PL 11.13 Item 7)
17	-	Lower Chute (P/O PL 11.13 Item 7)
18	-	Hinge (P/O PL 11.13 Item 7)
19	-	Spring (P/O PL 11.13 Item 7)
20	-	Label (P/O PL 11.13 Item 7)



s7800-144

PL 11.15 Tray 3/4/5 Paper Size Sensor, Tray 4/5 Lift Gear - TT

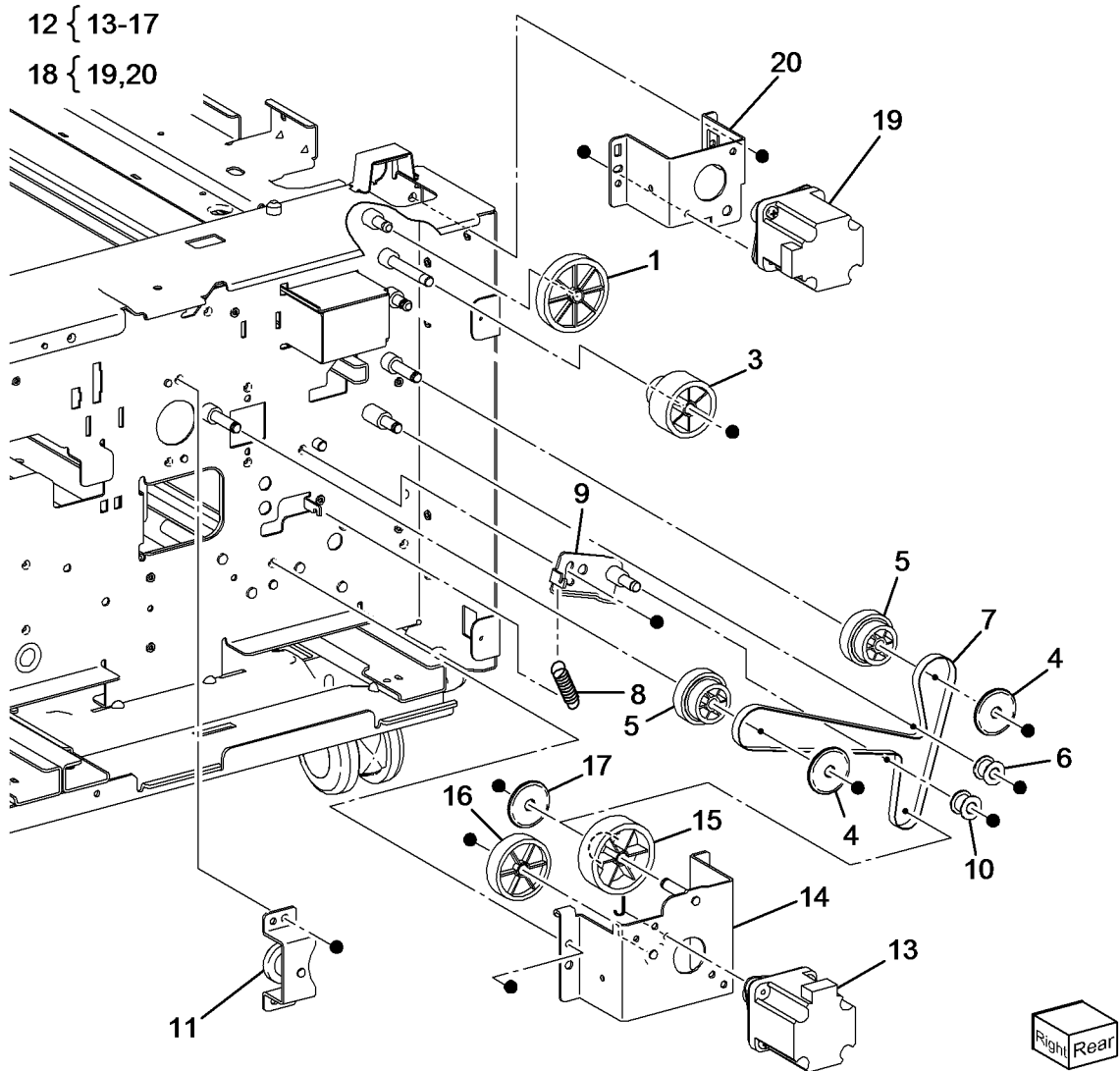
Item	Part	Description
1	110K11820	Tray 4 Paper Size Sensor (Q73-104)/Tray 5 Paper Size Sensor (Q74-104)
2	-	Not Used
3	007E78320	Gear (17/50)
4	007E78330	Gear (16/48)
5	007E78340	Gear (57)
6	807E16730	Gear (18)
7	007E78350	Gear (51)
8	-	Bracket (Not Spared)
9	-	Bracket (Not Spared)
10	110K12100	Tray 3 Paper Size Sensor (Q72-104)



s7800-145

PL 11.16 Drive - TT

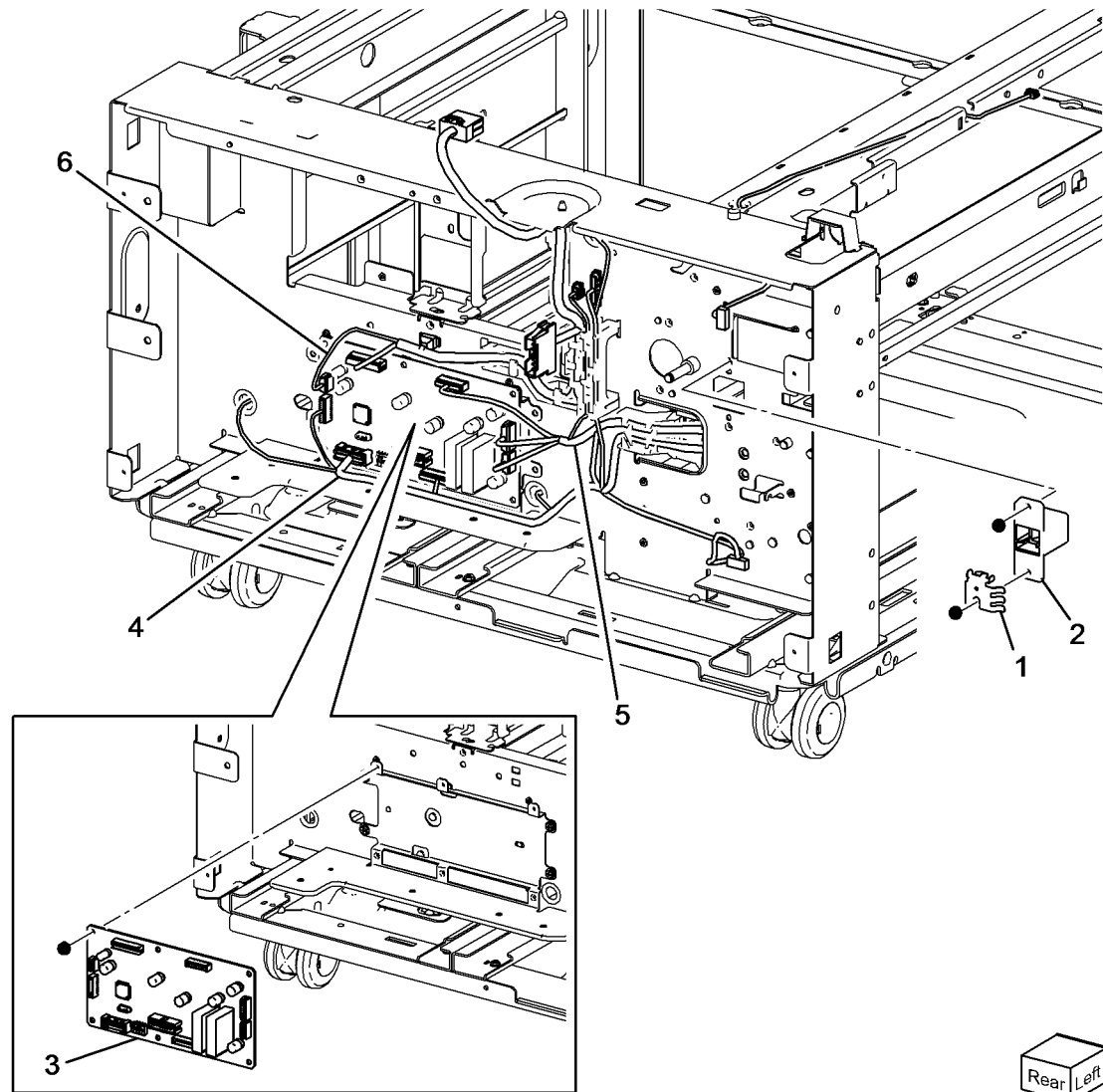
Item	Part	Description
1	807E20740	Gear (52)
2	-	Not Used
3	807E20730	Gear (20T/65T)
4	005E24940	Collar
5	020E45190	Gear Pulley
6	059E03590	Roll
7	423W56254	Belt
8	-	Spring (Not Spared)
9	-	Tension Bracket (Not Spared)
10	-	Roll (Not Spared)
11	068K55650	Gear Bracket
12	127K60441	Tray Module Take Away Motor 2 Assembly
13	-	Tray Module Take Away Motor 2 (MOT77-050) (P/O PL 11.16 Item 12) (REP 11.11)
14	-	Bracket (P/O PL 11.16 Item 12)
15	807E20760	Gear (81)
16	807E25640	Gear (70)
17	-	Collar (P/O PL 11.16 Item 12)
18	127K60452	Tray Module Take Away Motor Assembly (REP 11.12)
19	-	Tray Module Take Away Motor (P/O PL 11.16 Item 18) (REP 11.12)
20	-	Bracket (P/O PL 11.16 Item 18)



s7800-146

PL 11.17 Electrical - TT

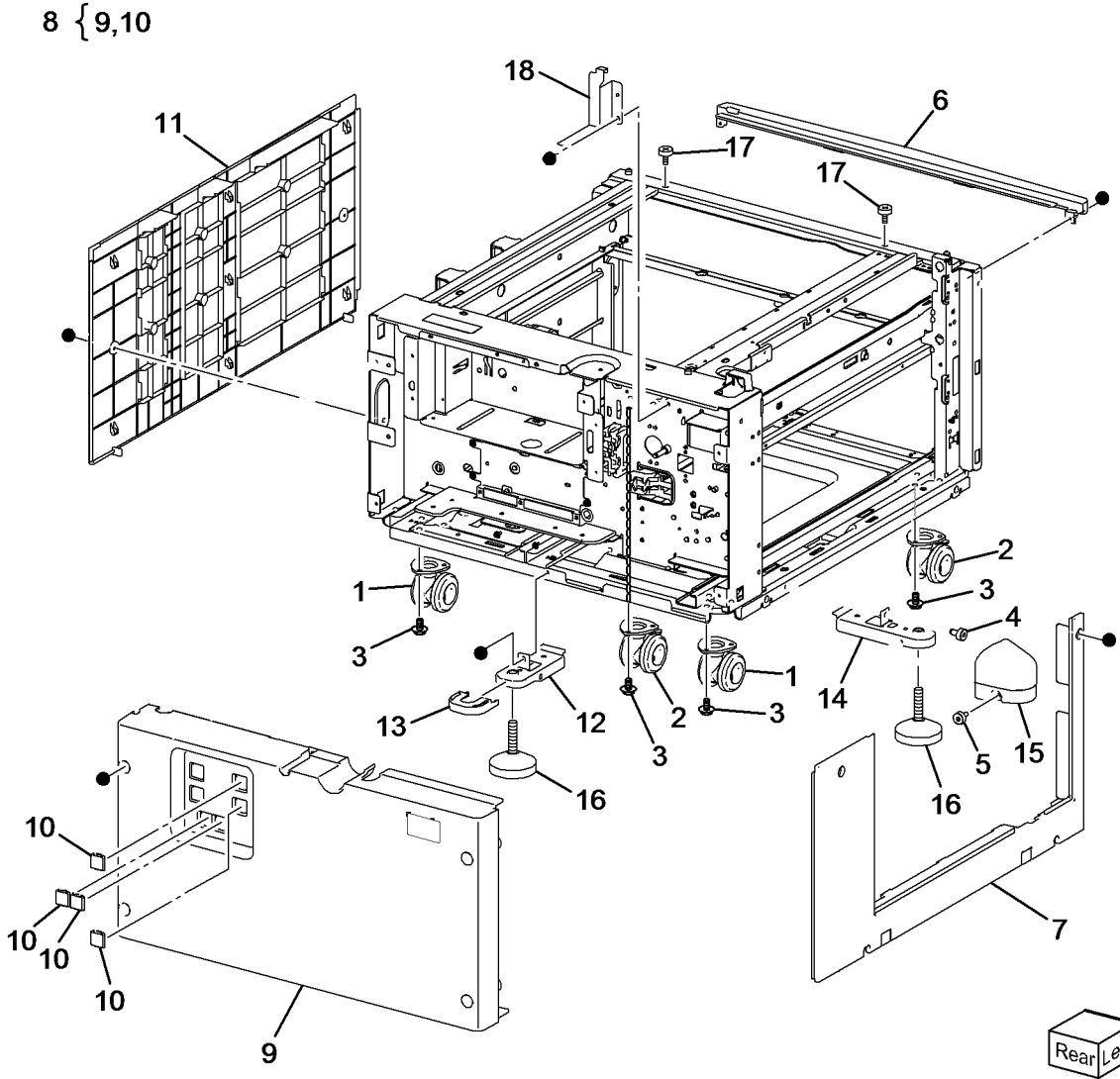
Item	Part	Description
1	-	Ground Plate (Not Spared)
2	-	Transport Guide (Not Spared)
3	960K54151	Tray Module PWB (REP 10.8)
4	-	Harness Assembly (Sensor) (Not Spared)
5	-	Harness Assembly (Motor) (Not Spared)
6	-	Harness Assembly (I/F) (Not Spared)



s7800-147

PL 11.18 Cover, Caster - TT

Item	Part	Description
1	-	Caster Assembly (Not Spared)
2	-	Caster Assembly (S) (Not Spared)
3	-	Screw (Not Spared)
4	-	Screw (M4) (Not Spared)
5	-	Screw (M3) (Not Spared)
6	-	Top Cover (Not Spared)
7	848E12691	Left Cover
8	-	Rear Cover Assembly (Not Spared) (REP 11.13)
9	-	Rear Cover (P/O PL 11.18 Item 8)
10	-	Blind Cover (P/O PL 11.18 Item 8)
11	-	Right Cover (Not Spared)
12	-	Foot Bracket (Not Spared)
13	-	Foot Cover (Not Spared)
14	-	Foot Bracket (Not Spared)
15	-	Foot Cover (Not Spared)
16	-	Adjuster Foot Assembly (Not Spared)
17	-	Docking Screw (Not Spared)
18	-	Docking Bracket (Not Spared)

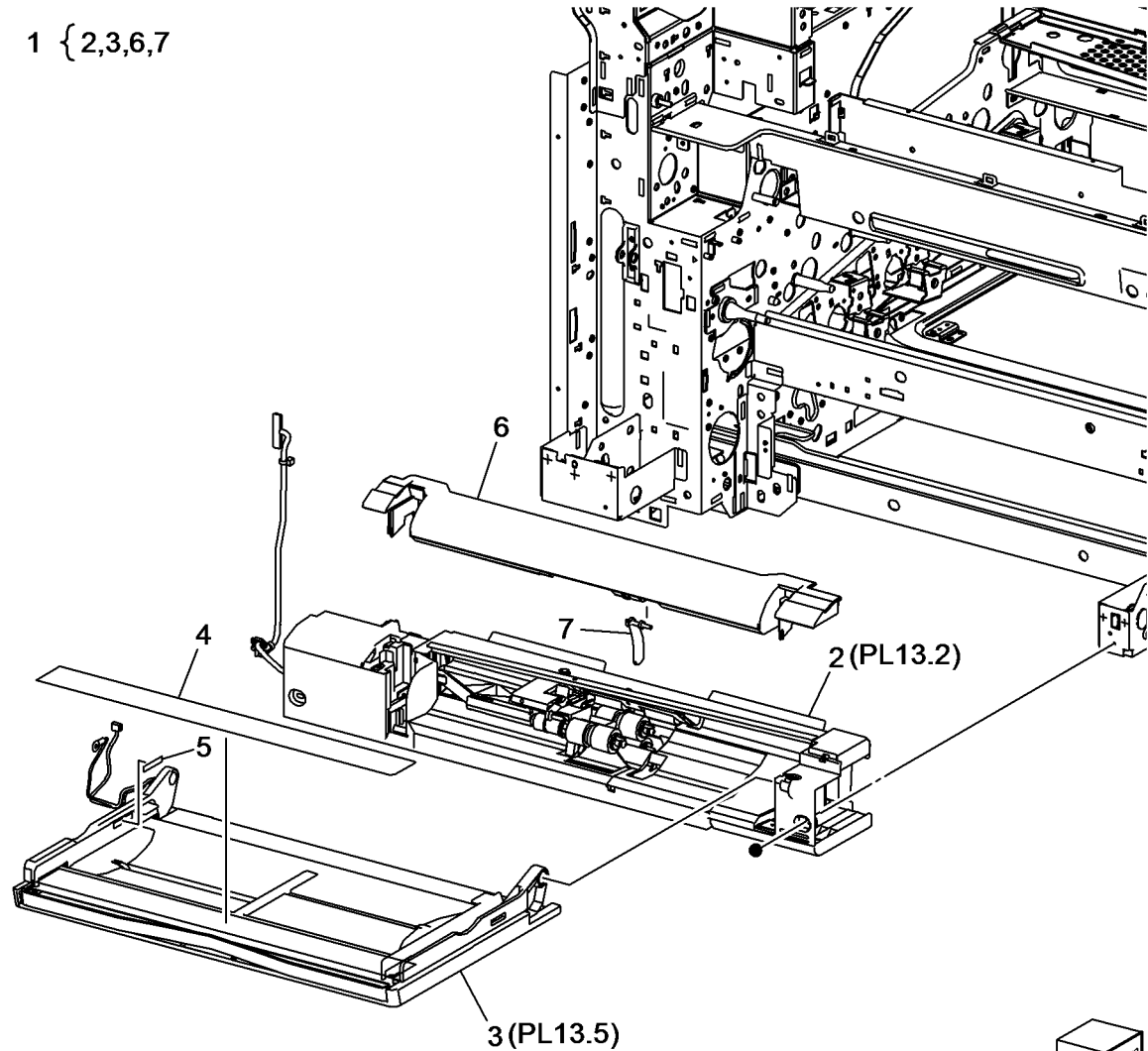


s7800-148

PL 13.1 Tray 1 (MPT) (1 of 5)

Item	Part	Description
1	604K69750	Tray 1 Unit (REP 13.1)
2	-	Tray 1 Feeder Assembly (P/O PL 13.1 Item 1) (REP 13.1)
3	-	Tray 1 Assembly (P/O PL 13.1 Item 1)
4	-	Label (Not Spared)
5	-	Label (Max) (Not Spared)
6	-	Top Cover (P/O PL 13.1 Item 1) (REP 13.2)
7	-	Actuator (P/O PL 13.1 Item 1)

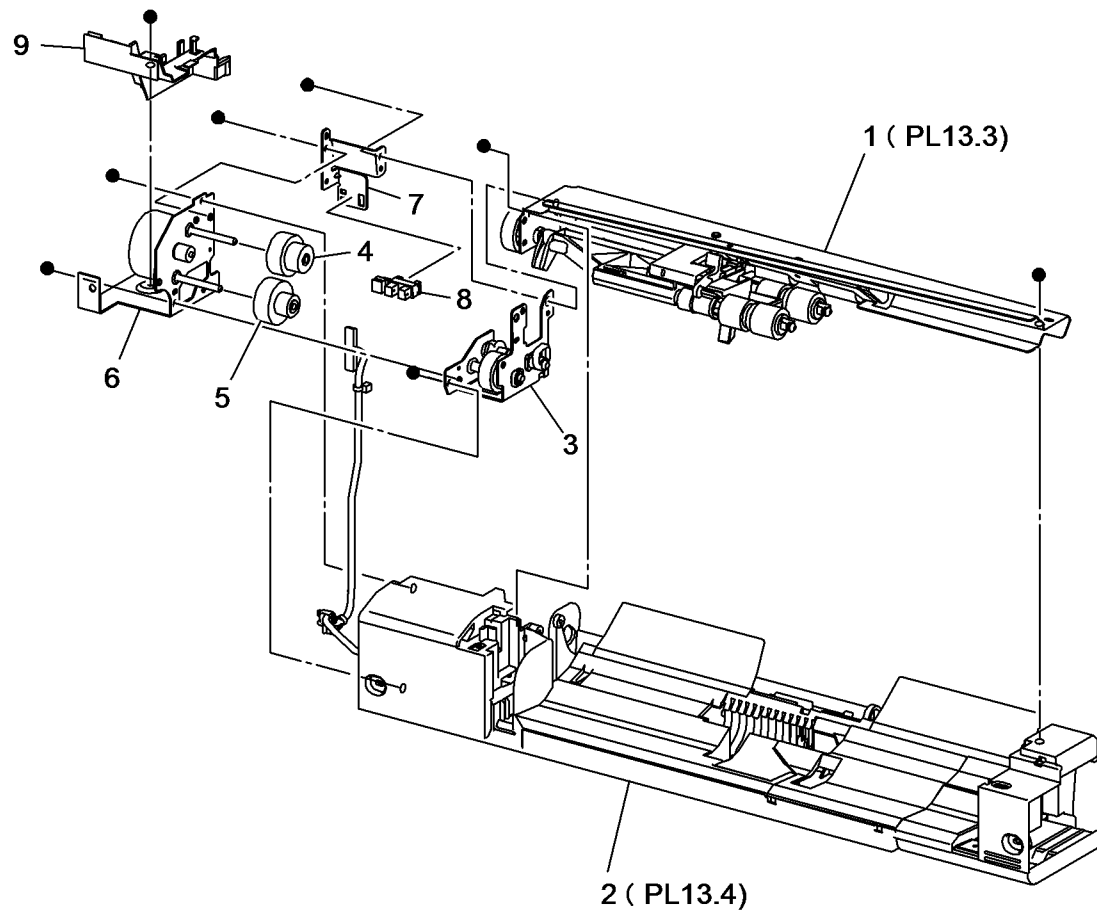
1 {2,3,6,7}



s7800-149

PL 13.2 Tray 1 (MPT) (2 of 5)

Item	Part	Description
1	-	Upper Frame Assembly (P/O PL 13.1 Item 1) (REP 13.3)
2	-	Lower Frame Assembly (Not Spared)
3	-	Drive Bracket Assembly (P/O PL 13.1 Item 1) (REP 13.4)
4	-	Gear (29T/19T) (P/O PL 13.1 Item 1)
5	-	Gear (31T/15T) (P/O PL 13.1 Item 1)
6	-	Tray 1 Feed/Nudger Motor (MOT75-001) (Not Spared)
7	-	Sensor Bracket (P/O PL 13.1 Item 1)
8	-	Tray 1 Nudger Position Sensor (Q75-102) (Not Spared) (REP 13.5)
9	-	Harness Holder (P/O PL 13.1 Item 1)

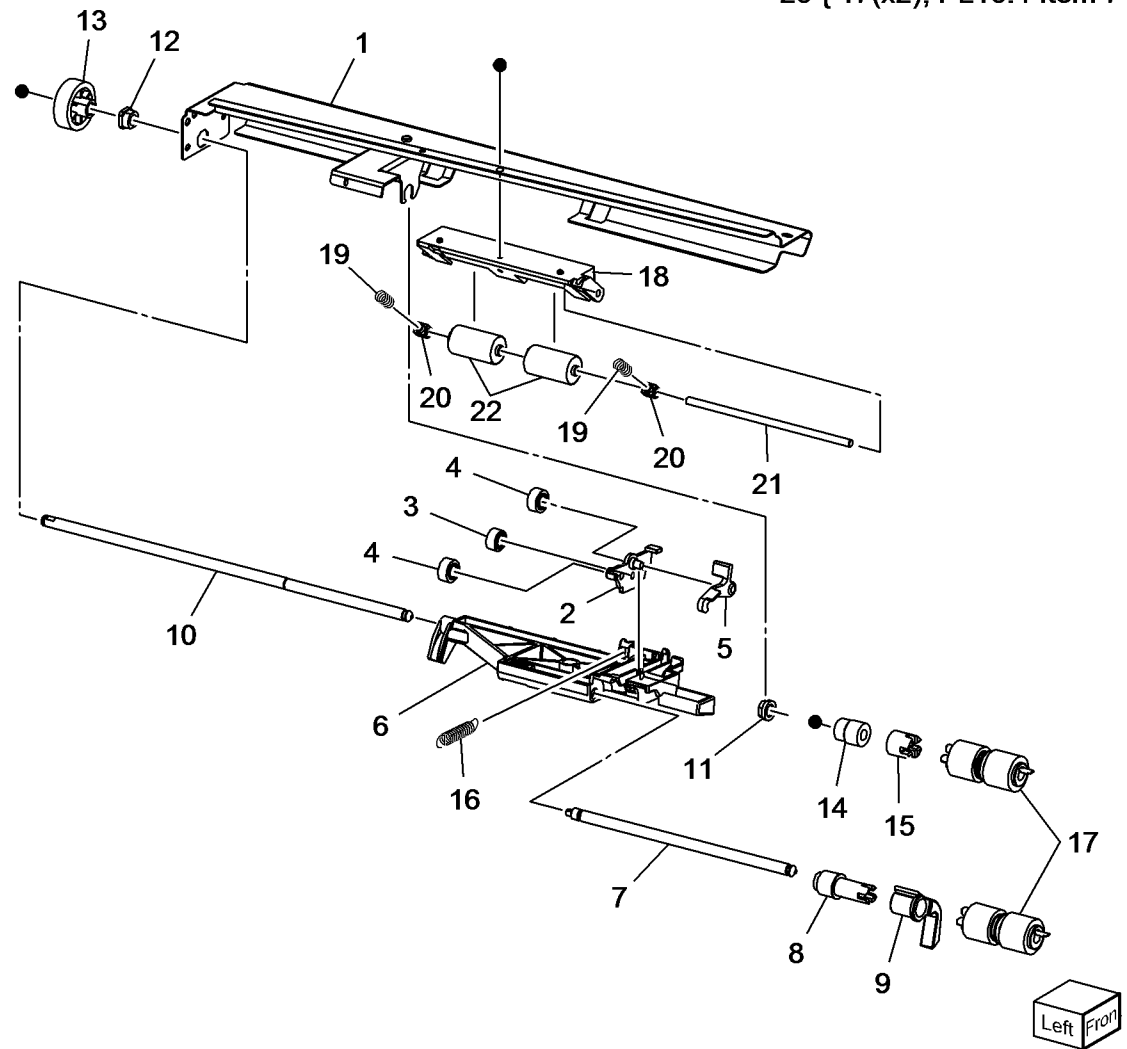


s7800-150

PL 13.3 Tray 1 (MPT) (3 of 5)

Item	Part	Description
1	-	Pinch Chute Assembly (P/O PL 13.1 Item 1)
2	-	Gear Support (P/O PL 13.1 Item 1)
3	-	Gear (21T) (P/O PL 13.1 Item 1)
4	-	Gear (23T) (P/O PL 13.1 Item 1)
5	-	Lock Stopper (P/O PL 13.1 Item 1)
6	-	Nudger Support (P/O PL 13.1 Item 1)
7	-	Nudger Shaft (P/O PL 13.1 Item 1)
8	-	Gear (25T) (P/O PL 13.1 Item 1)
9	-	Stopper (P/O PL 13.1 Item 1)
10	-	Feed Shaft (P/O PL 13.1 Item 1)
11	-	Bearing (Not Spared)
12	-	Sleeve Bearing (Not Spared)
13	-	Gear (30T) (P/O PL 13.1 Item 1)
14	005K08370	One Way Clutch (22T) (REP 13.7)
15	005K08360	One Way Clutch
16	-	Spring (P/O PL 13.1 Item 1)
17	-	Feed Roll / Nudger Roll (P/O PL 13.3 Item 23) (REP 13.6)
18	-	Guide (P/O PL 13.1 Item 1)
19	-	Pinch Spring (P/O PL 13.1 Item 1)
20	-	Spacer (P/O PL 13.1 Item 1)
21	-	Shaft (P/O PL 13.1 Item 1)
22	059E04040	Pinch Roll
23	604K66430	Tray 1 Roller Kit

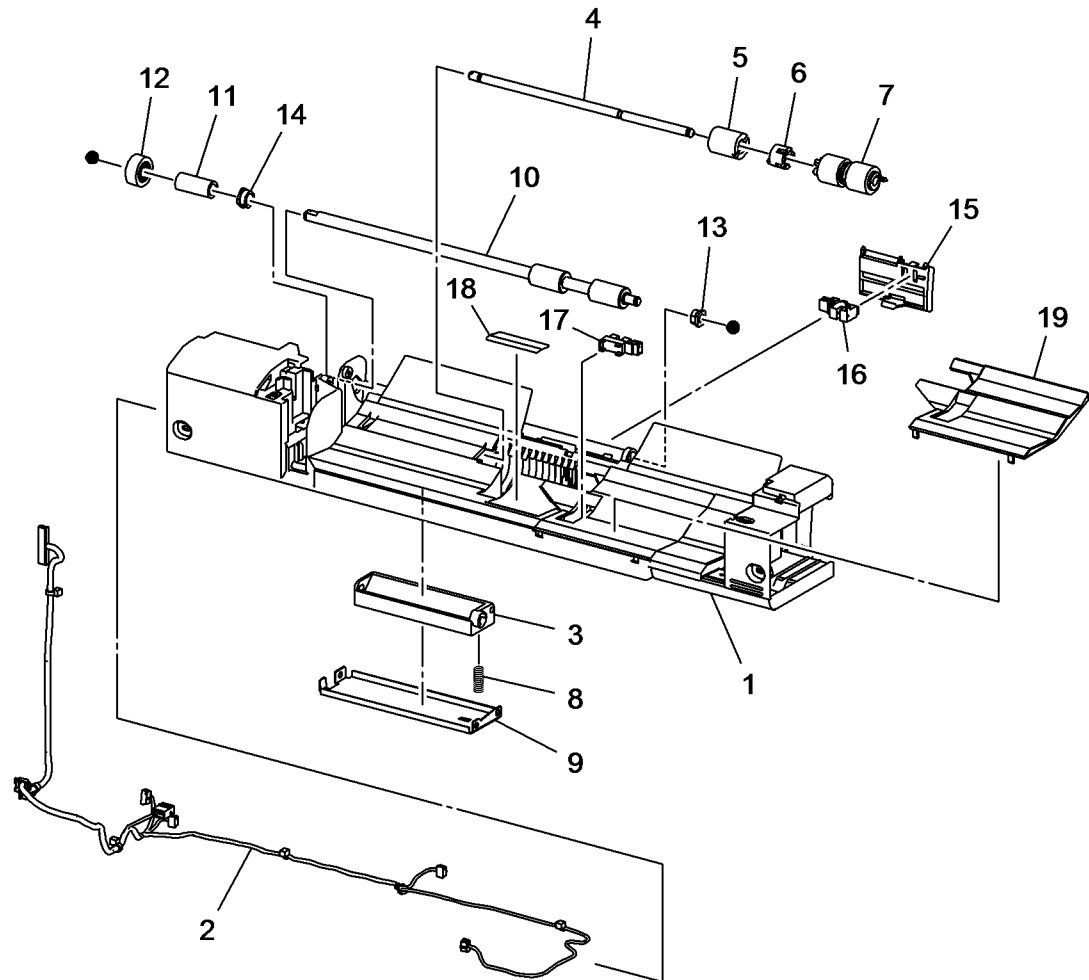
23 { 17(x2), PL13.4 Item 7



s7800-151

PL 13.4 Tray 1 (MPT) (4 of 5)

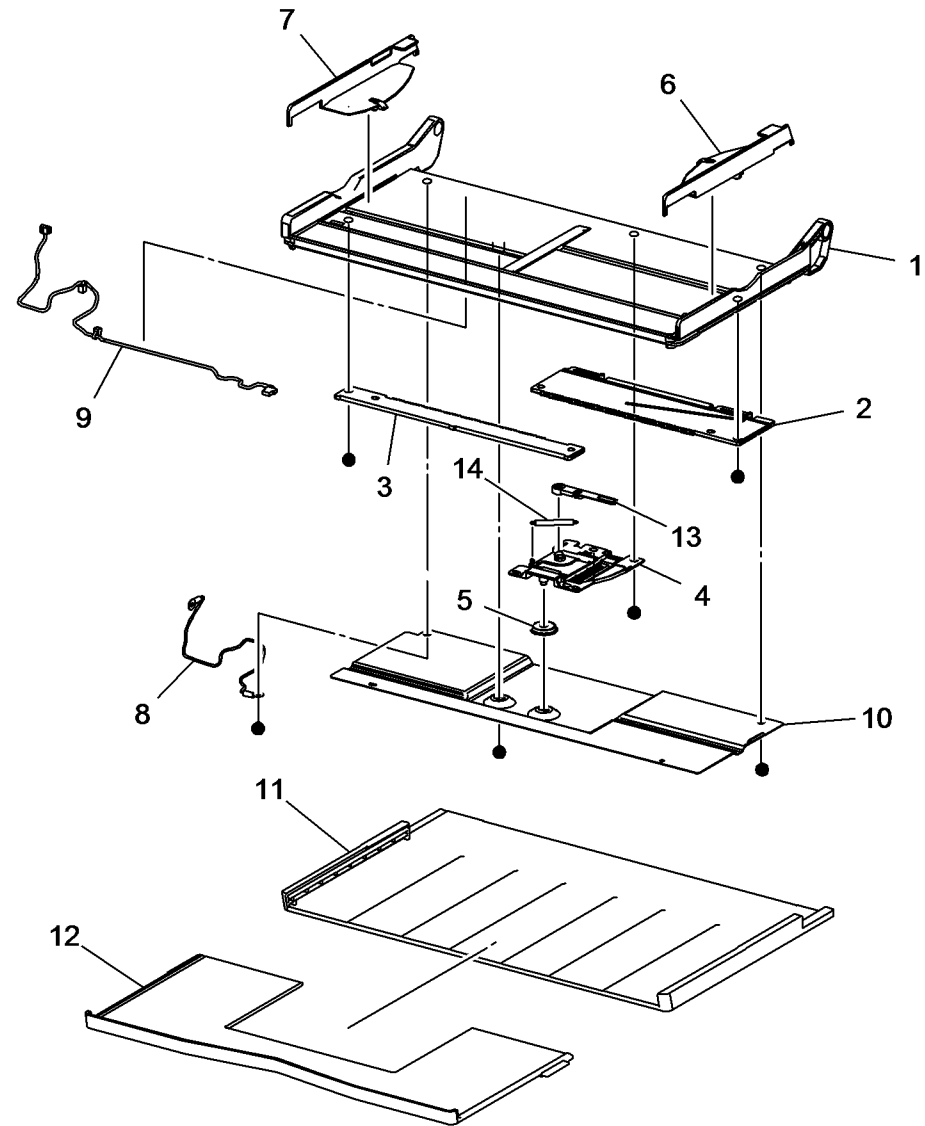
Item	Part	Description
1	-	Tray 1 Lower Frame (P/O PL 13.2 Item 2)
2	-	Wire Harness (Tray 1) (Not Spared)
3	-	Retard Support (P/O PL 13.2 Item 2)
4	-	Shaft (P/O PL 13.2 Item 2)
5	005K08830	Friction Clutch (REP 13.8)
6	-	Spacer (Not Spared)
7	-	Retard Roll (P/O PL 13.3 Item 23) (REP 13.6)
8	-	Retard Spring (P/O PL 13.2 Item 2)
9	-	Plate (P/O PL 13.2 Item 2)
10	-	Drive Roll Assembly (Not Spared)
11	-	Collar (P/O PL 13.2 Item 2)
12	-	Gear (23T) (P/O PL 13.2 Item 2)
13	-	Sleeve Bearing (P/O PL 13.2 Item 2)
14	-	Sleeve Bearing (Not Spared)
15	-	Sensor Plate (P/O PL 13.2 Item 2)
16	130K72110	Tray 1 Feed Out Sensor (Q77-104) (REP 13.9)
17	930W00113	Tray 1 No Paper Sensor (Q75-101) (REP 13.10)
18	-	Bottom Pad (Not Spared)
19	-	Front Chute (Not Spared)



s7800-152

PL 13.5 Tray 1 (MPT) (5 of 5)

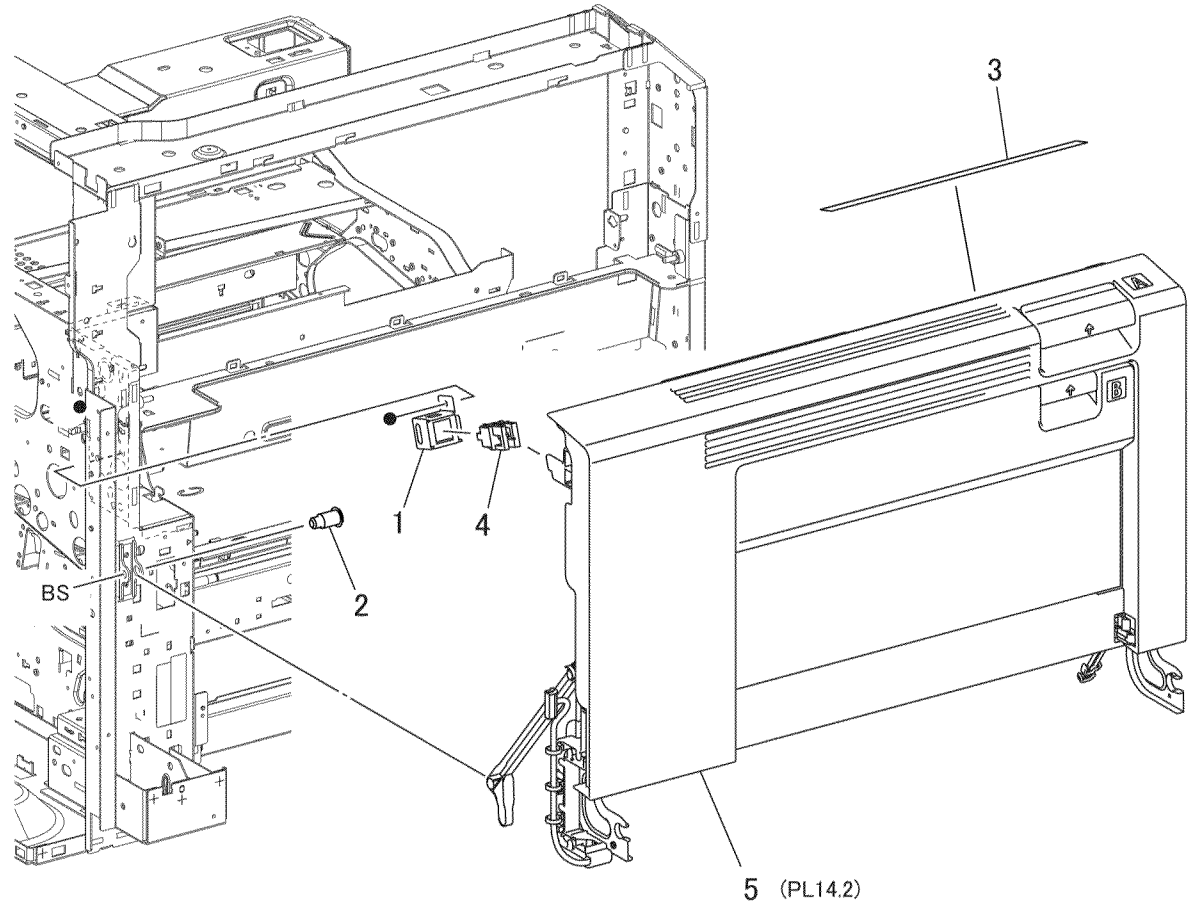
Item	Part	Description
1	-	Tray 1 (P/O PL 13.1 Item 3)
2	-	Front Rack (P/O PL 13.1 Item 3)
3	-	Rear rack (P/O PL 13.1 Item 3)
4	-	Tray 1 Paper Size Sensor (Not Spared) (REP 13.11)
5	-	Pinion Gear (Not Spared)
6	-	Front Side Guide (P/O PL 13.1 Item 3)
7	-	Rear Side Guide (P/O PL 13.1 Item 3)
8	-	Wire Harness (P/O PL 13.1 Item 3)
9	-	Wire Harness (P/O PL 13.1 Item 3)
10	-	Plate (P/O PL 13.1 Item 3)
11	-	Extension Tray (L1) (P/O PL 13.1 Item 3) (REP 13.12)
12	-	Extension Tray (L2) (P/O PL 13.1 Item 3) (REP 13.12)
13	-	Sensor Link (Not Spared)
14	-	Sensor Spring (Not Spared)



s7800-153

PL 14.1 Left Hand Cover (1 of 2)

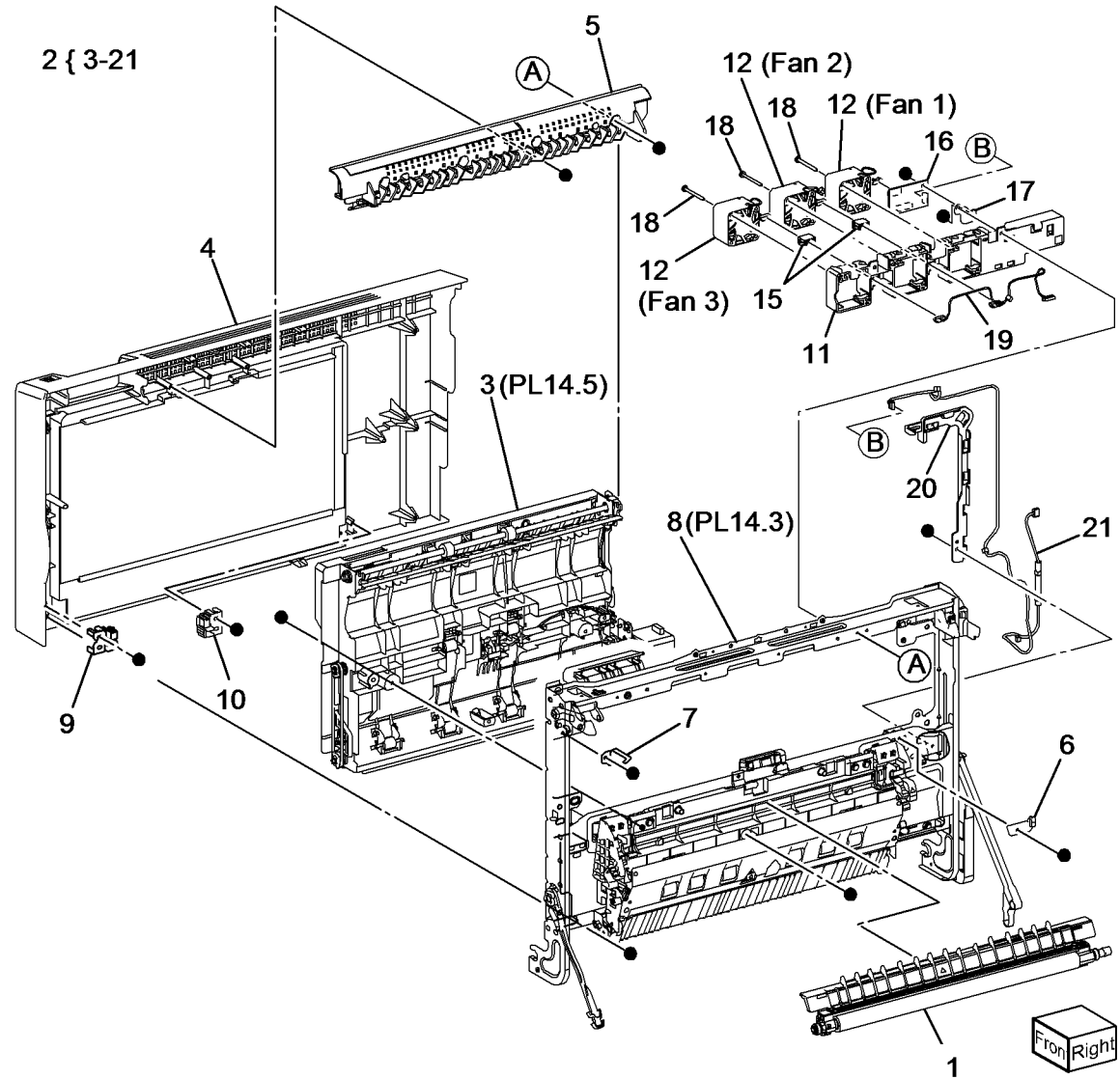
Item	Part	Description
1	-	Bracket (Not Spared)
2	-	Shaft (Not Spared)
3	-	Label (Not Spared)
4	110E11980	Left Hand Cover Interlock Switch (S77-300) (REP 14.1)
5	-	Left Hand Cover Assembly (Not Spared)



s7800-154

PL 14.2 Left Hand Cover (2 of 2)

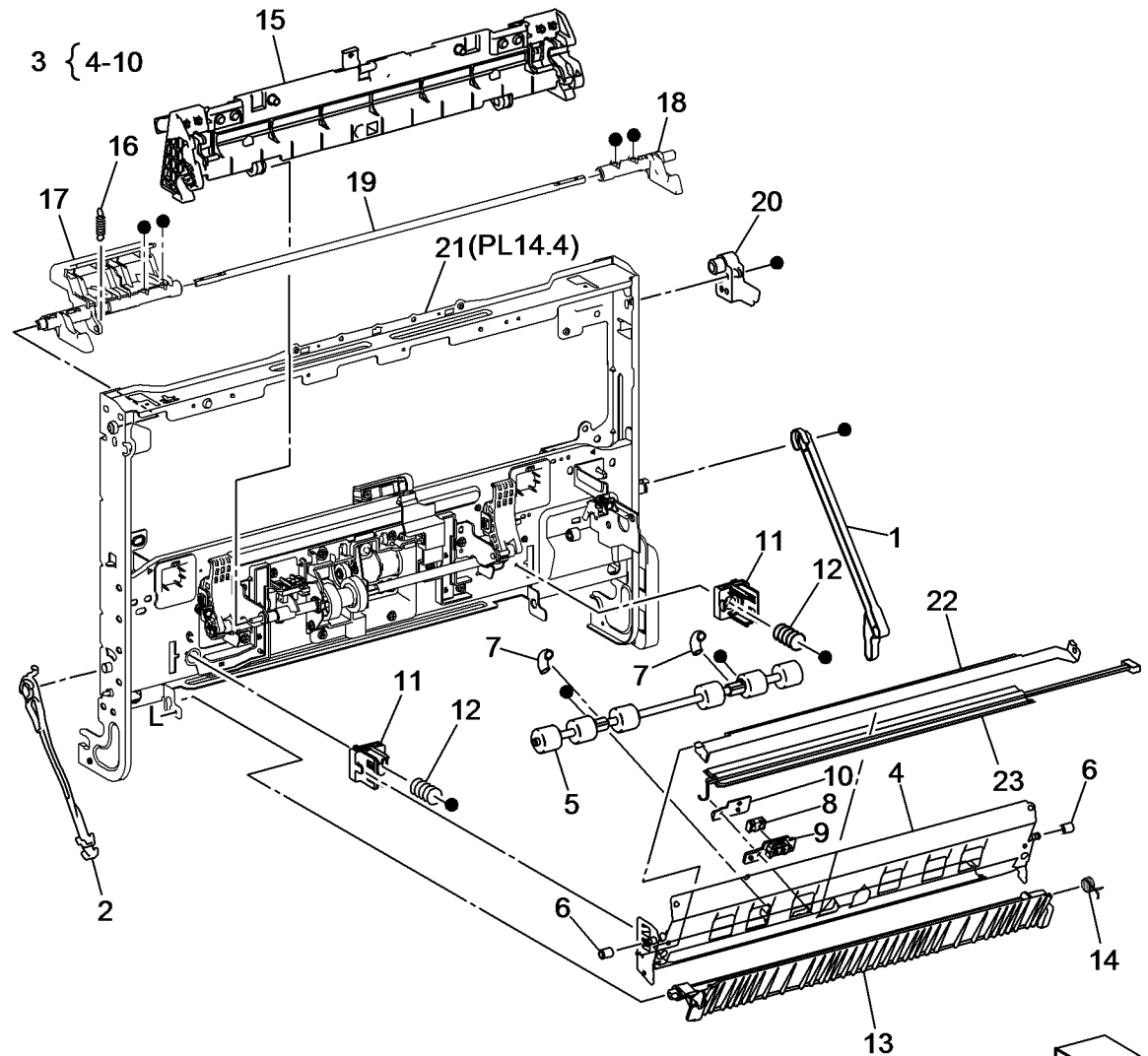
Item	Part	Description
1	108R01053	Transfer Roller (REP 14.2)
2	604K69760	Left Hand Cover Assembly (REP 14.3)
3	-	Duplex Assembly (P/O PL 14.2 Item 2) (REP 14.4)
4	-	Left Hand Cover (P/O PL 14.2 Item 2)
5	-	Chute (P/O PL 14.2 Item 2)
6	-	Fuser Link (P/O PL 14.2 Item 2)
7	-	Block (P/O PL 14.2 Item 2)
8	-	Left Hand Frame Assembly (P/O PL 14.2 Item 2)
9	-	Latch (Front) (P/O PL 14.2 Item 2)
10	-	Latch (Rear) (P/O PL 14.2 Item 2)
11	-	Fan Holder (P/O PL 14.2 Item 2)
12	127K61510	Left Hand Fan 1/Left Hand Fan 2/ Left Hand Fan 3 (REP 14.5)
13	-	Not Used
14	-	Not Used
15	-	Connector (P/O PL 14.2 Item 2)
16	960K50361	Left Hand Fan PWB (REP 14.6)
17	-	Conductor (P/O PL 14.2 Item 2)
18	-	Screw (P/O PL 14.2 Item 2)
19	-	Wire Harness (P/O PL 14.2 Item 2)
20	-	Harness Guide (P/O PL 14.2 Item 2)
21	-	Wire Harness (P/O PL 14.2 Item 2)



s7800-155

PL 14.3 Left Hand Cover Assembly (1 of 2)

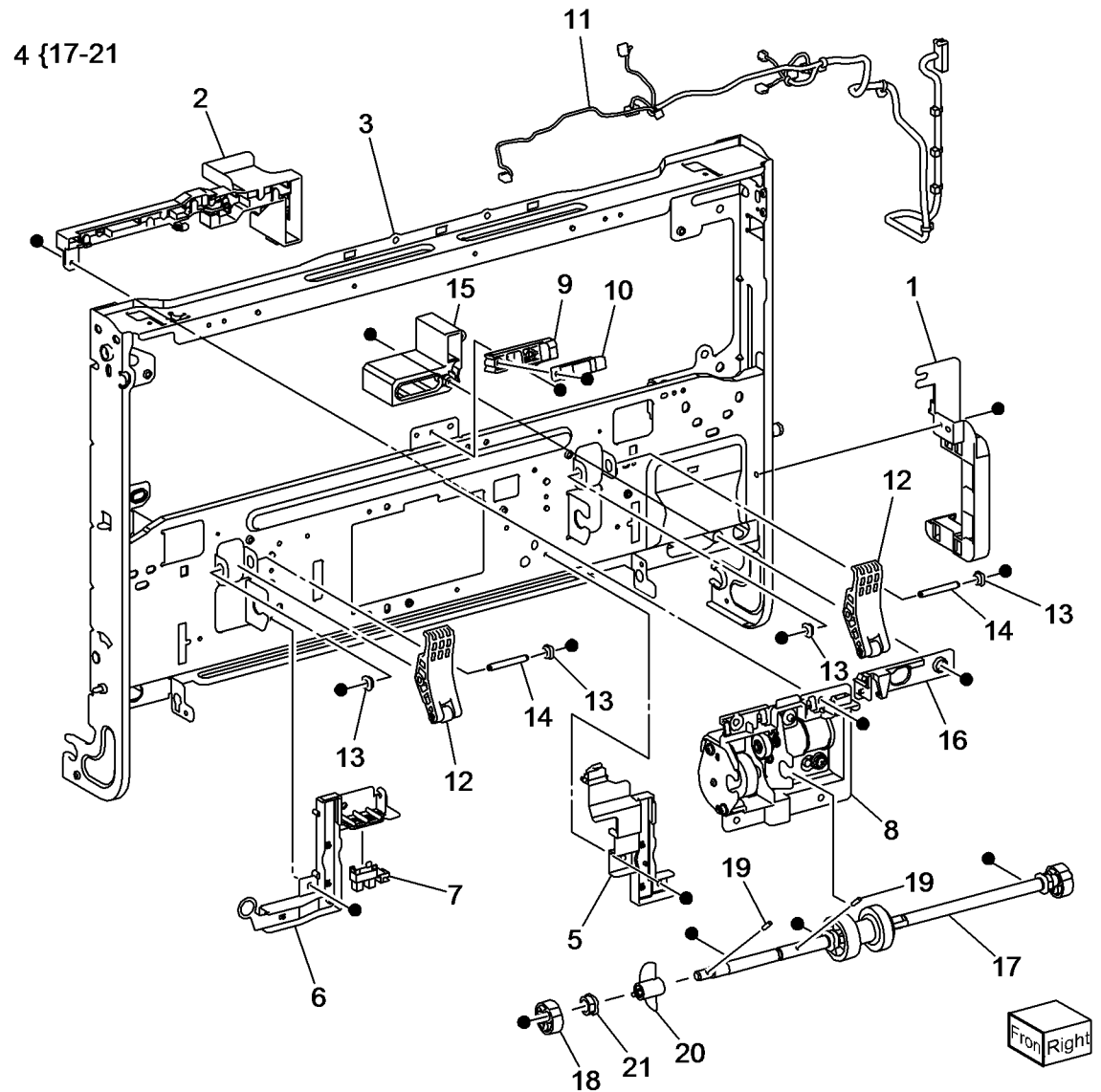
Item	Part	Description
1	849E97370	Rear Support
2	868E05450	Front Support
3	054K42161	Pinch Chute Assembly (REP 14.7)
4	-	Chute Assembly (P/O PL 14.3 Item 3)
5	-	Pinch Roller Assembly (P/O PL 14.3 Item 3)
6	-	Pulley (P/O PL 14.3 Item 3)
7	-	Spring (P/O PL 14.3 Item 3)
8	-	OHP Sensor (P/O PL 14.3 Item 3)
9	-	Holder (P/O PL 14.3 Item 3)
10	-	Cap (P/O PL 14.3 Item 3)
11	-	Chute Support (P/O PL 14.2 Item 8)
12	-	Spring (Not Spared)
13	054K35160	Duplex Chute Assembly (REP 14.8)
14	809E76900	Spring
15	-	2nd BTR Housing Assembly (Not Spared)
16	-	Spring (P/O PL 14.2 Item 8)
17	011E24361	Front Latch Lever
18	-	Rear Latch Lever (Not Spared)
19	-	Latch Shaft (Not Spared)
20	-	Actuator (Not Spared)
21	-	2nd Contact Retract Assembly (Not Spared)
22	-	Heater Bracket (Not Spared)
23	-	DC Heater (Not Spared)



s7800-156

PL 14.4 Left Hand Cover Assembly (2 of 2)

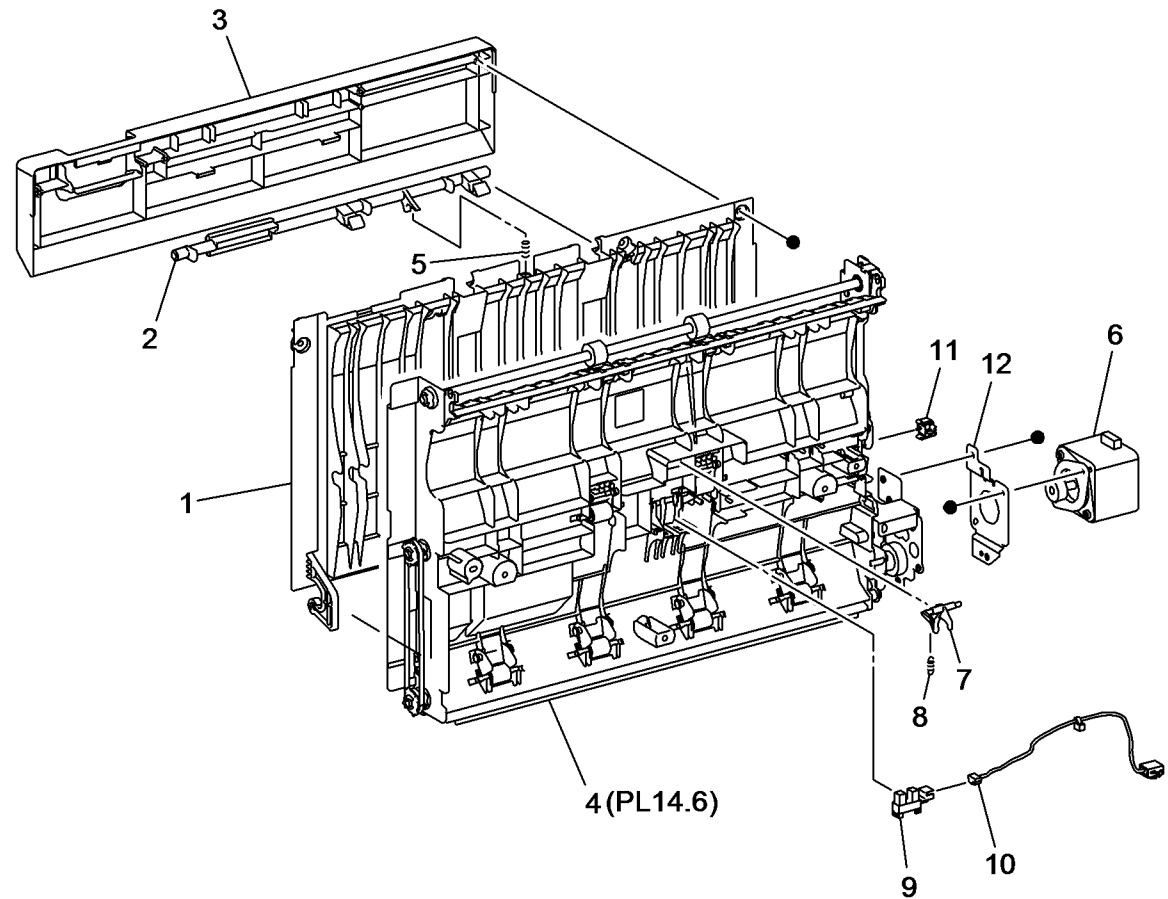
Item	Part	Description
1	-	Harness Holder (P/O PL 14.2 Item 2)
2	-	Harness Holder (P/O PL 14.2 Item 2)
3	-	Frame Assembly (P/O PL 14.2 Item 2)
4	006K86160	Retract Shaft Assembly (REP 14.9)
5	-	Conductor Assembly (P/O PL 14.2 Item 2)
6	-	Conductor Assembly (P/O PL 14.2 Item 2)
7	-	2nd BTR Contact Retract Sensor (Q94-201) (Not Spared) (REP 14.10)
8	127K52251	2nd BTR Contact Retract Motor (REP 14.10)
9	-	Sensor Holder (P/O PL 14.2 Item 2)
10	130E87410	POB Sensor (Q77-102) (REP 14.11)
11	962K78500	Harness Assembly
12	-	2nd Link Assembly (Not Spared)
13	-	Sleeve Bearing (Not Spared)
14	-	Shaft (P/O PL 14.2 Item 2)
15	-	Harness Guide (P/O PL 14.4 Item 4)
16	-	Harness Guide (P/O PL 14.4 Item 4)
17	-	Retract Shaft (P/O PL 14.4 Item 4)
18	-	Retract Cam (P/O PL 14.4 Item 4)
19	-	Pin (P/O PL 14.4 Item 4)
20	120E28260	Retract Actuator (REP 14.12)
21	-	Bearing (P/O PL 14.4 Item 4)



s7800-157

PL 14.5 Duplex Assembly (1 of 2)

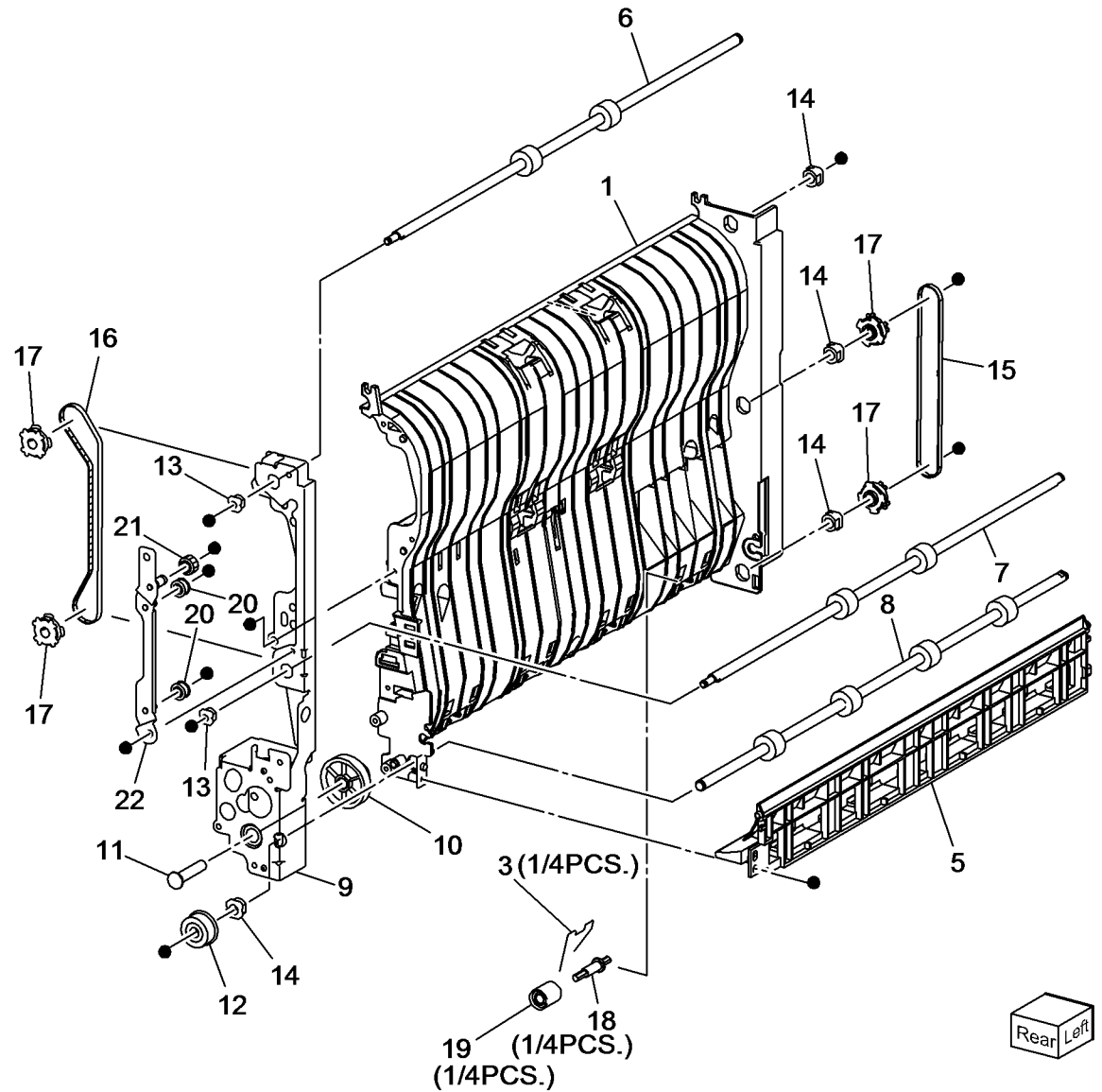
Item	Part	Description
1	–	Duplex Cover (Not Spared)
2	011E23681	Duplex Lever (REP 14.13)
3	–	Lever Cover (Not Spared)
4	–	Frame Assembly (Not Spared)
5	–	Spring (Not Spared)
6	127K60820	Duplex Motor (MOT77-071) (REP 14.14)
7	–	Actuator (Not Spared)
8	–	Spring (Not Spared)
9	–	Duplex Path Sensor (Q77-108) (Not Spared)
10	–	Wire Harness (Not Spared)
11	–	Duplex Cover Switch (S77-305) (Not Spared)
12	–	Motor Bracket (Not Spared)



s7800-158

PL 14.6 Duplex Assembly (2 of 2)

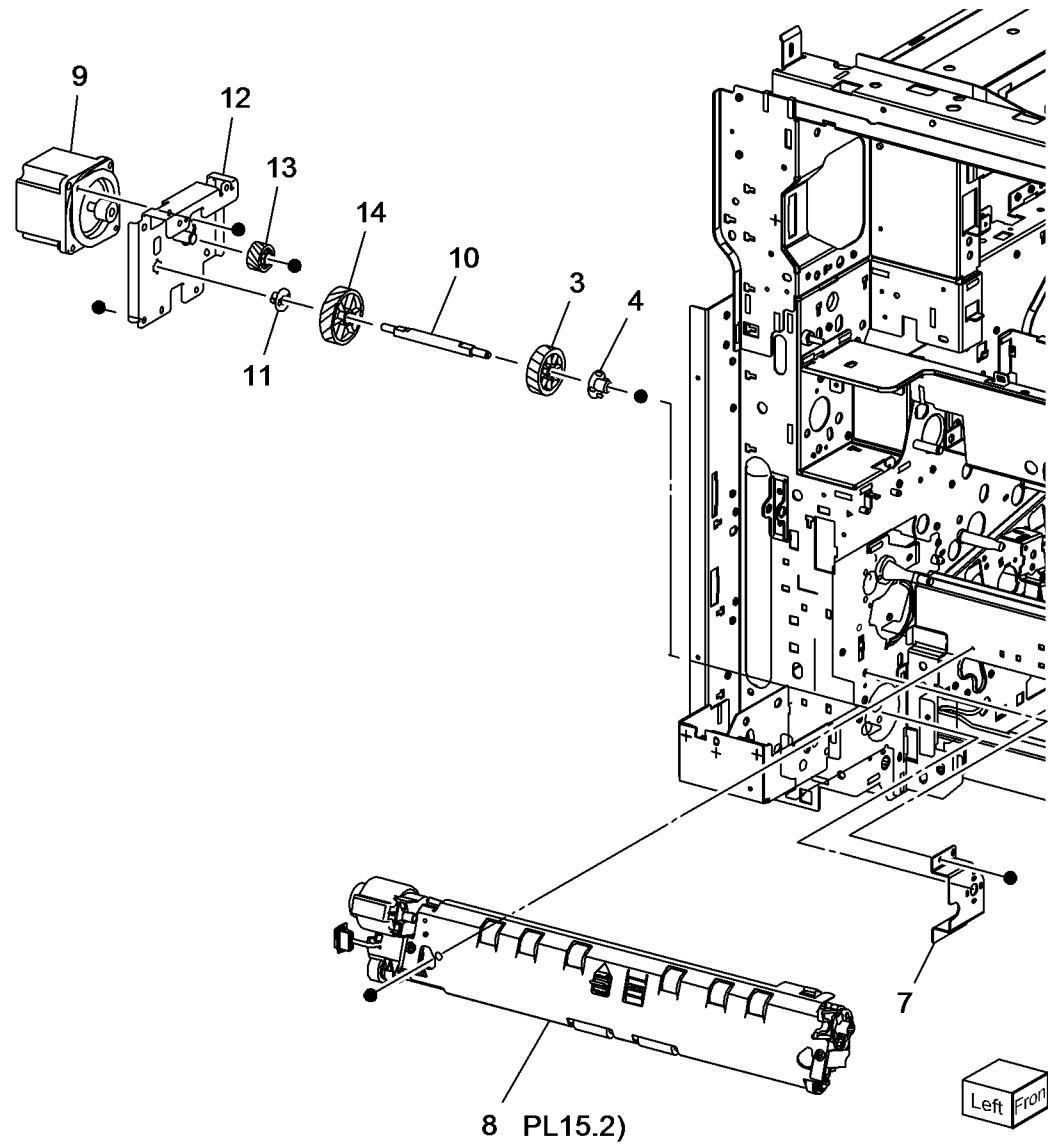
Item	Part	Description
1	-	Inner Chute (Not Spared)
2	-	Not Used
3	809E89870	Pinch Spring 1
4	-	Not Used
5	-	Lower Chute (Not Spared)
6	059K53880	Duplex Roller 1 (REP 14.15)
7	059K53890	Duplex Roller 2 (REP 14.16)
8	059K53900	Duplex Roller 3 (REP 14.17)
9	-	Duplex Rear Frame (Not Spared)
10	807E30550	Idle Gear (13T/23T)
11	029E47600	Pin
12	-	Gear Assembly (Not Spared)
13	-	Sleeve Bearing (Not Spared)
14	-	Sleeve Bearing (Not Spared)
15	023E26770	Belt
16	023E27480	Belt
17	-	Pulley (Not Spared)
18	806E31100	Shaft
19	059E06380	Duplex Pinch Roll
20	-	Tension Pulley (Not Spared)
21	-	Idler Pulley (Not Spared)
22	-	Tension Bracket (Not Spared)



s7800-159

PL 15.1 Registration (1 of 2)

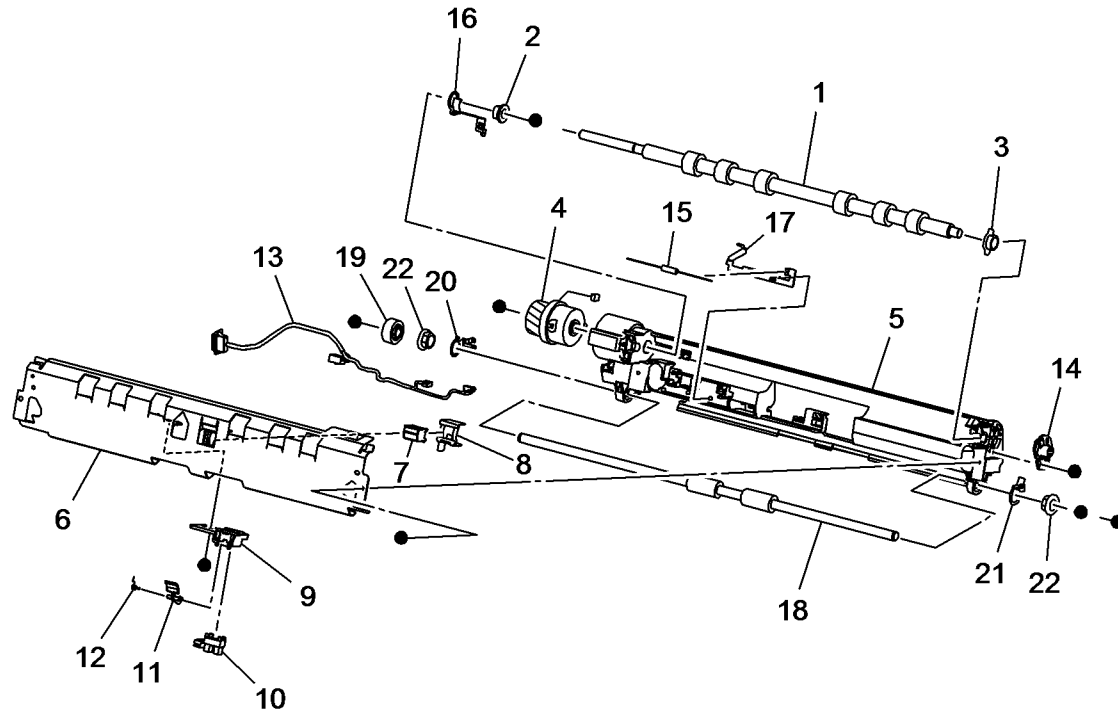
Item	Part	Description
1	—	Not Used
2	—	Not Used
3	807E20050	Gear (40T)
4	013E33420	Bearing
5	—	Not Used
6	—	Not Used
7	—	Bracket (Not Spared)
8	059K66652	Registration Transport Assembly (REP 15.1)
9	127K60770	Take Away Motor (MOT82-050) (REP 15.2)
10	806E30580	Shaft
11	013E36280	Bearing
12	068K67130	Bracket
13	807E30540	Gear (29T)
14	807E30531	Gear (60T)



s7800-160

PL 15.2 Registration (2 of 2)

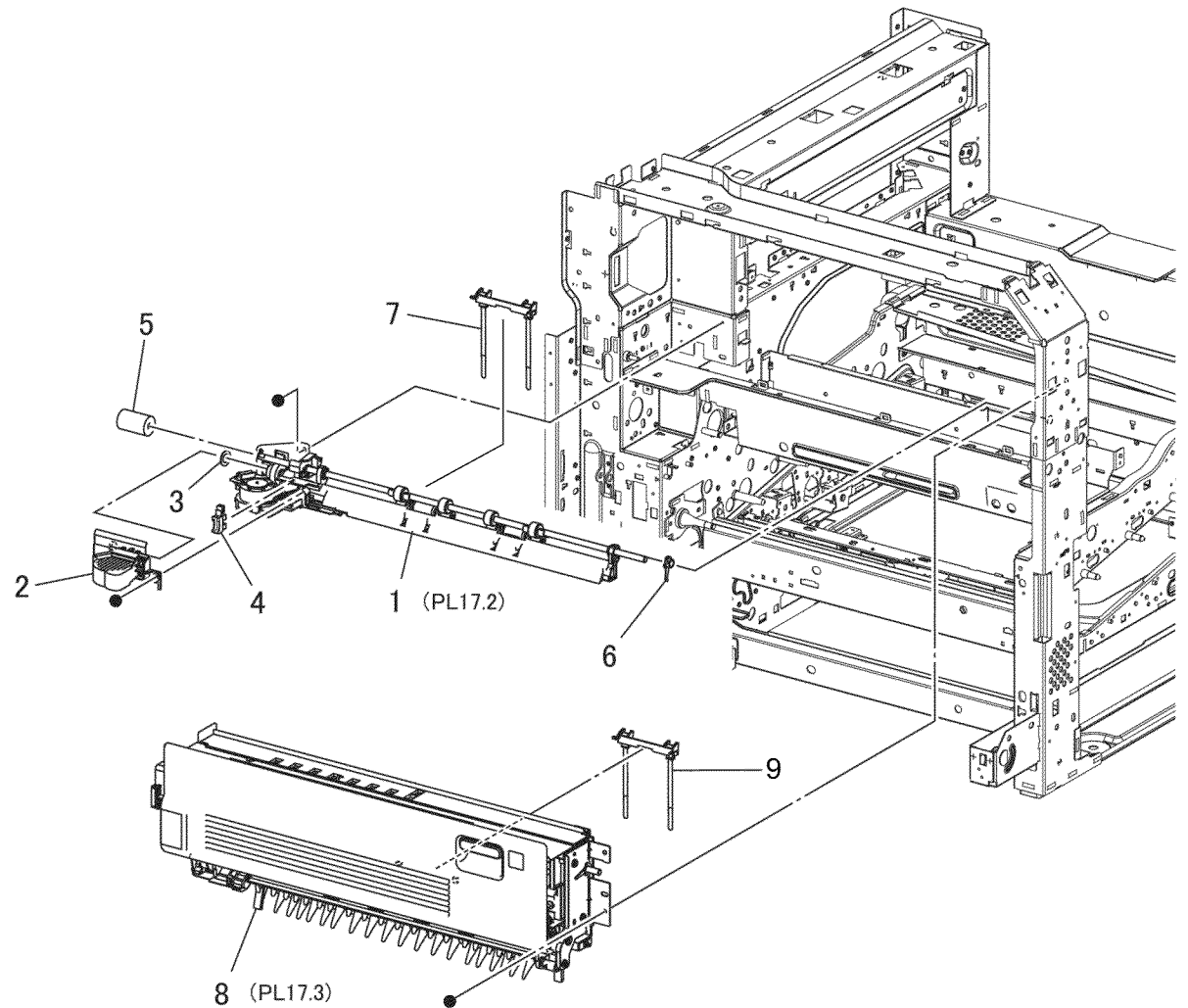
Item	Part	Description
1	—	Registration Roll (P/O PL 15.1 Item 8)
2	—	Bearing (P/O PL 15.1 Item 8)
3	—	Sleeve Bearing (P/O PL 15.1 Item 8)
4	121K46000	Registration Clutch (MOT77-002) (REP 15.3)
5	—	Regi Chute (P/O PL 15.1 Item 8)
6	—	Inlet Chute Assembly (P/O PL 15.1 Item 8)
7	—	OHP Sensor (P/O PL 15.1 Item 8)
8	—	Cap (P/O PL 15.1 Item 8)
9	—	Sensor Holder (P/O PL 15.1 Item 8)
10	—	Registration Sensor (Q77-103) (P/O PL 15.1 Item 8)
11	—	Actuator (P/O PL 15.1 Item 8)
12	—	Spring (P/O PL 15.1 Item 8)
13	—	Wire Harness (P/O PL 15.1 Item 8)
14	—	Skew Adjust Block (P/O PL 15.1 Item 8)
15	—	Inlet Resistor (P/O PL 15.1 Item 8)
16	—	Conductor (In) (P/O PL 15.1 Item 8)
17	—	Conductor (Out) (P/O PL 15.1 Item 8)
18	—	Take Away Roll (P/O PL 15.1 Item 8)
19	—	Gear (23T)
20	—	Conductor (P/O PL 15.1 Item 8)
21	—	Conductor (P/O PL 15.1 Item 8)
22	—	Bearing (P/O PL 15.1 Item 8)



s7800-161

PL 17.1 Exit 1/OCT, Exit 2

Item	Part	Description
1	—	Exit 1/OCT Assembly (Not Spared)
2	—	Motor Cover (Not Spared)
3	—	Washer (Not Spared)
4	—	Exit 1 OCT Home Position Sensor (Q77-109) (Not Spared)
5	—	Gear (19T) (Not Spared)
6	—	Bearing (Not Spared)
7	—	Exit 1 Weight Assembly (Not Spared)
8	059K68361	Exit 2 Assembly (REP 17.1)
9	—	Exit 2 Weight Assembly (P/O PL 17.1 Item 8)

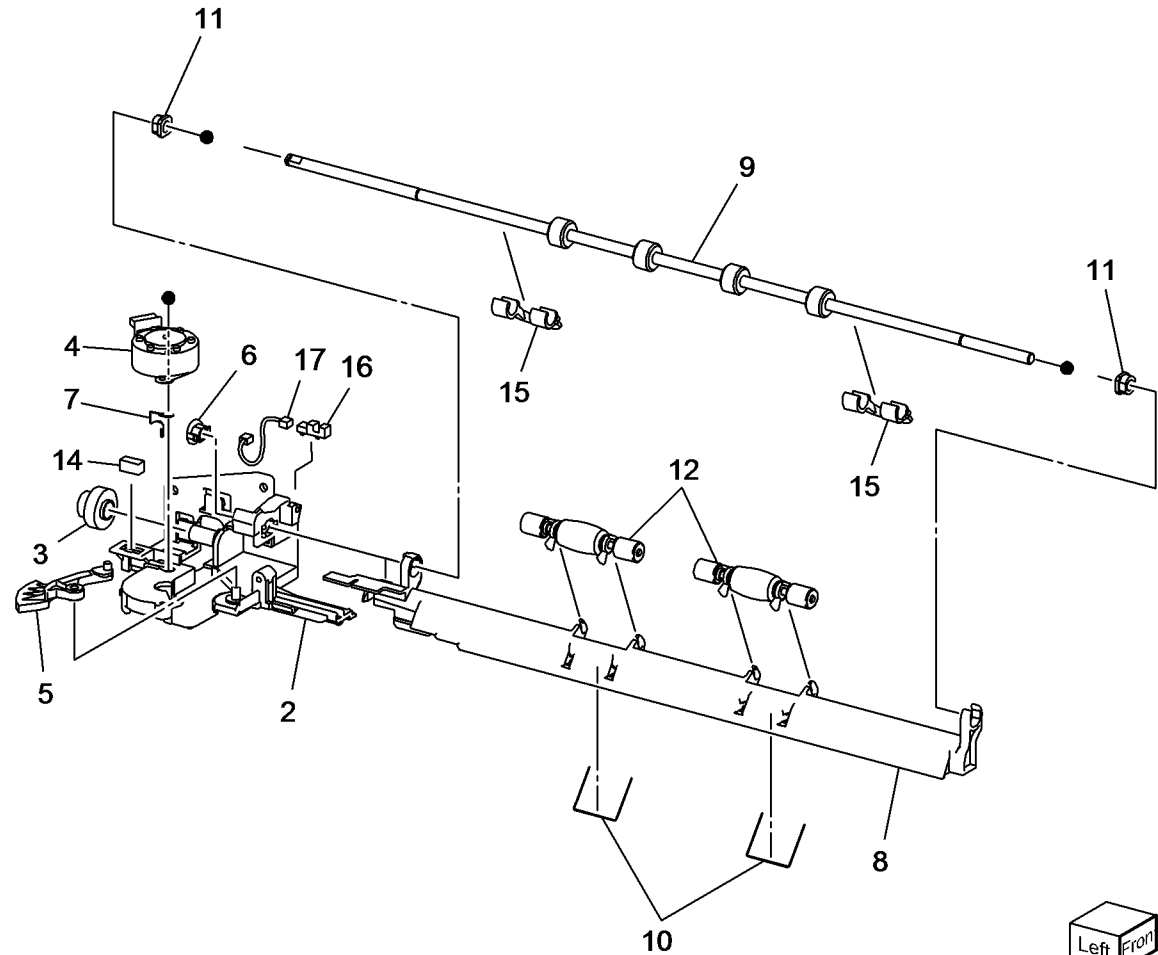


s7800-162

PL 17.2 Exit 1/OCT

Item	Part	Description
1	801K42601	Exit 1 Base Assembly (REP 17.2)
2	-	Exit 1 Base (P/O PL 17.2 Item 1)
3	-	Exit 1 Gear (P/O PL 17.2 Item 1)
4	-	Exit 1 OCT Motor (MOT77-040) (P/O PL 17.2 Item 1)
5	-	OCT Gear (P/O PL 17.2 Item 1)
6	-	Bearing (P/O PL 17.2 Item 1)
7	-	Ground Plate (P/O PL 17.2 Item 1)
8	-	OCT Chute (P/O PL 17.2 Item 13)
9	-	OCT 1 Roller (P/O PL 17.2 Item 13)
10	-	Exit Pinch Spring (P/O PL 17.2 Item 13)
11	-	Sleeve Bearing (P/O PL 17.2 Item 13)
12	-	Exit Pinch Roller (P/O PL 17.2 Item 13)
13	054K42141	Exit/OCT 1 Assembly (REP 17.3)
14	-	Connector (P/O PL 17.2 Item 1)
15	-	Guide (P/O PL 17.2 Item 13)
16	-	Full Stack Sensor 1 (Q77-124) (P/O PL 17.2 Item 1)
17	-	Harness Assembly (Full Stack Sensor) (P/O PL 17.2 Item 1)

1 { 2-7,14,16,17
13 { 8-12,15

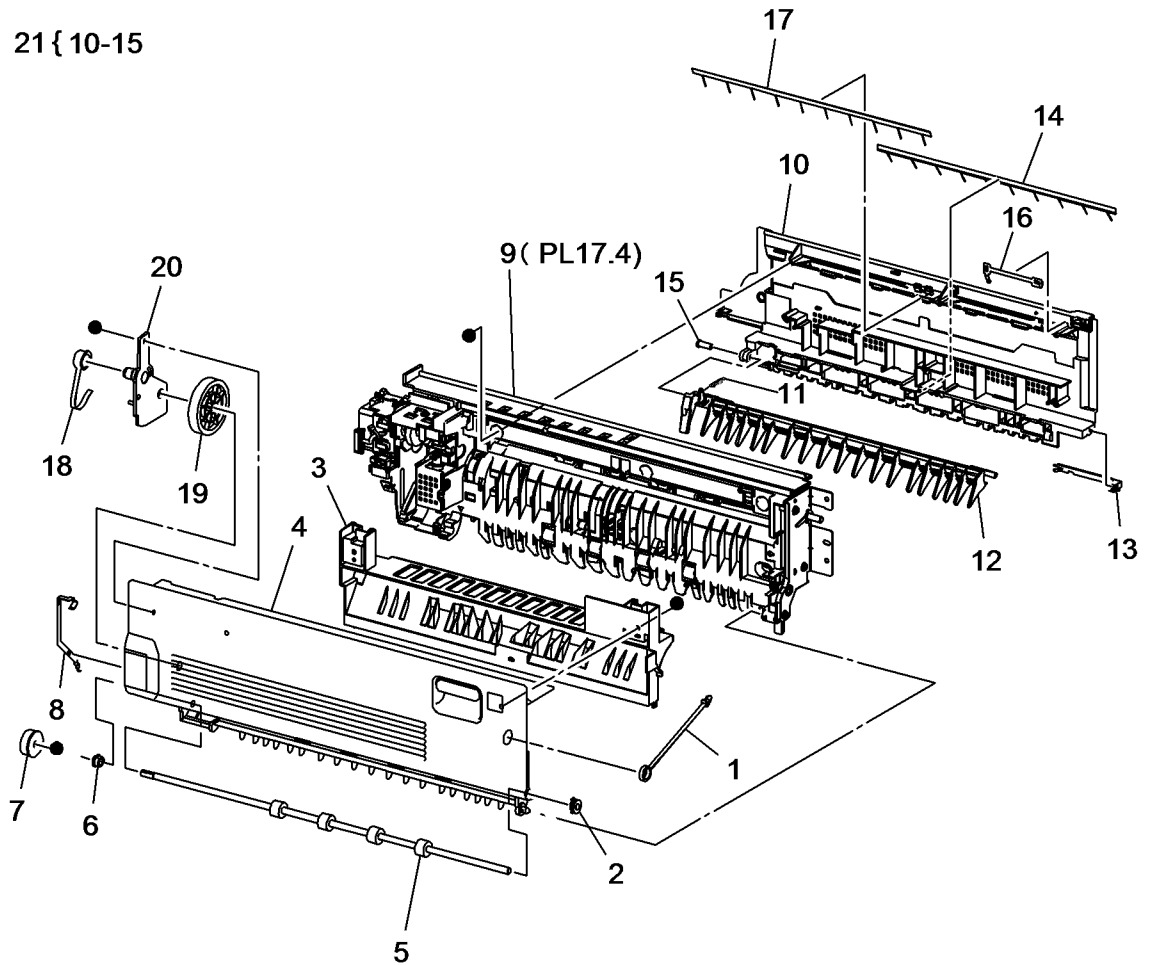


s7800-163

PL 17.3 Exit 2 (1 of 3)

Item	Part	Description
1	-	Exit 2 Front Stopper (Not Spared)
2	-	Bearing (Not Spared)
3	-	Exit 2 Chute (Not Spared)
4	-	Left Hand High Chute (Not Spared)
5	-	Inverter Roll (Not Spared)
6	-	Sleeve Bearing (Not Spared)
7	-	Gear (22T) (Not Spared)
8	-	Ground Plate (Not Spared)
9	-	Exit 2 Drive Assembly (Not Spared)
10	-	Tray 2 Guide (P/O PL 17.3 Item 21)
11	899E07560	Gate 1 Spring (REP 17.5)
12	-	Exit 1 Gate (P/O PL 17.3 Item 21)
13	-	Ground Plate (P/O PL 17.3 Item 21)
14	-	Eliminator (P/O PL 17.3 Item 21)
15	-	Gate Stopper (P/O PL 17.3 Item 21)
16	-	Ground Plate (Not Spared)
17	-	Eliminator (Not Spared)
18	-	Exit 2 Stopper (Not Spared)
19	-	Gear (52T) (Not Spared)
20	-	Gear Cover (Not Spared)
21	038K20232	Exit 2 Guide Assembly (REP 17.4)

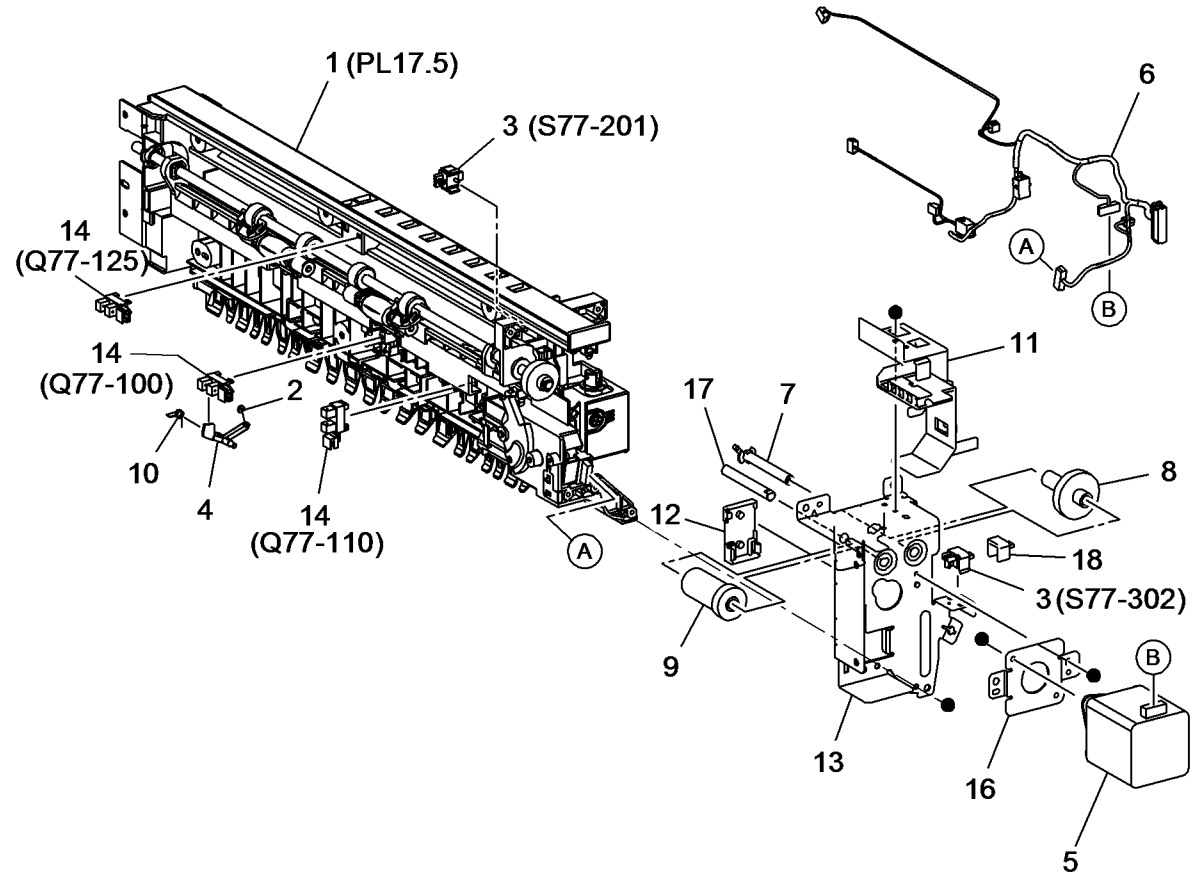
21 { 10-15



s7800-164

PL 17.4 Exit 2 (2 of 3)

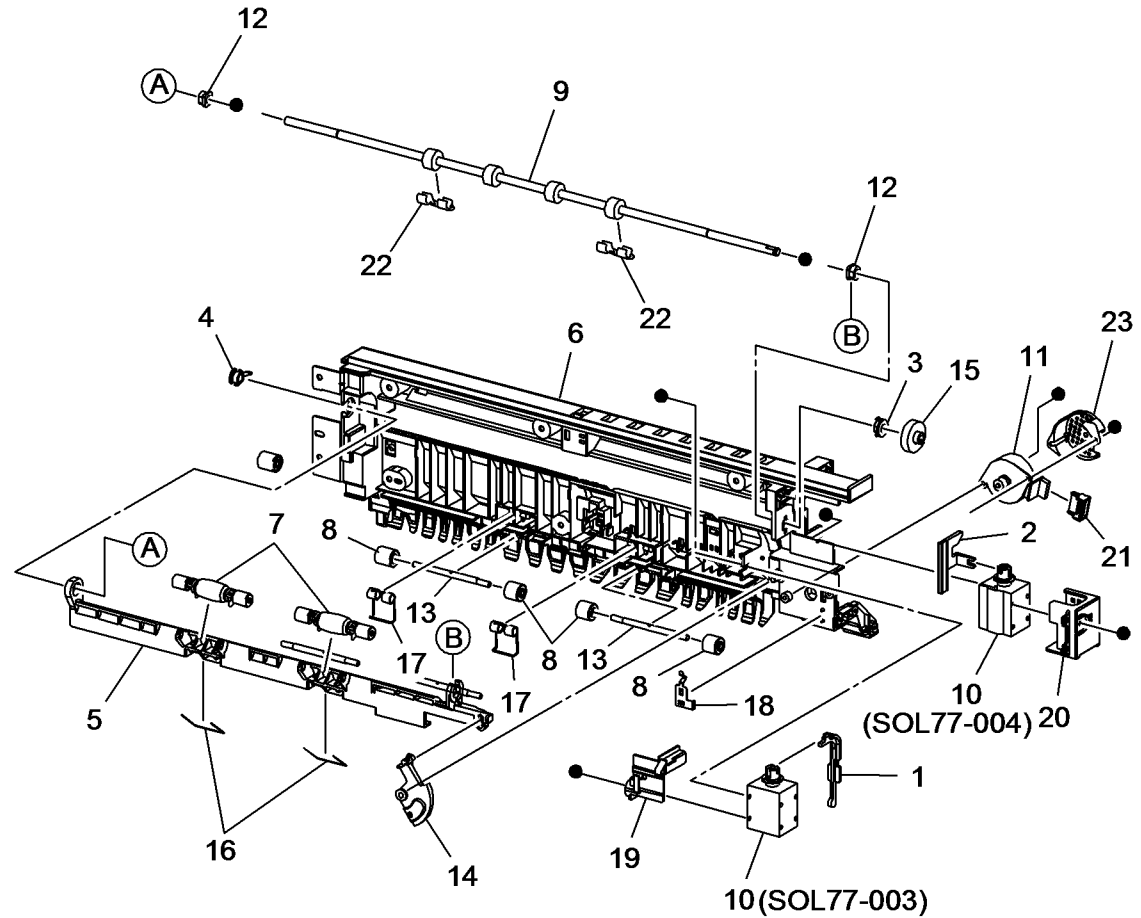
Item	Part	Description
1	-	Exit 2 OCT Assembly (REF: PL 17.5)
2	-	Actuator Roller (P/O PL 17.4 Item 1)
3	-	Face Up Tray Detect Switch (S77-201) / Left Hand High Cover Switch (S77-302) (P/O PL 17.4 Item 1)
4	-	Actuator (P/O PL 17.4 Item 1)
5	127K60830	Exit 2 Drive Motor (MOT82-060)
6	-	Wire Harness (Exit 2) (P/O PL 17.4 Item 1)
7	806E14120	Gear Shaft
8	807E20410	Gear (28T)
9	807E30560	Gear (16T/23T)
10	-	Spring (P/O PL 17.4 Item 1)
11	-	Rear Cover (P/O PL 17.4 Item 1)
12	-	Shaft Cover (P/O PL 17.4 Item 1)
13	-	Rear Bracket (P/O PL 17.4 Item 1)
14	-	Exit 2 Sensor (Q77-100)/Exit 2 OCT Home Position Sensor (Q77-110)/Full Stack Sensor 2 (Q77-125) (P/O PL 17.4 Item 1)
15	-	Not Used
16	-	Motor Bracket (P/O PL 17.4 Item 1)
17	-	Gear Shaft (P/O PL 17.4 Item 1)
18	-	Switch Cover (P/O PL 17.4 Item 1)



s7800-165

PL 17.5 Exit 2 (3 of 3)

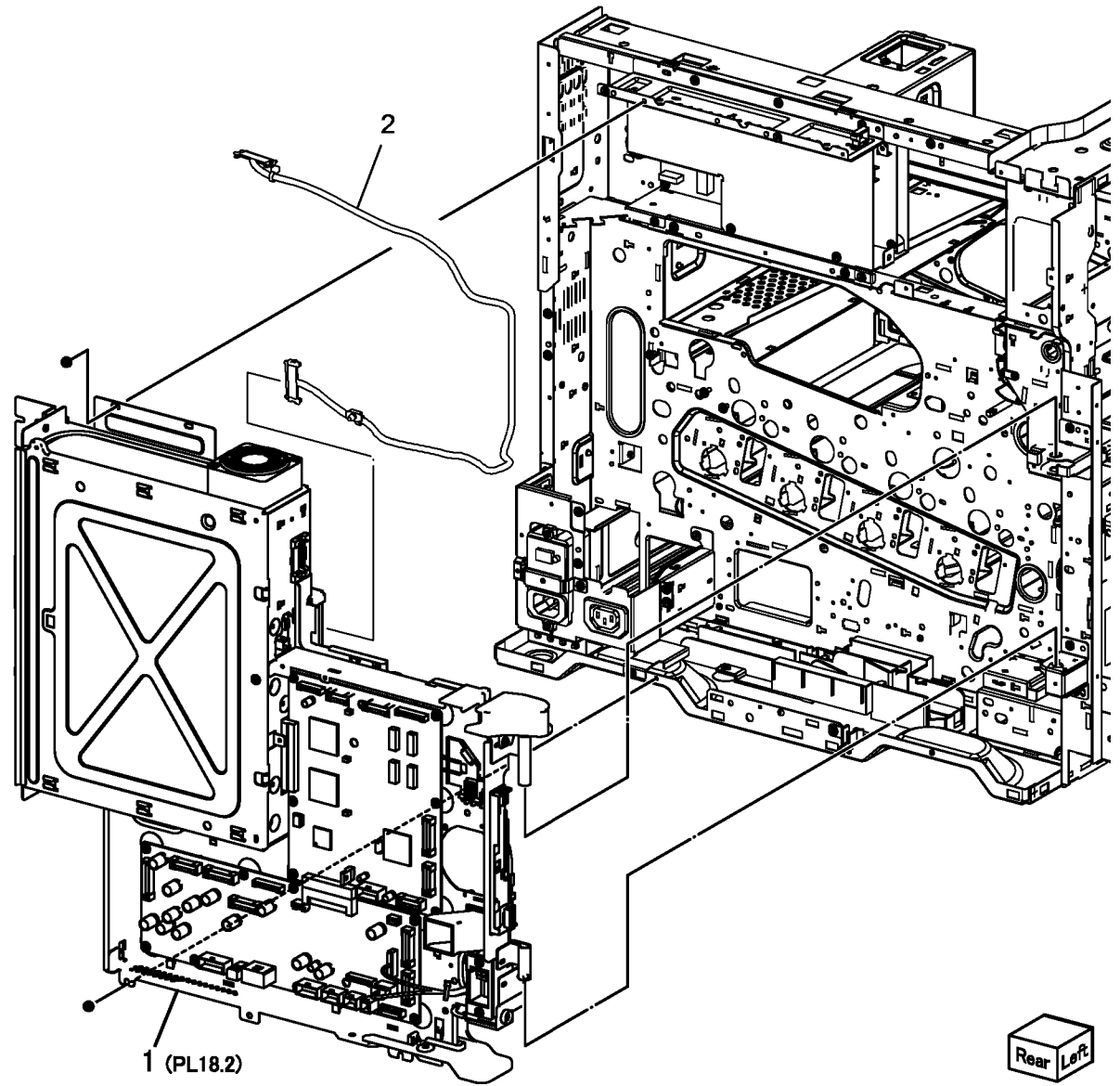
Item	Part	Description
1	-	Exit Gate Link (Not Spared)
2	-	Face Up Gate Solenoid Link (Not Spared)
3	-	Bearing (Not Spared)
4	-	Bearing (Not Spared)
5	-	OCT 2 Chute (Not Spared)
6	-	Low 2 Chute (Not Spared)
7	-	Exit Pinch Roller (Not Spared)
8	-	Inverter Pinch Roll (Not Spared)
9	-	OCT Roller (Not Spared)
10	-	Exit 2 Gate Solenoid (SOL77-003)/ Face Up Gate Solenoid (SOL77-004) (Not Spared)
11	-	Exit 2 OCT Motor (MOT77-045) (Not Spared)
12	-	Sleeve Bearing (Not Spared)
13	-	Inverter Pinch Shaft (Not Spared)
14	-	Offset 2 Gear (Not Spared)
15	-	Gear (22T) (Not Spared)
16	-	Exit Pinch Spring (Not Spared)
17	-	Inverter Pinch Spring (Not Spared)
18	-	Ground Plate (Not Spared)
19	-	Exit 2 Gate Solenoid Cover (Not Spared)
20	-	Face Up Gate Solenoid Cover (Not Spared)
21	-	Connector Cover (Not Spared)
22	-	Exit 2 Guard (Not Spared)
23	-	Motor Cover (Not Spared)



s7800-166

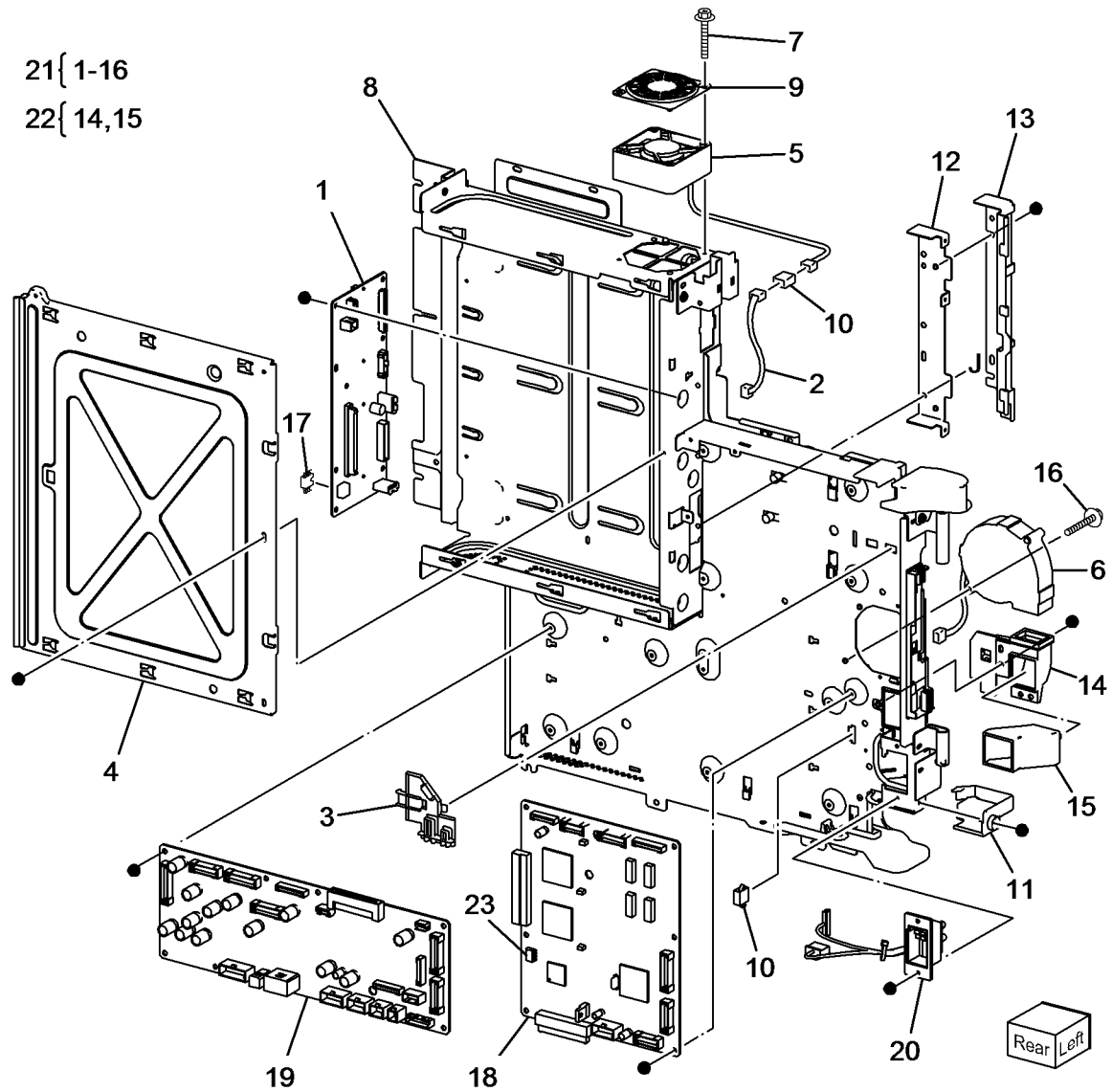
PL 18.1 PWB Chassis Unit (1 of 2)

Item	Part	Description
1	—	PWB Chassis Unit (Not Spared) (REP 18.1)
2	962K98640	UI Harness Assembly



PL 18.2 PWB Chassis unit (2 of 2)

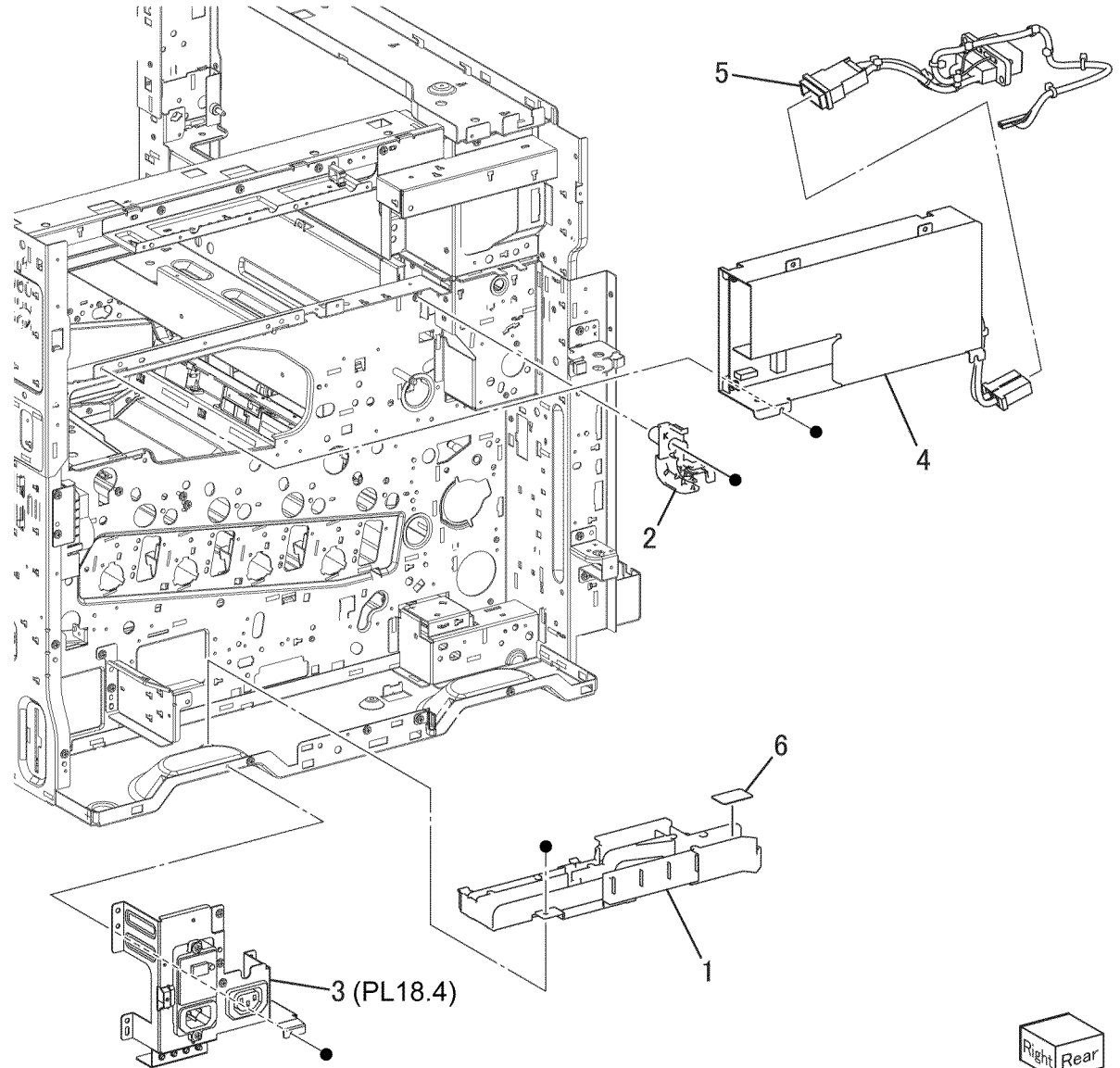
Item	Part	Description
1	960K50880	Backplane PWB (REP 18.2)
2	-	Fan Wire Harness (P/O PL 18.2 Item 21)
3	-	Cable Holder (P/O PL 18.2 Item 21)
4	-	ESS Cover (P/O PL 18.2 Item 21)
5	127K56981	ESS Fan (REP 18.3)
6	127K64490	Suction Fan (MOT42-20) (REP 18.4)
7	-	Screw (P/O PL 18.2 Item 21)
8	-	Chassis Assembly (P/O PL 18.2 Item 21)
9	-	Fan Guard (P/O PL 18.2 Item 21)
10	-	Connector (P/O PL 18.2 Item 21)
11	-	Harness Guide (P/O PL 18.2 Item 21)
12	-	Bracket (P/O PL 18.2 Item 21)
13	-	Shield (P/O PL 18.2 Item 21)
14	-	Duct (P/O PL 18.2 Item 21)
15	-	Duct (P/O PL 18.2 Item 21)
16	-	Screw (P/O PL 18.2 Item 21)
17	-	EPROM (Not Spared)
18	960K61100	MCU PWB (REP 18.5)
19	960K56651	Motor Drive (MD) PWB (REP 18.6)
20	962K67180	HCF IF Connector
21	-	PWB Chassis (Not Spared)
22	-	Duct Assembly (Not Spared)
23	-	NVRAM



s7800-168

PL 18.3 Electrical IOT Rear

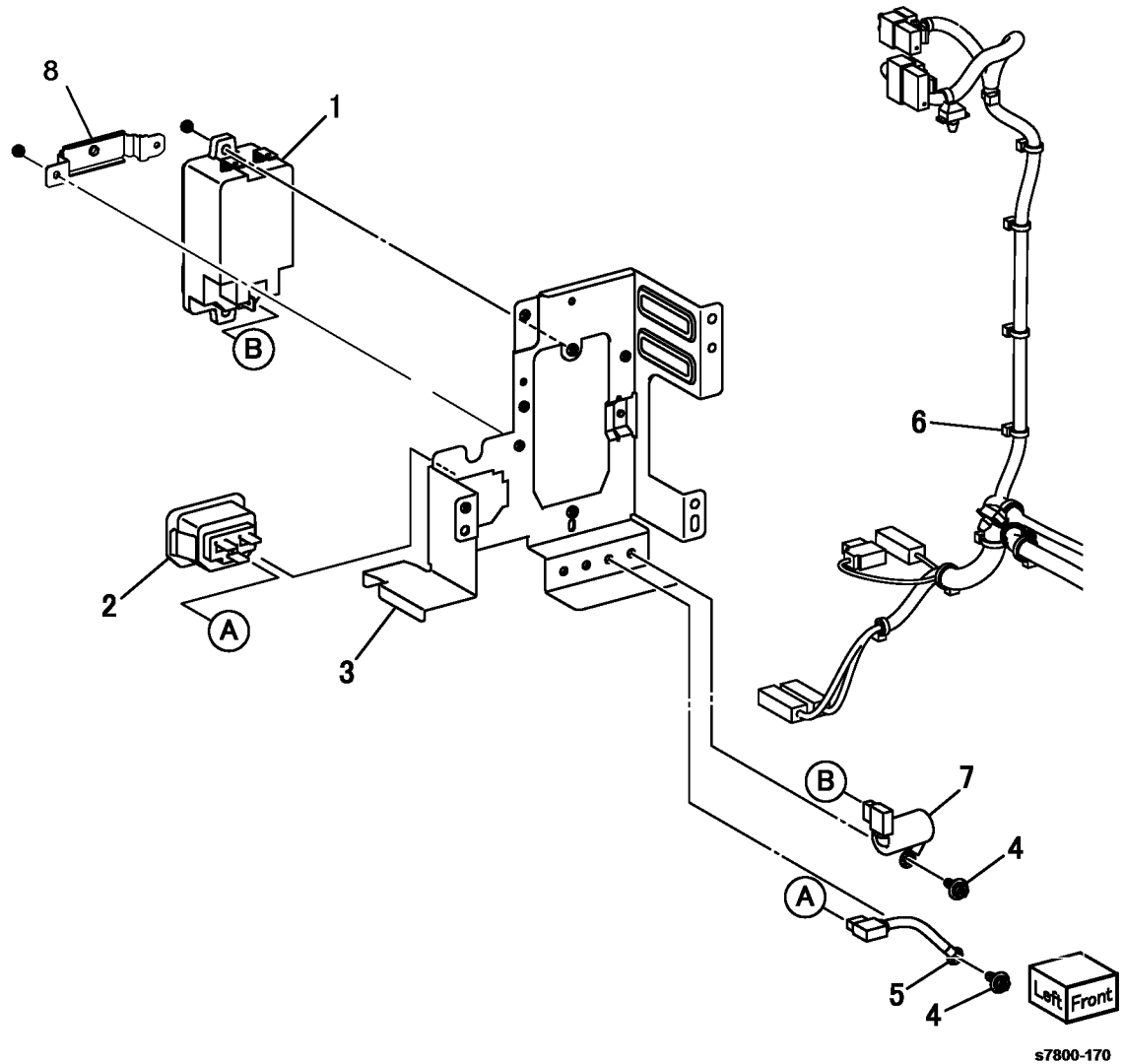
Item	Part	Description
1	—	Harness Guide (Not Spared)
2	—	Harness Guide (Not Spared)
3	—	GFI Chassis Assembly (REF: PL 18.4) (REP 18.8)
4	105E19792	IH Driver PWB (110V) (REP 18.9)
—	105E19802	IH Driver PWB (220V) (REP 18.9)
5	962K78700	Fuser Drawer Harness (220V)
6	—	Shield (Not Spared)



s7800-169

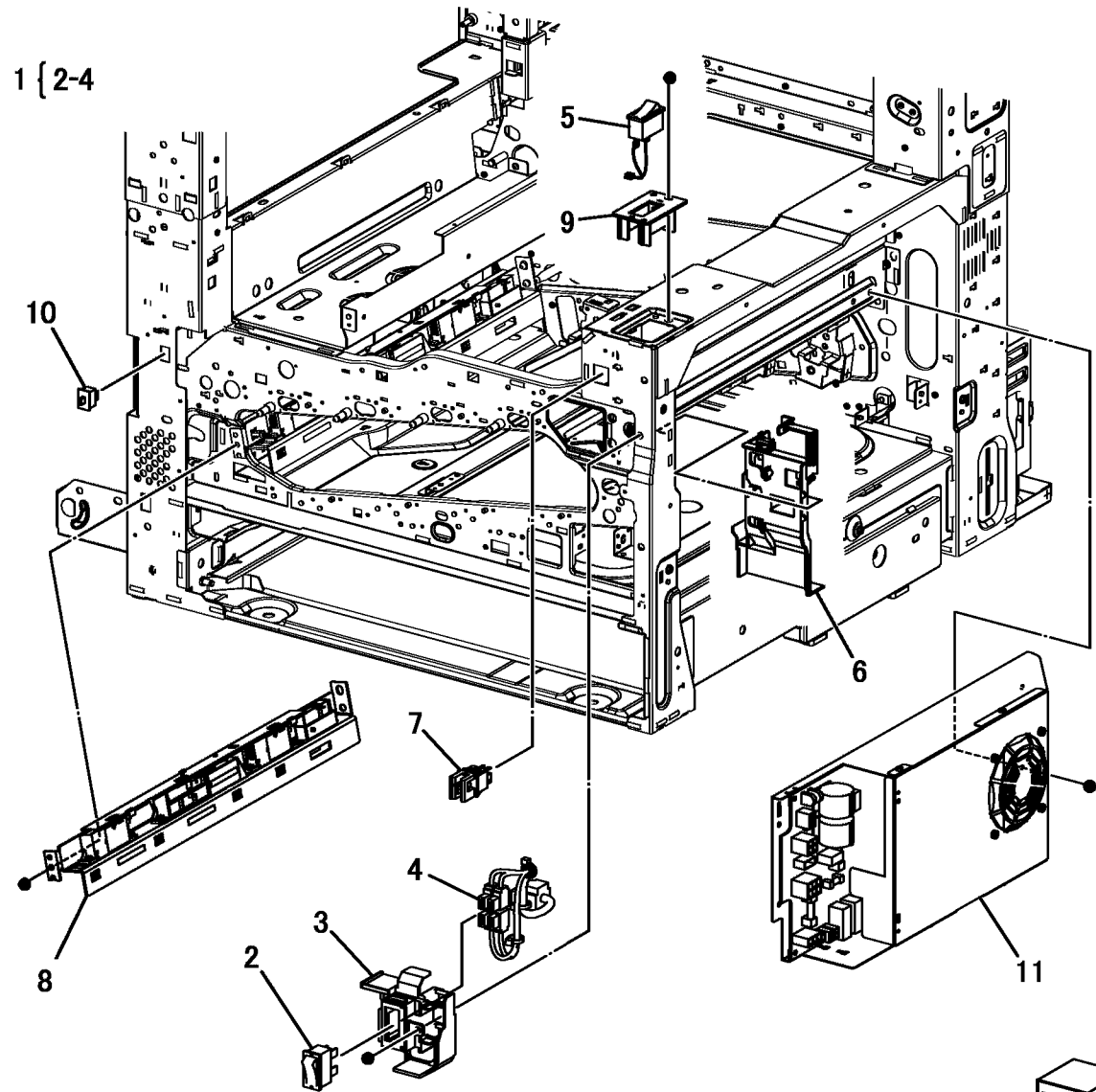
PL 18.4 GFI Chassis

Item	Part	Description
1	908W01201	GFI (REP 18.11)
2	-	Finisher/PSW Outlet (Not Spared)
3	-	GFI Chassis (Not Spared)
4	-	Screw (Not Spared)
5	-	Wire Harness (Blue) (Not Spared)
6	962K54730	Wire Harness (220V)
-	962K98650	Wire Harness (110V)
7	-	Wire Harness (Not Spared)
8	-	Bracket (Not Spared)



PL 18.5 Electrical Front/Right

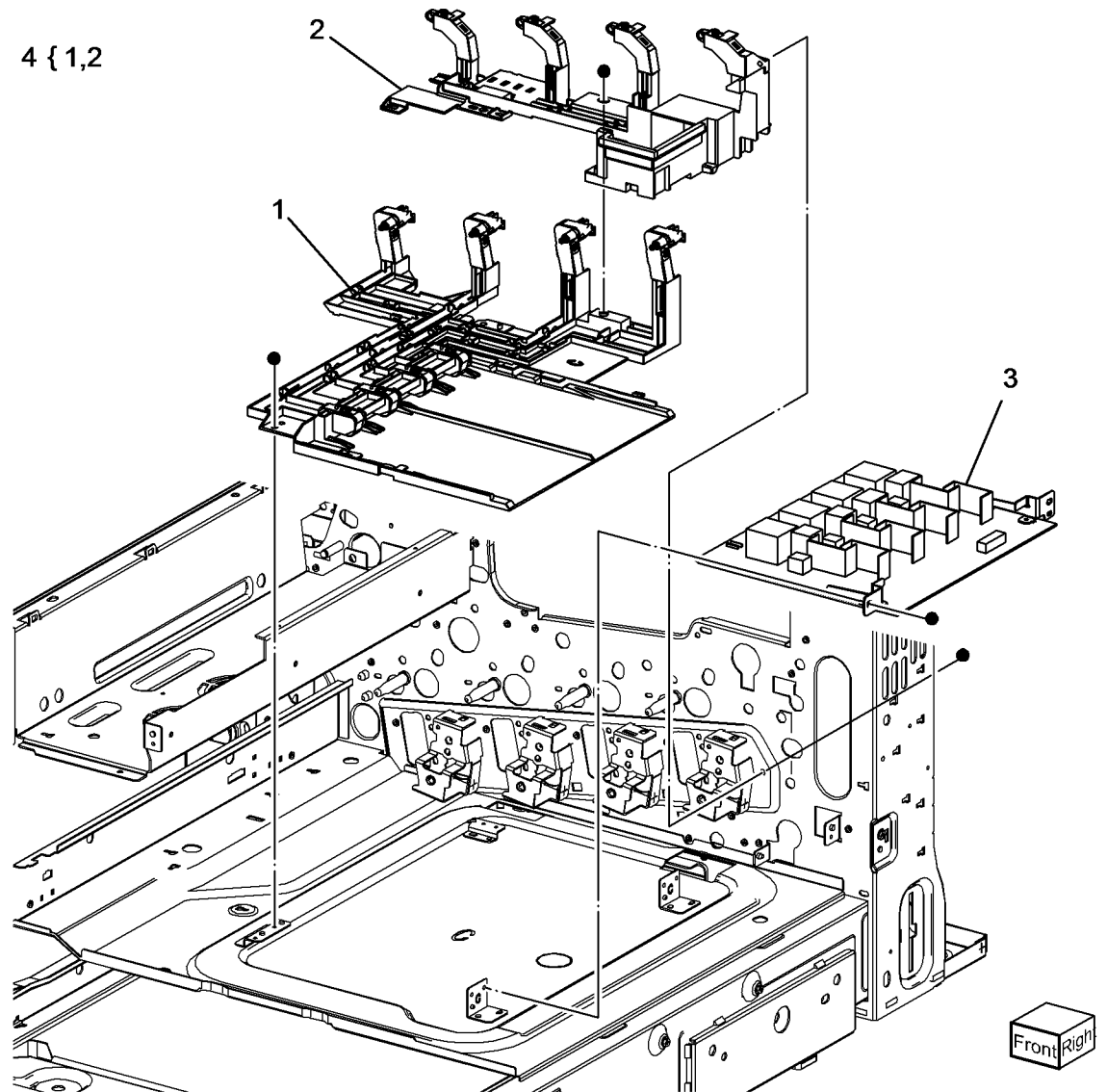
Item	Part	Description
1	101K60311	Main Power Switch and Harness
2	-	Main Power Switch (P/O PL 18.5 Item 1)
3	-	Bracket (P/O PL 18.5 Item 1)
4	-	Wire Harness (P/O PL 18.5 Item 1)
5	110K15982	Power Switch
6	-	Harness Guide (Not Spared)
7	-	Front Cover Interlock Switch (S77-303) (Not Spared) (REP 18.12)
8	130K71470	MOB ADC Assembly (REP 18.13)
9	-	Bracket (Not Spared)
10	110E12981	IBT Front Cover Switch (S77-307) (REP 18.14)
11	105E19271	Main LVPS (REP 18.15)



s7800-171

PL 18.6 Electrical Bottom

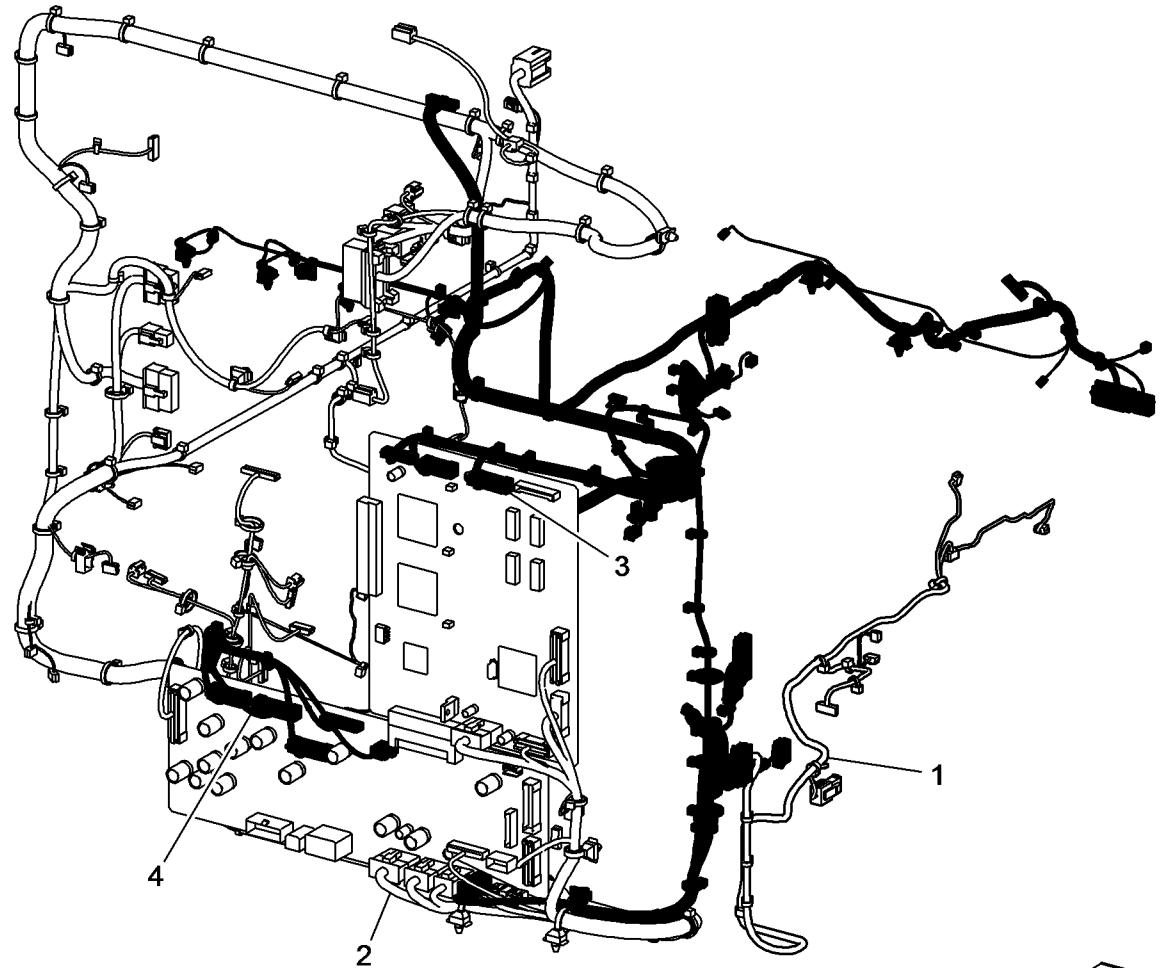
Item	Part	Description
1	—	HVPS Housing (P/O PL 18.6 Item 4)
2	—	HVPS Housing (P/O PL 18.6 Item 4)
3	105E19352	HVPS (BCR) (REP 18.16)
4	848K36390	HVPS Housing



s7800-172

PL 18.7 Wire Harness

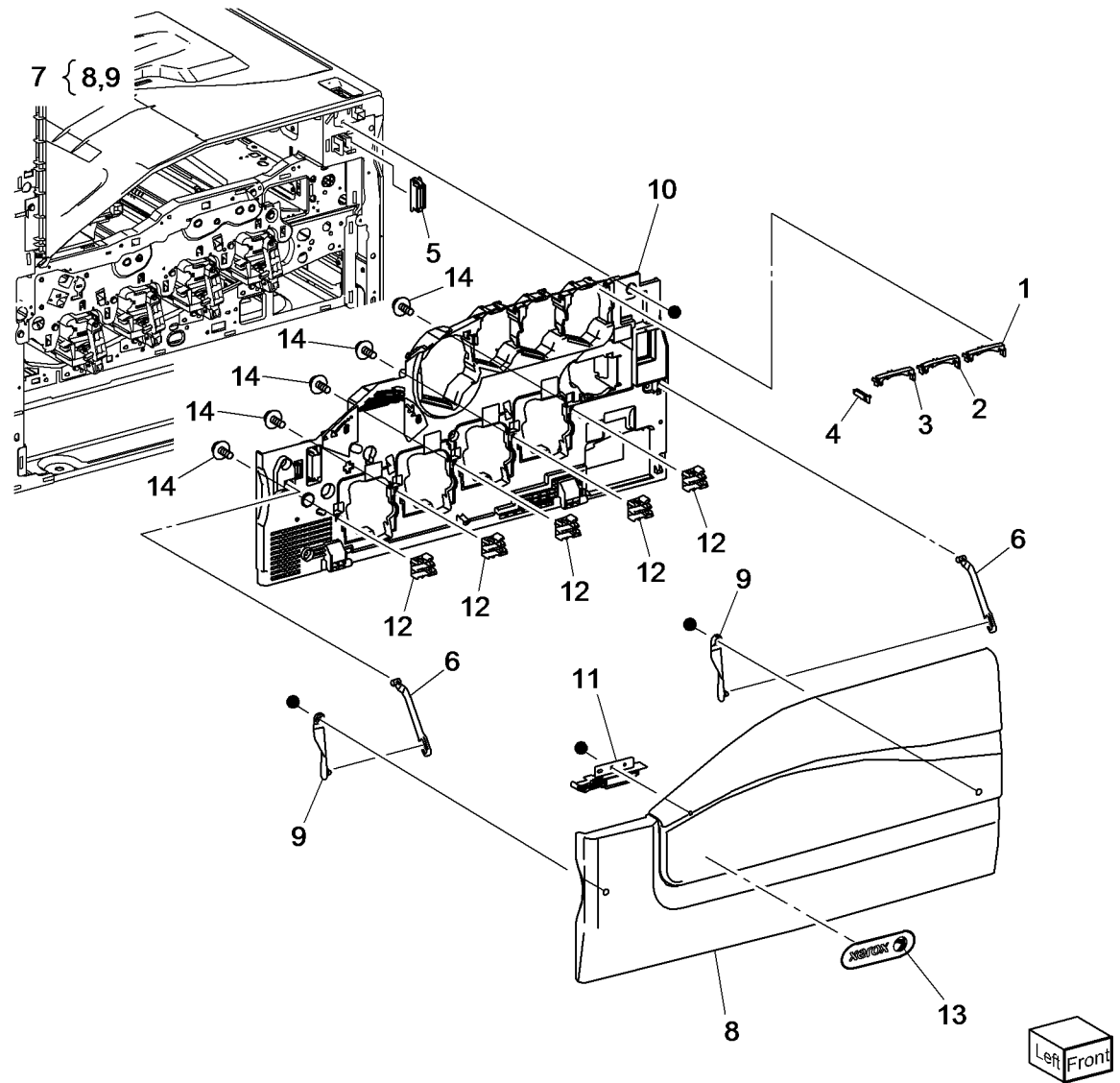
Item	Part	Description
1	962K78452	Wire Harness (Left)
2	962K93262	Wire Harness (Right)
3	962K92750	Wire Harness (Top)
4	962K78470	Wire Harness (Front)



s7800-173

PL 19.1 Covers (1 of 3)

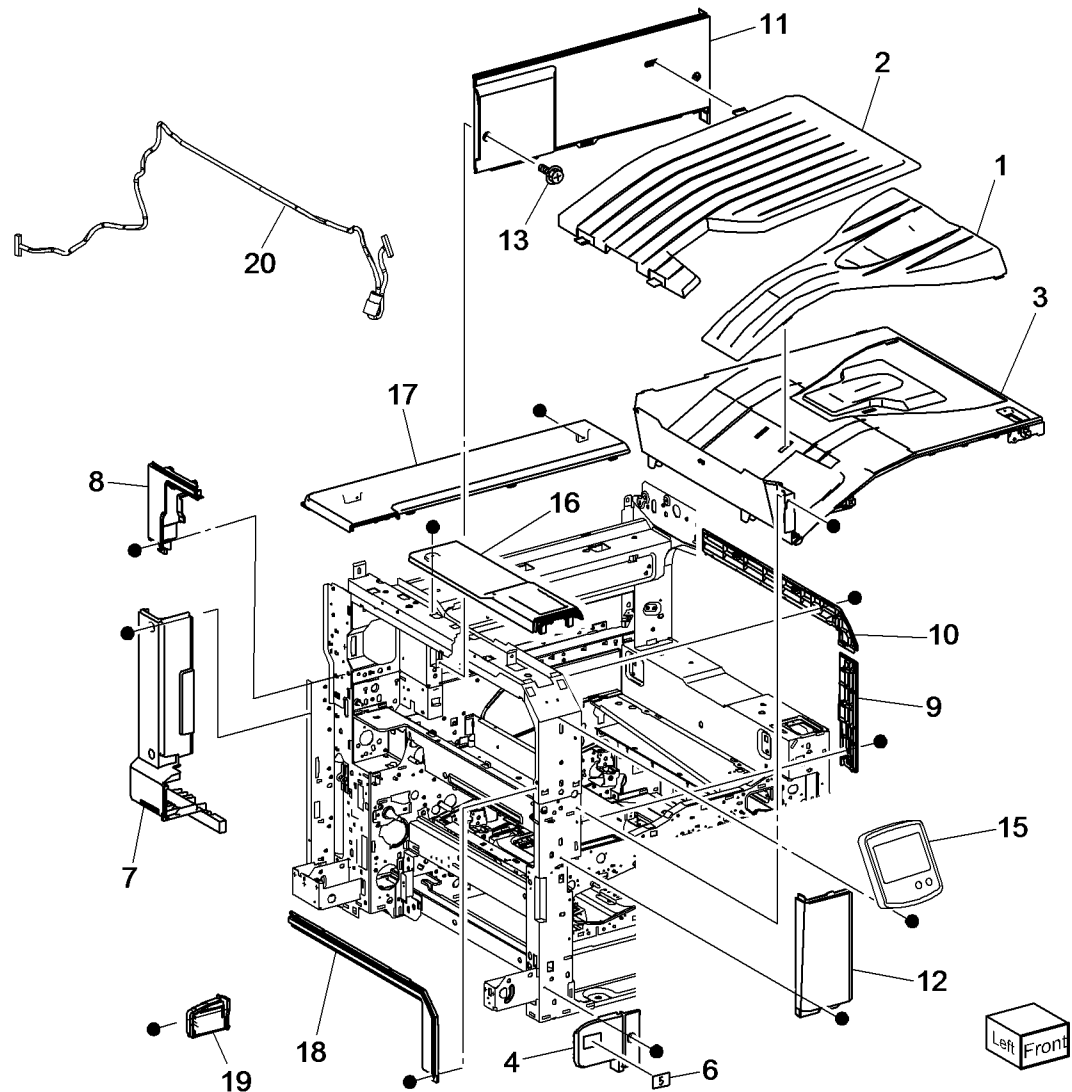
Item	Part	Description
1	815E70140	Plate (Y)
2	815E70150	Plate (M)
3	815E70160	Plate (C)
4	815E43300	Plate (K)
5	-	Magnet Catch (Not Spared)
6	-	Strip (Not Spared)
7	848K61451	Front Cover Assembly (REP 19.1)
8	-	Front Cover (P/O PL 19.1 Item 7) (REP 19.1)
9	-	Strip (P/O PL 19.1 Item 7)
10	848K42190	Inner Cover (REP 19.1)
11	-	Guide (Not Spared)
12	-	Block (Not Spared)
13	-	Logo Plate and Badge (Not Spared)
14	-	Tapping Screw (Not Spared)



s7800-174

PL 19.2 Covers (2 of 3)

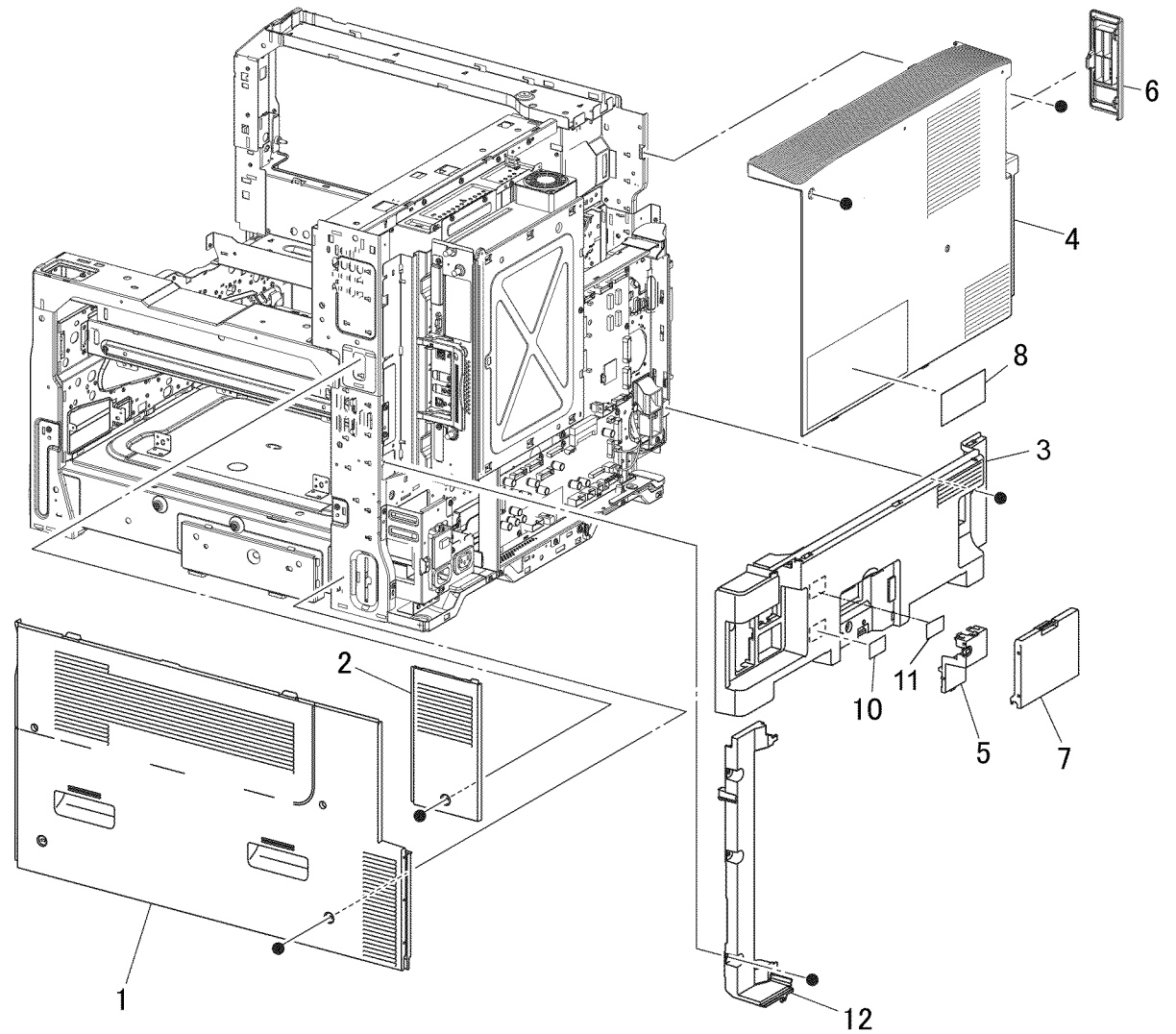
Item	Part	Description
1	050E25450	Add Tray
2	050E25661	Exit 2 Tray
3	848E44940	Top Cover (REP 19.2)
4	-	Tray 1 Front Cover (Not Spared) (REP 19.3)
5	-	Not Used
6	-	Number Label (5) (Not Spared)
7	848E44990	Left Rear Lower Cover (REP 19.4)
8	848E56720	Left Upper Cover (REP 19.5)
9	-	Exit Front Cover (Not Spared) (REP 19.6)
10	848E56650	Exit Upper Cover (REP 19.7)
11	848E56660	Deflector Shield (REP 19.8)
12	848E56630	Front Left Cover (UI Front Bracket Base) (REP 19.9)
13	-	Screw (Black)
14	-	Not Used
15	848K54000	Control Panel (REP 19.10)
16	848E56730	Left Top Cover (REP 19.11)
17	848E56740	Rear Top Cover (REP 19.12)
18	-	Left Front Cover (Not Spared) (REP 19.13)
19	-	Left Inner Cover (Not Spared) (REP 19.14)
20	962K98640	UI Harness Assembly



s7800-175

PL 19.3 Covers (3 of 3)

Item	Part	Description
1	—	Right Cover (Not Spared) (REP 19.15)
2	—	Right Rear Cover (Not Spared)
3	—	Rear Lower Cover (Not Spared) (REP 19.16)
4	—	Rear Upper Cover (Not Spared) (REP 19.17)
5	—	EPSV Cover (Not Spared)
6	—	Filter Cover (Not Spared)
7	—	MCU Cover (Not Spared)
8	—	Data Plate (Not Spared)
9	—	Not Used
10	—	Label (outlet) (Not Spared)
11	—	GFI Label (Not Spared)
12	—	Rear Control Unit Cover (Not Spared)

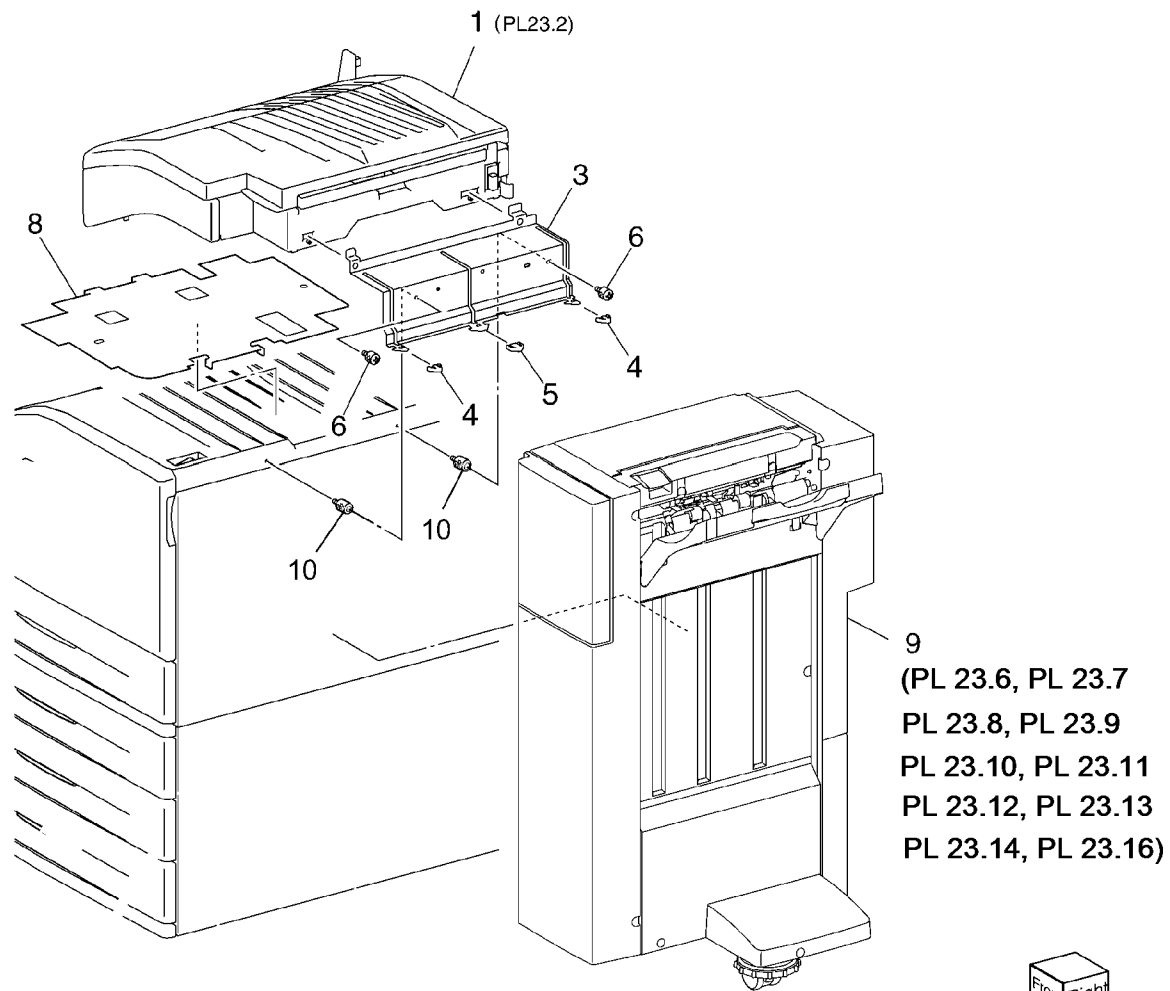


s7800-176

PL 23.1 H-Transport Assembly (1 of 5)

Item	Part	Description
1	059K65560	H-Transport Assembly (REP 23.1)
2	068K59494	Docking Plate Assembly
3	—	Docking Plate (P/O PL 23.1 Item 2)
4	—	Side Guide (P/O PL 23.1 Item 2)
5	—	Center Guide (P/O PL 23.1 Item 2)
6	—	Thumb Screw (Not Spared)
7	—	Not Used
8	—	Finisher Plate (Not Spared)
9	—	SB Finisher (Not Spared) (REP 23.2)
10	—	HTU Spacer (Not Spared)

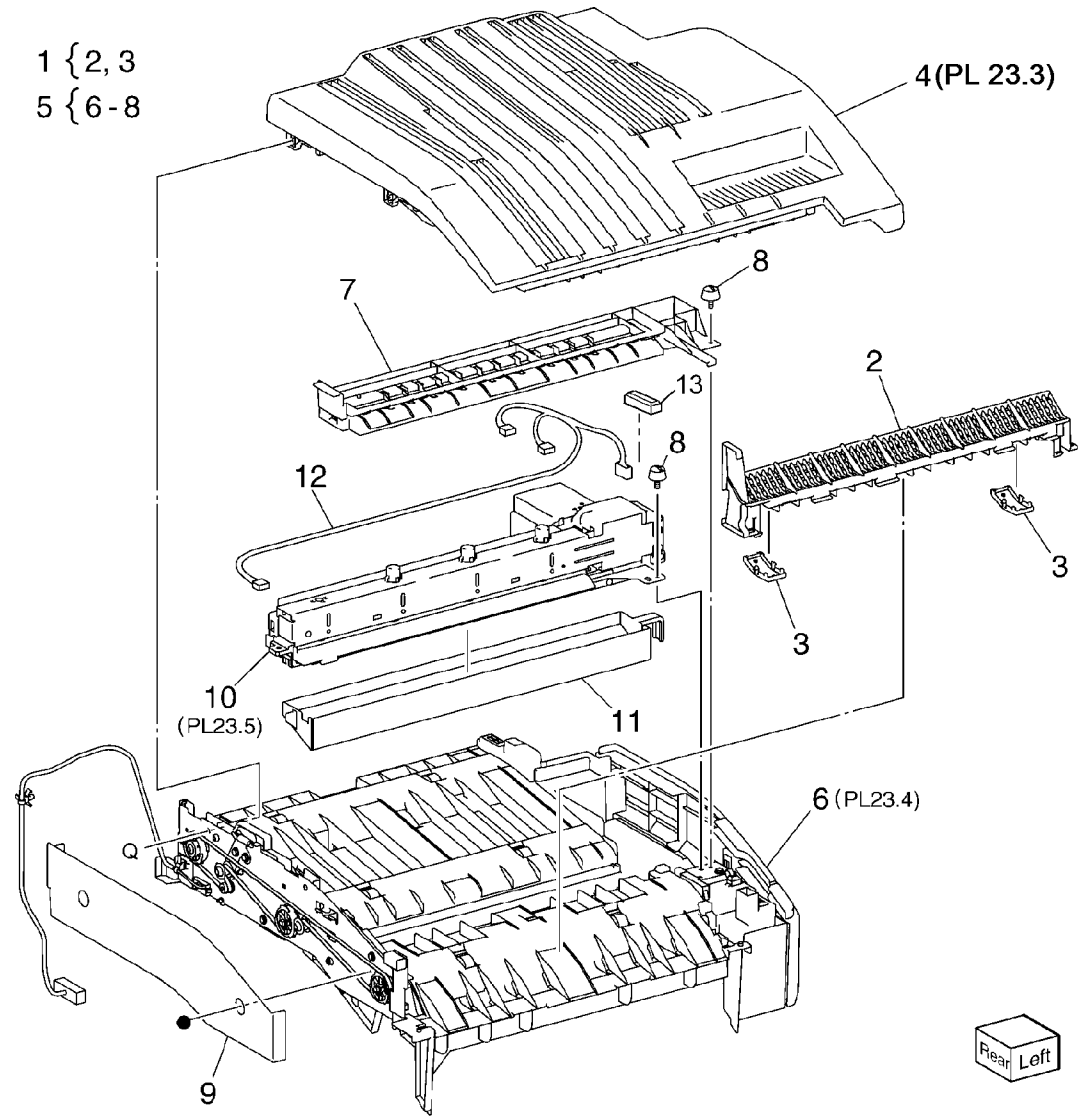
2 { 3 - 5



s7800-178

PL 23.2 H- Transport Assembly (2 of 5)

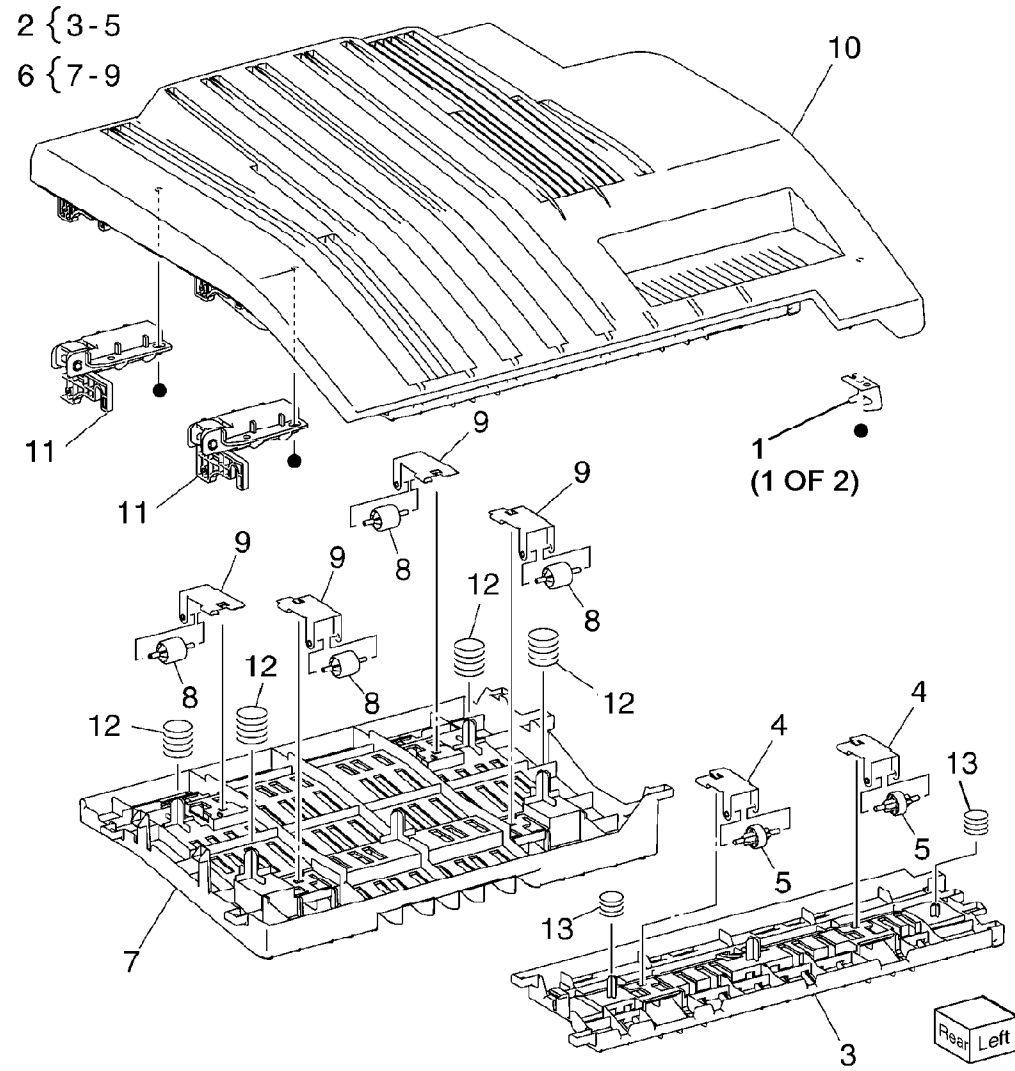
Item	Part	Description
1	848K34181	Left Cover Assembly
2	-	Left Cover (P/O PL 23.2 Item 1)
3	-	Paper Guide (P/O PL 23.2 Item 1)
4	-	Top Cover Assembly (REF: PL 23.3)
5	-	Lower Chute Assembly (P/O PL 23.1 Item 1)
6	-	Lower Chute (P/O PL 23.2 Item 5)
7	-	Chute Assembly (P/O PL 23.2 Item 5)
8	026K81200	Thumb Screw
9	-	Rear Cover (Not Spared)
10	180K00401	Punch Assembly (2/4 Hole) (REP 23.3)
-	180K00391	Punch Assembly (2/3 Hole) (REP 23.3)
11	695K19402	Dust Box (Punch Box)
12	-	Wire Harness (Not Spared)
13	-	Connector Cover (Not Spared)



s7800-179

PL 23.3 H-Transport Assembly (3 of 5)

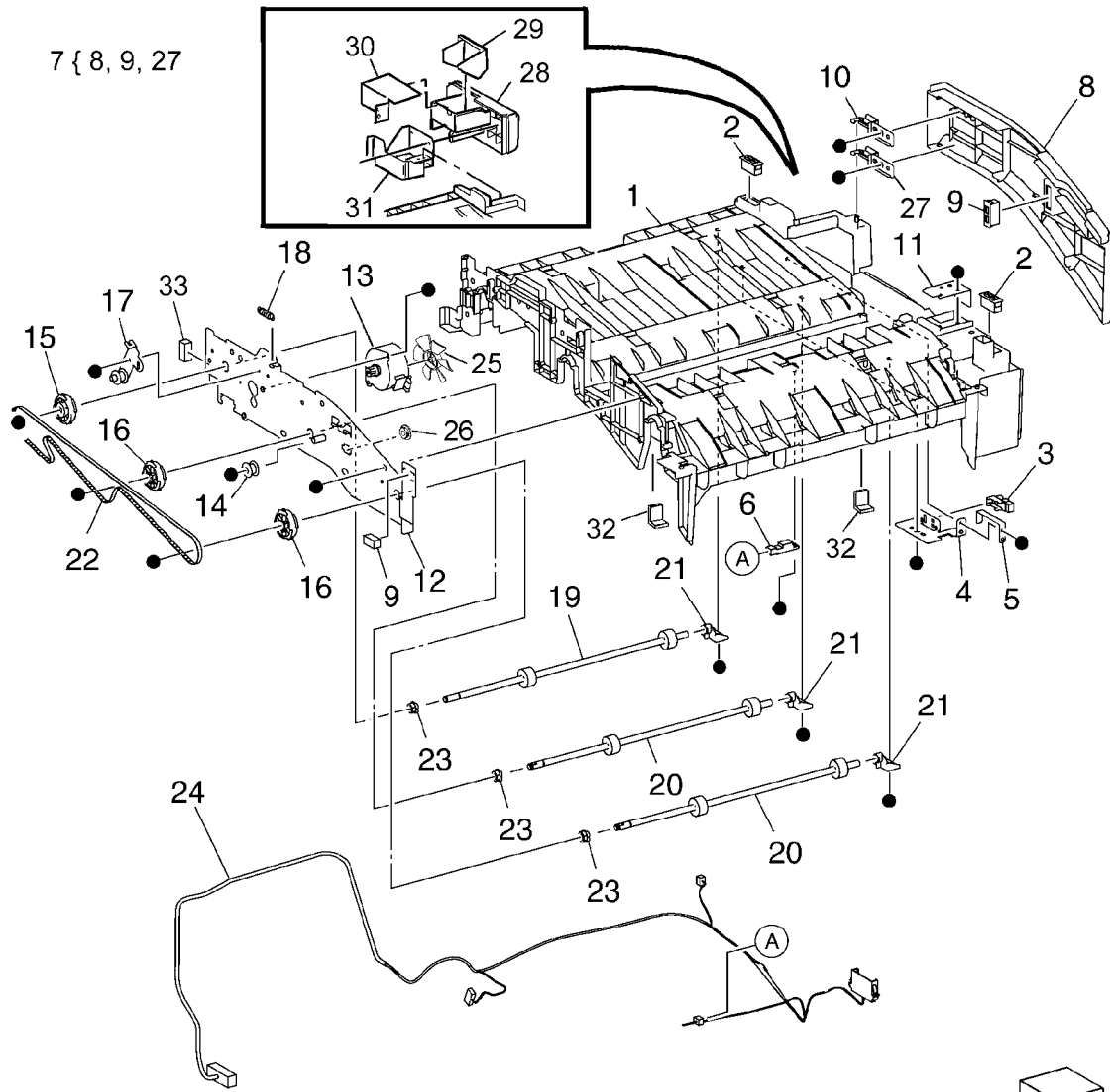
Item	Part	Description
1	-	Bracket (P/O PL 23.2 Item 4)
2	054K35239	Left Chute Assembly
3	-	Left Chute (P/O PL 23.3 Item 2)
4	-	Pinch Spring (P/O PL 23.3 Item 2)
5	-	Pinch Roller (P/O PL 23.3 Item 2)
6	054K35245	Right Chute Assembly
7	-	Right Chute (P/O PL 23.3 Item 6)
8	-	Pinch Roller (P/O PL 23.3 Item 6)
9	-	Pinch Spring (P/O PL 23.3 Item 6)
10	-	Top Cover (Not Spared)
11	003K15985	H-Transport Counter Balance Assembly (Left) (REP 23.4)
12	-	H-Transport Counter Balance Assembly (Right) (P/O PL 23.2 Item 4) (REP 23.4)
13	-	Spring (Not Spared)



s7800-180

PL 23.4 H-Transport Assembly (4 of 5)

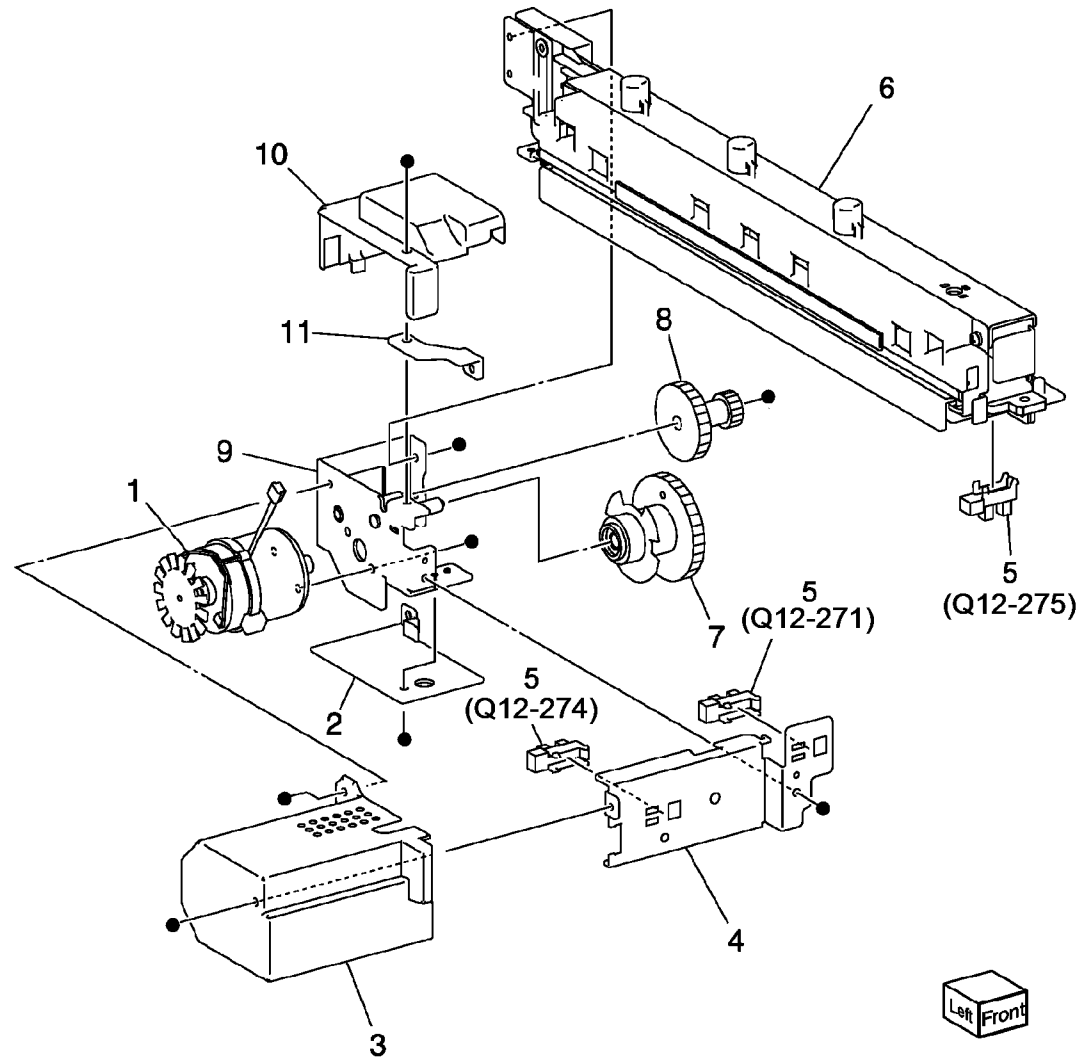
Item	Part	Description
1	-	Lower Chute (P/O PL 23.2 Item 6)
2	-	Magnet (P/O PL 23.2 Item 6)
3	130E81600	H-Transport Open Sensor (Q12-303)
4	-	Sensor Bracket (Not Spared)
5	-	Actuator (Not Spared)
6	-	H-Transport Entrance Sensor (Q12-190) (Not Spared)
7	-	H-Transport Front Cover Assembly (Not Spared)
8	-	H-Transport Front Cover (P/O PL 23.4 Item 7)
9	-	Gasket (P/O PL 23.4 Item 7)
10	-	Hinge (Not Spared)
11	-	Bracket (P/O PL 23.2 Item 6)
12	-	Rear Frame Assembly (P/O PL 23.2 Item 6)
13	127K57622	H-Transport Motor (MOT12-018) (REP 23.5)
14	-	Tension Pulley (Not Spared)
15	-	Pulley (43T) (Not Spared)
16	-	Pulley (43T) (Not Spared)
17	-	Tension Bracket (P/O PL 23.2 Item 6)
18	-	Spring Tension (Not Spared)
19	-	Drive Roll (Not Spared)
20	-	Drive Roll (Not Spared)
21	-	Bearing (Not Spared)
22	423W01154	H-Transport Belt (REP 23.6)
23	-	Sleeve Bearing (Not Spared)
24	-	Wire Harness (Not Spared)
25	-	Fan Blade (Not Spared)
26	-	Pinch Bushing (Not Spared)
27	-	Lower Hinge (P/O PL 23.4 Item 7)
28	-	Front Cover (Not Spared)
29	-	Switch Cover (Not Spared)
30	-	Cover (Not Spared)
31	-	Bracket (Not Spared)
32	-	Pinch Cushion (Not Spared)
33	-	Gasket (Not Spared)



s7800-181

PL 23.5 H-Transport Assembly (5 of 5)

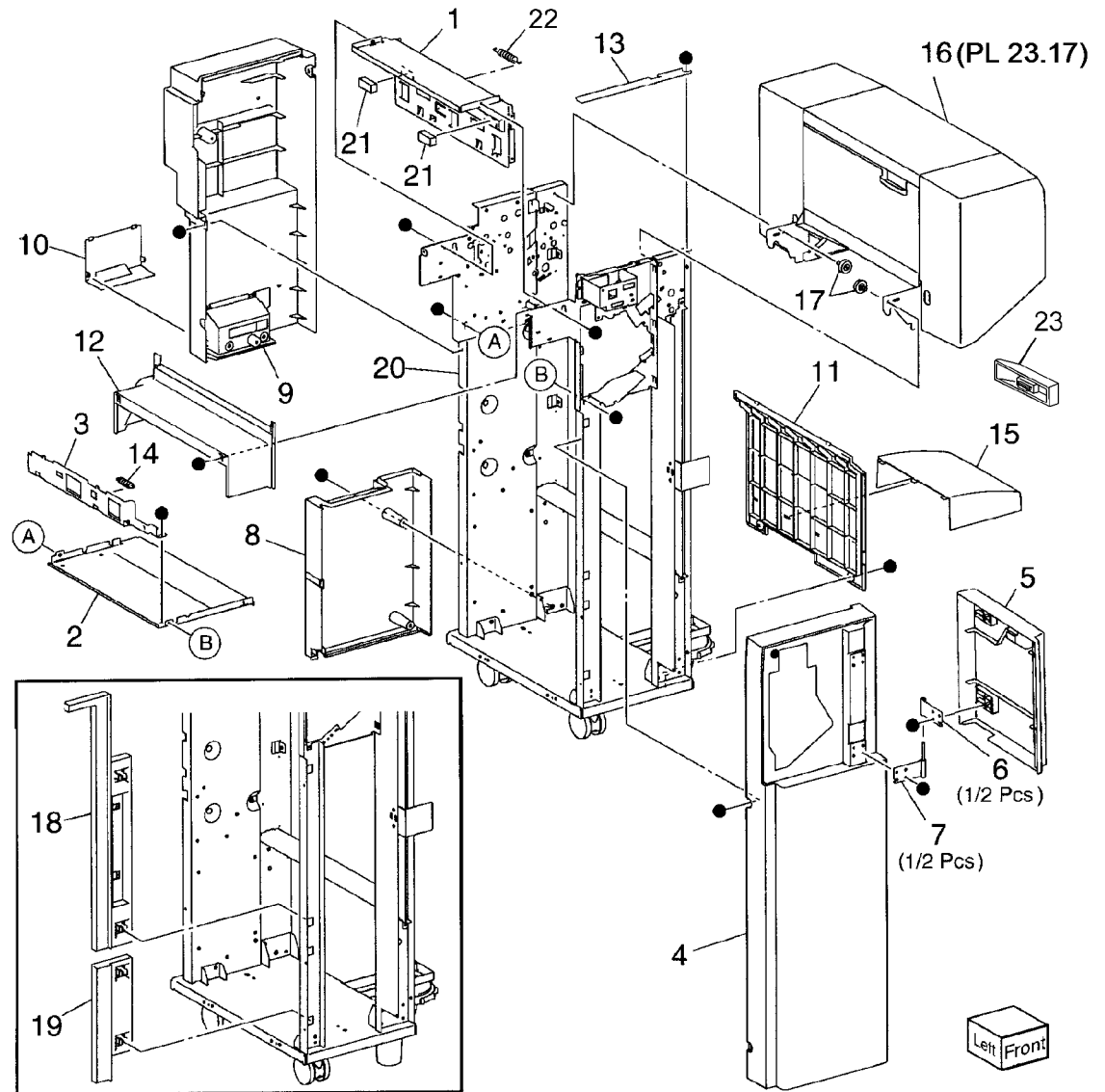
Item	Part	Description
1	–	Punch Motor (MOT12-074) (P/O PL 23.2 Item 10)
2	–	Punch Lower Cover (P/O PL 23.2 Item 10)
3	–	Punch Motor Cover (P/O PL 23.2 Item 10)
4	–	Sensor Bracket (P/O PL 23.2 Item 10)
5	–	Puncher Encoder Sensor (Q12-274)/Puncher Home Sensor (Q12-271)/Punch Box Set Sensor (Q12-275)
6	–	Punch Frame Assembly (P/O PL 23.2 Item 10)
7	–	Encoder/Gear Assembly (P/O PL 23.2 Item 10)
8	–	Gear (P/O PL 23.2 Item 10)
9	–	Motor Bracket (P/O PL 23.2 Item 10)
10	–	Punch Top Cover (P/O PL 23.2 Item 10)
11	–	Bracket (P/O PL 23.2 Item 10)



s7800-182

PL 23.6 Finisher Covers

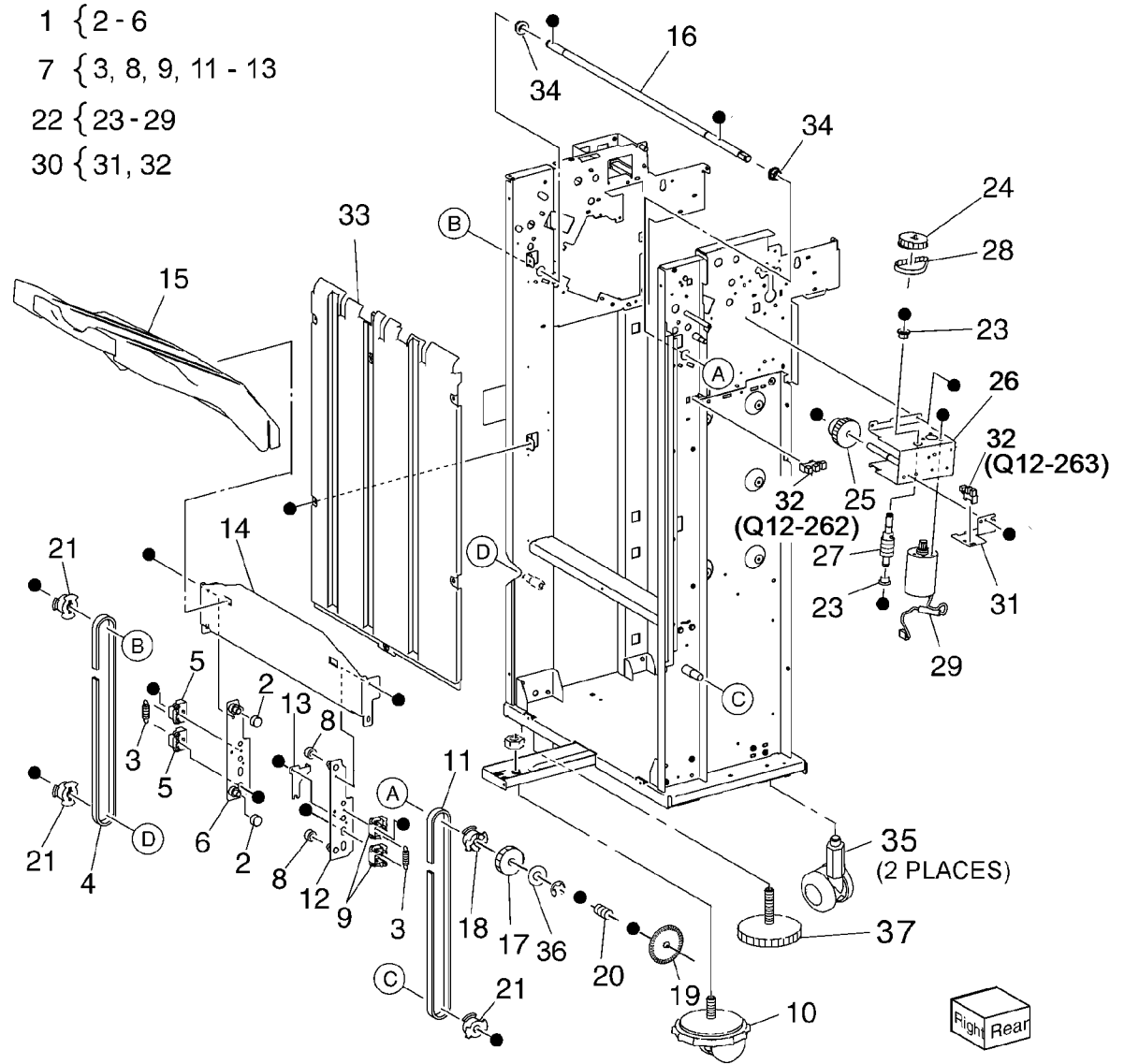
Item	Part	Description
1	-	Plate (Not Spared)
2	-	Lower Plate (Not Spared)
3	-	Docking Lever (Not Spared)
4	-	Front Cover Assembly (Not Spared) (REP 23.7)
5	-	Upper Front Door (Not Spared)
6	-	Bracket (Not Spared)
7	068K59531	Hinge
8	848E15210	Rear Lower Cover (REP 23.8)
9	848E15221	Rear Upper Cover (REP 23.9)
10	848E15233	Connector Cover
11	848E15241	Stacker Lower Cover (REP 23.10)
12	-	Left Hand Cover (Not Spared)
13	-	Cover (Not Spared)
14	-	Spring (Not Spared)
15	-	Foot Cover (Not Spared) (REP 23.11)
16	801K30701	Booklet Maker Assembly (REP 23.12)
17	826E31870	Thumb Screw
18	-	Upper Adjust Cover (Not Spared)
19	-	Lower Adjust Cover (Not Spared)
20	-	Base Frame Assembly (Not Spared)
21	921W41162	Gasket
22	-	Extension Spring (Not Spared)
23	-	Paper Guide (Not Spared)



s7800-183

PL 23.7 Finisher Stacker

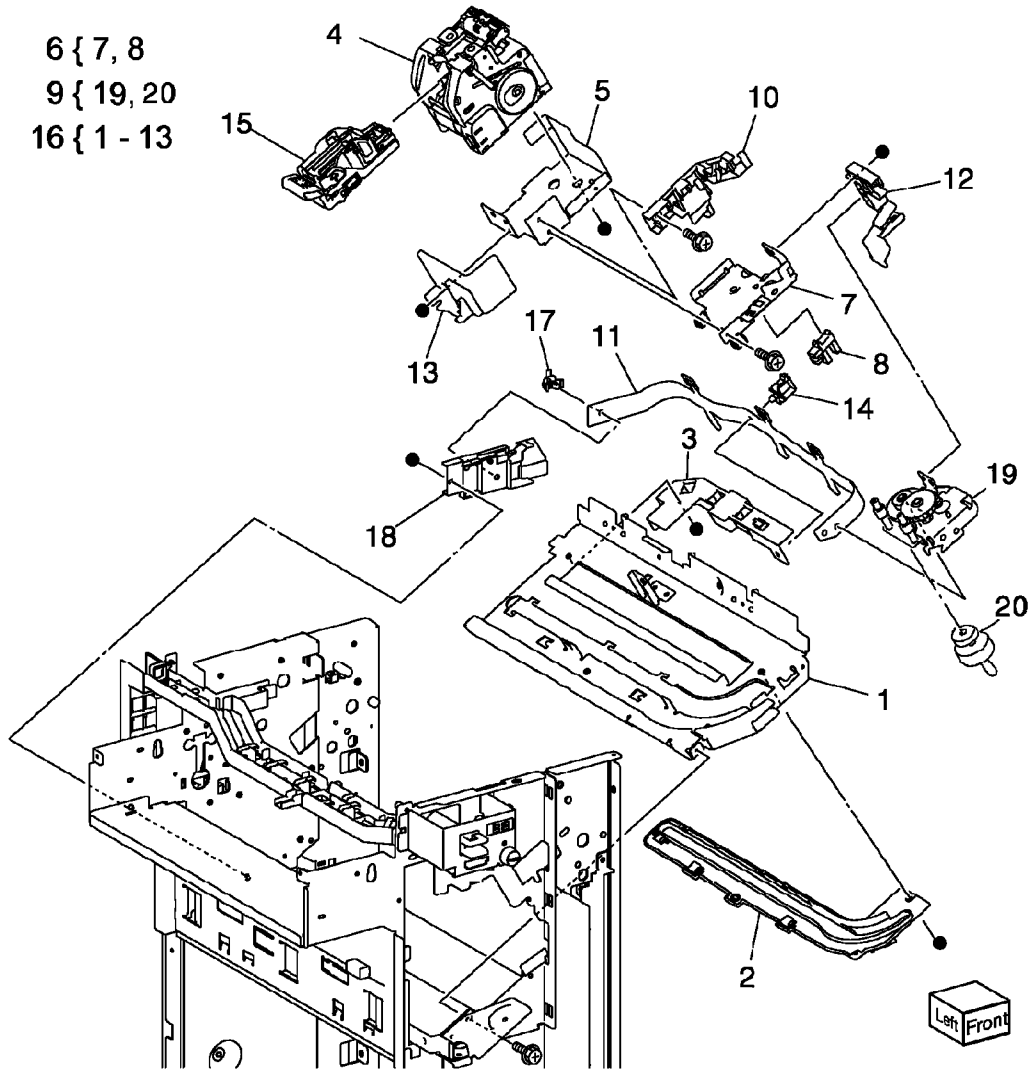
Item	Part	Description
1	041K95980	Front Carriage Assembly (REP 23.13)
2	-	Bearing (P/O PL 23.7 Item 1)
3	-	Spring (P/O PL 23.7 Item 1)
4	-	Front Stacker Belt (P/O PL 23.7 Item 1)
5	-	Clamp (P/O PL 23.7 Item 1)
6	-	Front Carriage Assembly (P/O PL 23.7 Item 1)
7	041K95990	Rear Carriage Assembly (REP 23.13)
8	-	Bearing (P/O PL 23.7 Item 7)
9	-	Clamp (P/O PL 23.7 Item 7)
10	-	Knob Caster Assembly (Not Spared)
11	-	Rear Stacker Belt (P/O PL 23.7 Item 7)
12	-	Rear Carriage (P/O PL 23.7 Item 7)
13	-	Actuator (P/O PL 23.7 Item 7)
14	-	Carriage Tray (Not Spared)
15	050K61106	Stacker Tray Assembly (REP 23.14)
16	-	Shaft (Not Spared)
17	807E08990	Gear
18	020E37710	Pulley
19	146E90650	Encoder
20	809E56860	Spring
21	020E37720	Pulley (18T)
22	068K58304	Stacker Elevator Motor Assembly (REP 23.15)
23	-	Bearing (P/O PL 23.7 Item 22)
24	-	Pulley (60T) (P/O PL 23.7 Item 22)
25	-	Gear (15T/37T) (P/O PL 23.7 Item 22)
26	-	Motor Bracket (P/O PL 23.7 Item 22)
27	-	Worm Shaft (P/O PL 23.7 Item 22)
28	-	Belt (P/O PL 23.7 Item 22)
29	-	Stacker Elevator Motor (MOT12-060) (P/O PL 23.7 Item 22)
30	-	Stacker Encoder Sensor Assembly (Not Spared)
31	-	Bracket (P/O PL 23.7 Item 30)
32	-	Stacker Encoder Sensor (Q12-263)/ Stacker No Paper Sensor (Q12-262) (P/O PL 23.7 Item 30)
33	-	Stacker Upper Cover (Not Spared) (REP 23.16)
34	-	Bearing (Not Spared)
35	017K94880	Caster Assembly
36	-	Washer (Not Spared)
37	-	Adjustable Foot Assembly (Not Spared)



s7800-184

PL 23.8 Finisher Stapler

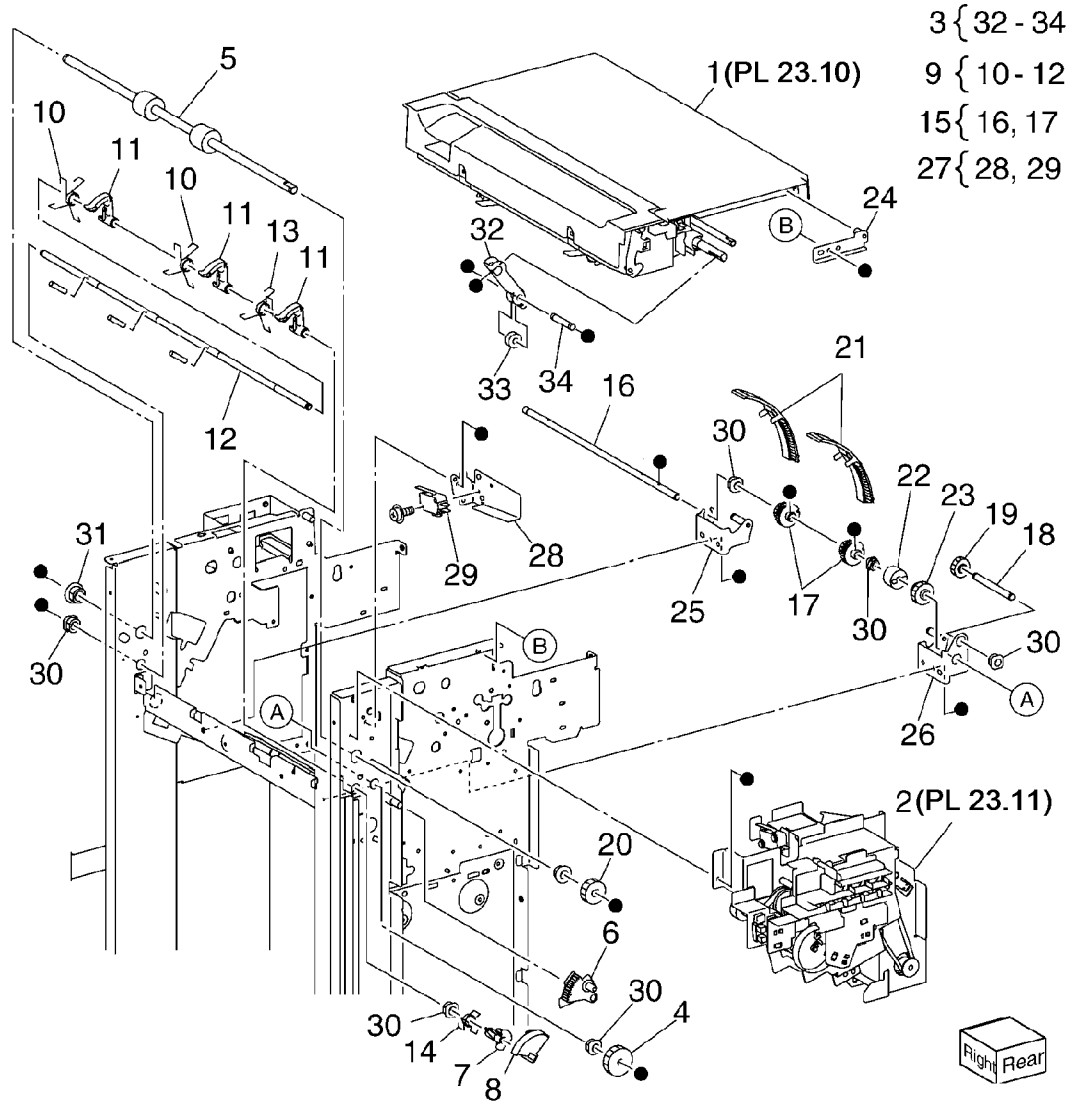
Item	Part	Description
1	-	Base Frame (P/O PL 23.8 Item 16)
2	-	Rail (P/O PL 23.8 Item 16)
3	-	Harness Guide (P/O PL 23.8 Item 16)
4	029K92350	Stapler Assembly (REP 23.17)
5	-	Holder (P/O PL 23.8 Item 16)
6	-	Stapler Move Position Sensor Assembly (P/O PL 23.8 Item 16)
7	-	Bracket (P/O PL 23.8 Item 6)
8	130E94940	Stapler Move Position Sensor (Q12-241)
9	-	Stapler Move Motor Assembly (P/O PL 23.8 Item 16) (REP 23.18)
10	-	Harness Guide (P/O PL 23.8 Item 16)
11	-	Harness Support Guide (P/O PL 23.8 Item 16)
12	-	Harness Guide (P/O PL 23.8 Item 16)
13	-	Stapler Cover (P/O PL 23.8 Item 16)
14	-	Clamp (Not Spared)
15	-	Stapler Cartridge (Not Spared)
16	-	Stapler Unit (Not Spared)
17	-	Cable Band (Not Spared)
18	-	Harness Guide (Not Spared)
19	-	Stapler Motor Assembly (P/O PL 23.8 Item 9)
20	-	Motor Assembly (P/O PL 23.8 Item 9)



s7800-185

PL 23.9 Finisher Eject (1 of 5)

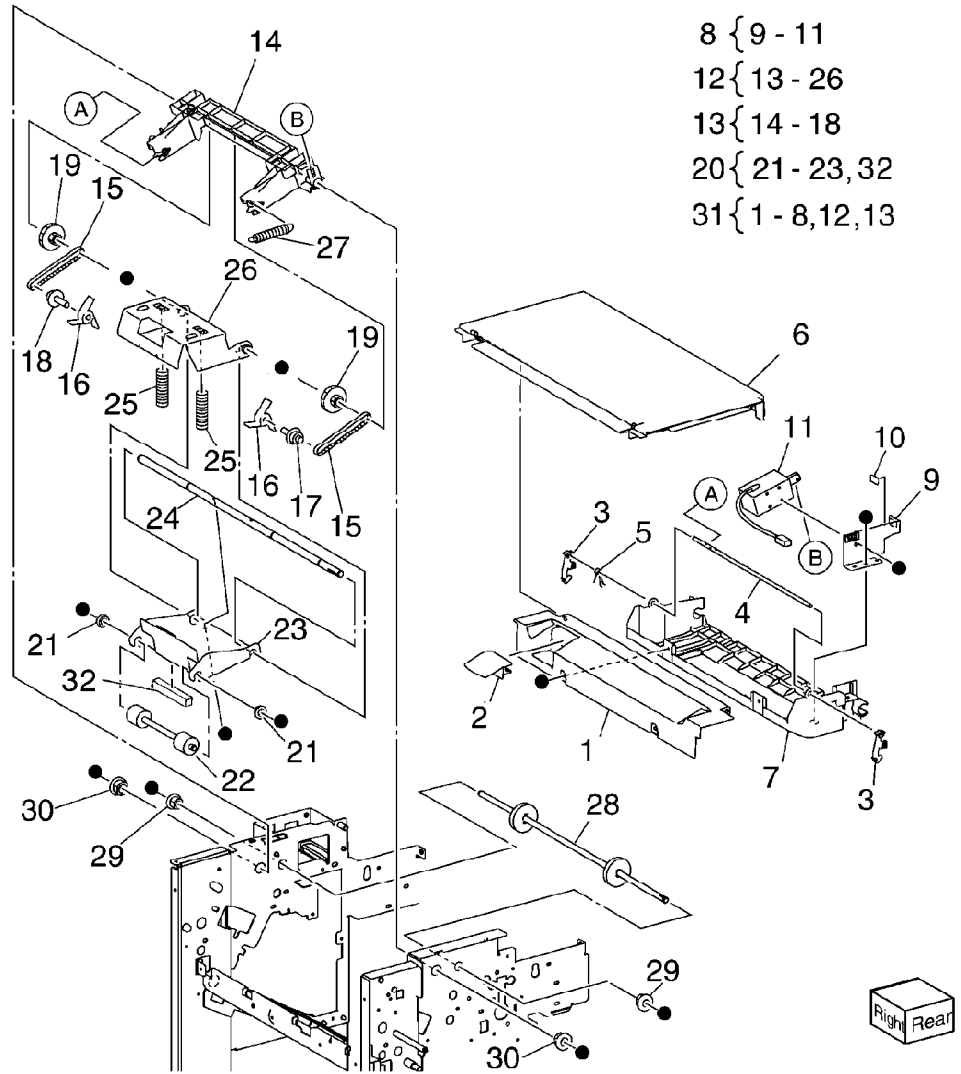
Item	Part	Description
1	-	Eject Chute Assembly (Not Spared) (REP 23.19)
2	-	Eject Assembly (Not Spared)
3	031K93790	Clamp Arm Assembly
4	807E21400	Gear (Z31)
5	059K55111	Eject Roller
6	807E21380	Gear (Z72)
7	807E21391	Gear (Z18)
8	120E29772	Actuator
9	006K86731	Set Clamp Shaft Assembly (REP 23.20)
10	-	Spring (P/O PL 23.9 Item 9)
11	-	Set Clamp Holder (P/O PL 23.9 Item 9)
12	-	Shaft (P/O PL 23.9 Item 9)
13	809E79060	Spring
14	809E79080	Spring
15	006K86741	Guide Paper Shaft Assembly
16	-	Guide Paper Shaft (P/O PL 23.9 Item 15)
17	-	Gear (20T) (P/O PL 23.9 Item 15)
18	-	Shaft (Not Spared)
19	807E21420	Gear (Z19)
20	807E21370	Gear (Z25)
21	038E36490	Paper Guide (Left/Right) (REP 23.21)
22	005E25820	Clutch
23	807E21970	Gear (Z23)
24	-	Stopper (Not Spared)
25	-	Bracket (Front) (Not Spared)
26	-	Bracket (Rear) (Not Spared)
27	-	Option Switch Assembly (Not Spared)
28	-	Bracket (P/O PL 23.9 Item 27)
29	-	Option Switch (P/O PL 23.9 Item 27)
30	413W77559	Sleeve Bearing
31	413W11860	Bearing
32	-	Clamp Arm (P/O PL 23.9 Item 3)
33	-	Roll (P/O PL 23.9 Item 3)
34	-	Shaft (P/O PL 23.9 Item 3)



s7800-186

PL 23.10 Finisher Eject (2 of 5)

Item	Part	Description
1	848E15291	Open Cover
2	—	Top Cover Lever (P/O PL 23.10 Item 31)
3	—	Top Cover Latch (P/O PL 23.10 Item 31)
4	—	Shaft (P/O PL 23.10 Item 31)
5	809E79031	Spring
6	848E15303	Eject Cover (REP 23.22)
7	054K35301	Eject Chute
8	121K41632	Sub Paddle Solenoid Assembly (REP 23.23)
9	—	Bracket (P/O PL 23.10 Item 8)
10	—	Damper (P/O PL 23.10 Item 8)
11	—	Sub Paddle Solenoid (SOL12-013) (P/O PL 23.10 Item 8)
12	059K55721	Eject Roller Assembly
13	031K93770	Paddle Arm Assembly
14	—	Sub Paddle Arm (P/O PL 23.10 Item 13)
15	—	Belt (P/O PL 23.10 Item 13)
16	—	Sub Paddle (P/O PL 23.10 Item 13)
17	—	Pulley (P/O PL 23.10 Item 13)
18	—	Pulley (P/O PL 23.10 Item 13)
19	—	Gear/Pulley (31T/20T) (P/O PL 23.10 Item 12)
20	—	Eject Pinch Roller Assembly (Not Spared)
21	—	Bearing (P/O PL 23.10 Item 20)
22	—	Eject Pinch Roller (P/O PL 23.10 Item 12)
23	—	Bracket (P/O PL 23.10 Item 20)
24	—	Shaft (P/O PL 23.10 Item 12)
25	—	Spring (Not Spared)
26	—	Bracket (P/O PL 23.10 Item 12)
27	—	Spring (Not Spared)
28	—	Eject Drive Shaft (Not Spared)
29	—	Bearing (Not Spared)
30	—	Bearing (Not Spared)
31	—	Eject Cover Assembly (Not Spared)
32	—	Eject Eliminator (P/O PL 23.10 Item 20)

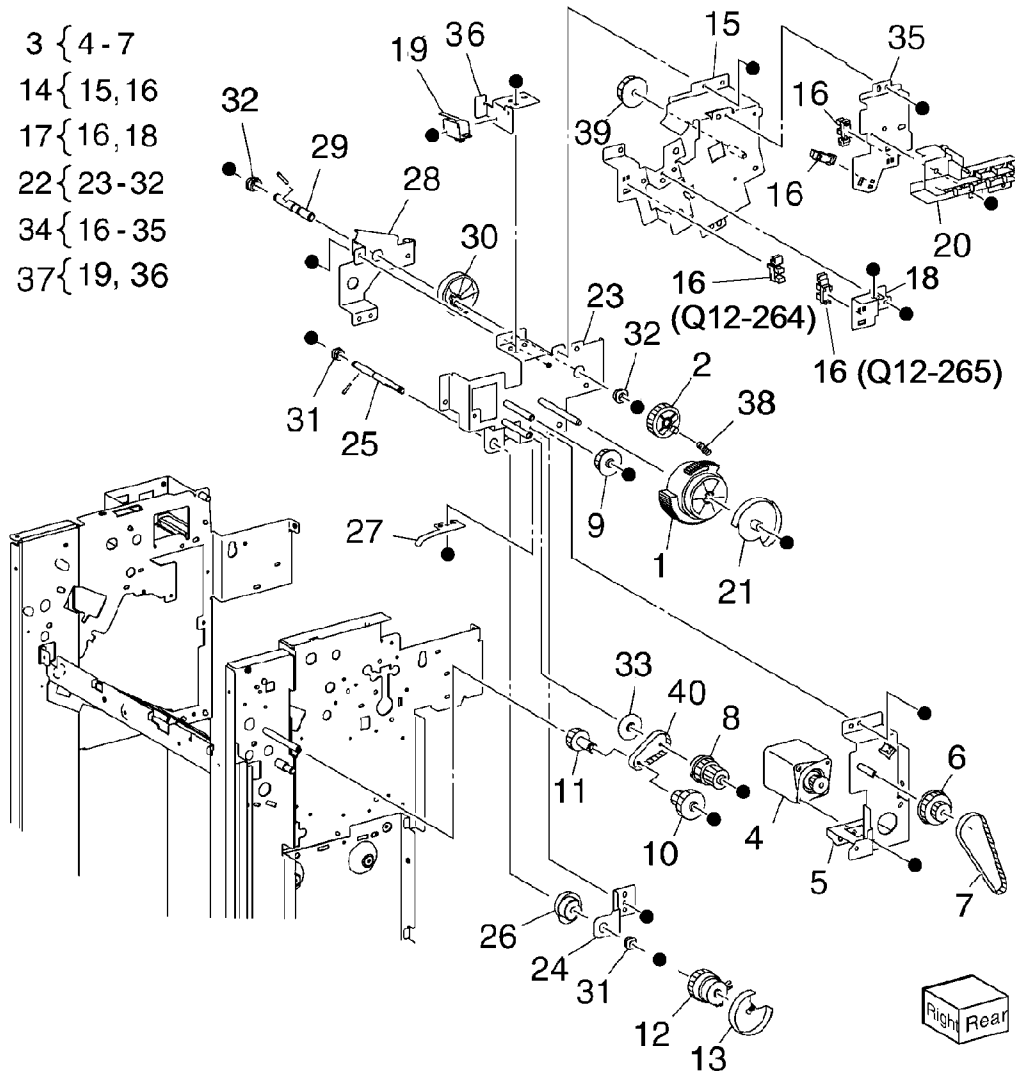


8 { 9 - 11
 12 { 13 - 26
 13 { 14 - 18
 20 { 21 - 23, 32
 31 { 1 - 8, 12, 13

s7800-187

PL 23.11 Finisher Eject (3 of 5)

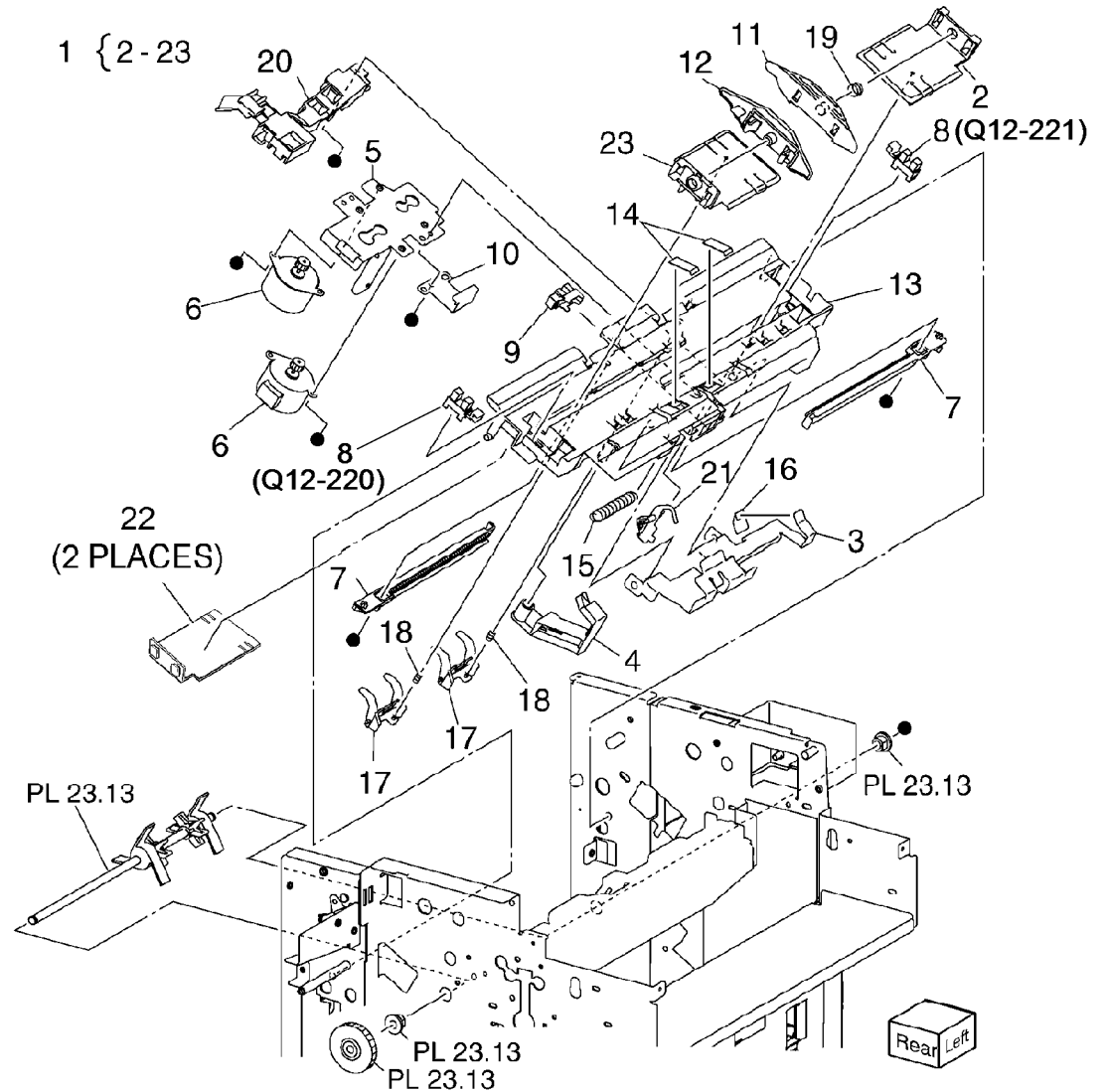
Item	Part	Description
1	807E20931	Gear (Z82/Z77/Z51)
2	807E20940	Gear (Z38)
3	-	Eject Motor Assembly (Not Spared) (REP 23.24)
4	127K53140	Eject Motor (MOT12-054) (REP 23.24)
5	-	Bracket (P/O PL 23.11 Item 3)
6	807E22030	Gear/Pulley (Z20/T49)
7	423W31054	Belt
8	807E21330	Gear (Z28/Z22/T38)
9	807E21340	Gear (Z25)
10	807E21350	Gear/Pulley (Z32L/T25)
11	807E21360	Gear (Z23L)
12	121K34631	Set Clamp Clutch (Z34) (MOT12-050)
13	120E29591	Set Clamp Cam Actuator
14	130K72170	Stacker Height Sensor 1 Assembly (REP 23.25)
15	-	Bracket (P/O PL 23.11 Item 14)
16	-	Stacker Height Sensor 1 (Q12-264)/Stacker Height Sensor 2 (Q12-265) (REP 23.25) Eject Clamp Home Sensor (Q12-250)/Set Clamp Home Sensor (Q12-251) (REP 23.25)
17	130K72180	Stacker Height Sensor 2 Assembly (REP 23.25)
18	-	Bracket (P/O PL 23.11 Item 17)
19	-	Eject Cover Switch (S12-300) (P/O PL 23.11 Item 37)
20	-	Harness Guide (Not Spared)
21	120E29851	Gear Select Actuator
22	068K58731	Eject Drive Bracket Assembly
23	-	Bracket (P/O PL 23.11 Item 22)
24	-	Bracket (P/O PL 23.11 Item 22)
25	-	Shaft (P/O PL 23.11 Item 22)
26	-	Clamp Set Cam (P/O PL 23.11 Item 22)
27	-	Spring (P/O PL 23.11 Item 22)
28	-	Bracket (P/O PL 23.11 Item 22)
29	-	Shaft (P/O PL 23.11 Item 22)
30	-	Eject Clamp Cam (P/O PL 23.11 Item 22)
31	-	Sleeve Bearing (P/O PL 23.11 Item 22)
32	-	Sleeve Bearing (P/O PL 23.11 Item 22)
33	-	Drive Eject Flange (P/O PL 23.11 Item 34)
34	130K72190	Eject Clamp Home Sensor Assembly
35	-	Bracket (P/O PL 23.11 Item 34)
36	-	Bracket (P/O PL 23.11 Item 37)
37	068K58741	Eject Cover Switch Assembly
38	809E79820	Spring
39	807E22040	Gear (Z30)
40	-	Belt (Not Spared)



s7800-188

PL 23.12 Finisher Eject (4 of 5)

Item	Part	Description
1	050K61091	Compiler Tray Assembly (REP 23.26)
2	-	Tamper Guide, Rear (P/O PL 23.12 Item 1)
3	-	Compile Center Paper Guide (P/O PL 23.12 Item 1)
4	-	Compile Rear Paper Guide (P/O PL 23.12 Item 1)
5	-	Bracket (P/O PL 23.12 Item 1)
6	-	Front /Rear Tamper Motor (P/O PL 23.12 Item 1) (REP 23.27)
7	-	Rack (Front) (P/O PL 23.12 Item 1)
8	-	Front Tamper Home Sensor (Q12-220)/ Rear Tamper Home Sensor (Q12-221) (P/O PL 23.12 Item 1) (REP 23.28)
9	-	Compile Tray No Paper Sensor (Q12-151) (P/O PL 23.12 Item 1) (REP 23.29)
10	-	Spring (P/O PL 23.12 Item 1)
11	-	Tamper Front Guide (P/O PL 23.12 Item 1)
12	-	Tamper Rear Guide (P/O PL 23.12 Item 1)
13	-	Compile Tray (P/O PL 23.12 Item 1)
14	-	Paper Paddle Guide (P/O PL 23.12 Item 1)
15	-	Spring (P/O PL 23.12 Item 1)
16	-	Paper End Guide (P/O PL 23.12 Item 1)
17	-	Paper Tray Guide (P/O PL 23.12 Item 1)
18	-	Spring (P/O PL 23.12 Item 1)
19	-	Spring (P/O PL 23.12 Item 1)
20	-	Harness Guide (P/O PL 23.12 Item 1)
21	-	Actuator (P/O PL 23.12 Item 1)
22	-	Tamper Base (P/O PL 23.12 Item 1)
23	-	Tamper Guide, Front (P/O PL 23.12 Item 1)

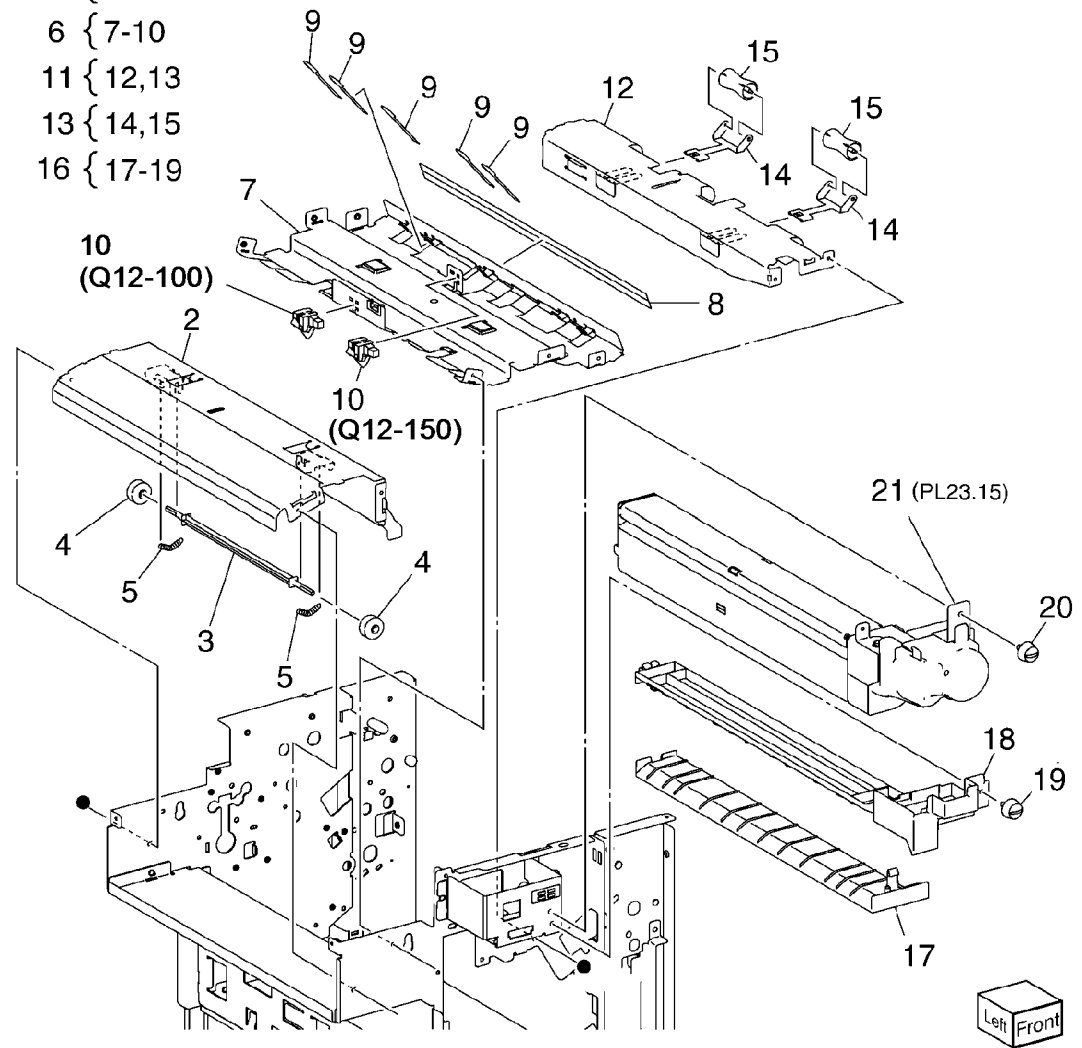


s7800-189

PL 23.14 Finisher Exit/Folder Assembly

Item	Part	Description
1	-	Lower Chute Assembly (Not Spared)
2	-	Lower Chute (P/O PL 23.14 Item 1)
3	-	Shaft (P/O PL 23.14 Item 1)
4	-	Pinch Roll (P/O PL 23.14 Item 1)
5	-	Spring (P/O PL 23.14 Item 1)
6	054K35540	Exit Upper Chute Assembly
7	-	Exit Upper Chute (P/O PL 23.14 Item 6)
8	-	Static Eliminator (P/O PL 23.14 Item 6)
9	-	Paper Guide (P/O PL 23.14 Item 6)
10	-	Compile Exit Sensor (Q12-150) / Finisher Entrance Sensor (Q12-100) (P/O PL 23.14 Item 6)
11	054K35559	Exit Lower Chute Assembly
12	-	Exit Lower Chute (P/O PL 23.14 Item 11)
13	-	Pinch Roll Assembly (P/O PL 23.14 Item 11)
14	-	Spring (P/O PL 23.14 Item 13)
15	-	Pinch Roll (P/O PL 23.14 Item 13)
16	695K18691	Chute Assembly (REP 23.32)
17	-	Lower Chute (P/O PL 23.14 Item 16)
18	-	Upper Chute (P/O PL 23.14 Item 16)
19	-	Thumb Screw (P/O PL 23.14 Item 16)
20	-	Not Used
21	-	Crease Assembly (option) (Not Spared) (REP 23.33)

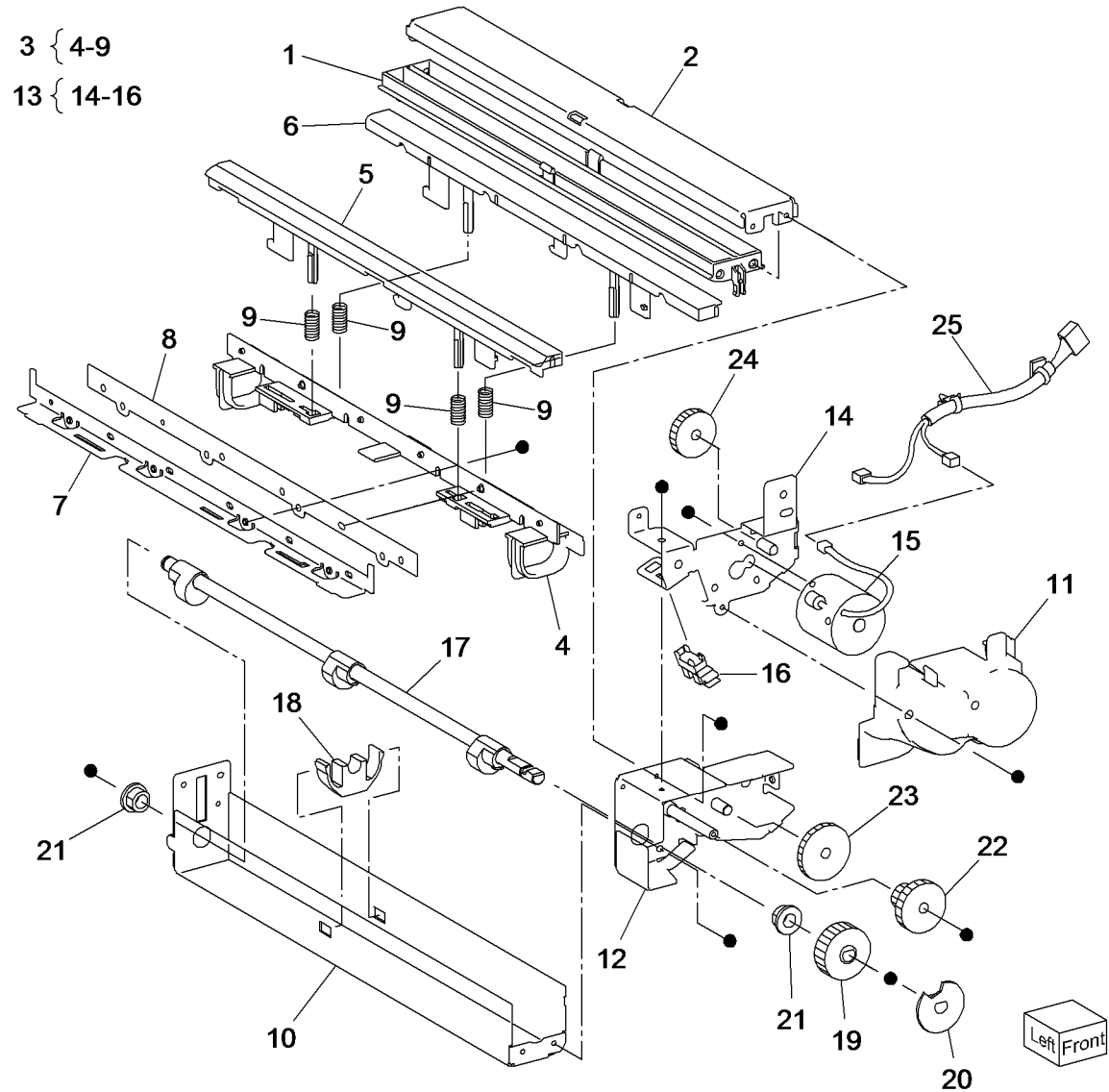
- 1 { 2-5
- 6 { 7-10
- 11 { 12,13
- 13 { 14,15
- 16 { 17-19



s7800-191

PL 23.15 Folder Assembly

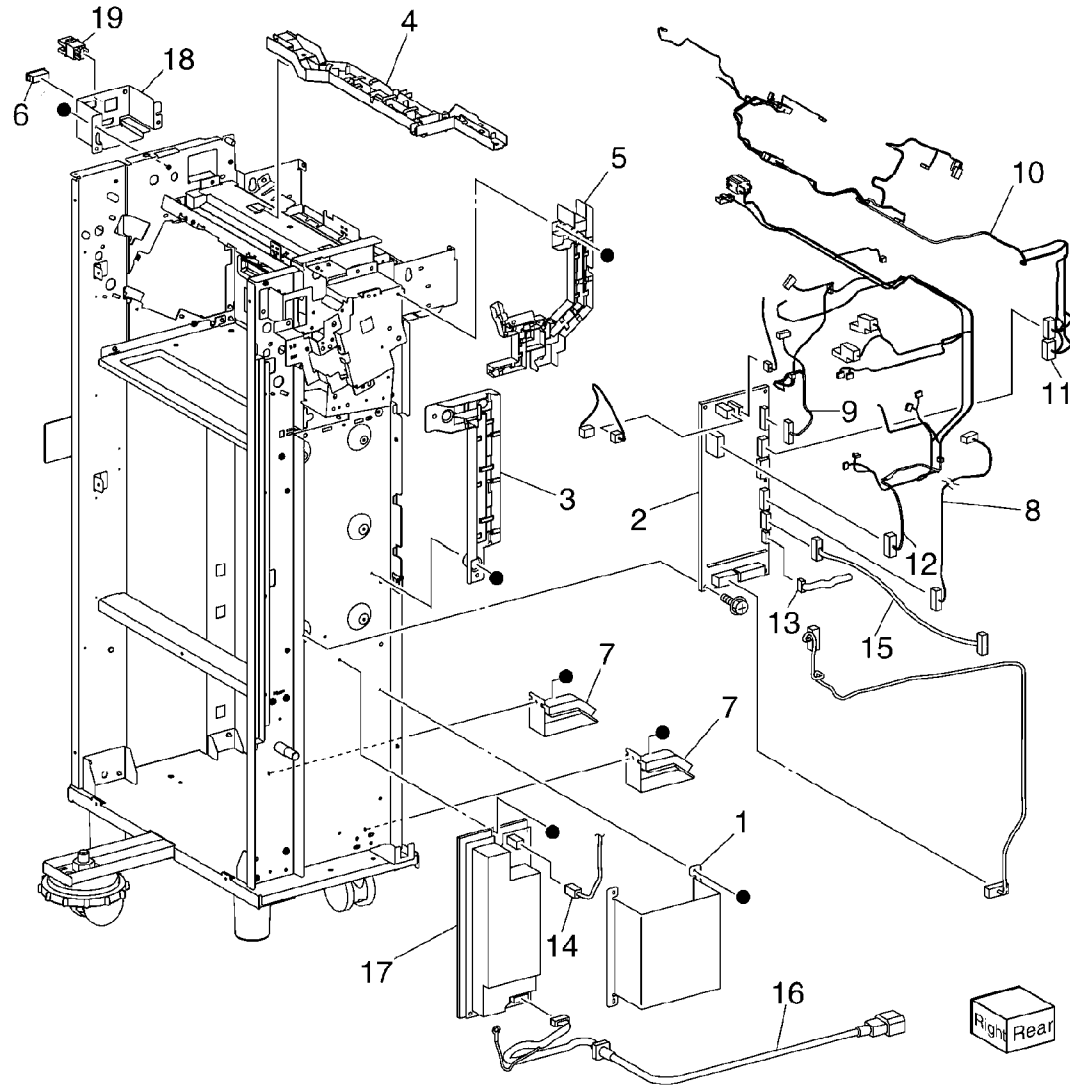
Item	Part	Description
1	-	Upper Chute (P/O PL 23.14 Item 21)
2	-	Upper Plate (P/O PL 23.14 Item 21)
3	-	Knife Assembly (P/O PL 23.14 Item 21)
4	-	Blade Holder (P/O PL 23.15 Item 3)
5	-	Lower Holder 1 (P/O PL 23.15 Item 3)
6	-	Lower Holder 2 (P/O PL 23.15 Item 3)
7	-	Bracket (P/O PL 23.15 Item 3)
8	-	Blade (P/O PL 23.15 Item 3)
9	-	Spring (P/O PL 23.14 Item 2)
10	-	Base Frame (P/O PL 23.14 Item 21)
11	-	Front Cover (P/O PL 23.14 Item 21)
12	-	Bracket (P/O PL 23.14 Item 21)
13	-	Folder Knife Motor Assembly (P/O PL 23.14 Item 21)
14	-	Motor Bracket (P/O PL 23.15 Item 13)
15	-	Folder Knife Motor (MOT13-022) (P/O PL 23.15 Item 13)
16	-	Folder Home Sensor (Q13-160) (P/O PL 23.15 Item 13)
17	-	Cam Shaft Assembly (P/O PL 23.14 Item 21)
18	-	Guide (P/O PL 23.14 Item 21)
19	-	Gear (28T/8T) (P/O PL 23.14 Item 21)
20	-	Encoder (P/O PL 23.14 Item 21)
21	-	Bearing (P/O PL 23.14 Item 21)
22	-	Gear (12T/27T) (P/O PL 23.14 Item 21)
23	-	Gear (12T/30T) (P/O PL 23.14 Item 21)
24	-	Gear (12T/51T) (P/O PL 23.14 Item 21)
25	-	Wire harness (P/O PL 23.14 Item 21)



s7800-192

PL 23.16 Finisher Electrical

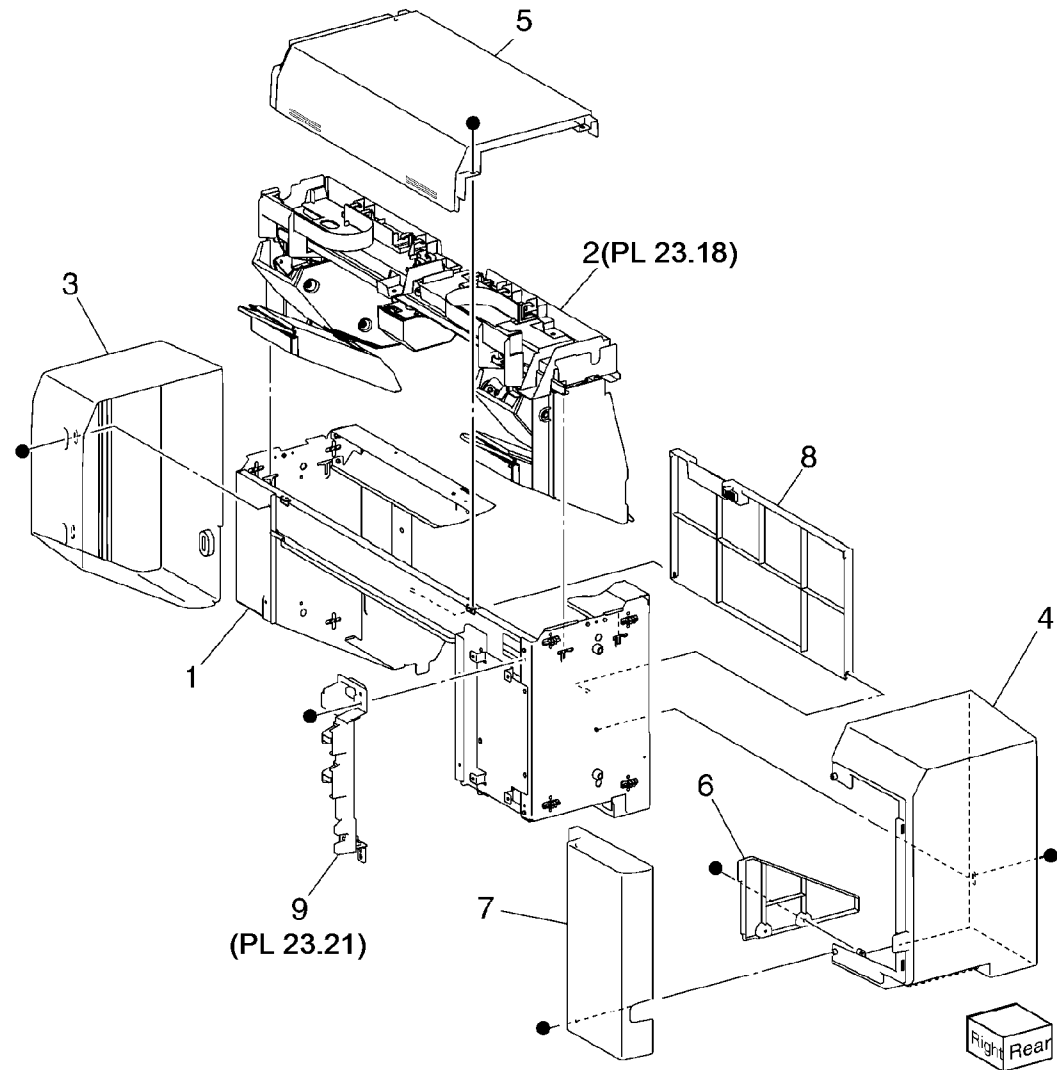
Item	Part	Description
1	-	LVPS Cover (Not Spared)
2	960K51447	Finisher Main PWB (REP 23.34)
3	-	Harness Guide (Not Spared)
4	-	Harness Guide (Not Spared)
5	-	Harness Guide (Not Spared)
6	-	Magnet (Not Spared)
7	815K04920	Gasket Plate Assembly
8	-	Wire Harness (Not Spared)
9	-	Wire Harness (Not Spared)
10	962K60481	Wire Harness
11	-	Wire Harness (Not Spared)
12	-	Wire Harness (Not Spared)
13	-	Wire Harness (Not Spared)
14	-	Wire Harness (Not Spared)
15	-	Wire Harness (Not Spared)
16	962K74540	Power Cable
17	105E17550	Finisher LVPS (REP 23.35)
18	-	Bracket (Not Spared)
19	110E97990	Finisher Front Door Interlock Switch (S14-302)



s7800-193

PL 23.17 Booklet Maker Covers

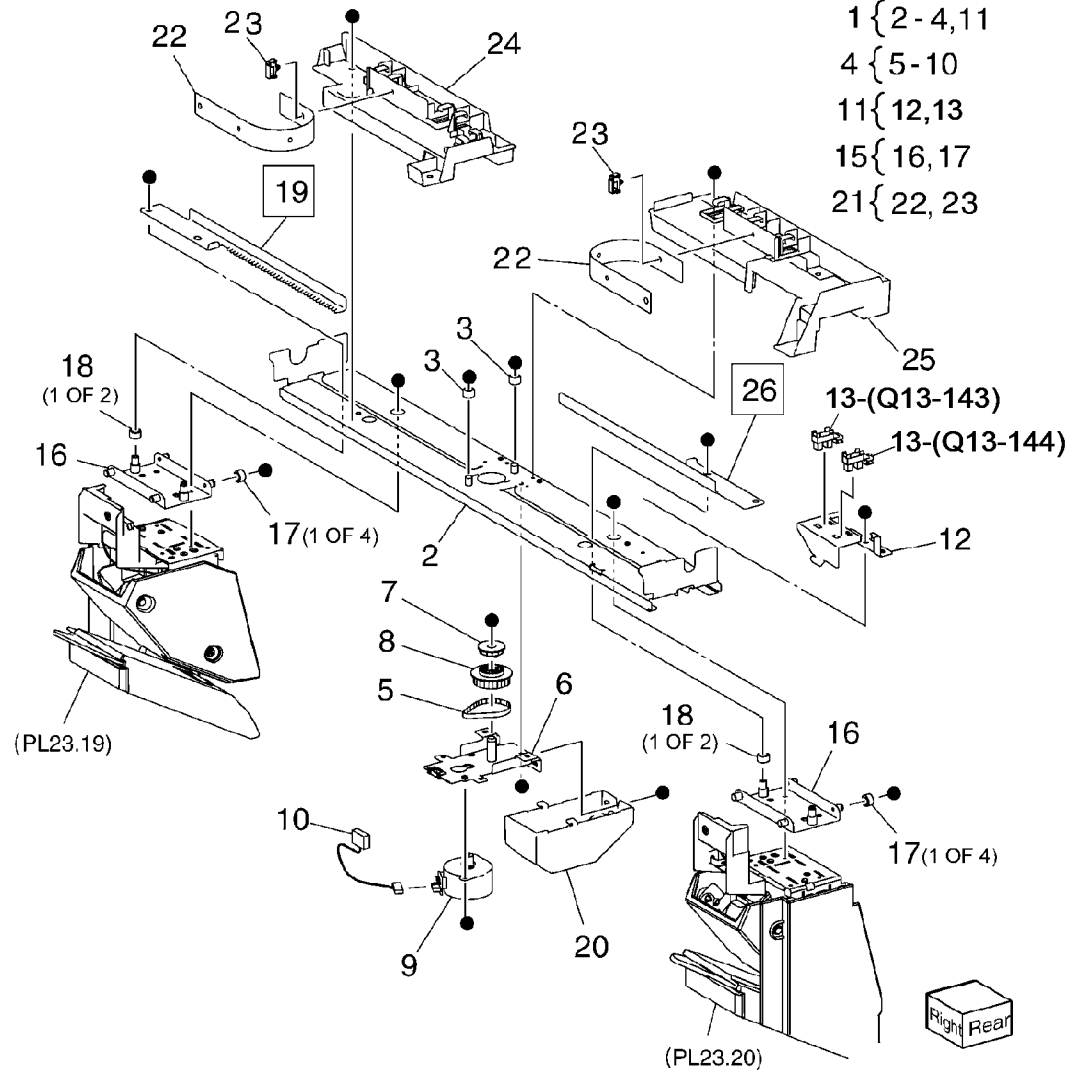
Item	Part	Description
1	–	Frame Assembly (Not Spared)
2	–	Booklet Stapler Assembly (Not Spared)
3	848E15333	Front Cover (REP 23.36)
4	–	Rear Cover (Not Spared) (REP 23.37)
5	–	Top Cover (Not Spared) (REP 23.38)
6	848E15350	Side Cover (REP 23.39)
7	848E15361	Rear PWB Cover (REP 23.40)
8	–	Left Cover (Not Spared) (REP 23.41)
9	–	Harness Guide (Not Spared)



s7800-194

PL 23.18 Booklet Stapler Assembly

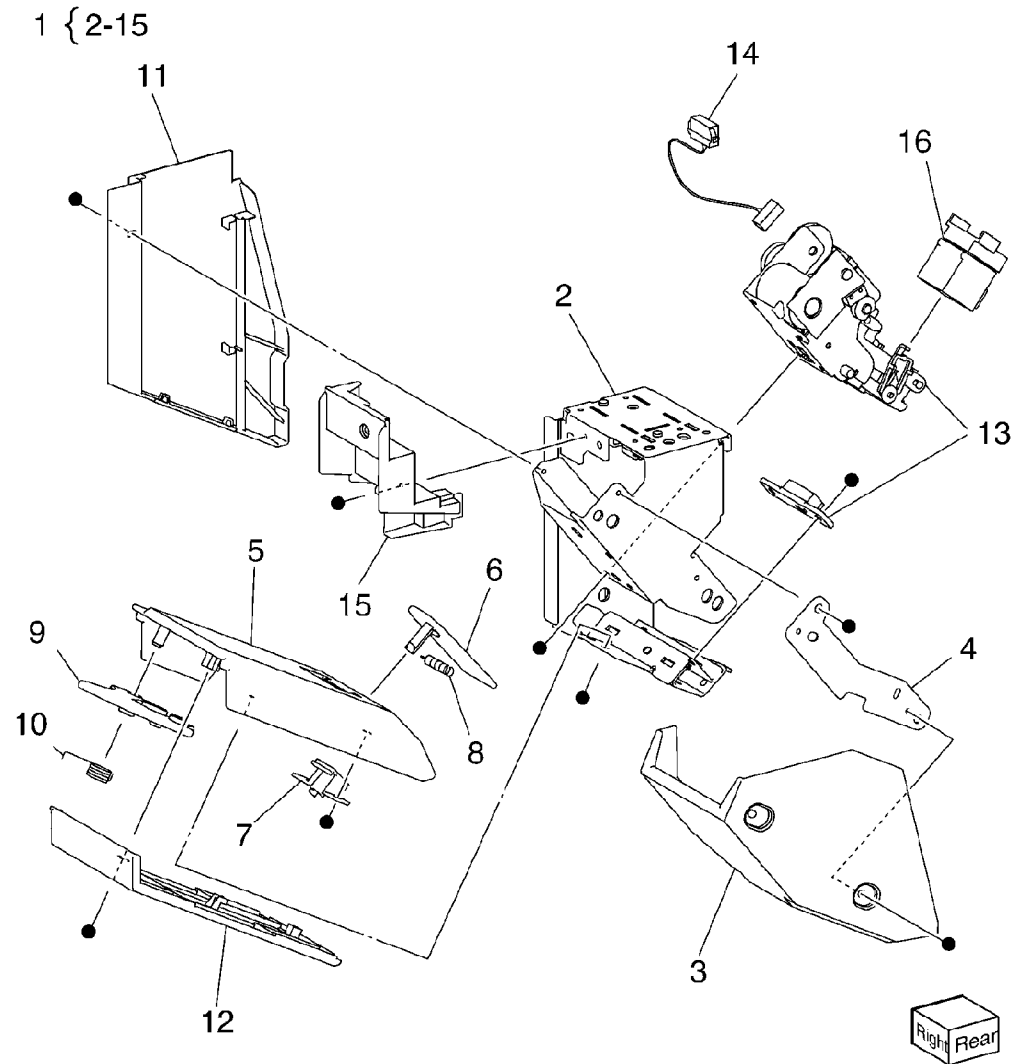
Item	Part	Description
1	-	Front Carriage Rail (Not Spared)
2	-	Frame (P/O PL 23.18 Item 1)
3	-	Core (P/O PL 23.18 Item 1)
4	127K57051	Booklet Stapler Move Motor Assembly (REP 23.42)
5	-	Belt (P/O PL 23.18 Item 4)
6	-	Bracket (P/O PL 23.18 Item 4)
7	-	Gear (12T) (P/O PL 23.18 Item 4)
8	-	Pulley (50T) (P/O PL 23.18 Item 4)
9	-	Booklet Stapler Move Motor (MOT13-028)
10	-	Wire Harness (P/O PL 23.18 Item 4)
11	-	Sensor Bracket Assembly (P/O PL 23.18 Item 1)
12	-	Sensor Bracket (P/O PL 23.18 Item 1)
13	-	Booklet Stapler Move Home Sensor (Q13-143)/Booklet Stapler Move Position Home Sensor (Q13-144)
14	-	Not Used
15	-	Carriage Assembly (Not Spared)
16	-	Carriage (P/O PL 23.18 Item 15)
17	-	Core (P/O PL 23.18 Item 15)
18	-	Core (Not Spared)
19	-	Left Rear Rack (Not Spared) (REP 23.43)
20	848E15400	Motor Cover
21	032K05222	Harness Guide Assembly
22	-	Harness Strap (P/O PL 23.18 Item 21)
23	-	Locking Clamp (P/O PL 23.18 Item 21)
24	-	Harness Guide (front) (Not Spared)
25	-	Harness Guide (rear) (Not Spared)
26	-	Right Rear Rack (Not Spared) (REP 23.43)



s7800-195

PL 23.19 Booklet Front Stapler Assembly

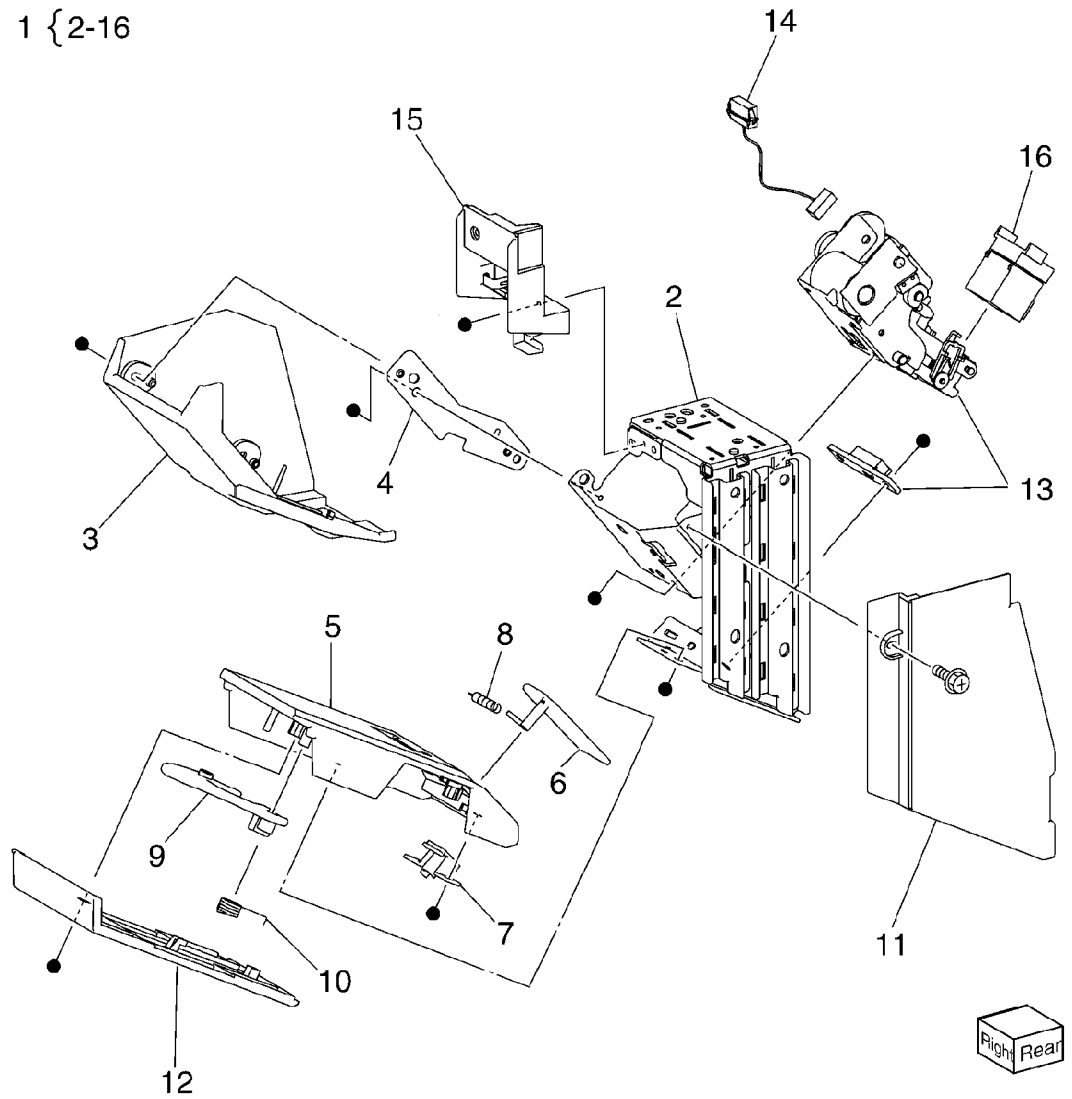
Item	Part	Description
1	-	Booklet Front Stapler Assembly (REP 23.44)
2	-	Bracket (P/O PL 23.19 Item 1)
3	-	Rear Cover (P/O PL 23.19 Item 1)
4	-	Bracket (P/O PL 23.19 Item 1)
5	-	Lower Chute (P/O PL 23.19 Item 1)
6	-	Sub Chute (P/O PL 23.19 Item 1)
7	-	Support (P/O PL 23.19 Item 1)
8	-	Spring (P/O PL 23.19 Item 1)
9	-	Exit Sub Chute (P/O PL 23.19 Item 1)
10	-	Spring (P/O PL 23.19 Item 1)
11	-	Front Cover (P/O PL 23.19 Item 1)
12	-	Lower Cover (P/O PL 23.19 Item 1)
13	-	Booklet Stapler Assembly (P/O PL 23.19 Item 1)
14	-	Wire Harness (P/O PL 23.19 Item 1)
15	-	Guide (P/O PL 23.19 Item 1)
16	-	Booklet Staple Cassette Assembly (Not Spared)



s7800-196

PL 23.20 Booklet Rear Stapler Assembly

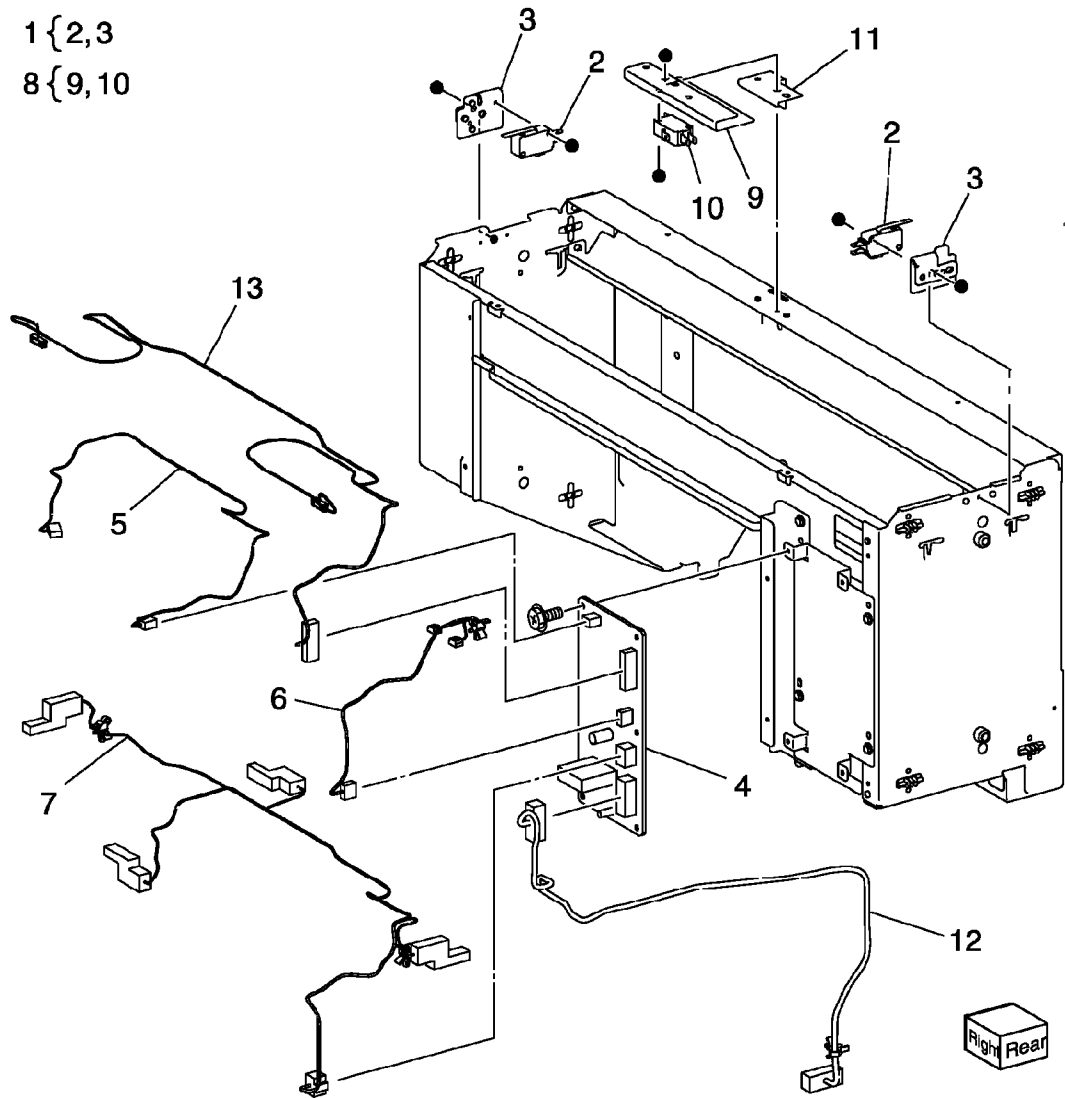
Item	Part	Description
1	029K92500	Booklet Rear Stapler Assembly (REP 23.44)
2	-	Bracket (P/O PL 23.20 Item 1)
3	-	Rear Cover (P/O PL 23.20 Item 1)
4	-	Bracket (P/O PL 23.20 Item 1)
5	-	Chute (P/O PL 23.20 Item 1)
6	-	Sub Chute (P/O PL 23.20 Item 1)
7	-	Support (P/O PL 23.20 Item 1)
8	-	Spring (P/O PL 23.20 Item 1)
9	-	Sub Chute (P/O PL 23.20 Item 1)
10	-	Spring (P/O PL 23.20 Item 1)
11	-	Front Cover (P/O PL 23.20 Item 1)
12	-	Lower Cover (P/O PL 23.20 Item 1)
13	-	Booklet Stapler Assembly (P/O PL 23.20 Item 1)
14	-	Wire Harness (P/O PL 23.20 Item 1)
15	-	Guide (P/O PL 23.20 Item 1)
16	-	Booklet Staple Cassette Assembly (P/O PL 23.20 Item 1)



s7800-197

PL 23.21 Booklet Electrical

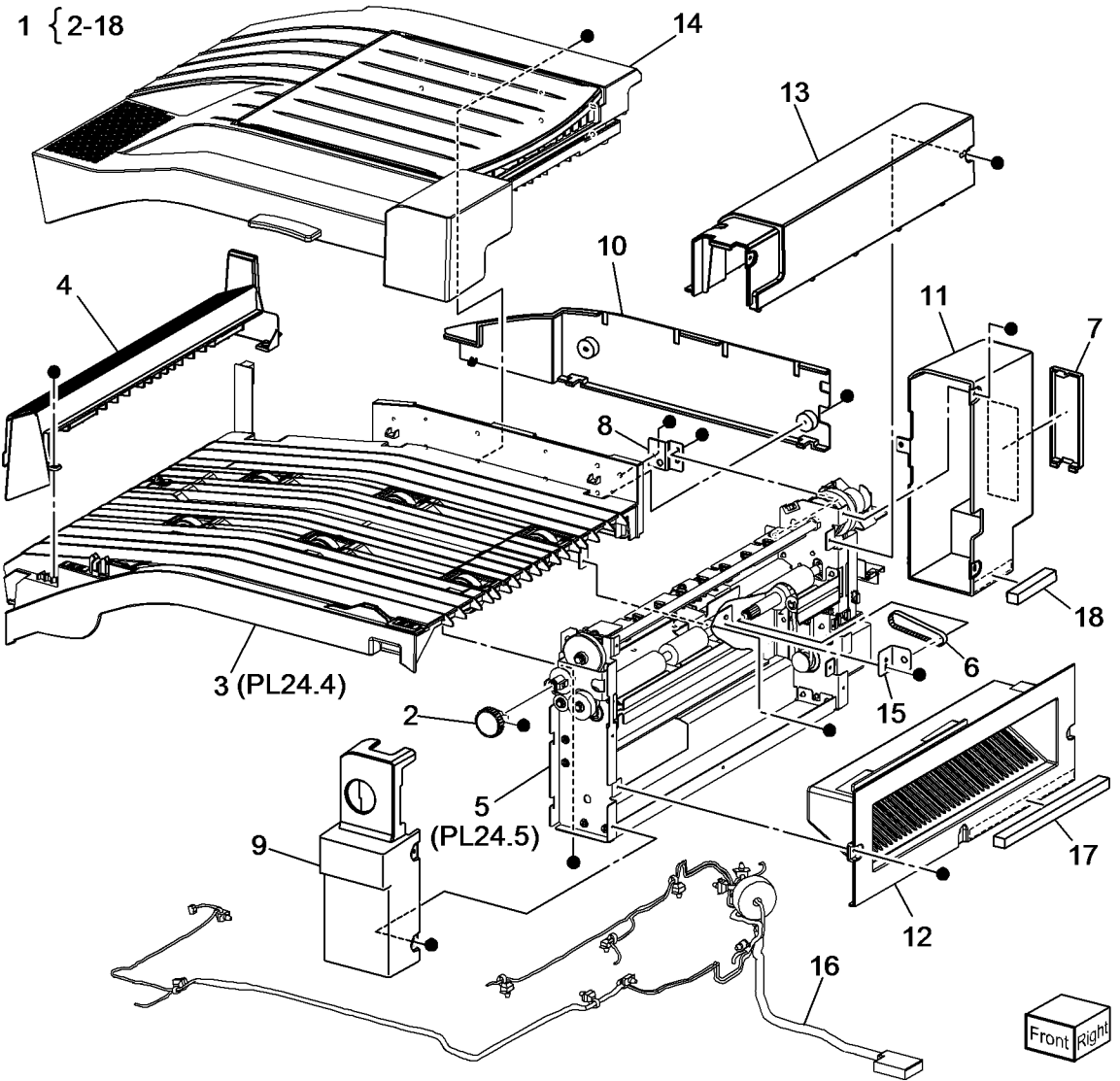
Item	Part	Description
1	068K58350	Booklet Stapler Front Safety Switch Assembly
2	—	Booklet Stapler Front Safety Switch (S13-301) (P/O PL 23.21 Item 1)
3	—	Bracket (P/O PL 23.21 Item 1)
4	960K32543	Booklet Maker PWB (REP 23.46)
5	—	Wire Harness (Not Spared) (REP 23.45)
6	—	Wire Harness (Not Spared) (REP 23.45)
7	—	Wire Harness (Not Spared) (REP 23.45)
8	—	Booklet Stapler Cover Switch Assembly (Not Spared)
9	—	Bracket (P/O PL 23.21 Item 8)
10	—	Booklet Stapler Cover Switch (S13-300) (P/O PL 23.21 Item 8)
11	—	Plate (Not Spared)
12	962K60533	Wire Harness (REP 23.45)
13	962K60540	Wire Harness (REP 23.45)



s7800-198

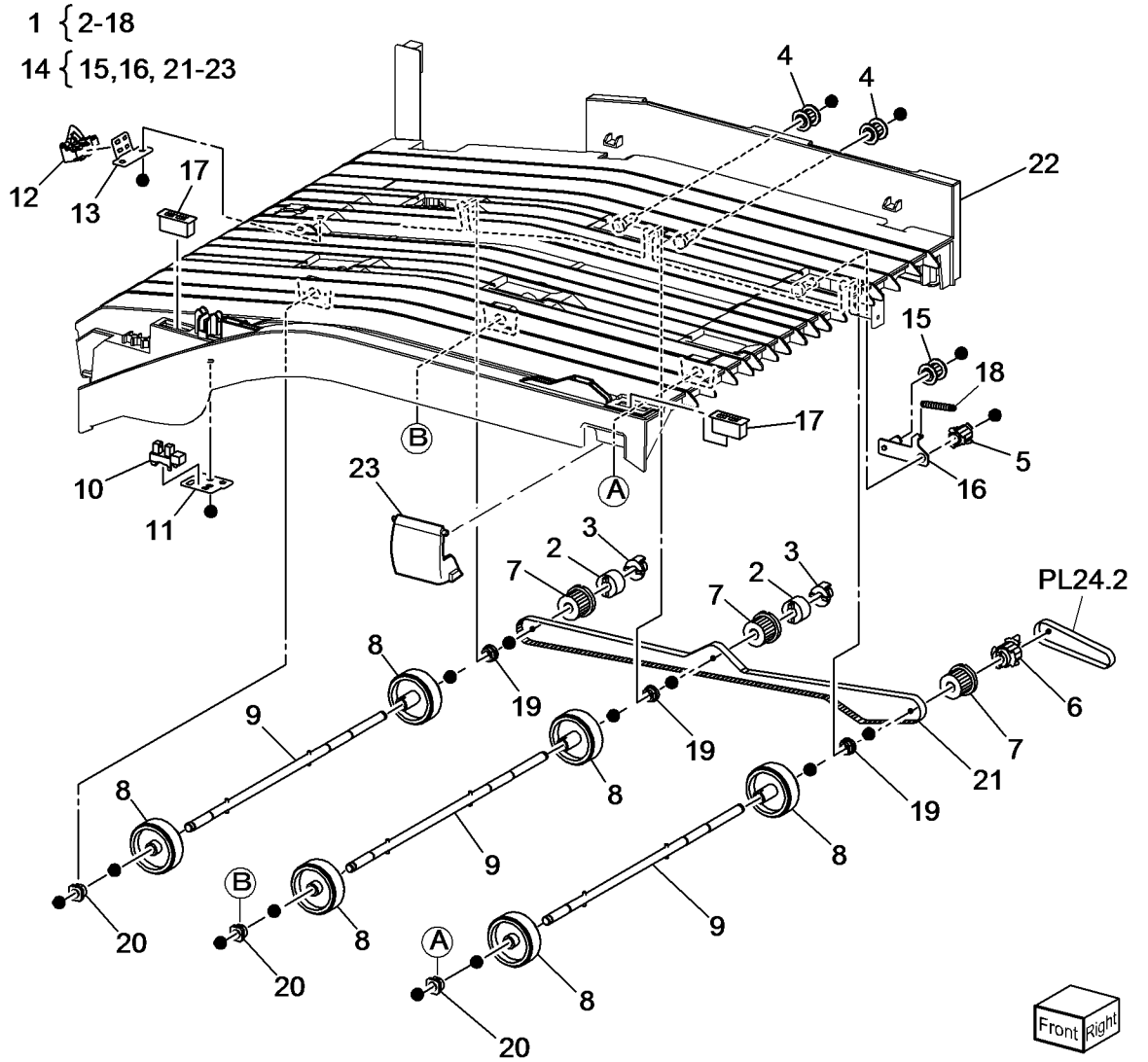
PL 24.2 H-Transport Assembly (1 of 4)

Item	Part	Description
1	059K73300	H-Transport Assembly (REP 24.1)
2	-	Knob
3	-	Lower Chute Assembly (P/O PL 24.2 Item 1)
4	-	Left Upper Chute Assembly (P/O PL 24.2 Item 1)
5	-	Dec Transport Assembly (P/O PL 24.2 Item 1)
6	-	Belt (P/O PL 24.2 Item 1)
7	-	Connector Cover (P/O PL 24.2 Item 1)
8	-	Bracket (P/O PL 24.2 Item 1)
9	-	Decurler Front Cover (REP 24.2)
10	-	Rear Cover (REP 24.3)
11	-	Decurler Rear Cover (REP 24.4)
12	-	Decurler Right Hand Cover (REP 24.5)
13	-	Decurler Top Cover (REP 24.6)
14	-	Top Cover Assembly (P/O PL 24.2 Item 1) (REP 24.7)
15	-	Stud Bracket (P/O PL 24.2 Item 1)
16	-	Wire Harness (P/O PL 24.2 Item 1)
17	-	Shield (P/O PL 24.2 Item 1)
18	-	Shield (P/O PL 24.2 Item 1)



PL 24.4 H-Transport Assembly (2 of 4)

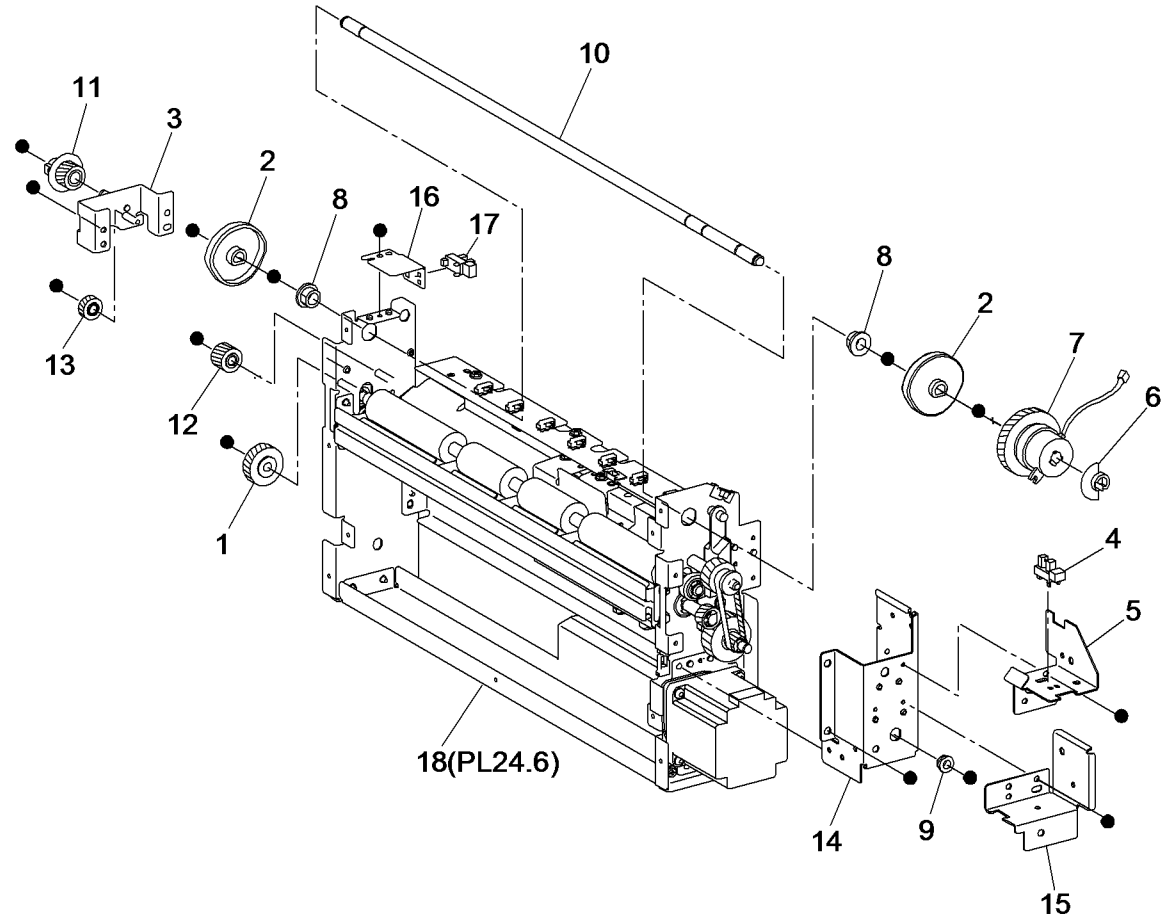
Item	Part	Description
1	-	Lower Chute Assembly
2	-	Clutch (P/O PL 24.4 Item 1)
3	-	Joint (P/O PL 24.4 Item 1)
4	-	Pulley (P/O PL 24.4 Item 1)
5	-	Pulley (P/O PL 24.4 Item 1)
6	-	Pulley (P/O PL 24.4 Item 1)
7	-	Pulley (P/O PL 24.4 Item 1)
8	-	Roll Assembly (P/O PL 24.4 Item 1) (REP 24.8)
9	-	Roll Shaft Assembly (P/O PL 24.4 Item 1)
10	130K70160	H-Transport Interlock Sensor (Q12-303) (REP 24.9)
11	-	Sensor Bracket (P/O PL 24.4 Item 1)
12	-	H-Transport Entrance Sensor (Q12-190) (P/O PL 24.4 Item 1)
13	-	Sensor Bracket (P/O PL 24.4 Item 1)
14	-	Tension Bracket Assembly (P/O PL 24.4 Item 1)
15	-	Pulley (P/O PL 24.4 Item 1)
16	-	Tension Bracket (P/O PL 24.4 Item 14)
17	-	Magnet (P/O PL 24.4 Item 1)
18	-	Spring (P/O PL 24.4 Item 1)
19	-	Bearing (Not Spared)
20	-	Sleeve Bearing (Not Spared)
21	-	H-Transport Drive Belt (P/O PL 24.4 Item 1) (REP 24.10)
22	-	Lower Chute (P/O PL 24.4 Item 1)
23	-	Cover (P/O PL 24.4 Item 1)



s7800-200

PL 24.5 H-Transport Assembly (3 of 4)

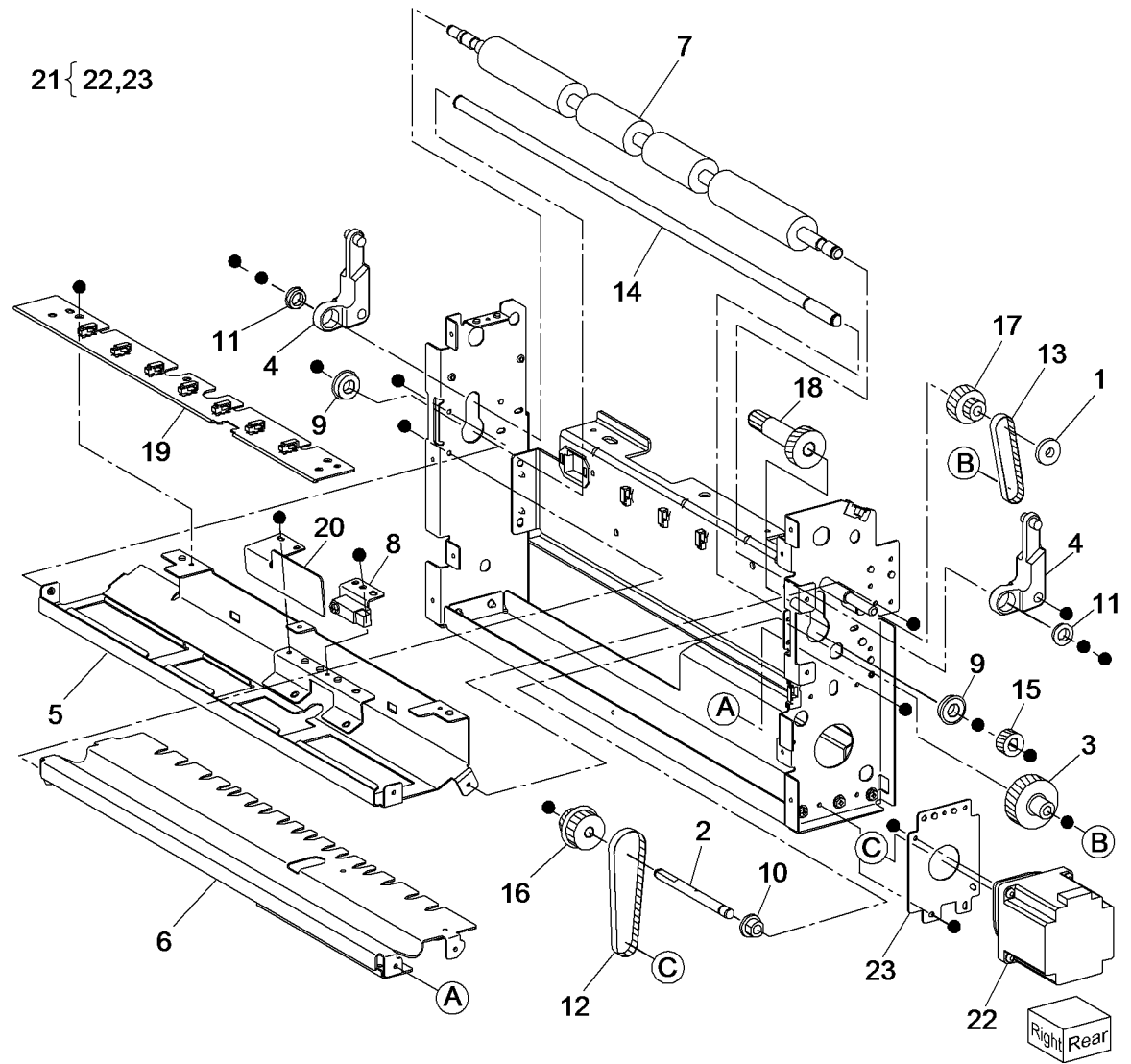
Item	Part	Description
1	—	One Way Gear Assembly (30T) (Not Spared)
2	—	Decurler Cam (Not Spared)
3	—	Bracket (Not Spared)
4	—	Decurler Cam Home Sensor (Not Spared)
5	—	Sensor Bracket (Not Spared)
6	—	Actuator (Not Spared)
7	121K41980	Decurler Cam Clutch (REP 24.11)
8	—	Bearing (Not Spared)
9	—	Bearing (Not Spared)
10	—	Shaft (Not Spared)
11	—	Knob gear (18T) (Not Spared)
12	—	Gear (18T) (Not Spared)
13	—	Gear (16T) (Not Spared)
14	—	Bracket (Not Spared)
15	—	Harness Bracket (Not Spared)
16	—	Sensor Bracket (Not Spared)
17	130K70160	Decurler Front Cover Interlock Sensor (REP 24.9)
18	—	Decurler Frame Assembly (Not Spared)



s7800-201

PL 24.6 H-Transport Assembly (4 of 4)

Item	Part	Description
1	-	Collar (Not Spared)
2	-	Shaft (Not Spared)
3	-	Gear (36T/18T) (Not Spared)
4	-	Arm (Not Spared)
5	-	Decurler Upper Chute Assembly (Not Spared)
6	-	Decurler Lower Chute Assembly (Not Spared)
7	-	Decurler Roll Assembly (Not Spared)
8	068K58501	H-Transport Exit Sensor (Q12-191) (REP 24.12)
9	-	Bearing (Not Spared)
10	-	Bearing (Not Spared)
11	-	Bearing (Not Spared)
12	-	Belt (Not Spared)
13	-	Belt (Not Spared)
14	-	Shaft (Not Spared)
15	-	Gear (16T) (Not Spared)
16	-	Gear (18T/36T) (Not Spared)
17	-	Gear (24T/20T) (Not Spared)
18	-	Gear (27T/18T) (Not Spared)
19	-	Harness Bracket (Not Spared)
20	-	Decurler Shield (Not Spared)
21	127K57061	H-Transport Motor Assembly (REP 24.13)
22	-	H-Transport Motor (MOT12-090) (P/O PL 24.6 Item 21)
23	-	Plate (P/O PL 24.6 Item 21)

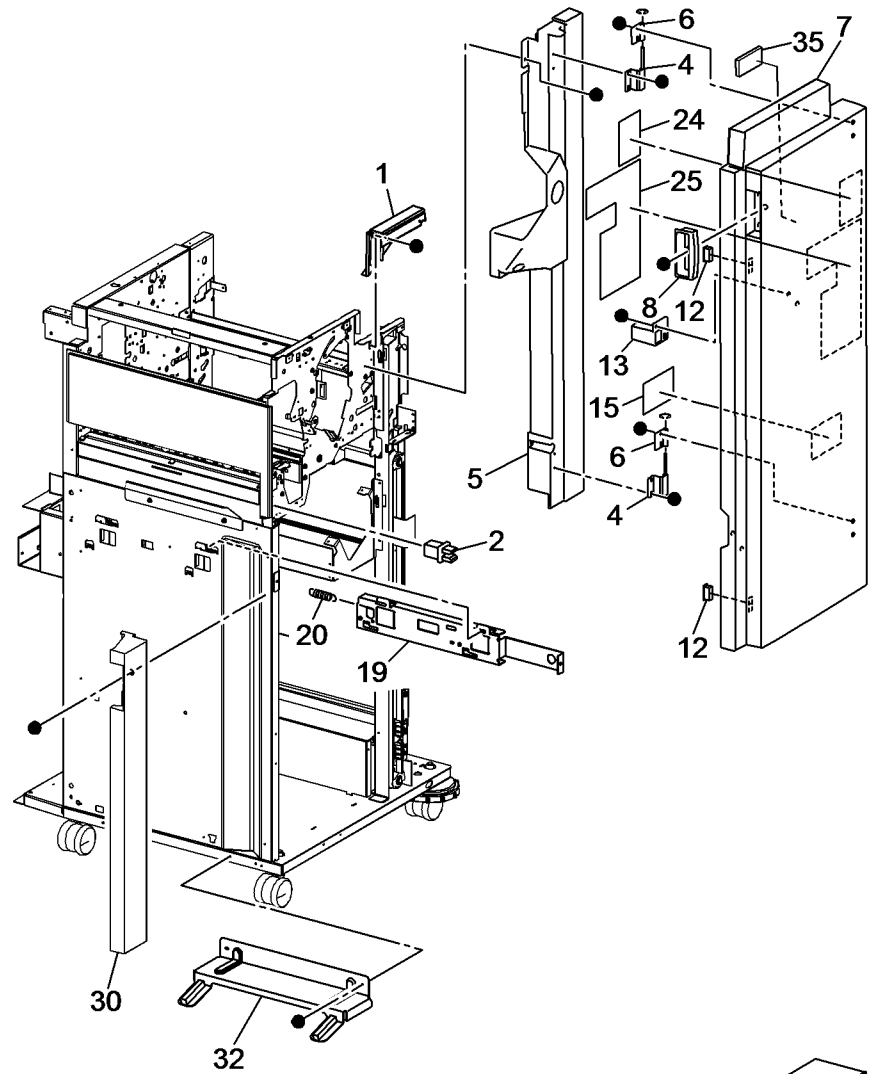
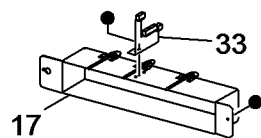


s7800-202

PL 24.11 Covers (1 of 2)

Item	Part	Description
1	-	Front Top Cover (Not Spared) (REP 24.15)
2	-	Finisher Front Door Interlock Switch (Q12-302) (Not Spared) (REP 24.16)
3	848K37492	Front Door Assembly (REP 24.19)
4	-	Bracket (P/O PL 24.11 Item 3)
5	-	Front Right Inner Cover (P/O PL 24.11 Item 3) (REP 24.17)
6	-	Bracket (P/O PL 24.11 Item 3)
7	-	Front Door (P/O PL 24.11 Item 3)
8	-	Handle (P/O PL 24.11 Item 3)
9	-	Not Used
10	-	Not Used
11	-	Not Used
12	-	Magnet (P/O PL 24.11 Item 3)
13	-	Stopper (P/O PL 24.11 Item 3)
14	-	Not Used
15	-	Label (Booklet)
16	-	Not Used
17	015K78071	IOT Docking Plate (REP 24.18)
18	-	Not Used
19	-	Docking Plate (Not Spared)
20	-	Spring (Not Spared)
21	-	Not Used
22	-	Not Used
23	-	Not Used
24	-	Label (instruction) (Not Spared)
25	-	Label (instruction) (P/O PL 24.11 Item 3)
26	-	Not Used
27	-	Not Used
28	-	Not Used
29	-	Not Used
30	-	Front Cover
31	-	Not Used
32	015K78080	Bottom Plate
33	-	Shield Assembly (Not Spared)
34	-	Not Used
35	-	Baffle (Not Spared)

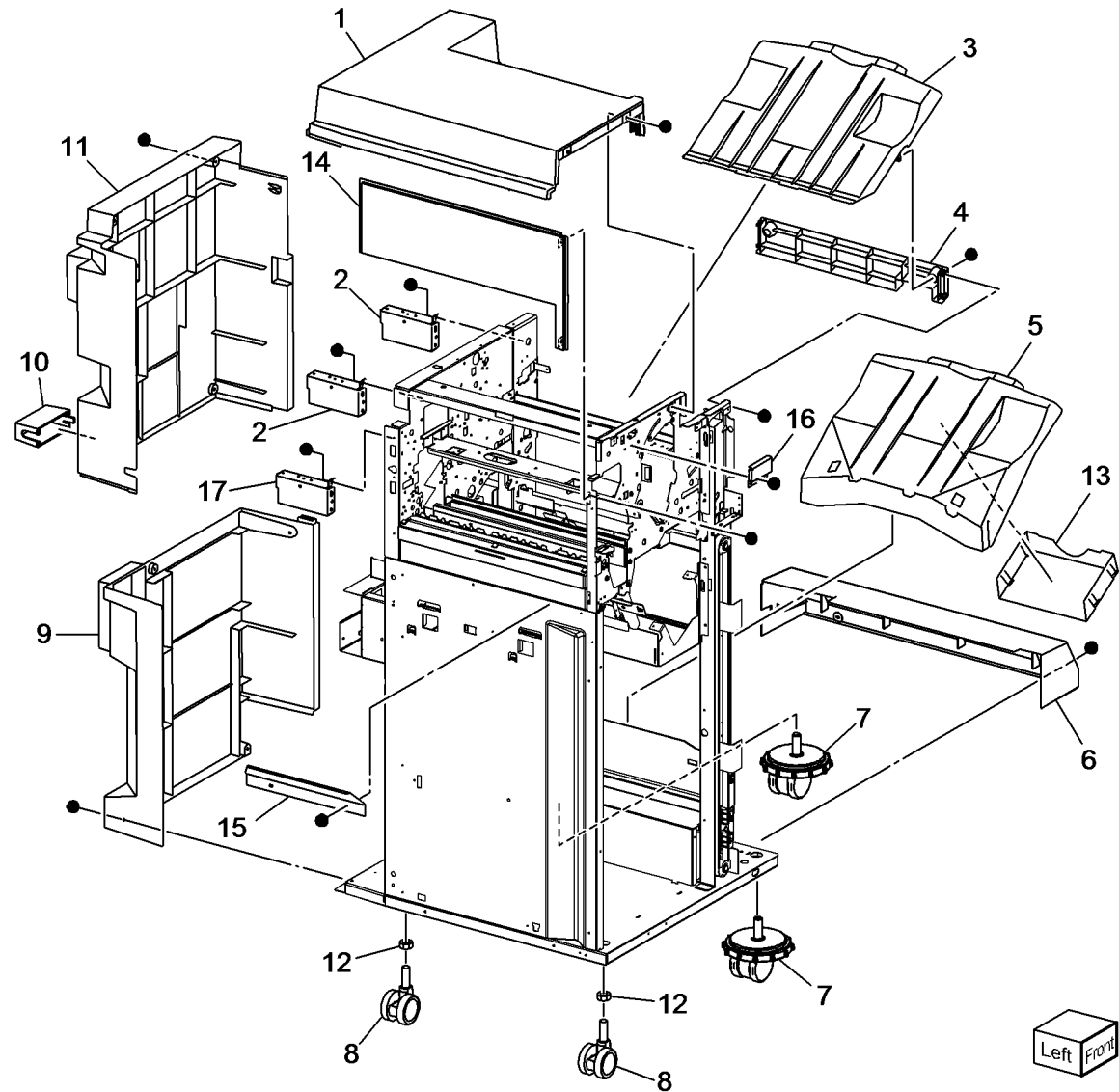
3 { 4-8,12,13,25



s7800-203

PL 24.12 Covers (2 of 2)

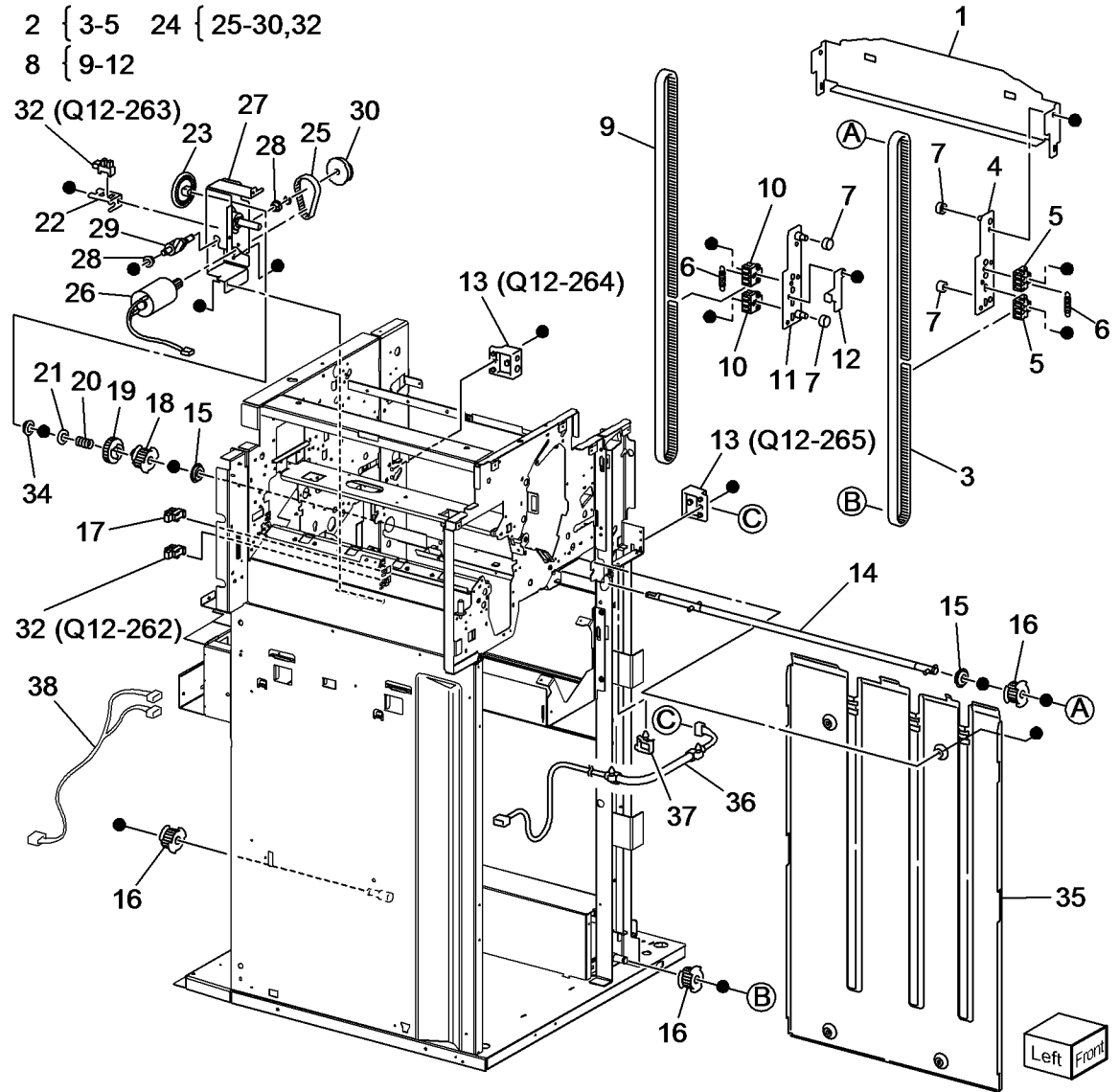
Item	Part	Description
1	-	Top Cover (Not Spared) (REP 24.20)
2	-	Bracket (Not Spared)
3	-	Top Tray (Not Spared) (REP 24.21)
4	-	Eject Cover (Not Spared) (REP 24.22)
5	050K51280	Stacker Lower Tray (REP 24.23)
6	-	Bottom Cover (Not Spared)
7	-	Caster (Not Spared)
8	-	Caster (Not Spared)
9	-	Rear Lower Cover (Not Spared) (REP 24.25)
10	-	Connector (Not Spared)
11	-	Rear Upper Cover (Not Spared) (REP 24.26)
12	-	Nut (M12) (Not Spared)
13	-	Spacer (Booklet) (Not Spared)
14	-	Left Top Cover (Not Spared) (REP 24.27)
15	-	Spacer Plate (Not Spared)
16	-	Cover (Not Spared)
17	-	Bracket (Not Spared)



s7800-204

PL 24.31 Finisher Stack

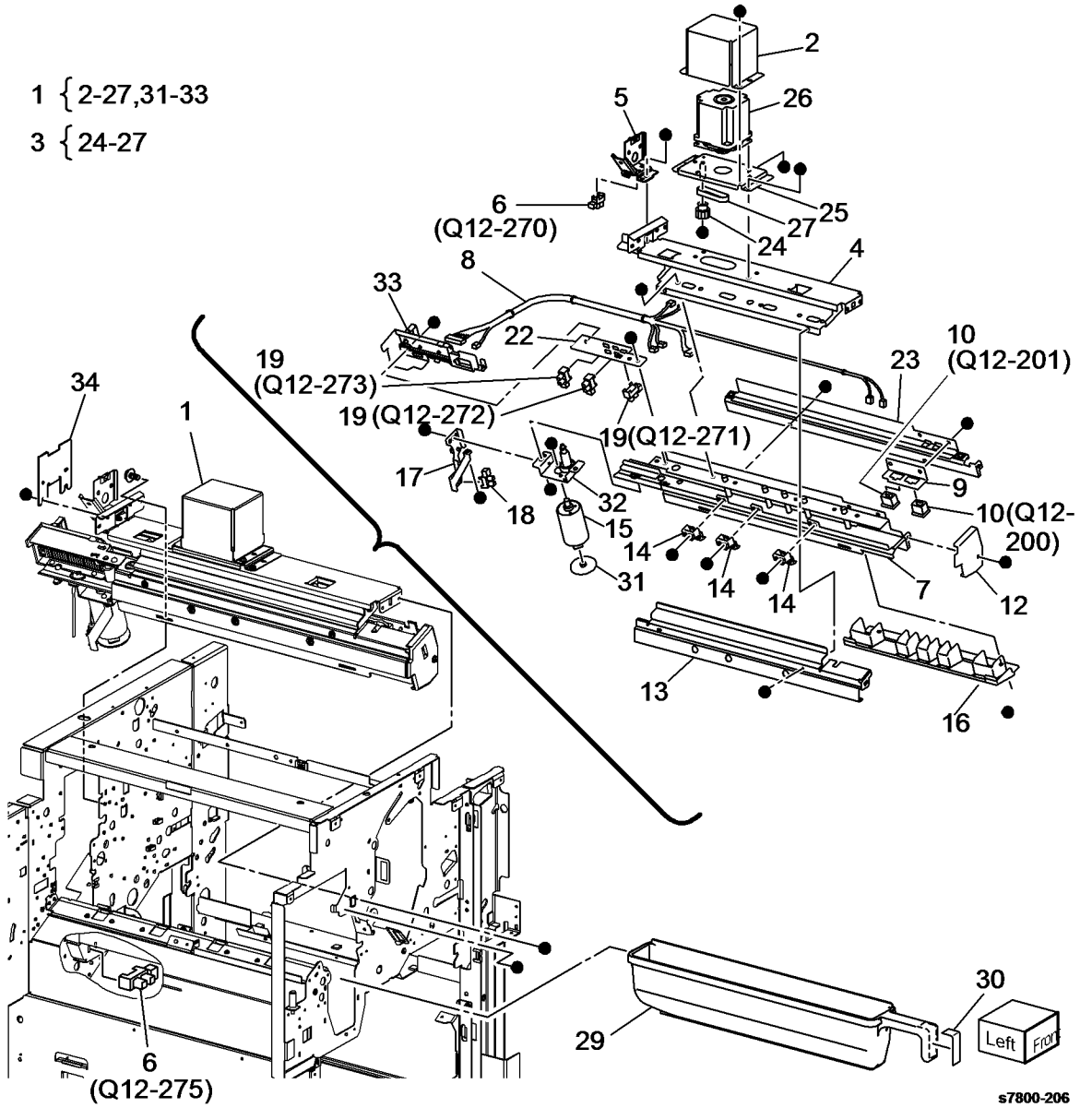
Item	Part	Description
1	-	Carriage Tray (Not Spared)
2	041K94721	Carriage Assembly (Left) (REP 24.28)
3	-	Stacker Left Drive Belt (P/O PL 24.31 Item 2) (REP 24.29)
4	-	Carriage Assembly (Left) (P/O PL 24.31 Item 2)
5	-	Clamp (P/O PL 24.31 Item 2)
6	-	Spring (Not Spared)
7	-	Bearing (Not Spared)
8	041K94731	Carriage Assembly (Right) (REP 24.28)
9	-	Stacker Right Drive Belt (P/O PL 24.31 Item 8) (REP 24.30)
10	-	Clamp (P/O PL 24.31 Item 8)
11	-	Carriage Assembly (Right) (P/O PL 24.31 Item 8)
12	-	Actuator (P/O PL 24.31 Item 8)
13	802K67140	Stack Height Sensor 1 (Q12-264) (REP 24.31) / Stack Height Sensor 2 (Q12-265)(REP 24.32)
14	-	Shaft (Not Spared)
15	-	Bearing (Not Spared)
16	-	Pulley (18T) (Not Spared)
17	130E82530	Lower Tray Upper Limit Sensor (Q12-260) (REP 24.33)
18	020E37710	Pulley
19	-	Gear (Not Spared)
20	-	Spring Doc (Not Spared)
21	-	Washer (Not Spared)
22	-	Bracket (Not Spared)
23	-	Encoder (Not Spared)
24	015K69730	Elevator Motor Assembly (REP 24.34)
25	-	Belt (P/O PL 24.31 Item 24)
26	-	Elevator Motor (P/O PL 24.31 Item 24)
27	-	Stacker Bracket Assembly (P/O PL 24.31 Item 24) (REP 24.35)
28	-	Ball Bearing (P/O PL 24.31 Item 24)
29	-	Worm Gear (P/O PL 24.31 Item 24)
30	-	Pulley (60T) (P/O PL 24.31 Item 24)
31	-	Not Used
32	130K88770	Stacker Encoder Sensor (Q12-263) (REP 24.36)/Stacker No Paper Sensor (Q12-262) (REP 24.33) (P/O PL 24.31 Item 24)
33	-	Not Used
34	-	Bearing (Not Spared)
35	-	Tray Guide (Inner Cover) (Not Spared) (REP 24.37)
36	-	Harness Assembly (Stack Height Front) (Not Spared)
37	-	Clamp (Not Spared)
38	-	Harness Assembly (Not Spared)



s7800-205

PL 24.32 Finisher Punch

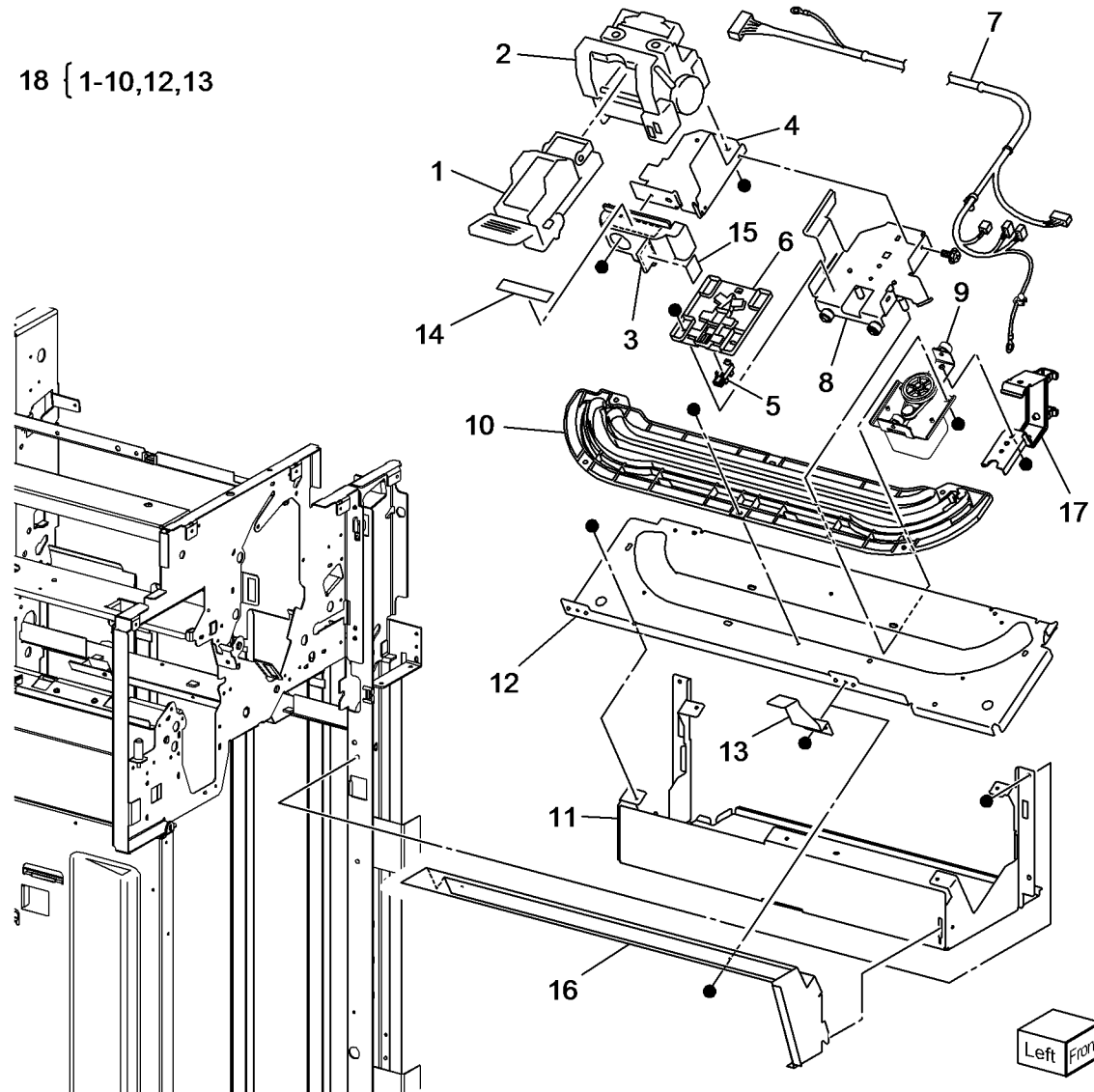
Item	Part	Description
1	801K30943	Puncher Frame Assembly (2 Hole)
-	801K36443	Puncher Frame Assembly (3 Hole) (REP 24.38)
2	-	Cover (P/O PL 24.32 Item 1)
3	-	Puncher Move Motor Assembly (P/ O PL 24.32 Item 1)
4	-	Frame Assembly (P/O PL 24.32 Item 1)
5	-	Bracket Assembly (P/O PL 24.32 Item 1)
6	-	Puncher Move Home Sensor (Q12- 270) (REP 24.39)/Punch Box Set Sensor (Q12-275) (REP 24.43) (P/ O PL 24.32 Item 1)
7	-	Punch Bracket Assembly (P/O PL 24.32 Item 1) (REP 24.40)
8	-	Harness Assembly (P/O PL 24.32 Item 1)
9	-	Bracket (P/O PL 24.32 Item 1)
10	-	Side Registration Sensor 1 (Q12- 200) (REP 24.41)/Side Registration Sensor 2 (Q12-201) (REP 24.41) (P/O PL 24.32 Item 1)
11	-	Not Used
12	-	Punch Front Cover (P/O PL 24.32 Item 1)
13	-	Punch Left Cover (P/O PL 24.32 Item 1)
14	-	2 Hole Guide (12mm type) (P/O PL 24.32 Item 1)
-	-	3 Hole Guide
15	-	Puncher Motor (P/O PL 24.32 Item 1)
16	-	Guide Box (P/O PL 24.32 Item 1)
17	-	Bracket (P/O PL 24.32 Item 1)
18	-	Puncher Motor Sensor (Q12-274) (P/O PL 24.32 Item 1)
19	-	Puncher Front Sensor (Q12-272) (REP 24.42) /Puncher Home Sensor (Q12-271) (REP 24.42)/ Punch Hole Select Sensor (Q12- 273) (REP 24.42) (P/O PL 24.32 Item 1)
20	-	Not Used
21	-	Not Used
22	-	Bracket (P/O PL 24.32 Item 1)
23	-	Regi Chute (P/O PL 24.32 Item 1)
24	-	Gear Pulley (P/O PL 24.32 Item 3)
25	-	Bracket (P/O PL 24.32 Item 3)
26	-	Puncher Move Motor (MOT12-070) (P/O PL 24.32 Item 1)
27	-	Belt (P/O PL 24.32 Item 1)
28	-	Not Used
29	060E91300	Dust Box (Punch Box)
30	-	Label (R4) (Not Spared)
31	-	Actuator (P/O PL 24.32 Item 1)
32	-	Bracket (P/O PL 24.32 Item 1)
33	-	Harness Guide (P/O PL 24.32 Item 1)
34	-	Cover (Not Spared)



PL 24.33 Finisher Stapler

Item	Part	Description
1	-	Staple Cartridge (P/O PL 24.33 Item 18)
2	029K92350	Stapler Assembly (REP 24.45)
3	-	Stapler Cover (P/O PL 24.33 Item 18)
4	-	Holder (P/O PL 24.33 Item 18)
5	-	Stapler Move Position Sensor (Q12-241) (P/O PL 24.33 Item 18)
6	-	Guide (P/O PL 24.33 Item 18)
7	962K59060	Harness Assembly (Staple)
8	-	Upper Slider (P/O PL 24.33 Item 18)
9	041K94970	Stapler Move Motor (MOT12-041) (REP 24.46)
10	-	Stapler Rail (P/O PL 24.33 Item 18) (REP 24.47)
11	-	Frame (Not Spared)
12	-	Base Rail (P/O PL 24.33 Item 18)
13	-	Stopper (P/O PL 24.33 Item 18)
14	-	Label (R1) (Not Spared)
15	-	Label (Not Spared)
16	-	Bracket (Not Spared)
17	-	Harness Bracket (Not Spared)
18	-	Stapler Unit (REP 24.48)

18 { 1-10,12,13

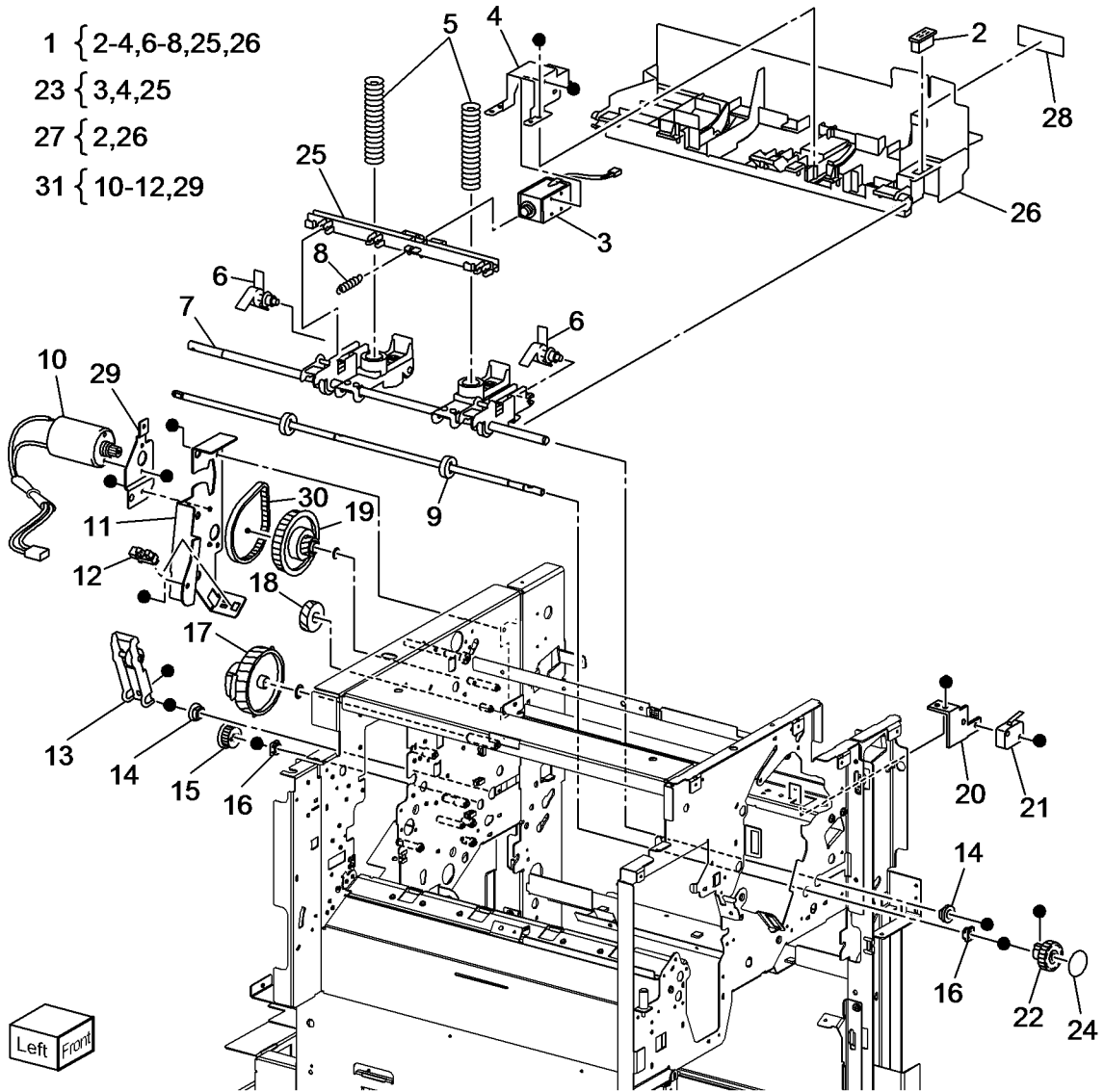


Left Front

s7800-207

PL 24.34 Finisher Eject (1 of 3)

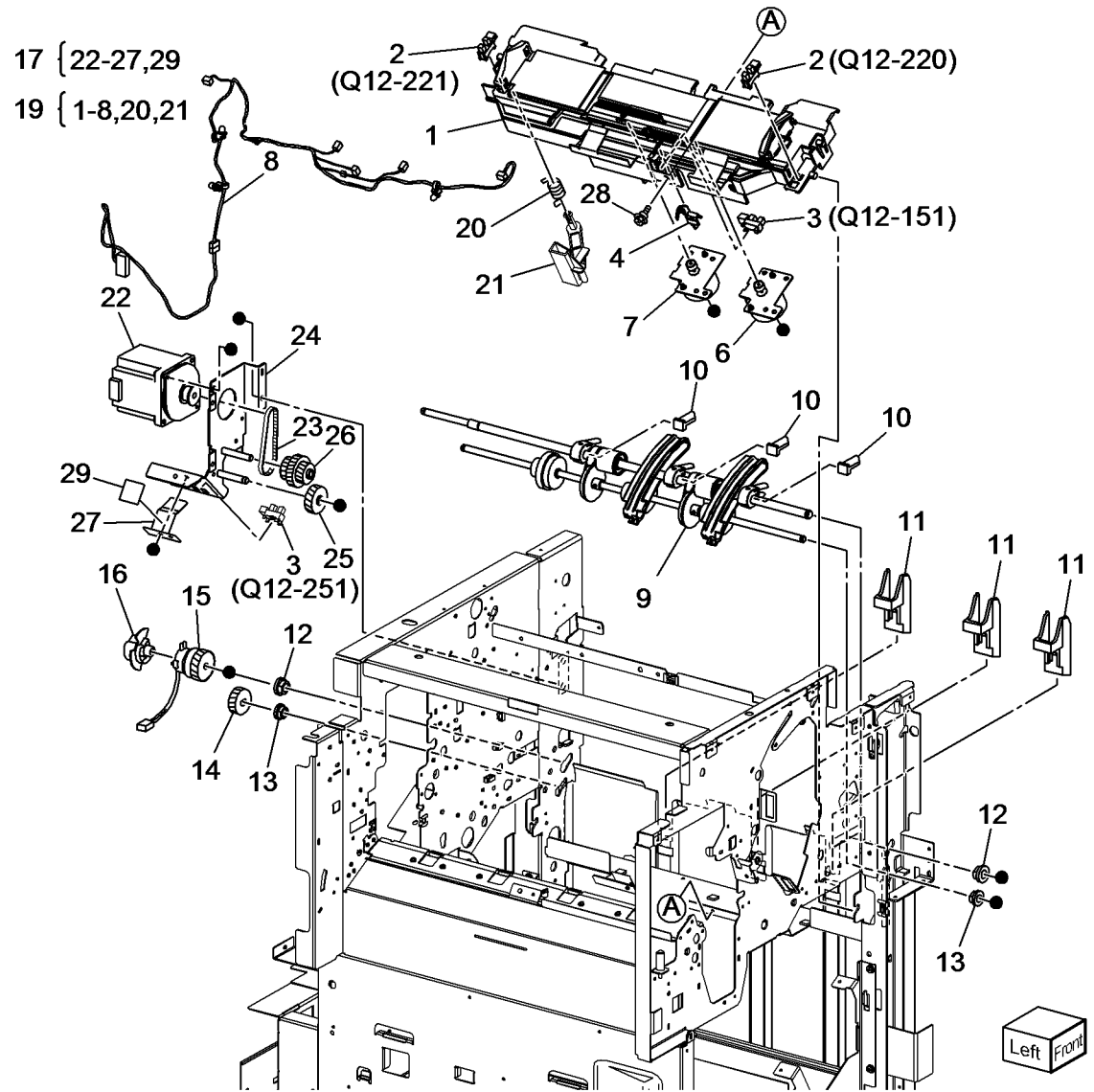
Item	Part	Description
1	054K38701	Eject Chute Assembly (REP 24.49)
2	-	Magnet (P/O PL 24.34 Item 1)
3	-	Sub Paddle Solenoid (SOL12-013) (P/O PL 24.34 Item 1) (REP 24.50)
4	-	Bracket (P/O PL 24.34 Item 1)
5	-	Spring (Not Spared)
6	-	Paddle (P/O PL 24.34 Item 1)
7	-	Eject Pinch Shaft Assembly (P/O PL 24.34 Item 1)
8	-	Spring (P/O PL 24.34 Item 31)
9	006K23861	Paddle Shaft Assembly (REP 24.51)
10	127K52690	Eject Clamp Motor (MOT12-052) (REP 24.52)
11	-	Eject Clamp Bracket (P/O PL 24.34 Item 31) (REP 24.53)
12	-	Eject Clamp Home Sensor (Q12-250) (P/O PL 24.34 Item 31) (REP 24.54)
13	-	Lever Assembly (Not Spared)
14	-	Bearing (Not Spared)
15	-	Gear (23T) (Not Spared)
16	-	Bearing (Not Spared)
17	-	Cam Gear (70T) (Not Spared)
18	-	Gear (30T) (Not Spared)
19	-	Gear (Not Spared)
20	-	Bracket (Not Spared)
21	-	Eject Cover Switch (Q12-300) (Not Spared) (REP 24.55)
22	-	Knob (Not Spared)
23	-	Knob (Not Spared)
24	-	Label (2C) (Not Spared)
25	-	Link (P/O PL 24.34 Item 23)
26	-	Eject Chute (P/O PL 24.34 Item 27)
27	-	Eject Chute Assembly (Not Spared)
28	-	Label (5) (Not Spared)
29	-	Motor Bracket (P/O PL 24.34 Item 31)
30	-	Belt (Not Spared)
31	-	Eject Clamp Motor Assembly (Not Spared)



s7800-208

PL 24.35 Finisher Eject (2 of 3)

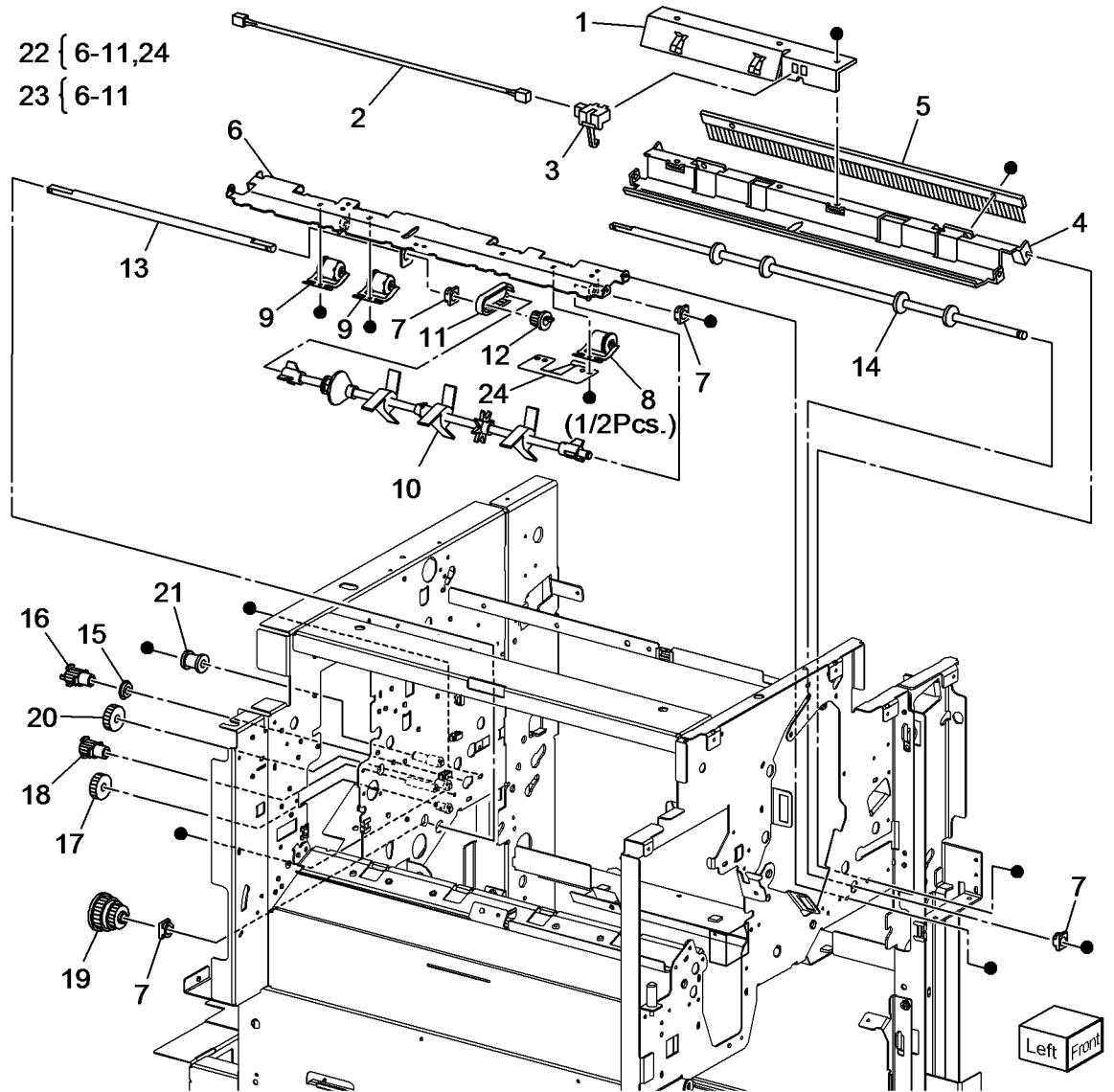
Item	Part	Description
1	-	Compiler Tray (P/O PL 24.35 Item 19) (REP 24.56)
2	-	Front Tamper Home Sensor (Q12-220) (REP 24.57) /Rear Tamper Home Sensor (Q12-221) (REP 24.57) (P/O PL 24.35 Item 19)
3	-	Compiler Tray No Paper Sensor (Q12-151) (REP 24.58) /Set Clamp Home Sensor(Q12-251) (REP 24.61) (P/O PL 24.35 Item 19)
4	-	Actuator (P/O PL 24.35 Item 19)
5	-	Not Used
6	-	Front Tamper Motor (MOT12-020) (P/O PL 24.35 Item 19)
7	-	Rear Tamper Motor (MOT12-026) (P/O PL 24.35 Item 19)
8	-	Harness Assembly (Compiler) (P/O PL 24.35 Item 19)
9	006K86372	Eject Roll Shaft Assembly (REP 24.59)
10	-	Paddle (Not Spared)
11	-	Guide (Not Spared)
12	-	Bearing (Not Spared)
13	-	Bearing (Not Spared)
14	-	Gear (39T) (Not Spared)
15	-	Set Clamp Clutch (MOT12-050) (Not Spared) (REP 24.60)
16	120E29570	Actuator
17	049K02710	Eject Motor Assembly (REP 24.62)
18	-	Not Used
19	050K65130	Compiler Tray Assembly
20	-	Spring (P/O PL 24.35 Item 19)
21	-	Guide (P/O PL 24.35 Item 19)
22	-	Eject Motor (MOT12-054) (P/O PL 24.35 Item 17)
23	-	Belt (P/O PL 24.35 Item 17)
24	-	Bracket (P/O PL 24.35 Item 17) (REP 24.63)
25	-	Gear (30T) (P/O PL 24.35 Item 17)
26	-	Gear (35T/23T/35T) (P/O PL 24.35 Item 17)
27	-	Spring (P/O PL 24.35 Item 17)
28	-	Shoulder Screw (Not Spared)
29	-	Damper (P/O PL 24.35 Item 17)



s7800-209

PL 24.36 Finisher Eject (3 of 3)

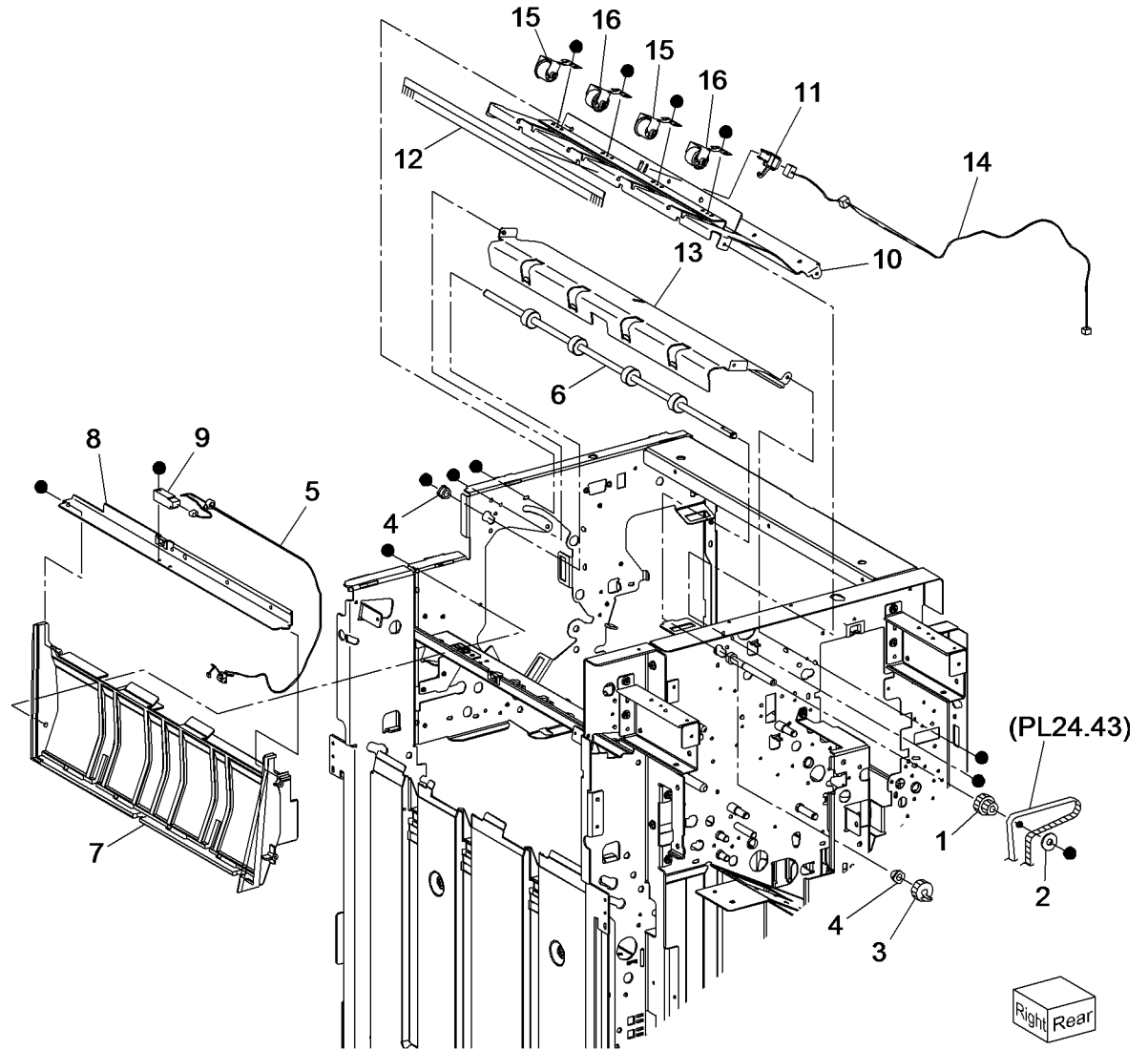
Item	Part	Description
1	-	Bracket (Not Spared)
2	-	Wire Harness (Not Spared)
3	130K88190	Compiler Exit Sensor (Q12-150) (REP 24.64)
4	-	Exit Chute (Not Spared)
5	-	Static Eliminator (Not Spared)
6	-	Lower Exit Chute (P/O PL 24.36 Item 22)
7	-	Bearing (P/O PL 24.36 Item 22)
8	022K67880	Pinch Roll (REP 24.65)
9	022K67870	Pinch Roll (REP 24.65)
10	006K87430	Paddle Shaft Assembly (REP 24.66)
11	-	Belt (P/O PL 24.36 Item 22)
12	-	Pulley (17T) (Not Spared)
13	-	Shaft (Not Spared)
14	022K67841	Lower Exit Roller Assembly (REP 24.67)
15	-	Bearing (Not Spared)
16	-	Pulley (20T) (Not Spared)
17	-	Gear (23T) (Not Spared)
18	-	Pulley (20T) (Not Spared)
19	-	Pulley (44T/20T) (Not Spared)
20	-	Gear (23T) (Not Spared)
21	-	Pulley (Not Spared)
22	-	Lower Exit Chute Assembly (Not Spared)
23	-	Not Used
24	-	Paddle Guide Bracket (P/O PL 24.36 Item 22)



s7800-210

PL 24.38 Finisher SCT

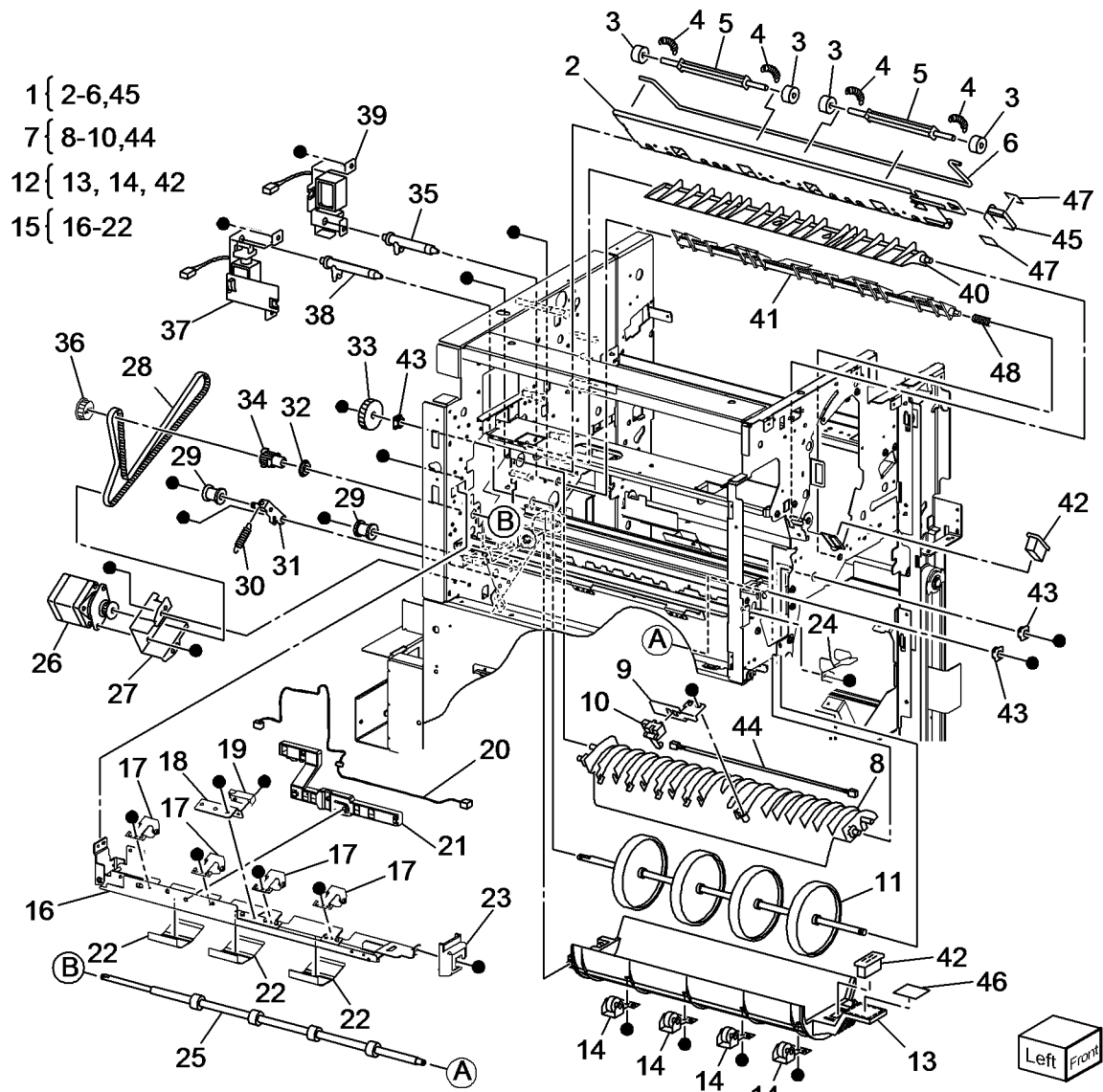
Item	Part	Description
1	-	Pulley (20T/20T) (Not Spared)
2	-	Collar (REF: PL 24.43)
3	-	Gear (Not Spared)
4	-	Sleeve Bearing (Not Spared)
5	-	Wire Harness (Not Spared)
6	022K75720	Top Exit Roll Assembly (REP 24.68)
7	-	Tray Guide Spring (Not Spared)
8	-	Bracket (Not Spared)
9	130E87370	Top Tray Full Sensor (Q12-215) (REP 24.69)
10	-	Chute Assembly (Not Spared)
11	-	Stacker Top Tray Exit Sensor (Q12-115) (Not Spared) (REP 24.70)
12	-	Static Eliminator (Not Spared)
13	-	Right Lower Top Exit Chute Assembly (Not Spared)
14	-	Wire Harness (Not Spared)
15	-	Left Exit Pinch Roll (Not Spared) (REP 24.71)
16	-	Right Exit Pinch Roll (Not Spared) (REP 24.71)



s7800-211

PL 24.41 Finisher Transport (1 of 3)

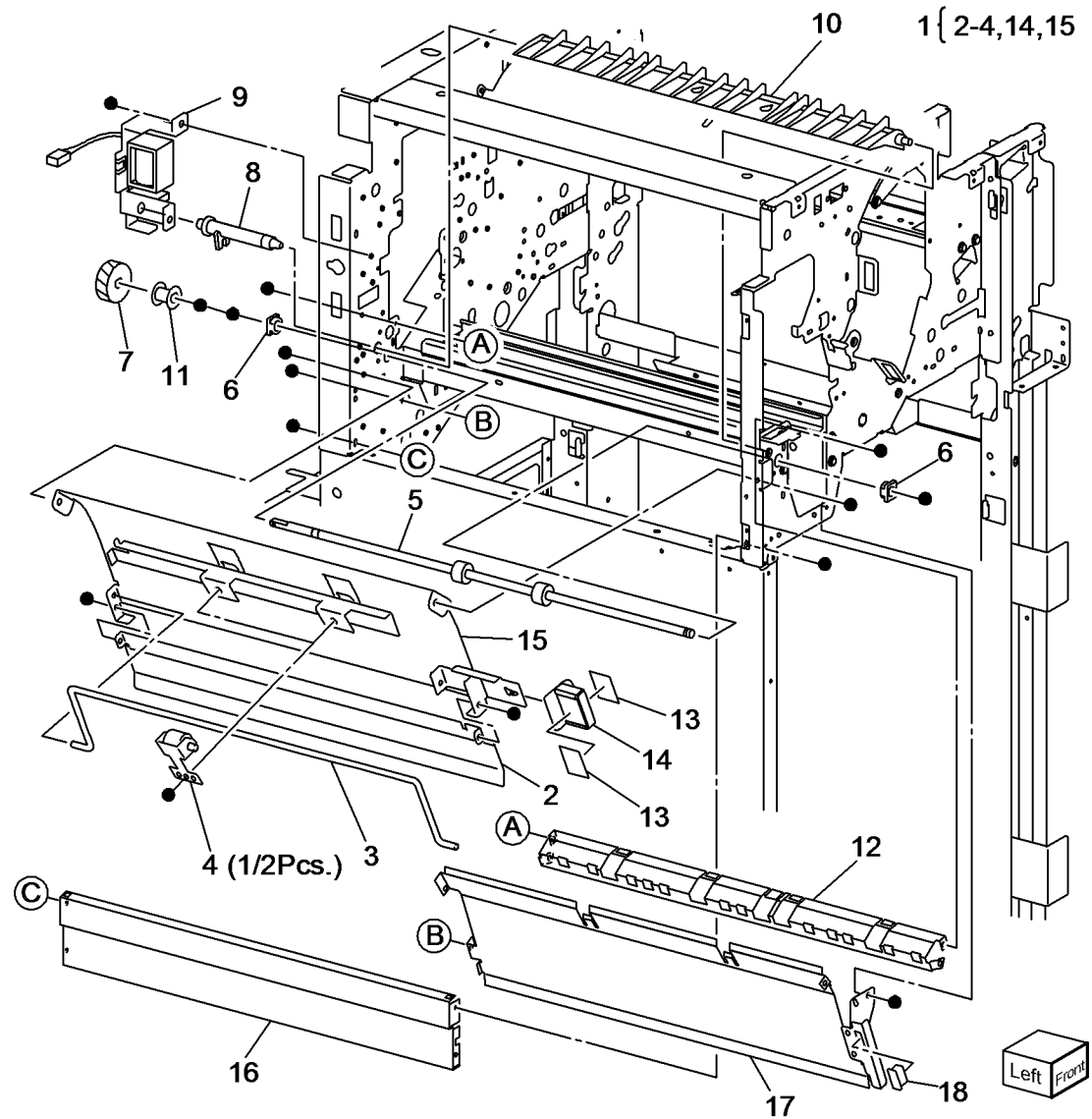
Item	Part	Description
1	054K27140	Lower Exit Chute Assembly (REP 24.72)
2	-	Lower Exit Chute (P/O PL 24.41 Item 1) (REP 24.73)
3	-	Lower Exit Chute Pinch Rollers (P/O PL 24.41 Item 1) (REP 24.72)
4	-	Spring (P/O PL 24.41 Item 1)
5	-	Shaft (P/O PL 24.41 Item 1)
6	-	Torsion Spring (P/O PL 24.41 Item 1)
7	054K33940	Top Buffer Chute Assembly
8	-	Chute (P/O PL 24.41 Item 7)
9	-	Bracket (P/O PL 24.41 Item 7)
10	-	Buffer Path Sensor (Q12-101) (P/O PL 24.41 Item 7) (REP 24.75)
11	022K67891	Buffer Roll (REP 24.76)
12	054K27160	Bottom Buffer Chute Assembly
13	-	Bottom Buffer Chute (P/O PL 24.41 Item 12) (REP 24.77)
14	-	Pinch Roll (P/O PL 24.41 Item 12)
15	054K38821	Upper Chute Assembly (REP 24.78)
16	-	Chute Assembly (P/O PL 24.41 Item 15)
17	-	Entrance Pinch Roller (P/O PL 24.41 Item 15) (REP 24.79)
18	-	Bracket (P/O PL 24.41 Item 15)
19	-	Transport Entrance Sensor (Q12-100) (P/O PL 24.41 Item 15) (REP 24.80)
20	-	Wire Harness (P/O PL 24.41 Item 15)
21	-	Guide (P/O PL 24.41 Item 15)
22	-	Paper Guide (P/O PL 24.41 Item 15)
23	-	Knob (Not Spared)
24	-	Stopper Bracket (Not Spared)
25	022K67811	Entrance Roll (REP 24.81)
26	127K40282	Transport Motor (MOT12-001) (REP 24.82)
27	-	Bracket (Not Spared)
28	-	Transport Motor Belt (Not Spared)
29	-	Pulley (Not Spared)
30	-	Spring (Not Spared)
31	-	Bracket (Not Spared)
32	-	Ball Bearing (Not Spared)
33	-	Gear (46T) (Not Spared)
34	-	Pulley (20T) (Not Spared)
35	-	Link (Not Spared)
36	-	Gear (23T) (Not Spared)
37	068K55250	Transport Gate Solenoid (SOL12-012) (REP 24.83)
38	012E11991	Link
39	068K55840	Buffer Gate Solenoid (SOL12-016) (REP 24.84)
40	809E56910	Transport Gate (REP 24.85)
41	050K65450	Buffer Gate (REP 24.86)
42	-	Magnet (P/O PL 24.41 Item 12)
43	-	Bearing (Not Spared)
44	-	Wire Harness (P/O PL 24.41 Item 7)
45	-	Knob (P/O PL 24.41 Item 1)
46	-	Label (3) (Not Spared)
47	-	Label (2b) (Not Spared)
48	-	Spring (Not Spared)



s7800-212

PL 24.42 Finisher Transport (2 of 3)

Item	Part	Description
1	-	Booklet Chute Assembly
2	-	Booklet Chute (P/O PL 24.42 Item 1)
3	-	Torsion Spring (P/O PL 24.42 Item 1)
4	-	Pinch Roller Assembly (P/O PL 24.42 Item 1)
5	-	Roller Assembly (Not Spared)
6	-	Bearing (Not Spared)
7	-	Gear (Not Spared)
8	-	Link (Not Spared)
9	-	Booklet Gate Solenoid (SOL13-069) (Not Spared)
10	-	Gate (Not Spared)
11	-	Pulley (Not Spared)
12	-	Lower Entrance Chute (Not Spared)
13	-	Label (4b) (Not Spared)
14	-	Knob (P/O PL 24.42 Item 1)
15	-	Chute Assembly (P/O PL 24.42 Item 1)
16	-	Plate (Not Spared)
17	-	Booklet Upper Chute (Not Spared)
18	-	Magnet (Not Spared)

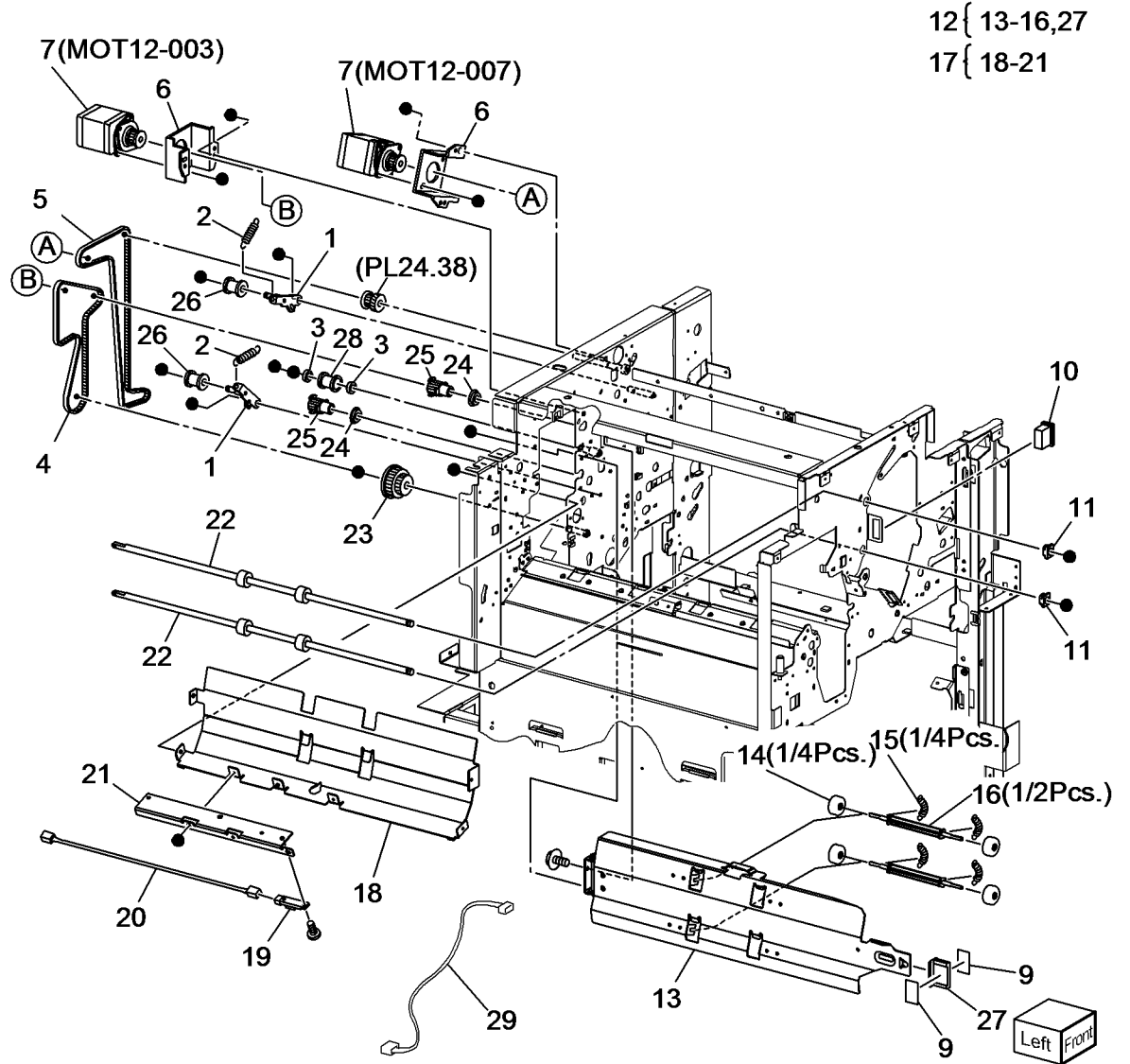


Left Front

s7800-213

PL 24.43 Finisher Transport (3 of 3)

Item	Part	Description
1	-	Bracket Assembly (Not Spared)
2	-	Tension Spring (Not Spared)
3	-	Bearing (Not Spared)
4	-	Registration Motor Belt (Not Spared)
5	-	Exit Motor Belt (Not Spared) (REP 24.88)
6	-	Bracket (Not Spared)
7	-	Registration Motor (MOT12-003) (REP 24.87)/ Exit Motor (MOT12-007) (REP 24.88) (Not Spared)
8	-	Not Used
9	-	Label (2a) (Not Spared)
10	-	Magnet (Not Spared)
11	-	Bearing (Not Spared)
12	054K28220	Upper Exit Chute Assembly (REP 24.89)
13	-	Upper Exit Chute (P/O PL 24.43 Item 12)
14	-	Upper Exit Chute Pinch Rollers (P/O PL 24.43 Item 12)
15	-	Spring (P/O PL 24.43 Item 12)
16	-	Shaft (P/O PL 24.43 Item 12)
17	-	Left Lower Top Exit Chute Assembly (Not Spared)
18	-	Chute (P/O PL 24.43 Item 17)
19	130E87410	Transport Gate Sensor (Q12-102) (REP 24.90)
20	-	Wire Harness (P/O PL 24.43 Item 17)
21	-	Bracket (P/O PL 24.43 Item 17)
22	022K71431	Transport Rolls (REP 24.91)
23	-	Pulley (53T/23T) (Not Spared)
24	-	Bearing (Not Spared)
25	-	Pulley (20T) (Not Spared)
26	-	Pulley (Not Spared)
27	-	Knob (P/O PL 24.43 Item 12)
28	-	Pulley (Not Spared)
29	-	Wire Harness (Not Spared)

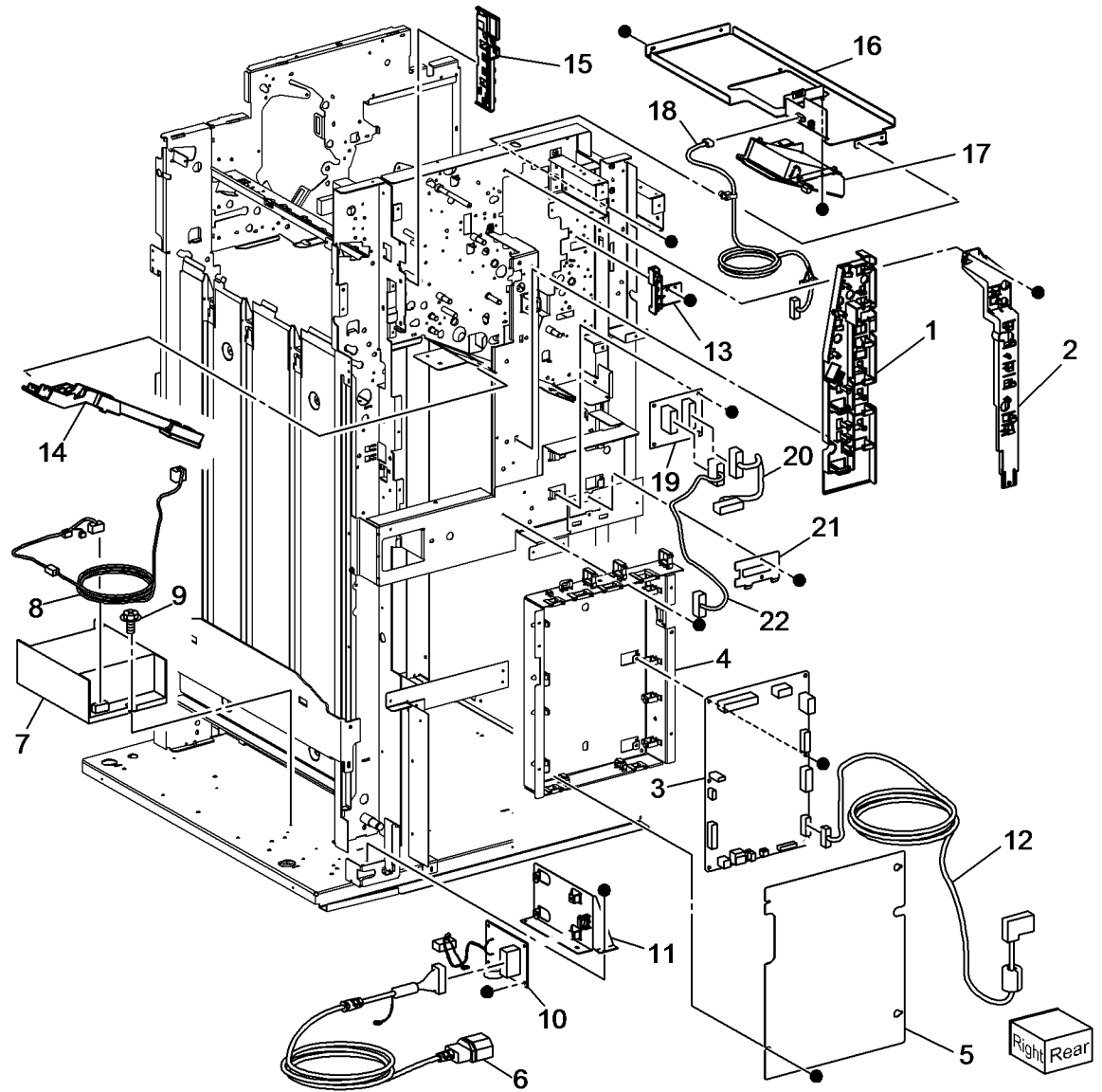


12 { 13-16,27
17 { 18-21

s7800-214

PL 24.44 Finisher Electrical

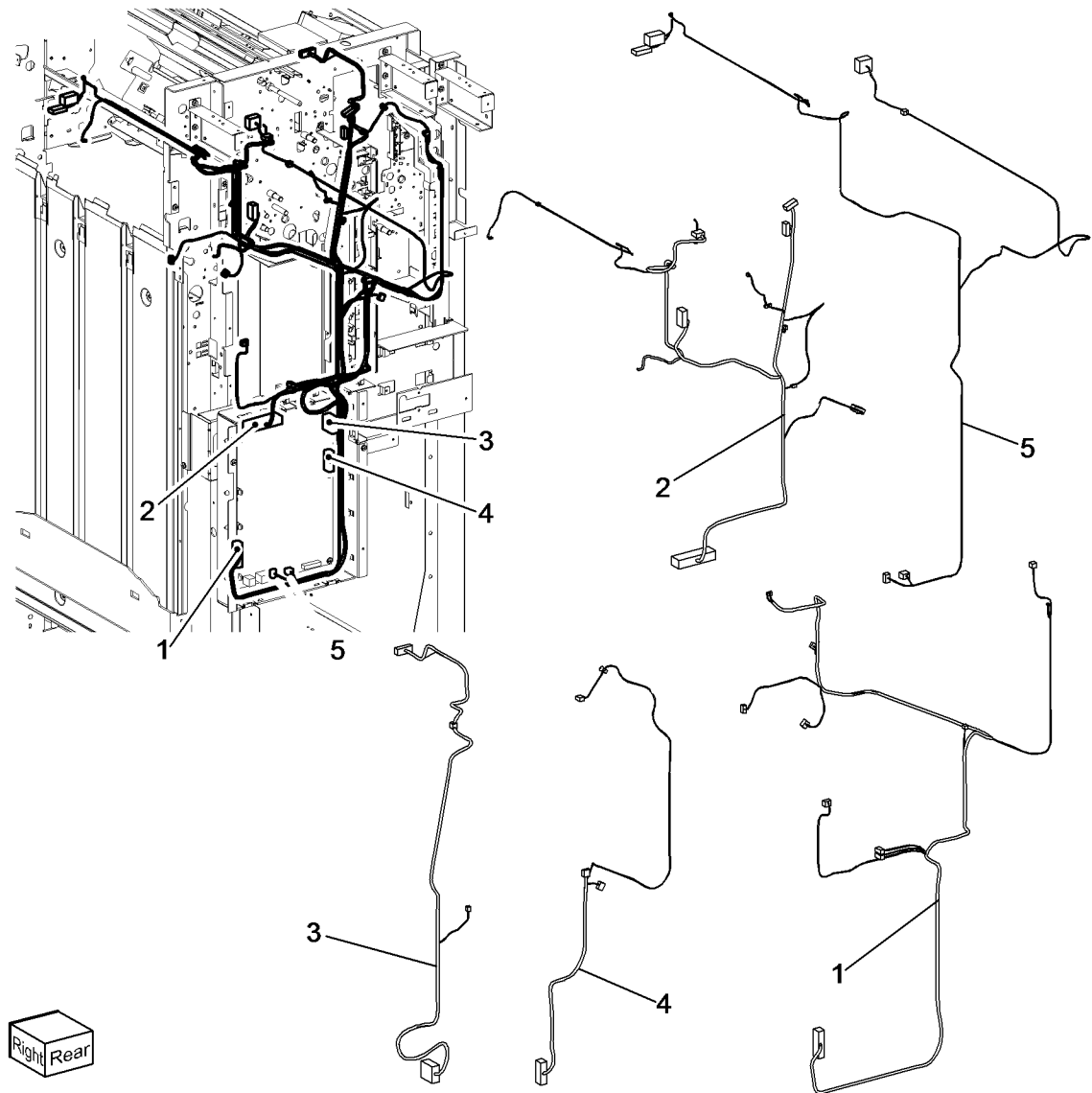
Item	Part	Description
1	-	Harness Guide (Not Spared)
2	-	Harness Guide (Not Spared)
3	960K51453	Main PWB (REP 24.92)
4	-	Bracket (Not Spared)
5	-	Plate (Not Spared)
6	962K38690	Harness Assembly (AC Inlet)
7	105E15200	LVPS (REP 24.93)
8	-	Wire Harness (Not Spared)
9	-	Screw (Not Spared)
10	960K31130	AC Filter
11	-	Bracket (Not Spared)
12	962K67080	I/F Cable
13	-	Harness Guide (Not Spared)
14	-	Harness Guide (Not Spared)
15	-	Harness Guide (Not Spared)
16	-	Fan Bracket (Not Spared)
17	-	Dew Fan (Not Spared)
18	-	Fan Wire Harness (Not Spared)
19	960K04681	H-Transport PWB
20	962K29160	Harness Assembly
21	-	Connector Plate (Not Spared)
22	-	Harness Assembly (Not Spared)



s7800-215

PL 24.45 Finisher Harness

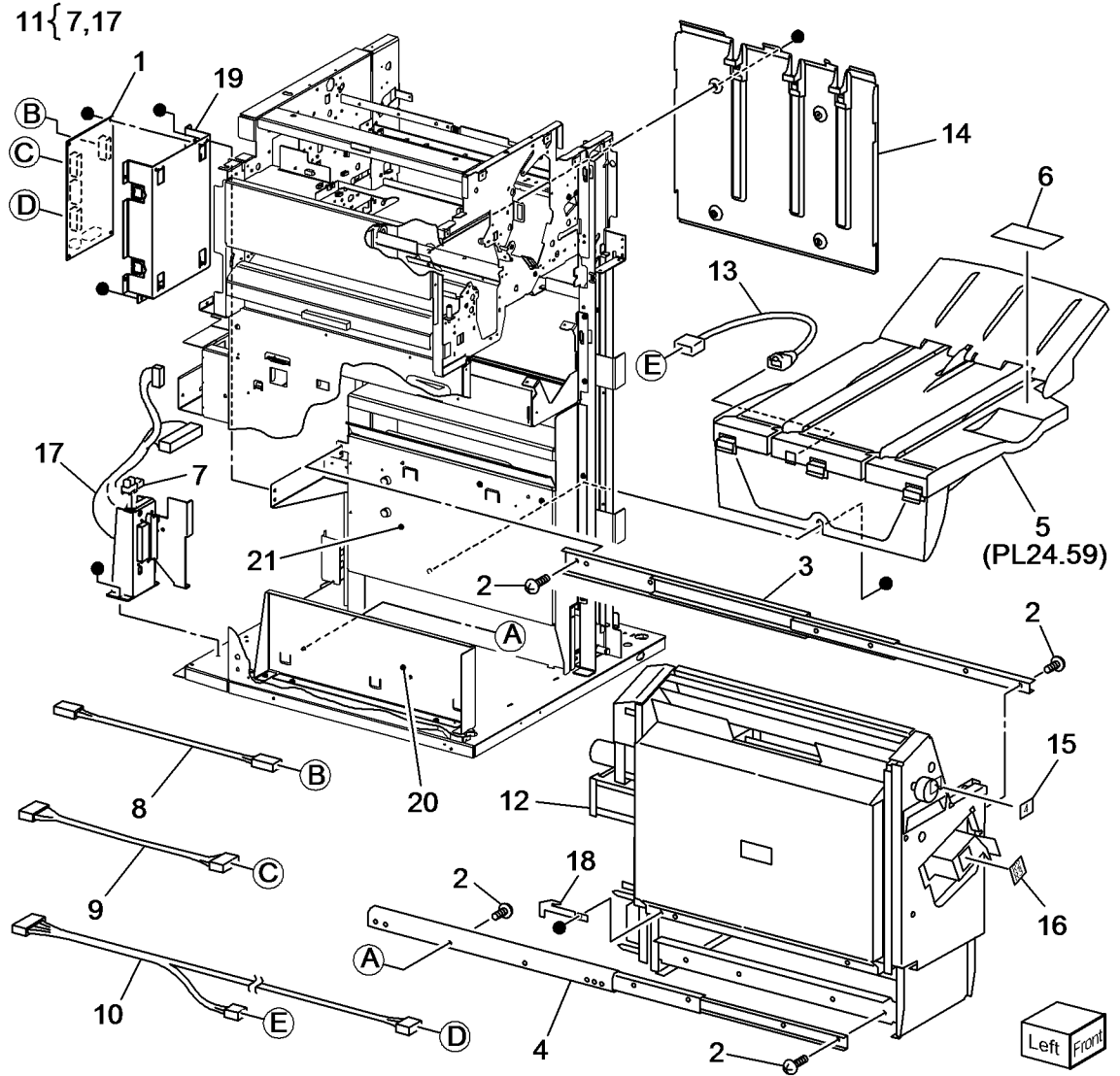
Item	Part	Description
1	-	Harness Assembly (Main sensor) (Not Spared)
2	-	Harness Assembly (Main drive) (Not Spared)
3	-	Harness Assembly (Punch drive) (Not Spared)
4	-	Harness Assembly (Punch sensor) (Not Spared)
5	-	Harness Assembly (Interlock) (Not Spared)



s7800-216

PL 24.51 Booklet Accessory

Item	Part	Description
1	-	Booklet PWB (Not Spared)
2	-	Screw (Not Spared)
3	-	Right Rail (P/O PL 24.51 Item 21)
4	-	Left Rail (P/O PL 24.51 Item 20)
5	050K62855	Booklet Tray Unit
6	-	Label (Not Spared)
7	-	Booklet Drawer Set Sensor (Q13-104) (P/O PL 24.51 Item 11)
8	-	Wire Harness (Not Spared)
9	-	Wire Harness (Not Spared)
10	-	Wire Harness (Not Spared)
11	-	Connector Assembly (Not Spared)
12	-	Booklet Maker (Not Spared) (REP 24.94)
13	-	Wire Harness (Not Spared)
14	-	Tray Guide Assembly (Not Spared)
15	-	Label (Not Spared)
16	-	Label (Not Spared)
17	-	Connector Assembly (P/O PL 24.51 Item 11)
18	-	Stopper (Not Spared)
19	-	Bracket (Not Spared)
20	-	Left Rail Assembly (Not Spared)
21	-	Right Rail Assembly (Not Spared)

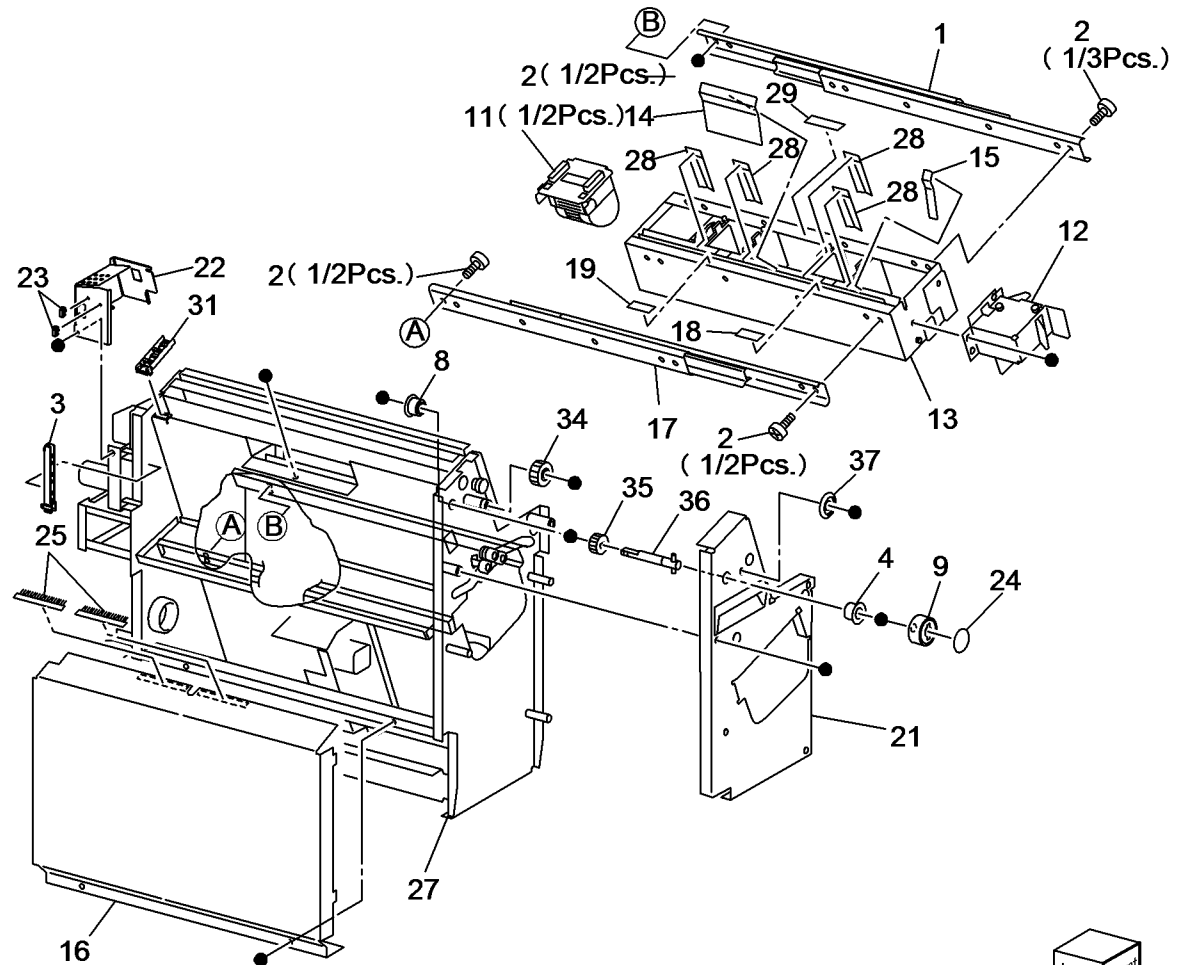


s7800-217

PL 24.52 Booklet - Stapler

Item	Part	Description
1	-	Right Rail (Not Spared)
2	-	Screw (Not Spared)
3	-	Harness Cover (P/O PL 24.52 Item 26)
4	-	Bearing (P/O PL 24.52 Item 26)
5	-	Not Used
6	-	Not Used
7	-	Not Used
8	-	Ball Bearing (P/O PL 24.52 Item 26)
9	-	Knob (P/O PL 24.52 Item 26)
10	-	Booklet Stapler Assembly (P/O PL 24.52 Item 20)
11	-	Stapler (P/O PL 24.52 Item 10)
12	-	Latch (P/O PL 24.52 Item 20)
13	-	Stapler Base (P/O PL 24.52 Item 10)
14	-	Paper Guide (P/O PL 24.52 Item 20)
15	-	Paper Guide (P/O PL 24.52 Item 20)
16	-	Left Cover (P/O PL 24.52 Item 26)
17	-	Left Rail (Not Spared)
18	-	Label (Not Spared)
19	-	Label (Not Spared)
20	029K92175	Booklet Stapler (REP 24.95)
21	-	Front Cover (P/O PL 24.52 Item 26)
22	-	Cover (P/O PL 24.52 Item 26)
23	-	Clamp (P/O PL 24.52 Item 26)
24	-	Label (4a) (P/O PL 24.52 Item 26)
25	-	Eliminator (P/O PL 24.52 Item 26)
26	-	Booklet Assembly
27	-	Frame Assembly (P/O PL 24.52 Item 26)
28	-	Paper Guide (P/O PL 24.52 Item 20)
29	-	Label
30	-	Not Used
31	-	Guide (P/O PL 24.52 Item 26)
32	-	Not Used
33	-	Not Used
34	-	Gear (29T) (P/O PL 24.52 Item 26)
35	-	Gear (31T) (P/O PL 24.52 Item 26)
36	-	Shaft (P/O PL 24.52 Item 26)
37	-	Spacer (P/O PL 24.52 Item 26)

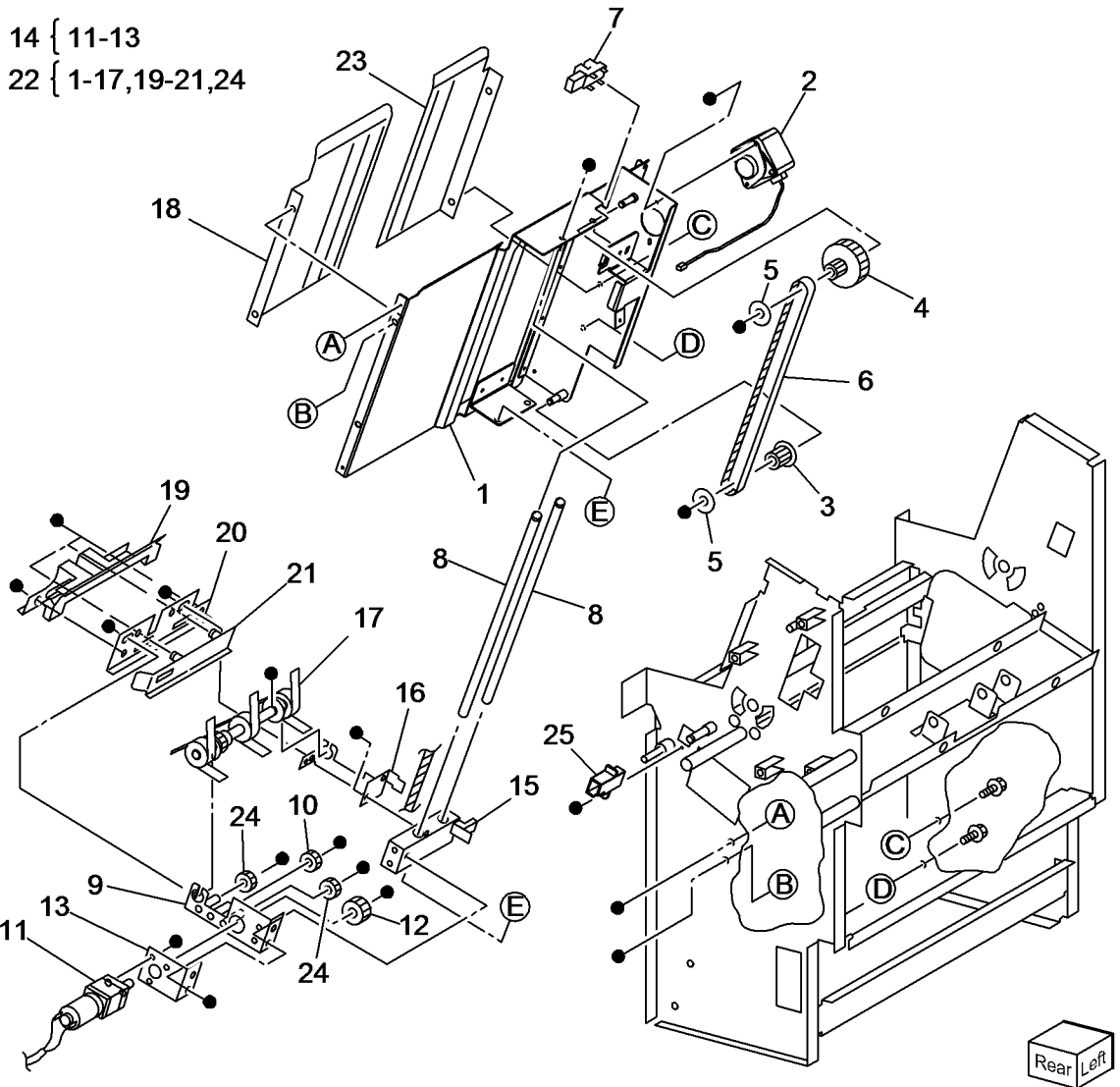
10 { 11,13
 20 { 10-15,28
 26 { 4,8,9,16,21,22,24,25,27,34-37



s7800-218

PL 24.53 Booklet - End Guide

Item	Part	Description
1	-	Compile Chute (P/O PL 24.53 Item 22)
2	-	Booklet End Guide Motor (MOT13-011) (P/O PL 24.53 Item 22)
3	-	Pulley (P/O PL 24.53 Item 22)
4	-	Gear Pulley (40T/20T) (P/O PL 24.53 Item 22)
5	-	Washer (P/O PL 24.53 Item 22)
6	-	Belt (P/O PL 24.53 Item 22)
7	-	Booklet End Guide Home Sensor (Q13-137) (P/O PL 24.53 Item 22)
8	-	Shaft (P/O PL 24.53 Item 22)
9	-	Bracket (P/O PL 24.53 Item 22)
10	-	Gear (14T) (P/O PL 24.53 Item 22)
11	-	Booklet Paddle Motor (MOT13-021) (P/O PL 24.53 Item 14)
12	-	Gear (14T) (P/O PL 24.53 Item 14)
13	-	Bracket (P/O PL 24.53 Item 14)
14	-	Booklet Paddle Motor Assembly (P/O PL 24.53 Item 22)
15	-	Belt Clamp (P/O PL 24.53 Item 22)
16	-	Paddle Bracket (P/O PL 24.53 Item 22)
17	-	Paddle Assembly (P/O PL 24.53 Item 22)
18	-	Chute (Rear) (Not Spared)
19	-	End Guide (P/O PL 24.53 Item 22)
20	-	Support Bracket (P/O PL 24.53 Item 22)
21	-	Adjust Bracket (P/O PL 24.53 Item 22)
22	-	Compile Chute Assembly
23	-	Chute (Front)
24	-	Gear (14T) (P/O PL 24.53 Item 22)
25	-	Guide (Not Spared)



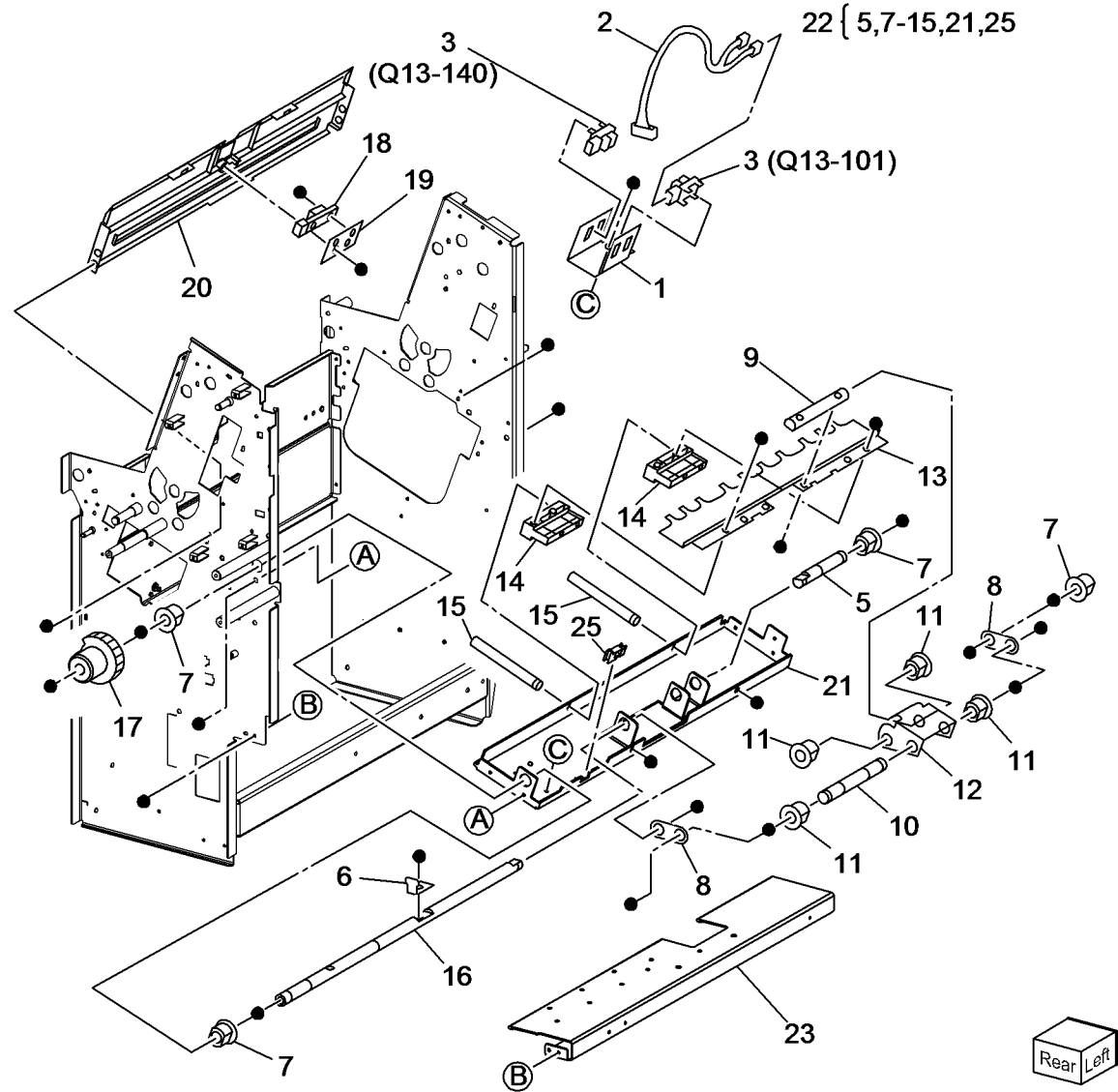
14 { 11-13
22 { 1-17,19-21,24

Rear Left

s7800-219

PL 24.54 Booklet - Knife

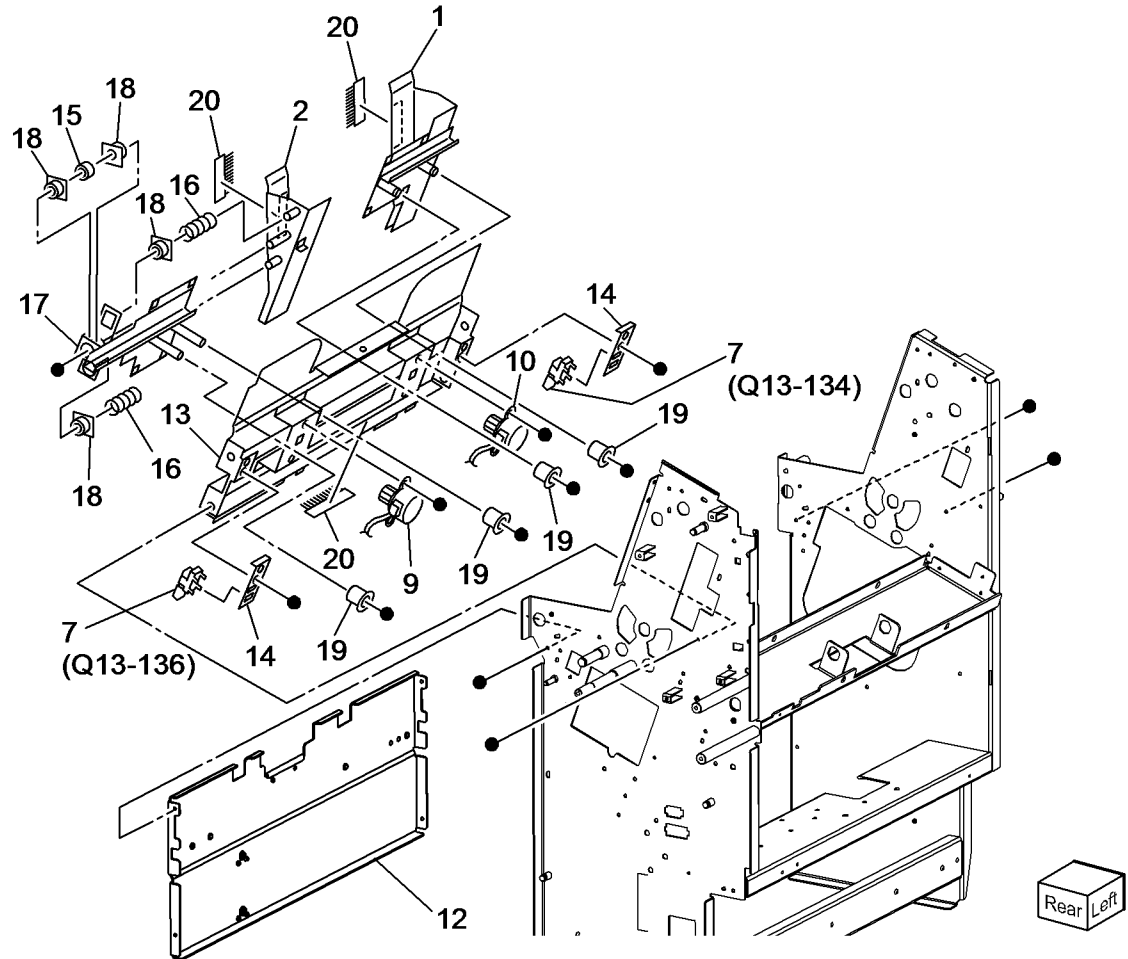
Item	Part	Description
1	-	Bracket
2	-	Wire Harness
3	-	Knife Home Sensor (Q13-101)/ Knife Folding Sensor (Q13-140)
4	-	Not Used
5	-	Shaft (P/O PL 24.54 Item 22)
6	-	Actuator (Not Spared)
7	-	Bearing (P/O PL 24.54 Item 22)
8	-	Joint (P/O PL 24.54 Item 22)
9	-	Shaft (P/O PL 24.54 Item 22)
10	-	Shaft (P/O PL 24.54 Item 22)
11	-	Bearing (P/O PL 24.54 Item 22)
12	-	Bracket (P/O PL 24.54 Item 22)
13	-	Knife (P/O PL 24.54 Item 22)
14	-	Guide (P/O PL 24.54 Item 22)
15	-	Shaft (P/O PL 24.54 Item 22)
16	-	Shaft (Not Spared)
17	-	Gear (42T) (Not Spared)
18	-	Booklet Compiler No Paper Sensor (Q13-102) (Not Spared)
19	-	Bracket (Not Spared)
20	-	Chute (Not Spared)
21	-	Tie Plate (P/O PL 24.54 Item 22)
22	-	Knife Assembly (Not Spared)
23	-	Tie Plate (Not Spared)
24	-	Not Used
25	-	Edge Saddle (P/O PL 24.54 Item 22)



s7800-220

PL 24.55 Booklet - Tamper

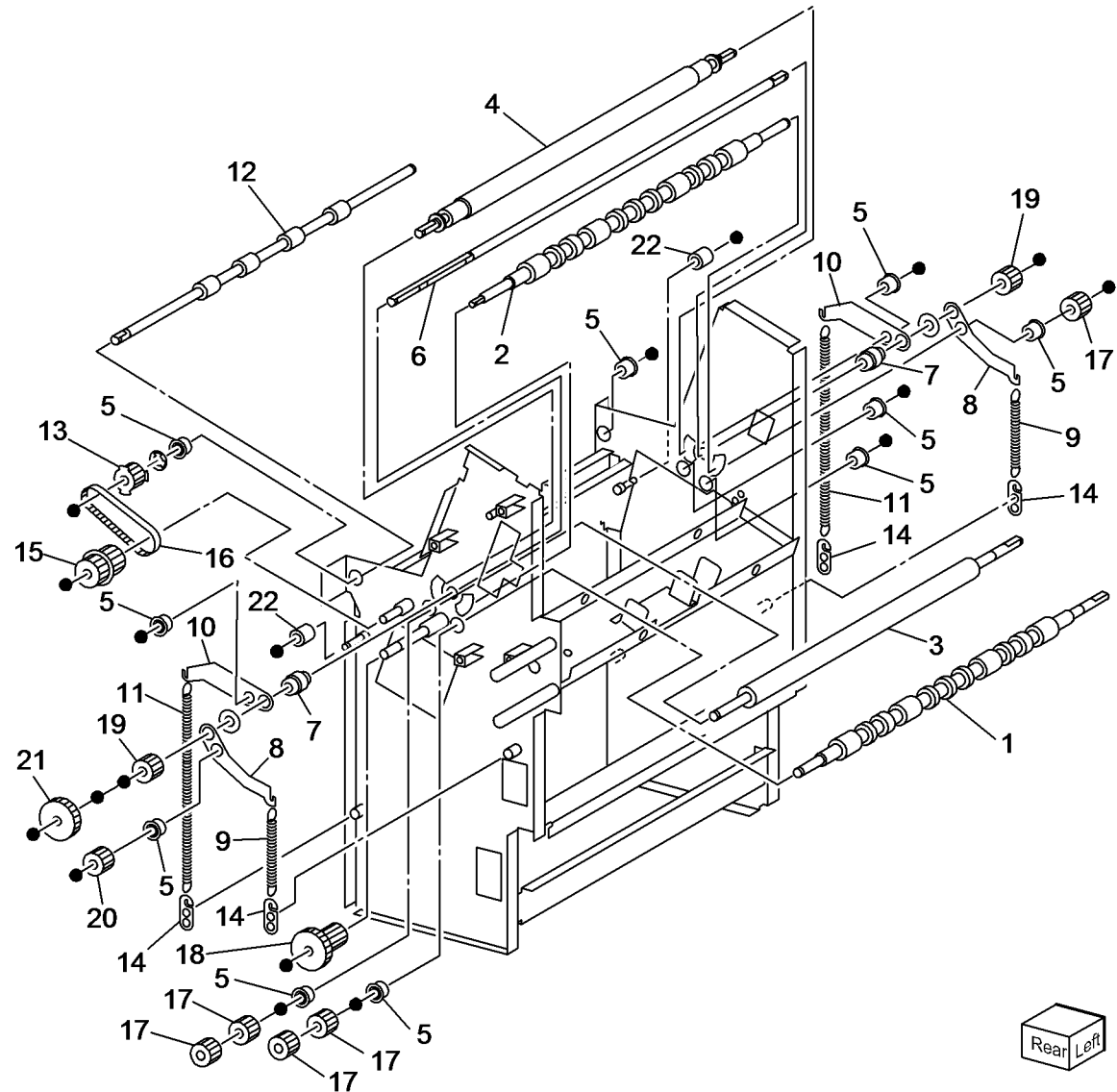
Item	Part	Description
1	-	Front Tamper Guide (Not Spared)
2	-	Rear Tamper Guide (Not Spared)
3	-	Not Used
4	-	Not Used
5	-	Not Used
6	-	Not Used
7	-	Booklet Rear Tamper Home Sensor (Q13-136)/Booklet Front Tamper Home Sensor (Q13-134) (Not Spared)
8	-	Not Used
9	-	Booklet Rear Tamper Motor (MOT13-060) (Not Spared)
10	-	Booklet Front Tamper Motor (MOT13-052) (Not Spared)
11	-	Not Used
12	-	Tie Plate (Not Spared)
13	-	Frame Assembly (Not Spared)
14	-	Bracket (Not Spared)
15	-	Roll (Not Spared)
16	-	Spring (Not Spared)
17	-	Rack (Not Spared)
18	-	Bearing (Not Spared)
19	-	Roll (Not Spared)
20	-	Static Eliminator (Not Spared)



s7800-221

PL 24.56 Booklet - Roll

Item	Part	Description
1	-	Booklet Pre Folding Roll (Not Spared)
2	-	Booklet Pre Folding Nip Roll (Not Spared)
3	-	Booklet Folding Roll (Not Spared)
4	-	Booklet Folding Nip Roll (Not Spared)
5	-	Ball Bearing (Not Spared)
6	-	Shaft (Not Spared)
7	-	Bearing (Not Spared)
8	-	Tension Plate 1 (Not Spared)
9	-	Spring (Not Spared)
10	-	Tension Plate 2 (Not Spared)
11	-	Spring (Not Spared)
12	-	Booklet Eject Roll (Not Spared)
13	-	Pulley (16T) (Not Spared)
14	-	Spring Plate (Not Spared)
15	-	Gear Pulley (20T/25T) (Not Spared)
16	-	Belt (Not Spared)
17	-	Gear (16T) (Not Spared)
18	-	Gear (38T/18T) (Not Spared)
19	-	Gear (18T) (Not Spared)
20	-	Gear (16T) (Not Spared)
21	-	Gear (38T) (Not Spared)
22	-	Roll (Not Spared)

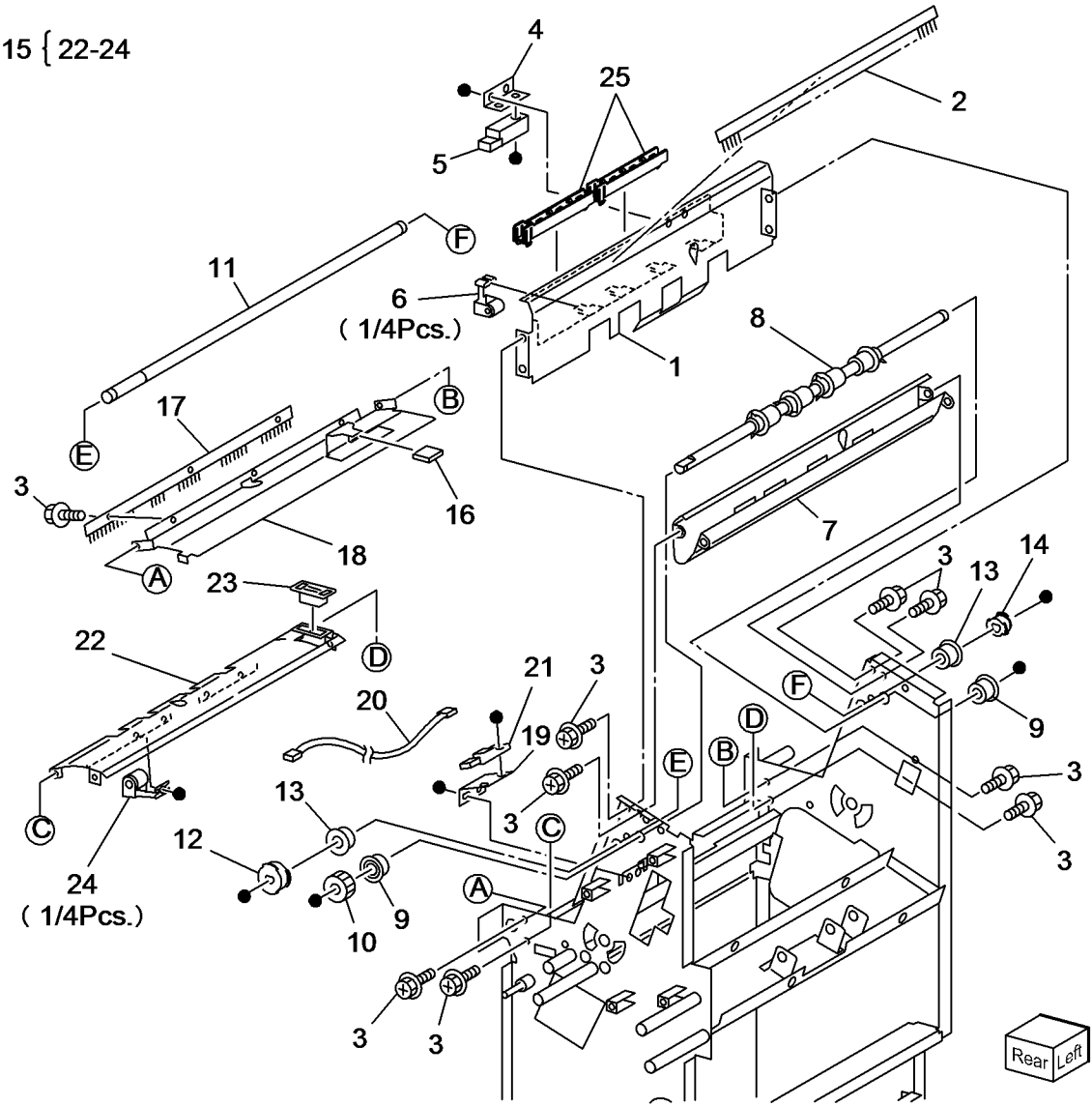


s7800-222

PL 24.57 Booklet - Chute

Item	Part	Description
1	-	Chute (Not Spared)
2	-	Static Eliminator (Not Spared)
3	-	Screw (Not Spared)
4	-	Bracket (Not Spared)
5	-	Booklet In Sensor (Q13-135) (Not Spared)
6	-	Pinch Roll (Not Spared)
7	-	Chute (Not Spared)
8	-	Booklet In Roll (Not Spared)
9	-	Ball Bearing (Not Spared)
10	-	Gear (16T) (Not Spared)
11	-	Shaft (Not Spared)
12	-	Gear (27T) (Not Spared)
13	-	Bearing (Not Spared)
14	-	Gear (27T) (Not Spared)
15	-	Lower Exit Chute Assembly (Not Spared)
16	-	Knob (Not Spared)
17	-	Static Eliminator (Not Spared)
18	-	Upper Exit Chute (Not Spared)
19	-	Bracket (Not Spared)
20	-	Wire Harness (Not Spared)
21	-	Booklet Folder Roll Exit Sensor (Q13-103) (Not Spared)
22	-	Lower Exit Chute (P/O PL 24.57 Item 15)
23	-	Magnet (P/O PL 24.57 Item 15)
24	-	Pinch Roll (P/O PL 24.57 Item 15)
25	-	Harness Cover (Not Spared)

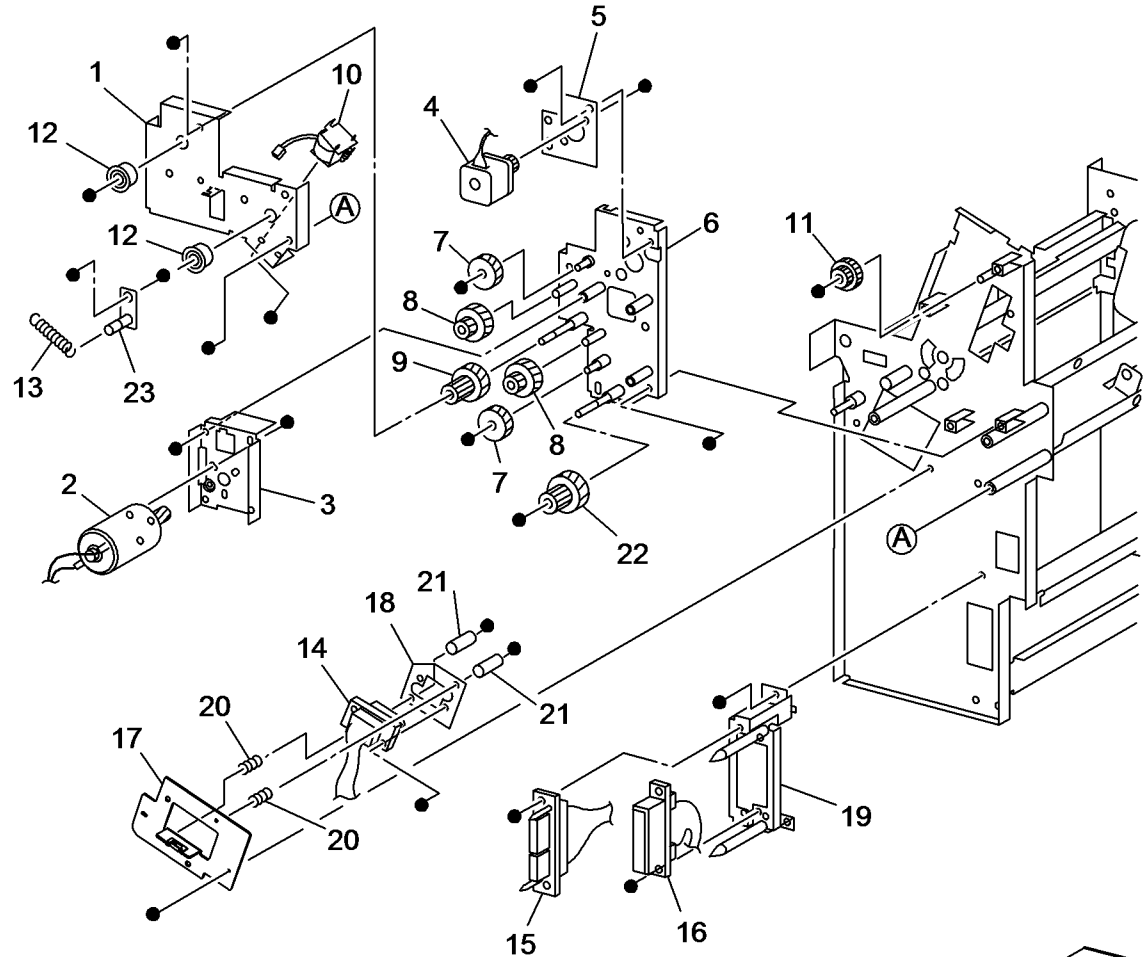
15 { 22-24



s7800-223

PL 24.58 Booklet - Motor

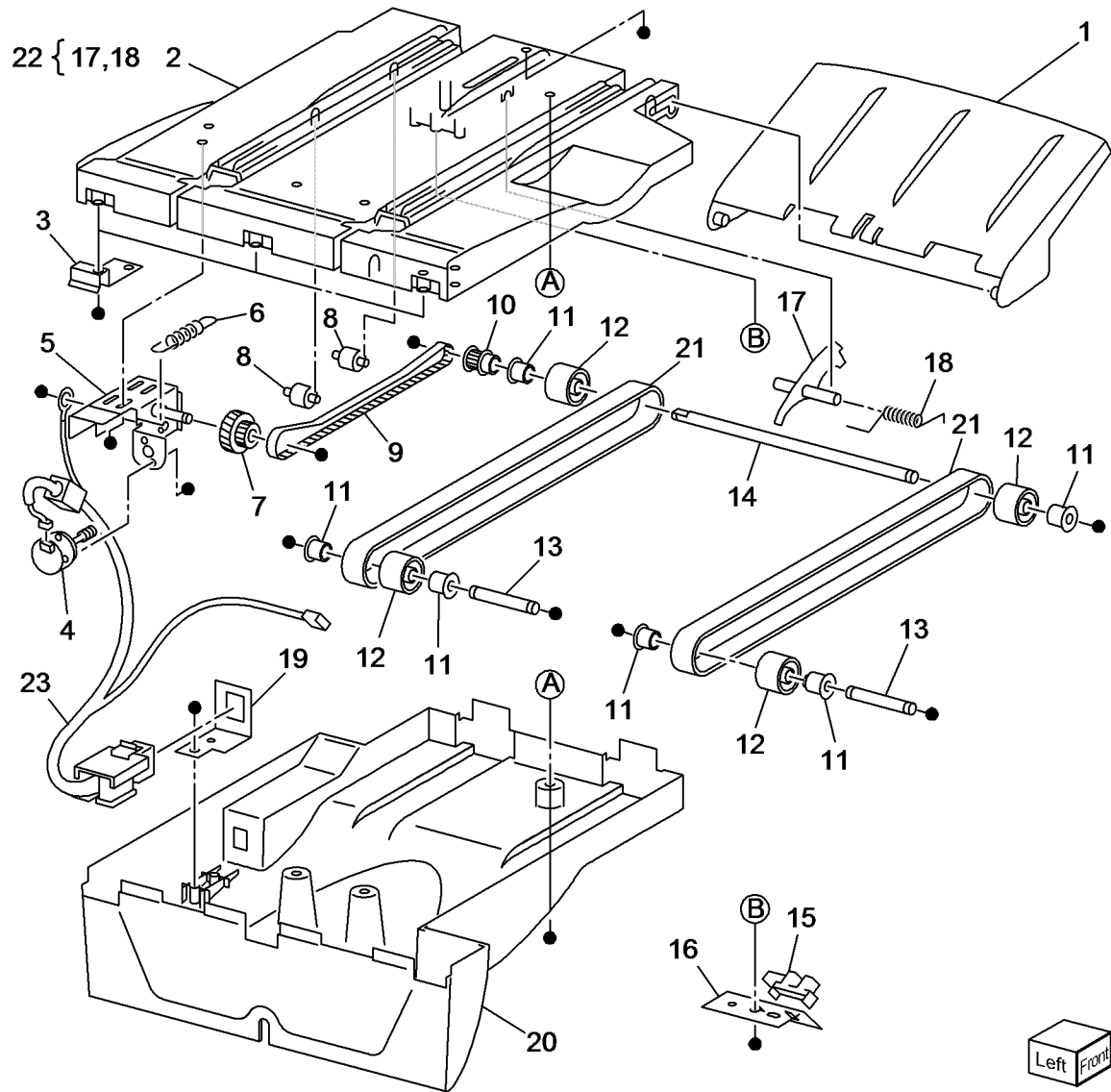
Item	Part	Description
1	-	Bracket (Not Spared)
2	-	Booklet Fold Motor (Not Spared)
3	-	Bracket (Not Spared)
4	-	Booklet Paper Path Motor (MOT13-064) (Not Spared)
5	-	Bracket (Not Spared)
6	-	Bracket (Not Spared)
7	-	Gear (45T) (Not Spared)
8	-	Gear (43T/14T) (Not Spared)
9	-	Gear (46T/13T) (Not Spared)
10	-	Knife Solenoid (SOL13-010) (Not Spared)
11	-	Gear (27T/34T) (Not Spared)
12	-	Ball Bearing (Not Spared)
13	-	Spring (Not Spared)
14	-	Wire Harness (Not Spared)
15	-	Wire Harness (Not Spared)
16	-	Wire Harness (Not Spared)
17	-	Bracket (Not Spared)
18	-	Bracket (Not Spared)
19	-	Bracket (Not Spared)
20	-	Spring (Not Spared)
21	-	Spacer (Not Spared)
22	-	Gear (48T/18T) (Not Spared)
23	-	Link (Not Spared)



s7800-224

PL 24.59 Booklet Tray Components

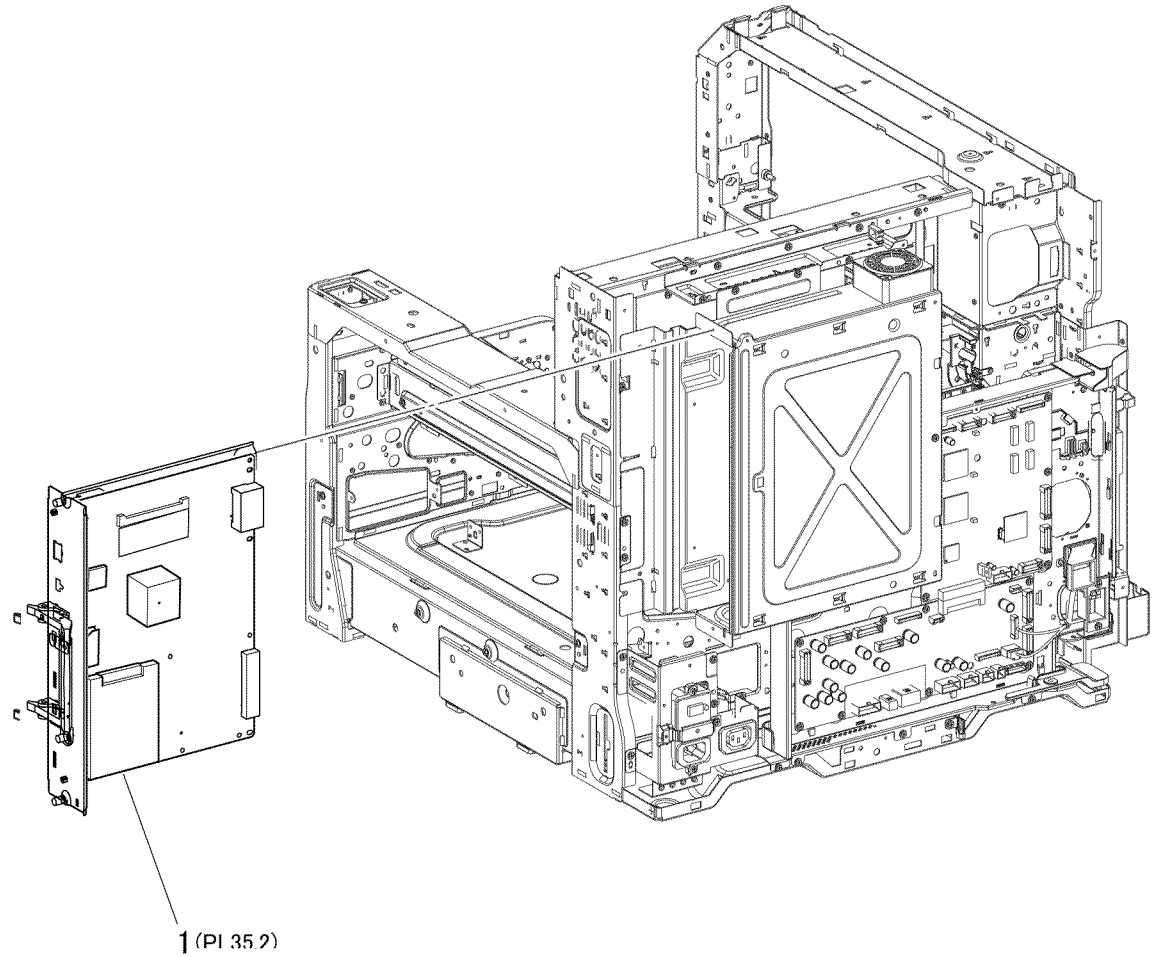
Item	Part	Description
1	-	Tray (Not Spared)
2	-	Upper Tray (Not Spared)
3	-	Bracket (Not Spared)
4	-	Tray Belt Drive Motor (MOT13-020) (Not Spared)
5	-	Bracket (Not Spared)
6	-	Spring (Not Spared)
7	-	Gear Pulley (Not Spared)
8	-	Roll (Not Spared)
9	-	Belt (Not Spared)
10	-	Pulley (Not Spared)
11	-	Bearing (Not Spared)
12	-	Roll (Not Spared)
13	-	Shaft (Not Spared)
14	-	Shaft (Not Spared)
15	-	Booklet No Paper Sensor (Q13-139) (Not Spared)
16	-	Bracket (Not Spared)
17	-	Actuator (P/O PL 24.59 Item 22)
18	-	Spring (P/O PL 24.59 Item 22)
19	-	Bracket (Not Spared)
20	-	Lower Tray (Not Spared)
21	-	Belt (Not Spared)
22	-	Actuator Assembly (Not Spared)
23	-	Harness Assembly (Not Spared)



s7800-225

PL 35.1 ESS (1 of 2)

Item	Part	Description
1	-	Image Processor Board (REF: PL 35.2 Item 17) (REP 35.1)

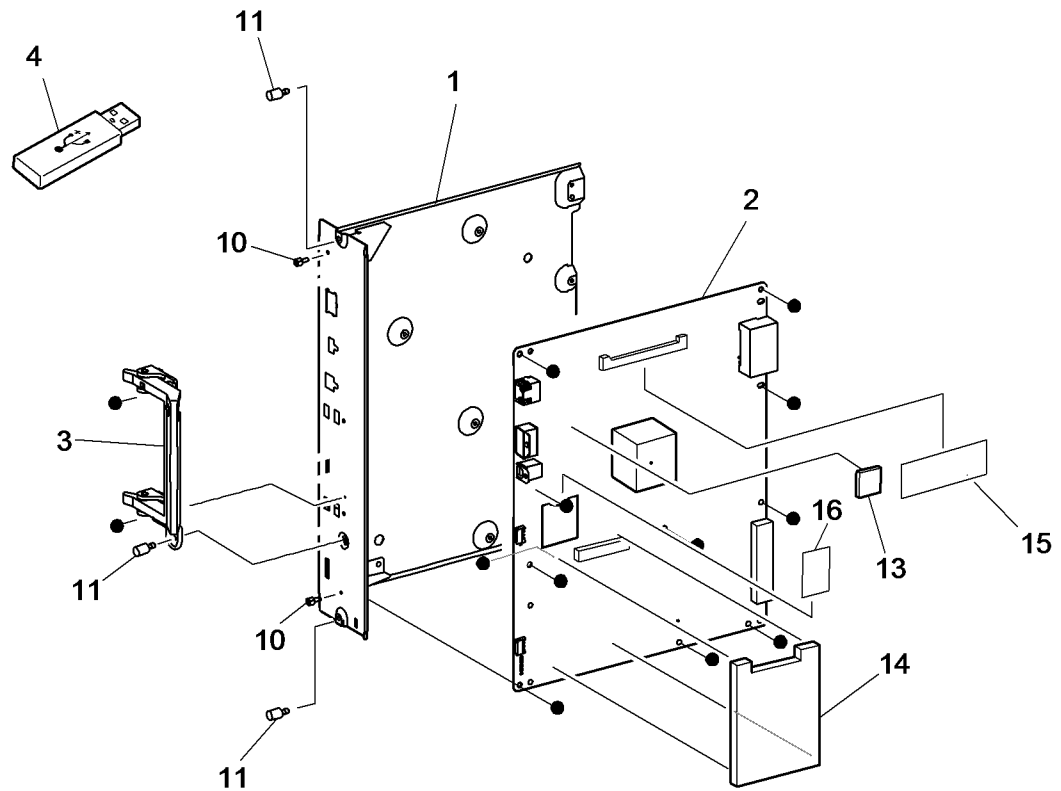


s7800-229

PL 35.2 ESS (2 of 2)

Item	Part	Description
1	—	Chassis Assembly (P/O PL 35.2 Item 17)
2	—	ESS PWB (P/O PL 35.2 Item 17)
3	—	Handle (P/O PL 35.2 Item 17)
4	237E26390	USB Memory with Firmware
5	—	Not Used
6	—	Not Used
7	—	Not Used
8	—	Not Used
9	—	Not Used
10	—	Lock Screw (P/O PL 35.2 Item 17)
11	—	Thumb Screw (P/O PL 35.2 Item 17)
12	—	Not Used
13	237E26300	EEPROM Chip
14	007K20380	Hard Disk Drive (REP 35.2)
15	137E30900	DIMM (2GB)
16	160E04220	SD Card
17	960K72100	Image Processor Board (REP 35.1)

17 { 1-3,8-11, 13-16



s7800-177

PL 36.1 Kits

Item	Part	Description
1	604K16631	Sensor Kit
2	600K87510	Sensor Flag Kit
3	604K00821	Hardware Kit
4	697E62760	Repackaging Kit

**NO EXPLODED
VIEW PROVIDED**