

Parts List

In this chapter...

- Serial Number Format
- Using the Parts List
- General Overview
- LPH
- Drive
- NOHAD
- Development
- Transfer
- Fuser
- Xerographic
- Tray Module (3T) (Option)
- Tray Module (1T) (Option)
- Tray 1 (MPT)
- L/H Cover
- Registration
- Exit
- Electrical
- Cover
- ESS
- Xerox Supplies and Accessories

Chapter 9

Serial Number Format

Changes to Xerox products are made to accommodate improved components as they become available. It is important when ordering parts to include the following information:

- Component's part number
- Product type or model number
- Serial Number of the printer

The nine-digit serial number has the following format:

- **PPPRSSSSS**
- **PPP** = Three digit alphanumeric product code
- **R** = Single digit numeric revision digit, 0~9. To be rolled when a major product change occurs and initiated with a change request.

Product	Product Code
7500, 110V Engine	RXD
7500V, 220V Engine	RXE

Note

Not all of the serial number will be used. This is a buffer in case additional units are built by Fuji Xerox for each model of printer during pre-production.

Production Units (MP Build)

PPP1SSSSS

SSSSS = Five digit numeric serial number based on the following table:

Product	Starting Serial Number	Ending Serial Number
7500_N, 110V Engine	10001	30000
7500_DN, 110V Engine	30001	90000
7500_YDN, 110V Engine (GSA)	90001	99999
7500V_N, 220V Engine	10001	35000
7500V_DN, 220V Engine	35001	99999

The serial numbers are only reset to the starting serial number when the ending serial number is reached. At that time the revision digit will be rolled. Serial numbers below 10001 are reserved for XOG Final Integration Center (FIC) sites if reserialization is needed.

Examples

RDX243072: Xerox Serial Number

RDX: Product Code for the 110V Phaser 7500

2 = Revision Level

43072 = Serial Number for Phaser 7500

RXE299999: next printer Serial Number **RXE335001**

RDX: Product Code for the 220V Phaser 7500

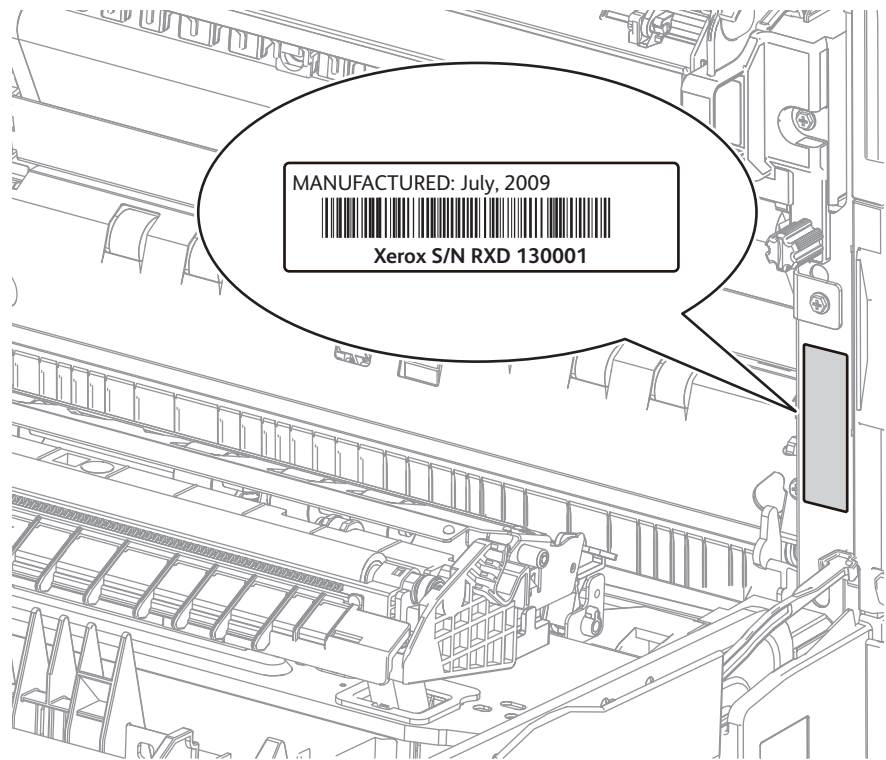
Revision Level = 2 next revision level 3

Serial Number for 7500V_DN = 99999 next Serial Number 35001

The serial number labels can be found at two locations of the printer.

Label Placement and Layout Example

The Barcode label is applied inside the Left Door on the right side of the frame.



s7500-479

Using the Parts List

- **ID No.:** The callout number from the exploded part diagram.
- **Name/Description:** The name of the part to be ordered and the number of parts supplied per order.
- **Part Number:** The material part number used to order that specific part.
- Parts identified throughout this manual are referenced **PL#.#. #**; For example, PL3.1.10 means the part is item 10 of Parts List 3.1.
- A black triangle preceding a number followed by a parenthetical statement in an illustrated parts list means the item is a parent assembly, made up of the individual parts called out in parentheses.
- The notation “**with X~Y**” following a part name indicates an assembly that is made up of components X through Y. For example, “1 (with 2~4)” means part 1 consists of part 2, part 3, and part 4.
- An asterisk (*) following a part name indicates the page contains a note about this part.
- The notation (NS) next to a part indicates that particular part is not spared, but contained in a kit or major assembly.
- The notation “**J1<>J2 and P2**” is attached to a wire harness. It indicates that connector Jack 1 is attached to one end of the wire harness and connector J2 is attached to the other end that is plugged into P2.

Note

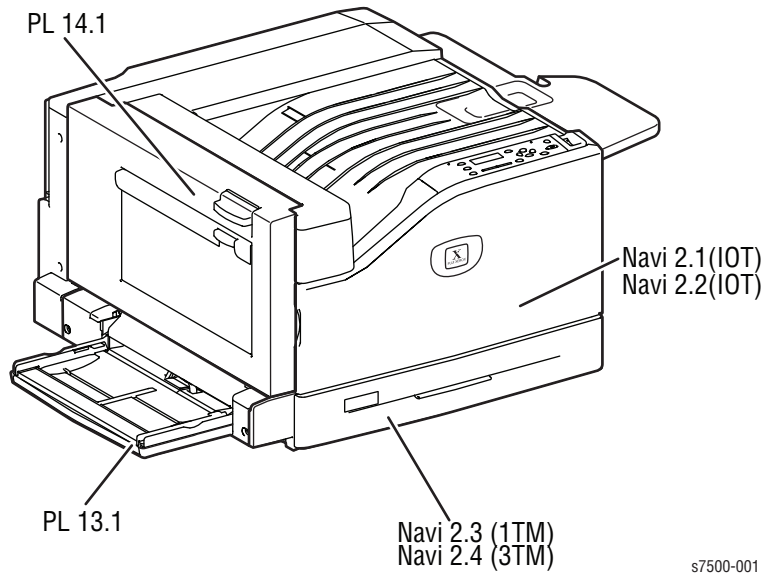
Only parts showing part numbers are available for ordering by support. Parts not showing part numbers are available on the parent assembly.

Abbreviations

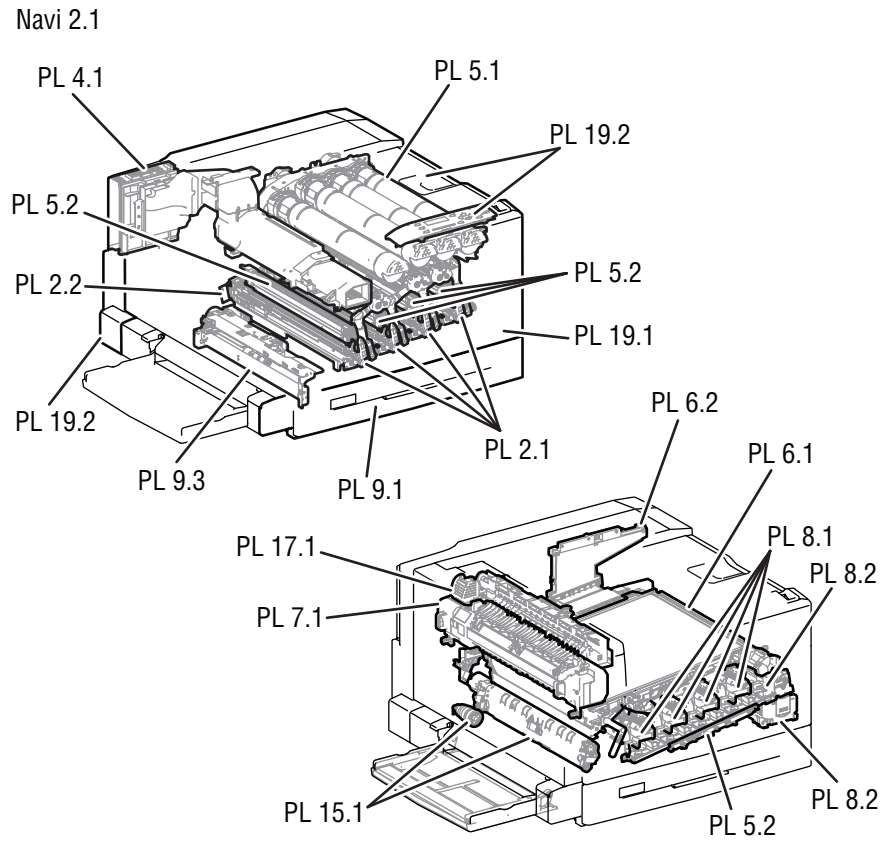
Abbreviation	Meaning
C	C-ring
E	E-ring
KL	K-clip
S	Screw

General Overview

Parts List 1.1 Parts Overview (1 of 5)



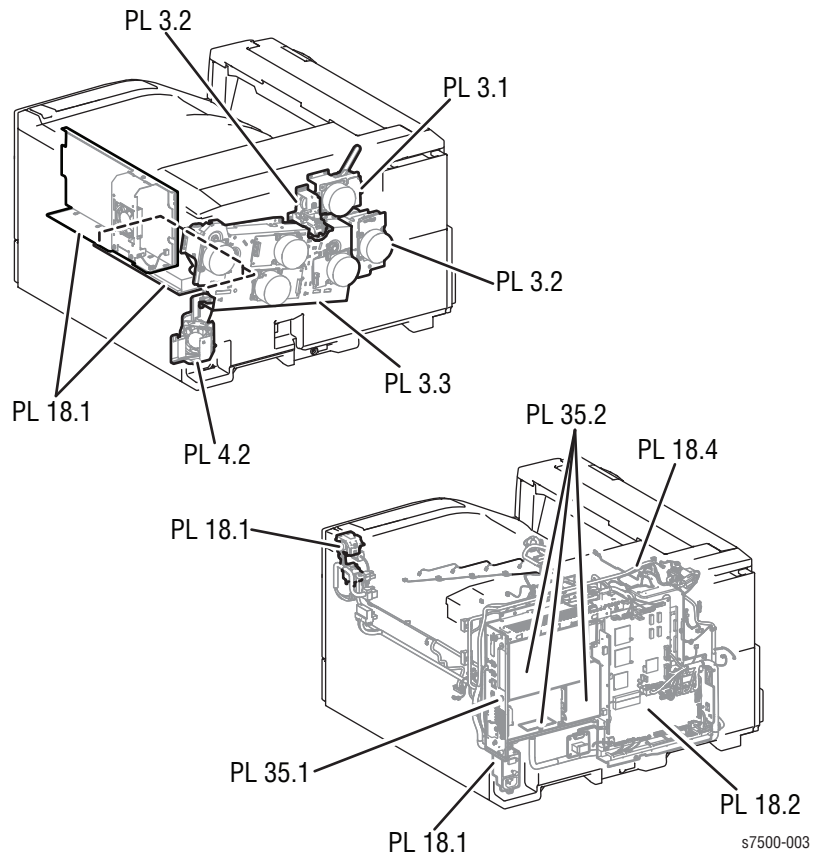
Parts List 1.2 Parts Overview (2 of 5)



s7500-002

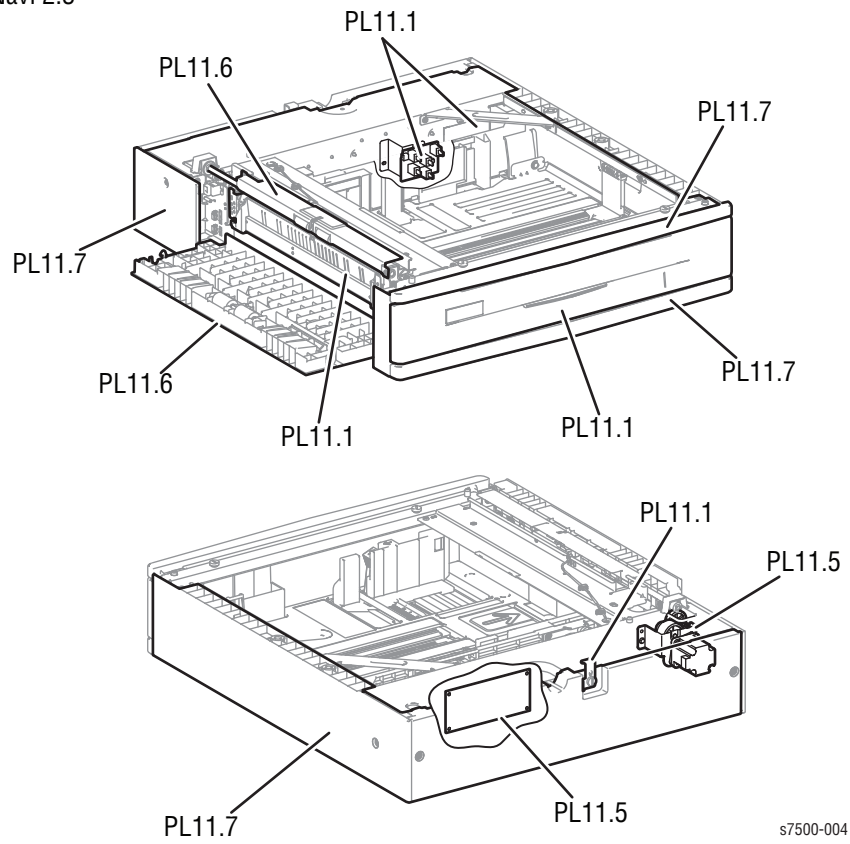
Parts List 1.3 Parts Overview (3 of 5)

Navi 2.2



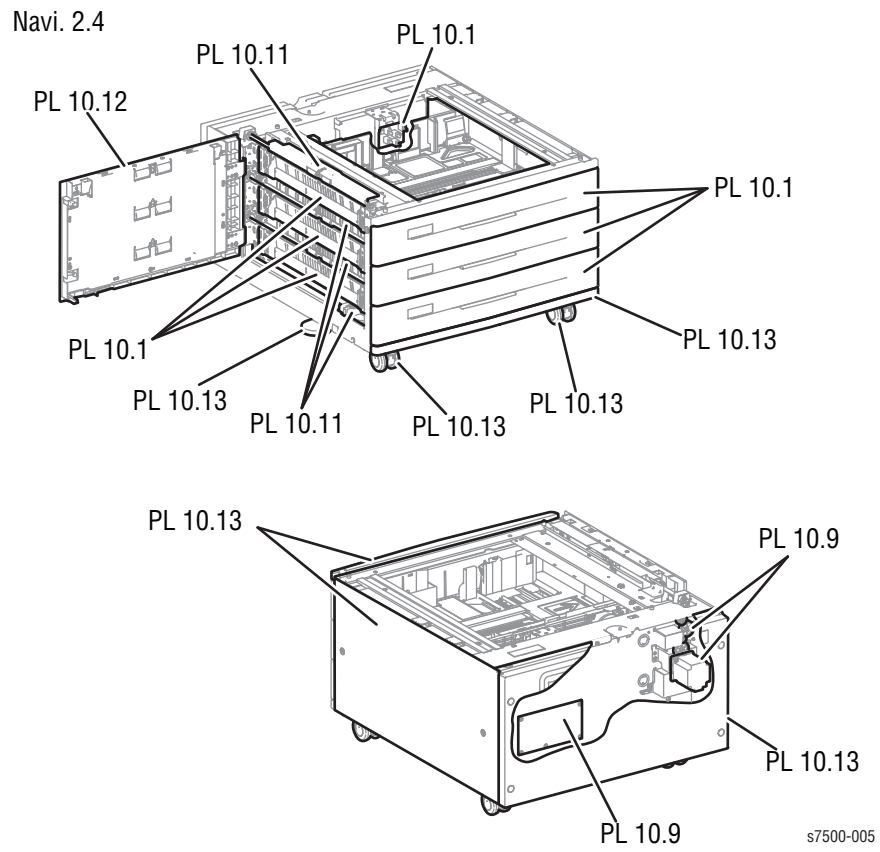
Parts List 1.4 Parts Overview (4 of 5)

Navi 2.3



s7500-004

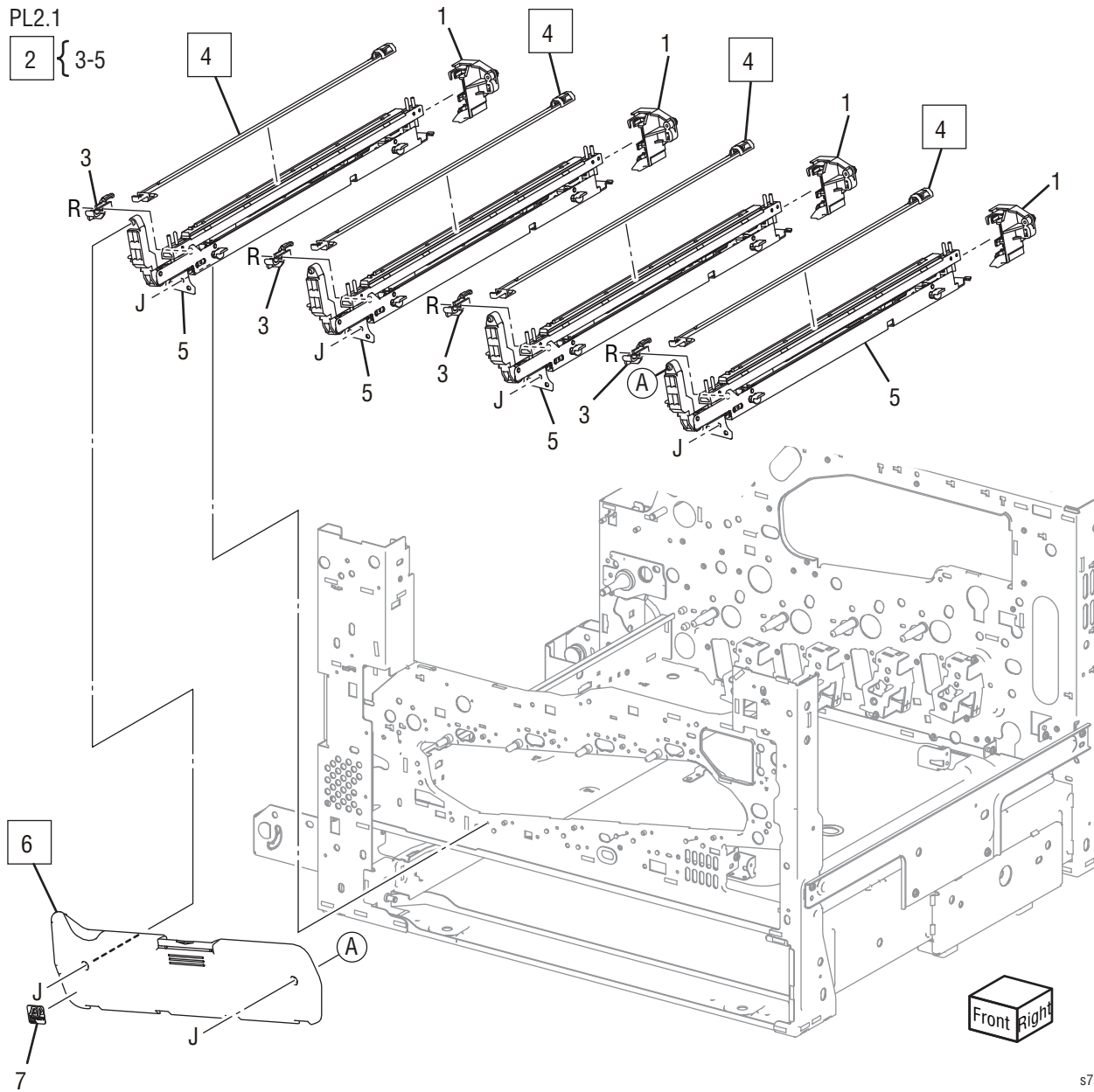
Parts List 1.5 Parts Overview (5 of 5)



s7500-005

LPH

Parts List 2.1 LPH (1 of 2)

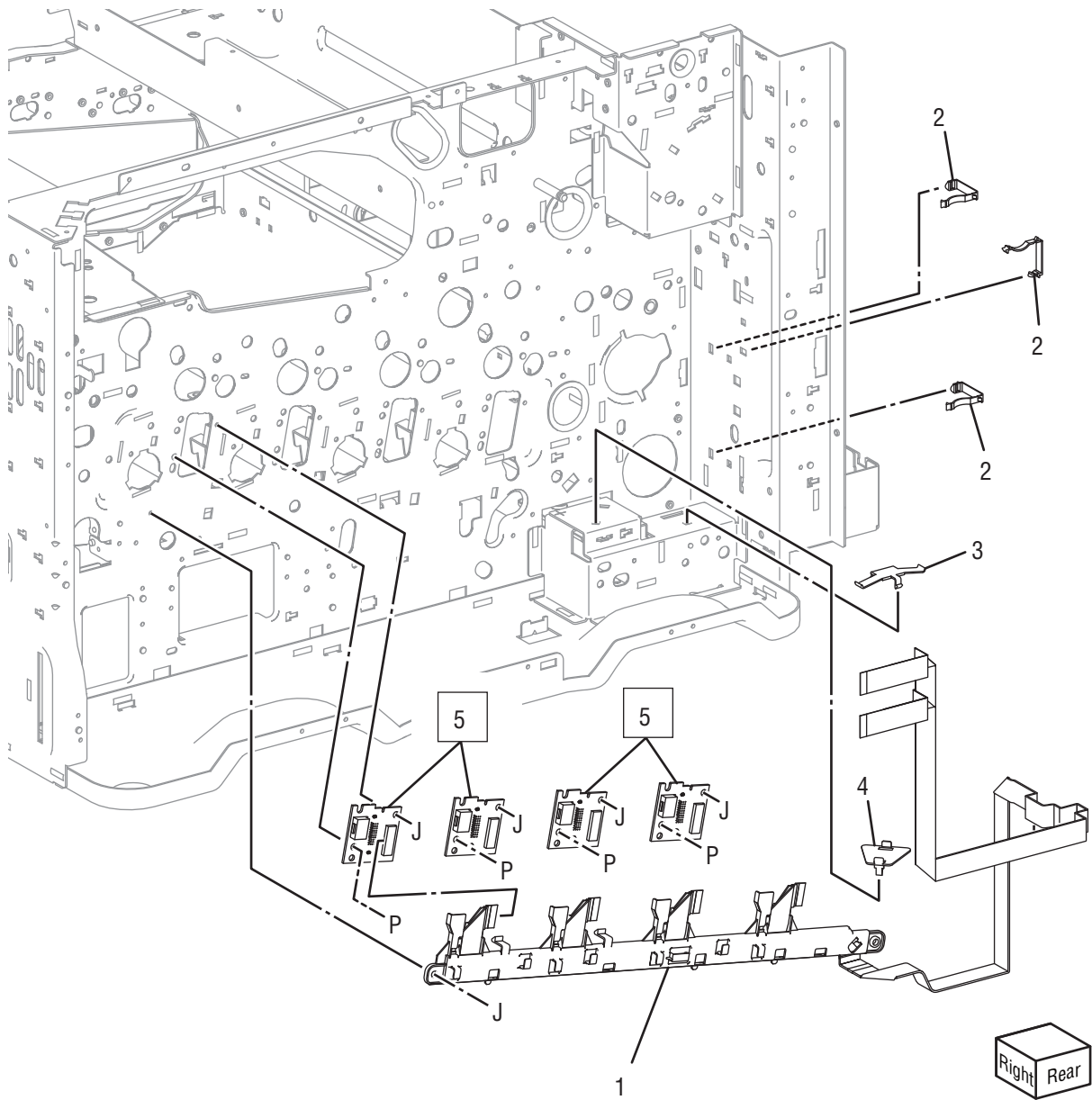


Parts List 2.1 LPH (1 of 2)

ID No.	Name/Description	Part Number
1.	Rear Holder Assembly	019K09281
2.	LPH Unit (Items 3-5) (REP 2.1)	130K72653
3.	Guide	
4.	LPH Cleaner (REP 2.2)	042K93520
5.	LPH Assembly	
6.	Imaging Unit (Drum) Cover (REP 2.3)	011K98621
7.	Label	

Parts List 2.2 LPH (2 of 2)

PL2.2



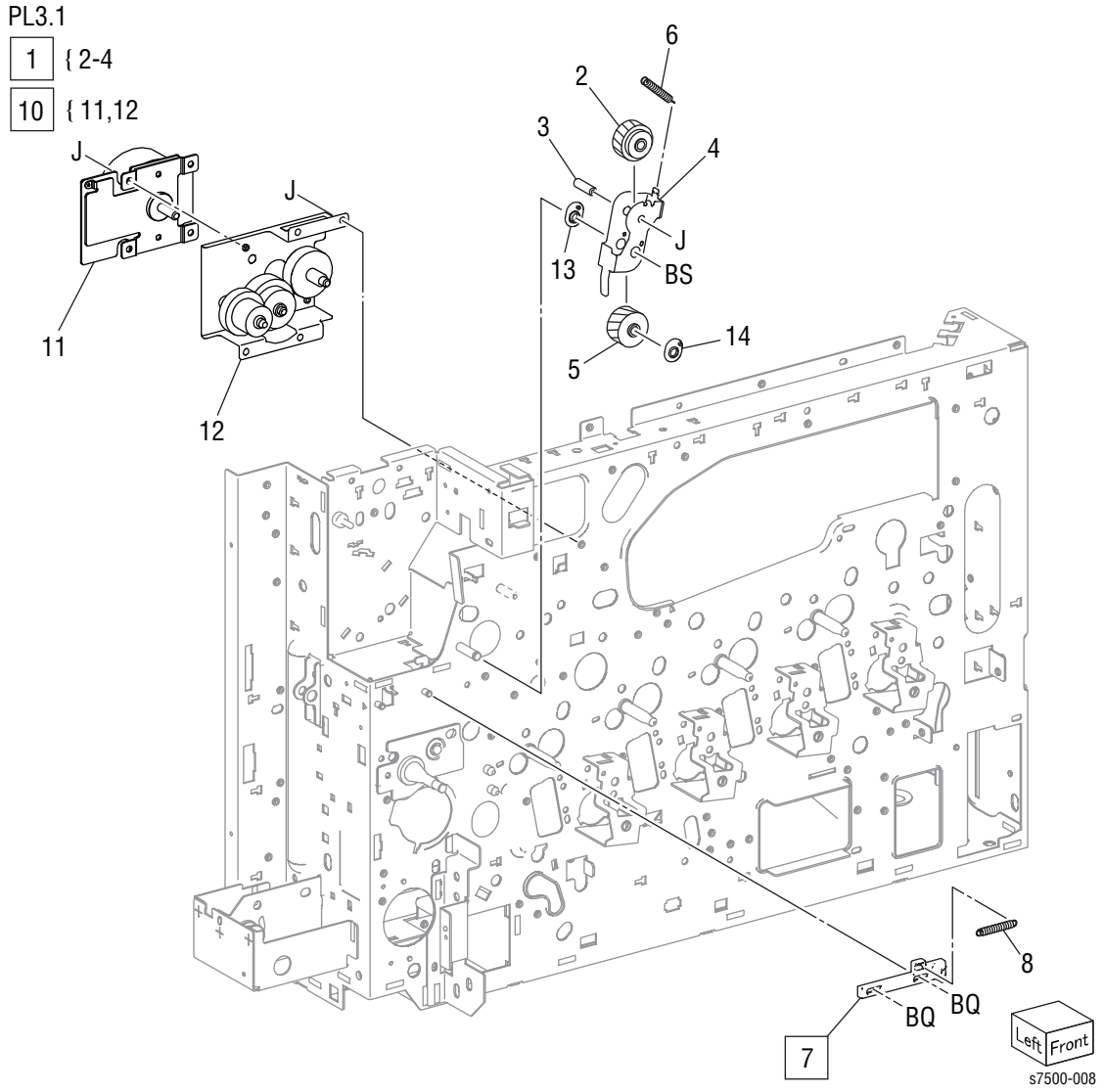
s7500-007

Parts List 2.2 LPH (2 of 2)

ID No.	Name/Description	Part Number
1.	LPH Harness Assembly	962K60144
2.	Cable Holder	
3.	Cable Holder	
4.	Cable Holder	
5.	LPH Rear PWB (REP 2.4)	960K36951

Drive

Parts List 3.1 Drive (1 of 3)



Parts List 3.1 Drive (1 of 3)

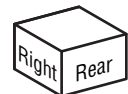
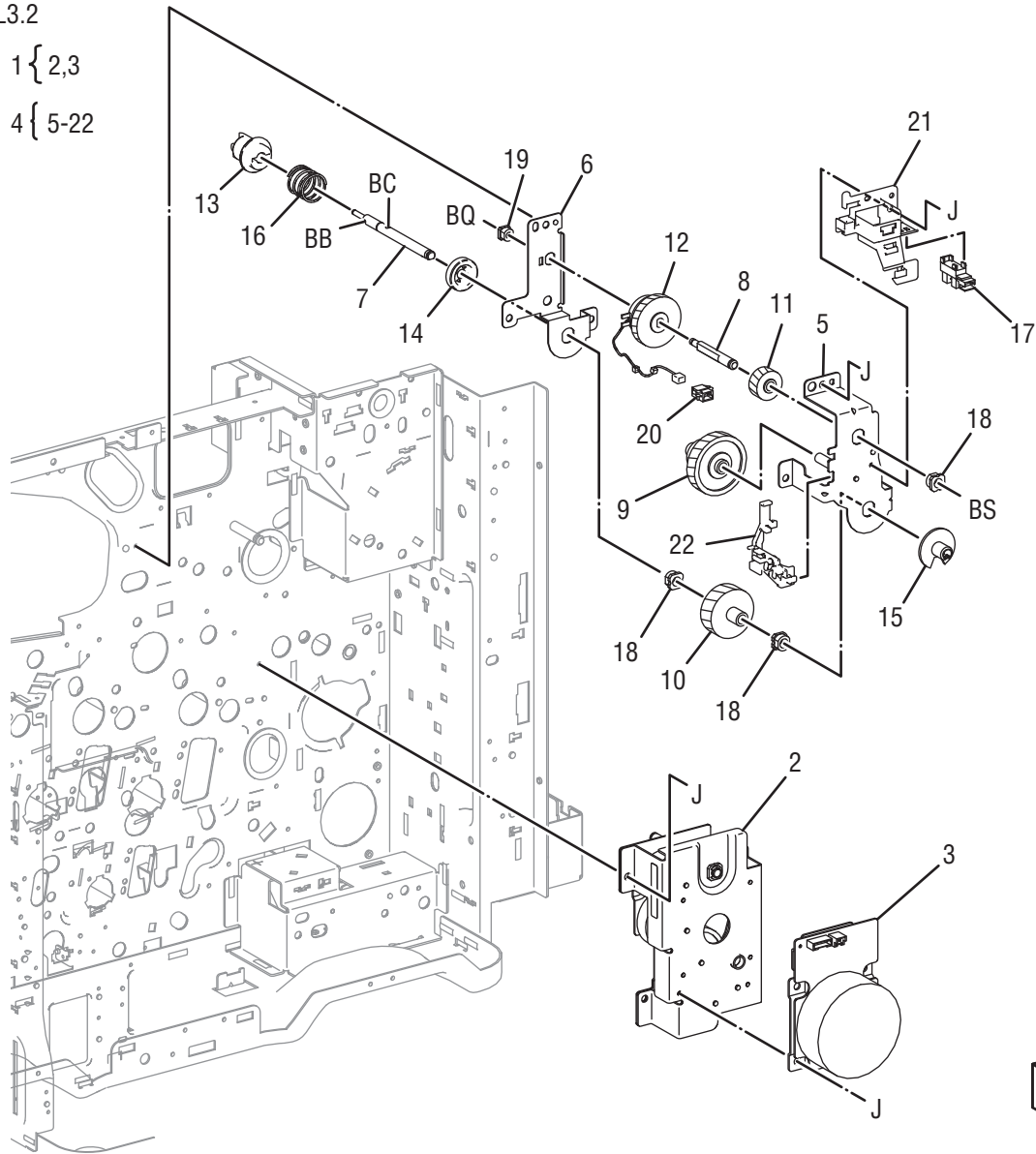
No.	Name/Description	Part Number
1.	Fuser Input Bracket Assembly (Items 2-5) (REP 3.1)	068K64901
2.	Helical Gear (26T)	
3.	Fuser Shaft	
4.	Fuser Input Bracket	
5.	Helical Gear (25T)	
6.	Spring - Fuser	809E74960
7.	Link - Fuser (REP 3.2)	012E15930
8.	Spring - Link	809E74950
9.	-----	
10.	Fuser Drive Motor Assembly (Items 11, 12) (REP 3.3)	007K98080
11.	Fuser Drive Motor	
12.	Gear Bracket Assembly	
13.	Bearing	
14.	Bearing	

Parts List 3.2 Drive (2 of 3)

PL3.2

1 { 2,3

4 { 5-22



s7500-009

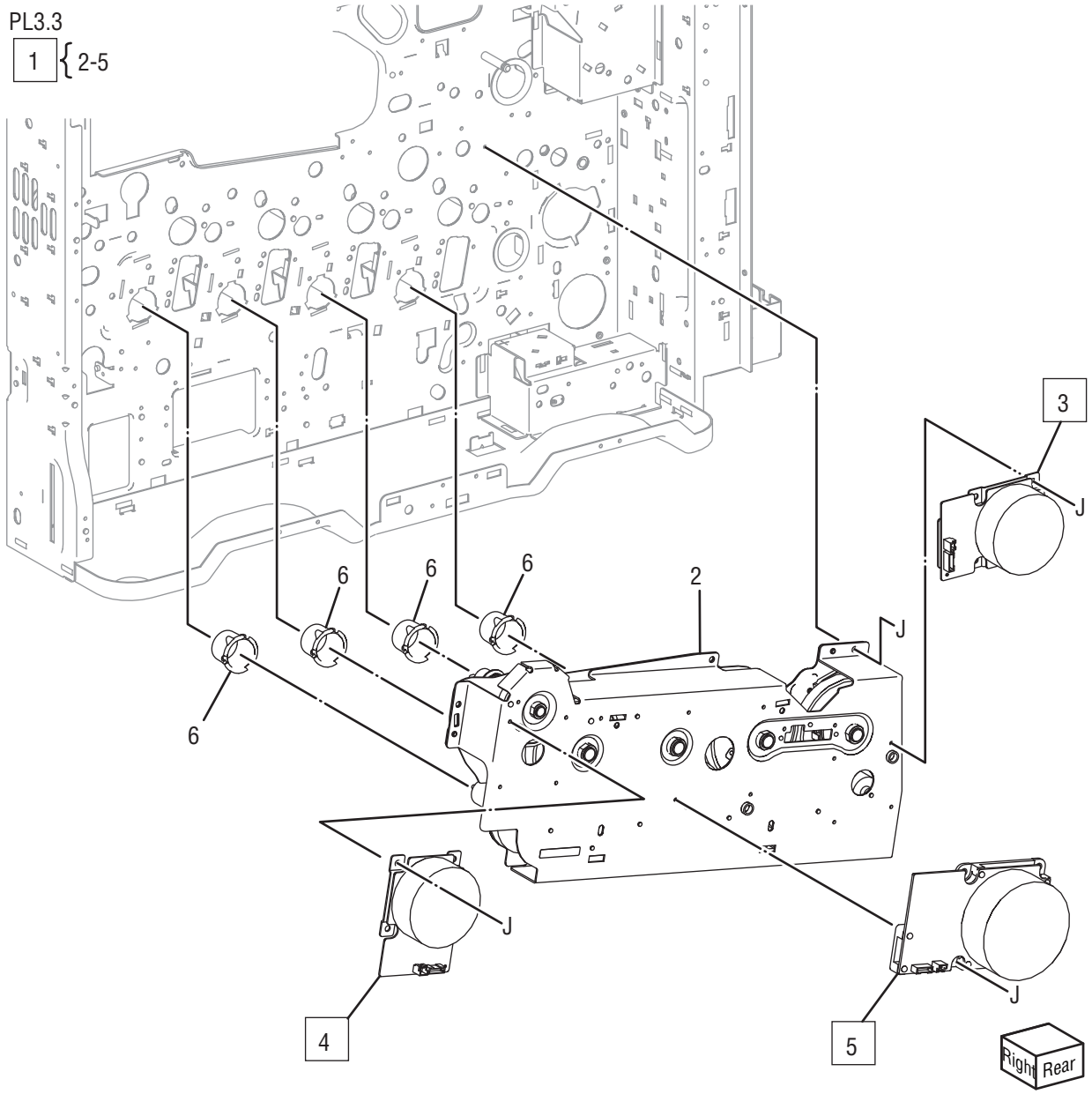
Parts List 3.2 Drive (2 of 3)

No.	Name/Description	Part Number
1.	Main Drive Assembly (Items 2, 3) (REP 3.4)	007K98071
2.	Bracket Assembly	
3.	Main Drive Motor Assembly (REP 3.5)	
4.	Retract Drive Assembly (Items 5-22) (REP 3.6)	007K98090
5.	Retract Bracket Assembly	
6.	Retract Lower Bracket	
7.	Retract Shaft	
8.	Clutch Shaft	
9.	Helical Gear (45T/23T)	
10.	Helical Gear (36T)	
11.	Helical Gear (21T)	
12.	1st BTR Contact Retract Clutch Assy	121K40850
13.	Coupling	
14.	Retainer	
15.	Cam Wheel	
16.	Spring	
17.	1st BTR Contact Retract Sensor (REP 3.7)	930W00111
18.	Sleeve Bearing	
19.	Sleeve Bearing	
20.	Connector	
21.	Harness Holder	
22.	Harness Holder	

Parts List 3.3 Drive (3 of 3)

PL3.3

1 { 2-5



s7500-010

Parts List 3.3 Drive (3 of 3)

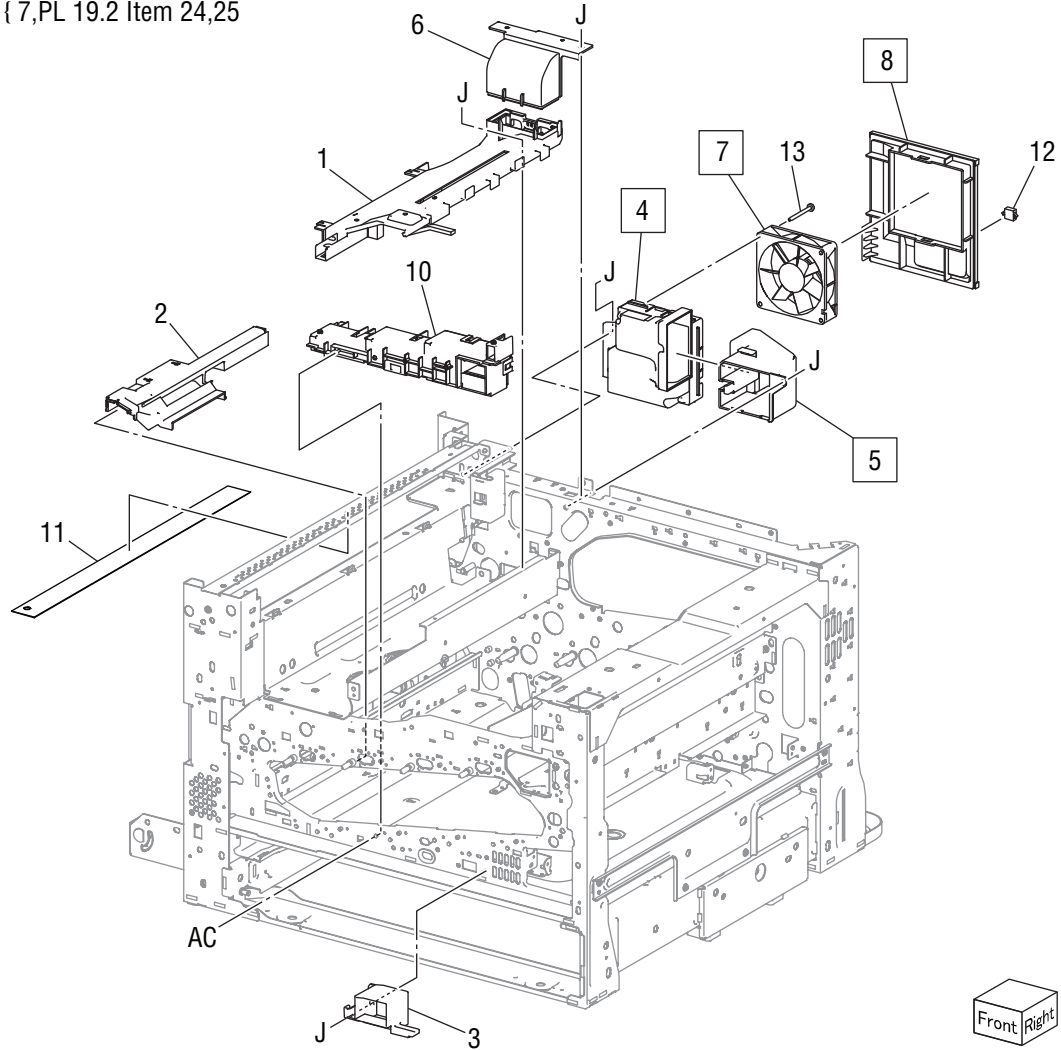
ID No.	Name/Description	Part Number
1.	Drum/ Deve Drive Assembly (Items 2-5) (REP 3.8)	007K98064
2.	Drive Assembly	
3.	Drum/ Deve Drive Motor (K) (REP 3.9) (included in item 1)	
4.	IBT Drive Motor Assembly (REP 3.10) (included in item 1)	
5.	Drum/Deve Drive Motor (Y, M, C) (REP 3.11) (included in item 1)	
6.	Guard Gear	055E56040

NOHAD

Parts List 4.1 NOHAD (1 of 3)

PL4.1

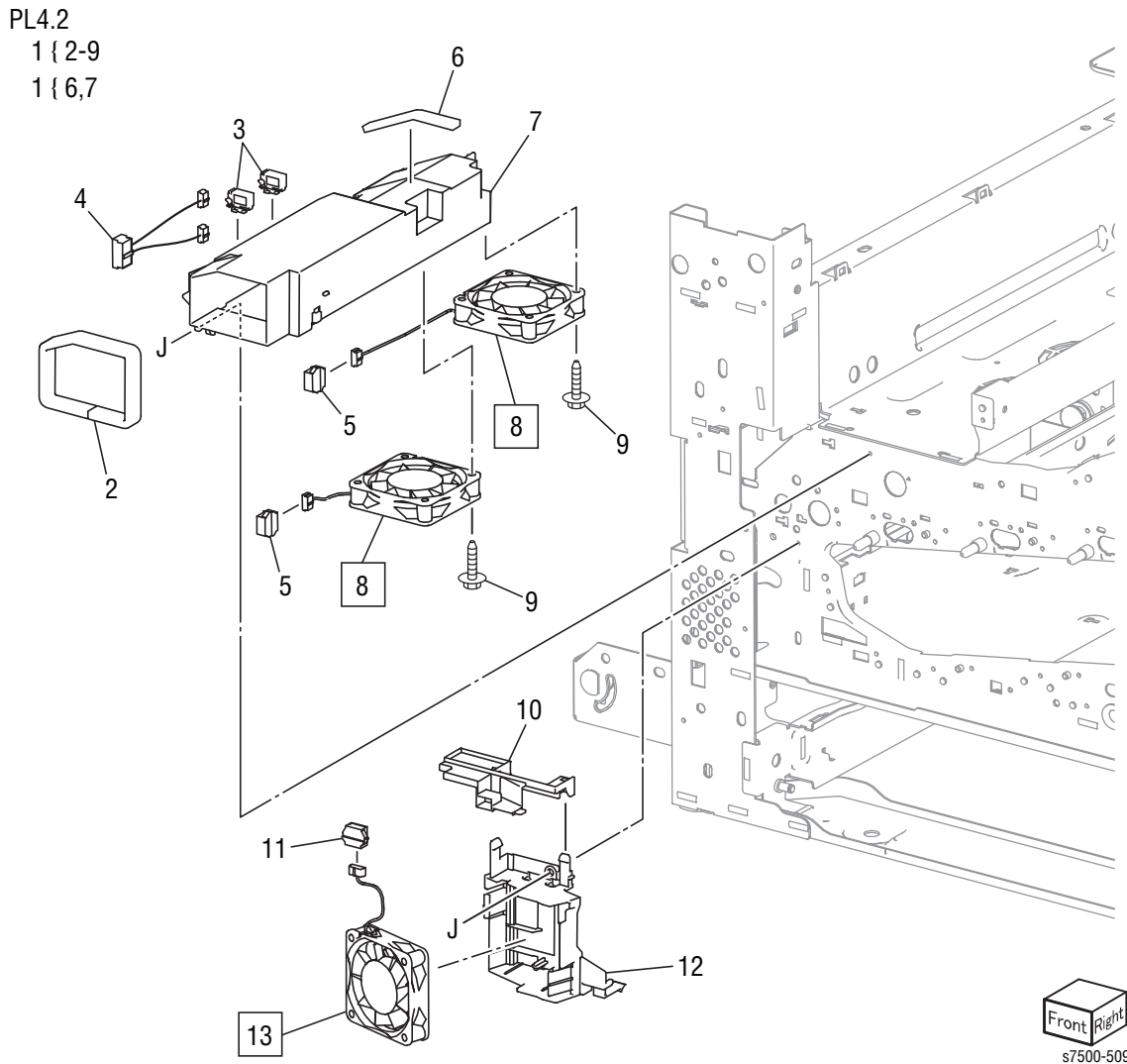
14 { 7, PL 19.2 Item 24,25



Parts List 4.1 NOHAD (1 of 3)

ID No.	Name/Description	Part Number
1.	Center Duct Assembly	
2.	Front Bottom Duct	
3.	P1 Front Duct	
4.	Fuser Fan Duct (REP 4.2)	054E33892
5.	Fuser Rear Duct (REP 4.2)	054E33880
6.	Fuser Front Duct	054E33871
7.	Fuser Fan (REP 4.1)	127K53050
8.	Rear Duct (REP 4.2)	054K35121
9.	-----	
10.	Front Duct Assembly	
11.	Eliminator	
12.	Connector	
13.	Screw	
14.	Filter Kit (Item 7, PL 19.2 Items 24, 25)	604K49431

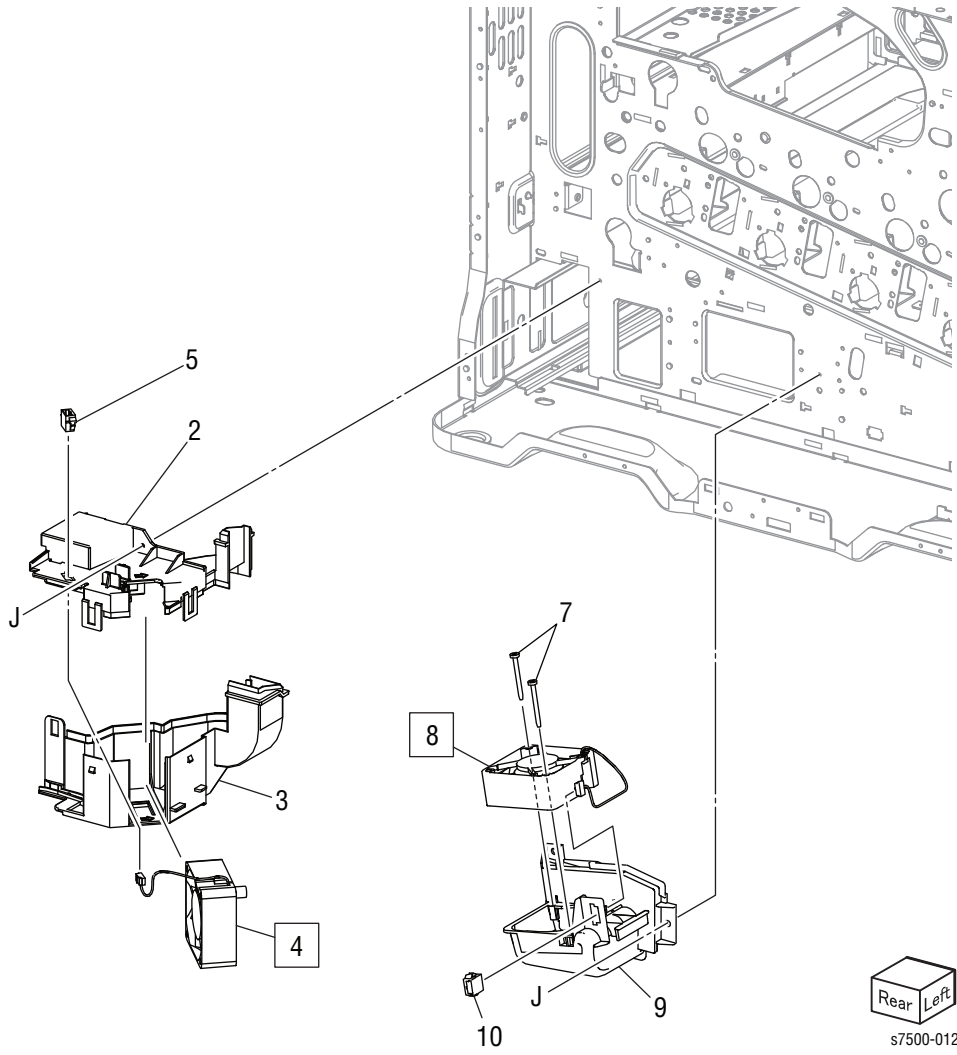
Parts List 4.2 NOHAD (2 of 3)



Parts List 4.2 NOHAD (2 of 3)

ID No.	Name/Description	Part Number
1.	IBT Duct Assembly (Items 2-9)	
2.	Seal	
3.	Clamp	
4.	Wire Harness	
5.	Connector	
6.	Seal	
7.	IBT Duct	
8.	IBT Fan 1/2	927W00314
9.	Screw	
10.	Plate F	
11.	Connector	
12.	Duct P2	
13.	P2 Fan	927W00214

Parts List 4.3 NOHAD (3 of 3)



Parts List 4.3 NOHAD (3 of 3)

ID No.	Name/Description	Part Number
1.	HV Fan Assembly (Items 2-5) (REP 4.3)	054K34550
2.	Upper Duct	
3.	Lower Duct	
4.	HV Fan	
5.	Connector	
6.	Bottom Fan Assembly (Items 7-10)	054K 36220
7.	Screw	
8.	Bottom Fan	
9.	Bottom Duct	
10.	Connector	

Development

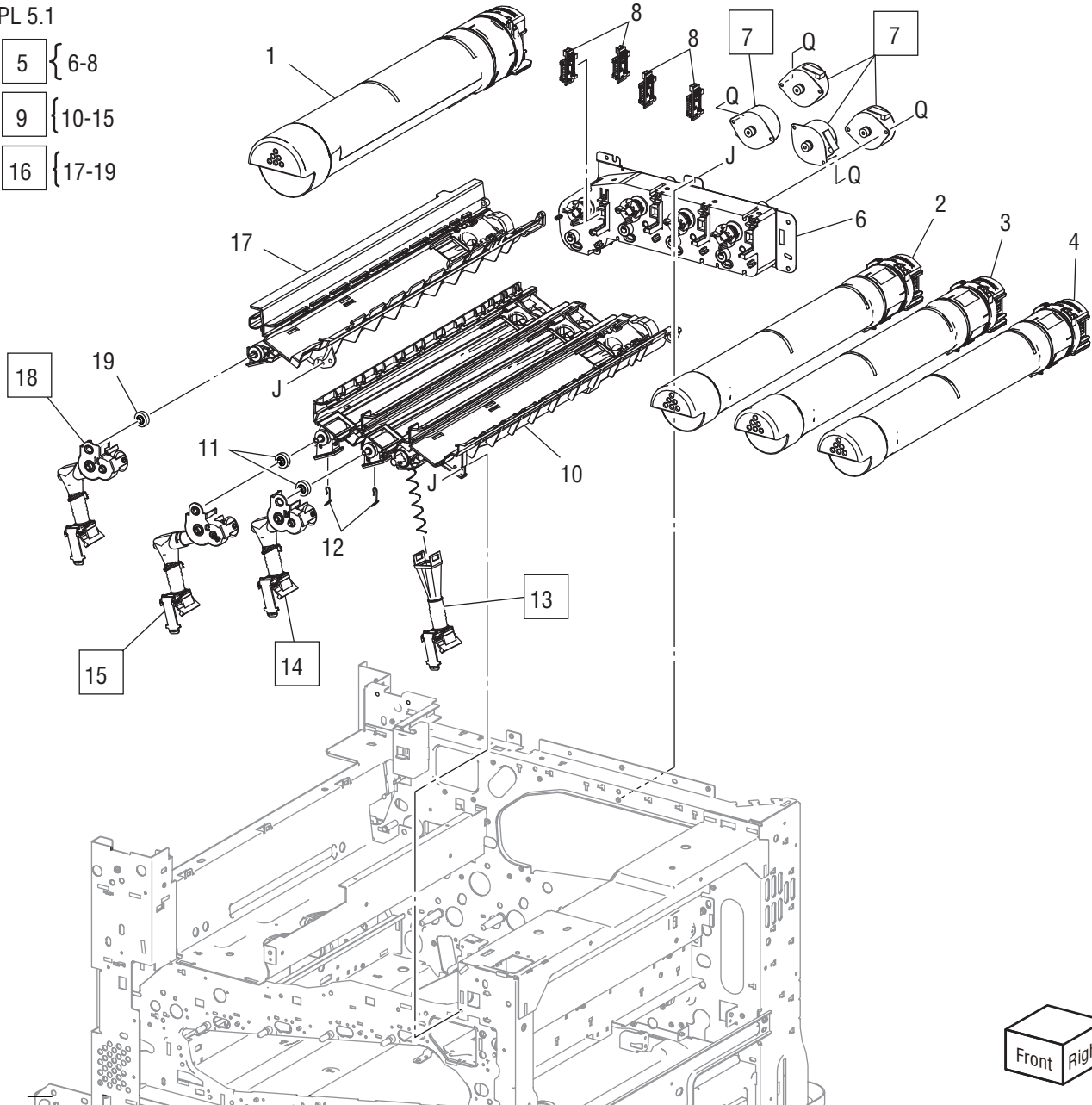
Parts List 5.1 Development (1 of 2)

PL 5.1

5 { 6-8

9 { 10-15

16 { 17-19

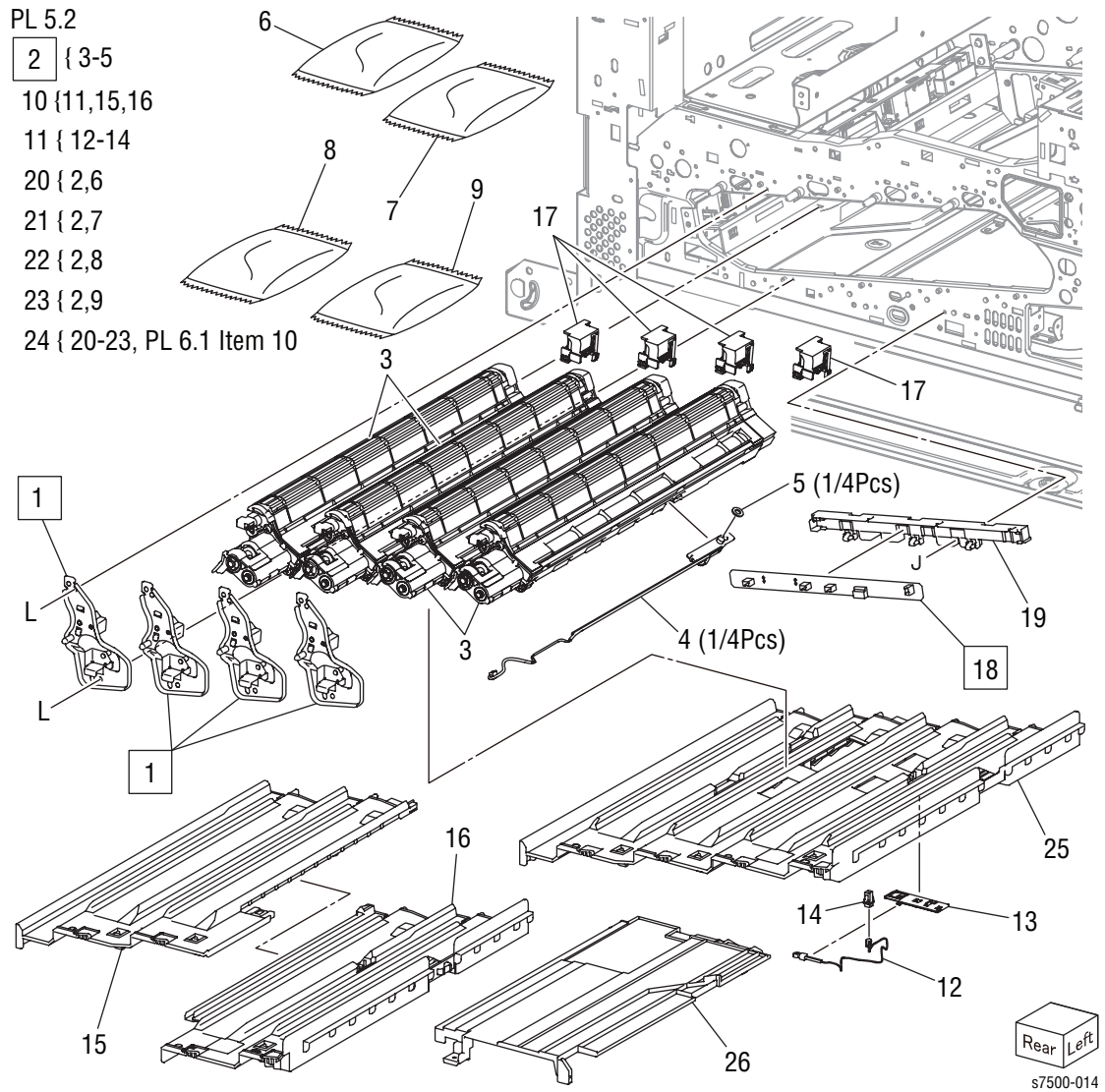


s7500-013

Parts List 5.1 Development (1 of 2)

ID No.	Name/Description	Part Number
1.	Toner Cartridge (K)	Refer to "Xerox Supplies and Accessories" on page 9-120
2.	Toner Cartridge (C)	
3.	Toner Cartridge (M)	
4.	Toner Cartridge (Y)	
5.	Toner Dispense Motor Assembly (Items 6-8) (REP 5.1)	127K57131
6.	Dispense Assembly	
7.	Toner Dispense Motor (K, C, M, Y) (REP 5.2)	
8.	Toner CRUM Coupler Assembly (K, C, M, Y)	
9.	Dispenser Pipe Assembly (Y, M, C) (Items 10-15) (REP 5.3)	094K92391
10.	Guide Assembly (Y, M, C)	
11.	Auger Gear (Y, M, C)	
12.	Spring	
13.	Dispenser Pipe (Y) (REP 5.7)	052K96800
14.	Dispenser Pipe (M) (REP 5.7)	052K96810
15.	Dispenser Pipe (C) (REP 5.7)	052K96820
16.	Dispenser Pipe Assembly (K) (Items 17-19) (REP 5.3)	094K92600
17.	Guide Assembly (K)	
18.	Dispenser Pipe (K) (REP 5.7)	
19.	Auger Gear (K)	

Parts List 5.2 Development (2 of 2)



Parts List 5.2 Development (2 of 2)

ID No.	Name/Description	Part Number
1.	Deve Plate Assembly (REP 5.4)	015K77960
2.	Developer Housing Assembly (K, C, M, Y) (Items 3-5) (REP 5.5)	
3.	Housing Assembly (included with items 20-23)	
4.	ATC Sensor Assembly (K, C, M, Y) (included with items 20-23)	
5.	Seal (P/O Item 2)	
6.	Developer (K)	See item 20
7.	Developer (C)	See item 21
8.	Developer (M)	See item 22
9.	Developer (Y)	See item 23
10.	Base Plate Assembly (Items 11, 15, 16)	815K02610
11.	NOHAD Thermistor Assembly (Items 12-14)	130K71990
12.	Thermo Sensor	
13.	Bracket	
14.	Connector	
15.	Plate (CK)	
16.	Plate (YM)	
17.	Plunger Assembly In	010K91700
18.	ATC PWB (REP 5.6)	960K36700
19.	Bracket	
20.	Developer Unit Kit (K) (Items 2, 6)	604K48823
21.	Developer Unit Kit (C) (Items 2, 7)	604K48853
22.	Developer Unit Kit (M) (Items 2, 8)	604K48843
23.	Developer Unit Kit (Y) (Items 2, 9)	604K48833
24.	Maintenance Kit - 480K (Items 20-23, PL 6.1 Item 10)	604K47510
25.	Plate	
26.	HV Cover	

Transfer

Parts List 6.1 Transfer (1 of 2)

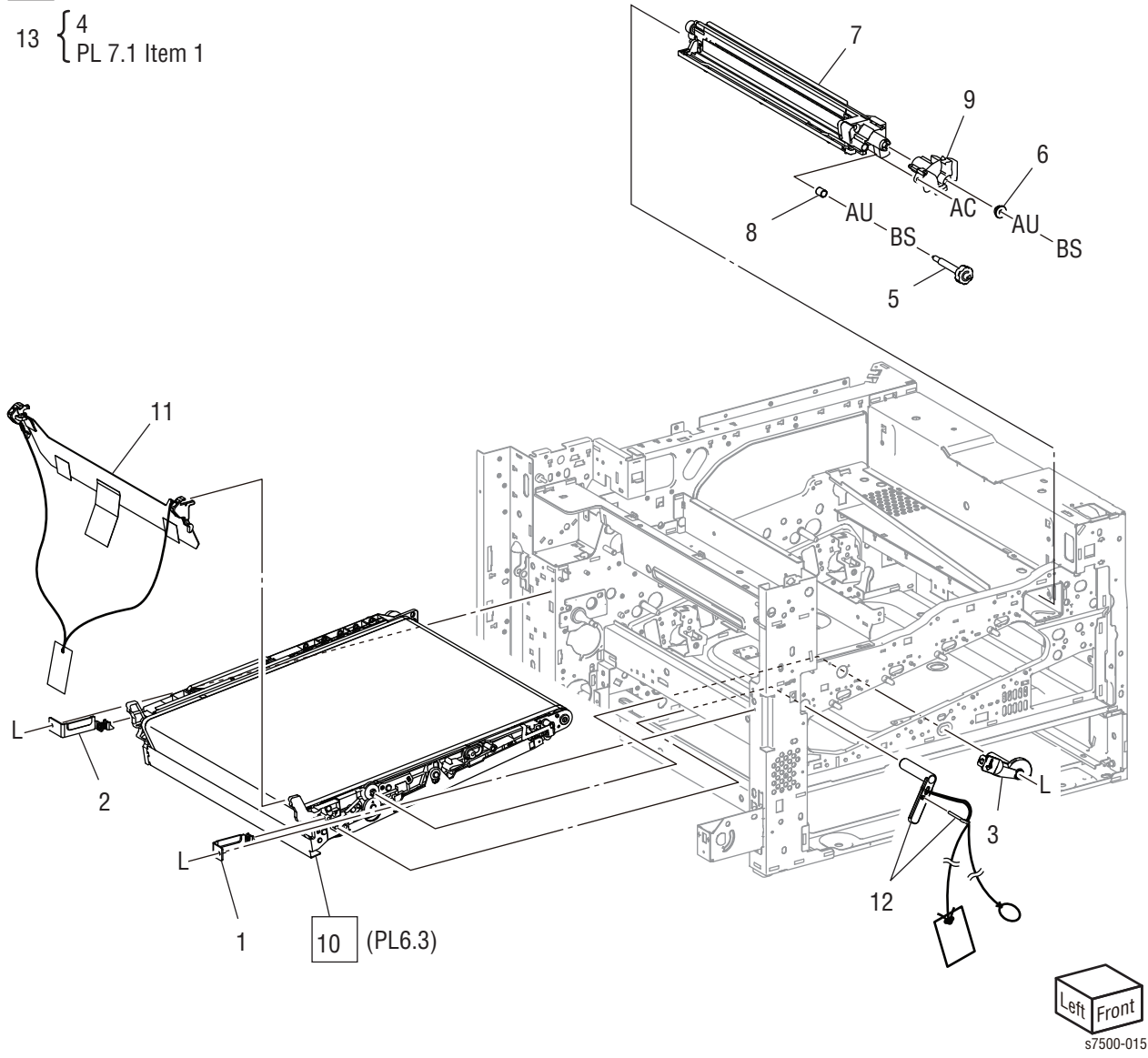
PL 6.1

4

{ 5-9

13

{ 4
PL 7.1 Item 1

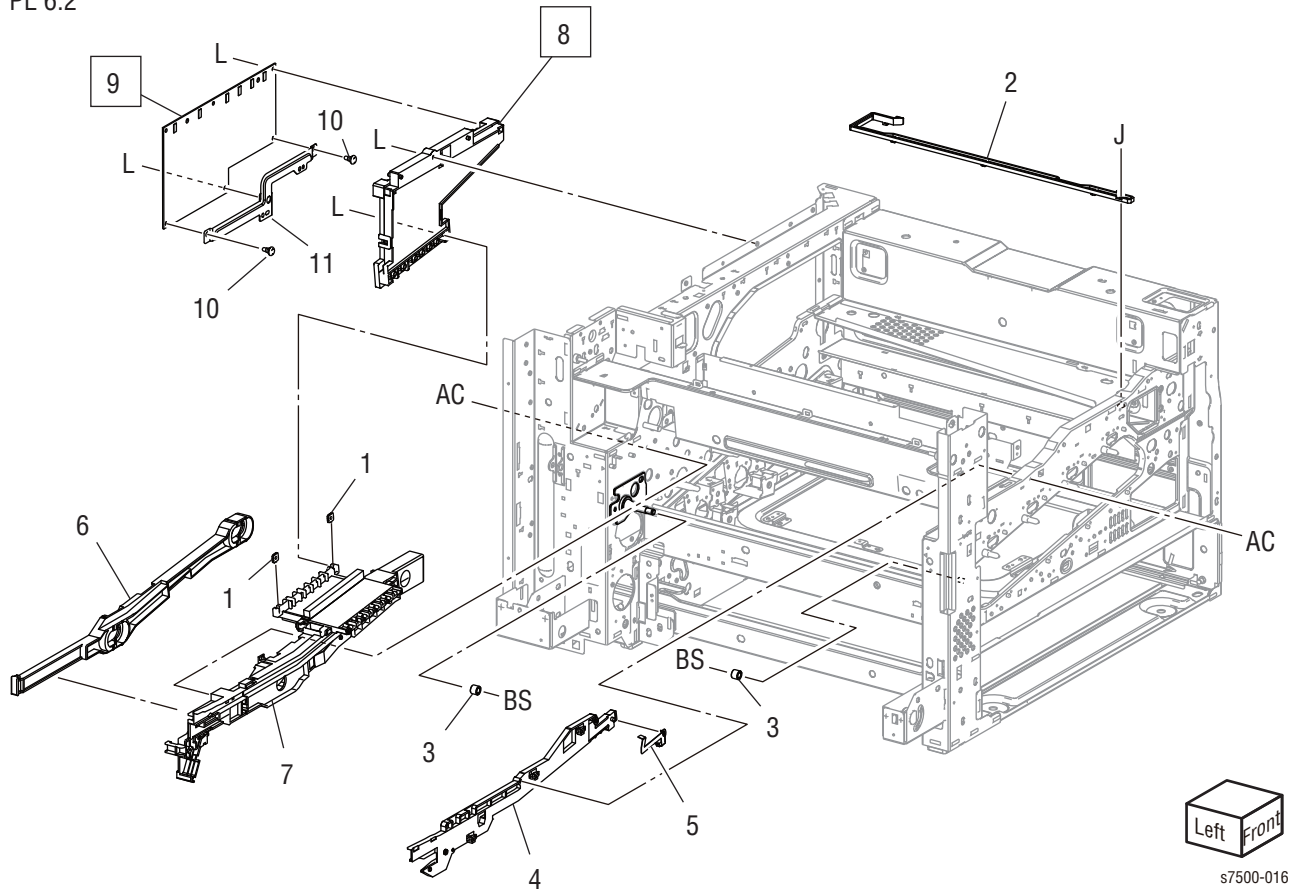


Parts List 6.1 Transfer (1 of 2)

ID No.	Name/Description	Part Number
1.	Front Lock Bracket	068K53690
2.	Rear Lock Bracket	068K53680
3.	Tension Lever	003E78891
4.	IBT Belt Cleaner Assembly (Items 5-9) (REP 6.1)	042K93562
5.	Knob	
6.	Bearing	
7.	IBT Belt Cleaner	
8.	Spring	
9.	Shutter	
10.	IBT Belt Unit (PL 6.3) (REP 6.2)	604K49185
11.	Packaging Assembly (Cushion)	
12.	Packaging Assembly (IBT)	
13.	Maintenance Kit - 110V (Item 4, PL 7.1 Item 1)	115R00061
	Maintenance Kit - 220V (Item 4, PL 7.1 Item 1)	115R00062

Parts List 6.2 Transfer (2 of 2)

PL 6.2

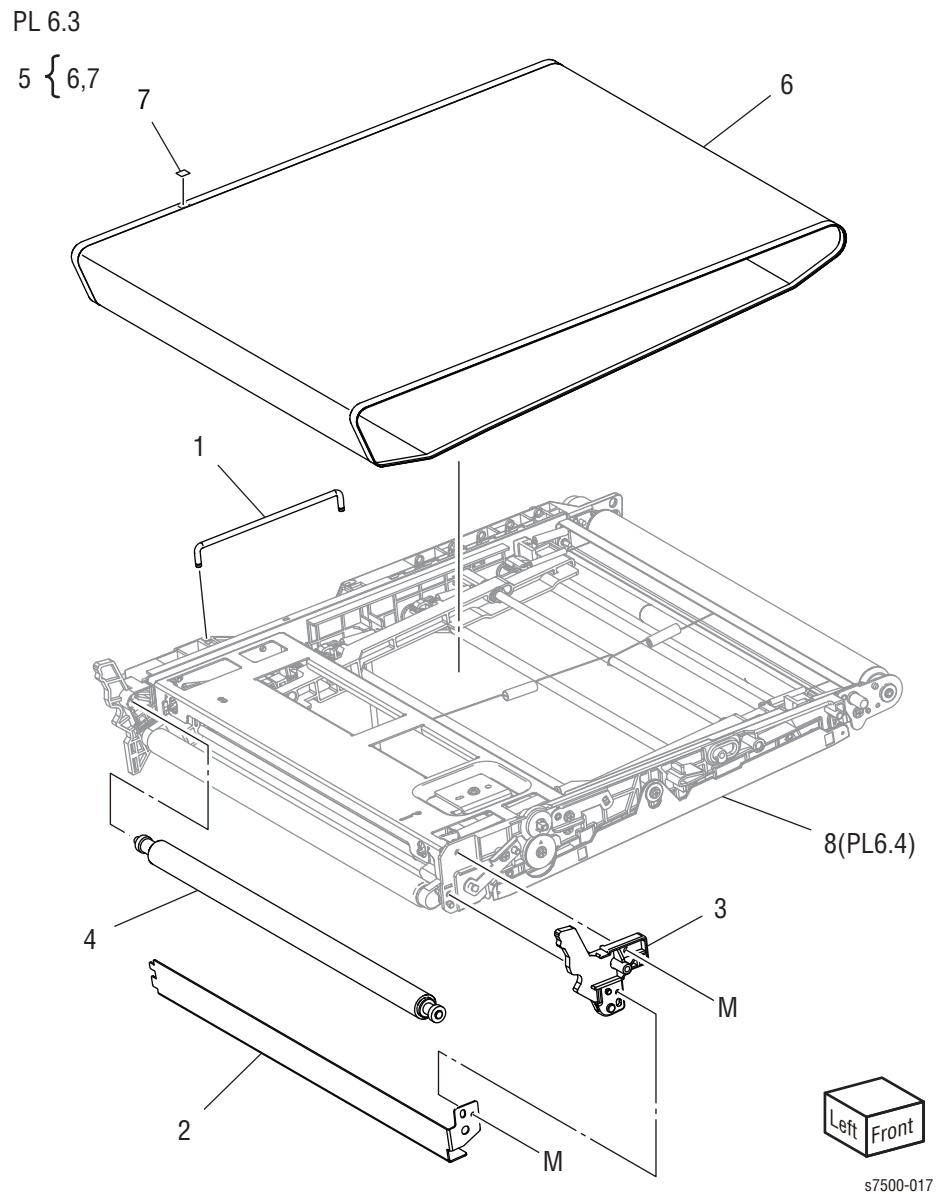


s7500-016

Parts List 6.2 Transfer (2 of 2)

ID No.	Name/Description	Part Number
1.	Plate Nut	
2.	IBT Cleaner Guide	032E27411
3.	Metal Bearing	
4.	IBT Front Guide	032E27610
5.	Conductor	
6.	Actuator	120E29340
7.	IBT Rear Guide	032K05310
8.	Conductor Housing Assembly (REP 6.3)	848K13960
9.	HVPS (1ST/2ND/DTS) (REP 6.4)	105E17530
10.	PWB Support	
11.	Bracket	

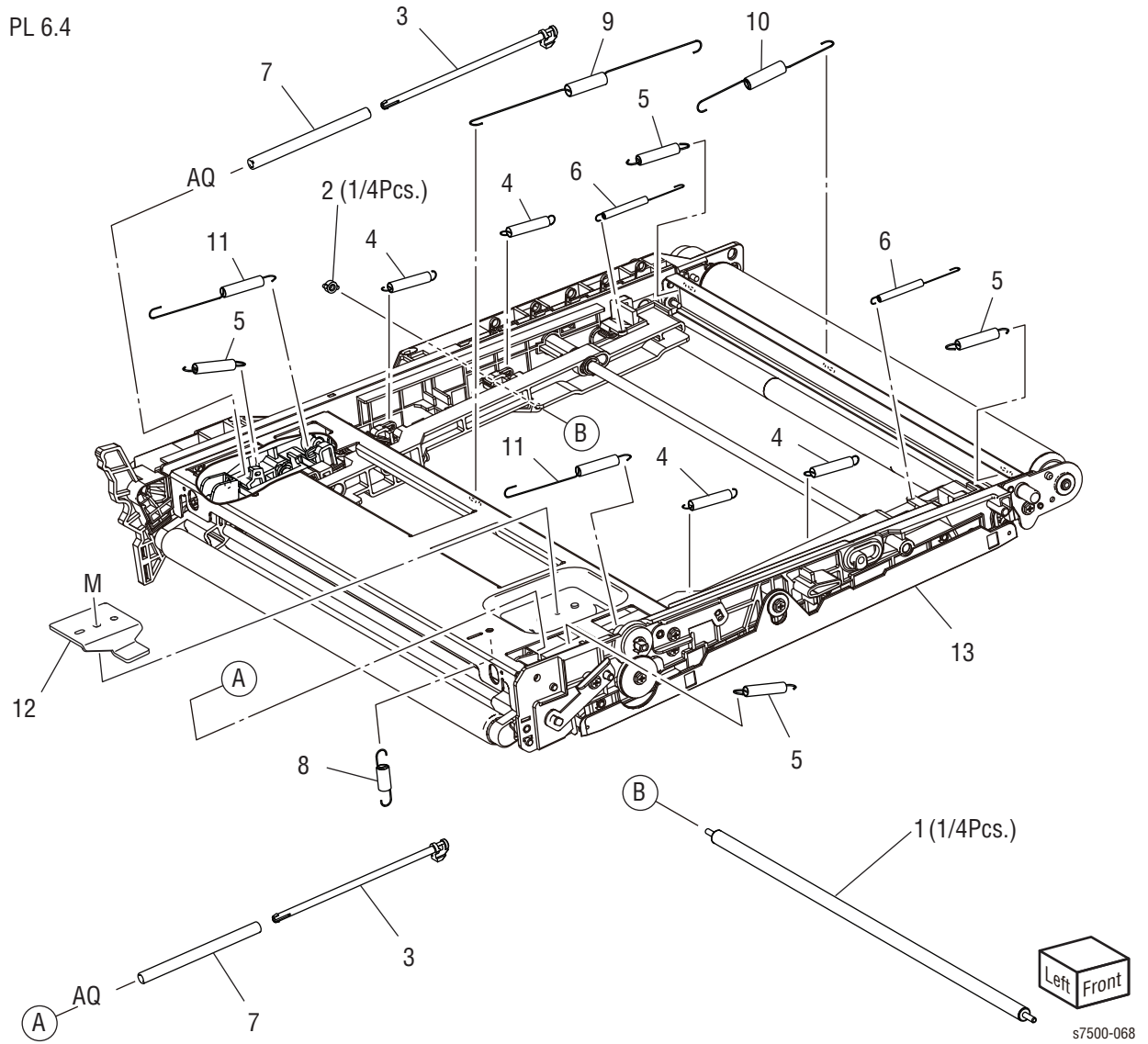
Parts List 6.3 IBT Belt Unit (1 of 2)



Parts List 6.3 IBT Belt Unit (1 of 2)

ID No.	Name/Description	Part Number
1.	Handle	
2.	Inlet Chute	
3.	BUR Front Frame	
4.	Roll Assembly	
5.	IBT Belt Assembly (Items 6, 7)	064K92661
6.	IBT Belt	
7.	TRO Seal	
8.	IBT Belt Assembly (PL 6.4)	

Parts List 6.4 IBT Belt Unit (2 of 2)



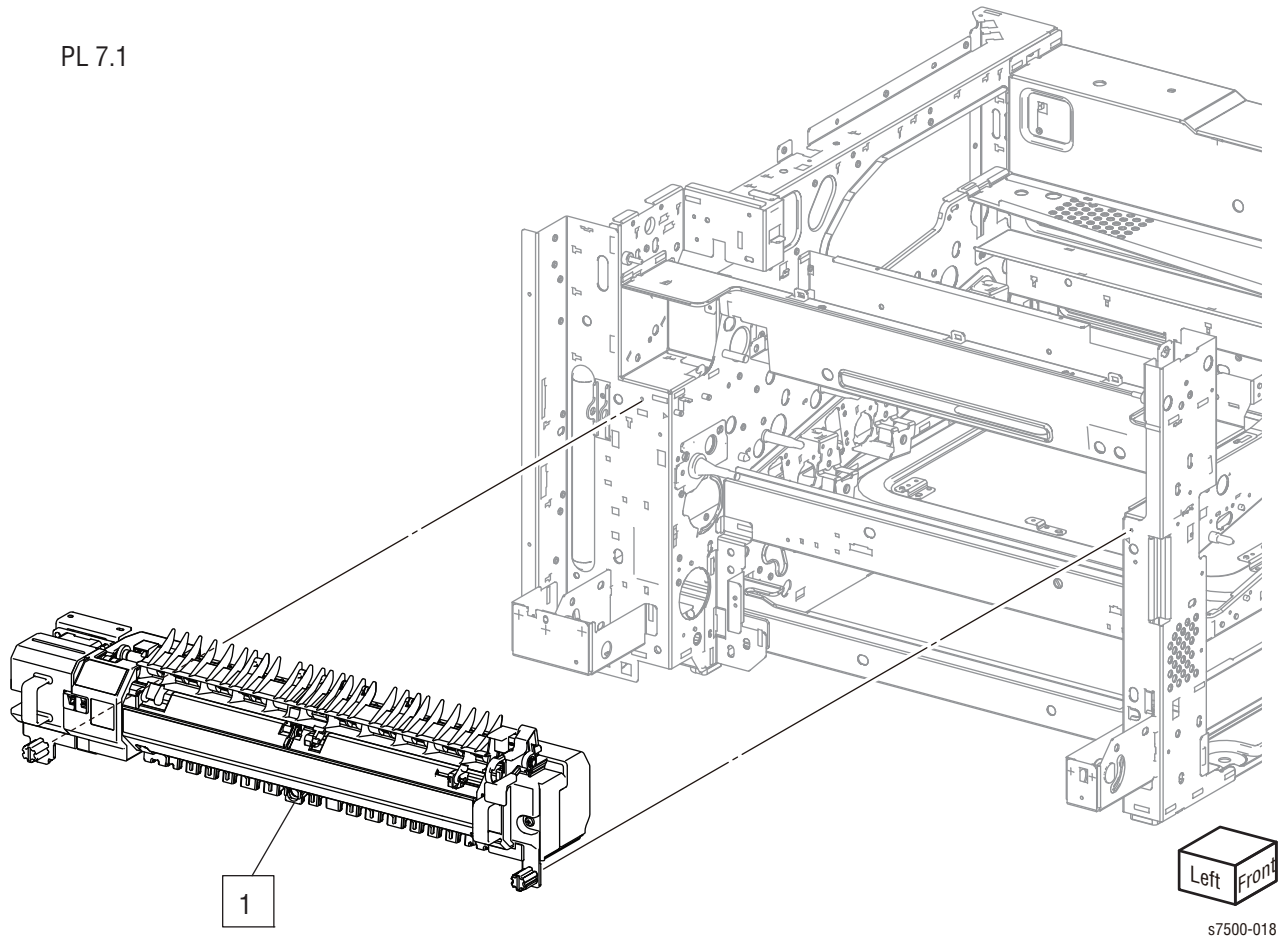
Parts List 6.4 IBT Belt Unit (2 of 2)

ID No.	Name/Description	Part Number
1.	1st BTR Roll	
2.	1st BTR Conductor	
3.	Tension Spring Shaft	
4.	Spring	
5.	Spring	
6.	Spring	
7.	Spring	
8.	Spring	
9.	Spring	
10.	Spring	
11.	Spring	
12.	Spring Adjust	
13.	IBT Belt Assembly	

Fuser

Parts List 7.1 Fuser

PL 7.1



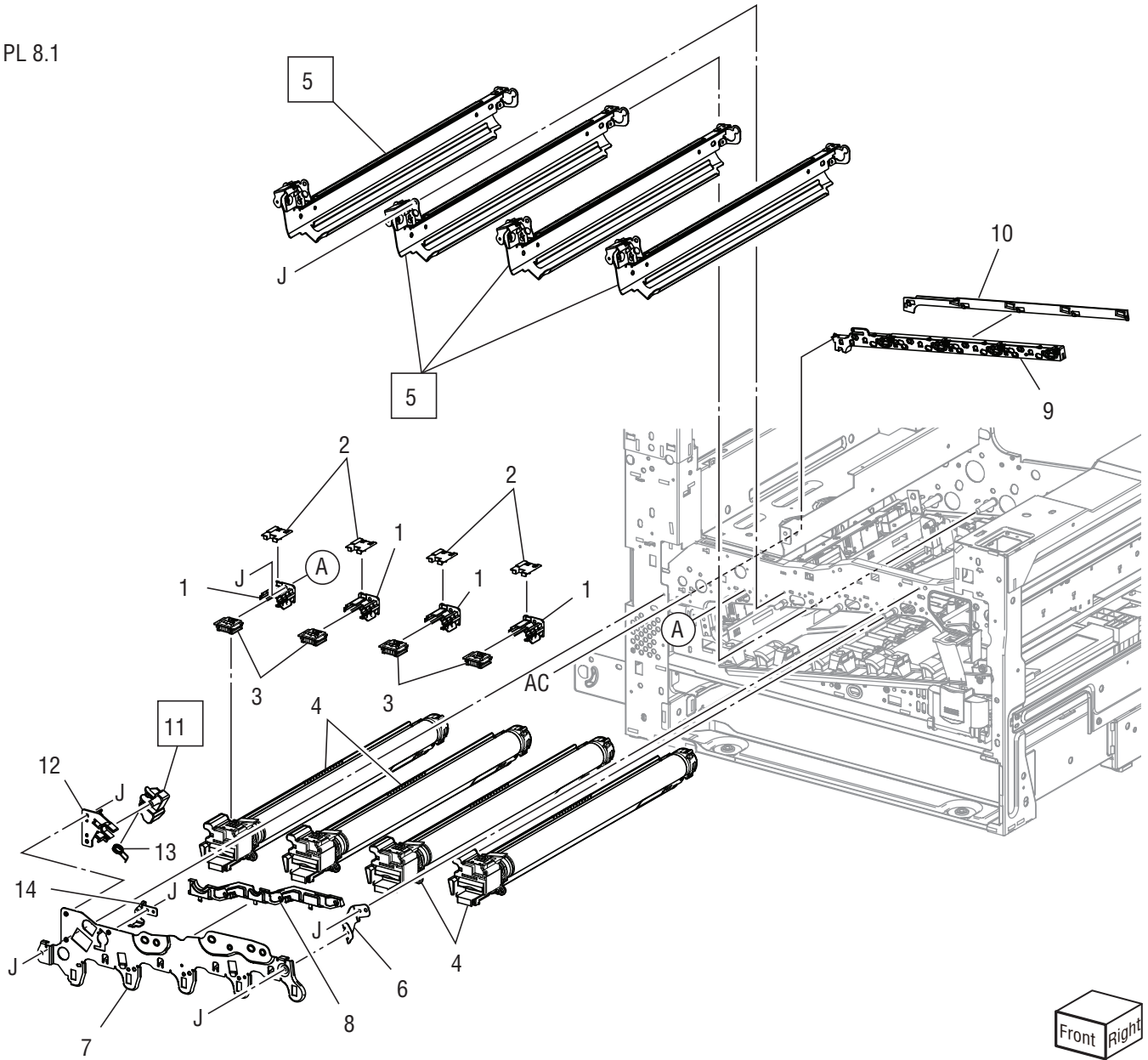
Parts List 7.1 Fuser

ID No.	Name/Description	Part Number
1.	Fuser Assembly-110V (REP 7.1) and Belt Cleaner Assembly (REP 7.1)	115R00061
	Fuser Assembly-220V (REP 7.1) and Belt Cleaner Assembly (REP 7.1)	115R00062

Xerographic

Parts List 8.1 Xerographic (1 of 2)

PL 8.1



Parts List 8.1 Xerographic (1 of 2)

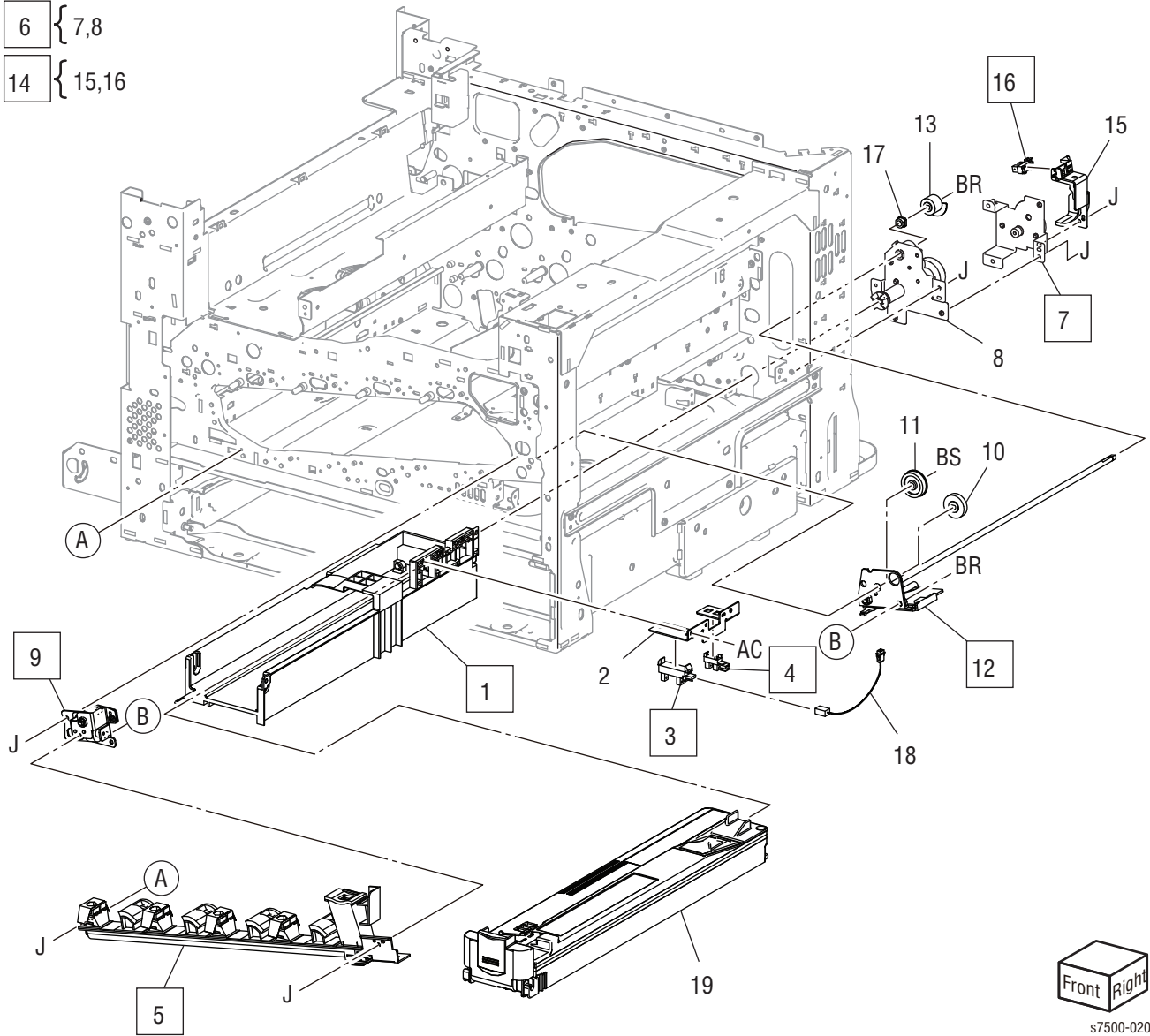
ID No.	Name/Description	Part Number
1.	Holder CRUM	
2.	Cover CRUM	
3.	Drum CRUM Coupler Assembly (K, C, M, Y)	
4.	Imaging Unit (Drum) (K, C, M, Y) (REP 1.2)	108R00861
5.	Erase Lamp Unit (K) (REP 8.1)	032K04701
	Erase Lamp Unit (C, M, Y) (REP 8.2)	032K04701
6.	Bracket	
7.	Plate	
8.	Harness Holder	
9.	Harness Holder	
10.	Cover	
11.	Handle Lock Lever (REP 8.3)	011E20901
12.	Bracket	
13.	Spring	
14.	Spring	
99.	Kit CRUM (Includes items 1-3)	675K82360

Parts List 8.2 Xerographic (2 of 2)

PL 8.2

6 { 7,8

14 { 15,16

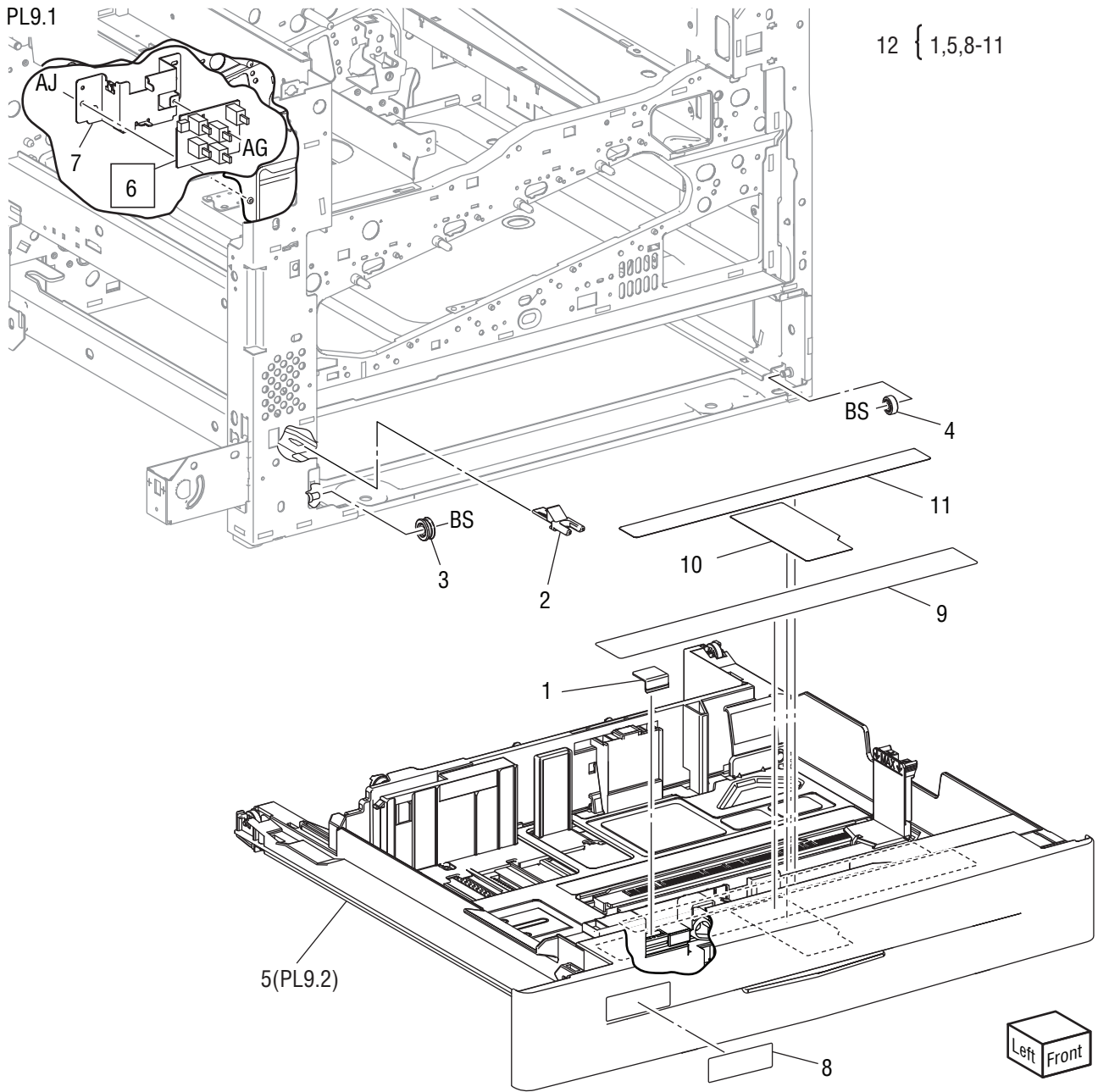


s7500-020

Parts List 8.2 Xerographic (2 of 2)

ID No.	Name/Description	Part Number
1.	Bottle Guide Assembly (REP 8.4)	
2.	Sensor Bracket	
3.	Waste Toner Bottle Full Sensor (REP 8.5)	
4.	Waste Toner Bottle Position Sensor (REP 8.5)	
5.	Waste Toner Pipe Assembly (REP 8.6)	052K97012
6.	Agitator Motor Assembly (Items 7, 8) (REP 8.7)	068K59500
7.	Agitator Motor (REP 8.8)	
8.	Gear Bracket Assembly	
9.	Gear Bracket Assembly (REP 8.9)	
10.	Helical Gear (29T)	
11.	Helical Gear (31T)	
12.	Drive Shaft Assembly (REP 8.10)	
13.	Helical Gear (20T)	
14.	Sensor Bracket Assembly (Items 15, 16) (REP 8.11)	068K58211
15.	Harness Holder	
16.	Auger Lock Sensor (REP 8.12)	
17.	Sleeve Bearing	413W11660
18.	Wire Harness (Toner Full)	
19.	Waste Cartridge (REP 1.3)	108R00865
99.	Kit Pipe Drive (Includes items 9-13)	675K82370

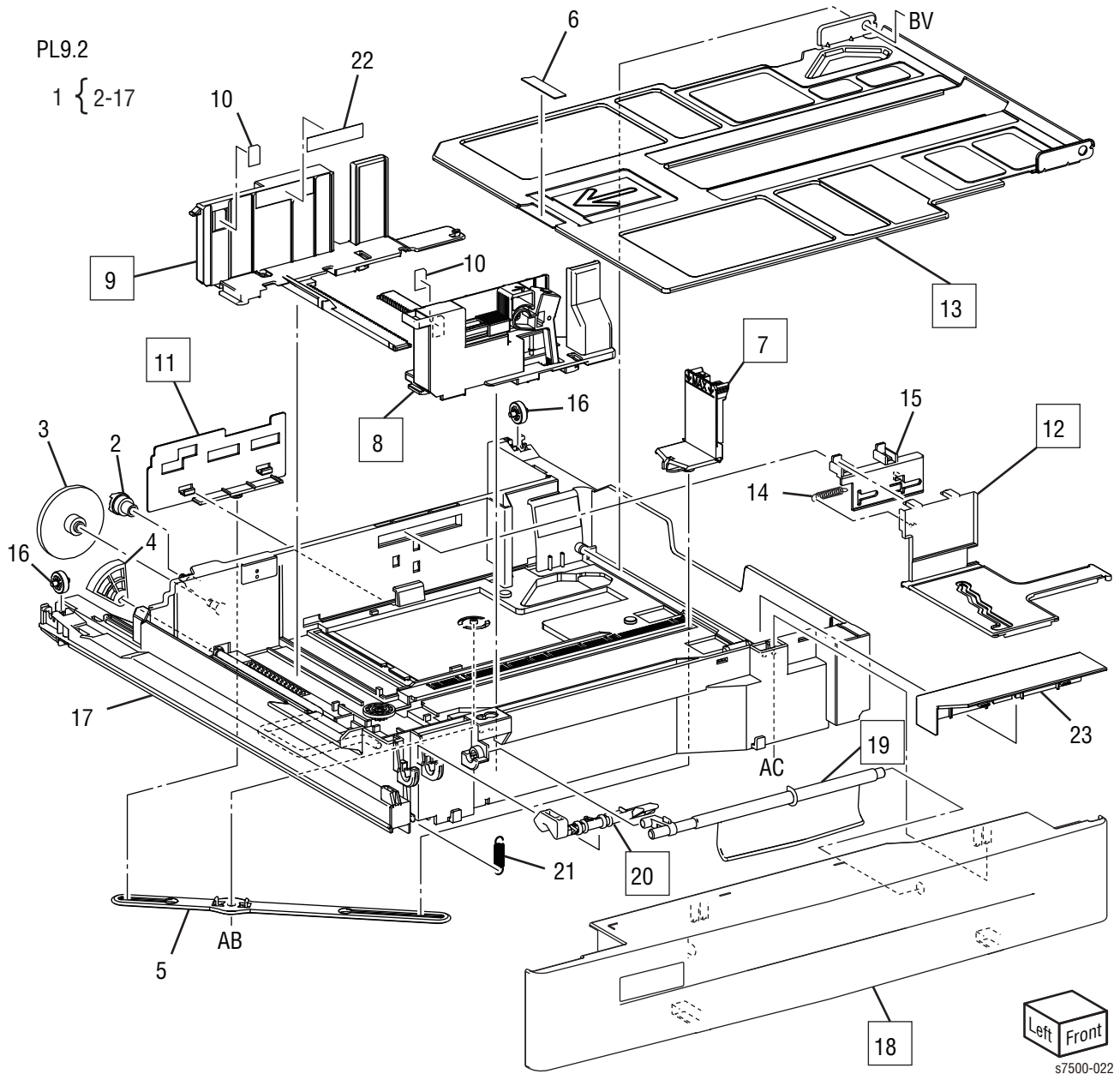
Parts List 9.1 Tray 2 Feeder/ Tray 2



Parts List 9.1 Tray 2 Feeder/ Tray 2

ID No.	Name/Description	Part Number
1.	Slide Lock Block	
2.	Stopper	
3.	Roller	
4.	Roller	
5.	Tray 2 Assembly (PL 9.2) (included in item 12)	
6.	Tray 2 Paper Size Sensor (REP 9.1)	110K12100
7.	Switch Bracket	
8.	No 2 Tray Label	
9.	Label (Instruction)	
10.	Side Size Label	
11.	End Size Label	
12.	Tray 2 Kit (Items 1, 5, 8-11)	675K82281

Parts List 9.2 Tray 2

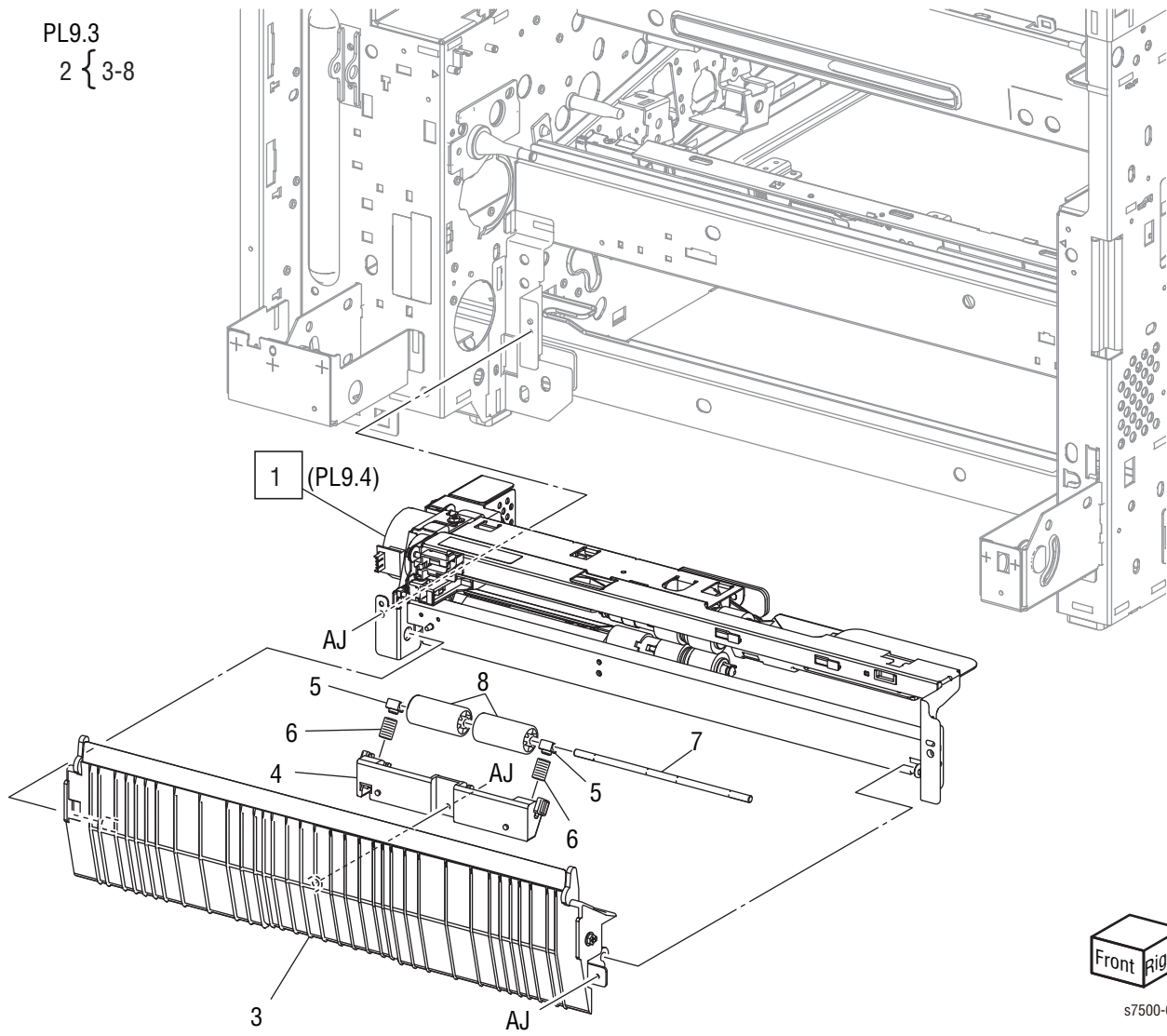


Parts List 9.2 Tray 2

ID No.	Name/Description	Part Number
1.	Tray 2 Assembly (Items 2-17) (included in PL 9.1, item 12)	
2.	Gear (13T)	
3.	Gear (13T/60T)	
4.	Gear (60T)	
5.	Link	
6.	Bottom Pad	
7.	End Guide	
8.	Side Guide (Front)	
9.	Side Guide (Rear)	
10.	Pad	
11.	End Actuator	
12.	Side Actuator	
13.	Bottom Plate	
14.	Spring	
15.	Side Actuator	
16.	Roll	
17.	Tray	
18.	Front Cover	
19.	Lever	
20.	Latch	
21.	Spring	
22.	Label (Max)	
23.	Rail Cover	

Parts List 9.3 Tray 2 Feeder

PL9.3
2 { 3-8

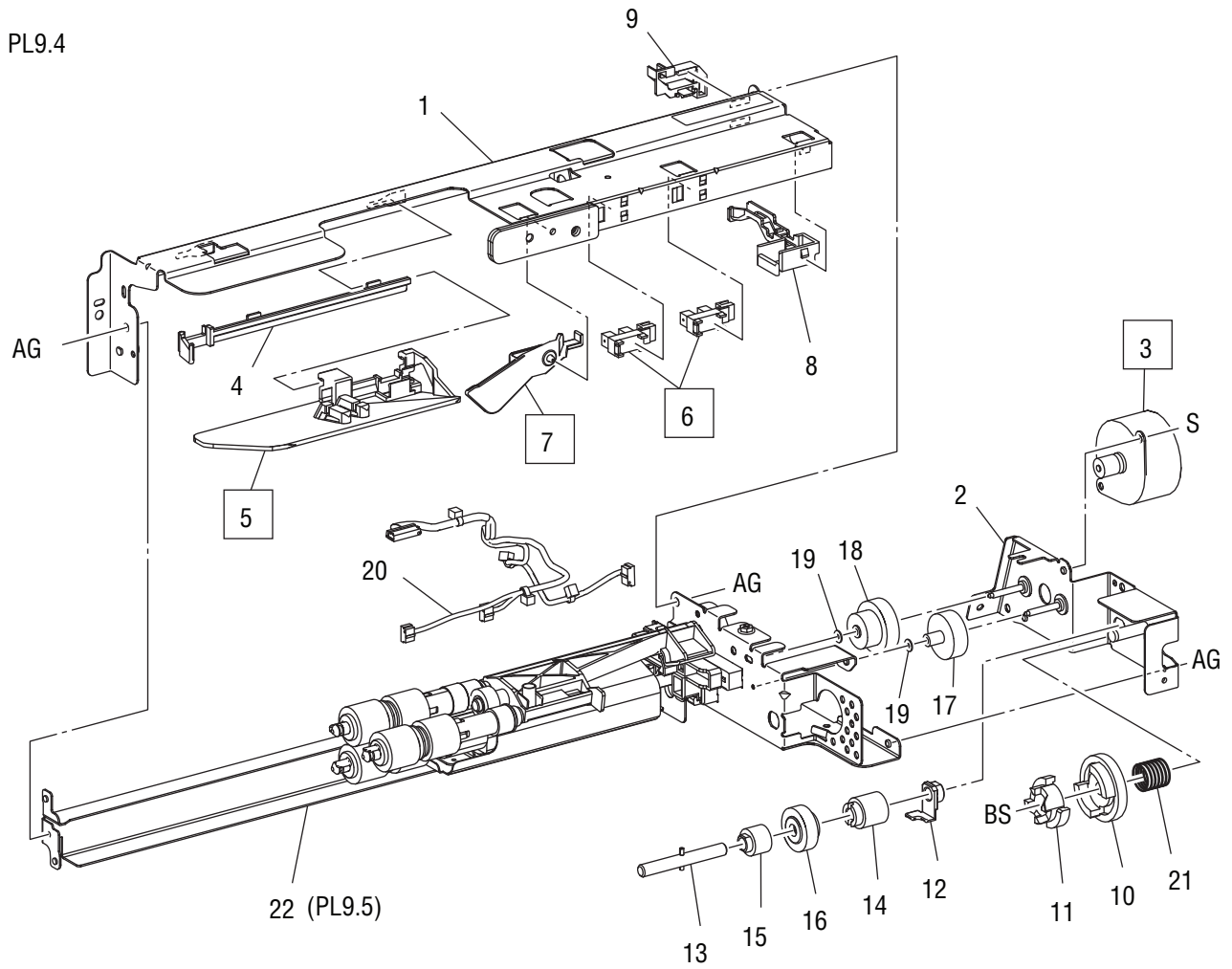


s7500-069

Parts List 9.3 Tray 2 Feeder

ID No.	Name/Description	Part Number
1.	Tray 2 Feeder Assembly (PL 9.4) (REP 9.9)	059K55044
2.	Chute Feeder Assembly (Items 3-8)	054K35142
3.	Chute	
4.	Pinch Guide	
5.	Spacer	
6.	Spring	
7.	Pinch Shaft	
8.	Pinch Roll	

Parts List 9.4 Tray 2 Feeder Assembly (1 of 2)



s7500-023

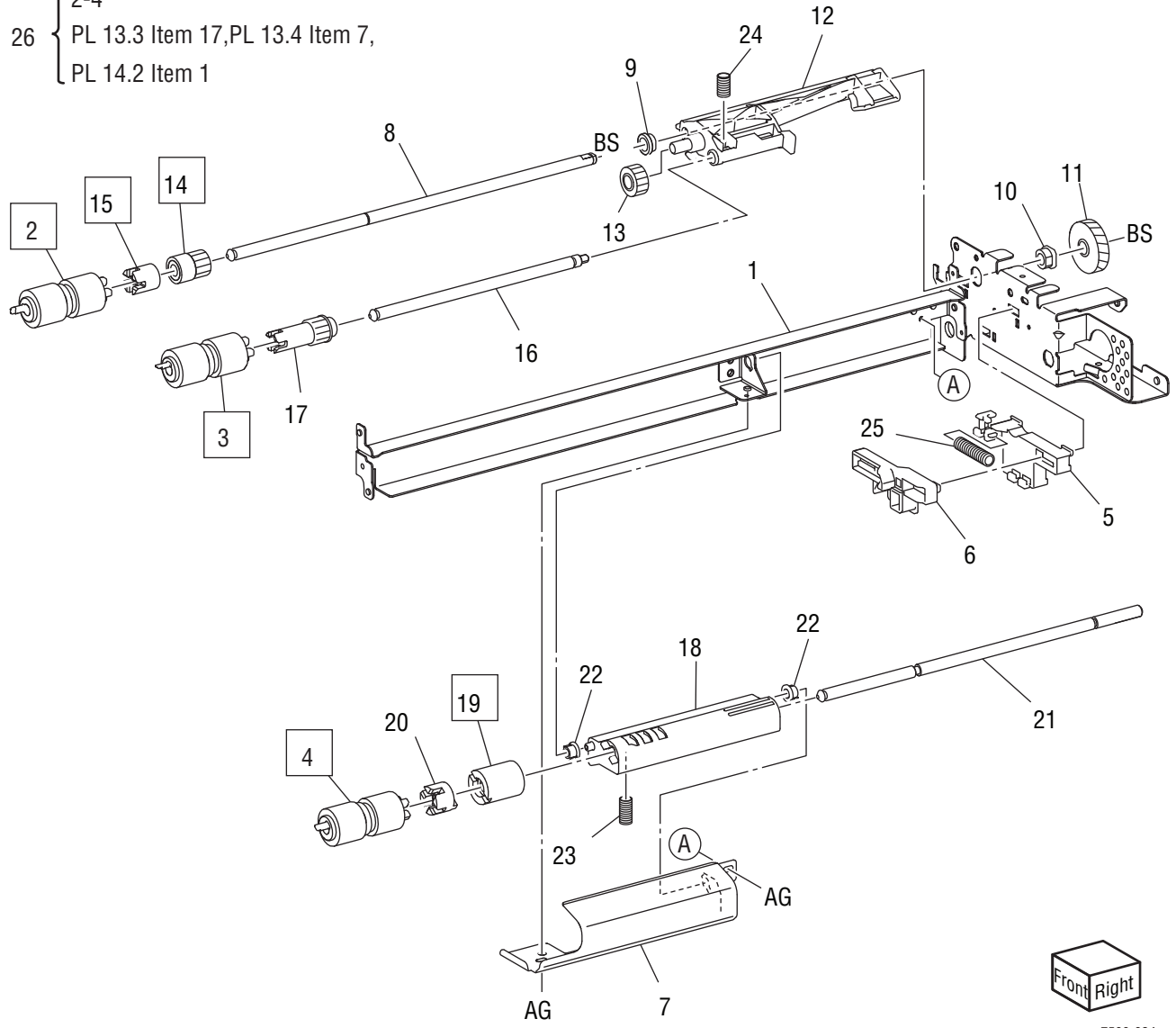
Parts List 9.4 Tray 2 Feeder Assembly (1 of 2)

ID No.	Name/Description	Part Number
1.	Upper Frame Assembly (P/O PL 9.3.1)	
2.	Drive Bracket Assembly	
3.	Tray 2 Feed/ Lift Up Motor (REP 9.10)	
	Rail	
4.	Chute (REP 9.11)	
5.	Tray 2 Nudger Level Sensor (REP 9.12)	930W00113
6.	Tray 2 No Paper Sensor (REP 9.12)	930W00113
	Actuator (REP 9.13)	
7.	Upper Harness Holder	
8.	Rear Harness Holder	
9.	Gear (31T)	
10.	Spacer	
11.	Bearing	
12.	Drive Shaft	
13.	Gear (13T)	
14.	Oneway Clutch	
15.	Oneway Gear (Alternate)	
16.	Oneway Gear (Alternate)	
	Helical Gear (25T)	
17.	Helical Gear (29T/19T)	
18.	Washer	
19.	Wire Harness (Feeder)	
20.	Spring	
21.	Roll Assembly (PL 9.5)	
22.	Upper Frame Assembly	

Parts List 9.5 Tray 2 Feeder Assembly (2 of 2)

PL9.5

- 26 { 2-4
 PL 13.3 Item 17, PL 13.4 Item 7,
 PL 14.2 Item 1



s7500-024

Parts List 9.5 Tray 2 Feeder Assembly (2 of 2)

ID No.	Name/Description	Part Number
1.	Frame Assembly	
2.	Feed Roller Kit with Instructions (Items 2-4) (REP 9.14)	675K82240
3.	Nudger Roll (REP 9.14)	
4.	Retard Roll (REP 9.14)	
5.	Holder	
6.	Lever	
7.	Feed In Chute	
8.	Feed Shaft	
9.	Bearing (6)	
10.	Sleeve Bearing	
11.	Helical Gear (30T)	
12.	Nudger Support	
13.	Spur Gear (29T)	
14.	Clutch Assembly (25T) (REP 9.15)	
15.	Oneway Clutch (REP 9.15)	
16.	Nudger Shaft	
17.	Gear (25T)	
18.	Retard Support	
19.	Friction Clutch (REP 9.15)	
20.	Spacer	
21.	Retard Shaft	
22.	Retard Bearing	
23.	Spring	
24.	Spring	
25.	Spring	

Parts List 10.1 Tray Module (3T)

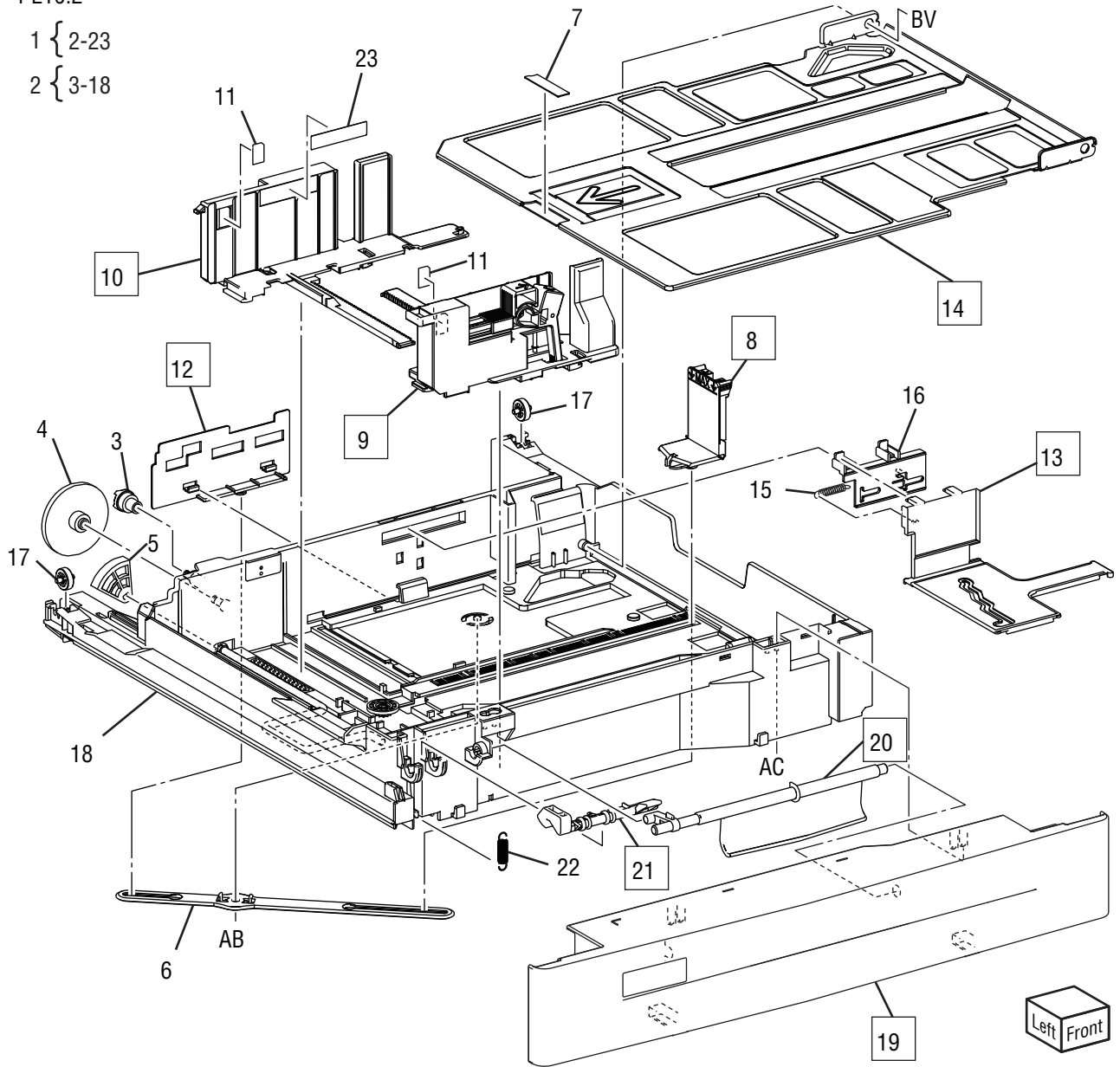
ID No.	Name/Description	Part Number
1.	Tray 3 Feeder Assembly (PL 10.3) (REP 10.1)	059K55532
2.	Tray 4 Feeder Assembly (PL 10.3) (REP 10.1)	059K55532
	Tray 5 Feeder Assembly (PL 10.3) (REP 10.1)	059K55532
3.	Feed Out Chute	054E36441
4.	Tray 3/4/5 Assembly (PL 10.2)	See item 20
5.	Roller	
6.	Roller	
7.	Stopper	003E75430
8.	Tray 3 Paper Size Sensor (REP 10.2)	110K12100
9.	Tray 4 Paper Size Sensor (REP 10.2)	110K12100
10.	Tray 5 Paper Size Sensor (REP 10.2)	110K12100
11.	Sensor Cover	
12.	Bracket	
13.	Side Size Label	
14.	End Size Label	
15.	Label (Instruction)	
16.	Tray 3 Label	
17.	Tray 4 Label	
18.	Tray 5 Label	
19.	Slide Lock Block	
20.	Tray Assy 3TM Kit (Items 4, 13-19)	604K52880

Parts List 10.2 Tray 3/4/5

PL10.2

1 { 2-23

2 { 3-18



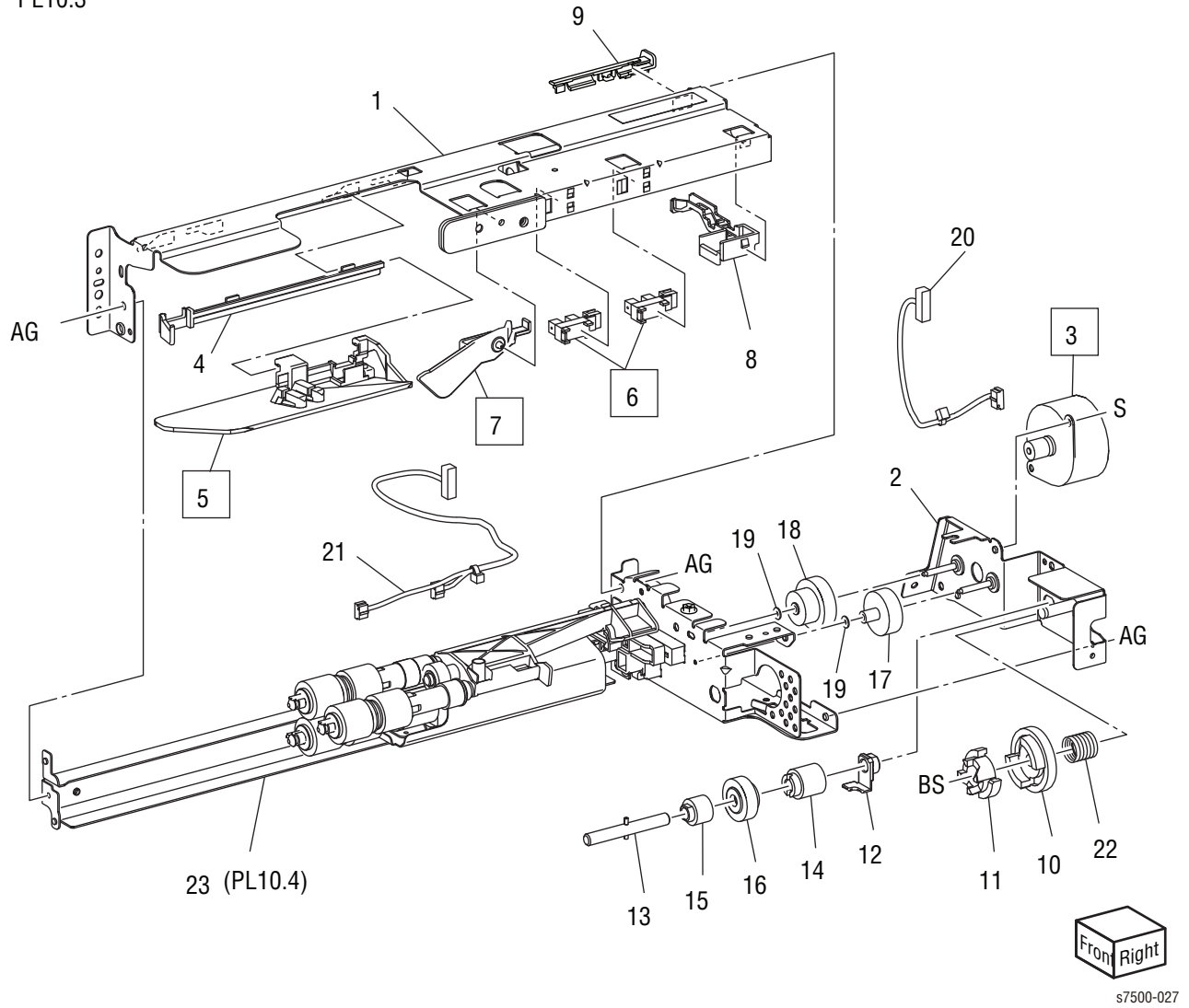
s7500-026

Parts List 10.2 Tray 3/4/5

ID No.	Name/Description	Part Number
1.	Tray 3/4/5 Assembly (Items 2-23)	See PL10.1, item 20
2.	Tray Assembly (Items 3-18)	
3.	Gear (13T)	
4.	Gear (13T/60T)	
5.	Gear (60T)	
6.	Link	
7.	Bottom Pad	
8.	End Guide	
9.	Side Guide (Front)	
10.	Side Guide (Rear)	
11.	Pad	
12.	End Actuator	
13.	Side Actuator	
14.	Bottom Plate	
15.	Spring	
16.	Side Actuator	
17.	Roll	
18.	Tray	
19.	Front Cover	
20.	Lever	
21.	Latch	
22.	Spring	
23.	Label (Max)	

Parts List 10.3 Tray 3/4/5 Feeder Assembly (1 of 2)

PL10.3

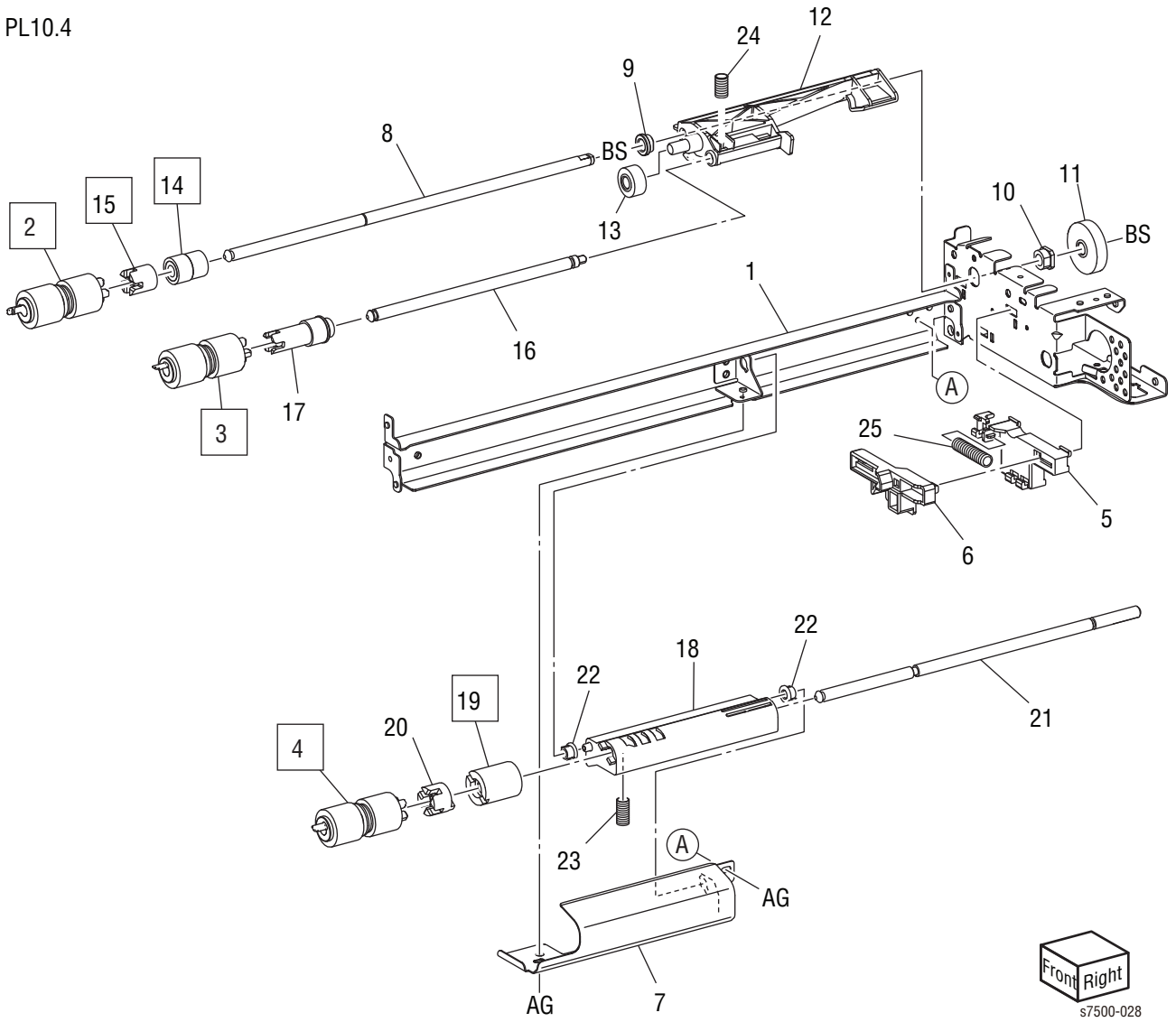


Parts List 10.3 Tray 3/4/5 Feeder Assembly (1 of 2)

ID No.	Name/Description	Part Number
1.	Upper Frame Assembly	
2.	Drive Bracket Assembly	
3.	Tray 3/4/5 Feed/ Lift Up Motor (REP 10.3)	
4.	Rail	
5.	Chute (REP 10.4)	
6.	Tray 3/4/5 Nudger Level Sensor (REP 10.5)	930W00113
	Tray 3/4/5 No Paper Sensor (REP 10.5)	930W00113
7.	Actuator (REP 10.6)	
8.	Upper Harness Holder	
9.	Rear Harness Holder	
10.	Gear (31T)	
11.	Spacer	
12.	Bearing	
13.	Drive Shaft	
14.	Gear (13T)	
15.	One way Clutch	
16.	One Way Gear (Alternate)	
17.	Helical Gear (25T)	
18.	Helical Gear (29T/19T)	
19.	Washer	
20.	Harness Assembly (Motor1)	
21.	Harness Assembly (Sensor1)	
22.	Spring	
23.	Roller Assembly (PL10.4)	

Parts List 10.4 Tray 3/4/5 Feeder Assembly (2 of 2)

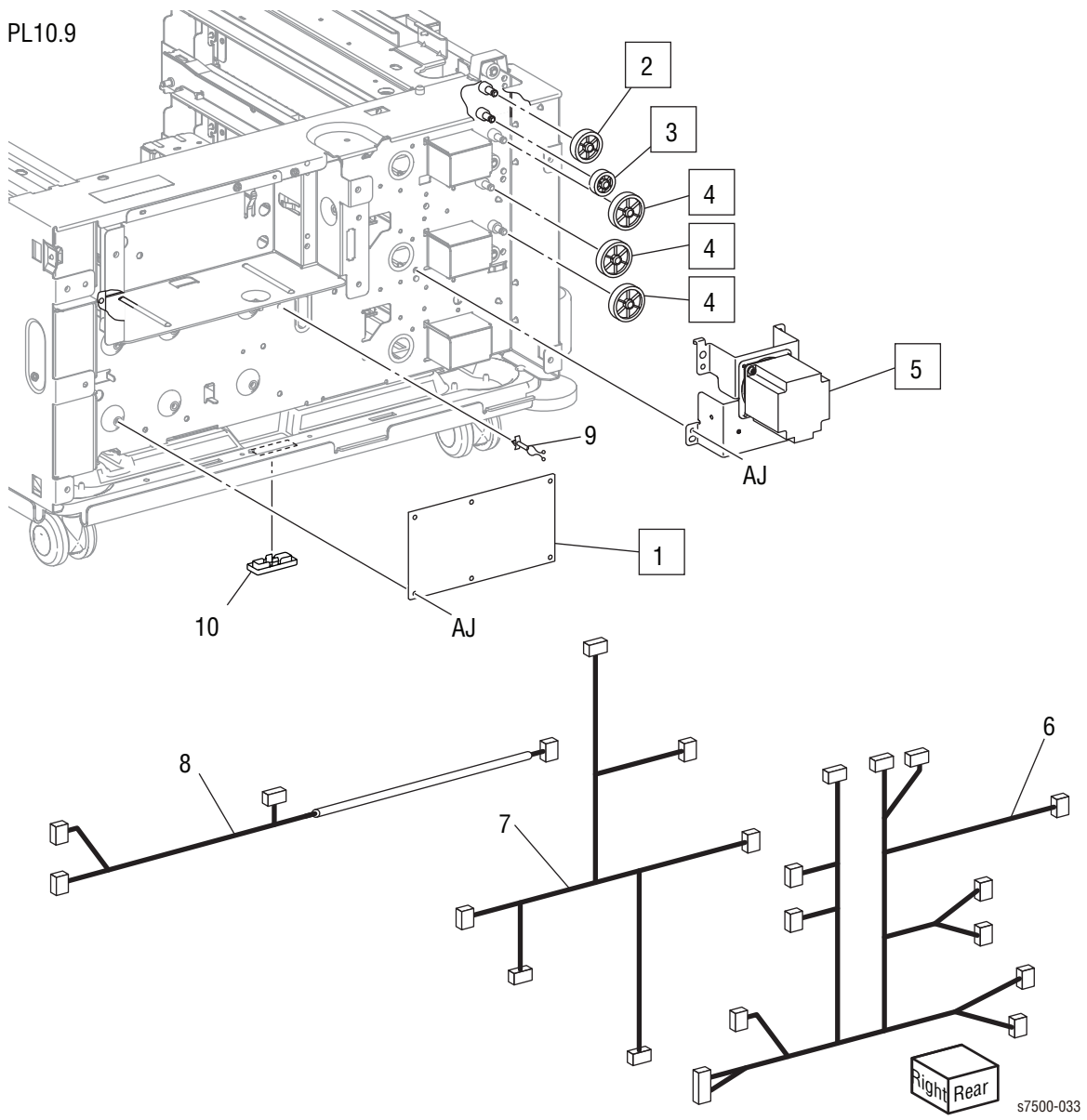
PL10.4



Parts List 10.4 Tray 3/4/5 Feeder Assembly (2 of 2)

ID No.	Name/Description	Part Number
1.	Frame Assembly	
2.	Feed Roller Kit with Instructions (items 2-4) (REP 10.7)	675K82240
3.	Nudger Roll (REP 10.7)	
4.	Retard Roll (REP 10.7)	
5.	Holder	
6.	Lever	
7.	Feed In Chute	
8.	Feed Shaft	
9.	Bearing (6)	
10.	Sleeve Bearing	
11.	Helical Gear (30T)	
12.	Nudger Support	
13.	Spur Gear (29T)	
14.	Clutch Assembly (25T) (Alternate) (REP 10.8)	
	Clutch Assembly (25T) (Alternate) (REP 10.8)	
15.	One way Clutch (REP 10.8)	
16.	Nudger Shaft	
17.	Gear (25T)	
18.	Retard Support	
19.	Friction Clutch (REP 10.8)	
20.	Spacer	
21.	Retard Shaft	
22.	Retard Bearing	
23.	Spring	
24.	Spring	
25.	Spring	

Parts List 10.9 Electrical



Parts List 10.9 Electrical

ID No.	Name/Description	Part Number
1.	Tray Module PWB (REP 10.9)	960K43172
2.	Gear (34T) (REP 10.10)	
3.	Gear (26T) (REP 10.10)	
4.	Gear (39T) (REP 10.10)	
5.	TM Takeaway Motor (REP 10.11)	127K52641
6.	Harness Assembly (Sensor 2)	
7.	Harness Assembly (Motor 2)	
8.	Harness Assembly (I/F)	
9.	Wire Clip	
10.	Cap	
98.	Gear Kit (Items 2, 3, 4 and 3 of item 4)	604K53000
99.	Harness Kit (Items 6, 7, 8)	604K53010

Parts List 10.11 Roller

ID No.	Name/Description	Part Number
1.	Cover	
2.	Tray Module L/H Cover Switch (REP 10.12)	110E12220
3.	Harness Assembly Interlock (TM SW)	962K59480
4.	Chute Assembly (Items 5-9) (REP 10.13)	054K34143
5.	Chute	
6.	Tray 4 Feed Out Sensor (REP 10.13)	930W00111
	Tray 5 Feed Out Sensor (REP 10.13)	930W00111
7.	Actuator	
8.	Spring	
9.	Wire Harness (FO)	
10.	Sensor Guide	
11.	Tray 3 Feed Out Sensor (REP 10.14)	130K64121
12.	Chute	
13.	T/A Roll 4/5 (REP 10.15)	059K54382
14.	Sleeve Bearing	
15.	Clamp	
16.	T/A Roll 3 (REP 10.15)	059K54382

Parts List 10.12 L/H Cover Assembly

ID No.	Name/Description	Part Number
1.	L/H Cover Assembly (Items 2-12) (REP 10.16)	848K04310
2.	Hook	
3.	Latch (REP 10.17)	
4.	Pinch Spring	
5.	L/H Chute	
6.	Bracket Assembly	
7.	Spring	
8.	Pinch Shaft	
9.	Pinch Roll	
10.	L/H Cover (REP 10.18)	
11.	Handle	
12.	Pinch Bearing	
13.	Bracket Assembly KTH U	068K55701
14.	Bracket Assembly LTH L	068K55711

Parts List 10.13 Cover

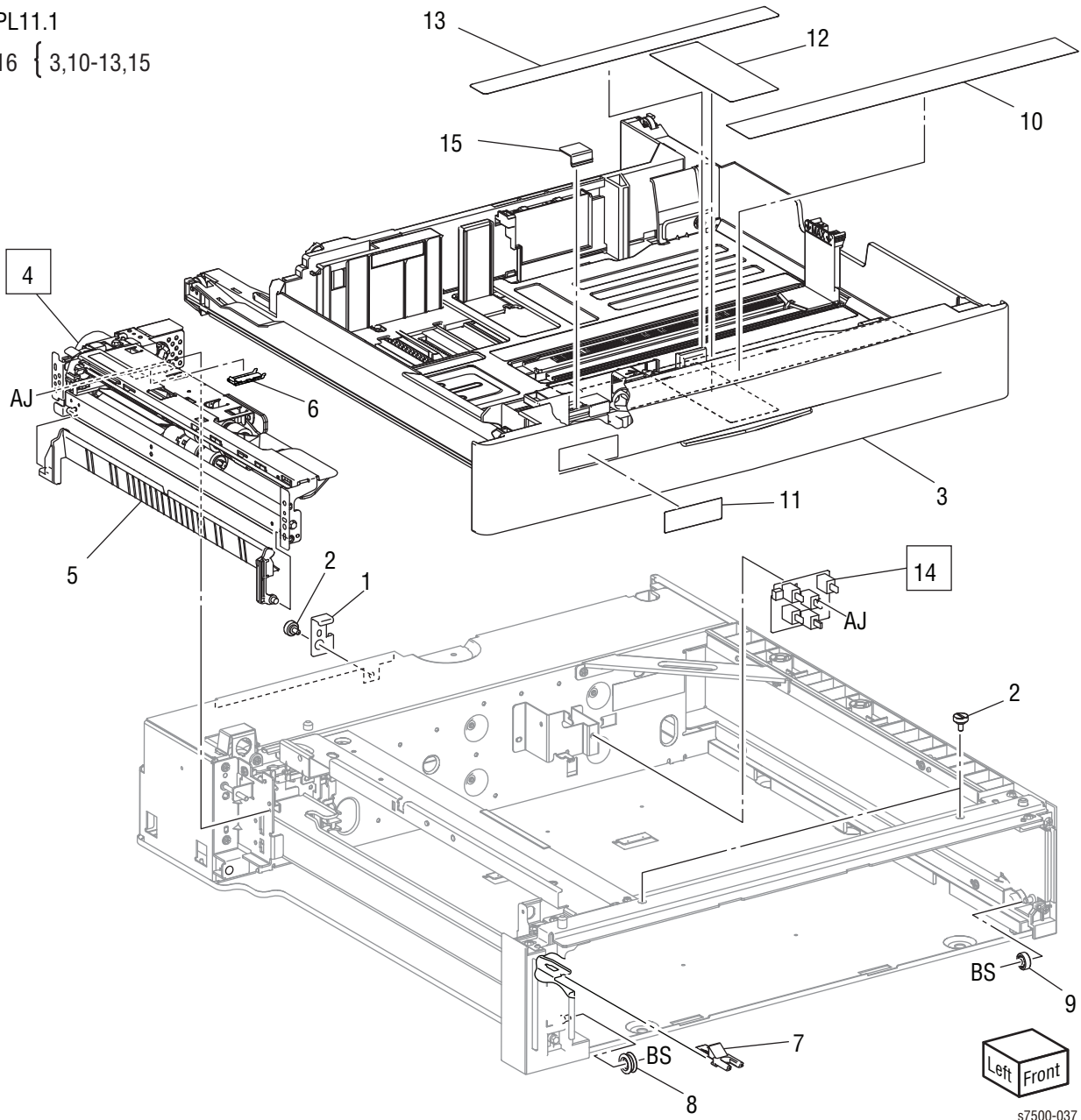
ID No.	Name/Description	Part Number
1.	Adjuster Foot Assembly	017K94590
2.	Top Cover (REP 10.20)	848E12720
3.	Foot Cover (REP 10.20)	848E12730
4.	Left Cover (REP 10.21)	848E12691
5.	Right Cover (REP 10.22)	848E12702
6.	Docking Screw	826E31691
7.	Joint Bracket	
8.	Caster Assembly (S)	
9.	Caster Assembly	
10.	Screw	
11.	Rear Cover Assembly (Items 12,13) (REP 10.19)	848K11191
12.	Rear Cover	
13.	Blind Cover	
14.	Label	

Tray Module (1T) (Option)

Parts List 11.1 Tray Module (1T)

PL11.1

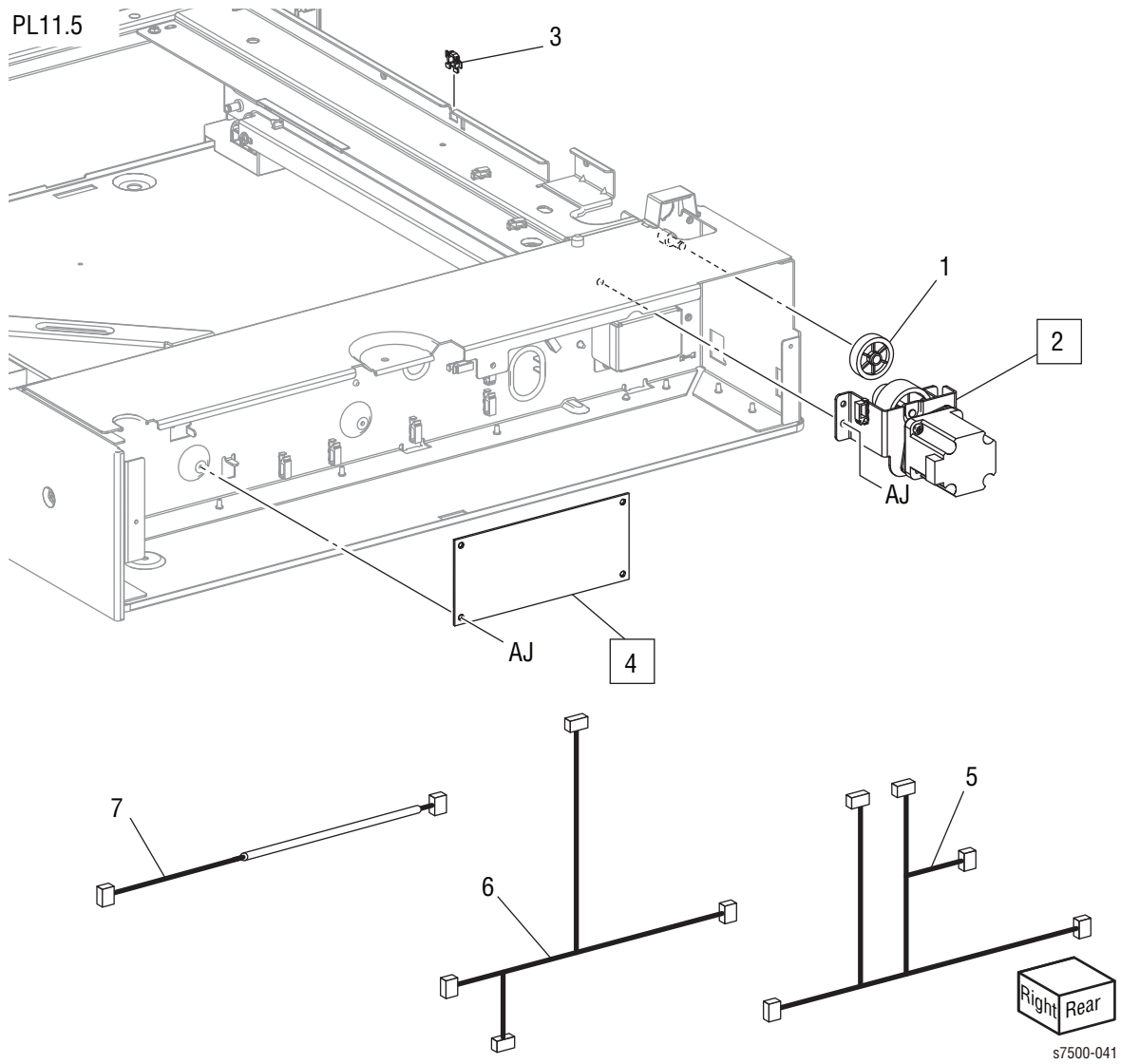
16 { 3,10-13,15



Parts List 11.1 Tray Module (1T)

ID No.	Name/Description	Part Number
1.	Docking Bracket	868E06290
2.	Docking Screw	
3.	Tray 3 Assembly-STM	See item 16
4.	Tray 3 Feeder Assembly-STM (REP 11.1)	059K55532
5.	Feed Out Chute	
6.	Sensor Cover	
7.	Stopper	
8.	Roller	
9.	Roller	
10.	Label (Instruction)	
11.	Tray 3 Label	
12.	Side Size Label	
13.	End Size Label	
14.	Tray 3 Paper Size Sensor	110K12100
15.	Slide Lock Block	
16.	Tray 3 Kit-STM (Items 3,10-13,15)	604K52880

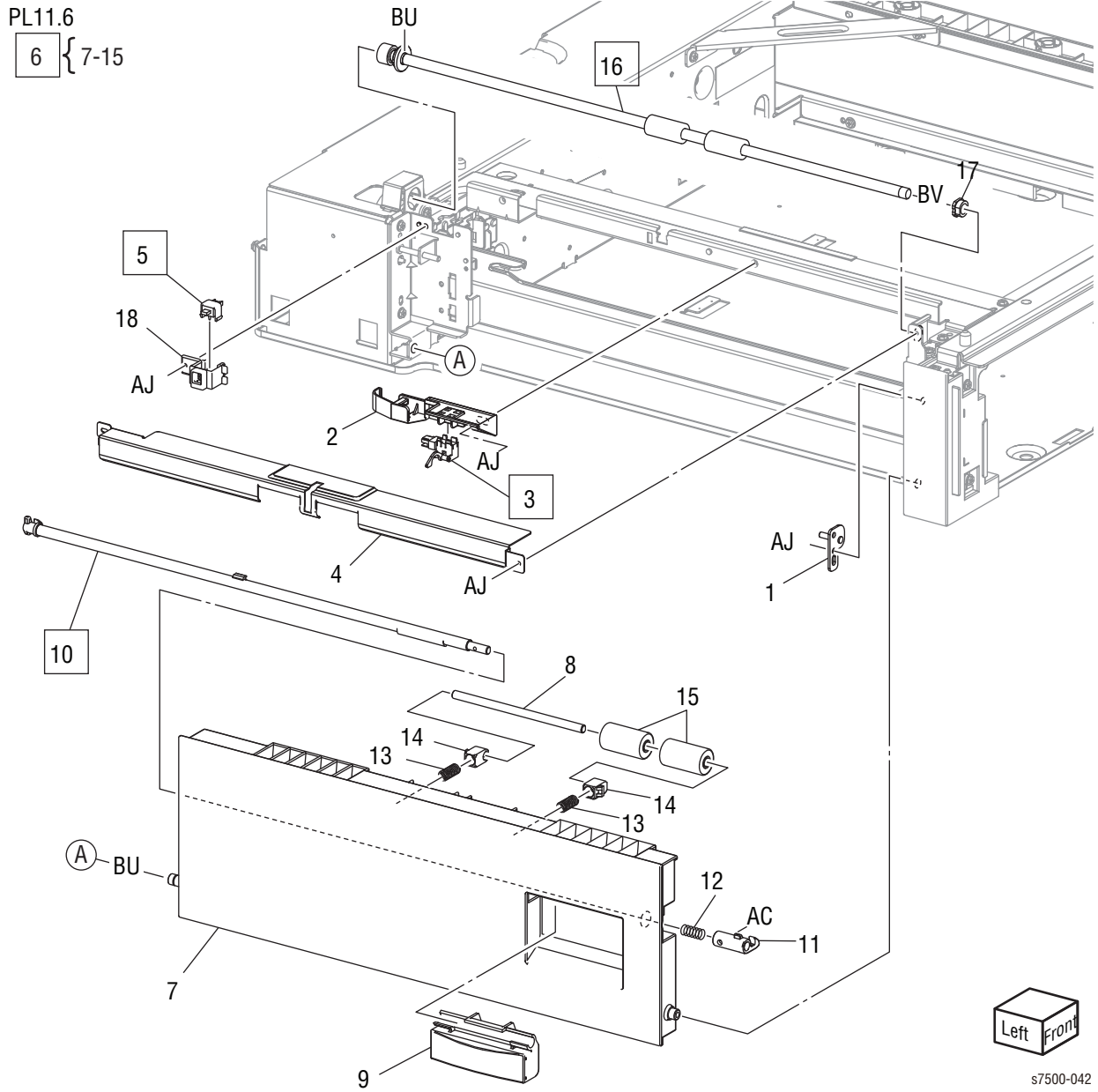
Parts List 11.5 Electrical



Parts List 11.5 Electrical

ID No.	Name/Description	Part Number
1.	Gear (34T)	
2.	STM T/A Motor Assembly (REP 11.9)	127K52891
3.	Clamp	
4.	STM PWB (REP 11.10)	960K32325
5.	Harness Assembly (Sensor2-STM)	
6.	Harness Assembly (Motor2-STM)	
7.	Harness Assembly (I/F-STM)	
99.	Harness Kit (Items 5, 6, 7)	604K53020

Parts List 11.6 L/H Cover Assembly, Roller

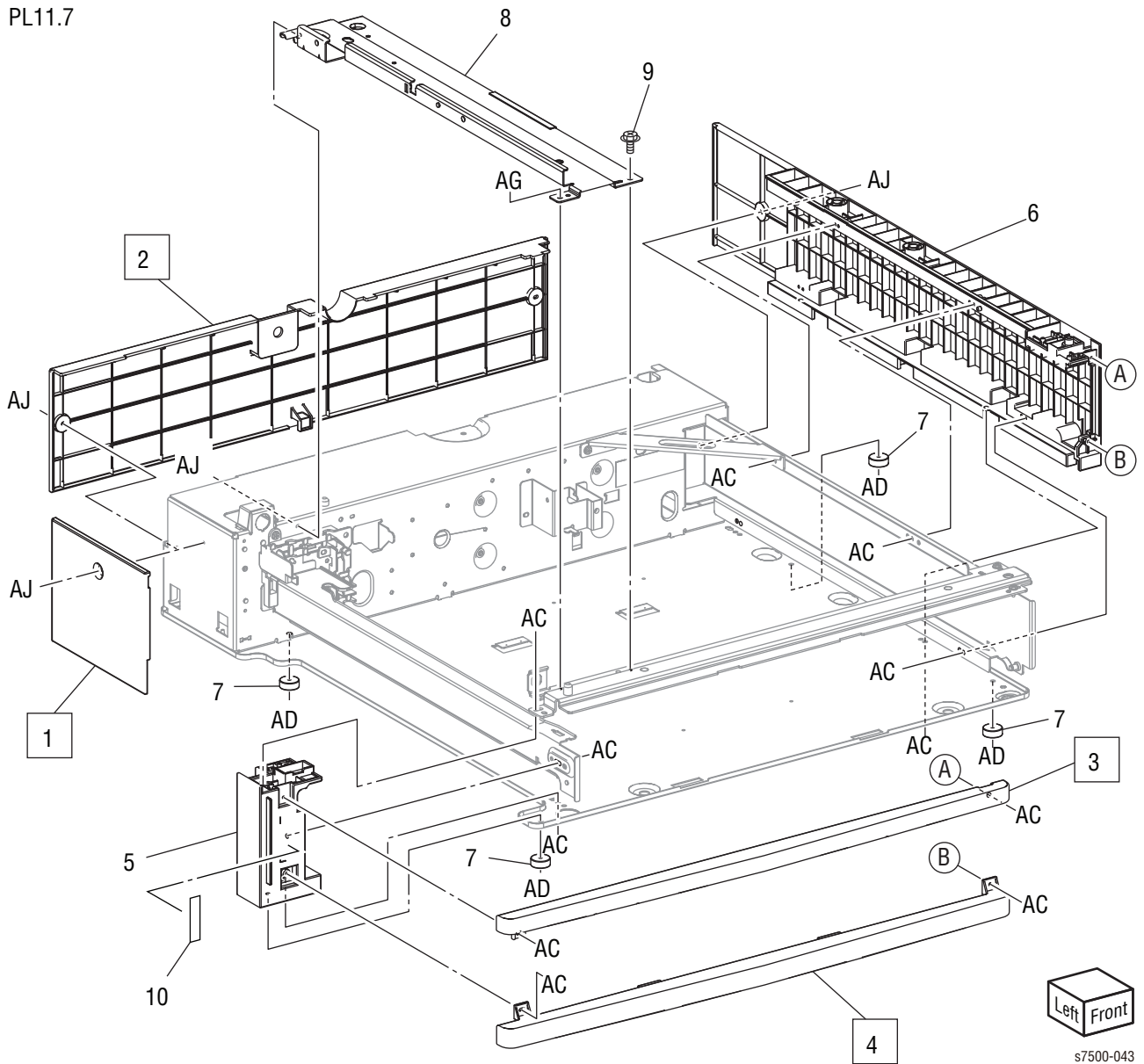


Parts List 11.6 L/H Cover Assembly, Roller

ID No.	Name/Description	Part Number
1.	Bracket Assembly	
2.	Sensor Guide	
3.	Tray 3 Feed Out Sensor (REP 11.11)	130K64121
4.	Chute	
5.	STM L/H Cover Assembly Interlock Switch (REP 11.15)	848K07080
6.	L/H Cover Assembly-STM (Items 7-15) (REP 11.12)	848K07102
7.	L/H Cover-STM	
8.	Shaft Pinch	
9.	Handle	
10.	Latch (REP 11.13)	
11.	Hook	
12.	Spring	
13.	Pinch Spring	
14.	Pinch Bearing	
15.	Pinch Roll	
16.	STM T/A Roll Assembly (REP 11.14)	
17.	Sleeve Bearing	
18.	Bracket	

Parts List 11.7 Cover

PL11.7



s7500-043

Parts List 11.7 Cover

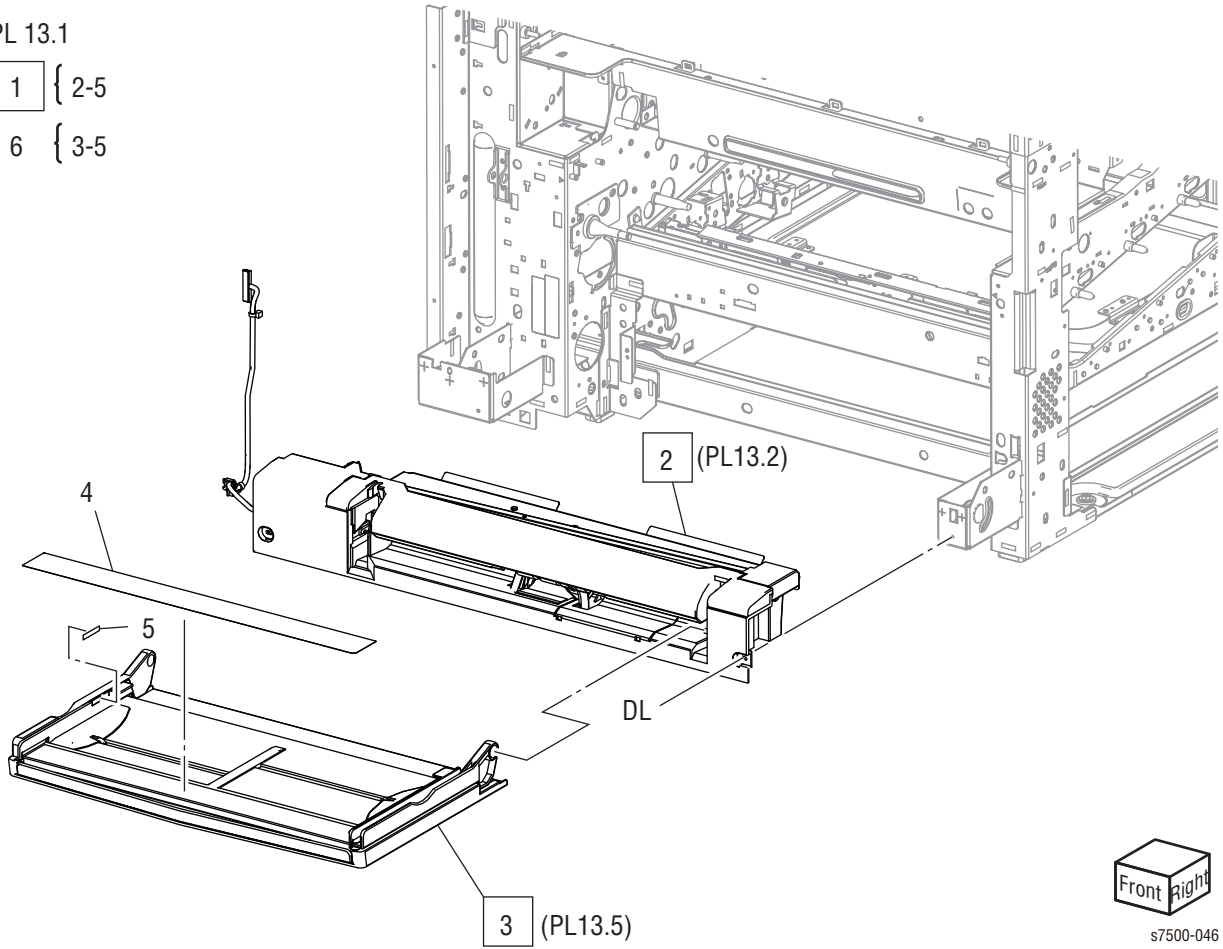
ID No.	Name/Description	Part Number
1.	Left Cover-STM (REP 11.16)	848E14520
2.	Rear Cover-STM (REP 11.17)	848E14540
3.	Top Cover-STM (REP 11.18)	848E14560
4.	Foot Cover-STM (REP 11.18)	848E14580
5.	Frame L/H	
6.	Guide R/H	
7.	Foot	017E96920
8.	Left Top Frame	
9.	Screw	
10.	Label	

Tray 1 (MPT)

Parts List 13.1 Tray 1 (MPT) (1 of 5)

PL 13.1

- 1 { 2-5
- 6 { 3-5



Parts List 13.1 Tray 1 (MPT) (1 of 5)

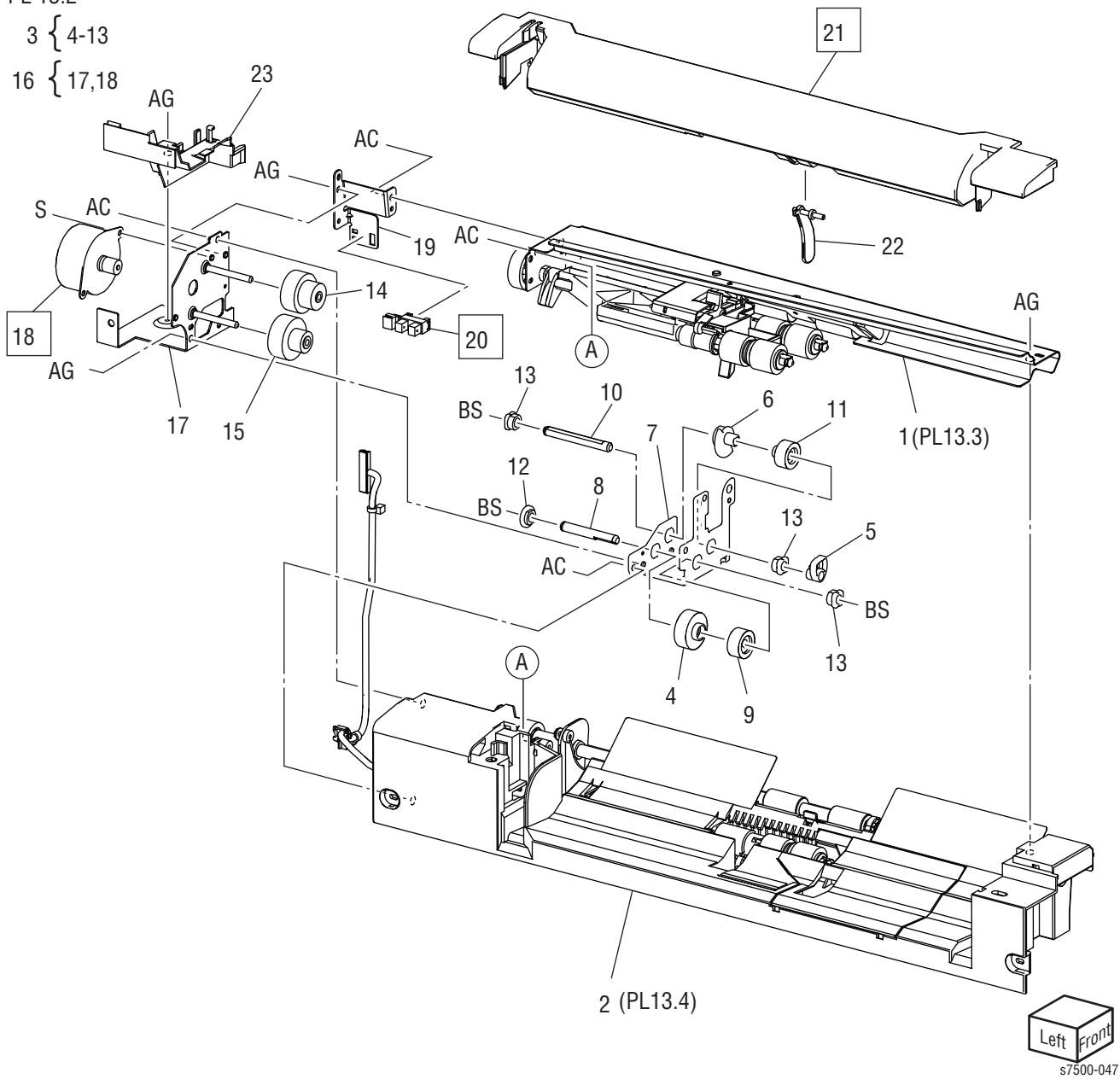
ID No.	Name/Description	Part Number
1.	MPT Feeder Assembly (Items 2-5) (REP 13.1)	059K65910
2.	MPT Head Assembly (PL 13.2) (REP 13.2)	
3.	MPT Tray Assembly (PL 13.5) (REP 13.2)	
4.	Label (Instruction)	
5.	Label (Max)	
6.	MPT Tray Kit (Items 3-5)	

Parts List 13.2 Tray 1 (MPT) (2 of 5)

PL 13.2

3 { 4-13

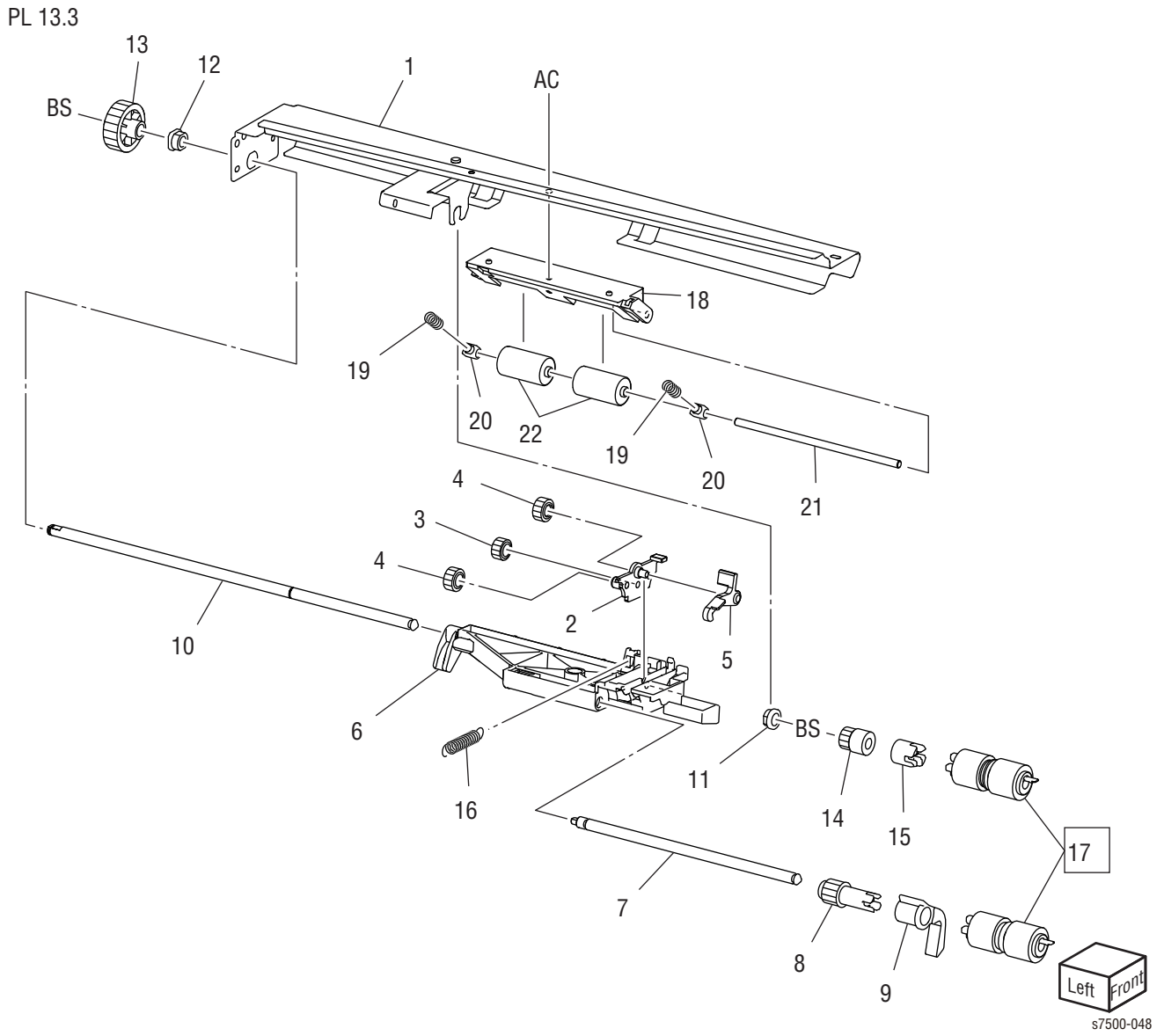
16 { 17,18



Parts List 13.2 Tray 1 (MPT) (2 of 5)

ID No.	Name/Description	Part Number
1.	Upper Frame Assembly (PL 13.3)	
2.	Lower Frame Assembly (PL 13.4)	
3.	Drive Bracket Assembly (Items 4-13)	
4.	Gear (27T)	
5.	Nudger Cam	
6.	Actuator	
7.	Bracket	
8.	Shaft	
9.	Gear (20T)	
10.	Shaft	
11.	Gear (19T)	
12.	Bearing	
13.	Sleeve Bearing	
14.	Gear (29T/19T)	
15.	Gear (31T/15T)	
16.	MPT Feed/ Nudger Motor (Items 17, 18)	
17.	Bracket	
18.	MPT Feed/ Nudger Motor (REP 13.3)	
19.	Sensor Bracket	
20.	MPT Nudger Position Sensor (REP 13.9)	930W00113
21.	Top Cover (REP 13.5)	
22.	Actuator No Paper	120E29441
23.	Harness Holder	

Parts List 13.3 Tray 1 (MPT) (3 of 5)

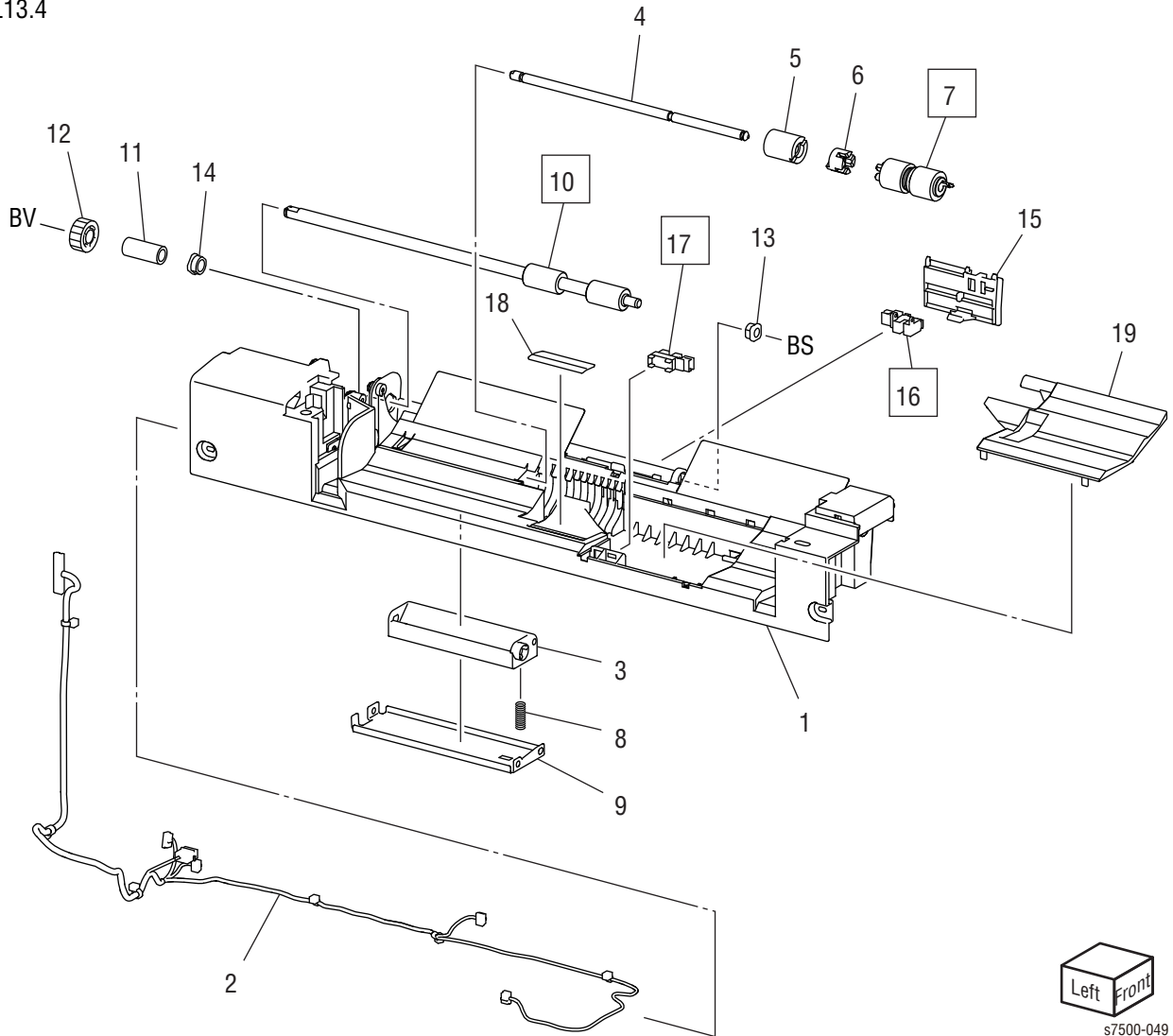


Parts List 13.3 Tray 1 (MPT) (3 of 5)

ID No.	Name/Description	Part Number
1.	Pinch Chute Assembly	
2.	Support Gear	
3.	Gear (21T)	
4.	Gear (23T)	
5.	Lock Stopper	
6.	Nudger Support	
7.	Nudger Shaft	
8.	Gear (25T)	
9.	Stopper	
10.	Feed Shaft	
11.	Bearing	
12.	Sleeve Bearing	
13.	Gear (30T)	
14.	Oneway Clutch (22T)	
15.	Oneway Clutch	
16.	Spring	
17.	Feed Roll (REP 13.6) (P/O Feed Roller Kit)	675K82240
	Nudger Roll (REP 13.6)	
18.	Guide	
19.	Pinch Spring	
20.	Spacer	
21.	Shaft	
22.	Pinch Roll	

Parts List 13.4 Tray 1 (MPT) (4 of 5)

PL13.4

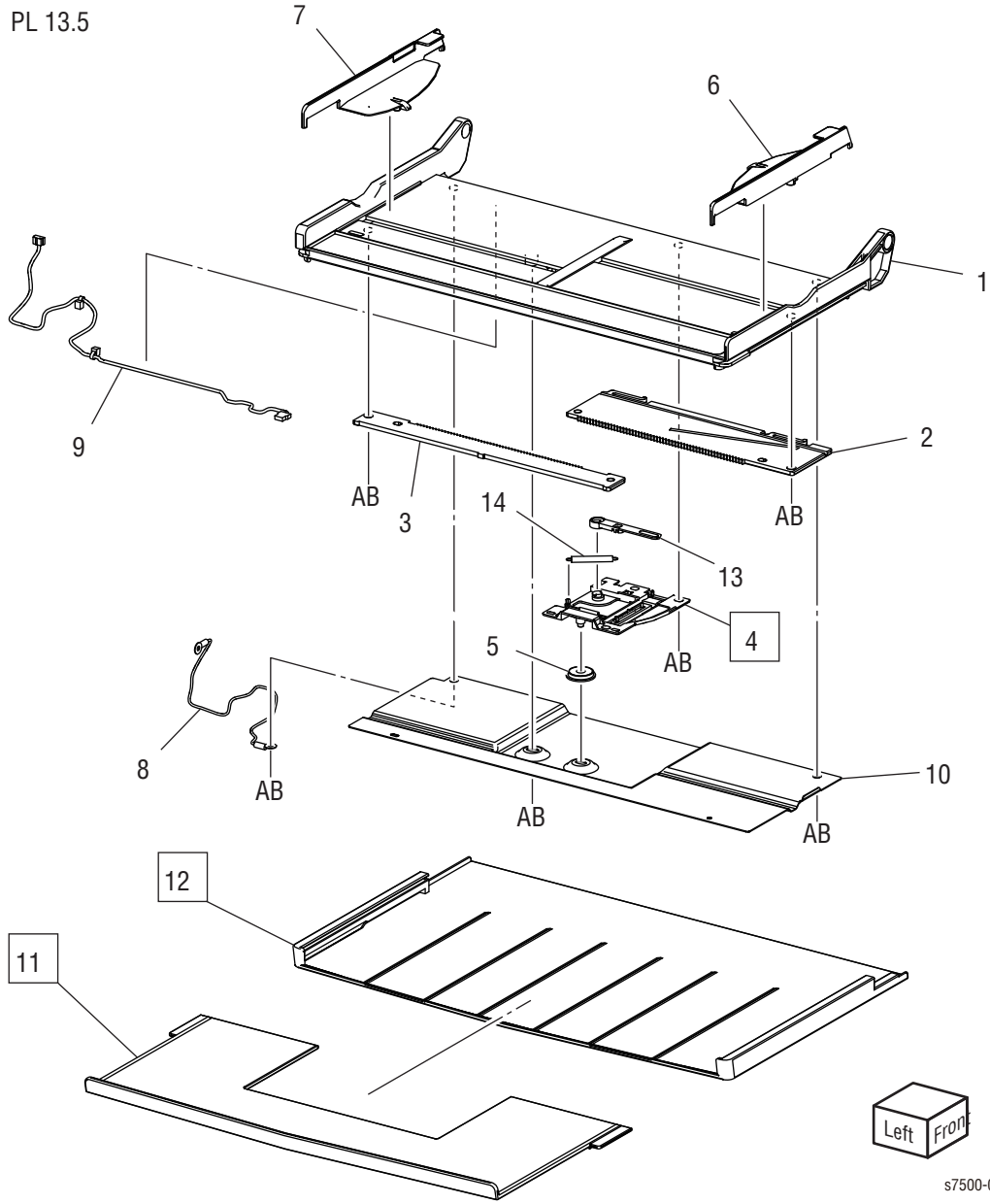


Left Front
s7500-049

Parts List 13.4 Tray 1 (MPT) (4 of 5)

ID No.	Name/Description	Part Number
1.	MPT Lower Frame	
2.	Wire Harness (MPT)	
3.	Retard Support	
4.	Shaft	
5.	Friction Clutch	
6.	Spacer	
7.	Retard Roll (REP 13.6) (P/O Feed Roller Kit)	675K82240
8.	Retard Spring	
9.	Plate	
10.	Drive Roll Assembly (REP 13.7)	
11.	Collar	
12.	Gear (23T)	
13.	Sleeve Bearing	
14.	Sleeve Bearing	
15.	Sensor Plate	
16.	MPT Feed Out Sensor (REP 13.8)	130K72110
17.	MPT No Paper Sensor (REP 13.4)	930W00113
18.	Bottom Pad	
19.	Front Chute	

Parts List 13.5 Tray 1 (MPT) (5 of 5)



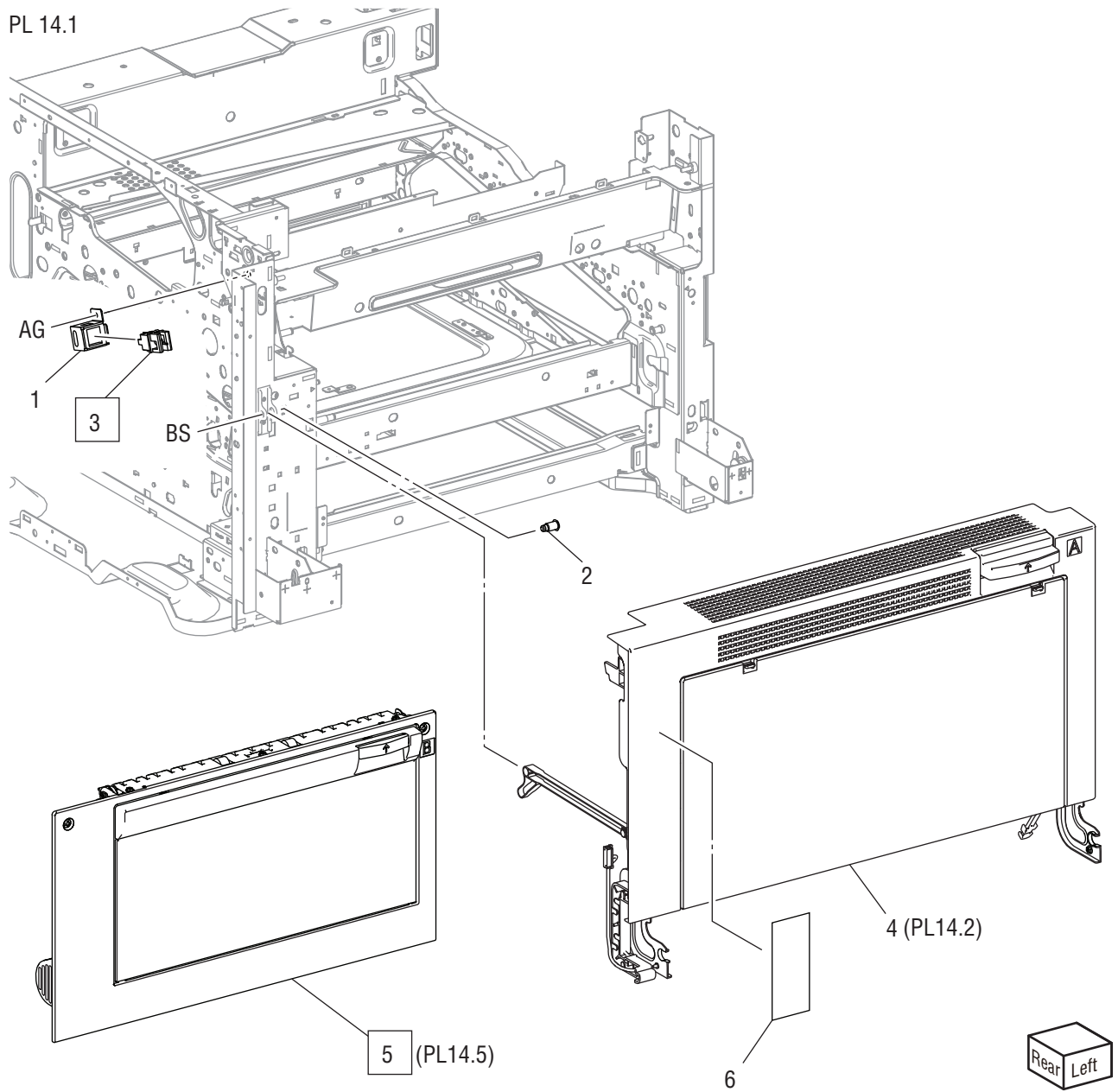
Parts List 13.5 Tray 1 (MPT) (5 of 5)

ID No.	Name/Description	Part Number
1.	MPT Tray	
2.	Front Rack	
3.	Rear Rack	
4.	MPT Paper Size Sensor (REP 13.10)	
5.	Pinion Gear	
6.	Front Side Guide	
7.	Rear Side Guide	
8.	Wire Harness (MPT FG)	
9.	Wire Harness (MPT Tray)	
10.	Plate	
11.	Extension Tray (L1) (REP 13.11)	
12.	Extension Tray (L2) (REP 13.11)	
13.	Sensor Link	
14.	Sensor Spring	

L/H Cover

Parts List 14.1 L/H Cover (1 of 2)

PL 14.1



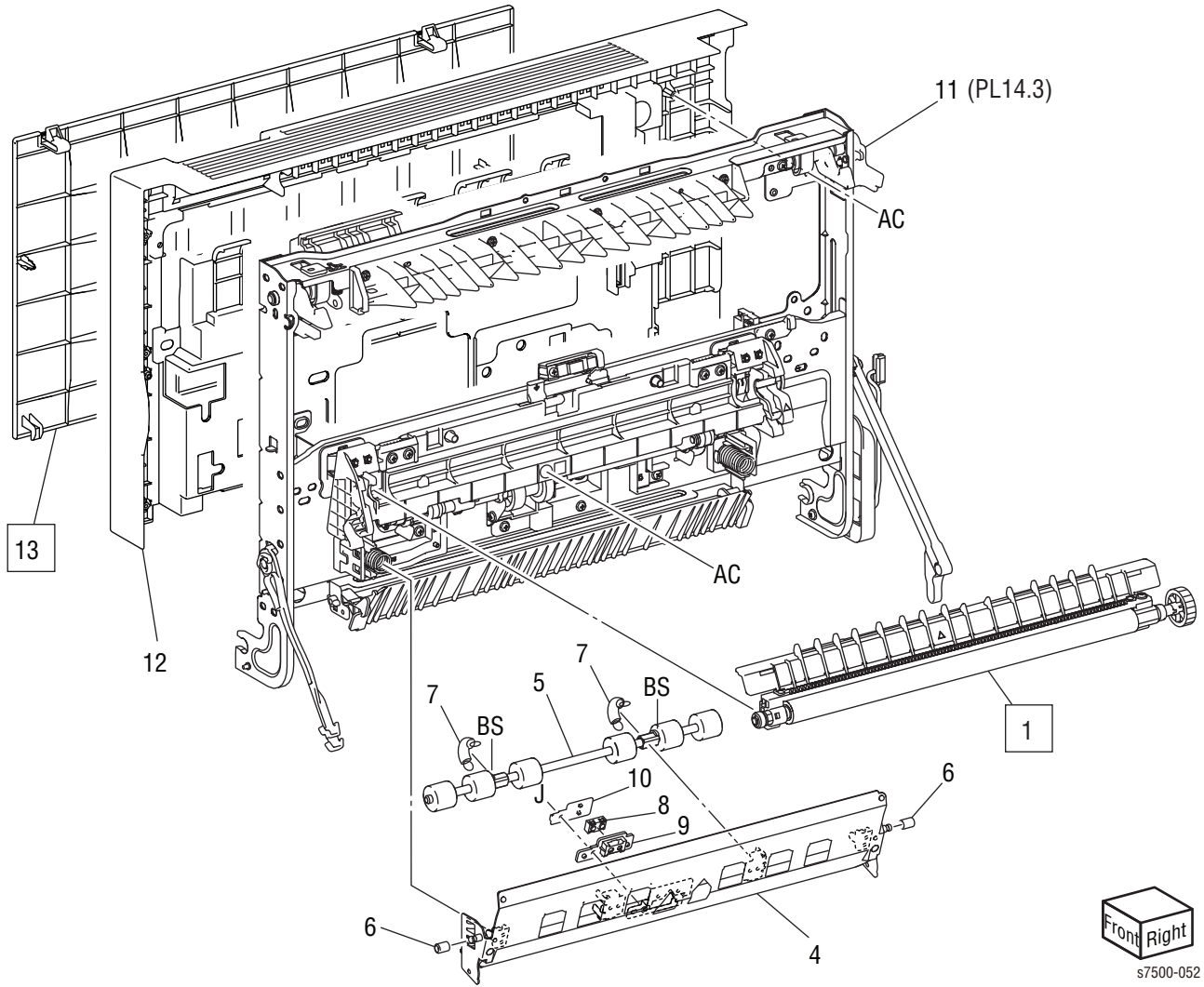
Parts List 14.1 L/H Cover (1 of 2)

ID No.	Name/Description	Part Number
1.	Bracket	849E97100
2.	Shaft	806E21420
3.	L/H Cover Interlock Switch (REP 14.1)	110E11980
4.	L/H Cover Unit (PL 14.2)	848K26801
5.	Transport Duplex Assembly (Option) (PL 14.5) (REP 14.12)	059K65530
6.	Label	

Parts List 14.2 L/H Cover (2 of 2)

PL14.2

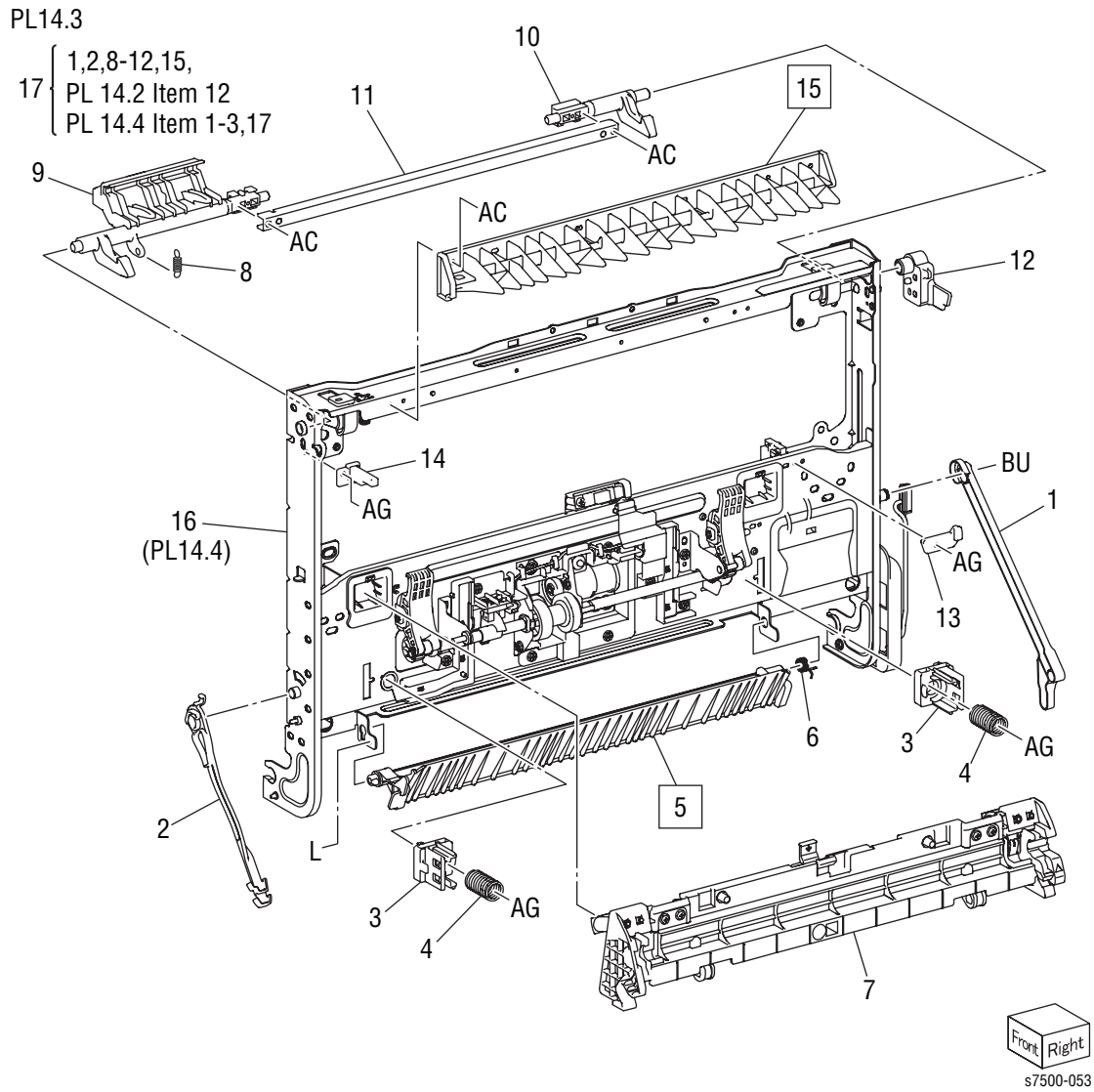
3 { 4-10



Parts List 14.2 L/H Cover (2 of 2)

ID No.	Name/Description	Part Number
1.	2nd BTR Assembly (REP 14.2)	059K53654
2.	L/H Cover Assembly (Items 3-13) (REP 14.3)	848K26801
3.	Pinch Chute Assembly (Items 4-10) (REP 14.4)	054K35151
4.	Pinch Chute Assembly	
5.	Pinch Roller Assembly	
6.	Pulley	
7.	Spring	
8.	Transparency Reflector	
9.	Holder	
10.	Cap	
11.	L/H Cover Assembly (PL 14.3)	
12.	L/H Cover	
13.	L/H Blind Cover (REP 14.6)	

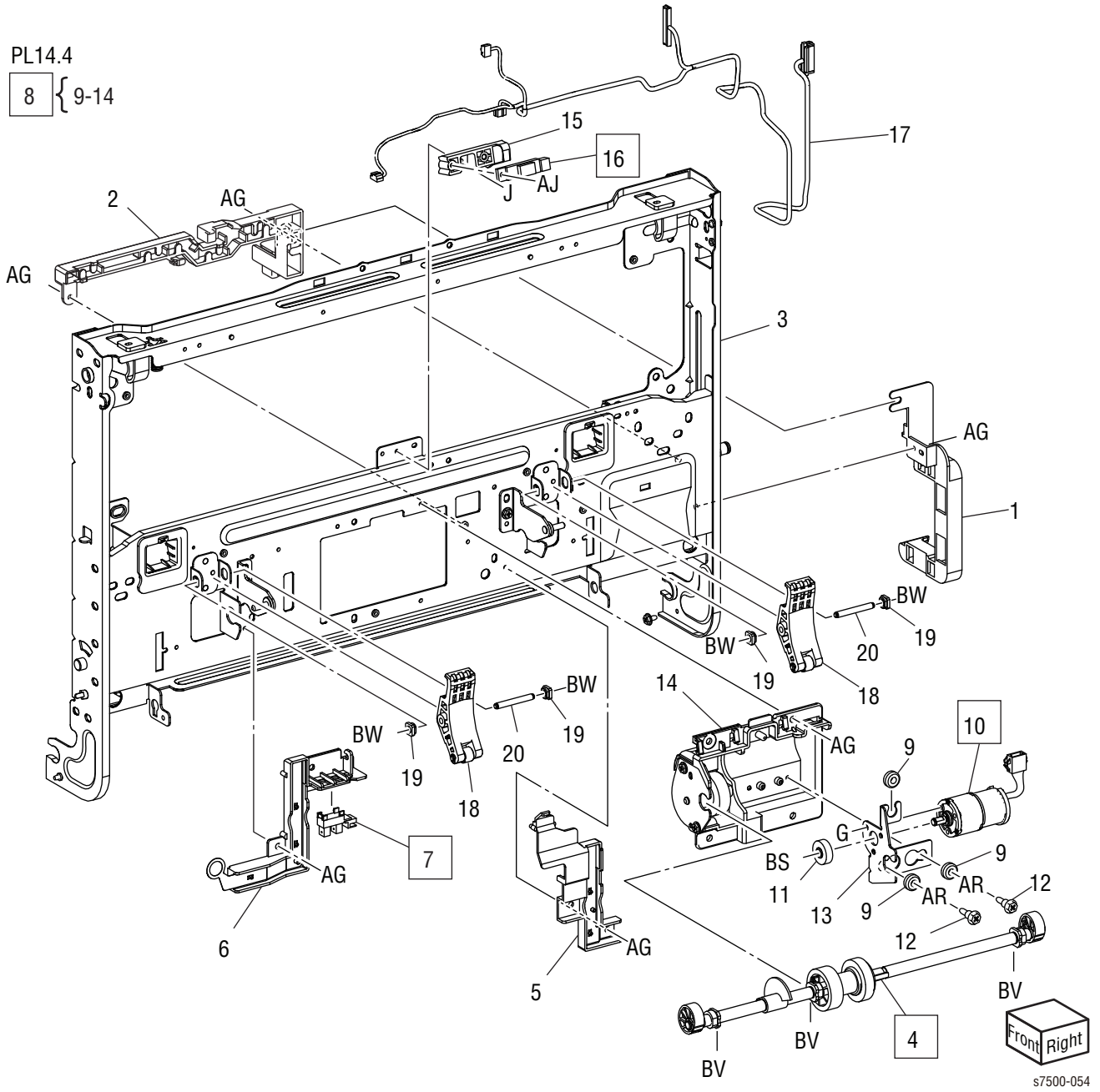
Parts List 14.3 L/H Cover Assembly (1 of 2)



Parts List 14.3 L/H Cover Assembly (1 of 2)

ID No.	Name/Description	Part Number
1.	Rear Support LH Cover	849E97370
2.	Front Support LH Cover	868E05450
3.	Chute Support	
4.	Spring	
5.	Duplex Chute Assembly (REP 14.5)	
6.	Spring	
7.	2nd BTR Housing Assembly	
8.	Spring	
9.	Front Latch Lever	
10.	Rear Latch Lever	
11.	Latch Plate	
12.	Actuator	
13.	Fuser Link	
14.	Block	
15.	Upper Chute (REP 14.7)	054E33712
16.	2nd Contact Retract Assembly (PL 14.4)	
17.	L/H Frame Assembly (Items 1, 2, 8-12, 15, PL 14.2 Item 12, PL 14.4 Items 1-3, 17)	

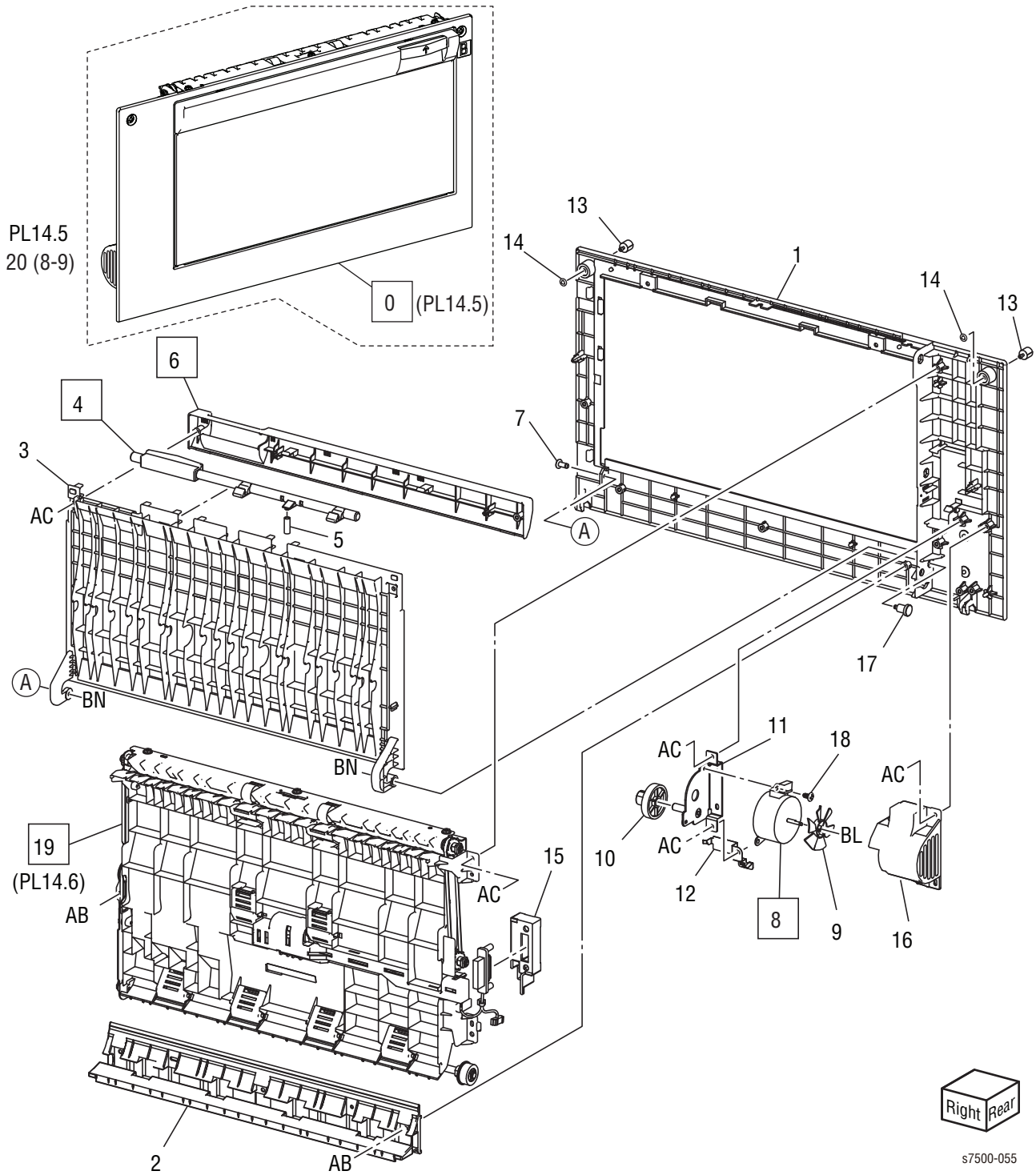
Parts List 14.4 L/H Cover Assembly (2 of 2)



Parts List 14.4 L/H Cover Assembly (2 of 2)

ID No.	Name/Description	Part Number
1.	Harness Holder	
2.	Harness Holder	
3.	Frame Assembly	
4.	Retract Shaft Assembly (REP 14.8)	
5.	Conductor Assembly	
6.	Conductor Assembly	
7.	2nd BTR Contact Retract Sensor (REP 14.9)	930W00113
8.	2nd BTR Contact Retract Motor Assembly (Item 9-14) (REP 14.10)	127K52251
9.	Damper	
10.	2nd BTR Contact Retract Motor (REP 14.10)	
11.	Gear (19T)	
12.	Shoulder Screw	
13.	Bracket	
14.	Motor Housing Assembly	
15.	Sensor Holder	
16.	POB Sensor (REP 14.11)	130K87770
17.	Wire Harness (LH Cover)	
18.	2nd Link Assembly	
19.	Sleeve Bearing	
20.	Shaft	

Parts List 14.5 Duplex Assembly (Option) (1 of 2)

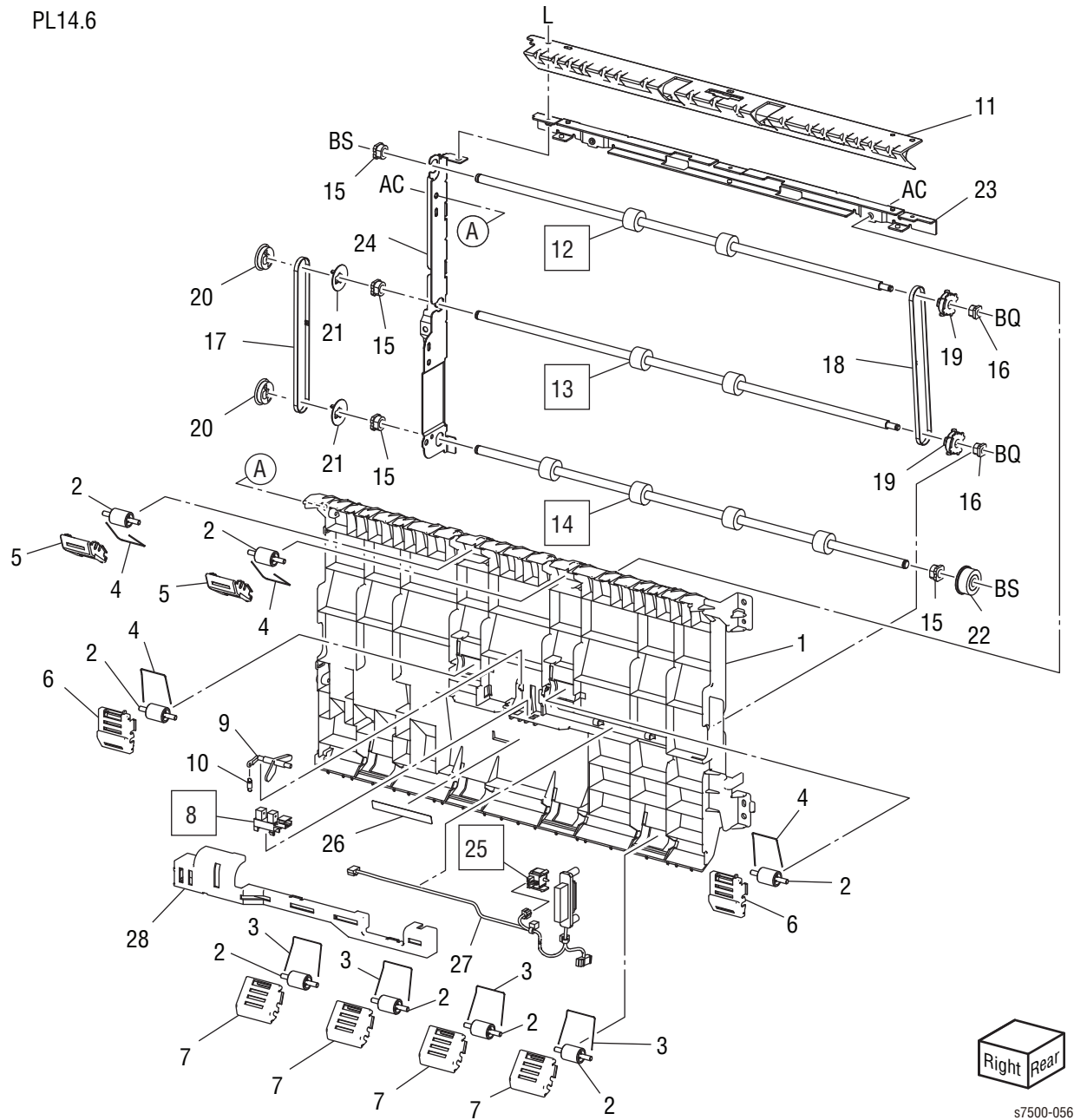


Parts List 14.5 Duplex Assembly (Option) (1 of 2)

ID No.	Name/Description	Part Number
0.	Transport Duplex Assembly (Option) (REP 14.12)	059K65530
1.	Outer Chute	
2.	Lower Chute	
3.	Duplex Cover	
4.	Lever (REP 14.13)	
5.	Spring	
6.	Latch Cover (REP 14.13)	
7.	Pin (Front)	
8.	Duplex Motor (REP 14.14)	
9.	Fan	
10.	Idle Gear (13T/ 46T)	
11.	Bracket Assembly	
12.	Ground Plate	
13.	Screw	
14.	Stopper	
15.	Harness Holder	
16.	Motor Cover	
17.	Pin (Rear)	
18.	Screw (Round)	
19.	Inner Chute Assembly (PL 14.6) (REP 14.15)	
20.	Duplex Motor Kit (Items 8, 9)	

Parts List 14.6 Duplex Assembly (Option) (2 of 2)

PL14.6



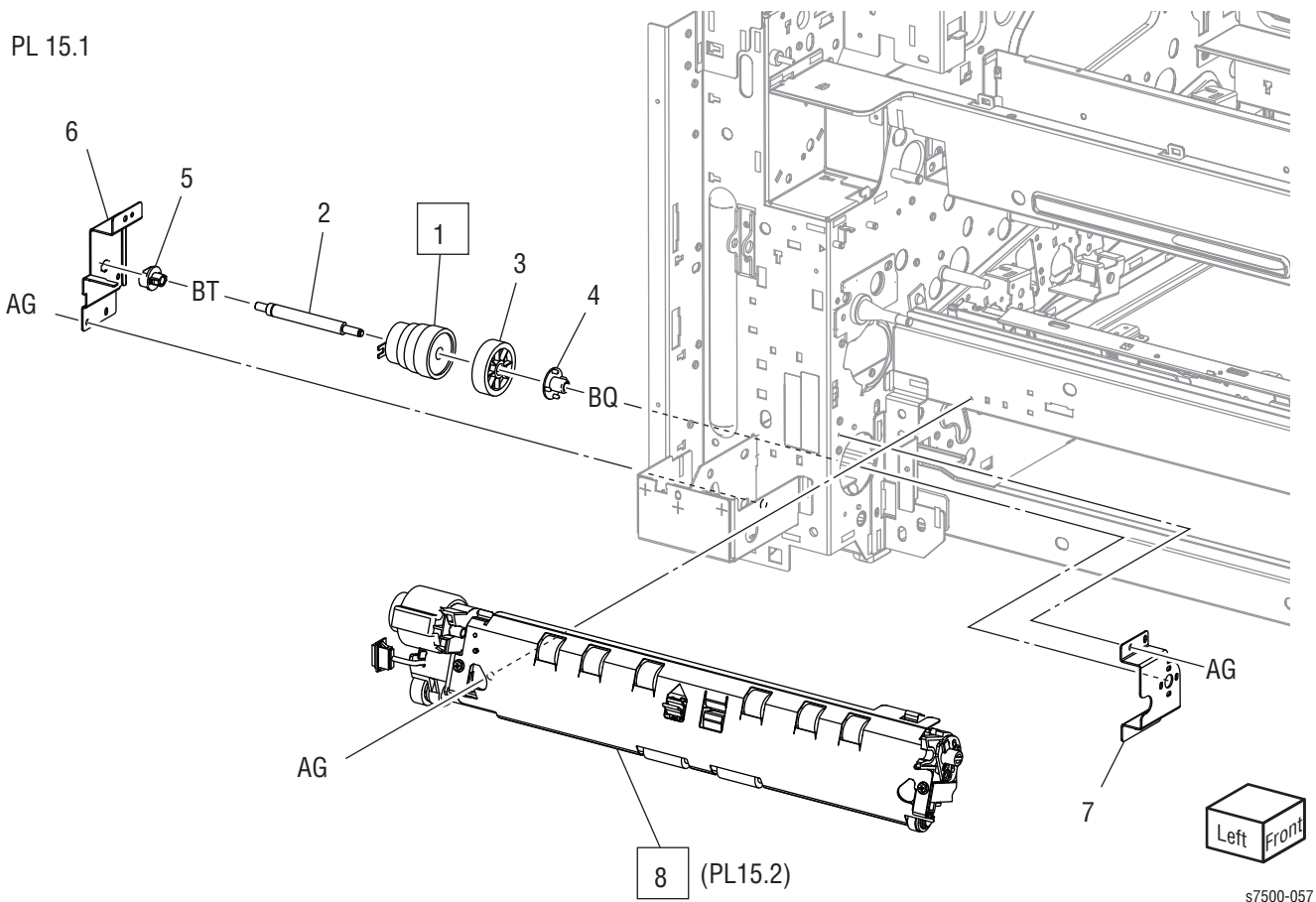
Right Rear
s7500-056

Parts List 14.6 Duplex Assembly (Option) (2 of 2)

ID No.	Name/Description	Part Number
1.	Inner Chute	
2.	Pinch Roller	
3.	Pinch Spring 1	
4.	Pinch Spring 2	
5.	Pinch Holder A	
6.	Pinch Holder B	
7.	Pinch Holder C	
8.	Duplex Wait Sensor (REP 14.16)	
9.	Actuator	
10.	Spring	
11.	Upper Chute	
12.	Duplex Roller 1 (REP 14.17)	
13.	Duplex Roller 2 (REP 14.18)	
14.	Duplex Roller 3 (REP 14.19)	
15.	Sleeve Bearing	
16.	Sleeve Bearing	
17.	Belt	
18.	Belt	
19.	Pulley	
20.	Pulley	
21.	Flange	
22.	Gear Assembly	
23.	Tie Plate	
24.	Front Frame	
25.	Duplex Cover Switch (REP 14.20)	
26.	Label	
27.	Wire Harness (Dup)	
28.	Sensor Cover	

Registration

Parts List 15.1 Registration (1 of 2)

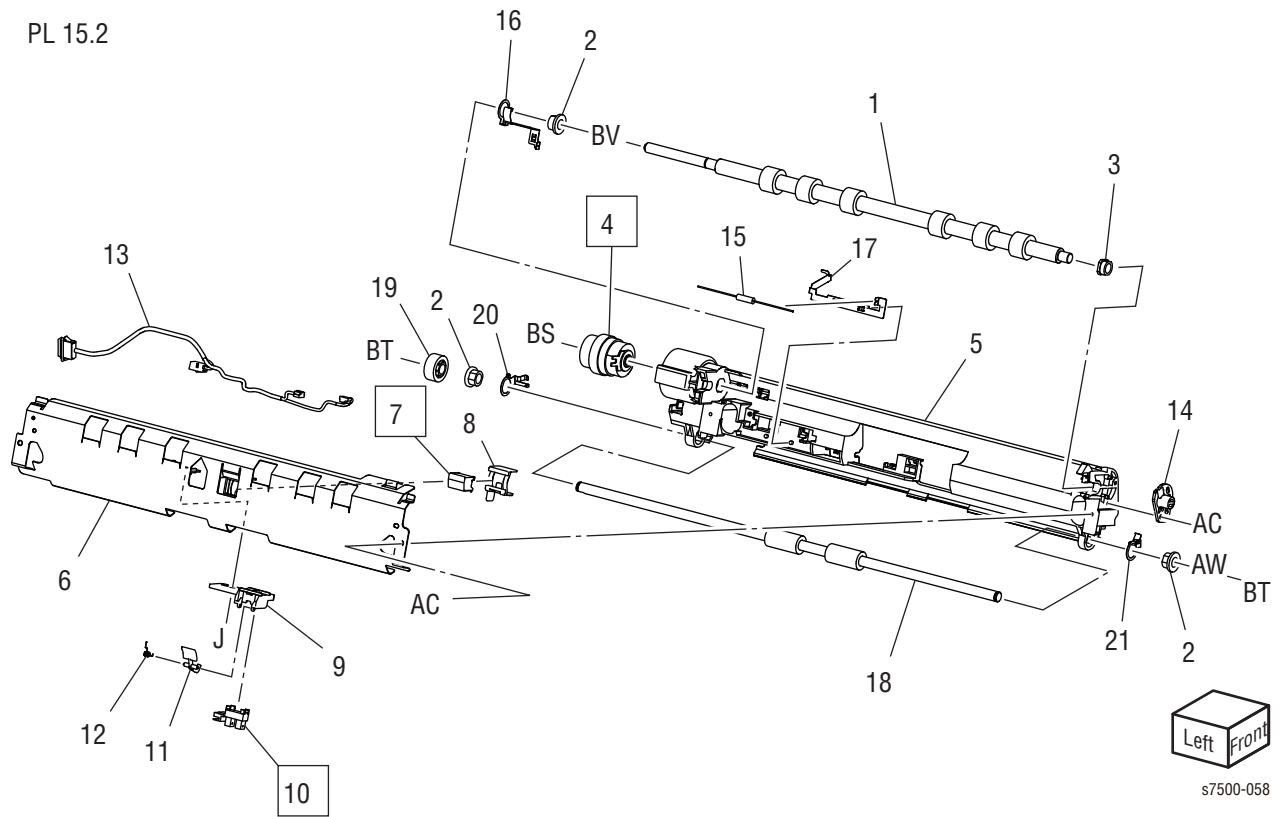


Parts List 15.1 Registration (1 of 2)

ID No.	Name/Description	Part Number
1.	Takeaway Clutch (REP 15.1)	121K41241
2.	Shaft TA	806E21440
3.	Gear (40T)	807E20050
4.	Bearing	013E33420
5.	Bearing TA	013E33460
6.	Bracket	
7.	Bracket	
8.	Regi Transport Assembly (PL 15.2) (REP 15.2)	059K55542

Parts List 15.2 Registration (2 of 2)

PL 15.2



Parts List 15.2 Registration (2 of 2)

ID No.	Name/Description	Part Number
1.	Regi Roll	
2.	Bearing	
3.	Sleeve Bearing	
4.	Regi Clutch (REP 15.3)	
5.	Regi Chute	
6.	Inlet Chute Assembly	
7.	Transparency Sensor (REP 15.4)	
8.	Cap	
9.	Sensor Holder	
10.	Regi Sensor (REP 15.5)	930W00111
11.	Actuator	
12.	Spring	
13.	Wire Harness (Reg)	
14.	Skew Adjust Block	
15.	Inlet Resistor	
16.	Conductor (In)	
17.	Conductor (Out)	
18.	Takeaway Roll	
19.	Gear (23T)	
20.	Conductor	
21.	Conductor	

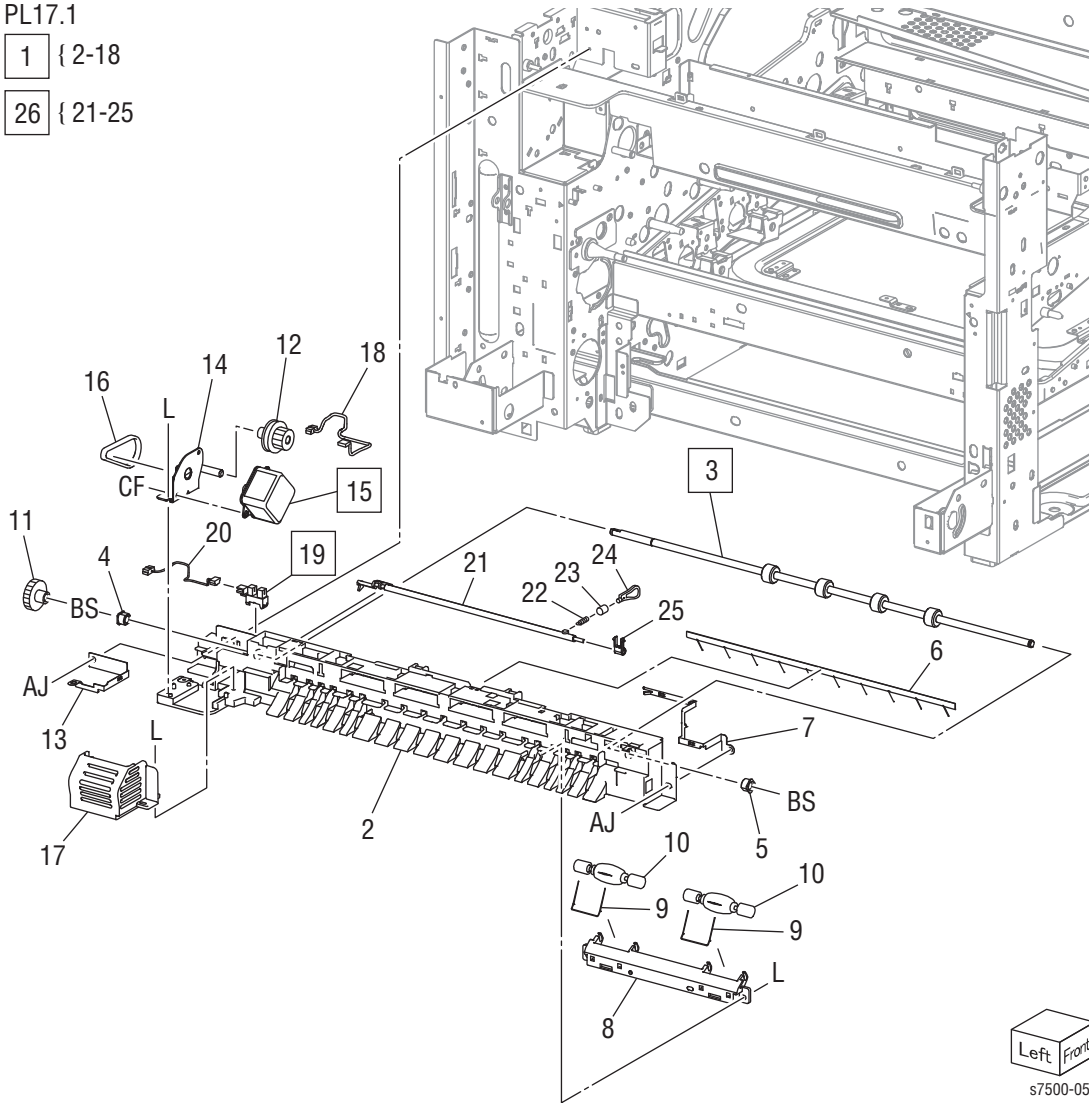
Exit

Parts List 17.1 Exit

PL17.1

1 { 2-18

26 { 21-25

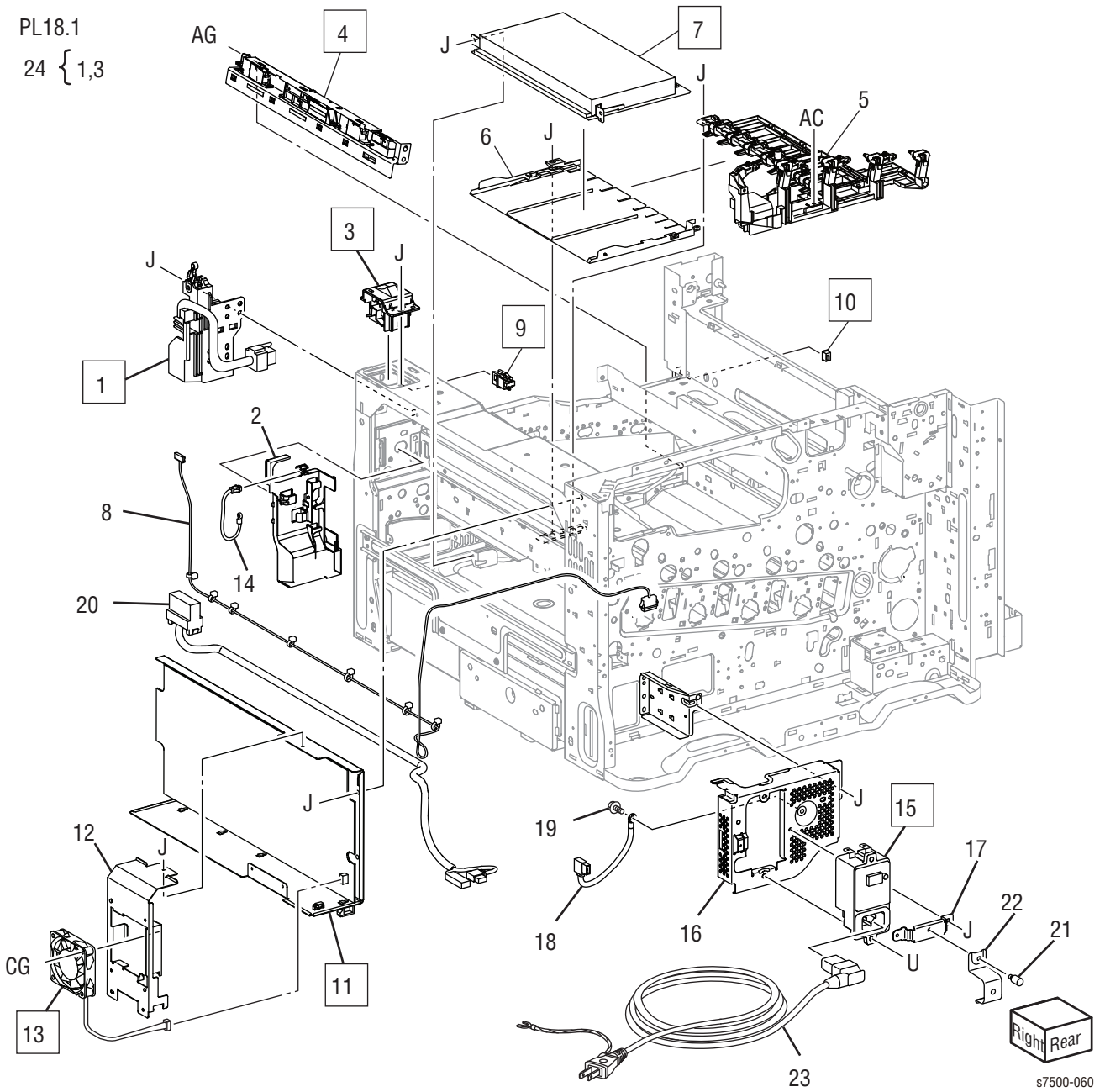


Parts List 17.1 Exit

ID No.	Name/Description	Part Number
1.	Exit Assembly (Items 2-17) (REP 17.1)	059K62332
2.	Low Chute	
3.	Exit Roll (REP 17.2)	
4.	Bearing	
5.	Ground Bearing	
6.	Eliminator	
7.	Ground Plate	
8.	Exit Chute	
9.	Pinch Spring	
10.	Pinch Roll	
11.	Gear (24T)	
12.	Gear Pulley (41T/ 16T)	
13.	Ground Plate	
14.	Bracket Assembly	
15.	Exit Motor (REP 17.3)	
16.	Belt	
17.	Motor Cover	
18.	Wire Harness (Motor)	
19.	Full Stack Sensor	930W 00113
20.	Wire Harness (Full Stack)	
21.	Full Stack Shaft	
22.	Spring	
23.	Pipe	
24.	Full Stack Actuator	
25.	Bearing	
26.	Full Stack Sensor Kit	675K82730

Electrical

Parts List 18.1 Electrical (1 of 2)

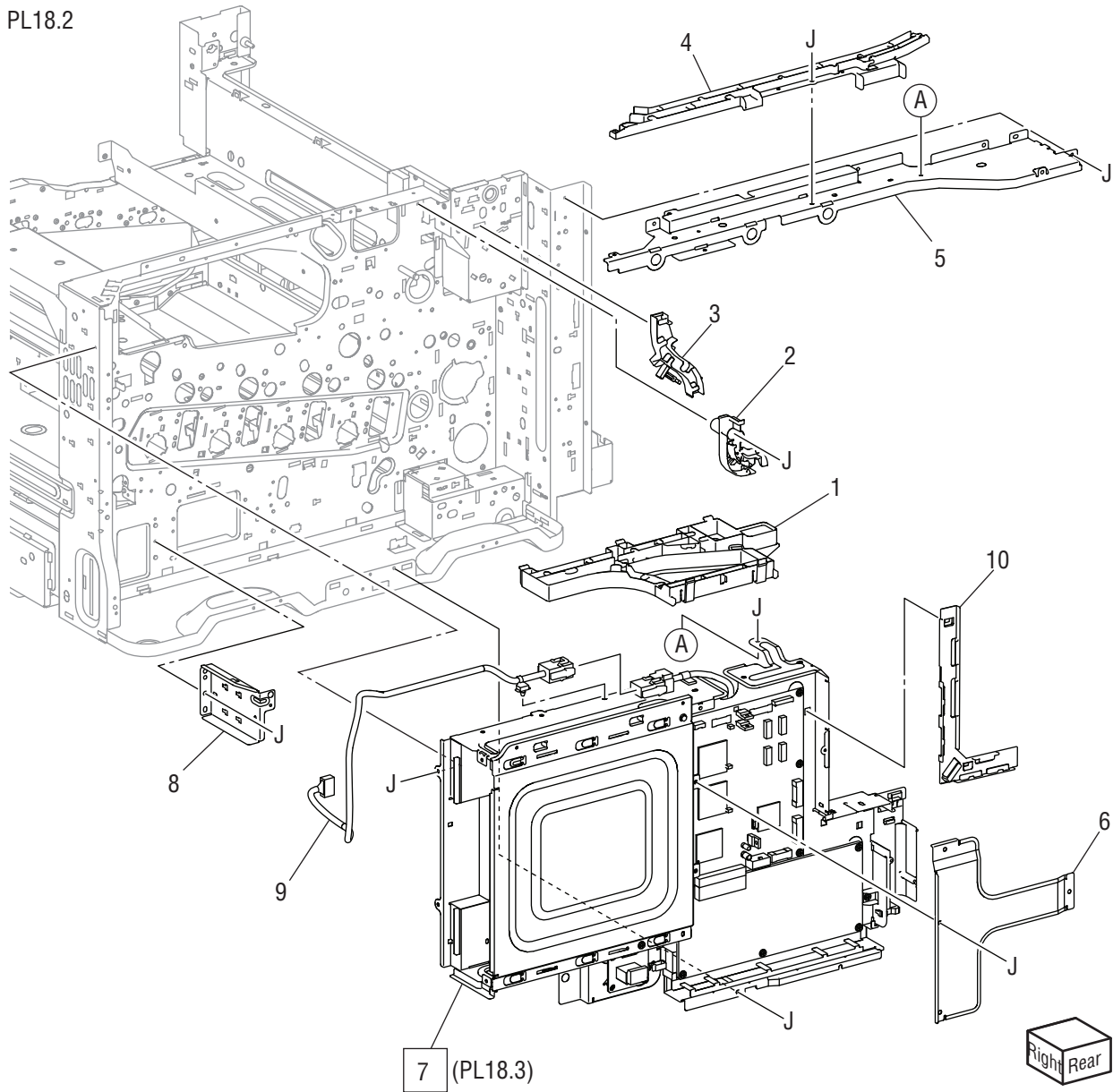


Parts List 18.1 Electrical (1 of 2)

ID No.	Name/Description	Part Number
1.	Main Power Switch Chassis Assembly (REP 18.1)	See item 24
2.	Main Switch Harness Guide	
3.	Cam Chassis Assembly (REP 18.2)	
4.	MOB ADC Assembly (REP 18.3)	130K71470
5.	HVPS Housing Assembly	848K13850
6.	HVPS Guide	032E27481
7.	HVPS (DEVE/ BCR) (REP 18.4)	105E17521
8.	Wire Harness Assembly (UI)	962K60382
9.	Front Cover Interlock Switch (Push CS3A-B2CA) (REP 18.5)	110E12981
10.	IBT Front Cover Switch (REP 18.6)	
11.	Main LVPS (100-127V) (REP 18.7)	105K23374
	Main LVPS (220-240V) (REP 18.7)	105K23382
12.	Bracket	
13.	LV Fan (REP 18.8)	127K56990
14.	Thermo Sensor	130K88740
15.	GFI (REP 18.9)	908W01201
16.	GFI Chassis	
17.	Bracket	
18.	Wire Harness Assembly	962K60620
19.	Screw	
20.	Wire Harness (AC Main) (110V)	962K69350
21.	Knurling Screw	
22.	Stopper	
23.	Power Cord	Refer to "Xerox Supplies and Accessories" on page 9-120
24.	Main Power Switch Kit (Items 1,3)	604K49660

Parts List 18.2 Electrical (2 of 2)

PL18.2

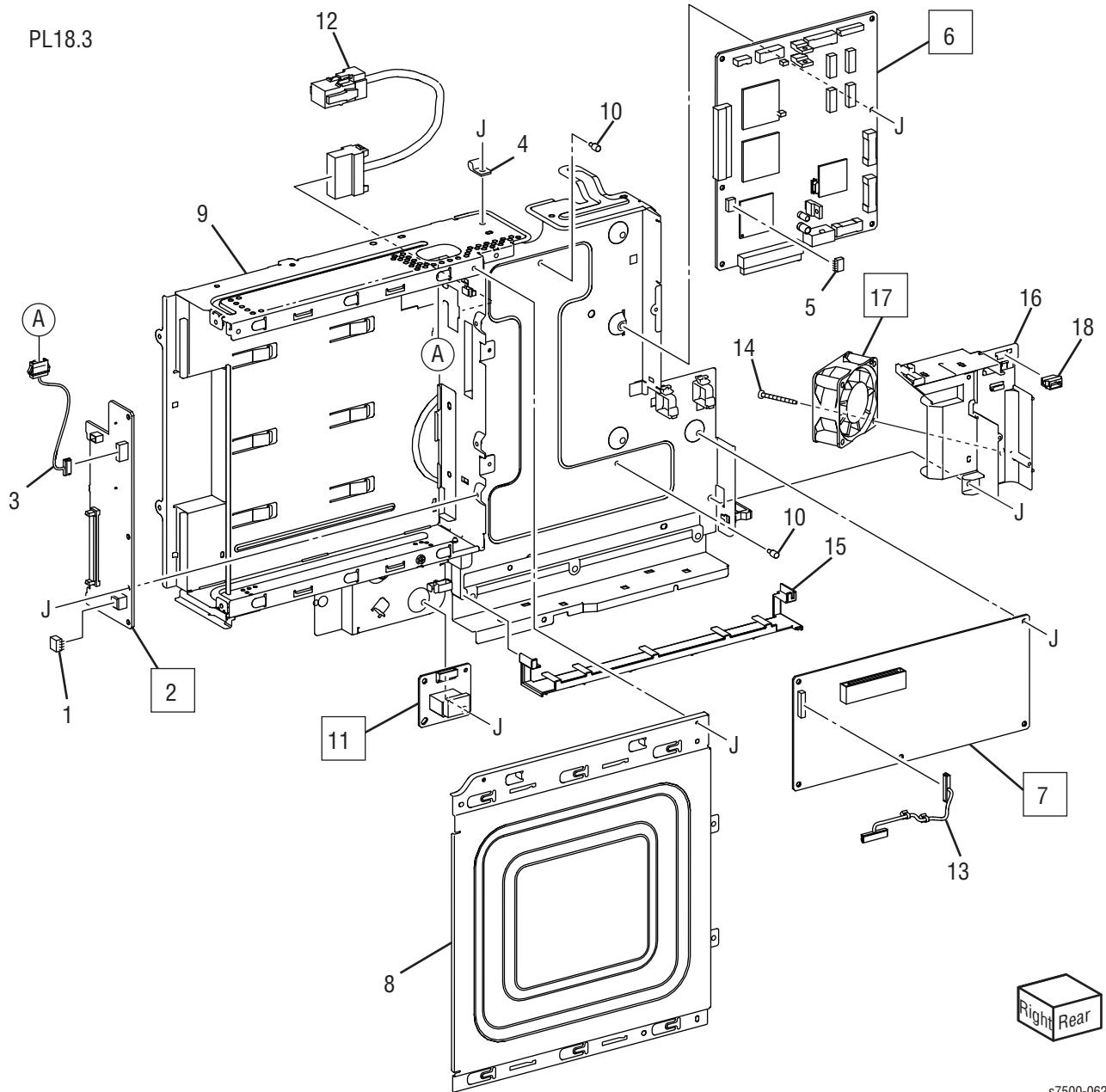


s7500-061

Parts List 18.2 Electrical (2 of 2)

ID No.	Name/Description	Part Number
1.	Harness Holder	
2.	Harness Holder	
3.	Harness Holder	
4.	Harness Holder	
5.	Upper ESS Bracket	
6.	MCU PWB Cover	
7.	PWB Chassis Unit (PL 18.3) (REP 18.10)	
8.	Bracket	
9.	Wire Harness (ESS1)	962K60361
10.	Cable Guide	

Parts List 18.3 PWB Chassis Unit



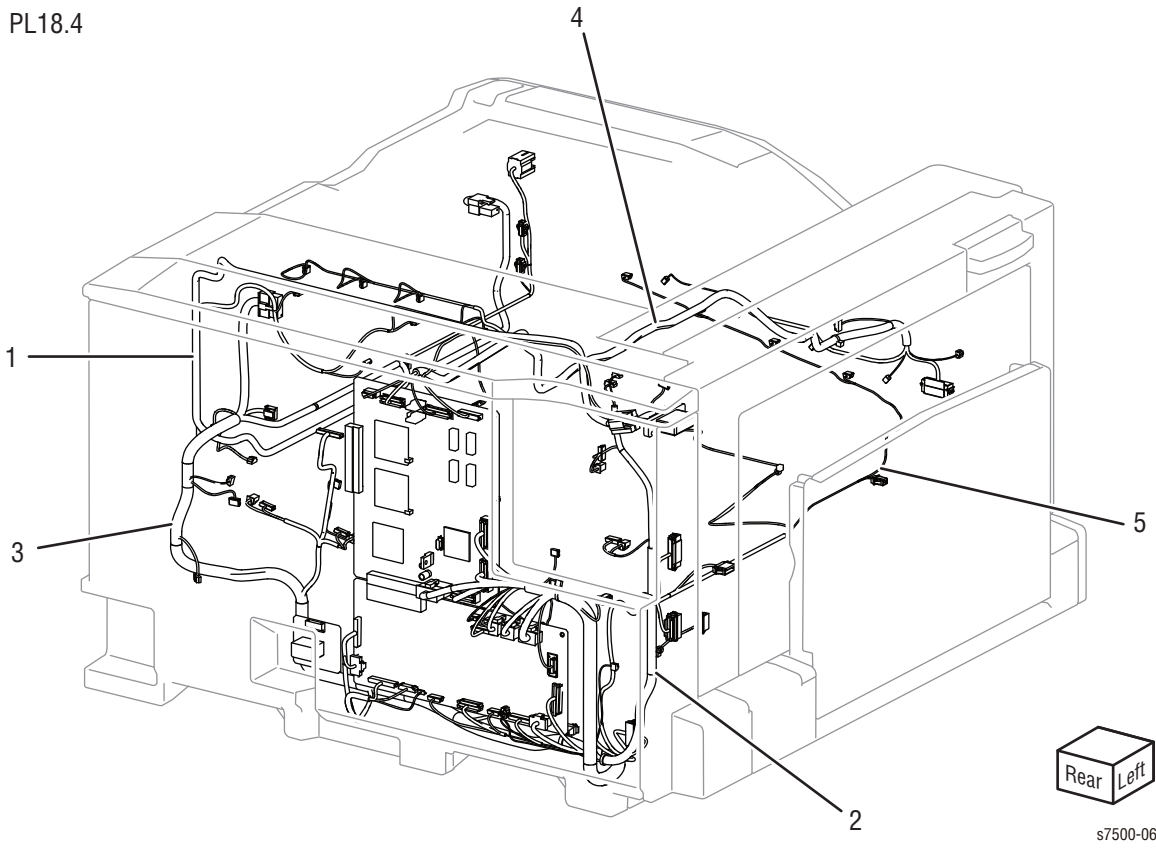
s7500-062

Parts List 18.3 PWB Chassis Unit

ID No.	Name/Description	Part Number
1.	EEPROM	
2.	Backplane PWB (REP 18.11)	960K47810
3.	Wire Harness BP-UI	962K60890
4.	Clamp	
5.	EEPROM	
6.	MCU PWB (REP 18.12)	960K50520
7.	Motor Drive PWB (REP 18.13)	960K32651
8.	ESS Cover	
9.	Chassis Assembly	
10.	PWB Spacer	
11.	TM Relay PWB (REP 18.14)	960K35401
12.	Wire Harness Assembly (ESS2)	962K60720
13.	Wire Harness Assembly OP Tray	962K60370
14.	Screw	
15.	Guide	
16.	Fan Bracket	
17.	Drive Fan (REP 18.15)	127K53040
18.	Connector	

Parts List 18.4 Wire Harness

PL18.4



Parts List 18.4 Wire Harness

ID No.	Name/Description	Part Number
1.	Wire Harness Assembly (110V) (Drawer)	962K73870
	Wire Harness Assembly (220V) (Drawer)	962K67742
2.	Wire Harness Assembly (Main LH)	962K71720
3.	Wire Harness Assembly (Main RH) (110V)	962K71700
4.	Wire Harness Assembly (Main Top)	962K71710
5.	Wire Harness Assembly (Main Front)	962K60332

Cover

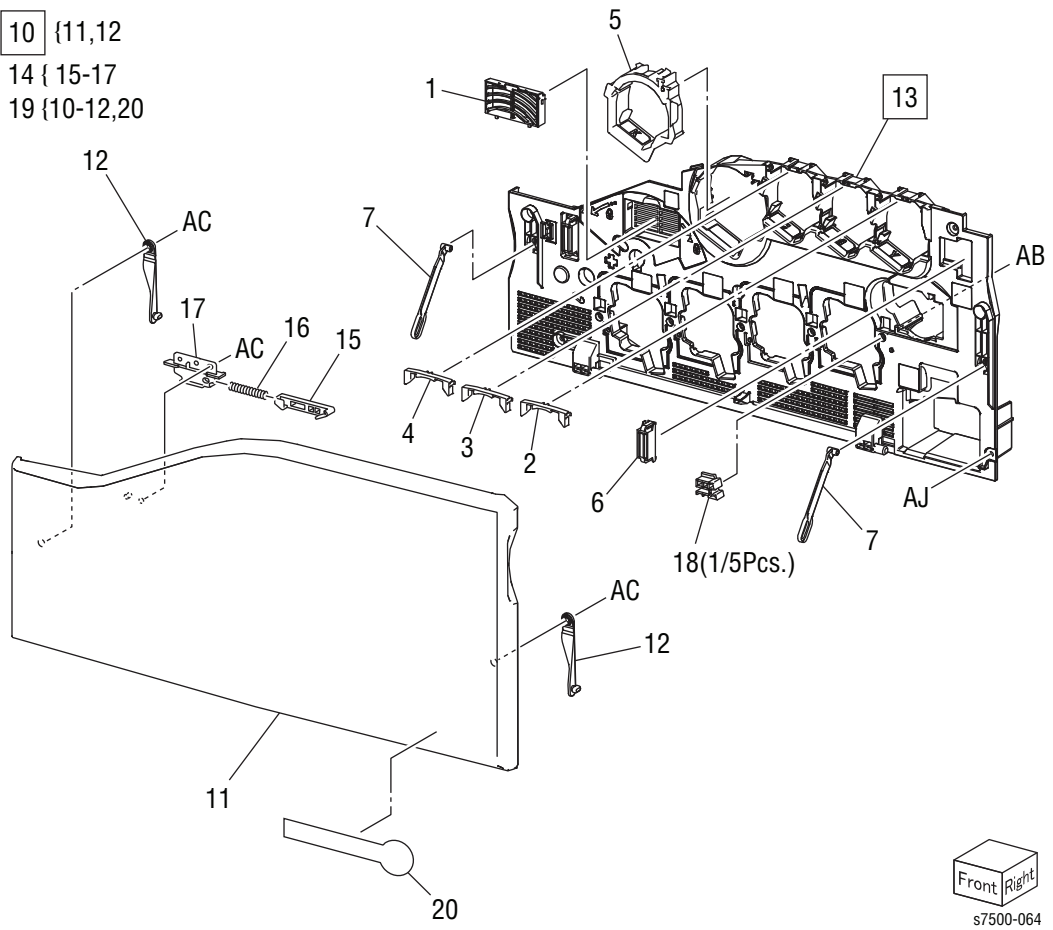
Parts List 19.1 Cover (Front)

PL 19.1

10 {11,12

14 { 15-17

19 {10-12,20

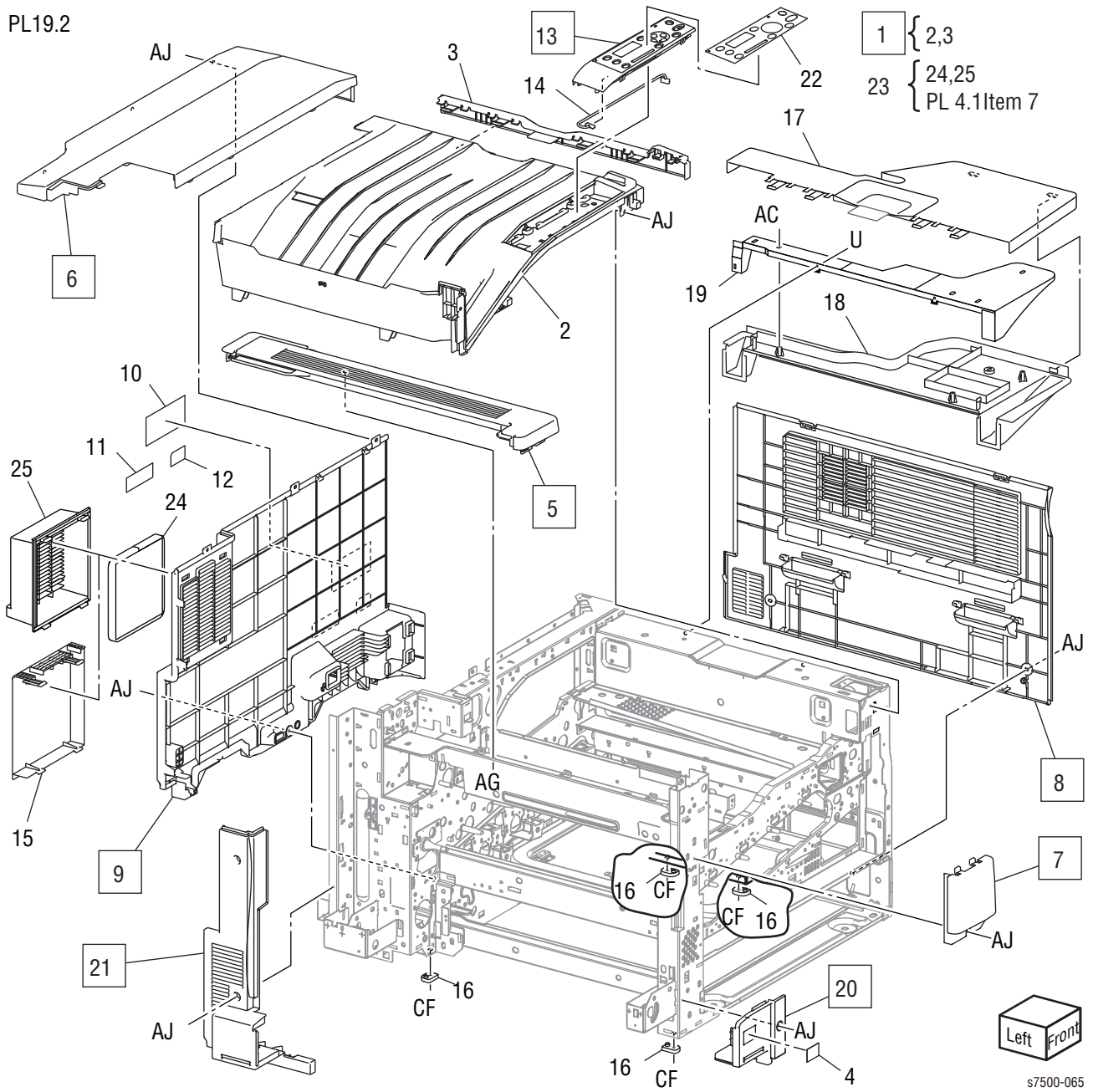


Front Right
s7500-064

Parts List 19.1 Cover (Front)

ID No.	Name/Description	Part Number
1.	Filter Cover, IBT	848E18320
2.	Plate (Y)	815E43211
3.	Plate (M)	815E43221
4.	Plate (C)	815E43231
5.	Plate (K)	848K14912
6.	Magnet Catch	
7.	Strip (A)	
8.	-----	
9.	-----	
10.	Front Cover Assembly (Items 11,12) (REP 19.1)	See item 19
11.	Front Cover	
12.	Strip (B)	
13.	Inner Cover Assembly (REP 19.1)	848K27921
14.	Guide Assembly (Items 15-17)	
15.	Guide	
16.	Spring-COMP	809E80970
17.	Bracket	
18.	Block-Key IOT	014E63041
19.	Front Cover Unit (Items 10-12, 20)	604K55830
20.	Logo Plate	

Parts List 19.2 Cover/ Control Panel

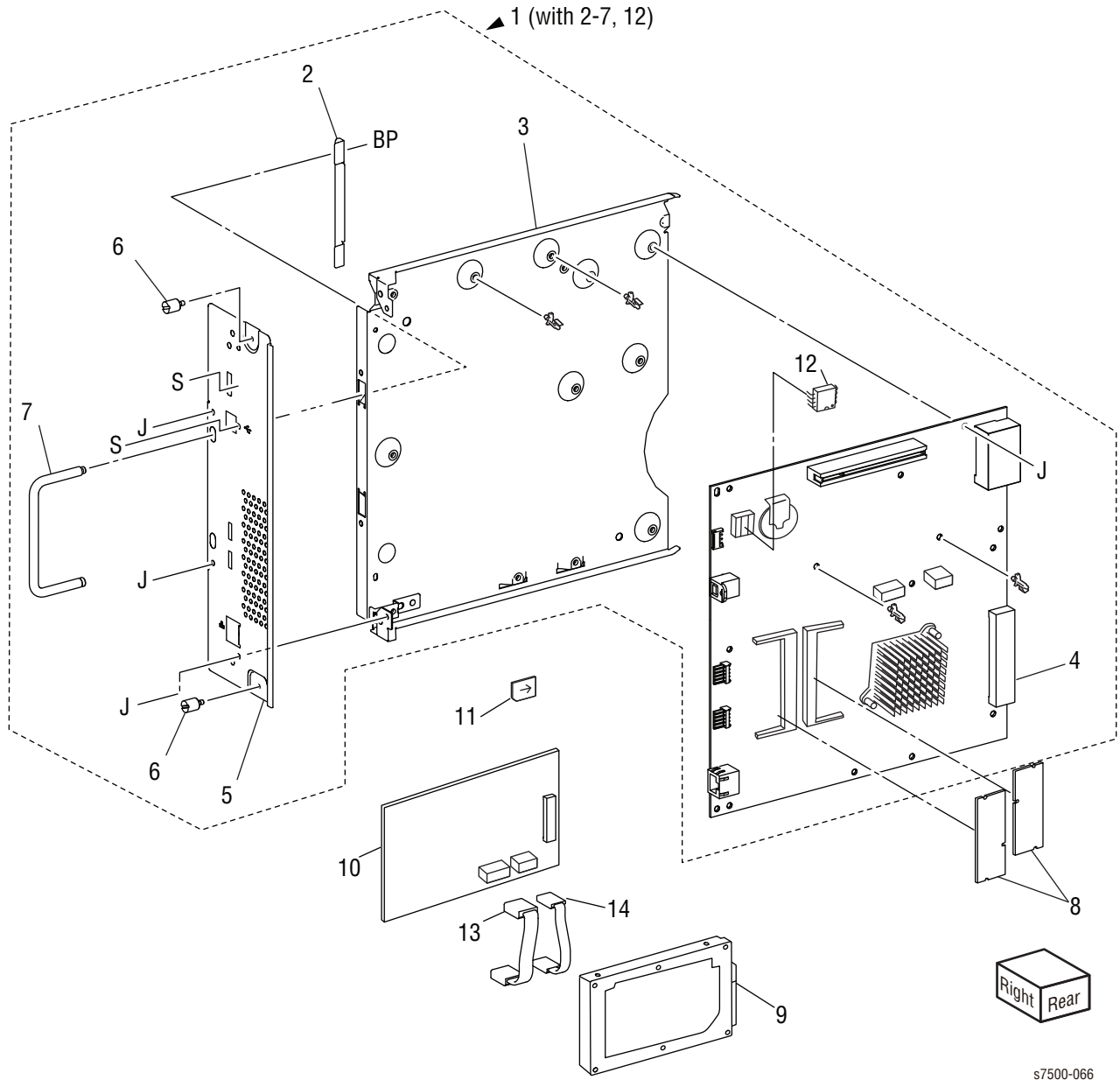


Parts List 19.2 Cover/ Control Panel

ID No.	Name/Description	Part Number
1.	Top Cover Assembly (Items 2,3) (REP 19.2)	848K03124
2.	Top Cover	
3.	Top Right Cover	
4.	Number Label	
5.	Exit Cover Assembly (REP 19.5)	848K26921
6.	Top Rear Cover (REP 19.6)	848E21691
7.	Front Left Cover (REP 19.7)	848E21730
8.	Right Cover (REP 19.8)	848E21711
9.	Rear Cover (REP 19.6)	848E21722
10.	Data Plate	
11.	Ground Label	
12.	GFI Label	
13.	Console Panel (REP 19.2)	848E51510
14.	Console Harness Assembly	962K60661
15.	Fan Guard	055E56421
16.	Foot	
17.	Upper Table (Option)	
18.	Lower Table (Option)	
19.	Table Plate (Option)	
20.	MPT Front Cover (REP 19.3)	848E21212
21.	Left Rear Cover (REP 19.4)	848E21750
22.	Label	
23.	Filter Kit (Items 24, 25, PL 4.1 Item 7)	
24.	Filter	053K92980
25.	Filter Case	

ESS

Parts List 35.1 ESS



Parts List 35.1 ESS

ID No.	Name/Description	Part Number
1.	Control Unit (Items 2-7, 12)	960K58360
2.	Handle Plate	
3.	Control Chassis Assembly	
4.	ESS PWB (Image Processor Board) (REP 35.1)	
5.	Front Panel	
6.	Screw	
7.	Handle	
8.	512 MB SODIMM RAM	237E25310
9.	HDD Assembly (Items 9-13)	604K60890
10.	HD Interface Board	
11.	Configuration Chip, Network	237E25320
12.	I/P Board EEPROM	237E25330
13.	Wire Harness	
14.	Wire Harness	

Xerox Supplies and Accessories

Consumables and Routine Maintenance Items

Parts List Reference	Description	Part Number
PL5.1.1	Toner Cartridge (K), High Capacity (19,800 pages)	106R01439
	Toner Cartridge (K), Standard Capacity (18K)	106R01316
	Toner Cartridge (K), Metered	106R01450
	Toner Cartridge (K), High Capacity (DMO) (19,800 pages)	106R01446
PL5.1.2	Toner Cartridge (C), High Capacity (17,800 pages)	106R01436
	Toner Cartridge (C), Standard Capacity (9,600 pages)	106R01433
	Toner Cartridge (C), Metered	106R01447
	Toner Cartridge (C), Standard Capacity (DMO) (9,600 pages)	106R01440
	Toner Cartridge (C), High Capacity (DMO) (17,800 pages)	106R01443
PL5.1.3	Toner Cartridge (M), High Capacity (17,800 pages)	106R01437
	Toner Cartridge (M), Standard Capacity (9,600 pages)	106R01434
	Toner Cartridge (M), Metered	106R01448
	Toner Cartridge (M), Standard Capacity (DMO) (9,600 pages)	106R01441
	Toner Cartridge (M), High Capacity (DMO) (17,800 pages)	106R01444
PL5.1.4	Toner Cartridge (Y), High Capacity (17,800 pages)	106R01438
	Toner Cartridge (Y), Standard Capacity (9,600 pages)	106R01435
	Toner Cartridge (Y), Metered	106R01449
	Toner Cartridge (Y), Standard Capacity (DMO) (9,600 pages)	106R01442
	Toner Cartridge (Y), High Capacity (DMO) (17,800 pages)	106R01445
PL6.1.10	Transfer Belt (480,000 pages)	604K49185
PL7.1.1	Fuser Unit - 110V (100,000 pages)	115R00061
	Fuser Unit - 220V (100,000 pages)	115R00062

Consumables and Routine Maintenance Items (continued)

Parts List Reference	Description	Part Number
PL8.1.4	Imaging Unit (C) (80,000 pages)	108R00861
	Imaging Unit (M) (80,000 pages)	108R00861
	Imaging Unit (Y) (80,000 pages)	108R00861
	Imaging Unit (K) (80,000 pages)	108R00861
PL8.2.19	Waste Cartridge (20,000 pages)	108R00865
PL14.2.1	2nd BTR Assembly (200,000 pages)	059K53654
	Tray 2-5 Feed Roller Kit (300,000 pages)	675K82240
	MPT Feed Roller Kit (100,000 pages)	675K82240

Options

Parts List Reference	Description	Part Number
PL10.1	One Tray Module Option Complete	050K68710
PL11.1	Three Tray Module Option Complete	050K68700
PL14.1.5 PL14.5.0	Transport Duplex Assembly (Option)	059K65530
PL35.1.16	512 MB SODIMM RAM	237E25310
PL35.2.8	Productivity Kit (Hard Disk Drive)	097S04027
PL35.1.11	Config Chip, Network	237E25320
	Printer Stand	097S03873

Power Cords

Description	Part Number
Power Cord, North America (NEMA 5-15), 120 V	117K31400
Power Cord, Cable Assy, EUR, 220 V	152S06413
Power Cord, Cable Assy, UK, 220 V	152S06414
Power Cord, Denmark, 220V	152S06415
Power Cord, Switzerland, 220V	152S06416

Service Kits

Service Kits are developed to provide an easy means to obtain spare parts normally associated with larger assemblies. A number of Service Kits have been developed for the Phaser 7500. The following tables list the contents for each kit.

Kit

Re-packaging Kit

Parts List Reference	Description	Part Number
N/A	Re-packaging Kit	695K28360

Hardware Kit

Parts List Reference	Description	Part Number
N/A	Hardware Kit	604K00821

Miscellaneous

Parts List Reference	Description	Part Number
N/A	E-Ring	354W13278
N/A	Black Light Protective Bag	006-7971-00