

# Parts List

# 5

In this chapter...

- [Serial Number Format](#)
- [Using the Parts List](#)
- [General Overview](#)
- [Parts List](#)
- [Xerox Supplies and Accessories](#)

# Serial Number Format

Changes to Xerox products are made to accommodate improved components as they become available. It is important when ordering parts to include the following information:

- Component's part number
- Product type or model number
- Serial Number of the printer

The serial numbers are only reset to the starting serial number when the ending serial number is reached. At that time the revision digit will be rolled. Serial numbers below 10001 are reserved for XOG Final Integration Center (FIC) sites if reserialization is needed.

The serial numbers are only reset to the starting serial number when the ending serial number is reached. At that time the revision digit will be rolled. Serial numbers below 10001 are reserved for XOG Final Integration Center (FIC) sites if reserialization is needed.

**Note:** Not all of the serial number will be used. This is a buffer in case additional units are built by Fuji Xerox for each model of printer during pre-production.

## 110V Engine Format

The nine-digit serial number has the following format:

- **PPSSSSSS**
- **PPP** = Three digit alphanumeric product code
- **SSSSSS** = Six digit numeric serial number

**Table 1: 110V Engine Format**

Product	Product Code	Starting Serial Number	Ending Serial Number
<b>Pre-Production (PP)</b>			
7100_DN, 110V Engine	XP6	002501	002700
<b>Mass Production (MP)</b>			
7100_DN, 110V Engine	XP6	003201	012500
* Not all of the serial numbers will be used. This is a buffer in case additional units are built by FX during pre-production			
* Serial numbers between 002701 - 003200 are reserved for XOG FIC sites if reserialization is needed. A serial number break or a new serial number range will be provided when a major product change occurs.			

## 220V Engine Format

- MMMSSSSSc
- **MMM** = Manufacturing Location Code, 3 digit numeric code
- **SSSSSS** = Six digit numeric serial number
- **c** = check digit

Table 2: 220V Engine Format

Product	Product Code	Manufacturing Location Code	Starting Serial Number	Ending Serial Number
<b>Pre-Production (PP)</b>				
7100V_N, 220V Engine	XP7	333	012501	012630
7100V_DN, 220V Engine	XP7	333	012631	012700
<b>Mass Production (MP)</b>				
7100V_N, 220V Engine	XP7	333	012701	028820
7100V_DN, 220V Engine	XP7	333	028821	037500
* Not all of the serial numbers will be used. This is a buffer in case additional units are built by FX during pre-production.				

## Examples

### 110V Printer

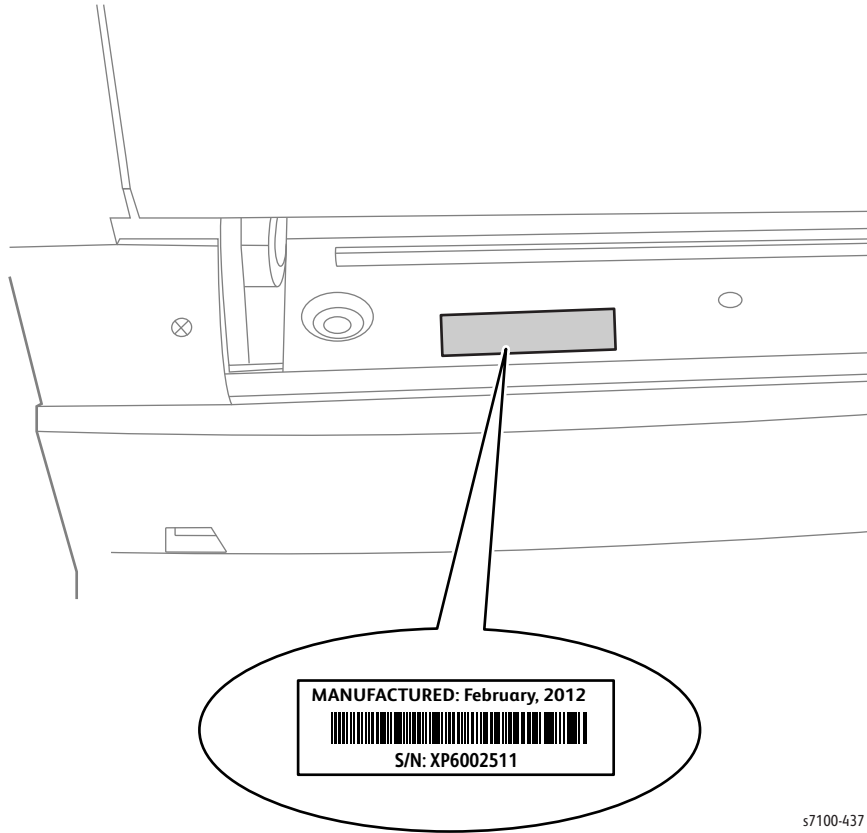
- **XP6005005**: Xerox Serial Number
- Product code for 110V printer = **XP6**
- Serial number for 7100\_DN = 005005

### 220V Printer

- **3330157363**
- Manufacturing location code for 220V printer = **333**
- Serial number for 7100V\_N = 015736
- Check digit = 3

## Serial Number Location and Layout

The serial number label is located on the printer frame underneath Tray 1.



s7100-437

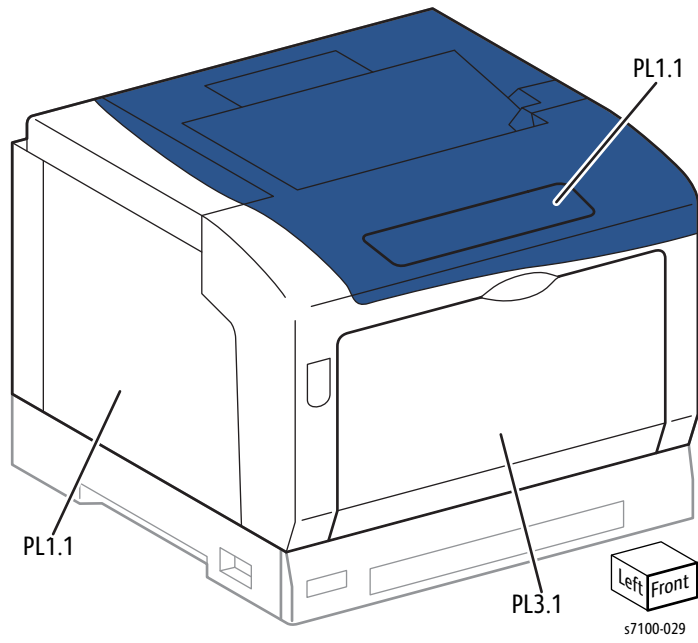
## Using the Parts List

- ID No.: The callout number from the exploded part diagram.
- Name/ Description: The name of the part to be ordered and the number of parts supplied per order.
- Part Number: The material part number used to order that specific part.
- Parts identified throughout this manual are referenced PL#.#.#; For example, PL3.1.10 means the part is item 10 of Parts List 3.1.
- A black triangle preceding a number followed by a parenthetical statement in an illustrated parts list means the item is a parent assembly, made up of the individual parts called out in parentheses.
- The notation “with X~Y” following a part name indicates an assembly that is made up of components X through Y. For example, “1 (with 2~4)” means part 1 consists of part 2, part 3, and part 4.
- The notation “J1<>J2 and P2” is attached to a wire harness. It indicates that connector Jack 1 is attached to one end of the wire harness and connector J2 is attached to the other end that is plugged into P2.

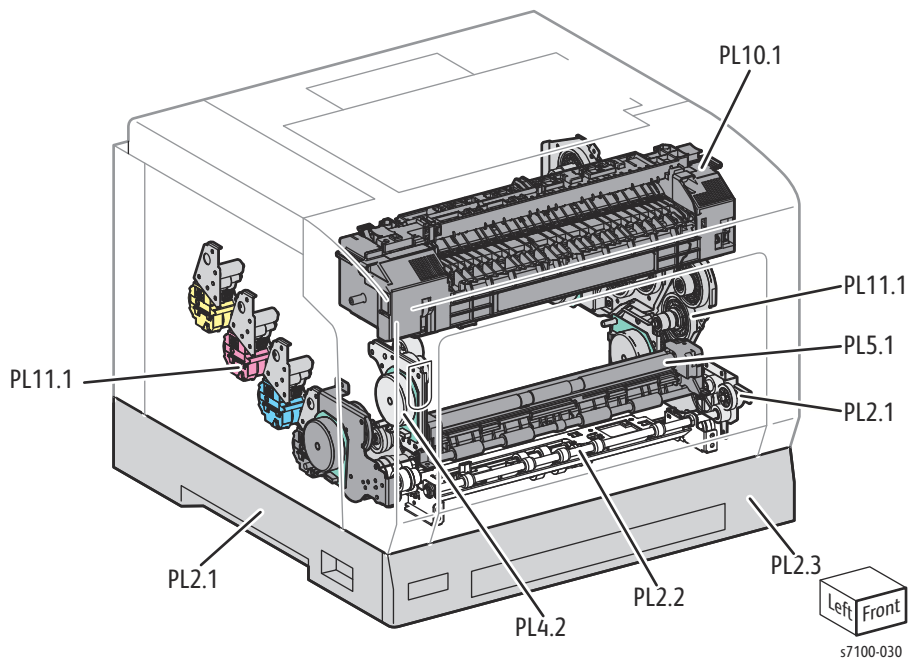
**Note:** Only parts showing part numbers are available for ordering by support. Parts not showing part numbers are available on the parent assembly.

# General Overview

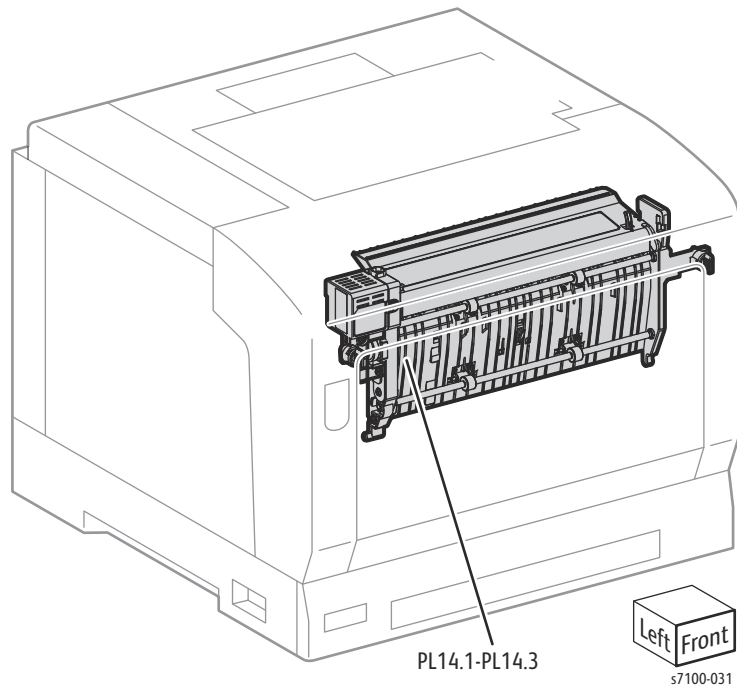
## Cover



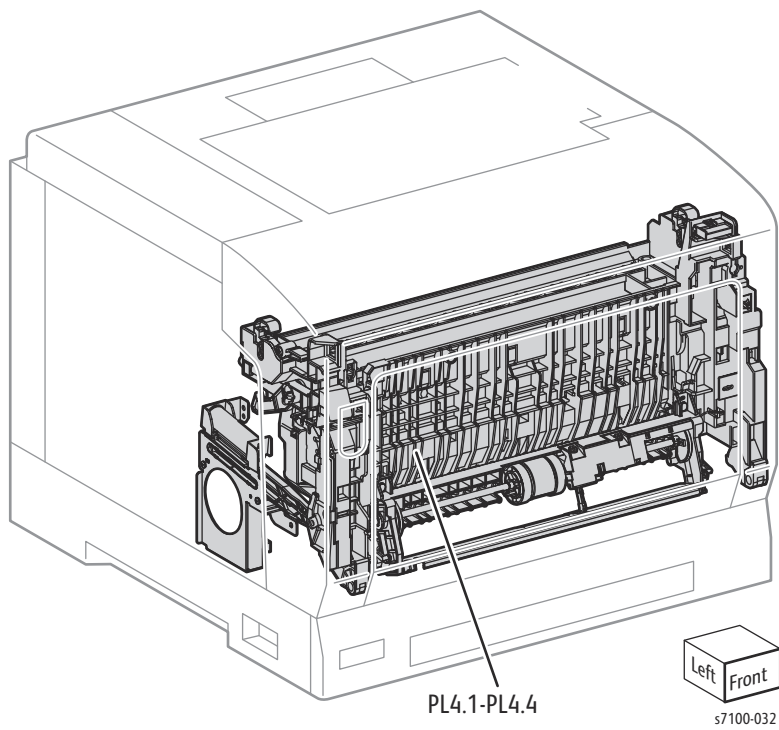
## Fuser, Drive, Tray, Frame, Registration



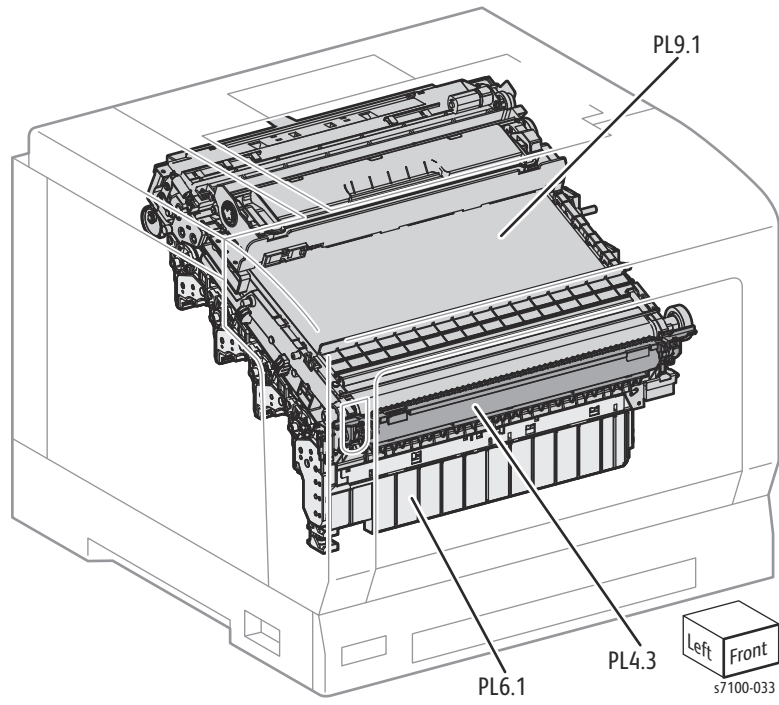
## Duplex



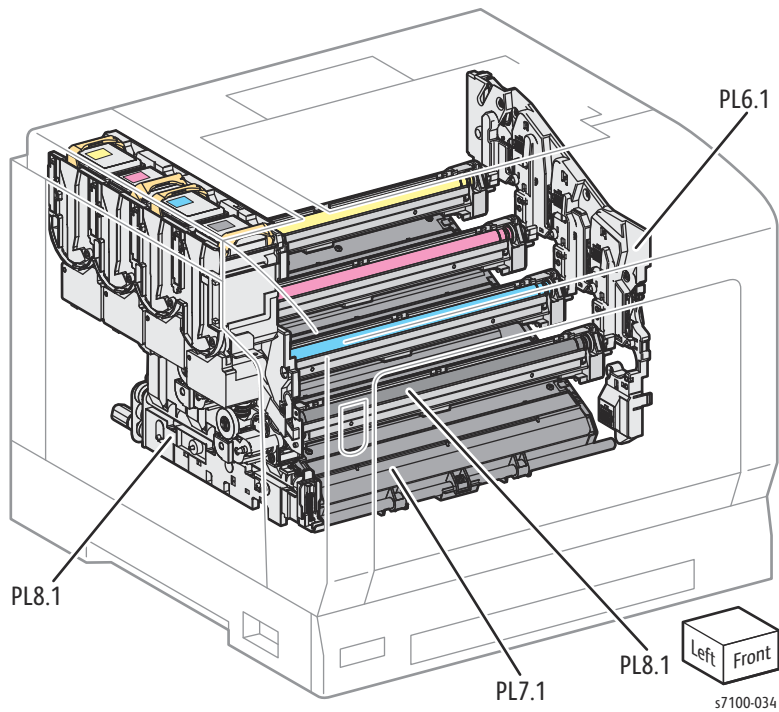
## Frame



## Xerographics, Frame, Transfer

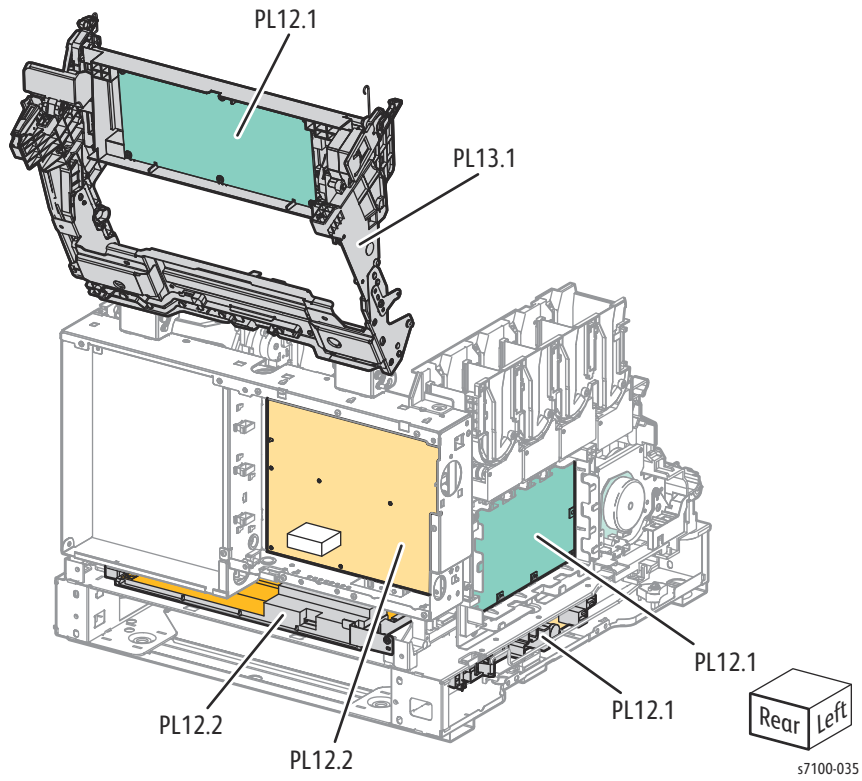


## Xerographics, ROS, Development

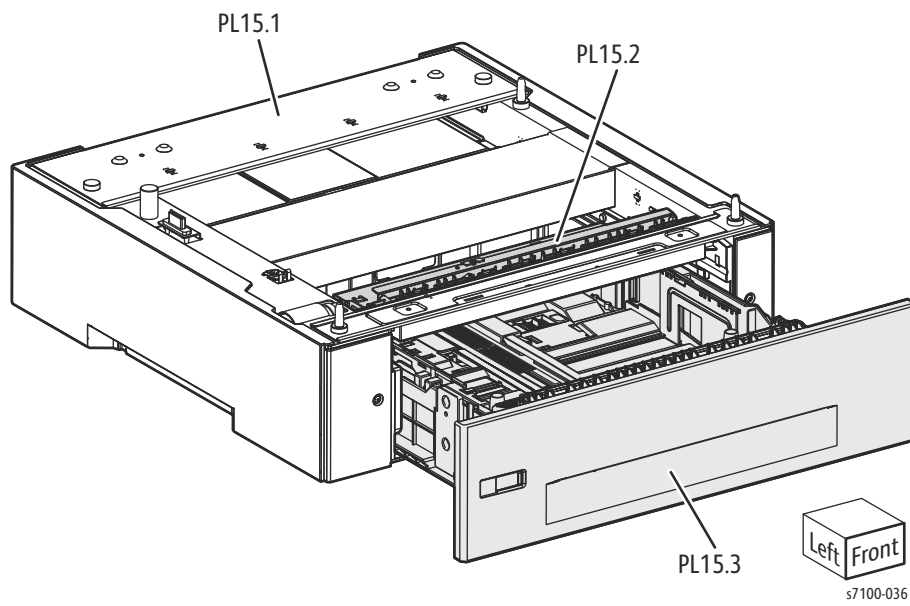




## Electrical, Frame

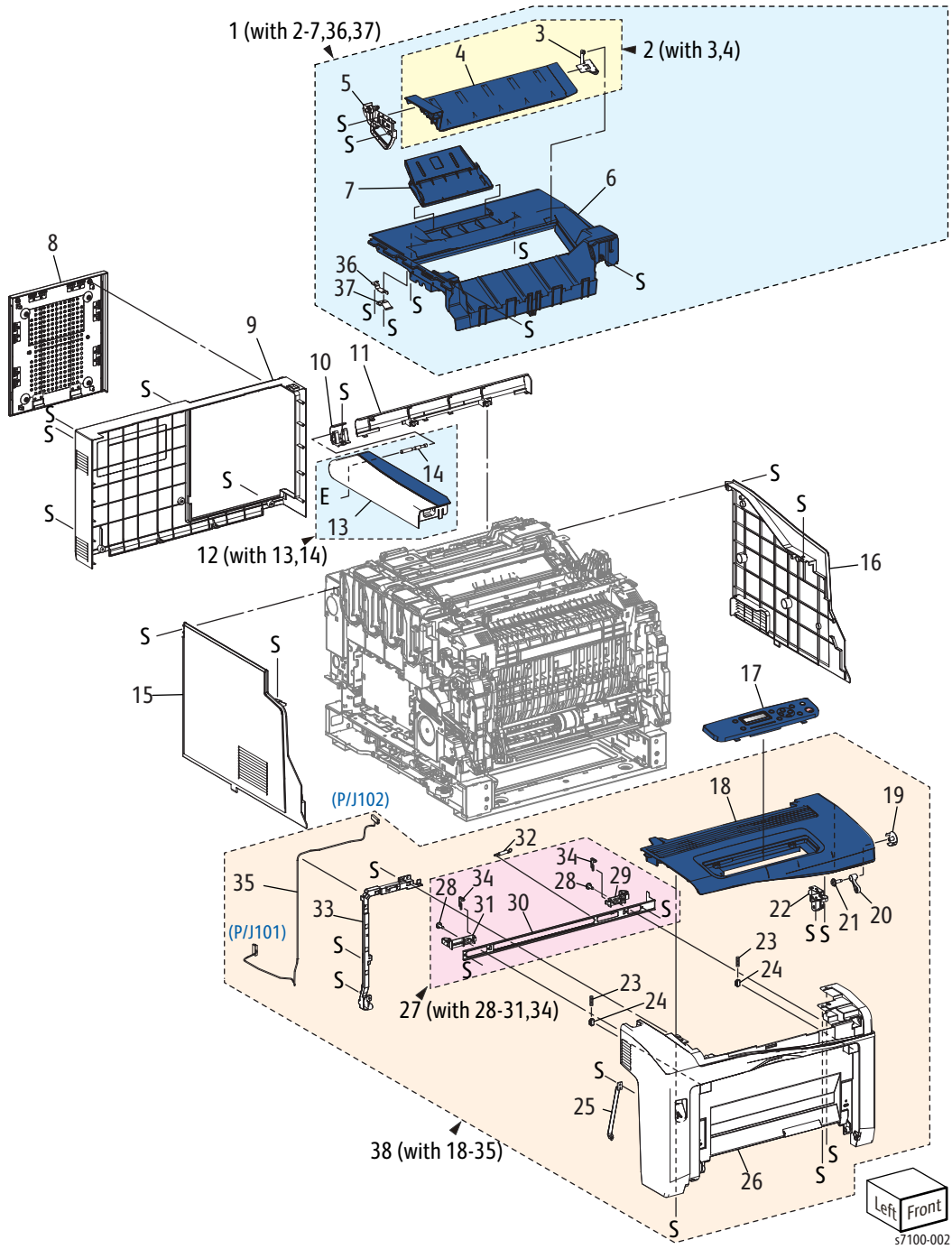


## 550-Sheet Feeder



# Parts List

## Parts List 1.1 Cover



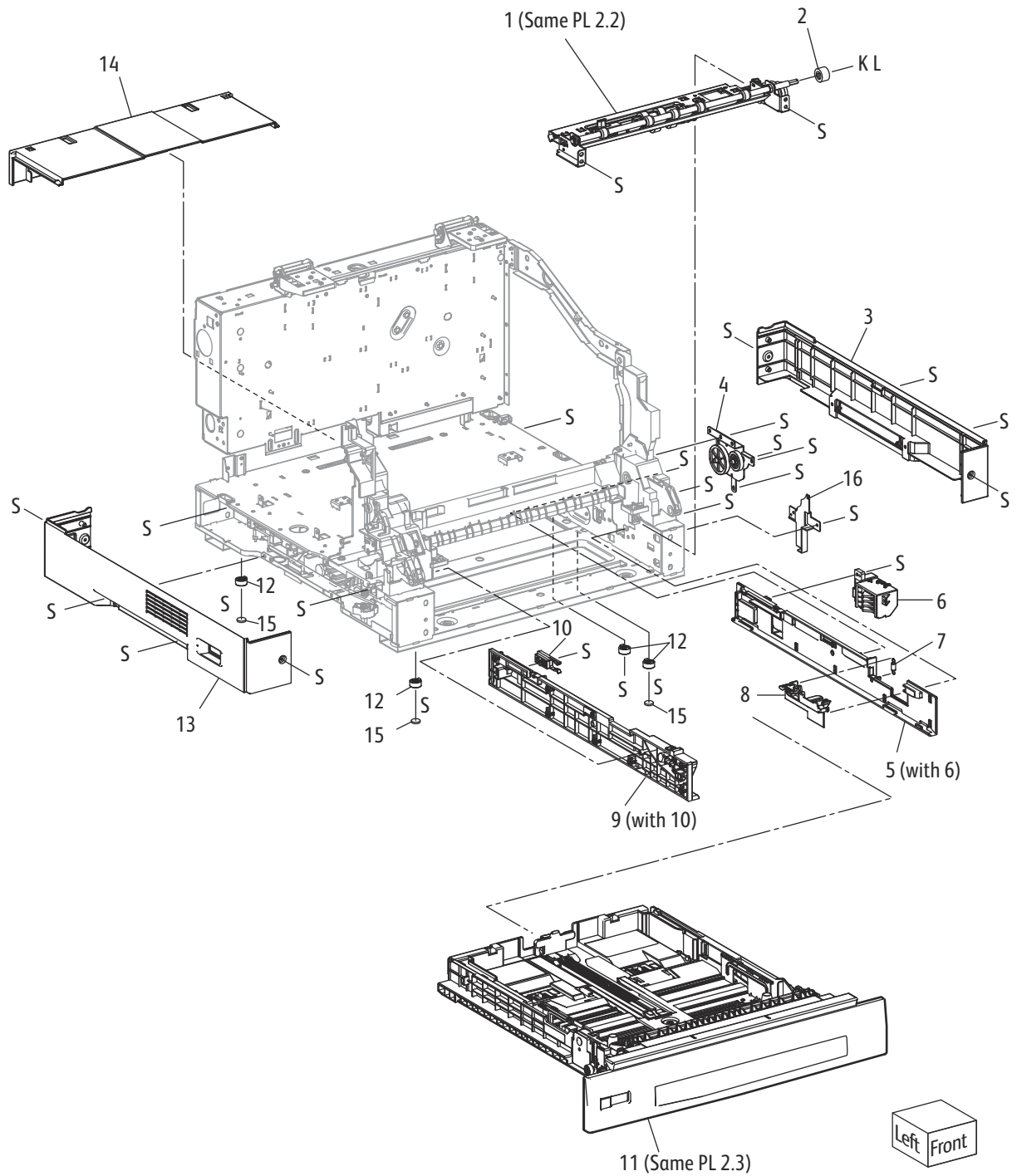
## Parts List 1.1 Cover

Item	Description	Part Number
1.	Cover Assembly Top (with 2-7, 36, 37) ( <a href="#">REP 1.1 Top Cover Assembly</a> on page 4-9)	848K28787
2.	Waste Cover Assembly (with 3-4) ( <a href="#">REP 1.2 Waste Cover Assembly</a> on page 4-12)	
3.	Right Waste Cover Plate Assembly	
4.	Top Waste Cover	
5.	Left Waste Cartridge Arm ( <a href="#">REP 1.3 Left Waste Cartridge Arm</a> on page 4-15)	
6.	Main Top Cover	
7.	Extension Cover Assembly ( <a href="#">REP 1.4 Extension Cover Assembly</a> on page 4-18)	
8.	I/P PWB Cover Assembly ( <a href="#">REP 1.5 Image Processor (I/P) PWB Cover Assembly</a> on page 4-19)	848K73020
9.	Rear Cover ( <a href="#">REP 1.6 Rear Cover</a> on page 4-20)	848E39663
10.	Toner Cartridge Hinge Cover ( <a href="#">REP 1.7 Toner Cartridge Hinge Cover</a> on page 4-21)	848E47262
11.	Rear Upper Cover ( <a href="#">REP 1.8 Rear Upper Cover</a> on page 4-22)	848E41131
12.	Toner Cartridge Cover Assembly (with 13,14) ( <a href="#">REP 1.9 Toner Cartridge Cover Assembly</a> on page 4-24)	848K73030
13.	Toner Cartridge Cover	
14.	Toner Cartridge Shaft	
15.	Left Side Cover ( <a href="#">REP 1.10 Left Side Cover</a> on page 4-25)	848E39622
16.	Right Side Cover ( <a href="#">REP 1.11 Right Side Cover</a> on page 4-27)	848K42043
17.	Control Panel (Panel Assembly) ( <a href="#">REP 1.12 Control Panel Assembly</a> on page 4-29)	848K73000
18.	Top Front Cover	
19.	Front Lever Cover	
20.	Lock Latch Lever	
21.	Flange Screw	
22.	Interlock Actuator Assembly	
23.	Bypass Tray Stopper Spring ( <a href="#">REP 1.13 Bypass Tray Stopper Spring/ Stopper</a> on page 4-30)	
24.	Bypass Tray Stopper ( <a href="#">REP 1.13 Bypass Tray Stopper Spring/ Stopper</a> on page 4-30)	

## Parts List 1.1 Cover (Continued)

Item	Description	Part Number
25.	Front Cover Strap	
26.	Front Cover	
27.	Front Latch Assembly (with 28-31, 34) ( <a href="#">REP 1.14 Front Latch Assembly and Latch Spring</a> on page 4-33)	
28.	Flange Screw	
29.	Right Front Latch	
30.	Front Latch Plate	
31.	Left Front Latch	
32.	Latch Spring ( <a href="#">REP 1.14 Front Latch Assembly and Latch Spring</a> on page 4-33)	
33.	Harness Guide	
34.	ER Latch Stopper	
35.	Control Panel (UI) Harness Assembly	
36.	Waste Arm Support	
37.	Waste Cover Hinge Spring	
38.	Front Cover Assembly (with 18-35) ( <a href="#">REP 1.15 Front Cover Assembly</a> on page 4-35)	604K76943

# Parts List 2.1 250-Sheet Feeder (1 of 2)

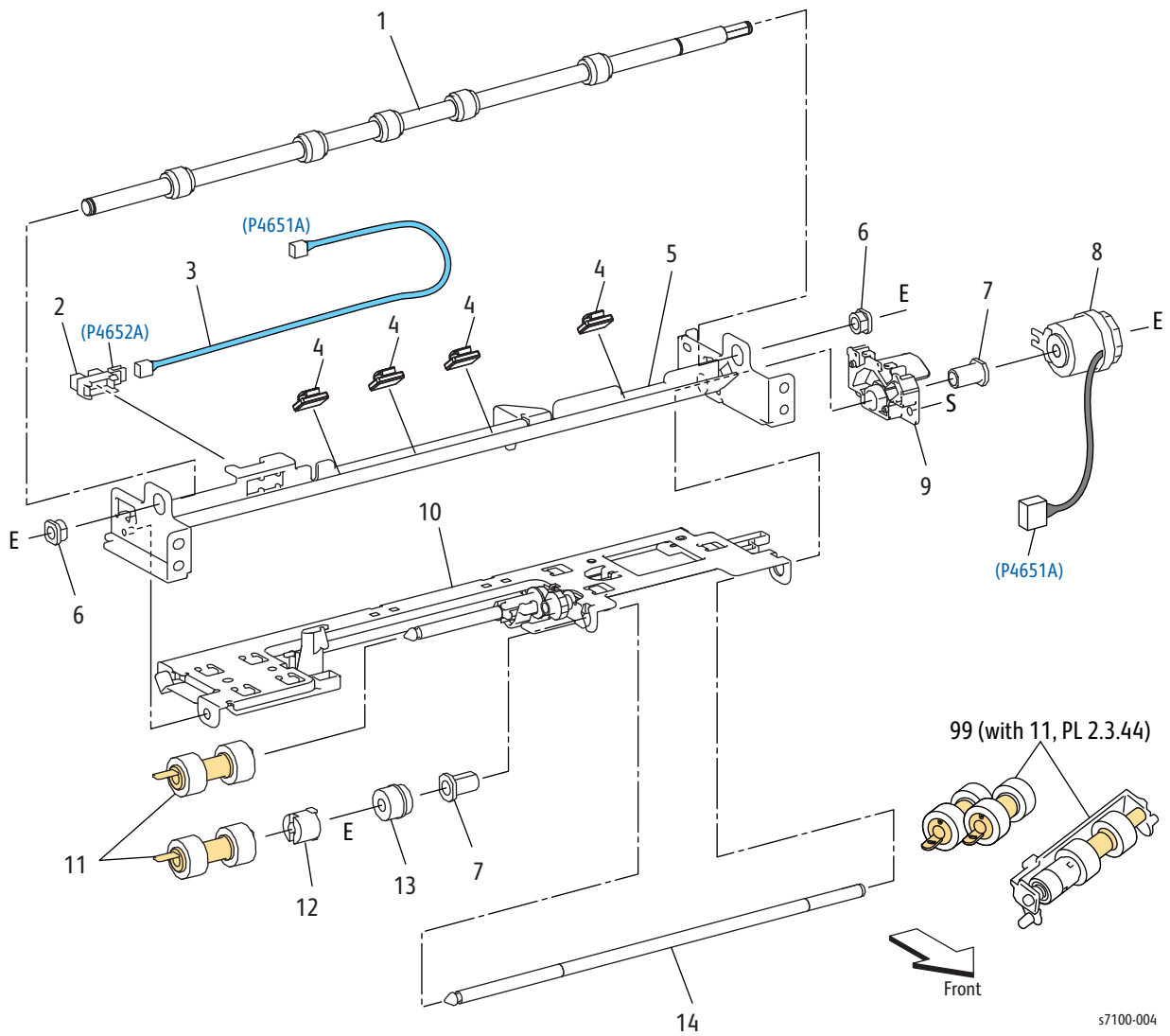


s7100-003

## Parts List 2.1 250-Sheet Feeder (1 of 2)

Item	Description	Part Number
1.	Feeder Assembly (with PL 2.2) ( <a href="#">REP 2.1 Feeder Assembly</a> on page 4-37)	059K65242
2.	Right Turn Gear Assembly ( <a href="#">REP 2.2 Right Turn Gear Assembly</a> on page 4-39)	007K16930
3.	Right Feeder Cover 250 ( <a href="#">REP 2.3 Right Feeder Cover</a> on page 4-40)	848E42760
4.	Right Turn Bracket Assembly ( <a href="#">REP 2.4 Right Turn Bracket Assembly</a> on page 4-41)	068K69391
5.	Right Tray Guide Assembly 250 (with 6) ( <a href="#">REP 2.5 Right Tray Guide Assembly</a> on page 4-42)	
6.	Size Switch Holder Assembly ( <a href="#">REP 2.6 Size Switch Holder Assembly</a> on page 4-43)	019K07952
7.	Nudger Spring	
8.	Protect Cover Assembly ( <a href="#">REP 2.7 Protect Cover Assembly</a> on page 4-44)	
9.	Left Tray Guide Assembly 250 (with 10) ( <a href="#">REP 2.8 Left Tray Guide Assembly</a> on page 4-47)	
10.	Tray Stopper ( <a href="#">REP 2.9 Tray Stopper</a> on page 4-48)	803E12630
11.	Tray Assembly 250 (with PL 2.3)	050K69895
12.	Foot	
13.	Left Feeder Cover 250 ( <a href="#">REP 2.10 Left Feeder Cover</a> on page 4-49)	848E42190
14.	Tray Cover ( <a href="#">REP 2.11 Tray Cover</a> on page 4-50)	848E42770
15.	Rubber Foot	
16.	Front Harness Cover	

Parts List 2.2 250-Sheet Feeder (2 of 2)



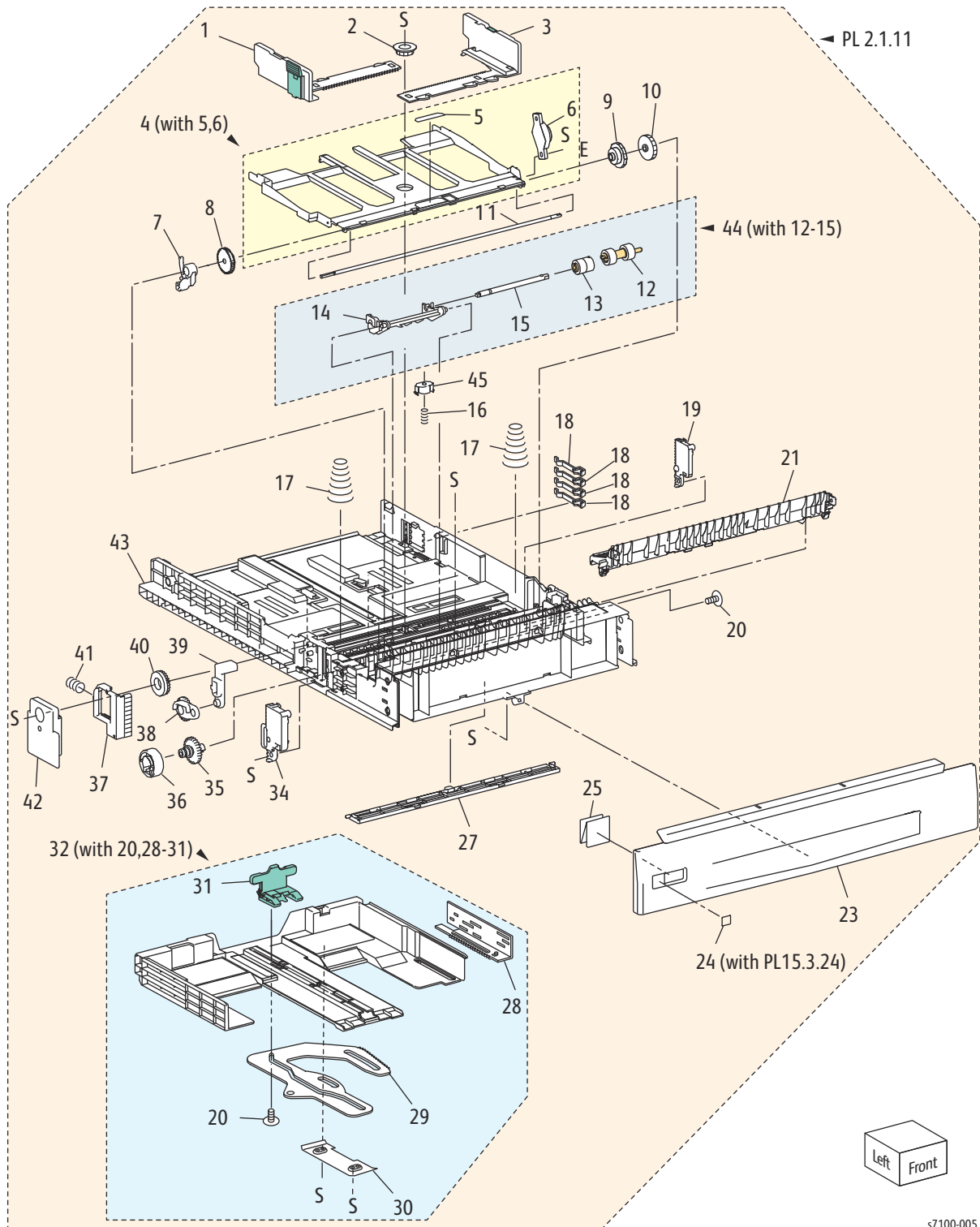
s7100-004

## Parts List 2.2 250-Sheet Feeder (2 of 2)

Item	Description	Part Number
1.	Turn Roller Assembly (IOT) ( <a href="#">REP 2.12 Turn Roller Assembly</a> on page 4-51)	
2.	No Paper Sensor 250 ( <a href="#">REP 2.13 No Paper Sensor</a> on page 4-52)	130E87280
3.	Feeder Harness Assembly	
4.	Clamp	
5.	Retard Chute Assembly 250	
6.	Bearing	
7.	Nudger Bearing	
8.	Feed Roller Clutch (Paper Handling Clutch Assembly 250) ( <a href="#">REP 2.14 Feed Roller Clutch</a> on page 4-53)	121K45670
9.	Top Right Retard Holder	
10.	Nudger Support Assembly	
11.	Feed Roller ( <a href="#">REP 2.15 Feed Roller/ Retard Roller Assembly</a> on page 4-54)	Included with Tray 1 Feed Roller Kit (see PL 2.2.99)
12.	Oneway Feed Clutch	
13.	Oneway Nudger Clutch	
14.	Feed Shaft	
99.	Tray 1 Feed Roller Kit (with 11, PL 2.3.44) ( <a href="#">REP 2.15 Feed Roller/ Retard Roller Assembly</a> on page 4-54)	604K78861



Parts List 2.3 Tray 1 (250)



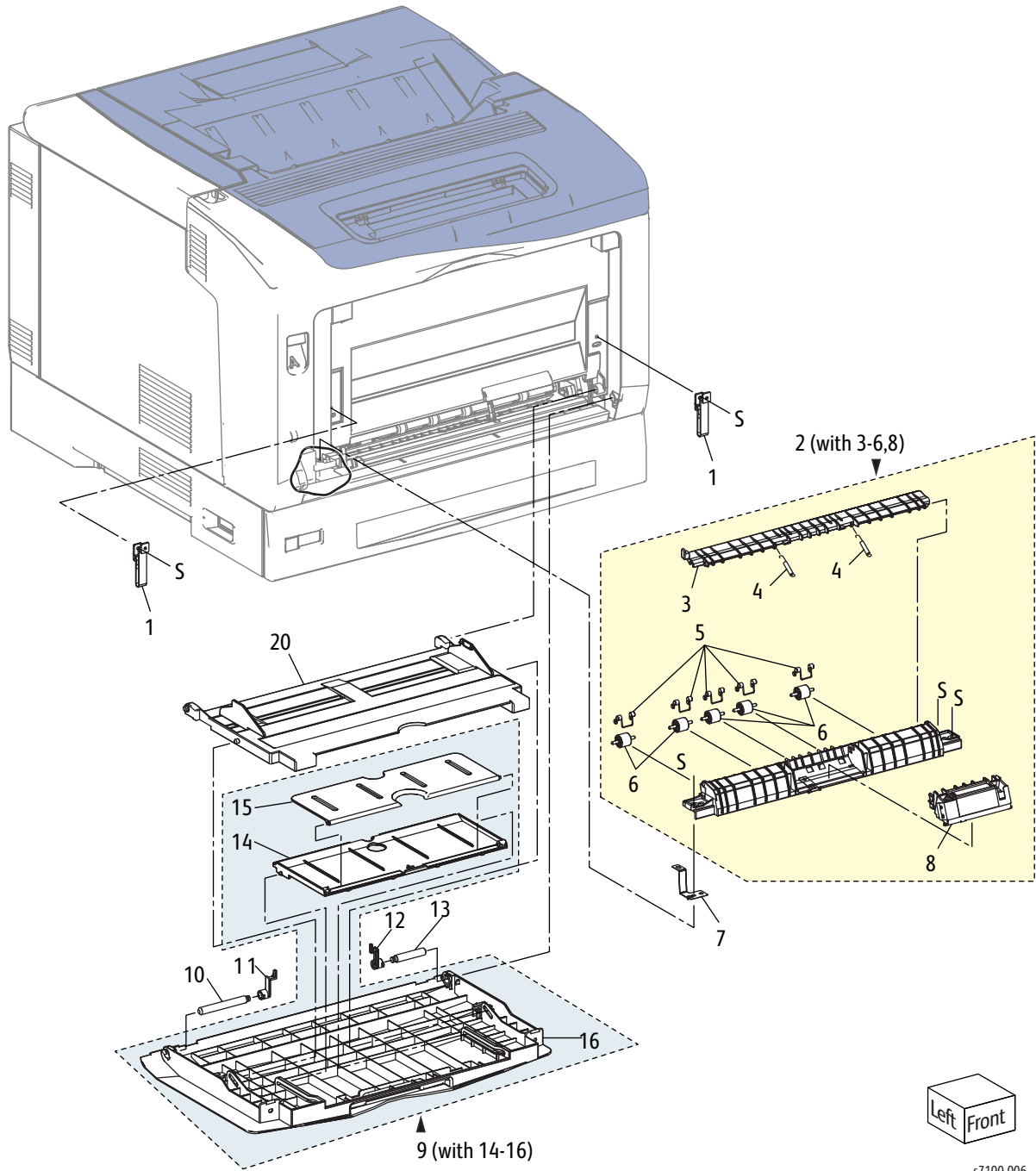
## Parts List 2.3 Tray 1 (250)

Item	Description	Part Number
1.	Left Side Guide ( <a href="#">REP 2.16 Left Side Guide/ Right Side Guide</a> on page 4-57)	
2.	Pinion Gear	
3.	Right Side Guide ( <a href="#">REP 2.16 Left Side Guide/ Right Side Guide</a> on page 4-57)	
4.	Bottom Plate Assembly (with 5, 6) ( <a href="#">REP 2.17 Bottom Plate Assembly</a> on page 4-59)	
5.	PB Pad	
6.	Bottom Damper 550	
7.	PB Stopper	
8.	Bottom Lock Oneway Gear	
9.	Bottom Damper Oneway Gear	
10.	Left PB Gear	
11.	PB Shaft	
12.	Feed Roller	
13.	Z Retard Friction Clutch ( <a href="#">REP 2.18 Retard Friction Clutch</a> on page 4-61)	
14.	Retard Holder	
15.	Tray Retard Shaft	
16.	Retard Spring ( <a href="#">REP 2.19 Retard Spring</a> on page 4-62)	
17.	Bottom Up Spring 250	
18.	Size Actuator	
19.	Z Gear Lock Plate 250	
20.	Tapping Screw	
21.	Retard Chute	
22.	-----	
23.	Tray Handle 250	
24.	Tray Number Label Kit (with PL 15.3.24)	604K59300
25.	Paper Size Card	
26.	-----	
27.	Bottom Chute Cover	

## Parts List 2.3 Tray 1 (250) (Continued)

Item	Description	Part Number
28.	Size Rack	
29.	Sector Gear Assembly	
30.	Exit Cover	
31.	End Guide Assembly 250 ( <a href="#">REP 2.20 End Guide Assembly</a> on page 4-64)	
32.	Exit Housing Assembly 250 (with 20, 28-31) ( <a href="#">REP 2.21 Exit Housing Assembly</a> on page 4-66)	
33.	-----	
34.	Left Lock Plate Rack 250	
35.	Right PB Gear	
36.	PB Roller	
37.	Z Bottom Lock Rack 250	
38.	Bottom Lever Lock Gear	
39.	Bottom Lock Lever	
40.	Bottom Lock Pinion Gear	
41.	Bottom Lock Spring	
42.	Bottom Up Cover 250	
43.	Base Housing 250	
44.	Separator Holder Assembly (with 12-15)	Included with Tray 1 Feed Roller Kit (see PL 2.2.99, <a href="#">page 5-15</a> )
45.	Separator Spring Holder	

### Parts List 3.1 Bypass Tray

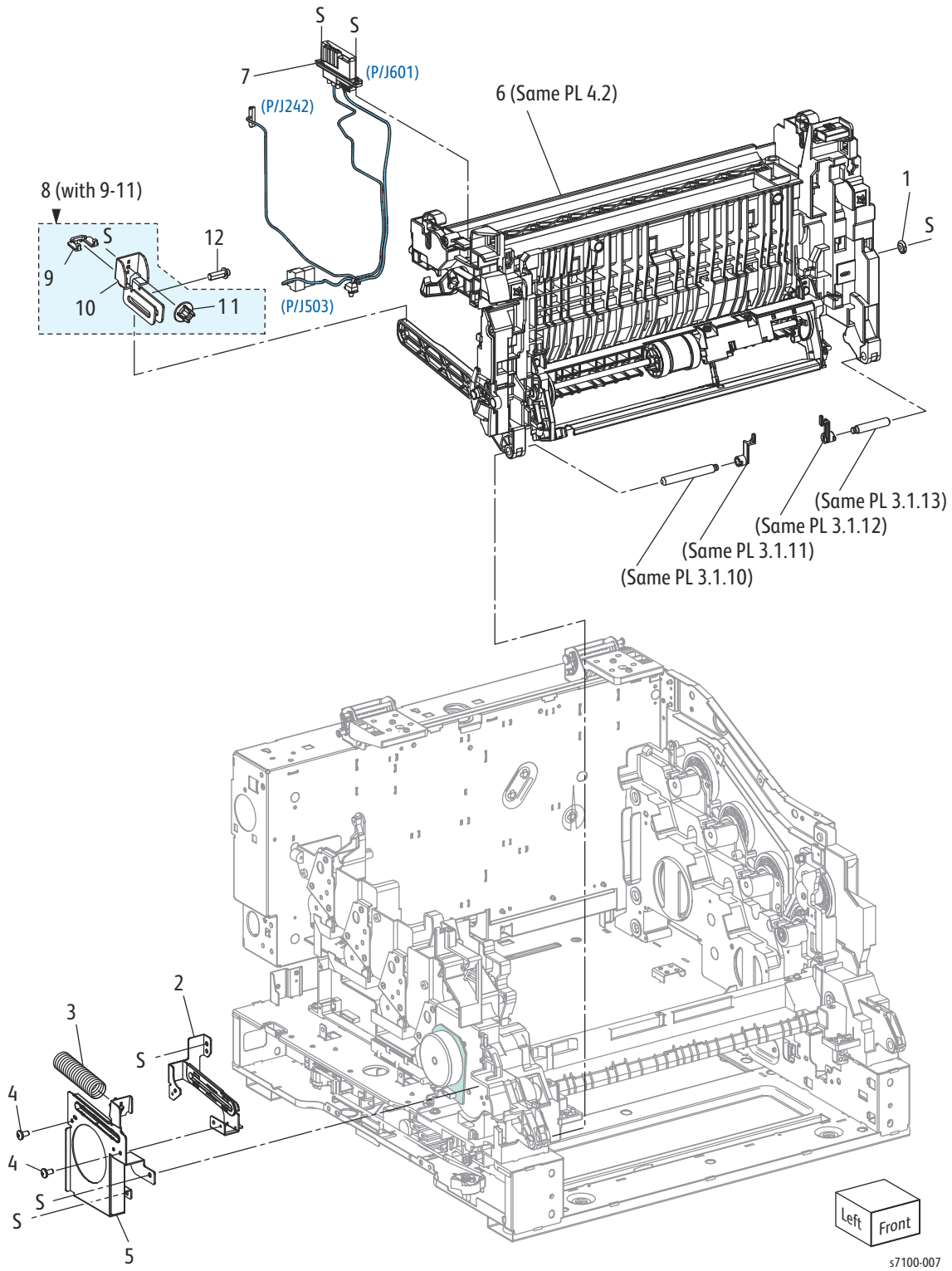


57100-006

## Parts List 3.1 Bypass Tray

Item	Description	Part Number
1.	Bypass Tray Strap	
2.	Bypass Tray Frame Assembly (with 3-6, 8) ( <a href="#">REP 3.1 Bypass Tray Frame Assembly</a> on page 4-69)	
3.	Turn Swing Chute	
4.	Swing Chute Spring	
5.	Tray Pinch Turn Spring	
6.	Tray Pinch Turn Roller	
7.	Bypass Tray F Earth Plate	
8.	Separator Retard Holder Assembly ( <a href="#">REP 3.2 Separator Retard Holder Assembly</a> on page 4-70)	604K76880
9.	Bypass Tray Cover Assembly (with 14-16) ( <a href="#">REP 3.3 Bypass Tray Cover Assembly/ Exit 1 Cover/ Exit 2 Cover</a> on page 4-71)	848K33510
10.	Left Pin	
11.	Left Bypass Tray Cover Lock ( <a href="#">REP 3.4 Left/ Right Bypass Tray Cover Lock</a> on page 4-72)	803E04600
12.	Right Bypass Tray Cover Lock ( <a href="#">REP 3.4 Left/ Right Bypass Tray Cover Lock</a> on page 4-72)	803E04610
13.	Right Pin	
14.	Exit 1 Cover	
15.	Exit 2 Cover	
16.	Bypass Tray Cover	
17.	-----	
18.	-----	
19.	-----	
20.	Bypass Tray Assembly ( <a href="#">REP 3.5 Bypass Tray Assembly</a> on page 4-73)	050K69881

### Parts List 4.1 Front Frame (1 of 4)

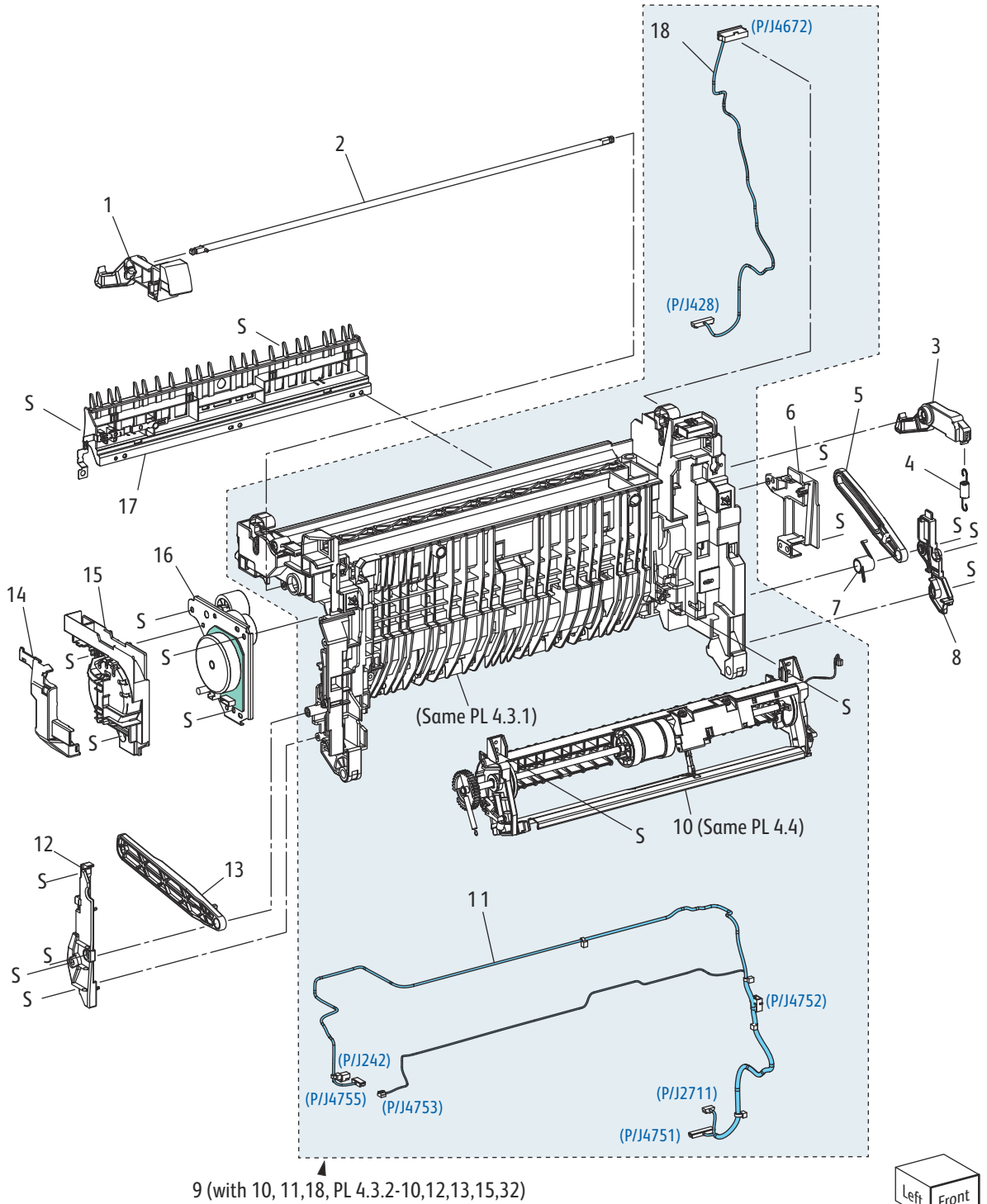


s7100-007

## Parts List 4.1 Front Frame (1 of 4)

Item	Description	Part Number
1.	Front Arm Cap	
2.	Base Bracket Assembly	
3.	Damper Spring	
4.	Screw (M3 x 6B)	
5.	Rail Bracket Assembly	
6.	Front Frame Assembly Kit (same with PL 4.2 w/o 19-23) ( <a href="#">REP 4.1 Front Frame Assembly</a> on page 4-74)	
7.	DRW Fuser Harness Assembly (110V) ( <a href="#">REP 4.2 DRW Fuser Harness Assembly</a> on page 4-80)	962K75021
	DRW Fuser Harness Assembly (220V)	962K91000
8.	Slide Bracket Assembly (with 9-11) ( <a href="#">REP 4.3 Slide Bracket Assembly/ Slide Guide</a> on page 4-87)	
9.	Slide Guide ( <a href="#">REP 4.3 Slide Bracket Assembly/ Slide Guide</a> on page 4-87)	
10.	Slide Support Bracket	
11.	Spring Holder	
12.	Support Pin	

Parts List 4.2 Front Frame (2 of 4)



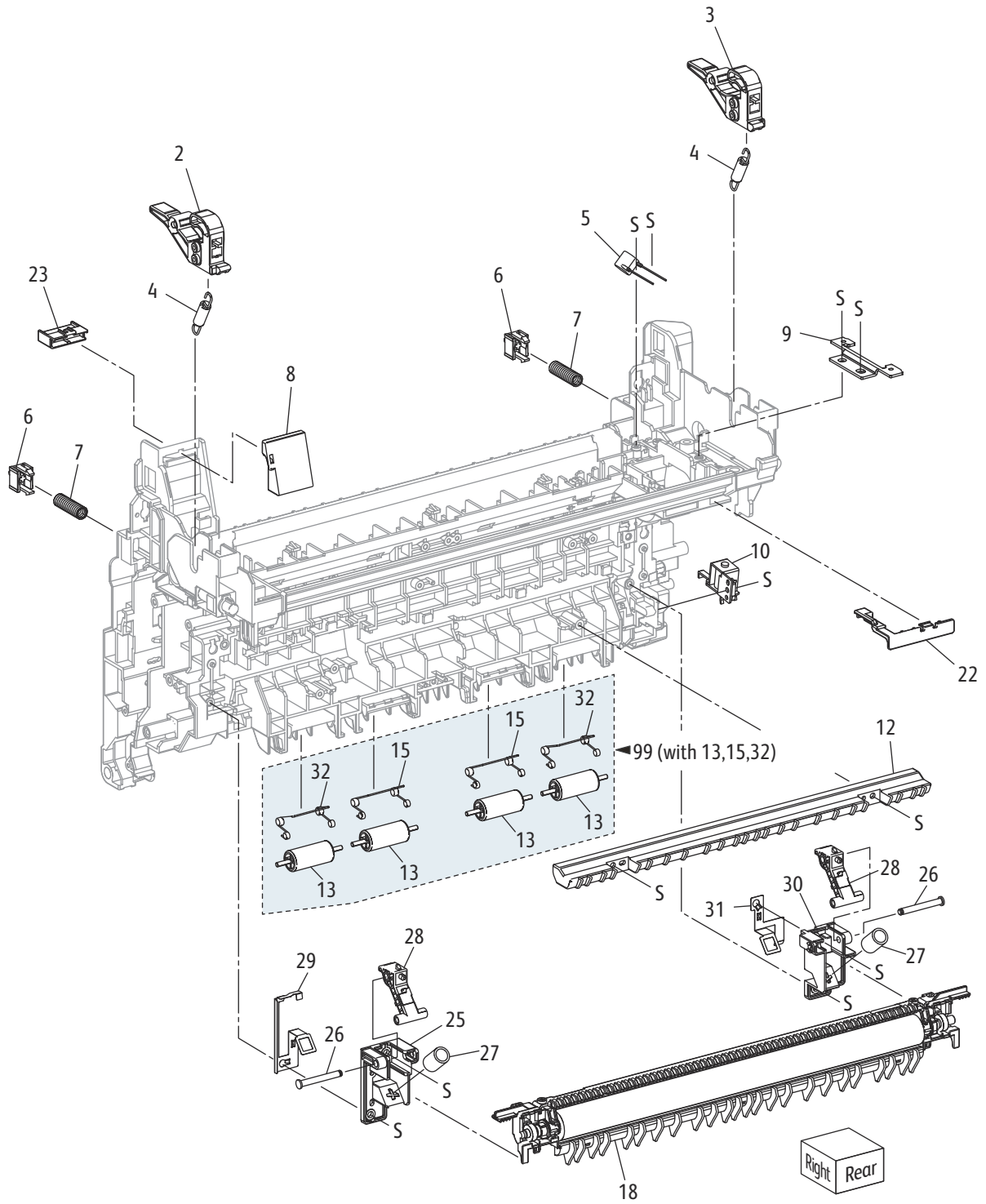
s7100-008



## Parts List 4.2 Front Frame (2 of 4)

Item	Description	Part Number
1.	Left Latch Lever ( <a href="#">REP 4.4 Right/ Left Latch Lever, Latch Spring</a> on page 4-89)	
2.	Lever Shaft Assembly	
3.	Right Latch Lever ( <a href="#">REP 4.4 Right/ Left Latch Lever, Latch Spring</a> on page 4-89)	
4.	Latch Spring ( <a href="#">REP 4.4 Right/ Left Latch Lever, Latch Spring</a> on page 4-89)	
5.	Front Right Support Arm	
6.	Right Harness Cover	
7.	Right Arm Spring	
8.	AC Harness Cover	
9.	Front Frame Sub Assembly (with 10, 11, 18, PL 4.3.2-10, 12, 13, 15, 32) ( <a href="#">REP 4.5 Front Frame Sub Assembly</a> on page 4-91)	604K76861
10.	Bypass Tray Feed Frame Assembly (all of PL 4.4) ( <a href="#">REP 4.6 Bypass Tray Feed Frame Assembly</a> on page 4-97)	
11.	Front Harness Assembly	
12.	AC Cover	
13.	Front Left Support Arm	
14.	Fuser Motor Harness Cover	
15.	D Gear Cover	
16.	Fuser Drive Assembly ( <a href="#">REP 4.7 Fuser Drive Assembly</a> on page 4-99)	007K15890
17.	Chute Assembly ( <a href="#">REP 4.8 Chute Assembly</a> on page 4-103)	
18.	Duplex Harness Assembly	

### Parts List 4.3 Front Frame (3 of 4)



s7100-009

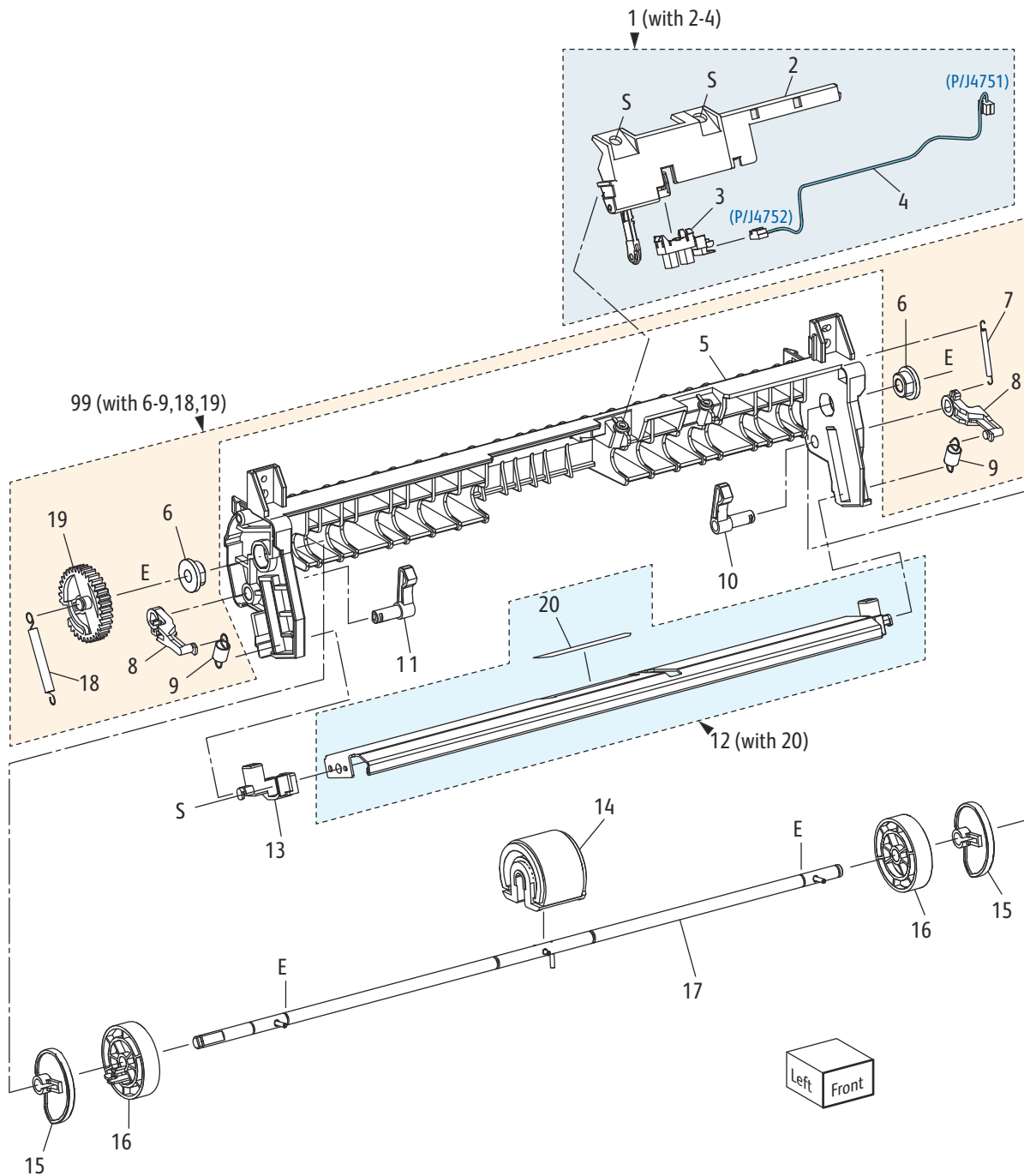
## Parts List 4.3 Front Frame (3 of 4)

Item	Description	Part Number
1.	-----	
2.	Right CRU Fusing Lever	
3.	Left CRU Fusing Lever	
4.	Lever Spring	
5.	Resistor	
6.	Main Holder	
7.	Main Spring	
8.	FD Harness Cover	
9.	Connector Bracket	
10.	Bypass Tray Feed Solenoid ( <a href="#">REP 4.9 Bypass Tray Feed Solenoid</a> on page 4-104)	121K45700
11.	-----	
12.	Low Trans Chute	
13.	Turn Pinch Roller Assembly	
14.	-----	
15.	Turn Pinch Spring (silver)	
16.	-----	
17.	-----	
18.	Transfer Roller (2nd BTR Unit) ( <a href="#">REP 4.10 Transfer Roller (2nd BTR Unit)</a> on page 4-108)	604K78291
19.	-----	
20.	-----	
21.	-----	
22.	Top Harness Cover	
23.	Connector Cap	
24.	-----	
25.	Right Lever Base	
26.	Lever Pin	
27.	Lever Spring	
28.	2nd BTR Lever	
29.	Right Base Ground Plate	

**Parts List 4.3 Front Frame (3 of 4) (Continued)**

Item	Description	Part Number
30.	Left Lever Base	
31.	Left Base Ground Plate	
32.	Turn Out Pinch Spring (light yellow)	
99.	E Pinch Roller Kit (with 13 x 4 pcs, 15 x 2 pcs, 32 x 2 pcs) ( <a href="#">REP 4.11 Pinch Roller Kit</a> on page 4-109)	

# Parts List 4.4 Front Frame (4 of 4)

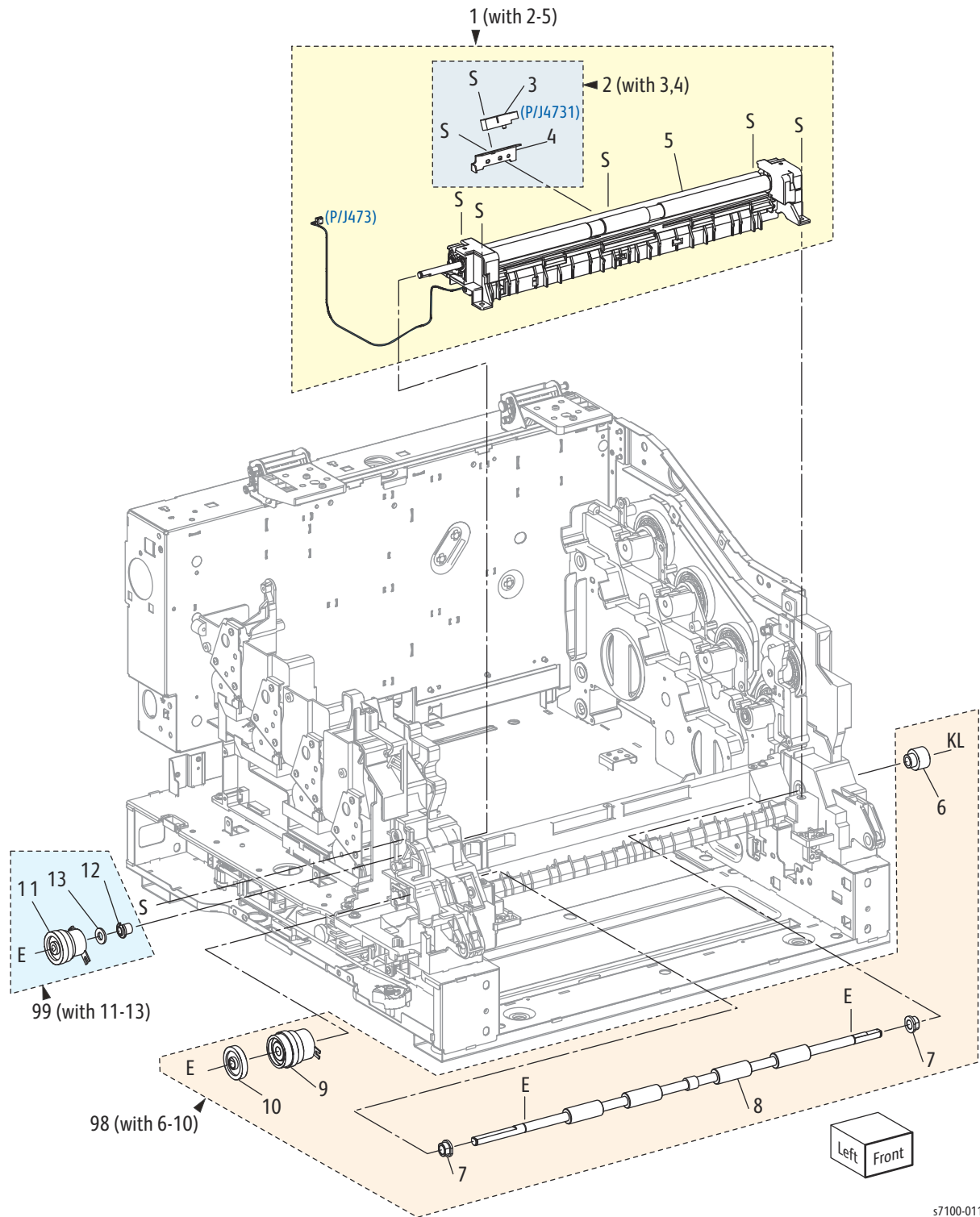


s7100-010

## Parts List 4.4 Front Frame (4 of 4)

Item	Description	Part Number
1.	Bypass Tray Sensor Bracket Assembly (with 2-4) ( <a href="#">REP 4.12 Bypass Tray Sensor Bracket Assembly/ No Paper Sensor</a> ) on page 4-110)	068K69191
2.	Bypass Tray Sensor Bracket	
3.	Bypass Tray No Paper Sensor ( <a href="#">REP 4.12 Bypass Tray Sensor Bracket Assembly/ No Paper Sensor</a> ) on page 4-110)	930W00113
4.	Bypass Tray Sensor Harness Assembly	
5.	Bypass Tray Feed Frame	
6.	Bypass Tray Feed Bearing	
7.	Out Earth 2 Spring	
8.	Bypass Tray Arm	
9.	Spring	
10.	Right Follower	
11.	Left Follower	
12.	Bypass Tray Bottom Plate Assembly (with 20)	
13.	Left Bypass Tray Holder	
14.	Bypass Tray Feed Roller Assembly ( <a href="#">REP 4.13 Bypass Tray Feed Roller Assembly</a> on page 4-112)	604K76890
15.	Bypass Tray Cam	
16.	Bypass Tray Core Roller	
17.	Bypass Tray Shaft Assembly	
18.	Bypass Tray Feed Spring	
19.	Bypass Tray Feed Gear	
20.	Bypass Tray Pad	
99.	Bypass Tray Gear & Arm Kit (with 6-9, 18, 19) ( <a href="#">REP 4.14 Bypass Tray Feed Spring/ Feed Gear</a> on page 4-113)	604K76870

Parts List 5.1 Registration

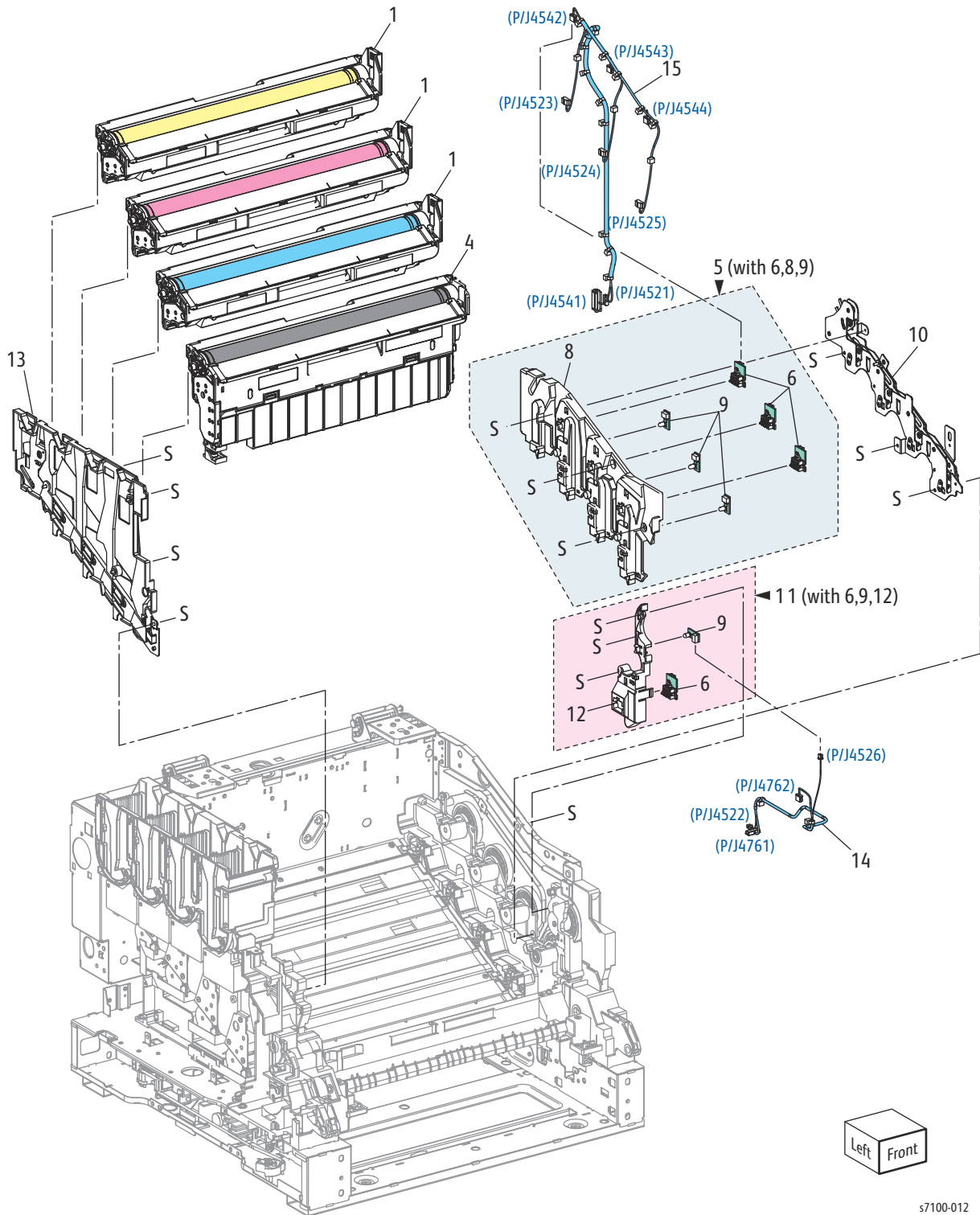


## Parts List 5.1 Registration

Item	Description	Part Number
1.	Registration Chute Assembly (with 2-5) ( <a href="#">REP 5.1 Registration Chute Assembly</a> on page 4-114)	054K41143
2.	Registration Sensor Assembly (with 3, 4)	
3.	Registration Sensor ( <a href="#">REP 5.2 Registration Sensor</a> on page 4-116)	130E89381
4.	Registration Sensor Plate	
5.	Chute Assembly	
6.	Turn Gear Assembly 17	
7.	Bearing	
8.	Bypass Tray Turn Roller ( <a href="#">REP 5.3 Bypass Tray Turn Roller</a> on page 4-117)	
9.	Turn Clutch Assembly ( <a href="#">REP 5.4 Turn Clutch Assembly</a> on page 4-119)	
10.	Bypass Tray Idle Gear	
11.	Registration Clutch Assembly ( <a href="#">REP 5.5 Registration Clutch Assembly</a> on page 4-120)	
12.	FRM Registration Bearing	
13.	Plain Washer	
98.	Bypass Tray Turn Roller Kit (with 6-10)	604K76910
99.	Registration Clutch Kit (with 11-13) ( <a href="#">REP 5.5 Registration Clutch Assembly</a> on page 4-120)	604K76900



# Parts List 6.1 Xerographics

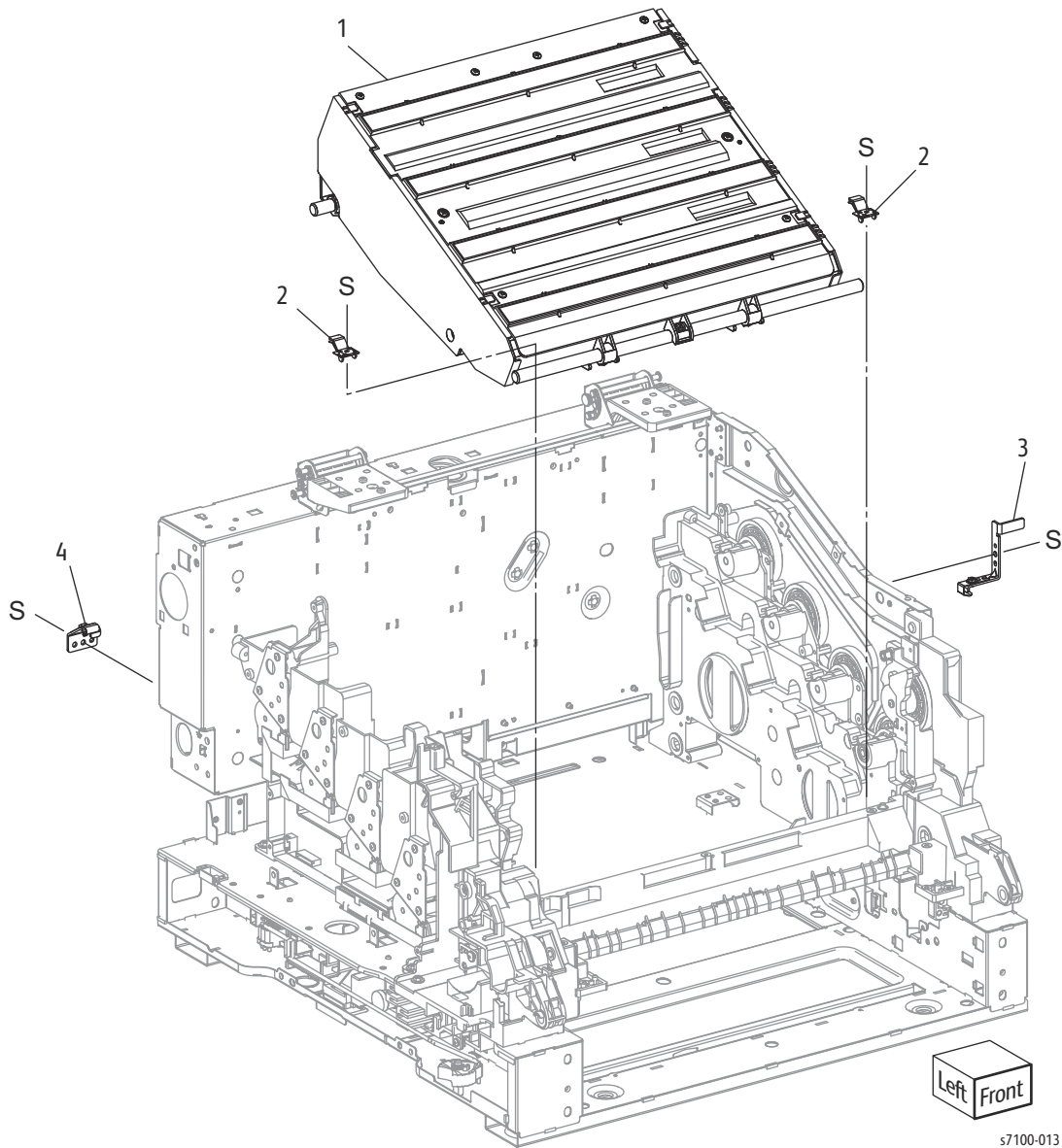


s7100-012

## Parts List 6.1 Xerographics

Item	Description	Part Number
1.	Imaging Unit (Y/ M/ C) ( <a href="#">REP 6.0 Imaging Unit (Y/ M/ C/ K)</a> on page 4-121)	See Supplies and Accessories
2.	-----	
3.	-----	
4.	Imaging Unit (K) ( <a href="#">REP 6.0 Imaging Unit (Y/ M/ C/ K)</a> on page 4-121)	See Supplies and Accessories
5.	Right Imaging Unit Guide Assembly (with 6, 8, 9) ( <a href="#">REP 6.1 Right Imaging Unit Guide Assembly</a> on page 4-123)	032K08280
6.	Imaging Unit CRUM Connector Assembly ( <a href="#">REP 6.2 Imaging Unit CRUM Connector Assembly</a> on page 4-124)	113K83410
7.	-----	
8.	Right Imaging Unit Guide	
9.	Erase PWB Assembly	
10.	Right Latch Assembly ( <a href="#">REP 6.3 Right Latch Assembly</a> on page 4-126)	003K87760
11.	Imaging Unit Guide Assembly (K) (with 6, 9, 12) ( <a href="#">REP 6.4 (K) Imaging Unit Guide Assembly</a> on page 4-128)	032K06610
12.	Imaging Unit Guide (K)	
13.	Left Imaging Unit Guide Assembly ( <a href="#">REP 6.5 Left Imaging Unit Guide Assembly</a> on page 4-129)	
14.	CRUM X Harness Assembly (K)	
15.	CRUM X Harness Assembly (Y/ M/ C)	

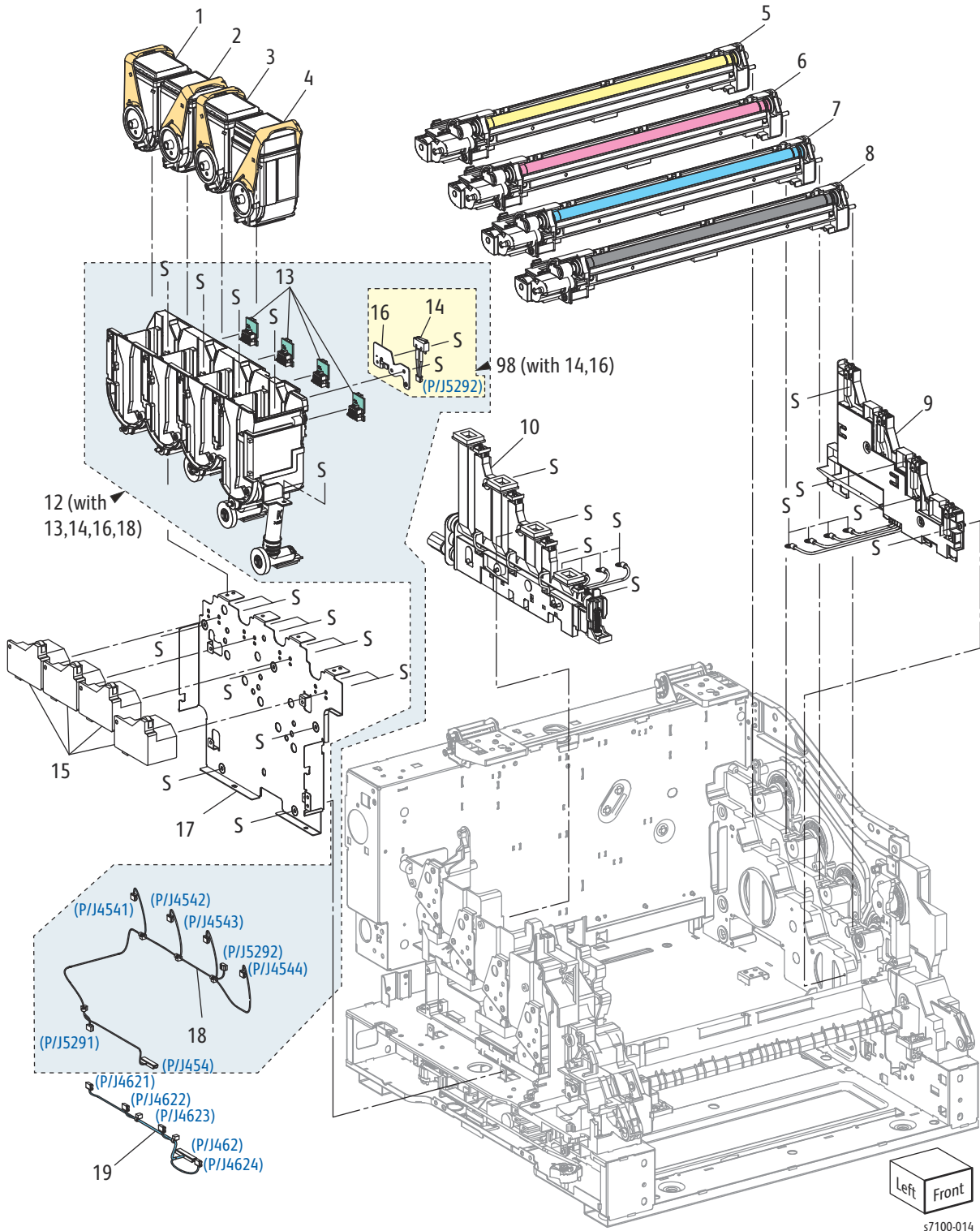
## Parts List 7.1 ROS (Laser Unit)



### Parts List 7.1 ROS (Laser Unit)

Item	Description	Part Number
1.	ROS Assembly (Laser Unit) ( <a href="#">REP 7.1 ROS Assembly (Laser Unit)/ Front Spring Assembly/ Right Rear Spring Assembly/ Left Rear Spring Assembly</a> on page 4-130)	062K21146
2.	Front Spring Assembly	
3.	Right Rear Spring Assembly	
4.	Left Rear Spring Assembly	

# Parts List 8.1 Development

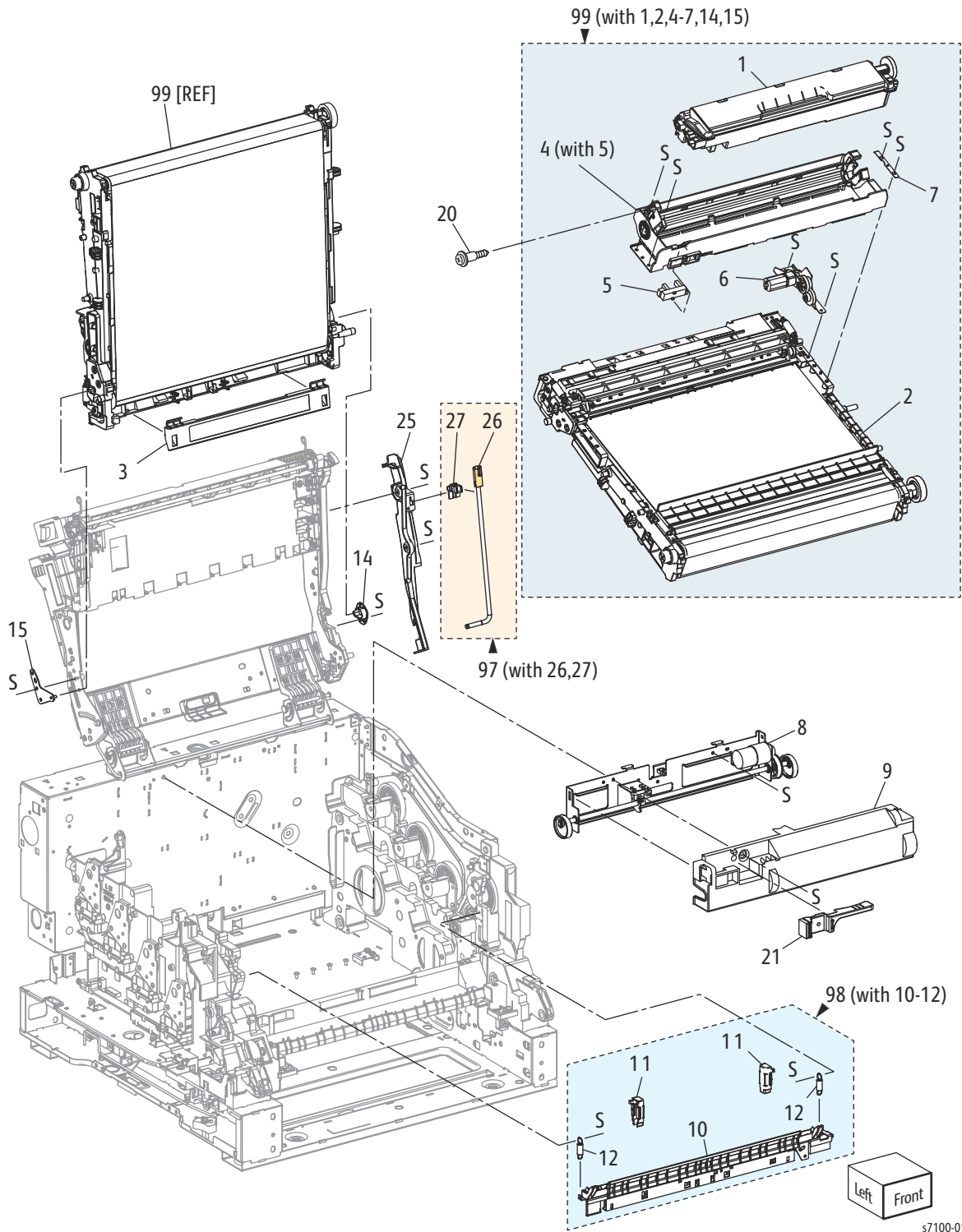


s7100-014

## Parts List 8.1 Development

Item	Description	Part Number
1.	Toner Cartridge Assembly (Y) ( <a href="#">REP 8.0 Toner Cartridge Assembly (Y/ M/ C/ K)</a> on page 4-136)	See Supplies and Accessories
2.	Toner Cartridge Assembly (M) ( <a href="#">REP 8.0 Toner Cartridge Assembly (Y/ M/ C/ K)</a> on page 4-136)	See Supplies and Accessories
3.	Toner Cartridge Assembly (C) ( <a href="#">REP 8.0 Toner Cartridge Assembly (Y/ M/ C/ K)</a> on page 4-136)	See Supplies and Accessories
4.	Toner Cartridge Assembly (K) ( <a href="#">REP 8.0 Toner Cartridge Assembly (Y/ M/ C/ K)</a> on page 4-136)	See Supplies and Accessories
5.	Developer Housing Assembly (Y) ( <a href="#">REP 8.1 Developer Housing Assembly (Y/ M/ C/ K)</a> on page 4-137)	604K58515
6.	Developer Housing Assembly (M) ( <a href="#">REP 8.1 Developer Housing Assembly (Y/ M/ C/ K)</a> on page 4-137)	604K58525
7.	Developer Housing Assembly (C) ( <a href="#">REP 8.1 Developer Housing Assembly (Y/ M/ C/ K)</a> on page 4-137)	604K58535
8.	Developer Housing Assembly (K) ( <a href="#">REP 8.1 Developer Housing Assembly (Y/ M/ C/ K)</a> on page 4-137)	604K58545
9.	Right Hand HV Guide Assembly ( <a href="#">REP 8.2 Right Hand HV Guide Assembly</a> on page 4-142)	
10.	Waste Auger Assembly (Trickle Guide) ( <a href="#">REP 8.3 Waste Auger Assembly (Trickle Guide Assembly)</a> on page 4-144)	604K79620
11.	-----	
12.	Dispense Guide Assembly (with 13, 14, 16, 18) ( <a href="#">REP 8.4 Dispense Guide Assembly</a> on page 4-148)	094K93340
13.	Toner CRUM Connector Assembly ( <a href="#">REP 8.5 Toner CRUM Connector Assembly</a> on page 4-151)	113K83410
14.	Toner Cover Interlock Switch Assembly	
15.	Dispense Motor Assembly ( <a href="#">REP 8.6 Dispense Motor Assembly</a> on page 4-152)	127K59941
16.	Toner Cartridge Interlock Switch Plate	
17.	MCU Plate ( <a href="#">REP 8.7 MCU Plate</a> on page 4-154)	
18.	Toner CRUM Harness Assembly	
19.	Dispense Harness Assembly	
98.	Toner Cover Switch Kit (with 14,16) ( <a href="#">REP 8.8 Toner Cover Switch Kit</a> on page 4-158)	604K59152

Parts List 9.1 Transfer



## Parts List 9.1 Transfer

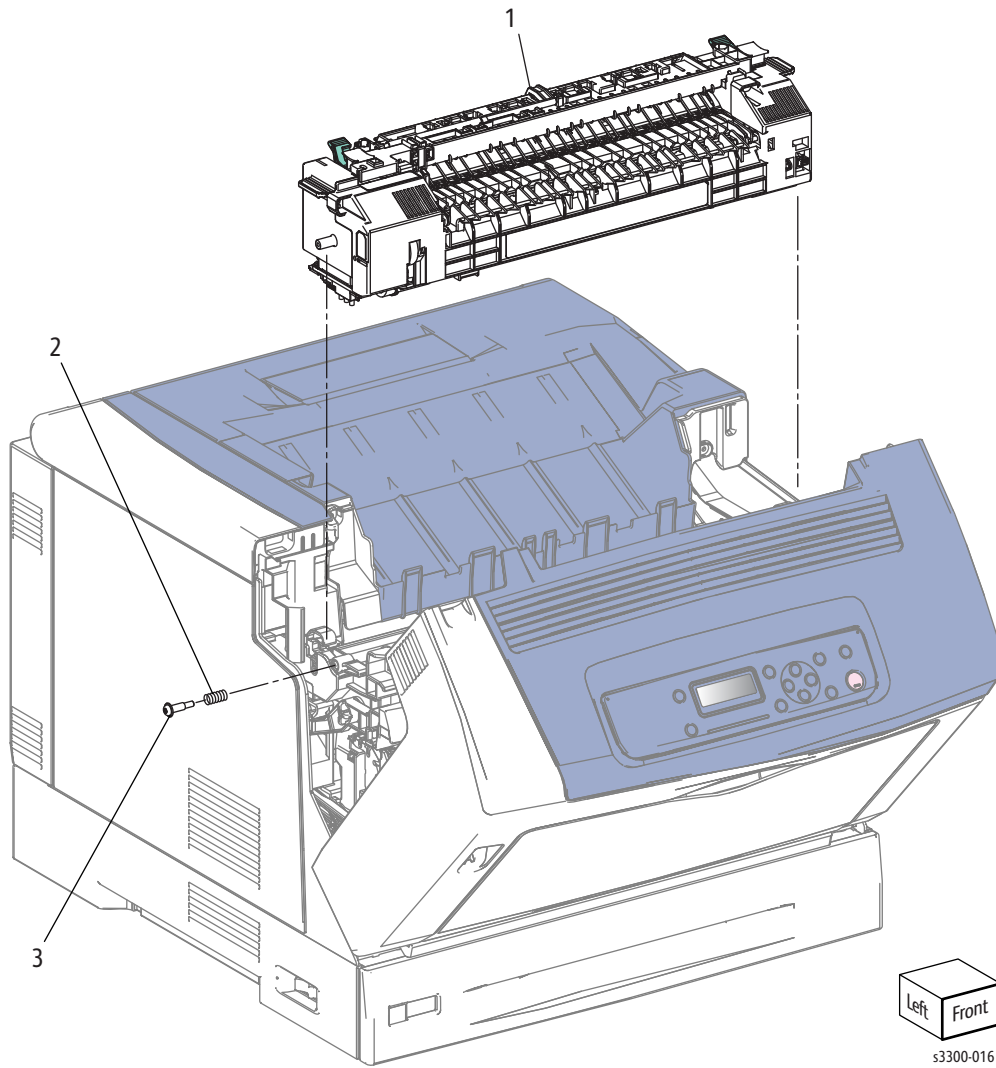
Item	Description	Part Number
1.	Waste Cartridge (Waste Toner Box Assembly)	See Supplies and Accessories
2.	IBT Belt Assembly	
3.	IBT Cleaner Cover Assembly ( <a href="#">REP 9.2 IBT Belt Cleaner Cover Assembly</a> on page 4-160)	848K41820
4.	Waste Cartridge Guide Assembly (with 5) ( <a href="#">REP 9.3 Waste Cartridge Guide Assembly</a> on page 4-162)	
5.	Waste Cartridge Full Sensor ( <a href="#">REP 9.4 Waste Cartridge Full Sensor</a> on page 4-164)	
6.	IBT Cleaner Motor Assembly ( <a href="#">REP 9.5 IBT Cleaner Motor Assembly</a> on page 4-166)	
7.	Front Guide Plate	
8.	IBT Retract Cam Assembly ( <a href="#">REP 9.6 IBT Retract Cam Assembly</a> on page 4-168)	008K92071
9.	Cam Cover ( <a href="#">REP 9.7 Cam Cover</a> on page 4-170)	
10.	CTD Sensor Assembly	
11.	Spring Cap	
12.	CTD Hold Spring	
13.	-----	
14.	Right IBT Holder	
15.	Left IBT Holder	
16.	-----	
17.	-----	
18.	-----	
19.	-----	
20.	Flange Screw	
21.	ROS Cleaner Assembly	
22.	-----	
23.	-----	
24.	-----	
25.	Top Right Guard Frame ( <a href="#">REP 9.8 Top Right Guard Frame/ Holder Stand Bar</a> on page 4-172)	
26.	Stand Bar Assembly	

**Parts List 9.1 Transfer (Continued)**

Item	Description	Part Number
27.	Stand Bar Holder	
97.	Holder Stand Bar Kit (with 26,27) ( <a href="#">REP 9.8 Top Right Guard Frame/Holder Stand Bar</a> on page 4-172)	604K59791
98.	CTD Sensor Assembly Kit (with 10-12) ( <a href="#">REP 9.9 CTD Sensor Assembly</a> on page 4-175)	604K59180
99.	IBT Unit Kit (with 1-2, 4-7, 14-15) ( <a href="#">REP 9.10 IBT Unit</a> on page 4-177)	604K76391



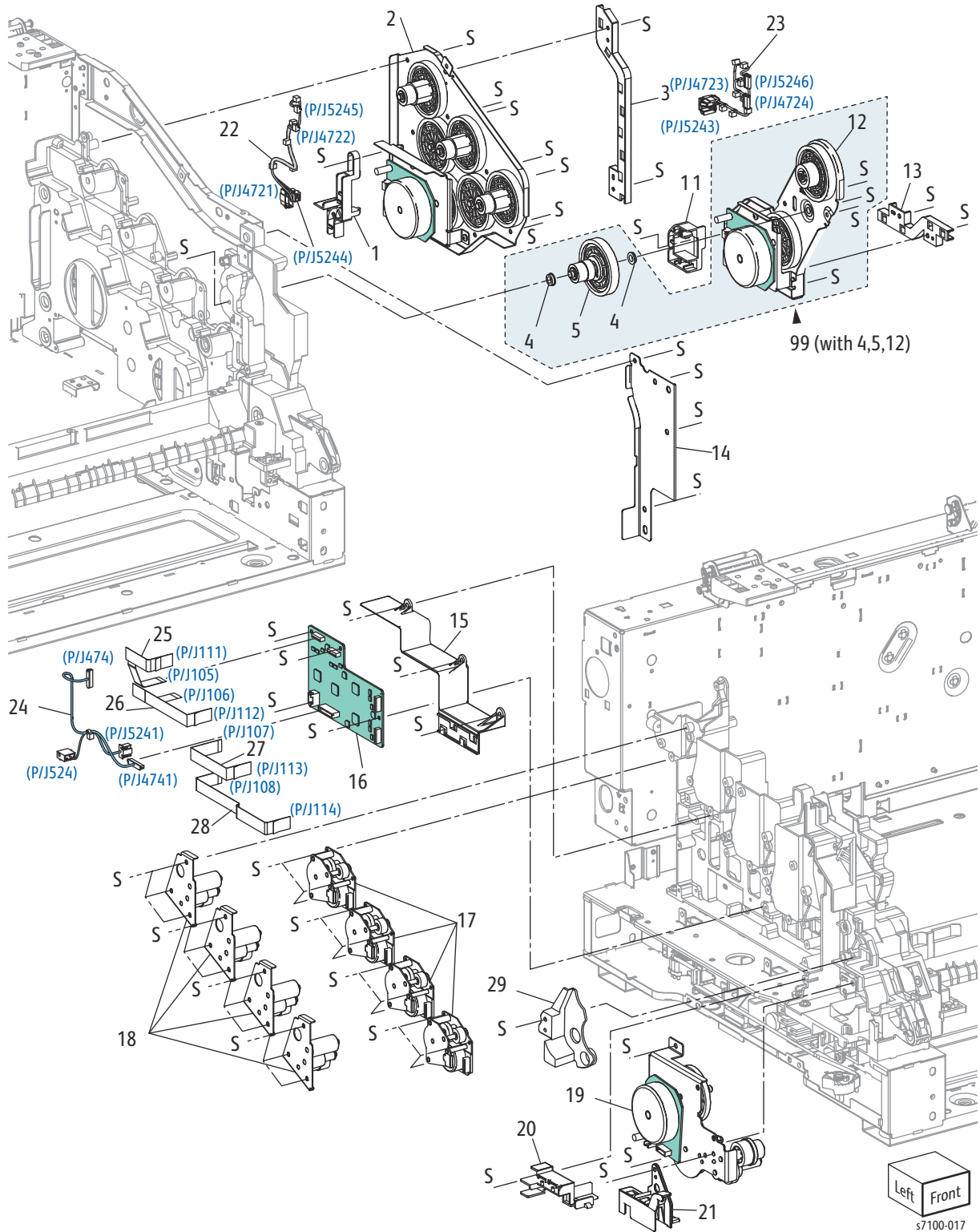
## Parts List 10.1 Fuser



### Parts List 10.1 Fuser

Item	Description	Part Number
1.	Fuser Unit (110V) (REP 10.1 Fuser Unit on page 4-183)	604K78380
	Fuser Unit (220V) (REP 10.1 Fuser Unit on page 4-183)	604K78390
2.	CRU Spring	
3.	CRU Screw	

Parts List 11.1 Drive



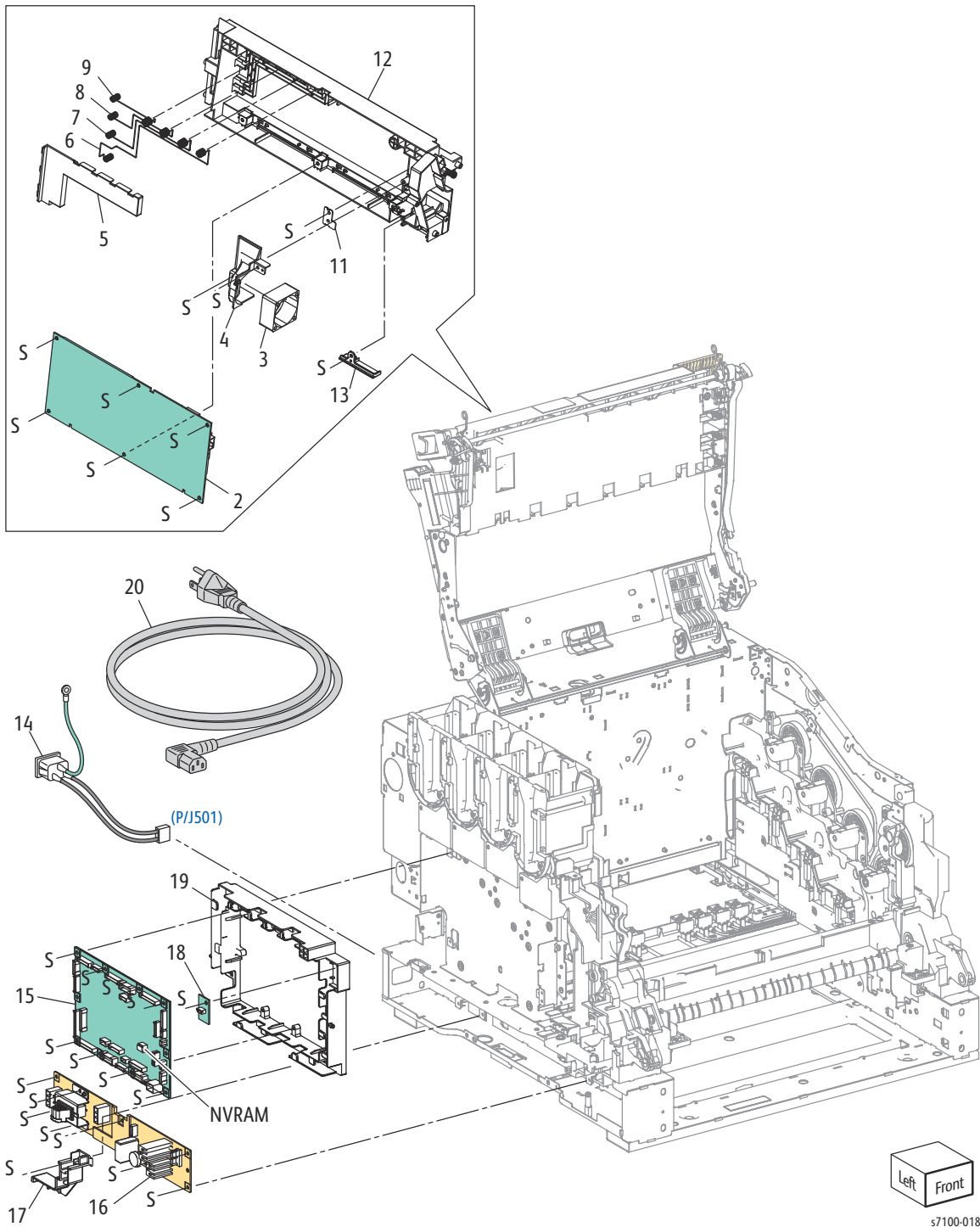
## Parts List 11.1 Drive

Item	Description	Part Number
1.	PR Harness Guide (Y/ M/ C)	
2.	PR Drive Assembly (Y/ M/ C) ( <a href="#">REP 11.1 PR Drive Assembly (Y/ M/ C)</a> on page 4-185)	007K15843
3.	Imaging Unit CRUM Harness Guide	
4.	Ball Bearing	
5.	Input Imaging Unit Shaft Assembly ( <a href="#">REP 11.2 Input Imaging Unit Shaft Assembly</a> on page 4-187)	
6.	-----	
7.	-----	
8.	-----	
9.	-----	
10.	-----	
11.	PR Harness Guide (K)	
12.	PR Drive Assembly (K)	
13.	Harness Guide (K)	
14.	Right Front Outside Frame	
15.	Wire Wall Housing ( <a href="#">REP 11.3 Wire Wall Housing</a> on page 4-188)	
16.	Developer Motor PWB ( <a href="#">REP 11.4 Developer Motor PWB</a> on page 4-190)	960K48101
17.	Developer Motor (Match Box) Assembly ( <a href="#">REP 11.5 Developer Motor (Match Box) Assembly</a> on page 4-193)	127K64120
18.	Developer Drive Assembly ( <a href="#">REP 11.6 Developer Drive Assembly</a> on page 4-195)	007K15861
19.	E Paper Handling Drive Assembly ( <a href="#">REP 11.7 Paper Handling Drive Assembly</a> on page 4-197)	007K15881
20.	Paper Handling Motor Harness Guide	
21.	Harness Holder	
22.	PR Harness Assembly (Y/ M/ C)	
23.	PR Harness Assembly (K)	
24.	Developer Motor Harness Assembly	
25.	Flexible Flat Cable (FFC) (Y) Match Cable Assembly	
26.	Flexible Flat Cable (FFC) (M) Match Cable Assembly	

**Parts List 11.1 Drive (Continued)**

Item	Description	Part Number
27.	Flexible Flat Cable (FFC) (C) Match Cable Assembly	
28.	Flexible Flat Cable (FFC) (K) Match Cable Assembly	
29.	CTD Harness Cover	
99.	PR Drive Assembly Kit (K) (with 4, 5, 12) ( <a href="#">REP 11.8 PR Drive Assembly (K)</a> on page 4-200)	604K76852

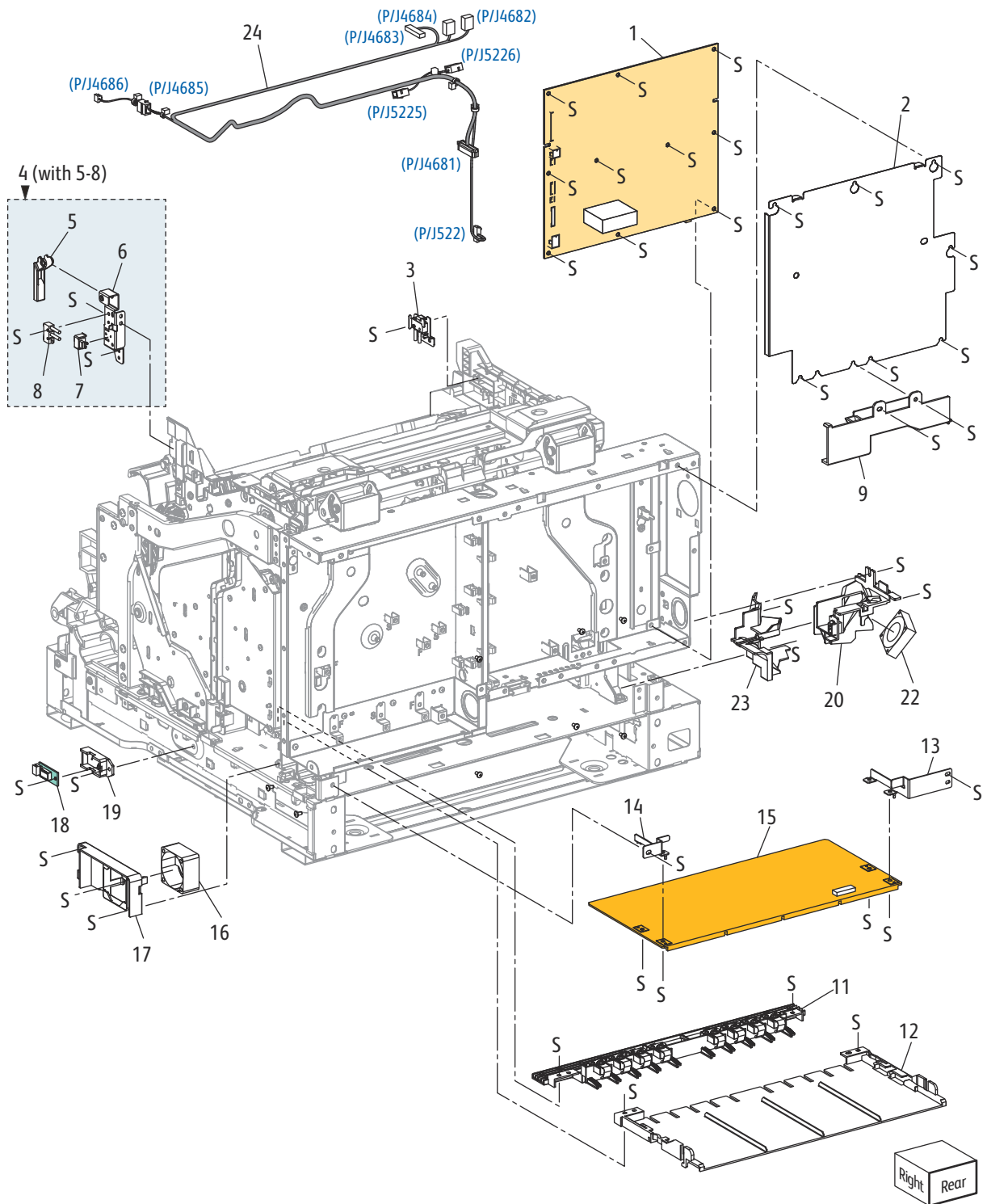
### Parts List 12.1 Electrical (1 of 4)



## Parts List 12.1 Electrical (1 of 4)

Item	Description	Part Number
1.	-----	
2.	HVPS2 PWB ( <a href="#">REP 12.1 HVPS2 PWB</a> on page 4-202)	105K23863
3.	HVPS2 Fan ( <a href="#">REP 12.2 HVPS2 Fan</a> on page 4-203)	127E85940
4.	IBT Duct	
5.	Conductor Cover	
6.	Wire Conductor (Y) ( <a href="#">REP 12.3 Conductor Wire (Y/ M/ C/ K)</a> on page 4-205)	
7.	Wire Conductor (M) ( <a href="#">REP 12.3 Conductor Wire (Y/ M/ C/ K)</a> on page 4-205)	
8.	Wire Conductor (C) ( <a href="#">REP 12.3 Conductor Wire (Y/ M/ C/ K)</a> on page 4-205)	
9.	Wire Conductor (K) ( <a href="#">REP 12.3 Conductor Wire (Y/ M/ C/ K)</a> on page 4-205)	
10.	-----	
11.	Backup Roller Contact Plate	
12.	HV Transfer Guide	
13.	Transfer Box Harness Cover	
14.	AC-In Harness Assembly 100V ( <a href="#">REP 12.22 AC-In Harness Assembly</a> on page 4-237)	962K74933
	AC-In Harness Assembly 200V	962K90980
15.	MCU PWB ( <a href="#">REP 12.4 MCU PWB</a> on page 4-206)	960K64553
16.	AC PWB Assembly 100V ( <a href="#">REP 12.5 AC PWB</a> on page 4-208)	960K47050
	AC PWB Assembly 200V ( <a href="#">REP 12.5 AC PWB</a> on page 4-208)	960K55150
17.	Option Feeder Harness Guide	
18.	EEPROM PWB ( <a href="#">REP 12.6 EEPROM PWB</a> on page 4-210)	960K47800
19.	MCU Harness Guide	
20.	Power Cord	

Parts List 12.2 Electrical (2 of 4)



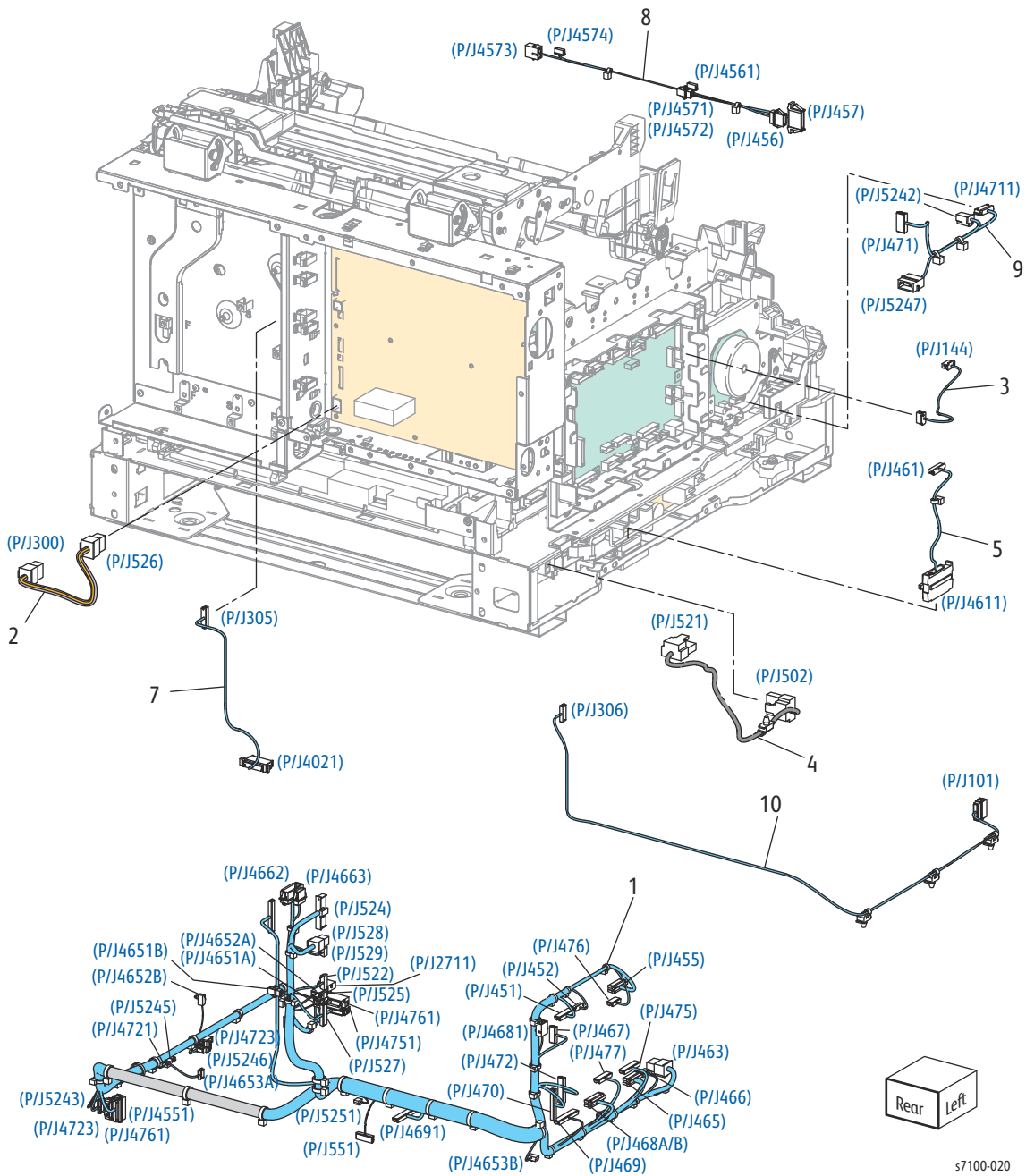
s7100-019

## Parts List 12.2 Electrical (2 of 4)

Item	Description	Part Number
1.	LVPS PWB 110V ( <a href="#">REP 12.7 LVPS PWB</a> on page 4-211)	105E20371
	LVPS PWB 220V ( <a href="#">REP 12.7 LVPS PWB</a> on page 4-211)	105E19461
2.	LVPS Shield Plate	
3.	Waste Cartridge Switch Assembly Kit ( <a href="#">REP 12.8 Waste Cartridge Switch Assembly</a> on page 4-213)	604K59271
4.	Front Interlock Switch Assembly Kit (with 5-8) ( <a href="#">REP 12.9 Front Interlock Switch Assembly</a> on page 4-214)	604K59284
5.	Interlock Lever	
6.	Interlock Bracket	
7.	Interlock Cap Switch (Front Cover Switch) ( <a href="#">REP 12.10 Interlock Cap Switch (Front Cover Switch)</a> on page 4-216)	
8.	Front Cover Interlock Switch Assembly ( <a href="#">REP 12.11 Front Cover Interlock Switch Assembly</a> on page 4-218)	
9.	Lower LVPS Duct	
10.	-----	
11.	HV Main Guide Assembly ( <a href="#">REP 12.12 HV Main Guide Assembly</a> on page 4-219)	
12.	Bottom HV Guide	
13.	Left Hand HVPS Handle Bracket	
14.	Right Hand HVPS Handle Bracket	
15.	HVPS1 PWB ( <a href="#">REP 12.13 HVPS1 PWB</a> on page 4-221)	105K23853
16.	Developer Fan ( <a href="#">REP 12.14 Developer Fan</a> on page 4-223)	127E85940
17.	Developer Fan Duct	
18.	Temp/ Humidity (Environmental) Sensor ( <a href="#">REP 12.15 Temp/ Humidity (Environmental) Sensor</a> on page 4-225)	130E93460
19.	Temp/ Humidity Sensor PWB Housing	
20.	Fan Holder Duct Assembly	
21.	-----	
22.	LVPS Fan Assembly ( <a href="#">REP 12.16 LVPS Fan Assembly</a> on page 4-226)	127K61780
23.	Harness Guide Duct	
24.	Top Harness Assembly	



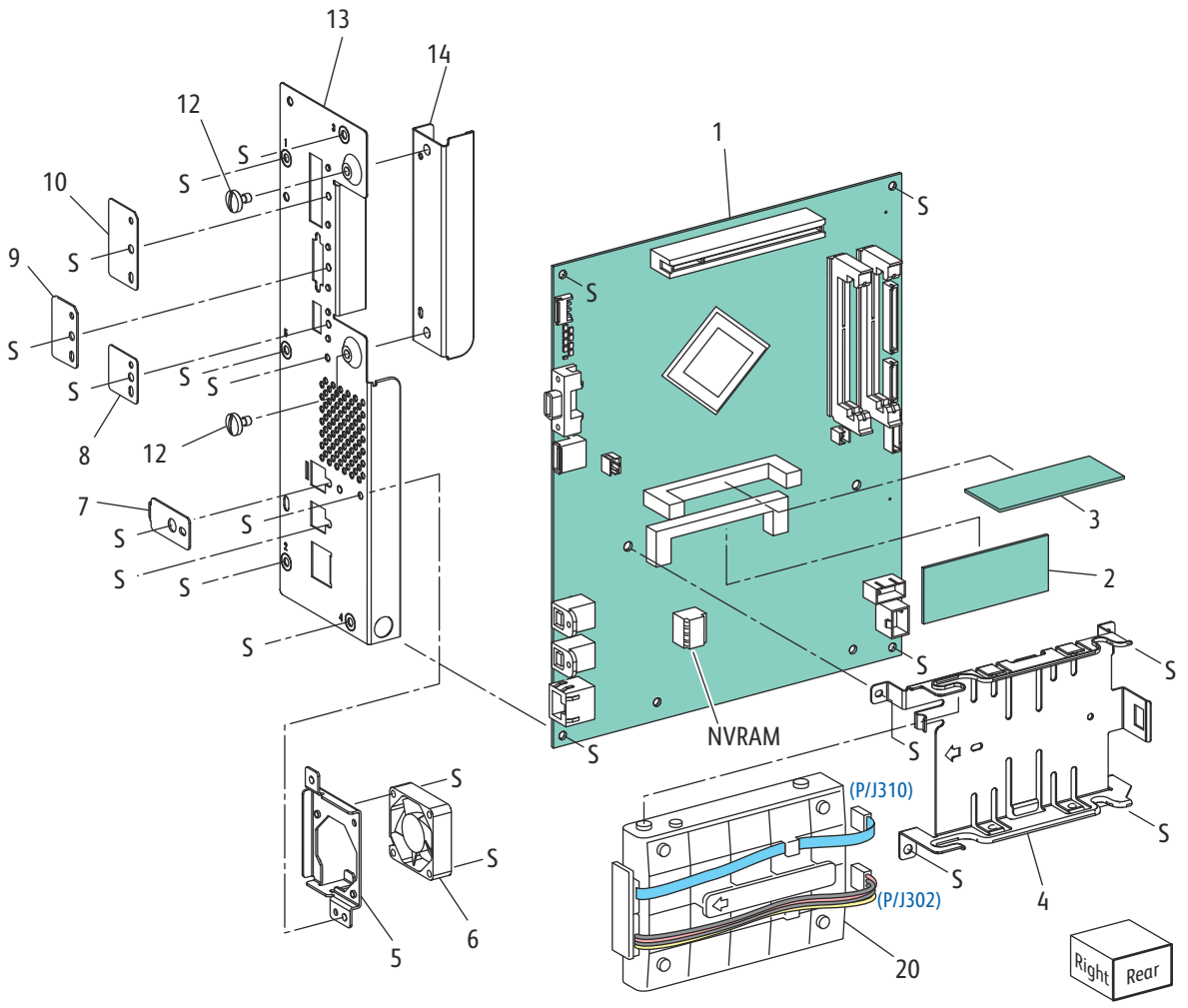
Parts List 12.3 Electrical (3 of 4)



**Parts List 12.3 Electrical (3 of 4)**

Item	Description	Part Number
1.	Main Harness Assembly	
2.	ESS Power Harness Assembly	
3.	X Pro Harness Assembly	
4.	AC LV Harness Assembly	
5.	Option Harness Assembly	
6.	-----	
7.	Video Harness Assembly	
8.	Main CTD Harness Assembly	
9.	Paper Handling Motor Harness Assembly	
10.	Main UI Harness Assembly	

Parts List 12.4 Electrical (4 of 4)

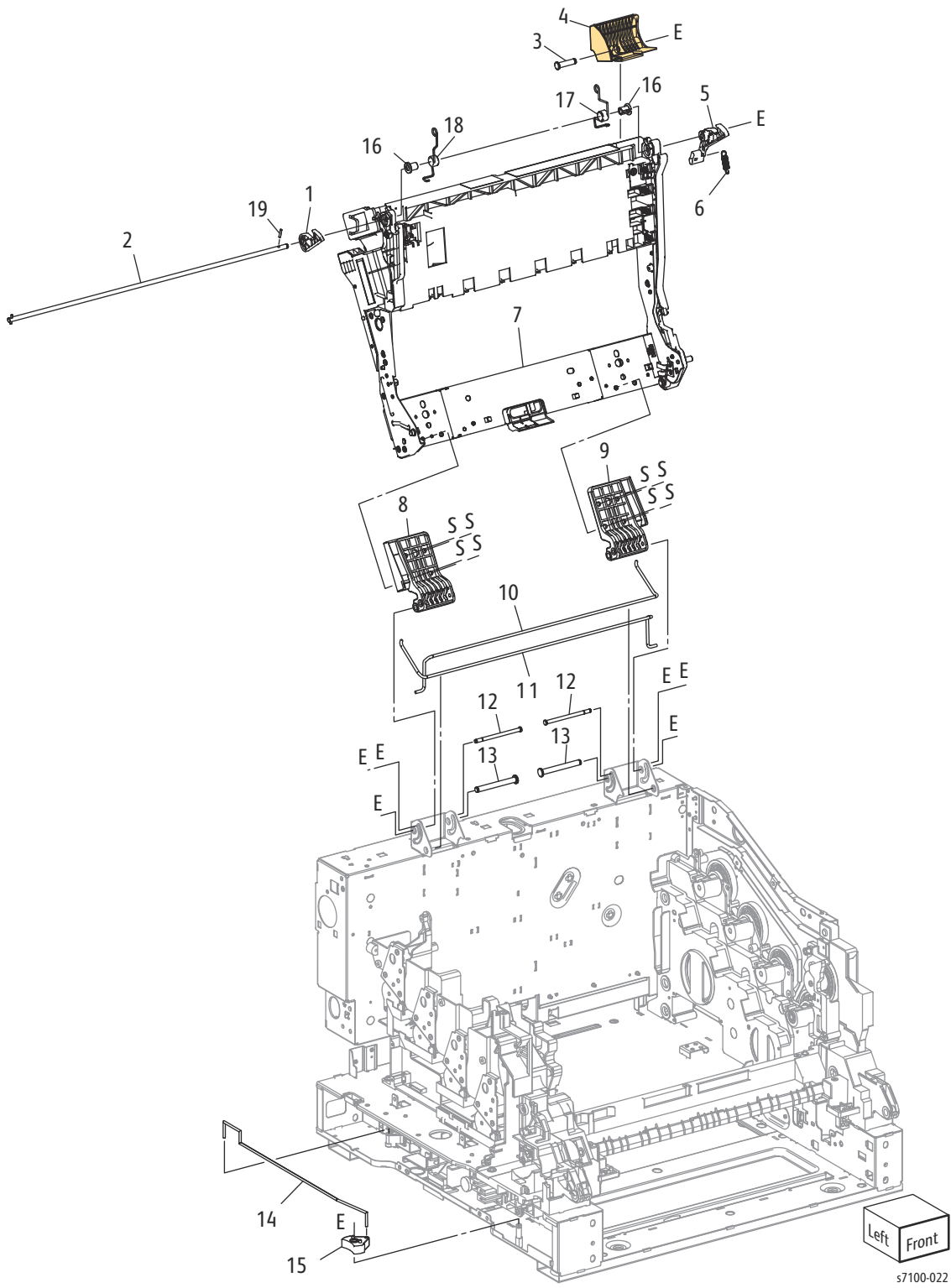


s7100-021

## Parts List 12.4 Electrical (4 of 4)

Item	Description	Part Number
1.	Image Processor PWB (ESS PWB) US/ 110V ( <a href="#">REP 12.17 Image Processor (I/P) PWB</a> on page 4-228)	604K77272
2.	1 GB DDR2 DIMM ( <a href="#">REP 12.18 Memory (Standard)</a> on page 4-232)	133K26363
3.	1GB SO-DIMM (Extension System Memory) ( <a href="#">REP 12.19 Memory (Optional)</a> on page 4-234)	237E25731
4.	HDD Bracket	
5.	ESS Fan Bracket	
6.	I/P PWB Fan ( <a href="#">REP 12.20 Image Processor PWB Fan</a> on page 4-235)	127E86110
7.	USB Panel	
8.	USB Host Panel	
9.	EPSV Panel	
10.	Serial Debug Panel	
11.	-----	
12.	PCI Screw	
13.	ESS Interface Plate Assembly	
14.	Plate	
15.	-----	
16.	-----	
17.	-----	
18.	-----	
19.	-----	
20.	HDD Productivity Service Kit ( <a href="#">REP 12.21 Hard Disk Drive (Optional)</a> on page 4-236)	604K78960

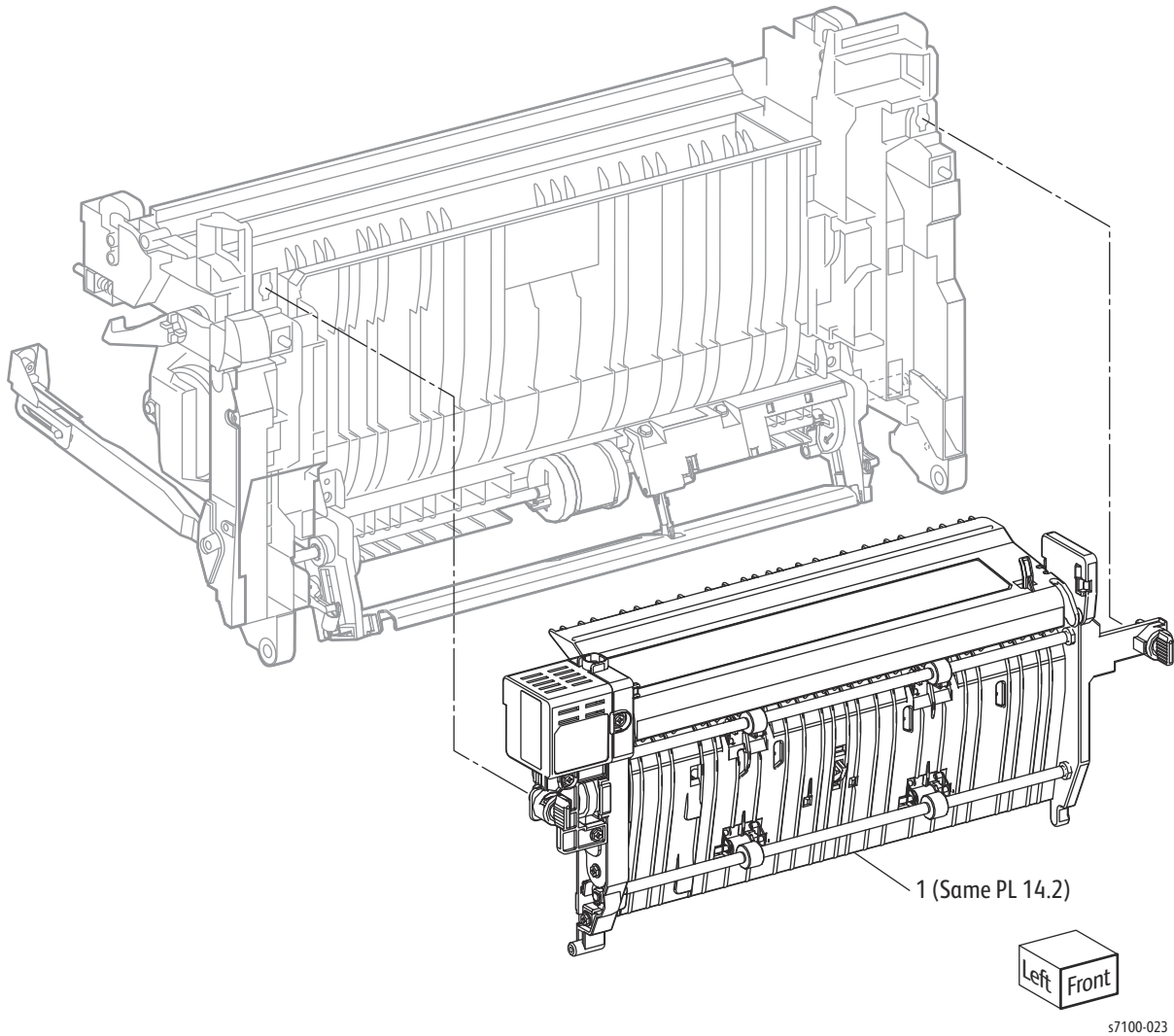
Parts List 13.1 Frame



## Parts List 13.1 Frame

Item	Description	Part Number
1.	Top Left Latch	
2.	Latch Shaft Assembly	
3.	Top Right Shaft	
4.	Top Lever	
5.	Top Right Latch	
6.	Top Spring	
7.	Top Frame Sub Assembly ( <a href="#">REP 13.2 Top Frame Sub Assembly</a> on page 4-240)	
8.	Left Arm Plate Hinge ( <a href="#">REP 13.3 Left Arm Plate Hinge/ Right Arm Plate Hinge</a> on page 4-244)	815E60580
9.	Right Arm Plate Hinge ( <a href="#">REP 13.3 Left Arm Plate Hinge/ Right Arm Plate Hinge</a> on page 4-244)	815E60590
10.	Right Torsion Spring	
11.	Left Torsion Spring	
12.	Stopper Hinge Shaft	
13.	Hinge Shaft	
14.	Main Switch Link Shaft	
15.	Main Switch Key	
16.	Top Sleeve	
17.	Right Transfer Spring ( <a href="#">REP 13.4 Transfer Spring Kit/ Latch Frame Kit</a> on page 4-247)	
18.	Left Transfer Spring ( <a href="#">REP 13.4 Transfer Spring Kit/ Latch Frame Kit</a> on page 4-247)	
19.	Pin	

Parts List 14.1 Duplex (1 of 3)



Parts List 14.1 Duplex (1 of 3)

Item	Description	Part Number
1.	Duplex Unit (REP 14.1 Duplex Unit on page 4-249)	604K78531

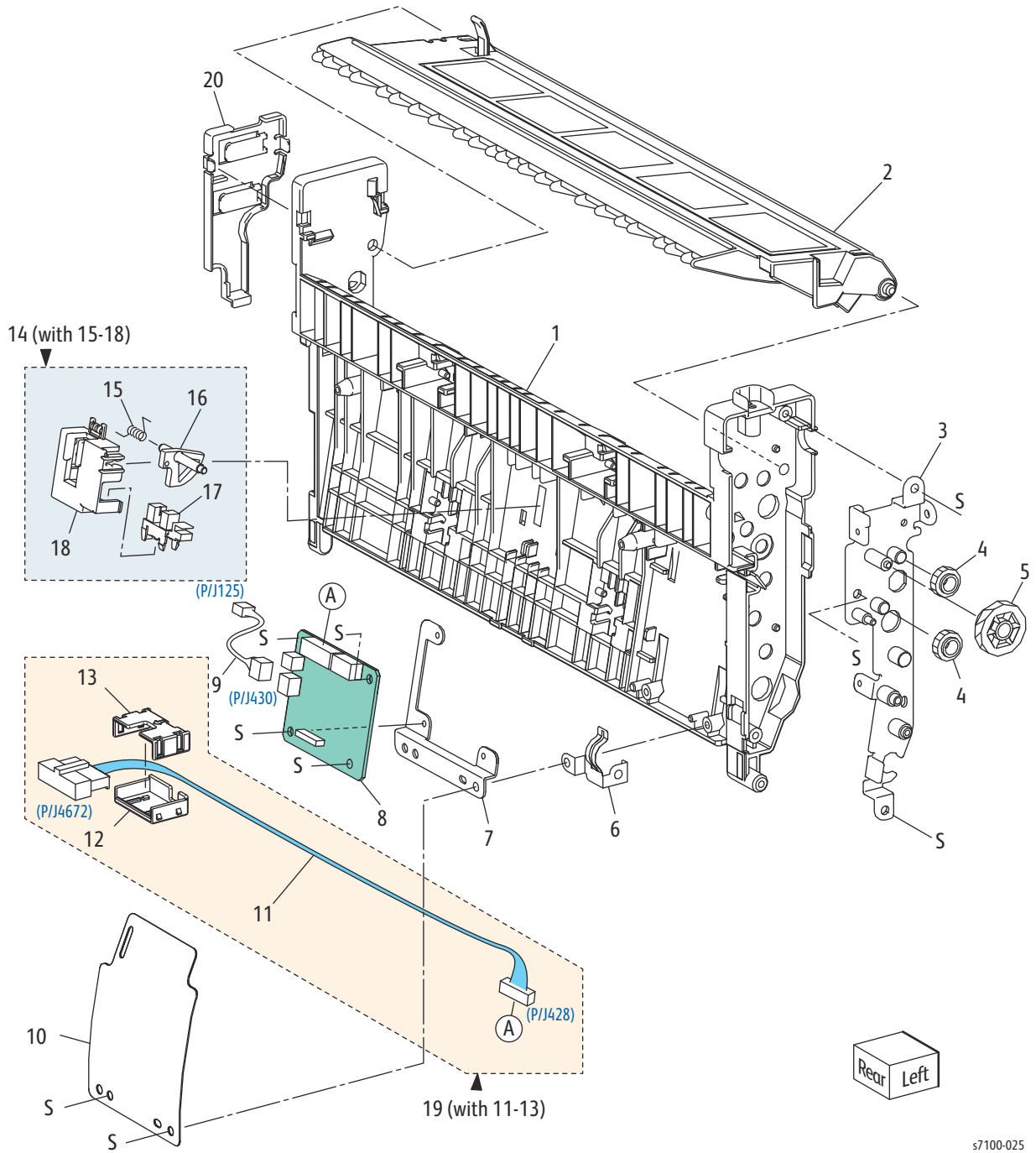




## Parts List 14.2 Duplex (2 of 3)

Item	Description	Part Number
1.	Duplex Earth Motor ( <a href="#">REP 14.2 Duplex Motor</a> on page 4-250)	
2.	Duplex Motor Bracket	
3.	Duplex Motor Cover	
4.	Duplex Lock Lever	
5.	Earth Bearing	
6.	Duplex Pinch Roller	
7.	Roller 1 Pinch Spring	
8.	Roller 2 Pinch Spring	
9.	Duplex Roller ( <a href="#">REP 14.3 Duplex Roller</a> on page 4-251)	
10.	Duplex Roller Gear	
11.	Idle Gear 22	
12.	Bearing	
13.	Clutch Shaft	
14.	Idle Clutch Gear	
15.	Idle Gear 16	
16.	Swing Bracket Assembly	
17.	Swing Spring	
18.	Idle Gear 17	
19.	Duplex Collar	
20.	Duplex In Clutch Assembly ( <a href="#">REP 14.4 Duplex In Clutch Assembly/ Duplex Drive Gear Assembly Kit</a> on page 4-254)	
21.	Duplex B Bracket Assembly	
22.	Duplex Drive Gear Assembly Kit (with 12-21) ( <a href="#">REP 14.4 Duplex In Clutch Assembly/ Duplex Drive Gear Assembly Kit</a> on page 4-254)	604K59701
23.	Caution Label	
98.	Duplex Motor Assembly Kit (with 1, 23) ( <a href="#">REP 14.5 Duplex Motor Assembly</a> on page 4-256)	604K76950

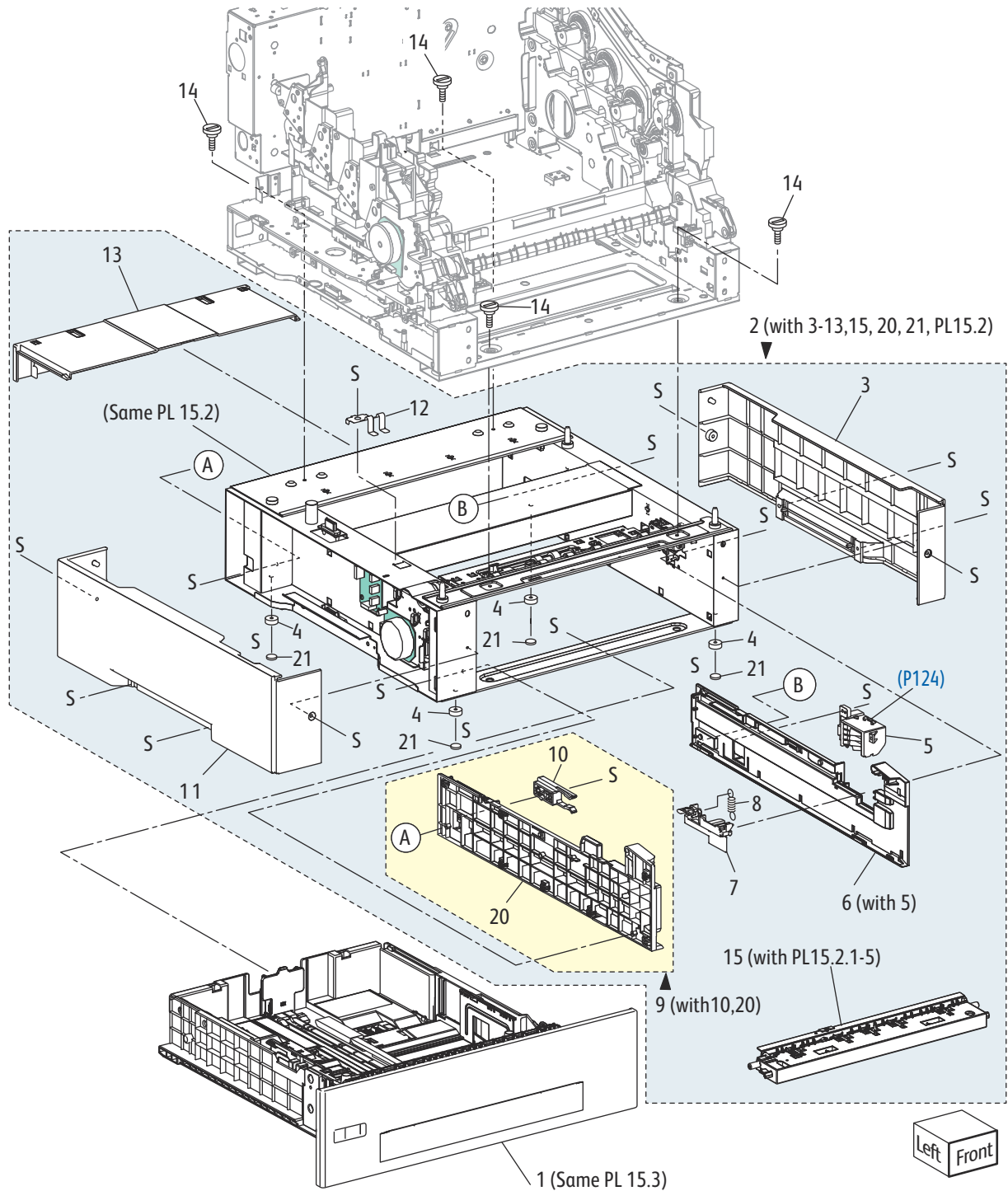
### Parts List 14.3 Duplex (3 of 3)



## Parts List 14.3 Duplex (3 of 3)

Item	Description	Part Number
1.	Duplex Frame	
2.	Upper Duplex Chute	
3.	Duplex A Bracket Assembly	
4.	Idle Gear 14	
5.	DEF Gear	
6.	Ground Frame Duplex Plate	
7.	PWB Plate	
8.	E Duplex PWB ( <a href="#">REP 14.6 Duplex PWB</a> on page 4-257)	960K50324
9.	Option Duplex Sensor Harness Assembly	
10.	PWB Shield	
11.	Duplex Relay Harness	
12.	Connector A Cover	
13.	Connector B Cover	
14.	Sensor Holder Assembly (with 15-18)	
15.	Actuator Spring	
16.	Duplex Sensor Actuator	
17.	Duplex Jam Sensor ( <a href="#">REP 14.7 Duplex Jam Sensor</a> on page 4-259)	930W00113
18.	Sensor Holder	
19.	Duplex Relay Harness Assembly (with 11-13)	
20.	Duplex Harness Cover	

# Parts List 15.1 550-Sheet Feeder (1 of 2)

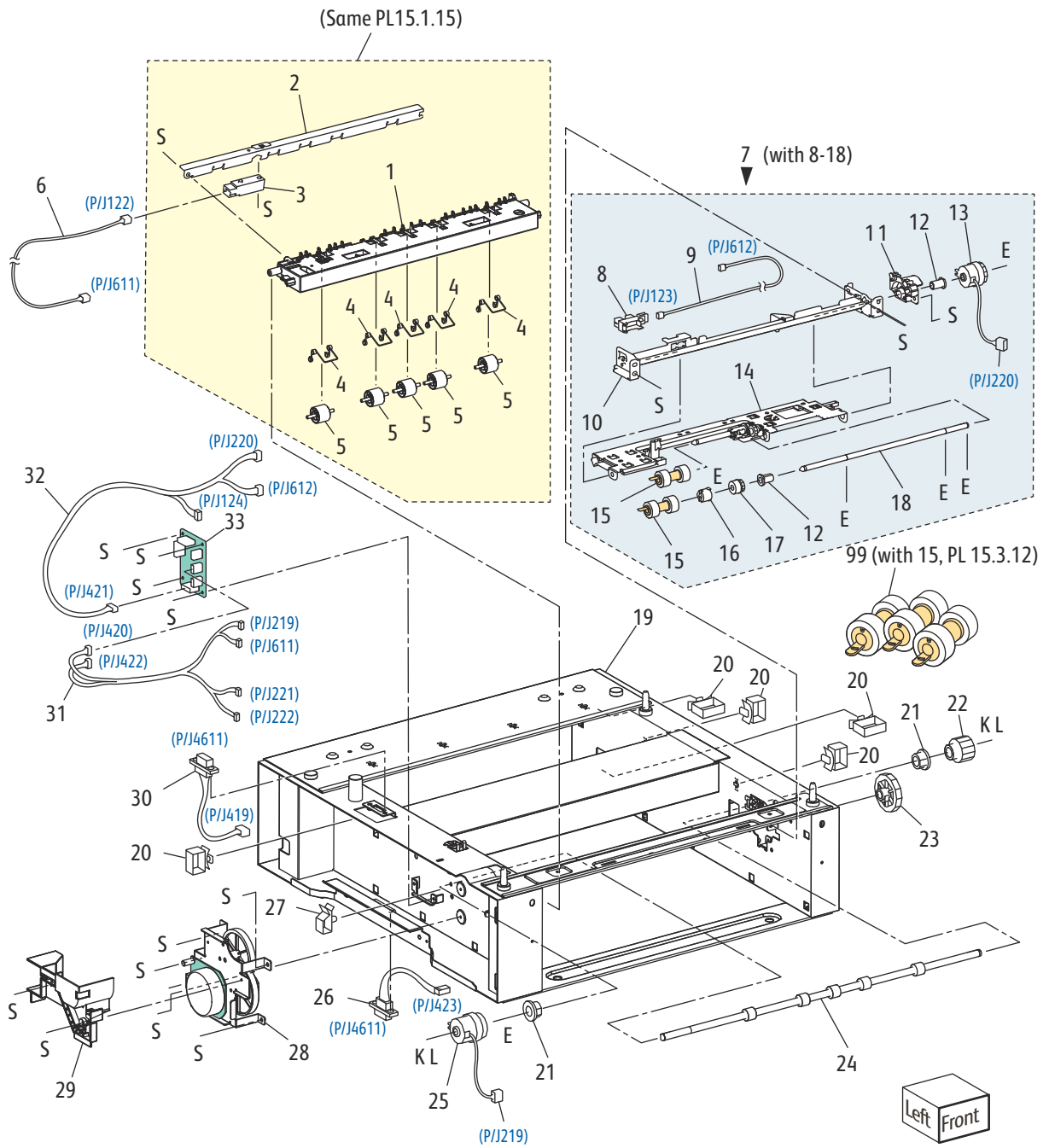


s7100-026

## Parts List 15.1 550-Sheet Feeder (1 of 2)

Item	Description	Part Number
1.	Tray Assembly 550	604K76922
2.	550-Sheet Feeder Assembly (with 3-13, 15, 20, 21, PL 15.2) ( <a href="#">REP 15.1 550-Sheet Feeder Assembly</a> )	See Supplies and Accessories
3.	Right Feeder Cover 550 ( <a href="#">REP 15.2 550 Right Feeder Cover</a> )	
4.	E Optional Foot	
5.	Size Switch Holder Assembly ( <a href="#">REP 15.3 Size Switch Holder Assembly</a> on page 4-263)	019K07952
6.	Right Tray Guide 550 (with 5) ( <a href="#">REP 15.4 550 Right Tray Guide</a> on page 4-264)	
7.	Protect Cover Assembly ( <a href="#">REP 15.5 Protect Cover Assembly</a> on page 4-265)	
8.	Nudger Spring	
9.	Left Tray Guide 550 (with 10, 20) ( <a href="#">REP 15.6 550 Left Tray Guide</a> on page 4-266)	
10.	Tray Feeder Stopper ( <a href="#">REP 15.7 Tray Feeder Stopper</a> on page 4-267)	003E74910
11.	Left Feeder Cover 550 ( <a href="#">REP 15.8 550 Left Feeder Cover</a> on page 4-268)	
12.	Earth Spring	
13.	Tray Cover ( <a href="#">REP 15.9 Tray Cover</a> on page 4-269)	848E42770
14.	Joint Feeder Screw M4	826E16531
15.	Turn Chute Assembly (with PL 15.2.1 - PL 15.2.5) ( <a href="#">REP 15.10 Turn Chute Assembly</a> on page 4-270)	054K42631
16.	-----	
17.	-----	
18.	-----	
19.	-----	
20.	Left Tray Guide 550	
21.	Rubber Foot	

Parts List 15.2 550-Sheet Feeder (2 of 2)



s7100-027

## Parts List 15.2 550-Sheet Feeder (2 of 2)

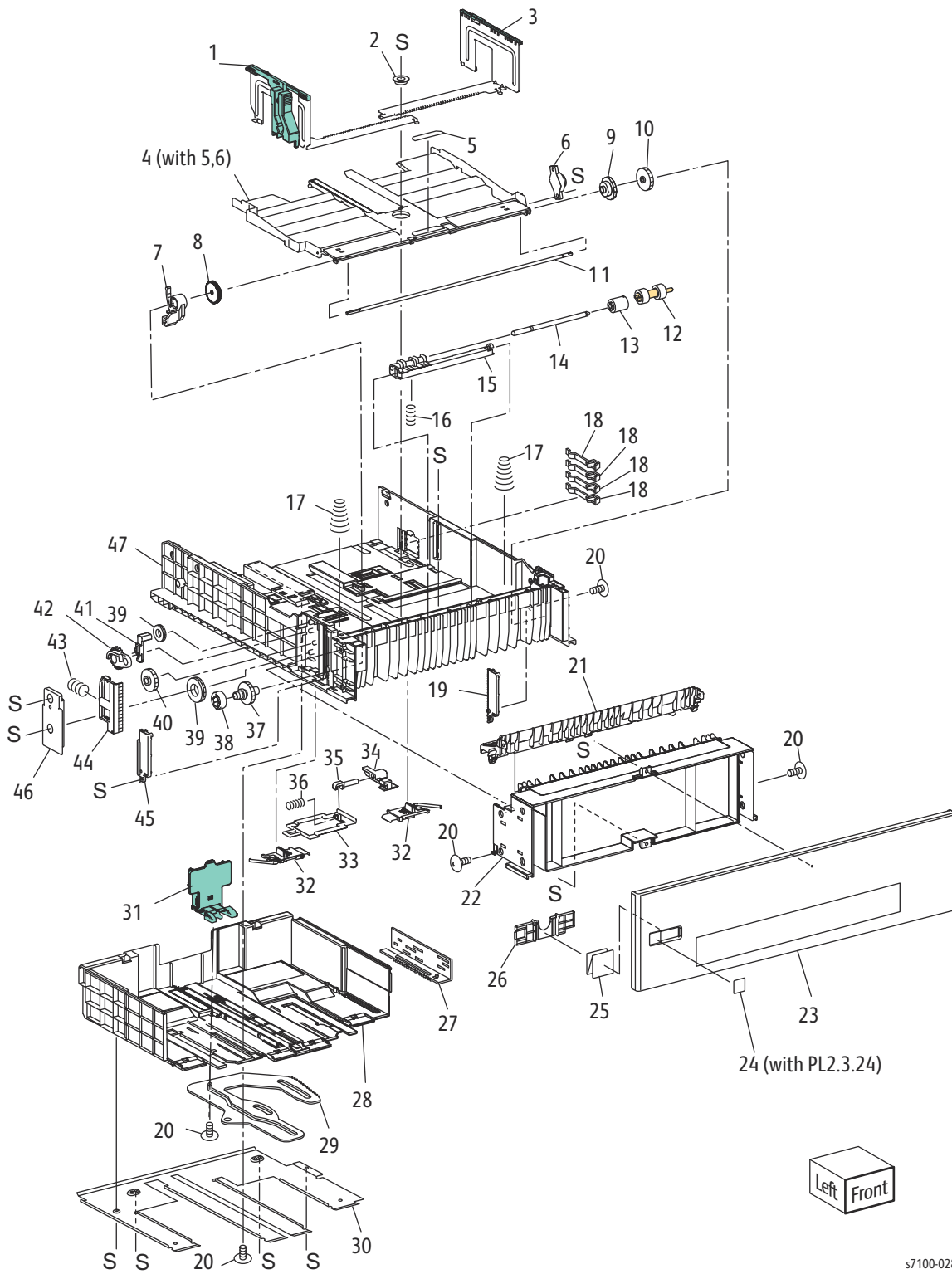
Item	Description	Part Number
1.	Turn Chute	
2.	Chute Plate	
3.	Paper Jam Sensor ( <a href="#">REP 15.11 Paper Jam Sensor</a> on page 4-271)	130E89381
4.	Pinch Spring	
5.	Turn Pinch Roller	
6.	Option Paper Feed Jam Harness Assembly	
7.	Feeder Sub Assembly (with 8-18) ( <a href="#">REP 15.12 Feeder Sub Assembly</a> on page 4-272)	059K64952
8.	Feeder No Paper Sensor ( <a href="#">REP 15.13 Feeder No Paper Sensor</a> on page 4-274)	130E87280
9.	Option No Paper Feed Harness Assembly	
10.	Retard Chute Assembly	
11.	Top Retard Holder	
12.	Nudger Bearing	
13.	Feed Roller Clutch ( <a href="#">REP 15.14 Feed Roller Clutch</a> on page 4-275)	121K45670
14.	Nudger Support Assembly	
15.	Tray 2/ 3/ 4 Feed Roller ( <a href="#">REP 15.15 Tray 2/ 3/ 4 Feed Roller</a> on page 4-276)	Included with Tray 2/ 3/ 4 Feed Roller Kit (see PL 15.2.99, <a href="#">page 5-62</a> )
16.	Oneway Feed Clutch ( <a href="#">REP 15.16 Oneway Feed Clutch/ Oneway Nudger Clutch</a> on page 4-278)	
17.	Oneway Nudger Clutch ( <a href="#">REP 15.16 Oneway Feed Clutch/ Oneway Nudger Clutch</a> on page 4-278)	
18.	Feed Shaft	
19.	Option Frame Assembly	
20.	Clamp	
21.	Bearing	
22.	Turn Gear Assembly 17	
23.	Right Idle Gear 28	
24.	Turn Roller Assembly ( <a href="#">REP 15.17 Turn Roller Assembly</a> on page 4-279)	
25.	Turn Roller Clutch ( <a href="#">REP 15.18 Turn Roller Clutch</a> on page 4-280)	121K45680

## Parts List 15.2 550-Sheet Feeder (2 of 2) (Continued)

Item	Description	Part Number
26.	Option Feeder 2 Relay Harness Assembly ( <a href="#">REP 15.19 Option Feeder 2 Relay Harness Assembly</a> on page 4-282)	962K83640
27.	Wire Saddle	
28.	Option Drive Assembly ( <a href="#">REP 15.20 Option Drive Assembly</a> on page 4-283)	007K16210
29.	Option Harness Cover	
30.	Option Feeder 1 Relay Harness Assembly ( <a href="#">REP 15.21 Option Feeder 1 Relay Harness Assembly</a> on page 4-284)	962K83630
31.	Option Left Feeder Harness Assembly	
32.	Option Rear Feeder Harness Assembly	
33.	Feeder PWB ( <a href="#">REP 15.22 Feeder PWB</a> on page 4-285)	960K37771
99.	Option Tray 2/ 3/ 4 Feed Roller Kit (with 15, PL 15.3.12) ( <a href="#">REP 15.15 Tray 2/ 3/ 4 Feed Roller</a> on page 4-276)	604K78871



# Parts List 15.3 Tray 550



s7100-028

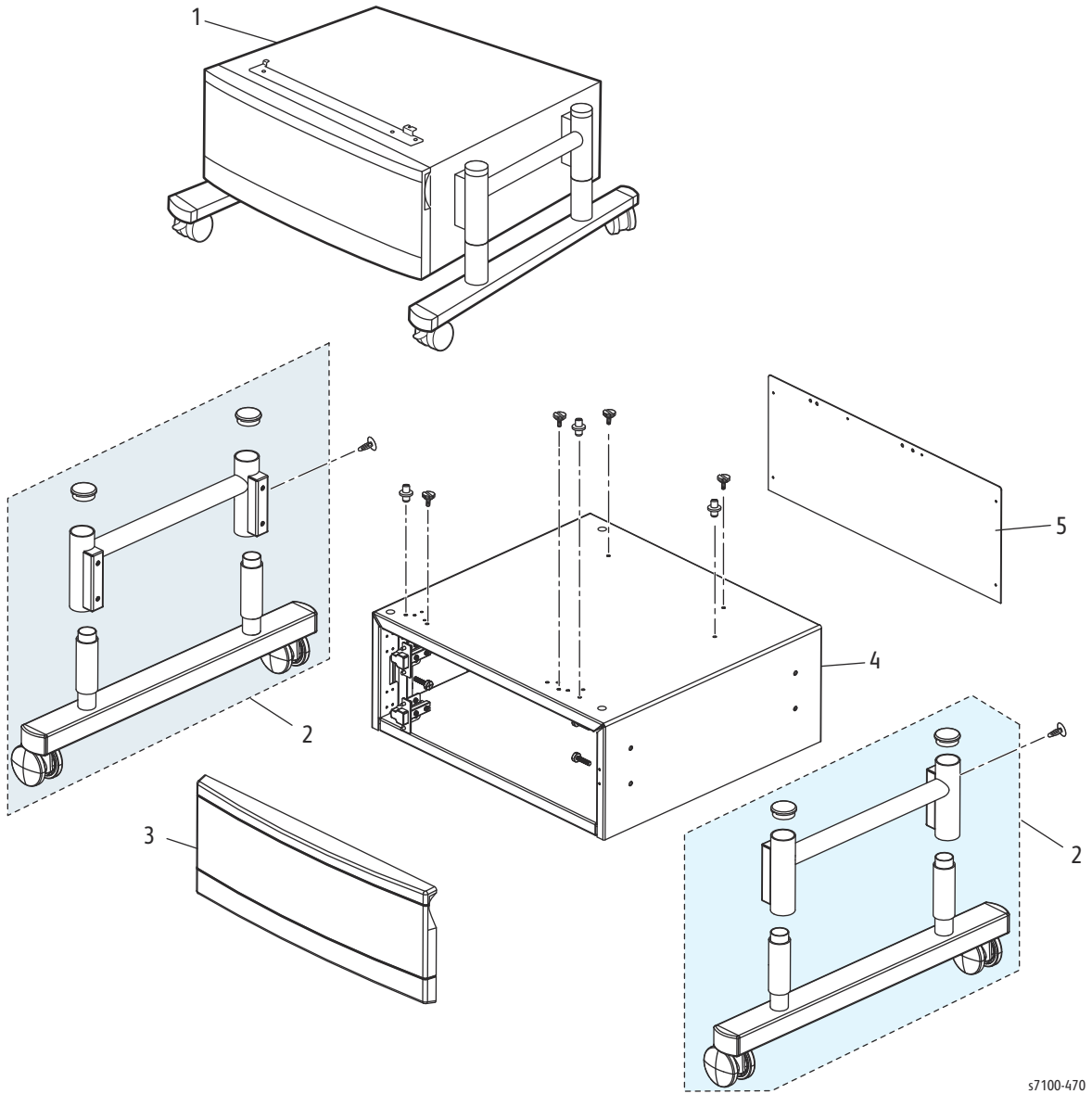
## Parts List 15.3 Tray 550

Item	Description	Part Number
1.	Left Side Guide Assembly ( <a href="#">REP 15.23 Right Side Guide/ Left Side Guide</a> on page 4-286)	
2.	Pinion Gear	
3.	Right Side Guide Assembly ( <a href="#">REP 15.23 Right Side Guide/ Left Side Guide</a> on page 4-286)	
4.	Bottom Plate Assembly (with 5, 6)	
5.	PB Pad 550	
6.	Bottom Damper 550	
7.	PB Stopper 550	
8.	Bottom Lock Oneway Gear	
9.	Bottom Damper Oneway Gear	
10.	PB Left Gear	
11.	PB Shaft	
12.	Feed Roller ( <a href="#">REP 15.15 Tray 2/ 3/ 4 Feed Roller</a> on page 4-276)	Included with Tray 2/ 3/ 4 Feed Roller Kit (see PL 15.2.99, <a href="#">page 5-62</a> )
13.	Friction Clutch ( <a href="#">REP 15.24 Friction Clutch</a> on page 4-288)	
14.	Retard Shaft	
15.	Retard Holder ( <a href="#">REP 15.25 Retard Holder Assembly</a> on page 4-289)	
16.	Retard Spring	
17.	Bottom Up Spring 550	
18.	Size Actuator	
19.	Right Gear Lock Plate 550	
20.	Tapping Screw	
21.	Retard Chute	
22.	Front Chute 550	
23.	Tray Handle 550 ( <a href="#">REP 15.26 Option Tray Handle</a> on page 4-290)	
24.	Tray Number Label Kit (with PL 2.3.24)	604K59300
25.	Paper Size Card	
26.	Paper Size Stopper	
27.	Size Rack	

## Parts List 15.3 Tray 550 (Continued)

Item	Description	Part Number
28.	Exit Housing Assembly ( <a href="#">REP 15.27 Exit Housing Assembly</a> on page 4-292)	
29.	Gear Sector Assembly	
30.	Exit Cover	
31.	End Guide Assembly 550 ( <a href="#">REP 15.28 End Guide Assembly</a> on page 4-293)	
32.	A4 Exit Lock ( <a href="#">REP 15.29 Exit Lock</a> on page 4-295)	
33.	Exit Lock Link	
34.	Bottom Plate Link	
35.	Lock Rack Pin	
36.	Link Lock Spring	
37.	PB Right Gear	
38.	PB Roller	
39.	Bottom Lock Pinion Gear	
40.	Bottom Lock Gear 40	
41.	Bottom Lock Lever Assembly 550	
42.	Bottom Lock Lever Gear	
43.	Bottom Lock Spring	
44.	Bottom Lock Rack 550	
45.	Left Gear Lock Plate 550	
46.	Bottom Up Cover Assembly 550	
47.	Base Housing 550	

# Parts List 16.1 Printer Stand



s7100-470

**Parts List 16.1 Printer Stand**

<b>Item</b>	<b>Description</b>	<b>Part Number</b>
1.	Stand Assembly	097S04552
2.	Leg Stand Assembly	078K00830
3.	Door Assembly	078K00840
4.	Frame Assembly	
5.	Cover, Rear	

# Xerox Supplies and Accessories

Parts List Reference	Description	Part Number
<b>Consumables</b>		
<b>North America/ Xerox Europe</b>		
PL 8.1.1	Toner Cartridge - Standard Capacity - Cyan	106R02599
	Toner Cartridge - Standard Capacity - Magenta	106R02600
	Toner Cartridge - Standard Capacity - Yellow	106R02601
	Toner Cartridge - Dual Package - Cyan	106R02602
	Toner Cartridge - Dual Package - Magenta	106R02603
	Toner Cartridge - Dual Package - Yellow	106R02604
	Toner Cartridge - Dual Package - Black	106R02605
<b>DMO Unique</b>		
PL 8.1.1	Toner Cartridge - Standard Capacity - Cyan	106R02606
	Toner Cartridge - Standard Capacity - Magenta	106R02607
	Toner Cartridge - Standard Capacity - Yellow	106R02608
	Toner Cartridge - Dual Package - Cyan	106R02609
	Toner Cartridge - Dual Package - Magenta	106R02610
	Toner Cartridge - Dual Package - Yellow	106R02611
	Toner Cartridge - Dual Package - Black	106R02612
<b>Metered</b>		
PL 8.1.1	Toner Cartridge - Dual Package - Cyan	106R02620
	Toner Cartridge - Dual Package - Magenta	106R02621
	Toner Cartridge - Dual Package - Yellow	106R02622
	Toner Cartridge - Dual Package - Black	106R02623
<b>Long Life Maintenance Items</b>		
PL 2.2.99	Tray 1 Feed Roller Assembly Kit	604K78861
PL 4.3.18	Transfer Roller (2nd BTR Unit)	604K78291
PL 4.4.14	Bypass Tray Feed Roller Assembly	604K76890

Parts List Reference	Description	Part Number
PL 6.1.1	Imaging Unit - Cyan	108R01148
	Imaging Unit - Magenta	
	Imaging Unit - Yellow	
	Imaging Unit - Black	108R01151
PL 8.1.5	Developer Housing Assembly - Yellow	604K58515
PL 8.1.6	Developer Housing Assembly - Magenta	604K58525
PL 8.1.7	Developer Housing Assembly - Cyan	604K58535
PL 8.1.8	Developer Housing Assembly - Black	604K58545
PL 9.1.1	Waste Cartridge	106R02624
PL 9.1.99	Transfer Belt (IBT Unit)	604K76391
PL 10.1.1	Fuser Assembly (110V)	604K78380
	Fuser Assembly (220V)	604K78390
PL 15.2.99	Tray 2, 3, 4 Feed Roller Assembly Kit	604K78871
<b>Options</b>		
PL 12.4.20	HDD Productivity Service Kit	604K78960
PL 14.1.1	Duplex Unit	604K78531
PL 15.1.2	550-Sheet Feeder Assembly	097S04485
PL 16.1.1	Printer Stand	097S04552

### Power Cords

Description	Part Number
Power Cord, North America (NEMA 5-15), 120 V	117K31400
Power Cord, 220 V Common EU	152S06413
Power Cord, Cable Assembly, UK, 220 V	152S06414
Power Cord, Denmark, 220V	152S06415
Power Cord, Switzerland, 220V	152S06416

Parts List

**Kits**

Description	Part Number
Hardware Kit	604K76930
Repack Kit	695K33750