

Parts List

In this chapter...

- Serial Number Format
- Using the Parts List
- Print Engine Parts
- Xerox Supplies and Accessories
- Service Kits

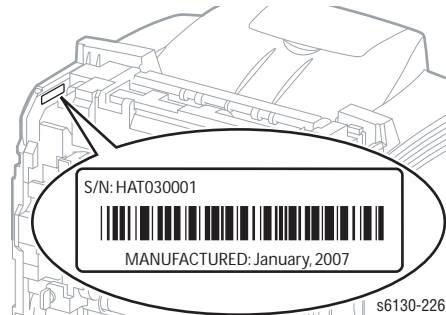
Chapter 9

Serial Number Format

Changes to Xerox products are made to accommodate improved components as they become available. It is important when ordering parts to include the following information:

- Component's part number
- Product type or model number
- Serial Number of the printer

The serial number is found on a label located on the left-side frame near the Fuser. The Front Cover must be opened to locate the Serial Number.



The nine-digit serial number uses the format **PPPRSSSSS**.

- **PPP** = Three digit alphanumeric product code

Product Code	Product
HAT	6130, 110 V Engine
HAR	6130V, 220 V Engine
LAN	6125, 110 V Engine
LAL	6125V, 220 V Engine

- **R** = Single digit numeric revision digit, 0-9. To be rolled when the ending serial number is reached or when a major product change occurs.
- **SSSSS** = Five digit numeric serial number based on the following table. The serial numbers are reset only when the ending number is reached or the revision number is rolled.

Product	Starting Serial Number	Ending Serial Number
6130_N, 110V Engine	30001	79999
6130_WN, 110V Engine	80000	99999
6130V_N, 220V Engine	30001	79999
6130V_WN, 220V Engine	80000	99999
6125_N, 110V Engine	30001	55000
6125_WN, 110V Engine	55001	99999
6125V_N, 220V Engine	30001	60000
6125V_WN, 220V Engine	60001	99999

Example

HAT253072: Xerox Serial Number
HAT: Product Code for the Phaser 6130, 110V printer
2 = Revision Level
53072 = Serial Number for 6130 N

Using the Parts List

- **ID No.:** The callout number from the exploded part diagram.
- **Name/Description:** The name of the part to be ordered and the number of parts supplied per order.
- **Part Number:** The material part number used to order that specific part.
- Parts identified throughout this manual are referenced **PL#.#. #**; For example, PL3.1.10 means the part is item 10 of Parts List 3.1.
- A black triangle preceding a number followed by a parenthetical statement in an illustrated parts list means the item is a parent assembly, made up of the individual parts called out in parentheses.
- The notation “**with X~Y**” following a part name indicates an assembly that is made up of components X through Y. For example, “1 (with 2~4)” means part 1 consists of part 2, part 3, and part 4.
- An asterisk (*) following a part name indicates the page contains a note about this part.
- The notation (NS) next to a part indicates that particular part is not spared, but contained in a kit or major assembly.
- The notation “**J1<>J2 and P2**” is attached to a wire harness. It indicates that connector Jack 1 is attached to one end of the wire harness and connector J2 is attached to the other end that is plugged into P2.

Note

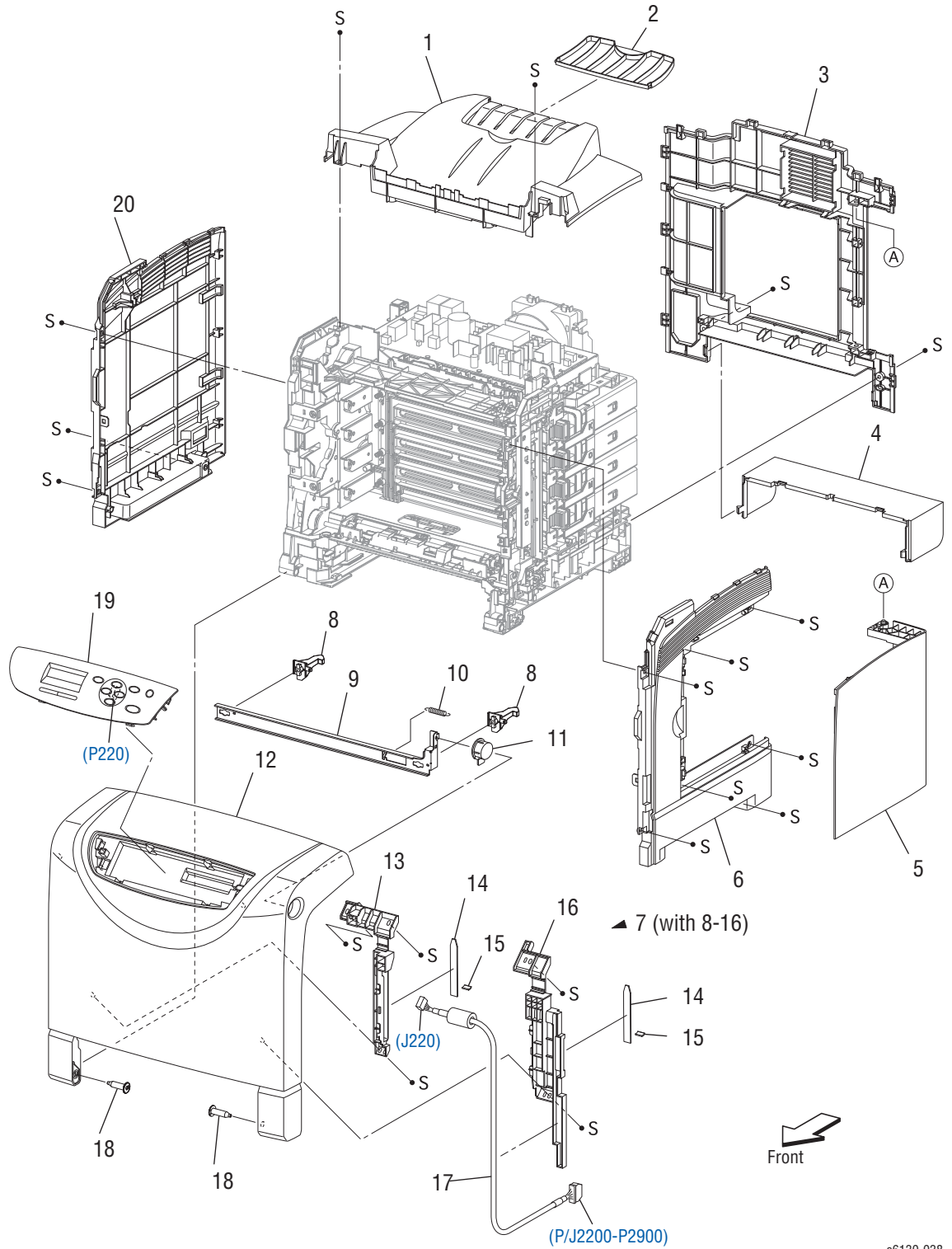
Only parts showing part numbers are available for ordering by support. Parts not showing part numbers are available on the parent assembly.

Abbreviations

Abbreviation	Meaning
C	C-ring
E	E-ring
KL	K-clip
S	Screw

Print Engine Parts

Parts List 1.1 Covers

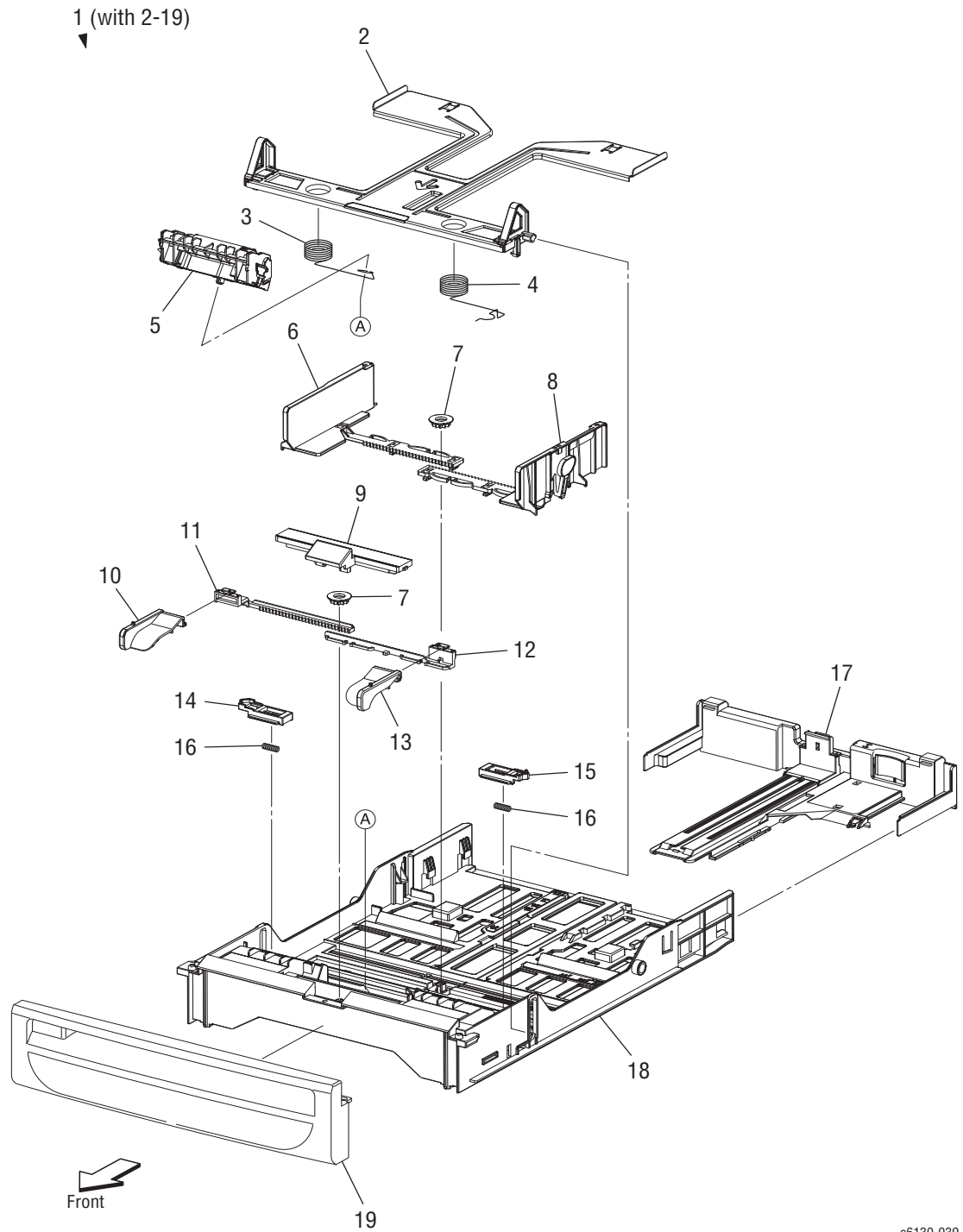


s6130-038

Parts List 1.1 Covers

ID No.	Name/Description	Part Number
1	Cover Top	848E20100
2	Tray Ext	050E24201
3	Cover Rear	848E20072
4	Cover Cst	848E20121
5	Cover Window Tnr (Toner Access Door)	848K10661
6	Cover Side R	848E20091
7	Cover Assy Front (with 8-17)	675K61041
8	Latch Front	—
9	Plate Latch	—
10	Spring Latch Out	—
11	Button Latch	—
12	Cover Front	
13	Guide Belt	—
14	Damper Front L	—
15	Damper Front S	—
16	Cover Harness	—
17	Harness Assy A-OP (J2200-P2900)	962K60030
18	Shaft Pivot	—
19A	Control Panel Assy PDL (6130)	848K09303
19B	Control Panel Assy GDI (6125)	848K16161
20	Cover Side L	848E20081
21	—	—
99	Kit Shaft Pivot (with 18 × 2pcs)	675K54050

Parts List 2.1 Paper Tray

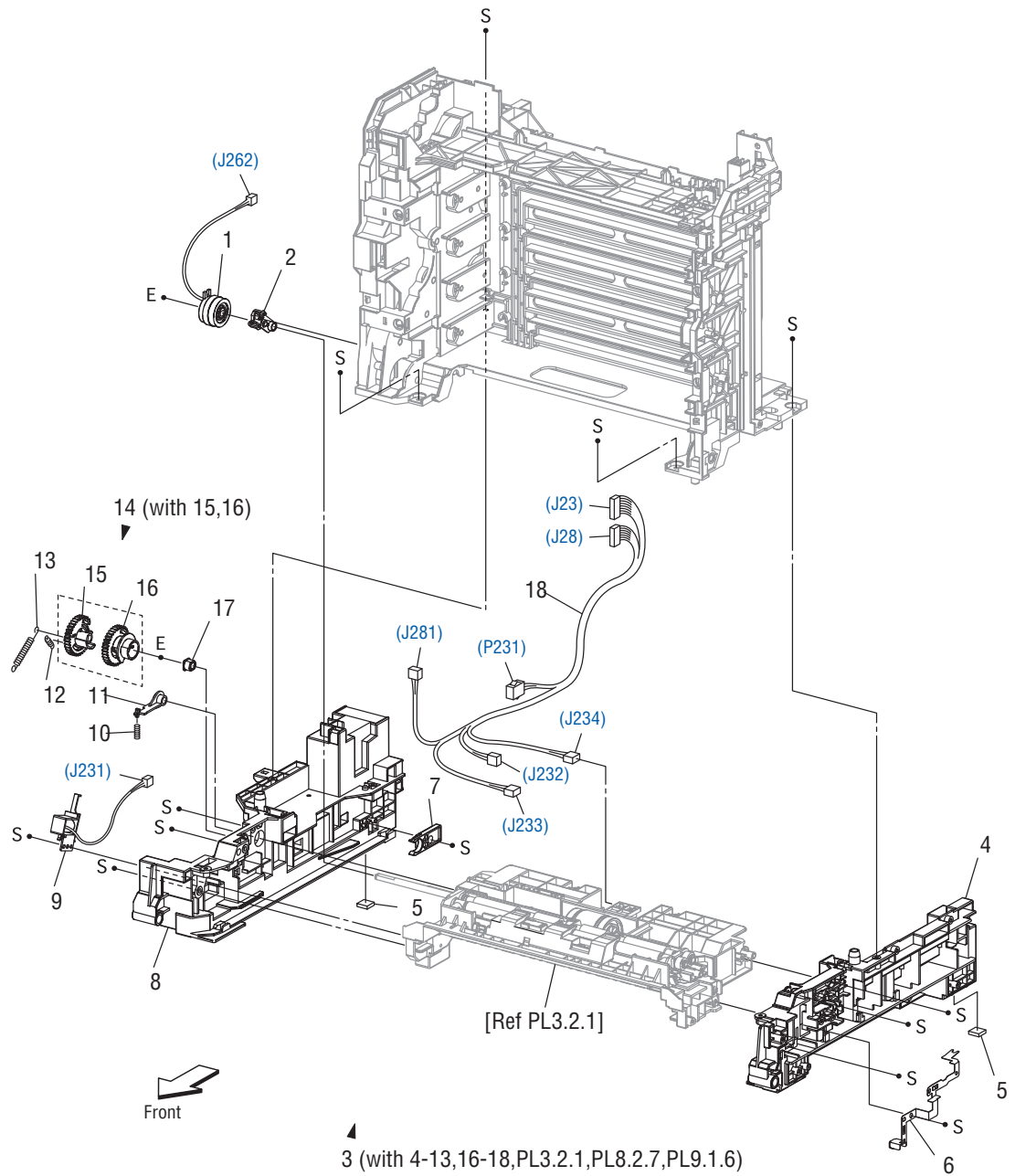


s6130-039

Parts List 2.1 Paper Tray

ID No.	Name/Description	Part Number
1	CASSETTE ASSY 250 (with 2-19)	050K61151
2	PLATE ASSY BOTTOM	—
3	SPRING N/F L	—
4	SPRING N/F R	—
5	SEPARATOR ROLLER ASSEMBLY	019K09470
6	GUIDE SIDE L	—
7	GEAR PINION	—
8	GUIDE SIDE ASSY R	—
9	COVER SSI	—
10	GUIDE SIDE SSI L	—
11	RACK GUIDE SIDE SSI L	—
12	RACK GUIDE SIDE SSI R	—
13	GUIDE SIDE SSI R	—
14	LATCH BOTTOM L	—
15	LATCH BOTTOM R	—
16	SPRING LEVER	—
17	TRAY ASSY EXTENSION	—
18	HOUSING CST 250	—
19	HANDLE CST	—

Parts List 3.1 Paper Feeder (1 of 2)

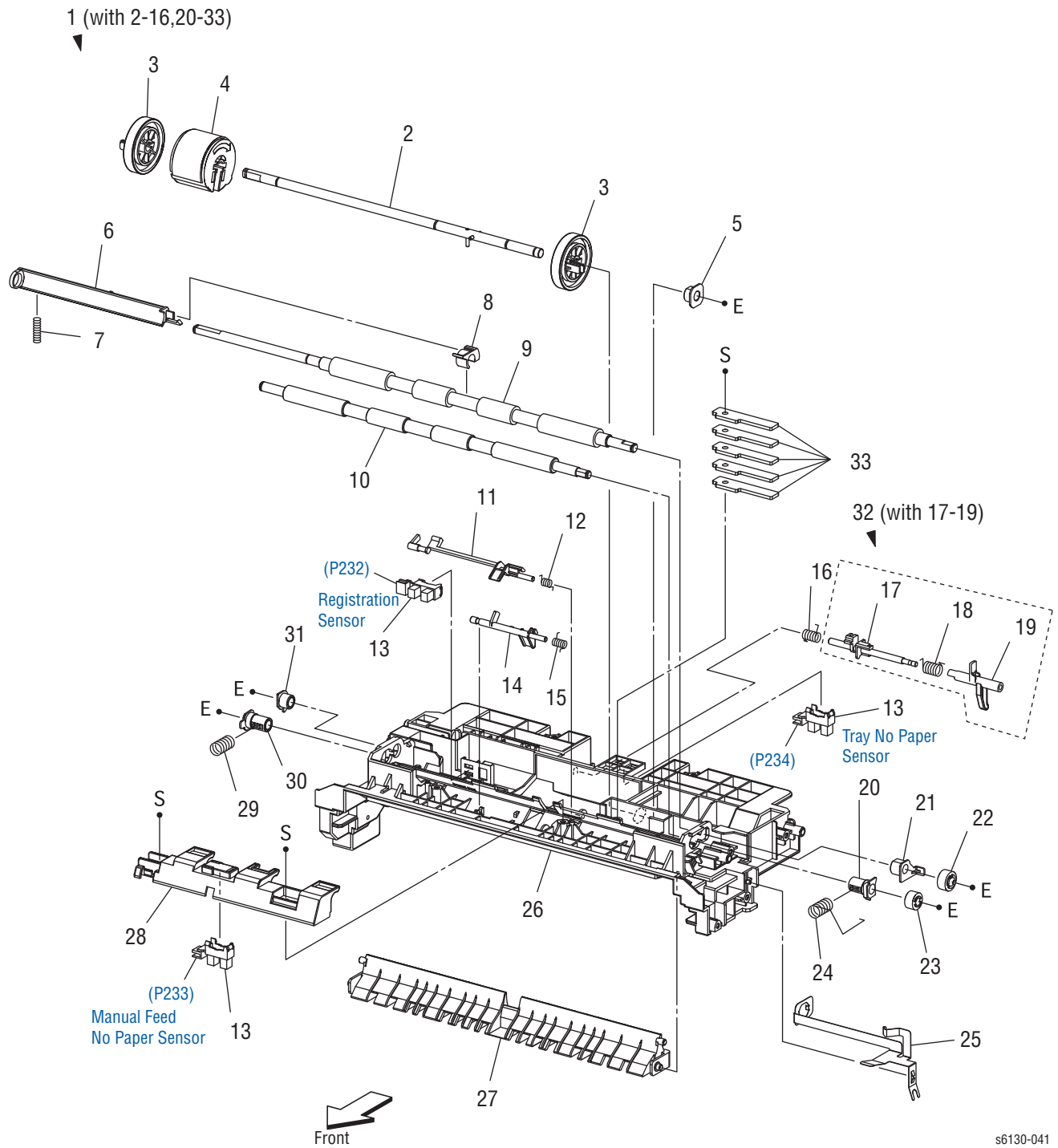


s6130-040

Parts List 3.1 Paper Feeder (1 of 2)

Item	Parts name	Part Number
1	CLUTCH ASSY DRV	—
2	BEARING REGI	—
3	FEEDER ASSY NV (with 4-13,16-18,PL3.2.1,PL8.2.7,PL9.1.6)	059K56390
4	CHASSIS FDR R	—
5	FOOT	—
6	PLATE EARTH PH	—
7	STOPPER CST	003E73341
8	CHASSIS FDR L	—
9	SOLENOID FEED MSI	—
10	SPRING LEVER	—
11	LEVER FEED	—
12	SPRING FEED IN	—
13	SPRING FEED OUT	—
14	GEAR ASSY FEED (with 15,16)	—
15	GEAR FEED OUT	—
16	GEAR FEED IN	—
17	BEARING	—
18	HARN ASSY L SIDE (J23,J28-P231,J232,J233,J234,J281)	962K57541
98	KIT SOLENOID FEED (with 9-14)	675K54150
99	KIT CLUTCH ASSY DRV (with 1,2)	675K54230

Parts List 3.2 Paper Feeder (2 of 2)



Parts List 3.2 Paper Feeder (2 of 2)

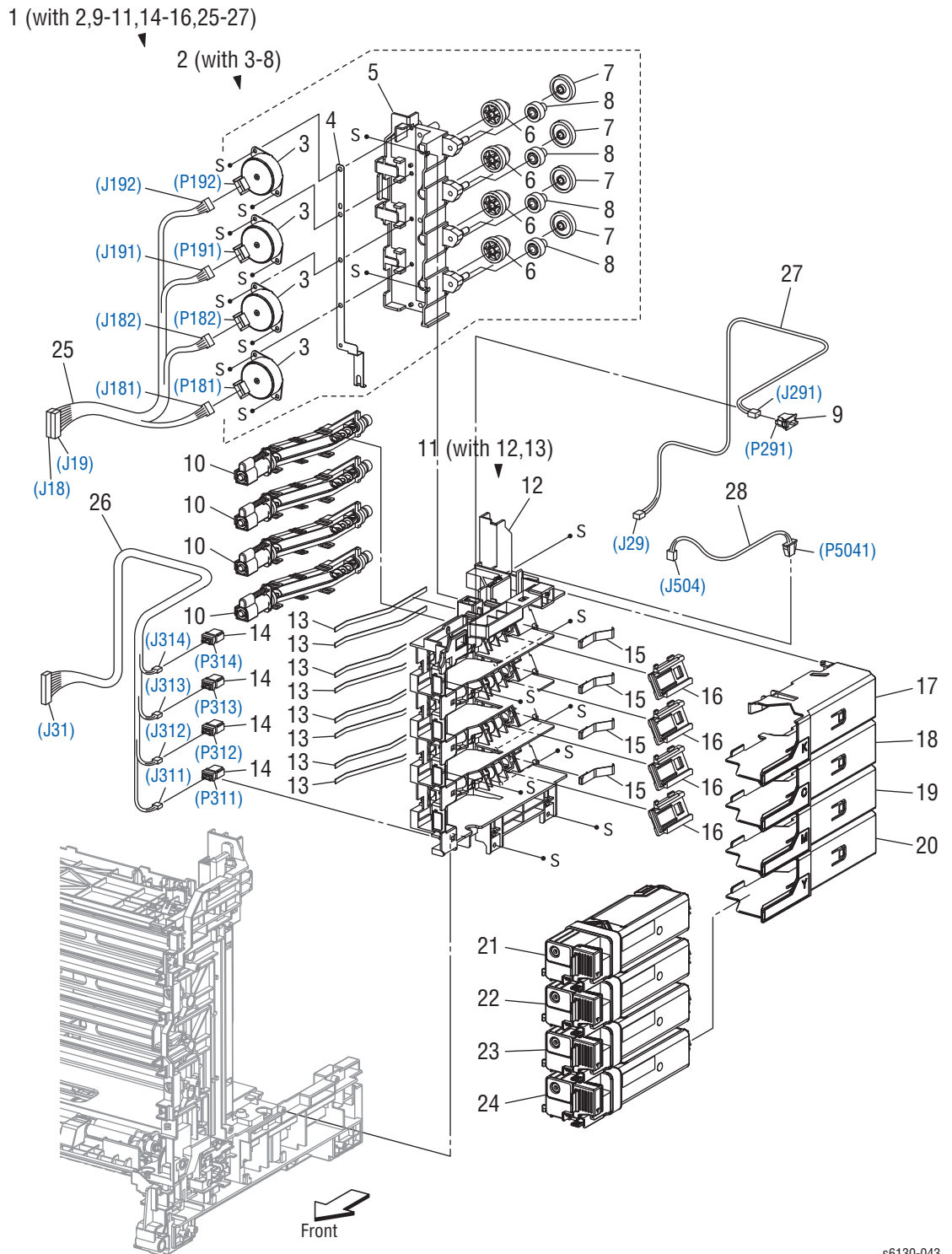
Item	Parts name	Part number
1	CHUTE ASSY FDR REGI (with 2-16,20-33)	REF ONLY
2	SHAF ASSY FEED	—
3	ROLL CORE MSI	—
4	ROLL ASSY FEED	059K50731
5	BEARING EARTH	—
6	ACTUATOR REGI OUT	—
7	SPRING REGI OUT	—
8	ACTUATOR REGI ROLL	—
9	ROLL ASSY REGI	—
10	ROLL REGI METAL	—
11	ACTUATOR REGI IN	—
12	SPRING ACT REGI	—
13	SENSOR PHOTO	130E87090
14	ACTUATOR SSI (Manual Feed)	120E27850
15	SPRING ACT SSI	—
16	SPRING STP	—
17	STOPPER ACT	—
18	SPRING ACT NP	—
19	ACTUATOR NO PAPER	—
20	BEARING M EARTH	—
21	BEARING EARTH REGI	—
22	GEAR REGI R	—
23	GEAR REGI M	—
24	SPRING REGI R M	—
25	PLATE EARTH REGI	—
26	CHUTE UP	—
27	CHUTE LOW	—
28	BRACKET SNS	—
29	SPRING REGI L M	—
30	BEARING M	—
31	BEARING R	—
32	ACTUATOR ASSY NO PAPER (with 17-19)	—
33	PLATE WEIGHT	—

Parts List 4.1 Xerographics

ID No.	Name/Description	Part Number
1	ROS ASSY (Laser Unit) ^a	—
2	SPRING ROS	—
3	HOLDER CRUM	—
4	SPRING PHD	—
5	LEVER PHD	—
6	BLOCK STOPPER PHD D	—
7	BLOCK STOPPER PHD AD	—
8	LED ASSY ERASE	122K94040
9	SPRING TRACKING	—
10	SPRING CF	—
11	SPRING TR4	—
12	SPRING TR3	—
13	SPRING TR2	—
14	SPRING TR1	—
15	SPRING D4	—
16	SPRING D3	—
17	SPRING D2	—
18	SPRING D1	—
19	PWBA HVPS	105K22661
20	FRAME HVPS	801E01503
21	PHD ASSY (Imaging Unit)	675K69240
22	HARN ASSY ROS RE (J40-J411)	—
23	HARN ASSY ROS VIDEO (J41-J412)	—
97	KIT BLOCK PHD RIGHT (with 4,5,7 × 2pcs)	675K54241
98	KIT BLOCK PHD LEFT (with 4,5,6 × 2pcs)	675K54251
99	KIT ROS (with 1,2 × 2pcs) (Laser Unit kit)	604K43050

a. Use PL4.1.99, Laser Unit kit, when ordering the Laser Unit.

Parts List 5.1 Dispenser

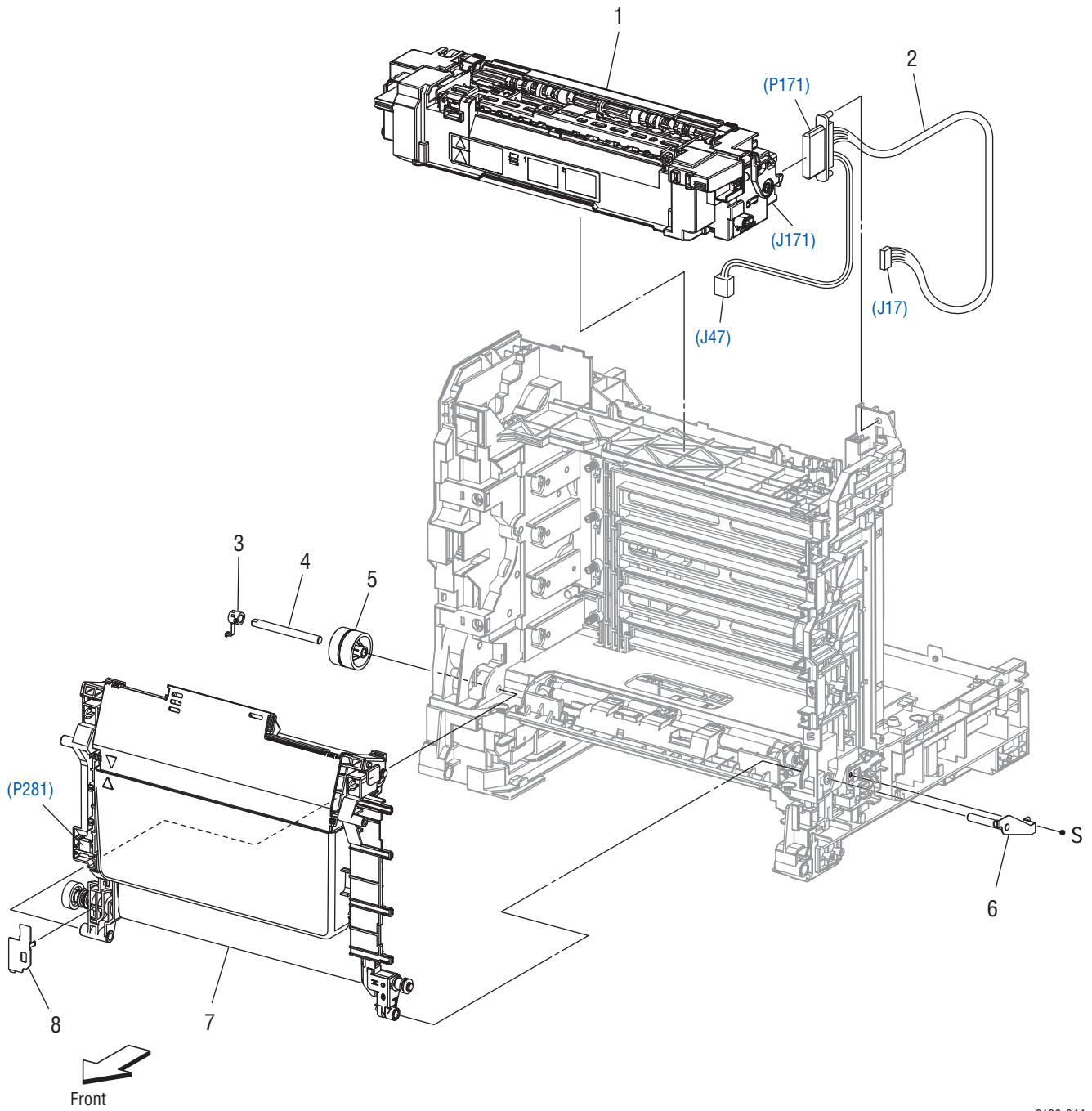


s6130-043

Parts List 5.1 Dispenser

ID No.	Name/Description	Part Number
1	DISPENSER ASSY (with 2,9-11,14-16,25-27)	094K92290
2	FRAME ASSY MOT (with 3-8)	—
3	MOTOR ASSY DISP	—
4	CONDUCTOR MOTOR	—
5	FRAME MOTOR	—
6	GEAR IDLER	—
7	GEAR IDLER AUG	—
8	GEAR IDLER AGI	—
9	SWITCH (R Side Door)	110E10200
10	HOUSING ASSY AUGER	—
11	FRAME ASSY DISP (with 12,13)	—
12	FRAME DISP	—
13	SEAL DISP AUG	—
14	CONNECTOR CRUM	—
15	SPRING DISP	—
16	JOINT ASSY DISP	—
17	HOLDER TCRU K	604K44920
18	HOLDER TCRU C	604K44930
19	HOLDER TCRU M	604K44940
20	HOLDER TCRU Y	604K44950
21B	TONER CARTRIDGE US/EU 2.5K (K)	675K59231
21C	TONER CARTRIDGE DMO 2.5K (K)	675K59311
21D	TONER CARTRIDGE US/EU (GDI) 6125 (K)	106R01334
21E	TONER CARTRIDGE DMO (GDI) 6125 (K)	106R01338
22B	TONER CARTRIDGE US/EU 2K (C)	675K59241
22C	TONER CARTRIDGE DMO 2K (C)	675K59321
22D	TONER CARTRIDGE US/EU (GDI) 6125 (C)	106R01331
22E	TONER CARTRIDGE DMO (GDI) 6125(C)	106R01335
23B	TONER CARTRIDGE US/EU 2K (M)	675K59251
23C	TONER CARTRIDGE DMO 2K (M)	675K59331
23D	TONER CARTRIDGE US/EU (GDI) 6125 (M)	106R01332
23E	TONER CARTRIDGE DMO (GDI) 6125 (M)	106R01336
24B	TONER CARTRIDGE US/EU 2K (Y)	675K59261
24C	TONER CARTRIDGE DMO 2K (Y)	675K59341
24D	TONER CARTRIDGE US/EU (GDI) 6125 (Y)	106R01333
24E	TONER CARTRIDGE DMO (GDI) 6125 (Y)	106R01337
25	HARN ASSY TNR MOT (J18,J19-J181,J182,J191,J192)	—
26	HARN ASSY TONER CRUM (J31-J311,J312,J313,J314)	—
27	HARN ASSY SIDE SW (J29-J291)	—
28	HARN ASSY TEST RL (J504-P5041)	—

Parts List 6.1 Transfer & Fuser



s6130-044

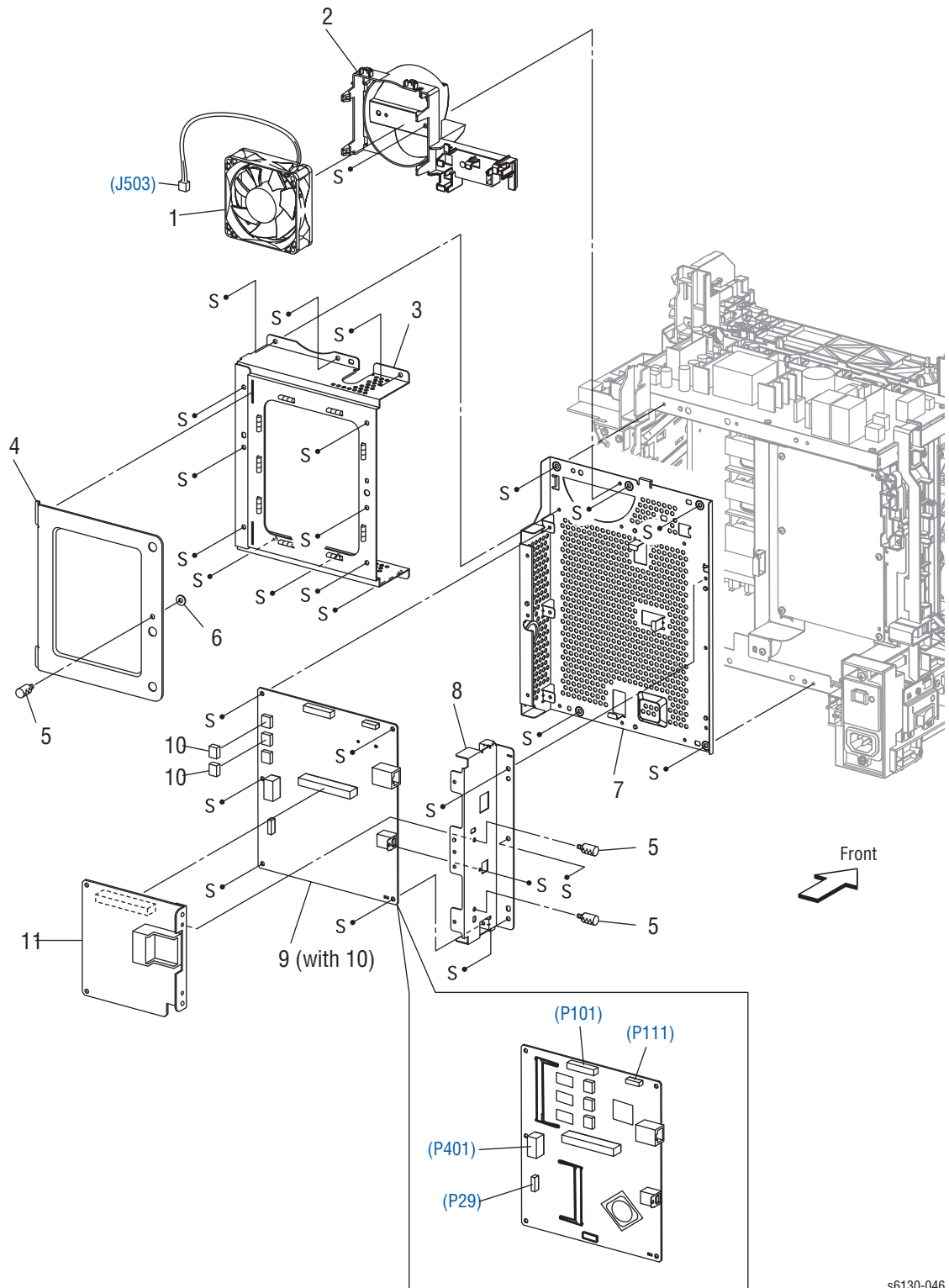
Parts List 6.1 Transfer & Fuser

ID No.	Name/Description	Part Number
1A 1B	Fuser 115V Fuser 220V	126K24951 126K24961
2	Harn Assy Fuser (J17,J47-P171)	—
3	Stopper Pivot	—
4	Pivot Trans L	—
5	Gear T4	—
6	Shaft Assy Pivot	—
7	Transfer (Unit) Belt	848K03270
8	Cover Harness 2	—
99	Kit Pivot (with 3-6)	675K54121

Parts List 7.1 Drive

ID No.	Name/Description	Part Number
1	Drive Assy Sub (Sub Drive Assembly)	007K94691
2	Drive Assy Main (Main Drive Assembly)	007K94685
3	Gear P2	807E15100
4	Drive Assy PH (Feed Drive Assembly)	007K94704

Parts List 8.1 Electrical (1/2)

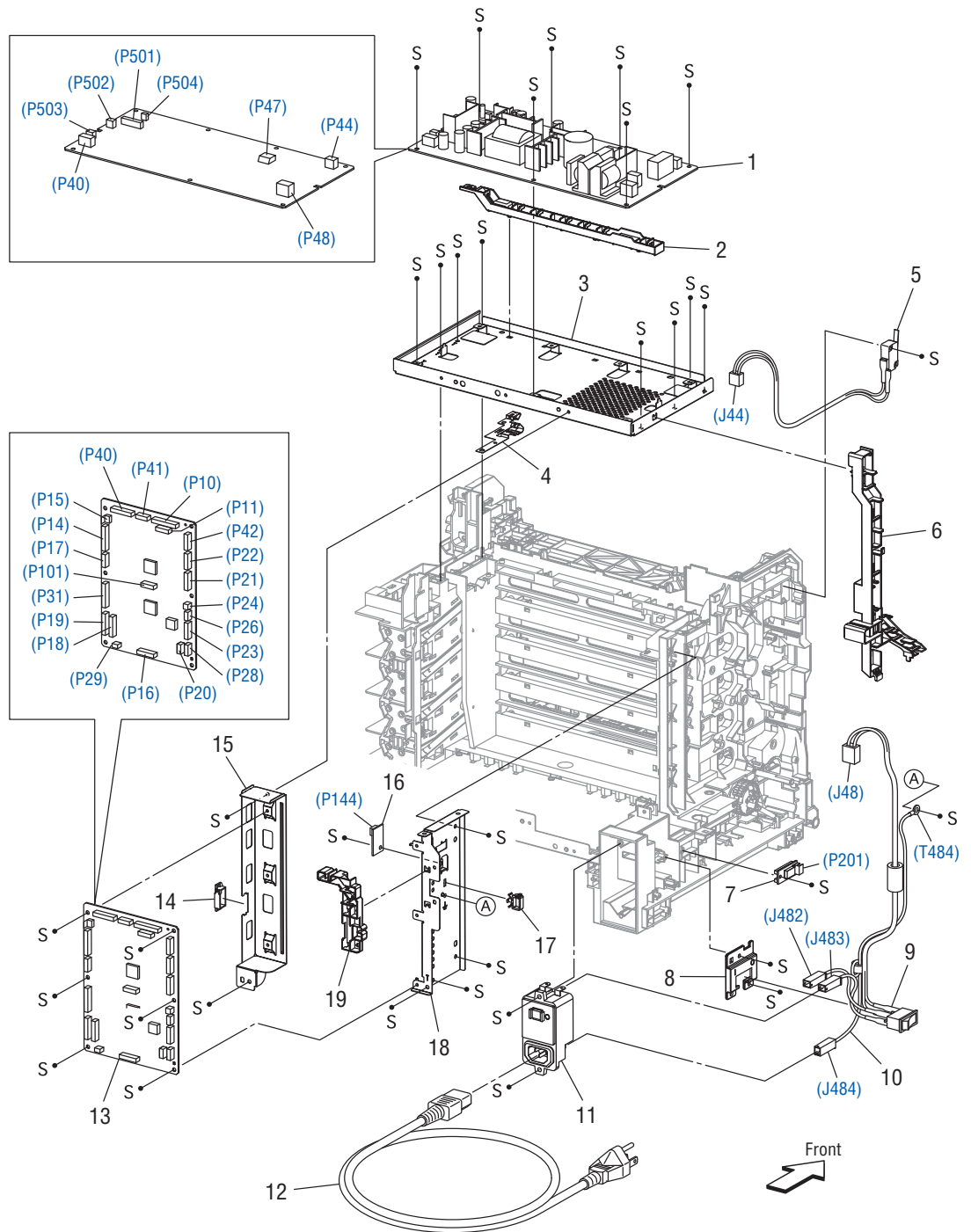


s6130-046

Parts List 8.1 Electrical (1/2)

ID No.	Name/Description	Part Number
1	FAN	127E85360
2	DUCT FAN	—
3	Shield Assy ESS (Image Processor Shield)	—
4	PLATE ESS	—
5	Screw Knurling	—
6	Washer	—
7	Frame ESS (Image Processor Frame)	—
8	Plate IF	—
9A	PWBA ESS Phaser 6130 (with 10) (I/P Board)	960K36163
9B	PWBA ESS Phaser 6125 (with 10) (I/P Board)	960K38520
10	NVM ROM	REF ONLY
11	MULTI PROTOCOL CARD (OPTION)	097S03745

Parts List 8.2 Electrical (2/2)

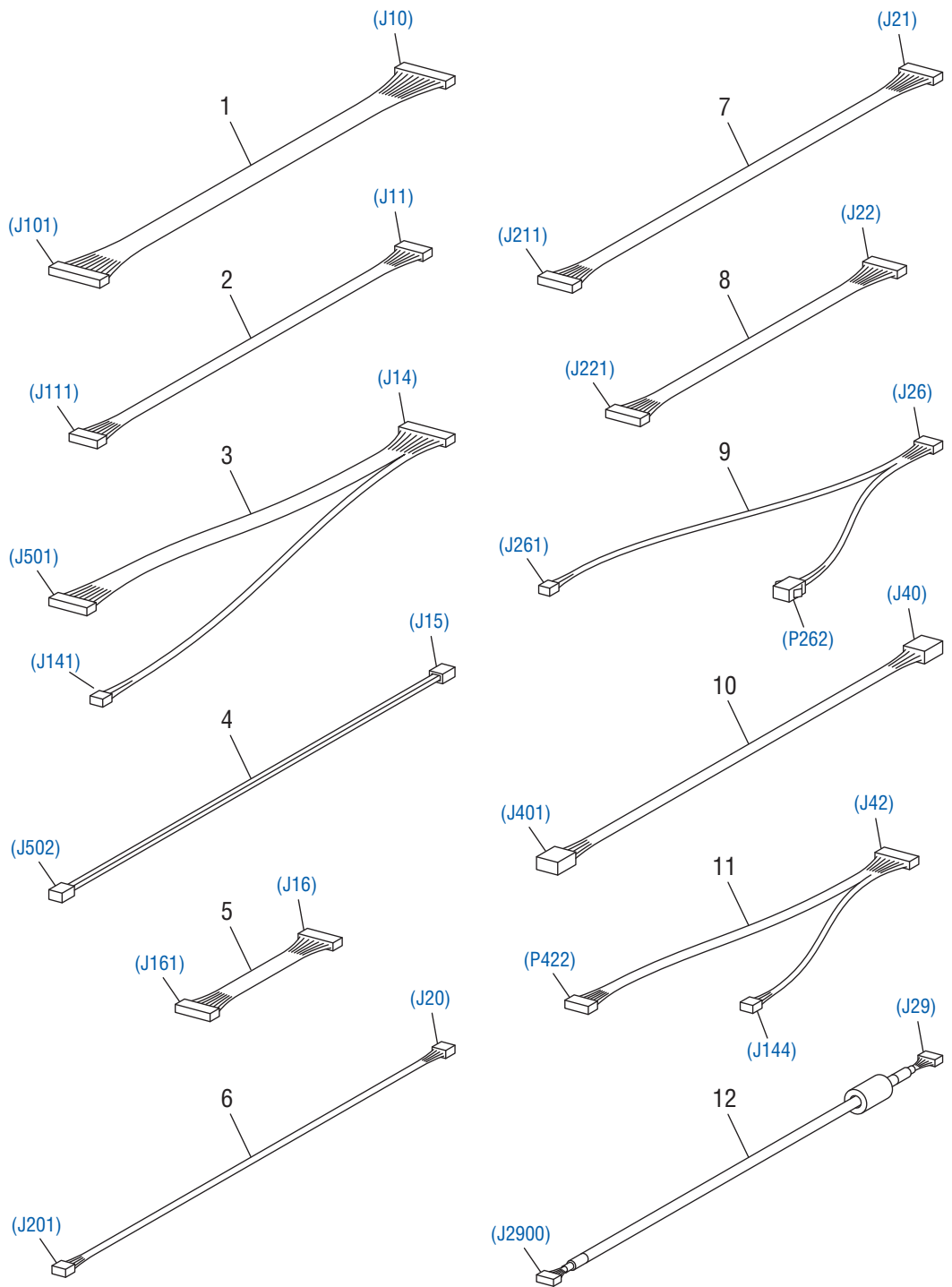


s6130-047

Parts List 8.2 Electrical (2/2)

ID No.	Name/Description	Part Number
1A	PWBA LVPS 100V	105K22382
1B	PWBA LVPS 200V	105K22721
2	Guide Harness Fsr	—
3	Frame Assy LVPS	—
4	Plate Earth	—
5	Harn Assy Interlock (SW-J44) (Front Cover)	962K52120
6	Guide Harness AC	—
7	Sensor Hum (Humidity Sensor)	130E93460
8	Bracket SW	—
9 A	HARN ASSY SW PWR (SW-J48,J482,J483) 100V	962K62110
9 B	HARN ASSY SW PWR (SW-J48,J482,J483) 200V	962K62120
10	HARN ASSY GFI GND (J484-T484)	—
11	BREAKER GFI	908W01201
12 A	Power Cord 110V	675K17830
12 B	Power Cord 220V	675K17660
13	PWBA MCU	960K36420
14	EDGING SADDLE	—
15	BRACKET MCU R	—
16	PWBA EEPROM (XPRO)	960K32640
17	CLAMP	—
18	BRACKET MCU L	—
19	GUIDE HARNESS MCU	—

Parts List 9.1 Wiring Harness



s6130-048

Parts List 9.1 Wiring Harness

ID No.	Name/Description	Part Number
1	Harn Assy ESS (Image Processor) (J10-J101)	—
2	Harn Assy ESS (Image Processor) Video (J11-J111)	—
3	Harn Assy LVPS (J14-J141,J501)	—
4	Harn Assy 24V (J15-J502)	—
5	Harn Assy HVPS (J16-J161)	—
6	Harn Assy HUM (J20-J201)	—
7	Harn Assy Main Mot (J21-J211)	—
8	Harn Assy Sub Mot (J22-J221)	—
9	Harn Assy KSNR REGCL (J26-J261,P262)	—
10	Harn Assy ESS (Image Processor) Power (J40-J401)	—
11	Harn Assy PHD XPRO (J42-J144,P422)	—
12	Harness Assy B (J29-J2900)	—

Xerox Supplies and Accessories

World Kit/Documentation

Description	Part Number
World Kit	650K29210

Consumable and Maintenance Items

Parts List Reference	Description	Part Number
PL5.1.21B	Toner Cartridge US/EU 2.5K (K)	675K59231
PL5.1.21C	Toner Cartridge DMO 2.5K (K)	675K59311
PL5.1.22B	Toner Cartridge US/EU 2.5K (C)	675K59241
PL5.1.22C	Toner Cartridge DMO 2.5K (C)	675K59321
PL5.1.23B	Toner Cartridge US/EU 2.5K (M)	675K59251
PL5.1.23C	Toner Cartridge DMO 2.5K (M)	675K59331
PL5.1.24B	Toner Cartridge US/EU 2.5K (Y)	675K59261
PL5.1.24C	Toner Cartridge DMO 2.5K (Y)	675K59341

Customer-replaceable Service Items

Parts List Reference	Description	Part Number
PL6.1.1A	Fuser 115V	126K24951
PL6.1.1B	Fuser 220V	126K24961
PL4.1.21	Imaging Unit	675K59860
PL3.2.4	Feed Roller Assembly	059K50731
PL2.1.05	Separator Roller Assembly	019K09470

Options

Parts List Reference	Description	Part Number
PL9.1.30	512 MB DDR2 Memory (1x 512 MB)	604K48400
	256 MB DDR2 Memory (1x 256 MB)	604K48180
PL8.1.11	Multi-Protocol Network Card	097S03745

Power Cords

Description	Part Number
Power Cord, North America (NEMA 5-15), 125 V, 13A	117E35170
Power Cord, Italy, 230 V	117E29450
Power Cord, Denmark, 230 V	117E29460
Power Cord, India/South Africa, 230 V	117E29470
Power Cord, Israel, 230 V	117E29480
Power Cord, Australia, 230 V	117E29490
Power Cord, Euro, 230 V	117E29500
Power Cord, UK, 240 V	117E29510
Power Cord, China, 220 V	117E35030
Power Cord, Argentina, 220 V	117E35040
Power Cord, Switzerland, 230 V	117E35050

Service Kits

Service Kits are developed to provide an easy means to obtain spare parts normally associated with larger assemblies. The following tables list the contents for each kit.

Kits

Hardware Kit

Parts List Reference	Description	Part Number
99.99.99	Hardware Kit	604K34030
	<i>Screw, Bind Head Del (1)</i>	
	<i>Screw, 8 mm Plastic (1)</i>	
	<i>Screw, Tap Bind Head (1)</i>	
	<i>Screw, M3x6 B (1)</i>	
	<i>Screw, DT3x8 B (1)</i>	
	<i>E-Ring, 3 mm (1)</i>	
	<i>E-Ring, 4 mm (1)</i>	

Packaging Kit

Parts List Reference	Description	Part Number
—	Packaging Kit, 110V	100S64594
	Packaging Kit, 220V	100S64595
—	Packaging Kit, DMO 110V	100S64644
	Packaging Kit, DMO 220V	100S64645