

Parts List

In this chapter...

- Serial Number Format
- Using the Parts List
- PL 1.1 Main Assembly
- PL 1.2 Cover Assembly
- PL 1.3 Frame Assembly (1 of 2)
- PL 1.3 Frame Assembly (2 of 2)
- PL 1.4 Fuser Assembly
- PL 2.1 Tray 2 Cassette
- PL 2.2 Tray 3 Cassette
- PL 2.3 Duplex Assembly

Chapter 8

Serial Number Format

Changes to Xerox products are made to accommodate improved components as they become available. It is important when ordering parts to include the following information:

- Component's part number
- Product type or model number
- Serial Number of the printer

The serial number is found on a label located on the frame of the printer. Front Cover must be opened to locate the Serial Number.

The nine-digit serial number has the following format:

- **PPPRSSSSS**
- **PPP** = Three digit alphanumeric product code
- **R** = Single digit numeric revision digit, 0~9. To be rolled when a major product change occurs and initiated with a change request.

Product Code	Product
MLB	3600_B, 110 V Engine
MKA	3600V_B, 220 V Engine
MHB	3600_N, 110 V Engine
MHX	3600V_N, 220 V Engine

Mass Production Units (MP Build)

PPP1SSSSS

SSSSS = Five digit numeric serial number based on the following table:

Product	Starting Serial Number	Ending Serial Number
3600_B, 110 V Engine	804501	836500
3600V_B, 220 V Engine	836501	843500
3600_N, 110 V Engine	843501	908500
3600V_N, 220 V Engine	908501	995500

Example

MLB1804599: Xerox Serial Number

MLB: Product Code for the Phaser 3600, configuration B, 110V printer

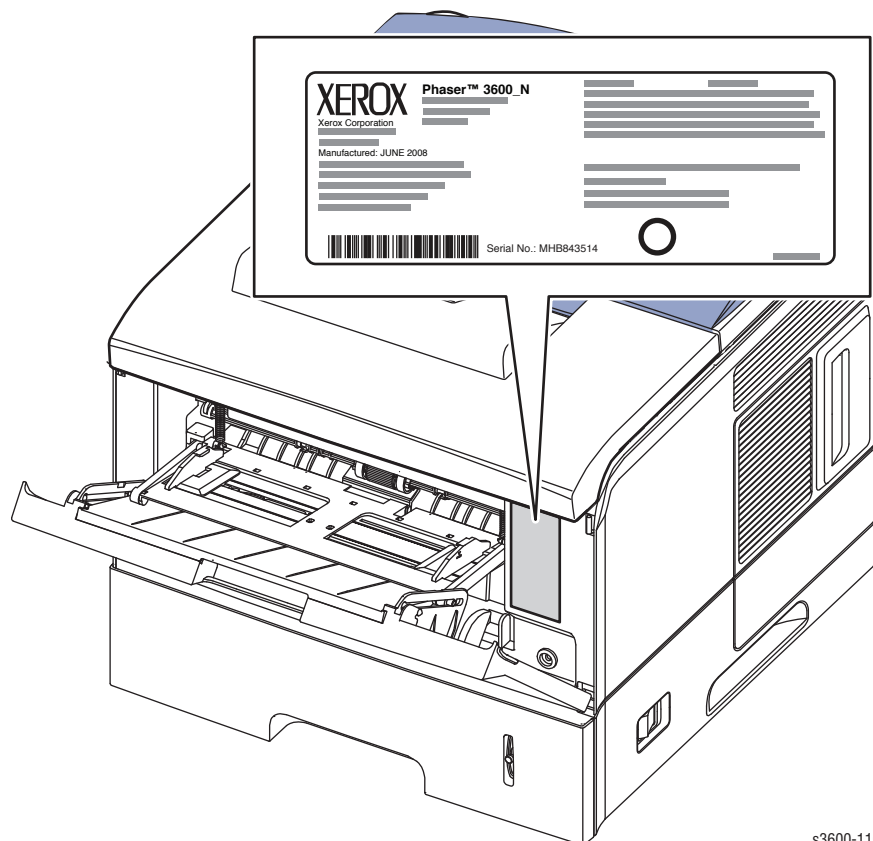
1 = Revision Level

804599 = Serial Number for 3600_B

Serial Number Format

Serial Number Label Location

The location of the Serial Number Label appears to the right of Tray 1 (MPT) output bin.



s3600-110

Using the Parts List

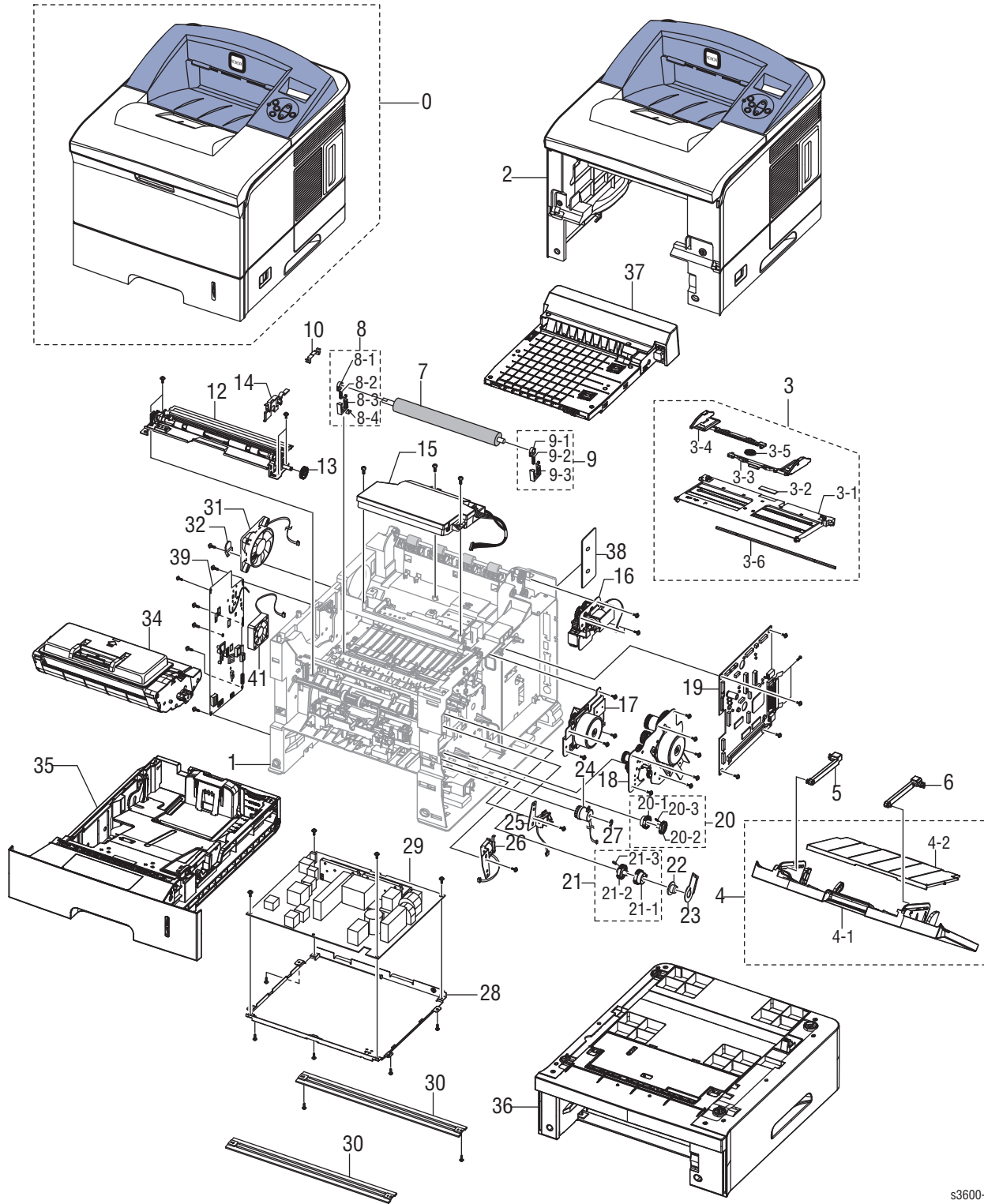
1. **No.:** The callout number from the exploded part diagram.
2. **Part Number:** The material part number used to order specific parts.
3. **Qty:** This number represents the parts per printer, not the number of parts supplied in the actual part order.
4. **Name/Description:** Details the name of the part to be ordered and the number of parts supplied per order.
5. Parts identified throughout this manual are referenced PL #.#.#; For example, PL 3.1.10 means the part is item 10 of Parts List 3.1.
6. A black triangle preceding a number followed by a parenthetical statement in an illustrated parts list means the item is a parent assembly, made up of the individual parts called out in parentheses.
7. The notation “with X~Y” following a part name indicates an assembly that is made up of components X through Y. For example, “1 (with 2~4)” means part 1 consists of part 2, part 3, and part 4.
8. An asterisk (*) following a part name indicates the page contains a note about this part.
9. The notation (NS) next to a part indicates that particular part is not spared, but contained in a kit or major assembly.

The notation “J1<>J2 and P2” is attached to a wire harness. It indicates that connector Jack 1 is attached to one end of the wire harness and connector J2 is attached to the other end that is plugged into P2.

Only parts showing part numbers are available for support. Parts not showing part numbers are available on the parent assembly.

Identifier	Meaning
C	C-ring
E	E-ring
KL	K-clip
S	Screw

PL 1.1 Main Assembly



s3600-011

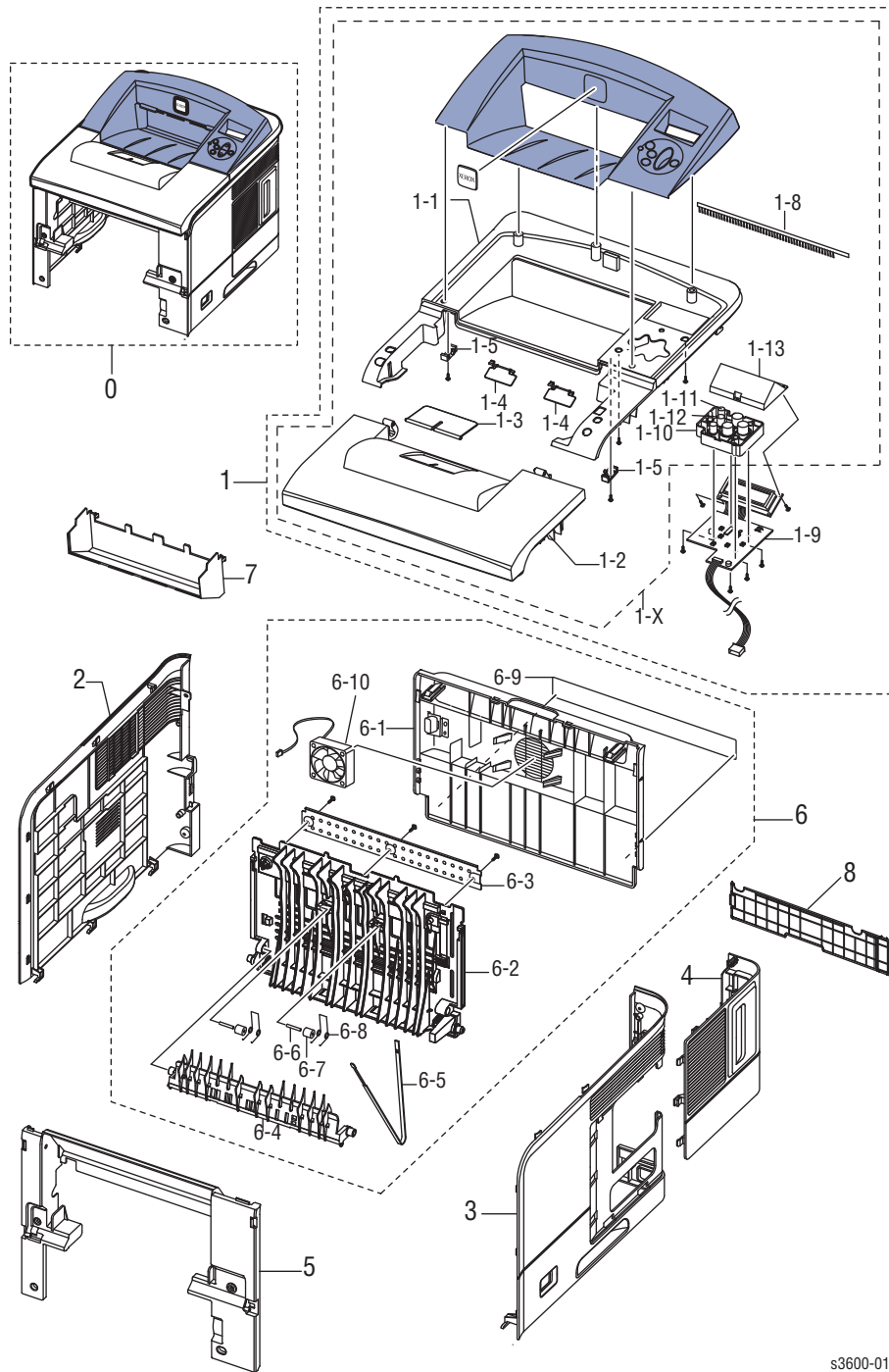
PL 1.1 Main Assembly Parts List Table

ID No.	Name/Description	Part Number
1	ELA UNIT FRAME BASE	
2	ELA HOU BASE HOUSING	
3	MEA UNIT KNOCK UP MP (Tray 1 Knock-Up Plate)	050N00475
3.1	PLATE M KNOCK UP MP	
3.2	MPR PAD KNOCK UP MP	
3.3	PMO SIDE GUIDE MP R	
3.4	PMO SIDE GUIDE MP L	
3.5	GEAR PINION	
3.6	SHAFT REINFORCEMENT	
4	MEA UNIT COVER MP XRX (Transfer Roller)	002N02410
4.1	COVER M MP XRX	
4.2	TRAY M EXTND MP	
5	TRAY M LINK MP L	012N00521
6	TRAY M LINK MP R	012N00522
7	ROLLER TRANSFER	022N02353
8	ELA UNIT HOLDER TR R	030N00560
8.1	PMO BUSHING TR	
8.2	SPRING ETC TR R HAWK	
8.3	PMO TRANSFER HOLDER	
8.4	IPR PLATE TR	
9	ELA UNIT HOLDER TR L	019E63480
9.1	PMO BUSHING TR	
9.2	SPRING ETC TR R HAWK	
9.3	PMO TRANSFER HOLDER	
10	PMO CAP TR	021N02248
11		
12	ELA UNIT REGI (Registration Assembly)	146N00131
13	GEAR REGI Z25	007N01360
14	CAP M GEAR	007N01599
15	UNIT LSU (Laser Scan Unit)	122N00276
16	ELA UNIT EXIT SOLENOID	121N01100
17	ELA UNIT DEVE MOTOR	127N07389
18	ELA UNIT MAIN MOTOR	127N07571
19	PBA MAIN (Base) PBA MAIN (Network)	140N63317 140N63333
20	MEA UNIT GEAR PICK UP	007N01598
20.1	GEAR M PICK UP CAM	
20.2	GEAR M PICK UP	
20.3	SPRINT ETC CAM MP	
21	MEA UNIT GEAR P/UP MP CARDINAL (Feed Unit 2)	007N01600

PL 1.1 Main Assembly Parts List Table (continued)

ID No.	Name/Description	Part Number
21.1	GEAR MP HOLDER CAM	
21.2	GEAR MP PICK UP	
21.3	SPRING ETC CAM MP	
22	BEARING PICK UP	
23	BRACKET P SHAFT MP	
25	SOLENOID MAIN	121N01167
26	SOLENOID MP (Tray 1 (MPT) Pick Solenoid)	121N01102
27	RING E	
28	SHIELD P SMPS	
29	SMPS V1- 110V SMPS V2- 220V	105N02144 105N02146
30	BAR P CROSS BOTTOM (Front Bottom Cross Bar)	
31	FAN DC (Left Side Cooling Fan)	127N07569
32	STOPPER M FAN80	
34	ELA UNIT DEVE (Print Cartridge) 7K Toner Cartridge 14K Toner Cartridge	106R01370 106R01371
35	ELA UNIT CASSETTE (Tray 2)	109R00756
36	ELA UNIT SCF (Optional Tray 3)	097N01673
37	ELA UNIT DUPLEX	097N01679
38	BRACKET P DUMMY CTRL	
39	HVPS	105N02145
39.1	BRACKET NIC	
39.2	PBA SUB (NIC BOARD)	
40	STOPPER M NETWORK	
41	40MM FAN	127N07568

PL 1.2 Cover Assembly

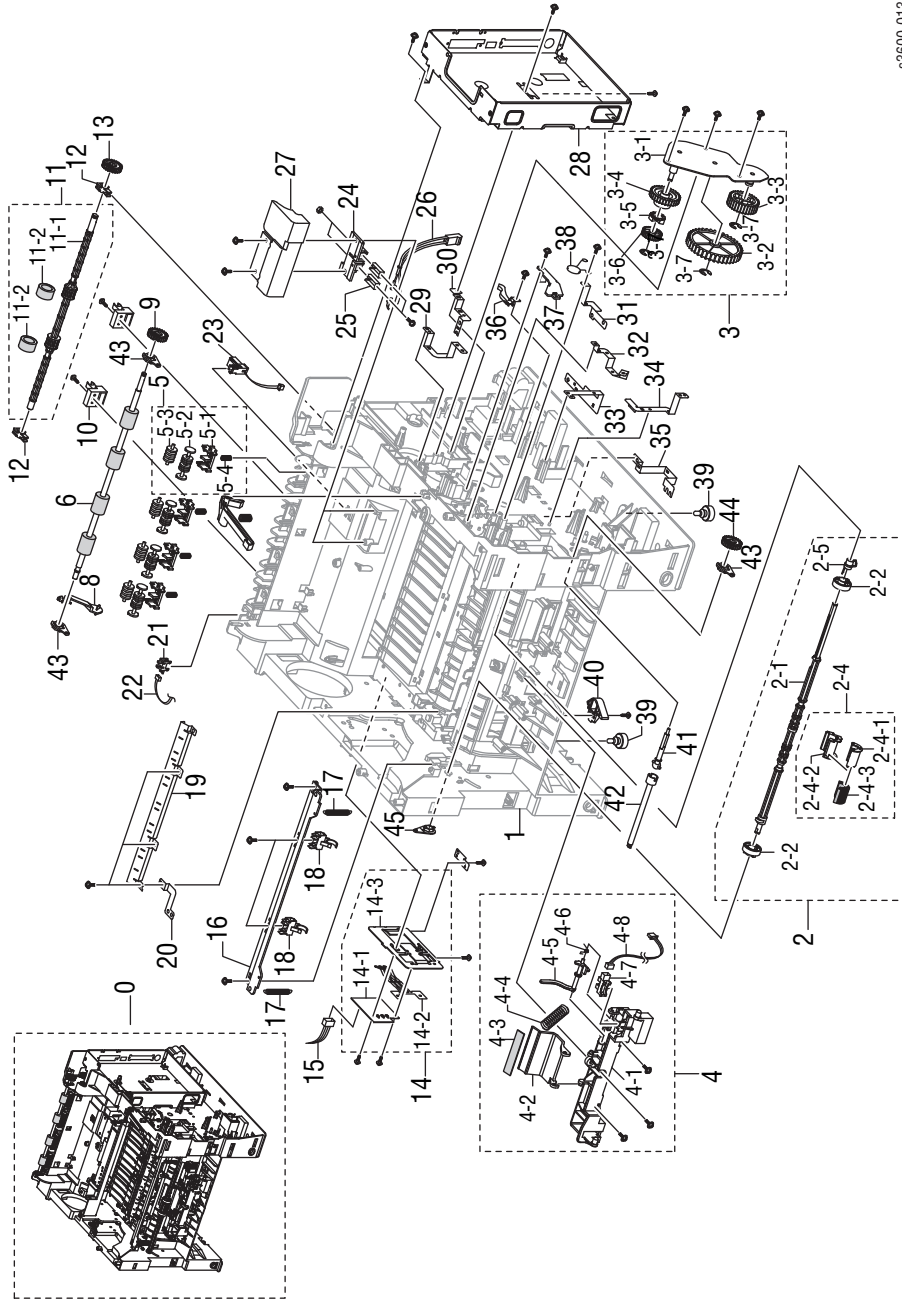


s3600-012

PL 1.2 Cover Assembly Parts List Table

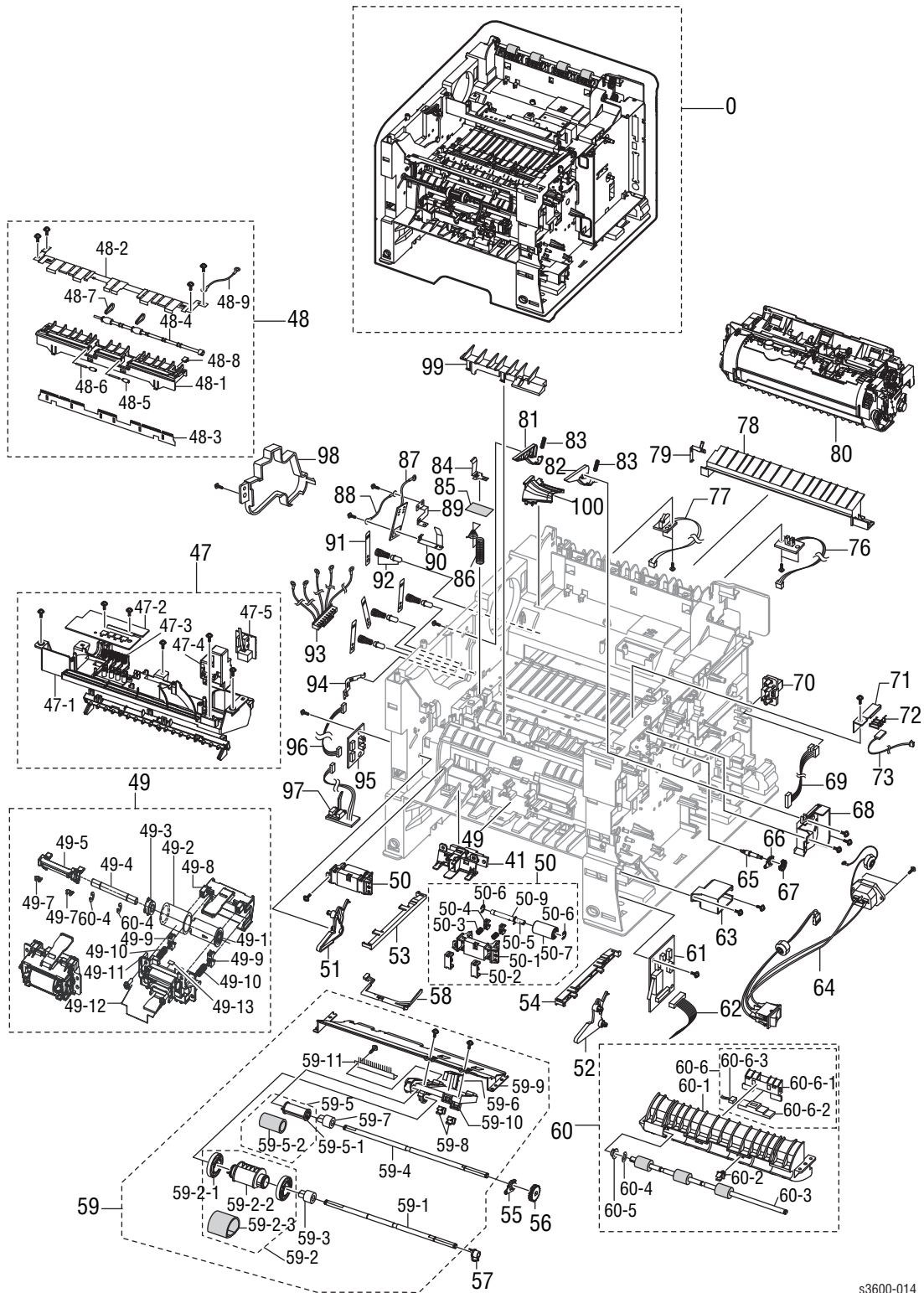
ID No.	Name/Description	Part Number
1 (1-X)	AS UNIT COVER TOP	002N02411
1-1	COVER M TOP	002N02730
1-2	COVER M OPEN XRX	002N02729
1-3	PMO STACKER RX	002N02418
1-4	LEVER M STACKING 38	036N00030
1-5	STOPPER M HINGE OPEN	
1-6	COVER M OP PANEL XRX	
1-7	SHEET OVERLAY BUTTON	
1-8	MEC BRUSH ANTISTATIC	
1-9	PBA SUB PANEL B'D	140N63320
1-10	KEY M BUTTON XRX	
1-11	KEY M CANCEL	
1-12	CAP M LED XRX	
1-13	WINDOW M LCD	
2	COVER M LEFT	002N02413
3	COVER M RIGHT	002N02414
4	COVER M CONTROL BOX	002N02419
5	COVER M FRONT INNER	002N02415
6	MEA UNIT COVER REAR	002N02854 002N02416
6.1	COVER M REAR	
6.2	PMO STACKER REAR	
6.3	ICT BRKT REAR COVER	
6.4	GUIDE M EXIT	
6.5	PMO STRIPE	001N00462
6.7	PEX ROLLER F/UP(2)	
6.8	SPRING ETC SEPARATION	
6.9	LABEL(P) JAM REMOVAL	
6.10	FAN	127N07569
7	COVER M FRAME EXIT	002N02417
8	COVER M DUMMY DUP (FILLER PANEL)	002N02420

PL 1.3 Frame Assembly (1 of 2)



s3600-013

PL 1.3 Frame Assembly (2 of 2)



s3600-014

PL 1.3 Frame Assembly Parts List Table

Item No.	Description	Part Number
1	FRAME M BASE	
2	MEA UNIT PICK UP MP (Tray 1 Pick-Up Rack)	130N01536
2-1	SHAFT M PICK UP MP	
2-2	PMO IDLE PICK UP MP	
2-4	ELA UNIT ROLLER P/UP MP	022N02182
2-4-1	HOLDER M PICKUP MP	
2-4-2	HOUSING M PICK UP MP	
2-4-3	RUBBER PICK UP MP	
2-5	CAM M SHAFT	
3	MEA UNIT GEAR IDLE	007N01362
3-1	BRACKET P GEAR IDLE	
3-2	GEAR FUSER IDLE 3	
3-3	GEAR M FUSER IDLE 2	
3-4	GEAR M FUSER DRV IN	
3-5	CLUTH M HUB	
3-6	GEAR RDCN FUSER OUT	
3-7	RING-E	
4	ELA HOU BASE HOLDER (Separator Pad Assembly)	022N02173
4-1	FRAME M HOLDER PAD	
4-2	HOLDER M PAD	
4-3	RPR FRICTION PAD MP	
4-4	SPRING ETC PAD	
4-5	PMO ACTUATOR EMPTY MP	
4-6	SPRING ETC EMPTY	
4-7	PHOTO INTERRUPTER	
4-8	CBF HARNESS MP EMPTY	
5	MEA RACK EXIT ROLLER	022N02081
5-1	PMO HOLDER EXIT ROLL	
5-2	PMO ROLLER FD F	
5-3	PMO ROLLER FD R	
5-4	SPRING EXIT ROLL FD	
6	ROLLER EXIT F/DOWN	006N01264
7		
8	PMO ACTUATOR OUT FULL (Outbin Full Actuator)	120N00479
9	GEAR M EXIT Z17	007N01364

PL 1.3 Frame Assembly Parts List Table (continued)

Item No.	Description	Part Number
10	HOLDER BUSHING EXIT (F/DOWN)	013E25770
11	MEA UNIT ROLL EXIT DUPLEX (Duplex Roller)	006N01265
11-1	SHAFT M EXIT DUPLEX	
11-2	RMO RUBBER EXIT DUP	
12	BUSH M EXIT D7	013N13839
13	GEAR M EXIT DUP Z21	007N01363
14	ELA HOU CST SENSOR (Paper Size Sensor)	130N01461
14-1	PBA SUB CASSETTE	
14-2	IPR PLATE SENSOR	
14-3	IPR BRACKET SENSOR	
15	CBF HARNESS PSIZE	
16	GUIDE P REGI UPPER	
17	SPRING ETC LEVER	
18	HOLDER M BUSHING TX	
19	GUIDE PLATE PAPER	
20	IPR P GROUND PLATE PAPER	
21	PHOTO INTERRUPTER (Outbin Full Sensor)	130N01274
23	CBF HARNESS THERM	
24	PMO HOUSING TERMINAL	
25	IPR TERMINAL FU	
26	CBF HARNESS FUSER	
27	CAP M HOUS TERM	
28	SHIELD P CTRL	
29	GROUND P MOTOR DEVE	
30	GROUND P GUIDE TR	
31	GROUND P REGI ROLLER	
32	GROUND P PICK UP MP	
33	GROUND P SCF MAIN	
34	GROUND P MOTOR MAIN	
35	GROUND P GUIDE DUP	
36	CAP M GUIDE HARNESS	
37	PMO DUMMY DEVE	
38	ELA HOU VARISTOR	
39	FOOT ML80	
40	PMO REMOVE LOCK CST	

PL 1.3 Frame Assembly Parts List Table (continued)

Item No.	Description	Part Number
41	SHAFT M GEAR RETARD	
42	SHAFT M COUPLING RETARD	
43	PMO BEARING SHAFT	013N13841
44	GEAR REGI Z25	
45		
47	MEA UNIT FRAME LSU LOW (Sub-toner Low Sensor)	001N00500
47-1	FRAME M LSU LOWER (LSU Lower Cover)	
47-2	PBA TONER SENSOR	
47-3	TERMINAL P DEVE	
47-4	PBA SUB COVER OPEN	130N01399
47-5	CAP M COVER OPEN	002N02729
48	ELA UNIT FEED 3X5	022N02174
48-1	HOLDER M SAW	
48-2	GUIDE P TRANSFER FRONT	
48-3	PLATE P SAW	
48-4	SHAFT M ROLLER BELT	
48-5	ROLLER M IDLE BELT	
48-6	IEX SHAFT IDLE, F/UP	
48-7	RUBBER BELT FEED	
48-8	GUIDE M SHAFT BELT	
49	ELA UNIT ROLLER IDLE	022N02349
49-1	FRAME M RETARD	
49-2	HOLDER M RETARD	
49-3	SPRING ETC PAD	
49-4	BUSH M RETARD 2	
49-5	HOUSING M RETARD	
49-6	SHAFT RETARD	
49-7	RING-E	
49-8	PMO HUB OUT RETARD	
49-9	SPRING TS	
49-10	PMO HUB IN RETARD	
49-11	RUBBER RETARD	
50	ELA UNIT FEED2 IDLE (Feed 2 Idle Unit)	022N02176
50-1	HOLDER IDLE FEED2	
50-2	CAP M IDLE FEED2	

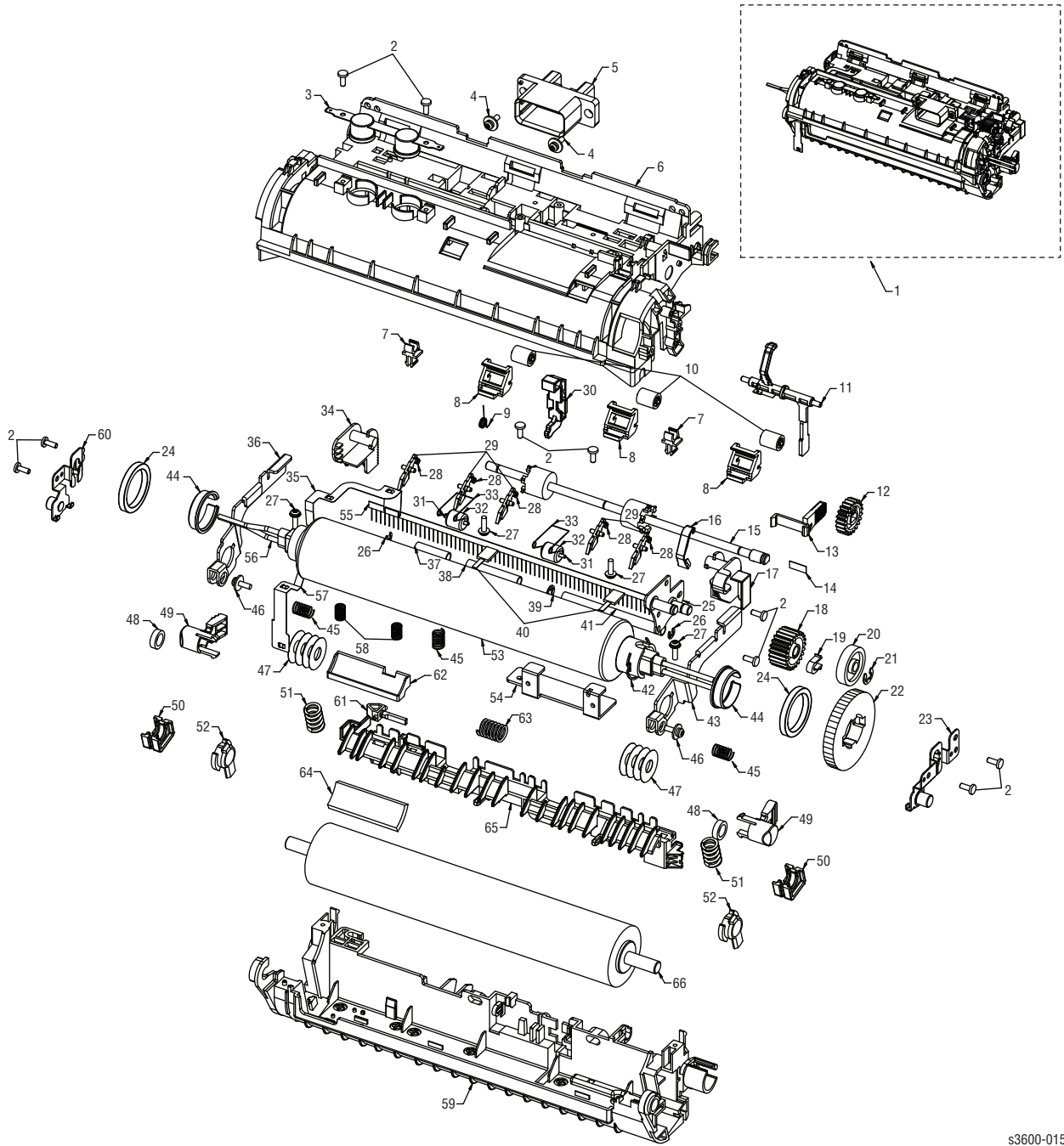
PL 1.3 Frame Assembly Parts List Table (continued)

Item No.	Description	Part Number
50-3	SPRING ETC PAD	
50-4	BUSH M RETARD	
50-5	SHAFT IDLE FEED2	
50-6	RING-E	
50-7	ROLLER M IDLE FEED2	
50-9	SHAFT HUB IN	
51	STOPPER M KNOCK UP MP L	
52	STOPPER M KNOCK UP MP R	
53	RAIL M LEFT DUPLEX	032N00441
54	RAIL M RIGHT DUPLEX	032N00442
55	PMO BEARING SHAFT	013N13841
56	GEAR REGI E25	
57	BEARING PICK UP	
58	PMO ACTUATOR EMPTY (Paper Tray Empty Actuator)	120N00519
59	ELA UNIT PICK UP	022N02183
59-1	SHAFT PICK UP	
59-2	MEA UNIT P/UP HOUSING (Pick Roller)	022N02177
59-2-1	PMO M IDLE PICK UP	
59-2-3	RUBBER PICK UP	
59-3	PMO M CAM PICKUP	
59-4	SHAFT FEED 1	
59-5	AS FEED 1 ROLL ASSY	022N02187
59-5-1	HOUSING M FEED1	
59-5-2	RUBBER FEED1	
59-6	GROUND P PICK UP MAIN	
59-7	BEARING PICK UP	
59-8	PMO BUSHING FEED	
59-9	GUIDE P FRONT DUP PICKUP	
59-10	GUIDE M SUPPORT PICKUP	
60	ELA UNIT FEED2	022N02178
60-1	FRAME M PICK UP	
60-2	PMO BUSHING FEED	
60-3	SHAFT M FEED2	
60-4	BEARING PICK UP	
60-5	RUBBER ROLLER FEED2	

PL 1.3 Frame Assembly Parts List Table (continued)

Item No.	Description	Part Number
61	PBA SUB JOINT (Joint Card)	140N63022
62	CBF HARNESS TRAY OUT	
63	CAP M POWER	
64	CBF HARNESS INLET	152N11756
65	SHAFT M BELT GEAR	
66	PMO BEARING SHAFT	
67	GEAR M EXIT Z17	
68	CAP M DEVE MOTOR	
69	CBF HARNESS DUPLEX	
71	CAP M WIRE PTL LOWER	021N02249
72	TERMINAL P PTL	116N00243
73	CBF HARNESS PTL	
74		
76	PBA SUB EXIT SENSOR (Fuser Exit Sensor)	130N01400
77	PBA FUSER SW (Fuser Interlock Switch)	130N01401
78	GUIDE M FRONT	
79	TERMINAL P GUIDE FRONT	
80	ELA UNIT FUSER 110V ELA UNIT FUSER 220V	126N00293 126N00294
81	PMO GUIDE DEVE L	
82	PMO GUIDE DEVE R	
83	SPRING ETC GUIDE DEVE	
84	TERMINAL P TR KESTREL	
86	TERMINAL SPRING TR	
87	PBA MAIN ZENER	
88	CBF HARNESS EARTH	
89	GROUND P ZENER	
90	GROUND P FUSER	
91	TERMINAL P HV CARDINAL	
92	MEA UNIT TERMINAL TR	
93	CBF HARNESS HVPS	
94	IPR P GROUND OPC	
95	PBA SUB EMPTY SENSOR (Paper Tray Empty Sensor)	140N63023
96	CBF HARNESS SENSOR	
97	PBA SUB FEED SENSOR (Tray 1 FeedSensor)	140N63024
98	CAP M HV	

PL 1.4 Fuser Assembly



s3600-015

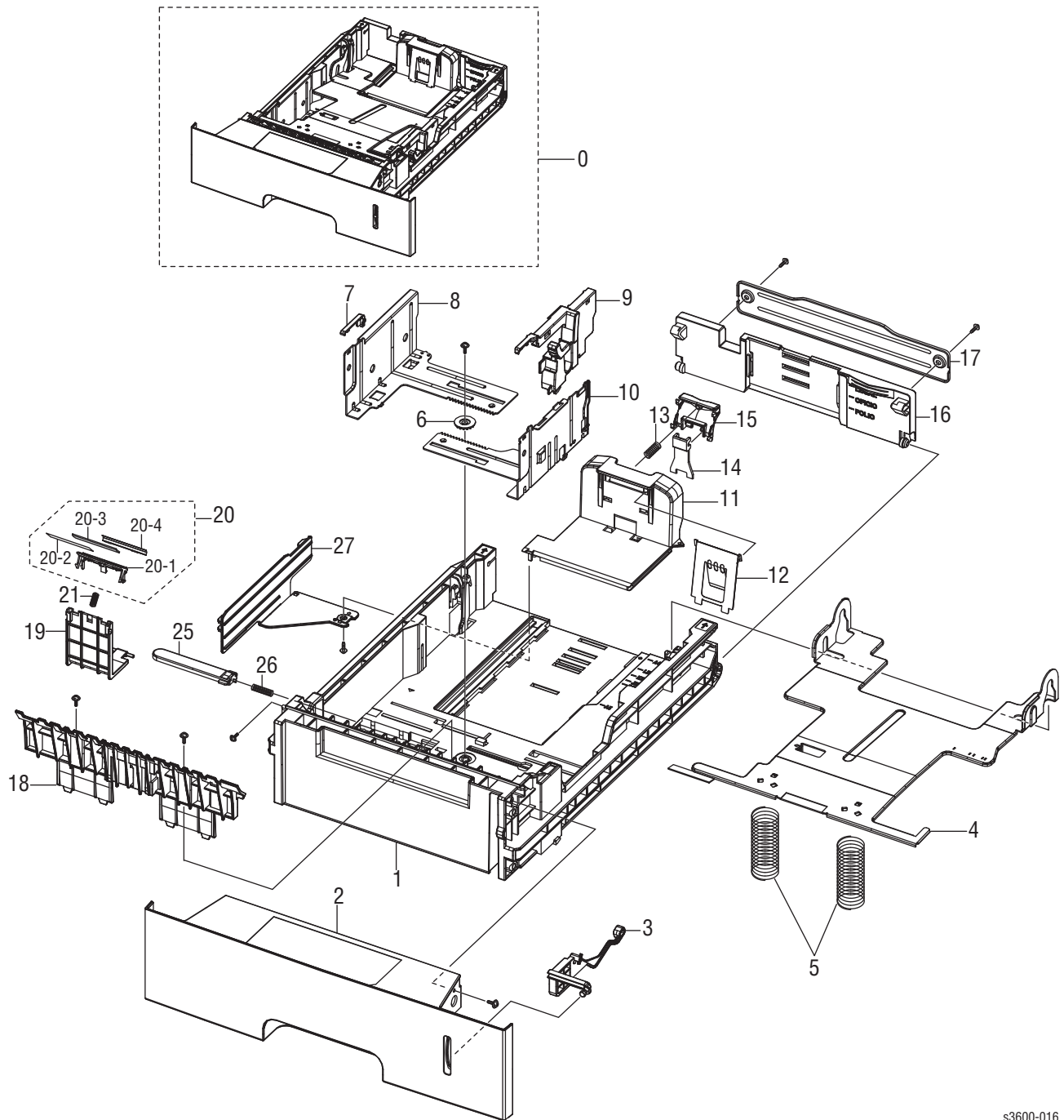
PL 1.4 Fuser Assembly Parts List Table

Item No.	Description	Part Number
1	ELA UNIT FUSER (110V) ELA UNIT FUSER (220V)	126N00293 126N00294
2	SCREW-TAPTITE	
3	THERMOSTAT	130N01537
4	SCREW-TAPTITE	
5	HARNESS-FUSER	
6	COVER-FUSER UP LAMP	
7	PMO BUSHING TX	
8	HOLDER -IDLE ROLLER	
9	SPRING ETC ACTUATOR	
10	PMO ROLLER UPPER DP	
11	PMO ACTUATOR EXIT	
12	GEAR-EXIT	
13	HOLDER REAR LEVER	
14	LABEL HOLD-REOPEN	
15	ROLLER EXIT F_UP	
16	PLATE ACTUATOR COVER	
17	HOLDER-LEVEL R	
18	GEAR IDLE	
19	CAP ACTUATOR	
20	GREASE-BEARING	
21	RING E	
22	GEAR-FUSER 2 LAMP	
23	BRACKET LAMP-RIGHT	
24	BEARING BALL	
25	BRACKET FUSER-LAMP	
26	RING CS	
28	SPRING ETC-SEPARATION	
29	GUIDE-CLAW POLY	
30	COVER SLIDE SENSOR	
31	TEX-SHAFT IDLE F/UP	
32	PEX ROLLERF/UP	
33	SPRING-TS	
34	HOLDER-LEVER L	
35	GROUND FUSER BRUSH	

PL 1.4 Fuser Assembly Parts List Table (continued)

Item No.	Description	Part Number
36	LEVER AUTO RELEASE L	
37	TUBE SMALL	
38	TUBE MIDDLE	
39	RING E	
40	THERMISTOR	130N01462
41	TUBE LARGE	
42	SPRING ETC LOCK	
43	LEVER AUTO RELEASE R	
44	BUSHING-HEAT_ROLLER	013N13883
48	BEARING BALL	
49	CAP FUSER LOCK	
50	BUSHING PRESSURE_ROLLER	013N13884
52	HOLDER PR SHAFT	
53	HEAT ROLLER	022N02351
54	BRACKET DRAWER	
55	MEG-BRUSH ANTISTATIC	
56	LAMP-DUAL 266 (110V) LAMP-DUAL 266 (220V)	122N00277 122N00278
57	GROUND HR LAMP	
58	SPRING CS	
59	COVER FUSER LO LAMP	
60	BRACKET LAMP-LEFT	
61	CAP ACTUATOR	
63	SPRING ETC GUIDE	
64	FELT CLEAN TONER	
65	GUIDE REAR LAMP	
66	PRESSURE ROLLER	022N02352

PL 2.1 Tray 2 Cassette

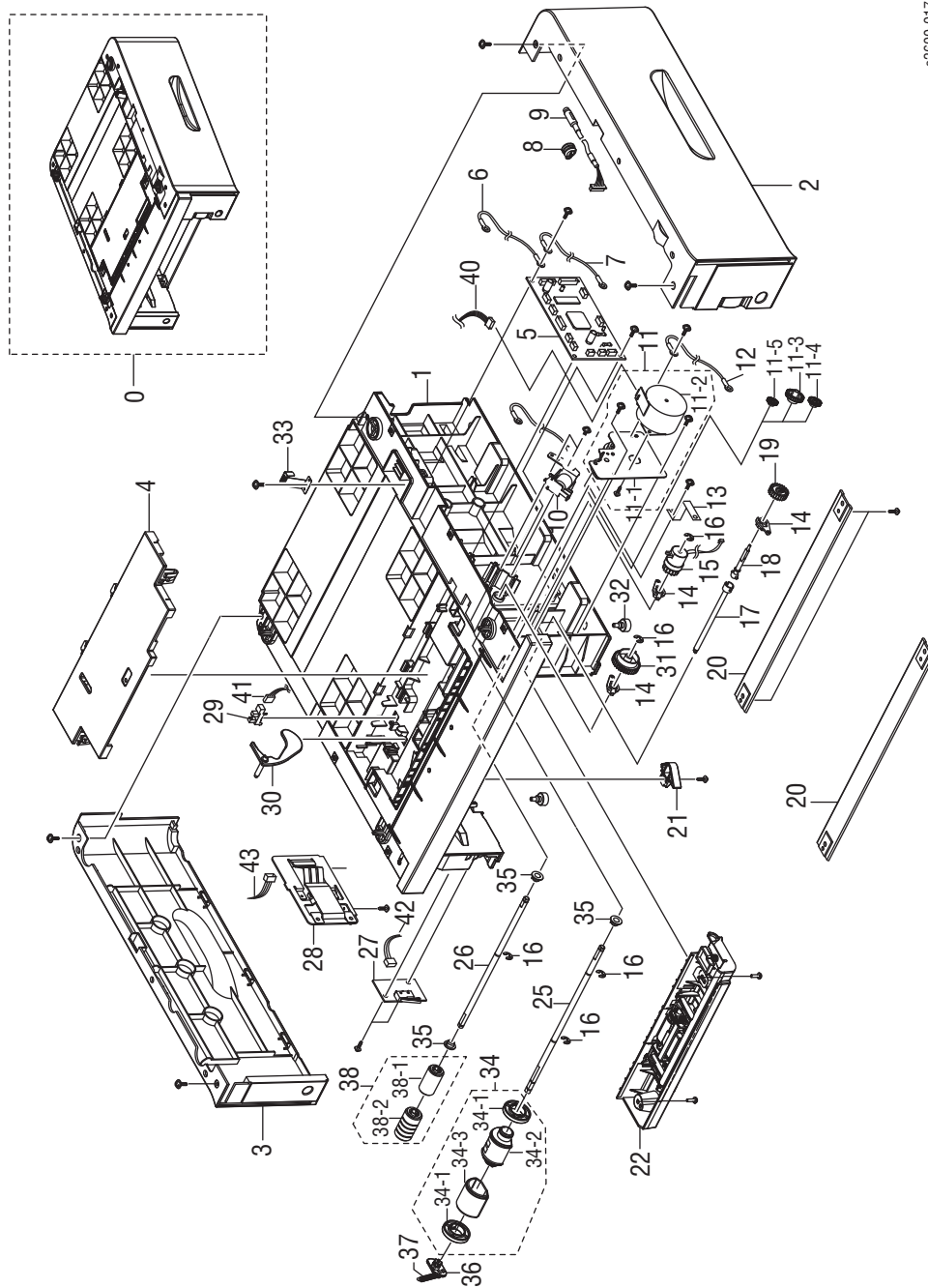


s3600-016

PL 2.1 Tray 2 Assembly Parts List Table

Item No.	Description	Part Number
0	ELA UNIT CASSETTE	109R00756
1	FRAME M CASSETTE	
2	GUIDE M HANDLE	
3	INDICATOR EMPTY	
4	PLATE P KNOCK UP	
5	SPRING PLAT K/UP	
6	GEAR PINION	
7	CAP M GUIDE SIDE L	
8	GUIDE P SIDE L	
9	GUIDE M SIDE LOCK	
10	GUIDE P SIDE R	
11	GUIDE M REAR	
12	GUIDE P REAR PAPER	
13	SPRING ETC GUIDE PAPER	
14	GUIDE M LOCK	
15	GUIDE M REAR	
16	GUIDE M EXTENTION	
17	BRACKET P EXTENTION	
18	GUIDE M PAPER	
19	HOLDER M PAD HOUSING	
20	MEA UNIT HOLDER PAD	019N00947
20-1	HOLDER M PAD	
20-2	SHEET HOLDER PAD R2	
20-3	RPR FRICTION PAD	
20-4	IPR PLATE PAD	
21	SPRING EXIT ROLL FD	
25	PMO LOCKER PLATE	
26	SPRING LOCKER PLATE	
27	GUIDE M PAPER SIZE	

PL 2.2 Tray 3 Cassette



s3600-017

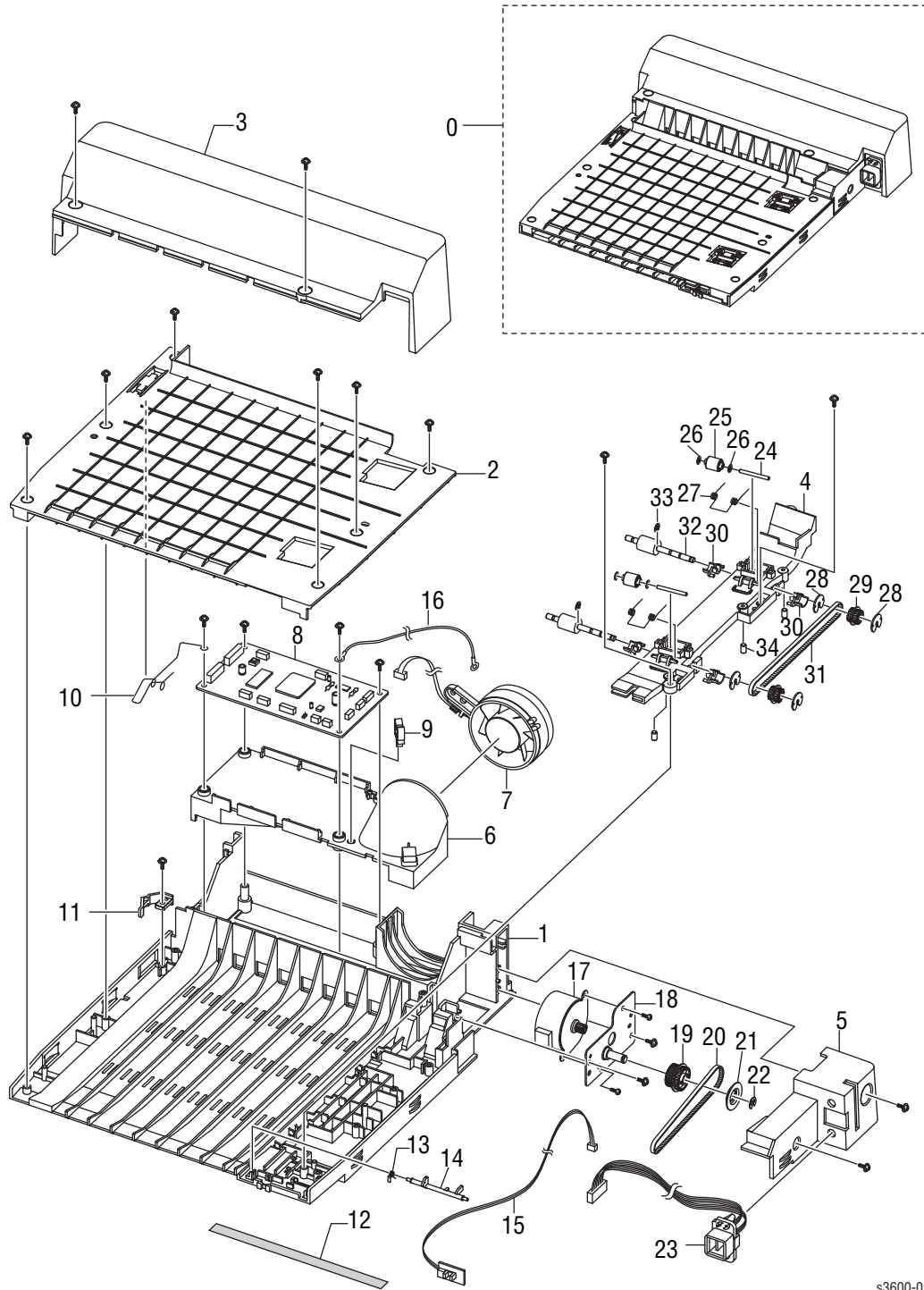
PL 2.2 Tray 3 Cassette Parts List Table

Item No.	Description	Part Number
0	ELA UNIT SCF (Tray 3, 500-sheet feeder)	050N00543
1	FRAME M SCF	
2	COVER M RIGHT SCF	
3	COVER M LEFT SCF	
4	COVER M DUMMY SCF	
5	PBA SCF	140N63300
6	CBF HARNESS OPE	
8	BUSH CABLE	
9	CBF HARNESS SCF INTERFACE	152N11714
10	SOLENOID MAIN	
11	ELA UNIT MOTOR SCF	127N07570
11-1	BRACKET P SCF MOTOR	
11-2	MOTOR STEP 7.5 DEG	
11-3	GEAR M SCF RDCN RETARD	
11-4	GEAR M SCF RDCN FEED	
11-5	GEAR M SCF RDCN PICK UP	
12	CBF HARNESS OPE	
13	IPR GROUND SPRING FEED	
14	PMO BEARING SHAFT	
15	MEP CLUTCH FEED SCF	
16	RING E	
17	SHAFT M COUPLING RETARD S	
18	SHAFT M GEAR RETARD	
19	GEAR REGI Z25	
20	BAR P CROSS BOTTOM	
21	PMO REMOVE LOCK CST	
22	ELA UNIT IDLE SCF	022N02350
23		
24		
25	SHAFT PICK UP SCF	
27	PBA SCF COVER OPEN	140N63025
28	ELA HOU CST SENSOR	
29	PHOTO INTERRUPTER	
30	PMO ACTUATOR EMPTY, SCF	120N00520
31	GEAR SCF PICK UP CAM	007N01366

PL 2.2 Tray 3 Cassette Parts List Table (continued)

Item No.	Description	Part Number
32	FOOT ML80	
33	IPR GROUND TOP	
34	MEA UNIT PICK UP HOU	
34-1	PMO M IDLE PICK UP	
34-2	RUBBER PICK UP	
34-3	HOUSING M PICK UP	
35	PMO BUSHING FEED	
36	PMO M DUMMY SHAFT	
37	SPRING ES	
38	HOUSING M FEED1	
39	RUBBER FEED1	
40	CBF HARNESS MOTOR	
41	CBF HARNESS SCF EMPTY	
42	CBF HARNESS SCF CASSETTE	
43	CBF HARNESS SCF P SIZE	

PL 2.3 Duplex Assembly



s3600-018

PL 2.3 Duplex Assembly Parts List Table

Item No.	Description	Part Number
0	ELA UNIT DUPLEX	022N02412
1	FRAME M DUPLEX	
2	GUIDE M UPPER DUP	
3	COVER M REAR DUP	
4	MEA ETC ALIGN DUP	
4-1	GUIDE M ALIGN DUP	
4-2	SHAFT IDLE ROLL DUP	
4-3	ROLLER M IDLE DUP	
4-4	PCT SLIP WASHER	
4-5	SPRING ETC DUP	
4-6	PULLEY M 18 DUMMY DUP	
4-7	PULLEY 18 DUP	
4-8	BUSH M FEED DUP	
4-9	BELT TIMMING	
4-10	ROLLER FEED DUP	
4-11	RING C	
5	CAP M CONNECTOR DUP	
6	DUCT M FAN DUP	
7	FAN DC HAWK	
8	PBA SUB DPX SCF	
9	CABLE CLAMP	
10	IPR TERMINAL GND DUP	
11	LOCKER M DUP	
12	SHEET FRAME DUP	
13	SPRING TS	
14	PMO ACTUATOR FEED DUP	
15	PBA SUB MP SEN (Duplex Exit sensor)	
16	CBF HARNESS POWER GND	
17	MOTOR STEP	
18	BRACKET P MOTOR DUP	
19	PULLEY M 30 DUP	
20	BELT TIMMING GEAR	
21	PULLEY M 30 DUMMY DUP	
22	RING E	
23	CBF HARNESS D JOINT	

