

Parts List

In this chapter...

- Serial Number Format
- Using the Parts List
- Exploded Views and Parts Lists
- Xerox Supplies and Accessories

Chapter 9

Serial Number Format

Changes to Xerox products are made to accommodate improved components as they become available. It is important when ordering parts to include the following information:

- Component's part number
- Product type or model number
- Serial Number of the product

The serial number is found on a label located on the rear of the product.

The nine-digit serial number has the following format:

- **PPSSSSSS**
- **PPP** = Three digit alphanumeric product code
- **SSSSSS** = Six digit numeric serial number based on the following table

Product Code	Product
NRB	3300MFP, 110 V Engine
NRX (DMO-E) NTA (DMO-W, Xerox Europe)	3300MFP, 220 V Engine

The following table lists the serial number ranges by regional distribution:

Product	Starting Serial Number	Ending Serial Number
3300MFP, 110V Engine (N. America, DMO-W)	050501	080500
3300MFP, 220V Engine (DMO-E)	080501	130500
3300MFP, 220V Engine (DMO-W, Xerox Europe)	130501	160500

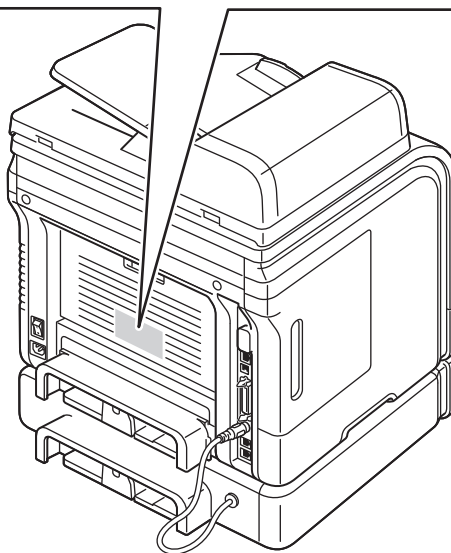
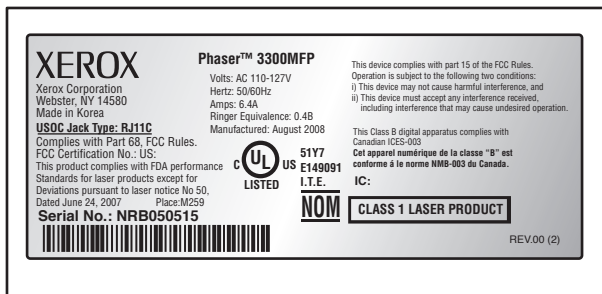
Example

NRB065603: Xerox Serial Number

NRB: Product Code for the Phaser 3300MFP, 110V product

065603 = Serial Number for 3300MFP

Serial Number Label and Location



s3300mfp-189

Using the Parts List

- **ID No.:** The callout number from the exploded part diagram.
- **Name/Description:** The name of the part to be ordered and the number of parts supplied per order.
- **Part Number:** The material part number used to order that specific part.
- Parts identified throughout this manual are referenced **PL#.#. #**; For example, PL3.1.10 means the part is item 10 of Parts List 3.1.
- The notation (NS) next to a part indicates that particular part is not spared, but contained in a kit or major assembly.
- The notation “**J1<>J2 and P2**” is attached to a wire harness. It indicates that connector Jack 1 is attached to one end of the wire harness and connector J2 is attached to the other end that is plugged into P2.

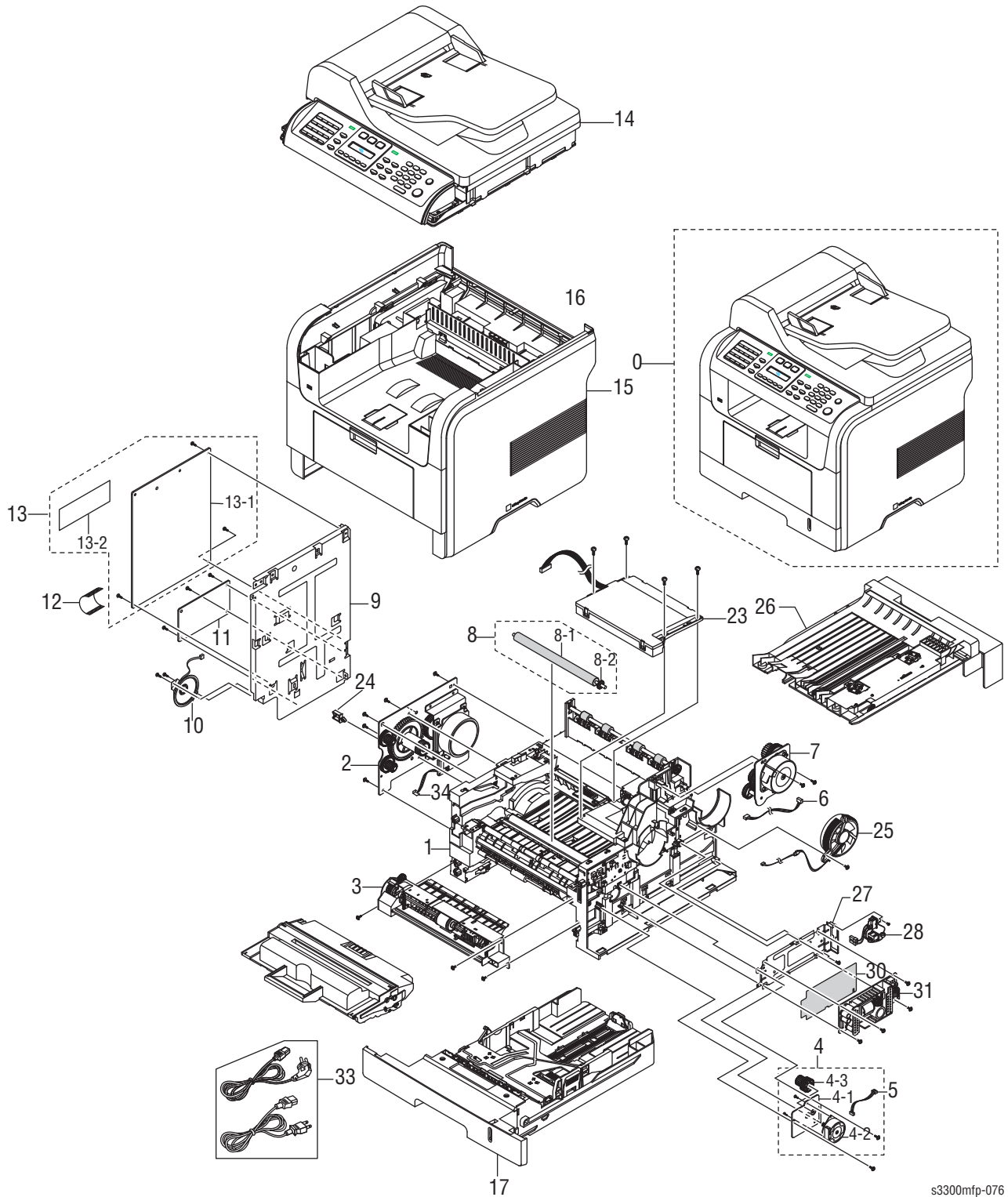
Note

Only parts showing part numbers are available for ordering by support. Parts not showing part numbers are available on the parent assembly.

Abbreviation	Meaning
C	C-ring
E	E-ring
KL	K-clip
S	Screw

Exploded Views and Parts Lists

Parts List 1.0 Main



s3300mfp-076

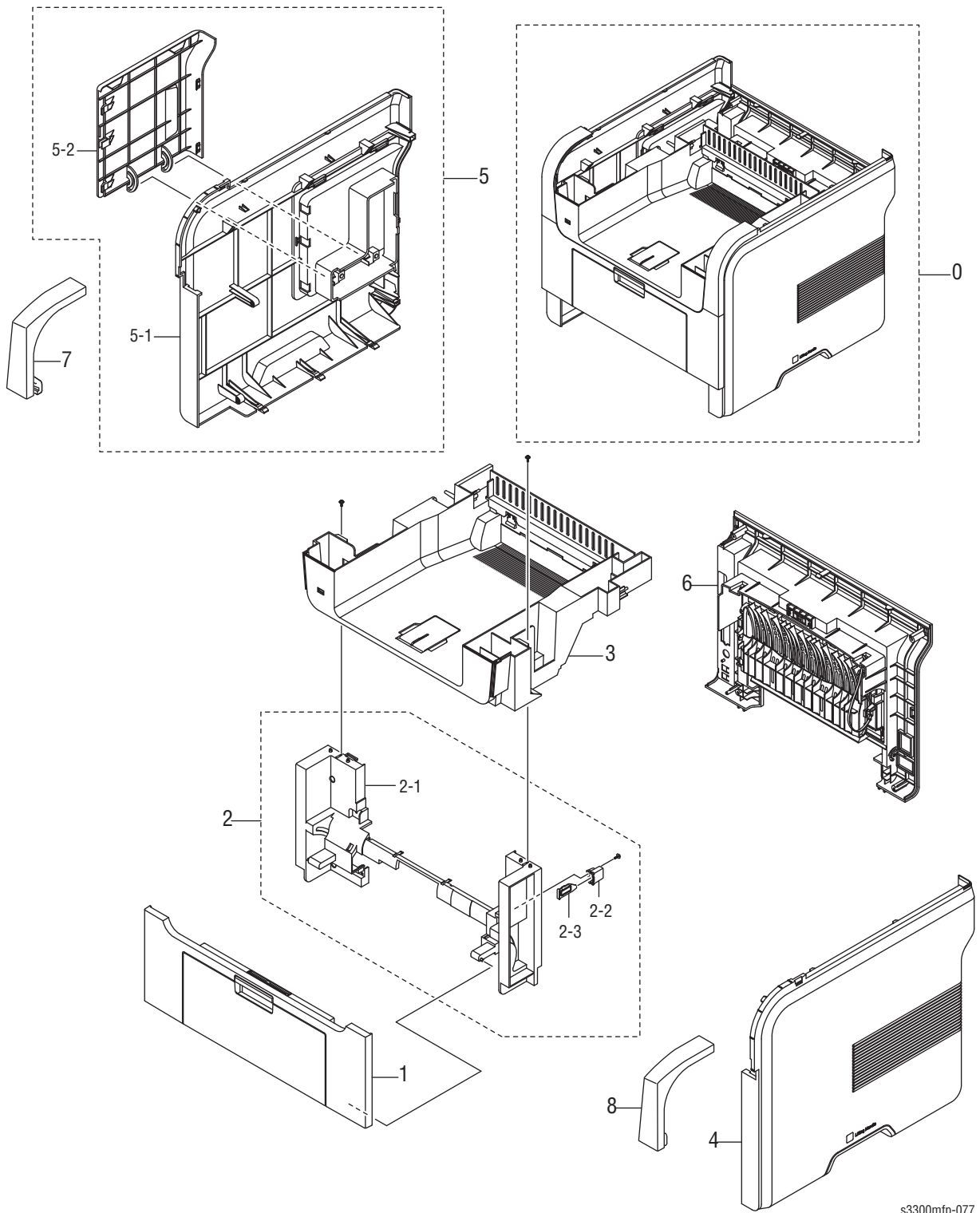
Parts List 1.0 Main

ID No.	Name/Description	Xerox Part Number
0	SET	N/A
1	ELA HOU-FRAME 110 V	—
1	ELA HOU-FRAME 220 V	—
2	ELA UNIT-MAIN DRIVE (“Parts List 8.0 Main Drive Assembly” on page 9-18)	007N01561
3	ELA HOU-MPF (“Parts List 9.0 MP Assembly” on page 9-19)	002N02627
4	ELA UNIT-DUPLEX DRIVE	—
4-1	BRACKET-P-GEAR DUP	—
4-2	MOTOR STEP-DUPLEX	—
4-3	GEAR-DUP RDCN 45/19	—
5	CBF HARNESS-DPX MTR	—
6	CBF HARNESS-ADF CLUT1	—
7	ELA HOU-FUSER DRIVE (“Parts List 7.0 Fuser Drive Assembly” on page 9-17)	007N01645
8	MEA-TRANSFER ROLLER	002N02628
8-1	ROLLER-TRANSFER	—
8-2	GEAR-TRANSFER	—
9	SHIELD-P-CONTROLLER	—
10	SPEAKER	—
11	PBA SUB-MODEM	140N63240
12	CBF HARNESS-ENGINE	—
13	ELA HOU-MAIN RAM DIMM	—
13-1	PBA MAIN-CONTROLLER (Control Board)	140N63350
13-2	PBA SUB-SDRAM	—
14	ELA HOU-SCAN 4IN1 (“Parts List 10.0 Scan Assembly” on page 9-21)	—
15	MEA-COVER	—
16	ELA UNIT-DEVE INITIAL	—
17	MEA UNIT-CASSETTE (“Parts List 15.0 Cassette Assembly” on page 9-32)	050N00540
23	UNIT-LSU	122N00259
24	SADDLE	
25	FAN-DC	127N07485
26	MEA UNIT-DUPLEX	022N02381
27	SHIELD-P-SMPS	—
28	CBF HARNESS-AC INLET	—
29	CBF HARNESS-LSU S/W	—

Parts List 1.0 Main

ID No.	Name/Description	Xerox Part Number
30	SHEET-INSULATOR_SMPS	—
31	SMPS-PSP_TYPE3_V1 (110V)	105N02119
31	SMPS-PSP_TYPE3_V2 (220V)	105N02118
32	CBF HARNESS-PAPER EMP	—
33	CBF-POWER CORD; 110V CBF-POWER CORD; 220V	105N02072 117N01769
Replacement	BOX (P)-MAIN	—

Parts List 2.0 Cover Assembly

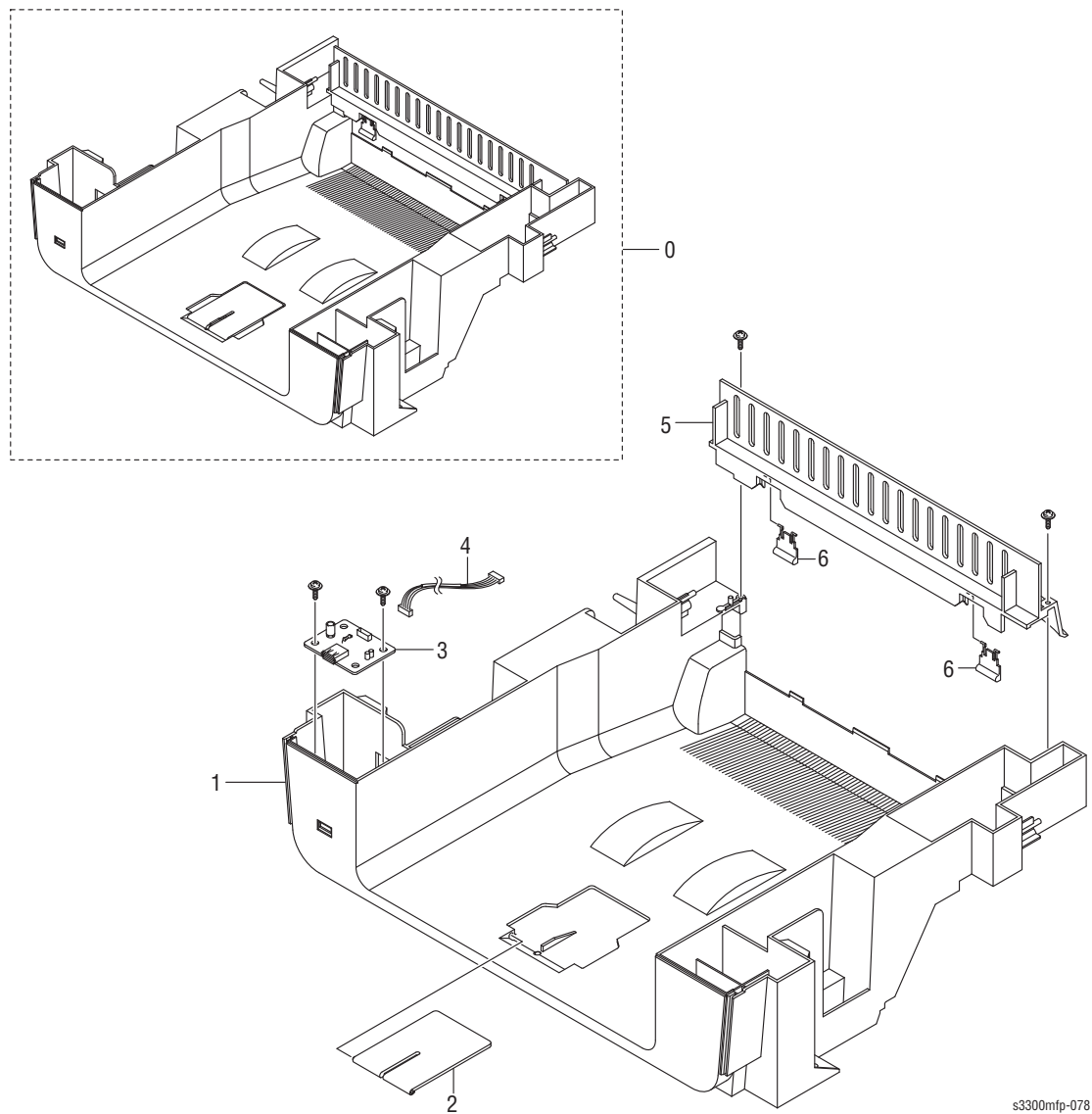


s3300mfp-077

Parts List 2.0 Cover Assembly

ID No.	Name/Description	Part Number
0	MEA-COVER	—
1	MEA-COVER FRONT	—
2	MEA-COVER MID FRONT (Mid-Front Cover)	002N02796
2-1	COVER-M_MID FRONT	—
2-2	CAP-M_SUB ACTUATOR	—
2-3	PMO-M-SUB ACTUATOR	—
3	ELA HOU-COVER MID	—
4	COVER-M_SIDE R (Right Side Cover)	002N02789
5	MEA-COVER SIDE L (Left Side Cover)	002N02790
5-1	COVER-M_SIDE L	—
5-2	COVER-M_DIMM (Control Board Cover)	—
6	MEA-COVER REAR (Rear Cover)	002N02791
7	COVER-M_LEFT UPPER (Left Upper Cover)	002N02798
8	COVER-M_RIGHT UPPER (Right Upper Cover)	002N02797

Parts List 3.0 Middle Cover Assembly

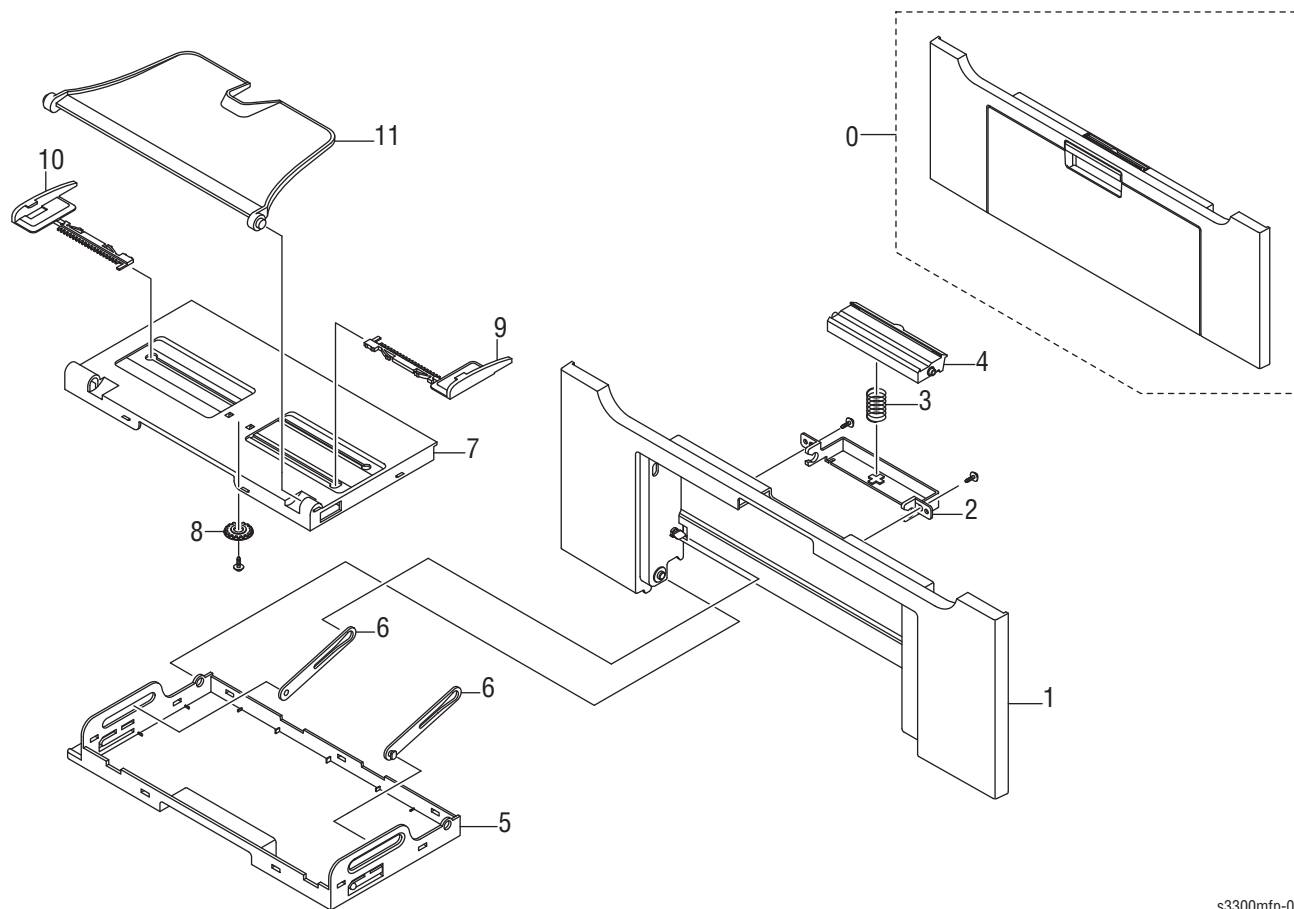


s3300mfp-078

Parts List 3.0 Middle Cover Assembly

No.	Name/Description	Part Number
0	ELA HOU-COVER MID (includes items 1-6)	002N02794
1	COVER-M_MIDDLE	—
2	COVER-M_STACKER RX	—
3	PBA SUB-USB HOST	140N63106
4	CBF HARNESS-USB HOST	—
5	COVER-M_REAR UPPER	—
6	PMO-SUB STACKER	—

Parts List 4.0 Front Cover

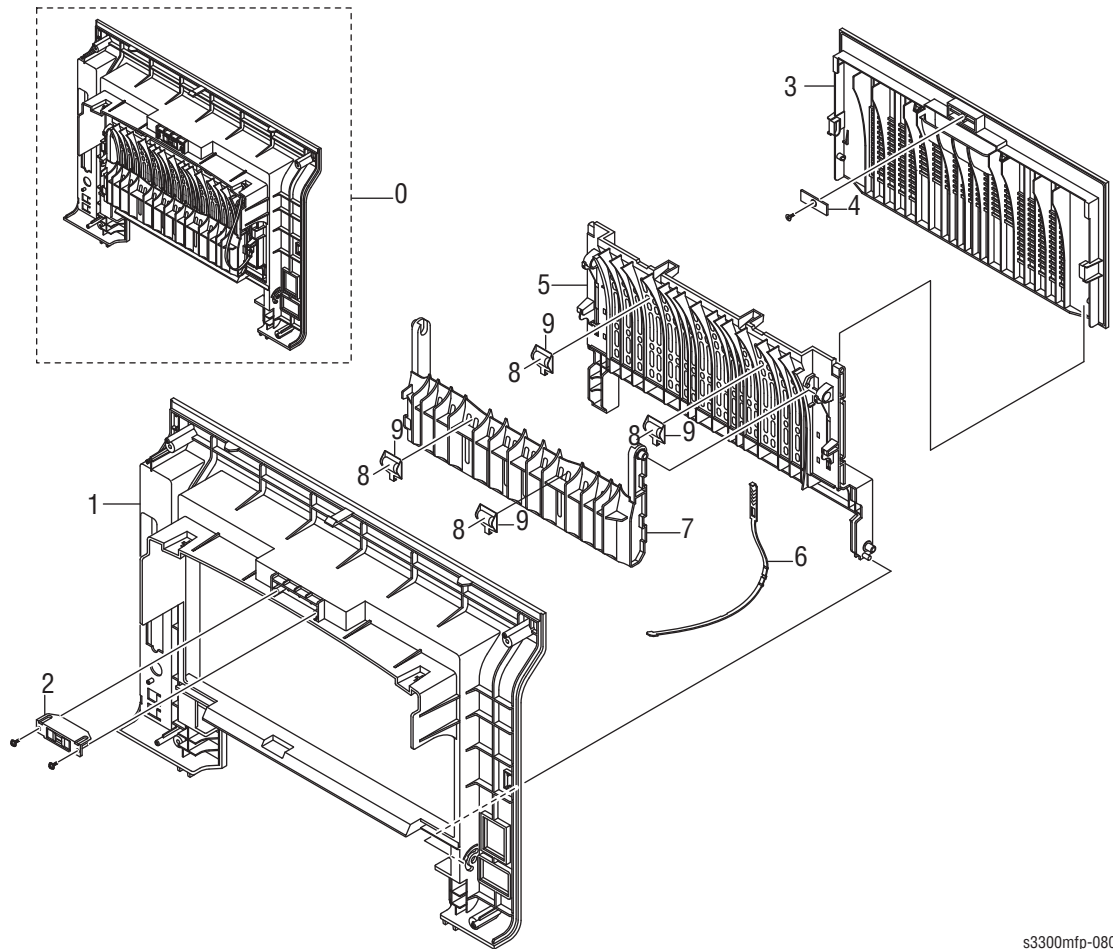


s3300mfp-079

Parts List 4.0 Front Cover

ID No.	Name/Description	Part Number
0	ME-A-COVER FRONT (includes items 1-11)	002N02795
1	COVER-M_FRONT	—
2	HOLDER-M_LOCKER	—
3	SPRING ETC-CIS (C2)	—
4	KNOB-M_LOCKER	—
5	TRAY-M-ASF_FOLDER	—
6	TRAY-M-LINK_MP	012N00536
7	TRAY-M-ASF_INPUT	—
8	GEAR-PINION	—
9	ADJUST-M_MP R	—
10	ADJUST-M_MP L	—
11	TRAY-M-ASF_INPUT UPPER	—

Parts List 5.0 Rear Cover Assembly

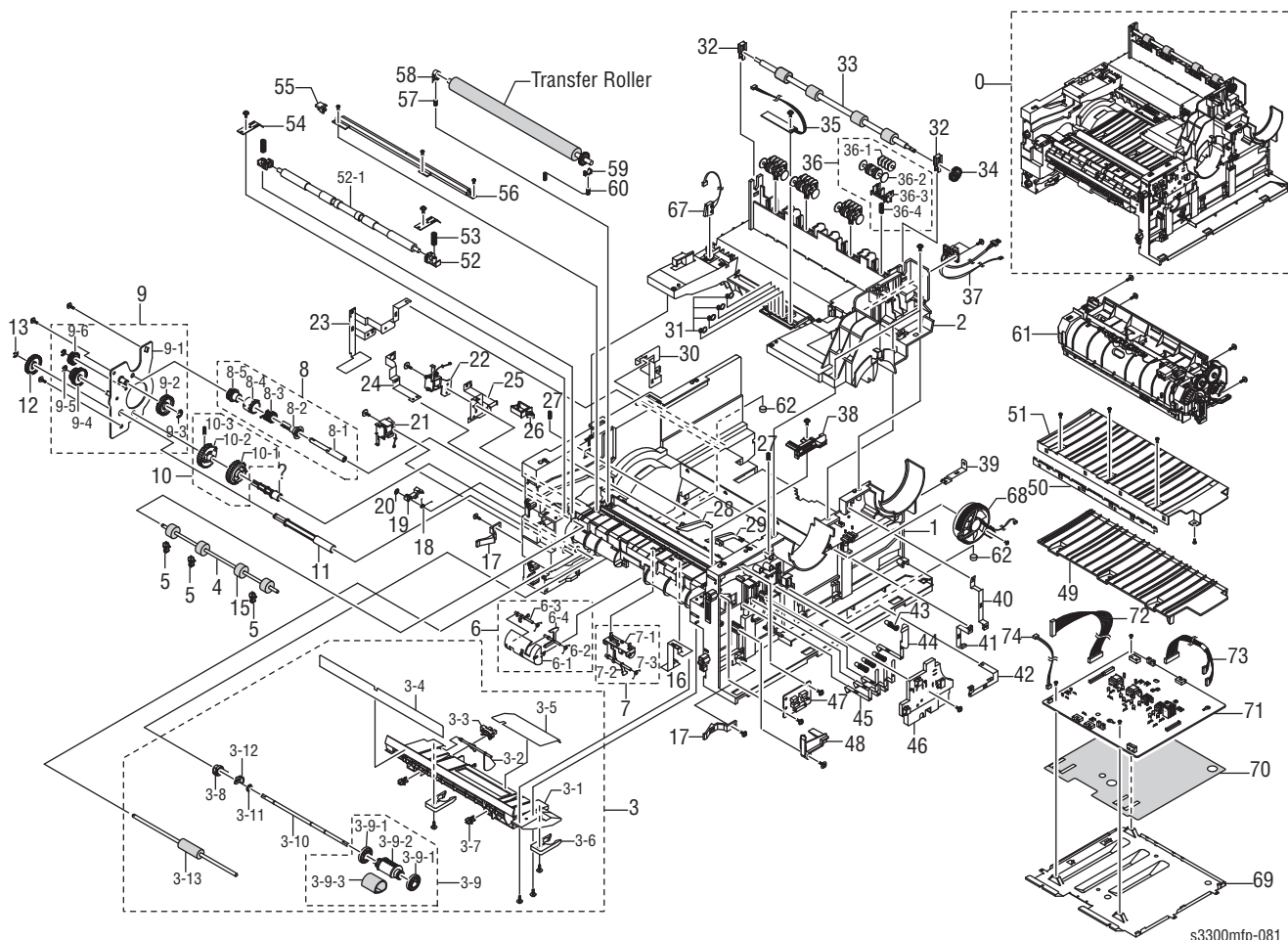


s3300mfp-080

Parts List 5.0 Rear Cover Assembly

ID No.	Name/Description	Part Number
0	MEA-COVER REAR (includes items 1-9)	002N02791
1	COVER-M_REAR	—
2	MAGNET-CATCH DELL	—
3	COVER-M_FACE UP	—
4	PLATE-MAGNET CATCH	—
5	COVER-M STACKER REAR	—
6	STOPPER-M-STRAP	003N01045
7	GUIDE-OUTPUT FUSER	—
8	HOLDER-M-IDLE ROLLER	—
9	PMO-ROLLER UPPER DP	—

Parts List 6.0 Frame



Parts List 6.0 Frame

ID No.	Name/Description	Part Number
0	ELA HOU-FRAME 110 V	—
0	ELA HOU-FRAME 220 V	—
1	FRAME-M_BASE	—
2	FRAME-M_EXIT	—
3	ELA HOU-GUIDE DUP F	—
3-1	GUIDE-M_FRONT DUPLEX	—
3-2	LEVER-ACTUATOR EMPTY	011N00544
3-3	PHOTO-INTERRUPTER	—
3-4	SHEET-GUIDE DUP_OUT	—
3-5	SHEET-GUIDE FRONT DU	—
3-6	CAM-SHAFT PICK UP	—
3-7	PMO-BUSHING FEED	—

Parts List 6.0 Frame (continued)

ID No.	Name/Description	Part Number
3-8	FIXER-M_E RING 4PI	—
3-9	MEA-ROLLER PICK UP	022N02292
3-9-1	ROLLER-IDLE PICK UP	—
3-9-2	HOUSING-M_PICK UP	—
3-9-3	ROLLER-PICK UP	—
3-10	SHAFT-PICK UP	—
3-11	PMO-BUSHING_P/U, MP	—
3-12	CAM-CATCH	003N00867
3-13	ROLLER-FEED	022N02293
4	SHAFT-FEED IDLE	—
5	BUSH-M-FEED IDLE	—
6	FEED1 ASS'Y	—
6-1	HOLDER-M_ACT REGI	—
6-2	SPRING-TS	—
6-3	LEVER-M_ACTUATOR FEED	—
6-4	LEVER-M_ACTUATOR REGI	—
7	FEED2 ASS'Y	—
7-1	HOLDER-M_ACT FEED	—
7-2	LEVER-M_ACT DUP OUT	—
7-3	SPRING-TS	—
8	MEA UNIT-CLUTCH	005N01031
8-1	SHAFT-FEED	—
8-2	PMO-HUB CLUTCH	—
8-3	SPRING-TS	—
8-3	SPRING-TS	—
8-4	PMO-COLLAR_SPRING	—
8-5	GEAR-FEED 1	—
9	MEA UNIT-BRACKET FEED	—
9-1	BRACKET-P-FEED	—
9-2	GEAR-IDLE Z29 HELICAL	—
9-3	RING-E	—
9-4	GEAR-RETARD 39/19	—
9-5	RING-E	—
9-6	GEAR-T2 IDEL_Z27	—
10	MEA UNIT-GEAR PICK UP	—

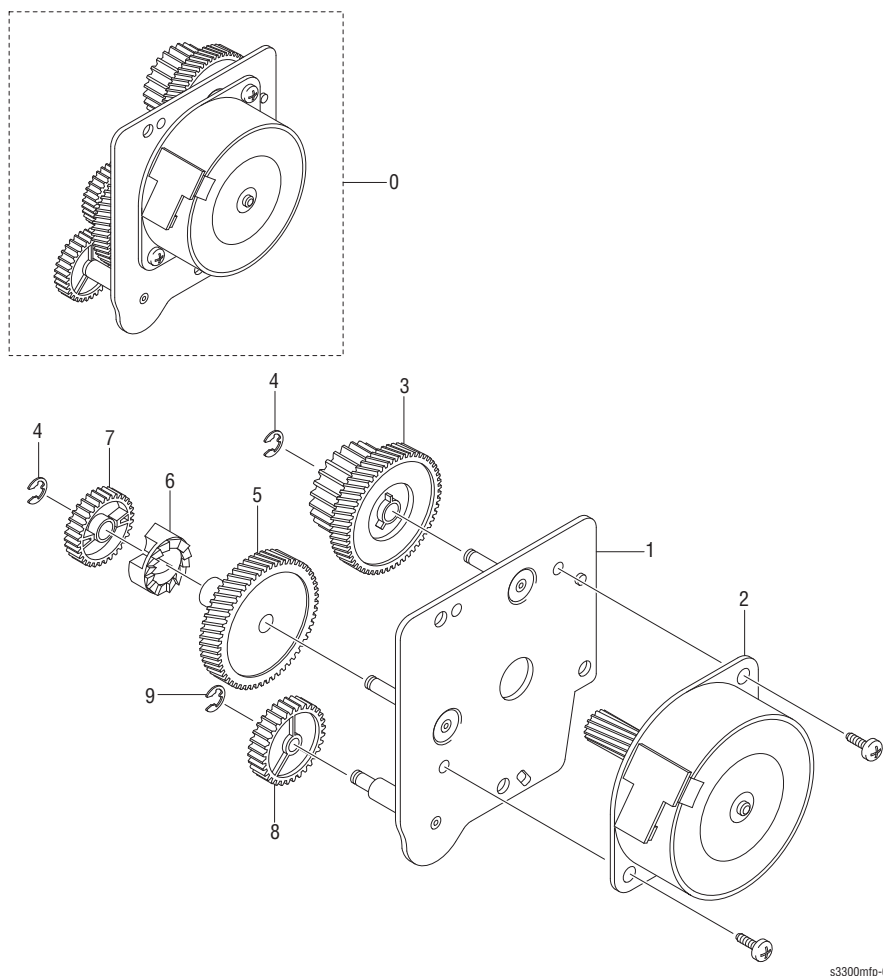
Parts List 6.0 Frame (continued)

ID No.	Name/Description	Part Number
10-1	GEAR-PICK UP_INNER	—
10-2	GEAR-PICK UP_OUTER	—
10-3	SPRING-CS	—
11	SHAFT-M_FEED2	—
12	GEAR-FEED2 Z27	—
13	SPRING-ES	—
15	ROLLER-FEED ROLLER 1	022N02080
16	GROUND-P-EARTH TR	—
17	PMO-LOCKER CST	—
18	SPRING-TS	—
19	CAM-M-PICK_UP	—
20	RING-CS	—
21	SOLENOID-HB (MANUAL)	—
22	SOLENOID-FEED ROCKY2	—
23	GROUND-P-DRIVE	—
24	GROUND-P-PUSH BUSHING	—
25	GROUND-P-DRIVE2	—
26	CABLE CLAMP	—
27	SPRING ETC-GUIDE DEVE	—
28	PMO-PLATE GUIDE DEVE_L	—
29	PMO-PLATE GUIDE DEVE_R	—
30	GROUND-P-SHIELD	—
31	TERMINAL-P_CRUM	—
32	HOLDER-BEARING EXIT F/DOWN	—
33	MEA RACK-EXIT ROLLER	022N02081
34	ROLLER-EXIT F/DOWN	—
35	PBA SUB-TERMINAL	—
36	MEA RACK-EXIT ROLLER	—
36-1	PMO-ROLLER FD F	—
36-2	PMO-ROLLER FD R	—
36-3	PMO-HOLDER EXIT ROLL	—
36-4	SPRING ETC-EXIT ROLL FD	—
39	GROUND-P-FUSER	—
40	GROUND-P-MOTOR FUSER	—
41	GROUND-P-SHIELD SMPS	—

Parts List 6.0 Frame (continued)

ID No.	Name/Description	Part Number
42	GROUND-P-GUIDE TR	—
43	MEC-TERMINAL	—
43-1	SPRING ETC-HV APOLLO	—
43-2	IPR-TERMINAL	—
44	TERMINAL-P-HV CR	—
45	IPR-P-TERMINAL CON	—
46	HOUSING-M_TERMINAL	—
47	PBA SUB-CONNECTION	—
48	PMO-ACTUATOR CVR OPEN	—
49	GUIDE-TR RIB	—
50	PLATE-E_SAW	—
51	GUIDE-P-TR	—
52	BUSH-M-FEED IDLE	—
52-1	SHAFT-FEED IDLE	—
53	SPRING ETC-TR	—
54	PLATE-P-PUSH BUSHING	—
53	SPRING ETC-TR	—
54	PLATE-P-PUSH BUSHING	—
55	HOLDER-M-PTL R2	—
56	IPR-P-EARTH TRANSFER	—
57	SPRING ETC-TR L HAWK	—
58	BUSH-M-TR L	—
59	PMO-BUSHING_TR (L)	—
60	GROUND-P-EARTH TR	—
61	ELA UNIT-FUSER_110V (“Parts List 16.0 Fuser Assembly” on page 9-33)	126N00265
61	ELA UNIT-FUSER_220V (“Parts List 16.0 Fuser Assembly” on page 9-33)	126N00266
62	FOOT-BACK	—
67	HOLDER-M_ACT FEED	—
68	FAN-DC	127N07328
69	SHIELD-P-HVPS	—
70	SHEET-INSULATOR_HVPS	—
71	HVPS-ELBERT	105N02120
72	CBF HARNESS-DUPLEX	—
73	CBF HARNESS-SMPS	—

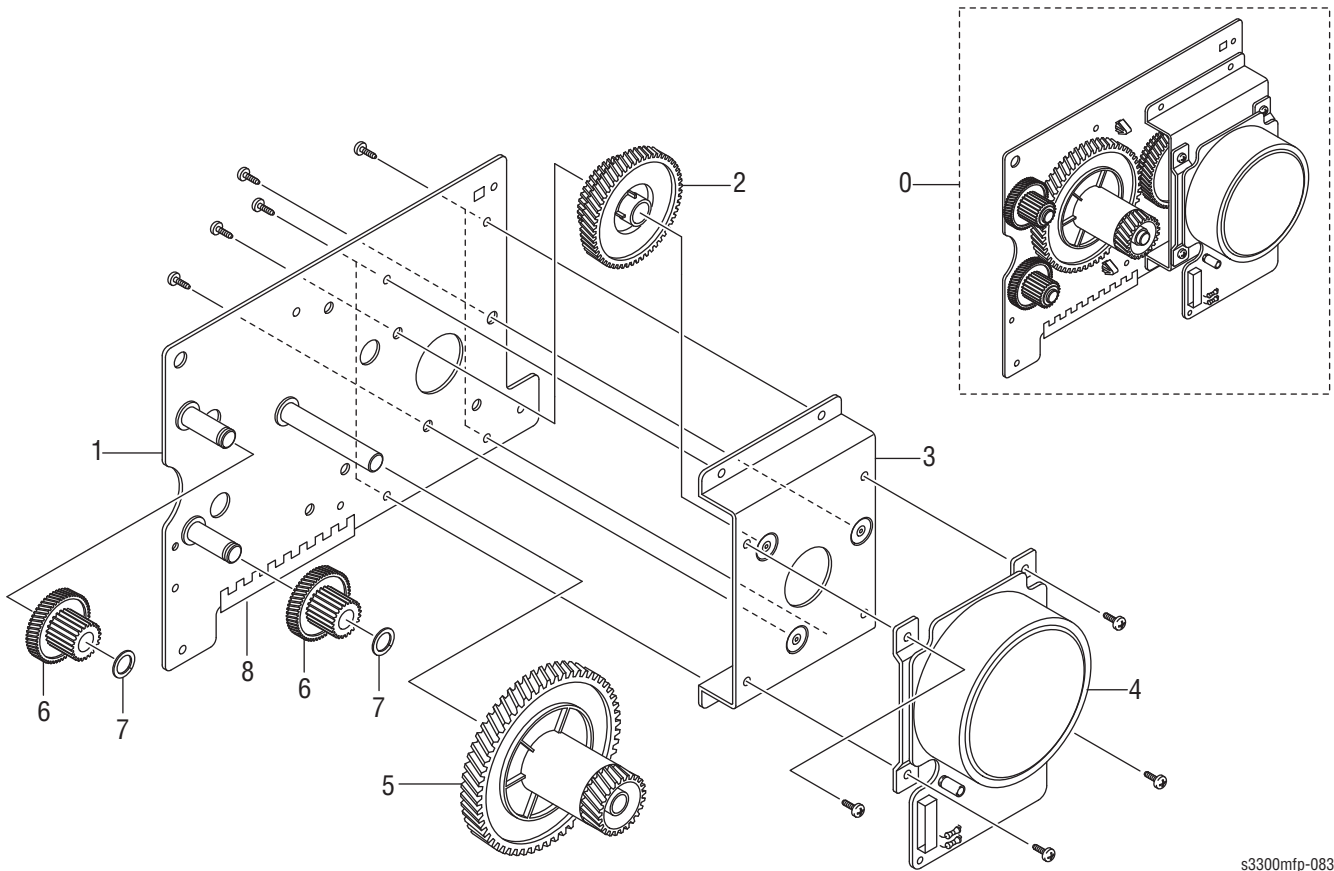
Parts List 7.0 Fuser Drive Assembly



Parts List 7.0 Fuser Drive Assembly

ID No.	Name/Description	Part Number
0	ELA HOU-FUSER DRIVE (includes items 1-9)	007N01645
1	BRACKET-P-FUSER EXIT	—
2	MOTOR STEP-MAIN	—
3	GEAR-EXIT RDCN 87/24	—
4	RING-E	—
5	GEAR-FUSER RDCN IN 95	—
6	GEAR-HUB CLUTCH	—
7	GEAR-RDCN FUSER OUT	—
8	GEAR-FUSER IDLE FR	—
9	RING-E	—

Parts List 8.0 Main Drive Assembly

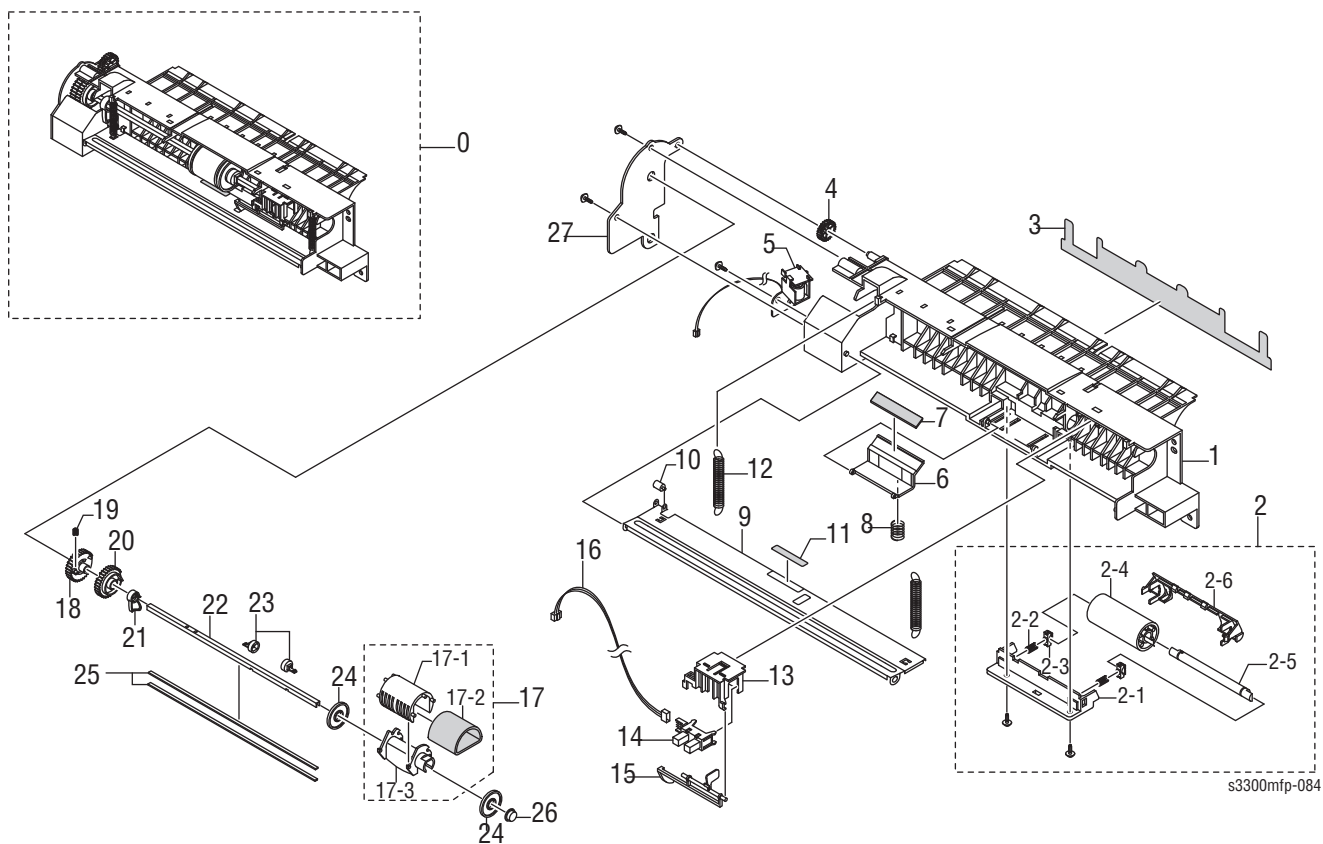


s3300mfp-083

Parts List 8.0 Main Drive Assembly

ID No.	Name/Description	Part Number
0	ELA UNIT-MAIN DRIVE	007N01561
1	BRACKET-P-GEAR MAIN	—
2	GEAR-OPC RDCN 93/61	—
3	BRACKET-P-MOTOR MAIN	—
4	MOTOR DC-BLDC MAIN	—
5	GEAR-OPC DRV 113/33	—
6	GEAR-FEED RDCN 55/18	—
7	WASHER-PLAIN	—
8	GASKET	—

Parts List 9.0 MP Assembly



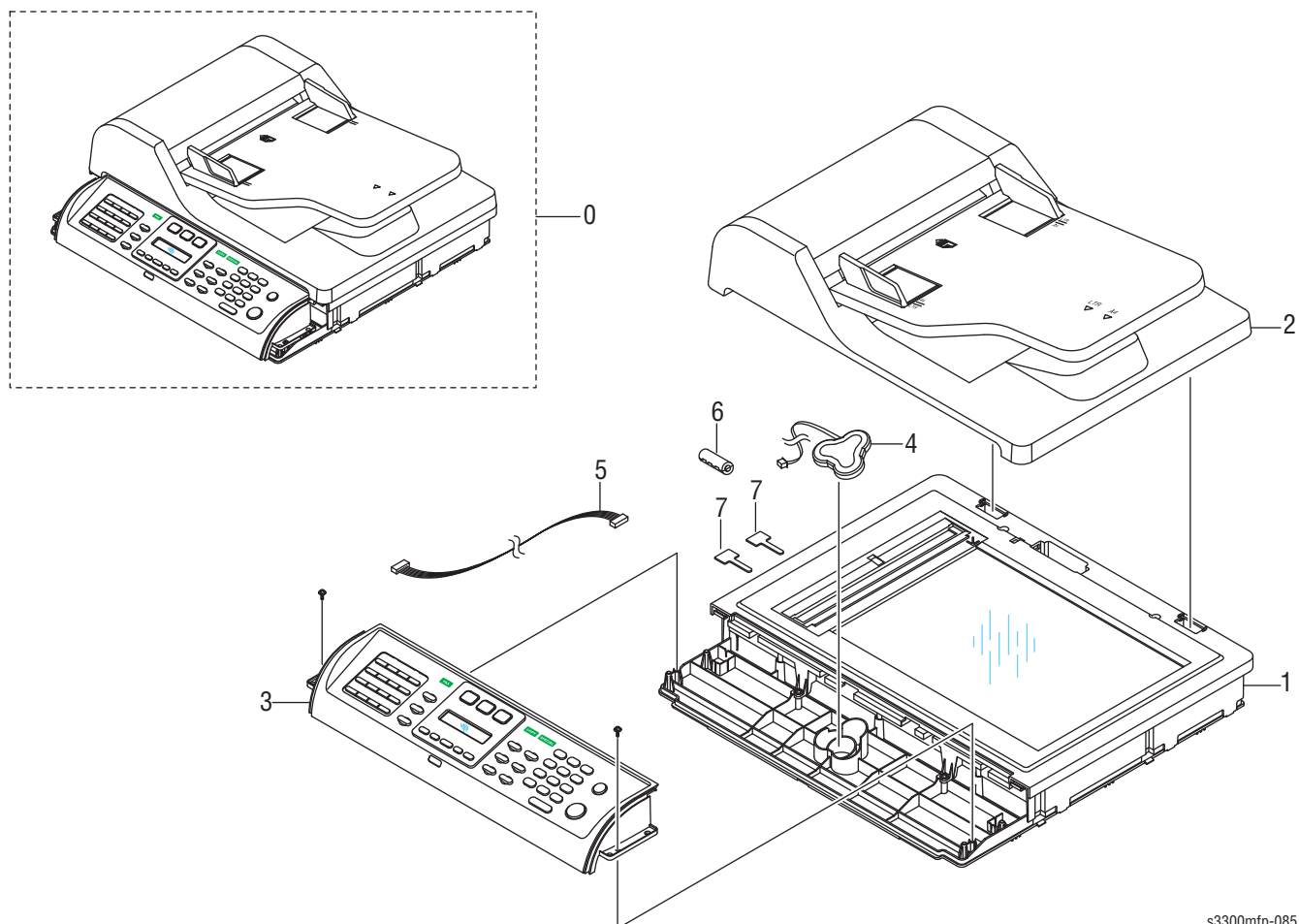
Parts List 9.0 MP Assembly

ID No.	Name/Description	Part Number
0	ELA HOU-MPF	002N02627
1	FRAME-M_MP	—
2	MEA-IDLE FEED	—
2-1	HOLDER-M_IDLE FEED	—
2-2	SPRING ETC-EXIT LOWER IDLE	—
2-3	HOLDER-M_SHAFT IDLE	—
2-4	ROLLER-IDLE FEED	—
2-5	SHAFT-IDLE FEED	—
2-6	COVER-M_IDLE FEED	—
3	SHEET-GUIDE MP	—
4	GEAR-IDLE 23	—
5	SOLENOID-MP	121N01075
6	HOLDER-M-PAD_MP	—
7	RPR-FRICTION PAD	019N00742
8	SPRING ETC-EXIT ROLL FD	—

Parts List 9.0 MP Assembly

ID No.	Name/Description	Part Number
9	PLATE-P-KNOCK UP_MP	—
10	PMO-ROLLER CAM.MP	—
11	RPR-PAD CASSETTE	—
12	SPRING-ES	—
13	HOLDER-M-SENSOR_MP	—
14	PHOTO-INTERRUPTER	—
15	PMO-M-ACT EMPTY MP	—
16	CBF HARNESS-MPF SEN	—
17	MEA-PICK UP_MP	130N01366
17-1	HOUSING-M_PICK UP_MP	—
17-2	RUBBER-PICK UP MP	—
17-3	HOUSING-M-PICK UP2_R2	—
18	GEAR-M-PICK UP_MP	—
19	SPRING ETC-EXIT LOWER IDLE	—
20	GEAR-M-HOLDER_MP	—
21	CAM-M_PICK UP MP	—
22	SHAFT-P-PICK_UP	—
23	STOPPER-M-PICK UP_R2	—
24	PMO-IDLE PICK_UP	—
25	SHAFT-P-CORE	—
26	BUSH-M-PICK_UP R	—
27	BRACKET-P-PICKUP_MP	—

Parts List 10.0 Scan Assembly

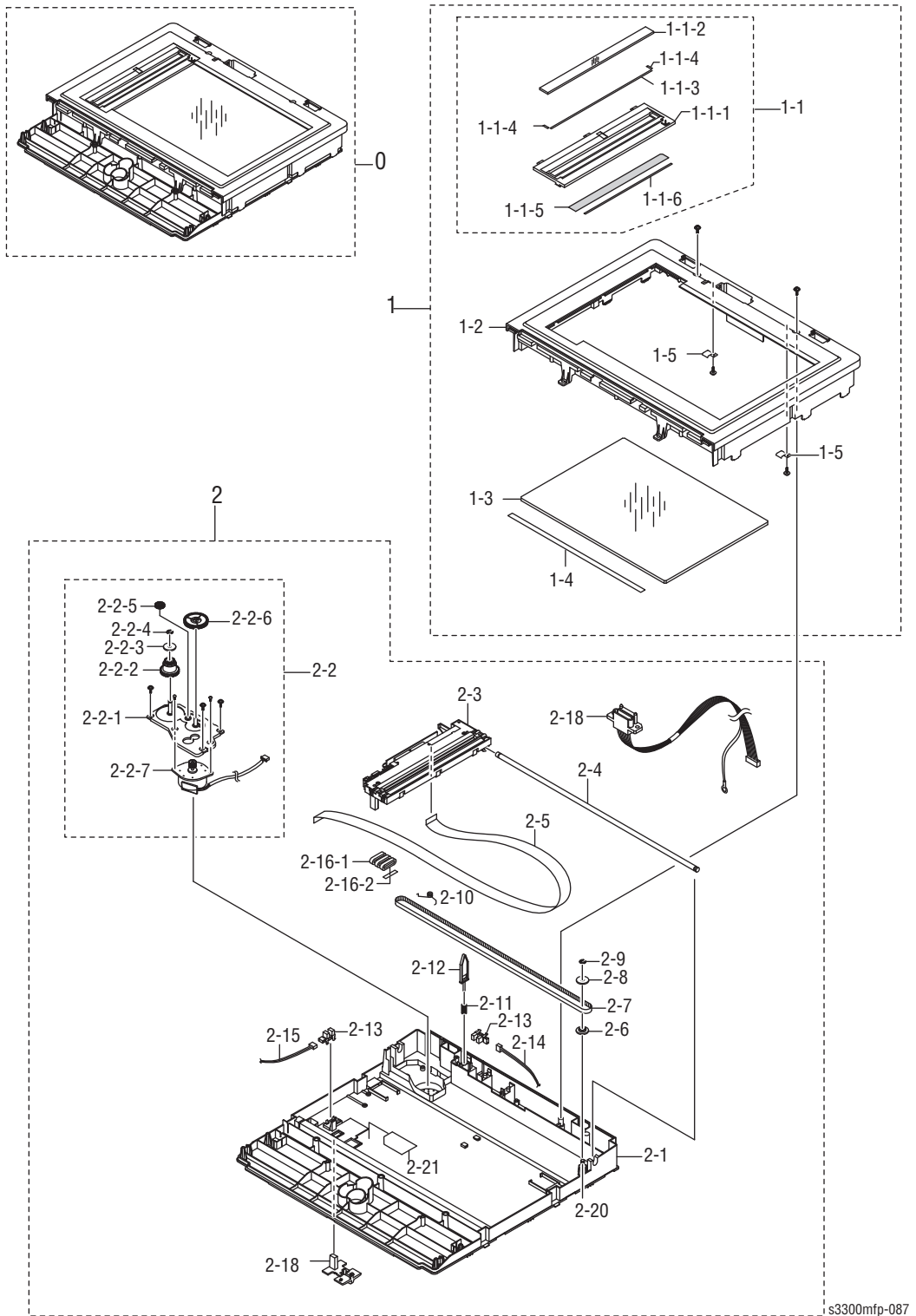


s3300mfp-085

Parts List 10.0 Scan Assembly

ID No.	Name/Description	Part Number
0	ELA HOU-SCAN 4IN1	—
1	ELA HOU-ADF LOWER	002N02792
2	ELA HOU-ADF	002N02793
3	ELA HOU-OPE 4IN1 (Control Panel)	002N02857
4	BATTERY-NIH (2ND)	105N02093
5	CBF HARNESS-OPE	—
6	CORE-FERRITE	—
7	CABLE CLAMP	—

Parts List 11.0 Platen Assembly



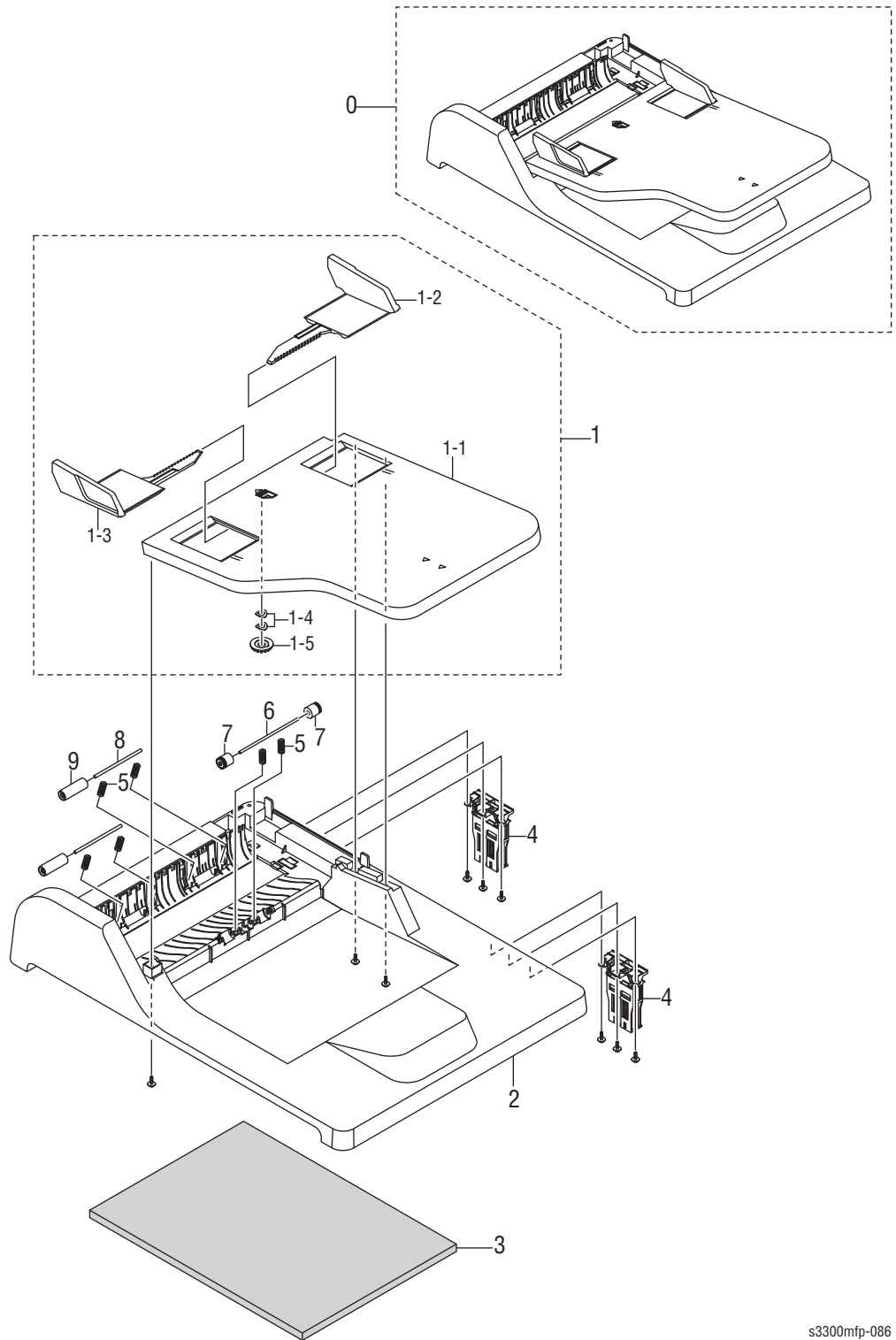
Parts List 11.0 Platen Assembly

ID No.	Name/Description	Part Number
0	ELA HOU-PLATEN	090N00166
1	MEA-SCAN UPPER	—
1-1	MEA UNIT-SCAN DUMMY	500N00108
1-1-1	COVER-M_SCAN DUMMY	—
1-1-2	MCT-GLASS ADF	—
1-1-3	TAPE-DOUBLE FACE	—
1-1-4	TAPE ETC-DOUBLE TAPE SMALL	—
1-1-5	LABEL (P)-SHADING	—
1-1-6	TAPE-DOUBLE FACE	—
1-2	COVER-M_SCAN UPPER	101N01410
1-3	GLASS-SCAN	057N00156
1-4	TAPE-DOUBLE FACE	—
1-5	IPR-HOLDER GLASS	—
2	ELA HOU-SCAN LOWER	109N00692
2-1	COVER-M_SCAN LOWER	—
2-2	ELA HOU-SCAN MOTOR	127N07530
2-2-1	BRACKET-SCAN MOTOR R2	—
2-2-2	GEAR-TIMING	—
2-2-3	PMO-HOLDER BELT	—
2-2-4	RING-E	—
2-2-5	GEAR-IDLE	—
2-2-6	GEAR-REDUCTION73/37	—
2-2-7	MOTOR STEP-SCAN	—
2-3	ELA HOU-CCDM_2905	101N01409
2-4	ICT-SHAFT CCD	—
2-5	CBF SIGNAL-CCD FFC	143N00017
2-6	PMO-PULLEY	—
2-7	BELT-TIMING GEAR	109N00542
2-9	RING-E	—
2-10	SPRING ETC-BELT	—
2-11	SPRING-CS	—
2-12	PMO-LEVER SENSOR	011N00473
2-13	PHOTO-INTERRUPTER	130N01274
2-14	CBF HARNESS-PLA_COVER	—
2-15	CBF HARNESS-ADF LOWER	—

Parts List 11.0 Platen Assembly

ID No.	Name/Description	Part Number
2-16-1	CORE-FERRITE	—
2-16-2	LABEL (R)-DOUBLE CORE	—
2-17	CBF HARNESS-OPE	—
2-18	HOLDER-M_CCD	—
2-19	CBF HARNESS-ADF UPPER	—

Parts List 12.0 Cover Platen Assembly

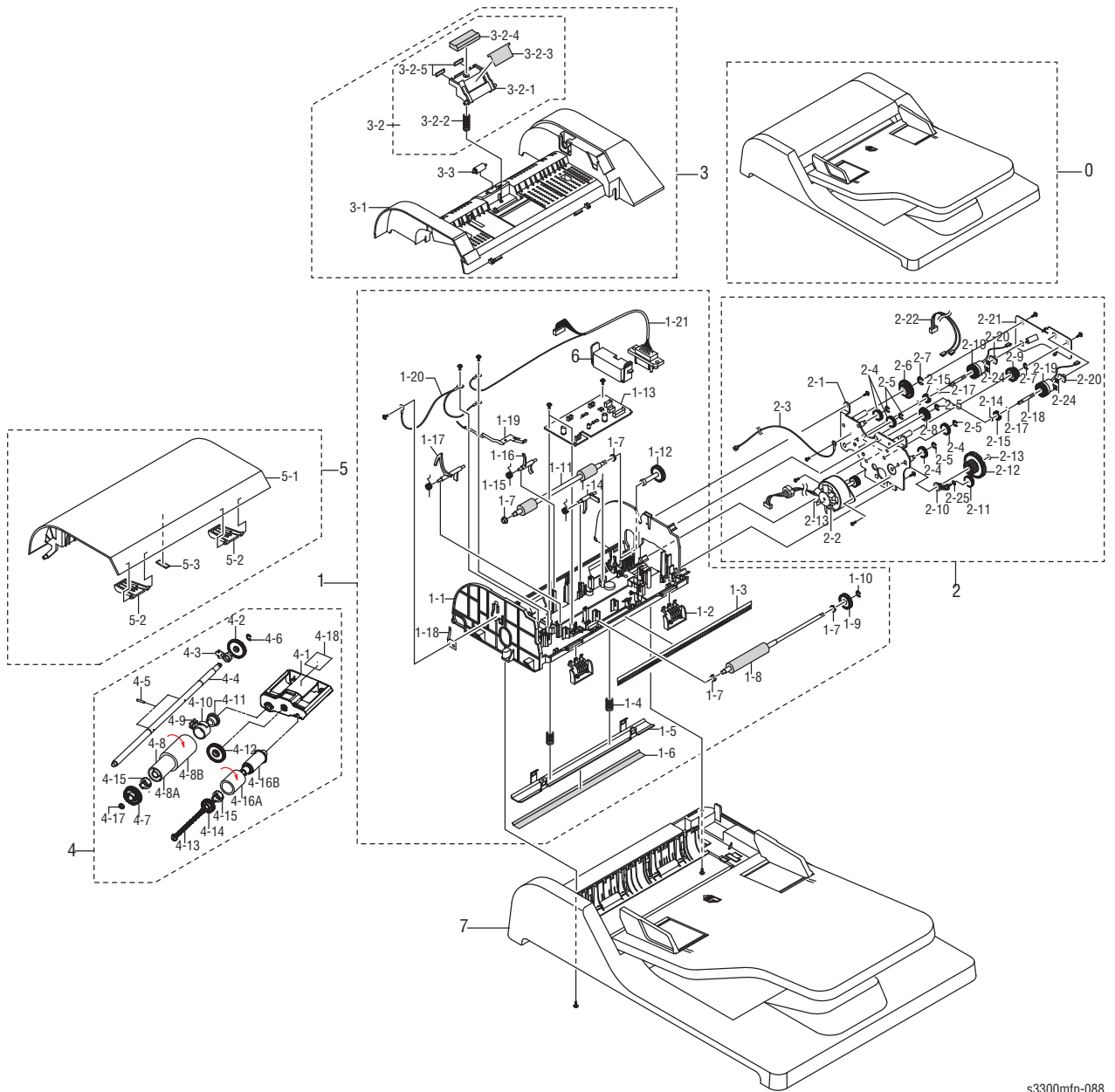


s3300mfp-086

Parts List 12.0 Cover Platen Assembly

ID No.	Name/Description	Part Number
0	MEA-COVER PLATEN	—
1	MEA-TX STACKER	022N02311
1-1	COVER-M_STACKER TX	—
1-2	GUIDE-M_DOCU L	—
1-3	GUIDE-M_DOCU R	—
1-4	IPR-WASHER SPRING CU	—
1-5	GEAR-PINION	—
2	COVER-M_PLATEN	002N02651
3	SHEET-WHITE SPONGE	095N00274
4	MEA UNIT-HINGE	003N01018
5	SPRING ETC-FEED	009N01489
6	ICT-SHAFT PINCH	006N01218
7	PMO-ROLL PINCH	022N02014
8	SHAFT-IDLE FEED	006N01302
9	ROLLER-ADF FEED	022N02312

Parts List 13.0 ADF Assembly



s3300mfp-088

Parts List 13.0 ADF Assembly

ID No.	Name/Description	Part Number
0	ELA HOU-ADF	—
1	ELA HOU-ADF LOWER	—
1-1	COVER-M_ADF LOWER	—
1-2	GUIDE-STACKER SUB	—
1-3	MEC-BRUSH ANTISTATIC	—
1-4	SPRING ETC-WHITE BAR	—
1-5	BRACKET-P_WHITE_BAR	—

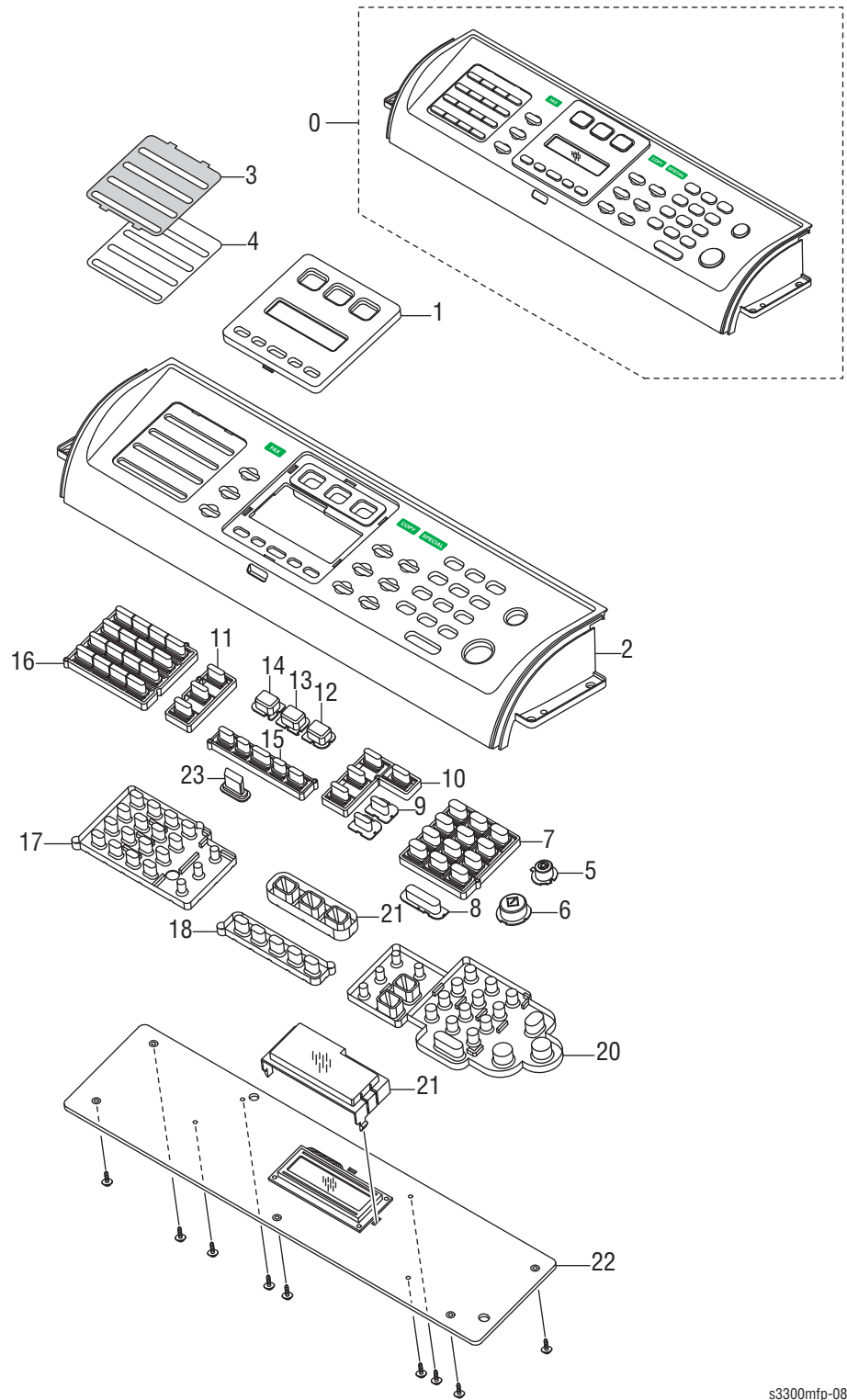
Parts List 13.0 ADF Assembly (continued)

ID No.	Name/Description	Part Number
1-6	PPR-WHITE BAR SHEET	—
1-7	PMO-BUSH	—
1-8	ROLLER-EXIT	—
1-9	GEAR-AGITATOR-2	—
1-10	RING-C	—
1-11	ROLLER-DRIVE	—
1-12	SHAFT-M-FEED GEAR 38	—
1-13	PBA SUB-ADF	—
1-14	PMO-ACTUATOR SCAN SENSOR	—
1-15	SPRING ETC-TORSION DOC (CC2-F)	—
1-16	PMO-ACTUATOR REGI SENSOR	—
1-17	PMO-ACT EMPTY ADF	—
1-18	IPR-GROUND_ROLLER	—
1-19	GROUND-P-ADF R2	—
1-20	CBF HARNESS-ADF R GND	—
1-21	CBF HARNESS-ADF CLUT1	—
2	ELA HOU-ADF MOTOR	127N07593
2-1	BRACKET-P-GEAR H	—
2-2	MOTOR STEP-ADF	—
2-3	CBF HARNESS-ADF GND	—
2-4	GEAR-IDLE 35 ADF	—
2-5	RING-E	—
2-6	GEAR-40/21	—
2-7	RING-E	—
2-8	GEAR-24	—
2-9	GEAR-40/21 ADF	—
2-10	LINK-M_SWING	—
2-11	GEAR-SWING 31/20 ADF	—
2-12	GEAR-58/25 ADF	—
2-13	RING-E	—
2-14	IPR-WASHER WAVE	—
2-15	GEAR-SWING 31/20 ADF	—
2-17	WASHER-PLAIN	—
2-18	SHAFT-REGI	—
2-19	IMPELLER-ADF	—

Parts List 13.0 ADF Assembly (continued)

ID No.	Name/Description	Part Number
2-20	BUSH-6_D	—
3	MEA-ADF UPPER	002N02647
3-1	COVER-M_ADF UPPER	—
3-2	MEA UNIT-HOLDER ADF	019N00928
3-2-1	HOLDER-M_PAD ADF	—
3-2-3	SHEET-ADF HOLDER	—
3-2-4	RMO-ADF RUBBER	019N00566
3-2-5	DAMPER-PAD ADF_R2	—
3-3	ROLLER-M-ADF IDLE	—
4	MEA UNIT-PICKUP	130N01500
4-1	PMO-COVER ADF	—
4-2	GEAR-ADF 38	—
4-3	STOPPER-M_PICKUP ADF	—
4-4	SHAFT-ADF PICKUP	—
4-5	ICT-PIN ADF	—
4-6	WASHER-PLAIN	—
4-7	PMO-COVER ADF	—
4-8	MEC-PICK UP ROLLER ASSY	—
4-8A	PMO-SLEEVE PICK UP	—
4-8B	RMO-PICKUP ROLLER	—
4-9	PMO-ADF COLAR	—
4-10	SPRING ETC-CLUTCH	—
4-11	PMO-ADF CLUTCH	—
4-12	GEAR-ADF IDLE 34	—
4-13	PMO-SHAFT PICK UP	—
4-14	GEAR-PICK UP 26	—
4-15	PMO-PICK UP CLUTCH SUB	—
4-16	MEC-ADF ROLLER ASSY	—
4-16A	RMO-ADF ROLLER	—
4-16B	PMO-SLEEVE ADF	—
4-17	RING-C	—
5	MEA-COVER OPEN	002N02646
5-1	COVER-M_ADF OPEN	—
5-2	PMO-GUIDE PAPER	—
5-3	DAMPER-PAD ADF_R2	—

Parts List 14.0 Control Panel (OPE Unit)

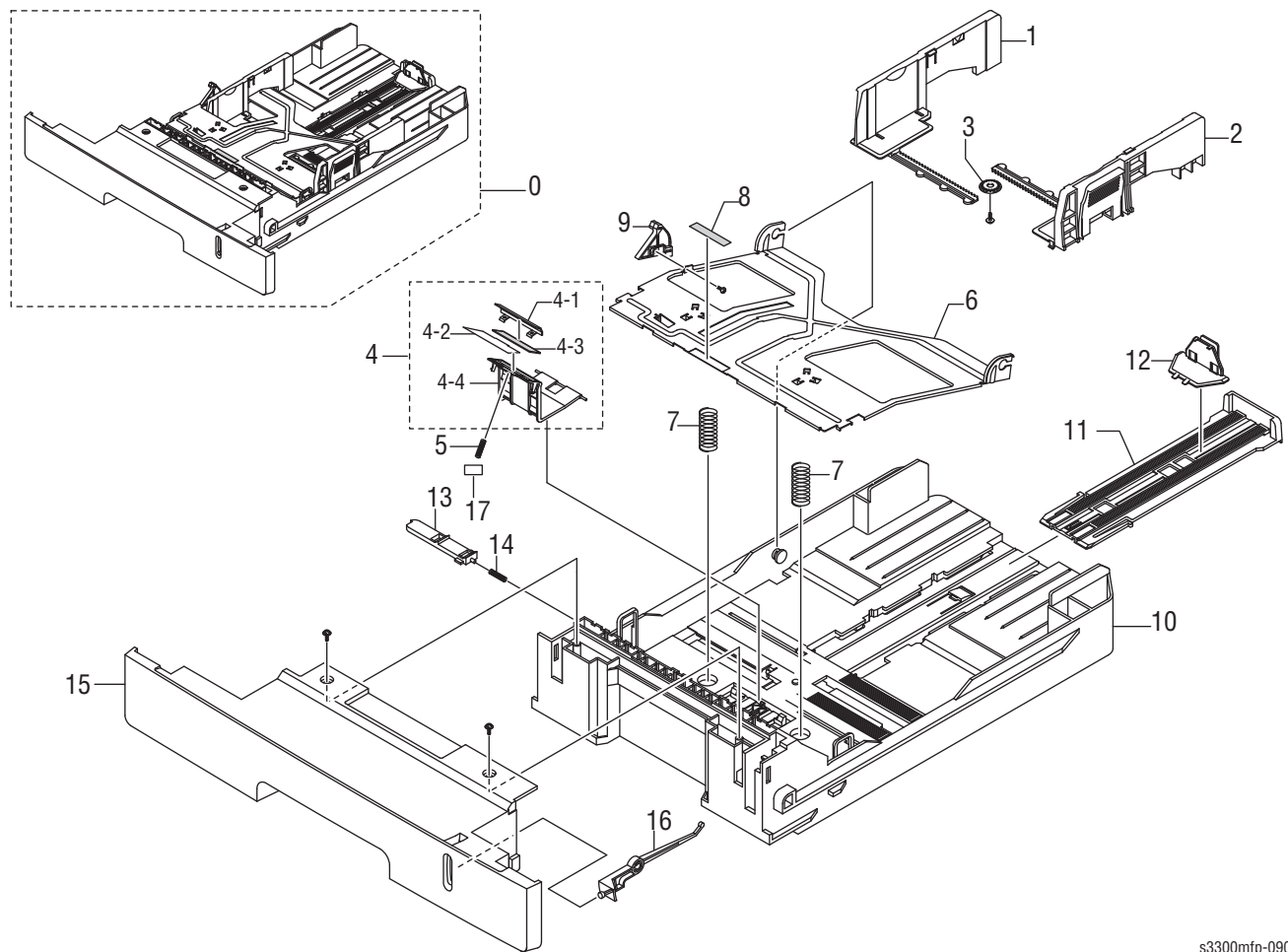


s3300mfp-089

Parts List 14.0 Control Panel (OPE Unit)

ID No.	Name/Description	Part Number
0	ELA HOU-OPE 4IN1 (Control Panel)	002N02857
1	COVER-M_NEVI	—
2	COVER-M_OPE 4IN1 MONO	—
3	SHEET-ONETOUCH	—
4	LABEL-ONETOUCH	—
5	KEY-M_STOP CLEAR	—
6	KEY-M_START BLACK	—
7	KEY-M_TEL	—
8	KEY-M_ON HOOK	—
9	KEY-M_BLACK	—
10	KEY-M_COPY	—
11	KEY-M_FAX	—
12	KEY-M_MODE SCAN	—
13	KEY-M_MODE COPY	—
14	KEY-M_MODE FAX	—
15	KEY-M_MENU	—
16	KEY-M_ONETOUCH	—
17	RUBBER-ONETOUCH	—
18	RUBBER-MENU	—
19	RUBBER-MODE	—
20	RUBBER-TEL_COPY	—
21	COVER-M_LCD	—
22	PBA SUB-OPE	140N63351
23	LENS LED-M_STATUS	—

Parts List 15.0 Cassette Assembly



s3300mfp-090

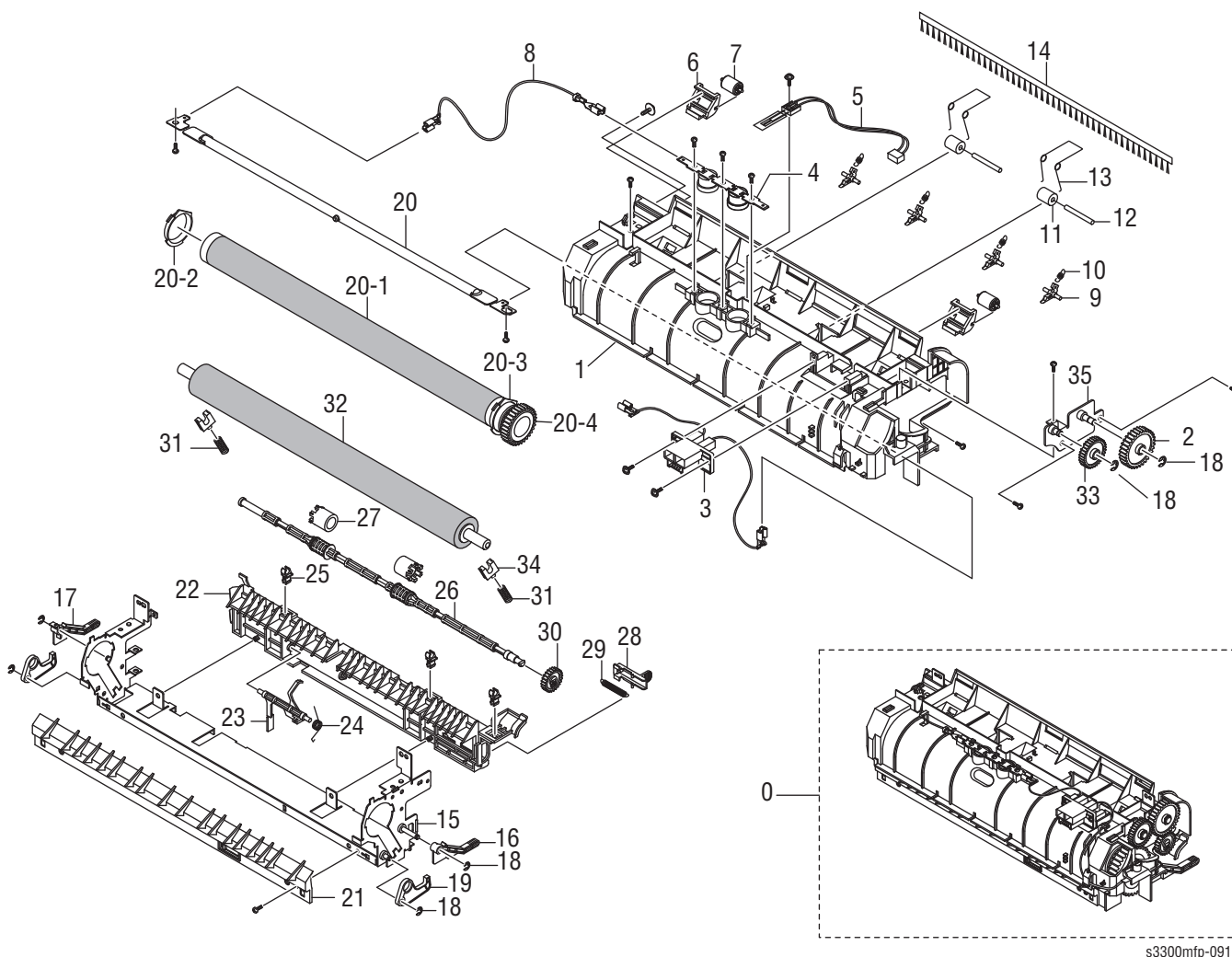
Parts List 15.0 Cassette Assembly

ID No.	Name/Description	Part Number
0	MEA UNIT-CASSETTE	—
1	ADJUST-M-CASSETTE_L	—
2	ADJUST-M-CASSETTE_R	—
3	GEAR-PINION	—
4	MEA UNIT-HOLDER PAD	—
4-1	HOLDER-M-PAD	—
4-2	SHEET-HOLDER PAD R2	—
4-3	IPR-PLATE PAD	—
4-4	RPR-FRICTION PAD	—
5	SPRING ETC-EXIT ROLL FD	—
6	PLATE-P-KNOCK_UP	—
7	SPRING-CS	—

Parts List 15.0 Cassette Assembly

ID No.	Name/Description	Part Number
8	RPR-PAD CASSETTE	—
9	CAM-M-KNOCK UP	—
10	FRAME-M_CASSETTE	—
11	GUIDE-M-EXTENSION L2	—
12	PMO-EXTENSION SMALL	—
13	PMO-PLATE_LOCKER	—
14	SPRING ETC-LOCKER, PLATE	—
15	COVER-M_SUB CST	—
16	INDICATOR-M_CASSETTE	—

Parts List 16.0 Fuser Assembly



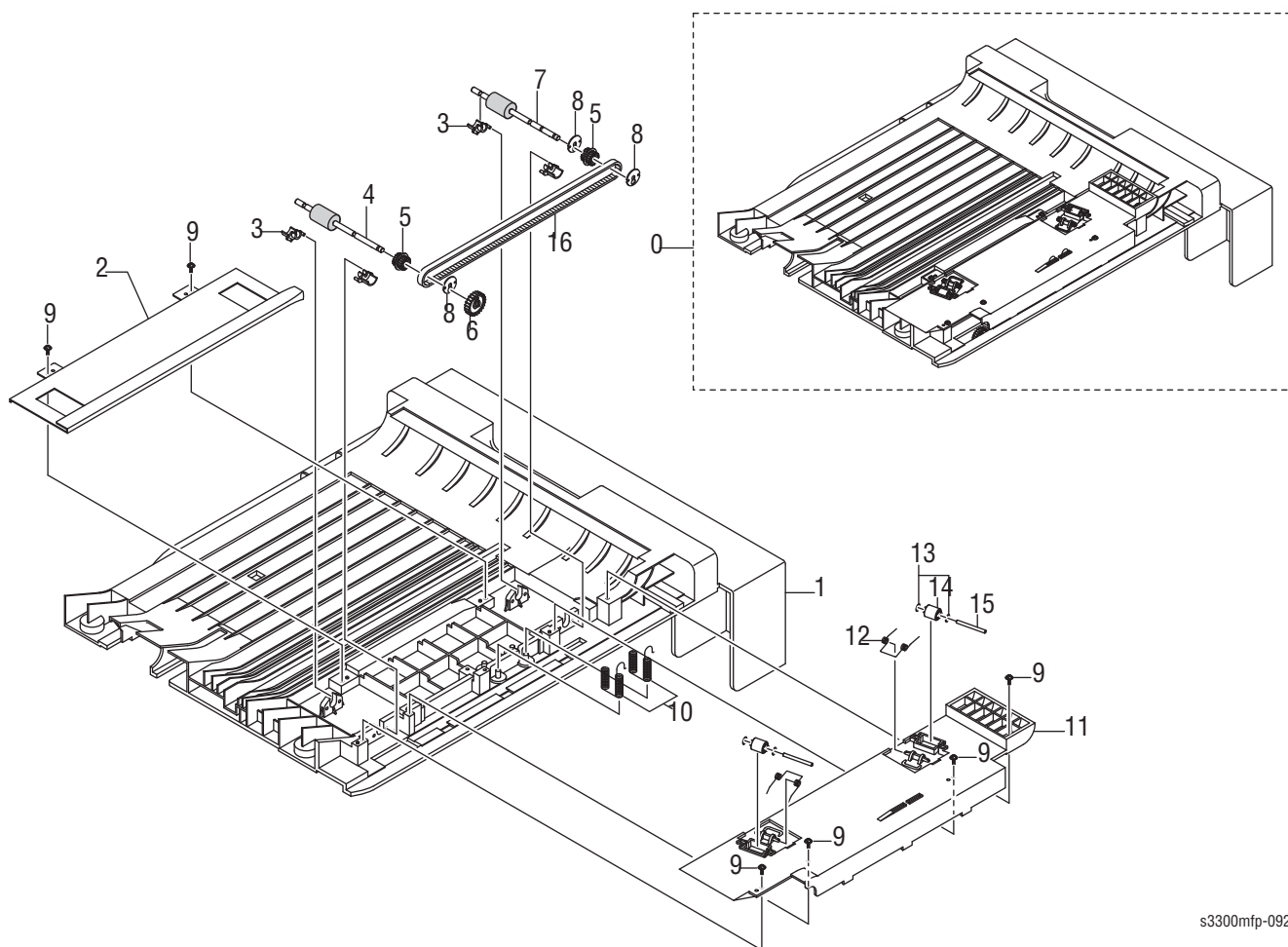
Parts List 16.0 Fuser Assembly

ID No.	Name/Description	Part Number
0	FUSER UNIT 220V REP 4 (includes items 1-42)	126N00266
0	FUSER UNIT 110V REP 4 (includes items 1-42)	126N00265
1	FUSER COVER	—
2	IDLE 23 GEAR	—
3	FUSER HARNESS CONNECTOR	—
4	THERMOSTAT	130N01490
5	THERMISTOR	130N01489
6	IDLE ROLLER HOLDER	—
7	IDLE UPPER ROLLER	—
8	REC HARNESS	—
9	STRIPPER FINGER	—
10	FINGER STRIPPER SPRING	—
11	RUBBER EXIT_F/UP	—
12	PEX ROLLER F/UP	—
13	SPRING-TS	—
14	ANTISTATIC BRUSH	—
15	FUSER FRAME	—
16	RIGHT JAM LINK LEVER	—
17	LEFT JAM LINK LEVER	—
18	E-CLIP	—
19	JAM LINK HOLDER	—
20	HALOGEN LAMP 110V	122N00260
20	HALOGEN LAMP 220V	122N00261
20-1	HEAT ROLLER	022N02371
20-2	HEAT ROLLER LEFT BUSH	—
20-3	HEAT ROLLER RIGHT BUSH	—
20-4	HEAT ROLLER GEAR	—
21	INPUT GUIDE	—
22	REAR GUIDE	—
23	EXIT SENSOR ACTUATOR	—
24	ACTUATOR SPRING	—
25	PMO BUSHING TX	—
26	EXIT F/UP SHAFT	—
27	IDLE F/UP	—
28	REAR GUIDE SPRING COVER	—

Parts List 16.0 Fuser Assembly

ID No.	Name/Description	Part Number
29	SPRING-ES	—
30	EXIT GEAR	—
31	SPRING-CS	—
32	PRESSURE ROLLER	022N02295
33	IDLE 33 GEAR	—
34	PRESSURE BEARING	—
35	IDLE GEAR BRACKET	—

Parts List 17.0 Duplex Unit (Optional)



s3300mfp-092

Parts List 17.0 Duplex Unit (Optional)

ID No.	Name/Description	Part Number
0	MEA UNIT-DUPLEX (includes items 1-16)	098N02194
1	FRAME-M_DUP	050N00521
2	GUIDE-M_DUMMY	—
3	BUSH-M-FEED, DUP	—
4	ELA UNIT-ROLLER_DUP2	—
5	PULLEY-18-DUP	—
6	GEAR-EXIT F/DOWN	—
7	ELA UNIT-ROLLER_DUP	—
8	PULLEY-M-18-DUMMY_DUP	—
9	SCREW-TAPTITE	—
10	TERMINAL-P-GND DUP	—
11	GUIDE-M_UPPER DUP	—
12	SPRING-TS	—
13	PCT-SILP WASHER	—
14	ROLLER-M-IDLE_DUP	—
15	SHAFT-IDLE ROLL, DUP	—
16	BELT-TIMING	—

Xerox Supplies and Accessories

Description	Part Number
Accessory Kit (NA/DMOW)	650N05376
Accessory Kit (DMO-E)	650N05377
Accessory Kit (DMO-W / XE)	650N05378

Parts List Reference	Description	Part Number
PL1.8	Transfer Roller (50K)	002N02628
PL16.0	FUSER UNIT 220V REP 4	126N00266
	FUSER UNIT 110V REP 4	126N00265
N/A	Standard Capacity Print Cartridge - 4K	106R1411
	High Capacity Print Cartridge - 8K	106R1412

Parts List Reference	Description	Part Number
N/A	256 MB DDR2 Memory (1x 256 MB)	097S03761
N/A	Optional 250-Sheet Feeder	097N01693

Parts List Reference	Description	Part Number
PL 1.33	CBF-Power Cord, 110V	105N02072
PL 1.33	CBF-Power Cord, 220V	117N01769

Description	Part Number
CUSHION-EPP-TOP	095N00376
CUSHION-BOTTOM	095N00377
CUSHION-MAIN D	095N00378
BOX-MAIN	095N00379
CBF INTERFACE-USB	117N01313
FAX LINE CORD - RJ11	117N01769
Toner Vacuum	003-1496-00

