

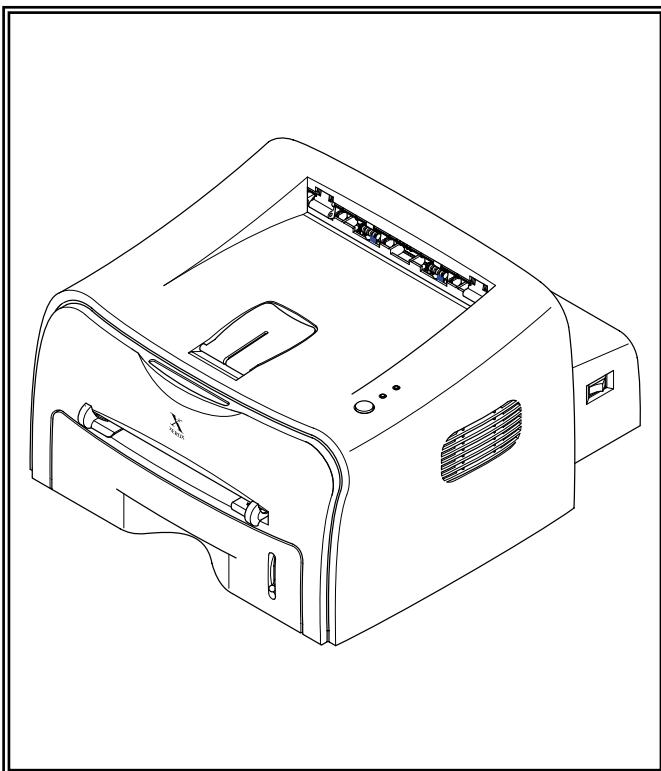
LASER PRINTER

Phaser 3120

Phaser 3130

SERVICE *Manual*

LASER PRINTER



CONTENTS

1. Precautions
2. Specifications
3. Disassembly and Reassembly
4. Troubleshooting
5. Exploded Views and Parts List
6. Block Diagram
7. Connection Diagram
8. Schematic Diagram

1. Precautions

The cautions in the below are items needed to keep in mind when maintaining and servicing. Please read carefully and keep the contents in mind to prevent accidents while servicing and to prevent that the machine gets damage.

1.1 Warning for safety.

(1) Request the service by qualified service person.

The service for this machine must be performed by a service person who took the additional education of this field.

It is dangerous if unqualified service person or user tries to fix the machine.

(2) Do not rebuild it discretionary.

Do not attach or change parts discretionary. Do not disassemble, fix, and rebuilt it. If do, printer will abnormally work and electric shock or a fire can be occurred.

(3) Laser Safety Statement

The Printer is certified in the U.S. to conform to the requirements of DHHS 21 CFR, chapter 1 Subchapter J for Class 1(1) laser products, and elsewhere, is certified as a Class I laser product conforming to the requirements of IEC 825.

Class I laser products are not considered to be hazardous. The laser system and printer are designed so there is never any human access to laser radiation above a Class I level during normal operation, user maintenance, or prescribed service condition.

Warning >> Never operate or service the printer with the protective cover removed from Laser/Scanner assembly. The reflected beam, although invisible, can damage your eyes. When using this product, these basic safety precautions should always be followed to reduce risk of fire, electric shock, and injury to persons.



CAUTION - INVISIBLE LASER RADIATION
WHEN THIS COVER OPEN.
DO NOT OPEN THIS COVER.

VORSICHT - UNSICHTBARE LASERSTRAHLUNG,
WENN ABDECKUNG GEFFNET.
NICHT DEM STRAHL AUSSETZEN.

ATTENTION - RAYONNEMENT LASER INVISIBLE EN CAS
D'OUVERTURE. EXPOSITION DANGEREUSE
AU FAISCEAU.

ATTENZIONE - RADIAZIONE LASER INVISIBLE IN CASO DI
APERTURA. EVITARE L'ESPOSIZIONE AL
FASCIO.

PRECAUCION - RADIACION LASER IVISIBLE CUANDO SE ABRE.
EVITAR EXPONERSE AL RAYO.

ADVARSEL - USYNLIG LASERSTRALNING VED BNING, N R
SIKKERHEDSBRYDERE ER UDE AF FUNKTION.
UNDG UDSÆTTELSE FOR STRALNING.

ADVARSEL - USYNLIG LASERSTRALNING N R DEKSEL
PNES. STIRR IKKE INN I STRALEN.
UNNG EKSPONERING FOR STRALEN.

VARNING - OSYNLIG LASERSTRALNING N R DENNA DEL
RPPNAD OCH SPRÄN R URKOPPLAD.
BETRAKTA EJ STRALEN. STRALEN R FARLIG.

VARO! - AVATTAESSA JA SUOJALUKITUS OHITETTAESSA
OLET ALTTIINA N KYM TT M LLE LASER-
S TEILYLLE L KATSO S TEESEEN.

注意 - 严禁揭开此盖, 以免激光泄露灼伤

주의 - 이 덮개를 열면 레이저광에 노출될 수 있으므로
주의하십시오.

1.2 Caution for safety

1.2.1 Precaution related noxious material

The toner in a printer cartridge contains a chemical material, which might harm human body if it is swallowed. Please keep children out of the toner cartridge.

1.2.2 Precaution related electric shock or fire

It is possible to get electric shock or burn by fire if you don't follow the instructions of the manual.

- (1) Use exact voltage. Please do use an exact voltage and wall socket. If not, a fire or an electric leakage can be caused.
- (2) Use authorized power code. Do use the power code supplied with PRINTER. A fire can be occurred when over current flows in the power code.
- (3) Do not insert many codes in an outlet. If do, a fire can be occurred due to flow over current in an outlet.
- (4) Do not put water or extraneous matter in the PRINTER. Please do not put water, other liquid, pin, clip, etc. It can cause a fire, electric shock, or malfunction. If it is happened, turn off the power and remove the power plug from outlet immediately.
- (5) Do not touch the power plug with wet hand. When servicing, do remove the power plug from outlet. And do not insert or take off it with wet hand. Electric shock can be occurred.
- (6) Caution when inserting or taking off the power plug. The power plug has to be inserted completely. If not, a fire can be caused due to poor contact. When taking off the power plug, do grip the plug and take it off. If grip the line and pull over, it could be damaged. A fire or electric shock could cause.
- (7) Management of power code. Do not bend, twist, or bind it and place other materials on it. Also, do not fix it with staples. If the power code gets damage, a fire or electric shock can be caused. A damaged power code must be replaced immediately. Do not repair the damaged part and reuse it. A repaired part with plastic tape can be occurred a fire or electric shock. Do not spread chemicals on the power code. Do not spread insecticide on the power code. A fire or electric shock can be occurred due to thinner(weak) cover of the power code.
- (8) Check whether the power outlet and the power plug are damaged, pressed, chopped, or blazing fire or not. When such inferiorities are found, repair it immediately. Do not make it pressed or chopped when moving the machine.
- (9) Caution when thundering, and being flash of lightening. It causes a fire or electric shock. Take the power plug off when thundering. Do not touch cable and device when thundering and being flash of lightening.
- (10) Do avoid the place where is moisture or has dust. Do not install the printer in where have lots of dust or around humidifier. A fire can be occurred. A plug part need to clean well with dried fabric to remove dust. If water drops are dripped on the place covered with dust, a fire can be occurred.
- (11) Avoid direct sunlight. Do not install the printer near to window where directly contacts to the sunlight. If the machine contacts sunlight long time, the machine cannot work properly because inner temperature of the machine is getting higher. A fire can be caused.
- (12) Turn off the power and take off the plug when a smoke, strange smell, or sound from the machine. If you keep using it, a fire can be occurred.
- (13) Do not insert steel or metal piece inside/outside of the machine. Do not put steel or metal piece into a ventilator. An electric shock could be happened.

1.2.3 Precaution related handling the machine.

If you ignore this information, you could get harm and machine could be damaged.

- (1) Do not install it on the different levels, or slanted floor.
Please confirm whether it is balanced or not after installation. If it is unbalanced, an accident can be happened due to the machine fell over.
- (2) Be careful not to insert a finger or hair in the rotating unit.
Be careful not to insert a finger or hair in the rotating unit (motor, fan, paper feeding part, etc) while the machine is operating. Once it happens, you could harm.
- (3) Do not place a pot contains water/chemical or small metals. If those are got into the inner side of machine, a fire or electric shock can be occurred.
- (4) Do not install it in where lots of moisture or dust exists or where raindrop reaches. A fire or electric shock can be caused.
- (5) Do not place a candlelight, burning cigarette, and etc. on the machine. Do not install it near to heater. A fire can be occurred.

1.2.4 Precaution when assembly/disassembly

When replace parts, do it very carefully. Do memorize the location of each cable before replace parts for reconnecting it afterwards. Do memorize. Please perform the below before replace or disassembly the parts.

- (1) Check the contents stored in the memory. All the information will be erased after replace main board. The information needed to keep has to be written down.
- (2) Before servicing or replacing electric parts, take off a plug.
- (3) Take off printer cables and power code connected to printer.
- (4) Do use formal parts and same standardized goods when replacing parts. Must check the product name, part code, rated voltage, rated current, operating temperature, etc.
- (5) Do not give an over-force when release or tighten up the plastic parts.
- (6) Be careful not to drop the small parts such as screws in the printer.
- (7) Be careful not to change the location of small parts such as screws when assembling and disassembling.
- (8) Do remove dust or foreign matters completely to prevent fire of tracking, short, or etc.
- (9) After finished repair, check the assembling state whether it is same as before the repair or not.

1.3 ESD Precautions

Certain semiconductor devices can be easily damaged by static electricity. Such components are commonly called “Electrostatically Sensitive (ES) Devices”, or ESDs. Examples of typical ESDs are: integrated circuits, some field effect transistors, and semiconductor “chip” components.

The techniques outlined below should be followed to help reduce the incidence of component damage caused by static electricity.

Caution >>Be sure no power is applied to the chassis or circuit, and observe all other safety precautions.

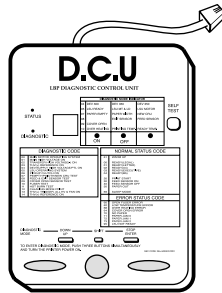
1. Immediately before handling a semiconductor component or semiconductor-equipped assembly, drain off any electrostatic charge on your body by touching a known earth ground. Alternatively, employ a commercially available wrist strap device, which should be removed for your personal safety reasons prior to applying power to the unit under test.
2. After removing an electrical assembly equipped with ESDs, place the assembly on a conductive surface, such as aluminum or copper foil, or conductive foam, to prevent electrostatic charge buildup in the vicinity of the assembly.
3. Use only a grounded tip soldering iron to solder or desolder ESDs.
4. Use only an “anti-static” solder removal device. Some solder removal devices not classified as “anti-static” can generate electrical charges sufficient to damage ESDs.
5. Do not use Freon-propelled chemicals. When sprayed, these can generate electrical charges sufficient to damage ESDs.
6. Do not remove a replacement ESD from its protective packaging until immediately before installing it. Most replacement ESDs are packaged with all leads shorted together by conductive foam, aluminum foil, or a comparable conductive material.
7. Immediately before removing the protective shorting material from the leads of a replacement ESD, touch the protective material to the chassis or circuit assembly into which the device will be installed.
8. Maintain continuous electrical contact between the ESD and the assembly into which it will be installed, until completely plugged or soldered into the circuit.
9. Minimize bodily motions when handling unpackaged replacement ESDs. Normal motions, such as the brushing together of clothing fabric and lifting one’s foot from a carpeted floor, can generate static electricity sufficient to damage an ESD.

1.4 Tool for Troubleshooting

The following tools are recommended for safe and smooth troubleshooting described in this service manual.

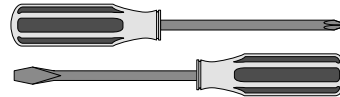
1 DCU(Diagnostic Control Unit)

Standard : Test equipment to diagnose the Laser printer supplied by Samsung Electronics.



4 Driver

Standard : "-" type, "+" type (M3 long, M3 short, M2 long, M2 short).



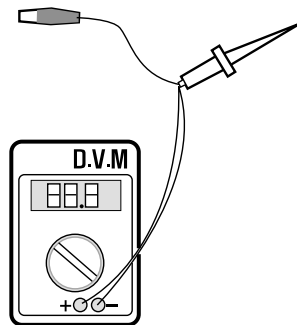
5 Pinset

Standard : For general home use, small type.



2 DVM(Digital Volt Meter)

Standard : Indicates more than 3 digits.



6 Cotton Swab

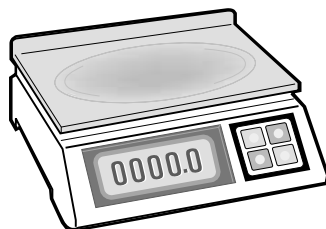
Standard : For general home use, for medical service



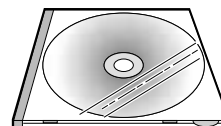
7 Cleaning Equipments a IPA(Isopropyl Alcohol)dry cloth or a soft stuff neutral detergent

3 Electronic Scale

Standard : Equipment to check the weight of consumables(toner cartridge) supplied by Samsung Electronics. (The gram unit can be measured.)



8 Software(Driver) installation CD ROM



Mind your hands not to be touched when you disassemble and reassemble PBA ASS'Y, such as the main board, SMPS, HVPS.

2. Specifications

2.1 General Specifications

ITEM	DESCRIPTION
Print Technology	Non-impact Electro-photographic Printing
Developing system	Non-Magnetic, Mono-Component Developing System
Print Speed ⁽¹⁾	16 PPM : A4 size , 5% Character pattern 17 PPM : Letter size , 5% Character pattern
Resolution	Phaser 3120 : True 600 X 600 DPI Phaser 3130 : 1200 X 600 DPI
Source of Light	Laser diode (LSU : Laser Scanner Unit)
Warm-Up Time	Power-on boot : 30 seconds or less
First Print Out Time	Less than 11 seconds (Ready to 1st page out)
Media Size	75 X 125 (3" X 5") mm to 216 X 356 (8.5" X 14")mm
Media Thickness	16 ~ 24 lb
Dimension(W X D X H)	348 X 355 X 193mm / 13.7 X 14 X 7.6 inch
Weight	Net : 7 Kg /15.4 lb Gross : 9.5 Kg (Max.)
Acoustic Noise ⁽¹⁾	Stand by : Less than 35 dB Printing: Less than 50 dB
Machine Life	120,000 Sheets
Periodic Replacing Parts ⁽²⁾	Pick Up Roller : 60,000 Sheets Feed Roller : 60,000 Sheets Transfer Roller: 60,000 Sheets Fuser Assembly : 60,000 Sheets

⁽¹⁾ For measuring the printing speed, count the papers which outputted within one minute from when the second page starts to be printed. (A4, 5% character pattern standard)

⁽²⁾ The life span of the consumption parts can be checked by printing the demo page or the system list. (Refer to the 6.3 Receive the service information)

2.2 Controller Specification

ITEM	DESCRIPTION	
	Phaser 3120	Phaser 3130
Processor(CPU)	Samsung Jupiter4 90MHz	Samsung SPGPm 166MHz
OS Compatibility ⁽¹⁾	Win 98x/NT4.0/ME/2000/XP, Various Linux OS,Mac(Mac OS 8.6 ↑)	
Memory	FLASH ROM(PROGRAM) : 0.5MB flash	
	RAM : 8 MB	RAM : 32 MB
	EEPROM(NVRAM) : 512byte	
Emulation	SPL(Samsung Printer Language)	PCL6, IBMProPrinter, EPSON
Interface	USB 1.1	USB - USB 2.0 - 12 Mbps 1 port Parallel : IEEE 1284 - Modes supported : Compatible,Nibble,Byte,ECP External Network Adaptor(Optional)
Interface switching	Automatic	
Interface time-out	5min(Max.)	
Font	Windows Font	45 Scalable, 1 Bitmap

(1) The SPL series model is USB exclusive use, so it supports the environment beyond the WIN 98.

2.3 Electrical Specification

ITEM	DESCRIPTION	
Input Voltage	Nominal input voltage	200-240 VAC / 100~127VAC
	Input voltage range	189-264 VAC/ 90~132VAC
	Nominal frequency	50/60 Hz
	Frequency tolerance	+3Hz
Power Consumption	Printing : 280W Avg or less	Power Save : 10W Avg or less

2.4 Environmental Range

ITEM	OPERATING	STORAGE
Temperature	10~32 °C(50-90 oF)	-20~40 °C (-4~104 oF)
Humidity	20~80%RH	10~80%RH

2.5 TONER Cartridge (Developer)

ITEM	DESCRIPTION	REMARK
Life span	3,000 sheets	IDC 5% pattern
Developing	Non-magnetic Mono Component Contact Developing	
Charging	Conductive Roller Charging	
Toner checking sensor	Not Available	
Ozone	0.1PPM or less	8 hours
Style	Single cartridge	

2-Paper Handling Specifications

Please refer to "Paper Specifications" on user guide

- Input Paper Size

PAPER	DIMENSIONS	WEIGHT
A4	210 X 297 mm	60 to 90 g/m ² bond(16 to 24 lb)
Letter	216 X 279(8.5 X 11")	
Legal(Legal14")	216 X 356(8.5 X14")	
JIS B5	182 X257mm (7.2 X 10")	
Folio(Legal13")	216 X 330mm (8.5 X 13")	
Minimum size (Custom)	76 X 127mm (3 X 5")	60 to 163 g/m ² bond(16 to 43 lb)
Maximum size (Custom)	216 X 356mm (8.5 X 14")	
Transparency(OHP)	Same minimum and maximum sizes as listed above	Thickness:
Label paper		0.10 X 0.14 mm (0.0039 X 0.0055")
Envelopes		Up to 90 g/m ² bond(16 to 24 lb)

- Input capacity

Cassette: 250 sheets
Manual : 1 sheet

- Output capacity

Face Down : 50 sheets(20lb)
Face Up : 1 sheet(OHP, Lavbel, Cut Sheet, Envelope)

MEMO

3. Disassembly and Reassembly

3.1 General Precautions on Disassembly

When you disassemble and reassemble components, you must use extreme caution. The close proximity of cables to moving parts makes proper routing a must.

If components are removed, any cables disturbed by the procedure must be restored as close as possible to their original positions. Before removing any component from the machine, note the cable routing that will be affected.

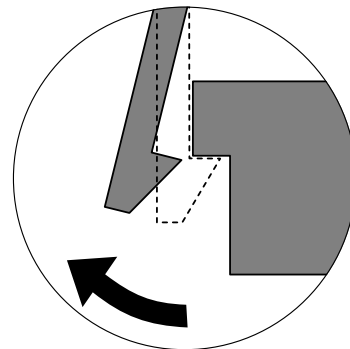
Whenever servicing the machine, you must perform as follows:

1. Check to verify that documents are not stored in memory.
2. Be sure to remove the toner cartridge before you disassemble parts.
3. Unplug the power cord.
4. Use a flat and clean surface.
5. Replace only with authorized components.
6. Do not force plastic-material components.
7. Make sure all components are in their proper position.

Releasing Plastic Latches

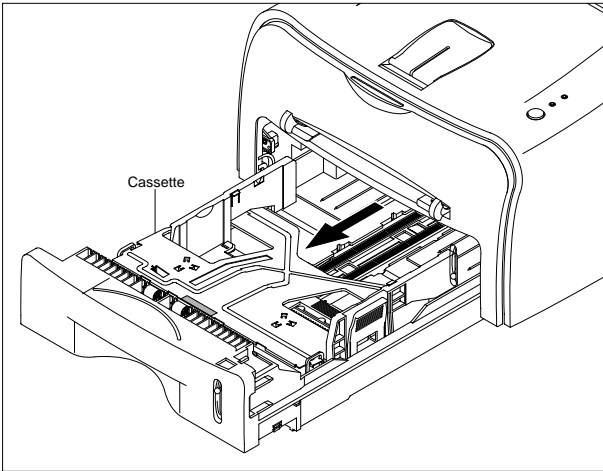
Many of the parts are held in place with plastic latches. The latches break easily; release them carefully.

To remove such parts, press the hook end of the latch away from the part to which it is latched.

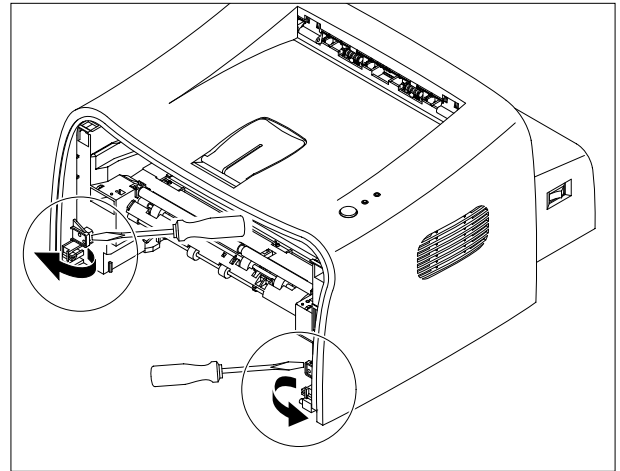


3.2 Top Cover

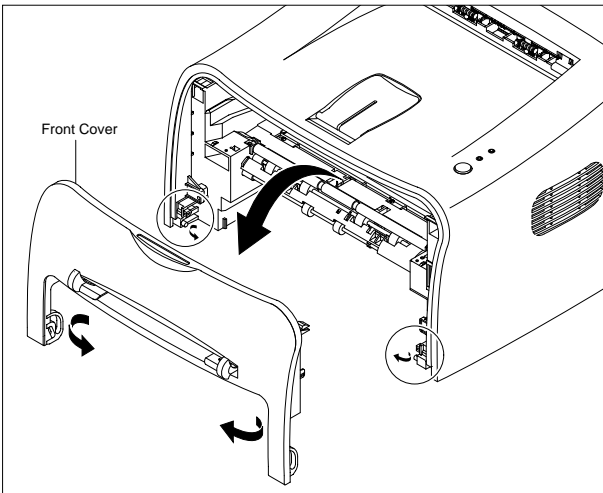
1. Pull the Cassette out of the printer.



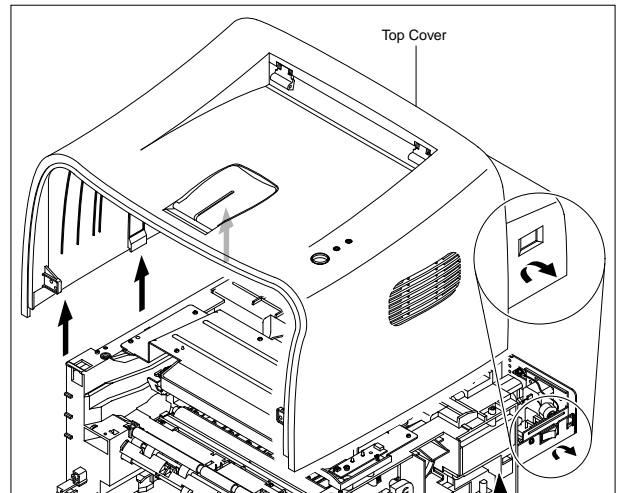
4. Unlatch the front ends of the Top Cover.



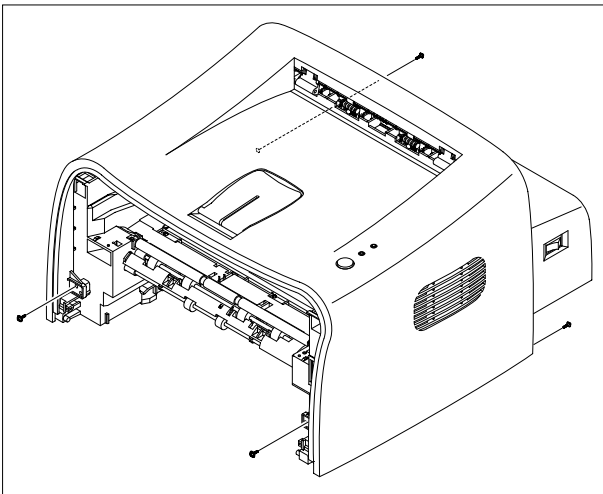
2. Remove the Front Cover in the direction of arrow.



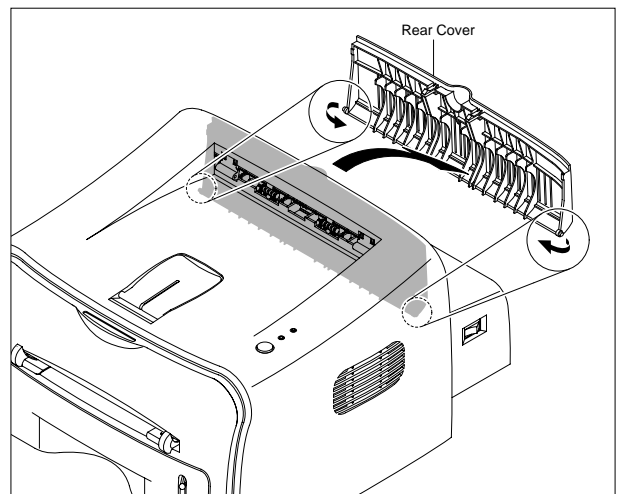
5. Remove the Top Cover in the direction of arrow.



3. Remove four screws.



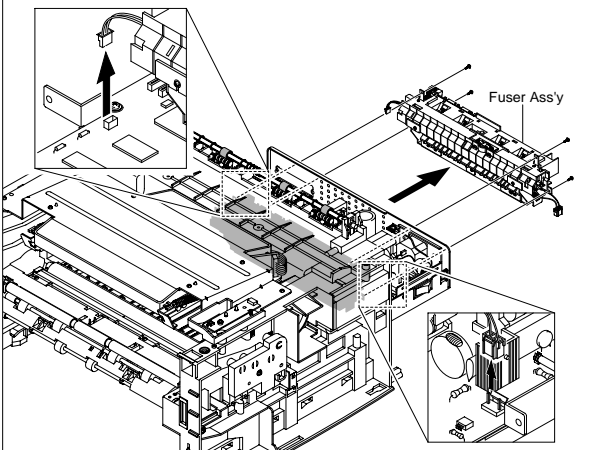
6. Remove the Rear Cover from the Top Cover.



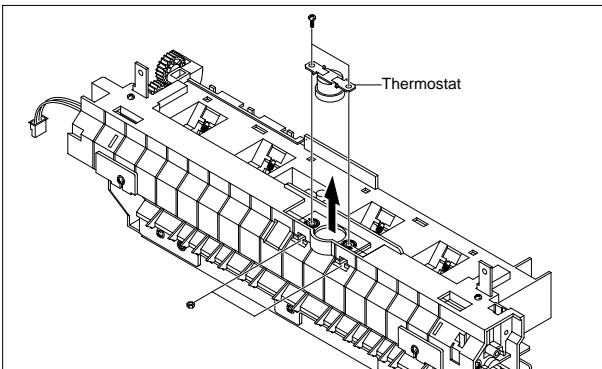
3.3 Fuser

1. Before you remove the Fuser, you should remove:
- Top Cover(see page 3-2)

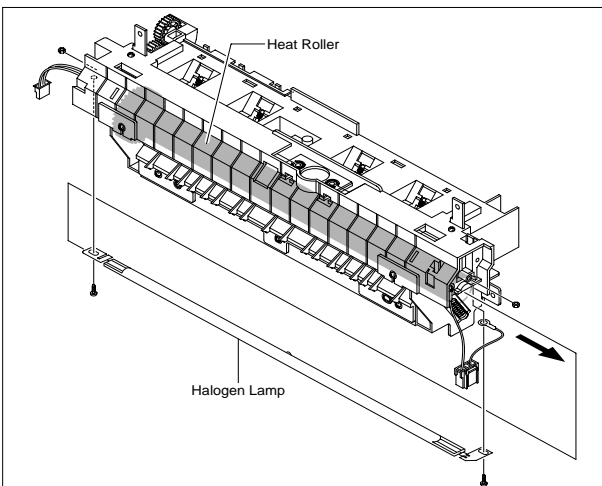
2. Unplug two connectors(Block) from the boards, then remove four screws.



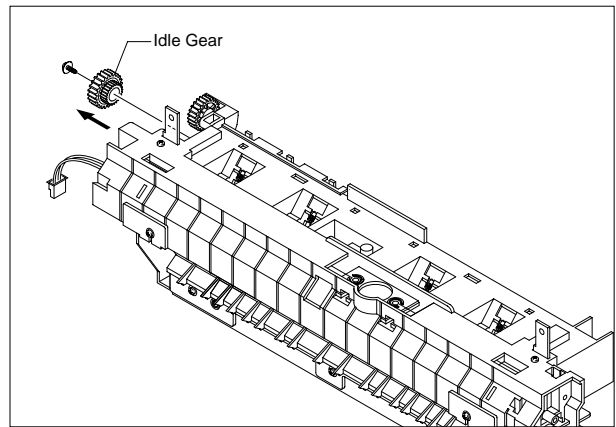
3. Remove two screws and take the Thermostat out of the Fuser.



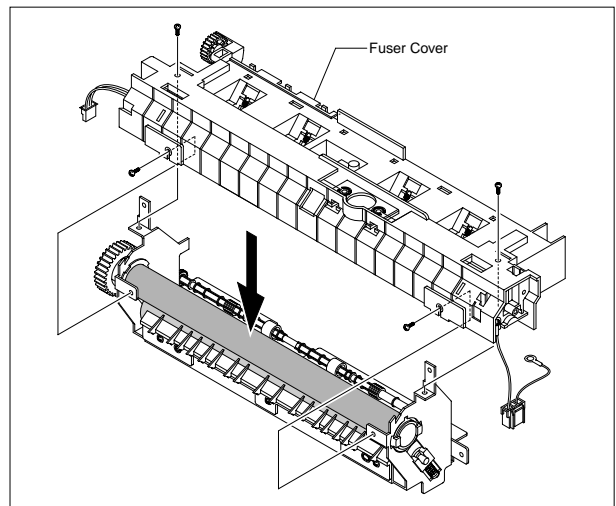
4. Remove two screws and take the Halogen Lamp out of the Heat Roller.



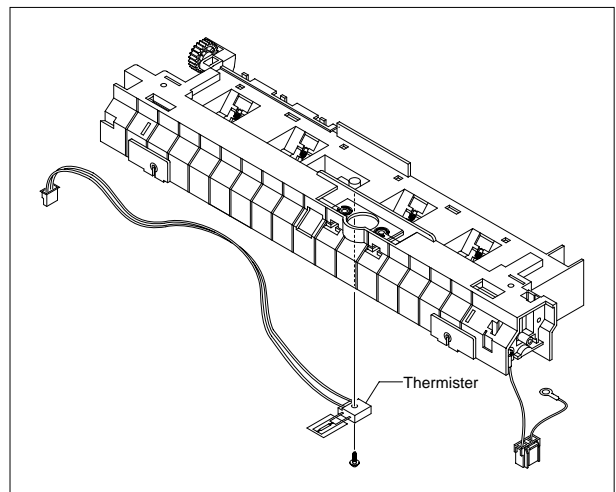
5. Remove one screw and take the Idle Gear out.



6. Remove four screws and divide the Fuser into two parts

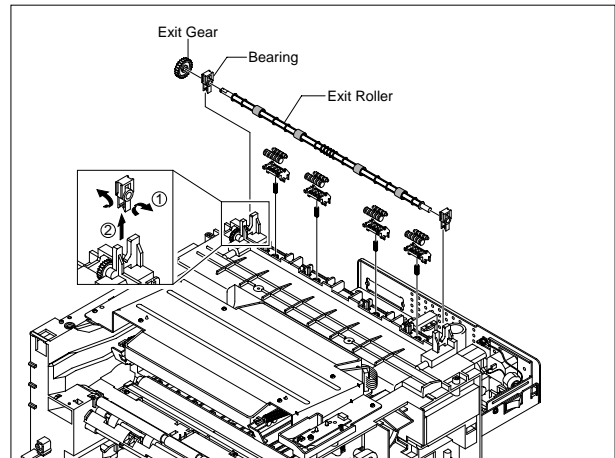


7. Remove the Thermister from the Fuser Cover.



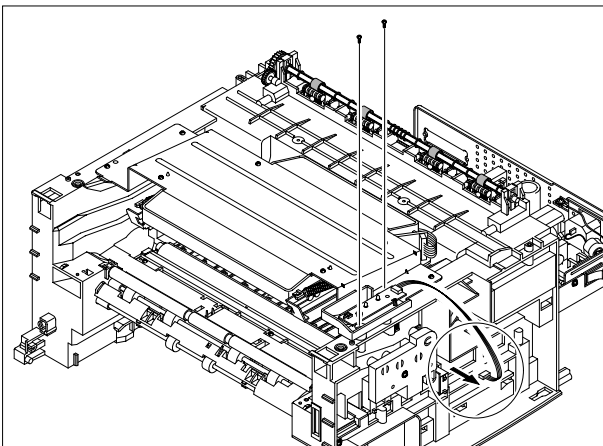
3.4 Exit Roller

1. Before you remove the Fuser, you should remove:
 - Top Cover(see page 3-2)
2. Remove the Exit Gear, Bearing and Exit Roller.

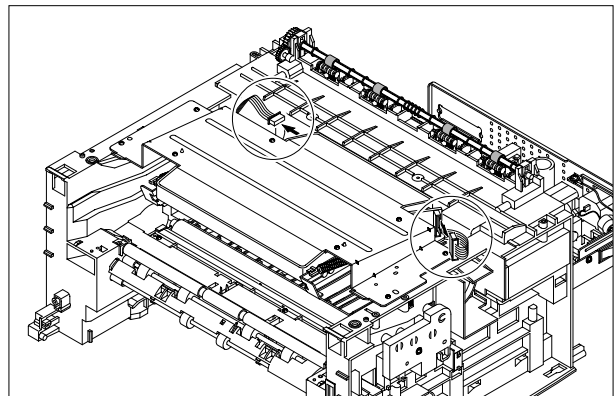


3.5 LSU

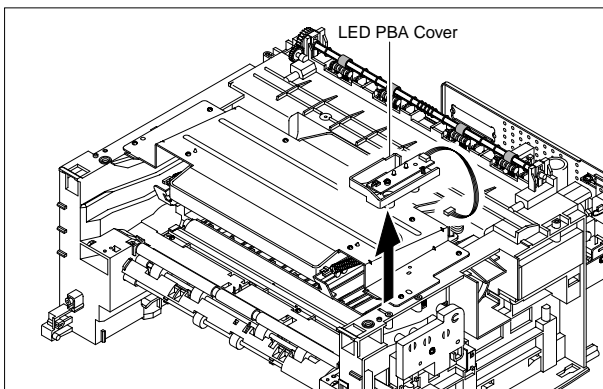
1. Before you remove the Fuser, you should remove:
 - Top Cover(see page 3-2)
2. Remove two screws and unplug one connector from the Frame.



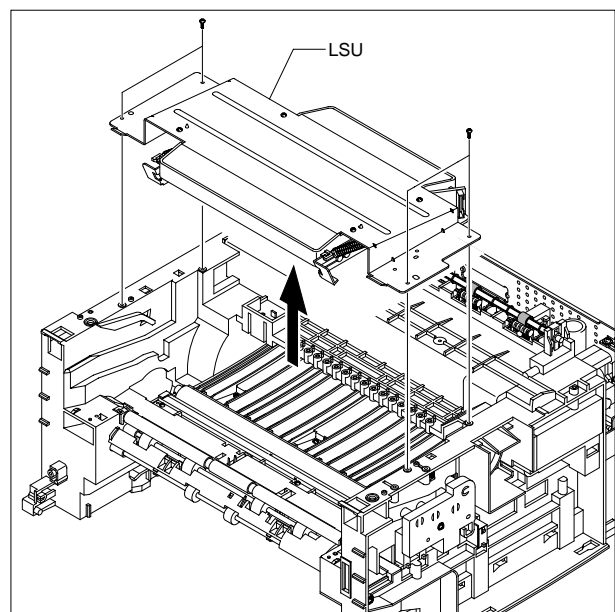
4. Unplug two connector from the LSU



3. Remove the LED PBA Ass'y as shown below.

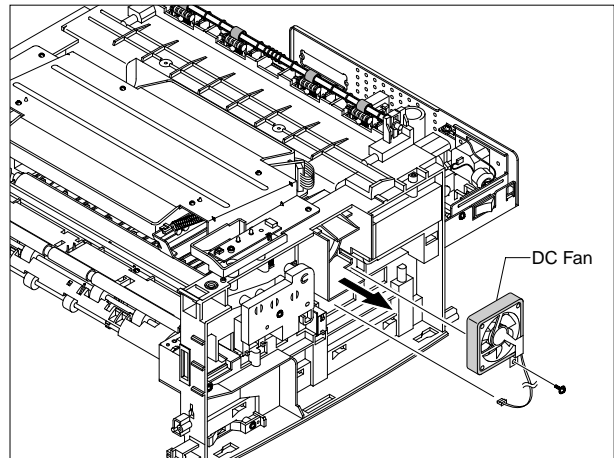


5. Unplug four screws and take the LSU out.



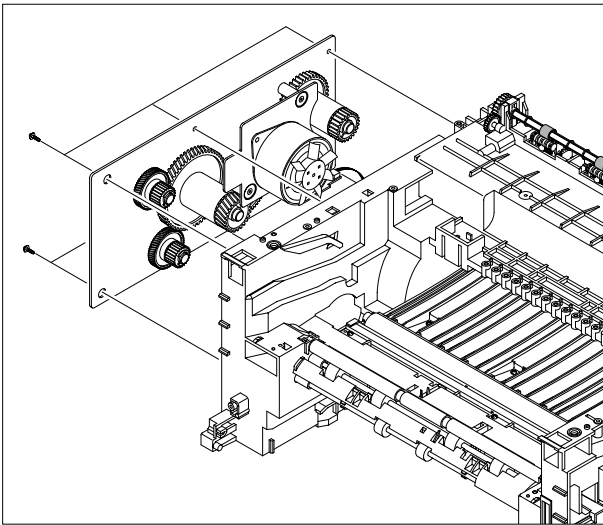
3.6 Fan

1. Before you remove the Fuser, you should remove:
 - Top Cover(see page 3-2)
2. Unplug the connector from the SMPS and remove the one screw. Then take out the Fan.

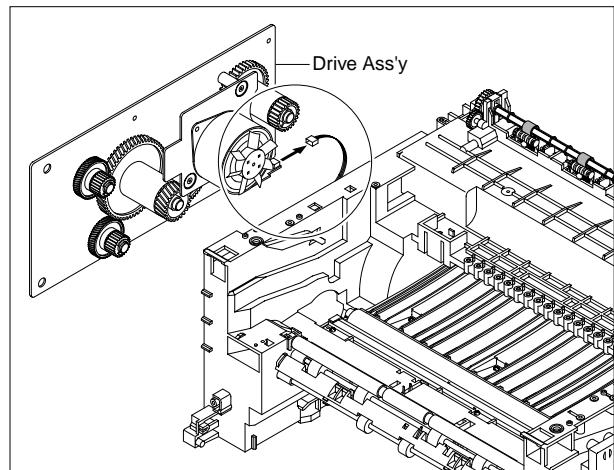


3.7 Driver Ass'y

1. Before you remove the Fuser, you should remove:
 - Top Cover(see page 3-2)
2. Remove the six screws from the Drive Ass'y.

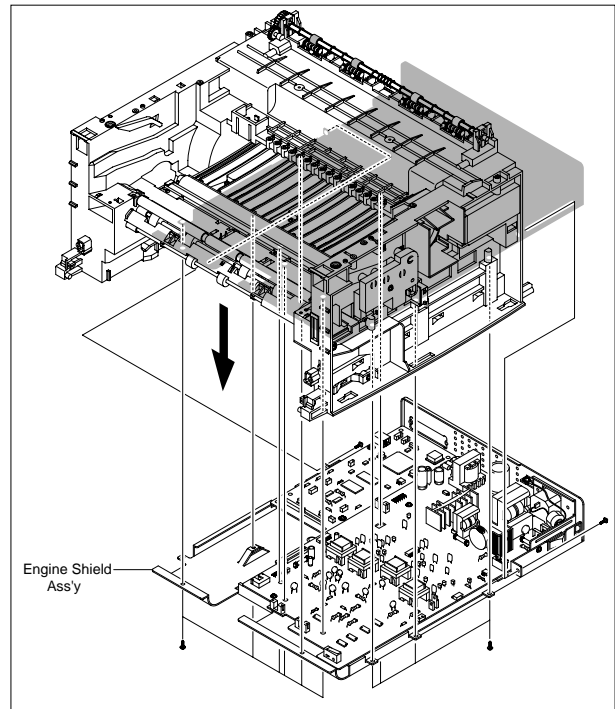


3. Unplug one connector from the Driver Ass'y



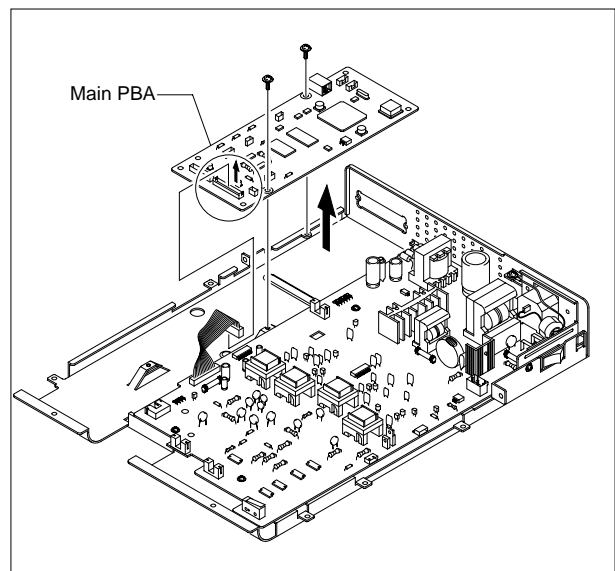
3.8 Engine Shield Ass'y

1. Before you remove the Fuser, you should remove:
 - Top Cover(see page 3-2)
 - Fuser Connector(see page 3-3)
2. Remove the fourteen screws securing from the Engine Shield Ass'y and unplug the all connectors. Then take the Engine Shield Ass'y.



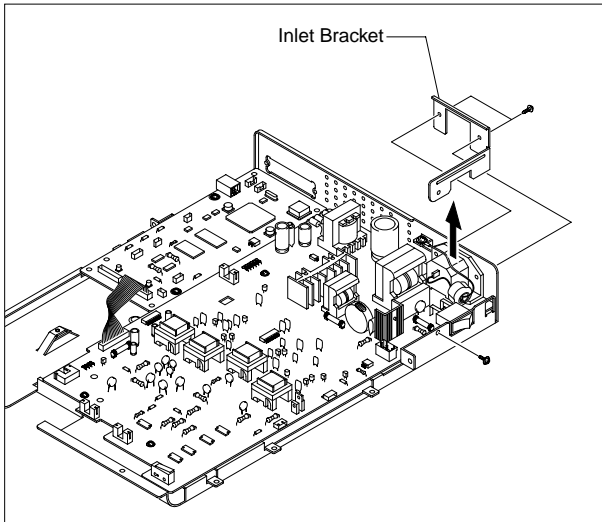
3.9 Main PBA

1. Before you remove the Fuser, you should remove:
 - Top Cover(see page 3-2)
 - Engine Shield Ass'y(see page 3-6)
2. Unplug one connector and remove five screws from the Main PBA. Then lift the Main PBA out, as shown below.

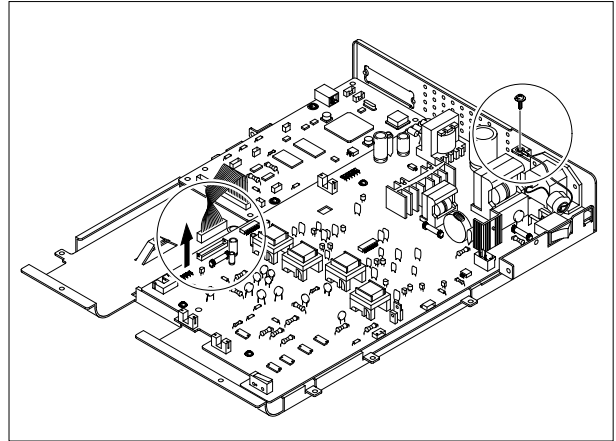


3.10 SMPS

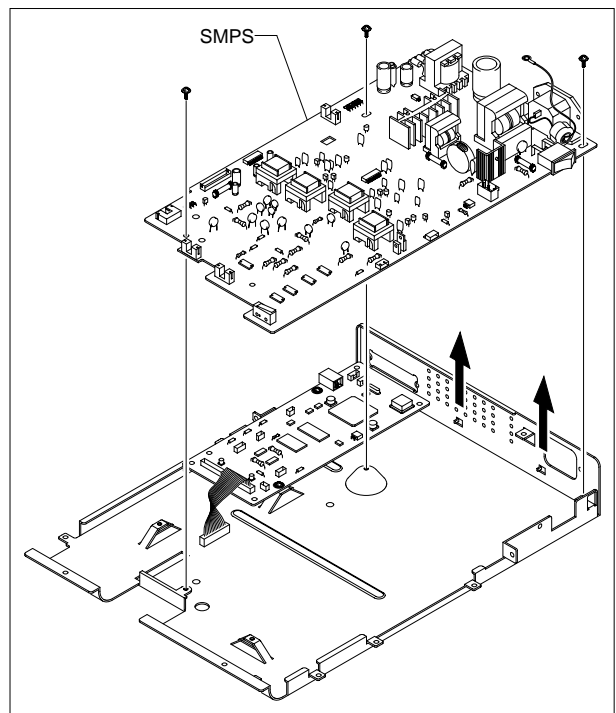
1. Before you remove the Fuser, you should remove:
 - Top Cover(see page 3-2)
 - Engine Shield Ass'y(see page 3-6)
2. Unplug one connector and remove three screws then take the Inlet Ass'y out.



3. Remove one screw and unplug one connector from the Main PBA.

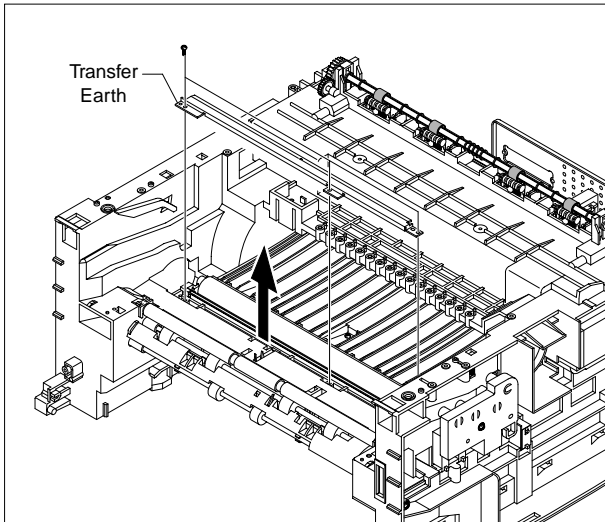


4. Remove three screws and take The SMPS out.

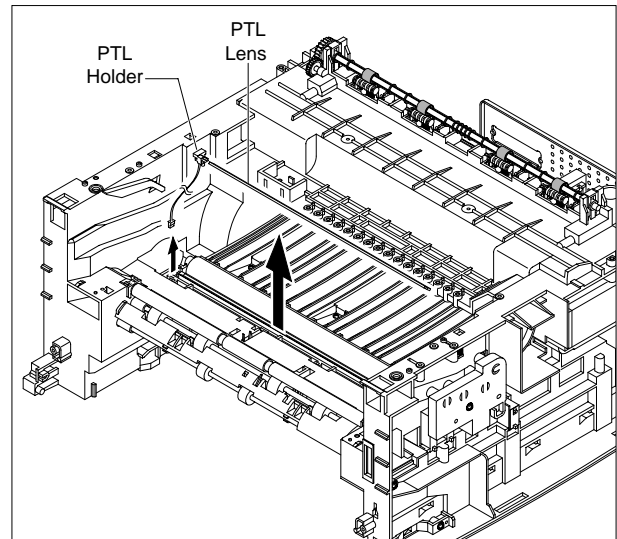


3.11 Transfer Roller

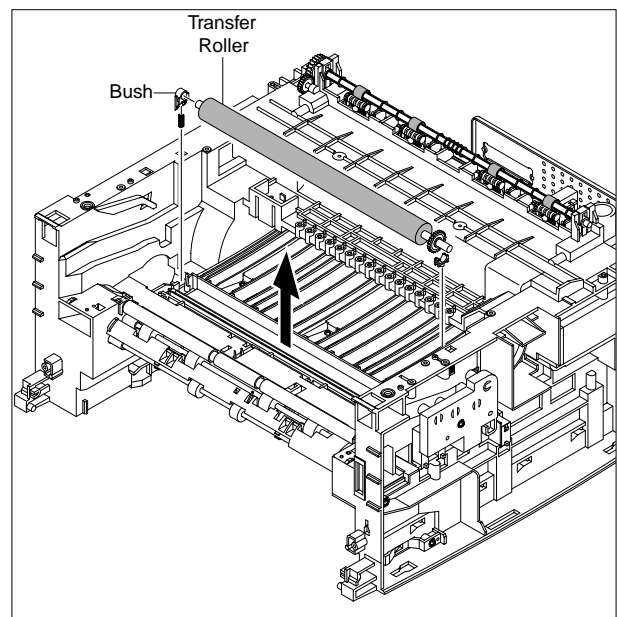
1. Before you remove the Fuser, you should remove:
 - Top Cover(see page 3-2)
 - LSU(see page 3-4)
2. Remove three screws and take the Transfer Earth out.



3. Unplug the PTL Holder Connector, then remove the PTL Holder and PTL Lens, as shown below.



4. Unlatch the Bush and remove it. Then lift the Transfer Roller out, as shown below.

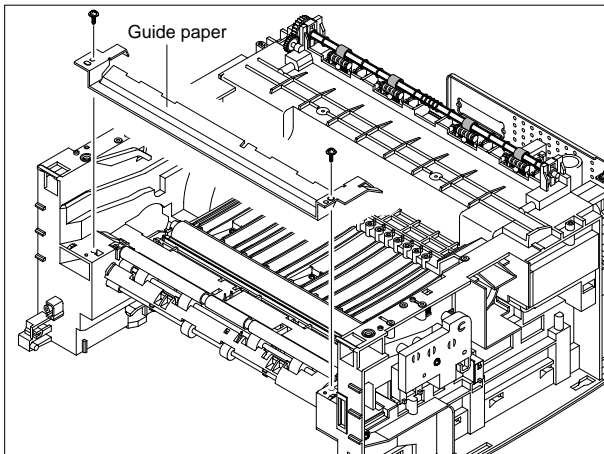


3.12 Feed Roller

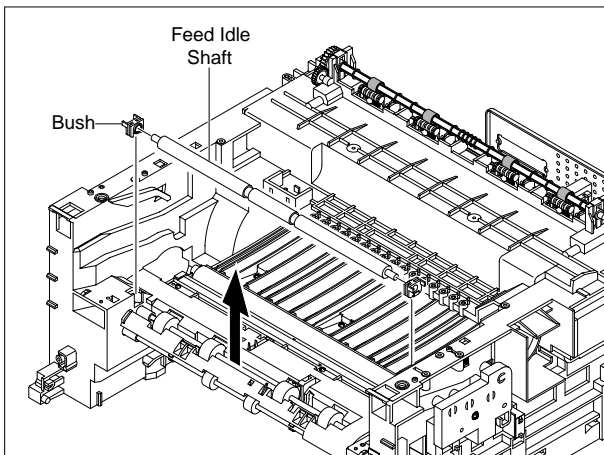
1. Before you remove the Fuser, you should remove:

- Top Cover(see page 5-2)
- Drive Ass'y(see page 5-7)

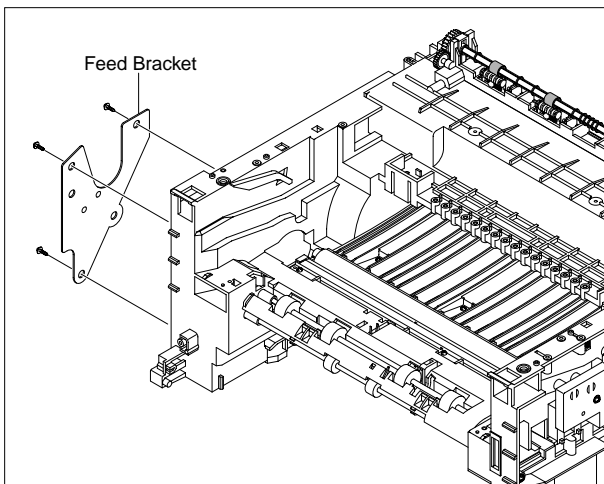
2. Remove two screws from the Guide Paper and take it out.



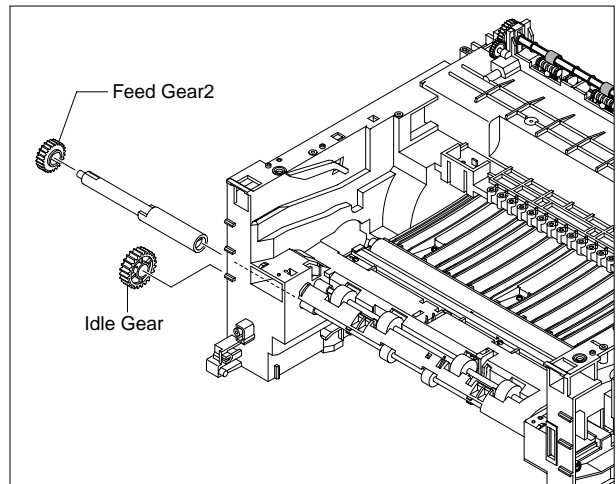
3. Pull up the Feed Idle Bush and Feed Idle Shaft, as shown below.



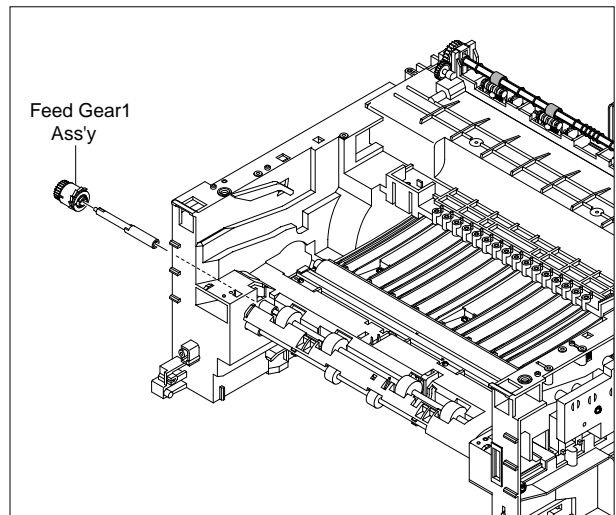
4. Remove three screws from the Feed Bracket and take it out.



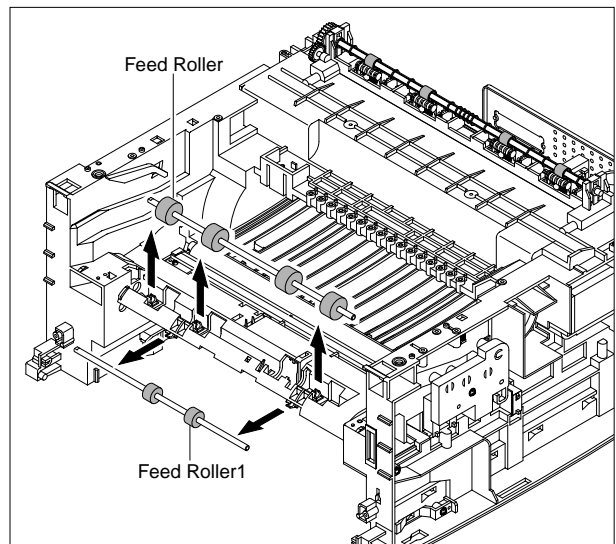
5. Remove the Idle Gear and Feed Gear2.



6. Remove the Feed Gear 1 Ass'y, as shown below.

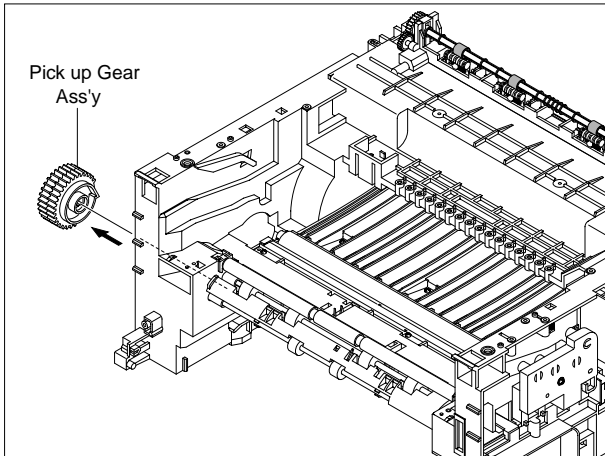


7. Remove the Feed Roller and Feed Roller 1, as shown below.

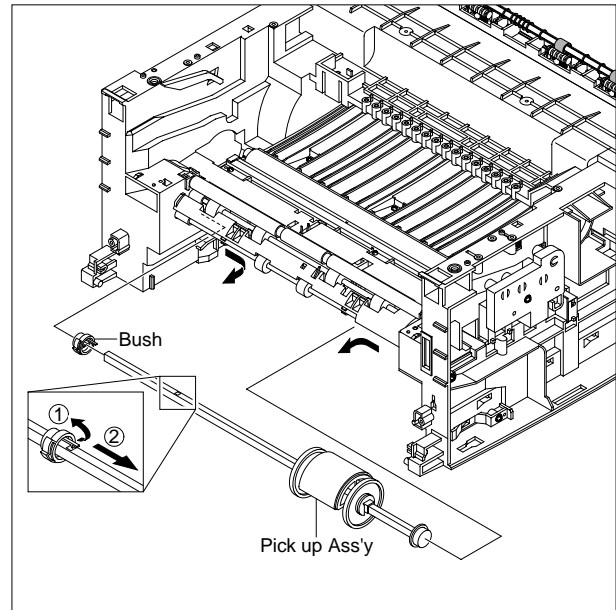


3.13 Pick Up Roller

1. Before you remove the Fuser, you should remove:
 - Top Cover(see page 3-2)
 - Drive Ass'y(see page 3-5)
 - Engine Shield Ass'y(see page 3-6)
2. Remove the Pick up Gear Ass'y, as shown below.

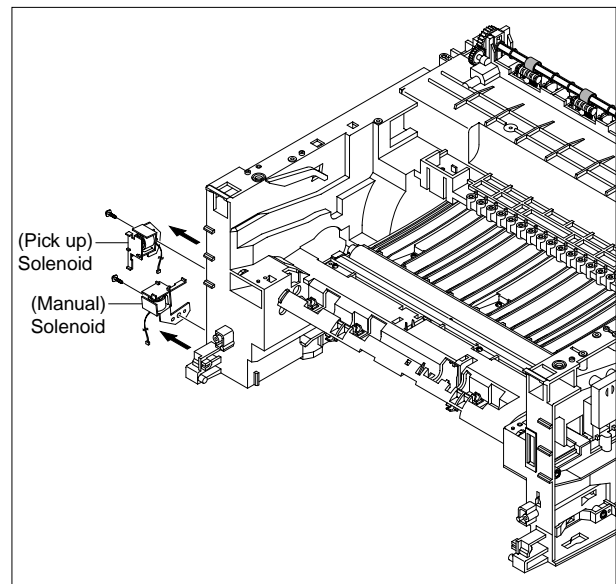


3. Remove the Pick up Ass'y, as shown below.



3.14 Solenoid

1. Before you remove the Fuser, you should remove:
 - Top Cover(see page 3-2)
 - Drive Ass'y(see page 3-5)
 - Engine Shield Ass'y(see page 3-6)
 - Pick Up Roller(see page 3-10)
2. Remove two screw then remove The Manual Solenoid and Pick Up Solenoid.




4. Troubleshooting

4.1 How to use DCU

4.1.1 DCU Setup

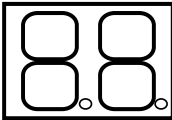
You can examine the malfunction of the printer. To perform DCU, open the front discharge cover and leave the connect the harness wire(10 pin/4 pin) to the CN10(4 pin) of the Main control board.



ML SERIES DIAGNOSTIC CONTROL UNIT

● STATUS

● DIAGNOSTIC



SELF TEST

04	DEV 300	DEV 350	DEV 350
05	LSU READY	LSU MT & LD	LSU MOTOR
07	PAPER EMPTY	PAPER WIDTH	NEW CRU
08		EXIT SENSOR	FEED SENSOR
09	COVER OPEN		
10	COER HEATING	PRINTING TEMP	READY HEAT
	● ON	● OFF	●

DIAGNOSTIC CODE	
00	MAIN MOTOR OPERATING SYSTEM
01	MAIN HIGH-VOLTAGE ON
02	TRANSFER HIGH-VOLTAGE (-)ON
03	THV(+) REFERENCE VOLTAGE
04	DEV/SUPPLY HIGH-VOLTAGE ON/PTL ON
05	LSU OPERATING SYSTEM
06	PICKUP CLUTCH ON
07	PEEMPTY/PWITH/NEW CRU TEST
08	FEED & EXIT SENSOR TEST
09	COVER OPEN SENSOR TEST
10	FUSER TEST
11	HOT BURN TEST
12	CLEAN MODE PRINT
13	THV(+)TRIGGER, ALL HV & FAN ON
14	THV(+) REFERENCE ON

STATUS CODE	
61	WARM UP
00	READY (REGAL)
01	READY (LETTER)
02	READY (A4)
03	READY (EXECUTIVE)
04	READY (B5)
20	PRINT START
30	FEED SENSOR ON
40	FEED SENSOR OFF
50	PAPER OUT
69	SLEEP MODE

ERROR STATUS CODE	
60	OPEN FUSER ERROR
62	LOW TEMPERATURE ERROR
68	OVER HEATING ERROR
64	COVER OPEN ERROR
70	NO PAPERR
71	PAPER JAM 0
72	PAPER JAM 1
73	PAPER JAM 2
95	LSU NOT READY

DIAGNOSTIC MODE

DOWN

UP

SHIFT

STOP ENTER

TO ENTER DIAGNOSTIC MODE, PUSH THREE BUTTONS SIMUL ANEOUSL AND TURN THE PRINTER POWER ON.

4.1.2 Code

Connect DCU to the printer and turn the power on. It show 7 Segment FND on the panel and each code tells the function of the printer.

1) Normal Code

While printing or warming up, it indicate the position of the paper

Code	State	Description
61	Warm up	The printer is on, the cover is open or close.
00~05	Ready(kind of paper)	The printer is ready, the paper is detected when the first paper is printed. 00: Legal ,01: Letter ,02: A4 ,03: EXEC ,04: B5 ,05: Folio, 06: A5/A6
20, 21, 22	Print Start	The engine controller received the print order from the video controller. 20: 1st, 21: MP, 22: SCF
30	Feed Sensor On	The paper is passing out of the Feed Sensor.
40	Feed Sensor off	The paper has passed out of the Feed Sensor.
50	Paper Out	The paper has passed out of Exit Sensor.
69	Sleep Mode	The fuser power turned off to minimize the power consumption.

2) Error Code

When detecting the malfunction, the printing is stopped to indicate error code.

Code	State	Description
60, 62, 68	Fuser Error	The error in the fuser occurred. There is a short circuit in the thermistor and the thermostat while printing, Low Temperature Error occurs. <ul style="list-style-type: none"> • 60: Open Fuser Error • 62: Low Heat Error • 68: Over Heat Error
64	Cover Open	The Printer Cover is open.
65	CRU Error	The Toner Cartridge not installed,
70	No Paper	No paper in the paper cassette.
71	Paper Jam 0	The front part of paper is jammed between pickup unit and Feed sensor.
72	Paper Jam 1	The front part of paper is jammed between the Discharge sensor and Feed sensor.
73	Paper Jam 2	The front part of paper is jammed just after passing through the discharge sensor.
76	Out Bin Full	The Out bin is filled with paper.
95	LSU Not Ready	LSU Scanner Motor not ready or Hsync signal not output.

4.1.3 Self Diagnostic Mode

If Error code occurs due to malfunction of the printer, perform Self Diagnostic Mode to solve the problem.

The printer works only in the self-test mode to solve the malfunction problem.

To enter the self-test mode, turn the power on pressing the buttons of [Down], [Shift] and [Stop] at the same time.

Release the button within 2 or 3 seconds if 78 shows in the DCU. If 00 shows in the DCU, press the button [Up] or [Shift] to select the self+test , and press the button of [Enter] to operate. To stop, press the button of [shift] and [Enter] together.

Code	Description
00	<p>Main Motor Operating System Only the main motor is in operation.</p>
01	<p>Main High Voltage On(THV-) -1400 voltage output by MHV terminal. <i>Caution : High voltage probe should be used.</i></p>
02	<p>Transfer High Voltage(-)On(THV-) -1000 voltage output by MHV terminal. Caution : High voltage probe should be used.</p>
03	<p>Transfer High Voltage (+)Reference on (THV +) +800 voltage output by MHV terminal. <i>Caution : High voltage probe should be used.</i></p>
04	<p>DEV/supply High Voltage : DEV/Supply High Voltage Test. The left one of the three LEDs in the self-test panel is on when DEV high voltage Supply high voltage output by each HV terminal(-500V). Press the [Up] button to switch the voltage. The middle and right one of the three LEDs are on and -650 voltage output by DEV HV terminal. <i>Caution : High voltage probe should be used.</i></p>
05	<p>LSU Operating System The scanning motor of LSU is in operation, the right LED of the three buttons on. Press the [Up] button to Check LD. LD is functioning and the middle button is on. If the LD is normal, all LEDs are on.</p>
06	<p>Pickup clutch on The Solenoid in the printer is in operation. To stop the operation, Press the button [shift] and [Enter] together.</p>

Code	Description
07	<p>Paper Empty Sensor Test :</p> <p>If activate the Actuator of the PEMPTY Sensor, the left and right of the three LEDs are on.</p> <p>Paper Empty Sensor ON/OFF 1st LED ON/OFF</p>
08	<p>Feed & Exit Sensor Test</p> <p>Test the Feed sensor and Discharge sensor in the same way as '07'.</p> <p>Feed Sensor ON/OFF 2nd LED ON/OFF</p> <p>Exit Sensor ON/OFF 3rd LED ON/OFF</p>
09	<p>Cover Open Sensor Test</p> <p>Test the Cover Open Sensor in th same way as code '07'</p> <p>Cover Open Sensor ON/OFF 1st LED ON/OFF</p>
10	<p>Fuser Test</p> <p>If the [Enter] button pressed, the right LED is on and temperature of the fuser is up to READY Mode. If the [Up] button pressed, the middle LED is on and temperature of the fuser is up to Printing Mode.</p> <p>If you press the button once more, the left LED is on and temperature of the fuser is up to overheat Mode.</p>
11	<p>Hot Burn Test</p> <p>If the [enter] button pressed, the printer is continuously printing without detection.</p> <p>Turn the power off to stop operation.</p>
12	<p>Cleaning Mode Print Mode</p> <p>Print the paper to clean the OPC Drum in the Cartridge.</p>
13	<p>THV(+) TRIGGER. ALL HV :</p> <p>All high voltage output by each HV terminal and LSU and the fan is in operation. In this mode, electronic resistance of transfer roller and high voltage is detected.</p>
14	<p>PTL Test :</p> <p>Indicates the function of the PTL, same method of the code '07'.</p>
15	<p>Fan Test :</p> <p>Indicates the function of the Fan, same method of the code '07'.</p>
16	<p>Manual Pickup Test :</p> <p>Indicates the function of th Manual Pickup, same method of the code '07'.</p>
17	<p>Manual Sensor Test :</p> <p>Indicates the function of the Manual Sensor, same method of the code '07'.</p>

No.	Function	Enter	Up/Down			Stop	Remark
00	Motor	Motor Run				Motor Stop	
01	MHV	Mhv On				Mhv Off	-1550V
02	THV(-)	Thv Negative On				Thv Negative Off	
03	THV(+)	Thv On				Thv Off	+1300V
04	DEV	Dev On	Supply	DEV		Dev Off	
			0 : -630V	0 : -430V			
05	LSU	LSU Run	● On	● Off	● Ready	LSU Stop	
06	PickUp	Pickup On				Pickup Off	
07	PEmpty		● Paper Empty	●	●		
08	Sensor		●	● Exit	● Feed		
09	Cover		● Cover Open	●	●		
10	Fuser	Fuser On				Fuser Off	
11	HotBurn	HotBurn On					
12	Clean Print	Clean Printing					
13	Thv Reference		● low	● adequate	● high		
14	PTL	PTL On				PTL Off	
15	FAN	Fan On				Fan Off	
16	Manual PickUp	Manual Pickup On				Manual Pickup Off	
17	Manual Sensor		● Manual Sensor	●	●		

4.1.4 Self Test Button

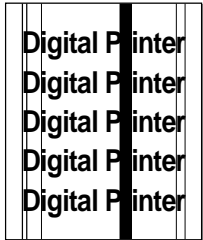
If the Self-Test button pressed, vertical lines are printed.

Turn the power on while pressing this button, '89' shows in the DCU and the printer is warming up. After warming-up the printer is in READY Mode, and '88' shows in the DCU. In this mode, without any detection, the printer begins printing (trial printing and data from the PC). It is convenient to use this mode when the engine malfunction is detected in the control board.

4.2 Bad image

4.2.1 Vertical Black Line and Band

- **Description**
1. Straight thin black vertical line occurs in the printing.
 2. Dark black vertical band occur in the printing.



Check and Cause	Solution
<ol style="list-style-type: none"> 1. Damaged develop roller in the Developer. Deformed Doctor-blade or cleaning-blade. 2. Scratched surface of the discharge roller in the developer. 3. Partly depression or deformation on the surface of the transfer roller. 	<ol style="list-style-type: none"> 1. If causes 1 and 2 occur in the developer cartridge, replace the developer and try to print out. 2. Replace the transfer roller if occurred as No. 3.

4.2.2 Vertical White Line

- **Description** White vertical voids in the image.



Check and Cause	Solution
<ol style="list-style-type: none"> 1. Foreign matter stuck onto the window of internal lenses of LSU mirror. 2. Foreign matter or toner particles between the developer roller and blade. (In case the life of the developer has been expired, white lines or light image occur in front of the image.) 3. It may occur when Burr and foreign substances are on the window of the developer frame. 4. If the fuser is defective, voids occur periodically at the top of a black image. 	<ol style="list-style-type: none"> 1. Foreign matter stuck onto the window : Clean the LSU window with recommended cleaner(IPA) Clean the window with a clean cotton swab. 2. Foreign matter in the LSU : Open the cover of LSU and clean with a cotton swab on the surface of the reflex mirror. 3. No 3. : Remove the foreign matter and burr of the exposure window. (Developer cartridge) 4. No. 4. : Open the front cover and check ribs that corresponds to the position of the voids. Remove if found. 5. If the problems are not solved, replace the developer cartridge.

4.2.3 Horizontal Black Band

- **Description** 1. Dark or blurry horizontal stripes occur in the printing periodically.
(They may not occur periodically.)

~~Digital Printer~~
Digital Printer
~~Digital Printer~~
Digital Printer
~~Digital Printer~~

Check and Cause	Solution
1. Bad contacts of the voltage terminals to developer. 2. The rollers of developer may be stained. Charge roller = 37.7mm Supply roller = 37mm Develop roller = 35.3mm Transfer roller = 45.3mm	1. Clean each voltage terminal of the Charge, Supply, Develop and Transfer roller. (remove the toner particles and paper particles) 2. Clean the right Gear that has relatively small gap of the teeth in the OPC. 3. If the malfunction persists, replace the developer.

4.2.4 Black/White Spot

- **Description** 1. Dark or blurry black spots occur periodically in the printing.
2. White spots occur periodically in the printing.

Digital Printer
Digital Printer
Digital Printer
Digital Printer
Digital Printer

Check and Cause	Solution
1. If dark or blurry black spots occur periodically, the rollers in the Developer may be contaminated with foreign matter or paper particles. (Charge roller : 37.7 mm interval OPC drum : 75.5 mm interval) 2. If faded areas or voids occur in a black image at intervals of 75.5 mm, or black spots occur elsewhere, the OPC drum surface is damaged. 3. If a black image is partially broken, the transfer voltage is abnormal or the transfer roller's life has expired.	1. Run OPC cleaning Mode Print and run the Self-test 2 or 3 times. 2. In case of 75.5 mm interval unremovable in 1, cleanly remove foreign substances stuck on the OPC location equivalent to black spots and white spots with a dry duster. 3. The transfer roller guarantees 60,000 sheets printing. If the roller's life is expired, replace it. 4. In case of 37.7 mm interval unremovable in 1, take measures as to replace the developer cartridge and try to print out. 5. Clean the inside of the set against the paper particles and foreign matter in order not to cause the trouble.

4.2.5 Light Image

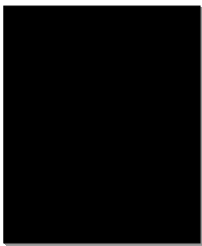
- **Description** The printed image is light, with no ghost.

Digital Printer
Digital Printer
Digital Printer
Digital Printer
Digital Printer

Check and Cause	Solution
1. Develop roller is stained when the toner of developer cartridge is almost consumed.	1. Check if the Toner Save mode is off.
2. Ambient temperature is below than 10°C.	2. Replace the developer cartridge and try to print out.
3. Bad contact caused by the toner stains between the high voltage terminal in the HVPS and the one in the set.	3. Wait 30 minutes after printer is powered on before you start printing.
4. Abnormal output from the HVPS.	4. Clean up the contaminated area by the toner.
	5. Replace the HVPS if the problems are not solved by the above four directions.

4.2.6 Dark Image or a Black

- **Description** The printed image is dark.



Check and Cause	Solution
1. No charge voltage in the engine board. (Perform DCU diagnostic code 01)	1. Clean the high voltage charge terminal.
2. Charge voltage is not turned on due to the bad contacts between power supply in the side of the Developer and charge terminal of HVPS.	2. Check the state of the connector which connects the engine board and HVPS.
	3. Replace the HVPS if not solved by the above direction 1 and 2.

4.2.7 Uneven Density

- **Description** Print density is uneven between left and right.

Digital Printer
Digital Printer
Digital Printer
Digital Printer
Digital Printer

Check and Cause	Solution
<ol style="list-style-type: none"> 1. The pressure force on the left and right springs of the transfer roller is not even, the springs are damaged, the transfer roller is improperly installed, or the transfer roller bushing or holder is damaged. 2. The toner level is not even on the developer roller due to the bad blade. 	<ol style="list-style-type: none"> 1. Replace both the left and right Spring Holder. 2. Occur in the developer cartridge, replace the developer and try to print out.

4.2.8 Background

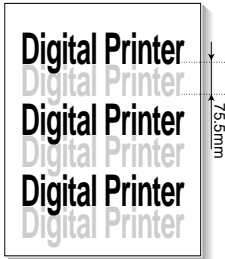
- **Description** Light dark background appears in whole area of the printing.

Digital Printer
Digital Printer
Digital Printer
Digital Printer
Digital Printer

Check and Cause	Solution
<ol style="list-style-type: none"> 1. Does character exist less than 2% per a page, and hasn't it been used long time? 2. Does recycle paper be used? 3. Has the life span of the developer ended? 4. Is the movement(Up and Down) of the transfer roller smooth? 5. Is the HVPS normal? 	<ol style="list-style-type: none"> 1. The toner cartridge is basically designed to print 3,000 sheets with 5% image. If it prints more than 3,000 sheets (around 5,000 sheets) with 2% image, a background can be occurred. 2. The B/S is not guaranteed if using recycle paper. 3. Replace the developer when the life span of it has been ended. 4. Clean the bushing part of the transfer roller. 5. If the problem is still not solved, replace the developer.

4.2.9 Ghost (1)

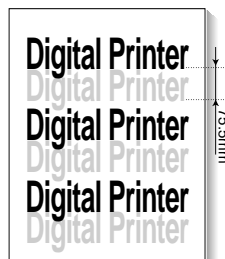
- **Description** Ghost occurs at 75.5 mm intervals of the OPC drum in the whole printing.



Check and Cause	Solution
1. Bad contacts caused by contamination from toner particles between high voltage terminal in the main body and the electrode of the Developer.	1. Clean the terminals when contaminated by toner particles.
2. Bad contacts caused by contamination from toner particles between high voltage terminal in the main body and the one in the HVPS board.	2. Occur in the developer cartridge, replace the developer and try to print out.
3. The life of developer is expired.	3. Replace the engine board if not solved by the above directions 1-2.
4. Transfer roller lifetime(60.000 sheets) has expired.	4. If not solved by the direction 3, check the transfer roller lifetime and replace it.
5. Abnormal low temperature(below 10°C).	5. Wait about 1 hour after power on before using printer.

4.2.10 Ghost (2)

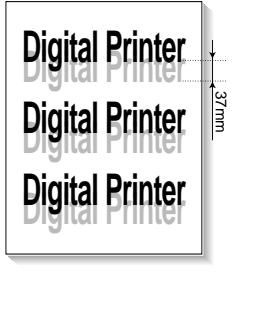
- **Description** Ghost occurs at 75.5 mm intervals of the OPC drum in the whole printing. (When printing on card stock or transparencies using manual feeder)



Check and Cause	Solution
When printing on card stock thicker than normal paper or transparencies such as OHP, higher transfer voltage is required.	Select 'Thick Mode' on paper type menu from the software application and after using returning to the original mode is recommended.

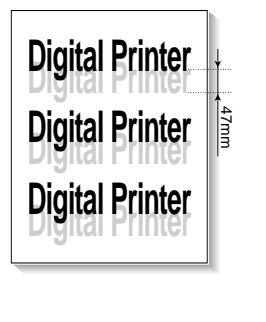
4.2.11 Ghost (3)

- **Description** White ghost occurs in the black image printing at 32mm intervals.

	Check and Cause	Solution
	<ol style="list-style-type: none"> 1. The life of the developer may be expired. 2. The abnormal voltage and bad contact of the terminal of the supply roller 	<ol style="list-style-type: none"> 1. Occur in the developer cartridge, replace the developer and try to print out. 2. Check the approved voltage of the supply roller and contact of the terminal and adjust if necessary.


4.2.12 Ghost (4)

- **Description** Ghost occurs at 47 mm intervals.

	Check and Cause	Solution
	<p>The temperature of the fuser is maintained high.</p>	<ol style="list-style-type: none"> 1. Disassemble the fuser and remove the contaminated toner particles on the roller and clean the foreign matter between Thermistor and Heat roller. (▲ Caution : can be deformed)

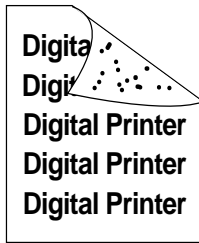
4.2.13 Satins on the Face of Page

- **Description** The background on the face of the printed page is stained.

	Check and Cause	Solution
	<ol style="list-style-type: none"> 1. Toner leakage due to improperly sealed developer. 2. If the transfer roller is contaminated, satins on the face of page will occur. 	<ol style="list-style-type: none"> 1. Replace the developer cartridge. 2. If the transfer roller is contaminated, run PC Cleaning Mode Print 2 or 3 times. And perform Self-Test 2 or 3 times to remove contamination.

4.2.14 Satins on Back of Page

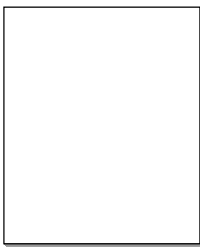
- **Description** The back of the page is stained at 47 mm intervals.



Check and Cause	Solution
1. Transfer roller is contaminated.	1. Perform the OPC Cleaning Mode Print 2 or 3 times. Run Self-Test to remove the contamination of the transfer roller.
2. Pressure roller is contaminated.	2. Replace the transfer roller if contaminated severely.
	3. Disassemble the fuser and clean the H/R(Heat Roller) and P/R(Pressure roller). And check the area between H/R and Thermistor. If contaminated, clean the area not to be deformed.

4.2.15 Blank Page Print out (1)

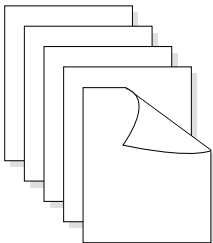
- **Description** Blank page is printed.



Check and Cause	Solution
Bad ground contacts in OPC and/or developer.	Remove contamination of the terminals of the developer and the unit.

4.2.16 Blank Page Print out (2)

- **Description**
 1. Blank page is printed.
 2. One or several blank pages are printed.
 3. When the printer turns on, several blank pages print.



Check and Cause	Solution
1. Bad ground contacts in OPC and/or developer.	1. Remove contamination of the terminals of the developer.
2. Abnormal solenoid.	2. Perform the engine self test using DCU to check if the Solenoid is normal.(refer to code 06)
	3. If not solved by the above directions 1-2, Replace the engine board.
	4. Turn the power off, delete the data of PC and try printing again.

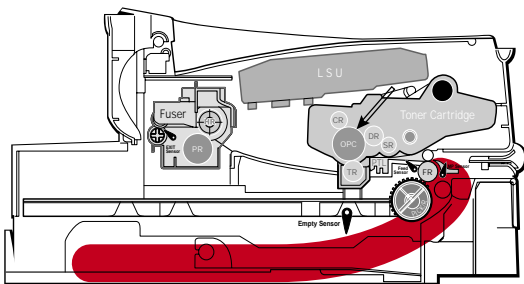
4.3 bad discharge

4.3.1 Wrong Print Position

- **Description** Printing begins at wrong position on the paper.

Check and Cause	Solution
Wrong sense time caused by defective feed sensor actuator.	Replace the defective actuator

4.3.2 JAM 0

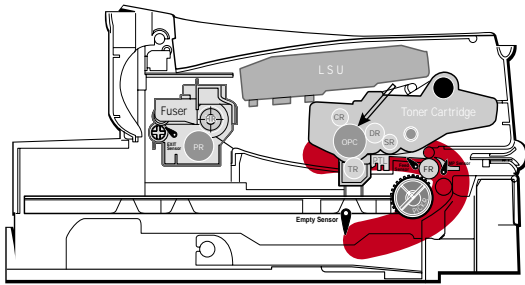


- **Description**

1. Paper is not exited from the cassette.
2. Jam-0 occurs if the paper feeds into the printer.

Check and Cause	Solution
1. Check the Solenoid by using DCU diagnostic mode 06.	1. Replace the solenoid.
2. Check if the pad is loose due to bad sealing of the side-pad.	2. Replace the side-pad Assembly L or R, if necessary.
3. Check the surface of the roller-pickup for foreign matter.	3. Clean with soft cloth dampened with IPA(Isopropyl Alcohol) or water.
4. If the paper feeds into the printer and Jam 0 occurs, perform DCU to check feed-sensor of the engine board.	4. Replace the SMPS-HVPS and/or Sensor.

4.3.3 JAM 1

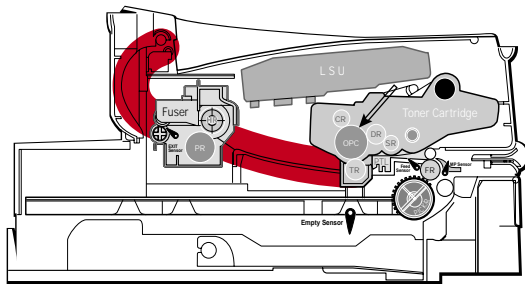


• Description

1. Recording paper is jammed in front of or inside the fuser.
2. Recording paper is stuck in the discharge roller and in the fuser just after passing through the Actuator-Feed.

Check and Cause	Solution
<ol style="list-style-type: none"> 1. If the recording paper is jammed in front of or inside the fuser. (Perform DCU diagnostic code 08) 2. If the recording paper is stuck in the discharge roller and the fuser just after passing through the Actuator-Feed, Feed Actuator may be defective. 	<ol style="list-style-type: none"> 1. Replace the SMPS. 2. Reassemble the Actuator-Feed and Spring-Actuator if the returning is bad.

4.3.4 JAM 2



• Description

1. Recording paper is jammed in front of or inside the fuser.
2. Recording paper is stuck in the discharge roller and in the fuser just after passing through the Actuator-Feed.

Check and Cause	Solution
<ol style="list-style-type: none"> 1. If the paper is completely fed out of the printer, but Jam 2 occurs : Exit sensor is defective. <ul style="list-style-type: none"> • After the paper is completely discharged, actuator Exit should return to the original position to shut the photo-sensor. Sometimes it takes longer hour than it should and does not return. 2. If the paper is rolled in the Fuser Roller: <ul style="list-style-type: none"> • This occurs when a Guide claw is broken away or transformed. • It occurs when the Spring of a Guide claw is broken away or transformed. • It occurs when the Heat-Roller or Pressure-Roller is seriously contaminated with the toner. 3. Paper is accordion in the fuser. 	<ol style="list-style-type: none"> 1. Check if the exit sensor actuator is defective. <ul style="list-style-type: none"> • Check if the actuator exit is unformed (Check if the lever part is unformed in shape). • Check whether burrs occur in the assembly part of the actuator exit or not and if the actuator is smoothly operated. • Check if foreign matters and wire get caught in the actuator exit's operation. 2. If the paper is stuck in the fuser : disassemble the fuser and remove the jammed paper, and clean the surface of the pressure roller with dry gauze. 3. Remove the jammed paper after disassembling the fuser : Clean the surface of the pressure roller with dry gauze. <ul style="list-style-type: none"> • Remove the toner particles stained on the rib. • Check the assemblage and performance of the exit.

4.3.5 Multi-Feeding

- **Description** Multiple sheets of paper are fed at once.

Check and Cause	Solution
1. Solenoid malfunction(the solenoid does not work properly): Perform DCU Diagnostic Code 06.	1. Replace the solenoid if necessary.
2. Pad-Friction is contaminated with foreign matter.(oil...)	2. Clean the pad friction with soft clothe dampened with IPA(Isopropyl Alcohol).
3. The face of paper is blended.	3. Use the smooth paper.

4.3.6 Paper rolled in the Fuser

- **Description** If contaminated at intervals of 57mm on the back of a paper.

Check and Cause	Solution
1. Contamination of the pressure roller or heat roller (Background, Hot off set).	1. After disassembling the fuser, clean contamination between the heat roller and the thermostat and remove the contamination of the pressure roller.
2. Check the claw of the fuser whether it is unfitted.	2. If there is heavy background, repair it by the background troubleshooting method. 3. The surface of the heat roller with IPA or water 4. Check the warp or separation of the sprint claw and the holder plate claw, and then manage it.

4.3.7 Paper rolled in the Toner Cartridge (OPC Drum)

- **Description** Paper is rolled up in the OPC.

Check and Cause	Solution
<ol style="list-style-type: none">1. Paper is too much thin.2. The face of paper is curled.	<ol style="list-style-type: none">1. Recommend to use normal paper.2. How to remove the rolled in the OPC Drum.<ul style="list-style-type: none">• Remove the paper while turning the OPC Drum against the ongoing direction.• Clean fomer[romts on the OPC Drum spft;u with IPA(Isopropyl Alcohol) or tissue.

4.4 Malfunction

4.4.1 All LEDs blinking (Fuser Error)

- **Description**
1. All the lamps on the operator panel blink.
 2. Gear of the fuser does not work and breaks away melt away.
When printing, motor breaks away from its place due to defective fuser gear.

Check and Cause	Solution
<ol style="list-style-type: none"> 1. Check if the thermostat, AC wire and Heat Lamp is open. 2. Check if the thermistor sensor is in place. 3. Check if the heat lamp works properly. 4. Check if the overheat circuit works properly. 5. The fuser gear is defective due to melting away. 	<ol style="list-style-type: none"> 1. If the thermostat is open replace the fuser and check following items. 2. If the thermistor sensor device is located deep in the sponge, replace the fuser. 3. Check if the circuit of overheat mode works properly. 4. Run DCU mode : Perform DCU diagnostic code 10. 5. Replace Fuser.

4.4.2 All LEDs blinking (Scan Error)

- **Description**
1. All lamps on the operator panel blink.

Check and Cause	Solution
DCU Mode : Perform DCU diagnostic code 05. If the DCU error code 95 is displayed, replace LSU.	<p>Replace LSU.</p> <p>If you cannot solve the problem after you replace LSU, replace the main board.</p>

4.4.3 Not function of the gear of the fuser due to melting away

- **Description** The motor breaks away from its place due to gear melting away.

Check and Cause	Solution
DCU Mode : Check if the Error States '60' '62' '68' occur. Check the operation of Fuser Erasing Lamp On/Off with the Error Code Check -10-	<ol style="list-style-type: none"> 1. Replace the Fuser. 2. Replace the Main Control board.

4.4.4 Paper Empty

- **Description** The paper lamp on the operator panel is on even when paper is loaded in the cassette.

Check and Cause	Solution
<ol style="list-style-type: none"> 1. Bending or deformation of the actuator of the paper sensor. 2. The function of the engine board is defective Perform DCU mode : Perform DCU diagnostic code 8. 	<ol style="list-style-type: none"> 1. Replace the defective actuator. 2. Replace the engine board.

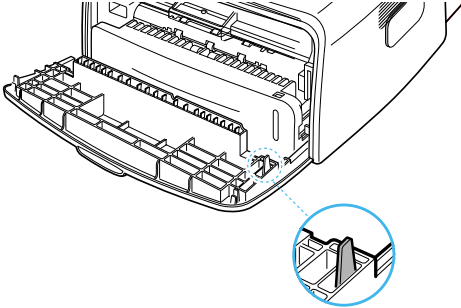
4.4.5 Paper Empty without indication

- **Description** The paper lamp on the operator panel does not come on when the paper cassette is empty.

Check and Cause	Solution
<ol style="list-style-type: none"> 1. Bending or deformation of the actuator of the paper sensor. 2. The function of the engine board is defective Perform DCU mode : Perform DCU diagnostic code 8. 	<ol style="list-style-type: none"> 1. Replace the defective actuator. 2. Replace the engine board.

4.4.6 Cover Open

- **Description** The ERROR lamp is on even when the print cover is closed.

Check and Cause	Solution
<p>1. The Hook Lever in the top cover may be defective.</p> <p>2. Check the connector (Engine B'd↔HVPS) and circuit of the cover switch department in the Main Control board. Perform DCU mode : If Error state '64' occurs, Check the related codes of the Cover Open Error.</p> 	<p>1. Replace the hook lever, if defective.</p> <p>2. Check the insertion of the Cover Open S/W Connect.</p> <p>3. Replace the Main Control board or Cover Open S/W.</p>

4.4.7 No lamp on when the cover is open

- **Description** The ERROR lamp does not come on even when the printer cover is open

Check and Cause	Solution
<p>1. Check the connector(CN8) and circuit of the cover switch department in the Main Control board. Perform DCU mode : If Error state '64' occurs, Check the related codes of the Cover Open Error</p>	<p>1. Check the insertion of the Cover Open S/W Connect.</p> <p>2. Replace the Main Control board or Cover Open S/W.</p>

4.4.8 Defective motor operation

- **Description** Main motor is not driving when printing, and paper does not feed into the printer, resulting 'Jam 0'.

Check and Cause	Solution
1. Motor harness or sub PCB may be defective. 2. Perform DCU diagnostic code 00 and Check the motor operation.	1. Check the motor harness, replace it, if defective. 2. Replace the SMPS, if necessary.

4.4.9 No Power

- **Description** When system power is turned on, all lamps on the operator panel do not come on.

Check and Cause	Solution
1. Check if the power input and SMPS output are normal. 2. Check the inferiority of LED-Panel on the front-cover if the LED of Panel does not appear after normal warming-up.	1. Replace the power supply cord or SMPS. 2. Replace the control board. 3. Replace the LED-panel.

4.4.10 Vertical Line Getting Curved

- **Description** When printing, vertical line gets curved.

Check and Cause	Solution
1. If the supply of +24v is unstable in the Main Control board linking with LSU, check drive by DCU Mode : LSU Check -05- LSU Motor on.	1. Replace LSU. 2. Replace the Main Control board.

4.5 Toner Cartridge Service

It is not guaranteed for the default caused by using other toner cartridge other than the cartridge supplied by the Samsung Electronic or caused by non-licensed refill production.

4.5.1 Precautions on Safe-keeping of Toner Cartridge

Excessive exposure to direct light more than a few minutes may cause damage to the cartridge.

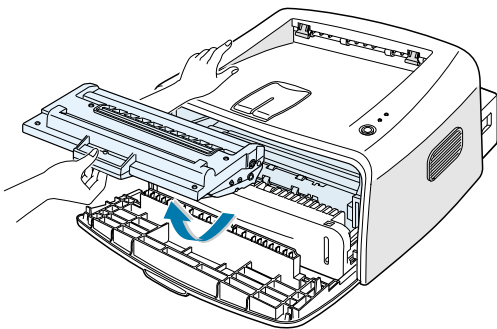
4.5.2 Service for the Life of Toner Cartridge

If the printed image is light due to the life of the toner, you can temporarily improve the print quality by redistributing the toner (Shake the toner cartridge), however, you should replace the toner cartridge to solve the problem thoroughly.

4.5.3 Redistributing Toner

When toner is low, faded or light areas may appear on a printed page. You may be able to temporarily improve the print quality by redistributing the toner. The following procedures may allow you to finish the current print job before replacing the toner cartridge.

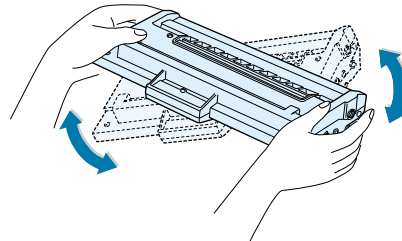
- 1) Grasp the front cover and pull it toward you to open.
- 2) Remove the toner cartridge from the printer



Note :

Avoid reaching too far into the printer. The fusing area may be hot.
To prevent damage to the toner cartridge, do not expose it to light for more than a few minutes.

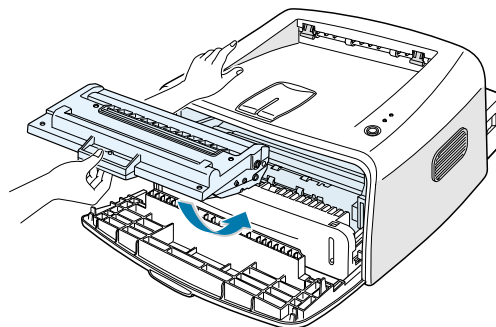
- 3) Gently shake the toner cartridge from side to side five or six times to redistribute the toner.



Note :


If the toner gets on your clothing, wipe it off with a dry cloth and wash clothing in cold water. Hot water sets toner into fabric.

- 4) Reinsert the toner cartridge into the printer. Ensure that the toner cartridge snaps into place.
- 5) Close the front cover. Make sure that the cover is securely closed.



4.5.4 Signs and Measures at Poor toner cartridge

Fault	Signs	Cause & Check	Solution
<p>Light image and partially blank image (The life is ended.)</p> <div data-bbox="162 495 357 714" style="border: 1px solid black; padding: 5px; width: fit-content;"> Digital Printer Digital Printer Digital Printer Digital Printer Digital Printer </div>	<ul style="list-style-type: none"> • The printed image is light or unclean and untidy. • Some part of the image is not printed. • Periodically a noise as "tick tick" occurs. 	<ol style="list-style-type: none"> 1. If the image is light or unclean and untidy printed image - Shake the developer and then recheck. <ol style="list-style-type: none"> (1)NG : Check the weight of the developer (2)OK : Lack of toner, so the life is nearly closed. 2. Some part of image is not printed - Shake the developer and then recheck. <ol style="list-style-type: none"> (1)NG : Check the weight of the developer and clean the LSU window with a cotton swab, then recheck. (2)OK : Lack of toner, so the life is nearly closed. 3. Periodically a noise as "tick tick" occurs - Measure the cycle and the weight of the developer. 4. White vertical stripes on the whole screen or partly : Check the weight of the developer. 	<ol style="list-style-type: none"> 1. All of 1, 2, 3 above- If it become better by shaking, replace with a new developer after 35.3-100 sheets in the closing state of the life span. 2. In case of 2- If it becomes better after cleaning the LSU window, then the developer is normal. (Because of foreign substance on the LSU window, the image has not been printed partly.) 3. In case of 3- If the cycle of noise is about 2 seconds, the toner inside the developer has been nearly exhausted. (Purchase and replace with a new developer after using about 200 sheets at the point of occurrence) 4. In case of 3- This is a phenomenon caused by lack of toner, so replace with a new developer.
<p>Toner Contamination</p>	<ul style="list-style-type: none"> • Toner is fallen on the papers periodically. • Contaminated with toner on prints partly or over the whole surface. 	<ol style="list-style-type: none"> 1. Toner is fallen on the paper periodically. <ol style="list-style-type: none"> (1)Check the cycle of the falling of the toner. (2)Check the appearance of both ends of the developer OPC drum. 2. The center of the printed matter is contaminated with toner. <ol style="list-style-type: none"> (1)Check whether foreign substances or toner are stuck to the terminal (contact point) of the developer. (2)Check whether the state of the terminal assembly is normal. 	<ol style="list-style-type: none"> 1. If both ends of the OPC drum are contaminated with toner: Check the life of the developer. 2. Check whether it could be recycled. 3. If it cannot be recycled: Replace the developer.

Fault	Signs	Cause & Check	Solution
<p>White Black spot</p> 	<ul style="list-style-type: none"> • Light or dark black dots on the image occur periodically. • White spots occur in the image periodically. 	<ol style="list-style-type: none"> 1. If light or dark periodical black dots occur, this is because the developer rollers are contaminated with foreign substance or paper particles. <ol style="list-style-type: none"> (1)37.7mm interval : Charged roller (2)75.5mm interval : OPC cycle 2. If white spots occur in a black image at intervals of 75.5mm, or black spots occur elsewhere, the OPC drum is damaged or foreign substance is stuck to the surface. 3. If a black and white or graphic image is partially broken at irregular intervals, the transfer roller's life has been expired or the transfer voltage is abnormal. 	<ol style="list-style-type: none"> 1. In case of 1 above - Run OPC Cleaning Mode Print 4-5 times repeatedly to remove. Especially check foreign substance on the OPC surface, then remove them with a clean gauze moistened with IPA(Isopropyl Alcohol) not to damage OPC if necessary. <p>▲ Never use usual alcohol.</p> 2. In case of 2 If they are not disappeared by running OPC Cleaning Mode Print 4-5 times. <ul style="list-style-type: none"> : at intervals of 37.7mm - Replace the developer. : at intervals of 75.5mm - Remove foreign substance. : Broken image - Replace the developer according to carelessness. 3. In case of 3 - Exchange the transfer roller because the life of the transfer roller in use has been expired. (Check the transfer voltage and readjust if different.)
<p>Recycled product</p>	<ul style="list-style-type: none"> • Poor appearance of the developer. • Unclean and rough printouts. • Bad background in the image. 	<ol style="list-style-type: none"> 1. Poor appearance of the developer. <ol style="list-style-type: none"> (1)Check the damage to label and whether different materials are used. (2)Check the appearance of parts of the developer, such as frame, hopper. 2. Unclean and rough printouts. <ol style="list-style-type: none"> (1)Check whether foreign substance or toner are stuck to the terminal (contact point) of the developer. (2)Check whether the state of the terminal assembly is normal. 	<ol style="list-style-type: none"> 1. In case of 1 - <ol style="list-style-type: none"> (1)If there is an evidence of disassembling the developer. (2)If materials other than normal parts of the developer are added or substituted. 2. In case of 2 - If there are any abnormalities in connection with the situation of 1. <ol style="list-style-type: none"> (1)It occurs when the developer is recycled over 2 times. (2)If toner nearly being expired are collected to use, it is judged as the recycled developer.

4.6 Bad Environment of The Software

4.6.1 The printer is not working (1)

- **Description** While Power turned on, the printer is not working in the printing mode.

Check and Cause	Solution
<ol style="list-style-type: none"> 1. Run Self-Test Mode : Turn the power on while pressing the test printing button for 2 or 3 seconds before printing works. 2. Check if the PC and the printer is properly connected and the toner cartridge installed. 3. Printing is nor working in the Windows. 4. Check if the printer cable is directly connected to peripheral devices 	<ol style="list-style-type: none"> 1. Check the power of the printer and perform the Self-Test. If the test printing works, that means no problems in the printer itself. If the test printing does not work, that means bad functioning of the printer(not because of software). Perform DCU to check the Error Status. 2. Replace the printer cable. If the problems not solved even after the cable replaced, check the amount of the remaining tone. (refer to Toner Cartridge Service 7.4) 3. Check if the connection between PC and printer port is proper. If you use windows, check if the printer driver in the controller is set up. If the printer driver is properly set up, check in which program the printing is not working. The best way to find out is to open the memo pad to check the function of printing. If it is not working in a certain program, adjust the setup the program requires. Sometimes, the printout is normal within the Windows basic programs, but it's not working in a particular program. In such case, install the new driver again. If not working in the Windows basic program, Check the setup of the port of CMOS is on ECP. And check the address of IRQ 7 and 378 4. If the scanner needs to be connected to the printer, first the remove the scanner from the PC to see if the printer is properly working alone.

4.6.2 The printer is not working (2)

- **Description** After receiving the printing order, no response at all or the low speed of printing occurs due to wrong setup of the environment rather than malfunction of the printer itself.

Check and Cause	Solution
<ol style="list-style-type: none"> 1. Secure more space of the hard disk. 2. Printing error occurs even if there is enough space in the hard disk. 3. Check the parallel-port-related items in the CMOS Setup. 4. Reboot the system to print. 	<ol style="list-style-type: none"> 1. Not working with the message 'insufficient printer memory' means hard disk space problem rather than the RAM problem. In this case, provide more space for the hard disk. Secure more space using the disk utilities program. 2. The connection of the cable and printer port is not proper. Check if the connection is properly done and if the parallel port in CMOS is rightly set up. 3. As a printer port, Select ECP or SPP among SPP(Normal), ECP, and EPP modes(increase printing speed) SPP normal mode support 8-bit data transfer, while ECP Mode transfer the 12-bit data. 4. If the regular font is not printing, the cable or the printer driver may be defective. Turn the PC and printer off, and reboot the system to print again. If not solved, double-click the printer in my computer. If the regular fonts are not printed this time again, the cable must be defective so replace the cable with new one.

4.6.3 Abnormal Printing

• **Description**

The printing is not working properly even when the cable has no problem.
(even after the cable is replaced)

If the printer won't work at all or the strange fonts are repeated, the printer driver may be defective or wrong setup in the CMOS Setup.

Check and Cause	Solution
1. Set up the parallel port in the CMOS SETUP.	1. Select SPP(Normal) or ECP LPT Port the among ECP, EPP or SPP in the CMOS Setup.
2. Printer Driver Error.	2. Check the printer in My Computer.(to see if the printer driver is compatible to the present driver or delete the old driver, if defective and reinstall the new driver)
3. Error message from insufficient memory. (The printing job sometimes stops or due to insufficient virtual memory, but it actually comes from the insufficient space of the hard disk.)	3. Delete the unnecessary files to secure enough space of the hard disk and start printing job again.

4.6.4 SPOOL Error

• **Description**

To spool which stands for "simultaneous peripheral operations online" a computer document or task list (or "job") is to read it in and store it, usually on a hard disk or larger storage medium so that it can be printed or otherwise processed at a more convenient time (for example, when a printer is finished printing its current document).

Check and Cause	Solution
1. Insufficient space of the hard disk in the directory assigned for the basic spool.	1. Delete the unnecessary files to provide more space to start printing job.
2. If the previous printing error not solved.	2. If there are some files with the extension name of ****.jnl, Delete them and Reboot the Windows to restart printing job.
3. When expected to collide with other program.	3. Shut down all other programs except the current one, if possible.
4. When an application program or the printer driver is damaged.	4. Delete the printer driver completely and reinstall it.
5. When some files related to OS are damaged or virus infected.	5. After rebooting the computer, check for viruses, restore the damaged files and reinstall the program to do the printing job.
6. Memory is less than suggested one.	6. Add up enough memory to the PC.

▲ How to delete the data in the spool manager.

In the spool manager, the installed drivers and the list of the documents waiting to be printed are shown. Select the document to be deleted and check the delete menu.

If you intend to delete the current document being printed, the data being transferred to the printer will be put out and then the document is removed. Before choosing the document, the menu is still inactive.

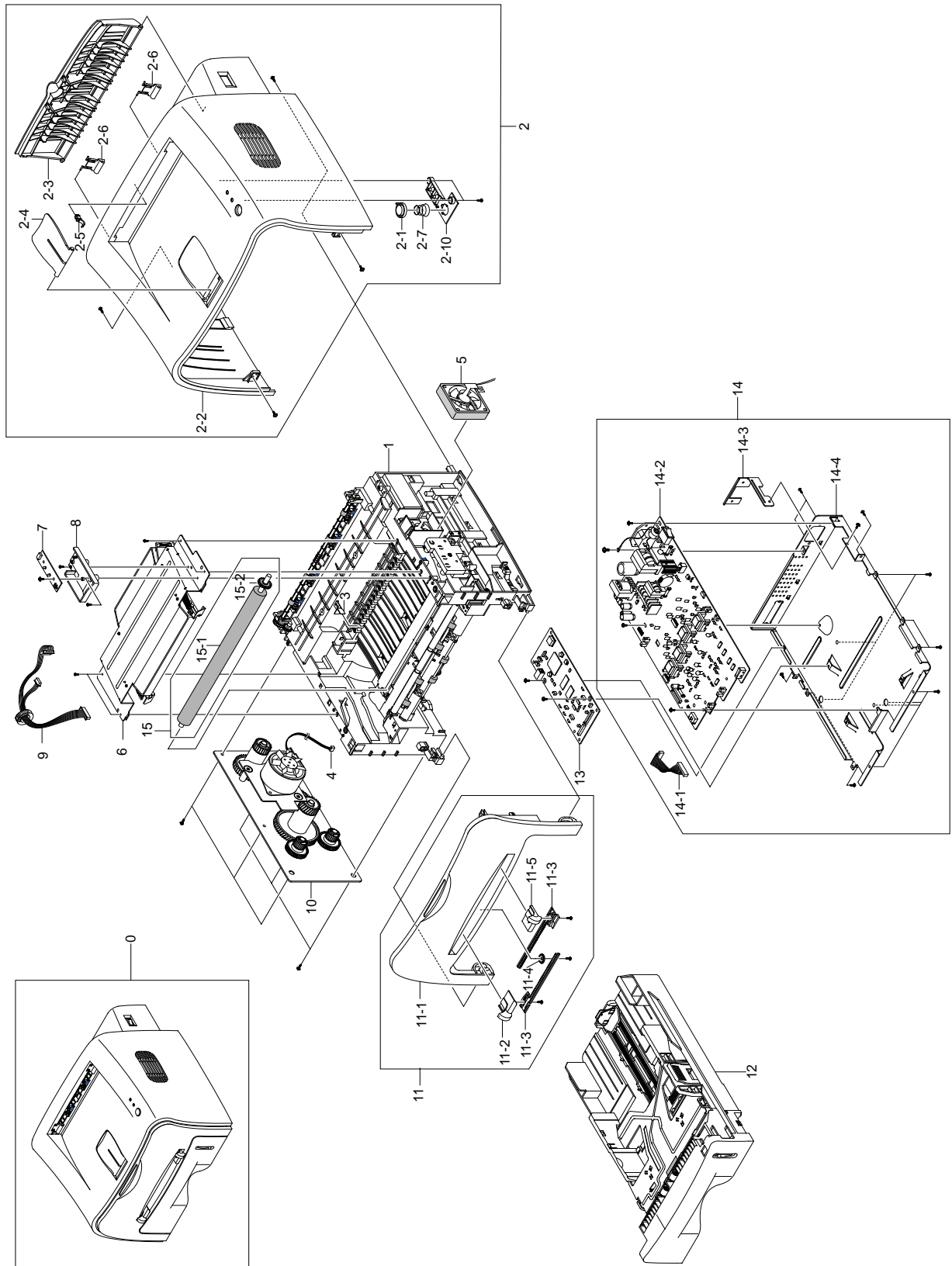
Or put the document out of the list and repeat the routine as in the above or finish the spool manager.

5. Exploded Views and Parts List

Update on January .10.2003 by SEC

- 5.1 Main Assembly Exploded view page(5-2)
- 5.2 Frame Assembly Exploded view page(5-4)
- 5.3 Drive Unit Exploded view page(5-7)
- 5.4 Fuser Unit Exploded view page(5-8)
- 5.5 Cassette Unit Exploded view page(5-10)

5.1 Main Assembly Exploded view



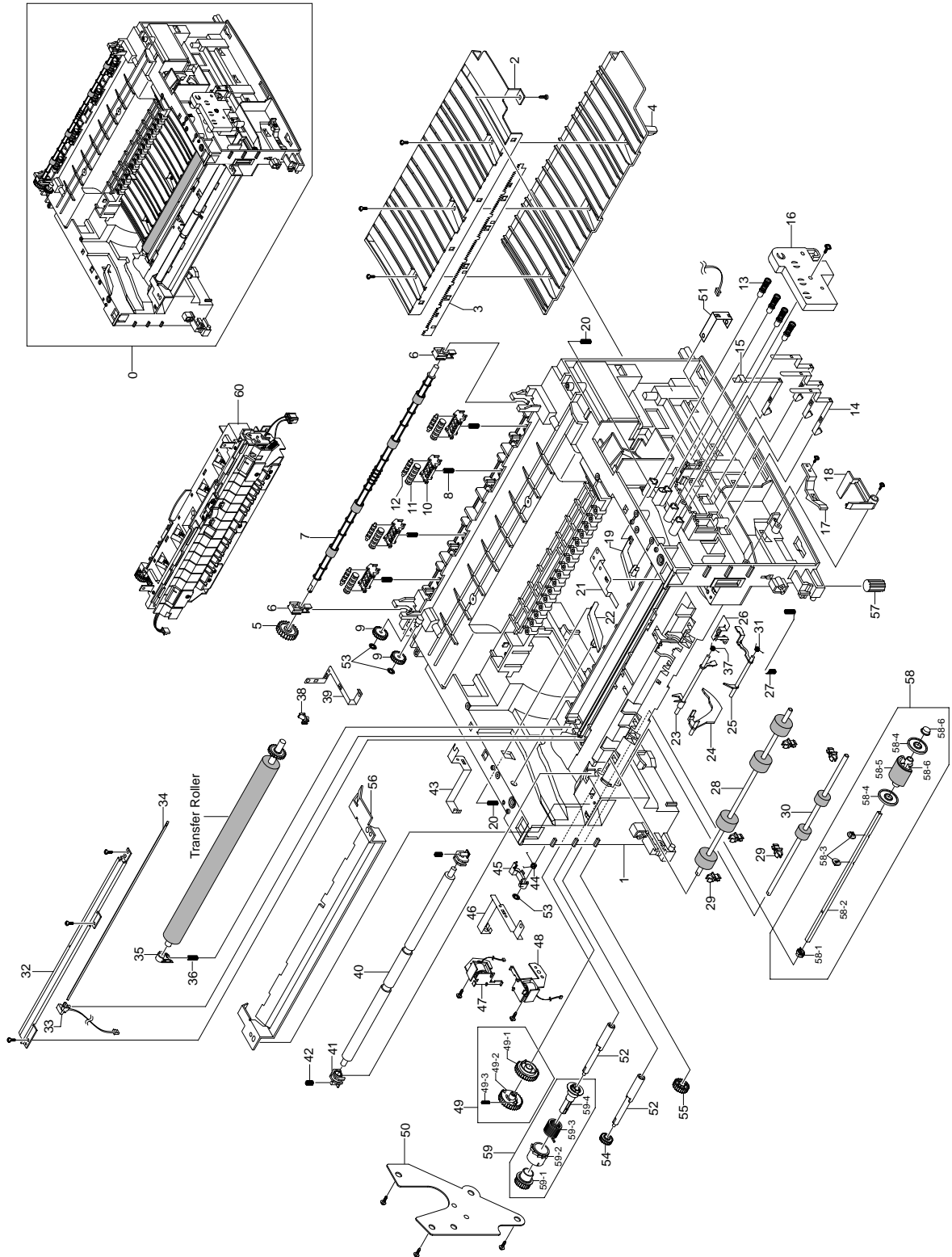
< Main Assembly Parts List >

SA. : Service Available

NO	DESCRIPTION	SEC CODE	Q'TY	SA	REMARK
0	SET				
1	ELA UNIT-FRAME LOWER, 110V, XRX	JC96-02732A	1	O	110V
	ELA UNIT-FRAME LOWER, 220V, XRX	JC96-02734A	1	O	220V
2	ELA HOU-COVER TOP	JC97-01748D	1	O	
2-1	LENS LED-LED	JC67-00026A	1	X	
2-2	COVER-TOP	JC63-00102A	1	X	
2-3	COVER-REAR	JC63-00101A	1	X	
2-4	PMO-STACKER_RX	JC72-00973A	1	X	
2-5	PMO-BUSHING_F/DOWN	JC72-00387A	1	X	
2-6	PMO-SUB STACKER	JC72-01001A	1	X	
2-7	SPRING-KEY	6107-001169	1	X	
2-8	KEY-ON LINE	JC64-00039A	1	X	
2-9	SCREW-TIPTITE	6003-000264	2	X	
3	PLATE-P-CHANNEL	JC61-00606A	1	O	
4	CBF HARNESS-MOTOR	JC39-00241A	1	O	
5	FAN-DC	JC31-00027A	1	O	
6	UNIT-LSU	JC59-00018A	1	O	
7	PBA MAIN-PANEL	JC92-01439A	1	O	
8	COVER PCB-M-PCB	JC63-00104A	1	O	
9	CBF HARNESS-LSU 1400	JC39-00242A	1	O	
10	ELA HOU-RX DRIVE 1400	JC96-02733A	1	O	
11	MEA UNIT-COVER FRONT, XEROX	JC97-01748D	1	O	P3120
	MEA UNIT-COVER FRONT, XEROX	JC97-01749K	1	O	P3130
11-1	COVER-FRONT	JC63-00103A	1	X	
11-2	ADJUST-MANUAL L	JC70-00302A	1	X	
11-3	ADJUST RACK-MANUAL	JC70-00304A	1	X	
11-4	GEAR-RACK_PINION	JC66-00387A	1	X	
11-5	ADJUST-MANUAL R	JC70-00303A	1	X	
11-6	SCREW-TIPTITE	6003-000264	3	X	
12	MEA ETC-CASSETTE 1400	TBD	1	O	
13	PBA MAIN-CONTROLLER,GDI	JC92-01426B	1	O	P3120
	PBA MAIN-CONTROLLER,PCL	JC92-01424B	1	O	P3130
14	MEA ETC-SHIELD ENGINE	JC96-02663A	1	X	
14-1	CBF HARNESS-ENGINE	JC39-00240A	1	O	P3120
	CBF HARNESS-ENGINE,	JC39-00240B	1	O	P3130
14-2	SMPS-HVPS	JC44-00046A	1	O	110V
	SMPS-HVPS	JC44-00047A	1	O	220V
14-3	BRACKET-INLET	JC61-00601A	1	O	
14-4	SHIELD-ENGINE	JC63-00107A	1	O	
14-5	SCREW-TIPTITE	6003-000264	6	X	
14-6	SCREW-TIPTITE	6003-000119	2	X	
14-7	SCREW-TIPTITE	6003-000301	1	X	
15	TRANSFER ROLLER ASS'Y	TBD	1	O	
15-1	ROLLER-TRANSFER ROLLER	JC66-00528A	1	X	
15-2	GEAR-TRANSFER	JC66-00395A	1	X	

O: Service available X: Service not available

5.2 Frame Assembly Exploded view



< Frame Assembly Parts List >

SA. : Service Available

NO	DESCRIPTION	SEC CODE	Q'TY	SA	REMARK
0	ELA UNIT-FRAME ASSY	JC96-02732A	1	X	
1	FRAME-Base	JC61-00579A	1	X	
2	GUIDE-TR	JC61-00607A	1	X	
3	PLATE-SAW	JC61-00604A	1	X	
4	GUIDE-TR RIB	JC61-00594A	1	X	
5	GEAR-EXIT F/DOWN	JC66-00038A	1	X	
6	MEC-BEARING,EXIT	JC75-10529A	2	X	
7	ROLLER-EXIT_F/DOWN	JC66-00378A	1	X	
8	SPRING-EXIT_F/DOWN	6107-001163	1	X	
9	PMO-GEAR_EXIT_DRV16	JC72-00143A	2	X	
10	HOLDER-EXIT_F/DOWN	JC61-00582A	4	X	
11	PMO-ROLLER_EXIT,MAIN	JC72-41081A	4	X	
12	PMO-ROLLER_EXIT,FR	JC72-41082A	4	X	
13	MEC-TERMINAL	JC75-00049A	4	O	
14	IPR-TERMINAL CON	JC70-00312A	3	X	
15	IPR-TERMINAL CR	JC70-00313A	1	X	
16	HOUSING-TERMINAL	JC61-00592A	1	X	
17	PMO-LOCKER CST	JC72-00983A	1	X	
18	PMO-ACTUATOR CVR OPEN	JC72-00974A	1	O	
19	PMO-PLATE GUIDE DEVE_R	JC72-00985A	1	X	
20	SPRING-GUIDE DEVE	JC61-00038A	2	X	
21	IPR-GROUND_ROLLER IDLE	JC70-00315A	1	X	
22	PMO-PLATE GUIDE DEVE_L	JC72-00984A	1	X	
23	PMO-ACTUATOR FEED	JC72-00976A	1	O	
24	PMO-ACTUATOR EMPTY	JC72-00975A	1	O	
25	PMO-ACTUATOR MANUAL	JC72-00977A	1	O	
26	IPR-GROUND EARTH TR	JC70-00309A	1	X	
27	SPRING-TR_R	6107-001162	1	X	
28	ROLLER-FEED ROLLER1	JC66-00526A	1	X	
29	PMO-BUSHING TX	JC72-00382A	5	X	
30	ROLLER-FEED	JC66-00598A	1	O	
31	SPRING-ACT,MANUAL	6107-001165	1	X	
32	IPR-EARTH TRANSFER	JC70-00307A	1	X	
33	HOLDER-PTL	JC61-00583A	1	O	
34	LENS-PTL	JC67-00027A	1	O	
35	BUSH-TR_L	JC61-00588A	1	X	
36	SPRING-TR_L	JC61-00047A	1	X	
37	SPRING-ACT_FEED	6107-001164	1	X	
38	PMO-BUSHING TR_L	JC72-00102A	1	X	
39	IPR-GROUND FUSER	JC70-00310A	1	X	

O: Service available X: Service not available

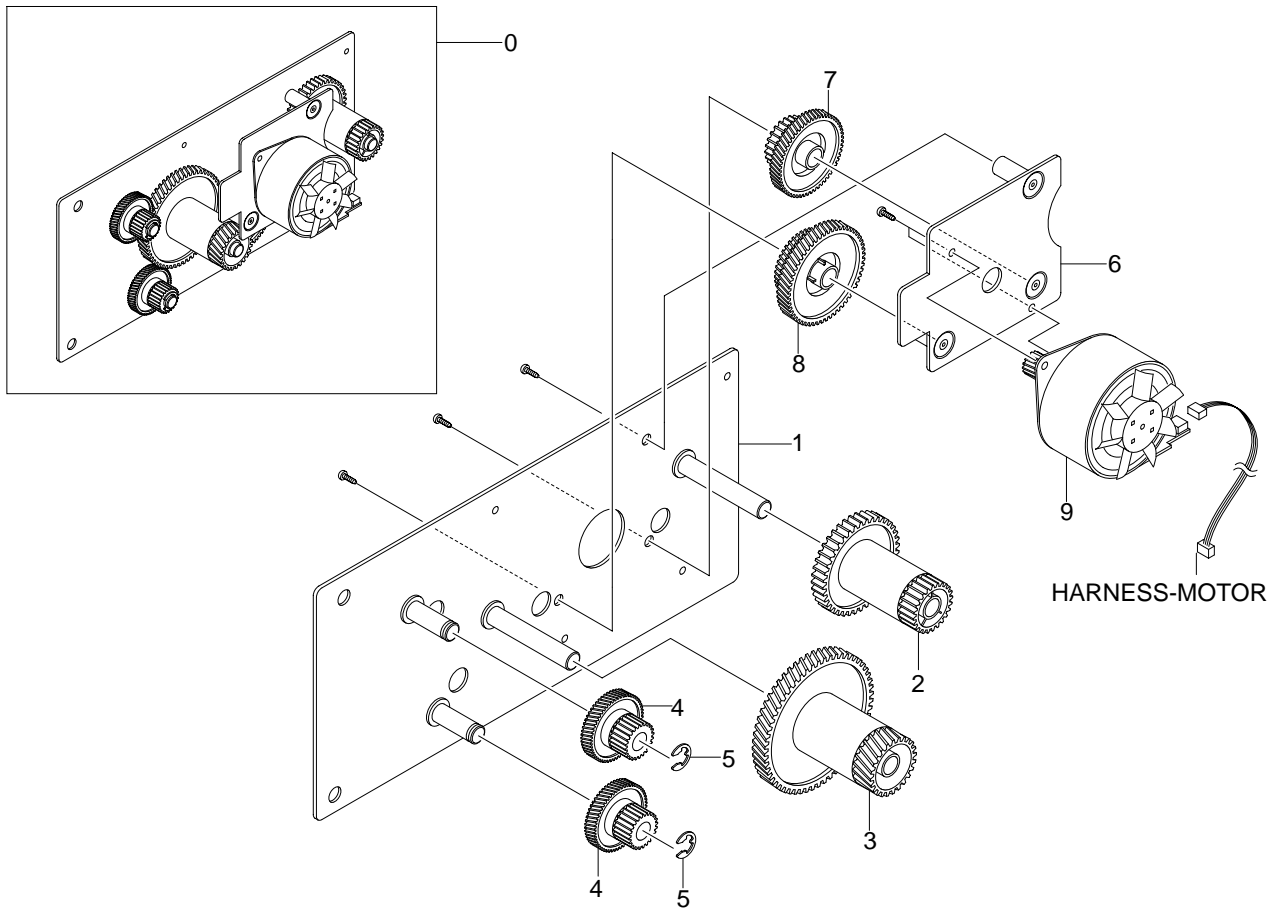
< Frame Assembly Parts List Cont. >

SA. : Service Available

NO	DESCRIPTION	SEC CODE	Q'TY	SA	REMARK
40	SHAFT-FEED IDLE	JC66-00527A	1	X	
41	BUSH-FEED IDLE	JC61-00585A	1	X	
42	SPRING-FEED IDLE	JC61-70958A	1	X	
43	IPR-P_GROUND_DRIVE2	JC70-00335A	1	X	
44	SPRING-CAM PICK-UP	6107-001170	1	X	
45	CAM-PICK_UP	JC66-00377A	1	X	
46	IPR-GROUND DRIVE	JC70-00308A	1	X	
47	SOLENOID-HB (PICK-UP)	JC33-00009A	1	O	
48	SOLENOID-HB (MANUAL)	JC33-00010A	1	O	
49	TBD	TBD	1	X	
49-1	PMO-GEAR PICK_UP B	JC72-00980A	1	X	
49-2	PMO-GEAR PICK_UP A	JC72-00979A	1	X	
49-3	SPRING-PICK_UP GEAR	6107-001167	1	X	
50	BRACKET-FEED	JC61-00602A	1	X	
51	IPR-GROUND TR	JC70-00311A	1	X	
52	SHAFT-FEED	JC66-00398A	1	X	
53	RING-CS	6044-000001	3	X	
54	GEAR-FEED 2	JC66-00394A	1	X	
55	GEAR-IDLE 23	JC66-00396A	1	X	
56	GUIDE-PAPER	JC61-00718A	1	X	
57	RMO-RUBBER FOOT	JC73-00027A	2	X	
58	PICK_UP ASS'Y	TBD	1	O	
58-1	BUSH-PICK_UP_L	JC61-00586A	1	X	
58-2	SHAFT-PICK_UP	JC66-00399A	1	X	
58-3	STOPPER-PICK_UP	JC61-00593A	2	X	
58-4	PMO-IDLE PICK_UP	JC72-00982A	2	X	
58-5	SPONGE-ROILLER PICK UP	JC72-01231A	1	X	
58-6	BUSH-PICK_UP_R	JC61-00587A	1	X	
58-7	HOUSING-PICK_UP	JC61-00591A	1	X	
59	CLUTCH ASS'Y(FEED ASS'Y)	TBD	1	O	
59-1	GEAR-FEED 1	JC66-00393A	1	X	
59-2	PMO-COLLAR_SPRING	JC72-00978A	1	X	
59-3	SPRING-CLUTCH	6107-001164	1	X	
59-4	PMO-HUB CLUTCH	JC72-00981A	1	X	
60	FUSER	TBD	1	O	

O: Service available X: Service not available

5.3 Driver Unit Exploded view



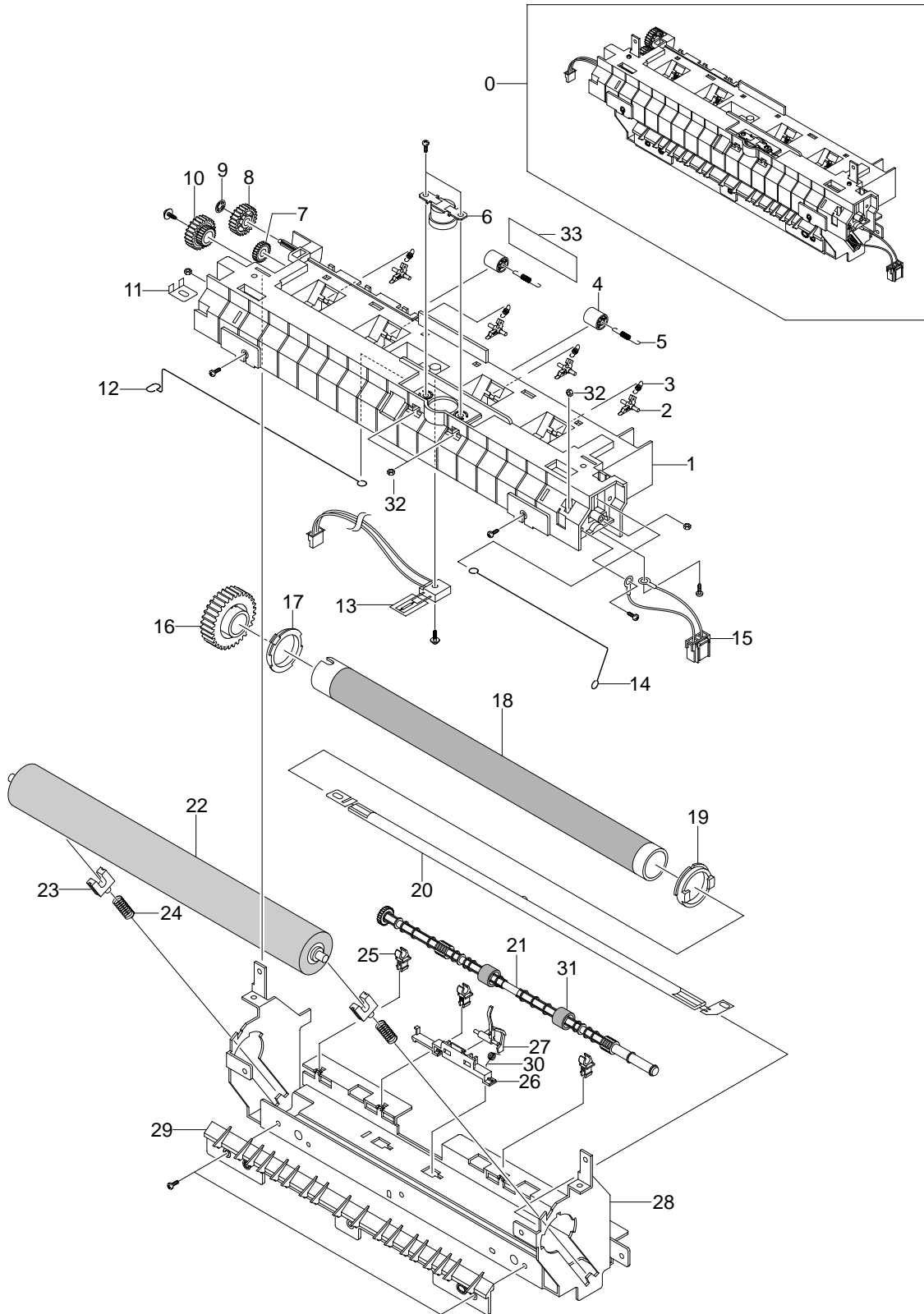
< Driver Unit Parts List >

SA. : Service Available

NO	DESCRIPTION	SEC CODE	Q'TY	SA	REMARK
0	ELA HOU-RX DRIVE 1400	JC96-02733A	1	O	
1	BRACKET-GEAR 1400	JC61-00598A	1	X	
2	GEAR-FUSER DRV	JC66-00388A	1	X	
3	GEAR-RDCN Z132/19	JC66-00391A	1	X	
4	GEAR-PICK_UP DRV	JC66-00389A	2	X	
5	RING-E	6044-000231	2	X	
6	BRACKET-MOTOR 1400	JC61-00599A	1	X	
7	GEAR-RDCN Z7128	JC66-00390A	1	X	
8	GEAR-RDCN Z7322	JC66-00392A	1	X	
9	MOTOR STEP-7.5	JC31-00028A	1	X	

O: Service available X: Service not available

5.4 Fuser Unit Exploded view



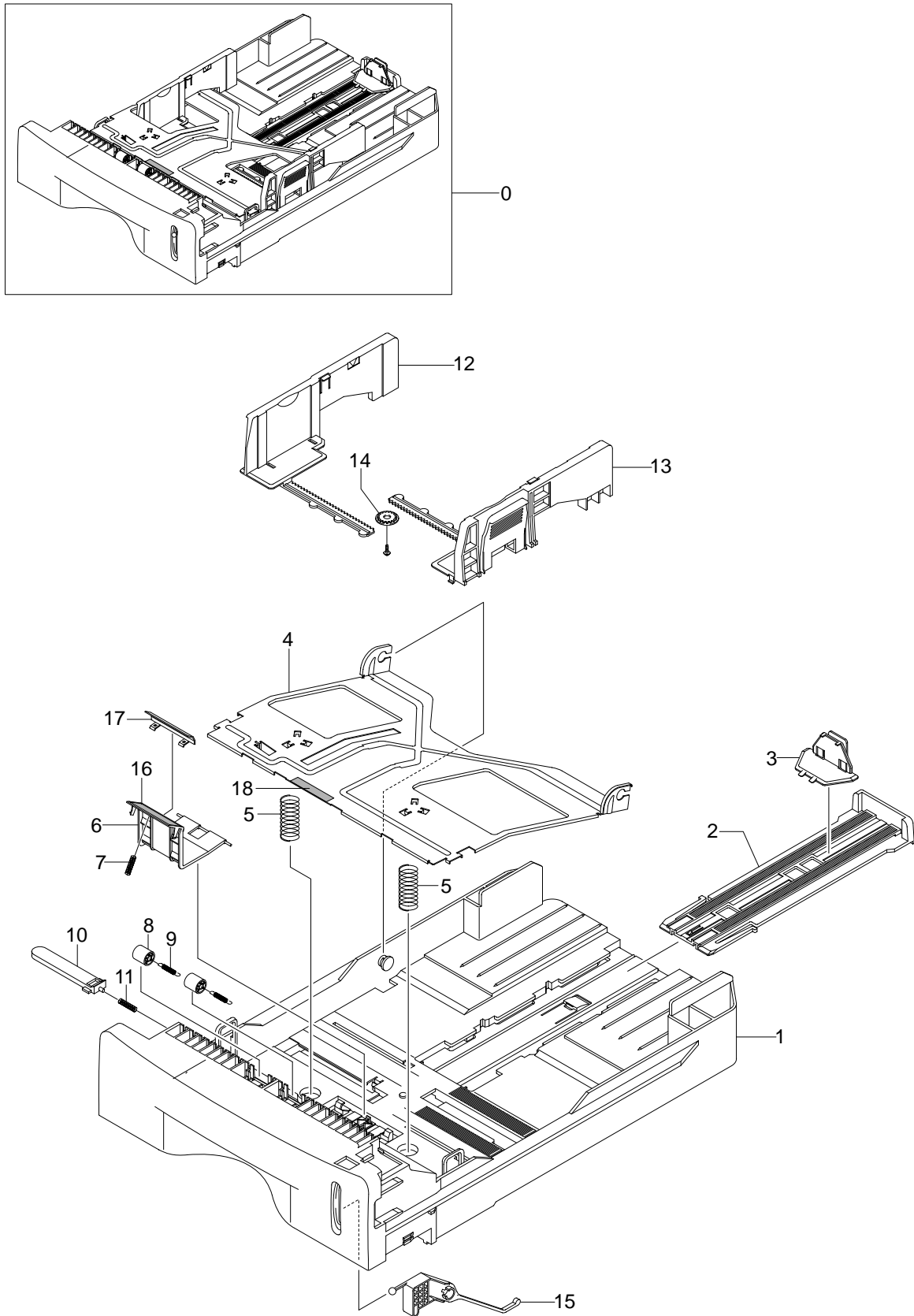
< Fuser Unit Parts List >

SA. : Service Available

NO	DESCRIPTION	SEC CODE	Q'TY	SA	REMARK
0	ELA HOU-FUSER 110V	TBD	1	O	110V
	ELA HOU-FUSER 220V	TBD	1	O	220V
1	COVER-FUSER	JC63-00105A	1	X	
2	HOLDER-PLATE CLAW	JC61-00584A	4	X	
3	SPRING ETC-CLAW	JC61-00064A	4	X	
4	PMO-ROLLER EXIT	JC72-60059A	2	X	
5	SPRING-EXIT F_UP	JC61-70976A	2	X	
6	THERMOSTAT-150	JC47-00005A		O	
7	PMO-GEAR_EXIT_DRV16	JC72-00143A	1	X	
8	GEAR-IDLE 23	JC66-00396A	1	X	
9	RING-CS	6044-000001	1	X	
10	GEAR-RDCN 2515	JC66-00397A	1	X	
11	IPR-ELECTRODE_LAMP	JC70-00275A	1	X	
12	ELECTRODE-WIRE_L	JC70-00450A	1	X	
13	THERMISTER-NTC HF	1404-001298	1	O	
14	ELECTRODE-WIRE_R	JC70-00449A	1	X	
15	CBF HARNESS-FUSER(110V)	JC39-00239A	1	O	110V
	CBF HARNESS-FUSER(220V)	JC39-00238A	1	O	220V
16	GEAR-FUSER,Z37	JC66-00564A	1	O	
17	BUSH-HR_L	JC61-00589A	1	X	
18	NPR-ROLLER_HEAT	JC66-00601A	1	O	
19	BUSH-HR_R	JC61-00590A	1	X	
20	LAMP-HALOGEN(110V)	TBD	1	O	110V
	LAMP-HALOGEN(220V)	TBD	1	O	220V
21	ROLLER-EXIT F_UP	JC66-00380A	1	X	
22	ROLLER-PRESSURE	JC66-00600A	1	O	
23	BEARING-PRESSURE	JC66-10901A	2	X	
24	SPRING-PR(1400)	6107-001168	2	X	
25	PMO-BUSHING TX	JC72-00382A	3	X	
26	HOLDER-ACTUATOR	JC61-00581A	1	X	
27	PMO-ACTUATOR_EXIT	JC72-00987A	1	X	
28	IPR-FRAME_FUSER	JC70-00317A	1	X	
29	GUIDE-INPUT	JC61-00595A	1	X	
31	RMO-RUBBER_EXIT	JC73-00017A	2	X	
33	LABEL(P)-CAUTION, HOT_FUSER	JC68-30928D	1	X	
30	SPRING ETC-ACT_EXIT	6107-001165	1	X	
32	NUT-HEXAGON	6021-000222	5	X	
??	NEW-CLAW ASSY	TBD	1	X	
??	PLATE-CLAW	JC61-00605A	4	X	

O: Service available X: Service not available

5.5 Cassette Unit Exploded view



< Cassette Unit Parts List >

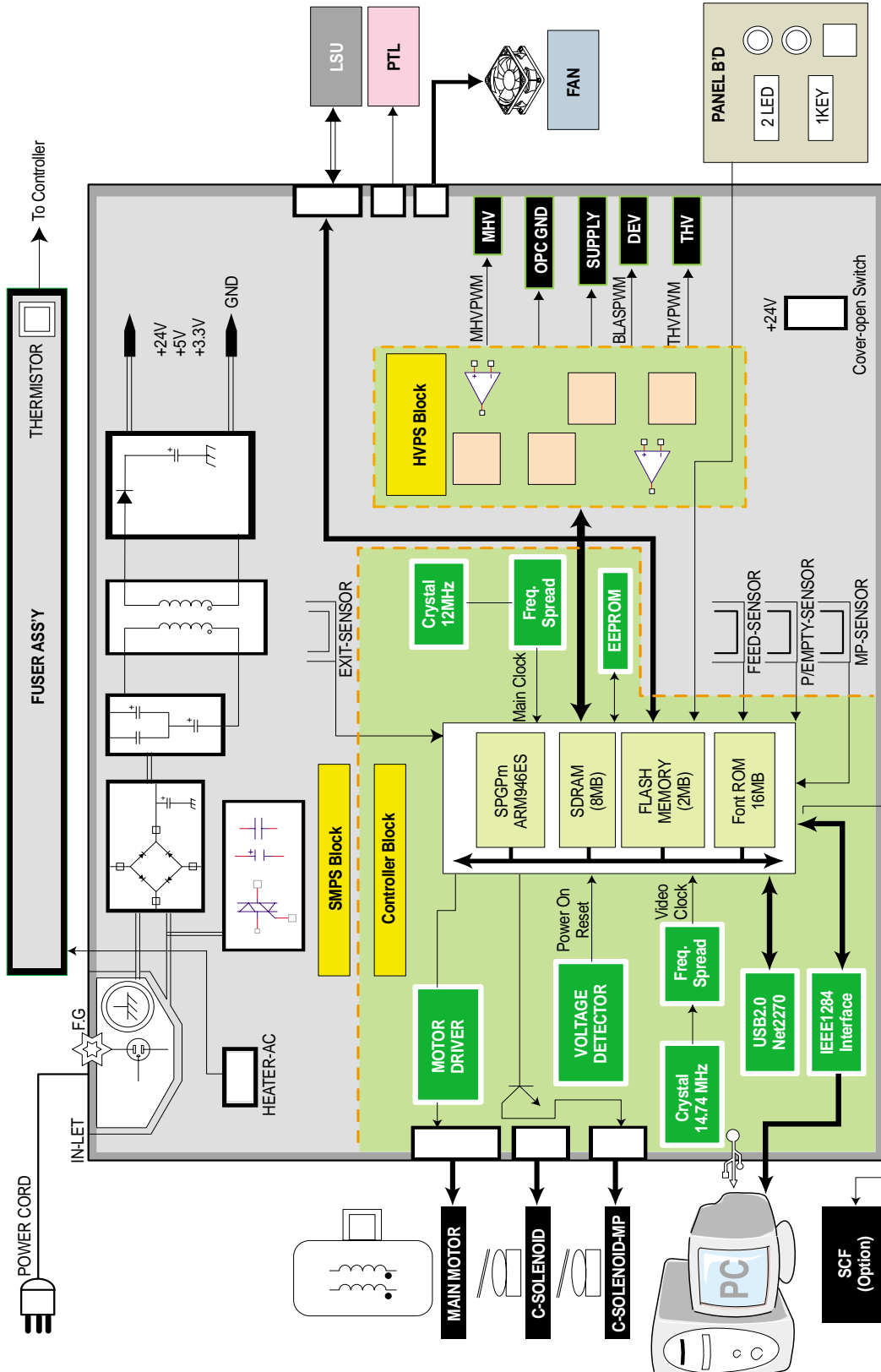
SA. : Service Available

NO	DESCRIPTION	SEC CODE	Q'TY	SA	REMARK
0	CASSETTE	JC97-01750A	1	O	
1	FRAME-CASSETTE	JC61-00578A	1	X	
2	PMO-EXTENSION LARGE	JC72-00970A	1	X	
3	PMO-EXTENSION SMALL	JC72-00971A	1	X	
4	PLATE-KNOCK_UP	JC61-00603A	1	X	
5	SPRING-KNOCK_UP	6107-001166	2	X	
6	HOLDER-PAD	JC61-00580A	1	X	
7	SPRING-FRICTION PAD	JC61-70911A	1	X	
8	ROLLER-IDLE FEED	JC66-00529A	2	X	
9	SPRING-FEED	6107-001047	2	X	
10	PMO-PLATE_LOCKER	JC72-00972A	1	X	
11	SPRING-LOCKER	JG61-70531A	1	X	
12	ADJUST-CASSETTE_L	JC70-00300A	1	X	
13	ADJUST-CASSETTE_R	JC70-00301A	1	X	
14	GEAR-PINION	JG66-40003A	1	X	
15	INDICATOR-LEVER INDICATOR	JC64-00040A	1	X	
16	RPR-FRICTION PAD	JC73-00140A	1	X	
17	IPR-PLATE PAD	JC70-00314A	1	X	
18	RPR-PAD CASSETTE	JC73-00141A	3	X	

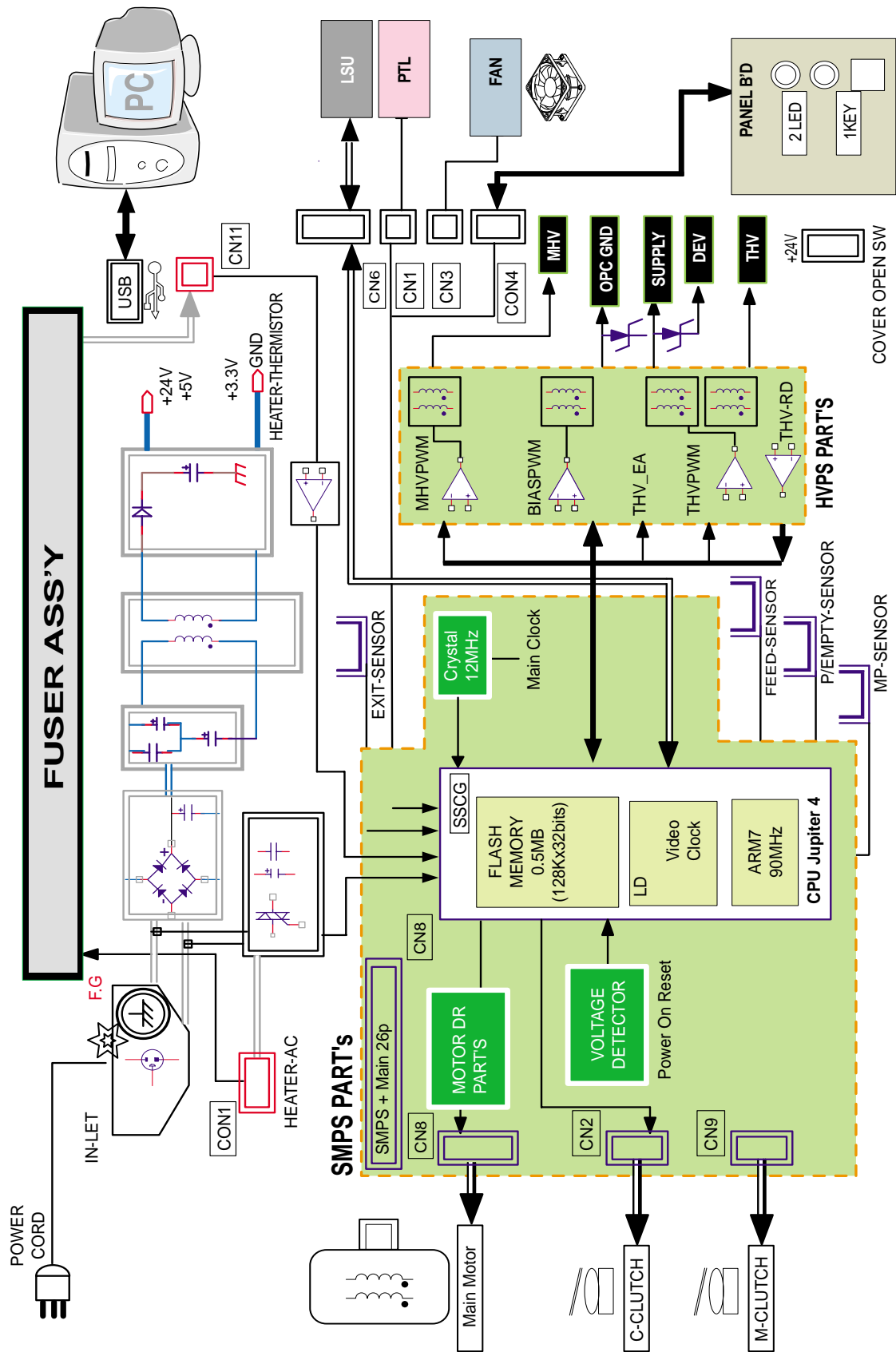
O: Service available X: Service not available

6. Block Diagram

6.1 Phaser 3130

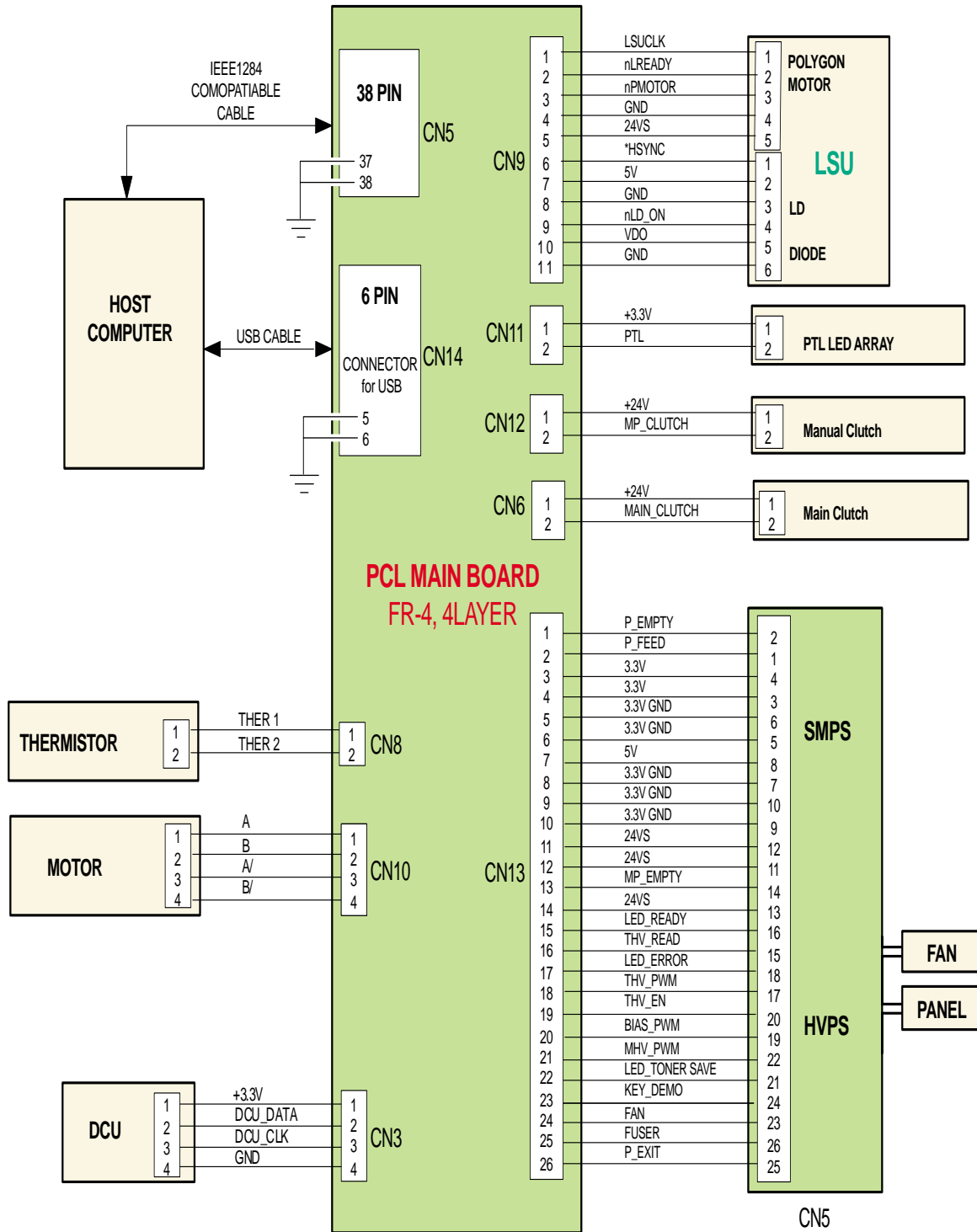


6.2 Phaser 3120

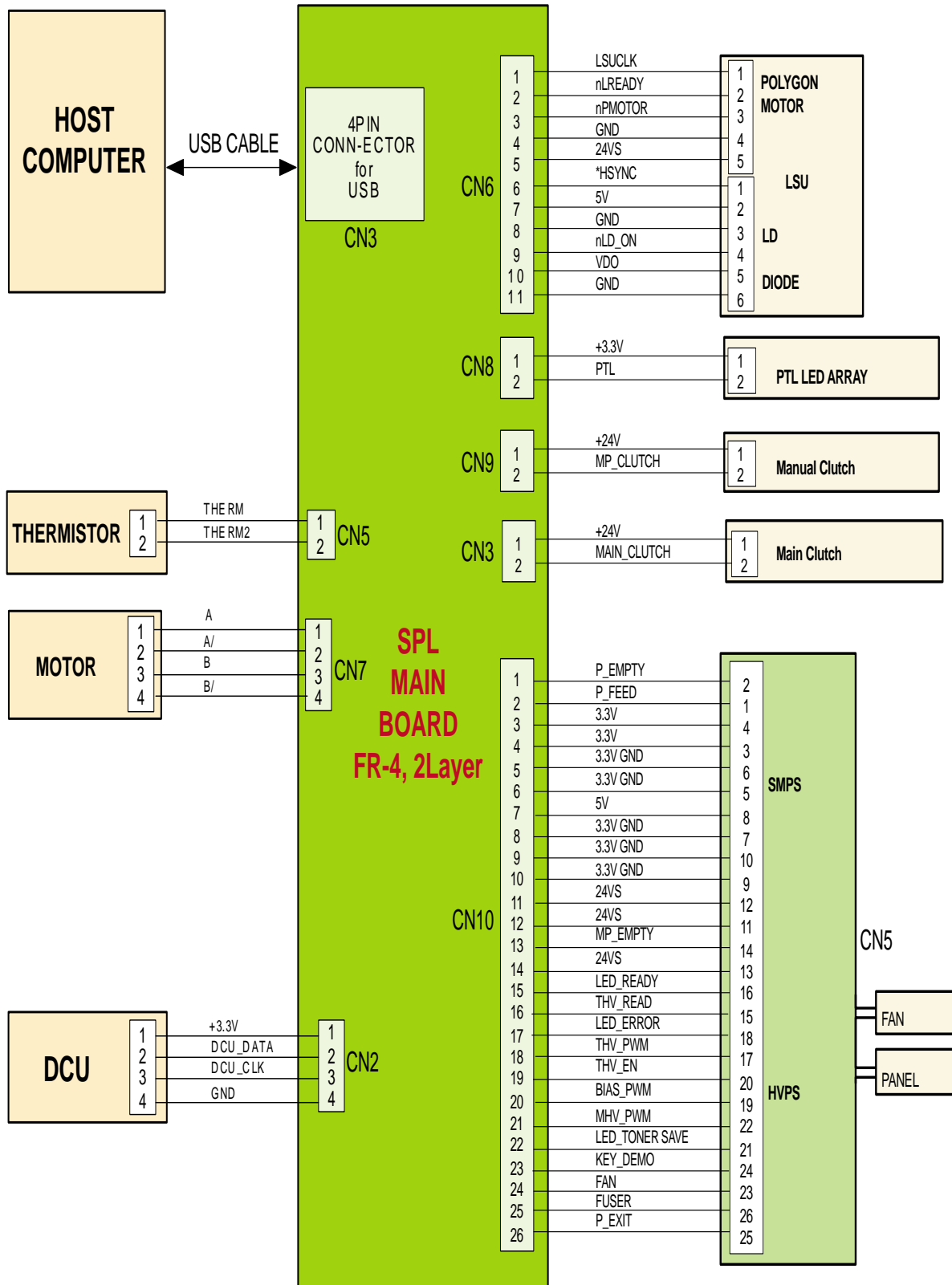


7. Connection Diagram

7.1 Phaser 3130

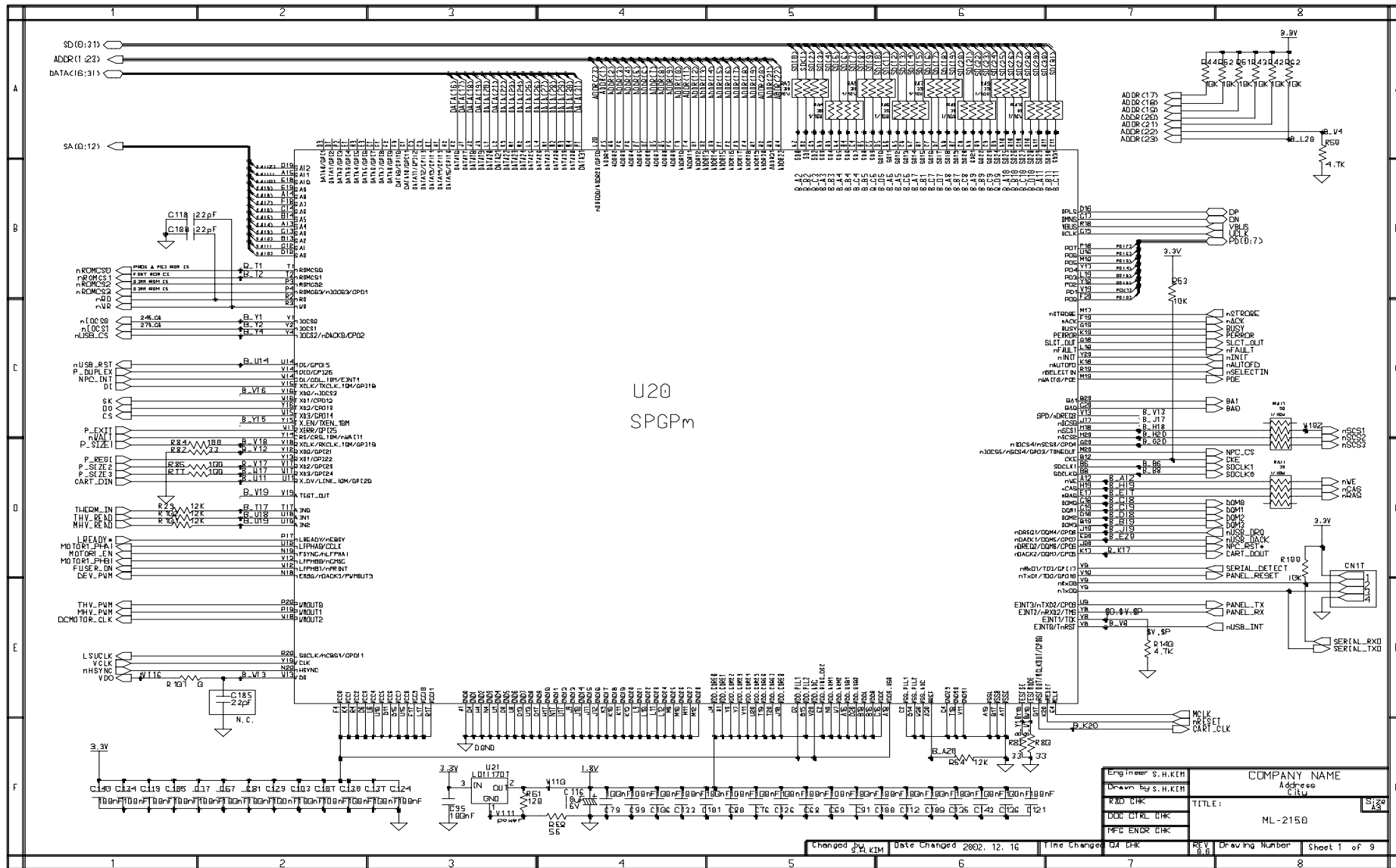


7.2 Phaser 3120



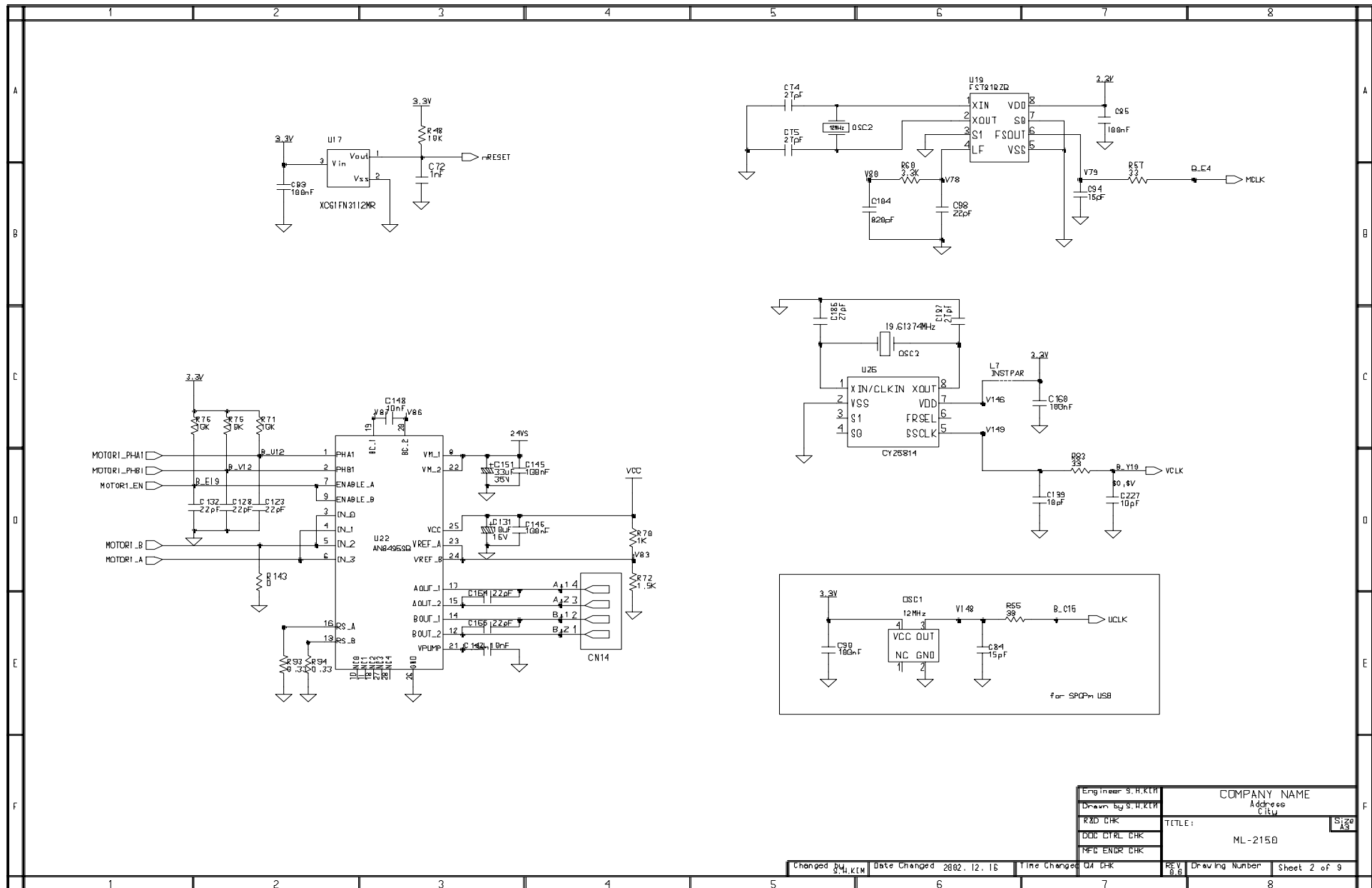
8. Schematic Diagrams

8.1 Phaser 3130 Main Circuit Diagram (1/9)



Engineer S. H. KIM	COMPANY NAME
Drawn by S. H. KIM	Address
R&D CHK	TITLE:
DOC CTRL CHK	ML-2150
TRG ENDR CHK	
Changed by KIM	Date Changed 2002. 12. 16
Time Changed 04:48	REV 0.6
	Drawing Number
	Sheet 1 of 9

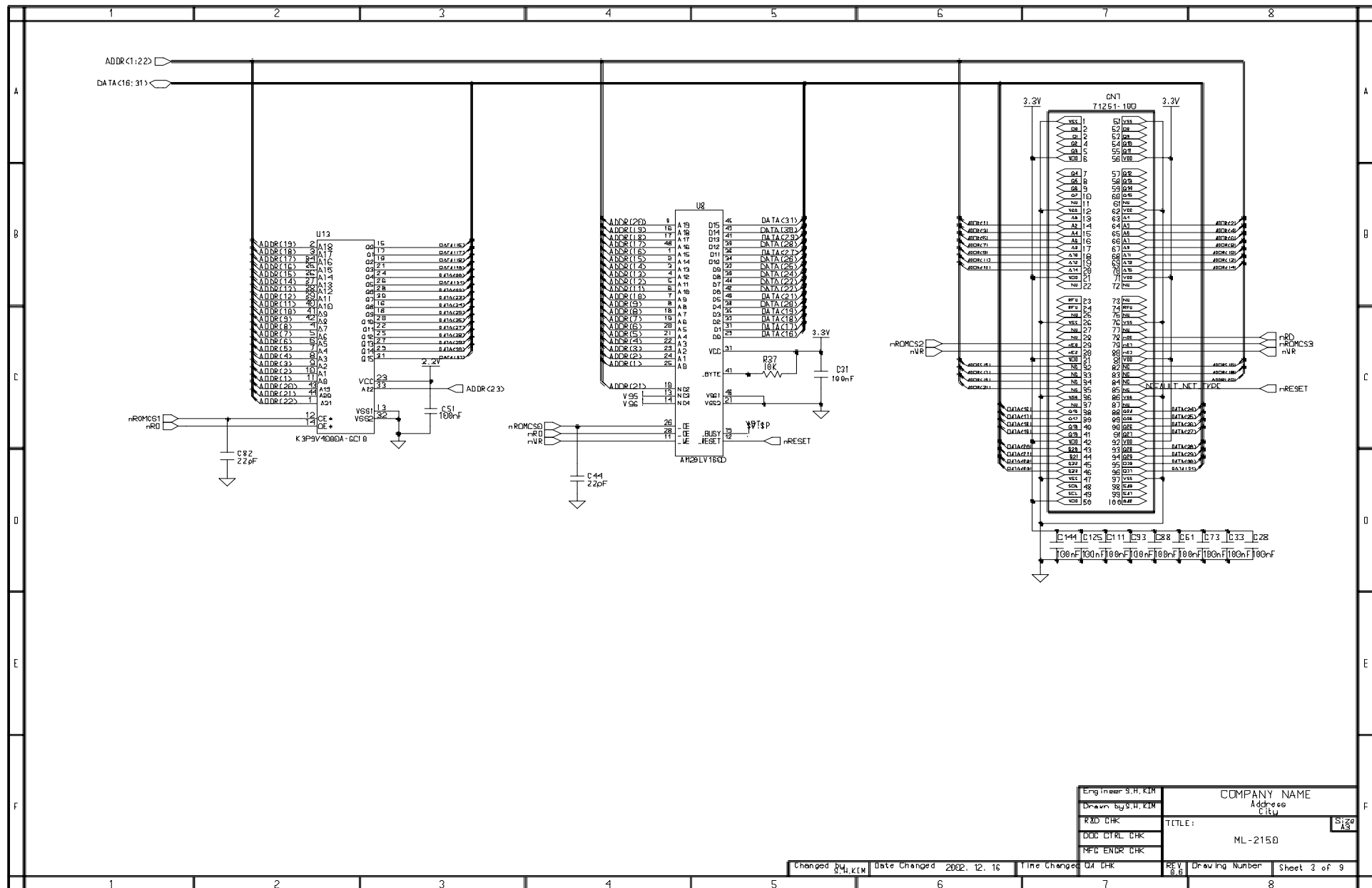
Phaser 3130 Main Circuit Diagram (2/9)



Engineer: S.H.KEM	COMPANY NAME
Drawn by: S.H.KEM	Address
RDY CHK:	City
DOC CTRL. CHK:	TITLE:
MFC ENDR. CHK:	ML-2150
	Size: 18

Changed by: S.H.KEM	Date Changed: 2002.12.18	Time Changed:	QA CHK:	REV: 0.0	Drawing Number:	Sheet 2 of 9
---------------------	--------------------------	---------------	---------	----------	-----------------	--------------

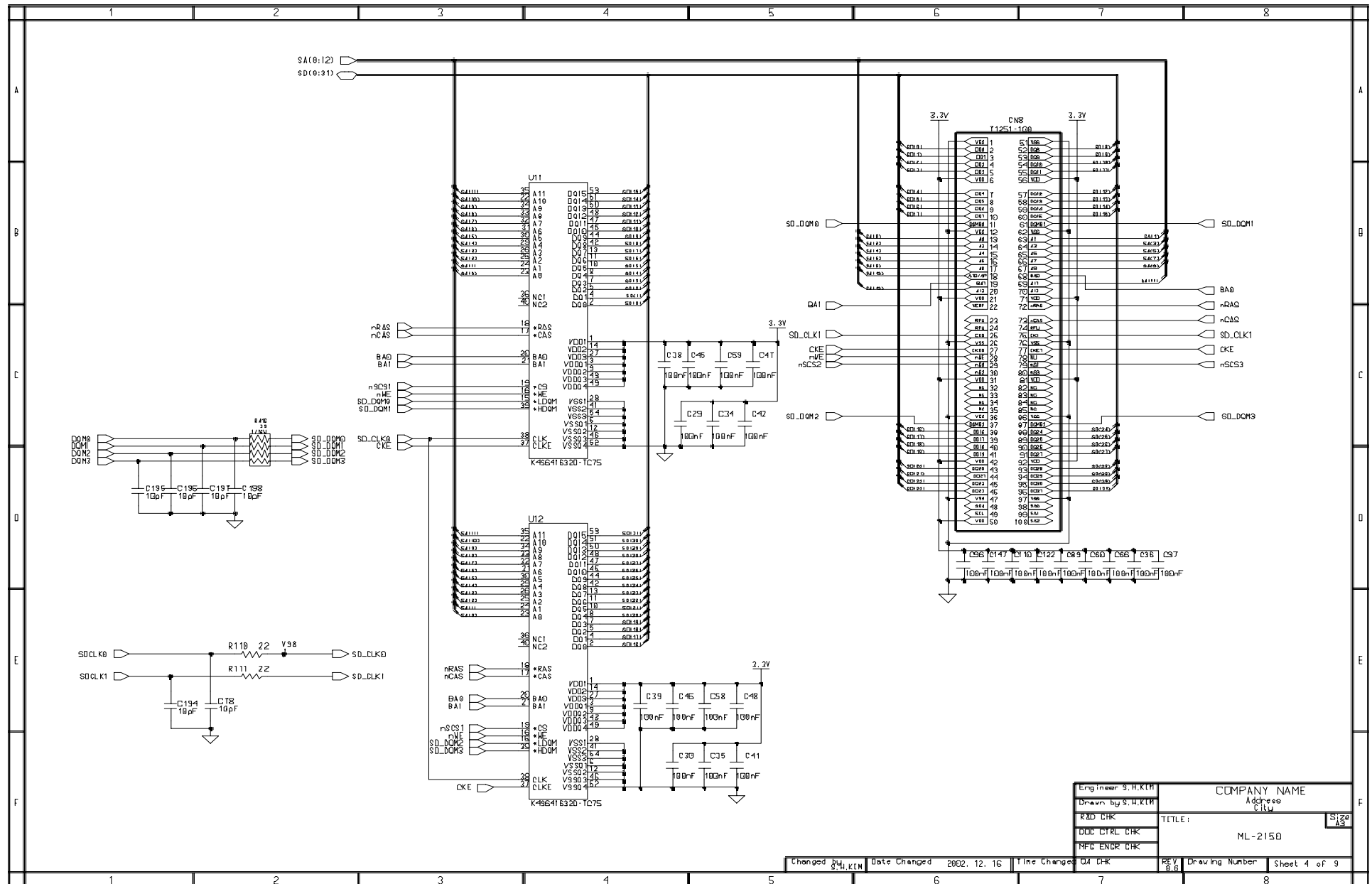
Phaser 3130 Main Circuit Diagram (3/9)



Engineer S.H. KIM	COMPANY NAME
Drawn by S.H. KIM	Address
RXD CHK	City
DOC CTRL CHK	TITLE:
MFC ENDR CHK	ML-2150

Changed by S.H. KIM	Date Changed 2002. 12. 16	Time Changed	DA CHK	REV 0.0	Drawing Number	Sheet 3 of 9
---------------------	---------------------------	--------------	--------	---------	----------------	--------------

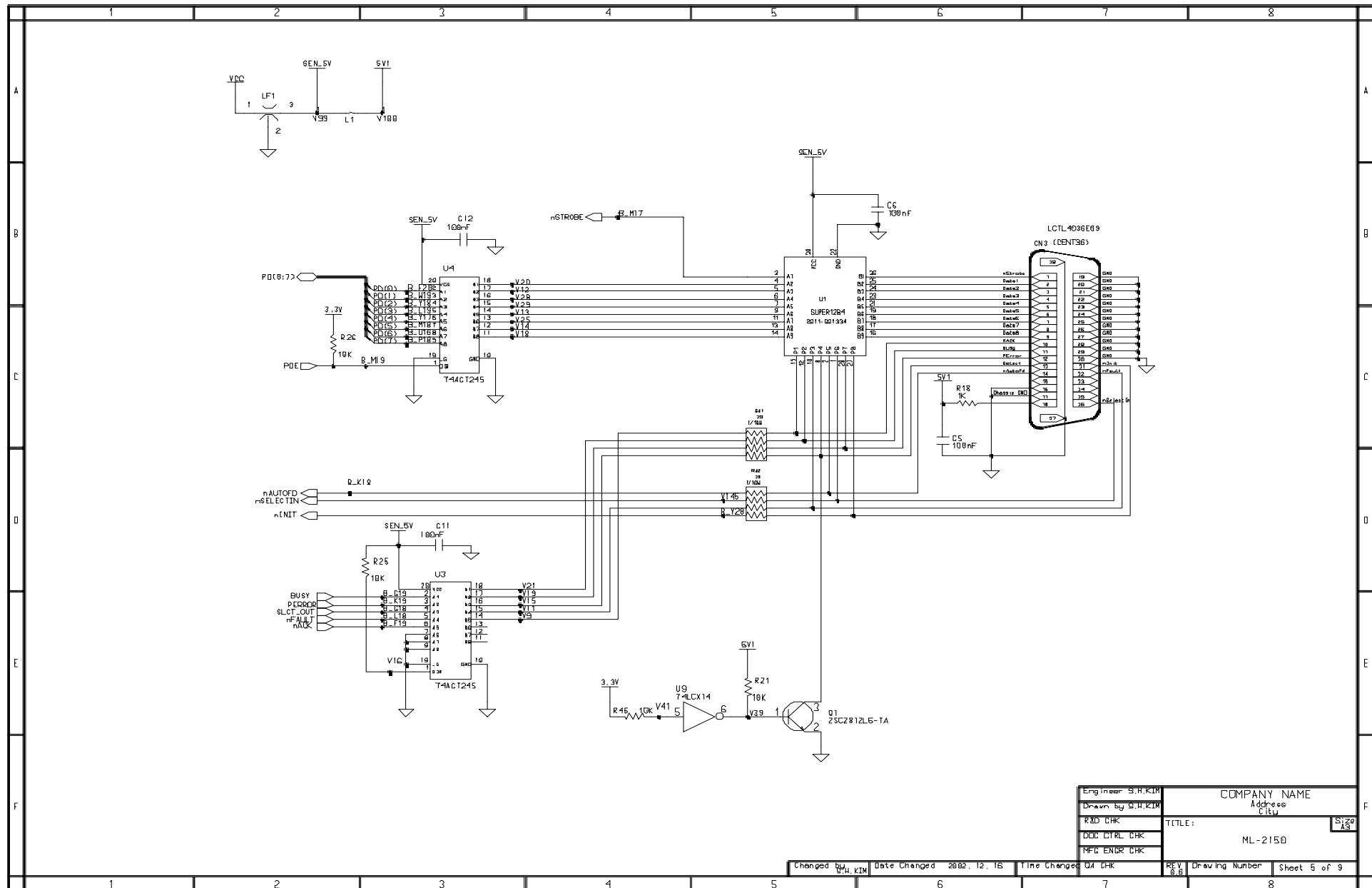
Phaser 3130 Main Circuit Diagram (4/9)



Engineer: S. H. KTH	COMPANY NAME
Drawn by: S. H. KTH	Address
R&D CHK	CITY
DDC CTRL CHK	TITLE:
MPL ENDR CHK	ML-2150

Changed By: KCM Date Changed: 2002.12.16 Time Changed: UA CHK REV: 6.6 Drawing Number: Sheet 4 of 9

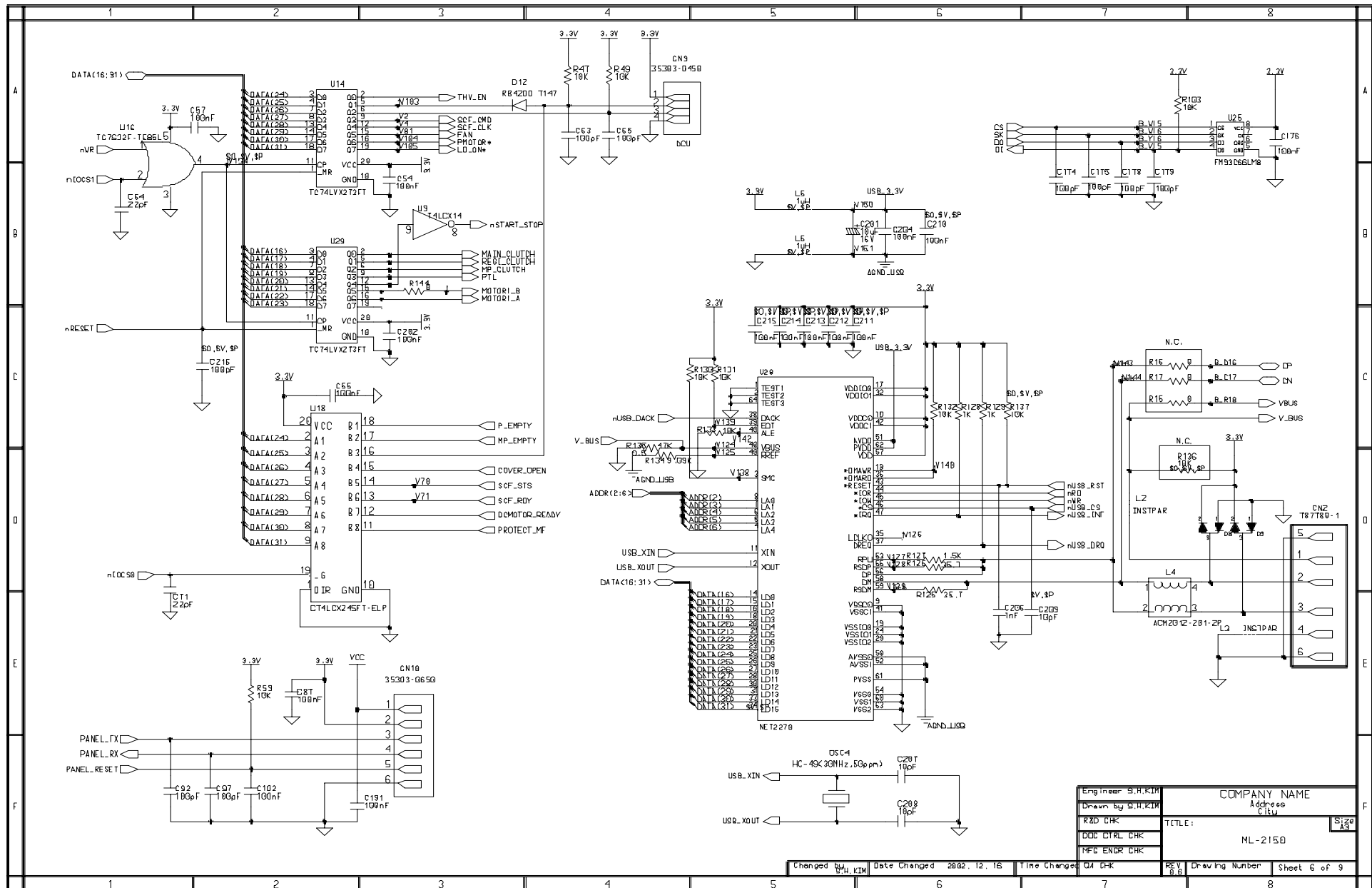
Phaser 3130 Main Circuit Diagram (5/9)



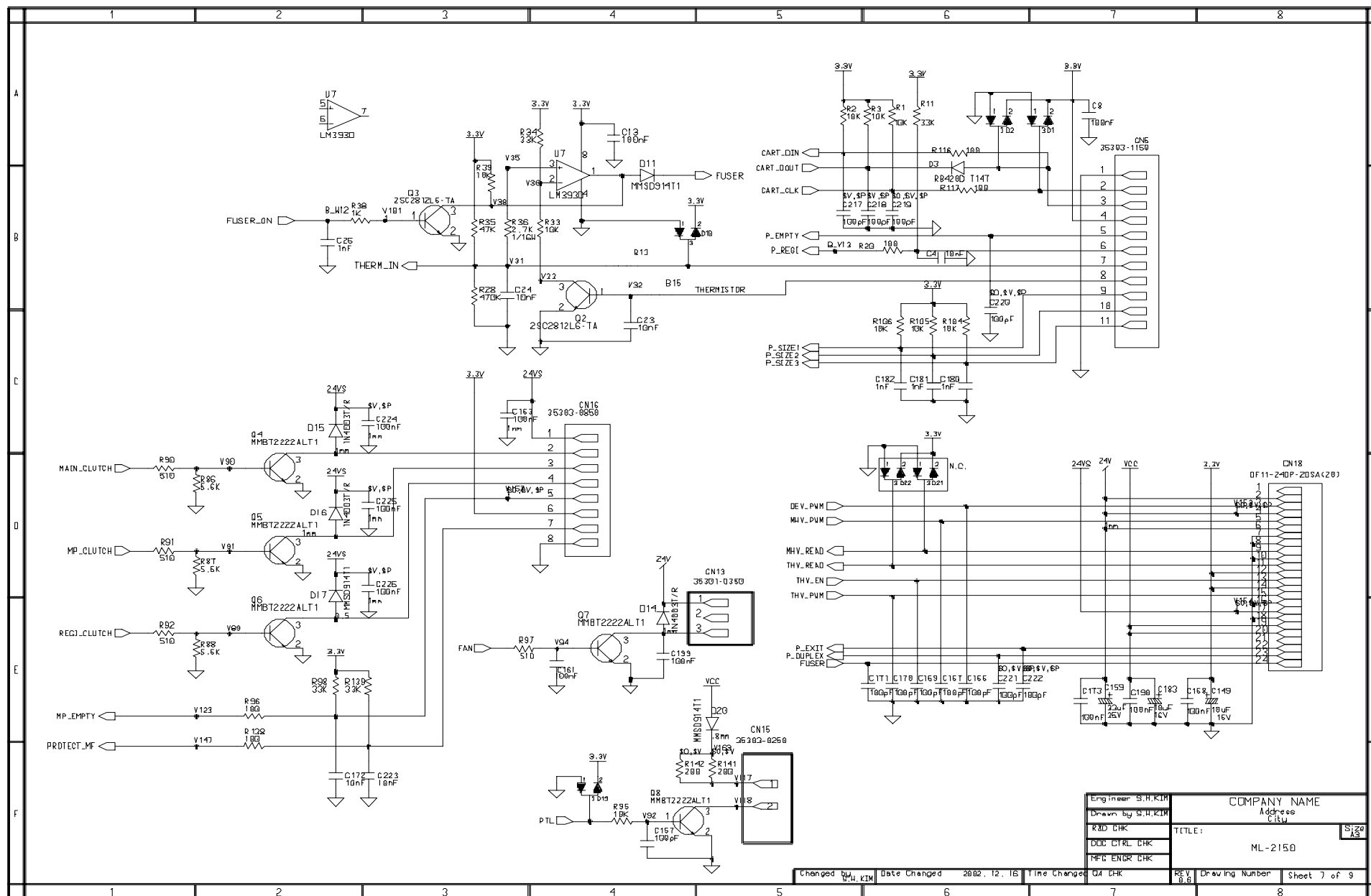
Engineer S.H.KIM	COMPANY NAME
Drawn by S.H.KIM	Address
RXD CHK	City
DOC CTRL CHK	TITLE:
MFC ENDR CHK	ML-2150

Changed by S.H.KIM	Date Changed 2002.12.16	Time Changed	QA CHK	REV 0.6	Drawing Number	Sheet 5 of 9
--------------------	-------------------------	--------------	--------	---------	----------------	--------------

Phaser 3130 Main Circuit Diagram (6/9)

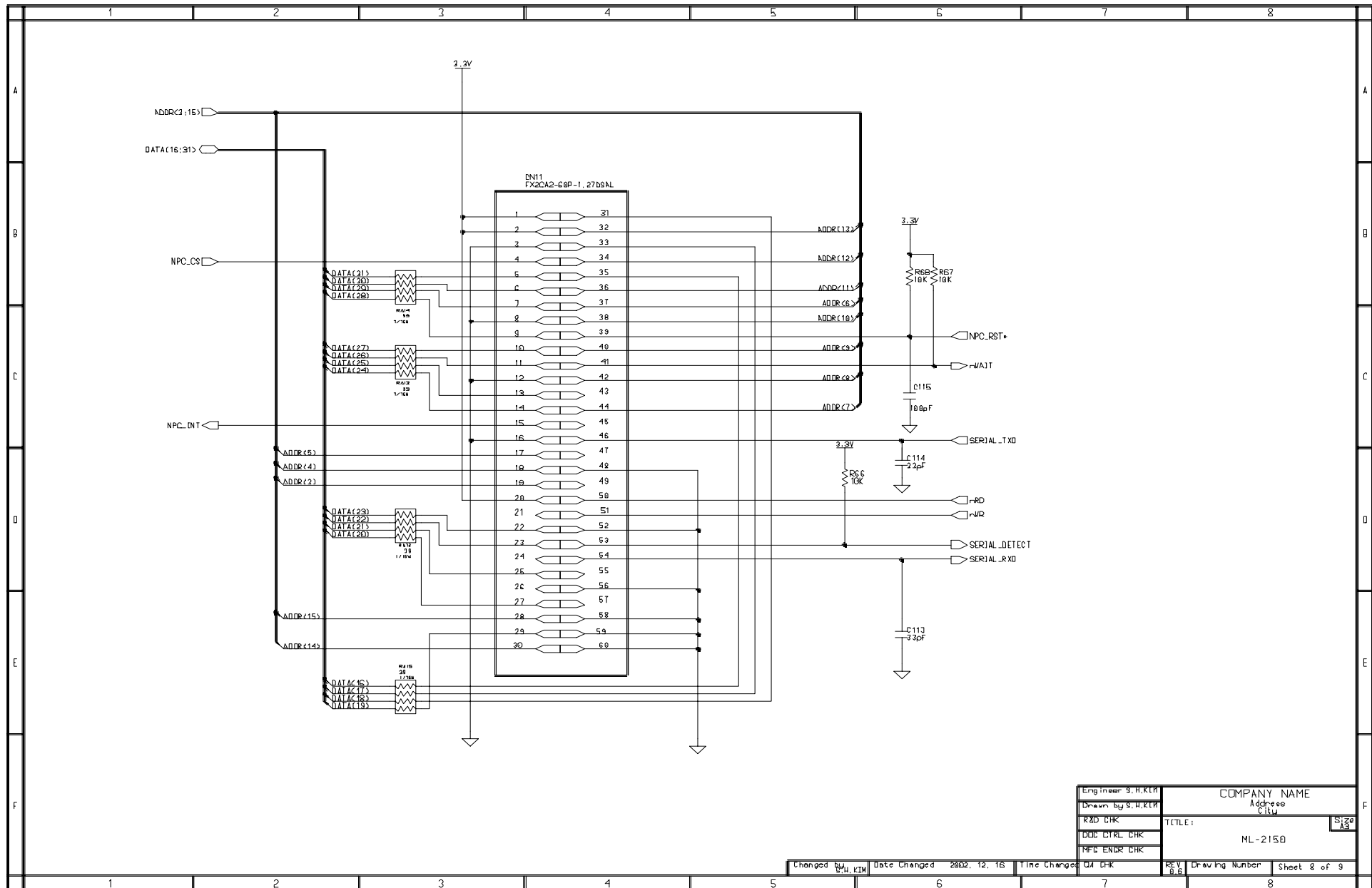


Phaser 3130 Main Circuit Diagram (7/9)



Engineer: S.H.KIM	COMPANY NAME
Drawn by: S.H.KIM	Address
RXD CHK:	City
DOC CTRL CHK:	TITLE:
MFC ENDR CHK:	ML-2150
Size: 1/32	
Changed by: S.H.KIM	Date Changed: 2002.12.16
Time Changed:	QA CHK:
REV: 0.6	Drawing Number:
	Sheet 7 of 9

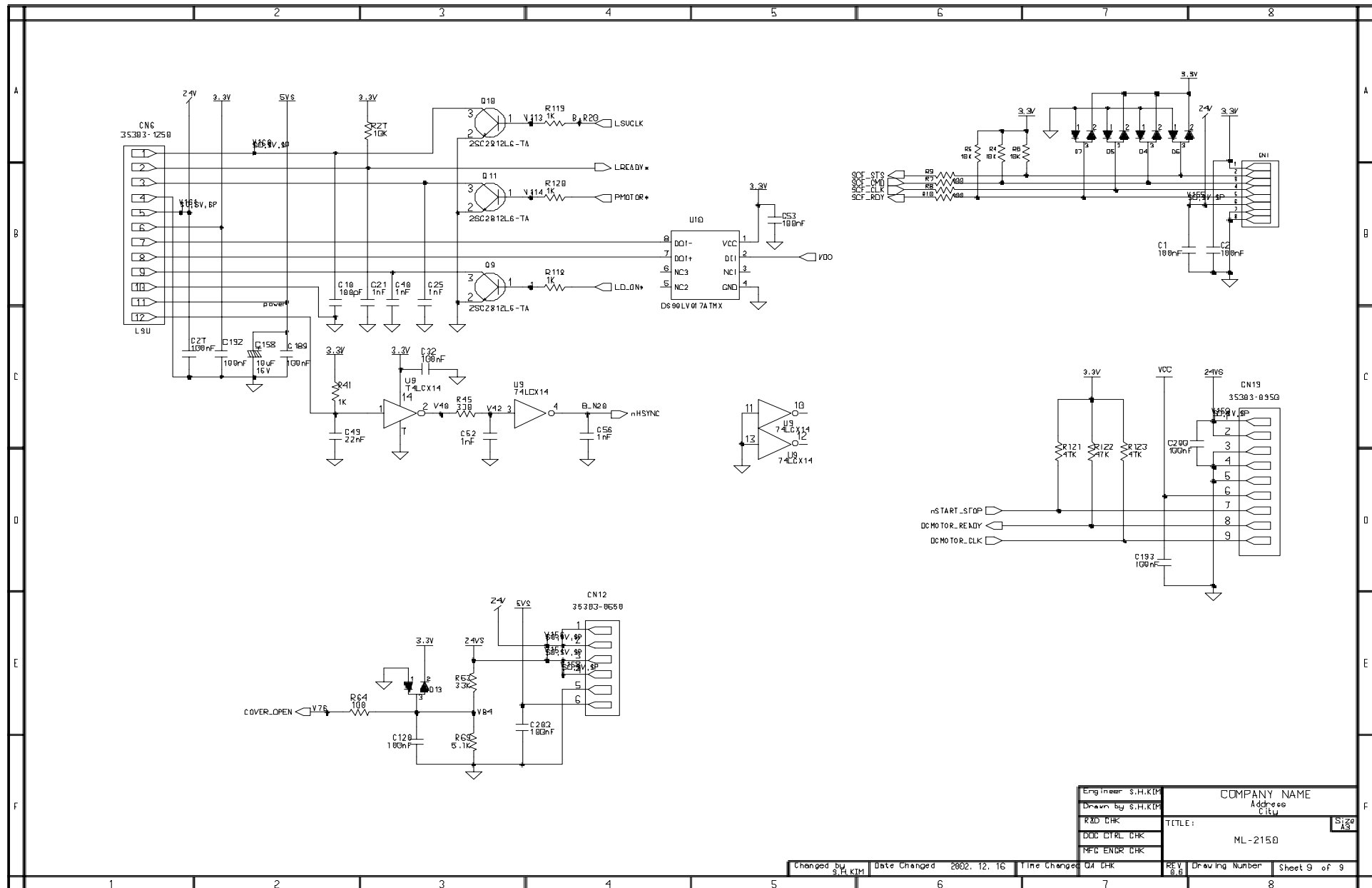
Phaser 3130 Main Circuit Diagram (8/9)



Engineer S.H.KEM	COMPANY NAME	
Drawn by S.H.KEM	Address	
	City	
RXD CHK	TITLE:	Size 18
DOC CTRL CHK	ML-2150	
MFG ENDR CHK		

Changed by S.H.KEM	Date Changed 2002.12.16	Time Changed	QA CHK	REV 0.0	Drawing Number	Sheet 8 of 9
--------------------	-------------------------	--------------	--------	---------	----------------	--------------

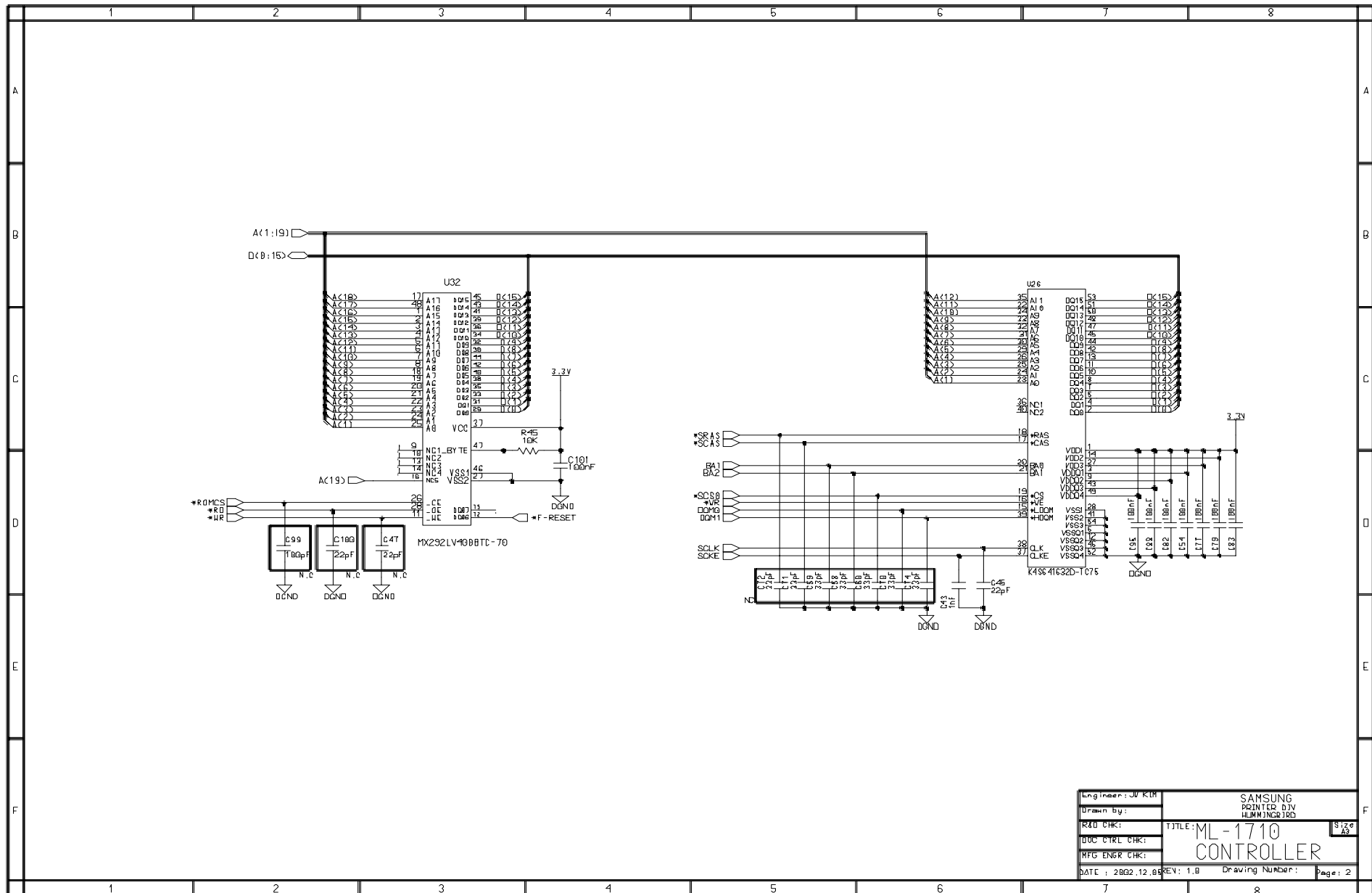
Phaser 3130 Main Circuit Diagram (9/9)



Engineer: S.H.KIM	COMPANY NAME
Drawn by: S.H.KIM	Address
RXD CHK:	City
DDC CTRL CHK:	TITLE:
MFC ENDR CHK:	ML-2150

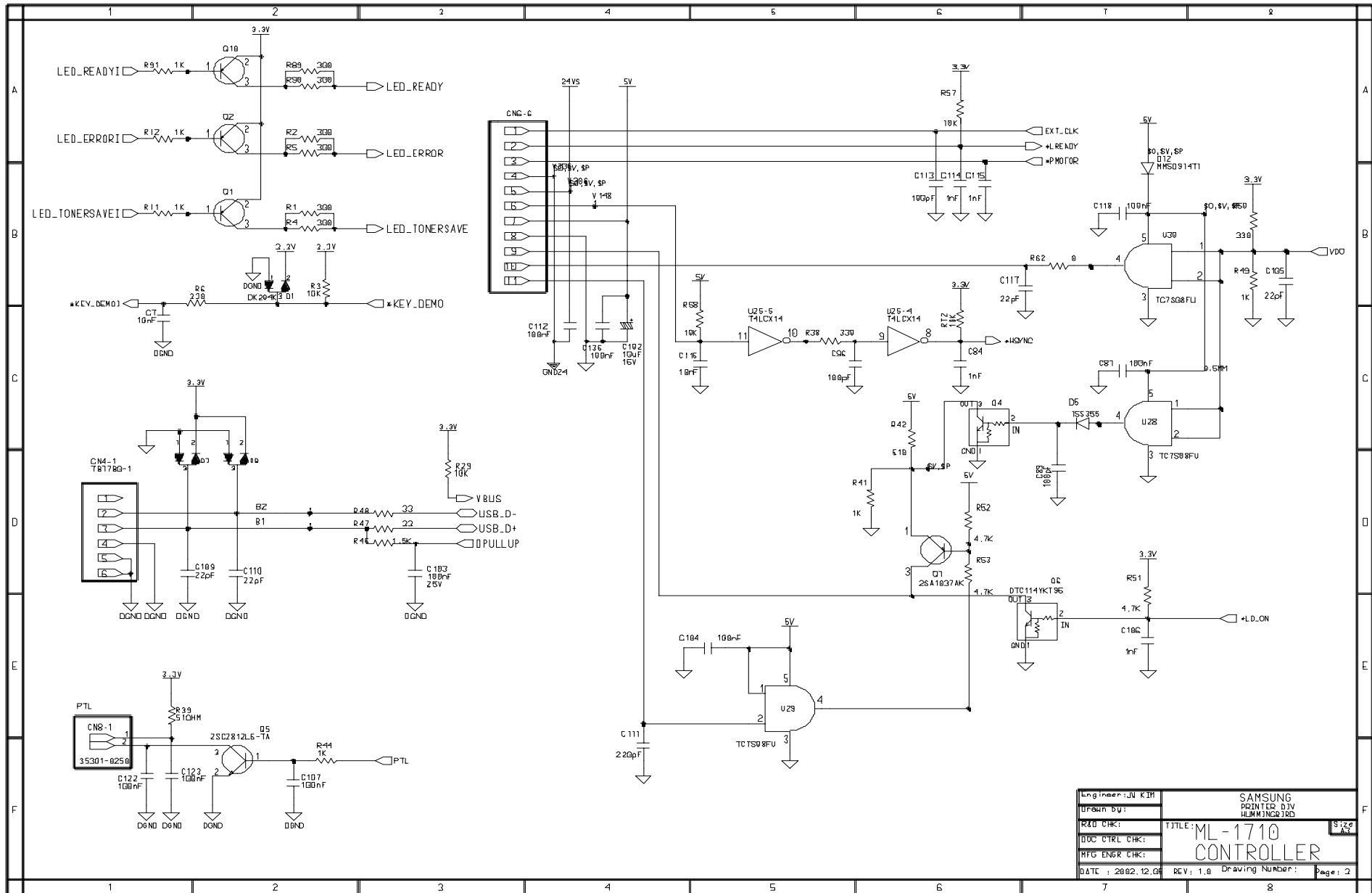
Changed by: S.H.KIM	Date Changed: 2002. 12. 16	Time Changed:	QA CHK:	REV: 0.0	Drawing Number:	Sheet 9 of 9
---------------------	----------------------------	---------------	---------	----------	-----------------	--------------

Phaser 3120 Main Circuit Diagram (2/5)



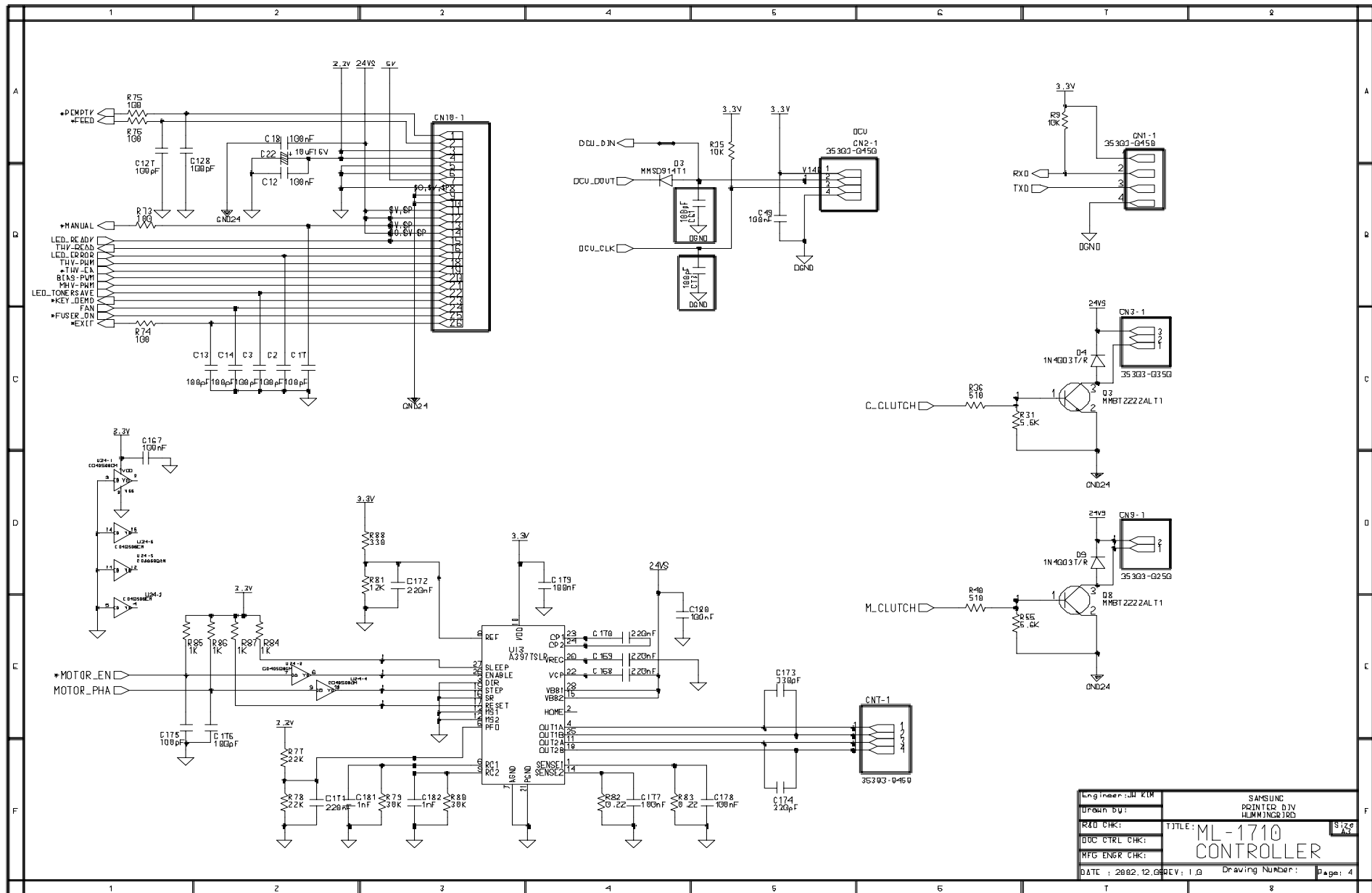
Engineer: JUKH	SAMSUNG	
Drawn by:	PRINTER, DJV	
RDY CHK:	HUMING 183	
DOC CTRL CHK:	TITLE: ML-1710	1/29
MFG ENGR CHK:	CONTROLLER	
DATE: 2002.12.05	REV: 1.0	Page: 2

Phaser 3120 Main Circuit Diagram (3/5)

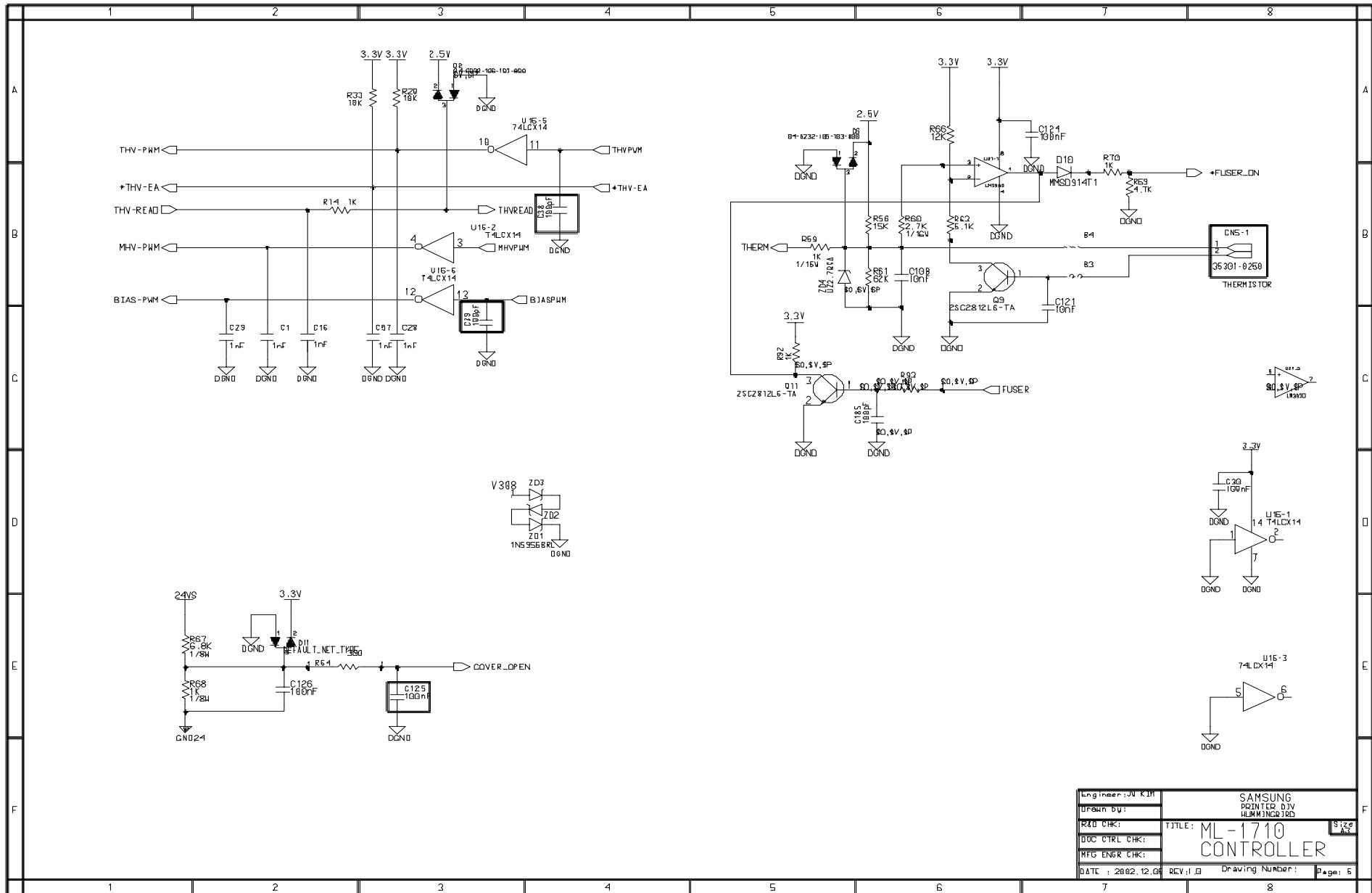


Engineer: JY KIM	SAMSUNG	
Drawn By:	PRINTER DIV	
R&D CHK:	HUMINGK2162	
DOC CTRL CHK:	TITLE: ML-1710	
MFG ENGR CHK:	CONTROLLER	
DATE: 2002.12.06	REV: 1.0	Page: 2

Phaser 3120 Main Circuit Diagram (4/5)

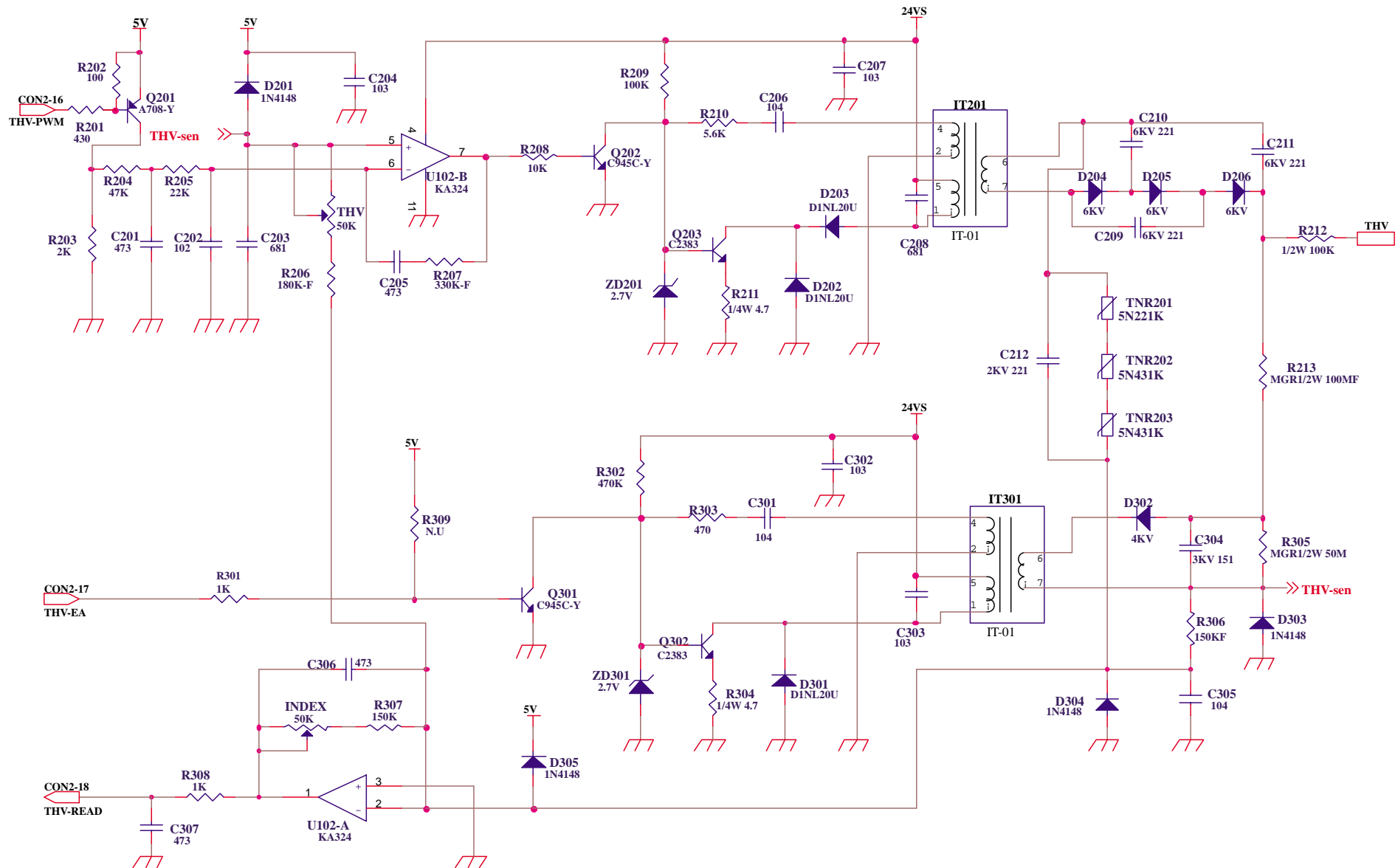


Phaser 3120 Main Circuit Diagram (5/5)

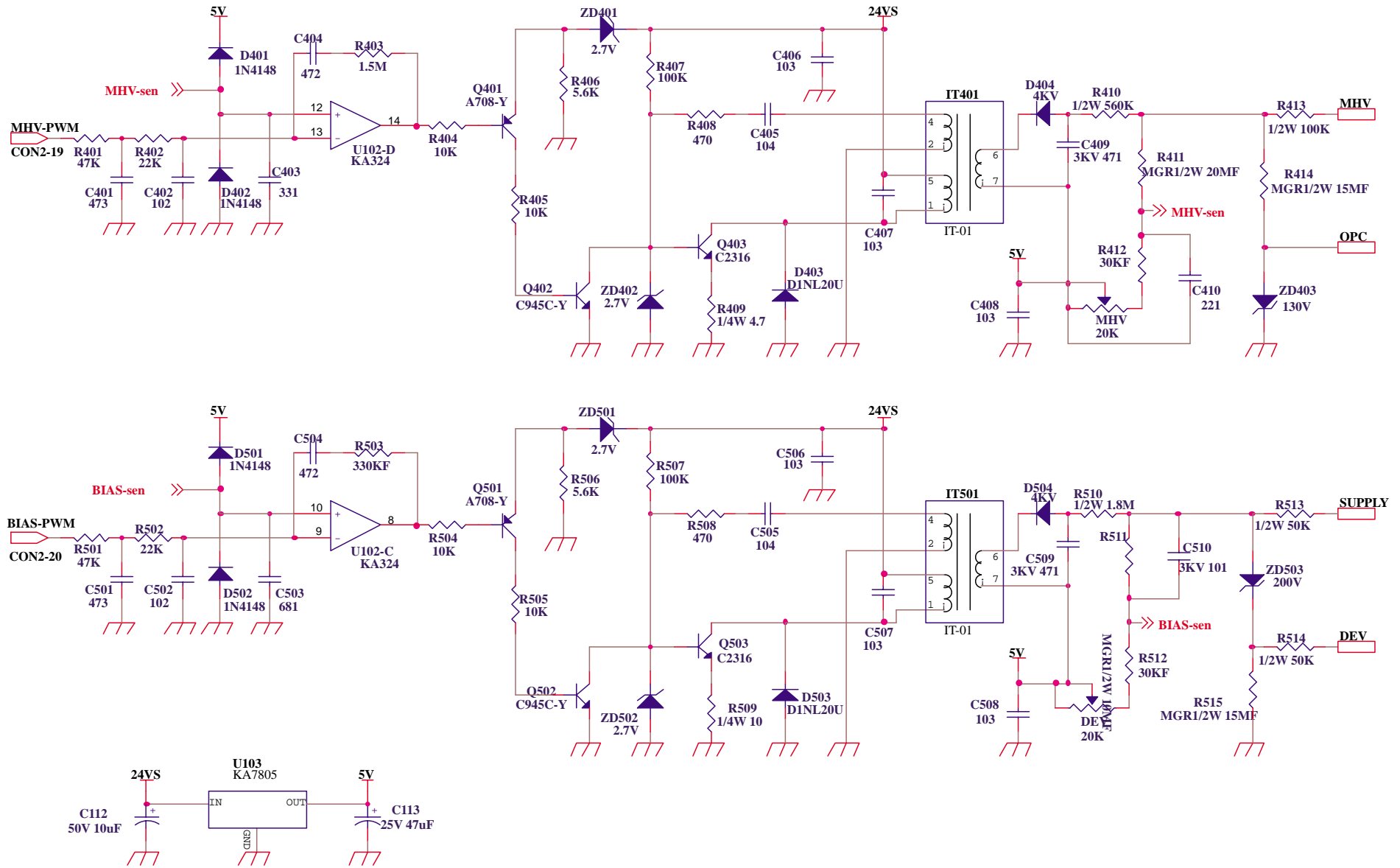


Engineer: JU KIM	SAMSUNG	
Drawn By:	PRINTER BY HWJUNGS160	
RD CHK:	TITLE: ML-1710	Size: A3
DOC CTRL CHK:	CONTROLLER	
MFG ENGR CHK:	DATE: 2002.12.09	REV: 1.0
	Drawing Number:	Page: 5

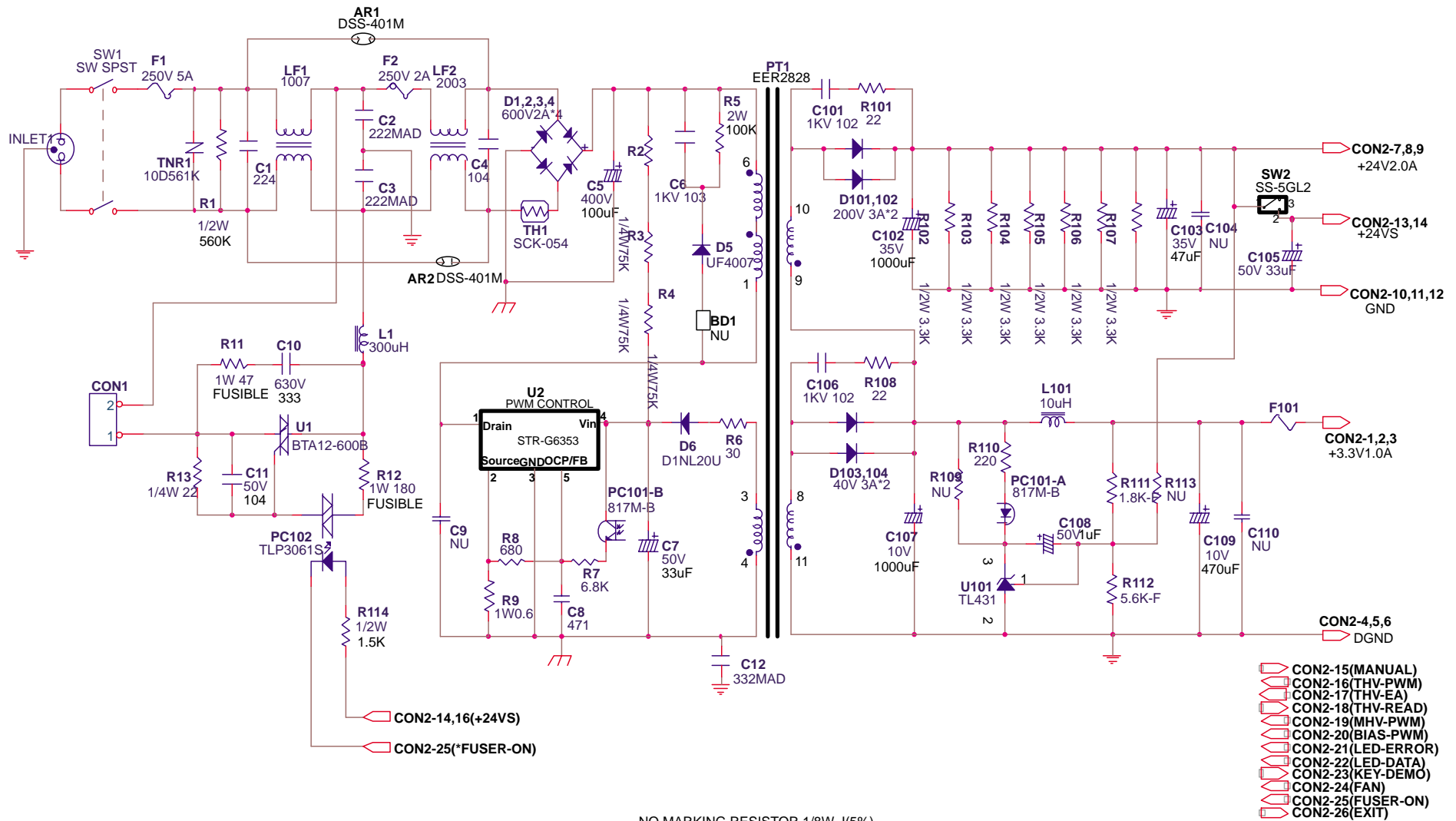
8.3 HVPS Circuit Diagram (1/2)



HVPS Circuit Diagram (2/2)



8.4 SMPS Circuit Diagram



8.5 OTHER PBA Circuit Diagrams

