

5 Parts List

Overview

Introduction 5-3
 Subsystem Information 5-4
 Symbology 5-5

Parts Lists

Drives

PL 1.1 Drive Unit (1 of 2)..... 5-7
 PL 1.2 Drive Unit (2 of 2)..... 5-8
 PL 1.3 Fuser Drive Assembly..... 5-9
 PL 1.4 Main Drive Assembly 5-10
 PL 1.5 Developer Drive Assembly (K)..... 5-11
 PL 1.6 Developer Drive Assembly (Y, M, C)..... 5-12

Trays

PL 2.1 Tray 1/2..... 5-13
 PL 2.2 Tray 3/4 (1 of 2) 5-14
 PL 2.3 Tray 3/4 (2 of 2) 5-15
 PL 2.4 Tray 1 Assembly 5-16
 PL 2.5 Tray 2 Assembly 5-17
 PL 2.6 Tray 1 Feed Assembly (1 of 2) 5-18
 PL 2.7 Tray 1 Feed Assembly (2 of 2) 5-19
 PL 2.8 Tray 2 Feed Assembly (1 of 2) 5-20
 PL 2.9 Tray 2 Feed Assembly (2 of 2) 5-21
 PL 2.10 Tray 3 Feed Assembly (1 of 2) 5-22
 PL 2.11 Tray 3 Feed Assembly (2 of 2) 5-23
 PL 2.12 Tray 4 Feed Assembly (1 of 2) 5-24
 PL 2.13 Tray 4 Feed Assembly (2 of 2) 5-25
 PL 2.14 Tray 3 Assembly 5-26
 PL 2.15 Tray 4 Assembly 5-27
 PL 2.16 Tray 5 / Bypass Chute Assembly..... 5-28
 PL 2.17 Pre Registration Motor Assembly 5-29
 PL 2.18 Takeaway Roll 5-30
 PL 2.19 Left Chute Cover..... 5-31
 PL 2.20 T/A Drive..... 5-32
 PL 2.21 Tray 3/4 Gear Assembly 5-33

Bypass

PL 3.1 Tray 5 / Bypass Accessory 5-34
 PL 3.2 Tray 5 / Bypass Cover 5-35
 PL 3.3 Tray 5 / Bypass Component (1 of 2)..... 5-36
 PL 3.5 Tray 5 / Bypass Tray Component 5-37
 PL 3.6 Tray 5 / Bypass Feeder Component..... 5-38
 PL 3.7 Tray 5 / Bypass Upper Feeder Component 5-39
 PL 3.8 Tray 5 / Bypass Lower Feeder Component 5-40
 PL 3.9 Retard/Feed/Nudger Roll Component 5-41
 PL 3.10 Feed/Nudger Shaft Component..... 5-42

Drawer Unit

PL 4.1 Transfer Module Assembly (1 of 2)..... 5-43
 PL 4.2 Transfer Module Assembly (2 of 2)..... 5-44
 PL 4.3 Duplex Transport 5-45
 PL 4.4 Registration Transport Assembly..... 5-46
 PL 4.5 Pre Registration Slide Assembly..... 5-47
 PL 4.6 V-Transport Assembly 5-48

ROS

PL 5.1 ROS 5-49

Developer

PL 6.1 Drum/Toner Cartridge 5-50
 PL 6.2 Dispense Unit..... 5-51
 PL 6.3 Dispense Assembly (Y, M, C, K)..... 5-52
 PL 6.4 Dispense Assembly 5-53
 PL 6.5 Dispense Unit (1 of 3) 5-54
 PL 6.6 Dispense Unit (2 of 3) 5-55
 PL 6.7 Dispense Unit (3 of 3) 5-56
 PL 6.8 Rear Frame (1 of 2) 5-57
 PL 6.9 Rear Frame (2 of 2) 5-58
 PL 6.10 Direct Pipe Assembly..... 5-59
 PL 6.11 Joint/Leveler Box Assembly 5-60

IBT

PL 7.1 IBT Unit (1 of 2)..... 5-61
 PL 7.2 IBT Unit (2 of 2)..... 5-62
 PL 7.3 Transfer Belt Unit..... 5-63
 PL 7.4 IBT Frame Assembly (1 of 4) 5-64
 PL 7.5 IBT Frame Assembly (2 of 4) 5-65
 PL 7.6 IBT Frame Assembly (3 of 4) 5-66
 PL 7.7 IBT Frame Assembly (4 of 4) 5-67
 PL 7.8 2nd BTR Roll Assembly (1 of 2)..... 5-68
 PL 7.9 2nd BTR Roll Assembly (2 of 2)..... 5-69
 PL 7.10 IBT Drawer..... 5-70

Fuser

PL 8.1 Fuser Unit 5-71

Air System

PL 9.1 Air System (1 of 3) 5-72
 PL 9.2 Air System (2 of 3) 5-73
 PL 9.3 Air System (3 of 3) 5-74

Inverter

PL 10.1 Inverter..... 5-75
 PL 10.2 Inverter 1 Transport (1 of 2) 5-76
 PL 10.3 Inverter 1 Transport (2 of 2) 5-77
 PL 10.4 Inverter 2 Transport (1 of 2) 5-78

PL 10.5 Inverter 2 Transport (2 of 2).....	5-79	SCT/OCT	
Electrical		PL 16.1 SCT.....	5-122
PL 11.1 Electrical (1 of 3).....	5-80	PL 16.2 OCT (1 of 2).....	5-123
PL 11.2 Electrical (2 of 3).....	5-81	PL 16.3 OCT (2 of 2).....	5-124
PL 11.3 Electrical (3 of 3).....	5-82	UI	
PL 11.4 Wire Harness.....	5-83	PL 17.2 UI (Left).....	5-125
PL 11.5 Control Unit (1 of 2).....	5-84	PL 17.3 UI.....	5-126
PL 11.6 Control Unit (2 of 2).....	5-85	PL 17.4 LCD Touch Panel.....	5-127
Cover		HCF	
PL 12.1 Cover (1 of 2).....	5-86	PL 18.1 HCF Unit.....	5-128
PL 12.2 Cover (2 of 2).....	5-87	PL 18.2 HCF Tray 6 (1 of 2).....	5-129
IIT		PL 18.3 HCF Tray 6 (2 of 2).....	5-130
PL 13.1 IIT Cover - Front/Top.....	5-88	PL 18.4 HCF Feeder (1 of 3).....	5-131
PL 13.2 IIT Cover - Rear/Right, Power Chassis (DADF-250).....	5-89	PL 18.5 HCF Feeder (2 of 3).....	5-132
PL 13.3 IIT Bottom Bracket.....	5-90	PL 18.6 HCF Feeder (3 of 3).....	5-133
PL 13.4 IIT Component.....	5-91	PL 18.7 HCF Top Cover Unit.....	5-134
PL 13.6 IIT Housing - Electrical.....	5-92	PL 18.8 HCF Electrical and Rail.....	5-135
PL 13.7 IIT Housing - Carriage.....	5-93	A/P Finisher	
PL 13.8 IIT/IPS Unit.....	5-94	PL 21.1 A/P Finisher.....	5-136
PL 13.9 Full Rate Carriage Component.....	5-95	Finisher	
PL 13.10 Half Rate Carriage Component.....	5-96	PL 21.2 Finisher Cover: 1 of 2.....	5-137
DADF		PL 21.3 Finisher Cover: 2 of 2.....	5-138
PL 14.1 DADF.....	5-97	PL 21.4 Finisher Stack.....	5-139
PL 14.2 DADF Cover.....	5-98	PL 21.5 Finisher Punch.....	5-140
PL 14.3 DADF PWB, Counter Balance.....	5-99	PL 21.6 Finisher Stapler.....	5-141
PL 14.4 DADF Document Tray, Tray Motor.....	5-100	PL 21.7 Finisher Eject: 1 of 3.....	5-142
PL 14.5 Feeder Upper Chute, DADF Left Upper Cover.....	5-101	PL 21.8 Finisher Eject: 2 of 3.....	5-143
PL 14.6 Feed Motor, Feed Clutch, Invert Drive Roll.....	5-102	PL 21.9 Finisher Eject: 3 of 3.....	5-144
PL 14.7 Pre Registration Motor, Pre Registration Roll Chute, Take Away Roll, Baffle Solenoid	5-103	PL 21.10 Finisher Transport: 1 of 2.....	5-145
PL 14.8 Registration Motor, Registration Roll.....	5-104	PL 21.11 Finisher Transport: 2 of 2.....	5-146
PL 14.9 Platen Motor, Platen Roll, Out Roll.....	5-105	PL 21.12 Finisher Electrical.....	5-147
PL 14.10 Exit Motor, Exit Roll.....	5-106	PL 21.13 Finisher Harness.....	5-148
PL 14.11 Exit Gate Solenoid, Simp/Dup Gate Solenoid, Nip Solenoid, Inverter Exit Chute, Guide	5-107	PL 21.15 Booklet Accessory.....	5-149
Chute.....	5-107	PL 21.16 Booklet Component - 1.....	5-150
PL 14.12 Exit Upper/Lower Chute, Registration Out Chute, Feeder Lower Chute.....	5-108	PL 21.17 Booklet Component -2 (End Guide).....	5-151
PL 14.14 DADF Document Tray Component.....	5-109	PL 21.18 Booklet Component -3.....	5-152
PL 14.15 DADF Document Bottom Tray Component.....	5-110	PL 21.19 Booklet Component -4.....	5-153
PL 14.16 DADF Document Upper Tray Component.....	5-111	PL 21.20 Booklet Component -5.....	5-154
PL 14.17 Feeder Upper Chute Component.....	5-112	PL 21.21 Booklet Component -6 (Chute).....	5-155
PL 14.18 Feeder/Nudger Roll Component.....	5-113	PL 21.22 Booklet Component -7.....	5-156
PL 14.19 DADF Left Upper Cover Component.....	5-114	PL 21.23 Booklet Tray Component.....	5-157
PL 14.20 Pre Registration Roll Chute Component.....	5-115	PL 21.25 I/F Module Component (Drive).....	5-158
PL 14.21 Inverter Exit Chute Component.....	5-116	PL 21.26 I/F Module Component (Decurler).....	5-159
PL 14.22 Guide Chute Component.....	5-117	PL 21.27 I/F Module Component (Chute).....	5-160
PL 14.23 Exit Upper Chute Component.....	5-118	PL 21.28 Finisher OCT.....	5-161
PL 14.24 Exit Lower Chute Component.....	5-119	Common Hardware	
PL 14.25 Registration Out Chute Component.....	5-120	Common Hardware.....	5-162
PL 14.26 Feeder Lower Chute Component.....	5-121	Part Number Index.....	5-163

Introduction

Overview

The Parts List section identifies all part numbers and the corresponding location of all spared subsystem components.

Organization

Parts Lists

Each item number in the part number listing corresponds to an item number in the related illustration. All the parts in a given subsystem of the machine will be located in the same illustration or in a series of associated illustrations.

Electrical Connectors and Fasteners

This section contains the illustrations and descriptions of the plugs, jacks, and fasteners used in the machine. A part number listing of the connectors is included.

Common Hardware

The common hardware is listed in alphabetical order by the letter or letters used to identify each item in the part number listing and in the illustrations. Dimensions are in millimeters unless otherwise identified.

Part Number Index

This index lists all the spared parts in the machine in numerical order. Each number is followed by a reference to the parts list on which the part may be found.

Other Information

Abbreviations

Abbreviations are used in the parts lists and the exploded view illustrations to provide information in a limited amount of space. The following abbreviations are used in this manual:

Table 1

Abbreviation	Meaning
A3	297 x 594 Millimeters
A4	210 x 297 Millimeters
A5	148 x 210 Millimeters
AD	Auto Duplex
AWG	American Wire Gauge
EMI	Electro Magnetic Induction
GB	Giga Byte
KB	Kilo Byte
MB	Mega Byte
MM	Millimeters
MOD	Magneto Optical Drive
NOHAD	Noise Ozone Heat Air Dirt
PL	Parts List
P/O	Part of

Table 1

Abbreviation	Meaning
R/E	Reduction/Enlargement
REF:	Refer to
SCSI	Small Computer Systems Interface
W/	With
W/O	Without

Table 2

Operating Companies	
Abbreviation	Meaning
AO	Americas Operations
NASG - US	North American Solutions Group - US
NASG - Canada	North American Solutions Group - Canada
XE	Xerox Europe

Symbology

Symbology used in the Parts List section is identified in the Symbology section.

Service Procedure Referencing

If a part or assembly has an associated repair or adjustment procedure, the procedure number will be listed at the end of the part description in the parts lists e.g. (REP 5.1, ADJ 5.3)

Subsystem Information

Use of the Term “Assembly”

The term “assembly” will be used for items in the part number listing that include other itemized parts in the part number listing. When the word “assembly” is found in the part number listing, there will be a corresponding item number on the illustrations followed by a bracket and a listing of the contents of the assembly.

Brackets

A bracket is used when an assembly or kit is spared, but is not shown in the illustration. The item number of the assembly or kit precedes the bracket; the item numbers of the piece parts follow the bracket.

Tag

The notation “W/Tag” in the parts description indicates that the part configuration has been updated. Check the change Tag index in the General Information section of the Service Data for the name and purpose of the modification.

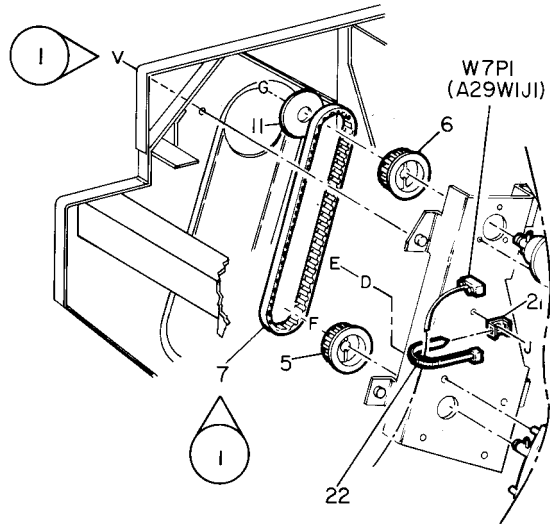
In some cases, a part or assembly may be spared in two versions: with the Tag and without the Tag. In those cases, use whichever part is appropriate for the configuration of the machine on which the part is to be installed. If the machine does not have a particular Tag and the only replacement part available is listed as “W/Tag”, install the Tag kit or all of the piece parts. The Change Tag Index tells you which kit or piece parts you need.

Whenever you install a Tag kit or all the piece parts that make up a Tag, mark the appropriate number on the Tag matrix.

Symbology

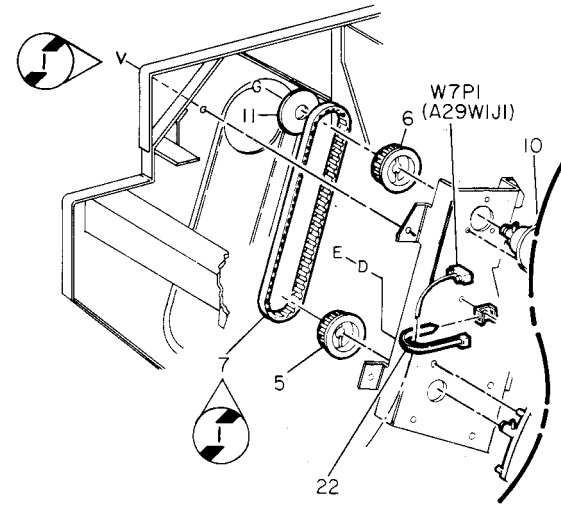
A Tag number within a circle pointing to an item number shows that the part has been changed by the tag number within the circle (Figure 1). Information on the modification is in the Change Tag Index.

A Tag number within a circle having a shaded bar and pointing to an item number shows that the configuration of the part shown is the configuration before the part was changed by the Tag number within the circle (Figure 2).



O	Z004	A
850	PL	M I

Figure 1 With Tag Symbol



O	Z005	A
850	PL	M I

Figure 2 Without Tag Symbol

A tag number within a circle with no apex shows that the entire drawing has been changed by the tag number within the circle (Figure 3). Information on the modification is in the Change Tag Index.

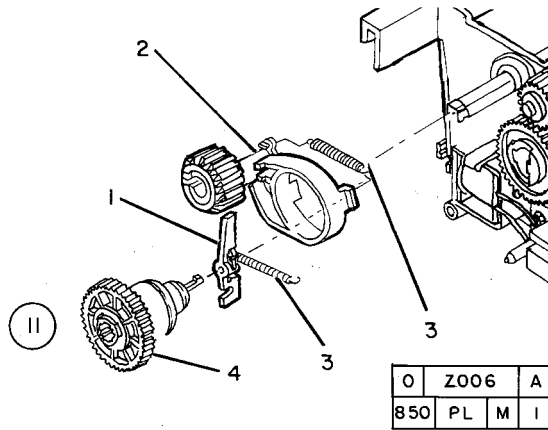


Figure 3 Entire Drawing With Tag Symbol

A tag number within a circle with no apex and having a shaded bar shows that the entire drawing was the configuration before being changed by the tag number within the circle (Figure 4).

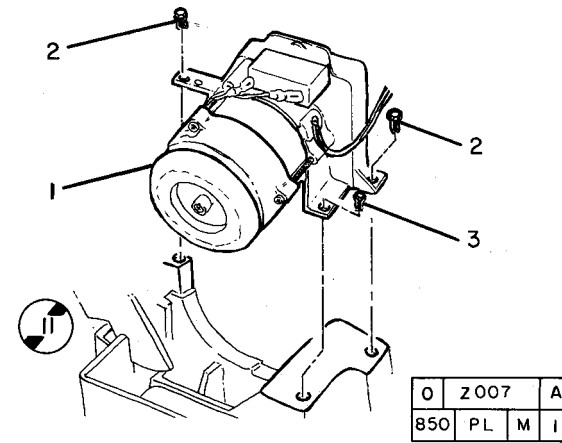
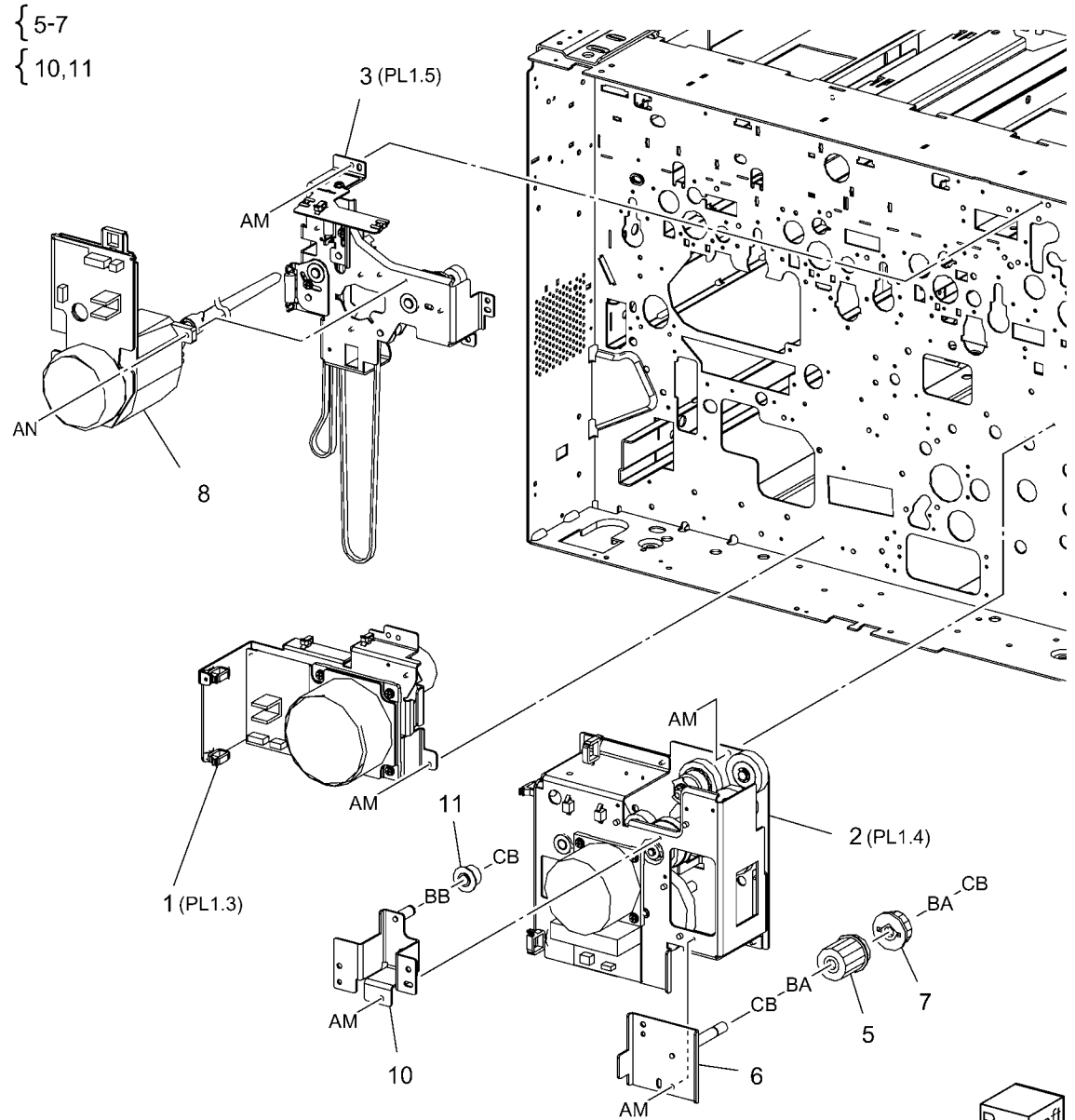


Figure 4 Entire Drawing Without Tag Symbol

PL 1.1 Drive Unit (1 of 2)

Item	Part	Description
1	007K87841	Fuser Drive Assembly (Not Spared) (REP 10.4)
2	007K89113	Main Drive Assembly (REP 3.3)
3	007K89149	Developer Drive Assembly (K) (REP 9.1)
4	-	Gear Bracket Assembly
5	-	Gear Assembly (28/31T) (Not Spared)
6	-	Gear Bracket (P/O PL 1.1 Item 4)
7	-	Gear Assembly (31/33) (Not Spared)
8	127K39851	Drum Motor Assembly (K) (REP 9.10)
9	-	Tension Bracket Assembly
10	-	Tension Bracket (Not Spared)
11	-	Pulley (Not Spared)

4 { 5-7
9 { 10,11

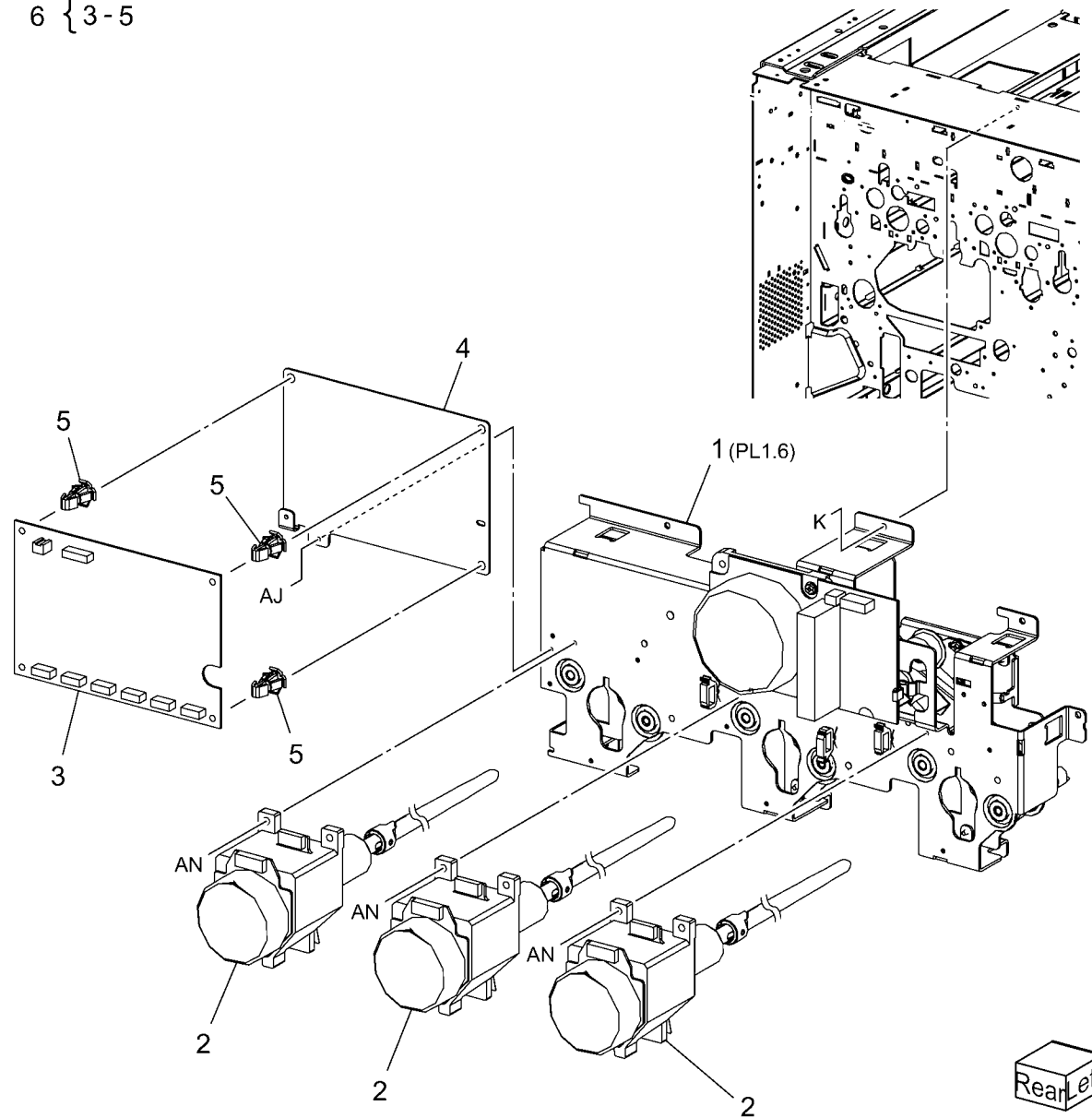


RearLeft
0501001A-OLY

PL 1.2 Drive Unit (2 of 2)

Item	Part	Description
1	007K87854	Developer Drive Assembly (Y, M, C) (Not Spared) (REP 9.12)
2	127K39861	Drum Motor Assembly (Y, M, C) (Not Spared)
3	-	Drum Motor YMC PWB (P/O PL 1.2 Item 6)
4	-	Plate (P/O PL 1.2 Item 6)
5	-	PWB Support (P/O PL 1.2 Item 6)
6	960K01611	Drum Motor YMC PWB Assembly (Y, M, C)

6 { 3-5

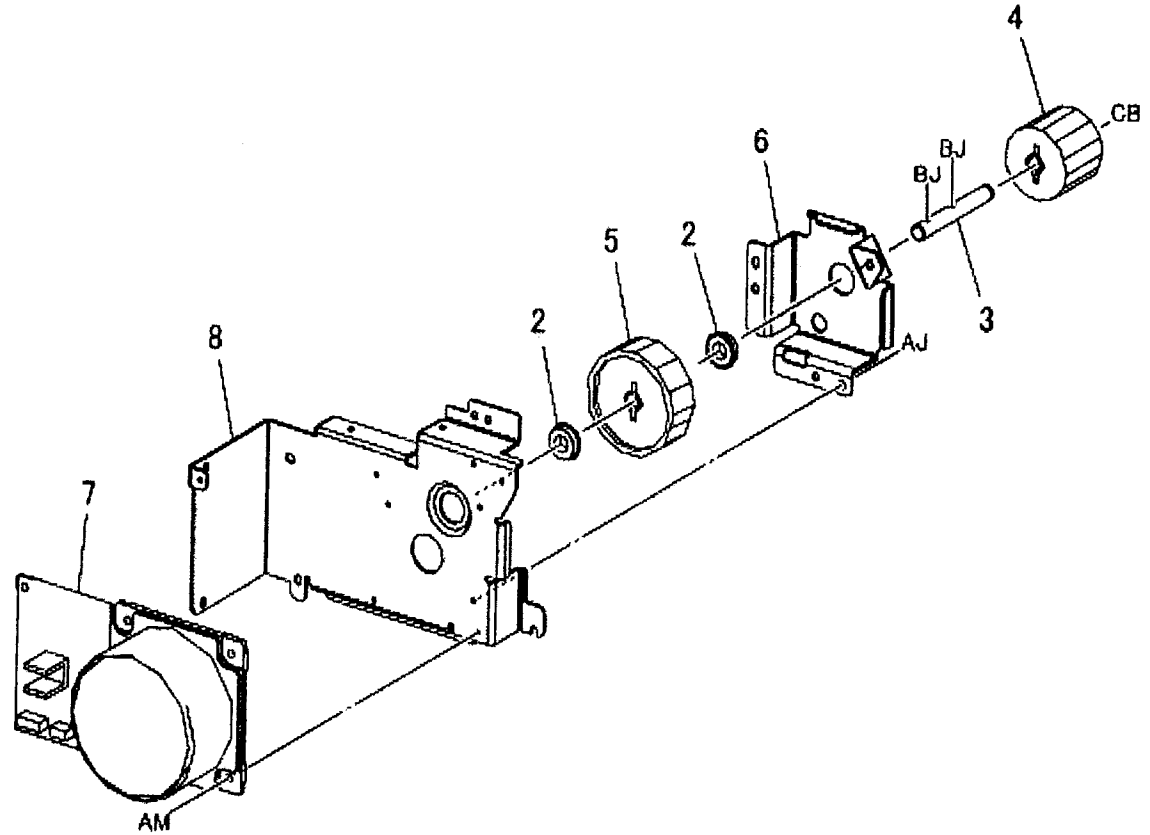


0501002A-OLY

PL 1.3 Fuser Drive Assembly

Item	Part	Description
1	-	Gear Assembly
2	413W08350	Bearing (P/O PL 1.3 Item 1)
3	-	Shaft (P/O PL 1.3 Item 1)
4	-	Gear (35T) (P/O PL 1.3 Item 1)
5	-	Gear (62T) (P/O PL 1.3 Item 1)
6	-	Bracket (P/O PL 1.3 Item 1)
7	-	Fuser Motor Assembly (Not Spared)
8	-	Bracket (Not Spared)

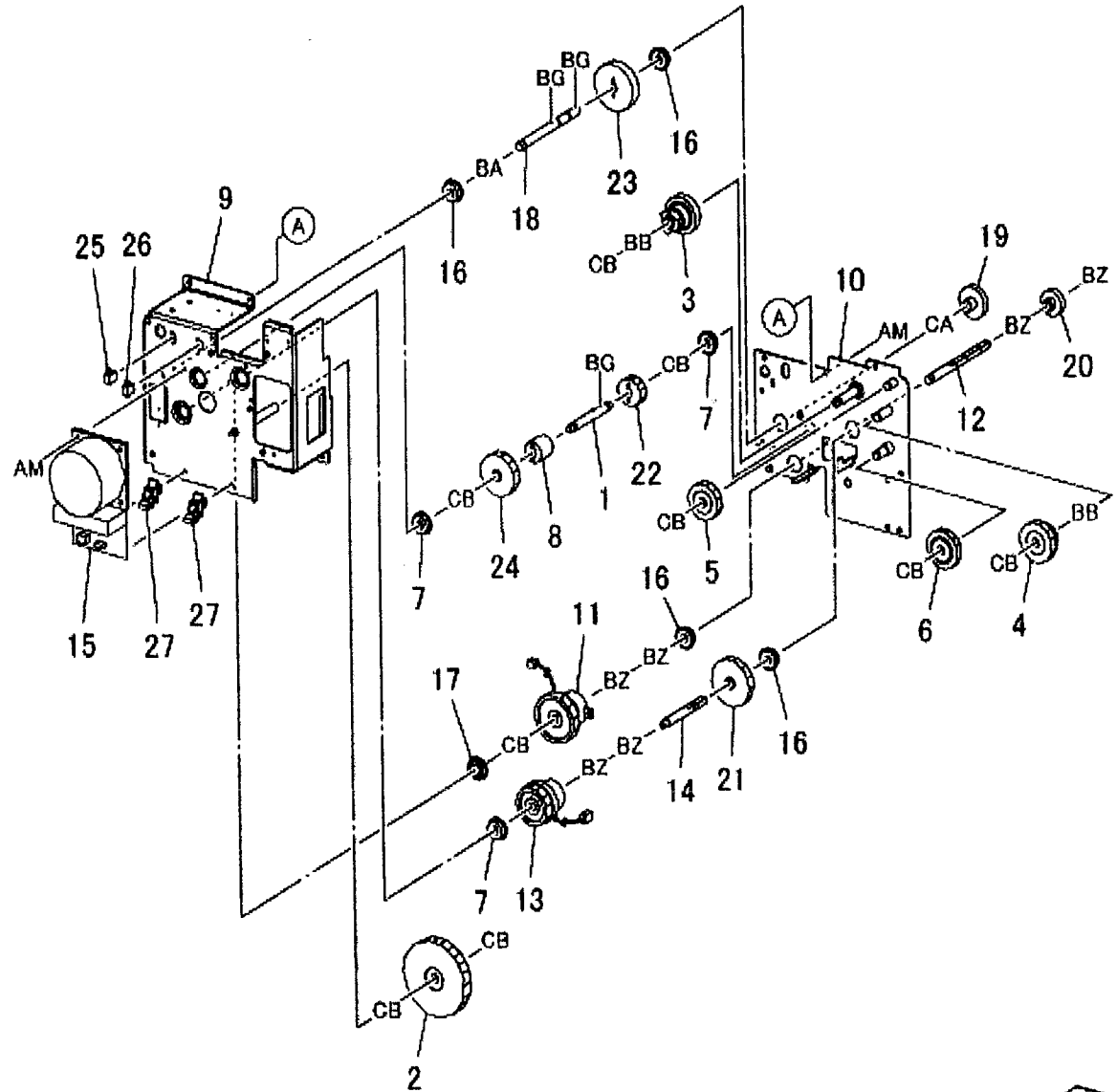
1 {2-6



0501003A-OLY

PL 1.4 Main Drive Assembly

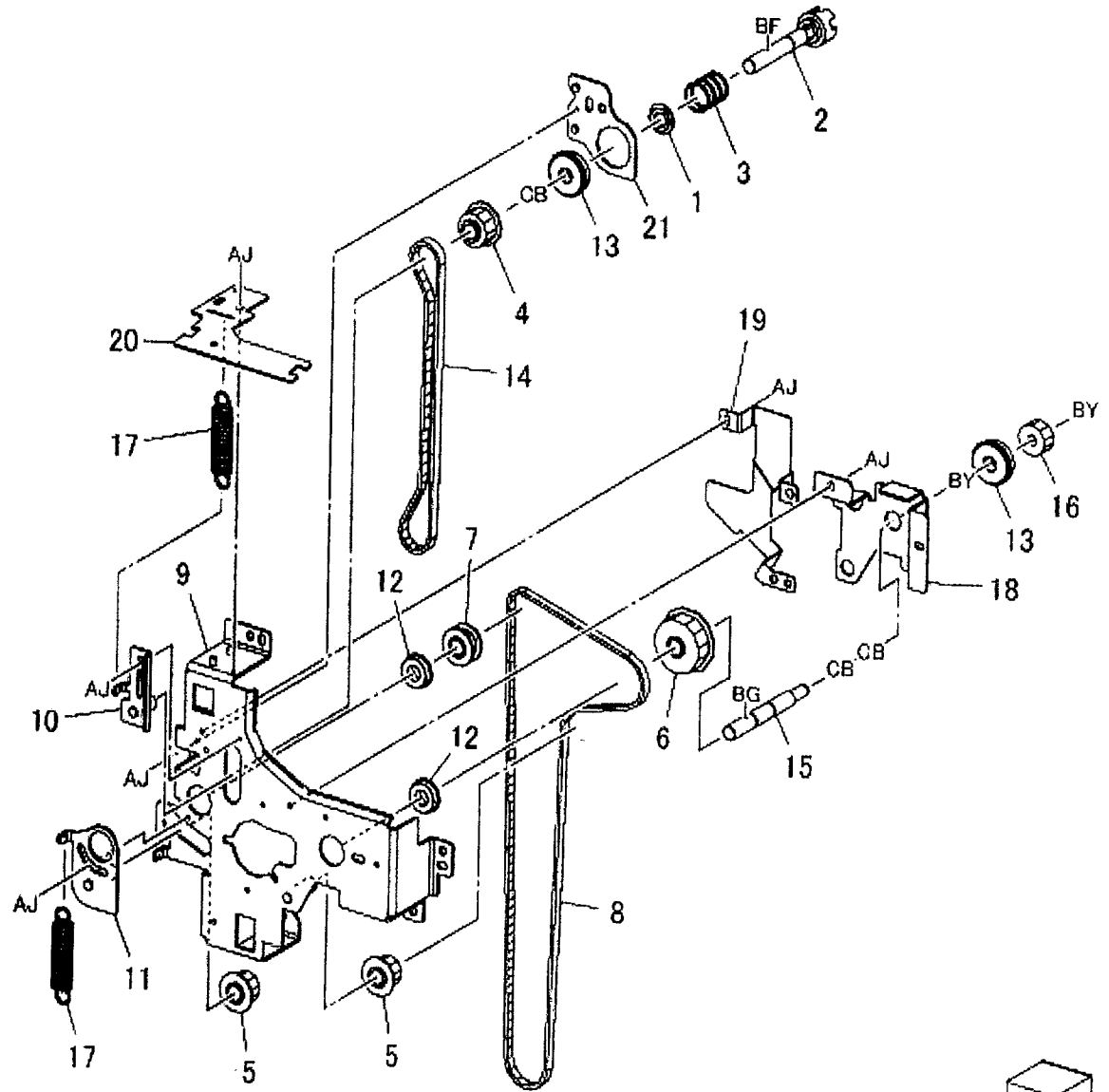
Item	Part	Description
1	-	Shaft Assembly (Not Spared)
2	-	Gear Assembly (86T) (Not Spared)
3	-	Gear Assembly (21T/42T) (Not Spared)
4	-	Gear Assembly (31T/44T) (Not Spared)
5	-	Gear Assembly (40T) (Not Spared)
6	-	Gear Assembly (42T) (Not Spared)
7	013E87700	Ball Bearing
8	-	Brake Assembly (Not Spared)
9	-	Upper Bracket (Not Spared)
10	-	Lower Bracket (Not Spared)
11	121K33940	2nd BTR Cam Clutch
12	-	Shaft (Not Spared)
13	121K33960	Developer K Drive Clutch Assembly
14	-	Shaft (Not Spared)
15	127K39620	Main Motor Assembly
16	413W08350	Bearing
17	413W77359	Bearing
18	-	Shaft (Not Spared)
19	-	Gear (17T) (Not Spared)
20	-	Gear (18T) (Not Spared)
21	-	Gear (53T) (Not Spared)
22	-	Gear (30T) (Not Spared)
23	-	Gear (53T) (Not Spared)
24	-	Gear (47T) (Not Spared)
25	-	Connector (Not Spared)
26	-	Housing (Not Spared)
27	-	PWB Support (Not Spared)



0501004A-OLY

PL 1.5 Developer Drive Assembly (K)

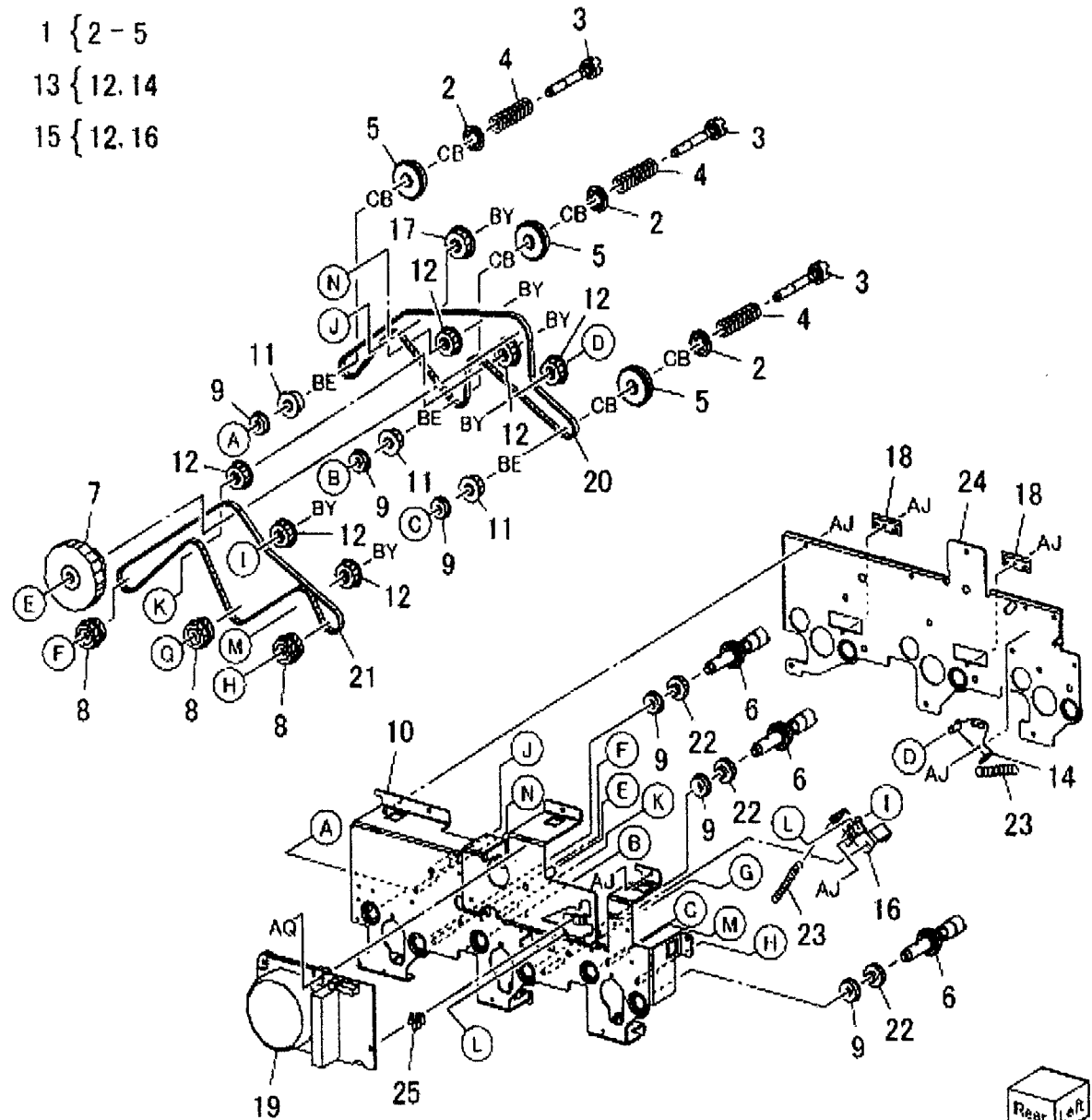
Item	Part	Description
1	005E17830	Retainer
2	-	Shaft Assembly (Not Spared)
3	009E94920	Spring
4	-	Pulley (20T) (Not Spared)
5	-	Idler Pulley (Not Spared)
6	-	Pulley (31T) (Not Spared)
7	-	Pulley Assembly (Not Spared)
8	-	Belt (REP 9.11)
9	-	Bracket Assembly (Not Spared)
10	-	Tension Bracket (Not Spared)
11	-	Tension Bracket (Not Spared)
12	413W08350	Bearing
13	413W08950	Bearing
14	423W52154	Belt (REP 9.11)
15	-	Shaft (Not Spared)
16	-	Gear (18T) (Not Spared)
17	-	Spring (Not Spared)
18	-	Bracket (Not Spared)
19	-	Bracket (Not Spared)
20	-	Support (Not Spared)
21	-	Bracket (Not Spared)



0501005A-OLY

PL 1.6 Developer Drive Assembly (Y, M, C)

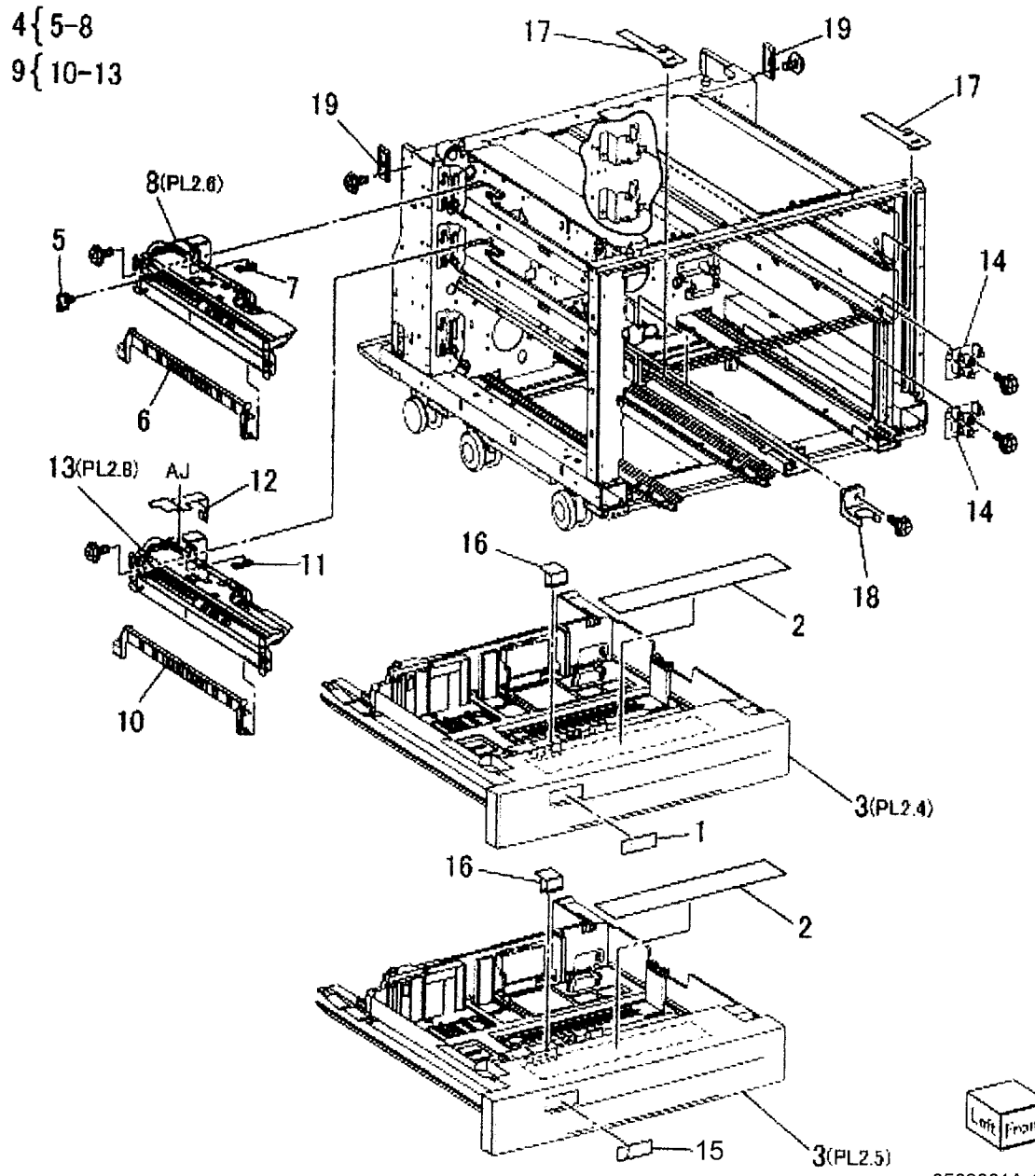
Item	Part	Description
1	-	Coupling Assembly
2	-	Retainer (P/O PL 1.6 Item 1)
3	-	Coupling
4	009E94920	Spring
5	-	Bearing (P/O PL 1.6 Item 1)
6	-	Coupling Assembly
7	-	Gear Assembly
8	-	Gear Assembly
9	-	Ball Bearing
10	-	Bracket Assembly
11	-	Pulley
12	-	Pulley Assembly
13	-	Tension Pulley Assembly
14	-	Bracket (P/O PL 1.6 Item 13)
15	-	Tension Pulley Assembly
16	-	Bracket (P/O PL 1.6 Item 15)
17	-	Pulley
18	-	Film
19	127K36830	Developer Motor Assembly (Y, M, C)
20	-	Belt
21	-	Belt
22	-	Gear
23	-	Spring
24	-	Bracket
25	-	Clamp



0501006A-OLY

PL 2.1 Tray 1/2

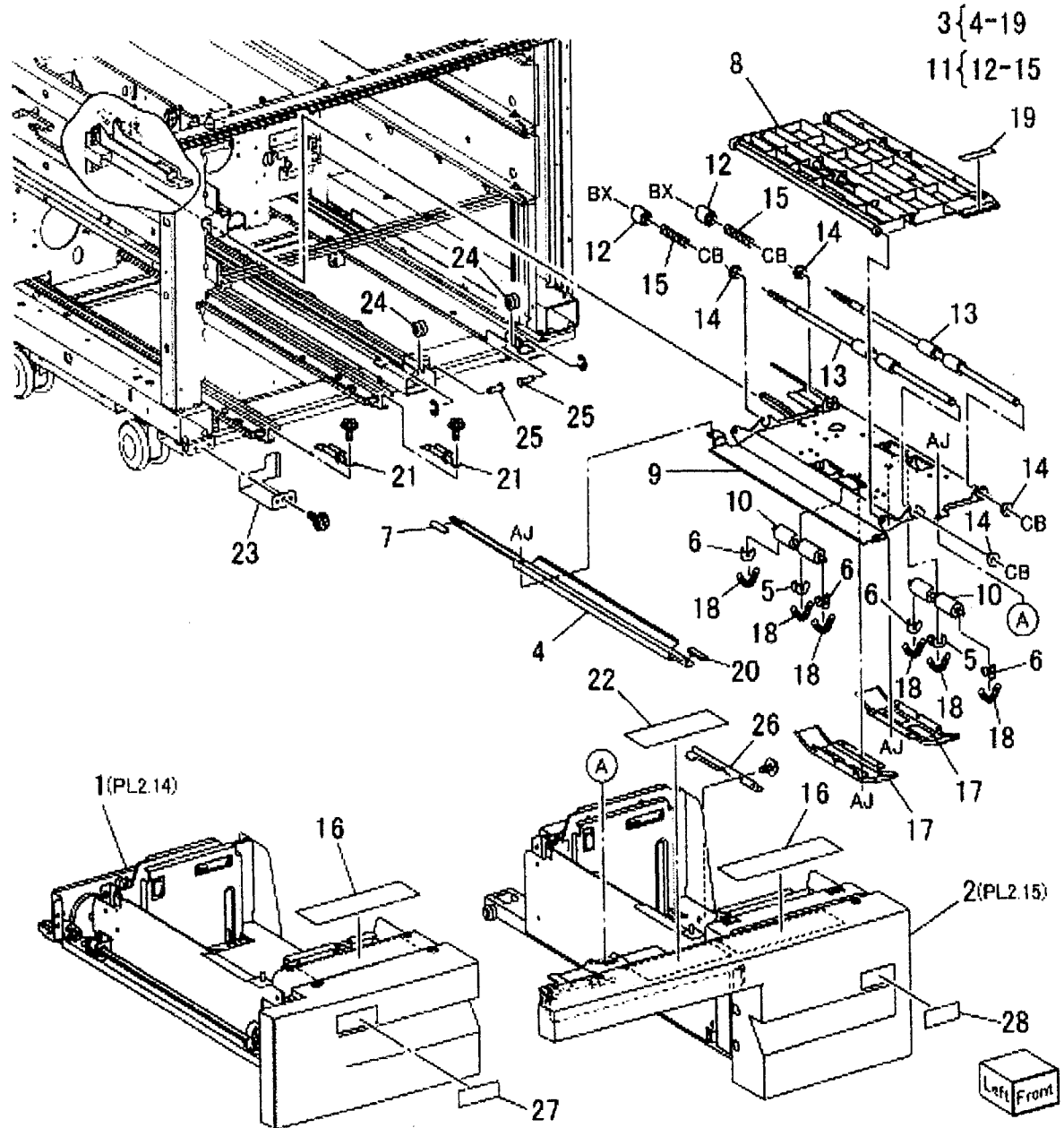
Item	Part	Description
1	893E64440	Tray Label (1)
2	-	Label (Instruction)
3	050K50400	Tray 1 Assembly, Tray 2 Assembly
4	-	Tray 1 Feed Unit
5	-	Harness Holder (P/O PL 2.1 Item 4)
6	054K27520	Feed Out Chute (P/O PL 2.1 Item 4)
7	-	Cover (P/O PL 2.1 Item 4)
8	059K26935	Tray 1 Feed Assembly (P/O PL 2.1 Item 4) (REP 7.18)
9	-	Tray 2 Feed Unit
10	-	Feed Out Chute (P/O PL 2.1 Item 9)
11	-	Cover (P/O PL 2.1 Item 9)
12	-	Rear Cover (P/O PL 2.1 Item 9)
13	-	Tray 2 Feed Assembly (P/O PL 2.1 Item 9) (REP 7.19)
14	110K11680	Tray 1 Paper Size Switch, Tray 2 Paper Size Switch
15	893E64430	Tray Label (2)
16	014E45291	Slide Lock
17	014E51110	Spacer
18	-	Stopper (Not Spared)
19	-	Plate (Not Spared)



0502001A-OLY

PL 2.2 Tray 3/4 (1 of 2)

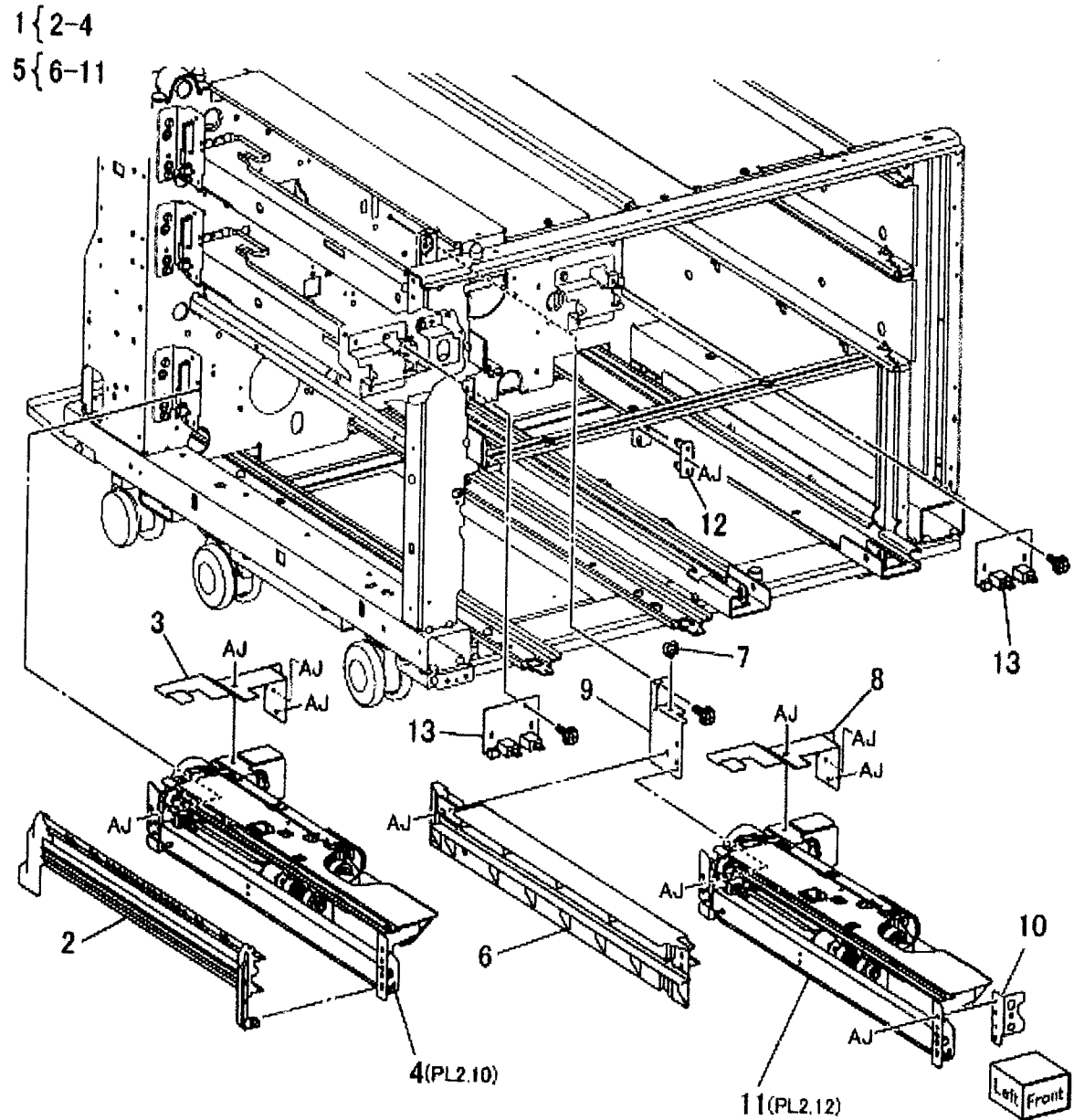
Item	Part	Description
1	050K50430	Tray 3 Assembly (REP 7.20)
2	050K50410	Tray 4 Assembly (REP 7.21)
3	-	Tray 4 Transport Assembly
4	-	Rail (P/O PL 2.2 Item 3)
5	-	Bearing
6	-	Bearing
7	-	Spacer (P/O PL 2.2 Item 3)
8	054E22291	Upper Chute (P/O PL 2.2 Item 3)
9	-	Lower Chute (P/O PL 2.2 Item 3)
10	059E98860	Pinch Roll
11	059K24920	Transport Roll Assembly
12	-	Joint (P/O PL 2.2 Item 11)
13	-	Takeaway Roll 4/5
14	413W77559	Bearing
15	-	Spring (P/O PL 2.2 Item 11)
16	-	Label (Instruction)
17	-	Pinch Cover (P/O PL 2.2 Item 3)
18	809E39381	Spring
19	-	Label
20	-	Spacer (Not Spared)
21	-	Roll Assembly
22	-	Label
23	-	Bracket
24	-	Roll
25	-	Shaft
26	-	Stopper (Tray 4)
27	893E21870	Tray Label (3)
28	893E21880	Tray Label (4)



0502002A-OLY

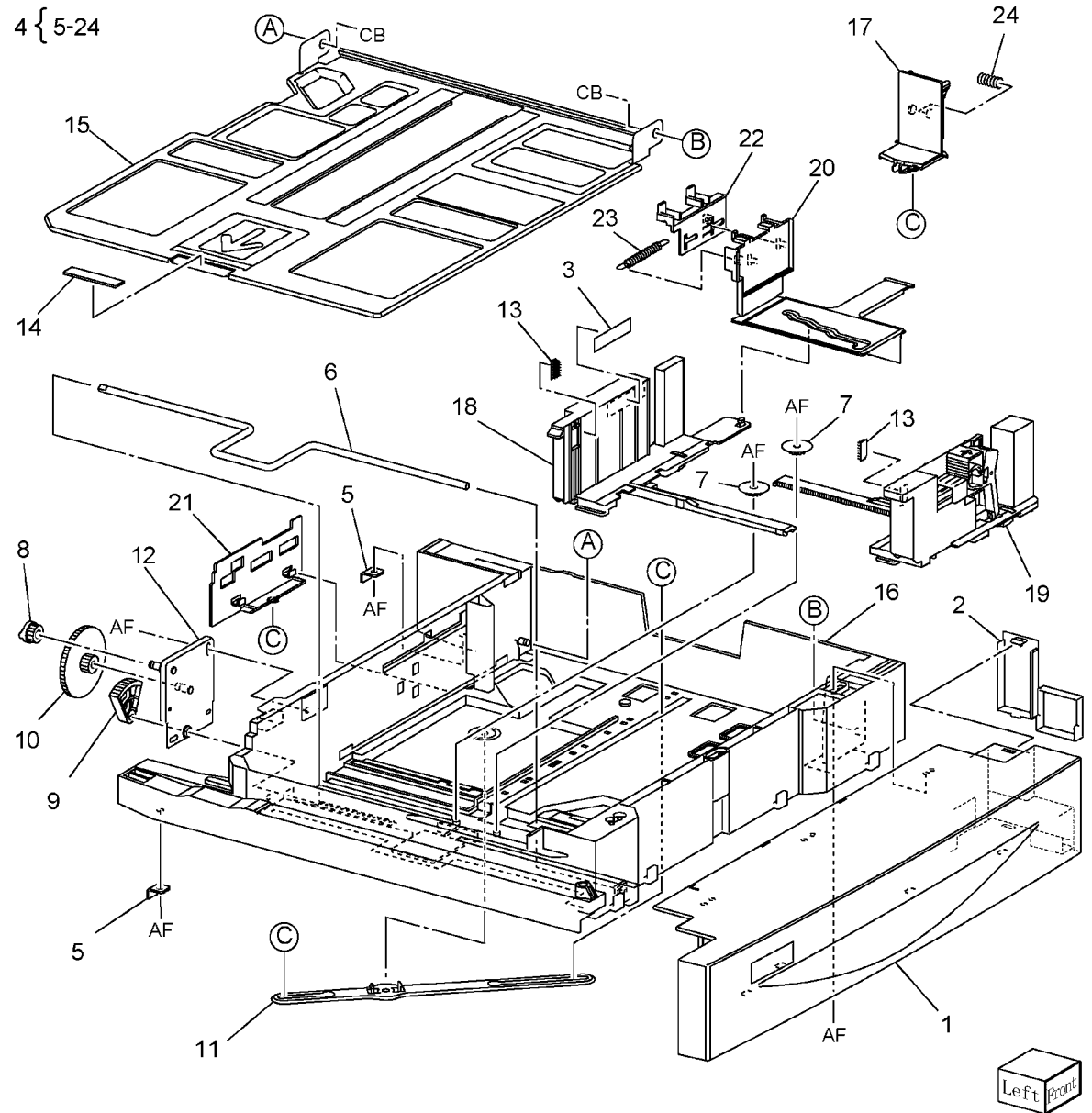
PL 2.3 Tray 3/4 (2 of 2)

Item	Part	Description
1	-	Tray 3 Feed Unit
2	054E89450	Feed Out Chute (P/O PL 2.3 Item 1)
3	-	Cover (P/O PL 2.3 Item 1)
4	059K26934	Tray 3 Feed Assembly (REP 7.22)
5	-	Tray 4 Feed Unit
6	-	Lower Chute (P/O PL 2.3 Item 5)
7	-	Saddle (P/O PL 2.3 Item 5)
8	-	Cover (P/O PL 2.3 Item 5)
9	-	Bracket (P/O PL 2.3 Item 5)
10	-	Front Bracket (P/O PL 2.3 Item 5)
11	059K26935	Tray 4 Feed Assembly (REP 7.23)
12	-	Pivot Bracket
13	110K11820	Tray 3 Paper Size Switch, Tray 4 Paper Size Switch



PL 2.4 Tray 1 Assembly

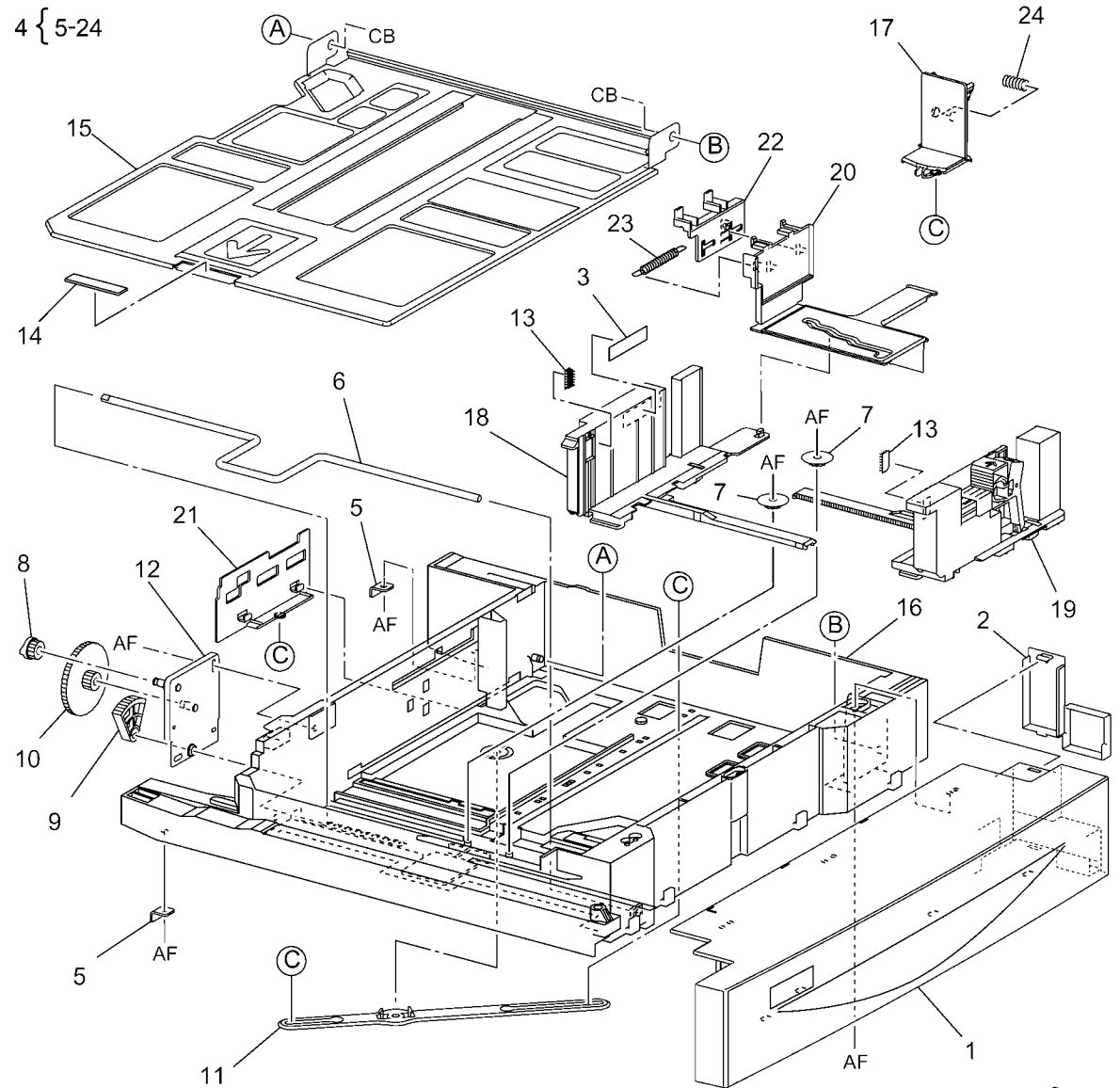
Item	Part	Description
1	-	Tray 1 Cover (Not Spared)
2	-	Cover (Not Spared)
3	893E09490	Label (Max)
4	-	Tray 1
5	-	Stopper (P/O PL 2.4 Item 4)
6	-	Lift Shaft (P/O PL 2.4 Item 4)
7	-	Pinion (P/O PL 2.4 Item 4)
8	007E78431	Gear (13T)
9	007E78440	Gear (60T)
10	007E78450	Gear (13T/60T)
11	-	End Guide Link (P/O PL 2.4 Item 4)
12	-	Plate (P/O PL 2.4 Item 4)
13	019E39131	Pad
14	019K94400	Bottom Plate Pad
15	-	Bottom Plate (P/O PL 2.4 Item 4)
16	-	Cassette (P/O PL 2.4 Item 4)
17	038E26532	End Guide
18	038E26550	Rear Guide
19	-	Front Guide
20	-	Actuator (P/O PL 2.4 Item 4)
21	-	Actuator (P/O PL 2.4 Item 4)
22	-	Actuator (P/O PL 2.4 Item 4)
23	-	Spring (P/O PL 2.4 Item 4)
24	-	Spring (P/O PL 2.4 Item 4)



0502004A-OLY

PL 2.5 Tray 2 Assembly

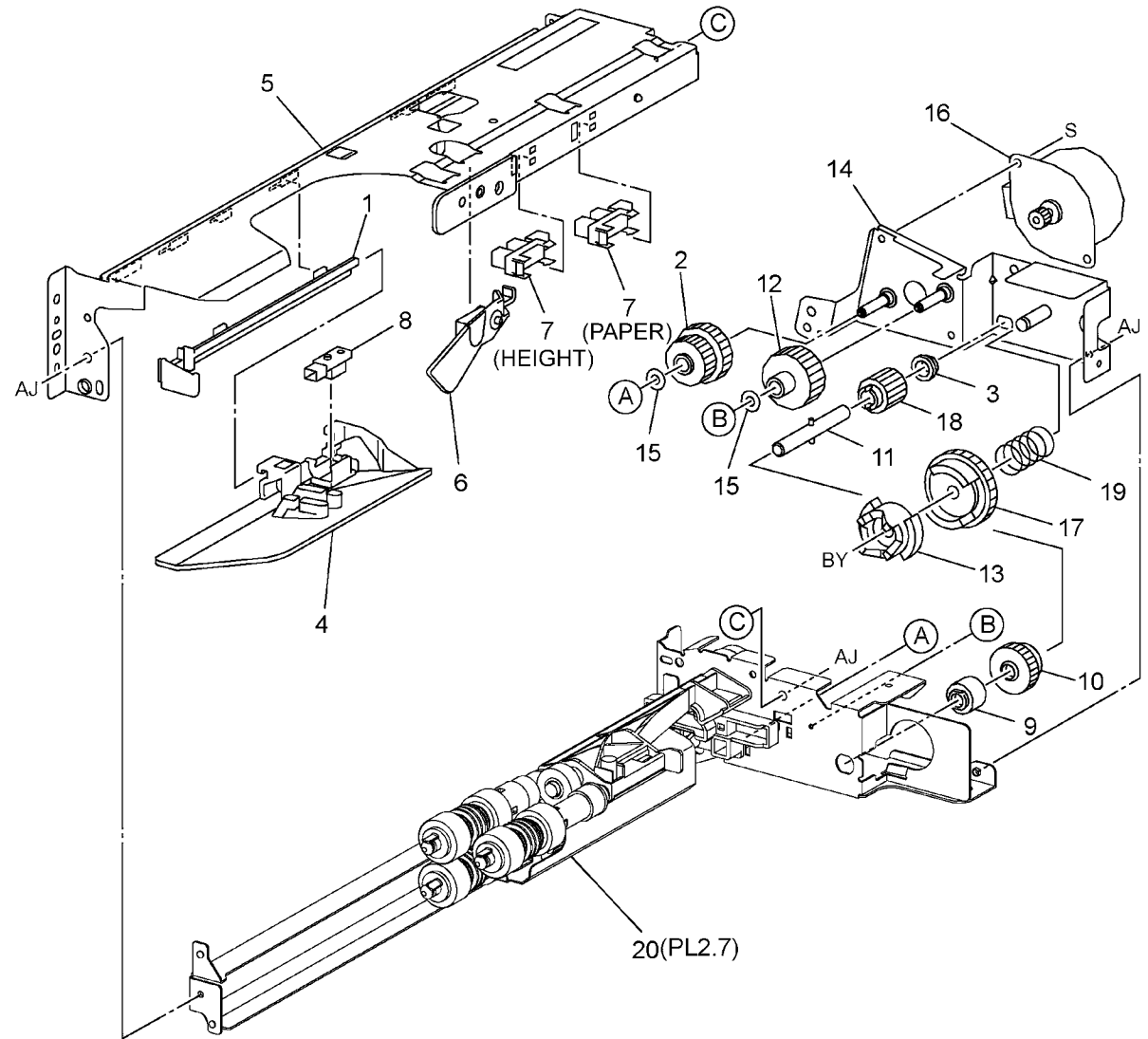
Item	Part	Description
1	-	Tray 2 Cover (Not Spared)
2	-	Cover (Not Spared)
3	893E09490	Label (Max)
4	-	Tray 2
5	-	Stopper (P/O PL 2.5 Item 4)
6	-	Lift Shaft (P/O PL 2.5 Item 4)
7	-	Pinion (P/O PL 2.5 Item 4)
8	007E78431	Gear (13T)
9	007E78440	Gear (60T)
10	007E78450	Gear (13T/60T)
11	-	End Guide Link (P/O PL 2.5 Item 4)
12	-	Plate (P/O PL 2.5 Item 1)
13	019E39131	Pad
14	019K94400	Bottom Plate Pad
15	-	Bottom Plate (P/O PL 2.5 Item 1)
16	-	Cassette (P/O PL 2.5 Item 4)
17	038E26532	End Guide
18	038E26550	Rear Guide
19	-	Front Guide
20	-	Actuator (P/O PL 2.5 Item 4)
21	-	Actuator (P/O PL 2.5 Item 4)
22	-	Actuator (P/O PL 2.5 Item 4)
23	-	Spring (P/O PL 2.5 Item 4)
24	-	Spring (P/O PL 2.5 Item 4)



0502005A-OLY

PL 2.6 Tray 1 Feed Assembly (1 of 2)

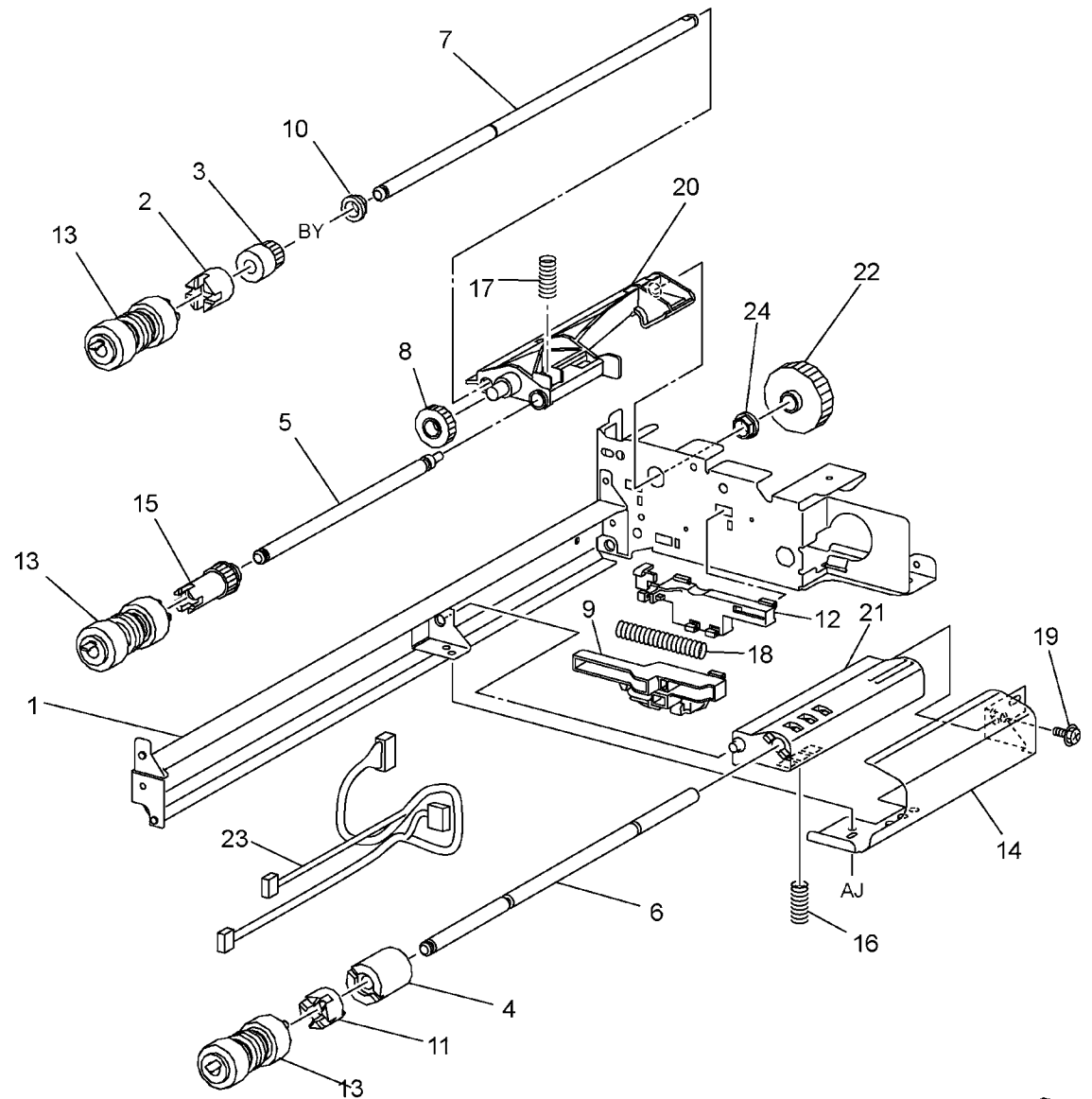
Item	Part	Description
1	-	Rail (Not Spared)
2	-	Gear (28T/21T)
3	013E92890	Bearing (6)
4	-	Chute (Not Spared)
5	-	Upper Frame Assembly (Not Spared)
6	120E22481	Actuator
7	930W00113	Tray 1 Stack Height Sensor, Tray 1 Paper Sensor
8	930W00211	Tray 1 Pre Feed Sensor
9	005K83081	One Way Clutch
10	007K85730	One Way Gear
11	-	Shaft Assembly Drive
12	-	Gear (29T)
13	-	Spacer (Not Spared)
14	-	Bracket (Not Spared)
15	-	Washer (Not Spared)
16	127K38170	Tray 1 Lift/Feed Motor
17	-	Gear (31T) (Not Spared)
18	-	Gear (13T) (Not Spared)
19	-	Spring (Not Spared)
20	-	Rear Frame Assembly (Not Spared)



0502006A-OLY

PL 2.7 Tray 1 Feed Assembly (2 of 2)

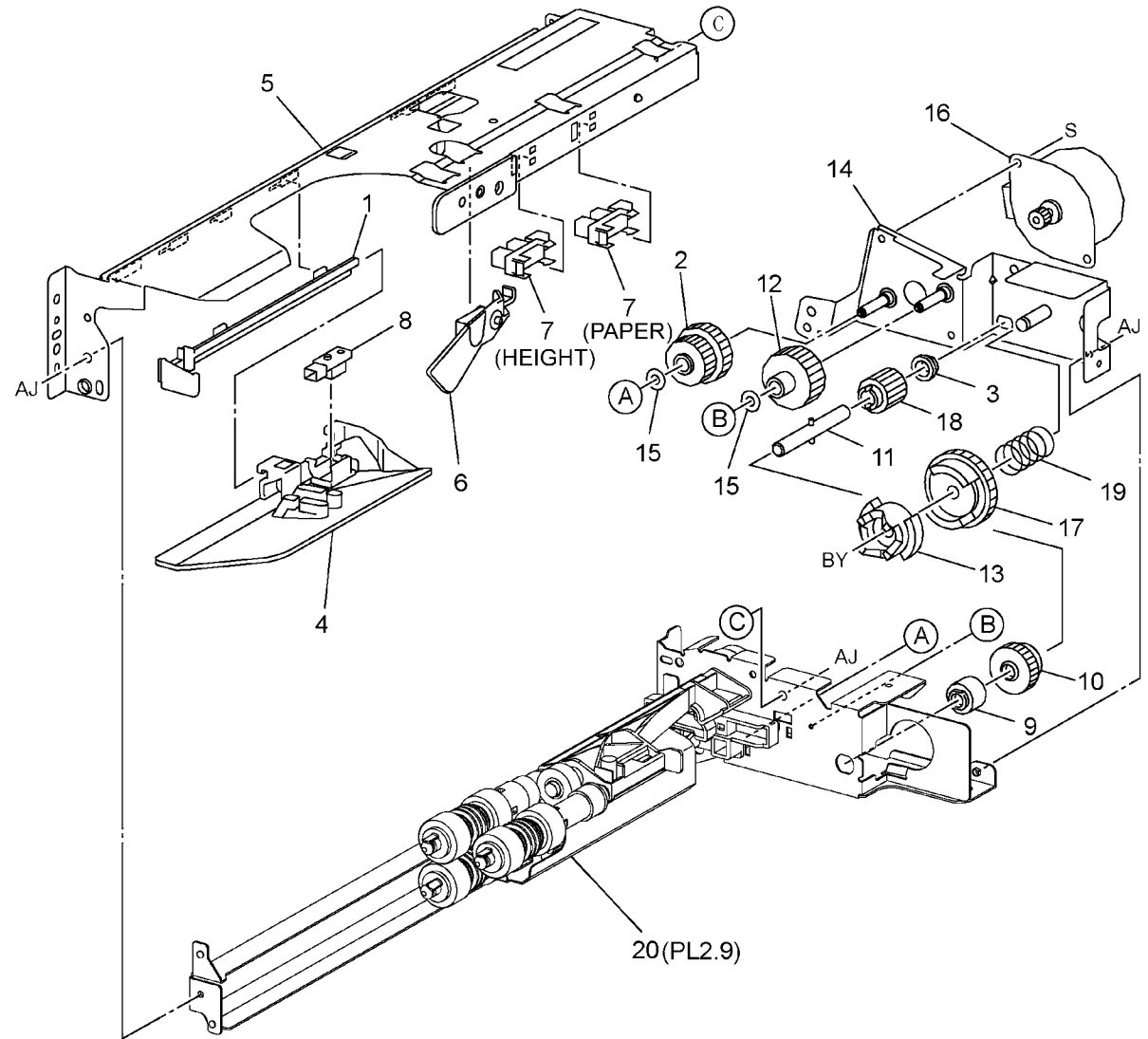
Item	Part	Description
1	-	Rear Frame (Not Spared)
2	005K05890	Oneway Clutch
3	005K06760	Clutch (22T)
4	005K07010	Friction Clutch
5	-	Nudger Shaft
6	-	Retard Shaft
7	-	Feed Shaft
8	007E79380	Gear (33T)
9	-	Lever (Not Spared)
10	013E92890	Bearing (6)
11	-	Spacer (Not Spared)
12	-	Holder (Not Spared)
13	600K78460	Feed/Nudger/Retard Roll Kit (REP 7.24)
14	-	Feed in Chute (Not Spared)
15	-	Gear (25T) (Not Spared)
16	-	Spring (Not Spared)
17	-	Spring (Not Spared)
18	-	Spring (Not Spared)
19	-	Screw (Not Spared)
20	-	Nudger Support (Not Spared)
21	-	Retard Support (Not Spared)
22	-	Gear (27T) (Not Spared)
23	-	Wire Harness (Not Spared)
24	-	Bearing (Not Spared)



0502007A-OLY

PL 2.8 Tray 2 Feed Assembly (1 of 2)

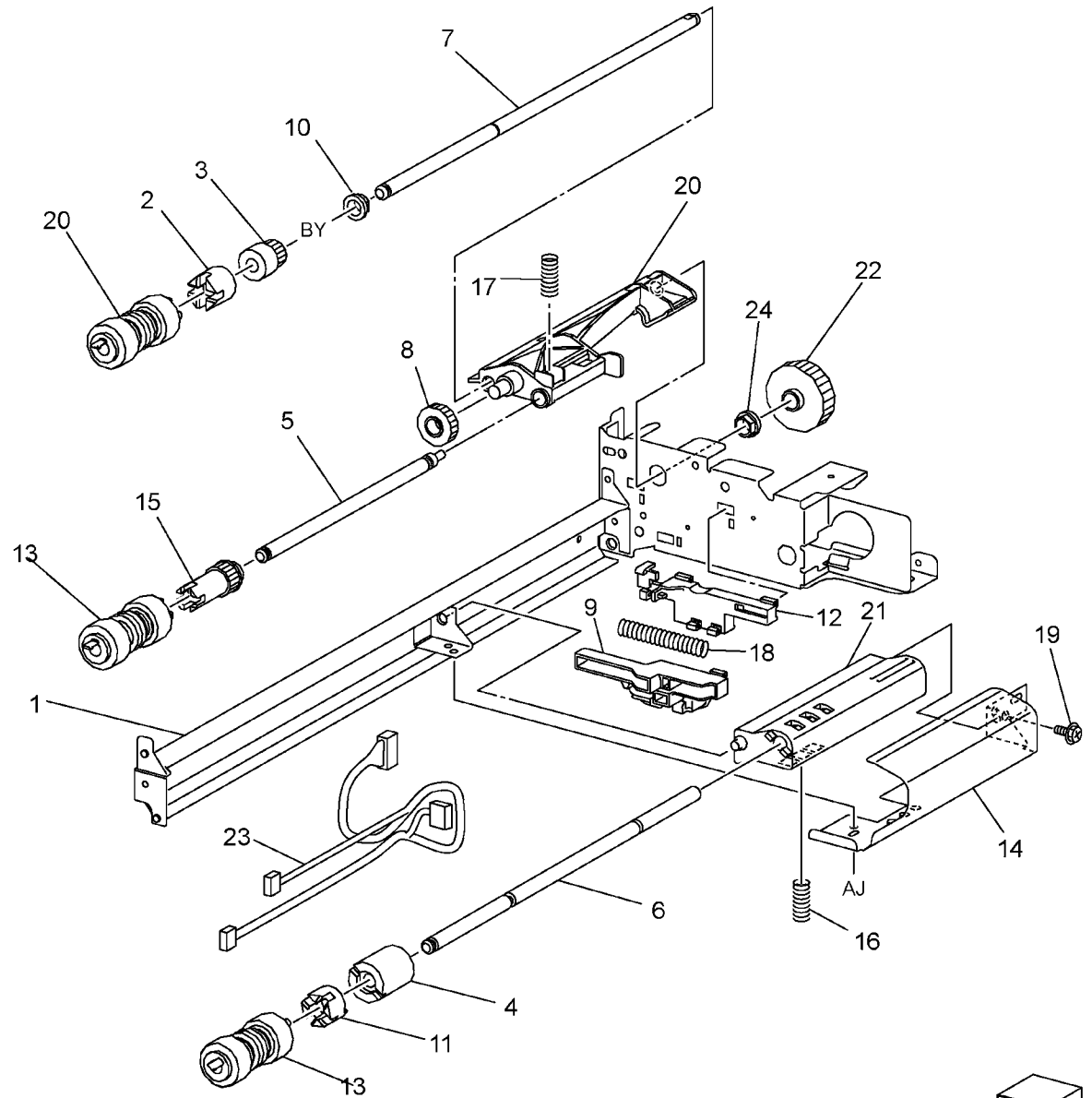
Item	Part	Description
1	-	Rail (Not Spared)
2	-	Gear (28T/21T)
3	013E92890	Bearing (6)
4	-	Chute (Not Spared)
5	-	Upper Frame Assembly (Not Spared)
6	120E22481	Actuator
7	930W00113	Tray 2 Stack Height Sensor, Tray 2 Paper Sensor
8	930W00211	Tray 2 Pre Feed Sensor
9	005K83081	One Way Clutch Assembly
10	007K85730	One Way Gear Assembly
11	-	Shaft Assembly Drive
12	-	Gear (29T)
13	-	Spacer (Not Spared)
14	-	Bracket (Not Spared)
15	-	Washer (Not Spared)
16	127K38170	Tray 2 Lift/Feed Motor
17	-	Gear (31T) (Not Spared)
18	-	Gear (13T) (Not Spared)
19	-	Spring (Not Spared)
20	-	Rear Frame Assembly (Not Spared)



0502008A-OLY

PL 2.9 Tray 2 Feed Assembly (2 of 2)

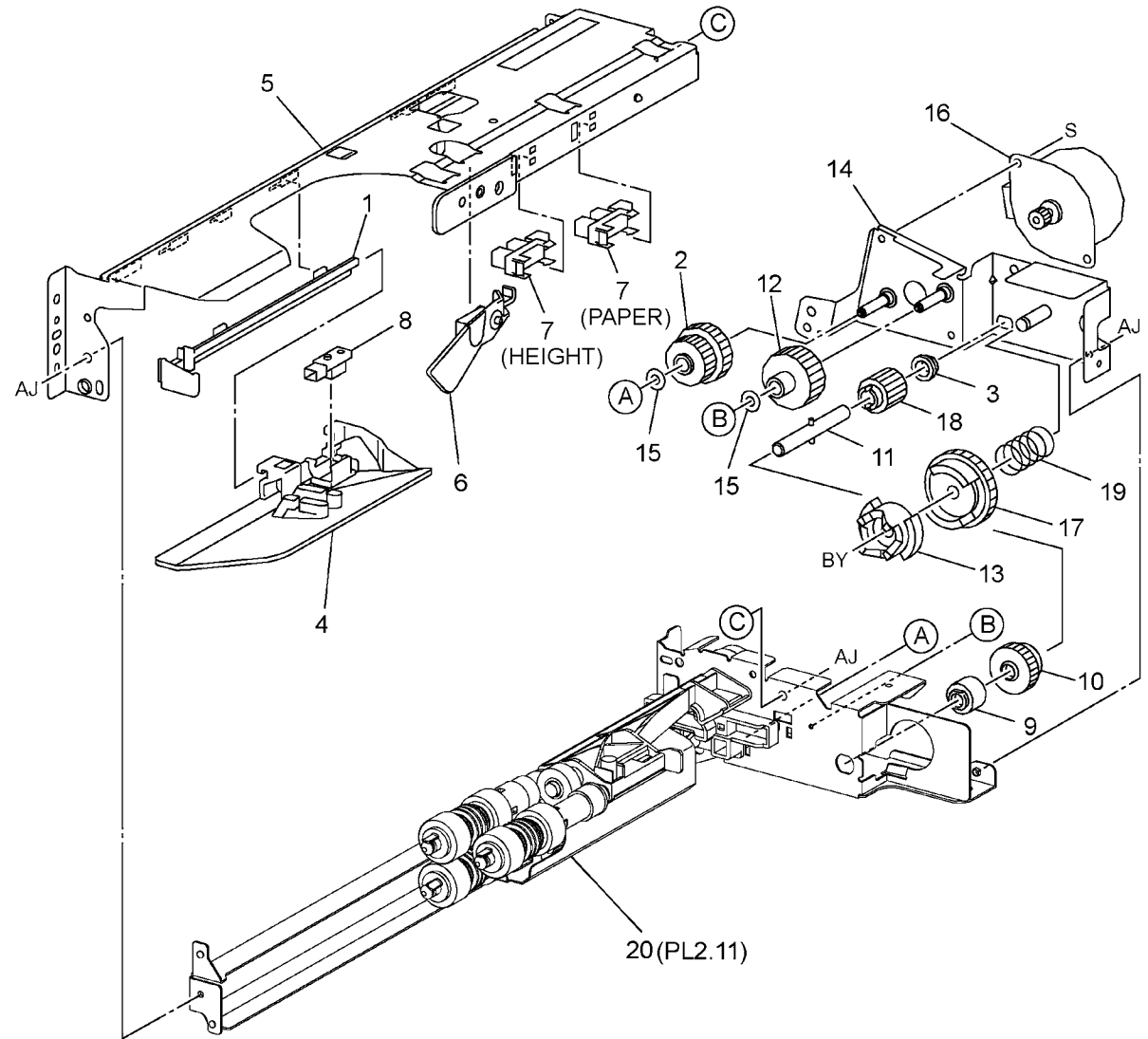
Item	Part	Description
1	-	Rear Frame (Not Spared)
2	005K05890	One Way Clutch
3	005K06760	Clutch (22T)
4	005K07010	Friction Clutch
5	-	Nudger Shaft
6	-	Retard Shaft
7	-	Feed Shaft
8	007E79380	Gear (33T)
9	-	Lever (Not Spared)
10	013E92890	Bearing (6)
11	-	Spacer (Not Spared)
12	-	Holder (Not Spared)
13	600K78460	Feed/Nudger/Retard Roll Kit (REP 7.24)
14	-	Feed In Chute (Not Spared)
15	-	Gear (25T) (Not Spared)
16	-	Spring (Not Spared)
17	-	Spring (Not Spared)
18	-	Spring (Not Spared)
19	-	Screw (Not Spared)
20	-	Nudger Support (Not Spared)
21	-	Retard Support (Not Spared)
22	-	Gear (27T) (Not Spared)
23	-	Wire Harness (Not Spared)
24	-	Bearing (Not Spared)



0502009A-OLY

PL 2.10 Tray 3 Feed Assembly (1 of 2)

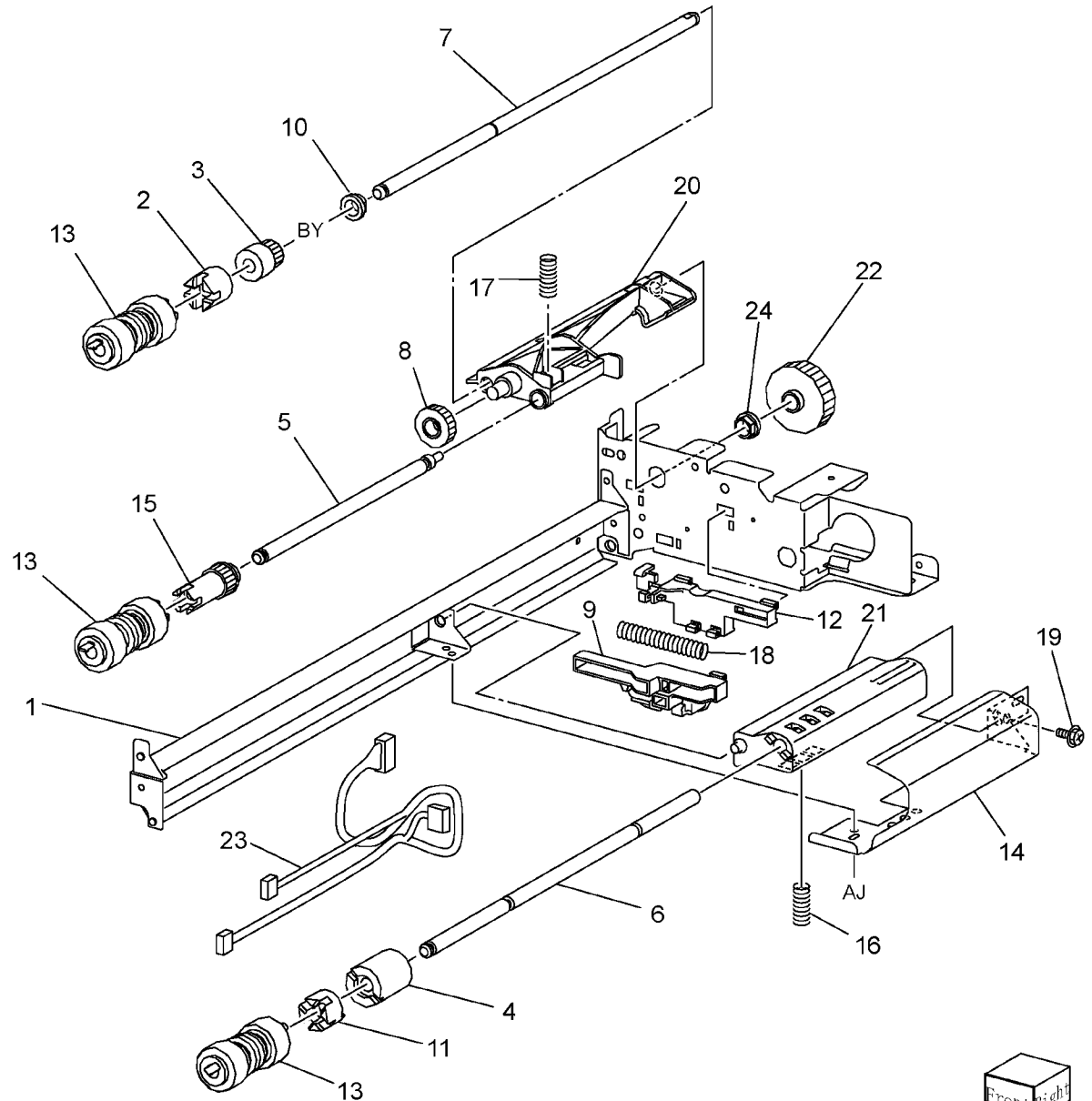
Item	Part	Description
1	-	Rail (Not Spared)
2	-	Gear (28T/21T)
3	013E92890	Bearing (6)
4	-	Chute (Not Spared)
5	-	Upper Frame Assembly (Not Spared)
6	120E22481	Actuator
7	930W00113	Tray 3 Stack Height Sensor, Tray 3 Paper Sensor
8	930W00211	Tray 3 Pre Feed Sensor
9	005K83081	One Way Clutch Assembly
10	007K85730	One Way Gear Assembly
11	-	Shaft Assembly Drive
12	-	Gear (29T)
13	-	Spacer (Not Spared)
14	-	Washer (Not Spared)
15	-	Washer (Not Spared)
16	127K38170	Tray 3 Lift/Feed Motor
17	-	Gear (31T) (Not Spared)
18	-	Gear (13T) (Not Spared)
19	-	Spring (Not Spared)
20	-	Rear Frame Assembly (Not Spared)



0502010A-OLY

PL 2.11 Tray 3 Feed Assembly (2 of 2)

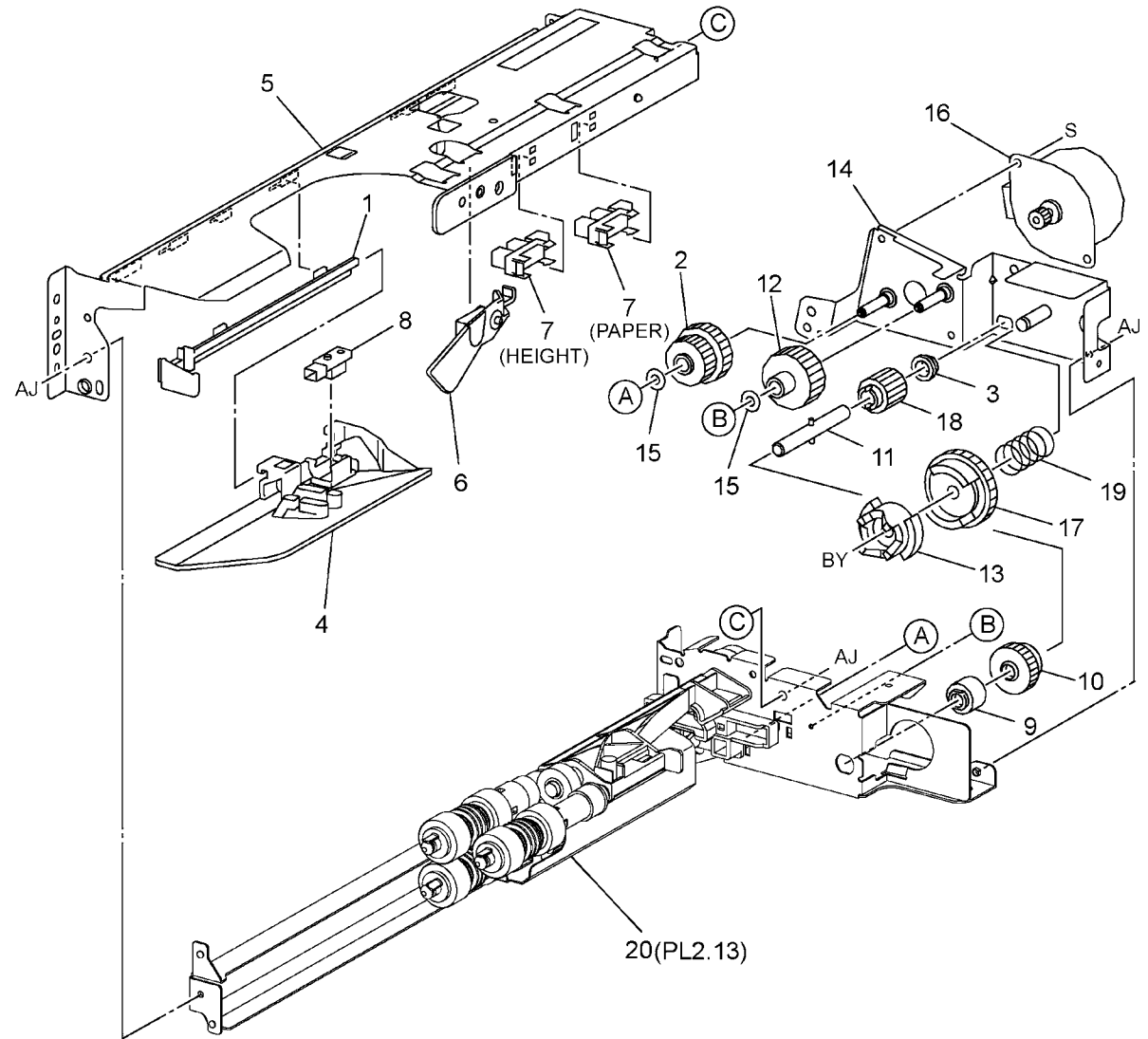
Item	Part	Description
1	-	Rear Frame (Not Spared)
2	005K05890	Oneway Clutch
3	005K06760	Clutch (22T)
4	005K07010	Friction Clutch
5	-	Nudger Shaft
6	-	Retard Shaft
7	-	Feed Shaft
8	007E79380	Gear (33T)
9	-	Lever (Not Spared)
10	013E92890	Bearing (6)
11	-	Spacer (Not Spared)
12	-	Holder (Not Spared)
13	600K78460	Feed/Nudger/Retard Roll Kit (REP 7.25)
14	-	Feed In Chute (Not Spared)
15	-	Gear (25T) (Not Spared)
16	-	Spring (Not Spared)
17	-	Spring (Not Spared)
18	-	Spring (Not Spared)
19	-	Screw (Not Spared)
20	-	Nudger Support (Not Spared)
21	-	Retard Support (Not Spared)
22	-	Gear (27T) (Not Spared)
23	-	Wire Harness (Not Spared)
24	-	Bearing (Not Spared)



0502011A-OLY

PL 2.12 Tray 4 Feed Assembly (1 of 2)

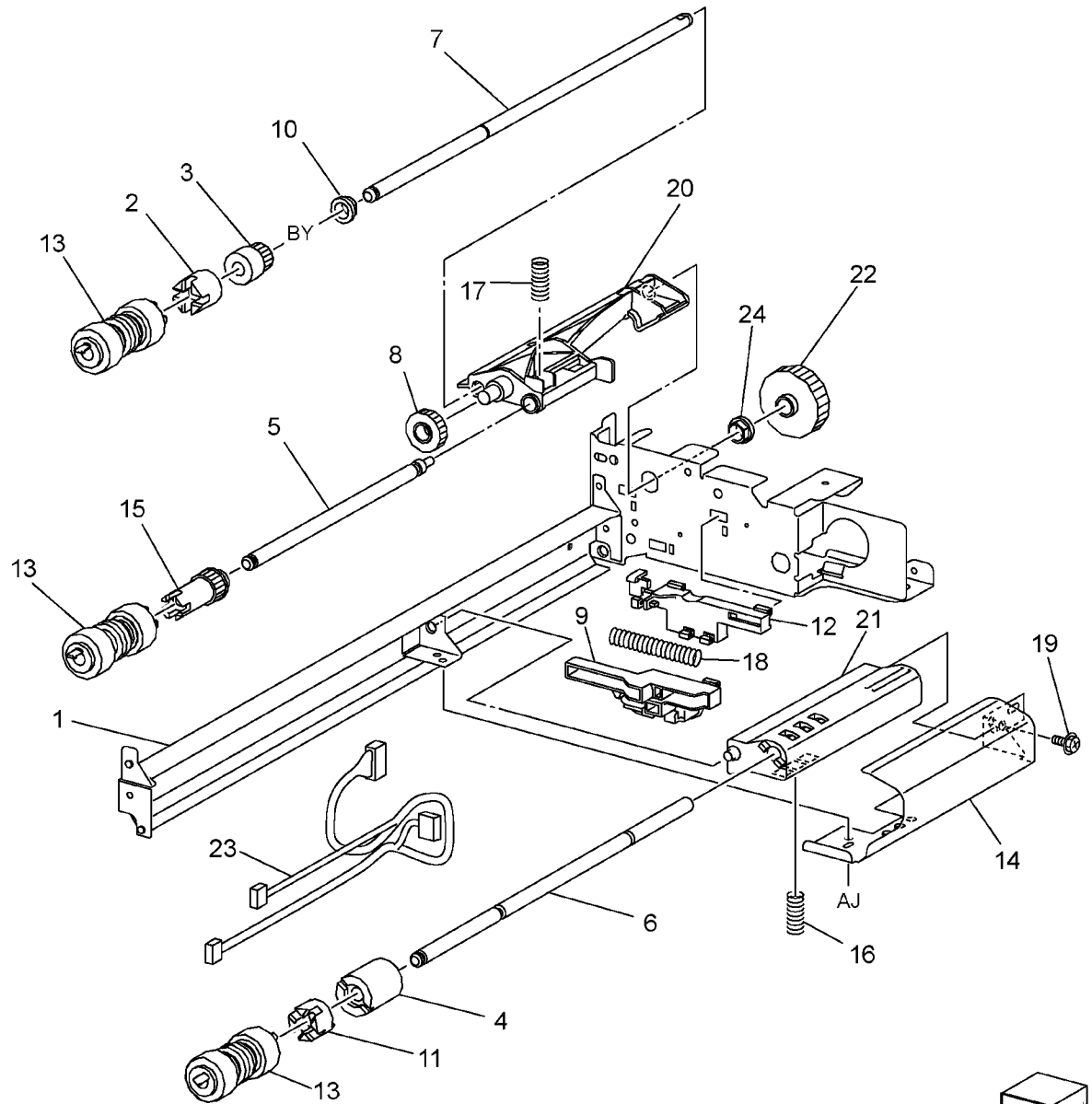
Item	Part	Description
1	-	Rail (Not Spared)
2	-	Gear (28T/21T)
3	013E92890	Bearing (6)
4	-	Chute (Not Spared)
5	-	Upper Frame Assembly (Not Spared)
6	120E22481	Actuator
7	930W00113	Tray 4 Stack Height Sensor, Tray 4 Paper Sensor
8	930W00211	Tray 4 Pre Feed Sensor
9	005K83081	Oneway Clutch Assembly
10	007K85730	Oneway Gear Assembly
11	-	Shaft Assembly Drive
12	-	Gear (29T)
13	-	Spacer (Not Spared)
14	-	Bracket (Not Spared)
15	-	Washer (Not Spared)
16	127K38170	Tray 4 Lift/Feed Motor
17	-	Gear (31T) (Not Spared)
18	-	Gear (13T) (Not Spared)
19	-	Spring (Not Spared)
20	-	Rear Frame Assembly (Not Spared)



0502012A-OLY

PL 2.13 Tray 4 Feed Assembly (2 of 2)

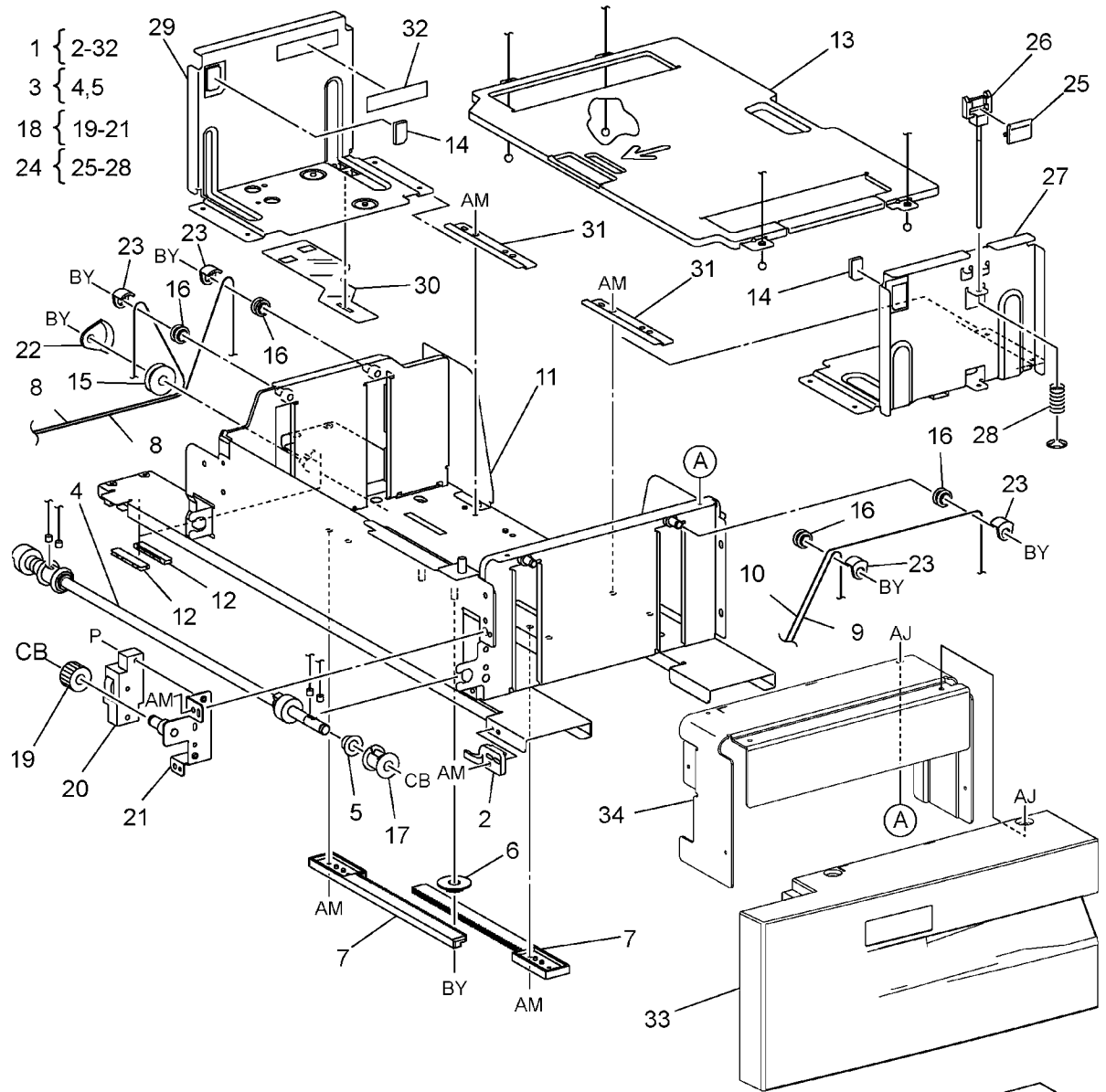
Item	Part	Description
1	-	Rear Frame (Not Spared)
2	005K05890	Oneway Clutch
3	005K06760	Clutch (22T)
4	005K07010	Friction Clutch
5	-	Nudger Shaft
6	-	Retard Shaft
7	-	Feed Shaft
8	007E79380	Gear (33T)
9	-	Lever (Not Spared)
10	013E92890	Bearing (6)
11	-	Spacer (Not Spared)
12	-	Holder (Not Spared)
13	600K78460	Feed/Nudger/Retard Roll Kit (REP 7.26)
14	-	Feed In Chute (Not Spared)
15	-	Gear (25T) (Not Spared)
16	-	Spring (Not Spared)
17	-	Spring (Not Spared)
18	-	Spring (Not Spared)
19	-	Screw (Not Spared)
20	-	Nudger Support (Not Spared)
21	-	Retard Support (Not Spared)
22	-	Gear (27T) (Not Spared)
23	-	Wire Harness (Not Spared)
24	-	Bearing (Not Spared)



0502013A-OLY

PL 2.14 Tray 3 Assembly

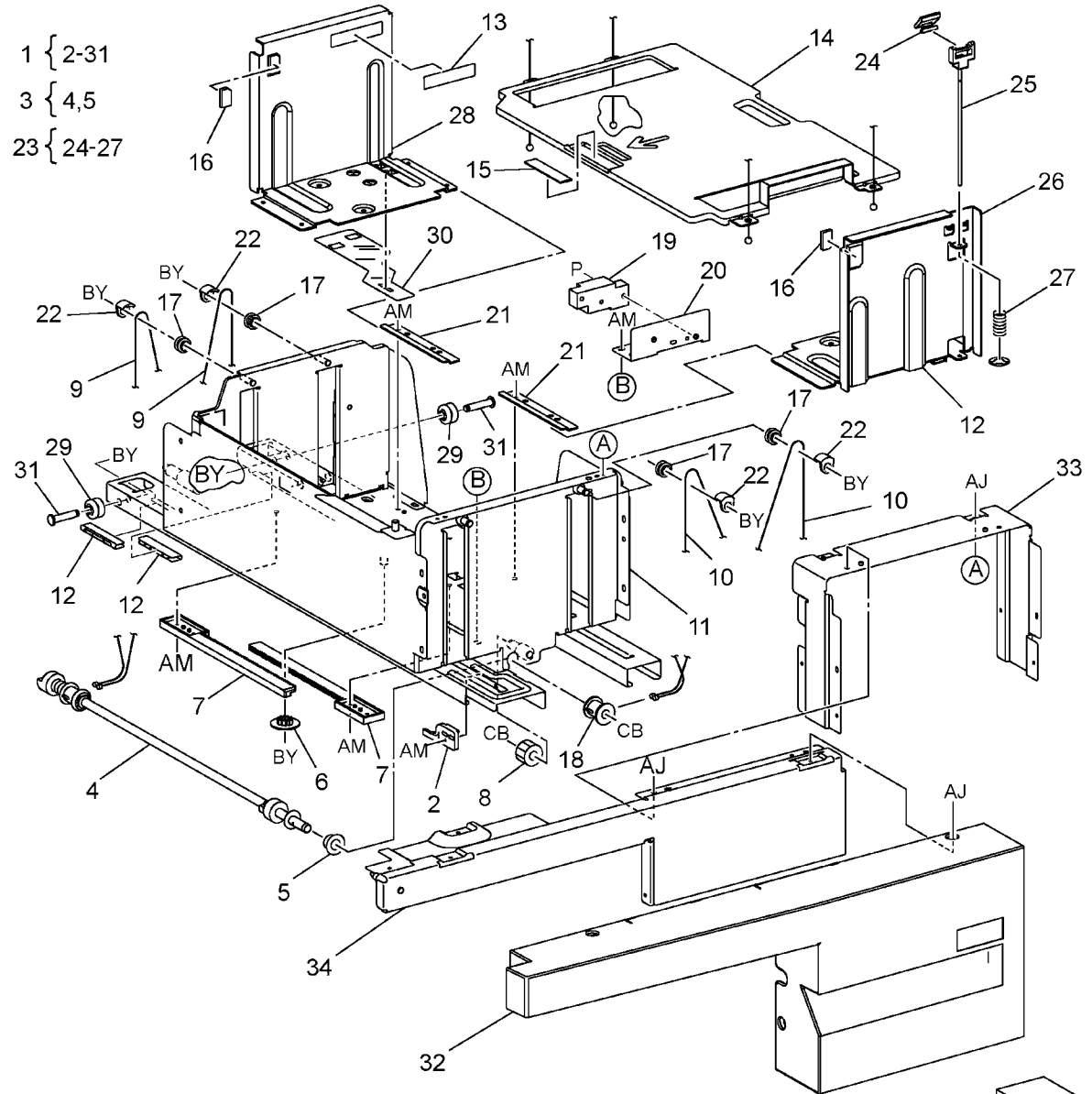
Item	Part	Description
1	-	Tray 3
2	003E49861	Stopper
3	006K23661	Lift Shaft Assembly
4	-	Lift Shaft (P/O PL 2.14 Item 3)
5	413W77559	Bearing
6	007E78190	Pinion
7	-	Rack
8	012E11100	Rear Cable (REP 7.14)
9	012E11111	Front Left Cable
10	012E11121	Front Right Cable
11	-	Frame Assembly (P/O PL 2.14 Item 1)
12	-	Spacer (P/O PL 2.14 Item 1)
13	-	Bottom Plate (P/O PL 2.14 Item 1)
14	019E58260	Pad
15	020E36560	Pulley
16	020E36830	Pulley
17	-	Pulley (P/O PL 2.14 Item 1)
18	030K75540	Brake Assembly
19	007E78390	Gear (18T)
20	019K93921	Brake
21	-	Bracket Assembly (P/O PL 2.14 Item 17)
22	032E20890	Wire Guide
23	032E21250	Wire Guide
24	038K87160	Front Guide Assembly
25	-	Knob
26	-	Knob Assembly
27	-	Front Guide (P/O PL 2.14 Item 24)
28	-	Spring (P/O PL 2.14 Item 24)
29	-	Rear Guide Assembly (P/O PL 2.14 Item 1)
30	-	Actuator
31	-	Bracket (P/O PL 2.14 Item 1)
32	893E09490	Label (Max)
33	-	Tray 3 Cover
34	-	Bracket (Not Spared)



0502014A-OLY

PL 2.15 Tray 4 Assembly

Item	Part	Description
1	-	Tray 4
2	003E49861	Stopper
3	006K23661	Lift Shaft Assembly
4	-	Lift Shaft (P/O PL 2.15 Item 3)
5	413W77559	Bearing
6	007E78190	Pinion
7	-	Rack
8	007E78390	Gear (18T)
9	012E11130	Rear Cable (REP 7.30)
10	012E11140	Front Cable (REP 7.29)
11	-	Frame Assembly (P/O PL 2.15 Item 1)
12	-	Spacer (P/O PL 2.15 Item 1)
13	893E09490	Label (Max)
14	-	Bottom Plate (P/O PL 2.15 Item 1)
15	019K94400	Bottom Pad
16	019E58260	Pad
17	020E36830	Pulley
18	-	Pulley (P/O PL 2.15 Item 1)
19	019K93921	Brake Assembly
20	-	Bracket (P/O PL 2.15 Item 1)
21	-	Bracket (P/O PL 2.15 Item 1)
22	032E21250	Wire Guide
23	038K87120	Front Guide Assembly
24	-	Knob
25	-	Knob Assembly
26	-	Front Guide (P/O PL 2.15 Item 23)
27	-	Spring (P/O PL 2.15 Item 23)
28	-	Rear Guide Assembly
29	-	Roller
30	-	Actuator
31	-	Shaft (P/O PL 2.15 Item 1)
32	-	Tray 4 Cover
33	-	Bracket (Not Spared)
34	-	Frame Assembly (Not Spared)

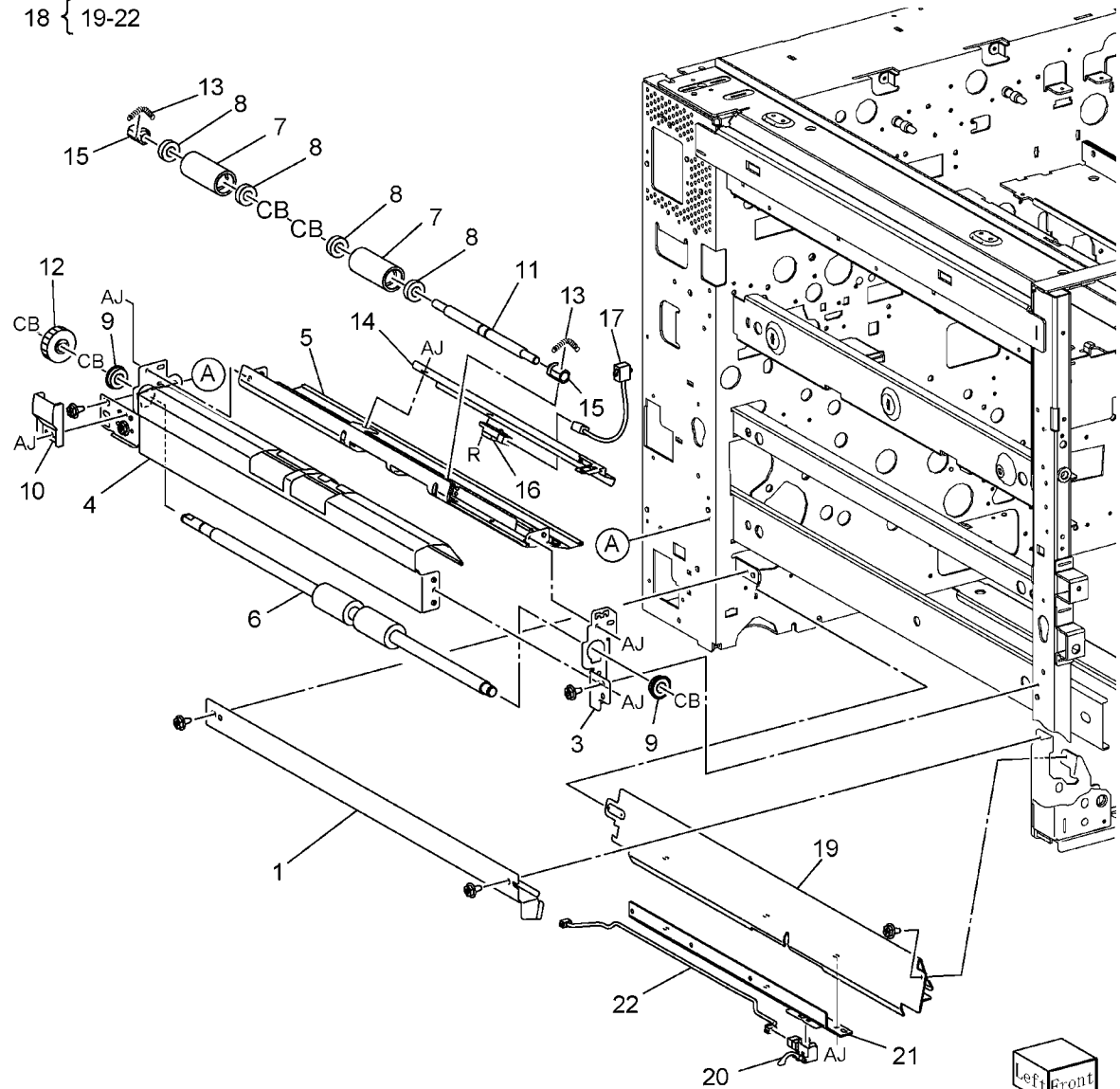


0502015A-OLY

PL 2.16 Tray 5 / Bypass Chute Assembly

Item	Part	Description
1	-	Chute
2	-	Chute Assembly
3	-	Frame Assembly (P/O PL 2.16 Item 2)
4	-	Lower chute Assembly (P/O PL 2.16 Item 2)
5	-	Upper Chute (P/O PL 2.16 Item 2)
6	059K26200	Roll Assembly
7	059K37990	Pinch Roll
8	413W08050	Ball Bearing
9	413W08350	Bearing
10	-	Gear Cover
11	-	Shaft
12	-	Gear (25T)
13	809E54941	Spring
14	-	Bracket (P/O PL 2.16 Item 2)
15	-	Support (P/O PL 2.16 Item 2)
16	930W00211	Pre Registration Sensor
17	-	Wire Harness (P/O PL 2.16 Item 2)
18	-	Chute Assembly
19	-	Chute (P/O PL 2.16 Item 18)
20	130K67370	Tray 1 Feed Out Sensor
21	-	Bracket (P/O PL 2.16 Item 18)
22	-	Wire Harness (P/O PL 2.16 Item 18)

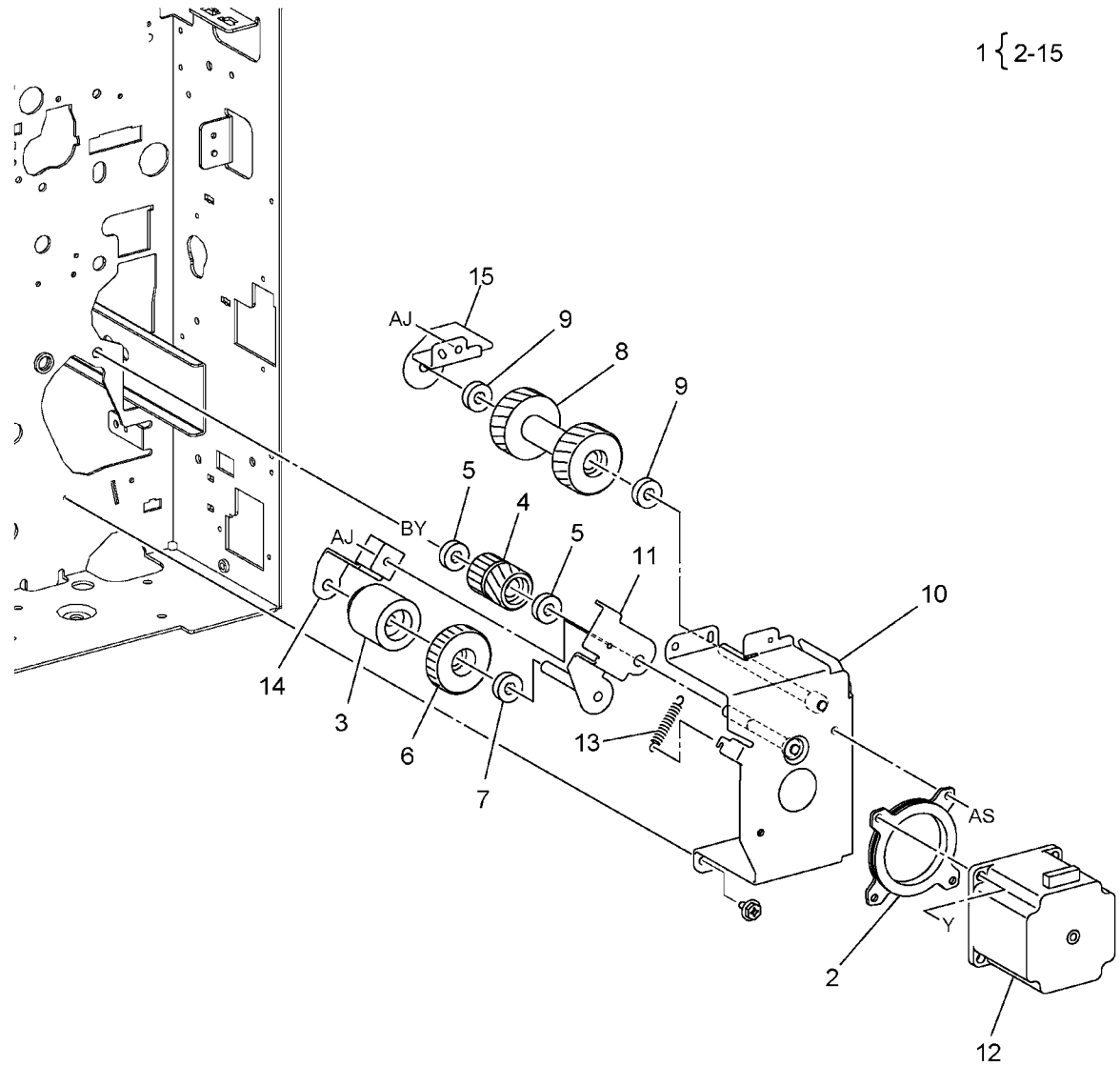
2 { 3-17
18 { 19-22



Left Front
0502016A-OLY

PL 2.17 Pre Registration Motor Assembly

Item	Part	Description
1	015K64791	Pre Registration Motor Assembly
2	-	Damper (P/O PL 2.17 Item 1)
3	-	Collar (P/O PL 2.17 Item 1)
4	-	Gear (20T)
5	-	Bearing
6	-	Gear (34T)
7	-	Bearing
8	-	Gear (34T)
9	-	Bearing
10	-	Bracket Assembly (P/O PL 2.17 Item 1)
11	-	Bracket Assembly (P/O PL 2.17 Item 1)
12	127K39650	Pre Registration Motor
13	-	Spring
14	-	Bracket (P/O PL 2.17 Item 1)
15	-	Bracket (P/O PL 2.17 Item 1)



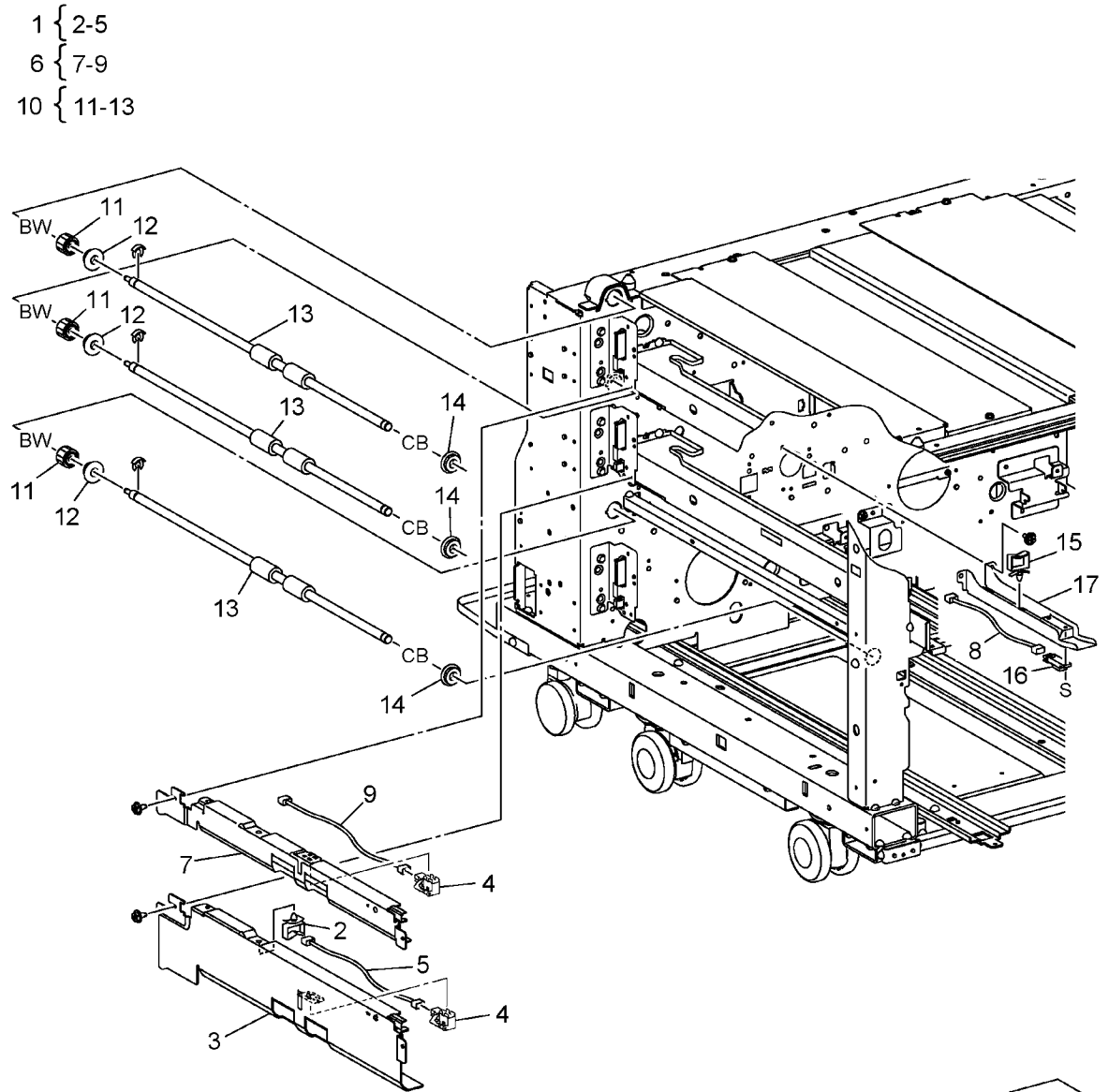
1 { 2-15



0502017A-OLY

PL 2.18 Takeaway Roll

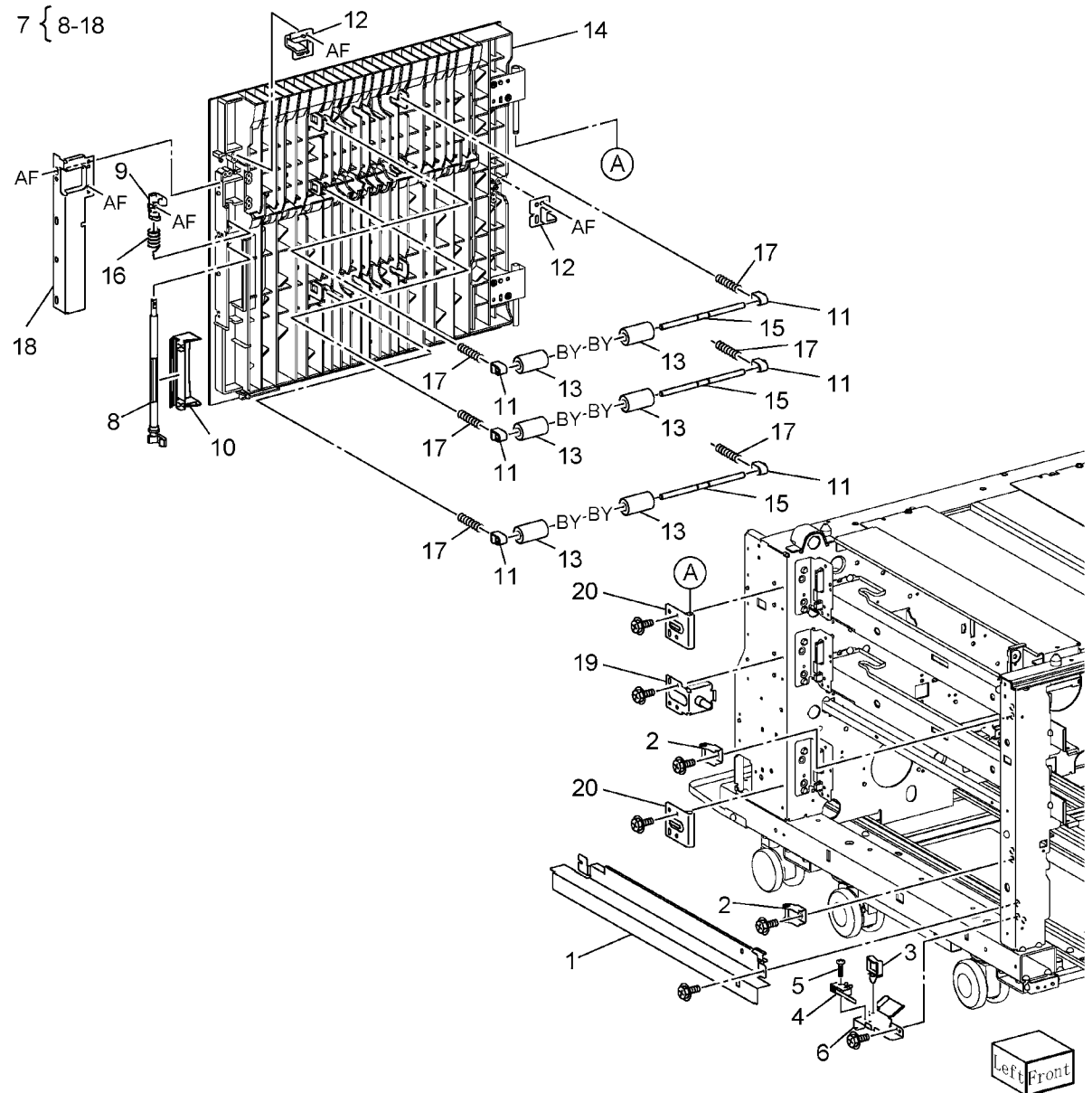
Item	Part	Description
1	-	Chute Assembly
2	-	Harness Holder (P/O PL 2.18 Item 1)
3	-	Chute (P/O PL 2.18 Item 1)
4	130K88311	Tray 3 Feed Out Sensor
5	-	Wire Harness (P/O PL 2.18 Item 1)
6	-	Chute Assembly
7	-	Chute (P/O PL 2.18 Item 6)
8	-	Wire Harness (Not Spared)
9	-	Wire Harness (P/O PL 2.18 Item 6)
10	059K24940	Takeaway Roll Assembly
11	-	Gear (18T)
12	-	Bearing
13	-	Takeaway Roll 1/2/3
14	-	Bearing
15	-	Harness Holder (Not Spared)
16	130E84300	Tray 4 Feed Out Sensor
17	-	Bracket (Not Spared)



0502018A-OLY

PL 2.19 Left Chute Cover

Item	Part	Description
1	-	Cover Bracket
2	-	Latch Bracket
3	-	Harness Holder (Not Spared)
4	110E11420	L/H Cover Interlock Switch
5	-	Screw (Not Spared)
6	-	Bracket (Not Spared)
7	-	Left Chute Cover Assembly
8	-	Latch
9	-	Hook
10	-	Handle
11	013E26100	Bearing
12	-	Guide
13	059E99240	Pinch Roll
14	-	Left Chute Cover (P/O PL 2.19 Item 7)
15	-	Shaft
16	-	Spring
17	809E54780	Spring
18	-	Guide Bracket
19	-	Bracket (Not Spared)
20	-	Bracket (Not Spared)

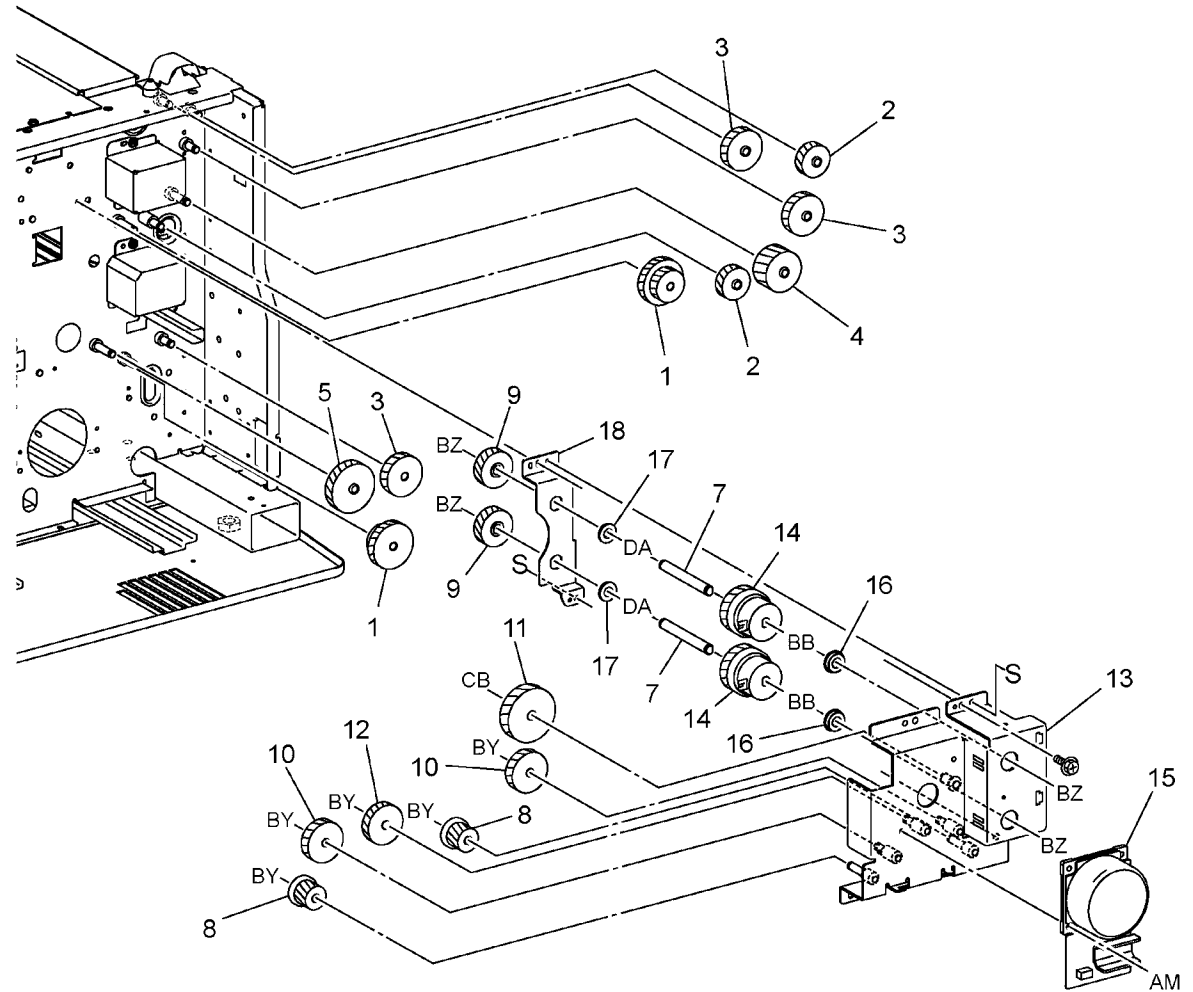


0502019A-OLY

PL 2.20 T/A Drive

Item	Part	Description
1	-	Gear (36T/25T)
2	-	Gear (36T)
3	-	Gear (46T)
4	-	Gear (46T)
5	-	Gear (56T)
6	007K87670	T/A Drive Assembly
7	-	Shaft
8	-	Gear (26T)
9	-	Gear (41T)
10	-	Gear (46T)
11	-	Gear (54T)
12	-	Gear (45T)
13	-	Bracket (P/O PL 2.20 Item 6)
14	121K33710	Take Away Clutch 1 And 2
15	127K39520	T/A Motor
16	413W08350	Ball Bearing
17	413W77359	Bearing
18	-	Bracket (P/O PL 2.20 Item 6)

6 { 7-18

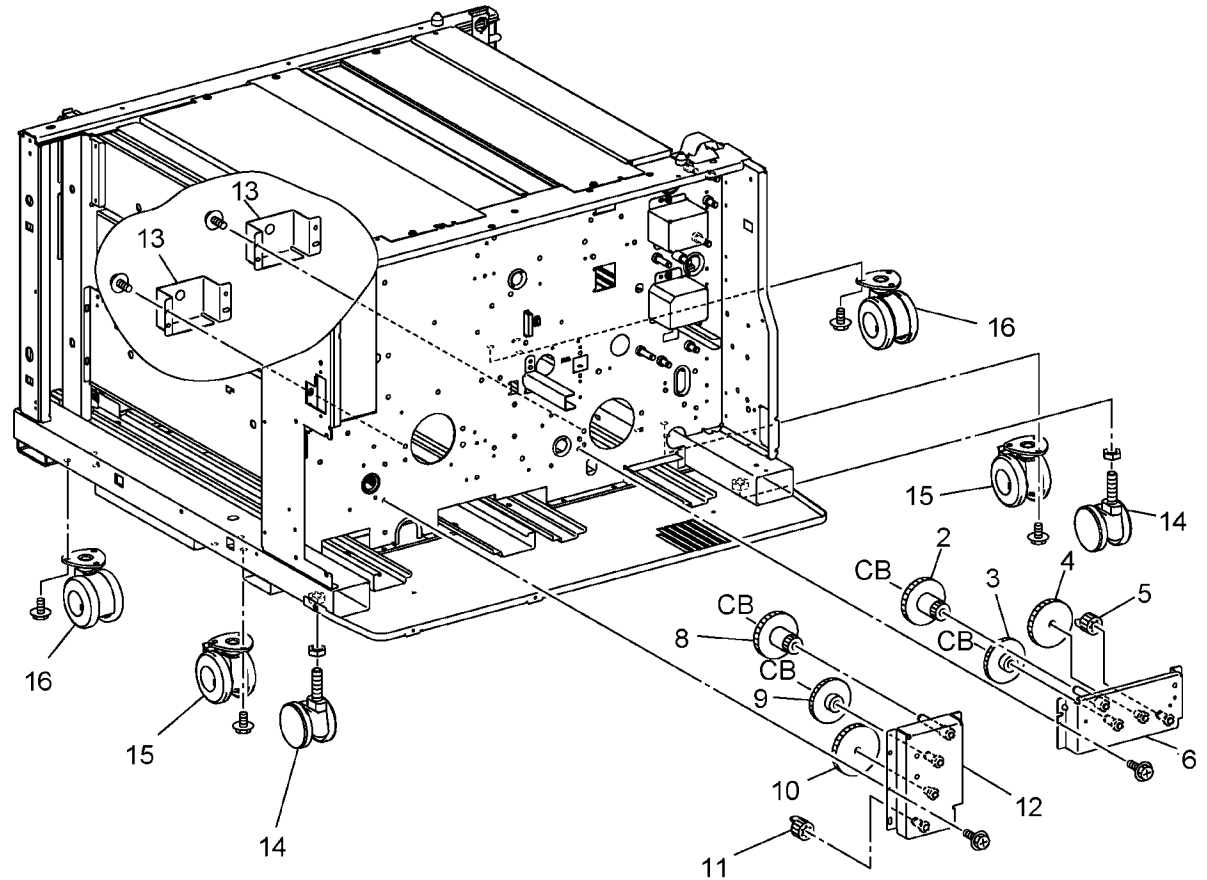


0502020A-OLY

PL 2.21 Tray 3/4 Gear Assembly

Item	Part	Description
1	030K75451	Tray 3 Gear Assembly
2	-	Gear (17T/50T)
3	-	Gear (16T/48T)
4	-	Gear (51T)
5	-	Gear (18T)
6	-	Bracket (P/O PL 2.21 Item 1)
7	030K76141	Tray 4 Gear Assembly
8	-	Gear (17T/50T)
9	-	Gear (16T/48T)
10	-	Gear (57T)
11	-	Gear (18T)
12	-	Bracket (P/O PL 2.21 Item 7)
13	-	Bracket
14	017E94310	Caster
15	017K93160	Caster
16	017K93170	Caster

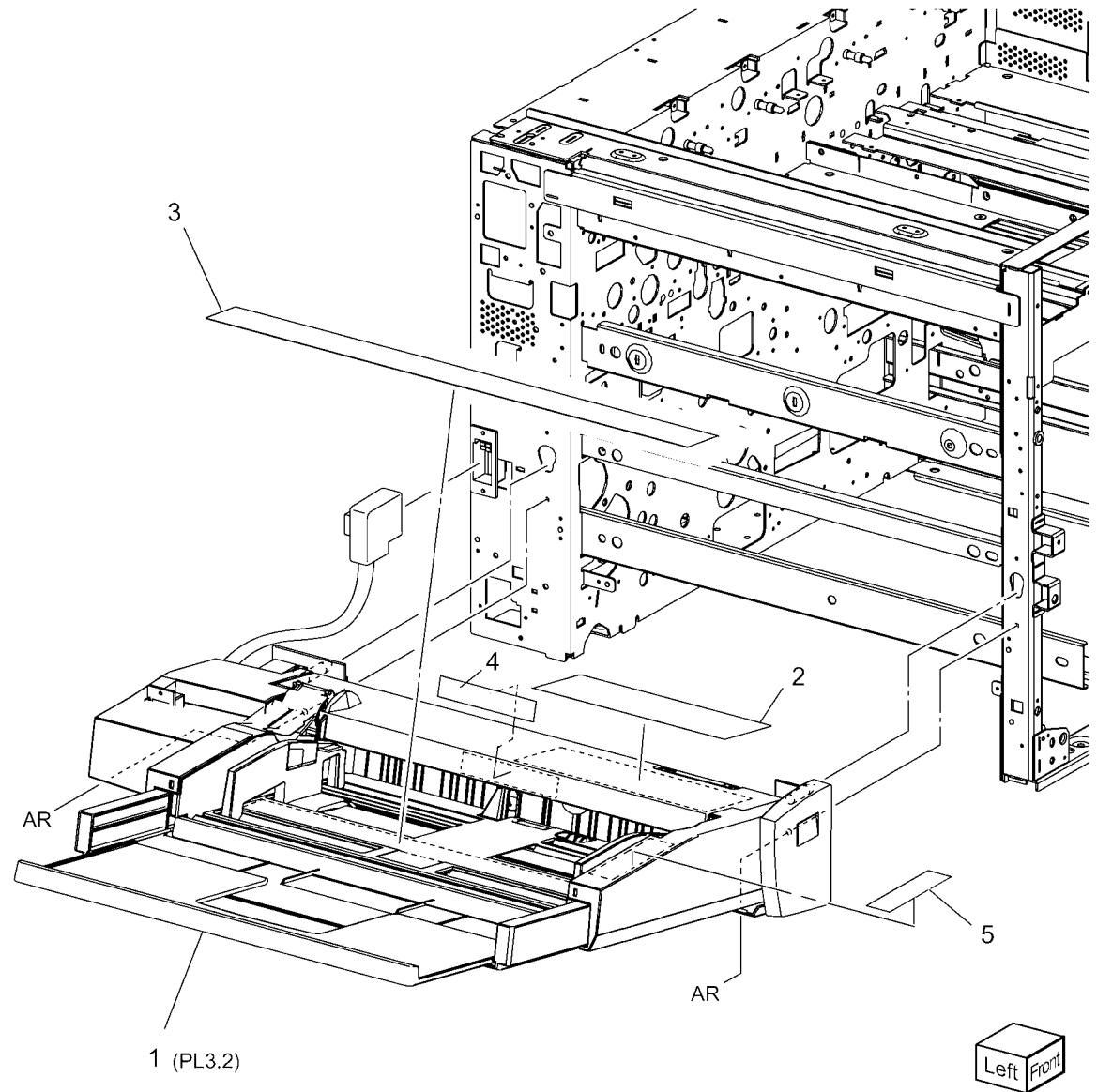
1 { 2-6
7 { 8-12



0502021A-OLY

PL 3.1 Tray 5 / Bypass Accessory

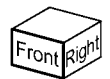
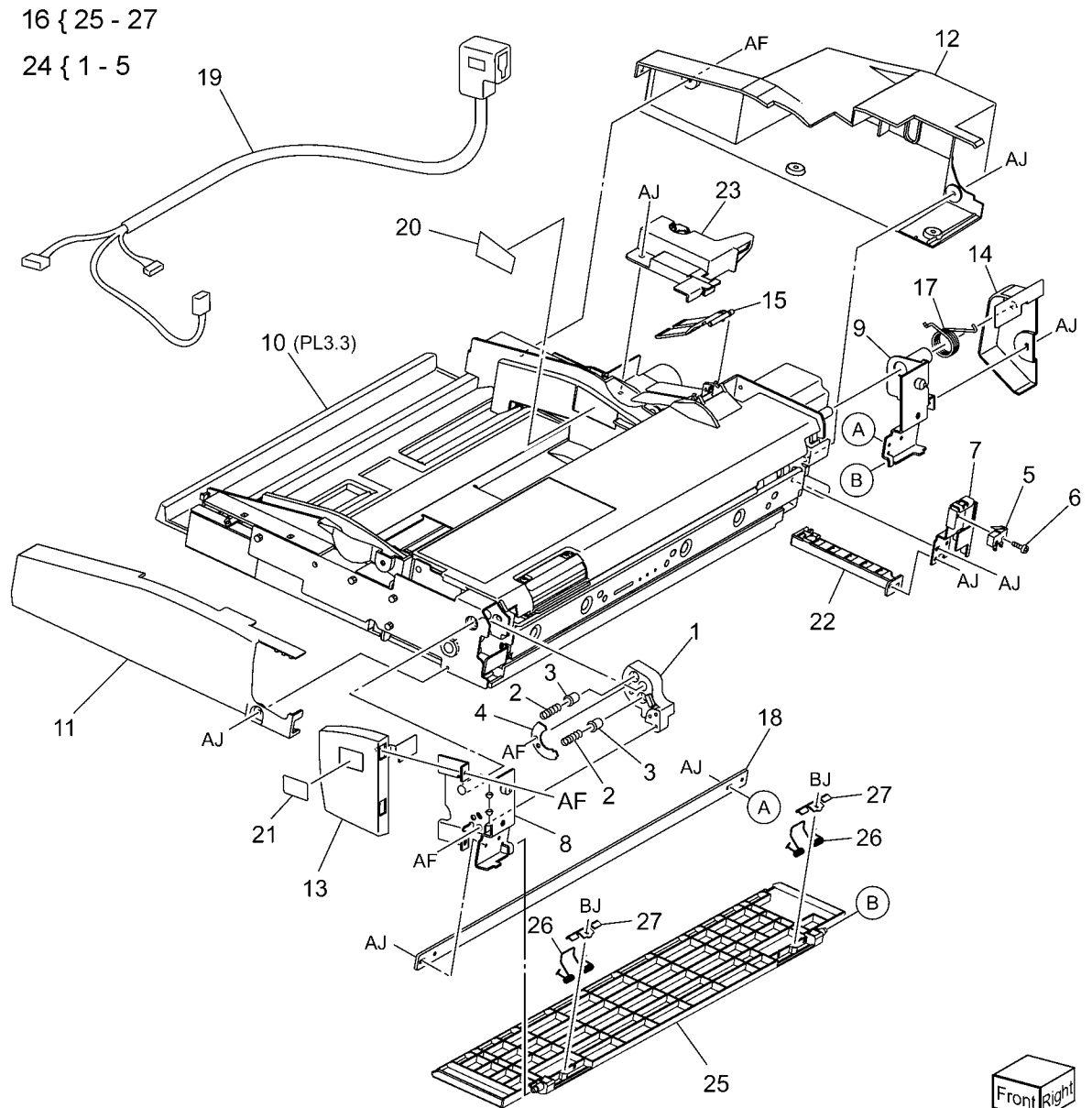
Item	Part	Description
1	059K42290	Tray 5 / Bypass (with Cover)
2	-	Label (Instruction)
3	-	Label (Size)
4	-	Label (Caution)
5	-	Label (Paper Reset)



0503001A-OLY

PL 3.2 Tray 5 / Bypass Cover

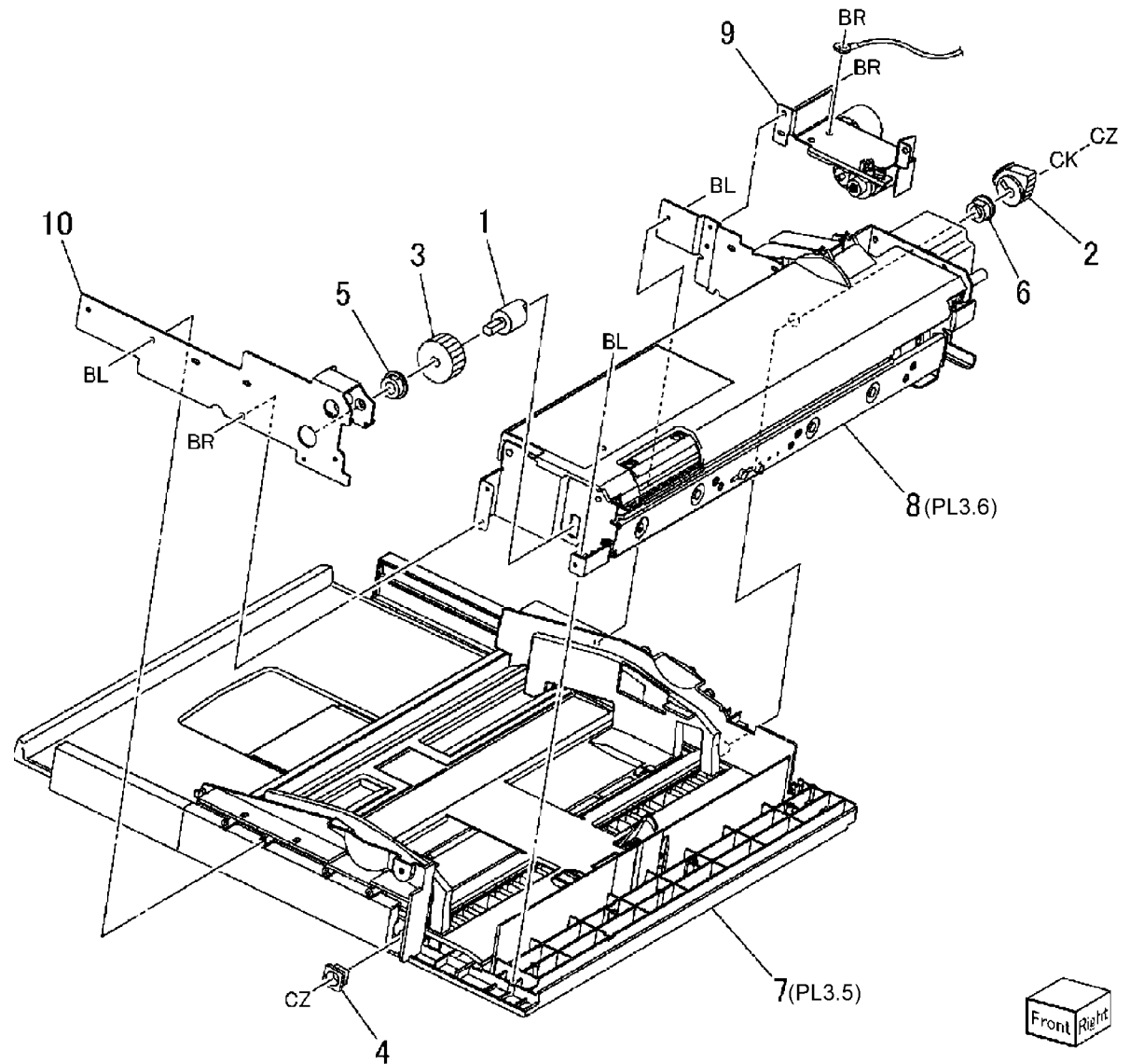
Item	Part	Description
1	-	Sector Gear (P/O PL 3.2 Item 24)
2	-	Compression Spring
3	-	Lock Pin (P/O PL 3.2 Item 24)
4	-	Lock Plate (P/O PL 3.2 Item 24)
5	110E11430	Cover Interlock Switch
6	-	Screw (M2.3x9) (P/O PL 3.1 Item 1)
7	-	Switch Bracket (P/O PL 3.1 Item 1)
8	-	Front Bracket (P/O PL 3.1 Item 1)
9	-	Rear Bracket (P/O PL 3.1 Item 1)
10	-	Tray 5/Bypass
11	802E55621	Front Cover 1
12	802E55633	Rear Cover 1
13	802E55640	Front Cover 2
14	802E55651	Rear Cover 2
15	802E63061	Upper Cover
16	802K57484	Lower Cover Assembly
17	-	Torsion Spring
18	-	Lower Plate (P/O PL 3.1 Item 1)
19	962K17863	Wire Harness
20	893E16170	Label (Max)
21	893E15750	Label (Number)
22	-	Harness Guide (P/O PL 3.2 Item 16)
23	-	Harness Cover (P/O PL 3.1 Item 1)
24	-	Lock Gear Assembly
25	-	Lower Cover (P/O PL 3.2 Item 16)
26	-	Spring (P/O PL 3.2 Item 16)
27	-	Bracket (P/O PL 3.2 Item 16)



0503002A-OLY

PL 3.3 Tray 5 / Bypass Component (1 of 2)

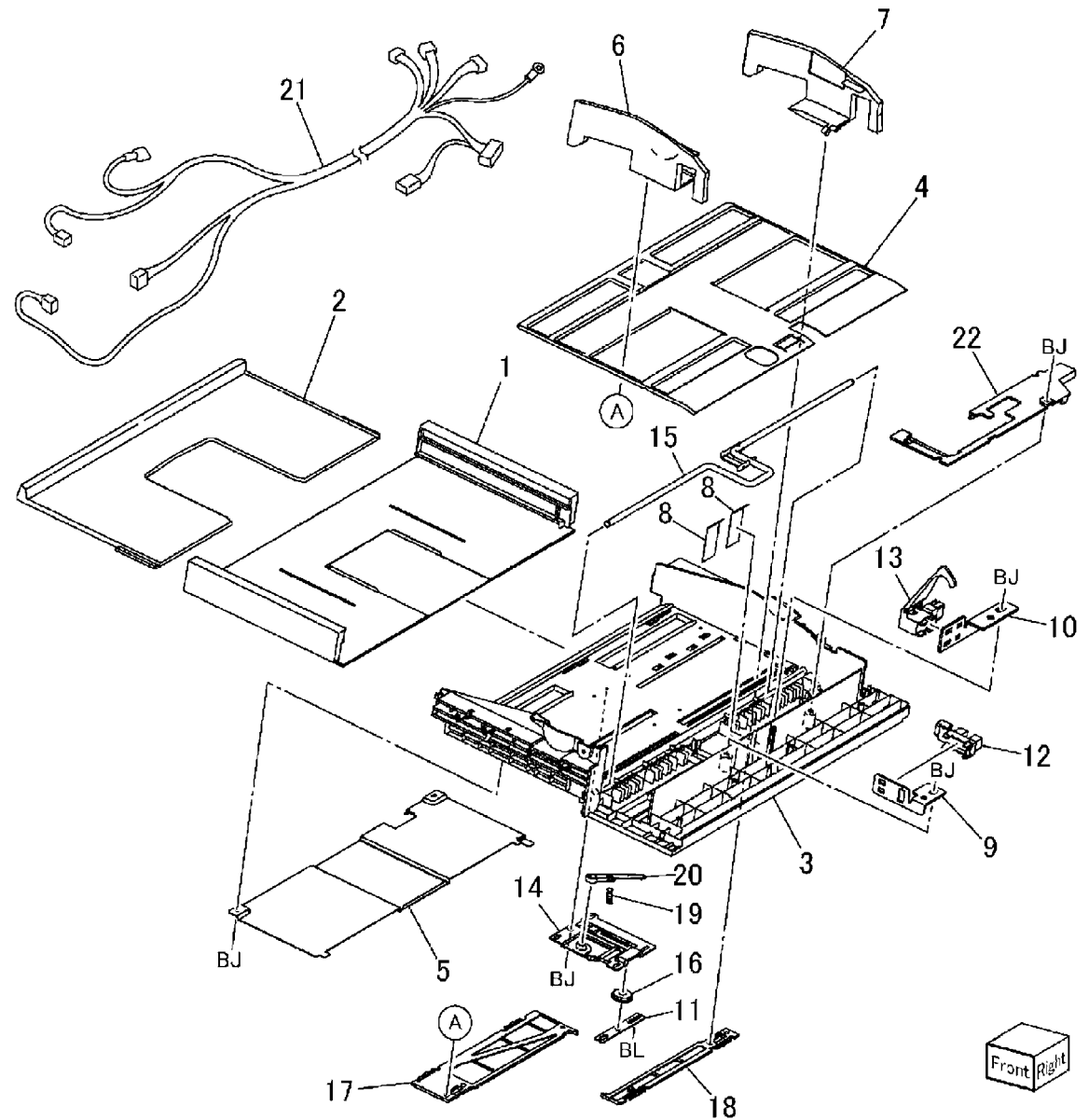
Item	Part	Description
1	-	Damper
2	007E79331	Sector Gear
3	007E79350	Gear (19T)
4	013E23610	Sleeve Bearing
5	-	Sleeve Bearing
6	013E92890	Sleeve Bearing
7	-	Tray
8	-	Feeder (REP 7.14)
9	801K05033	Lift Up Motor
10	-	Front Frame (Not Spared)



0503003A-OLY

PL 3.5 Tray 5 / Bypass Tray Component

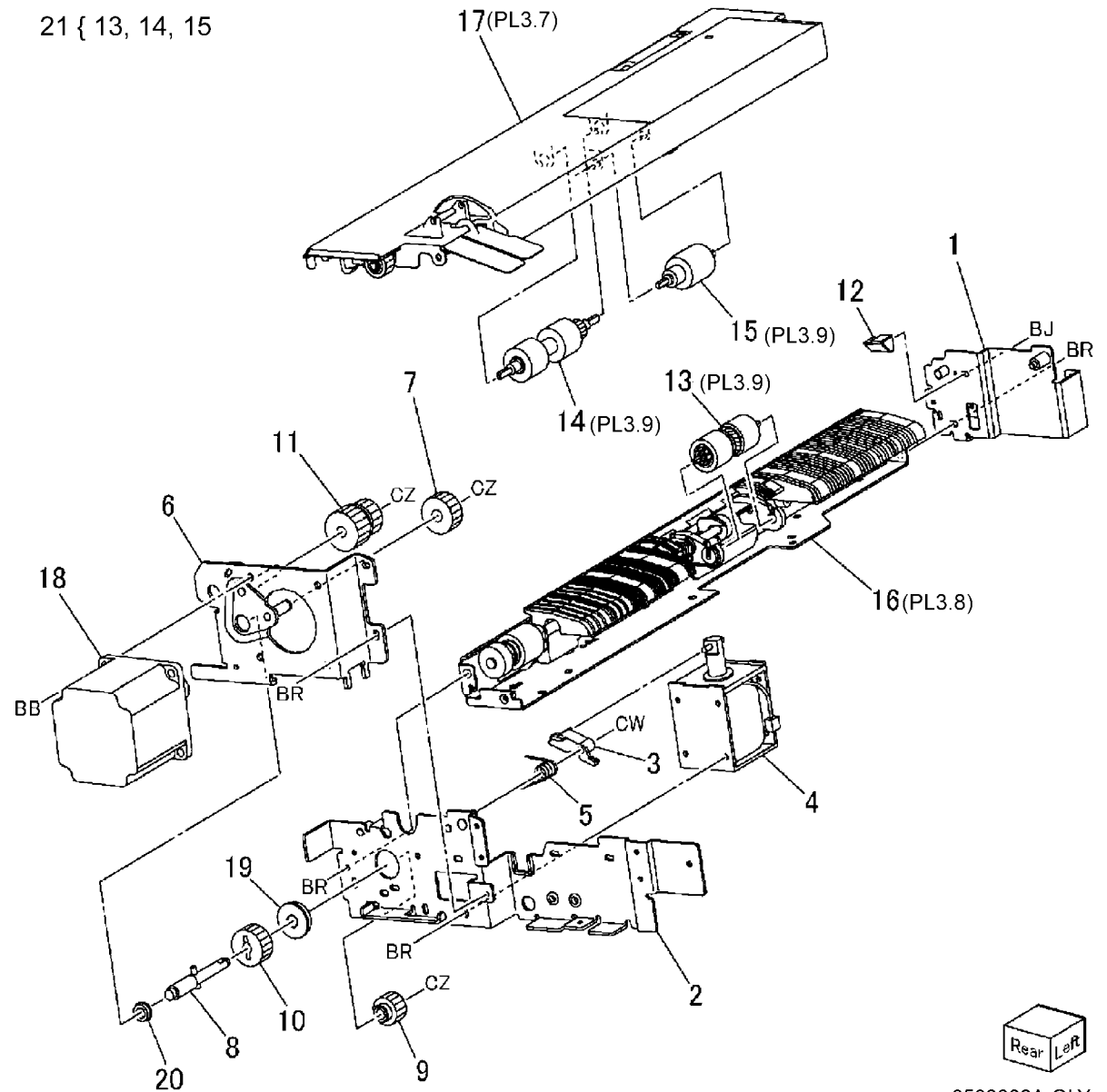
Item	Part	Description
1	-	Lower Tray
2	-	Extension Tray
3	-	Tray (P/O PL 3.1 Item 1)
4	-	Bottom Plate (P/O PL 3.1 Item 1)
5	802E55680	Tray Lower Cover
6	-	Front Side Guide
7	-	Rear Side Guide
8	-	Paper Guide
9	-	Sensor Bracket (P/O PL 3.1 Item 1)
10	-	Sensor Bracket (P/O PL 3.1 Item 1)
11	-	Gear Plate (P/O PL 3.1 Item 1)
12	930W00111	Lift Down Sensor
13	130K64360	Paper Set Sensor
14	130K64431	Size Sensor
15	-	Shaft (P/O PL 3.1 Item 1)
16	007E79700	Pinion Gear
17	-	Front Rack Gear
18	-	Rear Rack Gear
19	809E49930	Compression Spring
20	012E11760	Sensor Link
21	-	Tray Wire Harness (P/O PL 3.1 Item 1)
22	-	Harness Cover (P/O PL 3.1 Item 1)



0503005A-OLY

PL 3.6 Tray 5 / Bypass Feeder Component

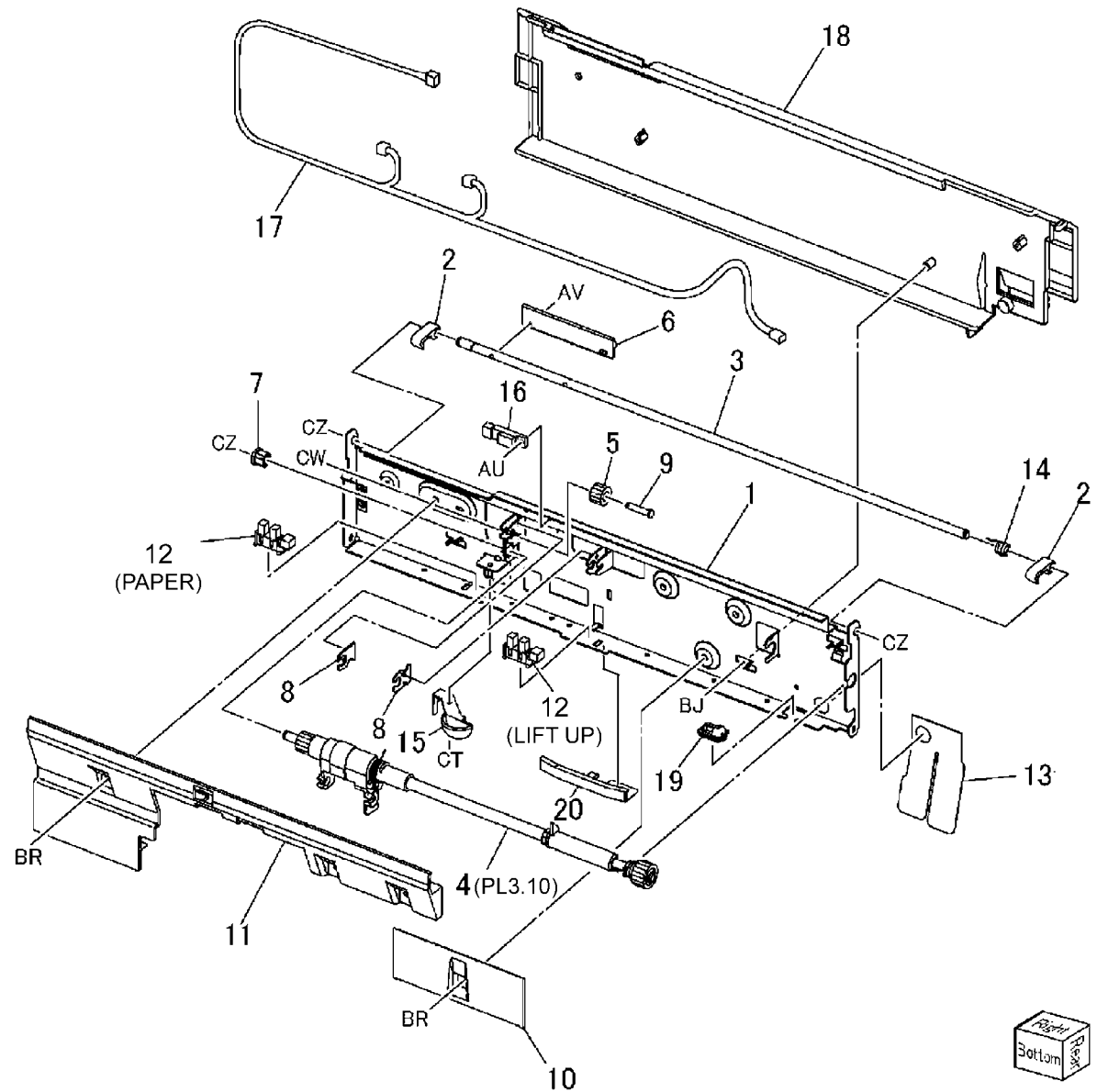
Item	Part	Description
1	-	Feeder Front Frame (P/O PL 3.3 Item 8)
2	-	Feeder Rear Frame (P/O PL 3.3 Item 8)
3	012E11041	Solenoid Link
4	121K31340	Nudger Solenoid
5	-	Torsion Spring
6	-	Motor Bracket (P/O PL 3.3 Item 8)
7	007E78770	Gear (25T)
8	-	Shaft (P/O PL 3.3 Item 8)
9	007E78760	Gear (19T)
10	007E78780	Gear (25T)
11	007K88730	One Way Clutch Gear (23T/27T)
12	-	Block (P/O PL 3.3 Item 8)
13	059K26591	Retard Roll (REP 7.15)
14	059K26691	Feed Roll (REP 7.15)
15	059K26700	Nudger Roll (P/O PL 3.3 Item 8) (REP 7.15)
16	-	Lower Feeder (P/O PL 3.3 Item 6)
17	059K29534	Upper Feeder (PL8.7)
18	127K38252	Feed Motor
19	013E25530	Sleeve Bearing
20	413W66250	Ball Bearing
21	604K23660	Retard, Feed, Nudger Roll Kit



0503006A-OLY

PL 3.7 Tray 5 / Bypass Upper Feeder Component

Item	Part	Description
1	-	Upper Feeder Frame (P/O PL 3.6 Item 17)
2	003E59570	Latch
3	-	Latch Shaft (P/O PL 3.6 Item 17)
4	006K23312	Feed/Nudger Shaft
5	007E78180	Gear (25T)
6	-	Lever (P/O PL 3.6 Item 17)
7	013E25540	Sleeve Bearing
8	-	Spacer
9	-	Pin
10	-	Upper Rear Chute (P/O PL 3.6 Item 17)
11	-	Upper Chute (P/O PL 3.6 Item 17)
12	930W00112	Lift Up Sensor, No Paper Sensor
13	-	Solenoid Guide (P/O PL 3.6 Item 17)
14	-	Torsion Spring
15	120E21900	Actuator
16	930W00211	Pre Feed Sensor
17	-	Upper Feeder Wire Harness (P/O PL 3.6 Item 17)
18	-	Upper Feeder Cover (P/O PL 3.6 Item 17)
19	-	Guide (P/O PL 3.6 Item 17)
20	-	Upper Guide (P/O PL 3.6 Item 17)

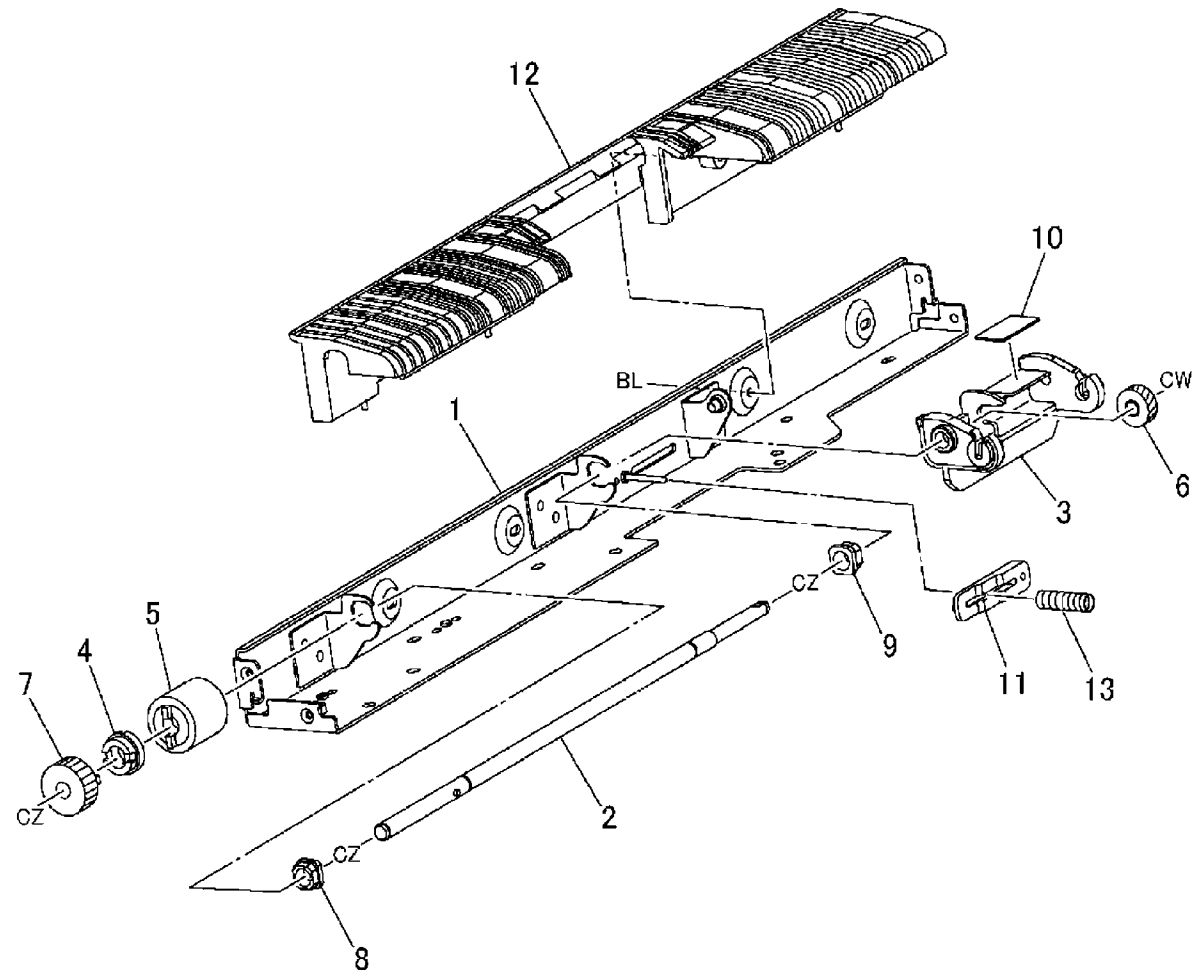


0503007A-OLY

PL 3.8 Tray 5 / Bypass Lower Feeder Component

Item	Part	Description
1	-	Lower Feeder Frame (P/O PL 3.3 Item 8)
2	-	Retard Shaft (P/O PL 3.3 Item 8)
3	-	Retard Bracket (P/O PL 3.3 Item 8)
4	-	Collar
5	005K06700	Friction Clutch
6	007E78170	Gear (15T)
7	007E89760	Gear (22T)
8	013E23600	Sleeve Bearing (Length: 5mm)
9	013E23610	Sleeve Bearing (Length: 6.6mm)
10	-	Pad
11	-	Retard Slide (P/O PL 3.3 Item 8)
12	-	Lower Chute (P/O PL 3.3 Item 8)
13	809E41221	Compression Spring
14	-	Retard Shaft Assembly

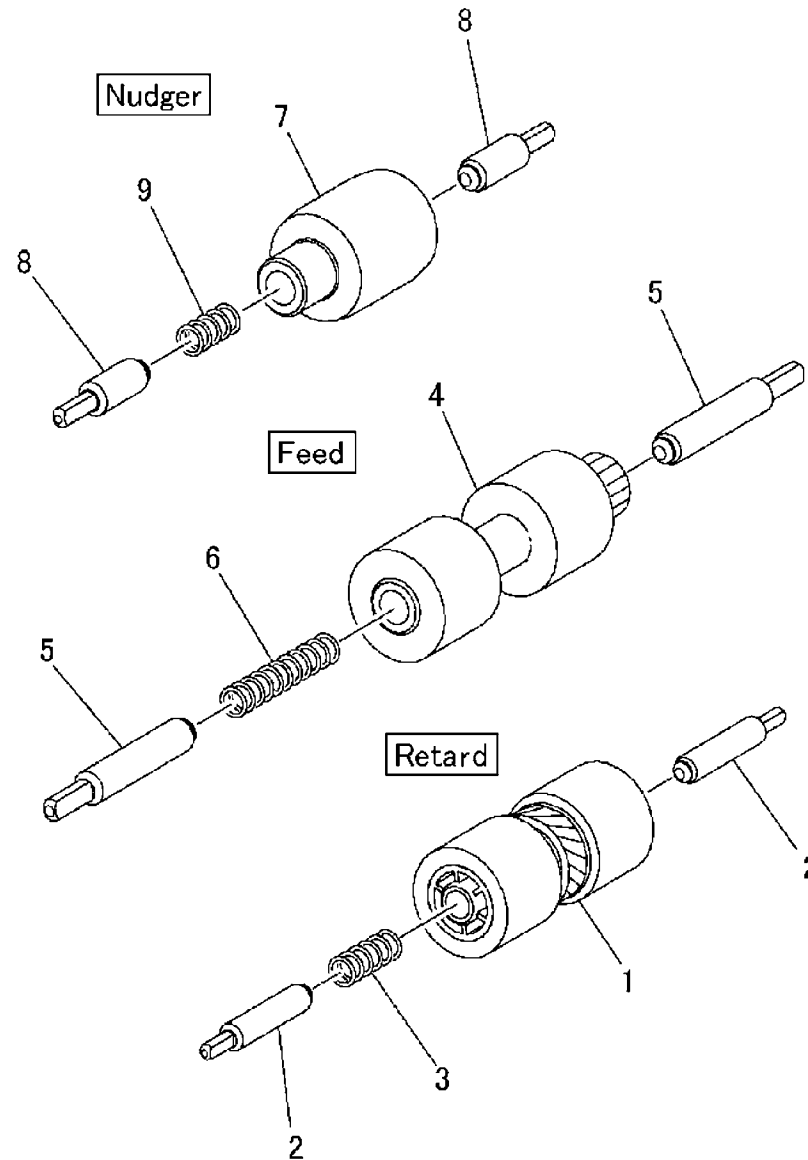
14 { 2 - 8



0503008A-OL

PL 3.9 Retard/Feed/Nudger Roll Component

Item	Part	Description
1	-	Retard Roll (P/O PL 3.7 Item 4)
2	-	Pin (P/O PL 3.6 Item 13)
3	-	Compression Spring (P/O PL 3.6 Item 3)
4	-	Feed Roll (P/O PL 3.6 Item 14)
5	-	Pin (P/O PL 3.6 Item 14)
6	-	Compression Spring (P/O PL 3.6 Item 14)
7	-	Nudger Roll (P/O PL 3.6 Item 15)
8	-	Pin (P/O PL 3.6 Item 15)
9	-	Compression Spring (P/O PL 3.6 Item 15)

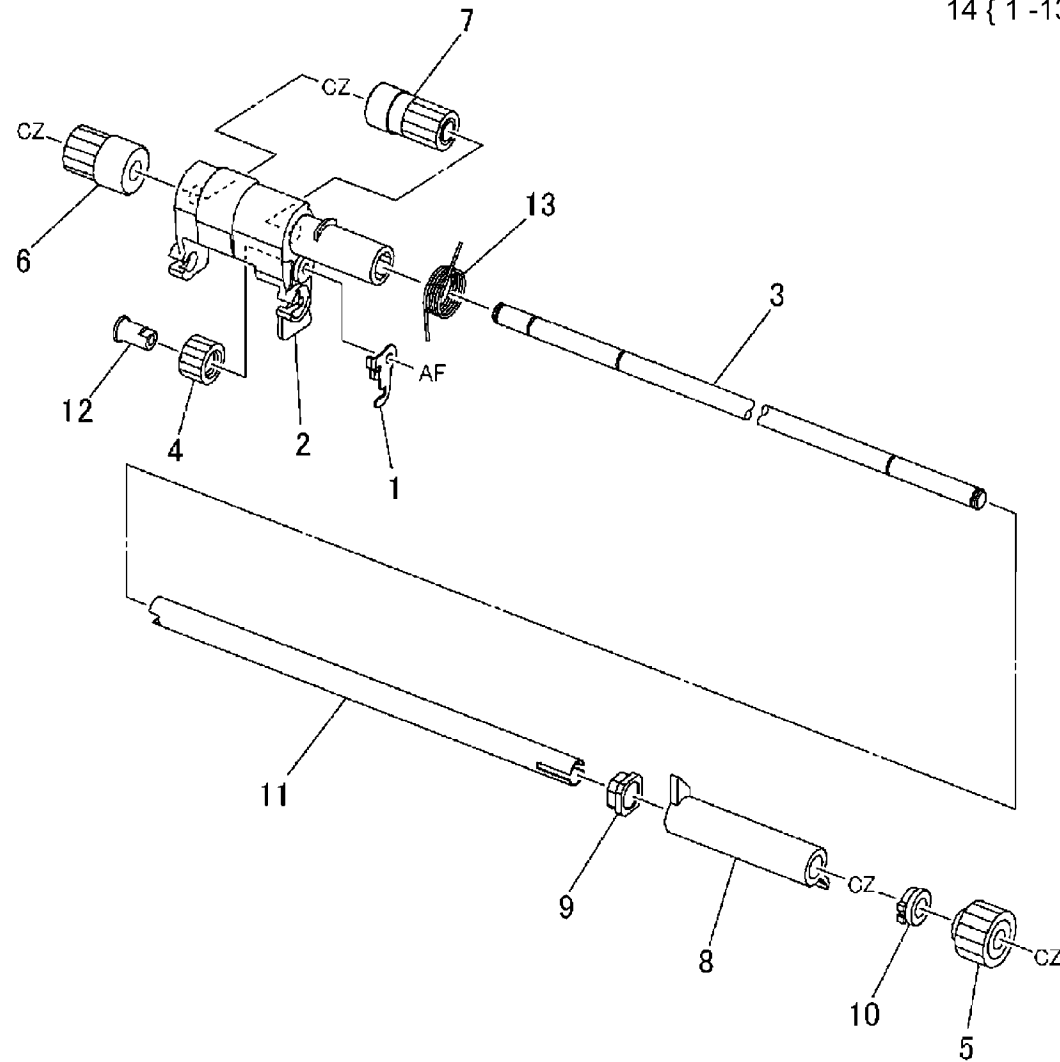


0503009A-OLY

PL 3.10 Feed/Nudger Shaft Component

Item	Part	Description
1	-	Nudger Support (P/O PL 3.7 Item 4)
2	-	Nudger Bracket (P/O PL 3.7 Item 4) (REP 7.16)
3	-	Shaft (P/O PL 3.7 Item 4)
4	-	Gear (23T) (P/O PL 3.7 Item 4)
5	-	Gear (20T) (P/O PL 3.7 Item 4)
6	-	One Way Clutch Gear (26T) (P/O PL 3.7 Item 4)
7	-	One Way Clutch Gear (22T) (P/O PL 3.7 Item 4)
8	-	Nudger Lever (P/O PL 3.7 Item 4) (REP 7.16)
9	-	Sleeve Bearing (P/O PL 3.7 Item 4)
10	-	Sleeve Bearing (P/O PL 3.7 Item 4)
11	-	Spacer (P/O PL 3.7 Item 4)
12	-	Pin (P/O PL 3.7 Item 4)
13	-	Torsion Spring (P/O PL 3.7 Item 4) (REP 7.16)
14	006K23312	Feed/Nudger Shaft Assembly

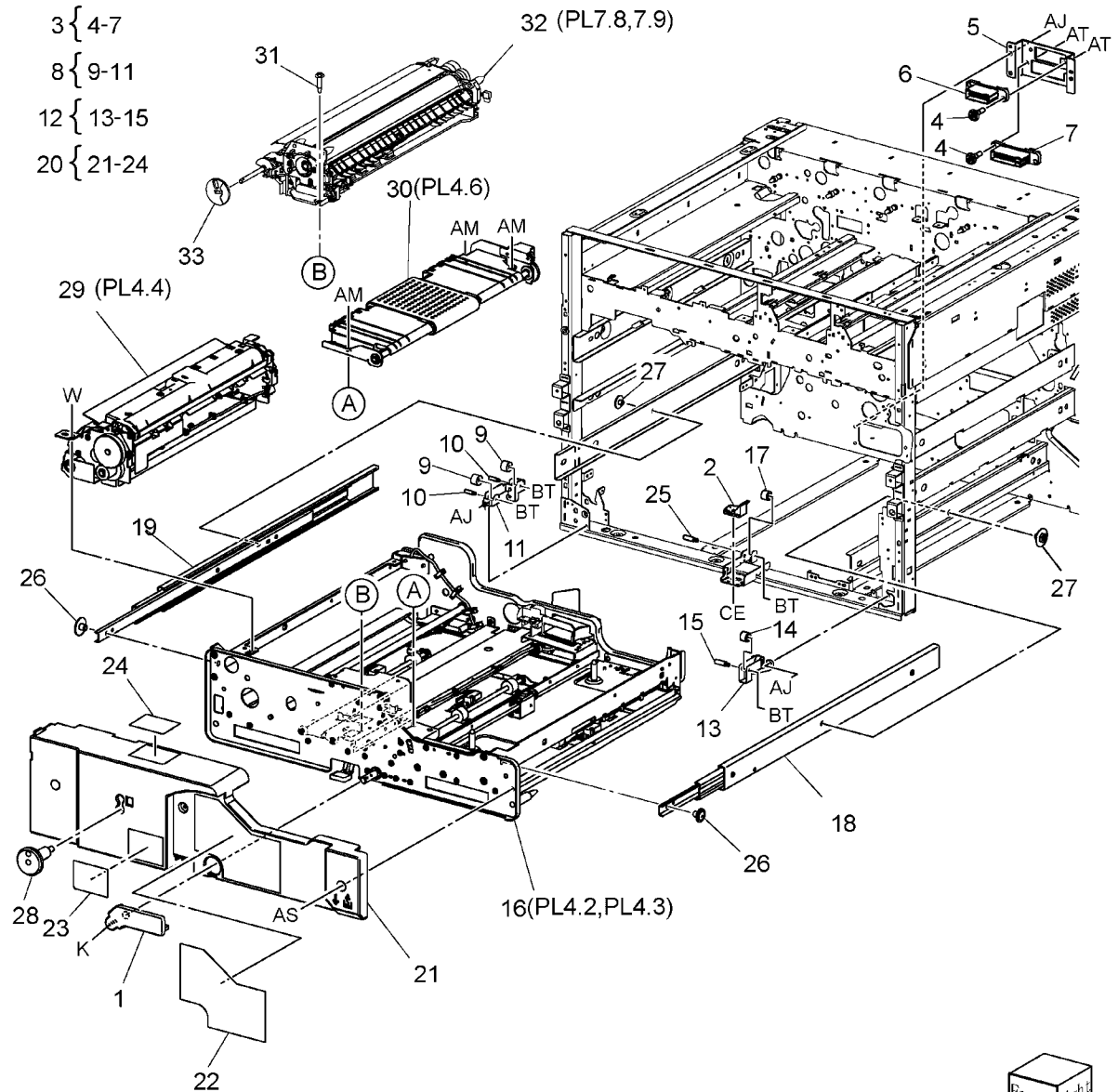
14 { 1 -13



0503010A-OLY

PL 4.1 Transfer Module Assembly (1 of 2)

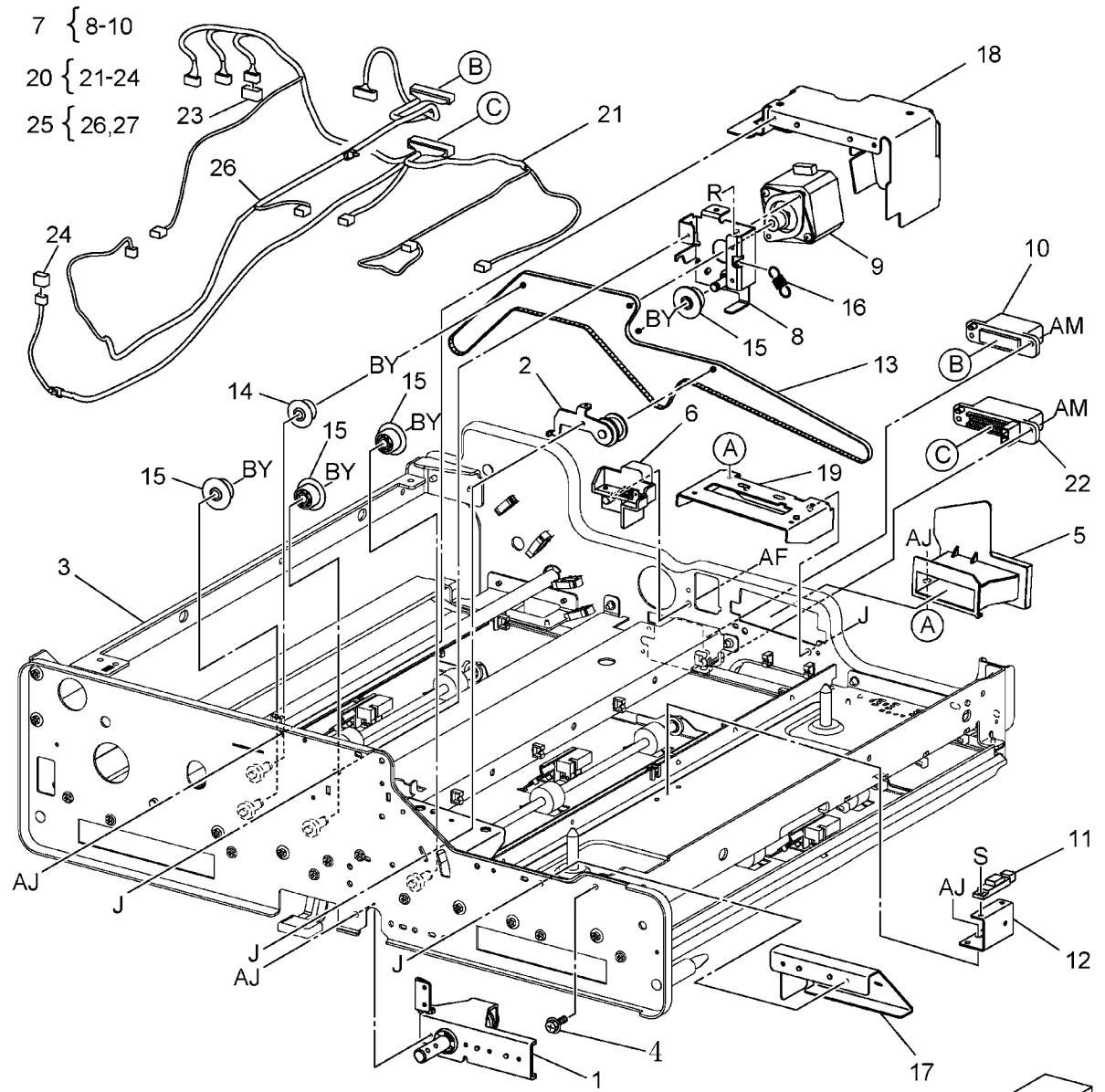
Item	Part	Description
1	003E61300	Knob
2	-	Block
3	-	Connector Bracket Assembly
4	-	Shoulder Screw (P/O PL 4.1 Item 3)
5	-	Bracket (P/O PL 4.1 Item 3)
6	913W12117	Connector (P/O PL 4.1 Item 3)
7	913W12124	Connector
8	-	Guide Assembly
9	-	Roller
10	-	Shaft
11	-	Bracket (P/O PL 4.1 Item 8)
12	-	Guide Assembly
13	-	Bracket (P/O PL 4.1 Item 12)
14	-	Roller
15	-	Shaft
16	-	Transfer Module Assembly
17	-	Roller
18	801K14822	Right Rail
19	801K14832	Left Rail
20	-	Cover Assembly
21	-	Cover (P/O PL 4.1 Item 20)
22	-	Label
23	-	Label (Instruction 2A)
24	-	Label (Instruction 2B)
25	-	Shaft
26	-	Shoulder Screw
27	-	Screw
28	-	Indicator Stopper
29	059K33168	Registration Transport Assembly (REP 8.1)
30	059K33522	V-Transport Assembly (REP 10.2)
31	-	Guide Pin
32	059K42034	2nd BTR Assembly (REP 9.4)
33	-	Indicator



0504001A-OLY

PL 4.2 Transfer Module Assembly (2 of 2)

Item	Part	Description
1	-	Drawer Latch
2	-	Tensioner
3	-	Frame Assembly
4	-	Screw
5	-	Duct
6	-	Connector
7	127K39742	Dup Motor Assembly
8	-	Bracket
9	-	Dup Motor
10	913W12113	Connector
11	-	Fuser Entrance Sensor
12	-	Bracket
13	423W01554	Belt
14	499W14524	Pulley
15	499W17061	Idler Pulley
16	-	Spring
17	-	Bracket
18	-	Bracket
19	-	Bracket
20	-	Wire Harness Assembly
21	-	Wire Harness
22	913W12114	Connector
23	-	Connector
24	-	Connector
25	-	Wire Harness Assembly
26	-	Wire Harness

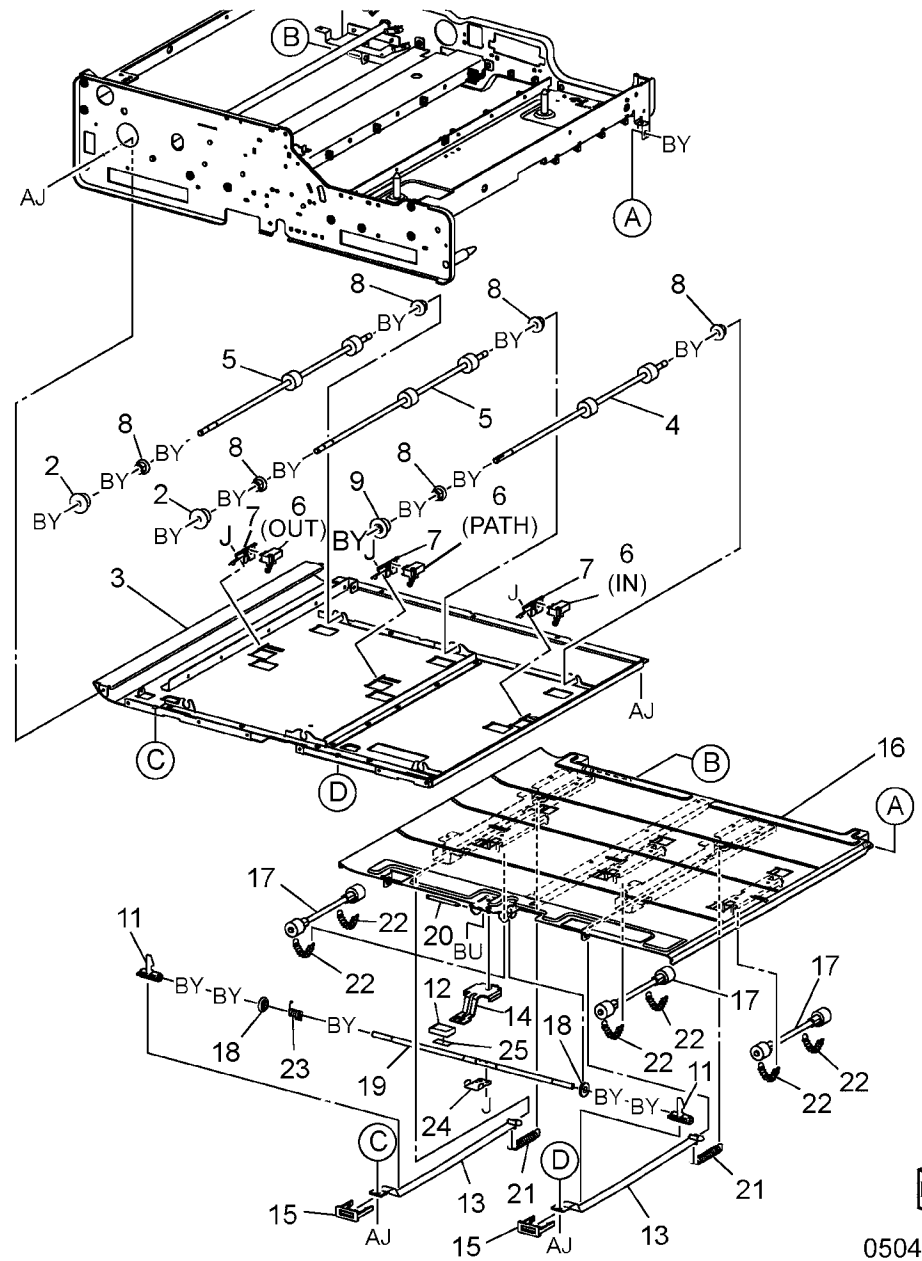


0504002A-OLY

PL 4.3 Duplex Transport

Item	Part	Description
1	-	Dup Upper Chute Assembly
2	-	Pulley
3	-	Dup Upper Chute (P/O PL 4.3 Item 1)
4	059K33501	Dup Roller 2
5	059K33511	Dup Roller 3
6	130K87880	Dup In Sensor, Dup Path Sensor, Dup Out Sensor
7	-	Bracket (P/O PL 4.3 Item 1)
8	-	Bearing
9	499W14124	Pulley
10	-	Lower Dup Chute Assembly
11	-	Latch
12	-	Knob
13	-	Stopper
14	-	Lever
15	-	Tape Guide
16	-	Lower Dup Chute (P/O PL 4.3 Item 10)
17	059K33350	Pinch Roll
18	413W75659	Bearing
19	-	Latch Shaft (P/O PL 4.3 Item 10)
20	-	Lever Shaft (P/O PL 4.3 Item 10)
21	-	Spring
22	809E55080	Spring
23	-	Spring (P/O PL 4.3 Item 10)
24	-	Bracket (P/O PL 4.3 Item 10)
25	-	Label

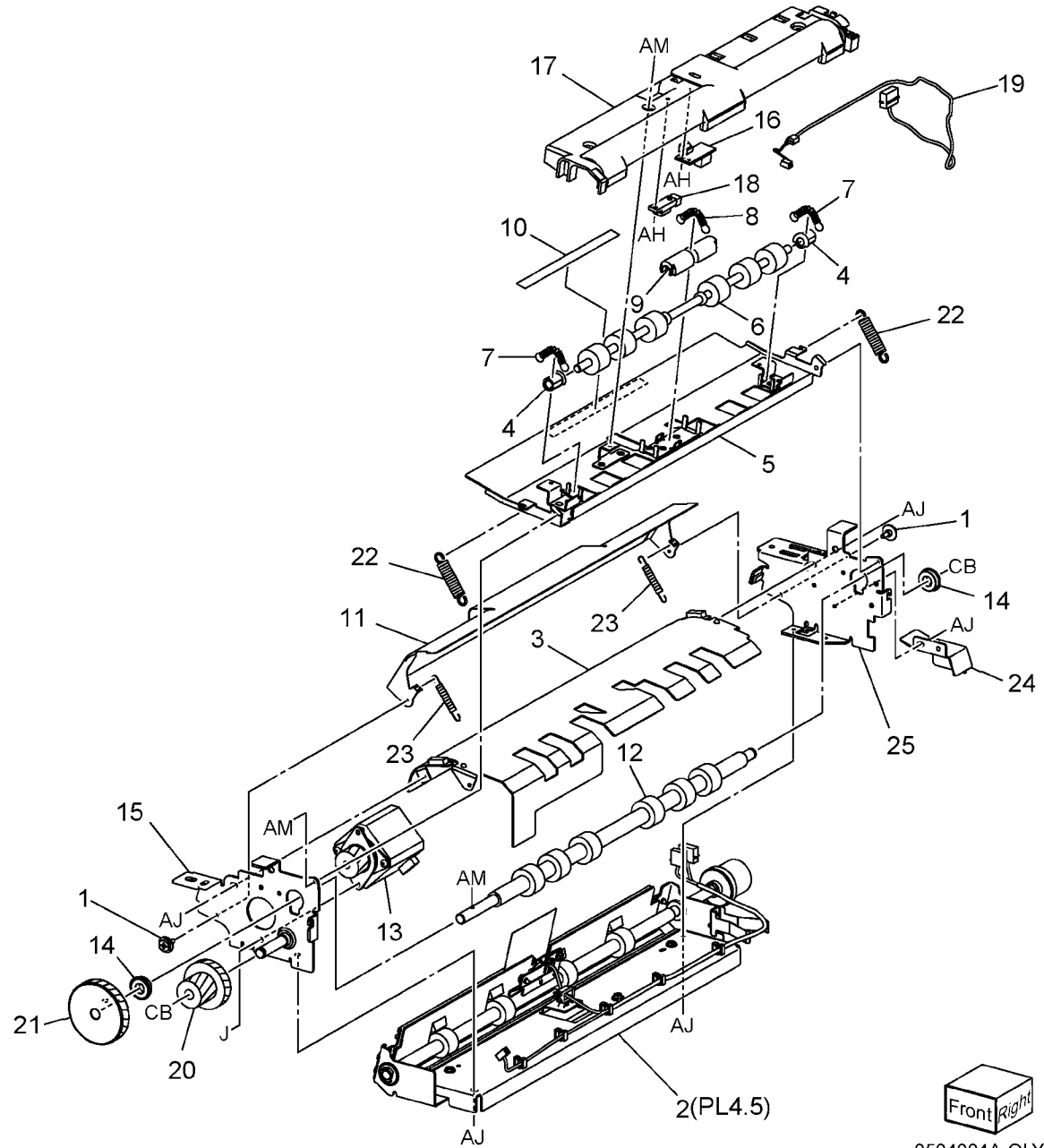
1 { 2-9
10 { 11-25



0504003A-OLY

PL 4.4 Registration Transport Assembly

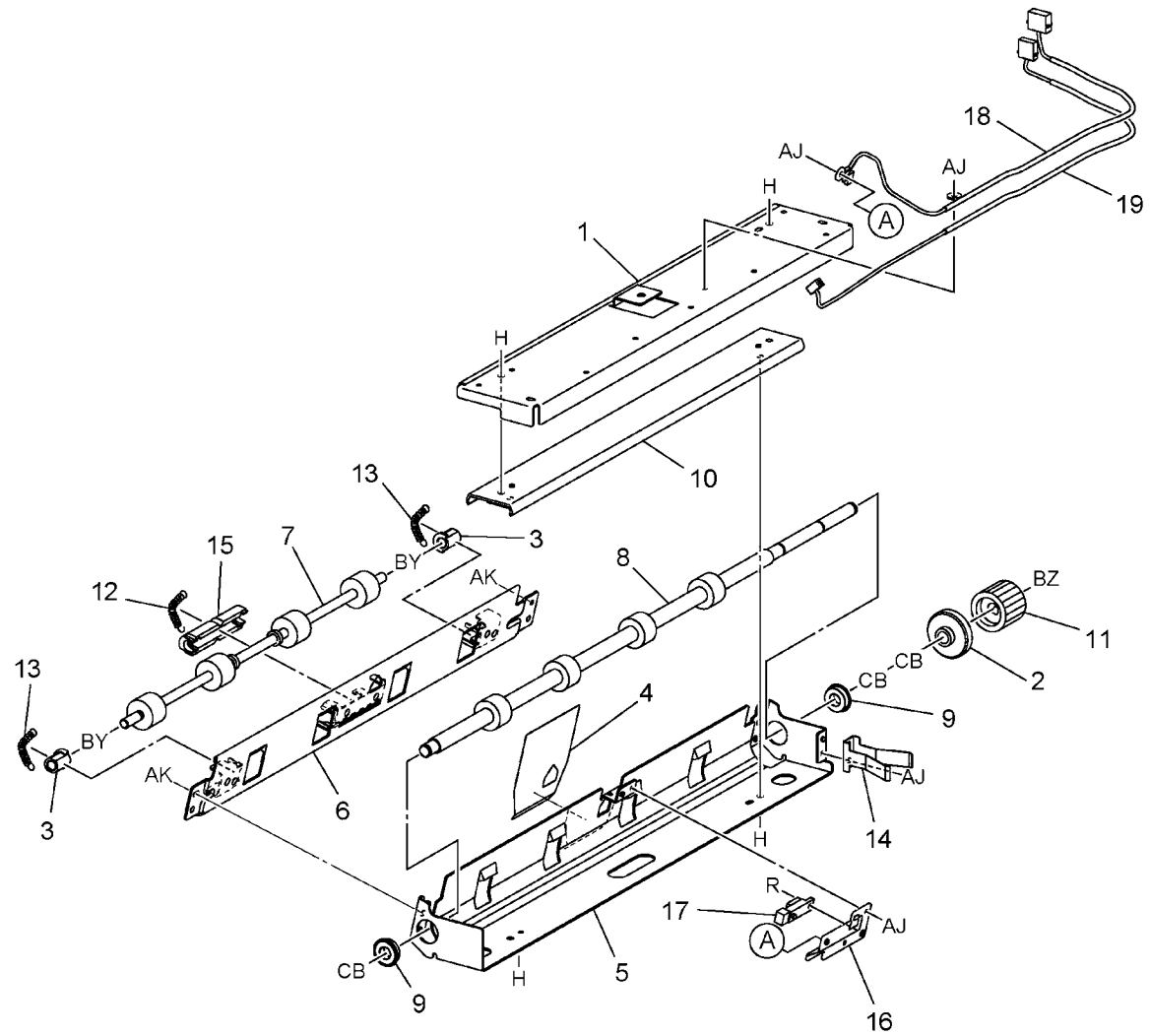
Item	Part	Description
1	-	Screw
2	-	Pre Registration Slide
3	-	Lower Chute
4	013E23631	Bearing
5	-	Roll Assembly
6	059K26180	Spring
7	809E09430	Spring
8	809E55300	Spring
9	830E60740	Support
10	-	
11	-	Registration Chute Assembly
12	059K26160	Registration Roll
13	127K39641	Registration Motor
14	413W08350	Bearing
15	-	Front Frame Assembly
16	160K74960	Transparency Sensor
17	-	Registration Cover
18	930W00211	Registration Sensor
19	-	Wire Harness
20	-	Gear (20T/35T)
21	-	Gear (47T)
22	809E41710	Spring
23	809E52460	Spring
24	-	Bracket Assembly
25	-	Rear Frame Assembly



0504004A-OLY

PL 4.5 Pre Registration Slide Assembly

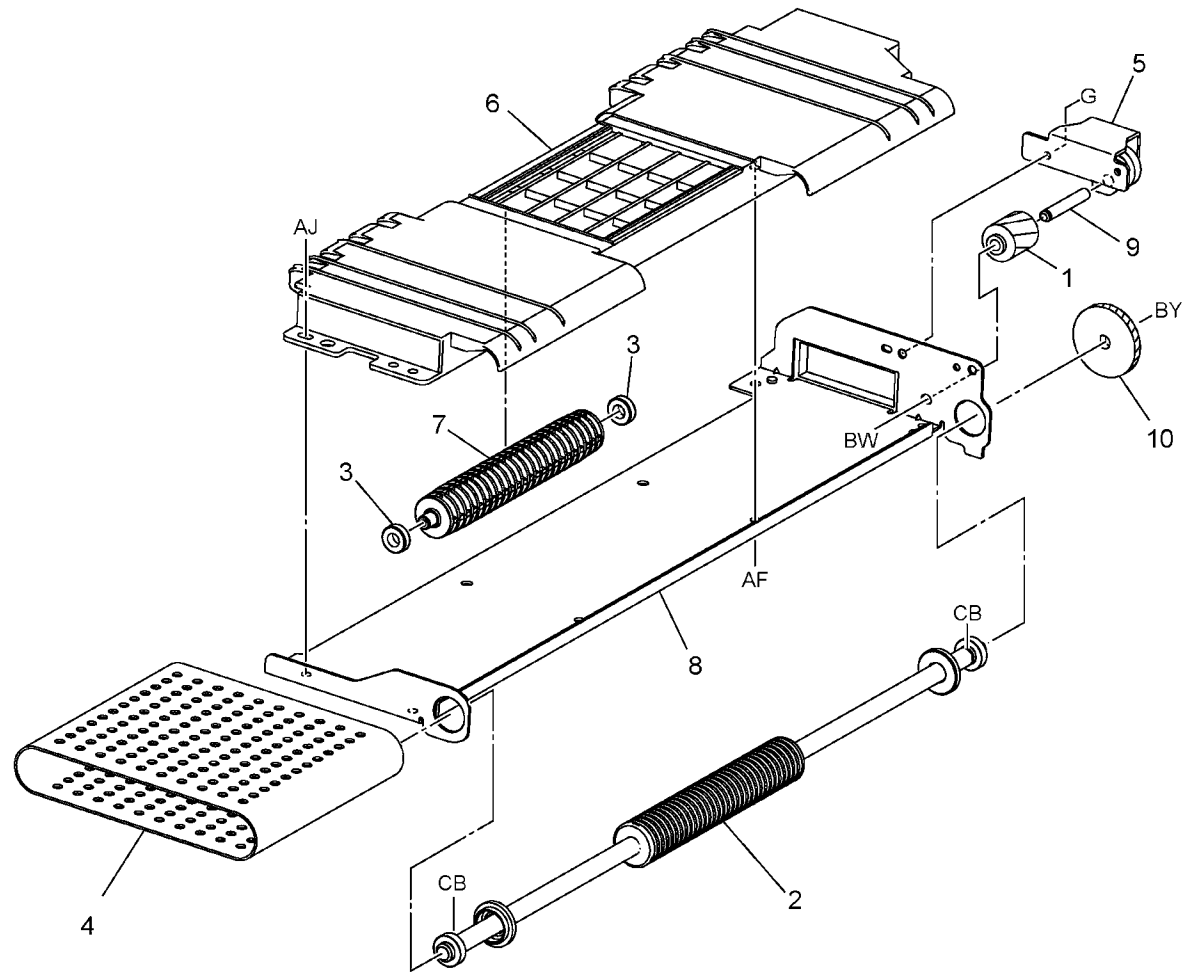
Item	Part	Description
1	-	Inner Frame
2	-	Collar
3	013E23631	Bearing
4	-	Paper Guide
5	-	Pre Registration Lower Chute
6	-	Chute Assembly
7	059K26190	Pinch Roll
8	059K33170	Pre Registration Roll
9	413W08350	Bearing
10	-	Rail
11	-	Gear (25T)
12	809E54920	Spring
13	809E54930	Spring
14	-	Spring
15	830E60740	Support
16	-	Bracket
17	930W00211	Pre Registration Sensor
18	-	Wire Harness
19	-	Wire Harness



0504005A-OLY

PL 4.6 V-Transport Assembly

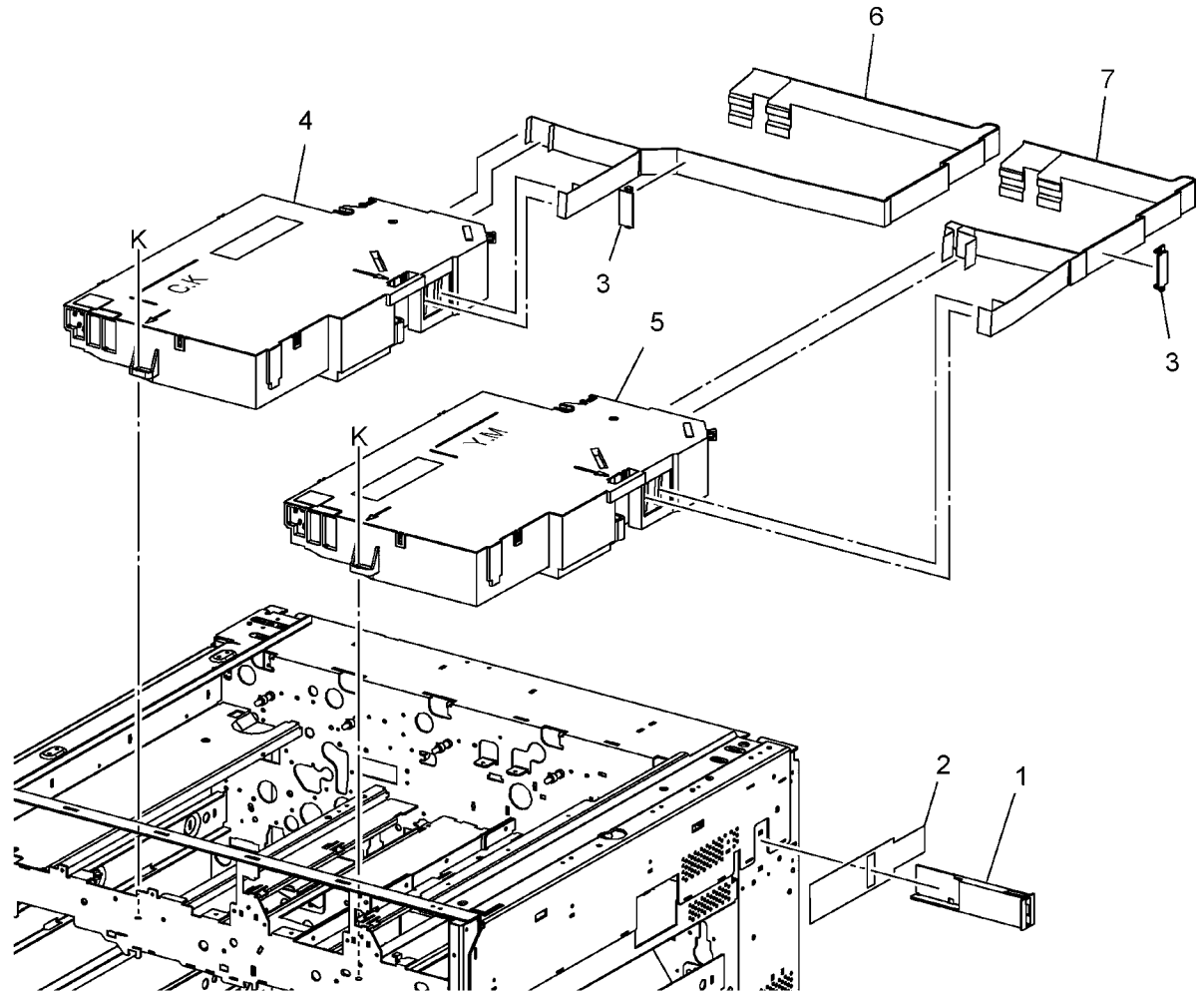
Item	Part	Description
1	-	Gear (15T)
2	-	Shaft
3	-	Ball Bearing
4	023E21400	Transport Belt (REP 10.3)
5	-	Bracket
6	-	Transport Chute
7	-	Roller
8	-	Frame Assembly
9	-	Shaft
10	-	Gear (29T)



0504006A-OLY

PL 5.1 ROS

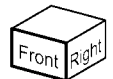
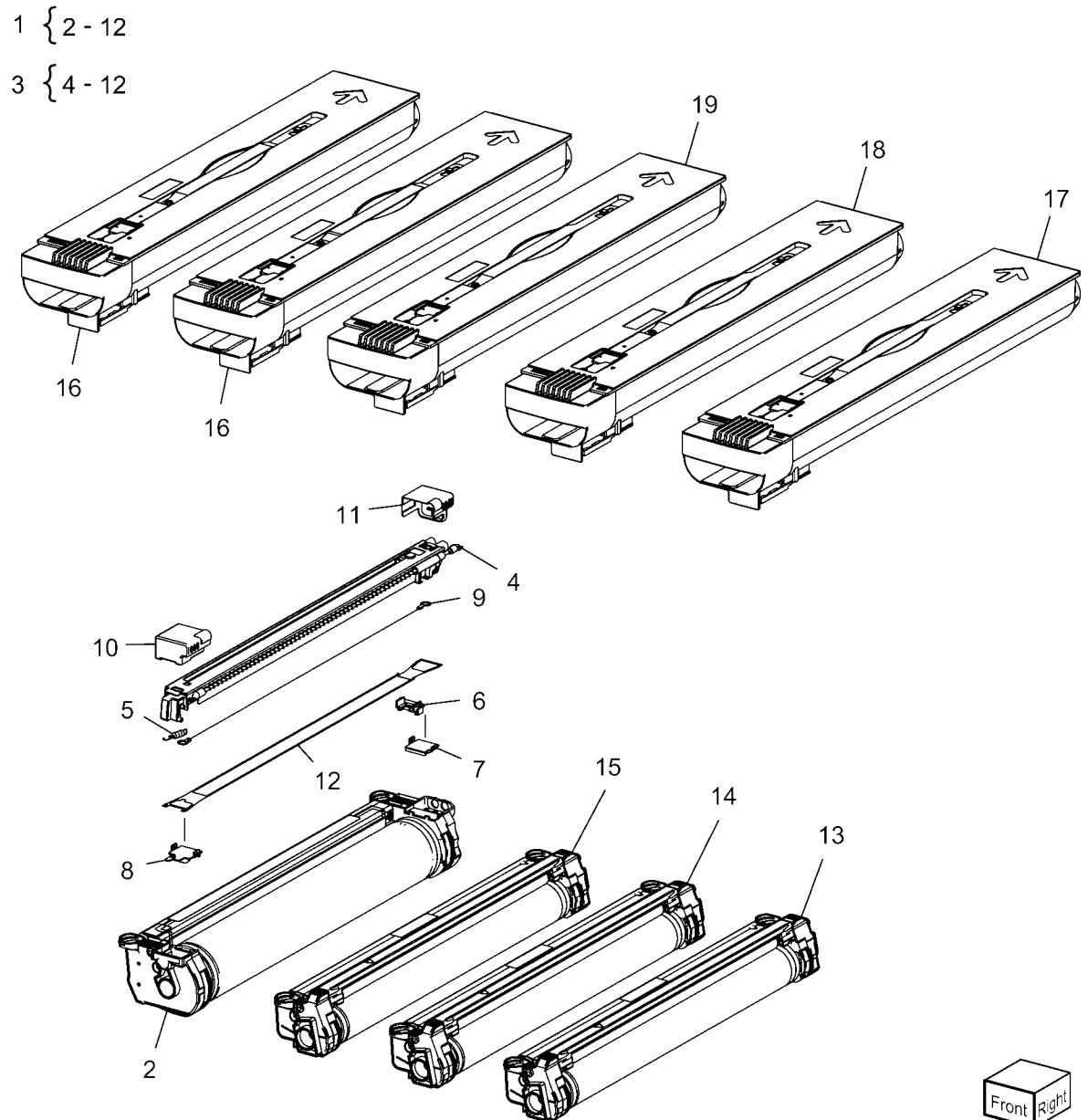
Item	Part	Description
1	-	Guide (Not Spared)
2	-	Seal (Not Spared)
3	-	Clamp
4	062K15037	ROS Assembly (C, K) (REP 6.1)
5	062K15047	ROS Assembly (Y, M) (REP 6.2)
6	962K24311	Flat Cable (C, K)
7	962K24321	Flat Cable (Y, M)



0505001A-OLY

PL 6.1 Drum/Toner Cartridge

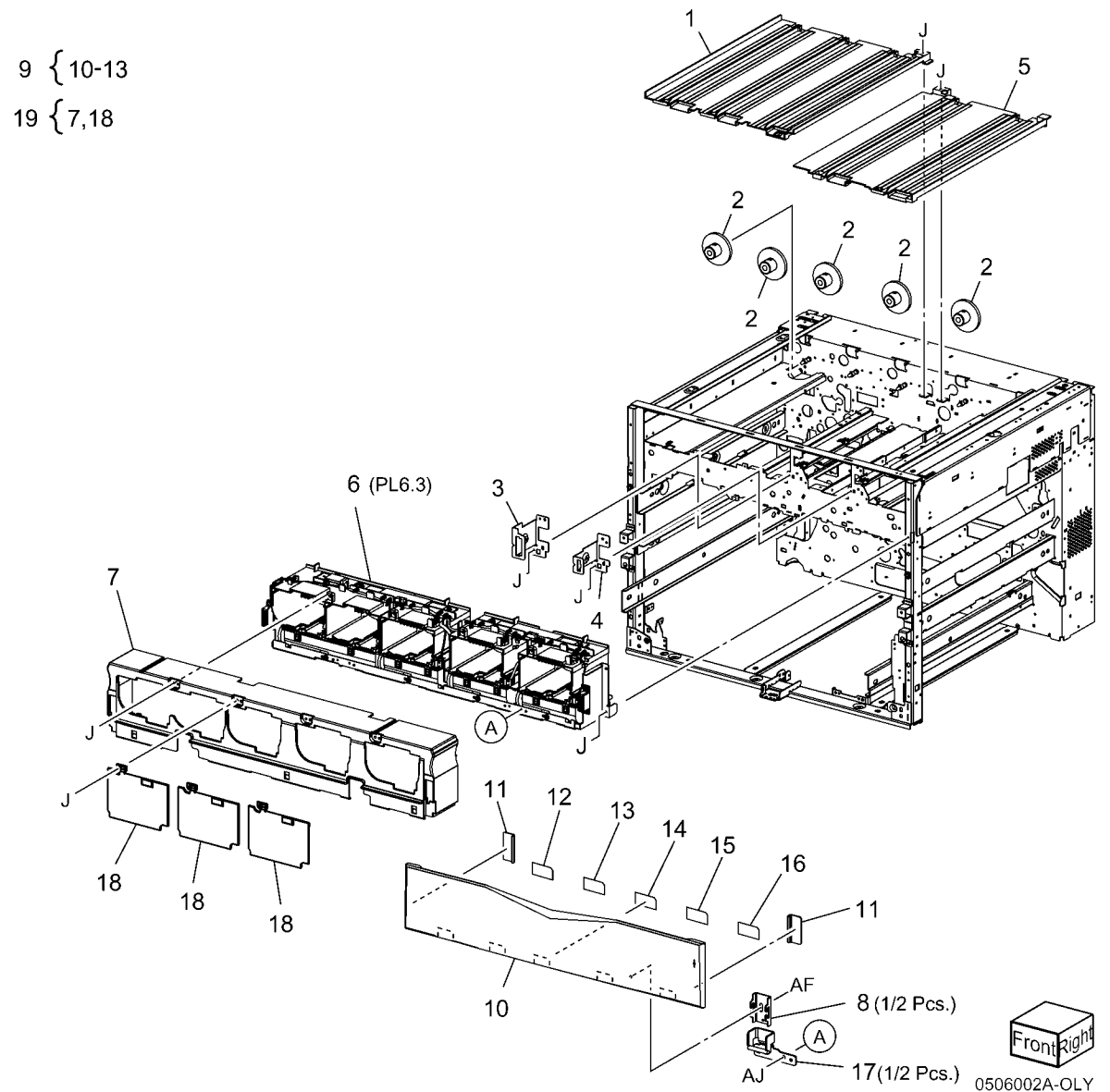
Item	Part	Description
1	-	Drum Cartridge Assembly (K) (Not Spared)
2	-	Drum (P/O PL 6.1 Item 1)
3	-	Scorotron Unit Assembly
4	-	Scorotron (P/O PL 6.1 Item 1)
5	009E97011	Spring Wire (P/O PL 6.1 Item 1) (REP 9.8)
6	-	Cleaner (P/O PL 6.1 Item 1)
7	-	Rear Shield (P/O PL 6.1 Item 1)
8	-	Front Shield (P/O PL 6.1 Item 1)
9	-	Corotron Wire (P/O PL 6.1 Item 1)
10	-	Front Cover (P/O PL 6.1 Item 1)
11	-	Rear Cover (P/O PL 6.1 Item 1)
12	-	Grid Plate (P/O PL 6.1 Item 1)
13	-	Y Drum Cartridge (Not Spared) (ADJ)
14	-	M Drum Cartridge (Not Spared) (REP 9.8)
15	-	C Drum Cartridge (Not Spared) (REP 9.8)
16	-	K Toner Cartridge (Not Spared)
17	-	Y Toner Cartridge (Not Spared)
18	-	M Toner Cartridge (Not Spared)
19	-	C Toner Cartridge (Not Spared)



0506001A-OLY

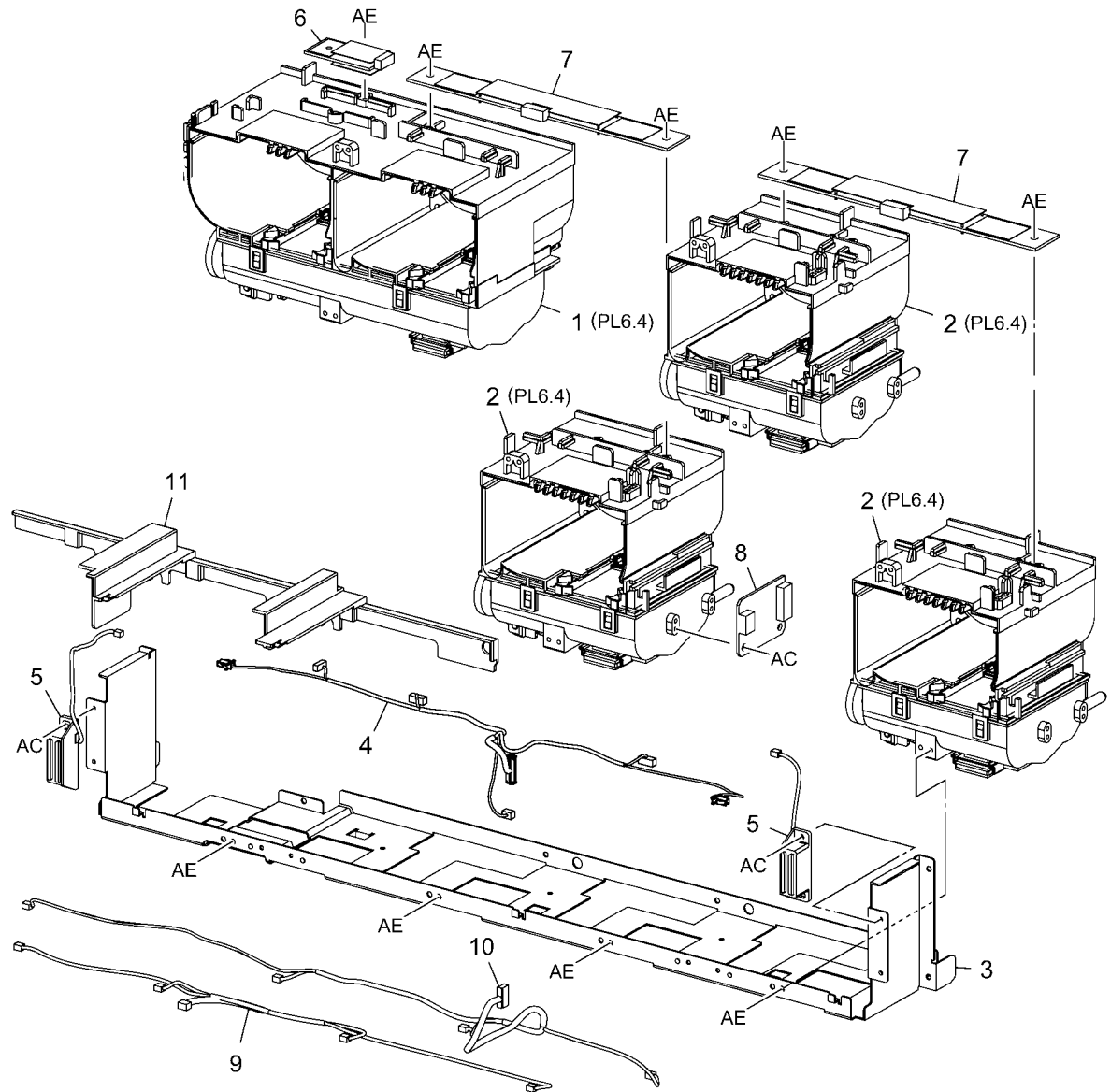
PL 6.2 Dispense Unit

Item	Part	Description
1	-	Left Plate
2	807E02800	Gear
3	-	Bracket (Not Spared)
4	-	Bracket (Not Spared)
5	-	Right Plate
6	-	Dispense (Y,M,C,K) (REP 9.9)
7	-	Inner Cover
8	-	Hinge
9	802K65463	Toner Cartridge Cover Assembly
10	-	Toner Cartridge Cover (P/O PL 6.2 Item 9)
11	-	Magnet Plate (P/O PL 6.2 Item 9)
12	-	K1 Label (P/O PL 6.2 Item 9)
13	-	K2 Label (P/O PL 6.2 Item 9)
14	-	Y Label
15	-	M Label
16	-	C Label
17	-	Hinge
18	-	Plate
19	-	Inner Cover Assembly



PL 6.3 Dispense Assembly (Y, M, C, K)

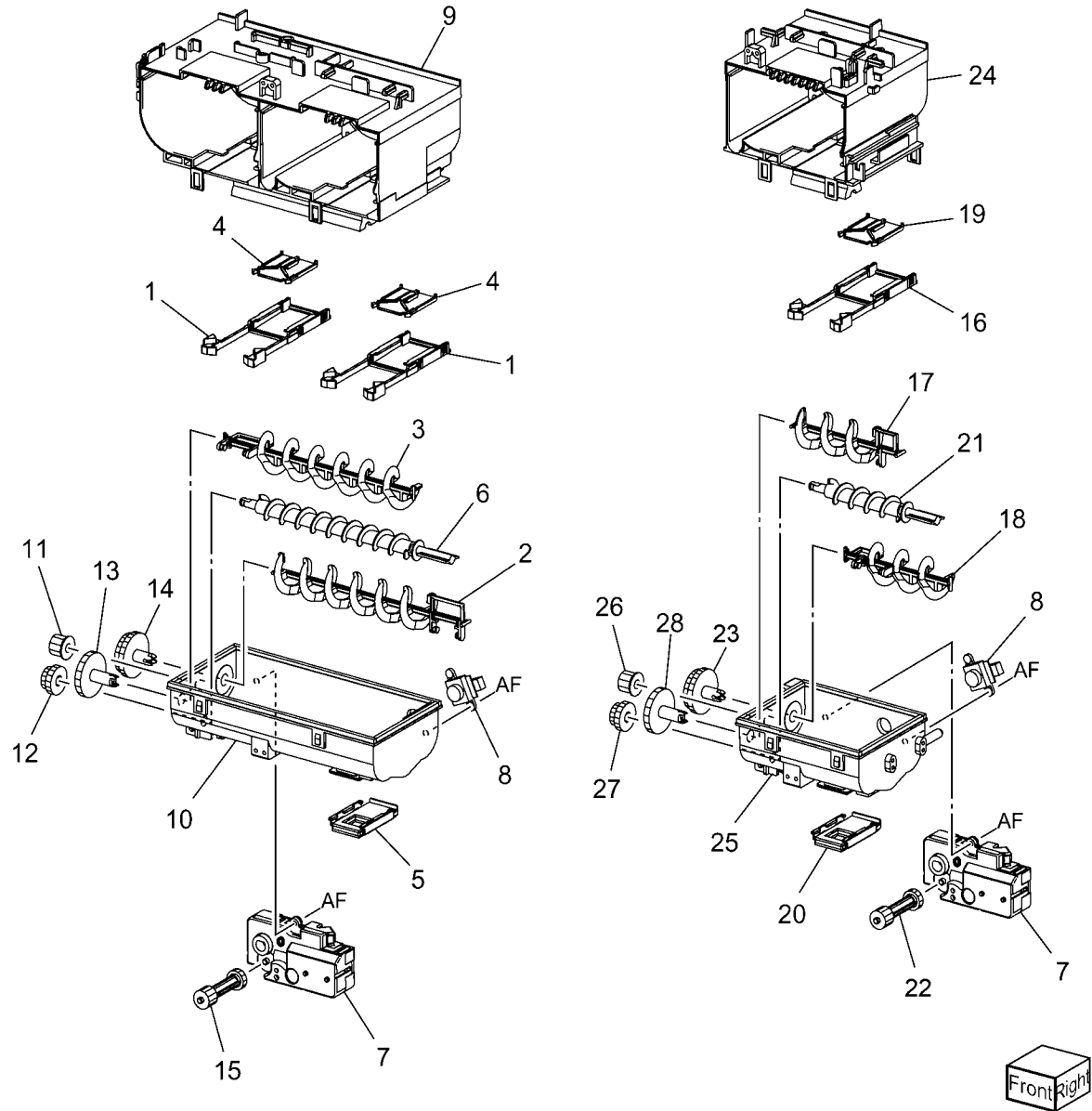
Item	Part	Description
1	094K04542	K Dispense (REP 9.16)
2	094K04551	Y Dispense, C Dispenser, M Dispenser (REP 9.17 REP 9.18 REP 9.19)
3	-	Base (Not Spared)
4	-	Wire Harness (Not Spared)
5	110K12080	Switch
6	160K95830	Toner Cartridge CRUM PWB K
7	160K95840	Toner Cartridge CRUM PWB (C, M, Y)
8	960K01281	Low Toner Sensor PWB (REP 9.20)
9	-	Wire Harness (Not Spared)
10	-	Wire Harness (Not Spared)
11	-	Guide (Not Spared)



0506003A-OLY

PL 6.4 Dispense Assembly

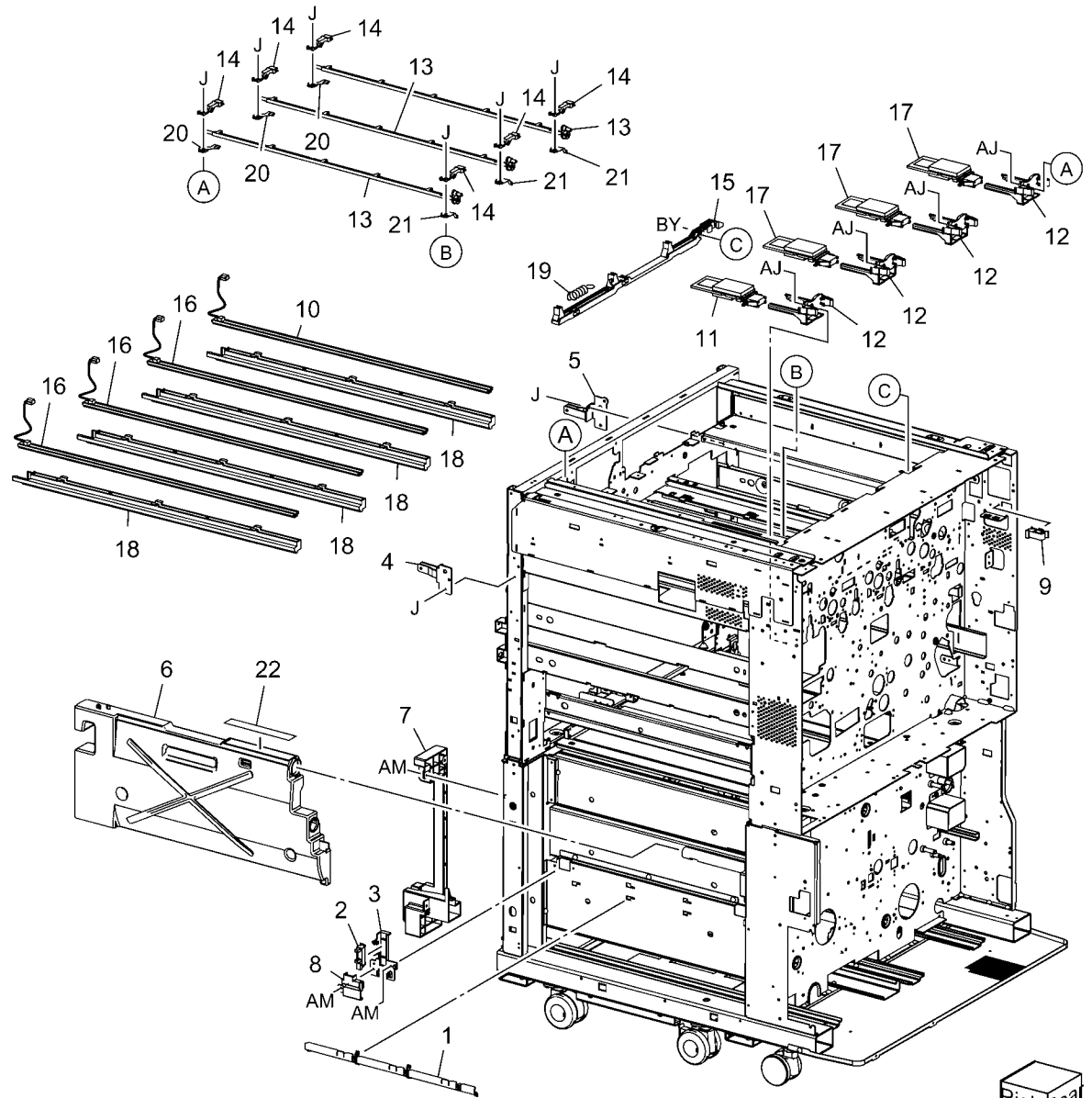
Item	Part	Description
1	-	Stopper
2	-	K Agitator (Not Spared)
3	-	K Agitator (Not Spared)
4	-	Shutter
5	-	Shutter
6	-	K Auger (Not Spared)
7	127K39530	Motor Assembly
8	130E85200	Low Toner Sensor (REP 9.21 REP 9.22 REP 9.23 REP 9.24)
9	-	K Cover (Not Spared)
10	-	Housing (Not Spared)
11	-	Gear (15T)
12	-	Gear (23T)
13	-	Gear (35T) (Front)
14	-	Gear (35T) (Rear)
15	-	Gear
16	-	Stopper
17	-	Actuator (Y,M,C) (Not Spared)
18	-	Agitator (Y,M,C) (Not Spared)
19	-	Shutter
20	-	Shutter
21	-	Auger (Y,M,C) (Not Spared)
22	-	Gear
23	-	Gear (35T) (Rear)
24	-	Y Cover (Not Spared)
25	-	Housing (Not Spared)
26	-	Gear (15T)
27	-	Gear (23T)
28	-	Gear (35T) (Front)



0506004A-OLY

PL 6.5 Dispense Unit (1 of 3)

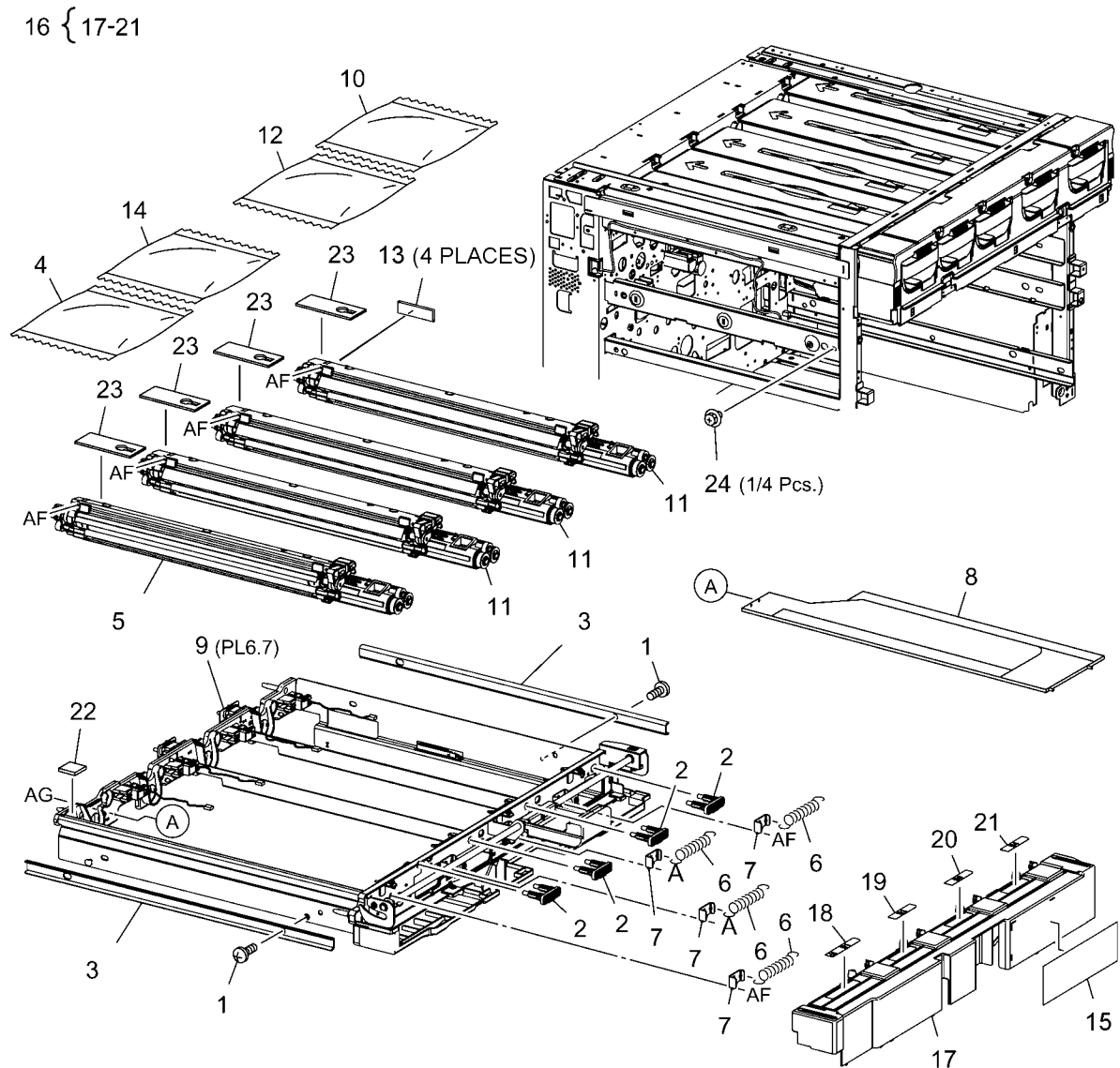
Item	Part	Description
1	-	Harness Guide (Not Spared)
2	130E91010	Waste Bottle Full Sensor
3	-	Bracket (Not Spared)
4	-	Right Bracket
5	-	Left Bracket
6	-	Waste Bottle
7	-	Inner Cover
8	-	Connector Cover
9	-	Wire (Not Spared)
10	122K93640	Erase Lamp
11	160K95830	Xero CRUM PWB M
12	-	Cam Holder (Not Spared)
13	-	Cam
14	-	Holder
15	-	Bar
16	122K93570	Erase Lamp
17	-	Xero CRUM PWB (K, C, Y)
18	-	Erase Lamp Rail (Not Spared)
19	-	Spring
20	-	Ground Clip
21	-	Ground Clip
22	-	Label (Not Spared)



0506005A-OLY

PL 6.6 Dispense Unit (2 of 3)

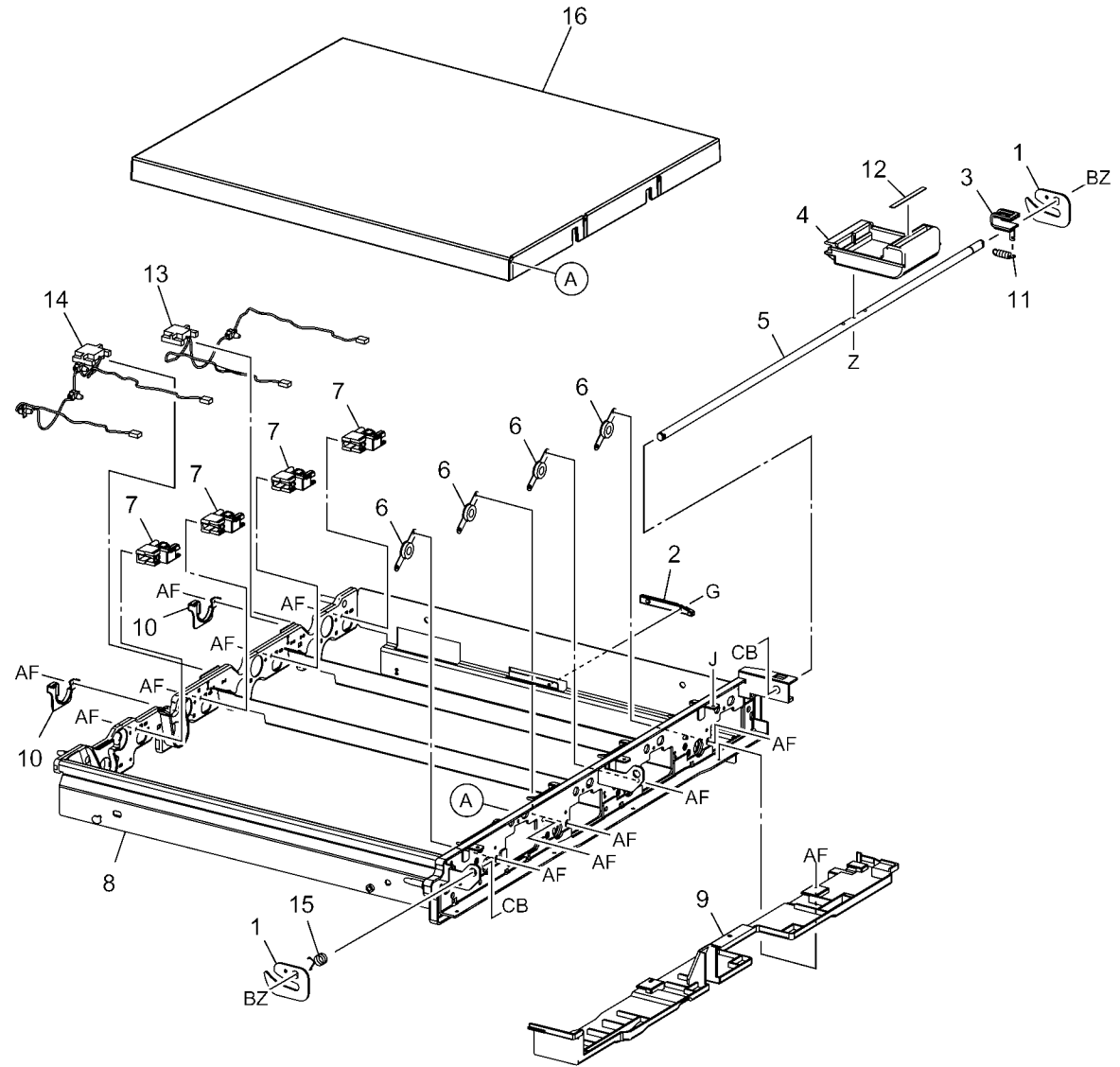
Item	Part	Description
1	-	Screw (Not Spared)
2	030K76610	Bracket
3	801K14311	Rail
4	695K13530	K Developer (REP 9.15)
5	604K24210	K Developer Housing Kit (REP 9.14)
6	-	Spring (Not Spared)
7	-	Tension Plate (Not Spared)
8	-	Duct (Not Spared)
9	-	Xero/Dev Drawer Unit
10	695K13500	Y Developer (REP 9.15)
11	604K24220	Developer Housing Kit (Y, M, C) (REP 9.14)
12	695K13510	M Developer (REP 9.15)
13	130K67340	ATC Sensor Assembly (REP 9.14)
14	695K13520	C Developer (REP 9.15)
15	-	Label (Not Spared) (9.14)
16	-	Inner Cover Assembly
17	-	Inner Cover (Not Spared)
18	-	Label Drum ID R1
19	-	Label Drum ID R2
20	-	Label Drum ID R3
21	-	Label Drum ID R4
22	-	Gasket (Not Spared)
23	-	ATC Cover
24	-	Screw



0506006A-OLY

PL 6.7 Dispense Unit (3 of 3)

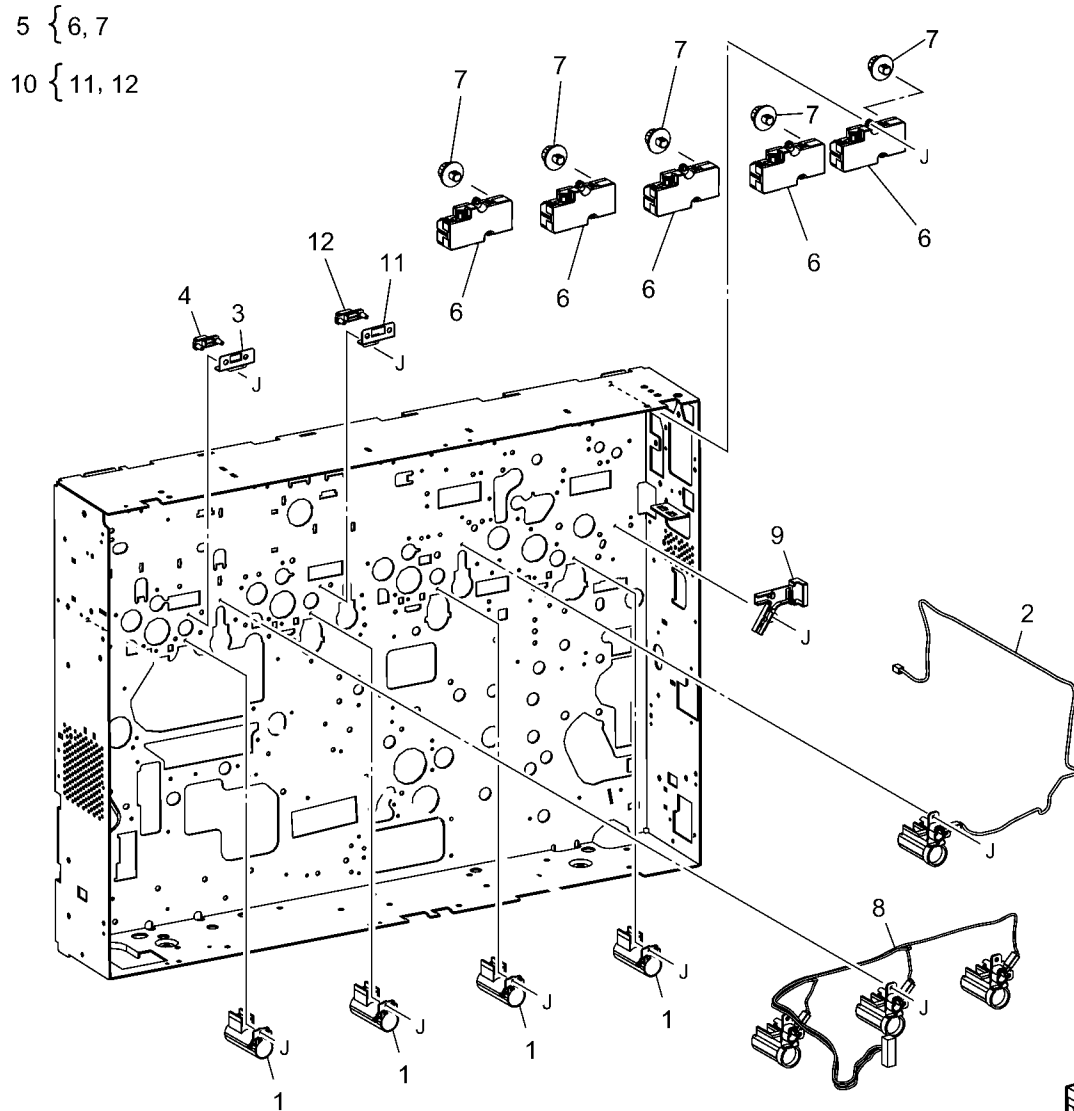
Item	Part	Description
1	-	Cam
2	-	Plate
3	-	Stopper
4	-	Handle
5	-	Shaft
6	-	Bearing
7	014K82101	Block
8	-	Xerographic Developer Drawer (Not Spared)
9	-	Base Cover
10	-	Harness Cover (Not Spared)
11	-	Spring
12	-	Label
13	962K23382	Wire Harness (Y, M)
14	962K23392	Wire Harness (C, Y)
15	-	Spring (Not Spared)
16	-	Cover



0506007A-OLY

PL 6.8 Rear Frame (1 of 2)

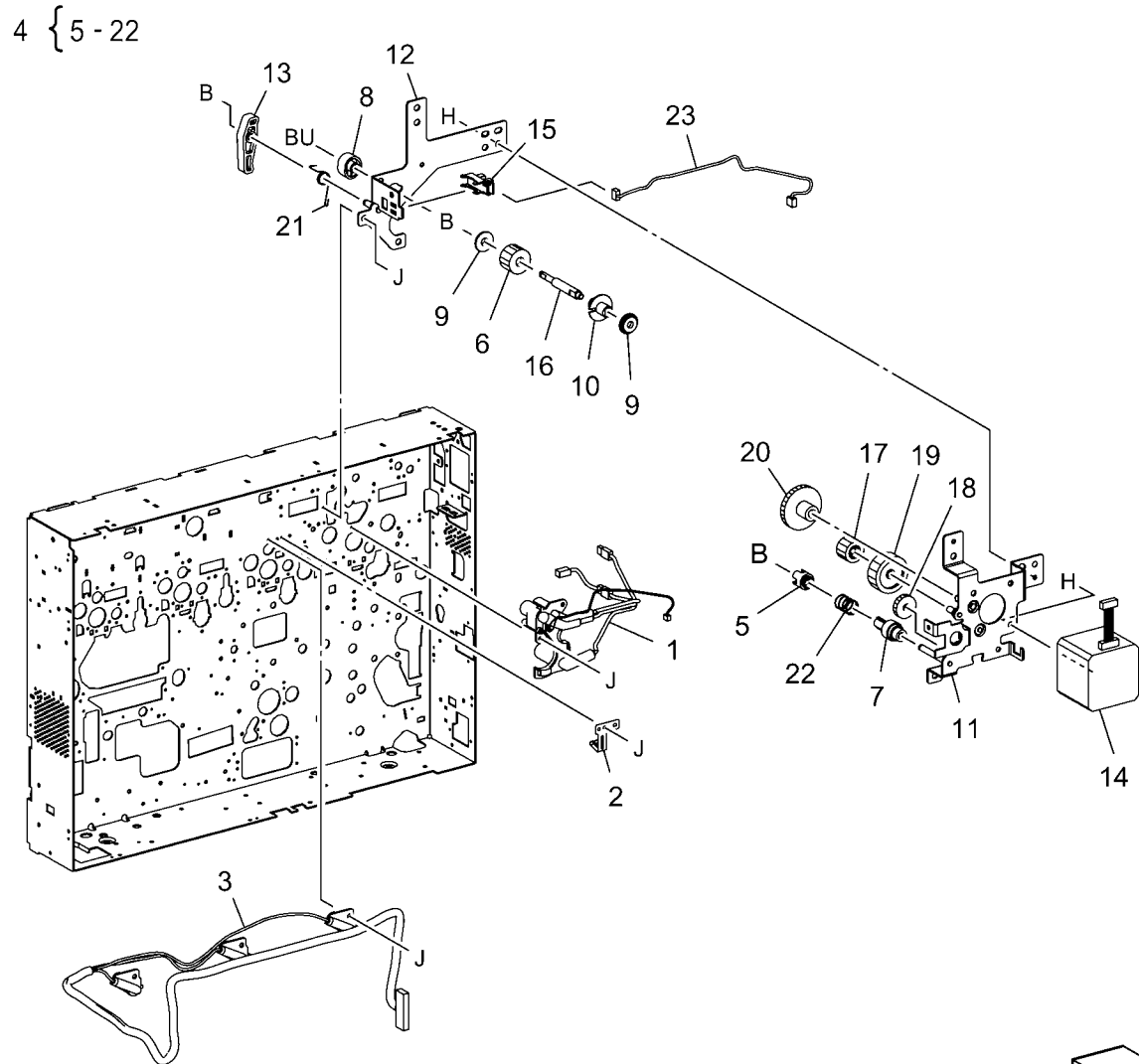
Item	Part	Description
1	-	Support Assembly
2	-	Wire Harness (K)
3	-	Bracket (Not Spared)
4	-	Connector
5	127K39540	Toner Cartridge Motor
6	-	Toner Cartridge Motor Kit (K1, K2)
7	-	Gear
8	-	Wire Harness (Y, M, C)
9	-	Guide
10	-	Bracket Assembly
11	-	Bracket (P/O PL 6.8 Item 10)
12	-	Connector (P/O PL 6.8 Item 10)



0506008A-OLY

PL 6.9 Rear Frame (2 of 2)

Item	Part	Description
1	-	Connector (K)
2	-	Ground Clip
3	-	Connector Assembly (BCR)
4	127K39750	Cleaning Motor Assembly
5	-	Coupling (P/O PL 6.9 Item 4)
6	-	Gear (34T) (P/O PL 6.9 Item 4)
7	-	Gear (P/O PL 6.9 Item 4)
8	-	Cam (P/O PL 6.9 Item 4)
9	-	Bearing (P/O PL 6.9 Item 4)
10	-	Spacer (P/O PL 6.9 Item 4)
11	-	Bracket (P/O PL 6.9 Item 4)
12	-	Bracket (P/O PL 6.9 Item 4)
13	-	Arm (P/O PL 6.9 Item 4)
14	127K39760	BCR/ScoroTron Cleaner Motor (P/O PL 6.9 Item 4)
15	130E82530	BCR Cleaner Position Sensor (P/O PL 6.9 Item 4)
16	-	Shaft (P/O PL 6.9 Item 4)
17	-	Gear (29T) (P/O PL 6.9 Item 4)
18	-	Gear (31T) (P/O PL 6.9 Item 4)
19	-	Gear (18T/52T) (P/O PL 6.9 Item 4)
20	-	Gear (20T/61T) (P/O PL 6.9 Item 4)
21	-	Spring (P/O PL 6.9 Item 4)
22	-	Spring (P/O PL 6.9 Item 4)
23	-	Wire Harness (Not Spared)

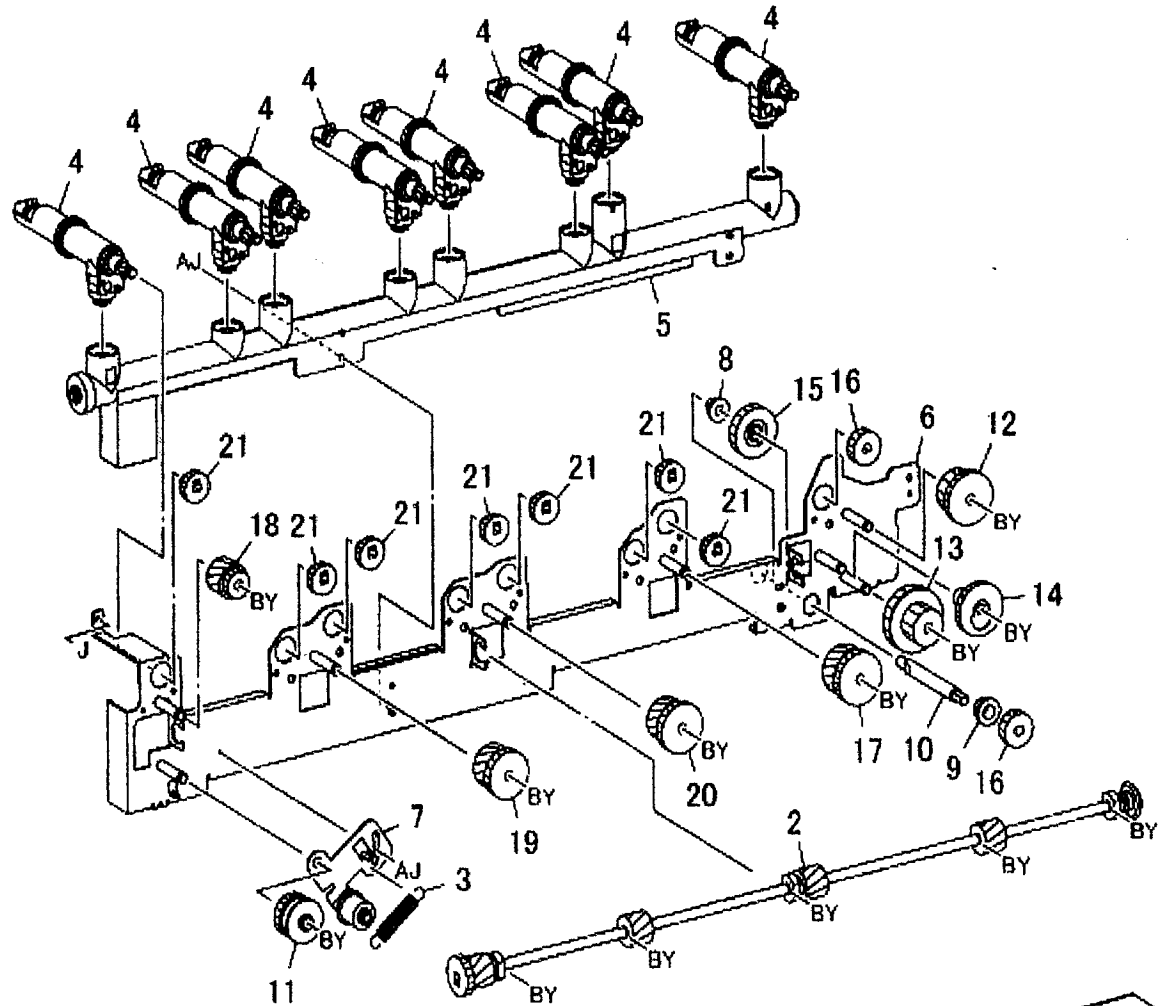


0506009A-OLY

PL 6.10 Direct Pipe Assembly

Item	Part	Description
1	068K24134	Direct Pipe Assembly
2	-	Direct Shaft (P/O PL 6.10 Item 1)
3	-	Spring (P/O PL 6.10 Item 1)
4	-	Joint (P/O PL 6.10 Item 1)
5	-	Pipe (P/O PL 6.10 Item 1)
6	-	Bracket (P/O PL 6.10 Item 1)
7	-	Bracket
8	-	Bearing
9	413W77559	Bearing
10	-	Drive Shaft (P/O PL 6.10 Item 1)
11	-	Gear Pulley (21T/24T)
12	-	Gear (38T/30T)
13	-	Gear (45T/25T)
14	-	Gear (22T/35T)
15	-	Drive Gear
16	-	Drive Gear (23T)
17	-	Gear (K)
18	-	Gear (Y)
19	-	Gear (M)
20	-	Gear (C)
21	-	Joint Gear (21T)

1 { 2-21

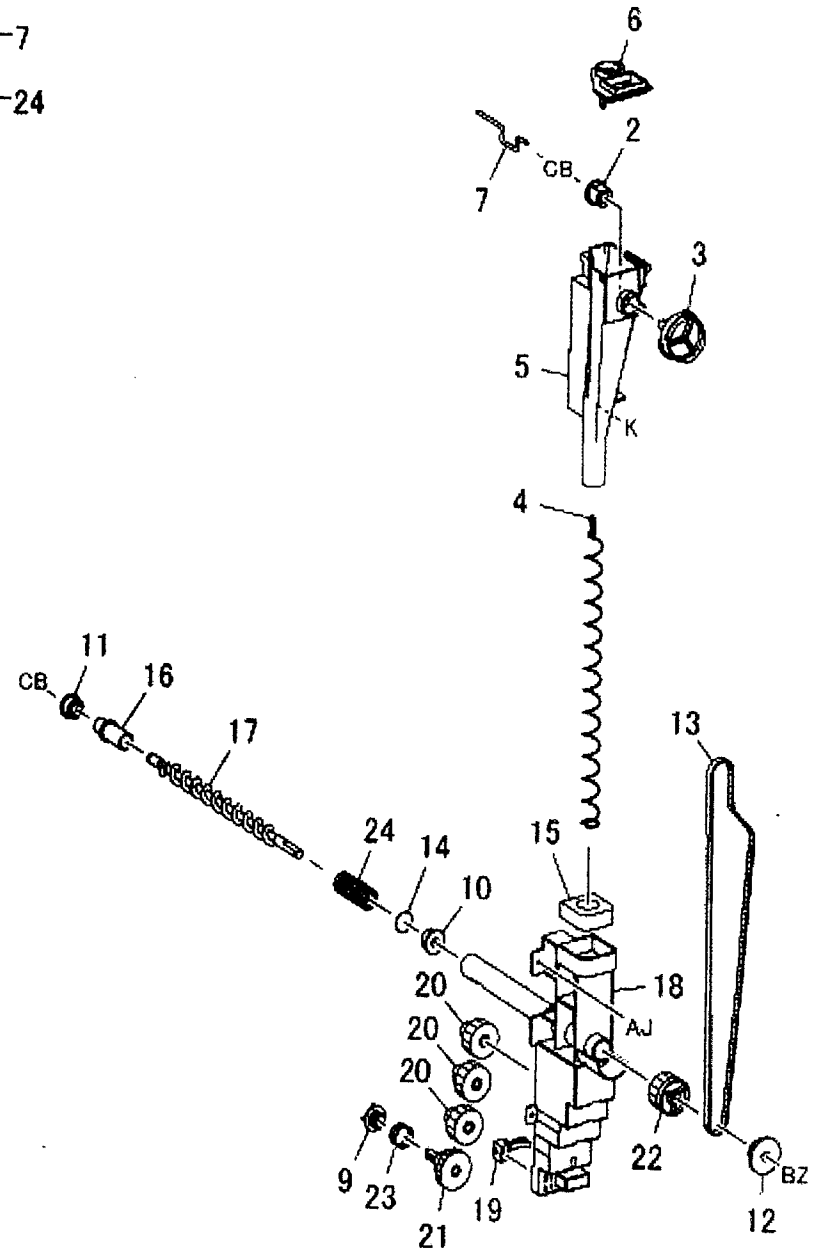


0506010A-OLY

PL 6.11 Joint/Leveler Box Assembly

Item	Part	Description
1	011K97591	Joint Assembly
2	-	Bearing
3	-	Pulley
4	-	Agitator
5	-	Joint (Down)
6	-	Joint (UP)
7	-	Crank Shaft
8	119K00290	Leveler Box Assembly
9	-	Joint
10	-	Bearing (P/O PL 6.11 Item 8)
11	-	Bearing
12	-	Pulley
13	-	Belt
14	-	Oil Seal
15	-	Seal
16	-	Shutter
17	-	Auger
18	-	Leveler Box
19	130K93230	Waste Bottle Set Sensor
20	-	Gear (18T/37T)
21	-	Gear (40T)
22	-	Gear (35T)
23	-	Spring
24	-	Spring

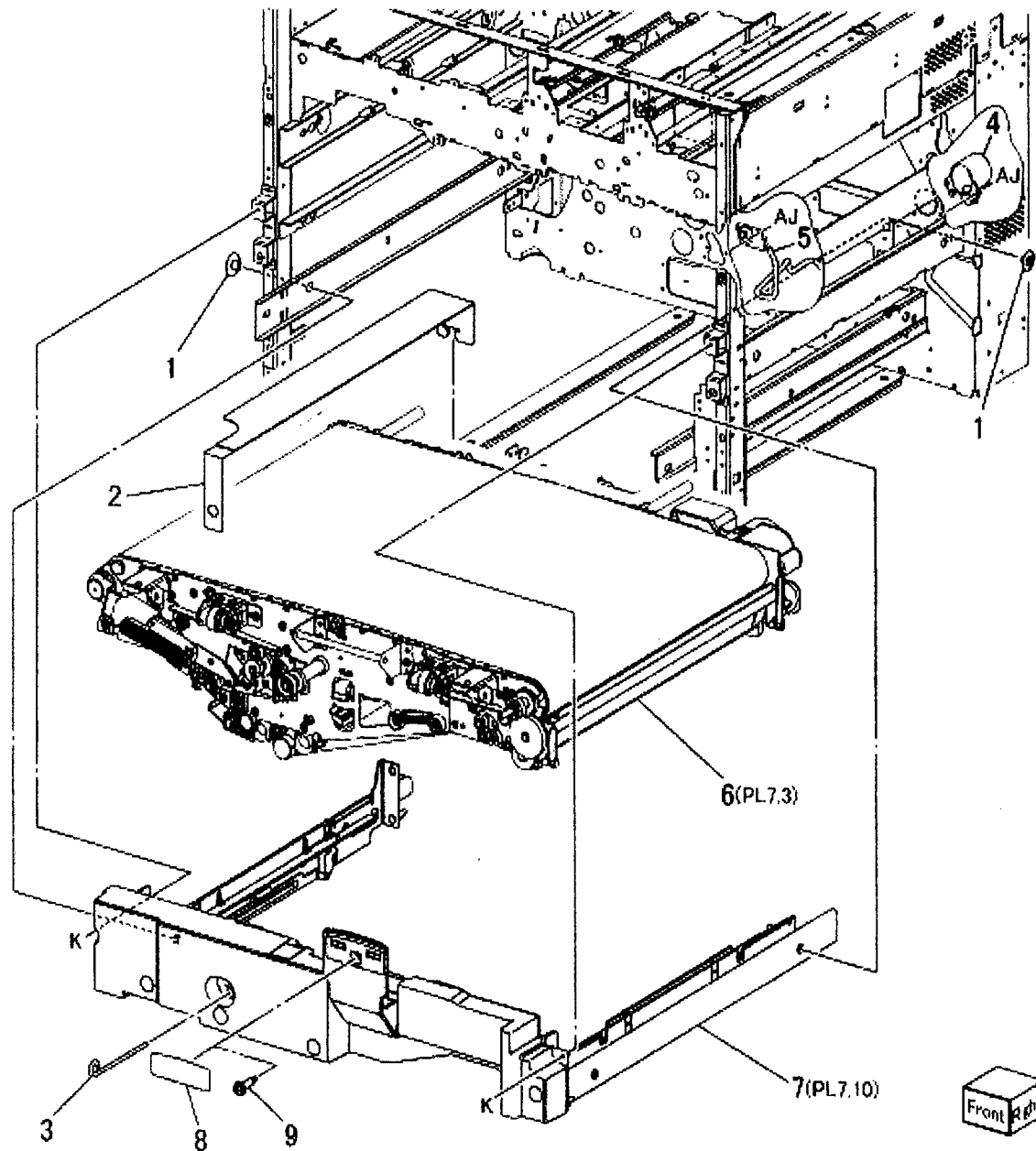
1 { 2-7
8 { 9-24



0506011A-OLY

PL 7.1 IBT Unit (1 of 2)

Item	Part	Description
1	-	Screw
2	-	Cushion
3	-	Shaft
4	-	Joint (Not Spared)
5	-	Connector (Not Spared)
6	064K91910	Transfer Belt Unit (REP 9.1)
7	-	IBT Drawer (Not Spared)
8	-	Label (Not Spared)
9	-	Screw

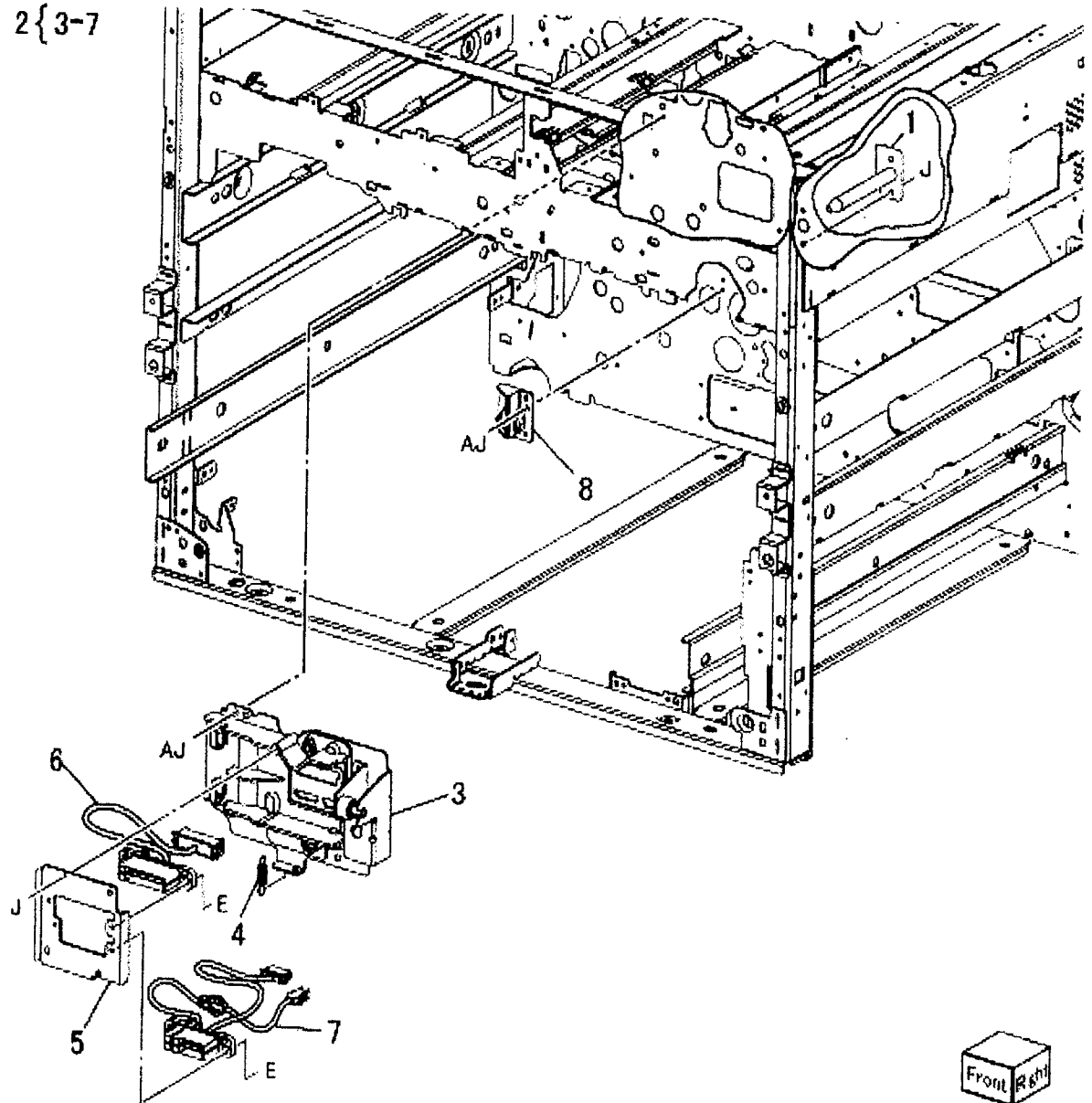


0507001A-OLY

PL 7.2 IBT Unit (2 of 2)

Item	Part	Description
1	-	Bracket
2	114K82050	Connector Assembly
3	-	Bracket (P/O PL 7.2 Item 2)
4	-	Spring (P/O PL 7.2 Item 2)
5	-	Bracket (P/O PL 7.2 Item 2)
6	-	Wire Harness
7	-	Wire Harness
8	-	Block (Not Spared)

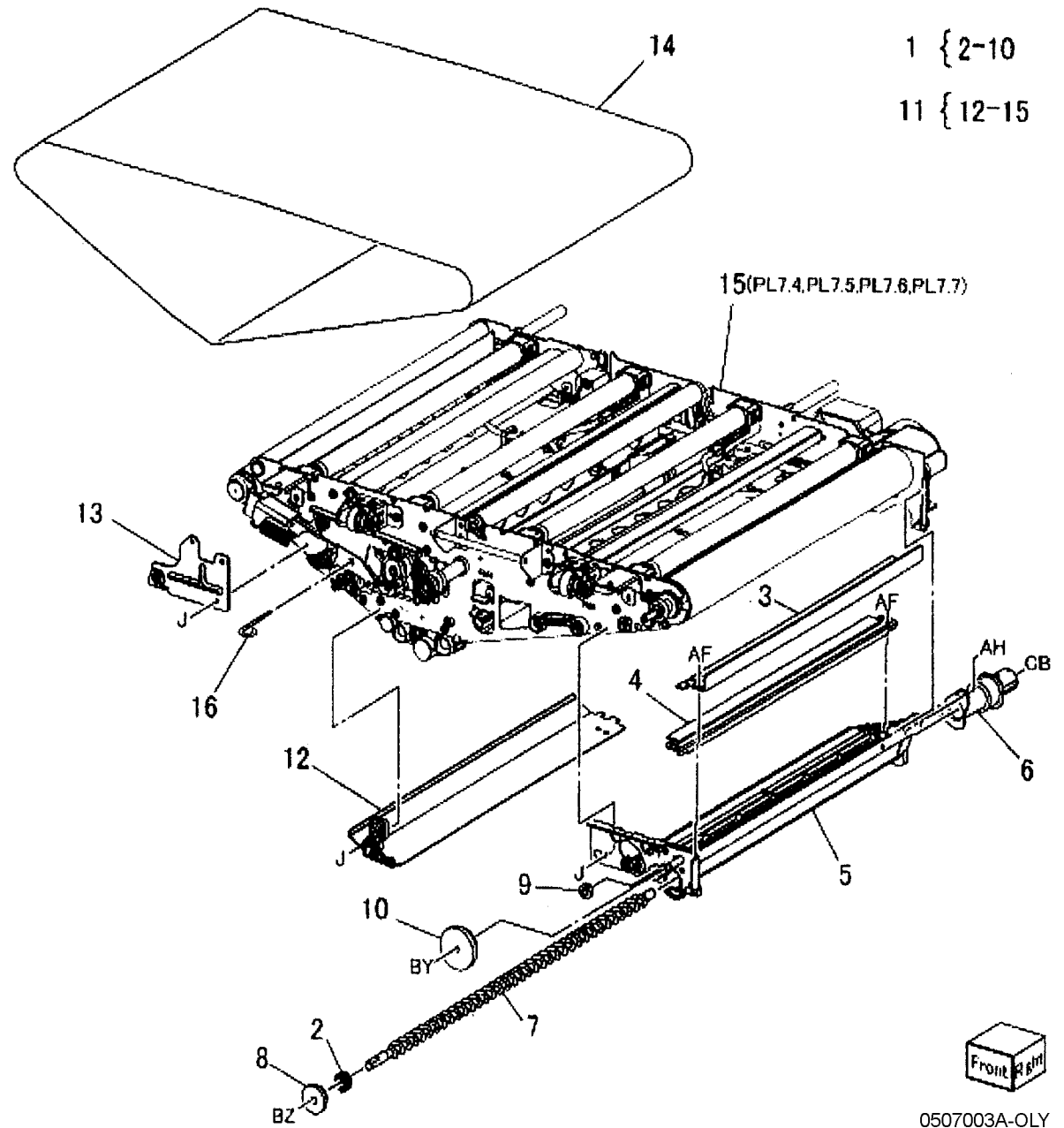
2 { 3-7



0507002A-OLY

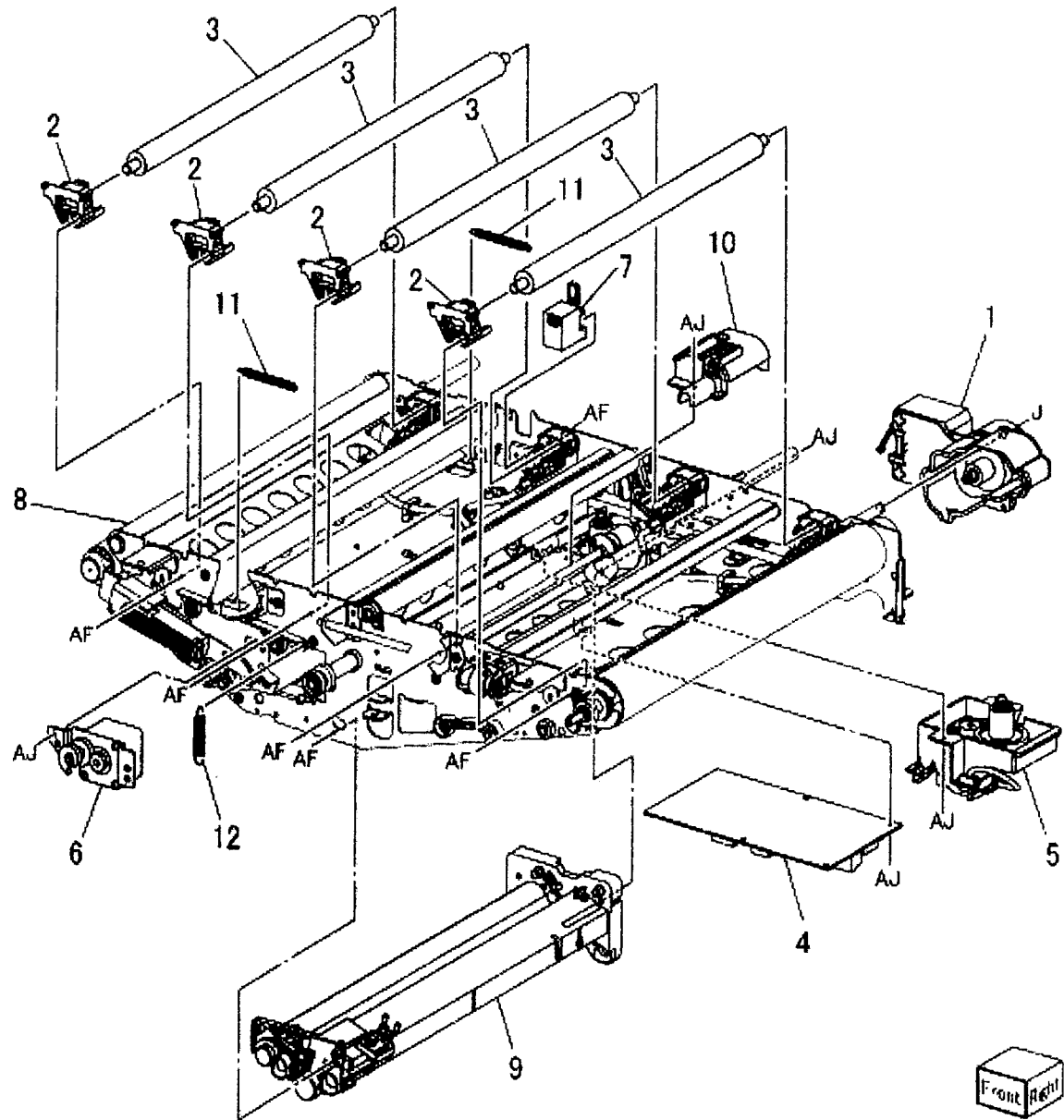
PL 7.3 Transfer Belt Unit

Item	Part	Description
1	042K92753	IBT Cleaner Assembly (REP 9.2)
2	-	Bearing (P/O PL 7.3 Item 1)
3	-	Plate
4	033K94680	Blade
5	-	Cleaner Housing (P/O PL 7.3 Item 1)
6	-	Cleaner Cover (P/O PL 7.3 Item 1)
7	-	Auger (P/O PL 7.3 Item 1)
8	-	Auger Gear
9	-	Gear
10	-	Gear
11	-	Transfer Belt Kit
12	-	Inlet
13	-	Support (Not Spared)
14	064K91930	Transfer Belt (REP 9.3)
15	-	IBT Frame (Not Spared)
16	-	Pin (P/O PL 7.3 Item 11)



PL 7.4 IBT Frame Assembly (1 of 4)

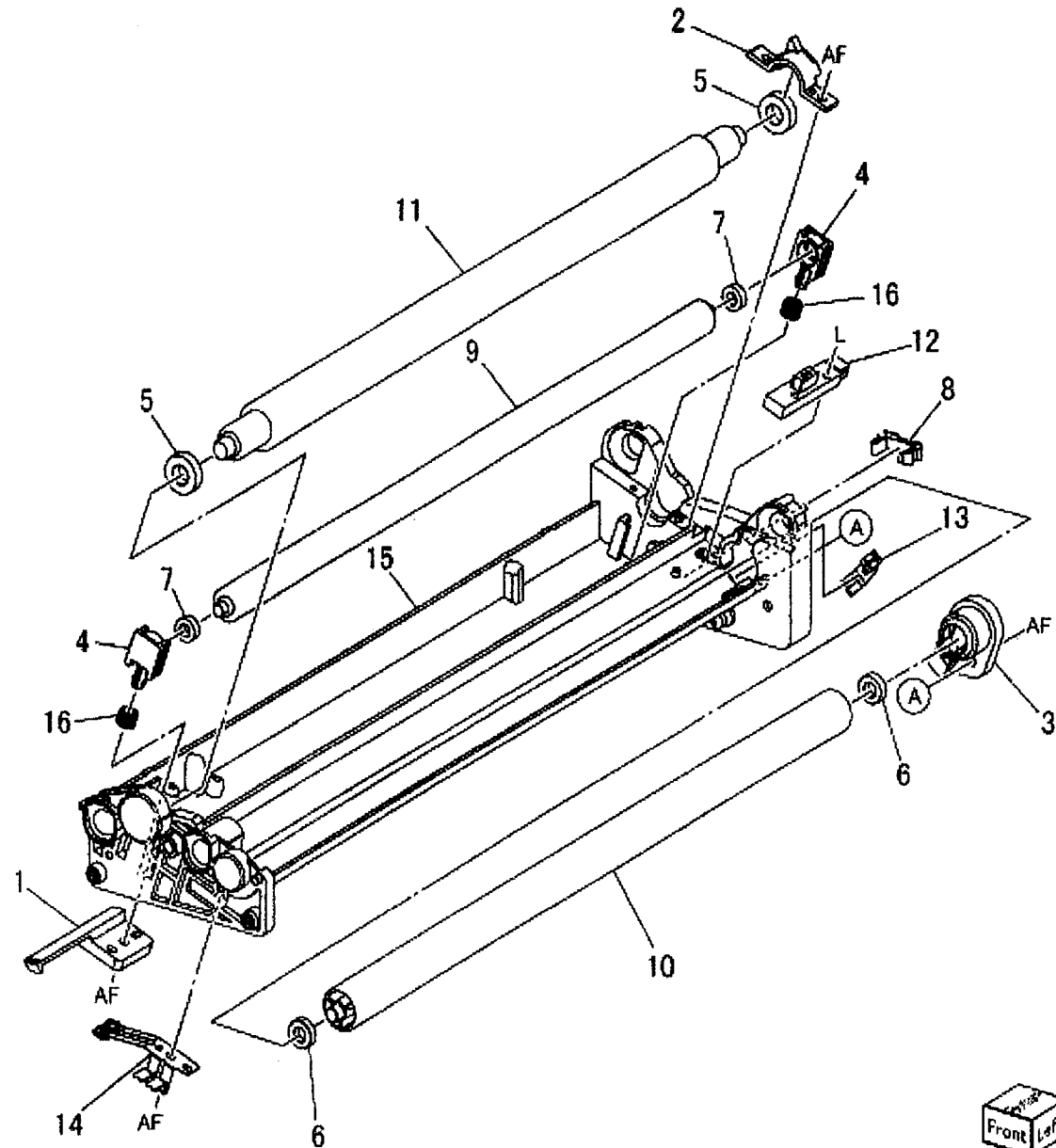
Item	Part	Description
1	007K87831	IBT Drive Assembly
2	019K98882	BTR Holder Assembly
3	059K32491	1ST BTR Roll
4	105E12580	1ST BTR HVPS (REP 9.7)
5	127K39100	1st BTR Retract Motor
6	127K39120	IBT Steering Motor
7	130K60830	Transfer Belt Edge Sensor
8	-	Frame (Not Spared)
9	-	BTR Housing
10	-	Contact / Retract Sensor Cover
11	-	Spring
12	-	Spring



0507004A-OLY

PL 7.5 IBT Frame Assembly (2 of 4)

Item	Part	Description
1	-	Stopper (Front) (Not Spared)
2	-	Stopper (Rear) (Not Spared)
3	-	Collar (Not Spared)
4	-	Collar (Not Spared)
5	-	Ball Bearing (8x16) (Not Spared)
6	-	Sleeve Bearing (Not Spared)
7	-	Ball Bearing (5x10) (Not Spared)
8	-	Clamp (Not Spared)
9	059E99540	Contact Roll
10	059K32510	Idler Roll
11	059K33740	Backup Roll
12	130E84270	Transfer Belt Home Sensor
13	-	Contact (Not Spared)
14	-	Conductor (Not Spared)
15	-	BTR Housing (Not Spared)
16	-	Spring (Not Spared)

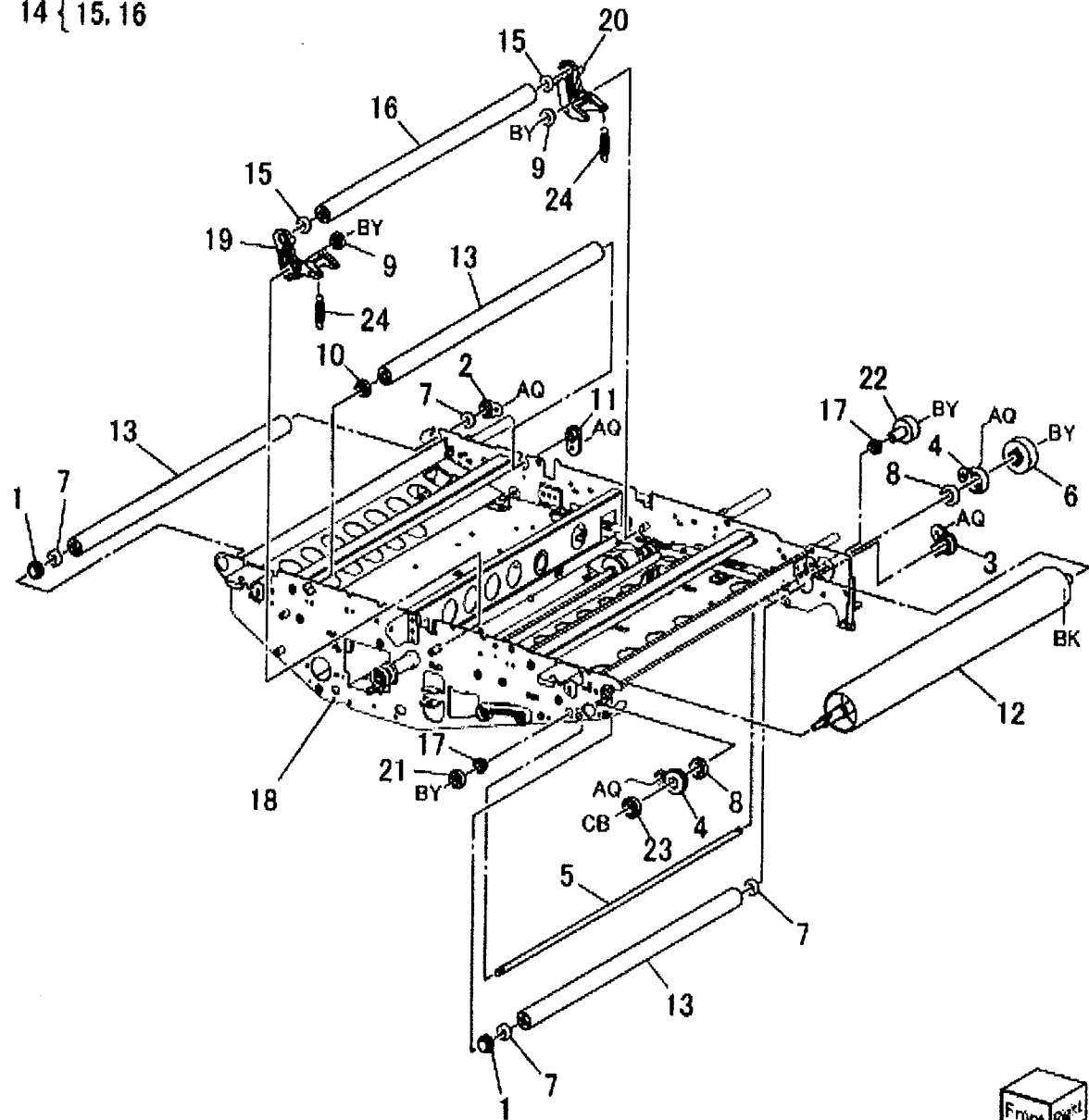


0507005A-OLY

PL 7.6 IBT Frame Assembly (3 of 4)

Item	Part	Description
1	-	Collar
2	-	Collar
3	-	Collar
4	-	Collar
5	-	Shaft
6	-	Drive Gear
7	-	Ball Bearing (6x12)
8	-	Ball Bearing (10x19)
9	-	Bearing
10	-	Bearing (Front)
11	-	Bearing (Rear)
12	059K32500	Drive Roll
13	-	Idler Roll
14	-	Retract Roll Assembly
15	-	Ball Bearing (6x12)
16	-	Retract Roll
17	-	Sleeve Bearing
18	-	Rear Frame
19	-	Front Housing
20	-	Rear Housing
21	-	Gear (Front)
22	-	Gear (Rear)
23	-	Drive Gear
24	-	Spring

14 { 15, 16

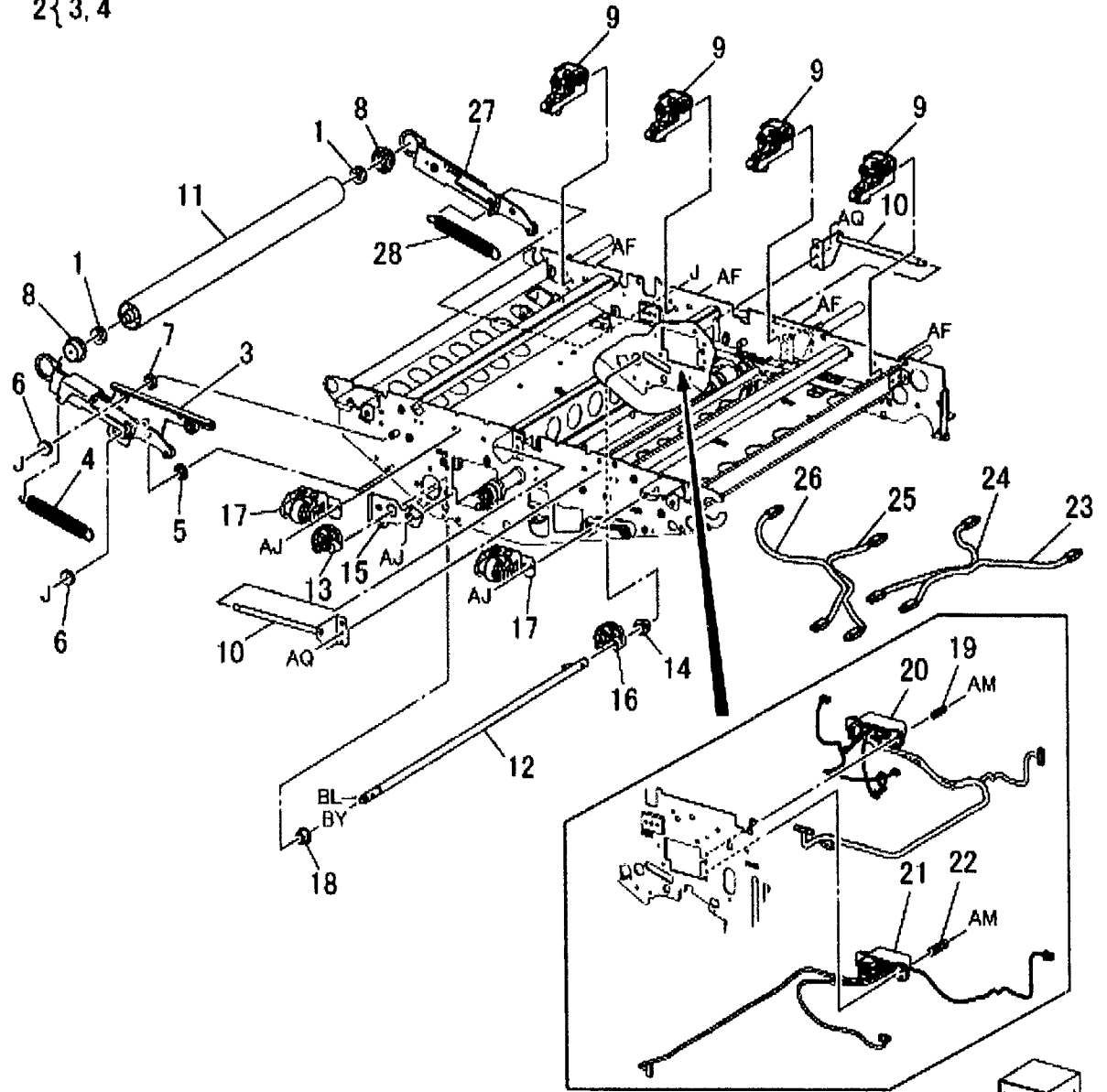


0507006A-OLY

PL 7.7 IBT Frame Assembly (4 of 4)

Item	Part	Description
1	-	Ball Bearing (8x16)
2	-	Tension Plate Assembly
3	-	Tension Plate (P/O PL 7.7 Item 2)
4	-	Tension Spring
5	-	Bush (Inner)
6	-	Bush (Outer)
7	-	Bush (Inner)
8	-	Holder
9	019K99041	Holder
10	-	Bracket
11	059K32520	Steering Roll
12	-	Shaft
13	-	Cam
14	-	Bearing
15	-	Cam Plate
16	-	Tension Cam
17	-	Slider
18	-	Bearing
19	-	Spring
20	-	Wire Harness (IBT1)
21	-	Wire Harness (IBT2)
22	-	Spring
23	-	Wire Harness (BTR, Y)
24	-	Wire Harness (BTR, M)
25	-	Wire Harness (BTR, C)
26	-	Wire Harness (BTR, K)
27	-	Tension Plate
28	-	Tension Spring

2 { 3, 4

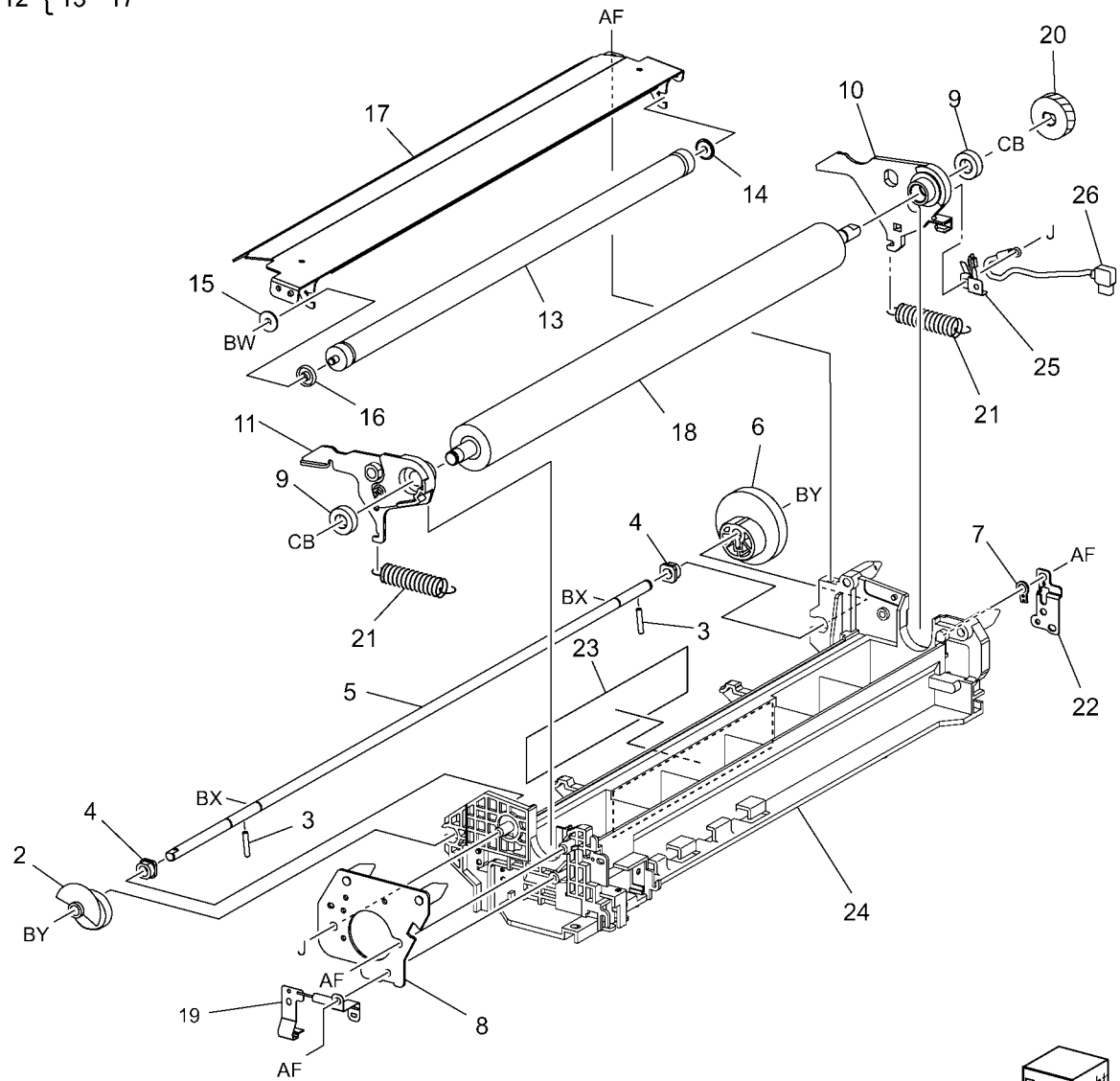


0507007A-OLY

PL 7.8 2nd BTR Roll Assembly (1 of 2)

Item	Part	Description
1	-	Cam Assembly
2	-	Cam (P/O PL 7.8 Item 1)
3	-	Pin (P/O PL 7.8 Item 1)
4	413W11660	Sleeve Bearing
5	-	Shaft (P/O PL 7.8 Item 1)
6	-	Gear
7	-	Lever (Not Spared)
8	-	Plate (Not Spared)
9	-	Ball Bearing (8x16)
10	-	Rear Arm
11	-	Front Arm (Not Spared)
12	054K26613	Inlet Chute Assembly
13	-	Brush
14	-	Bearing
15	-	Bearing (P/O PL 7.8 Item 12)
16	-	Insulator (P/O PL 7.8 Item 12)
17	-	Inlet Chute (P/O PL 7.8 Item 12)
18	059K33430	2nd BTR Roll (REP 9.5)
19	-	Resistor
20	-	Gear
21	-	Spring
22	-	Bracket (Not Spared)
23	-	Warning Label (Not Spared)
24	-	BTR Housing
25	-	Conductor
26	-	Wire Harness

1 { 2 - 6
 12 { 13 - 17

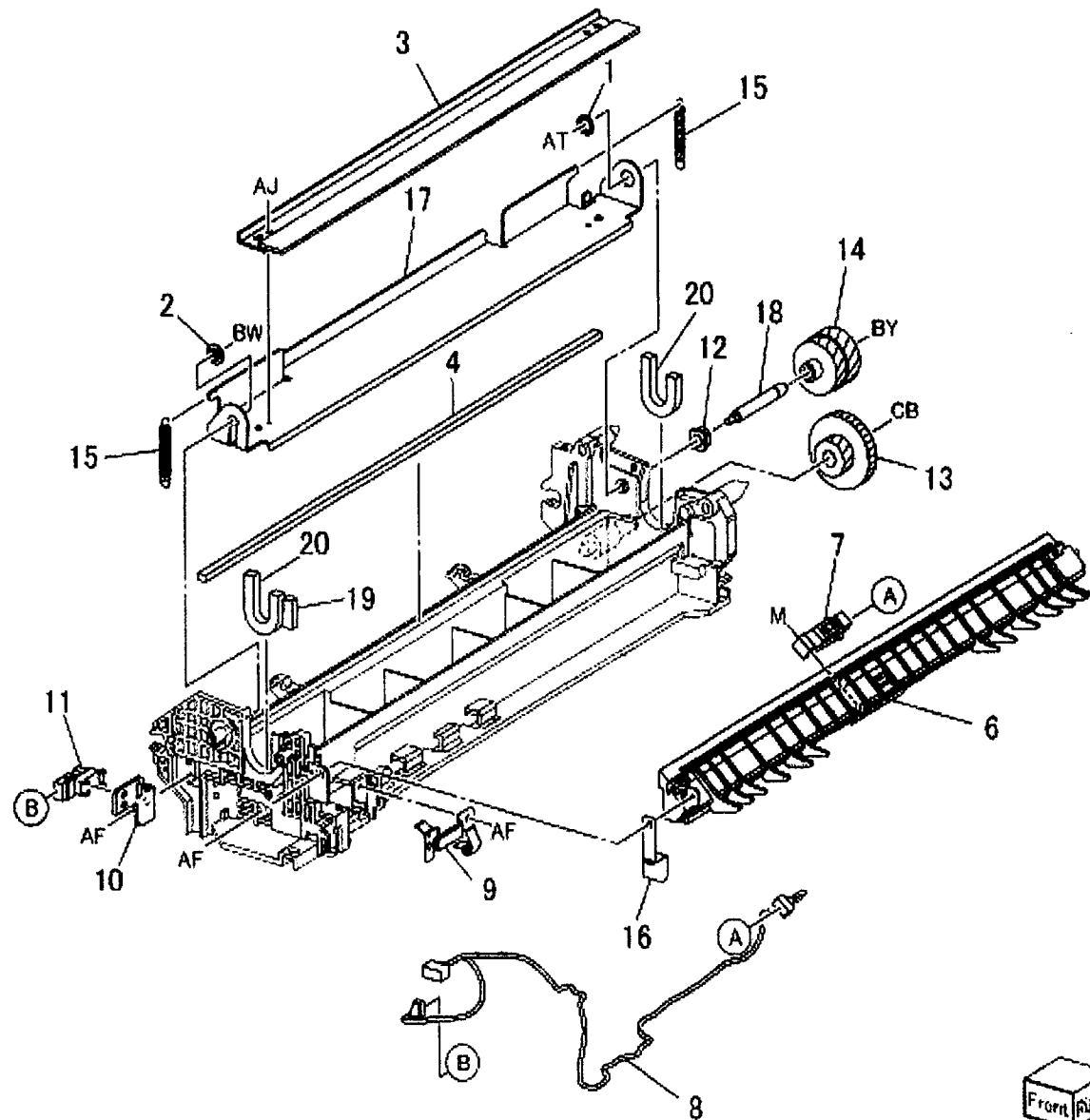


0507008A-OLY

PL 7.9 2nd BTR Roll Assembly (2 of 2)

Item	Part	Description
1	-	Bearing (Rear) (Not Spared)
2	-	Bearing (Front) (Not Spared)
3	033K94721	Blade Assembly (REP 9.6)
4	-	Housing Seal (Not Spared)
5	-	Exit Chute Assembly
6	-	Exit Chute (P/O PL 7.9 Item 5)
7	130E88770	Post 2nd BTR Sensor
8	-	Wire Harness (P/O PL 7.9 Item 5)
9	103K81152	Resistor
10	-	2nd BTR Contact Retract
11	930W00111	2nd BTR Contact Retract Sensor
12	413W11660	Sleeve Bearing
13	-	Gear
14	-	Gear
15	-	Spring
16	-	Ground Clip (Not Spared)
17	-	Plate (Not Spared)
18	-	Stud (Not Spared)
19	-	Exit Housing Seal (Not Spared)
20	-	Side Housing Seal (Not Spared)

5 { 6 - 8

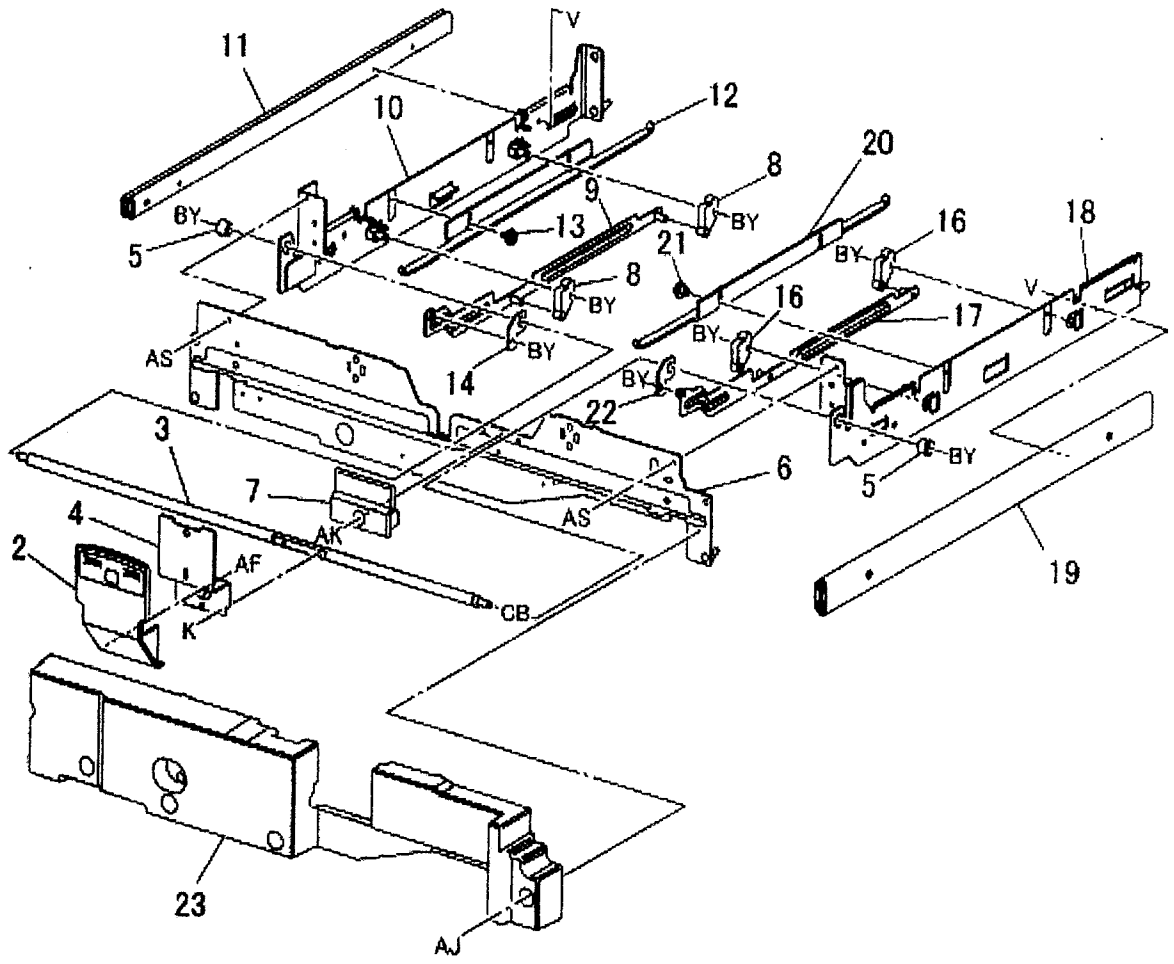


0507009A-OLY

PL 7.10 IBT Drawer

Item	Part	Description
1	-	Handle Assembly
2	-	Handle (P/O PL 7.10 Item 1)
3	-	Shaft
4	-	Plate (P/O PL 7.10 Item 1)
5	-	Bearing
6	-	Front Frame (Not Spared)
7	-	Cover
8	-	Cam
9	-	Link
10	-	Frame (Not Spared)
11	801K14911	Left Rail
12	-	Plate Spring (Not Spared)
13	-	Shoulder Screw
14	-	Plate (Not Spared)
15	-	Right Rail Assembly
16	-	Cam (P/O PL 7.10 Item 15)
17	-	Link
18	-	Frame (Not Spared)
19	801K14921	Right Rail
20	-	Plate Spring (P/O PL 7.10 Item 15)
21	-	Shoulder Screw (P/O PL 7.10 Item 15)
22	-	Plate (P/O PL 7.10 Item 15)
23	-	Inner Cover

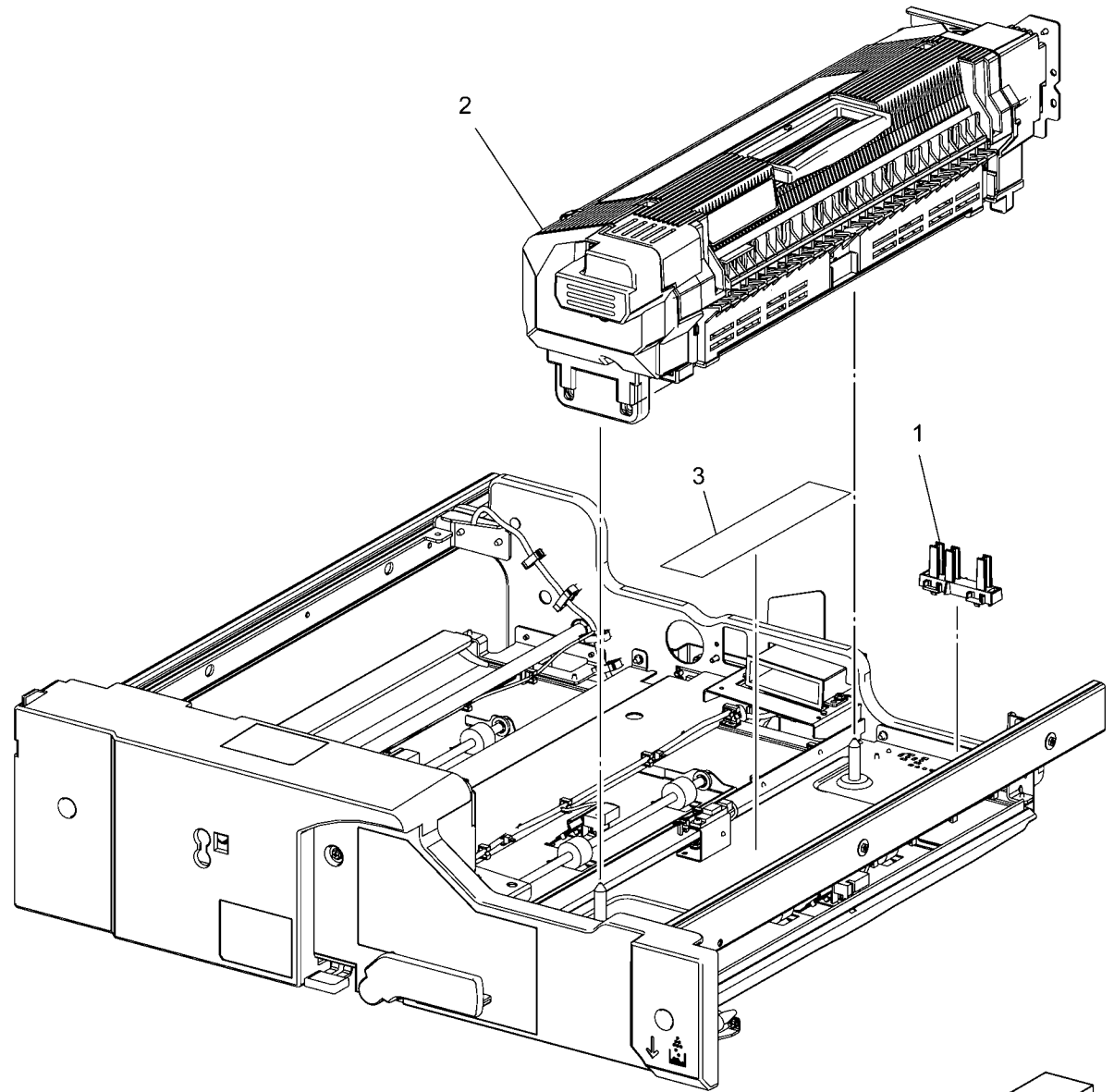
1 { 2 - 4
15 { 16 - 22



0507010A-OLY

PL 8.1 Fuser Unit

Item	Part	Description
1	-	Block
2	-	Fuser
3	-	Label

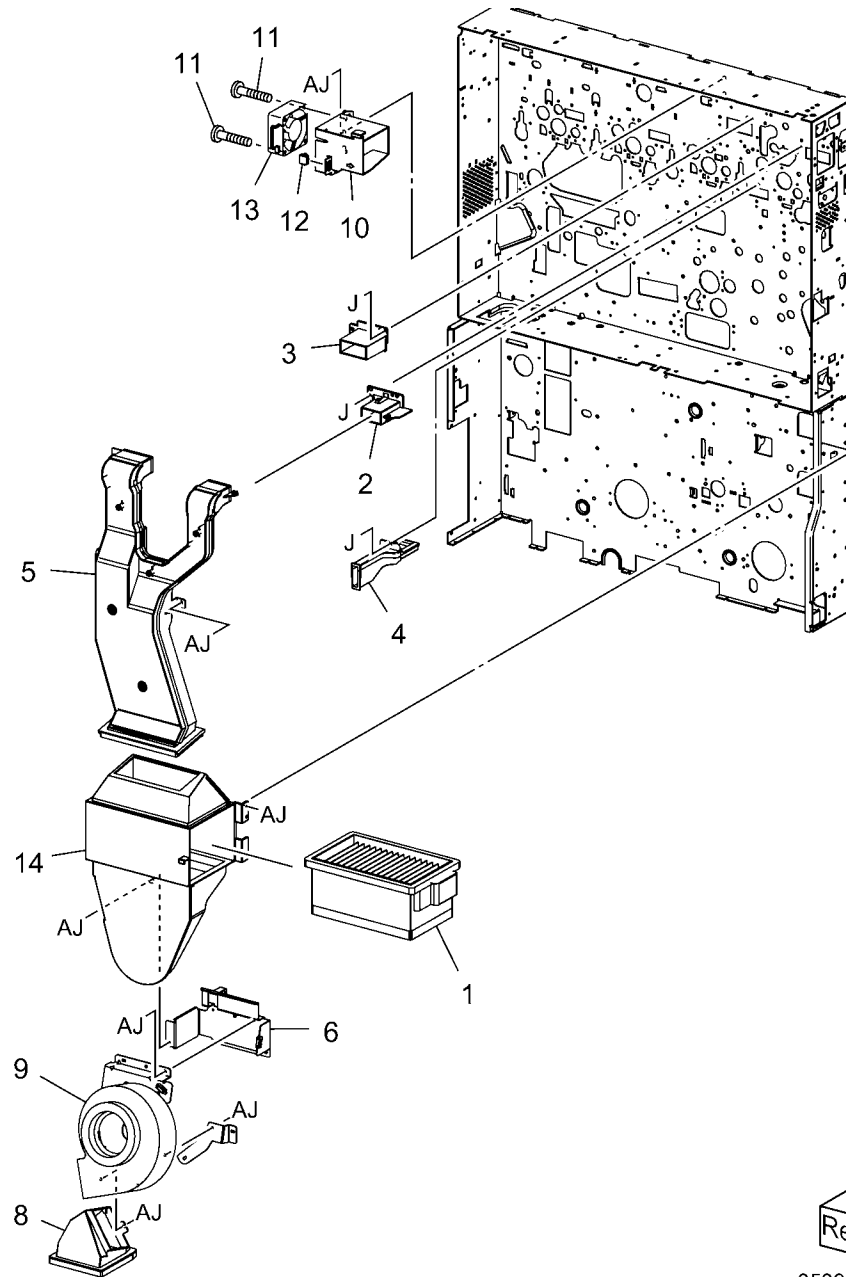


0508001A-OLY

PL 9.1 Air System (1 of 3)

Item	Part	Description
1	053K91940	Ozone Filter
2	-	PCC Duct (Not Spared)
3	-	CC Duct (Not Spared)
4	-	Duct (Not Spared)
5	-	Main - K Duct (Not Spared)
6	-	Bracket Assembly (Not Spared)
7	-	Blower Assembly
8	-	Blower Duct (P/O PL 9.1 Item 7)
9	127K37892	Blower (P/O PL 9.1 Item 7)
10	-	Fan Duct (Not Spared)
11	-	Screw (Not Spared)
12	913W01206	Connector
13	927W00024	Rear Cooling Fan
14	-	Filter Case (Not Spared)

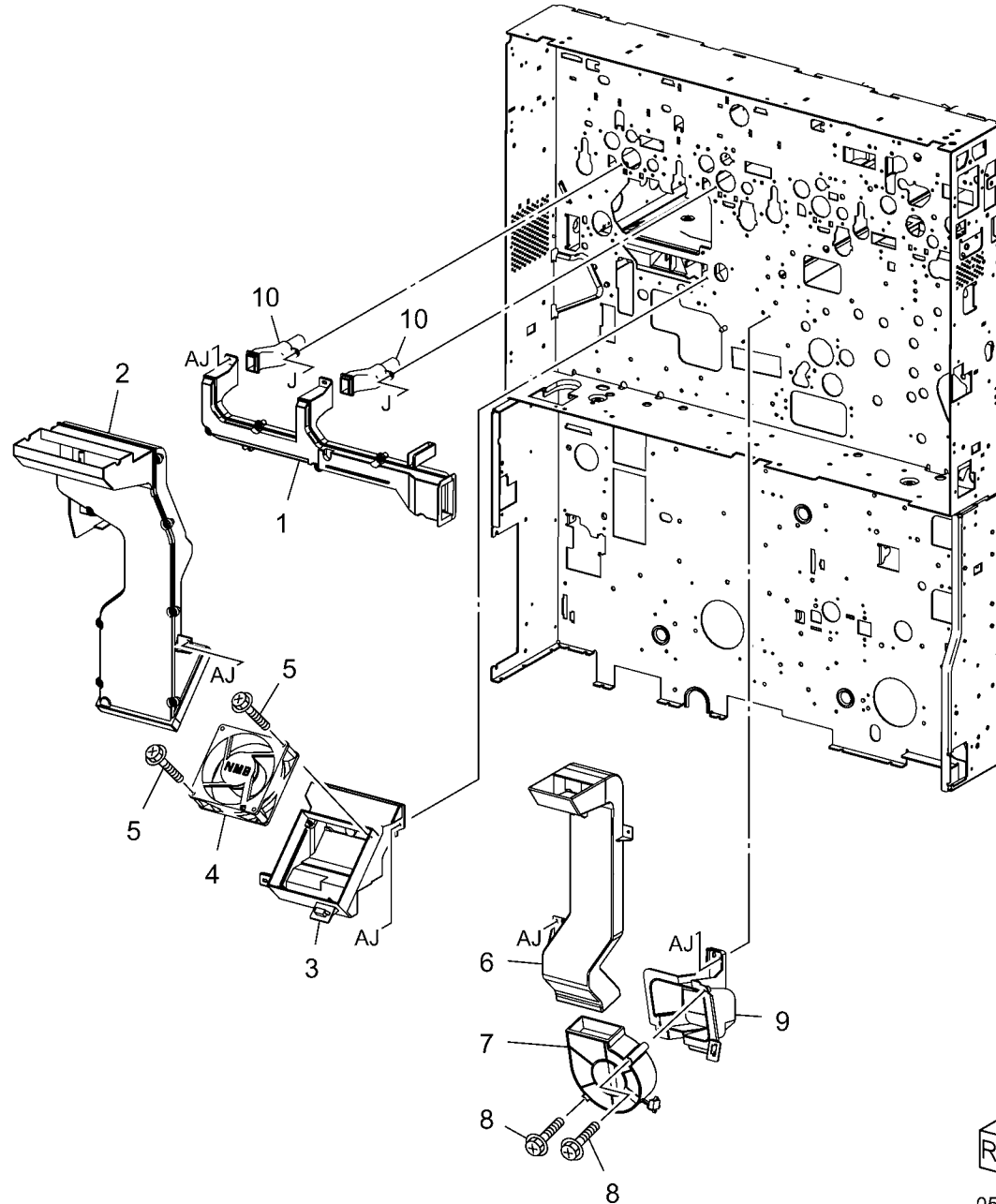
7 { 8-9



RearLeft
0509001A-OLY

PL 9.2 Air System (2 of 3)

Item	Part	Description
1	-	Y,M Cooling Duct (Not Spared)
2	-	Duct (Not Spared)
3	-	Duct (Not Spared)
4	127K45850	Fuser Exhaust Fan
5	-	Screw (Not Spared)
6	-	V-Transport Duct (Not Spared)
7	127K39571	V-Transport Fan
8	-	Screw (Not Spared)
9	-	Duct (Not Spared)
10	-	Duct (Not Spared)

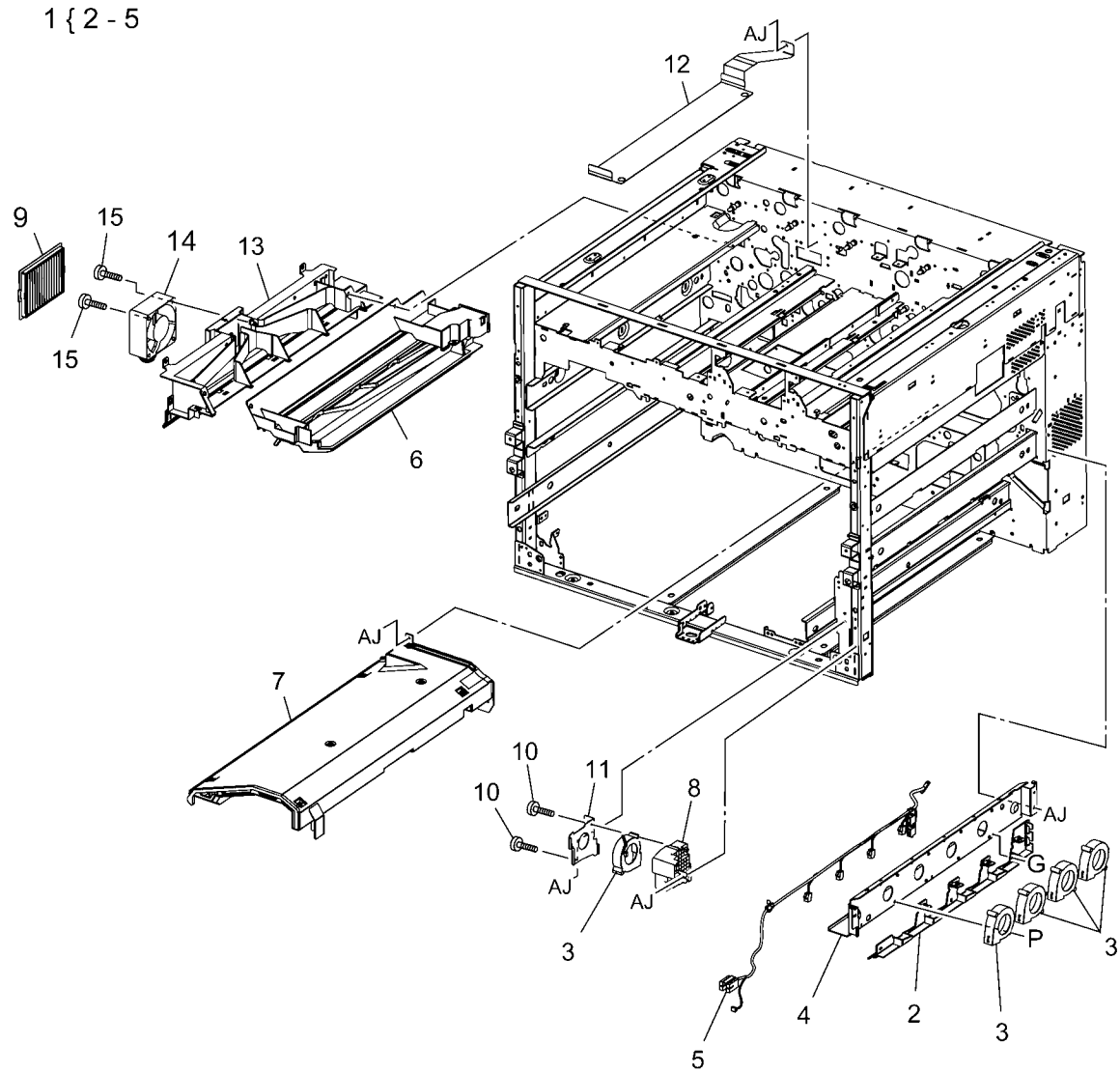


Rear Left

0509002A-OLY

PL 9.3 Air System (3 of 3)

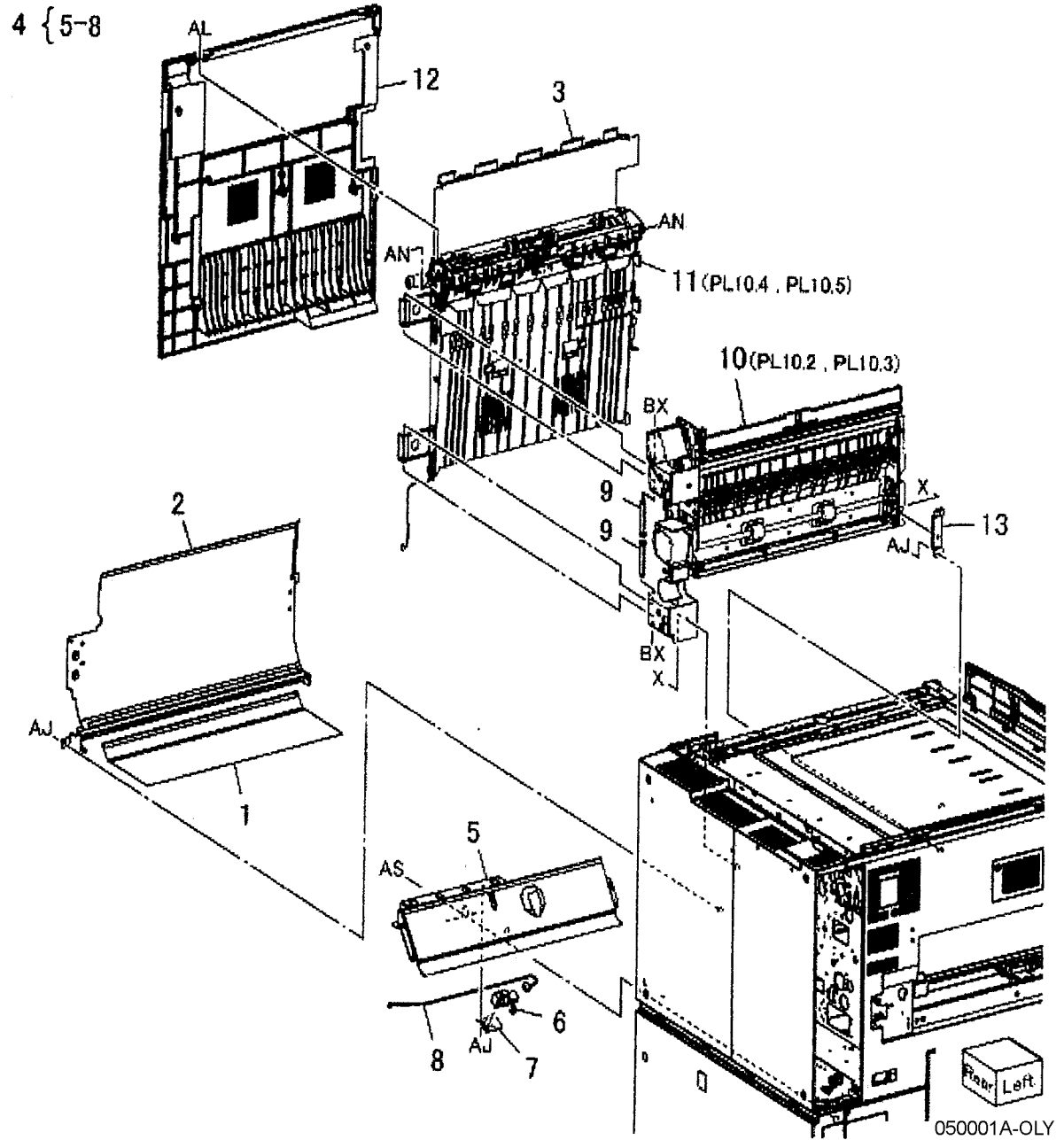
Item	Part	Description
1	-	Paper Cool Duct Assembly
2	-	Duct (P/O PL 9.3 Item 1)
3	127K39580	Exit Roll Fan 1, Exit Roll Fan 2, Exit Roll Fan 3, Front Fan
4	-	Bracket (P/O PL 9.3 Item 1)
5	-	Wire Harness (P/O PL 9.3 Item 1)
6	-	CC Duct (Not Spared)
7	-	Fuser Duct (Not Spared)
8	-	Duct (Not Spared)
9	053K91980	CC Filter
10	-	Screw (Not Spared)
11	-	Bracket (Not Spared)
12	-	CC Seal (Not Spared)
13	-	Duct (Not Spared)
14	127K39560	CC Fan
15	-	Screw



0509003A-OLY

PL 10.1 Inverter

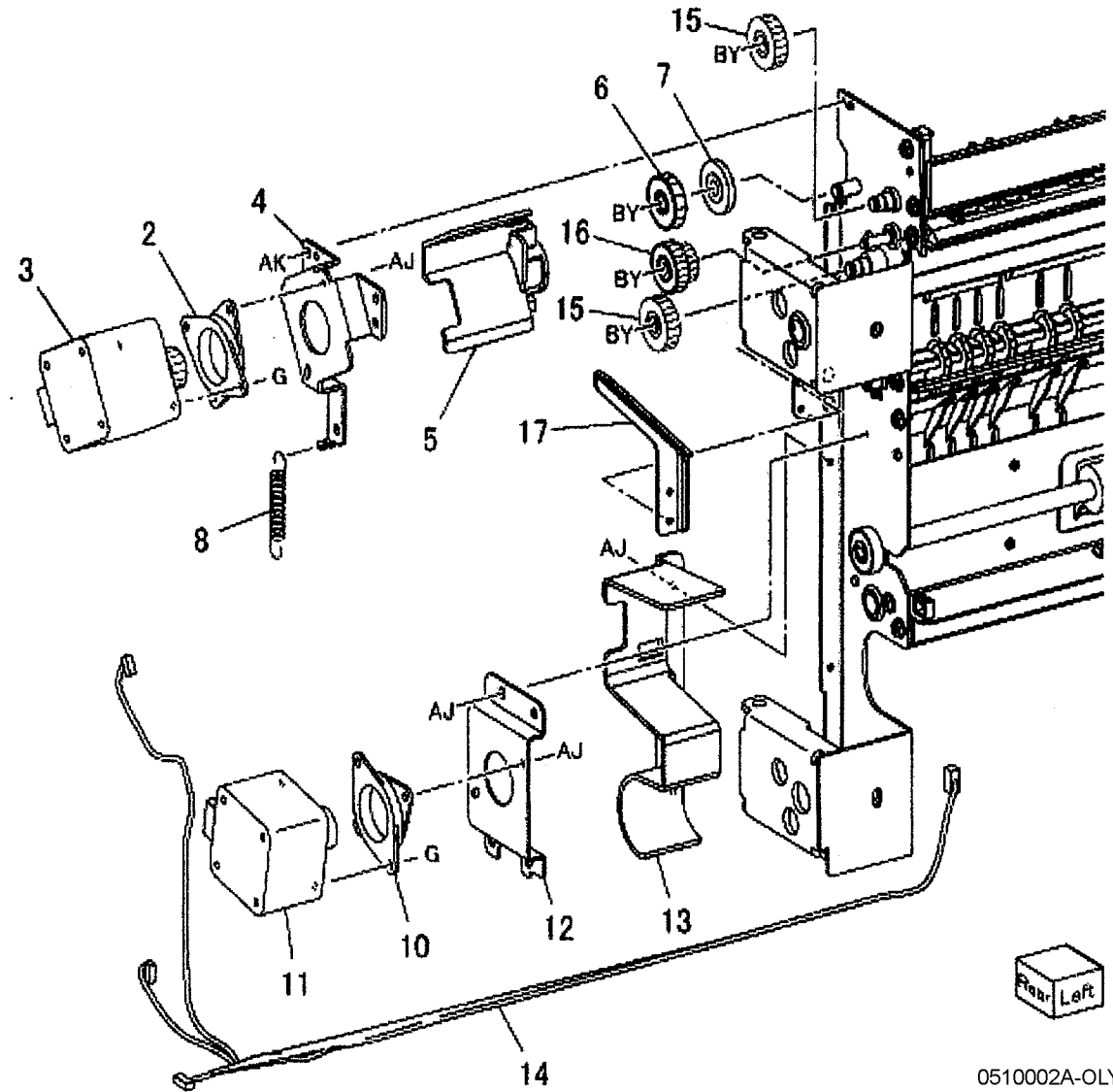
Item	Part	Description
1	038E31521	Bottom Guide
2	-	Inverter 3 Chute
3	-	OCT Exit Chute
4	-	Inverter 4 Chute Assembly
5	-	Inverter 4 Chute (P/O PL 10.1 Item 4)
6	130K87810	Inverter End Sensor
7	-	Bracket (P/O PL 10.1 Item 4)
8	-	Wire Harness (P/O PL 10.1 Item 4)
9	-	Pin
10	059K42353	Inverter 1 Transport (REP 8.3)
11	059K41974	Invert 2 Transport (REP 8.3)
12	-	Inverter Cover
13	-	Bracket



PL 10.2 Inverter 1 Transport (1 of 2)

Item	Part	Description
1	127K39730	Exit Motor Assembly
2	-	Damper (P/O PL 10.2 Item 1)
3	-	Exit Motor
4	-	Bracket (P/O PL 10.2 Item 1)
5	-	Gear Cover (Not Spared)
6	-	Gear (26T)
7	-	Collar
8	809E55030	Spring
9	127K39720	Inverter Motor Assembly
10	-	Damper (P/O PL 10.2 Item 9)
11	-	Inverter Motor (P/O PL 10.2 Item 9)
12	-	Bracket (P/O PL 10.2 Item 9)
13	-	Motor Cover (Not Spared)
14	-	Wire Harness (Not Spared)
15	-	Gear Assembly (23T) (Not Spared)
16	-	Gear Assembly (22T/16T) (Not Spared)
17	-	Support Bracket (Not Spared)

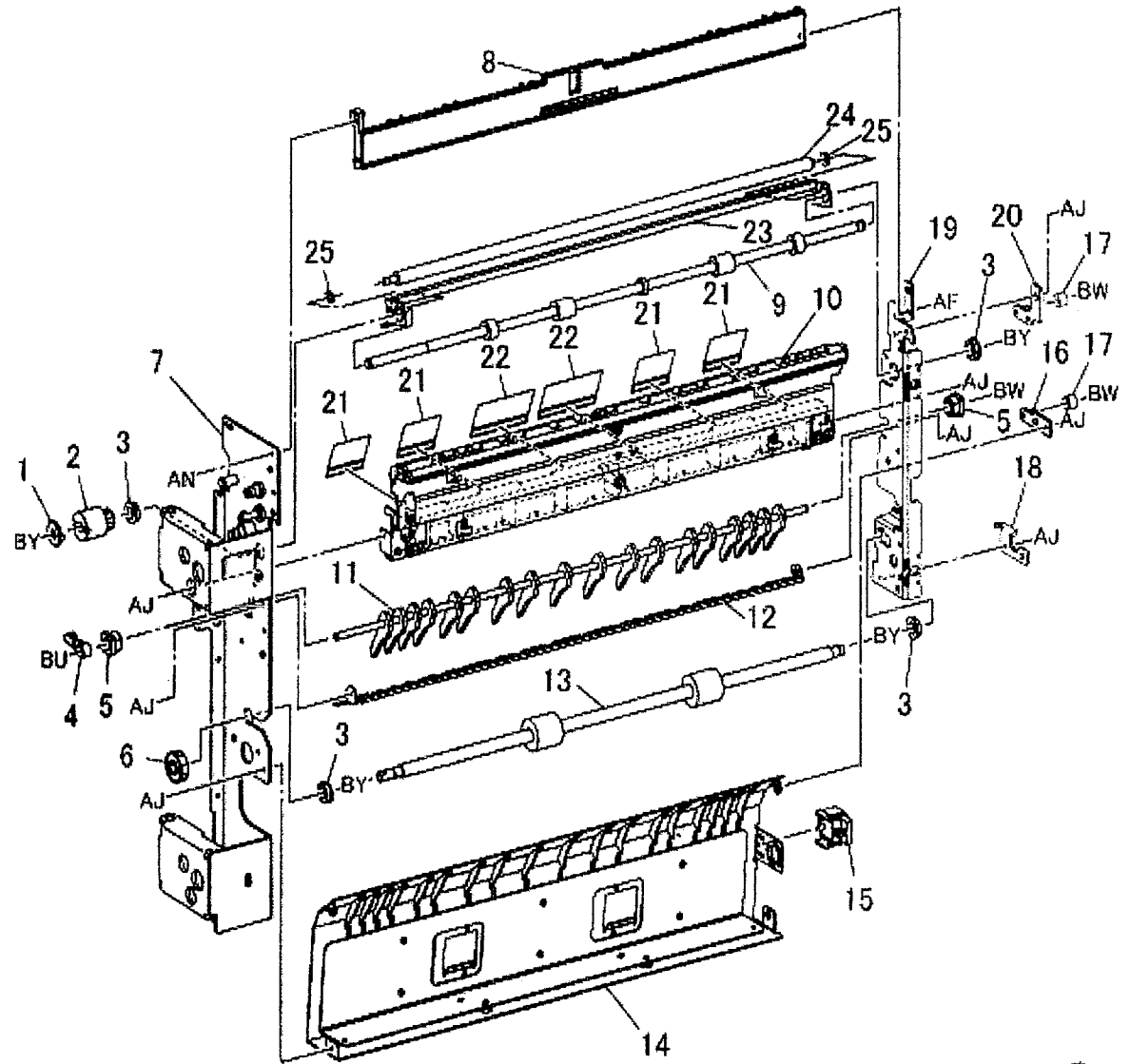
1 { 2 - 4
 9 { 10 - 12



0510002A-OLY

PL 10.3 Inverter 1 Transport (2 of 2)

Item	Part	Description
1	-	Stopper
2	005K07680	Gear (14T)
3	013E17670	Bearing
4	-	Gate Link
5	-	Bearing (P/O PL 10.1 Item 10)
6	-	Gear (17T)
7	-	Rear Frame (P/O PL 10.3 Item 10)
8	-	Top Chute (P/O PL 10.1 Item 10)
9	059K42372	Inverter Roll
10	-	Upper Chute (P/O PL 10.1 Item 10)
11	-	Gate (P/O PL 10.1 Item 10)
12	-	Middle Chute (P/O PL 10.1 Item 10)
13	059K33310	inverter Duplicator Roll
14	-	Lower Chute (P/O PL 10.1 Item 10)
15	110E93440	Cabinet Interlock Switch
16	-	Hinge (P/O PL 10.1 Item 10)
17	-	Collar (P/O PL 10.1 Item 10)
18	-	Stopper (P/O PL 10.1 Item 10)
19	-	Front Frame (P/O PL 10.1 Item 10)
20	-	inverter Upper Hinge (P/O PL 10.1 Item 10)
21	-	Decurler Guide 1 (P/O PL 10.1 Item 10)
22	-	Decurler Guide 2 (P/O PL 10.1 Item 10)
23	-	Tie Bracket (P/O PL 10.1 Item 10)
24	-	Pinch Shaft (P/O PL 10.1 Item 10)
25	-	Bearing (P/O PL 10.1 Item 10)

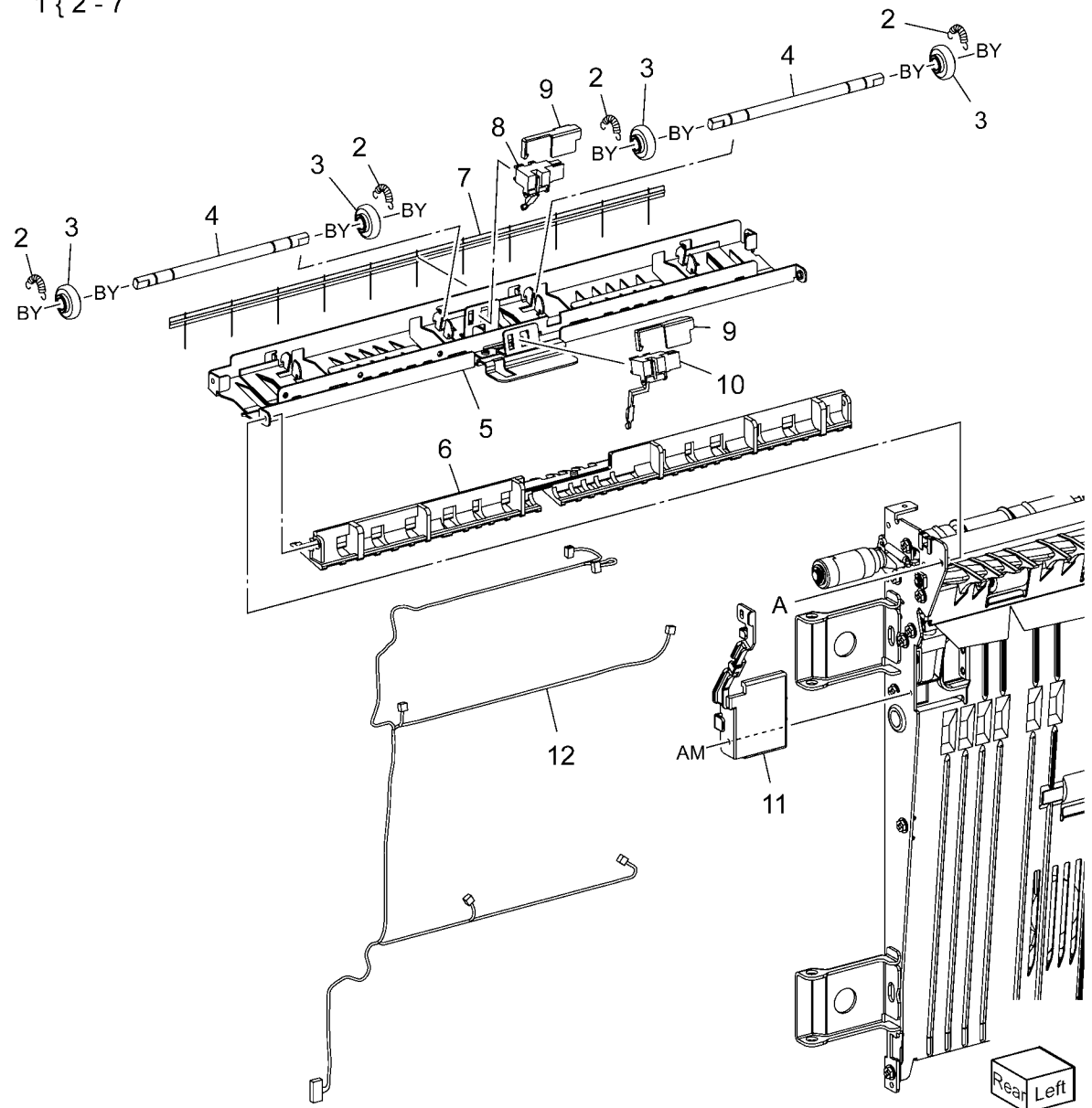


0510003A-OLY

PL 10.4 Inverter 2 Transport (1 of 2)

Item	Part	Description
1	054K26415	Upper Chute Assembly
2	-	Spring
3	-	Pinch Roll (P/O PL 10.4 Item 1)
4	-	Shaft (P/O PL 10.4 Item 1)
5	-	Chute (P/O PL 10.4 Item 1)
6	-	Upper Chute (P/O PL 10.4 Item 1)
7	-	Eliminator (P/O PL 10.4 Item 1)
8	130K88400	IOT Exit Sensor
9	-	Sensor Cover (Not Spared)
10	130K87710	Invert In Sensor
11	-	Nip Solenoid Cover
12	-	Wire Harness (Not Spared)

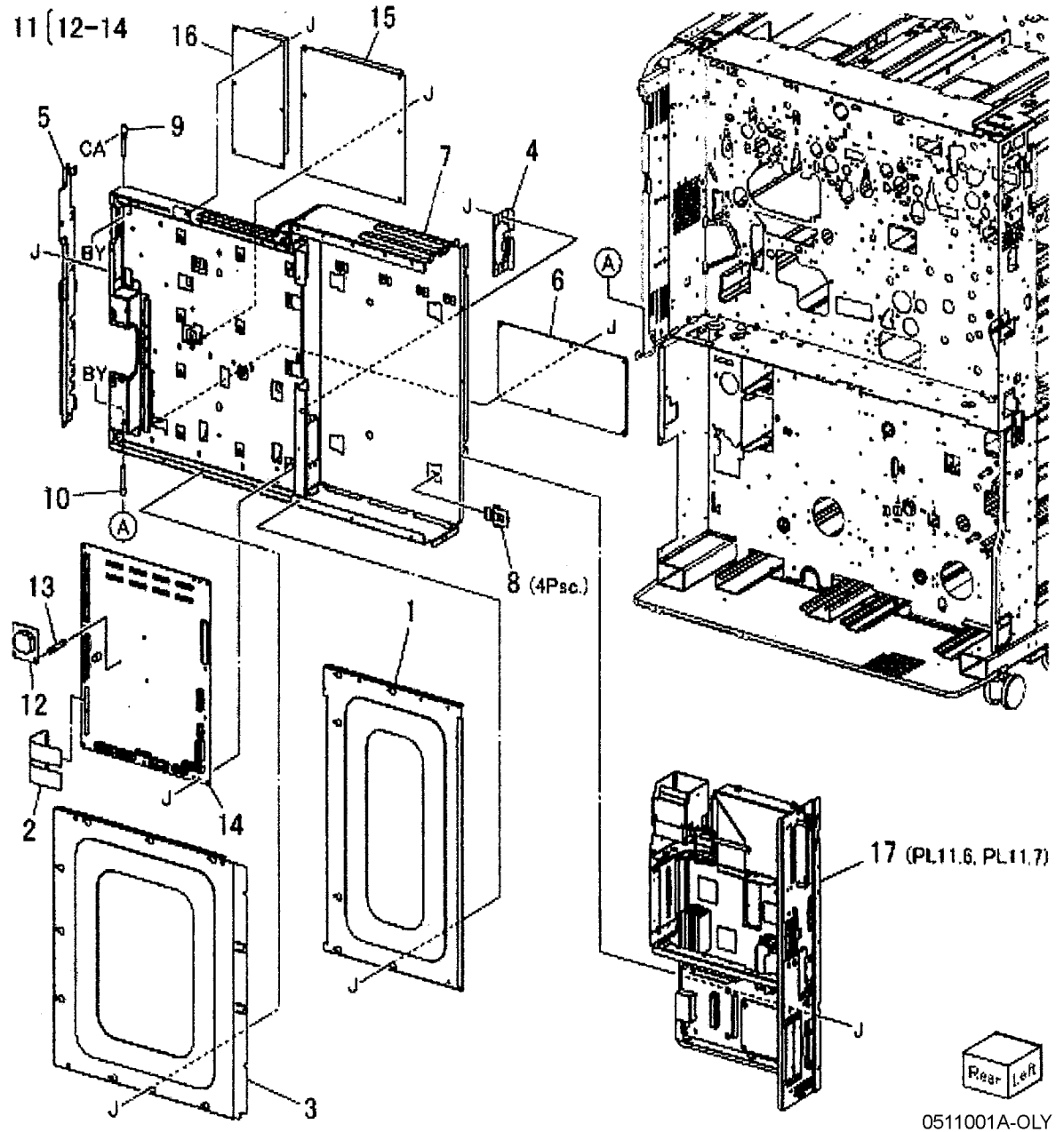
1 { 2 - 7



0510004A-OLY

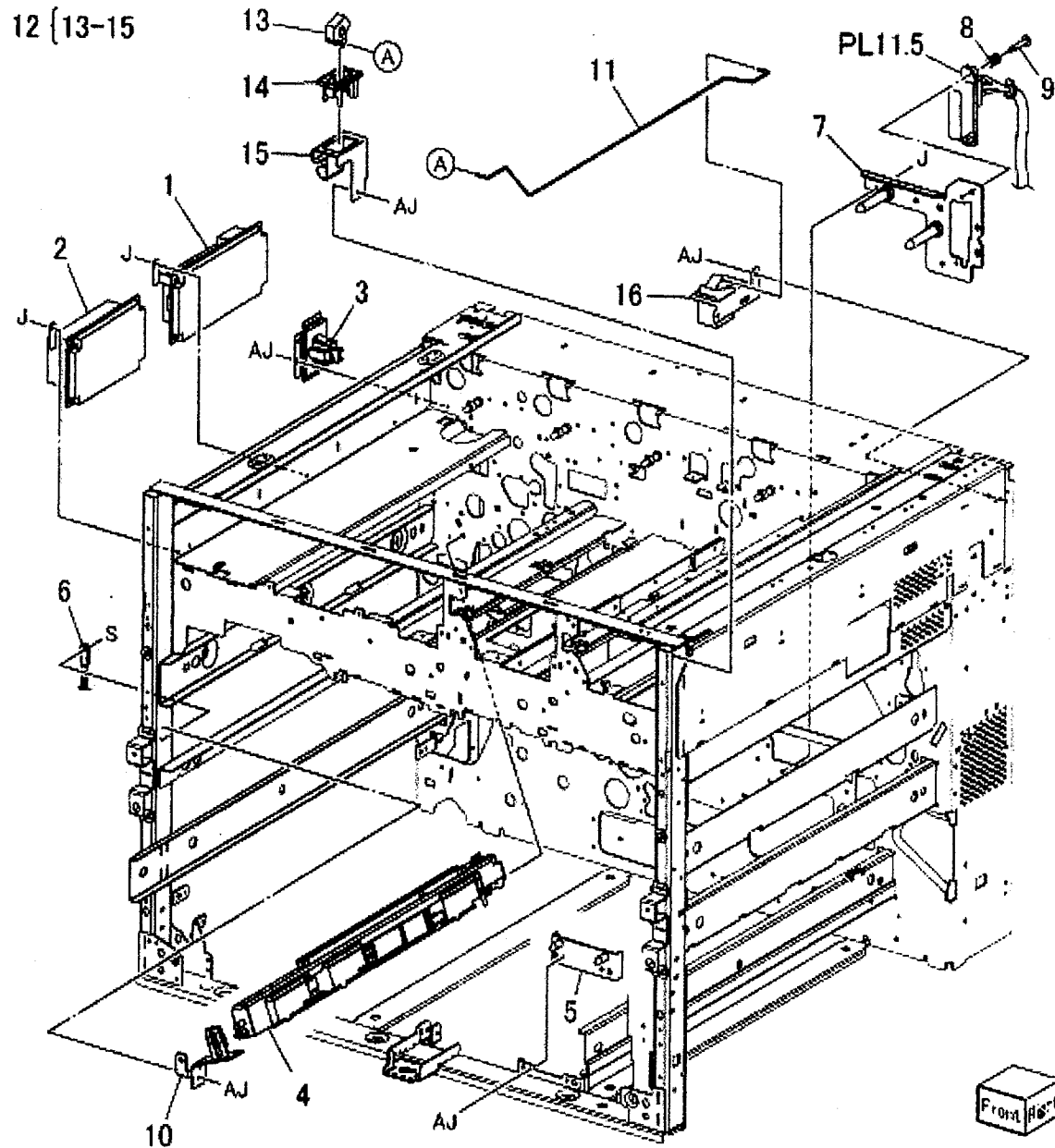
PL 11.1 Electrical (1 of 3)

Item	Part	Description
1	-	Control Cover
2	117E23961	Flat Cable
3	-	MCU Cover
4	-	Bracket (Not Spared)
5	-	Bracket (Not Spared)
6	960K00393	IOT Driver PWB
7	-	Chassis Assembly (Not Spared) (REP 3.1)
8	-	Plate Spring (Not Spared)
9	-	Pin (Upper)
10	-	Pin (Lower)
11	960K01727	MCU PWB Assembly
12	160K95230	MCU NVM PWB (P/O PL 11.1 Item 11)
13	-	Spacer (P/O PL 11.1 Item 11)
14	-	MCU PWB (P/O PL 11.1 Item 11)
15	105K20751	Charge (Y,M,C) HVPS
16	105K20760	Developer Bias (Y,M,C) HVPS
17	-	Control Unit (Not Spared) (REP 3.2)



PL 11.2 Electrical (2 of 3)

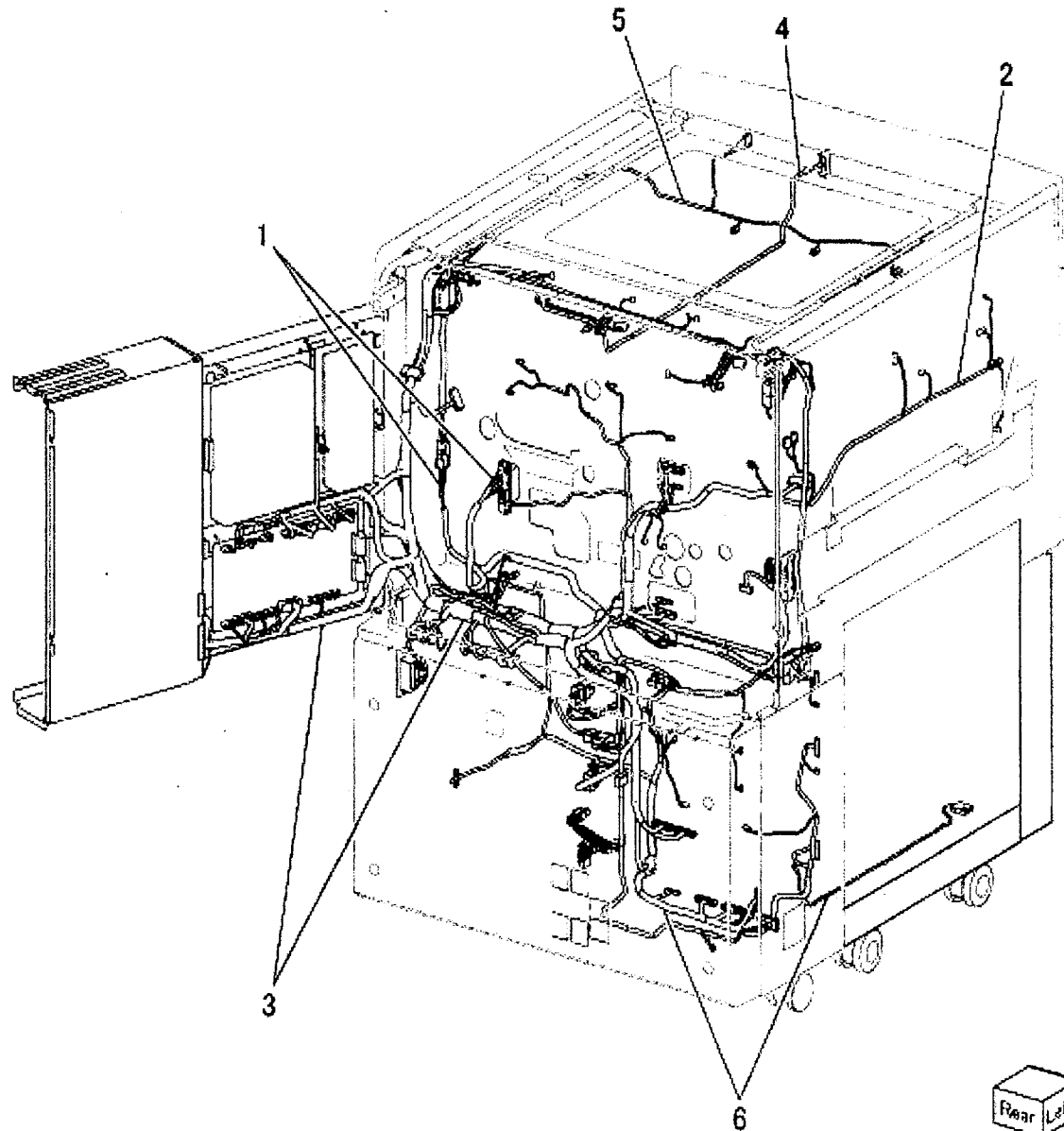
Item	Part	Description
1	105K20970	Change (K) Preclean HVPS
2	105K20980	Developer Bias (K) HVPS
3	068K23802	Outlet (220V)
-	068K23692	Outlet (120V)
4	130K87701	MOB ADC Assembly (REP 9.13)
5	-	Bracket
6	130K88740	Environment Sensor
7	-	Frame Assembly (Not Spared)
8	809E49990	Spring
9	826E08080	Shoulder Screw
10	-	Plate Assembly (Not Spared)
11	-	Switch Rod
12	-	Main Switch Assembly
13	-	CAM
14	-	Case (P/O PL 11.2 Item 12)
15	-	Bracket (P/O PL 11.2 Item 12)
16	110K12030	Power Switch



0511002A-OLY

PL 11.4 Wire Harness

Item	Part	Description
1	-	Wire Harness (AC) (Not Spared)
2	-	Wire Harness (Signal) (Not Spared)
3	-	Wire Harness (Power) (Not Spared)
4	-	Wire Harness (Control) (Not Spared)
5	-	Wire Harness (R/H) (Not Spared)
6	-	Tray Module Harness (Not Spared)

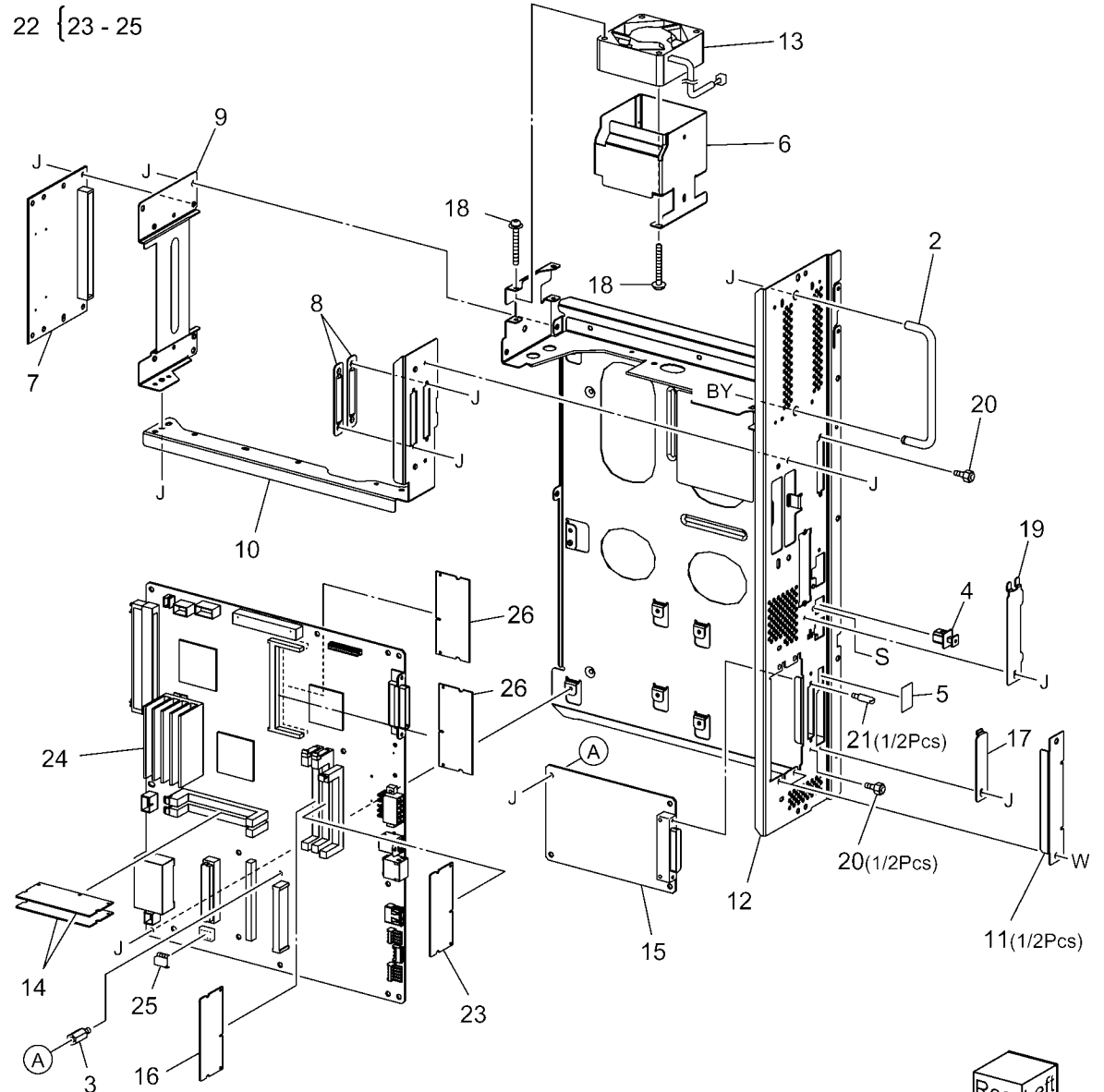


0511004A-OLY

PL 11.5 Control Unit (1 of 2)

Item	Part	Description
1	-	Control Housing Assembly
2	-	Handle
3	-	Spacer
4	-	Cap (USB B)
5	-	Seal (USB A)
6	-	Duct (P/O PL 11.5 Item 1)
7	160K95381	BP PWB
8	-	Dummy Plate (P/O PL 11.5 Item 1)
9	-	Plate (P/O PL 11.5 Item 1)
10	-	Bracket (P/O PL 11.5 Item 1)
11	-	Panel
12	-	Housing Assembly (P/O PL 11.5 Item 1)
13	127K38181	ESS Fan
14	960K00022	ESS Memory (512MB)
-	133K23690	Memory (256MB)
15	-	UI Interface PWB
16	537K68651	MF ROM
17	-	Blind Cover
18	-	Screw (P/O PL 11.5 Item 1)
19	-	Cover
20	-	Locks crew (P/O PL 11.5 Item 1)
21	-	Screw (P/O PL 11.5 Item 1)
22	-	ESS PWB Assembly
23	160K99200	ESS NVM PWB
24	960K05563	ESS PWB (with Item 25) (REP 3.5)
25	-	EEP ROM (w/o Item 24) (Not Spared)
26	-	128 MB Page Memory

1 { 2 - 26
22 { 23 - 25

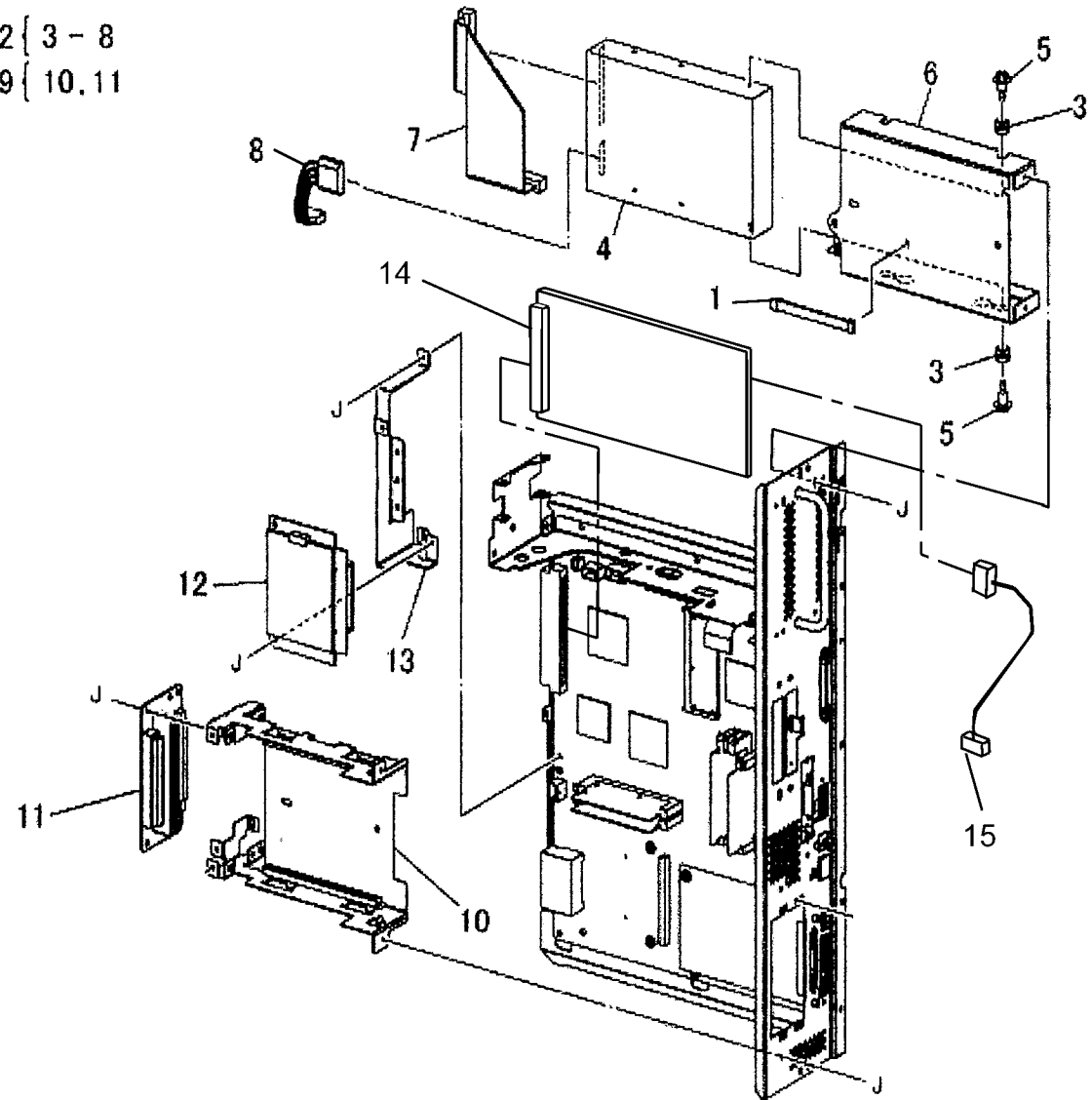


0511005A-OLY

PL 11.6 Control Unit (2 of 2)

Item	Part	Description
1	-	Clamp
2	068K24451	Hard Drive Assembly (80G)
3	-	Damper (P/O PL 11.6 Item 2)
4	-	Hard Drive (40G)
5	-	Screw (P/O PL 11.6 Item 2)
6	-	Bracket (P/O PL 11.6 Item 2)
7	962K19860	Wire Harness
8	962K19871	Wire Harness
9	-	Riser PWB Bracket Assembly
10	-	Bracket (P/O PL 11.6 Item 9)
11	960K05670	Riser PWB (P/O PL 11.6 Item 9)
12	160K97580	JPEG PWBA
13	-	Bracket
14	-	VSEL PWB
15	-	VSEL Cable

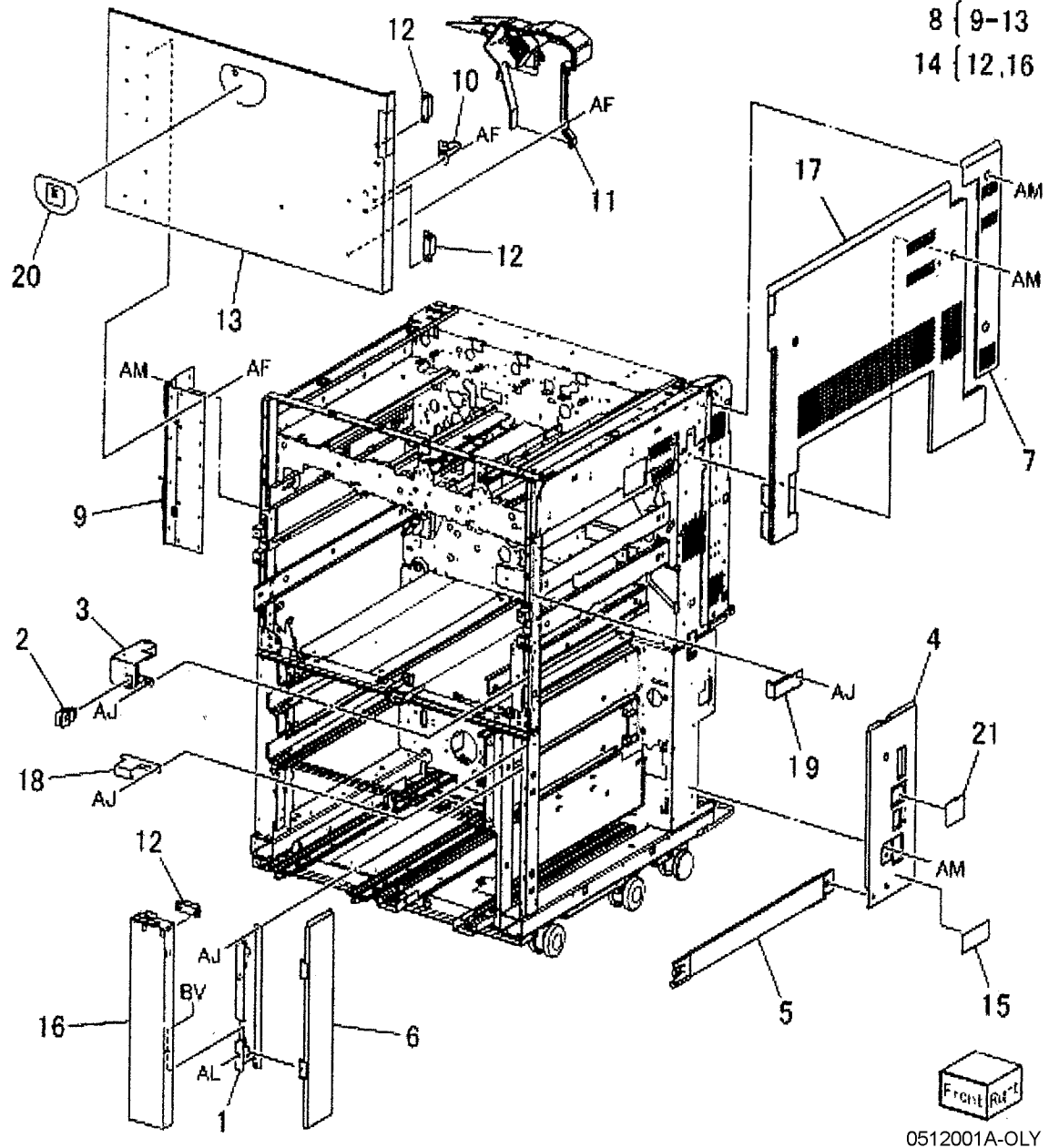
2 { 3 - 8
9 { 10, 11



0511006A-OLY

PL 12.1 Cover (1 of 2)

Item	Part	Description
1	-	Hinge
2	110E11980	Front Cover Interlock Switch
3	-	Bracket (Not Spared)
4	-	Right Rear Lower Cover
5	-	Right Lower Cover
6	-	Right Front Lower Cover
7	-	Right Rear Upper Cover
8	802K65451	Front Cover Assembly
9	-	Hinge
10	032E21490	Guide
11	-	Fuser Duct (P/O PL 12.1 Item 8)
12	121E85020	Magnet Catch
13	-	Front Cover (P/O PL 12.1 Item 8)
14	802K65501	Bottle Cover
15	-	Label (Earth) (Not Spared)
16	-	Bottle Cover
17	-	Right Upper Cover
18	-	Bracket (Not Spared)
19	-	Bracket (Not Spared)
20	-	Logo Plate
21	802E63660	Blind Cover

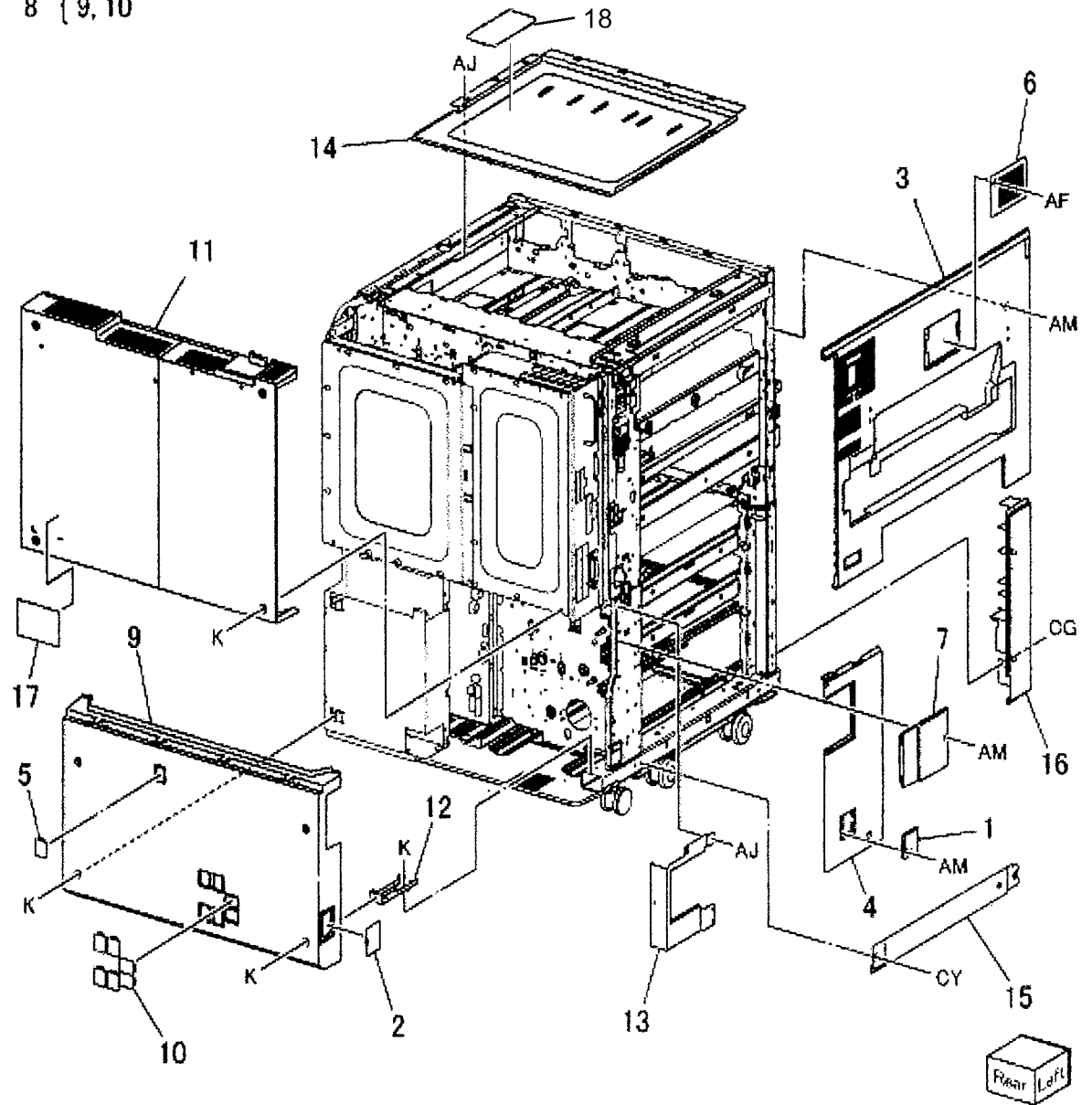


8 { 9-13
14 { 12,16

PL 12.2 Cover (2 of 2)

Item	Part	Description
1	-	Cover
2	802E63660	Blind Cover
3	-	Left Upper Cover
4	-	Left Rear Lower Cover
5	-	Cover
6	-	Filter
7	802K56961	Filter Cover
8	-	Rear Lower Cover
9	-	Rear Lower Cover (P/O PL 12.2 Item 8)
10	-	Blind Cover (P/O PL 12.2 Item 8)
11	-	Rear Upper Cover
12	-	Bracket (Not Spared)
13	-	Bracket (Not Spared)
14	-	IIT Plate
15	-	Cover
16	-	Cover
17	-	Data Plate
18	-	Label (CE)

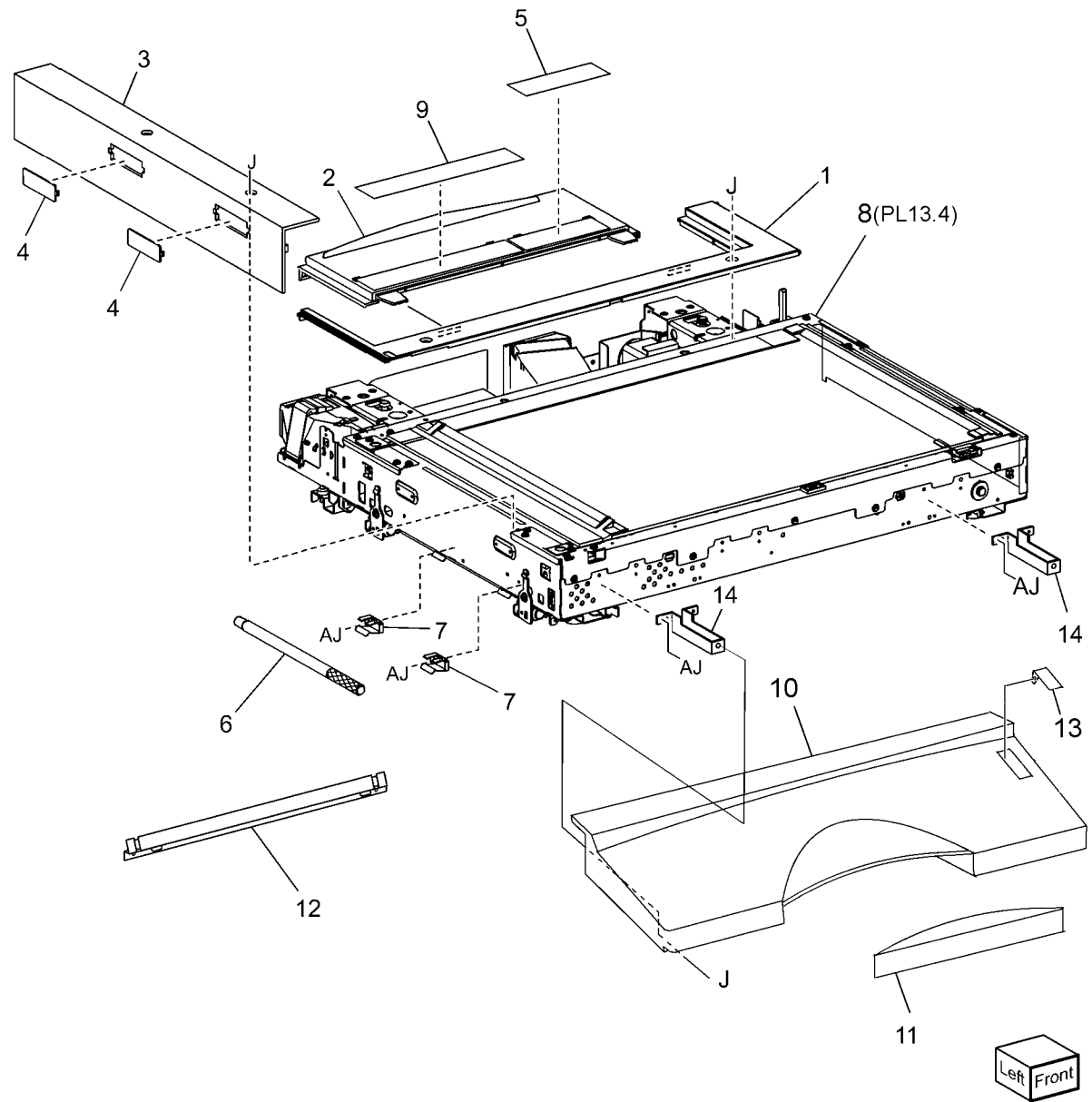
8 { 9, 10



0512002A-OLY

PL 13.1 IIT Cover - Front/Top

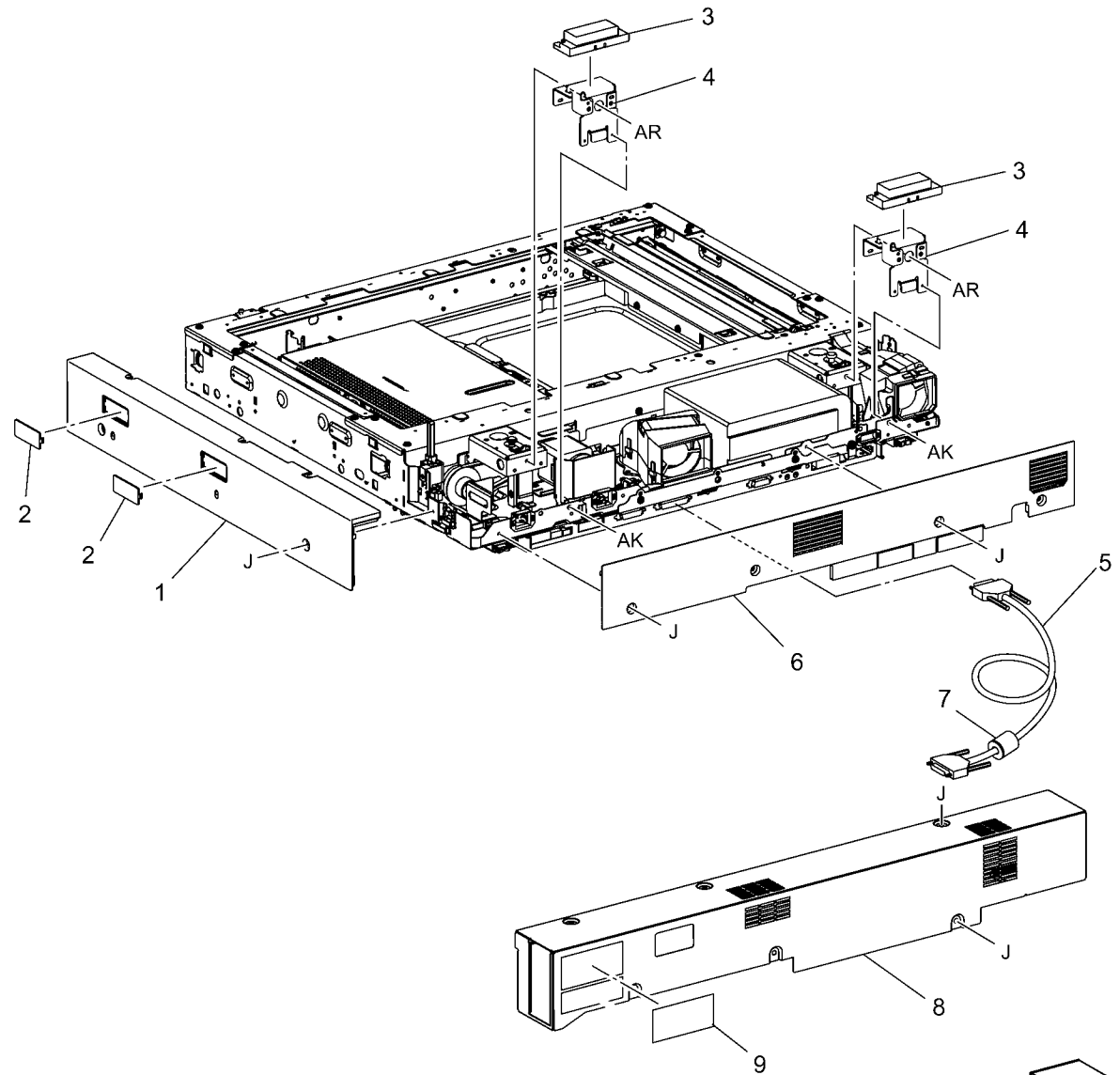
Item	Part	Description
1	-	Top Rear Cover 1
2	802E62451	Top Rear Cover 2
3	-	IIT Left Cover
4	802E63030	Blind Cover
5	-	Sensor Shield (Not Spared)
6	-	Lift Arm
7	-	Arm Holder (Not Spared)
8	-	IIT Assembly (Not Spared) (REP 5.24)
9	-	Caution Label (Not Spared)
10	-	IIT Front Cover (Not Spared)
11	-	Name Label
12	-	Shading Jig
13	849E29921	Switch Cover
14	-	Bracket (Not Spared)



0513001A-OLP

PL 13.2 IIT Cover - Rear/Right, Power Chassis (DADF-250)

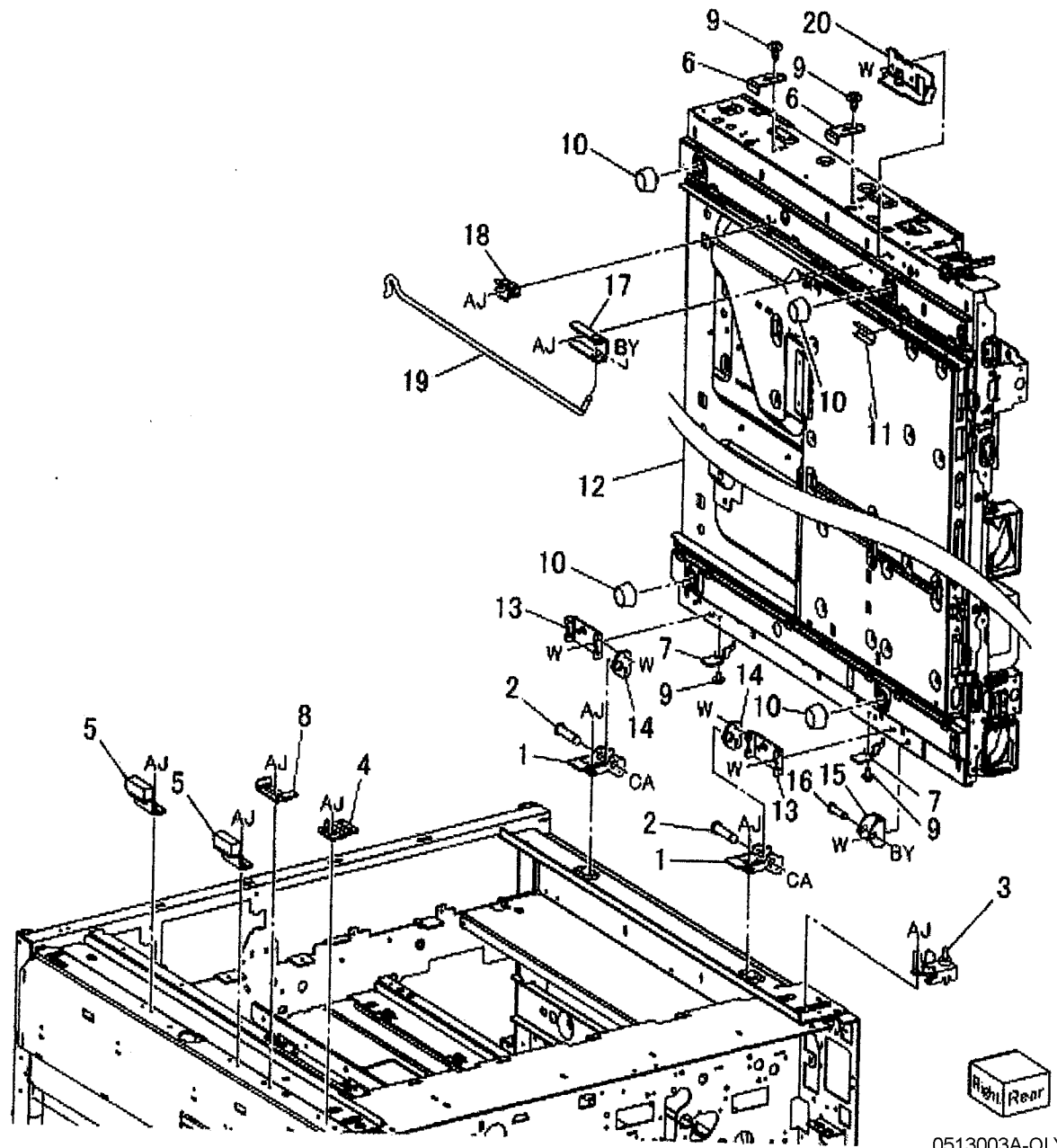
Item	Part	Description
1	802E56502	IIT Right Cover
2	802E63030	Blind Cover
3	802E67240	Blind Cover
4	-	DADF Support Bracket (Not Spared)
5	117E21690	IIT ESS Cable
6	802E64371	IIT Rear Cover
7	-	Core
8	-	Power Chassis Cover
9	-	Label



0513002A-OLY

PL 13.3 IIT Bottom Bracket

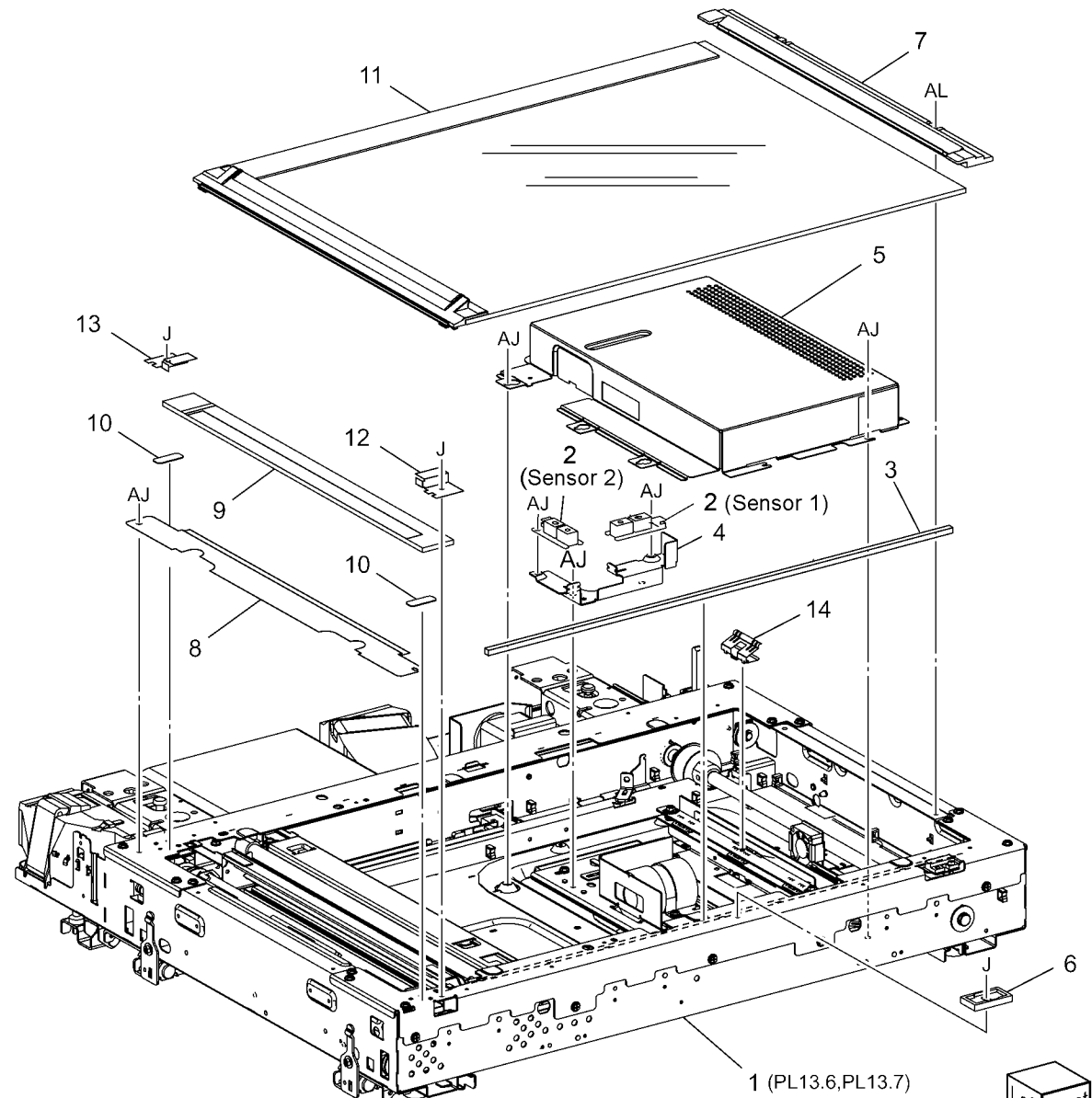
Item	Part	Description
1	-	Pivot Bracket (Not Spared)
2	-	Pivot Stud (Not Spared)
3	-	Left Locator Bracket (Not Spared)
4	-	Right Locator Bracket (Not Spared)
5	-	Foot Bracket (Not Spared)
6	-	Right Stopper (Not Spared)
7	-	Left Stopper (Not Spared)
8	-	Lock Brace Bracket (Not Spared)
9	-	Forming Screw (Not Spared)
10	017E92060	Foot
11	-	Bottom Seal (Not Spared)
12	-	IIT Frame (Not Spared)
13	-	Pivot Bracket (Not Spared)
14	-	Pivot Plate (Not Spared)
15	-	Locate Bracket (Not Spared)
16	-	Locate Stud (Not Spared)
17	-	Brace Bracket (Not Spared)
18	-	Brace Holder (Not Spared)
19	-	Brace Shaft (Not Spared)
20	-	Arm Bracket (Not Spared)



0513003A-OLY

PL 13.4 IIT Component

Item	Part	Description
1	-	IIT Housing
2	130K64150	APS Sensor 1, APS Sensor 2
3	-	Front Seal
4	-	Sensor Bracket (Not Spared)
5	-	Lens Cover (Not Spared) (REP 5.25)
6	-	Platen Glass Support (Not Spared)
7	815E05551	Right Plate
8	815E05190	CVT Glass Plate
9	090K93100	CVT Platen Glass
10	-	Spacer
11	090K93002	Platen Glass
12	-	Front Support (Not Spared)
13	-	Rear Support (Not Spared)
14	-	Conductor Plate (Not Spared)

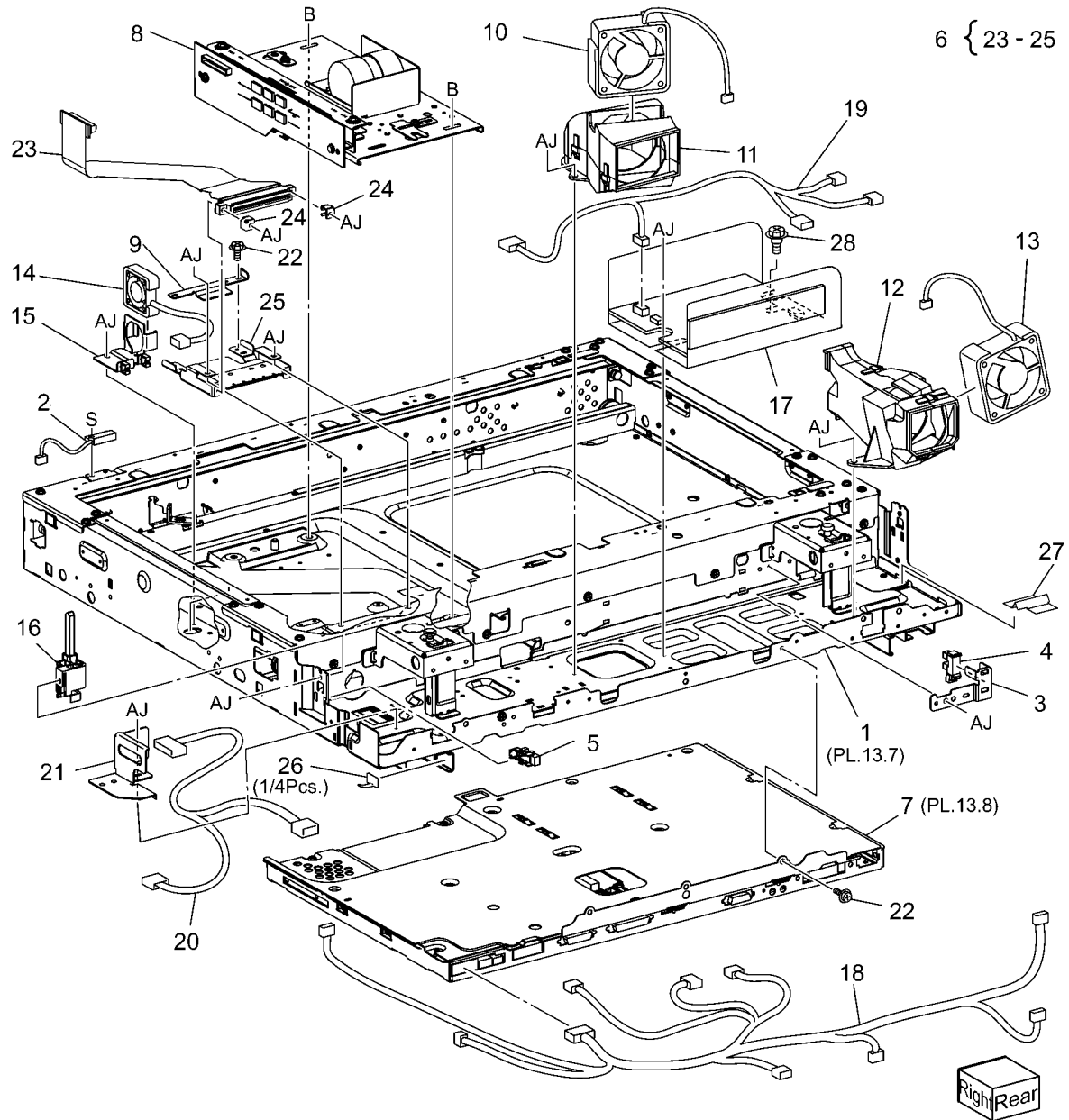


Left Front

0513004A-OLY

PL 13.6 IIT Housing - Electrical

Item	Part	Description
1	-	IIT Frame
2	110K11960	Platen Interlock Switch
3	-	Sensor Bracket (Not Spared)
4	107E08680	IIT Registration Sensor (REP 5.26)
5	130E85970	Platen Angle Sensor (REP 5.27)
6	-	Charge Coupling Device Flex Print Cable (REP 5.28)
7	-	IIT/IPS Unit (REP 5.36)
8	604K21501	Lens Assembly (REP 5.29)
9	-	Gasket Bracket (Not Spared)
10	127K38620	IPS Fan (REP 5.30)
11	-	Duct (Not Spared)
12	-	Duct (Not Spared)
13	127K38632	Lamp Fan (REP 5.31)
14	127K38641	Charge Coupling Device Fan (REP 5.32)
15	-	Fan Bracket (Not Spared)
16	120K91990	Actuator
17	-	IIT LVPS (24v)
18	962K20212	IIT Wire Harness
19	-	DC Wire Harness
20	-	DC Wire Harness (Not Spared)
21	-	Connection Bracket (Not Spared)
22	-	Screw (Blue) (Not Spared)
23	962K19801	Cable
24	-	Spacer (Not Spared)
25	-	Bracket (Not Spared)
26	-	Clamp
27	-	Seal
28	-	Shoulder Screw

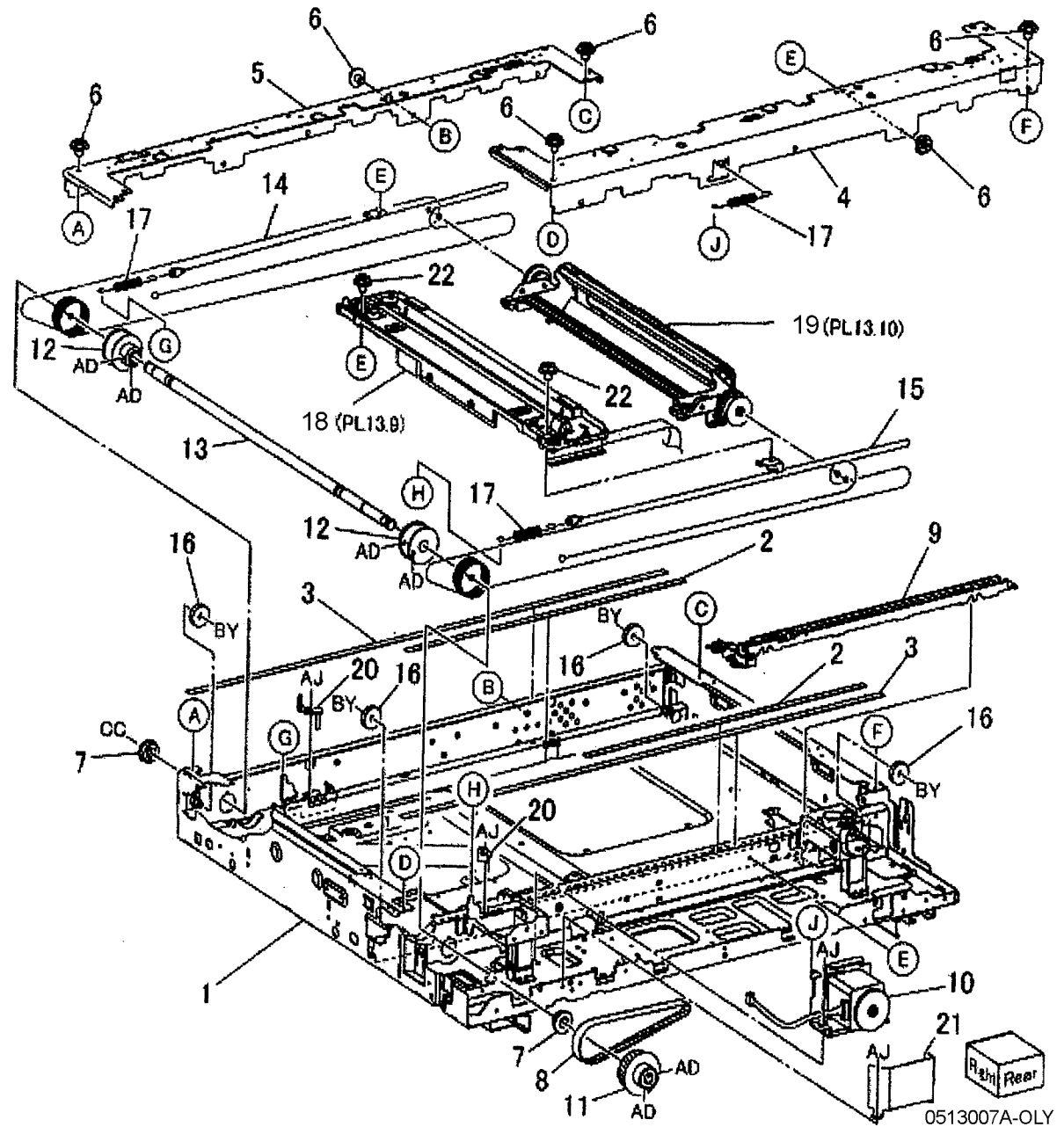


6 { 23 - 25

0513006A-OLY

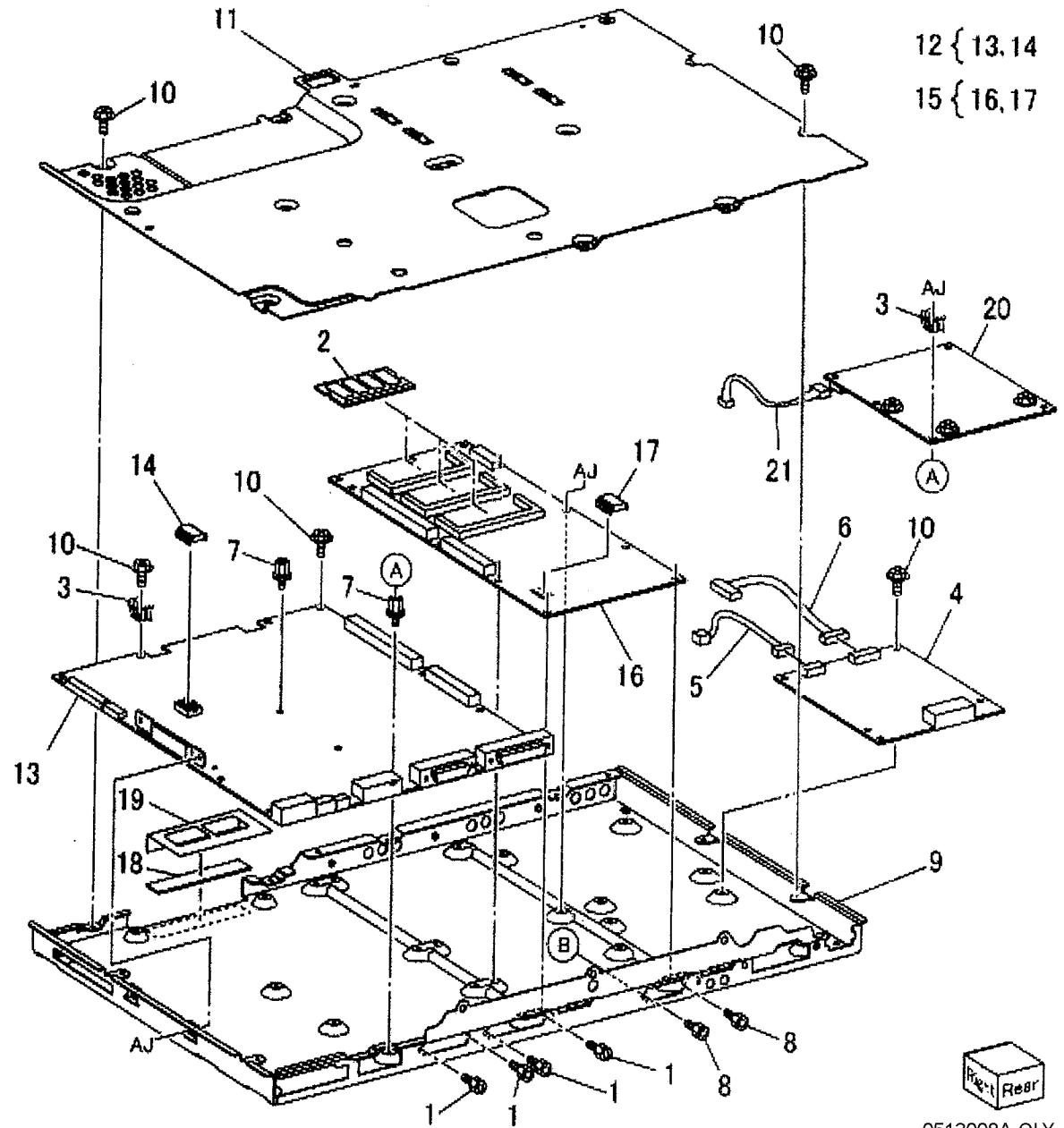
PL 13.7 IIT Housing - Carriage

Item	Part	Description
1	-	IIT Frame (Not Spared)
2	-	Tape (Half Rate Carriage) (Not Spared)
3	-	Tape (Full Rate Carriage) (Not Spared)
4	-	Front Top Frame (Not Spared)
5	-	Rear Top Frame (Not Spared)
6	-	Screw (Red) (Not Spared)
7	013E24910	Sleeve Bearing
8	023E21370	Belt
9	-	Harness Guide (Not Spared)
10	127K38491	Carriage Motor (REP 5.33)
11	-	Pulley
12	020E36980	Capstan Pulley
13	-	Capstan Shaft (Not Spared)
14	012K94480	Front Carriage Cable (Black)
15	012K94490	Rear Carriage Cable (Silver) (REP 5.38)
16	020E21630	Pulley
17	809E41740	Tension Spring
18	041K94524	Full Rate Carriage (REP 5.34)
19	041K94553	Half Rate Carriage (PL13.10)
20	-	Jig (Not Spared)
21	-	Motor Guard (Not Spared)
22	-	Screw (Blue)



PL 13.8 IIT/IPS Unit

Item	Part	Description
1	826E06490	Screw
2	133K23610	Memory (128MB)
3	-	Conductor (Not Spared)
4	160K94661	PSDC PWB
5	-	Wire Harness (4 pin)
6	-	Wire Harness (9 pin)
7	-	Spacer Screw
8	-	Screw (Not Spared)
9	-	IIT/IPS Chassis (Not Spared)
10	-	Screw TP (Not Spared)
11	-	IIT/IPS Cover (Not Spared)
12	960K00442	IIT/IPS PWB (REP 5.36)
13	-	IIT/IPS PWB (Not Spared) (REP 5.36)
14	-	EEP ROM (Not Spared)
15	960K06841	Extension Memory PWB
16	-	Extension Memory PWB (Not Spared)
17	-	EEP ROM (Not Spared)
18	-	Gasket (Not Spared)
19	-	Seal (Not Spared)
20	160K99672	BDEC PWB
21	-	Wire Harness



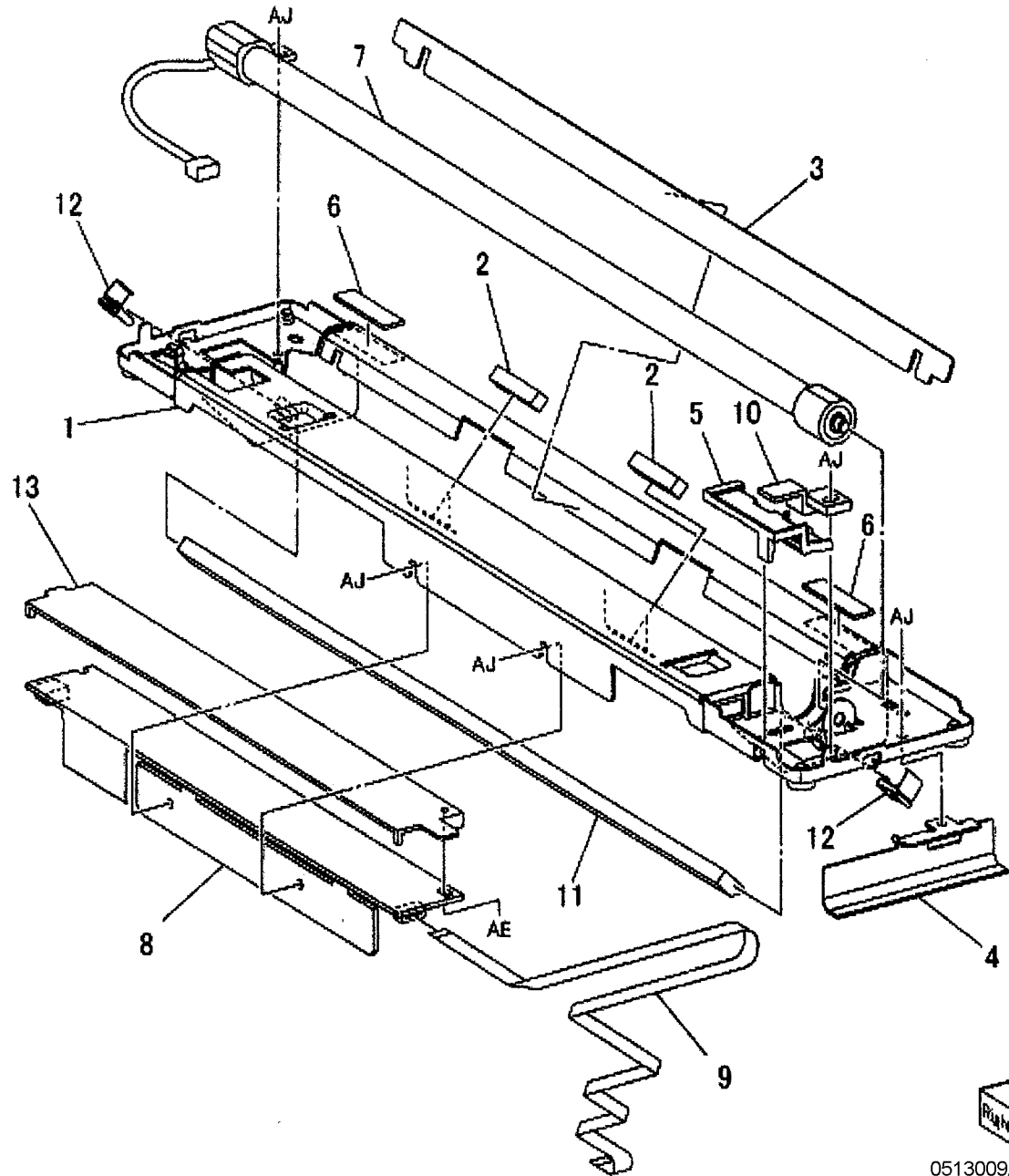
12 { 13, 14
15 { 16, 17



0513008A-OLY

PL 13.9 Full Rate Carriage Component

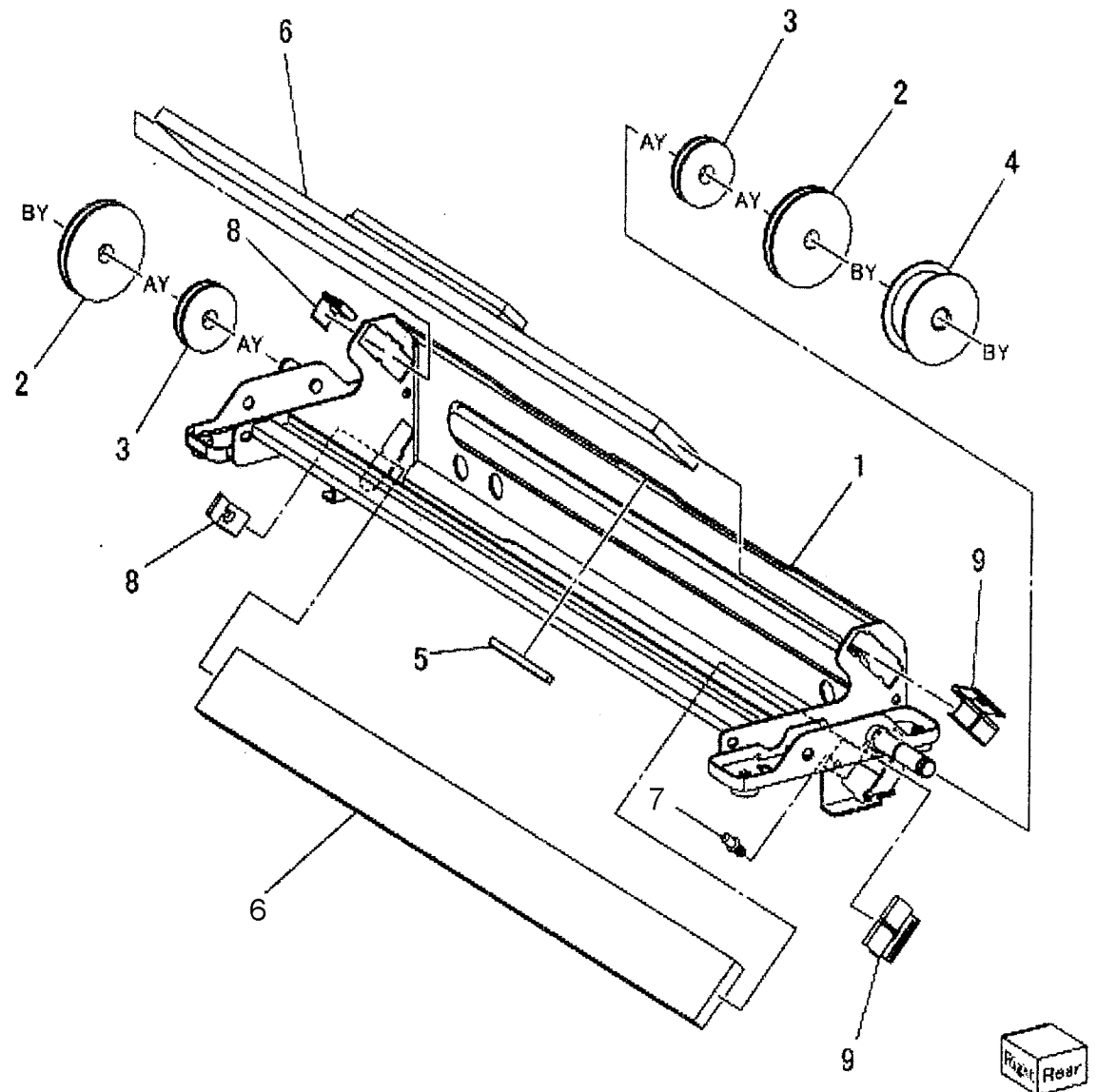
Item	Part	Description
1	-	Full Rate Carriage (Not Spared)
2	-	Damper (Not Spared)
3	-	Reflector Plate (Not Spared)
4	-	Actuator Plate (Not Spared)
5	-	Harness Guide (Not Spared)
6	-	Cushion (Not Spared)
7	122E92130	Exposure Lamp (REP 5.37)
8	105E12301	Lamp Ballast PWB (REP 5.38)
9	-	Slide Cord (Not Spared) (REP 5.39)
10	-	Harness Guide (Not Spared)
11	062E10040	No. 1 Mirror
12	809E51350	Clip (Single)
13	-	Insulator



0513009A-OLY

PL 13.10 Half Rate Carriage Component

Item	Part	Description
1	-	Half Rate Carriage (Not Spared)
2	-	Pulley (Not Spared)
3	-	Pulley (Not Spared)
4	-	Harness Pulley (Not Spared)
5	-	Damper (Not Spared)
6	062K14580	No.2 Mirror
7	-	Adjust Screw (Not Spared)
8	809E51350	Clip (Single)
9	809E51360	Clip (Double)

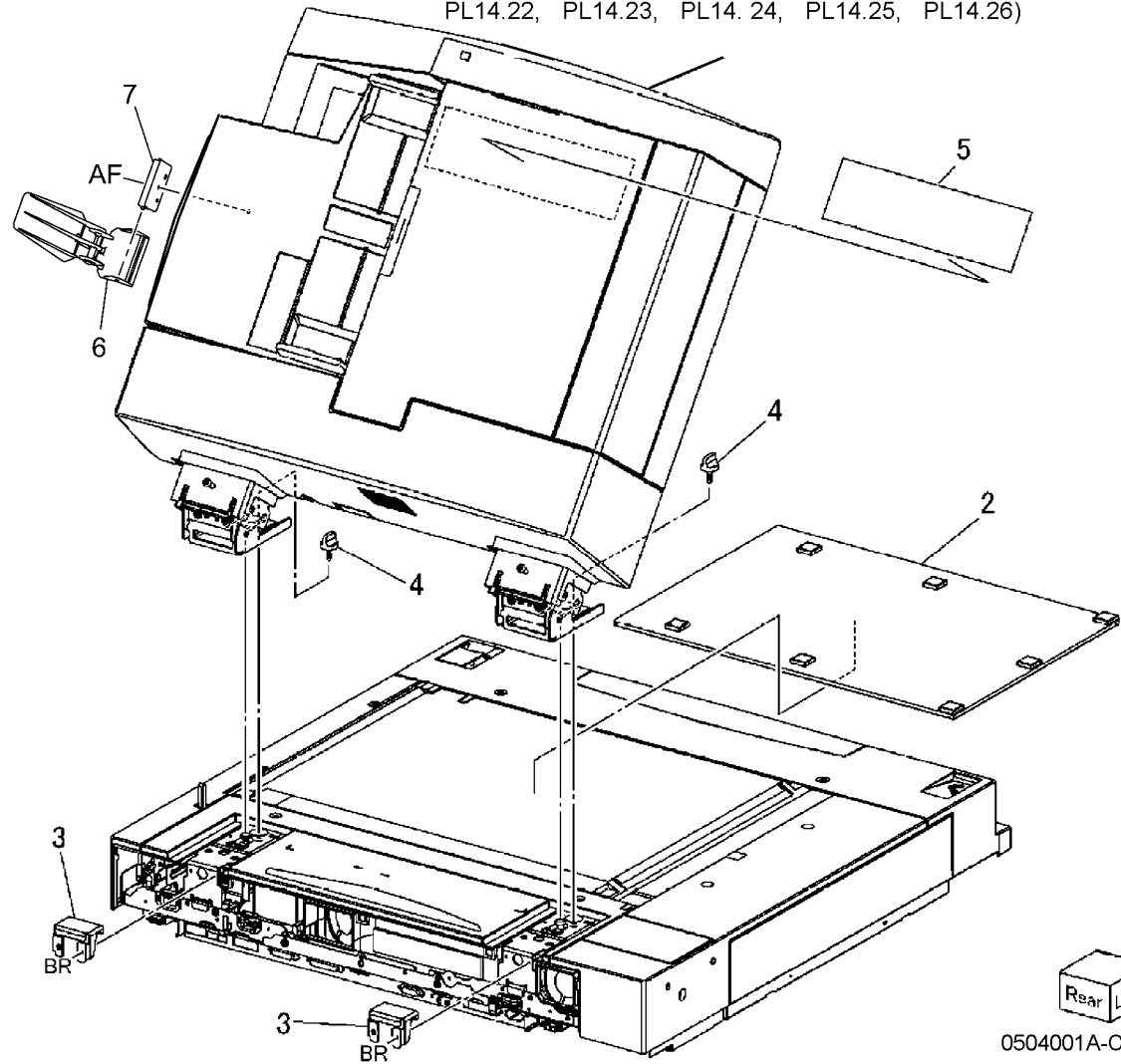


0513010A-OLY

PL 14.1 DADF

Item	Part	Description
1	059K38841	DADF Assembly (REP 5.1,REP 5.2)
2	004K92582	Platen Cushion
3	-	DADF Support
4	003K91881	Knob Screw
5	-	Label
6	003K13752	Paper Stop
7	003E62120	Hinge

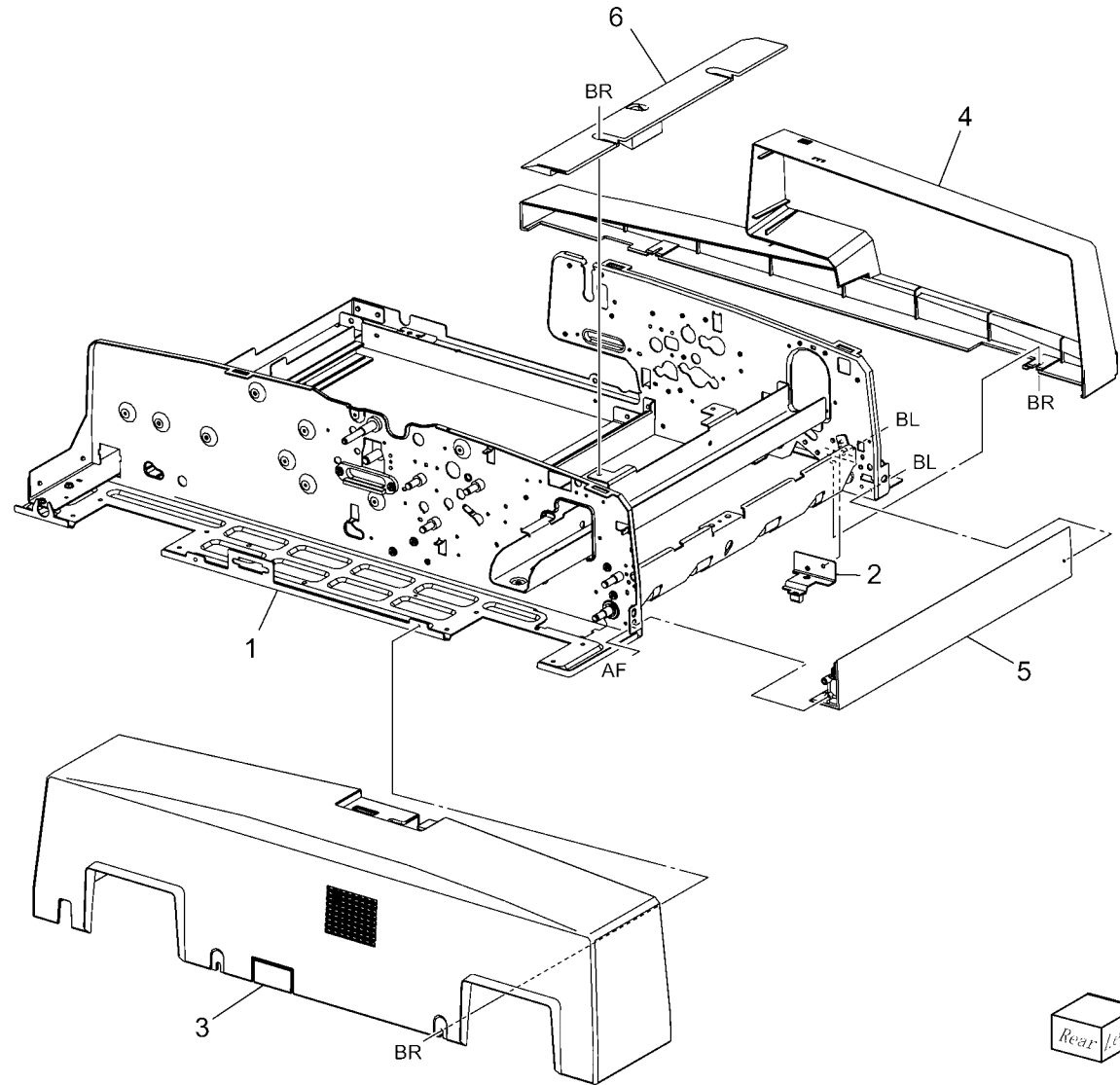
1 (PL14.2, PL14.3, PL14.4, PL14.5, PL14.6, PL14.7, PL14.8, PL14.9, PL14.10, PL14.11, PL14.12, PL14.13, PL14.14, PL14.15, PL14.16,, PL14.17, PL14.18, PL14.19, PL14.20, PL14.21 PL14.22, PL14.23, PL14.24, PL14.25, PL14.26)



0504001A-OLY

PL 14.2 DADF Cover

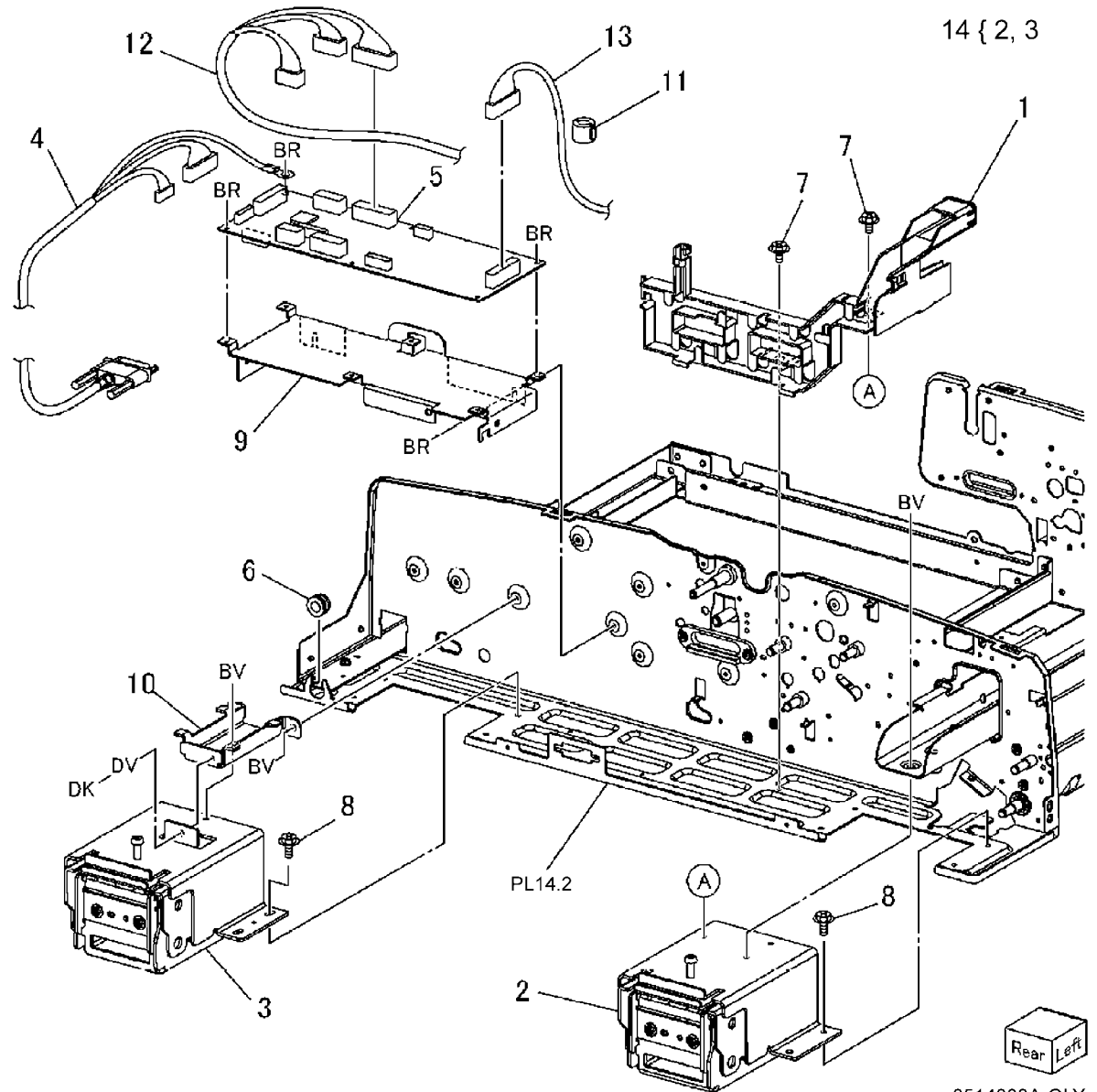
Item	Part	Description
1	-	Frame (P/O PL 14.1 Item 1)
2	-	Harness Guide (P/O PL 14.1 Item 1)
3	802E56800	DADF Rear Cover (REP 5.3)
4	802E56891	DADF Front Cover (REP 5.3)
5	802E56900	DADF Left Lower Cover (REP 5.3)
6	-	Upper Guide Chute (P/O PL 14.1 Item 1)



0514002A-OLY

PL 14.3 DADF PWB, Counter Balance

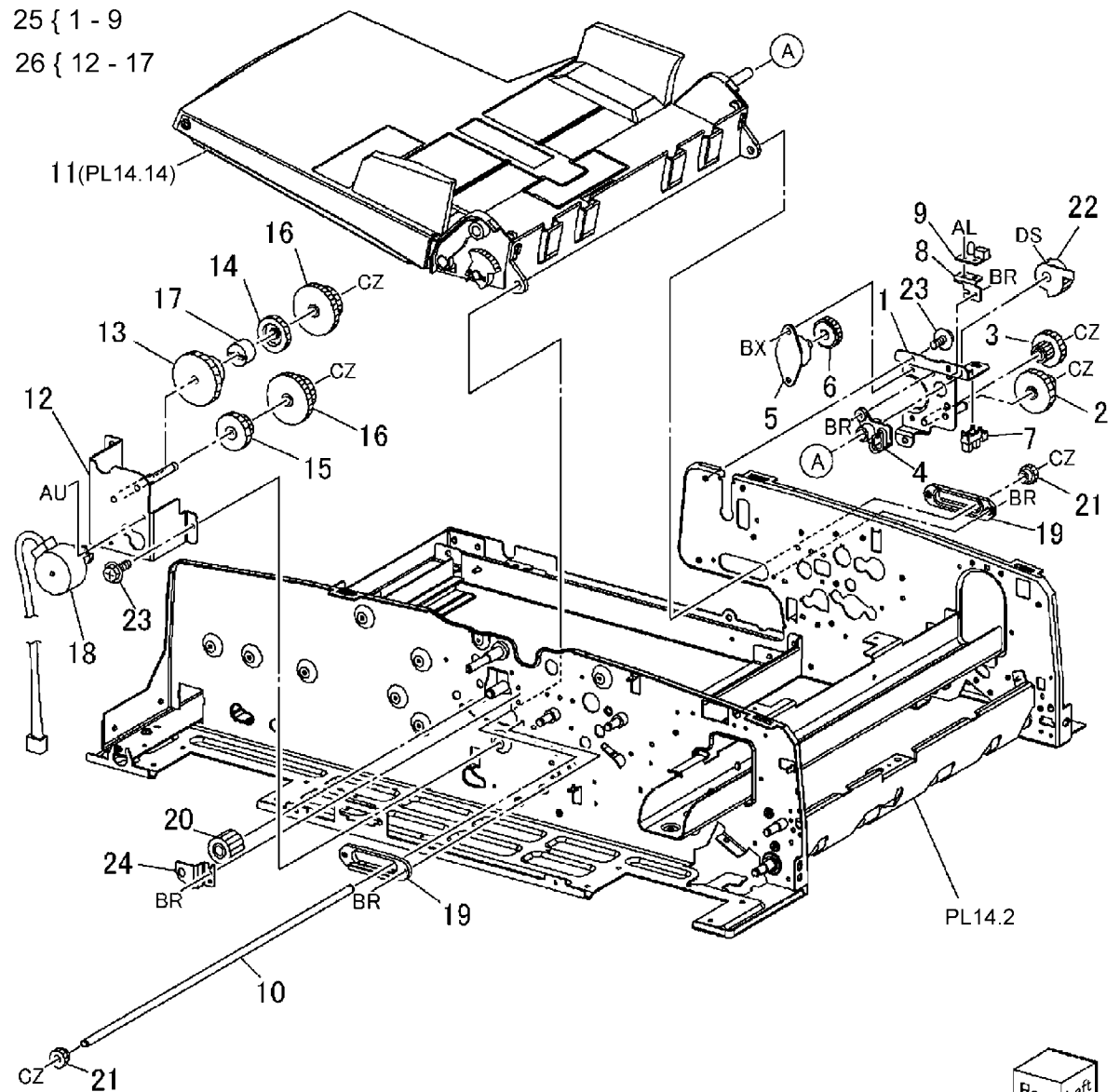
Item	Part	Description
1	-	Harness Guide (P/O PL 14.1 Item 1)
2	-	Right Counter Balance (REP 5.5)
3	-	Left Counter Balance (REP 5.4)
4	117E21621	IIT-DADF Cable
5	160K97351	DADF PWB (REP 5.6)
6	-	Grommet (P/O PL 14.1 Item 1)
7	-	Round Point Screw (M3) (Not Spared)
8	826E09640	Round Point Screw (M4)
9	-	PWB Bracket (P/O PL 14.1 Item 1)
10	-	Bracket (P/O PL 14.1 Item 1)
11	-	Core (P/O PL 14.1 Item 1)
12	-	DADF Front Wire Harness (P/O PL 14.1 Item 1)
13	-	DADF Motor Wire Harness (P/O PL 14.1 Item 1)
14	604K25240	Counter Balance Kit



0514003A-OLY

PL 14.4 DADF Document Tray, Tray Motor

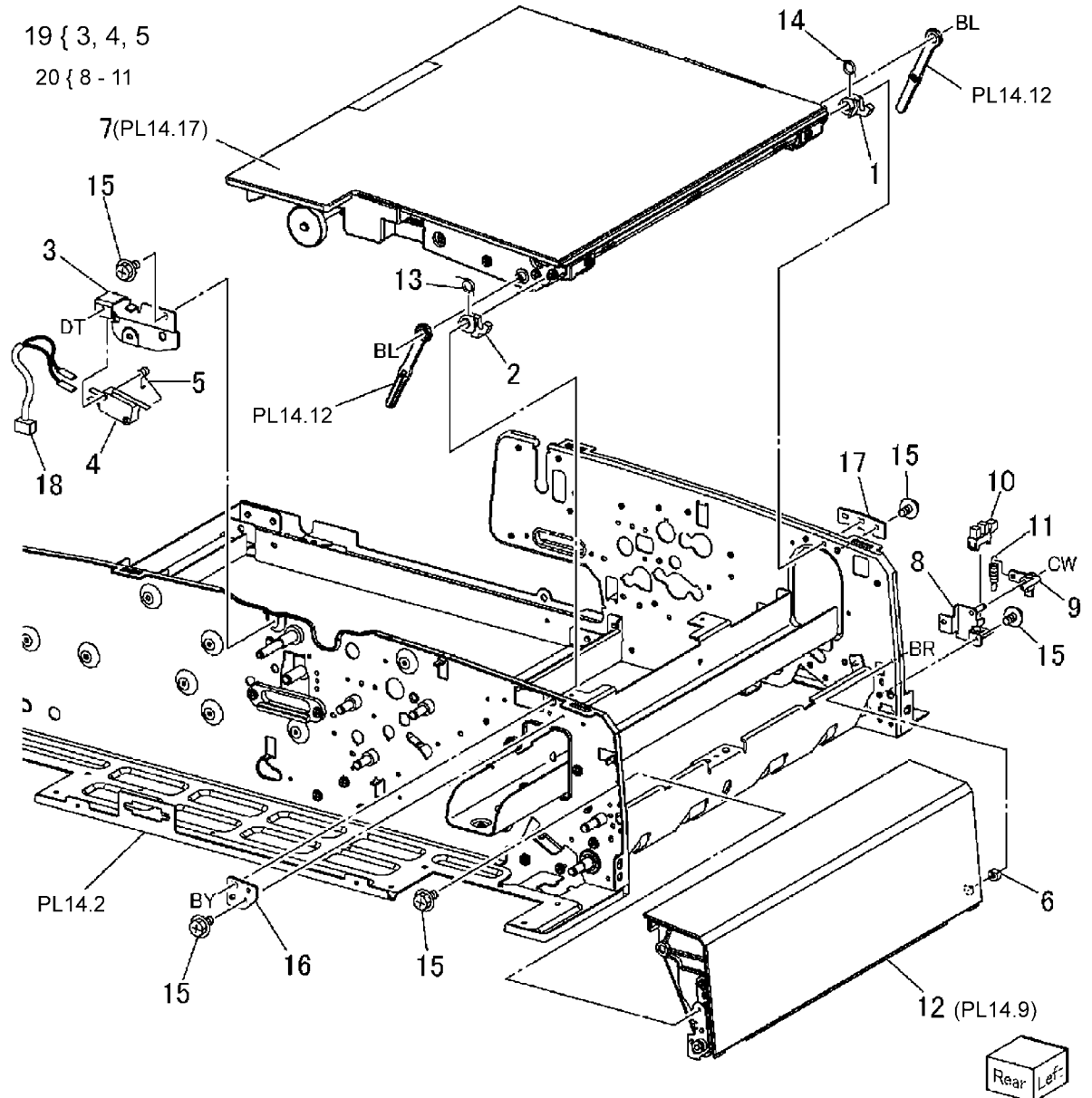
Item	Part	Description
1	-	Bracket (P/O PL 14.1 Item 1)
2	-	Gear (40T/16T)
3	-	Gear (32T/16T)
4	-	Hinge
5	-	Oil Damper
6	-	One Way Clutch Gear (27T)
7	130E84280	Tray Interlock Sensor
8	-	LED Bracket (P/O PL 14.1 Item 1)
9	160K97600	Document Set LED
10	-	Pinion Shaft (P/O PL 14.1 Item 1)
11	050K49688	DADF Document Tray
12	-	Bracket (P/O PL 14.1 Item 1)
13	-	Gear (48T)
14	-	Gear (33T)
15	-	Gear (33T/18T)
16	-	Gear (48T/18T)
17	-	Torque Limiter
18	-	Tray Motor
19	032E21190	Rack Guide
20	807E00310	Gear (25T)
21	807E00470	Pinion Gear
22	807E00670	Sector Gear
23	-	Round Point Screw
24	-	Bracket (P/O PL 14.1 Item 1)
25	004K01941	Oil Damper Assembly
26	030K76270	Lift Gear Assembly



0514004A-OLY

PL 14.5 Feeder Upper Chute, DADF Left Upper Cover

Item	Part	Description
1	003E60310	Left Cover Front Latch
2	003E60320	Left Cover Rear Latch
3	-	Switch Bracket (P/O PL 14.1 Item 1)
4	-	Feeder Cover Interlock Switch
5	-	Torsion Spring
6	-	Bushing (P/O PL 14.1 Item 1)
7	054K24442	Feeder Upper Chute
8	-	Bracket (P/O PL 14.1 Item 1)
9	-	Actuator
10	130E84280	L/H Cover Interlock Sensor
11	-	Tension Spring
12	802K57191	DADF Left Upper Cover
13	809E51451	Torsion Spring
14	809E51461	Torsion Spring
15	-	Round Point Screw
16	-	Hinge Bracket (P/O PL 14.1 Item 1)
17	-	Hinge Bracket (P/O PL 14.1 Item 1)
18	-	Wire Harness (P/O PL 14.1 Item 1)
19	003K13291	Feeder Cover Interlock Switch Assembly
20	130K64480	Left Hand Cover Interlock Switch Assembly

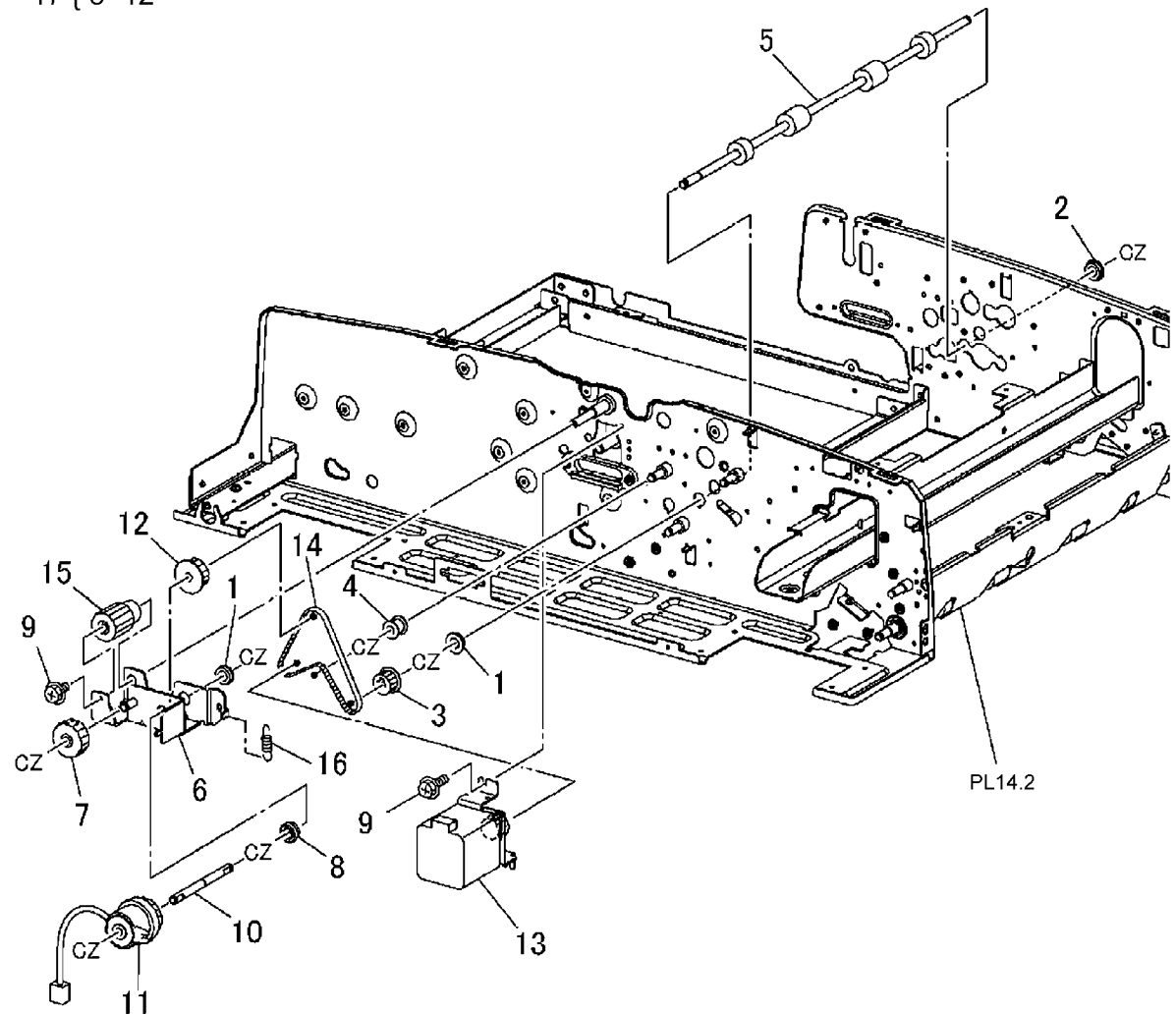


0514005A-OLY

PL 14.6 Feed Motor, Feed Clutch, Invert Drive Roll

17 { 6 -12

Item	Part	Description
1	013E24840	Ball Bearing
2	013E26250	Sleeve Bearing
3	-	Pulley
4	-	Pulley
5	059K29470	Invert Drive Roll (REP 5.7)
6	-	Clutch Bracket (P/O PL 14.1 Item 1)
7	-	Gear (24T)
8	-	Sleeve Bearing
9	-	Round Point Screw
10	-	Clutch Shaft (P/O PL 14.1 Item 1)
11	121K31860	DADF Feed Clutch (REP 5.8)
12	-	Pulley
13	127K38300	DADF Feed Motor
14	423W32054	Feed Motor Belt (REP 5.9)
15	807E00660	Gear (20T)
16	809E54581	Tension Spring
17	121K31882	DADF Feed Clutch Assembly

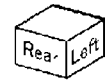
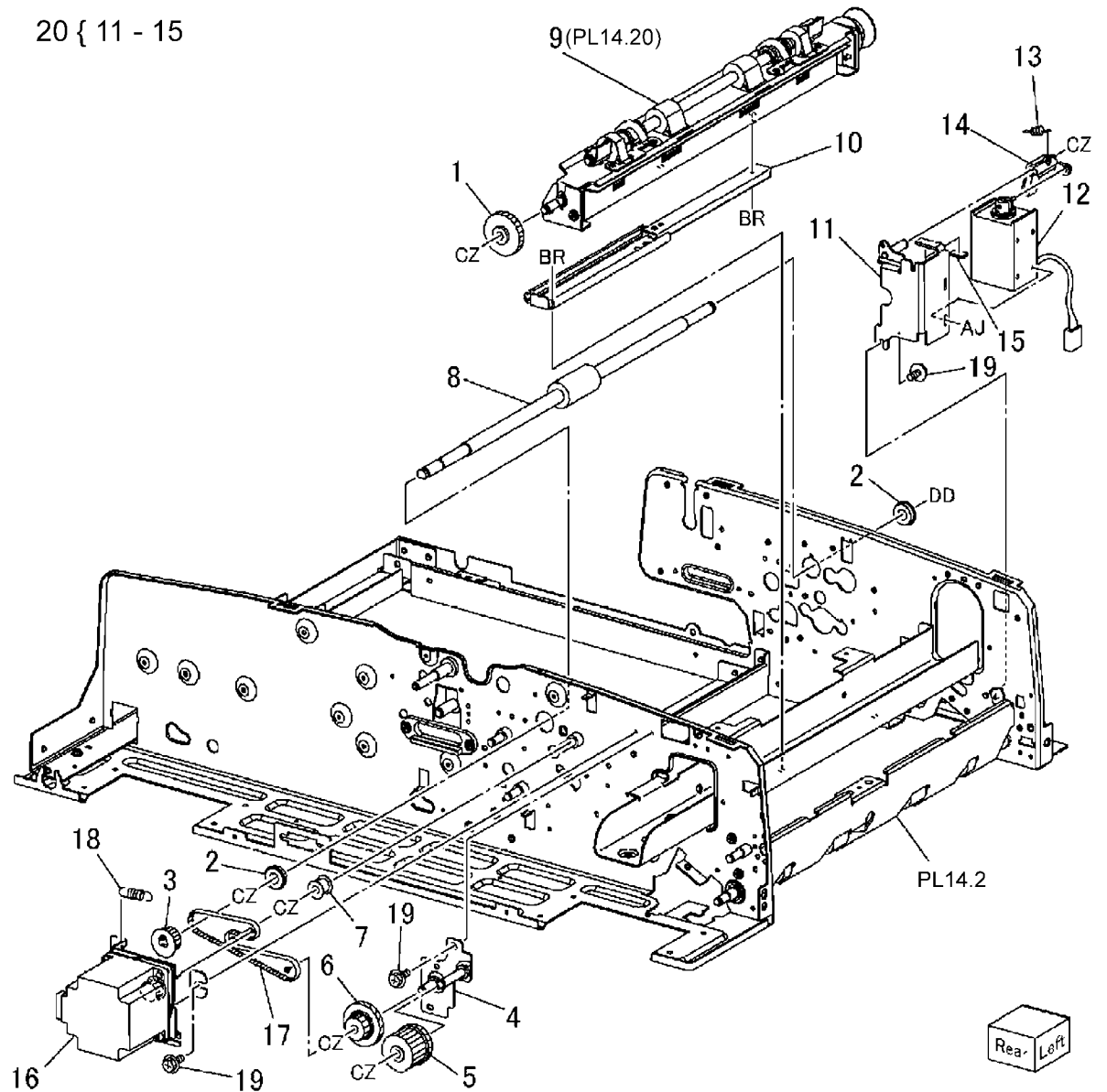


0514006A-OLY

PL 14.7 Pre Registration Motor, Pre Registration Roll Chute, Take Away Roll, Baffle Solenoid

20 { 11 - 15

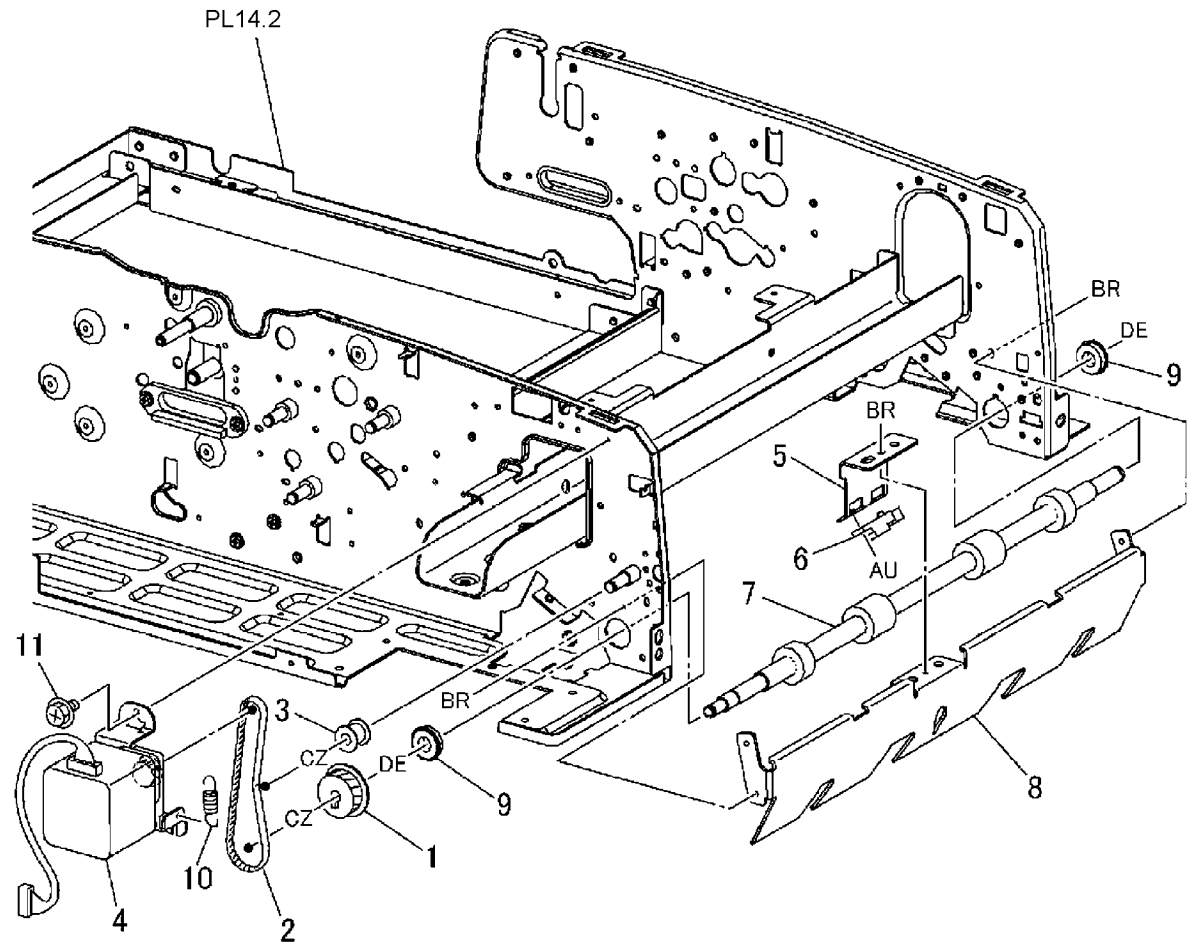
Item	Part	Description
1	-	One Way Clutch Gear (38T)
2	013E24670	Ball Bearing
3	020E36770	Pulley
4	-	Stud Bracket (P/O PL 14.1 Item 1)
5	-	Gear (33T/ 33T)
6	-	Gear Pulley
7	-	Pulley
8	059K31090	Take Away Roll (REP 5.10)
9	059K31110	Pre Registration Roll Chute
10	001E74762	Rail
11	-	Solenoid Bracket (P/O PL 14.7 Item 20)
12	-	Baffle Solenoid (P/O PL 14.7 Item 20)
13	-	Tension Spring (P/O PL 14.7 Item 20)
14	-	Actuator (P/O PL 14.7 Item 20)
15	-	Damper (P/O PL 14.7 Item 20)
16	127K38320	DADF Pre Registration Motor
17	423W34554	Pre Registration Motor Belt
18	-	Tension Spring
19	-	Round Point Screw (Not Spared)
20	121K31890	Baffle Solenoid



0514007A-OLY

PL 14.8 Registration Motor, Registration Roll

Item	Part	Description
1	020E36780	Pulley
2	023E21300	Registration Motor Belt
3	-	Pulley
4	127K38341	DADF Registration Motor
5	-	Sensor Bracket (P/O PL 14.1 Item 1)
6	930W00211	Lead Registration Sensor (REP 5.11)
7	059K31080	Registration Roll (REP 5.12)
8	-	Registration In 2 Chute (P/O PL 14.1 Item 1)
9	013E24670	Ball Bearing
10	809E50880	Tension Spring
11	-	Round Point Screw (Not Spared)

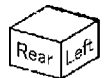
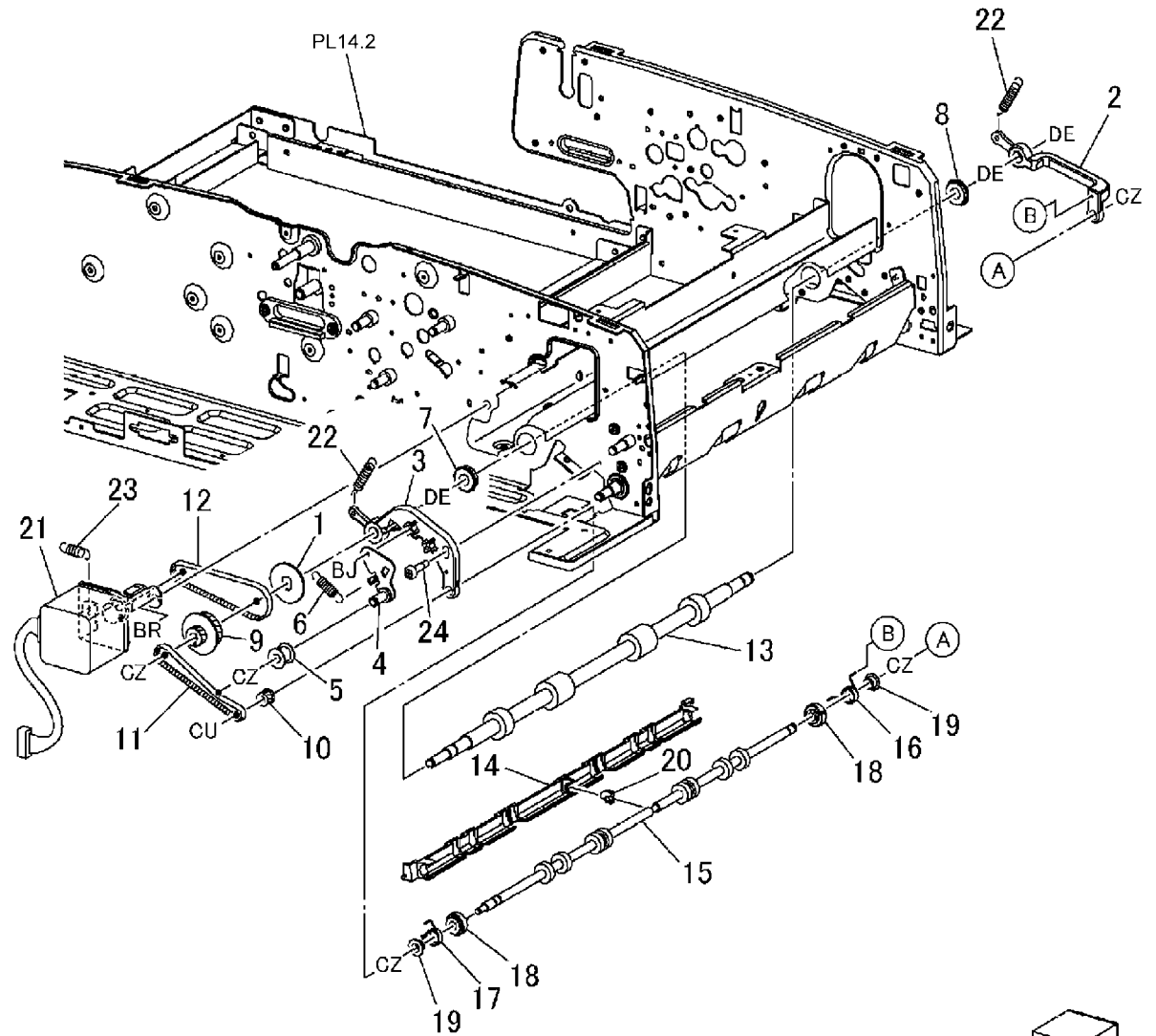


0514008A-OLY

PL 14.9 Platen Motor, Platen Roll, Out Roll

Item	Part	Description
1	-	Flange
2	-	Platen Front Link
3	-	Platen Rear Link
4	-	Tension Bracket (Not Spared)
5	-	Pulley
6	-	Tension Spring
7	013E24670	Ball Bearing
8	013E25910	Sleeve Bearing
9	-	Pulley
10	020E36800	Pulley
11	-	Belt (Width:4mm)
12	-	Platen Motor Belt (Width:6mm)
13	-	Platen Exit Roll (REP 5.23)
14	-	Platen Back Plate
15	-	Platen Roll
16	-	Torsion Spring
17	-	Torsion Spring
18	-	Sleeve Bearing
19	-	Collar
20	-	Platen Collar
21	127K38341	Platen Motor
22	-	Platen Spring (Length 30.8mm)
23	809E50880	Platen Spring (Length 23mm)
24	-	Shoulder Screw
25	604K25230	Platen Motor Drive Kit

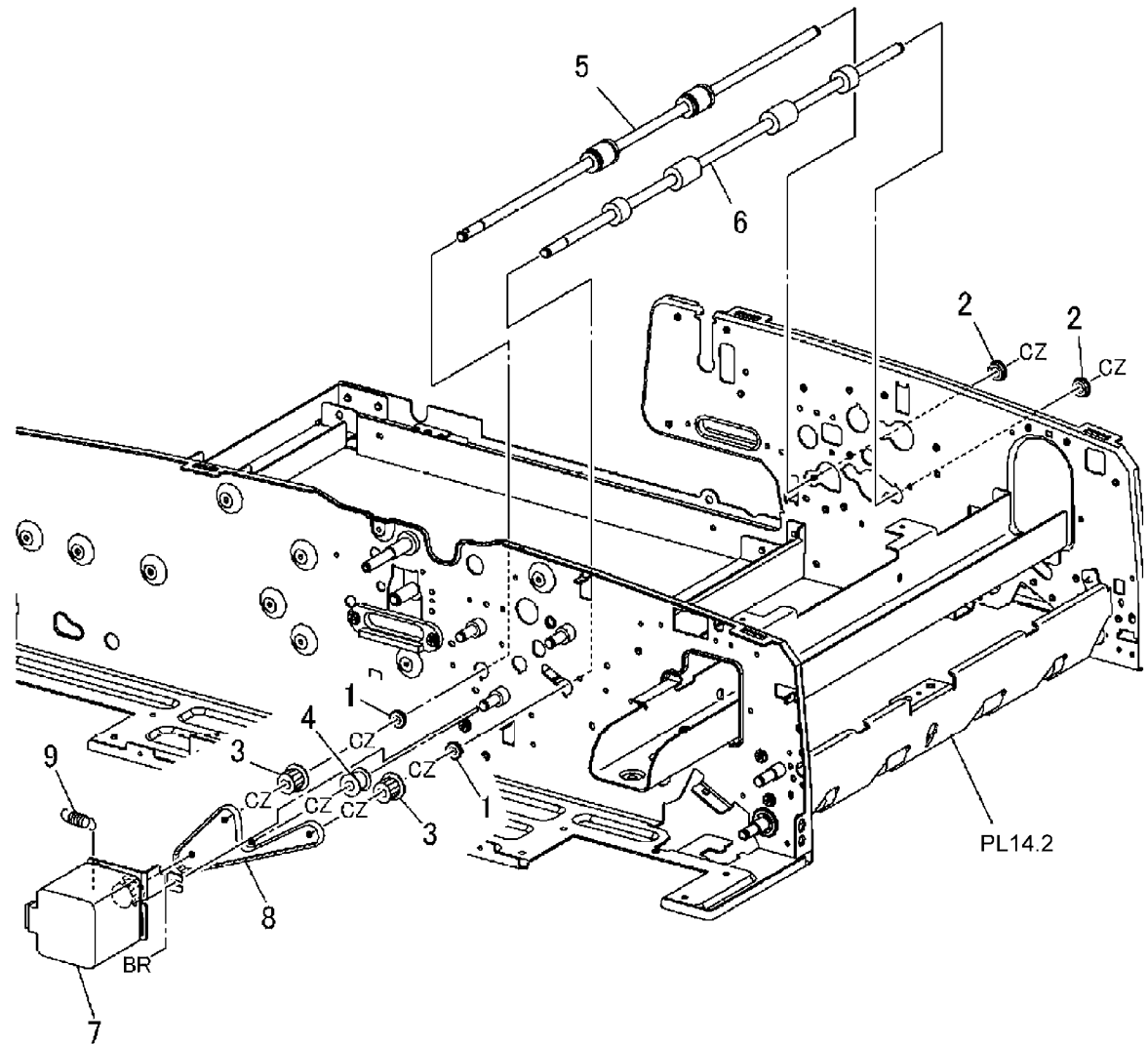
25 { 1, 5, 6, 9, 10, 11, 12, 22



0514009A-OLY

PL 14.10 Exit Motor, Exit Roll

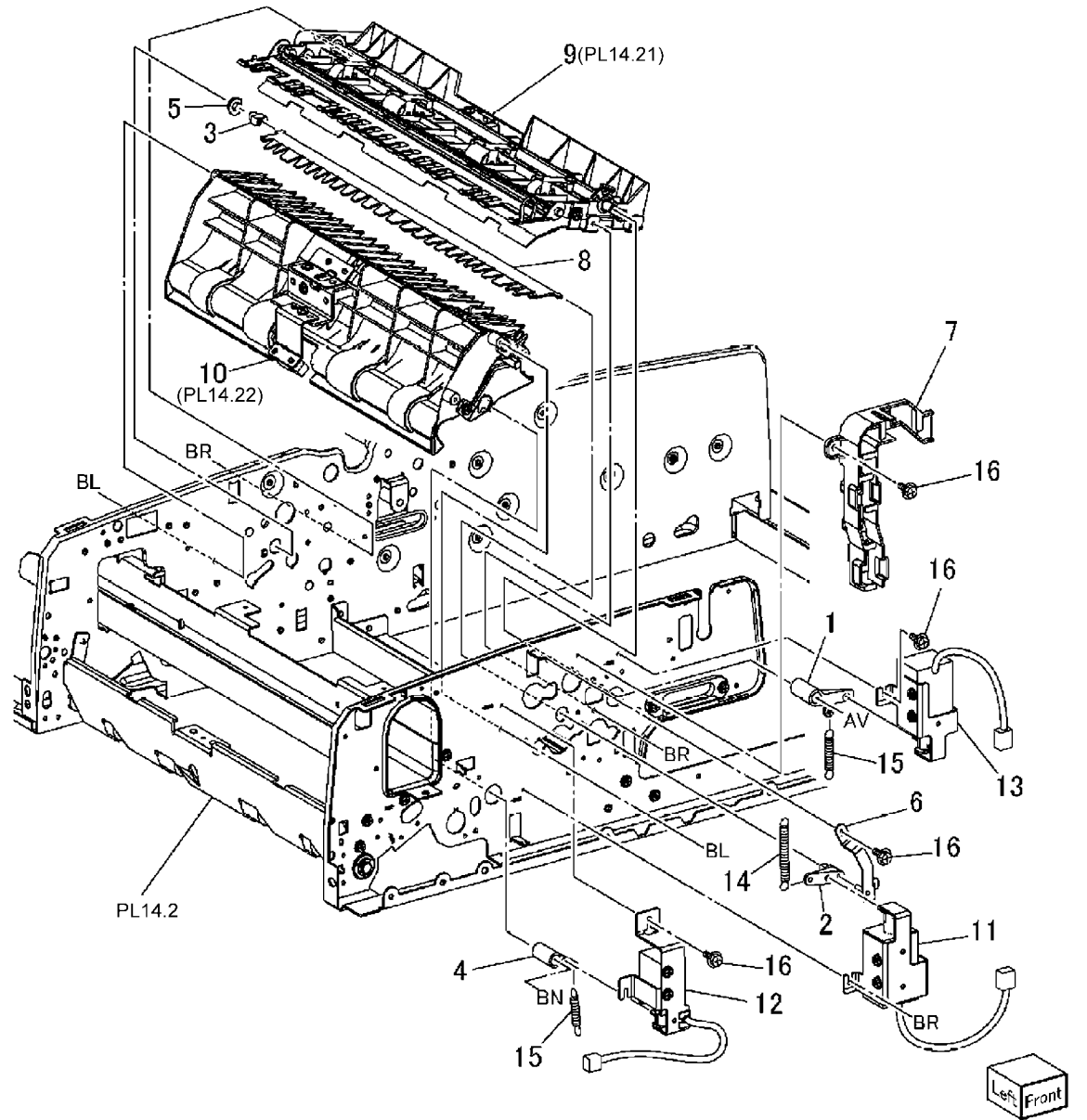
Item	Part	Description
1	013E24840	Ball Bearing
2	013E26250	Sleeve Bearing
3	020E36810	Pulley
4	-	Pulley (Not Spared)
5	059K27200	Exit Roll 1 (REP 5.13)
6	059K29480	Exit Roll 2 (REP 5.14)
7	127K38300	DADF Exit Motor
8	423W33554	Exit Motor Belt
9	809E50880	Tension Spring



0514010A-OLY

PL 14.11 Exit Gate Solenoid, Simp/Dup Gate Solenoid, Nip Solenoid, Inverter Exit Chute, Guide Chute

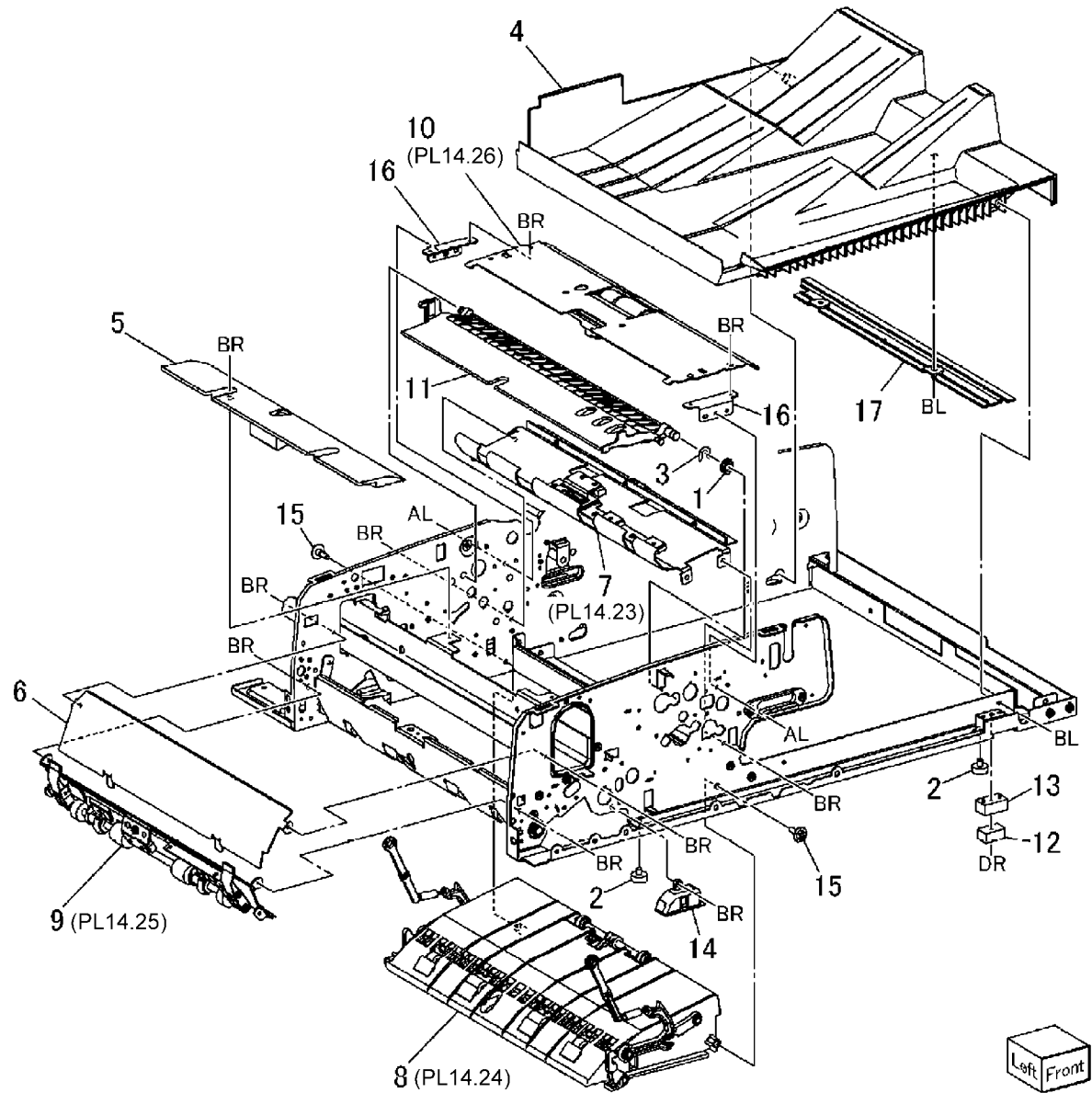
Item	Part	Description
1	-	Link
2	-	Link
3	-	Gate Rear Link
4	-	Link
5	013E24160	Sleeve Bearing
6	-	Gate Link Bracket (P/O PL 14.1 Item 1)
7	-	Harness Guide (P/O PL 14.1 Item 1)
8	050K49650	Inverter Lower Gate
9	054K24216	Inverter Exit Chute
10	054K24231	Guide Chute
11	121K31680	Exit Gate Solenoid, Invert Roll Nip/Release Solenoid
12	121K31700	Simplex / Duplex Gate Solenoid
13	-	Round Point Screw (Not Spared)
14	-	Tension Spring (Length 34.15mm)
15	809E49700	Tension Spring (Length 22.5mm)
16	-	Round Point Screw



0514011A-OLY

PL 14.12 Exit Upper/Lower Chute, Registration Out Chute, Feeder Lower Chute

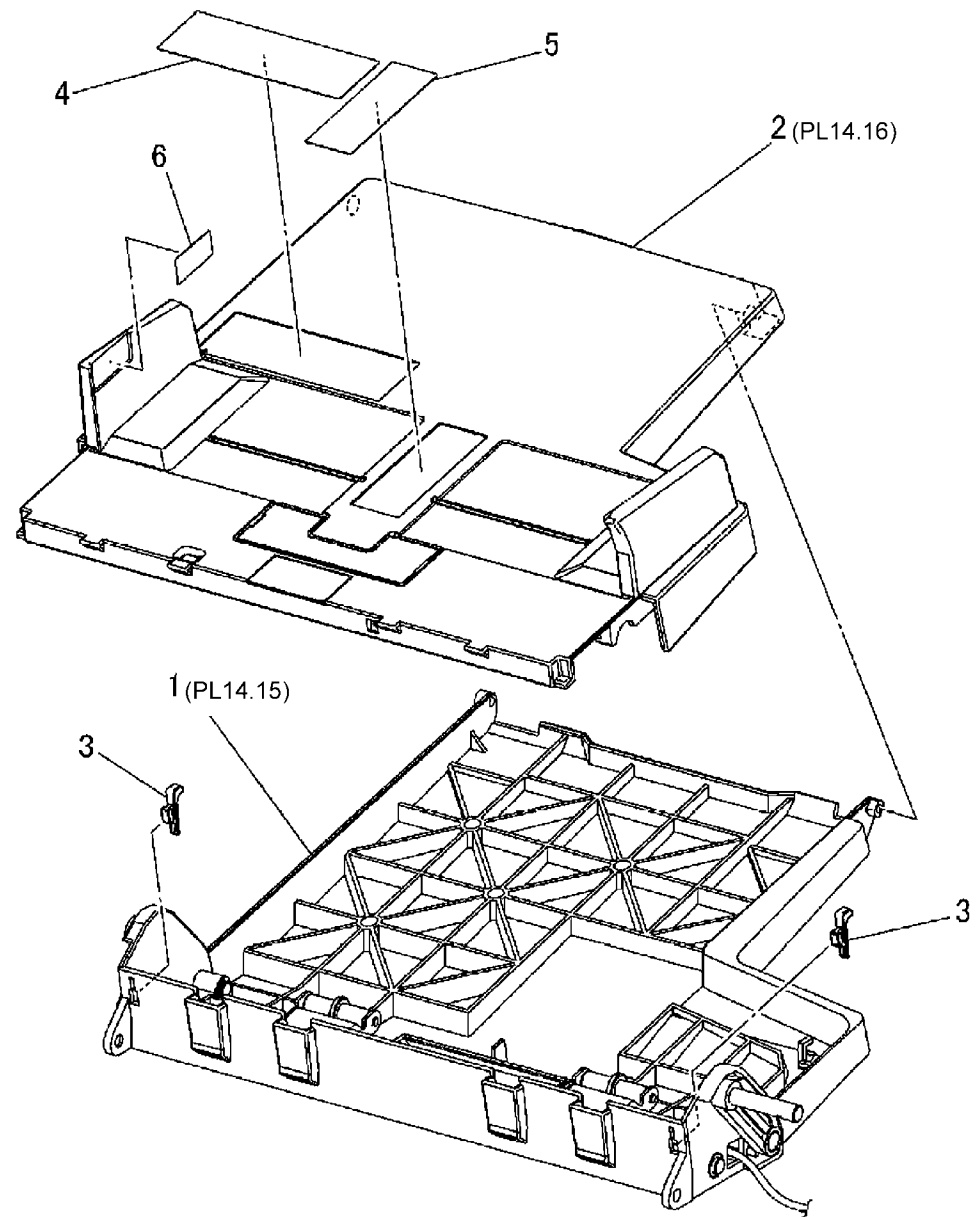
Item	Part	Description
1	013E24171	Sleeve Bearing
2	017E92760	Foot
3	-	C-Clip (Not Spared)
4	050E19951	DADF Exit Tray
5	-	Guide Upper Chute (P/O PL 14.1 Item 1)
6	-	Registration In Chute (P/O PL 14.1 Item 1)
7	054K24195	Exit Upper Chute (P/O PL 14.1 Item 1)
8	054K24434	Exit Low Chute
9	054K24460	Registration Out Chute
10	054K24493	Feeder Lower Chute
11	054K26031	Invert Chute
12	121E90620	Interlock Magnet (P/O PL 14.1 Item 1)
13	-	Magnet Cover (P/O PL 14.1 Item 1)
14	-	Cover (P/O PL 14.1 Item 1)
15	-	Shoulder Screw
16	-	Bracket (P/O PL 14.1 Item 1)
17	-	Tray Plate (P/O PL 14.1 Item 1)



0514012A-OL'

PL 14.14 DADF Document Tray Component

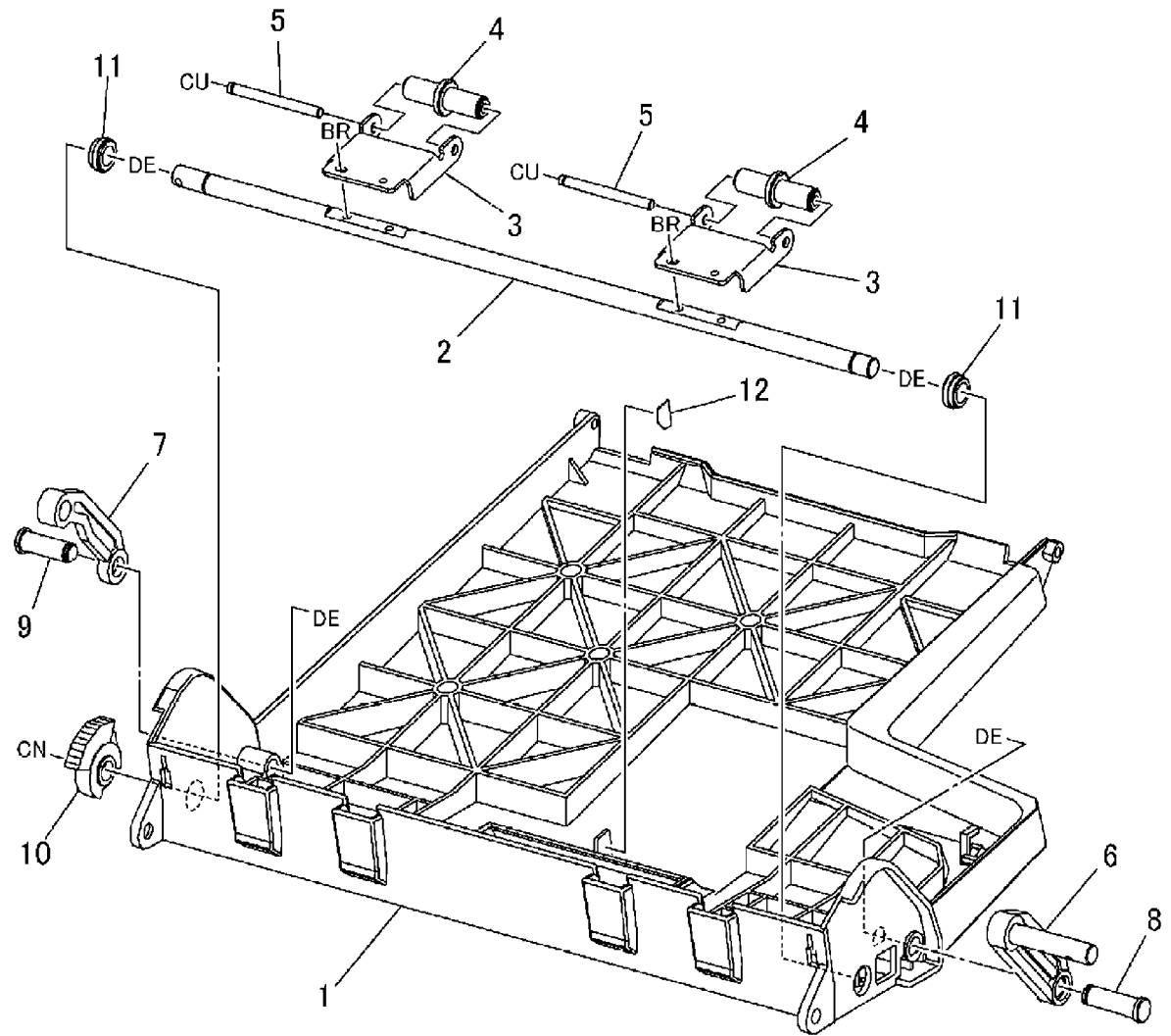
Item	Part	Description
1	-	DADF Document Bottom Tray (P/O PL 14.1 Item 1)
2	-	DADF Document Upper Tray (P/O PL 14.1 Item 1)
3	014E44881	Tray Block
4	893E09600	Label (Size)
5	893E03340	Label (Instruction)
6	893E09660	Label (Max)



0514014A-OL

PL 14.15 DADF Document Bottom Tray Component

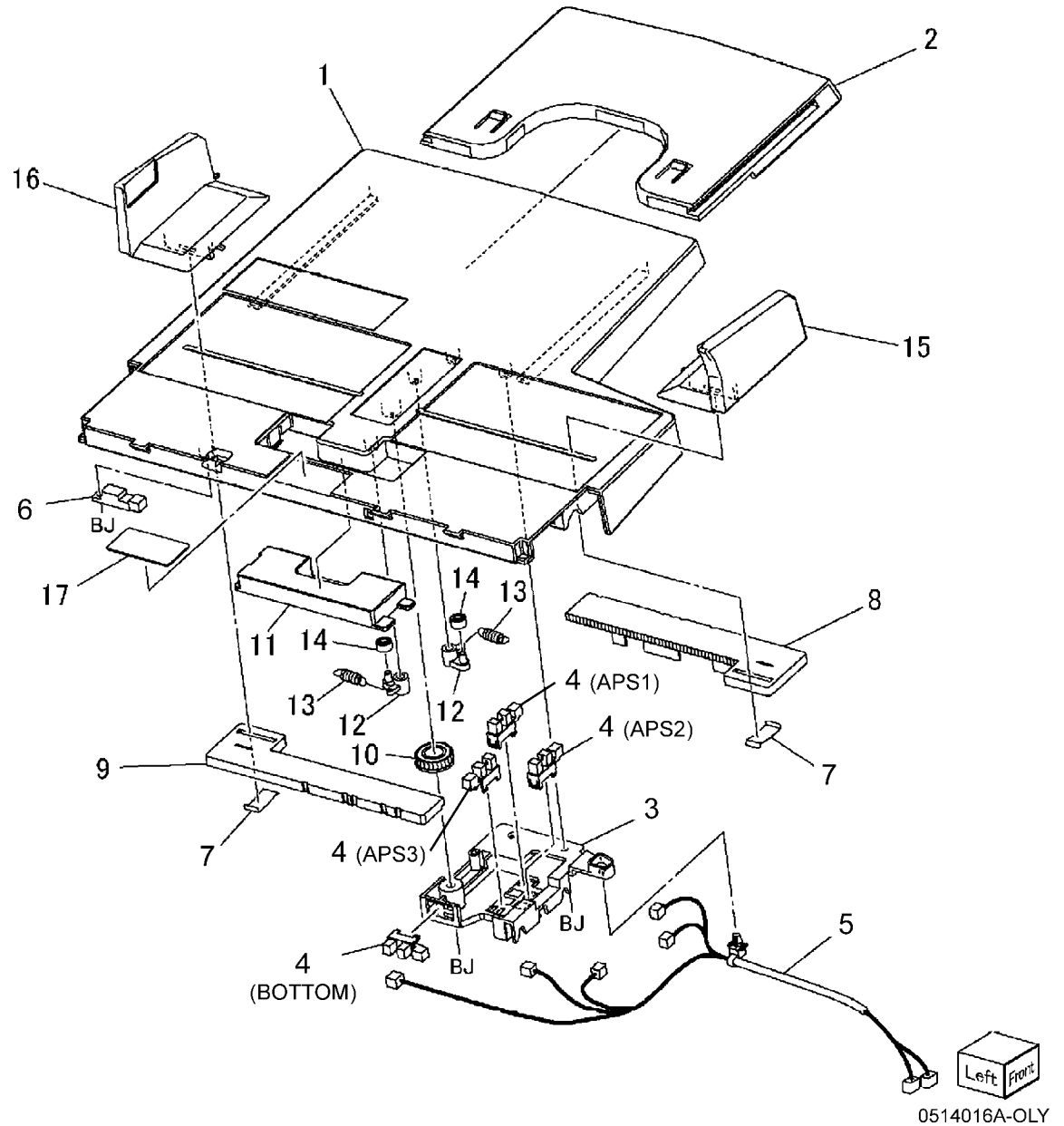
Item	Part	Description
1	-	Bottom Tray (P/O PL 14.4 Item 11)
2	-	Lift Shaft (P/O PL 14.4 Item 11)
3	-	Lift Lever (P/O PL 14.4 Item 11)
4	059E98610	Roll
5	-	Shaft (P/O PL 14.4 Item 11)
6	-	Front Link (P/O PL 14.1 Item 1)
7	-	Rear Link (P/O PL 14.1 Item 1)
8	-	Front Stud (P/O PL 14.4 Item 11)
9	-	Rear Stud (P/O PL 14.4 Item 11)
10	-	Sector Gear (P/O PL 14.1 Item 1)
11	-	Sleeve Bearing (P/O PL 14.4 Item 11)
12	-	Sensor Film (P/O PL 14.4 Item 11)



0514015A-OLY

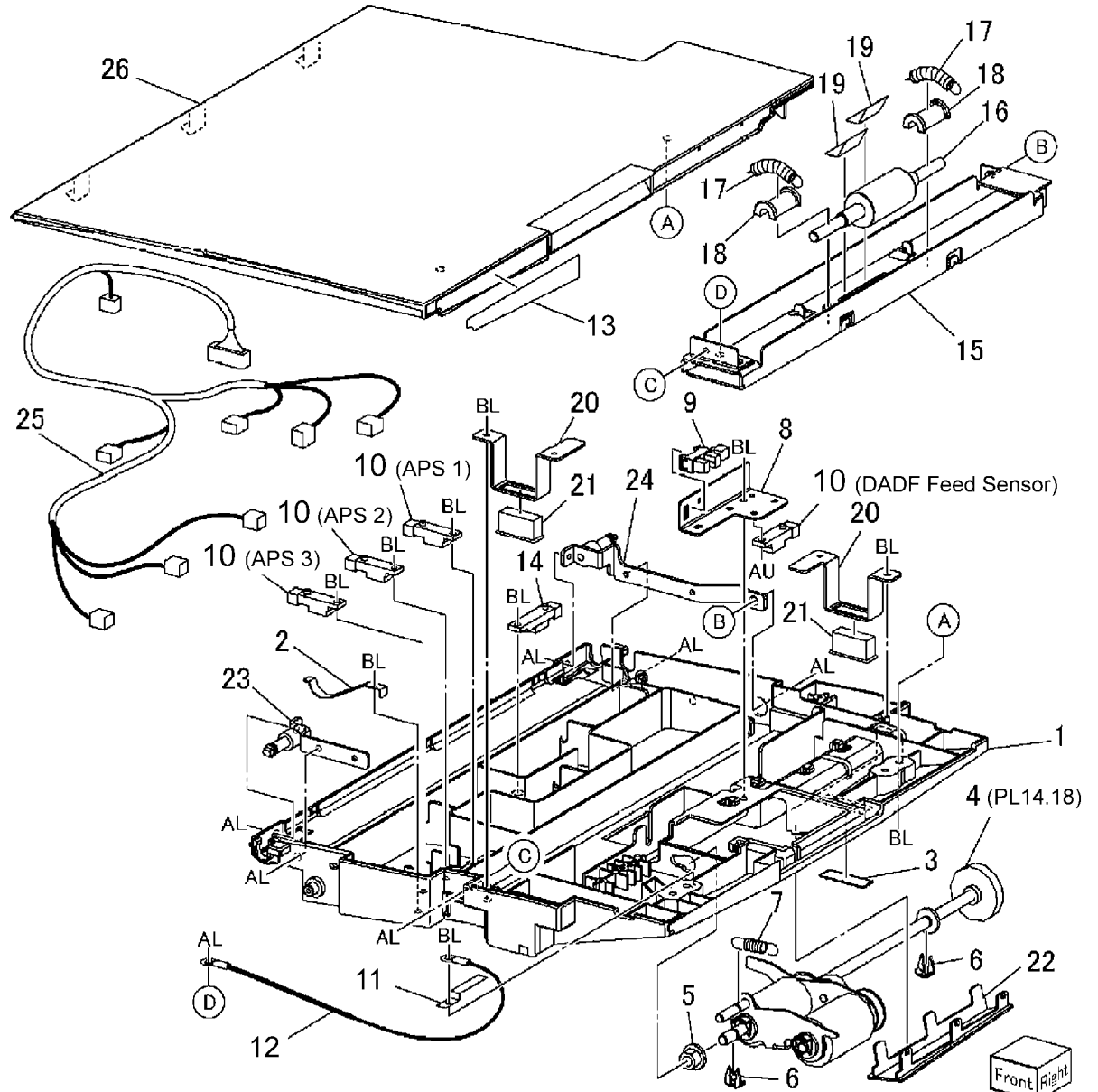
PL 14.16 DADF Document Upper Tray Component

Item	Part	Description
1	-	Upper Tray (P/O PL 4.4 Item 1)
2	050E20040	Entrance Add Tray
3	-	Sensor Housing (P/O PL 4.4 Item 1)
4	930W00111	Tray APS1, APS2, APS3, Bottom Sensor
5	-	DADF Tray Wire Harness (P/O PL 14.4 Item 11)
6	930W00211	Document Set Sensor
7	-	Rear Gear Spring (P/O PL 14.4 Item 11)
8	-	Front Rack Gear (P/O PL 14.4 Item 11)
9	-	Rear Rack Gear (P/O PL 14.4 Item 11)
10	-	Pinion Gear (P/O PL 14.4 Item 11)
11	-	Window Plate (P/O PL 4.4 Item 1)
12	-	Roll Link (P/O PL 14.4 Item 11)
13	-	Tension Spring (P/O PL 14.4 Item 11)
14	-	Roll (P/O PL 14.4 Item 11)
15	032E21200	Front Side Guide
16	032E21210	Rear Side Guide
17	019K99061	Retard Pad



PL 14.17 Feeder Upper Chute Component

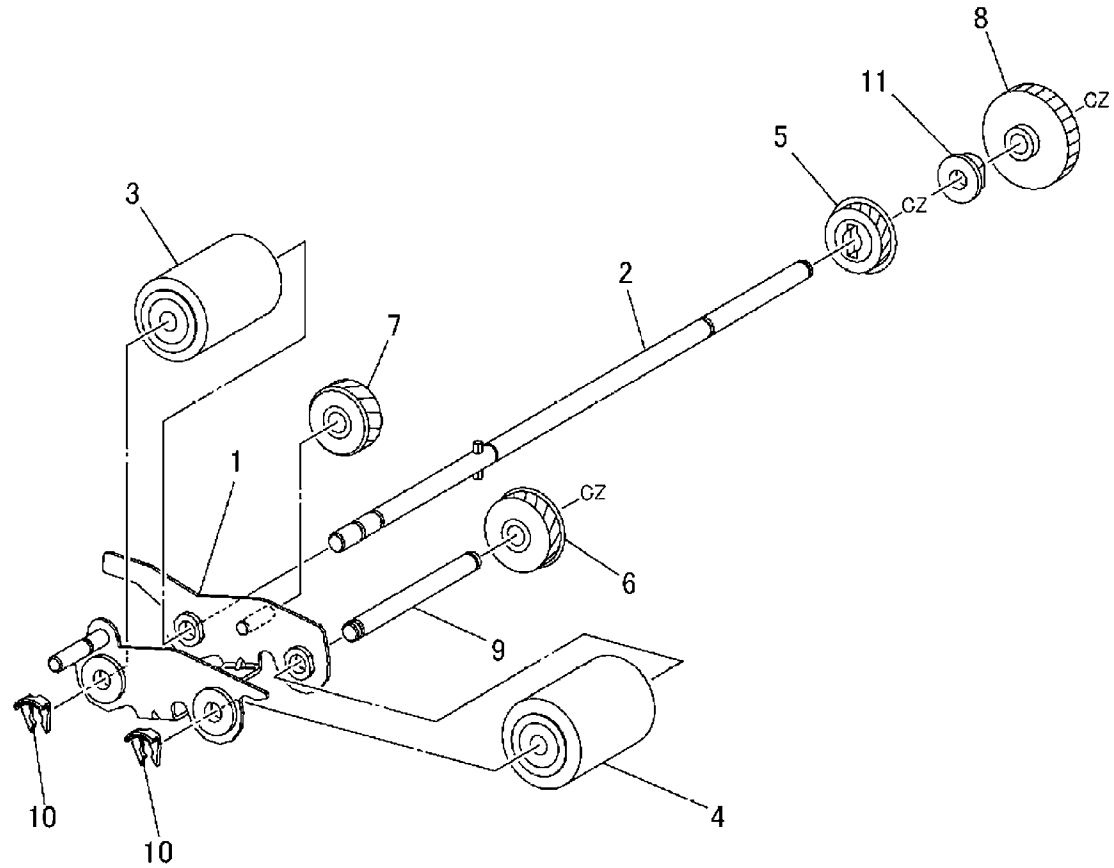
Item	Part	Description
1	-	Feeder Upper Chute
2	809E50920	Plate Spring
3	-	Sensor Shield (P/O PL 14.5 Item 7)
4	802K57201	Feeder/Nudger Roll
5	-	Sleeve Bearing (P/O PL 14.5 Item 7)
6	028E94260	KL-Clip
7	809E50120	Tension Spring
8	-	Sensor Bracket (P/O PL 14.5 Item 7)
9	930W00111	DADF Stack Height Sensor
10	930W00211	DADF Feed Sensor
11	-	Plate Spring (P/O PL 14.5 Item 7)
12	-	Ground Wire (P/O PL 14.5 Item 7)
13	893E09610	Label (Size)
14	130E84300	Pre Registration Sensor
15	-	Pinch Roll Housing (P/O PL 14.5 Item 7)
16	-	Pinch Roll (P/O PL 14.5 Item 7)
17	809E50250	Tension Spring
18	013E24660	Garter Bearing
19	105K21190	Eliminator
20	-	Magnet Bracket (P/O PL 14.5 Item 7)
21	-	Magnet Catch (P/O PL 14.5 Item 7)
22	032E21170	Chute Guide
23	-	Front Hinge (P/O PL 14.5 Item 7)
24	-	Rear Hinge (P/O PL 14.5 Item 7)
25	-	DADF Feeder Wire Harness (P/O PL 14.5 Item 7)
26	802E56930	Feeder Upper Cover



0514017A-OLY

PL 14.18 Feeder/Nudger Roll Component

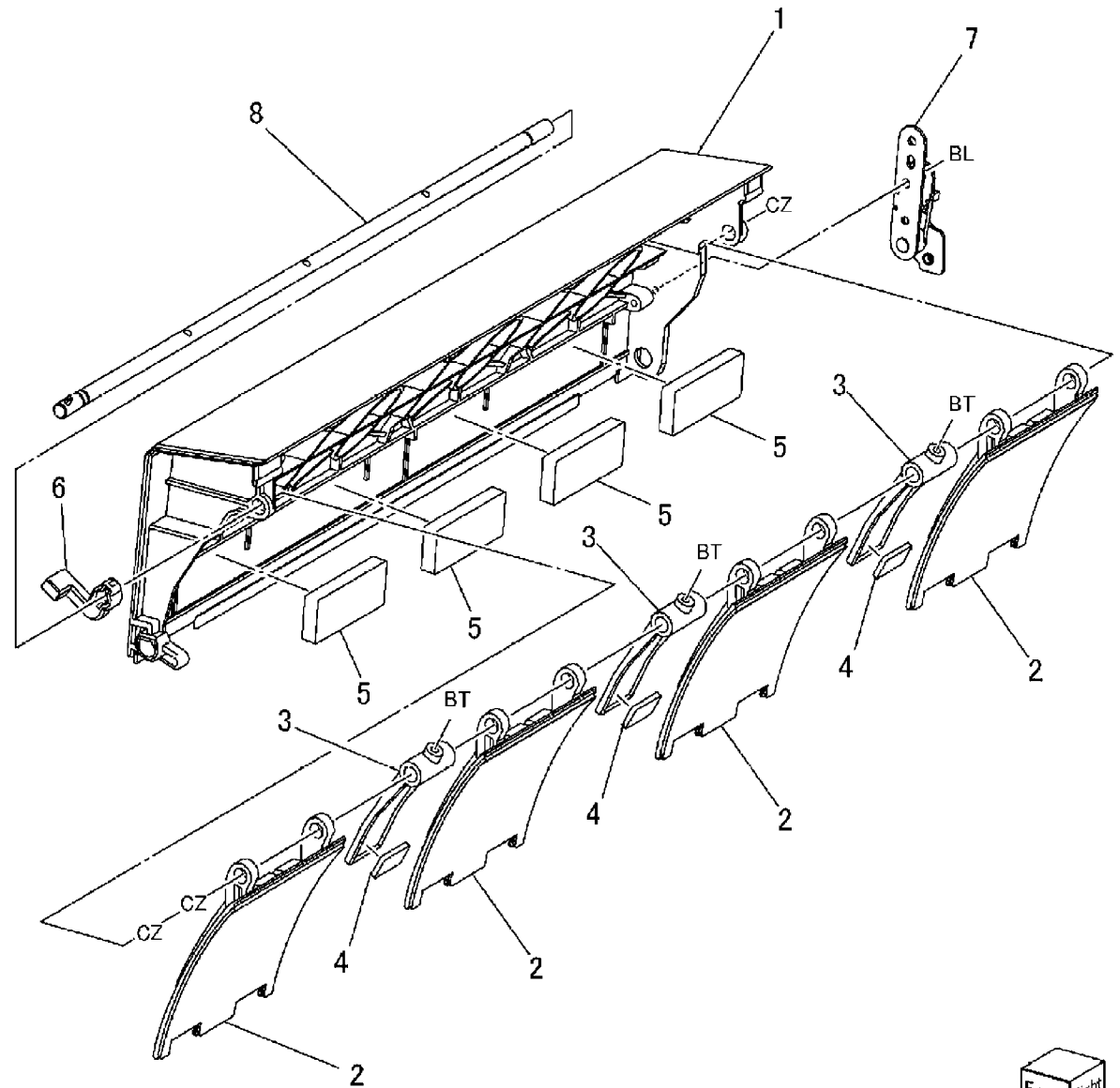
Item	Part	Description
1	-	Nudger Bracket (P/O PL 14.17 Item 4)
2	-	Feed Shaft (P/O PL 14.17 Item 4)
3	059K29520	Feed Roll
4	059K29510	Nudger Roll
5	-	Gear (38T) (P/O PL 14.17 Item 4)
6	-	Gear (44T) (P/O PL 14.17 Item 4)
7	-	Gear (39T) (P/O PL 14.17 Item 4)
8	-	Gear (29T) (P/O PL 14.17 Item 4)
9	-	Nudger Shaft (P/O PL 14.17 Item 4)
10	028E94260	KL-Clip
11	-	Sleeve Bearing (P/O PL 14.17 Item 4)



0514018A-OLY

PL 14.19 DADF Left Upper Cover Component

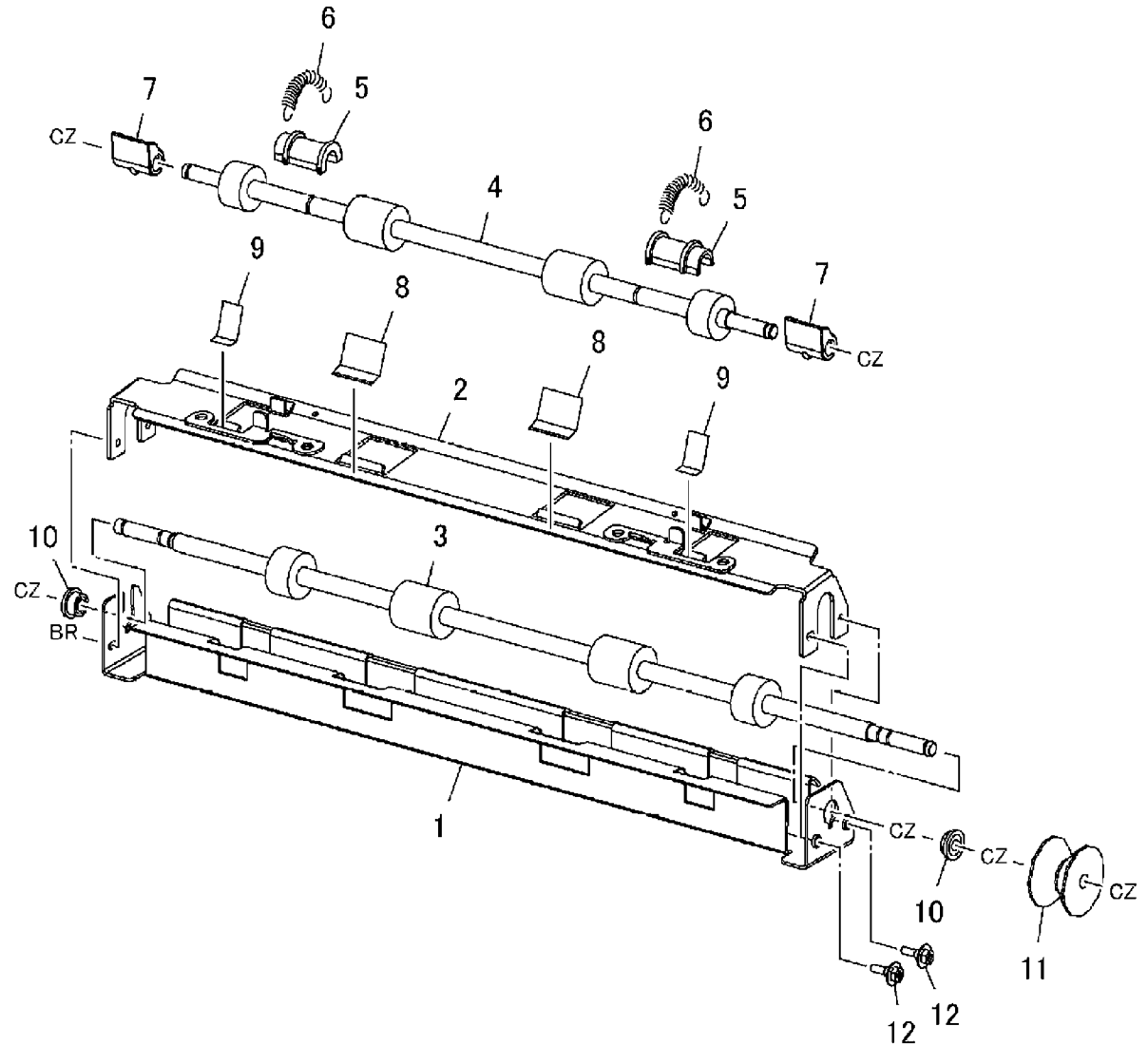
Item	Part	Description
1	-	Left Upper Cover (PL14.5 Item 12)
2	-	Baffle (PL14.5 Item 12)
3	-	Baffle Stopper (PL14.5 Item 12)
4	-	Damper (PL14.5 Item 12)
5	-	Baffle Cushion (PL14.5 Item 12)
6	-	Actuator (PL14.5 Item 12)
7	-	Hinge (PL14.5 Item 12)
8	-	Baffle Shaft (PL14.5 Item 12)



0514019A-OLY

PL 14.20 Pre Registration Roll Chute Component

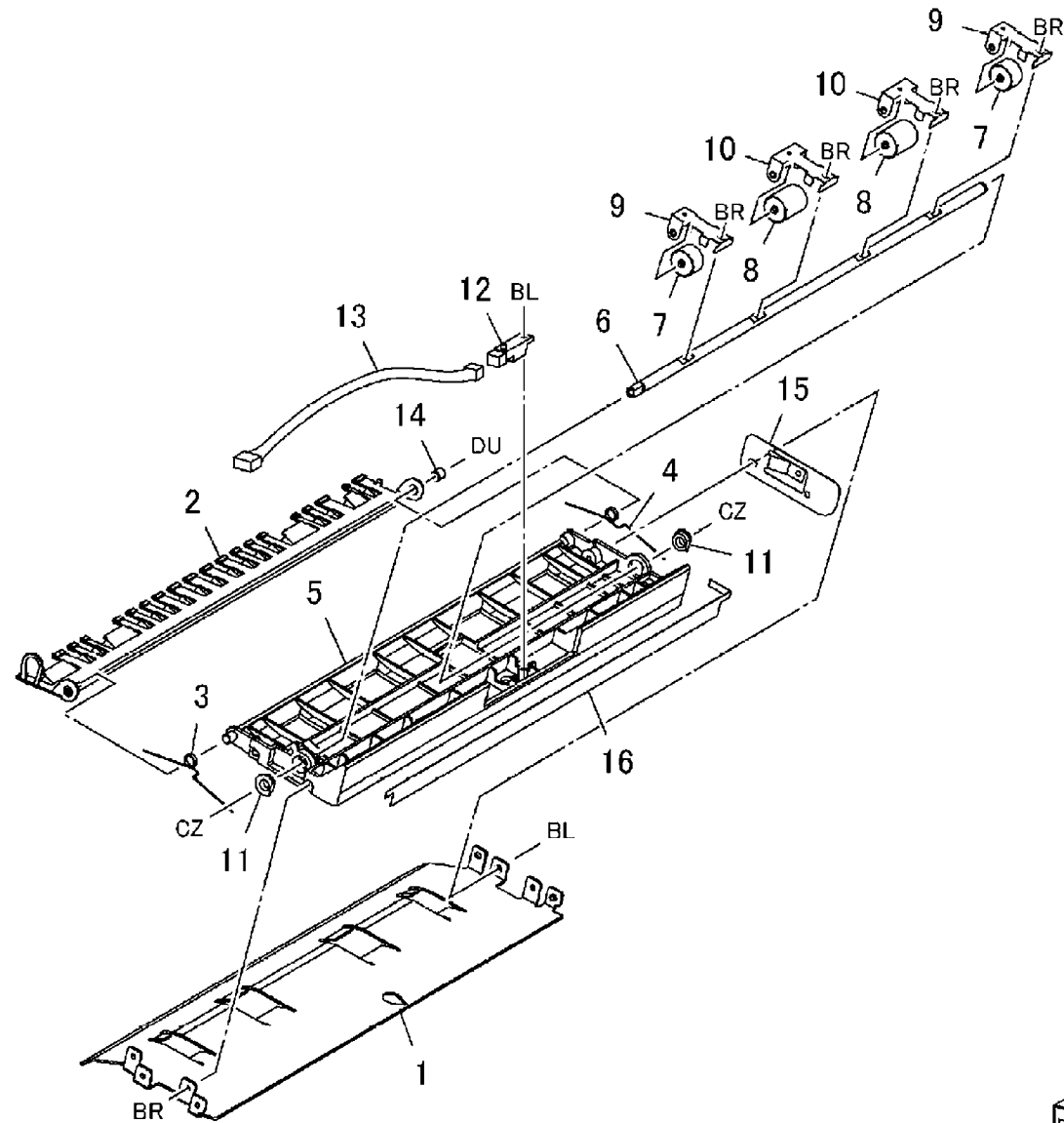
Item	Part	Description
1	-	Pre Registration Lower Chute (PL14.7 Item 9)
2	-	Pre Registration Upper Chute (PL14.7 Item 9)
3	-	Pre Registration Roll (PL14.7 Item 9)
4	-	Pinch Roll (PL14.7 Item 9)
5	-	Garter Bearing (PL14.7 Item 9)
6	-	Tension Spring (PL14.7 Item 9)
7	-	Release Cam (PL14.7 Item 9)
8	-	Eliminator
9	-	Eliminator (PL14.7 Item 9)
10	013E24840	Ball Bearing (PL14.7 Item 9)
11	-	Home Pulley (PL14.7 Item 9)
12	-	Shoulder Screw



0514020A-OLY

PL 14.21 Inverter Exit Chute Component

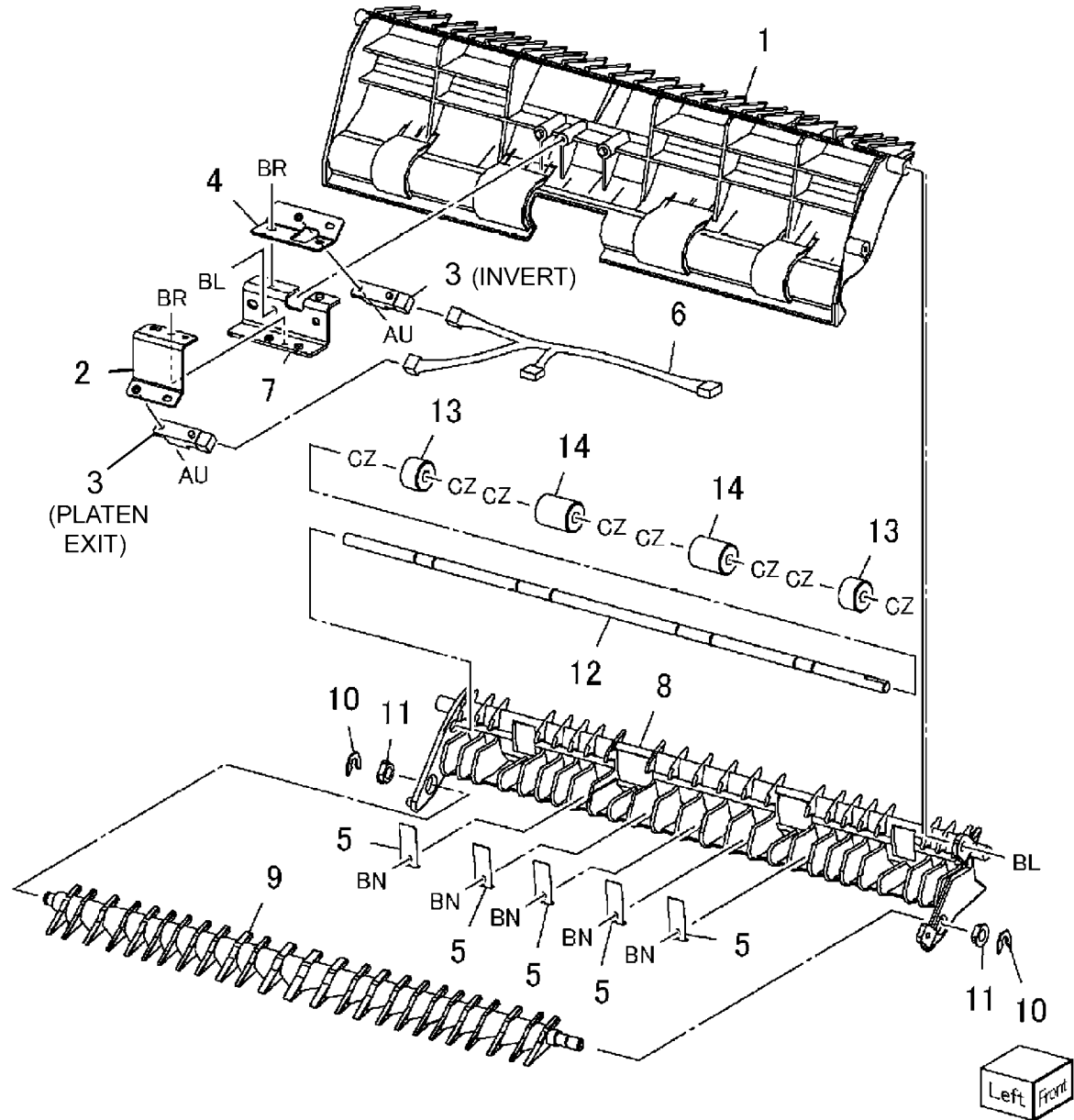
Item	Part	Description
1	-	Inverter Exit Chute (P/O PL 14.11 Item 9)
2	-	Inverter Upper Gate (P/O PL 14.11 Item 9)
3	-	Torsion Spring (P/O PL 14.11 Item 9)
4	-	Torsion Spring (P/O PL 14.11 Item 9)
5	-	Pinch Roll Housing (P/O PL 14.11 Item 9)
6	-	Shaft (P/O PL 14.11 Item 9)
7	-	Pinch Roll (P/O PL 14.11 Item 9)
8	-	Pinch Roll (P/O PL 14.11 Item 9)
9	-	Pinch Spring (P/O PL 14.11 Item 9)
10	-	Pinch Spring (P/O PL 14.11 Item 9)
11	-	Sleeve Bearing (P/O PL 14.11 Item 9)
12	930W00211	Invert Sensor 2
13	-	Sensor Wire Harness (P/O PL 14.11 Item 9)
14	-	Spacer (P/O PL 14.11 Item 9)
15	-	Earth Spring (P/O PL 14.11 Item 9)
16	-	Eliminator (P/O PL 14.11 Item 9)



0514021A-OLY

PL 14.22 Guide Chute Component

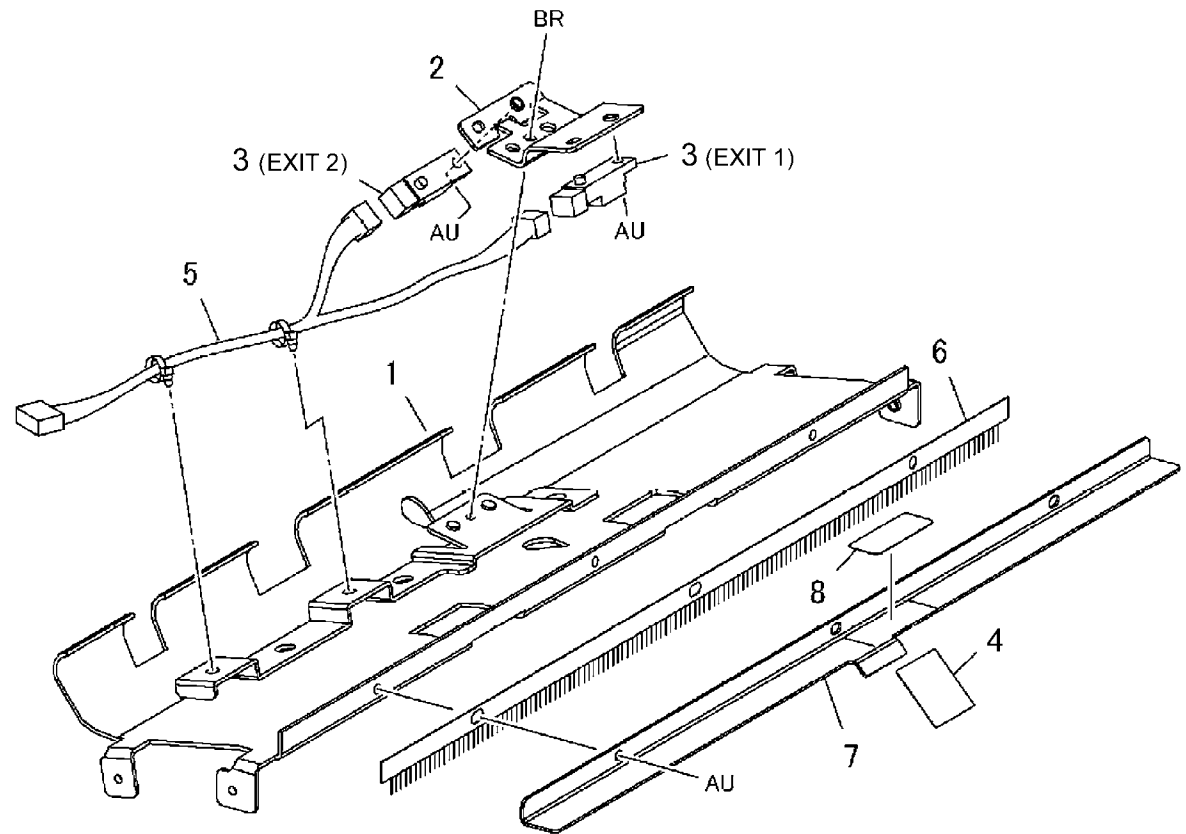
Item	Part	Description
1	-	Guide Chute (P/O PL 14.11 Item 10)
2	-	Sensor Bracket (P/O PL 14.11 Item 10)
3	930W00211	Platen Exit Sensor, Invert Sensor 1
4	-	Sensor Bracket (P/O PL 14.11 Item 10)
5	-	Pinch Spring (P/O PL 14.11 Item 10)
6	-	Sensor Wire Harness (P/O PL 14.11 Item 10)
7	-	Sensor Bracket (P/O PL 14.11 Item 10)
8	-	Gate Housing (P/O PL 14.11 Item 10)
9	-	Simp/Dup Gate (P/O PL 14.11 Item 10)
10	-	C-Clip (P/O PL 14.11 Item 10)
11	-	Sleeve Bearing (P/O PL 14.11 Item 10)
12	-	Shaft (P/O PL 14.11 Item 10)
13	-	Pinch Roll (P/O PL 14.11 Item 10)
14	-	Pinch Roll (P/O PL 14.11 Item 10)



0514022A-OLY

PL 14.23 Exit Upper Chute Component

Item	Part	Description
1	-	Exit Upper Chute (Not Spared)
2	-	Sensor Bracket (Not Spared)
3	930W00211	DADF Exit Sensor1, Exit Sensor 2
4	-	Guide Film
5	-	Sensor Wire Harness (Not Spared)
6	105E12240	Static Eliminator
7	-	Guide Bracket
8	055K28390	Sensor Shield

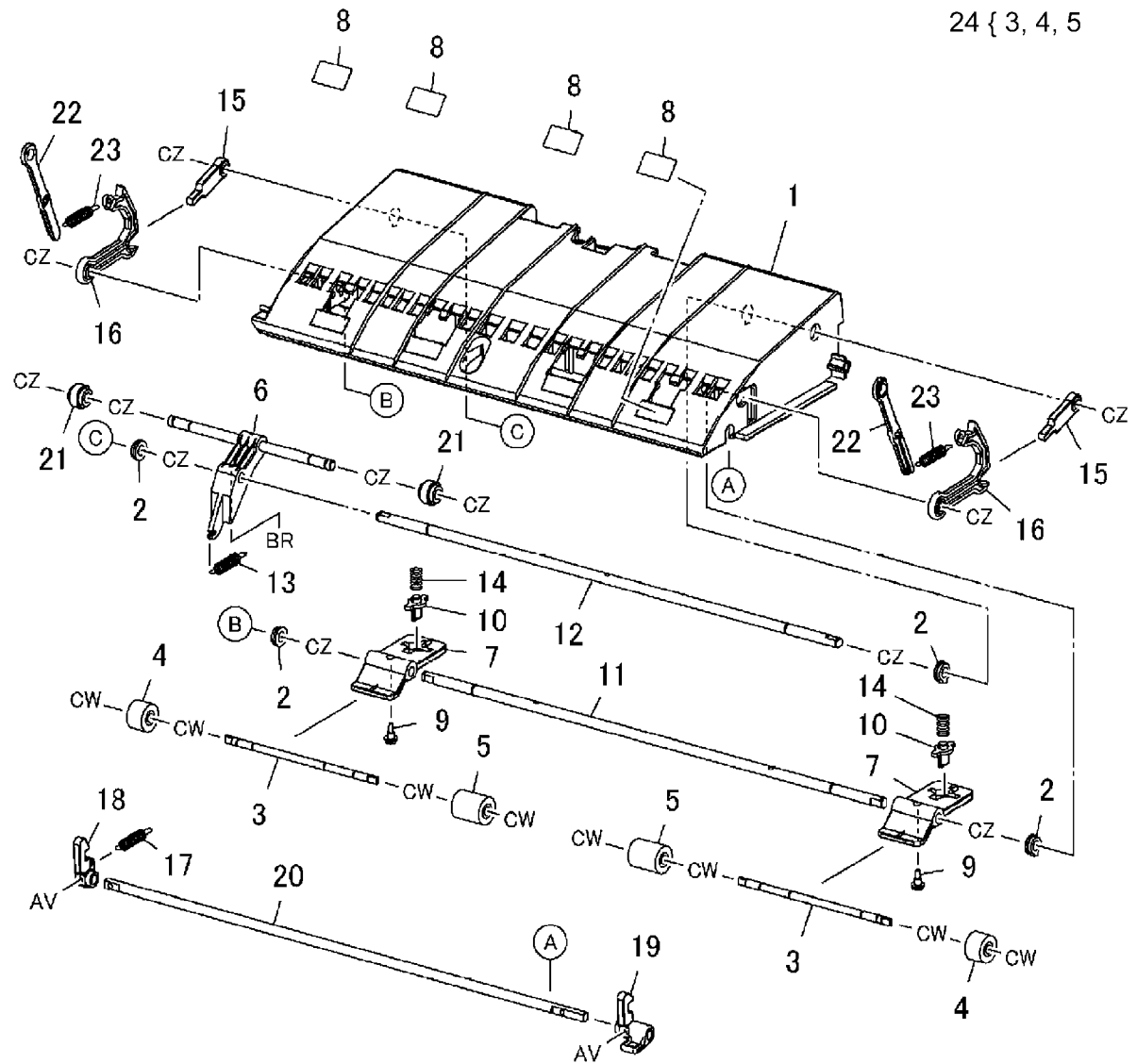


0514023A-OLY

PL 14.24 Exit Lower Chute Component

24 { 3, 4, 5

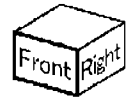
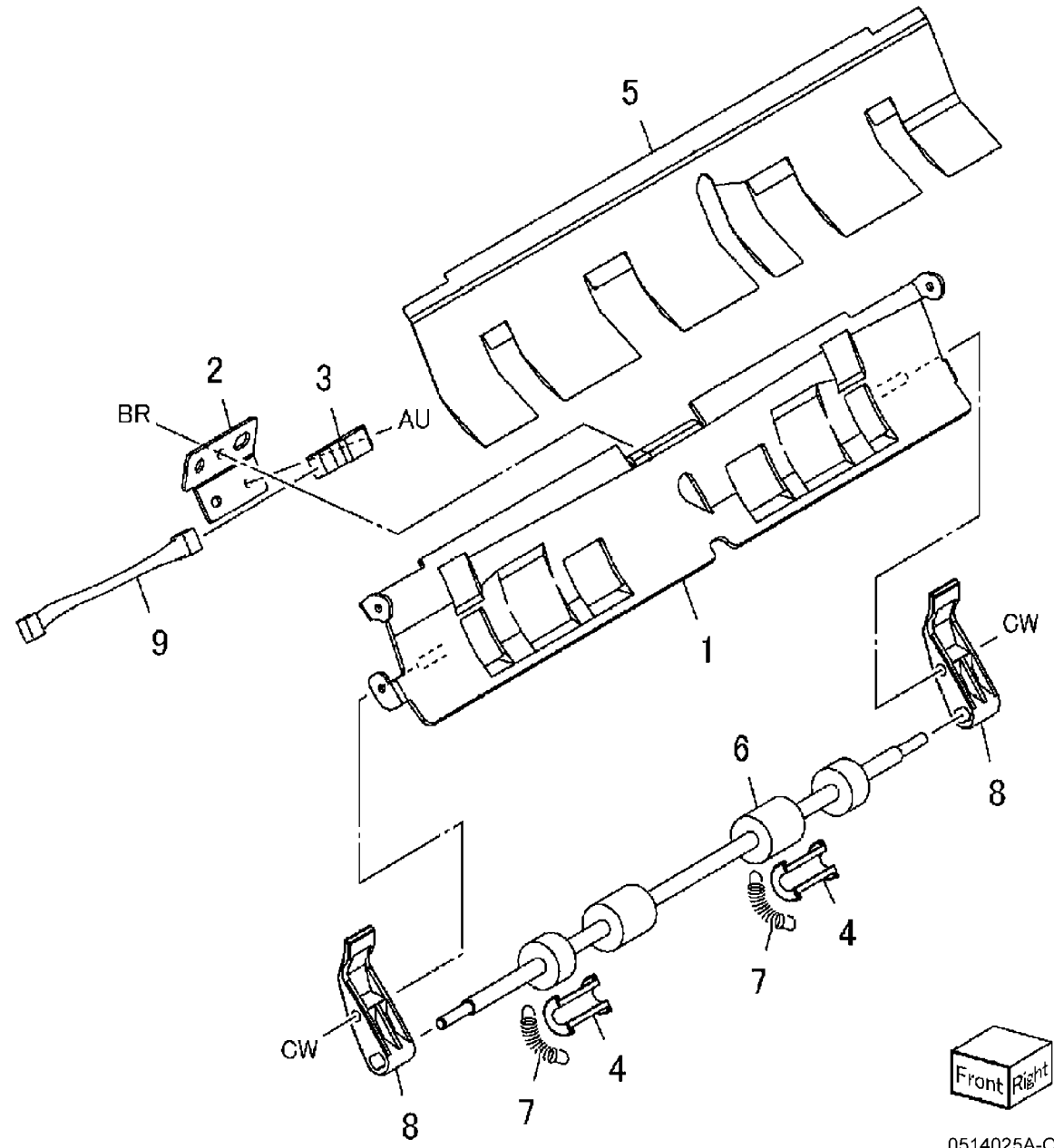
Item	Part	Description
1	-	Exit Lower Chute (P/O PL 14.12 Item 8)
2	-	Sleeve Bearing (P/O PL 14.12 Item 8)
3	-	Pinch Roll Shaft (P/O PL 14.12 Item 8)
4	-	Pinch Roll
5	-	Pinch Roll
6	-	Pinch Roll Shaft (P/O PL 14.12 Item 8)
7	-	Pinch Plate (P/O PL 14.12 Item 8)
8	103E29870	Film
9	-	Shoulder Screw (P/O PL 14.12 Item 8)
10	-	Spring Cap (P/O PL 14.12 Item 8)
11	-	Shaft (P/O PL 14.12 Item 8)
12	-	Shaft (P/O PL 14.12 Item 8)
13	-	Tension Spring (P/O PL 14.12 Item 8)
14	-	Compression Spring (P/O PL 14.12 Item 8)
15	-	Link (P/O PL 14.12 Item 8)
16	-	Link (P/O PL 14.12 Item 8)
17	-	Tension Spring (P/O PL 14.12 Item 8)
18	012E11600	Rear Latch
19	012E11590	Front Latch
20	-	Latch Shaft (P/O PL 14.12 Item 8)
21	-	Pinch Roll (P/O PL 14.12 Item 8)
22	-	Link (P/O PL 14.12 Item 8)
23	-	Tension Spring (P/O PL 14.12 Item 8)
24	059K31033	Pinch Roll Assembly



0514024A-OLY

PL 14.25 Registration Out Chute Component

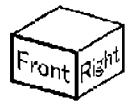
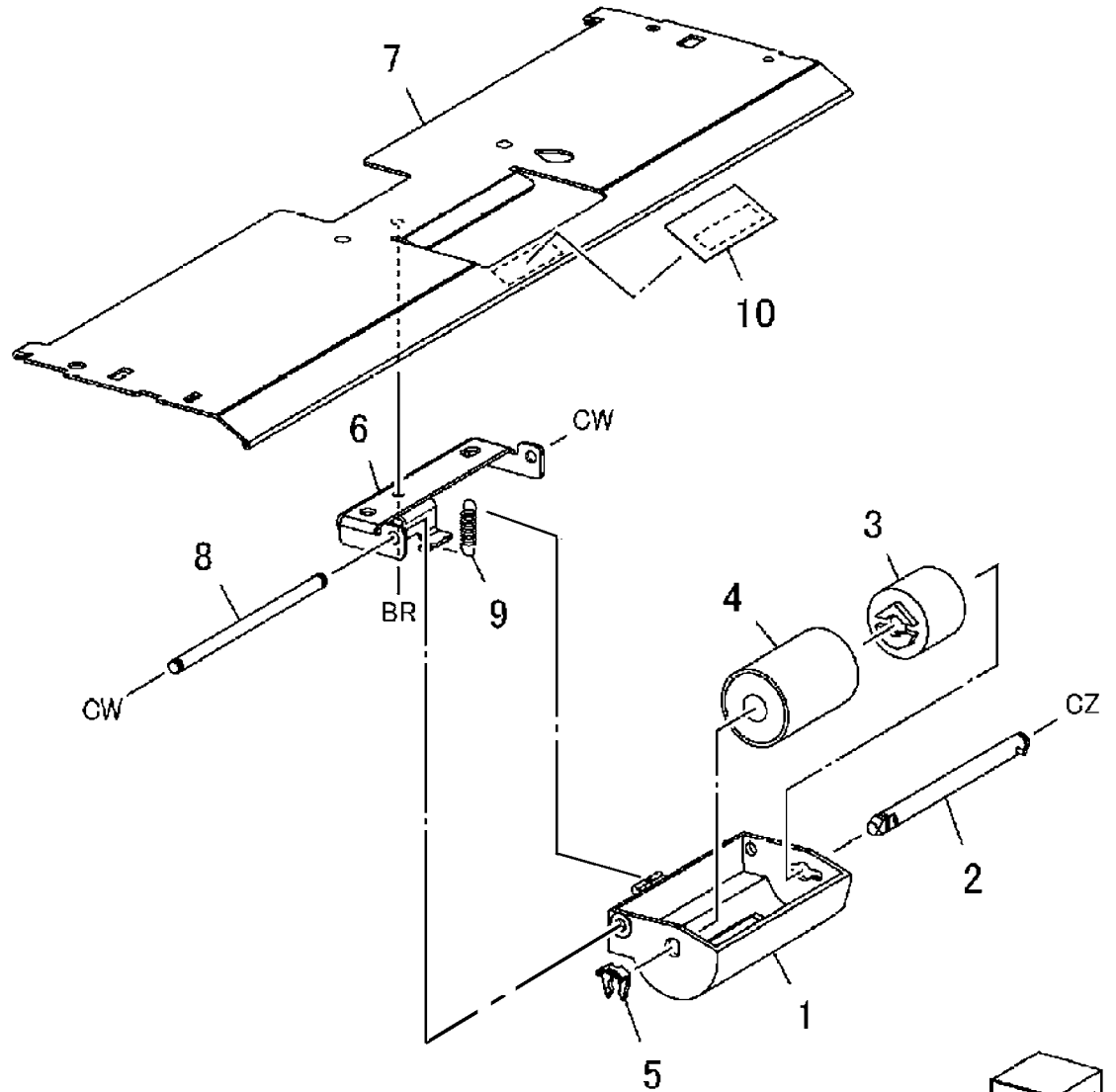
Item	Part	Description
1	-	Registration Out Chute (P/O PL 14.12 Item 9)
2	-	Sensor Bracket (P/O PL 14.12 Item 9)
3	930W00211	DADF Registration Sensor
4	013E24660	Garter Bearing
5	-	Film (P/O PL 14.12 Item 9)
6	-	Pinch Roll
7	809E50270	Tension Spring
8	012E11430	Link
9	-	Sensor Wire Harness (P/O PL 14.12 Item 9)



0514025A-OLY

PL 14.26 Feeder Lower Chute Component

Item	Part	Description
1	-	Retard Roll Housing (P/O PL 14.12 Item 10)
2	-	Retard Roll Shaft (P/O PL 14.12 Item 10)
3	005K06810	Torque Limiter
4	059K30951	Retard Roll
5	028E94260	KL-Clip
6	-	Bracket (P/O PL 14.12 Item 10)
7	-	Feeder Lower Chute
8	-	Shaft (P/O PL 14.12 Item 10)
9	-	Tension Spring (P/O PL 14.12 Item 10)
10	-	Film (P/O PL 14.12 Item 10)

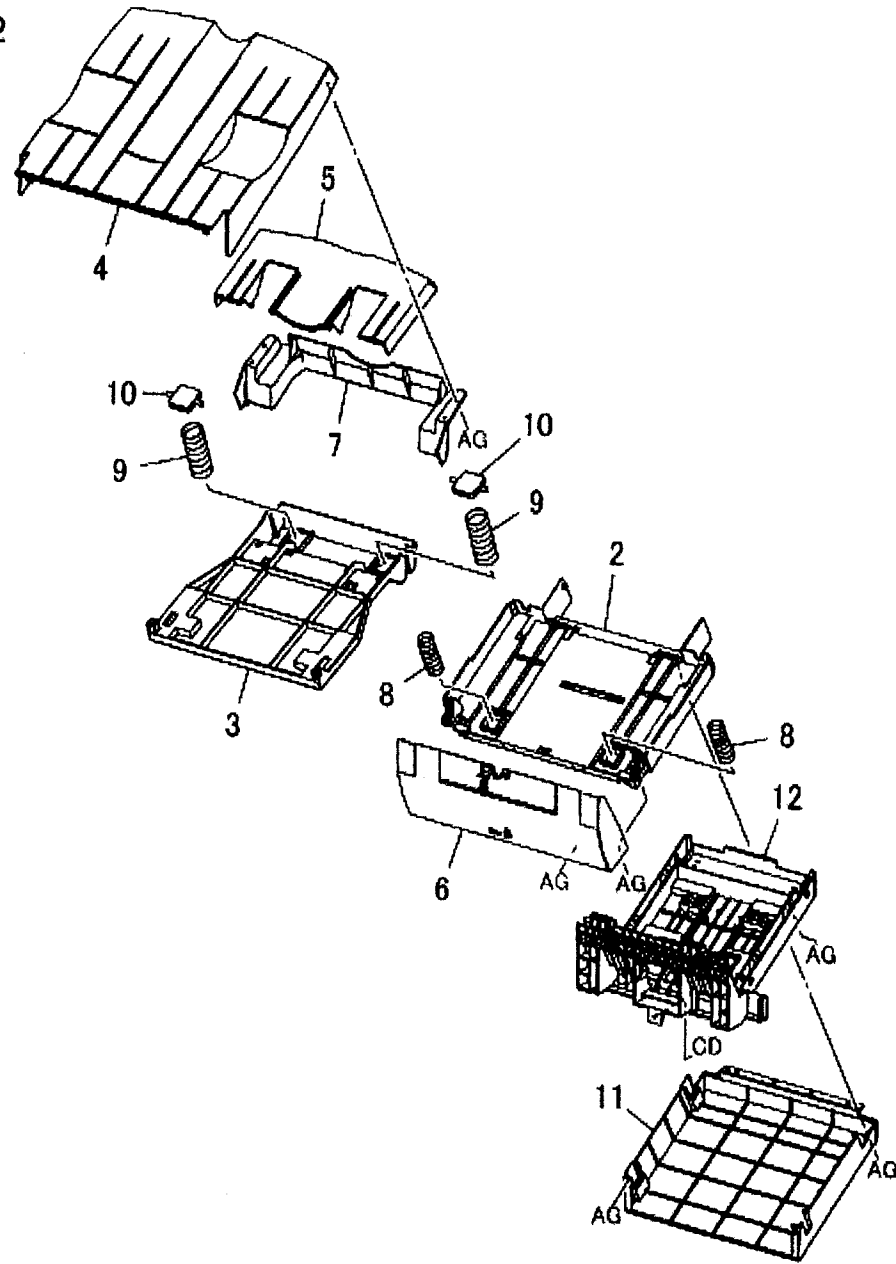


0514026A-OLY

PL 16.1 SCT

Item	Part	Description
1	050K50991	SCT
2	-	Base Tray (P/O PL 16.1 Item 1)
3	-	Center Tray (P/O PL 16.1 Item 1)
4	-	Catch Tray (P/O PL 16.1 Item 1)
5	-	Extension Tray (P/O PL 16.1 Item 1)
6	-	Wall Tray (P/O PL 16.1 Item 1)
7	-	Catch Tray Cover (P/O PL 16.1 Item 1)
8	-	Spring (P/O PL 16.1 Item 1)
9	-	Spring (P/O PL 16.1 Item 1)
10	-	Plate (P/O PL 16.1 Item 1)
11	-	Bottom Cover (P/O PL 16.1 Item 1)
12	-	Support (P/O PL 16.1 Item 1)

1 {2-12}

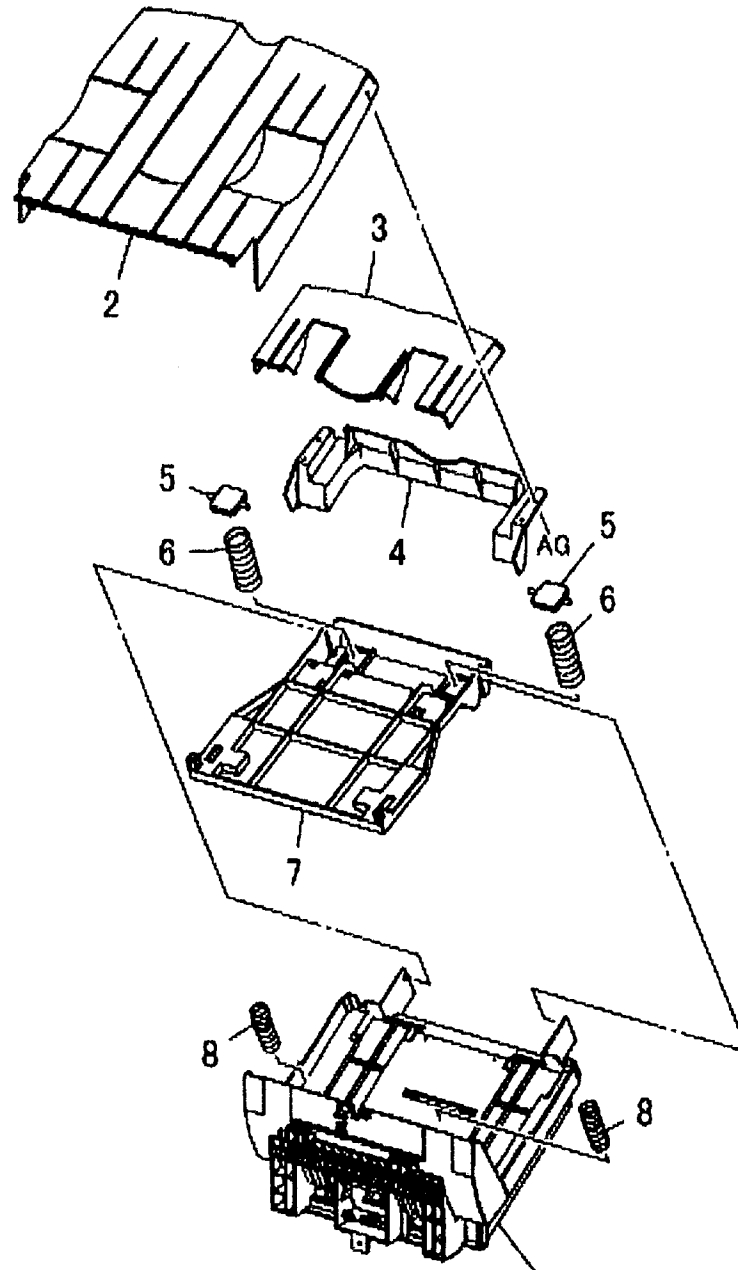


0516001A-OLY

PL 16.2 OCT (1 of 2)

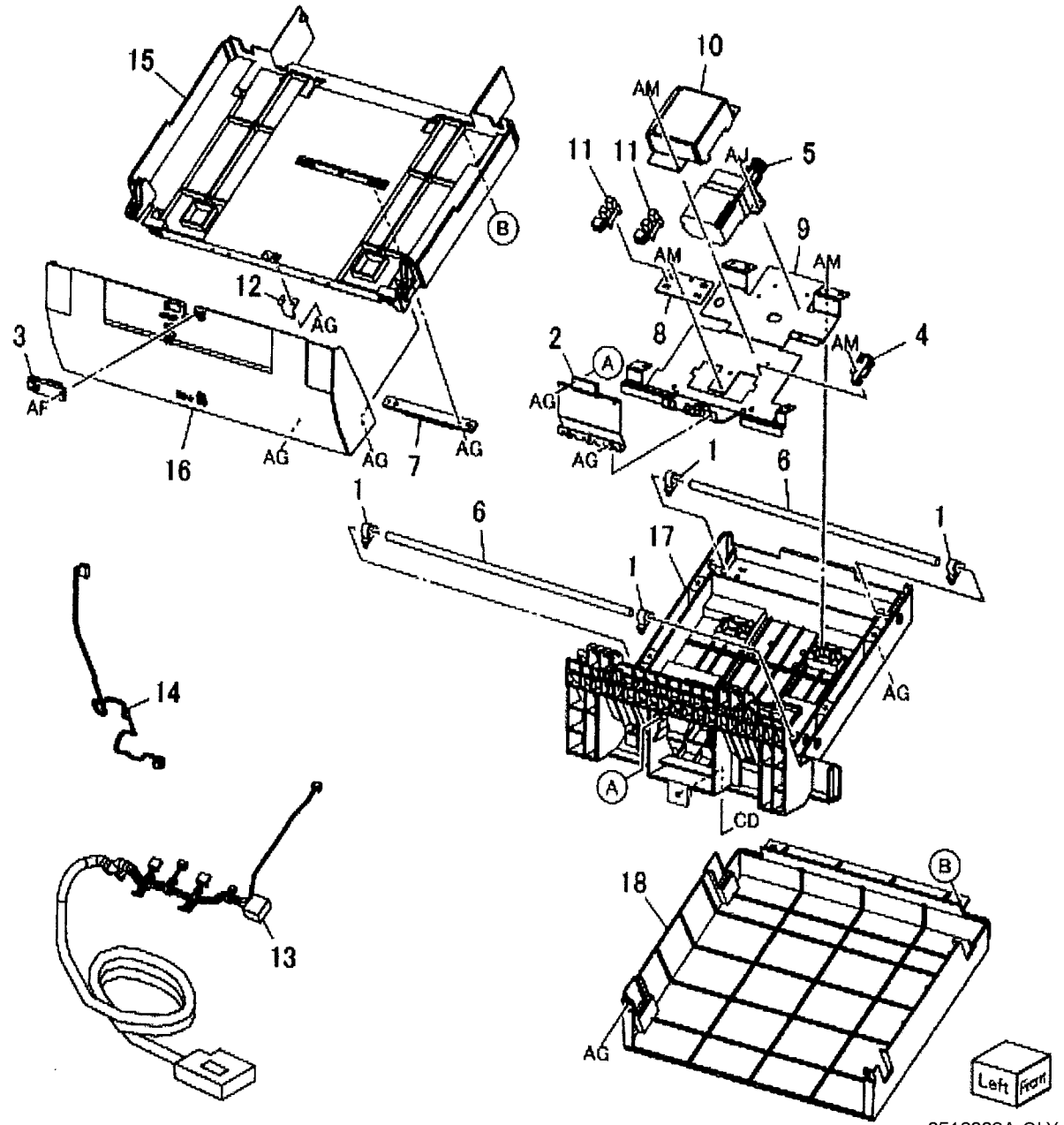
Item	Part	Description
1	050K50983	OCT
2	-	Catch Tray (P/O PL 16.2 Item 1)
3	-	Extension Tray (P/O PL 16.2 Item 1)
4	-	Catch Tray Cover (P/O PL 16.2 Item 1)
5	-	Plate (P/O PL 16.2 Item 1)
6	-	Spring (P/O PL 16.2 Item 1)
7	-	Center Tray (P/O PL 16.2 Item 1)
8	-	Spring (P/O PL 16.2 Item 1)
9	-	Base Tray Assembly (P/O PL 16.2 Item 1)

1 { 2 - 9



PL 16.3 OCT (2 of 2)

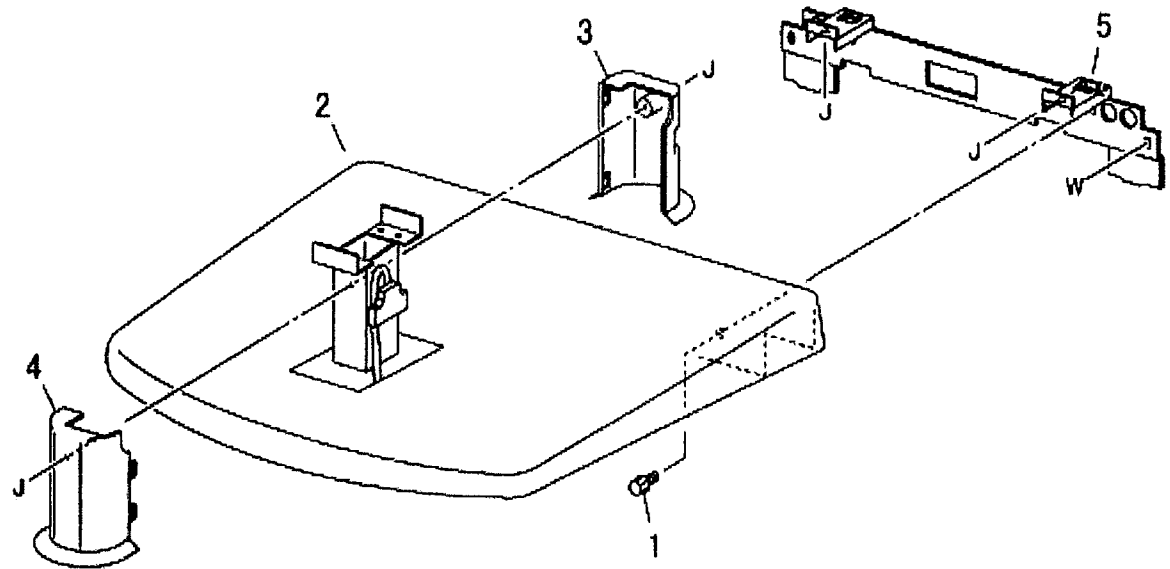
Item	Part	Description
1	-	Bearing
2	-	Gasket
3	930W00211	Tray Full Sensor
4	-	Clamp
5	127K39971	OCT Motor
6	-	Shaft
7	-	Rack
8	-	Bracket
9	-	Plate
10	-	Motor Cover
11	930W00111	Rear Position Sensor
12	-	Actuator
13	-	Wire Harness
14	-	Wire Harness
15	-	Base Tray
16	-	Wall Tray
17	-	Support
18	-	Bottom Cover



0516003A-OLY

PL 17.2 UI (Left)

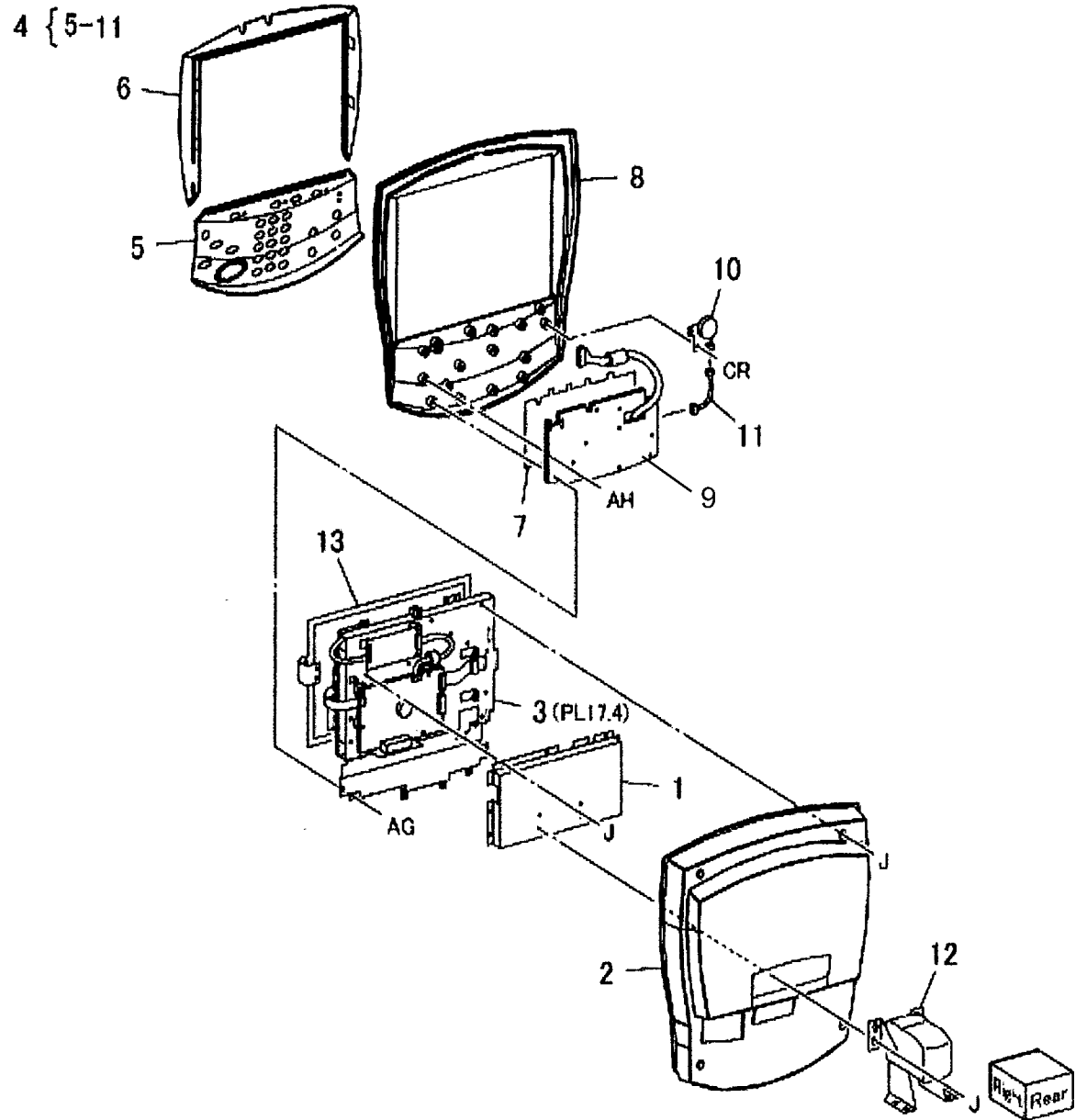
Item	Part	Description
1	003E63230	Screw Thumb
2	-	Tray Assy
3	-	Neck Right Cover
4	-	Neck Left Cover
5	-	Bracket



0217002A-OLY

PL 17.3 UI

Item	Part	Description
1	-	Cover EME
2	-	Cover Rear Base
3	802K56472	LCD Touch Panel
4	802K71730	Control Panel Assembly (XC)
-	802K74430	Control Panel Assembly (XE)
5	-	Overlay Cover (P/O PL 17.3 Item 4)
6	-	Bezel Cover (P/O PL 17.3 Item 4)
7	-	Mylar Sheet (P/O PL 17.3 Item 4)
8	-	Case (P/O PL 17.3 Item 4)
9	-	Switch/Led/ PWB (P/O PL 17.3 Item 4)
10	-	VR PWB (P/O PL 17.3 Item 4)
11	-	VR Cable (P/O PL 17.3 Item 4)
12	802K63681	Tilt Swivel
13	-	ESD Sheet (Not Spared)

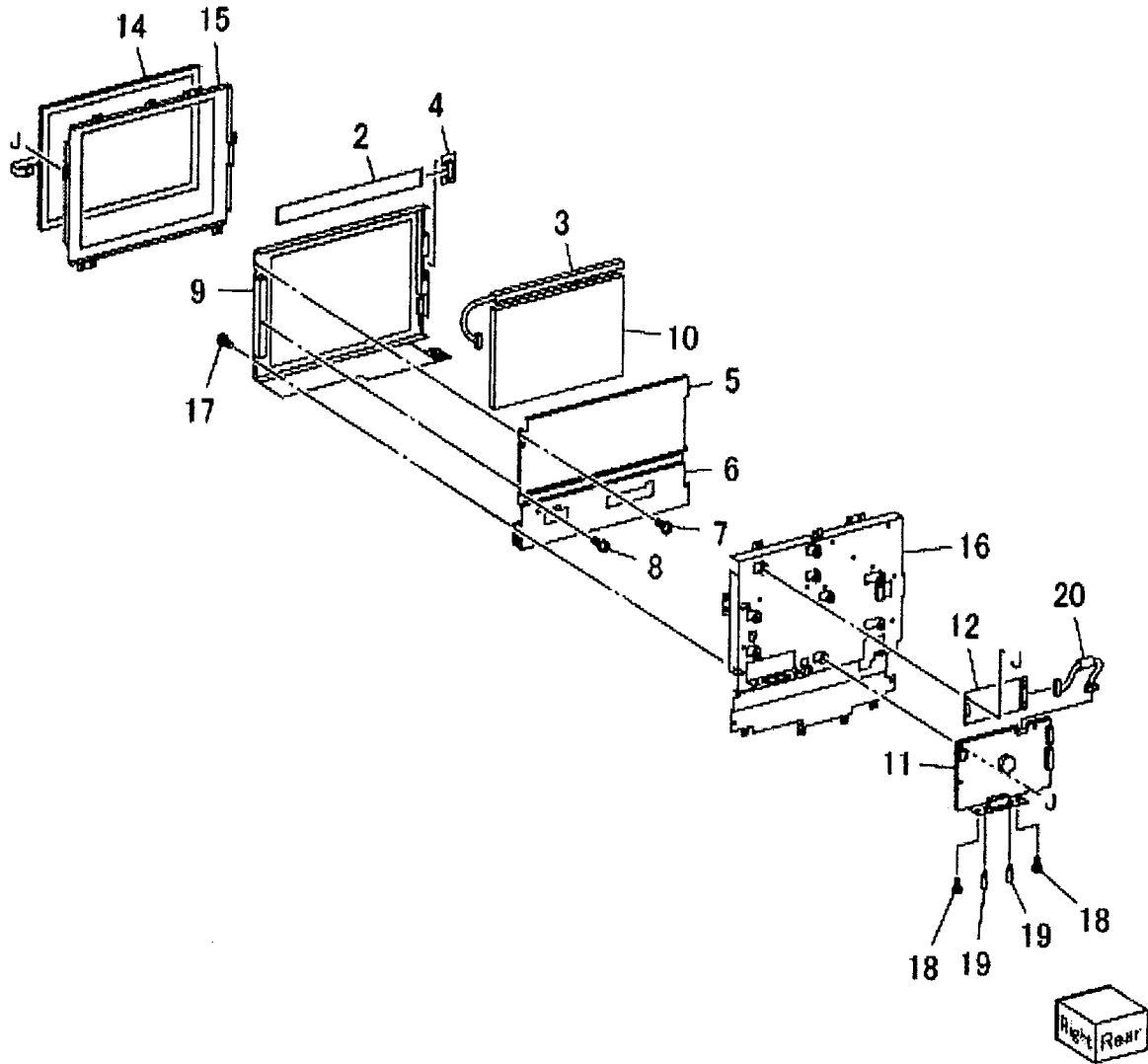


0517003A-OLY

PL 17.4 LCD Touch Panel

Item	Part	Description
1	123K96541	LCD Module Assembly
2	117E23951	Flexible Printer Cable (P/O PL 17.4 Item 1)
3	-	Lamp (P/O PL 17.4 Item 1)
4	-	LCD PWB (P/O PL 17.4 Item 1)
5	-	Cover (P/O PL 17.4 Item 1)
6	-	Cover (P/O PL 17.4 Item 1)
7	-	Screw (P/O PL 17.4 Item 1)
8	-	Tapping Screw (P/O PL 17.4 Item 1)
9	-	LCD Frame (P/O PL 17.4 Item 1)
10	-	LCD (P/O PL 17.4 Item 1)
11	160K97893	UI PWB
12	160K97901	Inverter PWB
13	802K65291	Touch Panel Assembly
14	-	Touch Panel (P/O PL 17.4 Item 13)
15	-	Touch Panel Plate (P/O PL 17.4 Item 13)
16	-	LCD Plate (Not Spared)
17	-	Screw (Not Spared)
18	-	Screw
19	826E08490	Screw
20	-	Wire Harness (Not Spared)

1 { 2-10
13 { 14,15

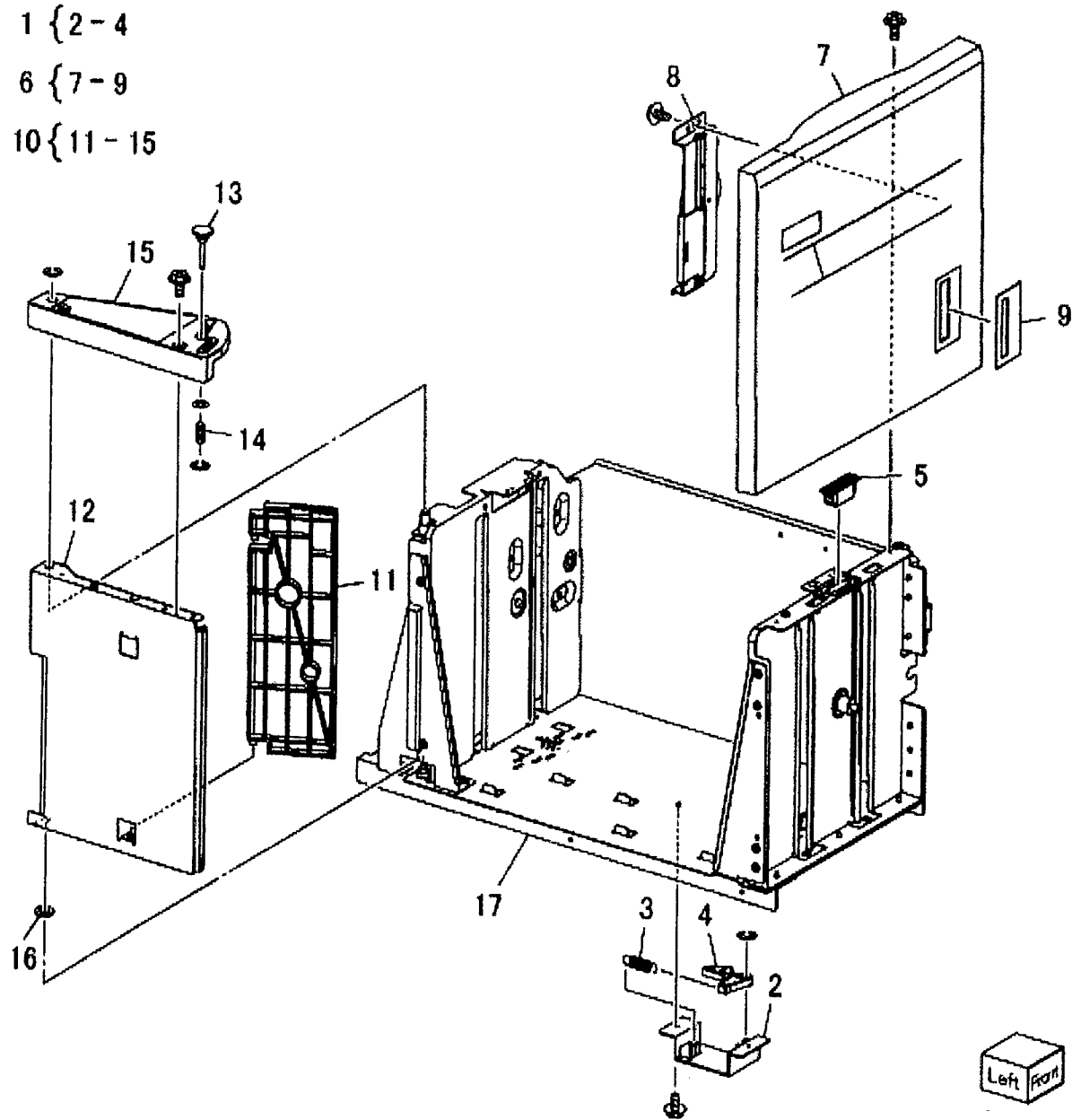


Right Rear

0517004A-OLY

PL 18.2 HCF Tray 6 (1 of 2)

Item	Part	Description
1	-	Tray Latch Assembly
2	003K03590	Tray Latch
3	-	Spring (P/O PL 18.2 Item 1)
4	-	Latch Lever (P/O PL 18.2 Item 1)
5	-	Magnet
6	-	Front Cover Assembly
7	-	Front Cover
8	068K25370	Gear Bracket
9	-	Label (Gauge) (P/O PL 18.2 Item 6)
10	-	End Guide Assembly
11	-	Plate
12	-	Bracket
13	-	Pin
14	-	Spring (P/O PL 18.2 Item 10)
15	-	Top Plate
16	-	Wave Washer
17	-	Frame

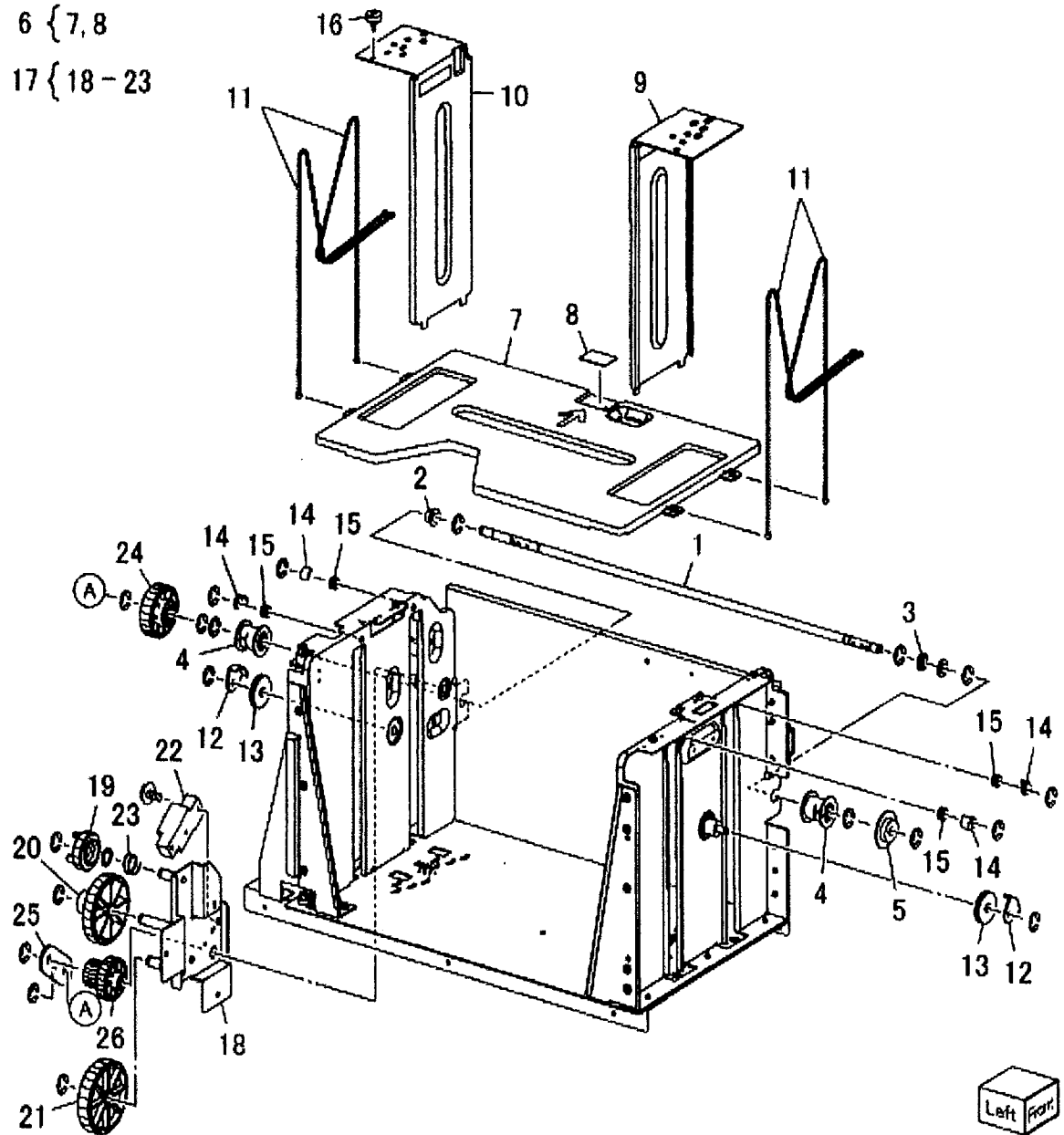


0518003A-OLY

PL 18.3 HCF Tray 6 (2 of 2)

Item	Part	Description
1	-	Lift Shaft
2	-	Bearing
3	-	Bearing
4	020E37620	Tray Cable Pulley
5	-	Gear
6	-	Bottom Plate Assembly
7	815E09030	Bottom Plate
8	019E58620	Pad
9	-	front Side Guide
10	-	Rear Side Guide
11	604K19980	Tray Cable Pulley (REP 7.4)
12	032E22410	Wire Guide (L)
13	020E37630	Pulley
14	-	Wire Guide (S)
15	-	Pulley
16	826E11700	Screw
17	015K65530	Gear Bracket Assembly
18	-	Gear Bracket (P/O PL 18.3 Item 17)
19	-	Contact Gear
20	-	Gear
21	-	Gear
22	-	Brake (P/O PL 18.3 Item 17)
23	-	Spring (P/O PL 18.3 Item 17)
24	807E04500	Lift Gear
25	-	Plate
26	-	Gear

6 { 7, 8
17 { 18 - 23



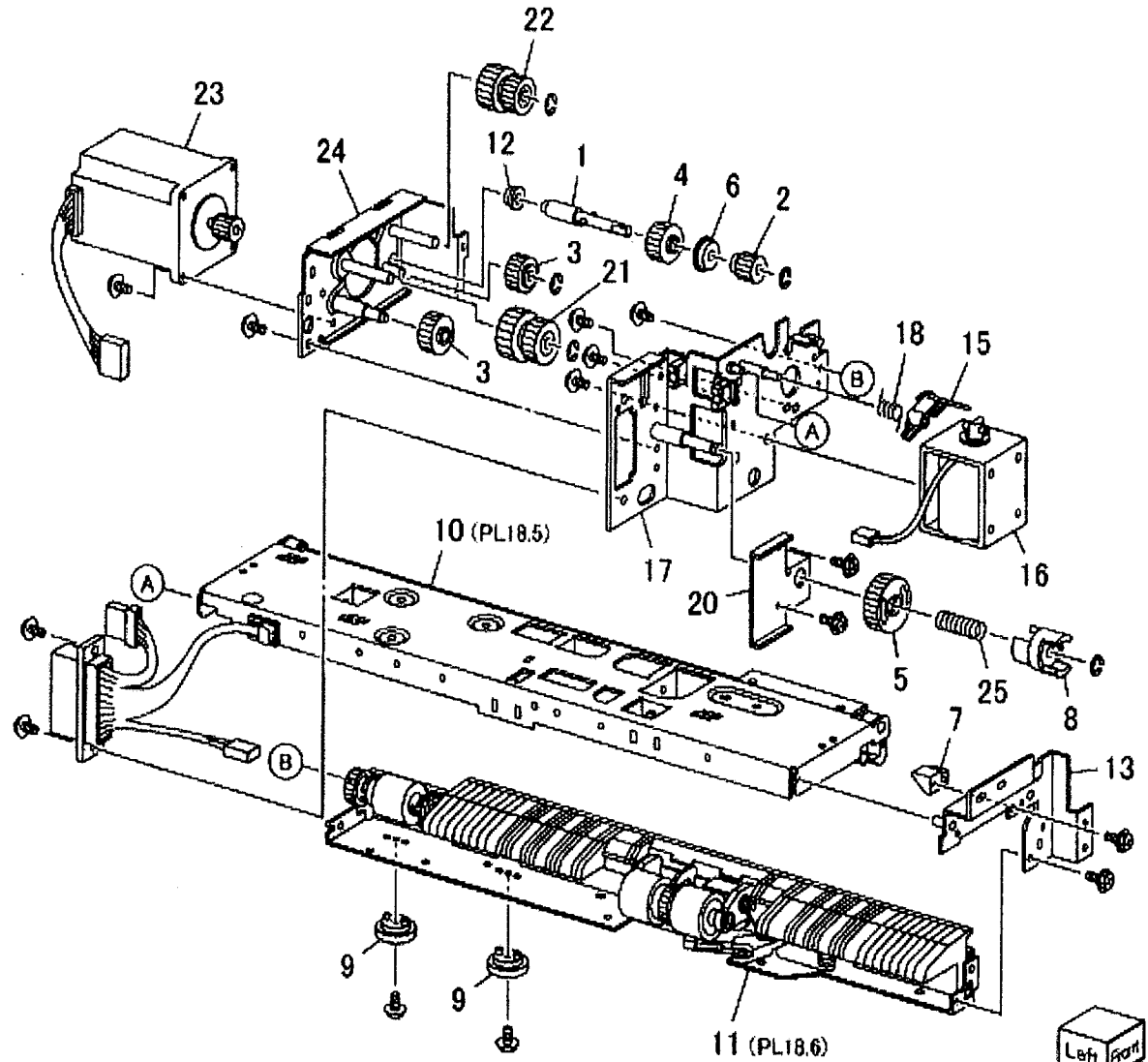
0518003A-OLY

PL 18.4 HCF Feeder (1 of 3)

Item	Part	Description
1	-	Shaft
2	007E78760	Gear (19T)
3	007E78770	Gear (25T)
4	007E78780	Gear (25T)
5	007E78790	Gear (40)
6	013E25540	Bearing
7	-	Block
8	-	Spacer
9	019E56470	Holder
10	-	Upper Feeder Assembly
11	-	Lower Feeder Assembly
12	413W66250	Ball Bearing
13	-	Front Frame
14	-	Rear Frame Assembly
15	012E11041	Link
16	121K31340	Nudger Solenoid (REP 7.13)
17	-	Rear Frame (P/O PL 18.4 Item 14)
18	-	Spring (P/O PL 18.4 Item 14)
19	-	Drive Gear Assembly
20	-	Bracket (Not Spared)
21	007K88520	Gear (23T/27T)
22	007K88530	Gear (31T/36T)
23	127K37901	Lift/Feed Motor (REP 7.12)
24	-	Lift/Motor Frame (P/O PL 18.4 Item 19)
25	-	Spring (Not Spared)

14 { 15 - 18

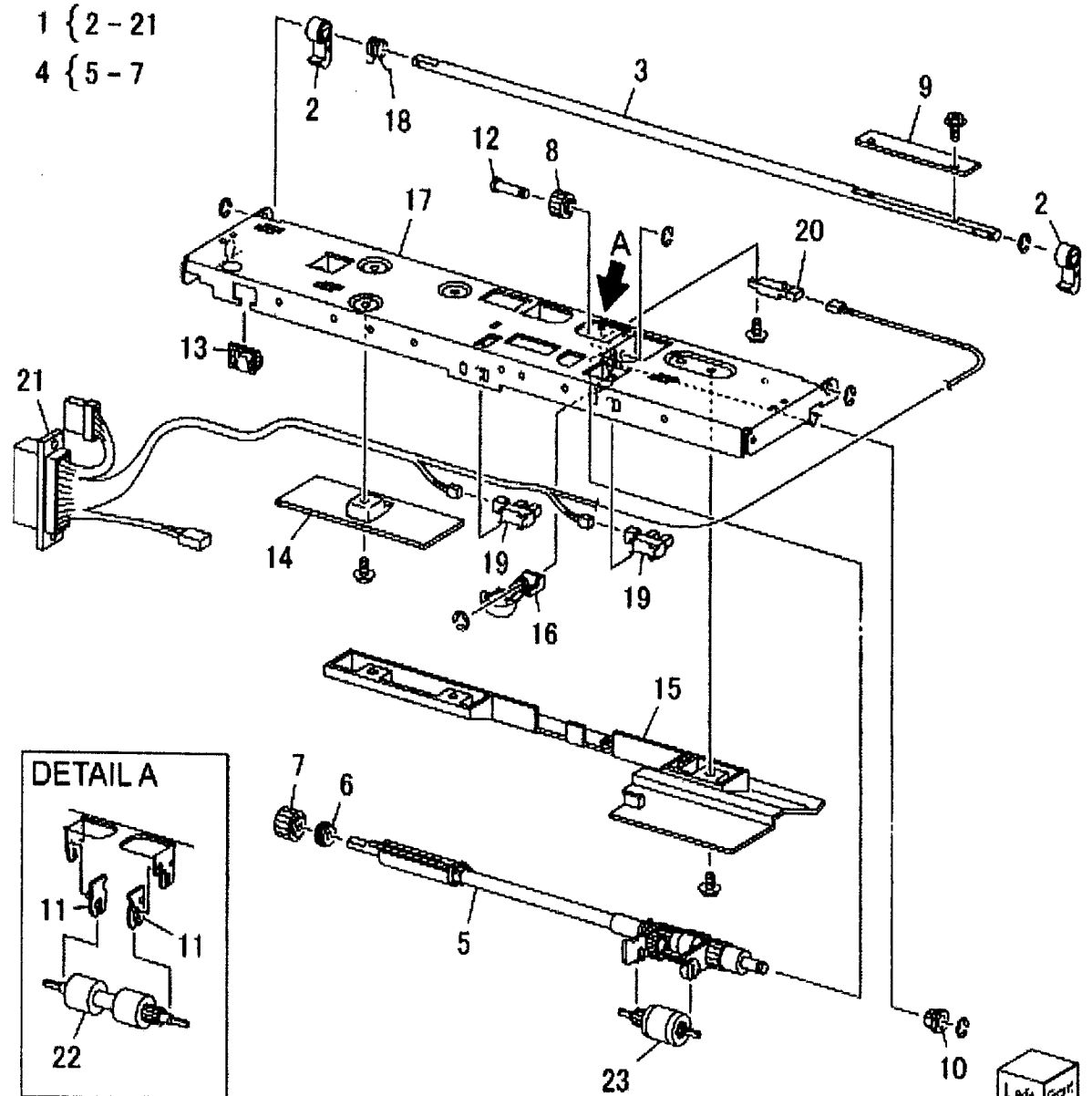
19 { 20 - 24



0518004A-OLY

PL 18.5 HCF Feeder (2 of 3)

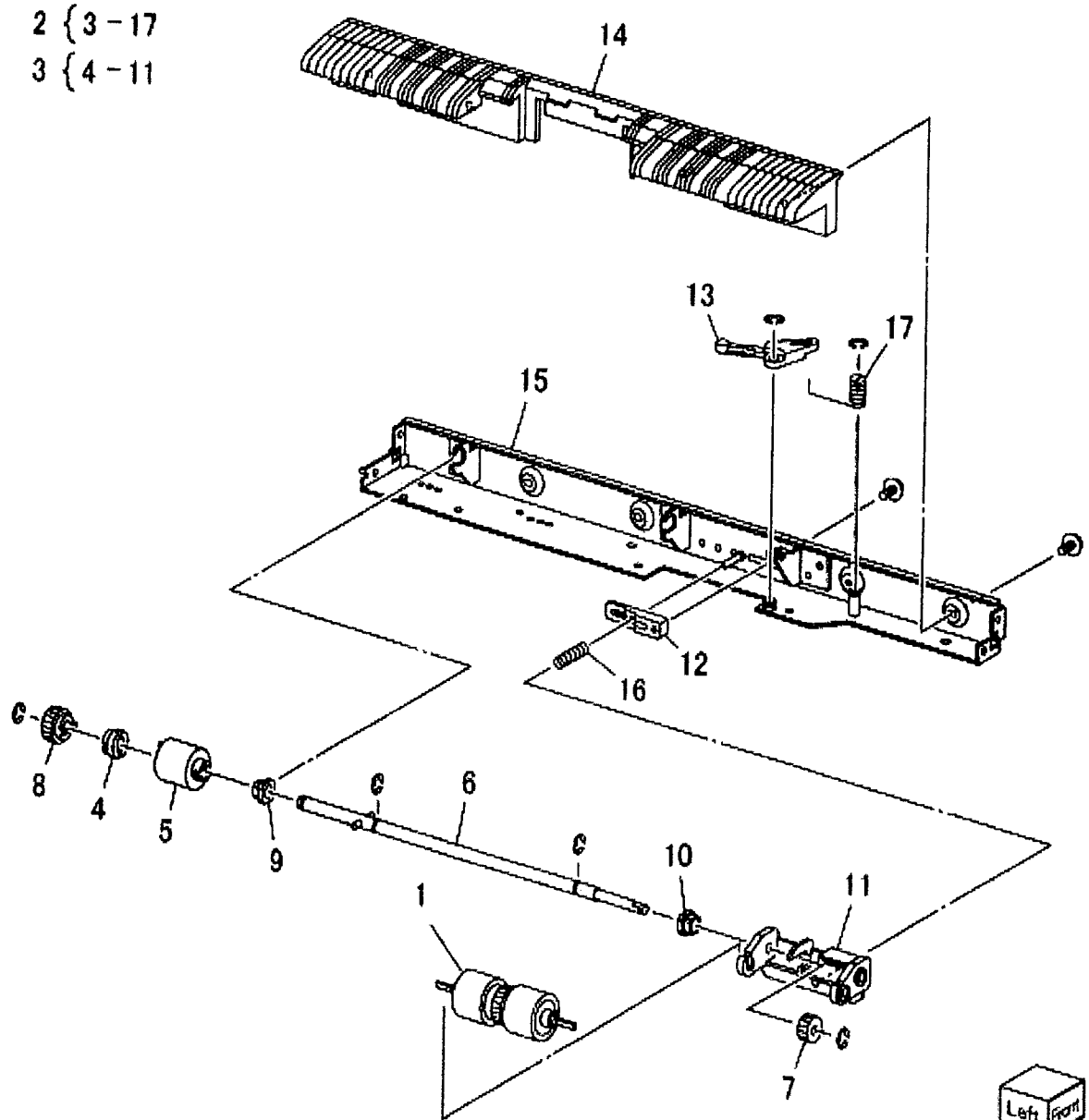
Item	Part	Description
1	-	Upper Feeder Assembly
2	003E59570	Latch
3	-	Shaft Latch
4	006K23122	Feed Shaft Assembly
5	-	Feed Shaft (P/O PL 18.5 Item 4) (REP 7.6)
6	413W66250	Ball Bearing
7	-	Gear (20T) (P/O PL 18.5 Item 4)
8	007E78180	Feed Gear (25T)
9	-	Lever (P/O PL 18.5 Item 1)
10	-	Bearing (P/O PL 18.5 Item 1)
11	-	Spacer (P/O PL 18.5 Item 1)
12	-	Pin Drive (P/O PL 18.5 Item 1)
13	-	Guide
14	-	Rear Upper Chute (P/O PL 18.5 Item 1)
15	-	Upper Chute (P/O PL 18.5 Item 1)
16	120E21900	Actuator
17	-	Upper Frame (P/O PL 18.5 Item 1)
18	-	Spring (P/O PL 18.5 Item 1)
19	930W00112	HCF Stack Height Sensor, HCF Paper Sensor
20	930W00211	HCF Pre Feed Sensor
21	-	Wire Harness (P/O PL 18.5 Item 1)
22	059K26691	Feed Roll (REP 7.5)
23	059K26700	Nudger Roll (REP 7.5)



0518005A-OLY

PL 18.6 HCF Feeder (3 of 3)

Item	Part	Description
1	059K26591	Retard Roll (REP 7.5)
2	-	Lower Feeder Assembly
3	006K23131	Retard Shaft Assembly
4	-	Collar (P/O PL 18.6 Item 3)
5	005K06700	Friction Clutch
6	-	Shaft (P/O PL 18.6 Item 3)
7	007E78170	Gear (15T)
8	007E89760	Gear (22T)
9	013E23600	Bearing
10	013E23610	Bearing
11	-	Retard Bracket (P/O PL 18.6 Item 2)
12	-	Slide (P/O PL 18.6 Item 2)
13	-	Lever (P/O PL 18.6 Item 2)
14	-	Lower Chute (P/O PL 18.6 Item 2)
15	-	Lower Frame (P/O PL 18.6 Item 2)
16	-	Spring (P/O PL 18.6 Item 2)
17	-	Spring (P/O PL 18.6 Item 2) (REP 7.7)

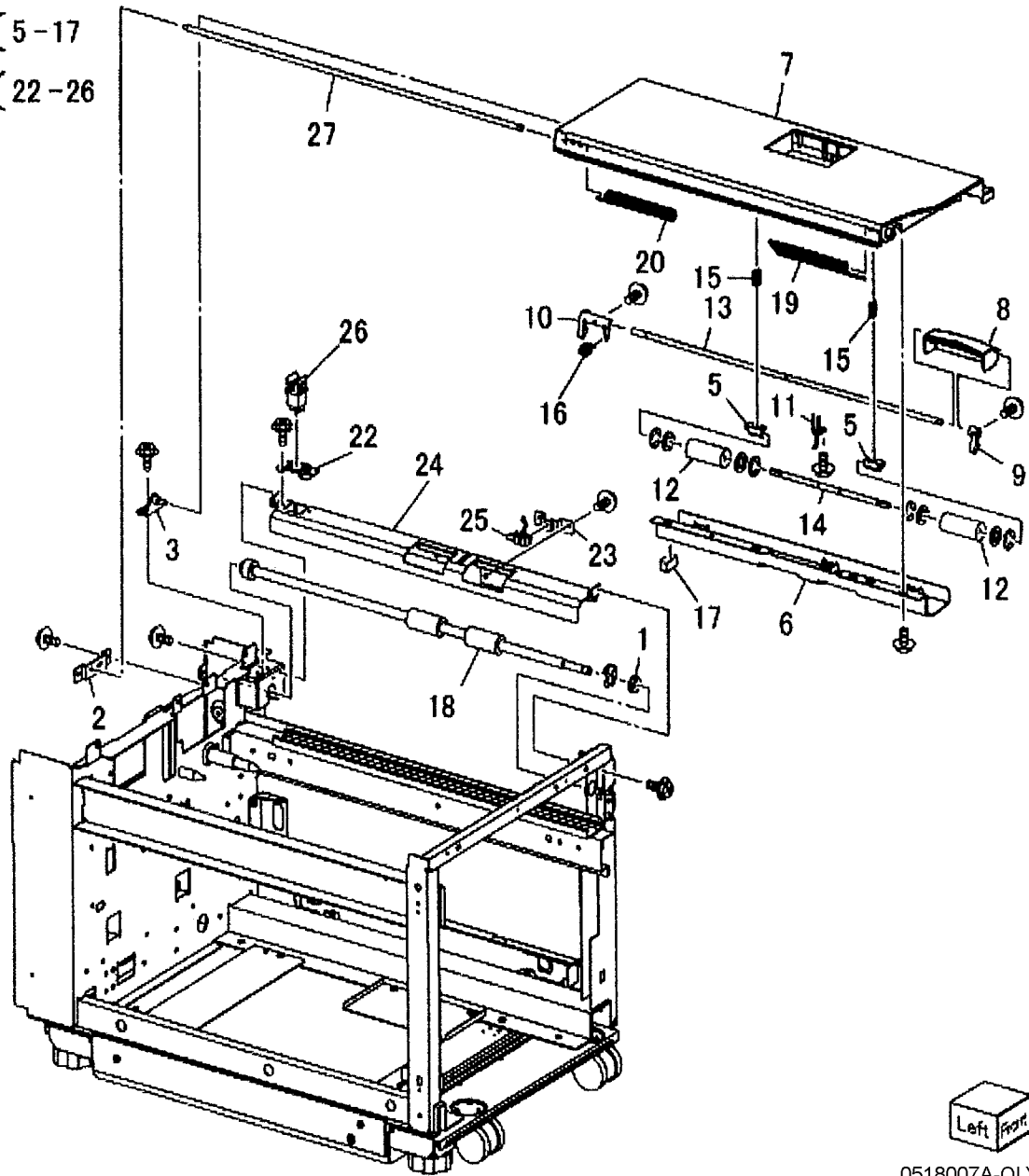


0518006A-OLY

PL 18.7 HCF Top Cover Unit

Item	Part	Description
1	013E17100	Bearing
2	-	Bracket
3	-	Pivot Bracket
4	802K67080	Top Cover Assembly
5	-	Bearing
6	-	Upper Chute (P/O PL 18.7 Item 4)
7	-	Top Cover
8	-	Knob
9	-	Latch
10	-	Latch
11	-	Spring
12	059E01430	Pinch Roller
13	-	Shaft
14	-	Shaft
15	-	Spring
16	-	Spring
17	-	Gasket (P/O PL 18.7 Item 4)
18	059K36260	Takeaway Roll (REP 7.10)
19	-	Spring (Left)
20	-	Spring (Right)
21	-	Lower Chute Assembly
22	-	Bracket
23	-	Bracket
24	-	Lower Chute
25	130K88150	Takeaway Sensor
26	110E94770	Top Cover Interlock Switch
27	-	Pivot Shaft

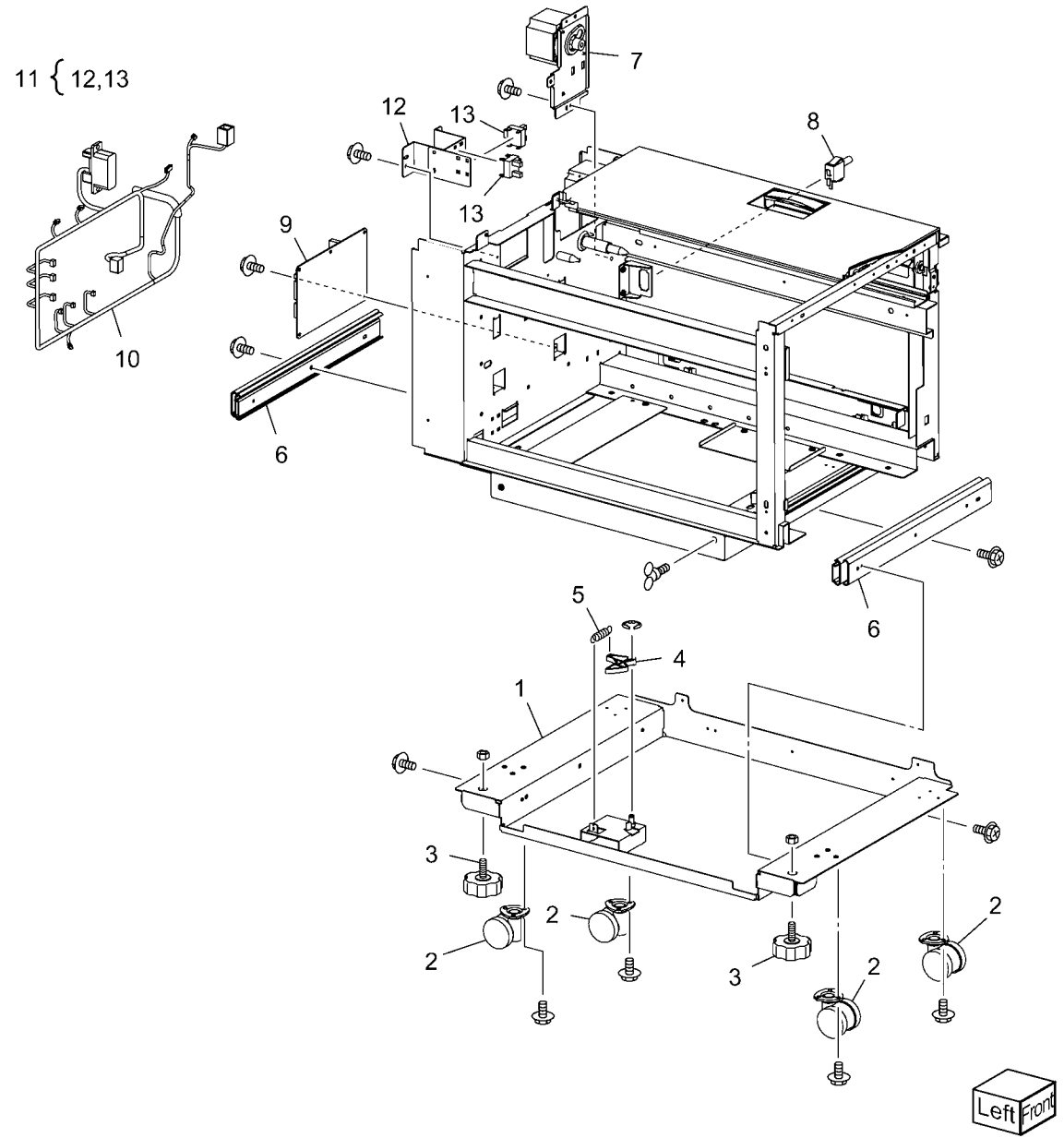
4 { 5-17
21 { 22-26



0518007A-OLY

PL 18.8 HCF Electrical and Rail

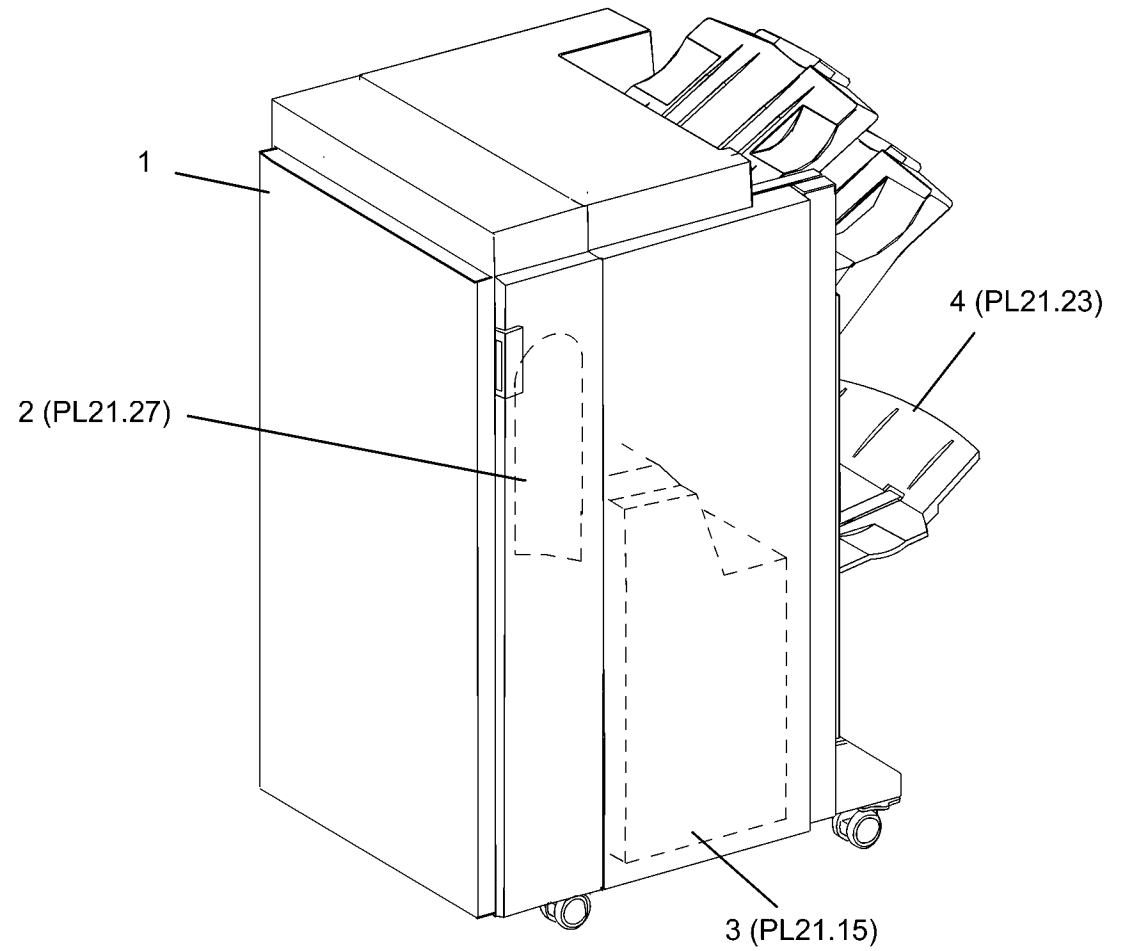
Item	Part	Description
1	-	Plate
2	017E92820	Rack Caster (REP 7.9)
3	-	Foot
4	-	Latch Lever
5	-	Spring (Not Spared)
6	801K15690	Rail
7	127K47150	Takeaway Motor
8	110E10380	Docking Interlock Switch
9	960K08930	HCF PWB (REP 7.11)
10	-	Wire Harness
11	-	HCF Size Sensor Assembly
12	-	Bracket
13	130K55590	HCF Size Sensor R and L



0518008A-OLY

PL 21.1 A/P Finisher

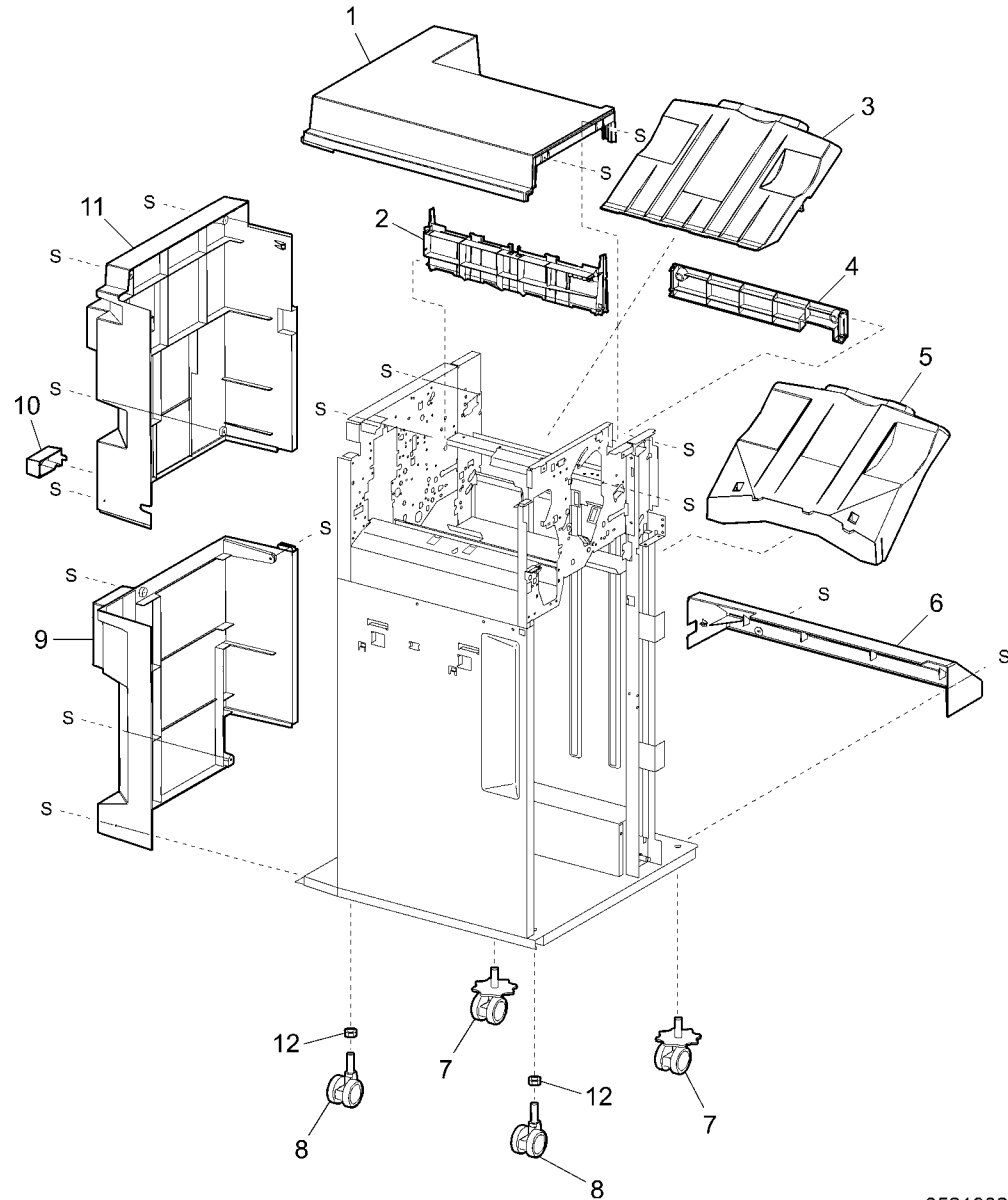
Item	Part	Description
1	-	A/P Finisher (Not Spared) (REP 12.50,ADJ 12.2)
2	-	I/F Module (REP 12.3)
3	-	Booklet Maker
4	-	Booklet Tray



0521001A-OL

PL 21.2 Finisher Cover: 1 of 2

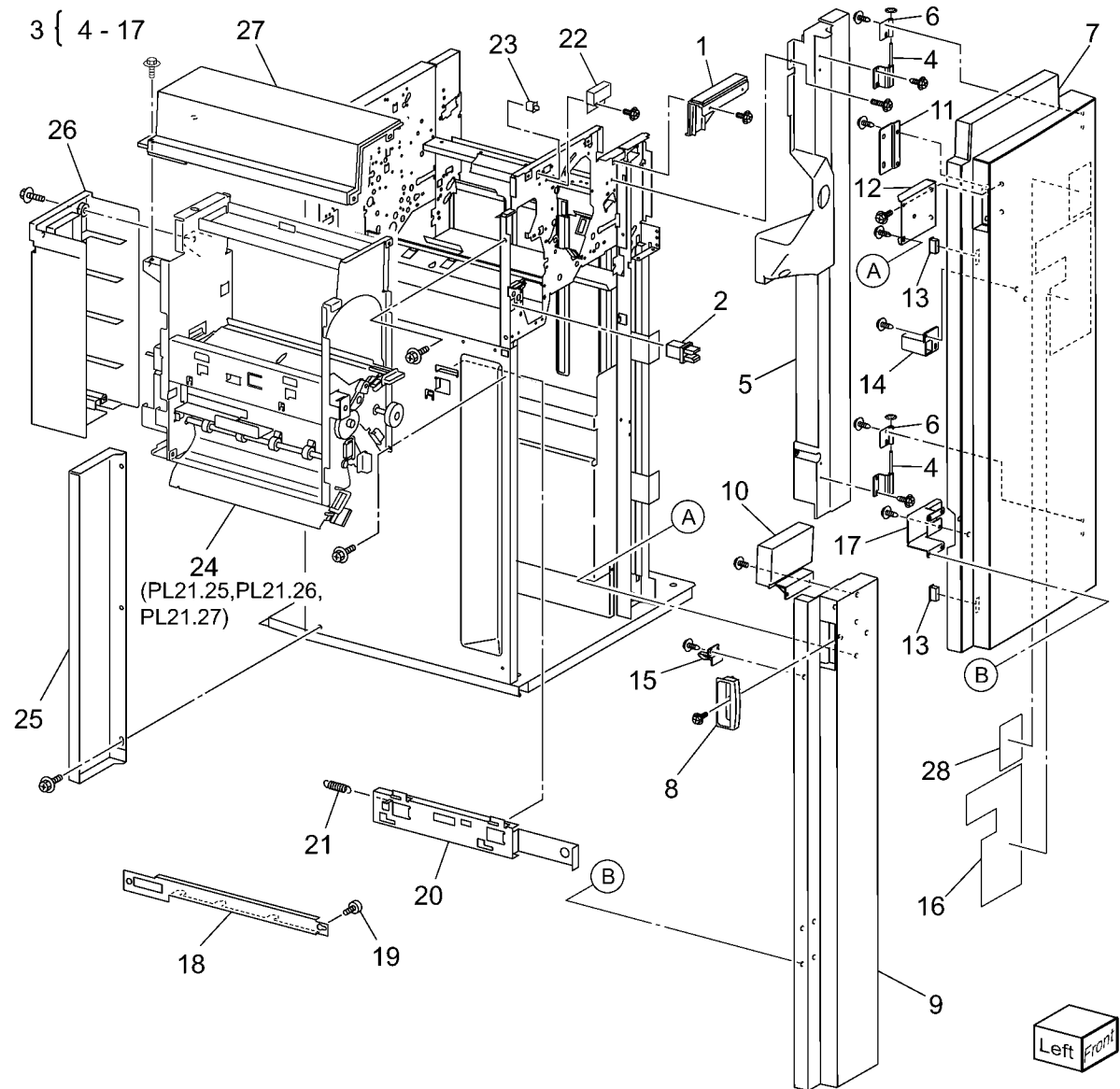
Item	Part	Description
1	-	Top Cover (Not Spared) (REP 12.43)
2	-	Tray Spring Guide (Not Spared) (REP 12.47)
3	050K51270	Top Tray (Not Spared) (REP 12.45)
4	-	Eject Cover (Not Spared) (REP 12.46)
5	050K51280	Stacker Tray (Not Spared) (REP 12.58)
6	-	Bottom Cover (Not Spared)
7	017E97220	Caster
8	017E97230	Caster
9	-	Rear Lower Cover (Not Spared) (REP 12.42)
10	-	H-Transport Connector Cover (Not Spared)
11	-	Rear Upper Cover (Not Spared) (REP 12.41)
12	-	Nut M12X1.25 (Not Spared)



0521002A-OLY

PL 21.3 Finisher Cover: 2 of 2

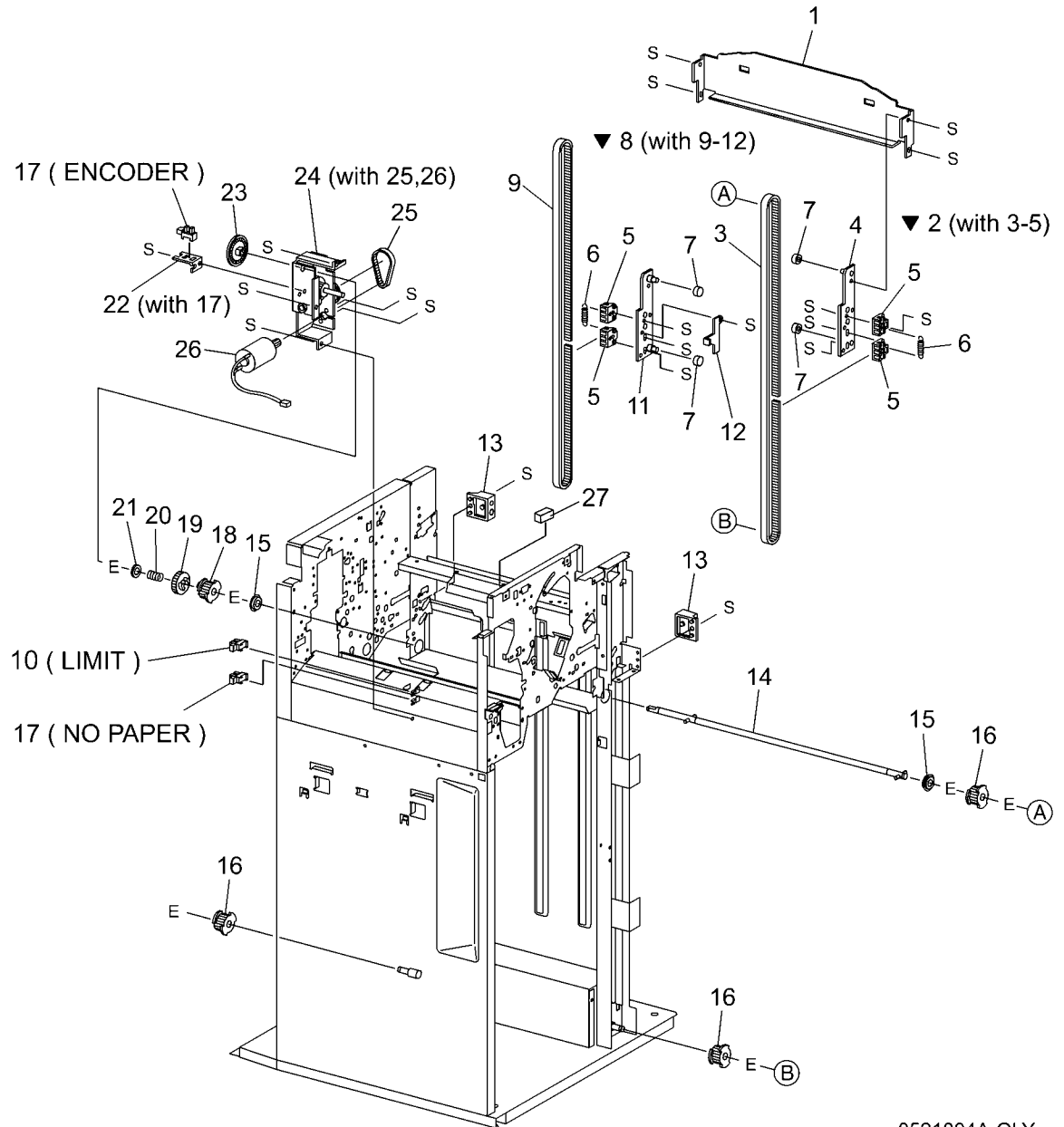
Item	Part	Description
1	-	Front Top Cover (Not Spared) (REP 12.44)
2	110E97990	Front Door Interlock Switch
3	802K75100	Front Door Assembly (REP 12.40)
4	-	Hinge Bracket (P/O PL 21.3 Item 3)
5	-	Inner Cover (P/O PL 21.3 Item 3)
6	-	Bracket (P/O PL 21.3 Item 3)
7	-	Front Door (P/O PL 21.3 Item 3)
8	-	Handle
9	-	I/F Cover (Not Spared)
10	-	I/F Upper Cover (P/O PL 21.3 Item 3)
11	-	Door Plate (P/O PL 21.3 Item 3)
12	-	Upper Bracket (P/O PL 21.3 Item 3)
13	121E92890	Magnet (P/O PL 21.3 Item 3)
14	-	Stopper (P/O PL 21.3 Item 3)
15	-	Latch (P/O PL 21.3 Item 3)
16	-	Support (P/O PL 21.3 Item 3)
17	-	Lower Bracket (P/O PL 21.3 Item 3)
18	-	IOT Docking Plate Assembly (Not Spared)
19	-	Screw (Not Spared)
20	-	Docking Plate (Not Spared)
21	-	Spring (Not Spared)
22	-	Cover (Not Spared)
23	-	Download Access Switch (Not Spared)
24	-	I/F Module (Not Spared) (REP 12.3)
25	-	Plate (Not Spared)
26	-	I/F Rear Cover (Not Spared) (REP 12.1)
27	-	I/F Top Cover (Not Spared) (REP 12.2)
28	-	Label (Instruction) (Not Spared)



0521003A-OLY

PL 21.4 Finisher Stack

Item	Part	Description
1	-	Stacker Tray Bracket (Not Spared)
2	041K94720	Left Carriage Assembly
3	-	Stacker Drive Belt (P/O PL 21.4 Item 2) (REP 12.60)
4	-	Left Carriage Bracket (P/O PL 21.4 Item 2)
5	019E58660	Belt Clamp (P/O PL 21.4 Item 8)
6	809E56850	Spring
7	-	Carriage Bearing
8	041K94730	Right Carriage Assembly
9	023E21520	Stacker Drive Belt (P/O PL 21.4 Item 8) (REP 12.60)
10	130E88340	Upper Limit Sensor
11	-	Right Carriage Bracket (P/O PL 21.4 Item 8)
12	-	Stacker Sensor Actuator (P/O PL 21.4 Item 8)
13	802K67140	Stack Height Sensor (Front, Rear)
14	-	Elevator Drive Shaft (Not Spared)
15	413W77559	Bearing
16	020E37720	Pulley (18T)
17	130K88770	Stacker Encoder Sensor, Stacker No Paper Sensor (No Paper), Upper Limit Sensor (Limit)
18	020E37710	Clutch Pulley
19	807E04730	Clutch Gear
20	809E56860	Spring
21	-	Washer
22	-	Sensor Bracket (Not Spared)
23	146E01770	Stacker Encoder
24	015K65900	Elevator Motor Assembly
25	-	Elevator Motor Drive Belt (P/O PL 21.4 Item 24)
26	-	Elevator Motor (P/O PL 21.4 Item 24)
27	-	Down Load Interlock Switch

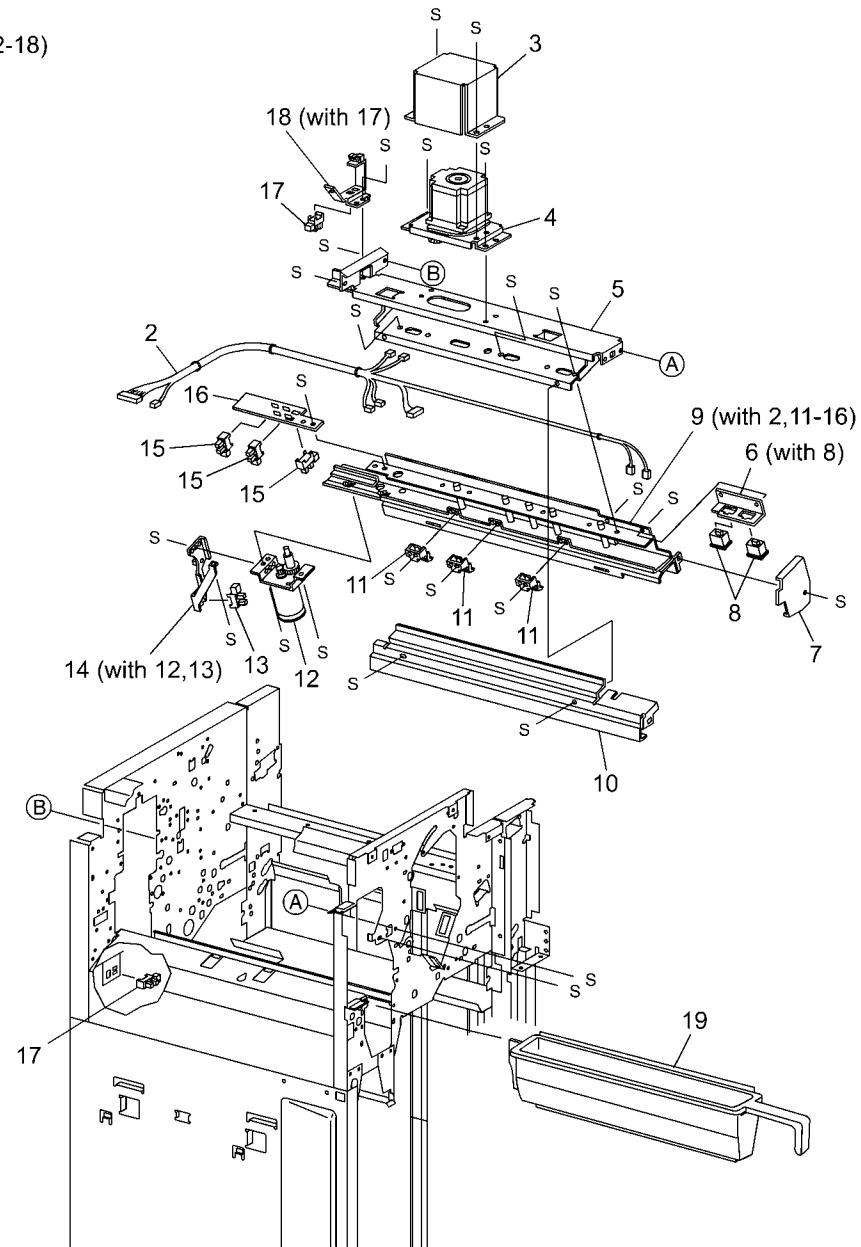


0521004A-OLY

PL 21.5 Finisher Punch

Item	Part	Description
1	801K16780	Puncher Frame Assembly (REP 12.52)
2	-	Puncher Unit Harness (P/O PL 21.5 Item 9)
3	-	Puncher Motor Cover (P/O PL 21.5 Item 9)
4	015K65880	Puncher Move Motor
5	-	Frame Assembly Holder (Not Spared)
6	015K65840	Sensor Registration Bracket Assembly
7	-	Front Punch Cover (Not Spared)
8	130E88350	Side Registration Sensor 1 (Reg 1) and 2 (Reg 2) (P/O PL 21.5 Item 6)
9	-	Punch Bracket Assembly
10	-	Left Punch Cover (Not Spared)
11	-	Guide Assembly (P/O PL 21.5 Item 9)
12	127K46120	Punch Motor Assembly (P/O PL 21.5 Item 9)
13	130E85800	Punch Motor Sensor (P/O PL 21.5 Item 14)
14	-	Punch Motor Bracket Assembly
15	130E85790	Front Punch Sensor (Front), Home Punch Sensor (Home), Hole Select Punch Sensor (Hole) (P/O PL 21.5 Item 9)
16	-	Sensor Bracket (P/O PL 21.5 Item 9)
17	130K88770	Punch Move Home Sensor, Puncher Box Set Sensor (P/O PL 21.5 Item 18)
18	015K65830	Punch Move Home Sensor Assembly
19	-	Puncher Waste Bin

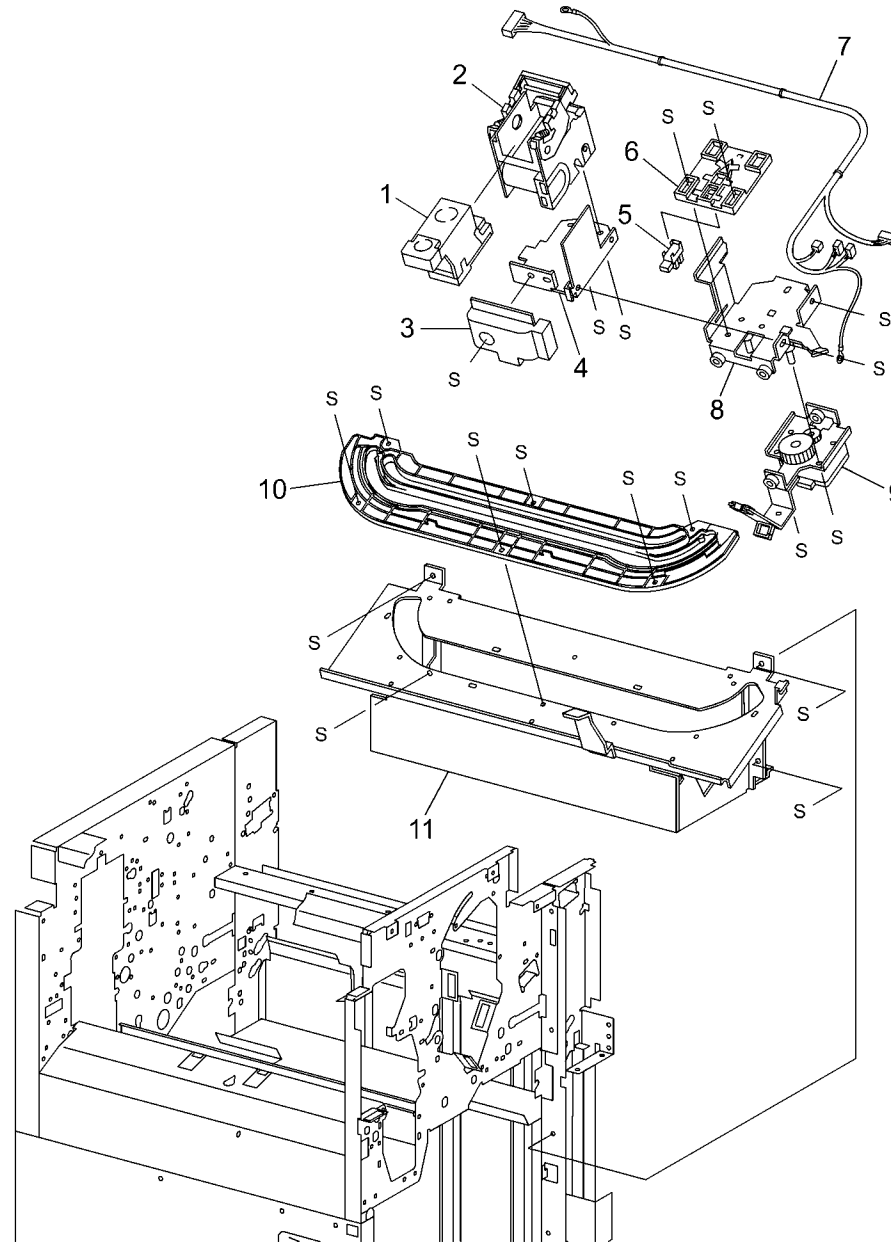
▼ 1 (with 2-18)



0521005A-OLY

PL 21.6 Finisher Stapler

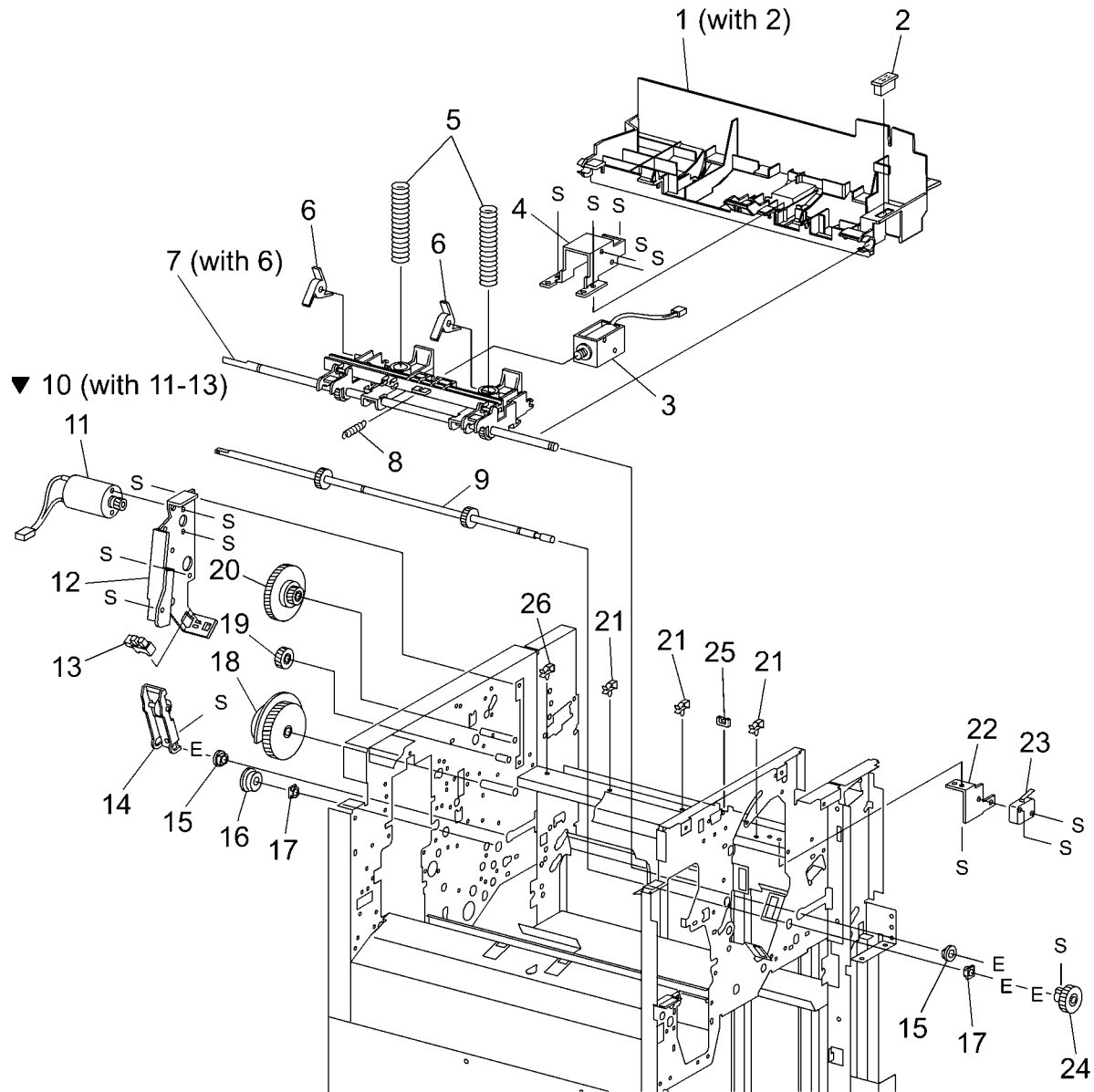
Item	Part	Description
1	-	Staple Cartridge (Not Spared)
2	029K92151	Stapler Assembly (REP 12.53)
3	-	Stapler Cover (Not Spared)
4	-	Stapler Holder (Not Spared)
5	130K88770	Stapler Move Position Sensor
6	-	Stapler Harness Guide (Not Spared)
7	-	Staple Harness (Not Spared)
8	-	Upper Stapler Carriage (Not Spared)
9	041K94750	Stapler Move Motor
10	001E66640	Stapler Rail (REP 12.54)
11	-	Stapler Frame (Not Spared)



0521006A-OLY

PL 21.7 Finisher Eject: 1 of 3

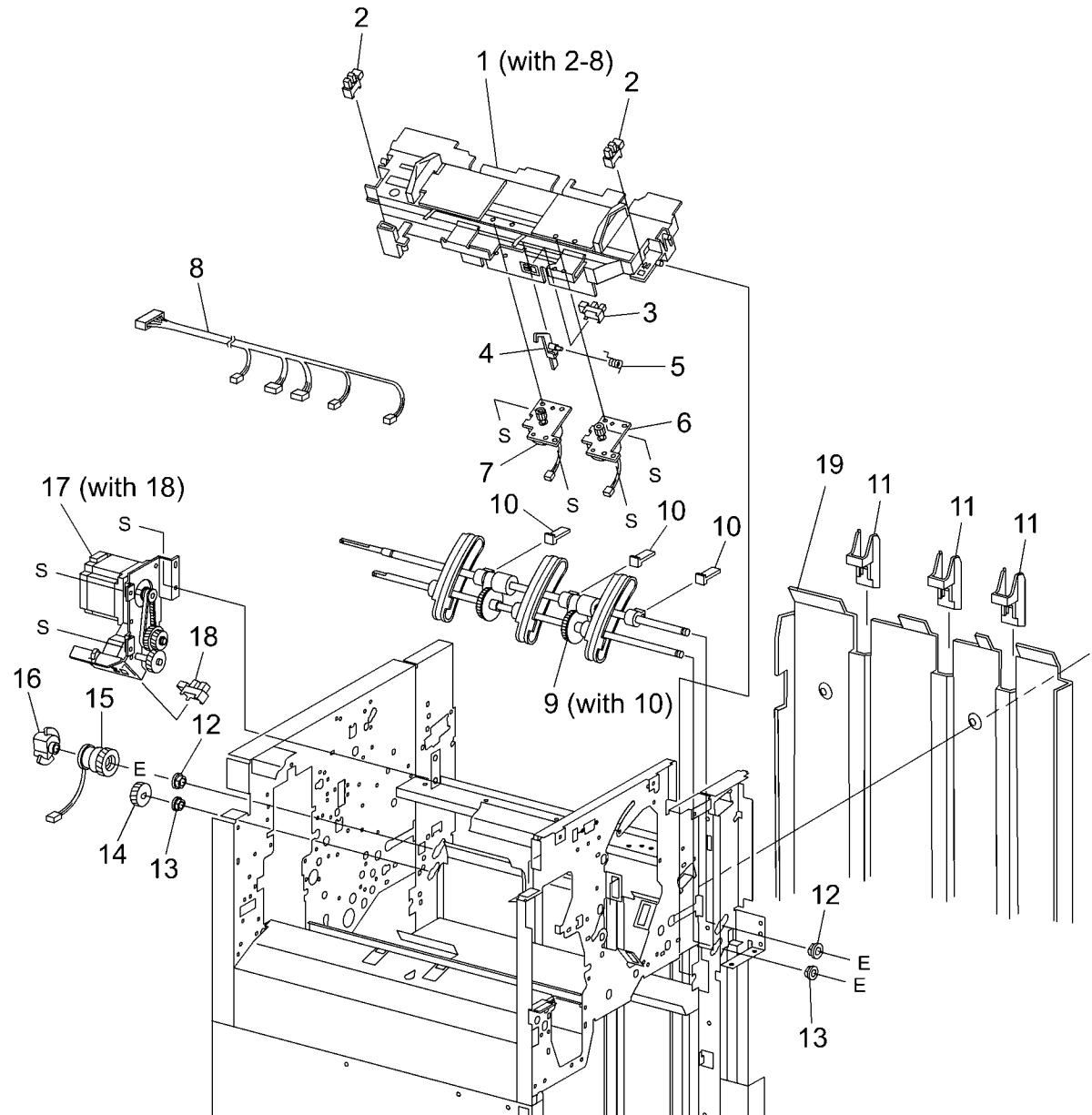
Item	Part	Description
1	-	Eject Chute Assembly (REP 12.67)
2	121E92890	Magnet (Not Spared)
3	121K34620	Sub Paddle Solenoid
4	-	Solenoid Bracket (Not Spared)
5	-	Pinch Spring (Not Spared)
6	-	Cyclone Paddle (P/O PL 21.7 Item 7)
7	-	Eject Pinch Shaft Assembly
8	809E56880	Solenoid Spring
9	-	Paddle Shaft
10	015K65860	Eject Clamp Motor Assembly (with 11-13)
11	-	Eject Clamp Motor (P/O PL 21.7 Item 10)
12	-	Eject Clamp Bracket (P/O PL 21.7 Item 10)
13	130K88780	Eject Clamp Home Sensor
14	011K97710	Eject Cam Follower
15	413W77559	Bushing
16	807E04700	Gear (23T)
17	413W11660	Bushing
18	807E04750	Cam Gear (70T)
19	807E08990	Gear (23T)
20	807E04740	Gear (68T/20T)
21	-	Wire Clip (Not Spared)
22	-	Switch Bracket (Not Spared)
23	110E11590	Eject Cover Switch
24	-	Entrance Knob (Not Spared)
25	-	Wire Clamp (Not Spared)
26	-	Wire Clip (Not Spared)



0521007A-OLY

PL 21.8 Finisher Eject: 2 of 3

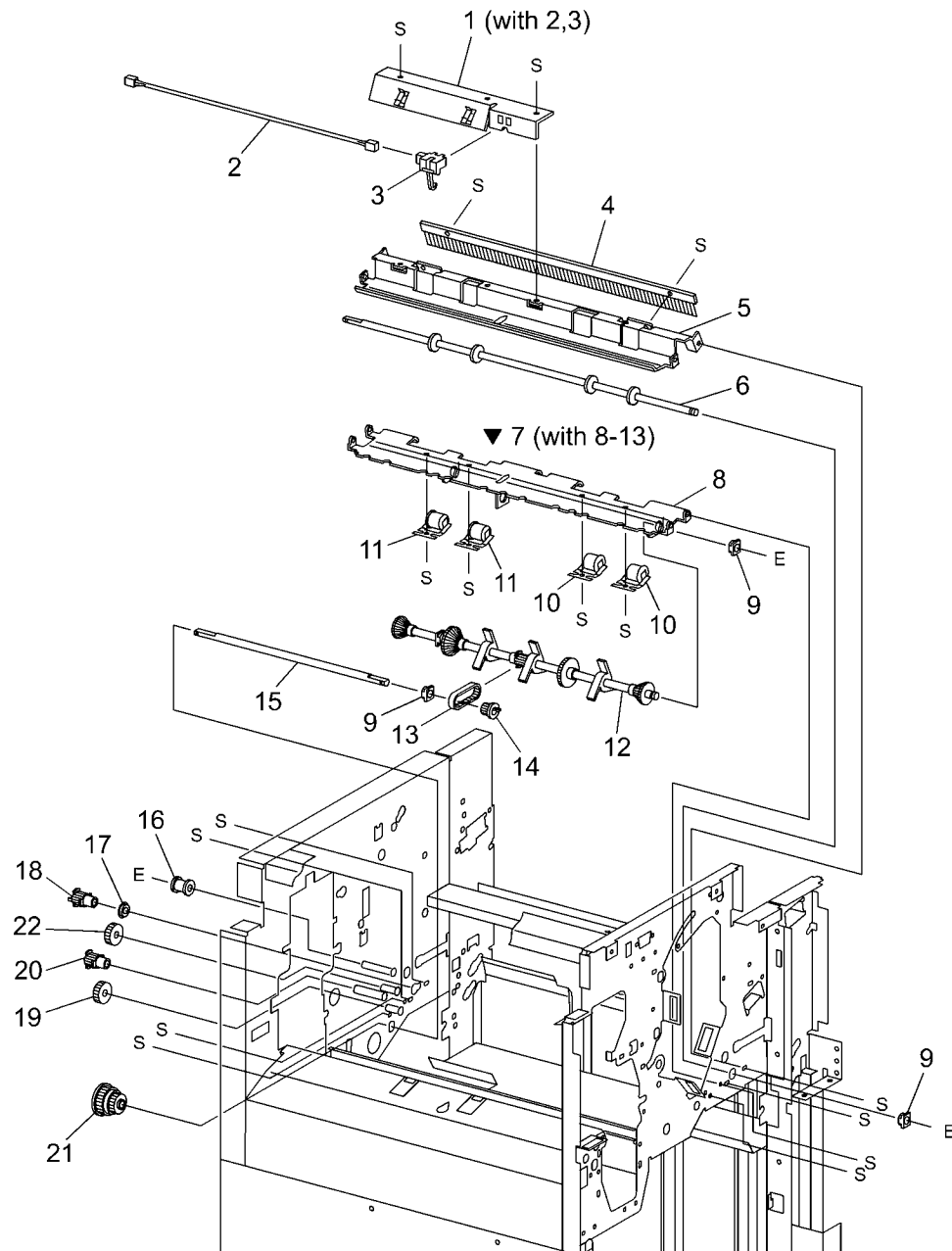
Item	Part	Description
1	–	Compiler Tray Assembly (REP 12.57)
2	130K88770	Tamper Home Sensor (Front, Rear) (P/O PL 21.8 Item 1)
3	130K88780	Compiler Tray No Paper Sensor (P/O PL 21.8 Item 1)
4	–	Sensor Actuator (P/O PL 21.8 Item 1)
5	–	Torsion Spring (P/O PL 21.8 Item 1)
6	127K40310	Front Tamper Motor (P/O PL 21.8 Item 1)
7	127K40270	Rear Tamper Motor (P/O PL 21.8 Item 1)
8	962K27670	Compiler Harness (P/O PL 21.8 Item 1)
9	–	Eject Roll Shaft Assembly
10	–	Set Clamp Paddle (P/O PL 21.8 Item 9)
11	–	Paddle Guide (Not Spared)
12	413W77559	Bushing (Not Spared)
13	–	Bushing (Not Spared)
14	807E04760	Gear (39T)
15	121K34630	Set Clamp Clutch (34T)
16	120E24310	Set Clamp Actuator
17	015K65850	Eject Motor Assembly
18	130E88780	Set Clamp Home Sensor (P/O PL 21.8 Item 17)
19	–	Inner Cover (Not Spared) (REP 12.48)



0521008A-OLY

PL 21.9 Finisher Eject: 3 of 3

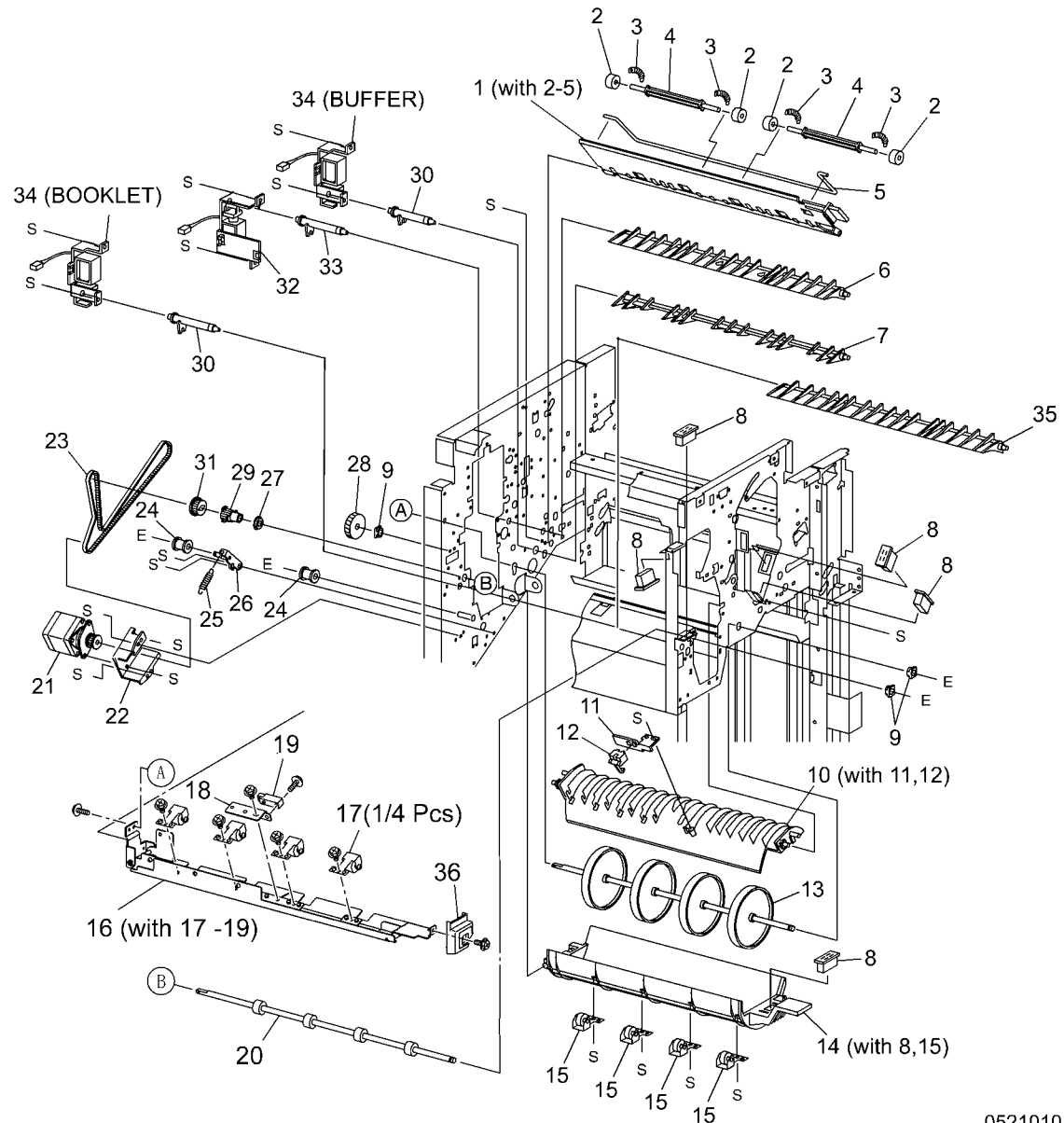
Item	Part	Description
1	-	Sensor Bracket Assembly
2	-	Complier Sensor Harness (P/O PL 21.9 Item 1)
3	130K88190	Complier Exit Sensor (P/O PL 21.9 Item 1)
4	105E13100	Static Eliminator
5	-	Upper Exit Chute (Not Spared)
6	-	Lower Exit Roll (Not Spared)
7	-	Lower Exit Roll Chute Assembly
8	-	Lower Exit Roll Chute (P/O PL 21.9 Item 7)
9	-	Bushing (P/O PL 21.9 Item 7)
10	022K67870	Exit Pinch Roller 1 (P/O PL 21.9 Item 7)
11	022K67880	Exit Pinch Roller 2 (P/O PL 21.9 Item 7)
12	-	Paddle Shaft (P/O PL 21.9 Item 7) (REP 12.59)
13	423W25554	Synchronous Belt (55T) (P/O PL 21.9 Item 7)
14	-	Pulley (17T) (Not Spared)
15	022K67860	Paddle Drive Shaft (Not Spared)
16	-	Pulley (Not Spared)
17	413W66250	Bearing (Not Spared)
18	020E37690	Pulley (20T)
19	-	Gear (23T) (Not Spared)
20	020E37660	Pulley (20T)
21	020E37670	Pulley (44T/20T)
22	-	Gear (23T) (Not Spared)



0521009A-OLY

PL 21.10 Finisher Transport: 1 of 2

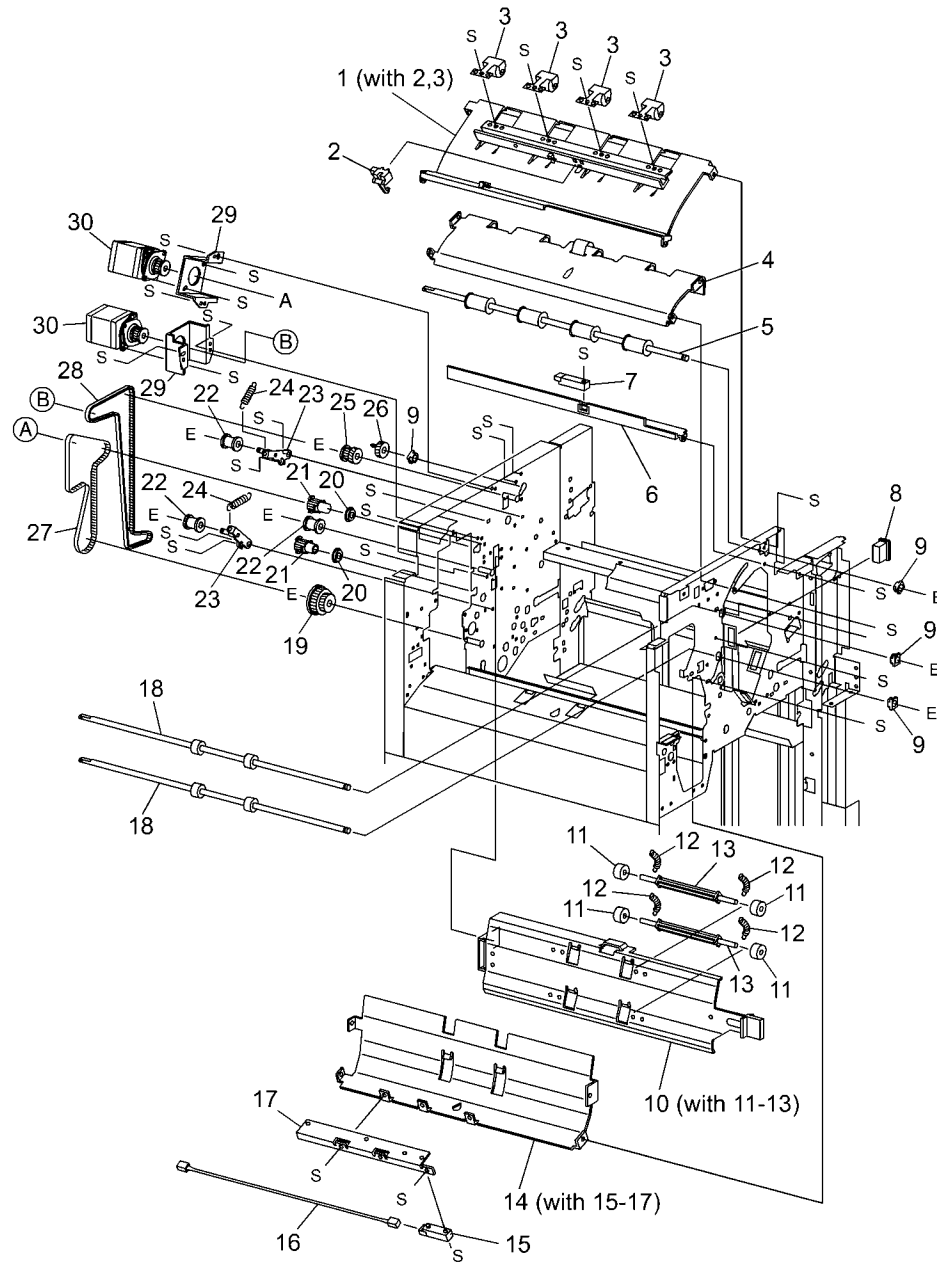
Item	Part	Description
1	-	Upper Exit Open Chute Assembly
2	-	Pinch Roller (P/O PL 21.10 Item 1)
3	-	Spring (P/O PL 21.10 Item 1)
4	-	Shaft (P/O PL 21.10 Item 1)
5	-	Torsion Spring (P/O PL 21.10 Item 1)
6	-	Transport Gate (Not Spared)
7	-	Buffer Gate (Not Spared)
8	121E92890	Magnet (P/O PL 21.10 Item 14)
9	413W11660	Bushing
10	-	Top Buffer Chute Assembly
11	-	Sensor Bracket (P/O PL 21.10 Item 10)
12	130K88190	Buffer Path Sensor (P/O PL 21.10 Item 10) (REP 12.67)
13	022K67890	Buffer Roll (REP 12.64)
14	054K27160	Bottom Buffer Chute Assembly (REP 12.65)
15	022K67860	Exit Pinch roller (P/O PL 21.10 Item 14)
16	-	Upper Entrance Chute Assembly
17	022K67850	Entrance Pinch Roller (P/O PL 21.10 Item 16)
18	-	Sensor Bracket (P/O PL 21.10 Item 16)
19	130E85780	Transport Entrance Sensor (P/O PL 21.10 Item 16)
20	022K71410	Entrance Roll
21	127K40281	Finisher Transport Motor
22	-	Motor Bracket (Not Spared)
23	423W87054	Finisher Transport Motor Belt
24	-	Pulley (Not Spared)
25	-	Tension Spring (Not Spared)
26	-	Tension Bracket (Not Spared)
27	413W66250	Bearing
28	807E04710	Gear (46T)
29	020E37660	Pulley (20T)
30	012E11990	Buffer Link
31	807E04700	Gear (23T)
32	015K65810	Transport Gate Solenoid
33	012E11980	Transport Link
34	015K65820	Buffer Gate Solenoid, Booklet Gate Solenoid
35	-	Booklet Gate (Not Spared)



0521010A-OLY

PL 21.11 Finisher Transport: 2 of 2

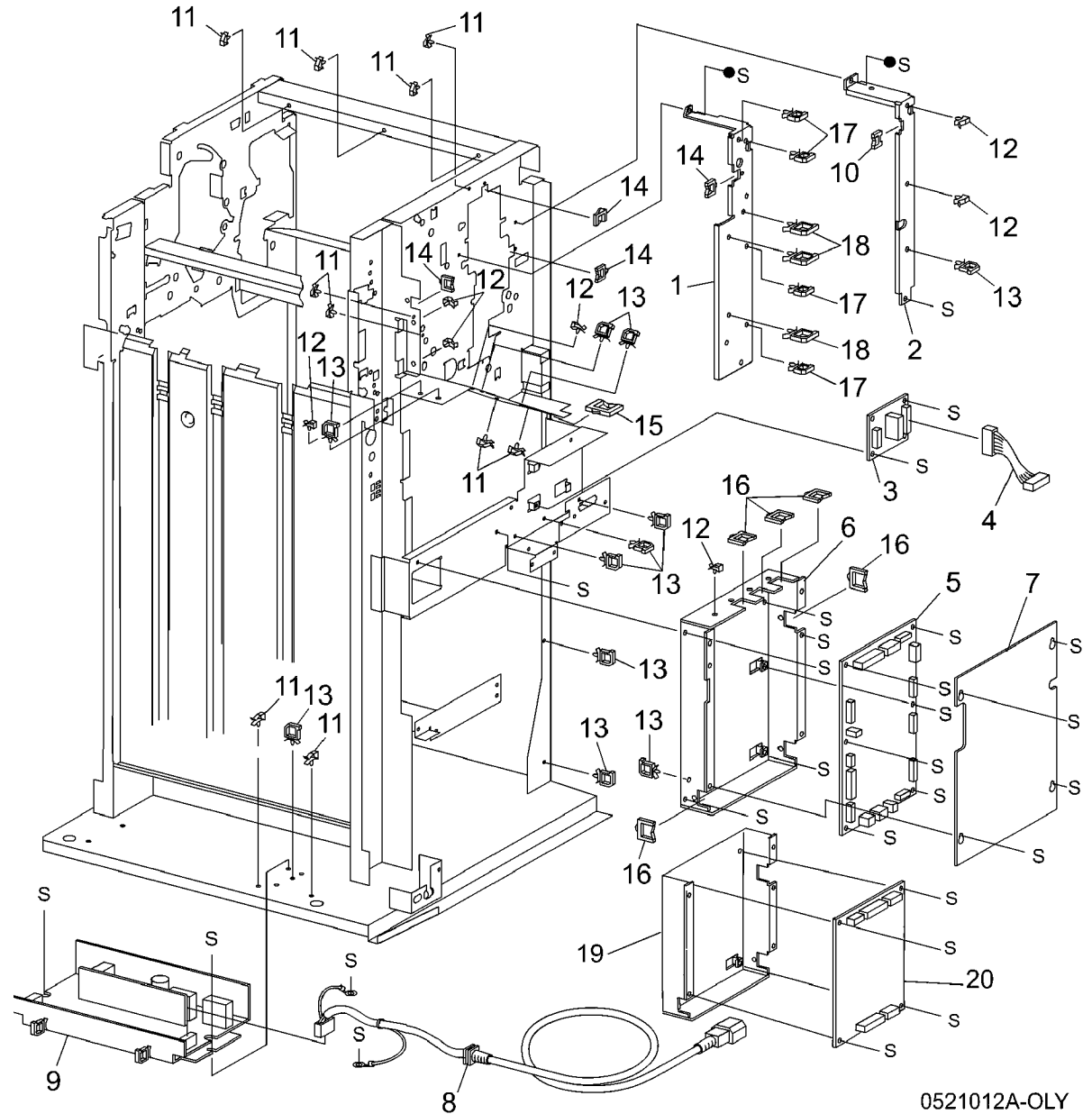
Item	Part	Description
1	-	Top Tray Exit Baffle Assembly (Not Spared)
2	130K88190	Top Tray Exit Sensor (P/O PL 21.11 Item 1)
3	022K67850	Exit Pinch Roller (P/O PL 21.11 Item 1)
4	-	Top Tray Lower Exit Baffle (Not Spared)
5	022K71500	Exit Drive Shaft
6	-	Sensor Bracket (Not Spared)
7	130E85780	Top Tray Full Sensor (REP 12.63)
8	121E92890	Magnet
9	413W11660	Bushing
10	054K28220	Lower Top Exit Chute Assembly
11	-	Pinch Roller (P/O PL 21.11 Item 10)
12	-	Spring (P/O PL 21.11 Item 10)
13	-	Shaft (P/O PL 21.11 Item 10)
14	-	Upper Top Exit Chute Assembly
15	130E87410	Gate Sensor (P/O PL 21.11 Item 14) (REP 12.62)
16	-	Sensor Harness (P/O PL 21.11 Item 14)
17	-	Sensor Bracket (P/O PL 21.11 Item 14)
18	022K71430	Transport Roll
19	020E37680	Pulley (53T/23T)
20	413W66250	Bearing
21	020E37690	Pulley (20T)
22	-	Pulley (Not Spared)
23	-	Tension Bracket (Not Spared)
24	-	Tension Spring (Not Spared)
25	-	Pulley (20T/20T)
26	-	Gear (20T)
27	423W40054	Registration Motor Drive Belt
28	423W86454	Exit Motor Drive Belt
29	-	Motor Bracket (Not Spared)
30	127K40281	Registration Motor (Reg) and Exit Motor (Exit)



0521011A-OLY

PL 21.12 Finisher Electrical

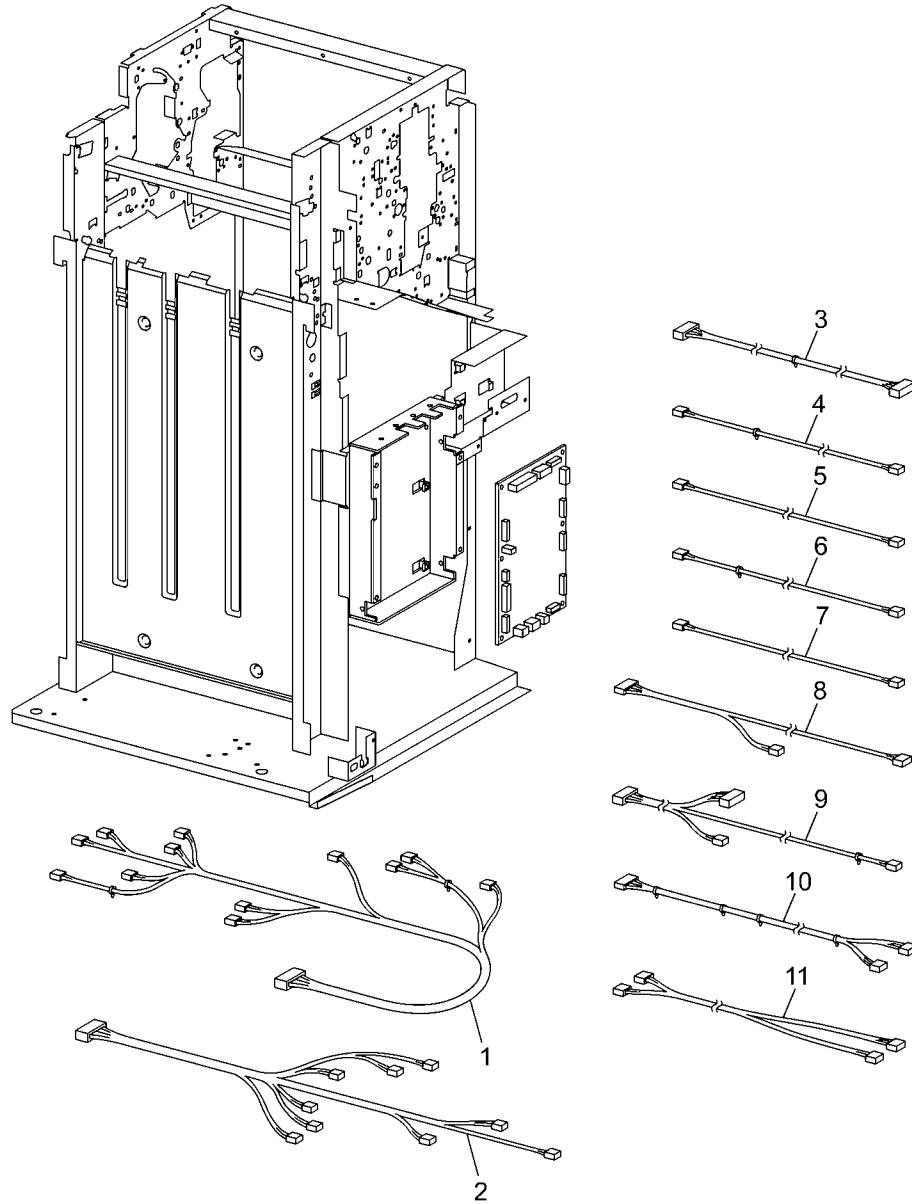
Item	Part	Description
1	-	Left Harness Bracket (Not Spared)
2	-	Right Harness Bracket (Not Spared)
3	960K07590	H-Transport PWB
4	-	Harness
5	960K07310	Finisher PWB (REP 12.68)
6	-	Finisher PWB Bracket (Not Spared)
7	-	Finisher PWB Cover (Not Spared)
8	962K36610	AC Inlet Harness
9	105K21080	Finisher LVPS
10	-	Wire Clamp (Not Spared)
11	-	Wire Clip (Not Spared)
12	-	Wire Clip (Not Spared)
13	-	Wire Clip (Not Spared)
14	-	Wire Clamp (Not Spared)
15	-	Wire Clamp (Not Spared)
16	-	Wire Clamp (Not Spared)
17	-	Wire Clip (Not Spared)
18	-	Wire Clip (Not Spared)
19	-	Booklet PWB Bracket (Not Spared)
20	960K04670	Booklet PWB



0521012A-OLY

PL 21.13 Finisher Harness

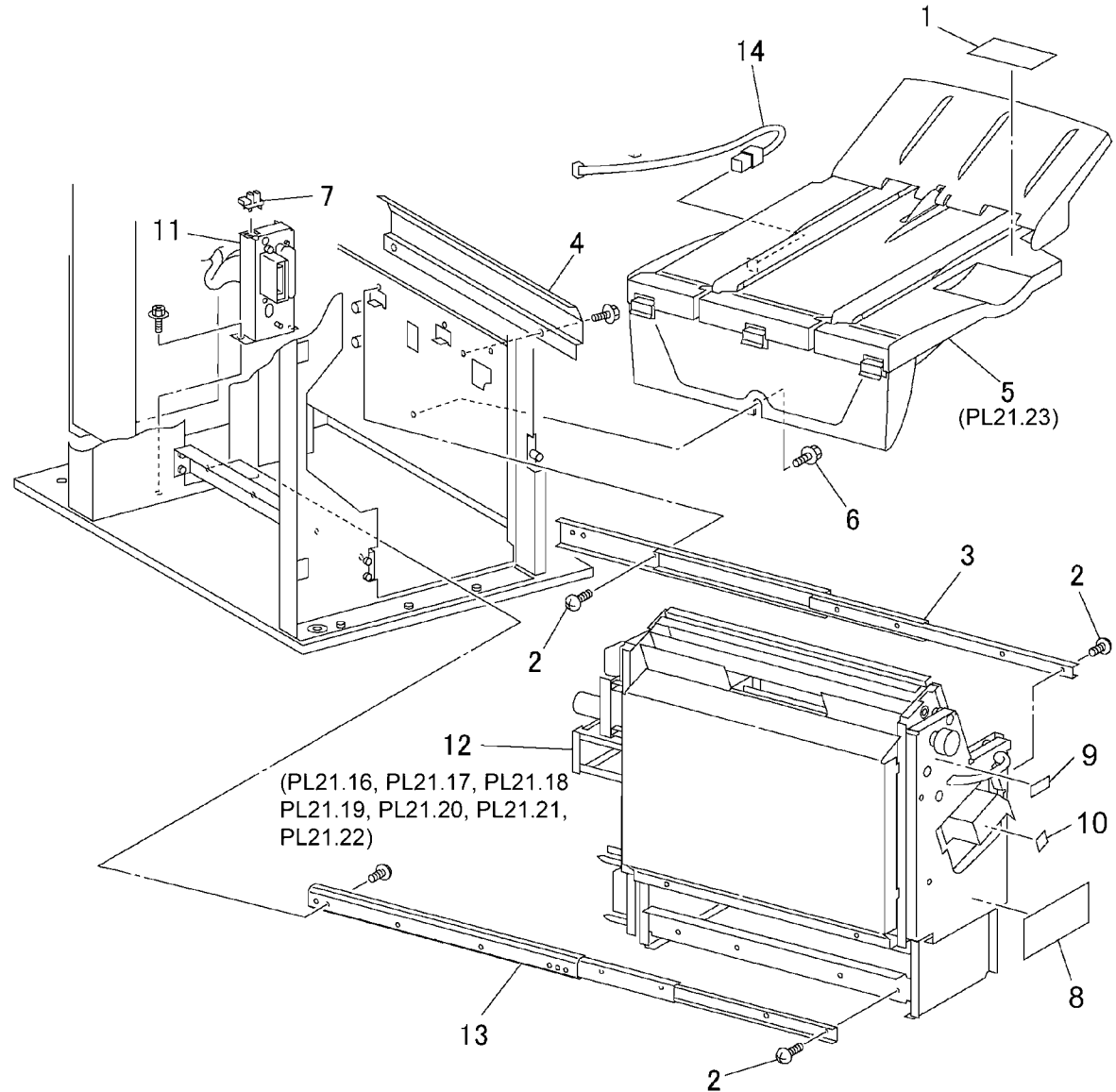
Item	Part	Description
1	-	Main Sensor Harness (Not Spared)
2	-	Main Drive Harness (Not Spared)
3	-	Interface Harness (Not Spared)
4	-	Transport Entrance Sensor Harness (Not Spared)
5	-	Buffer Sensor Harness (Not Spared)
6	-	Top Exit Sensor Harness (Not Spared)
7	-	Top Sensor Harness (Not Spared)
8	-	Punch Drive Harness (Not Spared)
9	-	Punch Sensor Harness (Not Spared)
10	-	LVPS Harness (Not Spared)
11	-	Interlock Harness (Not Spared)



0521013A-OLY

PL 21.15 Booklet Accessory

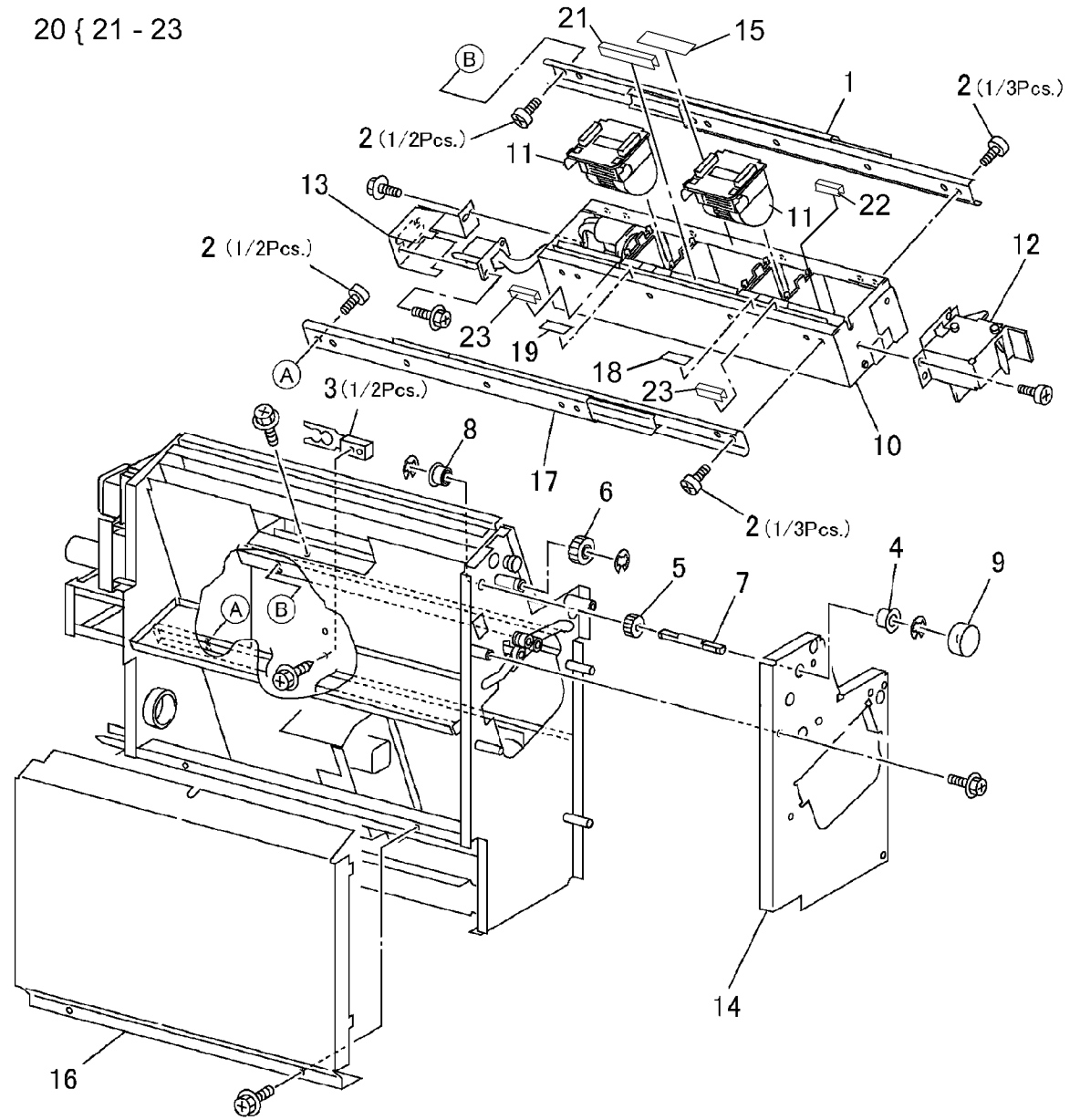
Item	Part	Description
1	-	Label (Not Spared)
2	-	Screw (Not Spared)
3	-	Right Rail
4	-	Cover (Not Spared)
5	-	Booklet Tray Assembly
6	-	Knob Screw (Not Spared)
7	130E82530	Booklet Drawer Set Sensor
8	-	Label (Not Spared)
9	-	Label (Not Spared)
10	-	Label (Not Spared)
11	015K67240	Connector
12	801K16551	Booklet Drawer Assembly (REP 12.55, ADJ 12.4, ADJ 12.4, ADJ 12.5, ADJ 12.8, ADJ 12.9)
13	-	Left Rail (Not Spared)
14	-	Wire Harness (Not Spared)



0521015A-OLY

PL 21.16 Booklet Component - 1

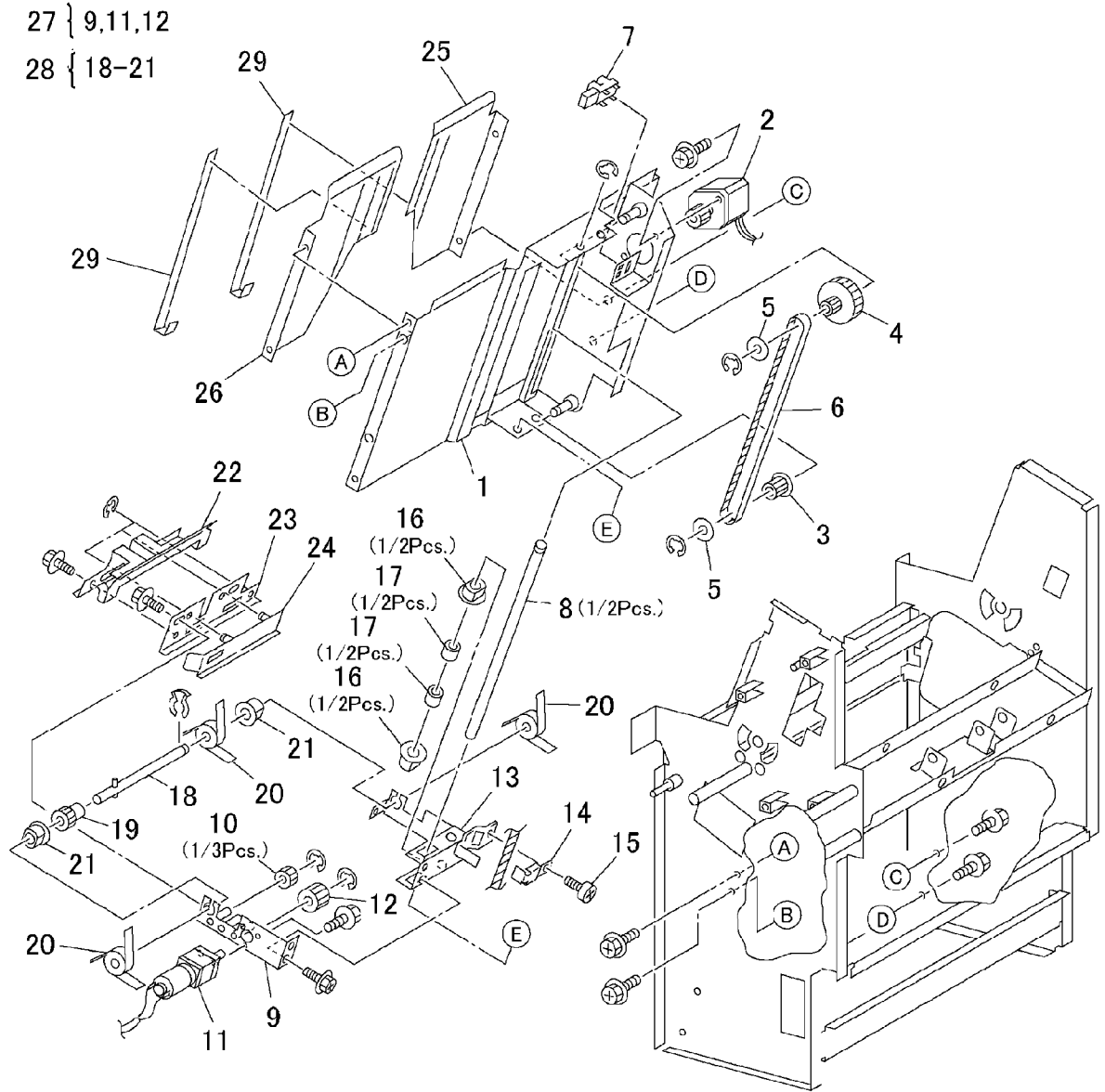
Item	Part	Description
1	801K18730	Right Rail
2	-	Screw (Not Spared)
3	003E59690	Stopper
4	-	Bearing (Not Spared)
5	407W07717	Gear (17T)
6	407W07731	Gear (31T)
7	-	Shaft (Not Spared)
8	-	Ball Bearing (Not Spared)
9	003K13680	Knob
10	029K03713	Stapler (REP 12.56, ADJ 12.6, ADJ 12.7, ADJ 12.10)
11	029K92041	Staple
12	015K67280	Latch
13	-	Bracket (Not Spared)
14	-	Front Cover (Not Spared)
15	-	Label (Not Spared)
16	-	Left Cover (Not Spared)
17	801K16581	Left Rail
18	893E51380	Label
19	893E55730	Label
20	-	Paper Skew Guide Kit
21	038K88480	Paper Guide (Center)
22	038K88490	Paper Guide (Front)
23	-	Paper Guide (Clinch) (Not Spared)



0521016A-OLY

PL 21.17 Booklet Component -2 (End Guide)

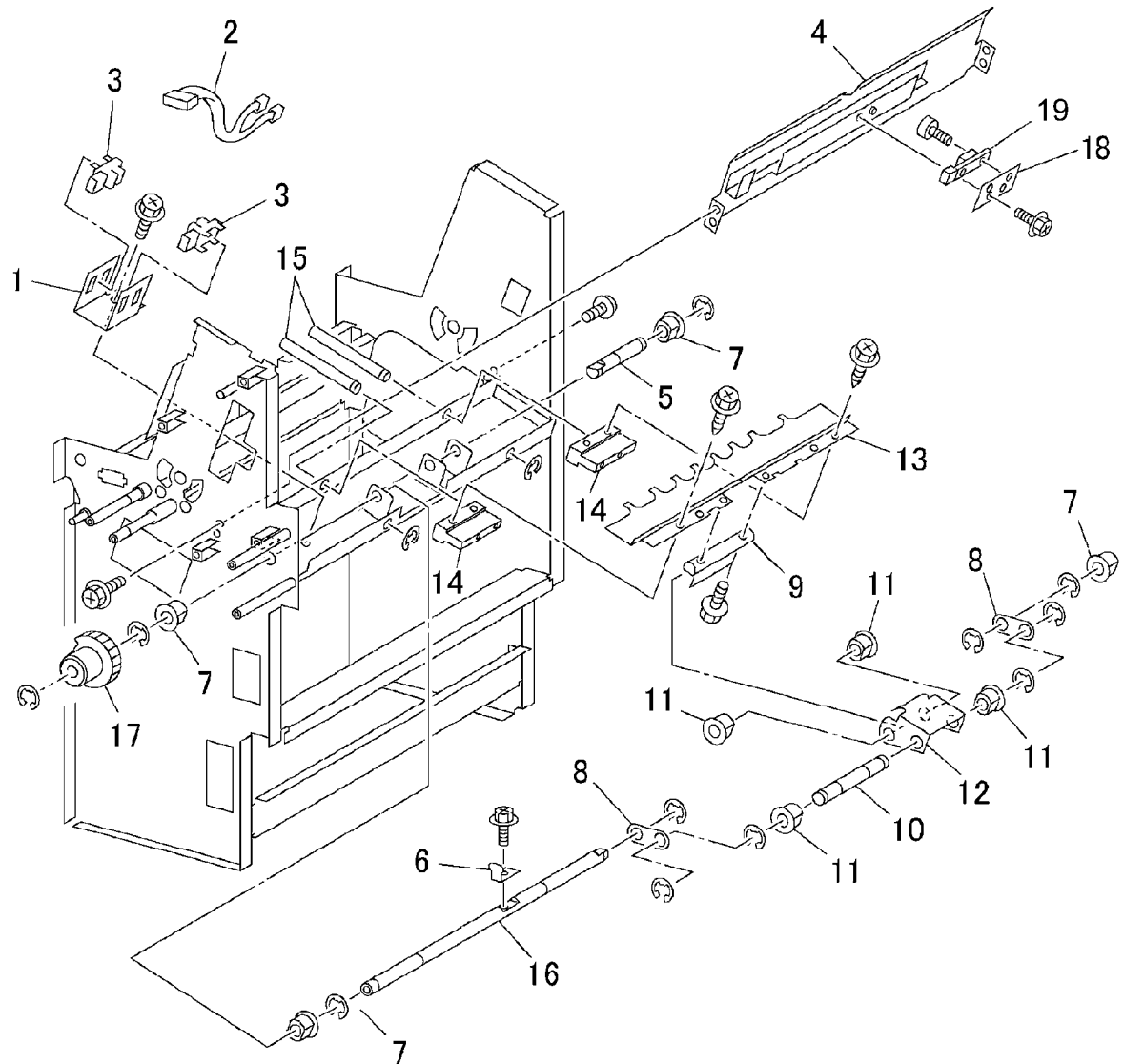
Item	Part	Description
1	-	Compile Chute (Not Spared)
2	127K46170	Booklet End Guide Motor
3	020E37210	Pulley
4	807E02050	Gear Pulley (40T/20T)
5	-	Washer (Not Spared)
6	423W86254	Belt
7	130E82540	Booklet End Guide Home Sensor
8	-	Shaft (Not Spared)
9	-	Bracket (P/O PL 21.17 Item 27)
10	807E02070	Gear (14T)
11	-	Booklet Paddle Motor (P/O PL 21.17 Item 27)
12	-	Gear (14T) (P/O PL 21.17 Item 27)
13	-	Bracket (Not Spared)
14	-	Stopper (Not Spared)
15	-	Screw (Not Spared)
16	-	Bearing (Not Spared)
17	-	Roll (Not Spared)
18	-	Shaft (P/O PL 21.17 Item 28)
19	-	Gear (14T) (P/O PL 21.17 Item 28)
20	-	Paddle (P/O PL 21.17 Item 28)
21	-	Bearing (P/O PL 21.17 Item 28)
22	-	End Guide (Not Spared)
23	-	Support Bracket (Not Spared)
24	-	Adjust Bracket (Not Spared) (ADJ 12.4)
25	-	Chute (Front) (Not Spared)
26	-	Chute (Rear) (Not Spared)
27	015K60410	Booklet Paddle Motor Assembly
28	006K22960	Paddle Shaft Assembly
29	-	Paper Guide (Not Spared)



0521017A-OLY

PL 21.18 Booklet Component -3

Item	Part	Description
1	-	Bracket (Not Spared)
2	-	Wire Harness
3	130E82540	Knife Home Sensor, Knife Folder Sensor
4	-	Chute (Not Spared)
5	-	Shaft (Not Spared)
6	-	Actuator (Not Spared)
7	-	Bearing (Not Spared)
8	-	Joint (Not Spared)
9	-	Shaft (Not Spared)
10	-	Shaft (Not Spared)
11	-	Bearing (Not Spared)
12	-	Bracket (Not Spared)
13	015K67270	Knife
14	-	Guide (Not Spared)
15	-	Shaft (Not Spared)
16	-	Shaft (Not Spared)
17	807E02060	Gear (42T)
18	-	Bracket (Not Spared)
19	130E84140	Booklet Compile No Paper Sensor

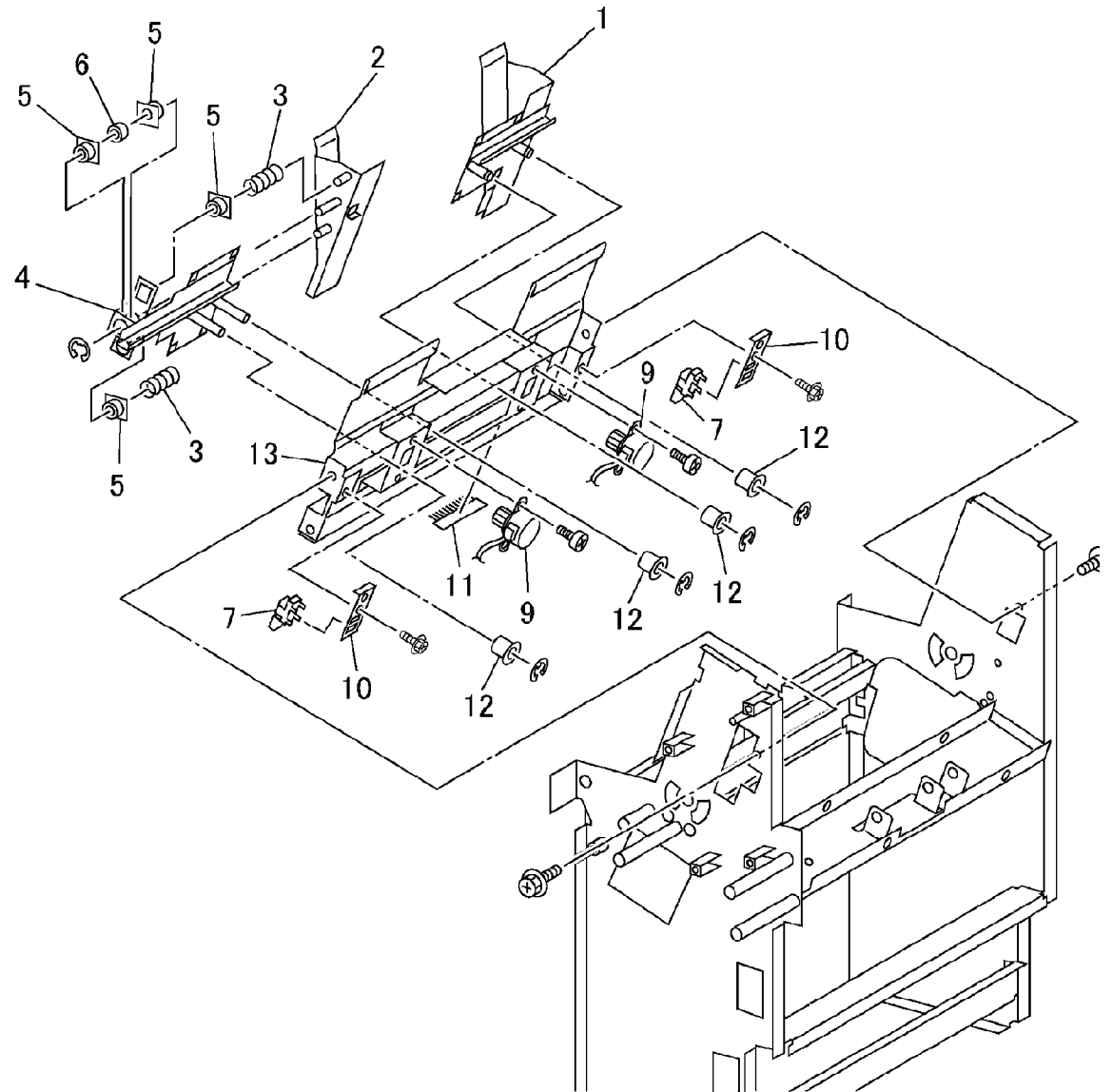


0521018A-OLY

PL 21.19 Booklet Component -4

Item	Part	Description
1	-	Front Tamper Guide
2	-	Rear Tamper Guide (P/O PL 21.19 Item 8)
3	-	Spring (P/O PL 21.19 Item 8)
4	-	Rack (P/O PL 21.19 Item 8)
5	-	Bearing (P/O PL 21.19 Item 8)
6	-	Roll (P/O PL 21.19 Item 8)
7	130E82540	Booklet Tamper Home Sensor (Front and Rear)
8	038K87371	Rear Tamper Assembly
9	127K32850	Booklet Tamper Motor (Front and Rear)
10	-	Bracket (Not Spared) (Not Spared)
11	101E12070	Static Eliminator
12	013E25490	Roll
13	-	Frame (Not Spared)

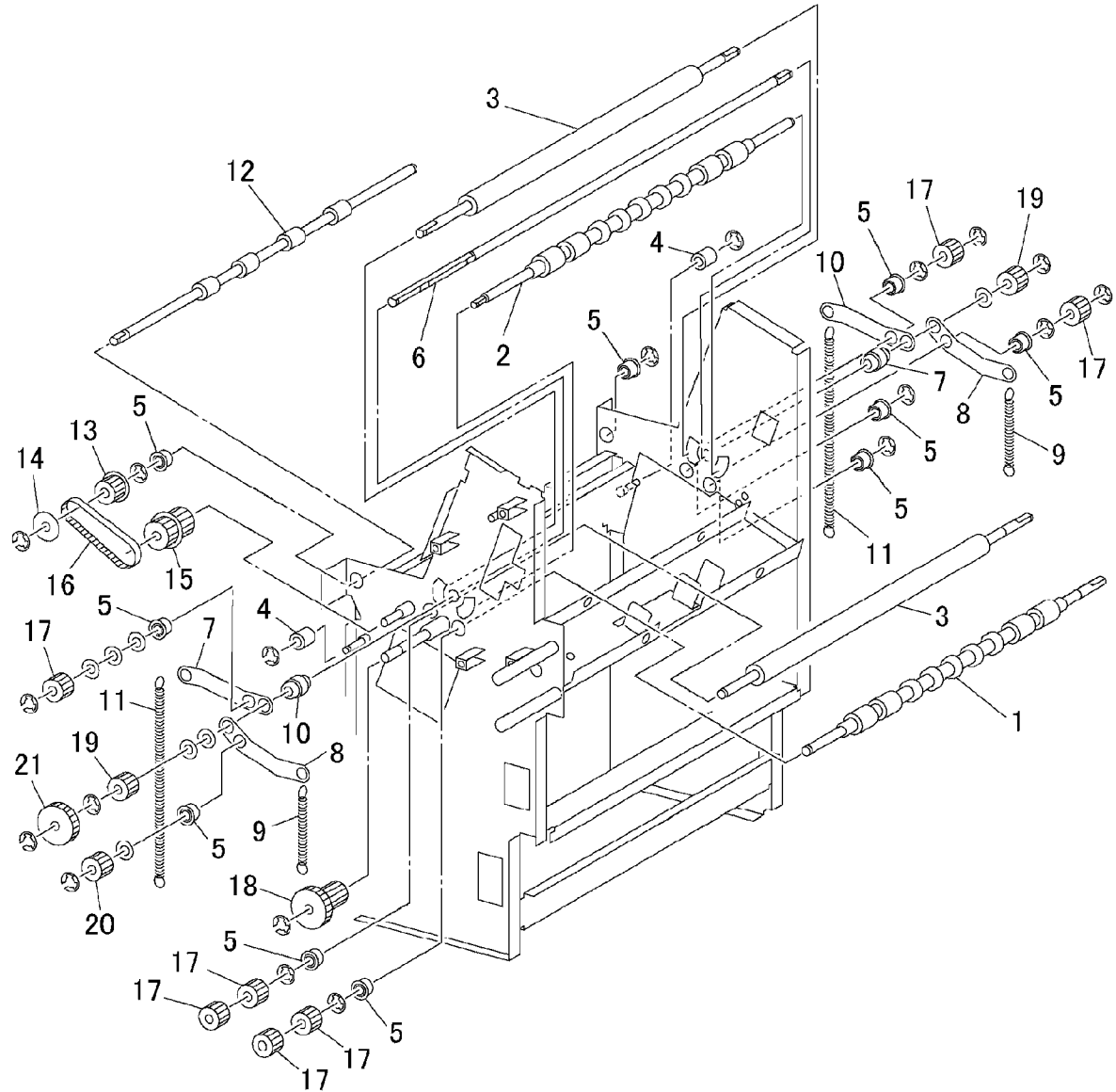
8 { 2-6



0521019/

PL 21.20 Booklet Component -5

Item	Part	Description
1	022K71020	Booklet Pre-Folding Roll
2	022K71040	Booklet Pre-Folding Nip Roll
3	022K66870	Booklet Folding Roll
4	022K66880	Booklet Folding Nip Roll
5	-	Ball Bearing (Not Spared)
6	-	Shaft (Not Spared)
7	013E25480	Bearing
8	-	Tension Plate 1 (Not Spared)
9	809E59990	Spring (ADJ 12.7)
10	-	Tension Plate 2 (Not Spared)
11	809E59980	Spring
12	-	Booklet Eject Roll (Not Spared)
13	-	Pulley (16T) (Not Spared)
14	-	Flange (Not Spared)
15	807E02040	Gear Pulley (20T/25T)
16	423W46754	Belt
17	007E89980	Gear (16T)
18	007E89990	Gear (38T/18T)
19	007E89970	Gear (18T)
20	807E09510	Gear (16T)
21	007E77770	Gear (38T)

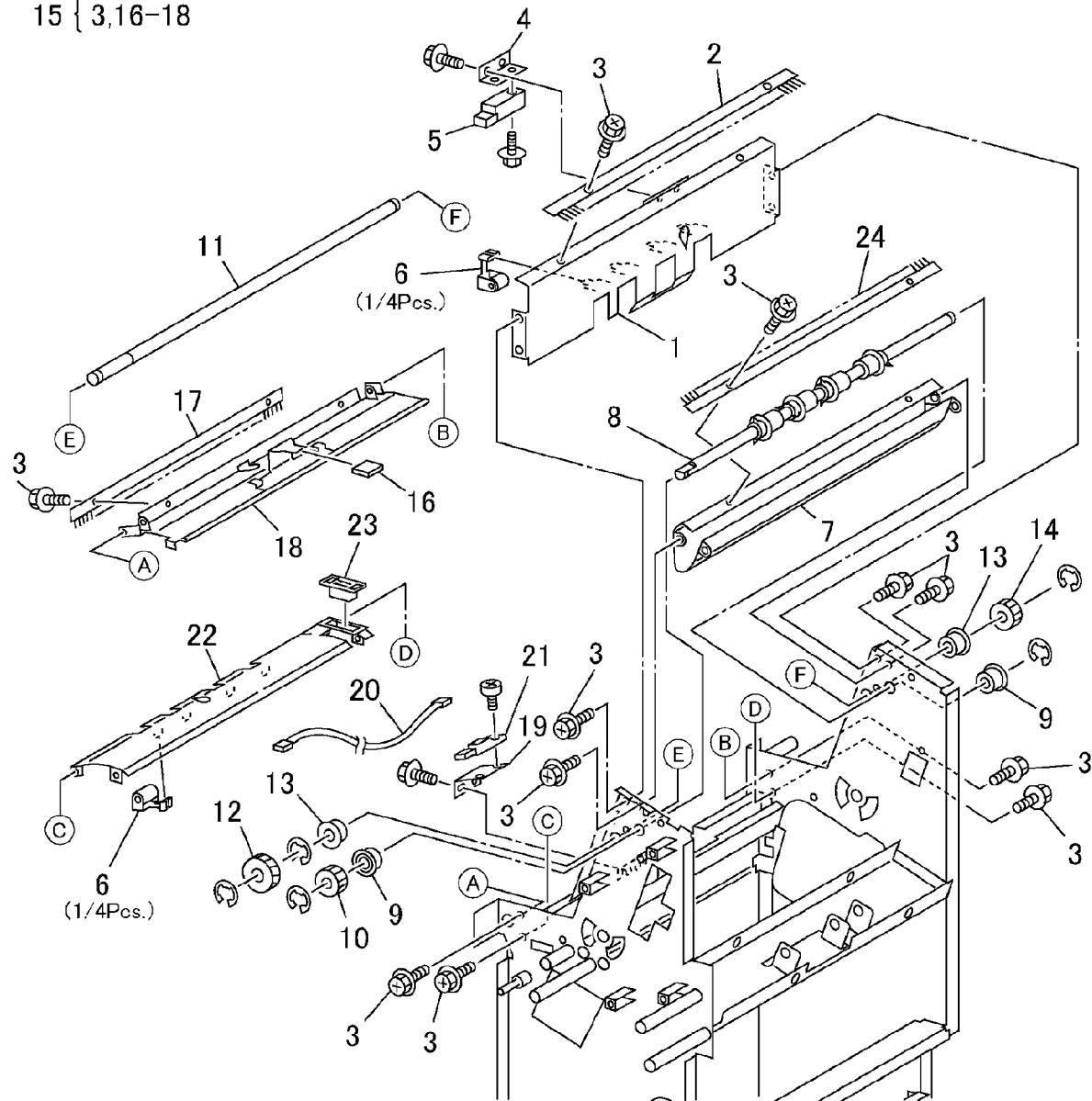


0521020A-OLY

PL 21.21 Booklet Component -6 (Chute)

Item	Part	Description
1	-	Chute (Not Spared)
2	105E12060	Static Eliminator
3	-	Screw (P/O PL 21.21 Item 15)
4	-	Bracket (Not Spared)
5	130E85780	Booklet In Sensor
6	059K00521	Pinch Roll
7	-	Chute (Not Spared)
8	022K70810	Booklet In Roll
9	-	Ball Bearing (Not Spared)
10	807E09510	Gear (16T)
11	-	Shaft (Not Spared)
12	807E09500	Gear (27T)
13	-	Bearing (Not Spared)
14	-	Gear (17T) (Not Spared)
15	054K02391	Upper Exit Chute Assembly
16	003K13150	Knob
17	105E12170	Static Eliminator
18	-	Upper Exit Chute (P/O PL 21.21 Item 15)
19	-	Bracket (Not Spared)
20	962K18410	Wire Harness
21	130E84140	Booklet Folder Roll Exit Sensor
22	-	Lower Exit Chute (Not Spared)
23	121E89590	Magnet
24	-	Static Eliminator

15 { 3,16-18

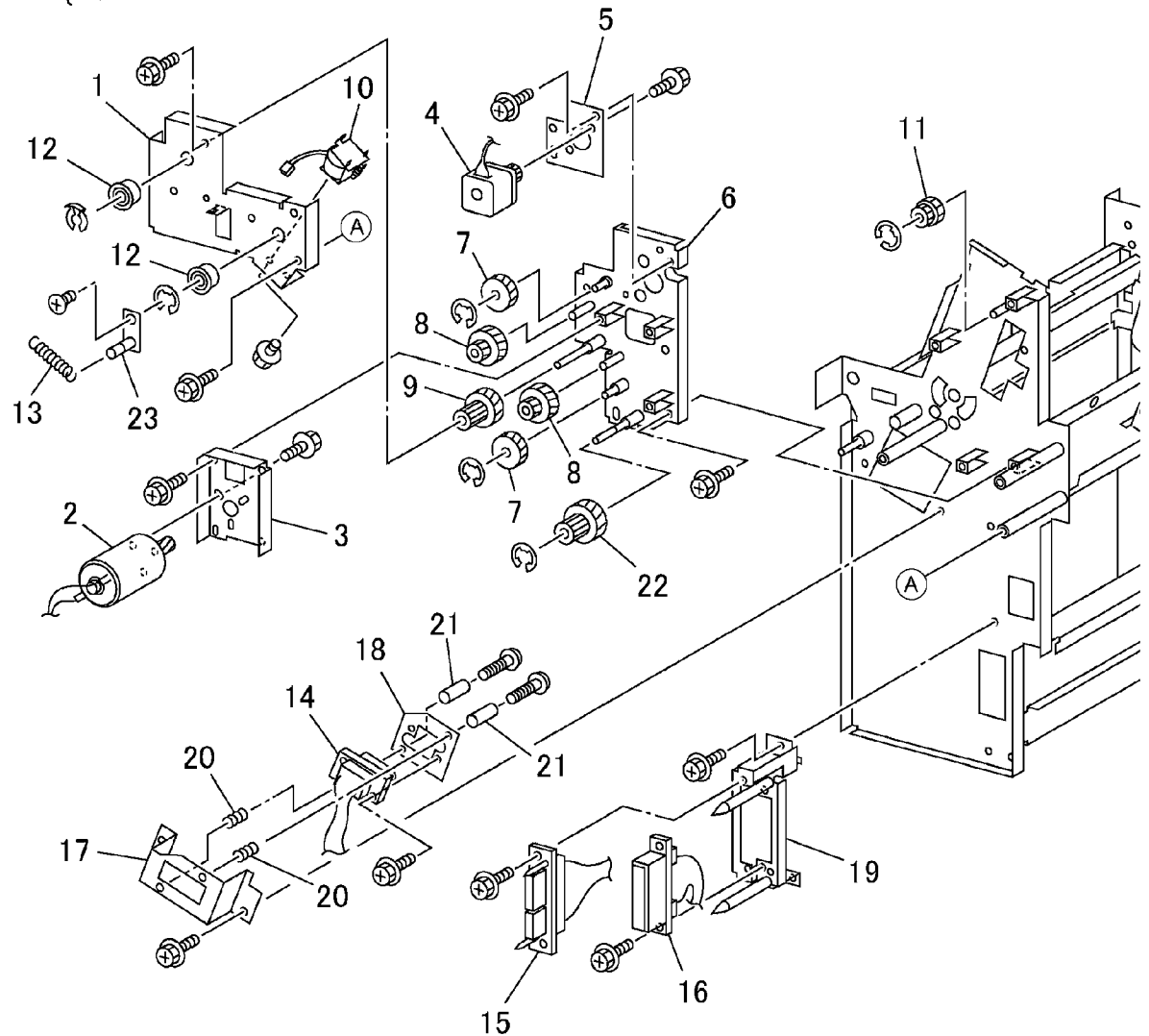


0521021A-OLY

PL 21.22 Booklet Component -7

Item	Part	Description
1	-	Bracket (Not Spared)
2	-	Booklet Fold Motor (P/O PL 21.22 Item 24)
3	-	Bracket (P/O PL 21.22 Item 24)
4	127K46170	Booklet Paper Path Motor
5	-	Bracket (P/O PL 21.22 Item 25)
6	-	Bracket (Not Spared)
7	007E77620	Gear (45T)
8	007E77610	Gear (43T/14T)
9	007E77600	Gear (44T/16T)
10	121K31360	Knife Solenoid
11	807E01750	Gear (27T/34T)
12	-	Ball Bearing (Not Spared)
13	809E41620	Spring
14	962K18420	Wire Harness
15	962K18430	Wire Harness
16	962K18440	Wire Harness
17	-	Bracket (Not Spared)
18	-	Bracket (Not Spared)
19	-	Bracket (Not Spared)
20	809E41570	Spring
21	-	Spacer (Not Spared)
22	807E02080	Gear (48T/18T)
23	-	Link (Not Spared)
24	015K69650	Booklet Fold Motor Assembly
25	015K60340	Booklet Paper Path Motor Assembly

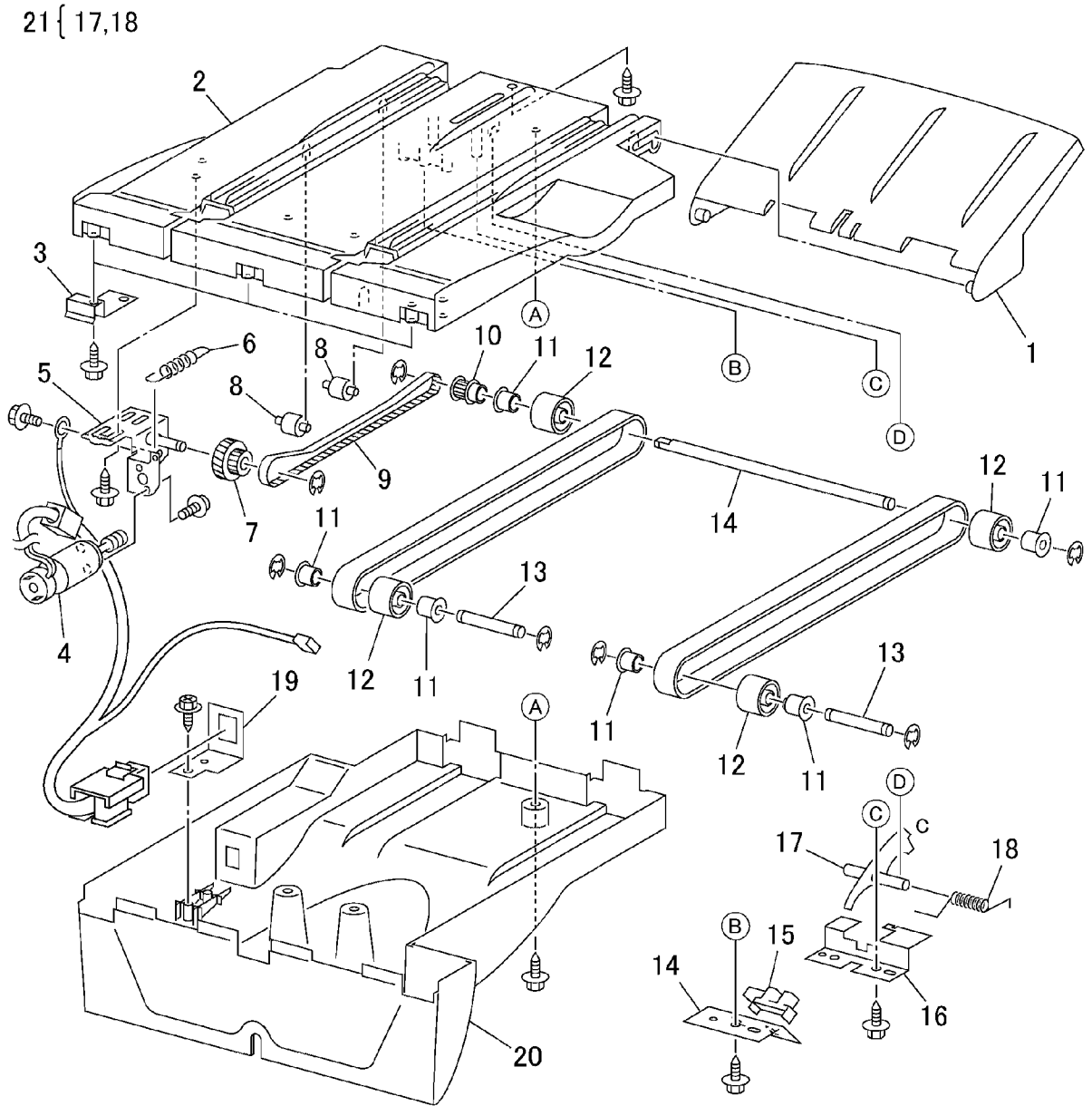
24 { 2,3
25 { 4,5



0521022A-OLY

PL 21.23 Booklet Tray Component

Item	Part	Description
1	050E19900	Tray
2	-	Upper Tray (Not Spared)
3	-	Bracket (Not Spared)
4	127K38050	Tray Belt Drive Motor
5	-	Bracket (Not Spared)
6	-	Spring (Not Spared)
7	-	Gear Pulley (Not Spared)
8	-	Roll (Not Spared)
9	-	Belt (Not Spared)
10	-	Pulley (Not Spared)
11	-	Bearing (Not Spared)
12	-	Roll (Not Spared)
13	-	Shaft (Not Spared)
14	-	Shaft (Not Spared)
15	130K64300	Booklet No Paper Sensor
16	-	Bracket (Not Spared)
17	-	Actuator (P/O PL 21.23 Item 21)
18	-	Spring (P/O PL 21.23 Item 21)
19	-	Bracket (Not Spared)
20	-	Lower Tray (Not Spared)
21	604K13840	Actuator Assembly

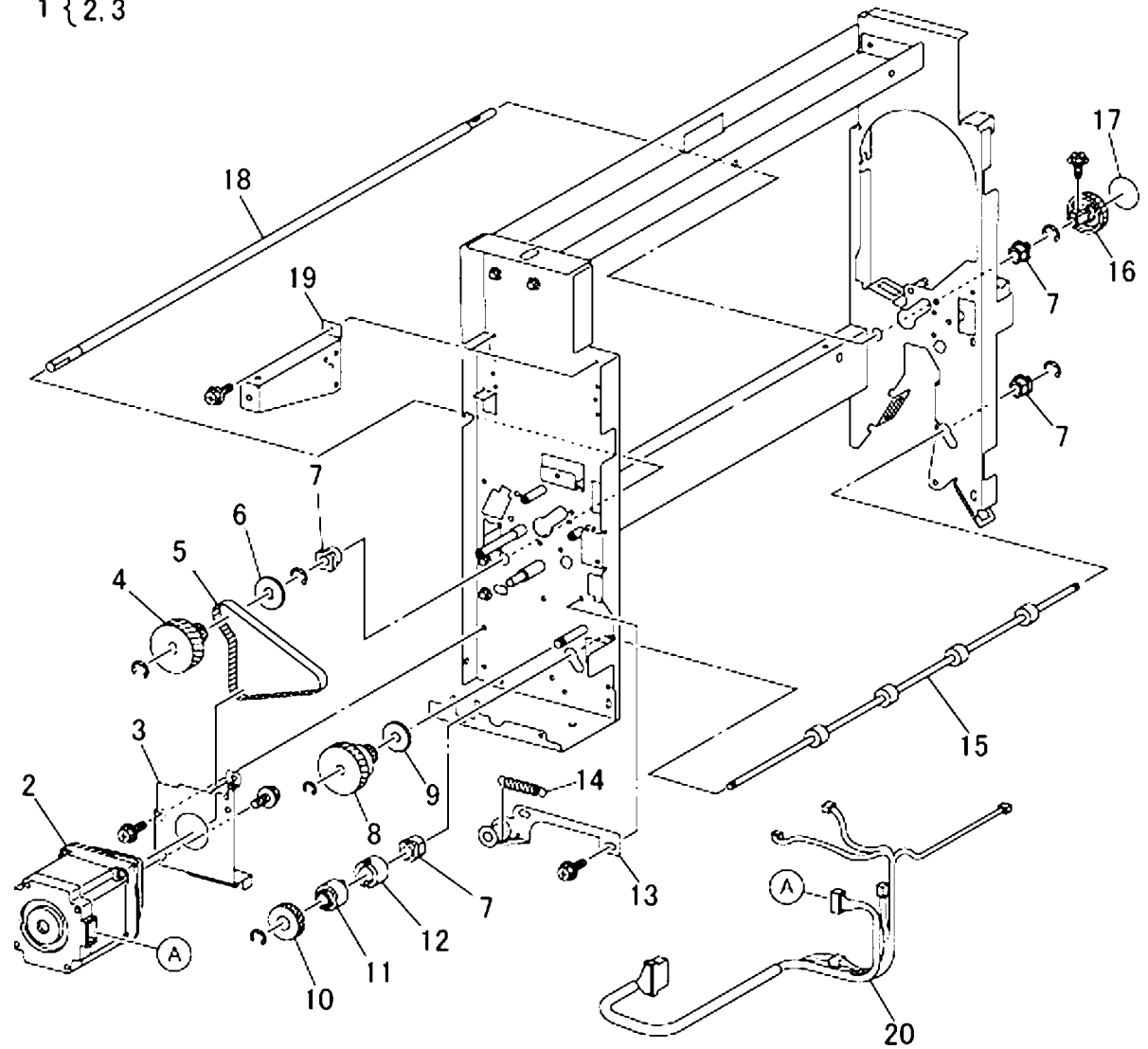


0521023A-OLY

PL 21.25 I/F Module Component (Drive)

1 { 2.3

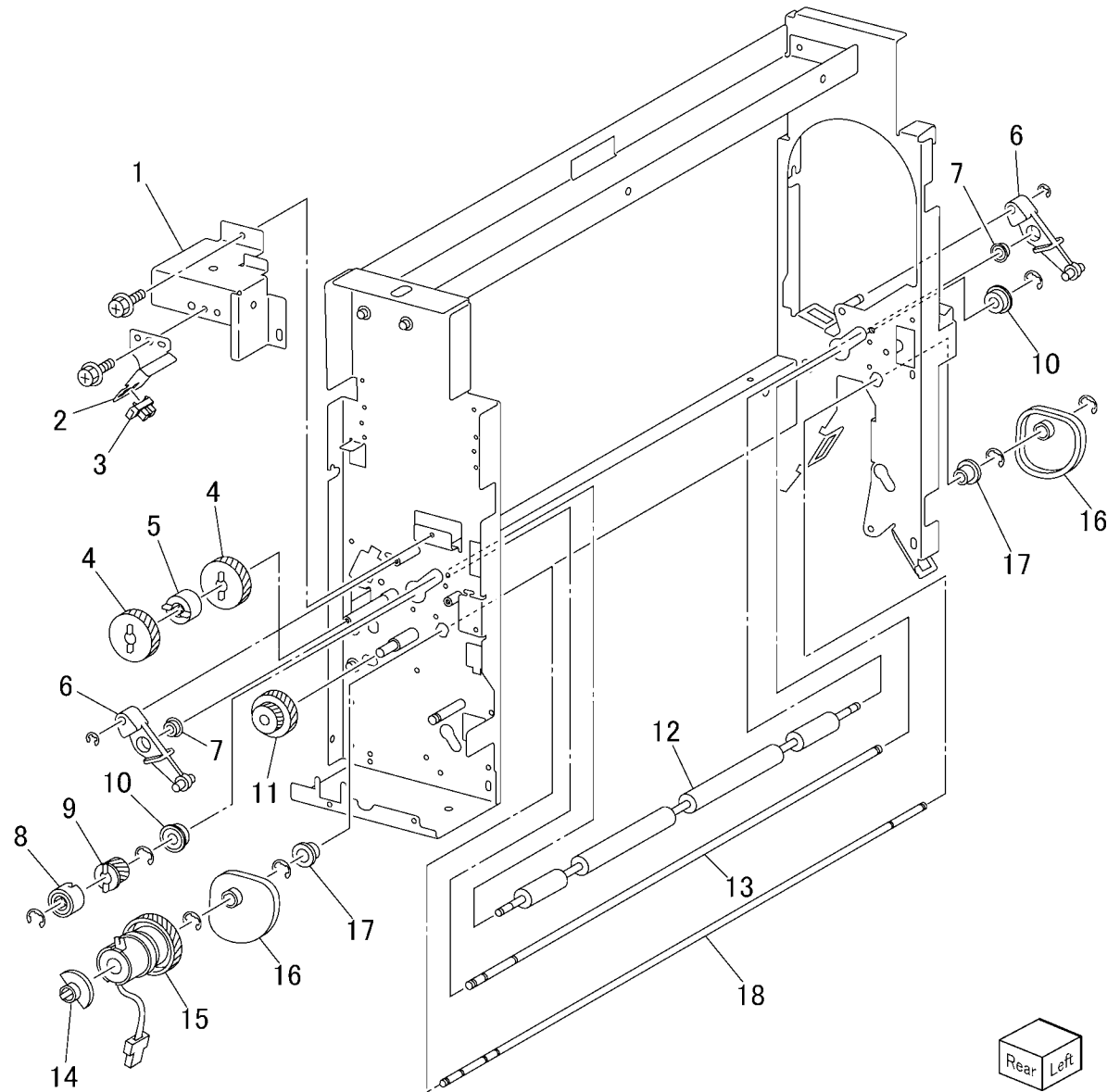
Item	Part	Description
1	130K76920	Decurler Transport Motor Assembly
2	-	Decurler Transport Motor
3	-	Motor Bracket
4	-	Gear (34T/20T)
5	-	Decurler Transport Motor Belt
6	-	Collar
7	-	Bearing
8	-	Gear (34T/25T)
9	-	Collar
10	-	Gear (24T)
11	005E19610	Clutch
12	005K06730	Clutch
13	-	Tension Bracket
14	-	Tension Spring
15	022K71490	Roll Assembly
16	003K13600	Knob
17	-	Label (1c)
18	-	Shaft
19	-	Cover Bracket
20	-	Wire Harness



0521025A-OLY

PL 21.26 I/F Module Component (Decurler)

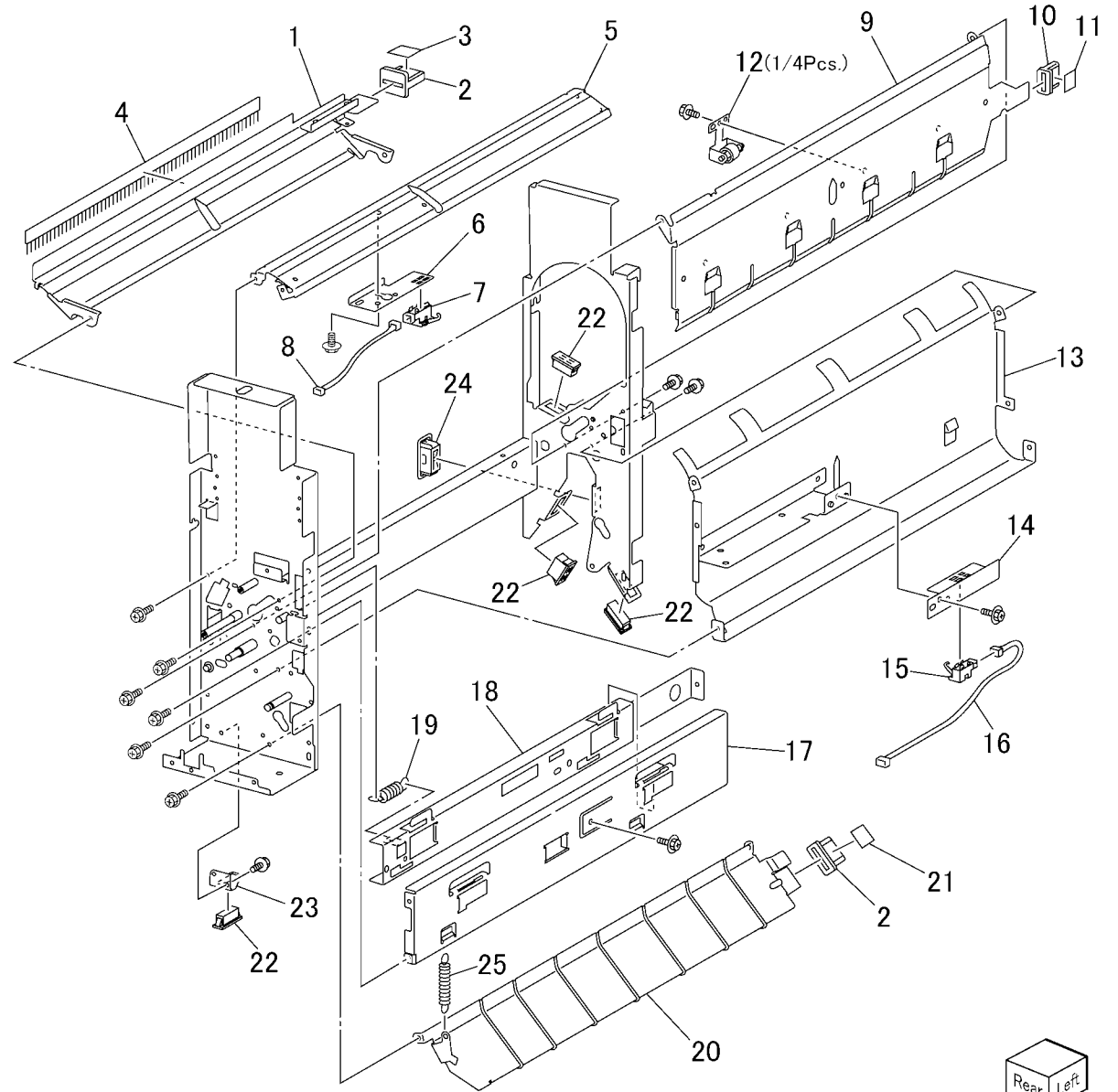
Item	Part	Description
1	-	Bracket
2	-	Sensor Bracket
3	130K88780	Decurler Home Sensor
4	-	Gear (34T)
5	005E19600	Clutch
6	-	Decurler Arm
7	413W66250	Ball Bearing
8	005K06730	Clutch
9	-	Gear (15T)
10	-	Ball Bearing
11	-	Gear (21T/35T)
12	022K71480	Roll Assembly
13	-	Shaft
14	-	Actuator
15	121K24610	Decurler Cam Clutch
16	-	Decurler Cam
17	413W77559	Bearing
18	-	Cam Shaft



0521026A-OLY

PL 21.27 I/F Module Component (Chute)

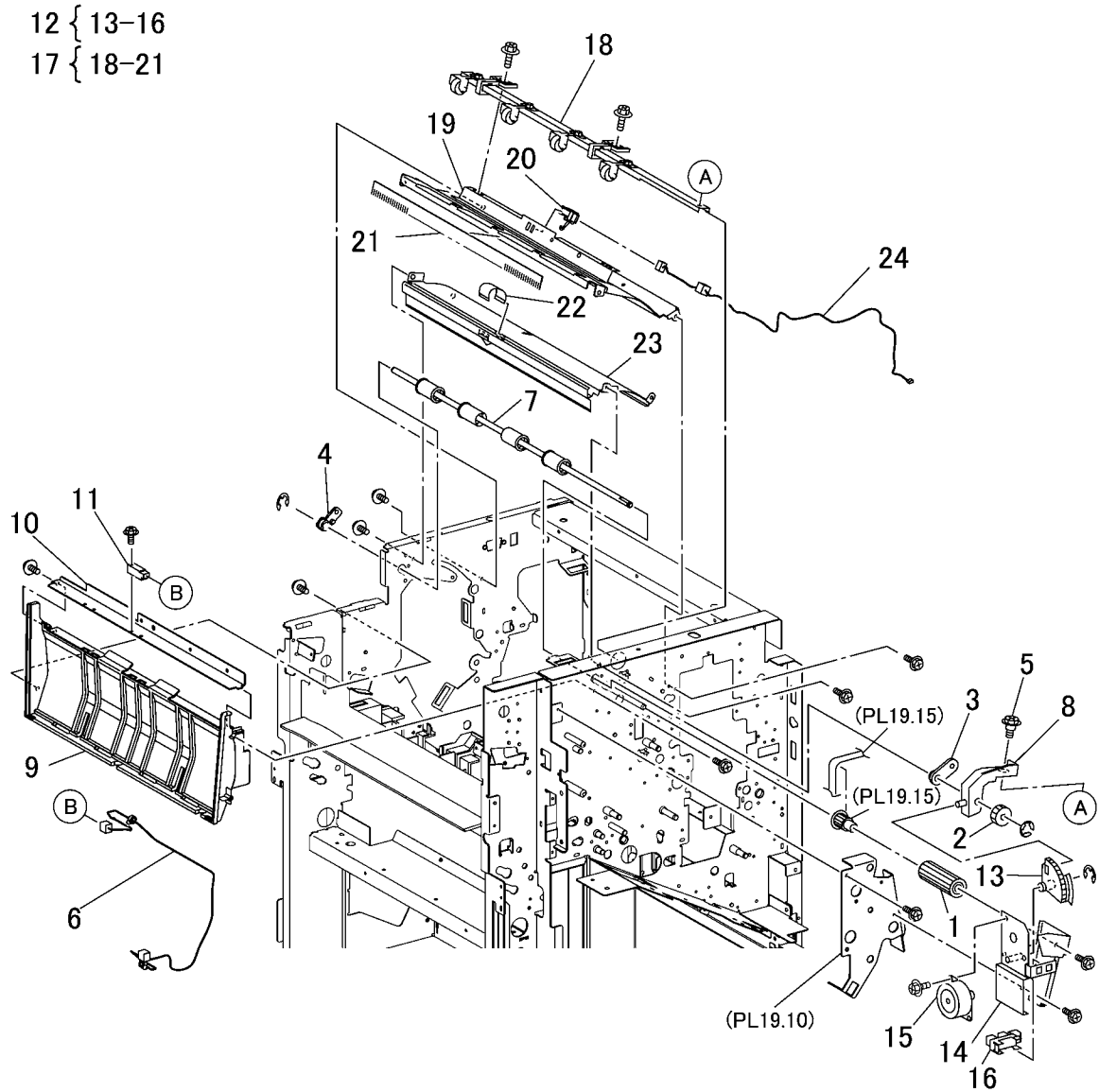
Item	Part	Description
1	-	Exit Upper Chute Assembly
2	-	Knob
3	-	Label (1d)
4	-	Eliminator
5	-	Exit Chute Assembly
6	-	Sensor Bracket
7	130K88970	Decurler Out Sensor
8	-	Wire Harness
9	-	Low Chute Assembly
10	-	Knob
11	-	Label (1b)
12	022K67850	Pinch Roll Assembly
13	-	Upper Chute Assembly
14	-	Sensor Bracket
15	130K88790	Decurler in Sensor
16	-	Wire Harness
17	-	Plate
18	-	Docking Plate
19	-	Spring
20	-	Entrance Chute Assembly
21	-	Label (1a)
22	121E92890	Magnet (25N)
23	-	Magnet Bracket
24	-	Magnet (40N)
25	009E94910	Spring



0521027A-OLY

PL 21.28 Finisher OCT

Item	Part	Description
1	-	Gear (16T)
2	-	Gear (16T)
3	-	Bearing
4	-	Bearing
5	-	Stud Screw
6	-	Wire Harness
7	022K71420	OCT Roll
8	-	Arm
9	-	Tray Guide
10	-	Bracket
11	130E85780	Top Tray Full Sensor
12	030K76880	Top Tray Offset Motor
13	-	Gear (P/O PL 21.28 Item 12)
14	-	Bracket (P/O PL 21.28 Item 12)
15	-	Top Tray Offset Motor
16	130K88780	Top Tray Offset Sensor
17	054K28190	OCT Upper Chute Assembly
18	-	Slide Rail Assembly
19	-	OCT Upper Chute
20	130K88190	Sensor
21	-	Eliminator
22	-	Paper Guide
23	-	OCT Lower Chute
24	-	Wire Harness



0521028A-OLY

Common Hardware

Part Number Index

Table 1 Part Number Index

Part Number	Part List
001E66640	PL 21.6
001E74762	PL 14.7
003K03590	PL 18.2
003K13150	PL 21.21
003K13291	PL 14.5
003K13600	PL 21.25
003K13680	PL 21.16
003K13752	PL 14.1
003E49861	PL 2.14
	PL 2.15
003E59570	PL 18.5
	PL 3.7
003E59690	PL 21.16
003E60310	PL 14.5
003E60320	PL 14.5
003E61200	PL 10.5
003E61300	PL 4.1
003E62120	PL 14.1
003E63230	PL 17.2
003K91881	PL 14.1
	PL 18.1
004K01941	PL 14.4
004K92582	PL 14.1
005K05890	PL 2.11
	PL 2.13
	PL 2.7
	PL 2.9
005K06700	PL 18.6
	PL 3.8
005K06730	PL 21.25
	PL 21.26
005K06760	PL 2.11
	PL 2.13
	PL 2.7
	PL 2.9
005K06810	PL 14.26
005K07010	PL 2.11
	PL 2.7
	PL 2.13

Table 1 Part Number Index

Part Number	Part List
	PL 2.9
005K07081	PL 10.5
005K07230	PL 10.5
005K07680	PL 10.3
005E17830	PL 1.5
005E18890	PL 10.5
005E19600	PL 21.26
005E19610	PL 21.25
005K83081	PL 2.10
	PL 2.12
	PL 2.8
	PL 2.6
006K22960	PL 21.17
006K23122	PL 18.5
006K23131	PL 18.6
006K23312	PL 3.10
	PL 3.7
006K23661	PL 2.14
	PL 2.15
007E77600	PL 21.22
007E77610	PL 21.22
007E77620	PL 21.22
007E77770	PL 21.20
007E78170	PL 18.6
	PL 3.8
007E78180	PL 18.5
	PL 3.7
007E78190	PL 2.14
	PL 2.15
007E78390	PL 2.14
	PL 2.15
007E78431	PL 2.4
	PL 2.5
007E78440	PL 2.4
	PL 2.5
007E78450	PL 2.4
	PL 2.5
007E78760	PL 18.4
	PL 3.6
007E78770	PL 18.4
	PL 3.6

Table 1 Part Number Index

Part Number	Part List
007E78780	PL 18.4
	PL 3.6
007E78790	PL 18.4
007E79331	PL 3.3
007E79350	PL 3.3
007E79380	PL 2.11
	PL 2.13
	PL 2.7
	PL 2.9
007E79700	PL 3.5
007K85730	PL 2.10
	PL 2.12
	PL 2.8
	PL 2.6
007K87670	PL 2.20
007K87831	PL 7.4
007K87841	PL 1.1
007K87854	PL 1.2
007K88520	PL 18.4
007K88530	PL 18.4
007K88730	PL 3.6
007K89113	PL 1.1
007K89149	PL 1.1
007E89760	PL 18.6
	PL 3.8
007E89970	PL 21.20
007E89980	PL 21.20
007E89990	PL 21.20
009E94910	PL 21.27
009E94920	PL 1.5
	PL 1.6
009E97011	PL 6.1
011K97591	PL 6.11
011K97710	PL 21.7
012E11041	PL 18.4
	PL 3.6
012E11100	PL 2.14
012E11111	PL 2.14
012E11121	PL 2.14
012E11130	PL 2.15
012E11140	PL 2.15

Table 1 Part Number Index

Part Number	Part List
012E11430	PL 14.25
012E11590	PL 14.24
012E11600	PL 14.24
012E11760	PL 3.5
012E11980	PL 21.10
012E11990	PL 21.10
012K94480	PL 13.7
012K94490	PL 13.7
013E17100	PL 18.7
013E17670	PL 10.3
	PL 10.5
013E23600	PL 18.6
	PL 3.8
013E23610	PL 18.6
	PL 3.3
	PL 3.8
013E23631	PL 4.4
	PL 4.5
013E24160	PL 14.11
013E24171	PL 14.12
013E24660	PL 14.17
	PL 14.25
013E24670	PL 14.7
	PL 14.8
	PL 14.9
013E24840	PL 14.10
	PL 14.20
	PL 14.6
013E24910	PL 13.7
013E25480	PL 21.20
013E25490	PL 21.19
013E25530	PL 3.6
013E25540	PL 18.4
	PL 3.7
013E25910	PL 14.9
013E26100	PL 2.19
013E26250	PL 14.10
	PL 14.6
013E87700	PL 1.4
013E92890	PL 2.10
	PL 2.6

Table 1 Part Number Index

Part Number	Part List
	PL 2.8
	PL 3.3
	PL 2.9
	PL 2.7
	PL 2.13
	PL 2.11
	PL 2.12
014E44881	PL 14.14
014E45291	PL 2.1
014E51110	PL 2.1
014K82101	PL 6.7
015K60340	PL 21.22
015K60410	PL 21.17
015K64791	PL 2.17
015K65530	PL 18.3
015K65810	PL 21.10
015K65820	PL 21.10
015K65830	PL 21.5
015K65840	PL 21.5
015K65850	PL 21.8
015K65860	PL 21.7
015K65880	PL 21.5
015K65900	PL 21.4
015K67240	PL 21.15
015K67270	PL 21.18
015K67280	PL 21.16
015K69650	PL 21.22
017E92060	PL 13.3
017E92760	PL 14.12
017E92820	PL 18.8
017K93160	PL 2.21
017K93170	PL 2.21
017E94310	PL 2.21
017E97220	PL 21.2
017E97230	PL 21.2
019E39131	PL 2.4
	PL 2.5
019E56470	PL 18.4
019E58260	PL 2.14
	PL 2.15
019E58620	PL 18.3

Table 1 Part Number Index

Part Number	Part List
019E58660	PL 21.4
019K93921	PL 2.14
	PL 2.15
019K94400	PL 2.15
	PL 2.5
	PL 2.4
019K98882	PL 7.4
019K99041	PL 7.7
019K99061	PL 14.16
020E21630	PL 13.7
020E36560	PL 2.14
020E36770	PL 14.7
020E36780	PL 14.8
020E36800	PL 14.9
020E36810	PL 14.10
020E36830	PL 2.14
	PL 2.15
020E36980	PL 13.7
020E37210	PL 21.17
020E37620	PL 18.3
020E37630	PL 18.3
020E37660	PL 21.10
	PL 21.9
020E37670	PL 21.9
020E37680	PL 21.11
020E37690	PL 21.11
	PL 21.9
020E37710	PL 21.4
020E37720	PL 21.4
022K66870	PL 21.20
022K66880	PL 21.20
022K67850	PL 21.10
	PL 21.11
	PL 21.27
022K67860	PL 21.10
	PL 21.9
022K67870	PL 21.9
022K67880	PL 21.9
022K67890	PL 21.10
022K70810	PL 21.21
022K71020	PL 21.20

Table 1 Part Number Index

Part Number	Part List
022K71040	PL 21.20
022K71410	PL 21.10
022K71420	PL 21.28
022K71430	PL 21.11
022K71480	PL 21.26
022K71490	PL 21.25
022K71500	PL 21.11
023E21300	PL 14.8
023E21370	PL 13.7
023E21400	PL 4.6
023E21520	PL 21.4
028E94260	PL 14.17
	PL 14.26
	PL 14.18
029K03713	PL 21.16
029K92041	PL 21.16
029K92151	PL 21.6
030K75451	PL 2.21
030K75540	PL 2.14
030K76141	PL 2.21
030K76270	PL 14.4
030K76610	PL 6.6
030K76880	PL 21.28
032E20890	PL 2.14
032E21170	PL 14.17
032E21190	PL 14.4
032E21200	PL 14.16
032E21210	PL 14.16
032E21250	PL 2.14
	PL 2.15
032E21490	PL 12.1
032E22410	PL 18.3
033K94680	PL 7.3
033K94721	PL 7.9
038E26532	PL 2.4
	PL 2.5
038E26550	PL 2.4
	PL 2.5
038E31521	PL 10.1
038K87120	PL 2.15
038K87160	PL 2.14

Table 1 Part Number Index

Part Number	Part List
038K87371	PL 21.19
038K88480	PL 21.16
038K88490	PL 21.16
041K94524	PL 13.7
041K94553	PL 13.7
041K94720	PL 21.4
041K94730	PL 21.4
041K94750	PL 21.6
042K92753	PL 7.3
050E19900	PL 21.23
050E19951	PL 14.12
050E20040	PL 14.16
050K49650	PL 14.11
050K49688	PL 14.4
050K50400	PL 2.1
050K50410	PL 2.2
050K50430	PL 2.2
050K50983	PL 16.2
050K50991	PL 16.1
050K51270	PL 21.2
050K51280	PL 21.2
050K51970	PL 18.1
050K52540	PL 10.5
053K91940	PL 9.1
053K91980	PL 9.3
054K02391	PL 21.21
054E22291	PL 2.2
054K24195	PL 14.12
054K24216	PL 14.11
054K24231	PL 14.11
054K24434	PL 14.12
054K24442	PL 14.5
054K24460	PL 14.12
054K24493	PL 14.12
054K26031	PL 14.12
054K26415	PL 10.4
054K26613	PL 7.8
054K27160	PL 21.10
054K27520	PL 2.1
054K28190	PL 21.28
054K28220	PL 21.11

Table 1 Part Number Index

Part Number	Part List
054K29611	PL 10.5
054E89450	PL 2.3
055K28390	PL 14.23
059K00521	PL 21.21
059E01430	PL 18.7
059K24920	PL 2.2
059K24940	PL 2.18
059K26160	PL 4.4
059K26180	PL 4.4
059K26190	PL 4.5
059K26200	PL 2.16
059K26591	PL 18.6
	PL 3.6
059K26664	PL 18.1
059K26691	PL 18.5
	PL 3.6
059K26700	PL 18.5
	PL 3.6
059K26934	PL 2.3
059K26935	PL 2.1
	PL 2.3
059K27200	PL 14.10
059K29470	PL 14.6
059K29480	PL 14.10
059K29510	PL 14.18
059K29520	PL 14.18
059K29534	PL 3.6
059K30951	PL 14.26
059K31033	PL 14.24
059K31080	PL 14.8
059K31090	PL 14.7
059K31110	PL 14.7
059K32491	PL 7.4
059K32500	PL 7.6
059K32510	PL 7.5
059K32520	PL 7.7
059K33168	PL 4.1
059K33170	PL 4.5
059K33310	PL 10.3
059K33320	PL 10.5
059K33331	PL 10.5

Table 1 Part Number Index

Part Number	Part List
059K33350	PL 4.3
059K33430	PL 7.8
059K33501	PL 4.3
059K33511	PL 4.3
059K33522	PL 4.1
059K33740	PL 7.5
059K36260	PL 18.7
059K37990	PL 2.16
059K38841	PL 14.1
059K41974	PL 10.1
059K42034	PL 4.1
059K42290	PL 3.1
059K42353	PL 10.1
059K42372	PL 10.3
059E98610	PL 14.15
059E98860	PL 2.2
059E99240	PL 2.19
059E99540	PL 7.5
062E10040	PL 13.9
062K14580	PL 13.10
062K15037	PL 5.1
062K15047	PL 5.1
064K91910	PL 7.1
064K91930	PL 7.3
068K23692	PL 11.2
068K23802	PL 11.2
068K24134	PL 6.10
068K24451	PL 11.6
068K25370	PL 18.2
090K93002	PL 13.4
090K93100	PL 13.4
094K04542	PL 6.3
094K04551	PL 6.3
101E12070	PL 21.19
103E29870	PL 14.24
103K81152	PL 7.9
105E12060	PL 21.21
105E12170	PL 21.21
105E12240	PL 14.23
105E12301	PL 13.9
105E12580	PL 7.4

Table 1 Part Number Index

Part Number	Part List
105E13100	PL 21.9
105K20741	PL 11.3
105K20751	PL 11.1
105K20760	PL 11.1
105K20841	PL 11.3
105K20931	PL 11.3
105K20970	PL 11.2
105K20980	PL 11.2
105K21080	PL 21.12
105K21190	PL 14.17
105K21550	PL 11.3
107E08680	PL 13.6
110E10380	PL 18.8
110E11420	PL 2.19
110E11430	PL 3.2
110E11590	PL 21.7
110K11680	PL 2.1
110K11820	PL 2.3
110K11960	PL 13.6
110E11980	PL 12.1
110K12030	PL 11.2
110K12080	PL 6.3
110E93440	PL 10.3
110E94770	PL 18.7
110E97990	PL 21.3
114K82050	PL 7.2
117E21621	PL 14.3
117E21690	PL 13.2
117E23951	PL 17.4
117E23961	PL 11.1
119K00290	PL 6.11
120E21900	PL 18.5
	PL 3.7
120E22481	PL 2.10
	PL 2.6
	PL 2.8
	PL 2.12
120E24310	PL 21.8
120K91990	PL 13.6
121K24610	PL 21.26
121K31340	PL 18.4

Table 1 Part Number Index

Part Number	Part List
	PL 3.6
121K31360	PL 21.22
121K31680	PL 14.11
121K31700	PL 14.11
121K31860	PL 14.6
121K31882	PL 14.6
121K31890	PL 14.7
121K33710	PL 2.20
121K33883	PL 10.5
121K33940	PL 1.4
121K33960	PL 1.4
121K34620	PL 21.7
121K34630	PL 21.8
121K35071	PL 10.5
121E85020	PL 12.1
121E89590	PL 21.21
121E90620	PL 14.12
121E92890	PL 21.10
	PL 21.11
	PL 21.27
	PL 21.7
	PL 21.3
122E92130	PL 13.9
122K93570	PL 6.5
122K93640	PL 6.5
123K96541	PL 17.4
127K32850	PL 21.19
127K36830	PL 1.6
127K37892	PL 9.1
127K37901	PL 18.4
127K38050	PL 21.23
127K38170	PL 2.10
	PL 2.8
	PL 2.6
	PL 2.12
127K38181	PL 11.5
127K38252	PL 3.6
127K38300	PL 14.10
	PL 14.6
127K38320	PL 14.7
127K38341	PL 14.8

Table 1 Part Number Index

Part Number	Part List
	PL 14.9
127K38491	PL 13.7
127K38620	PL 13.6
127K38632	PL 13.6
127K38641	PL 13.6
127K39100	PL 7.4
127K39120	PL 7.4
127K39520	PL 2.20
127K39530	PL 6.4
127K39540	PL 6.8
127K39560	PL 9.3
127K39571	PL 9.2
127K39580	PL 9.3
127K39620	PL 1.4
127K39641	PL 4.4
127K39650	PL 2.17
127K39720	PL 10.2
127K39730	PL 10.2
127K39742	PL 4.2
127K39750	PL 6.9
127K39760	PL 6.9
127K39851	PL 1.1
127K39861	PL 1.2
127K39971	PL 16.3
127K40270	PL 21.8
127K40281	PL 21.10
	PL 21.11
127K40310	PL 21.8
127K45850	PL 9.2
127K46120	PL 21.5
127K46170	PL 21.17
	PL 21.22
127K47150	PL 18.8
130K55590	PL 18.1
	PL 18.8
130K60830	PL 7.4
130K64150	PL 13.4
130K64300	PL 21.23
130K64360	PL 3.5
130K64431	PL 3.5
130K64480	PL 14.5

Table 1 Part Number Index

Part Number	Part List
130K67340	PL 6.6
130K67370	PL 2.16
130K76920	PL 21.25
130E82530	PL 21.15
	PL 6.9
130E82540	PL 21.17
	PL 21.19
	PL 21.18
130E84140	PL 21.18
	PL 21.21
130E84270	PL 7.5
130E84280	PL 14.4
	PL 14.5
130E84300	PL 14.17
	PL 2.18
130E85200	PL 6.4
130E85780	PL 21.10
	PL 21.11
	PL 21.21
	PL 21.28
130E85790	PL 21.5
130E85800	PL 21.5
130E85970	PL 13.6
130E87410	PL 21.11
130K87701	PL 11.2
130K87710	PL 10.4
130K87810	PL 10.1
130K87880	PL 4.3
130K88150	PL 18.7
130K88190	PL 21.10
	PL 21.11
	PL 21.9
	PL 21.28
130K88311	PL 2.18
130E88340	PL 21.4
130E88350	PL 21.5
130K88400	PL 10.4
130K88740	PL 11.2
130K88770	PL 21.4
	PL 21.8
130E88770	PL 7.9

Table 1 Part Number Index

Part Number	Part List
130K88770	PL 21.5
	PL 21.6
130K88780	PL 21.26
	PL 21.28
	PL 21.7
130E88780	PL 21.8
130K88780	PL 21.8
130K88790	PL 21.27
130K88970	PL 21.27
130E91010	PL 6.5
130K93230	PL 6.11
133K23610	PL 13.8
133K23690	PL 11.5
146E01770	PL 21.4
160K74960	PL 4.4
160K94661	PL 13.8
160K95230	PL 11.1
160K95381	PL 11.5
160K95830	PL 6.3
	PL 6.5
160K95840	PL 6.3
160K97351	PL 14.3
160K97580	PL 11.6
160K97600	PL 14.4
160K97893	PL 17.4
160K97901	PL 17.4
160K99200	PL 11.5
160K99672	PL 13.8
407W07717	PL 21.16
407W07731	PL 21.16
413W08050	PL 2.16
413W08350	PL 1.3
	PL 4.5
	PL 4.4
	PL 2.20
	PL 2.16
	PL 1.5
	PL 1.4
413W08950	PL 1.5
413W11660	PL 21.10
	PL 21.11

Table 1 Part Number Index

Part Number	Part List
	PL 21.7
	PL 7.9
	PL 7.8
413W66150	PL 10.5
413W66250	PL 18.4
	PL 21.11
	PL 21.9
	PL 3.6
	PL 21.26
	PL 21.10
	PL 18.5
413W75659	PL 4.3
413W77359	PL 1.4
	PL 2.20
413W77559	PL 2.14
	PL 2.2
	PL 21.4
	PL 21.8
	PL 21.7
	PL 6.10
	PL 21.26
	PL 2.15
423W01554	PL 4.2
423W25554	PL 21.9
423W32054	PL 14.6
423W33554	PL 14.10
423W34554	PL 14.7
423W40054	PL 21.11
423W46754	PL 21.20
423W52154	PL 1.5
423W86254	PL 21.17
423W86454	PL 21.11
423W87054	PL 21.10
499W14124	PL 4.3
499W14524	PL 4.2
499W17061	PL 4.2
537K68651	PL 11.5
600K78460	PL 2.11
	PL 2.7
	PL 2.9
	PL 2.13

Table 1 Part Number Index

Part Number	Part List
604K13840	PL 21.23
604K19980	PL 18.3
604K21501	PL 13.6
604K23660	PL 3.6
604K24210	PL 6.6
604K24220	PL 6.6
604K25230	PL 14.9
604K25240	PL 14.3
695K13500	PL 6.6
695K13510	PL 6.6
695K13520	PL 6.6
695K13530	PL 6.6
801K05033	PL 3.3
801K14311	PL 6.6
801K14822	PL 4.1
801K14832	PL 4.1
801K14911	PL 7.10
801K14921	PL 7.10
801K15690	PL 18.8
801K15700	PL 18.1
801K16551	PL 21.15
801K16581	PL 21.16
801K16780	PL 21.5
801K18730	PL 21.16
802E55621	PL 3.2
802E55633	PL 3.2
802E55640	PL 3.2
802E55651	PL 3.2
802E55680	PL 3.5
802K56472	PL 17.3
802E56502	PL 13.2
802E56800	PL 14.2
802E56891	PL 14.2
802E56900	PL 14.2
802E56930	PL 14.17
802K56961	PL 12.2
802K57191	PL 14.5
802K57201	PL 14.17
802K57484	PL 3.2
802E62451	PL 13.1
802E63030	PL 13.1

Table 1 Part Number Index

Part Number	Part List
	PL 13.2
802E63061	PL 3.2
802E63660	PL 12.1
	PL 12.2
802K63681	PL 17.3
802E64371	PL 13.2
802K65291	PL 17.4
802K65451	PL 12.1
802K65463	PL 6.2
802K65501	PL 12.1
802K67080	PL 18.7
802K67140	PL 21.4
802E67240	PL 13.2
802K71730	PL 17.3
802K74430	PL 17.3
802K75100	PL 21.3
807E00310	PL 14.4
807E00470	PL 14.4
807E00660	PL 14.6
807E00670	PL 14.4
807E01750	PL 21.22
807E02040	PL 21.20
807E02050	PL 21.17
807E02060	PL 21.18
807E02070	PL 21.17
807E02080	PL 21.22
807E02800	PL 6.2
807E04500	PL 18.3
807E04700	PL 21.10
	PL 21.7
807E04710	PL 21.10
807E04730	PL 21.4
807E04740	PL 21.7
807E04750	PL 21.7
807E04760	PL 21.8
807E08990	PL 21.7
807E09500	PL 21.21
807E09510	PL 21.20
	PL 21.21
809E09430	PL 4.4
809E14690	PL 10.5

Table 1 Part Number Index

Part Number	Part List
809E39381	PL 2.2
809E41221	PL 3.8
809E41570	PL 21.22
809E41620	PL 21.22
809E41710	PL 4.4
809E41740	PL 13.7
809E49700	PL 14.11
809E49930	PL 3.5
809E49990	PL 11.2
809E50120	PL 14.17
809E50250	PL 14.17
809E50270	PL 14.25
809E50880	PL 14.10
	PL 14.9
	PL 14.8
809E50920	PL 14.17
809E51350	PL 13.10
	PL 13.9
809E51360	PL 13.10
809E51451	PL 14.5
809E51461	PL 14.5
809E52460	PL 4.4
809E54581	PL 14.6
809E54780	PL 2.19
809E54920	PL 4.5
809E54930	PL 4.5
809E54941	PL 2.16
809E55030	PL 10.2
809E55040	PL 10.5
809E55080	PL 4.3
809E55300	PL 4.4
809E56850	PL 21.4
809E56860	PL 21.4
809E56880	PL 21.7
809E59980	PL 21.20
809E59990	PL 21.20
815E05190	PL 13.4
815E05551	PL 13.4
815E09030	PL 18.3
826E06490	PL 13.8
826E08080	PL 11.2

Table 1 Part Number Index

Part Number	Part List
826E08490	PL 17.4
826E09640	PL 14.3
826E11700	PL 18.3
830E60740	PL 4.4
	PL 4.5
849E29921	PL 13.1
893E03340	PL 14.14
893E09490	PL 2.14
	PL 2.15
	PL 2.4
	PL 2.5
893E09600	PL 14.14
893E09610	PL 14.17
893E09660	PL 14.14
893E15750	PL 3.2
893E16170	PL 3.2
893E21870	PL 2.2
893E21880	PL 2.2
893E46200	PL 18.1
893E51380	PL 21.16
893E55730	PL 21.16
893E64430	PL 2.1
893E64440	PL 2.1
913W01206	PL 9.1
913W12113	PL 4.2
913W12114	PL 4.2
913W12117	PL 4.1
913W12124	PL 4.1
927W00024	PL 9.1
930W00111	PL 14.16
	PL 7.9
	PL 3.5
	PL 16.3
	PL 14.17
930W00112	PL 18.5
	PL 3.7
930W00113	PL 2.10
	PL 2.6
	PL 2.8
	PL 2.12
930W00211	PL 14.16

Table 1 Part Number Index

Part Number	Part List
	PL 14.21
	PL 14.23
	PL 2.10
	PL 4.5
	PL 4.4
	PL 3.7
	PL 2.8
	PL 2.6
	PL 2.16
	PL 2.12
	PL 18.5
	PL 16.3
	PL 14.8
	PL 14.25
	PL 14.22
	PL 14.17
960K00022	PL 11.5
960K00393	PL 11.1
960K00405	PL 11.3
960K00442	PL 13.8
960K01281	PL 6.3
960K01611	PL 1.2
960K01727	PL 11.1
960K04670	PL 21.12
960K05563	PL 11.5
960K05670	PL 11.6
960K06841	PL 13.8
960K07310	PL 21.12
960K07590	PL 21.12
960K08930	PL 18.8
962K17863	PL 3.2
962K18410	PL 21.21
962K18420	PL 21.22
962K18430	PL 21.22
962K18440	PL 21.22
962K19801	PL 13.6
962K19860	PL 11.6
962K19871	PL 11.6
962K20212	PL 13.6
962K23382	PL 6.7
962K23392	PL 6.7

Table 1 Part Number Index

Part Number	Part List
962K24311	PL 5.1
962K24321	PL 5.1
962K27670	PL 21.8
962K36610	PL 21.12