

5 Parts Lists

PL 1 - Standby Power

PL 1.15 Main Power Supply 5-3

PL 2 - User Interface and Secure Access

PL 2.00 Secure Access Additions 5-4

PL 2.10 User Interface 5-5

PL 3 - Machine Run Control

PL 3.11 Image Processing Module 5-6

PL 5 - DADH

PL 5.10 DADH (Complete), Covers, DADH PWB 5-7

PL 5.15 Feed Assembly 5-8

PL 5.20 Top Cover Assembly 5-9

PL 5.25 CVT 5-10

PL 5.30 Baffle Assembly 5-11

PL 5.35 Input Tray Assembly 5-12

PL 10 - Transfix and Copy/Print Transportation

PL 10.10 Stripper System (1 of 2) 5-13

PL 10.12 Stripper System (2 of 2) 5-14

PL 10.15 Exit Paper Path 5-15

PL 10.20 Transfix Roller Assembly 5-16

PL 12 - OCT

PL 12.00 OCT 5-17

PL 12 - LCSS

PL 12.10 LCSS Covers 5-18

PL 12.15 LCSS Docking Latch 5-19

PL 12.20 LCSS Hole Punch Unit 5-20

PL 12.25 LCSS Paddle Wheel 5-21

PL 12.30 LCSS Bin 1 Control Components (1 of 2) 5-22

PL 12.35 LCSS Bin 1 Control Components (2 of 2) 5-23

PL 12.40 LCSS Paper Entry Transport 5-24

PL 12.45 LCSS Tamper Assembly 5-25

PL 12.50 LCSS Ejector Assembly 5-26

PL 12.55 LCSS Staple Head Unit/Traverse Assembly 5-27

PL 12.60 LCSS Bin 0 Entry 5-28

PL 12.65 LCSS Bin 1 Entry 5-29

PL 12.70 LCSS Entry Guide Cover/Jam Clearance Guide 5-30

PL 12.75 LCSS Electrical 5-31

PL 12 - HVF

PL 12.100 HVF Covers and Docking 5-32

PL 12.105 HVF Stacker 5-33

PL 12.110 HVF Ejector, Pressing and Support (1 of 2) 5-34

PL 12.115 HVF Ejector, Pressing and Support (2 of 2) 5-35

PL 12.120 HVF Main Drives 5-36

PL 12.125 HVF Feed Assembly and Punch (1 of 3) 5-37

PL 12.130 HVF Feed Assembly and Punch (2 of 3) 5-38

PL 12.135 HVF Feed Assembly and Punch (3 of 3) 5-39

PL 12.140 HVF Power and Control 5-40

PL 12 - HVF Booklet Maker

PL 12.145 HVF BM Module (Complete) 5-41

PL 12.150 HVF BM Entry and Front Cover 5-42

PL 12.155 HVF BM Tamper Assembly 5-43

PL 12.160 HVF BM Back Stop Motor 5-44

PL 12.165 HVF BM Back Stop assembly 5-45

PL 12.170 HVF BM Crease Blade Motor 5-46

PL 12.175 HVF BM Crease Rolls Motor and PWB 5-47

PL 12.180 HVF BM Crease Rolls and Support Leg 5-48

PL 12.185 HVF BM Stapler Assemblies 5-49

PL 12.190 HVF BM Bin 2 5-50

PL 12 - Tri-Folder

PL 12.200 Tri-Folder Covers 5-51

PL 12.205 Tri-Folder Drives Module 5-52

PL 12.210 Tri-Folder Top Door Cover Assembly 5-53

PL 12.215 Tri-Folder Main Drives Assembly 5-54

PL 12 - Inserter

PL 12.300 Inserter Covers 5-55

PL 12.305 Inserter Main Drives (1 of 3) 5-56

PL 12.310 Inserter Main Drives (2 of 3) 5-57

PL 12.315 Inserter Main Drives (3 of 3) 5-58

PL 20 - Fax

PL 20.05 Fax Module 5-59

PL 20.10 Line 1 & 2 Fax Kits 5-60

PL 25 - Accessories

PL 25.10 Convenience Stapler 5-61

PL 26 - Consumables and Tools

PL 26.10 Consumables and Tools (1 of 2) 5-62

PL 26.11 Consumables and Tools (2 of 2) 5-63

PL 28 - Covers

PL 28.10 Covers 5-64

PL 31 - Maintenance/Installation/Removal Kits

PL 31.10 Maintenance/Installation/Removal Kits (1 of 3) 5-65

PL 31.11 Maintenance/Installation/Removal Kits (2 of 3) 5-66

PL 31.12 Maintenance/Installation/Removal Kits (3 of 3) 5-67

PL 62 - Scanner

| | |
|---------------------------------------------------|------|
| PL 62.10 Scanner Module, CVT/Document Glass | 5-68 |
| PL 62.15 Electrical Components (1 of 2) | 5-69 |
| PL 62.16 Electrical Components (2 of 2) | 5-70 |

PL 70 - Paper Supply

| | |
|----------------------------------------------|------|
| PL 70.10 Tray 1 and 2 Assembly | 5-71 |
| PL 70.25 3 Tray Module Covers | 5-72 |
| PL 70.30 Left Hand Upper Door Assembly | 5-73 |

PL 73 - Paper Supply

| | |
|--------------------------------|------|
| PL 73.15 Tray 3 Assembly | 5-74 |
| PL 73.16 3 Tray Module | 5-75 |

PL 74 - Paper Supply

| | |
|------------------------------------------------|------|
| PL 74.10 Bypass Module (Tray 4)(1 of 2) | 5-76 |
| PL 74.11 Bypass Module (Tray 4) (2 of 2) | 5-77 |

PL 75 - Paper Supply

| | |
|----------------------------------------------|------|
| PL 75.60 Tray 5 Covers | 5-78 |
| PL 75.62 Tray 5 Base | 5-79 |
| PL 75.64 Tray 5 Guides | 5-80 |
| PL 75.68 Tray 5 Lift Assembly (1 of 2) | 5-81 |
| PL 75.70 Tray 5 Lift Assembly (2 of 2) | 5-82 |

PL 81 - Paper Transport

| | |
|-------------------------------------------------|------|
| PL 81.10 Main Covers | 5-83 |
| PL 81.11 Front Door Assembly | 5-84 |
| PL 81.25 Tray 1 Paper Feed Assembly | 5-85 |
| PL 81.26 Tray 2 Paper Feed Assembly | 5-86 |
| PL 81.30 Tray 3 Paper Feed Assembly | 5-87 |
| PL 81.35 3 Tray Module Transport Assembly | 5-88 |
| PL 81.40 Tray 5 Feed Assembly (1 of 3) | 5-89 |
| PL 81.45 Tray 5 Feed Assembly (2 of 3) | 5-90 |
| PL 81.46 Tray 5 Feed Assembly (3 of 3) | 5-91 |

PL 82 - Paper Transport

| | |
|--------------------------------------|------|
| PL 82.10 Vertical Paper Path | 5-92 |
| PL 82.15 Horizontal Paper Path | 5-93 |

PL 88 - Registration/Preheat Assembly

| | |
|-------------------------------------------------------|------|
| PL 88.10 Registration/Preheat Assembly (1 of 2) | 5-94 |
| PL 88.11 Registration/Preheat Assembly (2 of 2) | 5-95 |

PL 91 - Marking Unit

| | |
|-----------------------------------------------------|-------|
| PL 91.05 Marking Unit Slide Assembly | 5-96 |
| PL 91.10 Marking Unit Drive Assembly | 5-97 |
| PL 91.15 Marking Unit Belt and Drive | 5-98 |
| PL 91.20 Marking Unit Upper Carriage Assembly | 5-99 |
| PL 91.25 Marking Unit Lower Carriage Assembly | 5-100 |

PL 92 - IOT Process Control

| | |
|----------------------------------------------|-------|
| PL 92.10 Marking Unit Electronic PWB's | 5-101 |
|----------------------------------------------|-------|

PL 93 - Ink Delivery

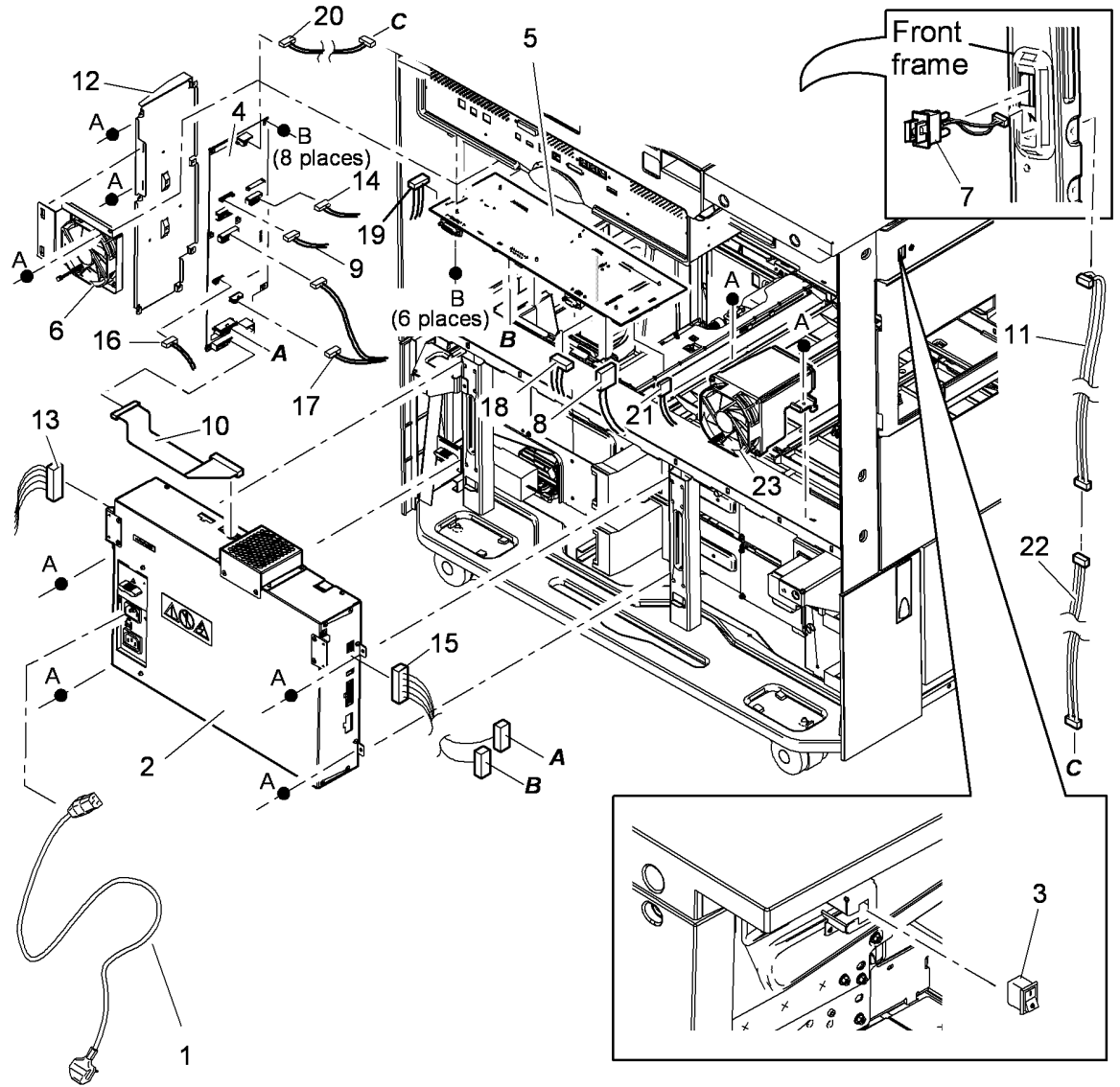
| | |
|------------------------------------|-------|
| PL 93.10 Ink Loader Assembly | 5-102 |
|------------------------------------|-------|

PL 94 - Ink Transfer

| | |
|------------------------------|-------|
| PL 94.10 Cleaning Unit | 5-103 |
| PL 94.15 IOD Assembly | 5-104 |
| PL 94.20 Drum Assembly | 5-105 |
| Common Hardware | 5-106 |

PL 1.15 Main Power Supply

| Item | Part | Description |
|------|-----------|------------------------------------------------------------|
| 1 | - | Main power cord (see below for variants) |
| - | 152S06414 | United Kingdom |
| - | 152S06400 | USSG/XCL |
| - | 152S06413 | XE |
| - | 152S06402 | Argentina |
| - | 152S06415 | Denmark |
| - | 152S06416 | Switzerland |
| 2 | 112K01010 | Power supply unit (REP 1.9) |
| 3 | 110K21010 | Main power rocker switch |
| 4 | 960K71860 | Drum driver PWB (REP 3.6) |
| 5 | 960K46460 | Media path driver PWB (REP 3.5) |
| 6 | 127E16360 | Enclosure fan (MOT42-063) |
| 7 | 110K21111 | Front door interlock switch (S01-103) (REP 1.8) |
| 8 | 117E35720 | Bypass extension harness (PJ405) |
| 9 | 117E35610 | Drum driver MR sensor harness (PJ701) |
| 10 | 117E35590 | Drum driver power supply interface cable (PJ902) |
| 11 | 117E35560 | Chassis interlock harness |
| 12 | - | Drum driver PWB bracket (P/O PL 1.15 Item 4) |
| 13 | 117E35550 | AC chassis heater harness (PJ5AC) |
| 14 | 117E35581 | Drum driver to front components harness (PJ501) |
| 15 | 117E35600 | Drum driver/Media path power harness (PJ602, PJ803) |
| 16 | 117E35620 | Engine fan harness (PJ901) |
| 17 | 117E35650 | Cleaning unit interface harness (PJ601, PJ802) |
| 18 | 117E35690 | Media path driver PWB to RALPH harness (PJ202) |
| 19 | 117E35710 | Media path exit/horizontal harness (PJ905) |
| 20 | 117E35750 | Transfix roller harness (PJ401) |
| 21 | 117E35530 | Media path driver PWB to 3 tray module PWB harness (PJ401) |
| 22 | 117E35700 | Midrail front door switch harness |
| 23 | 127K62260 | Marking unit cooling fan |



U-8-0109-A

PL 2.00 Secure Access Additions

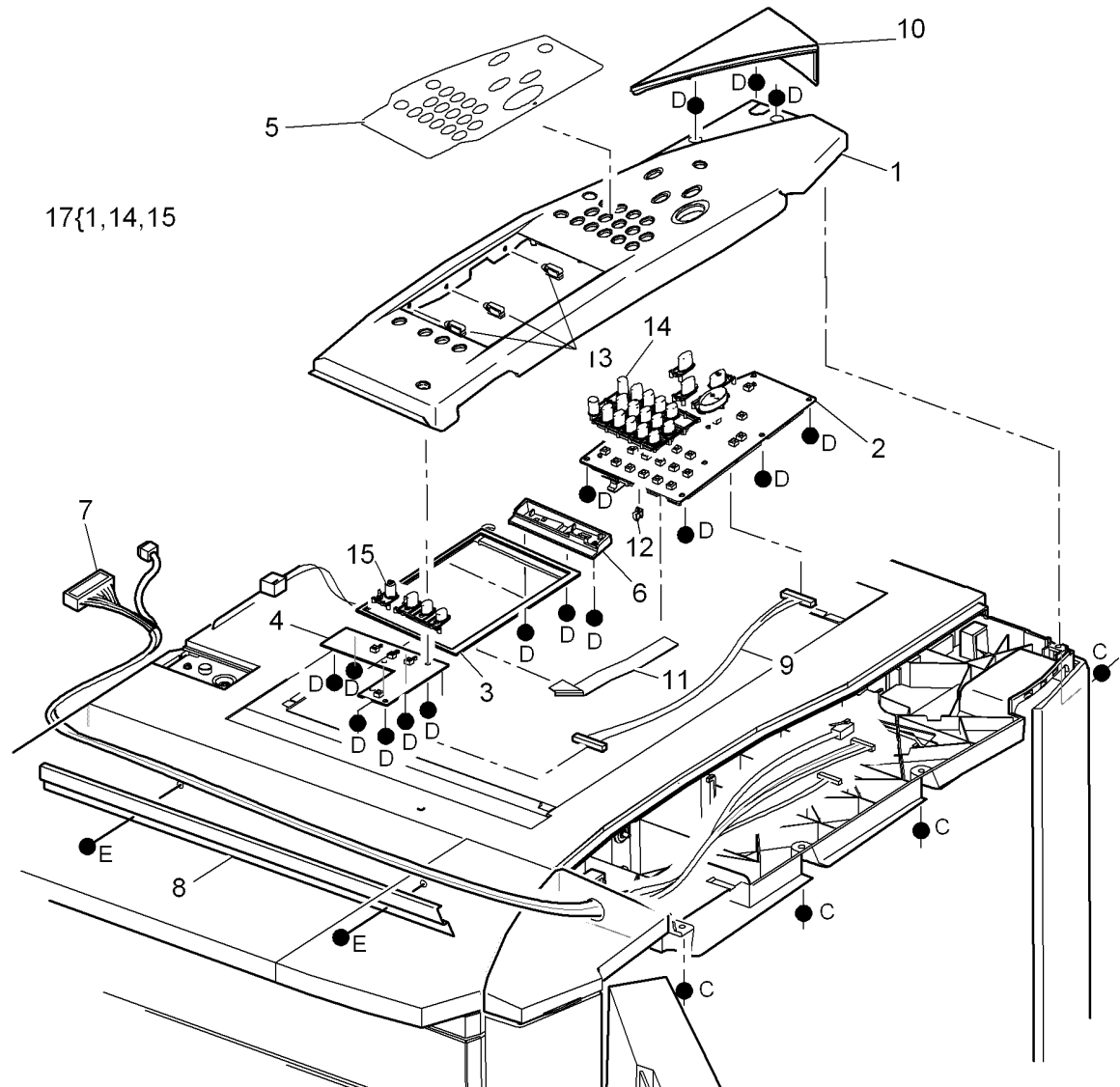
| Item | Part | Description |
|------|-----------|------------------------------------------------|
| 1 | 101E28760 | Secure access controller |
| 2 | 105E24030 | Xerox secure access power supply |
| 3 | 146E02130 | Xerox secure access card reader (HID) |
| - | 146E02140 | Xerox secure access card reader (MAGSTRIPE) |
| - | 146E02150 | Xerox secure access card reader (MIFARE) |
| - | 146E02160 | Xerox secure access card reader (LEGIC) |
| 4 | 117E35360 | Xerox secure access power cord (UK) |
| - | 117E35340 | Xerox secure access power cord (NA) |

**NO EXPLODED
VIEW PROVIDED**

U-8-0092-A

PL 2.10 User Interface

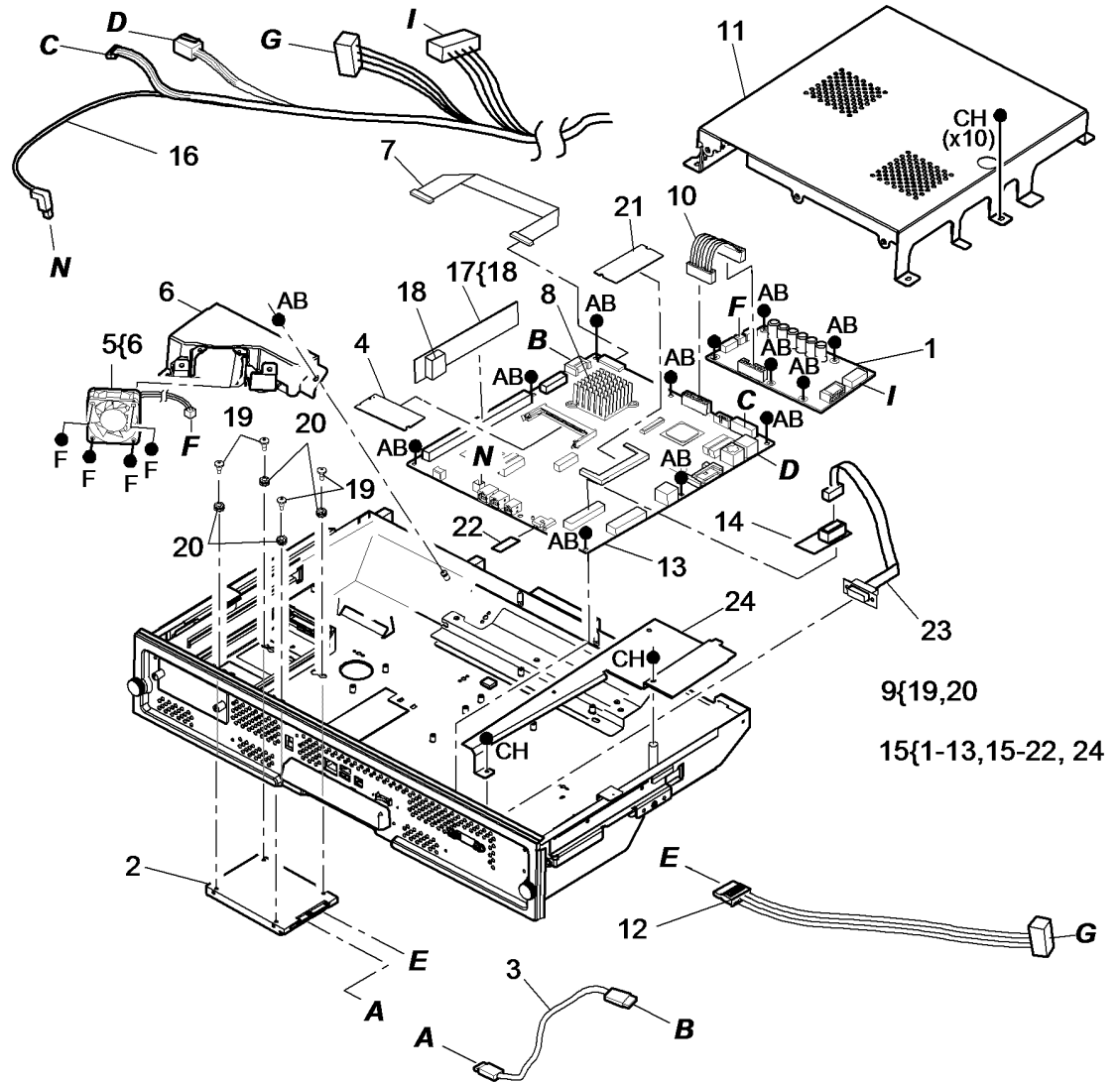
| Item | Part | Description |
|------|-----------|----------------------------------------------------------------------------------|
| 1 | - | User interface control panel housing (XE) (P/O PL 2.10 Item 17) |
| - | - | User interface control panel housing (USSG/XCL) (P/O PL 2.10 Item 17) |
| 2 | 960K66480 | User interface control PWB (REP 2.3) |
| 3 | 123K08481 | User interface touch screen (REP 2.2) |
| 4 | 960K52290 | User interface status PWB |
| 5 | - | French/Canadian overlay label (P/O PL 31.11 Item 8) |
| 6 | - | Retainer touch screen (Not spared) |
| 7 | 952K00890 | User interface harness (PJ19 to PJ905, PJ223 to PJ900) |
| 8 | - | UI harness cover (Not spared) |
| 9 | 962K76550 | User interface control PWB to user interface status PWB harness (PJ907 to PJ908) |
| 10 | 848E40401 | UI inlay |
| 11 | 962K76560 | LCD to PWB harness |
| 12 | - | Harness clip (Not spared) |
| 13 | - | User interface harness clip (P/O PL 31.10 Item 12) |
| 14 | - | Numeric keys (P/O PL 2.10 Item 17) |
| 15 | - | Service keys (P/O PL 2.10 Item 17) |
| 16 | - | Not used |
| 17 | 848K31214 | UI assembly (XE) (REP 2.1) |
| - | 848K31224 | UI assembly (USSG/XCL) (REP 2.1) |



U-8-0038-A

PL 3.11 Image Processing Module

| Item | Part | Description |
|------|-----------|--------------------------------------------------------------|
| 1 | 960K66422 | Power distribution PWB |
| 2 | 121E27531 | Hard disk drive (REP 3.8) |
| 3 | 960K66471 | Hard disk drive/Single board controller PWB harness (PJ222) |
| 4 | 960K66440 | System memory PWB (DDR2 1GB) (PJ10) |
| 5 | 127K68672 | Chassis fan assembly |
| 6 | - | Inner fan duct (P/O PL 3.11 Item 5) |
| 7 | - | Fax connector PWB ribbon cable (PJ49) (Not spared) |
| 8 | - | Heatsink assembly (Not spared) |
| 9 | - | Hard disk drive damper kit (P/O PL 3.11 Item 15) |
| 10 | - | PDB to SBC harness (PJ17) (Not spared) |
| 11 | - | PWB Cover (Not spared) |
| 12 | - | Hard disk drive power harness (PJ3)(P/O PL 3.11 Item 15) |
| 13 | 960K66412 | Single board controller PWB (REP 3.7) |
| 14 | 960K27451 | Foreign device interface PWB |
| 15 | - | Single board controller PWB module (Not spared) |
| 16 | 012E21850 | SBC drawer service loop harness (PJ1, PJ13, PJ5, PJ8, PJ223) |
| 17 | 960K66433 | NVM module PWB (REP 3.9) |
| 18 | 105K36240 | Battery |
| 19 | - | Shoulder screw (P/O PL 3.11 Item 9) |
| 20 | - | Grommet (P/O PL 3.11 Item 9) |
| 21 | 960K66450 | EPC memory PWB (DDR 1GB) (U98) |
| 22 | - | Product enablement key (SIM) (P/O PL 31.12 Item 2) |
| 23 | 952K00240 | Foreign device interface harness (PJ16) |
| 24 | - | Harness guide plate (Not spared) |

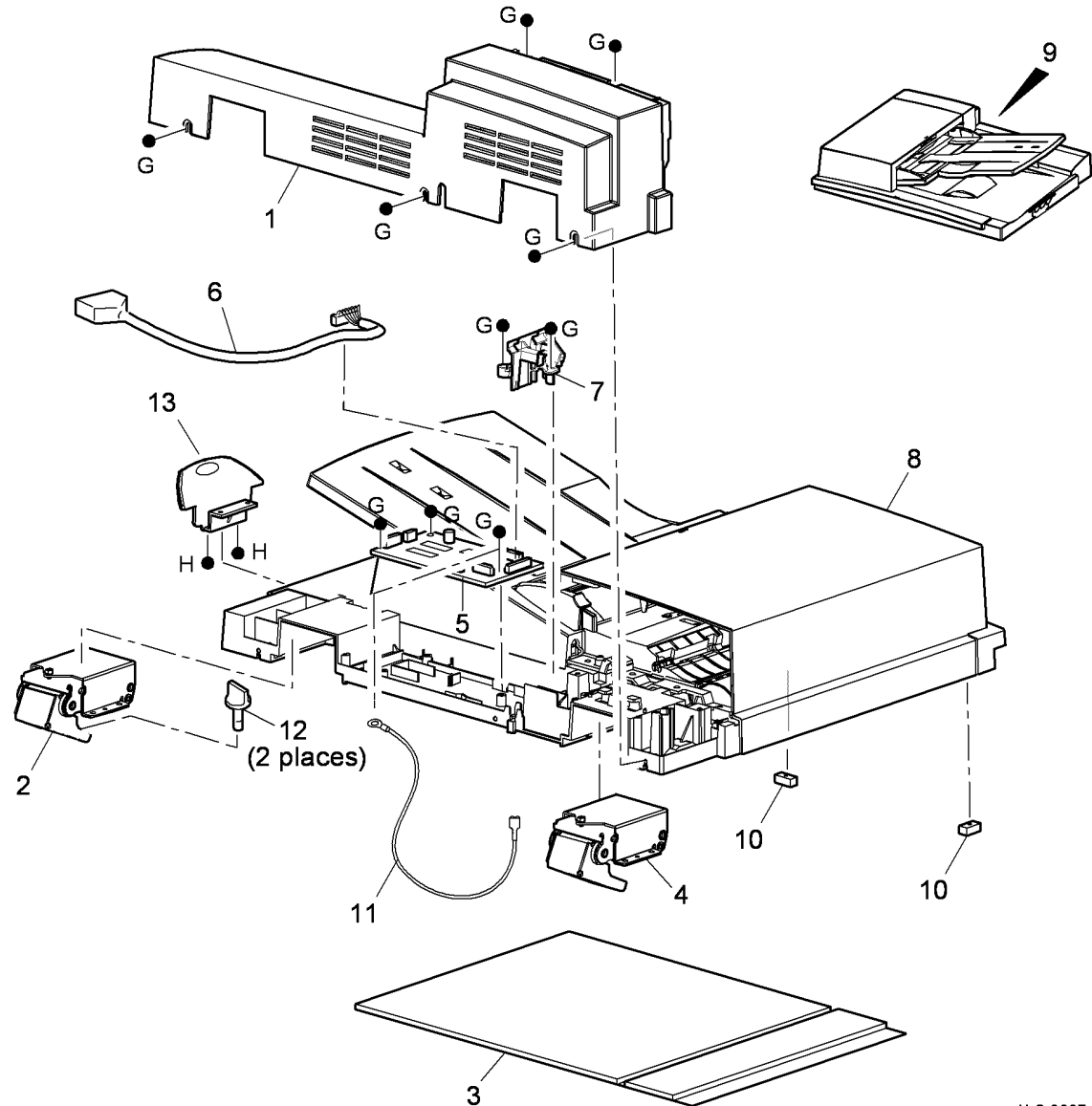


U-8-0128-A

PL 5.10 DADH (Complete), Covers, DADH PWB

| Item | Part | Description |
|------|-----------|---------------------------------------------------|
| 1 | 802E19352 | Rear cover |
| 2 | 036K01701 | Right counterbalance (REP 5.12, ADJ 5.2, ADJ 5.5) |
| 3 | 019K13350 | Document pad (ADJ 5.6) |
| 4 | 036K01630 | Left counterbalance (REP 5.12, ADJ 5.2, ADJ 5.5) |
| 5 | 960K51762 | DADH PWB |
| 6 | 962K62932 | Communication/power cable (PJ188, PJ851) |
| 7 | - | Harness support (P/O PL 5.10 Item 9) |
| 8 | - | Top cover (REF: PL 5.20 Item 15) |
| 9 | 084K36765 | DADH (complete) (REP 5.19, ADJ 5.2, ADJ 5.5) |
| 10 | 121E17510 | DADH Platen down sensor magnet (See NOTE) |
| 11 | - | DADH ground harness (P/O PL 5.10 Item 9) |
| 12 | - | Thumbscrew (Not spared) |
| 13 | 017E11300 | End stop |

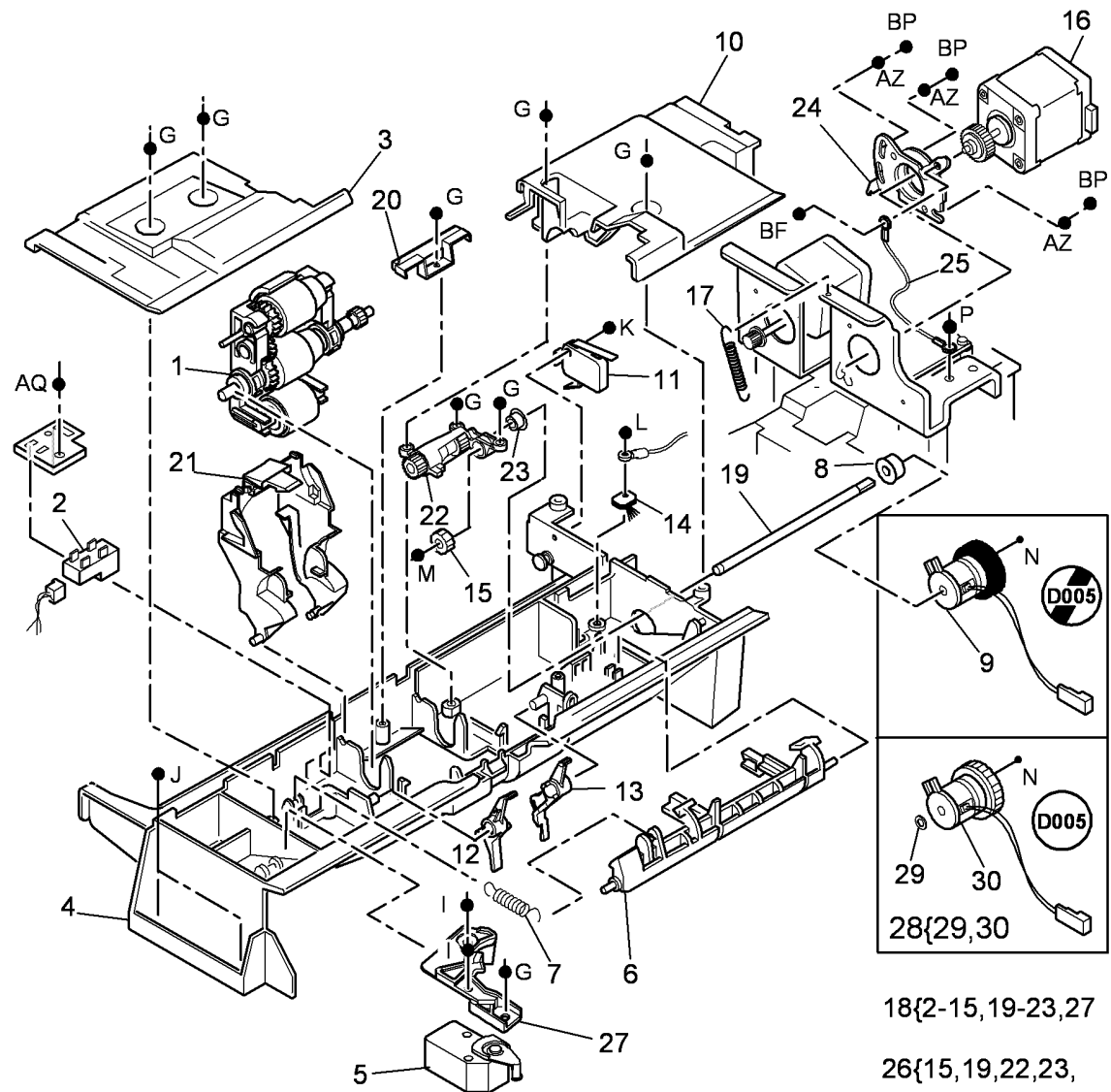
NOTE: To clean the DADH, refer to ADJ 5.4. For the platen down sensor (Q62-019) refer to PL 62.16 Item 5.



U-8-0007-A

PL 5.15 Feed Assembly

| Item | Part | Description |
|------|-----------|-----------------------------------------------------------|
| 1 | 113R00718 | Feed roll assembly (REP 5.14) (See NOTE 2) |
| 2 | 130E11200 | DADH feed sensor (Q05-204) |
| 3 | - | Front cover (P/O PL 5.15 Item 18) |
| 4 | - | Feed housing (P/O PL 5.15 Item 18) |
| 5 | - | Nudger Motor (MOT05-098) (P/O PL 5.15 Item 18) |
| 6 | - | Feed yoke (P/O PL 5.15 Item 18) |
| 7 | - | Spring (P/O PL 5.15 Item 18) |
| 8 | - | Bearing (P/O PL 5.15 Item 18) |
| 9 | - | DADH feed clutch (CL05-062) (W/O TAG D-005) (Not spared) |
| 10 | - | Rear cover (P/O PL 5.15 Item 18) |
| 11 | 110E13480 | DADH cover interlock switch (S05-212) |
| 12 | - | Front feed gate (P/O PL 5.15 Item 18) |
| 13 | - | Rear feed gate (P/O PL 5.15 Item 18) |
| 14 | 125E00430 | Static eliminator |
| 15 | - | Gear (P/O PL 5.15 Item 26) |
| 16 | 127K53770 | DADH feed motor (MOT05-074) (ADJ 5.1) |
| 17 | - | Feed motor tension spring (red) (P/O PL 5.10 Item 9) |
| 18 | - | Feed assembly (complete) (P/O PL 31.10 Item 15) (REP 5.3) |
| 19 | - | Shaft (P/O PL 5.15 Item 26) |
| 20 | - | Bracket (P/O PL 5.15 Item 18) |
| 21 | 802E87730 | Feed roll assembly cover |
| 22 | - | Intermediate feed bearing (P/O PL 5.15 Item 26) |
| 23 | - | Bearing (P/O PL 5.15 Item 26) |
| 24 | 004E22560 | Feed motor bracket |
| 25 | - | Ground harness (P/O PL 5.15 Item 18) |
| 26 | - | DADH feed bearing kit (REF: PL 31.11 Item 4) |
| 27 | - | Motor bracket (P/O PL 5.15 Item 18) |
| 28 | 604K61440 | Feed clutch and spacer kit (W/TAG D-005) |
| 29 | - | Spacer (P/O PL 5.15 Item 28) (W/TAG D-005) |
| 30 | - | Feed clutch (P/O PL 5.15 Item 28) (W/TAG D-005) |



18{2-15,19-23,27

26{15,19,22,23,

U-8-0008-A

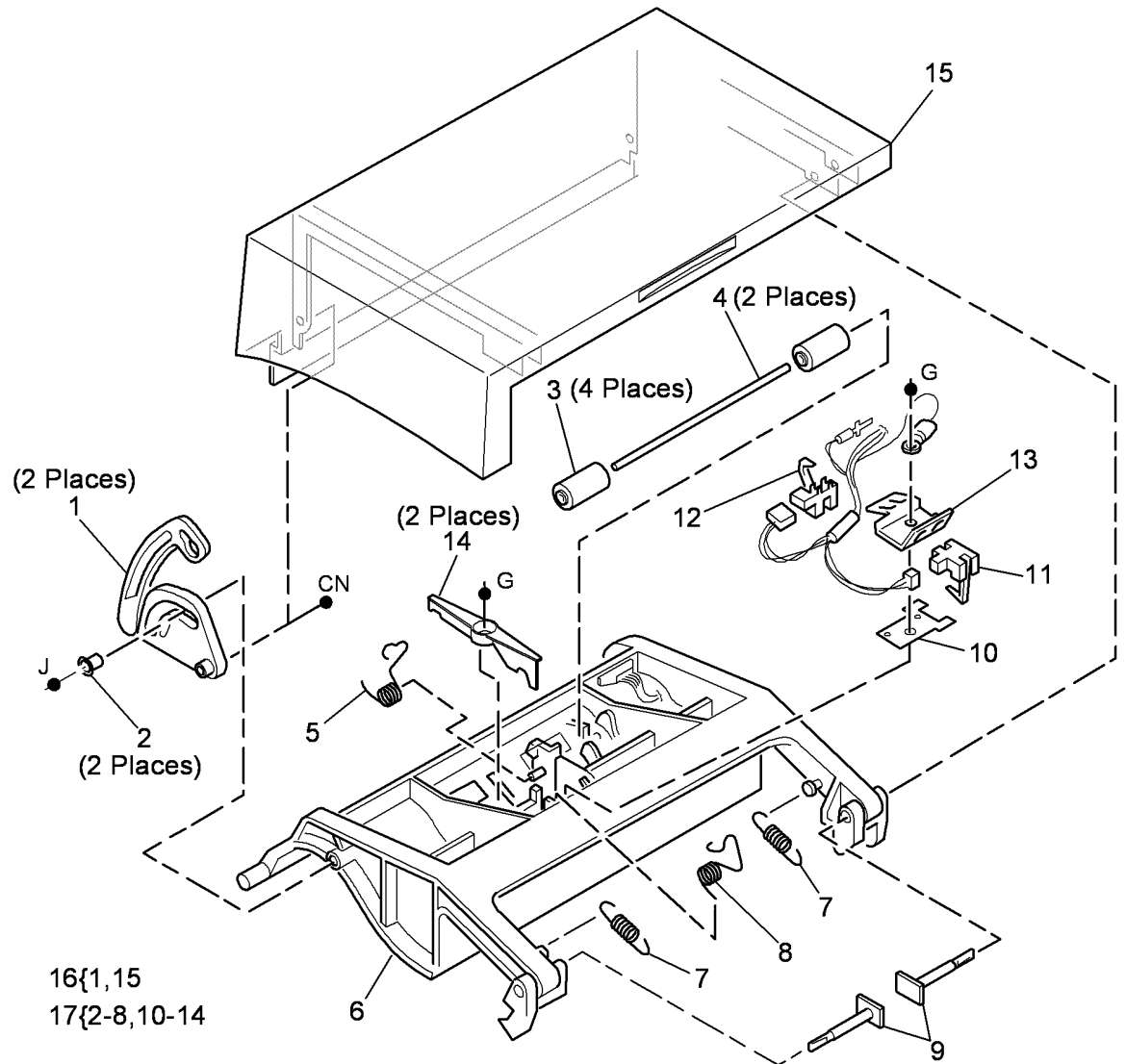
NOTE: 1: For the feed motor drive belt, refer to PL 5.35 Item 5.

NOTE: 2: To reset the count, go to dC135.

PL 5.20 Top Cover Assembly

| Item | Part | Description |
|------|-----------|-----------------------------------------------|
| 1 | - | Hinge (P/O PL 5.20 Item 16) |
| 2 | - | Bushing (P/O PL 5.20 Item 16) |
| 3 | 022E25061 | CVT/Takeaway idler |
| 4 | 806E19680 | Shaft |
| 5 | - | Torsion spring (green) (P/O PL 5.20 Item 17) |
| 6 | 038E22914 | Base |
| 7 | - | Spring (P/O PL 5.20 Item 17) |
| 8 | - | Torsion spring (silver) (P/O PL 5.20 Item 17) |
| 9 | 029E37810 | Latch pin |
| 10 | - | Spring plate (P/O PL 5.20 Item 17) |
| 11 | 130K73960 | DADH TAR sensor (Q05-096) (REP 5.8) |
| 12 | 130K73970 | DADH CVT Sensor (Q05-097) (REP 5.8) |
| 13 | - | Sensor support (P/O PL 5.20 Item 17) |
| 14 | - | Shaft securing bracket (P/O PL 5.20 Item 17) |
| 15 | 802K62453 | Top cover |
| 16 | 802K93770 | Top cover assembly (REP 5.1) |
| 17 | 055K37570 | Top access cover assembly (REP 5.2) |

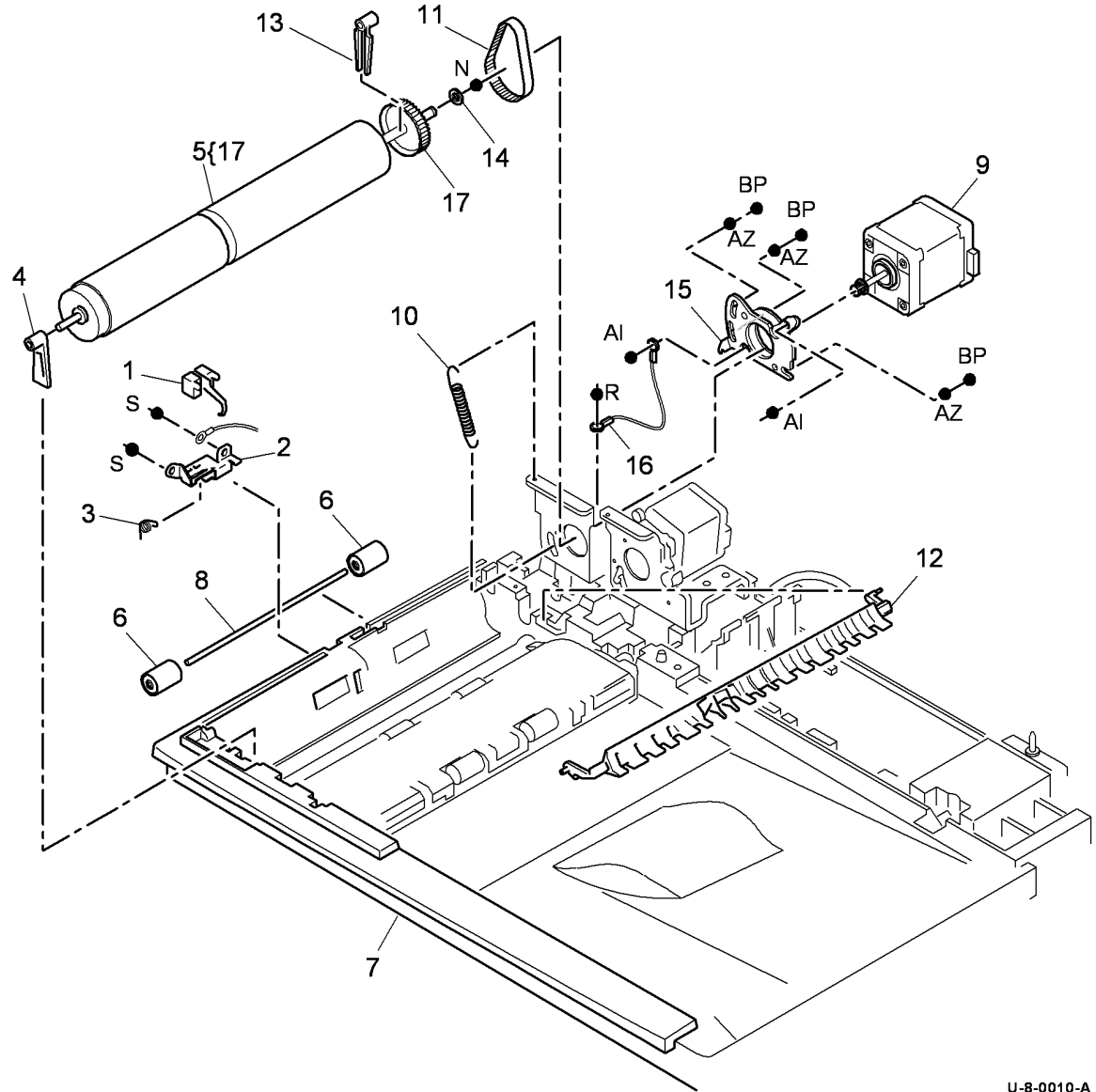
NOTE: For the top cover interlock switch (S05-212), refer to PL 5.15 Item 11.



U-8-0009-A

PL 5.25 CVT

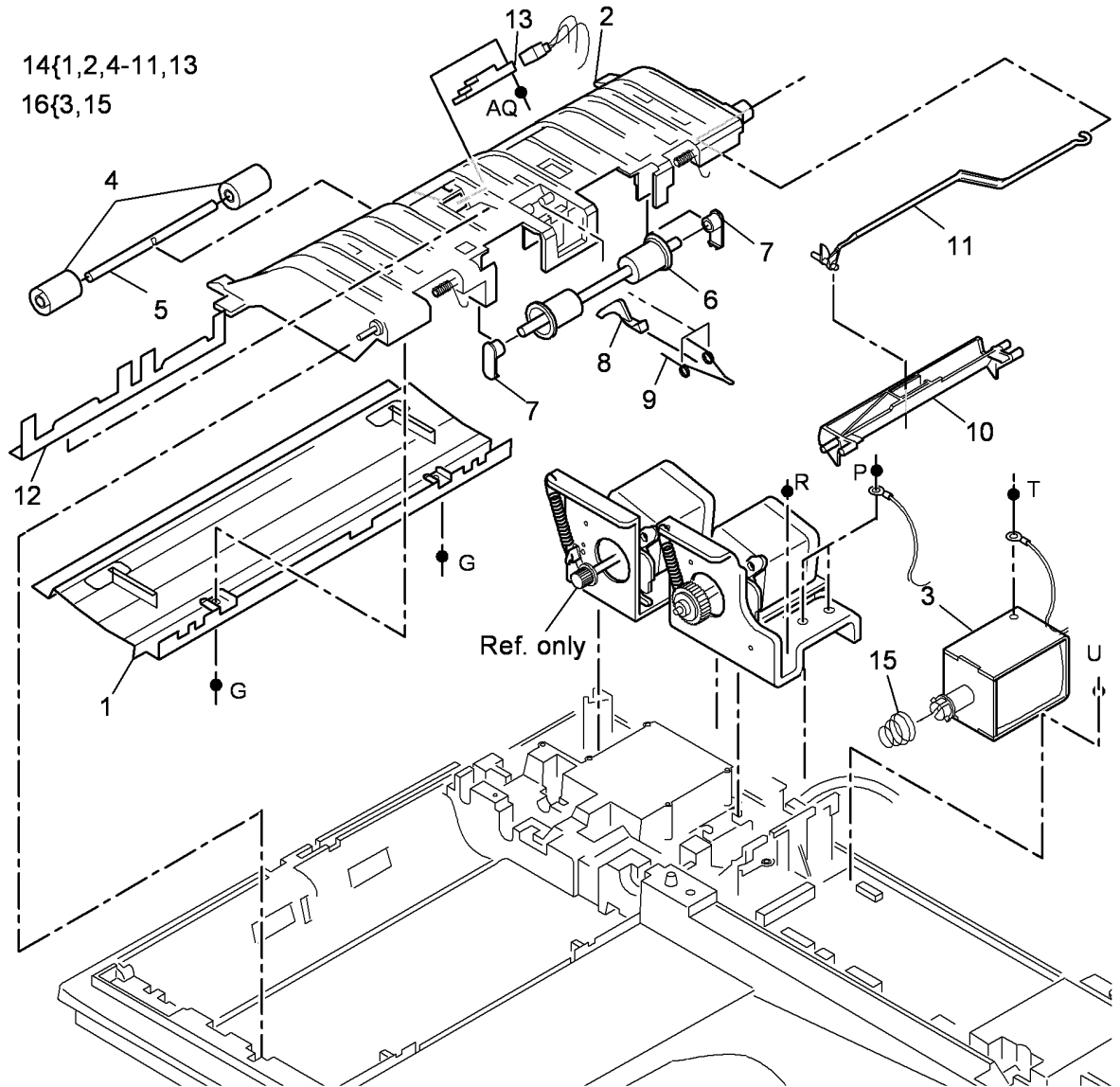
| Item | Part | Description |
|------|-----------|--------------------------------------------------------|
| 1 | 130K73980 | DADH pre registration sensor (Q05-206) (REP 5.10) |
| 2 | - | Sensor support (P/O PL 5.10 Item 9) |
| 3 | - | Torsion spring (P/O PL 5.10 Item 9) |
| 4 | 013E21103 | Front CVT roll bearing |
| 5 | - | CVT Roll (P/O PL 31.10 Item 11) (REP 5.15) |
| 6 | 022E25061 | Pre-scan idler |
| 7 | - | Base (P/O PL 5.10 Item 9) |
| 8 | - | Shaft (Not spared) |
| 9 | 127K53780 | DADH CVT Motor (MOT05-099) (ADJ 5.1) |
| 10 | - | CVT Motor tension spring (silver) (P/O PL 5.10 Item 9) |
| 11 | 023E25420 | CVT Motor drive belt (195T) (REP 5.15, ADJ 5.1) |
| 12 | 050E14972 | Duplex gate (REP 5.15) |
| 13 | 013E21094 | Rear CVT roll bearing |
| 14 | - | Spacer (white) (P/O PL 5.10 Item 9) |
| 15 | 004E22560 | CVT Motor bracket |
| 16 | - | Ground harness (Not spared) |
| 17 | - | CVT roll pulley (P/O PL 5.25 Item 5) |



U-8-0010-A

PL 5.30 Baffle Assembly

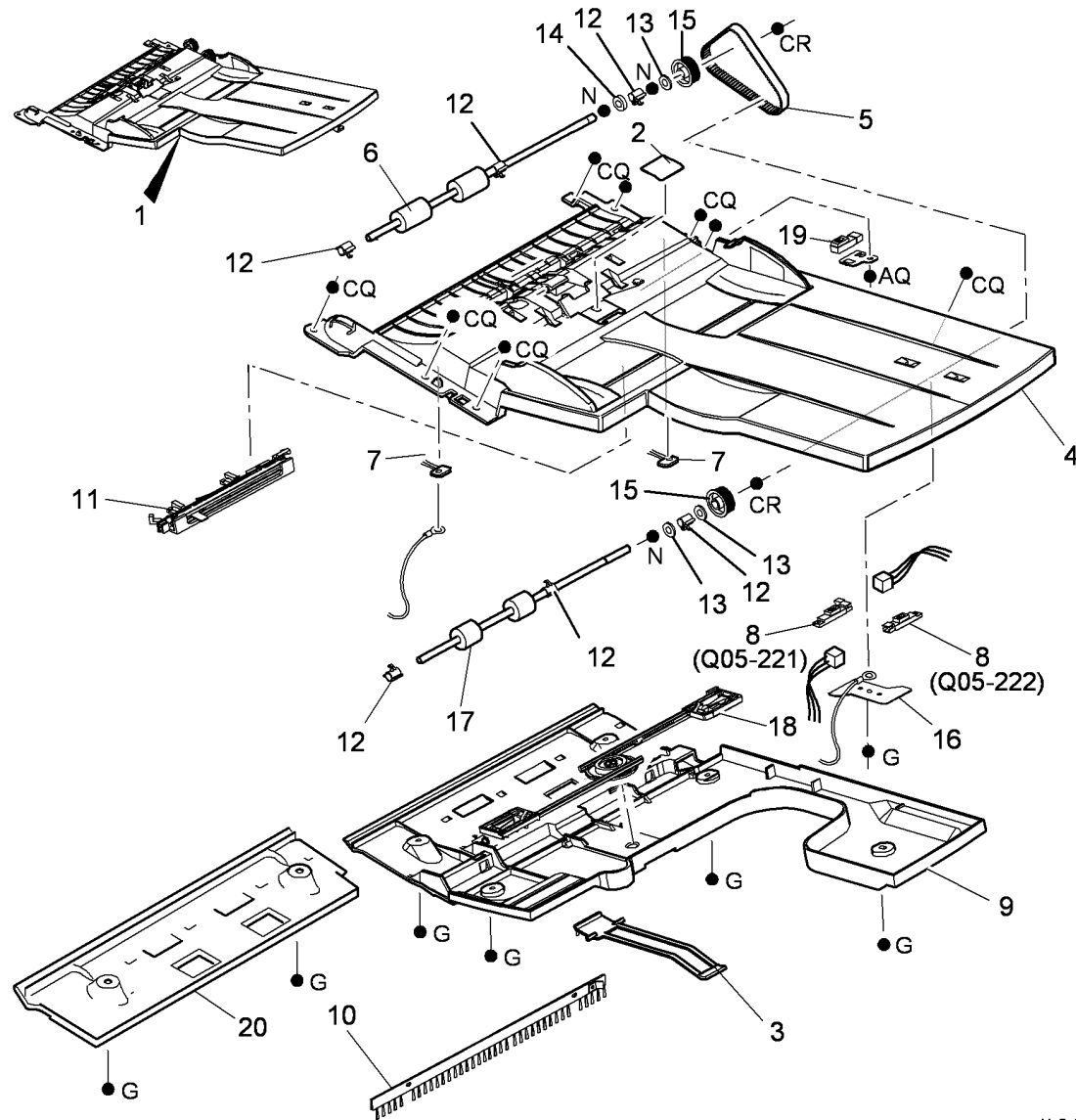
| Item | Part | Description |
|------|-----------|-----------------------------------------------------|
| 1 | – | Lower cover (P/O PL 5.30 Item 14) |
| 2 | 038E34361 | Lower baffle |
| 3 | 121E20060 | DADH Duplex solenoid (SOL05-100) (REP 5.7) |
| 4 | 022E25061 | Post scan idlers |
| 5 | – | Shaft (P/O PL 5.30 Item 14) |
| 6 | 059K43910 | Exit roll idlers (REP 5.18) |
| 7 | – | Bearing (P/O PL 5.30 Item 14) |
| 8 | – | Document finger (P/O PL 5.30 Item 14) |
| 9 | – | Torsion spring (P/O PL 5.30 Item 14) |
| 10 | – | Lift bar (P/O PL 5.30 Item 14) |
| 11 | – | Link arm (P/O PL 5.30 Item 14) |
| 12 | – | Mylar guide strip (P/O PL 31.11 Item 14) (REP 5.20) |
| 13 | 130E11500 | DADH exit sensor (Q05-209) (REP 5.11) |
| 14 | 055K37583 | Lower baffle assembly (REP 5.5) |
| 15 | – | Solenoid spring (P/O PL 5.30 Item 16) |
| 16 | 121K44520 | DADH Duplex solenoid assembly |



PL 5.35 Input Tray Assembly

| Item | Part | Description |
|------|-----------|-------------------------------------------------------------------------------------------------|
| 1 | 050K67464 | Input tray assembly (complete) (REP 5.4) |
| 2 | 004K00971 | Pad |
| 3 | 031E11310 | Restack arm |
| 4 | 050E22922 | Input tray |
| 5 | 023E31190 | Feed Motor Drive Belt (86T) (ADJ 5.1) |
| 6 | 059K50920 | Exit roll assembly (REP 5.13) |
| 7 | 125E00430 | Static eliminator (small) (REP 5.17) |
| 8 | 130E18340 | DADH Tray size sensor 1 (Q05- 221)/DADH Tray size sensor 2 (Q05-222) (See NOTE) (REP 5.9) |
| 9 | - | Lower cover (right) (P/O PL 5.35 Item 1) |
| 10 | 115K02540 | Static eliminator (large) |
| 11 | 103K01511 | DADH width sensor (Potentiometer) (Q05-095) (REP 5.16) |
| 12 | - | Bearing (P/O PL 5.35 Item 1) |
| 13 | 014E61020 | Spacer (black) |
| 14 | - | Nylon washer (P/O PL 5.35 Item 1) |
| 15 | - | Pulley (P/O PL 5.35 Item 1) |
| 16 | - | Sensor bracket (P/O PL 5.35 Item 1) |
| 17 | 059K43920 | Takeaway roll assembly (REP 5.6) |
| 18 | - | Input guide rack assembly (P/O PL 5.35 Item 1) |
| 19 | 130E11200 | DADH Document sensor (Q05-102) |
| 20 | - | Lower cover (left) (P/O PL 5.35 Item 1) |

NOTE: This item is also supplied as a pair as a kit PL 31.11 Item 17.

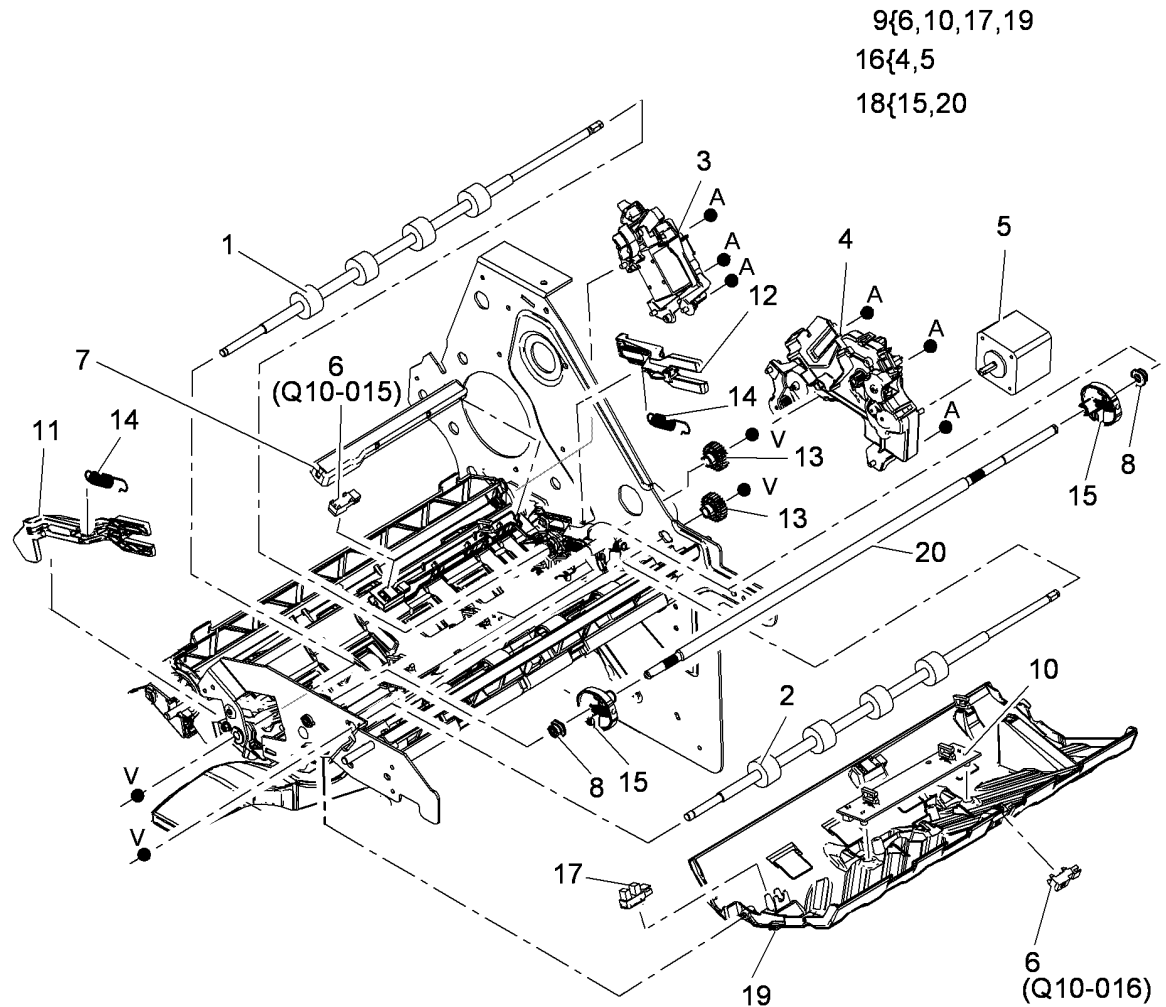


U-8-0012-A

PL 10.10 Stripper System (1 of 2)

| Item | Part | Description |
|------|-----------|------------------------------------------------------------------------|
| 1 | 059E10700 | Roller drive 'J' (REP 10.10) |
| 2 | 059E10890 | Roller drive 'L' (REP 10.11) |
| 3 | 121K50591 | Stripper solenoid assembly (SOL10-021) (REP 10.9) |
| 4 | – | Gearbox (P/O PL 10.10 Item 16) (REP 10.8) |
| 5 | – | Post transfix motor (M4) (MOT10-018) (P/O PL 10.10 Item 16) (REP 10.8) |
| 6 | 130E12950 | Post transfix sensor (11) (Q10-015)/Pre exit sensor (12) (Q10-016) |
| 7 | – | Sensor cover (Not spared) |
| 8 | – | Bushing roller (Not spared) |
| 9 | 055K43331 | Upper baffle assembly (See NOTE) (REP 10.22) |
| 10 | – | Stripper jam clearance LED assembly (P/O PL 10.10 Item 9) |
| 11 | 803E13460 | Front latchfork |
| 12 | 803E13451 | Back latchfork |
| 13 | 807E29000 | Gear drive (25T Symetric) |
| 14 | 809E34520 | Return spring |
| 15 | – | Stripper latch cam (P/O PL 10.10 Item 18) |
| 16 | 007K19810 | Motor drive and gearbox assembly (REP 10.8) |
| 17 | 130E12940 | Stripper latch sensor (Q10-014) |
| 18 | 006K32500 | Stripper guide latch cam shaft assembly (REP 10.23) |
| 19 | – | Upper baffle (P/O PL 10.10 Item 9) |
| 20 | – | Camshaft (P/O PL 10.10 Item 18) |

NOTE: HFSI. This component must be cleaned at regular intervals, refer to SCP 4 subsystem maintenance. To reset the HFSI count, go to dC135.



9{6,10,17,19

16{4,5

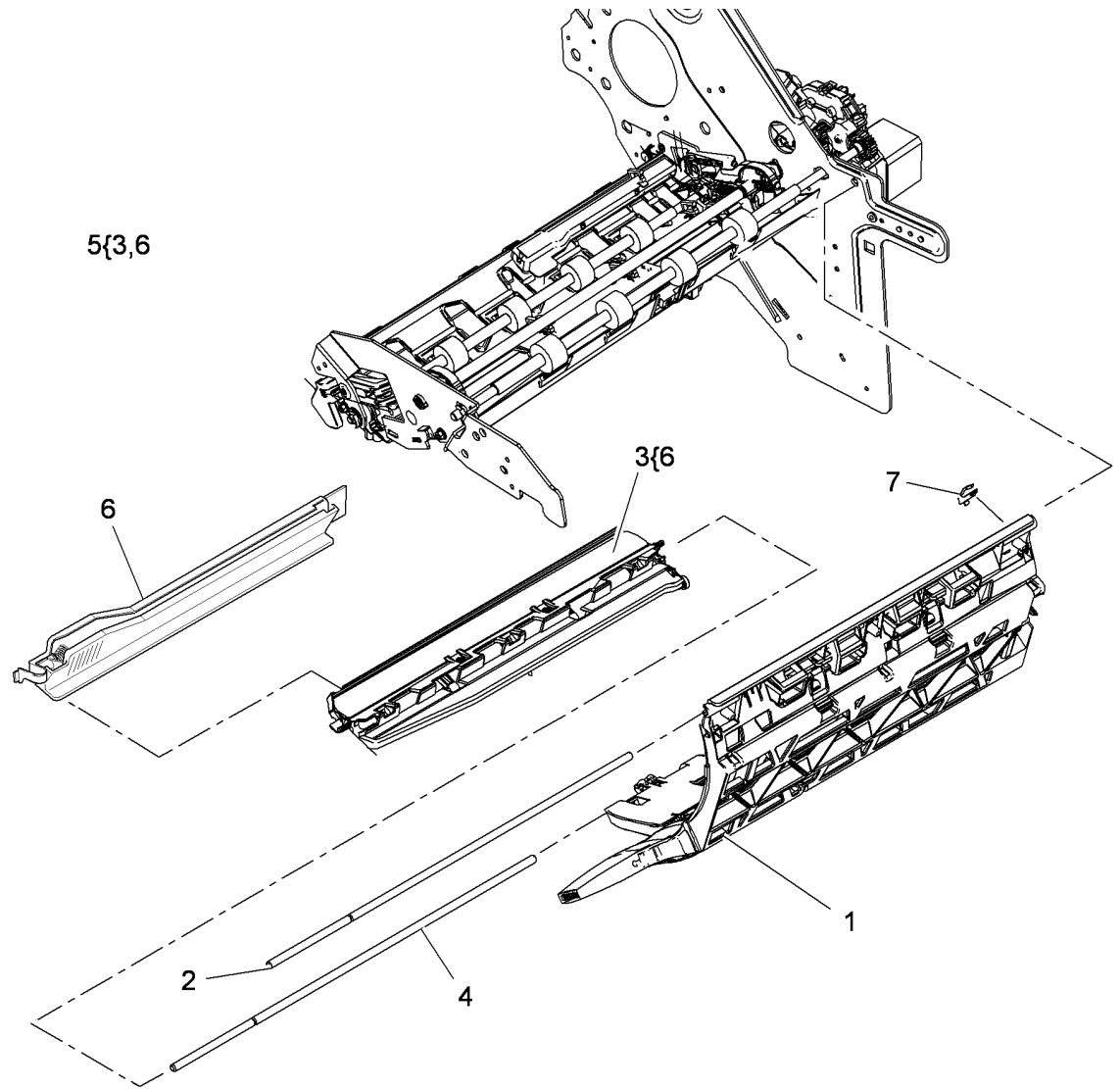
18{15,20

U-8-0064-A

PL 10.12 Stripper System (2 of 2)

| Item | Part | Description |
|------|-----------|----------------------------------------------------------------------|
| 1 | 055K43271 | Stripper gate and baffle assembly (REP 10.21) |
| 2 | – | Gate and baffle shaft (Not spared) |
| 3 | – | Stripper blade assembly (P/O PL 10.12 Item 5) (See NOTE) (REP 10.21) |
| 4 | – | Stripper shaft (Not spared) |
| 5 | 604K73430 | Stripper blade kit |
| 6 | – | Stripper blade retaining tool (P/O PL 10.12 Item 5) |
| 7 | – | Grounding strip (Not spared) |

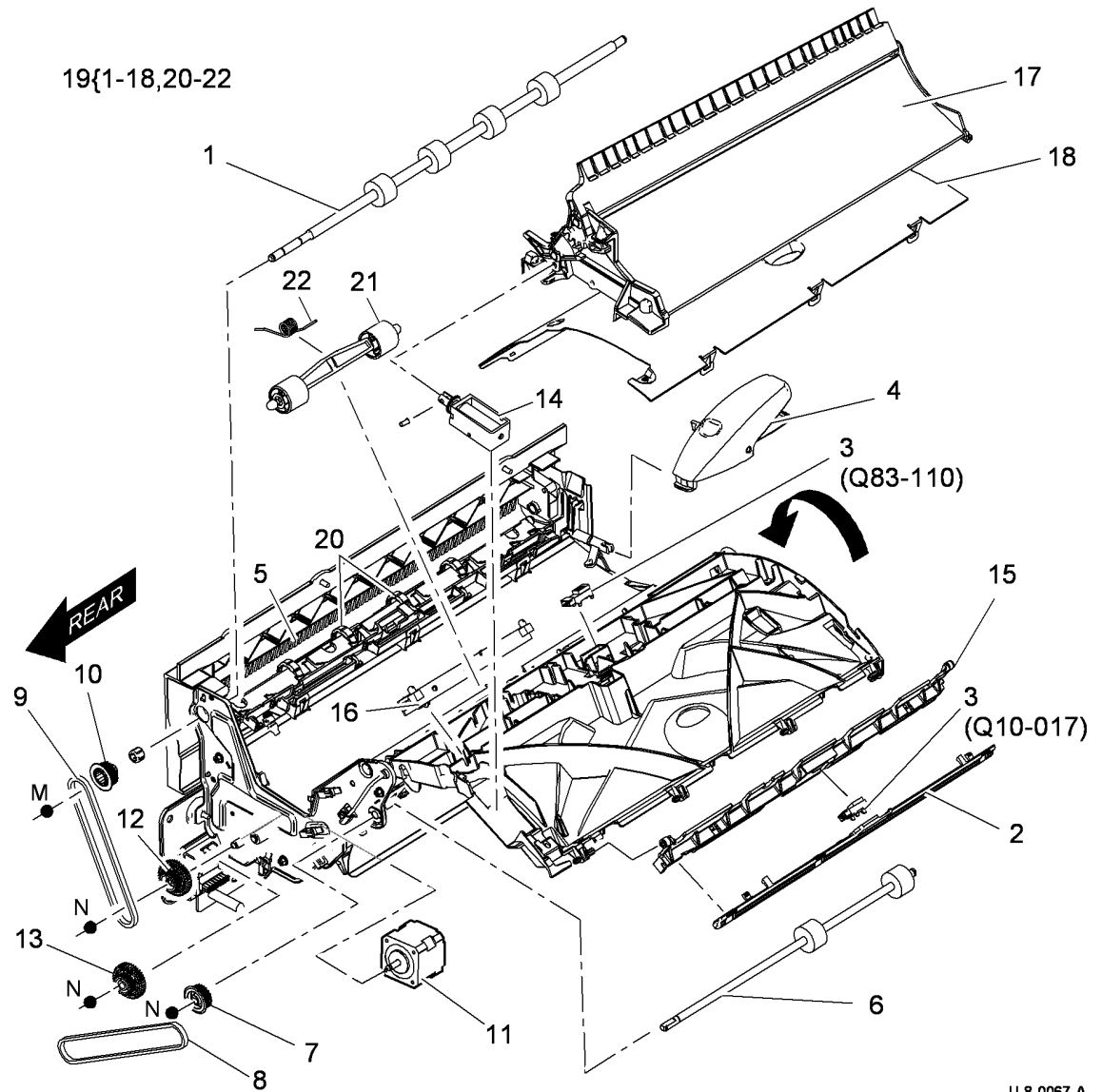
NOTE: Supplied with a stripper retaining tool, PL 10.12 Item 6.



U-8-0114-A

PL 10.15 Exit Paper Path

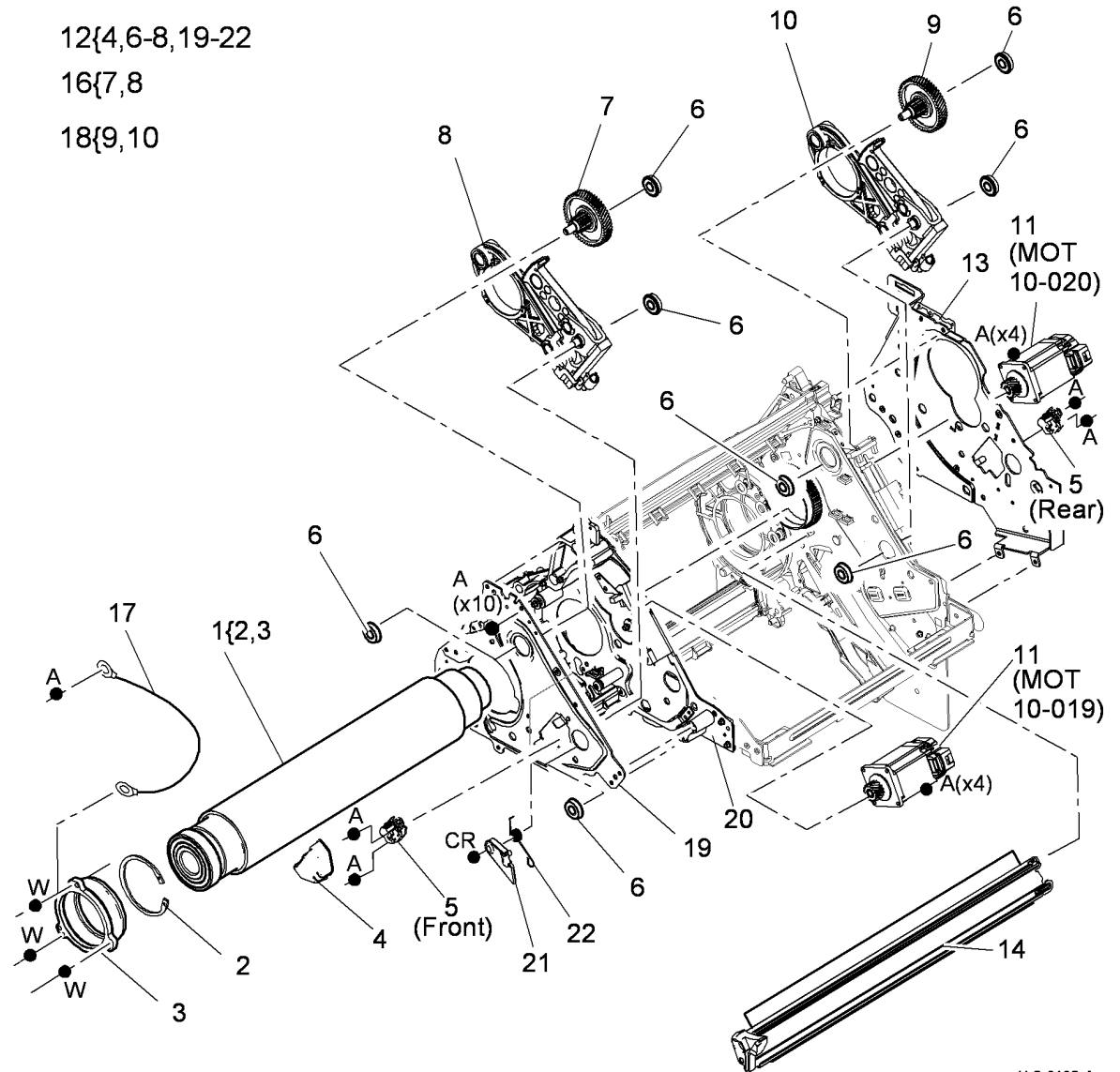
| Item | Part | Description |
|------|-----------|-----------------------------------------------------------------------------------|
| 1 | 059E10720 | Roller nip 'N' (REP 10.18) |
| 2 | - | Sensor cover (Not spared) |
| 3 | 130E12950 | Exit sensor (15)(Q10-017)(REP 10.16)/Duplex start sensor (13)(Q83-110)(REP 10.15) |
| 4 | - | Handle (Not spared) |
| 5 | - | Static brush (P/O PL 10.15 Item 19) |
| 6 | 059E10730 | Roller nip 'P' (REP 10.17) |
| 7 | 020K20480 | Pulley 3mm (driven) |
| 8 | 023E31390 | Belt 3mm (112T) |
| 9 | 023E31400 | Belt 3mm (92T) |
| 10 | 020K20460 | Pulley 3mm (21T one way) |
| 11 | 127E16370 | Exit Motor (M5) (MOT83-001) (REP 10.14) |
| 12 | 807E28980 | Driven compound gear |
| 13 | 807E28990 | Idler compound gear |
| 14 | 121E26500 | Exit/duplex solenoid (SOL83-006) (REP 10.12) |
| 15 | - | Upper exit guide (P/O PL 10.15 Item 19) |
| 16 | - | Exit illuminator PWB (P/O PL 10.15 Item 19) (REP 10.19) |
| 17 | - | Diverter gate assembly (P/O PL 10.15 Item 19) (REP 10.13) |
| 18 | - | Top exit baffle (P/O PL 10.15 Item 19) |
| 19 | 038K23770 | Exit paper path assembly (REP 10.20) |
| 20 | - | Upper exit idler (P/O PL 10.15 Item 19) |
| 21 | - | Upper baffle idler (P/O PL 10.15 Item 19) |
| 22 | - | Upper baffle idler spring (P/O PL 10.15 Item 19) |



U-8-0067-A

PL 10.20 Transfix Roller Assembly

| Item | Part | Description |
|------|-----------|-----------------------------------------------------------------------------------------|
| 1 | 059K78250 | Transfix roller (REP 10.1) |
| 2 | - | Bearing retainer (P/O PL 10.20 Item 1) |
| 3 | - | Transfix bearing carrier (P/O PL 10.20 Item 1) |
| 4 | 848E34280 | Transfix encoder cover |
| 5 | 146K01011 | Front transfix flexure encoder/Rear transfix flexure encoder (REP 10.24) |
| 6 | - | Bearing (P/O PL 10.20 Item 12) |
| 7 | - | Front compound gear (P/O PL 10.20 Item 16) |
| 8 | - | Front transfix linkage assembly (P/O PL 10.20 Item 16) (REP 10.2) |
| 9 | - | Rear compound gear (P/O PL 10.20 Item 18) (REP 10.3) |
| 10 | - | Rear transfix linkage assembly (P/O PL 10.20 Item 18) (REP 10.3) |
| 11 | 127K62320 | Front transfix motor (MOT10-019) (REP 10.4), Rear transfix motor (MOT10-020) (REP 10.5) |
| 12 | 801K37690 | Front drum frame assembly (REP 10.2) |
| 13 | 801K37940 | Rear outer frame (REP 10.3) |
| 14 | 041K06800 | Transfix stripper assembly (See NOTE) (REP 10.6) |
| 15 | - | Not used |
| 16 | - | Front transfix linkage and gear kit (REF: PL 31.11 Item 21) (REP 10.2) |
| 17 | 117E35760 | Transfix bearing ground cable |
| 18 | - | Rear transfix linkage and gear kit (REF: PL 31.11 Item 22) (REP 10.3) |
| 19 | - | Front outer frame (P/O PL 10.20 Item 12) |
| 20 | - | Front inner frame (P/O PL 10.20 Item 12) |
| 21 | - | Latch (P/O PL 10.20 Item 12) |
| 22 | - | Spring (Not spared) |

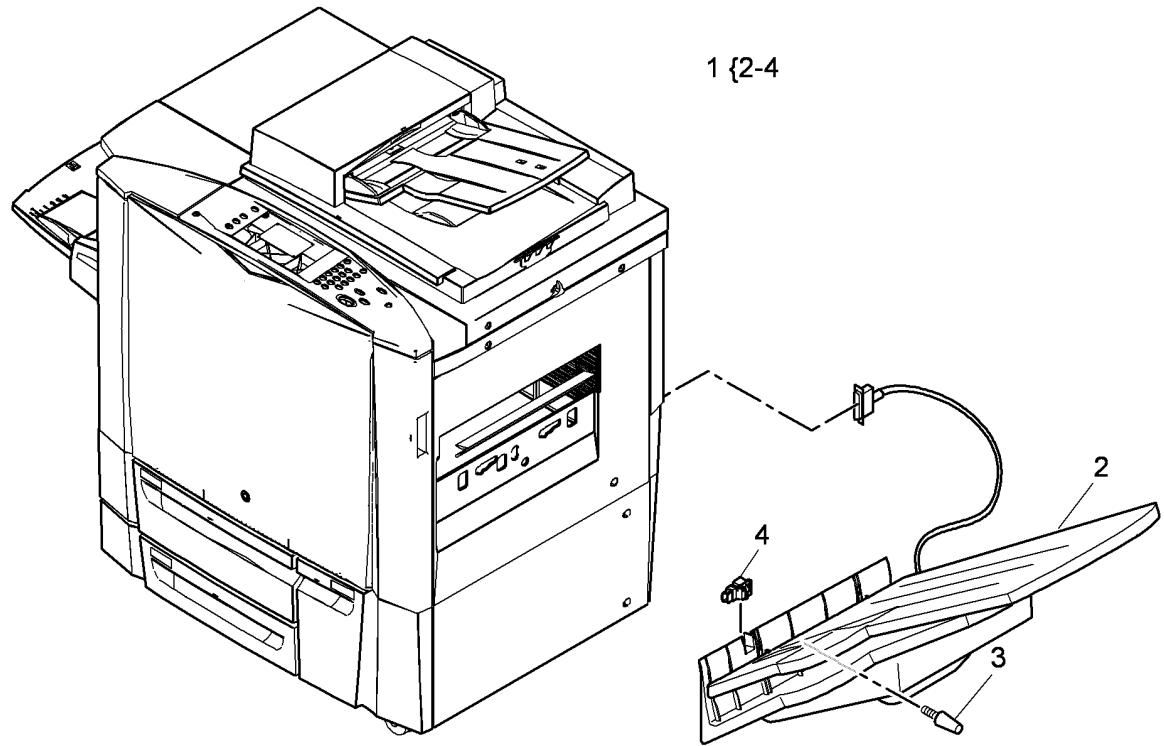


NOTE: To reset the HFSI count go to dC135.

U-8-0108-A

PL 12.00 OCT

| Item | Part | Description |
|------|-----------|-----------------------------------------------------|
| 1 | - | OCT (complete) (P/O PL 31.11 Item 1) |
| 2 | - | Tray (P/O PL 12.00 Item 1) |
| 3 | 826E32840 | Thumbscrew |
| 4 | - | OCT 90% full sensor (Q12-211) (P/O PL 12.00 Item 1) |

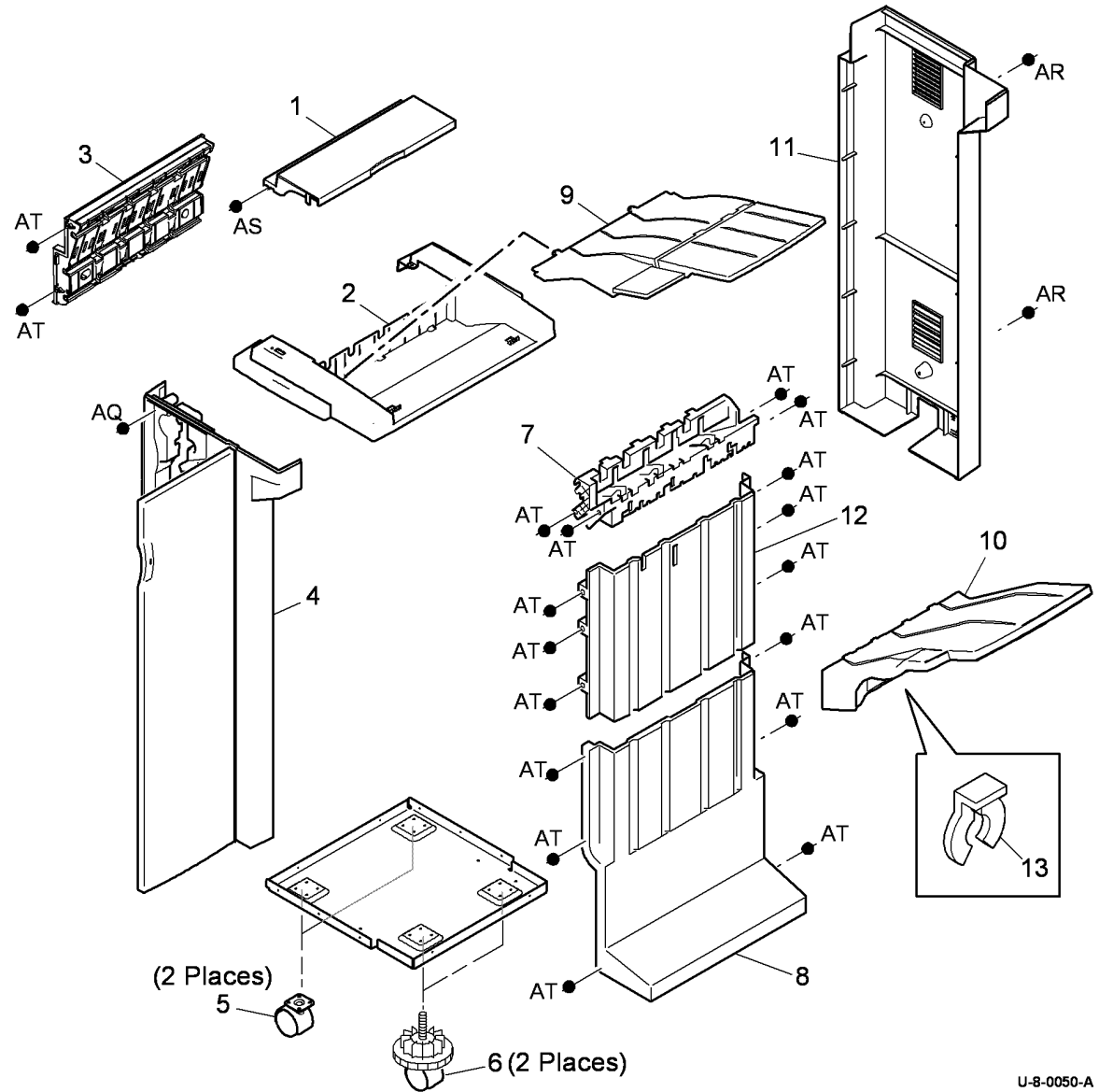


U-8-0040-A

PL 12.10 LCSS Covers

| Item | Part | Description |
|------|-----------|----------------------------------------------------------------|
| 1 | 802K31380 | Exit cover |
| 2 | 848K31340 | Top cover (REP 12.1-110) |
| 3 | - | Entry guide cover (REF: PL 12.70 Item 5) (REP 12.15-110) |
| 4 | - | Front door cover assembly (P/O PL 31.11 Item 2) (REP 12.1-110) |
| 5 | 017K03750 | Fixed caster |
| 6 | 017K04520 | Adjustable caster |
| 7 | - | Output cover (Not spared) |
| 8 | 802K48320 | Lower right hand cover |
| 9 | 050K67380 | Bin 0 |
| 10 | 050K68490 | Bin 1 (ADJ 12.1-110) |
| 11 | 848K31320 | Rear cover assembly (REP 12.1-110) |
| 12 | - | Upper right hand cover (Not spared) |
| 13 | 019K13380 | Bin 1 alignment clip |

NOTE: Refer to ADJ 12.2-110 to align the LCSS to the machine.

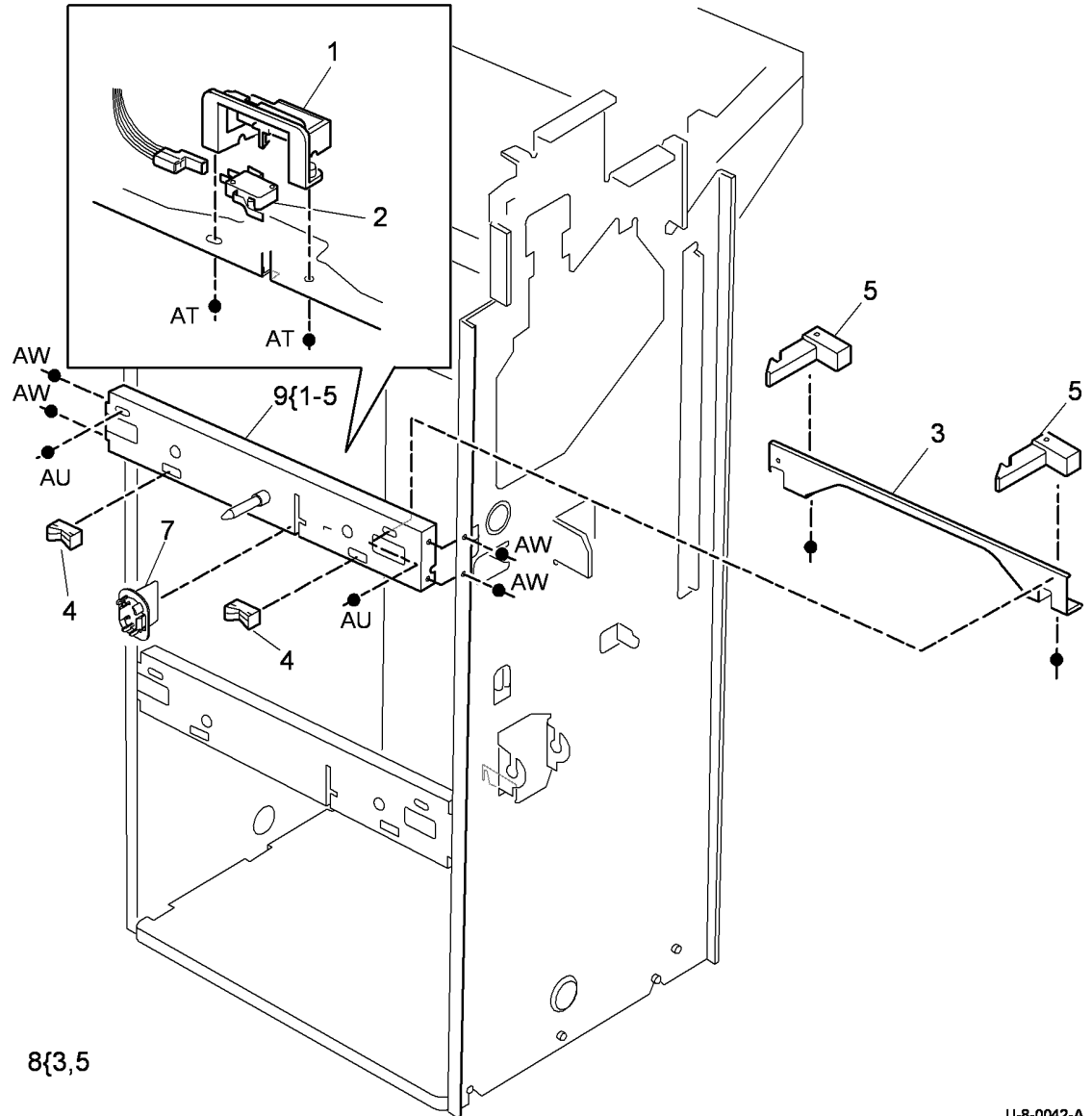


U-8-0050-A

PL 12.15 LCSS Docking Latch

| Item | Part | Description |
|------|-----------|---------------------------------------------------|
| 1 | - | Sensor cover (P/O PL 12.15 Item 9) |
| 2 | 110K13980 | Docking interlock (S12-177) (See NOTE) |
| 3 | - | Link bracket assembly (P/O PL 12.15 Item 8) |
| 4 | - | Stopper (P/O PL 12.15 Item 9) |
| 5 | - | Docking latch (P/O PL 12.15 Item 8) |
| 6 | - | Not used |
| 7 | 120K03450 | Docking actuator (See NOTE) |
| 8 | 003K20930 | Docking latch assembly (See NOTE) (REP 12.16-110) |
| 9 | 003K20940 | Mounting stay assembly |

NOTE: Also comes as part of mounting stay assembly PL 12.15 Item 9.

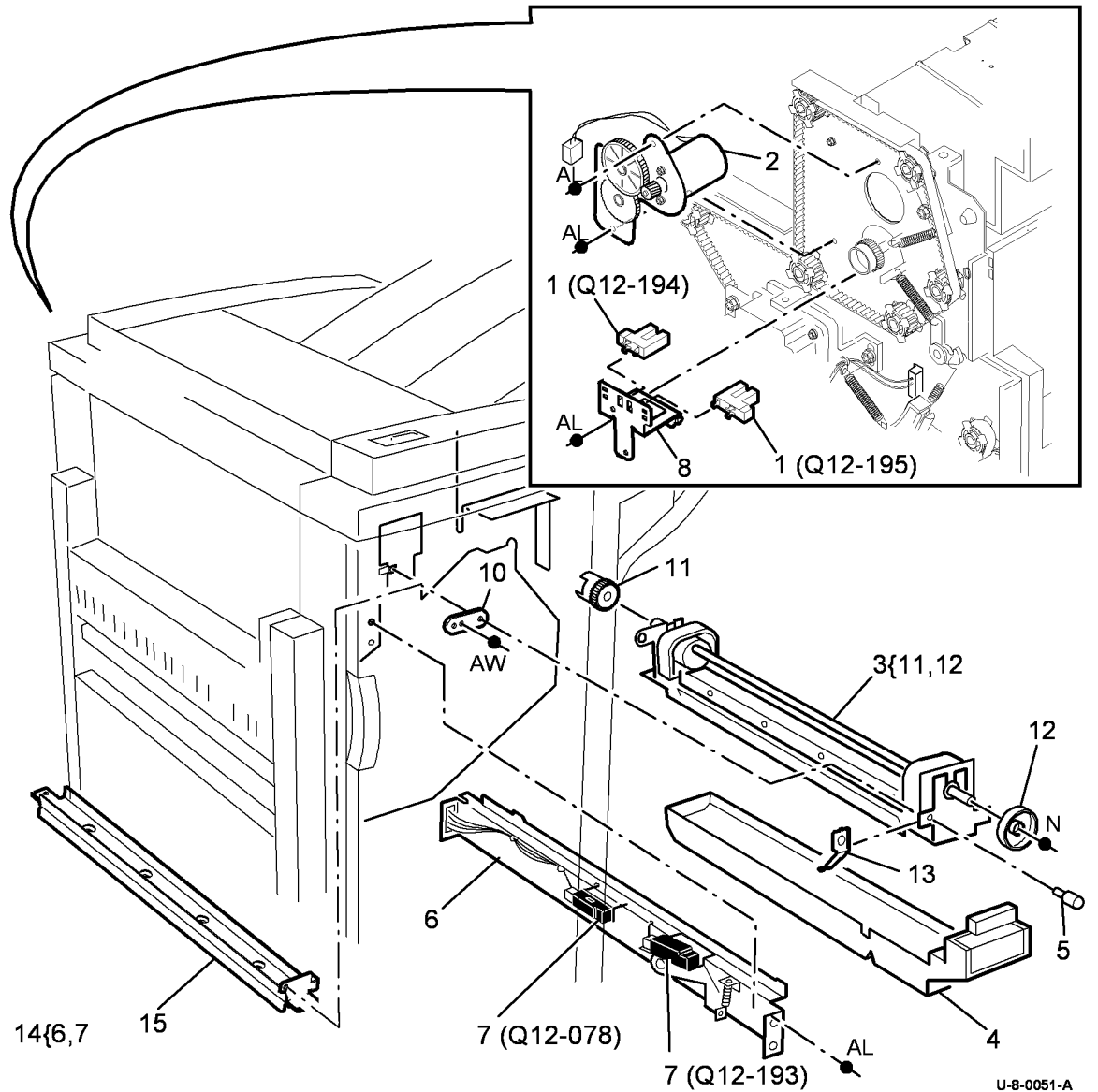


U-8-0042-A

PL 12.20 LCSS Hole Punch Unit

| Item | Part | Description |
|------|-----------|-------------------------------------------------------------------------------------------------|
| 1 | 130E10360 | Punch head home sensor (Q12-194), Punch head present sensor (Q12-195) (REP 12.7-110) |
| 2 | 127K55900 | Punch head motor assembly (MOT12-243) (REP 12.7-110) |
| 3 | - | Hole punch unit (see below for variants) (REP 12.7-110, ADJ 12.3-110) (See NOTE) |
| - | 180K01330 | 2 Hole (XE) |
| - | 180K01340 | 3 Hole (USSG/XCL) |
| 4 | 093E03930 | Chad bin |
| 5 | - | Thumbscrew (Not spared) |
| 6 | - | Bracket (P/O PL 12.20 Item 14) |
| 7 | 130E10380 | Punch sensor 1 (Q12-078), Chad bin level sensor (Q12-193) (P/O PL 12.20 Item 14) (REP 12.7-110) |
| 8 | - | Sensor bracket (Not spared) |
| 9 | - | Not used |
| 10 | - | Bracket (Not spared) |
| 11 | - | Punch drive gear (Not spared) |
| 12 | - | Punch cam (Not spared) |
| 13 | - | Punch spacer (Not spared) |
| 14 | - | Punch sensor assembly (Not spared) |
| 15 | 014K10610 | Hole punch assembly cover |

NOTE: Refer to PL 31.10 Item 5 for other LCSS hole punch kits.

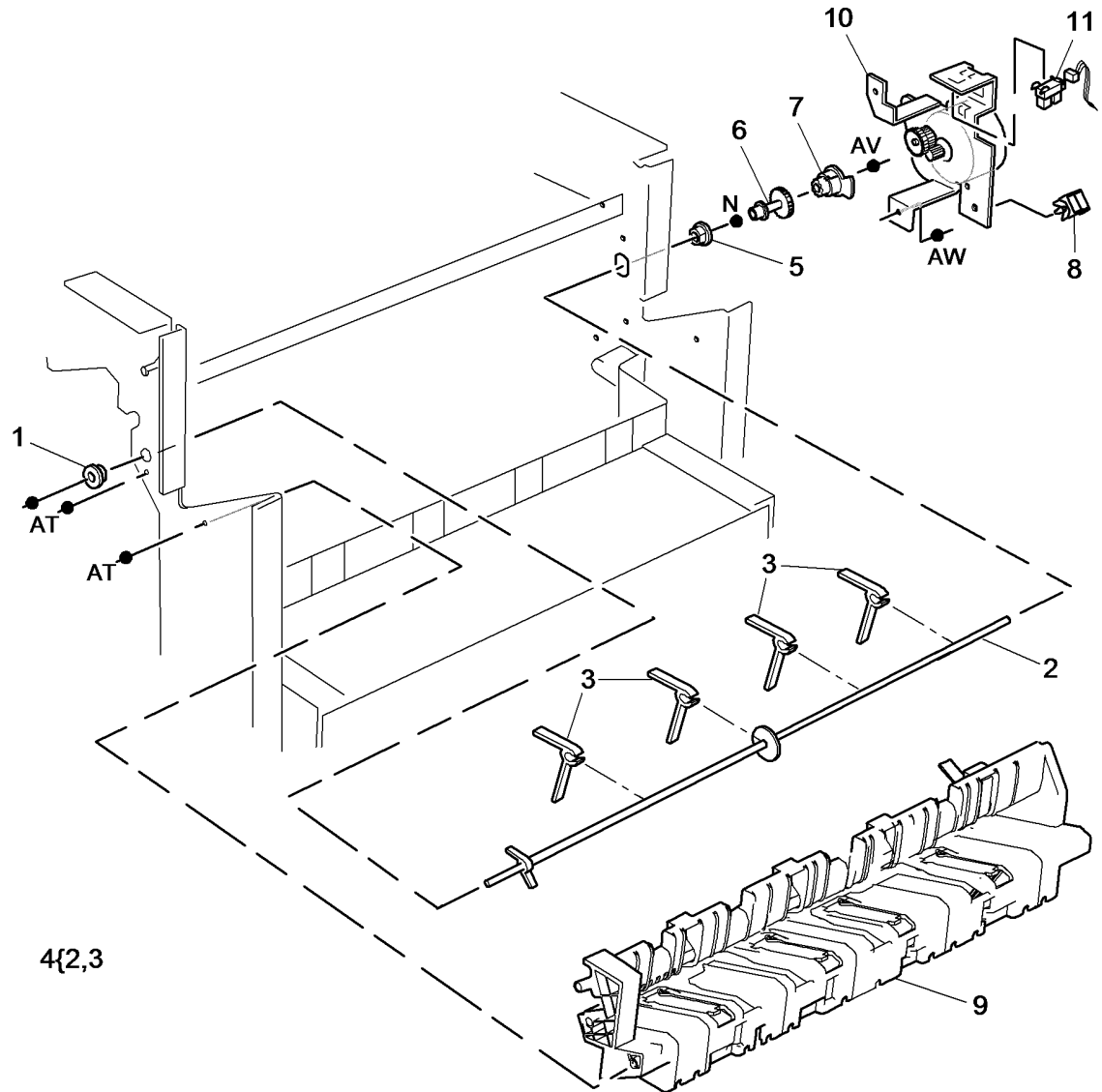


U-8-0051-A

PL 12.25 LCSS Paddle Wheel

| Item | Part | Description |
|------|-----------|-------------------------------------------------------------------|
| 1 | - | Bushing (Not spared) |
| 2 | - | Shaft (P/O PL 12.25 Item 4) |
| 3 | - | Paddle wheel (P/O PL 12.25 Item 4) (REP 12.18-110)(See NOTE) |
| 4 | - | Paddle wheel shaft assembly (REF: PL 31.11 Item 6)(REP 12.12-110) |
| 5 | 013E25790 | Nylon bearing |
| 6 | - | Gear (Not spared) |
| 7 | - | Flag (Not spared) |
| 8 | - | Cable clamp (Not spared) |
| 9 | - | Output cover (REF: PL 12.10 Item 7) |
| 10 | 127K62580 | Paddle roll motor assembly (MOT12-238) |
| 11 | 130E10360 | Paddle roll home sensor (Q12-186) |

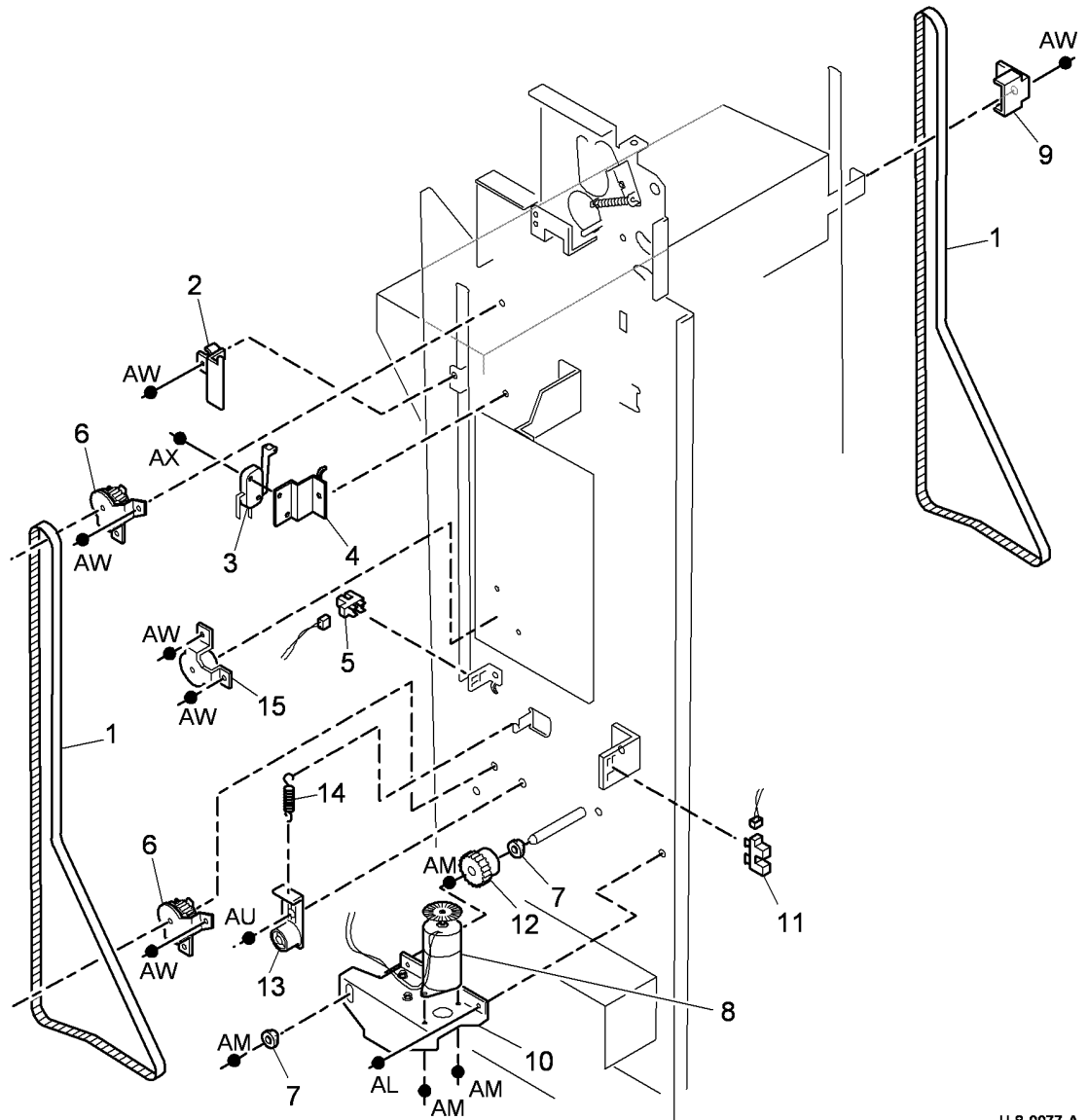
NOTE: Paddle wheels are also supplied (4 off) as a kit PL 31.10 Item 4.



U-8-0043-A

PL 12.30 LCSS Bin 1 Control Components (1 of 2)

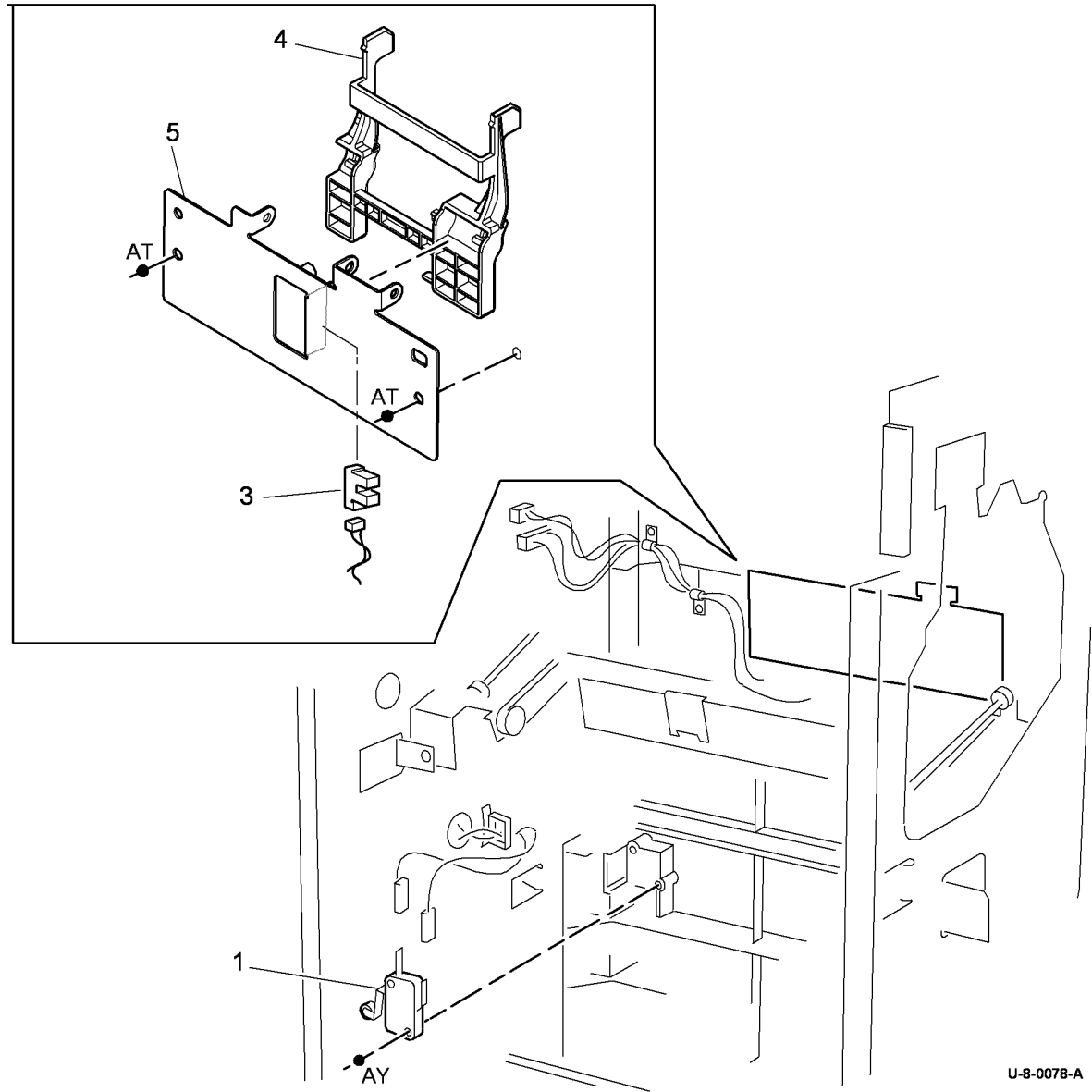
| Item | Part | Description |
|------|-----------|----------------------------------------------|
| 1 | 023E24320 | Bin 1 drive belt (REP 12.5-110) |
| 2 | - | Rear belt clamp (Not spared) (ADJ 12.1-110) |
| 3 | 110E20180 | Bin 1 upper limit switch (S12-190) |
| 4 | - | Sensor bracket (Not spared) |
| 5 | 130E10360 | Bin 1 90% full sensor (Q12-187) |
| 6 | - | Pulley (Not spared) |
| 7 | - | Bearing (Not spared) |
| 8 | 127K55890 | Bin 1 elevator motor (MOT12-241) |
| 9 | - | Front belt clamp (Not spared) (ADJ 12.1-110) |
| 10 | - | Motor bracket (Not spared) |
| 11 | 130E12330 | Bin 1 motor encoder sensor (Q12-163) |
| 12 | - | Pulley assembly (Not spared) |
| 13 | - | Belt tensioner (Not spared) |
| 14 | - | Spring (Not spared) |
| 15 | - | Idler (Not spared) |



U-8-0077-A

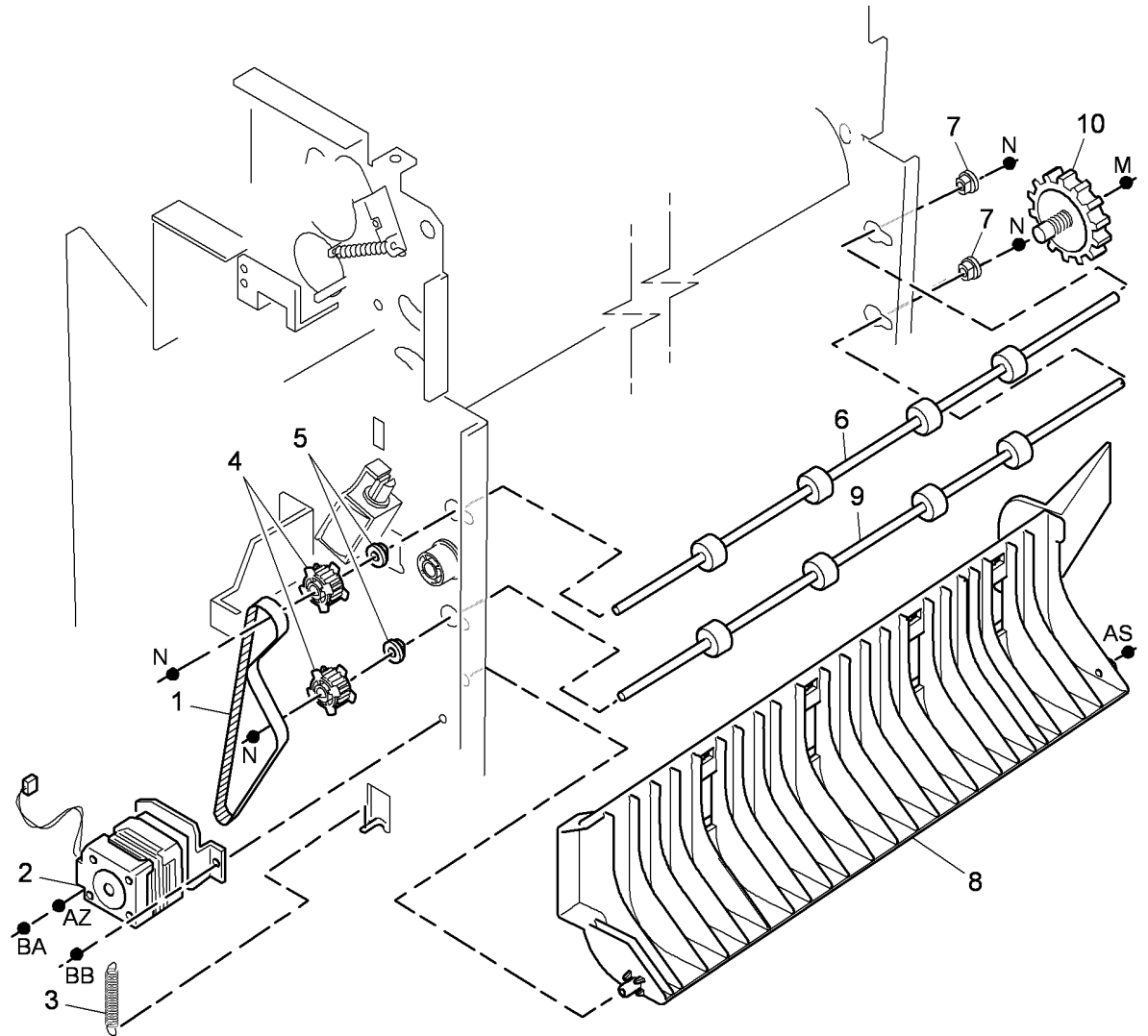
PL 12.35 LCSS Bin 1 Control Components (2 of 2)

| Item | Part | Description |
|------|-----------|-------------------------------------------------------|
| 1 | 110K13990 | Bin 1 lower limit switch (S12-191) |
| 2 | - | Not used |
| 3 | 130E10360 | Bin 1 Upper level sensor (Q12-188) (REP 12.11-110) |
| 4 | - | Actuator (Not spared) |
| 5 | - | Sensor support assembly (Not spared) |



PL 12.40 LCSS Paper Entry Transport

| Item | Part | Description |
|------|-----------|------------------------------------------------------|
| 1 | 023E24340 | Input drive belt (REP 12.2-110) |
| 2 | 127K55860 | Transport motor 1 (MOT12-223) (REP 12.2-110) |
| 3 | - | Spring (Not spared) |
| 4 | - | Pulley (Not spared) |
| 5 | 013E37460 | Dry bearing |
| 6 | - | Feed roll shaft (short) (Not spared) |
| 7 | 013E37470 | Bearing |
| 8 | - | Paper entry guide assembly (REF: PL 12.70 Item 1) |
| 9 | - | Feed roll shaft (long) (Not spared) |
| 10 | 006K32780 | Thumb wheel |

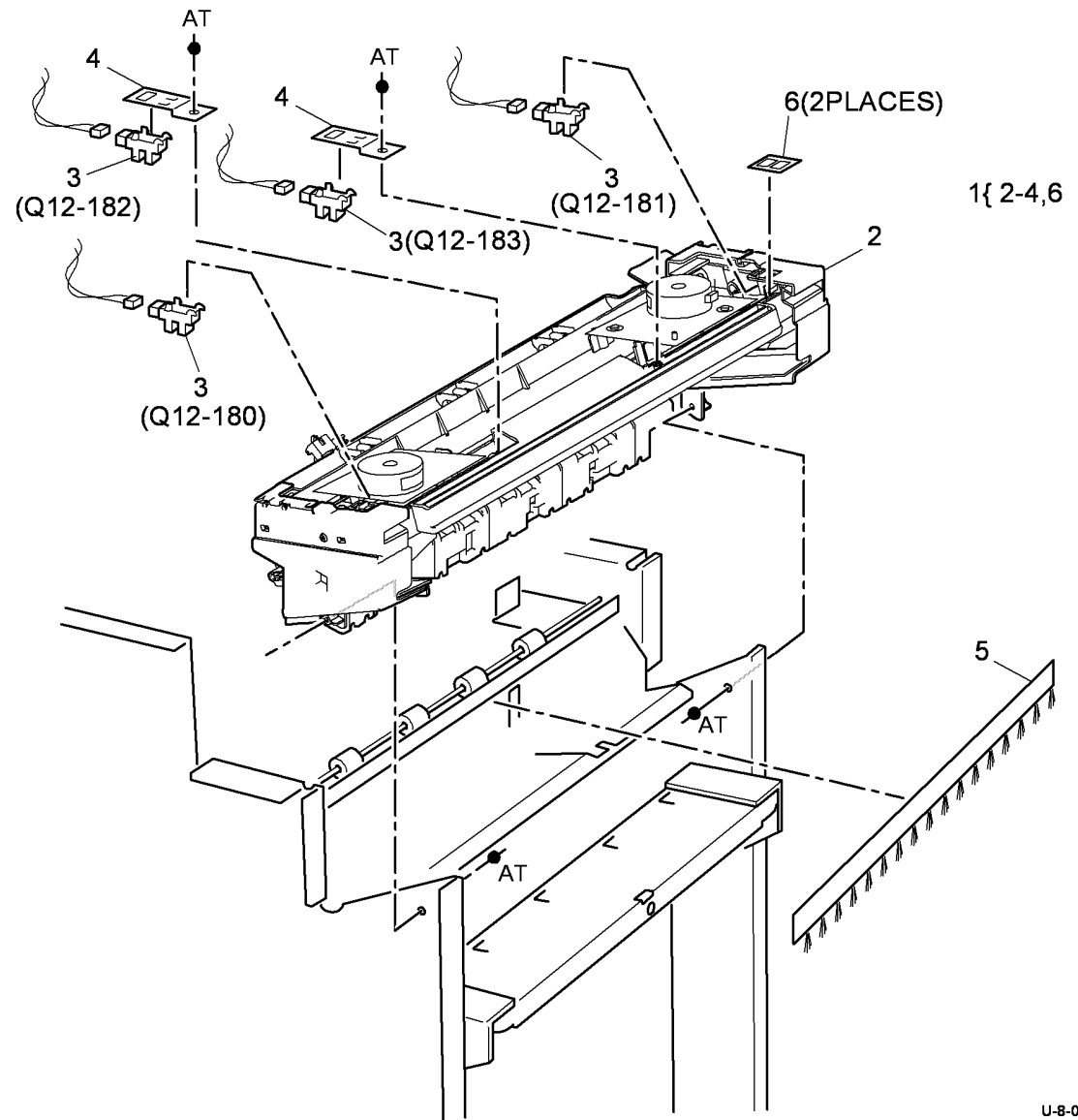


U-8-0044-A

PL 12.45 LCSS Tamper Assembly

| Item | Part | Description |
|------|-----------|---------------------------------------------------------------------------------------------------------------------------------------------------------|
| 1 | 049K12120 | Tamper assembly (REP 12.6-110) |
| 2 | - | Tamper unit (P/O PL 12.45 Item 1) |
| 3 | 130E10360 | Front tamper home sensor (Q12-180), Front tamper away sensor (Q12-182), Rear tamper home sensor (Q12-181), Rear tamper away sensor (Q12-183) (See NOTE) |
| 4 | - | Sensor bracket (P/O PL 12.45 Item 1) |
| 5 | - | Static eliminator (stacker) (REF: PL 12.65 Item 7) |
| 6 | - | Sensor retainer (P/O PL 12.45 Item 1) |

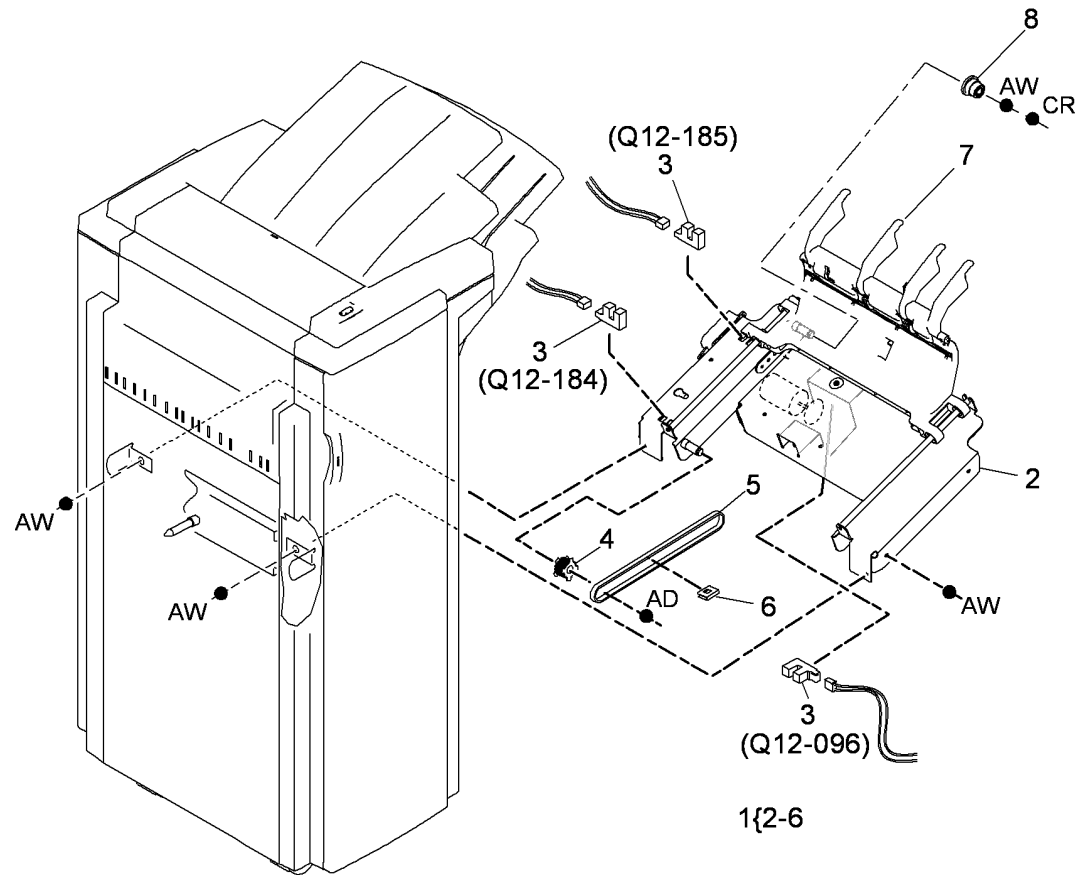
NOTE: The front tamper home sensor (Q12-180) and rear tamper home sensor (Q12-181) are bonded onto the tamper unit and are not replaceable. Failure of either of these sensors will require the replacement of the tamper assembly.



U-8-0079-A

PL 12.50 LCSS Ejector Assembly

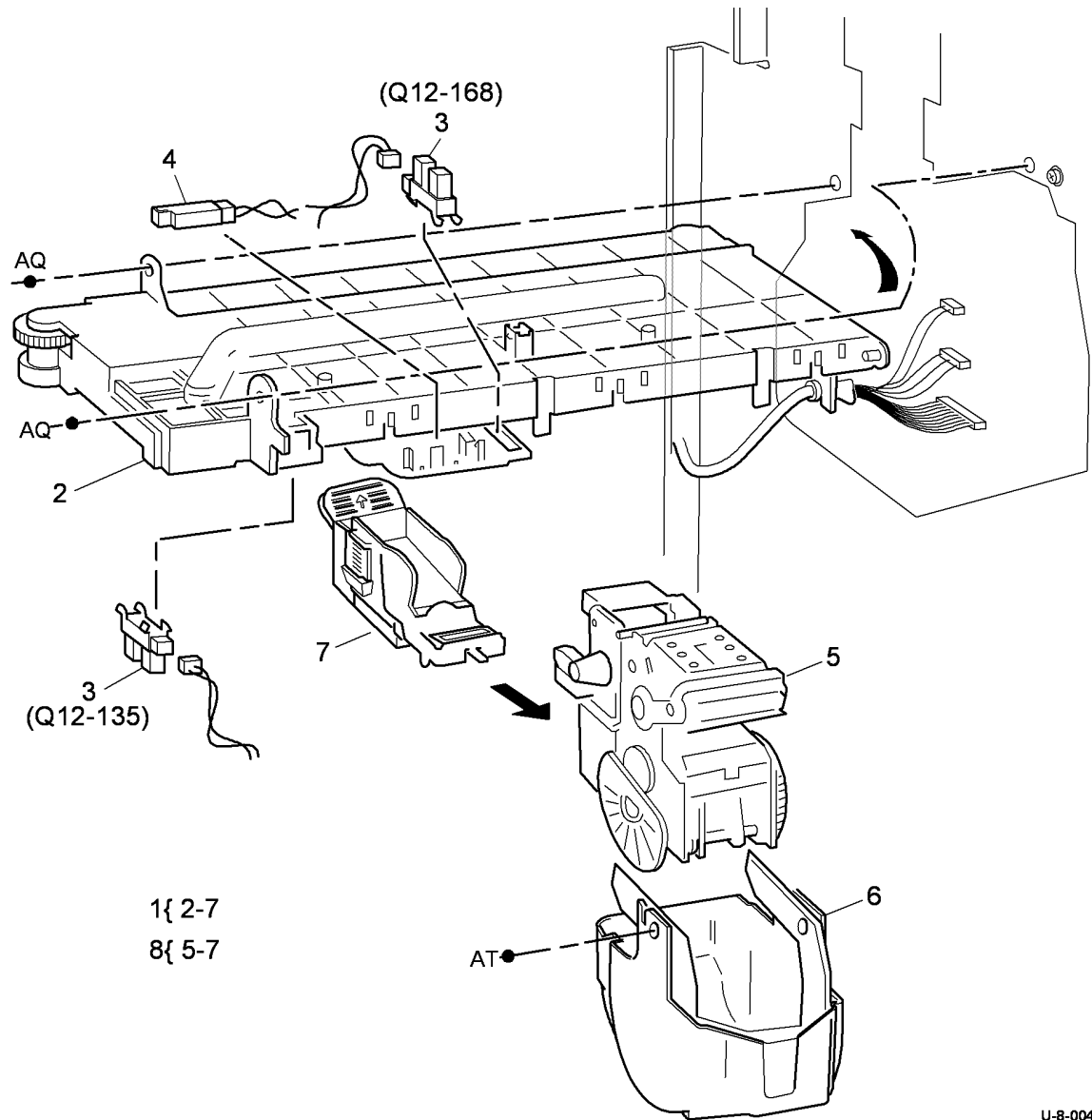
| Item | Part | Description |
|------|-----------|---------------------------------------------------------------------------------------------------------------------------|
| 1 | 054K43580 | Ejector assembly (REP 12.10-110) |
| 2 | - | Ejector base (P/O PL 12.50 Item 1) |
| 3 | 130E10360 | Ejector home sensor (Q12-184), Ejector out sensor (Q12-185), Ejector motor encoder sensor (Q12-096) (REP 12.10-110) |
| 4 | - | Pulley (P/O PL 12.50 Item 1) |
| 5 | 023E24330 | Ejector belt (REP 12.17-110) |
| 6 | - | Clip (P/O PL 12.50 Item 1) |
| 7 | 019K13390 | Support finger set (Qty. 4) |
| 8 | 020E54090 | Pulley/drive gear |



U-8-0080-A

PL 12.55 LCSS Staple Head Unit/ Traverse Assembly

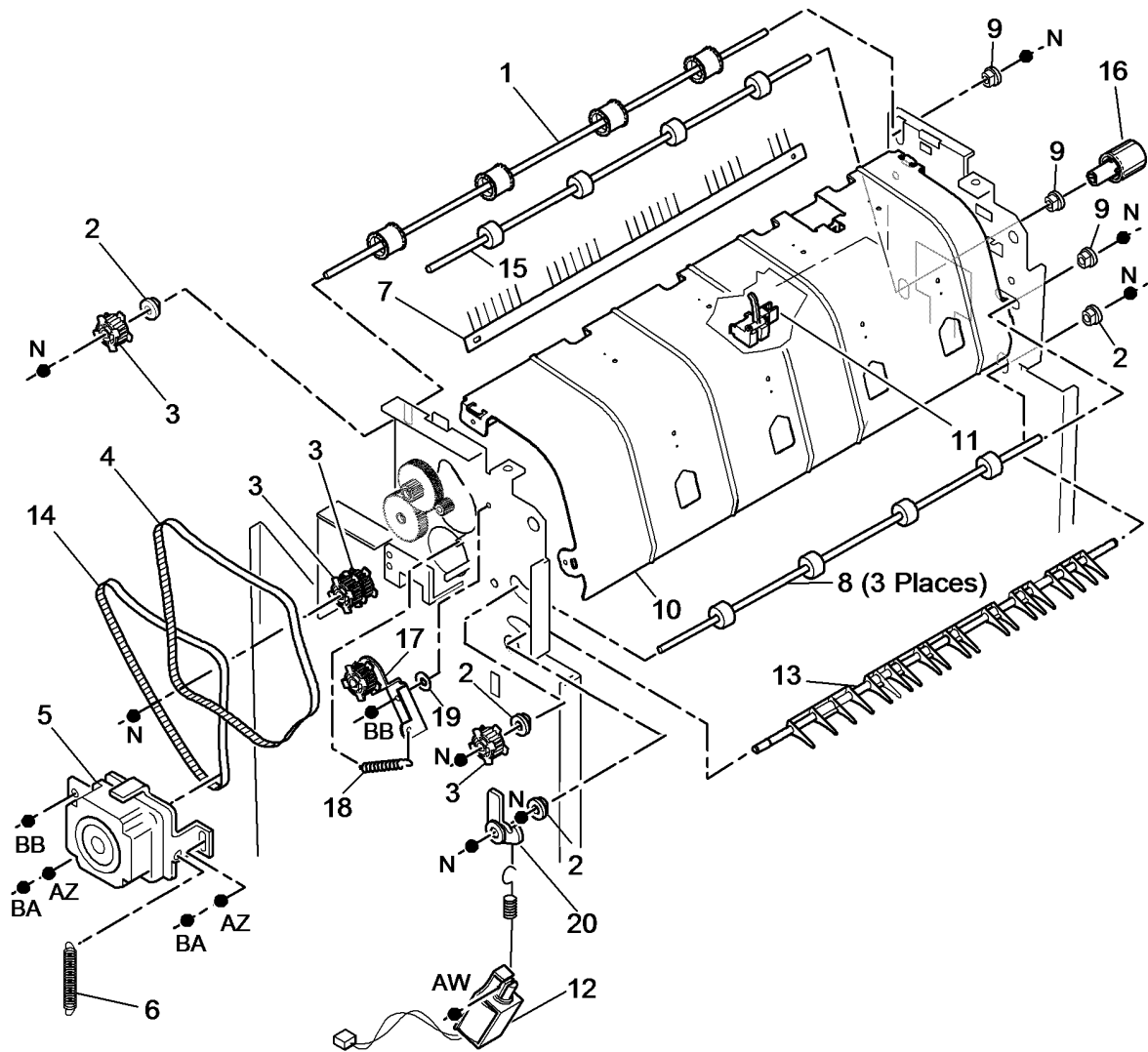
| Item | Part | Description |
|------|-----------|-----------------------------------------------------------------|
| 1 | - | Stapler traverse assembly (P/O PL 31.11 Item 15) (REP 12.8-110) |
| 2 | - | Head traverse unit (P/O PL 12.55 Item 1) |
| 3 | 130E10360 | Stapler home sensor (Q12-135), Stapler index sensor (Q12-168) |
| 4 | 130E10380 | SH1 Paper sensor (Q12-196) |
| 5 | 029K04690 | Staple head unit (REP 12.9-110) |
| 6 | - | Stapler cover (P/O PL 12.55 Item 1) |
| 7 | 008R12941 | Staple cartridge |
| 8 | - | Staple head assembly (P/O PL 12.55 Item 1) |



U-8-0047-A

PL 12.60 LCSS Bin 0 Entry

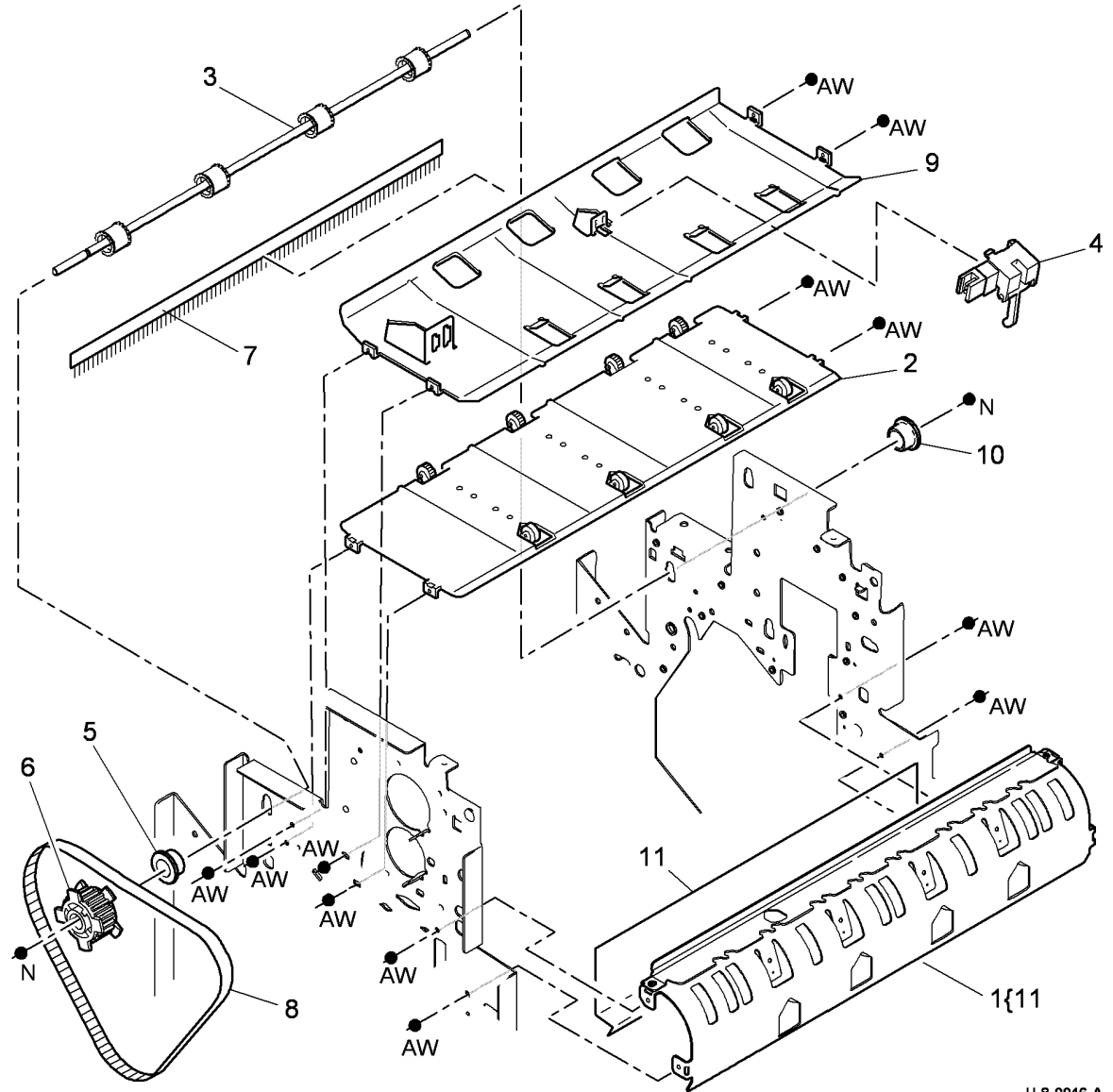
| Item | Part | Description |
|------|-----------|----------------------------------------------|
| 1 | 006K32810 | Top tray exit shaft |
| 2 | 013E25790 | Nylon bearing |
| 3 | - | Pulley (Not spared) |
| 4 | 023E24330 | Intermediate paper drive belt (REP 12.3-110) |
| 5 | 127K55870 | Transport motor 2 (MOT12-224) (REP 12.4-110) |
| 6 | - | Spring (Not spared) |
| 7 | 115E13440 | Static eliminator |
| 8 | - | Feed roll shaft (short) (Not spared) |
| 9 | 013E25800 | Copper bearing |
| 10 | 032K04580 | Paper guide |
| 11 | 130E11440 | Top tray exit sensor (Q12-107) |
| 12 | 121K45010 | Exit diverter solenoid (SOL12-225) |
| 13 | 006K32760 | Shaft diverter assembly |
| 14 | 023E24340 | Paper output drive belt (REP 12.4-110) |
| 15 | 006K32800 | Drive shaft assembly |
| 16 | 006K32770 | Drive shaft assembly knob |
| 17 | - | Belt tensioner (Not spared) |
| 18 | - | Spring (Not spared) |
| 19 | - | Washer (Not spared) |
| 20 | - | Actuator (Not spared) |



U-8-0045-A

PL 12.65 LCSS Bin 1 Entry

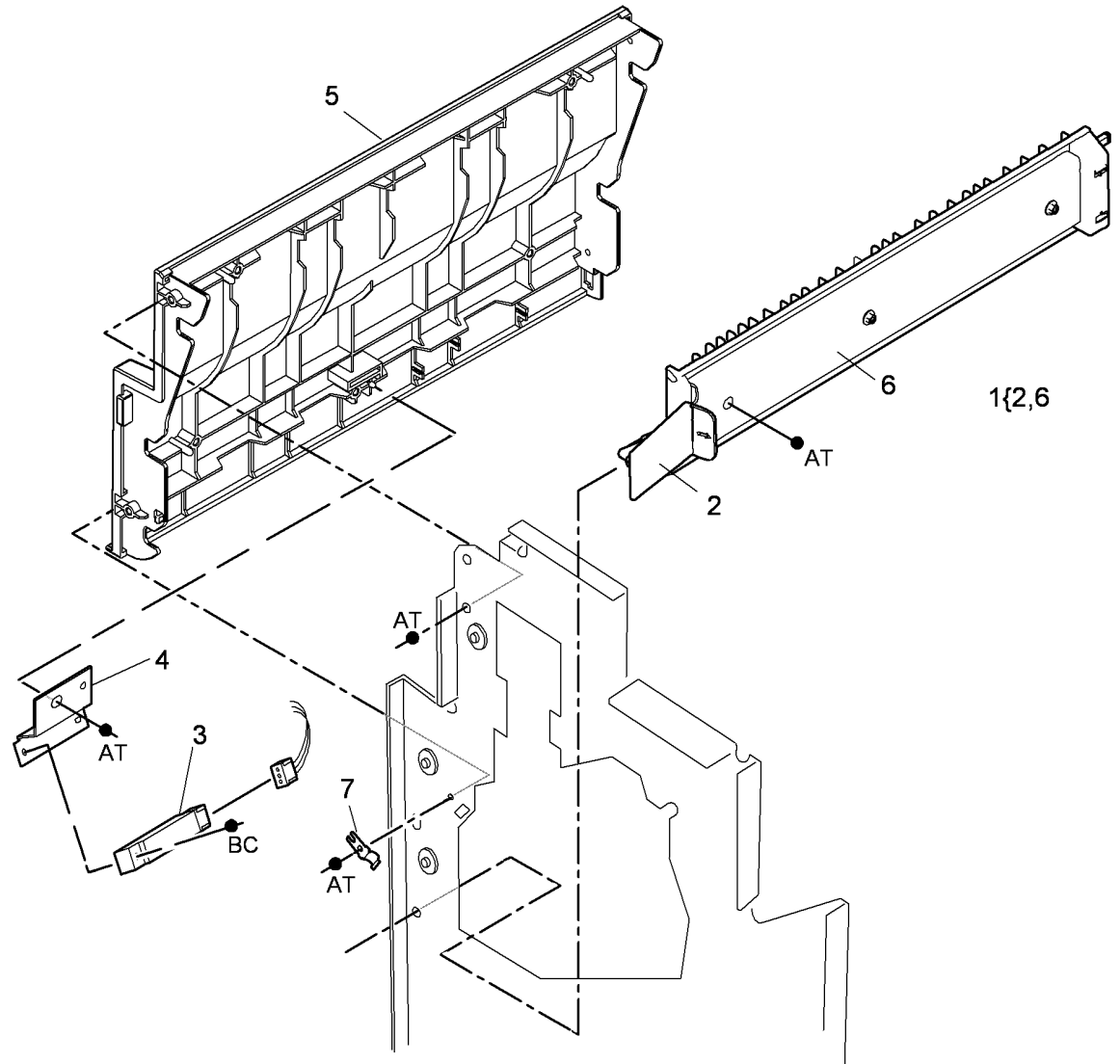
| Item | Part | Description |
|------|-----------|-------------------------------------------|
| 1 | 032K04610 | Left hand paper guide |
| 2 | 032K04590 | Lower right hand paper guide |
| 3 | 006K32790 | Ejector drive shaft |
| 4 | 130E11440 | Compiler exit sensor (Q12-107) |
| 5 | 013E25790 | Nylon bearing |
| 6 | - | Pulley (Not spared) |
| 7 | 115E11810 | Static eliminator (stacker) |
| 8 | 023E24340 | Paper output drive belt |
| 9 | - | Upper right hand paper guide (Not spared) |
| 10 | 013E25800 | Copper bearing |
| 11 | - | Mylar safety cover (P/O PL 12.65 Item 1) |



U-8-0046-A

PL 12.70 LCSS Entry Guide Cover/ Jam Clearance Guide

| Item | Part | Description |
|------|-----------|----------------------------------------------|
| 1 | 032K09670 | Jam clearance guide assembly |
| 2 | 003K17531 | Jam clearance handle |
| 3 | 130E10380 | Entry sensor (Q12-077) |
| 4 | - | Sensor bracket (Not spared) |
| 5 | 848K31330 | Entry guide cover (REP 12.15-110) |
| 6 | - | Jam clearance guide (P/O PL 12.70 Item 1) |
| 7 | - | Latch (Not spared) |



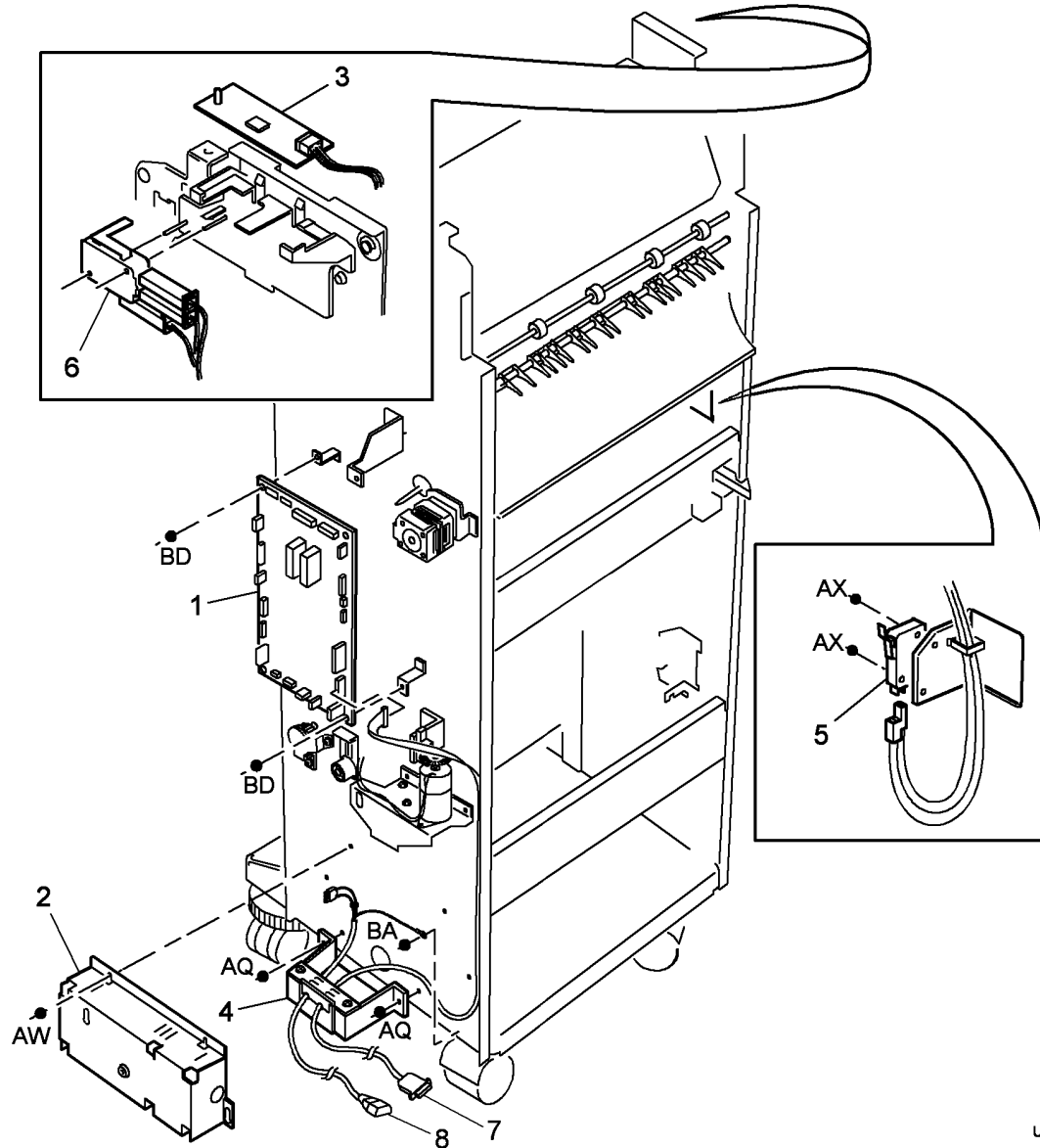
U-8-0036-A

PL 12.75 LCSS Electrical

| Item | Part | Description |
|------|-----------|------------------------------------------|
| 1 | 960K58410 | LCSS PWB (CAUTION) (REP 12.14-110) |
| 2 | 105K35841 | Power supply module |
| 3 | 960K34490 | Pause to unload PWB |
| 4 | 962K56951 | Cord bracket assembly |
| 5 | 110K13980 | Front door interlock switch (S12-303) |
| 6 | 110K13970 | Top cover interlock switch (S12-197) |
| 7 | - | LCSS communications harness (Not spared) |
| 8 | - | LCSS power cord (Not spared) |

CAUTION

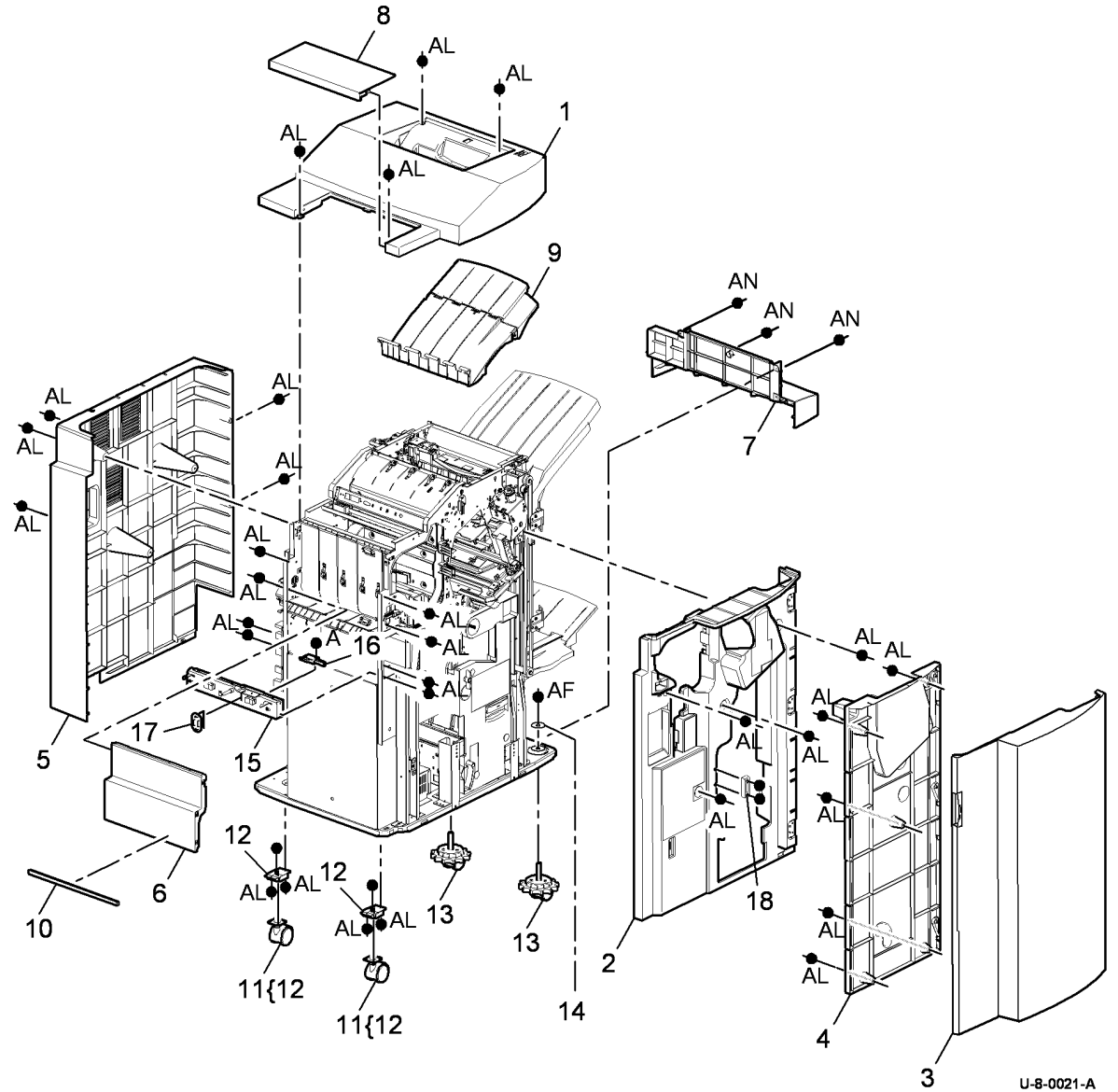
Do not install a new LCSS PWB until the cause of the damage to the old LCSS PWB has been determined. Go to the **12G-110** LCSS PWB Damage RAP.



U-8-0055-A

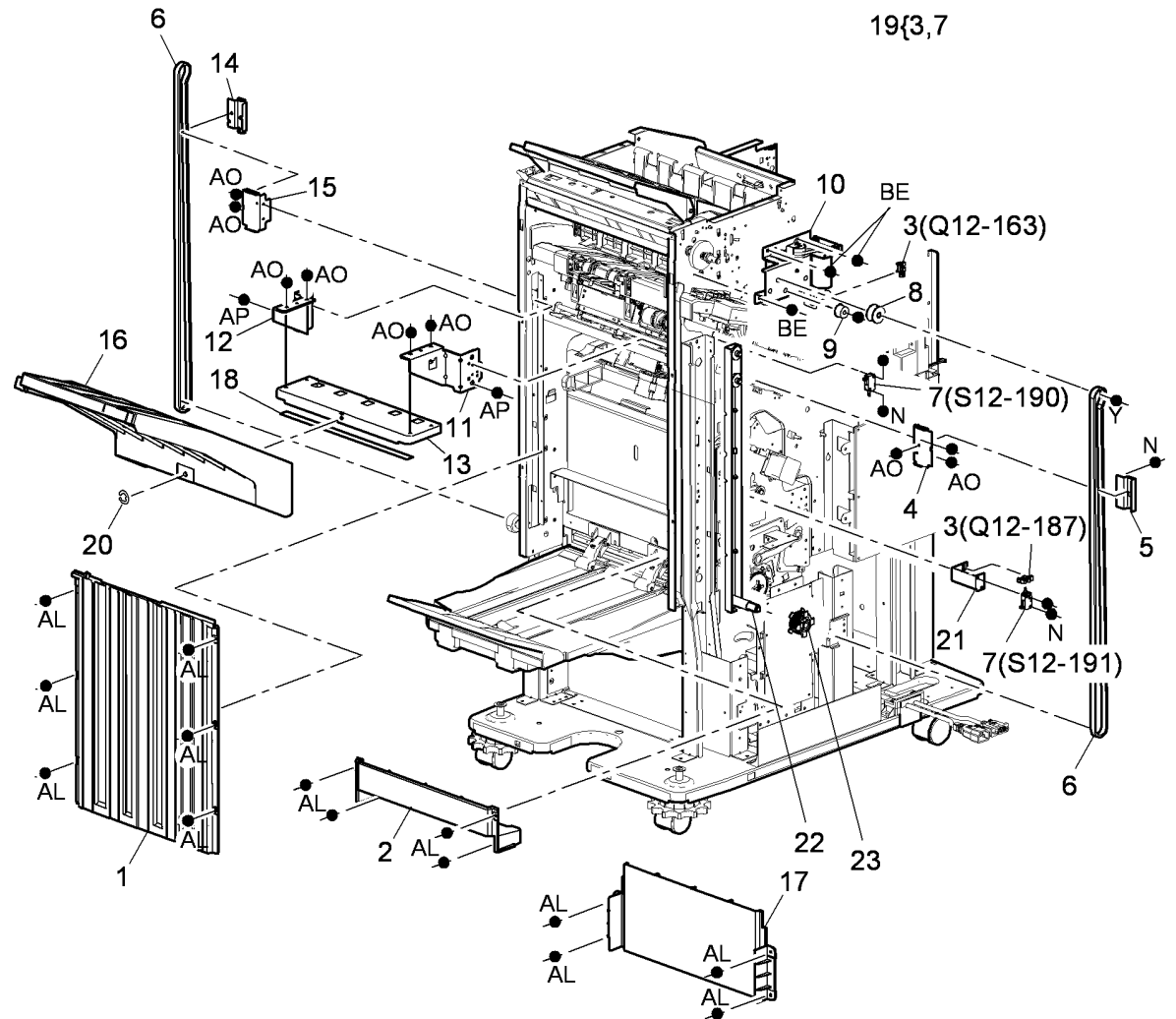
PL 12.100 HVF Covers and Docking

| Item | Part | Description |
|------|-----------|--------------------------------------------------|
| 1 | 848E40510 | Top cover (REP 12.1-171) |
| 2 | 848K12501 | Front cover (REP 12.1-171) |
| 3 | 848E17790 | Front door (REP 12.1-171) |
| 4 | 848K12510 | Door support (REP 12.1-171) |
| 5 | 848E40521 | Rear cover (REP 12.1-171) |
| 6 | 848K12530 | Vent cover (REP 12.1-171) |
| 7 | 848E17800 | Foot cover (REP 12.1-171) |
| 8 | 848E17810 | Inserter cover (REP 12.1-171) |
| 9 | 848E40500 | Top tray (REP 12.3-171) |
| 10 | - | Seal (Not spared) |
| 11 | 017K04830 | Fixed caster assembly (REP 12.96-171) |
| 12 | - | Fixed caster bracket (P/O PL 12.100 Item 11) |
| 13 | 017K04630 | Adjustable caster (REP 12.96-171) |
| 14 | - | Adjustable caster washer (P/O PL 12.100 Item 13) |
| 15 | 017K04760 | Mounting bracket assembly |
| 16 | 110K13980 | Docking interlock switch (S12-177) |
| 17 | 120K03450 | Docking actuator (P/O PL 12.100 Item 15) |
| 18 | 049K13570 | Bookletmaker interlock bracket |



PL 12.105 HVF Stacker

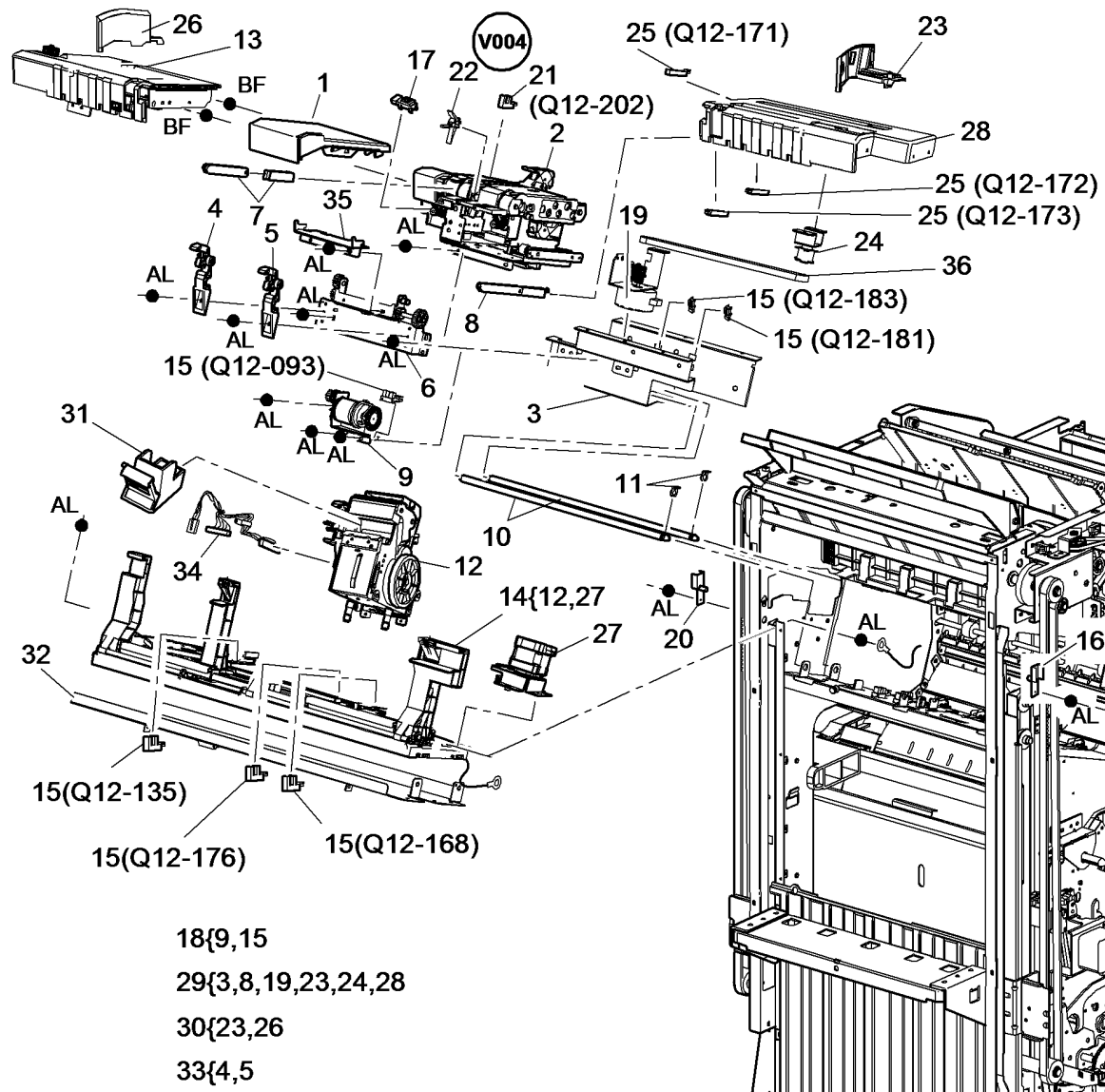
| Item | Part | Description |
|------|-----------|-------------------------------------------------------------------------------------------------------|
| 1 | 848E40530 | Upper right side cover (REP 12.5-171) |
| 2 | 848E17840 | Lower right side cover |
| 3 | 130E12830 | Bin 1 90% full sensor (Q12-187)/ Bin 1 motor encoder sensor (Q12-163) |
| 4 | - | Rear main belt clamp (1 of 2) (Not spared) |
| 5 | - | Rear main belt clamp (2 of 2) (Not spared) |
| 6 | 023E31220 | Bin 1 main drive belt (REP 12.38-171) |
| 7 | 110K20890 | Bin 1 upper limit switch (REP 12.75-171) (S12-190)/Bin 1 lower limit switch (REP 12.75-171) (S12-191) |
| 8 | - | Main belt pulley (Not spared) |
| 9 | - | Main belt tensioner (Not spared) |
| 10 | 127K56591 | Bin 1 elevator motor assembly (MOT12-241) (REP 12.12-171) |
| 11 | - | Bin 1 rear lift bar bracket (Not spared) |
| 12 | - | Bin 1 front lift bar bracket (Not spared) |
| 13 | - | Bin 1 lift bar (Not spared) |
| 14 | - | Front main belt clamp (2 of 2) (Not spared) |
| 15 | - | Front main belt clamp (1 of 2) (Not spared) |
| 16 | 050E28941 | Bin 1 (REP 12.4-171) |
| 17 | 848E17830 | Middle right side cover |
| 18 | - | Bin 1 lift bar brace (Not spared) |
| 19 | 110K20880 | Stacker full sensor and lower limit switch assembly (REP 12.75-171) |
| 20 | 019K13380 | Bin 1 retaining clip (REP 12.4-171) |
| 21 | - | Sensor/switch bracket (Not spared) |
| 22 | 110K21060 | Stacker channel bracket |
| 23 | - | Pulley (P/O PL 12.105 Item 22) |



U-8-0022-A

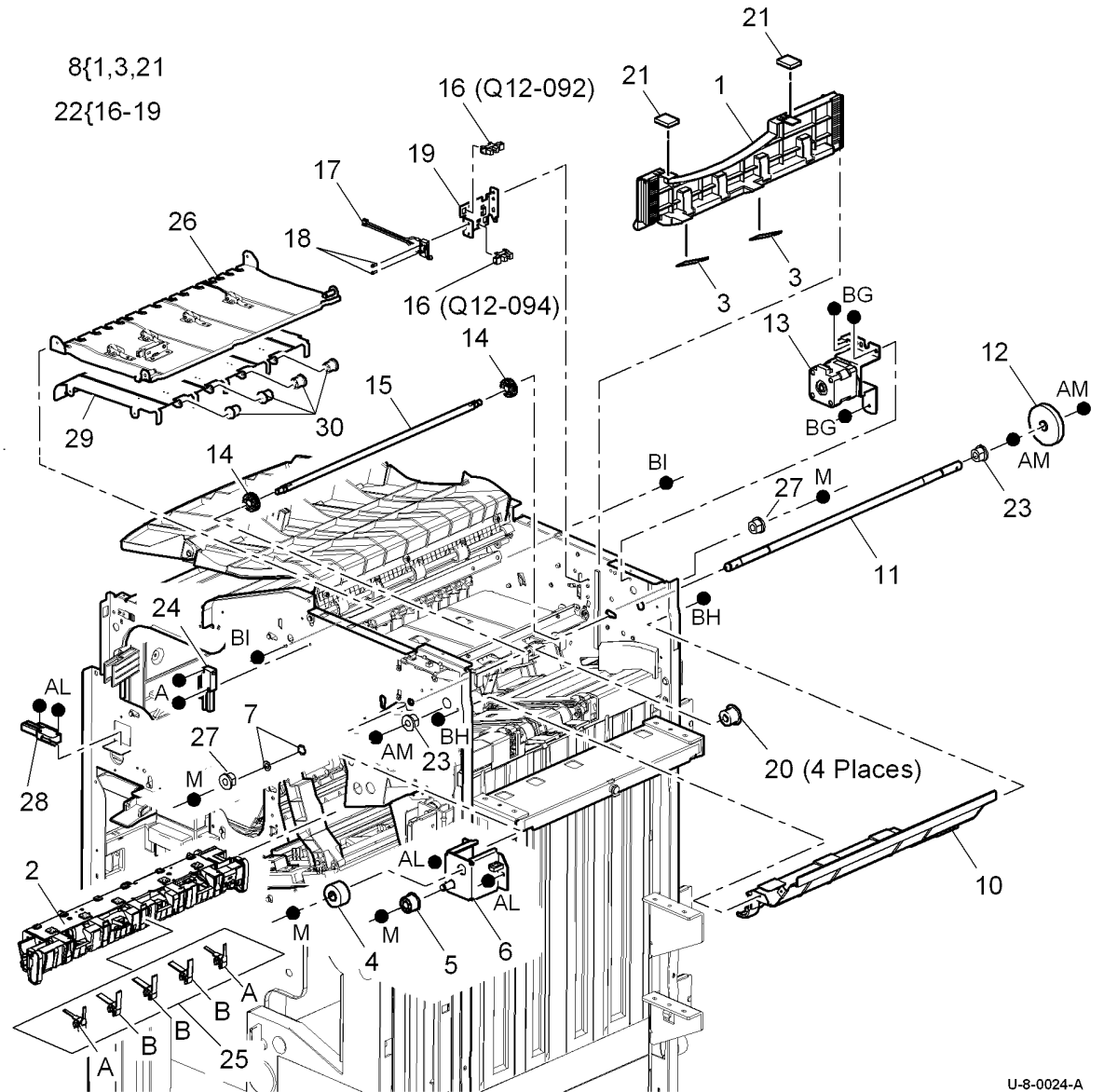
PL 12.110 HVF Ejector, Pressing and Support (1 of 2)

| Item | Part | Description |
|------|-----------|---------------------------------------------------------------------------------------------------------------------------------------------------------------------------------------------------------------------------------|
| 1 | - | Ejector front cover (Not spared) |
| 2 | 059K69943 | Ejector assembly (REP 12.6-171) |
| 3 | - | Rear tamper support bracket (P/O PL 12.110 Item 29) |
| 4 | - | Front pressing plate finger (P/O PL 12.110 Item 33) (REP 12.7-171) |
| 5 | - | Rear pressing plate finger (P/O PL 12.110 Item 33) (REP 12.7-171) |
| 6 | - | Pressing plate bracket (P/O PL 12.110 Item 18) |
| 7 | 003K20651 | Front support finger (REP 12.8-171) |
| 8 | 003K20661 | Rear support finger (REP 12.8-171) |
| 9 | - | Pressing and support motor (MOT12-323) (Not spared) |
| 10 | - | Offset rod (Not spared) |
| 11 | 019K13380 | Offset rod KL clip |
| 12 | - | Stapler unit (P/O PL 12.110 Item 14) (REP 12.2-171) |
| 13 | - | Front tamper (Not spared) (REP 12.11-171) |
| 14 | 029K04671 | Stapler assembly (REP 12.2-171) |
| 15 | 130E12830 | Pressing and support encoder sensor (Q12-093)/Stapler unit home sensor (Q12-135)/Stapler unit mid home sensor (Q12-176)/Stapler unit index sensor (Q12-168)/Rear tamper away sensor (Q12-183)/Rear tamper home sensor (Q12-181) |
| 16 | 130K75480 | Bin 1 upper level sensor (receiver) (Q12-188) (REP 12.76-171) |
| 17 | 130K75900 | Paper pressing sensor (Q12-322) |
| 18 | 127K56550 | Motor encoder assembly |
| 19 | - | Rear tamper motor (MOT12-227) (P/O PL 12.110 Item 29) (REP 12.15-171) |
| 20 | 130K75470 | Bin 1 upper level sensor (transmitter) (Q12-188) (REP 12.76-171) |
| 21 | - | Ejector paper present sensor (Q12-202) (P/O PL 12.110 Item 2) |
| 22 | 033K04850 | Ejector paddle assembly (W/TAG V-004) (REP 12.100-171) |
| 23 | 032E35301 | Rear tamper arm |
| 24 | - | Rear tamper pulley (P/O PL 12.110 Item 29) |
| 25 | - | Pressing and support sensor A (Q12-172), B (Q12-171), C (Q12-173) (P/O PL 12.110 Item 29) |
| 26 | 868E36871 | Front tamper arm |
| 27 | - | Stapler unit 1 motor (MOT12-249) (P/O PL 12.110 Item 14) |
| 28 | - | Rear tamper (P/O PL 12.110 Item 29) |
| 29 | 032K09681 | Rear tamper assembly (REP 12.15-171) |
| 30 | 032E35341 | Set of front and rear tamper arms |
| 31 | - | Staple cartridge (REF: PL 26.10 Item 15) |
| 32 | - | Support bracket (Not spared) |
| 33 | 003K21100 | Pressing plate kit |
| 34 | 962K82410 | Stapler harness and P-clip |
| 35 | - | Ejector assembly safety cover (P/O PL 31.11 Item 10) |
| 36 | - | Rear tamper drive belt (Not spared) |



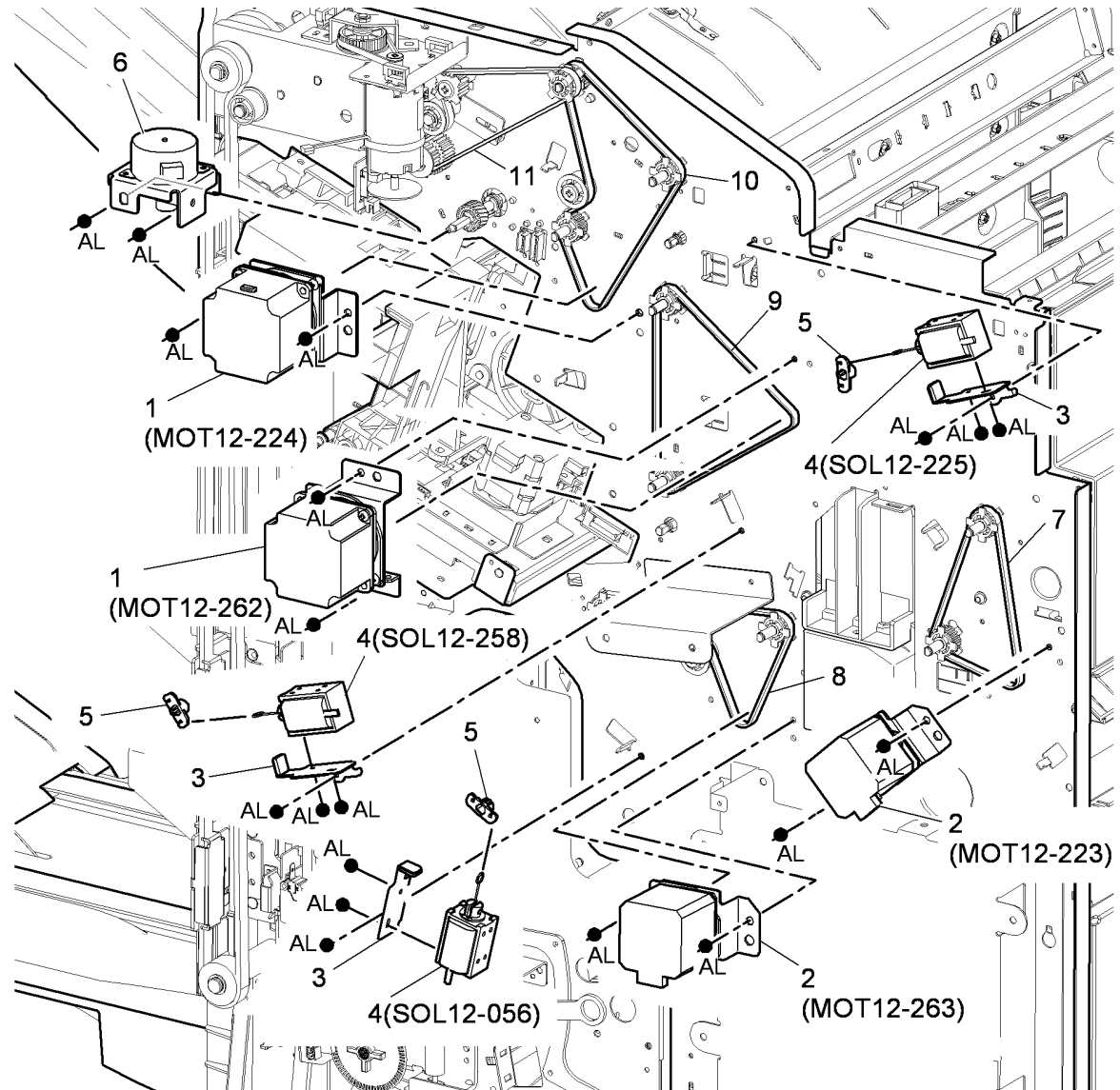
PL 12.115 HVF Ejector, Pressing and Support (2 of 2)

| Item | Part | Description |
|------|-----------|-----------------------------------------------------------------------------------------|
| 1 | - | Paper pusher (P/O PL 12.115 Item 8) |
| 2 | 033K04641 | Paddle unit (REP 12.49-171) |
| 3 | - | Pusher mylar (P/O PL 12.115 Item 8) |
| 4 | - | Timing belt pulley (Not spared) |
| 5 | - | Timing belt tensioner (Not spared) |
| 6 | - | Front stacker pulley bracket (Not spared) |
| 7 | - | Thrust washer (Not spared) |
| 8 | 050K68500 | Paper pusher assembly (REP 12.53-171) |
| 9 | - | Not used |
| 10 | - | Compile exit upper guide (Not spared) |
| 11 | - | Stacker main drive gear shaft (Not spared) (REP 12.37-171) |
| 12 | - | Stacker main drive gear (Not spared) (REP 12.37-171) |
| 13 | 674K03550 | Paper pusher motor assembly (MOT12-265) (REP 12.51-171) |
| 14 | - | Pinion gear (Not spared) |
| 15 | - | Pinion gear shaft (Not spared) |
| 16 | 130E12830 | Paper pusher upper sensor (Q12-092)/Paper pusher lower sensor (Q12-094) (REP 12.54-171) |
| 17 | - | Stapler gate safety switch (S12-319) (P/O PL 12.115 Item 22) |
| 18 | - | Sensor screw (P/O PL 12.115 Item 22) |
| 19 | - | Sensor assembly bracket (P/O PL 12.115 Item 22) |
| 20 | 006K32980 | Stacker idler roll (REP 12.10-171) |
| 21 | - | Pusher dampers (P/O PL 12.115 Item 8) |
| 22 | 674K03540 | Sensor assembly (REP 12.54-171) |
| 23 | 013E37150 | Stacker driving shaft bearing (REP 12.37-171) |
| 24 | 110K20900 | Top cover interlock switch (S12-197) |
| 25 | 033K04651 | Paddles (A) outer 2 off, (B) inner 3 off (REP 12.101-171) |
| 26 | 059K69931 | Top jam clearance guide assembly |
| 27 | 013E25800 | Copper bearing |
| 28 | 110K13980 | Front door interlock switch (S12-303) |
| 29 | - | Lower exit guide (Not spared) |
| 30 | 006K33390 | Exit idler roller (x4) |



PL 12.120 HVF Main Drives

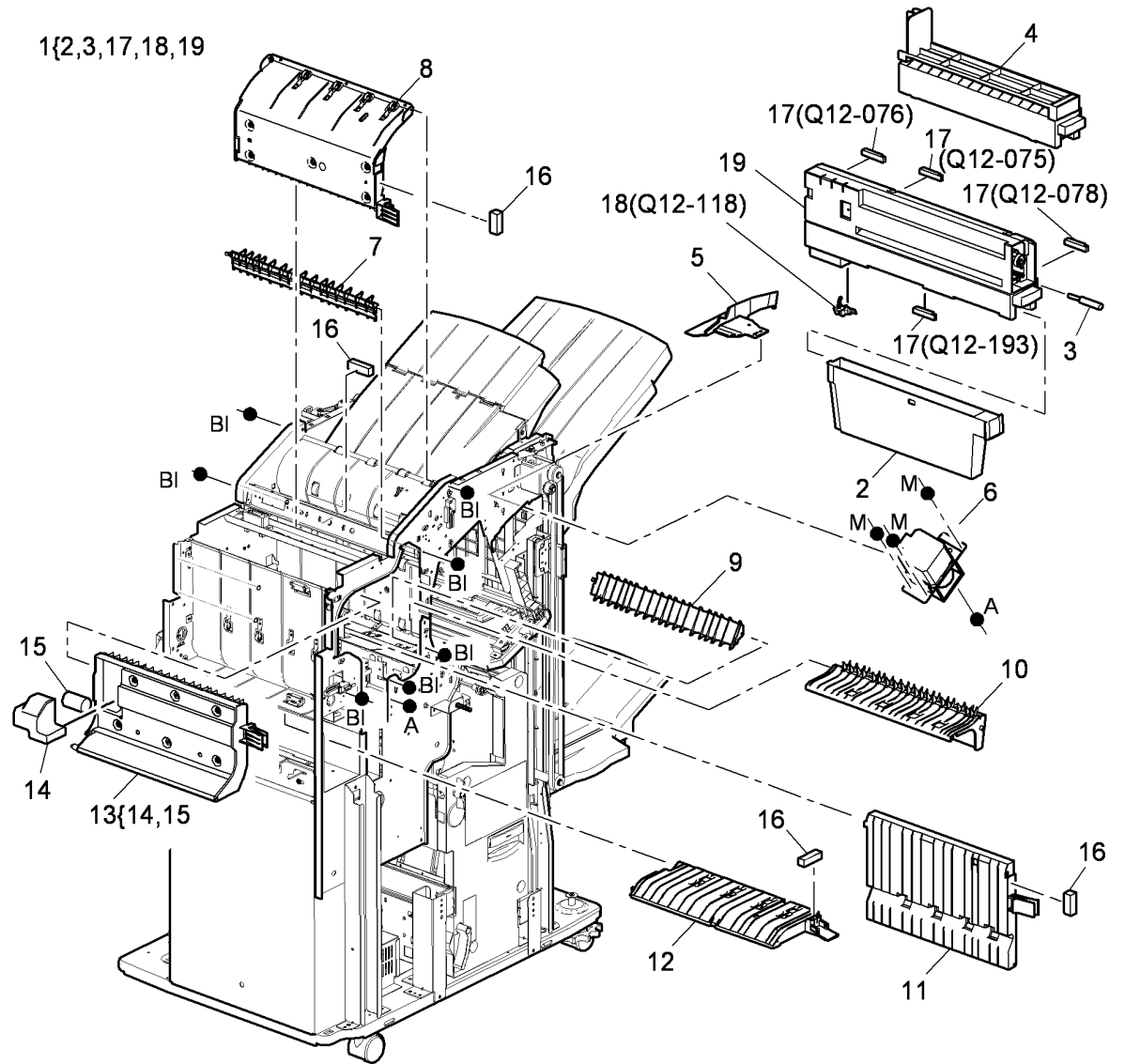
| Item | Part | Description |
|------|-----------|---------------------------------------------------------------------------------------------------|
| 1 | 127K56570 | Buffer motor (MOT12-262) (REP 12.65-171)/Transport motor 2 (MOT12-224) (REP 12.66-171) |
| 2 | 127K56560 | Transport motor 1 (MOT12-223)(REP 12.63-171)/Bypass feed motor (MOT12-263)(REP 12.64-171) |
| 3 | - | Solenoid bracket (P/O PL 12.120 Item 4) |
| 4 | 121K45290 | BM diverter solenoid (SOL12-258)/Exit diverter solenoid(SOL12-225)/Set clamp solenoid (SOL12-056) |
| 5 | - | Solenoid connector (Not spared) |
| 6 | 127K56610 | Paddle unit motor assembly (MOT12-239) (REP 12.48-171) |
| 7 | - | Transport motor 1 drive belt (Not spared) |
| 8 | - | Bypass feed motor drive belt (Not spared) |
| 9 | - | Buffer feed motor drive belt (Not spared) |
| 10 | - | Transport motor 2 drive belt (A) (Not spared) |
| 11 | - | Transport motor 2 drive belt (B) (Not spared) |



U-8-0116-A

PL 12.125 HVF Feed Assembly and Punch (1 of 3)

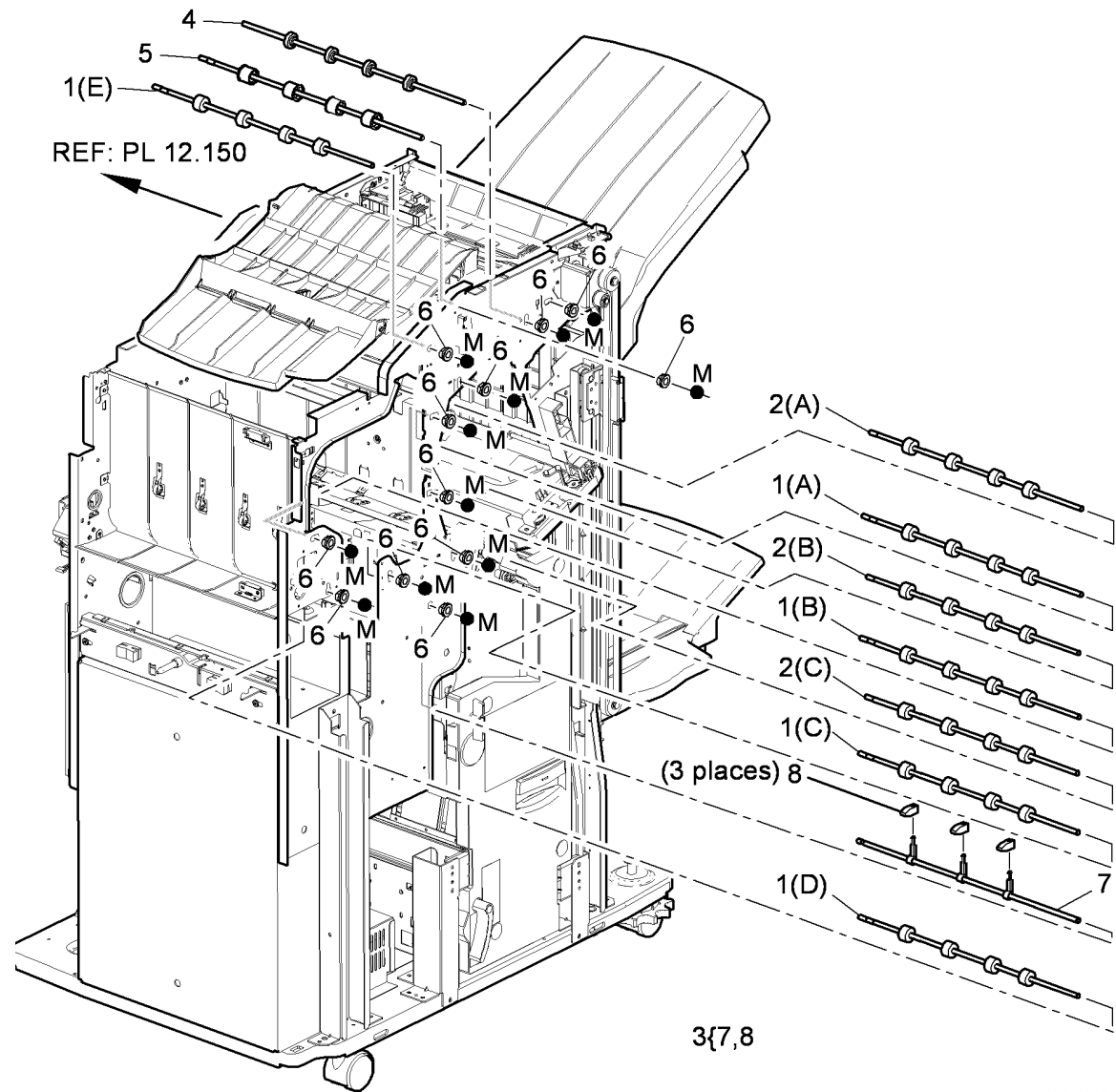
| Item | Part | Description |
|------|-----------|------------------------------------------------------------------------------------------------------------|
| 1 | - | HVF 2 hole punch assembly (P/O PL 31.10 Item 5) |
| - | - | HVF 3 hole punch assembly (P/O PL 31.10 Item 5) |
| 2 | - | HVF chad bin (P/O PL 12.125 Item 19) |
| 3 | - | Hole punch thumb screw (P/O PL 12.125 Item 1) |
| 4 | 059K59551 | Hole punch blanking assembly |
| 5 | - | Front tamper arm (Not spared) |
| 6 | 127K62570 | Front tamper motor assembly (MOT12-226) (REP 12.11-171) |
| 7 | 038E41350 | Diverter exit gate (REP 12.35-171) |
| 8 | - | Upper exit guide (5c) (Not spared) (REP 12.14-171) |
| 9 | 038E41341 | BM diverter gate (REP 12.39-171) |
| 10 | 059K69950 | Buffer pocket jam clearance guide (REP 12.33-171) |
| 11 | 059K69981 | Inserter jam clearance guide assembly (8a) (REP 12.34-171) |
| 12 | 059K69961 | Input jam clearance guide (5a) (REP 12.32-171) |
| 13 | 059K69972 | Buffer guide assembly (5b) (REP 12.31-171) |
| 14 | - | Nip split motor cover (P/O PL 12.125 Item 13) |
| 15 | - | Nip split motor (MOT12-264) (P/O PL 12.125 Item 13) |
| 16 | 121K45300 | Magnet |
| 17 | 130E12810 | Chad bin level sensor (Q12-193)/Punch sensor 1 (Q12-078)/Punch sensor 2 (Q12-075)/Punch sensor 3 (Q12-076) |
| 18 | 130E12840 | Chad bin present sensor (Q12-118) |
| 19 | 604K55210 | 2 hole punch module (XE) |
| - | 498K17930 | 4 hole punch module (XE) |
| - | 498K17940 | 4 hole punch module (Swedish) |



U-8-0026-A

PL 12.130 HVF Feed Assembly and Punch (2 of 3)

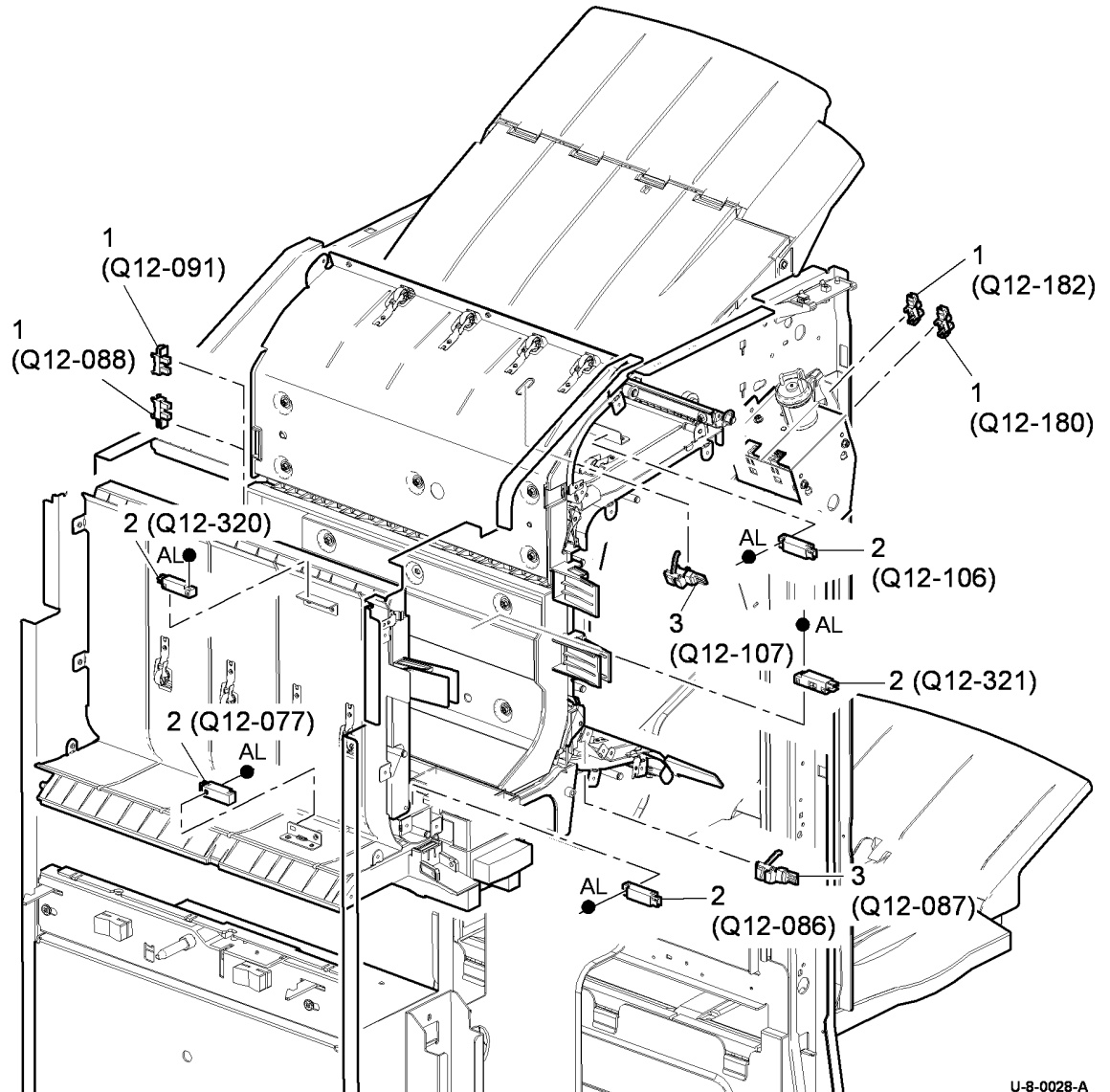
| Item | Part | Description |
|------|-----------|---------------------------------------------|
| 1 | 006K32840 | Feed roll assembly (Short shaft type) |
| - | - | Buffer upper roll (1A) (REP 12.45-171) |
| - | - | Inserter guide roll (1B) (REP 12.41-171) |
| - | - | Buffer pocket roll (1C) (REP 12.42-171) |
| - | - | Input roll (1D) (REP 12.40-171) |
| - | 006K32980 | Top exit feed roll (1E) (REP 12.47-171) |
| 2 | 006K32850 | Feed roll assembly |
| - | - | Stacker exit feed roll (2A) (REP 12.46-171) |
| - | - | Buffer lower roll (2B) (REP 12.44-171) |
| - | - | Booklet entrance roll (2C) (REP 12.43-171) |
| 3 | - | Buffer clamp assembly (Not spared) |
| 4 | 006K32820 | Stacker exit roll |
| 5 | 006K32810 | Top exit roll |
| 6 | 013E25800 | Copper bearing |
| 7 | - | Buffer clamp shaft (P/O PL 12.130 Item 3) |
| 8 | 019K14420 | Buffer clamp |



U-8-0027-A

PL 12.135 HVF Feed Assembly and Punch (3 of 3)

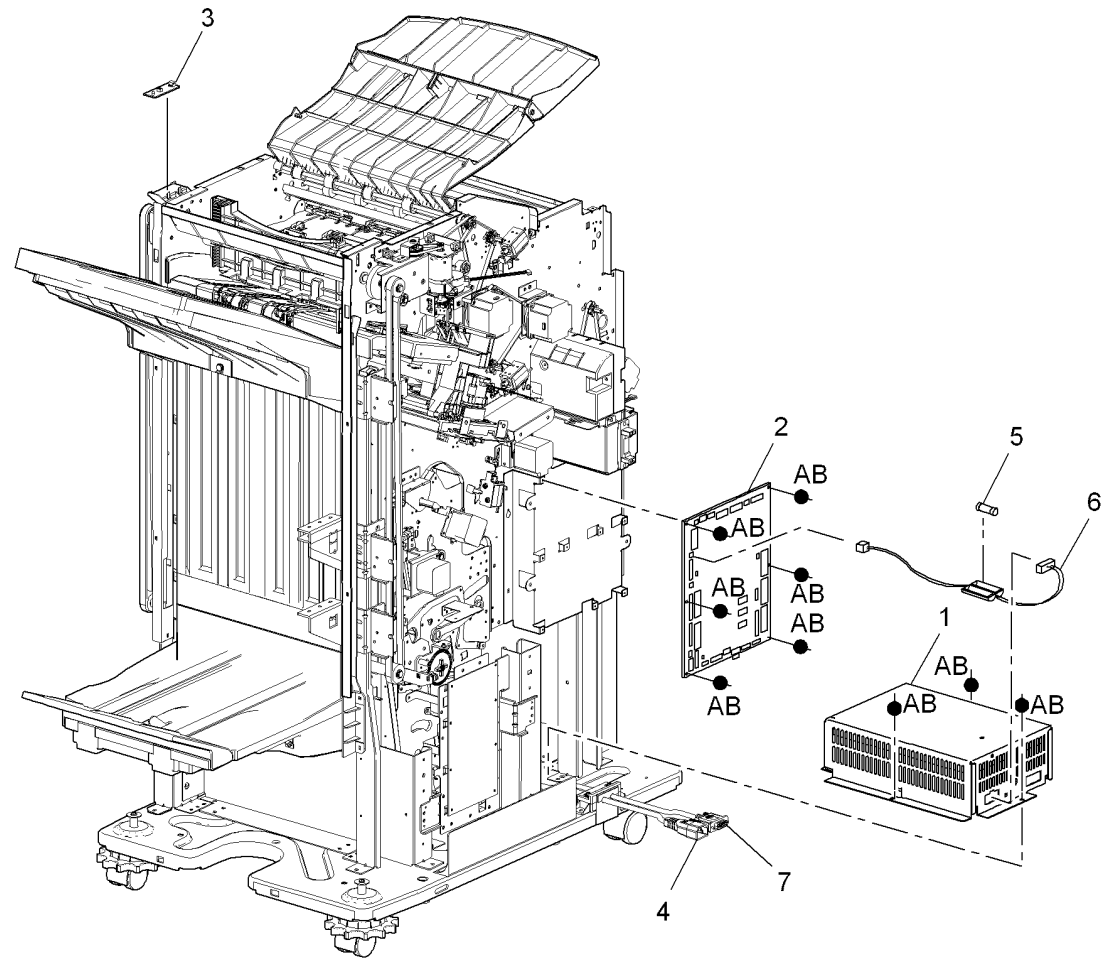
| Item | Part | Description |
|------|-----------|------------------------------------------------------------------------------------------------------------------------------------------------------|
| 1 | 130E12830 | Tamper front home sensor (Q12-180)/Tamper front away sensor (Q12-182)/Nip split sensor (Q12-091)/Nip home sensor (Q12-088) |
| 2 | 130E12810 | Entry sensor (Q12-077)/Compiler exit sensor (Q12-106)/Buffer position sensor (Q12-086)/Buffer path sensor (Q12-321)/Inserter standby sensor(Q12-320) |
| 3 | 130E12840 | Top tray exit sensor (Q12-107)/HVF Booklet exit sensor (Q12-087) |



U-8-0028-A

PL 12.140 HVF Power and Control

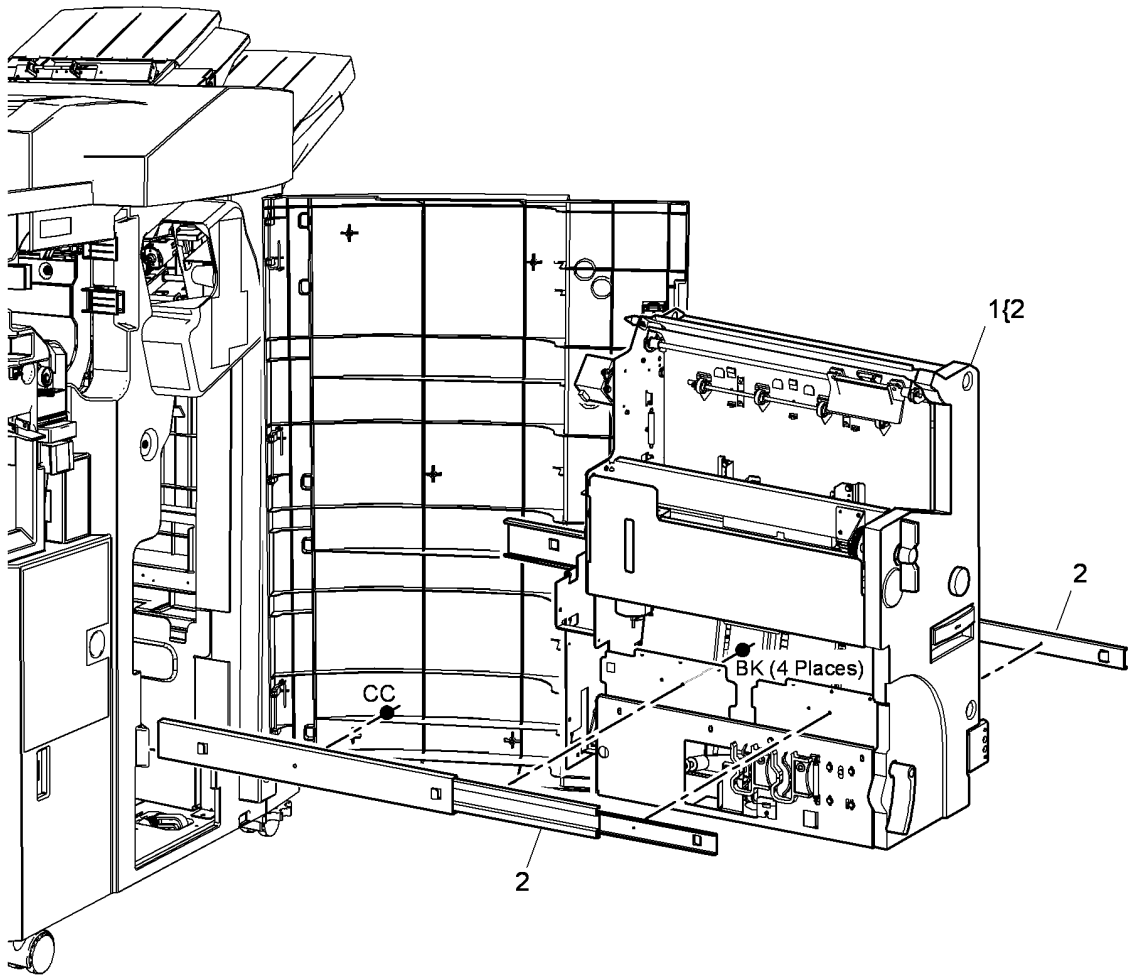
| Item | Part | Description |
|------|-----------|-------------------------------------------|
| 1 | 105K35831 | HVF power supply unit (REP 12.55-171) |
| 2 | 960K52570 | HVF PWB (REP 12.57-171) |
| 3 | 960K41780 | Pause to unload (PTU) PWB (REP 12.97-171) |
| 4 | 105K36840 | Power cord |
| 5 | – | In-line fuse (10A slo-blow) (Not spared) |
| 6 | – | Harness (Not spared) |
| 7 | 952K00410 | Power communications cable |



U-8-0029-A

PL 12.145 HVF BM Module (Complete)

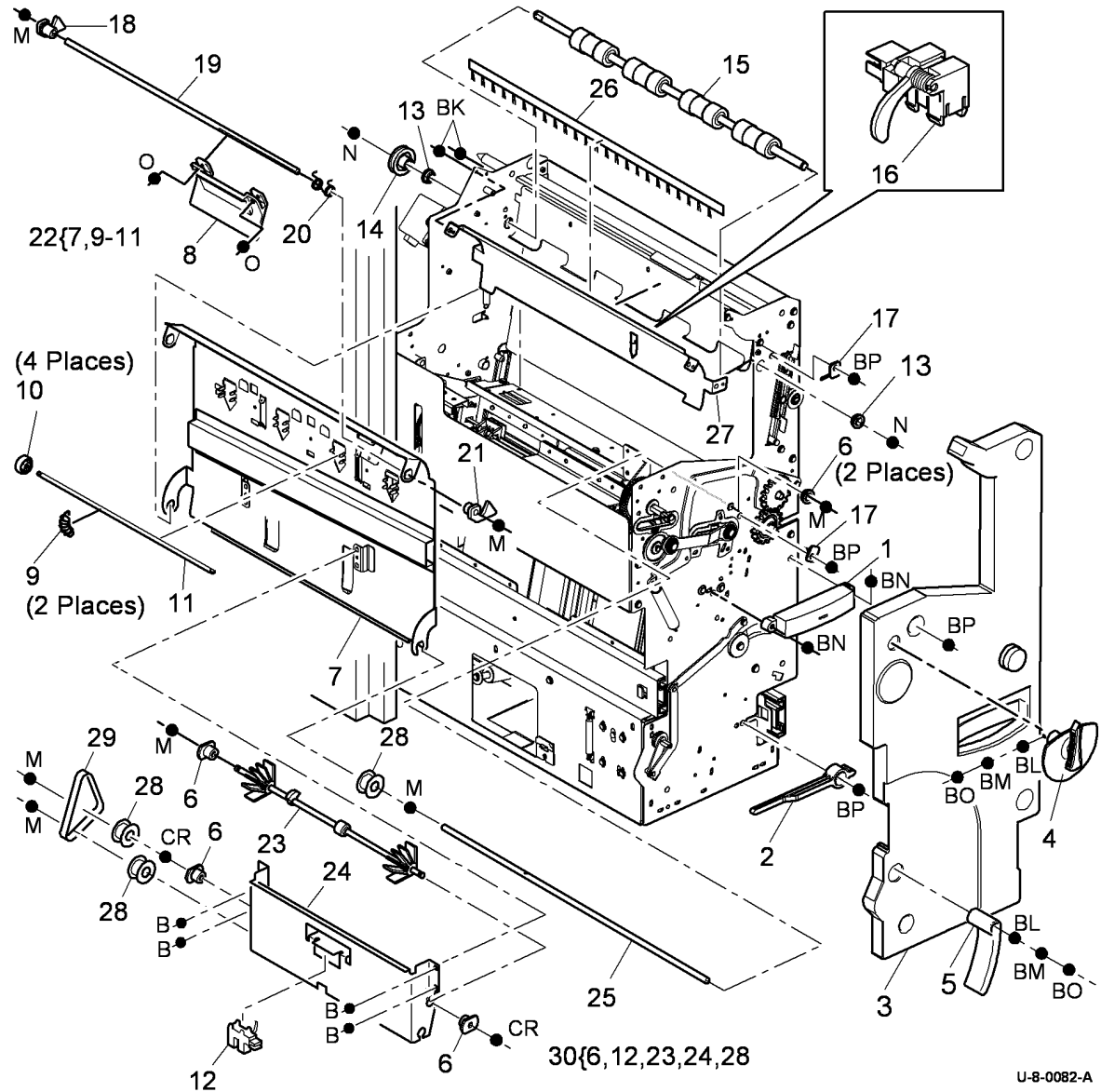
| Item | Part | Description |
|------|-----------|---------------------------------------------|
| 1 | 084K37050 | BM Module (REP 12.61-171) |
| 2 | - | Slide assembly (Not spared) (REP 12.62-171) |



U-8-0081-A

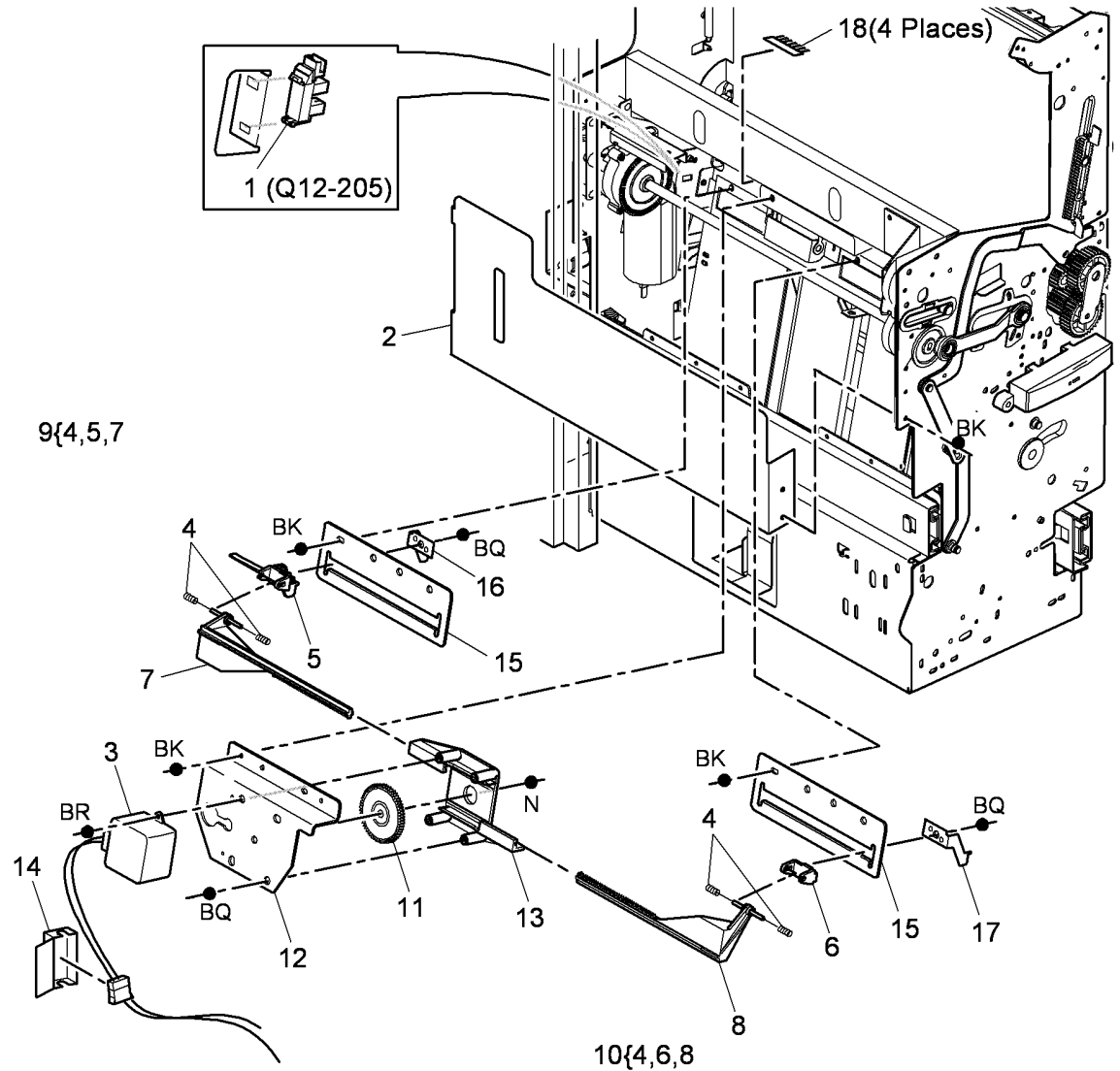
PL 12.150 HVF BM Entry and Front Cover

| Item | Part | Description |
|------|-----------|----------------------------------------------------------|
| 1 | 003E69092 | Drawer handle |
| 2 | - | Crease roll leaf spring (Not spared) |
| 3 | 848E40470 | BM Front cover |
| 4 | 803E14110 | Crease blade knob (6d) |
| 5 | 803E13850 | Crease roll handle (6c) |
| 6 | 013E12610 | Nylon bearing |
| 7 | - | Paper guide (6e) (P/O PL 12.150 Item 22) (REP 12.60-171) |
| 8 | - | Jam clearance handle (Not spared) (REP 12.60-171) |
| 9 | - | Nip spring (P/O PL 12.150 Item 22) (REP 12.60-171) |
| 10 | 022E30620 | Nip roll (REP 12.60-171) |
| 11 | - | Nip shaft (P/O PL 12.150 Item 22) (REP 12.60-171) |
| 12 | 130K74072 | Flapper home sensor (Q12-207) (REP 12.16-171) |
| 13 | - | Bearing (Not spared) |
| 14 | 020E39990 | BM Entry roll pulley (REP 12.22-171) |
| 15 | 006K28660 | BM Entry roll (REP 12.22-171) |
| 16 | 130K74110 | BM Entry sensor (Q12-089) (REP 12.23-171) |
| 17 | 125E00430 | Static eliminator |
| 18 | - | Rear latch (Not spared) |
| 19 | - | Shaft (Not spared) |
| 20 | 809E46411 | Latch spring |
| 21 | - | Front latch (Not spared) |
| 22 | - | Entrance baffle assembly (Not spared) (REP 12.60-171) |
| 23 | - | BM Flapper (P/O PL 12.150 Item 30) (REP 12.16-171) |
| 24 | - | BM flapper bracket (P/O PL 12.150 Item 30) |
| 25 | - | BM Compiler shaft (Not spared) |
| 26 | 125K03831 | Static eliminator |
| 27 | - | Top baffle (Not spared) |
| 28 | - | Pulley (Not spared) |
| 29 | - | BM flapper drive belt (Not spared) |
| 30 | 059K52940 | BM Flapper assembly (REP 12.16-171) |



PL 12.155 HVF BM Tamper Assembly

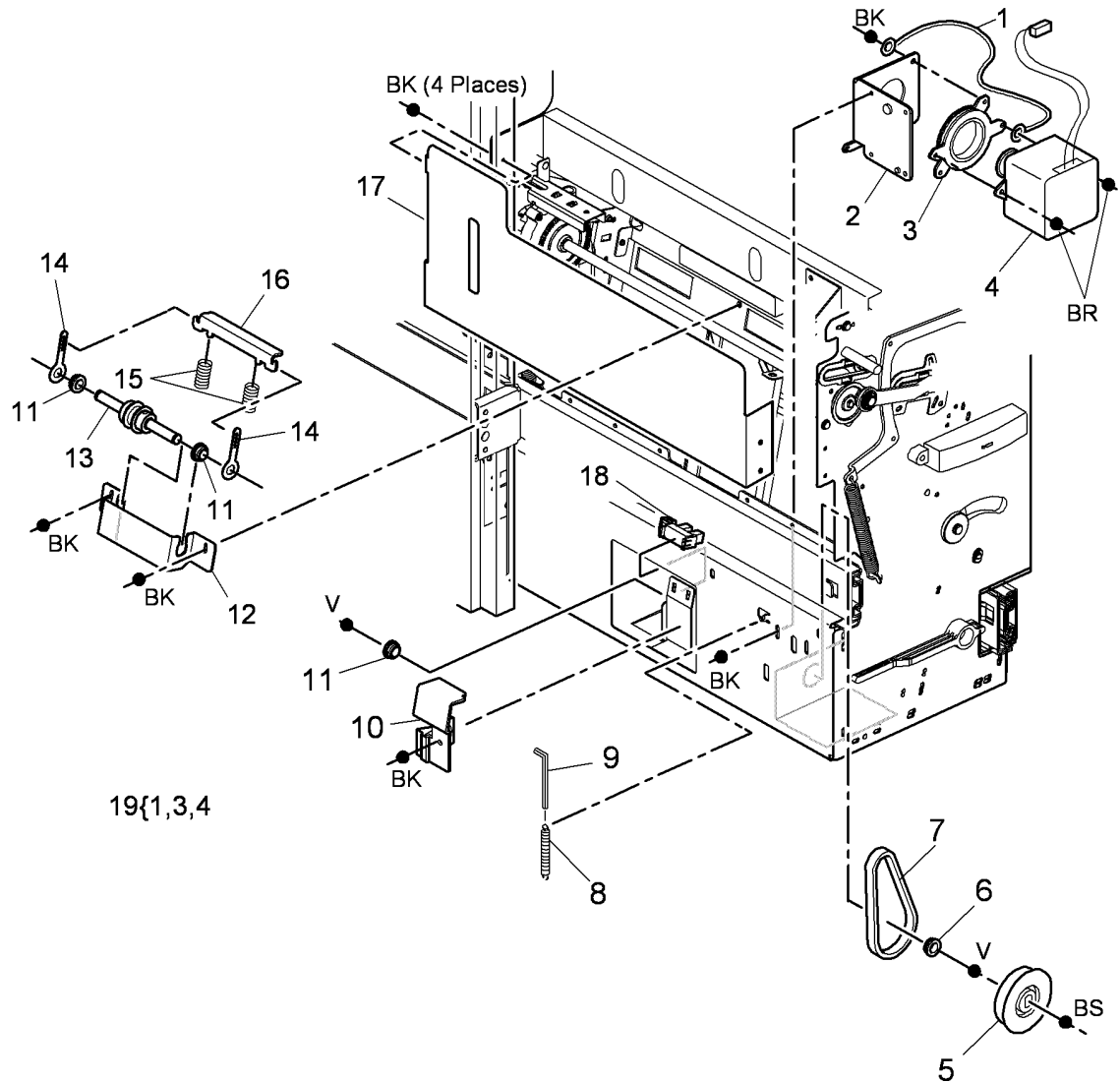
| Item | Part | Description |
|------|-----------|-----------------------------------------------------------------|
| 1 | 107E22600 | BM Tamper 1 home sensor (Q12-205) |
| 2 | - | LH Frame plate (Not spared) |
| 3 | 127K47660 | BM Tamper 1 motor (MOT12-256) (REP 12.30-171) |
| 4 | - | BM Tamper spring (P/O PL 12.155 Item 10) |
| 5 | - | BM Rear tamper arm (P/O PL 12.155 Item 9) (REP 12.30-171) |
| 6 | - | BM Front tamper arm (P/O PL 12.155 Item 10) (REP 12.30-171) |
| 7 | - | BM Rear tamper rack (P/O PL 12.155 Item 9) (REP 12.30-171) |
| 8 | - | BM Front tamper rack (P/O PL 12.155 Item 10) (REP 12.30-171) |
| 9 | 007K13190 | BM Rear tamper assembly (REP 12.30-171) |
| 10 | 007K13180 | BM Front tamper assembly (REP 12.30-171) |
| 11 | 807E15450 | BM Tamper gear (REP 12.30-171) |
| 12 | - | BM Tamper bracket (Not spared) (REP 12.30-171) |
| 13 | - | BM Tamper rack guide (Not spared) (REP 12.30-171) |
| 14 | 802E59410 | BM Connector cover |
| 15 | - | BM Tamper guide plate (Not spared) (REP 12.30-171) |
| 16 | - | BM Rear tamper finger (Not spared) (REP 12.30-171) |
| 17 | - | BM Front tamper finger (Not spared) (REP 12.30-171) |
| 18 | 125K03593 | BM Static eliminator |



U-8-0083-A

PL 12.160 HVF BM Back Stop Motor

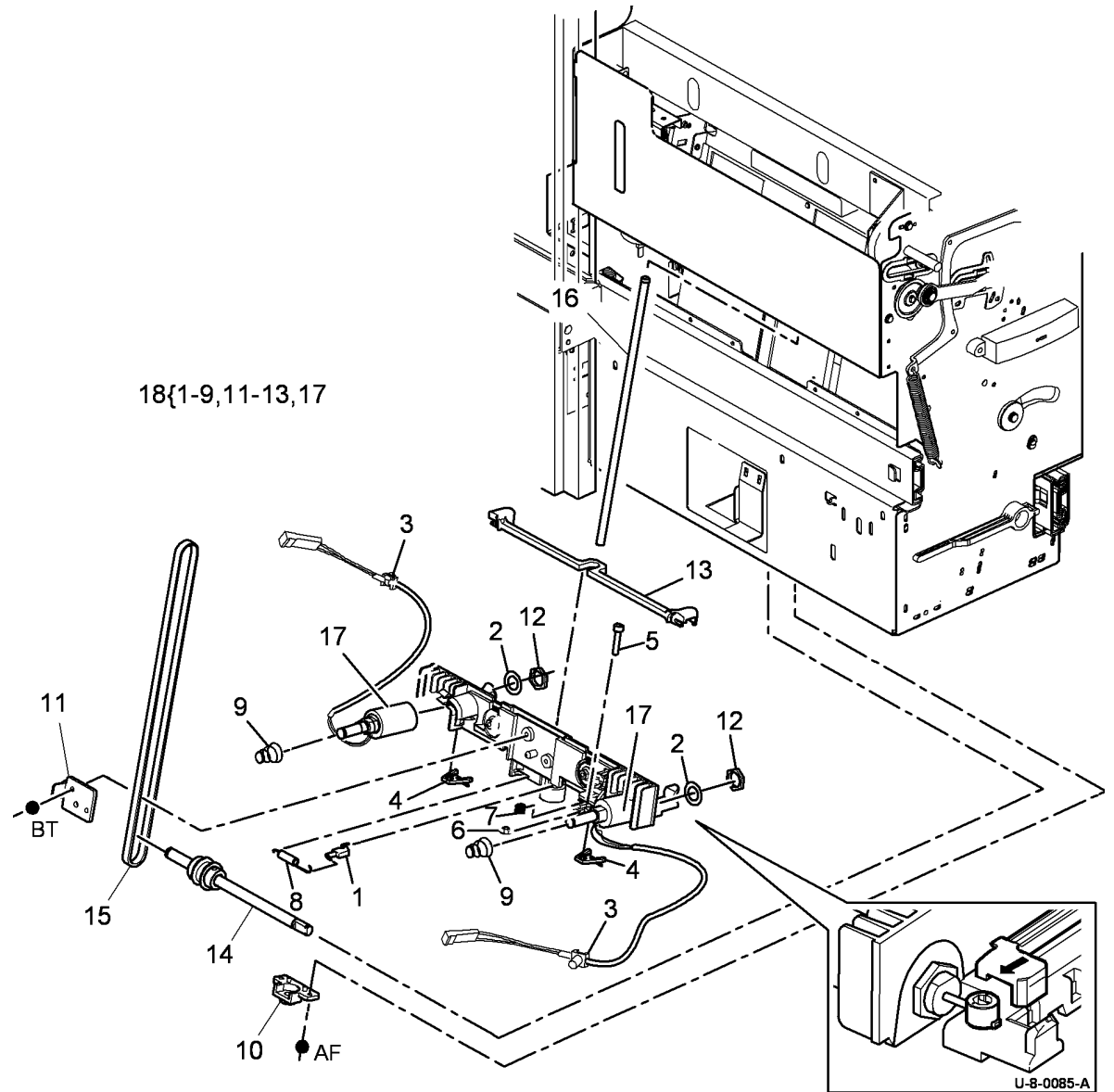
| Item | Part | Description |
|------|-----------|------------------------------------------------------------------------|
| 1 | - | Ground wire (P/O PL 12.160 Item 19) |
| 2 | - | Motor bracket (Not spared) |
| 3 | - | Motor damper (P/O PL 12.160 Item 19) (REP 12.20-171) |
| 4 | - | BM back stop motor (MOT12-255) (P/O PL 12.160 Item 19) (REP 12.20-171) |
| 5 | - | Pulley (Not spared) |
| 6 | - | BM back stop bearing (Not spared) |
| 7 | 023E23300 | BM back stop drive belt (REP 12.20-171) |
| 8 | 809E78370 | BM back stop tensioner spring (REP 12.20-171) |
| 9 | - | Allen key (3mm) (Not spared) |
| 10 | 848E40480 | Sensor cover |
| 11 | - | BM back stop bearing (Not spared) (REP 12.26-171) |
| 12 | - | BM back stop idler bracket (Not spared) (REP 12.26-171) |
| 13 | - | BM back stop idler shaft (Not spared) |
| 14 | - | BM back stop tensioner link (Not spared) |
| 15 | 809E25100 | BM back stop link spring (REP 12.26-171) |
| 16 | 012E20870 | BM back stop link (REP 12.26-171) |
| 17 | - | LH frame plate (Not spared) |
| 18 | 107E22600 | BM guide home sensor (Q12-204) |
| 19 | 127K54710 | BM back stop motor assembly (REP 12.20-171) |



U-8-0084-A

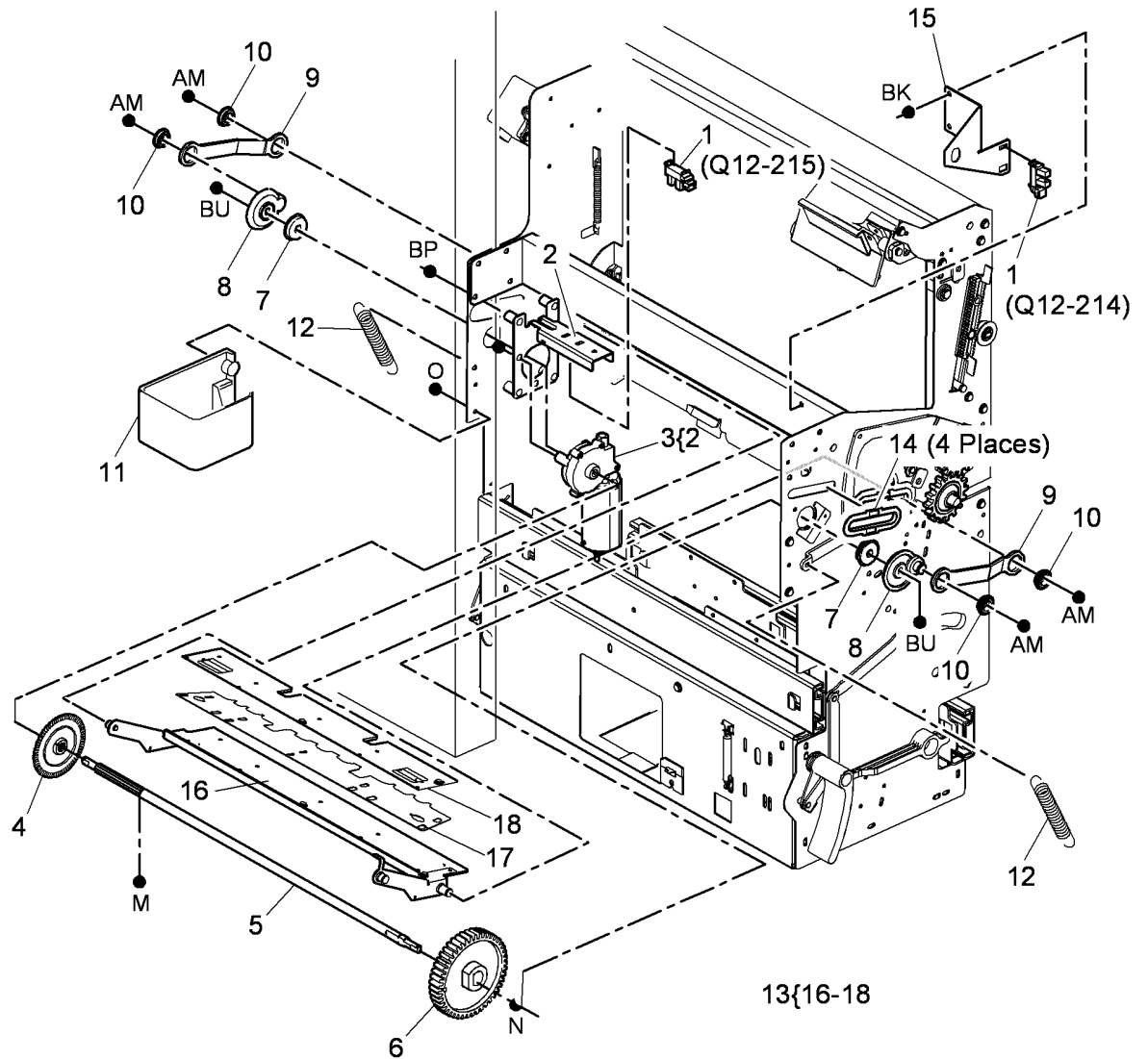
PL 12.165 HVF BM Back Stop assembly

| Item | Part | Description |
|------|-----------|------------------------------------------------------------|
| 1 | 019E74451 | Anti-play shoe |
| 2 | - | BM back stop lock washer (P/O PL 12.165 Item 18) |
| 3 | - | Cable fastener (P/O PL 12.165 Item 18) |
| 4 | 031E11300 | Anti-rattle arm |
| 5 | - | Screw (P/O PL 12.165 Item 18) |
| 6 | - | Flanged hex nut (P/O PL 12.165 Item 18) |
| 7 | - | Back stop adjust spring (P/O PL 12.165 Item 18) |
| 8 | 809E71970 | Antiplay spring |
| 9 | - | Solenoid spring (P/O PL 12.165 Item 18) |
| 10 | - | Shaft support (Not spared) |
| 11 | - | Belt clamp (P/O PL 12.165 Item 18) |
| 12 | - | BM back stop solenoid nut (P/O PL 12.165 Item 18) |
| 13 | - | Pivoting clamp (P/O PL 12.165 Item 18) |
| 14 | 006K30790 | BM back stop drive shaft (REP 12.26-171) |
| 15 | 023E23140 | BM back stop belt (REP 12.26-171) |
| 16 | - | BM back stop shaft (Not spared) |
| 17 | - | BM stack hold solenoid (SOL12-259) (P/O PL 12.165 Item 18) |
| 18 | 019K14160 | BM back stop assembly (REP 12.21-171) |



PL 12.170 HVF BM Crease Blade Motor

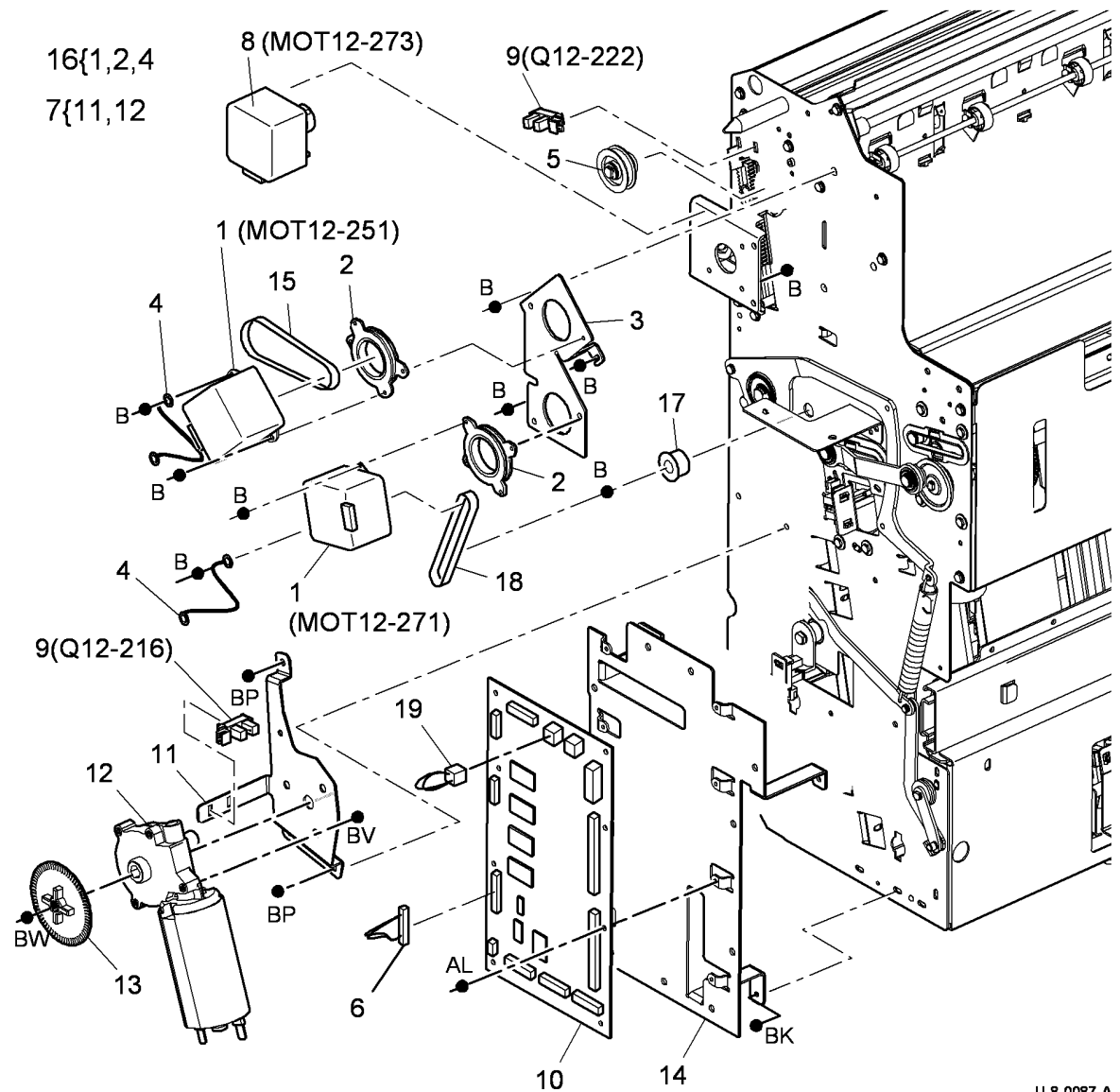
| Item | Part | Description |
|------|-----------|-------------------------------------------------------------------------------------------------------|
| 1 | 107E22600 | BM Crease blade motor encoder sensor (Q12-215), BM Crease blade home sensor (Q12-214) (REP 12.18-171) |
| 2 | - | Motor bracket (P/O PL 12.170 Item 3) |
| 3 | 127K54690 | BM Crease blade motor assembly (MOT12-252) (REP 12.18-171) |
| 4 | 014E47460 | Motor encoder (REP 12.18-171) |
| 5 | 806E36200 | Drive shaft |
| 6 | 007E69830 | Drive gear (40T) |
| 7 | 413W30654 | Bearing (REP 12.18-171) |
| 8 | 008E08220 | Crank (REP 12.18-171) |
| 9 | 012E20860 | Connecting rod (REP 12.36-171) |
| 10 | - | Bearing (Not spared) |
| 11 | 802E59171 | Motor cover |
| 12 | 809E42861 | Crease nip spring (REP 12.36-171) |
| 13 | - | Crease blade assembly (Not spared) (REP 12.36-171, ADJ 12.4-171) |
| 14 | 032E19330 | Crease blade support guide (REP 12.36-171) |
| 15 | - | Crease blade home sensor bracket (Not spared) |
| 16 | - | Lower mounting plate (P/O PL 12.170 Item 13) |
| 17 | 815E56520 | Crease blade folder plate |
| 18 | - | Upper mounting plate (P/O PL 12.170 Item 13) |



U-8-0086-A

PL 12.175 HVF BM Crease Rolls Motor and PWB

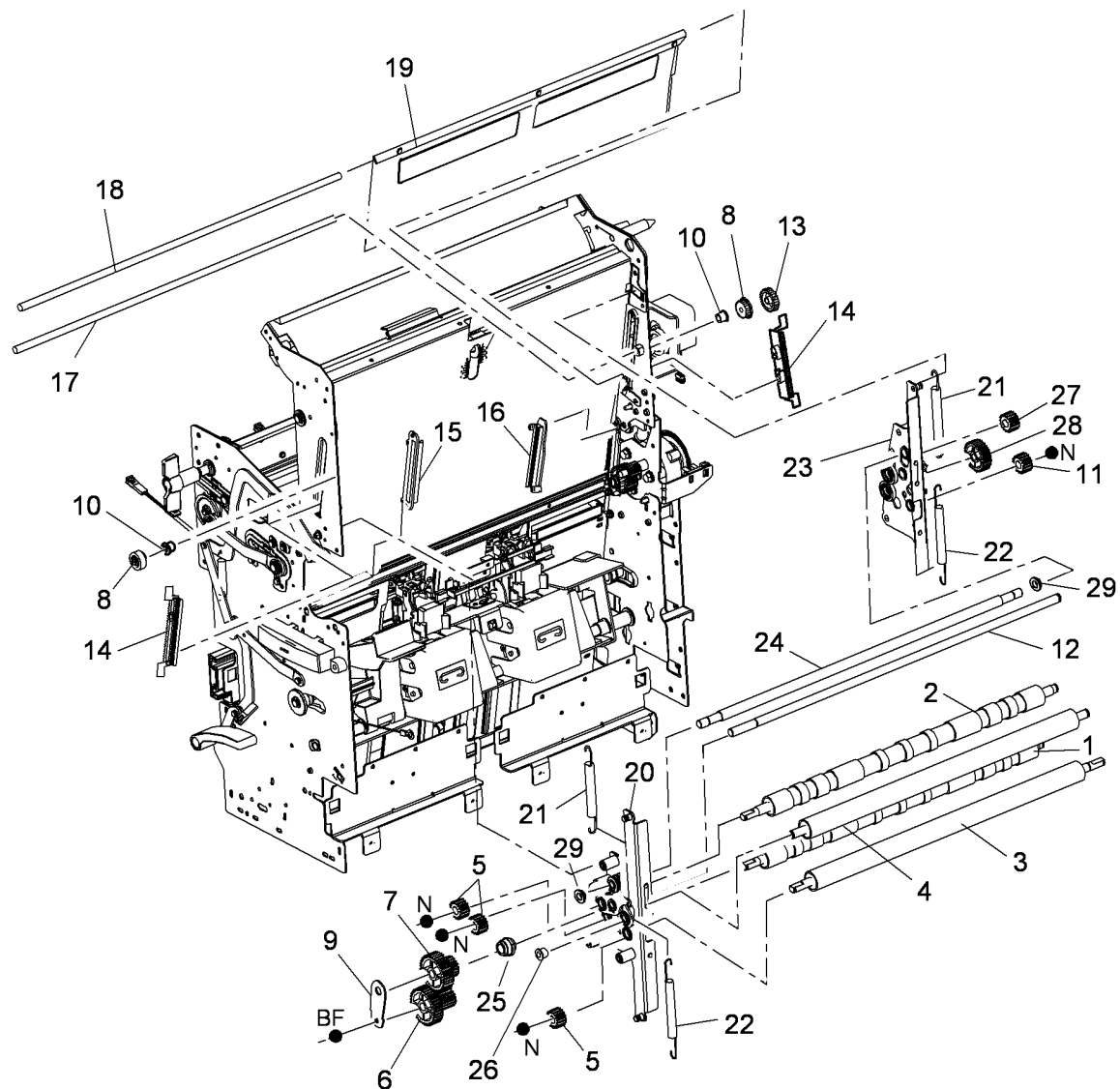
| Item | Part | Description |
|------|-----------|------------------------------------------------------------------------------------------------|
| 1 | 127K43751 | BM compiler motor (MOT12-251)/ BM flapper motor (MOT12-271) (REP 12.25-171) |
| 2 | - | Damper bracket (P/O PL 12.175 Item 16) (REP 12.25-171) |
| 3 | - | Motor bracket (Not spared) |
| 4 | - | Ground wire (P/O PL 12.175 Item 16) |
| 5 | 007E69000 | Gear (50T)/pulley (24T) |
| 6 | - | Tri-folder logic cheat (PJ563) (Not spared) |
| 7 | 127K54680 | BM Crease roll motor assembly |
| 8 | 127K53620 | BM crease roll gate motor (MOT12- 273) (REP 12.24-171) |
| 9 | 107E22600 | BM Crease roll gate home sensor (Q12-222), BM Crease roll motor encoder sensor (Q12-216) |
| 10 | 960K52781 | BM PWB (REP 12.17-171) |
| 11 | - | Motor bracket (P/O PL 12.175 Item 12) |
| 12 | 127K62560 | BM Crease roll motor (MOT12-253) (REP 12.19-171) |
| 13 | 014E47460 | BM Crease roll motor encoder |
| 14 | - | Support bracket (Not spared) |
| 15 | 023E25430 | Compiler motor belt |
| 16 | 127K55520 | BM Compiler motor assembly (REP 12.25-171) |
| 17 | - | BM flapper motor pulley (Not spared) |
| 18 | - | BM flapper motor drive belt (Not spared) |
| 19 | - | Tri-folder interlock cheat (PJ553) (Not spared) |



U-8-0087-A

PL 12.180 HVF BM Crease Rolls and Support Leg

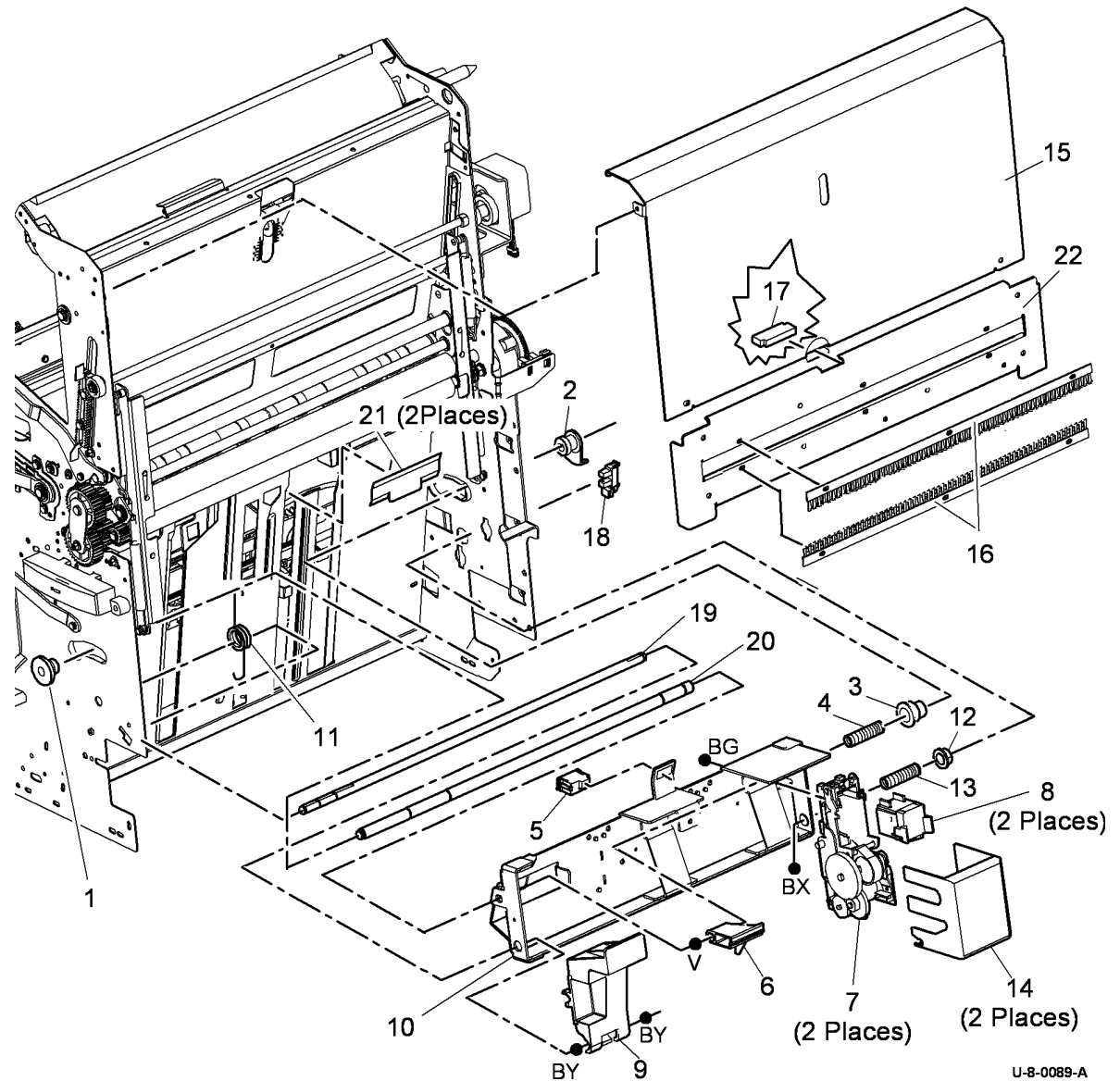
| Item | Part | Description |
|------|-----------|--------------------------------------------------|
| 1 | 006K32721 | Crease roll assembly 1 (REP 12.52-171) |
| 2 | 006K32731 | Crease roll assembly 2 (REP 12.52-171) |
| 3 | 006K32740 | Crease roll assembly 3 (REP 12.52-171) |
| 4 | 006K32750 | Crease roll assembly 4 (REP 12.52-171) |
| 5 | 807E34231 | Gear crease roll 4 |
| 6 | 807E34240 | Lower compound gear |
| 7 | 807E34280 | Upper compound gear |
| 8 | 007E69081 | Crease roll gate rack gear (REP 12.59-171) |
| 9 | - | Gear plate (Not spared) |
| 10 | - | Bearing (Not spared) |
| 11 | 807E34261 | Gear (16T) |
| 12 | - | Drive shaft (Not spared) |
| 13 | 007E69070 | Crease roll gate rack drive gear (REP 12.59-171) |
| 14 | 007E68951 | Crease roll gate rack (REP 12.59-171) |
| 15 | 020E54110 | Crease roll gate front guide |
| 16 | 020E54120 | Crease roll gate rear guide |
| 17 | - | Crease roll drive shaft (Not spared) |
| 18 | - | Crease roll gate shaft (Not spared) |
| 19 | 050E23160 | Crease roll gate (REP 12.59-171) |
| 20 | - | Front frame assembly (Not spared) |
| 21 | 809E95060 | Spring arm nip 1 |
| 22 | 809E95071 | Spring arm nip 2 |
| 23 | - | Rear frame assembly (Not spared) |
| 24 | - | Nip release shaft (Not spared) |
| 25 | 016E20010 | Bush roll release |
| 26 | 413W88650 | Bearing flanged |
| 27 | 807E34251 | Gear (15T) |
| 28 | 807E34270 | Gear (30T) |
| 29 | 016E20000 | Bush follower |



U-8-0088-A

PL 12.185 HVF BM Stapler Assemblies

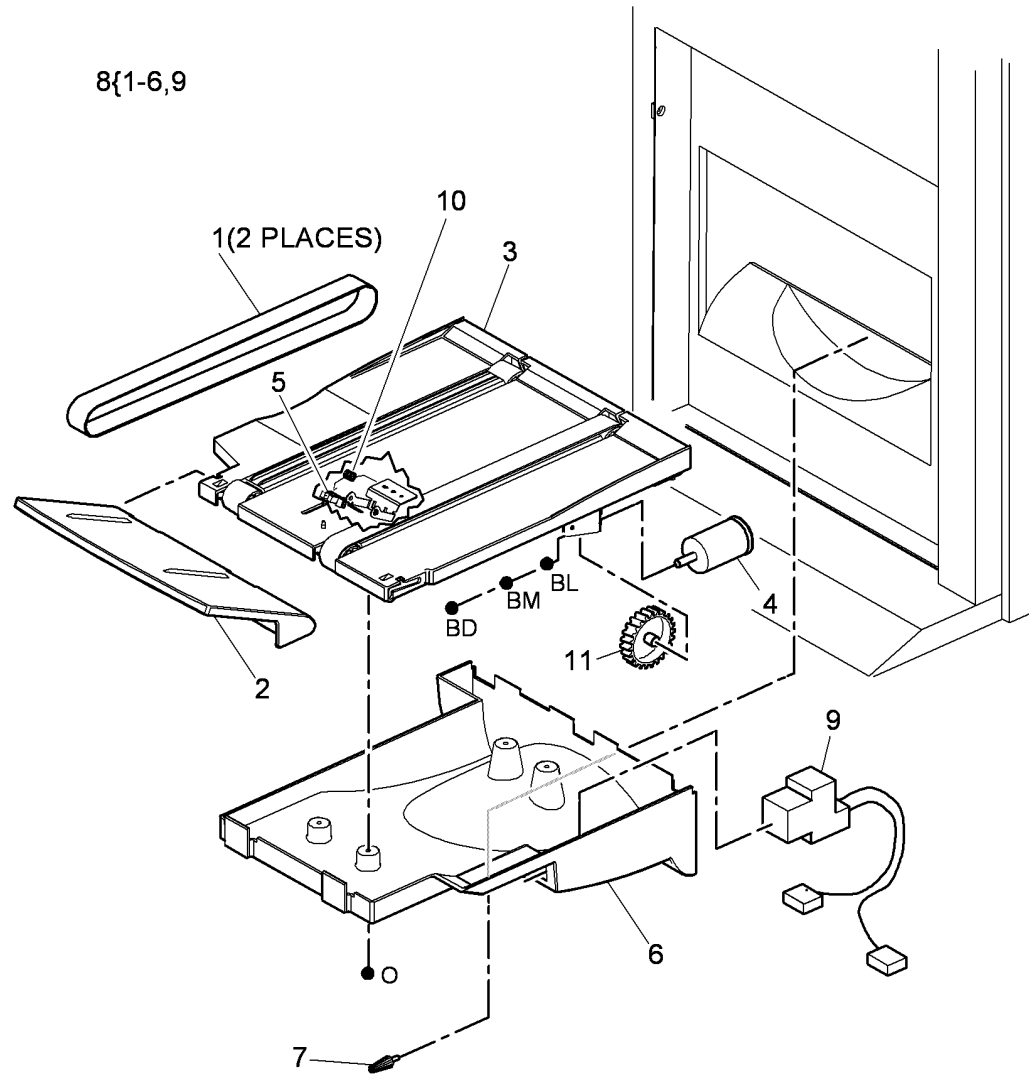
| Item | Part | Description |
|------|-----------|-----------------------------------------------------------------|
| 1 | 020E38513 | Front follower |
| 2 | 016E17731 | Actuator |
| 3 | - | Rear follower (Not spared) |
| 4 | 809E44010 | Spring |
| 5 | 130K74090 | BM Paper present sensor (Q12-170) |
| 6 | 008E06850 | Latch slide |
| 7 | 029K03232 | BM Staple head assembly (REP 12.27-171, ADJ 12.3-171) |
| 8 | - | Staple cartridge (REF: PL 26.10 Item 17) |
| 9 | - | Staple bracket handle (Not spared) (REP 12.28-171) |
| 10 | - | Stapler bracket assembly (Not spared) (REP 12.28-171) |
| 11 | 809E48830 | Torsion spring (REP 12.28-171) |
| 12 | - | Bearing (Not spared) (REP 12.28-171) |
| 13 | - | Spring (Not spared) (REP 12.28-171) |
| 14 | 802E42770 | Staple head cover |
| 15 | - | BM right hand cover (Not spared) (REP 12.56-171) |
| 16 | 125K03831 | Static eliminator |
| 17 | 130E11640 | BM exit sensor (Q12-213) (REP 12.50-171) |
| 18 | 107E22600 | BM Stapler head carrier closed sensor (Q12-217) (REP 12.28-171) |
| 19 | - | Lower shaft (Not spared) (REP 12.28-171) |
| 20 | - | Upper shaft (Not spared) (REP 12.28-171) |
| 21 | 055E51870 | Mylar guide |
| 22 | - | Exit plate (Not spared) |



U-8-0089-A

PL 12.190 HVF BM Bin 2

| Item | Part | Description |
|------|-----------|-------------------------------------------------|
| 1 | 023E18612 | Conveyor belt (REP 12.29-171) |
| 2 | 050E21971 | HVF BM Bin 2 extension |
| 3 | - | HVF BM Bin 2 upper cover (P/O PL 12.190 Item 8) |
| 4 | 127K53630 | BM Conveyor drive motor (MOT12-274) |
| 5 | 019E61171 | HVF BM Bin 2 90% full sensor (Q12-206) |
| 6 | - | HVF BM Bin 2 lower cover (P/O PL 12.190 Item 8) |
| 7 | 826E32840 | Thumbscrew |
| 8 | 050K67740 | HVF BM Bin 2 assembly |
| 9 | - | HVF BM Bin 2 connector (Not spared) |
| 10 | 809E47341 | HVF Bin 2 actuator spring |
| 11 | 007E69000 | Gear (50T)/pulley (24T) |

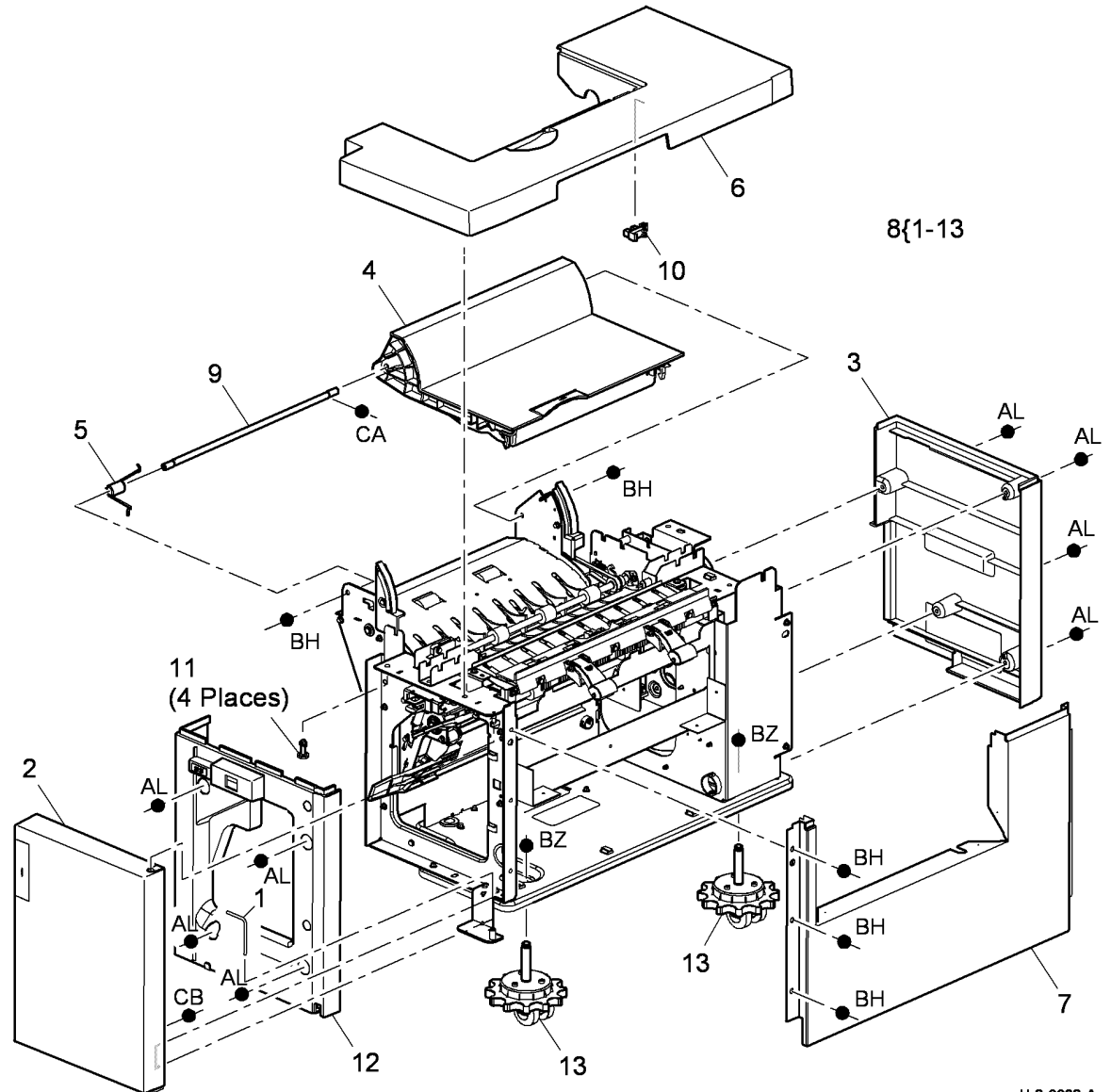


U-8-0090-A

PL 12.200 Tri-Folder Covers

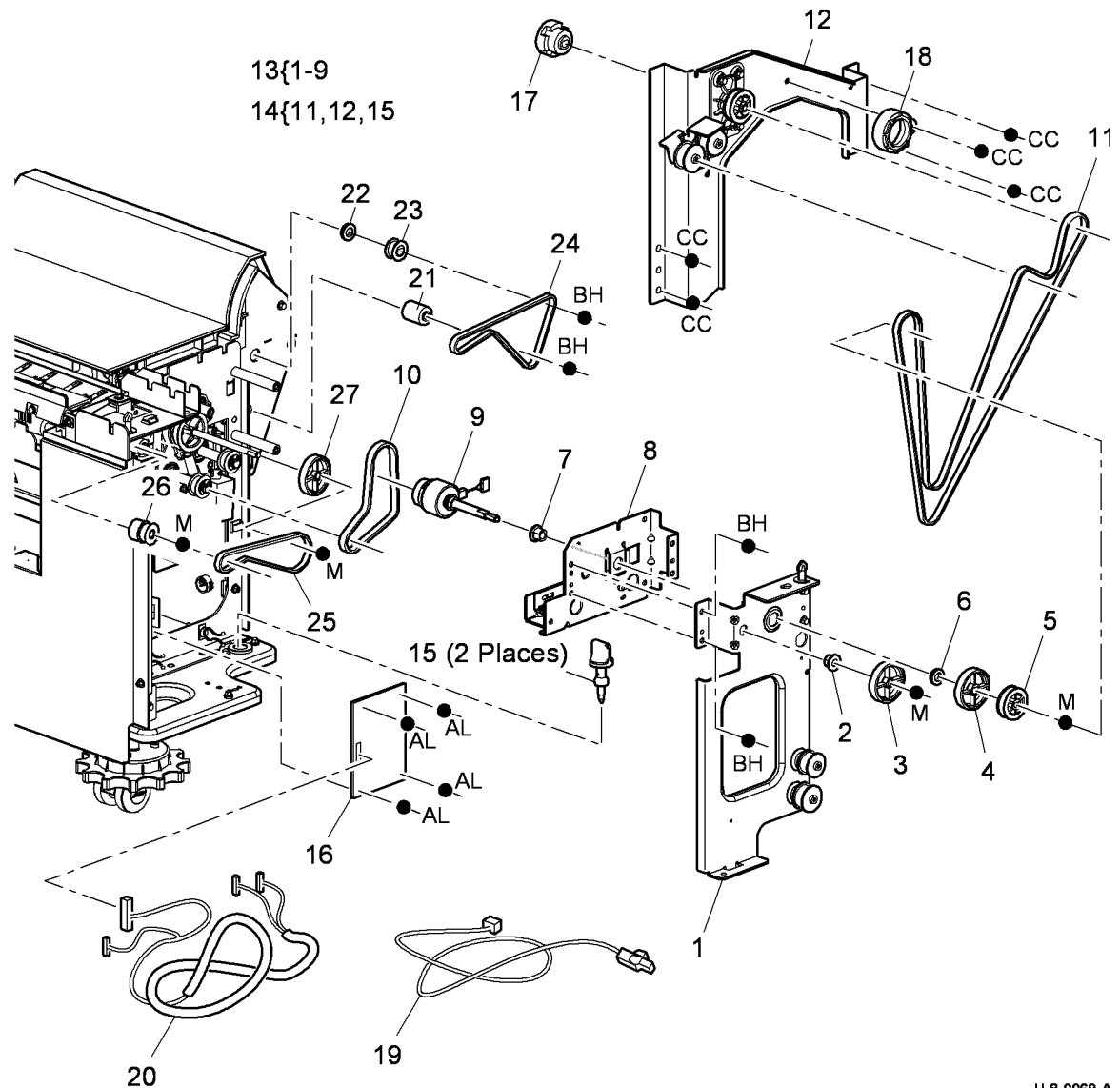
| Item | Part | Description |
|------|-----------|----------------------------------------------------------------|
| 1 | – | Door pin (Not spared) |
| 2 | 802K94010 | Front cover assembly (REP 12.67-171) |
| 3 | 848K11740 | Rear cover (REP 12.67-171) |
| 4 | – | Top cover door assembly (P/O PL 12.200 Item 8) (REP 12.73-171) |
| 5 | – | Top cover door assembly spring (P/O PL 12.200 Item 8) |
| 6 | 802E93931 | Top cover |
| 7 | 848E17430 | Right hand side cover (REP 12.67-171) |
| 8 | – | Tri-Folder (complete) (Not spared) |
| 9 | – | Top cover door assembly shaft (P/O PL 12.200 Item 8) |
| 10 | 107E26490 | Tri fold top cover interlock sensor (Q12-210) (REP 12.77-171) |
| 11 | – | Top cover locking stud (Not spared) |
| 12 | 802E99581 | Front cover |
| 13 | 017K04190 | Caster |

NOTE: For detail of bin 2, refer to PL 12.190.



PL 12.205 Tri-Folder Drives Module

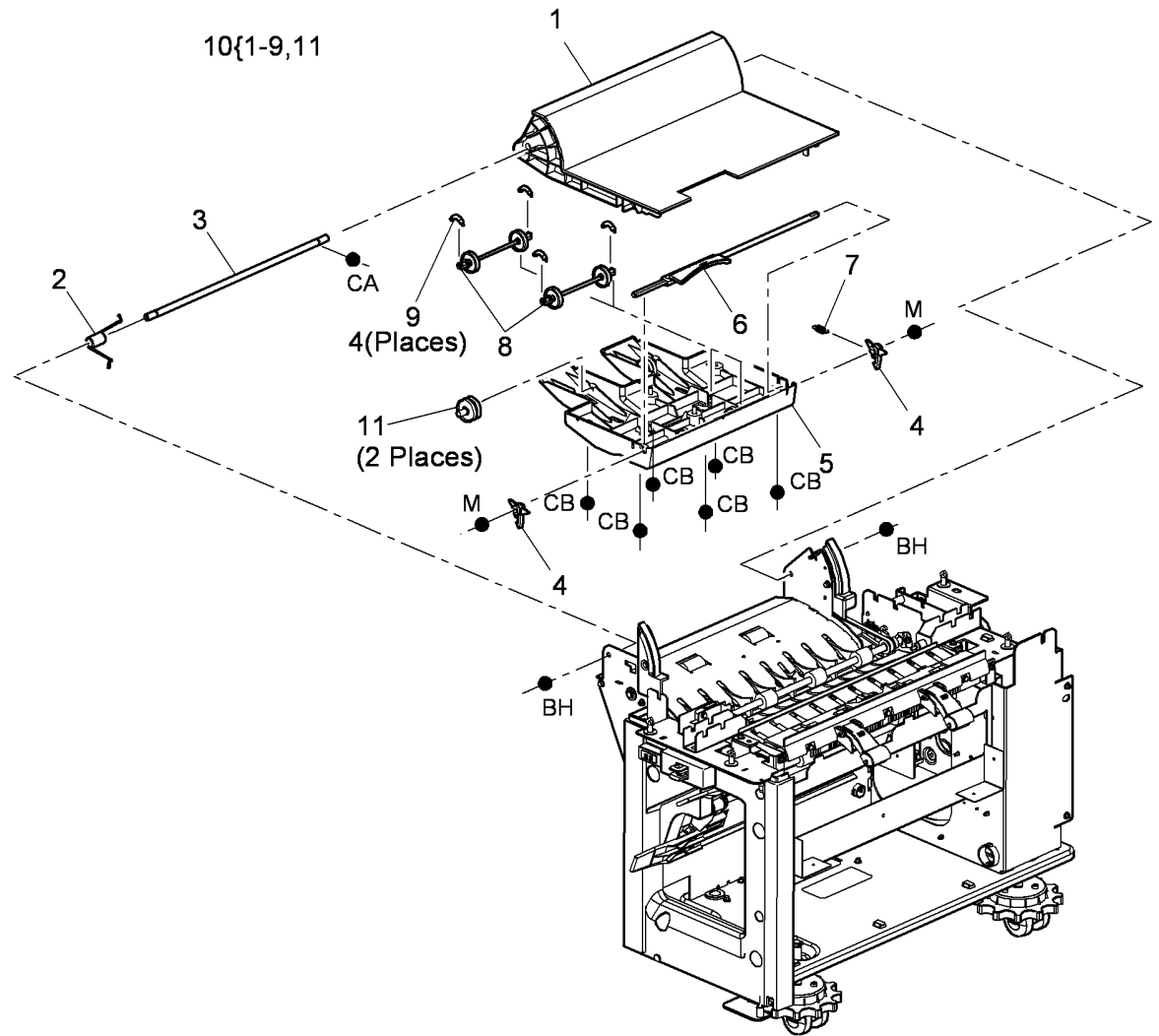
| Item | Part | Description |
|------|-----------|---------------------------------------------------------|
| 1 | - | Drive coupling assembly bracket (P/O PL 12.205 Item 13) |
| 2 | - | Bearing (P/O PL 12.205 Item 13) |
| 3 | - | Feed/exit roll drive gear (40T) (P/O PL 12.205 Item 13) |
| 4 | - | Gear (40T) (Black) (P/O PL 12.205 Item 13) |
| 5 | - | Driven pulley (P/O PL 12.205 Item 13) |
| 6 | - | Bearing (P/O PL 12.205 Item 13) |
| 7 | - | Bearing (P/O PL 12.205 Item 13) |
| 8 | - | Idler assembly bracket (P/O PL 12.205 Item 13) |
| 9 | - | Drive clutch (CL12-269) (P/O PL 12.205 Item 13) |
| 10 | - | Crease roll belt (Not spared) |
| 11 | 023E30780 | Coupler drive belt (REP 12.68-171) |
| 12 | 007K14460 | Install kit drive assembly |
| 13 | 005K12690 | Drive coupling assembly (REP 12.69-171) |
| 14 | 675K53640 | Tri-Folder install kit (REP 12.68-171) |
| 15 | - | Thumb screw (P/O PL 12.205 Item 14) |
| 16 | 960K24000 | Tri-folder PWB (REP 12.80-171) |
| 17 | - | Drive coupler (Not spared) |
| 18 | - | Align gauge coupler (Not spared) |
| 19 | 962K49592 | Bin 2 tray harness (REP 12.81-171) |
| 20 | 962K49571 | Bookletmaker PWB to Tri-folder PWB harness (PJ602) |
| 21 | - | Drive belt tensioner pulley (Not spared) |
| 22 | - | Feed roller bearing (Not spared) |
| 23 | - | Feed roll pulley (Not spared) (REP 12.70-171) |
| 24 | - | Feed roll belt (Not spared) (REP 12.70-171) |
| 25 | 023E23370 | Feed roll drive belt |
| 26 | 020E39921 | Pulley gear (19T/20T) (BM) |
| 27 | 020E39930 | Pulley (38T) |



U-8-0069-A

PL 12.210 Tri-Folder Top Door Cover Assembly

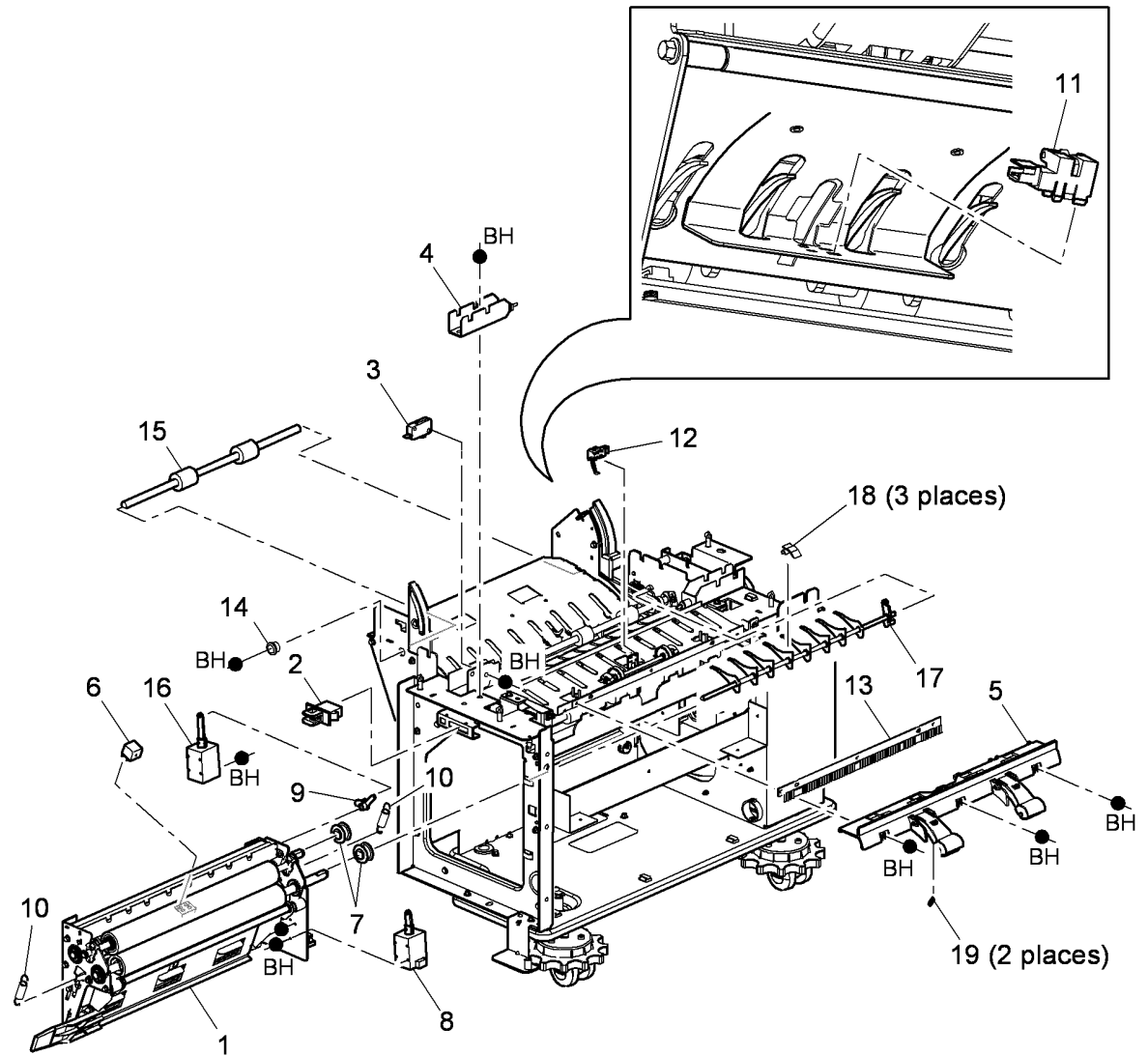
| Item | Part | Description |
|------|-----------|--------------------------------------------------------|
| 1 | - | Top access cover (P/O PL 12.210 Item 10) |
| 2 | - | Top cover door assembly spring (P/O PL 12.210 Item 10) |
| 3 | - | Top cover door assembly shaft (P/O PL 12.210 Item 10) |
| 4 | - | Latch hook (P/O PL 12.210 Item 10) |
| 5 | - | Top door cover assembly base (P/O PL 12.210 Item 10) |
| 6 | - | Latch handle (P/O PL 12.210 Item 10) |
| 7 | - | Latch spring (P/O PL 12.210 Item 10) |
| 8 | 059K58690 | Idler assembly (REP 12.73-171) |
| 9 | - | Idler spring (P/O PL 12.210 Item 10) |
| 10 | 848K11680 | Top cover door assembly (REP 12.73-171) |
| 11 | - | Idler assembly (P/O PL 12.210 Item 10) |



U-8-0070-A

PL 12.215 Tri-Folder Main Drives Assembly

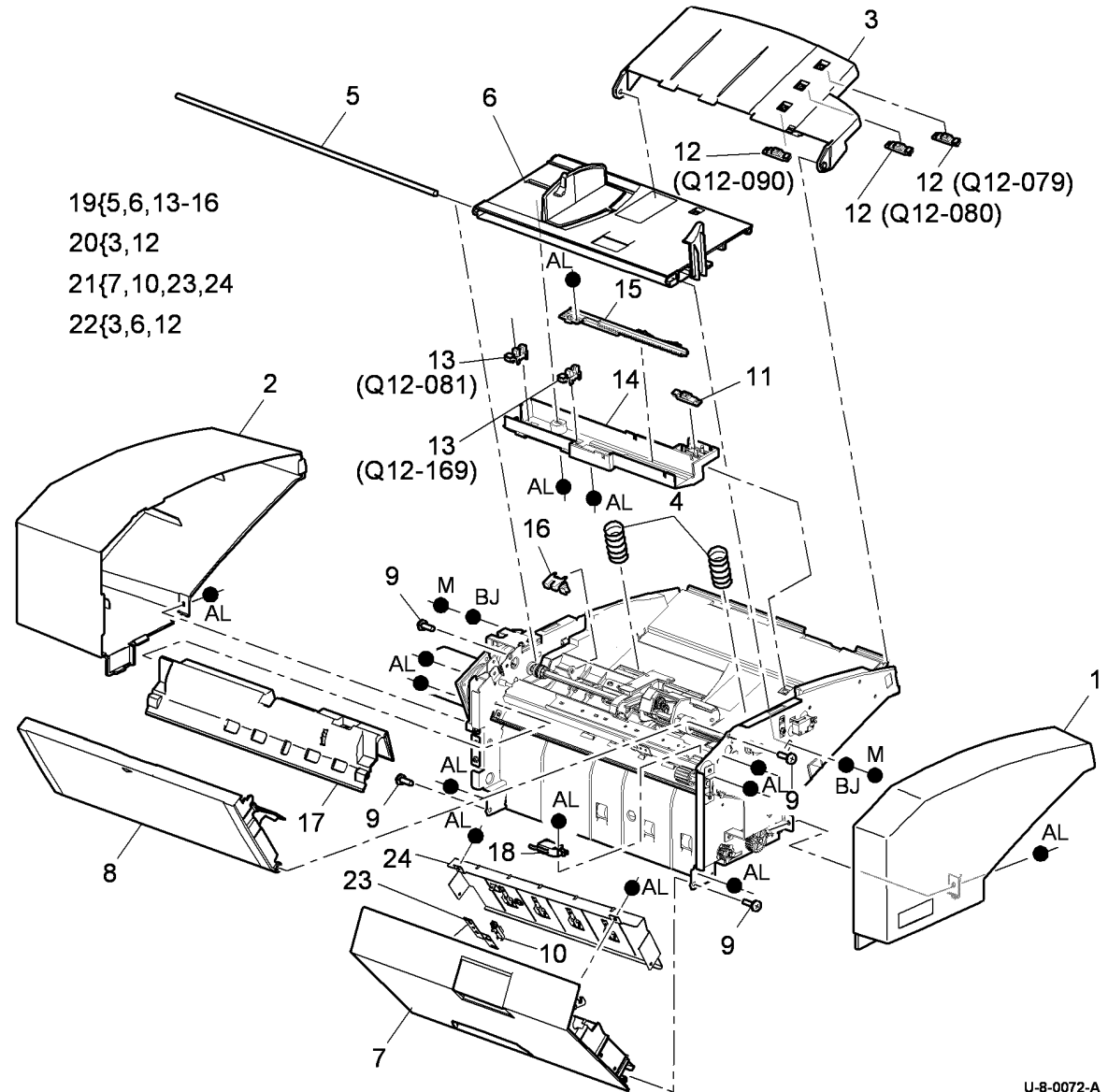
| Item | Part | Description |
|------|-----------|----------------------------------------------------------|
| 1 | - | Roller assembly (Not spared) (REP 12.74-171) |
| 2 | 110E19840 | Front door interlock switch (S12-209) (REP 12.77-171) |
| 3 | 110E19831 | Top cover interlock switch (S 12-210) (REP 12.77-171) |
| 4 | - | Top access cover docking catch (Not spared) |
| 5 | - | Pressing and stacking assembly (Not spared) |
| 6 | 130E11861 | Assist gate sensor (Q12-165) (REP 12.78-171) |
| 7 | 020E38480 | Centerfold pulley (REP 12.74-171) |
| 8 | 121K44660 | Assist gate solenoid (SOL12-268) (REP 12.71-171) |
| 9 | 011E13832 | Centerfold entry gate lever (REP 12.74-171) |
| 10 | 809E44040 | Crease roll spring (REP 12.72-171) |
| 11 | 130K74920 | Tri folder entry sensor (Q12-164) (REP 12.78-171) |
| 12 | 130K74051 | Tri folder exit sensor (Q12-166) (REP 12.79-171) |
| 13 | - | Static eliminator (Not spared) |
| 14 | - | Feed roller bearing (Not spared) |
| 15 | - | Feed roller (Not spared) (REP 12.70-171) |
| 16 | 121K44650 | Tri folder diverter solenoid (SOL12-267) (REP 12.74-171) |
| 17 | 050E23180 | Diverter gate |
| 18 | 050E28950 | Diverter gate spring clip |
| 19 | 809E95080 | Nip spring |



U-8-0071-A

PL 12.300 Inserter Covers

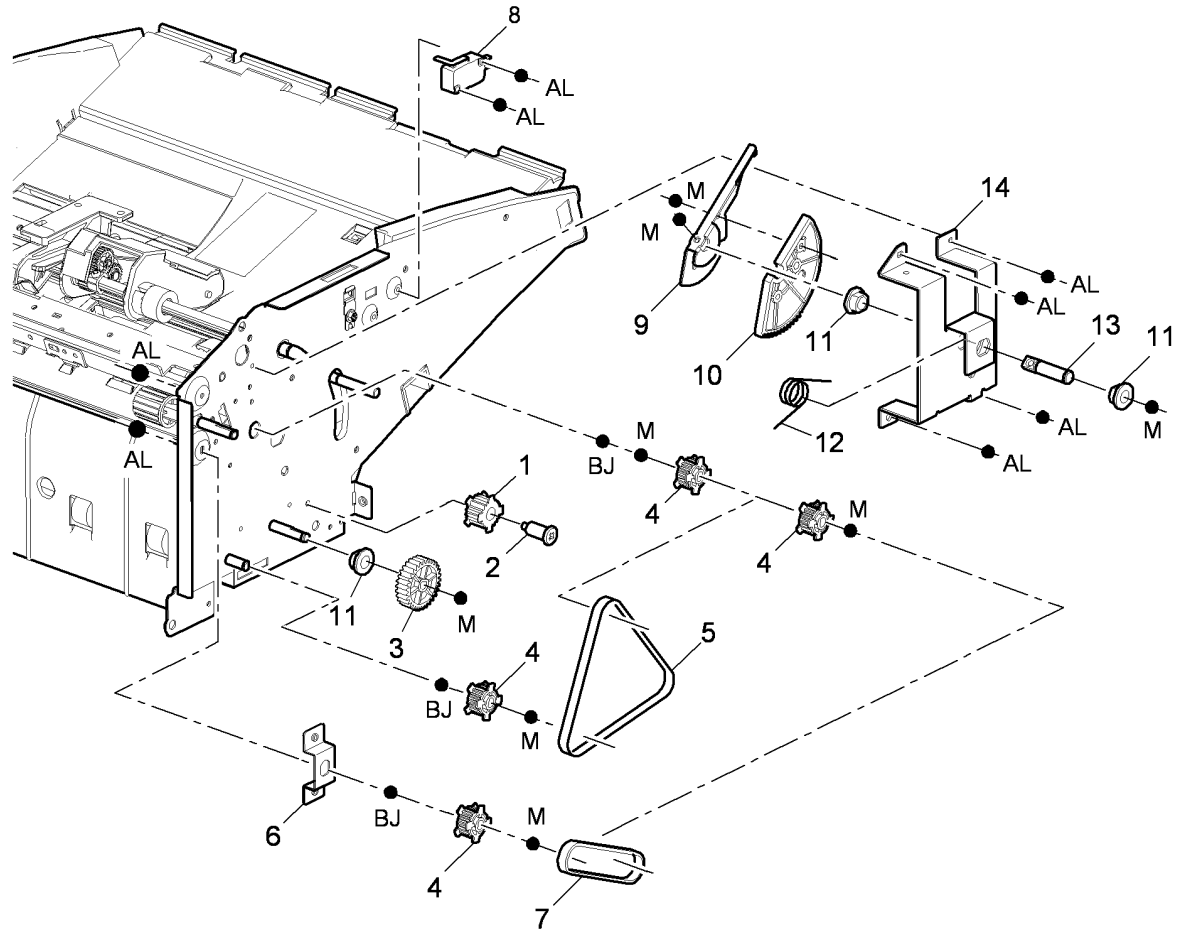
| Item | Part | Description |
|------|-----------|----------------------------------------------------------------------------------------------------------------------------------------------------------|
| 1 | - | Front cover (Not spared) (REP 12.83-171) |
| 2 | - | Rear cover (Not spared) (REP 12.83-171) |
| 3 | - | Sensor tray (P/O PL 12.300 Item 20) (REP 12.89-171) |
| 4 | - | Bottom tray spring (Not spared) |
| 5 | - | Bottom tray shaft (Not spared) |
| 6 | - | Bottom tray (P/O PL 12.300 Item 19) (REP 12.90-171) |
| 7 | - | Lower jam cover (P/O PL 12.300 Item 21) (REP 12.92-171) |
| 8 | 848K31360 | Top cover door (REF: PL 12.310 Item 17) |
| 9 | - | Pivot pin (Not spared) |
| 10 | - | Inserter acceleration sensor (Q12-316) (P/O PL 12.300 Item 21) (REP 12.92-171) |
| 11 | - | Inserter unit empty sensor (Q12-082) (Not spared) (REP 12.90-171) |
| 12 | - | Inserter paper length 1 sensor (Q12-079)/Inserter paper length 2 sensor (Q12-080), Inserter paper length sensor 3 (Q12-090) (Not spared) (REP 12.89-171) |
| 13 | - | Paper width sensor 1 (Q12-081), Paper width sensor 2 (Q12-169) (Not spared) (P/O PL 12.300 Item 19) (REP 12.90-171) |
| 14 | - | Bottom tray bracket (P/O PL 12.300 Item 19) |
| 15 | - | Bottom tray rack (P/O PL 12.300 Item 19) |
| 16 | - | Inserter bottom plate sensor (Q12-085) (P/O PL 12.300 Item 19) (REP 12.94-171) |
| 17 | - | Top inside cover (Not spared) |
| 18 | - | Inserter jam cover interlock switch (S12-179) (Not spared) (REP 12.88-171) |
| 19 | 050K68510 | Bottom tray assembly |
| 20 | 848K31350 | Sensor tray assembly |
| 21 | - | Lower jam cover assembly (Not spared) |
| 22 | 848K31370 | Main tray assembly |
| 23 | - | Bracket (P/O PL 12.300 Item 21) |
| 24 | - | Lower jam inner cover (P/O PL 12.300 Item 21) |



U-8-0072-A

PL 12.305 Inserter Main Drives (1 of 3)

| Item | Part | Description |
|------|------|----------------------------------------------------------------------------|
| 1 | – | Idler (Not spared) |
| 2 | – | Idler pin (Not spared) |
| 3 | – | Gear (Not spared) |
| 4 | – | Pulley (Not spared) |
| 5 | – | Belt (Not spared) |
| 6 | – | Bracket (Not spared) |
| 7 | – | Jam drive belt (Not spared) |
| 8 | – | Inserter top cover interlock switch (S12-178) (Not spared) (REP 12.87-171) |
| 9 | – | Loading lever (Not spared) |
| 10 | – | Loading gear (Not spared) |
| 11 | – | Bearing (Not spared) |
| 12 | – | Torsion spring (Not spared) |
| 13 | – | Loading shaft (Not spared) |
| 14 | – | Front loading bracket (Not spared) |

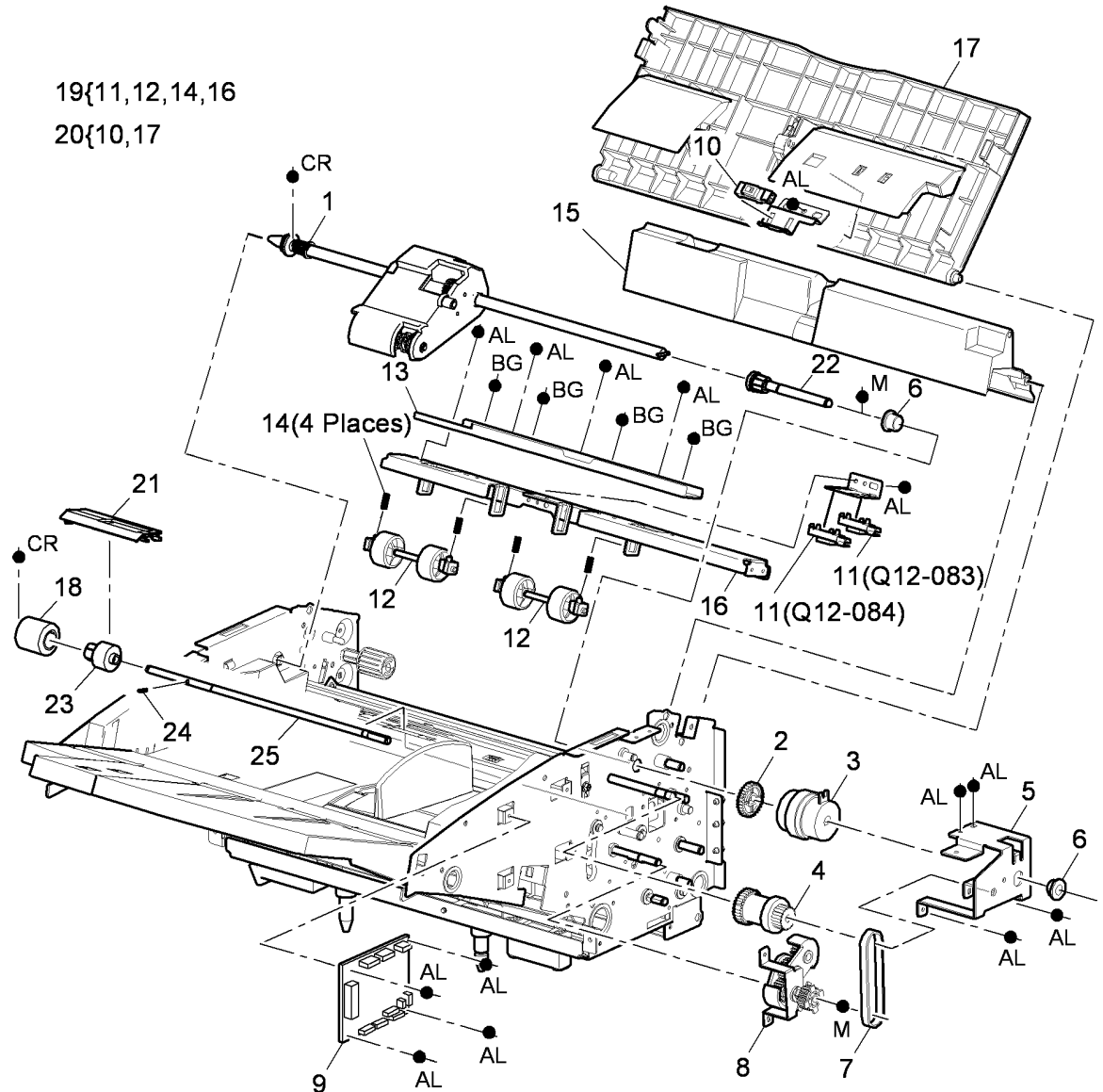


U-8-0073-A

PL 12.310 Inserter Main Drives (2 of 3)

| Item | Part | Description |
|------|-----------|-------------------------------------------------------------------------------|
| 1 | 050K68520 | Pickup assembly (REP 12.95-171) (See NOTE) |
| 2 | - | Pickup gear (Not spared) |
| 3 | 005K12890 | Inserter clutch (CL12-260) (REP 12.86-171) |
| 4 | - | Reverse roller drive idler (Not spared) |
| 5 | - | Pickup assembly bracket (Not spared) |
| 6 | - | Bearing (Not spared) |
| 7 | - | Reverse roller drive belt (Not spared) |
| 8 | - | Reverse roller drive (Not spared) |
| 9 | 960K46170 | Inserter PWB (REP 12.85-171) |
| 10 | - | Inserter pickup sensor (Q12-315) (REP 12.91-171) |
| 11 | - | Inserter LE sensor (Q12-083)/ Inserter TE sensor (Q12-084) (REP 12.93-171) |
| 12 | - | Idle roller (Not spared) (REP 12.98-171) |
| 13 | - | Idler roller bracket (Not spared) |
| 14 | - | Idler roller spring (Not spared) |
| 15 | - | Top inside cover (Not spared) |
| 16 | - | Idler roller cover |
| 17 | - | Top cover (REP 12.91-171) |
| 18 | 050K68090 | Reverse feed roller (REP 12.95-171) |
| 19 | 006K32860 | Idle roller assembly (REP 12.98-171) |
| 20 | 848K31360 | Top cover door assembly |
| 21 | 848K37330 | Retard cover |
| 22 | - | Drive coupling (Not spared) |
| 23 | - | Reverse feed roll core (Not spared) |
| 24 | - | Pin (Not spared) |
| 25 | - | Shaft (Not spared) |

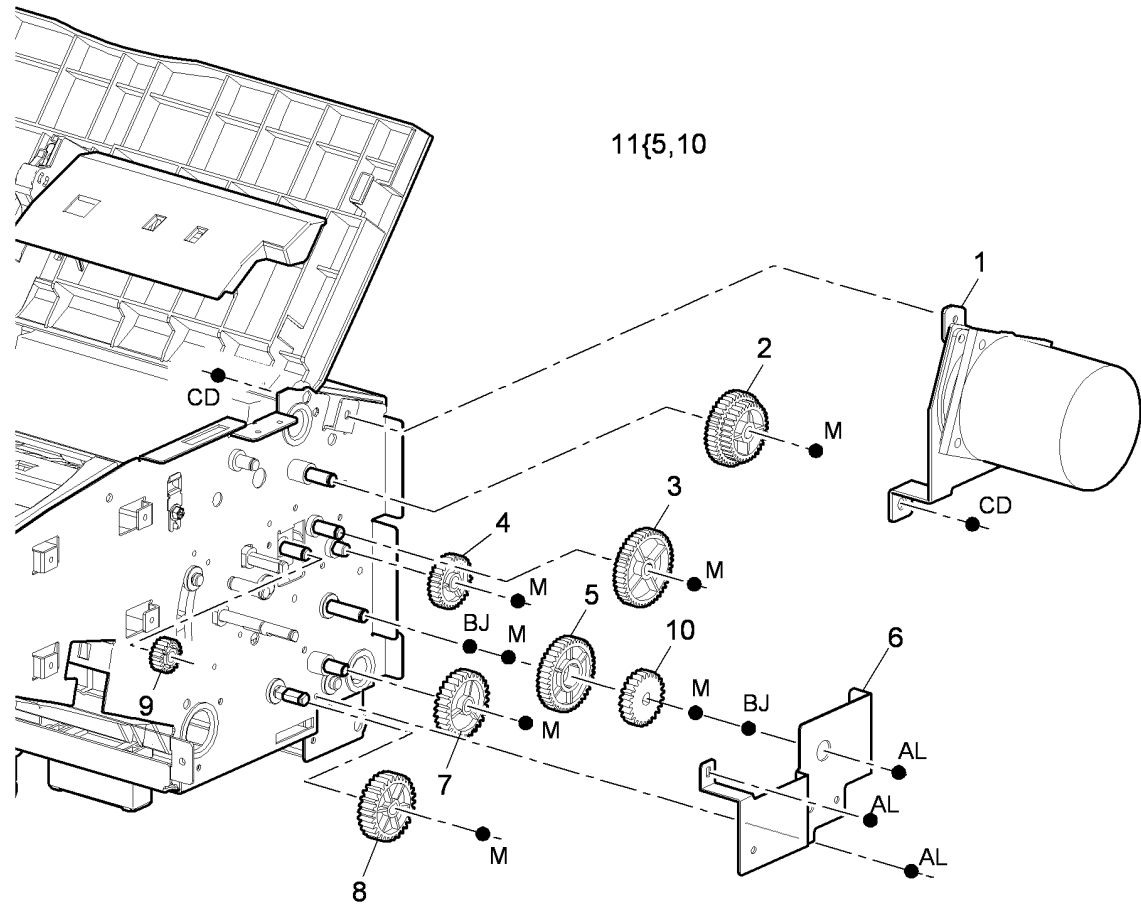
NOTE: To reset the HFSI count, go to dC135.



U-8-0074-A

PL 12.315 Inserter Main Drives (3 of 3)

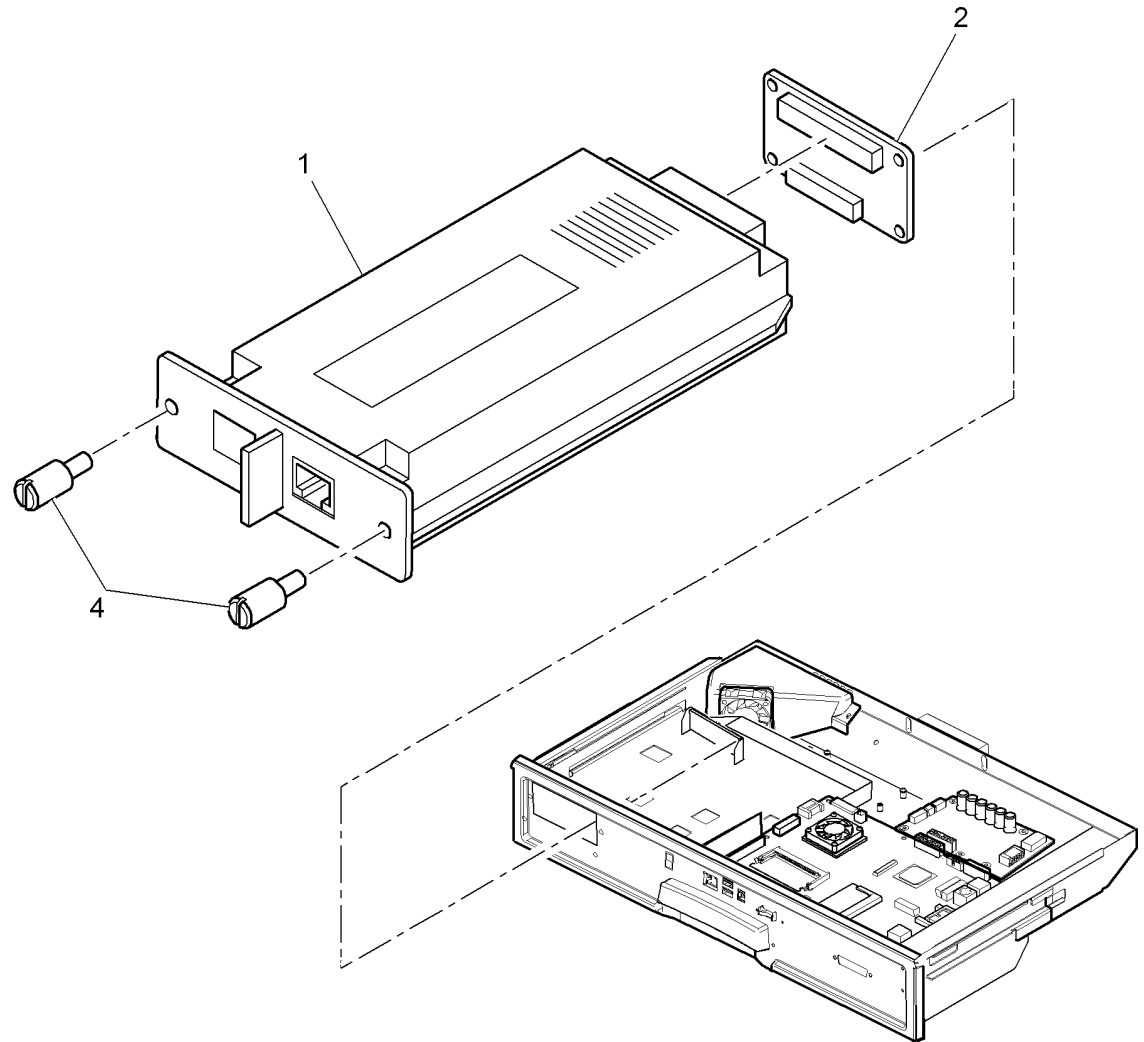
| Item | Part | Description |
|------|-----------|--------------------------------------------|
| 1 | 127K61990 | Inserter motor (MOT12-261) (REP 12.84-171) |
| 2 | - | Idler (Not spared) |
| 3 | - | Driver gear (Not spared) |
| 4 | - | Idler (Not spared) |
| 5 | - | Tray down gear (Not spared) |
| 6 | - | Gear cover bracket (Not spared) |
| 7 | - | Idler (Not spared) |
| 8 | - | Bottom shaft drive (Not spared) |
| 9 | - | Feed roller drive gear (Not spared) |
| 10 | - | Tray down clutch (Not spared) |
| 11 | - | Tray down clutch assembly (Not spared) |



U-8-0075-A

PL 20.05 Fax Module

| Item | Part | Description |
|------|-----------|---------------------------------------------------------------------|
| 1 | – | Fax module |
| – | – | 1 line (P/O PL 20.10 Item 1) |
| – | – | 2 line (P/O PL 20.10 Item 2) |
| 2 | – | Fax connector PWB (Not spared) |
| 3 | – | Telephone cable (not shown on illustration, see below for variants) |
| – | 117K45260 | United Kingdom |
| – | 117K45390 | USSG/XCL |
| – | 117K45270 | Germany |
| – | 117K45280 | Italy |
| – | 117K45290 | Netherlands |
| – | – | Belgium |
| – | 117K45310 | Switzerland |
| – | 117K45320 | Denmark |
| – | 117K45330 | Austria |
| – | 117K45340 | Sweden |
| – | 117K45350 | France |
| – | 117K45360 | Norway |
| – | 117K45370 | Portugal/Spain |
| – | 117K45380 | Finland |
| 4 | – | Thumbscrew |



U-8-0112-A

PL 20.10 Line 1 & 2 Fax Kits

| Item | Part | Description |
|------|-----------|--------------------------------------------------|
| 1 | - | Line 1 Fax Kits (see below for variants) |
| - | 497K06230 | USSG/XCL |
| - | 497K06250 | XE (CIF) |
| - | 497K07550 | United Kingdom/Spain/Portugal/ Greece/Ireland |
| - | 497K07490 | Austria/Germany/Switzerland/Italy |
| - | 497K07500 | Sweden /Norway/Finland/Denmark |
| - | 497K07480 | Netherlands/Belgium/France |
| 2 | - | Line 2 Fax Kits (see below for variants) |
| - | 497K06240 | USSG/XCL |
| - | 497K06260 | XE (CIF) |
| - | 497K07510 | United Kingdom/Spain/Portugal/ Greece/Ireland |
| - | 497K07530 | Austria/Germany/Switzerland/Italy |
| - | 497K07540 | Sweden /Norway/Finland/Denmark |
| - | 497K07520 | Netherlands/Belgium/France |

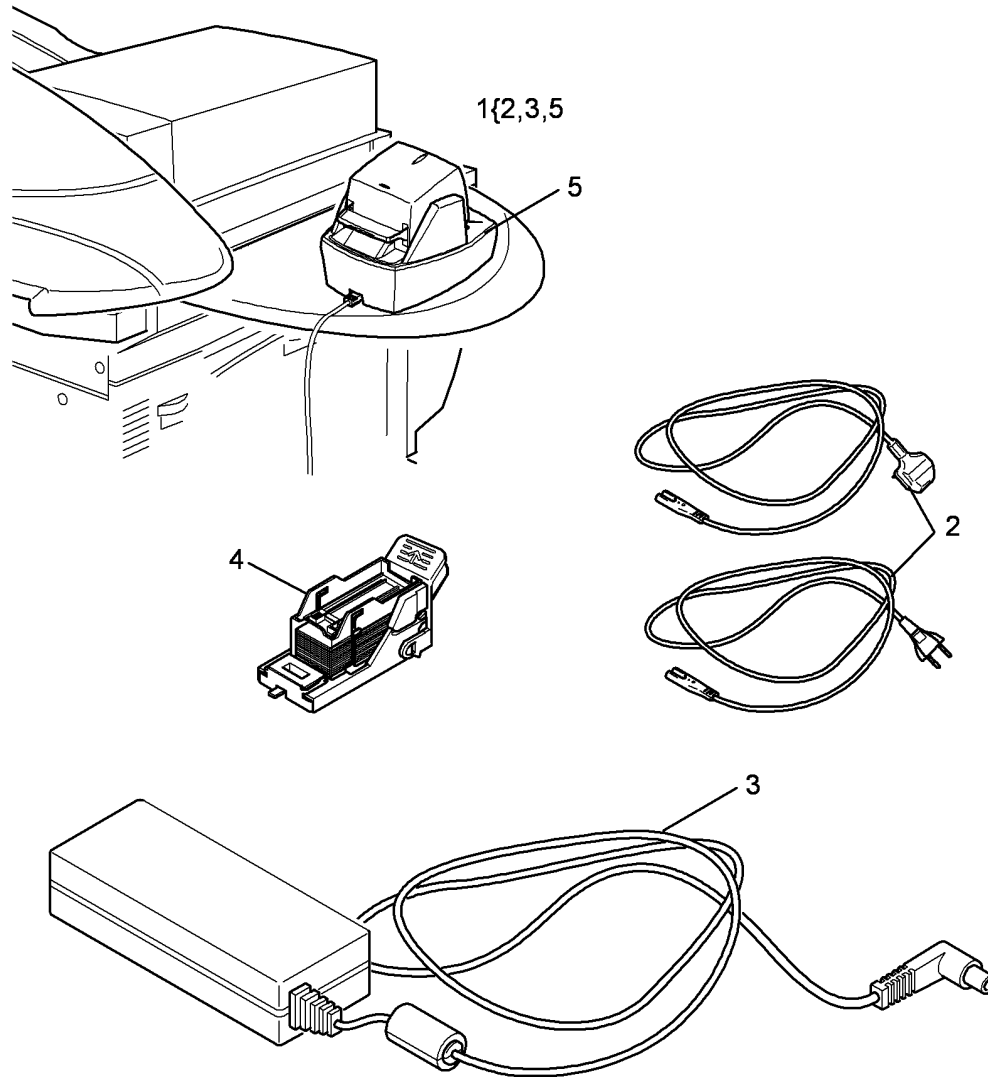
**NO EXPLODED
VIEW PROVIDED**

U-8-0095-A

PL 25.10 Convenience Stapler

| Item | Part | Description |
|------|------|------------------------------------------------|
| 1 | - | Convenience stapler kit (REF: PL 31.11 Item 3) |
| 2 | - | Power cord (P/O PL 25.10 Item 1) |
| 3 | - | PSU (P/O PL 25.10 Item 1) |
| 4 | - | Staple cartridge (REF: PL 26.10 Item 16) |
| 5 | - | Convenience stapler (P/O PL 25.10 Item 1) (XE) |

NOTE: The convenience stapler has no serviceable parts.



U-8-0111-A

PL 26.10 Consumables and Tools (1 of 2)

| Item | Part | Description |
|------|-----------|-------------------------------------------------------------------------------------|
| 1 | 008R90176 | Cleaning fluid (IPA & water)(WARNING) |
| 2 | – | Ethernet crossover cable (PWS to SBC PWB) (Not spared) |
| 3 | – | Finisher bypass connector (Not spared) |
| 4 | – | Plastislip grease (Not spared) |
| 5 | – | Disposable gloves (general protection- see below for varaints) (Qty. 100) (WARNING) |
| – | 099P03227 | Small |
| – | 099P03228 | Medium |
| – | 099P03229 | Large |
| – | 099P03230 | Extra large |
| 6 | 019P03025 | Microfibre cleaning cloth |
| 7 | 108R00834 | Magenta solid ink stick (Metered) |
| – | 108R00830 | Magenta solid ink stick (Sold) |
| – | 108R00838 | Magenta solid ink stick (Sold DMO) |
| 8 | 108R00833 | Cyan solid ink stick (Metered) |
| – | 108R00829 | Cyan solid ink stick (Sold USSG/ XCL/XE) |
| – | 108R00837 | Cyan solid ink stick (Sold DMO) |
| 9 | 108R00835 | Yellow solid ink stick (Metered) |
| – | 108R00831 | Yellow solid ink stick (Sold) |
| – | 108R00839 | Yellow solid ink stick (Sold DMO) |
| 10 | 108R00836 | Black solid ink stick (Metered) |
| – | 108R00832 | Black solid ink stick (Sold) |
| – | 108R00840 | Black solid ink stick (Sold DMO) |
| 11 | – | Antistatic fluid (Not spared) |
| 12 | – | Molub grease 777 (Not spared) |
| 13 | – | Cable tie (P/O PL 31.10 Item 12) |
| 14 | – | Foreign interface test tool (USSG/ XC) |
| 15 | 008R12912 | Staple cartridge (HVF - 100 sheet) (1 x 5000) |
| – | 008R12898 | Staple cartridge (HVF- 100 sheet) (3 x 5000) |
| – | 008R12919 | Staple cartridge (HVF - 50 sheet) (1 x 5000) |
| – | 008R12920 | Staple cartridge (HVF - 50 sheet) (3 x 5000) |
| 16 | 008R12964 | Staple cartridge (LCSS) (1 x 5000) |
| – | 108R00493 | Staple cartridge (LCSS) (3 x 5000) |
| 17 | 050K21270 | Staples (1 x 2000) |
| – | 008R12897 | Staples (8 x 2000) |
| – | 008R12941 | Staples (3 x 5000) |

WARNING

Wear protective gloves when using solvents and cleaning agents, PL 26.10 Item 5.

**NO EXPLODED
VIEW PROVIDED**

U-8-0091-A

PL 26.11 Consumables and Tools (2 of 2)

| Item | Part | Description |
|------|-----------|-----------------------------------------------------------|
| 1 | 600T91961 | Stripper blade retaining tool |
| 2 | – | Drum alignment tool (P/O PL 31.11 Item 25) |
| 3 | 070E01000 | High pressure bearing grease |
| 4 | 070E00890 | Grease (NYE Rheolube 368F- 10oz tube) |
| 5 | 600T91960 | Drum removal wrench (T30) |
| 6 | – | USB Flash drive (2GB memory stick) (Not spared) |
| 7 | 600T00563 | Safety glasses |
| 8 | 043P00067 | Xerox Clean - ups (IPA & water) |
| 9 | – | Cleaning cloth (P/O PL 31.11 Item 32) |
| 10 | – | Oil spillage syringe (P/O PL 31.11 Item 32) |
| 11 | 600T91959 | Drum protective cover |
| 12 | – | Oil spillage plastic bottle (1.5L) (P/O PL 31.11 Item 32) |
| 13 | – | Absorbent fabric mat (P/O PL 31.11 Item 32) |
| 14 | – | Film remover (Not spared) |
| 15 | 082E14750 | Service test pattern |
| 16 | – | Line test tool (Not spared) |
| 17 | 114E24550 | Scanner transport lock |
| 18 | 146E02700 | USB reader |

WARNING

Wear protective gloves when using solvents and cleaning agents, PL 26.10 Item 5.

**NO EXPLODED
VIEW PROVIDED**

U-8-0122-A

PL 28.10 Covers

| Item | Part | Description |
|------|------|------------------------------------|
| 1 | – | DADH covers (REF: PL 5.10) |
| 2 | – | Main covers (REF: PL 81.10) |
| 3 | – | LCSS covers (REF: PL 12.10) |
| 4 | – | Scanner covers (REF: PL 62.10) |
| 5 | – | HVF covers (REF: PL 12.100) |
| 6 | – | Tray 5 covers (REF: PL 75.60) |
| 7 | – | Tri-folder covers (REF: PL 12.200) |

**NO EXPLODED
VIEW PROVIDED**

U-8-0093-A

PL 31.10 Maintenance/Installation/ Removal Kits (1 of 3)

| Item | Part | Description |
|------|-----------|----------------------------------------------------|
| 1 | – | Fax adapter kit (see below for variants) |
| – | 604K67590 | United Kingdom, Ireland, Spain, Portugal, Greece |
| – | 604K67600 | France, Netherlands, Belgium |
| – | 604K67610 | Germany, Austria, Italy, Switzerland |
| – | 604K67620 | Sweden, Norway, Finland, Denmark |
| 2 | 497K07760 | Foreign device interface kit |
| 3 | 130K75900 | HVF Low level sensor - spares pack |
| 4 | 604K73050 | LCSS paddle spares kit |
| 5 | – | Hole punch kit (see below for variants) |
| – | 604K55160 | 2 hole punch kit (XE) |
| – | 604K55190 | 2 hole punch kit (legal) (XE) |
| – | 604K55170 | 3 hole punch kit (USSG/XCL) |
| – | 498K14040 | 3 hole punch kit (XE) |
| – | 604K55200 | 4 hole punch kit (Sweden) |
| – | 604K55180 | 4 hole punch kit (XE) |
| 6 | – | USB print connectivity kit (Not spared) |
| 7 | – | Finishing devices (variants below) |
| – | – | LCSS (no hole punch) (Not spared) |
| – | – | LCSS (no hole punch) (Not spared) (30 ppm) |
| 8 | – | Tray 5 (Not spared) |
| 9 | 498K12130 | Tray 5 paper feed kit (A3 SEF option) (Not spared) |
| 10 | 498K12150 | Tray 5 paper feed kit (A4 SEF option) (Not spared) |
| 11 | 604K48370 | CVT Roll Kit |
| 12 | 604K61780 | GUI gasket kit |
| 13 | 498K17780 | Generic installation request kit (XE) |
| 14 | 604K54972 | Umbilical kit |
| 15 | 604K67570 | Feedhead assembly kit (REP 5.3) |

NOTE: 498K part numbers should not be ordered by the CSE. 498K part numbers are customer install kits and are shown for reference only.

**NO EXPLODED
VIEW PROVIDED**

U-8-0094-A

PL 31.11 Maintenance/Installation/ Removal Kits (2 of 3)

| Item | Part | Description |
|------|-----------|---------------------------------------------------------------------------|
| 1 | 604K54580 | OCT centre registration kit |
| 2 | 604K41411 | LCSS Front cover Kit |
| 3 | 604K35700 | Stapler kit (XE) |
| – | 604K35710 | Stapler kit (USSG/XCL) |
| 4 | – | DADH feed bearing kit (Not spared) |
| 5 | 497K04690 | Tri-folder install kit (complete) |
| 6 | 604K73060 | LCSS paddle shaft assembly kit |
| 7 | 604K54870 | Registration/Pre-heat pump kit (Contains 2 air pumps) |
| 8 | 897E31770 | French/Canadian UI overlay kit |
| 9 | 604K67940 | Drum pulley removal kit |
| 10 | 604K73230 | HVF ejector assembly safety cover kit |
| 11 | 604K73340 | Drum repair kit |
| 12 | 604K67130 | Tray 3 guide kit |
| 13 | 604K61410 | Wave amp cable and clip kit (Type A) |
| 14 | 604K60701 | DADH mylar guide kit |
| 15 | 604K67230 | LCSS traverse kit |
| 16 | – | Smartcard enablement kit (Not spared) |
| 17 | 604K62080 | DADH sensor replacement kit |
| 18 | – | Not used |
| 19 | 604K54990 | Nip A replacement kit (Contains 2 belts and 2 Nip A roller assemblies) |
| 20 | 130K75140 | LCSS stapler edge registration sensor kit |
| 21 | 604K54320 | Front transfix linkage and gear kit |
| 22 | 604K54330 | Rear transfix linkage and gear kit |
| 23 | 604K54100 | Hardware kit |
| 24 | 498K19200 | 20 Amp adapter kit |
| 25 | – | Drum kit (REF: PL 94.20 Item 1, PL 26.11 Item 11, PL 26.11 Item 2) |
| 26 | 604K55480 | Feed roll kit |
| 27 | – | Install NAT kit (XE) (Not spared) |
| 28 | – | Install NAT kit (USSG/XCL) (Not spared) |
| 29 | 604K61420 | Video cable and clip kit (Type A) |
| 30 | 604K61370 | 3TM Cable kit |
| 31 | 604K61710 | Tray 3 kit |
| 32 | 604K61640 | Silicon oil removal kit |
| 33 | 650K33140 | UI overlay kit (English) |

NOTE: 1: 498K part numbers should not be ordered by the CSE. 498K part numbers are customer install kits and are shown for reference only.

NOTE: 2: Refer to GP 24 for contents of the hardware kit.

**NO EXPLODED
VIEW PROVIDED**

U-8-0094-A

PL 31.12 Maintenance/Installation/ Removal Kits (3 of 3)

| Item | Part | Description |
|------|-----------|----------------------------------------------------|
| 1 | – | Initialisation kits (variants below) |
| – | – | 9301 (2 tier) (Metered) (Not spared) |
| – | – | 9302 (2 tier) (Metered) (Not spared) |
| – | – | 9303 (2 tier) (Metered) (Not spared) |
| – | – | 9301 (3 tier) (Metered) (Not spared) |
| – | – | 9302 (3 tier) (Metered) (Not spared) |
| – | – | 9303 (3 tier) (Metered) (Not spared) |
| – | – | 9301 (3 tier) (Sold DMO) (Not spared) |
| 2 | – | Product enablement kits (variants below) |
| – | – | 9301 (2 tier) (Metered) (Not spared) |
| – | – | 9302 (2 tier) (Metered) (Not spared) |
| – | – | 9303 (2 tier) (Metered) (Not spared) |
| – | – | 9301 (3 tier) (Not spared) |
| – | – | 9302 (3 tier) (Metered) (Not spared) |
| – | – | 9303 (3 tier) (Metered) (Not spared) |
| – | – | 9301 (Sold USSG/XCL/XE) (Not spared) |
| – | – | 9302 (Sold USSG/XCL/XE) (Not spared) |
| – | – | 9303 (Sold USSG/XCL/XE) (Not spared) |
| – | – | 9301 (Sold DMO) (Not spared) |
| – | – | 9302 (Sold DMO) (Not spared) |
| – | – | 9303 (Sold DMO) (Not spared) |
| 3 | – | Scan to PC desktop kits (variants below) |
| – | 301K23410 | Standard (USSG/XCL) (V10) |
| – | 301K23420 | Standard (XE) (V10) |
| – | 301K23470 | Professional (USSG /XCL) (V10) |
| – | 301K23480 | Professional (XE) (V10) |
| – | 301K19430 | Workgroup edition (XE) |
| 4 | – | Xerox copier assistant kit (USSG/XCL) (Not spared) |
| – | – | Xerox copier assistant kit (XE) (Not spared) |

NOTE: 498K part numbers should not be ordered by the CSE. 498K part numbers are customer install kits and are shown for reference only.

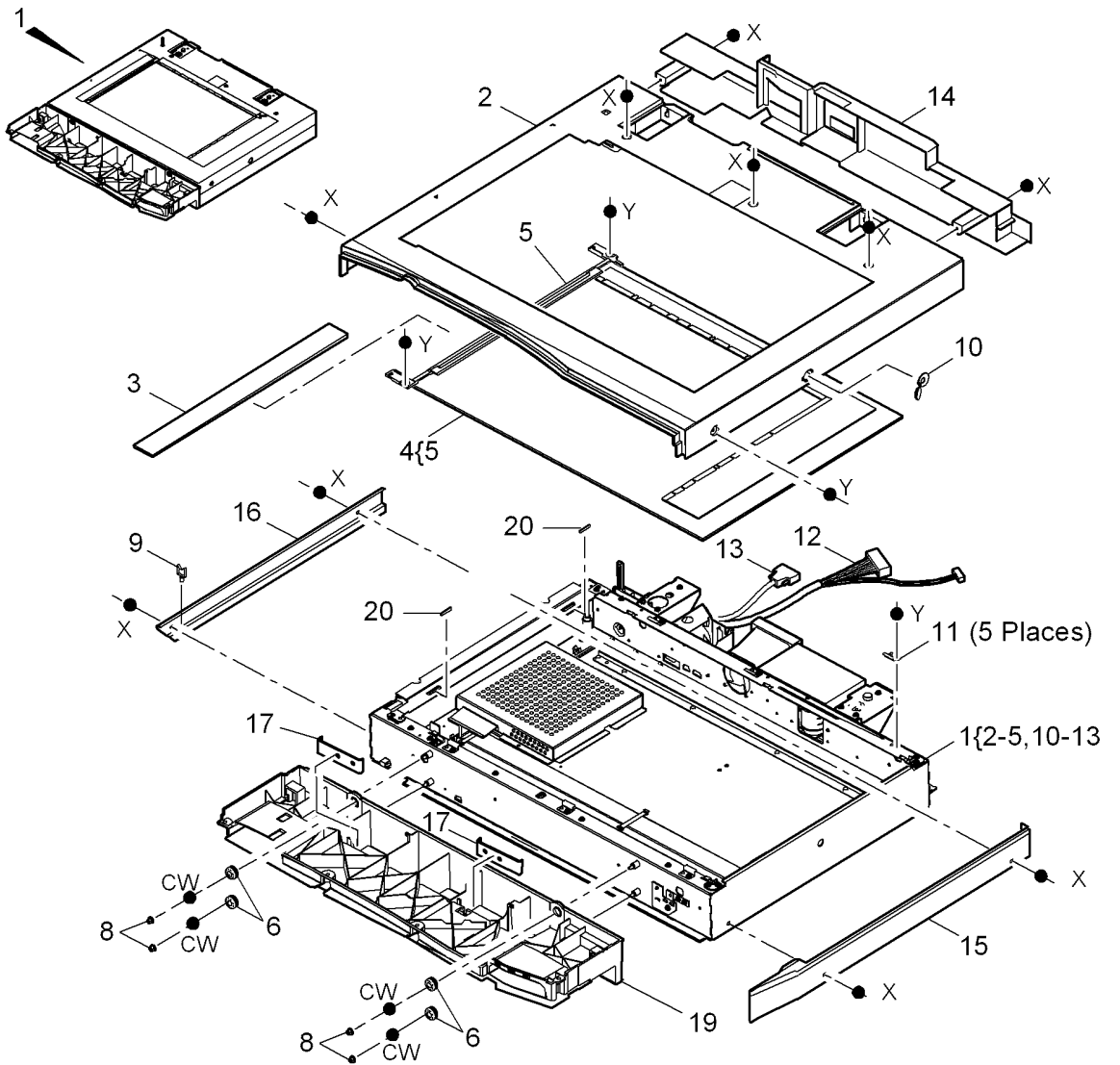
**NO EXPLODED
VIEW PROVIDED**

U-8-0094-A

PL 62.10 Scanner Module, CVT/ Document Glass

| Item | Part | Description |
|------|-----------|------------------------------------------------------------------------------|
| 1 | 062K28321 | Scanner module (REP 62.1) |
| 2 | - | Top cover (P/O PL 62.10 Item 1) (REP 62.2, ADJ 62.4) |
| 3 | 090E02581 | CVT Glass (See NOTE) (REP 62.3) |
| 4 | 090K02560 | Document glass assembly (REP 62.3) |
| 5 | 032K09770 | CVT Ramp assembly (REP 62.3) |
| 6 | - | Grommet (Not spared) |
| 7 | - | Not used |
| 8 | - | Nut (Not spared) |
| 9 | - | Harness clamp (Not spared) |
| 10 | - | Top cover plug (Not spared) |
| 11 | - | Document glass securing bracket (P/O PL 62.10 Item 1) |
| 12 | - | DADH/IIT power comms harness (PJ8, PJ18, PJ920) (REF: PL 62.16 Item 7) |
| 13 | 952K00380 | IIT video/SBC PWB harness (PJ15, PJ922) |
| 14 | 848E69071 | Scanner rear cover |
| 15 | - | Scanner side cover (RH) (Not spared) |
| 16 | - | UI harness cover (Not spared) |
| 17 | - | Latch plate (Not spared) |
| 18 | - | Not used |
| 19 | - | UI Base (Not spared) (REP 2.1) |
| 20 | - | Rubber stop (Not spared) |

NOTE: 1. Refer to ADJ 62.1 for the optics cleaning procedure.

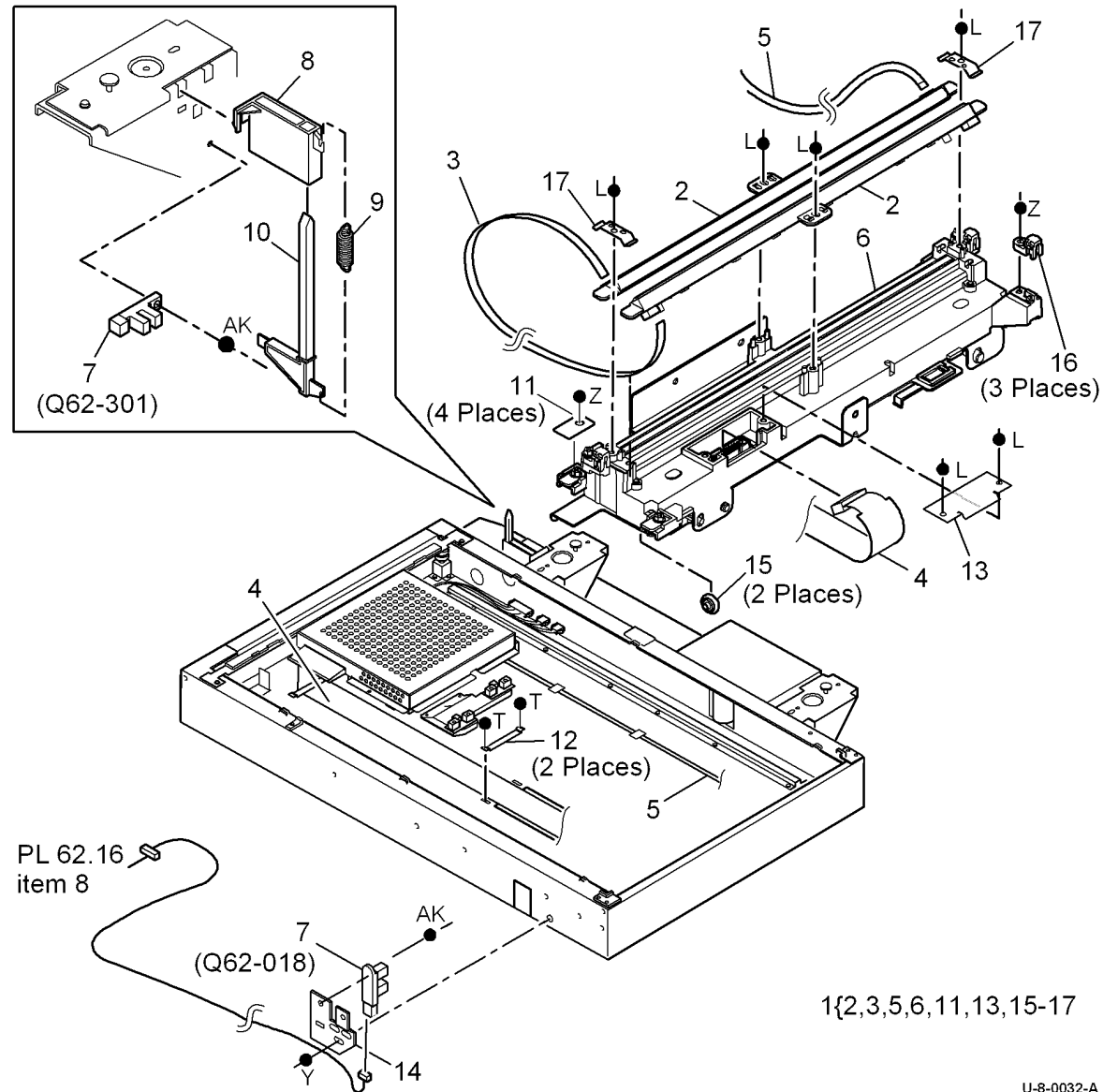


U-8-0031-A

PL 62.15 Electrical Components (1 of 2)

| Item | Part | Description |
|------|-----------|-------------------------------------------------------------------|
| 1 | 062K28310 | Scan carriage assembly (REP 62.5, ADJ 62.2) |
| 2 | 122E03430 | LED exposure lamp (REP 62.10) |
| 3 | - | Inline ribbon harness (P/O PL 62.10 Item 1) |
| 4 | 962K50450 | Scan carriage ribbon cable (PJ928) (REP 62.13) |
| 5 | 962K26830 | LED lamp ribbon harness (PJ926, CN1) (REP 62.11) |
| 6 | - | Scan carriage (P/O PL 62.15 Item 1) |
| 7 | 130K75130 | Carriage home sensor (Q62-018) (REP 62.4), Angle sensor (Q62-301) |
| 8 | - | Actuator support (Not spared) |
| 9 | - | Actuator spring (Not spared) |
| 10 | 110K14010 | Input module angle sensor actuator (REP 62.9) |
| 11 | - | Cable clamp (P/O PL 62.15 Item 1) |
| 12 | - | Harness retainer (Not spared) |
| 13 | - | Connector cover (P/O PL 62.15 Item 1) |
| 14 | - | Sensor bracket (Not spared) |
| 15 | - | Lower skid (P/O PL 62.15 Item 6) (See NOTE) |
| 16 | - | Upper skid (P/O PL 62.15 Item 6) |
| 17 | - | Clip (Not spared) |

NOTE: Refer to ADJ 62.1 for the optics cleaning procedure.

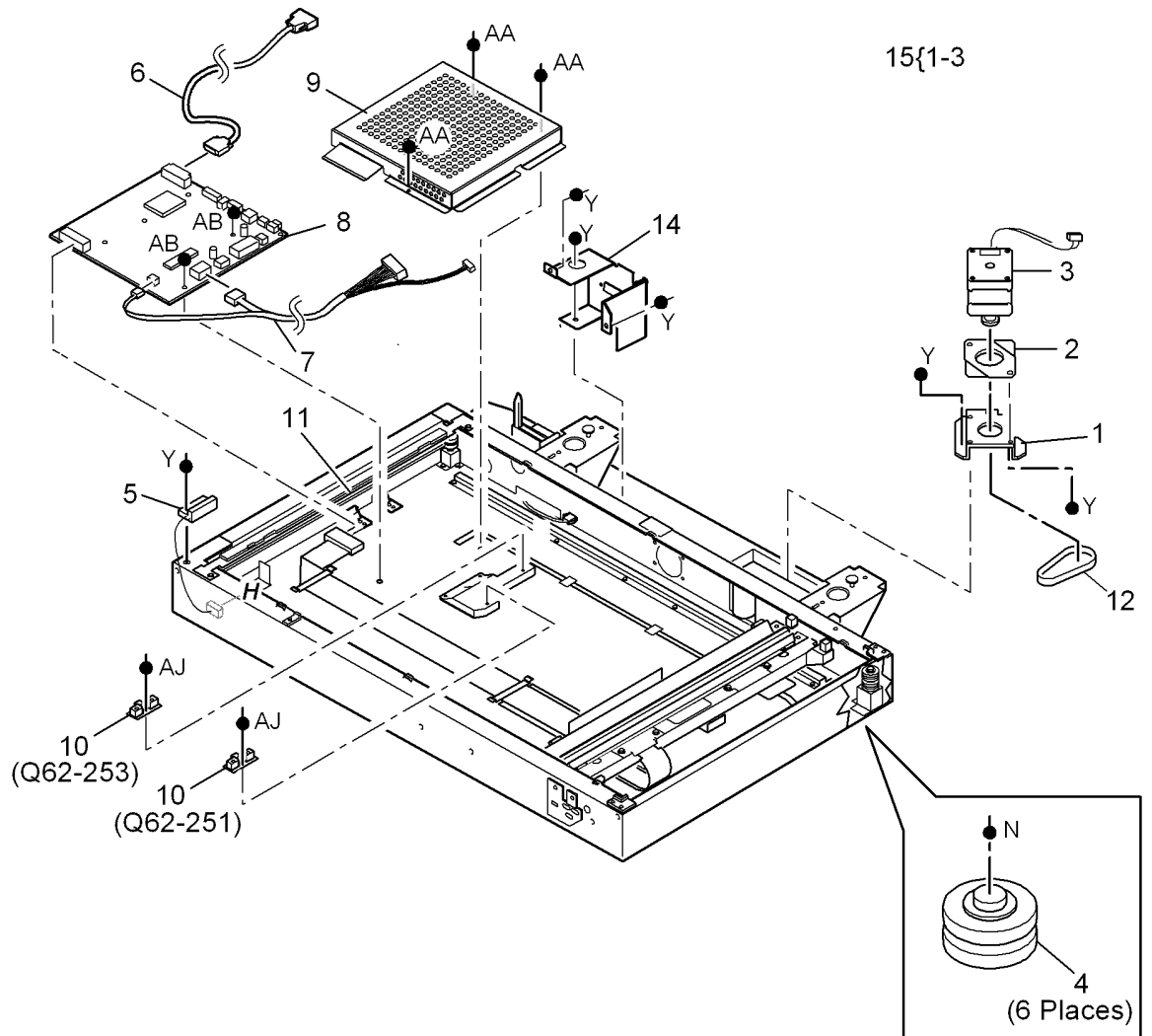


U-8-0032-A

PL 62.16 Electrical Components (2 of 2)

| Item | Part | Description |
|------|-----------|--------------------------------------------------------------------------------|
| 1 | - | Carriage motor bracket (P/O PL 62.16 Item 15) |
| 2 | - | Carriage motor mounting (P/O PL 62.16 Item 15) (REP 62.6) |
| 3 | - | Carriage motor (MOT62-023) (P/O PL 62.16 Item 15) (REP 62.6, ADJ 62.3) |
| 4 | 020K12510 | Scan idler pulley |
| 5 | 130E18530 | Platen down sensor (Q62-019) |
| 6 | 952K00380 | IIT video/SBC PWB harness (PJ922) |
| 7 | 952K00400 | DADH/IIT power comms harness (PJ920, PJ921, PJ852) |
| 8 | 960K66391 | Scanner PWB (REP 62.12) |
| 9 | - | Scanner PWB cover (Not spared) |
| 10 | 130E12320 | Document size sensor 1 (Q62-251), Document size sensor 2 (Q62-253) (REP 62.14) |
| 11 | - | Scan cables (Not spared) (REP 62.7) |
| 12 | 023E25140 | Scan drive belt (REP 62.8) |
| 13 | - | Not used |
| 14 | - | Scanner harness bracket (Not spared) |
| 15 | 127K44880 | Carriage motor and bracket assembly |

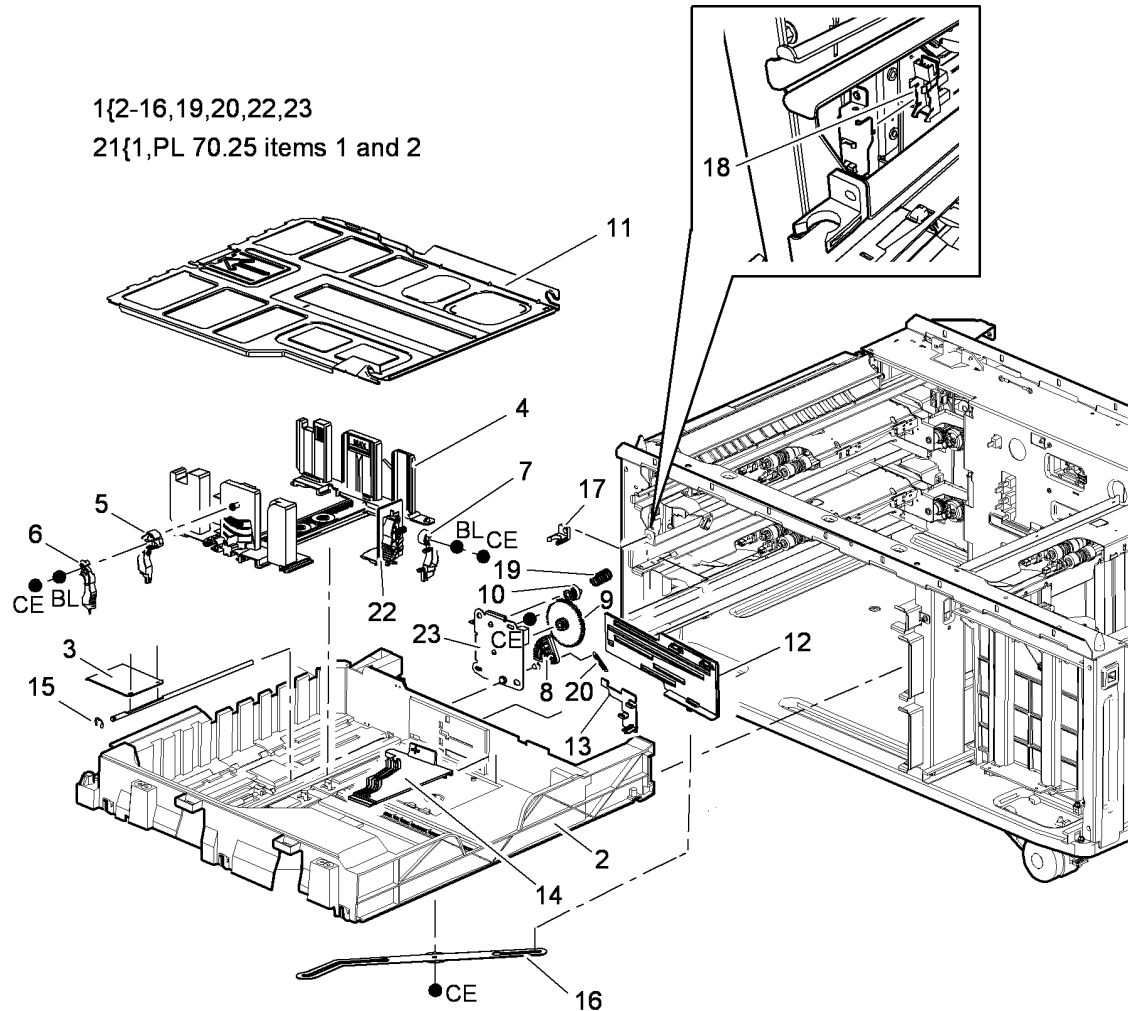
NOTE: Refer to ADJ 62.1 for the optics cleaning procedure.



U-8-0033-A

PL 70.10 Tray 1 and 2 Assembly

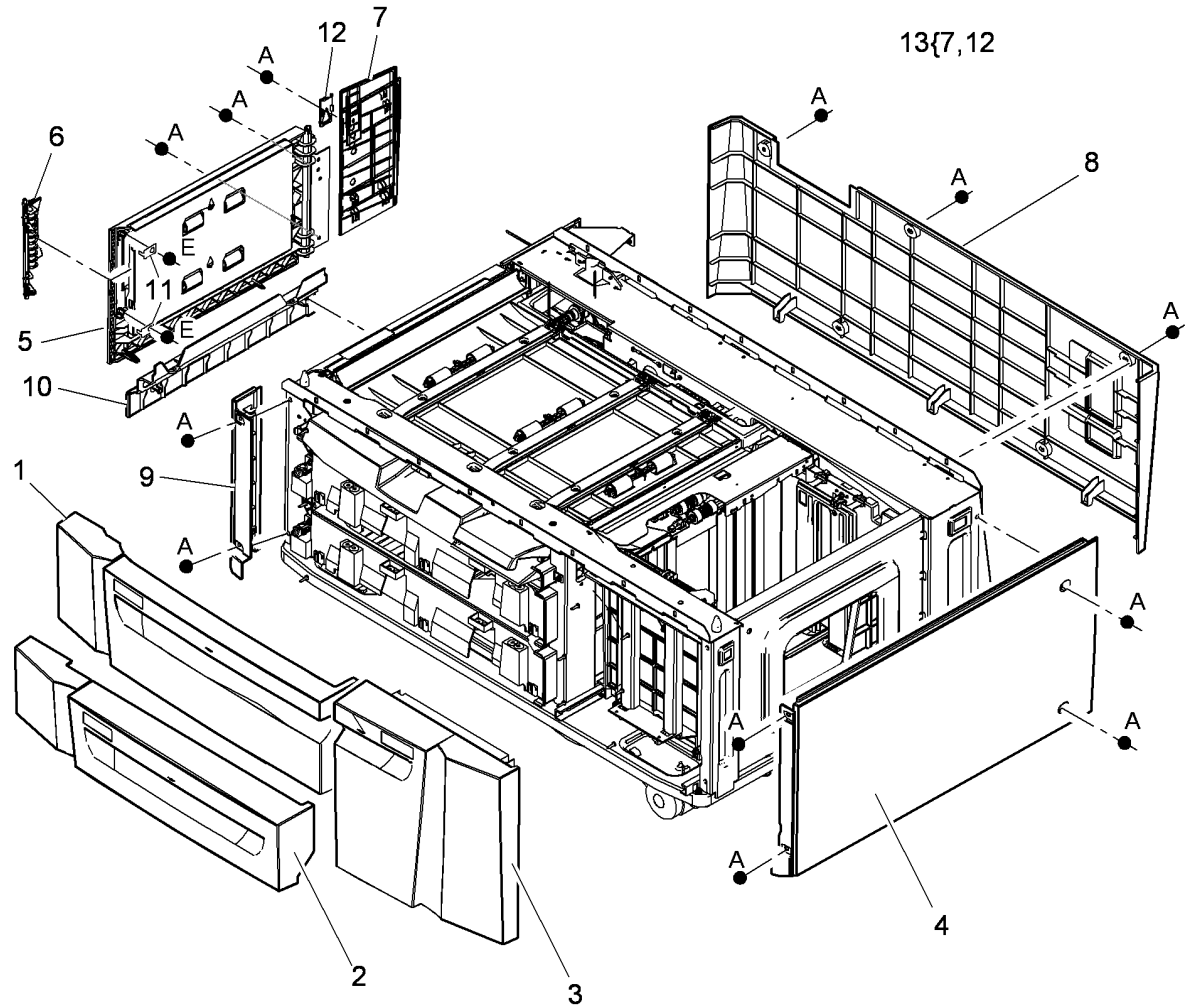
| Item | Part | Description |
|------|-----------|--------------------------------------------------------------|
| 1 | - | Tray 1 and 2 tray assembly (P/O PL 70.10 Item 21) (REP 71.1) |
| 2 | - | Paper tray (P/O PL 70.10 Item 1) |
| 3 | - | Plate arm (P/O PL 70.10 Item 1) |
| 4 | - | Paper width guide (P/O PL 70.10 Item 1) (REP 71.2) |
| 5 | - | Latch guide right (P/O PL 70.10 Item 1) |
| 6 | - | Latch guide left (P/O PL 70.10 Item 1) |
| 7 | - | Handle release (P/O PL 70.10 Item 1) |
| 8 | - | Gear 60 (P/O PL 70.10 Item 1) (REP 71.3) |
| 9 | - | Gear 13/60 (P/O PL 70.10 Item 1) (REP 71.3) |
| 10 | - | Gear 13 dog (P/O PL 70.10 Item 1) |
| 11 | - | Elevate plate assembly (P/O PL 70.10 Item 1) (REP 71.2) |
| 12 | - | Length sensing bracket (P/O PL 70.10 Item 1) |
| 13 | - | Width sensing bracket (P/O PL 70.10 Item 1) |
| 14 | - | Actuator bracket (P/O PL 70.10 Item 1) |
| 15 | - | E-clip (P/O PL 70.10 Item 1) |
| 16 | - | Metal link arm (P/O PL 70.10 Item 1) |
| 17 | 003E77651 | Tray location catch |
| 18 | 130E18220 | Lower door interlock sensor (Q01-102) |
| 19 | - | Spring (P/O PL 70.10 Item 1) |
| 20 | - | Spring (P/O PL 70.10 Item 1) |
| 21 | 604K55411 | Tray 1 & 2 Kit (Contains tray assembly and front cover) |
| 22 | - | Paper length guide (P/O PL 70.10 Item 1) (REP 71.2) |
| 23 | - | Rear plate (P/O PL 70.10 Item 1) |



U-8-0005-A

PL 70.25 3 Tray Module Covers

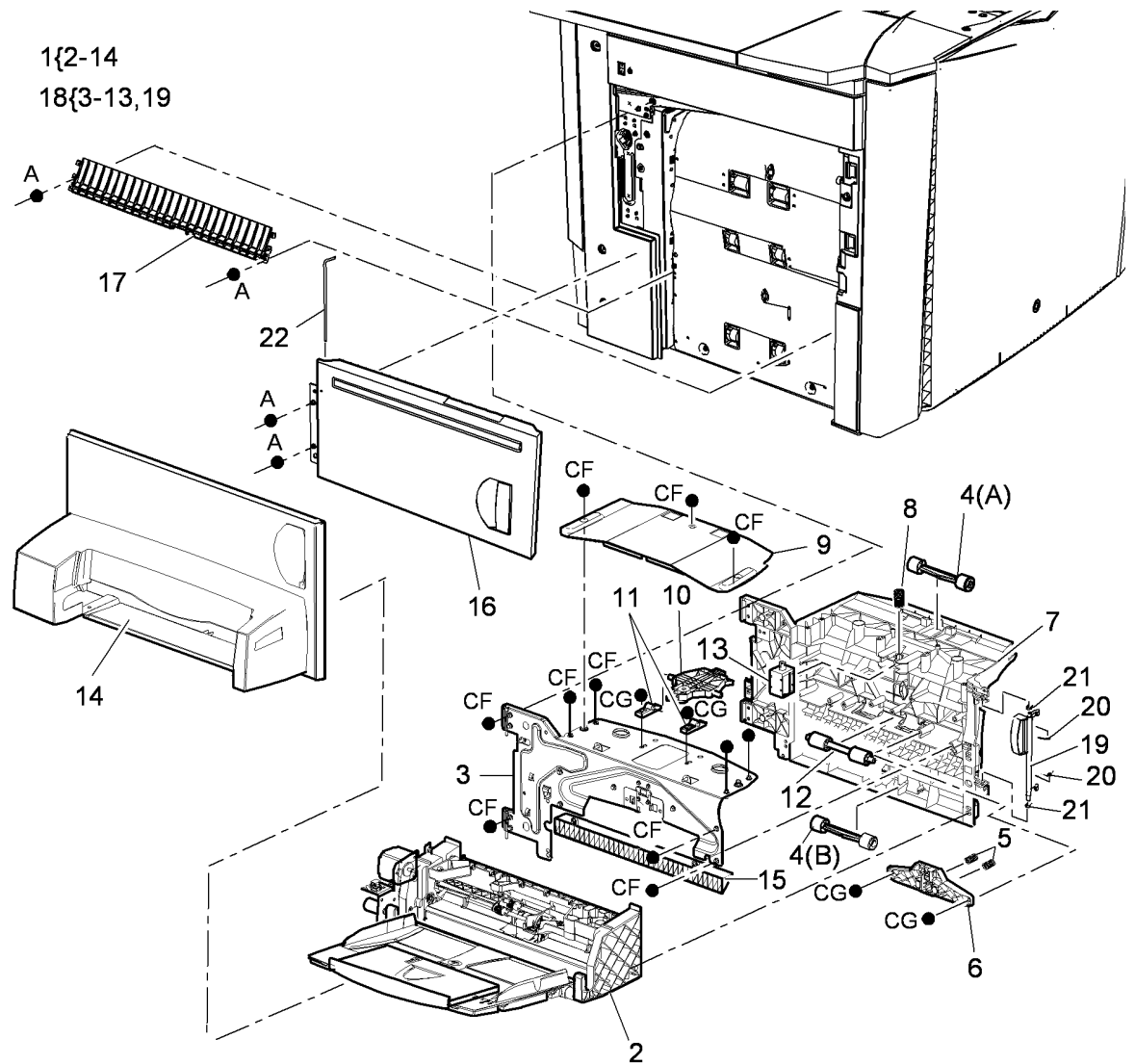
| Item | Part | Description |
|------|-----------|---------------------------------------------------|
| 1 | - | Tray 1 front cover (P/O PL 70.10 Item 21) |
| 2 | - | Tray 2 front cover (P/O PL 70.10 Item 21) |
| 3 | - | Tray 3 front cover (P/O PL 31.11 Item 31) |
| 4 | 848E23153 | Right side cover |
| 5 | 802K93695 | Lower left door assembly |
| 6 | - | Lower left door latch (P/O PL 70.25 Item 5) |
| 7 | - | Rear left cover (P/O PL 70.25 Item 13) |
| 8 | - | Rear cover (Not spared) |
| 9 | 848E23142 | Cover front LH |
| 10 | 848E23161 | Cover infill |
| 11 | - | Left lower door latch retainer plate (Not spared) |
| 12 | - | Rear left cover infill (P/O PL 70.25 Item 13) |
| 13 | 604K55440 | Rear left cover assembly |



U-8-0039-A

PL 70.30 Left Hand Upper Door Assembly

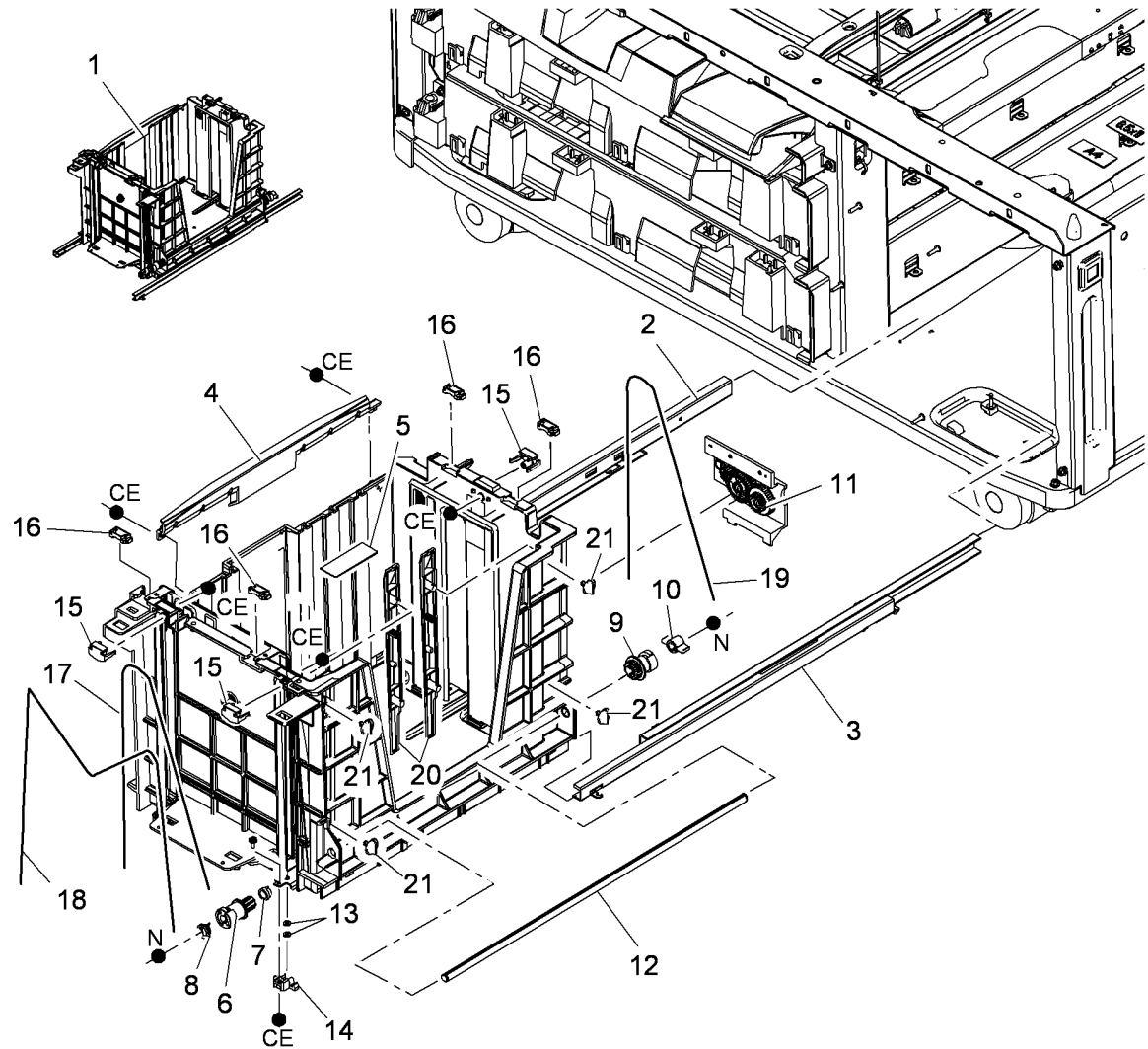
| Item | Part | Description |
|------|-----------|-------------------------------------------------------------------------|
| 1 | - | Bypass assembly (Not spared) (REP 70.2) |
| 2 | - | Bypass Module (P/O PL 70.30 Item 1) (REP 81.3) |
| 3 | - | Upper door stiffener plate (P/O PL 70.30 Item 18) |
| 4 | - | Nip 'D' roller (A)/Nip 'F' roller (B) (P/O PL 70.30 Item 18) |
| 5 | - | Tension spring (P/O PL 70.30 Item 18) |
| 6 | - | Nip E support (P/O PL 70.30 Item 18) |
| 7 | - | Upper door base (P/O PL 70.30 Item 18) |
| 8 | - | Spring (P/O PL 70.30 Item 18) |
| 9 | - | Top cover (P/O PL 70.30 Item 18) |
| 10 | - | Nip release link arm (P/O PL 70.30 Item 18) |
| 11 | - | Pivot block (P/O PL 70.30 Item 18) |
| 12 | - | Nip 'E' roller (P/O PL 70.30 Item 18) |
| 13 | - | Nip 'D' release solenoid (SOL82-008) (P/O PL 70.30 Item 18) (REP 81.13) |
| 14 | 848E40430 | Upper left door cover |
| 15 | - | Upper door divider (P/O PL 70.30 Item 1) |
| 16 | 848K24550 | Mid left door assembly |
| 17 | 038E41190 | Lower guide (PFP) |
| 18 | 848K24560 | Upper left door assembly (REP 70.2) |
| 19 | - | Latch (P/O PL 70.30 Item 18) |
| 20 | - | Latch spring (P/O PL 31.11 Item 23) |
| 21 | - | Latch clip (P/O PL 31.11 Item 23) |
| 22 | - | Hinge pin (Not spared) |



U-8-0002-A

PL 73.15 Tray 3 Assembly

| Item | Part | Description |
|------|-----------|--------------------------------------------------------------------------|
| 1 | - | Tray 3 assembly (Complete) (REF: PL 31.11 Item 31) (See NOTE) (REP 73.1) |
| 2 | - | LH Slide (P/O PL 73.15 Item 1) |
| 3 | - | RH Slide (P/O PL 73.15 Item 1) |
| 4 | 055E55332 | Baffle lead edge |
| 5 | 019K13770 | Pad Tray bottom |
| 6 | - | Front cable gear (Black) (P/O PL 73.15 Item 1) |
| 7 | - | Bearing (P/O PL 73.15 Item 1) |
| 8 | - | Cable gear shaft spacer (P/O PL 73.15 Item 1) |
| 9 | - | Rear cable gear (White) (P/O PL 73.15 Item 1) |
| 10 | - | Dog drive elevate (P/O PL 73.15 Item 1) |
| 11 | - | Damper and gear assembly (P/O PL 73.15 Item 1) (REP 73.6) |
| 12 | - | Cable gear shaft (P/O PL 73.15 Item 1) |
| 13 | - | Washer elevate (Not spared) |
| 14 | - | Gear (P/O PL 73.15 Item 1) |
| 15 | - | Retainer roller (P/O PL 73.15 Item 1) |
| 16 | - | Clip guide retainer (P/O PL 73.15 Item 1) |
| 17 | - | Front short cable (Silver) (P/O PL 31.11 Item 30) (REP 73.3) |
| 18 | - | Front long cable (Yellow) (P/O PL 31.11 Item 30) (REP 73.3) |
| 19 | - | Rear cable (Black) (P/O PL 31.11 Item 30) (REP 73.3) |
| 20 | - | Paper edge guide (P/O PL 31.11 Item 12) |
| 21 | - | Guide securing stud (P/O PL 31.11 Item 12) |



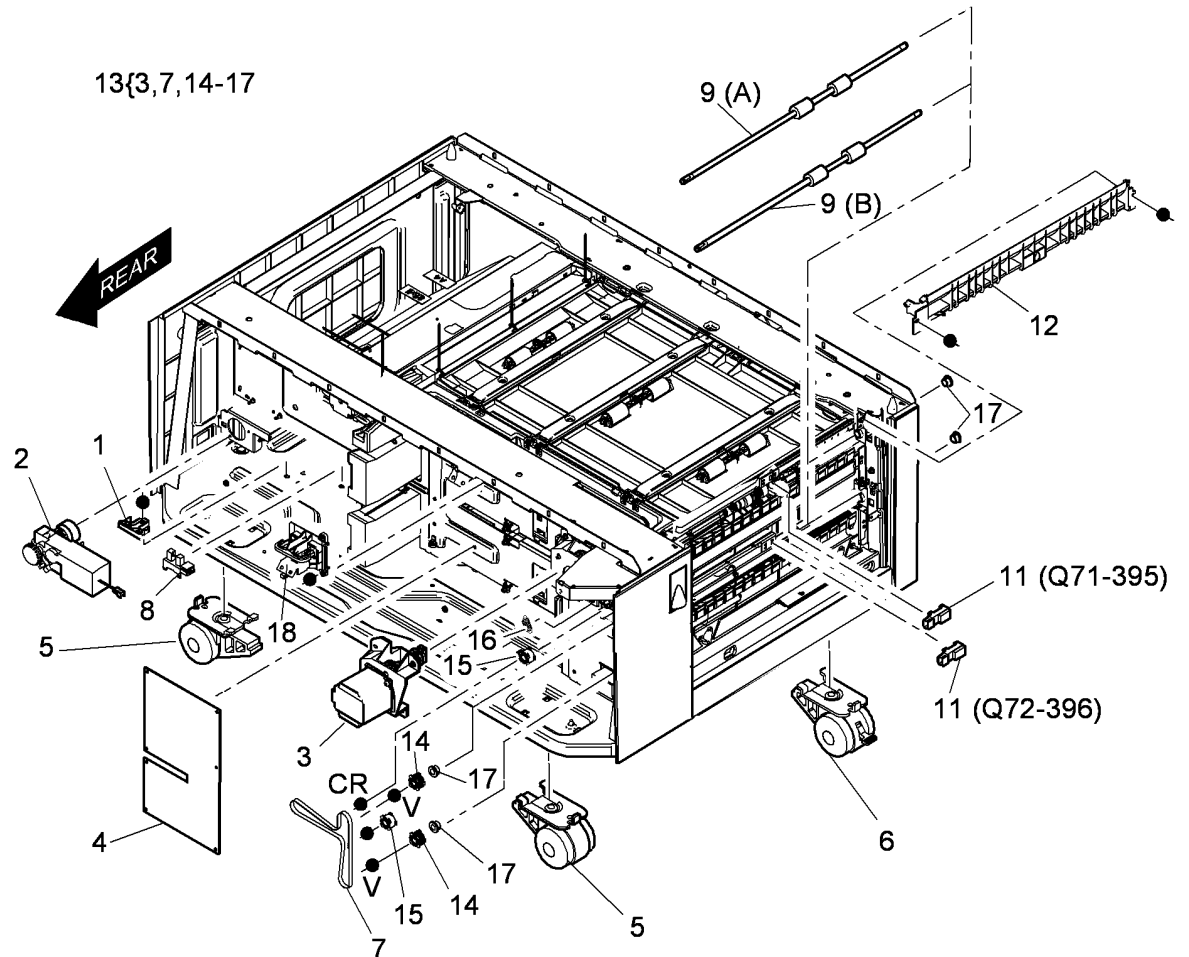
NOTE: Refer to ADJ 73.1 to set the tray 3 paper guides.

U-8-0006-A

PL 73.16 3 Tray Module

| Item | Part | Description |
|------|-----------|-------------------------------------------------|
| 1 | 003E71520 | Latch stop (See NOTE) |
| 2 | 127K62350 | Tray 3 elevate motor (MOT 73-002) (REP 73.2) |
| 3 | 127K53792 | 3 Tray transport motor (MOT70-025) (REP 82.1) |
| 4 | 960K52111 | 3 Tray module PWB (REP 70.1) |
| 5 | 017K04222 | Rear caster |
| 6 | 017K04232 | Front caster (Brake) |
| 7 | - | Drive belt (P/O PL 73.16 Item 13) (REP 82.2) |
| 8 | 130E18220 | Tray 3 home sensor (Q73-303) (REP 73.5) |
| 9 | 059K50851 | Takeaway roll 1 (A) / Takeaway roll 2 (B) |
| 10 | - | Not used |
| 11 | 130E11610 | TAR sensor 1 (Q 71-395), TAR sensor 2 (Q72-396) |
| 12 | - | Lower guide (Not spared) |
| 13 | 604K55421 | TAR Drives kit |
| 14 | - | Pulley (P/O PL 73.16 Item 13) |
| 15 | - | Idler pulley (P/O PL 73.16 Item 13) |
| 16 | - | Spring (P/O PL 73.16 Item 13) |
| 17 | - | Bearing (P/O PL 73.16 Item 13) |
| 18 | 003K20701 | HT & main harness latch |

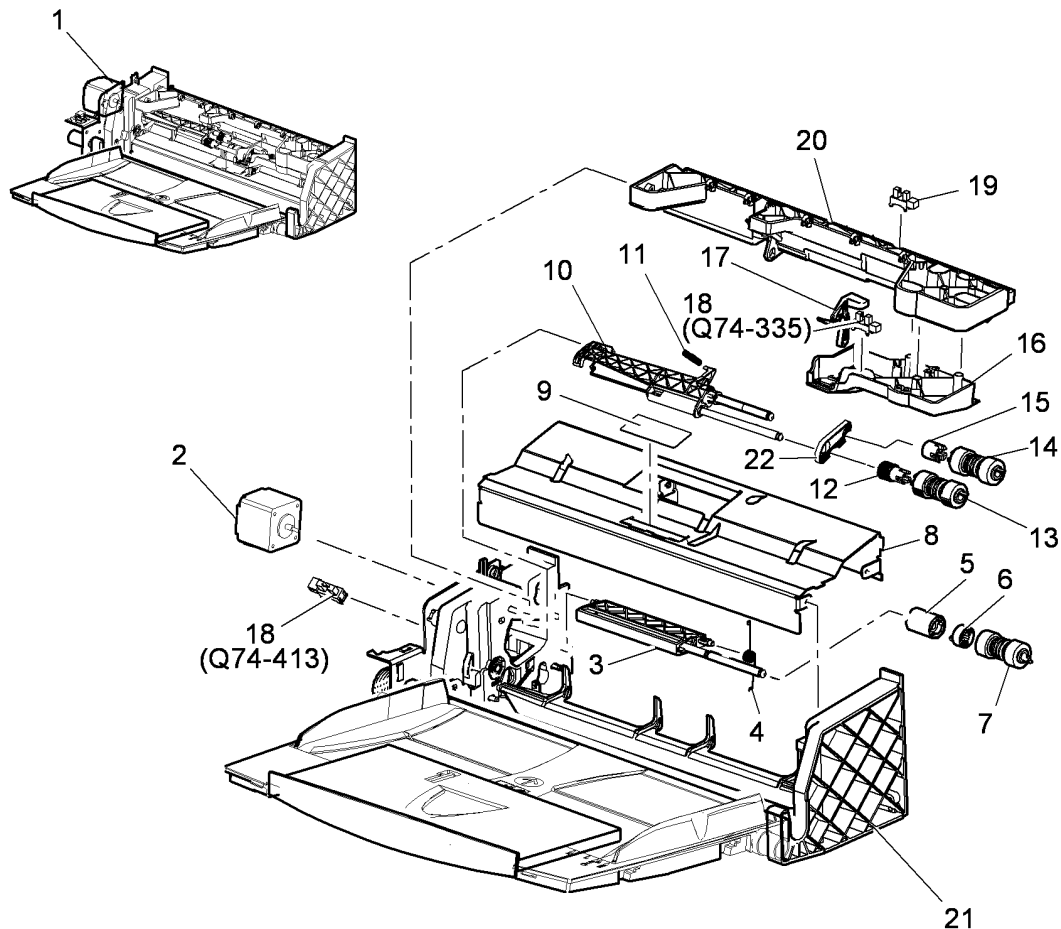
NOTE: The Latch stop is also supplied as part of tray 3 assembly kit PL 31.11 Item 31.



U-8-0105-A

PL 74.10 Bypass Module (Tray 4)(1 of 2)

| Item | Part | Description |
|------|-----------|-------------------------------------------------------------------------|
| 1 | – | Bypass Module (Not spared) (REP 81.3) |
| 2 | – | Bypass feed motor (MOT74-420) (P/O PL 74.10 Item 1) |
| 3 | – | Support retard (P/O PL 74.10 Item 1) |
| 4 | – | Spring retard (P/O PL 74.10 Item 1) |
| 5 | – | Clutch (P/O PL 74.10 Item 1) |
| 6 | – | Coupling (P/O PL 74.10 Item 1) |
| 7 | – | Retard roll assembly (REP 81.6) (P/O PL 31.11 Item 26) (See NOTE) |
| 8 | – | Guide lower (P/O PL 74.10 Item 1) |
| 9 | 019K13770 | Pad tray bottom |
| 10 | – | Support nudger (P/O PL 74.10 Item 1) |
| 11 | – | Spring nudger (P/O PL 74.10 Item 1) |
| 12 | – | Pulley nudger (P/O PL 74.10 Item 1) |
| 13 | – | Nudger roll assembly (REP 81.6) (P/O PL 31.11 Item 26) (See NOTE) |
| 14 | – | Feed roll assembly (REP 81.6) (P/O PL 31.11 Item 26) (See NOTE) |
| 15 | – | Clutch assembly (P/O PL 74.10 Item 1) |
| 16 | – | Guide upper detach (P/O PL 74.10 Item 1) |
| 17 | – | Flag media present (P/O PL 74.10 Item 1) |
| 18 | 130E18220 | Bypass empty sensor (Q74-335)/ Nudger home sensor (Q74-413) (REP 81.10) |
| 19 | 130E11610 | Bypass feed sensor (Q74-406) (XBRA) |
| 20 | – | Guide upper (P/O PL 74.10 Item 1) |
| 21 | – | Roller assembly housing (P/O PL 74.10 Item 1) (REP 81.3) |
| 22 | – | Drive belt (Not spared) |

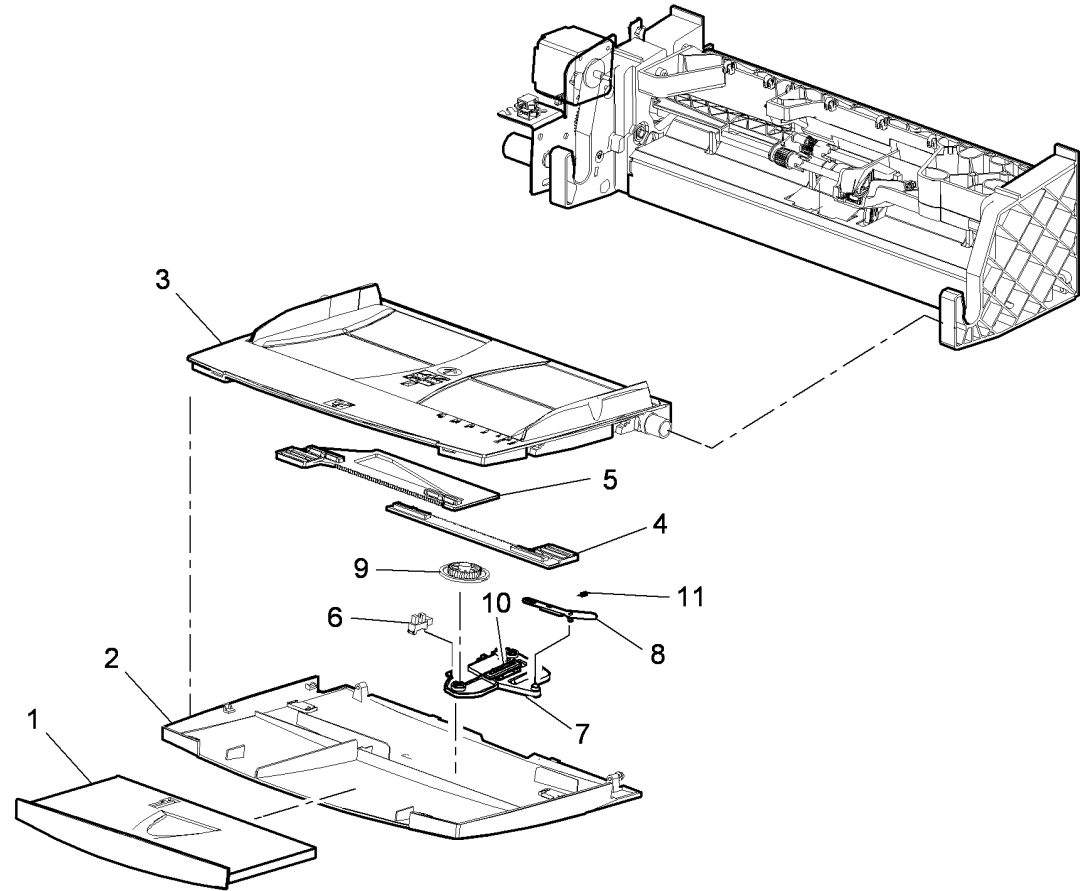


NOTE: To reset the HFSI count, go to dC135.

U-8-0106-A

PL 74.11 Bypass Module (Tray 4) (2 of 2)

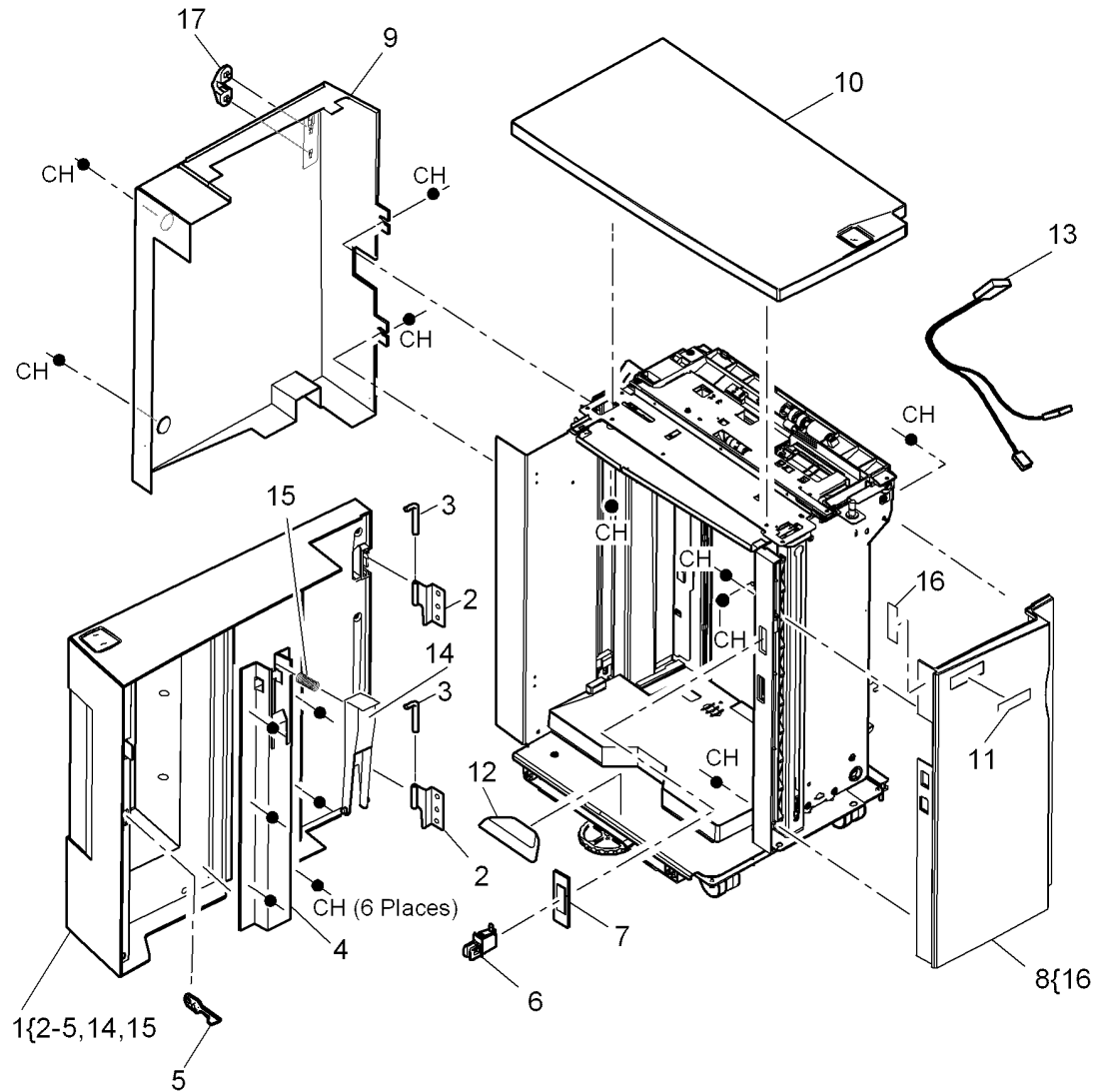
| Item | Part | Description |
|------|-----------|----------------------------------------|
| 1 | – | Tray extension (P/O PL 74.10 Item 1) |
| 2 | – | Tray base (P/O PL 74.10 Item 1) |
| 3 | – | Tray deck (P/O PL 74.10 Item 1) |
| 4 | – | Rack front (P/O PL 74.10 Item 1) |
| 5 | – | Rack rear (P/O PL 74.10 Item 1) |
| 6 | 130E18220 | Bypass width sensor (Q74-350) |
| 7 | – | Mounting bracket (P/O PL 74.10 Item 1) |
| 8 | – | Lever (P/O PL 74.10 Item 1) |
| 9 | – | Gear (P/O PL 74.10 Item 1) |
| 10 | – | Potentiometer (P/O PL 74.10 Item 1) |
| 11 | – | Spring (P/O PL 74.10 Item 1) |



U-8-0117-A

PL 75.60 Tray 5 Covers

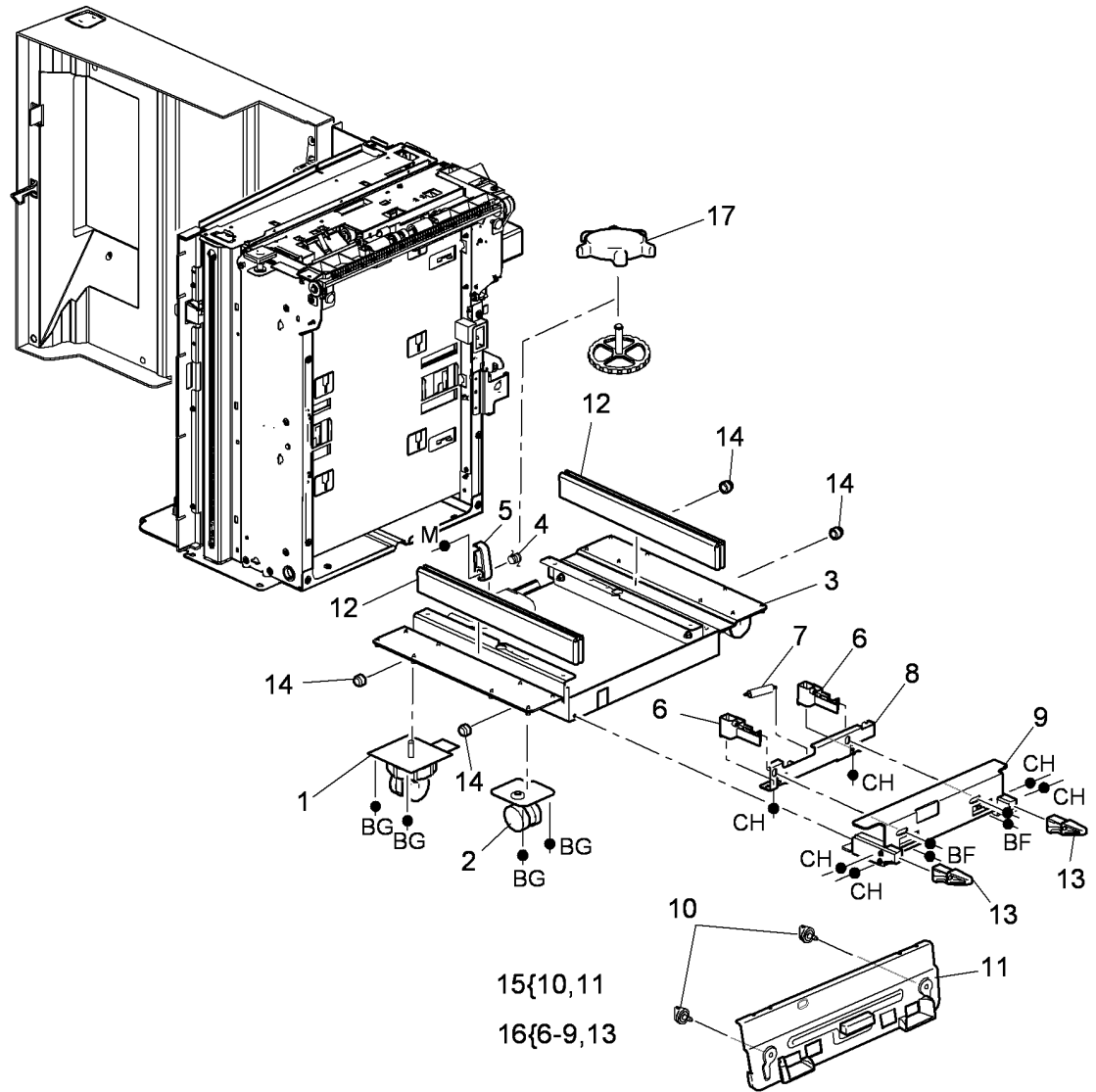
| Item | Part | Description |
|------|-----------|-------------------------------------------------------|
| 1 | 802K93561 | Front door assembly |
| 2 | - | Front door hinge (P/O PL 75.60 Item 1) |
| 3 | - | Front door hinge pin (P/O PL 75.60 Item 1) |
| 4 | - | Trail edge guide assembly (P/O PL 75.60 Item 1) |
| 5 | - | Front door latch (P/O PL 75.60 Item 1) |
| 6 | 110E20570 | Tray 5 door switch (S75-010) |
| 7 | - | Interlock switch plate (Not spared) |
| 8 | 848K19110 | Front cover (REP 75.8) |
| 9 | 802E82351 | Rear cover (REP 75.8) |
| 10 | 802E82363 | Top cover (REP 75.8) |
| 11 | - | Label (Tray 5) (P/O PL 75.60 Item 8) |
| 12 | 848E05863 | Bias knuckle cover |
| 13 | - | Front door interlock harness (Not spared) (PJ507) |
| 14 | - | Tamper guide lever (P/O PL 75.60 Item 1) |
| 15 | - | Tamper lever compression spring (P/O PL 75.60 Item 1) |
| 16 | - | Label (Max) (P/O PL 75.60 Item 8) |
| 17 | - | Cable clamp (P/O PL 75.60 Item 9) |



U-8-0014-A

PL 75.62 Tray 5 Base

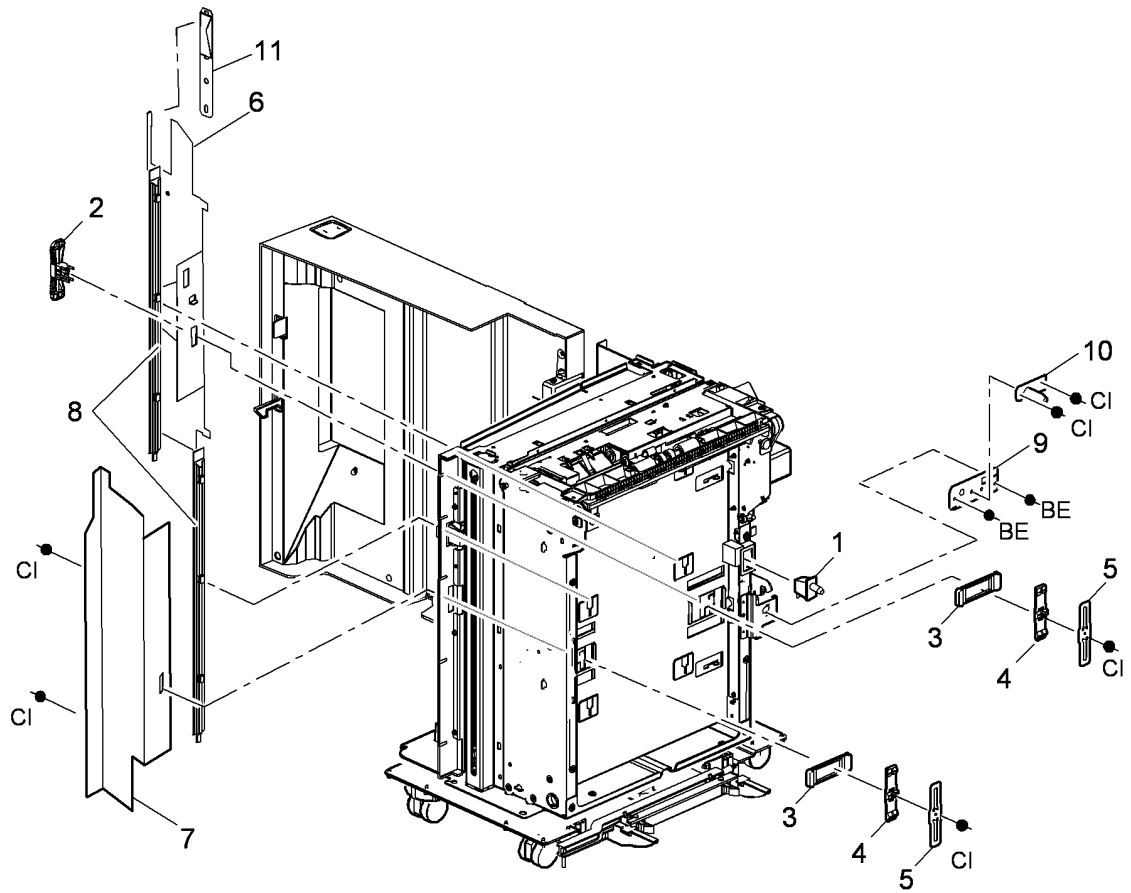
| Item | Part | Description |
|------|-----------|---------------------------------------------------|
| 1 | - | Adjustable caster (Not spared) |
| 2 | - | Caster (Not spared) |
| 3 | - | Platform assembly (Not spared) |
| 4 | 009E74211 | Spring Bias |
| 5 | 003E76870 | Latch bias |
| 6 | 003E78020 | Docking latch (REP 75.9) |
| 7 | - | Docking latch spring (P/O PL 75.62 Item 16) |
| 8 | - | Docking latch bracket (P/O PL 75.62 Item 16) |
| 9 | - | Docking latch main bracket (P/O PL 75.62 Item 16) |
| 10 | 803E13680 | Docking latch thumb screw |
| 11 | 068K54910 | Docking plate |
| 12 | - | Slide assembly (Not spared) |
| 13 | - | Docking guides (P/O PL 75.62 Item 16) |
| 14 | - | Slide assembly locking nut (Not spared) |
| 15 | 049K00270 | Docking kit |
| 16 | 003K20681 | Latch assembly |
| 17 | - | Adjuster wheel (Not spared) |



U-8-0015-A

PL 75.64 Tray 5 Guides

| Item | Part | Description |
|------|-----------|---------------------------------------------------|
| 1 | 110K21080 | Tray 5 docking interlock switch (S75-017) |
| 2 | – | Handle latch (Not spared) |
| 3 | – | Latch spacer (Not spared) |
| 4 | – | Slide latch (Not spared) |
| 5 | – | Spring leaf (Not spared) |
| 6 | – | Rear guide (P/O PL 75.64 Item 12) |
| 7 | – | Front guide assembly (Not spared) |
| 8 | 038E34401 | Guide strip |
| 9 | – | Adjustment plate (Not spared) |
| 10 | – | Interlock guide (Not spared) |
| 11 | – | Rear guide assembly spring (P/O PL 75.64 Item 12) |
| 12 | 038K17713 | Rear guide assembly |
| 13 | 029K04680 | Docking pin assembly |



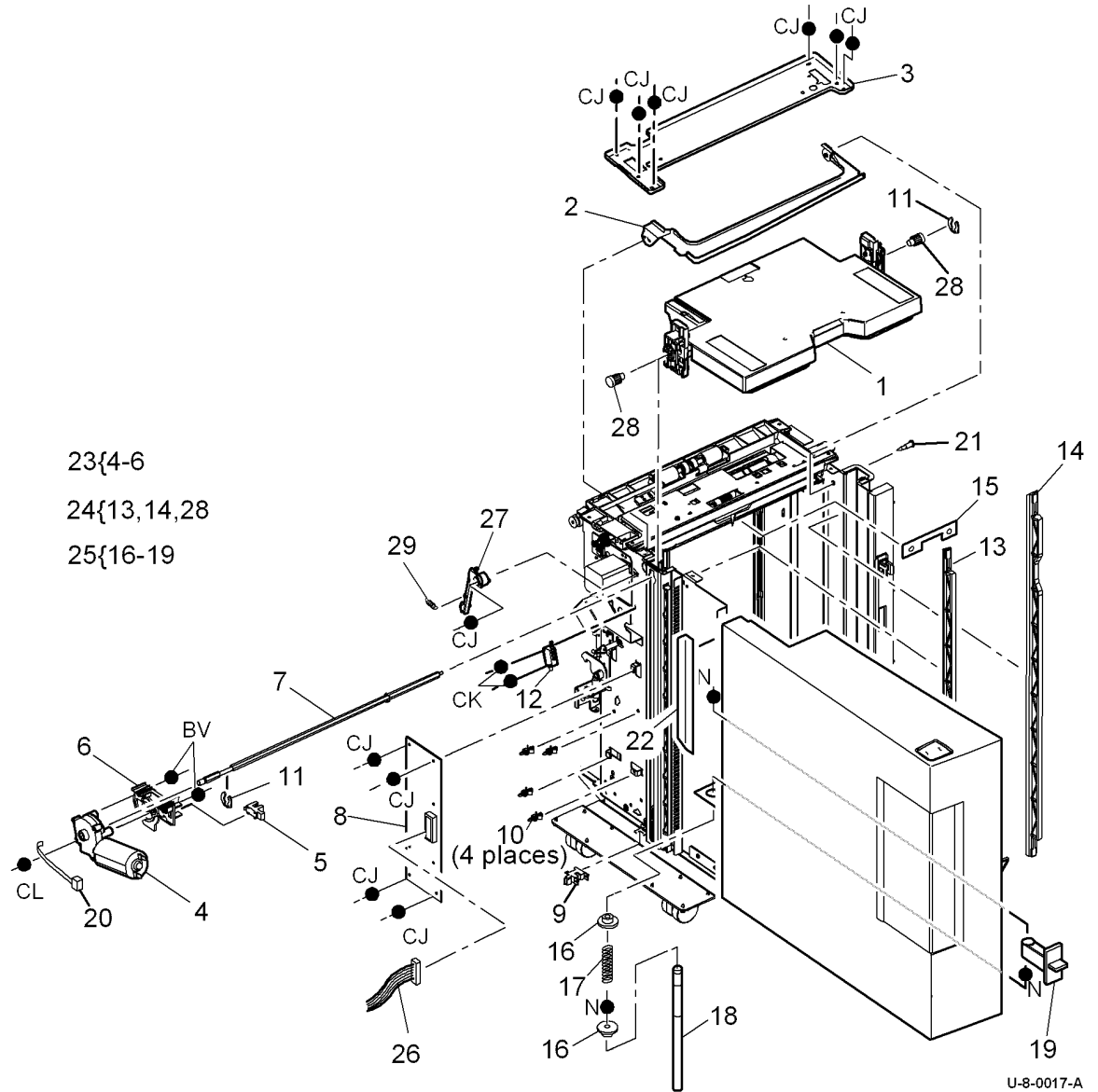
12{6,11

13{9,10

R-8-0016-A

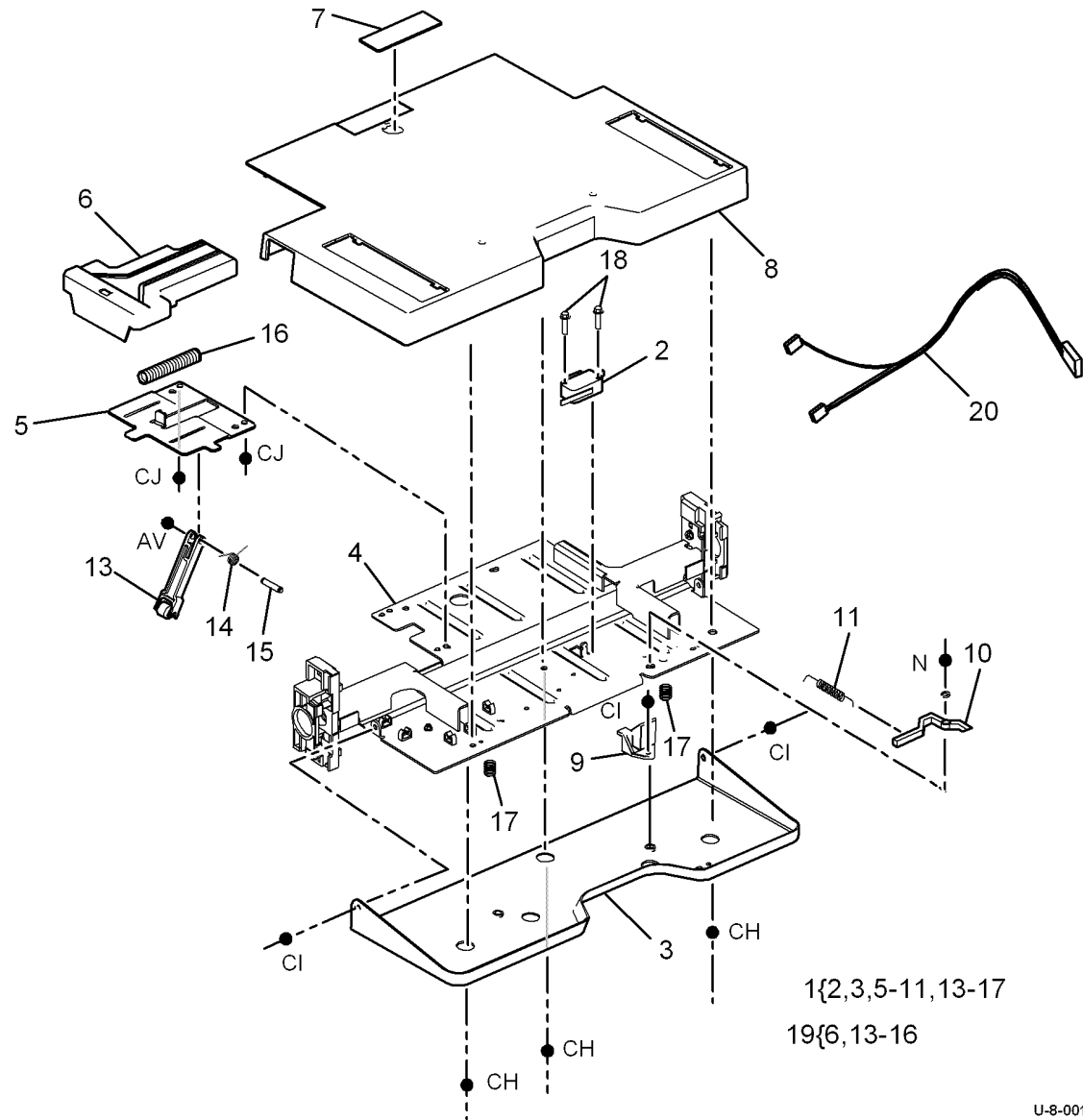
PL 75.68 Tray 5 Lift Assembly (1 of 2)

| Item | Part | Description |
|------|-----------|------------------------------------------------------------|
| 1 | - | Tray assembly (complete) (Not spared) |
| 2 | - | Crash bar (Not spared) |
| 3 | - | Frame top brace (Not spared) |
| 4 | - | Elevator motor (MOT75-019) (P/O PL 75.68 Item 23) |
| 5 | 130K74380 | Elevator encoder sensor (Q75-015) |
| 6 | - | Elevator motor bracket (P/O PL 75.68 Item 23) |
| 7 | - | Elevator motor shaft (Not spared) |
| 8 | 960K34453 | Tray 5 Control PWB (Centre reg) |
| 9 | 130K75511 | Tray down sensor (Q75-012) (REP 75.3) |
| 10 | - | Standoff (Not spared) |
| 11 | - | Tray level drive gear clip (Not spared) |
| 12 | 110E06961 | Upper limit switch (S75-412) |
| 13 | - | Rear elevator rack (P/O PL 75.68 Item 24) |
| 14 | - | Front elevator rack (P/O PL 75.68 Item 24) |
| 15 | - | Retard roller shield (P/O PL 81.46 Item 1) |
| 16 | - | Shipping pin bearing (Not spared) |
| 17 | - | Shipping pin spring (Not spared) |
| 18 | - | Shipping pin (Not spared) |
| 19 | - | Shipping pin handle (Not spared) |
| 20 | - | Cable tie (Not spared) |
| 21 | - | Clinch stud (Not spared) |
| 22 | - | Cable holder (Not spared) |
| 23 | 127K56330 | Elevator motor assembly (REP 75.4) |
| 24 | 007K19660 | Elevator rack assembly (REP 75.10) |
| 25 | 003K20950 | Shipping pin handle assembly |
| 26 | 962K82710 | Media path driver PWB to Tray 5 PWB harness (PJ502, PJ513) |
| 27 | - | Upper limit switch actuator (Not spared) |
| 28 | - | Tray level drive gear (Not spared) |
| 29 | - | Actuator spring (Not spared) |



PL 75.70 Tray 5 Lift Assembly (2 of 2)

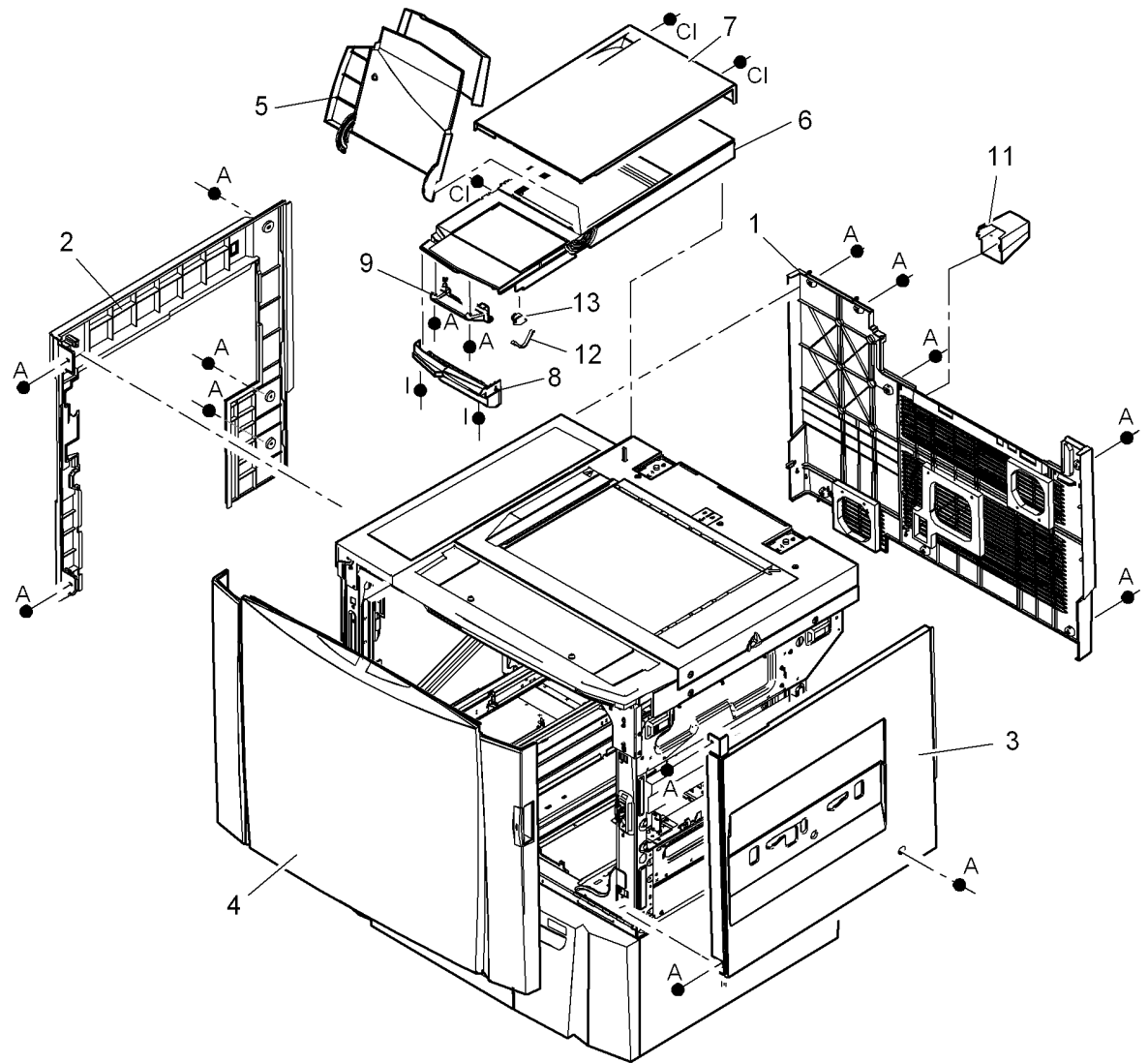
| Item | Part | Description |
|------|-----------|---------------------------------------------------|
| 1 | - | Tray lift assembly (Not spared) |
| 2 | 110E06961 | Tray down limit switch (S75-415) (REP 75.6) |
| 3 | 025E06871 | Lower safety bar |
| 4 | - | Lift plate (Not spared) |
| 5 | - | Fixing plate (Not spared) |
| 6 | - | Infill plate (P/O PL 75.70 Item 19) |
| 7 | 019K13470 | Cork pad |
| 8 | - | Tray lift top cover (Not spared) |
| 9 | - | Lift plate crash bar actuator 2 (Not spared) |
| 10 | - | Lift plate crash bar actuator 1 (Not spared) |
| 11 | - | Crash bar actuator spring (Not spared) |
| 12 | - | Not used |
| 13 | - | Infill actuator arm (P/O PL 75.70 Item 19) |
| 14 | - | Infill actuator arm spring (P/O PL 75.70 Item 19) |
| 15 | - | Infill actuator arm pin (P/O PL 75.70 Item 19) |
| 16 | - | Infill plate spring (P/O PL 75.70 Item 19) |
| 17 | - | Lower safety spring (Not spared) |
| 18 | 612W25655 | Tray down limit switch screw |
| 19 | 815K11380 | Infill plate assembly |
| 20 | 962K50461 | Tray 5 elevator harness (PJ504) |



U-8-0018-A

PL 81.10 Main Covers

| Item | Part | Description |
|------|-----------|---------------------------------------------|
| 1 | 848K66280 | Rear cover |
| 2 | 848E15831 | Left cover |
| 3 | 848E45840 | Right cover |
| 4 | - | Front door assembly (REF: PL 81.11 Item 11) |
| 5 | 848K31762 | Ink loader access cover |
| 6 | 848E45881 | Ink loader top |
| 7 | 848E45890 | Ink loader access cover rear |
| 8 | 848E45950 | Ink loader backup cover |
| 9 | 848E45961 | Ink loader bracket |
| 10 | - | Not used |
| 11 | 014E68060 | Rear standoff (duct) |
| 12 | 019E81431 | Ink loader rotary damper clip |
| 13 | 016E20080 | Ink loader rotary damper |

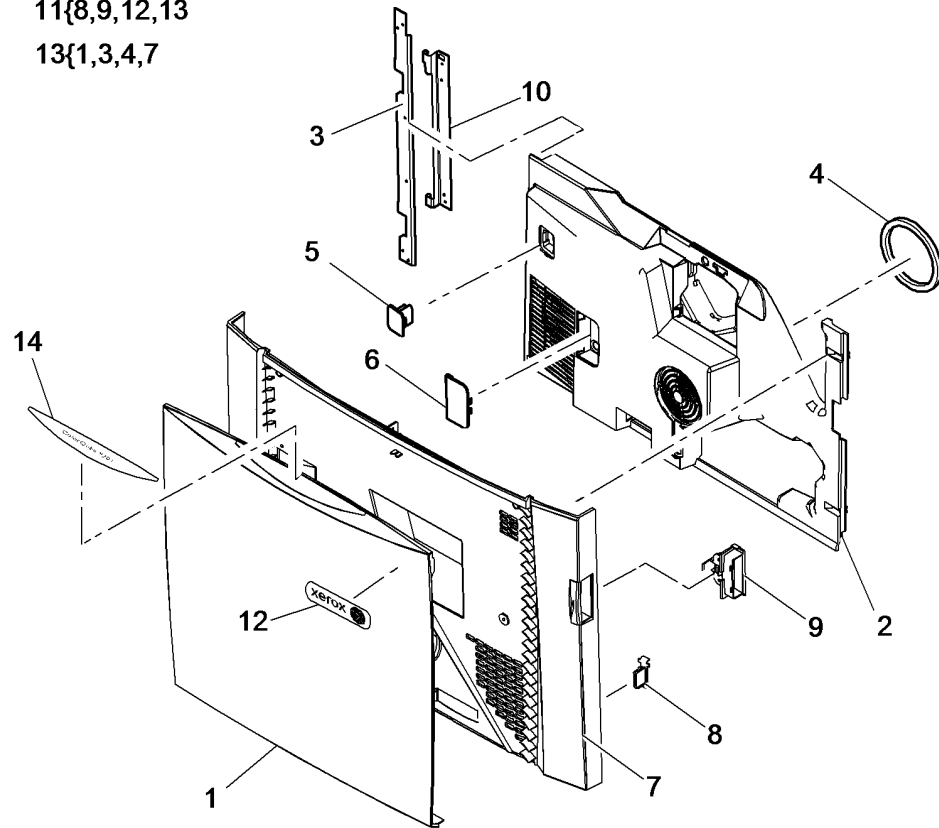


U-8-0030-A

PL 81.11 Front Door Assembly

| Item | Part | Description |
|------|-----------|----------------------------------------------|
| 1 | - | Front door shield (P/O PL 81.11 Item 13) |
| 2 | 848K31753 | Inner cover |
| 3 | - | Hinge assembly (P/O PL 81.11 Item 13) |
| 4 | - | Foam seal (P/O PL 81.11 Item 13) |
| 5 | 848E45930 | Dongle cover |
| 6 | 848E45940 | Shipping restraint cover |
| 7 | - | Front door moulding (P/O PL 81.11 Item 13) |
| 8 | - | Access magnetic catch (P/O PL 81.11 Item 11) |
| 9 | 848E45920 | Front door handle |
| 10 | 848E46011 | Front door bracket (attached to frame) |
| 11 | 848K66270 | Front door assembly |
| 12 | - | Xerox logo (P/O PL 81.11 Item 11) |
| 13 | - | Door shield assembly (P/O PL 81.11 Item 11) |
| 14 | - | Name plate label (see below for variants) |
| - | - | 9301 Label (Not spared) |
| - | - | 9302 Label (Not spared) |
| - | - | 9303 Label (Not spared) |

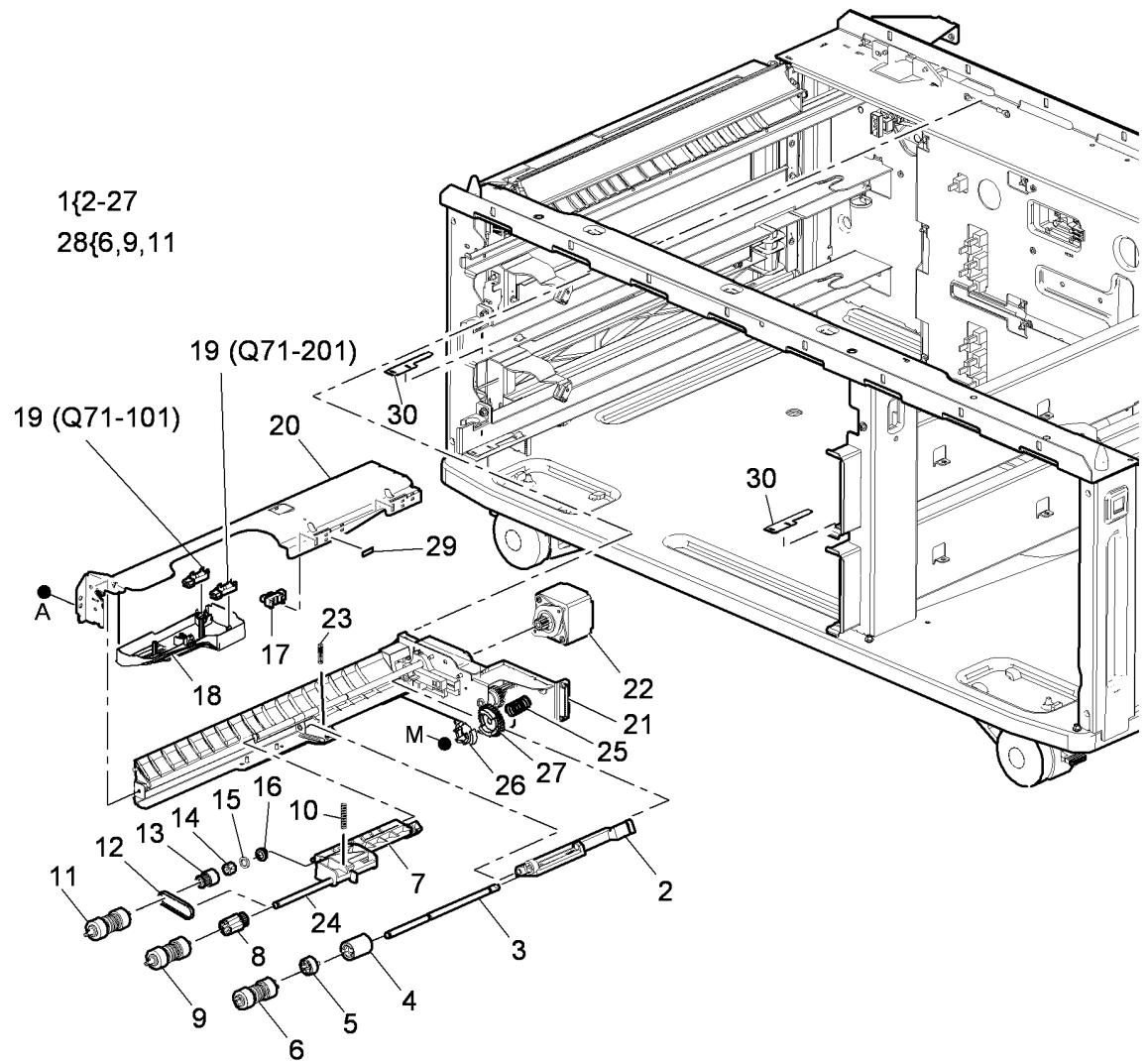
11{8,9,12,13
13{1,3,4,7



U-8-0034-A

PL 81.25 Tray 1 Paper Feed Assembly

| Item | Part | Description |
|------|-----------|-------------------------------------------------------------------|
| 1 | 059K64454 | Feedhead assembly (REP 81.1) |
| 2 | - | Retard roll support (P/O PL 81.25 Item 1) |
| 3 | - | Retard roll shaft (P/O PL 81.25 Item 1) |
| 4 | - | Clutch assembly (P/O PL 81.25 Item 1) |
| 5 | - | Coupling (P/O PL 81.25 Item 1) |
| 6 | - | Retard roll assembly (REP 81.4) (P/O PL 81.25 Item 28) (See NOTE) |
| 7 | - | Nudger roll support (P/O PL 81.25 Item 1) |
| 8 | - | Nudger pulley (P/O PL 81.25 Item 1) |
| 9 | - | Nudger roll assembly (REP 81.4) (P/O PL 81.25 Item 28) (See NOTE) |
| 10 | 809E95240 | Spring |
| 11 | - | Feed roll assembly (REP 81.4) (P/O PL 81.25 Item 28) (See NOTE) |
| 12 | - | Drive belt (P/O PL 81.25 Item 1) |
| 13 | - | Drive clutch (P/O PL 81.25 Item 1) |
| 14 | - | Feed pulley (P/O PL 81.25 Item 1) |
| 15 | - | Washer (P/O PL 81.25 Item 1) |
| 16 | - | Bearing (P/O PL 81.25 Item 1) |
| 17 | 130E18220 | Stack height sensor (Q71-336) |
| 18 | 038E41151 | Guide |
| 19 | 130E11610 | Tray 1 empty sensor (Q71-201)/ Feed sensor (Q71-101) (REP 81.8) |
| 20 | - | Cover (P/O PL 81.25 Item 1) |
| 21 | - | Elevator coupling assembly (P/O PL 81.25 Item 1) |
| 22 | - | T1 feed/elevator motor (MOT71-002) (P/O PL 81.25 Item 1) |
| 23 | - | Spring (P/O PL 81.25 Item 1) |
| 24 | - | Nudger roll shaft (P/O PL 81.25 Item 1) |
| 25 | - | Spring (P/O PL 81.25 Item 1) |
| 26 | - | Dog spacer (P/O PL 81.25 Item 1) |
| 27 | - | Gear 31 (P/O PL 81.25 Item 1) |
| 28 | - | Feed roll kit (REF: PL 31.11 Item 26) |
| 29 | 014E68410 | Shim |
| 30 | 019E74540 | Slide pad |

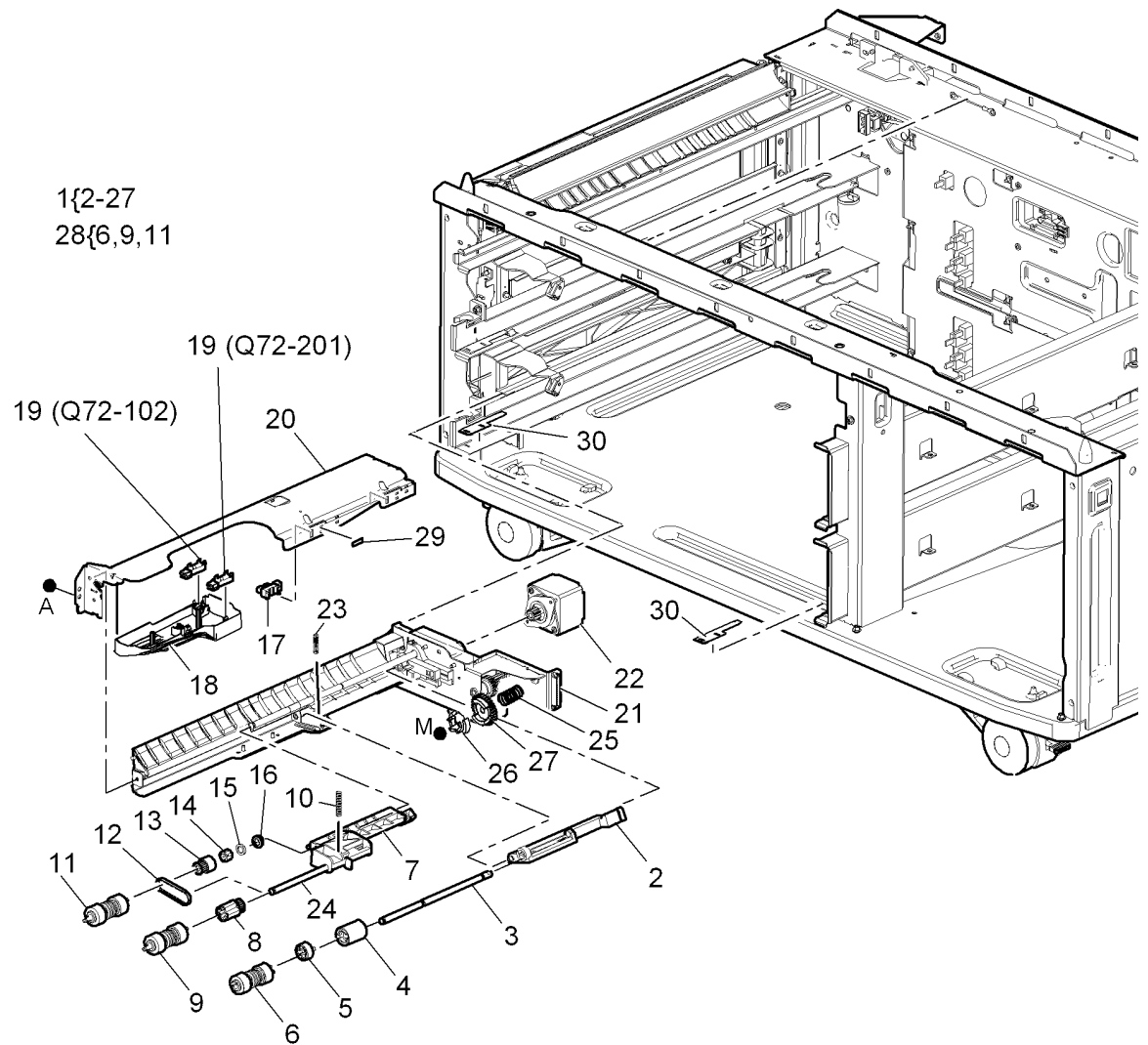


NOTE: To reset the HFSI count, go to dC135.

U-8-0004-A

PL 81.26 Tray 2 Paper Feed Assembly

| Item | Part | Description |
|------|-----------|-------------------------------------------------------------------|
| 1 | 059K64454 | Feedhead assembly (REP 81.1) |
| 2 | - | Retard roll support (P/O PL 81.26 Item 1) |
| 3 | - | Retard roll shaft (P/O PL 81.26 Item 1) |
| 4 | - | Clutch assembly (P/O PL 81.26 Item 1) |
| 5 | - | Coupling (P/O PL 81.26 Item 1) |
| 6 | - | Retard roll assembly (REP 81.4) (P/O PL 81.26 Item 28) (See NOTE) |
| 7 | - | Nudger roll support (P/O PL 81.26 Item 1) |
| 8 | - | Nudger pulley (P/O PL 81.26 Item 1) |
| 9 | - | Nudger roll assembly (REP 81.4) (P/O PL 81.26 Item 28) (See NOTE) |
| 10 | 809E95240 | Spring |
| 11 | - | Feed roll assembly (REP 81.4) (P/O PL 81.26 Item 28) (See NOTE) |
| 12 | - | Drive belt (P/O PL 81.26 Item 1) |
| 13 | - | Drive clutch (P/O PL 81.26 Item 1) |
| 14 | - | Feed pulley (P/O PL 81.26 Item 1) |
| 15 | - | Washer (P/O PL 81.26 Item 1) |
| 16 | - | Bearing (P/O PL 81.26 Item 1) |
| 17 | 130E18220 | Stack height sensor (Q72-337) |
| 18 | 038E41151 | Guide |
| 19 | 130E11610 | Tray 2 empty sensor (Q72-201)/ Feed sensor (Q72-102) (REP 81.8) |
| 20 | - | Cover (P/O PL 81.26 Item 1) |
| 21 | - | Elevator coupling assembly (P/O PL 81.26 Item 1) |
| 22 | - | T2 feed/elevator motor (MOT72-001) (P/O PL 81.26 Item 1) |
| 23 | - | Spring (P/O PL 81.26 Item 1) |
| 24 | - | Nudger roll shaft (P/O PL 81.26 Item 1) |
| 25 | - | Spring (P/O PL 81.26 Item 1) |
| 26 | - | Dog spacer (P/O PL 81.26 Item 1) |
| 27 | - | Gear 31 (P/O PL 81.26 Item 1) |
| 28 | - | Feed roll kit (REF: PL 31.11 Item 26) |
| 29 | 014E68410 | Shim |
| 30 | 019E74540 | Slide pad |

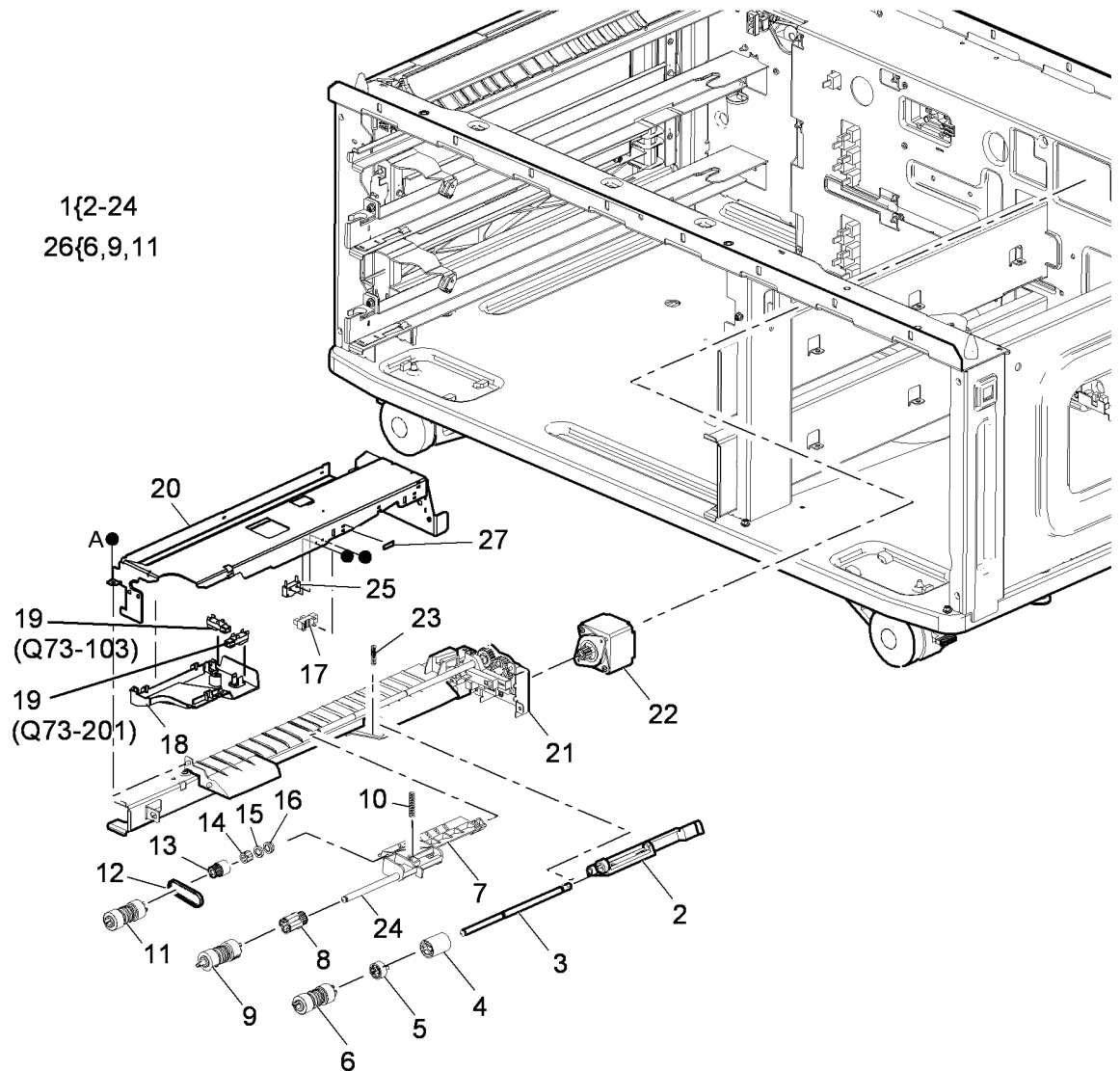


NOTE: To reset the HFSI count, got to dC135

U-8-0100-A

PL 81.30 Tray 3 Paper Feed Assembly

| Item | Part | Description |
|------|-----------|-------------------------------------------------------------------|
| 1 | 059K64464 | Feedhead assembly (REP 81.2) |
| 2 | - | Retard roll support (P/O PL 81.30 Item 1) |
| 3 | - | Retard roll shaft (P/O PL 81.30 Item 1) |
| 4 | - | Clutch assembly (P/O PL 81.30 Item 1) |
| 5 | - | Coupling (P/O PL 81.30 Item 1) |
| 6 | - | Retard roll assembly (REP 81.5) (P/O PL 81.30 Item 26) (See NOTE) |
| 7 | - | Nudger roll support (P/O PL 81.30 Item 1) |
| 8 | - | Nudger pulley (P/O PL 81.30 Item 1) |
| 9 | - | Nudger roll assembly (REP 81.5) (P/O PL 81.30 Item 26) (See NOTE) |
| 10 | 809E94921 | Spring |
| 11 | - | Feed roll assembly (REP 81.5) (P/O PL 81.30 Item 26) (See NOTE) |
| 12 | - | Drive belt (P/O PL 81.30 Item 1) |
| 13 | - | Drive clutch (P/O PL 81.30 Item 1) |
| 14 | - | Feed pulley (P/O PL 81.30 Item 1) |
| 15 | - | Washer (P/O PL 81.30 Item 1) |
| 16 | - | Bearing (P/O PL 81.30 Item 1) |
| 17 | 130E18220 | Stack height sensor (Q73-383) (REP 73.4) |
| 18 | 038E41311 | Guide |
| 19 | 130E11610 | Tray empty sensor (Q73-201)/Feed sensor (Q73-103) (REP 81.9) |
| 20 | - | Cover (P/O PL 81.30 Item 1) |
| 21 | - | Elevator coupling assembly (P/O PL 81.30 Item 1) |
| 22 | - | T3 feed motor (MOT73-001) (P/O PL 81.30 Item 1) |
| 23 | - | Spring (P/O PL 81.30 Item 1) |
| 24 | - | Nudger roll shaft (P/O PL 81.30 Item 1) |
| 25 | - | Tray up limit switch (S73-384) (P/O PL 81.30 Item 1) |
| 26 | - | Feed roll kit (REF: PL 31.11 Item 26) |
| 27 | 014E68410 | Shim |

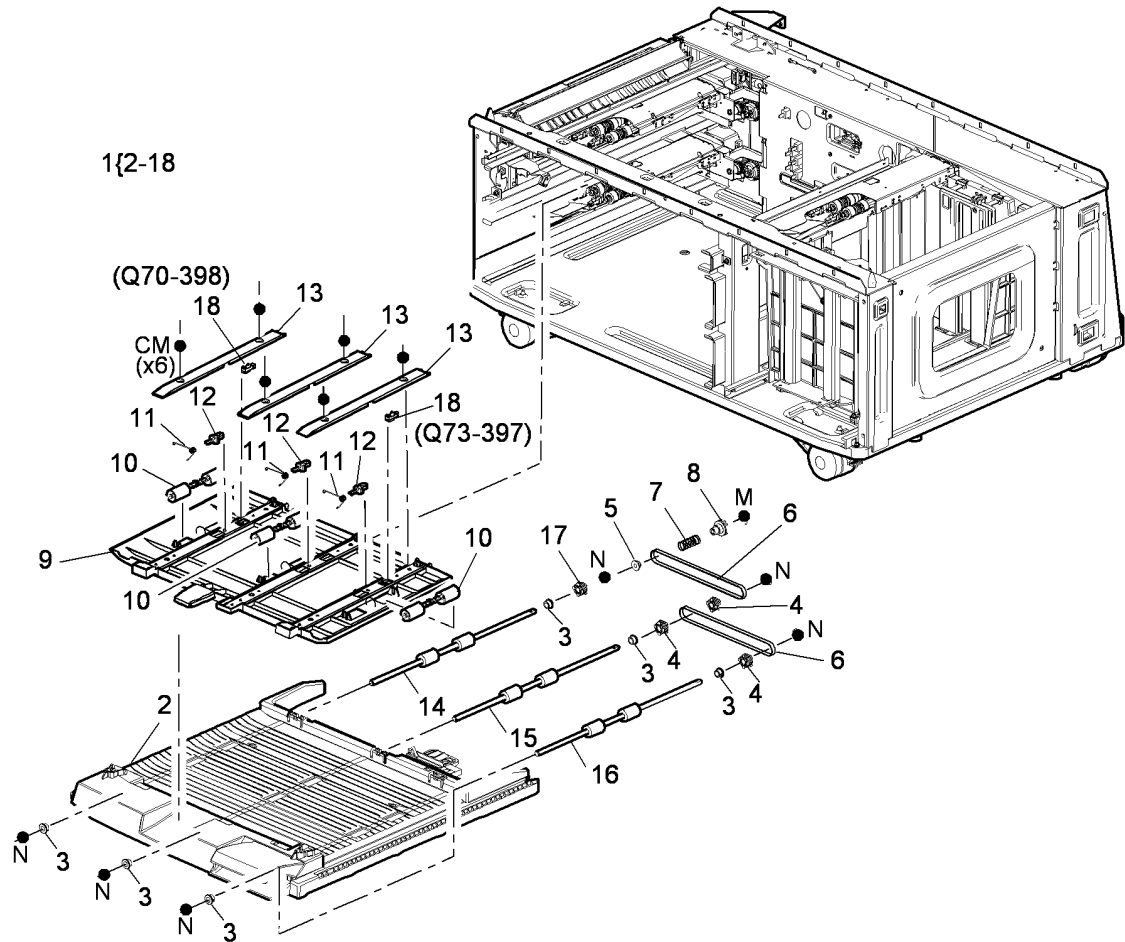


NOTE: To reset the HFSI count, go to dC135

U-8-0101-A

PL 81.35 3 Tray Module Transport Assembly

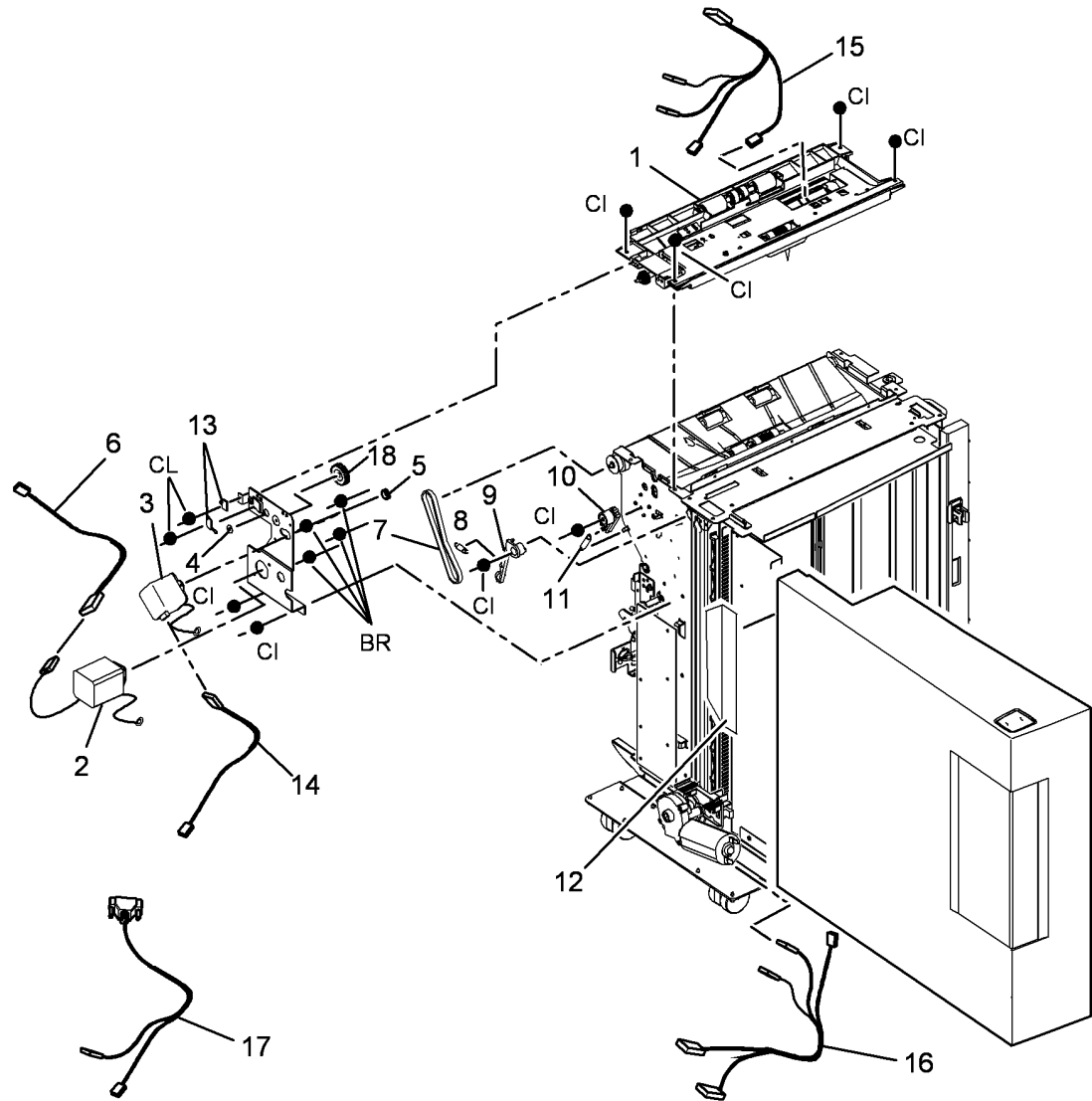
| Item | Part | Description |
|------|-----------|-------------------------------------------------------------|
| 1 | 059K50816 | Horizontal transport assembly (REP 82.3) |
| 2 | - | Horizontal transport base (P/O PL 81.35 Item 1) |
| 3 | - | Bearing (P/O PL 73.16 Item 13) |
| 4 | - | Pulley (P/O PL 73.16 Item 13) |
| 5 | - | Sleeve spring location (P/O PL 73.16 Item 13) |
| 6 | - | Drive belt (P/O PL 73.16 Item 13) |
| 7 | - | Spring (P/O PL 73.16 Item 13) |
| 8 | - | Coupling (P/O PL 73.16 Item 13) |
| 9 | - | Horizontal transport lid (P/O PL 81.35 Item 1) |
| 10 | - | Idler roll (P/O PL 81.35 Item 1) |
| 11 | - | Spring (P/O PL 81.35 Item 1) |
| 12 | - | Clip (P/O PL 81.35 Item 1) |
| 13 | - | Cover (P/O PL 81.35 Item 1) |
| 14 | - | Transport roll 1 (P/O PL 81.35 Item 1) (REP 82.4) |
| 15 | - | Transport roll 2 (P/O PL 81.35 Item 1) (REP 82.4) |
| 16 | 806E19670 | Transport roll 3 (REP 82.4) |
| 17 | - | Pulley DD (P/O PL 81.35 Item 1) |
| 18 | 130E11610 | Tray 3 transport sensor (2)(Q70-398)/TAR 3 sensor (Q73-397) |



U-8-0102-A

PL 81.40 Tray 5 Feed Assembly (1 of 3)

| Item | Part | Description |
|------|-----------|-----------------------------------------------------------|
| 1 | - | Upper feeder assembly (REF: PL 81.45 Item 1) |
| 2 | 127K56453 | Tray 5 transport motor (MOT75-018) (REP 82.5) |
| 3 | 127K61980 | Feed motor (MOT75-117) (REP 81.12) |
| 4 | - | Bearing (Not spared) |
| 5 | - | Gear 14T (P/O PL 81.40 Item 3) |
| 6 | - | Feed/elevator motor harness (Not spared) |
| 7 | 423W09050 | Drive belt (REP 82.6) |
| 8 | - | Upper limit actuator spring (Not spared) |
| 9 | - | Upper limit actuator (Not spared) |
| 10 | - | Belt tensioner (Not spared) |
| 11 | - | Belt tensioner spring (Not spared) |
| 12 | - | Elevator harness shield (Not spared) |
| 13 | 125E00430 | Static eliminator |
| 14 | - | Transport motor harness (Not spared) (PJ511) |
| 15 | - | Tray 5 upper feeder assembly harness (Not spared) (PJ505) |
| 16 | 962K50475 | Elevator motor harness (PJ504) |
| 17 | 962K82710 | Centre reg interface harness |
| 18 | 007K14401 | Gear 30T Bearing |



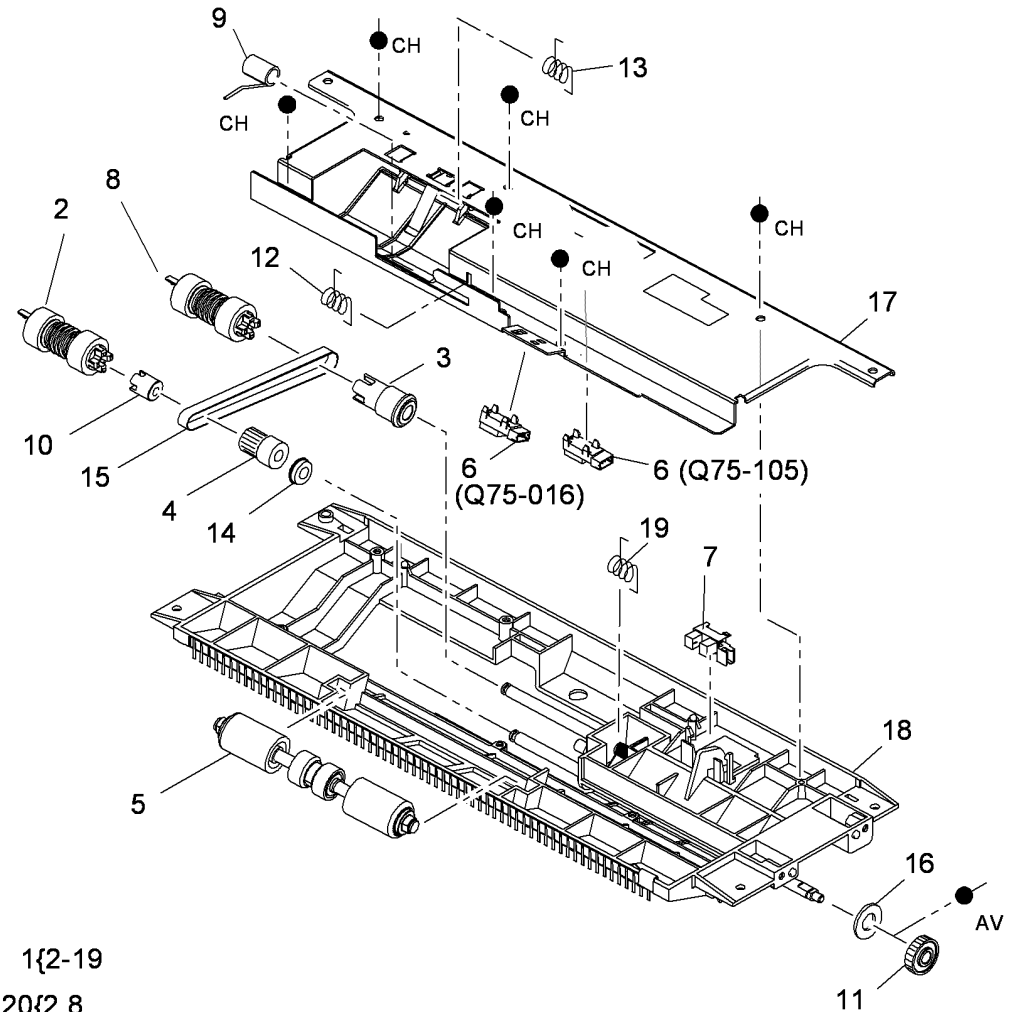
U-8-0019-A

PL 81.45 Tray 5 Feed Assembly (2 of 3)

| Item | Part | Description |
|------|-----------|--------------------------------------------------------------------------|
| 1 | 059K69991 | Upper feeder assembly (REP 82.7) |
| 2 | - | Feed roller (REP 81.7) (P/O PL 81.45 Item 20) (See NOTE) |
| 3 | - | Nudger pulley (P/O PL 81.45 Item 1) |
| 4 | - | One way coupling (P/O PL 81.45 Item 1) |
| 5 | - | Take away idler roller (P/O PL 81.45 Item 1) |
| 6 | 130E11610 | Tray 5 empty sensor (Q75-016)(REP 75.1)/Feed sensor (Q75-105)(REP 81.11) |
| 7 | 130E12060 | Stack height sensor (Q75-011) (REP 75.2) |
| 8 | - | Nudger roller (P/O PL 81.45 Item 20) (REP 81.7) |
| 9 | - | Torsion spring (P/O PL 81.45 Item 1) |
| 10 | - | Clutch (P/O PL 81.45 Item 1) |
| 11 | - | Gear (29T) (P/O PL 81.45 Item 1) |
| 12 | - | Housing spring (P/O PL 81.45 Item 1) |
| 13 | - | Torsion chute spring (P/O PL 81.45 Item 1) |
| 14 | - | Bearing (P/O PL 81.45 Item 1) |
| 15 | - | Roller belt (P/O PL 81.45 Item 1) |
| 16 | - | Washer (P/O PL 81.45 Item 1) |
| 17 | - | Upper feed assembly top cover (P/O PL 81.45 Item 1) |
| 18 | - | Upper feed assembly base (P/O PL 81.45 Item 1) |
| 19 | - | Torsion nudger spring (P/O PL 81.45 Item 1) |
| 20 | - | Feed roll kit (Pack of 3) (REF: PL 31.11 Item 26) (REP 81.7) |

NOTE: To reset the HFSI count, go to dC135.

1{2-19
20{2,8

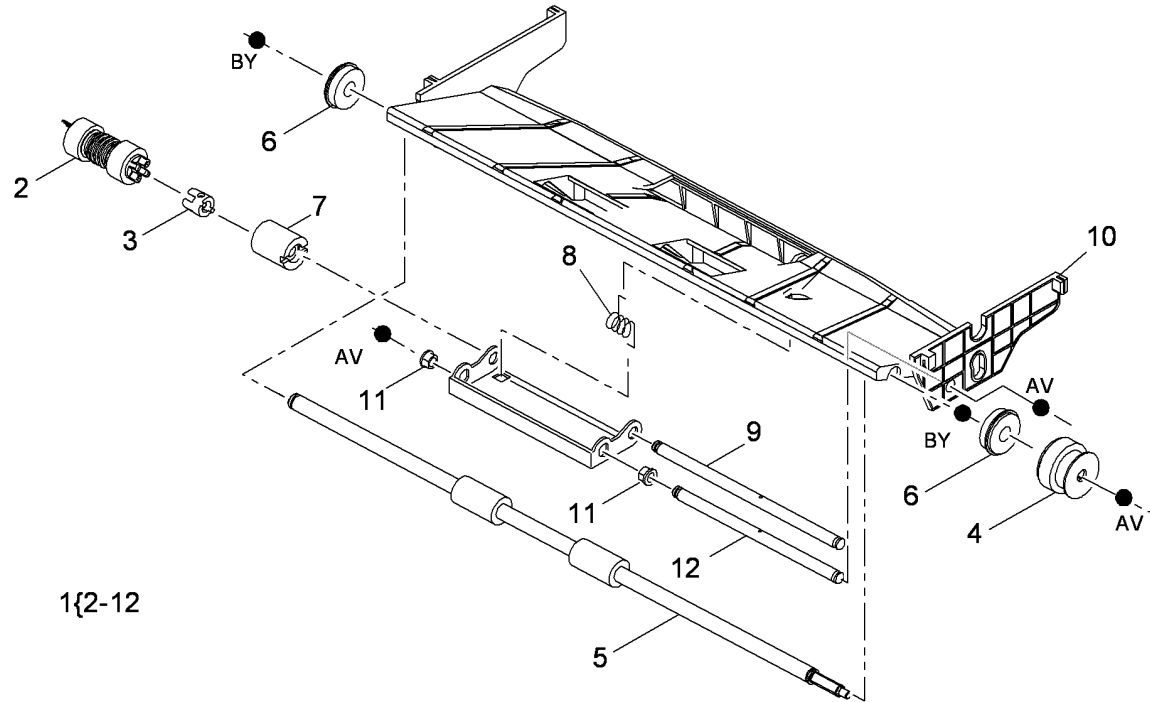


U-8-0020-A

PL 81.46 Tray 5 Feed Assembly (3 of 3)

| Item | Part | Description |
|------|-----------|----------------------------------------------------|
| 1 | 059K70530 | Lower feed assembly (REP 82.7) |
| 2 | - | Retard roller (P/O PL 81.45 Item 20) |
| 3 | - | Retard clutch (P/O PL 81.46 Item 1) |
| 4 | - | One way pulley clutch (P/O PL 81.46 Item 1) |
| 5 | - | Take away roller (P/O PL 81.46 Item 1) (REP 82.7) |
| 6 | - | Bearing (P/O PL 81.46 Item 1) |
| 7 | - | Clutch (P/O PL 81.46 Item 1) |
| 8 | - | Torsion retard spring (P/O PL 81.46 Item 1) |
| 9 | - | Retard roller shaft (P/O PL 81.46 Item 1) |
| 10 | - | Lower feed assembly base (P/O PL 81.46 Item 1) |
| 11 | - | Actuator pivot shaft bearing (P/O PL 81.46 Item 1) |
| 12 | - | Actuator pivot shaft (P/O PL 81.46 Item 1) |

NOTE: To reset the HFSI count, go to dC135.

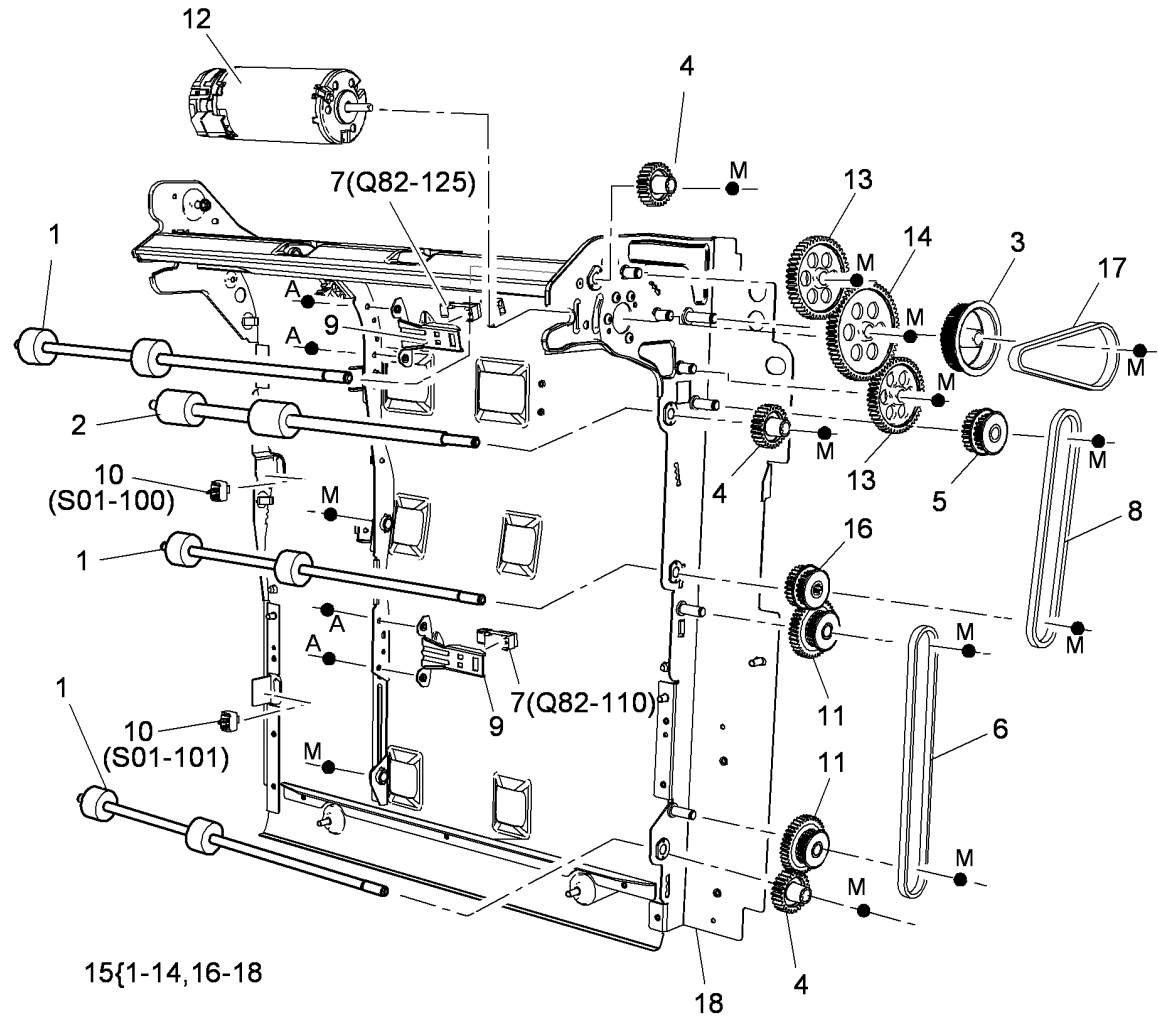


1{2-12

U-8-0123-A

PL 82.10 Vertical Paper Path

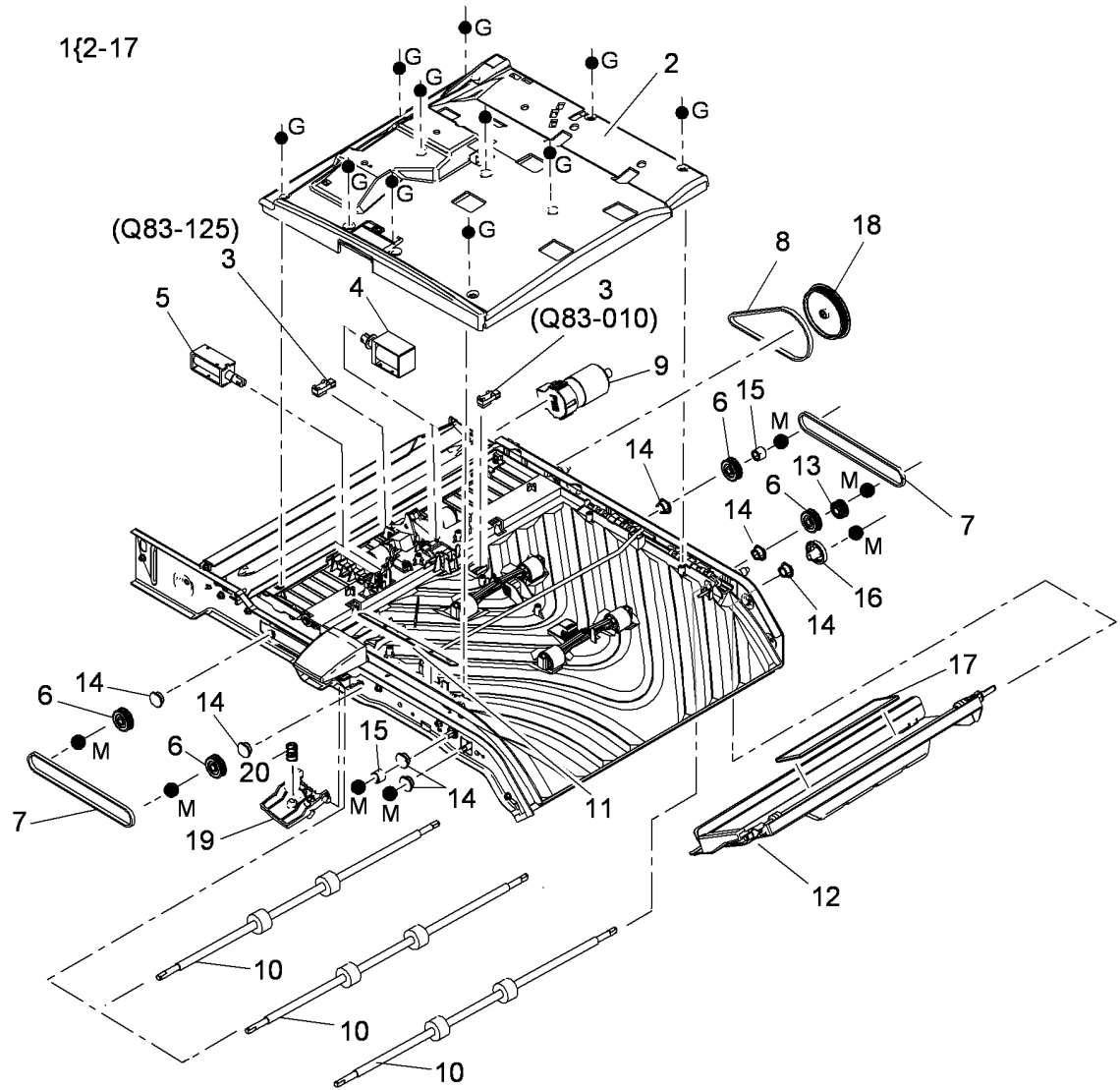
| Item | Part | Description |
|------|-----------|--------------------------------------------------------------------------------------|
| 1 | 059E10710 | Transport roller drive 2 |
| 2 | 059K63990 | Transport roller TAR vertical |
| 3 | 807E28960 | Pulley M2 (90T) |
| 4 | 807E28950 | Gear 25T M08 |
| 5 | 807E28970 | Nip F idler pulley |
| 6 | 023E31410 | Nip 'H' drive belt |
| 7 | 130E12950 | Confirm sensor (16) (Q82-125)/ Vertical transport sensor (5) (Q82-110) (REP 82.8) |
| 8 | 023E31470 | Nip F drive belt (90T) |
| 9 | - | Sensor bracket (Not spared) |
| 10 | 110E20810 | Upper door interlock switch (S01-100)/Mid door interlock switch (S01-101) |
| 11 | 020K20450 | Nip H drive pulley |
| 12 | 127K62280 | Vertical transport motor (M2) (MOT82-001) (M2) |
| 13 | 807E29010 | Gear 46T-M08 |
| 14 | 807E28940 | Gear 58T |
| 15 | 038K23290 | Vertical paper path |
| 16 | 020K20620 | Nip F drive pulley |
| 17 | 023E31480 | Motor M2 drive belt |
| 18 | - | Inner frame assembly (Not spared) |



U-8-0065-A

PL 82.15 Horizontal Paper Path

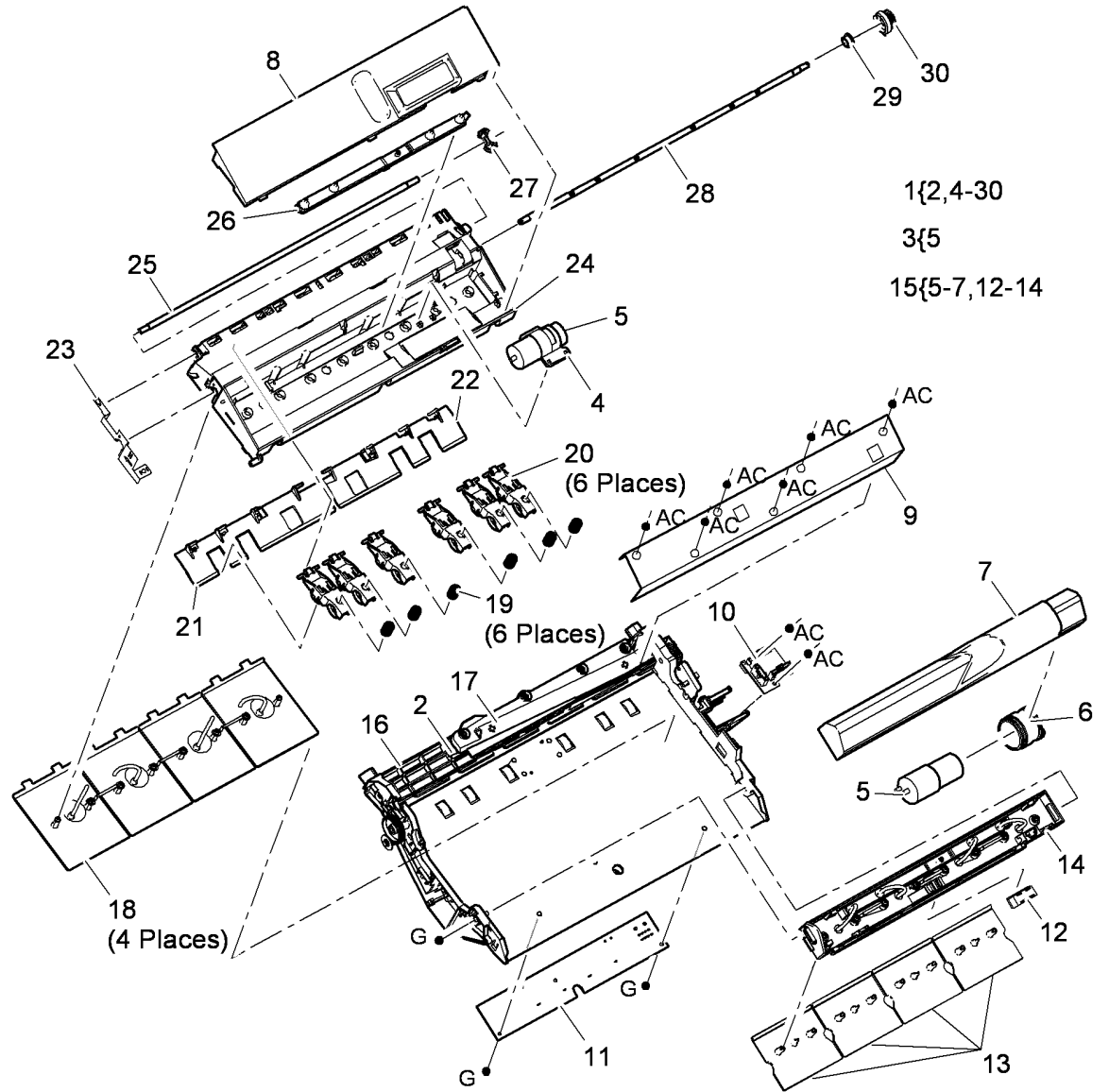
| Item | Part | Description |
|------|-----------|---------------------------------------------------------------------------------|
| 1 | 038K23500 | Horizontal paper path assembly (REP 83.1) |
| 2 | - | Top cover (P/O PL 82.15 Item 1) |
| 3 | 130E12950 | Duplex sensor (17)(Q83-010)(REP 83.3)/Duplex end sensor (14)(Q83-125)(REP 83.2) |
| 4 | 121E26510 | Nip 'C' release solenoid (SOL82-007) (REP 83.2) |
| 5 | 121E26500 | HPP diverter solenoid (SOL83-004) (REP 83.2) |
| 6 | 020K20480 | Pulley M6 (21T) |
| 7 | 023E31410 | Horizontal transport drive belt front (REP 83.5) |
| 8 | 023E31490 | Drive belt M6 |
| 9 | 127K62290 | Horizontal transport motor (M6) (MOT82-003) (REP 83.4) |
| 10 | 059E10740 | Nip R,C and Q takeaway rolls (REP 83.5) |
| 11 | - | Horizontal illuminator (Q82-005) (P/O PL 82.15 Item 1) |
| 12 | - | Heatshield (P/O PL 82.15 Item 1) |
| 13 | 807E29170 | Heatshield lift gear |
| 14 | - | Bearing (Not spared) |
| 15 | - | Spacer (Not spared) |
| 16 | 807E29160 | Heatshield sector gear |
| 17 | - | Reg/Preheat illuminator PWB (P/O PL 82.15 Item 12) |
| 18 | 020E53880 | Pulley M6 (80T) |
| 19 | 868E53910 | Release latch |
| 20 | - | Spring (Not spared) |



U-8-0066-A

PL 88.10 Registration/Preheat Assembly (1 of 2)

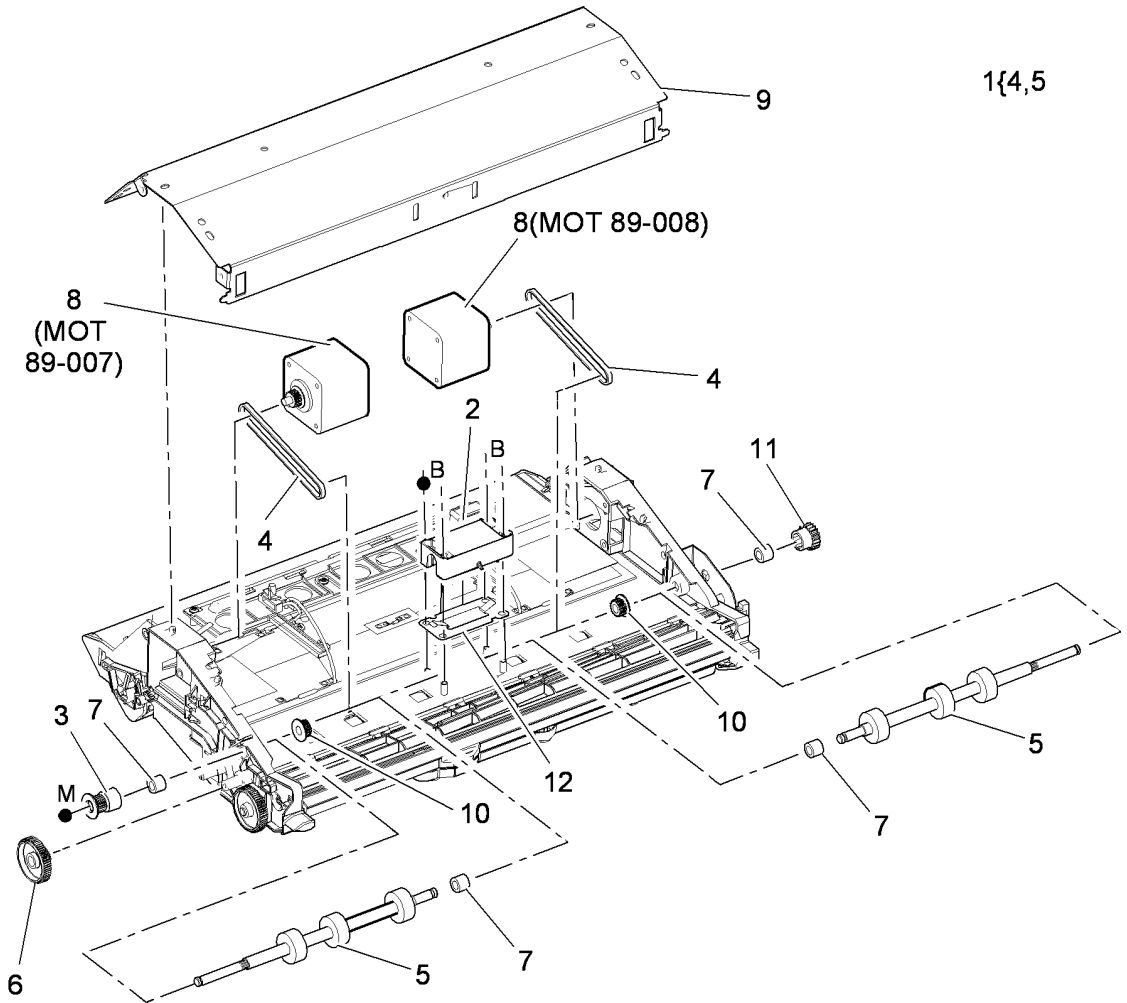
| Item | Part | Description |
|------|-----------|-----------------------------------------------------------------------------|
| 1 | 801K37710 | Registration/Preheat assembly (complete) (REP 89.1) |
| 2 | - | Registration scan bar (Q89-005) (Not spared) |
| 3 | 604K54870 | Registration/Preheat pump kit (REP 89.2) |
| 4 | - | Rubber mounting (Not spared) |
| 5 | - | Registration/Preheat air pump (MOT 88-008) (P/O PL 31.11 Item 7) (REP 89.2) |
| 6 | - | Rubber mounting (Not spared) |
| 7 | - | Lower platelet assembly cover (Not spared) |
| 8 | - | Pump cover (Not spared) |
| 9 | - | Sensor cover (Not spared) |
| 10 | - | Registration/Preheat interface PWB (Not spared) |
| 11 | - | Thermal cutout PWB (Not spared) |
| 12 | 130E12950 | Pre transfix sensor (20) (Q89-006) (REP 10.7) |
| 13 | - | Lower heat plate (Not spared) |
| 14 | - | Lower platelet base assembly (Not spared) |
| 15 | - | Lower platelet assembly (Not spared) (REP 89.1) |
| 16 | - | Frame and jam clearance assembly (Not spared) |
| 17 | - | Registration scan bar cover (Not spared) |
| 18 | - | Upper heat plate (Not spared) |
| 19 | - | Idler assembly spring (Not spared) |
| 20 | - | Idler assembly (Not spared) |
| 21 | - | Front inverter (Not spared) |
| 22 | - | Rear inverter (Not spared) |
| 23 | - | Grounding plate (Not spared) |
| 24 | - | Upper housing (Not spared) |
| 25 | - | Shaft (Not spared) |
| 26 | - | Suction plate (Not spared) |
| 27 | - | Gear (Not spared) |
| 28 | - | Shaft (Not spared) |
| 29 | - | Bearing (Not spared) |
| 30 | - | Gear (Not spared) |



U-8-0061-A

PL 88.11 Registration/Preheat Assembly (2 of 2)

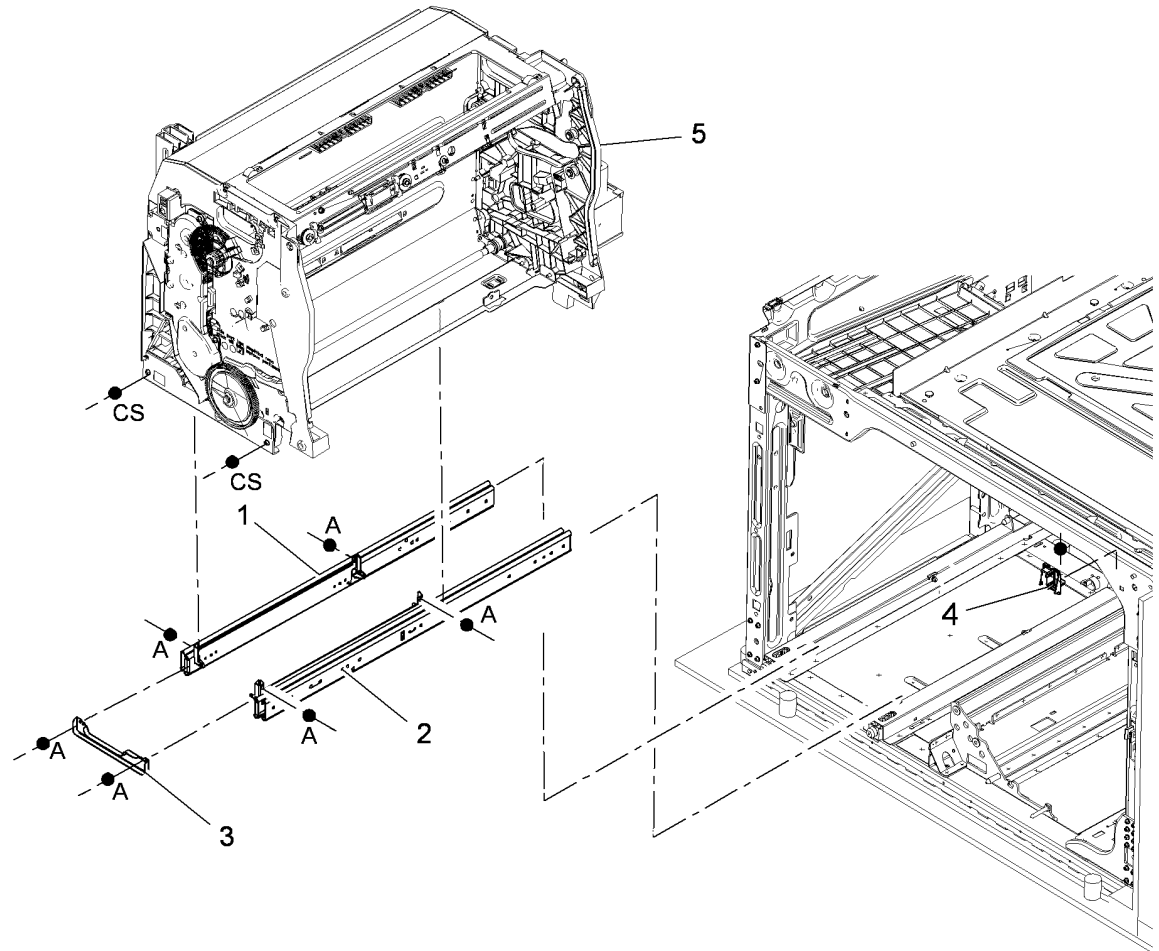
| Item | Part | Description |
|------|------|-------------------------------------------------------------------------------------------|
| 1 | - | Nip 'A' replacement kit (REF: PL 31.11 Item 19) (REP 89.3) |
| 2 | - | Bearing cover (Not spared) |
| 3 | - | Front drive gear (Not spared) |
| 4 | - | Drive belt (P/O PL 88.11 Item 1) |
| 5 | - | Nip 'A' roller (P/O PL 88.11 Item 1) |
| 6 | - | Compound gear (Not spared) |
| 7 | - | Bearing (Not spared) |
| 8 | - | Registration motor A1 (M3)(MOT 89-007)/Registration motor A2(M3)(MOT 89-008) (Not spared) |
| 9 | - | Cover (Not spared) |
| 10 | - | Nip 'A' pulley (Not spared) |
| 11 | - | One way gear (Not spared) |
| 12 | - | Nip 'A' ground plate (Not spared) |



U-8-0115-A

PL 91.05 Marking Unit Slide Assembly

| Item | Part | Description |
|------|-----------|------------------------------------------------|
| 1 | 010K04820 | Left hand slide assembly (REP 91.26) |
| 2 | 010K04830 | Right hand slide assembly (REP 91.26) |
| 3 | 674E02850 | Slide assembly cross brace (REP 91.26) |
| 4 | 130E18210 | Waste tray sensor (Q91-019) |
| 5 | – | Marking unit assembly (Not spared) (REP 91.26) |

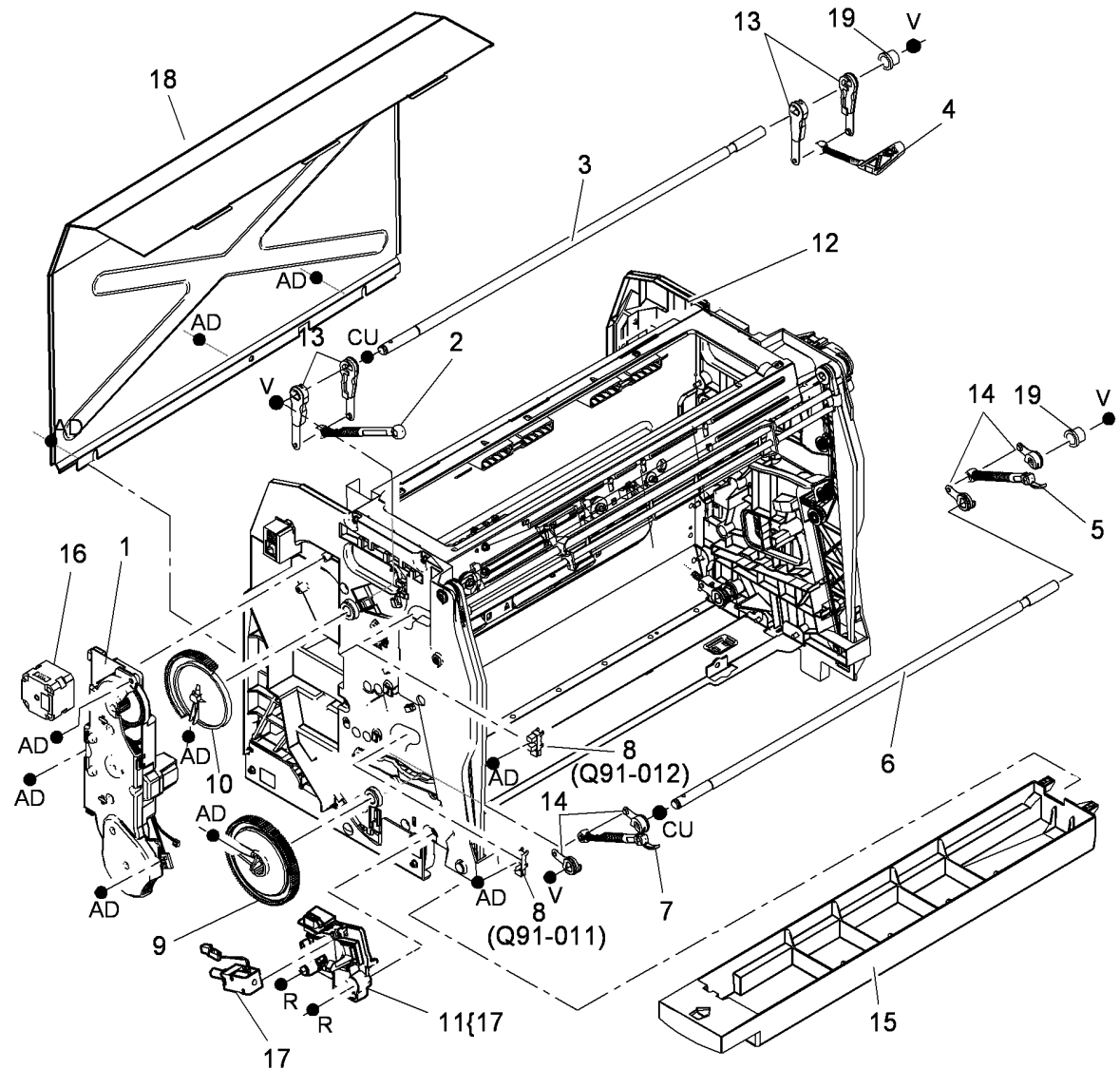


U-8-0110-A

PL 91.10 Marking Unit Drive Assembly

| Item | Part | Description |
|------|-----------|---------------------------------------------------------------------------|
| 1 | 041K06600 | Carriage drive train (REP 91.1) |
| 2 | 012K06940 | Upper front compliant link (REP 91.8) |
| 3 | - | Upper carriage drive shaft (Not spared) (REP 91.8) |
| 4 | 012K06950 | Upper rear compliant link (REP 91.8) |
| 5 | 012K06930 | Lower rear compliant link (REP 91.10) |
| 6 | - | Lower carriage drive shaft (Not spared) (REP 91.10) |
| 7 | 012K06920 | Lower front compliant link (REP 91.10) |
| 8 | 130E12970 | Lower carriage home sensor (Q91-011)/Upper carriage home sensor (Q91-012) |
| 9 | 807E29030 | Lower carriage drive gear |
| 10 | 807E29040 | Upper carriage drive gear |
| 11 | 120K03490 | Waste tray lock solenoid assembly |
| 12 | 116K00812 | Marking unit enclosure (frame only) |
| 13 | 011K03140 | Upper carriage crank (See NOTE) (REP 91.8) |
| 14 | 011K03130 | Lower carriage crank (See NOTE) |
| 15 | 050E28780 | Waste tray |
| 16 | - | Carriage docking motor (MOT 91-031) (P/O PL 91.10 Item 1) |
| 17 | - | Waste tray lock solenoid (SOL91-044) (P/O PL 91.10 Item 11) |
| 18 | - | Marking unit enclosure cover (Not spared) |
| 19 | - | Carriage drive bushing (P/O PL 31.11 Item 23) |

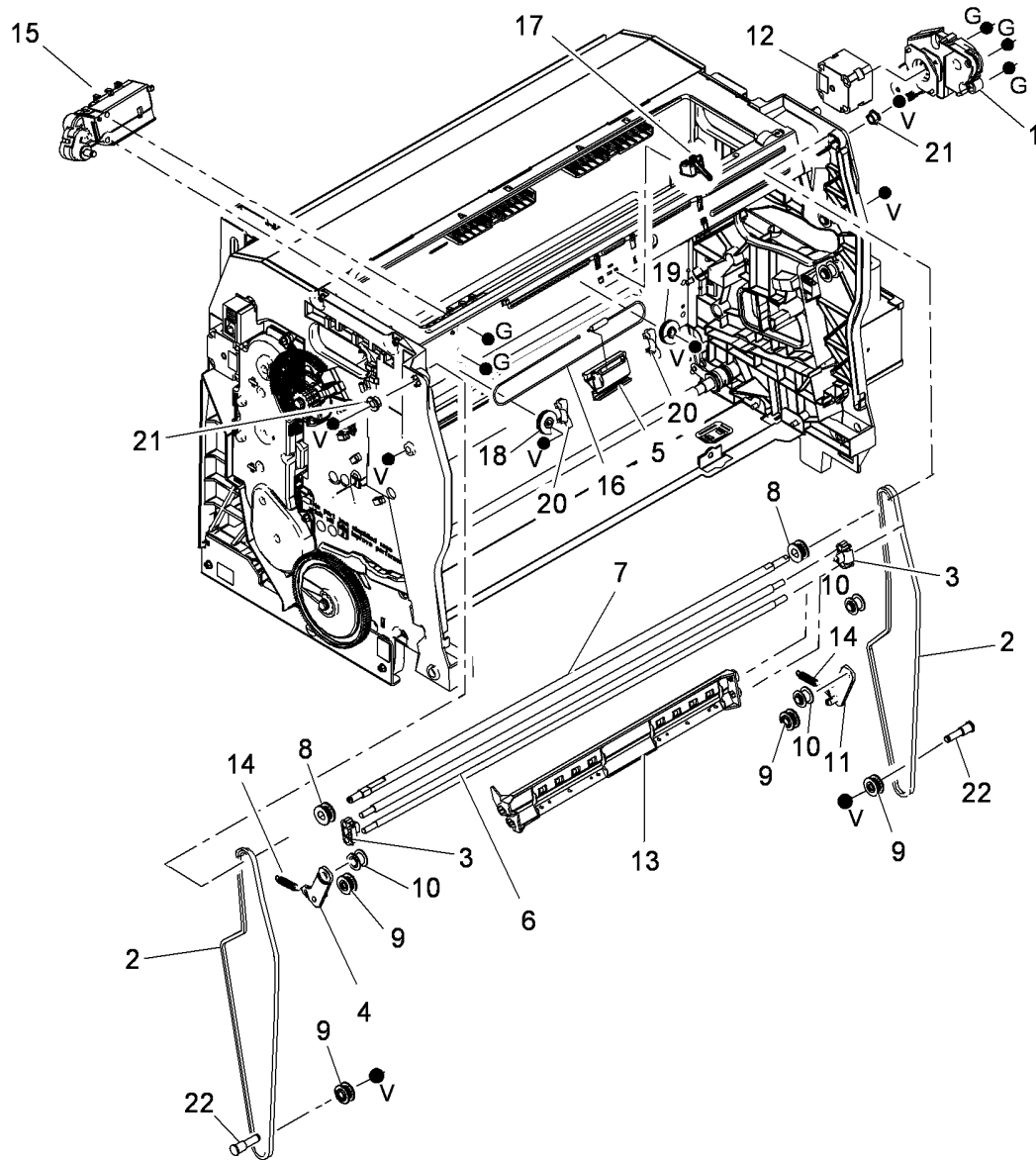
NOTE: If an entire crank (PL 91.10 Item 13 or PL 91.10 Item 14) needs to be replaced then 2 parts need to be ordered.



U-8-0056-A

PL 91.15 Marking Unit Belt and Drive

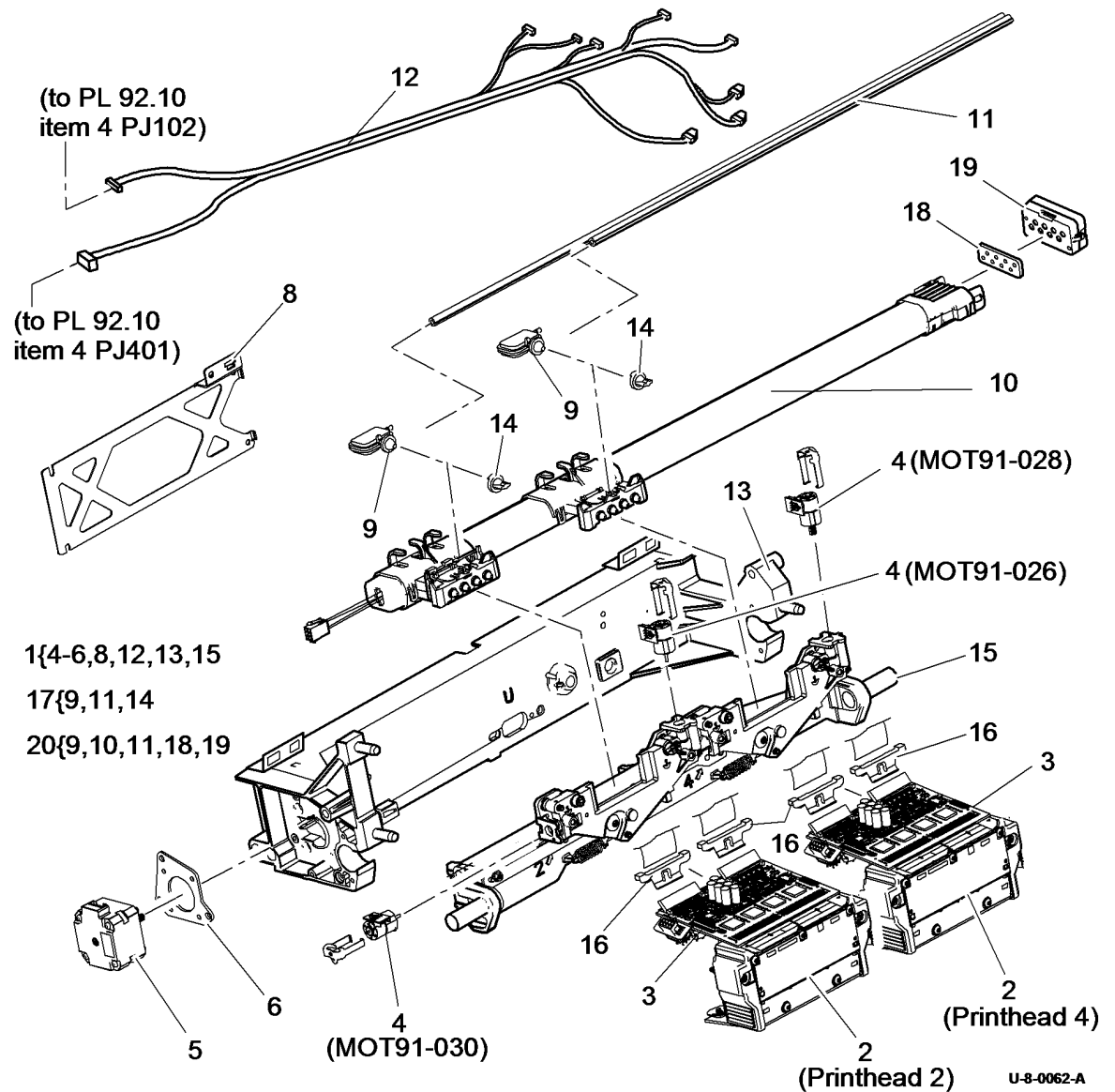
| Item | Part | Description |
|------|-----------|-----------------------------------------------------------------------|
| 1 | 007K19800 | Vertical gearbox (REP 91.2) |
| 2 | 023E31420 | HM belt (REP 91.5) |
| 3 | 019E80820 | HM belt clip (REP 91.5) |
| 4 | 801E11470 | Front tensioner base (REP 91.4) |
| 5 | 033K04550 | Horizontal drive paddle |
| 6 | - | Horizontal drive shaft (Not spared) |
| 7 | - | Upper drive shaft (Not spared) |
| 8 | 020K20630 | Drive pulley |
| 9 | 020K20470 | Belt pulley |
| 10 | 022E38380 | Tensioner pulley |
| 11 | 801E11480 | Back tensioner base (REP 91.4) |
| 12 | - | HM vertical motion motor (MOT91-023) (P/O PL 91.15 Item 1) (REP 91.2) |
| 13 | 033K04560 | HM wiper (REP 91.3) |
| 14 | 009K02440 | HM tensioner spring |
| 15 | 007K19790 | HM Horizontal motion motor (MOT91-025) (REP 91.6) |
| 16 | 023K01420 | Horizontal drive cable |
| 17 | 130E18200 | HM position sensor (Q91-014) |
| 18 | 020K20560 | HM drive pulley |
| 19 | 020K20570 | HM idler pulley |
| 20 | - | HM drive cable stop (Not spared) |
| 21 | - | Bearing (Not spared) |
| 22 | - | Belt pulley shaft (Not spared) |



U-8-0057-A

PL 91.20 Marking Unit Upper Carriage Assembly

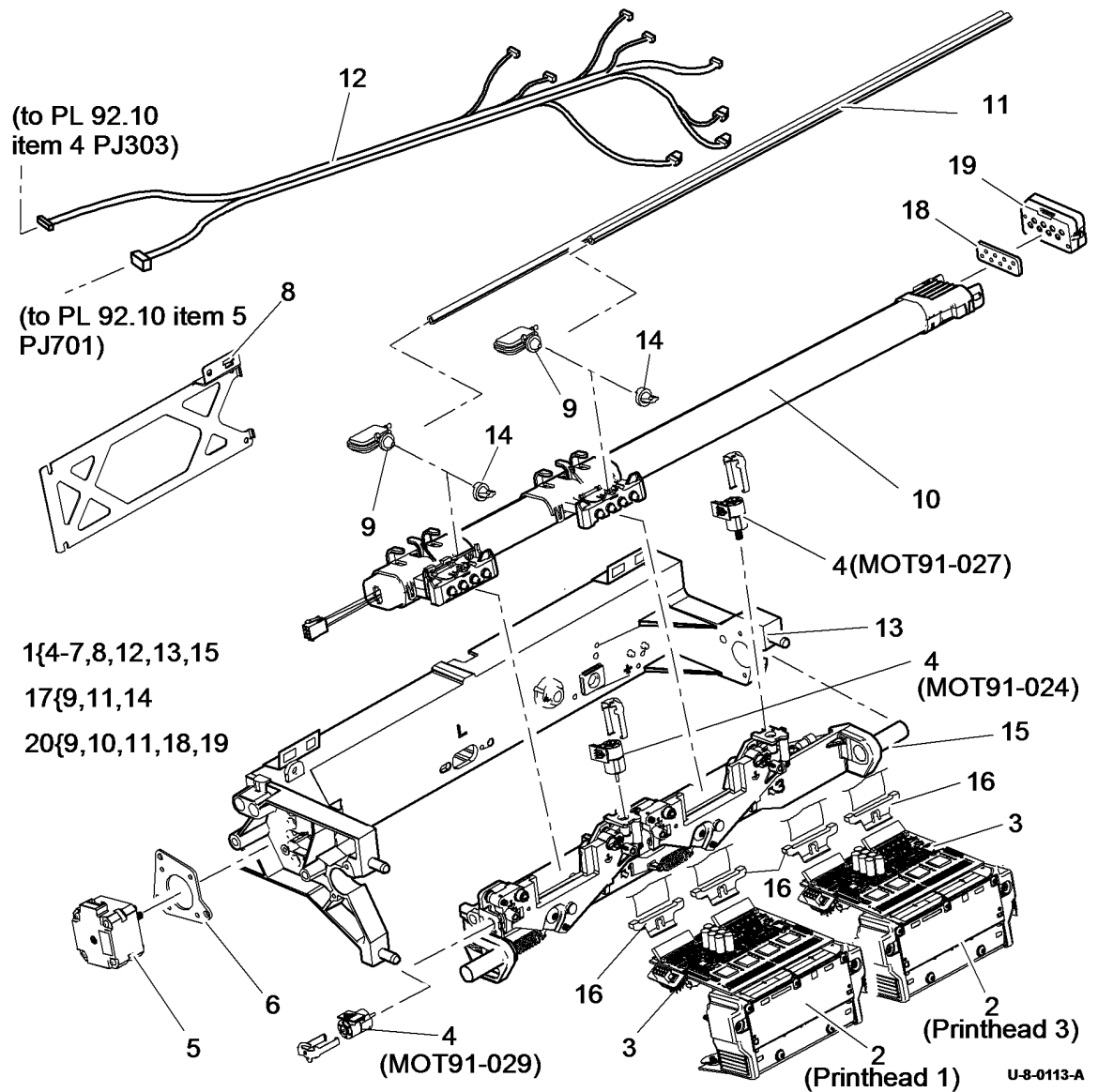
| Item | Part | Description |
|------|-----------|---------------------------------------------------------------------------------------------------------------------------------------------------------|
| 1 | 041K06790 | Upper carriage assembly (REP 91.7) |
| 2 | 604K61672 | Printhead (Type A) (see NOTE) (REP 91.29) |
| - | - | Printhead (Type B) (see NOTE) (REP 91.29) |
| 3 | - | Printhead PWB (P/O PL 91.20 Item 2) |
| 4 | 127K62310 | Printhead stitch adjust motor 2 (MOT91-030)/Printhead roll adjust motor 2 (MOT91-026)/Printhead roll adjust motor 4 (MOT91-028) (127K62310) (REP 91.13) |
| 5 | 127K62300 | X-axis drive motor upper (MOT91-033) (REP 91.9) |
| 6 | - | Printhead drive motor bracket (P/O PL 91.20 Item 5) |
| 7 | - | Not used |
| 8 | - | Mounting bracket (Not spared) (REP 91.10) |
| 9 | - | Purge line filter (P/O PL 91.20 Item 17, PL 91.20 Item 20) (REP 91.12) |
| 10 | - | Umbilical (P/O PL 91.20 Item 20) (REP 91.31) |
| 11 | - | Purge line (P/O PL 91.20 Item 17, PL 91.20 Item 20) (REP 91.12) |
| 12 | 117E35770 | Upper carriage harness (PJ102, PJ401) |
| 13 | - | Upper carriage frame assembly (P/O PL 91.20 Item 1) |
| 14 | - | Purge line filter cap (P/O PL 91.20 Item 17) |
| 15 | - | SFWA upper frame (P/O PL 91.20 Item 1) |
| 16 | - | Cable clip (Type A) (P/O PL 31.11 Item 29, PL 31.11 Item 13) (see NOTE) |
| 17 | 604K54961 | Purge line filter assembly |
| 18 | - | Reservoir gasket (P/O PL 91.20 Item 20) |
| 19 | - | Check valve unit (P/O PL 91.20 Item 20) |
| 20 | - | Umbilical kit (REF: PL 31.10 Item 14) |



NOTE: To identify the type of printhead, refer to GP 46.

PL 91.25 Marking Unit Lower Carriage Assembly

| Item | Part | Description |
|------|-----------|---------------------------------------------------------------------------------------------------------------------------------------------|
| 1 | 041K06780 | Lower carriage assembly (REP 91.14) |
| 2 | 604K61672 | Printhead (Type A) (see NOTE) (REP 91.29) |
| - | - | Printhead (Type B) (see NOTE) |
| 3 | - | Printhead PWB (P/O PL 91.25 Item 2) |
| 4 | 127K62310 | Printhead stitch adjust motor 1 (MOT91-029)/Printhead roll adjust motor 1 (MOT91-024)/Printhead roll adjust motor 3 (MOT91-027) (REP 91.13) |
| 5 | 127K62300 | X-axis drive motor lower (MOT91-034) |
| 6 | - | Printhead drive motor bracket (P/O PL 91.25 Item 5) |
| 7 | - | Not used |
| 8 | - | Mounting bracket (Not spared) |
| 9 | - | Purge line filter (P/O PL 91.25 Item 17) |
| 10 | - | Umbilical (P/O PL 91.25 Item 20) (REP 91.31) |
| 11 | - | Purge line (P/O PL 91.25 Item 17) |
| 12 | 117E35660 | Lower carriage harness (PJ303, PJ701) |
| 13 | - | Lower carriage frame assembly (P/O PL 91.25 Item 1) |
| 14 | - | Purge line filter cap (P/O PL 91.25 Item 17) |
| 15 | - | SFWA lower frame (P/O PL 91.25 Item 1) |
| 16 | - | Cable clip (Type A) (P/O PL 31.11 Item 29, PL 31.11 Item 13) (see NOTE) |
| 17 | 604K54961 | Purge line filter assembly |
| 18 | - | Reservoir gasket (P/O PL 91.25 Item 20) |
| 19 | - | Check valve unit (P/O PL 91.25 Item 20) |
| 20 | - | Umbilical kit (P/O PL 31.10 Item 14) |

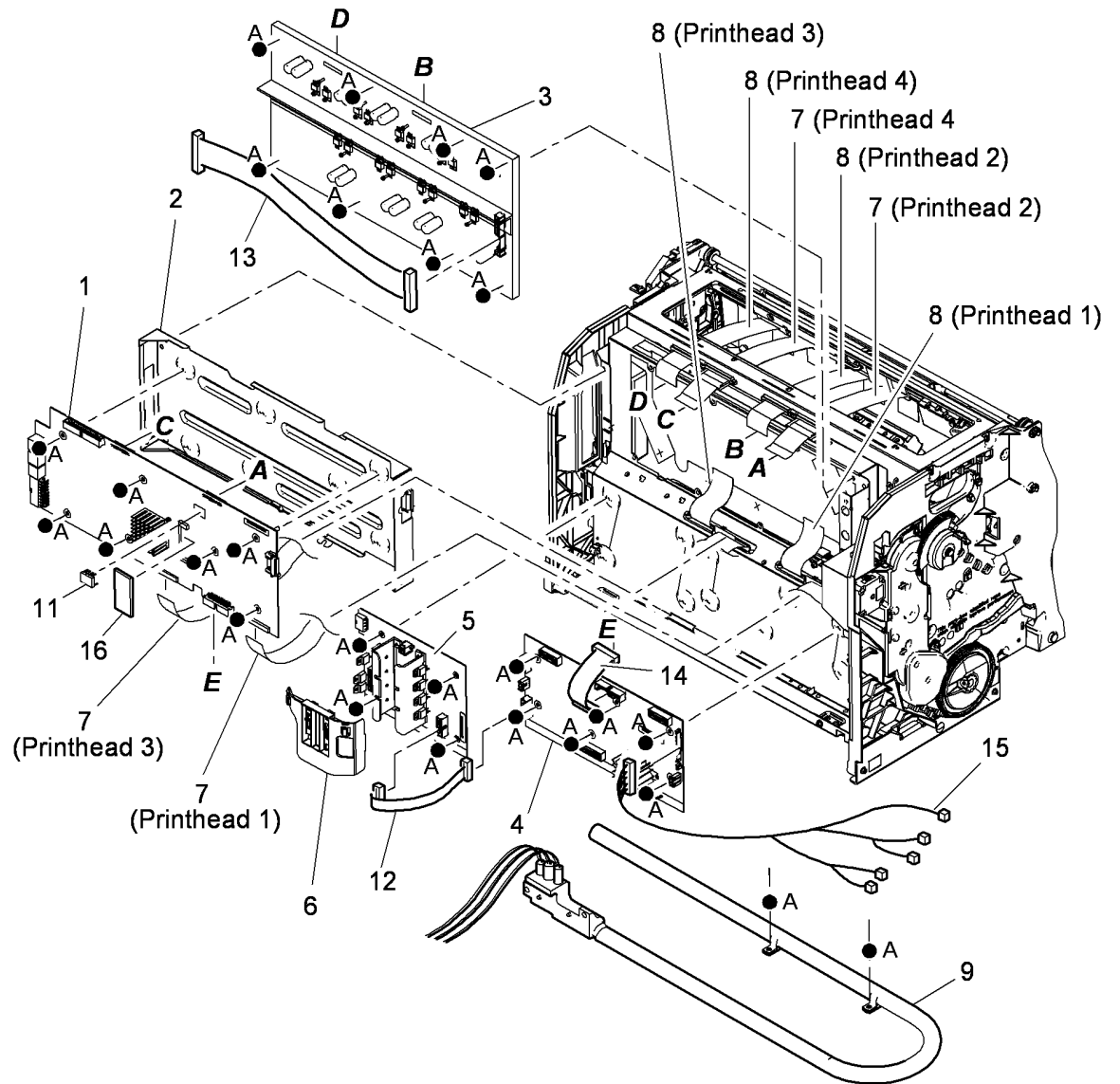


NOTE: To identify the type of printhead, refer to GP 46.

PL 92.10 Marking Unit Electronic PWB's

| Item | Part | Description |
|------|-----------|-----------------------------------------------------------|
| 1 | 960K66590 | IME Controller PWB (REP 3.1) |
| 2 | - | Mounting Plate (P/O PL 92.10 Item 1) |
| 3 | 960K46471 | Quad Wave amp PWB (REP 3.2) |
| 4 | 960K46440 | Marking unit driver PWB (REP 3.4) |
| 5 | 960K46451 | Marking unit heater PWB (REP 3.3) |
| 6 | - | Clamp (Not spared) |
| 7 | - | Video cable (Type A) (P/O PL 31.11 Item 29) (see NOTE) |
| - | - | Video Cable (Type B) (see NOTE) |
| 8 | - | Wave amp cable (Type A) (P/O PL 31.11 Item 13) (see NOTE) |
| - | - | Wave amp cable (Type B) (see NOTE) |
| 9 | 130E18790 | Service loop (REP 91.11) |
| 10 | - | Not used |
| 11 | 237E23880 | 8 Pin NVRAM |
| 12 | 117E35680 | Marking unit heater PWB cable (PJ901) |
| 13 | 117E35800 | Quad Wave amp PWB cable (PJ590) |
| 14 | 117E35670 | Marking unit driver PWB cable (PJ203) |
| 15 | 117E35730 | Marking unit front components harness (PJ304) |
| 16 | 133K27860 | Memory module (256 MB) |

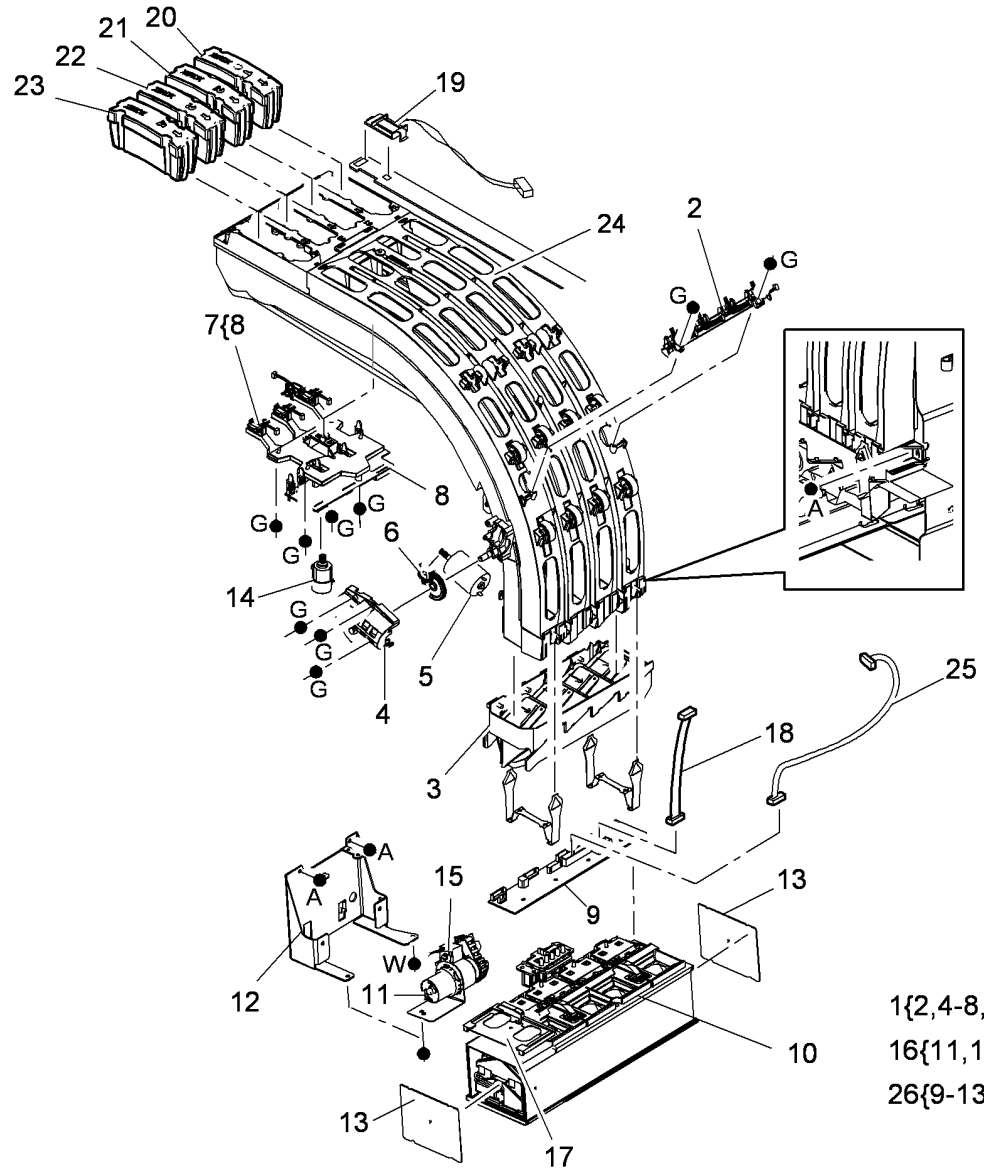
NOTE: To identify the type of cable, refer to GP 46.



U-8-0058-A

PL 93.10 Ink Loader Assembly

| Item | Part | Description |
|------|-----------|------------------------------------------------------------------------------------------------|
| 1 | 815K11623 | Ink loader upper assembly (REP 91.15) |
| 2 | 130K15852 | Ink low sensor assembly (REP 91.19) |
| 3 | 815K11610 | Ink loader melt plate assembly (REP 91.16) |
| 4 | 848E34260 | Ink transport drive cover |
| 5 | 127K62270 | Ink transport motor (MOT93-048) (REP 91.18) |
| 6 | 807E29020 | Ink transport drive gear (REP 91.18) |
| 7 | 130K15870 | Ink load sensor assembly (REP 91.17) |
| 8 | - | Ink load entry PWB (P/O PL 93.10 Item 7) (REP 91.17) |
| 9 | - | Solenoid patch PWB (P/O PL 93.10 Item 26) |
| 10 | - | Ink reservoir (P/O PL 93.10 Item 26) (REP 91.20) |
| 11 | - | Reservoir pump (MOT93-050) (P/O PL 93.10 Item 16) (REP 91.21) |
| 12 | - | Reservoir mounting bracket (P/O PL 93.10 Item 26) |
| 13 | 057E03690 | Side insulation |
| 14 | 127K62310 | Ink keyplate motor (MOT93-051) |
| 15 | - | LPA valve solenoid (SOL91-045) (P/O PL 93.10 Item 16) |
| 16 | - | Reservoir pump assembly (P/O PL 93.10 Item 26) |
| 17 | 057E03700 | Umbilical end insulation |
| 18 | 117E35640 | Ink level sensor cable (PJ760) |
| 19 | 130E12930 | Ink loader door switch |
| 20 | - | Magenta solid ink stick (REF: PL 26.10 Item 7) |
| 21 | - | Cyan solid ink stick (REF: PL 26.10 Item 8) |
| 22 | - | Yellow solid ink stick (REF: PL 26.10 Item 9) |
| 23 | - | Black solid ink stick (REF: PL 26.10 Item 10) |
| 24 | - | Ink loader housing (P/O PL 93.10 Item 1) |
| 25 | - | Harness, Solenoid patch PWB to Marking unit heater PWB (PJ630 to PJ801) (P/O PL 93.10 Item 26) |
| 26 | 604K67920 | Ink reservoir assembly (REP 91.20) |



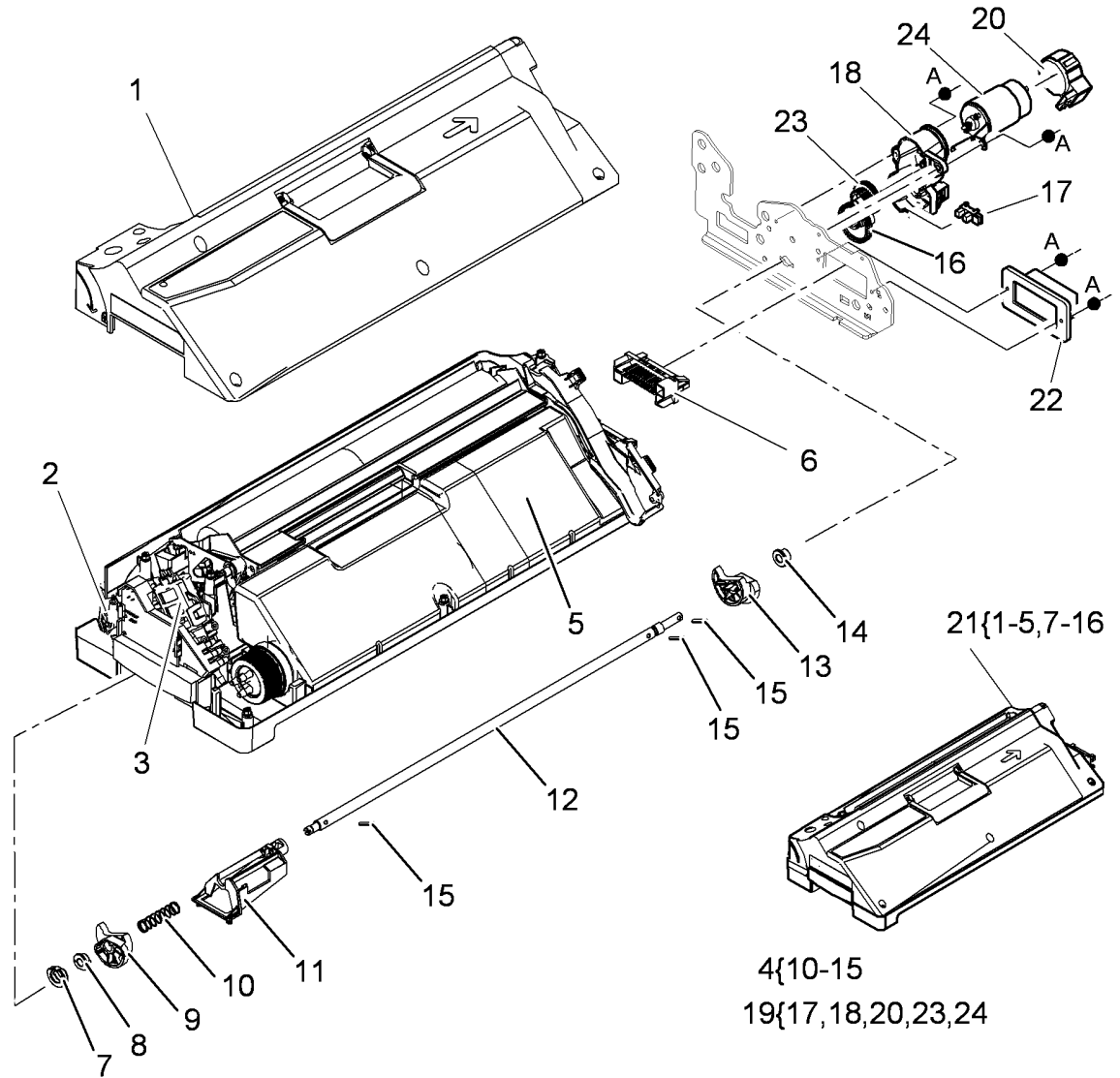
U-8-0060-A

PL 94.10 Cleaning Unit

| Item | Part | Description |
|------|-----------|-------------------------------------------------|
| 1 | - | Cleaning unit lid (P/O PL 94.10 Item 21) |
| 2 | - | Return reservoir pump (P/O PL 94.10 Item 21) |
| 3 | - | Delivery reservoir pump (P/O PL 94.10 Item 21) |
| 4 | 020K20530 | Cam shaft assembly |
| 5 | - | Reservoir (P/O PL 94.10 Item 21) |
| 6 | 114E24380 | Connector 12 pin (REP 91.33) |
| 7 | - | Thrust washer (P/O PL 31.11 Item 23) |
| 8 | - | Bushing roller (P/O PL 31.11 Item 23) |
| 9 | 008E08570 | Cam front |
| 10 | - | Spring lock cam (P/O PL 94.10 Item 4) |
| 11 | - | Mount lock cam (P/O PL 94.10 Item 4) |
| 12 | - | Shaft (P/O PL 94.10 Item 4) |
| 13 | - | Cam rear (P/O PL 94.10 Item 4) |
| 14 | - | Bushing shaft (P/O PL 94.10 Item 4) |
| 15 | - | Pin dowel (P/O PL 94.10 Item 4) |
| 16 | - | Lift gear (Not spared) |
| 17 | 130E12940 | Cleaning unit home sensor (Q94-105) (REP 91.27) |
| 18 | - | Gear train housing (P/O PL 94.10 Item 19) |
| 19 | 020K20543 | Cleaning unit motor assembly (See NOTE 1) |
| 20 | - | Encoder (P/O PL 94.10 Item 19) |
| 21 | 108R00989 | Cleaning unit (complete) (REP 94.1) |
| 22 | - | Connector housing (Not spared) |
| 23 | - | Drive gear (P/O PL 94.10 Item 19) |
| 24 | - | Cleaning unit motor (P/O PL 94.10 Item 19) |

NOTE: 1: Drum cleaning motor assembly is mounted onto rear frame.

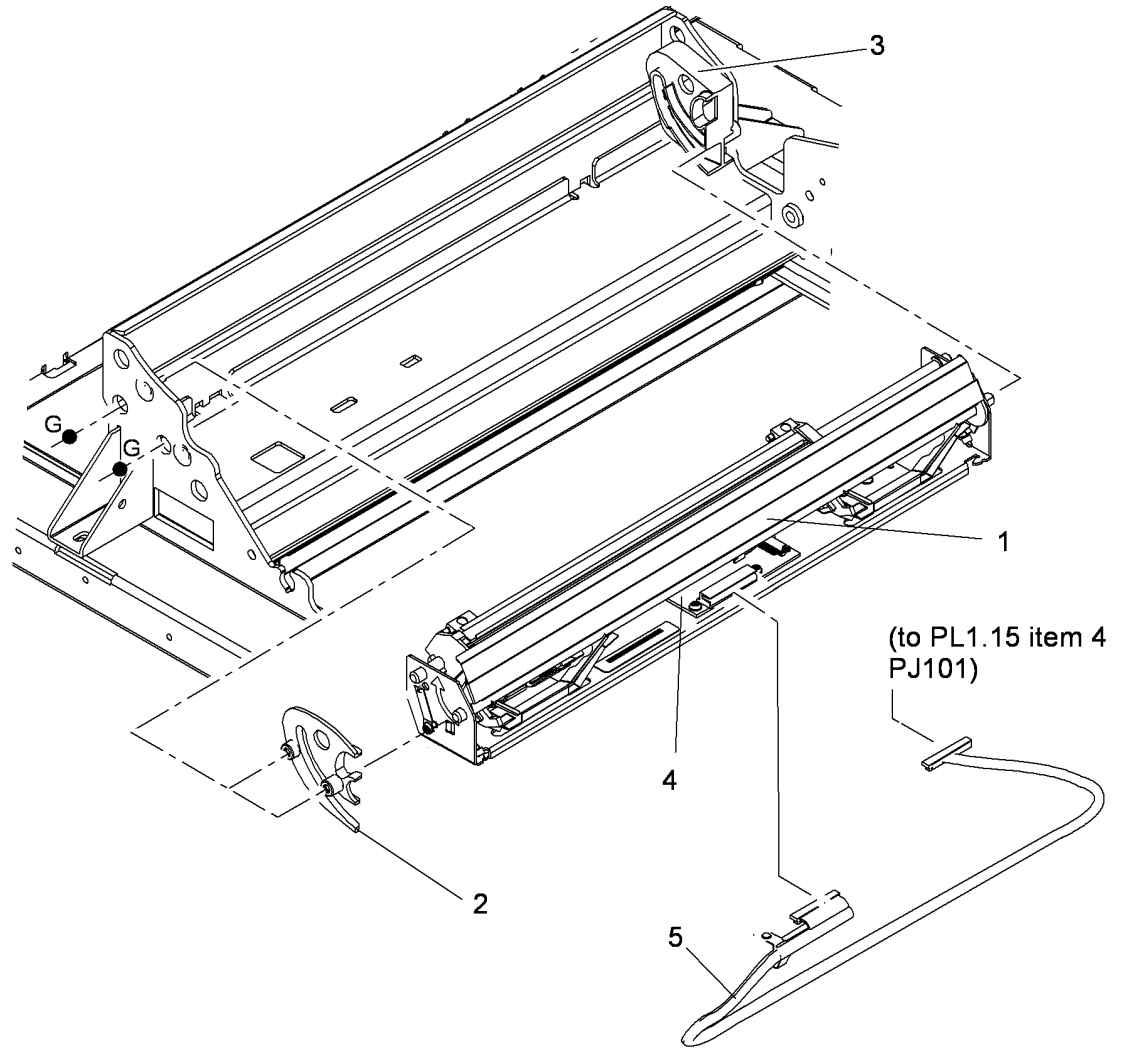
NOTE: 2: A Cleaning unit handle kit is also available, refer to PL 94.20 Item 27 .



U-8-0059-A

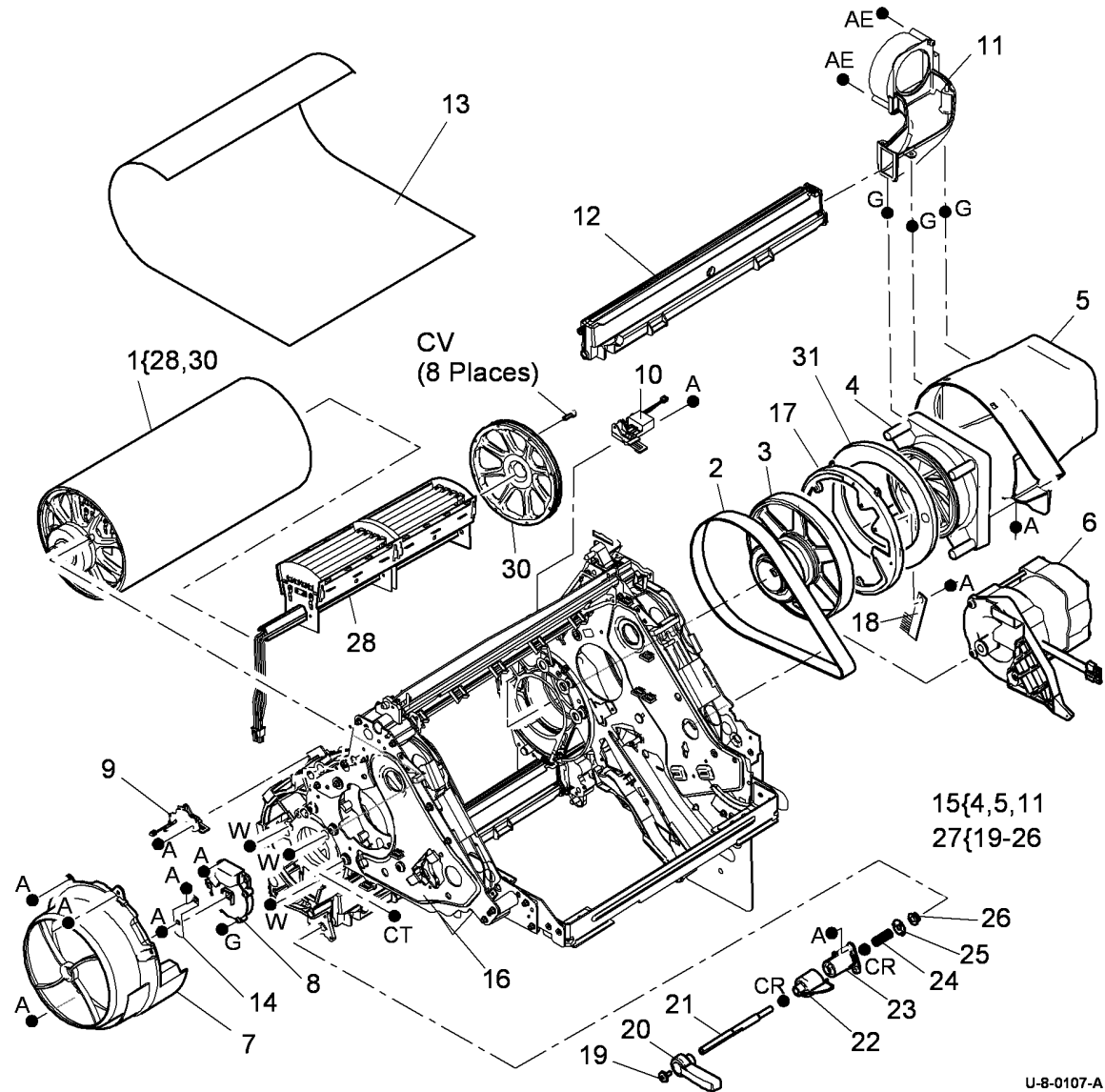
PL 94.15 IOD Assembly

| Item | Part | Description |
|------|-----------|---------------------------------------------|
| 1 | 020K20580 | IOD assembly (REP 91.22) |
| 2 | 032E35160 | Front guide track (REP 91.23) |
| 3 | 032E35170 | Rear guide track (REP 91.23) |
| 4 | - | IOD Pre-amplifier PWB (P/O PL 94.15 Item 1) |
| 5 | 117E35570 | IOD to drum driver PWB cable |



PL 94.20 Drum Assembly

| Item | Part | Description |
|------|-----------|-----------------------------------------------------------|
| 1 | - | Drum (P/O PL 31.11 Item 25) (REP 91.25) |
| 2 | - | Drum belt (023E31430) (REP 91.24) |
| 3 | 020K20551 | Drum pulley (REP 91.34) |
| 4 | - | Drum fan (MOT42-064) (P/O PL 94.20 Item 15) |
| 5 | - | Drum fan shroud (P/O PL 94.20 Item 15) (See NOTE) |
| 6 | 020K20510 | Drum drive motor (MOT94-009) (REP 91.24) |
| 7 | 054E43470 | Front drum shroud |
| 8 | 020K20520 | Drum position encoder assembly (Q94-101) (REP 91.30) |
| 9 | 130K15841 | Front drum thermistor (REP 91.35) |
| 10 | 130K15860 | Rear drum thermistor (REP 91.35) |
| 11 | - | Abatement fan assembly (MOT42-062) (P/O PL 94.20 Item 15) |
| 12 | 054E43480 | Abatement plenum (REP 91.36) |
| 13 | - | Drum protector cover (REF: PL 26.11 Item 11) |
| 14 | - | Drum encoder bracket (Not spared) |
| 15 | 127K68890 | Drum and abatement fan assembly |
| 16 | 801K37690 | Front drum frame assembly (REP 91.25) |
| 17 | - | Mounting bracket (Not spared) |
| 18 | 115E13060 | Static eliminator |
| 19 | - | Locating screw (P/O PL 94.20 Item 27) |
| 20 | - | Handle (P/O PL 94.20 Item 27) |
| 21 | - | Shaft (P/O PL 94.20 Item 27) |
| 22 | - | Latch cam (P/O PL 94.20 Item 27) |
| 23 | - | Latch base (P/O PL 94.20 Item 27) |
| 24 | - | Spring (P/O PL 94.20 Item 27) |
| 25 | - | Retaining washer (P/O PL 94.20 Item 27) |
| 26 | - | Bearing (Not spared) |
| 27 | 604K60830 | Cleaning unit handle kit |
| 28 | - | Drum heater (P/O PL 94.20 Item 1) |
| 29 | - | Not used |
| 30 | - | Rear drum support (P/O PL 94.20 Item 1) |
| 31 | - | Drum fan retaining plate (P/O PL 94.20 Item 15) |



NOTE: HFSI. This component must be cleaned at regular intervals refer to SCP 4 subsystem maintenance. To reset the HFSI count go to dC135.

Common Hardware

| Item | Part | Description | | | |
|------|------|---------------------------------------------------------|----|---|-------------------------------------------------------------|
| A | – | Screw M4x10 Torx (P/O PL 31.11 Item 23) (Silver finish) | AX | – | Screw M3x14 Machine |
| B | – | Screw M3x6 Torx (Silver finish) | AY | – | Screw M3x18 Self Tapping |
| C | – | Screw M4.5x12 Hex head | AZ | – | Washer M4 |
| D | – | Screw M3x7 Torx (Silver finish) | BA | – | Screw M4x16 Machine |
| E | – | Screw M3x7.5 Hex head (Silver finish) | BB | – | Screw M4x5 Machine |
| F | – | Screw M4x30 Torx (Black finish) | BC | – | Screw M3x10 Machine |
| G | – | Screw M4x12 Torx (P/O PL 31.11 Item 23) | BD | – | Screw M3x6 Machine |
| H | – | Screw M4x 12 Slot | BE | – | Screw M4x6 Machine |
| I | – | Screw M3x16 Phillips | BF | – | Screw M3x8 Self Tapping |
| J | – | Screw M4x16 Torx (Black finish) | BG | – | Screw M4x5 Machine |
| K | – | Screw M3x16 Torx | BH | – | Screw M4x7 Taptite |
| L | – | Screw M4x10 Torx | BI | – | Pivot pin M4x10 Hex Head |
| M | – | E-Clip M4 (P/O PL 31.11 Item 23) | BJ | – | 6mm x 10mm x 13 bush (bronze) |
| N | – | E-Clip M5 | BK | – | Screw M3x6 Self Tapping |
| O | – | Screw M4x12 Self Tapping | BL | – | Washer M3 |
| P | – | Screw M4x7.5 Torx (Zinc finish) | BM | – | Spring Washer M3 |
| Q | – | Screw M3x12 Torx (Silver finish) | BN | – | Screw M4x16 Taptite |
| R | – | Screw M4x12 Torx (Silver finish) | BO | – | Screw M3x10 Machine |
| S | – | Screw M4x11.5 Torx | BP | – | Screw M4x7 Self Tapping |
| T | – | Screw M3x6 Phillips (Black finish) | BQ | – | Screw M3x5.5 Self Tapping |
| U | – | Screw M4x11 Phillips (Black finish) | BR | – | Screw M3x6 Self Tapping |
| V | – | KL clip M5 (P/O PL 31.11 Item 23) | BS | – | Washer M4 |
| W | – | Screw M4x20 Torx (P/O PL 31.11 Item 23) | BT | – | Screw M3x10 Self tapping |
| X | – | Screw M4x8 Phillips | BU | – | Circlip M5 |
| Y | – | Screw M3x5.5 Phillips (Black finish) | BV | – | Screw M5x12 Self Tapping |
| Z | – | Screw M4x12 Phillips (Black finish) | BW | – | Circlip M7 |
| AA | – | Screw M3x4.5 Phillips (Black finish) | BX | – | Screw M3x8 Self Tapping |
| AB | – | Screw M3x6 Phillips (Silver finish) | BY | – | Screw M4x8 Self Tapping |
| AC | – | Screw M3x7 Torx (Zinc finish) | BZ | – | Circlip M10 |
| AD | – | Screw M4x25 Torx (P/O PL 31.11 Item 23) (Zinc finish) | CA | – | Circlip M6 |
| AE | – | Screw M4x40 Torx (Black finish) | CB | – | Screw M4x13 Self Tapping |
| AF | – | Screw M3x8 Torx | CC | – | Screw M4x6 Self Tapping |
| AG | – | Screw M4x7 Torx (Silver finish) | CD | – | Screw M5x6 Machine |
| AH | – | Washer M4 | CE | – | Screw M3x6 Self Tapping |
| AI | – | Screw M3x5.5 | CF | – | Screw M4x12 Torx (Zinc finish) |
| AJ | – | Screw M3x8 Phillips | CG | – | Screw M4x16 Torx (Silver finish) |
| AK | – | Screw M3x6 Phillips (Black finish) | CH | – | Screw 3.5x10 Self Tapping |
| AL | – | Screw M3x6 Taptite (Zinc finish) | CI | – | Screw 3.5x10 Torx |
| AM | – | E clip M8 | CJ | – | Screw M2.5x8 Taptite |
| AN | – | Screw M4x8 Machine | CK | – | Screw M3x17 Taptite |
| AO | – | Screw M4x6 Machine | CL | – | Screw M4x8 Machine |
| AP | – | Screw M4x10 Machine | CM | – | Screw M3x11.5 Torx (Pan head) |
| AQ | – | Screw M3x8 Taptite | CN | – | Screw M4x7 Self Tapping |
| AR | – | Screw M4x8 Machine | CO | – | Screw 3x9.5 Self Tapping |
| AS | – | Screw M4x10 Self Tapping | CP | – | Screw M3x14 Self Tapping |
| AT | – | Screw M4x10 Self Tapping | CQ | – | Screw 4x 15 Torx (Black finish) |
| AU | – | Screw 3x5 machine | CR | – | KL clip M6 |
| AV | – | E-Clip M3.5 | CS | – | Screw M4 x12 Machine, capture washer (P/O PL 31.11 Item 23) |
| AW | – | Screw M3x5.5 Taptite | CT | – | Screw M6x15 Machine, Button head (P/O PL 31.11 Item 23) |
| | | | CU | – | KL clip M8 (P/O PL 31.11 Item 23) |
| | | | CV | – | Screw M3x23 Torx |
| | | | CW | – | Washer M6 |