

## 5 Parts List

### PL 1 - Standby Power

PL 1.15 Main Power Supply ..... 5-3

### PL 2 - User Interface

PL 2.00 Secure Access Additions ..... 5-4

PL 2.10 User Interface ..... 5-5

### PL 3 - Machine Run Control

PL 3.10 Image Processing Module (W/O TAG 006) ..... 5-6

PL 3.11 Image Processing Module (W/TAG 006) ..... 5-7

### PL 5 - DADH

PL 5.10 DADH (Complete), Covers, DADH PWB ..... 5-8

PL 5.15 Feed Assembly ..... 5-9

PL 5.20 Top Cover Assembly ..... 5-10

PL 5.25 CVT ..... 5-11

PL 5.30 Baffle Assembly ..... 5-12

PL 5.35 Input Tray Assembly ..... 5-13

### PL 10 - Transfix and Copy/Print Transportation

PL 10.10 Stripper System (1 of 2) ..... 5-14

PL 10.12 Stripper System (2 of 2) ..... 5-15

PL 10.15 Exit Paper Path ..... 5-16

PL 10.20 Transfix Roller Assembly ..... 5-17

### PL 12 - OCT

PL 12.00 OCT ..... 5-18

### PL 12 - LCSS

PL 12.10 LCSS Covers ..... 5-19

PL 12.15 LCSS Docking Latch ..... 5-20

PL 12.20 LCSS Hole Punch Unit ..... 5-21

PL 12.25 LCSS Paddle Wheel ..... 5-22

PL 12.30 LCSS Bin 1 Control Components (1 of 2) ..... 5-23

PL 12.35 LCSS Bin 1 Control Components (2 of 2) ..... 5-24

PL 12.40 LCSS Paper Entry Transport ..... 5-25

PL 12.45 LCSS Tamper Assembly ..... 5-26

PL 12.50 LCSS Ejector Assembly ..... 5-27

PL 12.55 LCSS Staple Head Unit/Traverse Assembly ..... 5-28

PL 12.60 LCSS Bin 0 Entry ..... 5-29

PL 12.65 LCSS Bin 1 Entry ..... 5-30

PL 12.70 LCSS Entry Guide Cover/Jam Clearance Guide ..... 5-31

PL 12.75 LCSS Electrical ..... 5-32

### PL 12 - HVF

PL 12.100 HVF Covers and Docking ..... 5-33

PL 12.105 HVF Stacker ..... 5-34

PL 12.110 HVF Ejector, Pressing and Support (1 of 2) ..... 5-35

PL 12.115 HVF Ejector, Pressing and Support (2 of 2) ..... 5-36

PL 12.120 HVF Main Drives ..... 5-37

PL 12.125 HVF Feed Assembly and Punch (1 of 3) ..... 5-38

PL 12.130 HVF Feed Assembly and Punch (2 of 3) ..... 5-39

PL 12.135 HVF Feed Assembly and Punch (3 of 3) ..... 5-40

PL 12.140 HVF Power and Control ..... 5-41

### PL 12 - HVF Booklet Maker

PL 12.145 HVF BM Module (Complete) ..... 5-42

PL 12.150 HVF BM Entry and Front Cover ..... 5-43

PL 12.155 HVF BM Tamper Assembly ..... 5-44

PL 12.160 HVF BM Back Stop Motor ..... 5-45

PL 12.165 HVF BM Back Stop assembly ..... 5-46

PL 12.170 HVF BM Crease Blade Motor ..... 5-47

PL 12.175 HVF BM Crease Rolls Motor and PWB ..... 5-48

PL 12.180 HVF BM Crease Rolls and Support Leg ..... 5-49

PL 12.185 HVF BM Stapler Assemblies ..... 5-50

PL 12.190 HVF BM Bin 2 ..... 5-51

### PL 12 - Tri - Folder

PL 12.200 Tri-Folder Covers ..... 5-52

PL 12.205 Tri-Folder Drives Module ..... 5-53

PL 12.210 Tri-Folder Top Door Cover Assembly ..... 5-54

PL 12.215 Tri-Folder Main Drives Assembly ..... 5-55

### PL 12 - Inserter

PL 12.300 Inserter Covers ..... 5-56

PL 12.305 Inserter Main Drives (1 of 3) ..... 5-57

PL 12.310 Inserter Main Drives (2 of 3) ..... 5-58

PL 12.315 Inserter Main Drives (3 of 3) ..... 5-59

### PL 20 - Fax

PL 20.05 Fax PWBs ..... 5-60

PL 20.10 Line 1 & 2 Fax Kits ..... 5-61

### PL 25 - Accessories

PL 25.10 Convenience Stapler ..... 5-62

### PL 26 - Consumables and Tools

PL 26.10 Consumables and Tools (1 of 2) ..... 5-63

PL 26.11 Consumables and Tools (2 of 2) ..... 5-64

### PL 28 - Covers

PL 28.10 Covers ..... 5-65

### PL 31 - Maintenance/Installation/Removal Kits

PL 31.10 Maintenance/Installation/Removal Kits (1 of 3) ..... 5-66

PL 31.11 Maintenance/Installation/Removal Kits (2 of 3) ..... 5-67

PL 31.12 Maintenance/Installation/Removal Kits (3 of 3) ..... 5-68

**PL 62 - Scanner**

PL 62.10 Scanner Module, CVT/Document Glass.....	5-69
PL 62.15 Electrical Components (W/O TAG 007) (1 of 2) .....	5-70
PL 62.16 Electrical Components (W/O TAG 007) (2 of 2) .....	5-71
PL 62.17 Electrical Components (W/TAG 007) (1 of 2) .....	5-72
PL 62.18 Electrical Components (W/TAG 007) (2 of 2) .....	5-73

**PL 70 - Paper Supply**

PL 70.10 Tray 1 and 2 Assembly .....	5-74
PL 70.25 3 Tray Module Covers .....	5-75
PL 70.30 Left Hand Upper Door Assembly .....	5-76

**PL 73 - Paper Supply**

PL 73.15 Tray 3 Assembly .....	5-77
PL 73.16 3 Tray Module .....	5-78

**PL 74 - Paper Supply**

PL 74.10 Bypass Module (Tray 4) (1 of 2) .....	5-79
PL 74.11 Bypass Module (Tray 4) (2 of 2) .....	5-80

**PL 75 - Paper Supply**

PL 75.60 Tray 5 Covers .....	5-81
PL 75.62 Tray 5 Base .....	5-82
PL 75.64 Tray 5 Guides .....	5-83
PL 75.68 Tray 5 Lift Assembly (1 of 2).....	5-84
PL 75.70 Tray 5 Lift Assembly (2 of 2).....	5-85

**PL 81 - Paper Transport**

PL 81.10 Main Covers.....	5-86
PL 81.11 Front Door Assembly .....	5-87
PL 81.25 Tray 1 Paper Feed Assembly .....	5-88
PL 81.26 Tray 2 Paper Feed Assembly .....	5-89
PL 81.30 Tray 3 Paper Feed Assembly .....	5-90
PL 81.35 3 Tray Module Transport Assembly.....	5-91
PL 81.40 Tray 5 Feed Assembly (1 of 3) .....	5-92
PL 81.45 Tray 5 Feed Assembly (2 of 3) .....	5-93
PL 81.46 Tray 5 Feed Assembly (3 of 3) .....	5-94

**PL 82 - Paper Transport**

PL 82.10 Vertical Paper Path.....	5-95
PL 82.15 Horizontal Paper Path.....	5-96

**PL 88 - Paper Transport**

PL 88.10 Registration/ Pre-heat Assembly (1 of 2).....	5-97
PL 88.11 Registration/ Pre-heat Assembly (2 of 2).....	5-98

**PL 91 - Marking Unit**

PL 91.05 Marking Unit Slide Assembly .....	5-99
PL 91.10 Marking Unit Drive Assembly.....	5-100
PL 91.15 Marking Unit Belt and Drive .....	5-101
PL 91.20 Marking Unit Upper Carriage Assembly .....	5-102
PL 91.25 Marking Unit Lower Carriage Assembly .....	5-103

**PL 92 - IOT Process Control**

PL 92.10 Marking Unit Electronic PWB's .....	5-104
--	-------

**PL 93 - Ink Delivery**

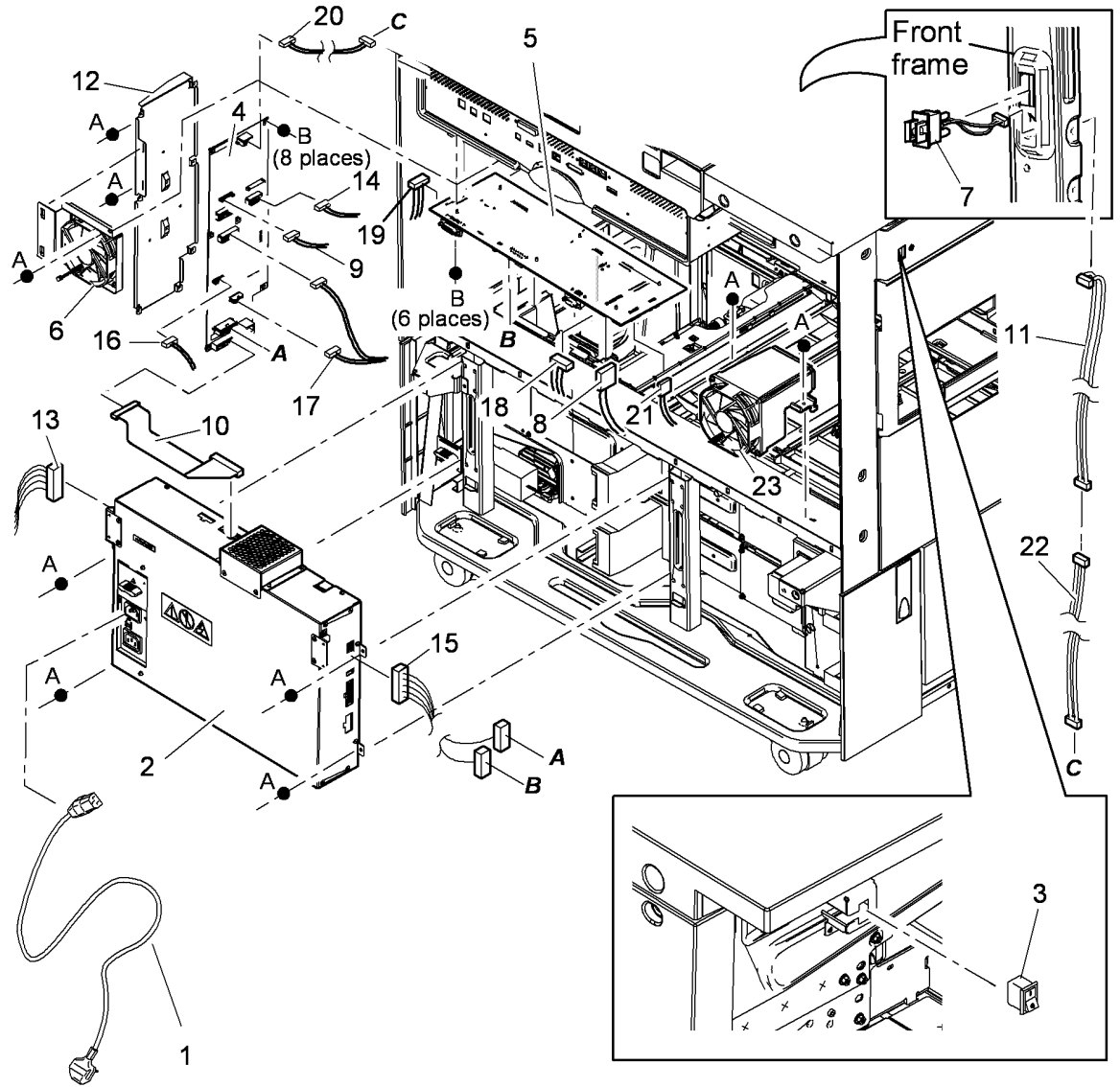
PL 93.10 Ink Loader Assembly .....	5-105
------------------------------------	-------

**PL 94 - Ink Transfer**

PL 94.10 Cleaning Unit .....	5-106
PL 94.15 IOD Assembly .....	5-107
PL 94.20 Drum Assembly .....	5-108
Common Hardware .....	5-109

## PL 1.15 Main Power Supply

Item	Part	Description
1	-	Main power cord (see below for variants)
-	152S06414	United Kingdom
-	152S06400	USSG/XCL
-	152S06413	XE
-	152S06402	Argentina
-	152S06415	Denmark
-	152S06416	Switzerland
2	112K01010	Power supply unit (REP 1.9)
3	110K21010	Main power rocker switch
4	960K46422	Drum driver PWB (REP 3.6)
5	960K46462	Media path driver PWB (REP 3.5)
6	127E16360	Enclosure fan (MOT42-063)
7	110K21111	Front door interlock switch (S01-103) (REP 1.8)
8	117E35720	Bypass extension harness (PJ405)
9	117E35610	Drum driver MR sensor harness (PJ701)
10	117E35590	Drum driver power supply interface cable (PJ902)
11	117E35560	Chassis interlock harness
12	-	Drum driver PWB bracket (P/O PL 1.15 Item 4)
13	117E35550	AC chassis heater harness (PJ5AC)
14	117E35581	Drum driver to front components harness (PJ501)
15	117E35600	Drum driver/Media path power harness (PJ602, PJ803)
16	117E35620	Engine fan harness (PJ901)
17	117E35650	Cleaning unit interface harness (PJ601, PJ802)
18	117E35690	Media path driver PWB to RALPH harness (PJ202)
19	117E35710	Media path Exit/horizontal harness (PJ905)
20	117E35750	Transfix roller harness (PJ401)
21	117E35530	Media path driver PWB to 3 tray module PWB harness (PJ401)
22	117E35700	Midrail front door switch harness
23	127K62260	Marking unit cooling fan



R-8-0109-C

## PL 2.00 Secure Access Additions

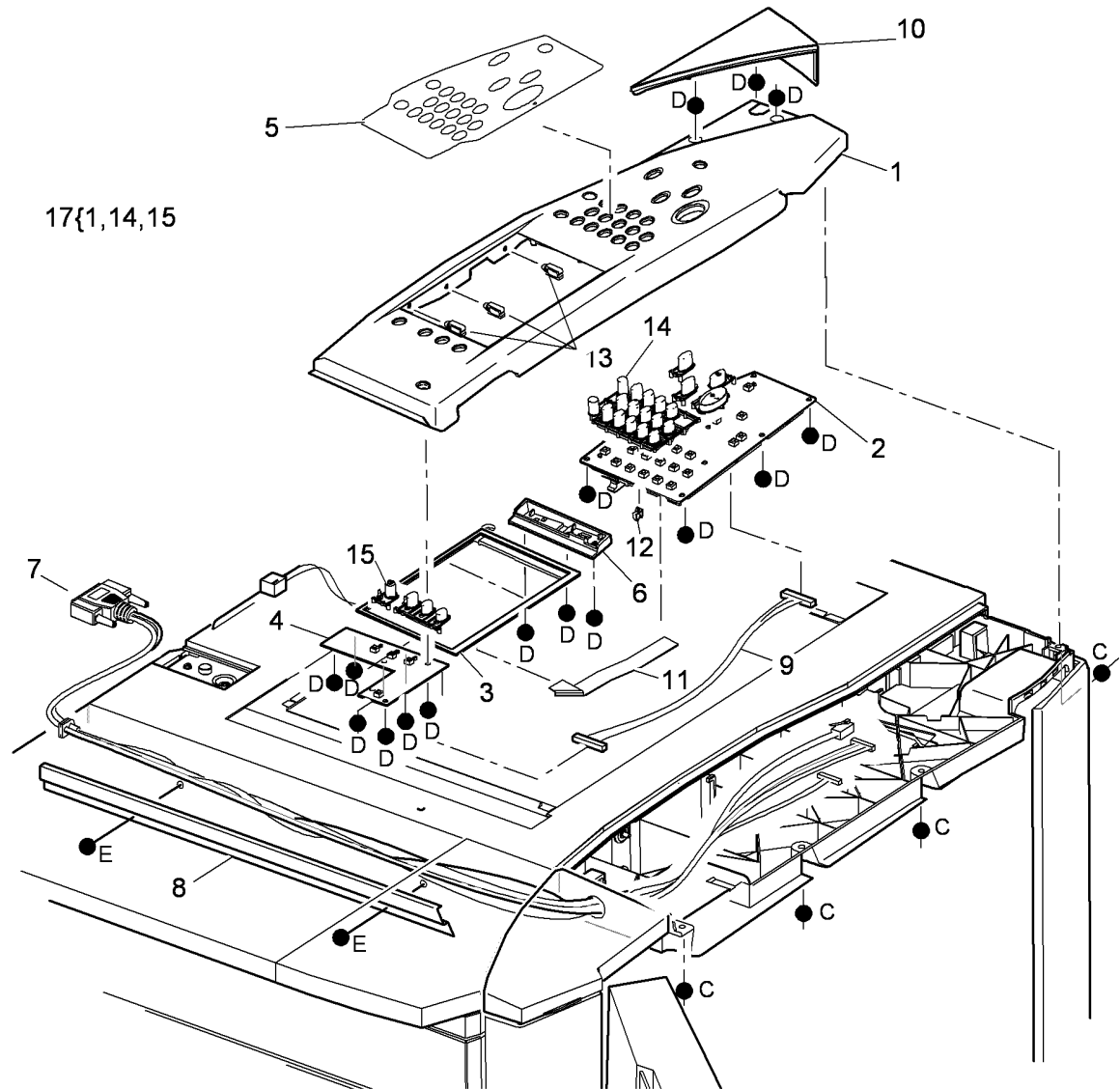
Item	Part	Description
1	101E28760	Secure access controller
2	105E24030	Xerox secure access power supply
3	146E02130	Xerox secure access card reader (HID)
-	146E02140	Xerox secure access card reader (MAGSTRIPE)
-	146E02150	Xerox secure access card reader (MIFARE)
-	146E02160	Xerox secure access card reader (LEGIC)
4	117E35360	Xerox secure access power cord (UK)
-	-	Xerox secure access power cord (EU) (Not spared)
-	117E35340	Xerox secure access power cord (NA)

**NO EXPLODED  
VIEW PROVIDED**

R-8-0092-A

## PL 2.10 User Interface

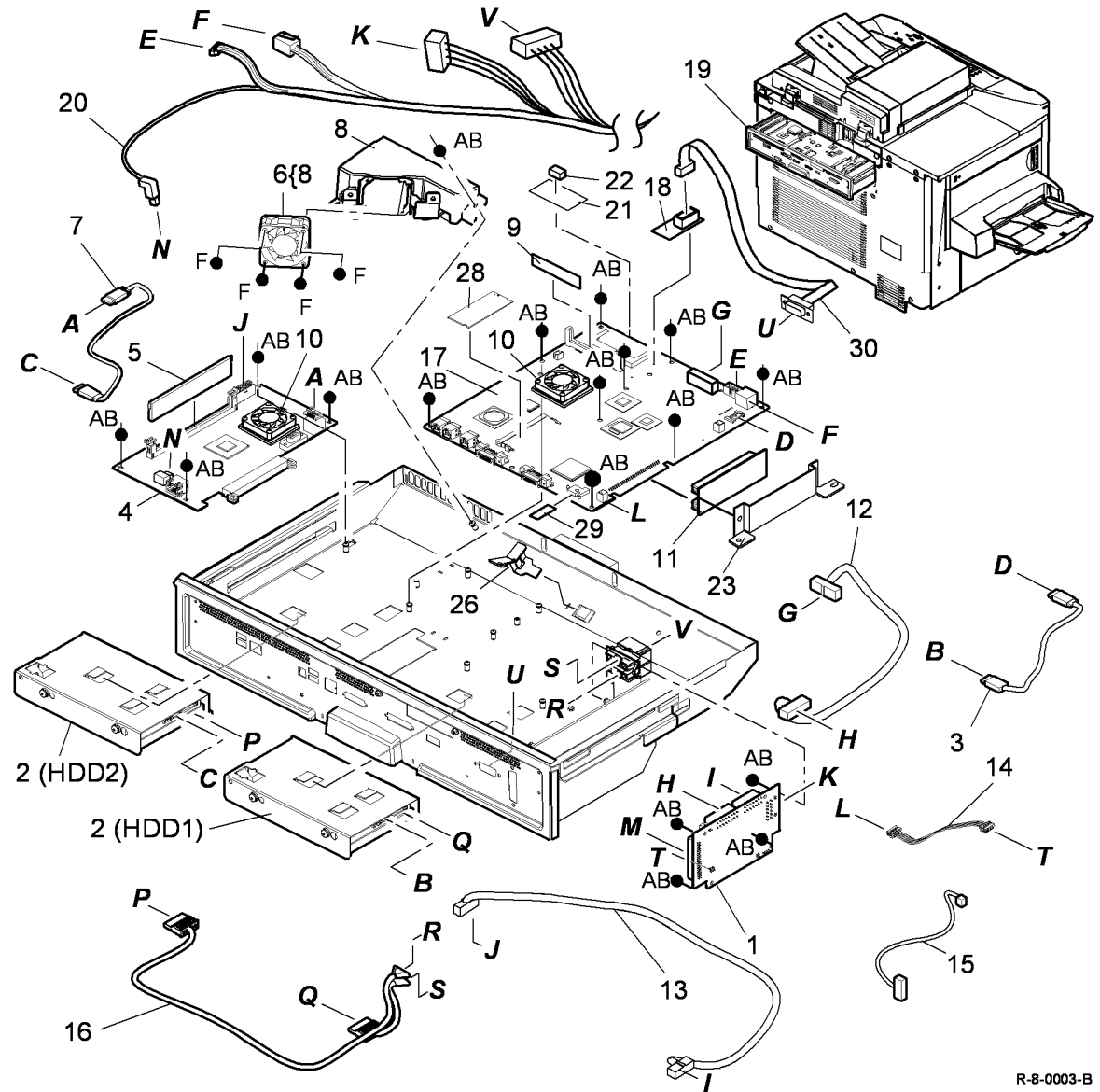
Item	Part	Description
1	-	User interface control panel housing (XE) (P/O PL 2.10 Item 17)
-	-	User interface control panel housing (USSG/XCL) (P/O PL 2.10 Item 17)
2	960K52213	User interface control PWB (REP 2.3)
3	123K08481	User interface touch screen (REP 2.2)
4	960K52290	User interface status PWB
5	897E31770	French/Canadian overlay label
6	-	Retainer touch screen (Not spared)
7	962K77150	User interface harness (PJ19 to PJ900, PJ901 to PJ905)
8	-	UI harness cover (Not spared)
9	962K76550	User interface control PWB to user interface status PWB harness (PJ907 to PJ908)
10	848E40401	UI inlay
11	962K76560	LCD to PWB harness
12	-	Harness clip (Not spared)
13	-	User interface harness clip (Not spared)
14	-	Numeric keys (P/O PL 2.10 Item 17)
15	-	Service keys (P/O PL 2.10 Item 17)
16	-	Not used
17	848K31214	UI assembly (XE) (REP 2.1)
-	848K31224	UI assembly (USSG/XCL) (REP 2.1)



R-8-0038-A

# PL 3.10 Image Processing Module (W/ O TAG 006)

Item	Part	Description
1	960K52485	Power distribution PWB
2	121E26680	HDD copy controller assembly (HDD1)(REP 3.8)/HDD Network controller assembly (HDD2)(REP 16.2)
3	962K89140	Harness HDD (1)/Copy controller PWB (SATA 300) (PJ5) (REP 3.8)
4	-	Network controller PWB (Not spared) (See NOTE) (REP 16.3)
5	960K58310	DIMM module
6	127K62860	Chassis fan assembly
7	962K76641	Harness HDD (2)/Network controller PWB (SATA 400) (REP 16.2)
8	-	Inner fan duct (P/O PL 3.10 Item 6)
9	960K58335	Software module (REP 3.9)
10	-	Fan heatsink assembly (P/O PL 31.11 Item 18)
11	-	Riser PWB (P/O PL 31.11 Item 11)
12	-	Harness PDB to CCB (Not spared)
13	-	Harness PDB to Network Controller PWB (Not spared)
14	-	Harness PDB to CCB (Not spared) (PJ9, PJ18)
15	-	Harness power, comms CCB/PDB-IIT harness (Not spared)
16	-	HDD power harness (Not spared)
17	-	Copy controller PWB (Not spared) (See NOTE) (REP 3.7)
18	960K27451	Foreign device interface PWB
19	-	Image processing module (Not spared)
20	117E35541	Drawer service loop harness (PJ1, PJ16, PJ20, PJ107)
21	960K59090	NVM PWB (REP 3.12)
22	-	Battery (P/O PL 3.10 Item 21)
23	-	Fax riser bracket (P/O PL 31.11 Item 10)
24	-	Not used
25	-	Not used
26	-	Fax slider support (P/O PL 31.11 Item 9)
27	-	Not used
28	960K58340	EPC memory PWB (1GB)
29	-	Product enablement key (SIM) (P/O PL 31.12 Item 2)
30	962K77011	Foreign device interface harness

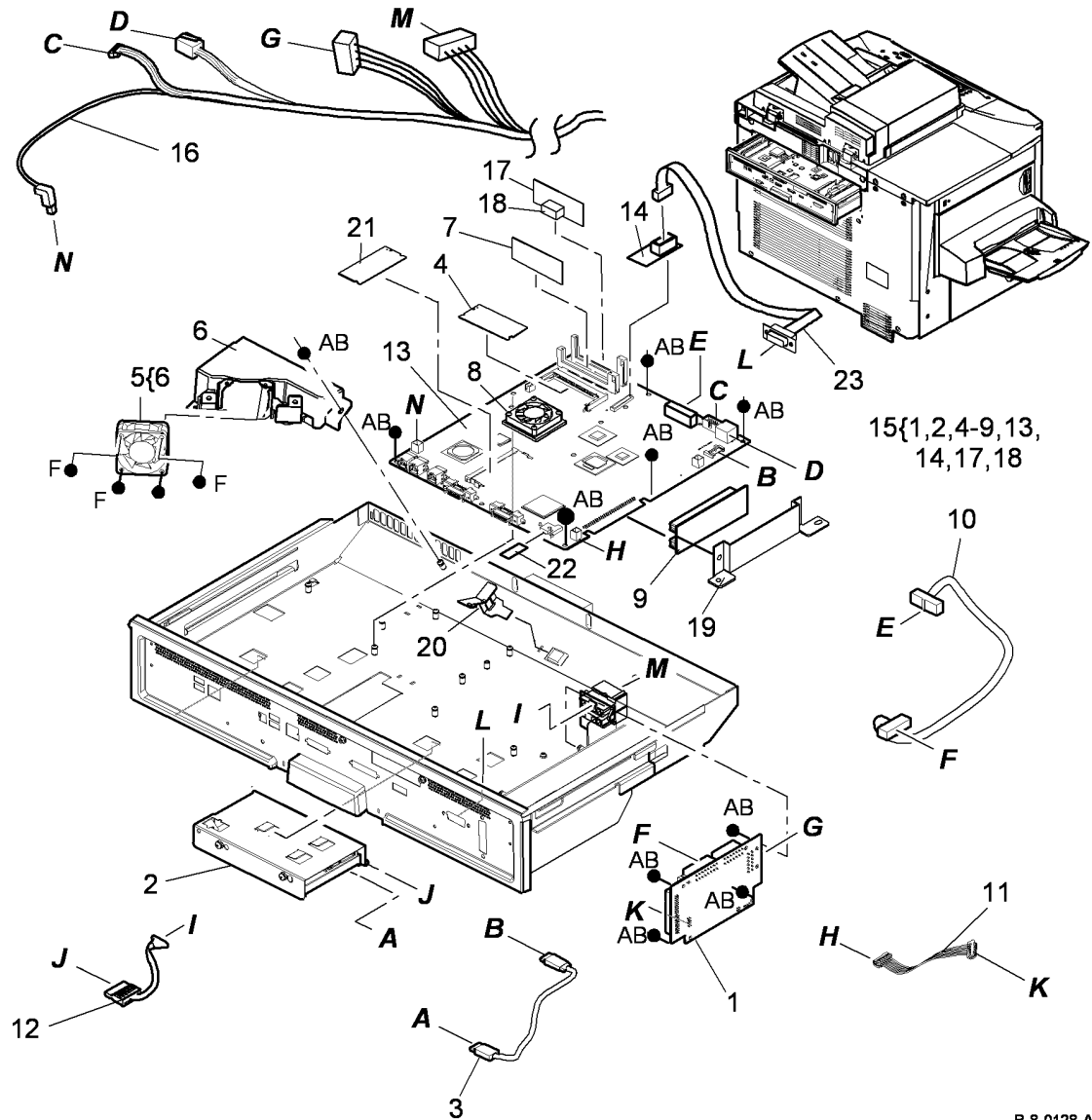


R-8-0003-B

**NOTE:** The network controller PWB and copy controller PWB are not spared. Install the CBC to SBC conversion kit, PL 31.10 Item 17.

# PL 3.11 Image Processing Module (W/ TAG 006)

Item	Part	Description
1	960K59700	Power distribution PWB
2	121E26680	HDD single board controller assembly
3	962K89140	Harness HDD/Single board controller PWB (PJ22)
4	960K59540	System memory PWB (DDR2 1GB)
5	127K62860	Chassis fan assembly
6	-	Inner fan duct (P/O PL 3.11 Item 5)
7	960K59194	Software module (PJ22) (REP 3.9)
8	-	Heatsink assembly (P/O PL 31.11 Item 18)
9	-	Riser PWB (P/O PL 31.11 Item 11)
10	-	Harness PDB to SBC (Not spared) (PJ17)
11	-	Harness PDB to SBC (Not spared) (PJ18)
12	-	HDD power harness (Not spared)
13	960K59185	Single board controller PWB (REP 3.10)
14	960K27451	Foreign Device Interface PWB
15	-	Single board controller PWB module (Not spared)
16	117E35541	SBC drawer service loop harness (PJ1, PJ4, PJ16, PJ20, PJ215)
17	960K59090	NVM PWB (REP 3.12)
18	-	Battery (P/O PL 3.11 Item 17)
19	-	Fax riser bracket (P/O PL 31.11 Item 10)
20	-	Fax slider support (P/O PL 31.11 Item 9)
21	960K58340	EPC memory PWB (DDR 1GB)
22	-	Product enablement key (SIM) (P/O PL 31.12 Item 2)
23	962K77011	Foreign Device Interface harness (P/O PL 31.10 Item 2) (PJ13)

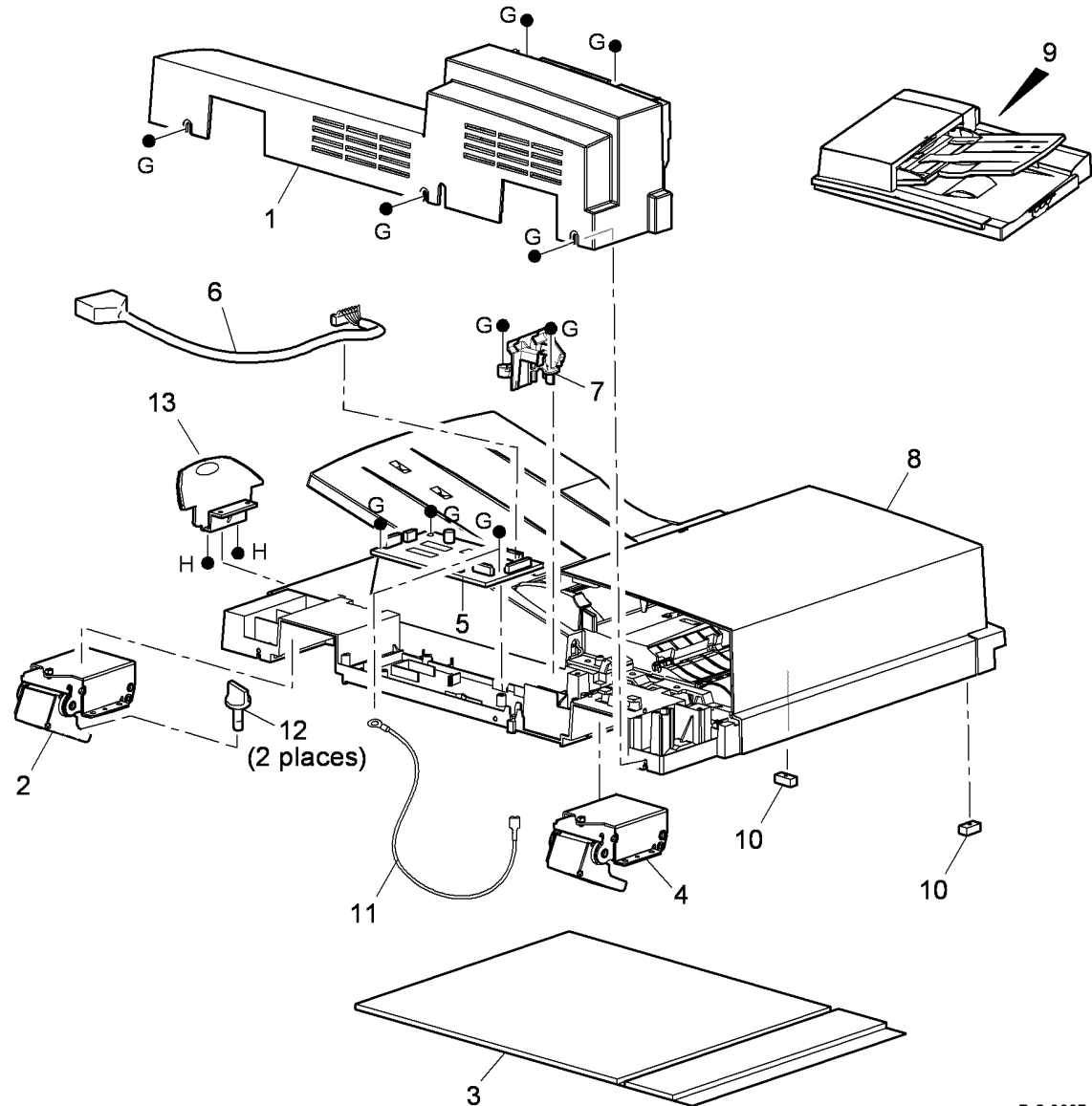


R-8-0128-A

## PL 5.10 DADH (Complete), Covers, DADH PWB

Item	Part	Description
1	802E19352	Rear cover
2	036K01701	Right counterbalance (REP 5.12, ADJ 5.2, ADJ 5.5)
3	019K13350	Document pad (ADJ 5.6)
4	036K01630	Left counterbalance (REP 5.12, ADJ 5.2, ADJ 5.5)
5	960K51762	DADH PWB
6	962K62932	Communication/power cable (PJ188, PJ851)
7	–	Harness support (P/O PL 5.10 Item 9)
8	–	Top cover (REF: PL 5.20 Item 15)
9	084K36765	DADH (complete) (REP 5.19, ADJ 5.2, ADJ 5.5)
10	121E17510	DADH Platen down sensor magnet (See NOTE)
11	–	DADH ground harness (P/O PL 5.10 Item 9)
12	–	Thumbscrew (Not spared)
13	–	End stop (Not spared)

**NOTE:** To clean the DADH, refer to ADJ 5.4. For the platen down sensor (Q62-019) refer to PL 62.16 Item 5.

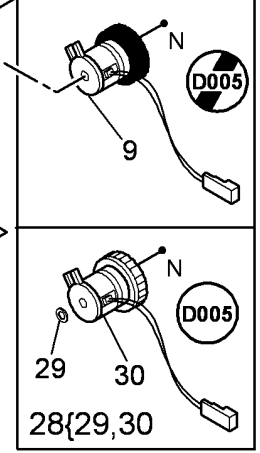
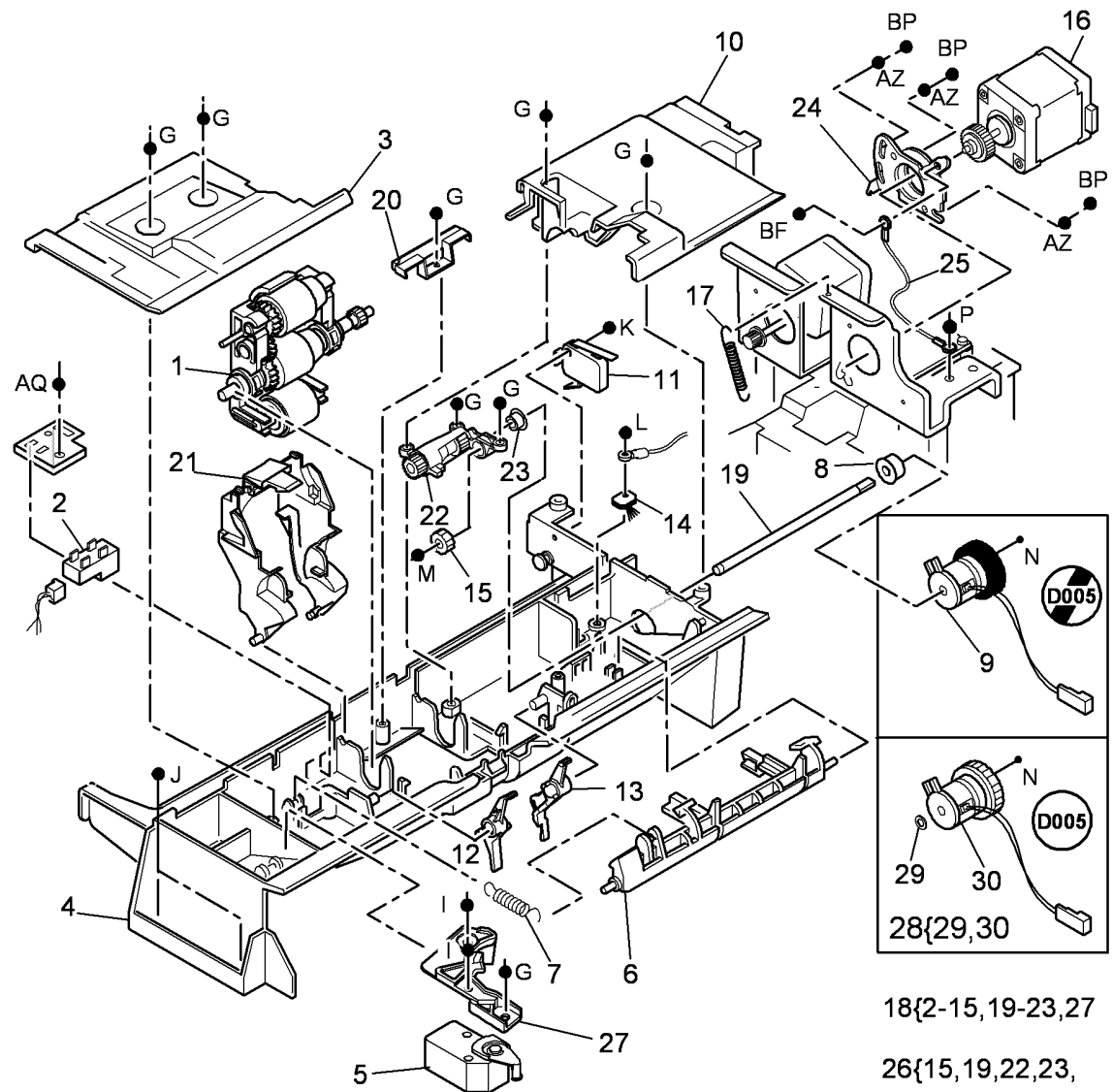


R-8-0007-A



## PL 5.15 Feed Assembly

Item	Part	Description
1	113R00718	Feed roll assembly (REP 5.14) (See NOTE 2)
2	130E11200	DADH feed sensor (Q05-204)
3	-	Front cover (P/O PL 5.15 Item 18)
4	-	Feed housing (P/O PL 5.15 Item 18)
5	-	Nudger Motor (MOT05-098) (P/O PL 5.15 Item 18)
6	-	Feed yoke (P/O PL 5.15 Item 18)
7	-	Spring (P/O PL 5.15 Item 18)
8	-	Bearing (P/O PL 5.15 Item 18)
9	005K12600	DADH feed clutch (CL05-062) (W/O TAG D-005)
10	-	Rear cover (P/O PL 5.15 Item 18)
11	110E13480	DADH cover interlock switch (S05-212)
12	-	Front feed gate (P/O PL 5.15 Item 18)
13	-	Rear feed gate (P/O PL 5.15 Item 18)
14	125E00430	Static eliminator
15	-	Gear (P/O PL 5.15 Item 26)
16	127K53770	DADH feed motor (MOT05-074) (ADJ 5.1)
17	-	Feed motor tension spring (red) (P/O PL 5.10 Item 9)
18	-	Feed assembly (complete) (P/O PL 31.10 Item 15) (REP 5.3)
19	-	Shaft (P/O PL 5.15 Item 26)
20	-	Bracket (P/O PL 5.15 Item 18)
21	802E87730	Feed roll assembly cover
22	-	Intermediate feed bearing (P/O PL 5.15 Item 26)
23	-	Bearing (P/O PL 5.15 Item 26)
24	004E22560	Feed motor bracket
25	-	Ground harness (P/O PL 5.15 Item 18)
26	-	DADH feed bearing kit (REF: PL 31.11 Item 4)
27	-	Motor bracket (P/O PL 5.15 Item 18)
28	604K61440	Feed clutch and spacer kit (W/TAG D-005)
29	-	Spacer (P/O PL 5.15 Item 28) (W/TAG D-005)
30	-	Feed clutch (P/O PL 5.15 Item 28) (W/TAG D-005)



18{2-15,19-23,27

26{15,19,22,23,

R-8-0008-A

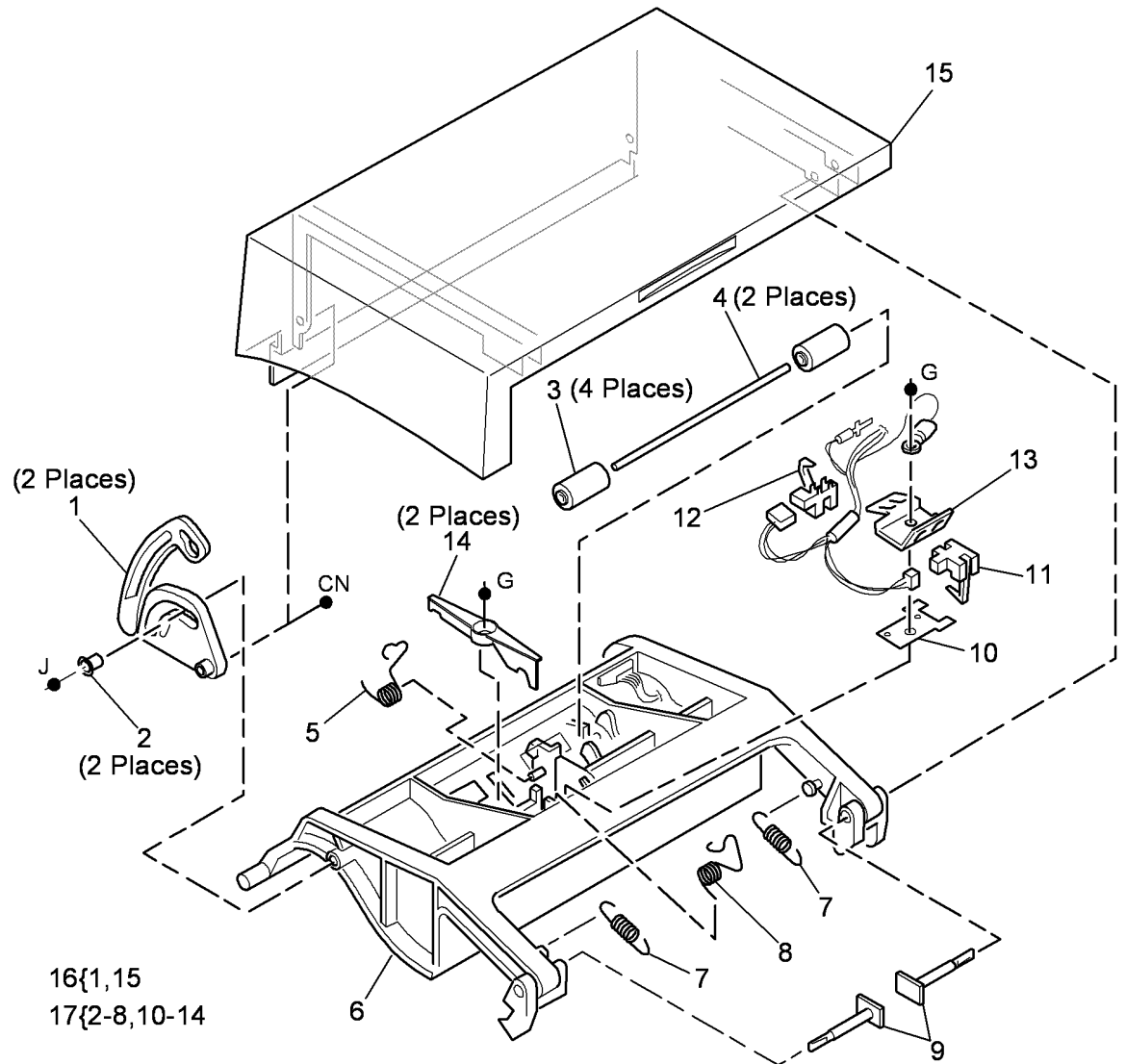
**NOTE:** 1: For the feed motor drive belt, refer to PL 5.35 Item 5.

**NOTE:** 2: To reset the HFSI count, go to dC135.

## PL 5.20 Top Cover Assembly

Item	Part	Description
1	-	Hinge (P/O PL 5.20 Item 16)
2	-	Bushing (P/O PL 5.20 Item 16)
3	022E25061	CVT/Takeaway idler
4	806E19680	Shaft
5	-	Torsion spring (green) (P/O PL 5.20 Item 17)
6	038E22914	Base
7	-	Spring (P/O PL 5.20 Item 17)
8	-	Torsion spring (silver) (P/O PL 5.20 Item 17)
9	029E37810	Latch pin
10	-	Spring plate (P/O PL 5.20 Item 17)
11	130K73960	DADH TAR sensor (Q05-096) (REP 5.8)
12	130K73970	DADH CVT Sensor (Q05-097) (REP 5.8)
13	-	Sensor support (P/O PL 5.20 Item 17)
14	-	Shaft securing bracket (P/O PL 5.20 Item 17)
15	802K62453	Top cover
16	802K93770	Top cover assembly (REP 5.1)
17	055K37570	Top access cover assembly (REP 5.2)

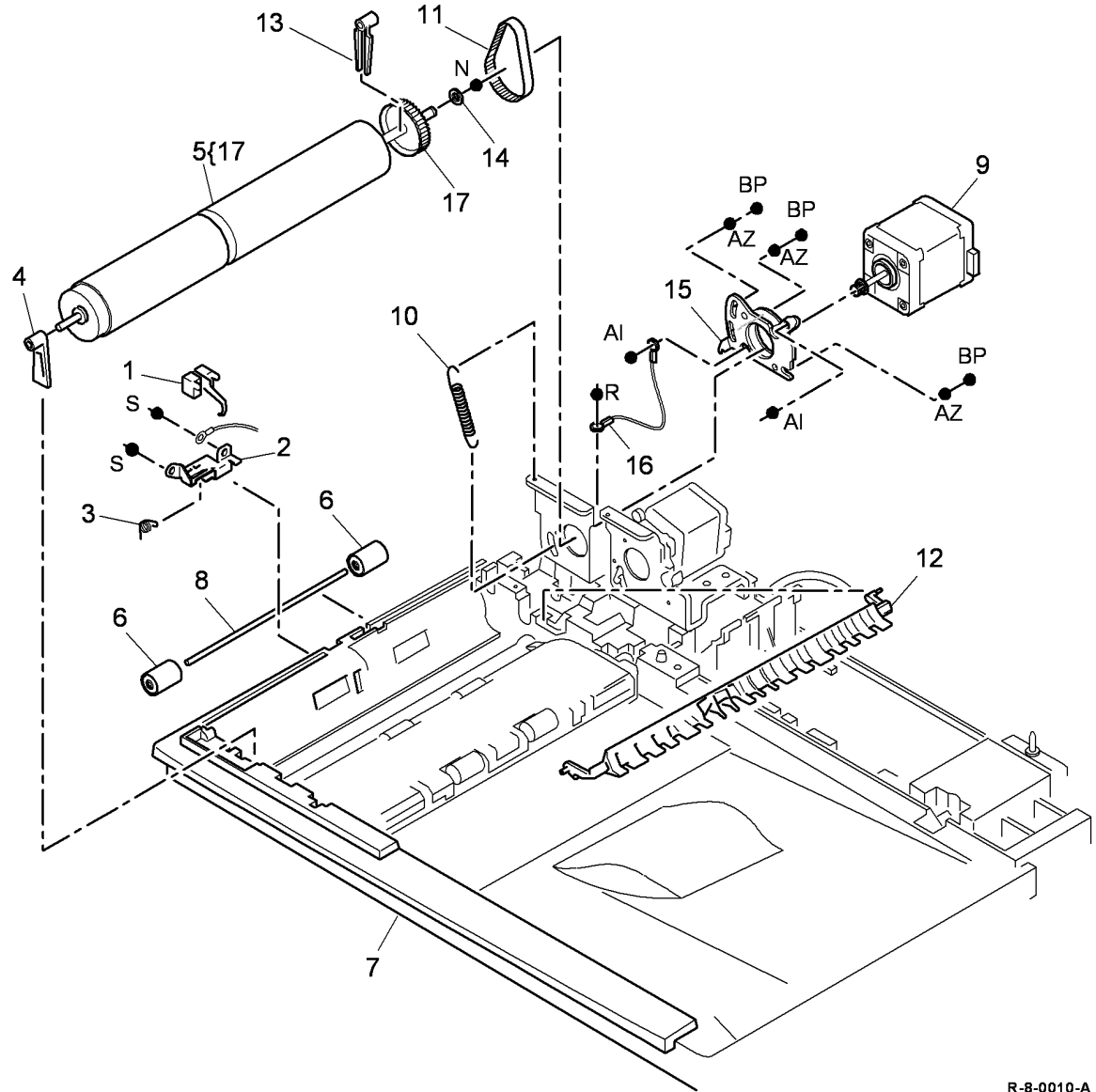
**NOTE:** For the top cover interlock switch (S05-212), refer to PL 5.15 Item 11.



R-8-0009-A

# PL 5.25 CVT

Item	Part	Description
1	130K73980	DADH pre registration sensor (Q05-206) (REP 5.10)
2	-	Sensor support (P/O PL 5.10 Item 9)
3	-	Torsion spring (P/O PL 5.10 Item 9)
4	013E21103	Front CVT roll bearing
5	-	CVT Roll (P/O PL 31.10 Item 11) (REP 5.15)
6	022E25061	Pre-scan idler
7	-	Base (P/O PL 5.10 Item 9)
8	-	Shaft (Not spared)
9	127K53780	DADH CVT Motor (MOT05-099) (ADJ 5.1)
10	-	CVT Motor tension spring (silver) (P/O PL 5.10 Item 9)
11	023E25420	CVT Motor drive belt (195T) (REP 5.15, ADJ 5.1)
12	050E14972	Duplex gate (REP 5.15)
13	013E21094	Rear CVT roll bearing
14	-	Spacer (white) (P/O PL 5.10 Item 9)
15	004E22560	CVT Motor bracket
16	-	Ground harness (Not spared)
17	-	CVT roll pulley (P/O PL 5.25 Item 5)

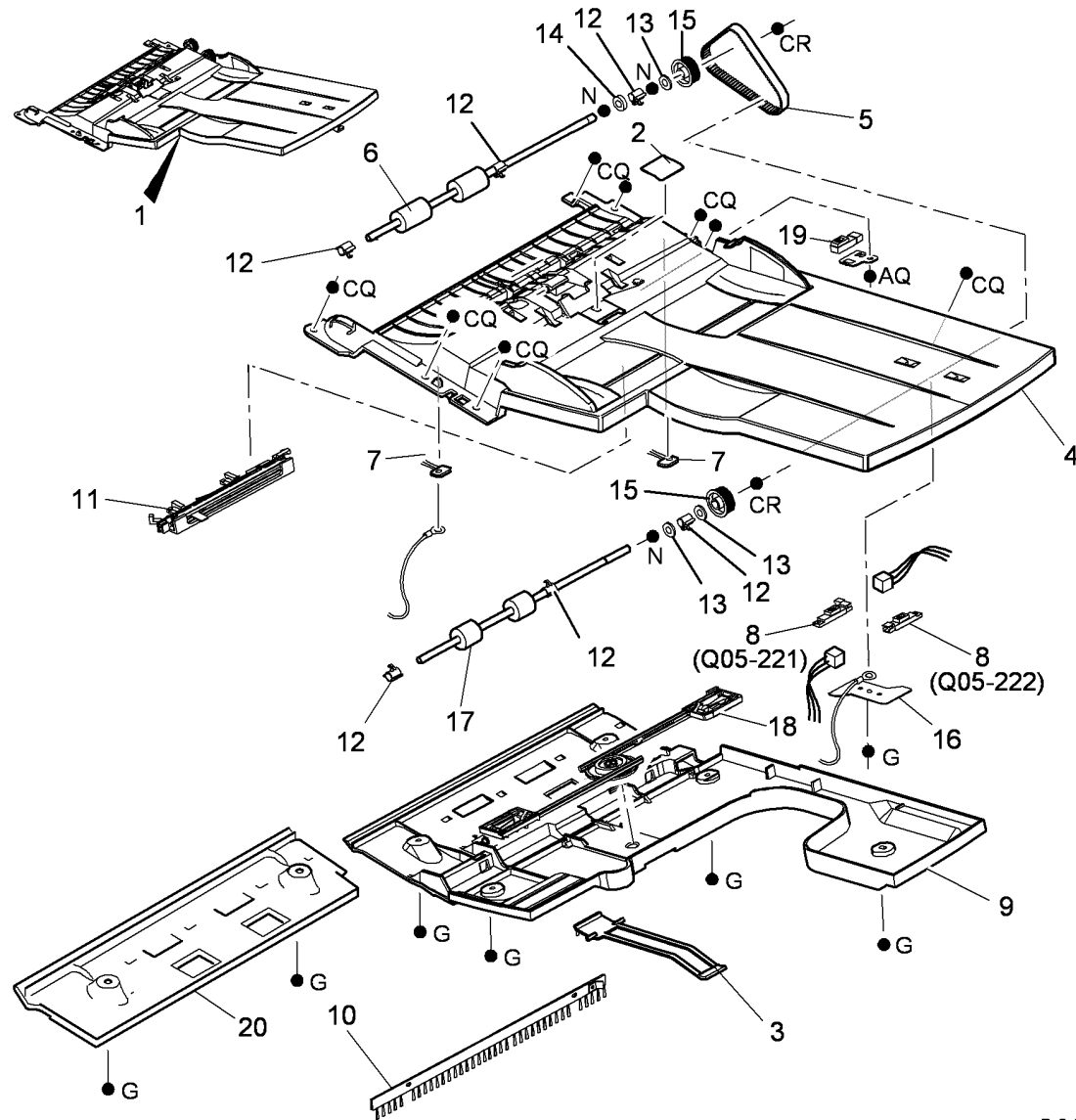


R-8-0010-A



## PL 5.35 Input Tray Assembly

Item	Part	Description
1	-	Input tray assembly (complete) (Not spared) (REP 5.4)
2	004K00971	Pad
3	031E11310	Restack arm
4	050E22922	Input tray
5	023E31190	Feed Motor Drive Belt (86T) (ADJ 5.1)
6	059K50920	Exit roll assembly (REP 5.13)
7	125E00430	Static eliminator (small) (REP 5.17)
8	130E11500	DADH Tray size sensor 1 (Q05-221)/DADH Tray size sensor 2 (Q05-222) (REP 5.9)
9	-	Lower cover (right) (P/O PL 5.35 Item 1)
10	115K02540	Static eliminator (large)
11	103K01511	DADH width sensor (Potentiometer) (Q05-095) (REP 5.16)
12	-	Bearing (P/O PL 5.35 Item 1)
13	014E61020	Spacer (black)
14	-	Nylon washer (P/O PL 5.35 Item 1)
15	-	Pulley (P/O PL 5.35 Item 1)
16	-	Sensor bracket (P/O PL 5.35 Item 1)
17	059K43920	Takeaway roll assembly (REP 5.6)
18	-	Input guide rack assembly (P/O PL 5.35 Item 1)
19	130E11200	DADH Document sensor (Q05-102)
20	-	Lower cover (left) (P/O PL 5.35 Item 1)

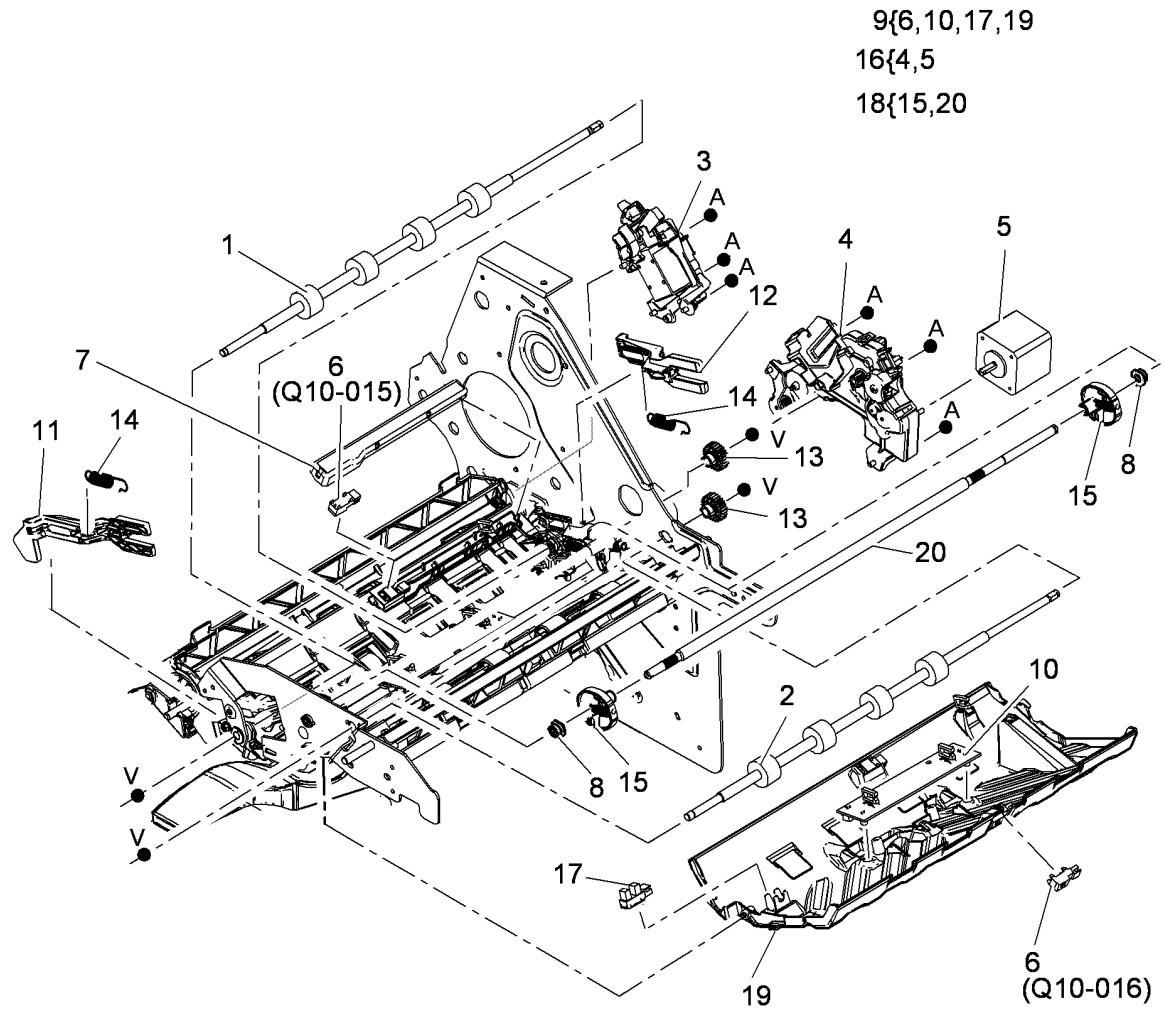


R-8-0012-B

## PL 10.10 Stripper System (1 of 2)

Item	Part	Description
1	059E10700	Roller drive 'J' (REP 10.10)
2	059E10890	Roller drive 'L' (REP 10.11)
3	121K50591	Stripper solenoid assembly (SOL10-021) (REP 10.9)
4	–	Gearbox (P/O PL 10.10 Item 16) (REP 10.8)
5	–	Post transfix motor (M4) (MOT10-018) (P/O PL 10.10 Item 16) (REP 10.8)
6	130E12950	Post transfix sensor (11)(Q10-015)/ Pre exit sensor (12)(Q10-016)
7	–	Sensor cover (Not spared)
8	–	Bushing roller (Not spared)
9	055K43331	Upper baffle assembly (See NOTE) (REP 10.22)
10	–	Stripper jam clearance LED assembly (P/O PL 10.10 Item 9)
11	803E13460	Front latchfork
12	803E13451	Back latchfork
13	807E29000	Gear drive (25T Symetric)
14	809E34520	Return spring
15	–	Stripper latch cam (P/O PL 10.10 Item 18)
16	007K19810	Motor drive and gearbox assembly (REP 10.8)
17	130E12940	Stripper latch sensor (Q10-014)
18	006K32500	Stripper guide latch cam shaft assembly (REP 10.23)
19	–	Upper baffle (P/O PL 10.10 Item 9)
20	–	Camshaft (P/O PL 10.10 Item 18)

**NOTE:** HFSI. This component must be cleaned at regular intervals, refer to SCP 4 subsystem maintenance. To reset the HFSI count, go to dC135.



9{6,10,17,19

16{4,5

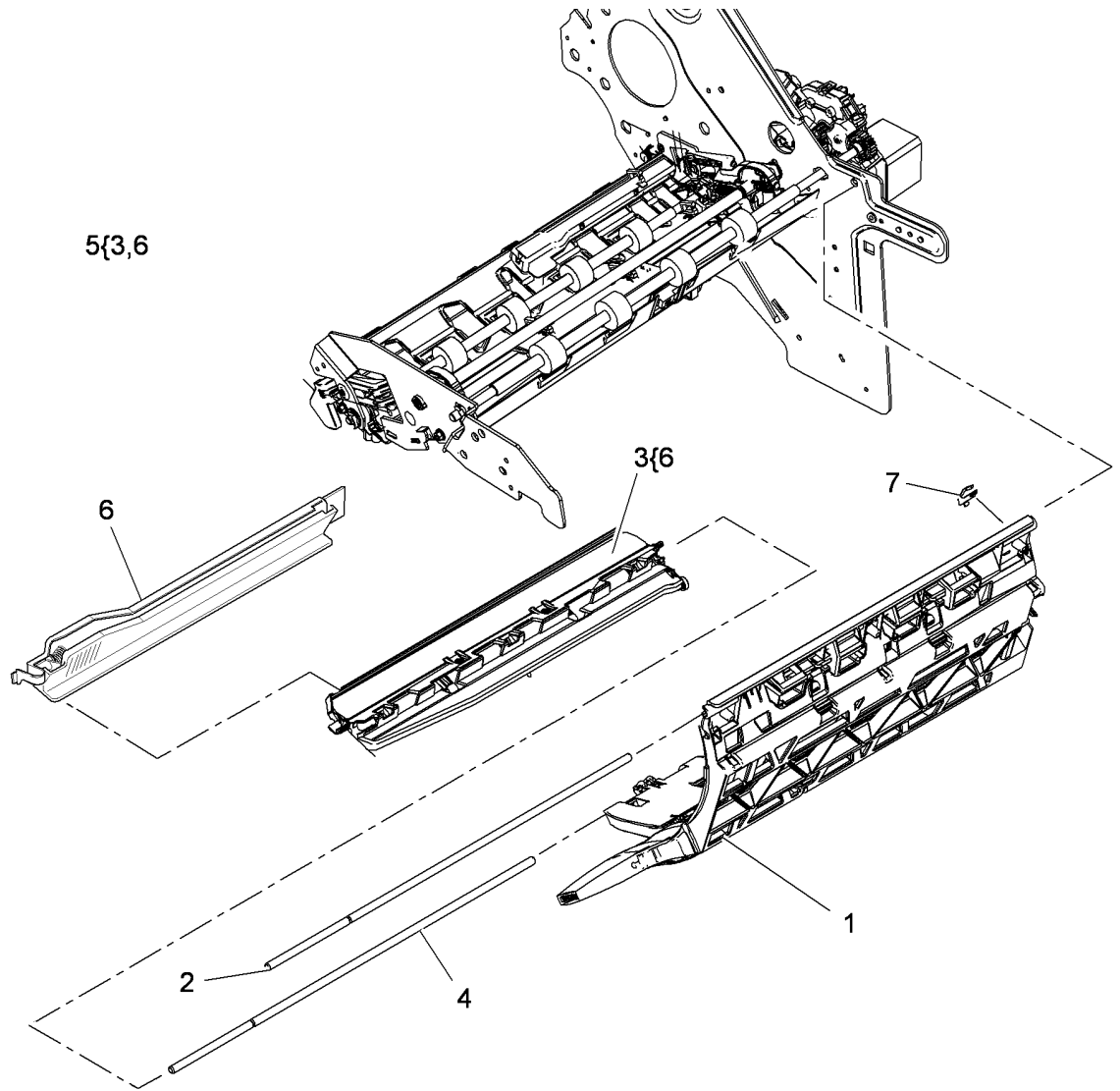
18{15,20

R-8-0064-A

## PL 10.12 Stripper System (2 of 2)

Item	Part	Description
1	055K43271	Stripper gate and baffle assembly (REP 10.21)
2	–	Gate and baffle shaft (Not spared)
3	–	Stripper blade assembly (P/O PL 10.12 Item 5) (See NOTE) (REP 10.21)
4	806E43120	Stripper shaft
5	604K54942	Stripper blade kit
6	600T91961	Stripper blade retaining tool
7	–	Grounding strip (Not spared)

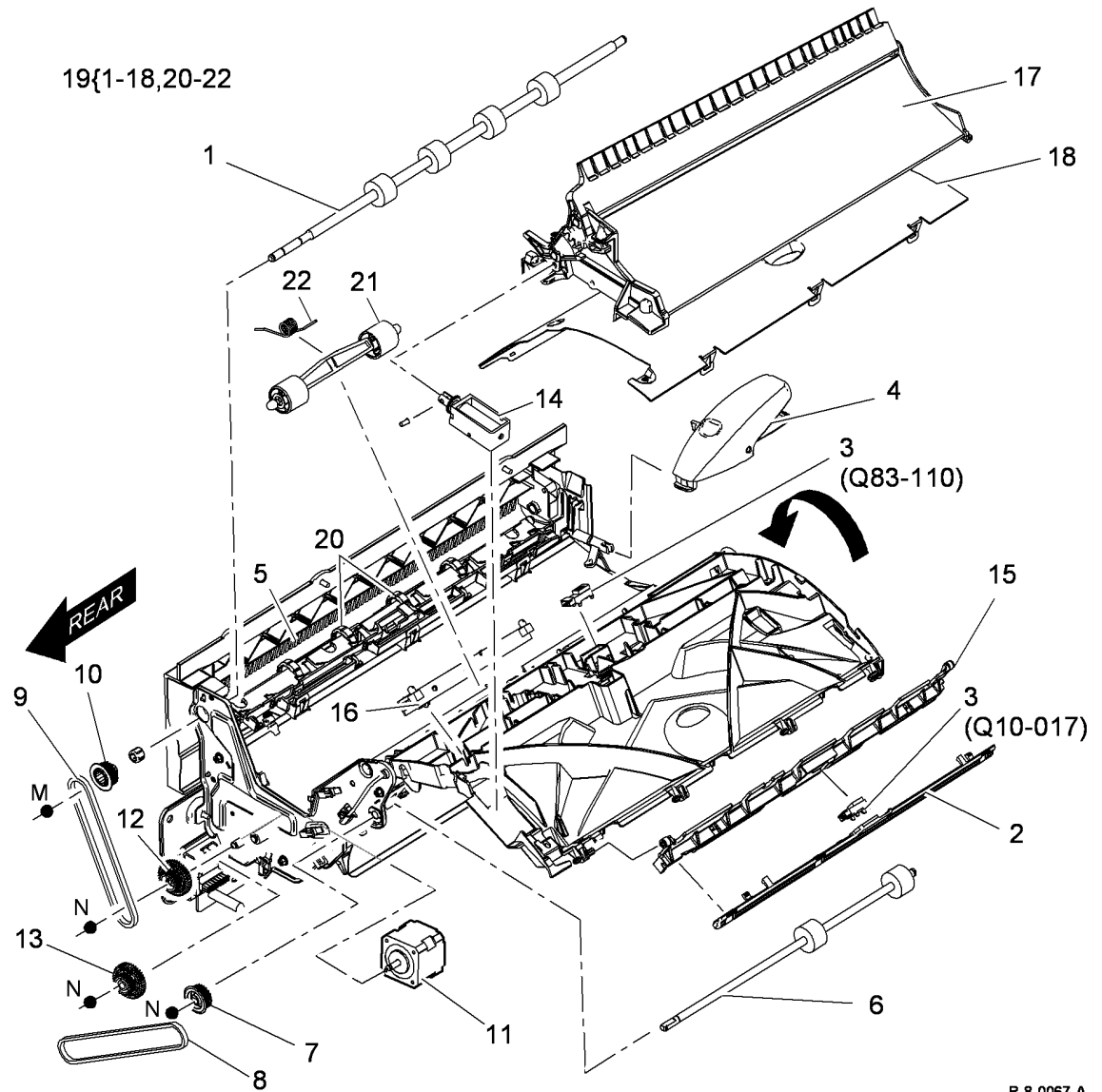
**NOTE:** Supplied with a stripper retaining tool, PL 10.12 Item 6.



R-8-0114-A

## PL 10.15 Exit Paper Path

Item	Part	Description
1	059E10720	Roller nip 'N' (REP 10.18)
2	-	Sensor cover (Not spared)
3	130E12950	Exit sensor (15)(Q10-017)(REP 10.16)/Duplex start sensor (13)(Q83-110)(REP 10.15)
4	-	Handle (Not spared)
5	-	Static brush (P/O PL 1.15 Item 19)
6	059E10730	Roller nip 'P' (REP 10.17)
7	020K20480	Pulley 3mm (driven)
8	023E31390	Belt 3mm (112T)
9	023E31400	Belt 3mm (92T)
10	020K20460	Pulley 3mm (21T one way)
11	127E16370	Exit Motor (M5) (MOT83-001) (REP 10.14)
12	807E28980	Driven compound gear
13	807E28990	Idler compound gear
14	121E26500	Exit/duplex solenoid (SOL83-006) (REP 10.12)
15	-	Upper exit guide (P/O PL 10.15 Item 19)
16	-	Exit illuminator PWB (P/O PL 10.15 Item 19) (REP 10.19)
17	-	Diverter gate assembly (P/O PL 10.15 Item 19) (REP 10.13)
18	-	Top exit baffle (P/O PL 10.15 Item 19)
19	038K23272	Exit paper path assembly (REP 10.20)
20	-	Upper exit idler (P/O PL 10.15 Item 19)
21	-	Upper baffle idler (P/O PL 10.15 Item 19)
22	-	Upper baffle idler spring (P/O PL 10.15 Item 19)

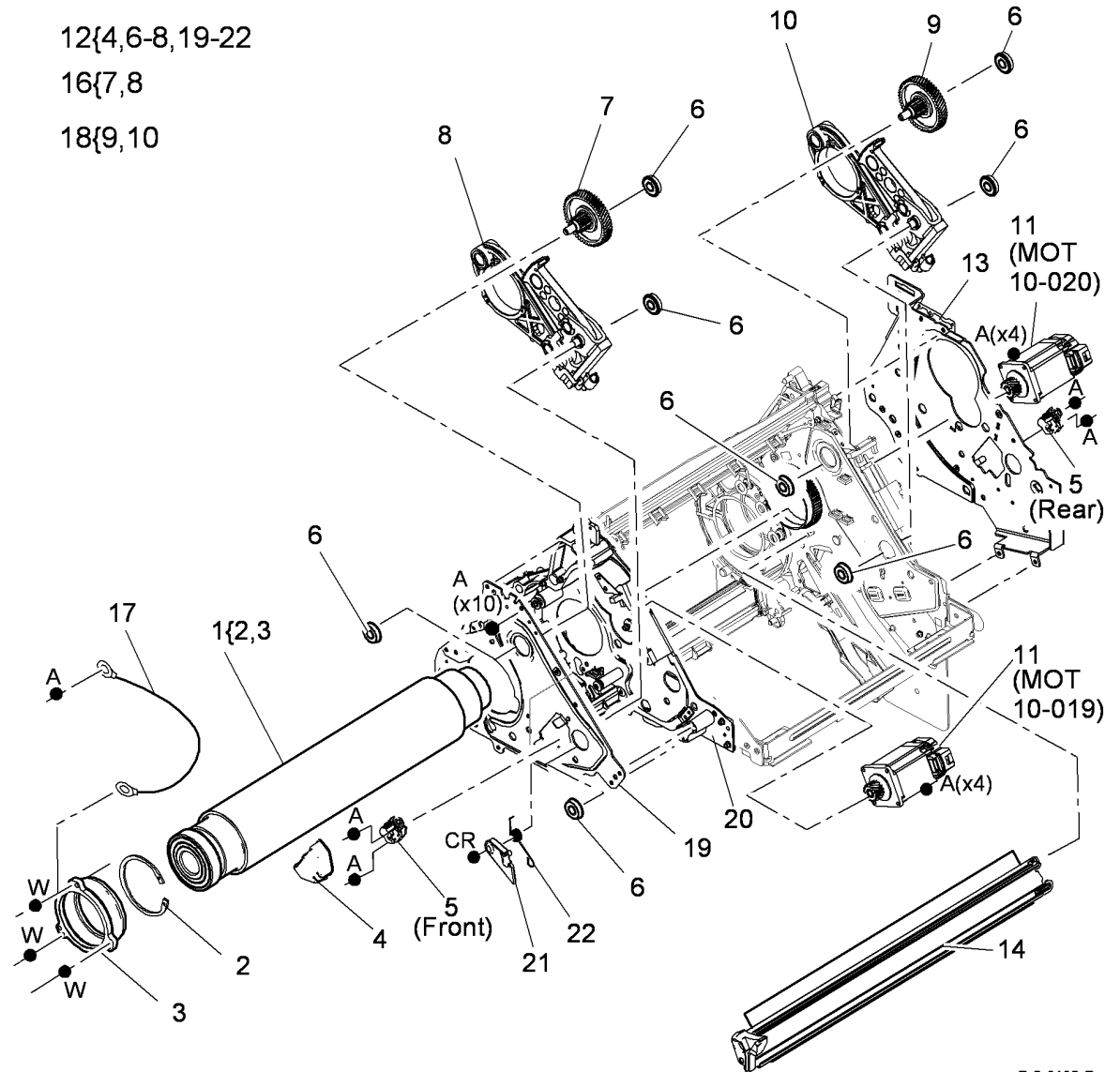


R-8-0067-A



## PL 10.20 Transfix Roller Assembly

Item	Part	Description
1	059K64000	Transfix roller (REP 10.1)
2	-	Bearing retainer (P/O PL 10.20 Item 1)
3	-	Transfix bearing carrier (P/O PL 10.20 Item 1)
4	848E34280	Transfix encoder cover
5	146K01011	Front transfix flexure encoder/Rear transfix flexure encoder (REP 10.24)
6	-	Bearing (P/O PL 10.20 Item 12)
7	-	Front compound gear (P/O PL 10.20 Item 16)
8	-	Front transfix linkage assembly (P/O PL 10.20 Item 16) (REP 10.2)
9	-	Rear compound gear (P/O PL 10.20 Item 18) (REP 10.3)
10	-	Rear transfix linkage assembly (P/O PL 10.20 Item 18) (REP 10.3)
11	127K62320	Front transfix motor (MOT10-019) (REP 10.4), Rear transfix motor (MOT10-020) (REP 10.5)
12	801K37690	Front drum frame assembly (REP 10.2)
13	801K37940	Rear outer frame (REP 10.3)
14	041K06800	Transfix stripper assembly (See NOTE) (REP 10.6)
15	-	Not used
16	-	Front transfix linkage and gear kit (REF: PL 31.11 Item 21) (REP 10.2)
17	117E35760	Transfix bearing ground cable
18	-	Rear transfix linkage and gear kit (REF: PL 31.11 Item 22) (REP 10.3)
19	-	Front outer frame (P/O PL 10.20 Item 12)
20	-	Front inner frame (P/O PL 10.20 Item 12)
21	-	Latch (P/O PL 10.20 Item 12)
22	-	Spring (Not spared)

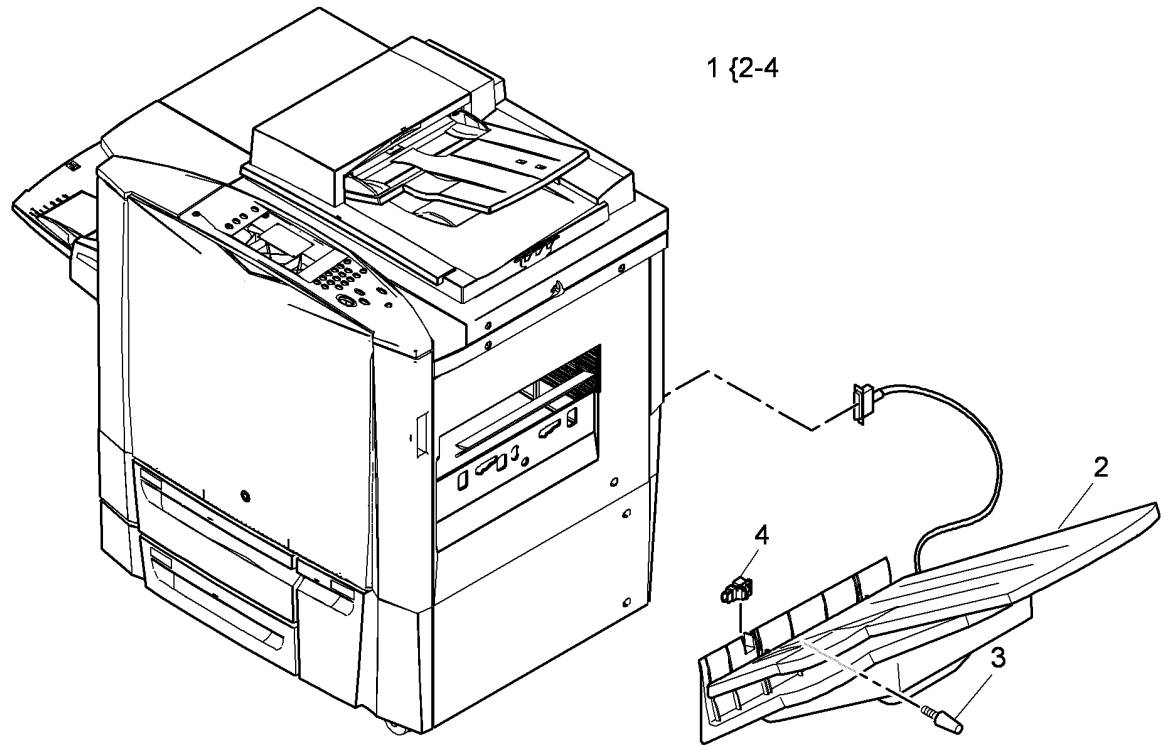


**NOTE:** To reset the HFSI count go to dC135.

R-8-0108-B

# PL 12.00 OCT

Item	Part	Description
1	-	OCT (complete) (P/O PL 31.11 Item 1)
2	-	Tray (P/O PL 12.00 Item 1)
3	826E32840	Thumbscrew
4	130E81311	OCT 90% full sensor (Q12-211)

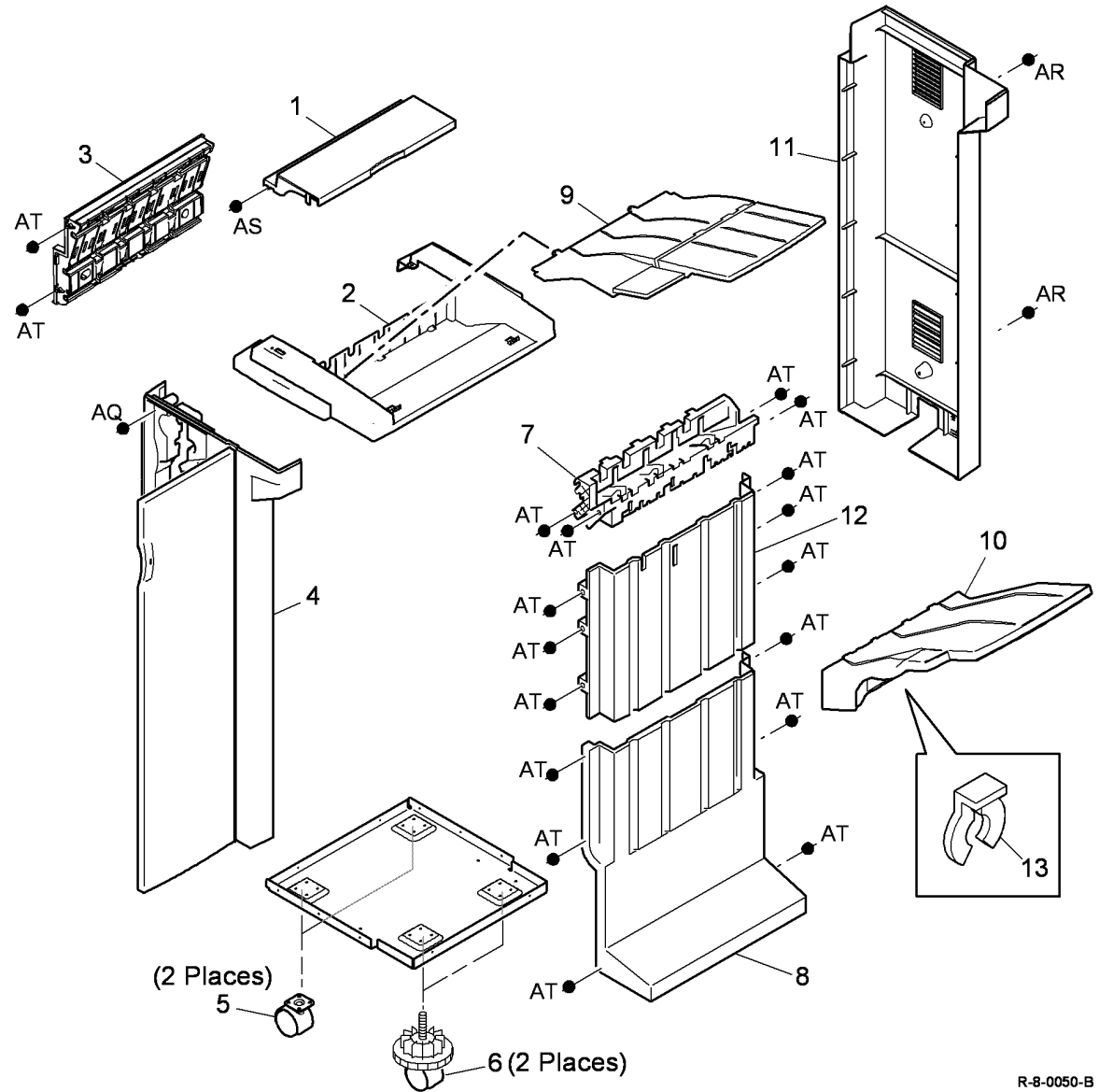


R-8-0040-A

## PL 12.10 LCSS Covers

Item	Part	Description
1	802K31380	Exit cover
2	848K31340	Top cover (REP 12.1-110)
3	–	Entry guide cover (REF: PL 12.70 Item 5) (REP 12.15-110)
4	–	Front door cover assembly (P/O PL 31.11 Item 2) (REP 12.1-110)
5	017K03750	Fixed caster
6	017K04520	Adjustable caster
7	–	Output cover (Not spared)
8	802K48320	Lower right hand cover
9	050K67380	Bin 0
10	050K68490	Bin 1 (ADJ 12.1-110)
11	848K31320	Rear cover assembly (REP 12.1-110)
12	–	Upper right hand cover (Not spared)
13	019K13380	Bin 1 alignment clip

**NOTE:** Refer to ADJ 12.2-110 to align the LCSS to the machine.

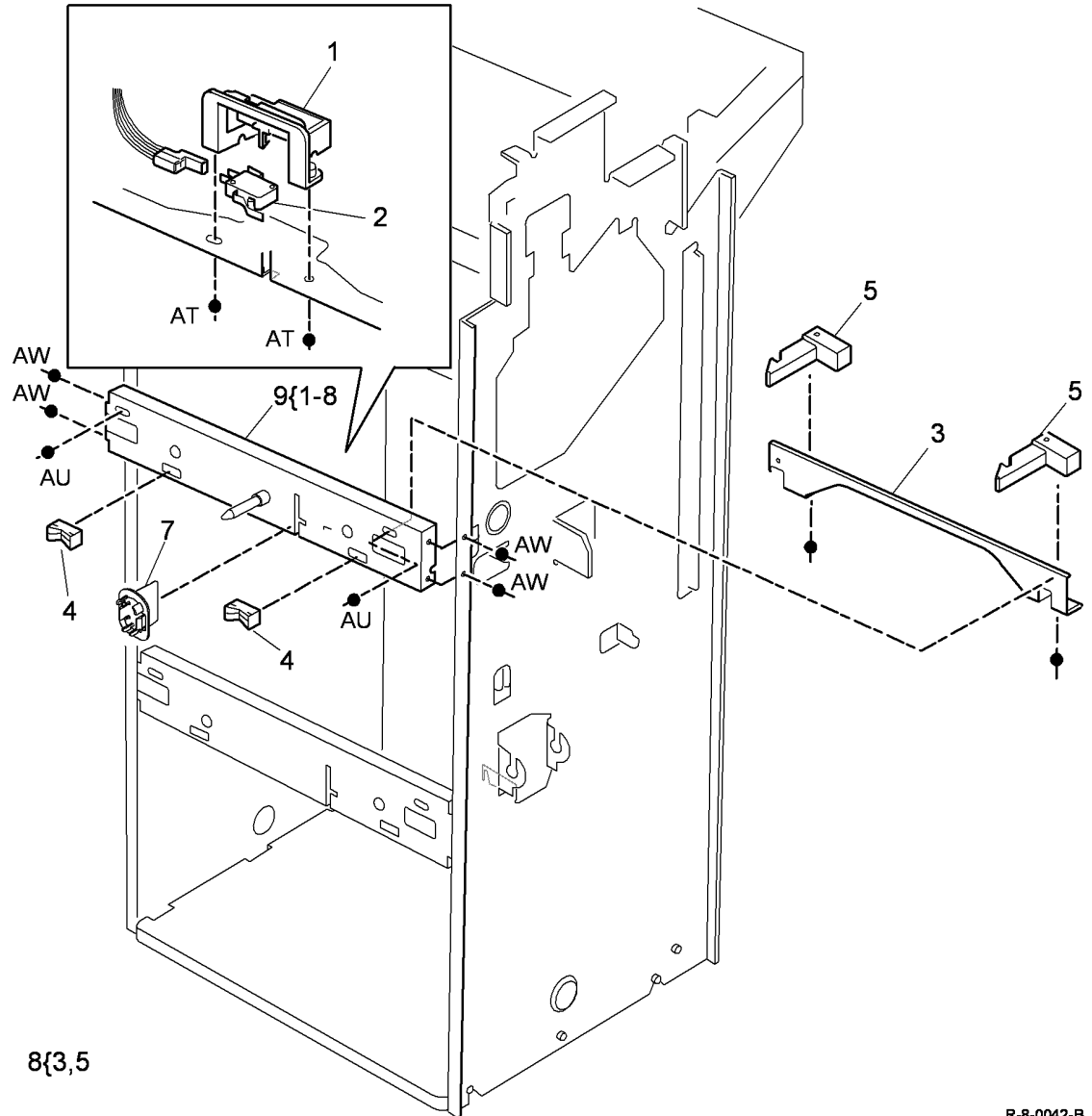


R-8-0050-B

## PL 12.15 LCSS Docking Latch

Item	Part	Description
1	-	Sensor cover (P/O PL 12.15 Item 9)
2	110K13980	Docking interlock (S12-177) (See NOTE)
3	-	Link bracket assembly (P/O PL 12.15 Item 8)
4	-	Stopper (P/O PL 12.15 Item 9)
5	-	Docking latch (P/O PL 12.15 Item 8)
6	-	Not used
7	120K03450	Docking actuator (See NOTE)
8	003K20930	Docking latch assembly (See NOTE) (REP 12.16-110)
9	003K20940	Mounting stay assembly

**NOTE:** Also comes as part of mounting stay assembly PL 12.15 Item 9.

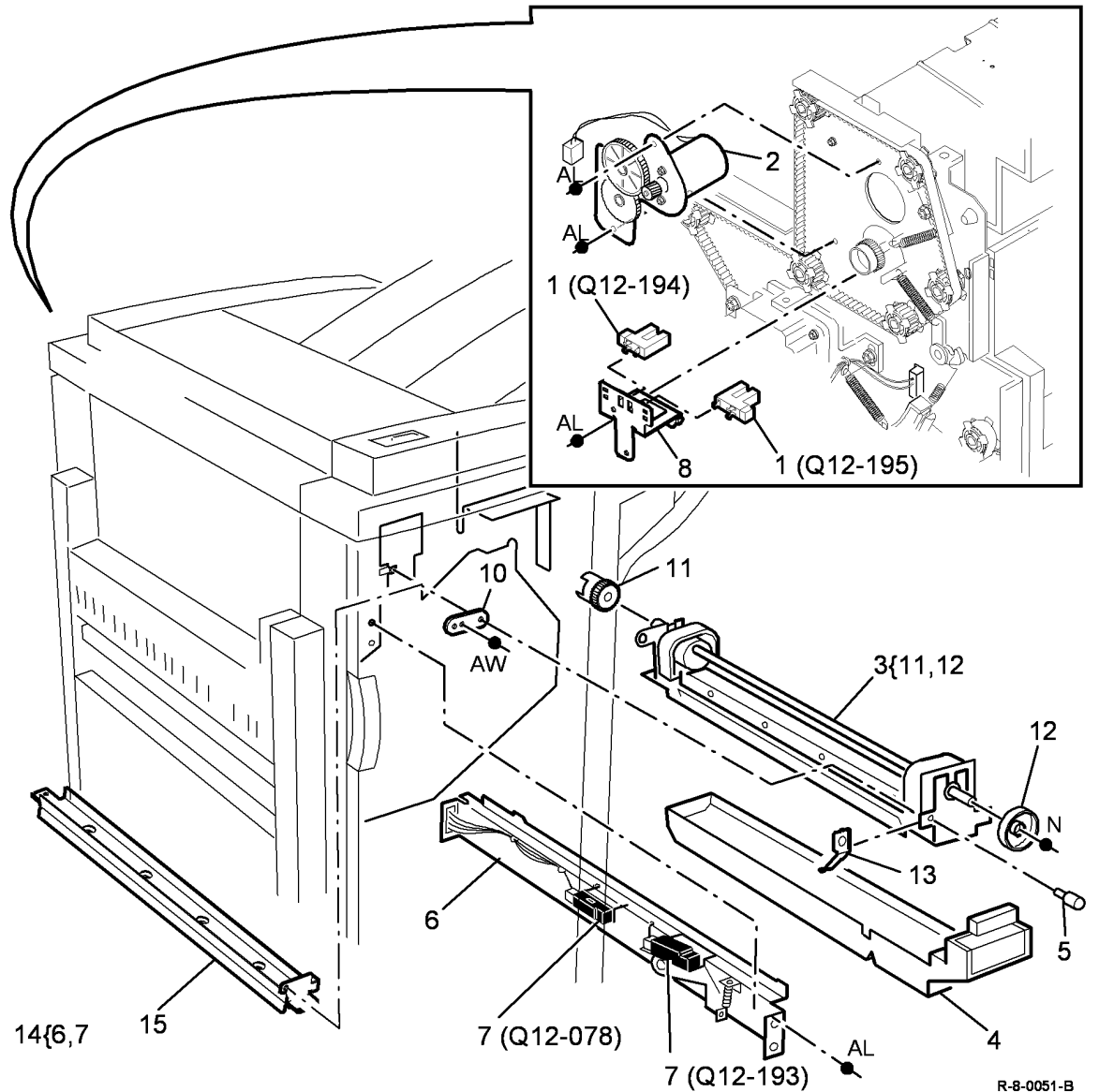


R-8-0042-B

## PL 12.20 LCSS Hole Punch Unit

Item	Part	Description
1	130E10360	Punch head home sensor (Q12-194), Punch head present sensor (Q12-195) (REP 12.7-110)
2	127K55900	Punch head motor assembly (MOT12-243) (REP 12.7-110)
3	-	Hole punch unit (see below for variants) (REP 12.7-110, ADJ 12.3-110)
-	180K01330	2 Hole (XE)
-	-	2 Hole Legal (Not spared)
-	180K01340	3 Hole (USSG/XCL)
-	-	4 Hole (XE) (Not spared)
-	-	4 Hole (Sweden) (Not spared)
4	093E03930	Chad bin
5	-	Thumbscrew (Not spared)
6	-	Bracket (P/O PL 12.20 Item 14)
7	130E10380	Punch sensor 1 (Q12-078), Chad bin level sensor (Q12-193) (P/O PL 12.20 Item 14) (REP 12.7-110)
8	-	Sensor bracket (Not spared)
9	-	Not used
10	-	Bracket (Not spared)
11	-	Punch drive gear (Not spared)
12	-	Punch cam (Not spared)
13	-	Punch spacer (Not spared)
14	-	Punch sensor assembly (Not spared)
15	014K10610	Hole punch assembly cover

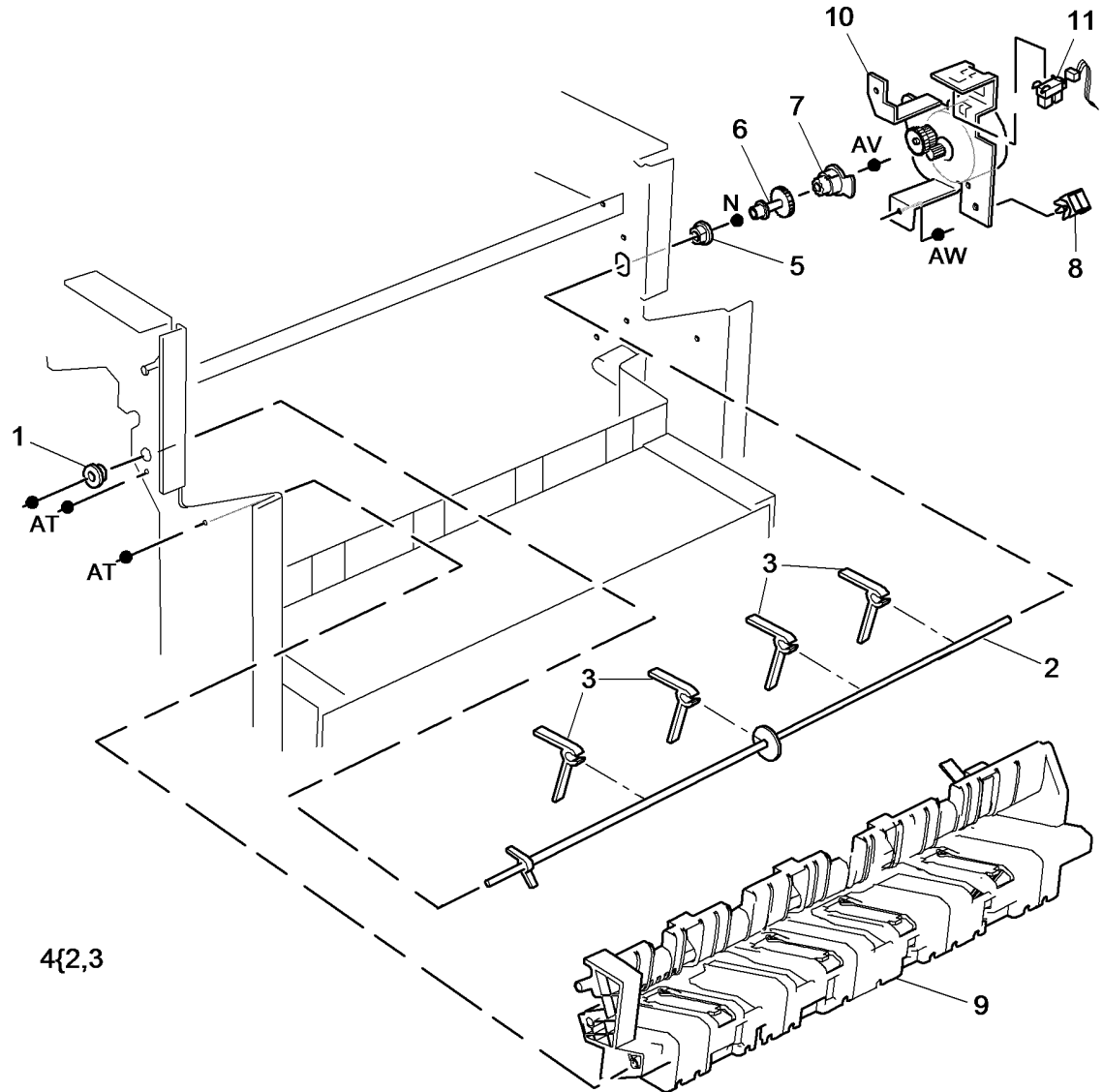
**NOTE:** Refer to PL 31.10 Item 5 for other LCSS hole punch kits.



R-8-0051-B

## PL 12.25 LCSS Paddle Wheel

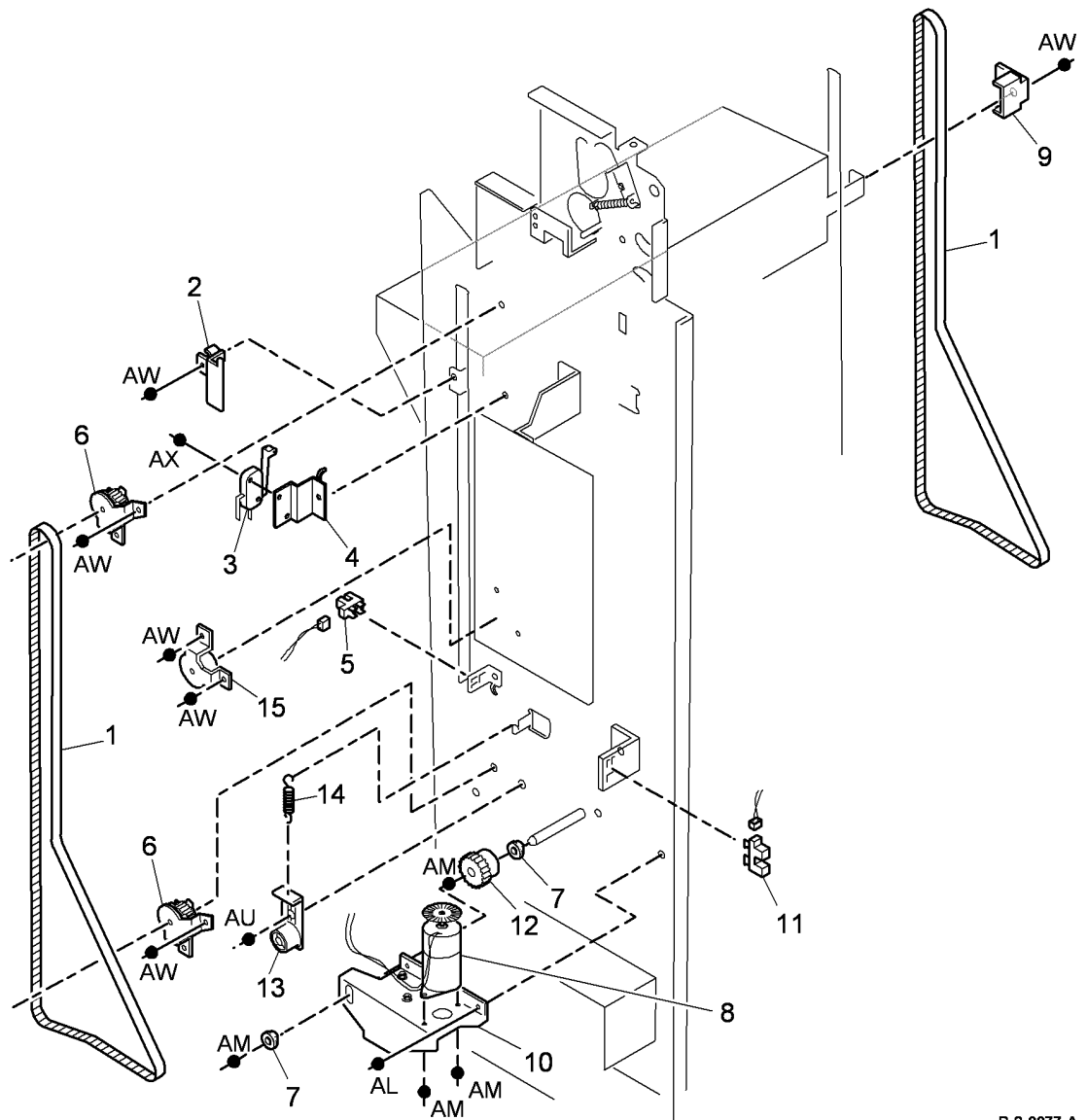
Item	Part	Description
1	-	Bushing (Not spared)
2	-	Shaft (P/O PL 12.25 Item 4)
3	-	Paddle wheel (4 off) (REF: PL 31.12 Item 9) (REP 12.18-110)
4	-	Paddle wheel shaft assembly (P/O PL 31.12 Item 10) (REP 12.12-110)
5	013E25790	Nylon bearing
6	-	Gear (Not spared)
7	-	Flag (Not spared)
8	-	Cable clamp (Not spared)
9	-	Output cover (REF: PL 12.10 Item 7)
10	127K62580	Paddle roll motor assembly (MOT12-238)
11	130E10360	Paddle roll home sensor (Q12-186)



R-8-0043-B

# PL 12.30 LCSS Bin 1 Control Components (1 of 2)

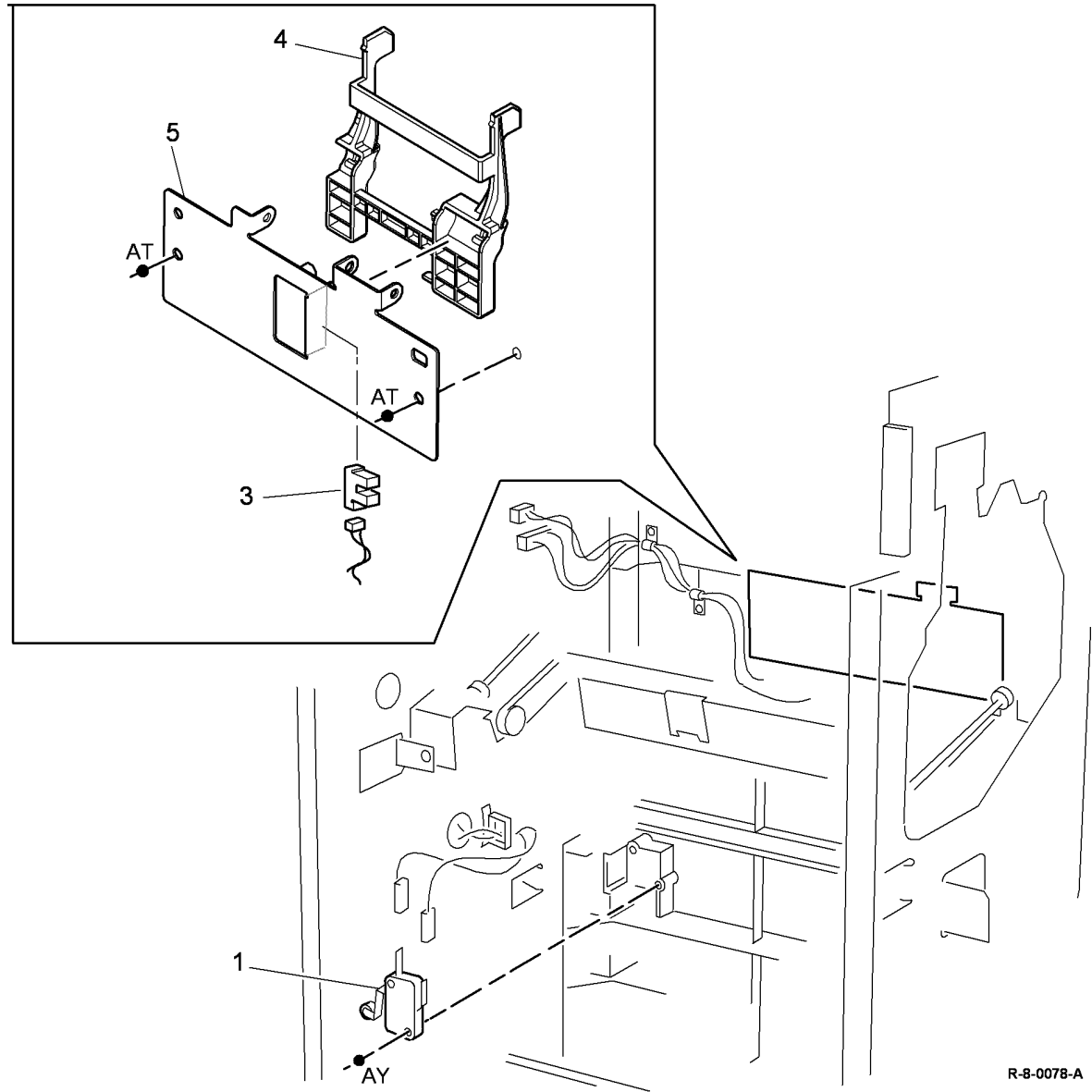
Item	Part	Description
1	023E24320	Bin 1 drive belt (REP 12.5-110)
2	-	Rear belt clamp (Not spared) (ADJ 12.1-110)
3	110E20180	Bin 1 upper limit switch (S12-190)
4	-	Sensor bracket (Not spared)
5	130E10360	Bin 1 90% full sensor (Q12-187)
6	-	Pulley (Not spared)
7	-	Bearing (Not spared)
8	127K55890	Bin 1 elevator motor (MOT12-241)
9	-	Front belt clamp (Not spared) (ADJ 12.1-110)
10	-	Motor bracket (Not spared)
11	130E12330	Bin 1 motor encoder sensor (Q12-163)
12	-	Pulley assembly (Not spared)
13	-	Belt tensioner (Not spared)
14	-	Spring (Not spared)
15	-	Idler (Not spared)



R-8-0077-A

## PL 12.35 LCSS Bin 1 Control Components (2 of 2)

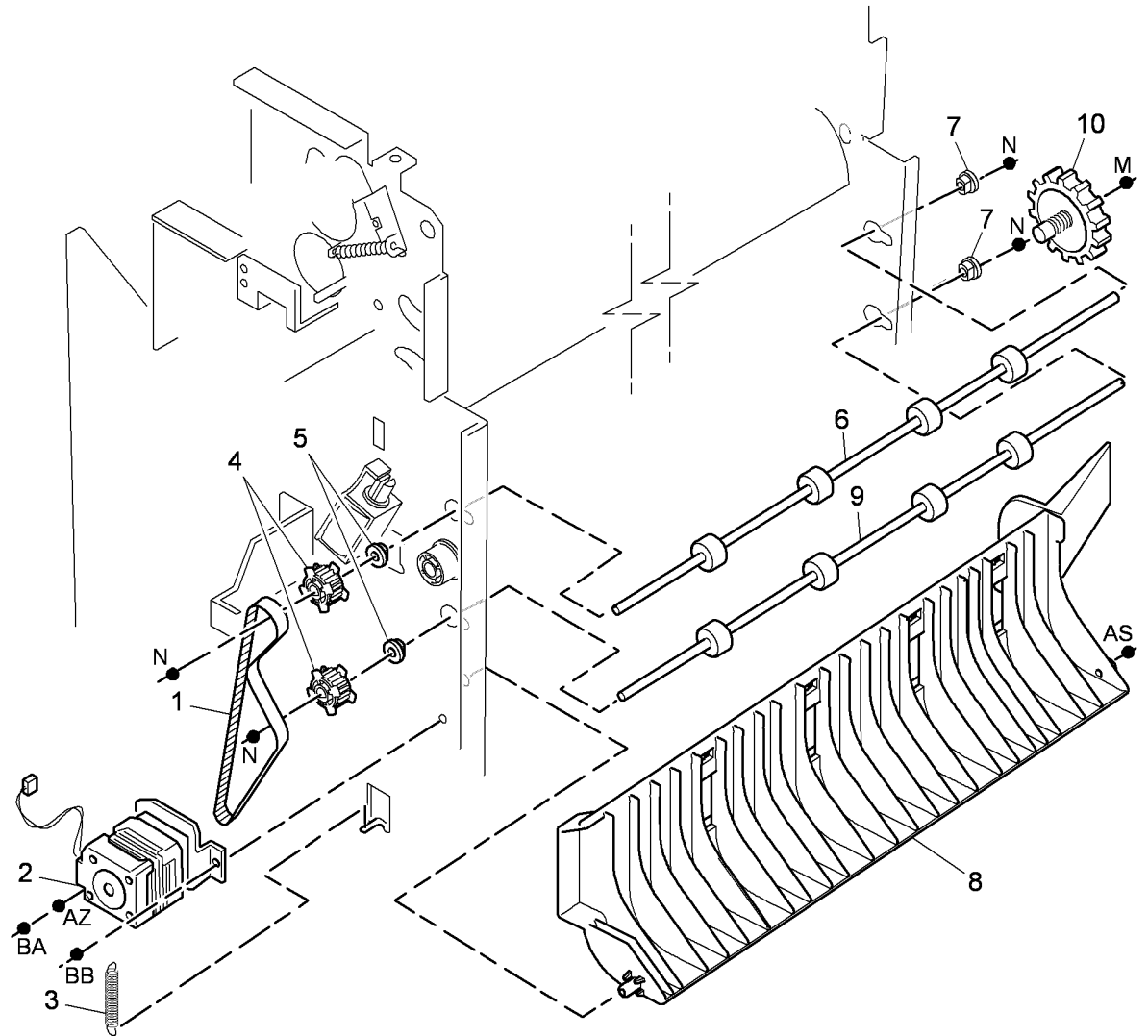
Item	Part	Description
1	110K13990	Bin 1 lower limit switch (S12-191)
2	-	Not used
3	130E10360	Bin 1 Upper level sensor (Q12-188) (REP 12.11-110)
4	-	Actuator (Not spared)
5	-	Sensor support assembly (Not spared)





## PL 12.40 LCSS Paper Entry Transport

Item	Part	Description
1	023E24340	Input drive belt (REP 12.2-110)
2	127K55860	Transport motor 1 (MOT12-223) (REP 12.2-110)
3	-	Spring (Not spared)
4	-	Pulley (Not spared)
5	013E37460	Dry bearing
6	-	Feed roll shaft (short) (Not spared)
7	013E37470	Bearing
8	-	Paper entry guide assembly (REF: PL 12.70 Item 1)
9	-	Feed roll shaft (long) (Not spared)
10	006K32780	Thumb wheel

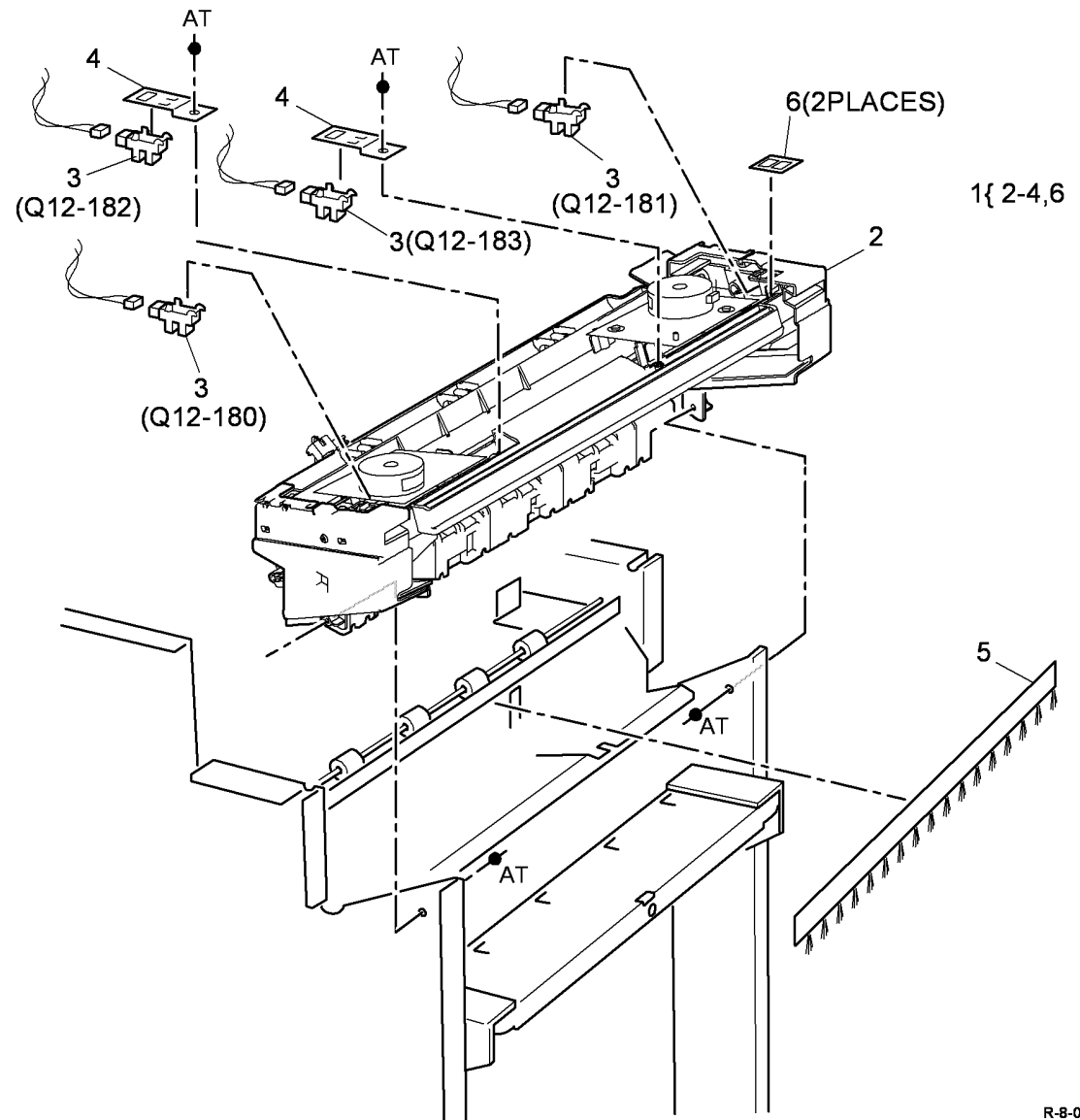


R-8-0044-A

## PL 12.45 LCSS Tamper Assembly

Item	Part	Description
1	049K12120	Tamper assembly (REP 12.6-110)
2	-	Tamper unit (P/O PL 12.45 Item 1)
3	130E10360	Front tamper home sensor (Q12-180), Front tamper away sensor (Q12-182), Rear tamper home sensor (Q12-181), Rear tamper away sensor (Q12-183) (See NOTE)
4	-	Sensor bracket (P/O PL 12.45 Item 1)
5	-	Static eliminator (stacker) (REF: PL 12.65 Item 7)
6	-	Sensor retainer (P/O PL 12.45 Item 1)

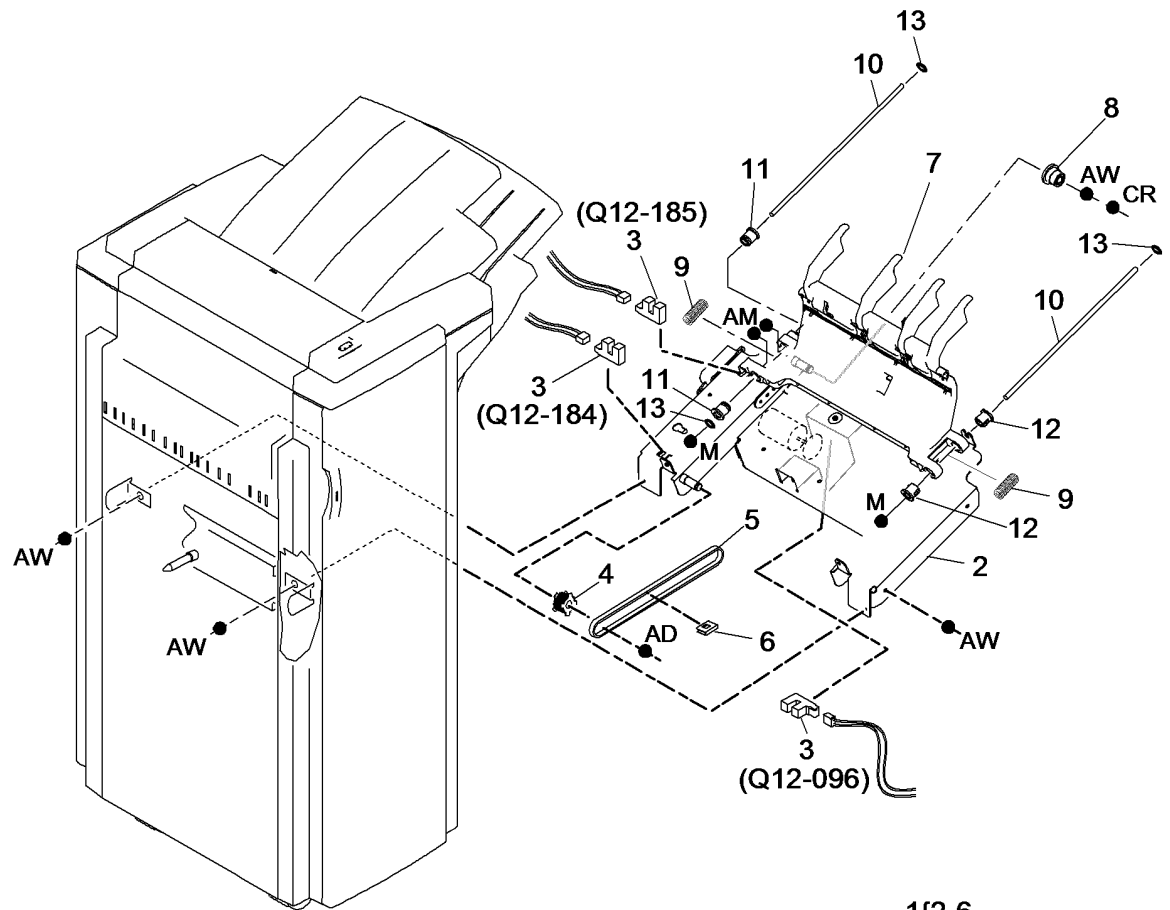
**NOTE:** The front tamper home sensor (Q12-180) and rear tamper home sensor (Q12-181) are bonded onto the tamper unit and are not replaceable. Failure of either of these sensors will require the replacement of the tamper assembly.



R-8-0079-A

# PL 12.50 LCSS Ejector Assembly

Item	Part	Description
1	054K43580	Ejector assembly (REP 12.10-110)
2	-	Ejector base (P/O PL 12.50 Item 1)
3	130E10360	Ejector home sensor (Q12-184), Ejector out sensor (Q12-185), Ejector motor encoder sensor (Q12-096) (REP 12.10-110)
4	-	Pulley (P/O PL 12.50 Item 1)
5	023E24330	Ejector belt (REP 12.17-110)
6	-	Clip (P/O PL 12.50 Item 1)
7	019K13390	Support finger set (Qty. 4)
8	020E54090	Pulley/drive gear
9	-	Spring (P/O PL 12.50 Item 1)
10	-	Shaft (P/O PL 12.50 Item 1)
11	-	Slide ejector bearing (P/O PL 12.50 Item 14)
12	-	Wide slide ejector bearing (P/O PL 12.50 Item 14)
13	-	Cushion washer (P/O PL 12.50 Item 14)
14	604K67690	LCSS bearing assembly kit

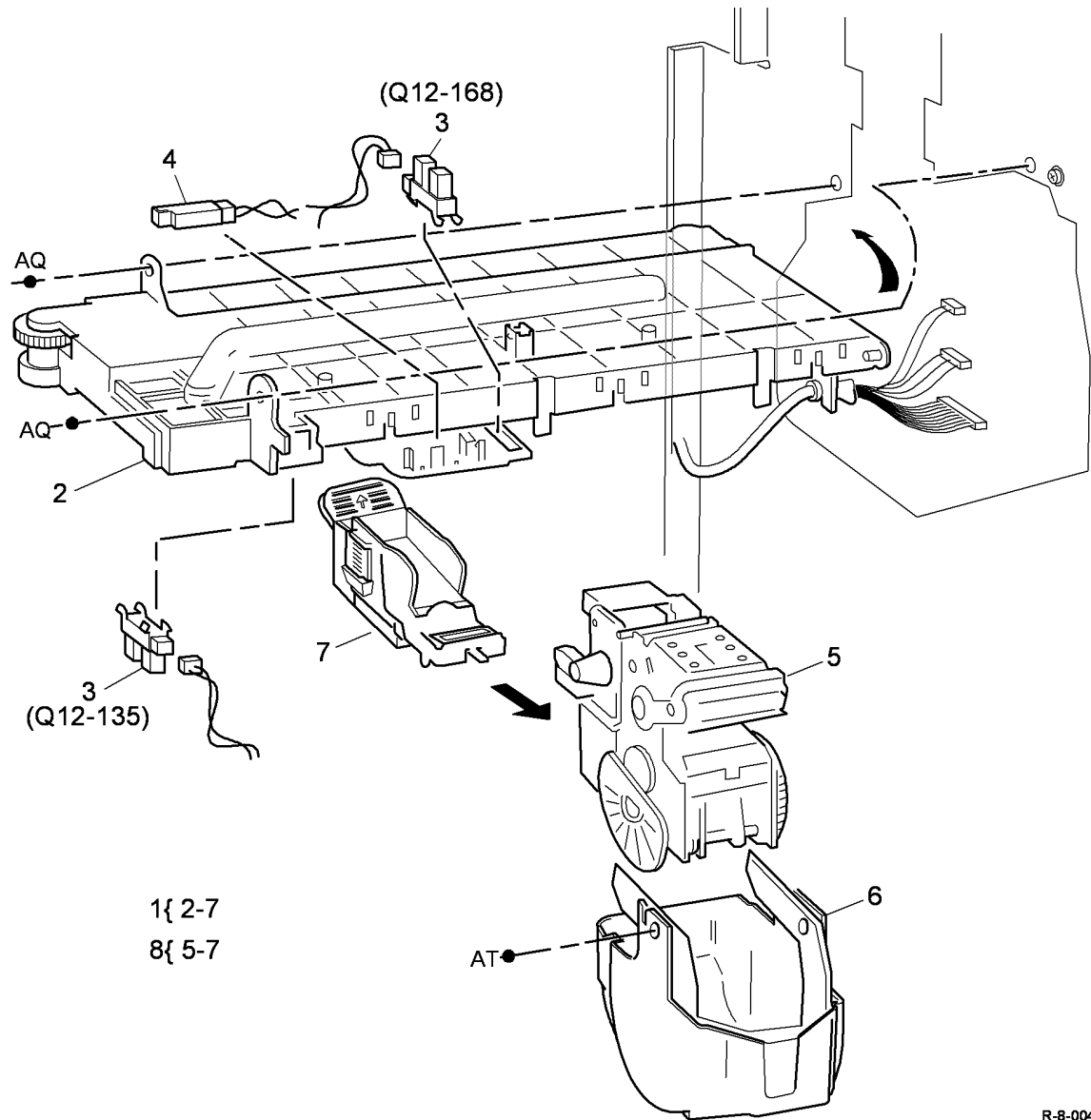


1{2-6  
14{11-13

R-3-0080-B

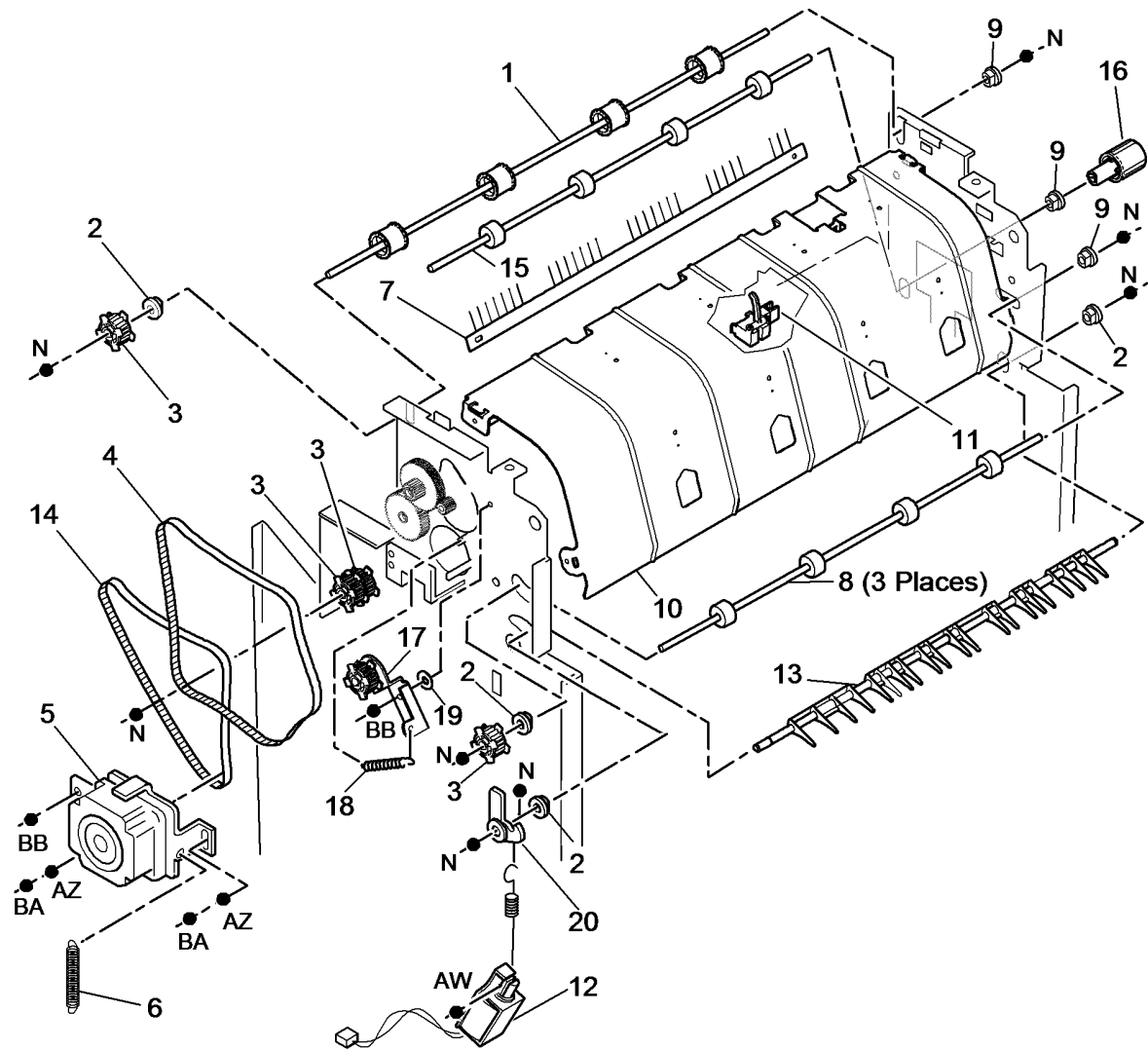
# PL 12.55 LCSS Staple Head Unit/ Traverse Assembly

Item	Part	Description
1	-	Stapler traverse assembly (P/O PL 31.11 Item 15) (REP 12.8-110)
2	-	Head traverse unit (P/O PL 12.55 Item 1)
3	130E10360	Stapler home sensor (Q12-135), Stapler index sensor (Q12-168)
4	130E10380	SH1 Paper sensor (Q12-196)
5	029K04690	Staple head unit (REP 12.9-110)
6	-	Stapler cover (P/O PL 12.55 Item 1)
7	008R12941	Staple cartridge refill (3 x 5000 staples only)
8	-	Staple head assembly (P/O PL 12.55 Item 1)



# PL 12.60 LCSS Bin 0 Entry

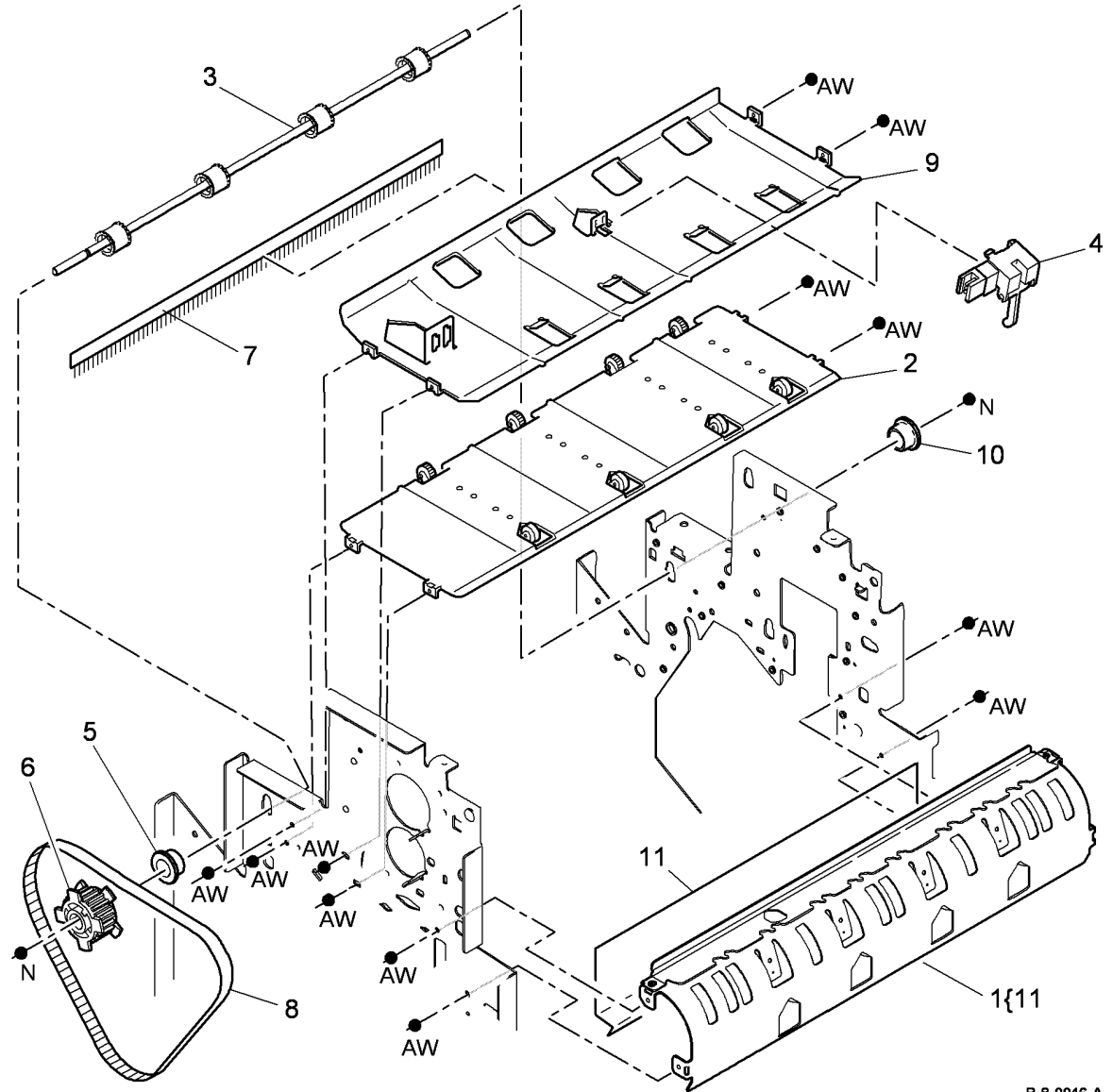
Item	Part	Description
1	006K32810	Top tray exit shaft
2	013E25790	Nylon bearing
3	-	Pulley (Not spared)
4	023E24330	Intermediate paper drive belt (REP 12.3-110)
5	127K55870	Transport motor 2 (MOT12-224) (REP 12.4-110)
6	-	Spring (Not spared)
7	115E13440	Static eliminator
8	-	Feed roll shaft (short) (Not spared)
9	013E25800	Copper bearing
10	032K04580	Paper guide
11	130E11440	Top tray exit sensor (Q12-107)
12	121K45010	Exit diverter solenoid (SOL12-225)
13	-	Shaft diverter assembly (P/O PL 31.12 Item 11)
14	023E24340	Paper output drive belt (REP 12.4-110)
15	006K32800	Drive shaft assembly
16	006K32770	Drive shaft assembly knob
17	-	Belt tensioner (Not spared)
18	-	Spring (Not spared)
19	-	Washer (Not spared)
20	-	Actuator (Not spared)



R-8-0045-A

## PL 12.65 LCSS Bin 1 Entry

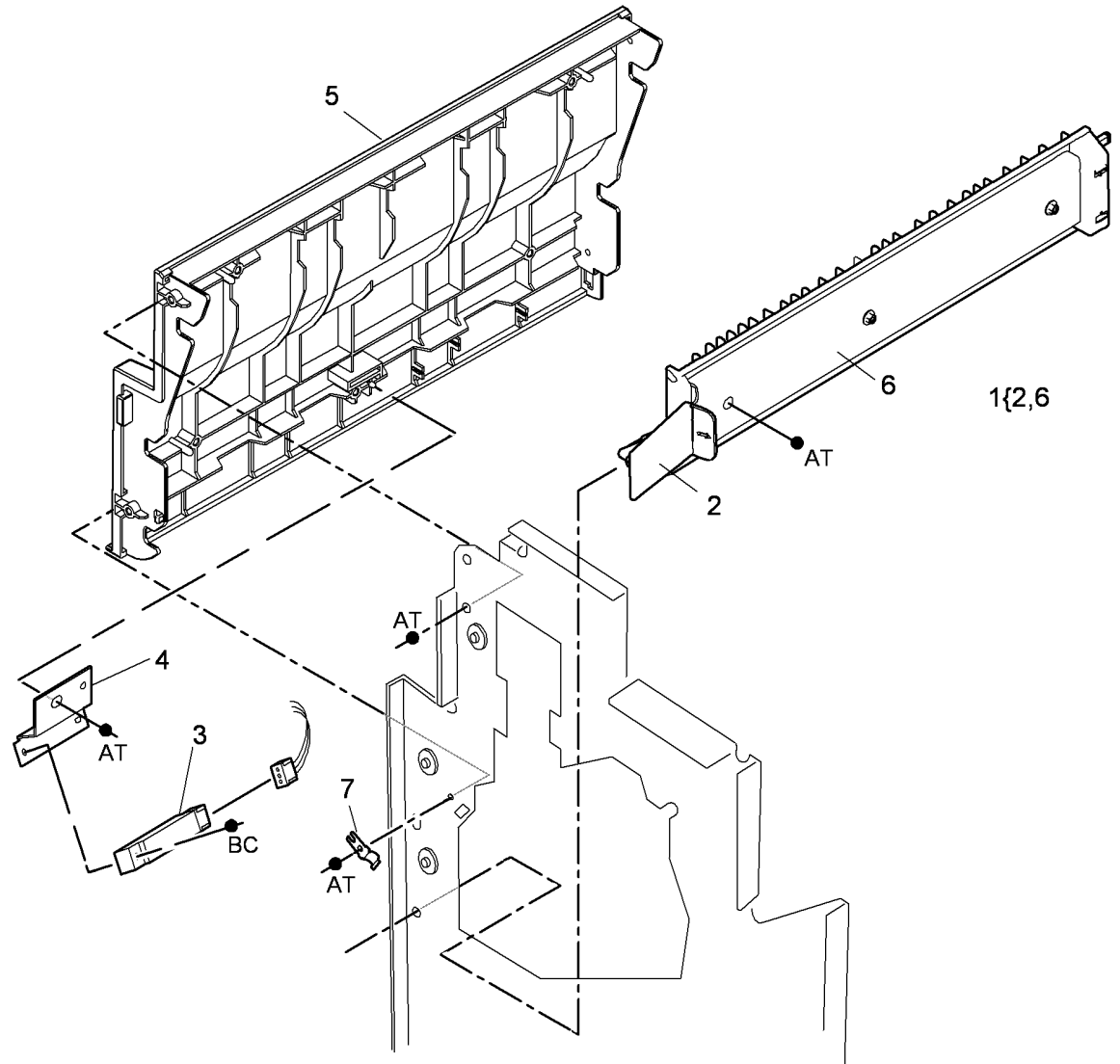
Item	Part	Description
1	032K04610	Left hand paper guide
2	032K04590	Lower right hand paper guide
3	006K32790	Ejector drive shaft
4	130E11440	Compiler exit sensor (Q12-107)
5	013E25790	Nylon bearing
6	-	Pulley (Not spared)
7	115E11810	Static eliminator (stacker)
8	023E24340	Paper output drive belt
9	-	Upper right hand paper guide (Not spared)
10	013E25800	Copper bearing
11	-	Mylar safety cover (P/O PL 12.65 Item 1)



R-8-0046-A

## PL 12.70 LCSS Entry Guide Cover/ Jam Clearance Guide

Item	Part	Description
1	032K09670	Jam clearance guide assembly
2	003K17531	Jam clearance handle
3	130E10380	Entry sensor (Q12-077)
4	-	Sensor bracket (Not spared)
5	848K31330	Entry guide cover (REP 12.15-110)
6	-	Jam clearance guide (P/O PL 12.70 Item 1)
7	-	Latch (Not spared)



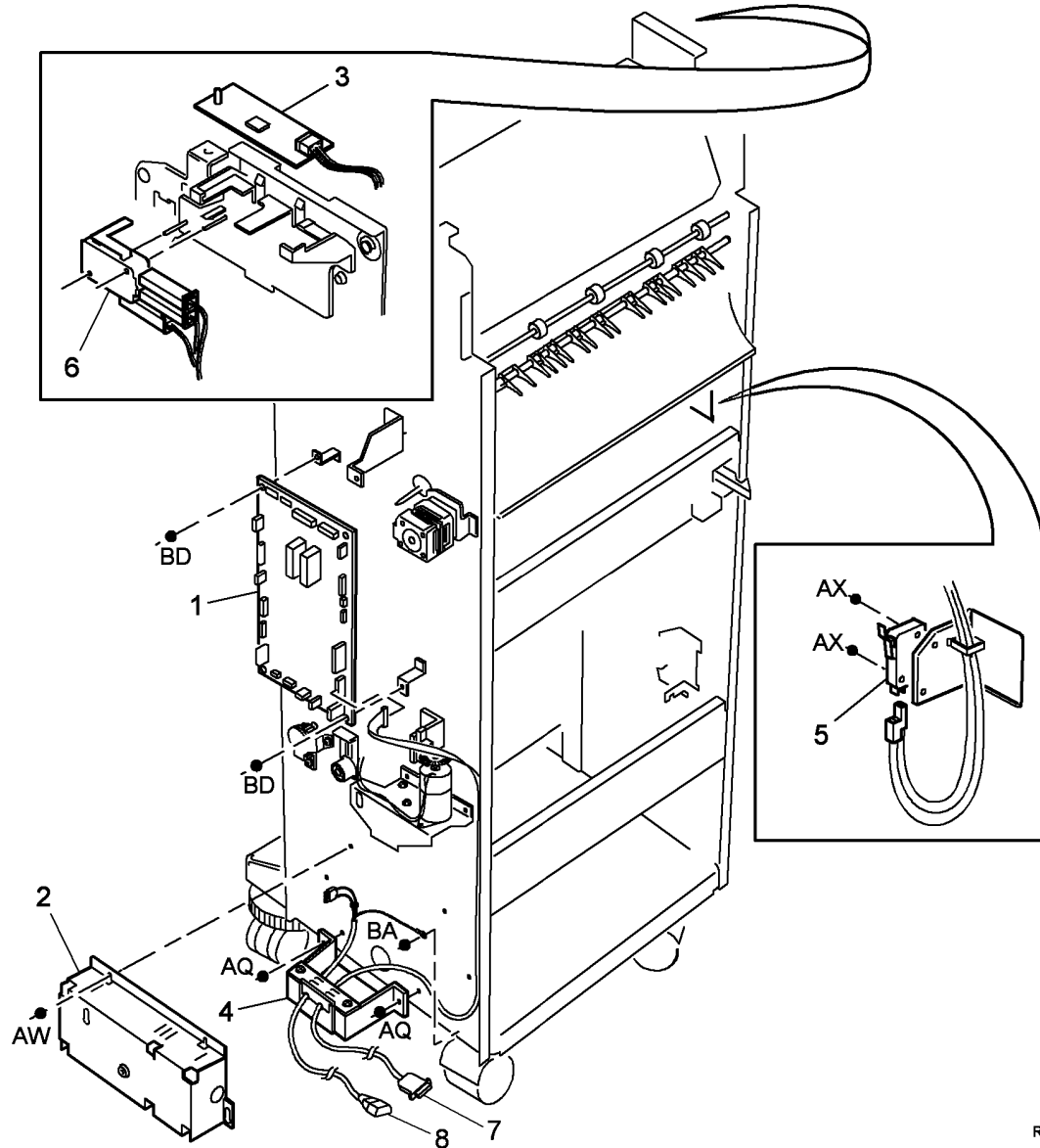
R-8-0036-A

## PL 12.75 LCSS Electrical

Item	Part	Description
1	960K58410	LCSS PWB (CAUTION) (REP 12.14-110)
2	105K35842	Power supply module
3	960K34490	Pause to unload PWB
4	962K56951	Cord bracket assembly
5	110K13980	Front door interlock switch (S12-303)
6	110K13970	Top cover interlock switch (S12-197)
7	-	LCSS communications harness (Not spared)
8	-	LCSS power cord (Not spared)

### CAUTION

Do not install a new LCSS PWB until the cause of the damage to the old LCSS PWB has been determined. Go to the [12G-110 LCSS PWB Damage RAP](#).

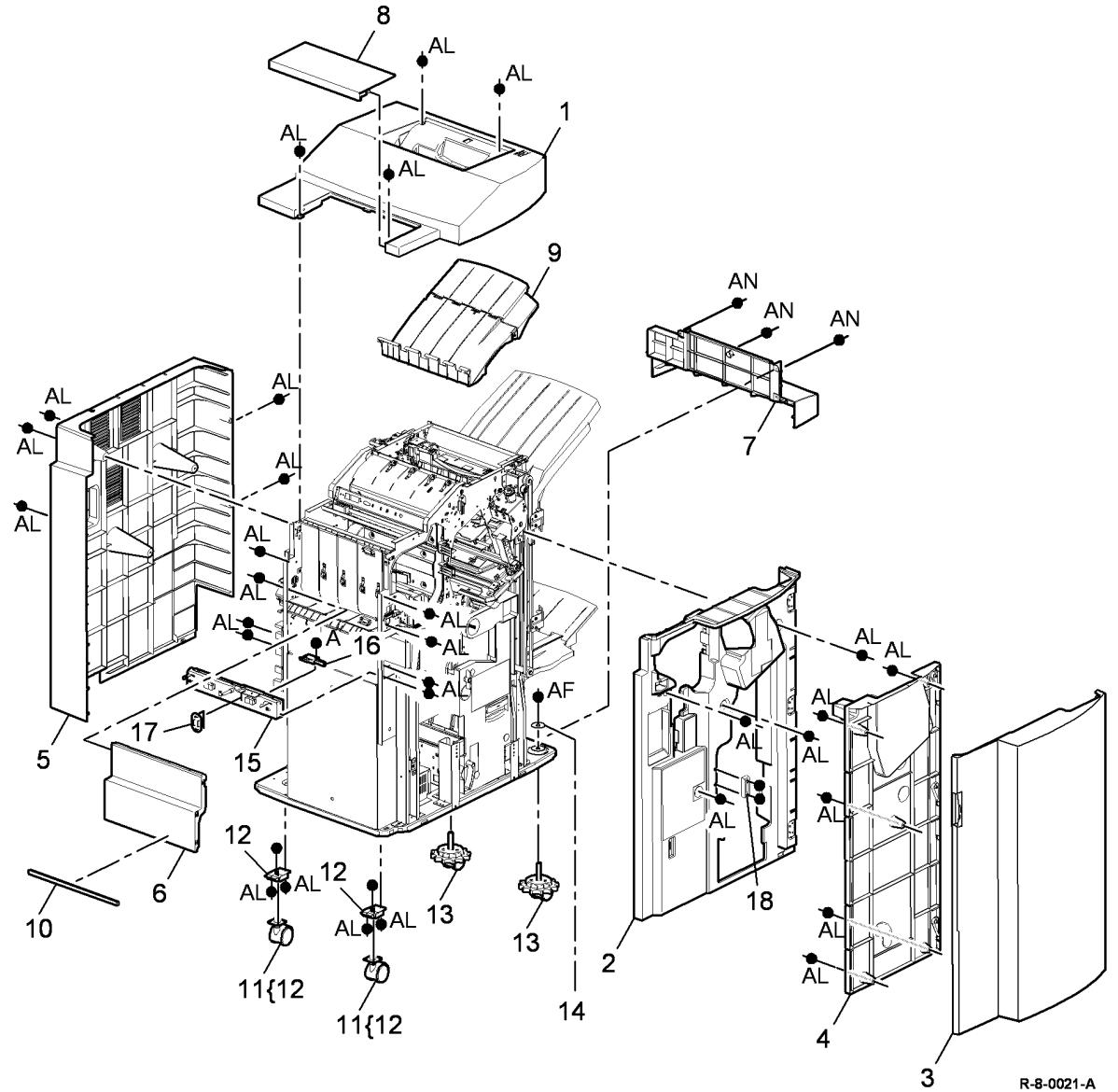


R-8-0055-A



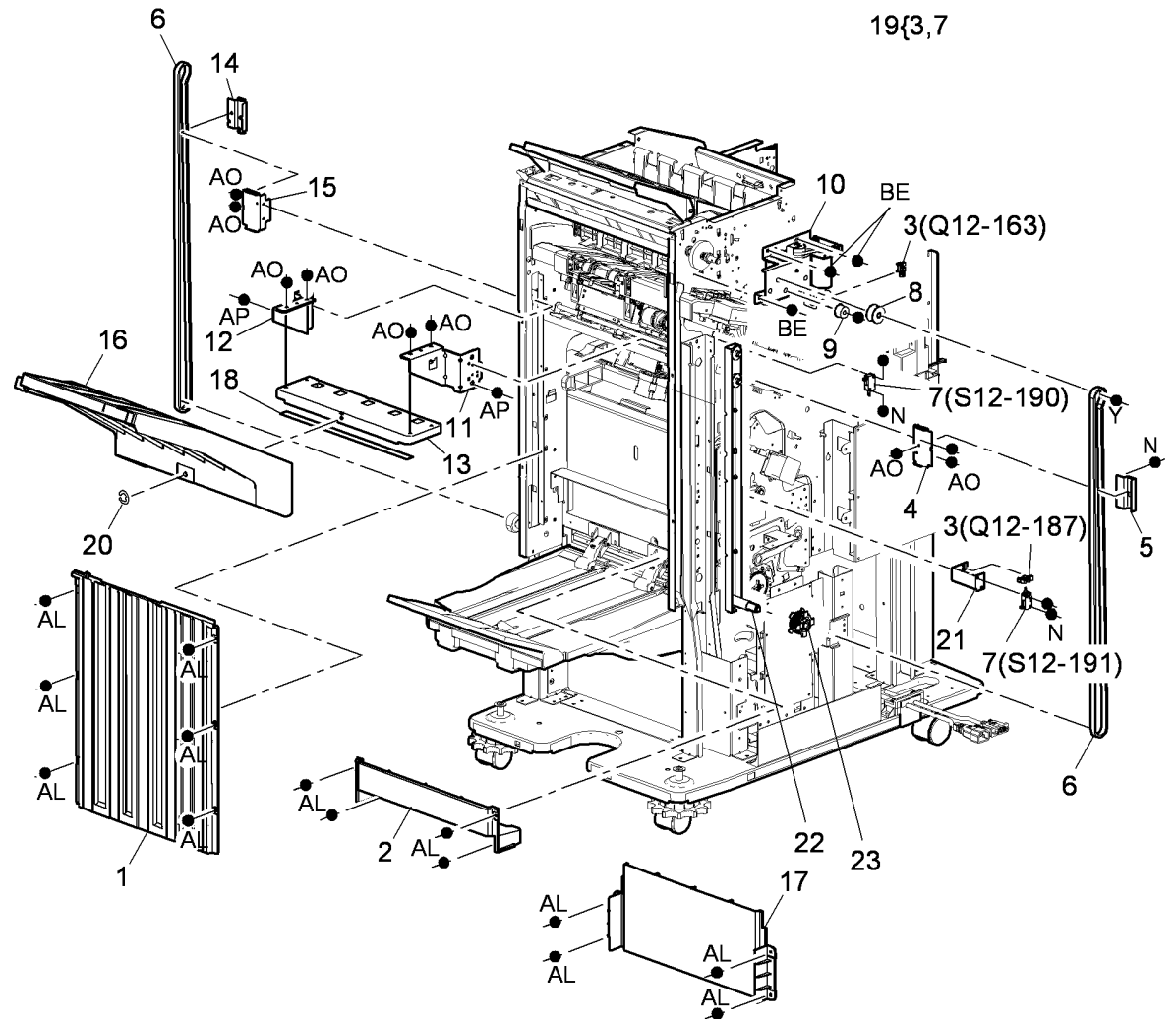
# PL 12.100 HVF Covers and Docking

Item	Part	Description
1	848E40510	Top cover (REP 12.1-171)
2	848K12501	Front cover (REP 12.1-171)
3	848E17790	Front door (REP 12.1-171)
4	848K12510	Door support (REP 12.1-171)
5	848E40521	Rear cover (REP 12.1-171)
6	848K12530	Vent cover (REP 12.1-171)
7	848E17800	Foot cover (REP 12.1-171)
8	848E17810	Inserter cover (REP 12.1-171)
9	848E40500	Top tray (REP 12.3-171)
10	-	Seal (Not spared)
11	017K04830	Fixed caster assembly (REP 12.96-171)
12	-	Fixed caster bracket (P/O PL 12.100 Item 11)
13	017K04630	Adjustable caster (REP 12.96-171)
14	-	Adjustable caster washer (P/O PL 12.100 Item 13)
15	017K04760	Mounting bracket assembly
16	110K13980	Docking interlock switch (S12-177)
17	120K03450	Docking actuator (P/O PL 12.100 Item 15)
18	049K13570	Bookletmaker interlock bracket



# PL 12.105 HVF Stacker

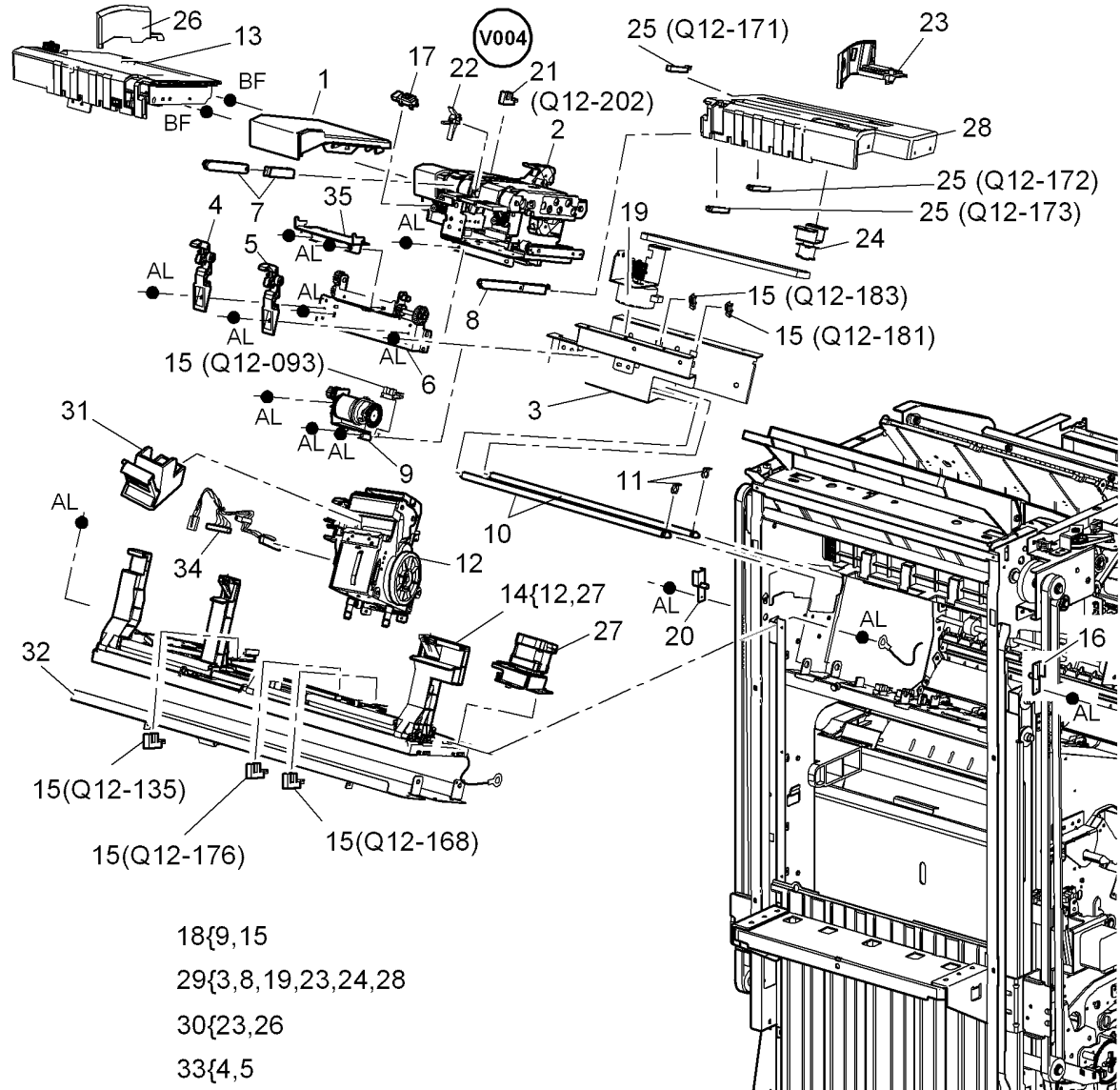
Item	Part	Description
1	848E40530	Upper right side cover (REP 12.5-171)
2	848E17840	Lower right side cover
3	130E12830	Bin 1 90% full sensor (Q12-187)/ Bin 1 motor encoder sensor (Q12-163)
4	-	Rear main belt clamp (1 of 2) (Not spared)
5	-	Rear main belt clamp (2 of 2) (Not spared)
6	023E31220	Bin 1 main drive belt (REP 12.38-171)
7	110K20890	Bin 1 upper limit switch (REP 12.75-171) (S12-190)/Bin 1 lower limit switch (REP 12.75-171) (S12-191)
8	-	Main belt pulley (Not spared)
9	-	Main belt tensioner (Not spared)
10	127K56591	Bin 1 elevator motor assembly (MOT12-241) (REP 12.12-171)
11	-	Bin 1 rear lift bar bracket (Not spared)
12	-	Bin 1 front lift bar bracket (Not spared)
13	-	Bin 1 lift bar (Not spared)
14	-	Front main belt clamp (2 of 2) (Not spared)
15	-	Front main belt clamp (1 of 2) (Not spared)
16	050E28941	Bin 1 (REP 12.4-171)
17	848E17830	Middle right side cover
18	-	Bin 1 lift bar brace (Not spared)
19	110K20880	Stacker full sensor and lower limit switch assembly (REP 12.75-171)
20	019K13380	Bin 1 retaining clip (REP 12.4-171)
21	-	Sensor/switch bracket (Not spared)
22	110K21060	Stacker channel bracket
23	-	Pulley (P/O PL 12.105 Item 22)



R-8-0022-A

# PL 12.110 HVF Ejector, Pressing and Support (1 of 2)

Item	Part	Description
1	-	Ejector front cover (Not spared)
2	059K69943	Ejector assembly (REP 12.6-171)
3	-	Rear tamper support bracket (P/O PL 12.110 Item 29)
4	-	Front pressing plate finger (P/O PL 12.110 Item 33) (REP 12.7-171)
5	-	Rear pressing plate finger (P/O PL 12.110 Item 33) (REP 12.7-171)
6	-	Pressing plate bracket (P/O PL 12.110 Item 18)
7	003K20651	Front support finger (REP 12.8-171)
8	003K20661	Rear support finger (REP 12.8-171)
9	-	Pressing and support motor (MOT12-323) (P/O PL 12.110 Item 18)
10	-	Offset rod (Not spared)
11	019K13380	Offset rod KL clip
12	-	Stapler unit (P/O PL 12.110 Item 14) (REP 12.2-171)
13	-	Front tamper (Not spared) (REP 12.11-171)
14	029K04671	Stapler assembly (REP 12.2-171)
15	130E12830	Pressing and support encoder sensor (Q12-093)/Stapler unit home sensor (Q12-135)/Stapler unit mid home sensor (Q12-176)/Stapler unit index sensor (Q12-168)/Rear tamper away sensor (Q12-183)/Rear tamper home sensor (Q12-181)
16	130K75470	Bin 1 upper level sensor (receiver) (Q12-188) (REP 12.76-171)
17	130K75900	Paper pressing sensor (Q12-322)
18	127K56550	Motor encoder assembly
19	-	Rear tamper motor (MOT12-227) (P/O PL 12.110 Item 29) (REP 12.15-171)
20	130K75480	Bin 1 upper level sensor (transmitter) (Q12-188) (REP 12.76-171)
21	-	Ejector paper present sensor (Q12-202) (P/O PL 12.110 Item 2)
22	033K04850	Ejector paddle assembly (W/TAG V-004) (REP 12.100-171)
23	032E35301	Rear tamper arm
24	-	Rear tamper pulley (P/O PL 12.110 Item 29)
25	-	Pressing and support sensor A (Q12-172), B (Q12-171), C (Q12-173) (P/O PL 12.110 Item 29)
26	868E36871	Front tamper arm
27	-	Stapler unit 1 motor (MOT12-249) (P/O PL 12.110 Item 14)
28	-	Rear tamper (P/O PL 12.110 Item 29)
29	032K09681	Rear tamper assembly (REP 12.15-171)
30	032E35341	Set of front and rear tamper arms
31	-	Staple cartridge (REF: PL 26.10 Item 15)
32	-	Support bracket (Not spared)
33	003K21100	Pressing plate kit
34	962K82410	Stapler harness and P-clip
35	-	Ejector assembly safety cover (P/O PL 31.12 Item 7)

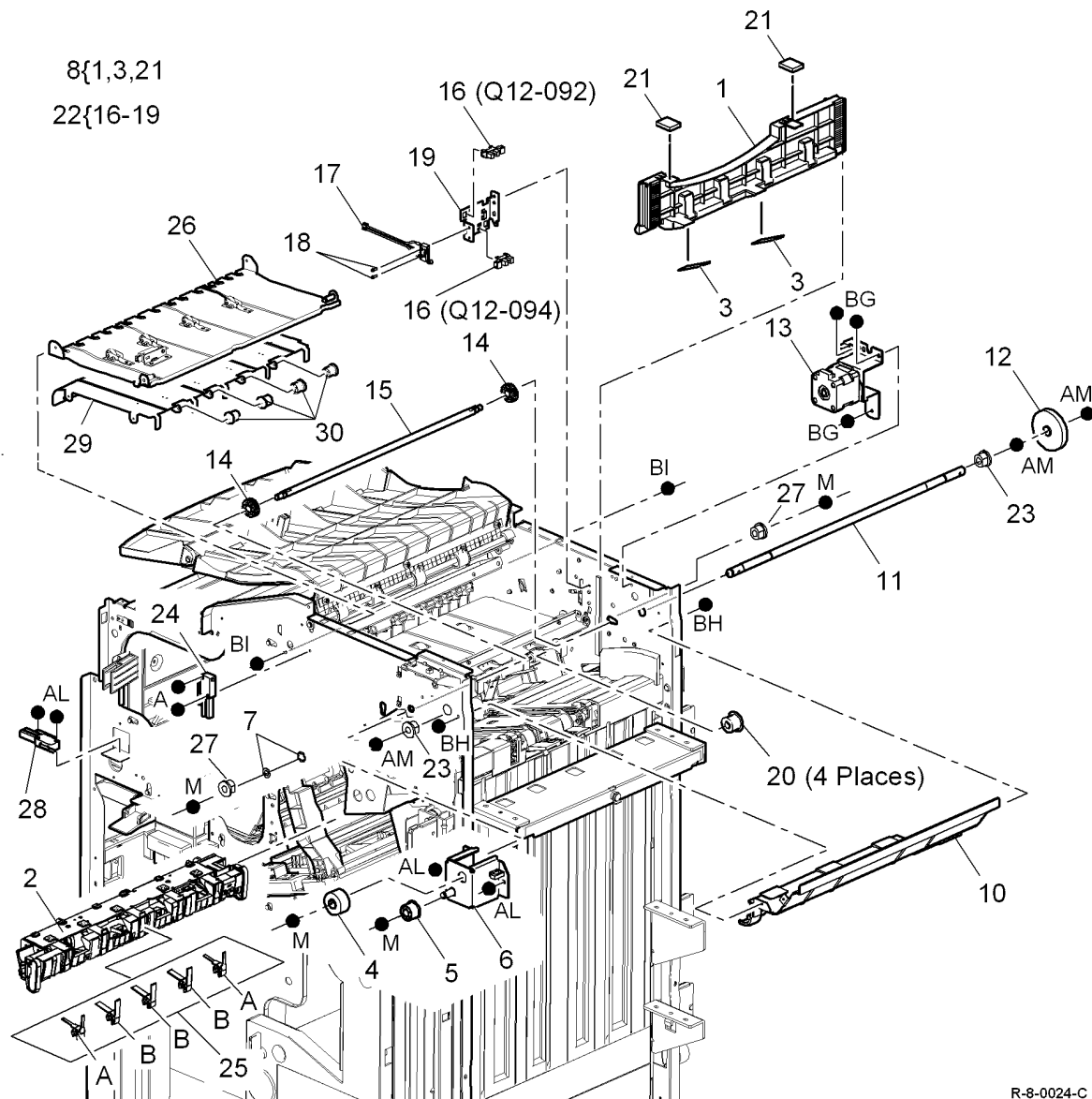


R-8-0023-D

18{9, 15  
 29{3, 8, 19, 23, 24, 28  
 30{23, 26  
 33{4, 5

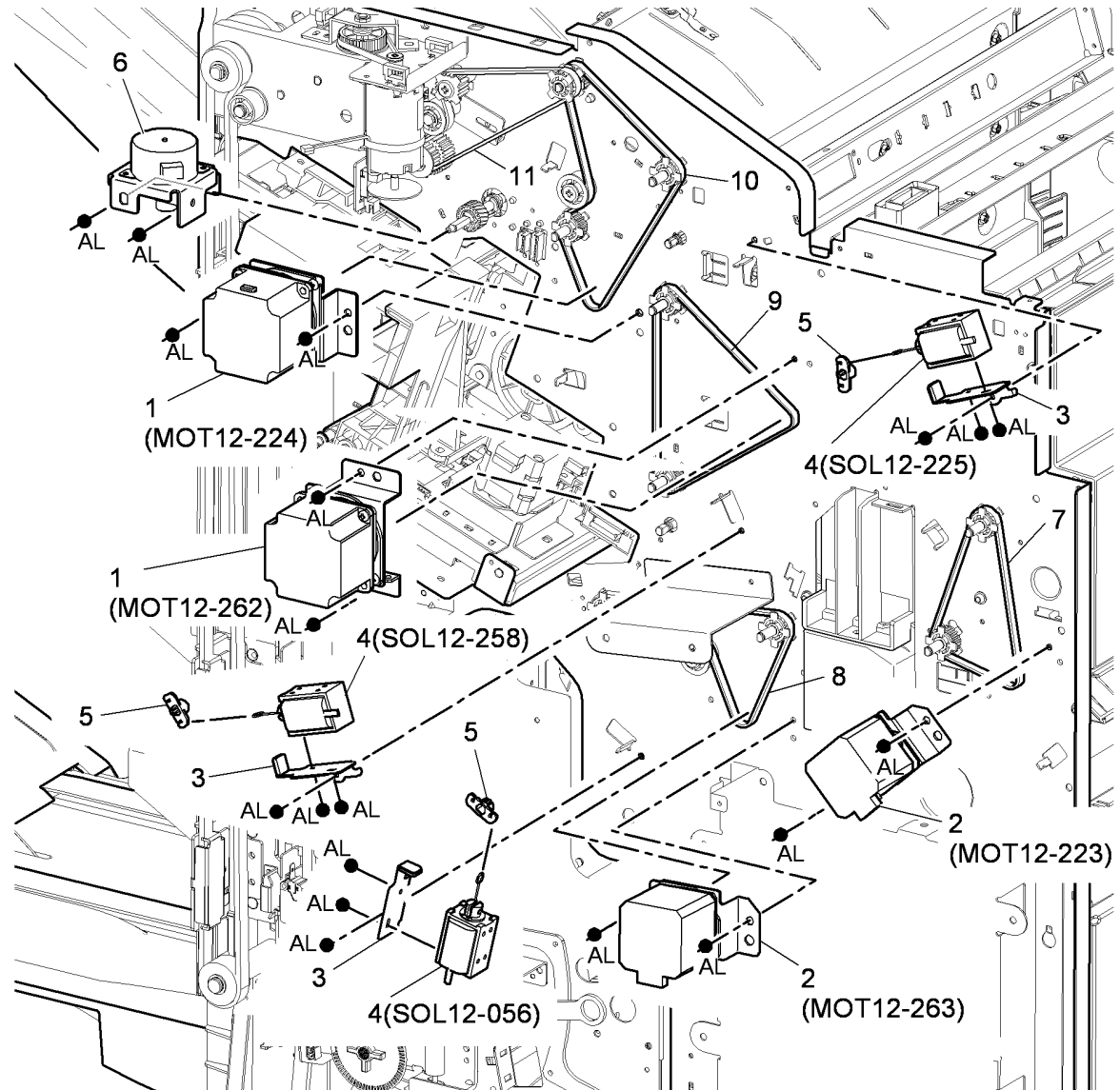
# PL 12.115 HVF Ejector, Pressing and Support (2 of 2)

Item	Part	Description
1	-	Paper pusher (P/O PL 12.115 Item 8)
2	033K04641	Paddle unit (REP 12.49-171)
3	-	Pusher mylar (P/O PL 12.115 Item 8)
4	-	Timing belt pulley (Not spared)
5	-	Timing belt tensioner (Not spared)
6	-	Front stacker pulley bracket (Not spared)
7	-	Thrust washer (Not spared)
8	050K68500	Paper pusher assembly (REP 12.53-171)
9	-	Not used
10	-	Compile exit upper guide (Not spared)
11	-	Stacker main drive gear shaft (Not spared) (REP 12.37-171)
12	-	Stacker main drive gear (Not spared) (REP 12.37-171)
13	674K03550	Paper pusher motor assembly (MOT12-265) (REP 12.51-171)
14	-	Pinion gear (Not spared)
15	-	Pinion gear shaft (Not spared)
16	130E12830	Paper pusher upper sensor (Q12-092)/Paper pusher lower sensor (Q12-094) (REP 12.54-171)
17	-	Stapler gate safety switch (S12-319) (P/O PL 12.115 Item 22)
18	-	Sensor screw (P/O PL 12.115 Item 22)
19	-	Sensor assembly bracket (P/O PL 12.115 Item 22)
20	006K32980	Stacker idler roll (REP 12.10-171)
21	-	Pusher dampers (P/O PL 12.115 Item 8)
22	674K03540	Sensor assembly (REP 12.54-171)
23	013E37150	Stacker driving shaft bearing (REP 12.37-171)
24	110K20900	Top cover interlock switch (S12-197)
25	033K04651	Paddles (A) outer 2 off, (B) inner 3 off (REP 12.101-171)
26	059K69931	Top jam clearance guide assembly
27	013E25800	Copper bearing
28	110K13980	Front door interlock switch (S12-303)
29	-	Lower exit guide (Not spared)
30	006K33390	Exit idler roller (x4)



## PL 12.120 HVF Main Drives

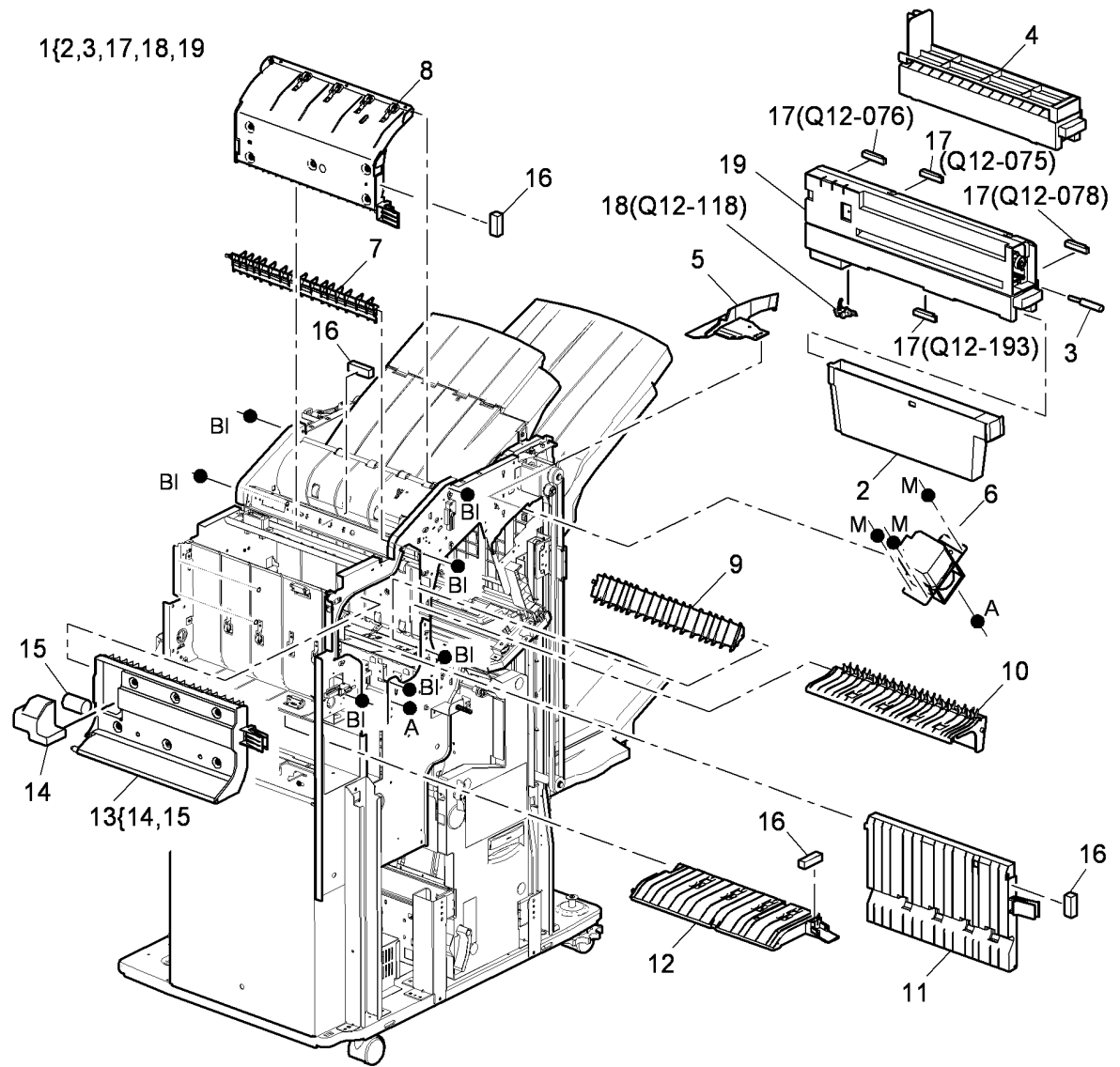
Item	Part	Description
1	127K56570	Buffer motor (MOT12-262) (REP 12.65-171)/Transport motor 2 (MOT12-224) (REP 12.66-171)
2	127K56560	Transport motor 1 (MOT12-223)(REP 12.63-171)/Bypass feed motor (MOT12-263)(REP 12.64-171) (REP 12.63-171)
3	-	Solenoid bracket (P/O PL 12.120 Item 4)
4	121K45290	BM diverter solenoid (SOL12-258)/Exit diverter solenoid(SOL12-225)/Set clamp solenoid (SOL12-056)
5	-	Solenoid connector (Not spared)
6	127K56610	Paddle unit motor assembly (MOT12-239) (REP 12.48-171)
7	-	Transport motor 1 drive belt (Not spared)
8	-	Bypass feed motor drive belt (Not spared)
9	-	Buffer feed motor drive belt (Not spared)
10	-	Transport motor 2 drive belt (A) (Not spared)
11	-	Transport motor 2 drive belt (B) (Not spared)



R-8-0116-A

# PL 12.125 HVF Feed Assembly and Punch (1 of 3)

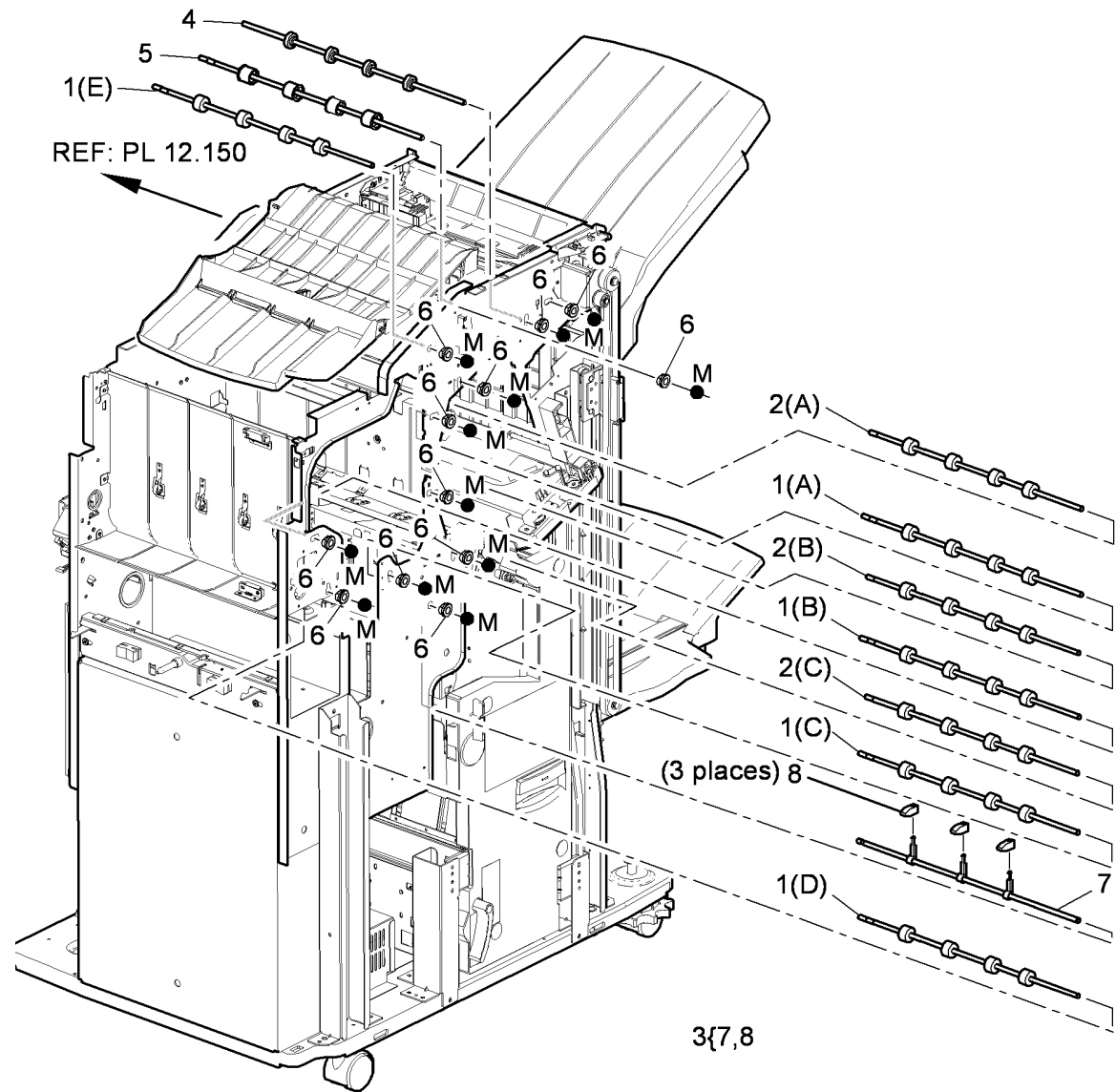
Item	Part	Description
1	-	HVF 2 hole punch assembly (P/O PL 31.10 Item 5)
-	-	HVF 3 hole punch assembly (P/O PL 31.10 Item 5)
2	604K83750	HVF chad bin
3	-	Hole punch thumb screw (P/O PL 12.125 Item 1)
4	059K59551	Hole punch blanking assembly
5	-	Front tamper arm (Not spared)
6	127K62570	Front tamper motor assembly (MOT12-226) (REP 12.11-171)
7	038E41350	Diverter exit gate (REP 12.35-171)
8	-	Upper exit guide (5c) (Not spared) (REP 12.14-171)
9	038E41341	BM diverter gate (REP 12.39-171)
10	059K69950	Buffer pocket jam clearance guide (REP 12.33-171)
11	059K69981	Inserter jam clearance guide assembly (8a) (REP 12.34-171)
12	059K69961	Input jam clearance guide (5a) (REP 12.32-171)
13	059K69972	Buffer guide assembly (5b) (REP 12.31-171)
14	-	Nip split motor cover (P/O PL 12.125 Item 13)
15	-	Nip split motor (MOT12-264) (P/O PL 12.125 Item 13)
16	121K45300	Magnet
17	130E12810	Chad bin level sensor (Q12-193)/Punch sensor 1 (Q12-078)/Punch sensor 2(Q12-075)/Punch sensor 3(Q12-076)
18	130E12840	Chad bin present sensor (Q12-118)
19	604K55210	Hole punch module (REF: PL 31.10 Item 5)



R-8-0026-A

# PL 12.130 HVF Feed Assembly and Punch (2 of 3)

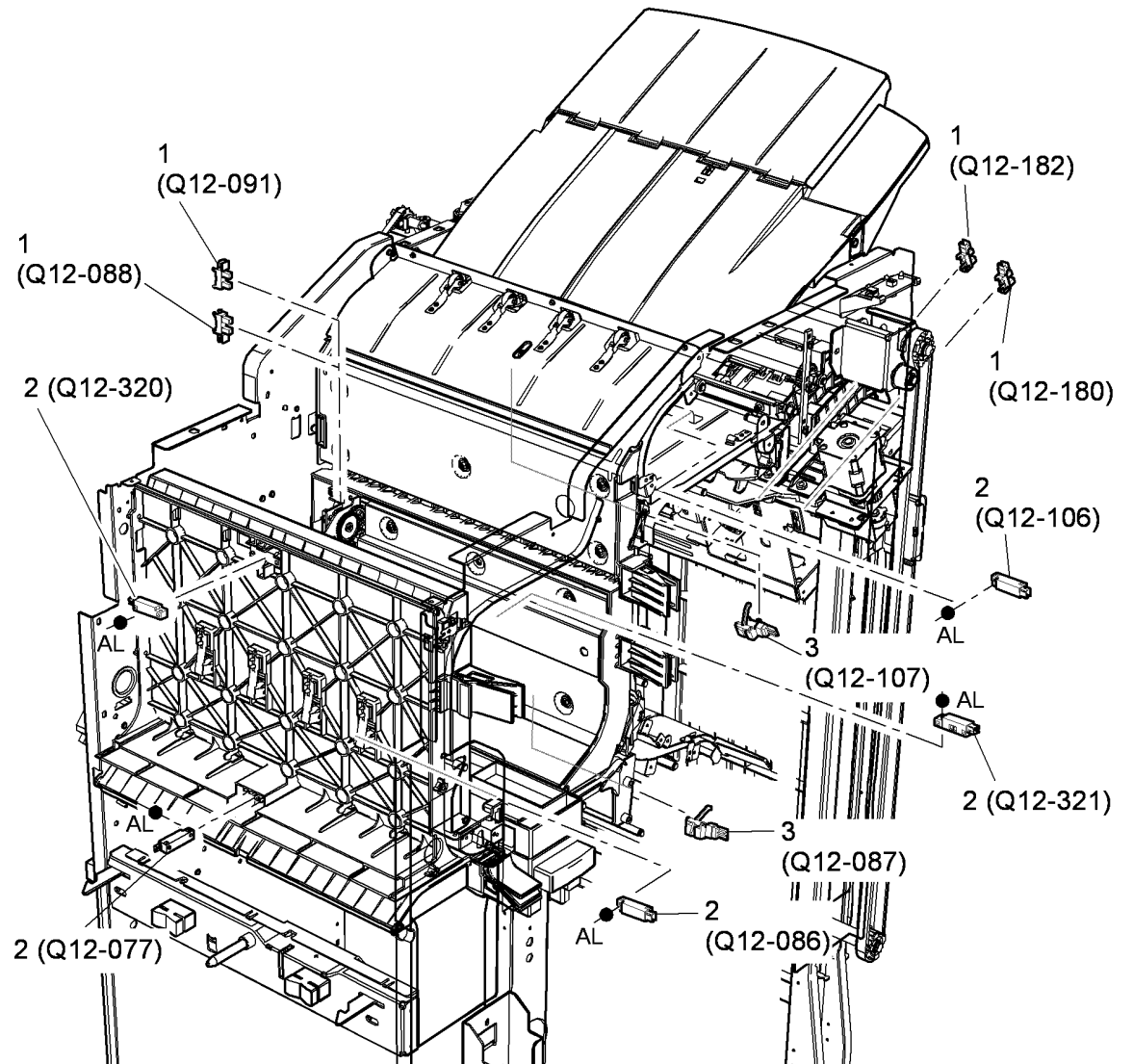
Item	Part	Description
1	006K32840	Feed roll assembly (Short shaft type)
-	-	Buffer upper roll (1A) (REP 12.45-171)
-	-	Inserter guide roll (1B) (REP 12.41-171)
-	-	Buffer pocket roll (1C) (REP 12.42-171)
-	-	Input roll (1D) (REP 12.40-171)
-	-	Top exit feed roll (1E) (REP 12.47-171)
2	006K32850	Feed roll assembly
-	-	Stacker exit feed roll (2A) (REP 12.46-171)
-	-	Buffer lower roll (2B) (REP 12.44-171)
-	-	Booklet entrance roll (2C) (REP 12.43-171)
3	019K13660	Buffer clamp assembly
4	006K32820	Stacker exit roll
5	006K32810	Top exit roll
6	013E25800	Copper bearing
7	-	Buffer clamp shaft (P/O PL 12.130 Item 3)
8	019K14420	Buffer clamp



R-8-0027-A

# PL 12.135 HVF Feed Assembly and Punch (3 of 3)

Item	Part	Description
1	130E12830	Tamper front home sensor (Q12-180)/Tamper front away sensor (Q12-182)/Nip split sensor (Q12-091)/Nip home sensor (Q12-088)
2	130E12810	Entry sensor (Q12-077)/Compiler exit sensor (Q12-106)/Buffer position sensor (Q12-086)/Buffer path sensor (Q12-321)/Inserter standby sensor(Q12-320)
3	130E12840	Top tray exit sensor (Q12-107)/HVF Booklet exit sensor (Q12-087)

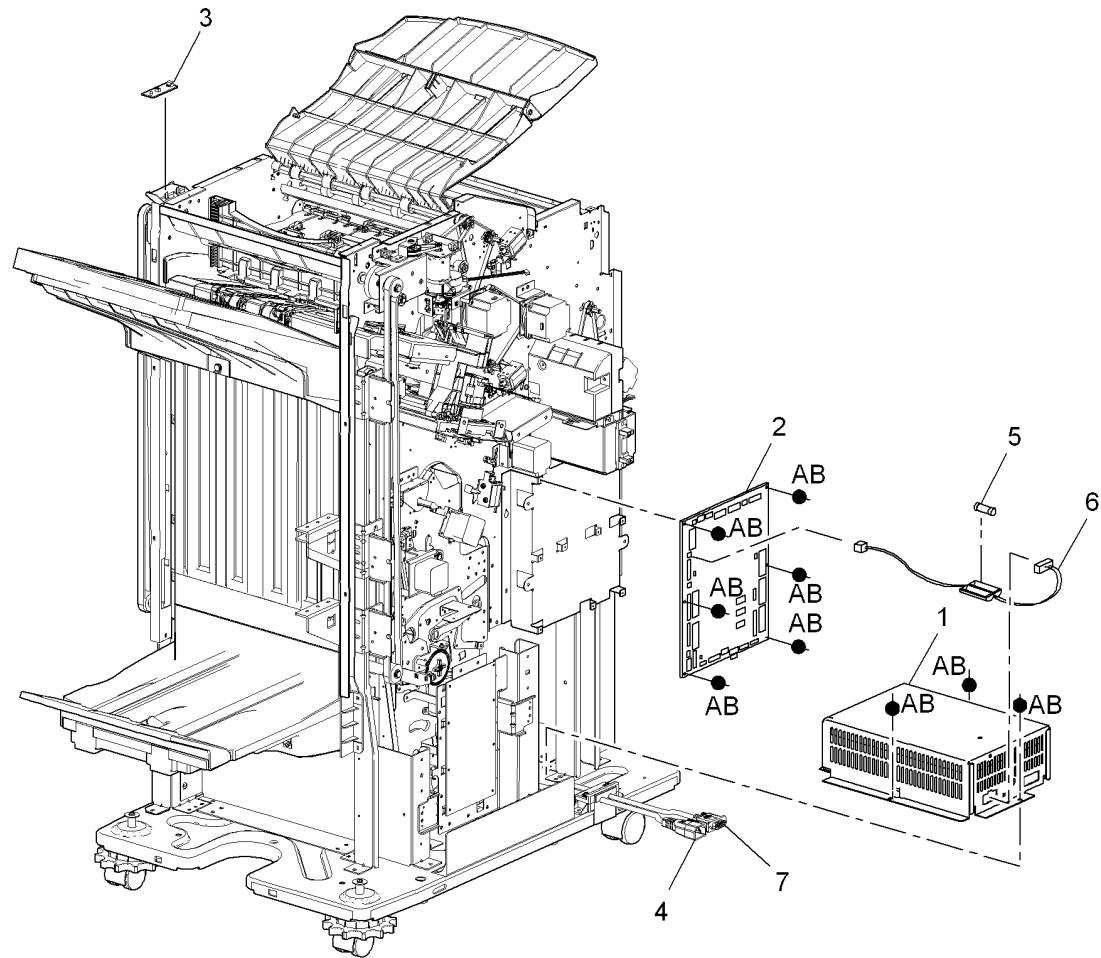


R-8-0028-A



## PL 12.140 HVF Power and Control

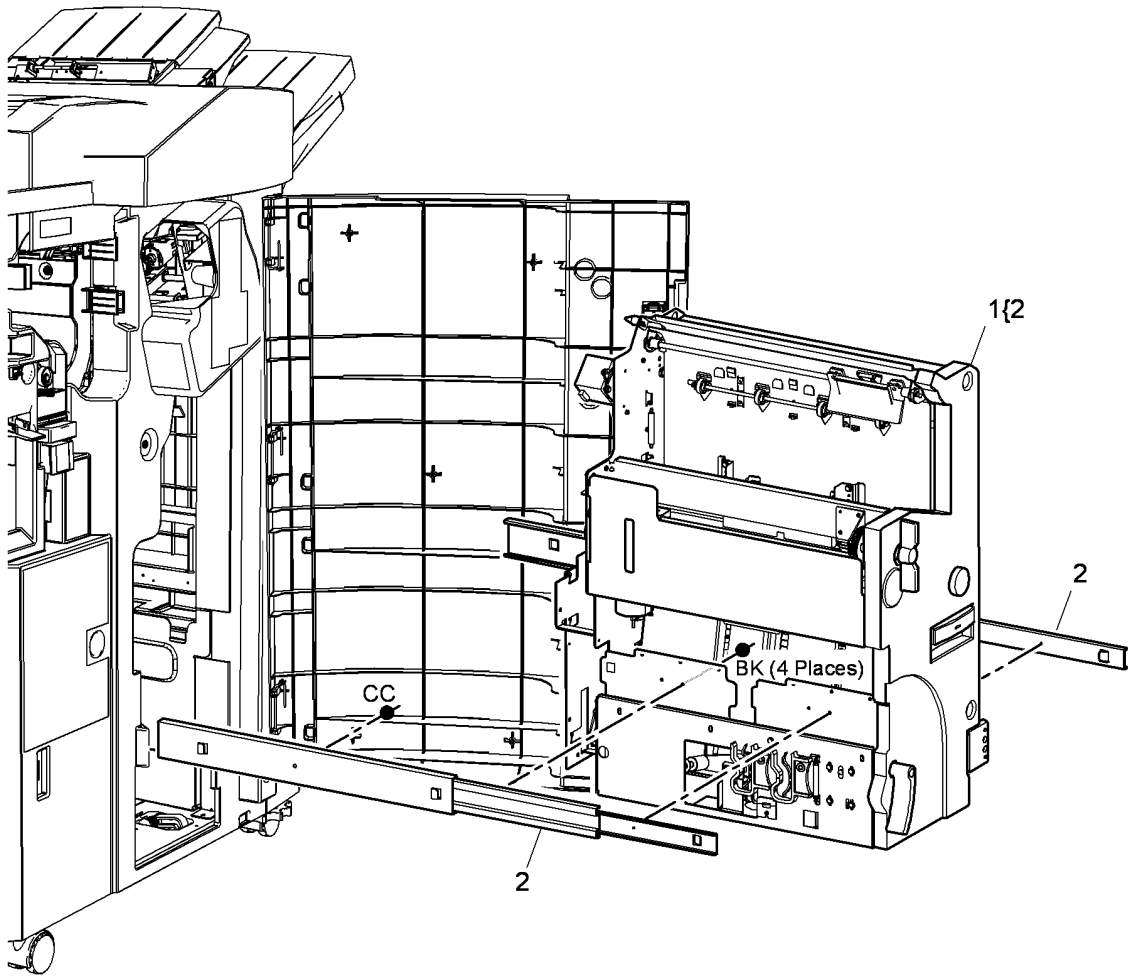
Item	Part	Description
1	105K35831	HVF power supply unit (REP 12.55-171)
2	960K52570	HVF PWB (REP 12.57-171)
3	960K41780	Pause to unload (PTU) PWB (REP 12.97-171)
4	105K36840	Power cord
5	–	In-line fuse (10A slo-blow) (Not spared)
6	–	Harness (Not spared)
7	952K00410	Power communications cable



R-8-0029-B

# PL 12.145 HVF BM Module (Complete)

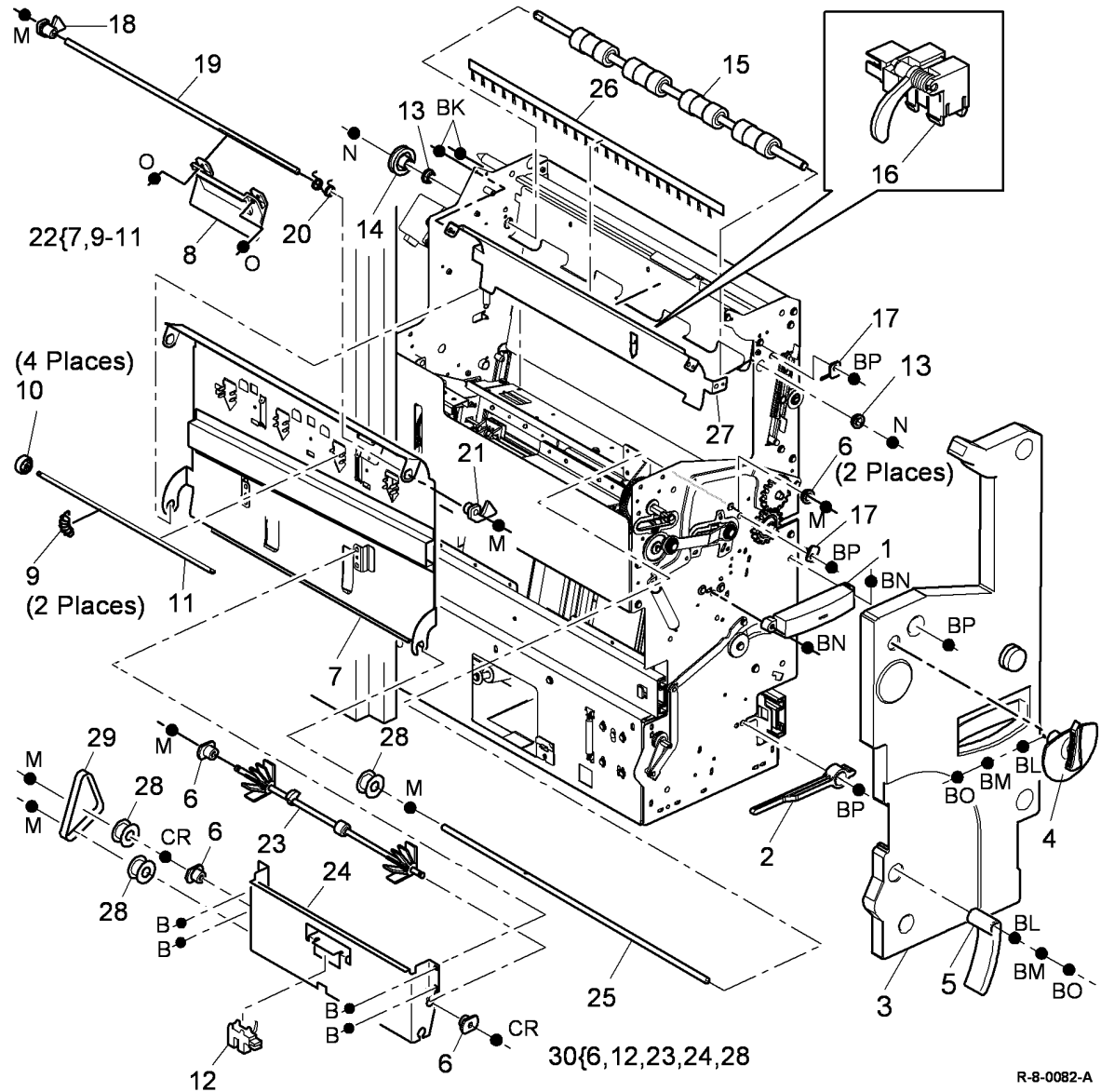
Item	Part	Description
1	084K37050	BM Module (REP 12.61-171)
2	-	Slide assembly (Not spared) (REP 12.62-171)



R-8-0081-A

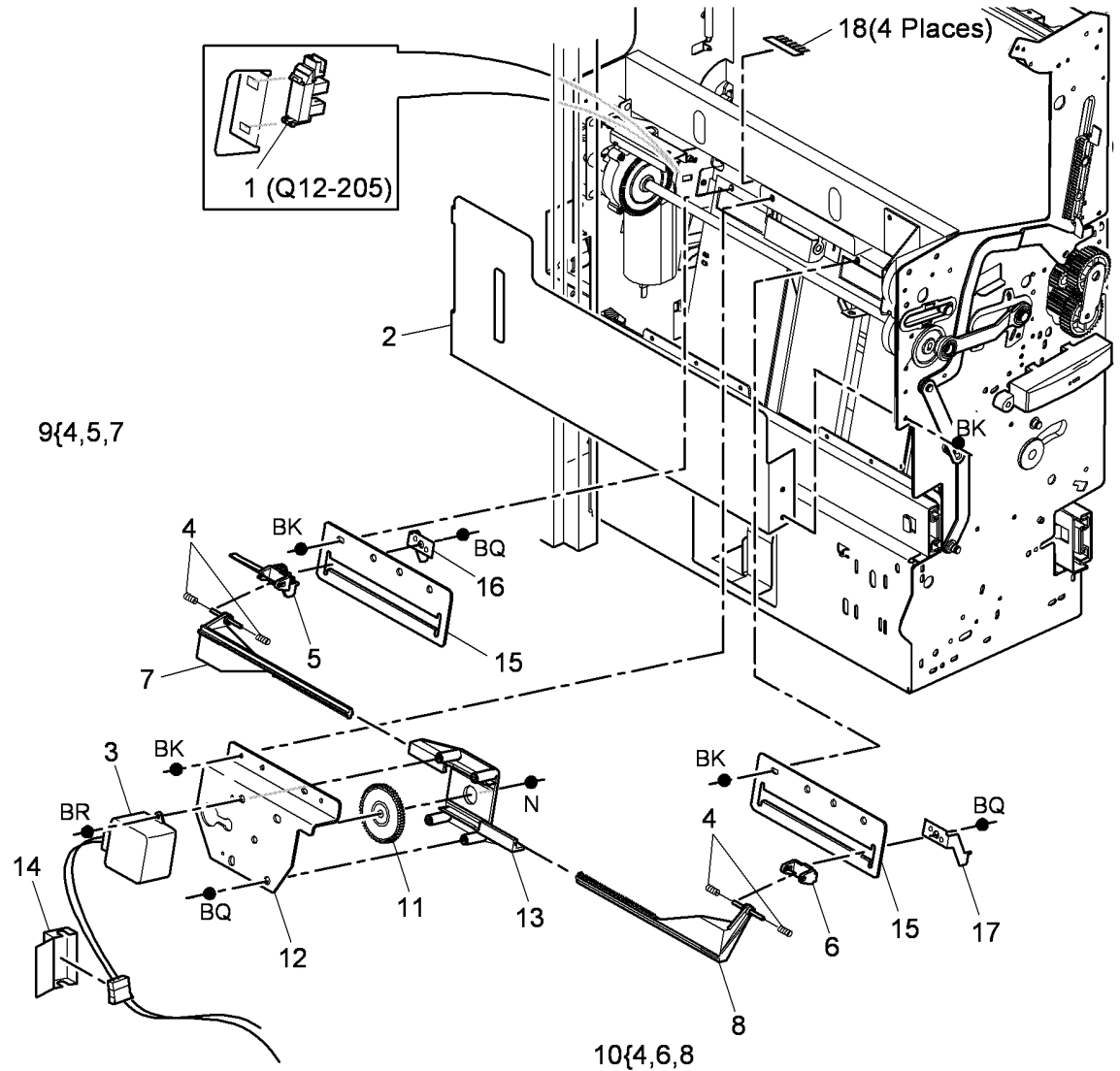
# PL 12.150 HVF BM Entry and Front Cover

Item	Part	Description
1	003E69092	Drawer handle
2	-	Crease roll leaf spring (Not spared)
3	848E40470	BM Front cover
4	803E14110	Crease blade knob (6d)
5	803E13850	Crease roll handle (6c)
6	013E12610	Nylon bearing
7	-	Paper guide (6e) (P/O PL 12.150 Item 22) (REP 12.60-171)
8	-	Jam clearance handle (Not spared) (REP 12.60-171)
9	-	Nip spring (P/O PL 12.150 Item 22) (REP 12.60-171)
10	022E30620	Nip roll (REP 12.60-171)
11	-	Nip shaft (P/O PL 12.150 Item 22) (REP 12.60-171)
12	130K74072	Flapper home sensor (Q12-207) (REP 12.16-171)
13	-	Bearing (Not spared)
14	020E39990	BM Entry roll pulley (REP 12.22-171)
15	006K28660	BM Entry roll (REP 12.22-171)
16	130K74110	BM Entry sensor (Q12-089) (REP 12.23-171)
17	125E00430	Static eliminator
18	-	Rear latch (Not spared)
19	-	Shaft (Not spared)
20	809E46411	Latch spring
21	-	Front latch (Not spared)
22	-	Entrance baffle assembly (Not spared) (REP 12.60-171)
23	-	BM Flapper (P/O PL 12.150 Item 30) (REP 12.16-171)
24	-	BM flapper bracket (P/O PL 12.150 Item 30)
25	-	BM Compiler shaft (Not spared)
26	125K03831	Static eliminator
27	-	Top baffle (Not spared)
28	-	Pulley (Not spared)
29	-	BM flapper drive belt (Not spared)
30	059K52940	BM Flapper assembly (REP 12.16-171)



# PL 12.155 HVF BM Tamper Assembly

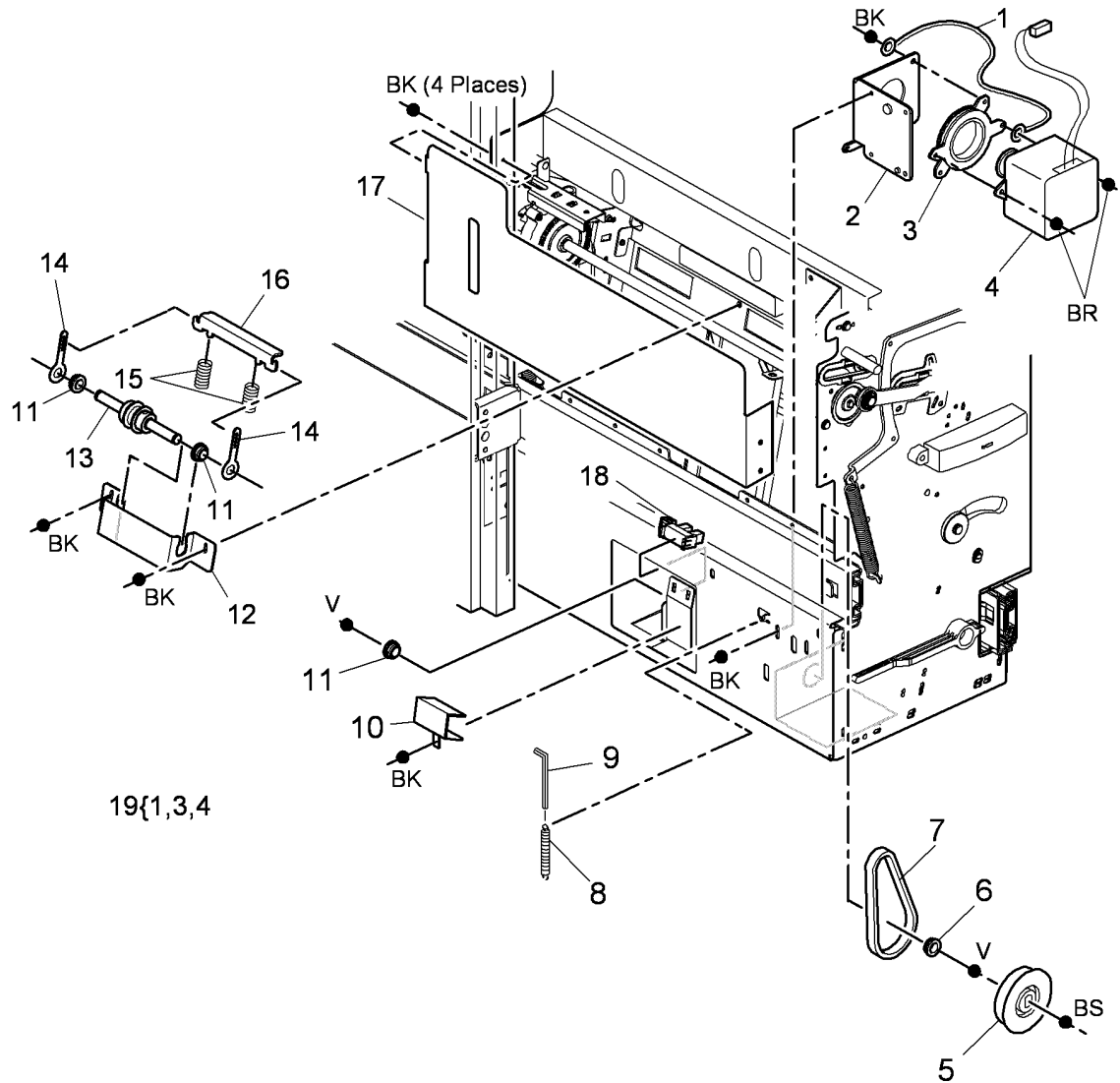
Item	Part	Description
1	107E22600	BM Tamper 1 home sensor (Q12-205)
2	-	LH Frame plate (Not spared)
3	127K47660	BM Tamper 1 motor (MOT12-256) (REP 12.30-171)
4	-	BM Tamper spring (P/O PL 12.155 Item 10)
5	-	BM Rear tamper arm (P/O PL 12.155 Item 9) (REP 12.30-171)
6	-	BM Front tamper arm (P/O PL 12.155 Item 10) (REP 12.30-171)
7	-	BM Rear tamper rack (P/O PL 12.155 Item 9) (REP 12.30-171)
8	-	BM Front tamper rack (P/O PL 12.155 Item 10) (REP 12.30-171)
9	007K13190	BM Rear tamper assembly (REP 12.30-171)
10	007K13180	BM Front tamper assembly (REP 12.30-171)
11	807E15450	BM Tamper gear (REP 12.30-171)
12	-	BM Tamper bracket (Not spared) (REP 12.30-171)
13	-	BM Tamper rack guide (Not spared) (REP 12.30-171)
14	802E59410	BM Connector cover
15	-	BM Tamper guide plate (Not spared) (REP 12.30-171)
16	-	BM Rear tamper finger (Not spared) (REP 12.30-171)
17	-	BM Front tamper finger (Not spared) (REP 12.30-171)
18	125K03593	BM Static eliminator



R-8-0083-A

# PL 12.160 HVF BM Back Stop Motor

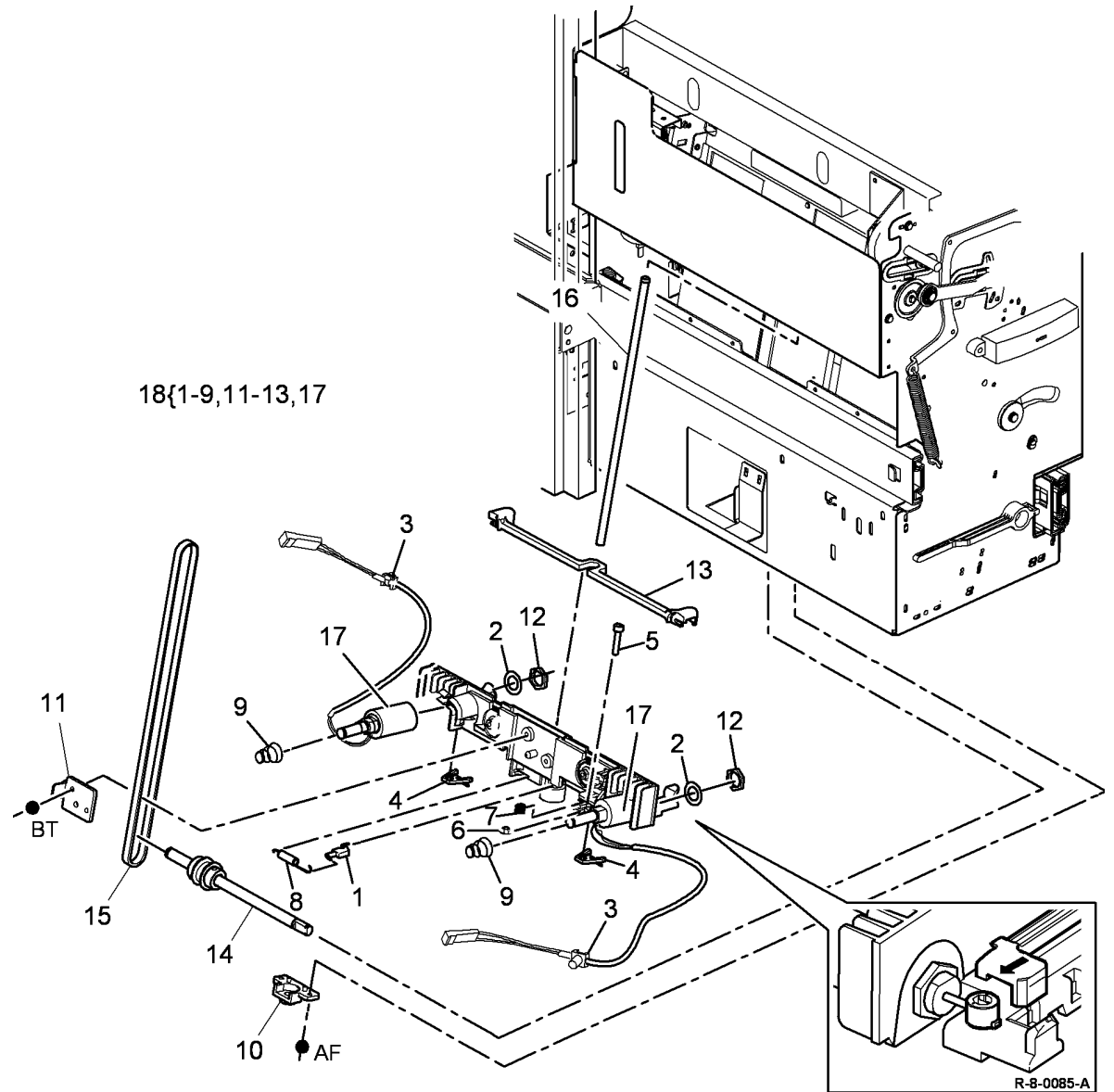
Item	Part	Description
1	-	Ground wire (P/O PL 12.160 Item 19)
2	-	Motor bracket (Not spared)
3	-	Motor damper (P/O PL 12.160 Item 19) (REP 12.20-171)
4	-	BM back stop motor (MOT12-255) (P/O PL 12.160 Item 19) (REP 12.20-171)
5	-	Pulley (Not spared)
6	-	BM back stop bearing (Not spared)
7	023E23300	BM back stop drive belt (REP 12.20-171)
8	809E78370	BM back stop tensioner spring (REP 12.20-171)
9	-	Allen key (3mm) (Not spared)
10	848E40480	Sensor cover
11	-	BM back stop bearing (Not spared) (REP 12.26-171)
12	-	BM back stop idler bracket (Not spared) (REP 12.26-171)
13	-	BM back stop idler shaft (Not spared)
14	-	BM back stop tensioner link (Not spared)
15	809E25100	BM back stop link spring (REP 12.26-171)
16	012E20870	BM back stop link (REP 12.26-171)
17	-	LH frame plate (Not spared)
18	107E22600	BM guide home sensor (Q12-204)
19	127K54710	BM back stop motor assembly (REP 12.20-171)



R-8-0084-A

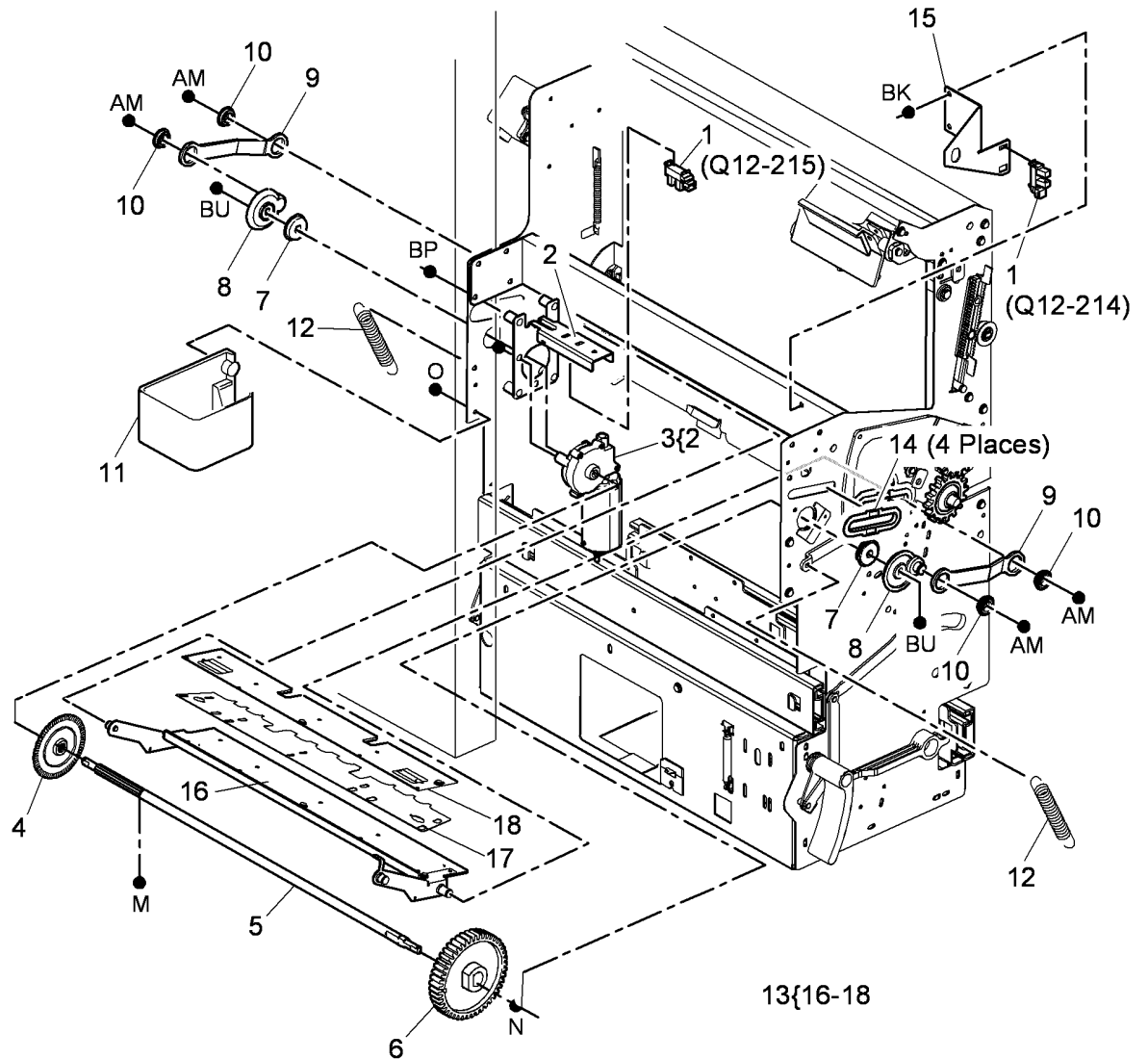
# PL 12.165 HVF BM Back Stop assembly

Item	Part	Description
1	019E74451	Anti-play shoe
2	-	BM back stop lock washer (P/O PL 12.165 Item 18)
3	-	Cable fastener (P/O PL 12.165 Item 18)
4	031E11300	Anti-rattle arm
5	-	Screw (P/O PL 12.165 Item 18)
6	-	Flanged hex nut (P/O PL 12.165 Item 18)
7	-	Back stop adjust spring (P/O PL 12.165 Item 18)
8	809E71970	Antiplay spring
9	-	Solenoid spring (P/O PL 12.165 Item 18)
10	-	Shaft support (Not spared)
11	-	Belt clamp (P/O PL 12.165 Item 18)
12	-	BM back stop solenoid nut (P/O PL 12.165 Item 18)
13	-	Pivoting clamp (P/O PL 12.165 Item 18)
14	006K30790	BM back stop drive shaft (REP 12.26-171)
15	023E23140	BM back stop belt (REP 12.26-171)
16	-	BM back stop shaft (Not spared)
17	-	BM stack hold solenoid (SOL12-259) (P/O PL 12.165 Item 18)
18	019K14160	BM back stop assembly (REP 12.21-171)



# PL 12.170 HVF BM Crease Blade Motor

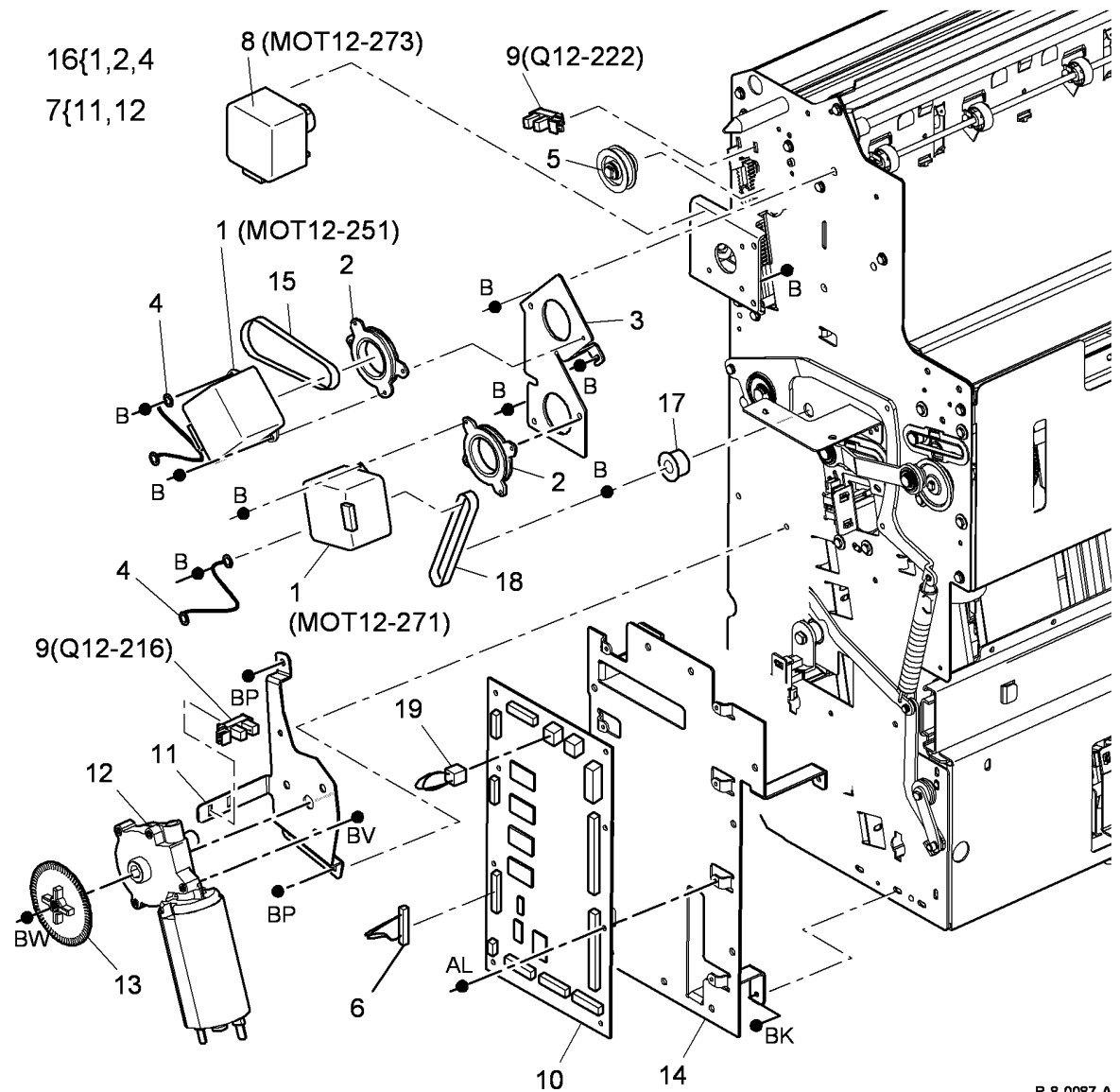
Item	Part	Description
1	107E22600	BM Crease blade motor encoder sensor (Q12-215), BM Crease blade home sensor (Q12-214) (REP 12.18-171)
2	-	Motor bracket (P/O PL 12.170 Item 3)
3	127K54690	BM Crease blade motor assembly (MOT12-252) (REP 12.18-171)
4	014E47460	Motor encoder (REP 12.18-171)
5	806E36200	Drive shaft
6	007E69830	Drive gear (40T)
7	413W30654	Bearing (REP 12.18-171)
8	008E08220	Crank (REP 12.18-171)
9	012E20860	Connecting rod (REP 12.36-171)
10	-	Bearing (Not spared)
11	802E59171	Motor cover
12	809E42861	Crease nip spring (REP 12.36-171)
13	-	Crease blade assembly (Not spared) (REP 12.36-171, ADJ 12.4-171)
14	032E19330	Crease blade support guide (REP 12.36-171)
15	-	Crease blade home sensor bracket (Not spared)
16	-	Lower mounting plate (P/O PL 12.170 Item 13)
17	815E56520	Crease blade folder plate
18	-	Upper mounting plate (P/O PL 12.170 Item 13)



R-8-0086-A

# PL 12.175 HVF BM Crease Rolls Motor and PWB

Item	Part	Description
1	127K43751	BM compiler motor (MOT12-251)/ BM flapper motor (MOT12-271) (REP 12.25-171)
2	-	Damper bracket (P/O PL 12.175 Item 16) (REP 12.25-171)
3	-	Motor bracket (Not spared)
4	-	Ground wire (P/O PL 12.175 Item 16)
5	007E69000	Gear (50T)/pulley (24T)
6	-	Tri-folder logic cheat (PJ563) (Not spared)
7	127K54680	BM Crease roll motor assembly
8	127K53620	BM crease roll gate motor (MOT12- 273) (REP 12.24-171)
9	107E22600	BM Crease roll gate home sensor (Q12-222), BM Crease roll motor encoder sensor (Q12-216)
10	960K52781	BM PWB (REP 12.17-171)
11	-	Motor bracket (P/O PL 12.175 Item 12)
12	127K62560	BM Crease roll motor (MOT12-253) (REP 12.19-171)
13	014E47460	BM Crease roll motor encoder
14	-	Support bracket (Not spared)
15	023E25430	Compiler motor belt
16	127K55520	BM Compiler motor assembly (REP 12.25-171)
17	-	BM flapper motor pulley (Not spared)
18	-	BM flapper motor drive belt (Not spared)
19	-	Tri-folder interlock cheat (PJ553) (Not spared)

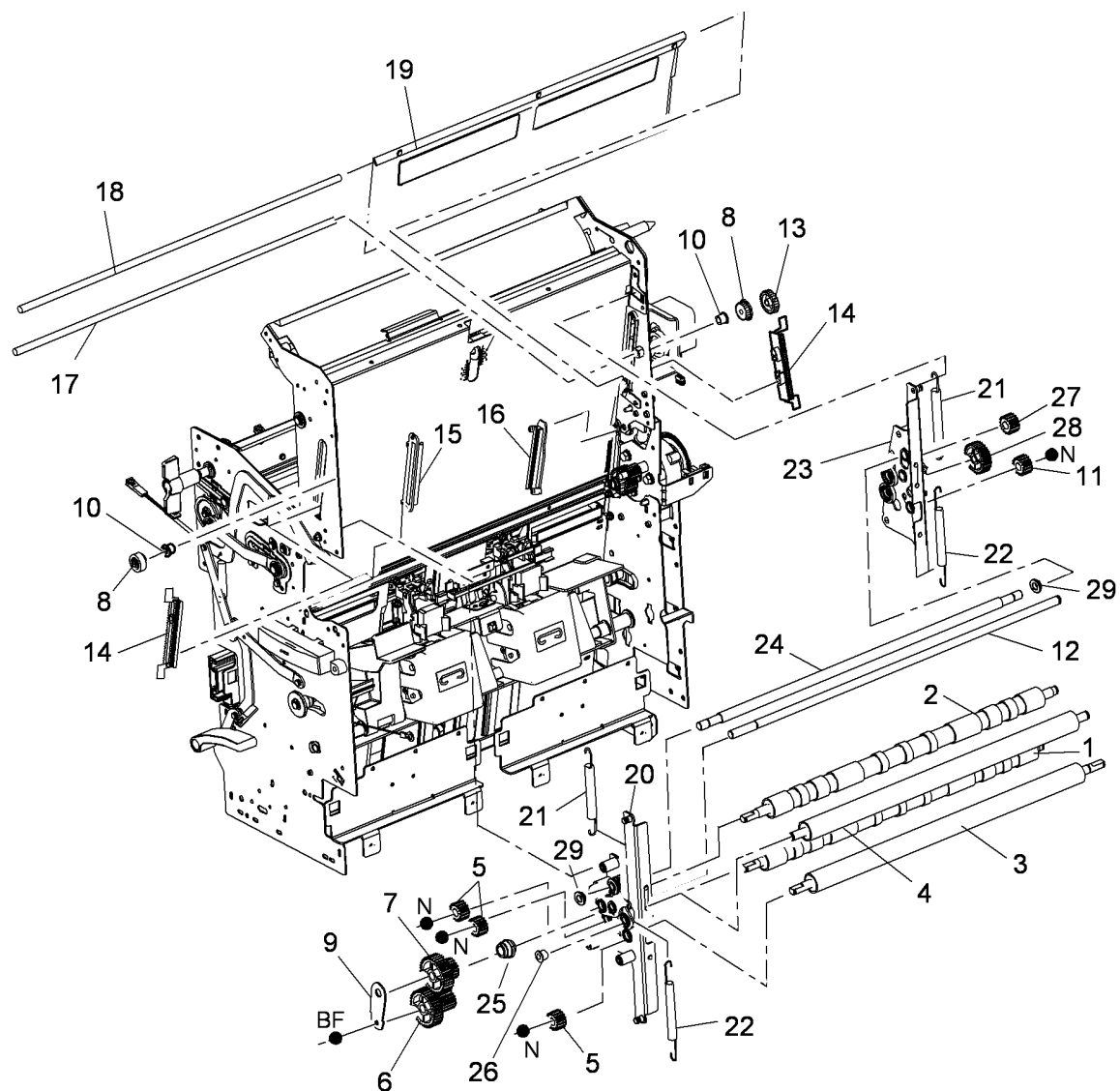


R-8-0087-A



# PL 12.180 HVF BM Crease Rolls and Support Leg

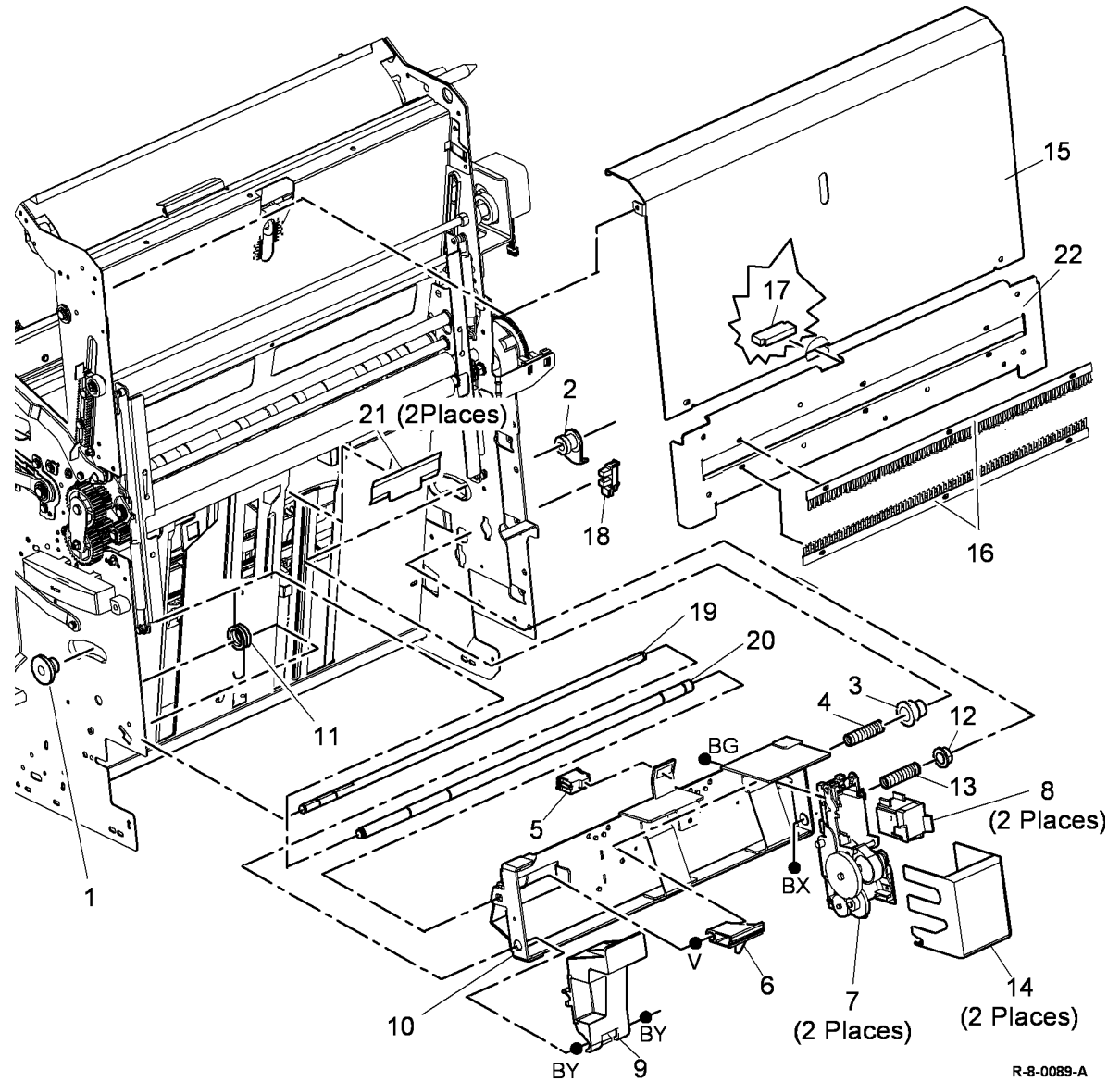
Item	Part	Description
1	006K32721	Crease roll assembly 1 (REP 12.52-171)
2	006K32731	Crease roll assembly 2 (REP 12.52-171)
3	006K32740	Crease roll assembly 3 (REP 12.52-171)
4	006K32750	Crease roll assembly 4 (REP 12.52-171)
5	807E34231	Gear crease roll 4
6	807E34240	Lower compound gear
7	807E34280	Upper compound gear
8	007E69081	Crease roll gate rack gear (REP 12.59-171)
9	-	Gear plate (Not spared)
10	-	Bearing (Not spared)
11	807E34261	Gear 16T
12	-	Drive shaft (Not spared)
13	007E69070	Crease roll gate rack drive gear (REP 12.59-171)
14	007E68951	Crease roll gate rack (REP 12.59-171)
15	020E54110	Crease roll gate front guide
16	020E54120	Crease roll gate rear guide
17	-	Crease roll drive shaft (Not spared)
18	-	Crease roll gate shaft (Not spared)
19	050E23160	Crease roll gate (REP 12.59-171)
20	-	Front frame assembly (Not spared)
21	809E95060	Spring arm nip 1
22	809E95071	Spring arm nip 2
23	-	Rear frame assembly (Not spared)
24	-	Nip release shaft (Not spared)
25	016E20010	Bush roll release
26	413W88650	Bearing flanged
27	807E34251	Gear 15T
28	807E34270	Gear 30T
29	016E20000	Bush follower



R-8-0088-A

# PL 12.185 HVF BM Stapler Assemblies

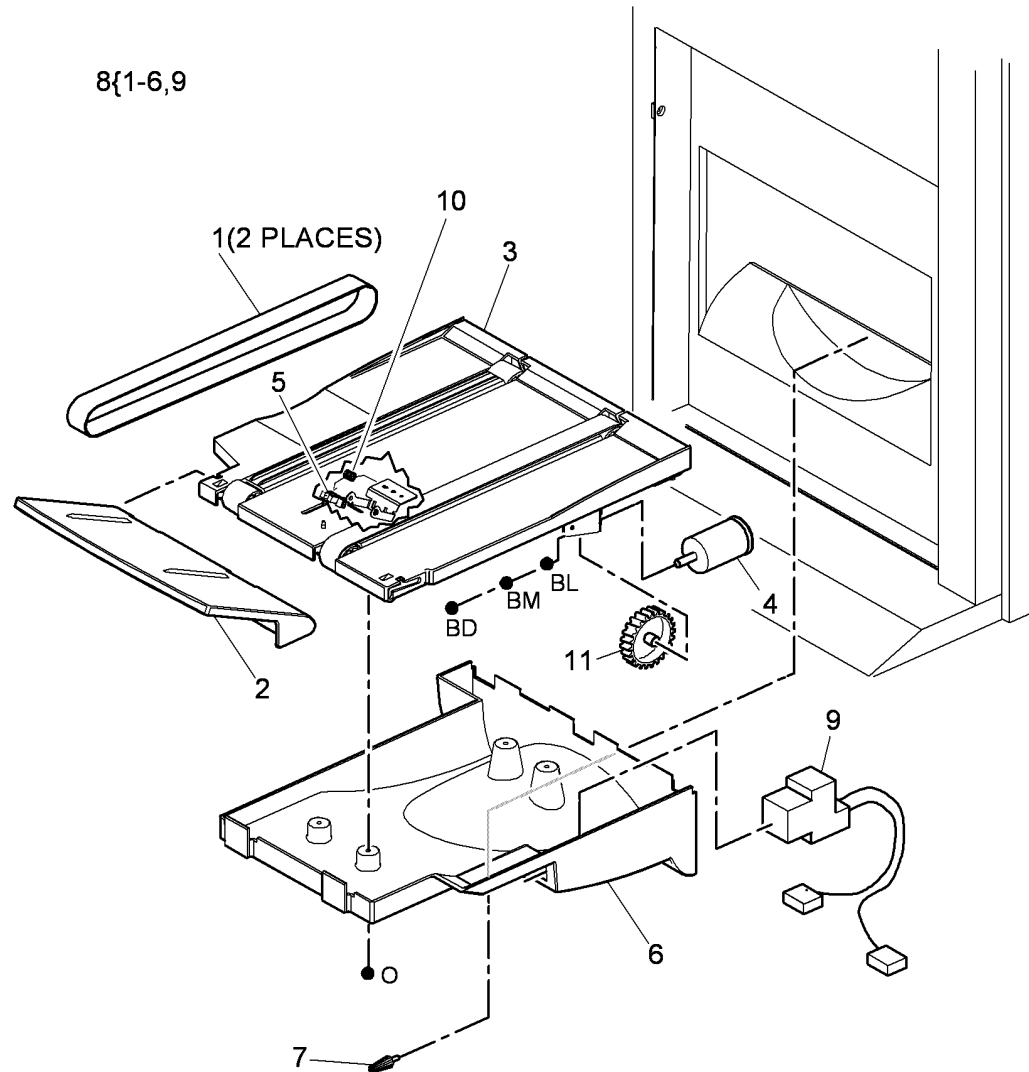
Item	Part	Description
1	020E38513	Front follower
2	016E17731	Actuator
3	-	Rear follower (Not spared)
4	809E44010	Spring
5	130K74090	BM Paper present sensor (Q12-170)
6	008E06850	Latch slide
7	029K03232	BM Staple head assembly (REP 12.27-171, ADJ 12.3-171)
8	-	Staple cartridge (REF: PL 26.10 Item 17)
9	-	Staple bracket handle (Not spared) (REP 12.28-171)
10	-	Stapler bracket assembly (Not spared) (REP 12.28-171)
11	809E48830	Torsion spring (REP 12.28-171)
12	-	Bearing (Not spared) (REP 12.28-171)
13	-	Spring (Not spared) (REP 12.28-171)
14	802E42770	Staple head cover
15	-	BM right hand cover (Not spared) (REP 12.56-171)
16	125K03831	Static eliminator
17	130E11640	BM exit sensor (Q12-213) (REP 12.50-171)
18	107E22600	BM Stapler head carrier closed sensor (Q12-217) (REP 12.28-171)
19	-	Lower shaft (Not spared) (REP 12.28-171)
20	-	Upper shaft (Not spared) (REP 12.28-171)
21	055E51870	Mylar guide
22	-	Exit plate (Not spared)



R-8-0089-A

## PL 12.190 HVF BM Bin 2

Item	Part	Description
1	023E18612	Conveyor belt (REP 12.29-171)
2	050E21971	HVF BM Bin 2 extension
3	-	HVF BM Bin 2 upper cover (P/O PL 12.190 Item 8)
4	127K53630	BM Conveyor drive motor (MOT12-274)
5	019E61171	HVF BM Bin 2 90% full sensor (Q12-206)
6	-	HVF BM Bin 2 lower cover (P/O PL 12.190 Item 8)
7	826E32840	Thumbscrew
8	050K67740	HVF BM Bin 2 assembly
9	-	HVF BM Bin 2 connector (Not spared)
10	809E47341	HVF Bin 2 actuator spring
11	007E69000	Gear (50T)/pulley (24T)

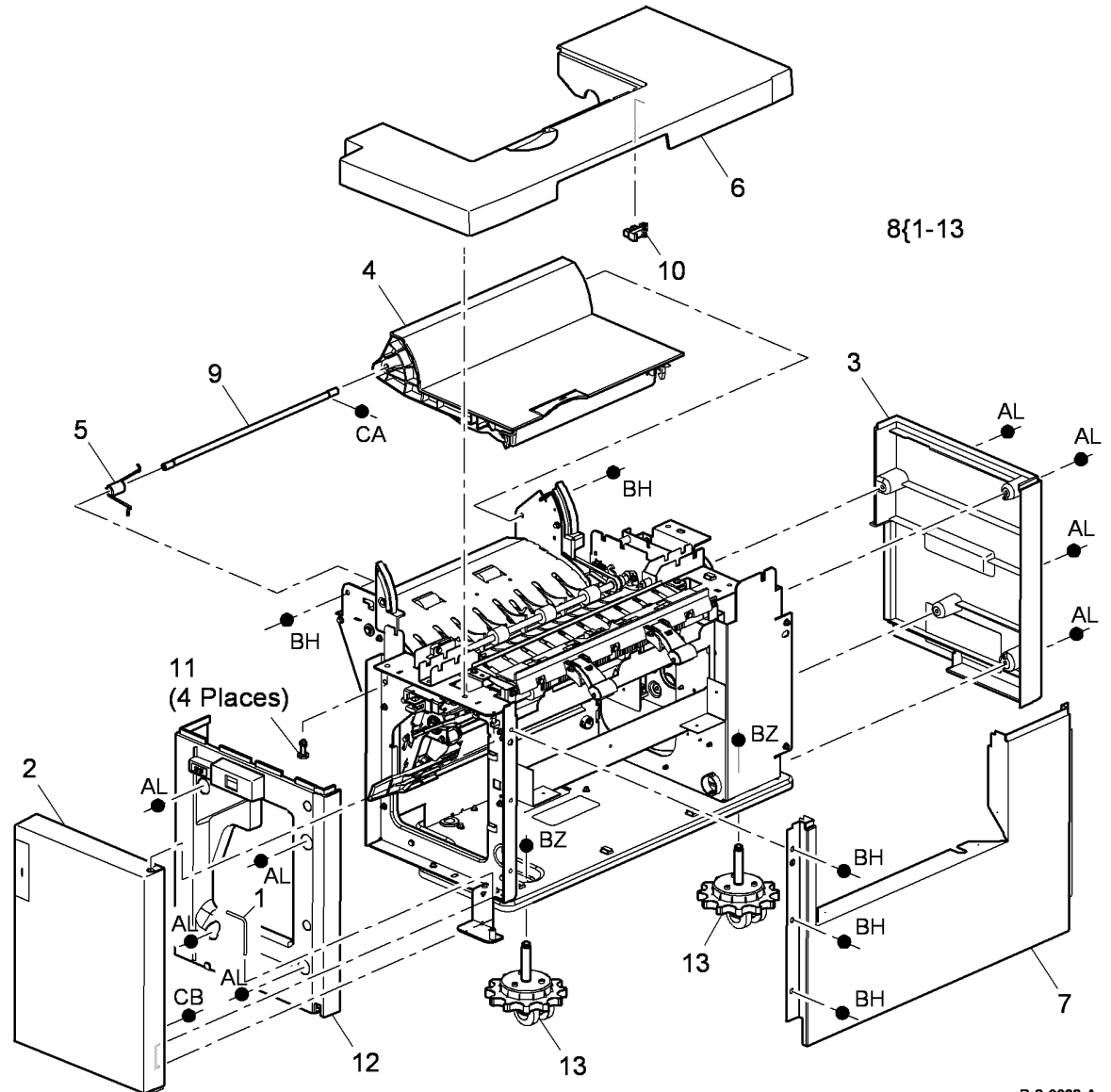


R-8-0090-A

## PL 12.200 Tri-Folder Covers

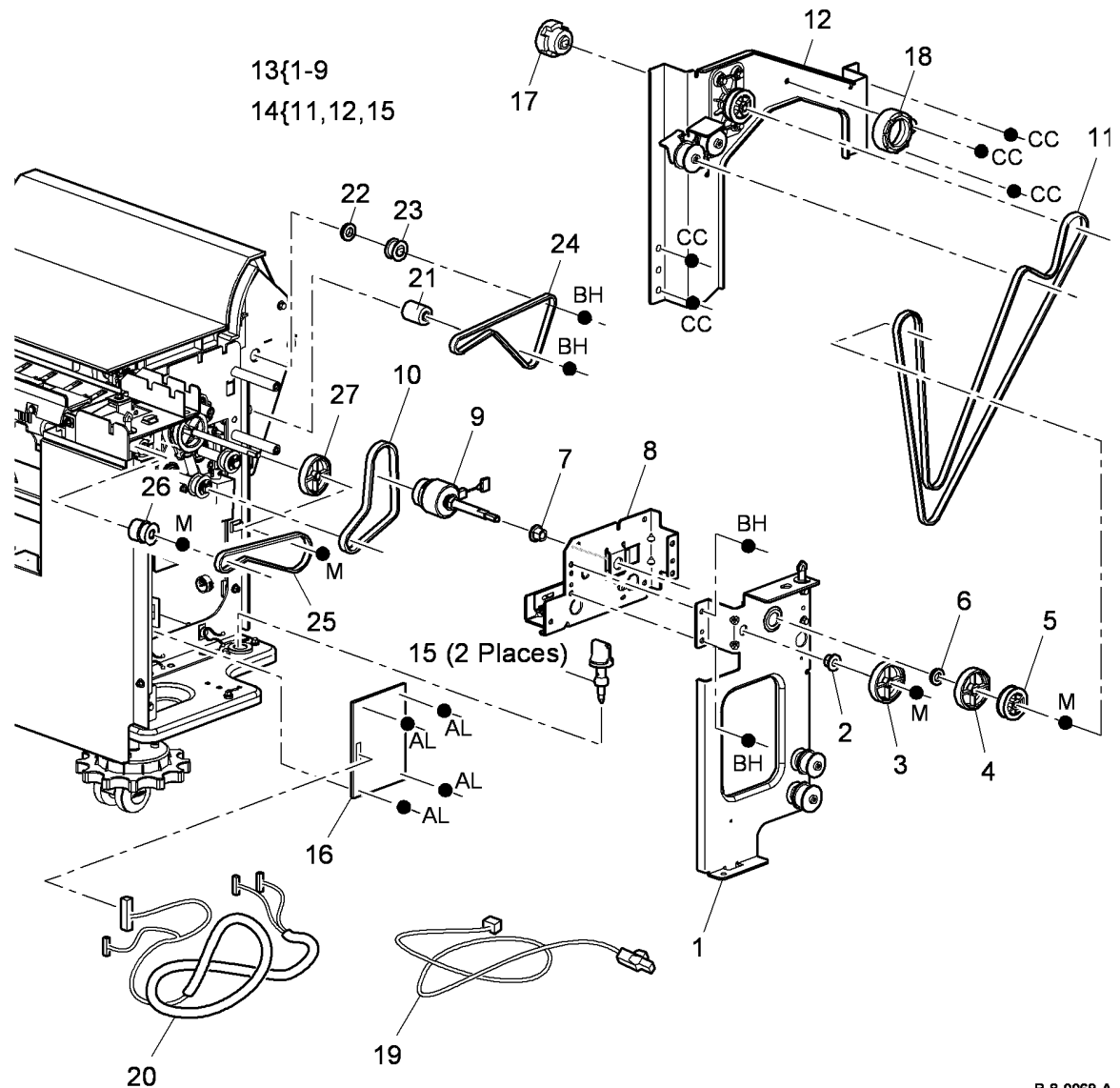
Item	Part	Description
1	–	Door pin (Not spared)
2	802K94010	Front cover assembly (REP 12.67-171)
3	848K11740	Rear cover (REP 12.67-171)
4	–	Top cover door assembly (P/O PL 12.200 Item 8) (REP 12.73-171)
5	–	Top cover door assembly spring (P/O PL 12.200 Item 8)
6	802E93931	Top cover
7	848E17430	Right hand side cover (REP 12.67-171)
8	–	Tri-Folder (complete) (Not spared)
9	–	Top cover door assembly shaft (P/O PL 12.200 Item 8)
10	107E26490	Tri fold top cover interlock sensor (Q12-210) (REP 12.77-171)
11	–	Top cover locking stud (Not spared)
12	802E99581	Front cover
13	017K04190	Caster

**NOTE:** For detail of bin 2, refer to PL 12.190



# PL 12.205 Tri-Folder Drives Module

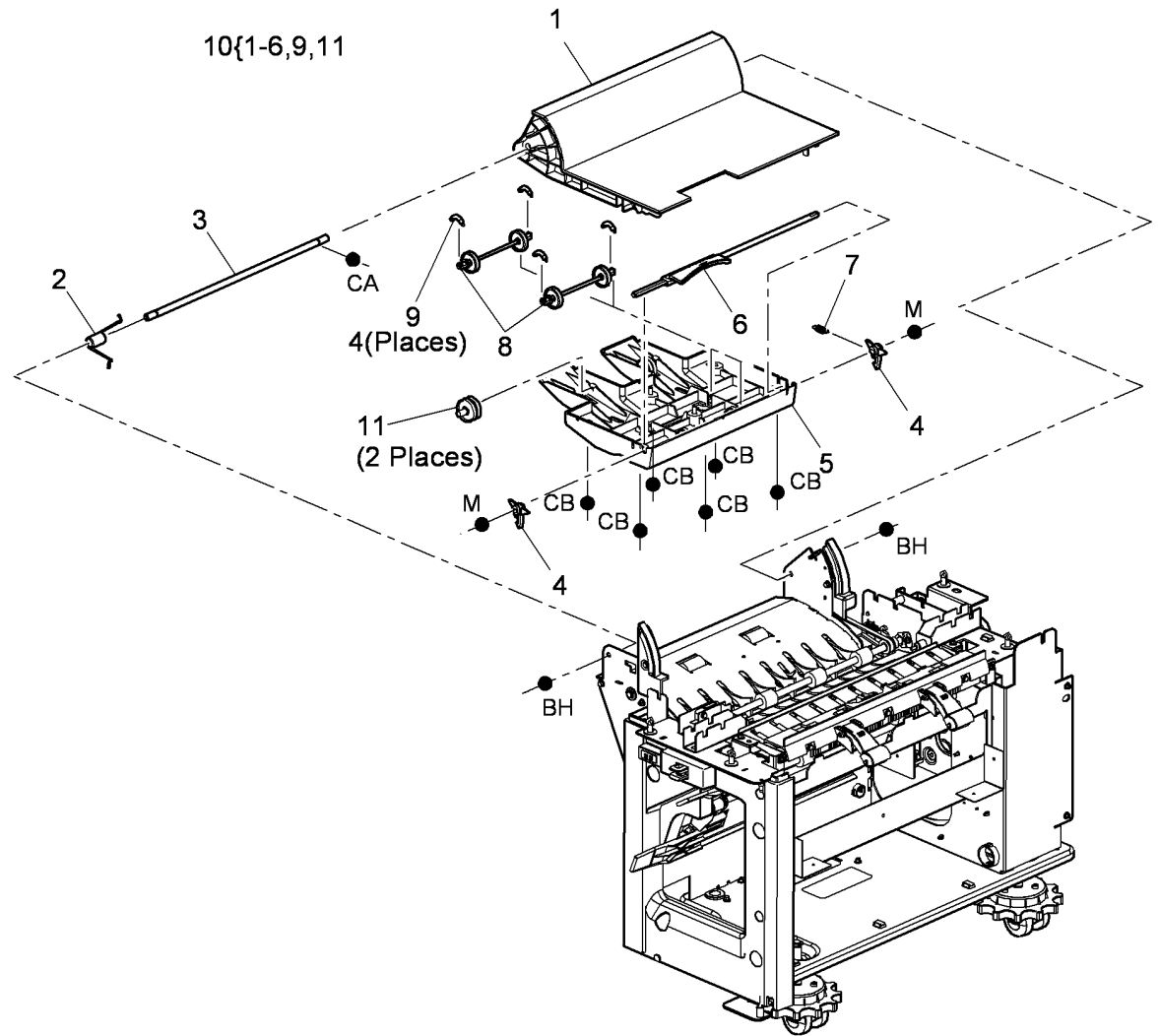
Item	Part	Description
1	-	Drive coupling assembly bracket (P/O PL 12.205 Item 13)
2	-	Bearing (P/O PL 12.205 Item 13)
3	-	Feed/exit roll drive gear (40T) (P/O PL 12.205 Item 13)
4	-	Gear (40T) (Black) (P/O PL 12.205 Item 13)
5	-	Driven pulley (P/O PL 12.205 Item 13)
6	-	Bearing (P/O PL 12.205 Item 13)
7	-	Bearing (P/O PL 12.205 Item 13)
8	-	Idler assembly bracket (P/O PL 12.205 Item 13)
9	-	Drive clutch (CL12-269) (P/O PL 12.205 Item 13)
10	-	Crease roll belt (Not spared)
11	023E30780	Coupler drive belt (REP 12.68-171)
12	007K14460	Install kit drive assembly
13	005K12690	Drive coupling assembly (REP 12.69-171)
14	675K53640	Tri-Folder install kit (REP 12.68-171)
15	-	Thumb screw (P/O PL 12.205 Item 14)
16	960K24000	Tri-folder PWB (REP 12.80-171)
17	-	Drive coupler (Not spared)
18	-	Align gauge coupler (Not spared)
19	962K49592	Bin 2 tray harness (REP 12.81-171)
20	962K49571	Bookletmaker PWB to Tri-folder PWB harness (PJ602)
21	-	Drive belt tensioner pulley (Not spared)
22	-	Feed roller bearing (Not spared)
23	-	Feed roll pulley (Not spared) (REP 12.70-171)
24	-	Feed roll belt (Not spared) (REP 12.70-171)
25	023E23370	Feed roll drive belt
26	020E39921	Pulley gear 19T/20T BM
27	020E39930	Pulley (38T)



R-8-0069-A

# PL 12.210 Tri-Folder Top Door Cover Assembly

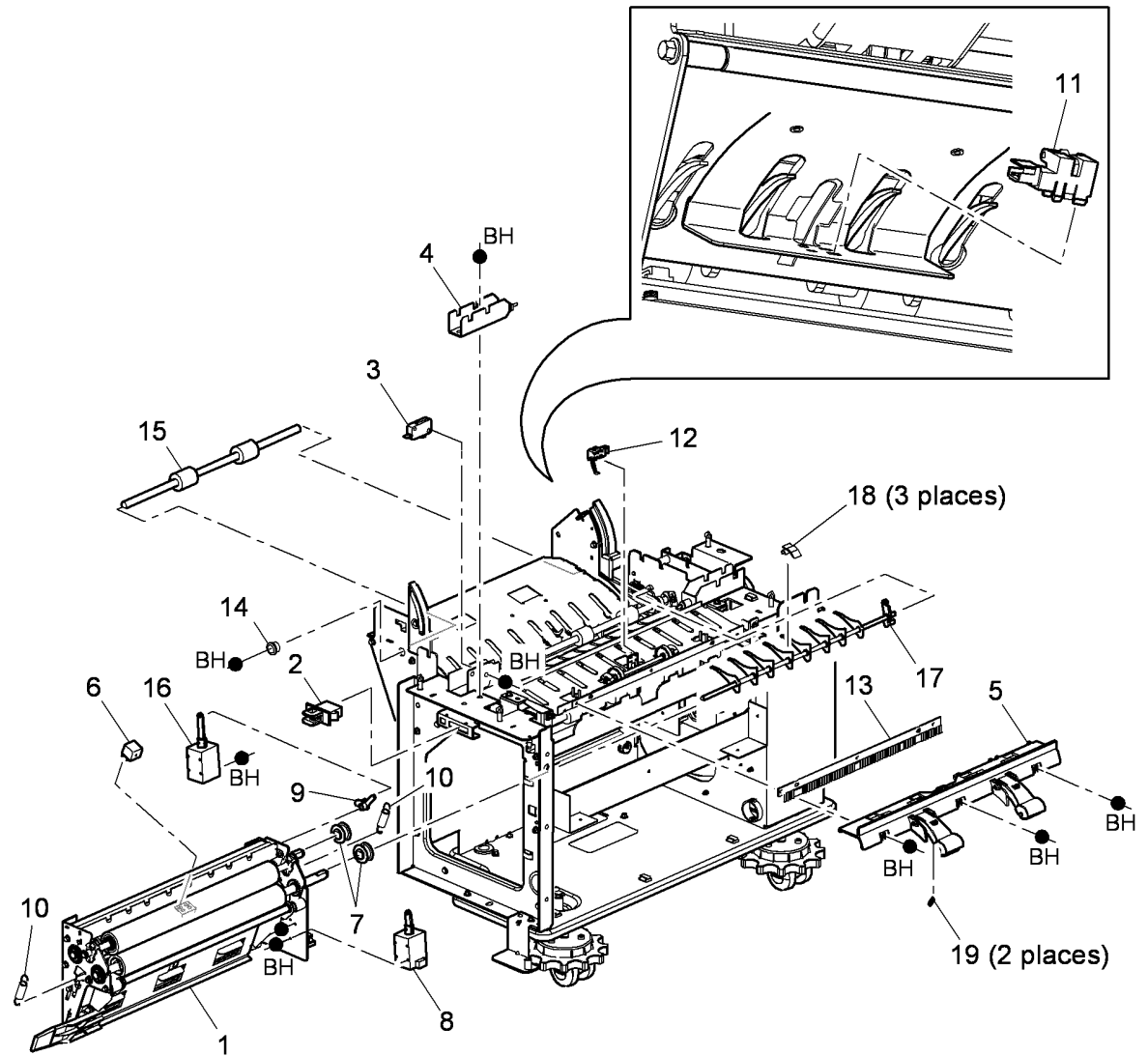
Item	Part	Description
1	-	Top access cover (P/O PL 12.210 Item 10)
2	-	Top cover door assembly spring (P/O PL 12.210 Item 10)
3	-	Top cover door assembly shaft (P/O PL 12.210 Item 10)
4	-	Latch hook (P/O PL 12.210 Item 10)
5	-	Top door cover assembly base (P/O PL 12.210 Item 10)
6	-	Latch handle (P/O PL 12.210 Item 10)
7	-	Latch spring (P/O PL 12.210 Item 10)
8	059K58690	Idler assembly (REP 12.73-171)
9	-	Idler spring (P/O PL 12.210 Item 10)
10	848K11680	Top cover door assembly (REP 12.73-171)
11	-	Idler assembly (P/O PL 12.210 Item 10)



R-8-0070-A

# PL 12.215 Tri-Folder Main Drives Assembly

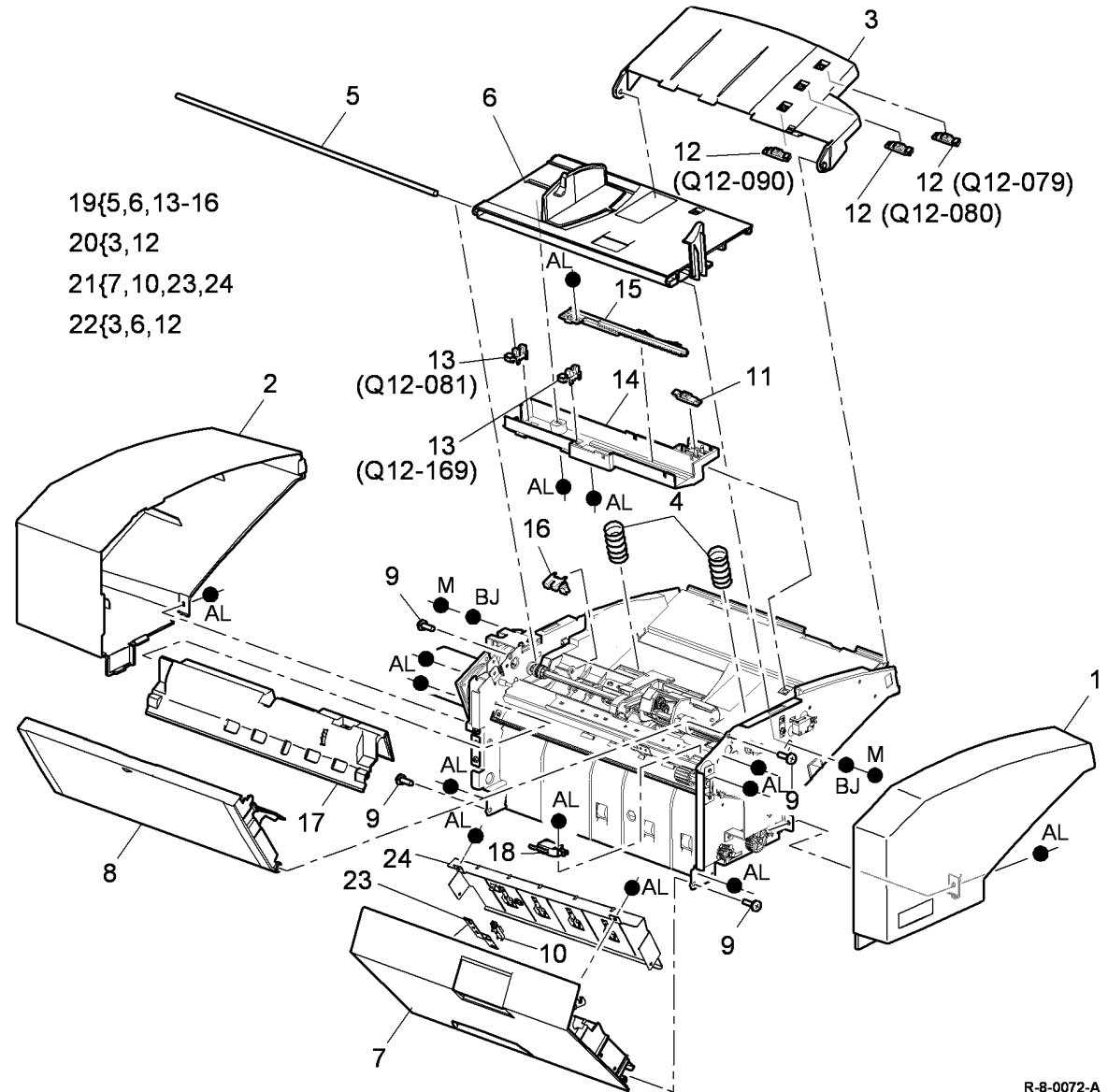
Item	Part	Description
1	-	Roller assembly (Not spared) (REP 12.74-171)
2	110E19840	Front door interlock switch (S12-209) (REP 12.77-171)
3	110E19831	Top cover interlock switch (S 12-210) (REP 12.77-171)
4	-	Top access cover docking catch (Not spared)
5	-	Pressing and stacking assembly (Not spared)
6	130E11861	Assist gate sensor (Q12-165) (REP 12.78-171)
7	020E38480	Centerfold pulley (REP 12.74-171)
8	121K44660	Assist gate solenoid (SOL12-268) (REP 12.71-171)
9	011E13832	Centerfold entry gate lever (REP 12.74-171)
10	809E44040	Crease roll spring (REP 12.72-171)
11	130K74920	Tri folder entry sensor (Q12-164) (REP 12.78-171)
12	130K74051	Tri folder exit sensor (Q12-166) (REP 12.79-171)
13	-	Static eliminator (Not spared)
14	-	Feed roller bearing (Not spared)
15	-	Feed roller (Not spared) (REP 12.70-171)
16	121K44650	Tri folder diverter solenoid (SOL12-267) (REP 12.74-171)
17	050E23180	Diverter gate
18	050E28950	Diverter gate spring clip
19	809E95080	Nip spring



R-8-0071-B

## PL 12.300 Inserter Covers

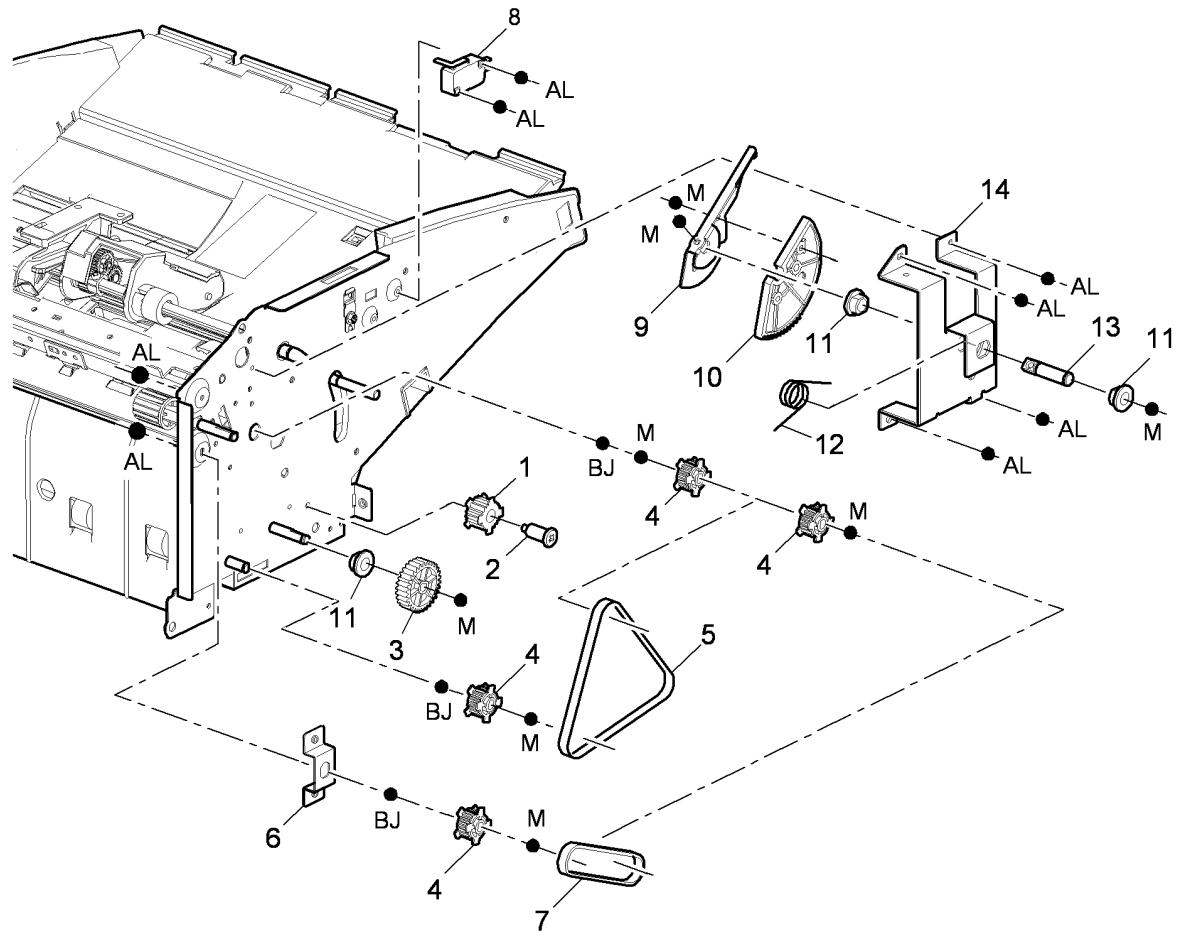
Item	Part	Description
1	-	Front cover (Not spared) (REP 12.83-171)
2	-	Rear cover (Not spared) (REP 12.83-171)
3	-	Sensor tray (P/O PL 12.300 Item 20) (REP 12.89-171)
4	-	Bottom tray spring (Not spared)
5	-	Bottom tray shaft (P/O PL 12.300 Item 19)
6	-	Bottom tray (P/O PL 12.300 Item 19) (REP 12.90-171)
7	-	Lower jam cover (P/O PL 12.300 Item 21) (REP 12.92-171)
8	-	Top cover door (REF: PL 12.310 Item 17)
9	-	Pivot pin (Not spared)
10	-	Inserter acceleration sensor (Q12-316) (P/O PL 12.300 Item 21) (REP 12.92-171)
11	-	Inserter unit empty sensor (Q12-082) (Not spared) (REP 12.90-171)
12	-	Inserter paper length 1 sensor (Q12-079)/Inserter paper length 2 sensor (Q12-080), Inserter paper length sensor 3 (Q12-090) (P/O PL 12.300 Item 22) (REP 12.89-171)
13	-	Paper width sensor 1 (Q12-081), Paper width sensor 2 (Q12-169) (P/O PL 12.300 Item 19) (REP 12.90-171)
14	-	Bottom tray bracket (P/O PL 12.300 Item 19)
15	-	Bottom tray rack (P/O PL 12.300 Item 19)
16	-	Inserter bottom plate sensor (Q12-085) (P/O PL 12.300 Item 19) (REP 12.94-171)
17	-	Top inside cover (Not spared)
18	-	Inserter jam cover interlock switch (S12-179) (Not spared) (REP 12.88-171)
19	050K68510	Bottom tray assembly
20	848K31350	Sensor tray assembly
21	-	Lower jam cover assembly (Not spared)
22	848K31370	Main tray assembly
23	-	Bracket (P/O PL 12.300 Item 21)
24	-	Lower jam inner cover (P/O PL 12.300 Item 21)





## PL 12.305 Inserter Main Drives (1 of 3)

Item	Part	Description
1	–	Idler (Not spared)
2	–	Idler pin (Not spared)
3	–	Gear (Not spared)
4	–	Pulley (Not spared)
5	–	Belt (Not spared)
6	–	Bracket (Not spared)
7	–	Jam drive belt (Not spared)
8	–	Inserter top cover interlock switch (S12-178) (Not spared) (REP 12.87-171)
9	–	Loading lever (Not spared)
10	–	Loading gear (Not spared)
11	–	Bearing (Not spared)
12	–	Torsion spring (Not spared)
13	–	Loading shaft (Not spared)
14	–	Front loading bracket (Not spared)

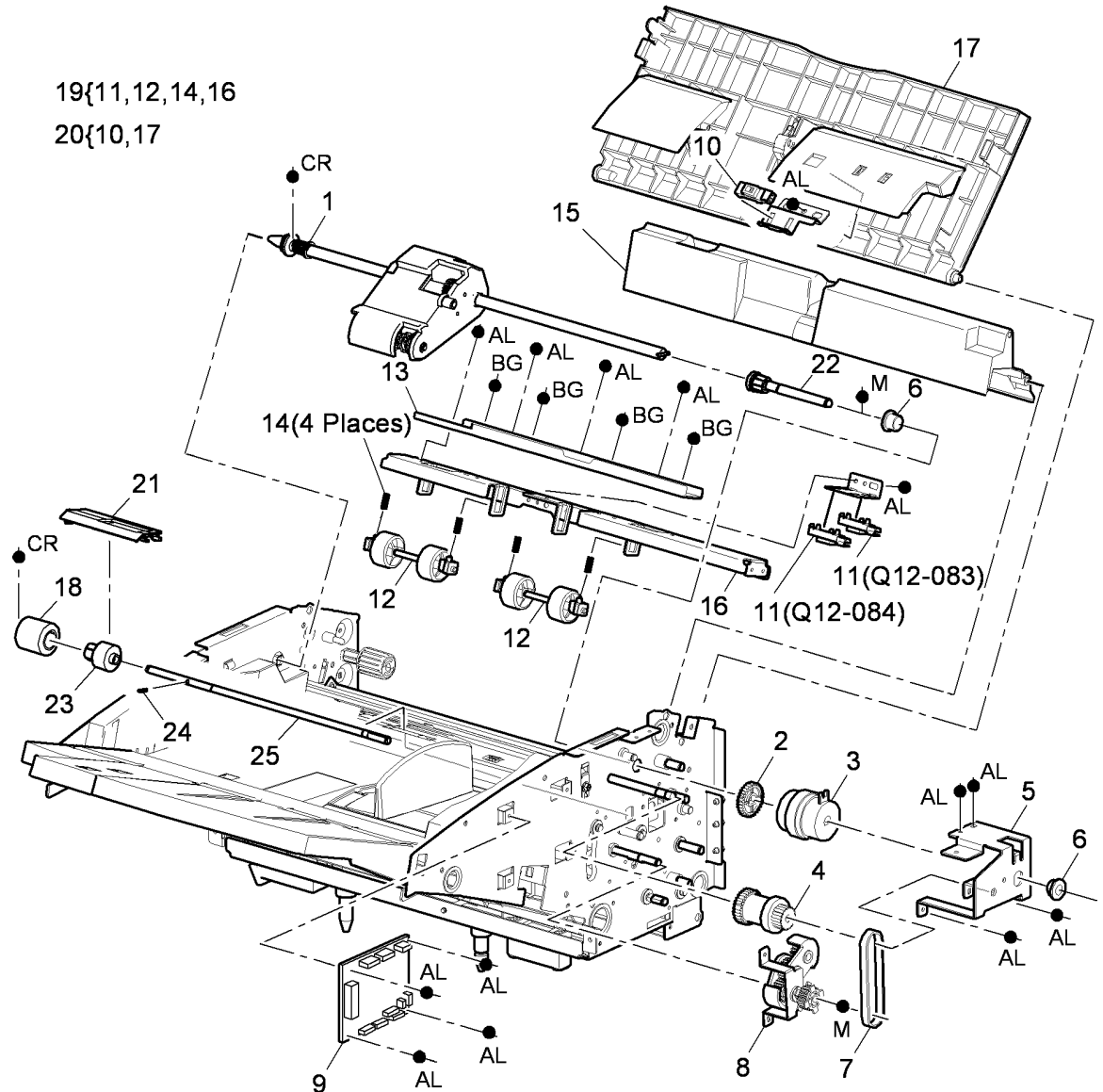


R-8-0073-A

## PL 12.310 Inserter Main Drives (2 of 3)

Item	Part	Description
1	050K68520	Pickup assembly (REP 12.95-171) (See NOTE)
2	-	Pickup gear (Not spared)
3	005K12890	Inserter clutch (CL12-260) (REP 12.86-171)
4	-	Reverse roller drive idler (Not spared)
5	-	Pickup assembly bracket (Not spared)
6	-	Bearing (Not spared)
7	-	Reverse roller drive belt (Not spared)
8	-	Reverse roller drive (Not spared)
9	960K46170	Inserter PWB (REP 12.85-171)
10	-	Inserter pickup sensor (Q12-315) (P/O PL 12.310 Item 20) (REP 12.91-171)
11	-	Inserter LE sensor (Q12-083) (REP 12.93-171)/Inserter TE sensor (Q12-084) (REP 12.93-171) (P/O PL 12.310 Item 19)
12	-	Idle roller (P/O PL 12.310 Item 19) (REP 12.98-171)
13	-	Idler roller bracket (Not spared)
14	-	Idler roller spring (P/O PL 12.310 Item 19)
15	-	Top inside cover (Not spared)
16	-	Idler roller cover (P/O PL 12.310 Item 19)
17	-	Top cover (P/O PL 12.310 Item 20) (REP 12.91-171)
18	050K68090	Reverse feed roller (REP 12.95-171)
19	006K32860	Idle roller assembly (REP 12.98-171)
20	848K31360	Top cover door assembly
21	848K37330	Retard cover
22	-	Drive coupling (Not spared)
23	-	Reverse feed roll core (Not spared)
24	-	Pin (Not spared)
25	-	Shaft (Not spared)

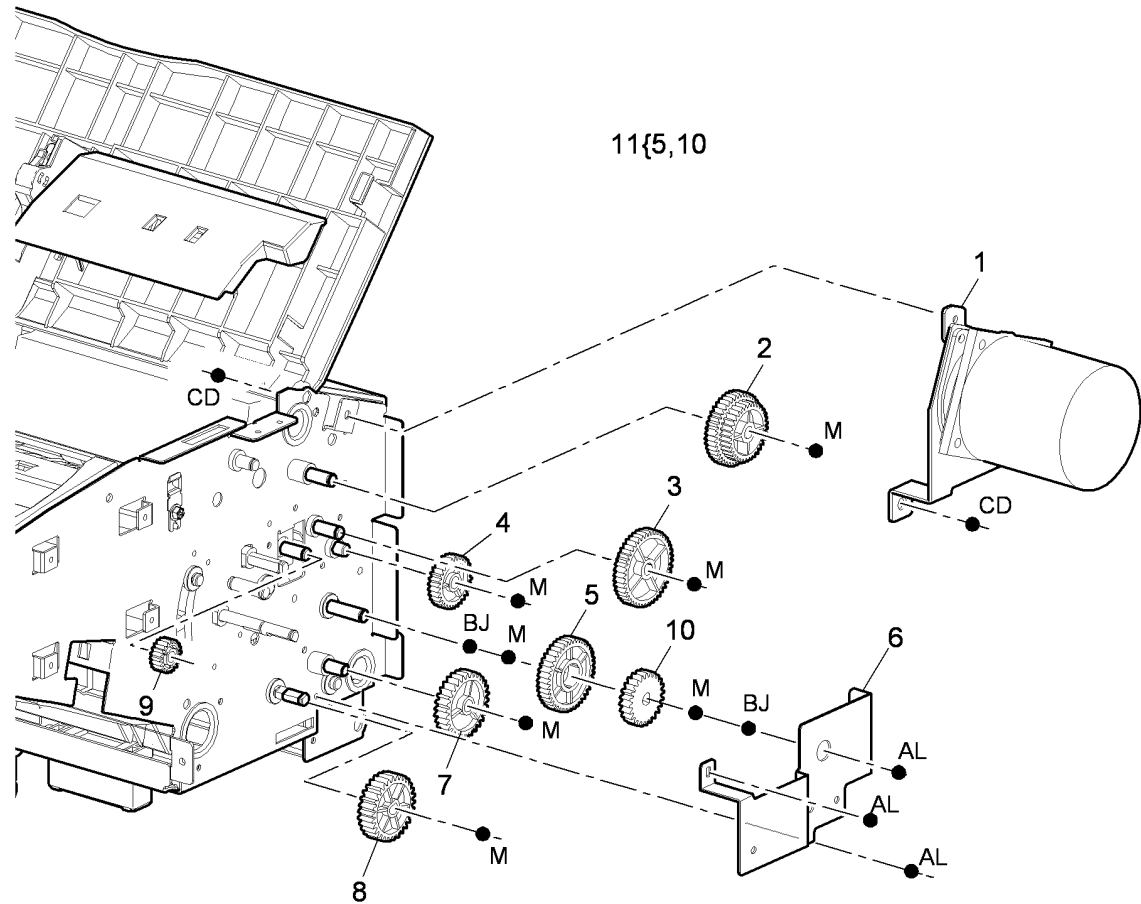
**NOTE:** To reset the HFSI count, go to dC135.



R-8-0074-C

## PL 12.315 Inserter Main Drives (3 of 3)

Item	Part	Description
1	127K61990	Inserter motor (MOT12-261)
2	-	Idler (Not spared)
3	-	Driver gear (Not spared)
4	-	Idler (Not spared)
5	-	Tray down gear (Not spared)
6	-	Gear cover bracket (Not spared)
7	-	Idler (Not spared)
8	-	Bottom shaft drive (Not spared)
9	-	Feed roller drive gear (Not spared)
10	-	Tray down clutch (Not spared)
11	-	Tray down clutch assembly (Not spared)



R-8-0075-A



## PL 20.10 Line 1 & 2 Fax Kits

Item	Part	Description
1	–	Line 1 Fax Kits (see below for variants)
–	497K07170	UK/Spain/Portugal/Greece/Ireland
–	497K07190	Austria/Germany/Switzerland/Italy
–	497K07210	Sweden/Norway/Finland/Denmark
–	497K07230	Netherlands/Belgium/France
2	–	Line 2 Fax Kits (see below for variants)
–	497K07180	UK/Spain/Portugal/Greece/Ireland
–	497K07200	Austria/Germany/Switzerland/Italy
–	497K07220	Sweden/Norway/Finland/Denmark
–	497K07240	Netherlands/Belgium/France
–	498K18620	South Africa (R9)

**NOTE:** 497K/498K part numbers should not be ordered by the CSE. 498K part numbers are customer install kits and are for reference only.

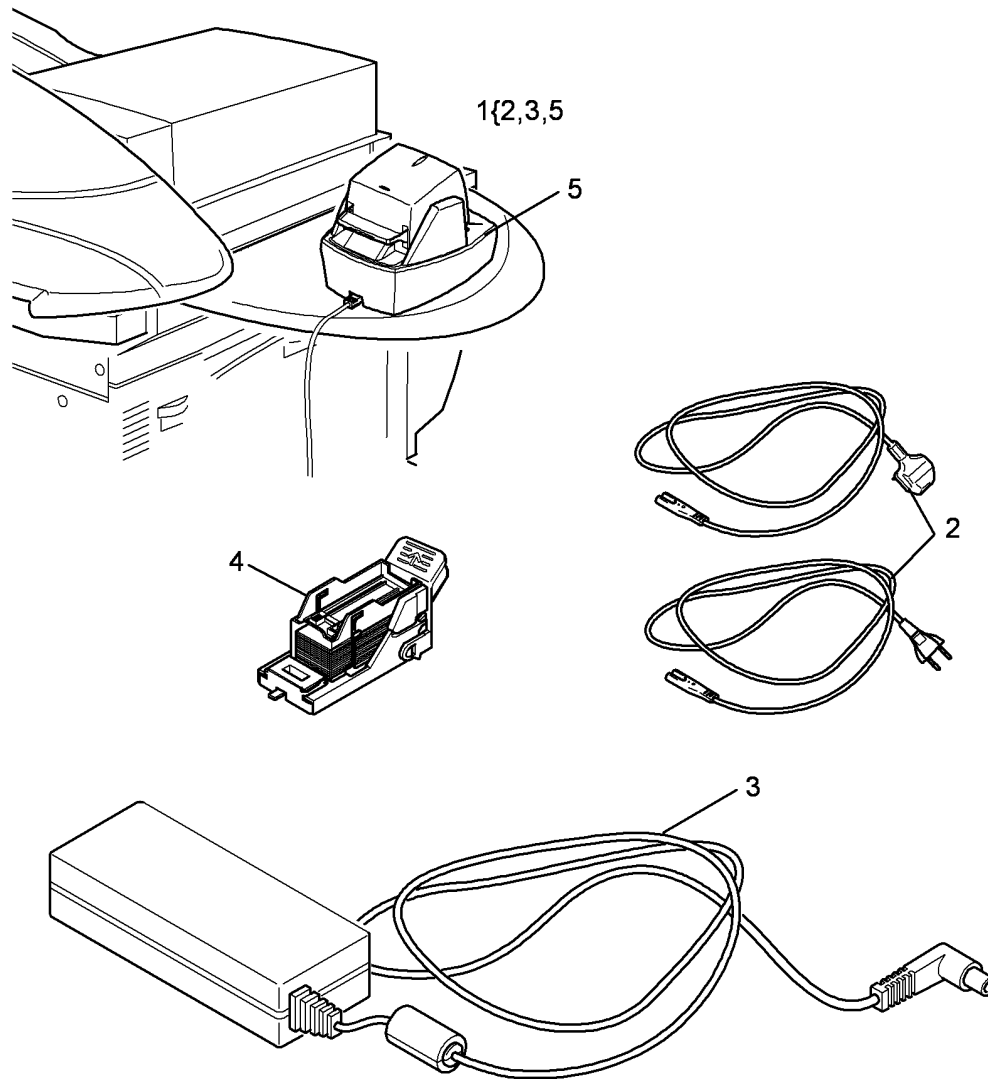
**NO EXPLODED  
VIEW PROVIDED**

R-8-0095-A

## PL 25.10 Convenience Stapler

Item	Part	Description
1	-	Convenience stapler kit (REF: PL 31.11 Item 3)
2	-	Power cord (P/O PL 25.10 Item 1)
3	-	PSU (P/O PL 25.10 Item 1)
4	-	Staple cartridge (REF: PL 26.10 Item 15)
5	-	Convenience stapler (P/O PL 25.10 Item 1) (XE)

**NOTE:** The convenience stapler has no serviceable parts.



R-8-0111-A

## PL 26.10 Consumables and Tools (1 of 2)

Item	Part	Description
1	008R90176	Cleaning fluid (IPA & water)(WARNING)
2	–	Ethernet crossover cable (PWS to network controller) (Not spared)
3	600T02261	Finisher bypass connector
4	043E00550	Plastislip grease (Not spared)
5	–	Disposable gloves (general protection- see below for varaints) (Qty. 100) (WARNING)
–	099P03227	Small
–	099P03228	Medium
–	099P03229	Large
–	099P03230	Extra large
6	019P03025	Microfibre cleaning cloth
7	108R00834	Magenta solid ink stick (Metered)
–	108R00830	Magenta solid ink stick (Sold)
–	108R00838	Magenta solid ink stick (Sold DMO)
8	108R00833	Cyan solid ink stick (Metered)
–	108R00829	Cyan solid ink stick (Sold)
–	108R00837	Cyan solid ink stick (Sold DMO)
9	108R00835	Yellow solid ink stick (Metered)
–	108R00831	Yellow solid ink stick (Sold)
–	108R00839	Yellow solid ink stick (Sold DMO)
10	108R00836	Black solid ink stick (Metered)
–	108R00832	Black solid ink stick (Sold)
–	108R00840	Black solid ink stick (Sold DMO)
11	008R90273	Antistatic fluid
12	–	Molub grease 777 (Not spared)
13	–	Cable tie (Not spared)
14	–	Foreign interface test tool (USSG/ XC) (Not spared)
15	008R12912	Staple cartridge (HVF) (1 x 5000)
16	008R12964	Staple cartridge (LCSS) (1 x 5000)
17	050K21270	Staple cartridge (HVF BM)(Qty 1)
–	008R12897	Staple cartridge (HVF BM) (Qty 8 x 2000)
18	146E02700	USB Reader

### WARNING

**Wear protective gloves, PL 26.10 Item 5 when using solvents and cleaning agents.**

**NO EXPLODED  
VIEW PROVIDED**

R-8-0091-A

## PL 26.11 Consumables and Tools (2 of 2)

Item	Part	Description
1	600T91961	Stripper blade retaining tool
2	–	Drum alignment tool (P/O PL 31.11 Item 25)
3	070E01000	High pressure bearing grease
4	070E00890	Grease (NYE Rheolube 368F- 10oz tube)
5	600T91960	Drum removal wrench (T30)
6	–	USB Flash drive (2GB memory stick) (Not spared)
7	600T00563	Safety glasses
8	043P00067	Xerox Clean - ups (IPA & water) (WARNING)
9	–	Cleaning cloth (XC) (P/O PL 31.11 Item 32 )
10	–	Oil spillage syringe (P/O PL 31.11 Item 32)
11	600T91959	Drum protective cover
12	–	Oil spillage plastic bottle (1.5L) (P/O PL 31.11 Item 32)
13	–	Absorbent fabric mat (P/O PL 31.11 Item 32)
14	–	Film remover (Not spared)
15	082E14750	Service test pattern
16	–	Line test tool (Not spared)
17	114E24550	Scanner transport lock

### WARNING

**Wear protective gloves, PL 26.10 Item 5 when using solvents and cleaning agents.**

**NO EXPLODED  
VIEW PROVIDED**

R-8-0122-A



## PL 28.10 Covers

Item	Part	Description
1	–	DADH covers (REF: PL 5.10)
2	–	Main covers (REF: PL 81.10)
3	–	LCSS covers (REF: PL 12.10)
4	–	Scanner covers (REF: PL 62.10)
5	–	HVF covers (REF: PL 12.100)
6	–	Tray 5 covers (REF: PL 75.60)
7	–	Tri-folder covers (REF: PL 12.200)

**NO EXPLODED  
VIEW PROVIDED**

R-8-0093-A

## PL 31.10 Maintenance/Installation/ Removal Kits (1 of 3)

Item	Part	Description
1	–	Network controller spares kit (Not spared)
2	498K13911	Foreign interface kit
3	130K75900	HVF Low level sensor - spares pack
4	–	EPC memory upgrade kit (256Mb) (Not spared)
5	–	Hole punch kit (see below for variants)
–	604K55160	2 hole punch kit (XE)
–	604K55190	2 hole punch kit (legal)
–	604K55170	3 hole punch kit (USSG/XCL)
–	498K14041	3 hole punch kit (XE)
–	604K55200	4 hole punch kit (Swedish)
–	604K55180	4 hole punch kit (XE)
6	–	USB print connectivity kit (Not spared)
7	–	Finishing devices (variants below)
–	–	LCSS (no hole punch) (Not spared)
8	–	Tray 5 (Not spared)
9	498k12130	Tray 5 paper feed kit (A3 SEF option)
10	498k12140	Tray 5 paper feed kit (A4 SEF option)
11	604K48370	CVT Roll Kit
12	604K61780	GUI gasket kit
13	498K17780	Generic installation request kit (XE)
14	604K54972	Umbilical kit (REF: PL 91.20 Item 10)
15	604K67570	Feedhead assembly kit (REP 5.3)
16	604K67640	CCDS conversion kit
17	604K67892	CBC to SBC conversion kit

**NOTE:** 498K part numbers should not be ordered by the CSE. 498K part numbers are customer install kits and are for reference only.

**NO EXPLODED  
VIEW PROVIDED**

R-8-0094-A

## PL 31.11 Maintenance/Installation/ Removal Kits (2 of 3)

Item	Part	Description
1	604K54580	OCT centre registration kit
2	604K41411	LCSS Front cover Kit
3	604K35700	Stapler kit (XE)
–	604K35710	Stapler kit (USSG/XCL)
4	–	DADH feed bearing kit (Not spared)
5	497K04690	Tri-folder install kit (complete)
6	–	FAX kit (see below for variants)
–	498K18150	1 line fax kit (R9) (XE)
–	498K18210	2 line fax kit (R9) (XE)
–	498K16500	1 line fax kit (XE) (W/TAG X-001)
–	498K16490	1 line fax kit (USSG/XCL) (W/TAG X-001)
–	498K18130	1 line fax kit (R9) (USSG/XCL)
–	498K18140	2 line fax kit (R9) (USSG/XCL)
7	604K54870	Registration/Pre-heat pump kit (Contains 2 air pumps)
8	868E42052	Front fax bracket kit
9	010E06611	Fax slider support kit
10	868E42041	Fax riser bracket kit
11	960K52680	Riser PWB kit
12	604K67130	Tray 3 guide kit
13	604K61410	Wave amp cable and clip kit (Type A)
14	604K60701	DADH mylar guide kit
15	604K67230	LCSS traverse kit
16	498K17546	CAC enablement kit
17	604K62080	DADH sensor replacement kit
18	604K67550	CPU Fan assembly kit
19	604K54990	Nip A replacement kit (Contains 2 belts and 2 Nip A roller assemblies)
20	130K75140	LCSS stapler edge registration sensor kit
21	604K54320	Front transfix linkage and gear kit
22	604K54330	Rear transfix linkage and gear kit
23	604K54100	Hardware kit (see NOTE 2)
24	498K19200	20 Amp adapter kit
25	604K54931	Drum kit (REF: PL 94.20 Item 1, PL 26.11 Item 11, PL 26.11 Item 2)
26	604K55480	Feed roll kit
27	650K26994	Install NAT kit (XE)
28	650K31193	Install NAT kit (USSG/XCL)
29	604K61420	Video cable and clip kit (Type A)
30	604K61370	3TM Cable kit
31	604K61710	Tray 3 kit
32	604K61640	Silicon oil removal kit

**NO EXPLODED  
VIEW PROVIDED**

R-8-0094-A

**NOTE: 1:** 498K part numbers should not be ordered by the CSE. 498K part numbers are customer install kits and are for reference only.

**NOTE: 2:** Refer to GP 24 for contents of the Hardware kit.

## PL 31.12 Maintenance/Installation/ Removal Kits (3 of 3)

Item	Part	Description
1	–	Initialisation kits (variants below)
–	098S05056	9201 (2 tier) (Metered)
–	098S05055	9202 (2 tier) (Metered)
–	098S05054	9203 (2 tier) (Metered)
–	098S05043	9201 (3 tier) (Metered)
–	098S05044	9202 (3 tier) (Metered)
–	098S05045	9203 (3 tier) (Metered)
–	098S05046	9201 (3 tier) (Sold DMO)
2	–	Product enablement kits (variants below)
–	675K79612	9201 (2 tier) (Metered)
–	675K79682	9202 (2 tier) (Metered)
–	675K79662	9203 (2 tier) (Metered)
–	675K89800	9201 (3 tier) (Metered)
–	675K89810	9202 (3 tier) (Metered)
–	675K89820	9203 (3 tier) (Metered)
–	675K79582	9201 (Sold USSG/XCL/XE)
–	675K79602	9202 (Sold USSG/XCL/XE)
–	675K79642	9203 (Sold USSG/XCL/XE)
–	675K79632	9201 (Sold DMO)
–	675K79622	9202 (Sold DMO)
–	675K79672	9203 (Sold DMO)
3	–	Scan to PC desktop kits (variants below)
–	301K23410	Standard (USSG/XCL)
–	301K23420	Standard (XE)
–	301K23470	Professional (USSG /XCL)
–	301K23480	Professional (XE)
4	498K13736	Xerox copier assistant kit (USSG/XCL)
–	498K16091	Xerox copier assistant kit (XE)
5	–	Fax adapter kits (see below for variants)
–	604K67590	United Kingdom, Ireland, Spain, Portugal, Greece
–	604K67600	France, Netherlands, Belgium
–	604K67610	Germany, Austria, Italy, Switzerland
–	604K67620	Sweden, Norway, Finland, Denmark
6	604K67922	Reservoir kit
7	604K73400	HVF ejector assembly safety cover kit
8	–	Not used
9	604K73050	LCSS paddle spares kit
10	604K73060	LCSS paddle wheel shaft assembly kit
11	604K83720	LCSS diverter gate assembly spares kit

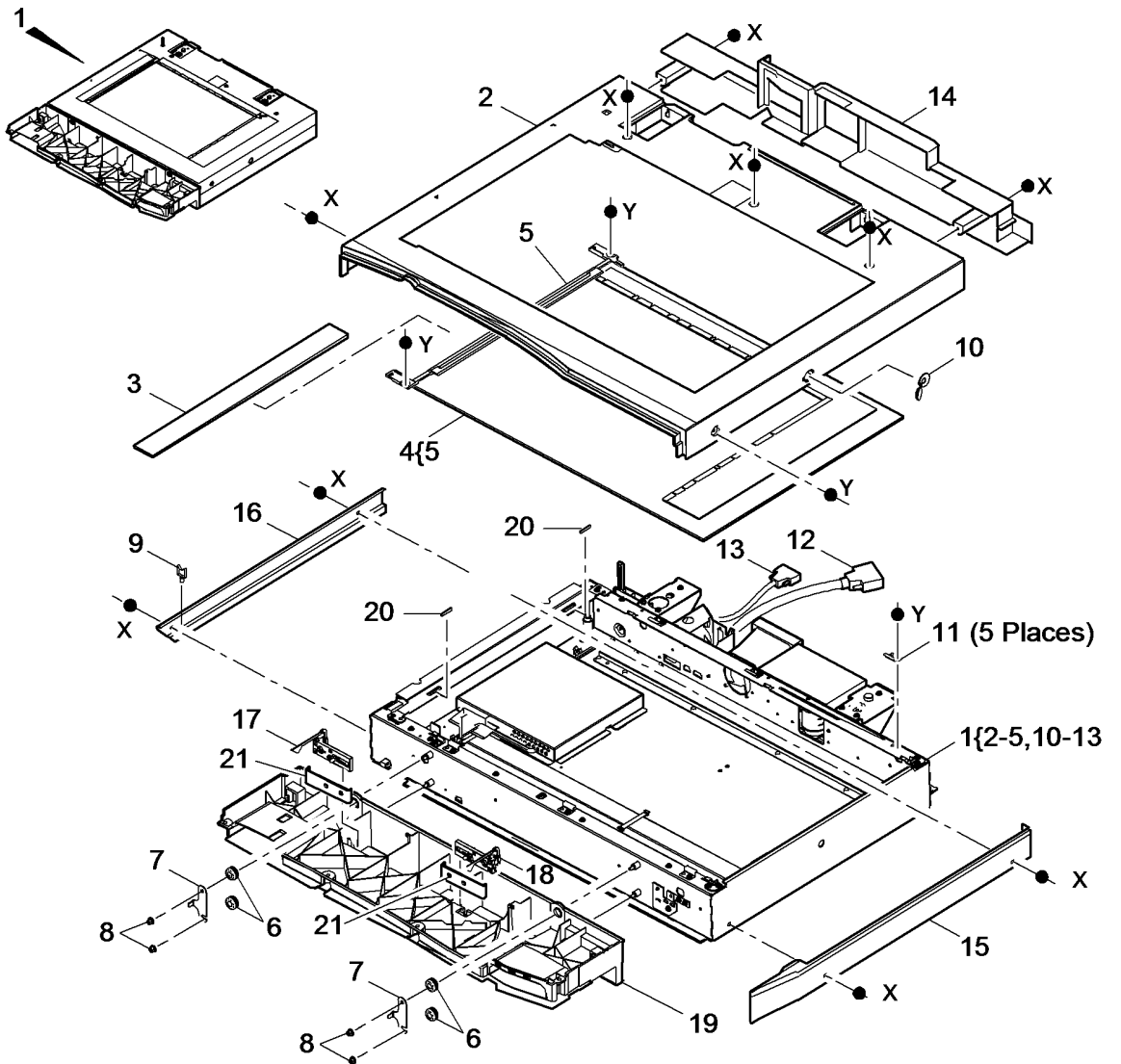
**NO EXPLODED  
VIEW PROVIDED**

R-8-0094-A

**NOTE:** 498K part numbers should not be ordered by the CSE. 498K part numbers are customer install kits and are for reference only.

# PL 62.10 Scanner Module, CVT/ Document Glass

Item	Part	Description
1	-	Scanner module (P/O PL 31.10 Item 16) (W/O TAG 007) (REP 62.1)
-	062K28140	Scanner module (W/TAG 007)
2	-	Top cover (P/O PL 62.10 Item 1) (REP 62.2, ADJ 62.4)
3	090E02581	CVT Glass (See NOTE 1) (REP 62.3)
4	090K02560	Document glass assembly (See NOTE 1) (REP 62.3)
-	-	Document glass assembly (Not spared) (W/O TAG 007) (REP 62.3)
5	032K09770	CVT Ramp assembly (W/TAG 007) (REP 62.3)
-	-	CVT Ramp assembly (Not spared) (W/O TAG 007) (REP 62.3)
6	-	Grommet (Not spared)
7	-	Brace (Not spared)
8	-	Nut (Not spared)
9	-	Harness clamp (Not spared)
10	114K01800	Top cover plug (W/TAG 007)
-	-	Top cover plug (Not spared) (W/O TAG 007)
11	-	Document glass securing bracket (P/O PL 62.10 Item 1)
12	962K76440	DADH/IIT power comms harness (W/O TAG 007)
-	962K88990	DADH/IIT power comms harness (W/TAG 007)
13	962K76431	IIT video/CCB PWB harness (PJ922)
14	848E46030	Scanner rear cover (W/O TAG 007)
-	848E69071	Scanner rear cover (W/TAG 007)
15	848E46021	Scanner side cover (RH)
16	-	UI harness cover (Not spared)
17	003K21040	Latch assembly (LH) (See NOTE 2)
18	003K21030	Latch assembly (RH) (See NOTE 2)
19	848E46040	UI Base (REP 2.1)
20	-	Rubber stop (Not spared)
21	-	Latch plate (Not spared)



**NOTE:** 1. Refer to ADJ 62.1 for the optics cleaning procedure.

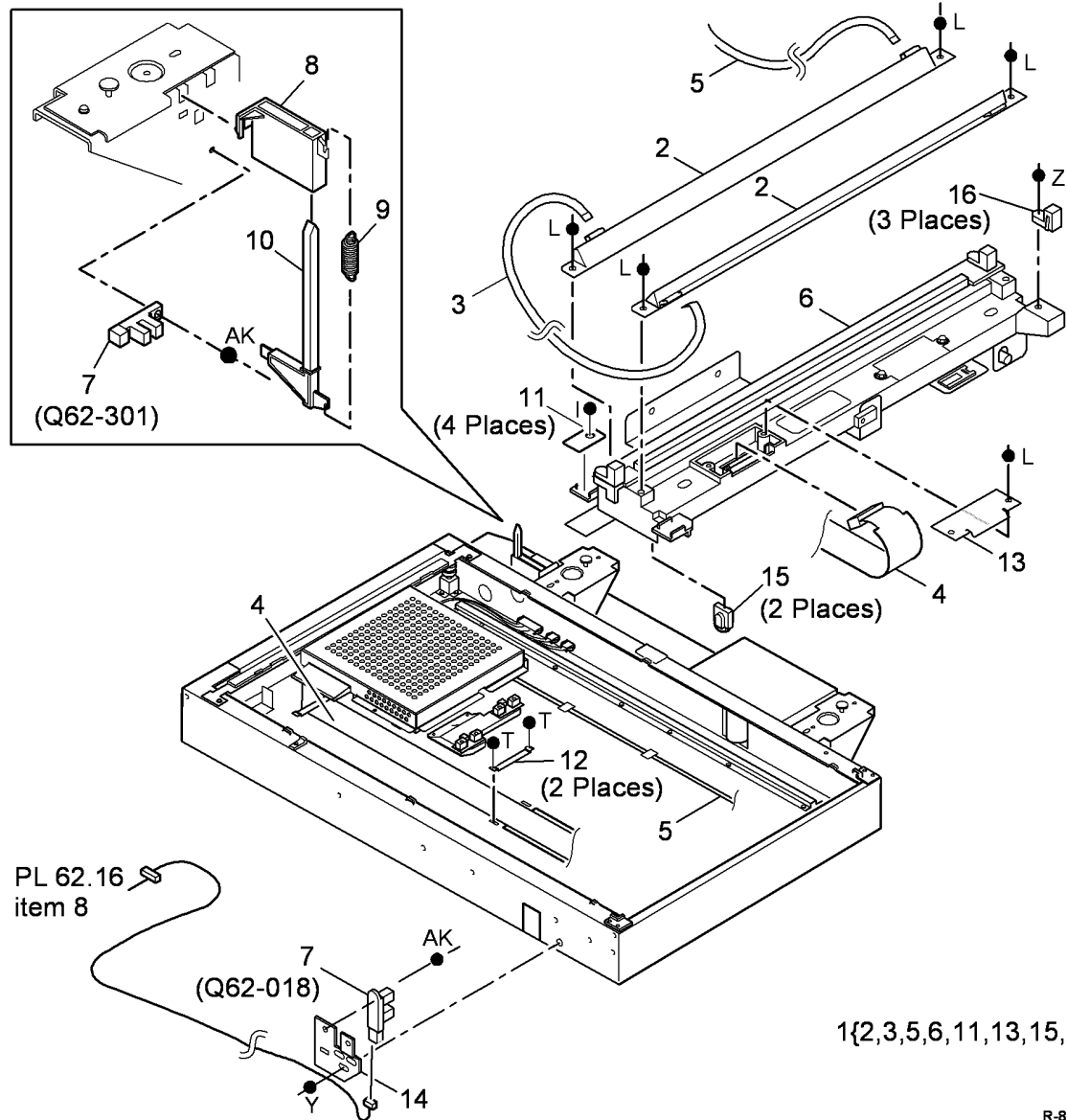
**NOTE:** 2. This latch assembly is only supplied on early production machines.

R-8-0031-C

# PL 62.15 Electrical Components (W/O TAG 007) (1 of 2)

Item	Part	Description
1	-	Scan carriage assembly (Not spared) (REP 62.5, ADJ 62.2)
2	122E03290	LED exposure lamp (REP 62.10)
3	-	Inline ribbon harness (P/O PL 62.10 Item 1)
4	962K50450	Scan carriage ribbon cable (PJ928) (REP 62.13)
5	962K26830	LED lamp ribbon harness (PJ926, CN1) (REP 62.11)
6	-	Scan carriage (P/O PL 62.15 Item 1)
7	130K75130	Carriage home sensor (Q62-018) (REP 62.4), Angle sensor (Q62-301)
8	-	Actuator support (Not spared)
9	-	Actuator spring (Not spared)
10	110K14010	Input module angle sensor actuator (REP 62.9)
11	-	Cable clamp (P/O PL 62.15 Item 1)
12	-	Harness retainer (Not spared)
13	-	Connector cover (P/O PL 62.15 Item 1)
14	-	Sensor bracket (Not spared)
15	-	Lower skid (P/O PL 62.15 Item 6) (See NOTE)
16	-	Upper skid (P/O PL 62.15 Item 6)

**NOTE:** Refer to ADJ 62.1 for the optics cleaning procedure.



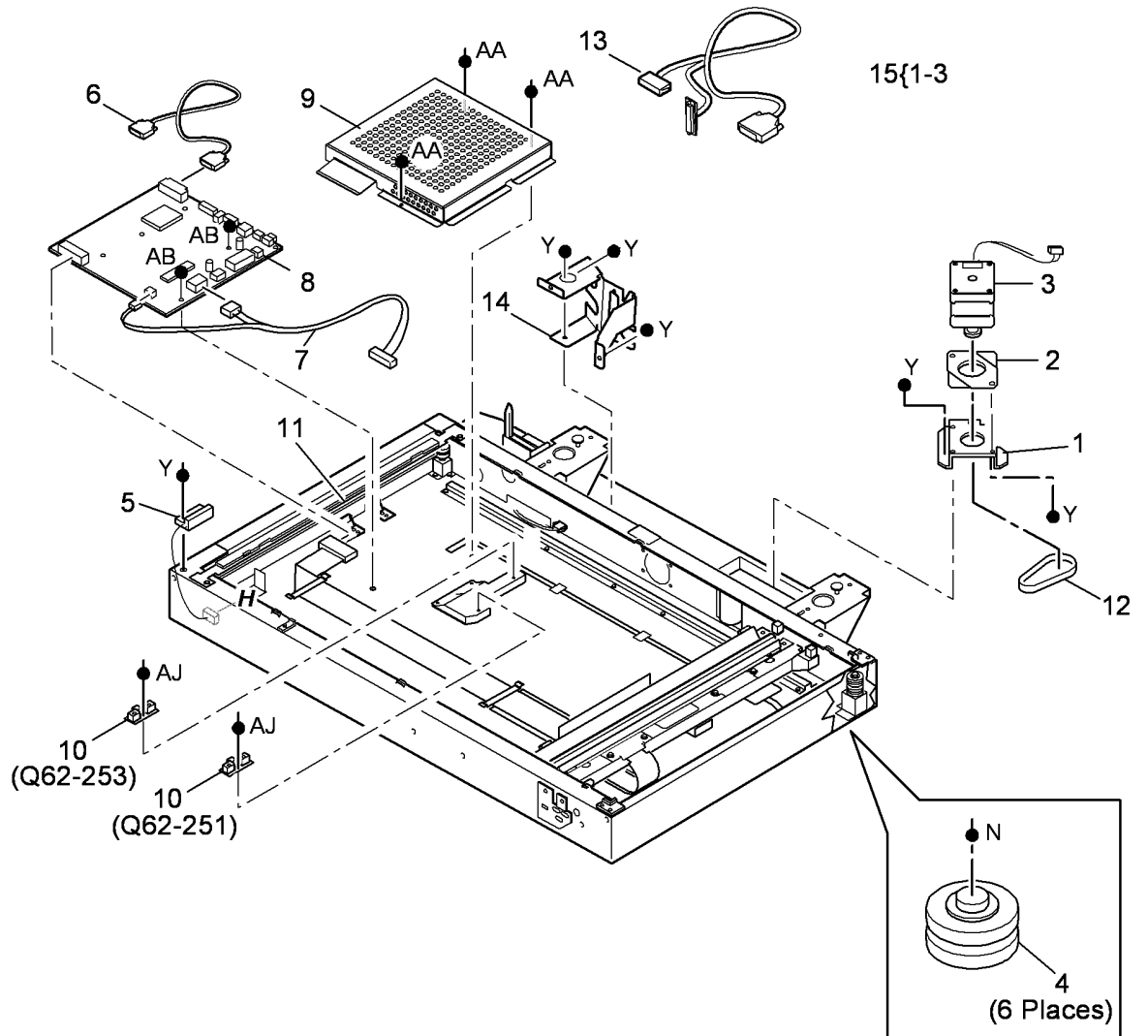
1{2,3,5,6,11,13,15,16}

R-8-0032-A

# PL 62.16 Electrical Components (W/O TAG 007) (2 of 2)

Item	Part	Description
1	-	Carriage motor bracket (P/O PL 62.16 Item 15)
2	-	Carriage motor mounting (P/O PL 62.16 Item 15) (REP 62.6)
3	-	Carriage motor (MOT62-023) (P/O PL 62.16 Item 15) (REP 62.6, ADJ 62.3)
4	020K12510	Scan idler pulley
5	130E12300	Platen down sensor (Q62-019)
6	962K76431	IIT video/CCB PWB harness (PJ922)
7	-	Scanner/copy controller module harness (PJ920, PJ921, PJ852) (Not spared)
8	960K52181	Scanner PWB (REP 62.12)
9	-	Scanner PWB cover (Not spared)
10	130E12320	Document size sensor 1 (Q62-251), Document size sensor 2 (Q62-253) (REP 62.14)
11	-	Scan cables (Not spared) (REP 62.7)
12	023E25140	Scan drive belt (REP 62.8)
13	962K76440	DADH/IIT power comms harness (PJ850, PJ851, PJ8)
14	-	Scanner harness bracket (Not spared)
15	127K44880	Carriage motor and bracket assembly

**NOTE:** Refer to ADJ 62.1 for the optics cleaning procedure.

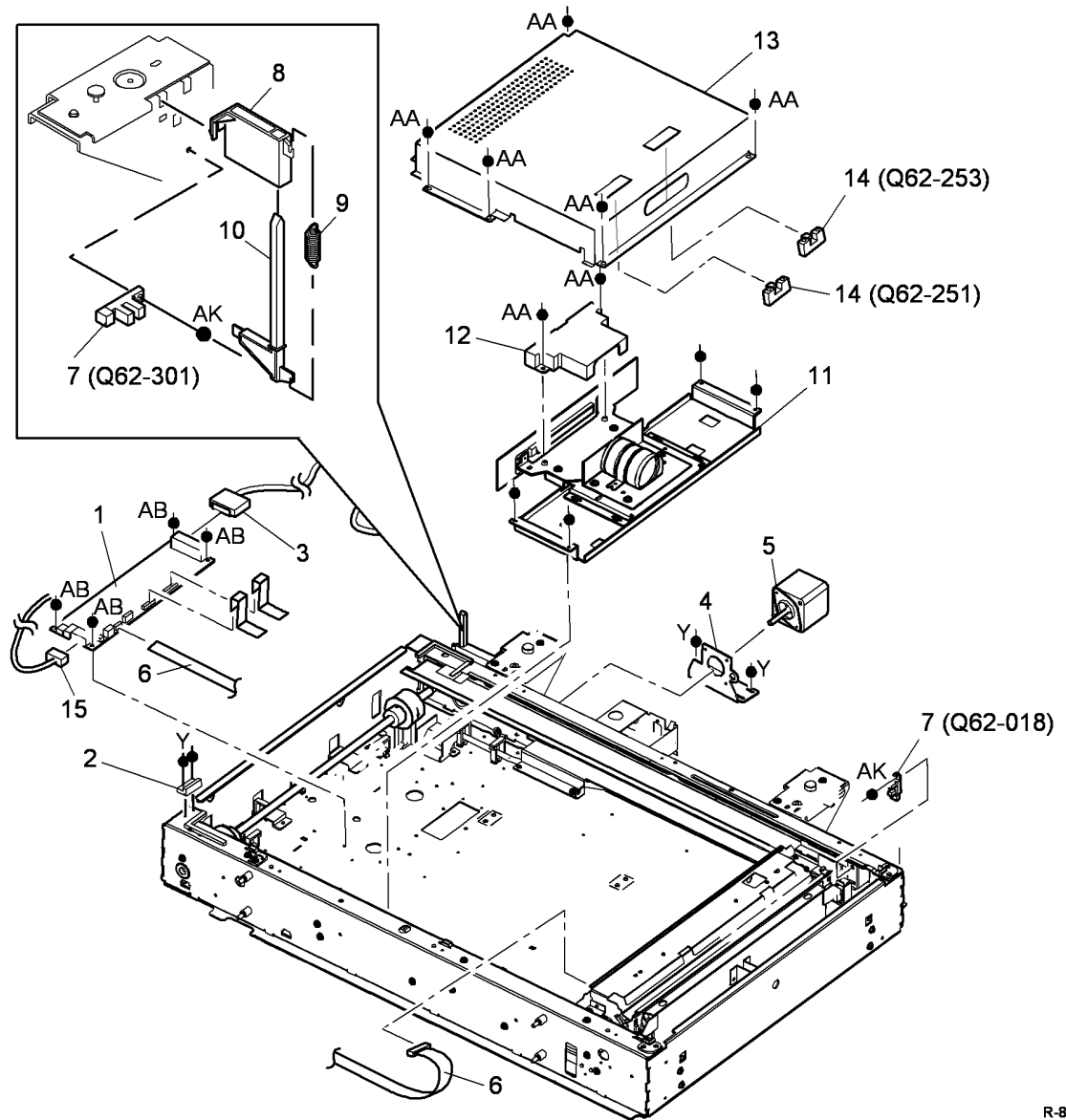


R-8-0033-A

# PL 62.17 Electrical Components (W/ TAG 007) (1 of 2)

Item	Part	Description
1	960K59880	Scanner PWB (REP 62.21)
2	130E18530	Platen down sensor (REP 62.25)
3	962K76431	IIT video/SBC PWB harness (REP 62.26)
4	-	Motor bracket (Not spared)
5	127K68200	Carriage motor (REP 62.16)
6	962K88980	Scan lamp ribbon cable (REP 62.19)
7	130K75130	Carriage home sensor (Q62-018) (REP 62.15), Angle sensor (Q62-301) (REP 62.20)
8	-	Actuator support (Not spared)
9	-	Actuator spring (Not spared)
10	110K14010	Input module angle sensor actuator (REP 62.9)
11	-	CCD lens assembly (Not spared)
12	-	CCD cover (Not spared)
13	-	Scanner PWB cover (Not spared)
14	130E12310	Document size sensor 1 (Q62-251), Document size sensor 2 (Q62-253)
15	962K88990	DADH/IIT power comms harness (REP 62.28)

**NOTE:** Refer to ADJ 62.1 for the optics cleaning procedure.



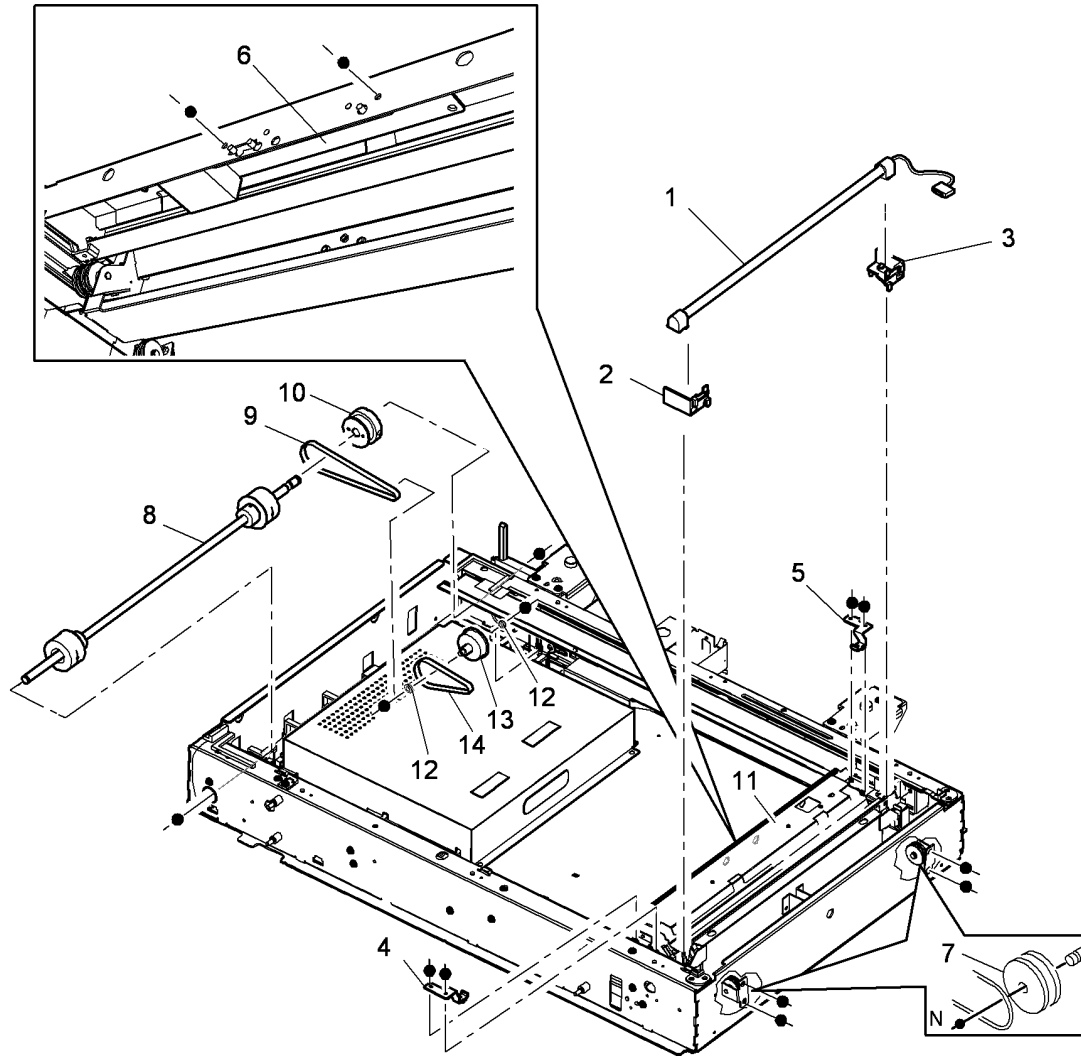
R-8-0126-A



## PL 62.18 Electrical Components (W/ TAG 007) (2 of 2)

Item	Part	Description
1	122K02870	Exposure lamp (REP 62.18)
2	-	Lamp support (front) (Not spared)
3	-	Lamp support (rear) (Not spared)
4	-	Cable clamp (front) (Not spared)
5	-	Cable clamp (rear) (Not spared)
6	960K59870	Exposure lamp inverter PWB (REP 62.17)
7	020K12510	Scan idler pulley (REP 62.24)
8	-	Drive shaft assembly (Not spared)
9	023E25140	Scanner carriage drive belt (REP 62.27)
10	-	Drive pulley (Not spared)
11	-	Scan carriage assembly (Not spared)
12	-	Bearing (Not spared)
13	-	Intermediate drive pulley (REP 62.27)
14	-	Scanner motor drive belt (REP 62.27)

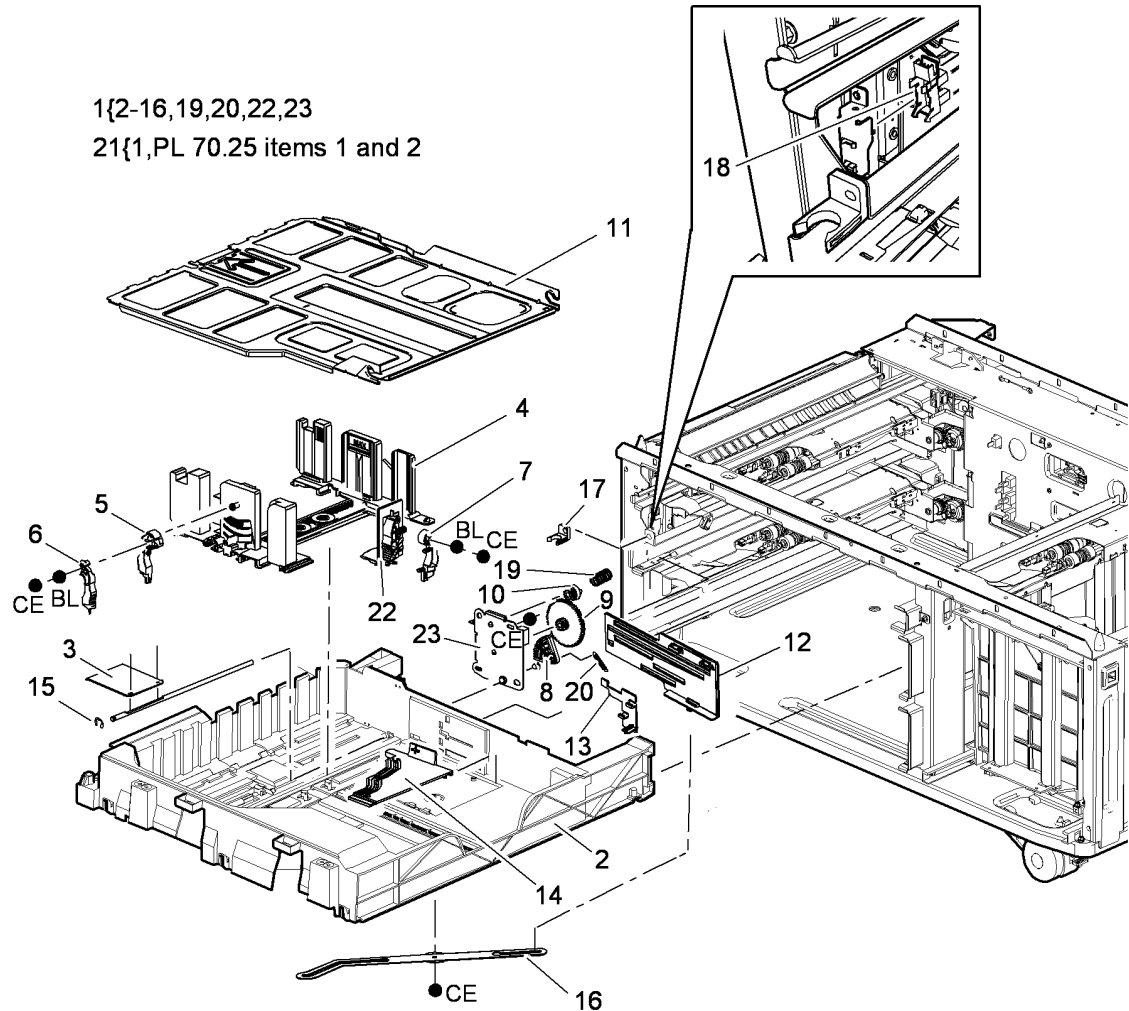
**NOTE:** Refer to ADJ 62.1 for the optics cleaning procedure.



R-8-0124-B

## PL 70.10 Tray 1 and 2 Assembly

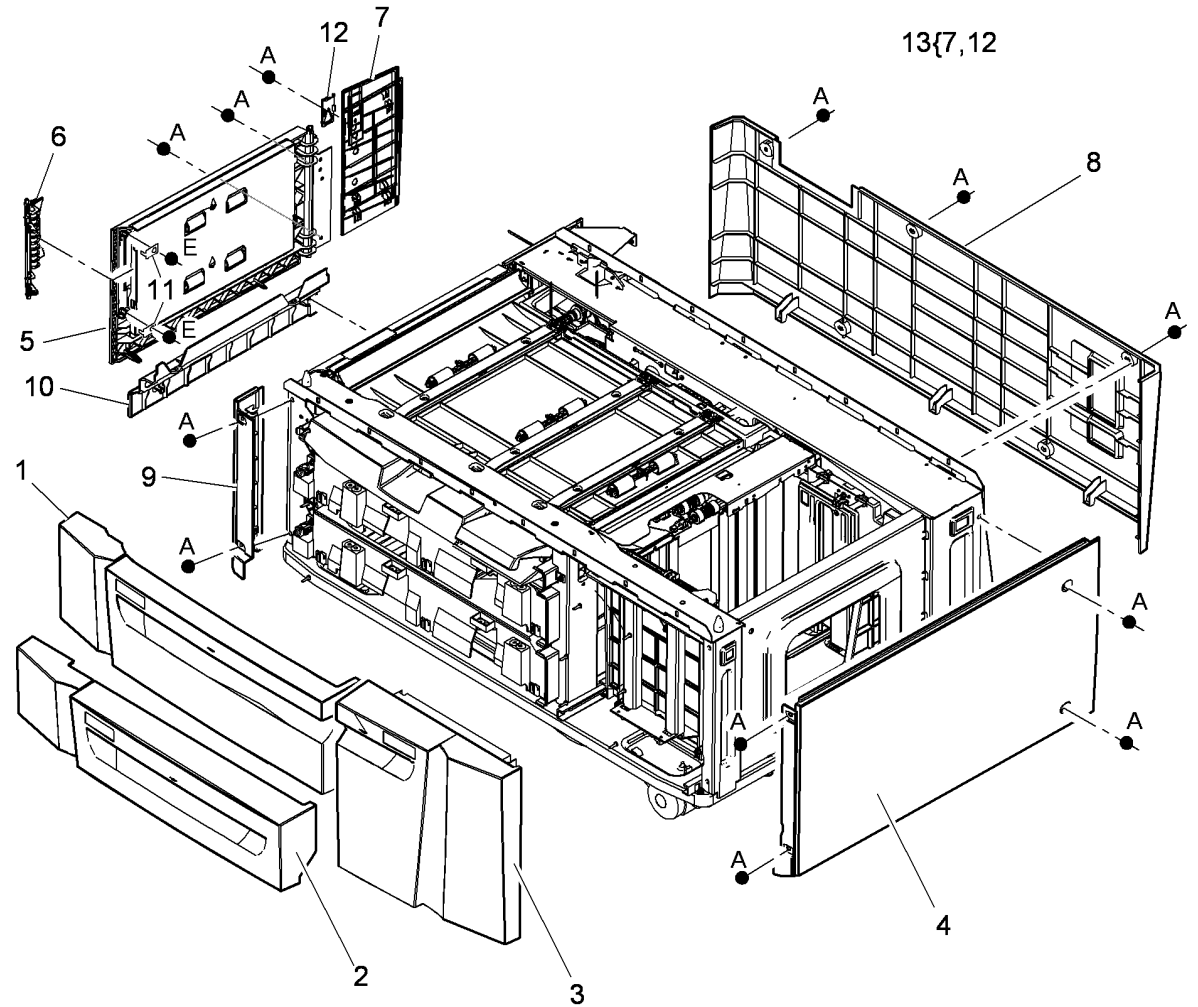
Item	Part	Description
1	-	Tray 1 and 2 tray assembly (P/O PL 70.10 Item 21) (REP 71.1)
2	-	Paper tray (P/O PL 70.10 Item 1)
3	-	Plate arm (P/O PL 70.10 Item 1)
4	-	Paper width guide (P/O PL 70.10 Item 1) (REP 71.2)
5	-	Latch guide right (P/O PL 70.10 Item 1)
6	-	Latch guide left (P/O PL 70.10 Item 1)
7	-	Handle release (P/O PL 70.10 Item 1)
8	-	Gear 60 (P/O PL 70.10 Item 1) (REP 71.3)
9	-	Gear 13/60 (P/O PL 70.10 Item 1) (REP 71.3)
10	-	Gear 13 dog (P/O PL 70.10 Item 1)
11	-	Elevate plate assembly (P/O PL 70.10 Item 1) (REP 71.2)
12	-	Length sensing bracket (P/O PL 70.10 Item 1)
13	-	Width sensing bracket (P/O PL 70.10 Item 1)
14	-	Actuator bracket (P/O PL 70.10 Item 1)
15	-	E-clip (P/O PL 70.10 Item 1)
16	-	Metal link arm (P/O PL 70.10 Item 1)
17	003E77651	Tray location catch
18	130E18220	Lower door interlock sensor (Q01-102)
19	-	Spring (P/O PL 70.10 Item 1)
20	-	Spring (P/O PL 70.10 Item 1)
21	604K55411	Tray 1 & 2 Kit (Contains tray assembly and front cover)
22	-	Paper length guide (P/O PL 70.10 Item 1) (REP 71.2)
23	-	Rear plate (P/O PL 70.10 Item 1)



R-8-0005-A

## PL 70.25 3 Tray Module Covers

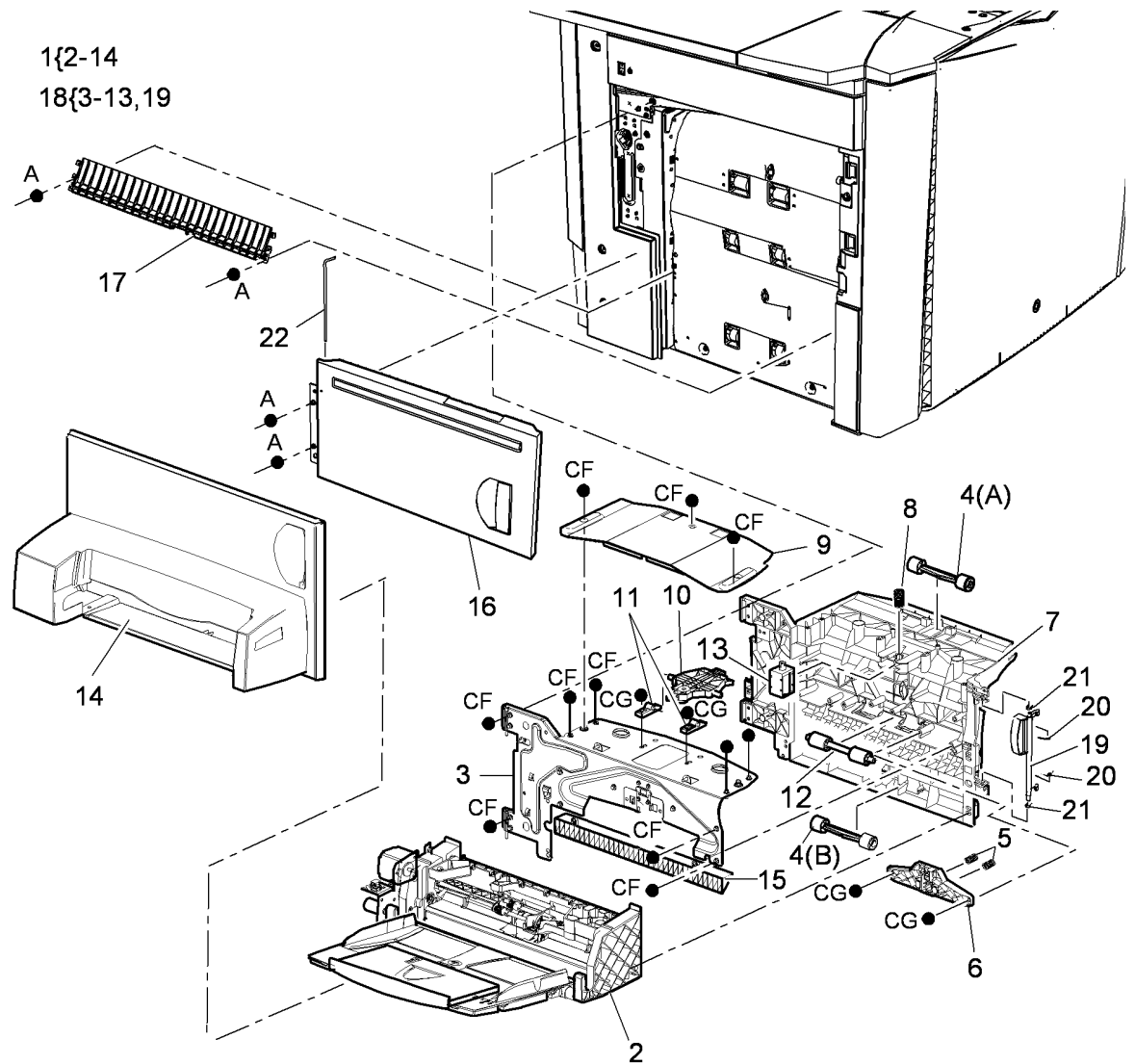
Item	Part	Description
1	-	Tray 1 front cover (P/O PL 70.10 Item 21)
2	-	Tray 2 front cover (P/O PL 70.10 Item 21)
3	-	Tray 3 front cover (P/O PL 31.11 Item 31)
4	848E23153	Right side cover
5	802K93695	Lower left door assembly
6	-	Lower left door latch (P/O PL 70.25 Item 5)
7	-	Rear left cover (P/O PL 70.25 Item 13)
8	-	Rear cover (Not spared)
9	848E23142	Cover front LH
10	848E23161	Cover infill
11	-	Left lower door latch retainer plate (Not spared)
12	-	Rear left cover infill (P/O PL 70.25 Item 13)
13	604K55440	Rear left cover assembly



R-8-0039-A

# PL 70.30 Left Hand Upper Door Assembly

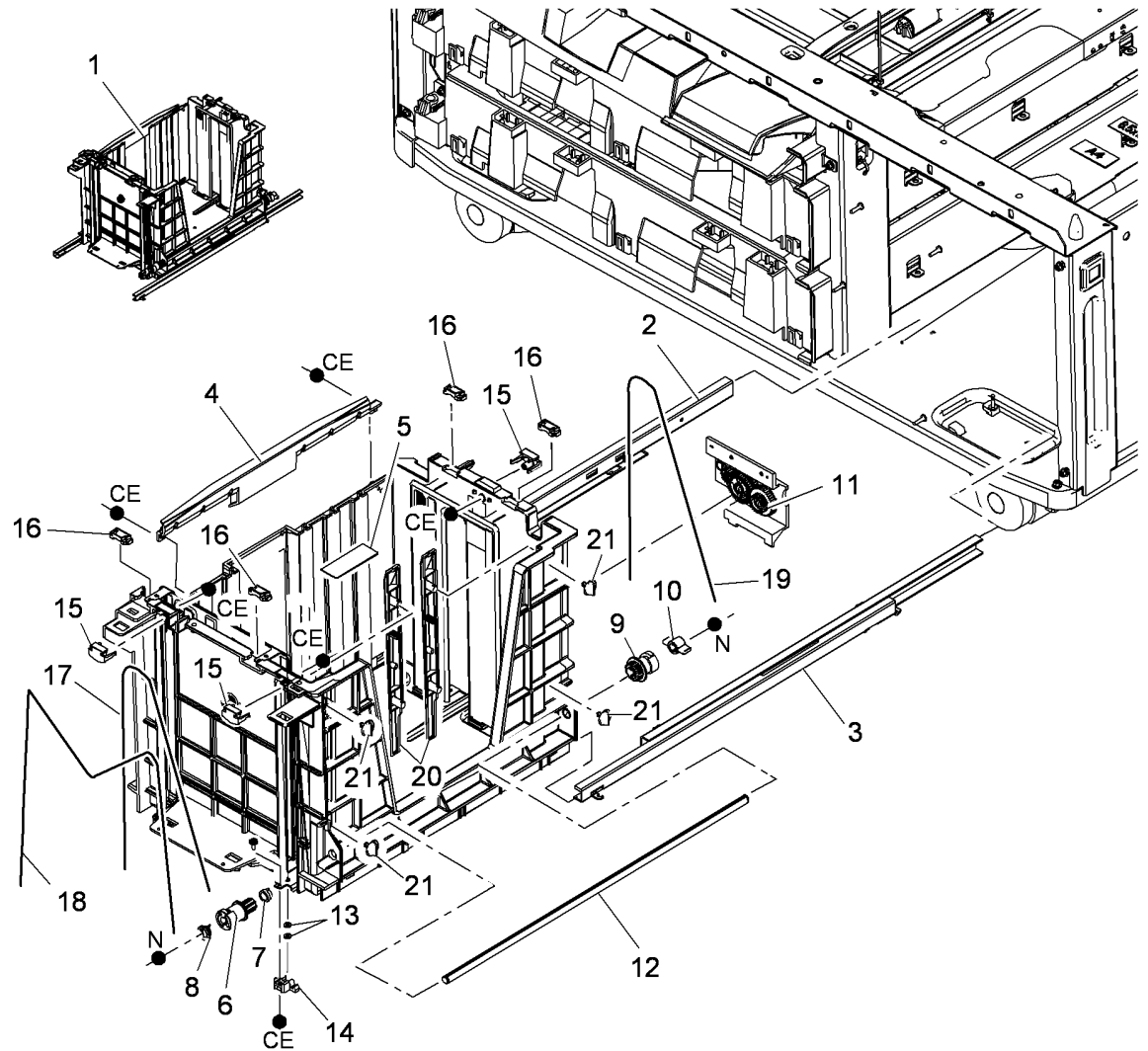
Item	Part	Description
1	-	Bypass assembly (Not spared) (REP 70.2)
2	-	Bypass Module (P/O PL 70.30 Item 1) (REP 81.3)
3	-	Upper door stiffener plate (P/O PL 70.30 Item 18)
4	-	Nip 'D' roller (A)/Nip 'F' roller (B) (P/O PL 70.30 Item 18)
5	-	Tension spring (P/O PL 70.30 Item 18)
6	-	Nip E support (P/O PL 70.30 Item 18)
7	-	Upper door base (P/O PL 70.30 Item 18)
8	-	Spring (P/O PL 70.30 Item 18)
9	-	Top cover (P/O PL 70.30 Item 18)
10	-	Nip release link arm (P/O PL 70.30 Item 18)
11	-	Pivot block (P/O PL 70.30 Item 18)
12	-	Nip 'E' roller (P/O PL 70.30 Item 18)
13	-	Nip 'D' release solenoid (SOL82-008) (P/O PL 70.30 Item 18) (REP 81.13)
14	848E40430	Upper left door cover
15	-	Upper door divider (P/O PL 70.30 Item 1)
16	848K24550	Mid left door assembly
17	038E41190	Lower guide (PFP)
18	848K24560	Upper left door assembly (REP 70.2)
19	-	Latch (P/O PL 70.30 Item 18)
20	-	Latch spring (P/O PL 31.11 Item 23)
21	-	Latch clip (P/O PL 31.11 Item 23)
22	-	Hinge pin (Not spared)



R-8-0002-B

## PL 73.15 Tray 3 Assembly

Item	Part	Description
1	-	Tray 3 assembly (Complete) (REF: PL 31.11 Item 31) (See NOTE) (REP 73.1)
2	-	LH Slide (P/O PL 73.15 Item 1)
3	-	RH Slide (P/O PL 73.15 Item 1)
4	055E55332	Baffle lead edge
5	019K13770	Pad Tray bottom
6	-	Front cable gear (Black) (P/O PL 73.15 Item 1)
7	-	Bearing (P/O PL 73.15 Item 1)
8	-	Cable gear shaft spacer (P/O PL 73.15 Item 1)
9	-	Rear cable gear (White) (P/O PL 73.15 Item 1)
10	-	Dog drive elevate (P/O PL 73.15 Item 1)
11	007K20290	Damper and gear assembly (REP 73.6)
12	-	Cable gear shaft (P/O PL 73.15 Item 1)
13	-	Washer elevate (Not spared)
14	-	Gear (P/O PL 73.15 Item 1)
15	-	Retainer roller (P/O PL 73.15 Item 1)
16	-	Clip guide retainer (P/O PL 73.15 Item 1)
17	-	Front short cable (Silver) (P/O PL 31.11 Item 30) (REP 73.3)
18	-	Front long cable (Yellow) (P/O PL 31.11 Item 30) (REP 73.3)
19	-	Rear cable (Black) (P/O PL 31.11 Item 30) (REP 73.3)
20	-	Paper edge guide (P/O PL 31.11 Item 12)
21	-	Guide securing stud (P/O PL 31.11 Item 12)

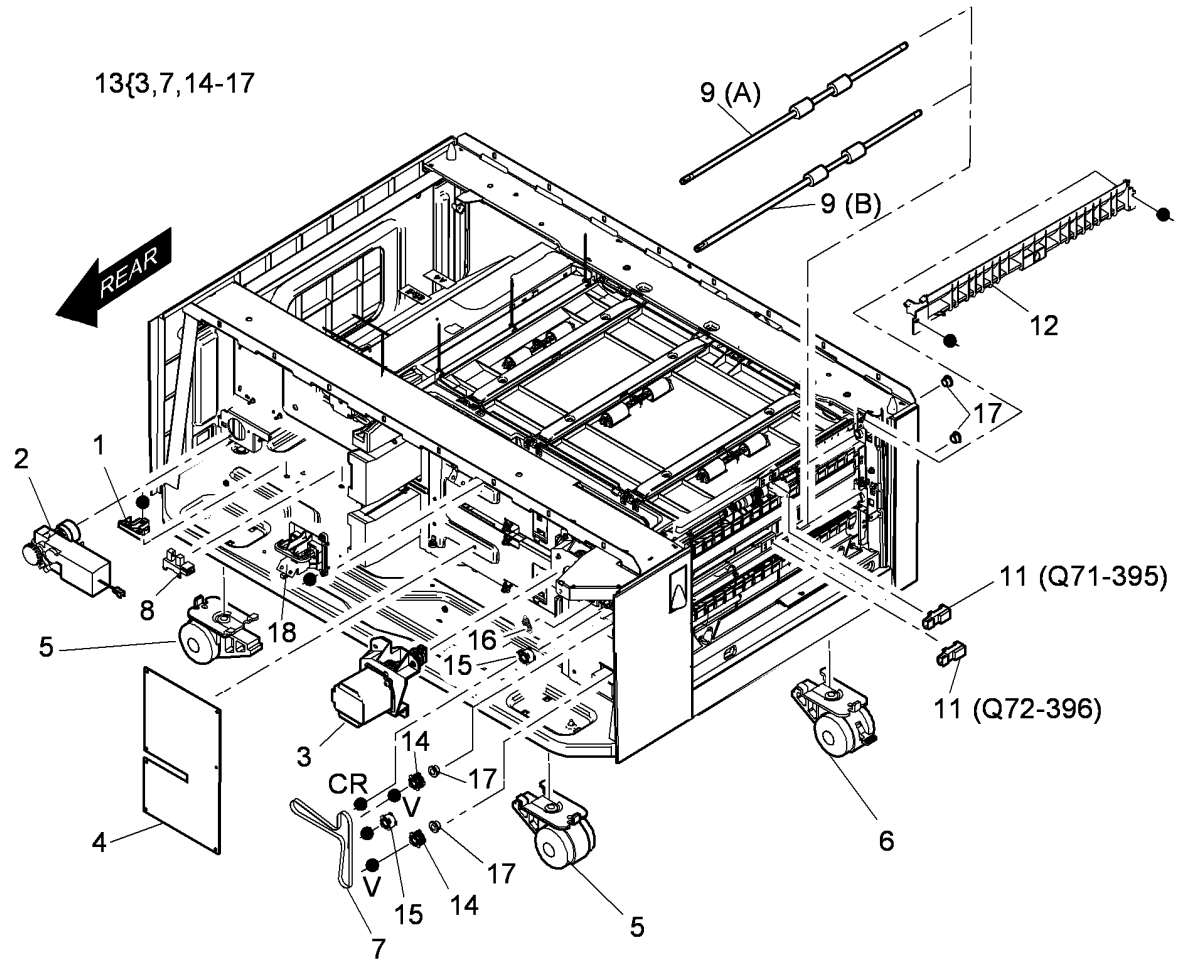


**NOTE:** Refer to ADJ 73.1 to set the tray 3 paper guides.

P. 8.0006.1

## PL 73.16 3 Tray Module

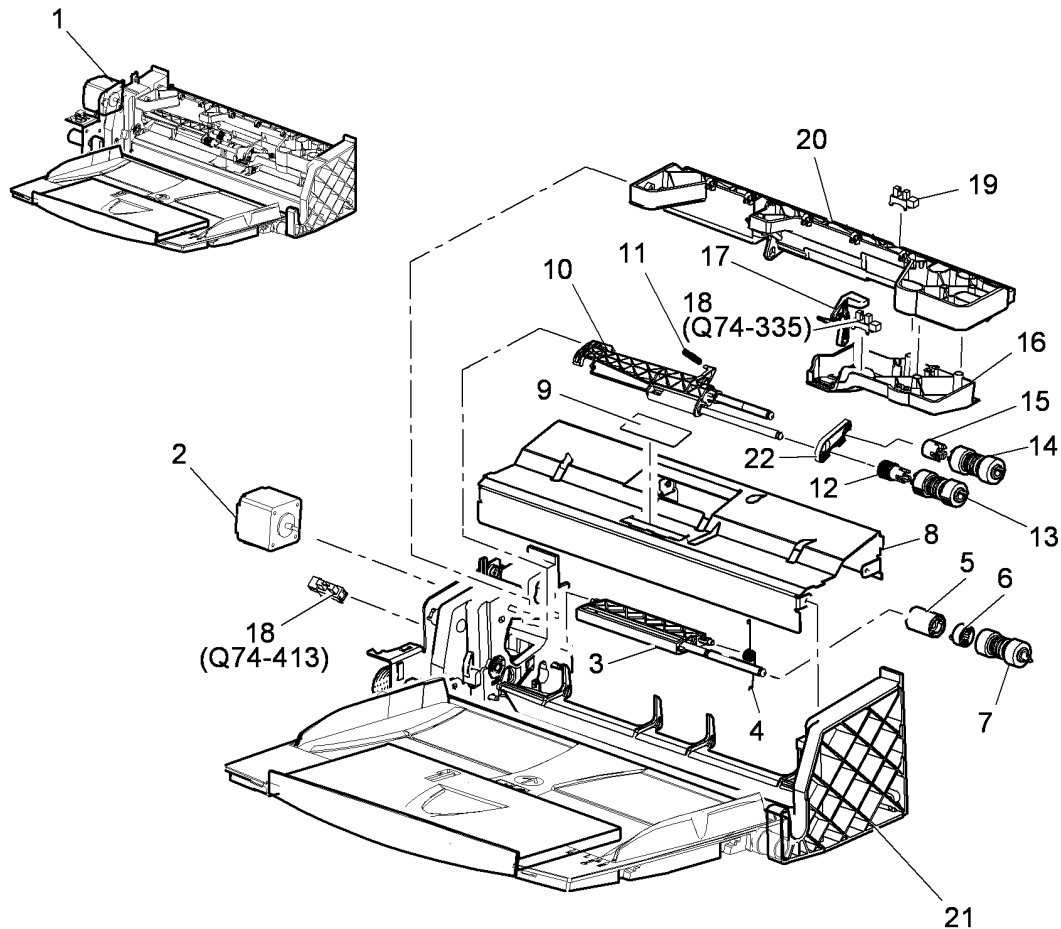
Item	Part	Description
1	003E71520	Latch stop
2	127K62350	Tray 3 elevate motor (MOT 73-002) (REP 73.2)
3	127K53792	3 Tray transport motor (MOT70-025) (REP 82.1)
4	960K52111	3 Tray module PWB (REP 70.1)
5	017K04222	Rear caster
6	017K04232	Front caster (Brake)
7	-	Drive belt (P/O PL 73.16 Item 13) (REP 82.2)
8	130E18220	Tray 3 home sensor (Q73-303) (REP 73.5)
9	059K50851	Takeaway roll 1 (A) / Takeaway roll 2 (B)
10	-	Not used
11	130E11610	TAR sensor 1 (Q 71-395), TAR sensor 2 (Q72-396)
12	-	Lower guide (Not spared)
13	604K55421	TAR Drives kit
14	-	Pulley (P/O PL 73.16 Item 13)
15	-	Idler pulley (P/O PL 73.16 Item 13)
16	-	Spring (P/O PL 73.16 Item 13)
17	-	Bearing (P/O PL 73.16 Item 13)
18	003K20701	HT & main harness latch



R-8-0105-A

## PL 74.10 Bypass Module (Tray 4) (1 of 2)

Item	Part	Description
1	050K74110	Bypass Module (REP 81.3)
2	-	Bypass feed motor (MOT74-420) (P/O PL 74.10 Item 1)
3	-	Support retard (P/O PL 74.10 Item 1)
4	-	Spring retard (P/O PL 74.10 Item 1)
5	-	Clutch (P/O PL 74.10 Item 1)
6	-	Coupling (P/O PL 74.10 Item 1)
7	-	Retard roll assembly (REP 81.6) (P/O PL 31.11 Item 26) (See NOTE)
8	-	Guide lower (P/O PL 74.10 Item 1)
9	019K13770	Pad tray bottom
10	-	Support nudger (P/O PL 74.10 Item 1)
11	-	Spring nudger (P/O PL 74.10 Item 1)
12	-	Pulley nudger (Not spared)
13	-	Nudger roll assembly (REP 81.6) (P/O PL 31.11 Item 26) (See NOTE)
14	-	Feed roll assembly (REP 81.6) (P/O PL 31.11 Item 26) (See NOTE)
15	-	Clutch assembly (P/O PL 74.10 Item 1)
16	-	Guide upper detach (P/O PL 74.10 Item 1)
17	-	Flag media present (P/O PL 74.10 Item 1)
18	130E18220	Bypass empty sensor (Q74-335)/ Nudger home sensor (Q74-413) (REP 81.10)
19	130E11610	Bypass feed sensor (Q74-406)
20	-	Guide upper (P/O PL 74.10 Item 1)
21	-	Roller assembly housing (P/O PL 74.10 Item 1) (REP 81.3)
22	-	Drive belt (Not spared)

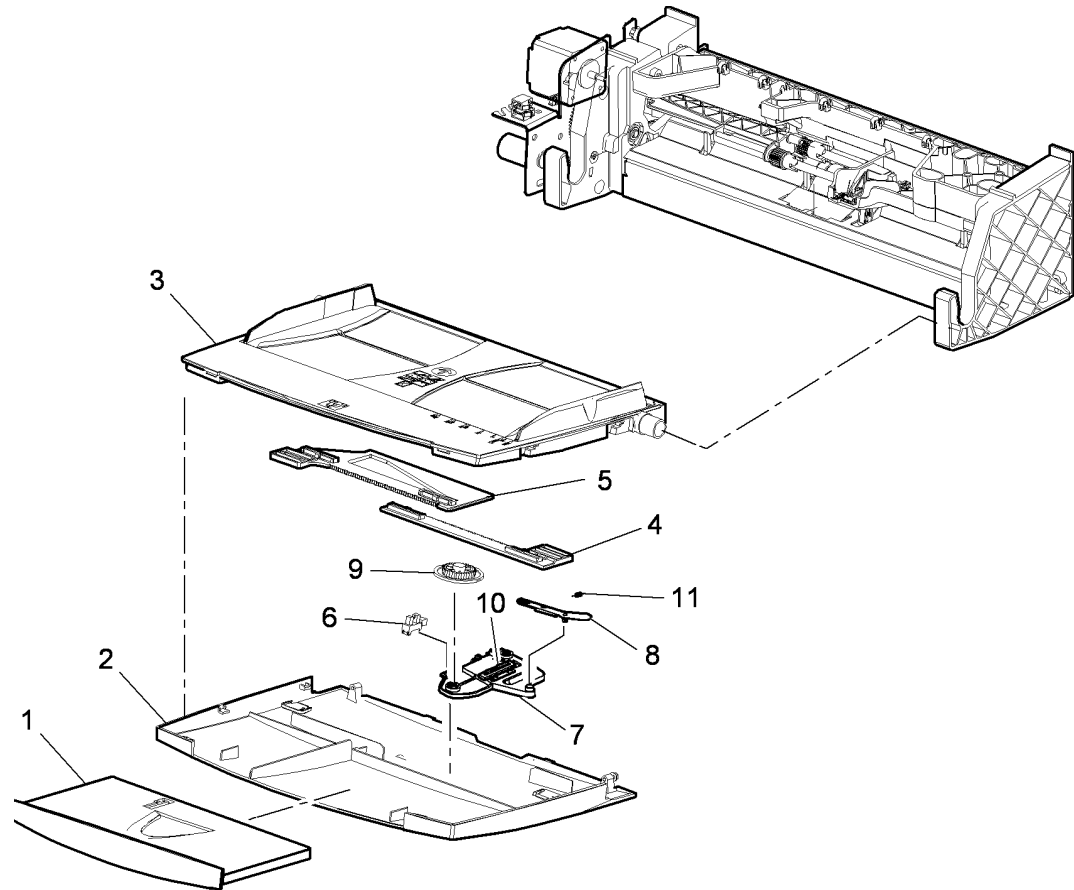


**NOTE:** To reset the HFSI count, go to dC135.

R-8-0106-A

## PL 74.11 Bypass Module (Tray 4) (2 of 2)

Item	Part	Description
1	–	Tray extension (P/O PL 74.10 Item 1)
2	–	Tray base (P/O PL 74.10 Item 1)
3	–	Tray deck (P/O PL 74.10 Item 1)
4	–	Rack front (P/O PL 74.10 Item 1)
5	–	Rack rear (P/O PL 74.10 Item 1)
6	130E18220	Bypass width sensor (Q74-350)
7	–	Mounting bracket (P/O PL 74.10 Item 1)
8	–	Lever (P/O PL 74.10 Item 1)
9	–	Gear (P/O PL 74.10 Item 1)
10	–	Potentiometer (P/O PL 74.10 Item 1)
11	–	Spring (P/O PL 74.10 Item 1)

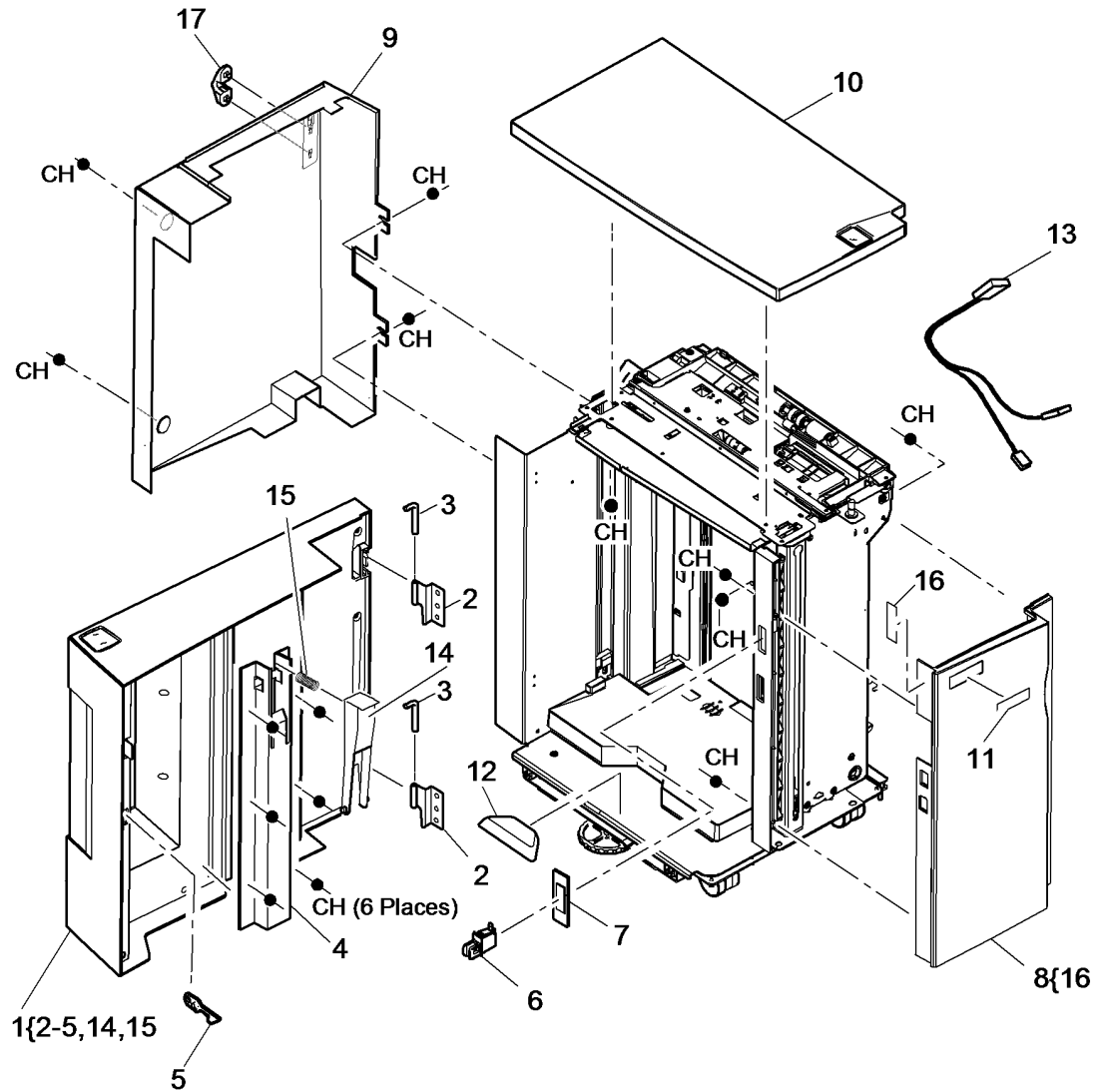


R-8-0117-A



## PL 75.60 Tray 5 Covers

Item	Part	Description
1	802K93561	Front door assembly
2	-	Front door hinge (P/O PL 75.60 Item 1)
3	-	Front door hinge pin (P/O PL 75.60 Item 1)
4	-	Trail edge guide assembly (P/O PL 75.60 Item 1)
5	-	Front door latch (P/O PL 75.60 Item 1)
6	110E20570	Tray 5 door switch (S75-010)
7	-	Interlock switch plate (Not spared)
8	848K19110	Front cover (REP 75.8)
9	802E82351	Rear cover (REP 75.8)
10	802E82363	Top cover (REP 75.8)
11	-	Label (Tray 5) (P/O PL 75.60 Item 8)
12	848E05863	Bias knuckle cover
13	-	Front door interlock harness (Not spared) (PJ507)
14	-	Tamper guide lever (P/O PL 75.60 Item 1)
15	-	Tamper lever compression spring (P/O PL 75.60 Item 1)
16	-	Label (Max) (P/O PL 75.60 Item 8)
17	-	Cable clamp (P/O PL 75.60 Item 9)

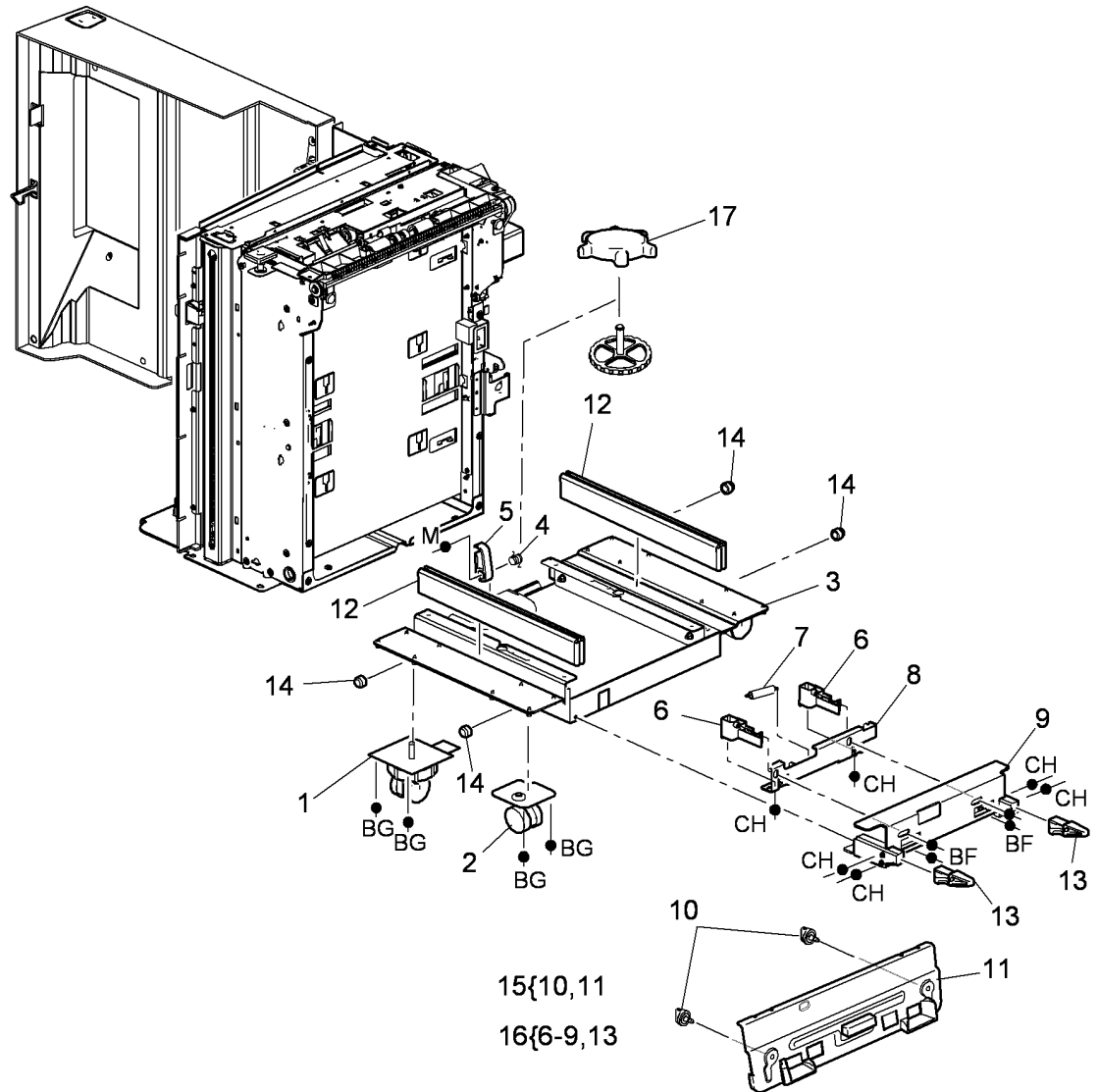


R-8-0014-B

## PL 75.62 Tray 5 Base

Item	Part	Description
1	-	Adjustable caster (Not spared)
2	-	Caster (Not spared)
3	-	Platform assembly (Not spared)
4	-	Spring Bias (Not spared)
5	-	Latch bias (Not spared)
6	003E78020	Docking latch (REP 75.9)
7	-	Docking latch spring (P/O PL 75.62 Item 16)
8	-	Docking latch bracket (P/O PL 75.62 Item 16)
9	-	Docking latch main bracket (P/O PL 75.62 Item 16)
10	803E13680	Docking latch thumb screw (see NOTE)
11	-	Docking plate (P/O PL 75.62 Item 15)
12	-	Slide assembly (Not spared)
13	-	Docking guides (P/O PL 75.62 Item 16)
14	-	Slide assembly locking nut (Not spared)
15	049K00270	Docking kit
16	003K20681	Latch assembly
17	-	Adjuster wheel (Not spared)

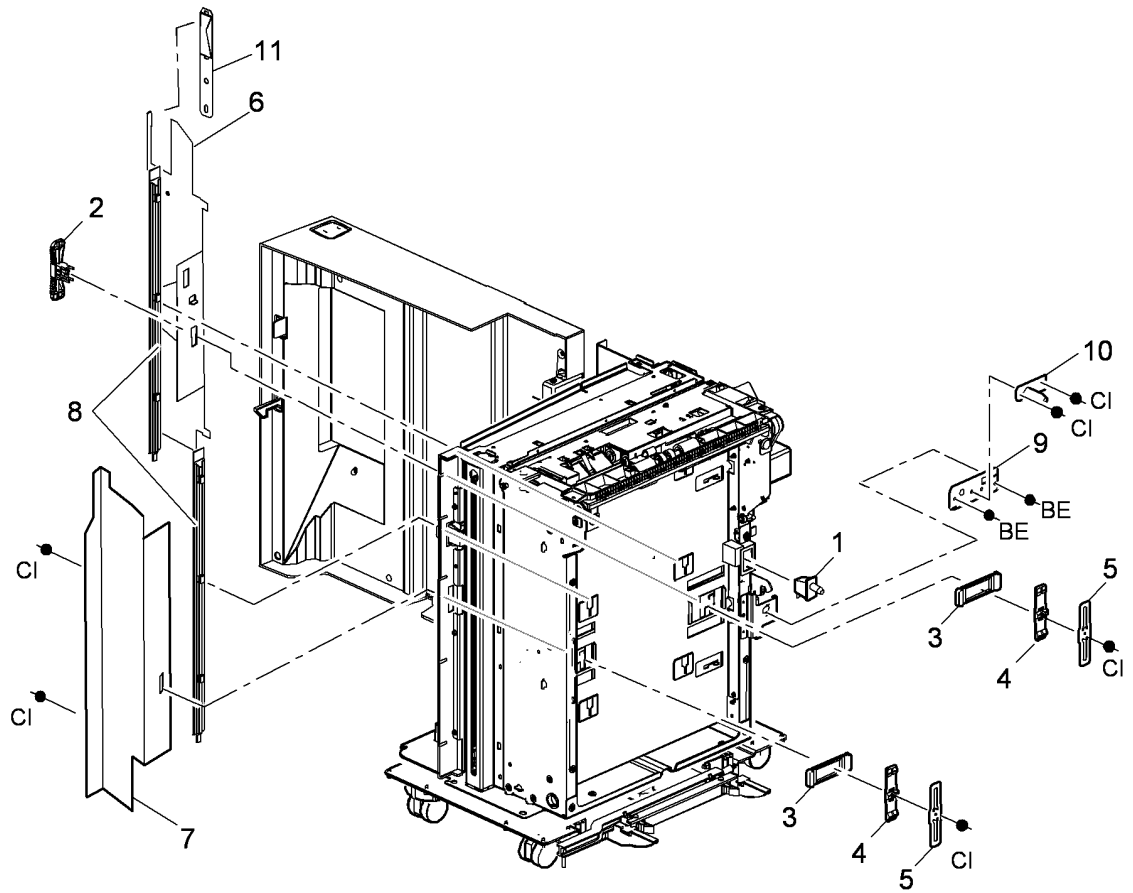
**NOTE:** This part is also part of docking kit PL 75.62 Item 15.



R-8-0015-A

## PL 75.64 Tray 5 Guides

Item	Part	Description
1	110K21080	Tray 5 docking interlock switch (S75-017)
2	–	Handle latch (Not spared)
3	–	Latch spacer (Not spared)
4	–	Slide latch (Not spared)
5	–	Spring leaf (Not spared)
6	–	Rear guide (P/O PL 75.64 Item 12)
7	–	Front guide assembly (Not spared)
8	038E34401	Guide strip
9	–	Adjustment plate (Not spared)
10	–	Interlock guide (Not spared)
11	–	Rear guide assembly spring (P/O PL 75.64 Item 12)
12	038K17713	Rear guide assembly
13	029K04680	Docking pin assembly



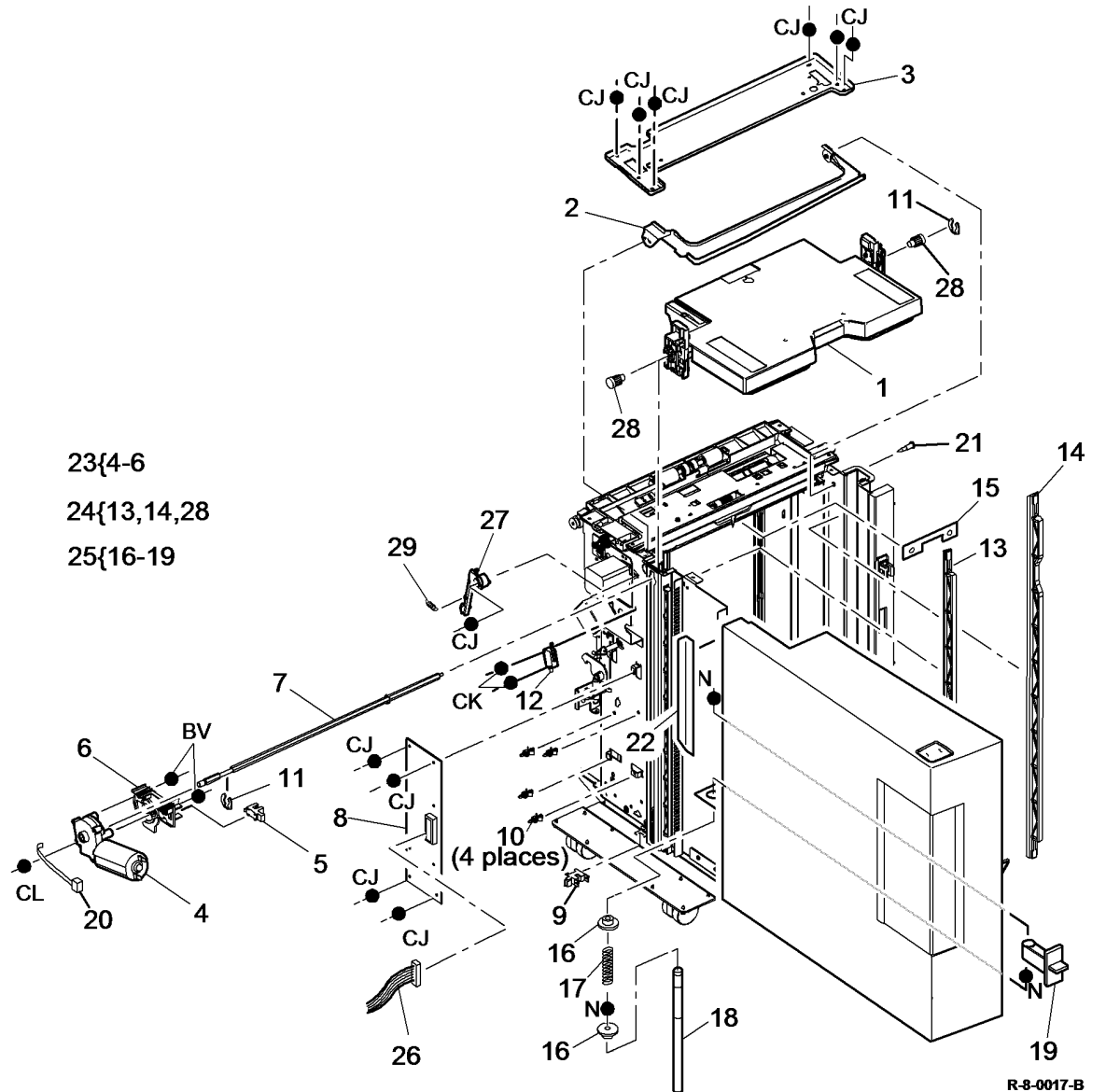
12{6,11

13{9,10

R-8-0016-A

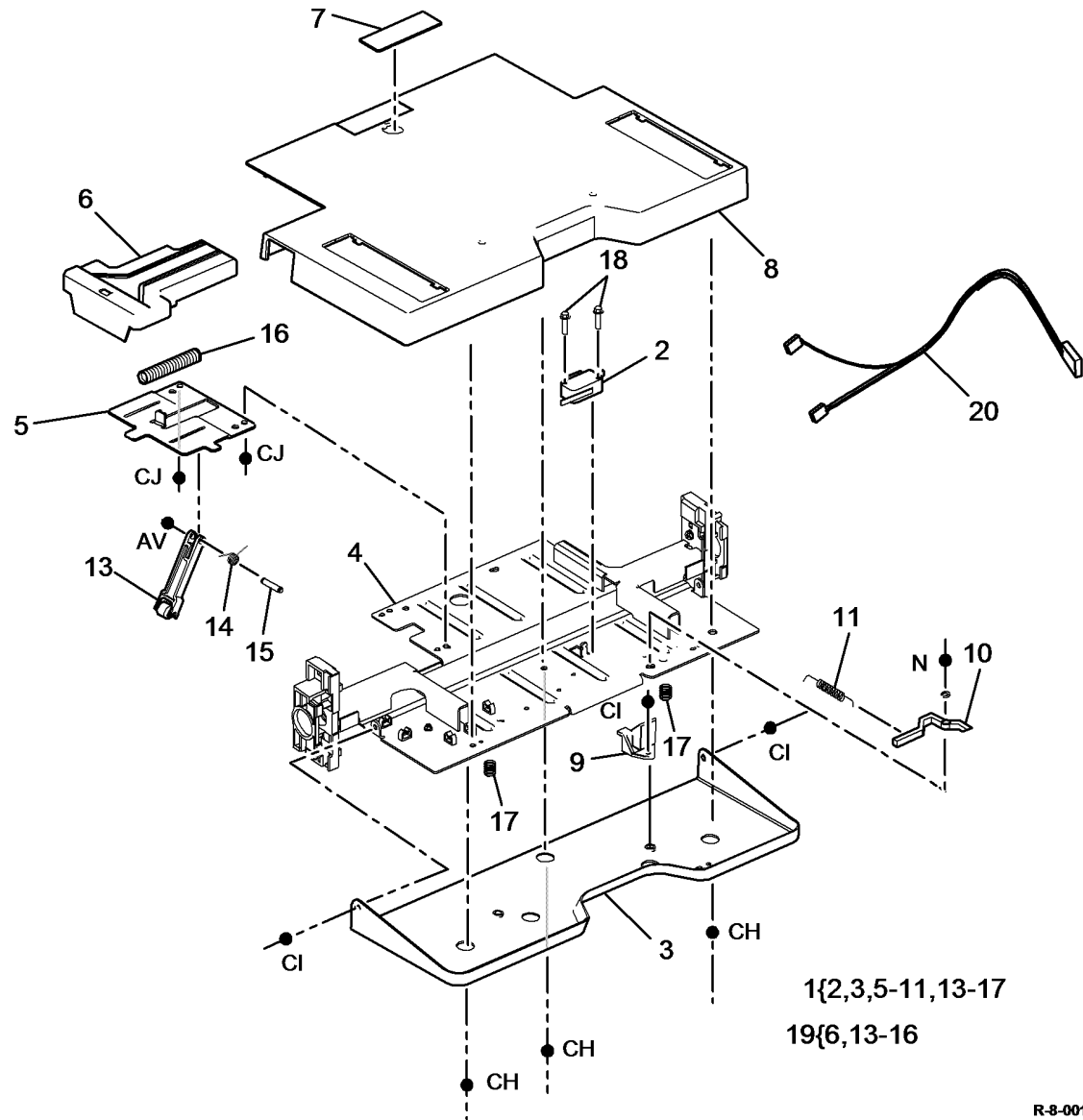
# PL 75.68 Tray 5 Lift Assembly (1 of 2)

Item	Part	Description
1	-	Tray assembly (complete) (Not spared)
2	-	Crash bar (Not spared)
3	-	Frame top brace (Not spared)
4	-	Elevator motor (MOT75-019) (P/O PL 75.68 Item 23)
5	130K74380	Elevator encoder sensor (Q75-015)
6	-	Elevator motor bracket (P/O PL 75.68 Item 23)
7	-	Elevator motor shaft (Not spared)
8	960K34453	Tray 5 Control PWB (Centre reg)
9	130K75511	Tray down sensor (Q75-012) (REP 75.3)
10	-	Standoff (Not spared)
11	-	Tray level drive gear clip (Not spared)
12	110E06961	Upper limit switch (S75-412)
13	-	Rear elevator rack (P/O PL 75.68 Item 24)
14	-	Front elevator rack (P/O PL 75.68 Item 24)
15	-	Retard roller shield (Not spared)
16	-	Shipping pin bearing (Not spared)
17	-	Shipping pin spring (Not spared)
18	-	Shipping pin (Not spared)
19	-	Shipping pin handle (Not spared)
20	-	Cable tie (Not spared)
21	-	Clinch stud (Not spared)
22	-	Cable holder (Not spared)
23	127K56330	Elevator motor assembly (REP 75.4)
24	007K19660	Elevator rack assembly (REP 75.10)
25	003K20950	Shipping pin handle assembly
26	962K82710	Media path driver PWB to Tray 5 PWB harness (PJ502, PJ513)
27	-	Upper limit switch actuator (Not spared)
28	-	Tray level drive gear (P/O PL 75.68 Item 24)
29	-	Actuator spring (Not spared)



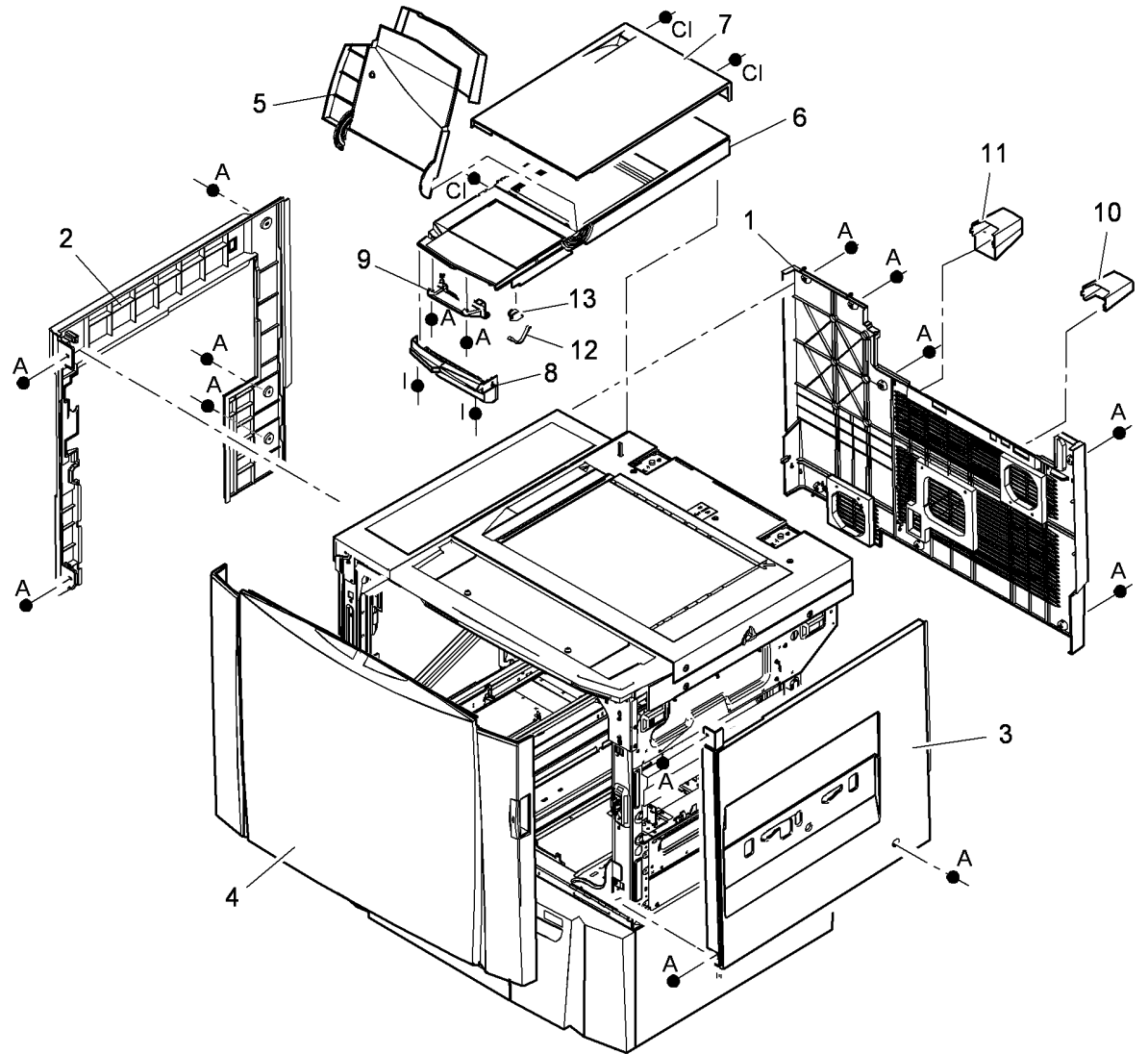
## PL 75.70 Tray 5 Lift Assembly (2 of 2)

Item	Part	Description
1	-	Tray lift assembly (Not spared)
2	110E06961	Tray down limit switch (S75-415) (REP 75.6)
3	-	Lower safety bar (Not spared)
4	-	Lift plate (Not spared)
5	-	Fixing plate (Not spared)
6	-	Infill plate (P/O PL 75.70 Item 19)
7	019K13470	Cork pad
8	-	Tray lift top cover (Not spared)
9	-	Lift plate crash bar actuator 2 (Not spared)
10	-	Lift plate crash bar actuator 1 (Not spared)
11	-	Crash bar actuator spring (Not spared)
12	-	Not used
13	-	Infill actuator arm (P/O PL 75.70 Item 19)
14	-	Infill actuator arm spring (P/O PL 75.70 Item 19)
15	-	Infill actuator arm pin (P/O PL 75.70 Item 19)
16	-	Infill plate spring (P/O PL 75.70 Item 19)
17	-	Lower safety spring (Not spared)
18	612W25655	Tray down limit switch screw
19	815K11380	Infill plate assembly
20	962K50461	Tray 5 elevator harness (PJ504)



## PL 81.10 Main Covers

Item	Part	Description
1	848K31730	Rear cover
2	848E45831	Left cover
3	848E45840	Right cover
4	848K31744	Front door assembly
5	848K31762	Ink loader access cover
6	848E45881	Ink loader top
7	848E45890	Ink loader access cover rear
8	848E45950	Ink loader backup cover
9	848E45961	Ink loader bracket
10	014E68040	Rear standoff
11	014E68060	Rear standoff (duct)
12	019E81431	Ink loader rotary damper clip
13	016E20080	Ink loader rotary damper

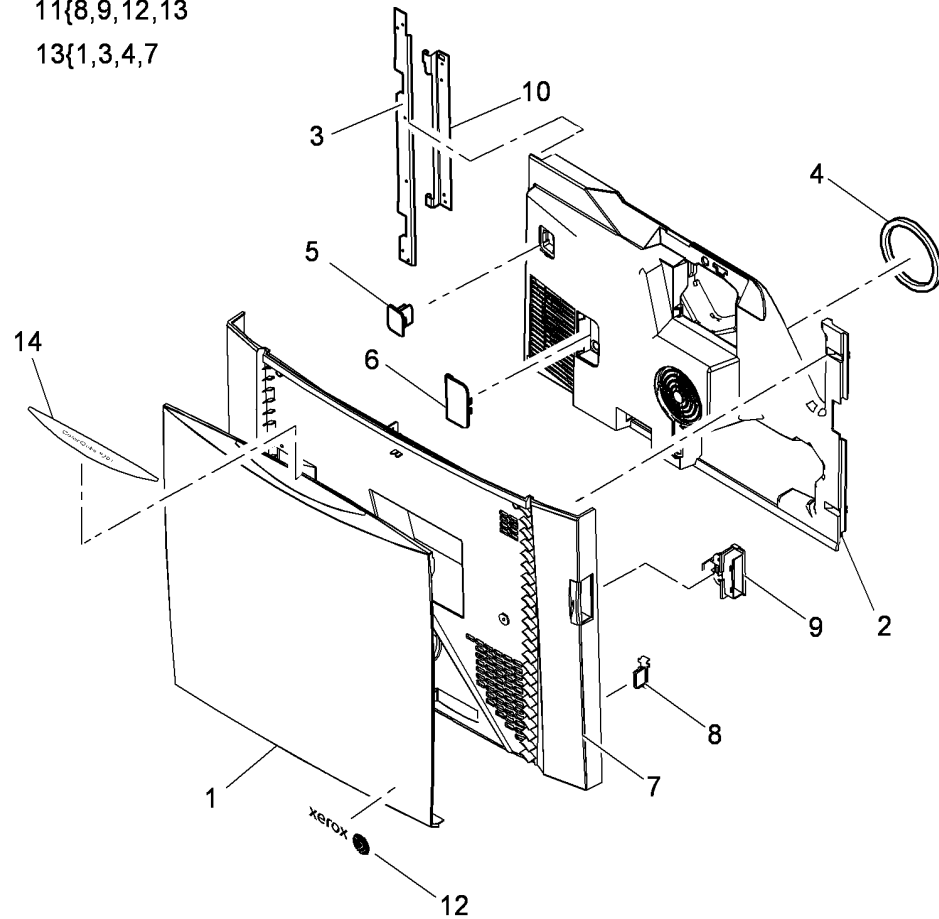


R-8-0030-A

## PL 81.11 Front Door Assembly

Item	Part	Description
1	-	Front door shield (P/O PL 81.11 Item 13)
2	848K31753	Inner cover
3	-	Hinge assembly (P/O PL 81.11 Item 13)
4	-	Foam seal (P/O PL 81.11 Item 13)
5	848E45930	Dongle cover
6	848E45940	Shipping restraint cover
7	-	Front door moulding (P/O PL 81.11 Item 13)
8	-	Access magnetic catch (P/O PL 81.11 Item 11)
9	848E45920	Front door handle
10	848E46011	Front door bracket (attached to frame)
11	848K31744	Front door assembly
12	-	Xerox logo (P/O PL 81.11 Item 11)
13	-	Door shield assembly (P/O PL 81.11 Item 11)
14	-	Name plate label (see below for variants)
-	897E42370	9201 Label
-	897E42380	9202 Label
-	897E42390	9203 Label

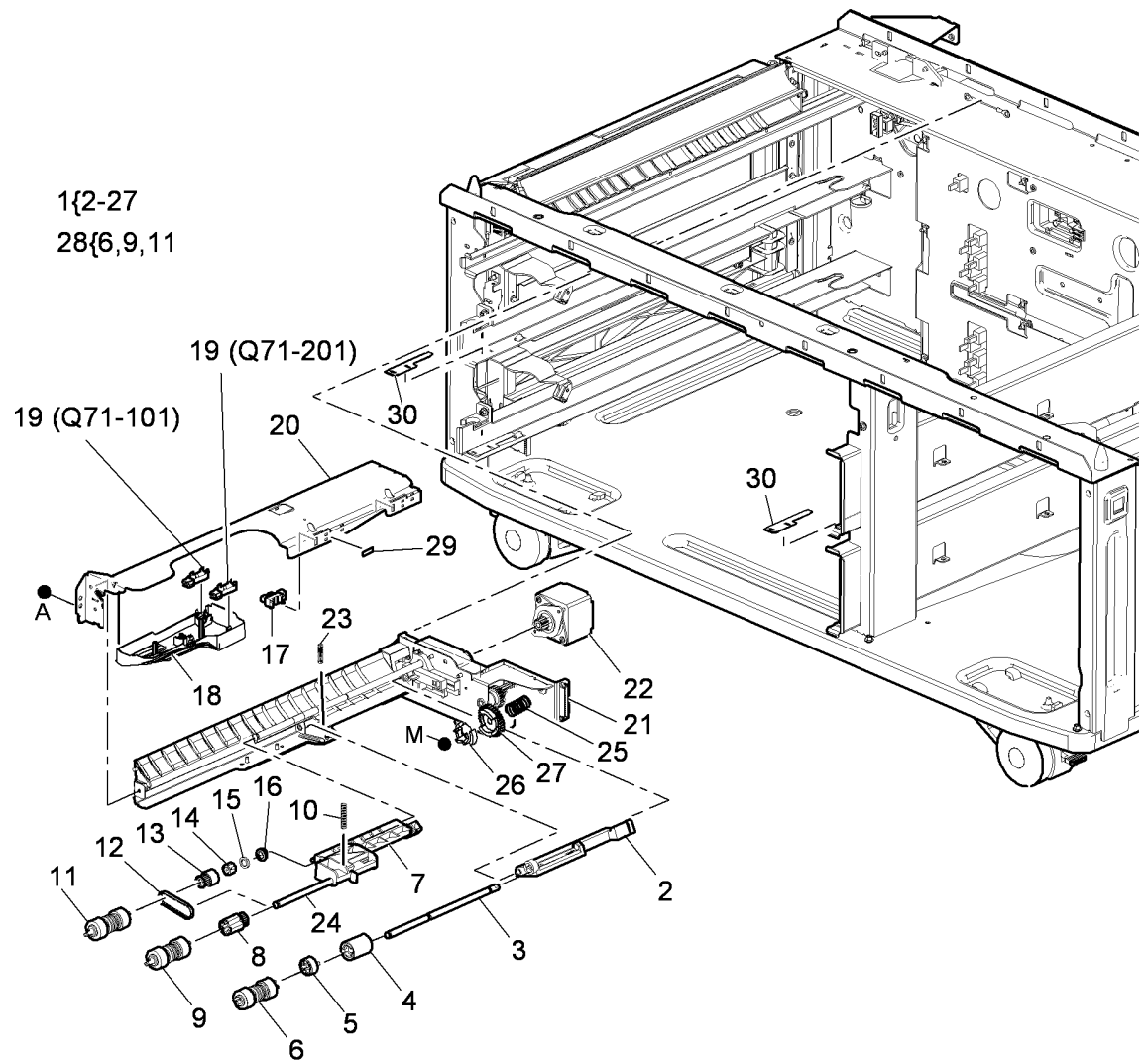
11{8,9,12,13  
13{1,3,4,7



R-8-0034-A

# PL 81.25 Tray 1 Paper Feed Assembly

Item	Part	Description
1	059K64454	Feedhead assembly (REP 81.1)
2	-	Retard roll support (P/O PL 81.25 Item 1)
3	-	Retard roll shaft (P/O PL 81.25 Item 1)
4	-	Clutch assembly (P/O PL 81.25 Item 1)
5	-	Coupling (P/O PL 81.25 Item 1)
6	-	Retard roll assembly (REP 81.4) (P/O PL 81.25 Item 28) (See NOTE)
7	-	Nudger roll support (P/O PL 81.25 Item 1)
8	-	Nudger pulley (P/O PL 81.25 Item 1)
9	-	Nudger roll assembly (REP 81.4) (P/O PL 81.25 Item 28) (See NOTE)
10	809E95240	Spring
11	-	Feed roll assembly (REP 81.4) (P/O PL 81.25 Item 28) (See NOTE)
12	-	Drive belt (P/O PL 81.25 Item 1)
13	-	Drive clutch (P/O PL 81.25 Item 1)
14	-	Feed pulley (P/O PL 81.25 Item 1)
15	-	Washer (P/O PL 81.25 Item 1)
16	-	Bearing (P/O PL 81.25 Item 1)
17	130E18220	Stack height sensor (Q71-336)
18	038E41151	Guide
19	130E11610	Tray 1 empty sensor (Q71-201)/ Feed sensor (Q71-101) (REP 81.8)
20	-	Cover (P/O PL 81.25 Item 1)
21	-	Elevator coupling assembly (P/O PL 81.25 Item 1)
22	-	T1 feed/elevator motor (MOT71-002) (P/O PL 81.25 Item 1)
23	-	Spring (P/O PL 81.25 Item 1)
24	-	Nudger roll shaft (P/O PL 81.25 Item 1)
25	-	Spring (P/O PL 81.25 Item 1)
26	-	Dog spacer (P/O PL 81.25 Item 1)
27	-	Gear 31 (P/O PL 81.25 Item 1)
28	-	Feed roll kit (REF: PL 31.11 Item 26)
29	014E68410	Shim
30	019E74540	Slide pad



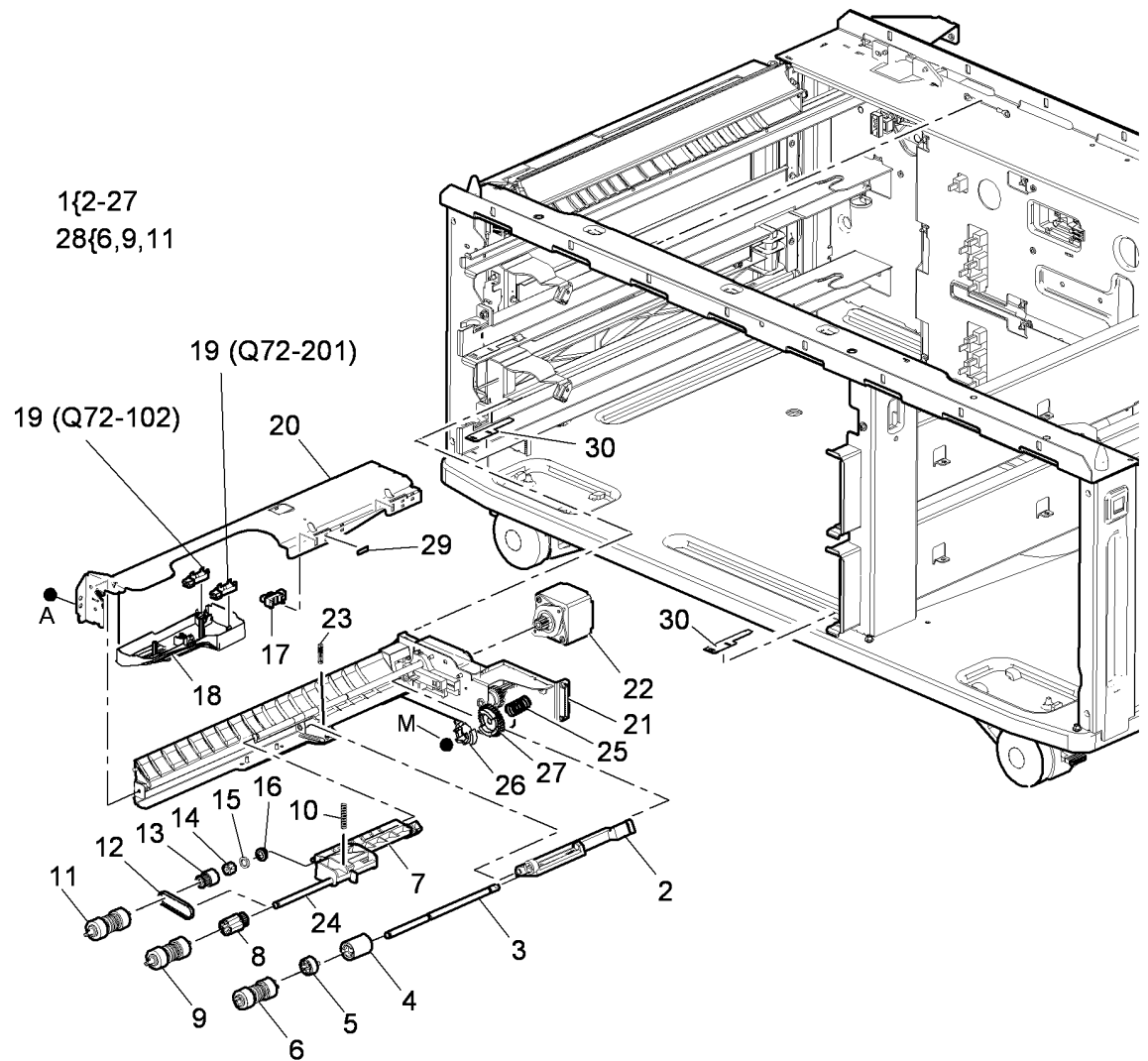
**NOTE:** To reset the HFSI count, go to dC135.

R-8-0004-A



## PL 81.26 Tray 2 Paper Feed Assembly

Item	Part	Description
1	059K64454	Feedhead assembly (REP 81.1)
2	-	Retard roll support (P/O PL 81.26 Item 1)
3	-	Retard roll shaft (P/O PL 81.26 Item 1)
4	-	Clutch assembly (P/O PL 81.26 Item 1)
5	-	Coupling (P/O PL 81.26 Item 1)
6	-	Retard roll assembly (REP 81.4) (P/O PL 81.26 Item 28) (See NOTE)
7	-	Nudger roll support (P/O PL 81.26 Item 1)
8	-	Nudger pulley (P/O PL 81.26 Item 1)
9	-	Nudger roll assembly (REP 81.4) (P/O PL 81.26 Item 28) (See NOTE)
10	809E95240	Spring
11	-	Feed roll assembly (REP 81.4) (P/O PL 81.26 Item 28) (See NOTE)
12	-	Drive belt (P/O PL 81.26 Item 1)
13	-	Drive clutch (P/O PL 81.26 Item 1)
14	-	Feed pulley (P/O PL 81.26 Item 1)
15	-	Washer (P/O PL 81.26 Item 1)
16	-	Bearing (P/O PL 81.26 Item 1)
17	130E18220	Stack height sensor (Q72-337)
18	038E41151	Guide
19	130E11610	Tray 2 empty sensor (Q72-201)/ Feed sensor (Q72-102) (REP 81.8)
20	-	Cover (P/O PL 81.26 Item 1)
21	-	Elevator coupling assembly (P/O PL 81.26 Item 1)
22	-	T2 feed/elevator motor (MOT72-001) (P/O PL 81.26 Item 1)
23	-	Spring (P/O PL 81.26 Item 1)
24	-	Nudger roll shaft (P/O PL 81.26 Item 1)
25	-	Spring (P/O PL 81.26 Item 1)
26	-	Dog spacer (P/O PL 81.26 Item 1)
27	-	Gear 31 (P/O PL 81.26 Item 1)
28	-	Feed roll kit (REF: PL 31.11 Item 26)
29	014E68410	Shim
30	019E74540	Slide pad

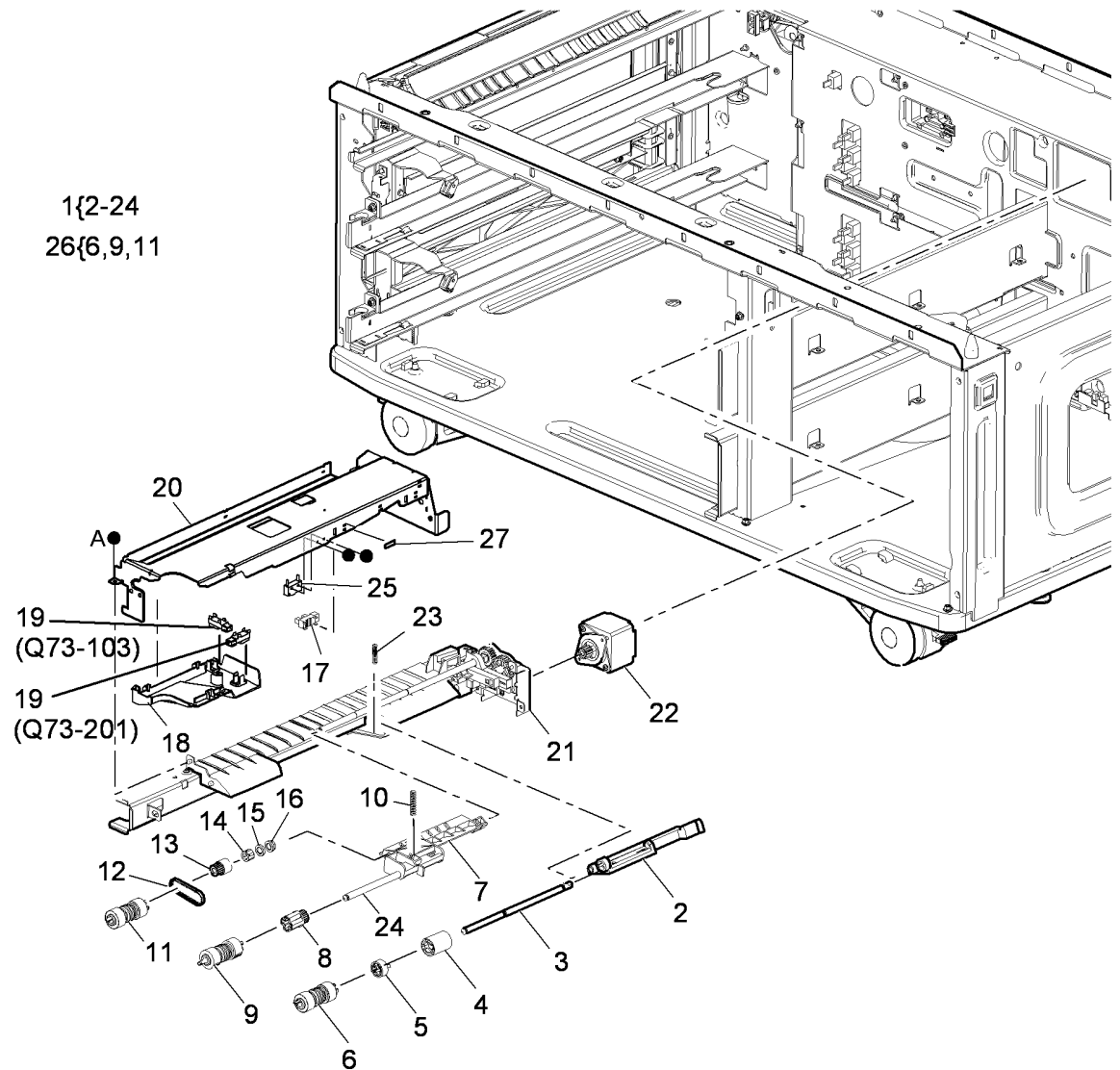


R-8-0100-A

**NOTE:** To reset the HFSI count, got to dC135.

## PL 81.30 Tray 3 Paper Feed Assembly

Item	Part	Description
1	059K64464	Feedhead assembly (REP 81.2)
2	-	Retard roll support (P/O PL 81.30 Item 1)
3	-	Retard roll shaft (P/O PL 81.30 Item 1)
4	-	Clutch assembly (P/O PL 81.30 Item 1)
5	-	Coupling (P/O PL 81.30 Item 1)
6	-	Retard roll assembly (REP 81.5) (P/O PL 81.30 Item 26) (See NOTE)
7	-	Nudger roll support (P/O PL 81.30 Item 1)
8	-	Nudger pulley (P/O PL 81.30 Item 1)
9	-	Nudger roll assembly (REP 81.5) (P/O PL 81.30 Item 26)(See NOTE)
10	809E94921	Spring
11	-	Feed roll assembly (REP 81.5) (P/O PL 81.30 Item 26) (See NOTE)
12	-	Drive belt (P/O PL 81.30 Item 1)
13	-	Drive clutch (P/O PL 81.30 Item 1)
14	-	Feed pulley (P/O PL 81.30 Item 1)
15	-	Washer (P/O PL 81.30 Item 1)
16	-	Bearing (P/O PL 81.30 Item 1)
17	130E18220	Stack height sensor (Q73-383) (REP 73.4)
18	038E41311	Guide
19	130E11610	Tray empty sensor (Q73-201)/Feed sensor (Q73-103) (REP 81.9)
20	-	Cover (P/O PL 81.30 Item 1)
21	-	Elevator coupling assembly (P/O PL 81.30 Item 1)
22	-	T3 feed motor (MOT73-001) (P/O PL 81.30 Item 1)
23	-	Spring (P/O PL 81.30 Item 1)
24	-	Nudger roll shaft (P/O PL 81.30 Item 1)
25	-	Tray up limit switch (S73-384) (P/O PL 81.30 Item 1)
26	-	Feed roll kit (REF: PL 31.11 Item 26)
27	014E68410	Shim

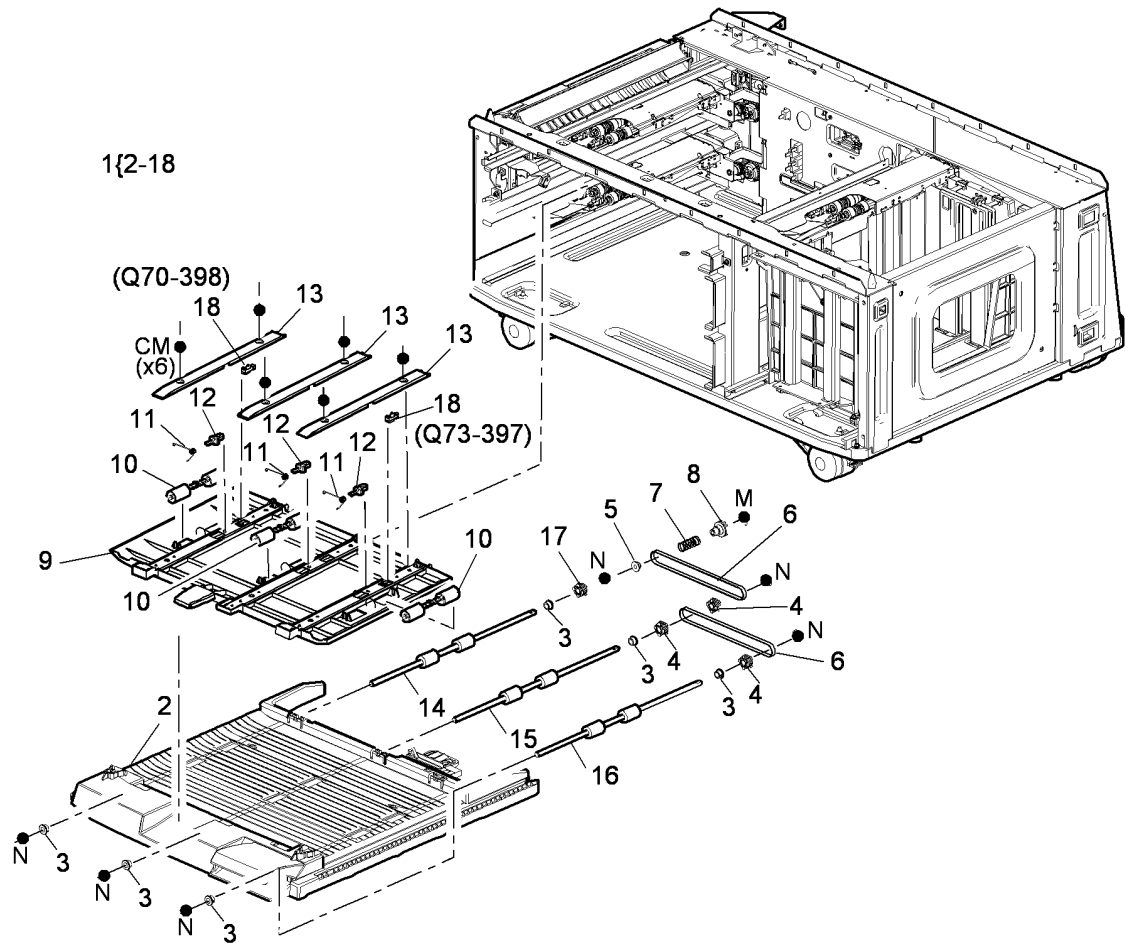


**NOTE:** To reset the HFSI count, go to dC135.

R-8-0101-A

# PL 81.35 3 Tray Module Transport Assembly

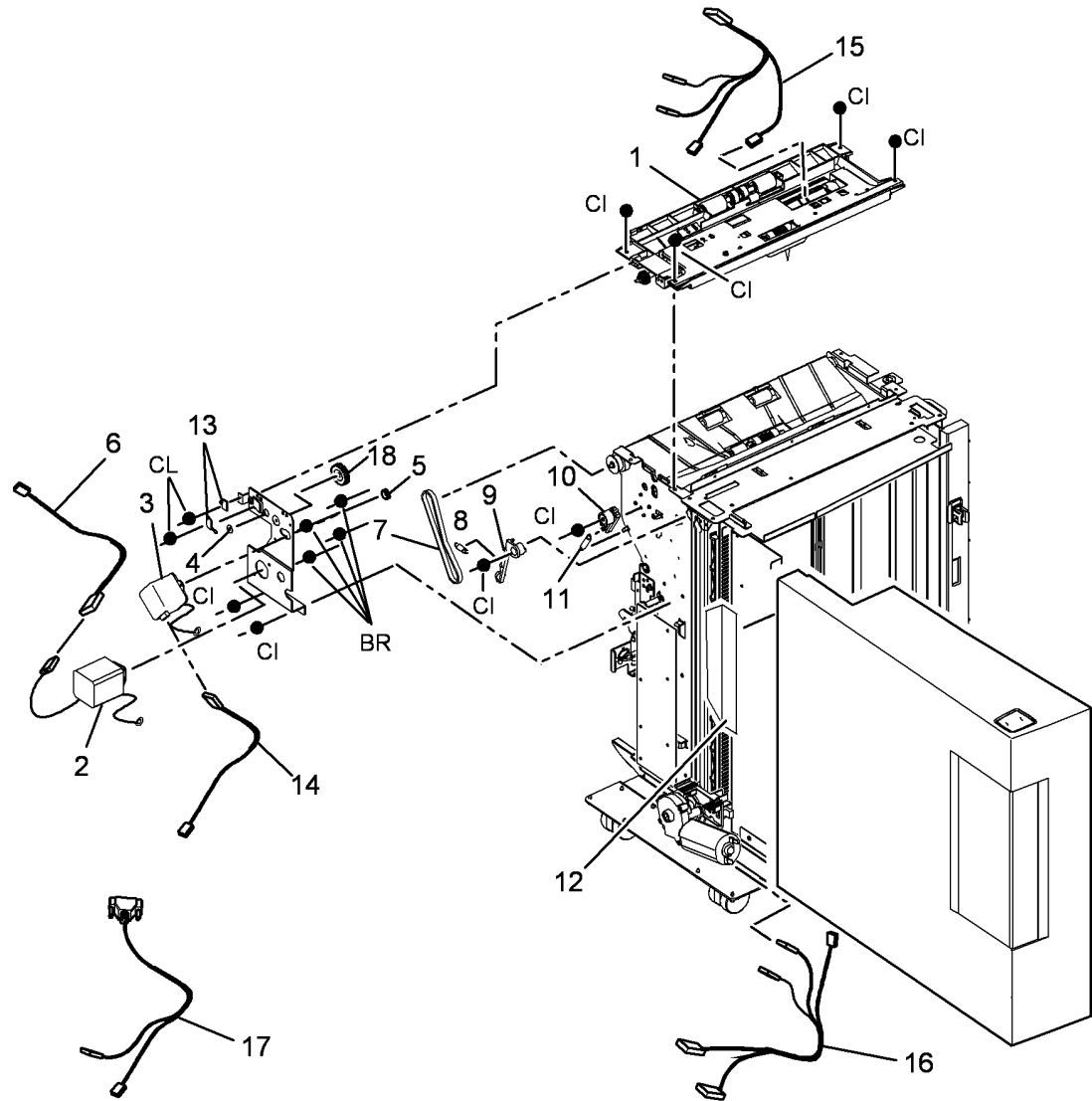
Item	Part	Description
1	059K50816	Horizontal transport assembly (REP 82.3)
2	-	Horizontal transport base (P/O PL 81.35 Item 1)
3	-	Bearing (P/O PL 73.16 Item 13)
4	-	Pulley (P/O PL 73.16 Item 13)
5	-	Sleeve spring location (P/O PL 73.16 Item 13)
6	-	Drive belt (P/O PL 73.16 Item 13)
7	-	Spring (P/O PL 73.16 Item 13)
8	-	Coupling (P/O PL 73.16 Item 13)
9	-	Horizontal transport lid (P/O PL 81.35 Item 1)
10	-	Idler roll (P/O PL 81.35 Item 1)
11	-	Spring (P/O PL 81.35 Item 1)
12	-	Clip (P/O PL 81.35 Item 1)
13	-	Cover (P/O PL 81.35 Item 1)
14	-	Transport roll 1 (P/O PL 81.35 Item 1) (REP 82.4)
15	-	Transport roll 2 (P/O PL 81.35 Item 1) (REP 82.4)
16	806E19670	Transport roll 3 (REP 82.4)
17	-	Pulley DD (P/O PL 81.35 Item 1)
18	130E11610	Tray 3 transport sensor (2)(Q70-398)/TAR 3 sensor (Q73-397)



R-8-0102-A

# PL 81.40 Tray 5 Feed Assembly (1 of 3)

Item	Part	Description
1	059K69991	Upper feeder assembly (REF: PL 81.45 Item 1)
2	127K56453	Tray 5 transport motor (MOT75-018) (REP 82.5)
3	127K61980	Feed motor (MOT75-117) (REP 81.12)
4	-	Bearing (Not spared)
5	-	Gear 14T (Not spared)
6	-	Feed/elevator motor harness (Not spared)
7	423W09050	Drive belt (REP 82.6)
8	-	Upper limit actuator spring (Not spared)
9	-	Upper limit actuator (Not spared)
10	-	Belt tensioner (Not spared)
11	-	Belt tensioner spring (Not spared)
12	-	Elevator harness shield (Not spared)
13	125E00430	Static eliminator
14	-	Transport motor harness (Not Spared) (PJ511)
15	-	Tray 5 upper feeder assembly harness (Not spared) (PJ505)
16	962K50475	Elevator motor harness (PJ504)
17	962K82710	Centre reg interface harness
18	007K14401	Gear 30T Bearing



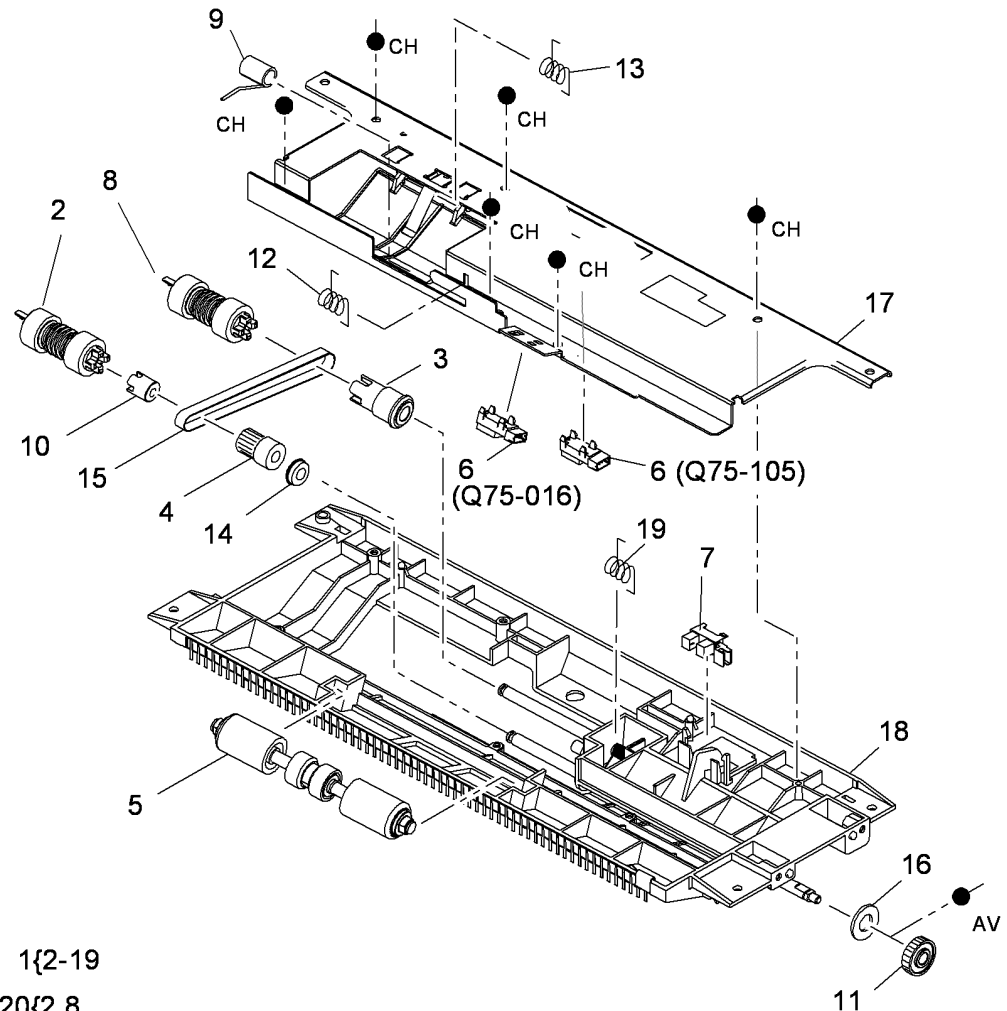
R-8-0019-A

# PL 81.45 Tray 5 Feed Assembly (2 of 3)

Item	Part	Description
1	059K69991	Upper feeder assembly (REP 82.7)
2	-	Feed roller (REP 81.7) (P/O PL 81.45 Item 20) (See NOTE)
3	-	Nudger pulley (P/O PL 81.45 Item 1)
4	-	One way coupling (P/O PL 81.45 Item 1)
5	-	Take away idler roller (P/O PL 81.45 Item 1)
6	130E11610	Tray 5 empty sensor (Q75-016)(REP 75.1)/Feed sensor (Q75-105)(REP 81.11)
7	130E12060	Stack height sensor (Q75-011) (REP 75.2)
8	-	Nudger roller (P/O PL 81.45 Item 20) (REP 81.7)
9	-	Torsion spring (P/O PL 81.45 Item 1)
10	-	Clutch (P/O PL 81.45 Item 1)
11	-	Gear (29T) (P/O PL 81.45 Item 1)
12	-	Housing spring (P/O PL 81.45 Item 1)
13	-	Torsion chute spring (P/O PL 81.45 Item 1)
14	-	Bearing (P/O PL 81.45 Item 1)
15	-	Roller belt (P/O PL 81.45 Item 1)
16	-	Washer (P/O PL 81.45 Item 1)
17	-	Upper feed assembly top cover (P/O PL 81.45 Item 1)
18	-	Upper feed assembly base (P/O PL 81.45 Item 1)
19	-	Torsion nudger spring (P/O PL 81.45 Item 1)
20	-	Feed roll kit (Pack of 3) (REF: PL 31.11 Item 26) (REP 81.7)

**NOTE:** To reset the HFSI count, go to dC135.

1{2-19  
20{2,8

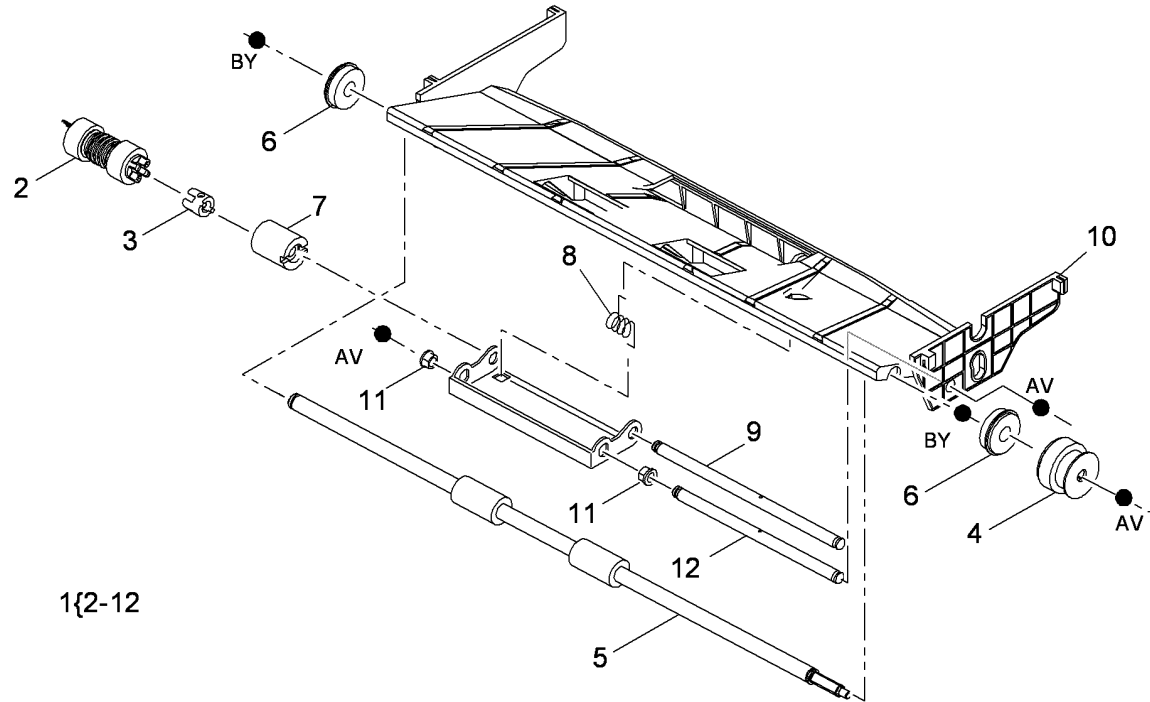


R-8-0020-A

## PL 81.46 Tray 5 Feed Assembly (3 of 3)

Item	Part	Description
1	059K70530	Lower feed assembly (REP 82.7)
2	-	Retard roller (P/O PL 81.45 Item 20)
3	-	Retard clutch (P/O PL 81.46 Item 1)
4	-	One way pulley clutch (P/O PL 81.46 Item 1)
5	-	Take away roller (P/O PL 81.46 Item 1) (REP 82.7)
6	-	Bearing (P/O PL 81.46 Item 1)
7	-	Clutch (P/O PL 81.46 Item 1)
8	-	Torsion retard spring (P/O PL 81.46 Item 1)
9	-	Retard roller shaft (P/O PL 81.46 Item 1)
10	-	Lower feed assembly base (P/O PL 81.46 Item 1)
11	-	Actuator pivot shaft bearing (P/O PL 81.46 Item 1)
12	-	Actuator pivot shaft (P/O PL 81.46 Item 1)

**NOTE:** To reset the HFSI count, go to dC135.

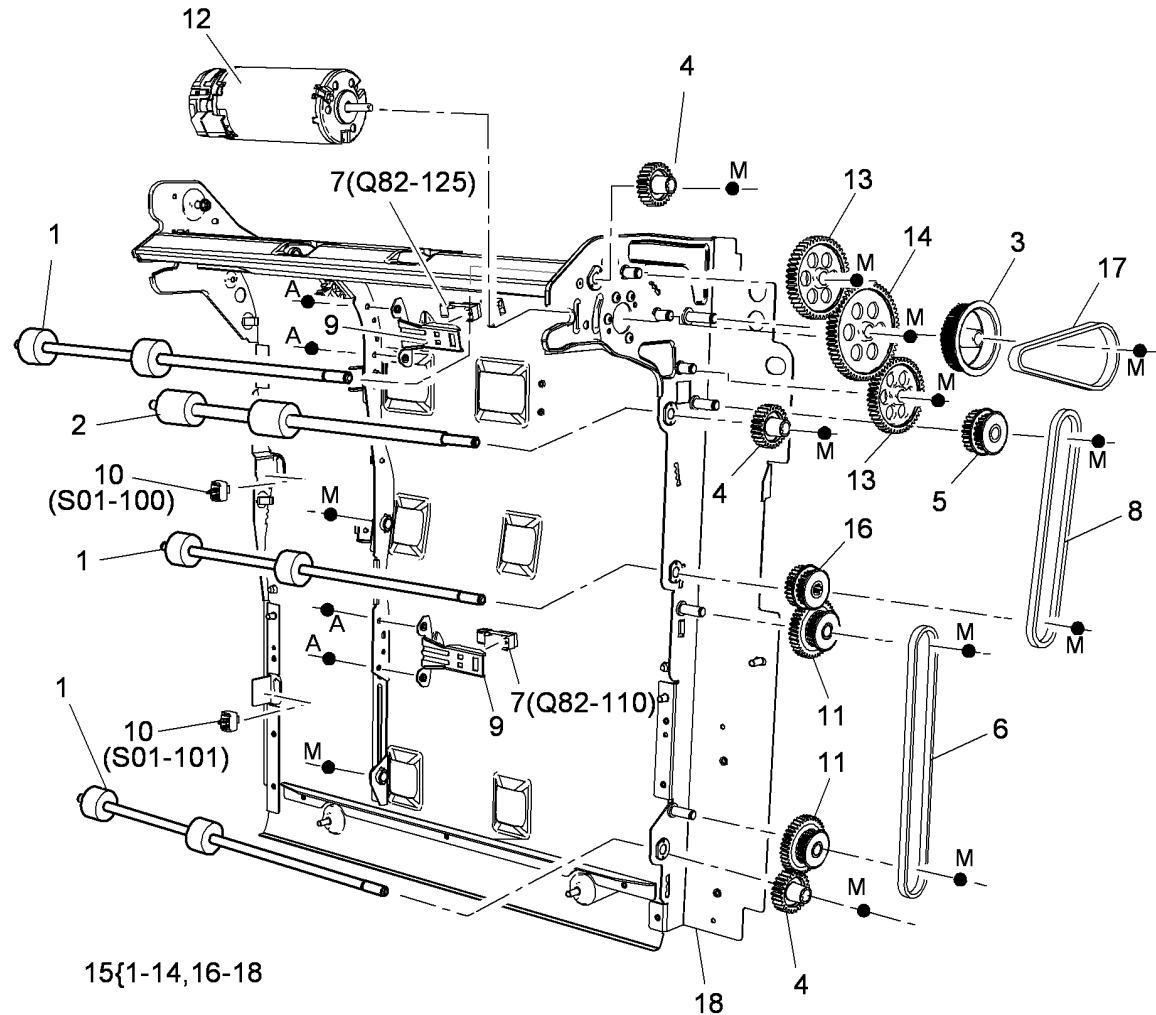


1{2-12

R-8-0123-A

## PL 82.10 Vertical Paper Path

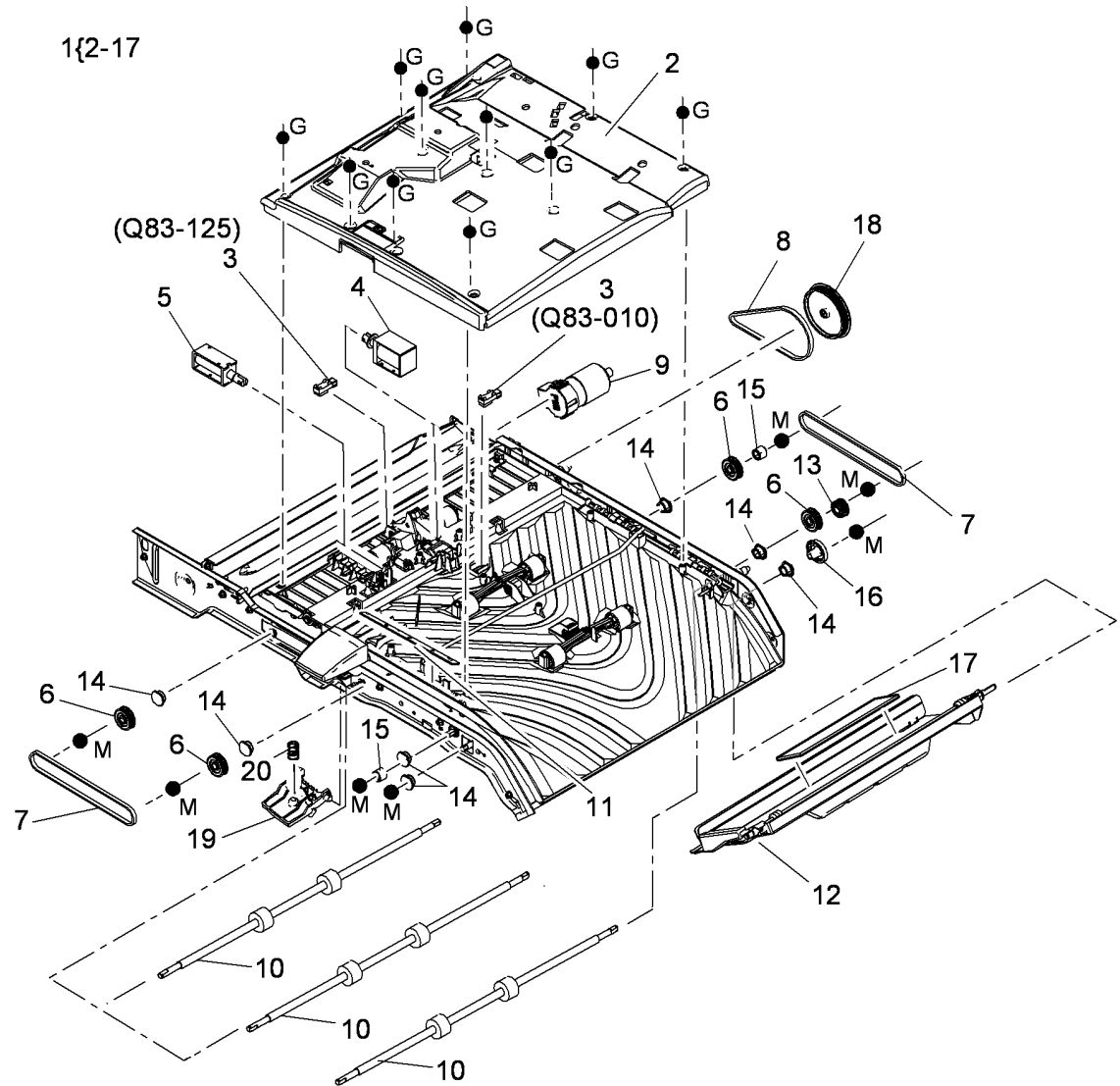
Item	Part	Description
1	059E10710	Transport roller drive 2
2	059K63990	Transport roller TAR vertical
3	807E28960	Pulley M2 (90T)
4	807E28950	Gear 25T M08
5	807E28970	Nip F idler pulley
6	023E31410	Nip 'H' drive belt
7	130E12950	Confirm sensor (16) (Q82-125)/ Vertical transport sensor (5) (Q82-110) (REP 82.8)
8	023E31470	Nip F drive belt (90T)
9	—	Sensor bracket (Not spared)
10	110E20810	Upper door interlock switch (S01-100)/Mid door interlock switch (S01-101)
11	020K20450	Nip H drive pulley
12	127K62280	Vertical transport motor (M2) (MOT82-001) (M2)
13	807E29010	Gear 46T-M08
14	807E28940	Gear 58T
15	038K23761	Vertical paper path
16	020K20620	Nip F drive pulley
17	023E31480	Motor M2 drive belt
18	—	Inner frame assembly (Not spared)



R-8-0065-A

## PL 82.15 Horizontal Paper Path

Item	Part	Description
1	038K23500	Horizontal paper path assembly (REP 83.1)
2	-	Top cover (P/O PL 82.15 Item 1)
3	130E12950	Duplex sensor (17)(Q83-010)(REP 83.3)/Duplex end sensor (14)(Q83-125)(REP 83.2)
4	121E26510	Nip 'C' release solenoid (SOL82-007) (REP 83.2)
5	121E26500	HPP diverter solenoid (SOL83-004) (REP 83.2)
6	020K20480	Pulley M6 (21T)
7	023E31410	Horizontal transport drive belt front (REP 83.5)
8	023E31490	Drive belt M6
9	127K62290	Horizontal transport motor (M6) (MOT82-003) (REP 83.4)
10	059E10740	Nip R,C and Q takeaway rolls (REP 83.5)
11	-	Horizontal illuminator (Q82-005) (P/O PL 82.15 Item 1)
12	-	Heatshield (P/O PL 82.15 Item 1)
13	807E29170	Heatshield lift gear
14	-	Bearing (Not spared)
15	-	Spacer (Not spared)
16	807E29160	Heatshield sector gear
17	-	Reg/Preheat illuminator PWB (P/O PL 82.15 Item 12)
18	020E53880	Pulley M6 (80T)
19	868E53910	Release latch
20	-	Spring (Not spared)

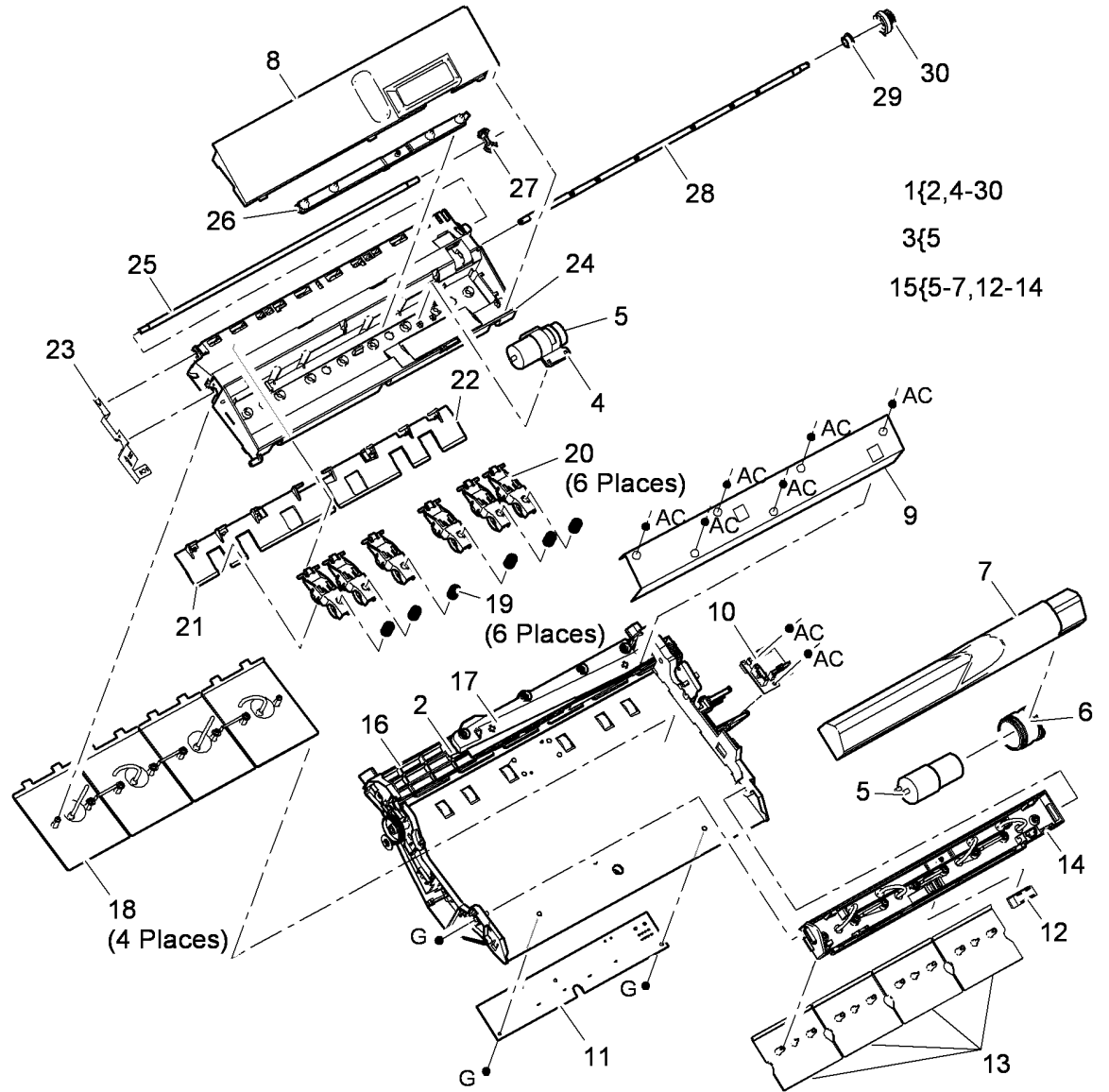


R-8-0066-A



# PL 88.10 Registration/ Pre-heat Assembly (1 of 2)

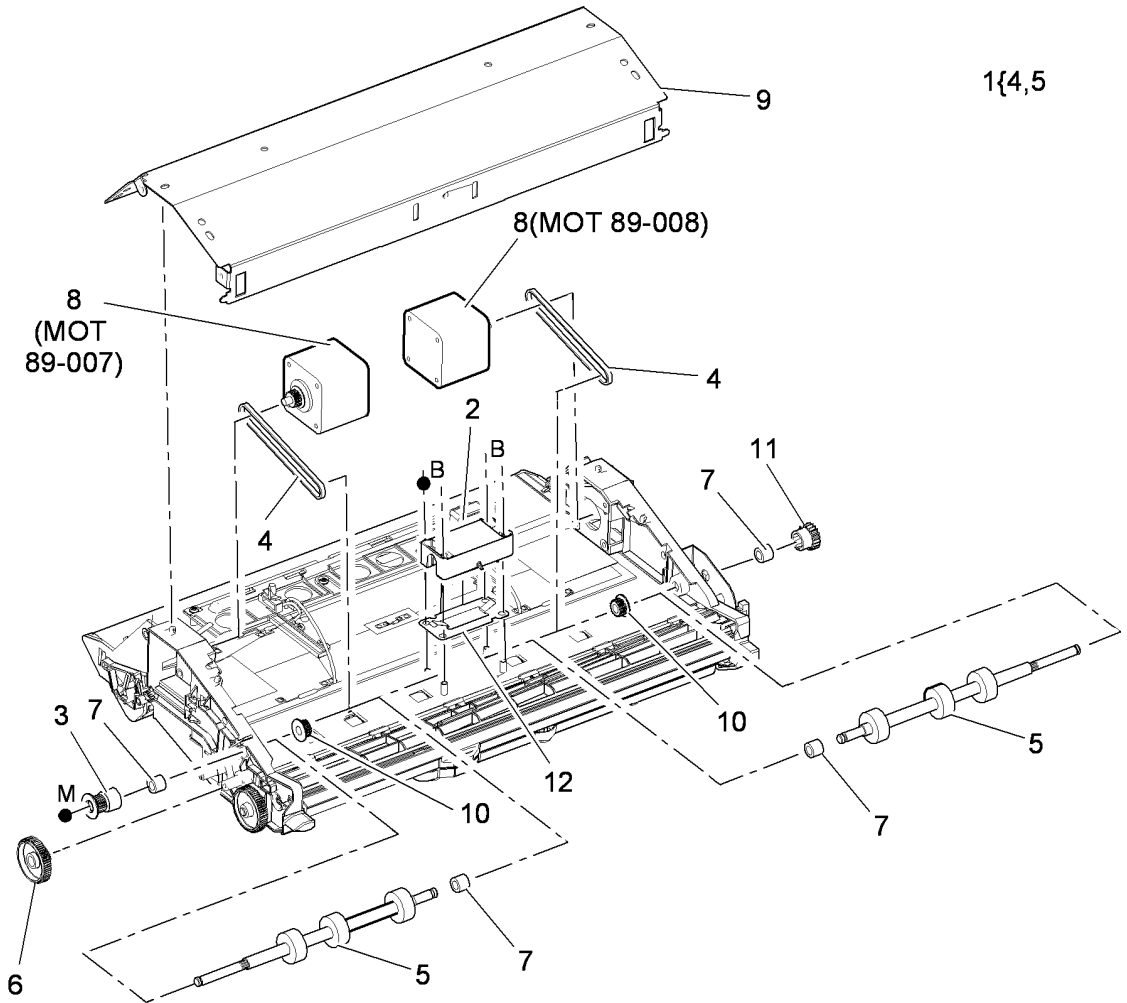
Item	Part	Description
1	801K37710	Registration/Pre-heat assembly (complete) (REP 89.1)
2	-	Registration scan bar (Q89-005) (Not spared)
3	604K54870	Registration/Pre-heat pump kit (REP 89.2)
4	-	Rubber mounting (Not spared)
5	-	Registration/Pre-heat air pump (MOT 88-008) (P/O PL 31.11 Item 7) (REP 89.2)
6	-	Rubber mounting (Not spared)
7	-	Lower platelet assembly cover (Not spared)
8	-	Pump cover (Not spared)
9	-	Sensor cover (Not spared)
10	-	Registration/Pre-heat interface PWB (Not spared)
11	-	Thermal cutout PWB (Not spared)
12	130E12950	Pre transfix sensor (20) (Q89-006) (REP 10.7)
13	-	Lower heat plate (Not spared)
14	-	Lower platelet base assembly (Not spared)
15	-	Lower platelet assembly (Not spared) (REP 89.1)
16	-	Frame and jam clearance assembly (Not spared)
17	-	Registration scan bar cover (Not spared)
18	-	Upper heat plate (Not spared)
19	-	Idler assembly spring (Not spared)
20	-	Idler assembly (Not spared)
21	-	Front inverter (Not spared)
22	-	Rear inverter (Not spared)
23	-	Grounding plate (Not spared)
24	-	Upper housing (Not spared)
25	-	Shaft (Not spared)
26	-	Suction plate (Not spared)
27	-	Gear (Not spared)
28	-	Shaft (Not spared)
29	-	Bearing (Not spared)
30	-	Gear (Not spared)



R-8-0061-A

# PL 88.11 Registration/ Pre-heat Assembly (2 of 2)

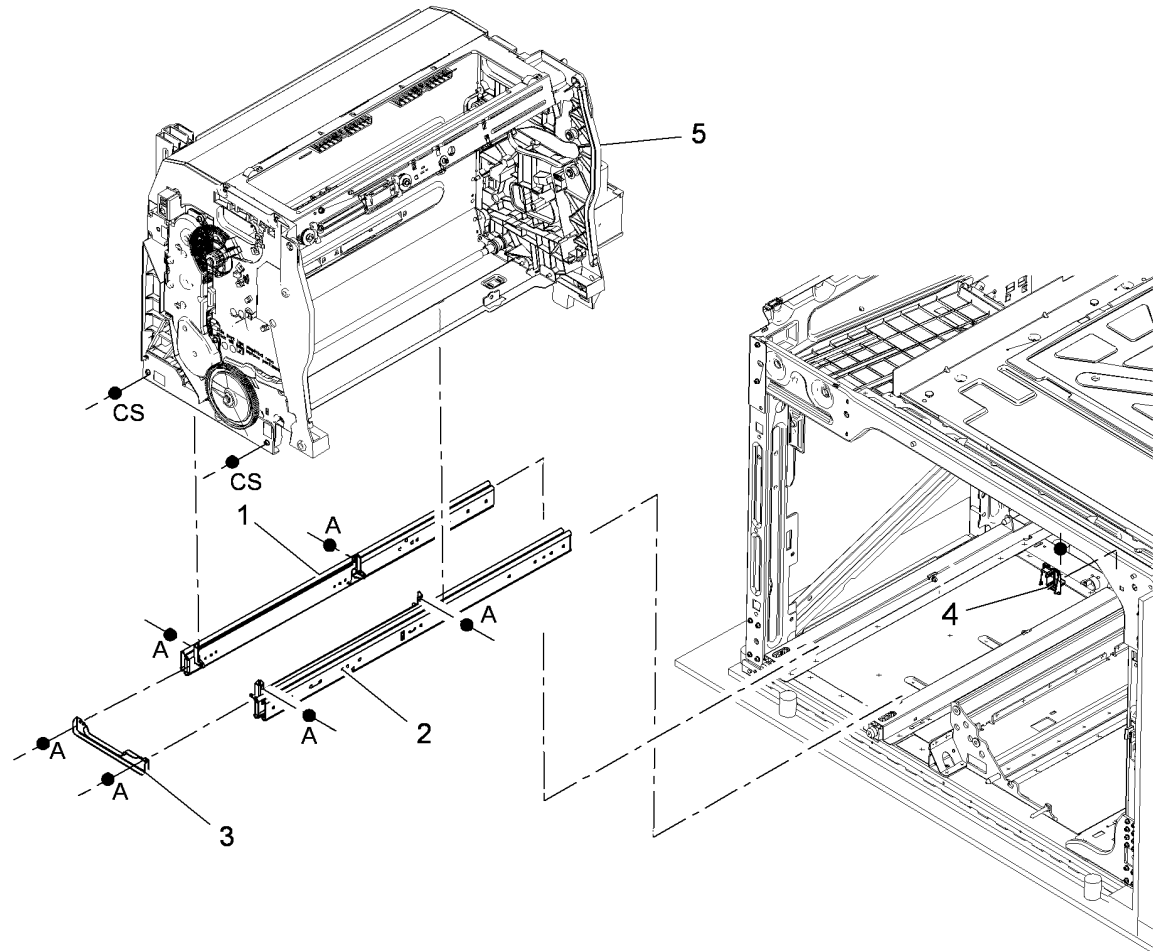
Item	Part	Description
1	-	Nip 'A' replacement kit (REF: PL 31.11 Item 19) (REP 89.3)
2	-	Bearing cover (Not spared)
3	-	Front drive gear (Not spared)
4	-	Drive belt (P/O PL 88.11 Item 1)
5	-	Nip 'A' roller (P/O PL 88.11 Item 1)
6	-	Compound gear (Not spared)
7	-	Bearing (Not spared)
8	-	Registration motor A1 (M3)(MOT 89-007)/Registration motor A2(M3)(MOT 89-008) (Not spared)
9	-	Cover (Not spared)
10	-	Nip 'A' pulley (Not spared)
11	-	One way gear (Not spared)
12	-	Nip 'A' ground plate (Not spared)



R-8-0115-A

## PL 91.05 Marking Unit Slide Assembly

Item	Part	Description
1	010K04820	Left hand slide assembly (REP 91.26)
2	010K04830	Right hand slide assembly (REP 91.26)
3	674E02850	Slide assembly cross brace (REP 91.26)
4	130E18210	Waste tray sensor (Q91-019)
5	–	Marking unit assembly (REP 91.26) (Not spared)

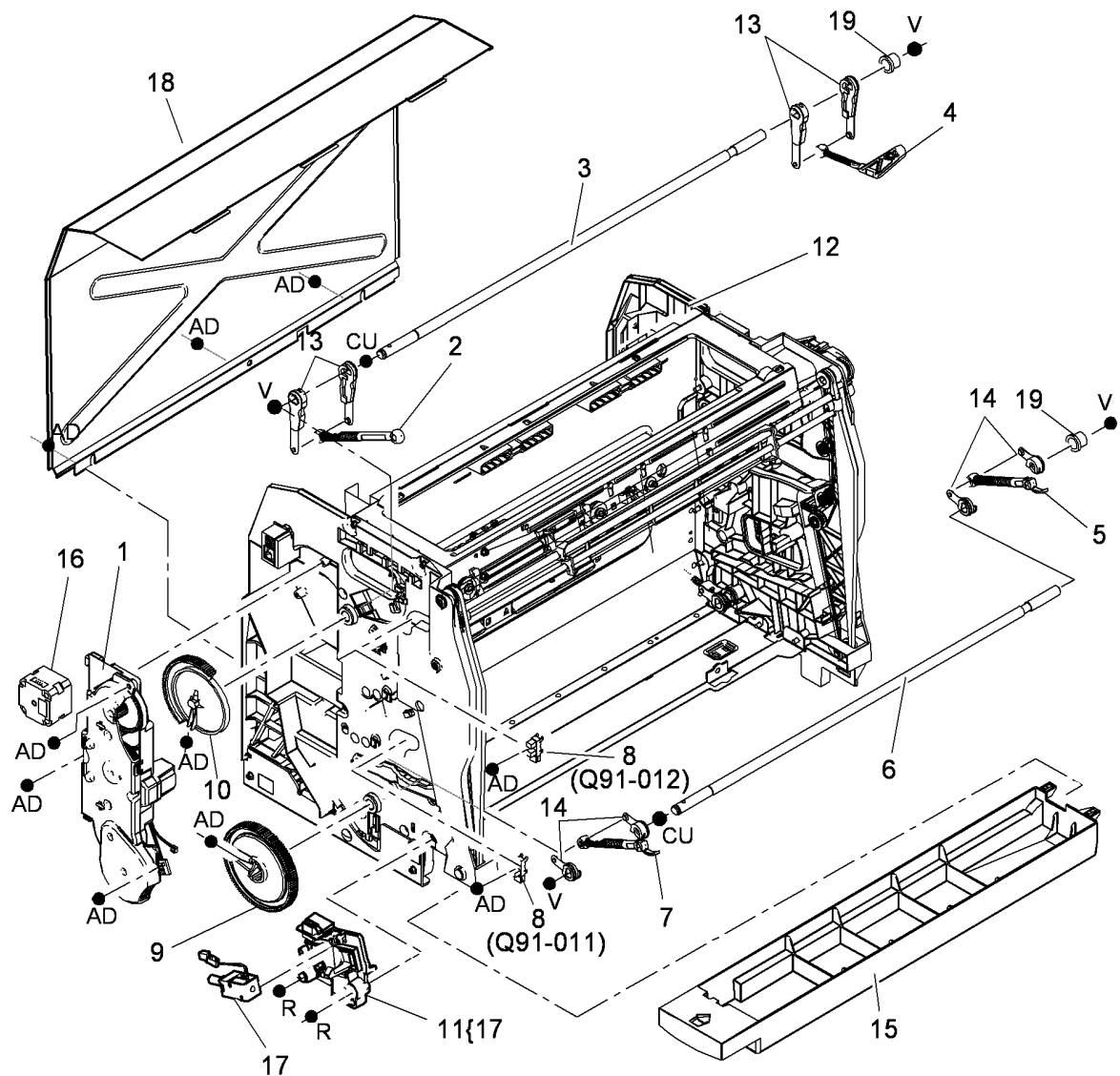


R-8-0110-A

# PL 91.10 Marking Unit Drive Assembly

Item	Part	Description
1	041K06600	Carriage drive train (REP 91.1)
2	012K06940	Upper front compliant link (REP 91.8)
3	-	Upper carriage drive shaft (Not spared) (REP 91.8)
4	012K06950	Upper rear compliant link (REP 91.8)
5	012K06930	Lower rear compliant link (REP 91.10)
6	-	Lower carriage drive shaft (Not spared) (REP 91.10)
7	012K06920	Lower front compliant link (REP 91.10)
8	130E12970	Lower carriage home sensor (Q91-011)/Upper carriage home sensor (Q91-012)
9	807E29030	Lower carriage drive gear
10	807E29040	Upper carriage drive gear
11	120K03490	Waste tray lock solenoid assembly
12	116K00812	Marking unit enclosure (frame only)
13	011K03140	Upper carriage crank (See NOTE) (REP 91.8)
14	011K03130	Lower carriage crank (See NOTE)
15	050E28780	Waste tray
16	-	Carriage drive motor (MOT 91-031) (P/O PL 91.10 Item 1)
17	-	Waste tray lock solenoid (SOL91-044) (P/O PL 91.10 Item 11)
18	-	Marking unit enclosure cover (Not spared)
19	-	Carriage drive bushing (P/O PL 31.11 Item 23)

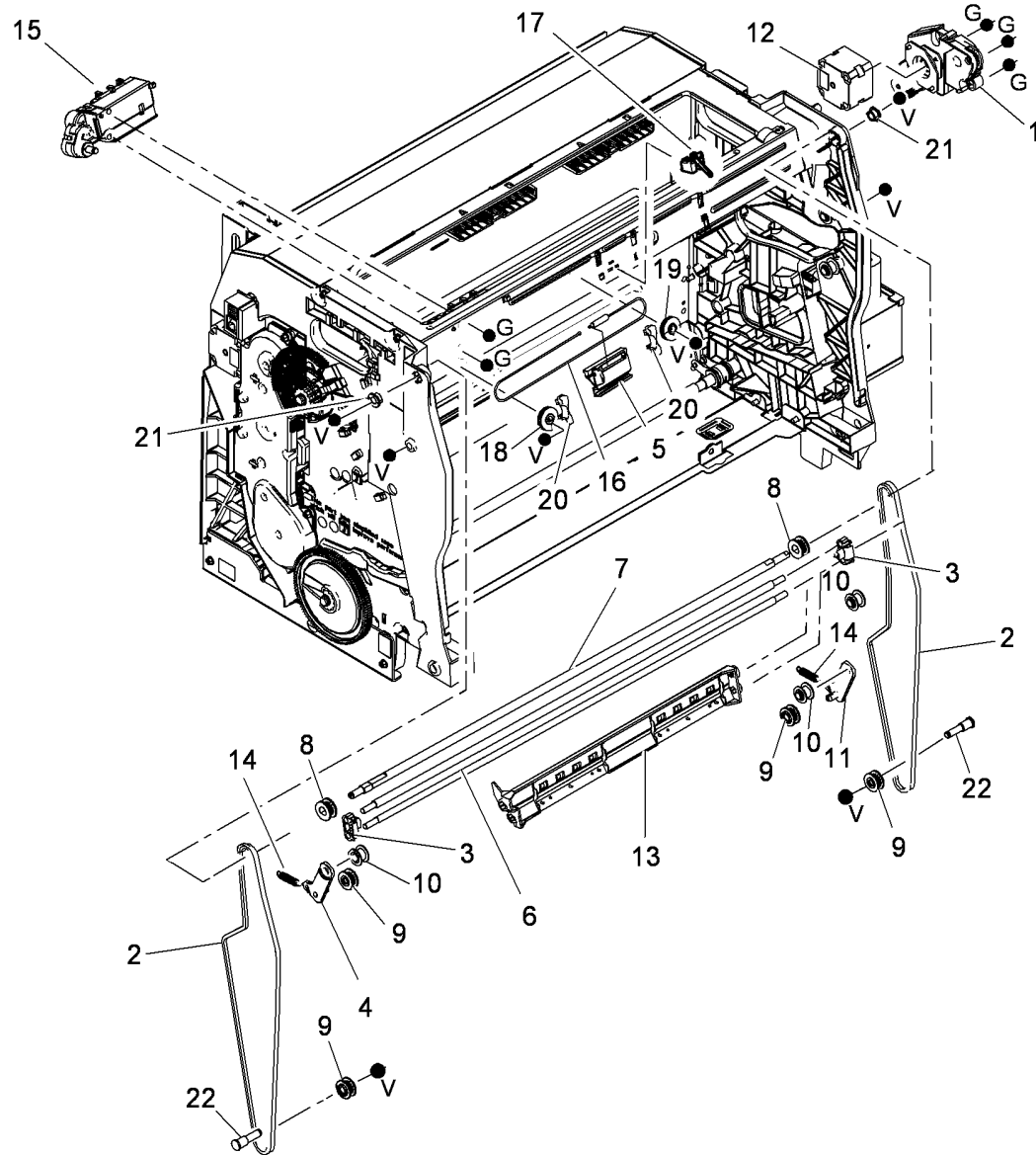
**NOTE:** If an entire crank (PL 91.10 Item 13 or PL 91.10 Item 14 ) needs to be replaced then 2 parts need to be ordered.



R-8-0056-A

# PL 91.15 Marking Unit Belt and Drive

Item	Part	Description
1	007K19800	Vertical gearbox (REP 91.2)
2	023E31420	HM belt (REP 91.5)
3	019E80820	HM belt clip (REP 91.5)
4	801E11470	Front tensioner base (REP 91.4)
5	033K04550	Horizontal drive paddle
6	-	Horizontal drive shaft (Not spared)
7	-	Upper drive shaft (Not spared)
8	020K20630	Drive pulley
9	020K20470	Belt pulley
10	022E38380	Tensioner pulley
11	801E11480	Back tensioner base (REP 91.4)
12	-	HM vertical motion motor (MOT91-023) (P/O PL 91.15 Item 1) (REP 91.2)
13	033K04560	HM wiper (REP 91.3)
14	009K02440	HM tensioner spring
15	007K19790	HM Horizontal motion motor (MOT91-025) (REP 91.6)
16	023K01420	Horizontal drive cable
17	130E18200	HM position sensor (Q91-014)
18	020K20560	HM drive pulley
19	020K20570	HM idler pulley
20	-	HM drive cable stop (Not spared)
21	-	Bearing (Not spared)
22	-	Belt pulley shaft (Not spared)



R-8-0057-A

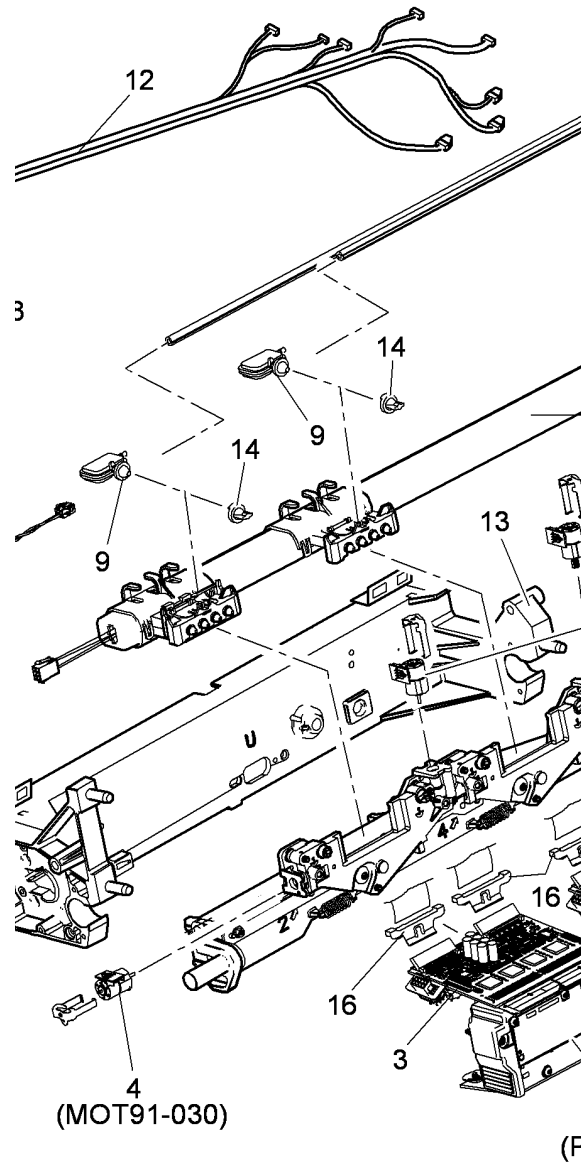
## PL 91.20 Marking Unit Upper Carriage Assembly

**NOTE:** 1. To identify the type of printhead, refer to GP 45.

**NOTE:** 2. Part number was not available at time of publication.

Item	Part	Description
1	041K06621	Upper carriage assembly (REP 91.7)
2	604K61672	Printhead (Type A) (see NOTE 1) (REP 91.29)
–	–	Printhead (Type B) (see NOTE 1 & 2)
3	–	Printhead PWB (P/O PL 91.20 Item 2)
4	127K62310	Printhead stitch adjust motor 2 (MOT91-030)/Printhead roll adjust motor 2 (MOT91-026)/Printhead roll adjust motor 4 (MOT91-028) (REP 91.13)
5	127K62300	X-axis drive motor upper (MOT91-033) (REP 91.9)
6	–	Printhead drive motor bracket (P/O PL 91.20 Item 5)
7	675K69250	Upper carriage ship restraint motor (MOT91-035) (REP 91.11)
8	–	Mounting bracket (Not spared) (REP 91.10)
9	–	Purge line filter (P/O PL 91.20 Item 17, PL 91.20 Item 20) (REP 91.12)
10	–	Umbilical (P/O PL 91.20 Item 20) (REP 91.31)
11	–	Purge line (P/O PL 91.20 Item 17, PL 91.20 Item 20) (REP 91.12)
12	117E35770	Upper carriage harness (PJ102, PJ401)
13	–	Upper carriage frame assembly (P/O PL 91.20 Item 1)
14	–	Purge line filter cap (P/O PL 91.20 Item 17)
15	–	SFWA upper frame (P/O PL 91.20 Item 1)
16	–	Cable clip (P/O PL 31.11 Item 29, PL 31.11 Item 13)
17	604K54961	Purge line filter assembly
18	–	Reservoir gasket (P/O PL 91.20 Item 20)
19	–	Check valve unit (P/O PL 91.20 Item 20)
20	–	Umbilical kit (REF: PL 31.10 Item 14)

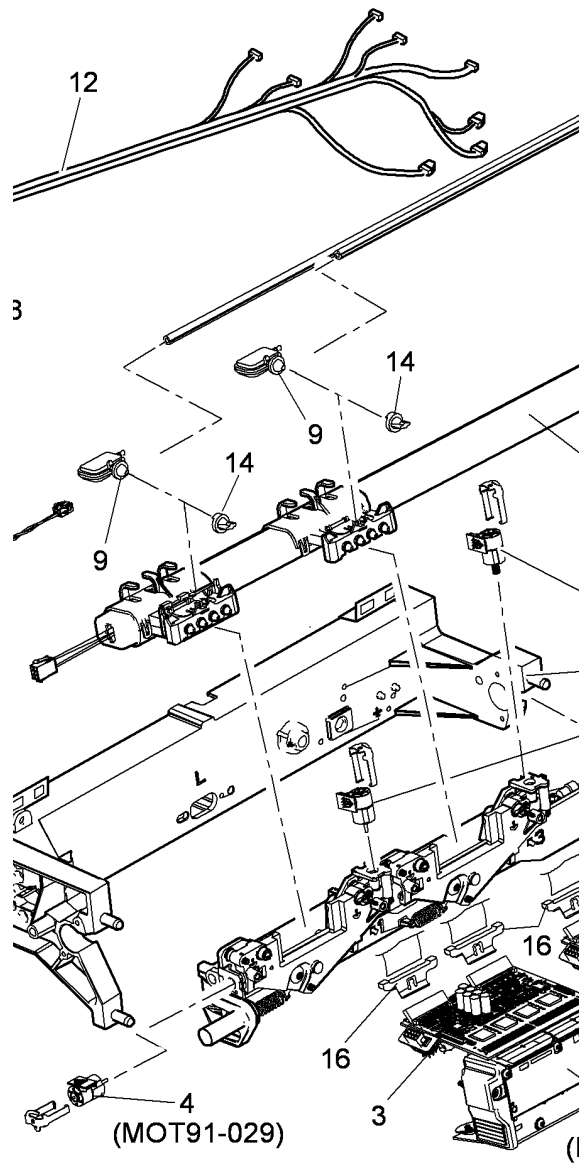
## PL 91.25 Marking Unit Lower Carriage Assembly



Item	Part	Description
1	041K06611	Lower carriage assembly (REP 91.14)
2	604K61672	Printhead (Type A) see NOTE 1) (REP 91.29)
-	-	Printhead (Type B) (see NOTE 1 & 2) (REP 91.29)
3	-	Printhead PWB (P/O PL 91.25 Item 2)
4	127K62310	Printhead stitch adjust motor 1 (MOT91-029)/Printhead roll adjust motor 1 (MOT91-024)/Printhead roll adjust motor 3 (MOT91-027) (REP 91.13)
5	127K62300	X-axis drive motor lower (MOT91-034)
6	-	Printhead drive motor bracket (P/O PL 91.25 Item 5)
7	675K69250	Lower carriage ship restraint motor (MOT91-036)
8	-	Mounting bracket (Not spared)
9	-	Purge line filter (P/O PL 91.25 Item 17, PL 91.25 Item 20) (REP 91.12)
10	-	Umbilical (P/O PL 91.25 Item 20) (REP 91.31)
11	-	Purge line (P/O PL 91.25 Item 17, PL 91.25 Item 20)
12	117E35660	Lower carriage harness (PJ303, PJ701)
13	-	Lower carriage frame assembly (P/O PL 91.25 Item 1)
14	-	Purge line filter cap (P/O PL 91.25 Item 17)
15	-	SFWA lower frame (P/O PL 91.25 Item 1)
16	-	Cable clip (P/O PL 31.11 Item 29, PL 31.11 Item 13)
17	604K54961	Purge line filter assembly
18	-	Reservoir gasket (P/O PL 91.25 Item 20)
19	-	Check valve unit (P/O PL 91.25 Item 20)
20	-	Umbilical kit (REF: PL 31.10 Item 14)

**NOTE:** 1. To identify the type of printhead, refer to GP 45.

**NOTE:** 2. Part number was not available at time of publication.

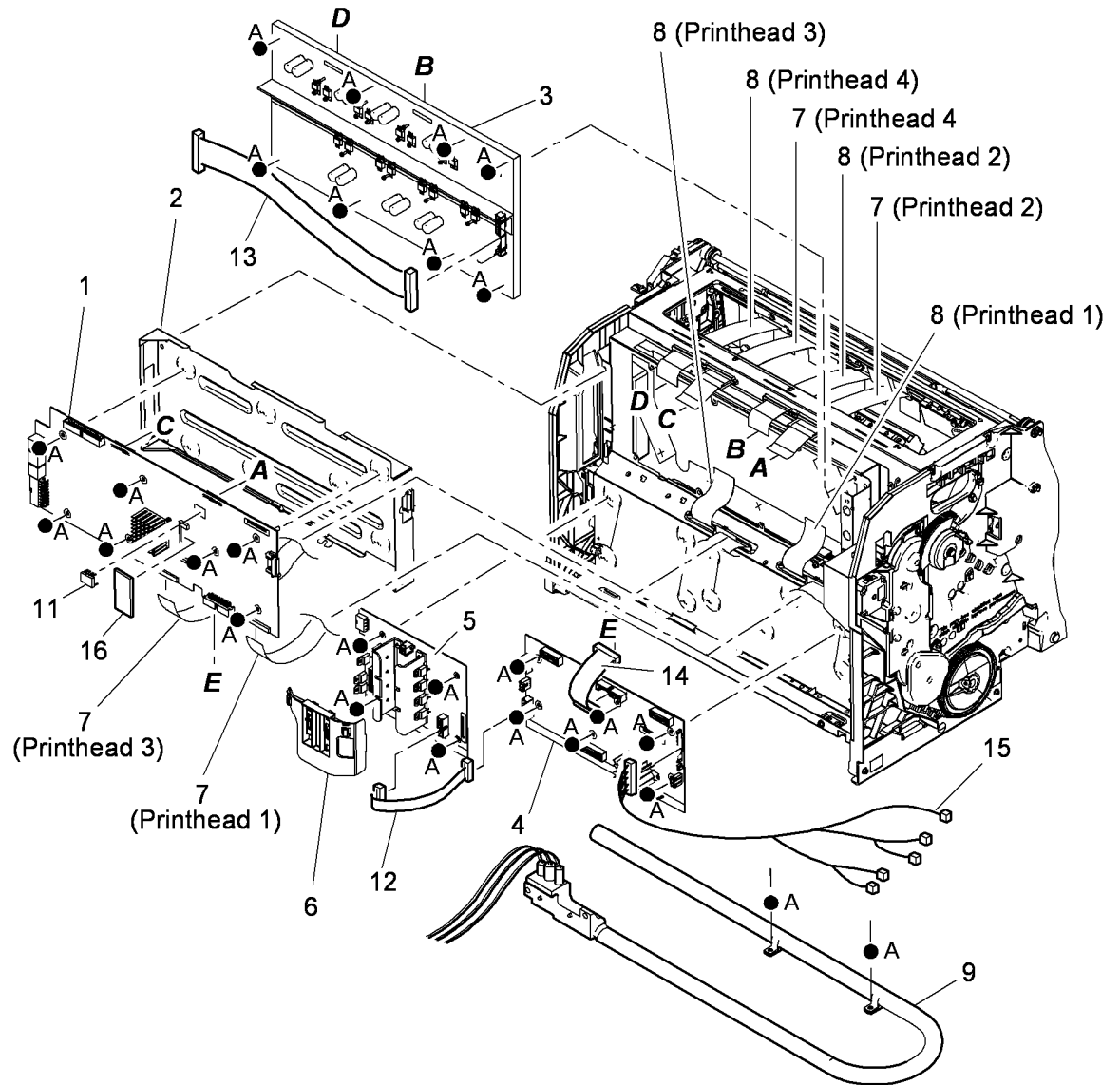




# PL 92.10 Marking Unit Electronic PWB's

Item	Part	Description
1	960K46431	IME Controller PWB (REP 3.1)
2	-	Mounting Plate (P/O PL 92.10 Item 1)
3	960K46471	Quad Waveamp PWB (REP 3.2)
4	960K46441	Marking unit driver PWB (REP 3.4)
5	960K46451	Marking unit heater PWB (REP 3.3)
6	-	Clamp (Not spared)
7	-	Video cable (Type A) (P/O PL 31.11 Item 29) (see NOTE)
-	117E37130	Video cable (Type B) (see NOTE)
8	-	Wave amp cable (Type A) (P/O PL 31.11 Item 13) (see NOTE)
-	117E37140	Wave amp cable (Type B) (see NOTE)
9	130E12962	Service loop (REP 91.37)
10	-	Not used
11	237E23880	8 Pin NVRAM
12	117E35680	Marking unit heater PWB cable (PJ901)
13	117E35800	Quad Waveamp PWB cable (PJ590)
14	117E35670	Marking unit driver PWB cable (PJ203)
15	117E35730	Marking unit front components harness (PJ304)
16	133K27860	Memory module (256 MB)

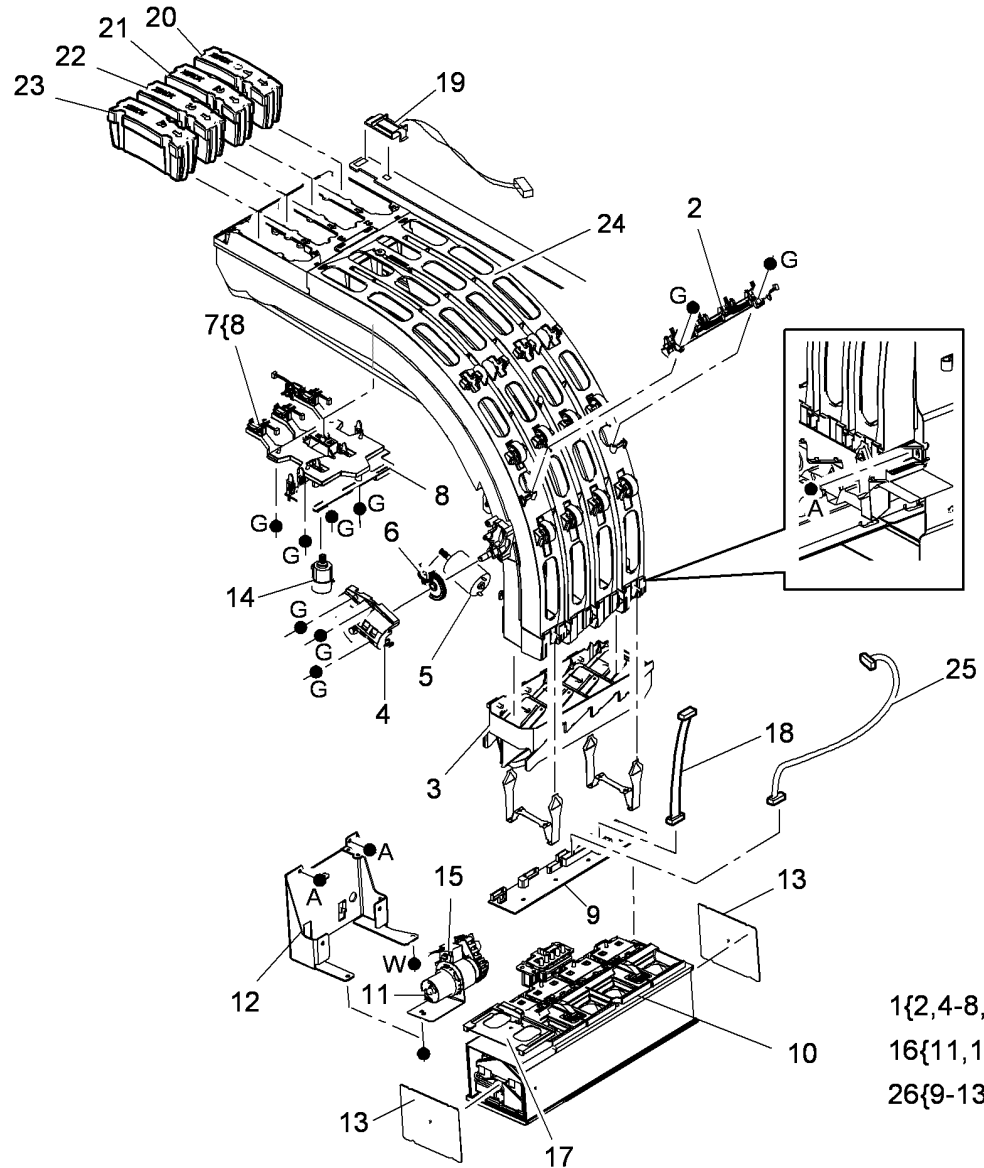
**NOTE:** To identify the type of printhead, refer to GP 45.



R-8-0058-A

# PL 93.10 Ink Loader Assembly

Item	Part	Description
1	815K11623	Ink loader upper assembly (REP 91.15)
2	130K15852	Ink low sensor assembly (REP 91.19)
3	815K11610	Ink loader melt plate assembly (REP 91.16)
4	848E34260	Ink transport drive cover
5	127K62270	Ink transport motor (MOT93-048) (REP 91.18)
6	807E29020	Ink transport drive gear (REP 91.18)
7	130K15870	Ink load sensor assembly (REP 91.17)
8	-	Ink load entry PWB (P/O PL 93.10 Item 7) (REP 91.17)
9	-	Solenoid patch PWB (P/O PL 93.10 Item 26)
10	-	Ink reservoir (P/O PL 93.10 Item 26) (REP 91.20)
11	-	Reservoir pump (MOT93-050) (P/O PL 93.10 Item 16) (REP 91.21)
12	-	Reservoir mounting bracket (P/O PL 93.10 Item 26)
13	057E03690	Side insulation
14	127K62310	Ink keyplate motor (MOT93-051)
15	-	LPA valve solenoid (SOL91-045) (P/O PL 93.10 Item 16)
16	-	Reservoir pump assembly (P/O PL 93.10 Item 26)
17	057E03700	Umbilical end insulation
18	117E35640	Ink level sensor cable (PJ760)
19	130E12930	Ink loader door switch
20	-	Magenta solid ink stick (REF: PL 26.10 Item 7)
21	-	Cyan solid ink stick (REF: PL 26.10 Item 8)
22	-	Yellow solid ink stick (REF: PL 26.10 Item 9)
23	-	Black solid ink stick (REF: PL 26.10 Item 10)
24	-	Ink loader housing (P/O PL 93.10 Item 1)
25	-	Harness, Solenoid patch PWB to Marking unit heater PWB (PJ630 to PJ801) (P/O PL 93.10 Item 26)
26	-	Ink reservoir assembly (P/O PL 31.12 Item 6) (REP 91.20)



1{2,4-8,14,24  
16{11,15  
26{9-13,15-17,25

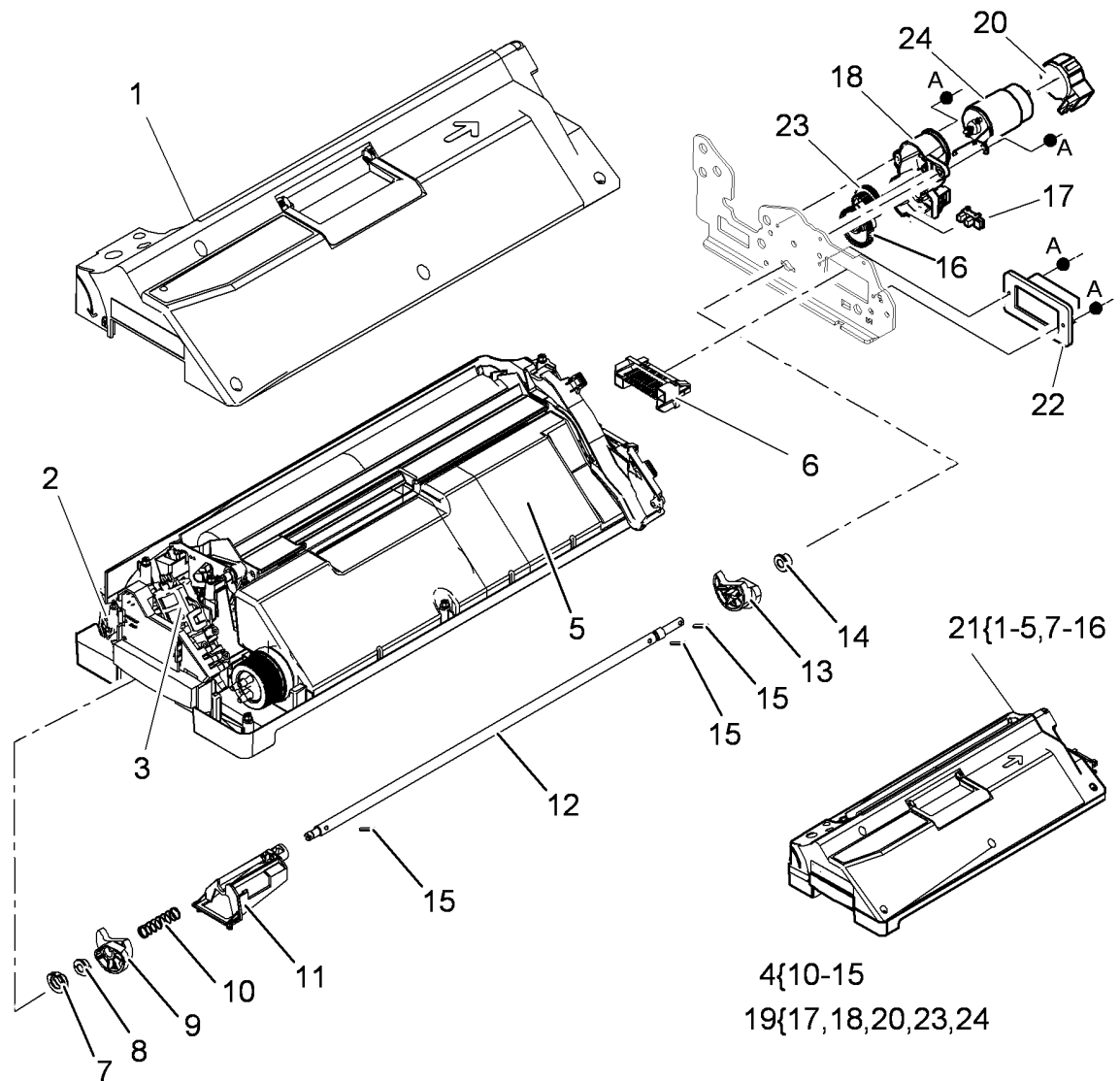
R-8-0060-A

## PL 94.10 Cleaning Unit

Item	Part	Description
1	-	Cleaning unit lid (P/O PL 94.10 Item 21)
2	-	Return reservoir pump (P/O PL 94.10 Item 21)
3	-	Delivery reservoir pump (P/O PL 94.10 Item 21)
4	020K20530	Cam shaft assembly
5	-	Reservoir (P/O PL 94.10 Item 21)
6	114E24380	Connector 12 pin (REP 91.33)
7	-	Thrust washer (P/O PL 31.11 Item 23)
8	-	Bushing roller (P/O PL 31.11 Item 23)
9	008E08570	Cam front
10	-	Spring lock cam (P/O PL 94.10 Item 4)
11	-	Mount lock cam (P/O PL 94.10 Item 4)
12	-	Shaft (P/O PL 94.10 Item 4)
13	-	Cam rear (P/O PL 94.10 Item 4)
14	-	Bushing shaft (P/O PL 94.10 Item 4)
15	-	Pin dowel (P/O PL 94.10 Item 4)
16	-	Lift gear (Not spared)
17	130E12940	Cleaning unit home sensor (Q94-105) (REP 91.27)
18	-	Gear train housing (P/O PL 94.10 Item 19)
19	020K20543	Cleaning unit motor assembly (See NOTE 1)
20	-	Encoder (P/O PL 94.10 Item 19)
21	108R00841	Cleaning unit (complete)
22	-	Connector housing (Not spared)
23	-	Drive gear (P/O PL 94.10 Item 19)
24	-	Cleaning unit motor (P/O PL 94.10 Item 19)

**NOTE:** 1: Drum cleaning motor assembly is mounted onto rear frame.

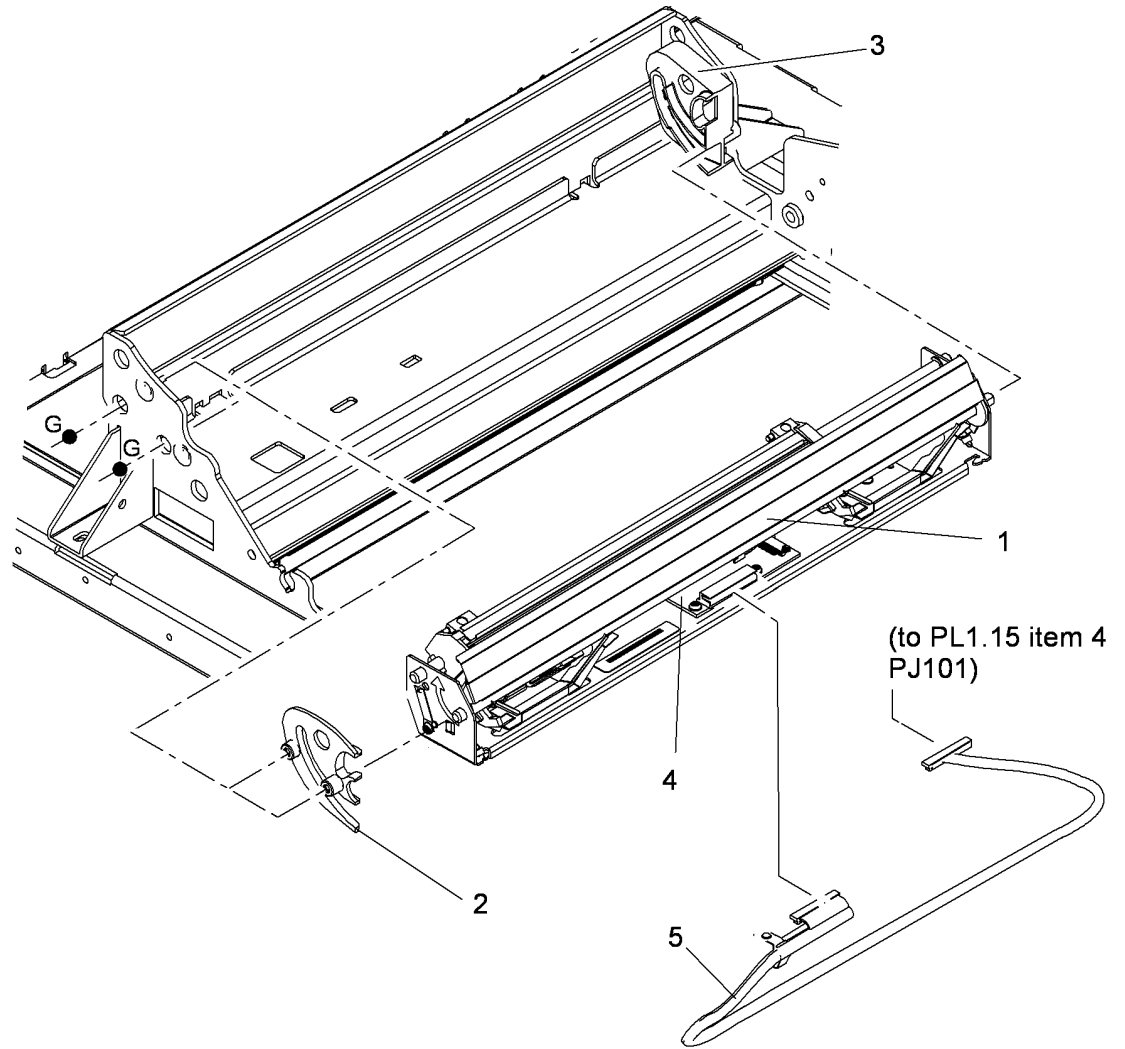
**NOTE:** 2: A Cleaning unit handle kit is also available, refer to PL 94.20 Item 27.



R-8-0059-A

## PL 94.15 IOD Assembly

Item	Part	Description
1	020K20580	IOD assembly (REP 91.22)
2	032E35160	Front guide track (REP 91.23)
3	032E35170	Rear guide track (REP 91.23)
4	-	IOD Pre-amplifier PWB (P/O PL 94.15 Item 1)
5	117E35570	IOD to drum driver PWB cable

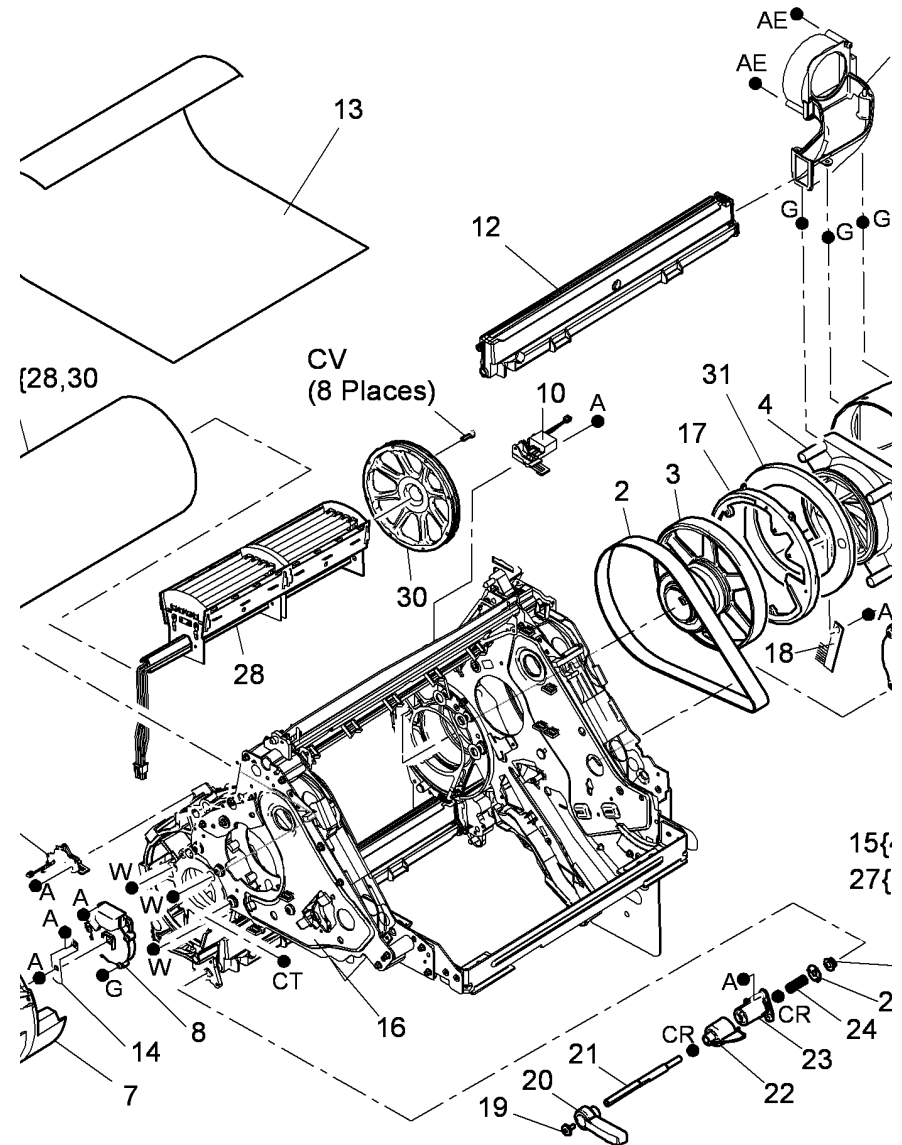


R-8-0063-A

## PL 94.20 Drum Assembly

Item	Part	Description
1	–	Drum (P/O PL 31.11 Item 25) (REP 91.25)
2	023E31430	Drum belt (REP 91.24)
3	020K20552	Drum pulley (REP 91.34)
4	–	Drum fan (MOT42-064) (P/O PL 94.20 Item 15)
5	–	Drum fan shroud (P/O PL 94.20 Item 15) (See NOTE)
6	020K20510	Drum drive motor (MOT94-009) (REP 91.24)
7	054E43470	Front drum shroud
8	020K20520	Drum position encoder assembly (Q94-101) (REP 91.30)
9	130K15841	Front drum thermistor (REP 91.35)
10	130K15860	Rear drum thermistor (REP 91.35)
11	–	Abatement fan assembly (MOT42-062) (P/O PL 94.20 Item 15)
12	054E43480	Abatement plenum (REP 91.36)
13	–	Drum protector cover (REF: PL 26.11 Item 11)
14	–	Drum encoder bracket (Not spared)
15	020K20500	Drum and abatement fan assembly
16	801K37690	Front drum frame assembly (REP 91.25)
17	–	Mounting bracket (Not spared)
18	115E13060	Static eliminator
19	–	Locating screw (P/O PL 94.20 Item 27)
20	–	Handle (P/O PL 94.20 Item 27)
21	–	Shaft (P/O PL 94.20 Item 27)
22	–	Latch cam (P/O PL 94.20 Item 27)
23	–	Latch base (P/O PL 94.20 Item 27)
24	–	Spring (P/O PL 94.20 Item 27)
25	–	Retaining washer (P/O PL 94.20 Item 27)
26	–	Bearing (Not spared)
27	604K60830	Cleaning unit handle kit
28	–	Drum heater (P/O PL 94.20 Item 1)
29	–	Not used
30	–	Rear drum support (P/O PL 94.20 Item 1)
31	–	Drum fan retaining plate (P/O PL 94.20 Item 15)

**NOTE:** HFSI. This component must be cleaned at regular intervals refer to SCP 4 subsystem maintenance. To reset the HFSI count go to dC135.



## Common Hardware

Item	Part	Description			
A	-	Screw M4x10 Torx (P/O PL 31.11 Item 23) (Silver finish)	AX	-	Screw M3x14 Machine
B	-	Screw M3x6 Torx (Silver finish)	AY	-	Screw M3x18 Self Tapping
C	-	Screw M4.5x12 Hex head	AZ	-	Washer M4
D	-	Screw M3x7 Torx (Silver finish)	BA	-	Screw M4x16 Machine
E	-	Screw M3x7.5 Hex head (Silver finish)	BB	-	Screw M4x5 Machine
F	-	Screw M4x30 Torx (Black finish)	BC	-	Screw M3x10 Machine
G	-	Screw M4x12 Torx (P/O PL 31.11 Item 23)	BD	-	Screw M3x6 Machine
H	-	Screw M4x 12 Slot	BE	-	Screw M4x6 Machine
I	-	Screw M3x16 Phillips	BF	-	Screw M3x8 Self Tapping
J	-	Screw M4x16 Torx (Black finish)	BG	-	Screw M4x5 Machine
K	-	Screw M3x16 Torx	BH	-	Screw M4x7 Taptite
L	-	Screw M4x10 Torx	BI	-	Pivot pin M4x10 Hex Head
M	-	E-Clip M4 (P/O PL 31.11 Item 23)	BJ	-	6mm x 10mm x 13 bush (bronze)
N	-	E-Clip M5	BK	-	Screw M3x6 Self Tapping
O	-	Screw M4x12 Self Tapping	BL	-	Washer M3
P	-	Screw M4x7.5 Torx (Zinc finish)	BM	-	Spring Washer M3
Q	-	Screw M3x12 Torx (Silver finish)	BN	-	Screw M4x16 Taptite
R	-	Screw M4x12 Torx (Silver finish)	BO	-	Screw M3x10 Machine
S	-	Screw M4x11.5 Torx	BP	-	Screw M4x7 Self Tapping
T	-	Screw M3x6 Phillips (Black finish)	BQ	-	Screw M3x5.5 Self Tapping
U	-	Screw M4x11 Phillips (Black finish)	BR	-	Screw M3x6 Self Tapping
V	-	KL clip M5 (P/O PL 31.11 Item 23)	BS	-	Washer M4
W	-	Screw M4x20 Torx (P/O PL 31.11 Item 23)	BT	-	Screw M3x10 Self tapping
X	-	Screw M4x8 Phillips	BU	-	Circlip M5
Y	-	Screw M3x5.5 Phillips (Black finish)	BV	-	Screw M5x12 Self Tapping
Z	-	Screw M4x12 Phillips (Black finish)	BW	-	Circlip M7
AA	-	Screw M3x4.5 Phillips (Black finish)	BX	-	Screw M3x8 Self Tapping
AB	-	Screw M3x6 Phillips (Silver finish)	BY	-	Screw M4x8 Self Tapping
AC	-	Screw M3x7 Torx (Zinc finish)	BZ	-	Circlip M10
AD	-	Screw M4x25 Torx (P/O PL 31.11 Item 23) (Zinc finish)	CA	-	Circlip M6
AE	-	Screw M4x40 Torx (Black finish)	CB	-	Screw M4x13 Self Tapping
AF	-	Screw M3x8 Torx	CC	-	Screw M4x6 Self Tapping
AG	-	Screw M4x7 Torx (Silver finish)	CD	-	Screw M5x6 Machine
AH	-	Washer M4	CE	-	Screw M3x6 Self Tapping
AI	-	Screw M3x5.5	CF	-	Screw M4x12 Torx (Zinc finish)
AJ	-	Screw M3x8 Phillips	CG	-	Screw M4x16 Torx (Silver finish)
AK	-	Screw M3x6 Phillips (Black finish)	CH	-	Screw 3.5x10 Self Tapping
AL	-	Screw M3x6 Taptite (Zinc finish)	CI	-	Screw 3.5x10 Torx
AM	-	E clip M8	CJ	-	Screw M2.5x8 Taptite
AN	-	Screw M4x8 Machine	CK	-	Screw M3x17 Taptite
AO	-	Screw M4x6 Machine	CL	-	Screw M4x8 Machine
AP	-	Screw M4x10 Machine	CM	-	Screw M3x11.5 Torx (Pan head)
AQ	-	Screw M3x8 Taptite	CN	-	Screw M4x7 Self Tapping
AR	-	Screw M4x8 Machine	CO	-	Screw 3x9.5 Self Tapping
AS	-	Screw M4x10 Self Tapping	CP	-	Screw M3x14 Self Tapping
AT	-	Screw M4x10 Self Tapping	CQ	-	Screw 4x 15 Torx (Black finish)
AU	-	Screw 3x5 machine	CR	-	KL clip M6
AV	-	E-Clip M3.5	CS	-	Screw M4 x12 Machine, capture washer (P/O PL 31.11 Item 23)
AW	-	Screw M3x5.5 Taptite	CT	-	Screw M6x15 Machine, Button head (P/O PL 31.11 Item 23)
			CU	-	KL clip M8 (P/O PL 31.11 Item 23)
			CV	-	Screw M3x23 Torx