

TOSHIBA

SERVICE PARTS LIST

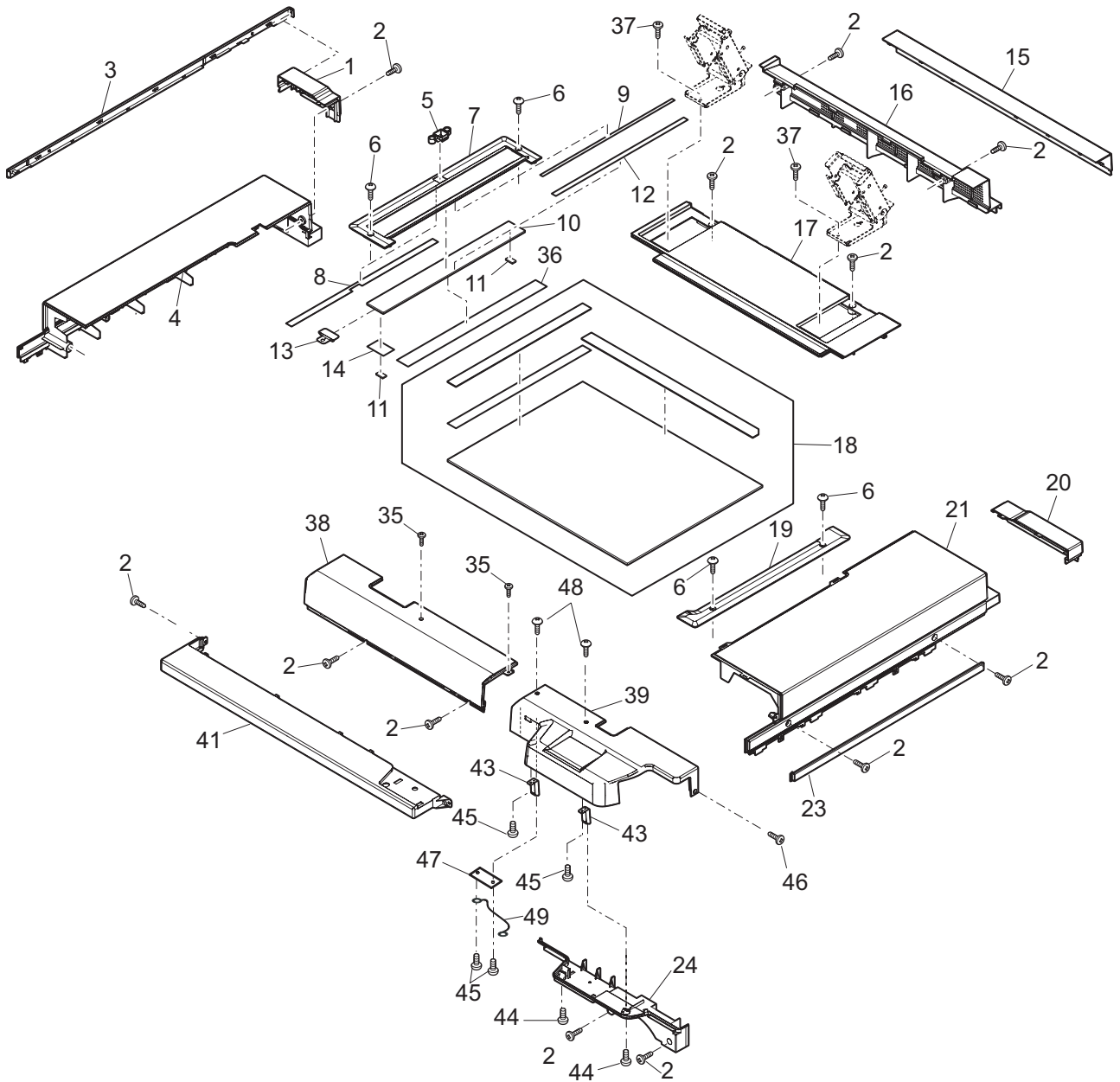
e-STUDIO0907/1057/1207

© 2014 TOSHIBA TEC CORPORATION All rights reserved

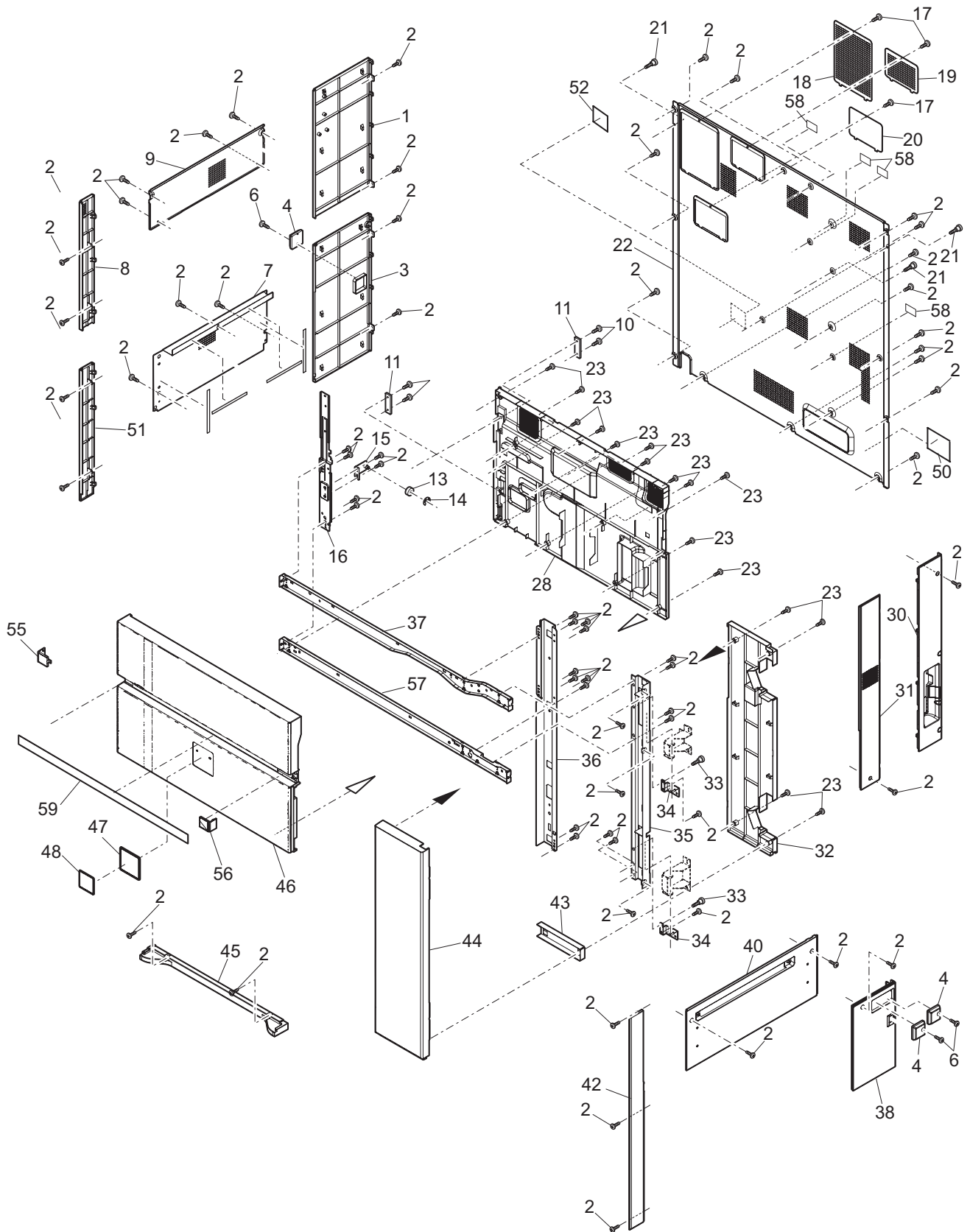
Under the copyright laws, this manual cannot be reproduced in any form without prior written permission of TOSHIBA TEC CORPORATION. No patent liability is assumed, however, with respect to the use of the information contained herein.

CONTENTS

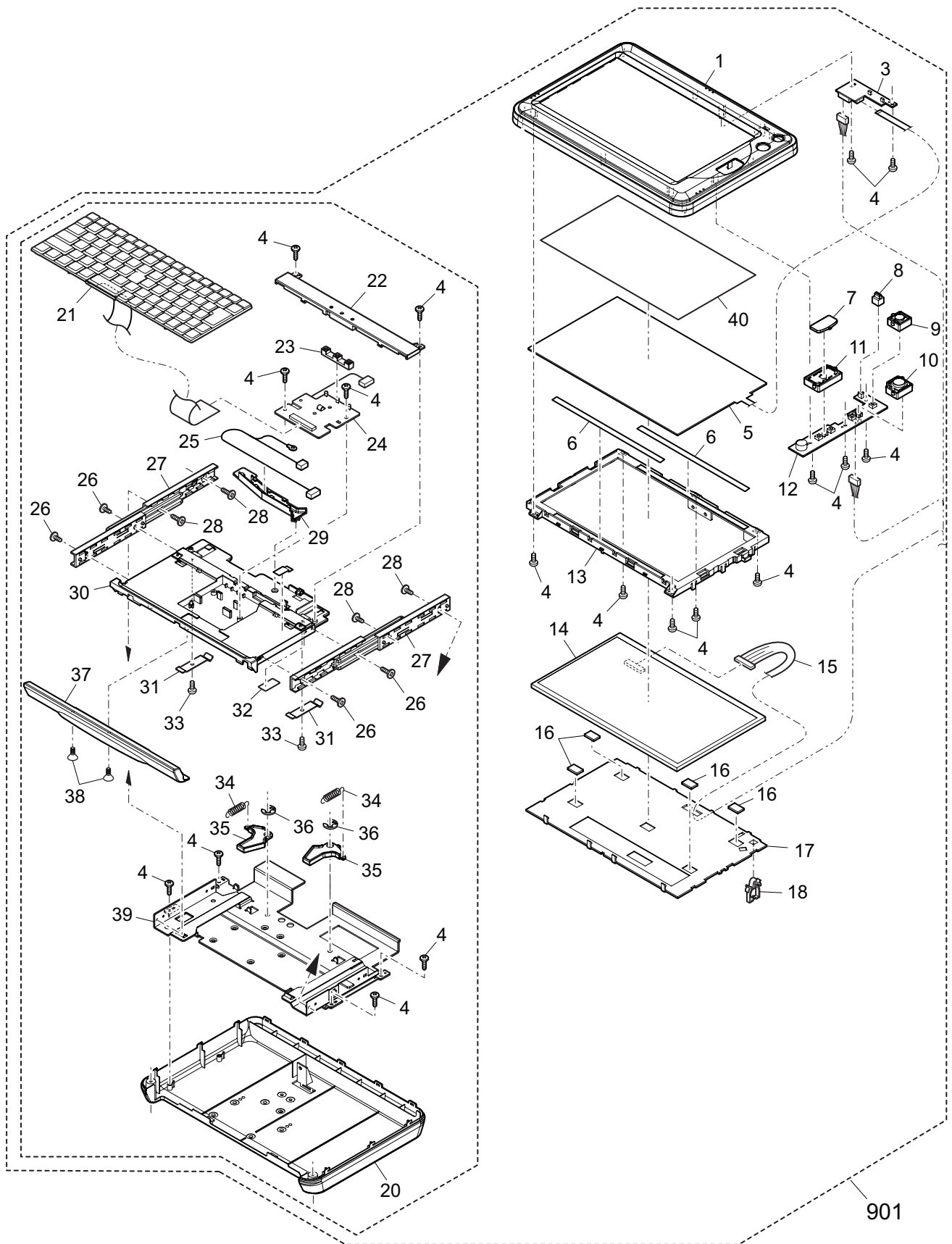
EXTERIORS_1.....	1	DV_UNIT_1.....	41
EXTERIORS_2.....	2	DV_UNIT_2.....	42
OPERATION_PANEL_UNIT.....	3	TRANSFER_UNIT_1.....	43
DSPF_EXTERIORS.....	4	TRANSFER_UNIT_2.....	44
DSPF_PAPER_FEED_TRAY_UNIT.....	5	TRANSFER_UNIT_3.....	45
DSPF_PAPER_FEED_UNIT.....	6	FUSING_UNIT_1.....	46
DSPF_SEPARATE_UNIT.....	7	FUSING_UNIT_2.....	47
DSPF_UPPER_DOOR_UNIT.....	8	FUSING_UNIT_3.....	48
DSPF_DOUBLE_FEED_DETECT_UNIT.....	9	FUSING_UNIT_4.....	49
DSPF_UPPER_TRANSPORT_UNIT.....	10	ADU_DELIVERY_UNIT_1.....	50
DSPF_LOWER_TRANSPORT_UNIT_1.....	11	ADU_DELIVERY_UNIT_2.....	51
DSPF_LOWER_TRANSPORT_UNIT_2.....	12	ADU_DELIVERY_UNIT_3.....	52
DSPF_SCANNER_UNIT.....	13	ADU_DELIVERY_UNIT_4.....	53
DSPF_DRIVE_UNIT.....	14	ADU_DELIVERY_UNIT_5.....	54
DSPF_PWB_SECTION.....	15	ADU_DELIVERY_UNIT_6.....	55
DSPF_FRAME_SECTION.....	16	ADU_DELIVERY_UNIT_7.....	56
SCANNER_UNIT_1.....	17	TANDEM_DRIVE_UNIT_1.....	57
SCANNER_UNIT_2.....	18	TANDEM_DRIVE_UNIT_2.....	58
1ST-2ND_PAPER_FEED_TRAY_1.....	19	MULTIPLE_STEPS_DRIVE_UNIT.....	59
1ST-2ND_PAPER_FEED_TRAY_2.....	20	TRANSPORT_DRIVE_UNIT_1.....	60
1ST-2ND_PAPER_FEED_TRAY_3.....	21	TRANSPORT_DRIVE_UNIT_2.....	61
1ST-2ND_PAPER_FEED_TRAY_4.....	22	DRUM_DRIVE_UNIT_1.....	62
3RD-4TH_PAPER_FEED_TRAY.....	23	DRUM_DRIVE_UNIT_2.....	63
3RD-4TH_PAPER_FEED_UNIT_1.....	24	WASTE_TONER_DRIVE_UNIT.....	64
3RD-4TH_PAPER_FEED_UNIT_2.....	25	FUSING_DRIVE_UNIT.....	65
VERTICAL_TRANSPORT_UNIT.....	26	DEURLER_DRIVE_UNIT.....	66
INTERFACE_PASS_UNIT.....	27	CONTROL_PWB_SECTION.....	67
VERTICAL_TRANSPORT_DOOR_UNIT.....	28	POWER_SUPPLY_SECTION.....	68
UPPER_TRANSPORT_UNIT.....	29	MIDDLE_FRAME_SECTION_1.....	69
LCC_INTERFACE_TRANSPORT_UNIT.....	30	MIDDLE_FRAME_SECTION_2.....	70
RESIST_ROLLER_UNIT_1.....	31	FRONT_FRAME_SECTION.....	71
RESIST_ROLLER_UNIT_2.....	32	REAR_FRAME_SECTION_1.....	72
LSU_SECTION.....	33	REAR_FRAME_SECTION_2.....	73
PROCESS_UNIT_1.....	34	REAR_FRAME_SECTION_3.....	74
PROCESS_UNIT_2.....	35	FRAME_SECTION_1.....	75
PROCESS_UNIT_3.....	36	FRAME_SECTION_2.....	76
PROCESS_UNIT_4.....	37	PM-KIT.....	101
MC_UNIT.....	38	SUPPLY.....	102
TONER_TRAY.....	39		
TONER_HOPPER_UNIT.....	40		



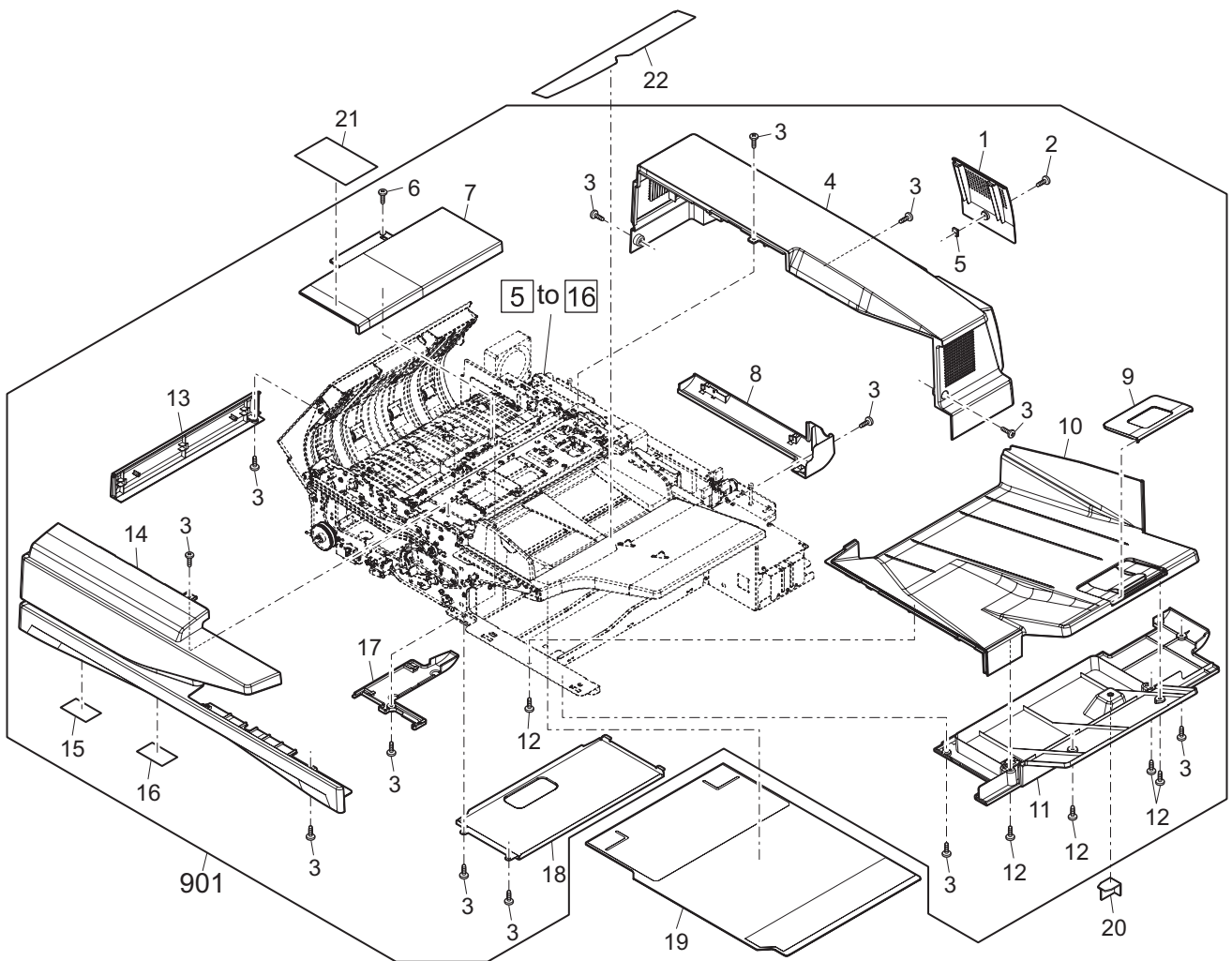
ITEM No.	PART No.	PART NAME	Q'TY / PAGE	Q'TY / PACK	REMARKS
1	6LS03393000	Upper cabinet left rear			
2	6LA58794800	SCREW M4X16			
3	6LS03392000	Upper cabinet left lower			
4	6LS03391000	Upper cabinet left upper			
5	6LS05333000	Sensor cap			
6	6LS06203000	Screw			
7	6LS03524000	Glass fixer left			
8	6LS05885000	SPF glass fixing sheet L			
9	6LS05829000	SPF glass fixing sheet R			
10	6LS05645000	SPF glass			
11	6LS05650000	Table glass gum			
12	6LS05835000	Shading sheet			
13	6LS06031000	SPF glass earth plate			
14	6LS05828000	White revision sheet			
15	6LS03423000	Upper cabinet rear cover lower			
16	6LS03422000	Upper cabinet rear cover upper			
17	6LS03359000	Upper cabinet rear			
18	6LS02985000	Table glass			
19	6LS03525000	Glass fixer right			
20	6LS03383000	Upper cabinet right rear			
21	6LS03389000	Upper cabinet right			
23	6LS03390000	Upper cabinet right lower			
24	6LS03438000	Upper cabinet front cover right			
35	6LA58792100	Screw			
36	6LS05859000	Back side shading sheet			
37	6LS06205000	Screw			
38	6LS03386000	Upper cabinet front			
39	6LS03413000	Upper cabinet front right			
41	6LS03433000	Upper cabinet front cover left			
42	6LS04007000	Upper cabinet left fixing plate			
43	6LS04083000	Upper cabinet right joint plate			
44	6LS06184000	Screw			
45	6LA58793200	Screw M3X8			
46	6LA58793300	Screw M3X10			
47	6LS03106000	USB CN PWB AR UN VE			
48	6LA58792300	Screw M4X6			
49	6LS03160000	Delivery earth harness			



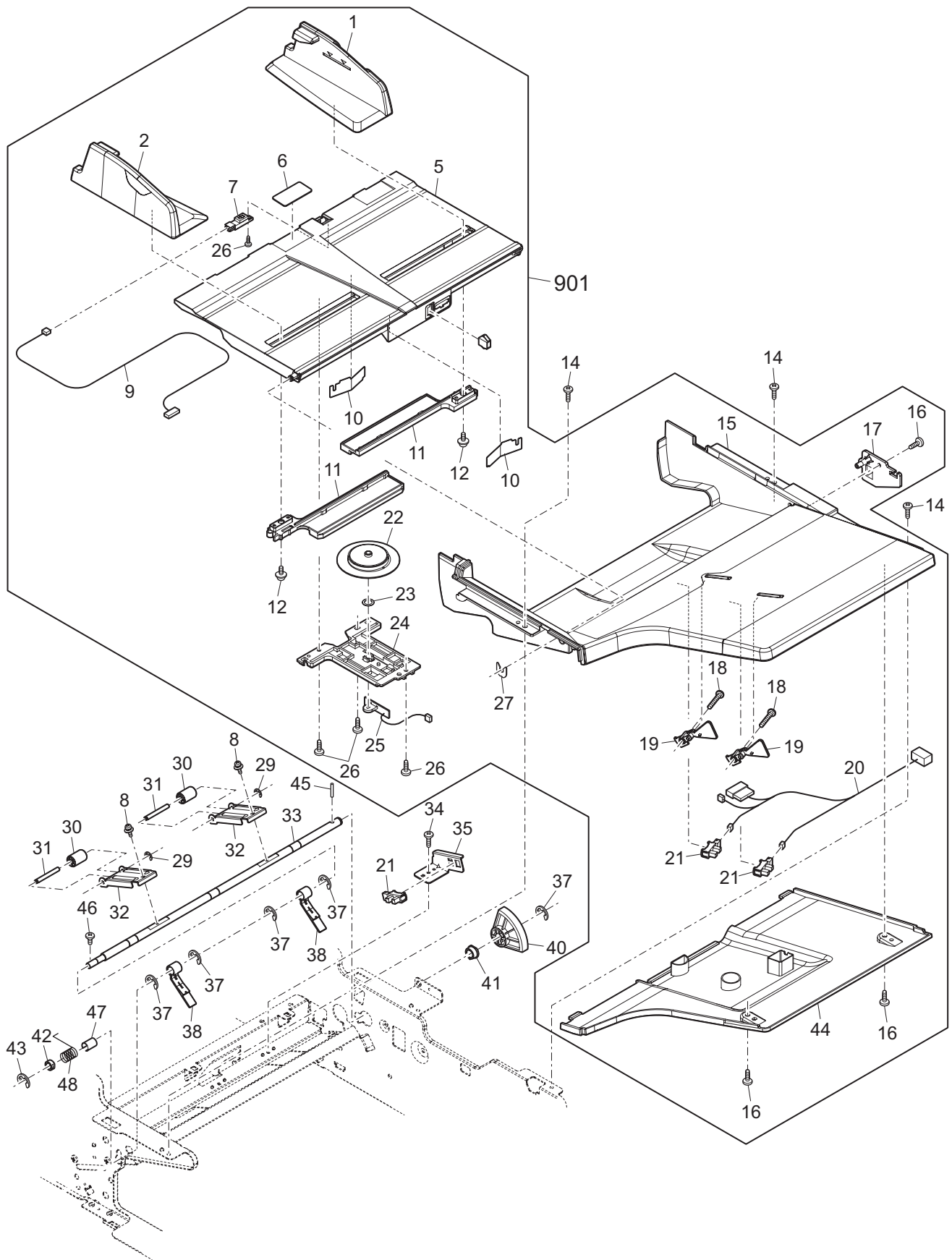
ITEM No.	PART No.	PART NAME	Q'TY / PAGE	Q'TY / PACK	REMARKS
1	6LS03362000	Left cabinet rear upper			
2	6LA58794800	SCREW M4X16			
3	6LS03363000	Left cabinet rear lower			
4	6LS05506000	Connector cover B			
6	6LA58794400	Screw M3X6			
7	6LS03365000	Left middle cabinet			
8	6LS03360000	Left cabinet front upper			
9	6LS03364000	Left upper cabinet			
10	6LA58793200	Screw M3X8			
11	6LS03752000	Magnet catch TPG			
13	6LS04989000	Cassette guide collar			
14	6LS06243000	E ring			
15	6LS02882000	Front cabinet guide angle			
16	6LS04005000	Front cabinet left reinforce plate left			
17	6LA58792100	Screw			
18	6LS03424000	Exhaust filter cover			
19	6LS03425000	Ozone filter cover			
20	6LS03444000	Rear cabinet cover			
21	6LS04288000	Step screw			
22	6LS03355000	Rear cabinet			
23	6LA58793800	Screw M4X12			
28	6LS03428000	Front cabinet cover HR2			
30	6LS03388000	Right cabinet rear upper			
31	6LS03416000	Right cabinet rear middle			
32	6LS03429000	Front cabinet right cover			
33	6LS04293000	Step screw			
34	6LS04183000	Front cabinet stopper			
35	6LS03063000	Front cabinet right reinforce plate right			
36	6LS04006000	Front cabinet right reinforce plate left			
37	6LS04004000	Front cabinet left reinforce plate upper			
38	6LS03358000	Right cabinet rear lower			
40	6LS03356000	Right cabinet middle			
42	6LS03387000	Right cabinet front			
43	6LS03984000	Front cabinet right reinforce plate lower			
44	6LS03385000	Front cabinet right			
45	6LS03432000	Adjuster cover			
46	6LS03384000	Front cabinet			
47 A	6LS02887000	Model name plate			e-STUDIO1207
47 B	6LS02888000	Model name plate			e-STUDIO1057
47 C	6LS02889000	Model name plate			e-STUDIO9077
48 A	6LS02890000	Front cabinet badge			e-STUDIO1207
48 B	6LS02891000	Front cabinet badge			e-STUDIO1057
48 C	6LS02892000	Front cabinet badge			e-STUDIO9077
50	6LS06114000	Machine power caution label			
51	6LS03361000	Left cabinet front lower			
52	6LS10367000	SERVICE CAUTION LABEL			
55	6LS03398000	Makeup cover R			
56	6LS03414000	Makeup cover L			
57	6LS03985000	Front cabinet left reinforce plate upper			
58	6LS05796000	Rear cabinet sheel			
59	6LS05954000	Makeup sheet			



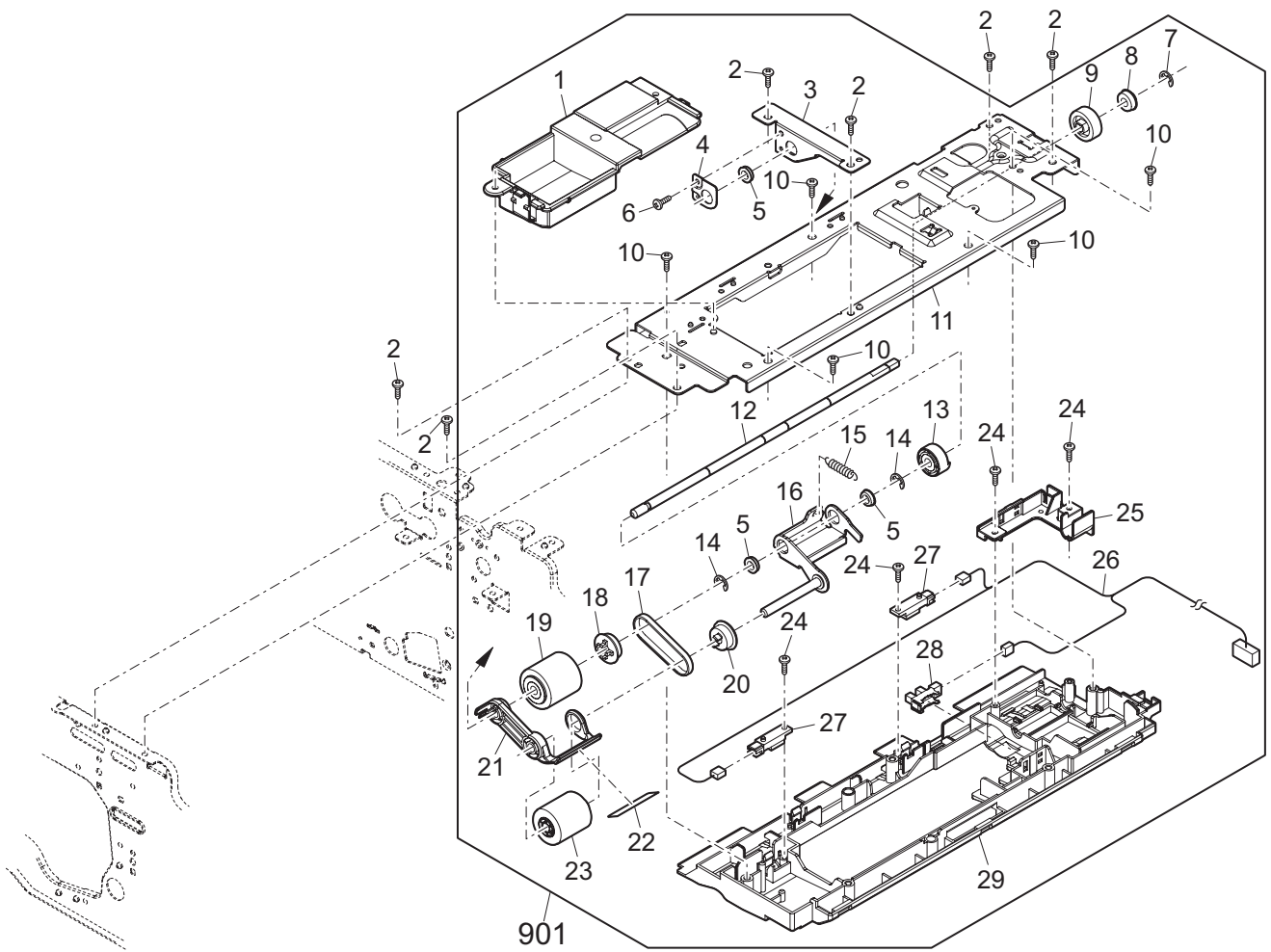
ITEM No.	PART No.	PART NAME	Q'TY / PAGE	Q'TY / PACK	REMARKS
1	6LS03085000	Operation panel B			
3	6LS03100000	KEY PWB 2			
4	6LA58793200	Screw M3X8			
5	6LS03449000	Touch panel			
6	6LS05811000	Touch panel fixing sheet			
7	6LS02918000	Home key filter			
8	6LS05663000	PS key lens			
9	6LS02897000	Power supply key			
10	6LS02898000	Power save switch			
11	6LS03451000	Home key			
12	6LS03099000	KEY PWB 1			
13	6LS03710000	LCD holder A			
14	6LS06173000	LCD			
15	6LS03265000	Operation panel interface harness			
16	6LS05733000	LCD protect molt			
17	6LS03711000	LCD holder B			
18	6LS03628000	Clamp			
20	6LS03517000	Operation base plate			
21	6LS03468000	Keyboard			
22	6LS02912000	LED cover FT			
23	6LS05662000	LED lens			
24	6LS03105000	USB CONV FT PWB			
25	6LS03275000	Keyboard interface harness			
26	6LS04368000	Screw			
27	6LS03127000	Slide rail			
28	6LS04367000	Screw			
29	6LS05628000	Harness guide FT			
30	6LS04177000	Keyboard tray FT			
31	6LS06032000	Lock earth plate			
32	6LS05648000	Gasket			
33	6LS04267000	Screw			
34	6LS04638000	Lock lever spring			
35	6LS04497000	Lock lever			
36	6LA58928000	E-ring			
37	6LS03457000	Keyboard handle			
38	6LS06218000	Screw			
39	6LS03074000	Keyboard fixing plate			
40	6LS05879000	Touch panel fingerprint prevention sheet			
901	6LS03084000	Operation panel unit			



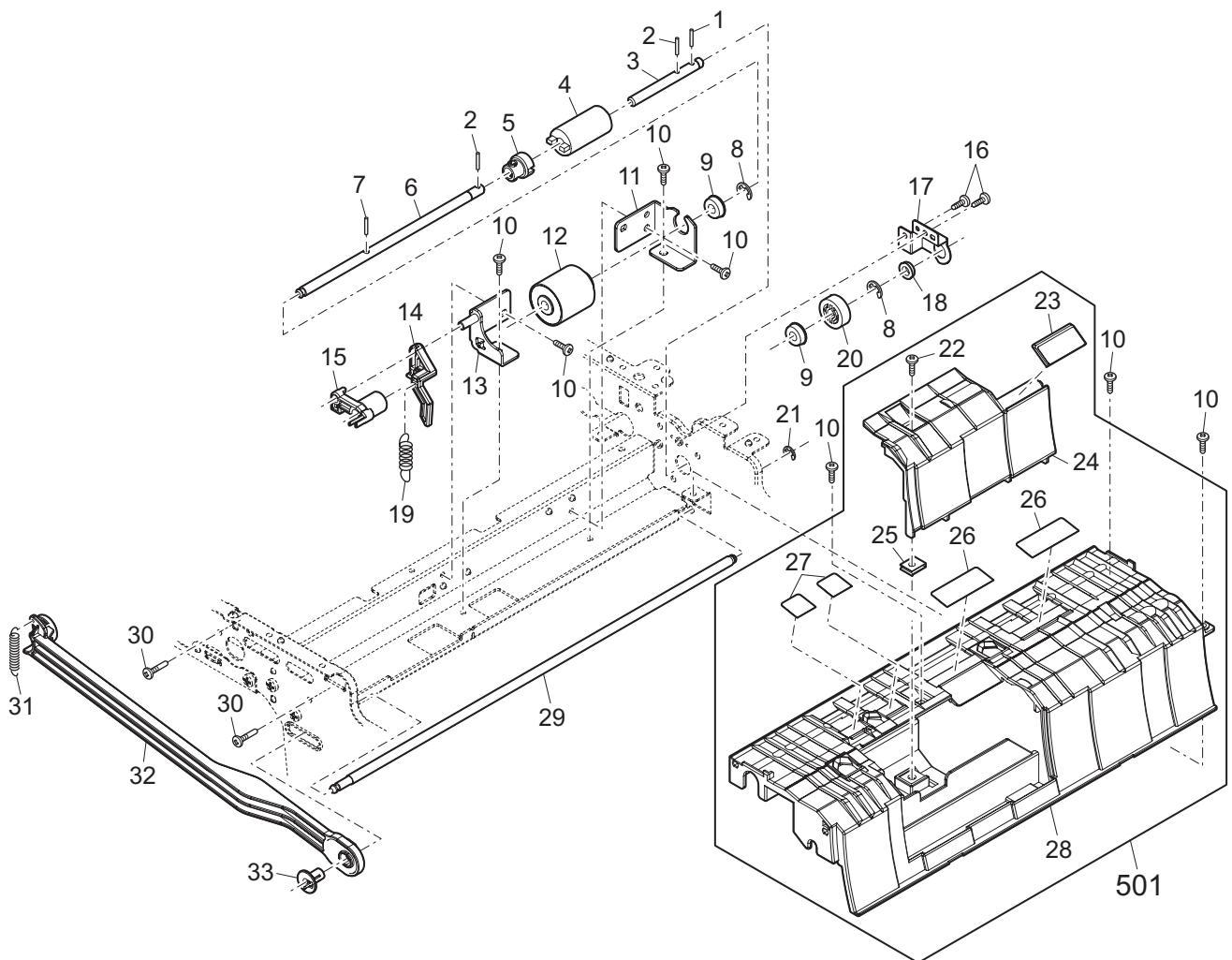
ITEM No.	PART No.	PART NAME	Q'TY / PAGE	Q'TY / PACK	REMARKS
1	6LS03426000	DSPF ROM cover			
2	6LS06235000	Screw			
3	6LA58794800	SCREW M4X16			
4	6LS03367000	Rear cabinet upper			
5	6LS04377000	Speed nut			
6	6LA58792100	Screw			
7	6LS03373000	Paper feed cabinet			
8	6LS03368000	Rear cabinet lower			
9	6LS04170000	Paper feed tray S			
10	6LS04171000	DSPF delivery tray			
11	6LS03369000	Right lower cabinet			
12	6LA58793700	SCREW M4X10			
13	6LS03371000	PS cabinet			
14	6LS03366000	Front cabinet			
15	6LS06116000	Lower door open/close label L			
16	6LS06117000	Lower door open/close label R			
17	6LS03370000	Left rear lower cabinet			
18	6LS05538000	Delivery lower PG cover			
19	6LS05934000	OC mat			
20	6LS02904000	Glass cleaner			
21	6LS06115000	Original read label DSPF			
22	6LS06135000	Original size label			
901 A	6LS03339000	DSPF unit			e-STUDIO1057
901 B	6LS03340000	DSPF unit			e-STUDIO1207
901 C	6LS03341000	DSPF unit			e-STUDIO9077



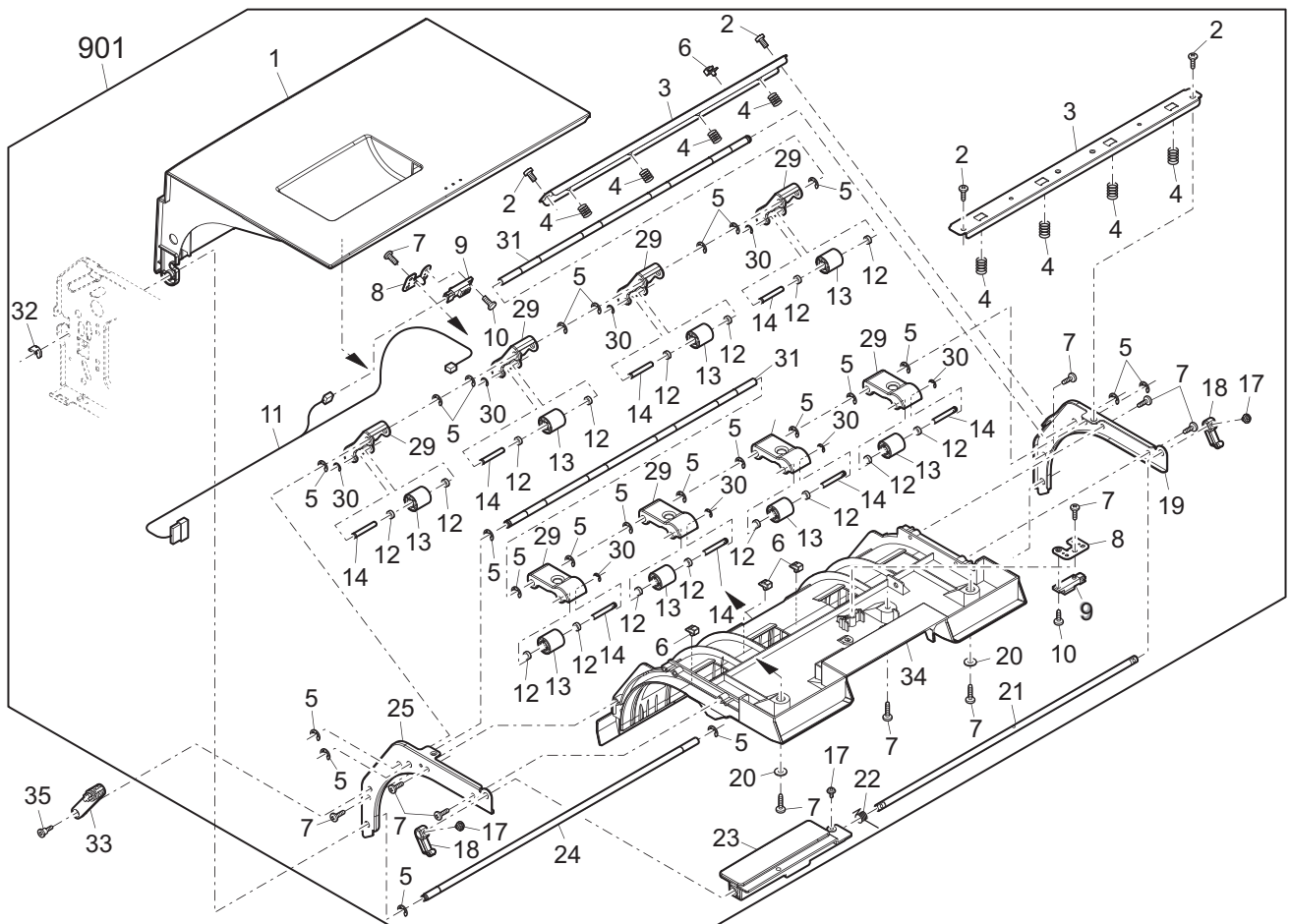
ITEM No.	PART No.	PART NAME	Q'TY / PAGE	Q'TY / PACK	REMARKS
1	6LS05610000	Original guide R			
2	6LS05609000	Original guide F			
5	6LS04174000	Paper feed rotation tray			
6	6LS05920000	Paper feed base sheet			
7	6LS06164000	Sensor			
8	6LA58792800	Screw M3X8			
9	6LS03215000	Original tray interface harness			
10	6LS03792000	Rack fixing plate			
11	6LS04981000	Width detect gear			
12	6LS06216000	Screw			
14	6LA58794800	SCREW M4X16			
15	6LS04172000	Paper feed delivery tray upper			
16	6LA58793700	SCREW M4X10			
17	6LS05118000	Paper feed rotation tray shaft			
18	6LS06211000	Screw			
19	6LS04459000	Length detect actuator			
20	6LS03246000	DSPF original tray harness			
21	6LS06172000	Detect sensor			
22	6LS04979000	Width pinion gear			
23	6LS04382000	Poly slider			
24	6LS04100000	Width detect fixing plate			
25	6LS03092000	SPF VR PWB			
26	6LA58793200	Screw M3X8			
27	6LS05765000	Resin E ring			
29	6LA58923000	E-ring			
30	6LS10265000	TRANSPORT FOLLOWER ROLLER			
31	6LS05239000	Lift collar shaft			
32	6LS03954000	Lift plate			
33	6LS05240000	Lift up shaft			
34	6LA58794400	Screw M3X6			
35	6LS03956000	Sensor fixing plate			
37	6LA58928000	E-ring			
38	6LS04434000	Delivery lining up arm			
40	6LS04964000	Lift fan gear			
41	6LS04779000	Bearing			
42	6LS04795000	Bearing			
43	6LA58926000	E-ring			
44	6LS04173000	Paper feed delivery tray lower			
45	6LS03750000	Pin			
46	6LS04302000	Step screw			
47	6LS05380000	Lift up cover			
48	6LS04637000	Lift spring			
901	6LS03140000	DSPF original tray unit			



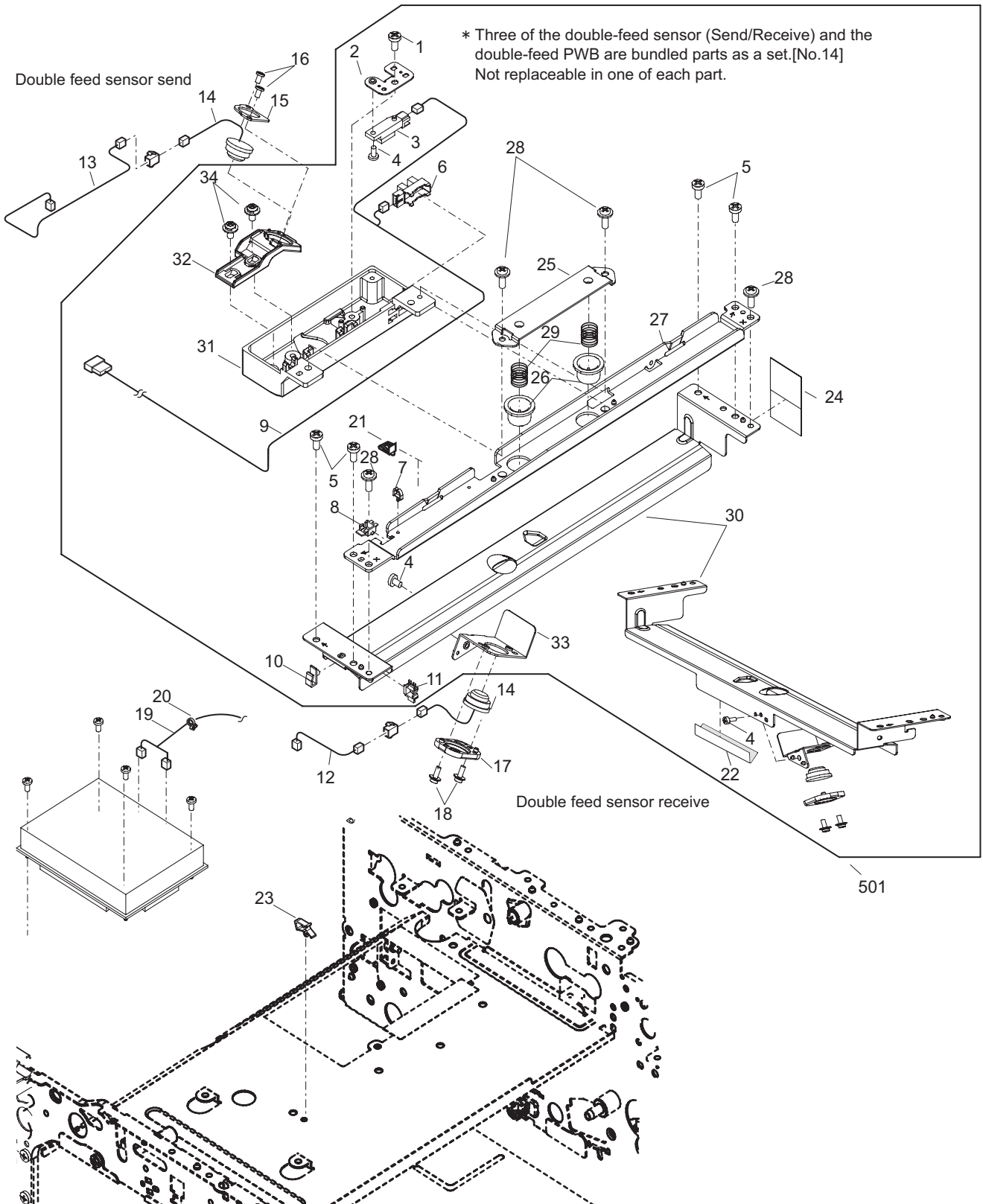
ITEM No.	PART No.	PART NAME	Q'TY / PAGE	Q'TY / PACK	REMARKS
1	6LS05444000	Paper feed cover			
2	6LA58794800	SCREW M4X16			
3	6LS04234000	Paper feed shaft support plate F			
4	6LS03695000	Paper feed bearing holder			
5	6LS04833000	Bearing			
6	6LA58794400	Screw M3X6			
7	6LS06242000	E ring			
8	6LS04836000	Bearing			
9	6LS04963000	Paper feed drive gear			
10	6LA58793700	SCREW M4X10			
11	6LS03953000	Paper feed PG upper reinforce plate			
12	6LS05238000	Paper feed roller shaft			
13	6LS04808000	Bearing			
14	6LA58926000	E-ring			
15	6LS04662000	Pick up release spring			
16	6LS02971000	Pick up roller guide			
17	6LS04737000	Belt			
18	6LS05015000	Paper feed roller pulley			
19	6LS05075000	DSPF paper feed roller			
20	6LS05011000	Pick up roller pulley			
21	6LS03596000	Pick up roller holder			
22	6LS05801000	Pick up roller sheet			
23	6LS05076000	DSPF pick up roller			
24	6LA58793200	Screw M3X8			
25	6LS03529000	Paper feed harness fixer			
26	6LS03247000	DSPF paper feed harness			
27	6LS06164000	Sensor			
28	6LS06172000	Detect sensor			
29	6LS05608000	Paper feed paper guide			
901	6LS02980000	Paper feed PG upper unit			



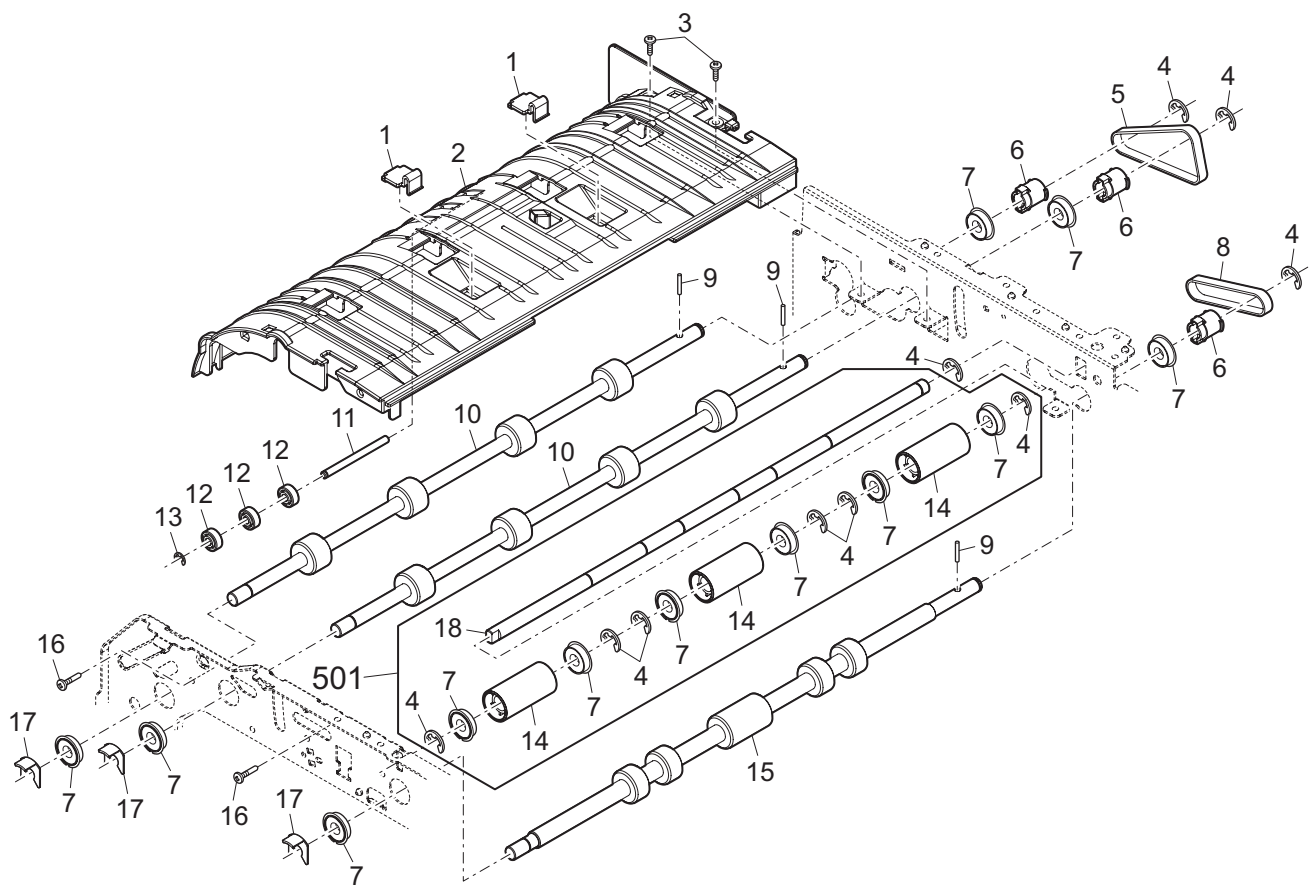
ITEM No.	PART No.	PART NAME	Q'TY / PAGE	Q'TY / PACK	REMARKS
1	6LS03728000	Pin			
2	6LS10383000	SPRING PIN			
3	6LS05117000	Reverse roller shaft B			
4	6LS05346000	Paper feed torque limiter			
5	6LS04856000	Separate coupling			
6	6LS05237000	Reverse roller shaft A			
7	6LS03735000	SP pin			
8	6LA58926000	E-ring			
9	6LS04836000	Bearing			
10	6LA58794800	SCREW M4X16			
11	6LS04235000	Separate roller support plate 2			
12	6LS05081000	DSPF reverse roller			
13	6LS03148000	Separate roller support plate 1			
14	6LS04468000	Reverse release lever 2			
15	6LS04488000	Reverse release lever			
16	6LA58794400	Screw M3X6			
17	6LS04236000	Separate roller support plate 3			
18	6LS04833000	Bearing			
19	6LS04671000	Reverse pressure spring			
20	6LS04896000	Idle gear			
21	6LS06242000	E ring			
22	6LS06235000	Screw			
23	6LS05949000	Front separate sheet			
24	6LS05442000	Paper feed PG lower cover			
25	6LS04377000	Speed nut			
26	6LS05804000	Transport sheet			
27	6LS05799000	Paper feed rear sheet 2			
28	6LS05607000	Paper feed PG lower			
29	6LS05116000	Separate roller pressure shaft			
30	6LS04318000	Step screw			
31	6LS04670000	Release lever spring			
32	6LS04489000	Release link lever			
33	6LS03649000	Release shaft holder			
501	6LS02979000	Paper feed PG lower unit			



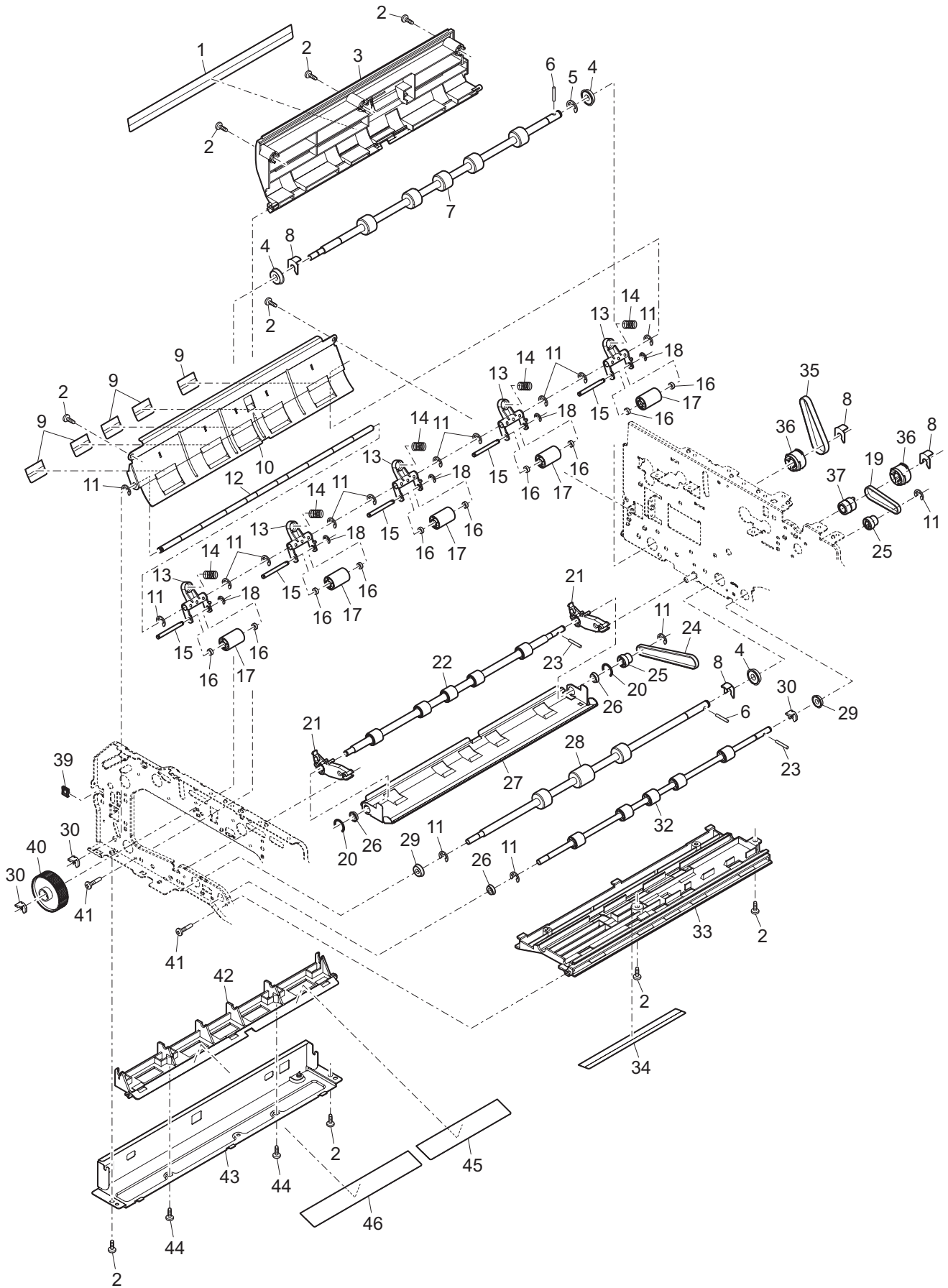
ITEM No.	PART No.	PART NAME	Q'TY / PAGE	Q'TY / PACK	REMARKS
1	6LS03372000	Upper door cabinet			
2	6LA58794800	SCREW M4X16			
3	6LS03530000	Follower SP fixing plate			
4	6LS04570000	Follower roller pressure spring			
5	6LA58926000	E-ring			
6	6LS03638000	Wire saddle			
7	6LA58793700	SCREW M4X10			
8	6LS03952000	Rear edge detect sensor fixing plate			
9	6LS06164000	Sensor			
10	6LA58794400	Screw M3X6			
11	6LS03217000	Sensor interface harness			
12	6LS04834000	Bearing			
13	6LS05362000	Follower collar			
14	6LS05236000	Follower roller shaft			
17	6LA58792800	Screw M3X8			
18	6LS05978000	Lower door lock pawl			
19	6LS03579000	Upper door frame F			
20	6LS04393000	Washer			
21	6LS05235000	Upper door lock shaft			
22	6LS04628000	Upper door lock spring			
23	6LS04487000	Upper door open/close lever			
24	6LS05242000	Upper door fulcrum shaft			
25	6LS03578000	Upper door frame F			
29	6LS03694000	Follower roller bearing holder			
30	6LA58923000	E-ring			
31	6LS05244000	Follower fulcrum shaft			
32	6LS04185000	Resin E ring			
33	6LS04435000	Upper door support arm			
34	6LS05594000	Upper door PG			
35	6LS04298000	Step screw			
901	6LS02975000	Upper door PG unit			



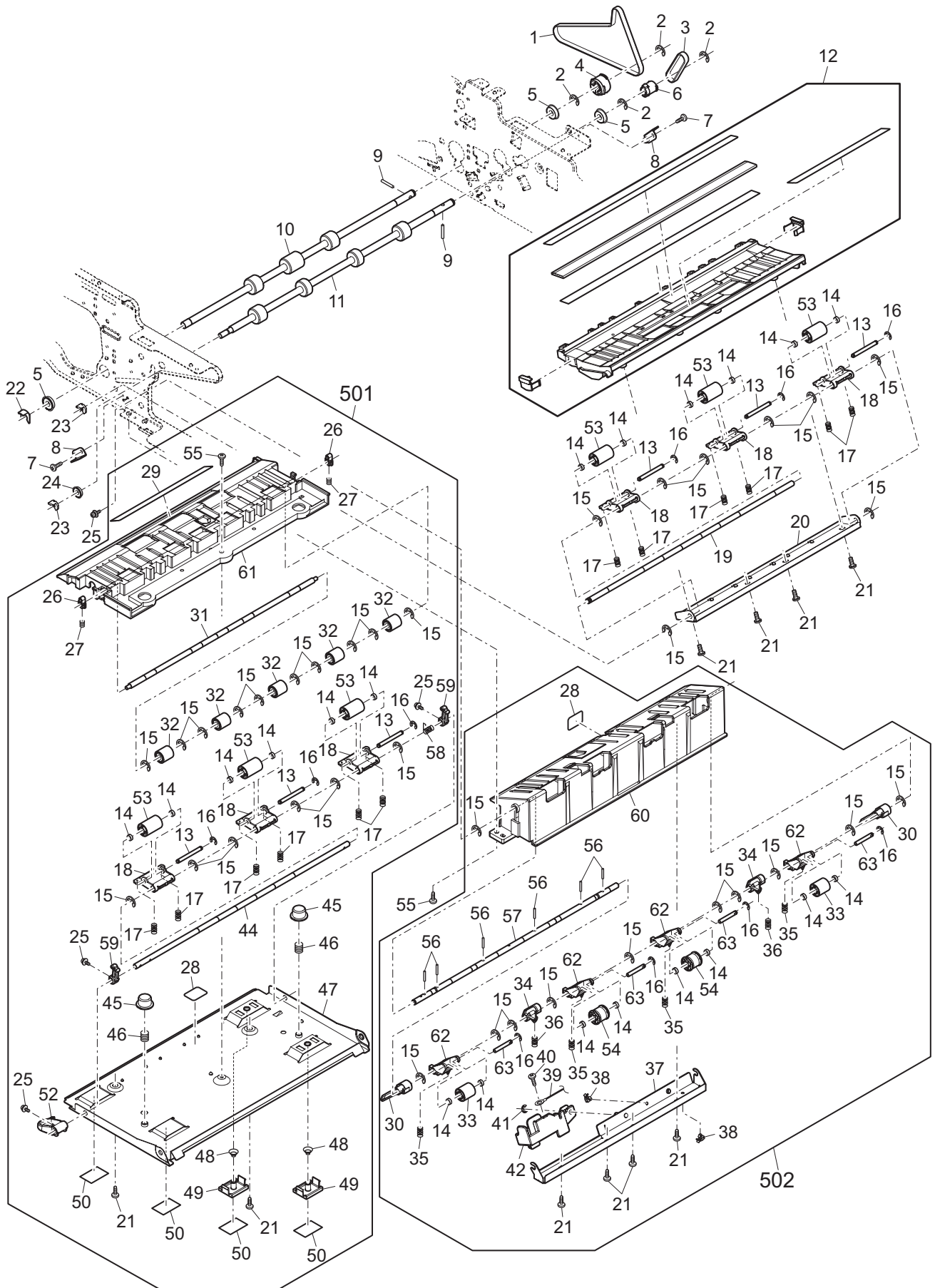
ITEM No.	PART No.	PART NAME	Q'TY / PAGE	Q'TY / PACK	REMARKS
1	6LA58792300	Screw M4X6			
2	6LS03952000	Rear edge detect sensor fixing plate			
3	6LS06164000	Sensor			
4	6LA58794400	Screw M3X6			
5	6LA58794800	SCREW M4X16			
6	6LS06160000	Sensor			
7	6LS03631000	Harness holder			
8	6LS03485000	Edge saddle			
9	6LS03249000	Double feed UN interface harness			
10	6LS03638000	Wire saddle			
11	6LS03609000	Wire saddle			
12	6LS03219000	DSPF double feed REV harness			e-STUDIO1057/1207
13	6LS03218000	DSPF double feed SEND harness			e-STUDIO1057/1207
14	6LS03328000	Double feed PWB			e-STUDIO1057/1207
15	6LS04138000	Double feed sensor SEND plate			e-STUDIO1057/1207
16	6LS04253000	Screw			e-STUDIO1057/1207
17	6LS03527000	Double feed sensor fixer			e-STUDIO1057/1207
18	6LA58792100	Screw			e-STUDIO1057/1207
19	6LS03248000	DSPF double feed detect harness			e-STUDIO1057/1207
20	6LS03473000	Band			e-STUDIO1057/1207
21	6LS05901000	Harness clamp sheet			
22	6LS05846000	Stay edge protect sheet			e-STUDIO1057/1207
23	6LS03604000	Wire saddle			e-STUDIO1057/1207
24	6LS05886000	Clip guard sheetA			
25	6LS03528000	Resist pressure spring fixer plate			
26	6LS03652000	White standard pressure spring holder			
27	6LS04237000	Resist pressure stay			
28	6LA58845000	Screw			
29	6LS04540000	Follower pressure spring 1			
30	6LS05542000	Double feed detect PG lower			
31	6LS05623000	Double feed detect PG upper			
32	6LS03507000	Double feed detect transmission fixing block			e-STUDIO1057/1207
33	6LS03959000	Double feed detect fixing lower			e-STUDIO1057/1207
34	6LS04260000	Screw			e-STUDIO1057/1207
501 A	6LS02983000	Double feed detect PG unit			e-STUDIO1057/1207
501 B	6LS02984000	Double feed detect PG unit			e-STUDIO9077



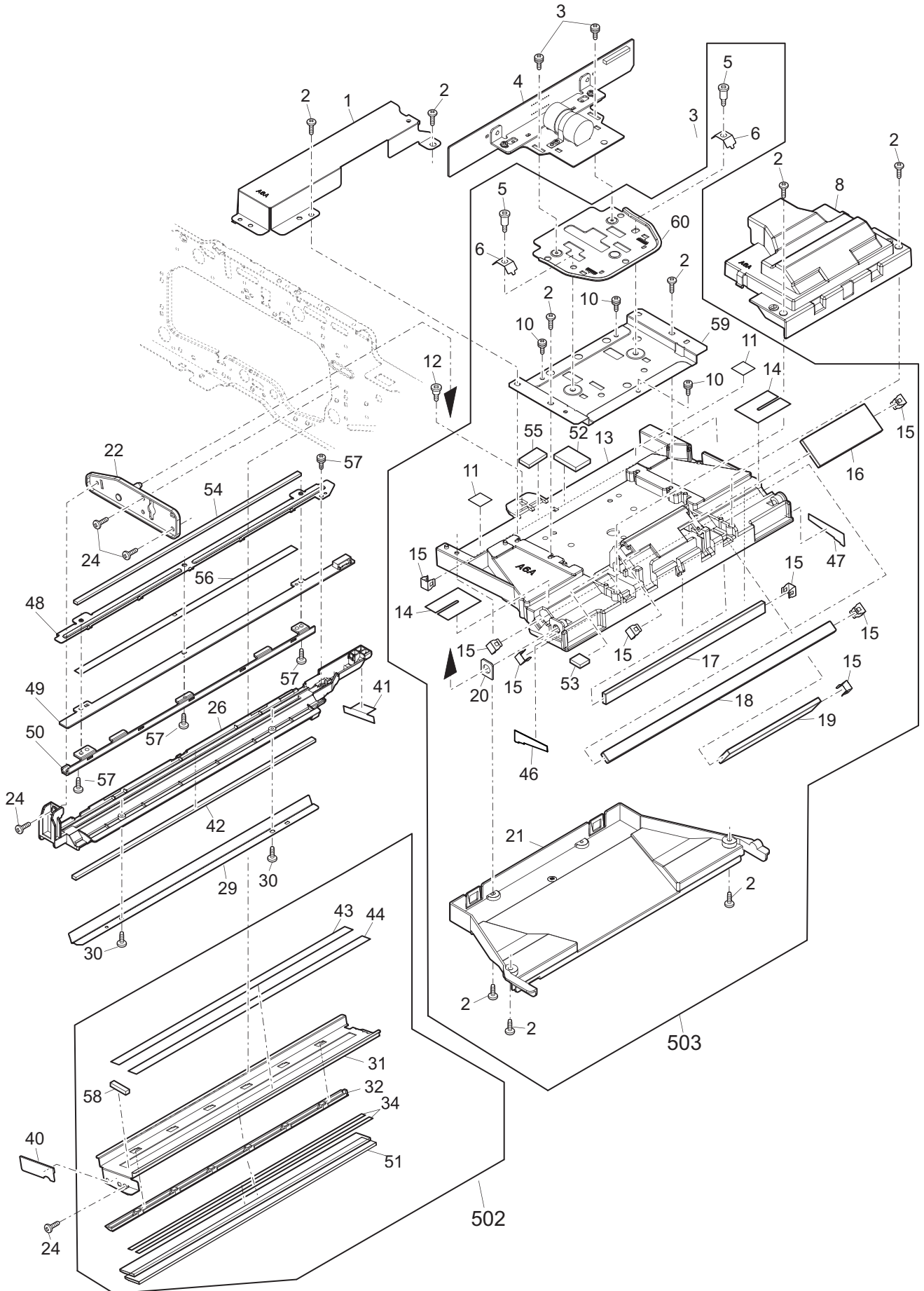
ITEM No.	PART No.	PART NAME	Q'TY / PAGE	Q'TY / PACK	REMARKS
1	6LS05379000	Adjust cover			
2	6LS05595000	Upper transport PG			
3	6LA58794800	SCREW M4X16			
4	6LA58928000	E-ring			
5	6LS04756000	Belt			
6	6LS05019000	Transport 21P pulley			
7	6LS04840000	Ball bearing			
8	6LS04755000	Belt			
9	6LS03735000	SP pin			
10	6LS05078000	DSPF upper transport roller			
11	6LS05243000	Support collar shaft			
12	6LS05355000	U turn collar DRG			
13	6LA58923000	E-ring			
14	6LS05044000	Resist follower roller C			
15	6LS05077000	Resist roller			
16	6LS04318000	Step screw			
17	6LS04188000	Wire fixing stopper			
18	6LS05241000	Resist follower roller shaft			
501	6LS03139000	Resist follower roller shaft unit			



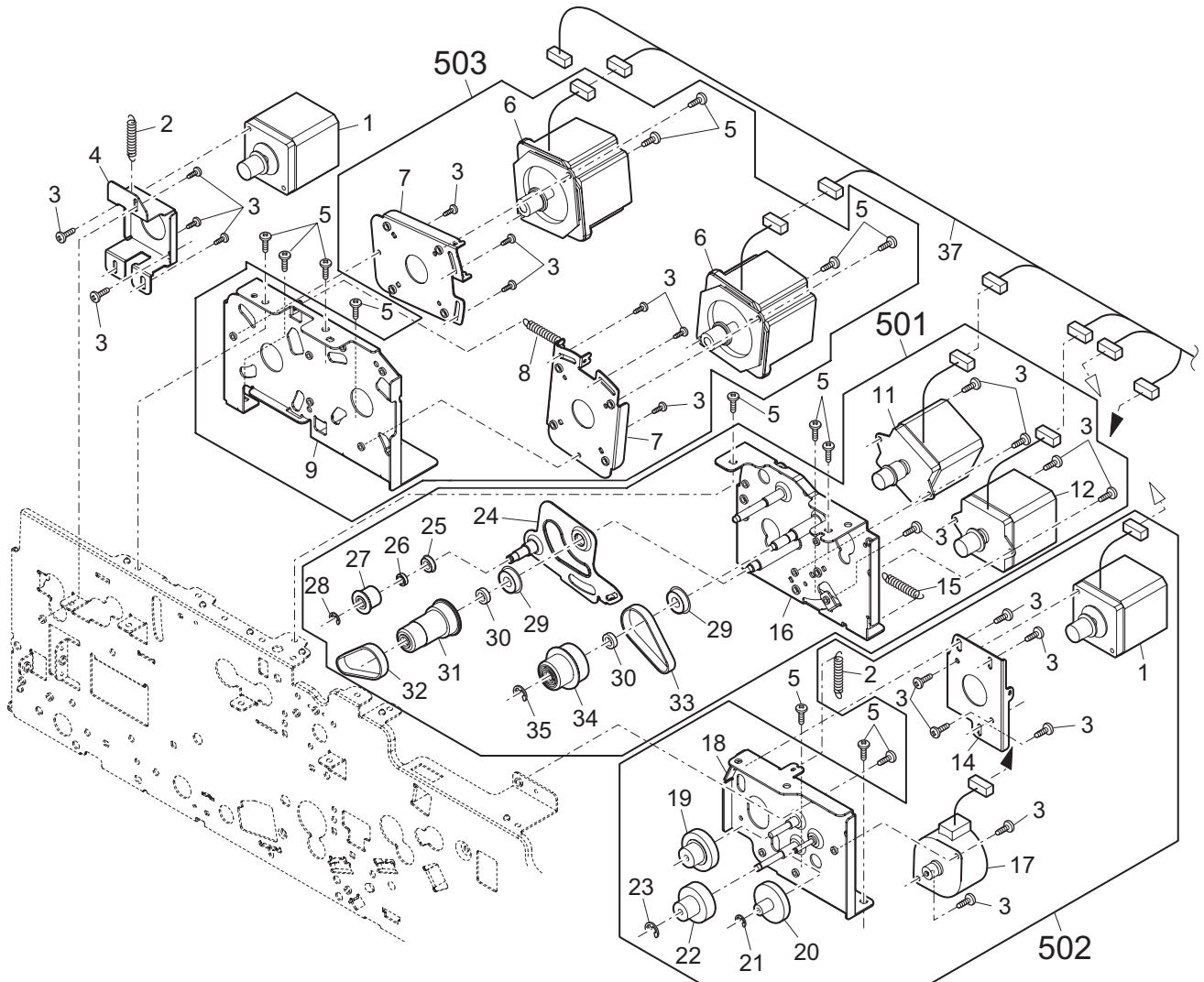
ITEM No.	PART No.	PART NAME	Q'TY / PAGE	Q'TY / PACK	REMARKS
1	6LS05842000	PS inside guide sheet			
2	6LA58794800	SCREW M4X16			
3	6LS05604000	PS PG inside			
4	6LS04840000	Ball bearing			
5	6LA58928000	E-ring			
6	6LS03735000	SP pin			
7	6LS05071000	PS roller DSPF			
8	6LS04188000	Wire fixing stopper			
9	6LS05834000	PS guide sheet			
10	6LS05539000	PS PG outside			
11	6LA58926000	E-ring			
12	6LS05234000	PS follower fulcrum shaft			
13	6LS04427000	PS follower pressure arm			
14	6LS04567000	PS follower spring			
15	6LS05230000	Lower door follower collar shaft			
16	6LS04834000	Bearing			
17	6LS05361000	Follower collar			
18	6LA58923000	E-ring			
19	6LS04760000	Belt			
20	6LS05768000	Crescent ring			
21	6LS04423000	Platen arm			
22	6LS05045000	Platen roller			
23	6LS06237000	SP pin			
24	6LS04759000	Belt			
25	6LS05022000	Platen drive 18P pulley			
26	6LS04833000	Bearing			
27	6LS03057000	Platen read plate			
28	6LS05072000	DSPF lower transport roller 1			
29	6LS04836000	Bearing			
30	6LS10187000	STOPPER			
32	6LS05046000	Platen roller 2			
33	6LS05605000	Lower transport PG upper			
34	6LS05833000	Lower transport roller 1 sheet			
35	6LS04757000	Belt			
36	6LS05020000	Transport 34P pulley			
37	6LS05021000	Platen 24P/24P pulley			
39	6LS03609000	Wire saddle			
40	6LS03465000	PS knob			
41	6LS04318000	Step screw			
42	6LS05603000	Platen front guide PG			
43	6LS04232000	PS stay			
44	6LS04271000	Screw			
45	6LS05832000	PT guide sheet R			
46	6LS05831000	PT guide sheet F			



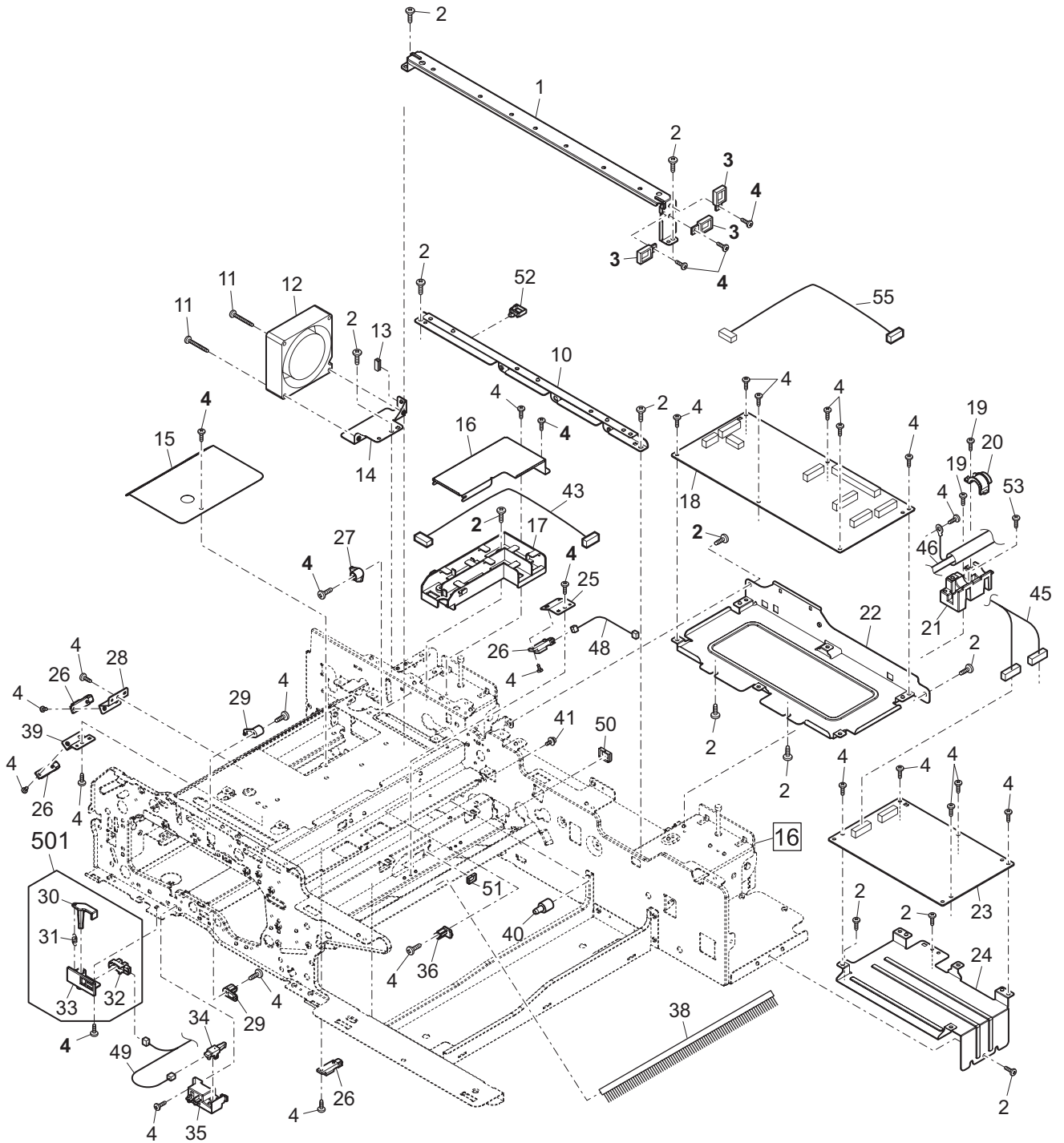
ITEM No.	PART No.	PART NAME	Q'TY / PAGE	Q'TY / PACK	REMARKS
1	6LS04758000	Belt			
2	6LA58928000	E-ring			
3	6LS04754000	Belt			
4	6LS05020000	Transport 34P pulley			
5	6LS04840000	Ball bearing			
6	6LS05019000	Transport 21P pulley			
7	6LA58794400	Screw M3X6			
8	6LS02992000	Lower door fulcrum plate			
9	6LS03735000	SP pin			
10	6LS05073000	DSPF lower transport roller 2			
11	6LS05074000	DSPF delivery roller			
12	6LS02977000	White standard PG			
13	6LS05230000	Lower door follower collar shaft			
14	6LS04834000	Bearing			
15	6LA58926000	E-ring			
16	6LA58923000	E-ring			
17	6LS04568000	Transport follower spring			
18	6LS04424000	Lower door follower collar pressure arm			
19	6LS05231000	White standard PG fulcrum shaft			
20	6LS03951000	White standard follower collar pressure plate			
21	6LA58793700	SCREW M4X10			
22	6LS04188000	Wire fixing stopper			
23	6LS10187000	STOPPER			
24	6LS04833000	Bearing			
25	6LA58792800	Screw M3X8			
26	6LS04814000	Platen 2 follower bearing			
27	6LS04569000	Platen 2 follower spring			
28	6LS05935000	Lower door reflect protection sheet			
29	6LS05833000	Lower transport roller 1 sheet			
30	6LS04425000	Delivery release arm			
31	6LS05233000	Platen 2 follower shaft			
32	6LS05038000	PS follower roller B			
33	6LS05362000	Follower collar			
34	6LS04426000	Delivery arm			
35	6LS04565000	Delivery follower spring			
36	6LS04566000	Delivery spring			
37	6LS03058000	Delivery follower collar pressure plate			
38	6LS03638000	Wire saddle			
39	6LS03154000	SPF ground wire			
40	6LA58793200	Screw M3X8			
41	6LS06242000	E ring			
42	6LS05376000	Stamp cover			
44	6LS05229000	Lower door lock shaft			
45	6LS03652000	White standard pressure spring holder			
46	6LS04542000	White standard pressure spring			
47	6LS03950000	Lower door base plate			
48	6LS04541000	OC pressure spring			
49	6LS04111000	OC pressure plate			
50	6LS05921000	OC mat fixing sheet			
52	6LS04469000	Lower door lock release lever			
53	6LS05361000	Follower collar			
54	6LS05360000	Delivery follower collar			
55	6LA58794800	SCREW M4X16			
56	6LS03745000	SP pin			
57	6LS05232000	Delivery lower fulcrum shaft			
58	6LS04609000	Lower door lock spring			
59	6LS05978000	Lower door lock pawl			
60	6LS05602000	Delivery lower paper guide			
61	6LS05601000	Lower door PG			
62	6LS03693000	Delivery follower collar holder			
63	6LS05236000	Follower roller shaft			
501	6LS02976000	Lower door PG unit			
502	6LS02978000	Delivery lower PG unit			



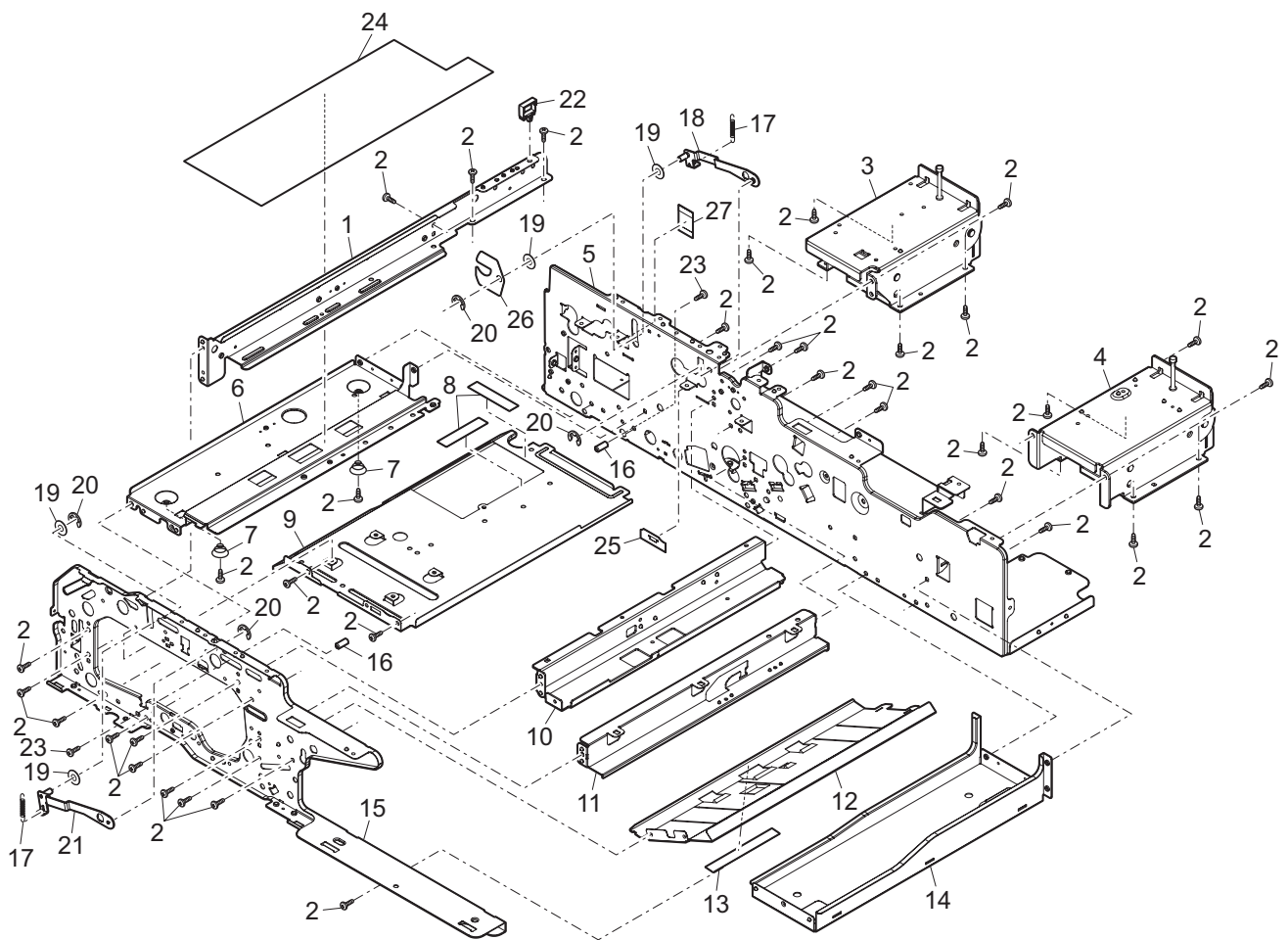
ITEM No.	PART No.	PART NAME	Q'TY / PAGE	Q'TY / PACK	REMARKS
1	6LS02895000	Dark box			
2	6LA58793700	SCREW M4X10			
3	6LS06220000	Screw			
4	6LS03068000	Lens unit			
5	6LS04251000	Step screw N			
6	6LS04650000	Lens base fixing spring			
8	6LS05462000	Dustproof cover			
10	6LS04250000	Lens adjust screw			
11	6LS05806000	Dustproof sheet 2			
12	6LS04288000	Step screw			
13	6LS03512000	Mirror base			
14	6LS05805000	Dustproof sheet			
15	6LS04655000	Mirror fixing spring			
16	6LS05670000	4th mirror			
17	6LS05668000	2nd mirror			
18	6LS05666000	1st mirror			
19	6LS05669000	3rd mirror			
20	6LS05656000	Optical fixing gum			
21	6LS05463000	Mirror base cover			
22	6LS03059000	Optical fixing plate F			
24	6LA58794800	SCREW M4X16			
26	6LS03515000	Lamp base DSPF			
29	6LS05760000	Reflector			
30	6LA58793200	Screw M3X8			
31	6LS05541000	Optical paper guide			
32	6LS05606000	Optical PG front guide			
34	6LS05988000	Read glass tape			
40	6LS05745000	PG dustproof cushion S			
41	6LS05895000	Lamp dustproof mylar			
42	6LS05731000	Lamp dustproof cushion			
43	6LS05732000	PG dustproof cushion L			
44	6LS05743000	PG dustproof cushion L2			
46	6LS05896000	MB dustproof mylar F			
47	6LS05897000	MB dustproof mylar R			
48	6LS04009000	LED PWB fixing plate			
49	6LS03107000	LED PWB			
50	6LS04139000	Optical web guide plate			
51	6LS05646000	Read glass			
52	6LS05730000	CCD molt			
53	6LS05737000	Actuator damper molt			
54	6LS05746000	Lamp dust protect molt			
55	6LS05749000	Mirror vibration proof molt DSPF			
56	6LS05890000	LED insulation sheet			
57	6LA58794500	Screw M3X8			
58	6LS05745000	PG dustproof cushion S			
59	6LS03511000	Lens base			
60	6LS03998000	Lens UN fixing plate			
502	6LS02970000	Optical PG UN			
503	6LS02917000	Mirror base UN			



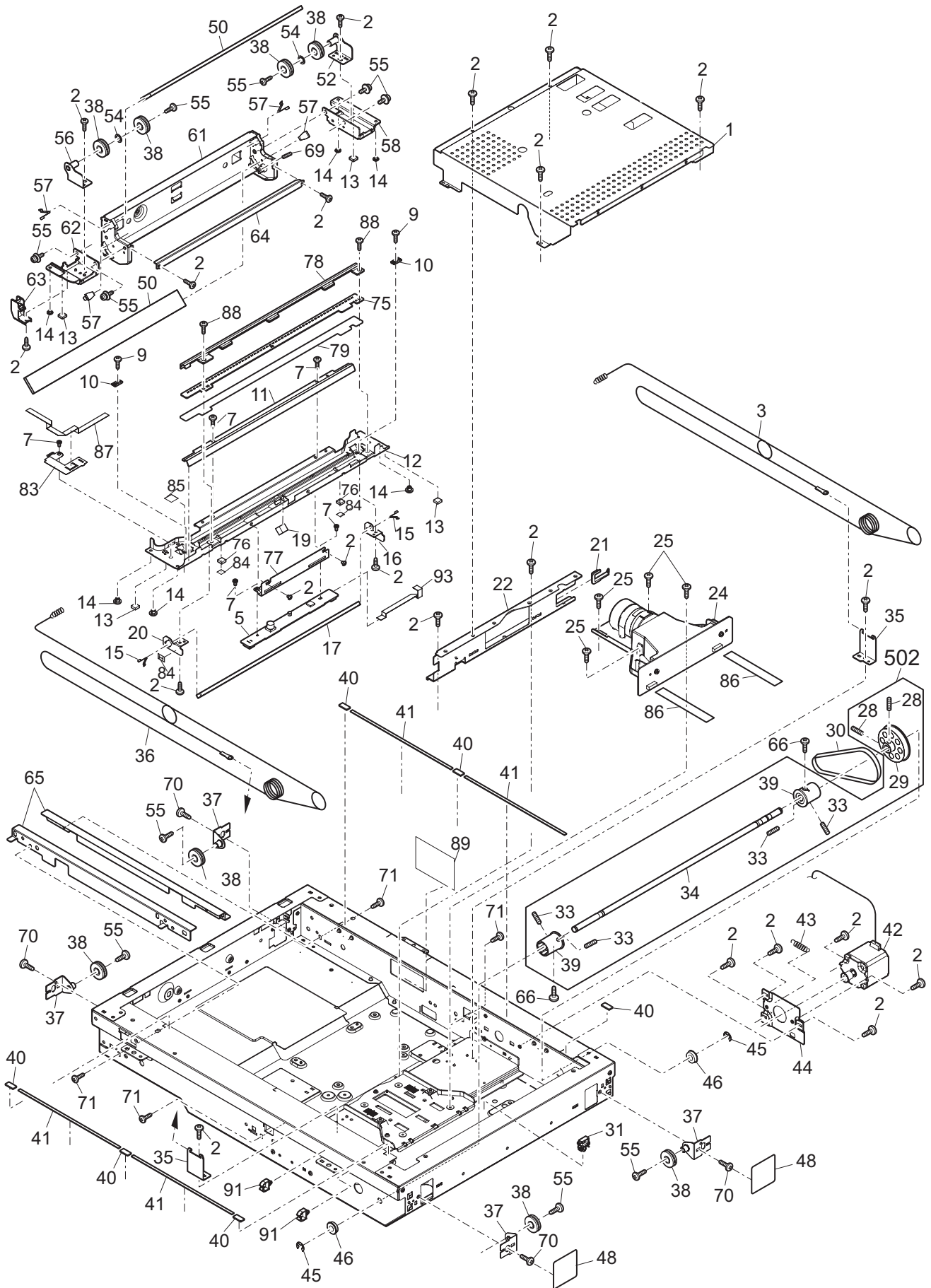
ITEM No.	PART No.	PART NAME	Q'TY / PAGE	Q'TY / PACK	REMARKS
1	6LS06085000	DSPF PS motor			
2	6LS04704000	Tension spring 2			
3	6LA58794400	Screw M3X6			
4	6LS03947000	PS motor fixing plate			
5	6LA58794800	SCREW M4X16			
6	6LS06089000	DSPF resist/transport motor			
7	6LS03948000	Motor tension plate			
8	6LS04715000	Tension spring JP3			
9	6LS03946000	Transport motor fixing plate			
11	6LS06084000	DSPF RF motor			
12	6LS06083000	DSPF paper feed motor			
14	6LS03949000	Motor tension plate 2			
15	6LS04672000	Drive adjust spring			
16	6LS03052000	Paper feed drive unit			
17	6LS06086000	DSPF lift up motor			
18	6LS03055000	Lift driver plate			
19	6LS04915000	Gear			
20	6LS04878000	Gear			
21	6LS06240000	E ring			
22	6LS04879000	Gear			
23	6LA58923000	E-ring			
24	6LS03060000	Drive adjust plate			
25	6LS04833000	Bearing			
26	6LS04838000	Ball bearing			
27	6LS05363000	Tension collar			
28	6LS06242000	E ring			
29	6LS04840000	Ball bearing			
30	6LS04835000	Bearing			
31	6LS04965000	Reverse gear			
32	6LS04761000	Belt			
33	6LS04754000	Belt			
34	6LS04962000	Paper feed gear			
35	6LA58926000	E-ring			
37	6LS03216000	DSPF motor harness			
501	6LS03053000	DSPF paper feed drive unit			
502	6LS03056000	DSPF lift drive unit			
503	6LS03054000	DSPF transport drive unit			



ITEM No.	PART No.	PART NAME	Q'TY / PAGE	Q'TY / PACK	REMARKS
1	6LS03957000	Holder R fixing plate			
2	6LA58794800	SCREW M4X16			
3	6LS03600000	Wire saddle			
4	6LA58794400	Screw M3X6			
10	6LS04231000	Driver support stay			
11	6LS06182000	Screw			
12	6LS04867000	PS radiate fan			
13	6LS03480000	Edge saddle			
14	6LS03958000	Motor radiate fan fixing plate			
15	6LS05441000	Optical stay upper cover			
16	6LS05443000	Harness shield cover			
17	6LS05611000	Harness guide DSPF			
18 A	6LS03119000	DSPF CNT PWB			e-STUDIO1207
18 B	6LS03120000	DSPF CNT PWB			e-STUDIO1057
18 C	6LS03121000	DSPF CNT PWB			e-STUDIO9077
19	6LA58793700	SCREW M4X10			
20	6LS05382000	Interface harness cover			
21	6LS05577000	Interface harness guide			
22	6LS03955000	Control PWB fixing plate			
23	6LS03113000	DSPF driver PWB			
24	6LS03986000	DSPF driver PWB fixing plate			
25	6LS03960000	Sensor fixing plate 2			
26	6LS06164000	Sensor			
27	6LS03492000	Lower door fixing base R			
28	6LS03944000	SPPD5 fixing plate			
29	6LS03491000	Lower door fixing base F			
30	6LS04470000	Book detect lever			
31	6LS04673000	Book detect lever spring			
32	6LS06160000	Sensor			
33	6LS03650000	Book detect holder			
34	6LS06040000	Lever switch			
35	6LS03651000	Lower door open/close detect holder			
36	6LS03506000	Lower fixing base R HC			
38	6LS05329000	Discharger brush			
39	6LS03945000	SPPD6 fixing plate			
40	6LS05227000	Optical fixing shaft R			
41	6LS06193000	Screw			
43	6LS03263000	DSPF CCD harness			
45	6LS03245000	DSPF CNT-driver harness			
46	6LS03252000	DSPF I/F harness			
48	6LS03250000	DSPF delivery stamp harness			
49	6LS03251000	DSPF sensor harness			
50	6LS03477000	Edge saddle			
51	6LS03609000	Wire saddle			
52	6LS03601000	Wire saddle			
53	6LS06227000	Screw			
55	6LS03264000	DSPF LED Harness			
501	6LS02986000	Book detect holder unit			

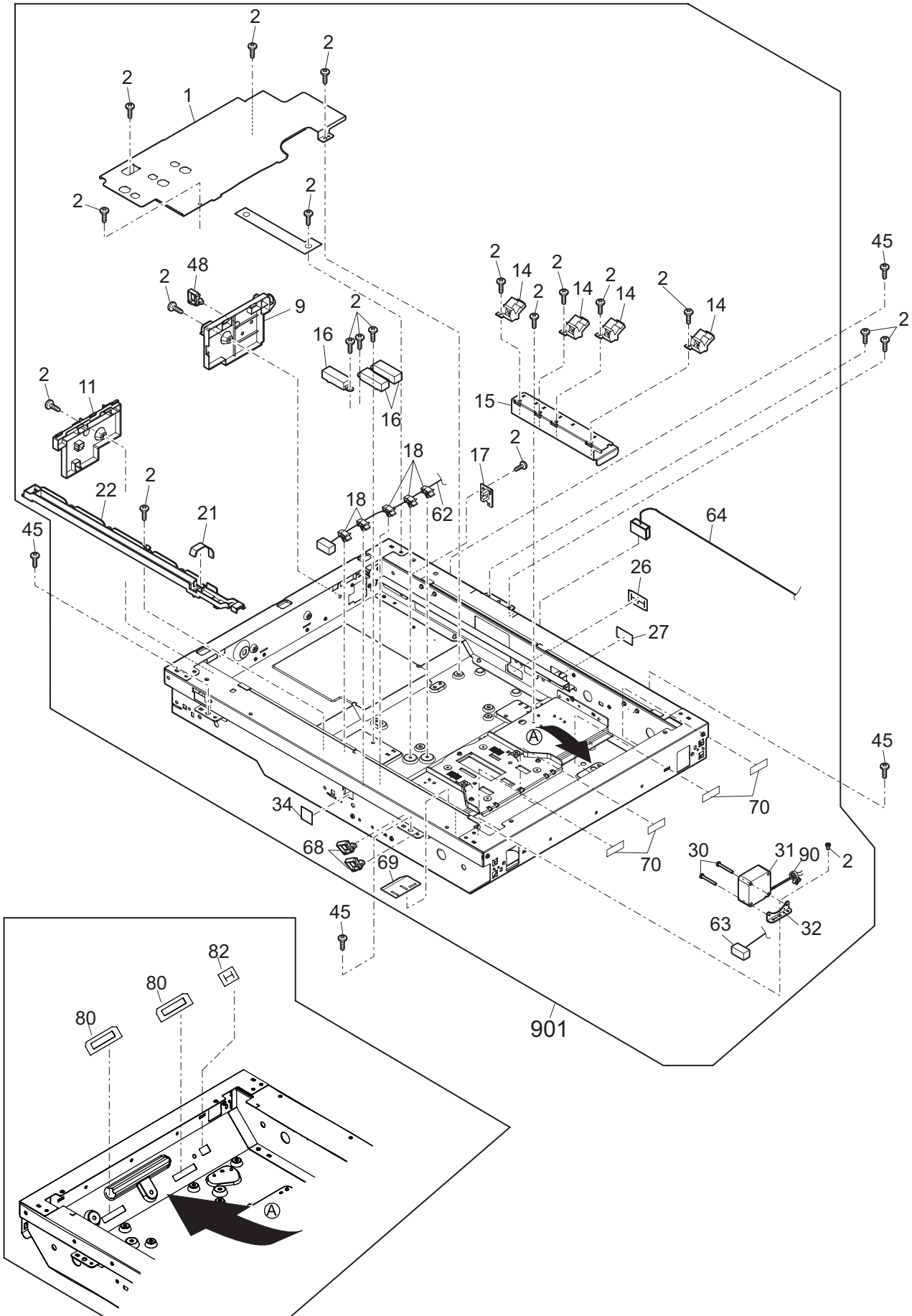


ITEM No.	PART No.	PART NAME	Q'TY / PAGE	Q'TY / PACK	REMARKS
1	6LS04229000	Optical stay			
2	6LA58794800	SCREW M4X16			
3	6LS04449000	DSPF hinge L			
4	6LS04450000	DSPF hinge R			
5	6LS03577000	DSPF frame R			
6	6LS04227000	Paper pass stay			
7	6LS04543000	Reading plate spring			
8	6LS05846000	Stay edge protect sheet			
9	6LS04230000	Optical stay upper			
10	6LS04233000	Paper feed stay			
11	6LS04238000	Sensor stay			
12	6LS05540000	Delivery PG upper			
13	6LS05833000	Lower transport roller 1 sheet			
14	6LS04228000	Delivery stay			
15	6LS03576000	DSPF frame F			
16	6LS05228000	Platen support shaft			
17	6LS04711000	1st resist release spring			
18	6LS02885000	1st resist release arm R			
19	6LS10191000	POLY SLIDER			
20	6LA58926000	E-ring			
21	6LS02886000	1st resist release arm F			
22	6LS03601000	Wire saddle			
23	6LA58792800	Screw M3X8			
24	6LS05877000	Roller cover sheet			
25	6LS05887000	Clip guide sheet B			
26	6LS05888000	Clip guide sheet C			
27	6LS05889000	Clip guide sheet D			

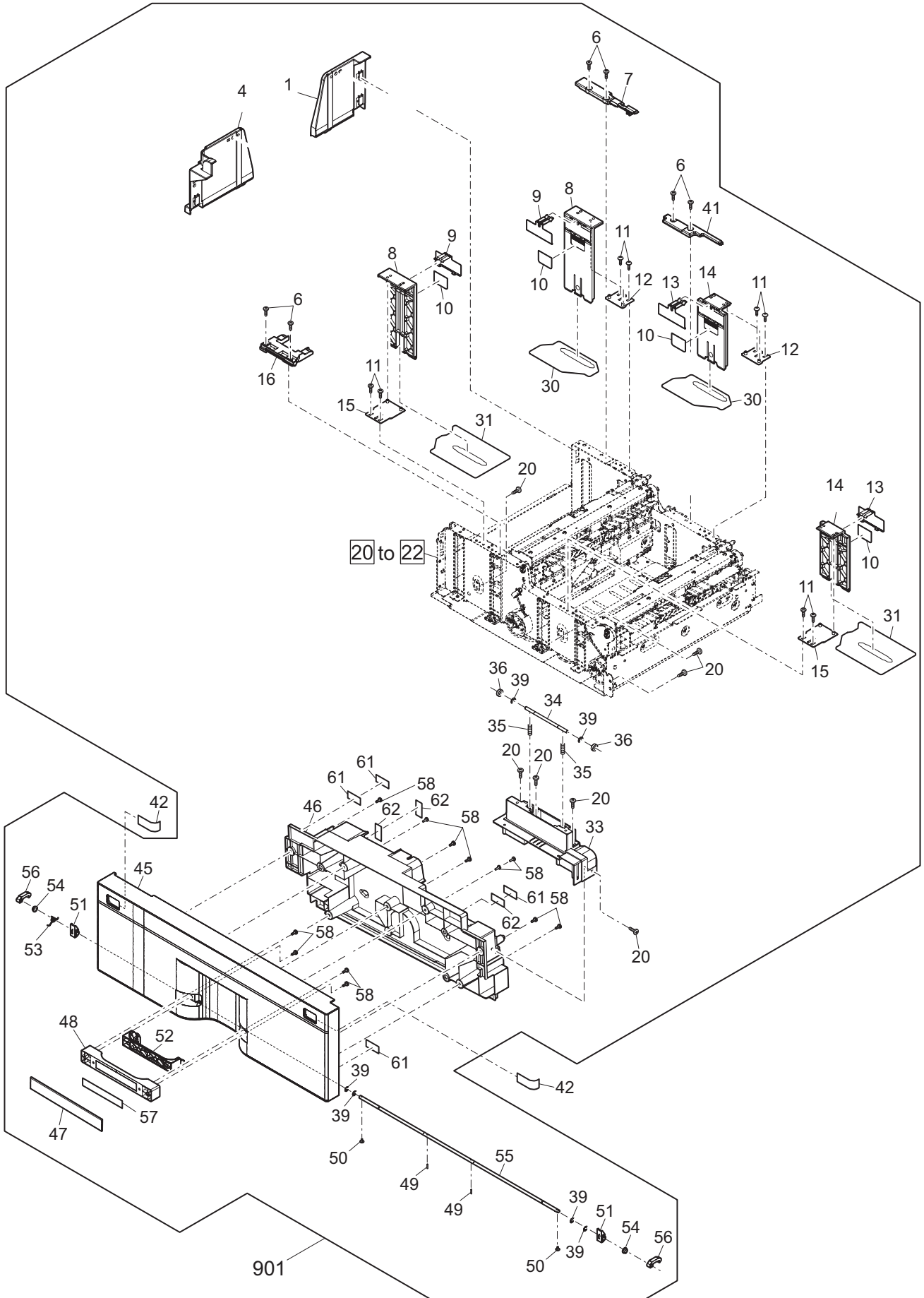


ITEM No.	PART No.	PART NAME	Q'TY / PAGE	Q'TY / PACK	REMARKS
1	6LS05409000	Dark box cover			
2	6LA58794400	Screw M3X6			
3	6LS06010000	MB wire RHC			
5	6LS03109000	LED driver PWB			
7	6LA58847000	Screw M3X4			
9	6LS06191000	Screw			
10	6LS11792000	WIRE HOLDER			
11	6LS05761000	Reflector			
12	6LS03520000	Lamp base plate			
13	6LS05691000	Rail cushion			
14	6LS04527000	Slider			
15	6LS04657000	1st mirror spring			
16	6LS03673000	1st mirror holder R			
17	6LS05666000	1st mirror			
19	6LS05485000	Mirror cushion			
20	6LS03674000	1st mirror holder F			
21	6LS03617000	Edge saddle			
22	6LS04208000	Dark box stay			
24	6LS03033000	CCD UN			
25	6LS06220000	Screw			
28	6LS04255000	Screw			
29	6LS05023000	Pulley			
30	6LS04750000	Belt			
31	6LS03633000	Edge saddle			
33	6LA58846000	Screw M4X6			
34	6LS05217000	Winder drive shaft			
35	6LS03871000	Wire fixing plate			
36	6LS06009000	MB wire FHC			
37	6LS03030000	Pulley fixing plate			
38	6LS04991000	Pulley			
39	6LS05024000	Winder pulley			
40	6LS05650000	Table glass gum			
41	6LS05692000	Table glass cushion			
42	6LS06082000	Mirror motor			
43	6LS04664000	Belt tension spring			
44	6LS03873000	Motor fixing plate			
45	6LA58928000	E-ring			
46	6LS04840000	Ball bearing			
48	6LS05841000	Dustproof sheet			
50	6LS05667000	2nd/3rd mirror			
52	6LS03031000	W pulley fixing plate R			
54	6LS04394000	Washer			
55	6LS04274000	Screw			
56	6LS03032000	W pulley fixing plate F			
57	6LS03522000	6th mirror fixer F			
58	6LS04207000	Support plate R			
61	6LS03672000	2nd/3rd mirror holder			
62	6LS04206000	Support plate F			
63	6LS05641000	CL harness guide			
64	6LS03872000	2nd/3rd reinforce plate			
65	6LS04156000	MB-B rail F			
66	6LS04372000	Screw			
69	6LS04303000	Screw			
70	6LA58794800	SCREW M4X16			
71	6LA58840000	Screw M3X6			
75	6LS03111000	LED OC PWB			
76	6LS03714000	CL harness holder			
77	6LS04079000	LED PWB base			
78	6LS04139000	Optical web guide plate			
79	6LS05878000	LED insulation sheet			
83	6LS05899000	FFC fixer sheet			
84	6LS05900000	Mirror holder sheet			
85	6LS05918000	Optical bottom sheet A			

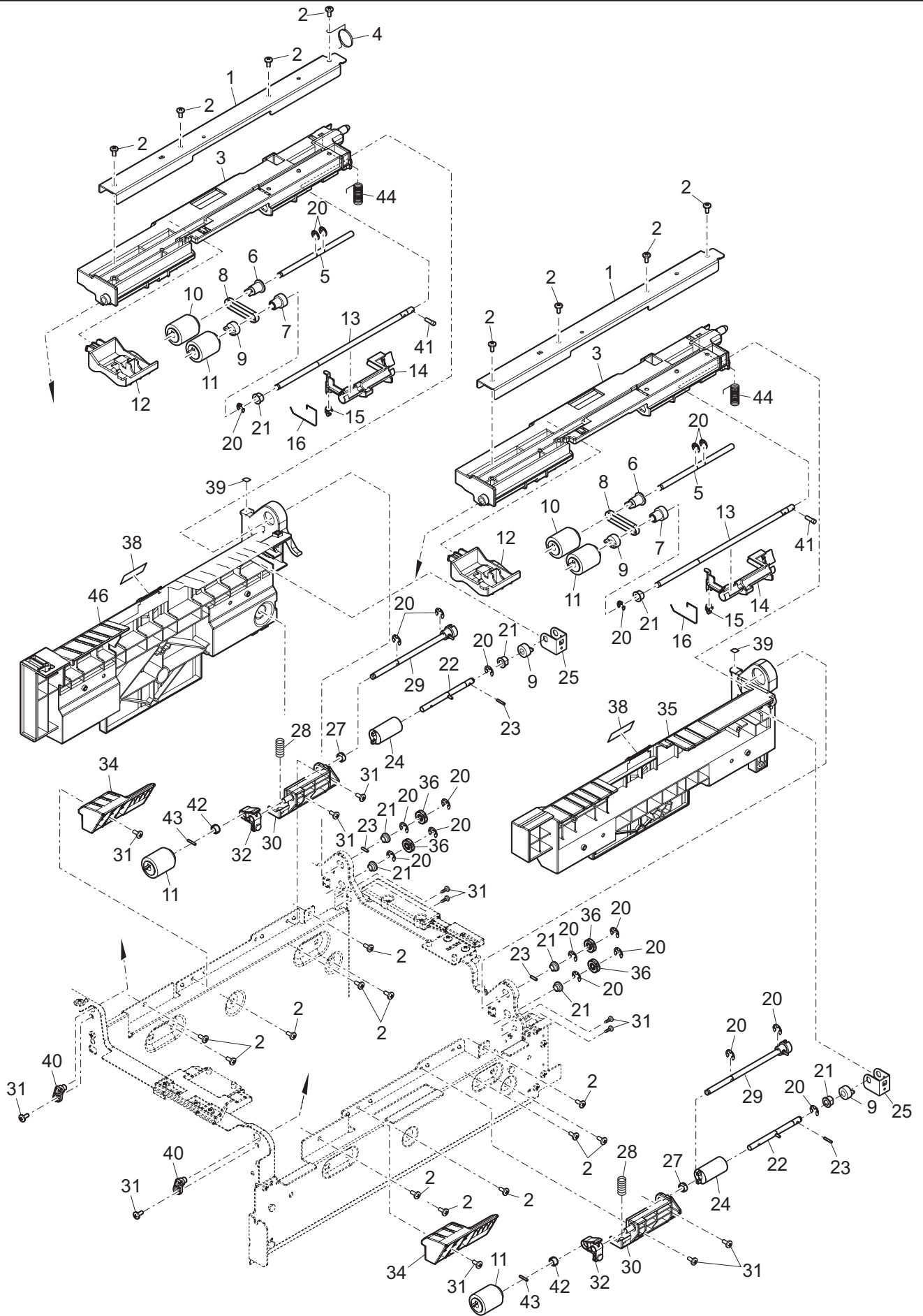
ITEM No.	PART No.	PART NAME	Q'TY / PAGE	Q'TY / PACK	REMARKS
86	6LS06023000	CCD-FFC			
87	6LS06024000	SCN-LAMP FFC			
88	6LA58794500	Screw M3X8			
89	6LS05815000	Scanner right sheet			
91	6LS03599000	Clamp			
93	6LS06025000	SCN-LED FFC			
502	6LS03137000	Winding shaft UN			
901	6LS03337000	Scanner unit			



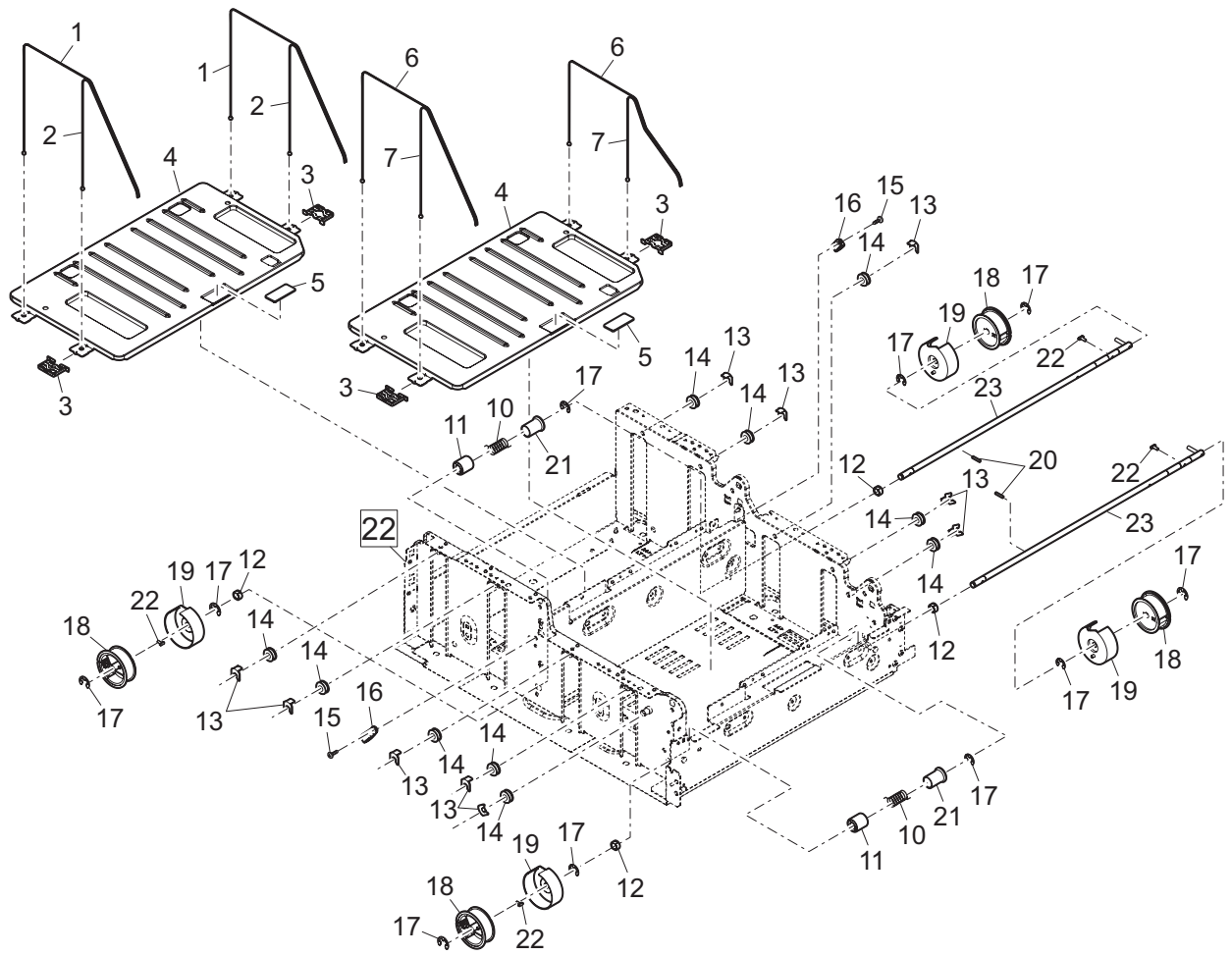
ITEM No.	PART No.	PART NAME	Q'TY / PAGE	Q'TY / PACK	REMARKS
1	6LS05410000	Mother board cover			
2	6LA58794400	Screw M3X6			
9	6LS05411000	Dustproof cover LB			
11	6LS05412000	Dustproof cover LF			
14	6LS06165000	Photo sensor			
15	6LS04010000	Original detect fixing plate			
16	6LS06166000	Photo sensor			
17	6LS03094000	Mirror HP sensor PWB			
18	6LS03638000	Wire saddle			
21	6LS03523000	Lamp harness fixer A			
22	6LS05588000	Lamp harness guide A			
26	6LS05830000	Edge protect sheet			
27	6LS05917000	Optical bottom sheet A			
30	6LS06176000	Screw			
31	6LS04869000	Lock fan			
32	6LS03469000	CCD fan fixing angle			
34	6LS05919000	Optical bottom sheet B			
45	6LA58794800	SCREW M4X16			
48	6LS03620000	Edge saddle			
62	6LS03259000	Original interface harness			
63	6LS03260000	CCD FAN interface harness			
64	6LS03261000	SCN motor harness			
68	6LS03599000	Clamp			
69	6LS05906000	FCC fixer sheet			
70	6LS05883000	Sensor harness protect sheet			
80	6LS05882000	CCD FFC protect sheet			
82	6LS05884000	Fan harness protect sheet			
90	6LS10149000	SCANNER MOTOR HARNESS FIX			
901	6LS03337000	Scanner unit			



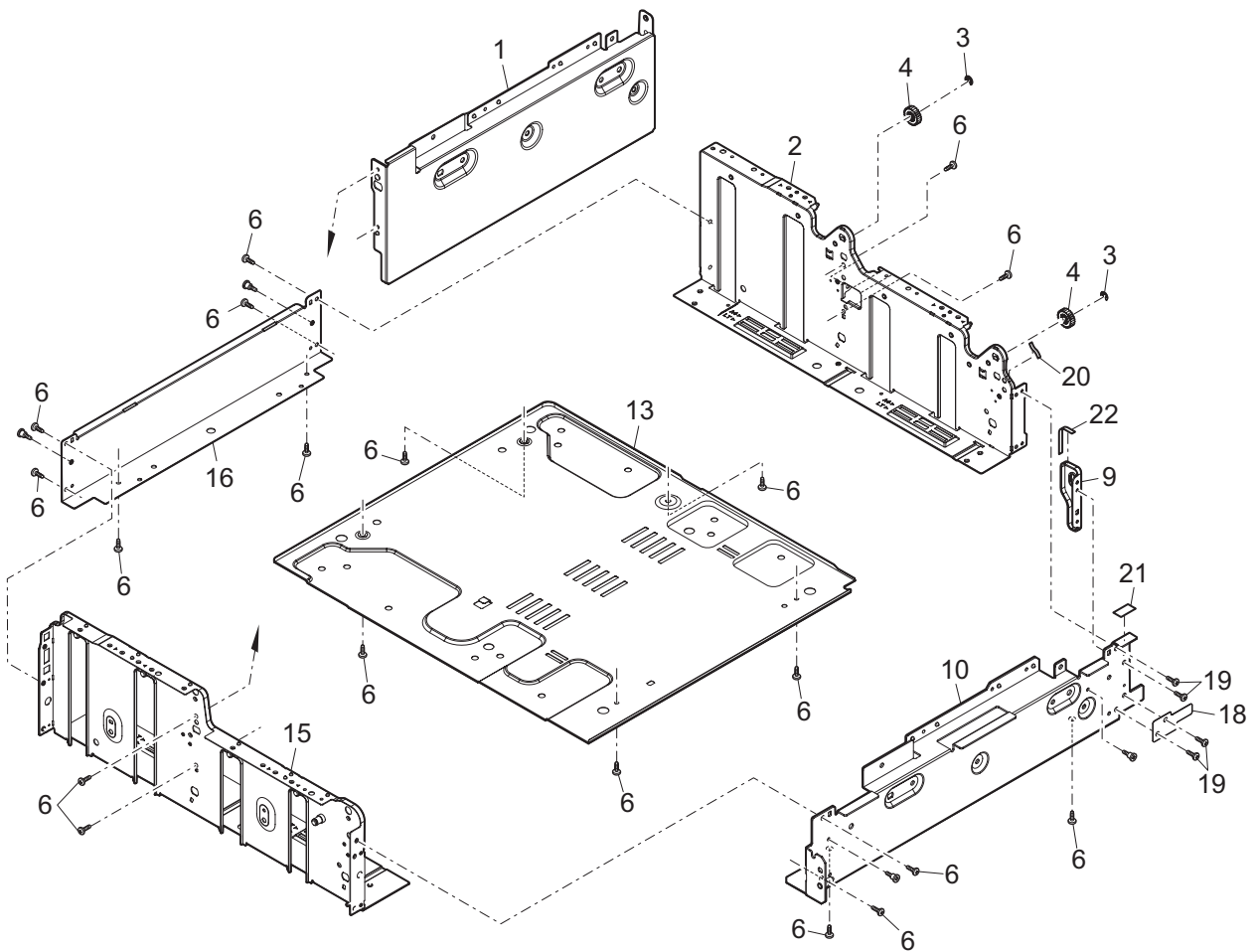
ITEM No.	PART No.	PART NAME	Q'TY / PAGE	Q'TY / PACK	REMARKS
1	6LS04113000	Tandem rear edge plate R			
2	6LA58793800	Screw M4X12			
4	6LS04114000	Tandem rear edge plate F			
6	6LA58794800	SCREW M4X16			
7	6LS05386000	Tandem edge cover R			
8	6LS04105000	Tandem regulation plate R			
9	6LS06027000	Tandem regulation earth plate			
10	6LS06119000	Indication label			
11	6LS04310000	Screw			
12	6LS02991000	Off-center regulation plate R			
13	6LS06027000	Tandem regulation earth plate			
14	6LS04104000	Tandem regulation plate L			
15	6LS03009000	Off-center regulation plate F			
16	6LS05385000	Tandem edge cover F			
20	6LS06227000	Screw			
30	6LS05931000	Paper feed base sheet R			
31	6LS05930000	Paper feed base sheet F			
33	6LS05971000	Tandem front cover spacer right			
34	6LS05258000	Interface pass pressure collar shaft			
35	6LS04582000	Interface pass pressure spring			
36	6LS04825000	Bearing			
39	6LA58926000	E-ring			
41	6LS05433000	Tandem edge cover			
42	6LS06105000	Size display card			
45	6LS03395000	Tandem front cabinet			
46	6LS03436000	Cassette inner cover			
47	6LS03437000	Cassette handle cover			
48	6LS03456000	Cassette handle			
49	6LS03737000	SP Pin			
50	6LS04373000	Screw			
51	6LS04436000	U cassette release arm			
52	6LS04500000	Cassette release lever			
53	6LS04639000	U cassette lock pawl spring			
54	6LS04781000	Bearing			
55	6LS05272000	Tandem lock shaft			
56	6LS05985000	U cassette lock pawl			
57	6LS05993000	Handle support tape			
58	6LA58793700	SCREW M4X10			
61	6LS05960000	Tandem PC sheet1.0			
62	6LS05961000	Tandem PC sheet1.5			
901	6LS03324000	Tandem LCC cassette unit			



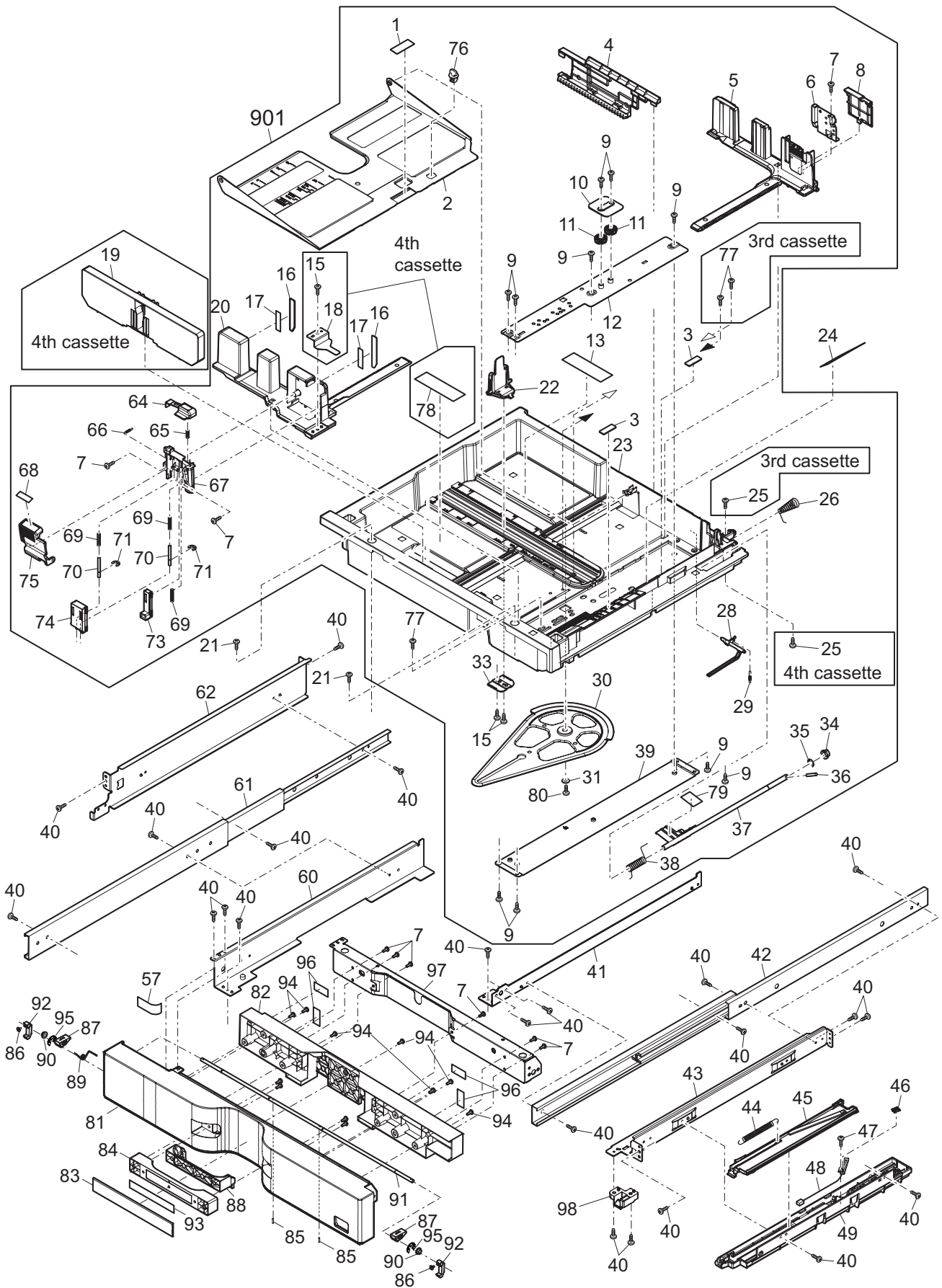
ITEM No.	PART No.	PART NAME	Q'TY / PAGE	Q'TY / PACK	REMARKS
1	6LS03808000	Paper feed PG upper reinforce plate			
2	6LA58793800	Screw M4X12			
3	6LS05582000	Tandem paper feed PG upper			
4	6LS04635000	Tandem paper feed upper PG return spring			
5	6LS05149000	Tandem pickup roller shaft			
6	6LS04998000	Pick up roller pulley			
7	6LS05016000	Paper feed roller pulley			
8	6LS04732000	Tandem paper feed belt			
9	6LS04858000	One way coupling			
10	6LS05051000	Pick up roller			
11	6LS05066000	Paper feed separate roller			
12	6LS05581000	Tandem support PG upper			
13	6LS05100000	Tandem paper feed roller shaft			
14	6LS04475000	PE actuator			
15	6LS03769000	PE protect plate			
16	6LS04614000	PG upper earth spring			
20	6LA58926000	E-ring			
21	6LS04790000	Bearing			
22	6LS03131000	Tandem separate drive shaft			
23	6LS03727000	Pin			
24	6LS05345000	Paper feed torque limiter			
25	6LS03820000	Separate shaft fixing plate			
27	6LS04795000	Bearing			
28	6LS04585000	Tandem separate pressure spring			
29	6LS03132000	Tandem separate roller shaft			
30	6LS03654000	Bearing holder			
31	6LA58794800	SCREW M4X16			
32	6LS03655000	Rotation fulcrum			
34	6LS05580000	Tandem support PG lower			
35	6LS05583000	Tandem paper feed lower PG R			
36	6LS04885000	Pick up roller			
38	6LS05813000	Tandem separate sheet			
39	6LS05812000	SP protect sheet			
40	6LS03644000	Upper transport fulcrum holder			
41	6LS04276000	Screw			
42	6LS04786000	Bearing			
43	6LS03740000	SP pin			
44	6LS04615000	Pick adjust spring			
46	6LS05584000	Tandem paper feed lower PG L			
901	6LS03324000	Tandem LCC cassette unit			



ITEM No.	PART No.	PART NAME	Q'TY / PAGE	Q'TY / PACK	REMARKS
1	6LS06001000	Wire RB			
2	6LS06000000	Wire RA			
3	6LS05569000	Paper feed base guide			
4	6LS03494000	Paper feed base			
5	6LS05920000	Paper feed base sheet			
6	6LS05999000	Wire LB			
7	6LS05998000	Wire LA			
10	6LS04616000	Tray lift support spring			
11	6LS04405000	Spring lock arm			
12	6LS04778000	Bearing			
13	6LS04188000	Wire fixing stopper			
14	6LS05004000	Wire pulley			
15	6LA58794800	SCREW M4X16			
16	6LS03597000	Clamp			
17	6LA58928000	E-ring			
18	6LS05000000	Winder pulley			
19	6LS05372000	Winder pulley cover			
20	6LS03741000	Pin			
21	6LS04811000	Resin bearing			
22	6LS03733000	T type pin			
23	6LS03133000	Winder shaft			
901	6LS03324000	Tandem LCC cassette unit			

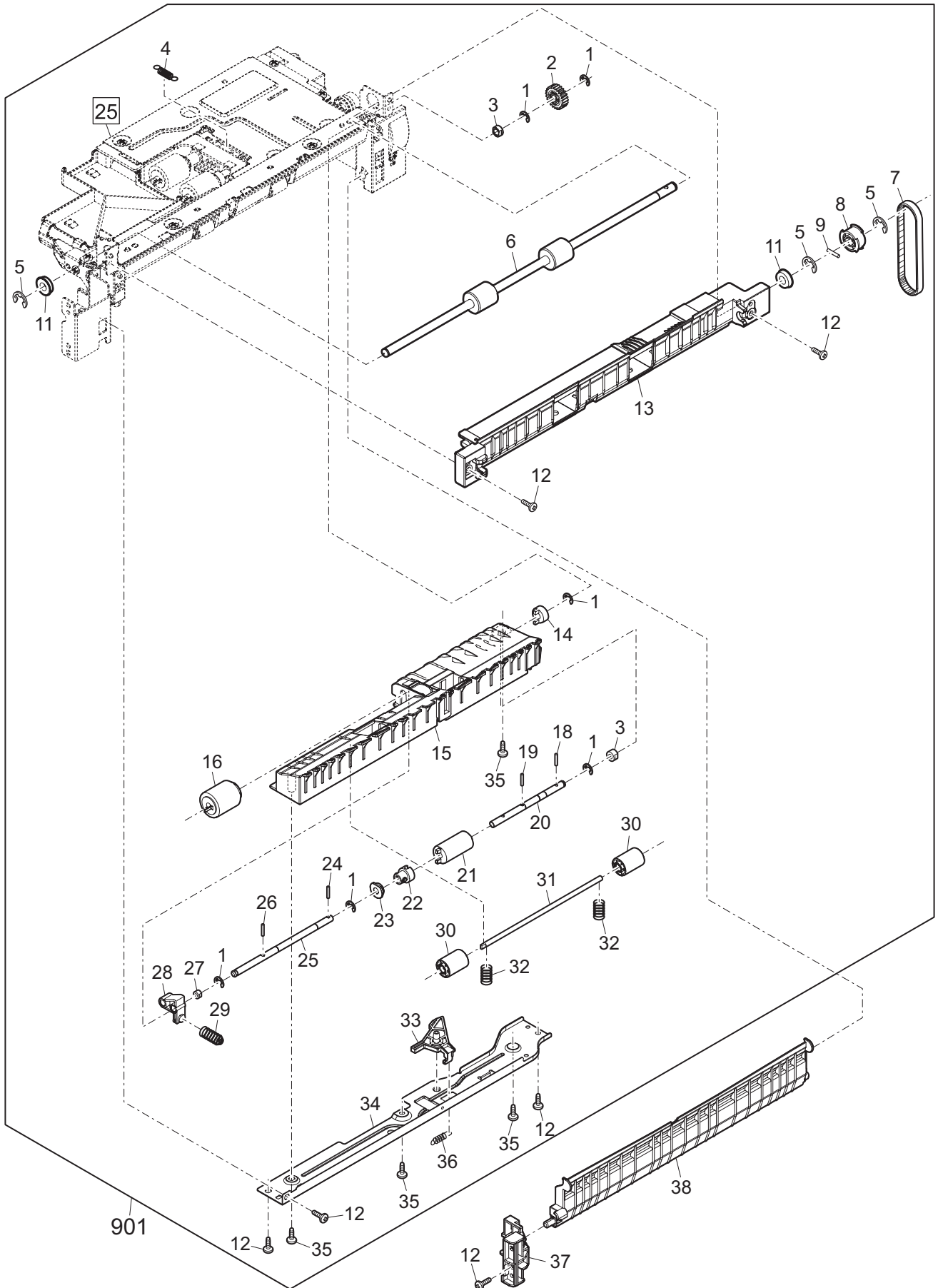


ITEM No.	PART No.	PART NAME	Q'TY / PAGE	Q'TY / PACK	REMARKS
1	6LS03807000	Paper feed lower PGL reinforce plate			
2	6LS02924000	Frame R			
3	6LA58926000	E-ring			
4	6LS04884000	Pickup roller gear			
6	6LA58794800	SCREW M4X16			
9	6LS03809000	T cassette positioning plate			
10	6LS03141000	Cassette right stay			
13	6LS03810000	Tandem bottom plate			
15	6LS02925000	Frame F			
16	6LS04199000	Cassette left stay			
18	6LS05942000	Edge protect sheet			
19	6LS04305000	Screw			
20	6LS05939000	Frame protect sheet			
21	6LS05940000	Stay protect sheet			
22	6LS05941000	Positioning protect sheet			
901	6LS03324000	Tandem LCC cassette unit			

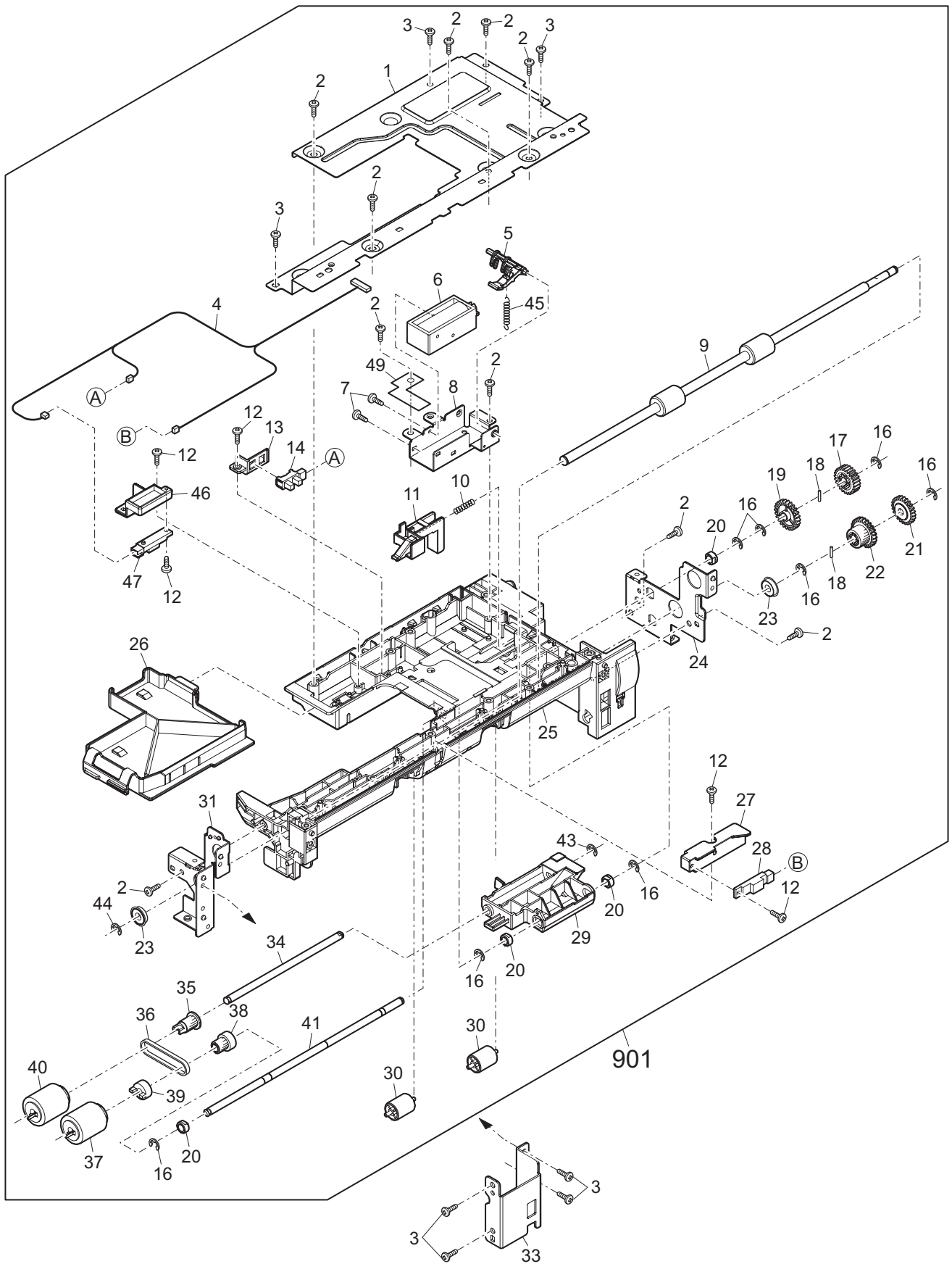


ITEM No.	PART No.	PART NAME	Q'TY / PAGE	Q'TY / PACK	REMARKS
1	6LS05926000	Rotation plate sheet			
2	6LS03875000	Rotation plate			
3	6LS05943000	Rotation plate silencer 2			
4	6LS04115000	Size detect plate			
5	6LS04128000	500 regulation plate R			
6	6LS03036000	Paper hold fixing plate			
7	6LA58793700	SCREW M4X10			
8	6LS05413000	500 regulation plate R cover			
9	6LS06178000	Screw			
10	6LS03876000	Off-center gear fixing plate			
11	6LS04917000	Gear			
12	6LS03034000	Off-center adjust plate			
13	6LS06126000	Multi lock operation explanation label			
15	6LS04268000	Screw			
16	6LS03770000	Regulation plate			
17	6LS05987000	Side plate tape R			
18	6LS04455000	Width detect lever			[4th cassette]
19	6LS04106000	Tab paper rear edge plate			[4th cassette]
20	6LS04130000	500 regulation plate F			
21	6LS04332000	Blue screw			
22	6LS04108000	Rear edge plate			
23	6LS03418000	Cassette			
24	6LS05816000	Multi separate front sheet CD			
25	6LS04317000	Step screw			
26	6LS04589000	Cassette earth spring			
28	6LS04465000	Remain actuator			
29	6LS04607000	Remain actuator spring			
30	6LS04409000	Multi size detect arm			
31	6LS06250000	Washer			
33	6LS03676000	Rear edge plate holder			
34	6LS04807000	CG bearing			
35	6LA58928000	E-ring			
36	6LS06239000	SP pin			
37	6LS02995000	Lift plate			
38	6LS04606000	Lift plate silent spring			
39	6LS03035000	Off center fixing plate			
40	6LA58794800	SCREW M4X16			
41	6LS03125000	Cassette rail R			
42	6LS04522000	Cassette slide rail R			
43	6LS03832000	Cassette slide fixing plate R			
44	6LS04678000	Width detect spring			
45	6LS03493000	Width detect fixing base			
46	6LS04403000	Width detect arm			
47	6LA58902000	Screw			
48	6LS03325000	Width detect switch			
49	6LS05334000	Width detect case lower			
57	6LS06105000	Size display card			
60	6LS03126000	Cassette rail L			
61	6LS04524000	Cassette slide rail L			
62	6LS03833000	Cassette slide fixing plate L			
64	6LS04482000	Multi lock lever			
65	6LS04560000	Multi lock lever spring			
66	6LS04694000	Side plate lock lever spring			
67	6LS05589000	Side plate lock guide			
68	6LS06128000	Side plate lock label			
69	6LS04559000	Side plate lock spring			
70	6LS05218000	Side plate lock shaft			
71	6LA58923000	E-ring			
73	6LS04131000	Multi slide plate			
74	6LS04129000	Side plate slide plate			
75	6LS04481000	Side plate lock lever			
76	6LS03608000	Turn fastener			
77	6LS06209000	Screw			

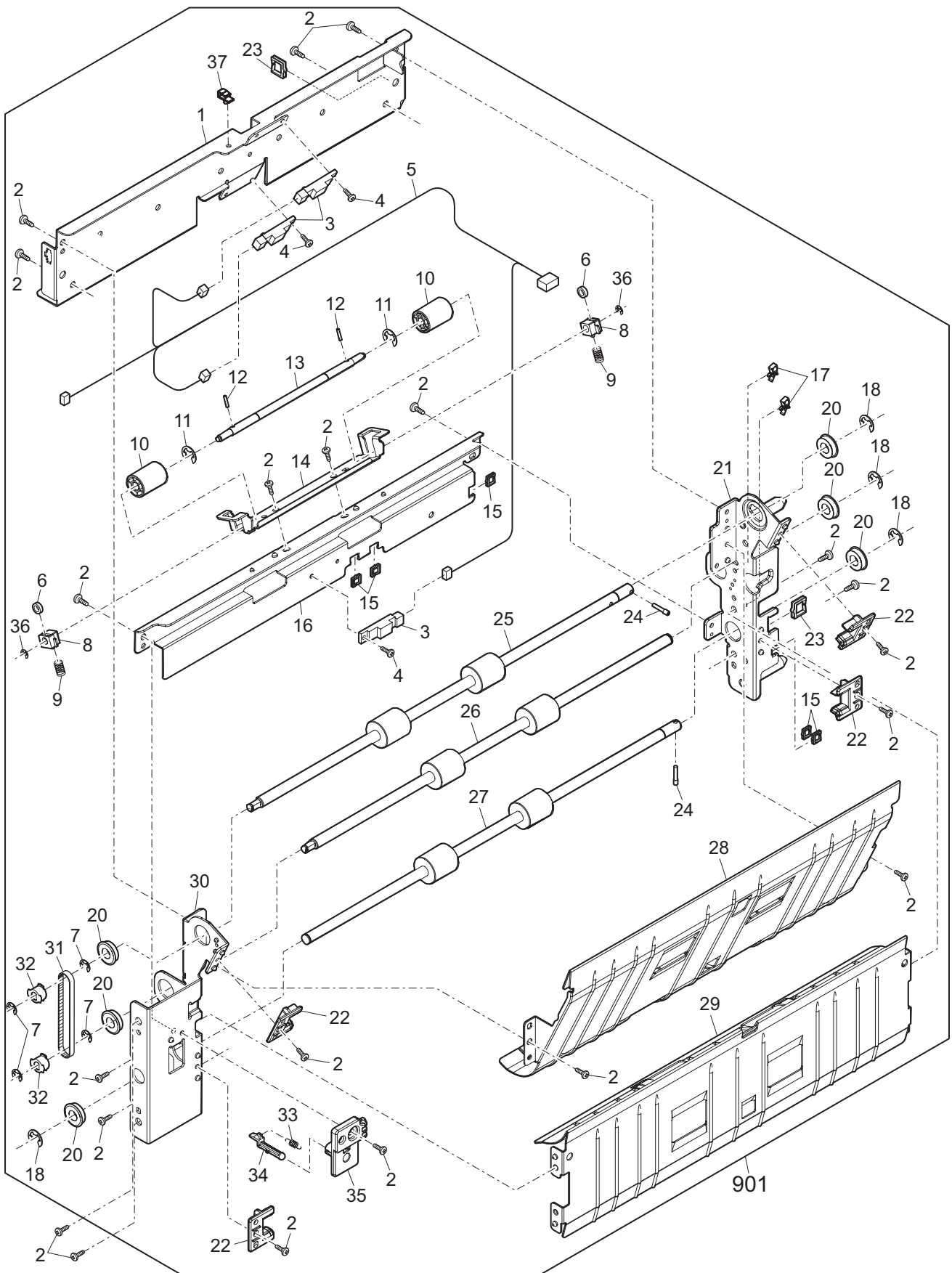
ITEM No.	PART No.	PART NAME	Q'TY / PAGE	Q'TY / PACK	REMARKS
78	6LS06133000	Tab paper explanation label HC			[4th cassette]
79	6LS05951000	Lift plate sheet			
80	6LA58793200	Screw M3X8			
81	6LS03394000	Cassette front cabinet			
82	6LS03434000	Cassette inner cover			
83	6LS03437000	Cassette handle cover			
84	6LS03456000	Cassette handle			
85	6LS03737000	SP Pin			
86	6LS04373000	Screw			
87	6LS04436000	U cassette release arm			
88	6LS04500000	Cassette release lever			
89	6LS04639000	U cassette lock pawl spring			
90	6LS04781000	Bearing			
91	6LS05271000	O cassette lock shaft			
92	6LS05985000	U cassette lock pawl			
93	6LS05993000	Handle support tape			
94	6LA58793700	SCREW M4X10			
95	6LA58926000	E-ring			
96	6LS05960000	Tandem PC sheet1.0			
97	6LS03582000	Cassette front plate			
98	6LS03516000	Cassette lock block			3rd cassette 4th cassette
901 A	6LS02899000	500 cassette unit			
901 B	6LS02900000	Multi cassette unit			



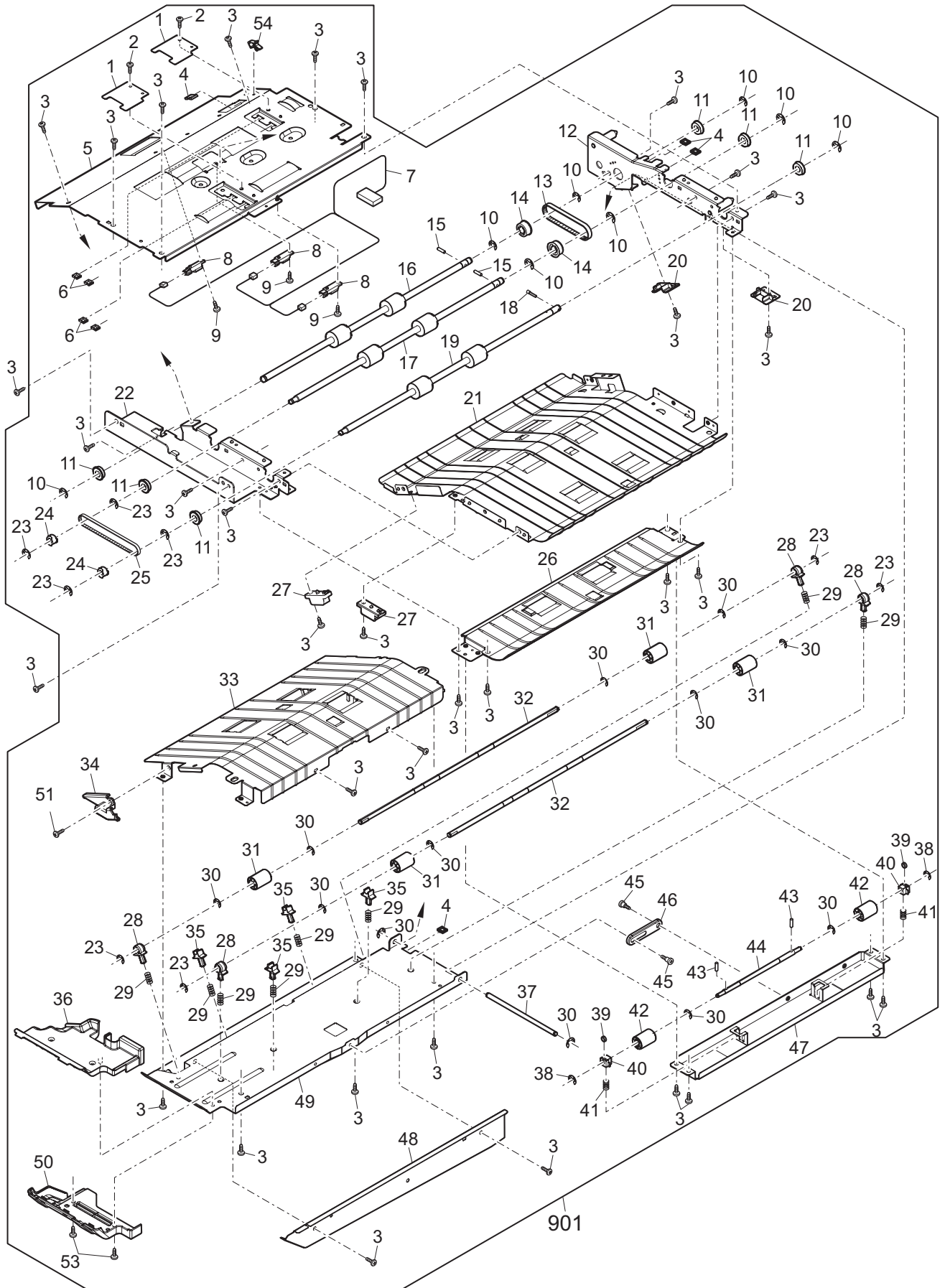
ITEM No.	PART No.	PART NAME	Q'TY / PAGE	Q'TY / PACK	REMARKS
1	6LA58926000	E-ring			
2	6LS04914000	Paper feed gear			
3	6LS04795000	Bearing			
4	6LS04669000	Pick up pressure spring			
5	6LA58928000	E-ring			
6	6LS05053000	Paper feed transport roller 4			
7	6LS04742000	Paper feed transport belt			
8	6LS05017000	Transport pulley 4			
9	6LS03741000	Pin			
11	6LS04840000	Ball bearing			
12	6LA58794800	SCREW M4X16			
13	6LS05585000	Paper feed transport PG			
14	6LS04859000	One way coupling			
15	6LS05575000	Paper feed lower PG			
16	6LS05066000	Paper feed separate roller			
18	6LS03727000	Pin			
19	6LS03725000	SP pin			
20	6LS05144000	Separate shaft C			
21	6LS05345000	Paper feed torque limiter			
22	6LS04856000	Separate coupling			
23	6LS04780000	Bearing			
24	6LS03739000	SP pin			
25	6LS05145000	Separate shaft B			
26	6LS03740000	SP pin			
27	6LS04786000	Bearing			
28	6LS03647000	Separate fulcrum			
29	6LS04586000	Paper feed separate pressure spring			
30	6LS05039000	Transport follower roller			
31	6LS05115000	Right door follower shaft			
32	6LS04539000	Transport follower spring			
33	6LS04110000	Separate pressure release plate			
34	6LS03772000	Paper feed lower PG reinforce plate			
35	6LA58793700	SCREW M4X10			
36	6LS04659000	Pressure release spring			
37	6LS04810000	Movable PG bearing			
38	6LS05576000	Paper feed PG			
901	6LS03323000	Paper feed unit			



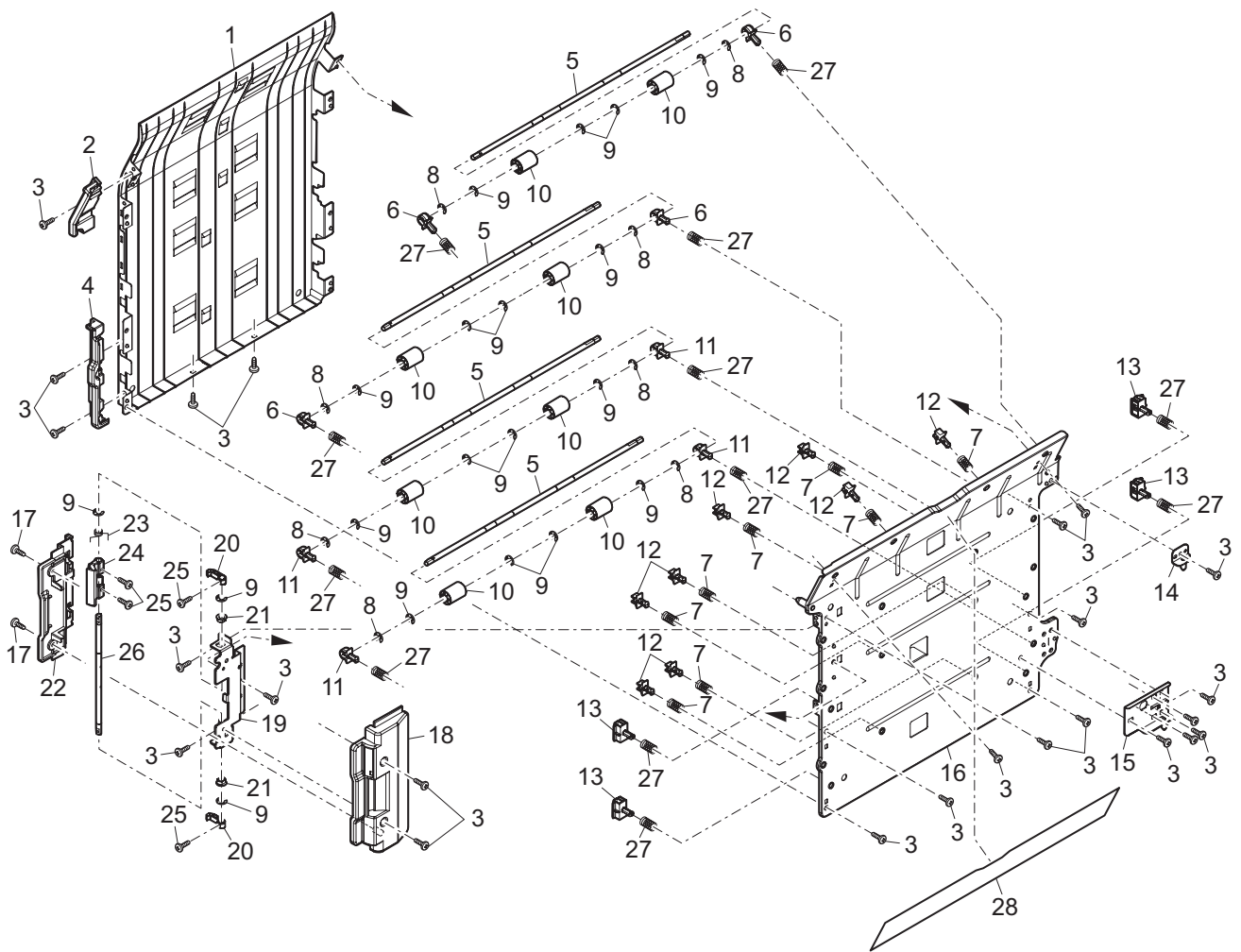
ITEM No.	PART No.	PART NAME	Q'TY / PAGE	Q'TY / PACK	REMARKS
1	6LS03771000	Paper feed upper PG reinforce plate			
2	6LA58793700	SCREW M4X10			
3	6LA58794800	SCREW M4X16			
4	6LS03235000	Paper feed UN harness			
5	6LS04416000	Paper feed solenoid arm			
6	6LS06098000	Paper feed solenoid			
7	6LA58792000	Screw M3X4			
8	6LS03811000	Paper feed solenoid plate			
9	6LS05054000	Transport roller 3			
10	6LS04669000	Pick up pressure spring			
11	6LS04498000	Pick up release lever			
12	6LA58793200	Screw M3X8			
13	6LS04102000	Multi sensor fixing plate			
14	6LS06158000	Photo sensor			
16	6LA58926000	E-ring			
17	6LS04914000	Paper feed gear			
18	6LS03727000	Pin			
19	6LS05353000	Drive collar			
20	6LS04795000	Bearing			
21	6LS04922000	1way gear			
22	6LS05018000	Transport pulley 3			
23	6LS04840000	Ball bearing			
24	6LS03541000	Paper feed R frame			
25	6LS05626000	Paper feed upper PG			
26	6LS05627000	Paper feed PG F			
27	6LS04116000	Sensor fixing plate			
28	6LS06162000	Sensor			
29	6LS03702000	Pick up holder			
30	6LS05035000	Follower roller			
31	6LS03542000	Paper feed F frame DG			
33	6LS03817000	Paper feed fixing plate			
34	6LS05112000	Pick up shaft			
35	6LS04998000	Pick up roller pulley			
36	6LS04736000	Belt			
37	6LS05066000	Paper feed separate roller			
38	6LS05016000	Paper feed roller pulley			
39	6LS04858000	One way coupling			
40	6LS05051000	Pick up roller			
41	6LS05143000	Paper feed shaft			
43	6LS06242000	E ring			
44	6LA58928000	E-ring			
45	6LS04661000	Pick up solenoid spring			
46	6LS04134000	PE sensor fixing plate			
47	6LS06163000	Sensor			
49	6LS05837000	Solenoid harness protect sheet			
901	6LS03323000	Paper feed unit			



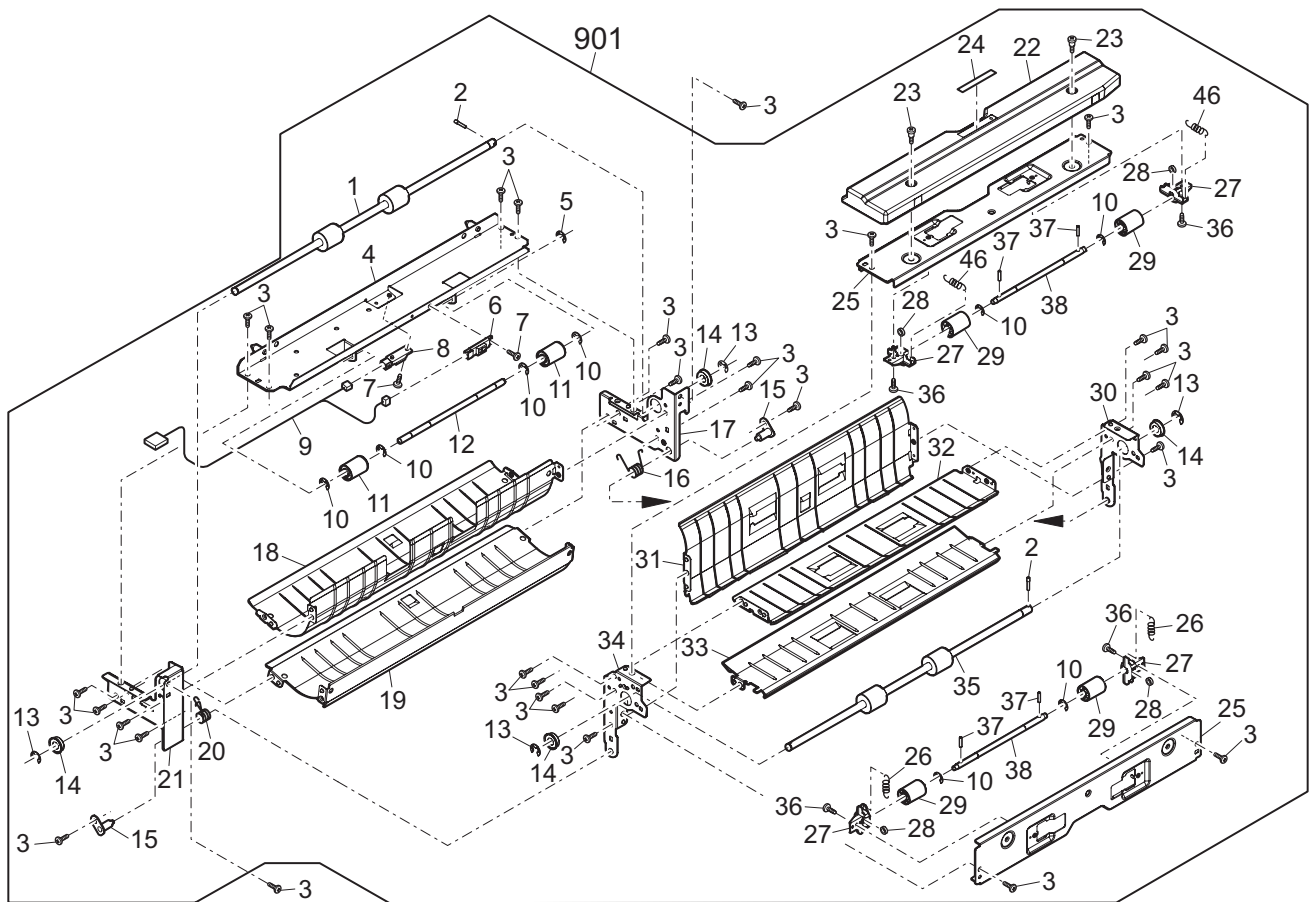
ITEM No.	PART No.	PART NAME	Q'TY / PAGE	Q'TY / PACK	REMARKS
1	6LS03864000	Vertical transport PG reinforce plate			
2	6LA58794800	SCREW M4X16			
3	6LS06162000	Sensor			
4	6LA58792100	Screw			
5	6LS03192000	Vertical transport unit harness			
6	6LS04838000	Ball bearing			
7	6LS06242000	E ring			
8	6LS04815000	PS front follower bearing			
9	6LS04551000	PS front pressure spring			
10	6LS05042000	ADU follower roller			
11	6LA58926000	E-ring			
12	6LS03745000	SP pin			
13	6LS05256000	Vertical transport follower collar shaft			
14	6LS03987000	Vertical transport follower roller guide plate			
15	6LS03481000	Edge saddle			
16	6LS03865000	Vertical transport follower roller fixing plate			
17	6LS03604000	Wire saddle			
18	6LA58928000	E-ring			
20	6LS04840000	Ball bearing			
21	6LS02938000	Vertical transport frame R			
22	6LS03669000	Follower roller bearing holder			
23	6LS03612000	Edge saddle			
24	6LS04361000	Screw			
25	6LS05058000	Vertical transport roller upper			
26	6LS05059000	Vertical transport reinforce roller			
27	6LS05060000	Vertical transport roller lower			
28	6LS05514000	Vertical transport PG upper			
29	6LS05515000	Vertical transport PG lower			
30	6LS03563000	Vertical transport frame F			
31	6LS04747000	Belt			
32	6LS05007000	Pulley			
33	6LS04660000	ADU gate return spring			
34	6LS04462000	Open/close detect actuator			
35	6LS03499000	Vertical transport door lock block			
36	6LA58923000	E-ring			
37	6LS03638000	Wire saddle			
901	6LS02937000	Vertical transport unit			



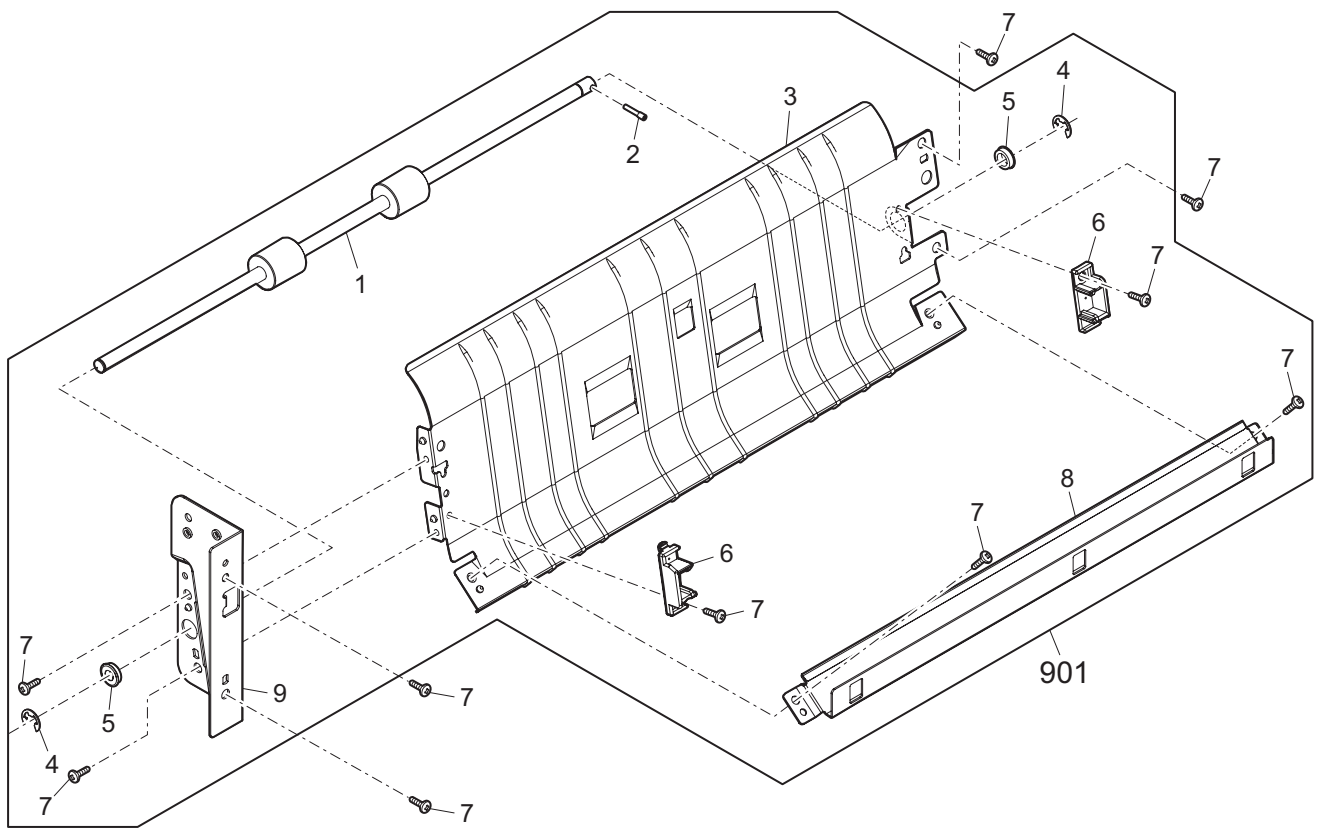
ITEM No.	PART No.	PART NAME	Q'TY / PAGE	Q'TY / PACK	REMARKS
1	6LS05827000	Harness guide sheet			
2	6LA58794400	Screw M3X6			
3	6LA58794800	SCREW M4X16			
4	6LS03612000	Edge saddle			
5	6LS05406000	Interface pass upper cover			
6	6LS03609000	Wire saddle			
7	6LS03194000	Interface pass harness			
8	6LS06164000	Sensor			
9	6LA58792100	Screw			
10	6LA58928000	E-ring			
11	6LS04840000	Ball bearing			
12	6LS02939000	Interface pass frame R			
13	6LS04748000	Belt			
14	6LS04996000	Pulley			
15	6LS03729000	Pin			
16	6LS05063000	Interface pass transport roller 1			
17	6LS05064000	Interface pass transport roller 2			
18	6LS04361000	Screw			
19	6LS05065000	Interface pass transport roller 3			
20	6LS03669000	Follower roller bearing holder			
21	6LS02963000	Interface pass PG upper			
22	6LS03568000	Interface pass frame F			
23	6LS06242000	E ring			
24	6LS05007000	Pulley			
25	6LS04749000	Belt			
26	6LS05522000	Interface pass delivery PG lower			
27	6LS03687000	LCC follower roller bearing holder			
28	6LS03671000	Follower roller shaft holder			
29	6LS04528000	Transport collar pressure spring			
30	6LA58926000	E-ring			
31	6LS05036000	Transport follower roller			
32	6LS05216000	Interface pass follower shaft			
33	6LS05521000	Interface pass PG lower			
34	6LS05457000	Interface pass PG lower cover left			
35	6LS03697000	Follower shaft pressure holder			
36	6LS05408000	Interface pass PG lower cover upper			
37	6LS05215000	Interface pass PG lower fulcrum shaft			
38	6LA58923000	E-ring			
39	6LS04838000	Ball bearing			
40	6LS04815000	PS front follower bearing			
41	6LS04551000	PS front pressure spring			
42	6LS05042000	ADU follower roller			
43	6LS03745000	SP pin			
44	6LS05256000	Vertical transport follower collar shaft			
45	6LS04288000	Step screw			
46	6LS04182000	Open/close left PG stopper			
47	6LS03870000	Interface pass follower roller fixing plate			
48	6LS03869000	Interface pass PG lower lift plate			
49	6LS03868000	Interface pass PG lower reinforce plate			
50	6LS05407000	Interface pass PG lower cover lower			
51	6LS06210000	Screw			
53	6LA58793700	SCREW M4X10			
54	6LS03604000	Wire saddle			
901	6LS03329000	Interface pass unit			



ITEM No.	PART No.	PART NAME	Q'TY / PAGE	Q'TY / PACK	REMARKS
1	6LS05516000	Vertical transport open/close PG			
2	6LS05403000	Vertical transport door cover upper			
3	6LA58794800	SCREW M4X16			
4	6LS05404000	Vertical transport door cover lower			
5	6LS05213000	Vertical transport follower shaft			
6	6LS03671000	Follower roller shaft holder			
7	6LS04528000	Transport collar pressure spring			
8	6LS06242000	E ring			
9	6LA58926000	E-ring			
10	6LS05036000	Transport follower roller			
11	6LS04799000	Bearing			
12	6LS03697000	Follower shaft pressure holder			
13	6LS03670000	PG fixing holder			
14	6LS03027000	Vertical transport door fulcrum plate upper			
15	6LS03026000	Vertical transport door fulcrum plate			
16	6LS03025000	Vertical transport door reinforce plate			
17	6LA58793700	SCREW M4X10			
18	6LS05401000	Vertical transport door cover right			
19	6LS03866000	Vertical transport lock lever fixing plate			
20	6LS05979000	Vertical transport door lock pawl			
21	6LS04783000	Bearing			
22	6LS05402000	Vertical transport door cover left			
23	6LS04621000	Vertical transport lock spring			
24	6LS04479000	Vertical transport PG release lever			
25	6LA58792100	Screw			
26	6LS05212000	Vertical transport door lock shaft			
27	6LS04587000	Follower roller shaft holder			
28	6LS05873000	Vertical transport door protect sheet			
901	6LS02962000	Vertical transport door unit			

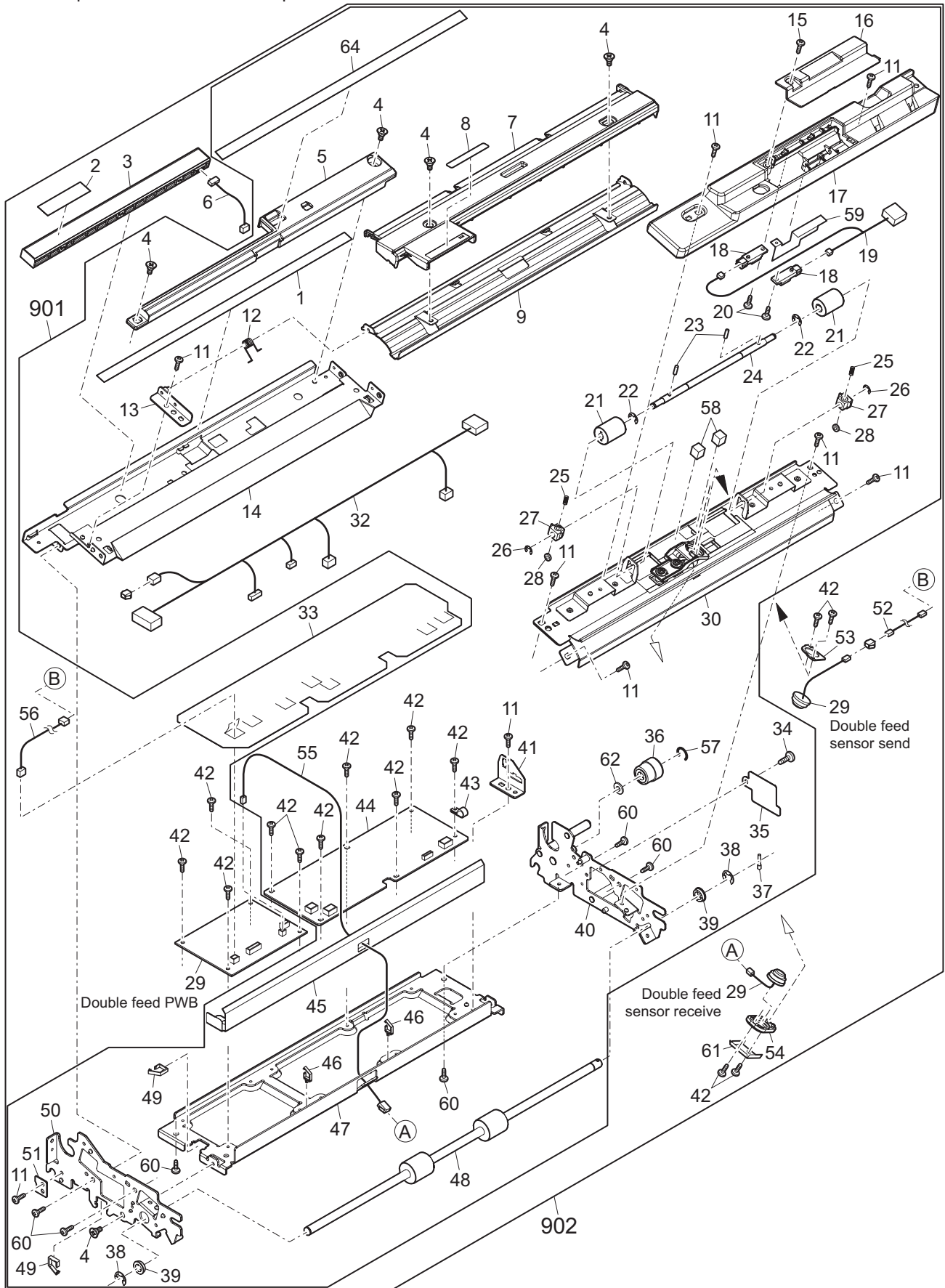


ITEM No.	PART No.	PART NAME	Q'TY / PAGE	Q'TY / PACK	REMARKS
1	6LS05061000	Upper transport roller			
2	6LS04361000	Screw			
3	6LA58794800	SCREW M4X16			
4	6LS03028000	Upper transport positioning plate			
5	6LS06242000	E ring			
6	6LS06163000	Sensor			
7	6LA58792100	Screw			
8	6LS06164000	Sensor			
9	6LS03193000	APFD harness			
10	6LA58926000	E-ring			
11	6LS05036000	Transport follower roller			
12	6LS05214000	Upper transport follower collar shaft			
13	6LA58928000	E-ring			
14	6LS04840000	Ball bearing			
15	6LS03029000	Upper transport open/close PG fulcrum plate			
16	6LS04623000	Open/close PG spring R			
17	6LS03565000	Upper transport frame R			
18	6LS05519000	Upper transport ADU paper feed PG upper			
19	6LS05520000	Upper transport ADU paper feed PG lower			
20	6LS04622000	Open/close PG spring F			
21	6LS03564000	Upper transport frame F			
22	6LS05405000	Upper transport PG cover			
23	6LS04289000	Screw			
24	6LS06125000	Green label HC			
25	6LS03867000	Upper transport follower roller fixing plate			
26	6LS04703000	ADU follower roller pressure spring			
27	6LS03691000	ADU follower shaft bearing holder			
28	6LS04838000	Ball bearing			
29	6LS05042000	ADU follower roller			
30	6LS03567000	Upper transport open/close frame R			
31	6LS05518000	Upper transport open/close PG			
32	6LS05517000	Upper transport PG upper			
33	6LS05566000	Upper transport PG lower			
34	6LS03566000	Upper transport open/close frame F			
35	6LS05062000	LCC transport roller 2			
36	6LA58794400	Screw M3X6			
37	6LS03745000	SP pin			
38	6LS05257000	Upper transport follower shaft			
46	6LS04726000	Upper transport follower pressure spring			
901	6LS03342000	Upper transport unit			



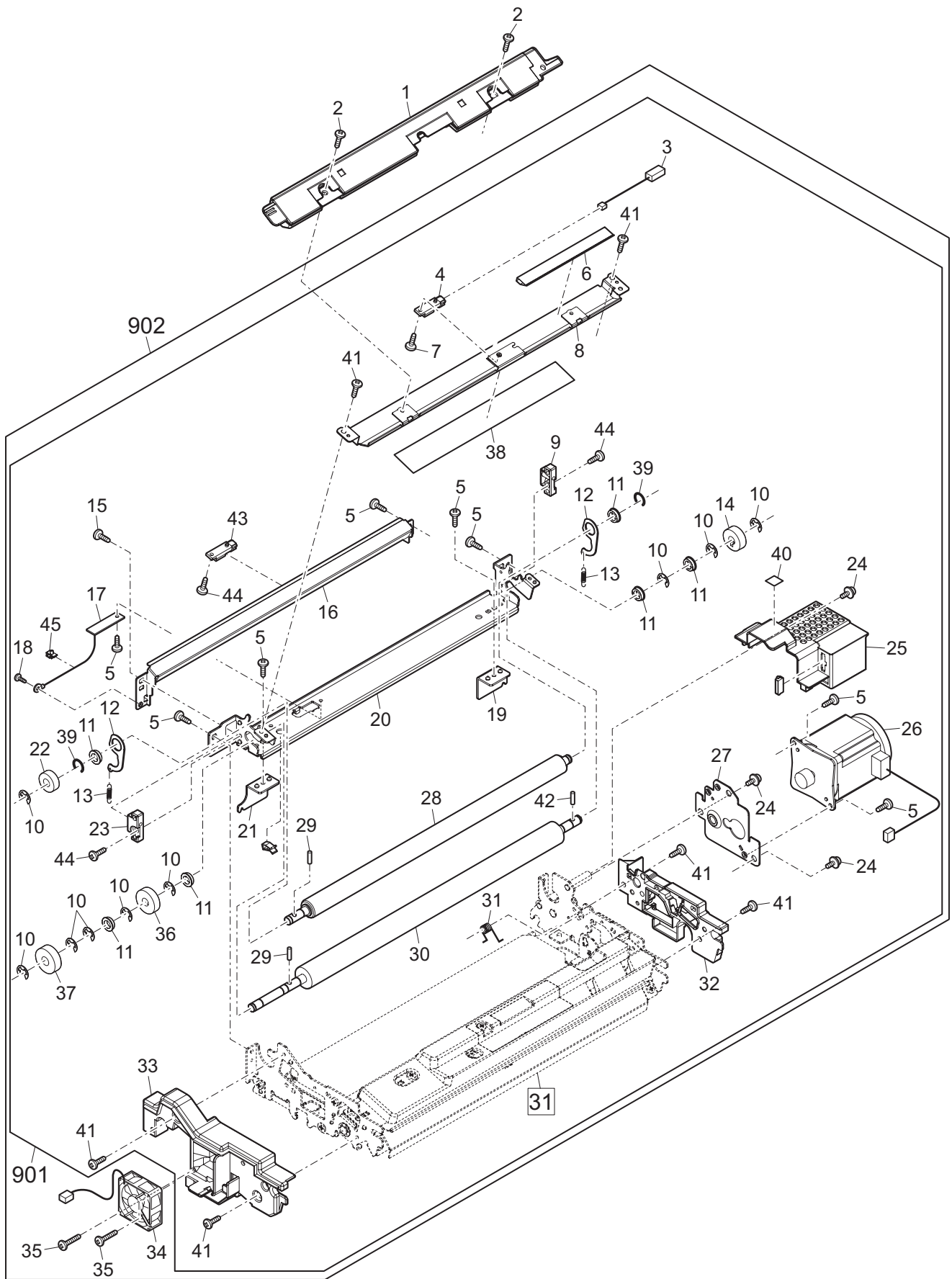
ITEM No.	PART No.	PART NAME	Q'TY / PAGE	Q'TY / PACK	REMARKS
1	6LS05079000	LCC transport roller 1			
2	6LS04361000	Screw			
3	6LS05523000	LCC transport PGL			
4	6LA58928000	E-ring			
5	6LS04837000	Ball bearing			
6	6LS03687000	LCC follower roller bearing holder			
7	6LA58794800	SCREW M4X16			
8	6LS05524000	LCC transport PG			
9	6LS03570000	Side LCC interface frame F			
901	6LS02965000	LCC transport unit			

* Three of the double-feed sensor (Send/Receive) and the double-feed PWB are bundled parts as a set. [No.29]
Not replaceable in one of each part.

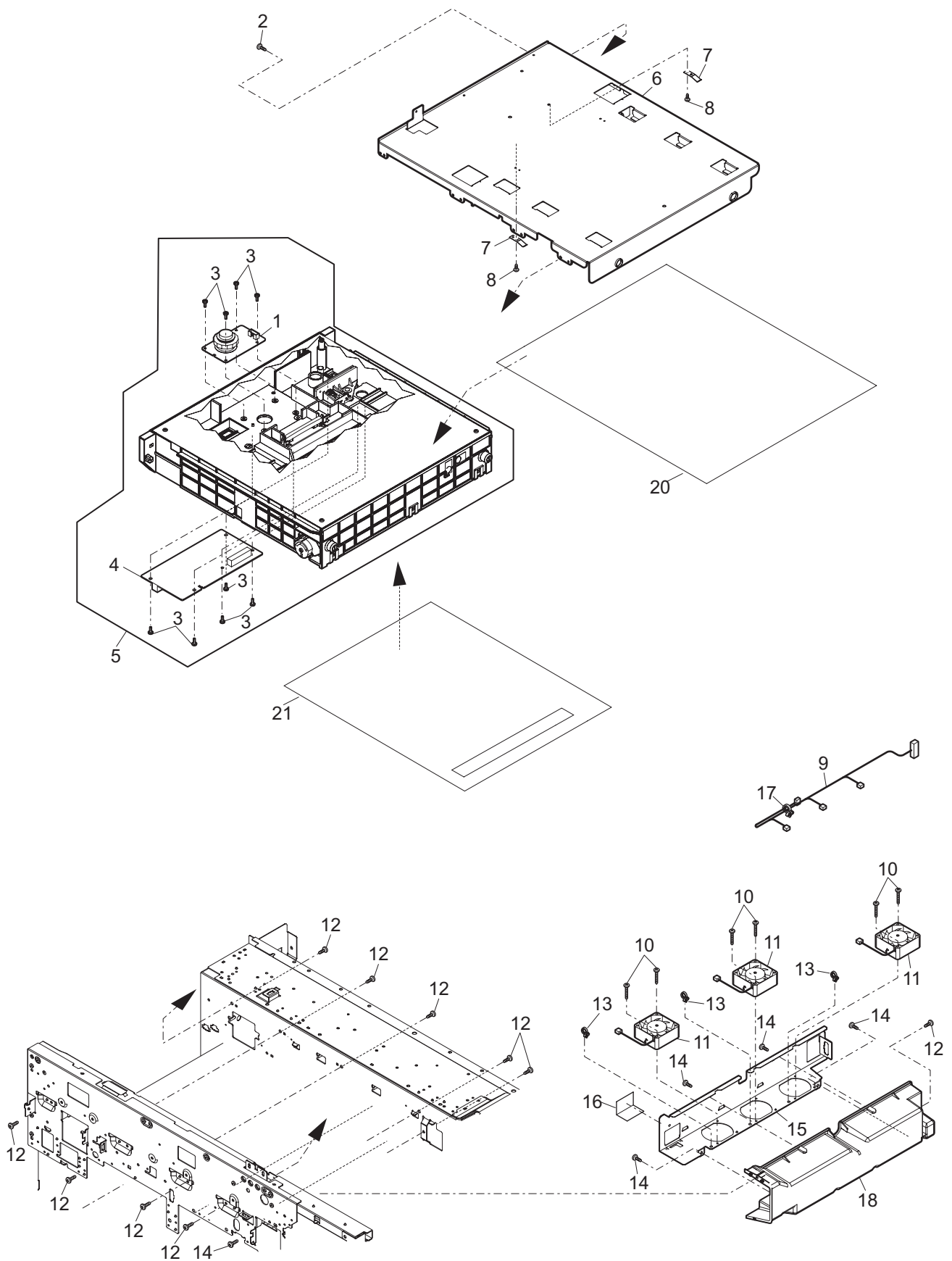


ITEM No.	PART No.	PART NAME	Q'TY / PAGE	Q'TY / PACK	REMARKS
1	6LS05819000	PS sheet			
2	6LS05818000	CIS white sheet			e-STUDIO1057/1207
3	6LS03326000	PED CIS unit			e-STUDIO1057/1207
4	6LS04346000	Step screw			
5 A	6LS05596000	PS lower support PG			e-STUDIO9077
5 B	6LS05597000	PS lower support PG			e-STUDIO1057/1207
6	6LS03183000	PS CIS harness			e-STUDIO1057/1207
7	6LS05430000	PS open/close PG cover			
8	6LS06125000	Green label HC			
9	6LS05528000	PS open/close PG			
11	6LA58794800	SCREW M4X16			
12	6LS04617000	PS open/close PG spring F			
13	6LS03043000	PS open/close fulcrum plate			
14	6LS05526000	PS lower PG			
15	6LS06210000	Screw			
16	6LS05432000	Double feed sensor cover			
17	6LS05429000	PPD sensor cover			
18	6LS06164000	Sensor			
19	6LS03181000	PS/PPD harness			
20	6LA58793200	Screw M3X8			
21	6LS05042000	ADU follower roller			
22	6LA58926000	E-ring			
23	6LS03745000	SP pin			
24	6LS05161000	PS front follower roller shaft			
25	6LS04551000	PS front pressure spring			
26	6LS06242000	E ring			
27	6LS04815000	PS front follower bearing			
28	6LS04838000	Ball bearing			
29	6LS03328000	Double feed PWB			e-STUDIO1057/1207
30 A	6LS02966000	PS front upper PG			e-STUDIO9077
30 B	6LS02967000	PS front upper PG			e-STUDIO1057/1207
32 A	6LS03268000	PS UN harness			e-STUDIO1057/1207
32 B	6LS03274000	PS UN harness 90			e-STUDIO9077
33	6LS05852000	Double feed PWB protect dustproof sheet			e-STUDIO1057/1207
34	6LS06180000	Screw			
35	6LS03914000	Harness separate plate			
36	6LS04961000	PS idle gear			
37	6LS04361000	Screw			
38	6LA58928000	E-ring			
39	6LS04837000	Ball bearing			
40	6LS02947000	PS frame R			
41	6LS03913000	Connector lock plate			
42	6LA58792100	Screw			
43	6LS03639000	Wire saddle			
44	6LS03104000	PED CIS control PWB			e-STUDIO1057/1207
45	6LS05817000	Interface harness protect sheet			
46	6LS03611000	Edge saddle			
47 A	6LS03571000	PS frame			e-STUDIO9077
47 B	6LS03572000	PS frame			e-STUDIO1057/1207
48	6LS05056000	PS front roller			
49	6LS03617000	Edge saddle			
50	6LS03573000	PS frame F			
51	6LS03918000	PS frame F reinforce plate			
52	6LS03180000	Double feed send interface harness			e-STUDIO1057/1207
53	6LS04138000	Double feed sensor SEND plate			e-STUDIO1057/1207
54	6LS03527000	Double feed sensor fixer			e-STUDIO1057/1207
55	6LS03179000	Double feed receive harness			e-STUDIO1057/1207
56	6LS03178000	Double feed send harness			e-STUDIO1057/1207
57	6LS05767000	C ring			
58	6LS05729000	PS sensor cushion			
59	6LS05867000	PS sensor sheet			
60	6LA58792300	Screw M4X6			
61	6LS05864000	Double feed receive harness sheet			e-STUDIO1057/1207

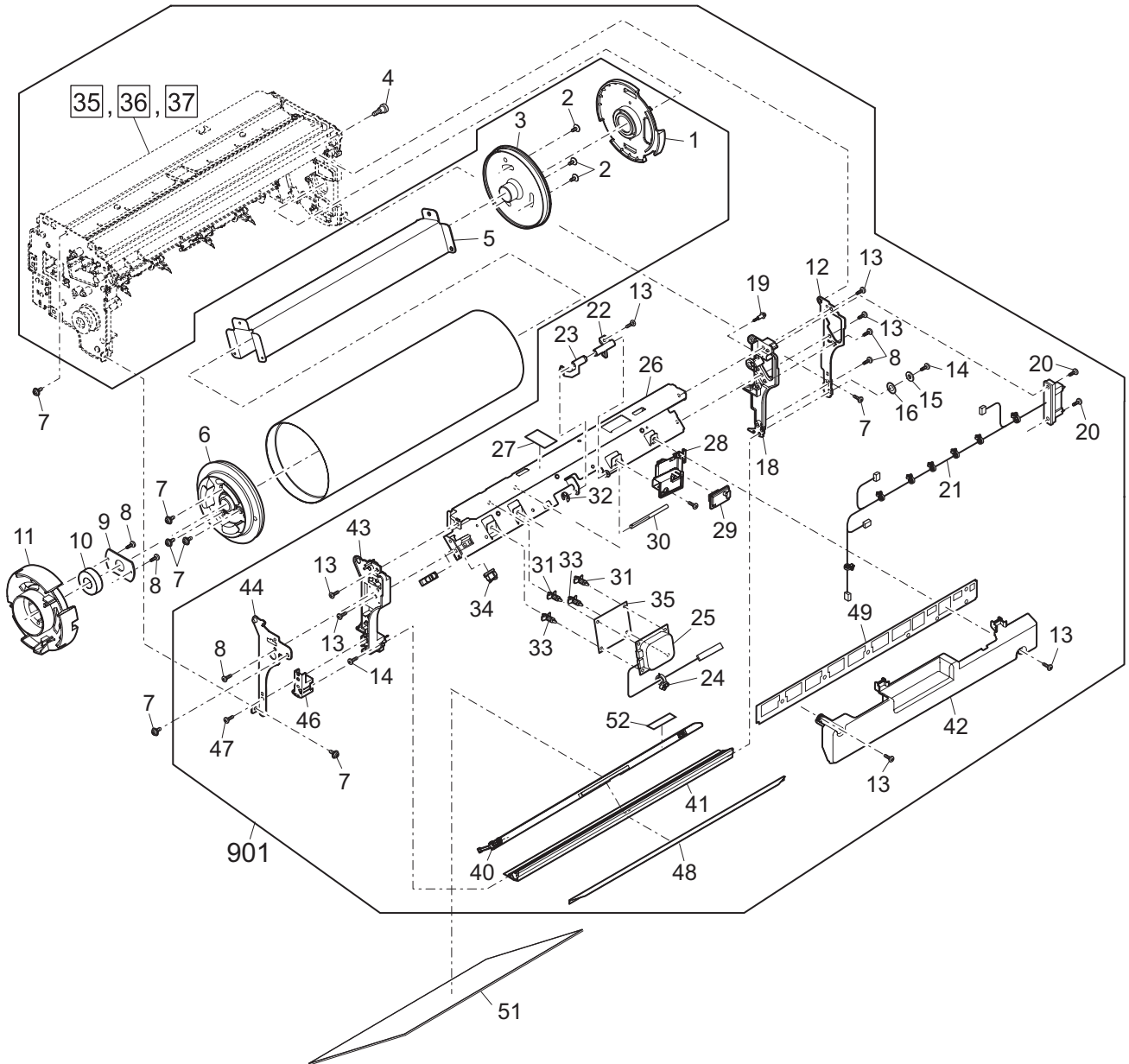
ITEM No.	PART No.	PART NAME	Q'TY / PAGE	Q'TY / PACK	REMARKS
62 64 902 A 902 B	6LS04387000 6LS05819000 6LS02968000 6LS02969000	Poly slider PS sheet PS roller unit PS roller unit			e-STUDIO1057/1207 e-STUDIO1057/1207 e-STUDIO9077



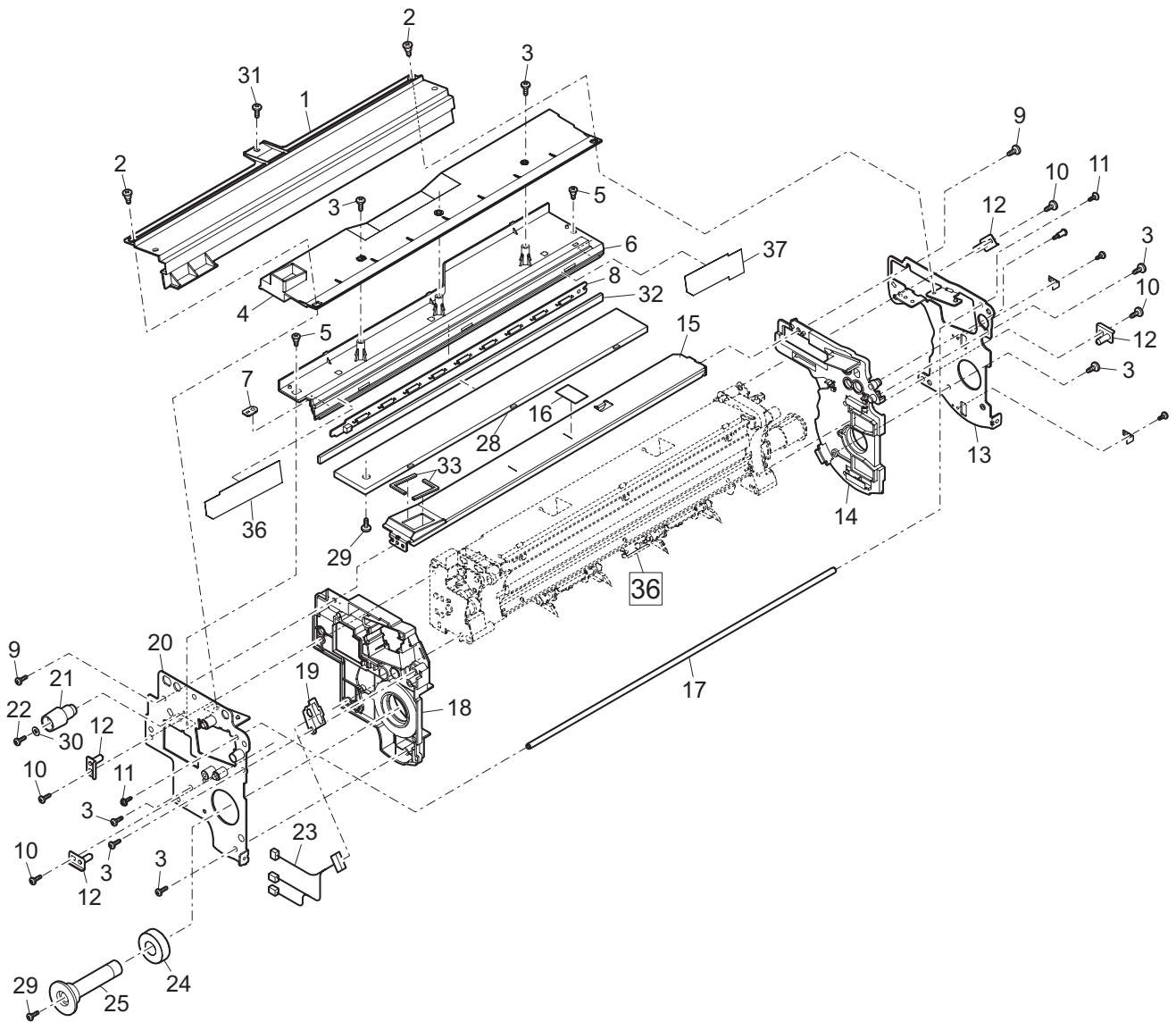
ITEM No.	PART No.	PART NAME	Q'TY / PAGE	Q'TY / PACK	REMARKS
1	6LS00011000	PAPER-DUST-REM			
2	6LS04360000	Step screw			
3	6LS03182000	PPD4 harness			
4	6LS06164000	Sensor			
5	6LA58794800	SCREW M4X16			
6	6LS05821000	Harness cover sheet			
7	6LA58792100	Screw			
8	6LS05525000	PS upper PG			
9	6LS03502000	PS front PG fixing block R			
10	6LA58928000	E-ring			
11	6LS04837000	Ball bearing			
12	6LS04458000	PS pressure lever			
13	6LS04682000	PS pressure spring			
14	6LS04960000	PS drive gear			
15	6LS06210000	Screw			
16 A	6LS05527000	Transfer front PG			e-STUDIO9077
16 B	6LS05550000	Transfer front PG			e-STUDIO1057/1207
17	6LS03091000	High voltage resistor PWB PS			
18	6LA58794400	Screw M3X6			
19	6LS03917000	PS pressure plate R			
20	6LS03574000	PS shift frame			
21	6LS03916000	PS pressure plate F			
22	6LS04967000	PS follower gear			
23	6LS03501000	PS front PG fixing block F			
24	6LS06194000	Screw			
25	6LS05428000	PSM cover			
26	6LS06077000	PS motor			
27	6LS03915000	PS motor fixing plate			
28	6LS05029000	PS follower roller			
29	6LS03729000	Pin			
30	6LS05055000	PS roller			
31	6LS04618000	PS open/close PG spring R			
32	6LS04133000	Harness interface plate			
33	6LS05431000	PSF cover			
34	6LS04869000	Lock fan			e-STUDIO1057/1207
35	6LA58793600	Screw M3X30			e-STUDIO1057/1207
36	6LS04968000	PS gear			
37	6LS04966000	PS drive oneway gear			
38	6LS05820000	CISBG sheet			e-STUDIO1057/1207
39	6LS05767000	C ring			
40	6LS06120000	High temperature mark label			
41	6LA58792300	Screw M4X6			
42	6LS06238000	SP pin			
43	6LS06164000	Sensor			e-STUDIO1057/1207
44	6LS06227000	Screw			
45	6LS03638000	Wire saddle			
902 A	6LS02968000	PS roller unit			e-STUDIO1057/1207
902 B	6LS02969000	PS roller unit			e-STUDIO9077



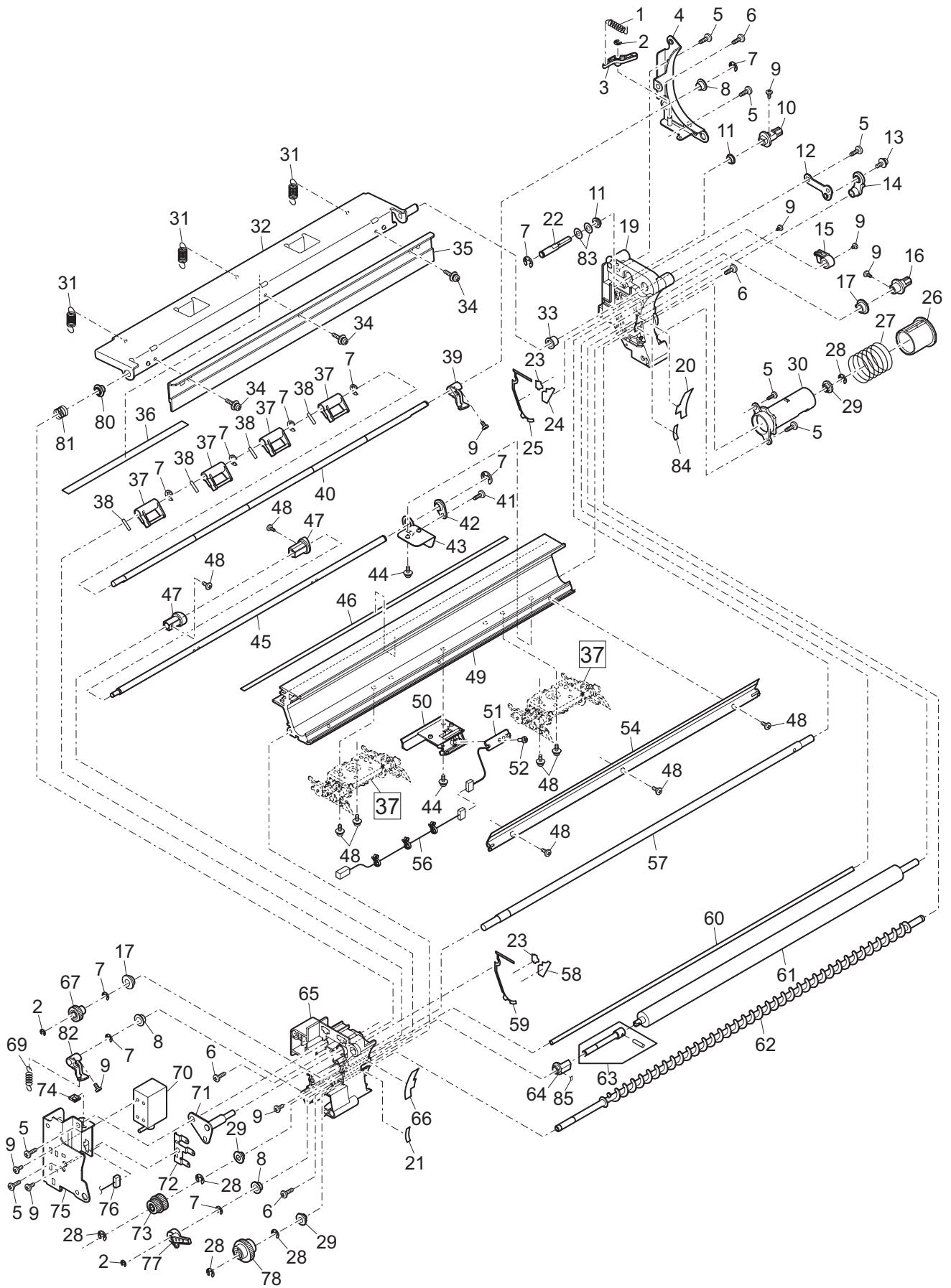
ITEM No.	PART No.	PART NAME	Q'TY / PAGE	Q'TY / PACK	REMARKS
1	6LS06073000	Polygon motor			
2	6LS06233000	Screw			
3	6LA58793200	Screw M3X8			
4	6LS03114000	LSU control PWB			
5 A	6LS03332000	LSU control PWB			e-STUDIO1057
5 B	6LS03333000	LSU control PWB			e-STUDIO1207
5 C	6LS03334000	LSU control PWB			e-STUDIO9077
6	6LS04008000	LSU top plate			
7	6LS04651000	LSU earth plate			
8	6LS06219000	Screw			
9	6LS03200000	Process fan harness			
10	6LS06197000	Screw			
11	6LS04874000	Radiate fan			
12	6LA58794800	SCREW M4X16			
13	6LS10149000	SCANNER MOTOR HARNESS FIX			
14	6LA58793700	SCREW M4X10			
15	6LS03886000	Intake duct reinforce plate			
16	6LS05908000	Exhaust duct sheet			
17	6LS03473000	Band			
18	6LS05489000	Process intake duct			
20	6LS02913000	LSU cover			
21	6LS02914000	Under cover			



ITEM No.	PART No.	PART NAME	Q'TY / PAGE	Q'TY / PACK	REMARKS
1	6LS03723000	Drum outer flange R			
2	6LS06194000	Screw			
3	6LS03721000	Drum flange R			
5	6LS04216000	Drum flange fixing stay			
6	6LS03720000	Drum flange F			
7	6LS04349000	Blue screw			
8	6LA58793700	SCREW M4X10			
9	6LS03893000	DSD flange bearing fixing plate			
10	6LS04845000	Drum shaft bearing			
11	6LS03722000	Drum outer flange F			
12	6LS03849000	CL sub frame R reinforce plate			
13	6LA58794800	SCREW M4X16			
14	6LA58895000	Screw			
15	6LS06249000	Washer			
16	6LS05649000	High voltage resist gum			
18	6LS03559000	CL sub frame R			
19	6LS04281000	Step screw			
20	6LA58793400	Screw M3X12			
21	6LS03232000	Process harness			
22	6LS03659000	Electrometer holder A			
23	6LS03660000	Electrometer holder B			
24	6LS10148000	SNAP BAND			
25	6LS03327000	DR surface electric potential sensor			
26	6LS04205000	Process stay R			
27	6LS06134000	Green label			
28	6LS03707000	Humidity sensor holder			
29	6LS06055000	Humidity sensor			
30	6LS05206000	Electrometer fulcrum shaft			
31	6LS04247000	Supporter			
32	6LS06241000	E ring			
33	6LS04249000	Supporter			
34	6LS03609000	Wire saddle			
35	6LS05824000	Electric potential sensor PWB protect sheet			
40	6LS02958000	PTDL unit			
41	6LS05508000	Drum front PG			
42	6LS05393000	Electrometer cover			
43	6LS03558000	CL sub frame F			
44	6LS03019000	CL sub frame F reinforce plate			
46	6LS03662000	PTDL holder			
47	6LS06212000	Screw			
48	6LS05891000	Drum PG sheet			
49	6LS05869000	Process harness sheet			
51	6LS05893000	Lead edge detection reflect prevention sheet			
52	6LS05912000	PTDL shading sheet			
901	6LS03336000	Process unit			

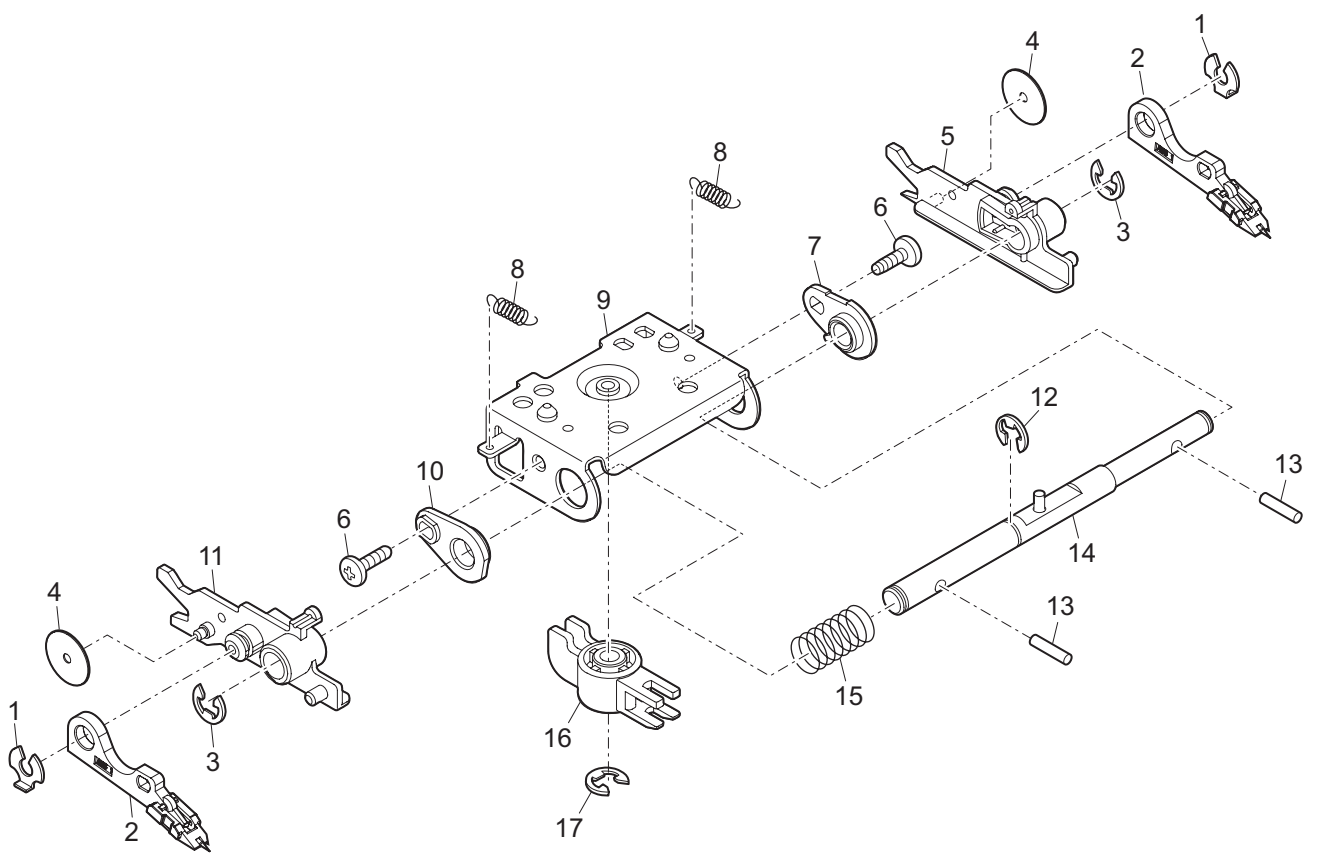


ITEM No.	PART No.	PART NAME	Q'TY / PAGE	Q'TY / PACK	REMARKS
1	6LS04160000	MC rail R			
2	6LS04288000	Step screw			
3	6LA58793700	SCREW M4X10			
4	6LS05392000	MC duct cover			
5	6LS04281000	Step screw			
6	6LS04159000	MC rail L			
7	6LS03756000	M4 plate N			
8	6LS03089000	Discharger lamp PWB			
9	6LA58794800	SCREW M4X16			
10	6LA58895000	Screw			
11	6LA58792800	Screw M3X8			
12	6LS03017000	Frame joint plate			
13	6LS03848000	R plate			
14	6LS03554000	Process frame R			
15	6LS04204000	Process stay L			
16	6LS06134000	Green label			
17	6LS05204000	Process frame joint shaft			
18	6LS03553000	Process frame F			
19	6LS03663000	Process connector holder			
20	6LS03015000	F plate			
21	6LS03463000	Knob HC			
22	6LS06221000	Screw			
23	6LS03271000	Process D unit harness			
24	6LS04846000	Drum fixing bearing			
25	6LS03467000	Drum fixing sleeve			
28	6LS05391000	Dustproof cover DL			
29	6LS04349000	Blue screw			
30	6LS06247000	Washer			
31	6LS06212000	Screw			
32	6LS05728000	MC duct cushion			
33	6LS05736000	Process Stay L cushion			
36	6LS05865000	MC rail sheet F			
37	6LS05866000	MC rail sheet R			

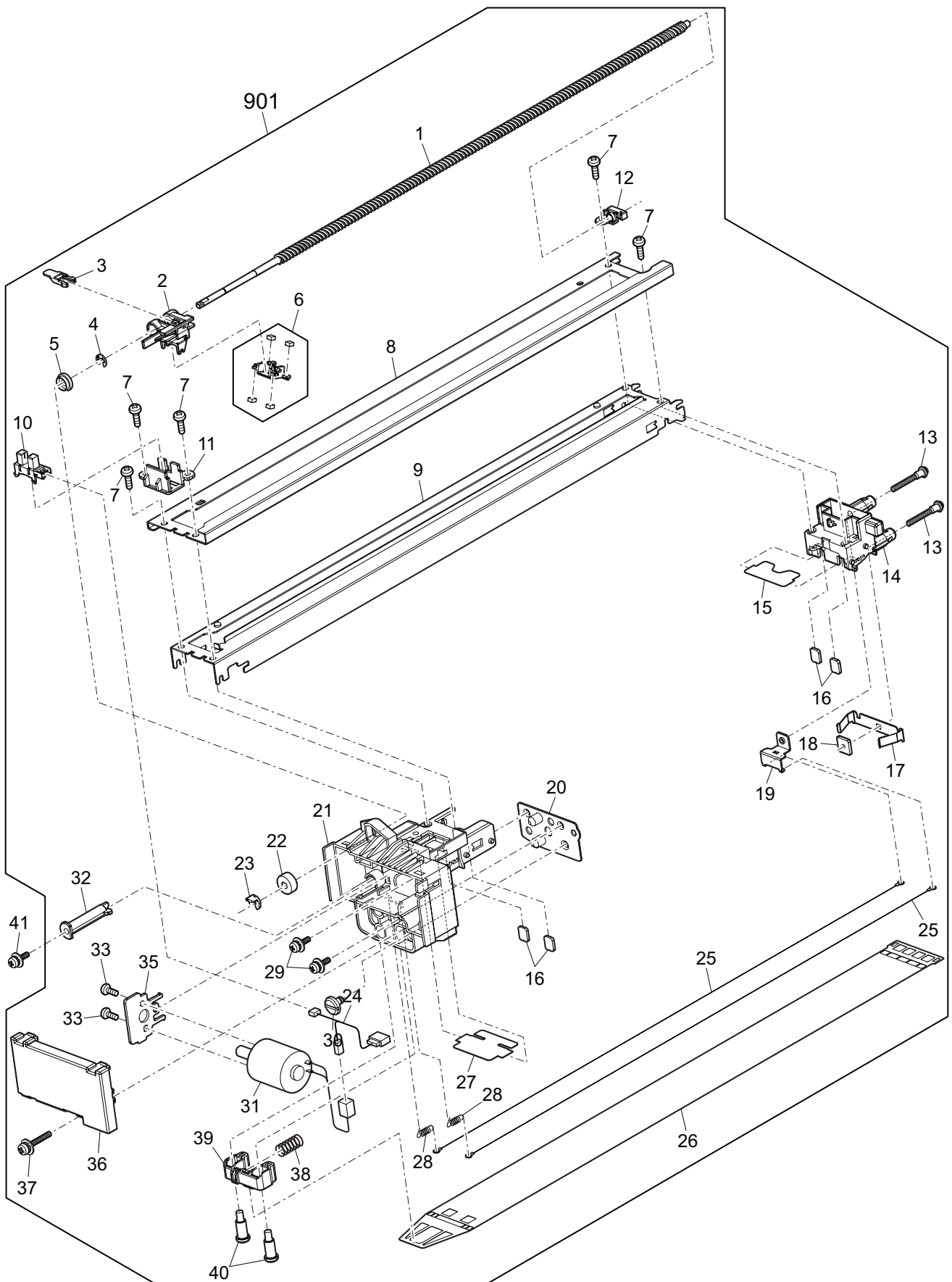


ITEM No.	PART No.	PART NAME	Q'TY / PAGE	Q'TY / PACK	REMARKS
1	6LS04690000	Separate pawl release lever spring			
2	6LS06241000	E ring			
3	6LS04476000	Separate pawl pressure release lever			
4	6LS03020000	CL frame R reinforce plate			
5	6LA58793700	SCREW M4X10			
6	6LA58895000	Screw			
7	6LA58926000	E-ring			
8	6LS04792000	Bearing			
9	6LA58792000	Screw M3X4			
10	6LS04860000	Process coupling			
11	6LS04791000	Bearing			
12	6LS03851000	Brush bearing fixing plate			
13	6LS04291000	Step screw			
14	6LS04816000	Brush bearing			
15	6LS04406000	Blade rocking arm			
16	6LS04855000	Blade rocking coupling			
17	6LS04805000	CL brush bearing RB			
19	6LS03556000	CL frame R			
20	6LS05778000	Side seal R			
21	6LS05790000	Sub blade seal F			
22	6LS05203000	Blade rocking shaft			
23	6LS05676000	Blade side cushion			
24	6LS05780000	Blade side seal R			
25	6LS05782000	CL frame seal R			
26	6LS05965000	Cleaner shutter HC			
27	6LS04598000	Shutter spring			
28	6LS06242000	E ring			
29	6LS04809000	Bearing MX R			
30	6LS05757000	Cleaner pipe			
31	6LS04687000	Blade pressure spring			
32	6LS03016000	Blade fixing plate			
33	6LS05351000	Blade fixing plate shaft collar			
34	6LS04349000	Blue screw			
35	6LS02906000	CL blade			
36	6LS05823000	CL blade seal L			
37	6LS04417000	Separate pawl separate arm			
38	6LS03744000	SP pin			
39	6LS04477000	Separate pawl solenoid lever			
40	6LS05207000	Separate pawl separate shaft			
41	6LA58794500	Screw M3X8			
42	6LS04818000	Separate pawl rocking bearing			
43	6LS04222000	Separate pawl rocking bearing support plate			
44	6LA58792800	Screw M3X8			
45	6LS05205000	Separate pawl rocking shaft			
46	6LS05775000	CL upper cover seal U			
47	6LS04446000	Separate pawl rocking cam			
48	6LS04329000	Blue screw			
49	6LS03557000	Process cleaner frame			
50	6LS03658000	ID sensor holder			
51	6LS03088000	Process sensor PWB			
52	6LA58793200	Screw M3X8			
54	6LS02905000	SUB blade			
56	6LS03188000	PCS interface harness			
57	6LS05260000	Brush drive input shaft			
58	6LS05779000	Blade side seal F			
59	6LS05781000	CL frame seal F			
60	6LS05202000	CL brush flicker			
61	6LS05031000	CL brush roller			
62	6LS05321000	Waste toner transport screw			
63	6LS03135000	Brush drive joint shaft			
64	6LS04817000	Brush drive bearing			
65	6LS03555000	CL frame F			
66	6LS05777000	Side seal F			

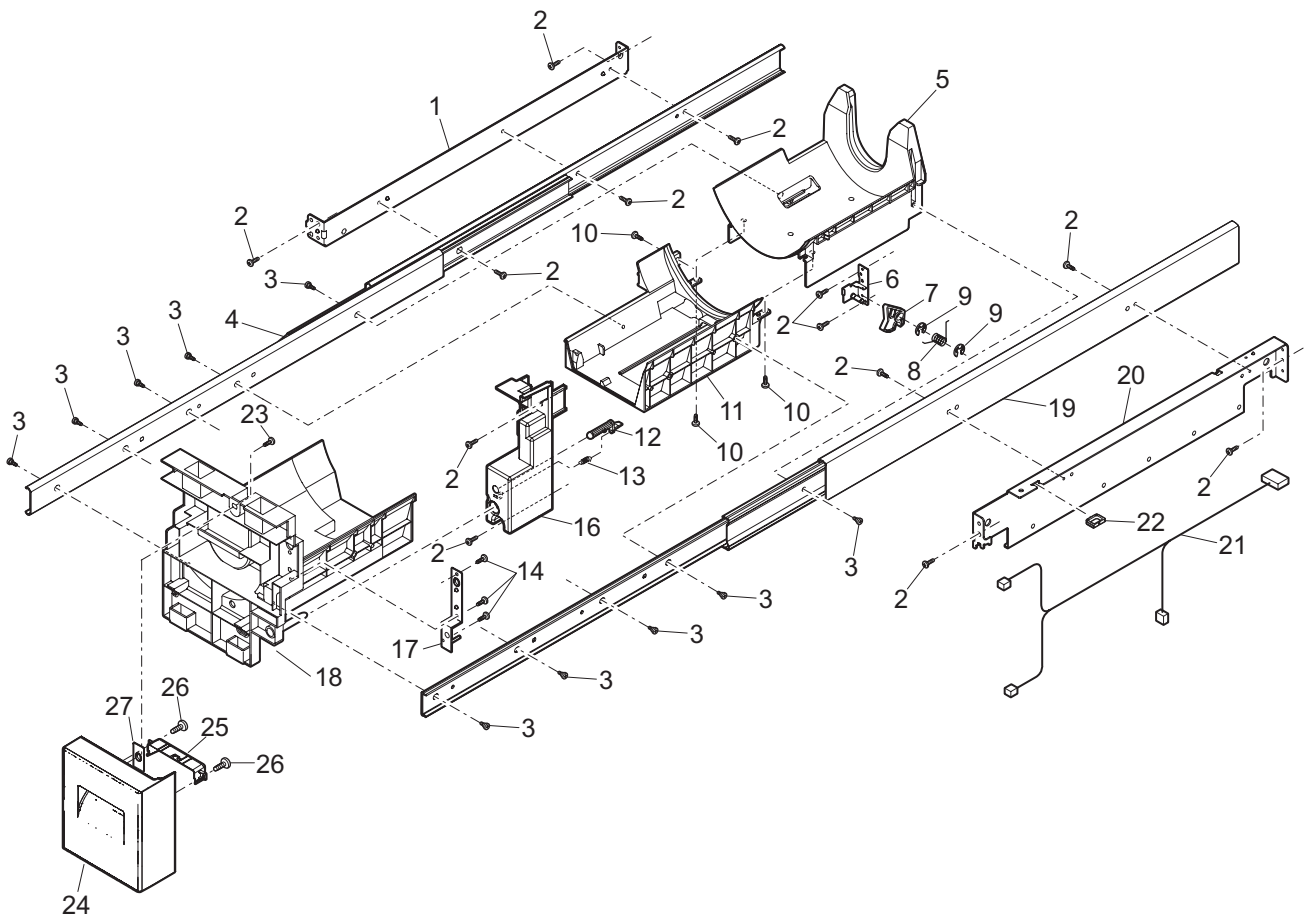
ITEM No.	PART No.	PART NAME	Q'TY / PAGE	Q'TY / PACK	REMARKS
67	6LS04942000	CL brush gear			
69	6LS04689000	Separate pawl solenoid lever spring			
70	6LS06099000	Separate pawl solenoid			
71	6LS03018000	Blade fulcrum plate			
72	6LS06030000	CL earth plate			
73	6LS04941000	Brush drive gear			
74	6LS03609000	Wire saddle			
75	6LS03850000	CL frame F reinforce plate			
76	6LS03187000	Process S harness			
77	6LS04429000	Separate pawl rocking arm			
78	6LS04940000	Screw drive gear			
80	6LS04804000	Blade fixing plate bearing F			
81	6LS04533000	Blade rocking spring			
82	6LS04495000	Separate pawl solenoid lever B			
83	6LS10191000	POLY SLIDER			
84	6LS05791000	Sub blade seal R			
85	6LS05910000	Brush drive bearing sheet			



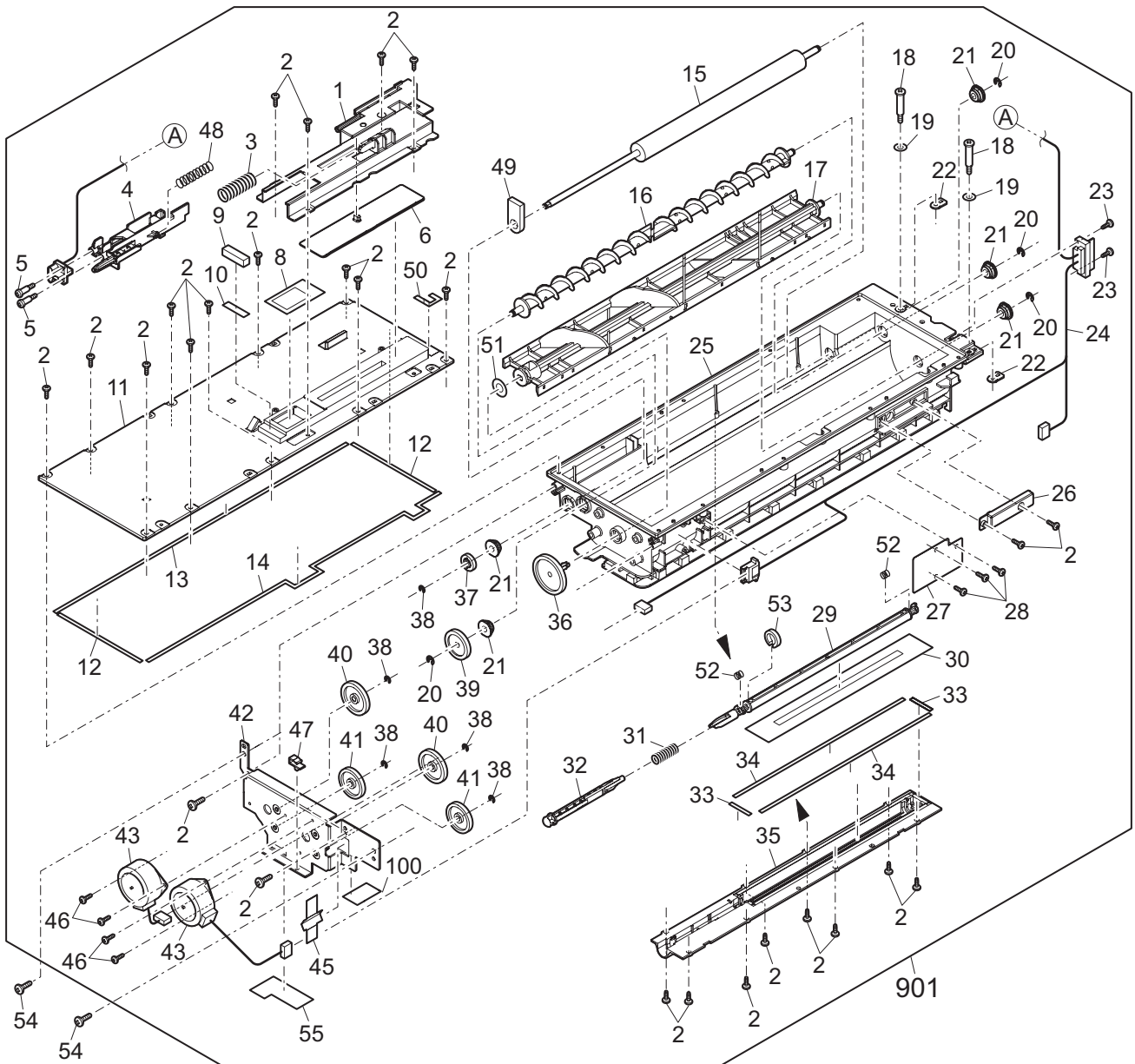
ITEM No.	PART No.	PART NAME	Q'TY / PAGE	Q'TY / PACK	REMARKS
1	6LS04186000	Stopper			
2	6LS03152000	Separate pawl			
3	6LS06242000	E ring			
4	6LS04385000	Washer			
5	6LS03661000	Separate pawl holder R			
6	6LA58812000	Screw			
7	6LS04812000	Separate pawl rocking bearing B			
8	6LS04688000	Separate pawl spring			
9	6LS03142000	Separate pawl support plate			
10	6LS04818000	Separate pawl rocking bearing			
11	6LS03657000	Separate pawl holder F			
12	6LA58926000	E-ring			
13	6LS03745000	SP pin			
14	6LS03136000	Separate pawl fulcrum shaft			
15	6LS04556000	Separate pawl rocking spring			
16	6LS04478000	Separate pawl rocking lever			
17	6LS06241000	E ring			



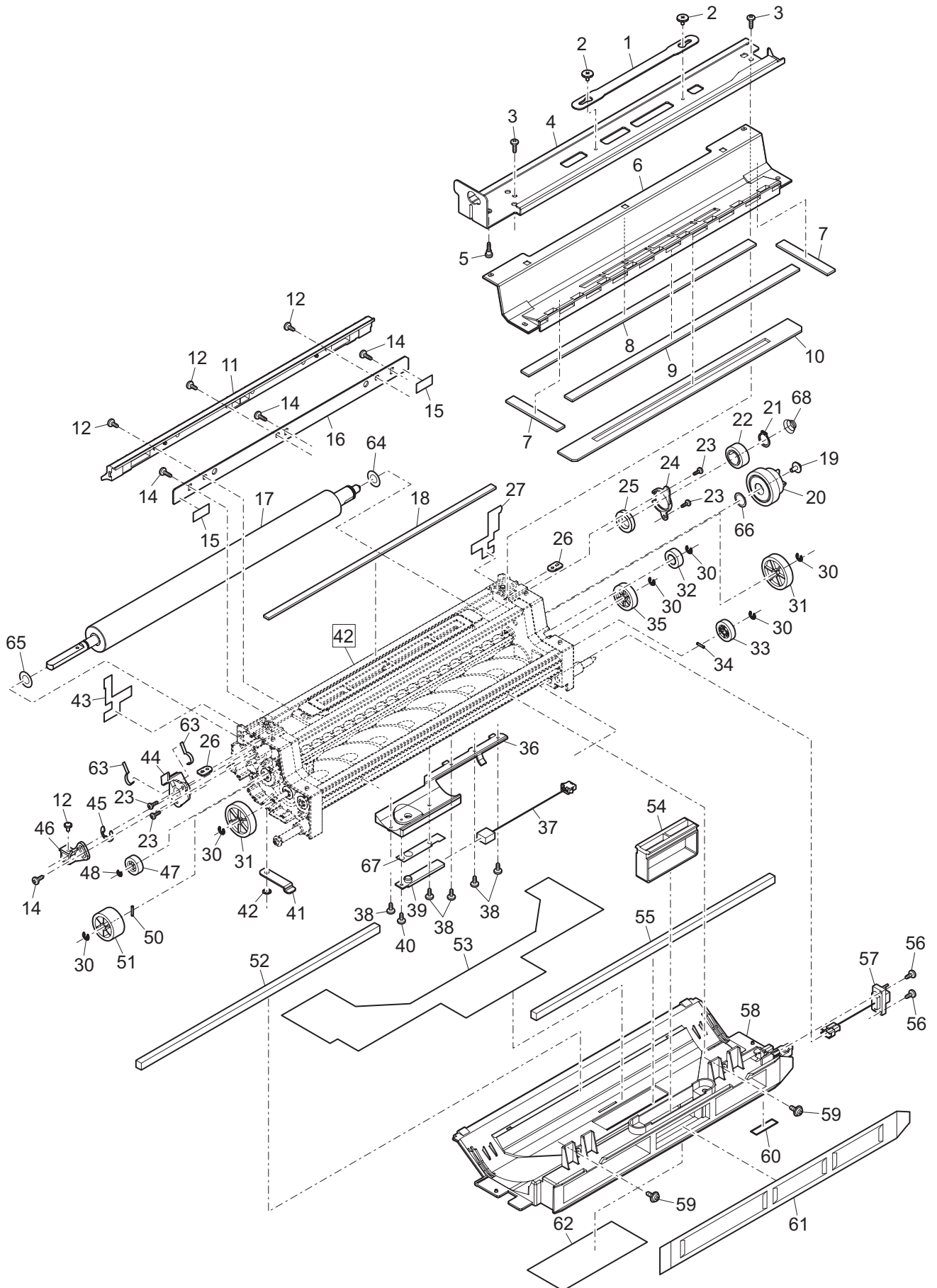
ITEM No.	PART No.	PART NAME	Q'TY / PAGE	Q'TY / PACK	REMARKS
1	6LS05323000	MC screw			
2	6LS03496000	Charger cleaner base			
3	6LS04120000	Cleaner base guide plate			
4	6LA58923000	E-ring			
5	6LS04793000	MC cleaner bearing			
6	6LS02987000	Charger cleaner UN			
7	6LA58793300	Screw M3X10			
8	6LS03852000	MC reinforce plate			
9	6LS05335000	MC case			
10	6LS06160000	Sensor			
11	6LS04121000	MC sensor fixing plate			
12	6LS04819000	Drive bearing			
13	6LS04292000	Screw			
14	6LS03665000	MC holder R			
15	6LS05839000	MC cover sheet R			
16	6LS05484000	Charger cushion			
17	6LS06035000	MC case electrode			
18	6LS03753000	M3 plate			
19	6LS06034000	Charger electrode			
20	6LS03021000	MC adjust plate			
21	6LS03664000	MC holder F			
22	6LS04943000	Cleaner drive shaft gear			
23	6LS04185000	Resin E ring			
24	6LS03189000	MC interface harness			
25	6LS06008000	Charger wire			
26	6LS03972000	Grid HC			
27	6LS05838000	MC cover sheet F			
28	6LS04691000	Charger spring			
29	6LS04260000	Screw			
31	6LS06091000	Charger cleaner motor			
32	6LS05758000	Tension pipe shaft			
33	6LS04264000	Screw			
35	6LS04119000	Drive motor fixing plate			
36	6LS05394000	Drive motor cover			
37	6LS04338000	Screw			
38	6LS04557000	Grid spring			
39	6LS04118000	Grid tension plate			
40	6LS04337000	Step screw			
41	6LS04349000	Blue screw			
901	6LS02901000	MC charger			



ITEM No.	PART No.	PART NAME	Q'TY / PAGE	Q'TY / PACK	REMARKS
1	6LS03970000	Bottle rail fixing plate L			
2	6LA58794800	SCREW M4X16			
3	6LS04364000	Step screw			
4	6LS04525000	Bottle slide rail L			
5	6LS04176000	Cartridge tray rear			
6	6LS03064000	TB lock fixing plate			
7	6LS04136000	Cassette lock plate			
8	6LS04620000	Rail lock spring L			
9	6LA58928000	E-ring			
10	6LS06210000	Screw			
11	6LS04178000	Cartridge tray C			
12	6LS04462000	Open/close detect actuator			
13	6LS04660000	ADU gate return spring			
14	6LA58793200	Screw M3X8			
16	6LS05461000	Cartridge right cover			
17	6LS03065000	TC magnet catch fixing plate			
18	6LS04175000	Cartridge tray front			
19	6LS04526000	Bottle slide rail R			
20	6LS03971000	Bottle rail fixing plate R			
21	6LS03191000	DV fan harness			
22	6LS03485000	Edge saddle			
23	6LS06235000	Screw			
24	6LS03430000	Cartridge front cover lower			
25	6LS03431000	Cartridge handle cover			
26	6LA58793800	Screw M4X12			
27	6LS04377000	Speed nut			

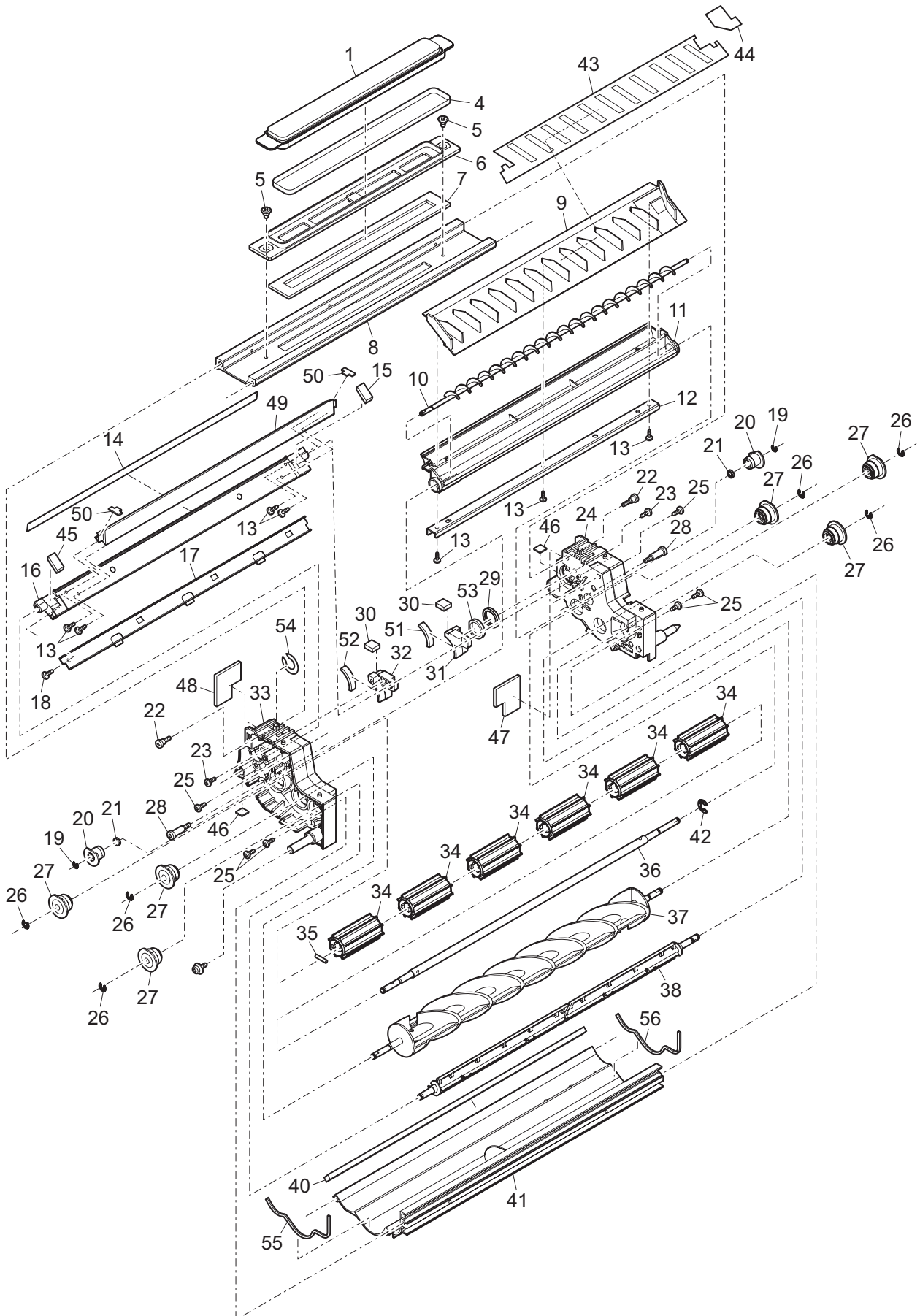


ITEM No.	PART No.	PART NAME	Q'TY / PAGE	Q'TY / PACK	REMARKS
1	6LS05451000	TH shutter cover			
2	6LA58793200	Screw M3X8			
3	6LS04535000	TH shutter spring			
4	6LS03701000	TH drawer fixing plate holder			
5	6LS04327000	CRUM connector screw			
6	6LS05963000	TH shutter			
8	6LS05707000	TH shutter cushion			
9	6LS05713000	Cleaning cushion			
10	6LS05990000	Cleaning cushion lower tape			
11	6LS05450000	TH cover			
12	6LS05706000	TH cover cushion B			
13	6LS05705000	TH cover cushion A			
14	6LS05717000	TH cover cushion C			
15	6LS05092000	TN roller			
16	6LS05319000	TH screw			
17	6LS03134000	TH shaft			
18	6LS04358000	Step screw			
19	6LA58800300	Washer			
20	6LS06242000	E ring			
21	6LS04777000	Bearing			
22	6LS03756000	M4 plate N			
23	6LA58793300	Screw M3X10			
24	6LS03244000	Hopper interface harness			
25	6LS05328000	TH-BOX			
26	6LS06058000	Toner remain detect sensor			
27	6LS05847000	Connector fixing sheet			
28	6LA58904000	Screw M3X10			
29	6LS05964000	TN shutter			
30	6LS05788000	TN shutter seal			
31	6LS04578000	TN shutter spring			
32	6LS04491000	TN shutter lever			
33	6LS05716000	Shutter cover cushion B			
34	6LS05715000	Shutter cover cushion A			
35	6LS05452000	TN shutter cover			
36	6LS04972000	TH gear			
37	6LS04891000	Gear			
38	6LA58923000	E-ring			
39	6LS04971000	TH gear			
40	6LS04973000	TH gear			
41	6LS04974000	TH gear			
42	6LS03061000	TH motor fixing plate			
43	6LS06081000	Toner motor			
45	6LS05848000	Harness fixing sheet			
46	6LA58794400	Screw M3X6			
47	6LS03604000	Wire saddle			
48	6LS04584000	TH drawer spring			
49	6LS05712000	TN roller cushion			
50	6LS05854000	TH harness sheet			
51	6LS05671000	TH cushion			
52	6LS04632000	TN spring			
53	6LS05714000	Shutter bearing cushion			
54	6LA58794800	SCREW M4X16			
55	6LS05876000	Toner hopper harness protect sheet			
100	6LS03609000	Wire saddle			
901	6LS02894000	Toner hopper unit			

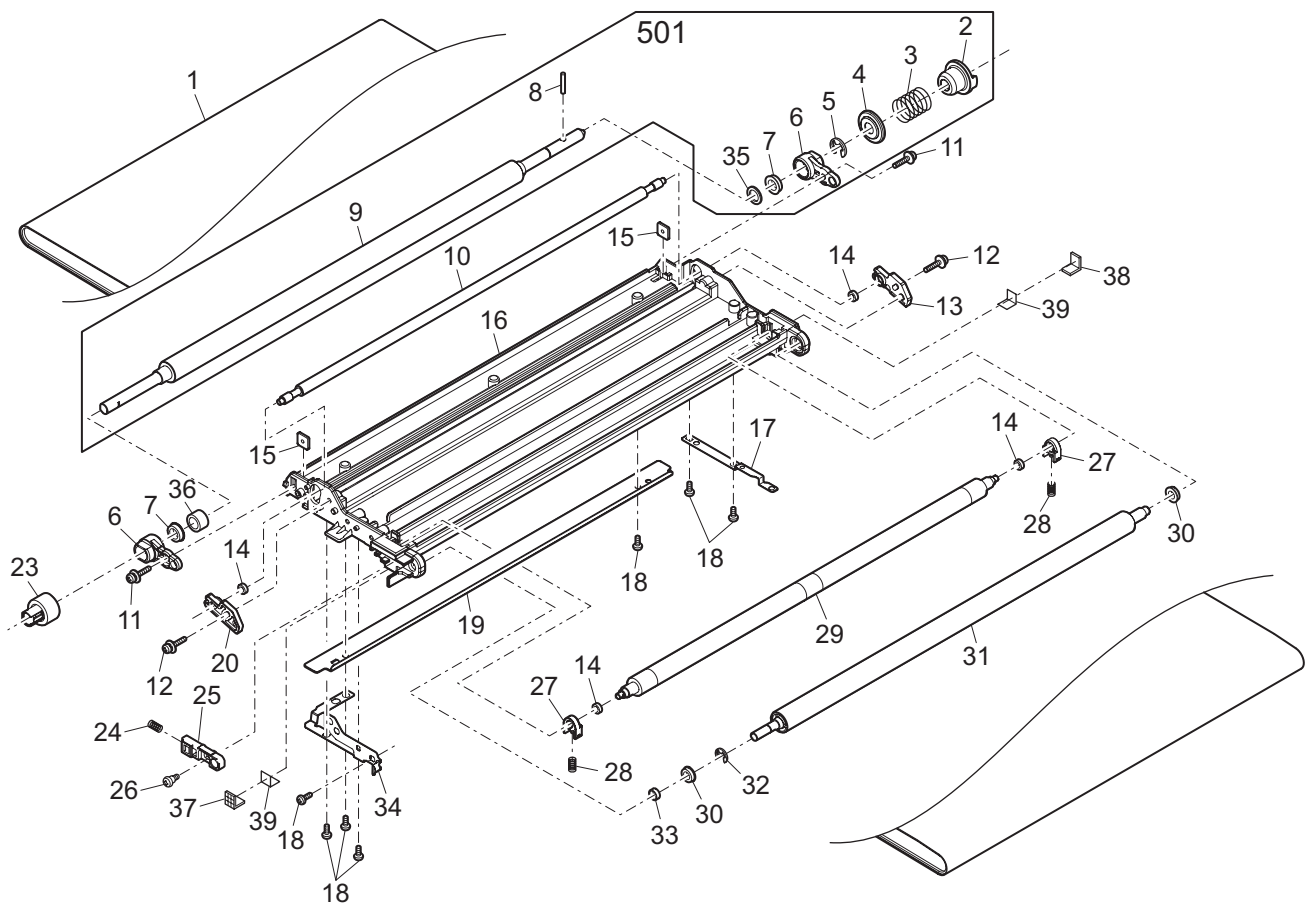


ITEM No.	PART No.	PART NAME	Q'TY / PAGE	Q'TY / PACK	REMARKS
1	6LS03454000	TB handle			
2	6LS04339000	Step screw			
3	6LA58895000	Screw			
4	6LS05513000	DV guide U			
5	6LS04279000	Screw			
6	6LS05395000	DV cover			
7	6LS05677000	DV cover cushion F			
8	6LS05678000	DV cover cushion C			
9	6LS05679000	DV cover cushion D			
10	6LS05680000	Supply gate cushion			
11	6LS02911000	Doctor cover UN			
12	6LA58792800	Screw M3X8			
14	6LS06179000	Screw			
15	6LS05933000	Doctor suede			
16	6LS03860000	Doctor non-magnetic			
17	6LS05028000	MG roller			
18	6LS05685000	Doctor fixing plate cushion			
19	6LS04294000	Screw			
20	6LS02961000	Coupling gear			
21	6LS05769000	C type ring			
22	6LS04950000	MG gear			
23	6LA58792200	Screw M3X8			
24	6LS03688000	DV bearing holder			
25	6LS04842000	MG roller bearing			
26	6LS03756000	M4 plate N			
27	6LS05786000	DV side seal R			
30	6LS06242000	E ring			
31	6LS04951000	MX gear F			
32	6LS04916000	ID gear			
33	6LS04975000	AG paddle gear			
34	6LS03727000	Pin			
35	6LS04953000	MX gear R			
36	6LS03497000	Sensor fixing base			
37	6LS03190000	ATC interface harness			
38	6LS06174000	Screw			
39	6LS06061000	ATC sensor			
40	6LS06213000	Screw			
41	6LS04223000	DV support plate			
42	6LS04376000	SUS CA ring			
43	6LS05785000	DV side seal F			
44	6LS03667000	MG holder F			
45	6LS06245000	E ring			
46	6LS04127000	Main electrode adjust plate			
47	6LS04949000	SW gear			
48	6LA58923000	E-ring			
50	6LS03728000	Pin			
51	6LS04952000	PA gear F			
52	6LS05710000	DV sensor cushion			
53	6LS05825000	DV duct sheet			
54	6LS05503000	DV BOX filter			
55	6LS05682000	DV duct cushion upper			
56	6LA58793300	Screw M3X10			
57	6LS03233000	DV harness			
58	6LS05396000	DV duct cover			
59	6LS06193000	Screw			
60	6LS05855000	DV duct harness sheet			
61	6LS05681000	DV duct cushion			
62	6LS05826000	DV duct sheet lower			
63	6LS05789000	MG holder seal			
64	6LS05793000	MG seal R			
65	6LS05792000	MG seal F			
66	6LS05973000	Coupling spacer			
67	6LS05972000	ATC spacer			

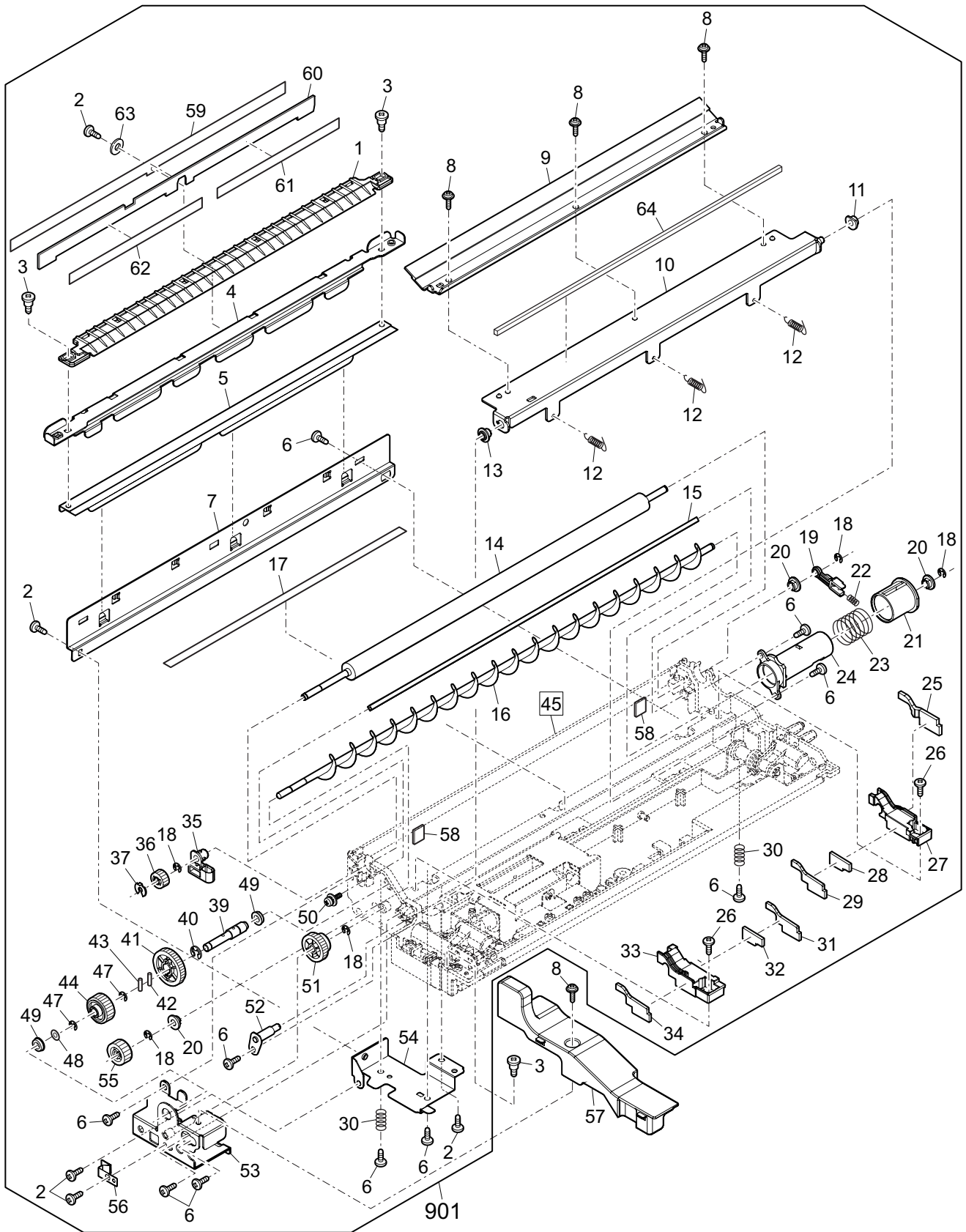
ITEM No.	PART No.	PART NAME	Q'TY / PAGE	Q'TY / PACK	REMARKS
68 901	6LS04588000 6LS03338000	MG spring DV unit			



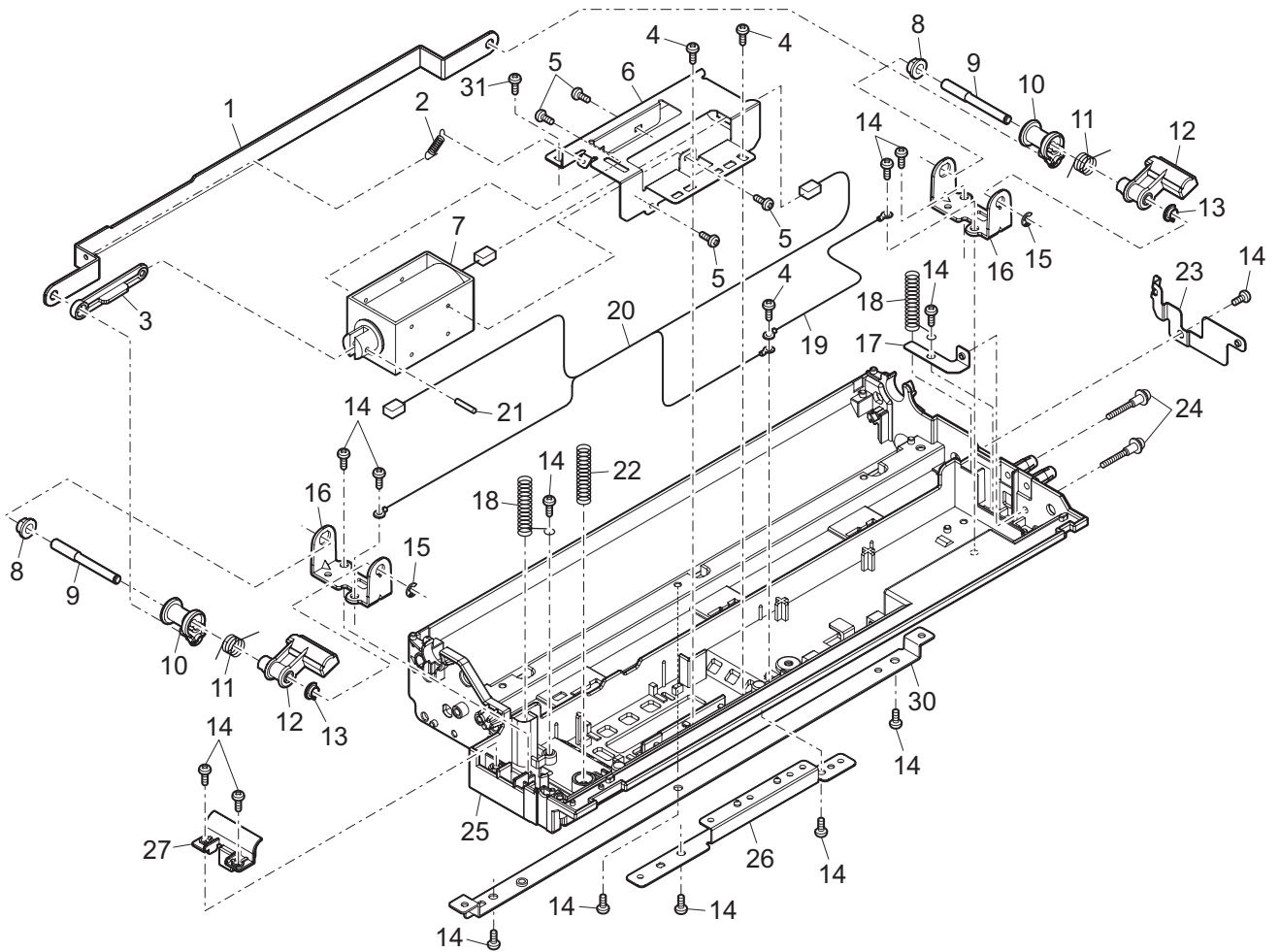
ITEM No.	PART No.	PART NAME	Q'TY / PAGE	Q'TY / PACK	REMARKS
1	6LS03130000	DV filter UN			
4	6LS05774000	Filter cover seal			
5	6LS04340000	Step screw			
6	6LS03498000	Filter fixing base			
7	6LS05683000	DV filter cushion upper			
8	6LS03861000	Doctor fixing plate			
9	6LS04125000	Separator 1			
10	6LS05322000	Separator screw			
11	6LS04126000	Separator 2			
12	6LS03862000	Separator plate			
13	6LS06215000	Screw			
14	6LS05840000	DV lower blade sheet			
15	6LS05721000	Posting base cushion R			
16	6LS03509000	Lower blade posting base			
17	6LS03990000	Lower blade fixing plate			
18	6LS06214000	Screw			
19	6LA58923000	E-ring			
20	6LS04823000	Separator bearing			
21	6LS05773000	G seal			
22	6LS04263000	Step screw			
23	6LS06210000	Screw			
24	6LS03083000	DV side plate R			
25	6LA58895000	Screw			
26	6LS06242000	E ring			
27	6LS02896000	MX bearing			
28	6LS04285000	Step screw			
29	6LS05772000	G seal			
30	6LS05684000	DV side plate cushion A			
31	6LS03504000	MG block R			
32	6LS03503000	MG block F			
33	6LS03082000	DV side plate F			
34	6LS05048000	Paddle roller			
35	6LS03734000	SP pin			
36	6LS05211000	Paddle shaft			
37	6LS05040000	MX roller			
38	6LS05041000	AG roller			
40	6LS05686000	DV bottom frame cushion			
41	6LS03562000	DV bottom frame			
42	6LA58928000	E-ring			
43	6LS05857000	Separate plate sheet A			
44	6LS05858000	Separate plate sheet B			
45	6LS05720000	Posting base cushion F			
46	6LS05722000	DV side plate cushion D			
47	6LS05724000	DV side plate cushion upper R			
48	6LS05723000	DV side plate cushion upper F			
49	6LS03510000	Posting base block			
50	6LS05727000	Block cushion			
51	6LS05863000	MG block sheet R			
52	6LS05862000	MG block sheet F			
53	6LS05795000	Side plate seal R			
54	6LS05794000	Side plate seal F			
55	6LS05750000	DV side plate cushion F			
56	6LS05751000	DV side plate cushion R			
901	6LS03338000	DV unit			



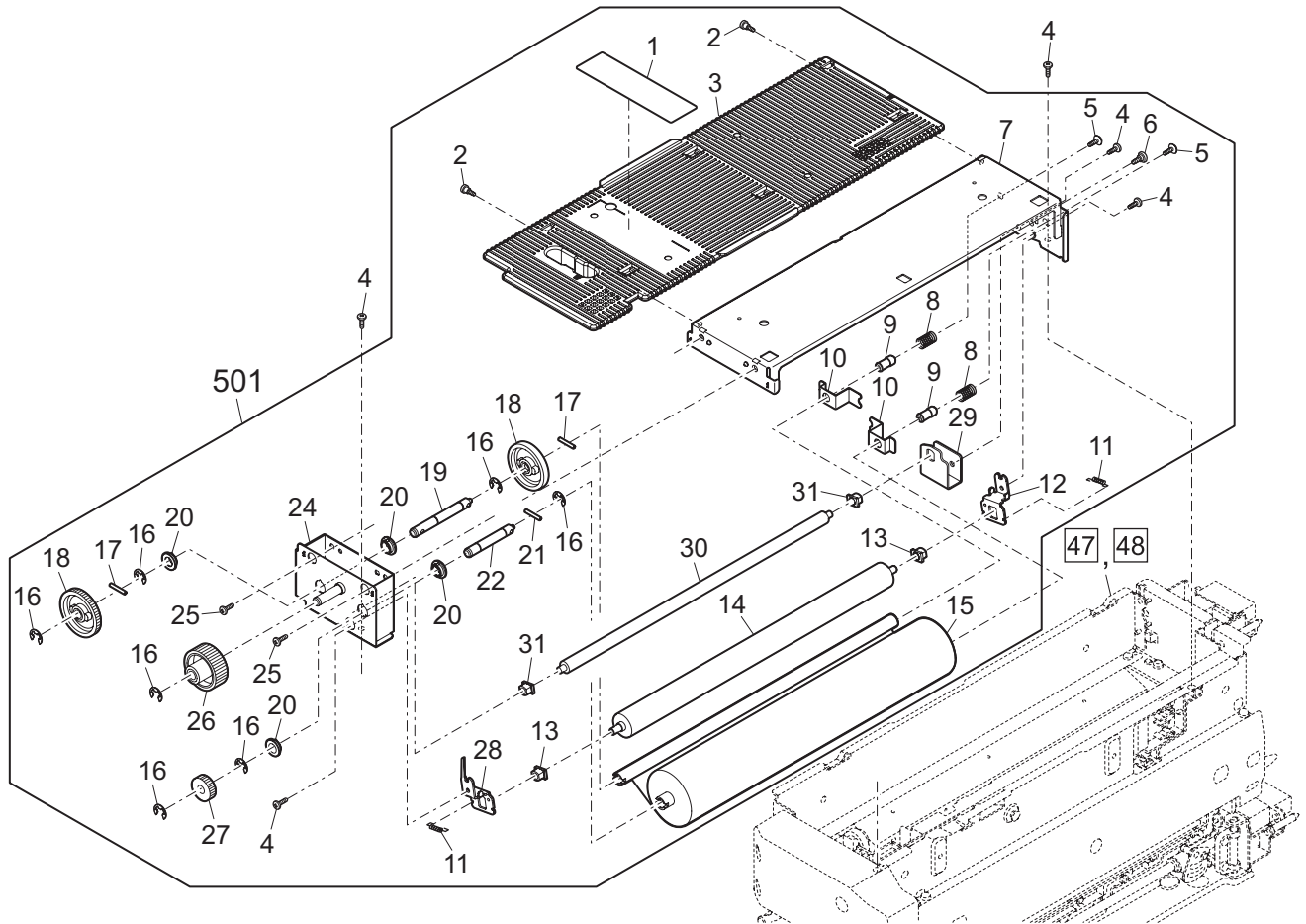
ITEM No.	PART No.	PART NAME	Q'TY / PAGE	Q'TY / PACK	REMARKS
1	6LS04744000	Transfer belt HC			
2	6LS04864000	Transfer drive coupling			
3	6LS04573000	Transfer coupling spring			
4	6LS05968000	Clutch spacer			
5	6LA58928000	E-ring			
6	6LS04813000	Transfer drive roller bearing R			
7	6LS04837000	Ball bearing			
8	6LS03741000	Pin			
9	6LS05030000	Transfer drive roller			
10	6LS05208000	Transfer separate adjust shaft			
11	6LS04308000	Blue screw			
12	6LA58793300	Screw M3X10			
13	6LS04122000	Separate adjust shaft fixing plate R			
14	6LS04834000	Bearing			
15	6LS03753000	M3 plate			
16	6LS03560000	Transfer belt frame			
17	6LS06036000	Transfer roller electrode			
18	6LA58793200	Screw M3X8			
19	6LS05332000	Transfer CL support brush			
20	6LS04135000	Adjust shaft fixing plate F			
23	6LS04944000	Drive roller gear			
24	6LS04534000	Earth shaft spring			
25	6LS04820000	Follower roller bearing			
26	6LS04313000	Step screw			
27	6LS04806000	Transfer roller bearing			
28	6LS04575000	Transfer roller bearing spring			
29	6LS05057000	Transfer roller HC			
30	6LS04833000	Bearing			
31	6LS05027000	Transfer follower roller			
32	6LA58926000	E-ring			
33	6LS05365000	Follower roller collar			
34	6LS06037000	Transfer adjust shaft electrode			
35	6LS05368000	Transfer drive collar R			
36	6LS05367000	Transfer drive collar F			
37	6LS05974000	Transfer belt frame F			
38	6LS05975000	Transfer belt frame R			
39	6LS05994000	Double sided tape			
501	6LS03128000	Transfer drive roller unit			
901	6LS00015000	TRANSFER-UNIT			



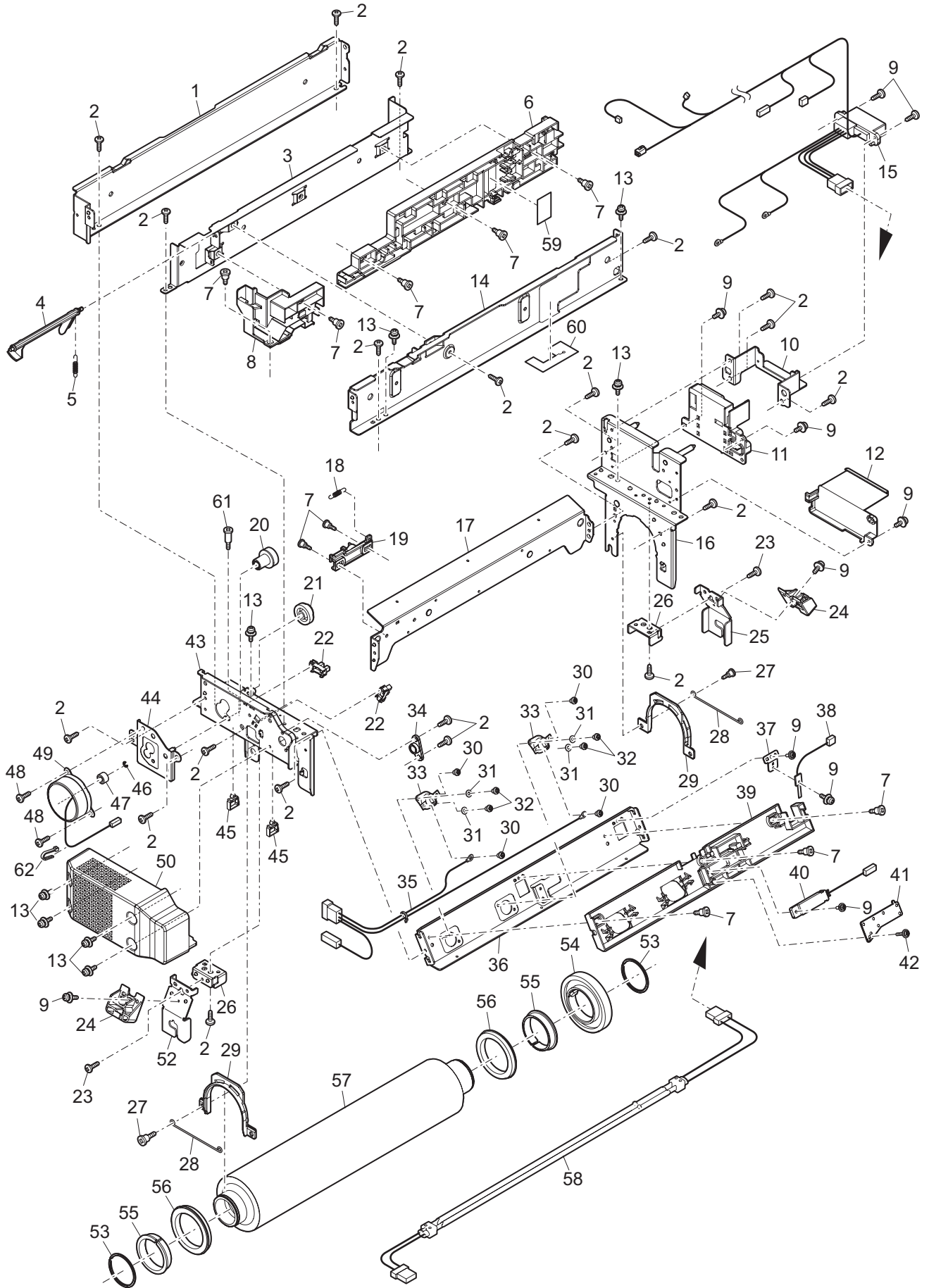
ITEM No.	PART No.	PART NAME	Q'TY / PAGE	Q'TY / PACK	REMARKS
1	6LS03666000	Discharger plate holder			
2	6LS06227000	Screw			
3	6LS04344000	Step screw			
4	6LS03904000	Transfer rear PG fixing plate			
5	6LS06151000	Transfer sub blade			
6	6LA58793700	SCREW M4X10			
7	6LS03854000	Sub blade fixing plate			
8	6LS04349000	Blue screw			
9	6LS06150000	Transfer CL blade			
10	6LS03023000	CL blade fixing plate			
11	6LS04800000	Bearing			
12	6LS04692000	Transfer brade spring			
13	6LS04804000	Blade fixing plate bearing F			
14	6LS05034000	Transfer CL brush roller			
15	6LS05210000	Transfer CL brush flicker			
16	6LS05324000	Transfer waste toner screw			
17	6LS05700000	Blade lower cushion			
18	6LS06242000	E ring			
19	6LS04822000	CL brush rocking bearing			
20	6LS04809000	Bearing MX R			
21	6LS05965000	Cleaner shutter HC			
22	6LS04534000	Earth shaft spring			
23	6LS04598000	Shutter spring			
24	6LS05757000	Cleaner pipe			
25	6LS05704000	Transfer side cushion R outside			
26	6LA58895000	Screw			
27	6LS04124000	Transfer side seal fixing plate R			
28	6LS05703000	Transfer side cushion R inside			
29	6LS05784000	Transfer side seal R			
30	6LS04574000	Transfer frame spring			
31	6LS05783000	Transfer side seal F			
32	6LS05701000	Transfer side cushion F inside			
33	6LS04123000	Transfer side seal fixing plate F			
34	6LS05702000	Transfer side cushion F outside			
35	6LS04821000	CL brush bearing F			
36	6LS04946000	Transfer CL brush gear			
37	6LS04186000	Stopper			
39	6LS05209000	Transfer drive joint shaft			
40	6LA58928000	E-ring			
41	6LS04948000	Idle gear			
42	6LS03744000	SP pin			
43	6LS03730000	Pin			
44	6LS04945000	Transfer brush joint gear			
47	6LA58926000	E-ring			
48	6LS10191000	POLY SLIDER			
49	6LS04833000	Bearing			
50	6LA58792800	Screw M3X8			
51	6LS04947000	Idle gear			
52	6LS03024000	CL blade positioning plate			
53	6LS03022000	Transfer drive plate			
54	6LS03858000	Transfer G base plate			
55	6LS04877000	MX gear			
56	6LS06038000	Waste toner screw electrode			
57	6LS05458000	Transfer drive cover			
58	6LS05718000	Transfer sub blade cushion			
59	6LS05860000	Transfer discharger sheet			
60	6LS04137000	Transfer discharger sheet base plate			
61	6LS05992000	Discharger sheet tape B			
62	6LS05991000	Discharger sheet tape A			
63	6LS06250000	Washer			
64	6LS05911000	Blade spacer			
901	6LS03335000	Transfer unit			



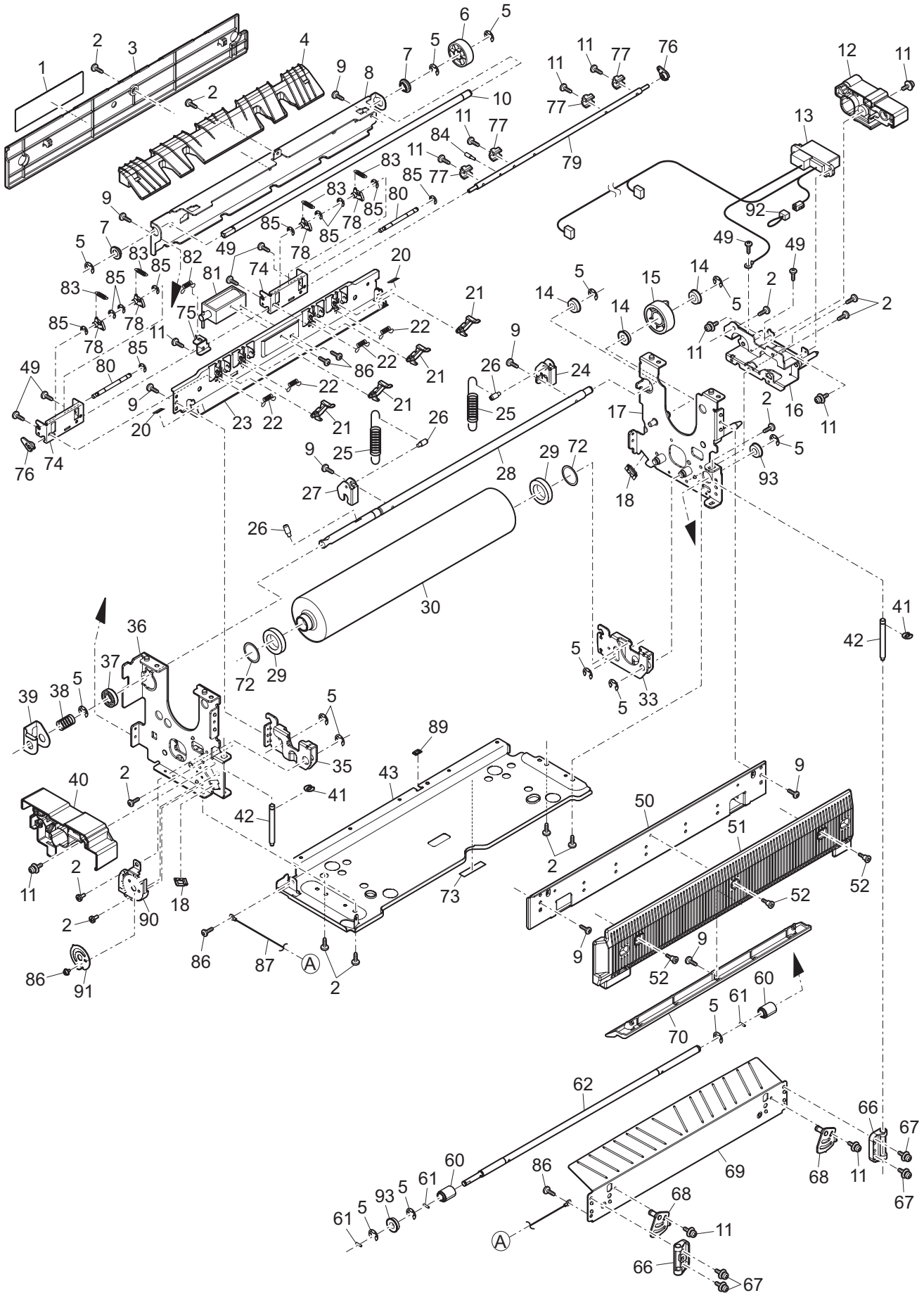
ITEM No.	PART No.	PART NAME	Q'TY / PAGE	Q'TY / PACK	REMARKS
1	6LS04396000	Transfer solenoid arm L			
2	6LS04705000	Arm L spring			
3	6LS04419000	Transfer solenoid arm			
4	6LS06227000	Screw			
5	6LA58792000	Screw M3X4			
6	6LS03853000	Solenoid fixing plate			
7	6LS06103000	Transfer separate solenoid			
8	6LS04796000	Bearing			
9	6LS05246000	Transfer separate shaft			
10	6LS04428000	Separate link arm			
11	6LS04629000	Separate arm spring			
12	6LS04418000	Transfer separate arm			
13	6LS04794000	Bearing			
14	6LA58793700	SCREW M4X10			
15	6LS06242000	E ring			
16	6LS03686000	Transfer separate shaft holder			
17	6LS03855000	Transfer roller input electrode			
18	6LS04572000	Transfer spring			
19	6LS03206000	Transfer earth harness			
20	6LS03205000	Transfer UN harness			
21	6LS03740000	SP pin			
22	6LS04558000	Transfer separate spring			
23	6LS03856000	CL brush input electrode			
24	6LS04292000	Screw			
25	6LS03561000	Transfer frame			
26	6LS03857000	Transfer eath connect plate			
27	6LS05593000	Transfer harness guide			
30	6LS03859000	Blade SP fixing plate			
31	6LS06231000	Screw			
901	6LS03335000	Transfer unit			



ITEM No.	PART No.	PART NAME	Q'TY / PAGE	Q'TY / PACK	REMARKS
1	6LS02919000	High temperature caution felt			
2	6LS04287000	Step screw			
3	6LS05414000	Web frame cover			
4	6LS06184000	Screw			
5	6LS06187000	Screw			
6	6LS04295000	Step screw			
7	6LS03569000	Web support frame			
8	6LS04561000	Web fulcrum spring			
9	6LS05219000	Web fulcrum shaft			
10	6LS03879000	Web slide plate			
11	6LS04695000	Back up roller spring			
12	6LS03878000	Roller bearing fixing plate R			
13	6LS04824000	Back up roller bearing			
14	6LS05091000	Back up roller			
15	6LS05032000	Web roller			
16	6LA58928000	E-ring			
17	6LS03743000	Pin			
18	6LS04958000	Web welding gear			
19	6LS05220000	Web welding shaft			
20	6LS04785000	Bearing			
21	6LS03740000	SP pin			
22	6LS05221000	Web send shaft			
24	6LS03037000	Web drive plate			
25	6LA58794800	SCREW M4X16			
26	6LS04957000	Gear			
27	6LS04969000	One way gear			
28	6LS03877000	Roller bearing fixing plate			
29	6LS03994000	Web guide shaft fixing plate			
30	6LS05263000	Web guide shaft			
31	6LS04802000	CL roller bearing			
501	6LS00013000	WEB-CLEANING-U			
901	6LS00014000	FUSER-UNIT			

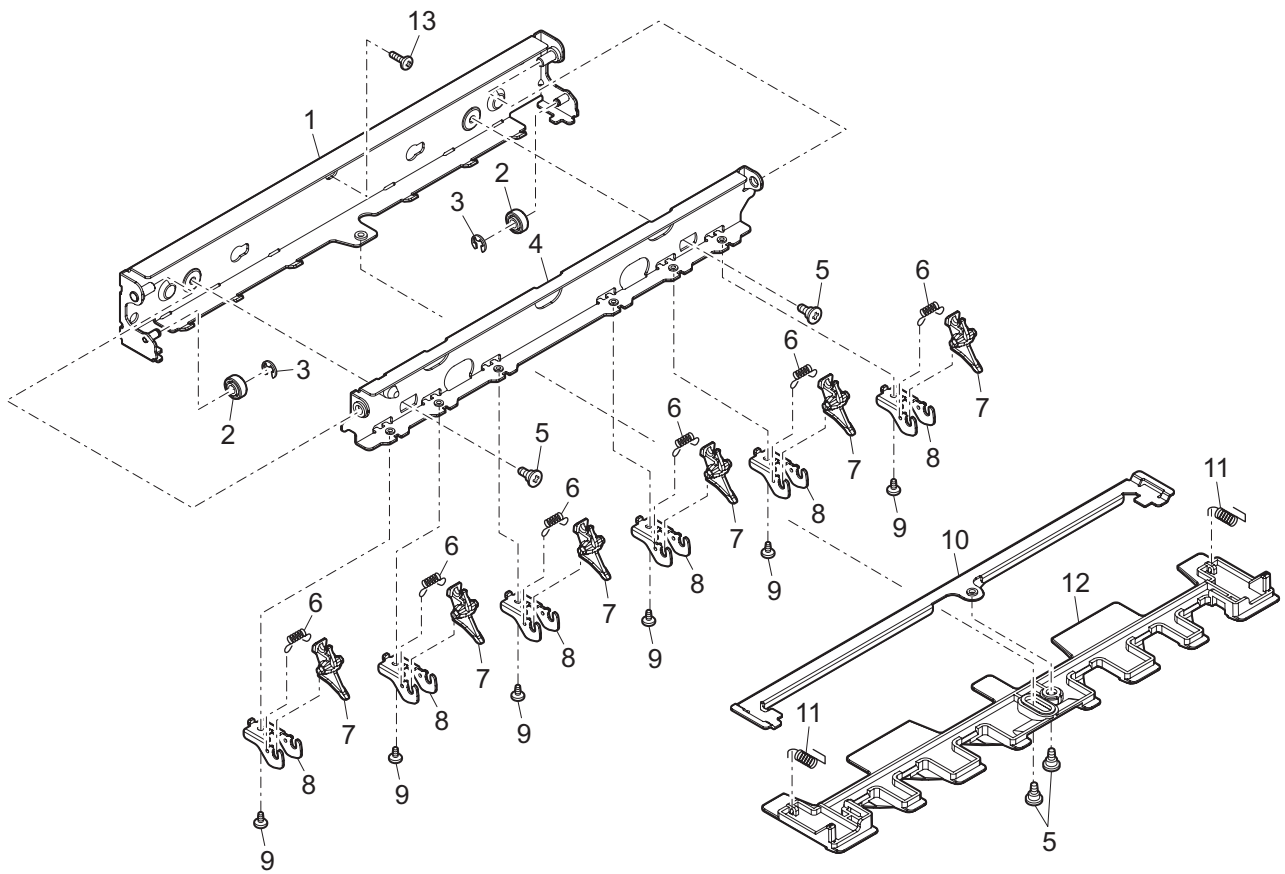


ITEM No.	PART No.	PART NAME	Q'TY / PAGE	Q'TY / PACK	REMARKS
1	6LS04211000	Fusing reinforce stay left			
2	6LA58794800	SCREW M4X16			
3	6LS04212000	Harness fixing stay			
4	6LS04484000	Web end detect lever			
5	6LS04696000	Web end detect spring			
6	6LS03677000	Fusing upper harness holder			
7	6LS04287000	Step screw			
8	6LS03679000	Fusing upper harness holder F			
9	6LS06187000	Screw			
10	6LS03880000	Fusing upper drawer fixing plate			
11	6LS03678000	Fusing upper harness holder R			
12	6LS05416000	Fusing harness cover R			
13	6LS06194000	Screw			
14	6LS04210000	Fusing reinforce stay right			
15	6LS03269000	Fusing upper harness			
16	6LS02942000	Fusing upper frame R			
17	6LS03143000	Fusing rear upper stay			
18	6LS04697000	Upper rocking spring			
19	6LS04483000	Upper pawl rocking lever			
20	6LS04954000	Gear			
21	6LS04956000	Upper pawl rocking gear			
22	6LS06161000	Photo interrupter			
23	6LS06184000	Screw			
24	6LS03689000	HL harness holder			
25	6LS03681000	Lamp holder R			
26	6LS03882000	LH fixing plate			
27	6LS04295000	Step screw			
28	6LS04194000	HP fixing stopper			
29	6LS05358000	Insulation collar			
30	6LS04366000	Screw			
31	6LS06247000	Washer			
32	6LS06185000	Screw			
33	6LS06104000	Thermostat upper			
34	6LS03487000	Positioning bush A			
35	6LS03195000	Thermostat interface harness			
36	6LS04209000	Fusing front upper stay			
37	6LS03881000	Thermistor fixing plate			
38	6LS06059000	Thermistor sub			
39	6LS03500000	Non contact thermistor fixing base			
40	6LS06060000	Non contact thermistor HC			
41	6LS05384000	Thermistor cover			
42	6LS06190000	Screw			
43	6LS02941000	Fusing upper frame F			
44	6LS03038000	Web motor plate			
45	6LS03619000	Wire saddle			
46	6LA58923000	E-ring			
47	6LS04923000	Web motor gear			
48	6LA58794400	Screw M3X6			
49	6LS06069000	Web motor			
50	6LS05415000	Fusing upper cover F			
52	6LS03680000	Lamp holder F			
53	6LS05770000	C type ring			
54	6LS04955000	Fusing gear			
55	6LS03486000	Insulation bush			
56	6LS04849000	Fusing upper bearing			
57	6LS05093000	Upper heat roller			
58	6LS06068000	Heater lamp upper			
59	6LS05871000	Fusing radiate sheet B			
60	6LS05870000	Fusing radiate sheet			
61	6LS04290000	Step screw			
62	6LS03473000	Band			
901	6LS03346000	Fusing unit			

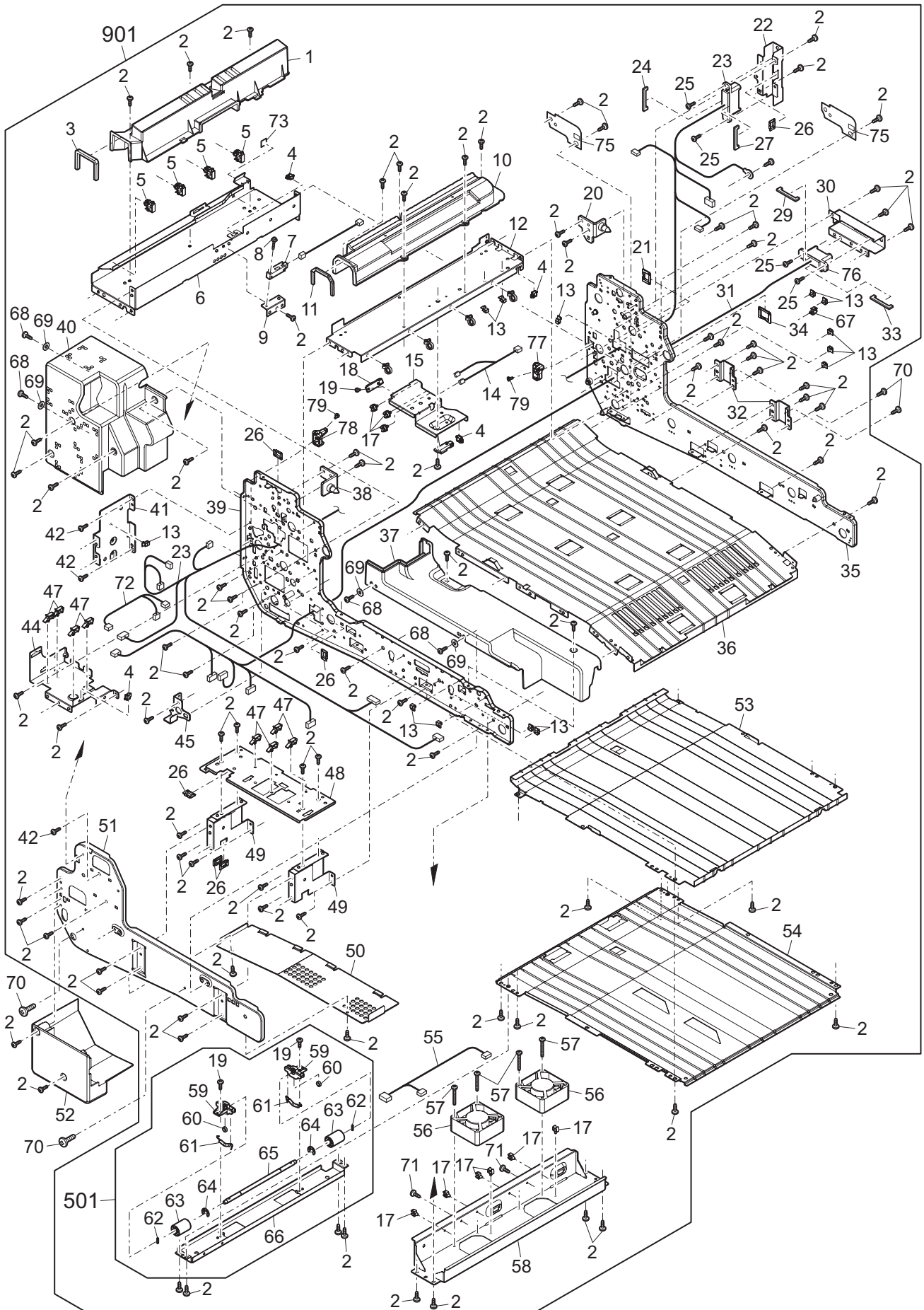


ITEM No.	PART No.	PART NAME	Q'TY / PAGE	Q'TY / PACK	REMARKS
1	6LS02919000	High temperature caution felt			
2	6LA58794800	SCREW M4X16			
3	6LS05417000	Fusing left cover			
4	6LS05592000	Fusing rear lower PG			
5	6LA58928000	E-ring			
6	6LS04900000	One way gear			
7	6LS04785000	Bearing			
8	6LS04214000	Fusing lower stay left			
9	6LS06184000	Screw			
10	6LS05223000	JAM processing shaft			
11	6LS06187000	Screw			
12	6LS03683000	Fusing lower harness holder R			
13	6LS03270000	Fusing lower harness			
14	6LS04830000	Ball bearing			
15	6LS04959000	Fusing coupling gear			
16	6LS03040000	Fusing lower drawer fixing plate			
17	6LS02944000	Fusing lower frame R			
18	6LS03623000	Edge saddle			
20	6LS05331000	Fusing discharger brush			
21	6LS05980000	Fusing lower separate pawl			
22	6LS04699000	Fusing lower separate pawl spring			
23	6LS03883000	Lower separate pawl fixing plate			
24	6LS04398000	Pressure release arm R			
25	6LS04698000	Fusing pressure spring			
26	6LS04272000	Step screw			
27	6LS04397000	Pressure release arm F			
28	6LS05222000	Pressure release shaft			
29	6LS04841000	Lower HR bearing CD			
30	6LS05026000	Pressure roller			
33	6LS04457000	Pressure lever R			
35	6LS04456000	Pressure lever F			
36	6LS02943000	Fusing lower frame F			
37	6LS04788000	Bearing			
38	6LS04583000	Pressure release lock spring			
39	6LS03988000	Pressure release lock plate			
40	6LS03682000	Fusing lower harness holder F			
41	6LS05771000	Clip ring			
42	6LS05274000	PG rocking guide shaft			
43	6LS04215000	Fusing lower stay bottom			
49	6LA58794400	Screw M3X6			
50	6LS04213000	Fusing lower stay right			
51	6LS05590000	Fusing front upper PG			
52	6LS04287000	Step screw			
60	6LS04447000	PG rocking cam			
61	6LS03731000	Pin			
62	6LS05270000	Positioning shaft			
66	6LS05591000	PG rocking guide			
67	6LS06194000	Screw			
68	6LS03039000	PG rocking adjust plate			
69	6LS02964000	Fusing front lower PG			
70	6LS05625000	Fusing front upper PG-B			
72	6LS04600000	Roller stopper			
73	6LS05861000	CN protect sheet			
74	6LS03992000	Separate shaft fixing plate			
75	6LS03993000	Separate slide plate			
76	6LS04827000	Separate bearing			
77	6LS04448000	Separate cam			
78	6LS04496000	Separate lever			
79	6LS05261000	Separate slide shaft			
80	6LS05262000	Separate lever fulcrum shaft			
81	6LS06102000	Separate solenoid			
82	6LS04713000	Separate return spring A			
83	6LS04714000	Separate return spring B			

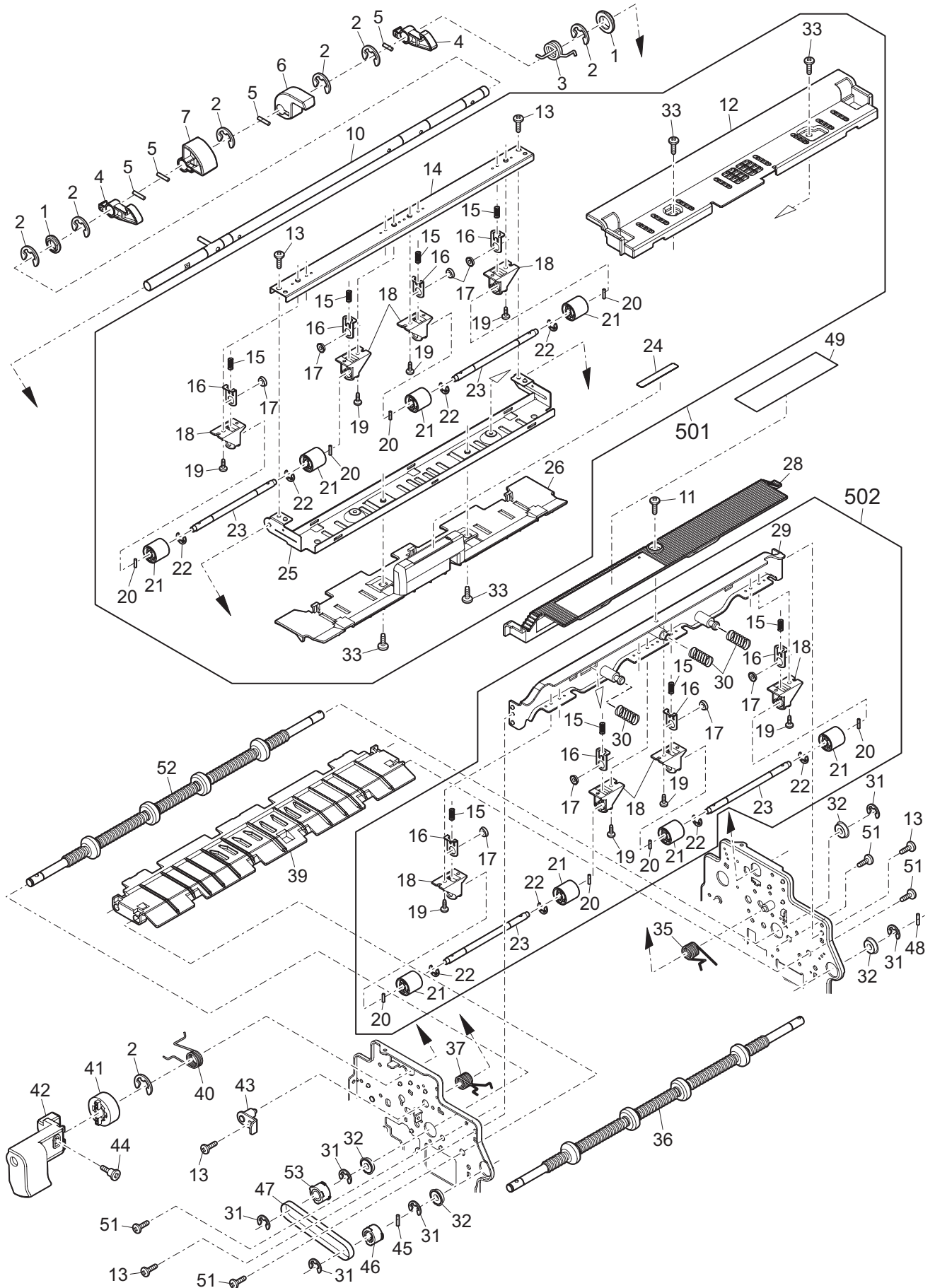
ITEM No.	PART No.	PART NAME	Q'TY / PAGE	Q'TY / PACK	REMARKS
84	6LS03745000	SP pin			
85	6LS06242000	E ring			
86	6LS04366000	Screw			
87	6LS03331000	High voltage resist harness UN			
89	6LS03624000	Edge saddle			
90	6LS04015000	Positioning shaft fixing plate			e-STUDIO9077
91	6LS04016000	Positioning shaft adjust plate			
92	6LS03225000	PRTH SP harness			
93	6LS04787000	Bearing			
901	6LS03346000	Fusing unit			



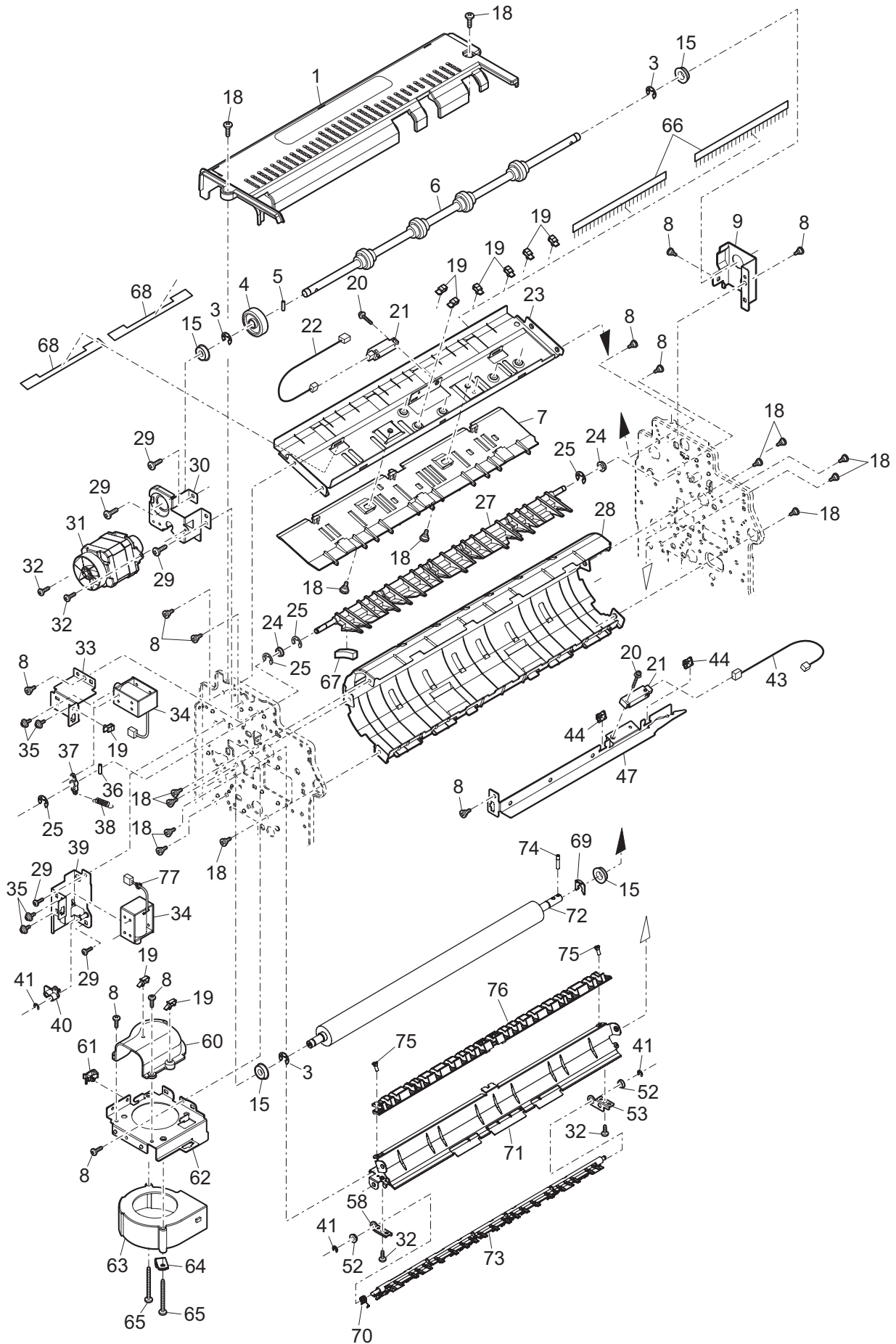
ITEM No.	PART No.	PART NAME	Q'TY / PAGE	Q'TY / PACK	REMARKS
1	6LS03050000	Rocking UN fixing plate			
2	6LS05355000	U turn collar DRG			
3	6LA58923000	E-ring			
4	6LS03051000	Upper pawl rocking plate			
5	6LS04287000	Step screw			
6	6LS04701000	Upper pawl spring			
7	6LS05981000	Fusing upper separate pawl			
8	6LS03942000	Upper separate pawl fixing plate			
9	6LS04323000	Screw			
10	6LS03943000	Rear upper PG reinforce plate			
11	6LS04700000	PG slide spring			
12	6LS05598000	Fusing rear upper PG			
13	6LS06194000	Screw			



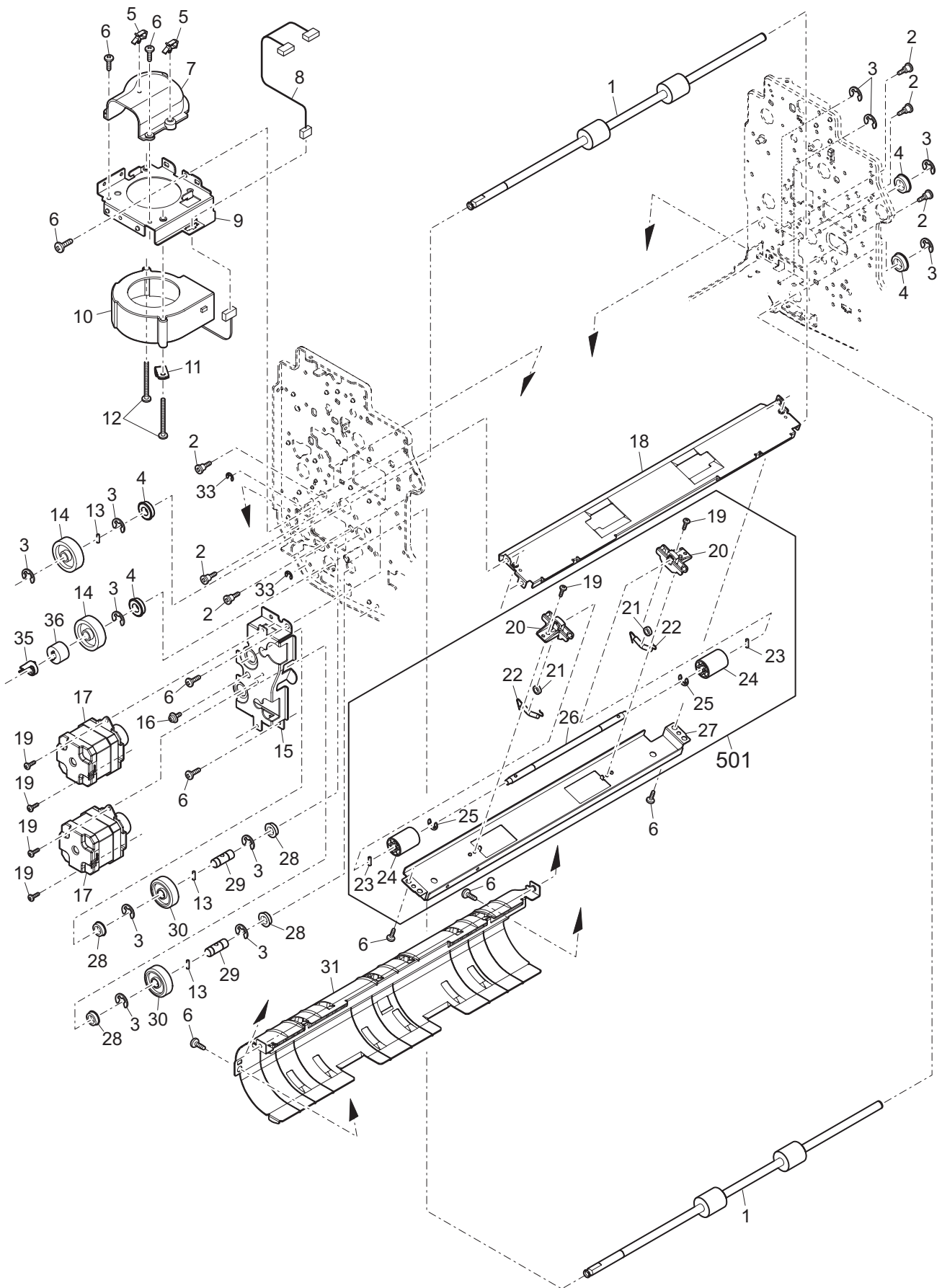
ITEM No.	PART No.	PART NAME	Q'TY / PAGE	Q'TY / PACK	REMARKS
1	6LS05497000	Delivery duct			
2	6LA58794800	SCREW M4X16			
3	6LS05693000	Delivery duct cushion			
4	6LS03609000	Wire saddle			
5	6LS03601000	Wire saddle			
6	6LS03923000	Delivery duct fixing plate			
7	6LS06171000	Detect sensor			
8	6LS06188000	Screw			
9	6LS03940000	POIND fixing plate			
10	6LS05495000	ADU duct			
11	6LS05694000	ADU duct cushion			
12	6LS03922000	ADU duct fixing plate			
13	6LS03638000	Wire saddle			
14	6LS03322000	DSBD2 harness			
15	6LS04093000	DSBD2 fixing plate			
17	6LS03603000	Mini clamp			
18	6LS06164000	Sensor			
19	6LA58794400	Screw M3X6			
20	6LS03046000	ADU positioning plate R			
21	6LS03607000	Edge saddle			
22	6LS03934000	Drawer fixing plate upper			
23	6LS03321000	Delivery interface harness HR2			
24	6LS04164000	Retainer			
25	6LA58794500	Screw M3X8			
26	6LS03612000	Edge saddle			
27	6LS04165000	Retainer			
29	6LS04162000	Retainer			
30	6LS03935000	Drawer fixing plate lower			
31	6LS03209000	ADU interface harness			
32	6LS03926000	Rail fixing plate			
33	6LS04163000	Retainer			
34	6LS03613000	Edge saddle			
35	6LS02949000	ADU frame R			
36	6LS05533000	ADU base PG			
37	6LS05436000	ADU motor cover			
38	6LS03045000	ADU positioning plate F			
39	6LS02948000	ADU positioning plate F			
40	6LS05435000	ADU frame F			
41	6LS03925000	Sub frame fixing plate L			
42	6LS04362000	Screw			
44	6LS05529000	Harness guide			
45	6LS03936000	U turn PG adjust plate			
47	6LS03604000	Wire saddle			
48	6LS03927000	Sub frame fixing plate upper			
49	6LS03924000	Sub frame fixing plate R			
50	6LS05434000	Motor cover lower			
51	6LS03575000	ADU sub frame			
52	6LS05437000	ADU left lower cover			
53	6LS05536000	SB upper PG			
54	6LS05537000	SB lower PG			
55	6LS03213000	ADU fan interface harness			
56	6LS04874000	Radiate fan			
57	6LS06182000	Screw			
58	6LS03941000	ADU down stream fan fixing plate			
59	6LS03691000	ADU follower shaft bearing holder			
60	6LS04838000	Ball bearing			
61	6LS04703000	ADU follower roller pressure spring			
62	6LS03745000	SP pin			
63	6LS05042000	ADU follower roller			
64	6LA58926000	E-ring			
65	6LS05225000	ADU follower roller shaft			
66	6LS03938000	ADU follower roller fixing plate			
67	6LS03599000	Clamp			



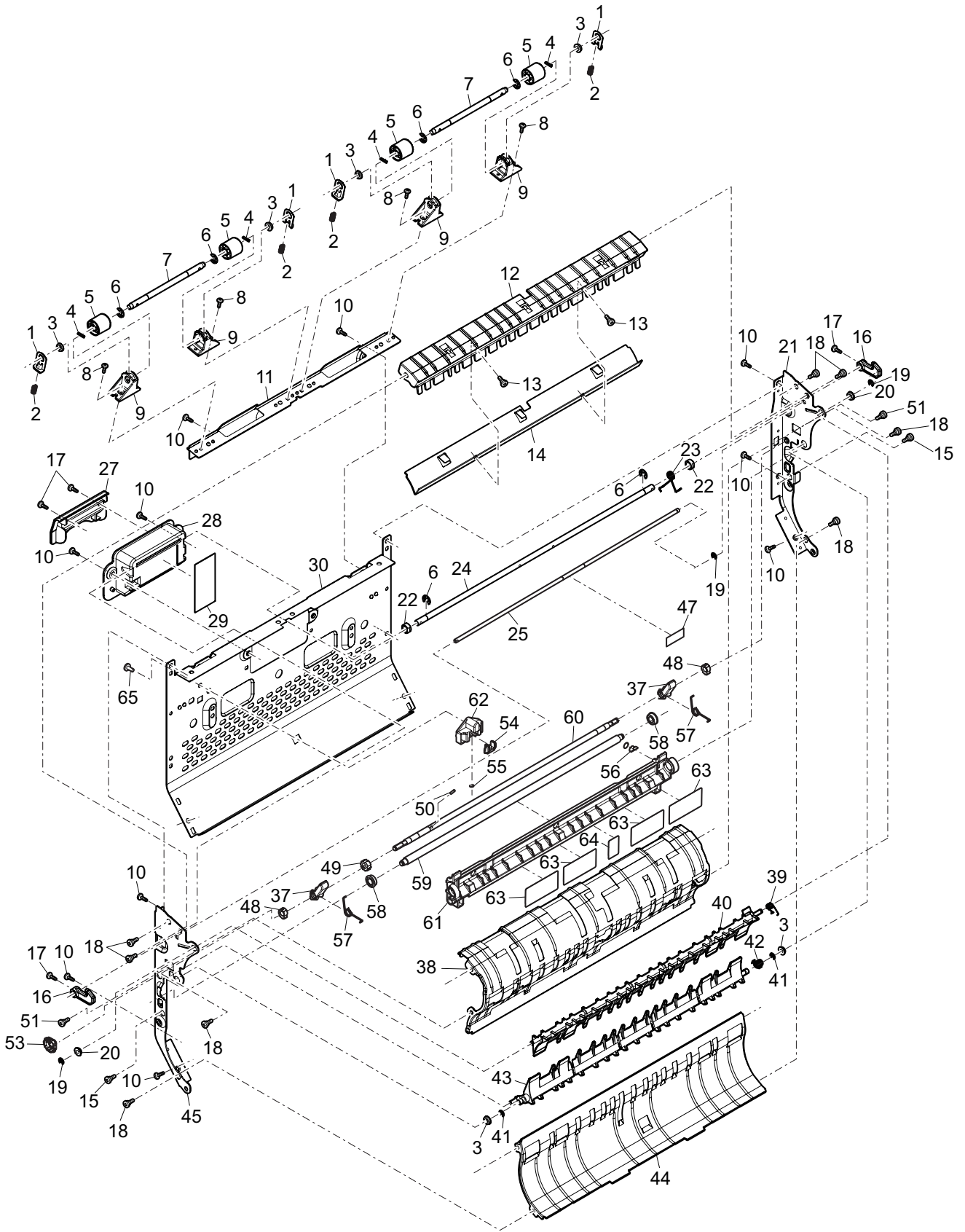
ITEM No.	PART No.	PART NAME	Q'TY / PAGE	Q'TY / PACK	REMARKS
1	6LS04784000	Bearing			
2	6LS06244000	E ring			
3	6LS04624000	ADU lock pawl spring			
4	6LS05982000	ADU lock pawl			
5	6LS03730000	Pin			
6	6LS04402000	Stopper link arm			
7	6LS04132000	ADU stopper release plate			
10	6LS03138000	ADU lock shaft			
11	6LS06178000	Screw			
12	6LS05438000	Front upper PG cover			
13	6LA58794800	SCREW M4X16			
14	6LS03939000	Follower holder fixing plate			
15	6LS04562000	Delivery follower roller spring			
16	6LS04224000	Follower bearing support plate			
17	6LS04843000	Bearing			
18	6LS03690000	Delivery roller bearing holder			
19	6LA58794400	Screw M3X6			
20	6LS03745000	SP pin			
21	6LS05043000	Delivery follower roller			
22	6LA58926000	E-ring			
23	6LS05224000	Delivery follower roller shaft			
24	6LS06125000	Green label HC			
25	6LS03968000	Delivery front upper PG fixing plate			
26	6LS05615000	Delivery front upper PG			
28	6LS05439000	Stay cover			
29	6LS03146000	ADU stay L			
30	6LS04577000	Rocking unit fixing pressure spring			
31	6LA58928000	E-ring			
32	6LS04840000	Ball bearing			
33	6LS04343000	Step screw			
35	6LS04627000	Delivery front upper PG spring R			
36	6LS05067000	Fusing rear roller			
37	6LS04625000	Delivery front upper PG spring F			
39	6LS05633000	Delivery front lower PG			
40	6LS04626000	ADU lock release lever spring			
41	6LS05344000	ADU lever limiter			
42	6LS04486000	ADU lock release lever			
43	6LS03048000	PG fulcrum plate			
44	6LS04258000	Step screw			
45	6LS03741000	Pin			
46	6LS05008000	Pulley			
47	6LS04753000	Belt			
48	6LS04361000	Screw			
49	6LS02919000	High temperature caution felt			
51	6LS04256000	Step screw			
52	6LS05087000	Delivery front roller			
53	6LS05025000	Pulley			
501	6LS02981000	Delivery front upper PG unit			
502	6LS03147000	ADU stay L unit			



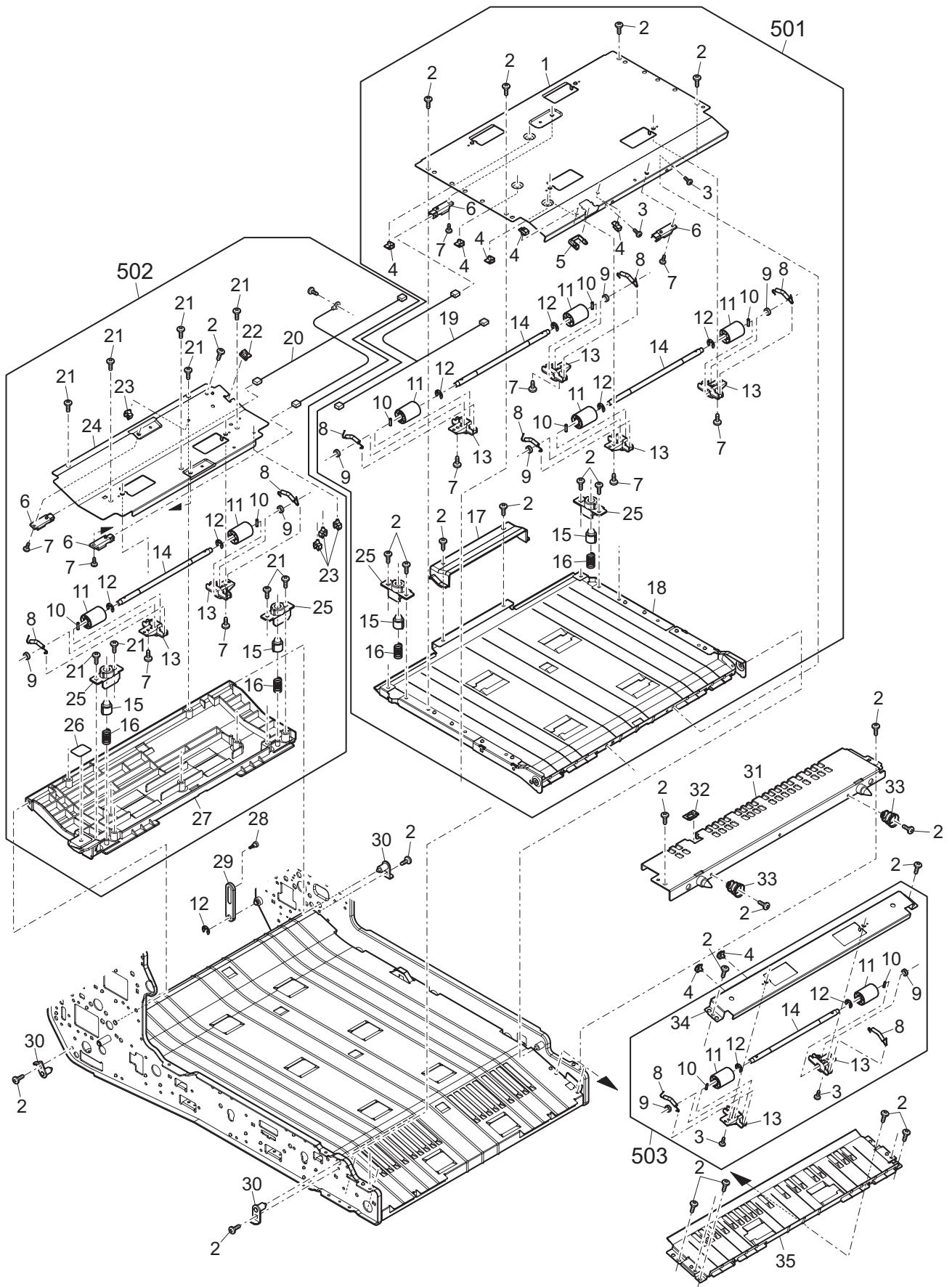
ITEM No.	PART No.	PART NAME	Q'TY / PAGE	Q'TY / PACK	REMARKS
1	6LS05440000	Delivery upper cover			
3	6LA58928000	E-ring			
4	6LS04897000	Fusing drive gear			
5	6LS03741000	Pin			
6	6LS05068000	Delivery roller			
7	6LS05599000	Delivery rear upper support PG			
8	6LA58794800	SCREW M4X16			
9	6LS03930000	Delivery roller fixing plate R			
15	6LS04840000	Ball bearing			
18	6LS04343000	Step screw			
19	6LS03638000	Wire saddle			
20	6LS06188000	Screw			
21	6LS06171000	Detect sensor			
22	6LS03211000	POD harness			
23	6LS05530000	Delivery rear upper PG			
24	6LS04843000	Bearing			
25	6LS06242000	E ring			
27	6LS05600000	FU/FD switch gate			
28	6LS05531000	Reverse upper PG			
29	6LS04362000	Screw			
30	6LS03929000	Delivery roller fixing plate F			
31	6LS06088000	Delivery motor			
32	6LA58794400	Screw M3X6			
33	6LS03928000	Delivery solenoid fixing plate			
34	6LS06096000	Gate solenoid			
35	6LA58792700	Screw M3X6			
36	6LS03745000	SP pin			
37	6LS04422000	FU/FD switch solenoid arm			
38	6LS04702000	FU/FD switch solenoid spring			
39	6LS03047000	ADU solenoid fixing plate			
40	6LS04421000	Reverse ADU switch arm			
41	6LA58923000	E-ring			
43	6LS03212000	DSBD1 harness			
44	6LS03609000	Wire saddle			
47	6LS03937000	DSBD1 fixing plate			
52	6LS04844000	Bearing			
53	6LS04226000	Gate support plate R			
58	6LS04225000	Gate support plate F			
60	6LS05496000	ADU joint duct			
61	6LS03604000	Wire saddle			
62	6LS03933000	Delivery ADU fan fixing plate			
63	6LS04872000	Lock fan B			
64	6LS03472000	Clamp			
65	6LS06183000	Screw			
66	6LS05330000	Discharger brush			
67	6LS05950000	Gate silence sheet			
68	6LS05874000	Delivery roller sheet			
69	6LS04187000	Wire fixing stopper			
70	6LS04642000	ADU reverse gate spring			
71	6LS05549000	Paper feed right PG			
72	6LS05082000	Deurler roller			
73	6LS05632000	ADU reverse gate			
74	6LS04361000	Screw			
75	6LS04291000	Step screw			
76	6LS05631000	Paper feed upper PG			
77	6LS03473000	Band			



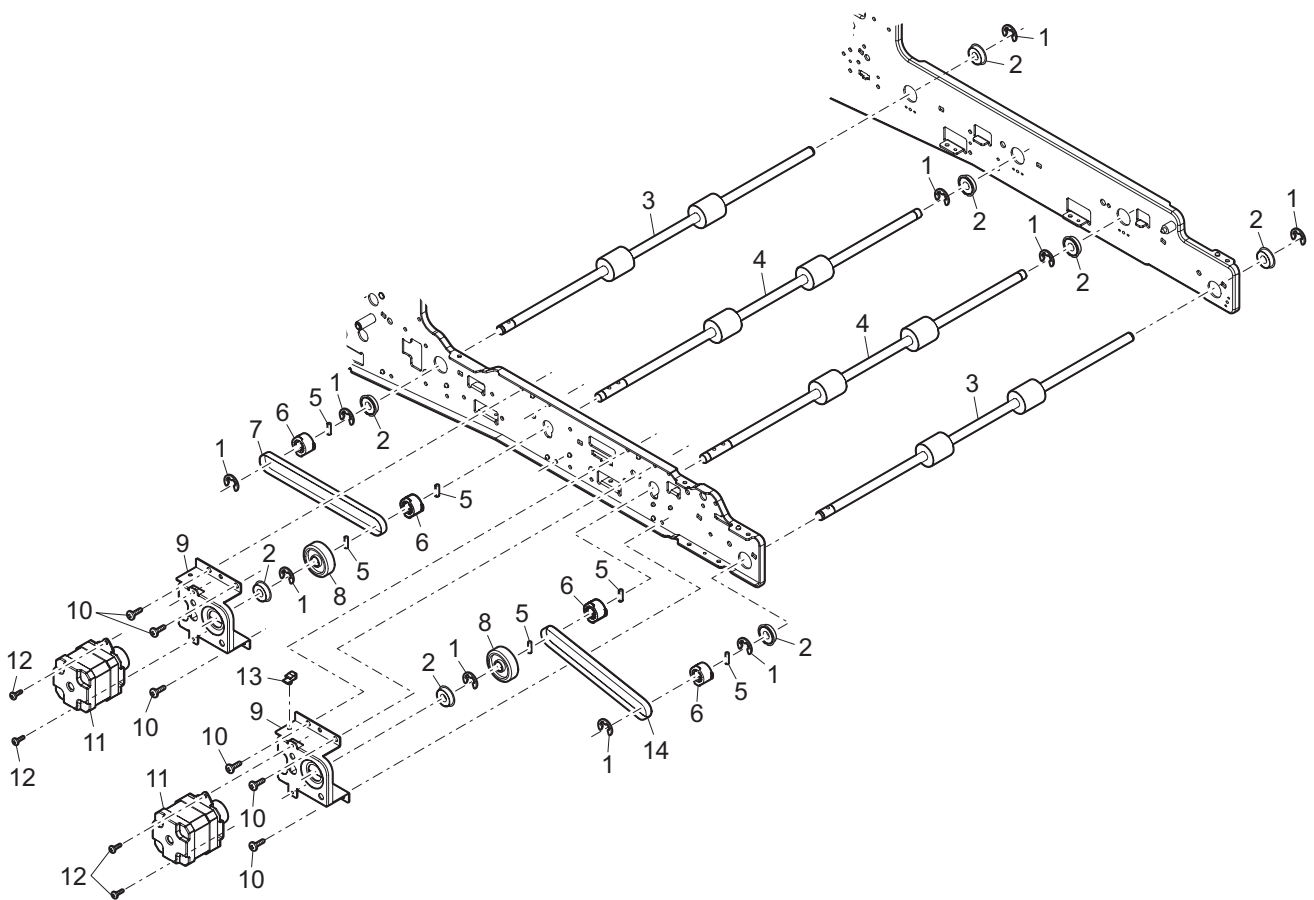
ITEM No.	PART No.	PART NAME	Q'TY / PAGE	Q'TY / PACK	REMARKS
1	6LS05088000	SB roller			
2	6LS04343000	Step screw			
3	6LA58928000	E-ring			
4	6LS04840000	Ball bearing			
5	6LS03638000	Wire saddle			
6	6LA58794800	SCREW M4X16			
7	6LS05496000	ADU joint duct			
8	6LS03214000	FAN/solenoid interface harness			
9	6LS03933000	Delivery ADU fan fixing plate			
10	6LS04872000	Lock fan B			
11	6LS03472000	Clamp			
12	6LS06183000	Screw			
13	6LS03741000	Pin			
14	6LS04897000	Fusing drive gear			
15	6LS03931000	Reverse motor fixing plate			
16	6LS06193000	Screw			
17	6LS06080000	Delivery-ADU motor			
18	6LS05534000	FD lower PG			
19	6LA58794400	Screw M3X6			
20	6LS03691000	ADU follower shaft bearing holder			
21	6LS04838000	Ball bearing			
22	6LS04703000	ADU follower roller pressure spring			
23	6LS03745000	SP pin			
24	6LS05042000	ADU follower roller			
25	6LA58926000	E-ring			
26	6LS05225000	ADU follower roller shaft			
27	6LS03938000	ADU follower roller fixing plate			
28	6LS04828000	DR drive bearing			
29	6LS05226000	ADU idle pulley shaft			
30	6LS04912000	Gear			
31	6LS05532000	Reverse lower PG			
33	6LA58923000	E-ring			
35	6LS04143000	SB limiter fixing plate			
36	6LS05347000	SB torque limiter			
501	6LS03049000	ADU follower roller fixing plate unit			

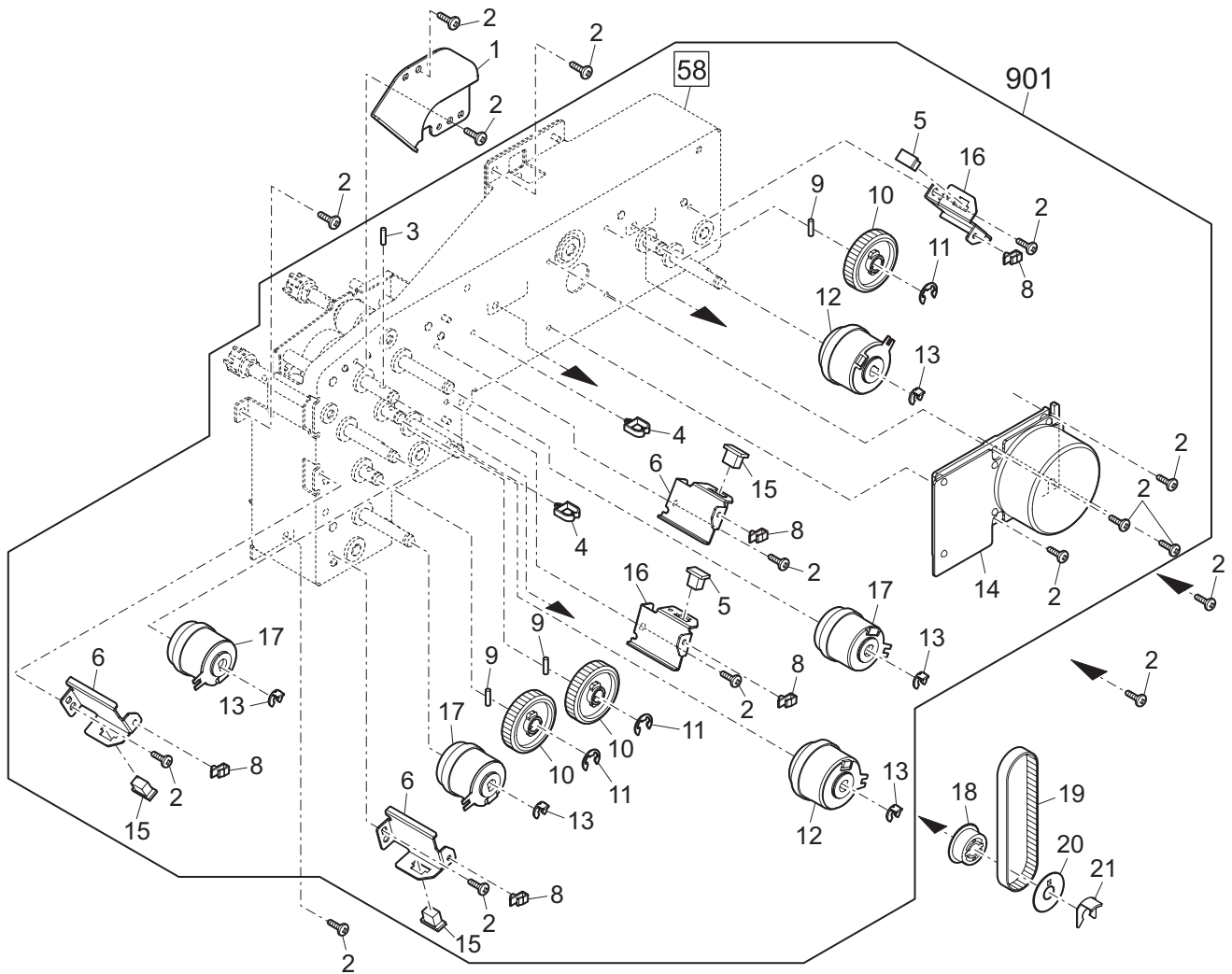


ITEM No.	PART No.	PART NAME	Q'TY / PAGE	Q'TY / PACK	REMARKS
1	6LS04224000	Follower bearing support plate			
2	6LS04562000	Delivery follower roller spring			
3	6LS04843000	Bearing			
4	6LS03745000	SP pin			
5	6LS05043000	Delivery follower roller			
6	6LA58926000	E-ring			
7	6LS05224000	Delivery follower roller shaft			
8	6LA58794400	Screw M3X6			
9	6LS03690000	Delivery roller bearing holder			
10	6LA58794800	SCREW M4X16			
11	6LS03967000	Follower block fixing plate			
12	6LS05612000	Open/close left junction upper PG			
13	6LS04291000	Step screw			
14	6LS05544000	Open/close left junction lower PG			
15	6LS04256000	Step screw			
16	6LS05983000	Open/close left PG lock pawl			
17	6LA58792800	Screw M3X8			
18	6LS04343000	Step screw			
19	6LA58923000	E-ring			
20	6LS04844000	Bearing			
21	6LS03581000	Open/close left frame R			
22	6LS04797000	Bearing			
23	6LS04630000	Open/close left PG lock pawl spring			
24	6LS05248000	Open/close left PG lock shaft			
25	6LS05273000	Delivery support collar shaft			
27	6LS04490000	Open/close left PG lever			
28	6LS03705000	Open/close left PG lever holder			
29	6LS05922000	Motor protect sheet			
30	6LS03966000	Open/close left base plate			
37	6LS03704000	Deurler adjustment shaft holder			
38	6LS05548000	Open/close left upper PG			
39	6LS04631000	Delivery reverse gate spring			
40	6LS05613000	Delivery reverse gate			
41	6LS06242000	E ring			
42	6LS04641000	Reverse ADU switch gate spring			
43	6LS05614000	Reverse ADU switch gate			
44	6LS05543000	Open/close left lower PG			
45	6LS03580000	Open/close left frame F			
47	6LS05947000	ADU reflect protection sheet			
48	6LS03513000	Deurler adjust block			
49	6LS03514000	Deurler angle block			
50	6LS03731000	Pin			
51	6LS03738000	Pin			
53	6LS04499000	Adjust lever			
54	6LS04515000	Deurler lock			
55	6LS04591000	Deurler lock spring			
56	6LS04592000	Deurler follower shaft earth spring			
57	6LS04640000	Open/close left upper PG spring			
58	6LS04848000	Bearing			
59	6LS05264000	Deurler shaft			
60	6LS05265000	Deurler adjust shaft			
61	6LS05629000	Deurler PG			
62	6LS05630000	Deurler lock guide			
63	6LS05880000	Deurler shaft sheet F			
64	6LS05881000	Deurler shaft sheet FC			
65	6LS06210000	Screw			
901	6LS02974000	Open/close left PG unit			

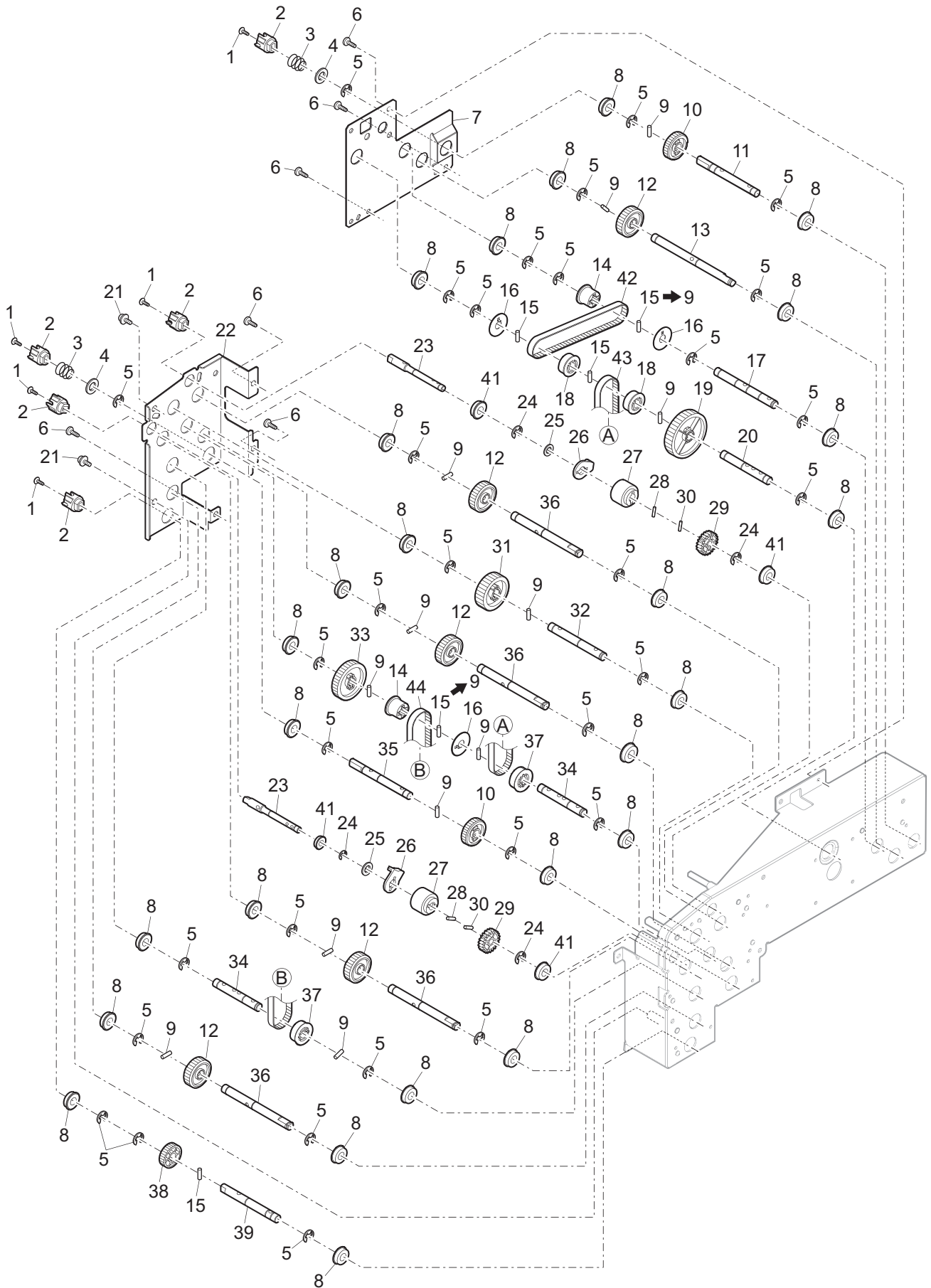


ITEM No.	PART No.	PART NAME	Q'TY / PAGE	Q'TY / PACK	REMARKS
1	6LS03989000	Open/close right fixing plate			
2	6LA58794800	SCREW M4X16			
3	6LA58794400	Screw M3X6			
4	6LS03638000	Wire saddle			
5	6LS03617000	Edge saddle			
6	6LS06164000	Sensor			
7	6LS04357000	Screw			
8	6LS04703000	ADU follower roller pressure spring			
9	6LS04838000	Ball bearing			
10	6LS03745000	SP pin			
11	6LS05042000	ADU follower roller			
12	6LA58926000	E-ring			
13	6LS03691000	ADU follower shaft bearing holder			
14	6LS05225000	ADU follower roller shaft			
15	6LS03505000	Open/close PG fixing block			
16	6LS04564000	Open/close PG fixing spring			
17	6LS03453000	Open/close right handle			
18	6LS02972000	Open/close right PG			
19	6LS03210000	APPD harness			
20	6LS03243000	FDSBD harness			
21	6LS06210000	Screw			
22	6LS03609000	Wire saddle			
23	6LS03603000	Mini clamp			
24	6LS03969000	Open/close middle PG reinforce plate			
25	6LS03692000	Open/close PG fixing holder			
26	6LS06127000	Open/close green label			
27	6LS05616000	Open/close middle PG			
28	6LS04343000	Step screw			
29	6LS04182000	Open/close left PG stopper			
30	6LS03048000	PG fulcrum plate			
31	6LS03145000	ADU stay R			
32	6LS03612000	Edge saddle			
33	6LS04563000	ADU return spring			
34	6LS03938000	ADU follower roller fixing plate			
35	6LS05535000	ADU delivery PG			
501	6LS02973000	Open/close right PG unit			
502	6LS02982000	Open/close middle PG unit			
503	6LS03049000	ADU follower roller fixing plate unit			

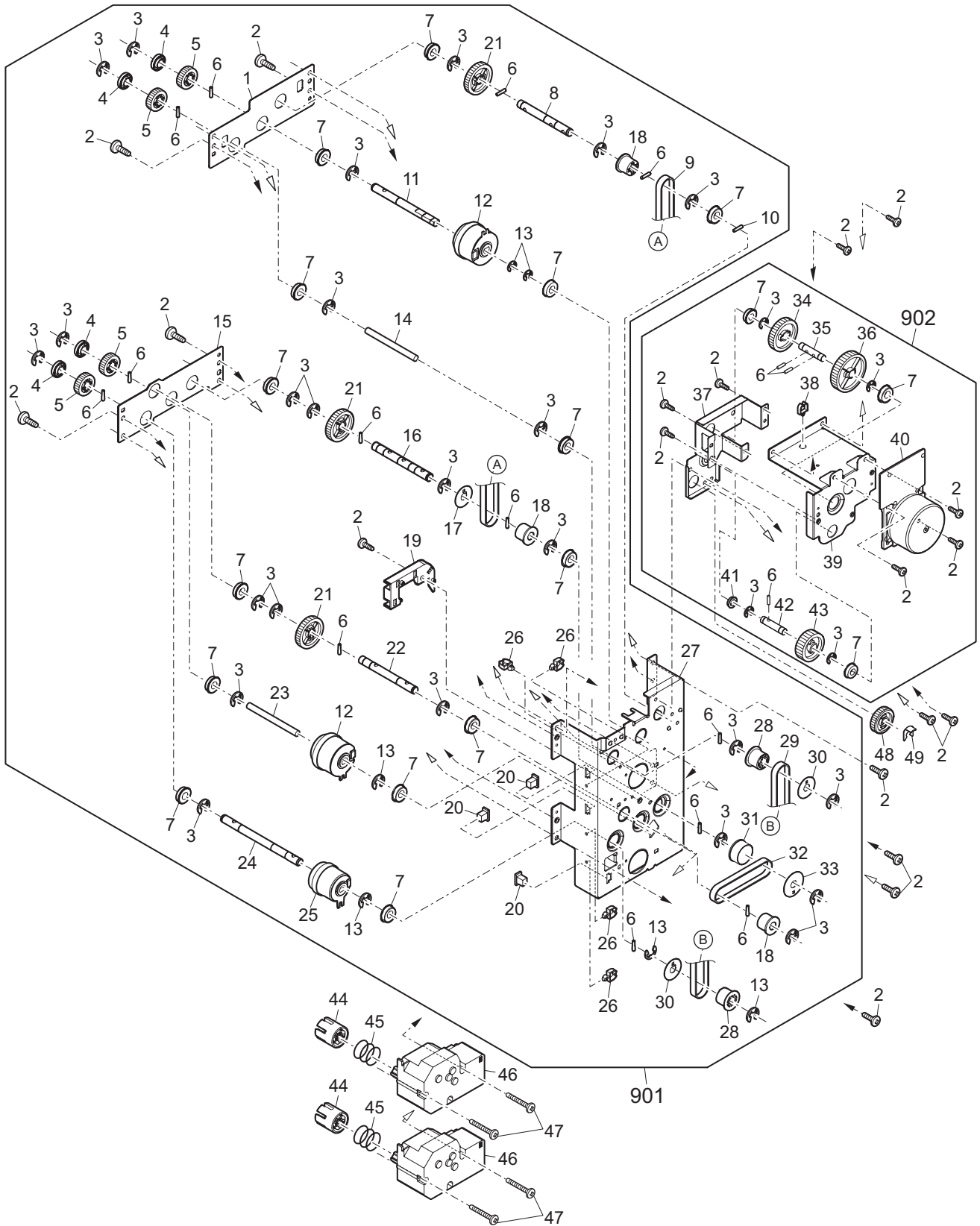




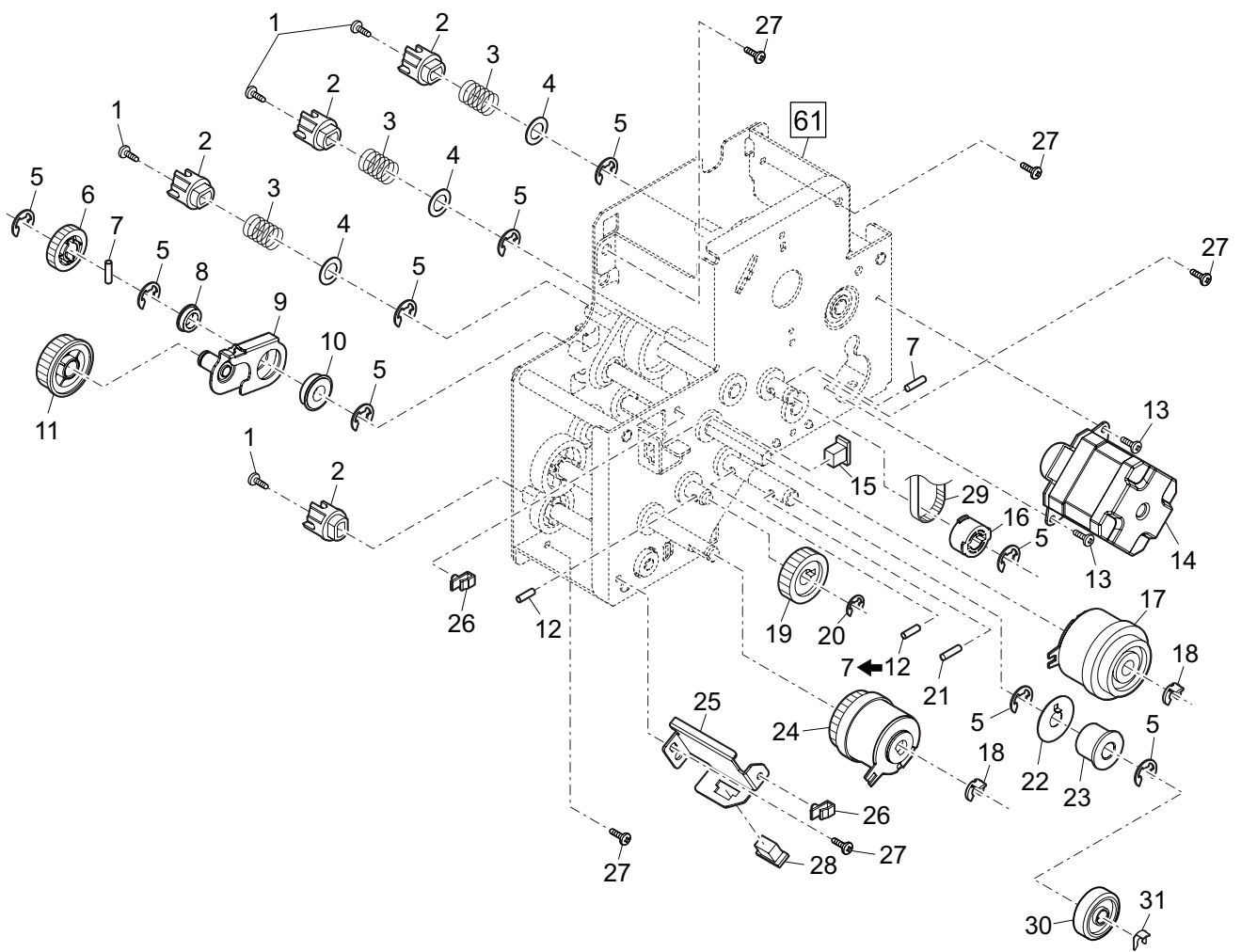
ITEM No.	PART No.	PART NAME	Q'TY / PAGE	Q'TY / PACK	REMARKS
1	6LS03890000	Pitch fixing plate			
2	6LA58794800	SCREW M4X16			
3	6LS03735000	SP pin			
4	6LS03627000	Clamp			
5	6LS06019000	Interface connector			
6	6LS03837000	3PIN connector fixing plate			
8	6LS03638000	Wire saddle			
9	6LS03741000	Pin			
10	6LS04937000	Clutch joint gear			
11	6LA58928000	E-ring			
12	6LS05339000	Paper feed clutch			
13	6LS10187000	STOPPER			
14	6LS06074000	Paper feed motor			
15	6LS06020000	Interface connector			
16	6LS03839000	2PIN connector fixing plate			
17	6LS05338000	Transport clutch			
18	6LS05010000	Pulley			
19	6LS04762000	Belt			
20	6LS05798000	Pulley sheet			
21	6LS04188000	Wire fixing stopper			
901	6LS02934000	Tandem drive unit			



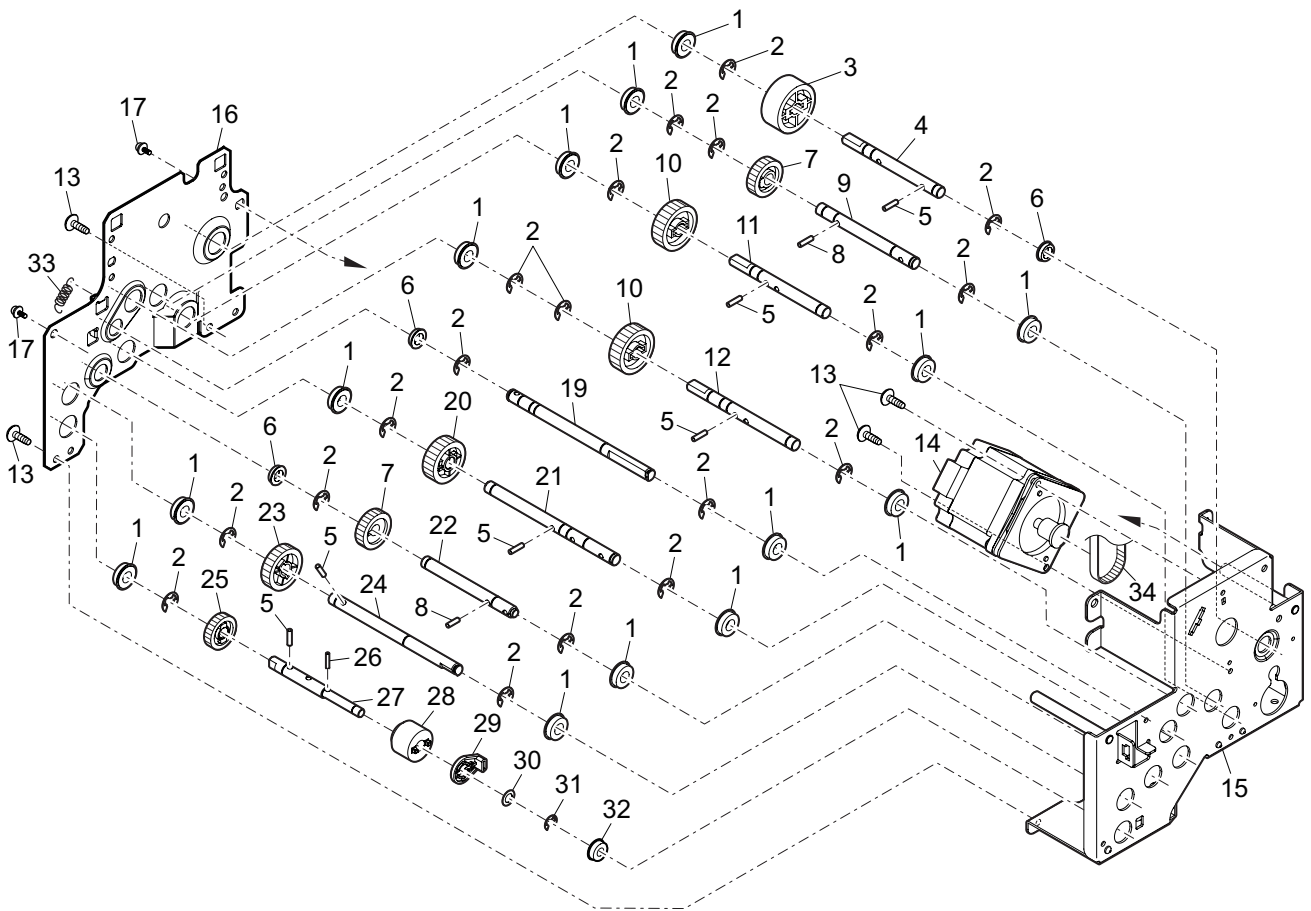
ITEM No.	PART No.	PART NAME	Q'TY / PAGE	Q'TY / PACK	REMARKS
1	6LS04297000	Screw			
2	6LS04852000	Coupling HC			
3	6LS04555000	Transport coupling spring			
4	6LS04392000	Washer			
5	6LA58928000	E-ring			
6	6LA58794800	SCREW M4X16			
7	6LS03548000	Tandem 1CS drive frame lower			
8	6LS04830000	Ball bearing			
9	6LS03741000	Pin			
10	6LS04895000	Gear			
11	6LS05187000	Tandem 1 paper feed shaft			
12	6LS04912000	Gear			
13	6LS05189000	Tandem 1 clutch shaft			
14	6LS05009000	Paper feed joint pulley			
15	6LS03729000	Pin			
16	6LS05798000	Pulley sheet			
17	6LS05192000	Tandem 1 interface shaft			
18	6LS04995000	Pulley			
19	6LS04931000	Transfer drive gear B			
20	6LS05190000	Transport motor joint shaft			
21	6LS06194000	Screw			
22	6LS03547000	Tandem 2CS drive frame lower			
23	6LS05193000	Tandem transport roller shaft			
24	6LA58926000	E-ring			
25	6LS10190000	WASHER			
26	6LS04190000	TL stopper			
27	6LS05342000	Transport torque limiter			
28	6LS03744000	SP pin			
29	6LS04886000	Gear			
30	6LS03727000	Pin			
31	6LS04938000	Transport joint gear			
32	6LS05194000	Tandem transport interface shaft			
33	6LS04937000	Clutch joint gear			
34	6LS05191000	Transport joint shaft			
35	6LS05186000	Tandem 2 paper feed shaft			
36	6LS05188000	Tandem clutch shaft			
37	6LS05010000	Pulley			
38	6LS04882000	DV drive gear-R			
39	6LS05255000	Vertical transport roller drive shaft			
41	6LS04836000	Bearing			
42	6LS04730000	Belt			
43	6LS04738000	Belt			
44	6LS04731000	Belt			
901	6LS02934000	Tandem drive unit			



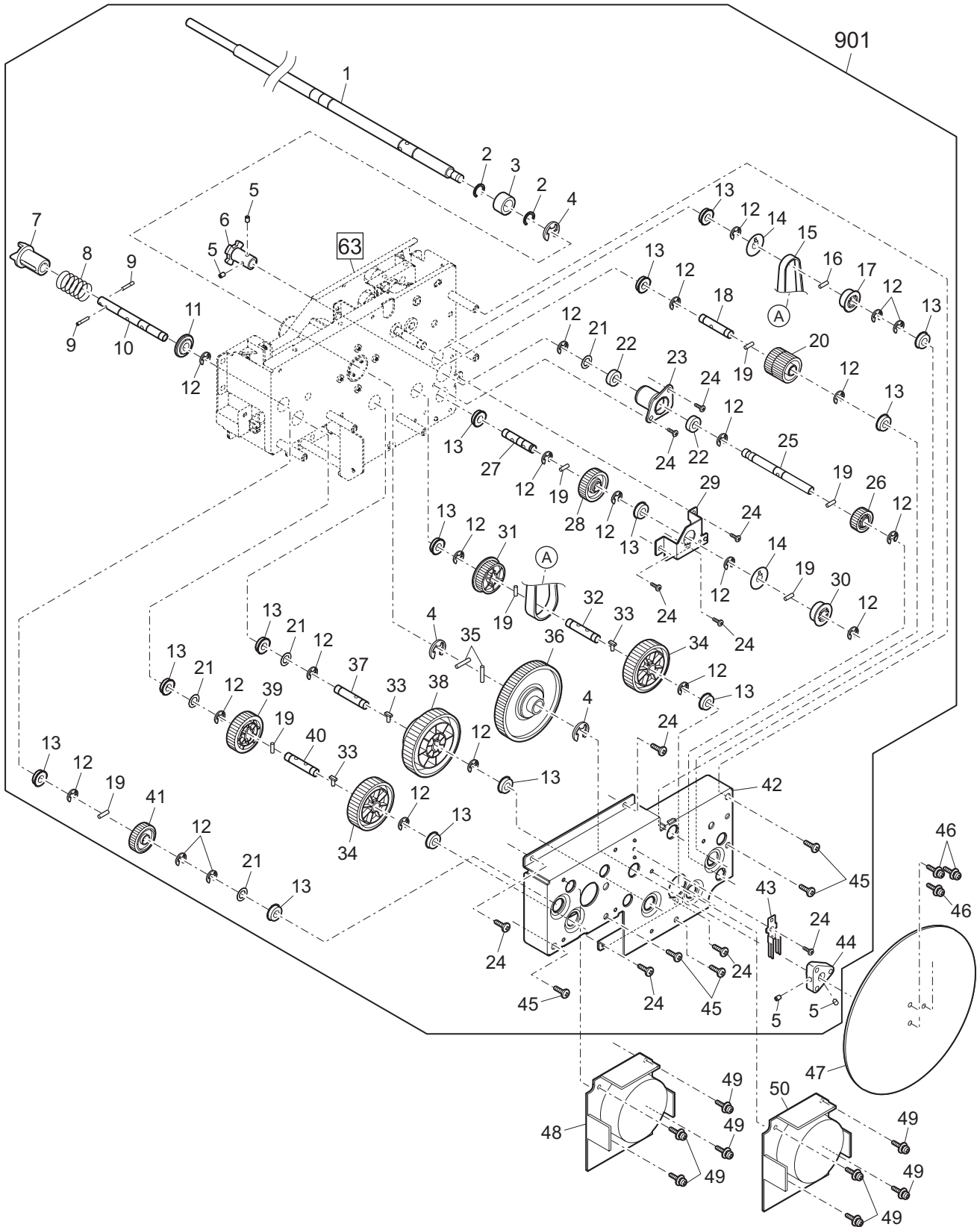
ITEM No.	PART No.	PART NAME	Q'TY / PAGE	Q'TY / PACK	REMARKS
1	6LS03540000	Multiple steps drive frame lower			
2	6LA58794800	SCREW M4X16			
3	6LA58928000	E-ring			
4	6LS05357000	Drive joint collar CD			
5	6LS04925000	Gear			
6	6LS03741000	Pin			
7	6LS04830000	Ball bearing			
8	6LS05197000	Multiple steps drive shaft			
9	6LS04735000	Belt			
10	6LS03735000	SP pin			
11	6LS05142000	Clutch shaft CD			
12	6LS05340000	Multiple steps paper feed clutch			
13	6LA58926000	E-ring			
14	6LS05148000	Separate rear shaft CD2			
15	6LS03538000	Multiple steps drive frame lower B			
16	6LS05147000	Multiple steps drive shaft 2			
17	6LS05822000	Small pulley sheet			
18	6LS05009000	Paper feed joint pulley			
19	6LS05587000	Clutch harness guide			
20	6LS06019000	Interface connector			
21	6LS04926000	Gear			
22	6LS05140000	Multiple steps drive shaft			
23	6LS05146000	Paper feed clutch shaft 2			
24	6LS05141000	Separate rear shaft CD			
25	6LS05341000	Transport clutch			
26	6LS03630000	Harness holder			
27	6LS03539000	Multiple steps drive frame upper			
28	6LS04997000	Pulley			
29	6LS04743000	Belt			
30	6LS05798000	Pulley sheet			
31	6LS04993000	Drive pulley			
32	6LS04728000	Belt			
33	6LS05800000	Belt fixing sheet			
34	6LS04938000	Transport joint gear			
35	6LS05195000	Multiple steps motor shaft			
36	6LS04931000	Transfer drive gear B			
37	6LS03550000	Multiple steps drive frame lower			
38	6LS03602000	Harness holder			
39	6LS03549000	Multiple steps drive frame upper			
40	6LS06074000	Paper feed motor			
41	6LS04828000	DR drive bearing			
42	6LS05196000	Multiple steps drive joint shaft			
43	6LS04937000	Clutch joint gear			
44	6LS04851000	Lift coupling			
45	6LS04530000	Lift up spring			
46	6LS02907000	Lift motor A			
47	6LS06224000	Screw			
48	6LS04895000	Gear			
49	6LS04188000	Wire fixing stopper			
901	6LS02923000	Multiple steps drive unit B			
902	6LS02935000	Multiple steps drive unit			



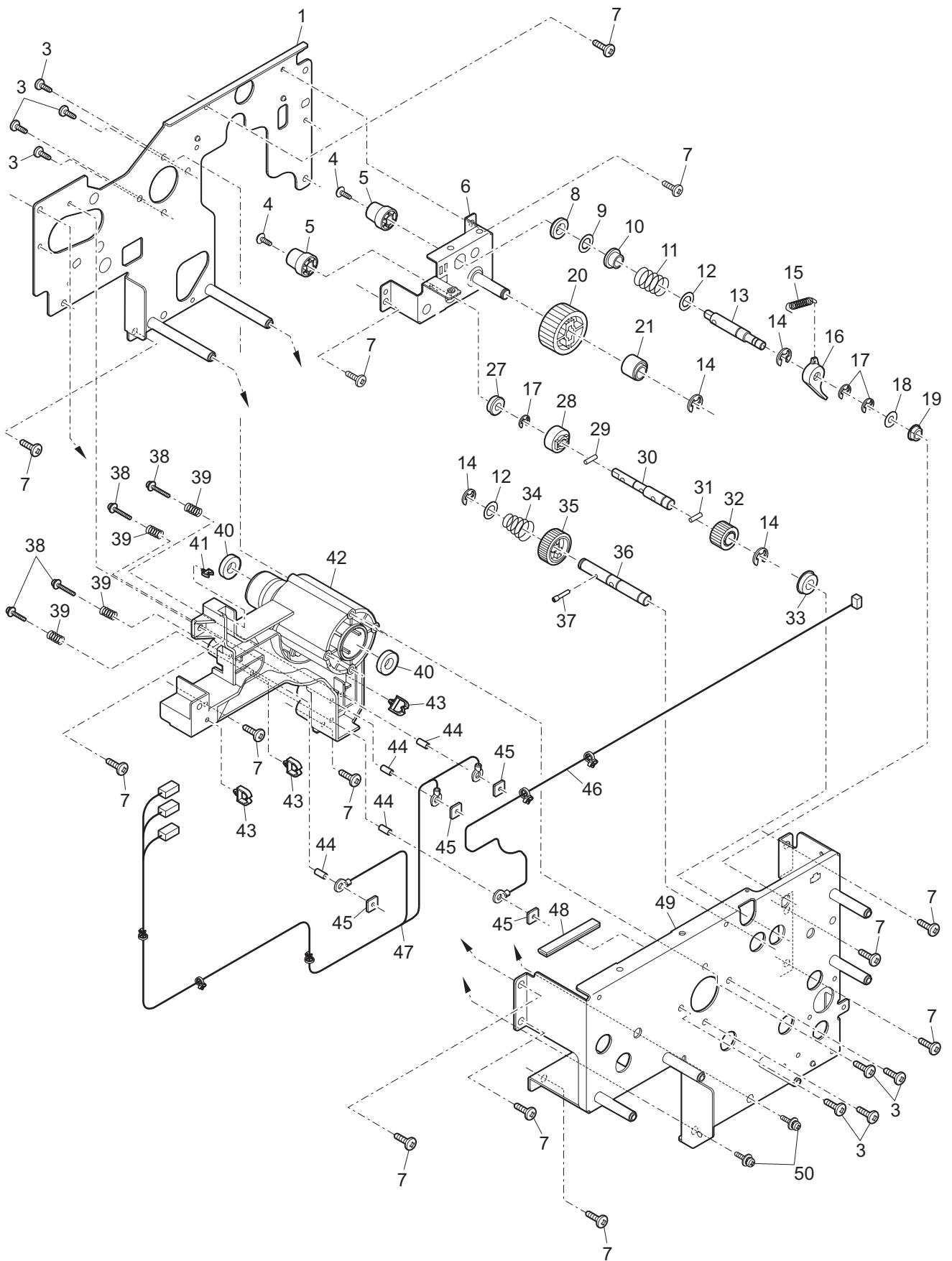
ITEM No.	PART No.	PART NAME	Q'TY / PAGE	Q'TY / PACK	REMARKS
1	6LS04297000	Screw			
2	6LS04852000	Coupling HC			
3	6LS04555000	Transport coupling spring			
4	6LS04392000	Washer			
5	6LA58928000	E-ring			
6	6LS04927000	Gear			
7	6LS03741000	Pin			
8	6LS04828000	DR drive bearing			
9	6LS03011000	Drive joint plate			
10	6LS04830000	Ball bearing			
11	6LS04929000	Drive gear			
12	6LS03729000	Pin			
13	6LA58794400	Screw M3X6			
14	6LS06078000	Transport motor			
15	6LS06019000	Interface connector			
16	6LS05008000	Pulley			
17	6LS05339000	Paper feed clutch			
18	6LS10187000	STOPPER			
19	6LS04880000	Idle gear DR			
20	6LA58926000	E-ring			
21	6LS03735000	SP pin			
22	6LS05798000	Pulley sheet			
23	6LS05009000	Paper feed joint pulley			
24	6LS05338000	Transport clutch			
25	6LS03837000	3PIN connector fixing plate			
26	6LS03638000	Wire saddle			
27	6LA58794800	SCREW M4X16			
28	6LS06020000	Interface connector			
29	6LS04745000	Belt			
30	6LS04897000	Fusing drive gear			
31	6LS04188000	Wire fixing stopper			
901	6LS02927000	Transport drive unit			



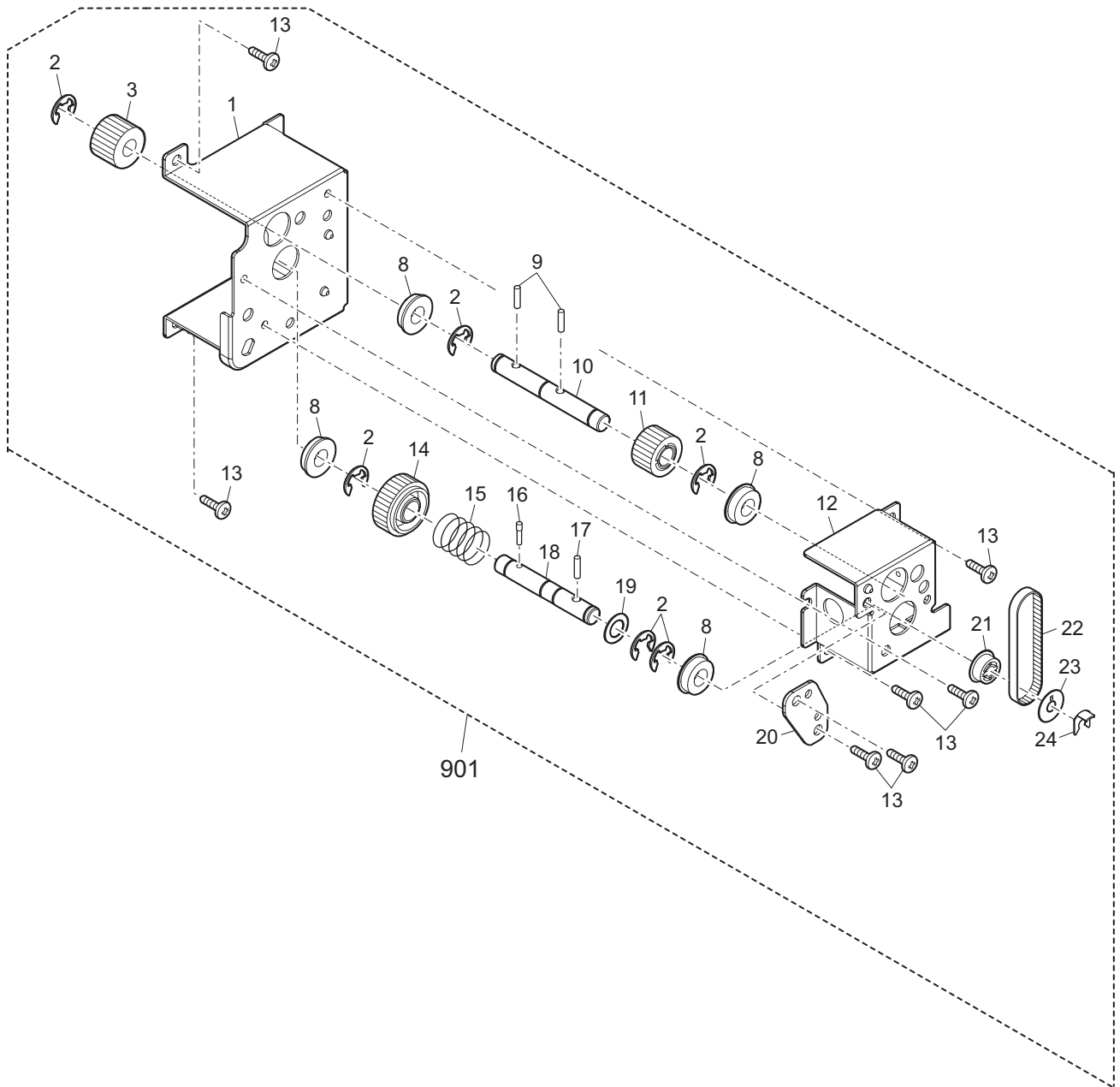
ITEM No.	PART No.	PART NAME	Q'TY / PAGE	Q'TY / PACK	REMARKS
1	6LS04830000	Ball bearing			
2	6LA58928000	E-ring			
3	6LS04893000	Gear			
4	6LS05163000	PS front drive shaft			
5	6LS03741000	Pin			
6	6LS04828000	DR drive bearing			
7	6LS04880000	Idle gear DR			
8	6LS03729000	Pin			
9	6LS05162000	VPM interface shaft			
10	6LS04897000	Fusing drive gear			
11	6LS05165000	Transport VPM drive shaft			
12	6LS05164000	VPM drive shaft			
13	6LA58794800	SCREW M4X16			
14	6LS06079000	Vertical transport motor			
15	6LS02926000	Transport drive frame upper			
16	6LS03544000	Transfer drive frame lower			
17	6LS06194000	Screw			
19	6LS05166000	Roller shaft			
20	6LS04894000	Transport drive gear			
21	6LS05170000	Transport drive joint shaft			
22	6LS05167000	Transport interface shaft			
23	6LS04912000	Gear			
24	6LS05168000	Side LCC clutch shaft			
25	6LS04928000	Gear CD			
26	6LS03744000	SP pin			
27	6LS05169000	Side LCC roller shaft			
28	6LS05342000	Transport torque limiter			
29	6LS04190000	TL stopper			
30	6LS10190000	WASHER			
31	6LA58926000	E-ring			
32	6LS04836000	Bearing			
33	6LS04683000	Pressure spring			
34	6LS04745000	Belt			
901	6LS02927000	Transport drive unit			

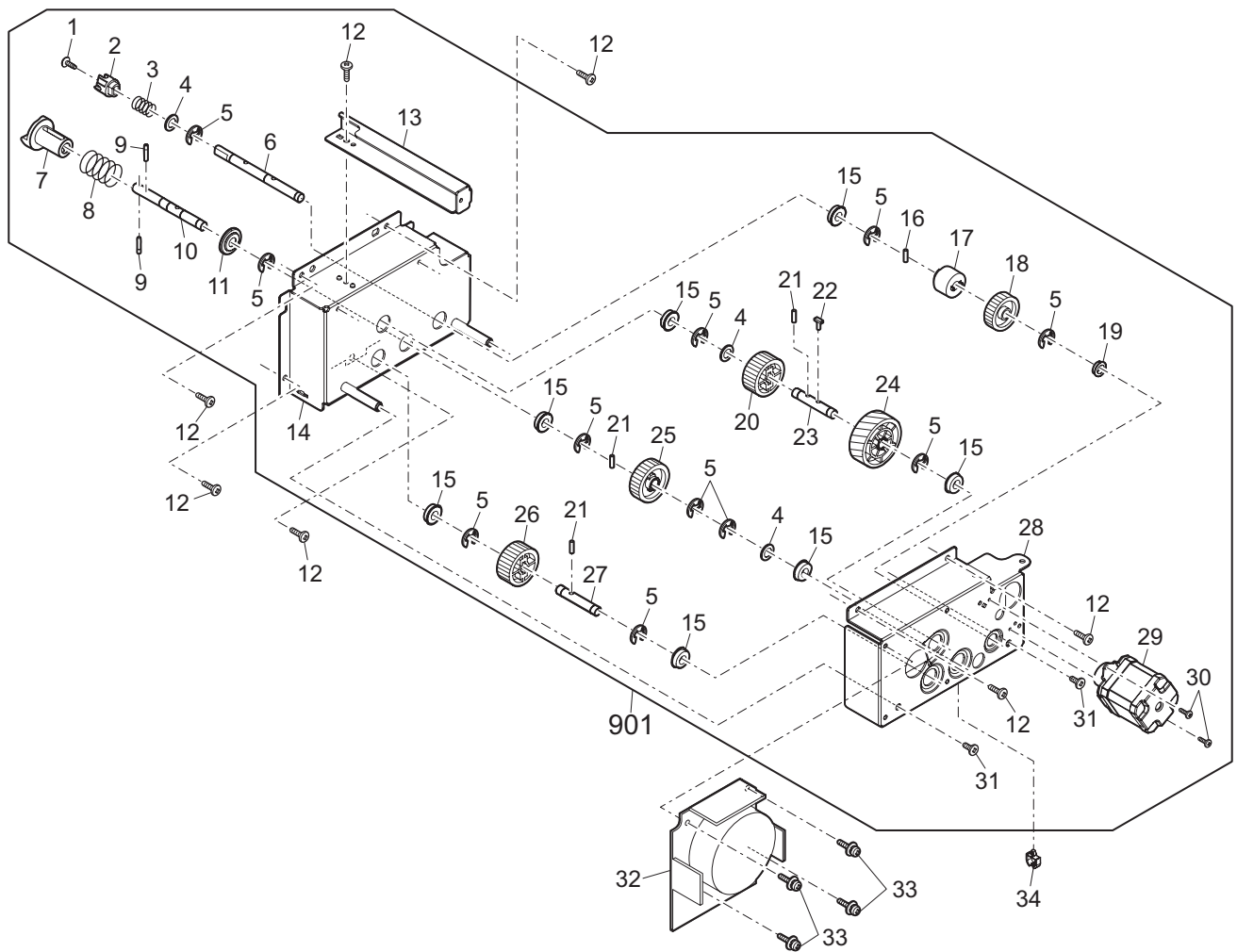


ITEM No.	PART No.	PART NAME	Q'TY / PAGE	Q'TY / PACK	REMARKS
1	6LS05171000	Drum shaft			
2	6LS05766000	Support shaft fixing ring			
3	6LS05970000	Drum spacer R			
4	6LS06246000	E ring			
5	6LS04270000	Screw			
6	6LS04861000	Transfer coupling			
7	6LS04862000	DV coupling			
8	6LS04553000	DV coupling spring			
9	6LS04361000	Screw			
10	6LS05179000	DV drive shaft			
11	6LS05968000	Clutch spacer			
12	6LA58928000	E-ring			
13	6LS04830000	Ball bearing			
14	6LS05798000	Pulley sheet			
15	6LS04746000	Belt			
16	6LS03729000	Pin			
17	6LS04995000	Pulley			
18	6LS05174000	Transfer interface shaft			
19	6LS03741000	Pin			
20	6LS04933000	Transfer drive gear			
21	6LS04392000	Washer			
22	6LS04839000	Bearing			
23	6LS03696000	Transfer coupling holder			
24	6LA58794800	SCREW M4X16			
25	6LS05175000	Transfer drive shaft			
26	6LS04934000	Transfer drive gear			
27	6LS05181000	Waste toner joint shaft			
28	6LS04936000	Waste toner joint gear			
29	6LS03838000	Waste toner drive joint plate			
30	6LS05010000	Pulley			
31	6LS05002000	Pulley			
32	6LS05173000	Transfer joint shaft			
33	6LS03747000	T type pin			
34	6LS04932000	Transfer drive gear A			
35	6LS03743000	Pin			
36	6LS04907000	Drum gear			
37	6LS05172000	Drum joint shaft			
38	6LS04930000	Drum joint gear			
39	6LS04935000	DV drive gear			
40	6LS05178000	DV joint shaft			
41	6LS04912000	Gear			
42	6LS03545000	Drum drive frame upper			
43	6LS06028000	Drum earth plate			
44	6LS04453000	Fly wheel joint			
45	6LS04286000	Screw			
46	6LS06195000	Screw			
47	6LS04876000	Fly wheel			
48	6LS06071000	Drive motor HC			
49	6LS06194000	Screw			
50	6LS06075000	Drive motor			
901	6LS02928000	Drum drive unit			

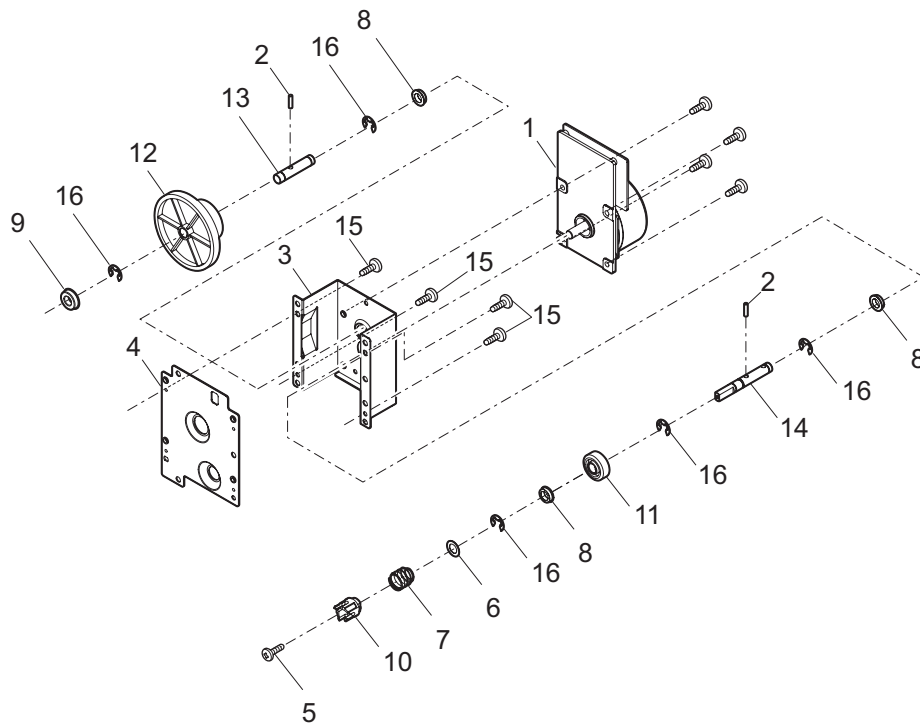


ITEM No.	PART No.	PART NAME	Q'TY / PAGE	Q'TY / PACK	REMARKS
1	6LS02930000	Drum drive frame lower			
3	6LA58793700	SCREW M4X10			
4	6LS04354000	Screw			
5	6LS04854000	Brush coupling			
6	6LS03012000	Rocking drive plate			
7	6LA58794800	SCREW M4X16			
8	6LS04789000	Bearing			
9	6LS04381000	Washer			
10	6LS05348000	Brake collar			
11	6LS04544000	Rocking brake spring			
12	6LS04392000	Washer			
13	6LS05177000	Rocking drive shaft			
14	6LA58928000	E-ring			
15	6LS04684000	Rocking spring			
16	6LS04407000	Rocking arm			
17	6LA58926000	E-ring			
18	6LS10191000	POLY SLIDER			
19	6LS04783000	Bearing			
20	6LS04893000	Gear			
21	6LS04445000	Rocking block cam			
27	6LS04836000	Bearing			
28	6LS04881000	Toner transport gear			
29	6LS03729000	Pin			
30	6LS05176000	Brush drive shaft			
31	6LS03741000	Pin			
32	6LS04909000	Brush coupling gear			
33	6LS04830000	Ball bearing			
34	6LS04531000	Lock spring			
35	6LS04976000	Waste toner lock detect gear			
36	6LS05180000	Lock detect shaft			
37	6LS04361000	Screw			
38	6LS06189000	Screw			
39	6LS04552000	High voltage electrode spring			
40	6LS04847000	Ball bearing			
41	6LS03631000	Harness holder			
42	6LS03656000	Drum shaft holder			
43	6LS03602000	Harness holder			
44	6LS05969000	MC spacer			
45	6LS03753000	M3 plate			
46	6LS03186000	DV bias harness			
47	6LS03185000	THV harness			
48	6LS03478000	Edge bush			
49	6LS02929000	Drum drive frame middle			
50	6LS06194000	Screw			
901	6LS02928000	Drum drive unit			

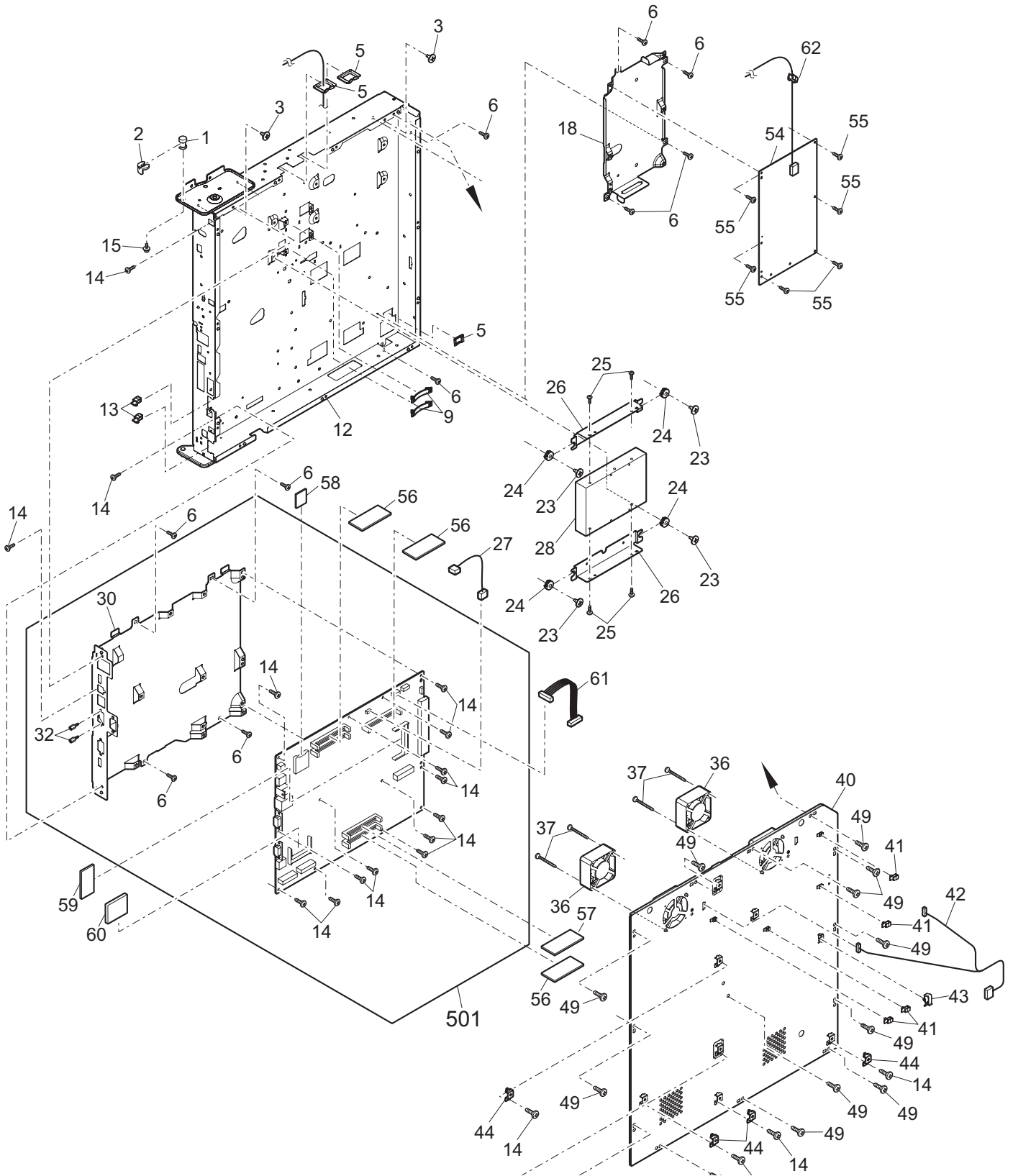




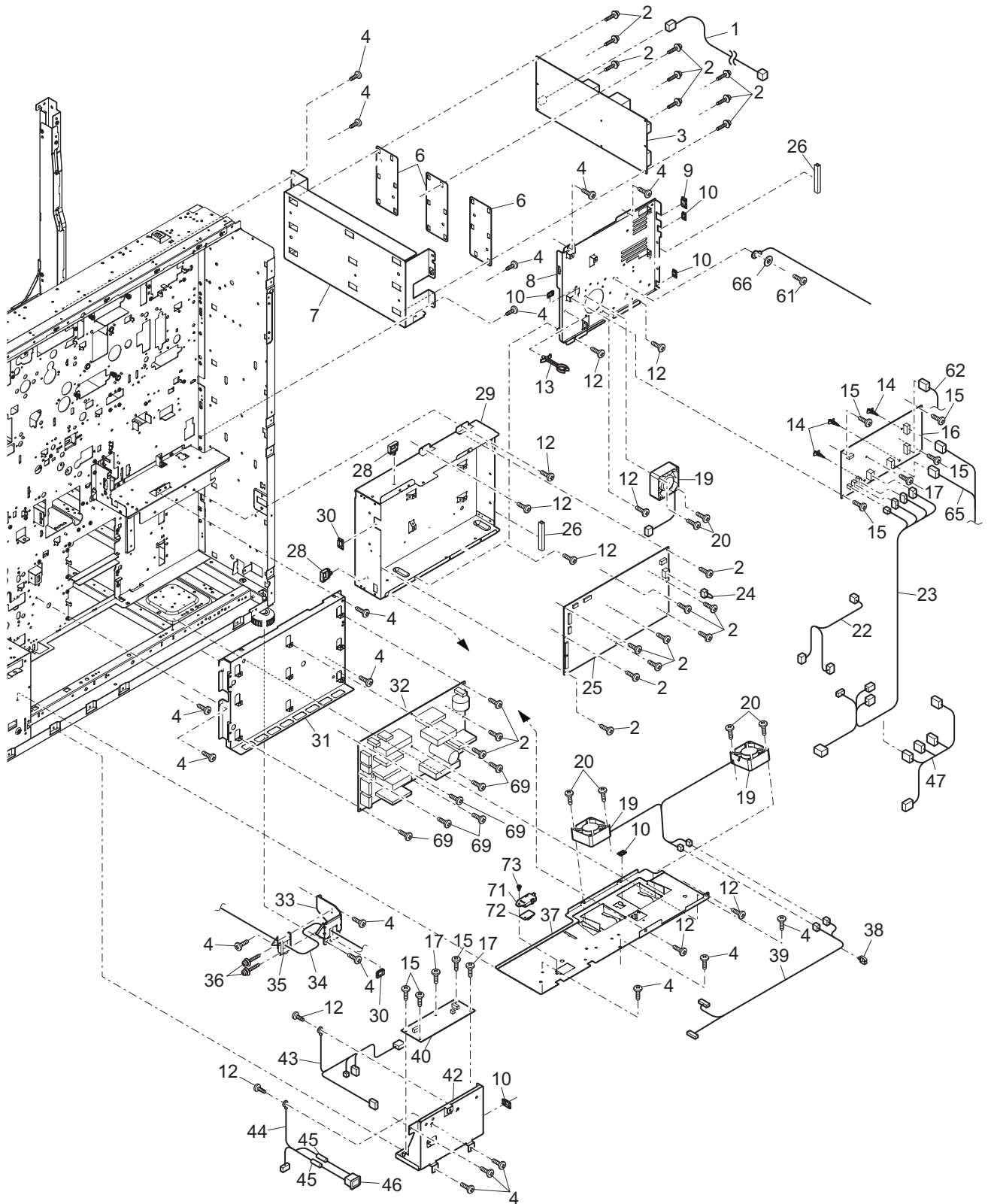
ITEM No.	PART No.	PART NAME	Q'TY / PAGE	Q'TY / PACK	REMARKS
1	6LS04297000	Screw			
2	6LS04852000	Coupling HC			
3	6LS04555000	Transport coupling spring			
4	6LS04392000	Washer			
5	6LA58928000	E-ring			
6	6LS05185000	Fusing rear roller shaft			
7	6LS04863000	Fusing drive coupling			
8	6LS04554000	Coupling spring			
9	6LS04361000	Screw			
10	6LS05184000	Fusing drive shaft			
11	6LS05968000	Clutch spacer			
12	6LA58794800	SCREW M4X16			
13	6LS04202000	Control BOX support plate			
14	6LS02932000	Fusing drive frame lower			
15	6LS04830000	Ball bearing			
16	6LS03735000	SP pin			
17	6LS05343000	Fusing rear torque limiter			
18	6LS04897000	Fusing drive gear			
19	6LS04828000	DR drive bearing			
20	6LS04889000	Fusing drive gear			
21	6LS03741000	Pin			
22	6LS03747000	T type pin			
23	6LS05182000	Fusing motor shaft			
24	6LS04910000	DV drive gear			
25	6LS04938000	Transport joint gear			
26	6LS04893000	Gear			
27	6LS05183000	Fusing drive joint shaft			
28	6LS03546000	Fusing drive frame upper			
29	6LS06087000	Fusing rear motor			
30	6LA58794400	Screw M3X6			
31	6LS04286000	Screw			
32	6LS06071000	Drive motor HC			
33	6LS06194000	Screw			
34	6LS03599000	Clamp			
901	6LS02931000	Fusing drive unit			



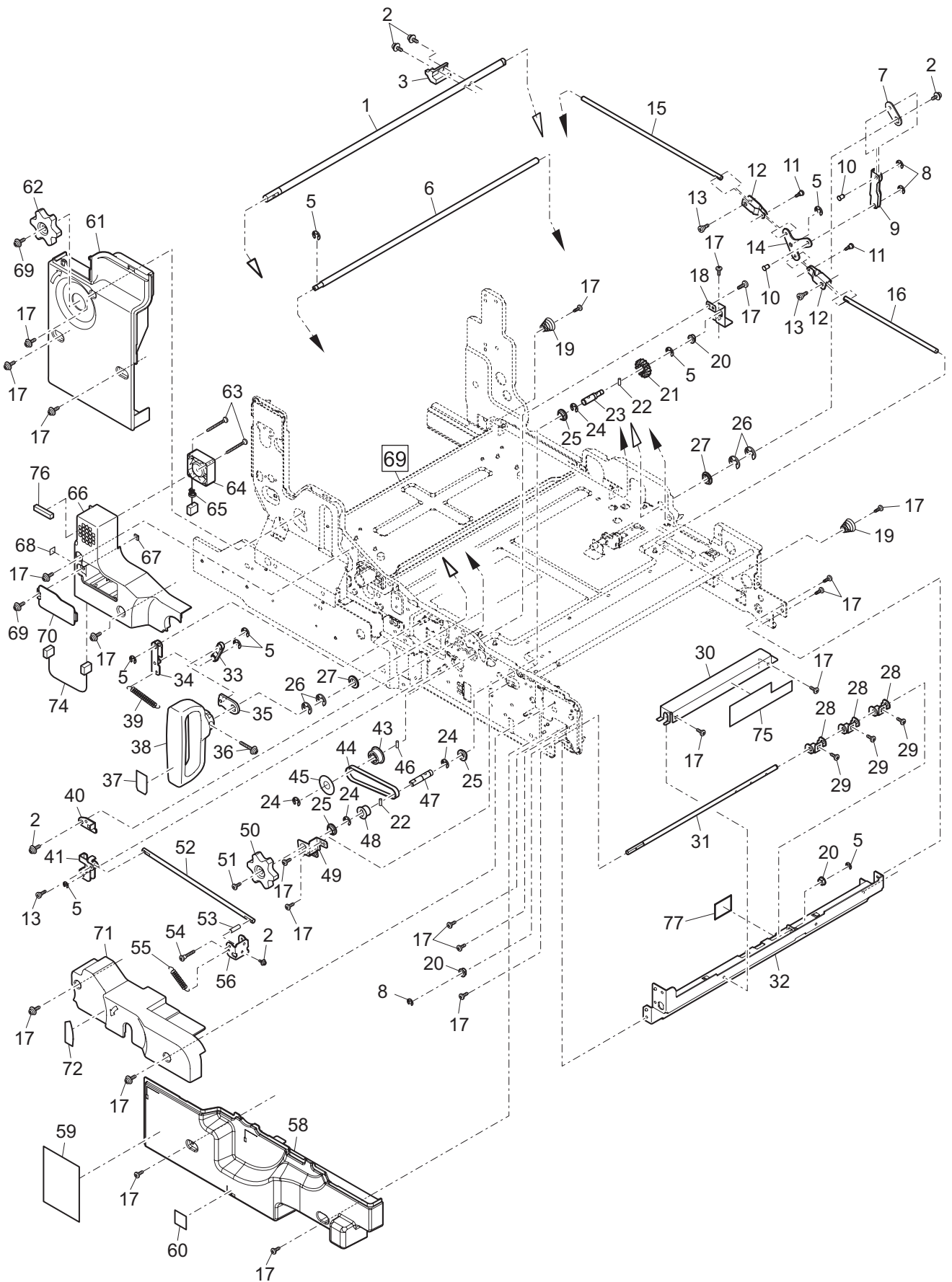
ITEM No.	PART No.	PART NAME	Q'TY / PAGE	Q'TY / PACK	REMARKS
1	6LS06076000	Deurler roller motor			
2	6LS03741000	Pin			
3	6LS04002000	Deurler drive plate upper			
4	6LS04003000	Deurler drive plate lower			
5	6LS04297000	Screw			
6	6LS04392000	Washer			
7	6LS04532000	Tandem coup spring			
8	6LS04828000	DR drive bearing			
9	6LS04840000	Ball bearing			
10	6LS04852000	Coupling HC			
11	6LS04925000	Gear			
12	6LS04977000	Deurler drive gear			
13	6LS05268000	Deurler idle shaft			
14	6LS05269000	Deurler drive shaft			
15	6LS06226000	Screw			
16	6LA58928000	E-ring			
901	6LS03073000	Deurler drive UN			



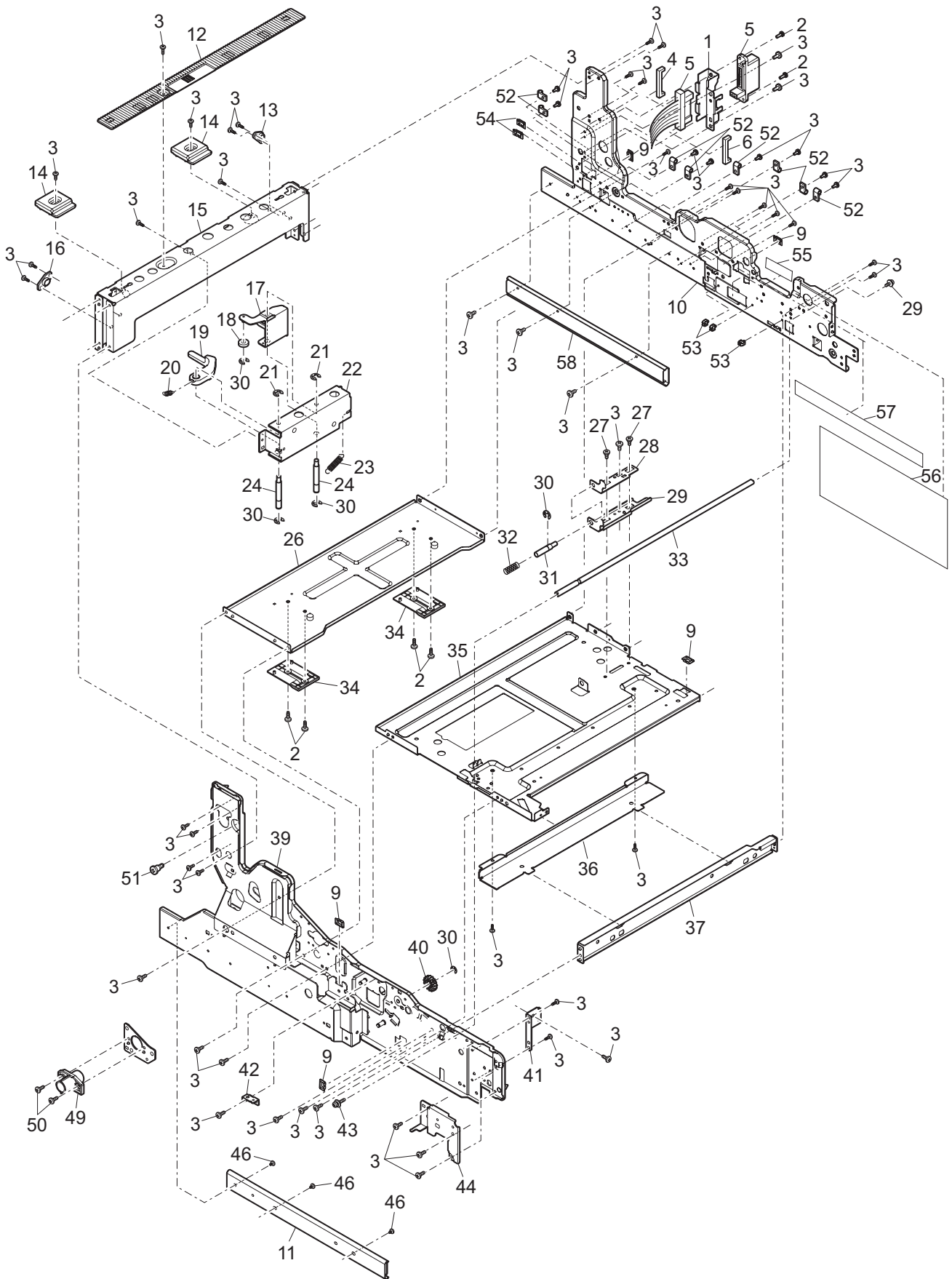
ITEM No.	PART No.	PART NAME	Q'TY / PAGE	Q'TY / PACK	REMARKS
1	6LS05245000	Controller support shaft upper			
2	6LS04188000	Wire fixing stopper			
3	6LS04346000	Step screw			
5	6LS03613000	Edge saddle			
6	6LA58794800	SCREW M4X16			
9	6LS03616000	Flat clamp			
12	6LS02893000	Controller BOX lower			
13	6LS03622000	Edge saddle			
14	6LA58792100	Screw			
15	6LS06194000	Screw			
18	6LS04001000	Mother PWB fixing plate			
23	6LS04328000	Screw			
24	6LS05486000	HDD damper			
25	6LS04316000	Inch screw			
26	6LS03996000	HDD fixing plate			
27	6LS03266000	HDD SATA harness			
28	6LS03345000	HDD			
30	6LS04000000	MFPC PWB fixing plate			
32	6LS04356000	Hexagon screw			
36	6LS04868000	Controller radiate fan			
37	6LS06197000	Screw			
40	6LS05327000	Controller BOX upper			
41	6LS03638000	Wire saddle			
42	6LS03204000	CTL fan interface harness			
43	6LS03604000	Wire saddle			
44	6LS03961000	Rear cabinet fixing plate			
49	6LS06177000	Screw			
54	6LS03115000	Mother PWB			
55	6LA58794400	Screw M3X6			
56	6LS06066000	DDR3 DIMM memory			
57	6LS06067000	DDR3 DIMM memory			
58	6LS06153000	MFP Program SD card			
59	6LS06156000	MFP Program Flash ROM			
60	6LS06154000	MFP Program CF card			
61	6LS03234000	SATA POWER harness			
62	6LS03473000	Band			
501 A	6LS03070000	MFP control PWB unit			e-STUDIO1207
501 B	6LS03071000	MFP control PWB unit			e-STUDIO1057
501 C	6LS03072000	MFP control PWB unit			e-STUDIO9077



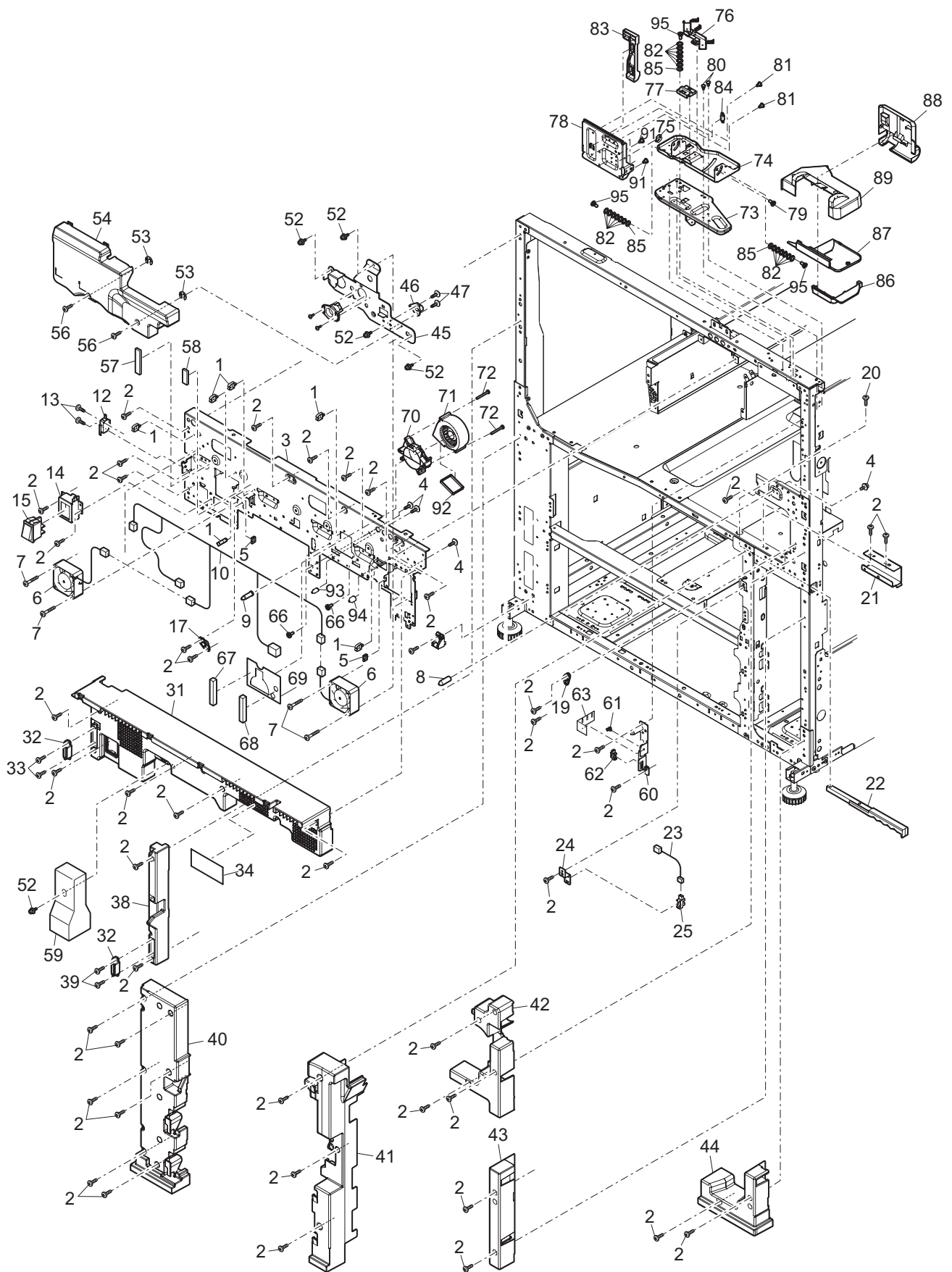
ITEM No.	PART No.	PART NAME	Q'TY / PAGE	Q'TY / PACK	REMARKS
1	6LS03316000	AC sub interface harness			
2	6LA58792800	Screw M3X8			
3	6LS06053000	DC sub PS unit			
4	6LA58794800	SCREW M4X16			
6	6LS05843000	SUB PS protect sheet A			
7	6LS03902000	SUB PS fixing plate			
8	6LS03898000	DC fixing plate R			
9	6LS03607000	Edge saddle			
10	6LS03612000	Edge saddle			
12	6LS06179000	Screw			
13	6LS03606000	Harness holder			
14	6LS04248000	PWB support			
15	6LA58792100	Screw			
16	6LS03098000	AC PWB			
17	6LS06193000	Screw			
19	6LS04874000	Radiate fan			
20	6LS06197000	Screw			
22	6LS03320000	PS sub fan interface harness			
23	6LS03277000	AC/DC harness			
24	6LS03224000	Reactor short harness			
25	6LS06050000	Option DC PS unit			
26	6LS03482000	Edge cover			
28	6LS03636000	Wire saddle			
29	6LS03896000	DC fixing plate C			
30	6LS03613000	Edge saddle			
31	6LS03895000	DC fixing plate F			
32	6LS06052000	DC PS unit			
33	6LS03803000	AC cord fixing plate CD			
34	6LS06016000	AC cord			
35	6LS03521000	AC cord fixer			
36	6LS06196000	Screw			
37	6LS05388000	Bottom rear cover			
38	6LS03599000	Clamp			
39	6LS03267000	PS main main fan interface harness			
40	6LS03097000	AC terminal PWB			e-STUDIO9077
42	6LS03891000	AC tap fixing plate			e-STUDIO9077
43	6LS03257000	AC terminal harness			e-STUDIO9077
44	6LS03221000	Inlet terminal harness			e-STUDIO9077
45	6LS05995000	Tube			e-STUDIO9077
46	6LS06039000	Inlet connector			e-STUDIO9077
61	6LS06200000	Screw			
62	6LS03317000	AC/HL harness			
65	6LS03201000	AC/MSW harness			
66	6LS04389000	Washer			
69	6LA58792200	Screw M3X8			
71	6LS03703000	Humidity sensor holder			
72	6LS06055000	Humidity sensor			
73	6LS06227000	Screw			



ITEM No.	PART No.	PART NAME	Q'TY / PAGE	Q'TY / PACK	REMARKS
1	6LS05153000	UN lock shaft			
2	6LA58792800	Screw M3X8			
3	6LS04180000	Lock stopper			
5	6LA58926000	E-ring			
6	6LS05151000	PS fixing shaft			
7	6LS03911000	Positioning link plate			
8	6LS06242000	E ring			
9	6LS04399000	Positioning link arm A			
10	6LS05247000	Positioning link shaft			
11	6LS04298000	Step screw			
12	6LS04400000	Positioning link arm B			
13	6LS04318000	Step screw			
14	6LS04401000	Positioning link arm C			
15	6LS05157000	UN positioning lock shaft L			
16	6LS05156000	UN positioning lock shaft S			
17	6LA58794800	SCREW M4X16			
18	6LS03912000	PS jam release drive plate			
19	6LS04576000	Center frame return spring			
20	6LS04783000	Bearing			
21	6LS04918000	Separate coupling gear			
22	6LS03729000	Pin			
23	6LS05159000	PS jam release idle shaft			
24	6LA58928000	E-ring			
25	6LS04801000	Bearing			
26	6LS06244000	E ring			
27	6LS04784000	Bearing			
28	6LS04181000	UN stopper R			
29	6LA58894000	Screw			
30	6LS05427000	Stopper R cover			
31	6LS05158000	Stopper R shaft			
32	6LS04219000	Frame stay R			
33	6LS04420000	Link arm S			
34	6LS02883000	Link arm L			
35	6LS02884000	Lock lever arm			
36	6LS06201000	Screw			
37	6LS06132000	Lock lever operation label D			
38	6LS04485000	Lock lever			
39	6LS04679000	Lock lever spring			
40	6LS03907000	Fixing shaft rotation plate			
41	6LS03964000	Rotation regulation plate			
43	6LS05010000	Pulley			
44	6LS04729000	Belt			
45	6LS05798000	Pulley sheet			
46	6LS03741000	Pin			
47	6LS05160000	PS jam release knob shaft			
48	6LS04992000	Transport pulley			
49	6LS03757000	PS knob joint plate			
50	6LS03464000	JAM release knob			
51	6LS04355000	Screw			
52	6LS05259000	Stopper R link shaft			
53	6LS05366000	Space collar			
54	6LS04269000	Screw			
55	6LS04706000	Stopper R link plate spring			
56	6LS03963000	Stopper R link plate			
58	6LS05426000	Frame cover R			
59	6LS06129000	Lock lever operation label A			
60	6LS06130000	Lock lever operation label B			
61	6LS05425000	Frame cover L			
62	6LS03466000	JAM processing knob			
63	6LA58793600	Screw M3X30			
64	6LS04869000	Lock fan			
65	6LS03474000	Band			
66	6LS05423000	Transfer cover			

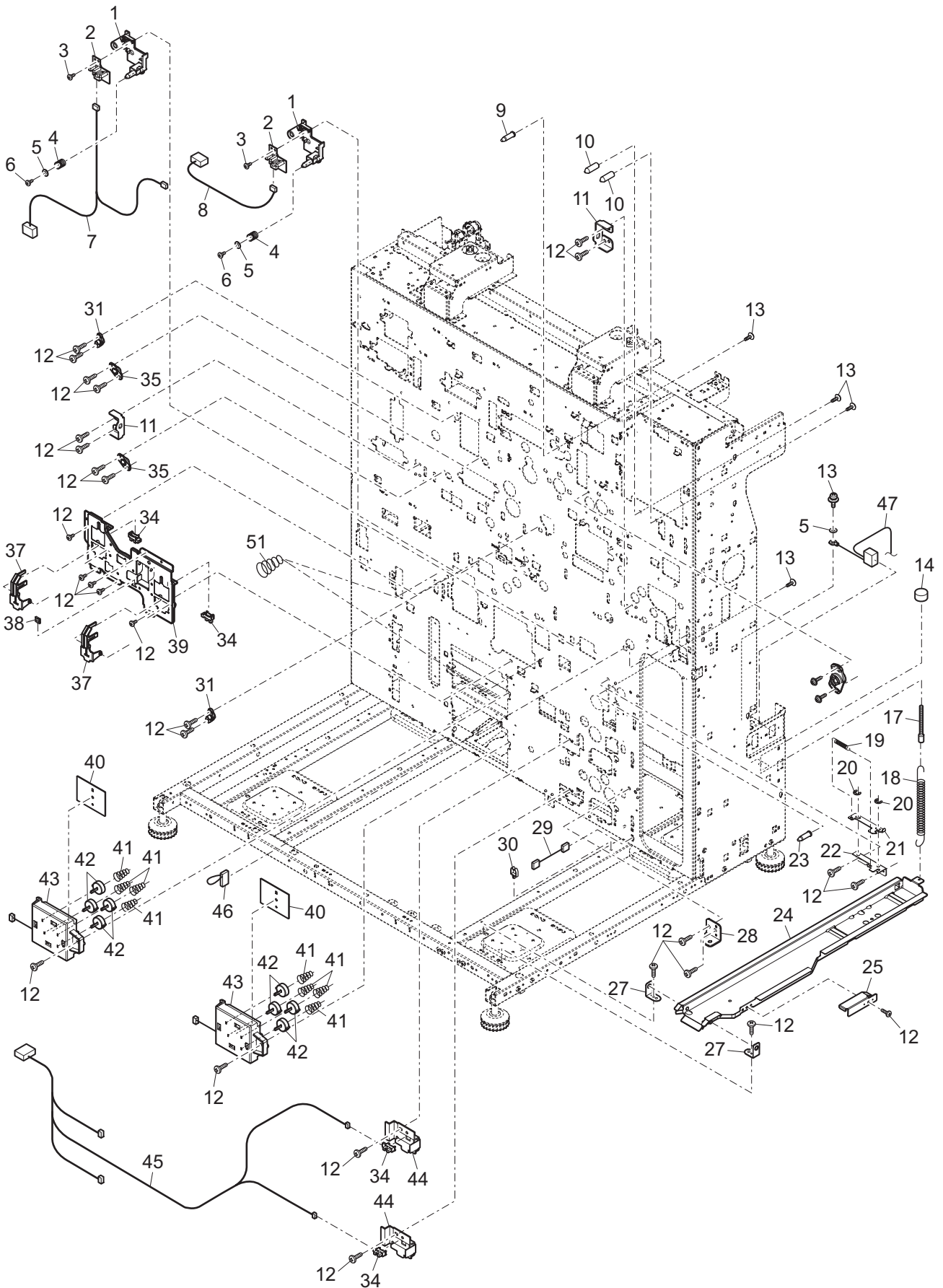


ITEM No.	PART No.	PART NAME	Q'TY / PAGE	Q'TY / PACK	REMARKS
1	6LS04077000	Drawer fixing plate			
2	6LA58794500	Screw M3X8			
3	6LA58794800	SCREW M4X16			
4	6LS04164000	Retainer			
5 A	6LS03242000	Middle frame harness 90			e-STUDIO9077
5 B	6LS03228000	Middle frame harness			e-STUDIO1057/1207
6	6LS04165000	Retainer			
9	6LS03612000	Edge saddle			
10	6LS02946000	Middle frame R			
11	6LS04520000	ADU rail			
12	6LS05448000	Rail stay L cover			
13	6LS03487000	Positioning bush A			
14	6LS05456000	Middle lock cover			
15	6LS03144000	Rail stay L			
16	6LS03488000	Positioning bush B			
17	6LS03042000	ADU lock plate			
18	6LS04826000	Bearing			
19	6LS04179000	ADU stopper			
20	6LS04680000	ADU stopper spring			
21	6LA58926000	E-ring			
22	6LS04221000	Stopper support plate			
23	6LS04681000	ADU lock plate spring			
24	6LS05155000	ADU stopper shaft			
26	6LS02916000	Middle transport base plate			
27	6LS04280000	Step screw			
28	6LS03965000	Lock release plate adjust plate			
29	6LS03909000	Lock release plate			
30	6LA58928000	E-ring			
31	6LS05154000	Lock regulation shaft			
32	6LS04550000	Regulation shaft spring			
33	6LS05152000	PS support shaft			
34	6LS03526000	Open/close slide fixing plate			
35	6LS03508000	Middle transport base plate R			
36	6LS05424000	Harness cover			
37	6LS04220000	Frame stay M			
39	6LS02945000	Middle frame F			
40	6LS04918000	Separate coupling gear			
41	6LS03908000	Upper transport UN fixing plate F			
42	6LS03906000	Lock SP fixing plate			
43	6LS06193000	Screw			
44	6LS03910000	UN positioning reinforce plate			
46	6LS04362000	Screw			
49	6LS03700000	Transfer adjust bearing holder			
50	6LS04349000	Blue screw			
51	6LS04344000	Step screw			
52	6LS03475000	Clamp			
53	6LS03630000	Harness holder			
54	6LS03632000	Edge saddle			
55	6LS05894000	Middle harness protect sheet R			
56	6LS04078000	Harness guide right plate F			
57	6LS05640000	Harness guide F			
58	6LS04519000	ADU rail			

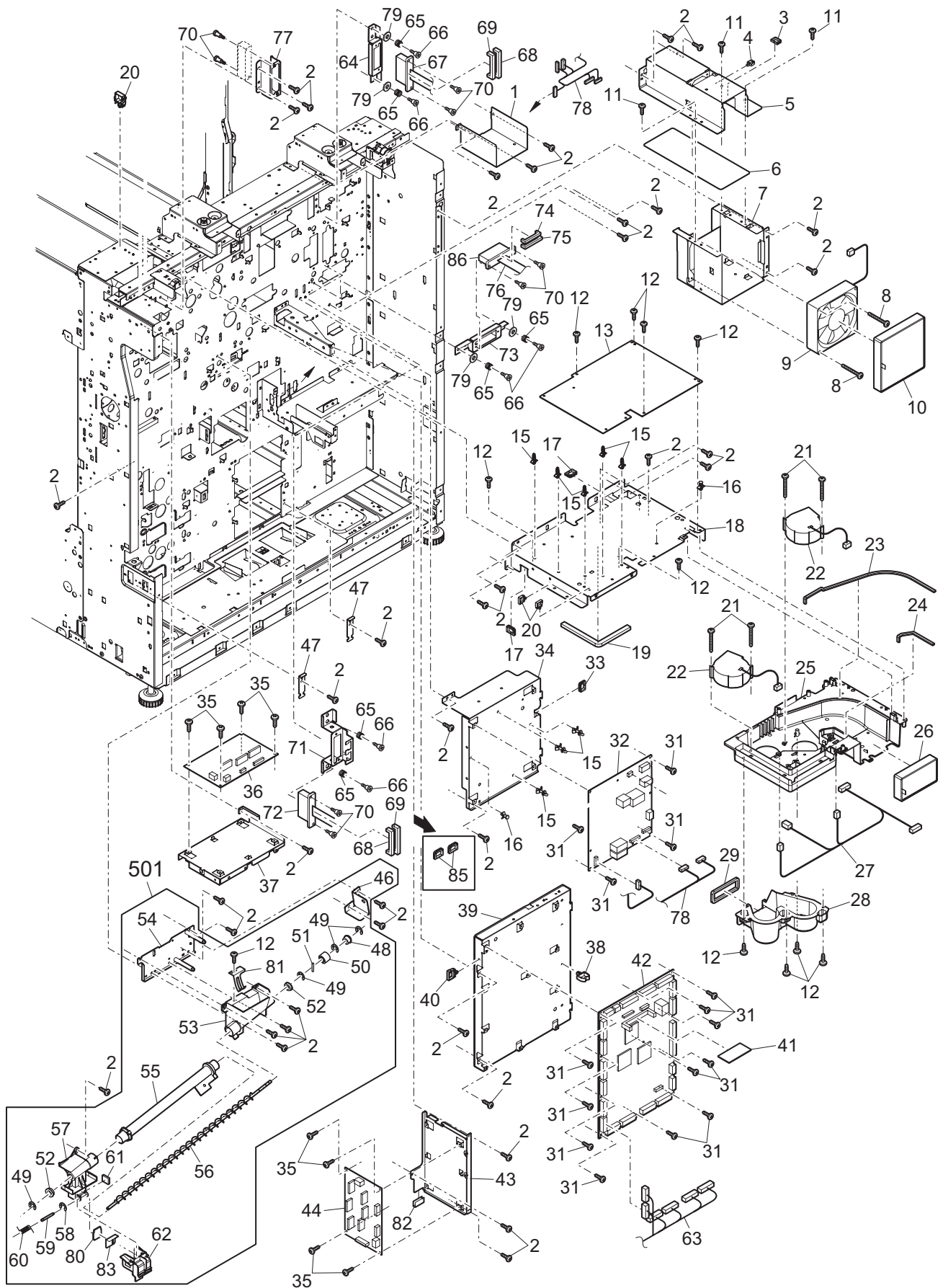


ITEM No.	PART No.	PART NAME	Q'TY / PAGE	Q'TY / PACK	REMARKS
1	6LS03599000	Clamp			
2	6LA58794800	SCREW M4X16			
3	6LS03543000	Front frame			
4	6LS06194000	Screw			
5	6LS03481000	Edge saddle			
6	6LS04874000	Radiate fan			
7	6LS06197000	Screw			
8	6LS05302000	Unit positioning shaft			
9	6LS05201000	Fusing positioning shaft F			
10	6LS03238000	Front frame harness			
12	6LS06044000	Door Switch			
13	6LS06175000	Screw			
14	6LS03835000	MSW fixing plate			
15	6LS06041000	Main switch			
17	6LS03488000	Positioning bush B			
19	6LS03487000	Positioning bush A			
20	6LS04258000	Step screw			
21	6LS03824000	Handle fixing plate F			
22	6LS03452000	Handle DRG			
23	6LS03222000	DSW-CS harness			
24	6LS03802000	Sensor fixing plate			
25	6LS06158000	Photo sensor			
31	6LS05464000	Front cover			
32	6LA58879000	MG catch			
33	6LA58793200	Screw M3X8			
34	6LS05909000	Front cover sheet left			
38	6LS05446000	Left front prop cover			
39	6LS06179000	Screw			
40	6LS05447000	Left front prop lower cover			
41	6LS05419000	Middle prop cover			
42	6LS05422000	Right middle reinforce cover			
43	6LS05420000	Right front prop cover			
44	6LS05421000	Waste toner rail cover			
45	6LS03894000	Process DV fixing plate			
46	6LS03685000	DV unit holder F			
47	6LS06227000	Screw			
53	6LA58926000	E-ring			
54	6LS05445000	Process front cover			
56	6LS04351000	Screw			
57	6LS05725000	Frame cushion left			
58	6LS05726000	Frame cushion right			
59	6LS05449000	Frame cover LS			
60	6LS03066000	TC positioning plate			
61	6LS03638000	Wire saddle			
62	6LS06172000	Detect sensor			
63	6LS05853000	TC harness sheet			
66	6LA58793700	SCREW M4X10			
67	6LS05734000	frame cushion left			
68	6LS05735000	frame cushion right			
69	6LS05892000	Process fan sheet			
70	6LS03706000	Process radiate fan holder			
71	6LS04872000	Lock fan B			
72	6LS06217000	Screw			
73	6LS03150000	Panel support plate lower AS			
74	6LS03151000	Panel rotation support plate lower			
75	6LS03629000	Clamp			
76	6LS03715000	Panel harness holder			
77	6LS04192000	Panel stopper			
78	6LS04244000	Panel rotation support plate upper			
79	6LS04281000	Step screw			
80	6LS04289000	Screw			
81	6LS04319000	Step screw			
82	6LS04391000	Plate spring			

ITEM No.	PART No.	PART NAME	Q'TY / PAGE	Q'TY / PACK	REMARKS
83	6LS04507000	Panel stopper lever			
84	6LS04722000	Stopper lever spring			
85	6LS06253000	Washer			
86	6LS03415000	Hinge fixing cabinet			
87	6LS03439000	Hinge cover			
88	6LS05479000	Panel cover A			
89	6LS05480000	Panel cover B			
91	6LA58794400	Screw M3X6			
92	6LS05744000	Process radiate fan cushion			
93	6LS05266000	Process positioning shaft L			
94	6LS05267000	Process positioning shaft R			
95	6LS04306000	Step screw			

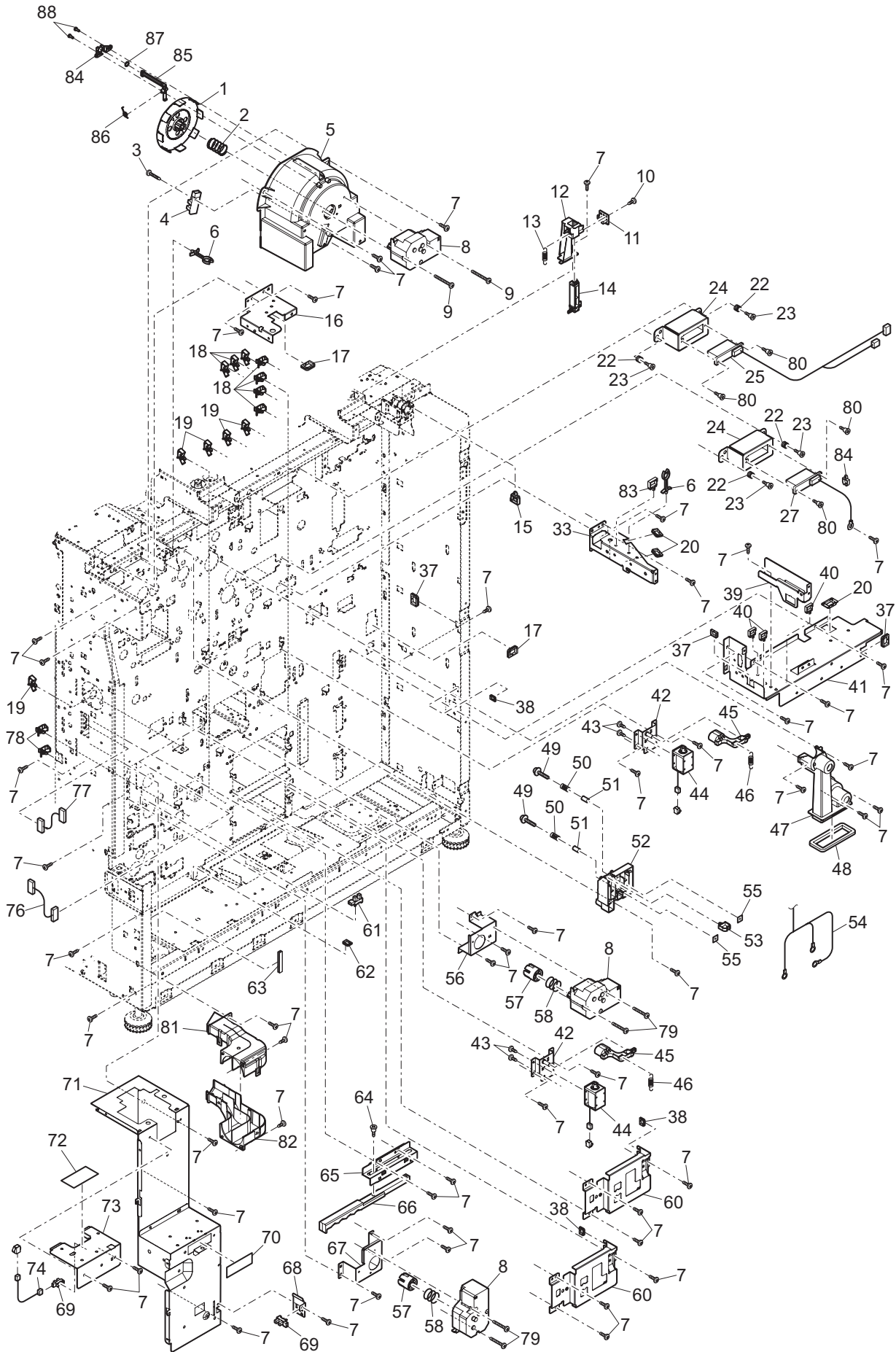


ITEM No.	PART No.	PART NAME	Q'TY / PAGE	Q'TY / PACK	REMARKS
1	6LS03653000	Sensor holder			
2	6LS03101000	Tandem sensor PWB			
3	6LA58793100	Screw M3X6			
4	6LS04549000	Tandem sensor spring			
5	6LS06250000	Washer			
6	6LS04275000	Step screw			
7	6LS03276000	Tandem 2 sensor harness 2			
8	6LS03197000	Tandem 2 sensor hanress			
9	6LS05150000	Process positioning shaft R			
10	6LS05099000	Hopper shaft			
11	6LS03921000	Unit positioning lock plate			
12	6LA58794800	SCREW M4X16			
13	6LS06194000	Screw			
14	6LS04380000	Full detect adjust dial			
17	6LS04335000	Screw			
18	6LS04685000	Waste toner tray spring			
19	6LS04686000	Vertical transport door fixing spring			
20	6LA58926000	E-ring			
21	6LS03841000	Vertical transport door lock plate			
22	6LS03014000	Vertical transport door fixing plate upper			
23	6LS05098000	Tandem positioning shaft			
24	6LS02915000	Waste toner bottle base			
25	6LS03847000	Waste toner bottle guide plate			
27	6LS03840000	Waste toner tray fulcrum plate			
28	6LS03827000	Vertical transport door fixing plate lower			
29	6LS03196000	CPWS interface harness			
30	6LS03599000	Clamp			
31	6LS03487000	Positioning bush A			
34	6LS06158000	Photo sensor			
35	6LS03488000	Positioning bush B			
37	6LS04460000	Actuator			
38	6LS03609000	Wire saddle			
39	6LS03805000	Desk lock plate			
40	6LS03090000	Size detect PWB			
41	6LS04529000	Vertical detect switch spring			
42	6LS03643000	Vertical detect spring holder			
43	6LS03642000	Vertical detect holder			
44	6LS03842000	Remain detect fixing plate			
45	6LS03198000	CSS harness			
46	6LS03220000	INT SP harness			
47	6LS03203000	WH-LCC harness			
51	6LS04593000	Tandem lock spring			



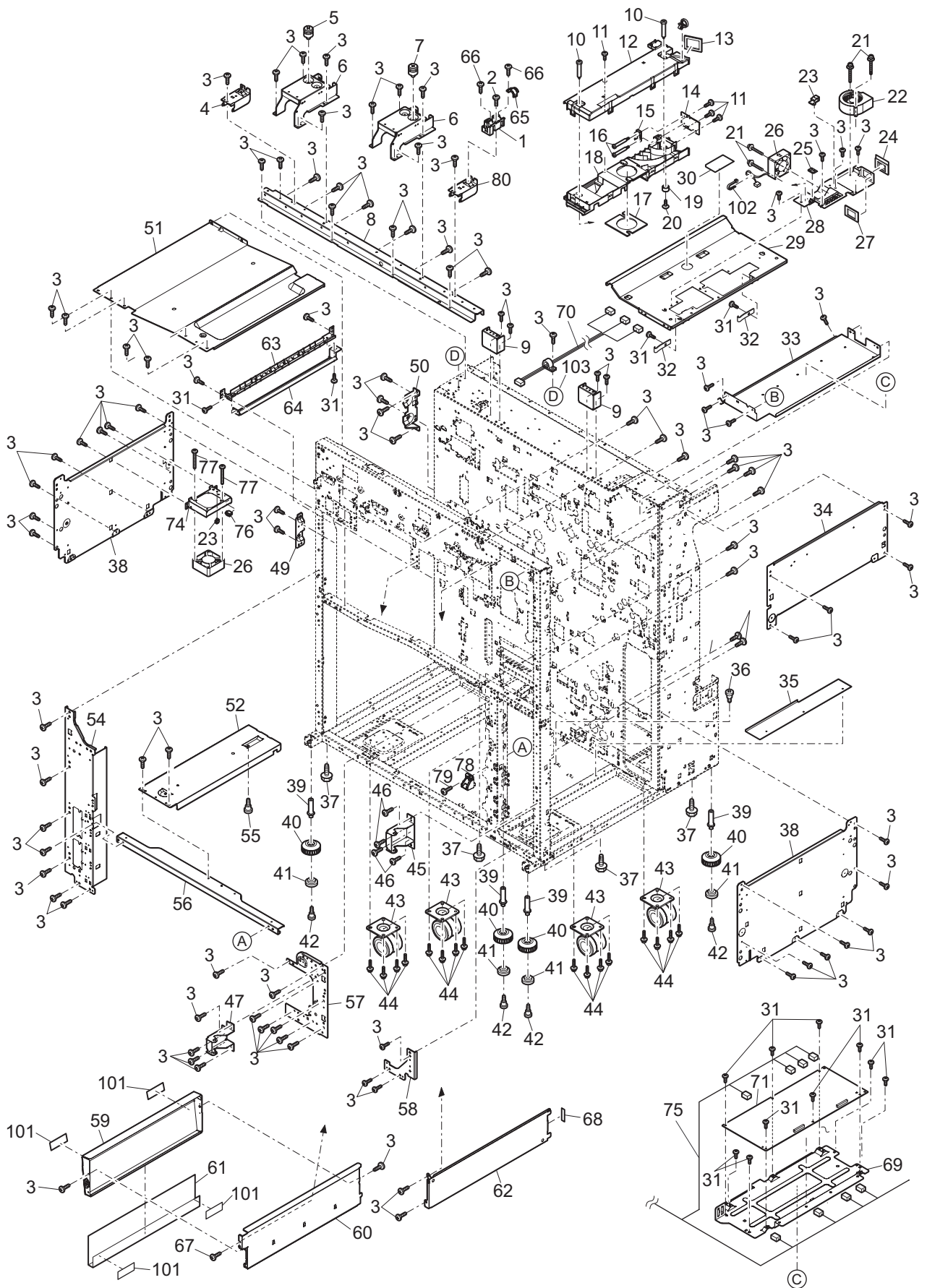
ITEM No.	PART No.	PART NAME	Q'TY / PAGE	Q'TY / PACK	REMARKS
1	6LS05491000	Exhaust duct lower			
2	6LA58794800	SCREW M4X16			
3	6LS03609000	Wire saddle			
4	6LS03599000	Clamp			
5	6LS03887000	Exhaust duct reinforce plate			
6	6LS05936000	Exhaust duct sheet			
7	6LS05490000	Exhaust duct			
8	6LS06197000	Screw			
9	6LS04871000	Lock fan			
10	6LS05504000	Exhaust filter			
11	6LS06226000	Screw			
12	6LA58793700	SCREW M4X10			
13	6LS06054000	High voltage transformer			
15	6LS04248000	PWB support			
16	6LS04245000	PWB support			
17	6LS03613000	Edge saddle			
18	6LS03884000	Ozone duct reinforce plate			
19	6LS05698000	Ozone duct cushion upper			
20	6LS03634000	Wire saddle			
21	6LS06217000	Screw			
22	6LS04870000	Lock fan			
23	6LS05696000	Ozone duct cushion outside			
24	6LS05697000	Ozone duct cushion inside			
25	6LS05487000	Ozone duct			
26	6LS05505000	Ozone filter			
27	6LS03273000	High voltage interface harness			
28	6LS05494000	Ozone duct lower			
29	6LS05695000	Inlet cushion			
31	6LA58792100	Screw			
32	6LS03096000	HL PWB			
33	6LS03607000	Edge saddle			
34	6LS03901000	HL fixing plate			
35	6LA58794400	Screw M3X6			
36	6LS03110000	Paper feed driver PWB			
37	6LS03897000	Driver PWB fixing plate			
38	6LS03627000	Clamp			
39	6LS03899000	PCU PWB fixing plate			
40	6LS03635000	Wire saddle			
41	6LS06157000	PCU flash ROM			
42 A	6LS03122000	PCU PWB			e-STUDIO1207
42 B	6LS03123000	PCU PWB			e-STUDIO1057
42 C	6LS03124000	PCU PWB			e-STUDIO9077
43	6LS03900000	Exhaust driver fixing plate			
44	6LS03108000	Delivery driver PWB			
46	6LS04203000	Waste toner screw support plate			
47	6LS03830000	Rear frame fixing plate			
48	6LS04804000	Blade fixing plate bearing F			
49	6LS06242000	E ring			
50	6LS04939000	Waste toner screw gear			
51	6LS03744000	SP pin			
52	6LS04809000	Bearing MX R			
53	6LS05754000	Waste toner pipe upper			
54	6LS03013000	Waste toner pipe upper fixing plate			
55	6LS05755000	Waste toner pipe			
56	6LS05320000	Waste toner transport screw B			
57	6LS05756000	Waste toner pipe lower			
58	6LS06241000	E ring			
59	6LS05200000	Waste toner shutter shaft			
60	6LS04619000	Waste toner shutter spring			
61	6LS05948000	Waste toner shutter suede			
62	6LS05962000	Waste toner shutter			
63	6LS03256000	Low step mein harness			
64	6LS03044000	Delivery drawer fixing plate			

ITEM No.	PART No.	PART NAME	Q'TY / PAGE	Q'TY / PACK	REMARKS
65	6LS04571000	Fusing drawer spring			
66	6LS04345000	Step screw			
67	6LS03254000	High step main harness			
68	6LS04164000	Retainer			
69	6LS04165000	Retainer			
70	6LS04298000	Step screw			
71	6LS03905000	PS drawer fixing plate			
72 A	6LS03255000	Middle step main harness			e-STUDIO1057/1207
72 B	6LS03258000	Middle step main harness 90			e-STUDIO9077
73	6LS03041000	ADU drawer fixing plate			
74	6LS04163000	Retainer			
75	6LS04162000	Retainer			
76	6LS03241000	ADU motor harness			
77	6LS03889000	Process drawer fixing plate			
78	6LS03236000	Tray interface harness			
79	6LS06252000	Washer			
80	6LS05719000	Waste toner cushion			
81	6LS04658000	Waste toner vibration plate spring			
82	6LS03479000	Edge cover			
83	6LS05872000	Shutter backup sheet			
85	6LS03625000	Edge saddle			
86	6LS06022000	Drawer connector			
501	6LS02989000	Waste toner transport unit			



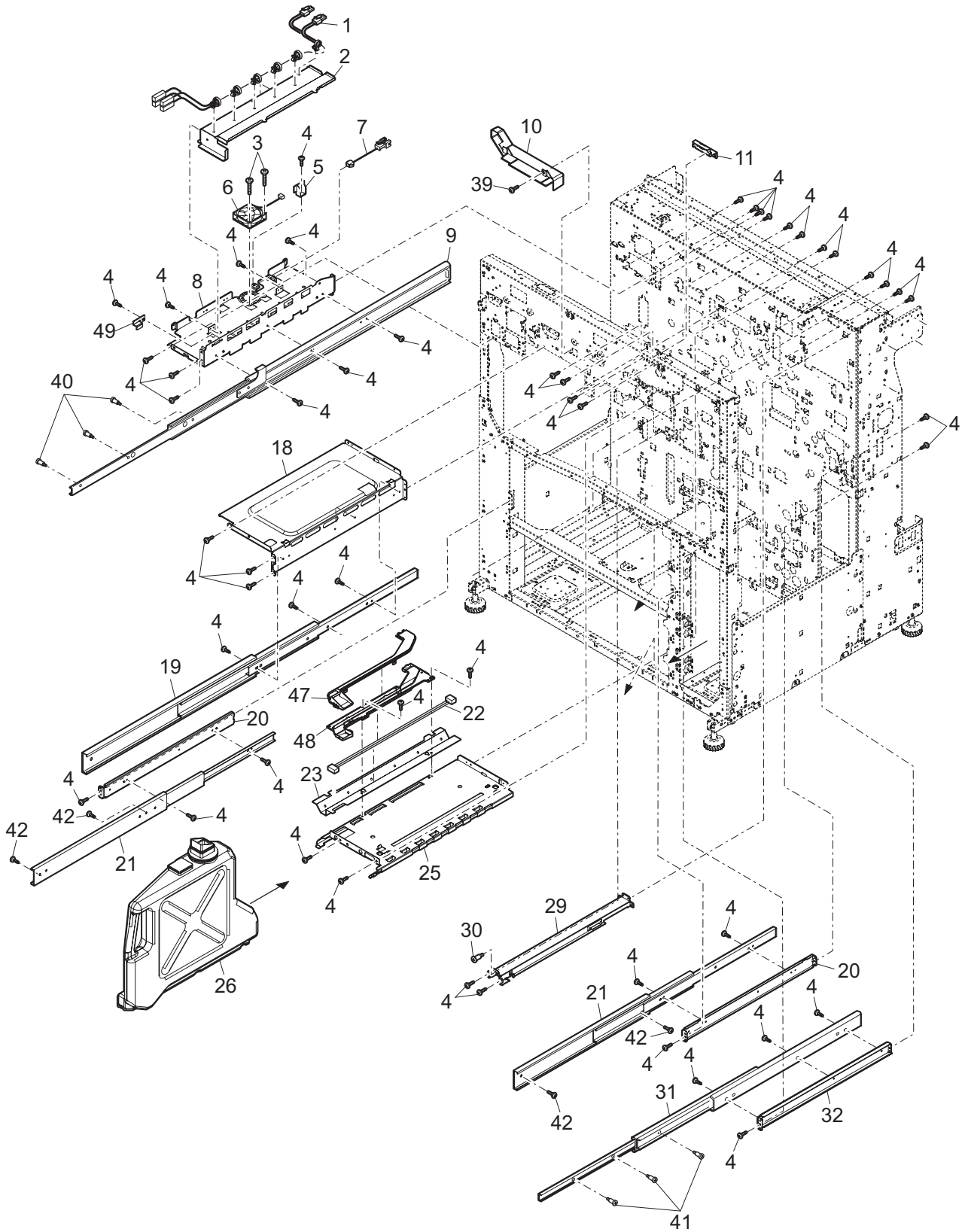
ITEM No.	PART No.	PART NAME	Q'TY / PAGE	Q'TY / PACK	REMARKS
1	6LS04865000	Bottle coupling			
2	6LS04548000	Bottle coupling spring			
3	6LA58794000	Screw M4X16			
4	6LS06167000	Detect sensor			
5	6LS05387000	Bottle cover			
6	6LS03606000	Harness holder			
7	6LA58794800	SCREW M4X16			
8	6LS02907000	Lift motor A			
9	6LS06208000	Screw			
10	6LA58793100	Screw M3X6			
11	6LS03087000	OC open/close detect sensor PWB			
12	6LS03675000	Open/close detect holder			
13	6LS04693000	Open/close detect spring			
14	6LS04480000	Open/close detect actuator			
15	6LS03621000	Wire saddle			
16	6LS03831000	Right rear frame fixing plate			
17	6LS03613000	Edge saddle			
18	6LS03637000	Wire saddle			
19	6LS03604000	Wire saddle			
20	6LS03612000	Edge saddle			
22	6LS04571000	Fusing drawer spring			
23	6LS04345000	Step screw			
24	6LS03888000	Fusing drawer fixing plate			
25	6LS03319000	Fusing upper interface harnessB			
27	6LS03227000	Fusing lower interface harness			
33	6LS03903000	Lock support plate			
37	6LS03607000	Edge saddle			
38	6LS03609000	Wire saddle			
39	6LS04218000	Delivery driver support plate			
40	6LS03634000	Wire saddle			
41	6LS04217000	DC support plate			
42	6LS03008000	Paper feed solenoid fixing plate			
43	6LA58792100	Screw			
44	6LS06097000	Paper feed arm solenoid			
45	6LS04415000	Paper feed arm			
46	6LS04663000	Paper feed arm return spring			
47	6LS05418000	Transfer process waste toner cover			
48	6LS05699000	Waste toner cover cushion			
49	6LS06189000	Screw			
50	6LS04552000	High voltage electrode spring			
51	6LS05969000	MC spacer			
52	6LS03684000	MC high voltage holder			
53	6LS03602000	Harness holder			
54	6LS03184000	MHV harness			
55	6LS03753000	M3 plate			
56	6LS03806000	Lift up UN fixing plate			
57	6LS04851000	Lift coupling			
58	6LS04530000	Lift up spring			
60	6LS03825000	Vertical detect fixing plate			
61	6LS06158000	Photo sensor			
62	6LS03481000	Edge saddle			
63	6LS05661000	Edge protector			
64	6LS04350000	Screw			
65	6LS03010000	Handle fixing plate R			
66	6LS03452000	Handle DRG			
67	6LS03962000	Lift up motor fixing plate			
68	6LS03843000	Full detect sensor fixing plate			
69	6LS06172000	Detect sensor			
70	6LS05844000	Heater switch protect sheet			
71	6LS02910000	Waste toner bottle cover			
72	6LS05787000	Waste toner bottle cover seal			
73	6LS03846000	Waste toner bottle detect sensor fixing plate			
74	6LS03199000	TN BOX harness			

ITEM No.	PART No.	PART NAME	Q'TY / PAGE	Q'TY / PACK	REMARKS
76	6LS03240000	Tandem interface harness			
77	6LS03239000	MFP interface harness			
78	6LS03638000	Wire saddle			
79	6LS06224000	Screw			
80	6LS04298000	Step screw			
81	6LS05397000	DV exhaust duct cover upper			
82	6LS05398000	DV exhaust duct cover lower			
83	6LS03620000	Edge saddle			
84	6LS03519000	Bottle lever support block			
85	6LS04506000	Bottle lever			
86	6LS04647000	Bottle lever SP			
87	6LS05763000	Bottle lever O ring			
88	6LA58793200	Screw M3X8			



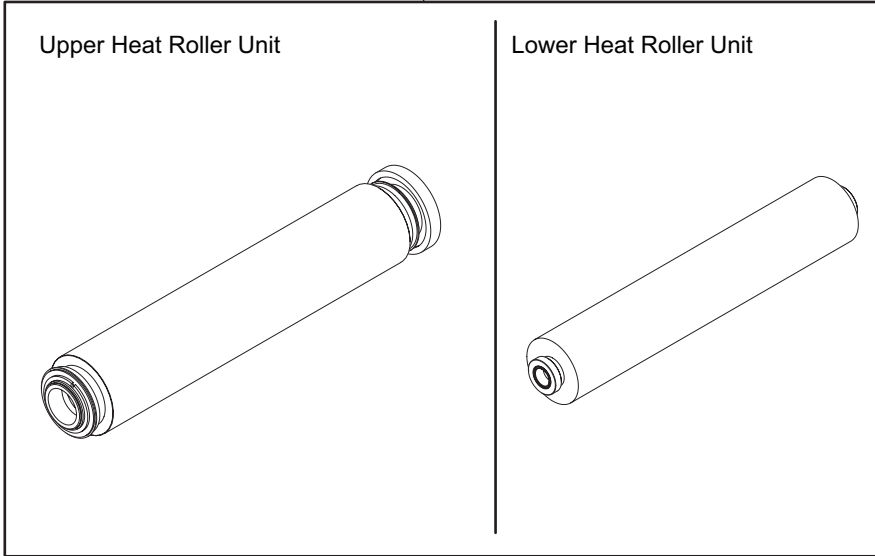
ITEM No.	PART No.	PART NAME	Q'TY / PAGE	Q'TY / PACK	REMARKS
1	6LS05577000	Interface harness guide			
2	6LS06227000	Screw			
3	6LA58794800	SCREW M4X16			
4	6LS03919000	DSPF harness fixing plate			
5	6LS04283000	Step screw R			
6	6LS03874000	DSPF fixing plate			
7	6LS04347000	SPF step screw R			
8	6LS03836000	Rear upper frame reinforce plate			
9	6LS03471000	Angle R			
10	6LS04342000	Step screw			
11	6LS06210000	Screw			
12	6LS05399000	DV radiate duct cover upper			
13	6LS05690000	Duct exhaust cushion R			
14	6LS03863000	DV drawer fixing plate			
15	6LS03272000	DV interface harness			
16	6LS04341000	Step screw			
17	6LS05689000	Blower fan cushion			
18	6LS05400000	DV radiate duct cover lower			
19	6LS05359000	Duct positioning collar			
20	6LS04284000	Screw			
21	6LS06199000	Screw			
22	6LS04870000	Lock fan			
23	6LS03599000	Clamp			
24	6LS05688000	DV exhaust duct cushion B			
25	6LS03609000	Wire saddle			
26	6LS04874000	Radiate fan			
27	6LS05687000	DV exhaust duct cushion A			
28	6LS03668000	DV radiate fan holder			
29	6LS04154000	DV rail			
30	6LS05845000	DV rail sheet			
31	6LA58794400	Screw M3X6			
32	6LS04656000	Upper transport fixing plate spring			
33	6LS05389000	Bottle cover upper			
34	6LS03826000	Side reinforce plate upper			
35	6LS05849000	Bottom plate sheet			
36	6LS04348000	Step screw			
37	6LS04365000	Adjust bolt			
38	6LS03822000	Side reinforce plate lower			
39	6LS05303000	Adjuster shaft			
40	6LS05325000	Adjuster wheel			
41	6LS03445000	Rubber foot			
42	6LS04353000	Step screw H			
43	6LS03446000	Caster			
44	6LS06232000	Screw			
45	6LS04451000	Front cabinet hinge upper			
46	6LS06228000	Screw			
47	6LS04452000	Front cabinet hinge lower			
49	6LS03920000	FIN fixing plate F			
50	6LS03828000	FIN fixing plate			
51	6LS04201000	Middle front and back stay			
52	6LS04195000	Desk middle stay			
54	6LS03823000	Left lower reinforce plate			
55	6LS04311000	Screw			
56	6LS04200000	Lower stay			
57	6LS03829000	Right middle reinforce plate			
58	6LS03821000	Right lower reinforce plate			
59	6LS05488000	Radiate duct			
60	6LS03885000	Radiate duct reinforce plate			
61	6LS05836000	Duct sheet			
62	6LS05390000	Bottle cover lower			
63	6LS05546000	delivery PG upper			
64	6LS05547000	delivery PG lower			
65	6LS05382000	Interface harness cover			

ITEM No.	PART No.	PART NAME	Q'TY / PAGE	Q'TY / PACK	REMARKS
66	6LA58793700	SCREW M4X10			
67	6LS04330000	Blue screw			
68	6LS05950000	Gate silence sheet			
69	6LS04011000	Scanner control PWB fixing plate			
70	6LS03262000	MOTHER-SCN/LSU interface harness			
71 A	6LS03116000	Scanner control PWB			e-STUDIO1207 e-STUDIO1057 e-STUDIO9077
71 B	6LS03117000	Scanner control PWB			
71 C	6LS03118000	Scanner control PWB			
74	6LS04013000	FAN fixing plate			
75	6LS03158000	PNC harness			
76	6LS06021000	Connector			
77	6LS06230000	Screw			
78	6LS04512000	Cassette lock plate			
79	6LA58794500	Screw M3X8			
80	6LS04012000	DSPF harness fixing plate L			
101	6LS05953000	Duct sheet reinforce sheet			
102	6LS03473000	Band			

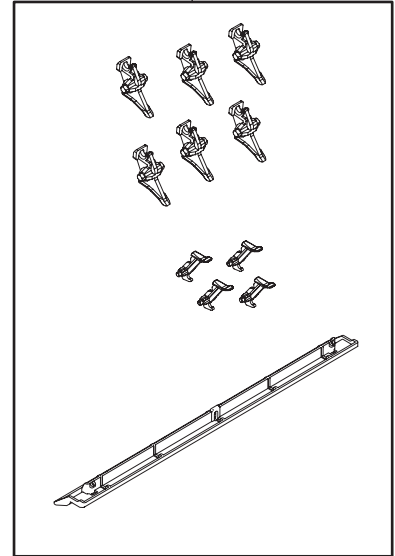


ITEM No.	PART No.	PART NAME	Q'TY / PAGE	Q'TY / PACK	REMARKS
1	6LS03202000	MSW harness			
2	6LS05493000	Delivery upper duct			
3	6LS06197000	Screw			
4	6LA58794800	SCREW M4X16			
6	6LS04874000	Radiate fan			
7	6LS03223000	PA1FAN interface harness			
8	6LS03844000	Fusing guide plate L			
9	6LS04518000	Transport slide rail L			
10	6LS05498000	Fusing duct			
11	6LS03470000	Adjust angle			
18	6LS03845000	Fusing guide plate R			
19	6LS04523000	Transport slide rail M			
20	6LS03804000	Slide rail fixing plate			
21	6LS04521000	Cassette slide rail L			
22	6LS03237000	Frame interface harness			
23	6LS05492000	Radiate duct upper			
25	6LS04155000	Process rail			
26	6B000000764	PS-TB1207			
29	6LS05512000	DV guide			
30	6LS04336000	Step screw			
31	6LS04517000	Transport slide rail R			
32	6LS03834000	Upper transport rail R fixing plate			
39	6LS06219000	Screw			
40	6LS04278000	Screw			
41	6LS04281000	Step screw			
42	6LS04289000	Screw			
47	6LS05499000	Fusing connector radiate duct upper			
48	6LS05500000	Fusing connector radiate duct lower			
49	6LS04184000	Slide rail stopper			

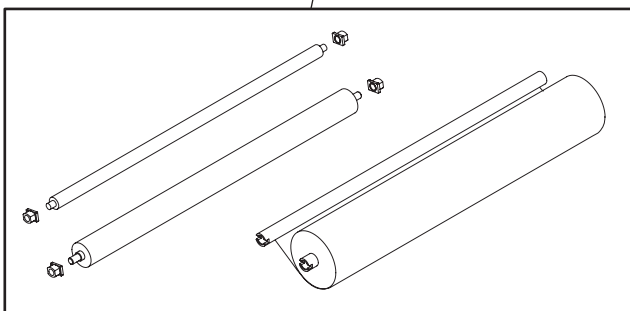
1



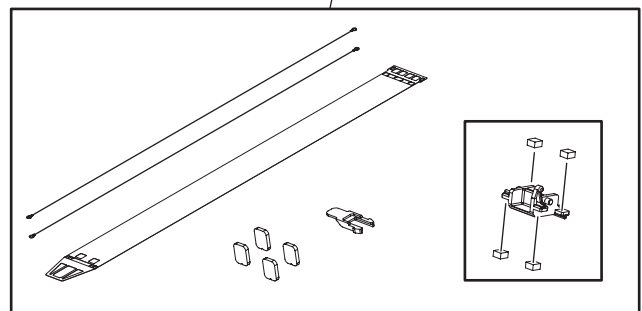
2



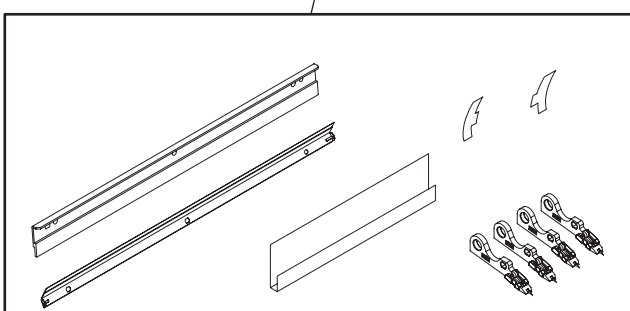
3



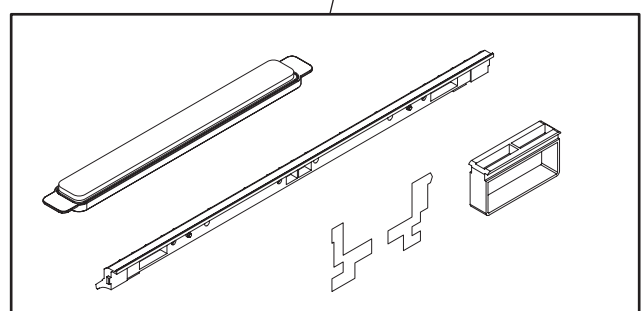
4



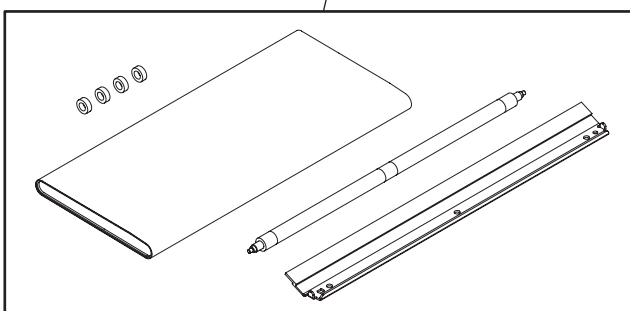
5



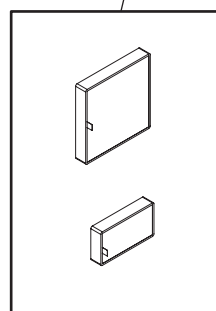
6



7



9



ITEM No.	PART No.	PART NAME	Q'TY / PAGE	Q'TY / PACK	REMARKS
1 2 3	6B00000762 6LS00016000 6LS00017000	PS-ZT1207UK D-1207 OD-1207			Toner Cartridge (Black) Developer (Black) OPC Drum

TOSHIBA

TOSHIBA TEC CORPORATION

1-11-1, OSAKI, SHINAGAWA-KU, TOKYO, 141-8562, JAPAN