

# SERVICE PARTS LIST

**e-STUDIO0905/1105/1355**

**P**

**e-STUDIO905 (D059/D060/D061)**

**PARTS CATALOG**

This catalog gives the numbers and names of parts on this machine.

<b>e-STUDIO905</b>	<b>(D059/D060/D061)</b>
<b>A3/11"x17" Tray Unit TK5010</b>	<b>(B331)</b>
<b>Finisher SR5000</b>	<b>(B830)</b>
<b>Punch Unit PU5000 NA</b>	<b>(B831)</b>
<b>Punch Unit PU5020 NA</b>	<b>(D449)</b>
<b>Multi Bypass Tray BY5000</b>	<b>(B833)</b>
<b>Cover Interposer Tray CI5010</b>	<b>(B835)</b>
<b>Perfect Binder GB5000</b>	<b>(D391)</b>
<b>Ring Binder RB5000</b>	<b>(D392)</b>

**e-STUDIO905 (D059/D060/D061)**

**PARTS CATALOG**

This catalog gives the numbers and names of parts on this machine.

<b>Booklet Finisher SR5020</b>	<b>(D434)</b>
<b>High Capacity Stacker SK5010</b>	<b>(D447)</b>
<b>LCIT RT5030</b>	<b>(D452)</b>
<b>LCIT RT5040</b>	<b>(D453)</b>
<b>Multi-Folding Unit FD5000</b>	<b>(D454)</b>
<b>Trimmer Unit TR5020</b>	<b>(D455)</b>
<b>Decurl Unit DU5000</b>	<b>(D457)</b>
<b>Controller Options</b>	<b>(B328/D451/D377)</b>

**e-STUDIO905  
(D059/D060/D061)**

## e-STUDIO905 (D059/D060/D061)

### PARTS CATALOG

This catalog gives the numbers and names of parts on this machine.

<b>Locations of Unit .....</b>	<b>2</b>	23.Laser Unit (D059/D060/D061) .....	62
1.Exterior 1 (D059/D060/D061) .....	18	24.Tandem Tray 1 (D059/D060/D061) .....	64
2.Exterior 2 (D059/D060/D061) .....	20	25.Tandem Tray 2 (D059/D060/D061) .....	66
3.Exterior 3 (D059/D060/D061) .....	22	26.Tandem Tray 3 (D059/D060/D061) .....	68
4.Exterior 4 (D059/D060/D061) .....	24	27.Universal Tray (D059/D060/D061) .....	70
5.Operation Panel 1 (D059/D060/D061) .....	26	28.Paper Feed Unit 1 D059/D060/D061).....	72
6.Operation Panel 2 (D059/D060/D061) .....	28	29.Paper Feed Unit 2 D059/D060/D061).....	74
7.Operation Panel 3 (D059/D060/D061) .....	30	30.Paper Feed Unit 3 (D059/D060/D061) .....	76
8.Operation Panel 4 (D059/D060/D061) .....	32	31.Vertical Transport (D059/D060/D061) .....	78
9.ADF 1 (D059/D060/D061) .....	34	32.Paper Registration 1 (D059/D060/D061).....	80
10.ADF 2 (D059/D060/D061) .....	36	33.Paper Registration 2 (D059/D060/D061).....	82
11.ADF 3 (D059/D060/D061) .....	38	34.Paper Registration 3 (D059/D060/D061).....	84
12.ADF 4 (D059/D060/D061) .....	40	35.Paper Registration 4 (D059/D060/D061).....	86
13.ADF 5 (D059/D060/D061) .....	42	36.Toner Bank Unit 1 (D059/D060/D061).....	88
14.ADF 6 (D059/D060/D061) .....	44	37.Toner Bank Unit 2 (D059/D060/D061).....	90
15.ADF 7 (D059/D060/D061) .....	46	38.Toner Bank Unit 3 (D059/D060/D061).....	92
16.ADF 8 (D059/D060/D061) .....	48	39.Toner Bank Unit 4 (D059/D060/D061).....	94
17.ADF 9 (D059/D060/D061) .....	50	40.Toner Hopper Section (D059/D060/D061) .....	96
18.ADF 10 (D059/D060/D061) .....	52	41.Development Unit (D059/D060/D061) .....	98
19.Optics Section 1 (D059/D060/D061) .....	54	42.Charge Unit (D059/D060/D061) .....	100
20.Optics Section 2 (D059/D060/D061) .....	56	43.PCU 1 (D059/D060/D061) .....	102
21.Optics Section 3 (D059/D060/D061) .....	58	44.PCU 2 (D059/D060/D061) .....	104
22.Optics Section 4 (D059/D060/D061) .....	60	45.Cleaning Unit 1 (D059/D060/D061) .....	106

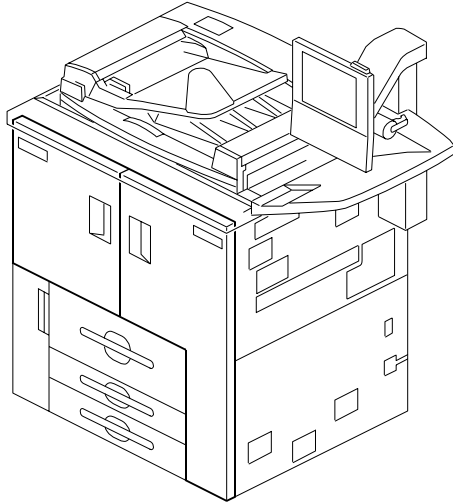
July 20, 2010

46.Cleaning Unit 2 (D059/D060/D061).....	108
47.Discharge Unit (D059/D060/D061).....	110
48.Transfer Belt Unit 1 (D059/D060/D061) .....	112
49.Transfer Belt Unit 2 (D059/D060/D061) .....	114
50.Fusing Unit 1 (D059/D060/D061) .....	116
51.Fusing Unit 2 (D059/D060/D061) .....	118
52.Fusing Unit 3 (D059/D060/D061) .....	120
53.Fusing Unit 4 (D059/D060/D061) .....	122
54.Paper Exit Section 1 (D059/D060/D061).....	124
55.Paper Exit Section 2 (D059/D060/D061).....	126
56.Paper Exit Section 3 (D059/D060/D061).....	128
57.Paper Exit Section 4 (D059/D060/D061).....	130
58.Duplex Unit 1 (D059/D060/D061).....	132
59.Duplex Unit 2 (D059/D060/D061).....	134
60.Duplex Unit 3 (D059/D060/D061).....	136
61.Duplex Unit 4 (D059/D060/D061).....	138
62.Duplex Unit 5 (D059/D060/D061).....	140
63.Duplex Unit 6 (D059/D060/D061).....	142
64.Used Toner Section (D059/D060/D061).....	144
65.Drive Section 1 (D059/D060/D061) .....	146
66.Drive Section 2 (D059/D060/D061) .....	148
67.Drive Section 3 (D059/D060/D061) .....	150
68.Drive Section 4 (D059/D060/D061) .....	152
69.Drive Section 5 (D059/D060/D061) .....	154

70.Drive Section 6 (D059/D060/D061) .....	156
71.Drive Section 7 (D059/D060/D061) .....	158
72.Electrical Section 1 (D059/D060/D061) .....	160
73.Electrical Section 2 (D059/D060/D061) .....	162
74.Electrical Section 3 (D059/D060/D061) .....	164
75.Electrical Section 4 (D059/D060/D061) .....	166
76.Electrical Section 5 (D059/D060/D061) .....	168
77.Electrical Section 6 (D059/D060/D061) .....	170
78.Electrical Section 7 (D059/D060/D061) .....	172
79.Electrical Section 8 (D059/D060/D061) .....	174
80.Electrical Section 9 (D059/D060/D061) .....	176
81.Electrical Section 10 (D059/D060/D061) .....	178
82.Frame Section 1 (D059/D060/D061) .....	180
83.Frame Section 2 (D059/D060/D061) .....	182
84.Frame Section 3 (D059/D060/D061) .....	184
85.Frame Section 4 (D059/D060/D061) .....	186
86.Frame Section 5 (D059/D060/D061) .....	188
87.BCIU Board (D059/D060/D061) .....	190
88.IO Board (D059/D060/D061) .....	202
89.Controller Board (D059/D060/D061) .....	212
90.Decals and Documents (D059/D060/D061) .....	234
91.Special Tools (D059/D060/D061) .....	242
<b>Parts Index.....</b>	<b>246</b>

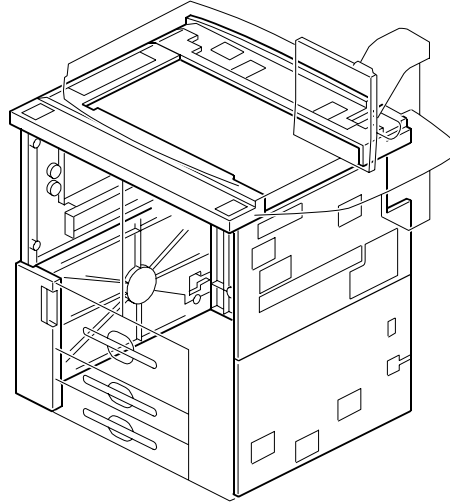
## LOCATIONS OF UNITS

1. Exterior 1 (D059/D060/D061)



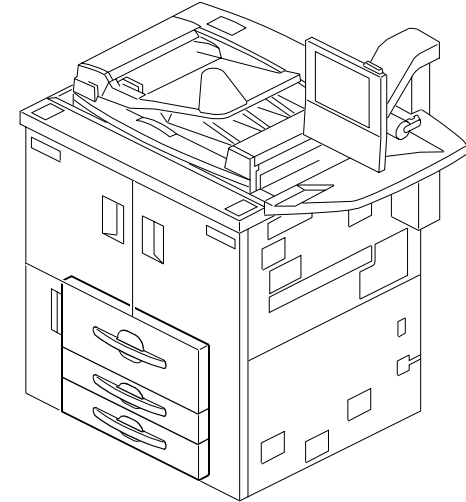
See Page 19

2. Exterior 2 (D059/D060/D061)



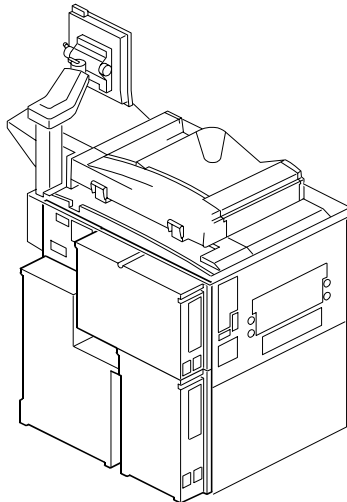
See Page 21

3. Exterior 3 (D059/D060/D061)



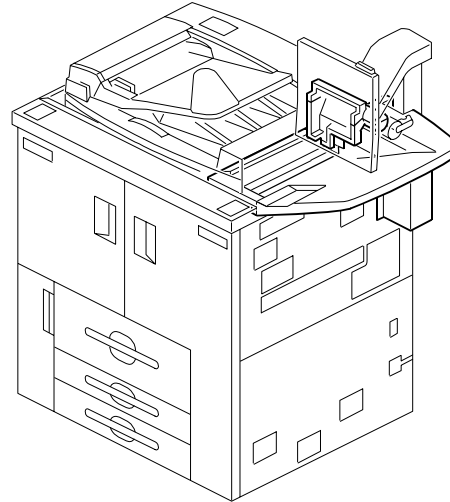
See Page 23

4. Exterior 4 (D059/D060/D061)



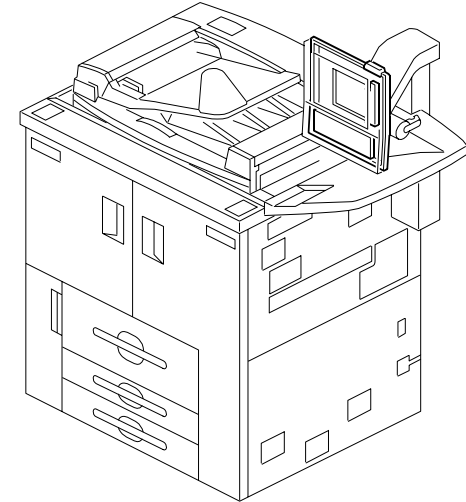
See Page 25

5. Operation Panel 1 (D059/D060/D061)



See Page 27

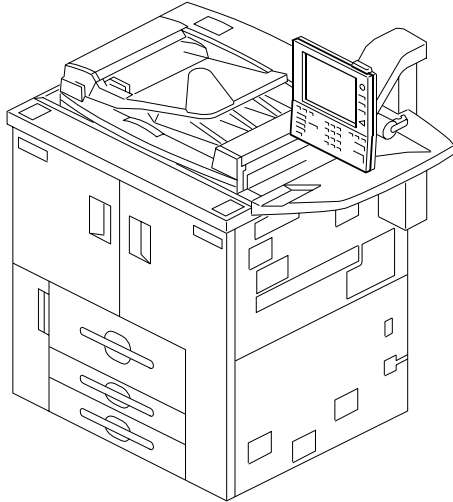
6. Operation Panel 2 (D059/D060/D061)



See Page 29

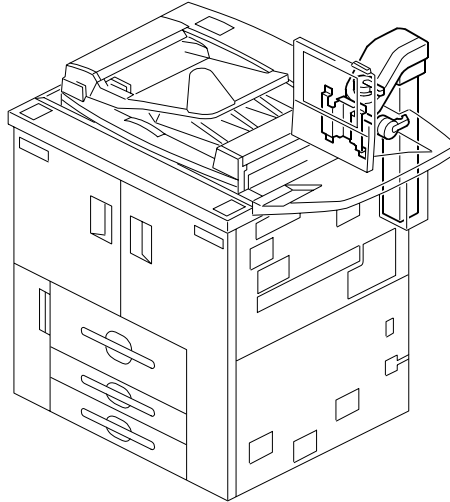
## LOCATIONS OF UNITS

7. Operation Panel 3 (D059/D060/D061)



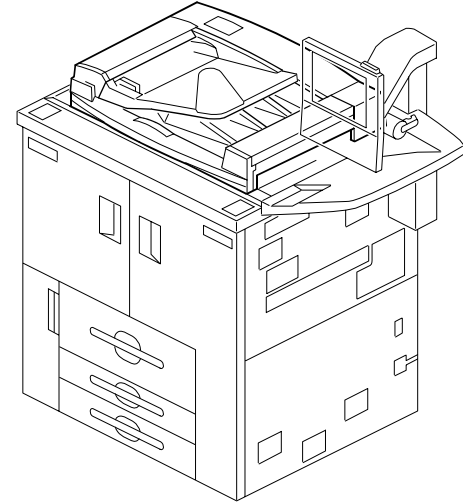
See Page 31

8. Operation Panel 4 (D059/D060/D061)



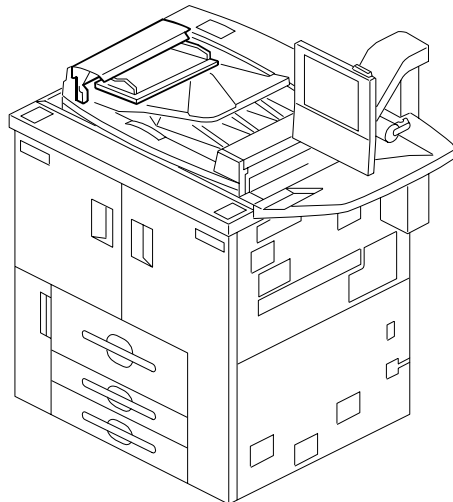
See Page 33

9. ADF 1 (D059/D060/D061)



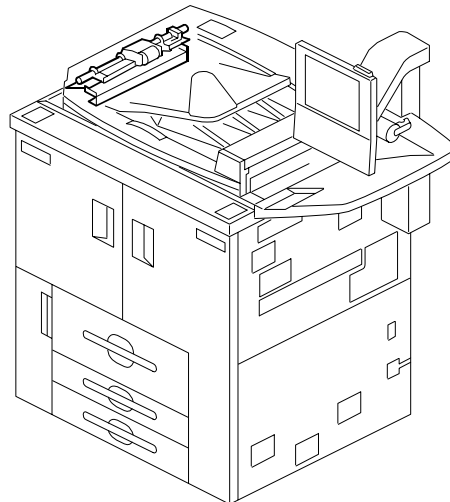
See Page 35

10. ADF 2 (D059/D060/D061)



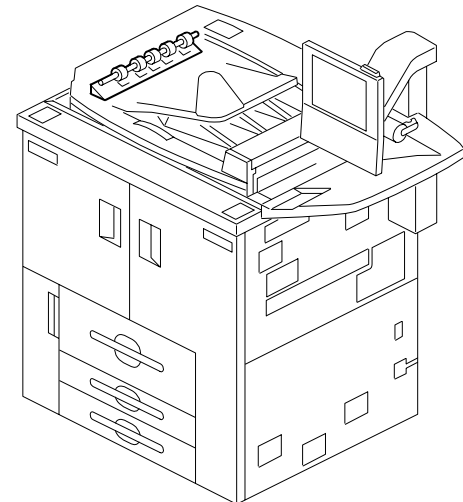
See Page 37

11. ADF 3 (D059/D060/D061)



See Page 39

12. ADF 4 (D059/D060/D061)

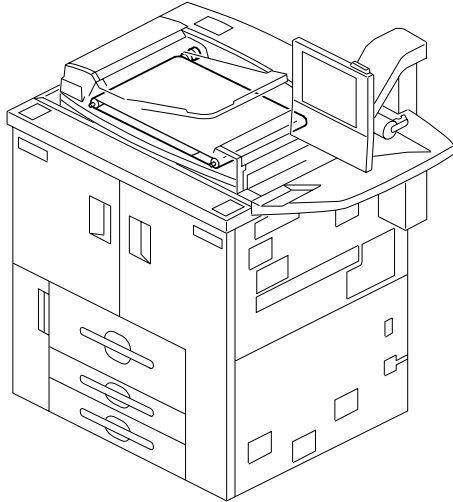


See Page 41



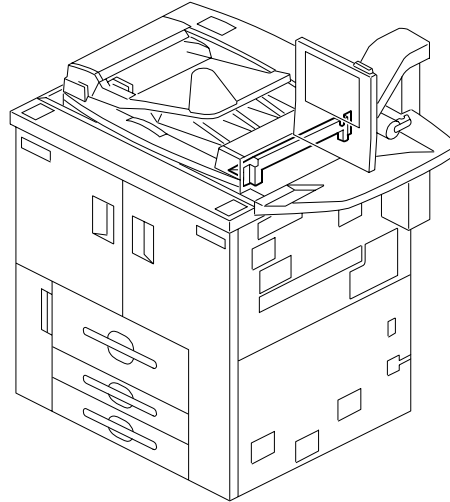
## LOCATIONS OF UNITS

13. ADF 5 (D059/D060/D061)



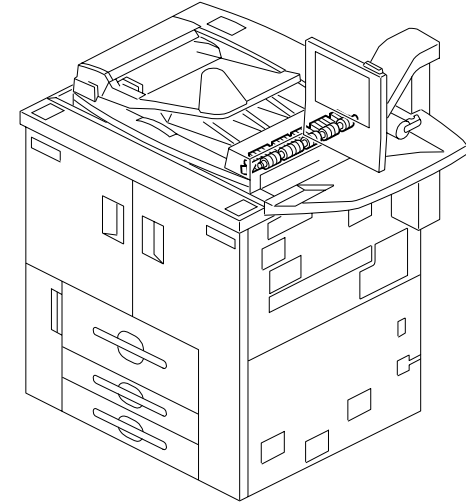
See Page 43

14. ADF 6 (D059/D060/D061)



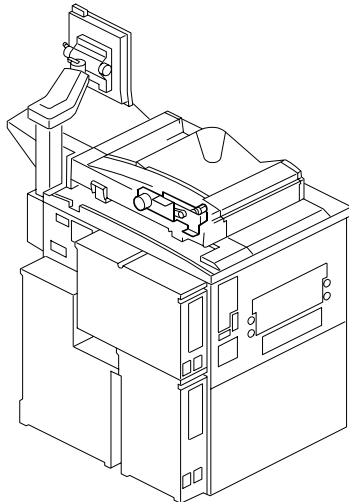
See Page 45

15. ADF 7 (D059/D060/D061)



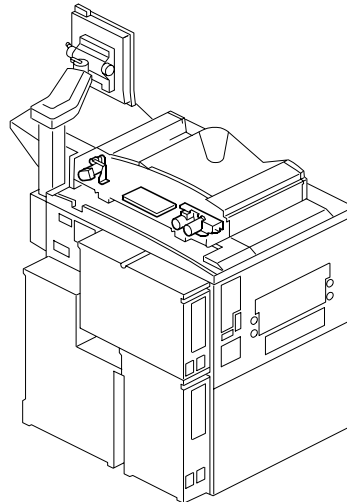
See Page 47

16. ADF 8 (D059/D060/D061)



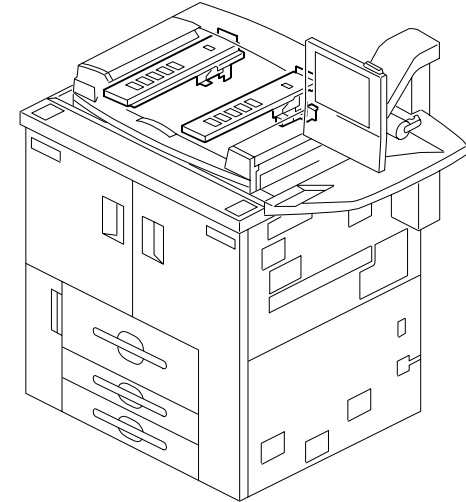
See Page 49

17. ADF 9 (D059/D060/D061)



See Page 51

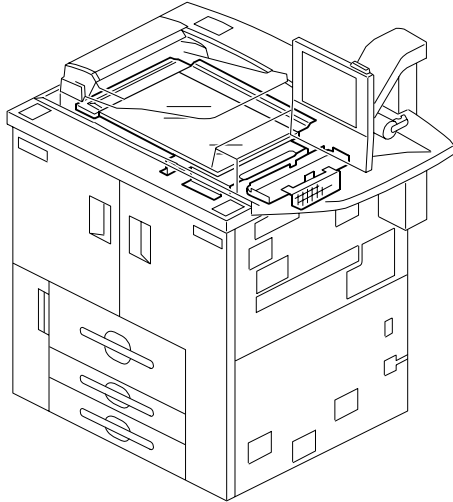
18. ADF 10 (D059/D060/D061)



See Page 53

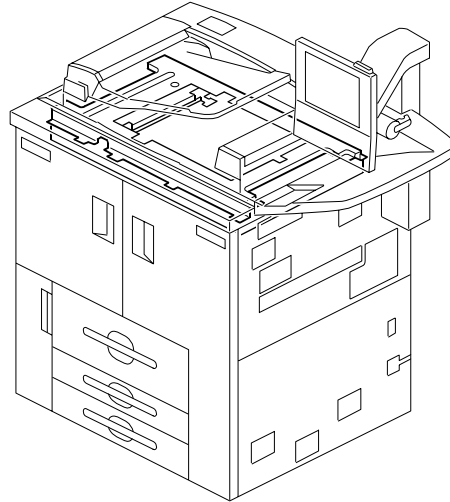
## LOCATIONS OF UNITS

19. Optics Section 1 (D059/D060/D061)



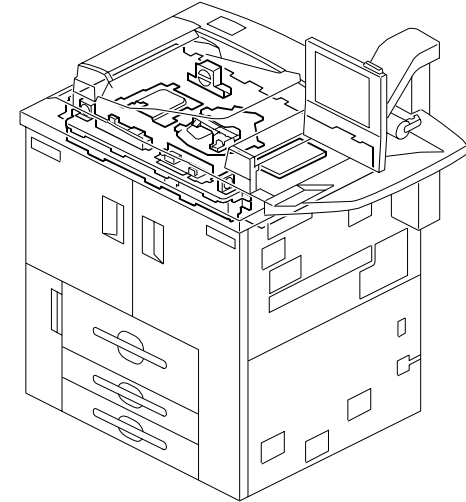
See Page 55

20. Optics Section 2 (D059/D060/D061)



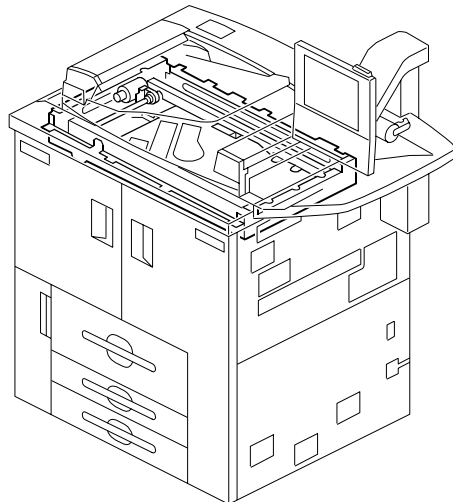
See Page 57

21. Optics Section 3 (D059/D060/D061)



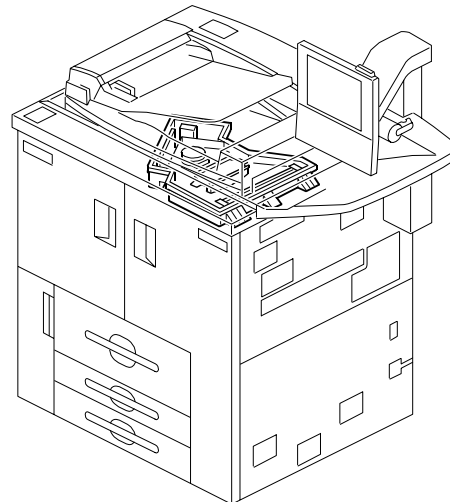
See Page 59

22. Optics Section 4 (D059/D060/D061)



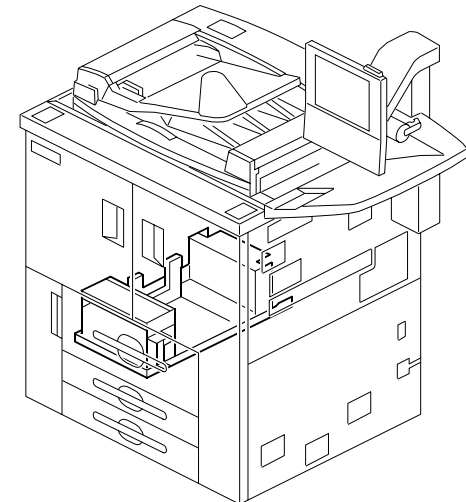
See Page 61

23. Laser Unit (D059/D060/D061)



See Page 63

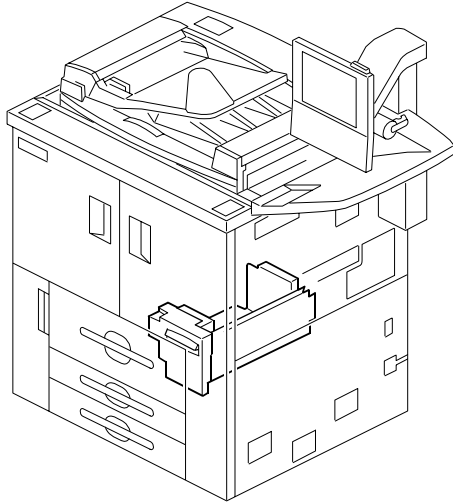
24. Tandem Tray 1 (D059/D060/D061)



See Page 65

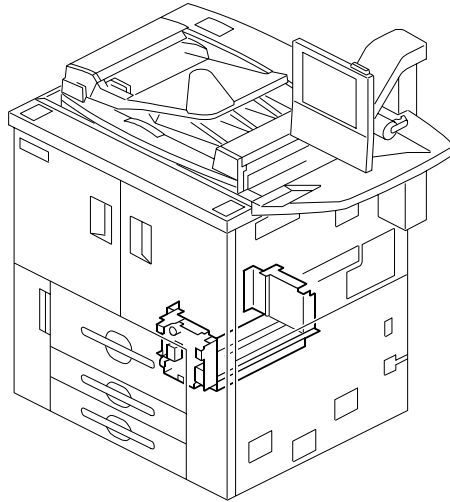
## LOCATIONS OF UNITS

25. Tandem Tray 2 (D059/D060/D061)



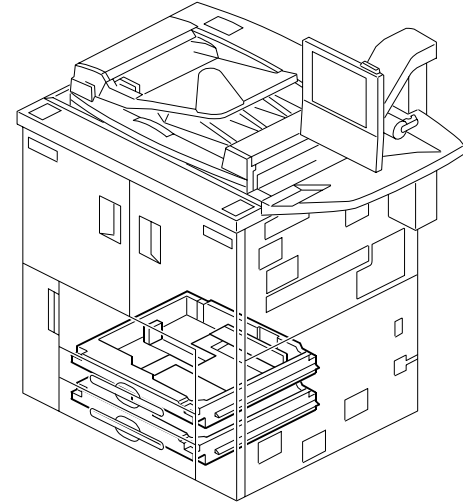
See Page 67

26. Tandem Tray 3 (D059/D060/D061)



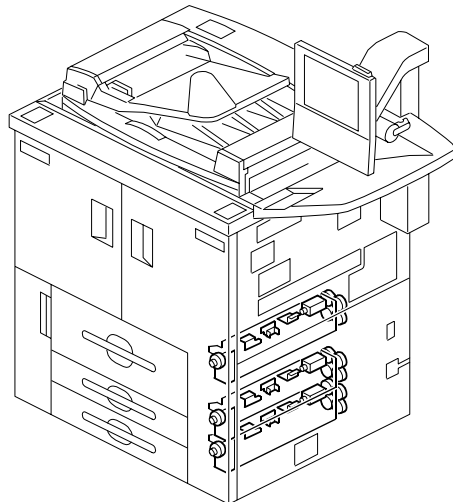
See Page 69

27. Universal Tray (D059/D060/D061)



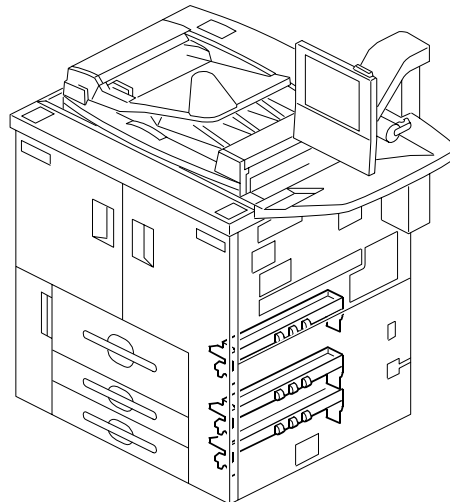
See Page 71

28. Paper Feed Unit 1 (D059/D060/D061)



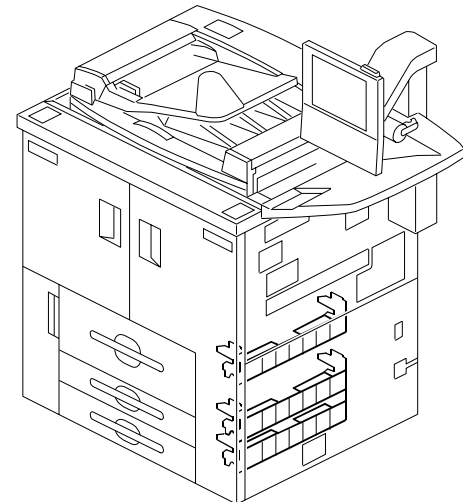
See Page 73

29. Paper Feed Unit 2 (D059/D060/D061)



See Page 75

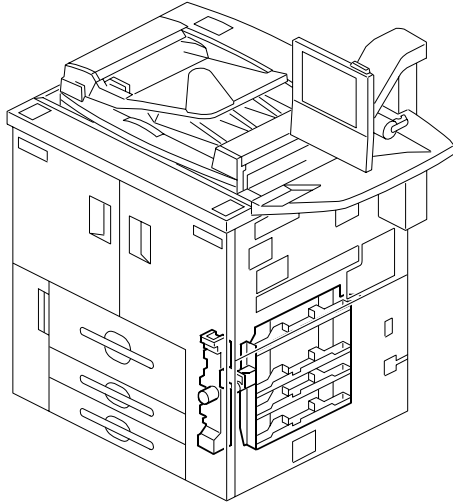
30. Paper Feed Unit 3 (D059/D060/D061)



See Page 77

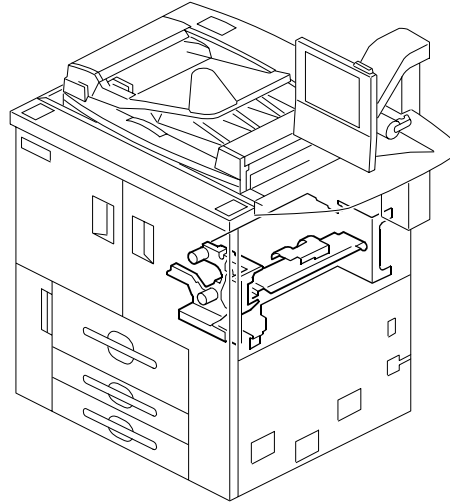
## LOCATIONS OF UNITS

31. Vertical Transport (D059/D060/D061)



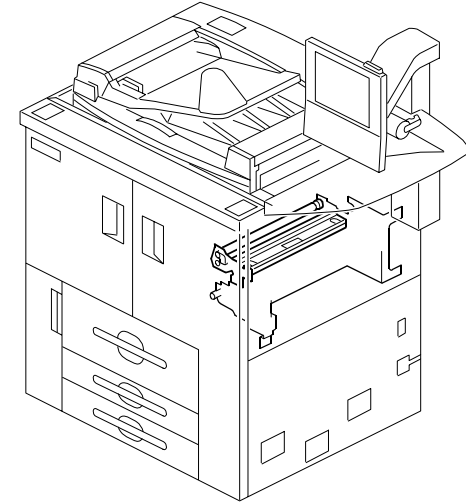
See Page 79

32. Paper Registration 1 (D059/D060/D061)



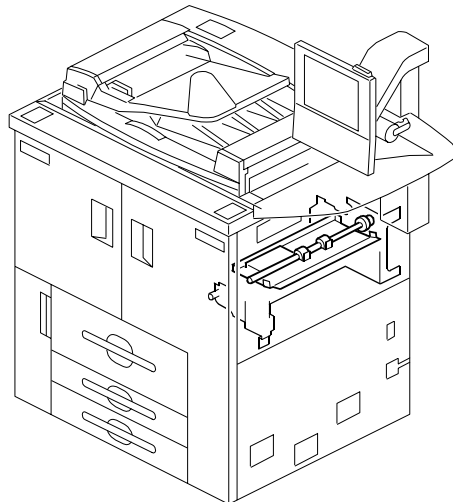
See Page 81

33. Paper Registration 2 (D059/D060/D061)



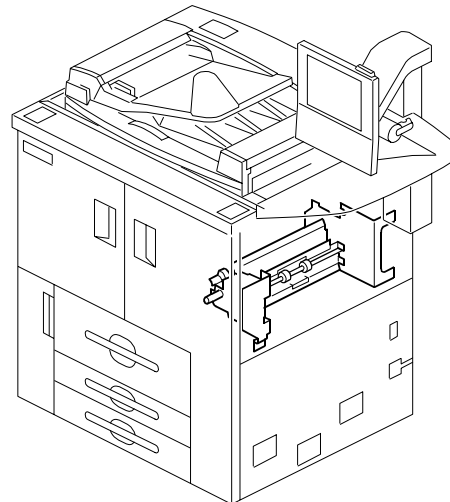
See Page 83

34. Paper Registration 3 (D059/D060/D061)



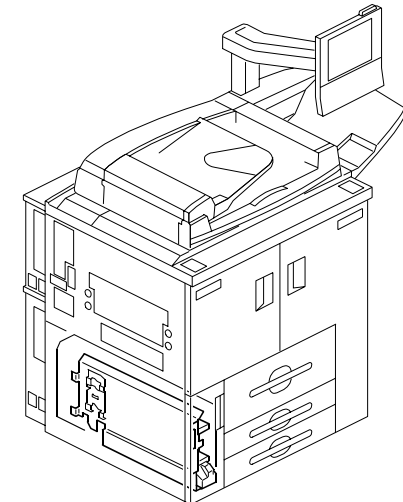
See Page 85

35. Paper Registration 4 (D059/D060/D061)



See Page 87

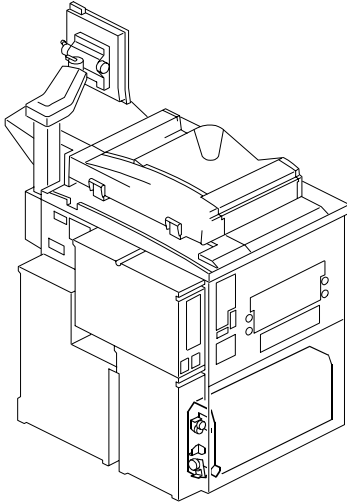
36. Toner Bank Unit 1 (D059/D060/D061)



See Page 89

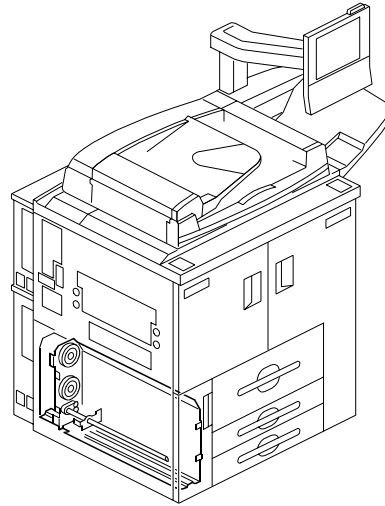
## LOCATIONS OF UNITS

37. Toner Bank Unit 2 (D059/D060/D061)



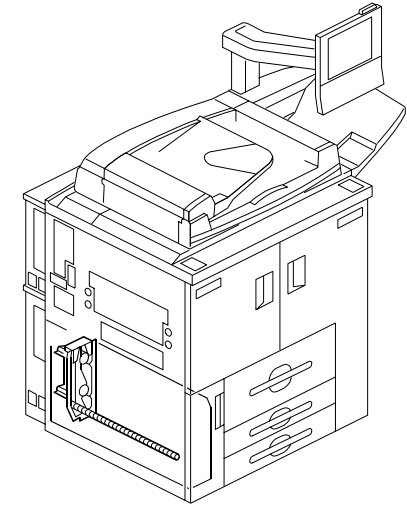
See Page 91

38. Toner Bank Unit 3 (D059/D060/D061)



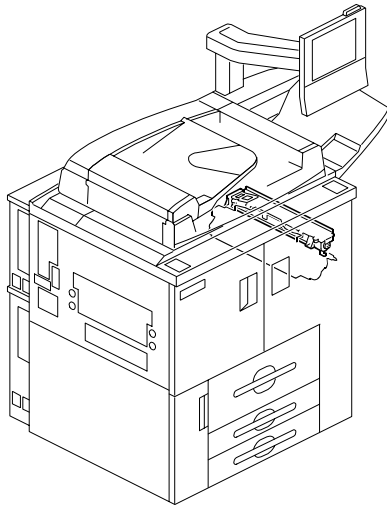
See Page 93

39. Toner Bank Unit 4 (D059/D060/D061)



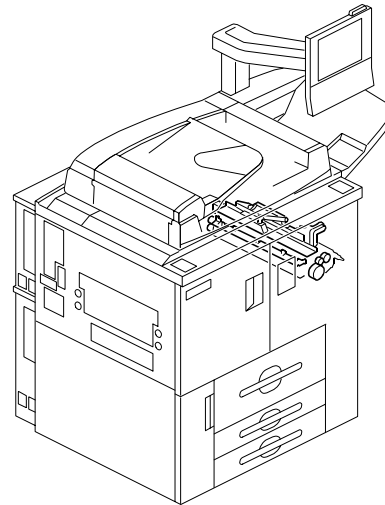
See Page 95

40. Toner Hopper Section



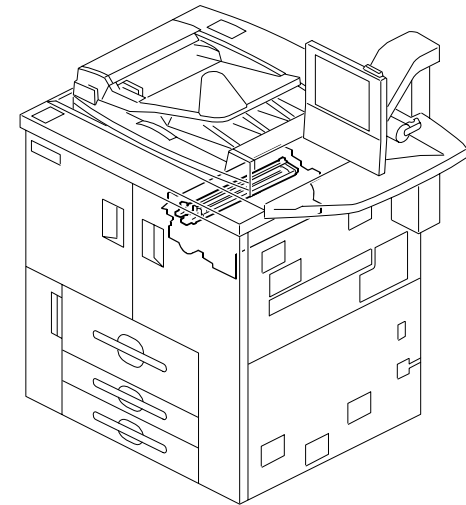
See Page 97

41. Development Unit (D059/D060/D061)



See Page 99

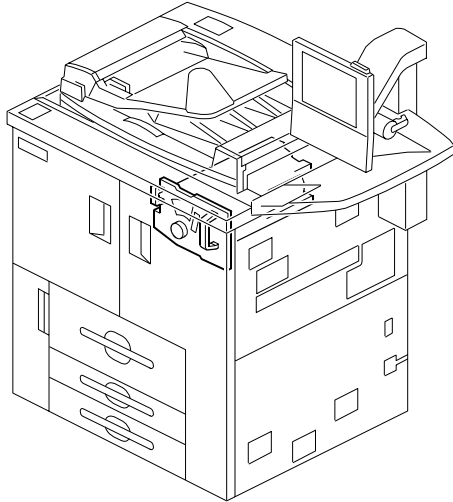
42. Charge Unit (D059/D060/D061)



See Page 101

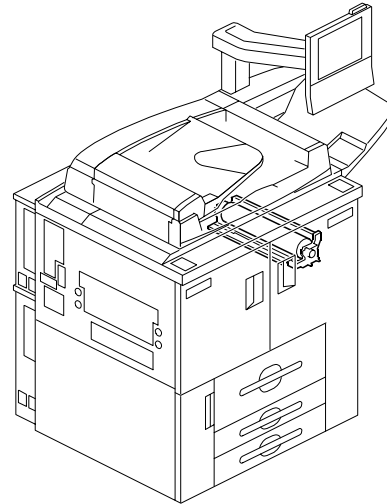
## LOCATIONS OF UNITS

43. PCU 1 (D059/D060/D061)



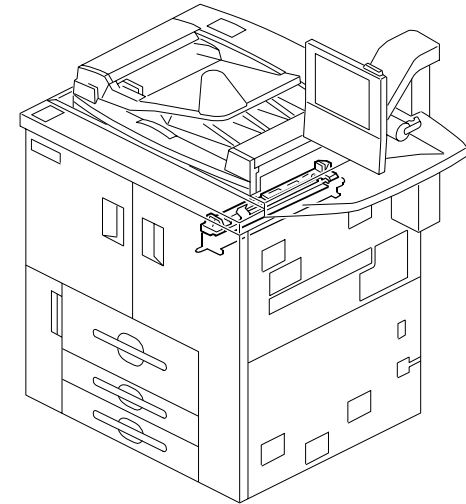
See Page 103

44. PCU 2 (D059/D060/D061)



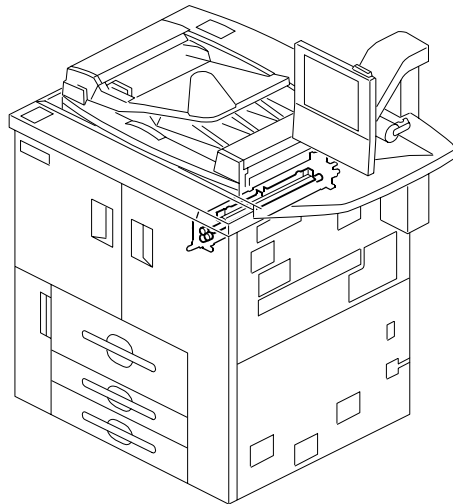
See Page 105

45. Cleaning Unit 1 (D059/D060/D061)



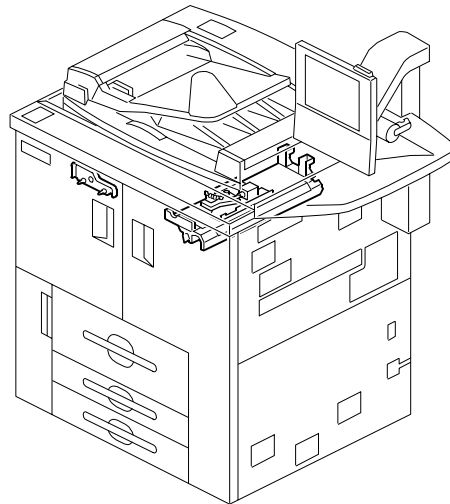
See Page 107

46. Cleaning Unit 2 (D059/D060/D061)



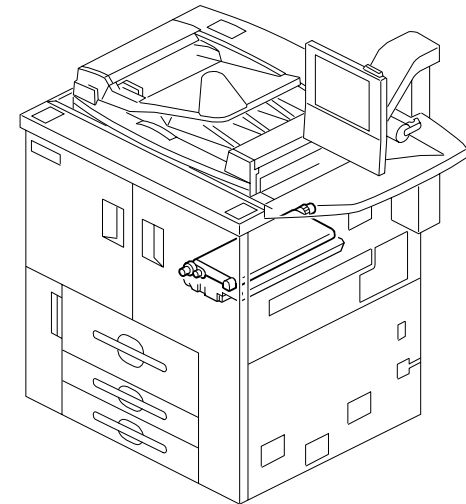
See Page 109

47. Discharge Unit (D059/D060/D061)



See Page 111

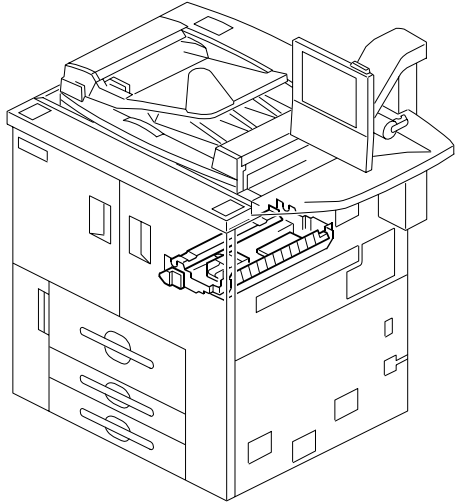
48. Transfer Belt Unit 1 (D059/D060/D061)



See Page 113

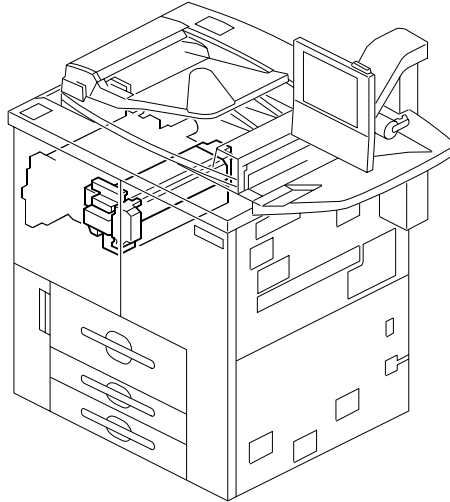
## LOCATIONS OF UNITS

49. Transfer Belt Unit 2 (D059/D060/D061)



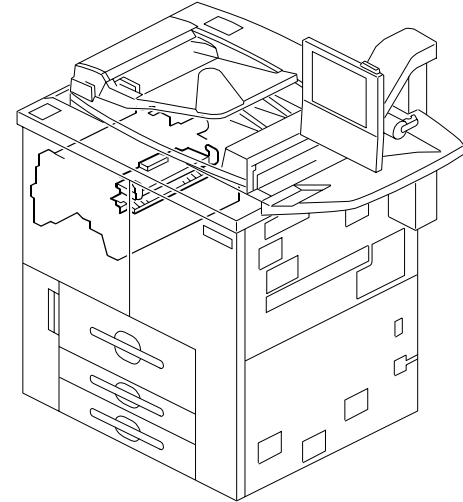
See Page 115

50. Fusing Unit 1 (D059/D060/D061)



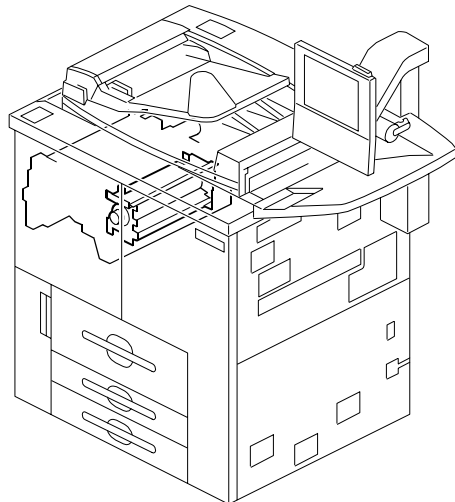
See Page 117

51. Fusing Unit 2 (D059/D060/D061)



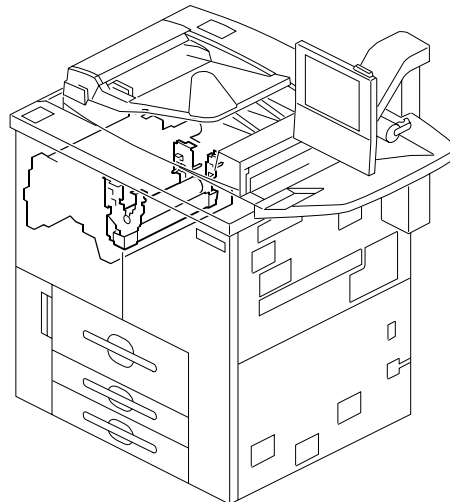
See Page 119

52. Fusing Unit 3 (D059/D060/D061)



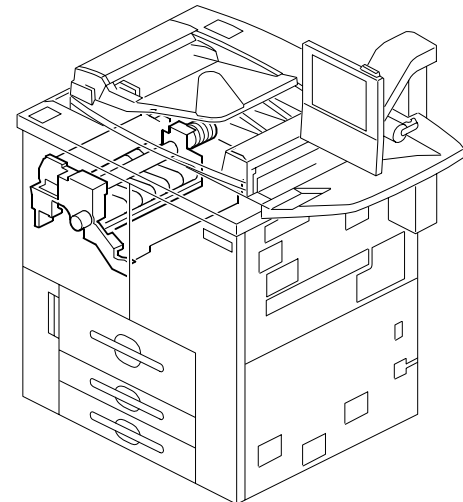
See Page 121

53. Fusing Unit 4 (D059/D060/D061)



See Page 123

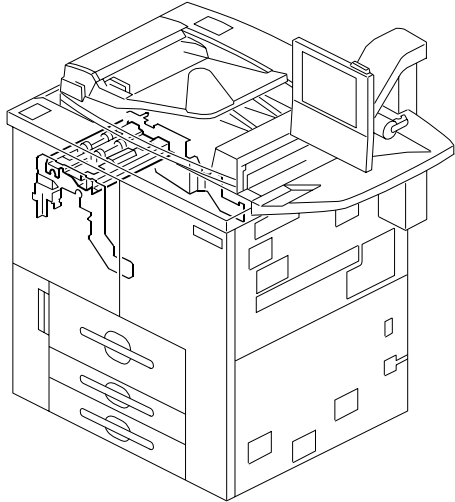
54. Paper Exit Section 1 (D059/D060/D061)



See Page 125

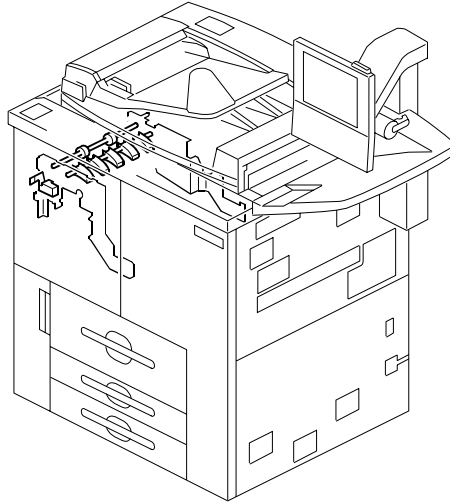
## LOCATIONS OF UNITS

55. Paper Exit Section 2 (D059/D060/D061)



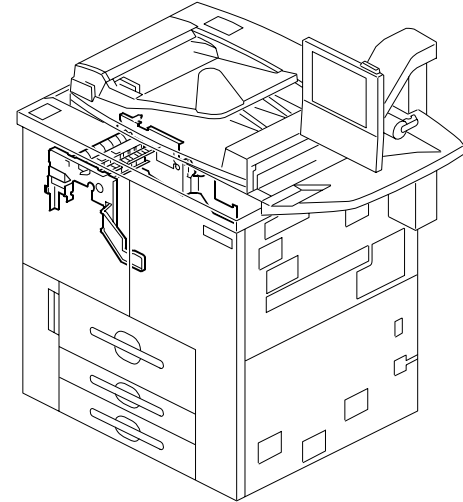
See Page 127

56. Paper Exit Section 3 (D059/D060/D061)



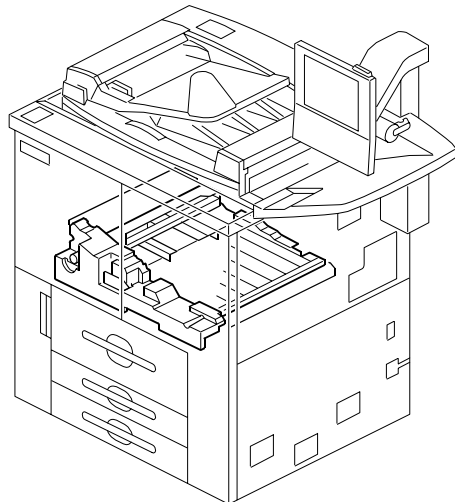
See Page 129

57. Paper Exit Section 4 (D059/D060/D061)



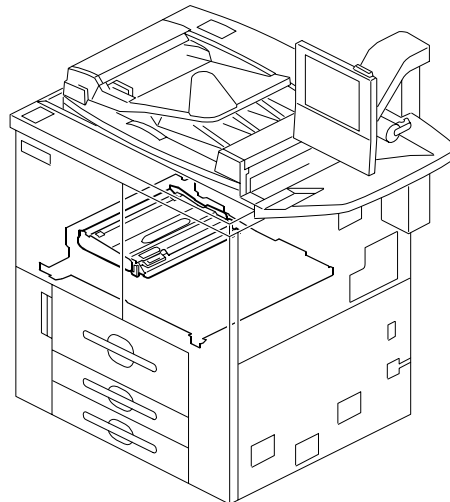
See Page 131

58. Duplex Unit 1 (D059/D060/D061)



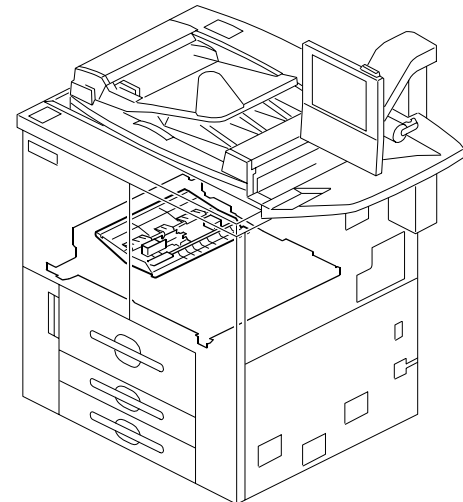
See Page 133

59. Duplex Unit 2 (D059/D060/D061)



See Page 135

60. Duplex Unit 3 (D059/D060/D061)

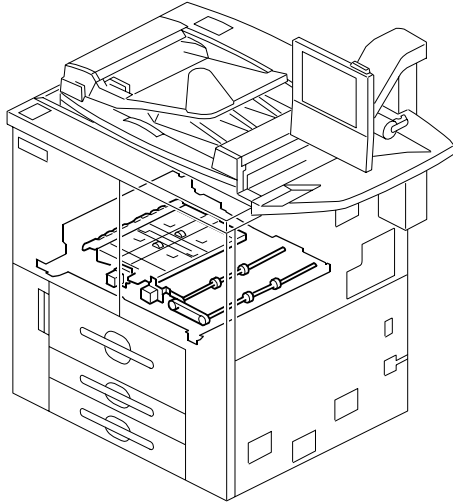


See Page 137



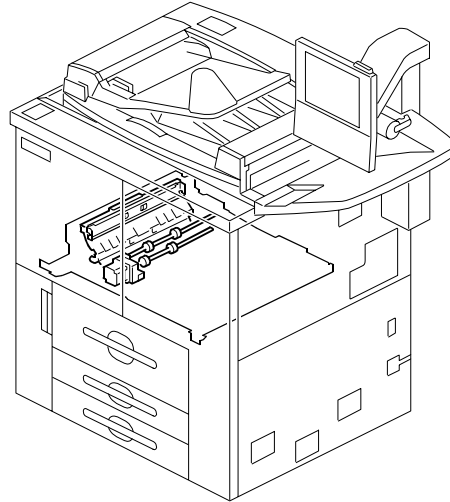
## LOCATIONS OF UNITS

61. Duplex Unit 4 (D059/D060/D061)



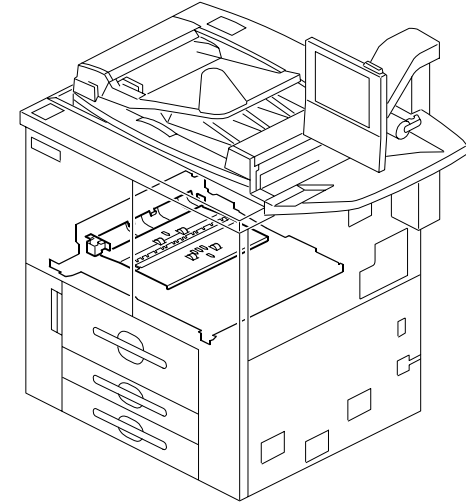
See Page 139

62. Duplex Unit 5 (D059/D060/D061)



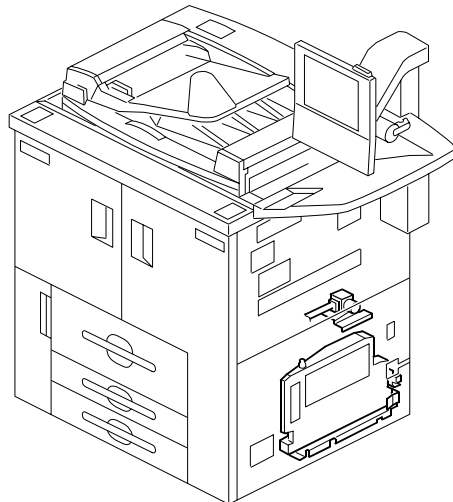
See Page 141

63. Duplex Unit 6 (D059/D060/D061)



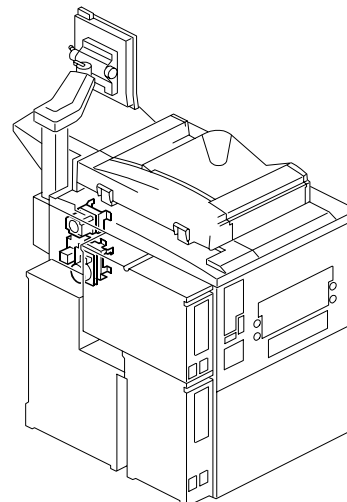
See Page 143

64. Used Toner Section (D059/D060/D061)



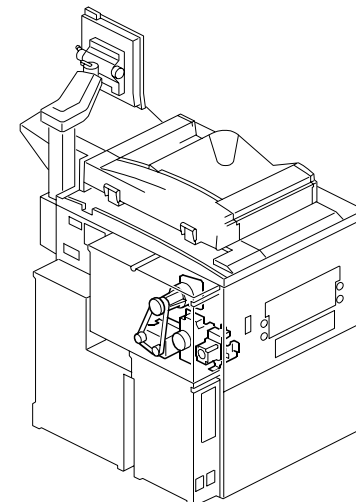
See Page 145

65. Drive Section 1 (D059/D060/D061)



See Page 147

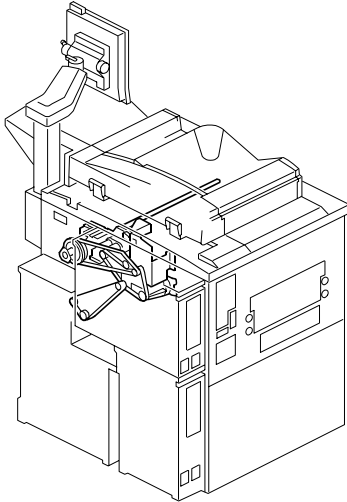
66. Drive Section 2 (D059/D060/D061)



See Page 149

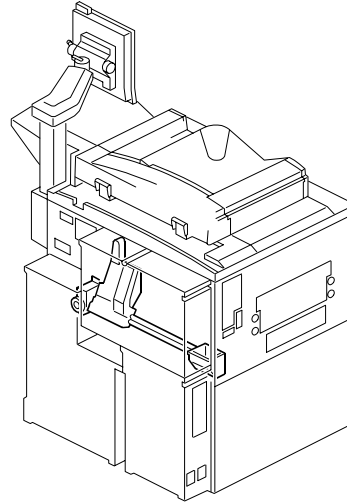
## LOCATIONS OF UNITS

67. Drive Section 3 (D059/D060/D061)



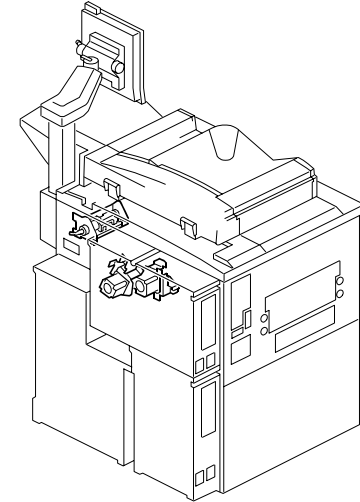
See Page 151

68. Drive Section 4 (D059/D060/D061)



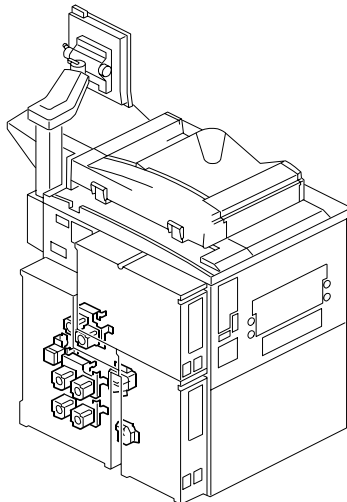
See Page 153

69. Drive Section 5 (D059/D060/D061)



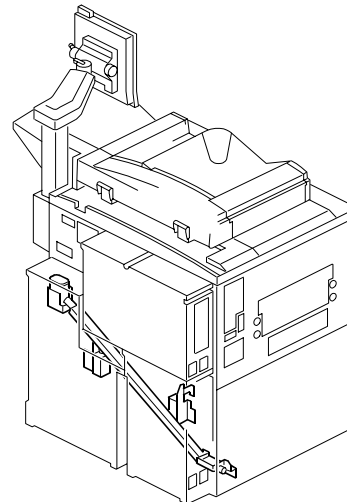
See Page 155

70. Drive Section 6 (D059/D060/D061)



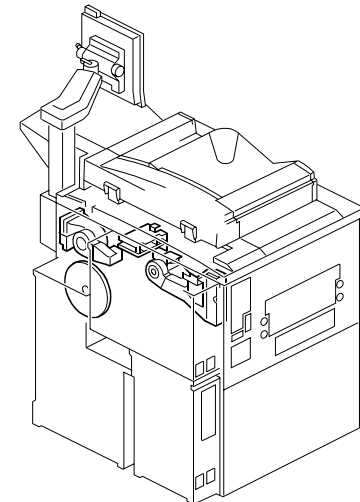
See Page 157

71. Drive Section 7 (D059/D060/D061)



See Page 159

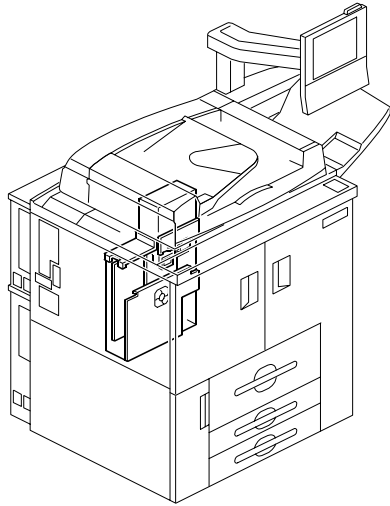
72. Electrical Section 1 (D059/D060/D061)



See Page 161

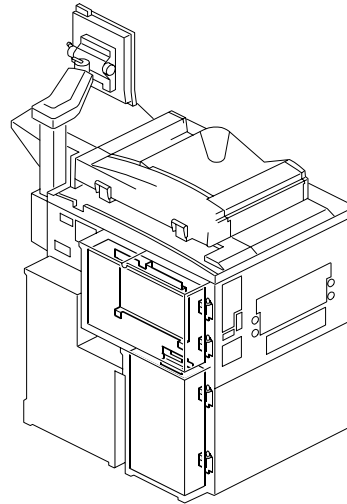
## LOCATIONS OF UNITS

73. Electrical Section 2 (D059/D060/D061)



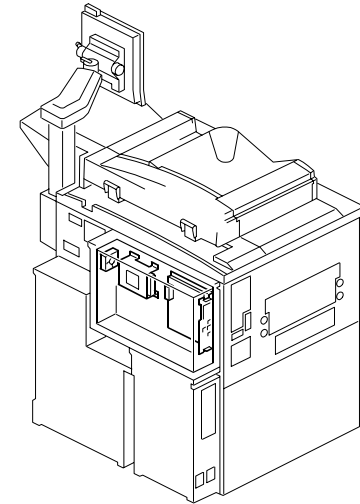
See Page 163

74. Electrical Section 3 (D059/D060/D061)



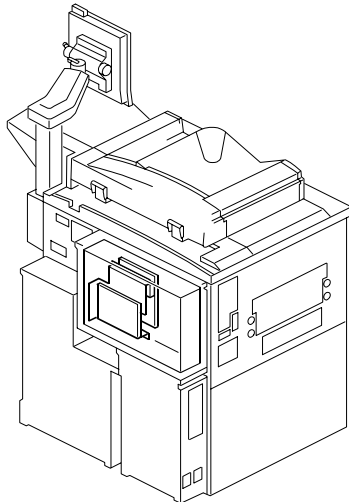
See Page 165

75. Electrical Section 4 (D059/D060/D061)



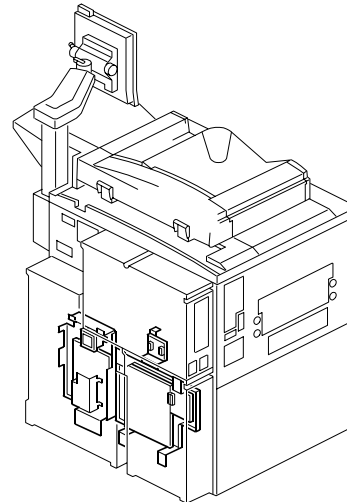
See Page 167

76. Electrical Section 5 (D059/D060/D061)



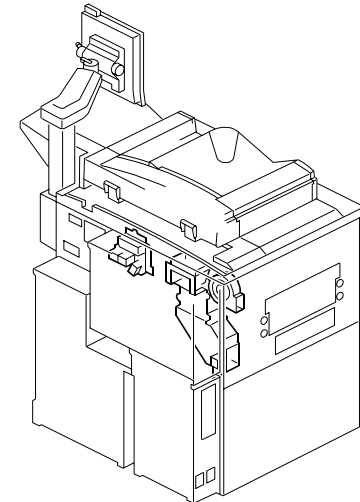
See Page 169

77. Electrical Section 6 (D059/D060/D061)



See Page 171

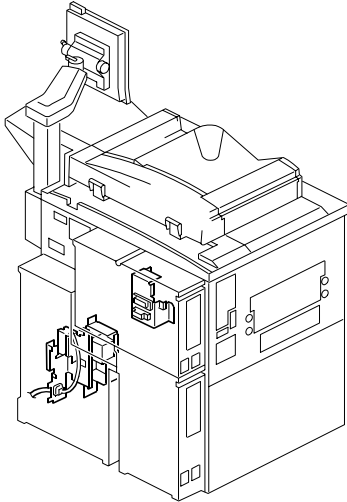
78. Electrical Section 7 (D059/D060/D061)



See Page 173

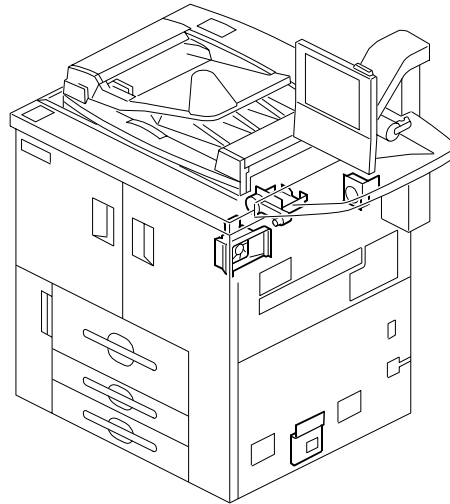
## LOCATIONS OF UNITS

79. Electrical Section 8 (D059/D060/D061)



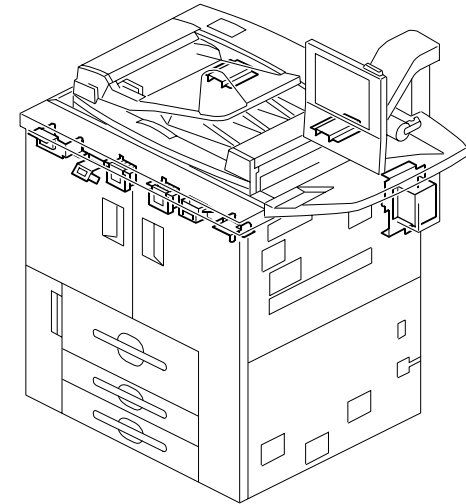
See Page 175

80. Electrical Section 9 (D059/D060/D061)



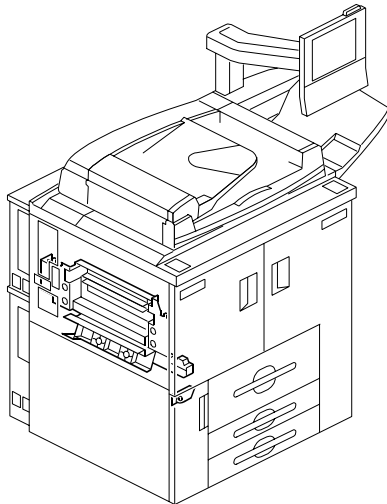
See Page 177

81. Electrical Section 10 (D059/D060/D061)



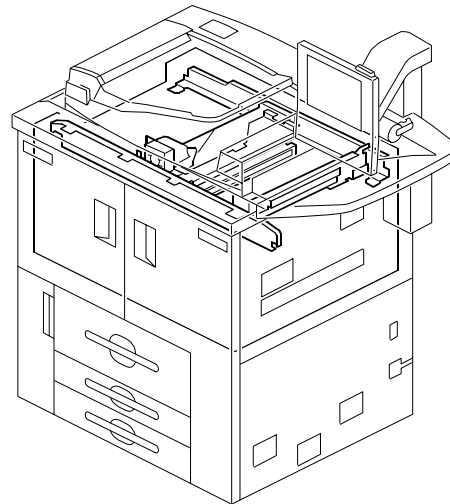
See Page 179

82. Frame Section 1 (D059/D060/D061)



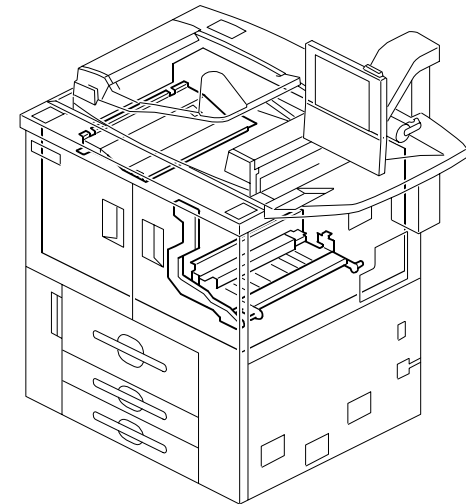
See Page 181

83. Frame Section 2 (D059/D060/D061)



See Page 183

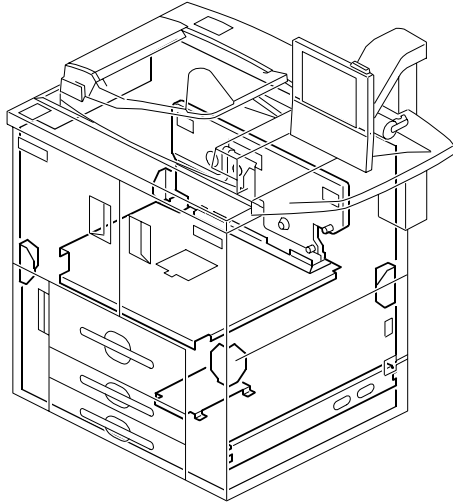
84. Frame Section 3 (D059/D060/D061)



See Page 185

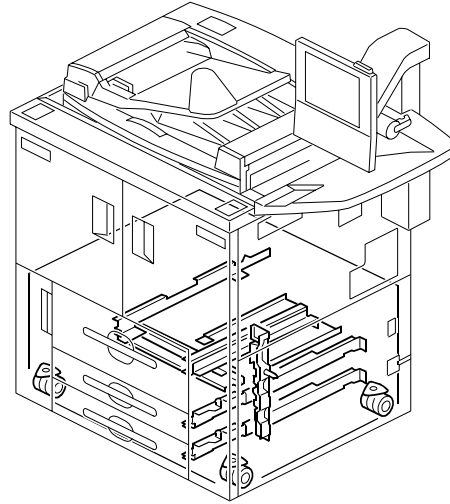
## LOCATIONS OF UNITS

85. Frame Section 4 (D059/D060/D061)



See Page 187

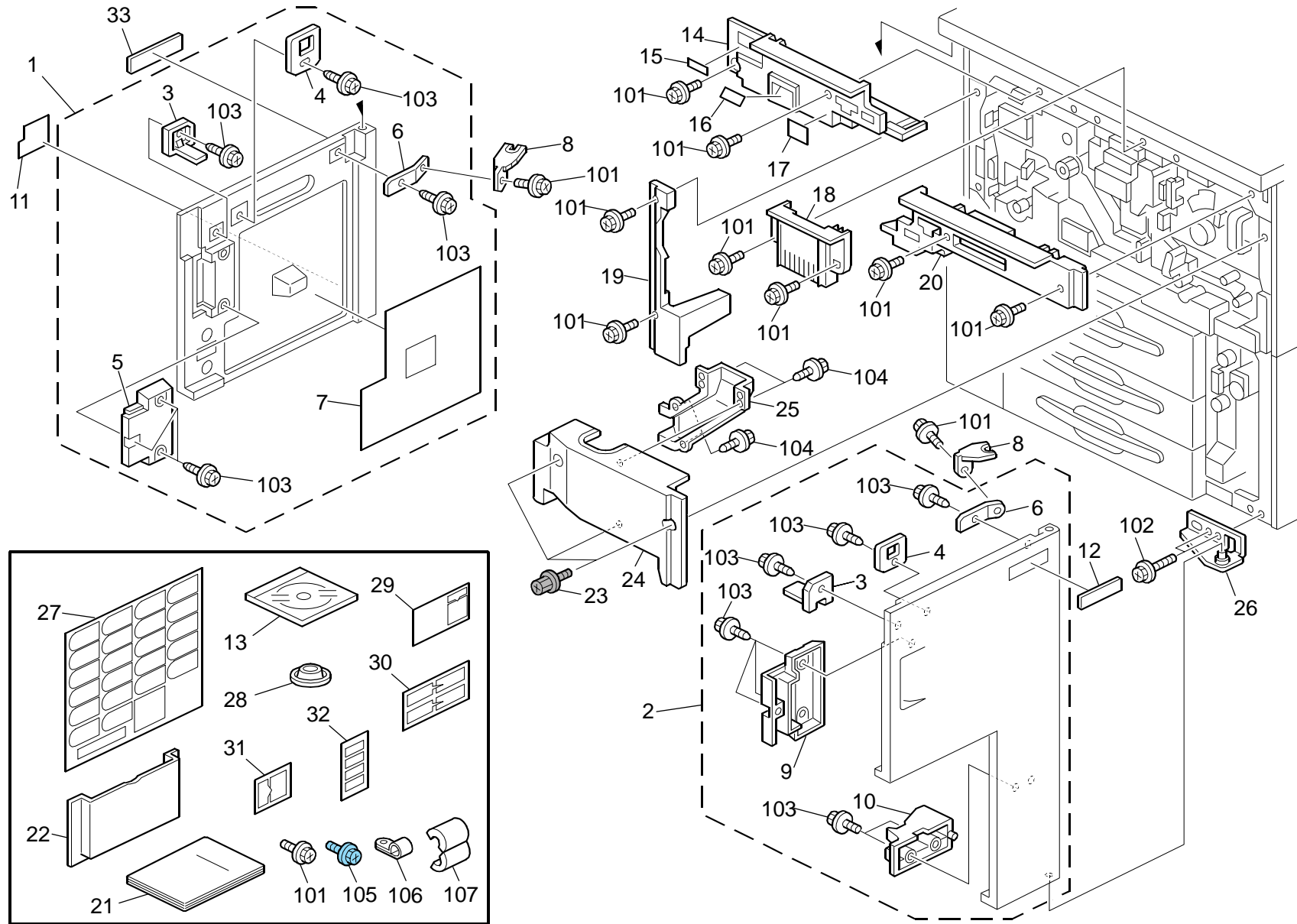
86. Frame Section 5 (D059/D060/D061)



See Page 189



# 1.Exterior 1 (D059/D060/D061)



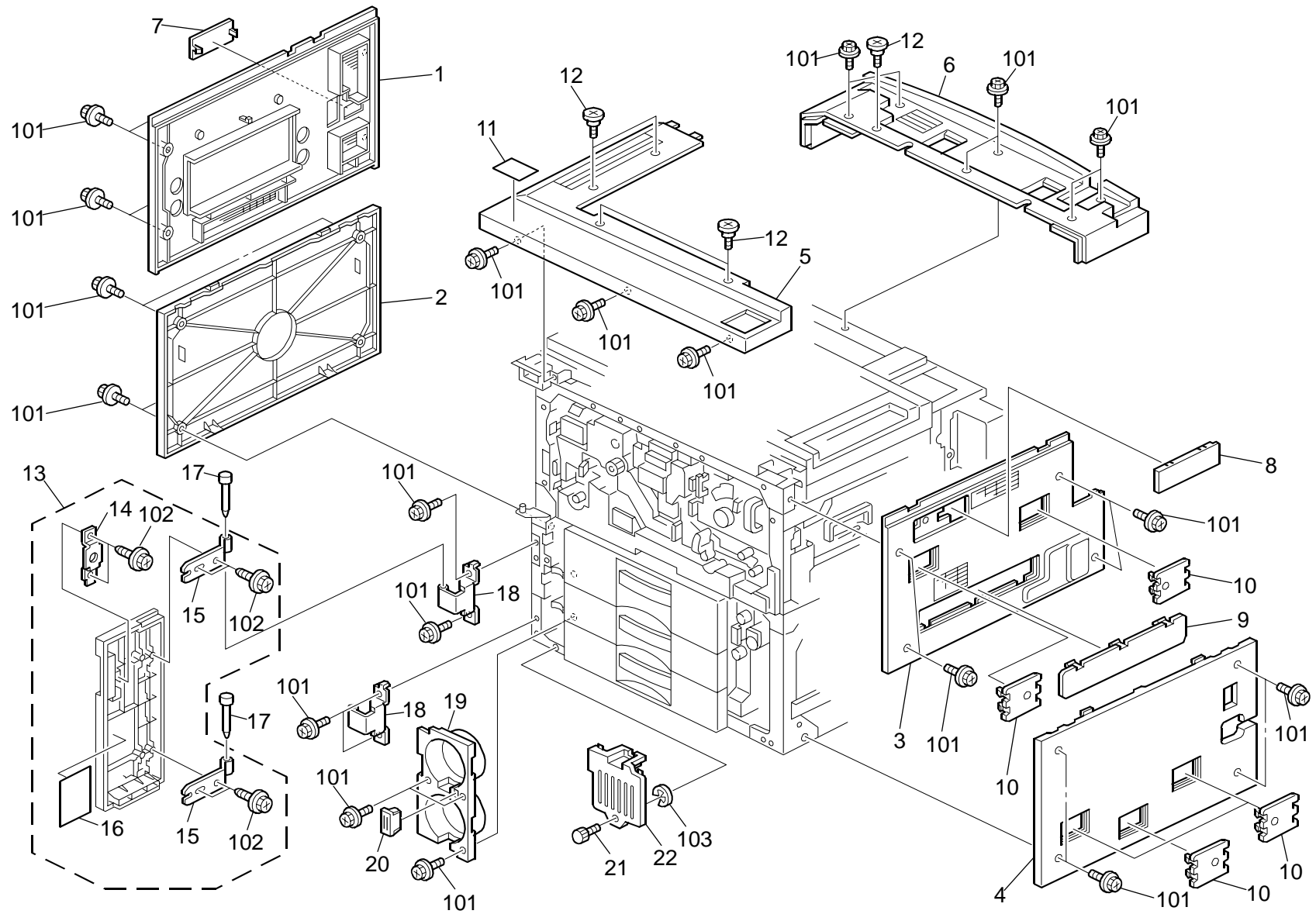
## 1.Exterior 1 (D059/D060/D061)

Index No.	Part No.	Description	Q'ty Per Assembly
1	D059 1277	Door:Front Left:Ass'y	1
2	D059 1253	Door:Right Front:Ass'y	1
3	B234 1293	Lever - Safety Switch	2
4	B234 1296	Plate:Magnet Catch	2
5	D059 1281	Cover:Grip:Left	1
6	A294 1282	Front Door Spacer Bracket	2
7	D059 1300	Decal:Misfeed Removal:C4	1
8	A079 1406	Upper Door Spacer	2
9	D059 1282	Cover:Grip:Right	1
10	B234 1294	Stopper - Vertical Transport	1
11	AA00 1477	Decal:Energy-star	1
12	D059 1355	Panel:Name Plate:TEC:905	1
12	D060 1355	Panel:Name Plate:TEC:1105	1
12	D061 1355	Panel:Name Plate:TEC:1355	1
13	D061 7400	CD-ROM:OI:USER:TEC:Ass'y	1
13	D061 7402	CD-ROM:OI:ADMIN:TEC:Ass'y	1
14	D059 1377	Inner Cover:Upper Left	1
15	D059 1273	Decal:Main Switch	1
16	B234 1378	Decal - Total Counter	1
17	B234 4136	Decal - Warning (High Temperature)	1
18	D059 1367	Inner Cover:Upper	1
19	B234 1380	Inner Cover - Left	1
20	D059 1375	Inner Cover:Upper Right	1
21	D060 7501	Manual:ABOUT_MACHINE:TEC	1
21	D060 7607	Manual:COPY_REF:TEC	1
21	D060 7705	Manual:TROUBLESHOOT:TEC	1
22	B154 8521	Holder:Operating Instructions	1
23	B234 2390	Flanged Hexagonal Head Bolt:M4x8	3
24	B234 2342	Inner Cover	1
25	B234 2344	Duct	1
26	A294 1356	Lower Right Hinge	1
27	D059 8510	Decal:Size Indication:Multi-language:1	1
27	D059 8511	Decal:Size Indication:Multi-language:2	1
28	B132 1226	Holder:Stand	4
29	B234 1306	Decal:Multie:Misfeed Removal:D1/Z2	1

Index No.	Part No.	Description	Q'ty Per Assembly
30	B070 1307	Decal:Paper Set Direction	3
31	B234 1357	Decal - Power Source Off English	1
32	B477 4431	Decal - Original Table	1
33	D059 1354	Panel:Logo:TEC	1
101	0451 4008N	Tapping Screw:4x8	
102	0451 4012N	Tapping Screw:4x12	
103	0450 4008N	Tapping Screw - M4x8	
104	0450 3008N	Tapping Screw - M3x8	
105	0454 4008Q	Tapping Screw - M4x8	
106	1105 0061	Nylon Clip - 5N	
107	1607 1713	Ferrite Core:ZCAT1730-0730A	



## 2.Exterior 2 (D059/D060/D061)

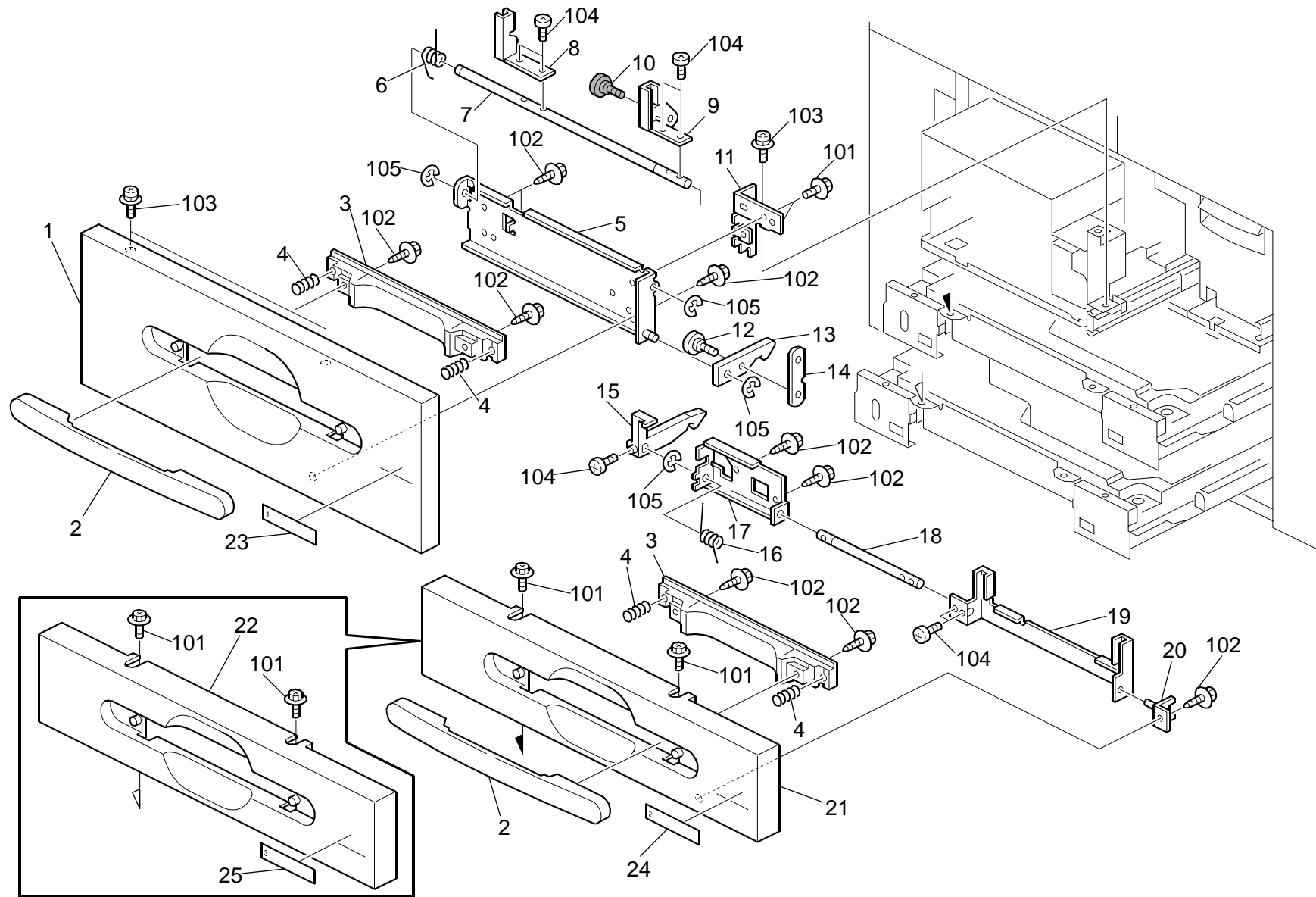


## 2.Exterior 2 (D059/D060/D061)

Index No.	Part No.	Description	Q'ty Per Assembly
1	D059 1320	Cover:Left Upper:C4	1
2	B234 1326	Cover - Left Lower	1
3	B234 1311	Cover - Right Upper	1
4	B234 1316	Cover - Right Lower	1
5	B234 1258	Cover - Upper	1
6	B234 1261	Cover - Upper Rear	1
7	B234 1341	Cap:Connector	1
8	B070 1331	Cap:Key Counter:C2	1
9	B234 1313	Cover - Large Capacity Tray	1
10	B070 1312	Cap:Joint:Large Capacity Tray	5
11	B234 1357	Decal - Power Source Off English	1
12	AA14 3560	Stepped Screw - M4	5
13	D059 1267	Door:Front Lower:Ass'y	1
14	A294 1268	Door Catch - Front Lower	1
15	A294 1270	Lower Front Hinge	2
16	D059 1272	Decal:Operation Instructions:Toner Bank	1
17	C244 2187	Shaft:Flange:Master:Right	2
18	A294 1271	Hinge - Lower Front Door	2
19	B234 3491	Inner Cover - Upper	1
20	AA02 1035	Magnetic:Cover	1
21	D059 3415	Knob Screw:Toner Bank:Lower	1
22	D059 3492	Inner Cover:Toner Bank:Lower	1

Index No.	Part No.	Description	Q'ty Per Assembly
101	0451 4008N	Tapping Screw:4x8	
102	0450 4008N	Tapping Screw - M4x8	
103	0720 0030E	Retaining Ring - M3	

### 3.Exterior 3 (D059/D060/D061)

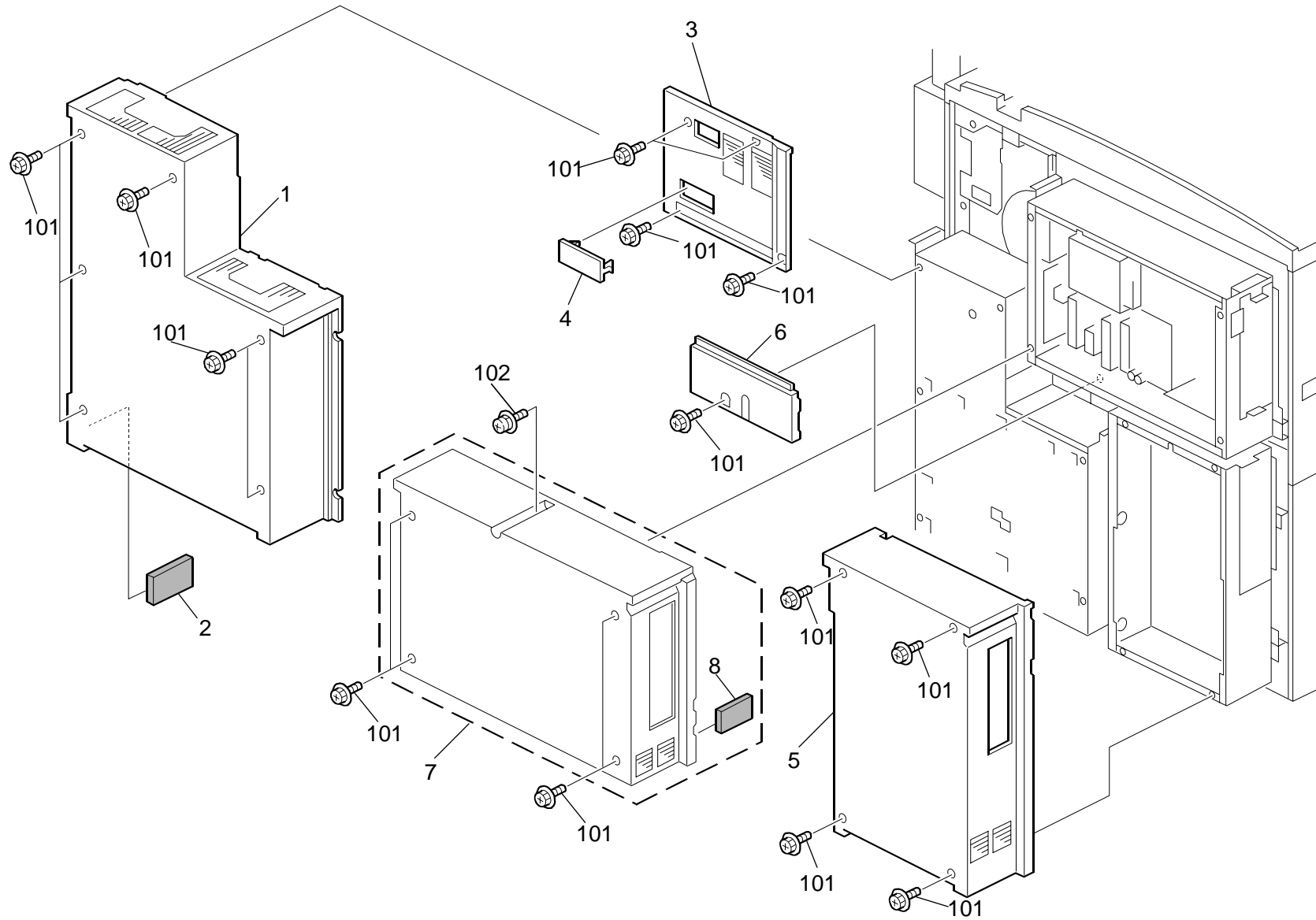


### 3.Exterior 3 (D059/D060/D061)

Index No.	Part No.	Description	Q'ty Per Assembly
1	D059 6631	Cover:Tandem LCT	1
2	G178 2942	Grip:Front:Paper Tray	3
3	D059 6634	Grip:Paper Tray:Rear	3
4	D059 6728	Compression Spring:Grip:Paper Tray	6
5	D059 6707	Base:Stopper:Tandem LCT:Peen	1
6	D059 6701	Torsion Spring:Stopper:Tandem LCT:Right	1
7	D059 6706	Shaft:Grip:Tandem LCT	1
8	D059 6705	Arm:Grip:Tandem LCT:Left	1
9	D059 6704	Arm:Grip:Tandem LCT:Right	1
10	AA14 3810	Development Cover Screw	1
11	D059 6699	Bracket:Base:Stopper:Tandem LCT	1
12	AA14 3791	Screw:Safety	1
13	D059 6702	Stopper:Tandem LCT	1
14	D059 6703	Link:Stopper:Tandem LCT	1
15	D059 6721	Stopper:Paper Tray	2
16	D059 6729	Torsion Spring:Stopper:Paper Tray	2
17	D059 6722	Base:Stopper:Paper Tray	2
18	D059 6723	Shaft:Stopper:Paper Tray	2
19	D059 6724	Arm:Grip:Paper Tray	2
20	D059 6725	Bracket:Stopper:Paper Tray:Right:Peen	2
21	D059 6633	Cover:Paper Tray:Short	1
22	D059 6632	Cover:Paper Tray:Long	1
23	AA00 3217	Decal:Tray:Design Sketch1	1
24	AA00 3218	Decal:Tray:Design Sketch2	1
25	AA00 3219	Decal:Tray:Design Sketch3	1

Index No.	Part No.	Description	Q'ty Per Assembly
101	0451 4008N	Tapping Screw:4x8	
102	0450 4010N	Tapping Screw:M4x10	
103	0951 4008N	Screw:Polished Round:M4x8	
104	0353 0080N	Screw:M3x8	
105	0720 0040E	Retaining Ring - M4	

## 4.Exterior 4 (D059/D060/D061)

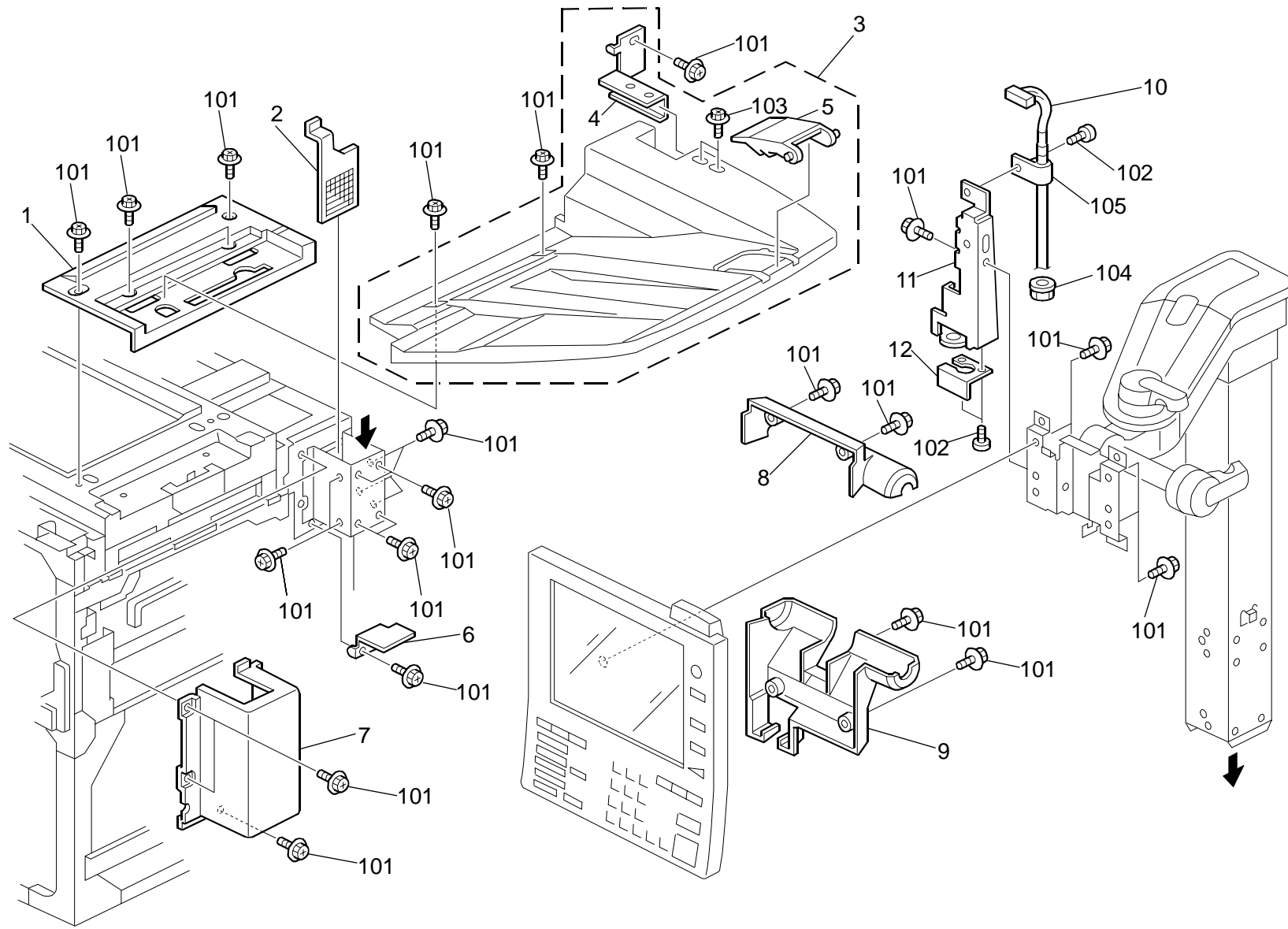


#### 4.Exterior 4 (D059/D060/D061)

Index No.	Part No.	Description	Q'ty Per Assembly
1	B234 7576	Cover - Power Supply Unit	1
2	B070 6840	Filter:C/T Box	1
3	D059 1330	Cover:Rear Upper	1
4	B234 1341	Cap:Connector	1
5	D059 6885	Cover:C/T Box:DC:Ass'y	1
6	D059 1324	Cover:Rear Lower	1
7	D059 6845	Cover:C/T Box:GW:Ass'y	1
8	D059 6844	Filter:C/T Box	1

Index No.	Part No.	Description	Q'ty Per Assembly
101	0451 4008N	Tapping Screw:4x8	
102	0954 4008N	Screw - M4x8	

## 5.Operation Panel 1 (D059/D060/D061)



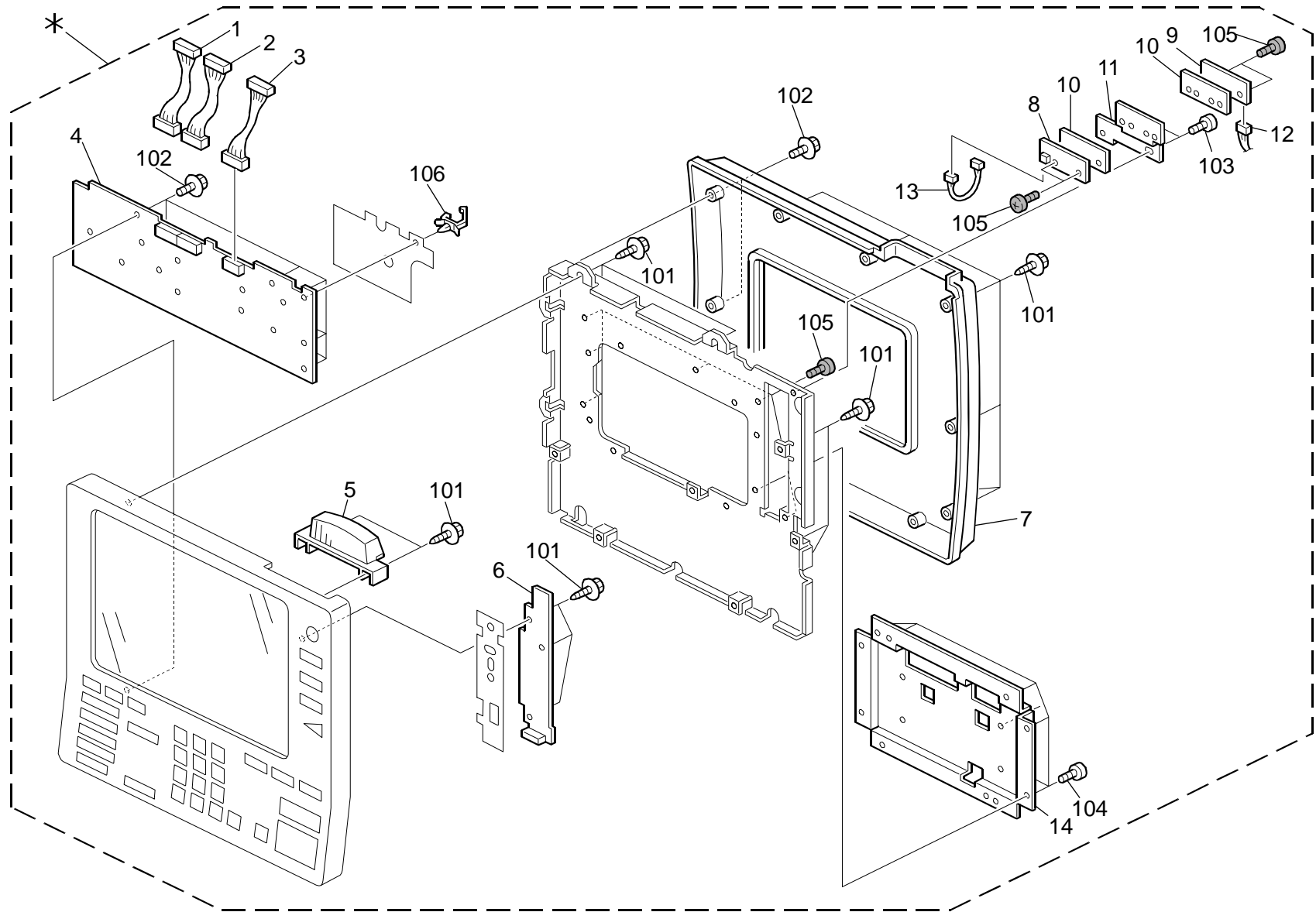
### 5.Operation Panel 1 (D059/D060/D061)

Index No.	Part No.	Description	Q'ty Per Assembly
1	B234 1262	Cover - Upper Right	1
2	M002 1349	Dust Filter:Entrance	1
3	B234 1260	ADF Exit Tray	1
4	A294 1266	Exit Bracket	1
5	B234 1263	Stopper - ADF Exit Tray	1
6	D059 1469	Cover:Arm:Operation Sub-unit:Lower	1
7	B234 1421	Cover - Holder	1
8	D059 1463	Cover:Panel:Rear Upper	1
9	D059 1464	Cover:Panel:Rear Lower	1
10	D059 5658	Cable:Operation Sub-unit:OPU	1
11	D059 1459	Bracket:Cable:Operation Panel	1
12	D059 1454	Cover:Cable	1

Index No.	Part No.	Description	Q'ty Per Assembly
101	0451 4008N	Tapping Screw:4x8	
102	0453 4006N	Binding Self Tapping Screw:4x6	
103	0454 4008N	Tapping Screw:Round Point:4x8	
104	1106 0289	Bushing - SR-5N-1	
105	1105 0061	Nylon Clip - 5N	



## 6.Operation Panel 2 (D059/D060/D061)

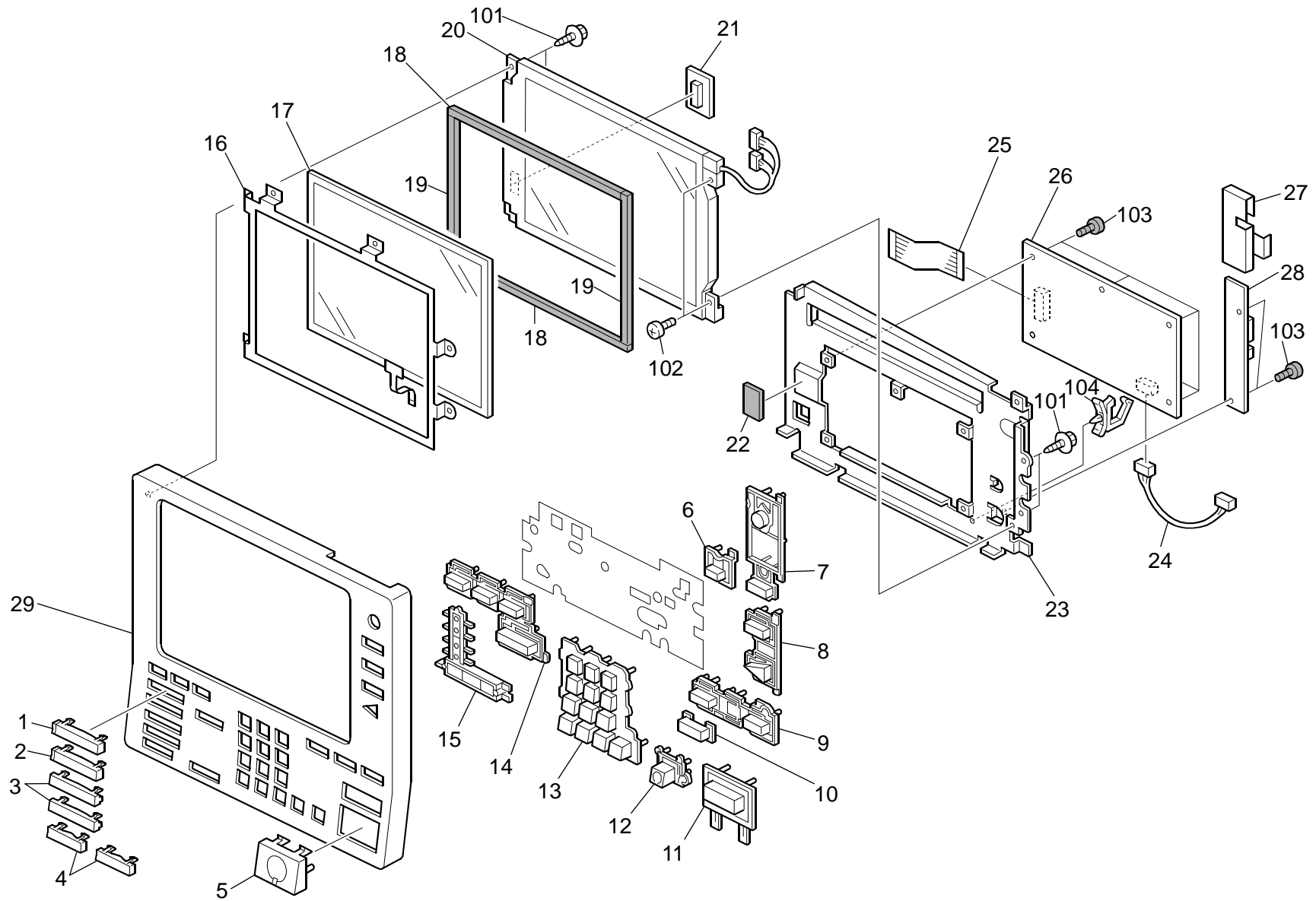


## 6.Operation Panel 2 (D059/D060/D061)

Index No.	Part No.	Description	Q'ty Per Assembly
*	D059 1554	Operation Panel:TEC	1
1	G178 1804	Harness:Keymain:16	1
2	G178 1805	Harness:Keymain:18	1
3	G178 1806	Harness:Keysub	1
4	G178 1810	PCB:Key:Main:C1:Ass'y	1
5	B234 1504	Cover - Pilot Lamp	1
6	B234 1463	PCB Key Sub	1
7	B234 1502	Cover:Rear	1
8	B234 1466	PCB LED F	1
9	B234 1469	PCB LED R	1
10	B234 1538	Sheet:Heat	2
11	B234 1535	LED Heat Sink	1
12	G178 1807	Harness:Pat:LED	1
13	B234 1477	Harness - LED	1
14	G178 1848	Bracket:Stay:Arm	1

Index No.	Part No.	Description	Q'ty Per Assembly
101	0450 3010N	Tapping Screw - M3x10	
102	0360 3005N	Screw - M3x5	
103	0353 0060N	Bind Screw - M3x6	
104	0354 0050N	Screw - M4x5	
105	0353 0040P	Screw - M3x4	
106	1105 0511	Harness Clamp - LWS-0306ZC	

## 7.Operation Panel 3 (D059/D060/D061)

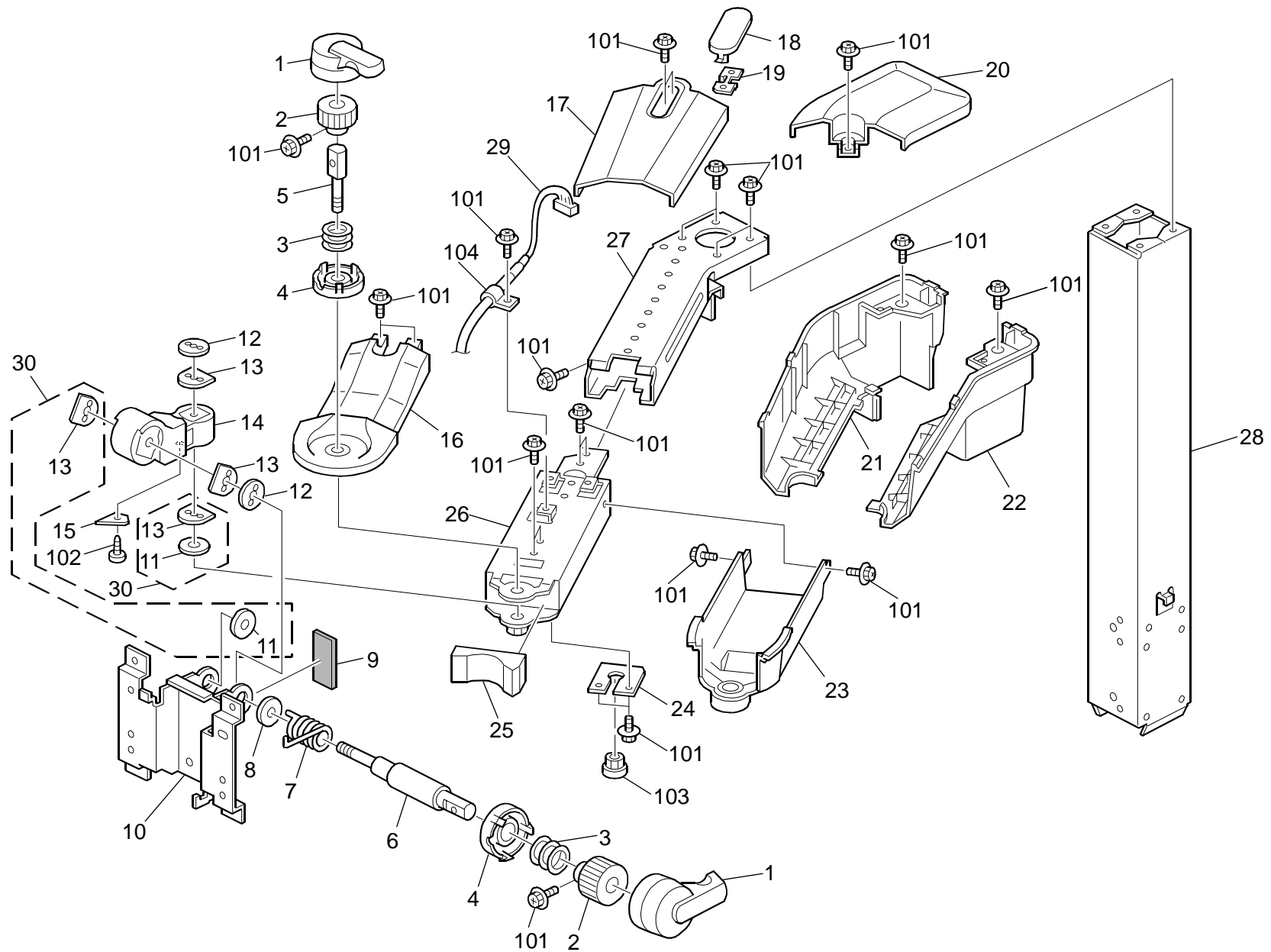


## 7.Operation Panel 3 (D059/D060/D061)

Index No.	Part No.	Description	Q'ty Per Assembly
1	B234 1569	Keypop - Copy NA	1
2	B234 1570	Keypop - DOCBOX NA	1
3	G178 1842	Keypop:Application:Blank:L:BR	2
4	G178 1841	Keypop:Application:Blank:S:BR	2
5	B234 1505	Keypop - Start	1
6	B234 1521	Keypop - Login_logout	1
7	B234 1519	Keypop - Power Source	1
8	B234 1520	Keypop - Interrupt	1
9	B234 1517	Keypop - Program	1
10	B234 1559	Keypop - Reset Switch	1
11	B234 1506	Keypop - Stop	1
12	B234 1508	Keypop - Try Print	1
13	B234 1507	Keypop - 10key	1
14	B234 1558	Keypop - Counter NA	1
15	B234 1515	Keypop - Spacer Application	1
16	B234 1531	Shadeing Plate	1
17	B234 1479	Touch Panel S-VGA	1
18	B234 1542	Spacer - Touch Panel L	2
19	B234 1543	Spacer - Touch Panel S	2
20	RC01 0070	LCD - LQ104S1DG21A	1
21	B234 1472	PCB LCD	1
22	B234 1544	Cushion - Plate LCDPCB	1
23	G178 1849	Bracket:LCD	1
24	G178 1808	Harness:INV	1
25	G178 1809	Cable:FFC:LCD	1
26	D059 1516	PCB:OPU:TEC:Ass'y	1
27	B234 1539	Insulator - Invertor	1
28	B234 1480	Invertor S-VGA	1
29	G178 1853	Cover:Front:NA	1

Index No.	Part No.	Description	Q'ty Per Assembly
101	0450 3010N	Tapping Screw - M3x10	
102	0353 0060N	Bind Screw - M3x6	
103	0353 0040P	Screw - M3x4	
104	1105 0511	Harness Clamp - LWS-0306ZC	

## 8.Operation Panel 4 (D059/D060/D061)

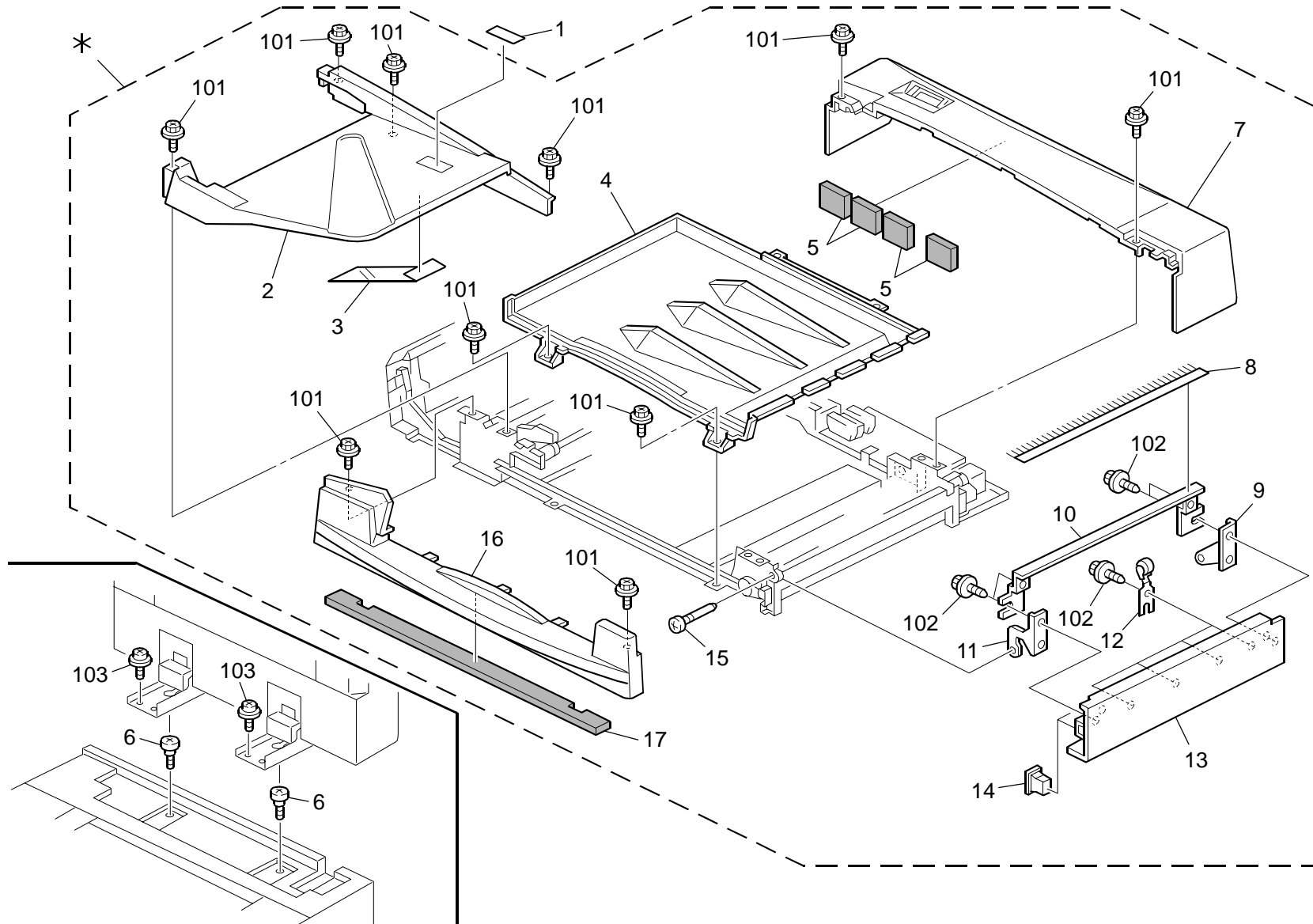


### 8.Operation Panel 4 (D059/D060/D061)

Index No.	Part No.	Description	Q'ty Per Assembly
1	G178 1681	Handle:Operation Sub-unit:Upper	2
2	G178 1699	Knob:Operation Sub-unit	2
3	G178 1682	Coil Spring:Operation Panel:Handle	2
4	G178 1685	Handle:Operation Sub-unit:Lower	2
5	G178 1771	Shaft:Knob:Arm:Small	1
6	G178 1772	Shaft:Knob:Operation Sub-unit	1
7	G178 1678	Spring:Balancer:Cover:Operation Sub-unit	1
8	G178 1689	Stay:Operation Sub-unit:Washer	1
9	G178 1655	Brake:Turn:Upper Lower	1
10	D060 1425	Stay:Operation Panel:Welding	1
11	D059 1466	Bracket Shoe:Operation Sub-unit	2
12	G178 1762	Stay:Turn	2
13	G178 1686	Holder:Fix	4
14	D059 1451	Arm:Contact Point	1
15	D059 1453	Spacer:Arm:Lower	1
16	D059 1461	Cover:Arm:Upper	1
17	D059 1441	Cover:Arm:Upper	1
18	D059 1444	Cap:Cover:Arm:Upper	1
19	D059 1444	Cap:Cover:Arm:Upper	1
20	D059 1443	Cover:Arm:Upper Rear	1
21	D059 1467	Cover:Arm:Left Lower	1
22	D059 1468	Cover:Arm:Right Lower	1
23	D059 1462	Cover:Arm:Lower	1
24	D059 1458	Bracket:Cable:Bushing	1
25	D059 1452	Spacer:Arm:Contact Point	1
26	D060 1435	Arm:Operation Sub-unit:Front Rear:Welding	1
27	D059 1455	Arm:Operation Sub-unit:Welding	1
28	D059 1433	Frame:Arm:Operation Sub-unit	1
29	D059 5658	Cable:Operation Sub-unit:OPU	1
30	D059 1460	Bracket Shoe:Operation Sub-unit:Ass'y	2

Index No.	Part No.	Description	Q'ty Per Assembly
101	0451 4008N	Tapping Screw:4x8	
102	0453 3006N	Tapping Screw - M3x6	
103	1106 0289	Bushing - SR-5N-1	
104	1105 0061	Nylon Clip - 5N	

# 9.ADF 1 (D059/D060/D061)



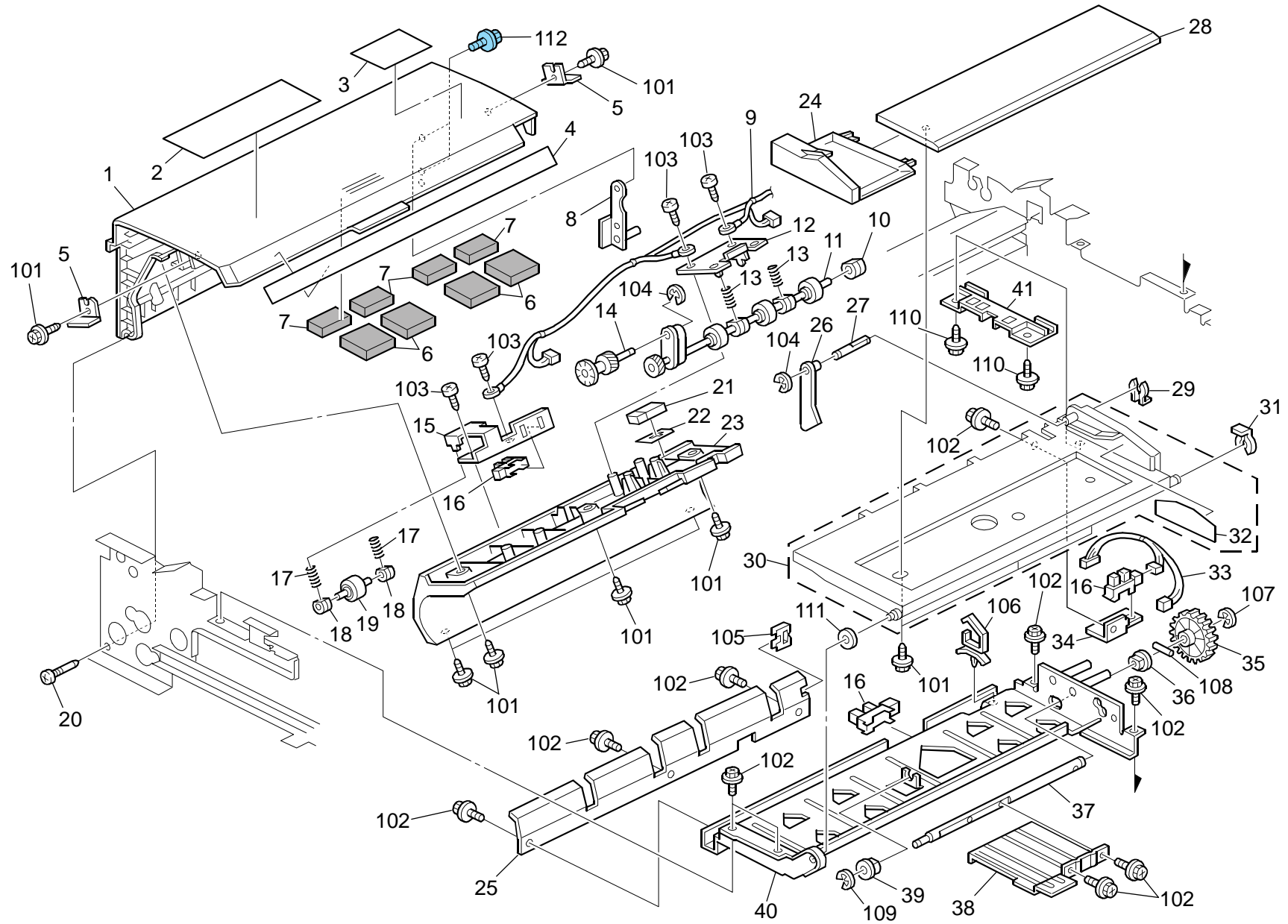
### 9.ADF 1 (D059/D060/D061)

Index No.	Part No.	Description	Q'ty Per Assembly
*	B234 7001	ARDF:Unit	1
1	B477 4431	Decal - Original Table	1
2	B301 1822	Original Table:RIC:Printing	1
3	B301 1835	Original Holder	1
4	B301 1796	Cover:Original Table:Lower:RIC	1
5	B301 4428	Sound Proofing Material - Rear	4
6	A859 7211	Stepped Screw	2
7	B301 1726	Cover:Rear:RIC:Ass'y	1
8	B301 1919	Discharge Brush - Exit	1
9	A806 3261	Inner Back Cover Bracket	1
10	A806 3266	Discharge Brush Bracket	1
11	A806 3251	Exit Cover Bracket	1
12	A663 1241	Exit Roller:Driven :AS	4
13	B301 1786	Cover:Exit:RIC	1
14	B352 2650	Magnet Catch - 5N	2
15	AA14 3788	Pin:Guide Plate:Paper Feed	1
16	B301 1716	Cover:Front	1
17	B301 4415	Sound Proofing Material - Front Lower	1

Index No.	Part No.	Description	Q'ty Per Assembly
101	0451 3008N	Tapping Screw - M3x8	
102	0450 4012N	Tapping Screw:4x12	
103	0951 5008N	Screw:Polished Round:M5x8	

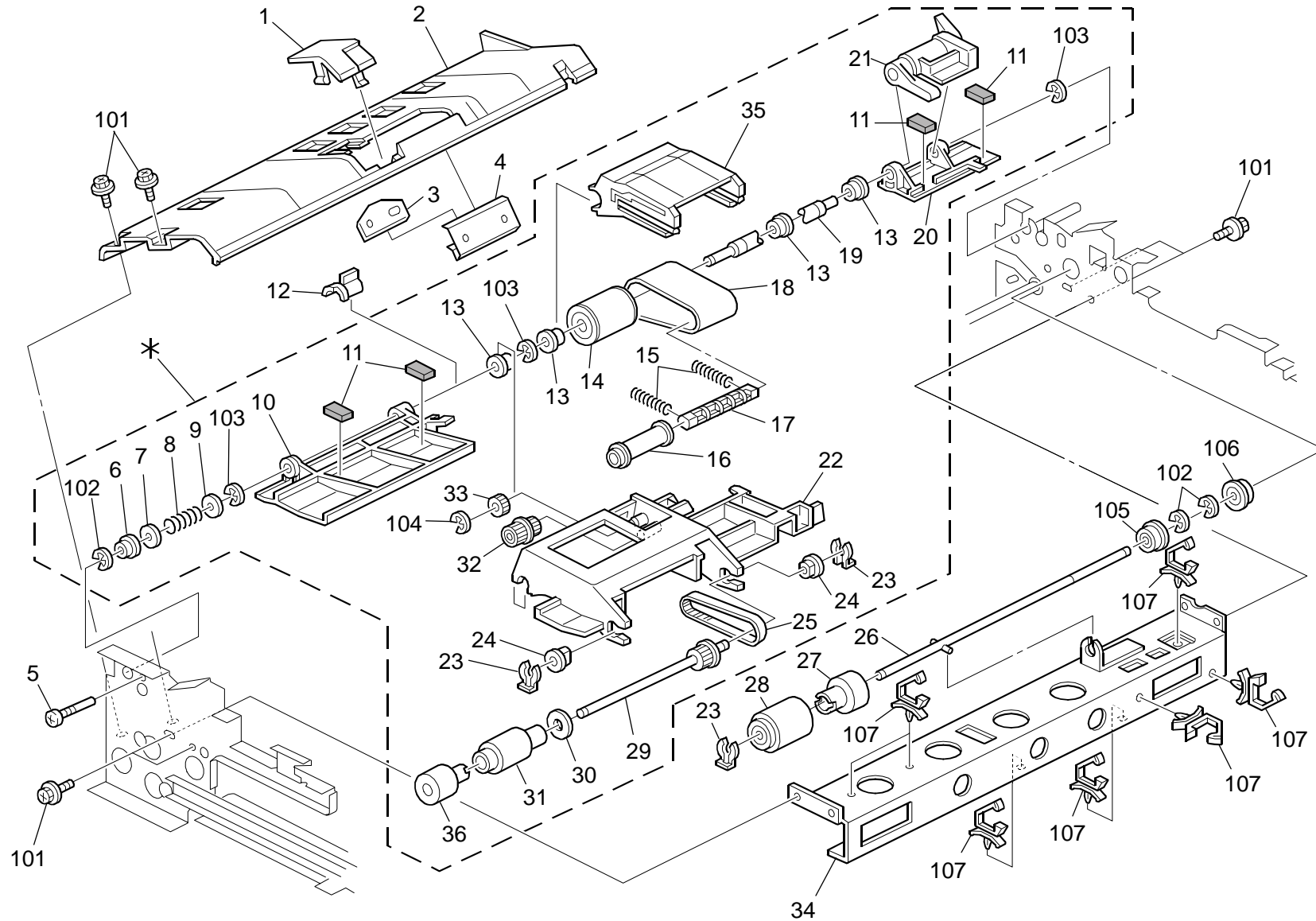


# 10.ADF 2 (D059/D060/D061)





# 11.ADF 3 (D059/D060/D061)

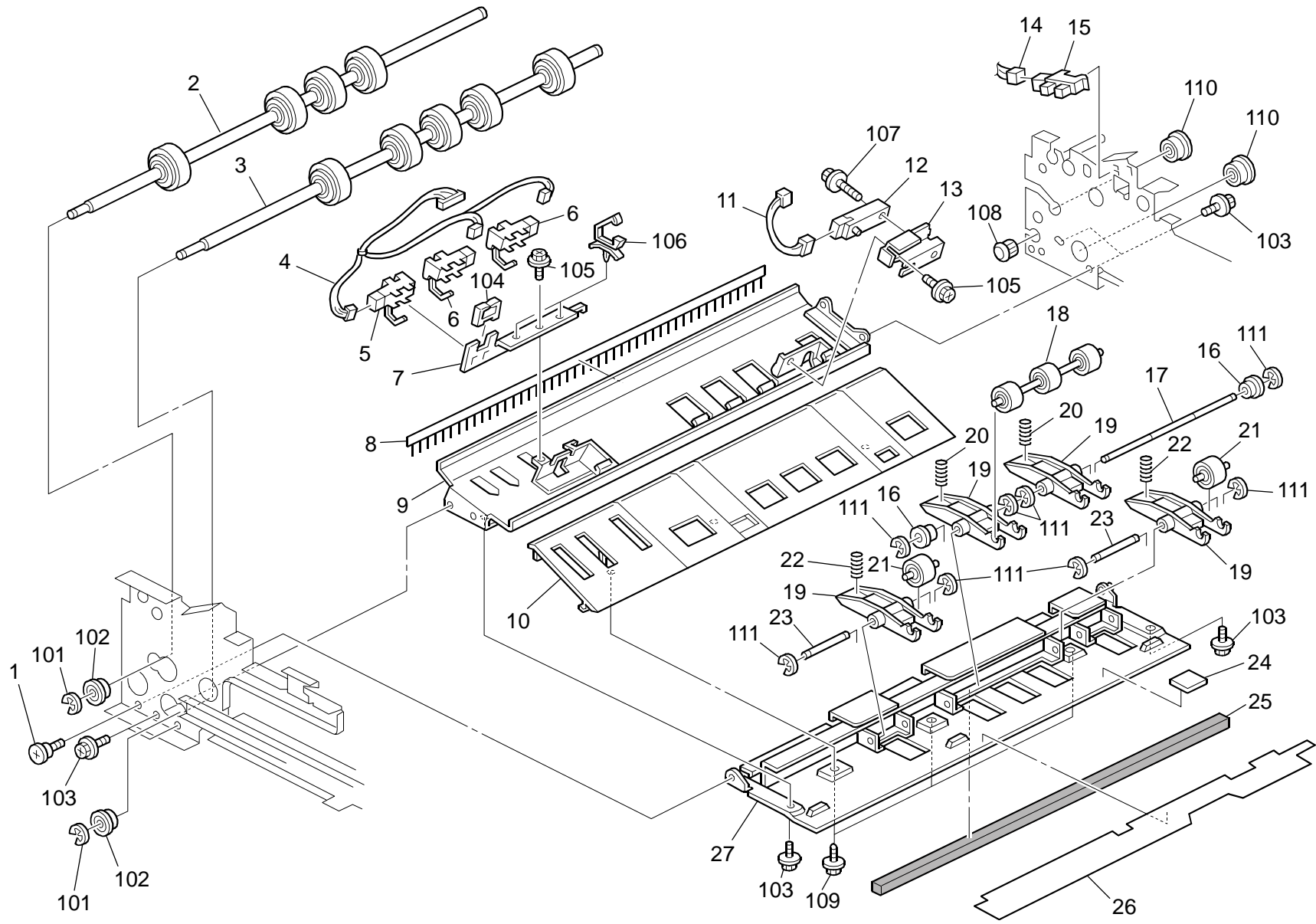


### 11.ADF 3 (D059/D060/D061)

Index No.	Part No.	Description	Q'ty Per Assembly
*	B301 1282	Shaft:Separation:Drive:Ass'y	1
1	A806 1152	Upper Guide Plate	1
2	A806 1153	Upper Guide Plate	1
3	B301 1155	Separation Support Pad	1
4	B301 1156	Separation Pad Holder	1
5	AA14 3789	Shaft:Cleaner	1
6	B301 1286	Bushing - 6x10x6	1
7	A418 1158	Spacer - M6.5x1	1
8	AA06 3435	Compression Spring:Paper Feed:Joint	1
9	AA13 2013	Spacer	1
10	A806 1161	Entrance Guide Plate - Front	1
11	A806 1163	Guide Plate Cushion	4
12	A680 1621	Feed-in Unit Stopper	1
13	A628 1225	Bushing - 8mm	4
14	A806 1293	Feed Belt Drive Roller	1
15	A806 4261	Spring Belt Guide Roller	2
16	A806 1294	Feed Belt Driven Roller	1
17	A806 1298	Transport Belt Roller Shaft	1
<b>18</b>	<b>A806 1295</b>	<b>Feed Belt</b>	<b>1</b>
19	A806 1282	Separation Drive Shaft	1
20	A806 1162	Entrance Guide Plate - Inner	1
21	A806 1328	Release Lever	1
22	B301 1314	Pick-up Roller Bracket	1
23	5447 2681	Snap Ring	3
24	5053 0447	Bushing - 6mm	2
25	A806 4118	Timing Belt - B40S2M148	1
26	B301 2511	Reverse Roller Shaft	1
27	A294 6700	Torque Limiter - 53mNxm	1
<b>28</b>	<b>A859 2241</b>	<b>Reverse Roller</b>	<b>1</b>
29	A806 2153	Timing Pulley - T27 S2M	1
30	AA13 2171	Spacer - 6x20x1	1
<b>31</b>	<b>B477 2225</b>	<b>Pick-up Roller</b>	<b>1</b>
32	A806 2151	Timing Pulley - T19/Z23 S2M/M0.6	1
33	A806 2271	Gear - Z18	1
34	A806 1141	Reverse Roller Stay	1

Index No.	Part No.	Description	Q'ty Per Assembly
35	A806 1292	Feed Belt Bracket	1
36	B477 2226	Pickup Roller:Coupling	1
101	0451 3008N	Tapping Screw - M3x8	
102	0720 0040E	Retaining Ring - M4	
103	0720 0060E	Retaining Ring - M6	
104	0720 0030E	Retaining Ring - M3	
105	0741 3706	Ball Bearing - 6x10x3	
106	0741 3506	Ball Bearing - 6x12x4 mm	
107	1105 0623	Clamp - LBWS-0206S-V0	

# 12.ADF 4 (D059/D060/D061)

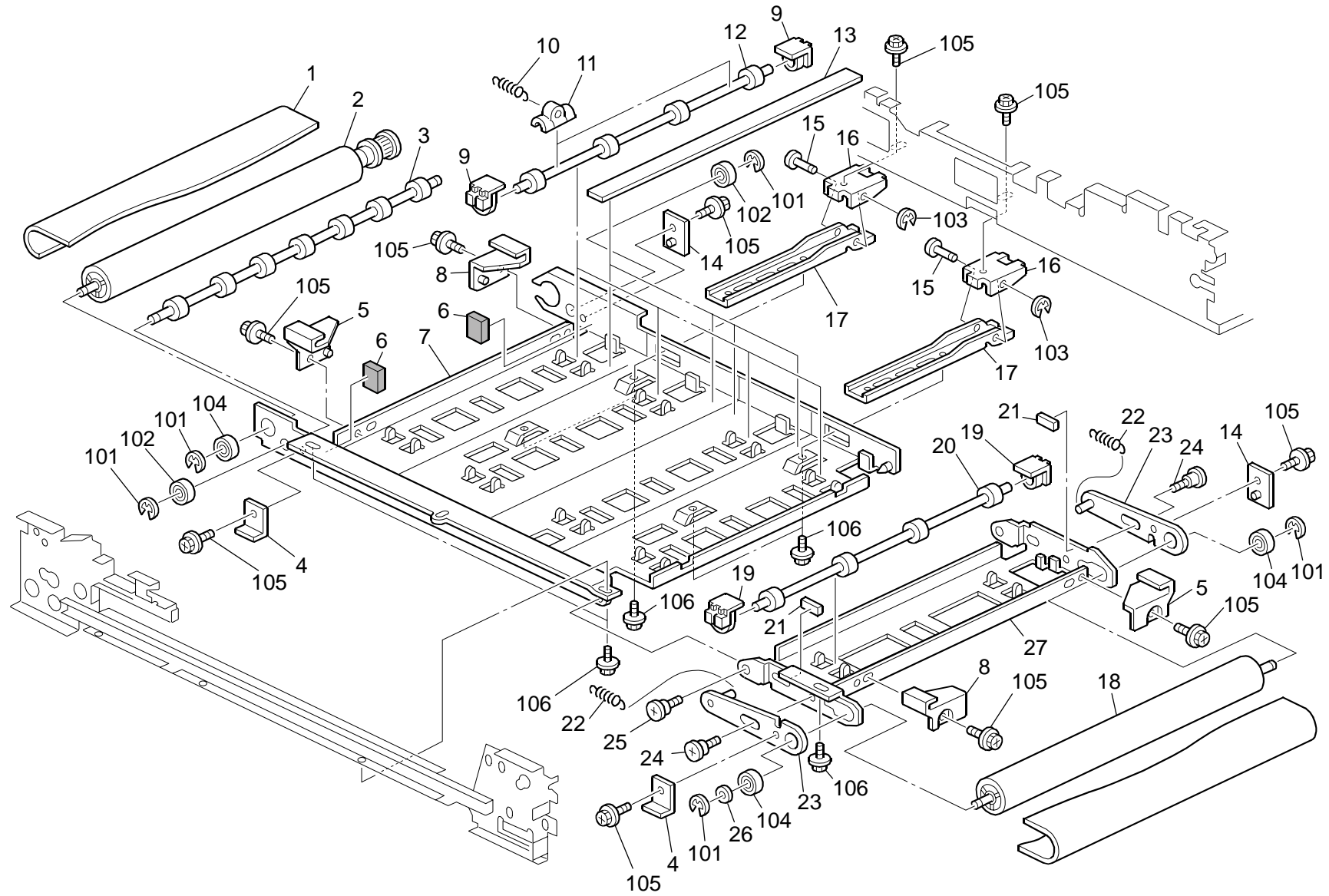


## 12.ADF 4 (D059/D060/D061)

Index No.	Part No.	Description	Q'ty Per Assembly
1	AA14 3857	Screw - M4x5	1
2	A806 1271	Pull Out Drive Roller	1
3	A806 1276	Transport Drive Roller	1
4	B301 5246	Harness:Sensor:Paper Size Sensor: Connecting	1
5	AW02 0155	Photointerruptor:Paper Size Sensor	1
6	AW02 0154	Photointerruptor:Entrance	2
7	A806 1226	Paper Size Sensor Bracket	1
8	B301 1216	Discharge Brush	1
9	A806 1211	Middle Guide Plate	1
10	A806 1241	Lower Guide Plate	1
11	B301 5245	Harness:Registration Sensor:Connecting	1
12	AW01 0109	Photo Reflection Sensor:PS117ED1	1
13	A806 1221	Registration Sensor Bracket	1
14	B301 5234	Harness:Sensor:Paper Feed:Connecting	1
15	AW02 0141	Photointerruptor	1
16	5324 1658	Bushing- 4x8x4.5mm	2
17	A806 1256	Middle Shaft - Roller Arm	1
18	A806 1261	Middle Driven Roller	1
19	A806 1251	Transport Roller Arm	4
20	A806 4221	Compression Spring	2
21	A806 1266	Driven Roller	2
22	B301 4226	Spring	2
23	A806 1257	Roller Arm Shaft	2
24	A422 1063	Seal - 0.7x13x20	1
25	B301 4417	Sound Proofing Material - Left Right	1
26	B301 1247	Entrance Guide	1
27	B301 1232	Base:Paper Feed	1

Index No.	Part No.	Description	Q'ty Per Assembly
101	0720 0040E	Retaining Ring - M4	
102	0741 3506	Ball Bearing - 6x12x4 mm	
103	0451 3008N	Tapping Screw - M3x8	
104	1105 0328	Harness Clamp - ES-0505	
105	0451 3006N	Tapping Screw - 3x6	
106	1105 0623	Clamp - LBWS-0206S-V0	
107	0451 3012N	Tapping Screw:3x12	
108	1106 0193	Bushing - 7.9mm	
109	0450 3008N	Tapping Screw - M3x8	
110	0742 3808	Ball Bearing - 8x16x5	
111	0720 0030E	Retaining Ring - M3	

# 13.ADF 5 (D059/D060/D061)



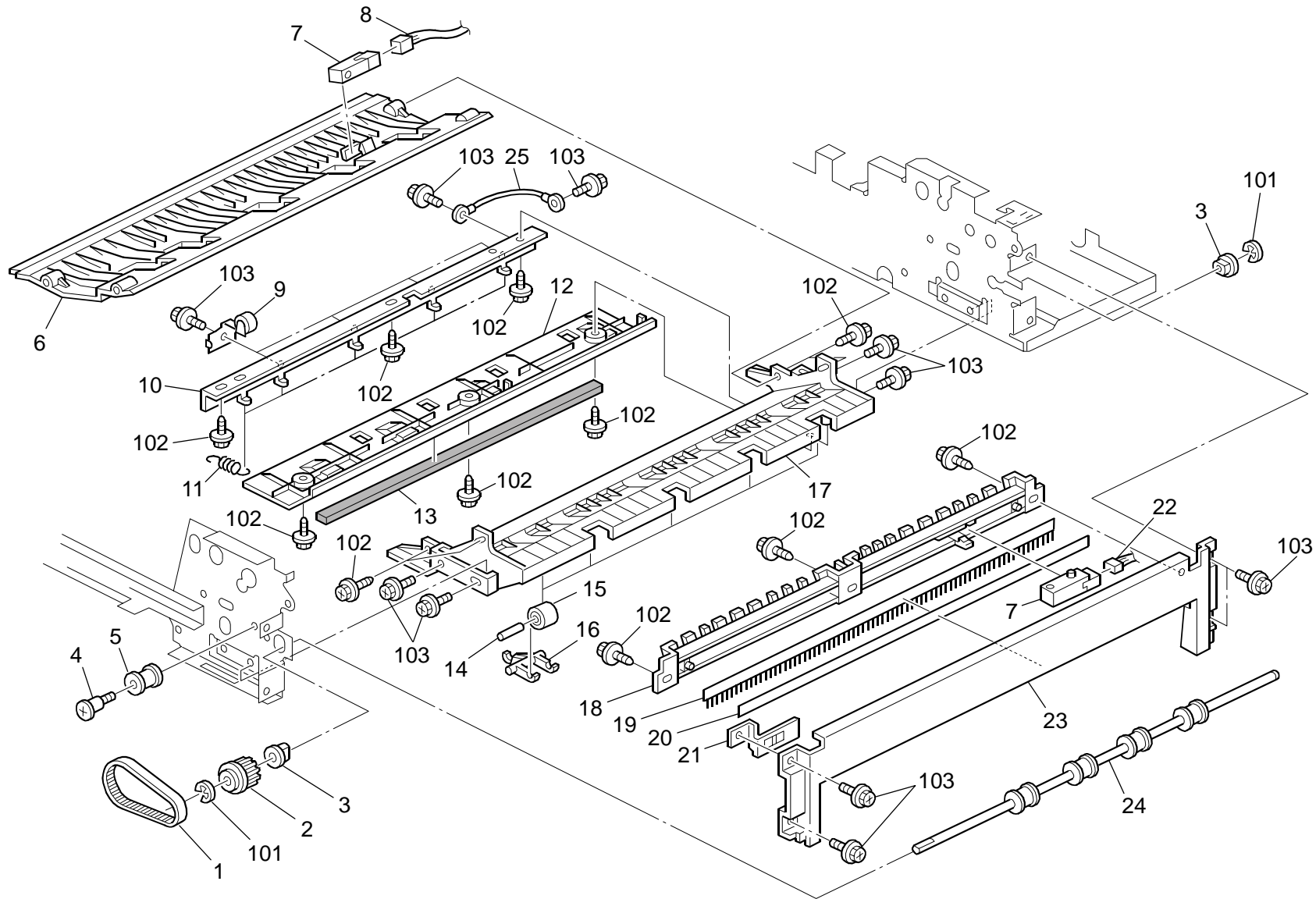
### 13.ADF 5 (D059/D060/D061)

Index No.	Part No.	Description	Q'ty Per Assembly
1	<b>B301 1442</b>	<b>Transport Belt</b>	<b>1</b>
2	B301 1432	Belt Drive Roller	1
3	B301 1451	Belt Pressure Roller	1
4	B301 1449	Front Spacer	2
5	B301 1443	Transport Belt Stopper - Front	2
6	B301 1141	Rubber Cushion	2
7	B301 1412	Transport Belt Plate	1
8	B301 1444	Transport Belt Stopper - Rear	2
9	A610 2136	Bushing	8
10	AA06 2587	Tension Spring:Pressure	8
11	A610 2132	Pressure Bushing	8
12	B301 1481	Belt Pressure Roller	4
13	B301 4431	Vibration Absorbing Pad	4
14	B301 1445	Rear Spacer	2
15	A680 1443	Arm Shaft	2
16	A680 1446	Transport Unit Arm	2
17	A548 1442	Transport Arm	2
18	B301 1436	Transport Belt Roller	1
19	A610 2137	Pressure Roller Bushing	2
20	B301 2161	Roller:Pressure:Belt:MM24	1
21	AA16 1138	Cushion - 1.1	2
22	AA06 2345	Tension Spring	2
23	B301 1491	Tension Bracket	2
24	AA14 3831	Screw	2
25	B188 3575	Screw:Lever:Release:Blade	1
26	A028 7878	Arm Spacer	1
27	B301 1422	Transport Stay	1

Index No.	Part No.	Description	Q'ty Per Assembly
101	0720 0040E	Retaining Ring - M4	
102	0741 3706	Ball Bearing - 6x10x3	
103	0720 0030E	Retaining Ring - M3	
104	0741 3506	Ball Bearing - 6x12x4 mm	
105	0451 3008N	Tapping Screw - M3x8	
106	0451 4006N	Tapping Screw - 4x6	



# 14.ADF 6 (D059/D060/D061)

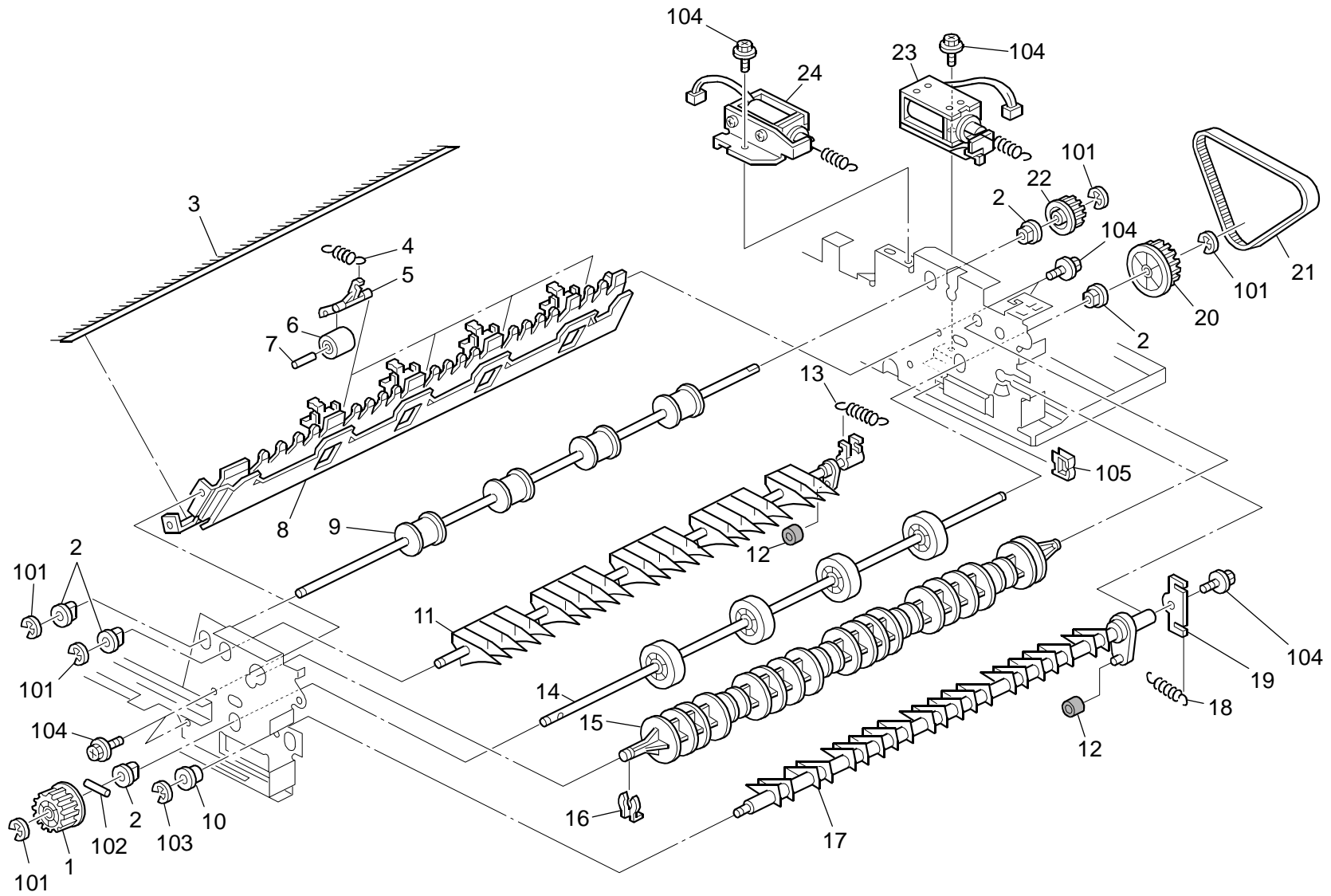


### 14.ADF 6 (D059/D060/D061)

Index No.	Part No.	Description	Q'ty Per Assembly
1	AA04 3548	Timing Belt - B40S3M150	1
2	A806 3281	Timing Pulley - T14 S3M	1
3	5053 0447	Bushing - 6mm	2
4	AA14 3842	Screw:DIA6:14.5:M4	1
5	A351 3459	Idler	1
6	B301 3161	Left Exit Guide	1
7	AW01 0109	Photo Reflection Sensor:PS117ED1	2
8	B301 5256	Harness:Sensor:Exit:Connecting	1
9	A806 3151	Driven Exit Roller	4
10	A806 3142	Guide Plate Bracket	1
11	B301 3135	Spring	5
12	A806 3171	Lower Exit Cover	1
13	B301 4417	Sound Proofing Material - Left Right	1
14	B301 3185	Driven Roller Shaft	5
15	B301 3184	Reverse Driven Roller	5
16	A548 1234	Driven Roller Arm	5
17	B301 3132	Lower Guide Plate	1
18	A806 3211	Right Exit Guide Plate	1
19	B301 1919	Discharge Brush - Exit	1
20	A806 3222	Seal	1
21	A806 3221	Exit Ground Plate	1
22	B301 5253	Harness:Sensor:Reverse:Connecting	1
23	B301 1926	Cover:Right	1
24	A806 3111	Drive Exit Roller	1
25	B301 5476	Harness:Earth:Exit	1

Index No.	Part No.	Description	Q'ty Per Assembly
101	0720 0040E	Retaining Ring - M4	
102	0450 3008N	Tapping Screw - M3x8	
103	0451 3008N	Tapping Screw - M3x8	

# 15.ADF 7 (D059/D060/D061)

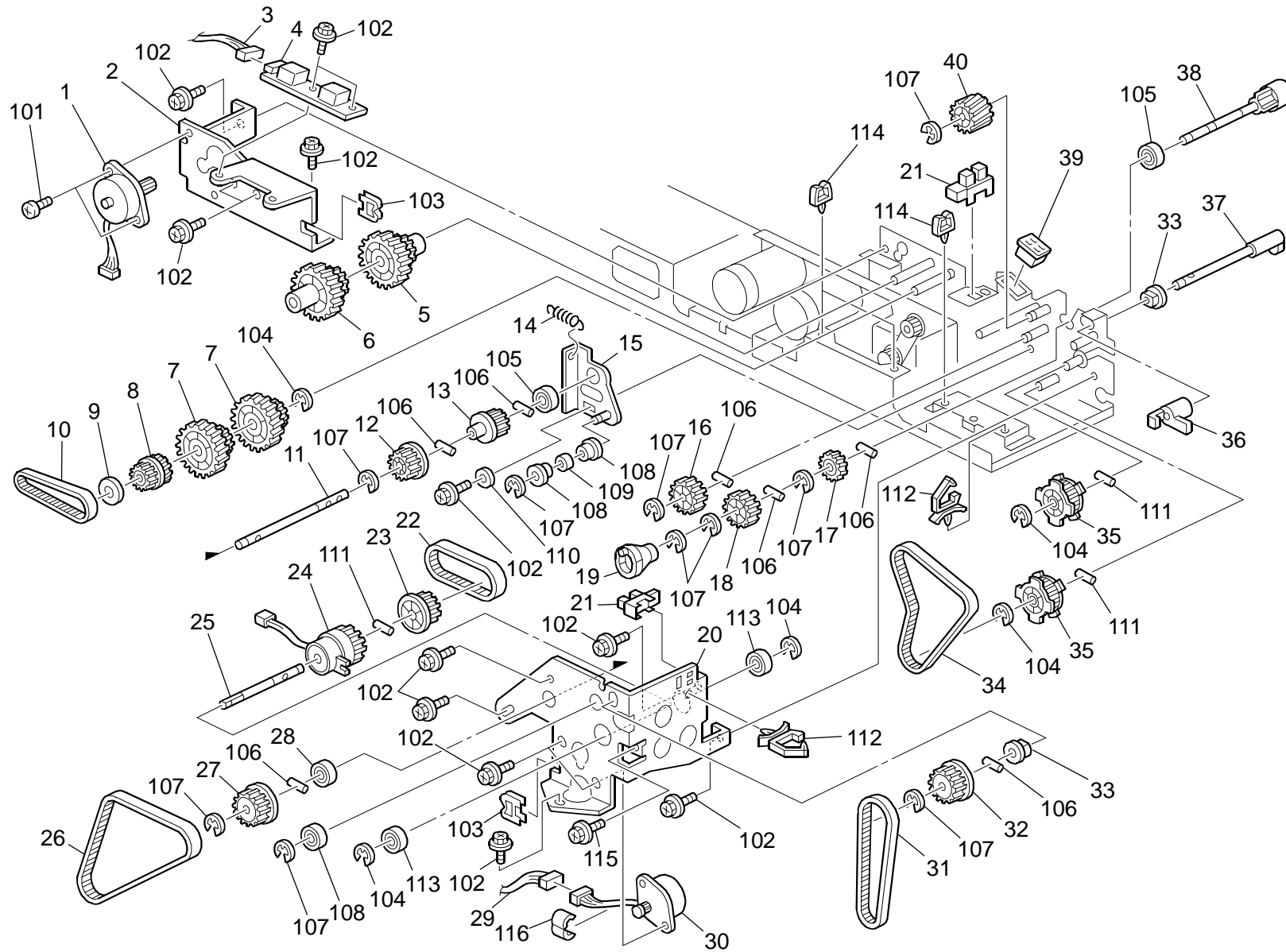


**15.ADF 7 (D059/D060/D061)**

Index No.	Part No.	Description	Q'ty Per Assembly
1	A680 2321	Pulley - 30T	1
2	5053 0447	Bushing - 6mm	5
3	B301 3188	Discharge Brush	1
4	B301 3186	Spring	4
5	A548 1234	Driven Roller Arm	4
6	B301 3184	Reverse Driven Roller	4
7	B301 3185	Driven Roller Shaft	4
8	B301 3181	Invertor Guide Plate	1
9	A548 1261	Exit Roller	1
10	5324 1658	Bushing- 4x8x4.5mm	1
11	A548 1321	Exchange Pawl	1
12	A548 1317	Lever Cushion	2
13	AA06 2589	Tension Spring:Reverse	1
14	B301 3271	Reverse Drive Roller	1
15	A548 1231	Guide Roller	1
16	5215 2621	Snap Ring - M6	1
17	B301 3191	Exit Junction Gate	1
18	AA06 2588	Tension Spring:Exit	1
19	B301 3192	Lever - Exit Junction Gate	1
20	B301 3286	Pulley - 30Z	1
21	AA04 3547	Timing Belt - B40S3M213	1
22	A548 2137	Timing Pulley - 18Z	1
23	B301 3311	Reverse DC Solenoid	1
24	B301 3301	Paper Exit Solenoid	1

Index No.	Part No.	Description	Q'ty Per Assembly
101	0720 0040E	Retaining Ring - M4	
102	0632 0120G	Parallel Pin - 2x12	
103	0720 0030E	Retaining Ring - M3	
104	0451 3008N	Tapping Screw - M3x8	
105	1105 0328	Harness Clamp - ES-0505	

# 16.ADF 8 (D059/D060/D061)

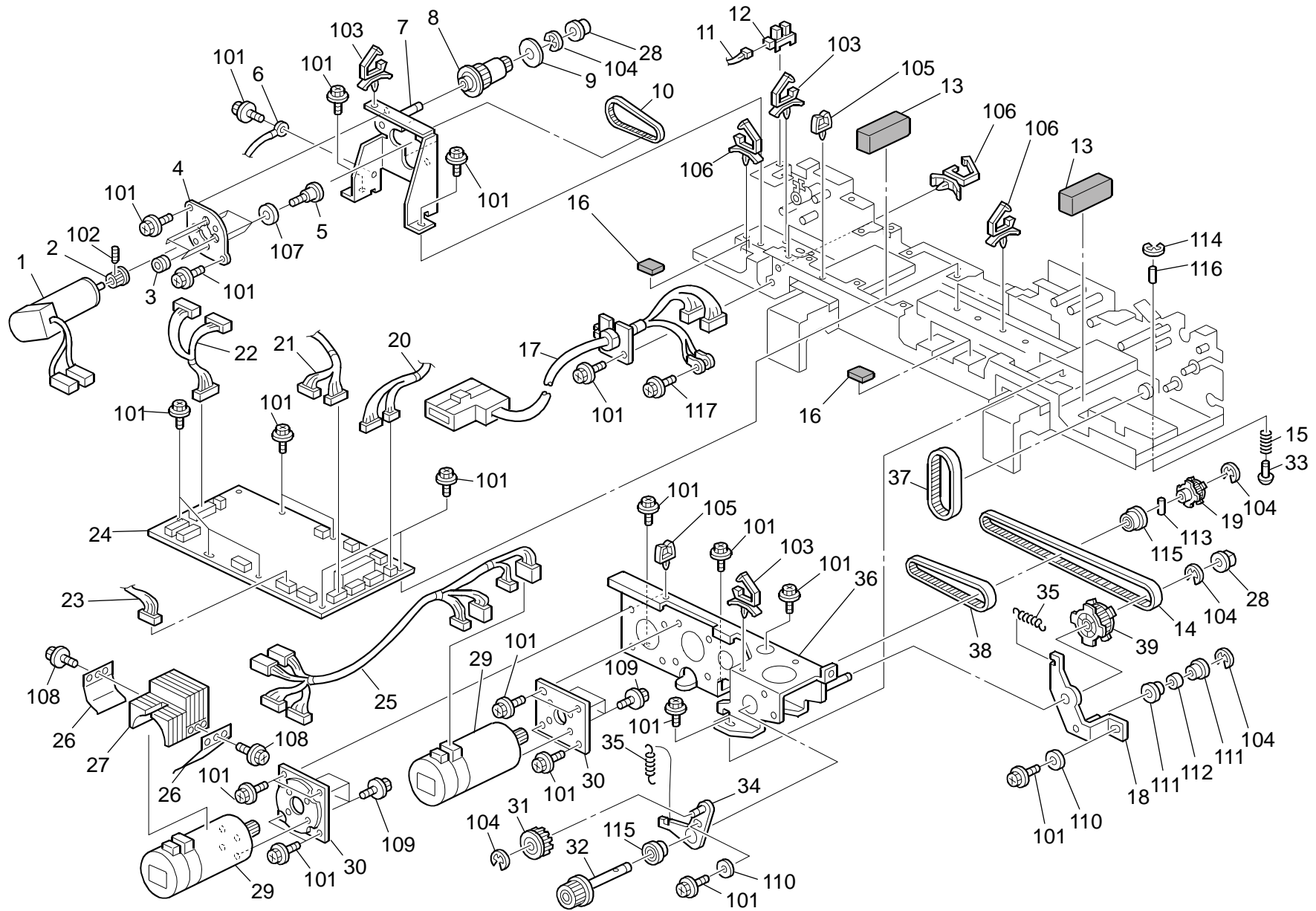


## 16.ADF 8 (D059/D060/D061)

Index No.	Part No.	Description	Q'ty Per Assembly
1	B652 2911	Stepper Motor:Base:Rise:Ass'y	1
2	B301 2367	Motor Bracket	1
3	B301 5271	Harness:Display	1
4	B301 5190	PCB Display	1
5	A806 2285	Gear - Z20/Z47	1
6	A806 2287	Gear - Z20/Z47	1
7	A806 2283	Gear - Z20/Z47	2
8	A806 2161	Timing Pulley - T30/Z20 S2M/M0.8	1
9	AA13 2152	Spacer - 8x20x1	1
10	A806 4117	Timing Belt - B40S2M158	1
11	B301 2122	Shaft	1
12	B301 2213	Pulley - 20Z	1
13	B301 2211	Pulley - 20/19Z	1
14	AA06 0590	Pressure Spring	1
15	B301 2281	Tension Bracket	1
16	B301 2221	Gear - 31Z	1
17	B301 2244	Gear - 23Z	1
18	B301 2243	Gear - 29Z	1
19	A806 2244	Separation Shaft Stopper	1
20	B301 2336	Side Plate	1
21	AW02 0141	Photointerruptor	2
22	AA04 3535	Timing Belt - B60S3M195	1
23	B301 2273	Pulley - 32Z	1
24	AX20 0294	Magnetic Clutch - 38Z	1
25	B301 2271	Shaft	1
26	AA04 3534	Timing Belt - B60S3M216	1
27	B301 2123	Pulley - 24Z	1
28	A859 2230	Ball Bearing - 6x13x5	1
29	B301 5221	Harness:Motor:Pick Up	1
30	AX04 0139	Stepper Motor:MM42:0.95A:9.5V	1
31	AA04 3537	Timing Belt - B40S2M206	1
32	B301 2141	Pulley - 39Z	1
33	5053 0447	Bushing - 6mm	2
34	AA04 3536	Timing Belt - B60S3M279	1
35	B301 2261	Pulley - 36Z	2

Index No.	Part No.	Description	Q'ty Per Assembly
36	A680 2262	Feeler - Pick-up Roller Cam	1
37	B301 2422	Cam - Pick-up Roller	1
38	B301 2242	Shaft	1
39	AG07 0515	Magnet Catch:13N	1
40	B301 2222	Gear - 20Z	1
101	0353 0050N	Screw-M3x5	
102	0451 3008N	Tapping Screw - M3x8	
103	1105 0328	Harness Clamp - ES-0505	
104	0720 0060E	Retaining Ring - M6	
105	0741 3506	Ball Bearing - 6x12x4 mm	
106	0632 0120G	Parallel Pin - 2x12	
107	0720 0040E	Retaining Ring - M4	
108	0741 3706	Ball Bearing - 6x10x3	
109	0805 3507	Bushing - 6mm	
110	0701 0030N	Washer DIA3	
111	0632 0160G	Parallel Pin-M2x16	
112	1105 0623	Clamp - LBWS-0206S-V0	
113	0742 3808	Ball Bearing - 8x16x5	
114	1105 0231	Clamp	
115	0451 3010N	Tapping Screw:3x10	
116	1607 0623	Ferrite Core - TFC-16-8-13	

# 17.ADF 9 (D059/D060/D061)



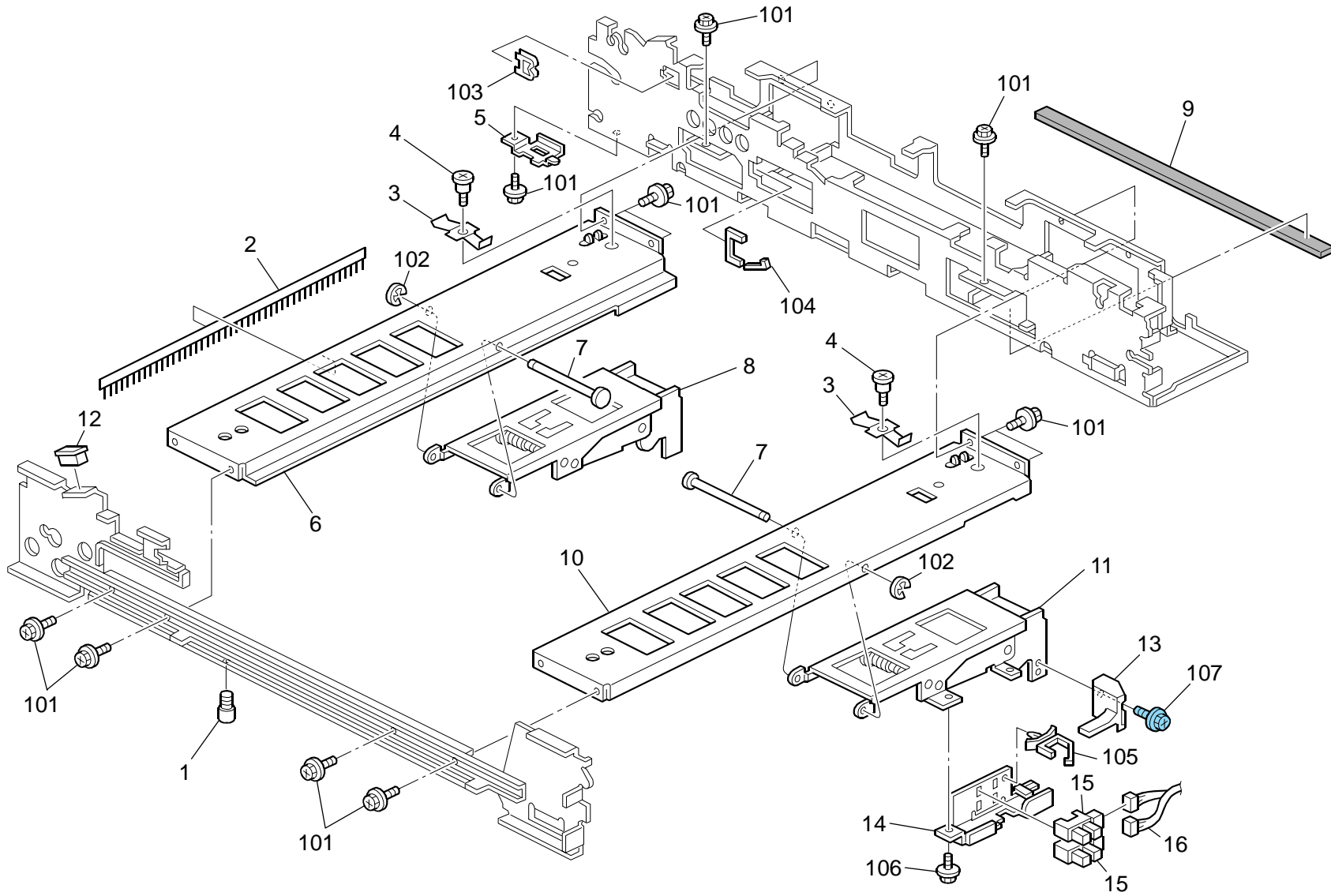
## 17.ADF 9 (D059/D060/D061)

Index No.	Part No.	Description	Q'ty Per Assembly
1	AX06 0321	DC Motor 24V 27W	1
2	A610 3532	Timing Pulley - 18Z	1
3	B301 3246	Motor Bushing - 4x9x5.2	4
4	B301 3345	Exit Motor Guide Plate	1
5	AA14 3379	Stepped Screw	4
6	B301 5476	Harness:Earth:Exit	1
7	B301 3341	Exit Motor Bracket	1
8	A680 2311	Pulley - 18T/32T	1
9	A300 3812	Spacer - 6x22x1.5	1
10	AA04 3539	Timing Belt - B40S2M104	1
11	B301 5253	Harness:Sensor:Reverse:Connecting	1
12	AW02 0141	Photointerruptor	1
13	B301 4418	Sound Proofing Material - Hinge Side	3
14	AA04 3546	Timing Belt - B60S2M474	1
15	B652 1134	Compression Spring	1
16	B301 1141	Rubber Cushion	3
17	B301 5280	Harness:Interface:Ass'y	1
18	B301 2376	Tension Bracket	1
19	B301 2111	Pulley - 30Z	1
20	B301 5232	Harness:Paper Feed Sub-unit:Rear	1
21	B301 5247	Harness:Paper Feed Sub-unit:Middle	1
22	B301 5255	Harness:Paper Exit Sub-unit	1
23	B301 5261	Harness:Sensor:On Off Detector	1
24	B301 5100	PCB ADF Main Control	1
25	B301 5211	Harness:DC Motor	1
26	B301 2320	Heat Sink Holder	2
27	B301 2319	Heat Sink - DC Motor	1
28	5936 2321	Rubber Bushing - Vibration Damper	2
29	AX06 0320	DC Motor:54W	2
30	B301 2172	Cushion	2
31	AB03 0354	Pulley - 20T	1
32	B301 2113	Pulley - 19Z	1
33	B652 1133	Shaft:Slider	1
34	B301 2327	Holder Bracket	1
35	AA06 0590	Pressure Spring	2

Index No.	Part No.	Description	Q'ty Per Assembly
36	B301 2371	Motor Bracket	1
37	AA04 3538	Timing Belt - B60S3M174	1
38	AA04 3533	Timing Belt - B0S2M256	1
39	B301 2231	Pulley - 58/20Z	1
101	0451 3008N	Tapping Screw - M3x8	
102	0574 0050E	Hexagon Headless Set Screw - M4x5	
103	1105 0623	Clamp - LBWS-0206S-V0	
104	0720 0040E	Retaining Ring - M4	
105	1105 0231	Clamp	
106	1105 0516	Clamp	
107	0807 3035	Washer - 4.1x10x0.5	
108	0451 3005N	Tapping Screw:M3x5	
109	0451 4006N	Tapping Screw - 4x6	
110	0701 0030N	Washer DIA3	
111	0741 3706	Ball Bearing - 6x10x3	
112	0805 3507	Bushing - 6mm	
113	0632 0120G	Parallel Pin - 2x12	
114	0720 0030E	Retaining Ring - M3	
115	0742 3906	Ball Bearing - 6x14x5mm	
116	0707 4060N	Bushing:DIA4x6	
117	0451 4008N	Tapping Screw:4x8	



# 18.ADF 10 (D059/D060/D061)

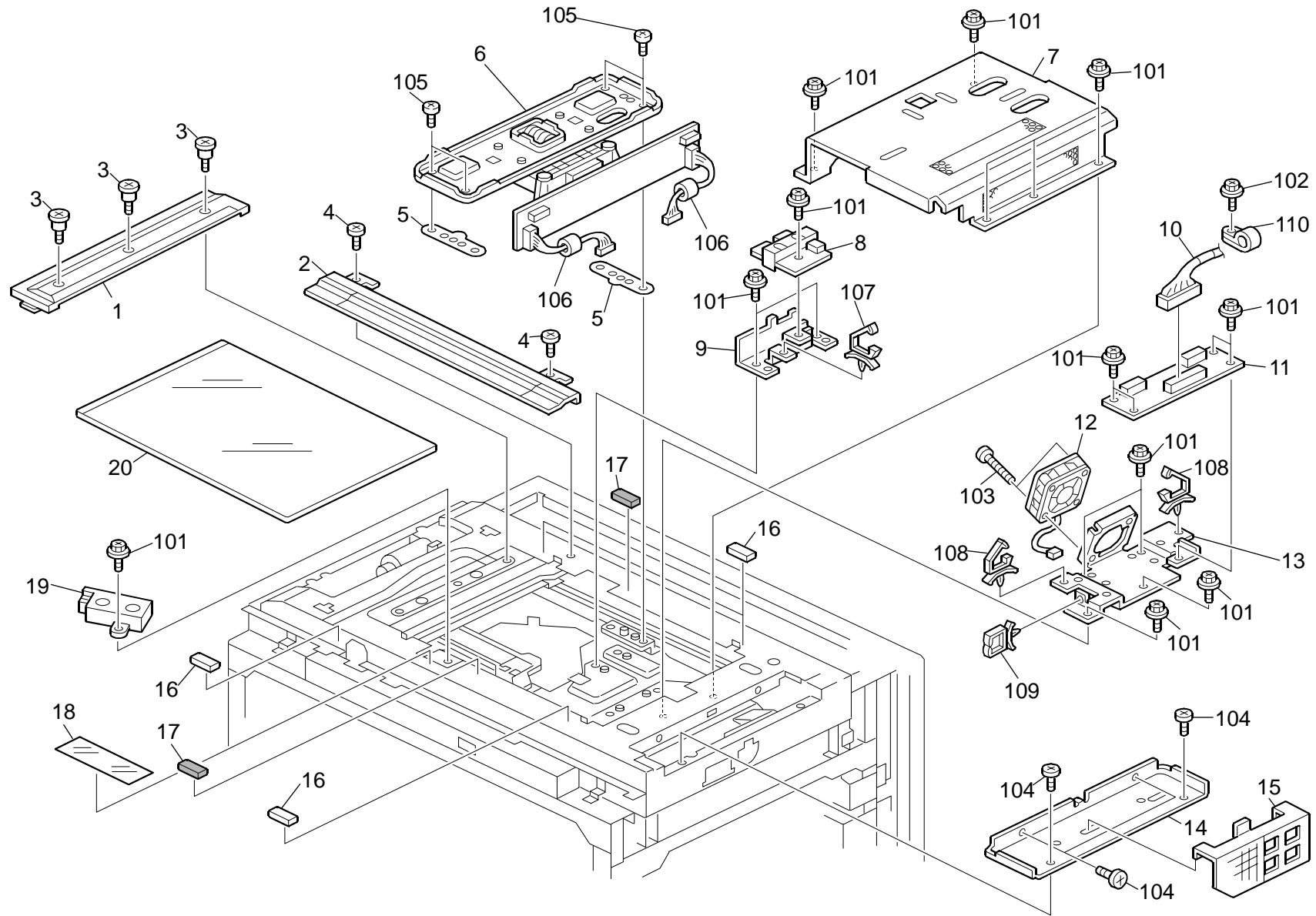


### 18.ADF 10 (D059/D060/D061)

Index No.	Part No.	Description	Q'ty Per Assembly
1	5410 1291	Pin	1
2	B652 3157	Discharge Brush:Long	1
3	B301 1136	Spring Plate - 0.4mm	2
4	AA14 3832	Release Spring Holder	2
5	B301 1137	Pulley Cover	1
6	B301 1631	Rear Side Plate	1
7	A806 1135	Contact Point Shaft	2
8	B301 1550	Hinge - Left	1
9	B301 4416	Sound Proofing Material - Rear Lower	1
10	B301 1633	Right Stay	1
11	B301 1560	Hinge - Right	1
12	AG07 0515	Magnet Catch:13N	1
13	A548 1531	Safety Switch Feeler	1
14	B301 1543	Sensor Bracket	1
15	AW02 0141	Photointerruptor	2
16	B301 5261	Harness:Sensor:On Off Detector	1

Index No.	Part No.	Description	Q'ty Per Assembly
101	0451 3008N	Tapping Screw - M3x8	
102	0720 0030E	Retaining Ring - M3	
103	1105 0328	Harness Clamp - ES-0505	
104	1105 0334	Edge - 17	
105	1105 0623	Clamp - LBWS-0206S-V0	
106	0451 4006N	Tapping Screw - 4x6	
107	0454 4008Q	Tapping Screw - M4x8	

# 19. Optics Section 1 (D059/D060/D061)

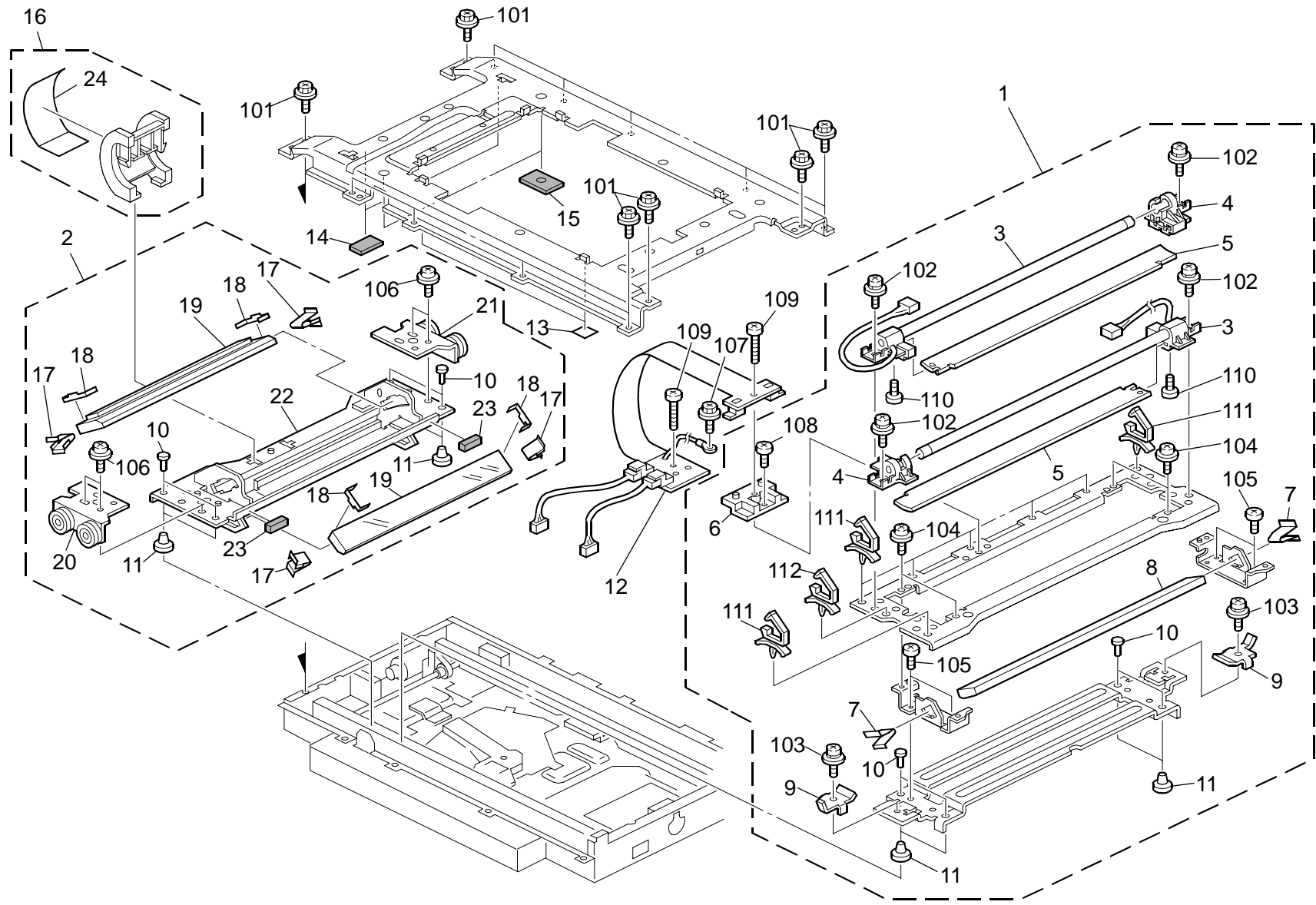


### 19.Optics Section 1 (D059/D060/D061)

Index No.	Part No.	Description	Q'ty Per Assembly
1	AC04 2172	Scale:Left:Printing	1
2	B234 1795	Scale:Rear:Ass'y	1
3	5206 2684	Shoulder Screw - M3	3
4	AA14 3573	Shoulder Screw - M4x4	2
5	B234 1782	Lens Unit Stay Spacer	2
6	D059 1721	Image Scanning Board:Ass'y	1
7	B234 1779	Cover - Lens SBU	1
8	AW01 0116	Original Sensor:H=1-66	1
9	B234 1747	Original Sensor Holder	1
10	D059 5168	Interface Section:Cable:Scanner	1
11	B234 5107	PCB CNB	1
12	GX64 0028	Fan Motor DC24V 1.92W	1
13	B234 1766	CNB Bracket	1
14	A294 1799	Right Stay - Optical Housing	1
15	B234 1845	Filter:Ass'y	1
16	AA16 1138	Cushion - 1.1	4
17	A176 1737	Exposure Glass Cushion	2
18	A294 1788	Sheet - Upper Frame	1
19	AW01 0130	Original Sensor:H=3-80	1
20	<b>B070 1790</b>	<b>Exposure Glass:Ass'y</b>	<b>1</b>

Index No.	Part No.	Description	Q'ty Per Assembly
101	0360 3006N	Screw - M3x6	
102	0451 4006N	Tapping Screw - 4x6	
103	0354 0200N	Screw:M4x20	
104	0354 0060N	Screw-M4x6	
105	0314 0080N	Philips Pan Head Screw - M4x8	
106	1607 0912	Ferrite Core:TR-25-15-12	
107	1105 0487	Harness Clamp	
108	1105 0508	Harness Clamp - LWS-0711	
109	1105 0650	Clamp - MS-0709	
110	1105 0559	Clamp:EMT-5N	

## 20. Optics Section 2 (D059/D060/D061)

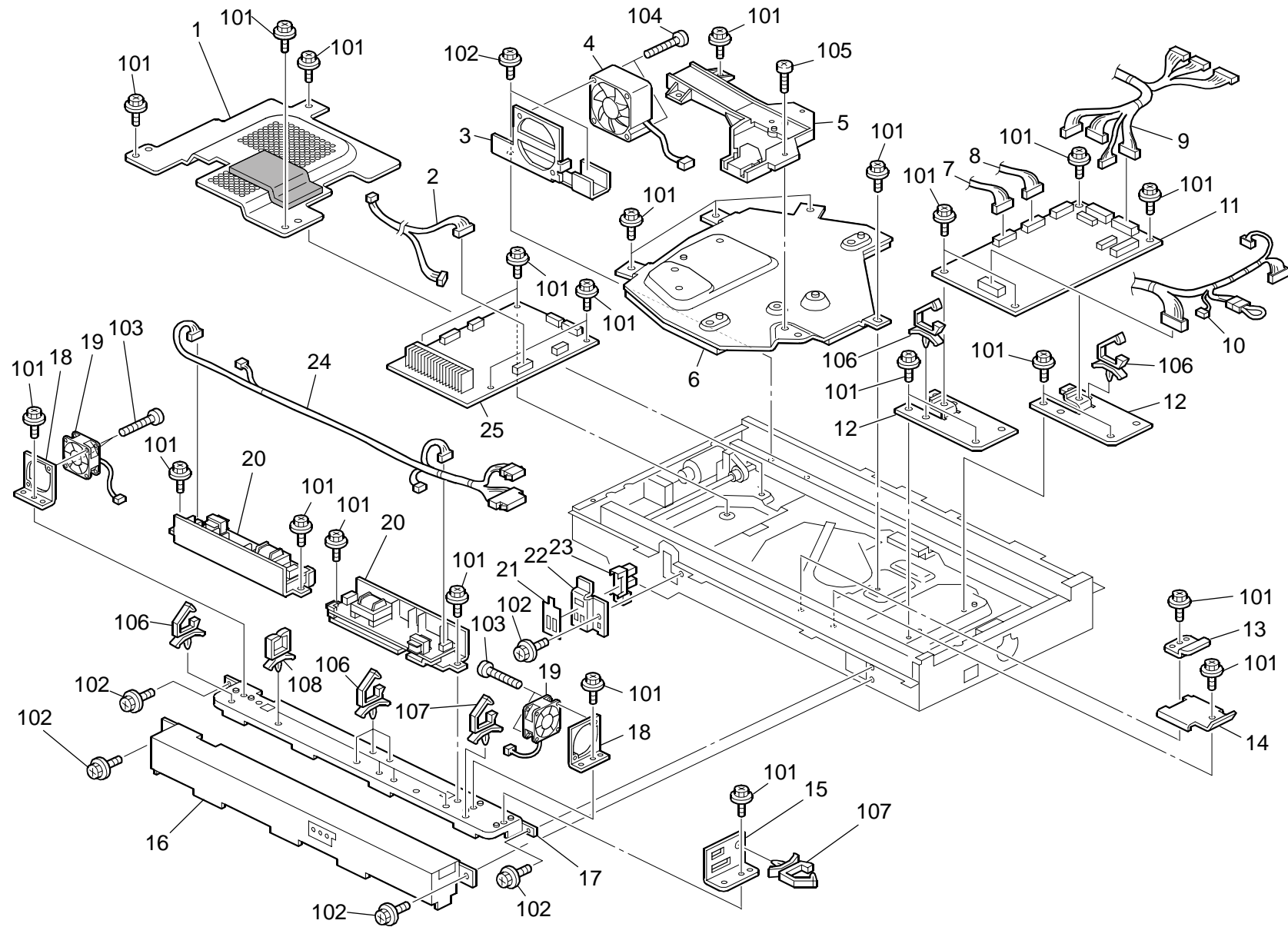


## 20.Optics Section 2 (D059/D060/D061)

Index No.	Part No.	Description	Q'ty Per Assembly
1	B234 1701	Scanner No.1 Unit	1
2	B234 1732	Scanner No.2 Unit	1
3	AX51 0011	Xenon Lamp	2
4	B234 1712	Lamp Holder - Rear	2
5	B234 1707	Reflector	2
6	B234 1713	Harness Holder No.1	1
7	A193 1767	1st Mirror Holder	2
8	B234 1706	Mirror No.1	1
9	B234 1709	Wire Stay	2
10	B132 1820	Scanner Shoe Pin	8
11	A069 1883	Shoe - Scanner	8
12	B234 5500	Flexible Board - Xenon Lamp	1
13	B234 1681	Seal:Harness	2
14	B234 1793	Cushion:Scanner:No.2:Upper	2
15	B234 1688	Cushion:Scanner:No.1:Upper	2
16	B234 1630	Guide:Harness:No.2:Unit	1
17	G404 2810	Spring Plate - 2nd Mirror	4
18	B234 1751	Guard - 2nd Mirror	4
19	B234 1640	Mirror No.2	2
20	B234 1726	Scanner No.2 Bracket - Front	1
21	B234 1739	Scanner No.2 Bracket - Rear	1
22	B234 1734	Bracket:Scanner:No.2:Peen	1
23	A294 1743	Cushion - 5x20x4	2
24	B234 1621	Sheet:Guide:Harness:Ass'y	1

Index No.	Part No.	Description	Q'ty Per Assembly
101	0451 4006N	Tapping Screw - 4x6	
102	0954 3008N	Screw - M3x8	
103	0954 4008N	Screw - M4x8	
104	0951 3006N	Screw - M3x6	
105	0453 3006N	Tapping Screw - M3x6	
106	0951 3004N	Screw:Polished Round:M3x4	
107	0360 3006N	Screw - M3x6	
108	0313 0060N	Screw - M3x6	
109	0313 0120N	Pan Head Screw:M3x12	
110	0452 2004N	Screw - 2x4	
111	1105 0511	Harness Clamp - LWS-0306ZC	
112	1105 0534	Clamp	

## 21.Optics Section 3 (D059/D060/D061)



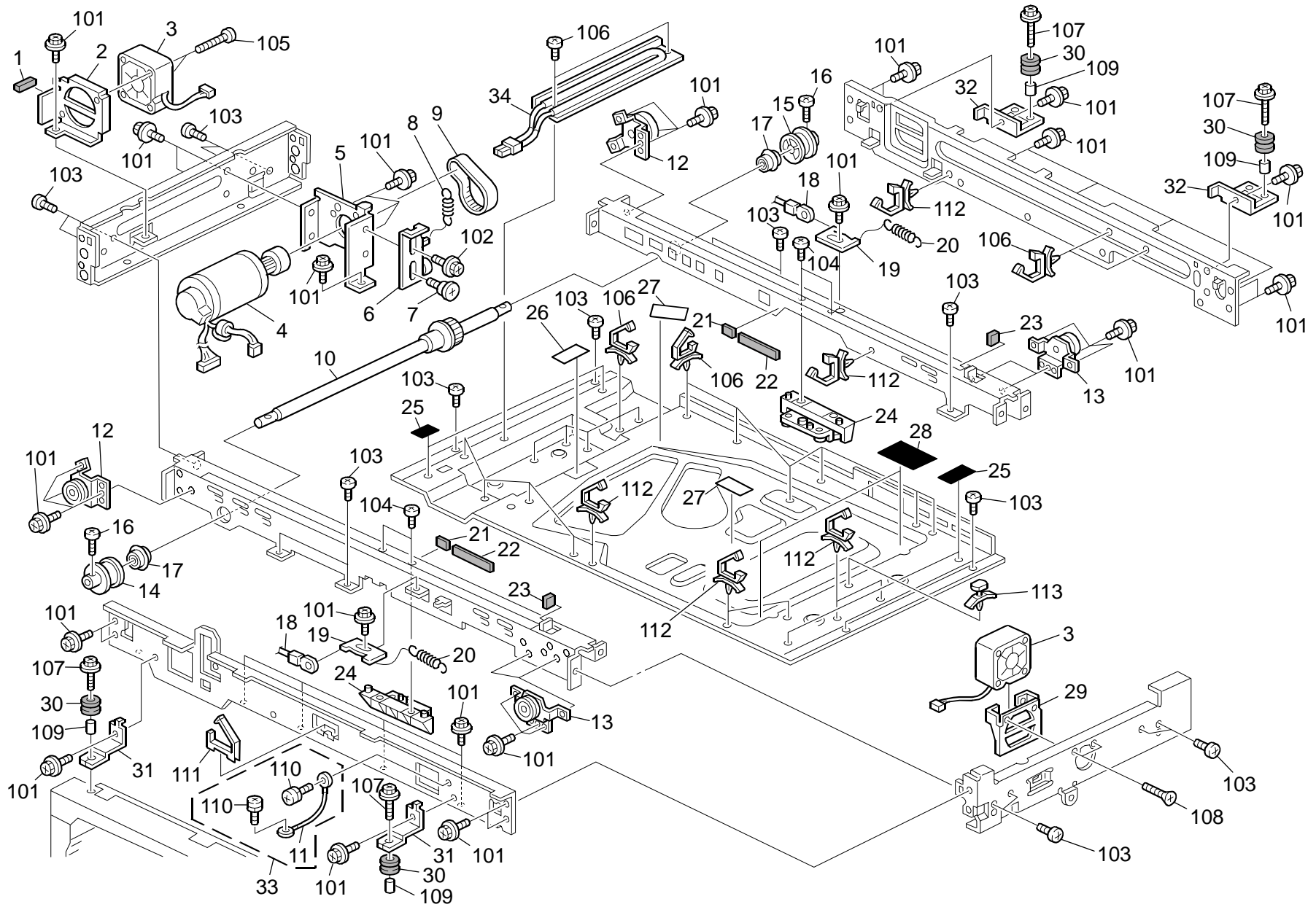
## 21.Optics Section 3 (D059/D060/D061)

Index No.	Part No.	Description	Q'ty Per Assembly
1	B234 1669	Cover - IC	1
2	D059 5153	Harness:MCU:Sensor	1
3	B234 1765	Fan Motor Bracket	1
4	GX64 0021	Fan Motor DC24V 1.92W	1
5	B234 1744	Harness Guide	1
6	D059 1811	Cover:Laser Diode Unit: Polygon Mirror Motor:Ass'y	1
7	D059 5156	Harness:SBU:Power Source	1
8	D059 5157	Harness:SBU	1
9	D059 5152	Harness:Scanner:Main	1
10	D059 5158	Harness:SIB:Fan	1
11	D059 5122	PCB:SIB	1
12	B234 1697	SIB Bracket	2
13	B234 1674	Cover Plate - Sync Detector Board	1
14	B234 1817	Cover - Sync Detector Board	1
15	B234 1696	Duct Bracket	1
16	B234 1670	Stabilizer Duct	1
17	B234 1676	Stabilizer Bracket	1
18	B234 1699	Fan Motor Bracket	2
19	GX64 0028	Fan Motor DC24V 1.92W	2
20	AZ50 0071	Stabilizer	2
21	A267 1820	Sheet - Photointerrupter	1
22	B234 1825	Home Position Sensor Bracket	1
23	AW02 0160	Paper Feed Sensor	1
24	D059 5160	Harness:Lamp Regulator	1
25	D059 5116	PCB:MCU	1

Index No.	Part No.	Description	Q'ty Per Assembly
101	0360 3006N	Screw - M3x6	
102	0451 4006N	Tapping Screw - 4x6	
103	0354 0200N	Screw:M4x20	
104	0354 0300N	Screw:M4x30	
105	0313 0120N	Pan Head Screw:M3x12	
106	1105 0487	Harness Clamp	
107	1105 0488	Harness Clamp	
108	1105 0650	Clamp - MS-0709	



## 22.Optics Section 4 (D059/D060/D061)

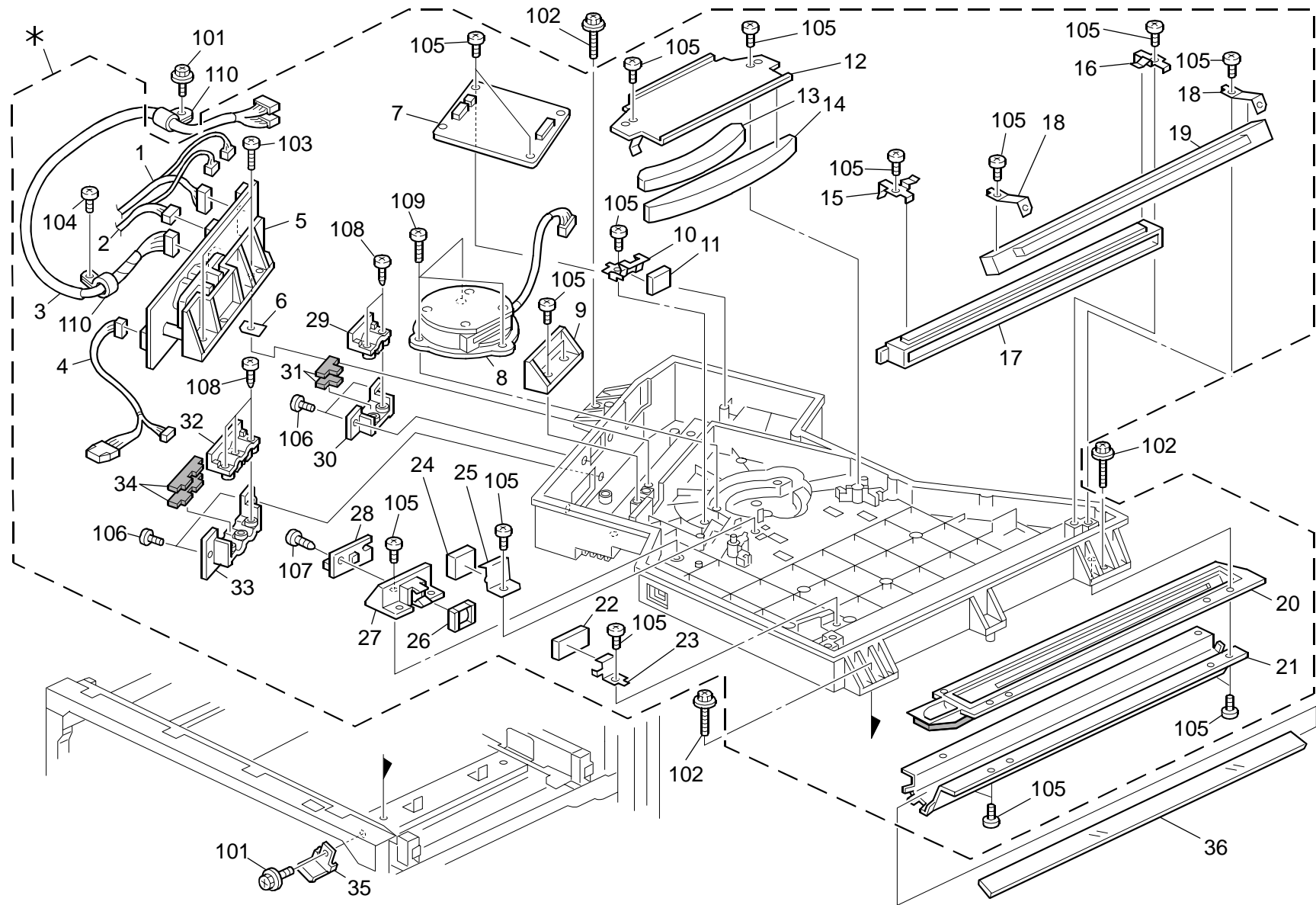


## 22.Optics Section 4 (D059/D060/D061)

Index No.	Part No.	Description	Q'ty Per Assembly
1	A294 1743	Cushion - 5x20x4	1
2	B234 1764	Fan Motor Bracket	1
3	GX64 0021	Fan Motor DC24V 1.92W	2
4	B234 1774	DC Motor:Scanner:DC27V 50W	1
5	B234 1748	Scanner Motor Bracket	1
6	A294 1752	Pulley:Tension:Timing Belt:Ass'y	1
7	AA14 3802	Screw:6x1.7	1
8	A294 1756	Spring - Scanner Motor	1
9	A294 1747	Timing Belt - Scanner	1
10	B234 1749	Scanner Drive Shaft	1
11	B132 1896	Ground Wire:Scanner	1
12	B234 1723	Scanner Pulley Bracket - Left	2
13	B234 1683	Scanner Pulley Bracket	4
14	AB03 2069	Pulley	1
15	AB03 2070	Pulley	1
16	B132 1719	Screw:Mechanical Drive Section	2
17	A193 1829	Ball Bearing - M8	2
18	B234 1759	Drive Were	2
19	B234 1746	Tension Wire Bracket	2
20	B234 1758	Tension Spring	2
21	D059 1838	Gasket:Cover:Rail	2
22	D059 1839	Gasket:Stay:Rail	2
23	A294 1688	Cushion	2
24	B234 1781	Holder Lensstay Lens Unit	2
25	AA15 0332	Seal - 0.19x18x22	4
26	A294 1667	Sheet - Optical Housing	1
27	G029 1982	LD Decal	2
28	B234 1687	Sheet:S10:T0.075	2
29	B234 1828	Scanning Fan Bracket	1
30	AA16 1104	Cushion - Motor	4
31	A294 1673	Front Stay	2
32	B234 1690	Image Reading Unit Stay:Frame - Rear	2
33	D016 1960	Ground Wire	1
34	AX40 0012	Heater - 230V/18W	1

Index No.	Part No.	Description	Q'ty Per Assembly
101	0451 4006N	Tapping Screw - 4x6	
102	0451 4008N	Tapping Screw:4x8	
103	0453 4006N	Binding Self Tapping Screw:4x6	
104	0314 0080N	Philips Pan Head Screw - M4x8	
105	0354 0300N	Screw:M4x30	
106	1105 0488	Harness Clamp	
107	0451 4012N	Tapping Screw:4x12	
108	0324 0300N	Screw - M4x30	
109	0707 4050N	Bushing - 4x5	
110	0950 4008N	Screw:Spring Washer:M4x8	
111	1105 0522	Edge Saddle - LES0510	
112	1105 0487	Harness Clamp	
113	1106 0383	Supporter - P.C.B.	

## 23.Laser Unit (D059/D060/D061)

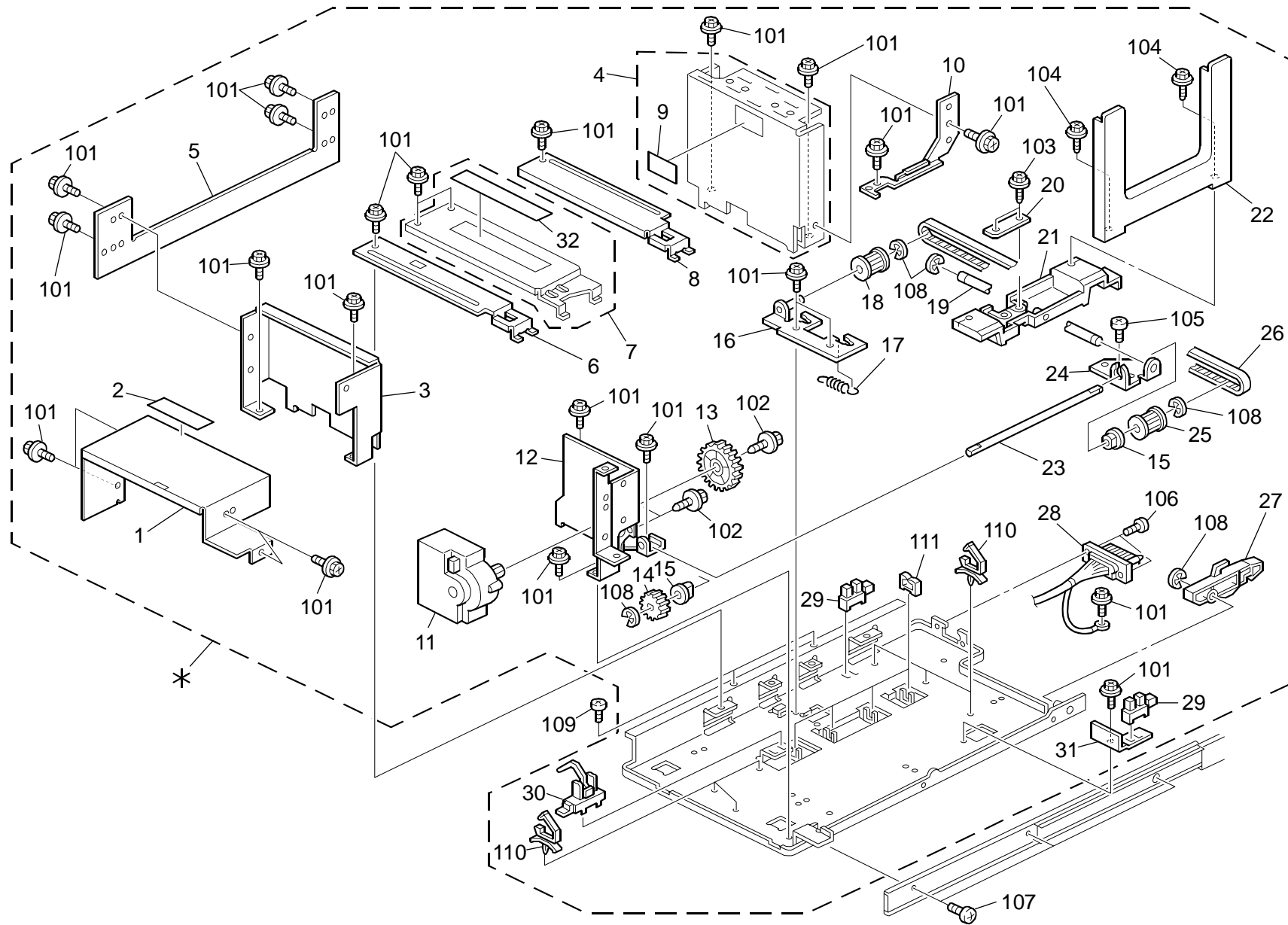


### 23.Laser Unit (D059/D060/D061)

Index No.	Part No.	Description	Q'ty Per Assembly
*	D059 1870	Imaging Unit:Ass'y	1
1	D059 5351	Harness:LDB:Control:Connecting	1
2	D059 5350	Harness:Power Source:LDB	1
3	B234 5352	Cable - LVDS LDB 18P	1
4	D059 5165	Harness:LDB:Sync Detector	1
5	D059 1880	Laser Diode Unit:Ass'y	1
6	B070 1921	Spacer:Laser Diode Unit:25Micron	1
6	B070 1922	Spacer:Laser Diode Unit:50Micron	1
6	B070 1923	Spacer:Laser Diode Unit:75Micron	1
6	B070 1924	Spacer:Laser Diode Unit:100Micron	1
7	B234 5380	Motor Control Board	1
8	AX06 0381	Polygon Mirror Motor:Ass'y	1
9	B070 1917	Aperture	1
10	B070 1925	Plate:Cylindrical Lens	1
11	AC02 4008	Lens:Cylindrical Lens	1
12	A257 2102	F-theta Lens Plate	1
13	AC02 2012	F-theta Lens 1	1
14	AC02 2013	F-theta Lens 2	1
15	A257 2077	Rear Lens Plate	1
16	A257 2076	Front Lens Plate	1
17	A294 1931	BTL Lens Ass'y	1
18	B234 1934	Mirror Holder	2
19	B070 1932	No.1 Mirror Ass'y	1
20	B234 1944	Shield Glass Holder	1
21	B070 1949	Bracket:Shield Glass	1
22	AC03 0078	Sync Detector Mirror	1
23	AC03 5055	Sync Detector Mirror Plate	1
24	AC03 0150	Mirror:No.2	1
25	AC03 5056	Plate:Mirror:No.2	1
26	G029 1975	Cylindrical Lens	1
27	A294 1942	Holder - Sync Detector Board	1
28	B234 5365	PCB Sync Detector	1
29	B070 1989	Holder:Harness:Power Source:Upper	1
30	B070 1987	Holder:Harness:Power Source:Lower	1
31	B234 1988	Harness Cushion 2	2

Index No.	Part No.	Description	Q'ty Per Assembly
32	B070 1985	Upper Laser Harness Holder	1
33	B070 1983	Lower Laser Harness Holder	1
34	B234 1984	Harness Cushion 1	2
35	B234 1991	Cover - Shield Glass	1
36	AC01 5030	Toner Shield Glass - 366x15	1
101	0451 4008N	Tapping Screw:4x8	
102	0451 4010N	Tapping Screw:4x10	
103	0353 0100N	Screw-M3x10	
104	0354 0080N	Screw:M4x8	
105	0353 0060N	Bind Screw - M3x6	
106	0353 0080N	Screw:M3x8	
107	0452 3006N	Binding Self-tapping Screw:3x6	
108	0452 3010N	Binding Self-tapping Screw:3x10	
109	0354 0100N	Screw - M4x10	
110	1105 0529	Nylon Clamp-EMT-3N	

# 24. Tandem Tray 1 (D059/D060/D061)

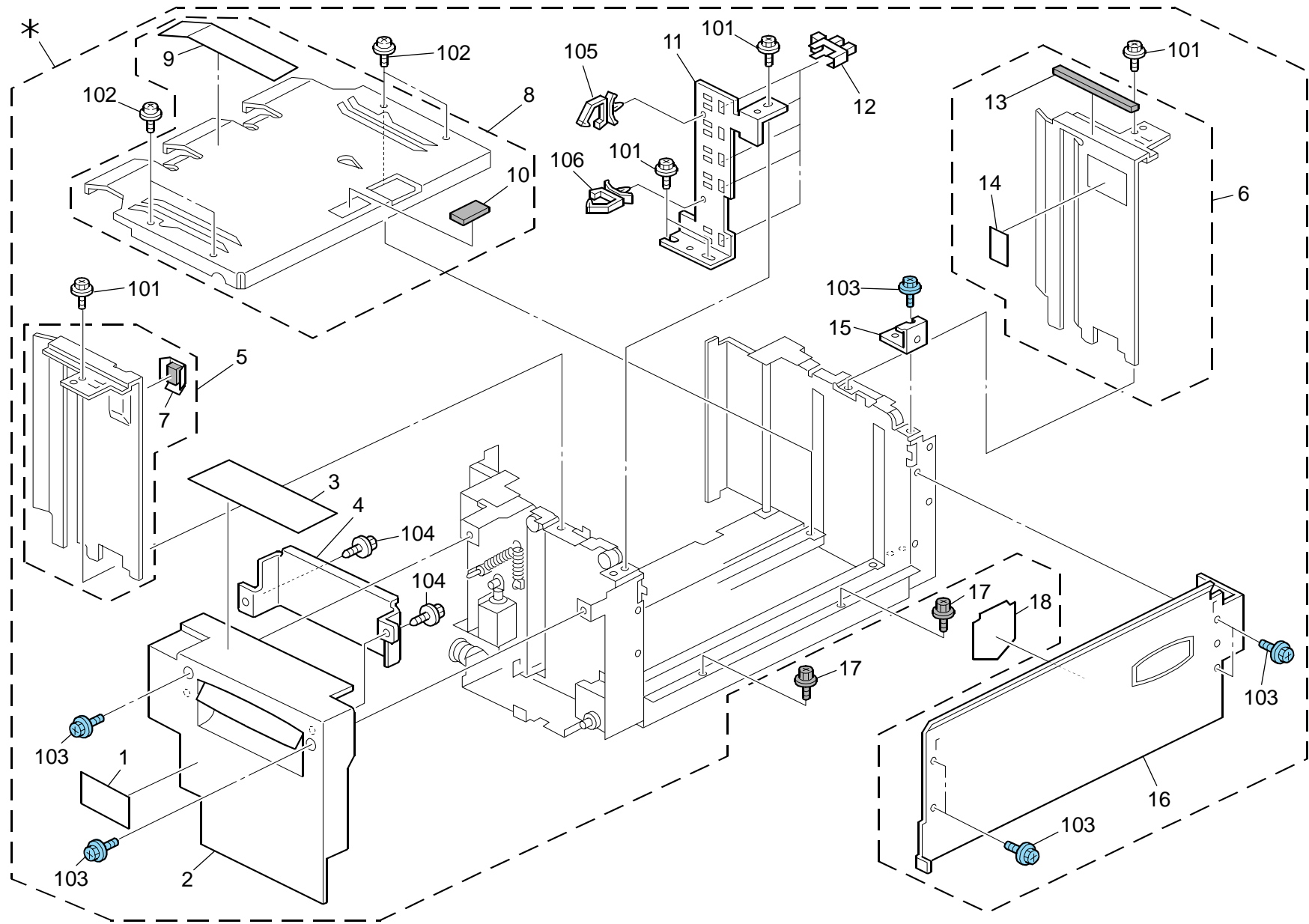


## 24.Tandem Tray 1 (D059/D060/D061)

Index No.	Part No.	Description	Q'ty Per Assembly
*	D059 6622	Tandem LCT:Left:NA:Ass'y	1
1	D059 6646	Inner Cover:Tandem LCT:Left	1
2	B065 6846	Decal - Paper Set - Left	1
3	A294 6643	Left Front Fence	1
4	A294 6630	Left Rear Fence	1
5	A294 6645	Left Side Plate	1
6	B234 7540	Tray Bottom Plate:Left Front	1
7	B098 6639	Tray Bottom Plate:Left Middle:Ass'y	1
8	B132 7541	Tray Bottom Plate:Left Rear	1
9	AA00 1508	Decal:Side Fence:40x30	1
10	D059 6659	Supporting Plate:Side Fence:Left	1
11	AX04 0145	DC Motor:Tandem LCT	1
12	D059 6665	Bracket:DC Motor:Left:Ass'y	1
13	AB01 9475	Gear - 48T	1
14	AB01 3798	Gear - Z18	1
15	5053 0447	Bushing - 6mm	2
16	B247 6951	Bracket:Pulley:Driven:Ass'y	1
17	AA06 0987	Tension Spring:Timing Belt:10N	1
18	AB03 3085	Timing Pulley - 15T	1
19	B247 6950	Shaft:Slider:Back Fence	1
20	B065 6823	Timing Belt Cover	1
21	B132 7564	Slider:Back Fence:Left	1
22	B132 7561	Back Fence:Left	1
23	AA14 0686	Shaft - Timing Pulley	1
24	B065 6830	Pulley Bracket	1
25	AB03 3084	Timing Pulley - 15T	1
26	AA04 3271	Timing Belt S3M 196T	1
27	D059 6620	Lever:Coupling:Left	1
28	D059 5473	Harness:Tandem LCT:Left	1
29	AW02 0145	Photointerruptor:Flat	2
30	AW02 0163	Paper Feed Sensor	1
31	B065 6831	Sensor Bracket	1
32	A096 6678	Decal - Left Paper Set	1

Index No.	Part No.	Description	Q'ty Per Assembly
101	0451 4006N	Tapping Screw - 4x6	
102	0450 3008N	Tapping Screw - M3x8	
103	0450 4008N	Tapping Screw - M4x8	
104	0450 4010N	Tapping Screw:M4x10	
105	0453 4006N	Binding Self Tapping Screw:4x6	
106	0313 0080N	Pan Head Screw:M3x8	
107	0314 0060N	Screw - M4x6	
108	0720 0040E	Retaining Ring - M4	
109	0354 0040N	Screw-M4x4	
110	1105 0516	Clamp	
111	1105 0328	Harness Clamp - ES-0505	

## 25. Tandem Tray 2 (D059/D060/D061)



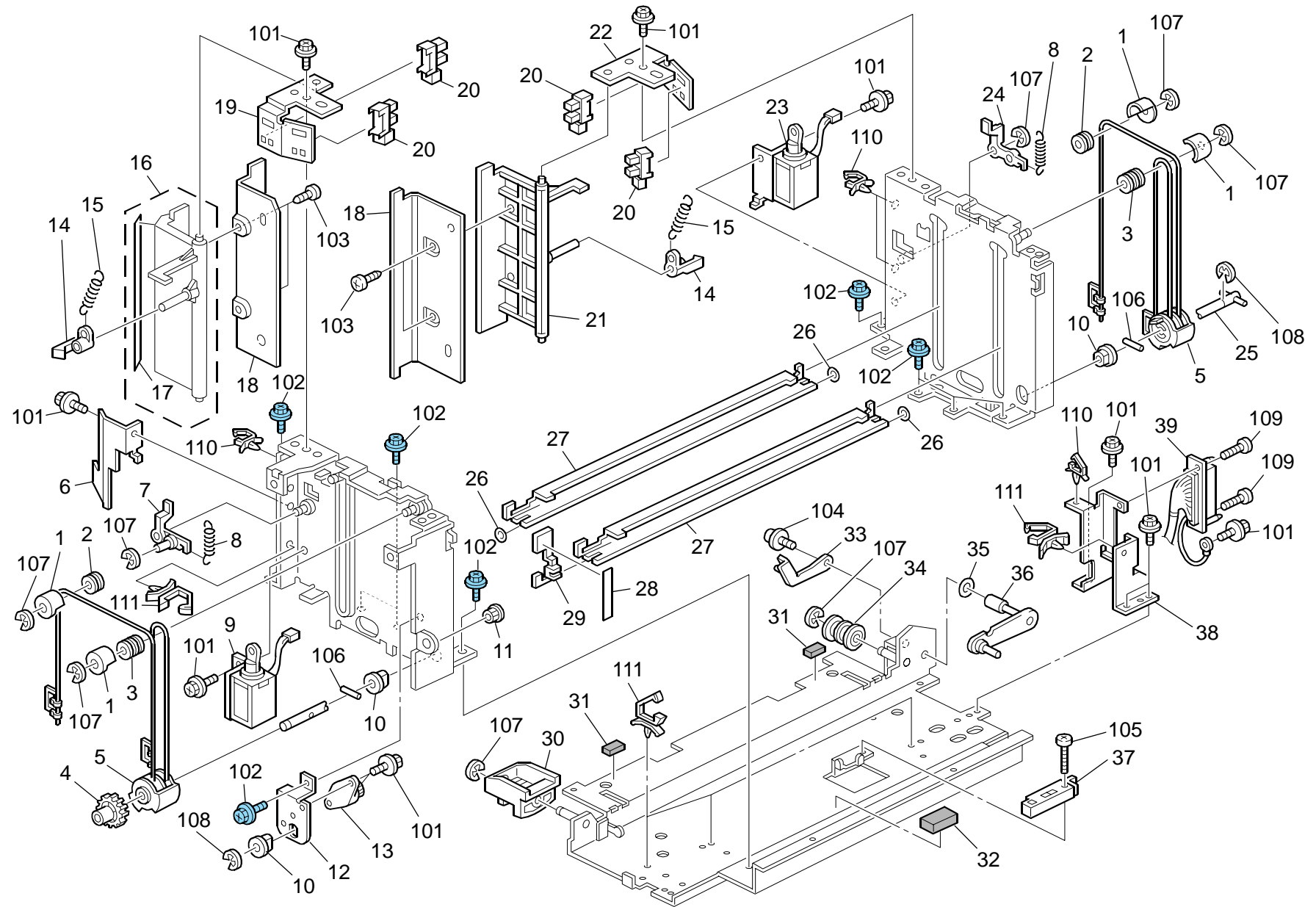
## 25.Tandem Tray 2 (D059/D060/D061)

Index No.	Part No.	Description	Q'ty Per Assembly
*	D059 6613	Tandem LCT:Right:NA:Ass'y	1
1	D062 6878	Decal:Caution Chart:Tandem LCT	1
2	D059 6712	Inner Cover:Tandem LCT	1
3	B065 6877	Decal - Paper Set - Right	1
4	B065 6875	Protection - Inner Cover	1
5	B234 6686	Side Fence - Right Front	1
6	B234 6691	Side Fence:Tandem LCT:Right:Ass'y	1
7	D059 6690	Plate:Paper:Ass'y	1
8	B234 6680	Base:Tandem LCT:Right:Adhesion	1
9	A096 6677	Decal - Right Paper Set	1
10	5201 2858	Friction Pad	1
11	B234 6606	Sensor Bracket	1
12	AW02 0145	Photointerruptor:Flat	5
13	B475 6855	Shield:Tandem LCT:Rear Right	1
14	AA00 1509	Decal:Side Fence:16x30	1
15	B247 6695	Guide:Misfeed Removal:Paper Tray	1
16	D059 6668	Side Plate:Side:Tandem LCT	1
17	D059 2399	Flanged Hexagonal Head Bolt:M3x4	2
18	D059 6664	Guide:Middle:Paper Tray	1

Index No.	Part No.	Description	Q'ty Per Assembly
101	0451 4008N	Tapping Screw:4x8	
102	0951 4006N	Screw:Polished Round:M4x6	
103	0454 4008Q	Tapping Screw - M4x8	
104	0450 4008N	Tapping Screw - M4x8	
105	1105 0488	Harness Clamp	
106	1105 0534	Clamp	



## 26. Tandem Tray 3 (D059/D060/D061)

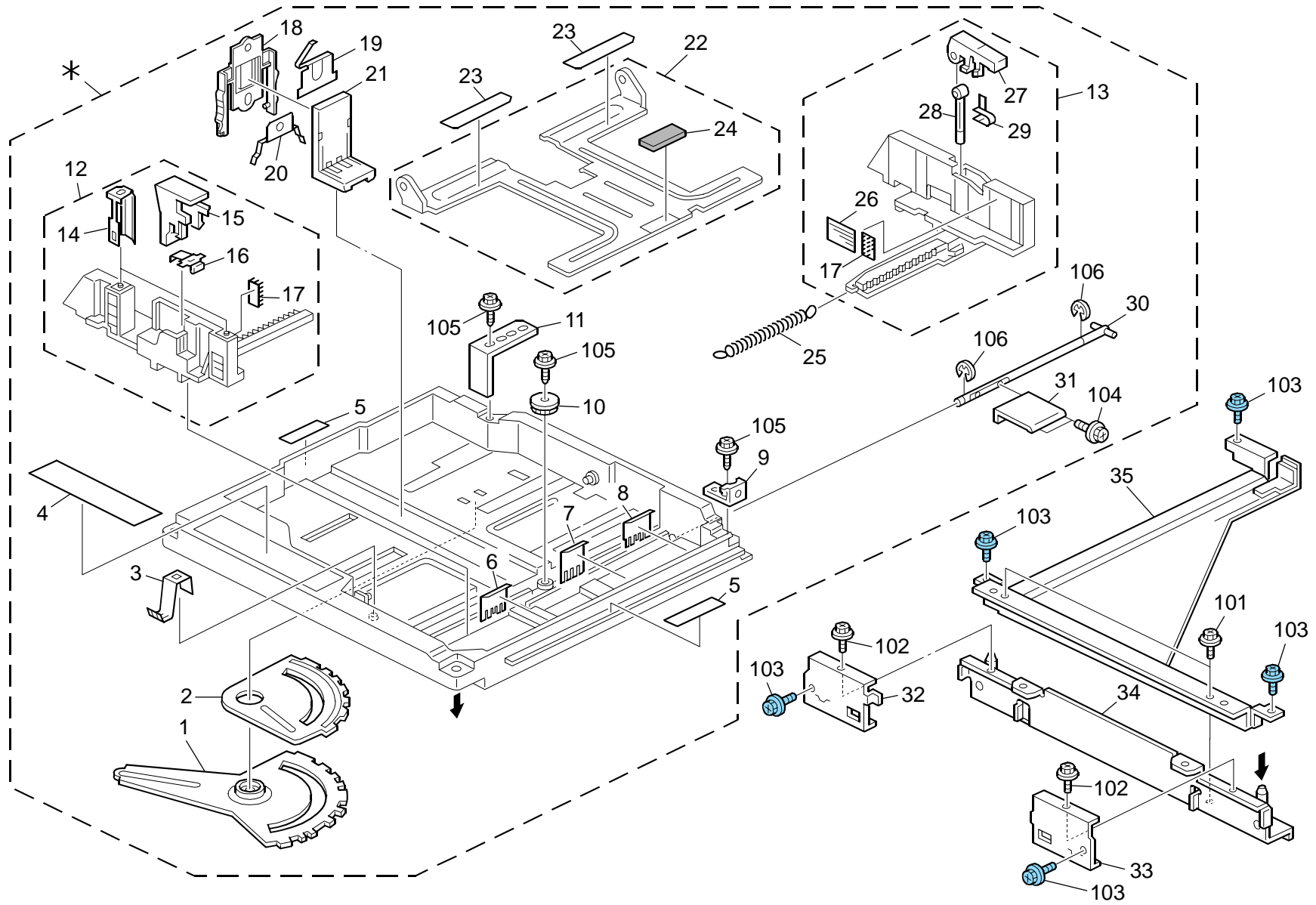


## 26.Tandem Tray 3 (D059/D060/D061)

Index No.	Part No.	Description	Q'ty Per Assembly
1	A248 6695	Guide - Pulley	4
2	AB03 2058	Wire Pulley - M10	2
3	AB03 2719	Pulley - M10	2
4	AB01 3781	Gear - 30Z	1
5	B132 7550	Cover:Pulley:Drive Were	2
6	B070 6667	End Fence Cover Front	1
7	B070 6683	Lever:Release:Front	1
8	AA06 0757	Tension Spring - Long	2
9	B132 7547	DC Solenoid:End Fence:Front:Ass'y	1
10	5053 0223	Bushing - 8mm	3
11	B234 6141	Positioning Sleeve - Inner Back	1
12	B065 6872	Oil Damper Bracket	1
13	B247 6901	Oil Damper:Fall	1
14	A248 6713	Hook - Tension Sprong	2
15	AA06 0758	Tension Spring - Short	2
16	B234 6612	End Fence - Front	1
17	A294 6713	Shield - Front Side Fence	1
18	B234 6630	Guide Plate - End Fence	2
19	D014 6626	Bracket:On Off Detector:Front	1
20	AW02 0145	Photointerruptor:Flat	4
21	B234 6625	End Fence - Rear	1
22	D014 6627	Bracket:On Off Detector:Rear	1
23	B132 7571	DC Solenoid:End Fence:Rear:Ass'y	1
24	B070 6684	Lever:Release:Rear	1
25	A248 6687	Right Drive Shaft	1
26	A248 6694	Wire Ring	3
27	B065 6870	Stay - Rightbase	2
28	B065 6717	Paper Volume Shield Plate	1
29	A294 6690	Feeler - Paper Height Sensor	1
30	A294 6655	Front Roller - Slide Rail	1
31	AA16 1130	Cushion - Small	2
32	AA16 1129	Cushion - Large	1
33	B065 6864	Small Lever	1
34	AF02 2105	Roller - Slide Rail	1
35	AA13 2203	Spacer - 6mm	1

Index No.	Part No.	Description	Q'ty Per Assembly
36	B065 6862	Large Lever	1
37	AW01 0113	Sensor	1
38	B132 7575	Bracket:Connector:Tandem LCT	1
39	D059 5673	Harness:Tandem LCT:Right	1
101	0451 4008N	Tapping Screw:4x8	
102	0454 4008Q	Tapping Screw - M4x8	
103	0452 3006N	Binding Self-tapping Screw:3x6	
104	0951 3006N	Screw - M3x6	
105	0313 0120N	Pan Head Screw:M3x12	
106	0633 0200G	Pin - M3x20	
107	0720 0040E	Retaining Ring - M4	
108	0720 0060E	Retaining Ring - M6	
109	0313 0080N	Pan Head Screw:M3x8	
110	1105 0534	Clamp	
111	1105 0488	Harness Clamp	

## 27. Universal Tray (D059/D060/D061)

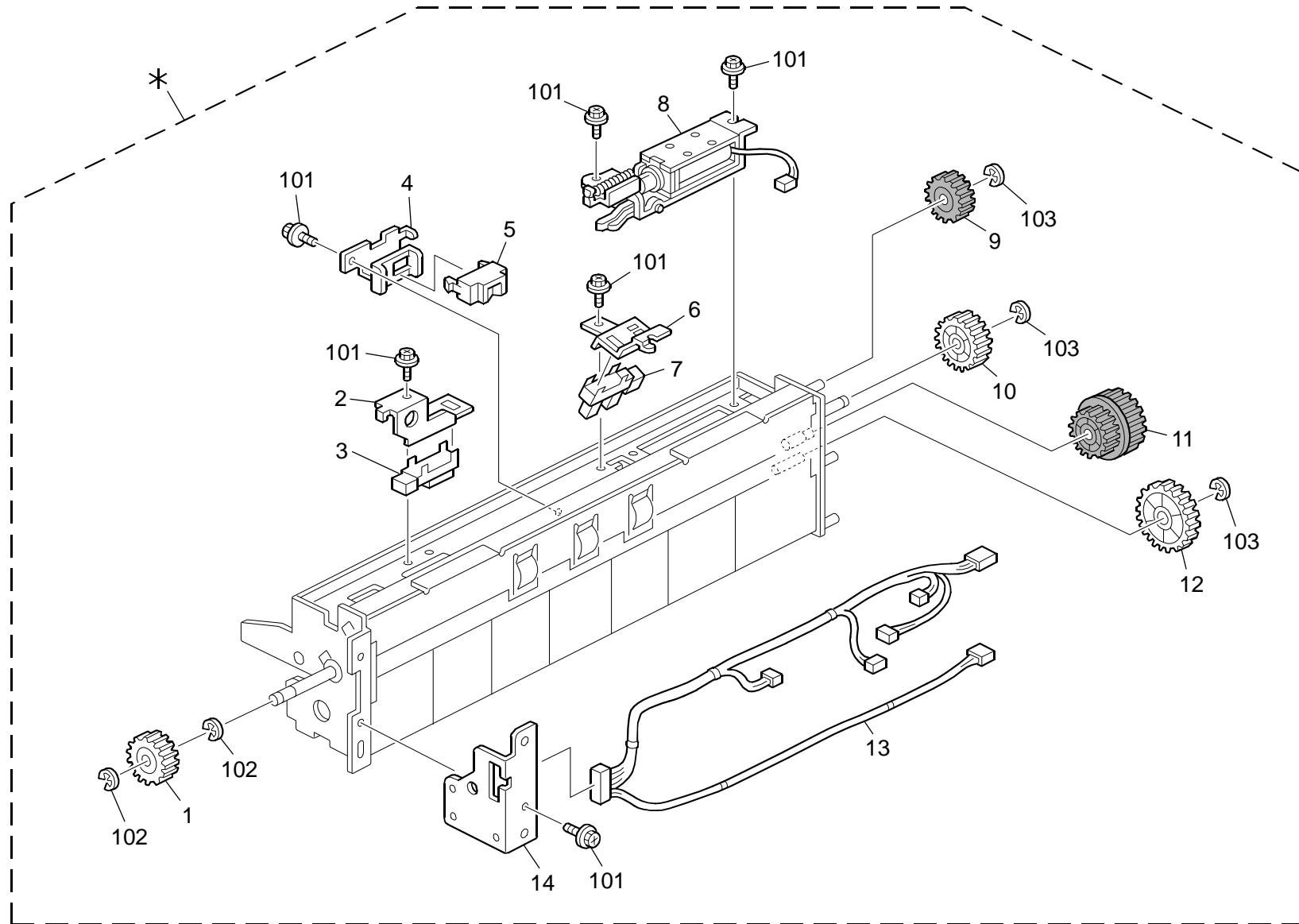


## 27.Universal Tray (D059/D060/D061)

Index No.	Part No.	Description	Q'ty Per Assembly
*	D059 6771	Paper Tray:Universal:DOM:Ass'y	2
1	B181 6780	Link:End Fence:Paper Size Sensor:Ass'y	1
2	B181 6789	Link:Side Fence:Paper Size Sensor	1
3	B132 6798	Spring Plate:Paper Tray:Earth	1
4	D014 6786	Decal:Paper Set Direction	1
5	B065 6545	Decal - Positioning	2
6	B234 6495	Guide:Front:Paper Tray	1
7	D059 6496	Guide:Middle:Paper Tray	1
8	B234 6497	Guide:Rear:Paper Tray	1
9	B247 6695	Guide:Misfeed Removal:Paper Tray	1
10	AB01 2327	Gear:16Z	1
11	B132 6797	Side Fence:Rear:Auxiliary	1
12	B132 6793	Side Fence:Front:Ass'y	1
13	B234 6490	Side Fence:Rear:Ass'y	1
14	B132 6791	Plate:Side Fence	2
15	B065 6538	Positioning Stopper Lever	1
16	A134 2978	Spring Plate	1
17	B234 2864	Pad:Cleaner	2
18	D014 6783	Arm:End Fence:Lock	1
19	D014 6785	Spring Plate:Arm:End Fence:Lock	1
20	D014 6784	Spring Plate:End Fence	1
21	AF01 7033	End Fence	1
22	B132 6785	Tray Bottom Plate:Ass'y	1
23	B234 6498	Sheet:Tray Bottom Plate	2
24	AF01 3005	Bottom Plate Pad	1
25	AA06 0961	Tension Spring:Side Fence:Rear	1
26	B223 2873	Decal - Side Fence Rear	1
27	A267 2860	Rear Lever Stopper	1
28	A267 2859	Side Fence Stopper	1
29	A267 2857	Spring Plate - Side Fence	1
30	D062 6524	Shaft:Rise:Tray Bottom Plate:Press Fit	1
31	B065 6526	Lift Lever	1
32	B065 6589	Left Support Plate	2
33	B065 6588	Right Support Plate	2
34	B065 6581	Paper Tray Holder Stay	2

Index No.	Part No.	Description	Q'ty Per Assembly
35	B065 6591	Paper Tray Holder Base	2
101	0451 4008N	Tapping Screw:4x8	
102	0451 3008N	Tapping Screw - M3x8	
104	0360 4008N	Screw - M4x8	
105	0450 4008N	Tapping Screw - M4x8	
106	0720 0060E	Retaining Ring - M6	

## 28.Paper Feed Unit 1 (D059/D060/D061)

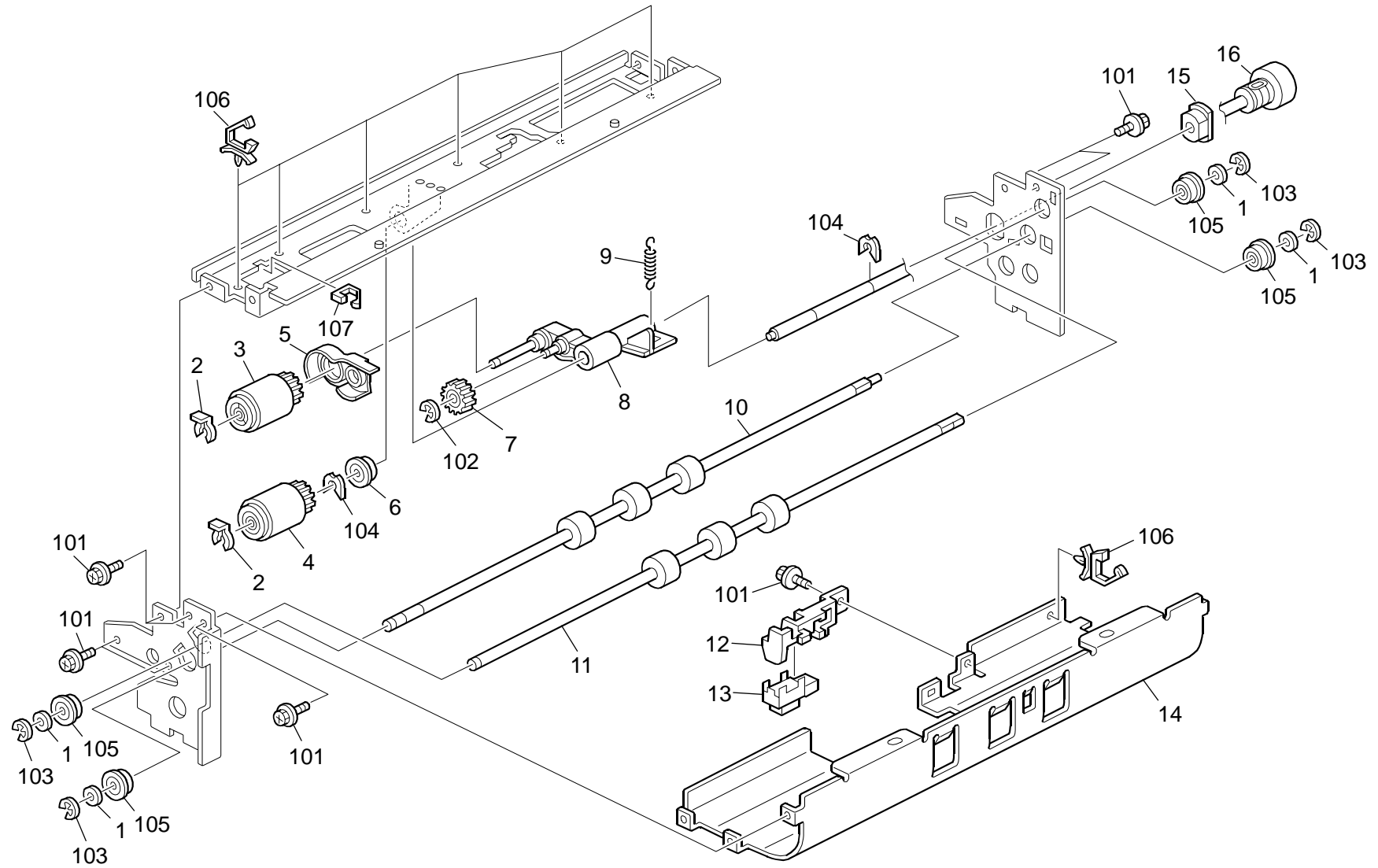


### 28.Paper Feed Unit 1 D059/D060/D061)

Index No.	Part No.	Description	Q'ty Per Assembly
*	D059 6200	Paper Feed Unit:Paper Bank:Ass'y	3
1	BB01 3007	Gear - 20Z	1
2	B234 6287	Sensor Bracket - Paper Feed	1
3	AW01 0107	Paper Feed Sensor	1
4	B234 6286	Sensor Bracket - Vertical Transport	1
5	AW01 0122	Paper Feed Sensor	1
6	B234 6288	Sensor	1
7	AW02 0145	Photointerruptor:Flat	1
8	B234 6282	Pickup DC Solenoid	1
9	BB01 3010	Gear - 18Z	1
10	BB01 3019	Gear - 23Z	1
11	AB01 7771	Gear:Transport Roller:Input:Z23/Z28	1
12	BB01 3008	Gear - 31Z	1
13	B234 5670	Harness - Paper Feed Unit	1
14	B234 6208	Paper Feed Unit Stay	1

Index No.	Part No.	Description	Q'ty Per Assembly
101	0451 4006N	Tapping Screw - 4x6	
102	0720 0040E	Retaining Ring - M4	
103	0720 0060E	Retaining Ring - M6	

## 29.Paper Feed Unit 2 (D059/D060/D061)



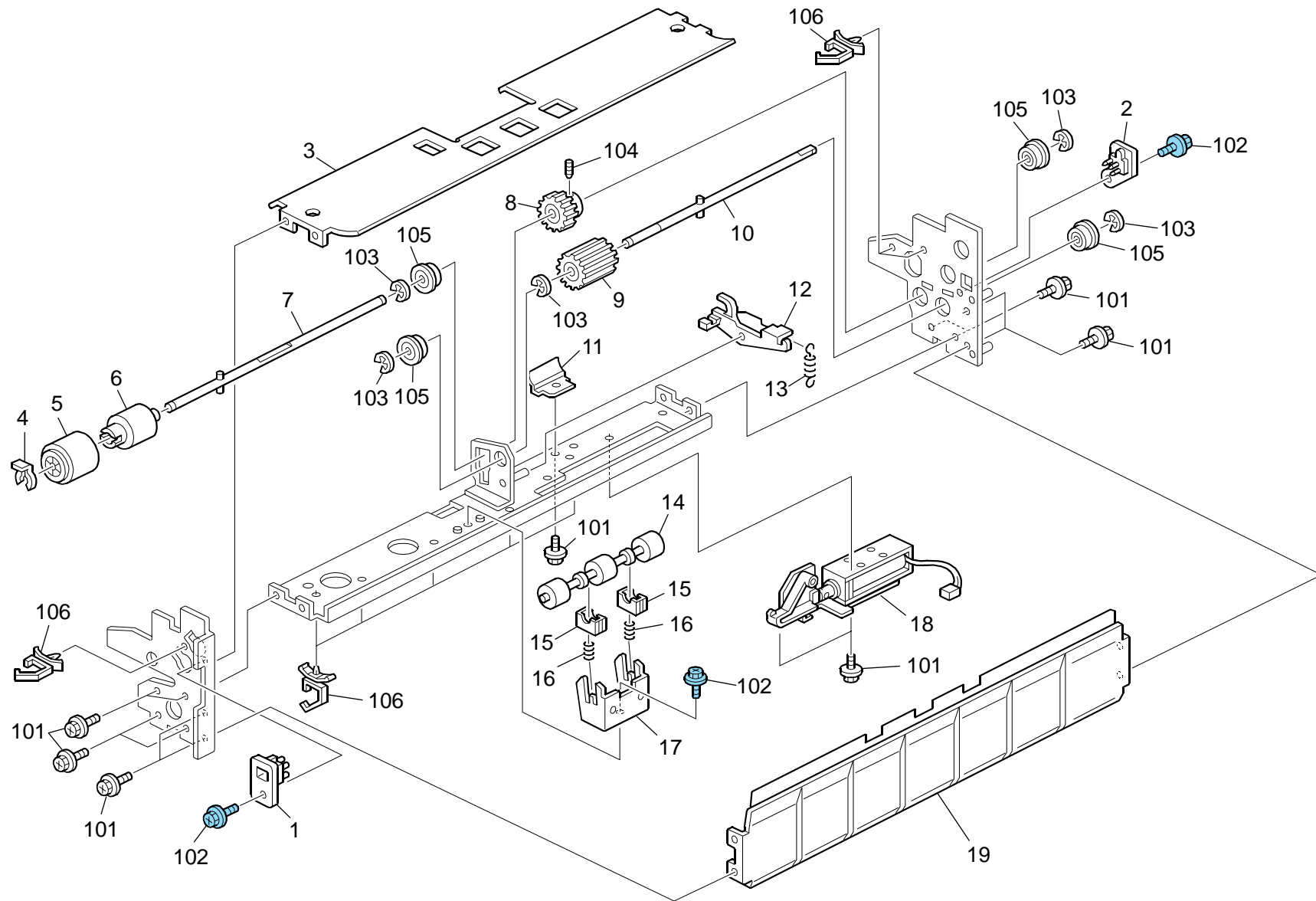
## 29.Paper Feed Unit 2 D059/D060/D061)

Index No.	Part No.	Description	Q'ty Per Assembly
1	AA13 2228	Spacer - 1mm	4
2	D059 2620	Retaining Rings-C	2
3	<b>AF03 0080</b>	<b>Paper Feed Roller:Pickup</b>	<b>1</b>
4	<b>AF03 1080</b>	<b>Paper Feed Roller:Feed</b>	<b>1</b>
5	D059 6277	Cover:Gear:Paper Feed Roller	1
6	B234 2624	Ball Bearing - 8x12x5	1
7	5447 2706	Gear - 15T	1
8	B234 6275	Pickup Arm	1
9	AA06 0523	Pick-up Pressure Spring	1
10	AF02 0724	Transport Roller:Grip:No.1:Drive	1
11	AF02 0725	Transport Roller:Grip:No.2:Drive	1
12	B065 6345	Paper End Sensor Bracket	1
13	AW01 0107	Paper Feed Sensor	1
14	B234 6254	Guide Plate - Feed	1
15	AA08 3009	Clutch Roller - 8x18x11	1
16	B234 6272	Feed Shaft	1

Index No.	Part No.	Description	Q'ty Per Assembly
101	0451 4006N	Tapping Screw - 4x6	
102	0720 0040E	Retaining Ring - M4	
103	0720 0060E	Retaining Ring - M6	
104	0805 0088	Retaining Ring - M6	
105	0741 3708	Ball Bearing - 8x12x3.5mm	
106	1105 0511	Harness Clamp - LWS-0306ZC	
107	1105 0551	Clamp:LES-0505	



### 30.Paper Feed Unit 3 (D059/D060/D061)

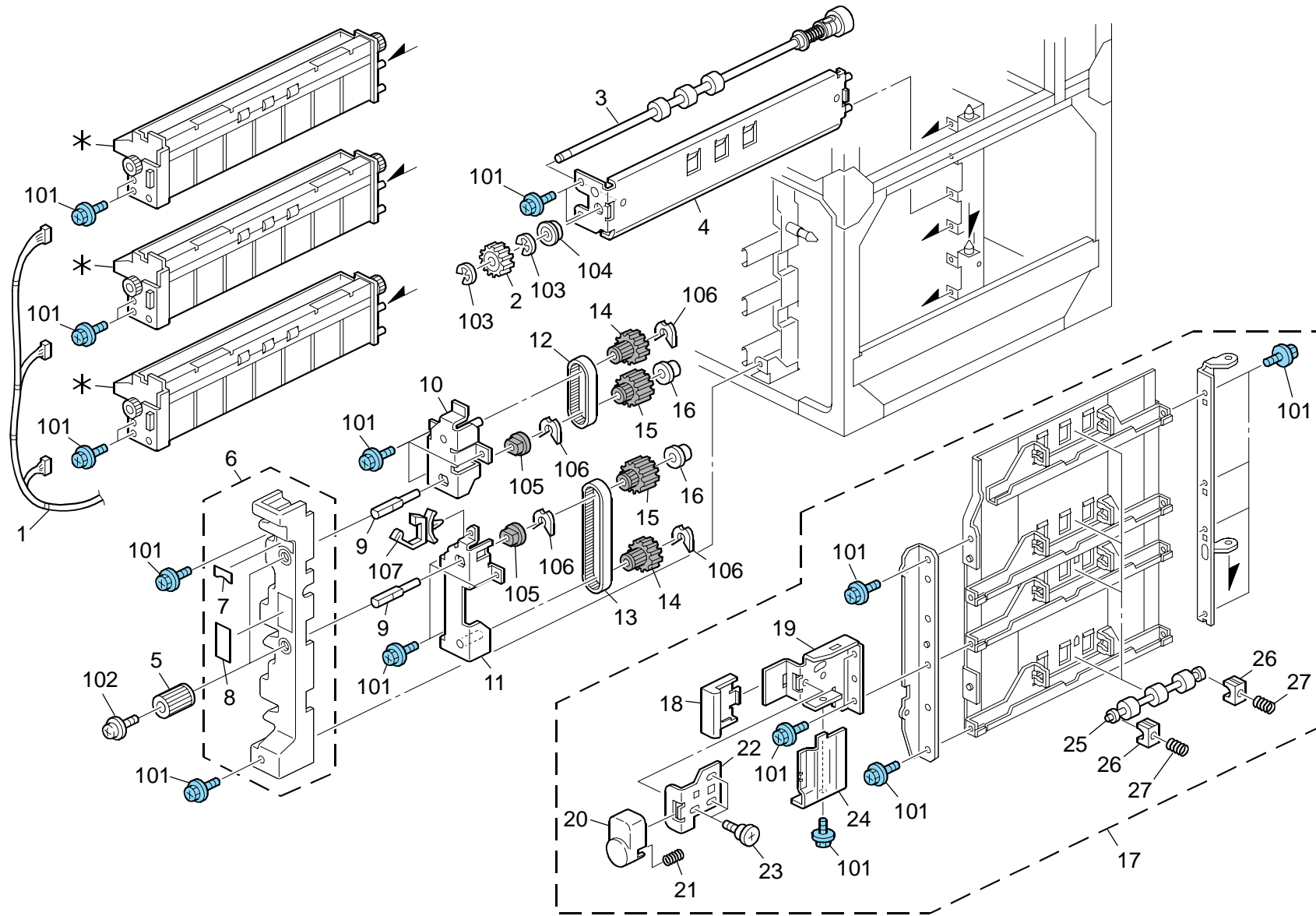


### 30.Paper Feed Unit 3 (D059/D060/D061)

Index No.	Part No.	Description	Q'ty Per Assembly
1	B234 6255	Guide - Front	1
2	B234 6256	Guide - Rear	1
3	B234 6253	Guide Plate - Reverse	1
4	D059 2620	Retaining Rings-C	1
5	<b>AF03 2080</b>	<b>Paper Feed Roller:Separate</b>	<b>1</b>
6	B234 6301	Torque Limiter:75mN m	1
7	B234 6223	Driven Reverse Shaft	1
8	AB01 1591	Gear:Reverse	1
9	AB01 1392	Drive Reverse Gear - 24Z	1
10	B234 6222	Reverse Drive Shaft	1
11	D059 6278	Cover:Gear:Reverse	1
12	B234 6212	Reverse Lever	1
13	AA06 1000	Spring - 1.42N	1
14	AF02 0672	Transport Roller - Driven	1
15	AA08 4059	Ball Bearing Holder	2
16	AA06 3674	Spring - 8N	2
17	B234 6242	Guide - Roller:Driven Pressure	1
18	B234 6231	DC Solenoid:Reverse:Ass'y	1
19	B234 6245	Guide Plate - Vertical Transport	1

Index No.	Part No.	Description	Q'ty Per Assembly
101	0451 4006N	Tapping Screw - 4x6	
102	0454 4006Q	Tapping Screw:4x6	
103	0720 0040E	Retaining Ring - M4	
104	0573 0030E	Hexagon Headless Set Screw - M3x3	
105	0741 3506	Ball Bearing - 6x12x4 mm	
106	1105 0511	Harness Clamp - LWS-0306ZC	

### 31.Vertical Transport (D059/D060/D061)

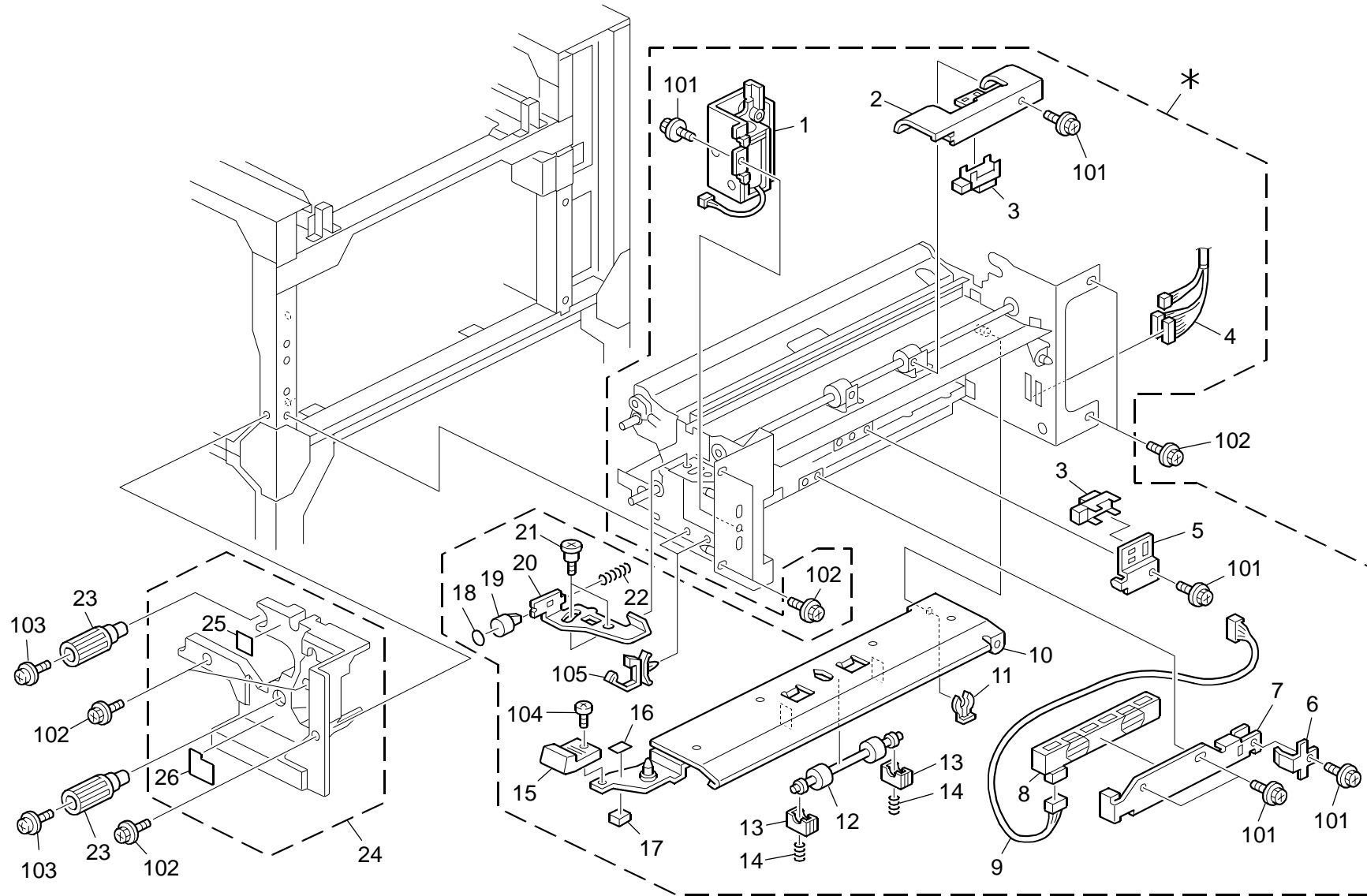


### 31.Vertical Transport (D059/D060/D061)

Index No.	Part No.	Description	Q'ty Per Assembly
*	D059 6200	Paper Feed Unit:Paper Bank:Ass'y	3
1	D059 5655	Harness:Paper Bank:Right	1
2	BB01 3007	Gear - 20Z	1
3	B234 6360	Transport Roller:Joint Unit:Ass'y	1
4	B234 6355	Guide Plate - Joint Unit	1
5	AG05 0101	Knob - Misfeed Removal	2
6	B234 6122	Inner Cover	1
7	AA00 3046	Decal - Vertical Transport (A3)	1
8	AA00 3045	Decal - Misfeed Removal	1
9	AA14 3570	Misfeed Removal Shaft	2
10	B234 6455	Bracket - Upper	1
11	B234 6475	Bracket - Lower	1
12	AA04 3324	Timing Belt - B40S2M152	1
13	AA04 3325	Timing Belt - B40S2M250	1
14	AB01 7725	Gear/timing Pulley - 20Z/20T	2
15	AB01 7726	Gear/timing Pulley - 20Z/20T	2
16	AA08 0265	Bushing:6x8x5	2
17	D059 6400	Transport Unit:Vertical Transport: Paper Bank:Ass'y	1
18	B234 6424	Release Grip	1
19	B234 6426	Bracket:Release:Vertical Transport	1
20	B065 6428	Release Button - Vertical Transport	1
21	AA06 3878	Spring	1
22	B234 6423	Release Lever	1
23	AA14 3560	Stepped Screw - M4	3
24	B234 6427	Cover:Release:Vertical Transport	1
25	AF02 2166	Transport Roller - Driven	4
26	AA08 4059	Ball Bearing Holder	8
27	AA06 3679	Spring - 10N	8

Index No.	Part No.	Description	Q'ty Per Assembly
101	0454 4008Q	Tapping Screw - M4x8	
102	0951 4008N	Screw:Polished Round:M4x8	
103	0720 0060E	Retaining Ring - M6	
104	0741 3708	Ball Bearing - 8x12x3.5mm	
105	0805 3386	Bushing - 8mm	
106	0805 0088	Retaining Ring - M6	
107	1105 0516	Clamp	

# 32.Paper Registration 1 (D059/D060/D061)

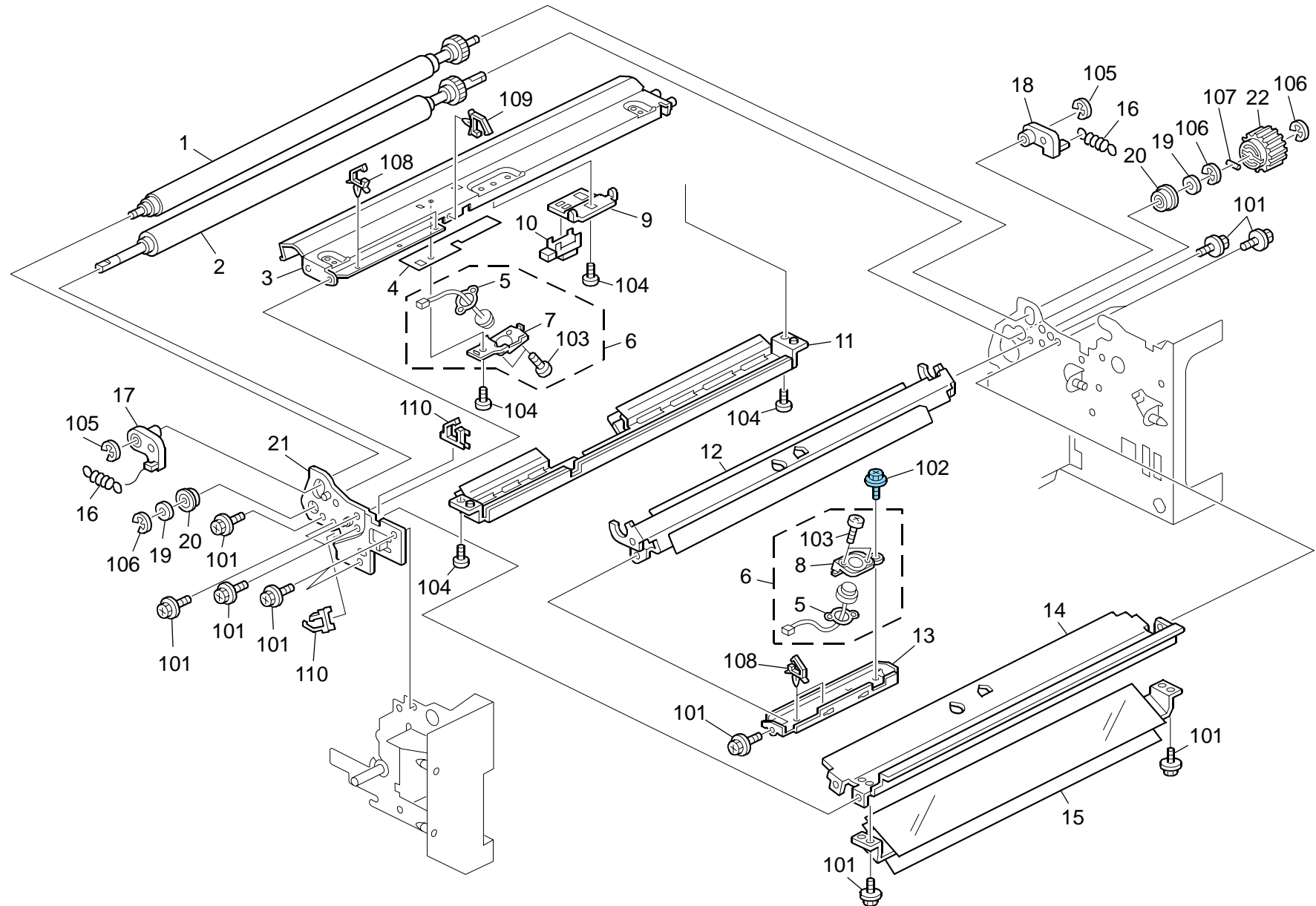


### 32.Paper Registration 1 (D059/D060/D061)

Index No.	Part No.	Description	Q'ty Per Assembly
*	D059 2512	Paper Feed Unit:Machine Or Copier:Ass'y	1
1	B234 2785	DC Solenoid	1
2	B234 2781	Paper Feed Sensor Bracket	1
3	AW01 0107	Paper Feed Sensor	2
4	D059 5675	Harness:Paper Feed Unit:Main	1
5	B234 2726	Paper Feed Sensor Bracket	1
6	B234 2736	Positioning Sensor Stay	1
7	B234 2731	Positioning Sensor Bracket	1
8	B234 2750	Contact Image Sensor	1
9	D059 5679	Harness:CIS:CRB	1
10	B234 2776	Guide Plate - Lower	1
11	5447 2681	Snap Ring	1
12	AF02 2165	Transport Roller - Driven	1
13	AA08 4059	Ball Bearing Holder	2
14	AA06 3674	Spring - 8N	2
15	AG05 1141	Release Lever	1
16	AA00 1465	Decal - Paper Feed (B4)	1
17	AA16 1165	Cushion	1
18	AA00 1464	Decal - Paper Feed (B3)	1
19	B234 2793	Button	1
20	B234 2792	Slider	1
21	AA14 3802	Screw:6x1.7	2
22	AA06 3677	Spring	1
23	AG05 0100	Knob - Transport Roller	2
24	B234 2850	Inner Cover	1
25	AA00 1466	Decal - Paper Feed (C2)	1
26	AA00 1462	Decal - Paper Feed (B1)	1

Index No.	Part No.	Description	Q'ty Per Assembly
101	0451 4006N	Tapping Screw - 4x6	
102	0451 4008N	Tapping Screw:4x8	
103	0951 4008N	Screw:Polished Round:M4x8	
104	0313 0040N	Screw:M3x4	
105	1105 0511	Harness Clamp - LWS-0306ZC	

### 33.Paper Registration 2 (D059/D060/D061)



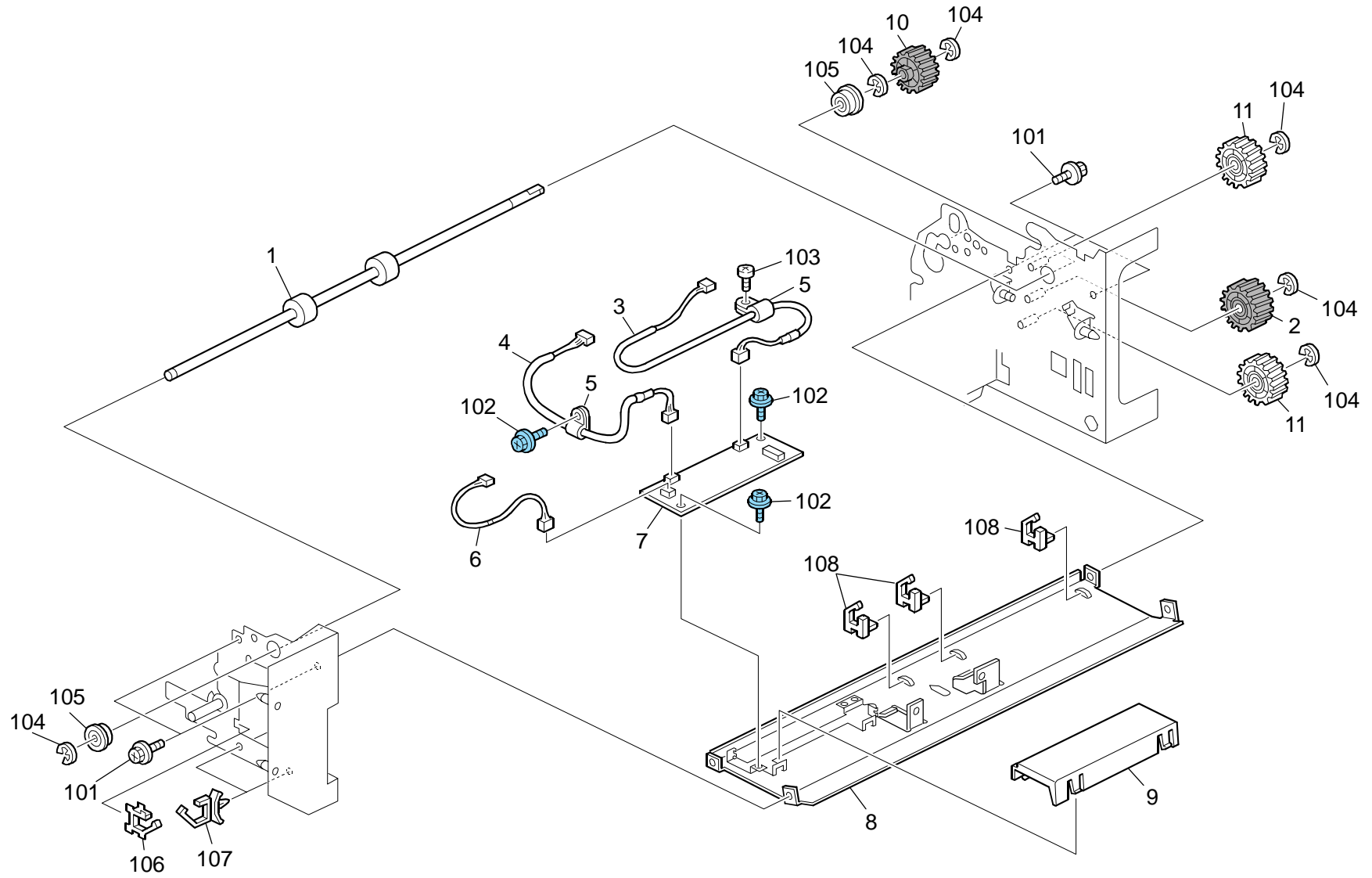
### 33.Paper Registration 2 (D059/D060/D061)

Index No.	Part No.	Description	Q'ty Per Assembly
1	B234 2626	Registration Roller - Driven	1
2	B234 2621	Registration Roller - Drive	1
3	D059 2653	Bracket:Cover:Ass'y	1
4	D059 2645	Scraper:Middle	1
5	D059 2699	Plate:Sensor	2
6	D059 2559	Double Feed Sensor:Sensor:Ass'y	1
7	D059 2696	Holder:Sensor:Upper	1
8	D059 2697	Holder:Sensor:Lower:2	1
9	B234 2658	Registration Sensor Bracket	1
10	AW01 0107	Paper Feed Sensor	1
11	B234 2660	Remove Paper Dust Case	1
12	D059 2632	Guide Plate:Registration:Lower:Ass'y	1
13	D059 2636	Bracket:LED:Ass'y	1
14	B234 2642	Guide Plate - Upper	1
15	B234 2643	Guide Plate - Entrance	1
16	AA06 2329	Spring:Registration:20N	2
17	B234 2628	Ball Bearing - Front	1
18	B234 2629	Ball Bearing - Rear	1
19	AA13 2025	Spacer - 1x8x12	2
20	B234 2624	Ball Bearing - 8x12x5	2
21	B234 2605	Side Plate:Paper Feed:Front:No.2	1
22	AB01 1501	Gear - 30Z	1

Index No.	Part No.	Description	Q'ty Per Assembly
101	0451 4006N	Tapping Screw - 4x6	
102	0454 3006Q	Tapping Screw - M3x6	
103	0353 0060N	Bind Screw - M3x6	
104	0353 0040N	Screw - M3x4	
105	0720 0040E	Retaining Ring - M4	
106	0720 0060E	Retaining Ring - M6	
107	0633 0180G	Parallel Pin - 3x18mm	
108	1105 0511	Harness Clamp - LWS-0306ZC	
109	1105 0534	Clamp	
110	1105 0551	Clamp:LES-0505	



### 34.Paper Registration 3 (D059/D060/D061)

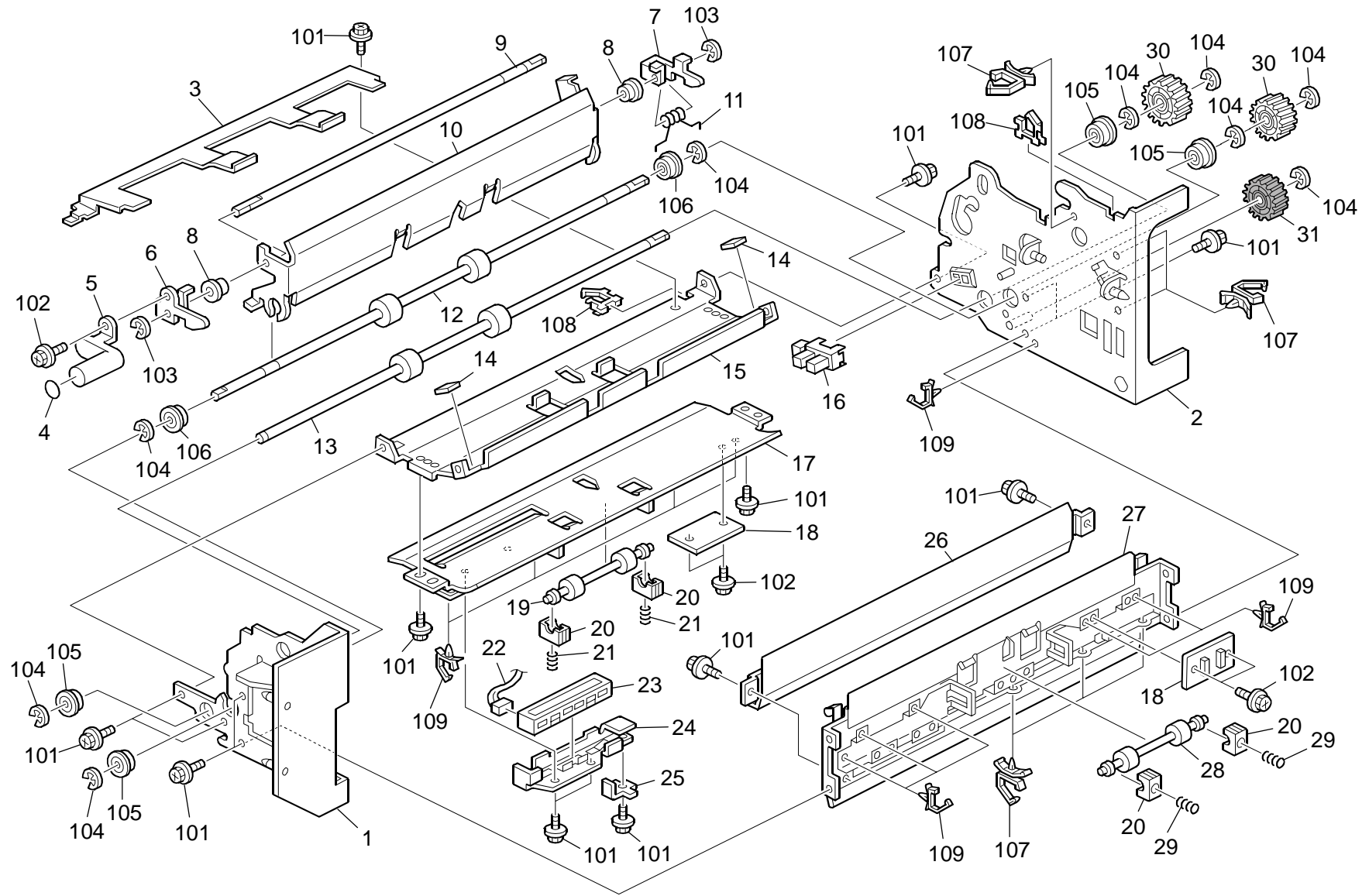


### 34.Paper Registration 3 (D059/D060/D061)

Index No.	Part No.	Description	Q'ty Per Assembly
1	D059 0671	Transport Roller:Large Capacity Tray: Exit:Drive	1
2	AB01 1504	Gear - 33Z	1
3	D059 5677	Cable:URB:Transmitter:Connecting	1
4	D059 5678	Cable:URB:Receiver:Connecting	1
5	D059 2612	Harness Clamp:Earth:2.0	2
6	D059 5676	Harness:Registration Sensor:Connecting	1
7	D059 5753	PCB:URB	1
8	D059 2768	Guide Plate:Large Capacity Tray: Exit:Upper:Ass'y	1
9	D059 2765	Cover:URB:Double Feed Sensor	1
10	AB01 1503	Gear - 30Z	1
11	AB01 1505	Gear - 35Z	2

Index No.	Part No.	Description	Q'ty Per Assembly
101	0451 4006N	Tapping Screw - 4x6	
102	0454 3006Q	Tapping Screw - M3x6	
103	0353 0040N	Screw - M3x4	
104	0720 0060E	Retaining Ring - M6	
105	0742 3808	Ball Bearing - 8x16x5	
106	1105 0551	Clamp:LES-0505	
107	1105 0511	Harness Clamp - LWS-0306ZC	
108	1105 0568	Clamp:LWSS-0504	

# 35.Paper Registration 4 (D059/D060/D061)

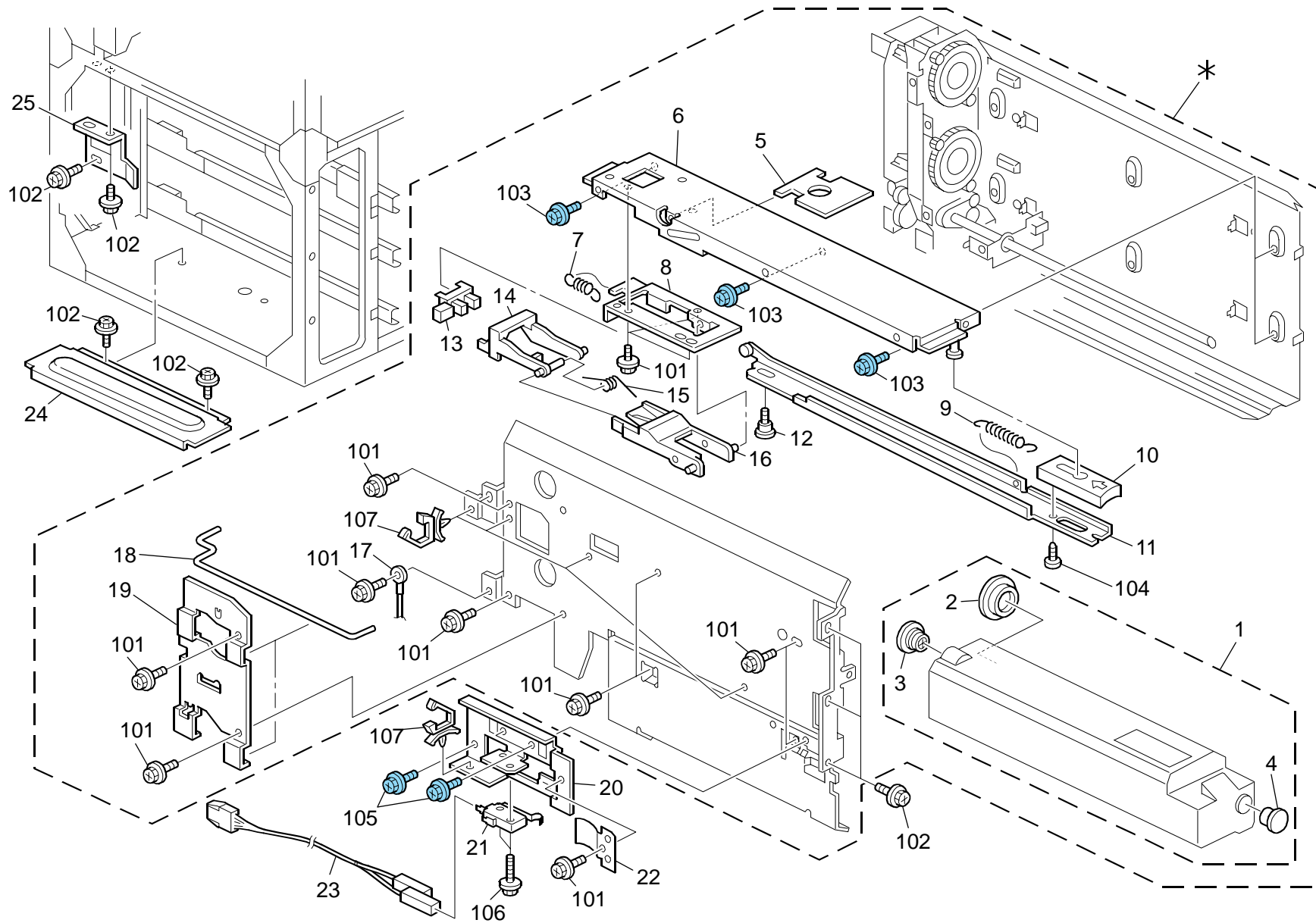


### 35.Paper Registration 4 (D059/D060/D061)

Index No.	Part No.	Description	Q'ty Per Assembly
1	B234 2600	Side Plate:Paper Feed:Front	1
2	B234 2610	Side Plate:Paper Feed:Rear	1
3	D059 2771	Guide Plate:Reverse:19.2	1
4	AA00 1463	Decal - Paper Feed:B2	1
5	B234 2707	Lock Lever	1
6	B234 2705	Lock Pawl - Front	1
7	B234 2706	Lock Pawl - Rear	1
8	5443 2668	Bushing - 4x6x7mm	2
9	AA14 0779	Lock Shaft	1
10	B234 2704	Guide Plate	1
11	AA06 6372	Spring	1
12	D059 0669	Transport Roller:Middle:Drive	1
13	D059 0670	Transport Roller:Duplex:Exit:Drive	1
14	A469 2123	Rubber Cushion - 1x10x10mm	2
15	B234 2761	Guide Plate - Upper	1
16	AW02 0145	Photointerruptor:Flat	1
17	B234 2765	Guide Plate - Lower	1
18	B234 5280	PCB CRB	2
19	AF02 2168	Transport Roller - Driven	1
20	AA08 4059	Ball Bearing Holder	4
21	AA06 3675	Spring - 5N	2
22	D059 5679	Harness:CIS:CRB	1
23	B234 2750	Contact Image Sensor	1
24	B234 2731	Positioning Sensor Bracket	1
25	B234 2736	Positioning Sensor Stay	1
26	B234 2720	Guide Plat - Left Lower	1
27	B234 2712	Guide Plate:Middle:Right:Adhesion	1
28	AF02 2165	Transport Roller - Driven	1
29	AA06 3674	Spring - 8N	2
30	AB01 1502	Gear - 30Z	2
31	AB01 1504	Gear - 33Z	1

Index No.	Part No.	Description	Q'ty Per Assembly
101	0451 4006N	Tapping Screw - 4x6	
102	0451 3006N	Tapping Screw - 3x6	
103	0720 0030E	Retaining Ring - M3	
104	0720 0060E	Retaining Ring - M6	
105	0742 3808	Ball Bearing - 8x16x5	
106	0741 3708	Ball Bearing - 8x12x3.5mm	
107	1105 0516	Clamp	
108	1105 0551	Clamp:LES-0505	
109	1105 0511	Harness Clamp - LWS-0306ZC	

# 36.Toner Bank Unit 1 (D059/D060/D061)

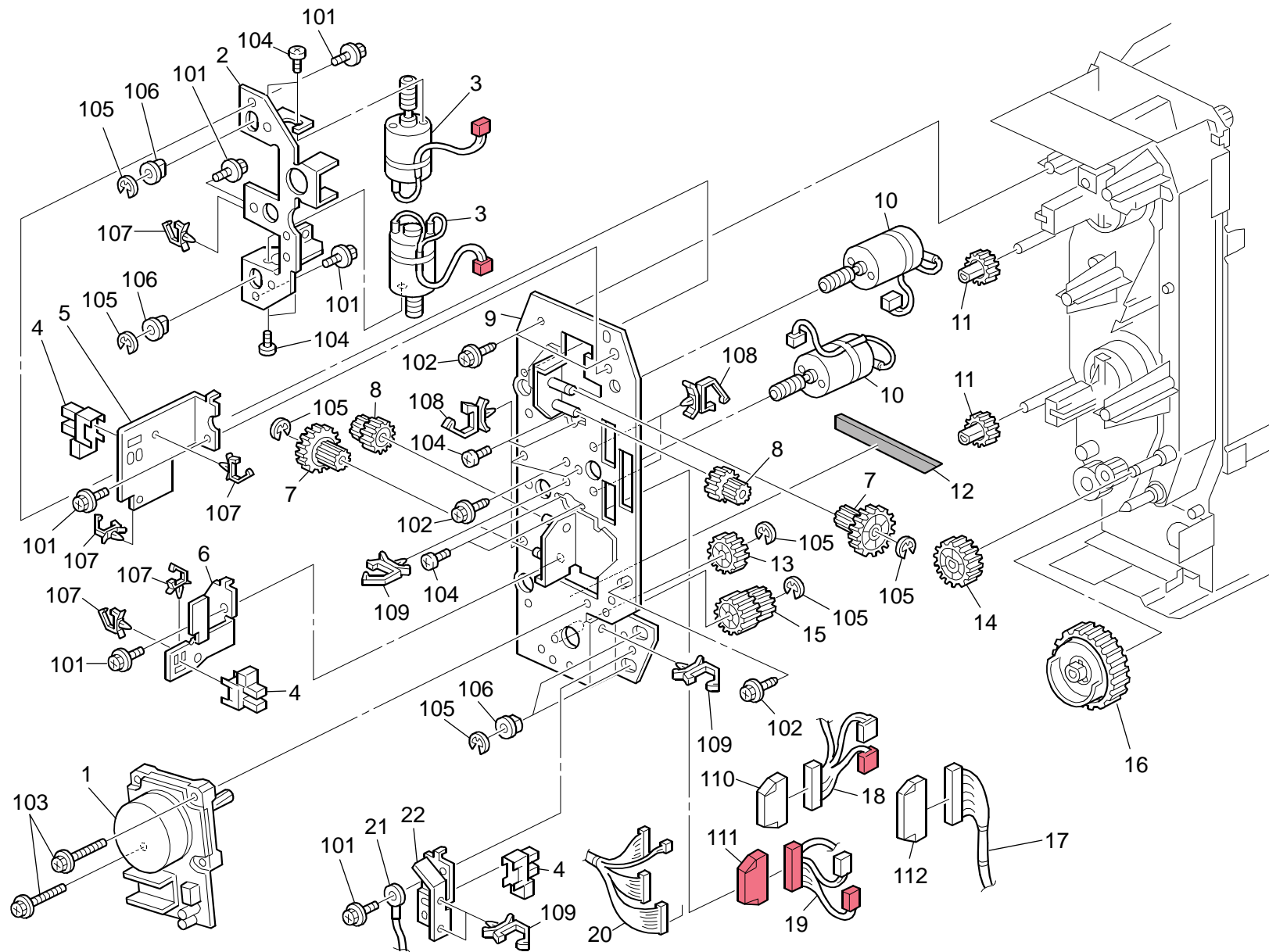


### 36.Toner Bank Unit 1 (D059/D060/D061)

Index No.	Part No.	Description	Q'ty Per Assembly
*	M003 3303	Toner Bank:Main:TEC:Ass'y	1
1	D059 3417	Kit:Collection Bottle:&:Bag For Waste	1
2	A007 3751	Large Cap - Toner Collection Tank	1
3	AA15 2471	Tank Seal	1
4	A007 3785	Toner Collection Bottle Cap	1
5	A294 3454	Lever Stopper	2
6	A294 3442	Toner Bottle Guide Plate	2
7	AA06 0811	Tension Spring - Stopper	2
8	A294 3445	Stopper Support Plate	2
9	AA06 0812	Lever Tension Spring	2
10	A294 3453	Toner Bottle Release Lever	2
11	A294 3451	Lever Holder	2
12	AA14 3562	Screw:M4:DIA6x1.2	2
13	AW02 0145	Photointerruptor:Flat	2
14	A294 3447	Toner Bottle Set Feeler	2
15	AA06 6320	Feeler Torsion Spring	2
16	A294 3446	Toner Bottle Stopper	2
17	D059 5489	Harness:Ground Wire:Toner Bank	1
18	A294 3461	Lever Rack Joint	1
19	B070 3462	Plate:Joint:Rack:Lever	1
20	D059 3408	Bracket:Stand:Micro Switch	1
21	D059 3477	Micro Switch:V-5F936DN-01	1
22	D059 3402	Spring Plate:Toner Bank:Safety Switch	1
23	D059 5700	Harness:Toner Bank:Interlock	1
24	B070 3496	Supporter:Toner Bank	1
25	A294 3495	Fixing Plate	1

Index No.	Part No.	Description	Q'ty Per Assembly
101	0451 4006N	Tapping Screw - 4x6	
102	0451 4008N	Tapping Screw:4x8	
103	0454 4006Q	Tapping Screw:4x6	
104	0452 4008N	Tapping Screw:M4x8	
105	0454 4008Q	Tapping Screw - M4x8	
106	0360 3014N	Screw - M3x14	
107	1105 0511	Harness Clamp - LWS-0306ZC	

# 37.Toner Bank Unit 2 (D059/D060/D061)



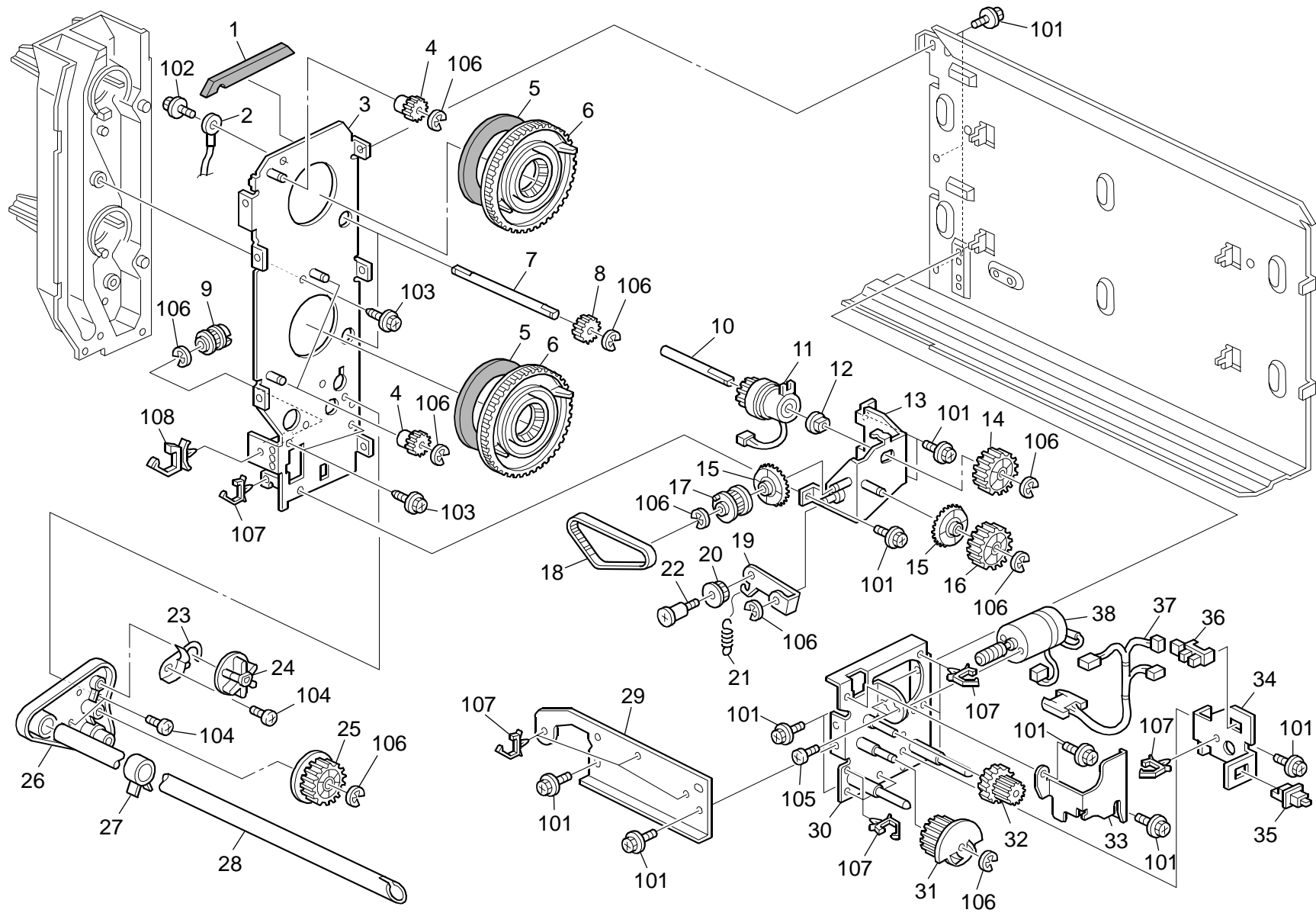
### 37.Toner Bank Unit 2 (D059/D060/D061)

Index No.	Part No.	Description	Q'ty Per Assembly
1	B234 3420	Brushless Motor:DC24V 5.1W	1
2	A294 3371	Motor Bracket	1
3	B234 3372	DC Motor:Toner Bottle:DC21V 5.85W	2
4	AW02 0145	Photointerruptor:Flat	3
5	D059 3378	Bracket:Positioning Sensor:Rack:Upper	1
6	D059 3379	Bracket:Positioning Sensor:Rack:Lower	1
7	AB01 7514	Double Gear - 12/27Z	2
8	AB01 7515	Double Gear - 12/23Z	2
9	B070 3362	Toner Bottle Bracket	1
10	B234 3375	DC Motor:Drive:Chuck:DC21V 5.85W	2
11	AB01 2008	Gear - 23Z	2
12	B070 3364	Shield:Bracket:Chuck	1
13	AB01 2006	Gear - 23Z	1
14	AB01 2004	Gear - 27Z	1
15	AB01 7732	Gear:Idler:Z16/Z47:Press Fit	1
16	A294 3423	Gear - Toner Collection Coil	1
17	B234 5682	Harness - Toner Bank Main	1
18	D059 5680	Harness:Toner Bank:Bottle:Upper:White	1
19	D059 5681	Harness:Toner Bank:Bottle:Lower:Red	1
20	D059 5653	Harness:Paperbank:Left	1
21	D059 5489	Harness:Ground Wire:Toner Bank	1
22	A294 3377	Sensor Bracket	1

Index No.	Part No.	Description	Q'ty Per Assembly
101	0451 4006N	Tapping Screw - 4x6	
102	0450 4006N	Tapping Screw:4x6	
103	0451 3012N	Tapping Screw:3x12	
104	0312 5060N	Screw - M2.5x6	
105	0720 0040E	Retaining Ring - M4	
106	0805 3480	Bushing - 6mm	
107	1105 0511	Harness Clamp - LWS-0306ZC	
108	1105 0508	Harness Clamp - LWS-0711	
109	1105 0516	Clamp	
110	1102 6253	Relay Connector	
111	1102 6267	Connector - 10P	
112	1103 3507	Connector:55482-1919	



# 38.Toner Bank Unit 3 (D059/D060/D061)

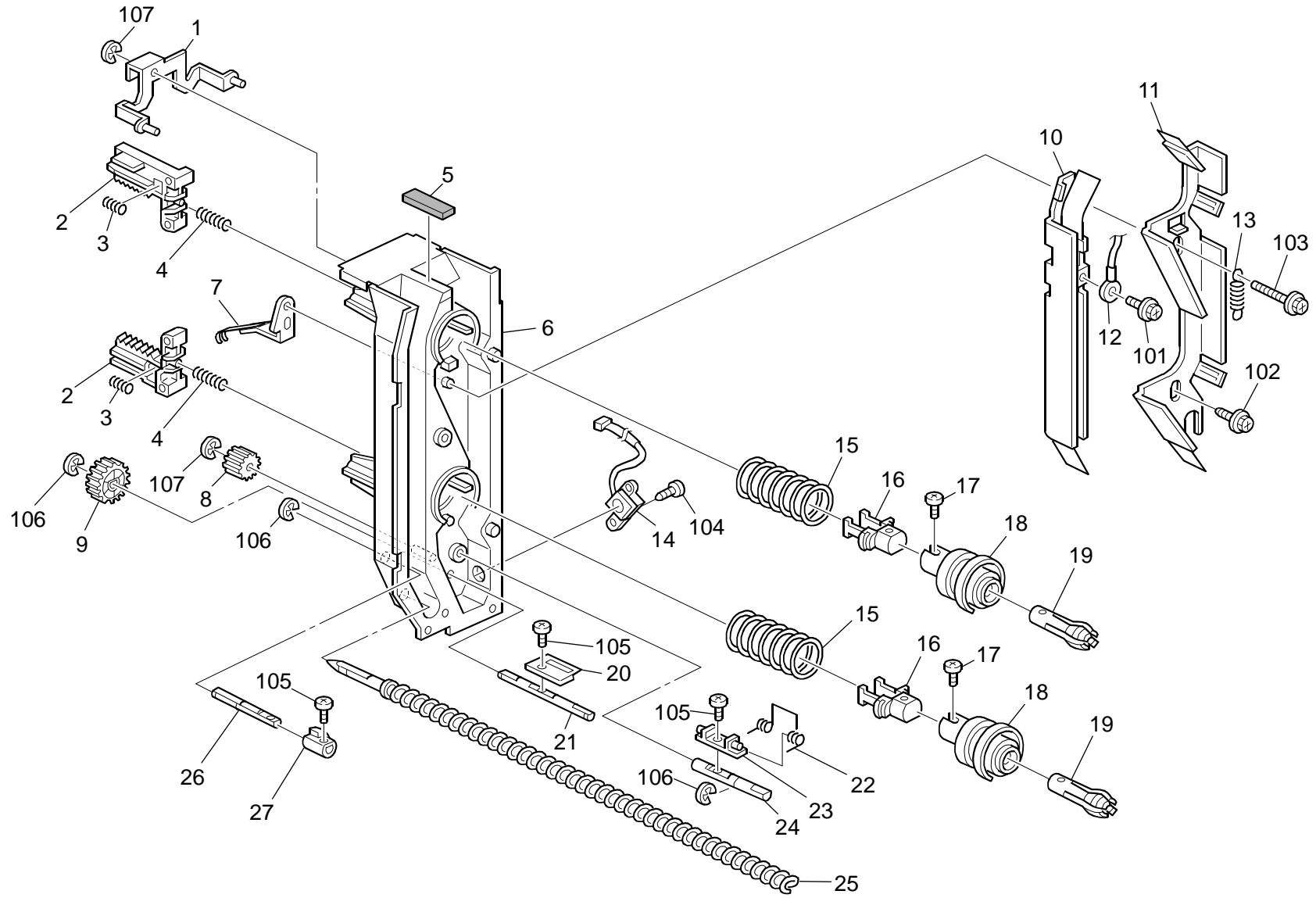


### 38.Toner Bank Unit 3 (D059/D060/D061)

Index No.	Part No.	Description	Q'ty Per Assembly
1	B234 3393	Side Plate Seal	1
2	D059 5488	Harness:Ground Wire:Vibrating Plate	1
3	B070 3346	Toner Bank Side Plate	1
4	AB01 2005	Gear - 13Z	3
5	AA15 2299	Bottle Hold Seal	2
6	A294 3298	Gear - 108Z OEM2 (INF/LAN)	2
7	A294 3382	Toner Bottle Drive Shaft	1
8	AB01 2007	Gear - 14Z	1
9	AB03 0643	Pulley - 23Z	1
10	A294 3406	Clutch Shaft	1
11	AX20 0301	Magnetic Clutch:25Ncm	1
12	AA08 2058	Bushing - 6x10x9mm	1
13	A294 3402	Clutch Bracket	1
14	AB01 2009	Gear - 34Z	1
15	A294 1163	Gear - 30Z	2
16	AB01 2010	Gear - 34Z	1
17	B234 3424	Torque Limiter - 50T	1
18	B234 3283	Timing Belt - B50S2M208	1
19	A294 3408	Tightener Bracket	1
20	AB03 0317	Gate Tightener	1
21	AA06 0950	Tension Spring	1
22	AA14 3444	Stepped Screw	1
23	A294 3195	Cam Stopper	1
24	A294 3390	Spring Shaft Cam	1
25	A294 3391	Gear - 32Z	1
26	A294 3386	Driving Case	1
27	A294 3422	Pipe Stopper-toner Collection Coil	1
28	B234 3499	Pipe	1
29	D059 3467	Stay:Bracket:DC Motor	1
30	B234 3452	Bracket:DC Motor:Collection Bottle	1
31	B234 3458	Gear - 27Z	1
32	B234 3457	Gear - 23Z	1
33	B234 3460	Cover:Drive:Agitator	1
34	B234 3461	Used Toner Sensor Bracket	1
35	AW50 0023	Push Switch	1

Index No.	Part No.	Description	Q'ty Per Assembly
36	AW02 0145	Photointerruptor:Flat	1
37	D059 5689	Harness:Toner Bank:Sub	1
38	B234 3372	DC Motor:Toner Bottle:DC21V 5.85W	1
101	0451 4006N	Tapping Screw - 4x6	
102	0451 3006N	Tapping Screw - 3x6	
103	0450 4008N	Tapping Screw - M4x8	
104	0354 0060N	Screw-M4x6	
105	0312 5050N	Screw - M2.5x5	
106	0720 0040E	Retaining Ring - M4	
107	1105 0511	Harness Clamp - LWS-0306ZC	
108	1105 0516	Clamp	

# 39.Toner Bank Unit 4 (D059/D060/D061)

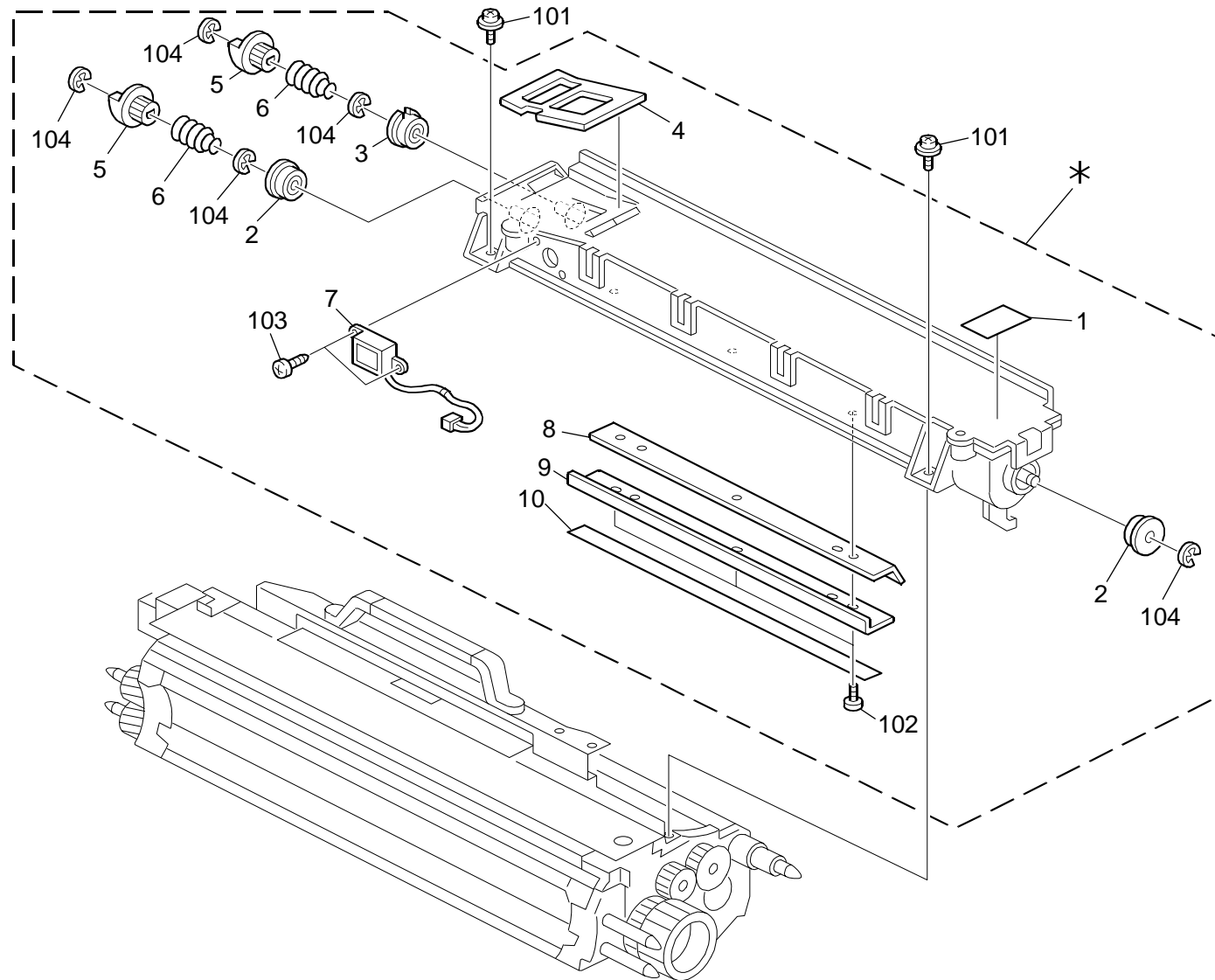


### 39.Toner Bank Unit 4 (D059/D060/D061)

Index No.	Part No.	Description	Q'ty Per Assembly
1	A294 3341	Vibrating Plate Link Bracket	1
2	A294 3354	Rack - 10Z	2
3	AA06 3601	Rack Spring	2
4	AA06 3602	Chuck Spring	2
5	B234 3394	Upper Case Seal	1
6	D059 3311	Case:Toner Bank:Ass'y	1
7	A294 3225	Ground Plate - Vibrating Plate	1
8	AB01 2003	Gear - 16Z	1
9	AB01 2004	Gear - 27Z	1
10	A294 3327	Toner Collection Vibration Plate	1
11	A294 3323	Vibration Plate	1
12	D059 5488	Harness:Ground Wire:Vibrating Plate	1
13	AA06 0810	Tension Spring - Vibrating Plate	1
14	AW31 0008	Toner End Sensor	1
15	AA06 3392	Chuck Spring	2
16	B234 3356	Joint:Chuck:Toner Bottle	2
17	AA14 3816	Flat Screw:Chuck:Bottle	2
18	A294 3292	Toner Bank Slider	2
19	A134 3180	Bottle Chuck	2
20	A294 3331	Toner Bank Agitator	1
21	A294 3333	Agitator Shaft	1
22	AA06 6319	Torsion Spring	1
23	B234 3340	Guide Plate	1
24	A294 3339	Spring Shaft	1
25	B234 3494	Toner Collection Coil	1
26	A294 3336	Cam Shaft	1
27	A294 3337	Vibration Plate Cam	1

Index No.	Part No.	Description	Q'ty Per Assembly
101	0451 3006N	Tapping Screw - 3x6	
102	0450 4008N	Tapping Screw - M4x8	
103	0360 3014N	Screw - M3x14	
104	0452 3008N	Tapping Screw - M3x8	
105	0353 0060N	Bind Screw - M3x6	
106	0720 0040E	Retaining Ring - M4	
107	0720 0030E	Retaining Ring - M3	

# 40.Toner Hopper Section (D059/D060/D061)

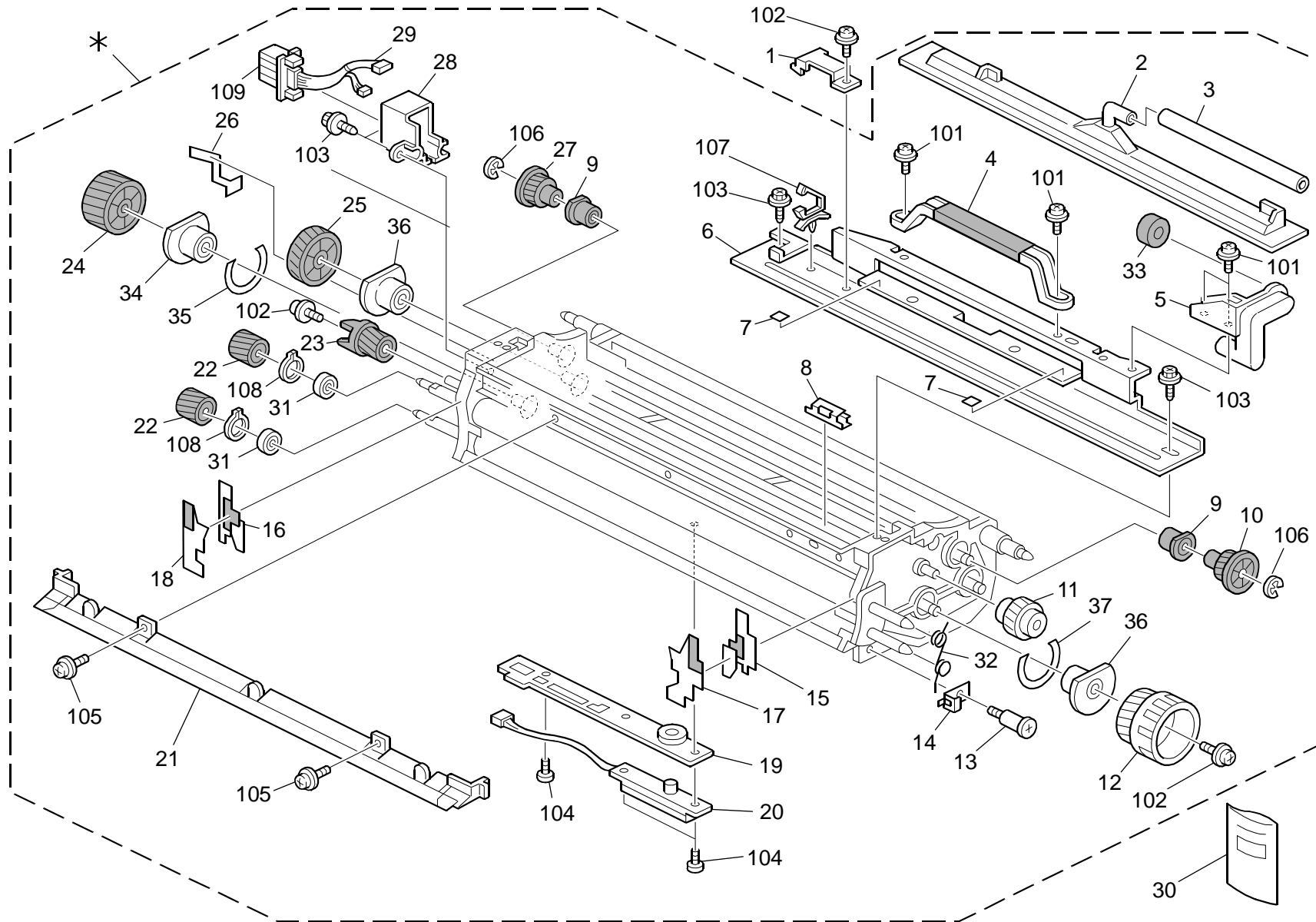


#### 40.Toner Hopper Section (D059/D060/D061)

Index No.	Part No.	Description	Q'ty Per Assembly
*	D059 3200	Toner Supply Unit:Ass'y	1
1	B234 3214	Decal:Display:Caution:Development	1
2	B247 3176	Boss:Bearing:Agitator:Press Fit	2
3	B247 3175	Bushing 8x14x8	1
4	B234 3216	Seal:Toner Hopper:Upper	1
5	B234 3239	Joint:Toner Hopper	2
6	B132 1278	Compression Spring:Drive	2
7	AW31 0009	Toner End Sensor	1
8	B234 3221	Slitter	1
9	B234 3222	Plate Nut	1
10	B234 3223	Slitter Cover	1

Index No.	Part No.	Description	Q'ty Per Assembly
101	0951 4006N	Screw:Polished Round:M4x6	
102	0354 0060N	Screw-M4x6	
103	0452 3008N	Tapping Screw - M3x8	
104	0720 0040E	Retaining Ring - M4	

# 41. Development Unit (D059/D060/D061)



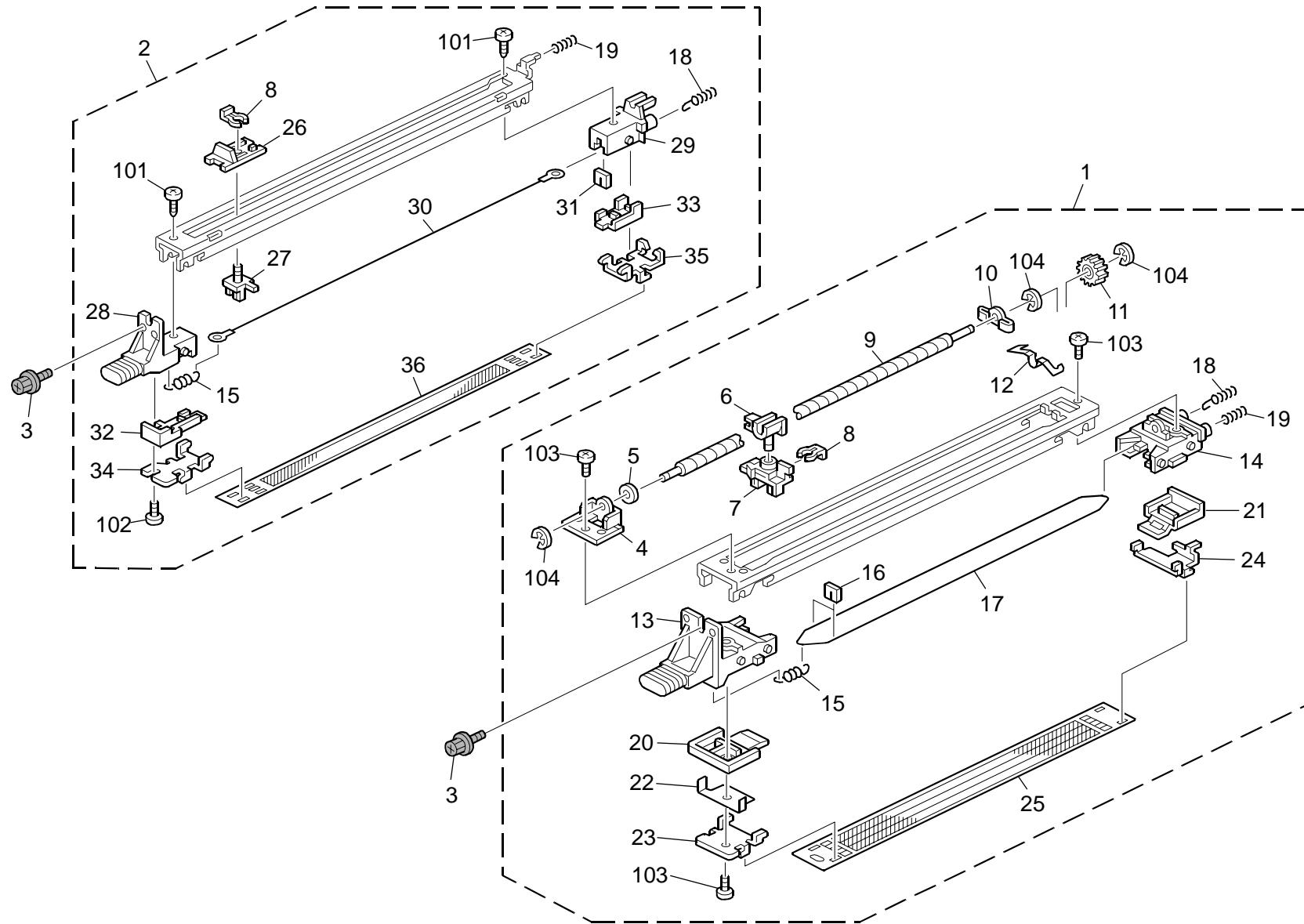
### 41.Development Unit (D059/D060/D061)

Index No.	Part No.	Description	Q'ty Per Assembly
*	D059 3100	Development Unit:Ass'y	1
1	B234 3188	Harness Cover	1
2	B234 3151	Duct	1
3	B234 3154	Tube	1
4	B234 3175	Grip	1
5	B234 3158	Tube:Duct Joint	1
6	B234 3157	Development Guide	1
7	B234 3177	Decal:Positioning Display:Development	2
8	A294 3124	Ground Plate:Doctor Blade	1
9	B234 3118	Bushing:Transport Screw:DIA6	2
10	B234 3170	Gear - 31Z	1
11	B070 3184	Gear:Idler:Z29:M=0.8:Ass'y	1
12	B234 3168	Knob - Development	1
13	AA14 3426	Stopped Screw - M4x17	1
14	A294 3126	Casing Electrode	1
15	B234 3179	Shield:Development Roller:Front	1
16	B234 3180	Shield:Development Roller:Rear	1
17	B234 3191	Shield:Drum:Front	1
18	B234 3192	Shield:Drum:Rear	1
19	B234 3125	Density Sensor Guide	1
20	AW23 0031	Density Sensor:Development	1
21	B234 3171	Entrance Seal:Ass'y	1
<b>22</b>	<b>B070 3180</b>	<b>Gear:Development Roller:Z21:M=0.8</b>	<b>2</b>
<b>23</b>	<b>B234 3107</b>	<b>Gear:Idler:Development Unit</b>	<b>1</b>
<b>24</b>	<b>B234 3165</b>	<b>Gear - 42Z</b>	<b>1</b>
25	D059 3167	Gear:Paddle:Agitate:Z37	1
26	B234 3187	Seal:Side Plate:Rear	1
27	D059 3166	Gear:Transport Screw:Rear	1
28	B234 3138	Connector Holder	1
29	D059 5683	Harness:Development Unit	1
30	B234 9640	Developer Type 27W BK	1
31	A247 3089	Ball Bearing - 9x17x5	2
32	A294 3125	Electrode Torsion Spring	1
33	B234 3190	Seal:Joint	1
34	D059 3150	Bearing Case:DIA8:Rear:Ass'y	1

Index No.	Part No.	Description	Q'ty Per Assembly
35	D059 3152	Seal:Bearing Case:DIA8:Rear	1
36	D059 3153	Bearing Case:DIA8:Ass'y	3
37	D059 3155	Seal:Bearing Case:DIA8	1
101	0951 3006N	Screw - M3x6	
102	0951 4006N	Screw:Polished Round:M4x6	
103	0450 4008N	Tapping Screw - M4x8	
104	0353 0050N	Screw-M3x5	
105	0951 4008N	Screw:Polished Round:M4x8	
106	0720 0040E	Retaining Ring - M4	
107	1105 0511	Harness Clamp - LWS-0306ZC	
108	0727 0090E	Retaining Ring C - M9	
109	1102 9782	Connector:51405-1819	



## 42.Charge Unit (D059/D060/D061)

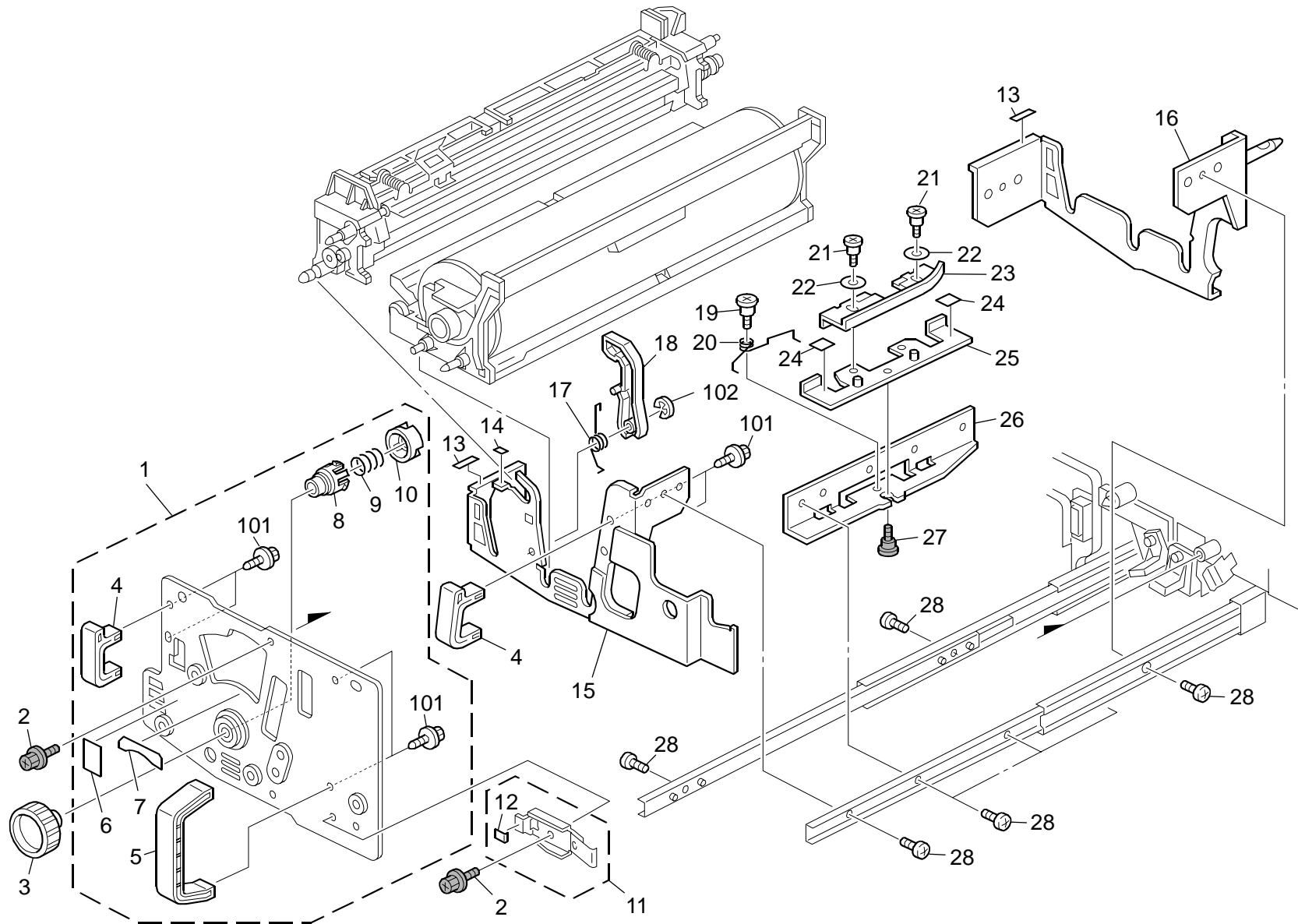


## 42.Charge Unit (D059/D060/D061)

Index No.	Part No.	Description	Q'ty Per Assembly
1	B234 2111	Charge Corona Unit	1
2	B234 2140	Pre Charge Corona	1
3	B234 2390	Flanged Hexagonal Head Bolt:M4x8	2
4	B234 2117	Bushing - Screw Shaft	1
5	B234 2118	Spacer Cushion	1
6	A096 2062	Wire Cleaner Slider	1
7	<b>A096 2063</b>	<b>Corona Wire Cleaner</b>	<b>1</b>
8	A096 2065	Slider Ring	2
9	B234 2116	Screw Shaft	1
10	AA08 0147	Front Bushing	1
11	B234 2119	Gear - 14Z	1
12	B234 2115	Earth Spring Plate	1
13	B234 2120	End Block:Charge Corona:Front	1
14	B234 2121	End Block:Charge Corona:Rear	1
15	AA06 2284	Pressure Spring	2
16	<b>B234 2123</b>	<b>Cushion - Wire</b>	<b>2</b>
17	<b>B234 2128</b>	<b>Wire:Charge Corona</b>	<b>1</b>
18	B234 2124	Spring - Charge Corona	2
19	B234 2125	Spring - Grid	2
20	B234 2126	End Block Cover - Front	1
21	B234 2127	End Block Cover - Rear	1
22	B234 2114	Electrode Plate	1
23	B234 2112	Grid Stay - Front	1
24	A096 2051	Rear Grid Anchor	1
25	<b>B234 2113</b>	<b>Charge Corona Grid</b>	<b>1</b>
26	B234 2148	Cleaner Slider	1
27	B234 2149	Cleaner	1
28	B234 2141	End Block:Front	1
29	B234 2142	End Block:Rear	1
30	<b>B234 2156</b>	<b>Charge Corona Wire</b>	<b>1</b>
31	B234 2154	Wire Cushion	1
32	B234 2144	End Block Cover - Front	1
33	B234 2145	End Block Cover - Rear	1
34	B234 2151	Grid Stay - Front	1
35	B234 2152	Grid Stay - Rear	1

Index No.	Part No.	Description	Q'ty Per Assembly
<b>36</b>	<b>B234 2155</b>	<b>Charge Corona Grid</b>	<b>1</b>
101	0452 3006N	Binding Self-tapping Screw:3x6	
102	0354 0060N	Screw-M4x6	
103	0354 0080N	Screw:M4x8	
104	0720 0025E	Retaining Ring - M2.5	

# 43.PCU 1 (D059/D060/D061)

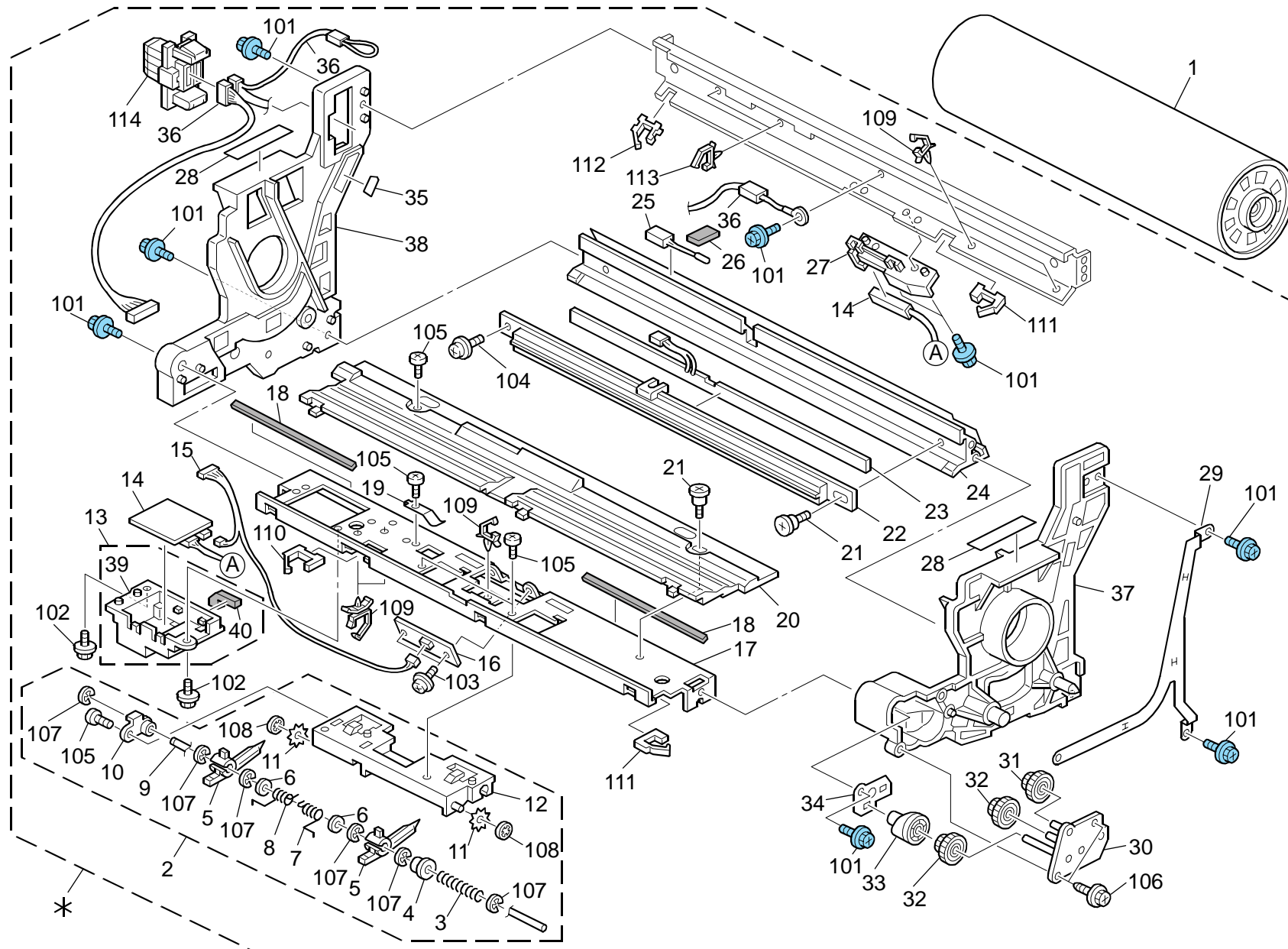


### 43.PCU 1 (D059/D060/D061)

Index No.	Part No.	Description	Q'ty Per Assembly
1	B234 2318	Drum Stay:Around The Photoconductor:Ass'y	1
2	B234 2390	Flanged Hexagonal Head Bolt:M4x8	2
3	A096 2330	Drum Shaft Knob	1
4	B234 2327	Grip - Tray Unit	2
5	B234 2326	Grip - Right	1
6	B234 2338	Decal:Drum Stay	1
7	B234 2332	Decal:Knob:English	1
7	B234 2333	Decal:Knob:German	1
7	B234 2334	Decal:Knob:French	1
7	B234 2335	Decal:Knob:Italian	1
7	B234 2336	Decal:Knob:Spanish	1
8	B234 2323	Holder	1
9	B234 2325	Compression Spring	1
10	B234 2324	Cover	1
11	B234 3195	Spring Plate:Drum Stay:Ass'y	1
12	B234 3593	Decal:Frame:Cleaning	1
13	B234 2467	Decal:Side Plate:Tray Unit:Left	2
14	B234 2468	Decal:Side Plate:Tray Unit:Front	1
15	B234 2461	Side Plate:Tray Unit:Front:Welding	1
16	B234 2471	Side Plate - Rear	1
17	B234 3785	Torsion Spring	1
18	B234 3784	Cleaning Arm	1
19	AA14 3444	Stepped Screw	1
20	B234 3093	Torsion Spring	1
21	AA14 3863	Shoulder Screw - M3	2
22	B700 4652	Spacer:Dia4.5	2
23	B234 3084	Release Plate	1
24	B234 3177	Decal:Positioning Display:Development	2
25	B234 3090	Holder - Development Unit Move	1
26	B234 3089	Stay:Holder:Development Unit	1
27	AA14 3810	Development Cover Screw	1
28	D059 2469	Screw:Round Point:M4x6	7

Index No.	Part No.	Description	Q'ty Per Assembly
101	0450 3008N	Tapping Screw - M3x8	
102	0720 0040E	Retaining Ring - M4	

# 44.PCU 2 (D059/D060/D061)

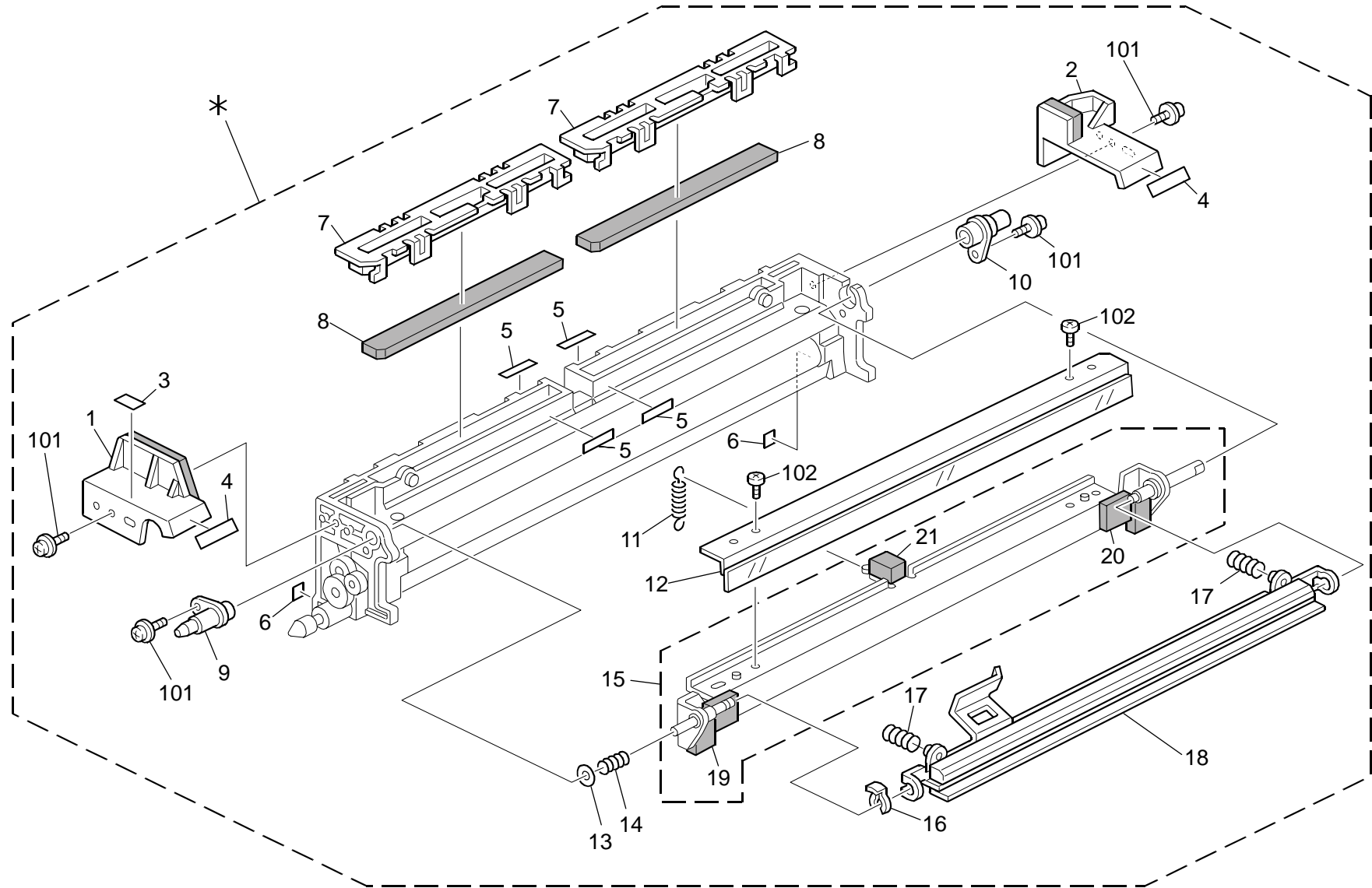


#### 44.PCU 2 (D059/D060/D061)

Index No.	Part No.	Description	Q'ty Per Assembly
*	D059 2309	Drum:Unit:Ass'y	1
1	D059 9510	OPC Drum	1
2	B234 2281	Pickoff Pawl Unit	1
3	B234 2282	Spring:Pickoff Pawl:Swivel	1
4	5324 1658	Bushing- 4x8x4.5mm	1
5	<b>AD02 5022</b>	<b>Pick-off Pawl</b>	<b>2</b>
6	A352 2138	Slide Collar - 0.6x4.5x6	2
7	B234 2288	Pawl Spring - Front	1
8	B234 2289	Pawl Spring - Rear	1
9	B234 2284	Shaft	1
10	B234 2287	Bushing - Rear	1
11	A048 2276	Ring - Transport Bracket	2
12	B234 2283	Holder:Pickoff Pawl	1
13	B234 2316	Holder:Base:Electric Potential Sensor:Ass'y	1
14	B234 2264	Electric Potential Sensor	1
15	D059 5666	Harness:Density Sensor:	
		Electric Potential Sensor:Connecting	1
16	B234 2279	Density Sensor P	1
17	B234 2276	Pickoff Pawl Stay	1
18	B070 3657	Magnetic:Cleaning	2
19	B234 2278	Ground Plate	1
20	B234 2293	Cover - Pickoff Pawl Stay	1
21	5206 2684	Shoulder Screw - M3	2
22	B140 2382	Pre-transfer Lamp Case Ass'y	1
23	B234 2270	LED Array	1
24	D059 2273	Stay:Pre-transfer Lamp:Ass'y	1
25	AW10 0100	Thermistor:Imaging Unit	1
26	D059 2314	Seal:Thermistor	1
27	B234 2263	Electric Potential Sensor Holder	1
28	B234 2311	Decal:Grip:Drum	2
29	B234 2381	Ground Plate - Front	1
30	B234 2296	Bracket	1
31	B234 2301	Gear - 17Z/18Z	1
32	B234 2302	Gear - 14Z/32Z	2
33	B234 2303	Gear - 32Z	1

Index No.	Part No.	Description	Q'ty Per Assembly
34	B234 2382	Ground Plate - Pickoff Pawl	1
35	D059 2312	Sheet:Guide:Harness	1
36	D059 5665	Harness:Drum:Uni	1
37	B234 2305	Side Plate - Front	1
38	D059 2310	Side Plate:Drum:Rear	1
39	B234 2291	Electric Potential Sensor Holder	1
40	B234 2292	Seal:Holder:Base:Electric Potential Sensor	1
101	0454 3008Q	Tapping Screw:3x8	
102	0451 3006N	Tapping Screw - 3x6	
103	0951 3005N	Screw:Polished Round:M3x5	
104	0951 3008N	Screw:Polished Round:M3x8	
105	0353 0060N	Bind Screw - M3x6	
106	0450 3008N	Tapping Screw - M3x8	
107	0720 0030E	Retaining Ring - M3	
108	0805 0077	Retaining Ring - M3	
109	1105 0511	Harness Clamp - LWS-0306ZC	
110	1105 0518	Edge Saddle - LES-1010	
111	1105 0522	Edge Saddle - LES0510	
112	1105 0551	Clamp:LES-0505	
113	1105 0534	Clamp	
114	1102 9782	Connector:51405-1819	

# 45.Cleaning Unit 1 (D059/D060/D061)



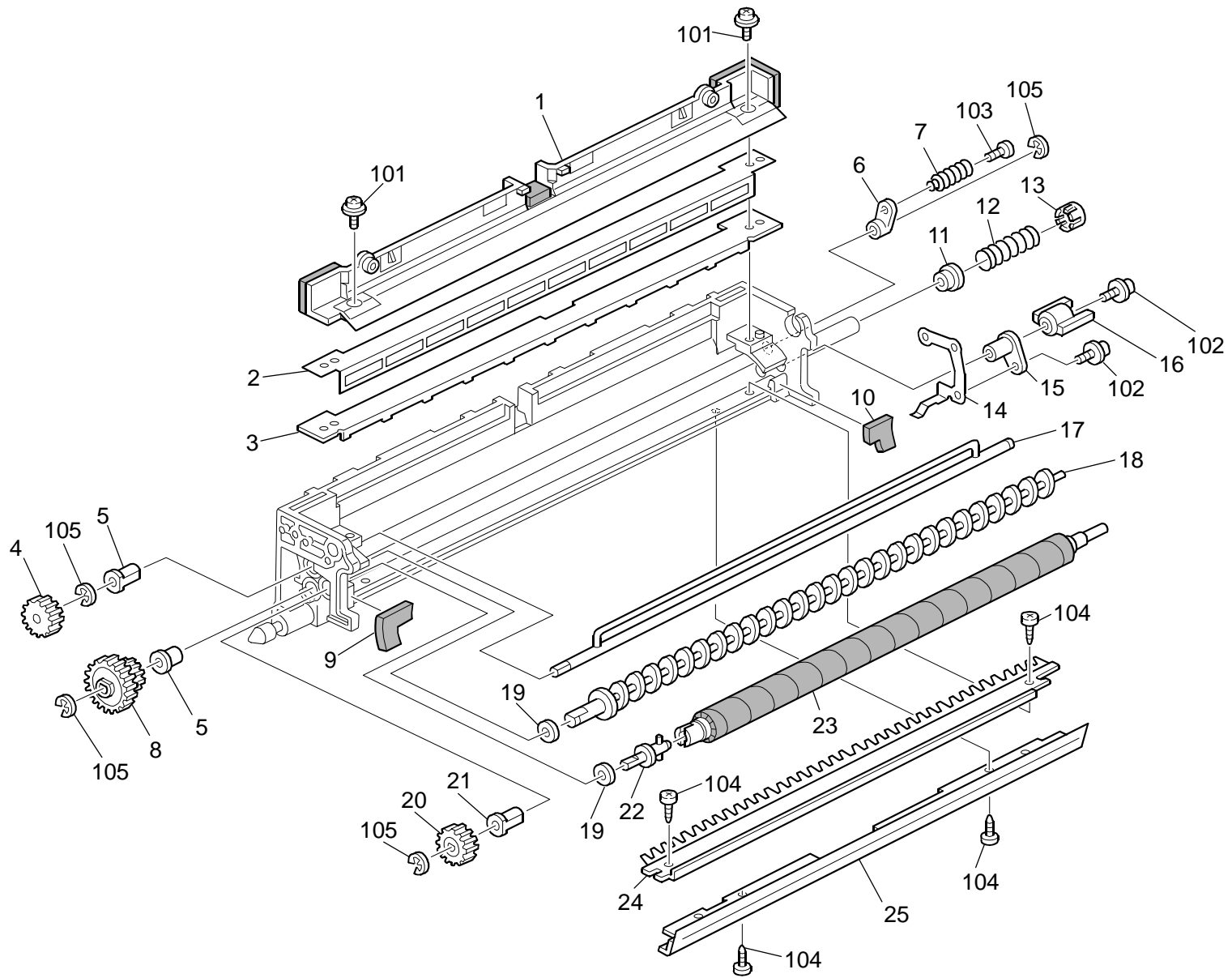
### 45.Cleaning Unit 1 (D059/D060/D061)

Index No.	Part No.	Description	Q'ty Per Assembly
*	D059 3502	Cleaning Unit:Ass'y	1
1	B234 3641	Case:Cleaning:Front:Ass'y	1
2	B234 3624	Case:Cleaning:Inner Back:Ass'y	1
3	B234 3654	Decal:Positioning Display:2	1
4	B234 3655	Decal:Positioning Display:3	2
5	B234 3644	Decal:Case:Middle:Cleaning	4
6	B234 3592	Decal:Positioning Display:1	2
7	B234 3636	Case - Upper	2
<b>8</b>	<b>B234 3637</b>	<b>Filter - Cleaning</b>	<b>2</b>
9	B234 3562	Bushing - Front	1
10	B234 3556	Bushing - Rear	1
11	B234 3561	Spring	1
<b>12</b>	<b>D059 3564</b>	<b>Blade:Cleaning:201707:Ass'y</b>	<b>1</b>
13	AA13 2080	Spacer - Cleaning Brush	1
14	B234 3579	Spring - 16mm	1
15	B234 3567	Cleaning Blade Bracket	1
16	G065 2681	Snap Ring - M6	1
17	B234 3585	Compression Spring	2
18	B234 3586	Cleaning Blade:No.2:Ass'y	1
19	B234 3572	Seal:Blade:Front:Ass'y	1
20	B234 3575	Seal:Blade:Inner Back:Ass'y	1
21	B234 3578	Seal:Bracket:Blade	1

Index No.	Part No.	Description	Q'ty Per Assembly
101	0951 3006N	Screw - M3x6	
102	0314 0040N	Pan Head Screw - M4x4	



## 46.Cleaning Unit 2 (D059/D060/D061)

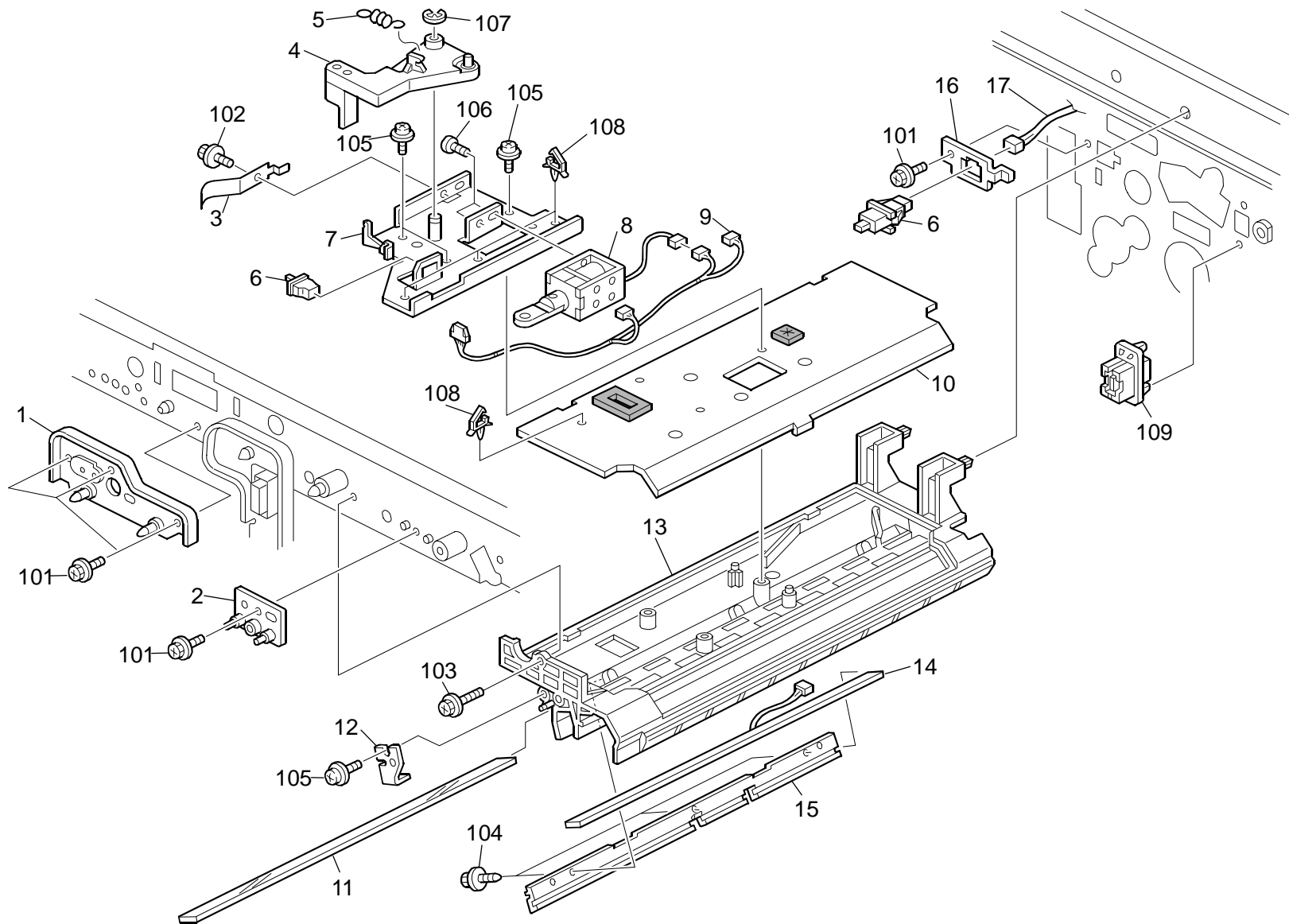


### 46.Cleaning Unit 2 (D059/D060/D061)

Index No.	Part No.	Description	Q'ty Per Assembly
1	B234 3627	Case:Middle:Cleaning:Ass'y	1
2	B234 3638	Spring Plate:Brush Roller	1
3	B234 3639	Holder:Spring Plate:Brush Roller	1
4	B234 3601	Gear - 15Z	1
5	AA08 2095	Bushing - Toner Collection Coil	2
6	AA08 2059	Agitator Bushing	1
7	B132 3634	Compression Spring - Earth	1
8	B234 3602	Gear - 15Z/43Z	1
9	B234 3659	Seal:Drum:Front	1
10	B234 3658	Drum Seal - Rear	1
11	B234 3651	Toner Catchpan	1
12	B234 3653	Spring	1
13	B234 3652	Cap	1
14	B234 3606	Ground Plate - Brush Roller	1
15	AA08 2045	Cleaning Brush Bushing	1
16	B234 3763	Joint	1
17	B234 3603	Agitator	1
18	B234 3607	Toner Collection Coil	1
19	AA13 2024	Spacer - M6	2
20	B234 3666	Gear - 23Z	1
21	AA08 2094	Bushing - Brush Roller	1
22	A096 3586	Cleaning Brush Drive Shaft	1
<b>23</b>	<b>B234 3590</b>	<b>Cleaningbrush Roller</b>	<b>1</b>
24	B234 3615	Vibrating Plate	1
25	B234 3656	Entrance Seal:Cleaning:Ass'y	1

Index No.	Part No.	Description	Q'ty Per Assembly
101	0951 3008N	Screw:Polished Round:M3x8	
102	0951 3006N	Screw - M3x6	
103	0452 3010N	Binding Self-tapping Screw:3x10	
104	0452 3008N	Tapping Screw - M3x8	
105	0720 0040E	Retaining Ring - M4	

# 47. Discharge Unit (D059/D060/D061)

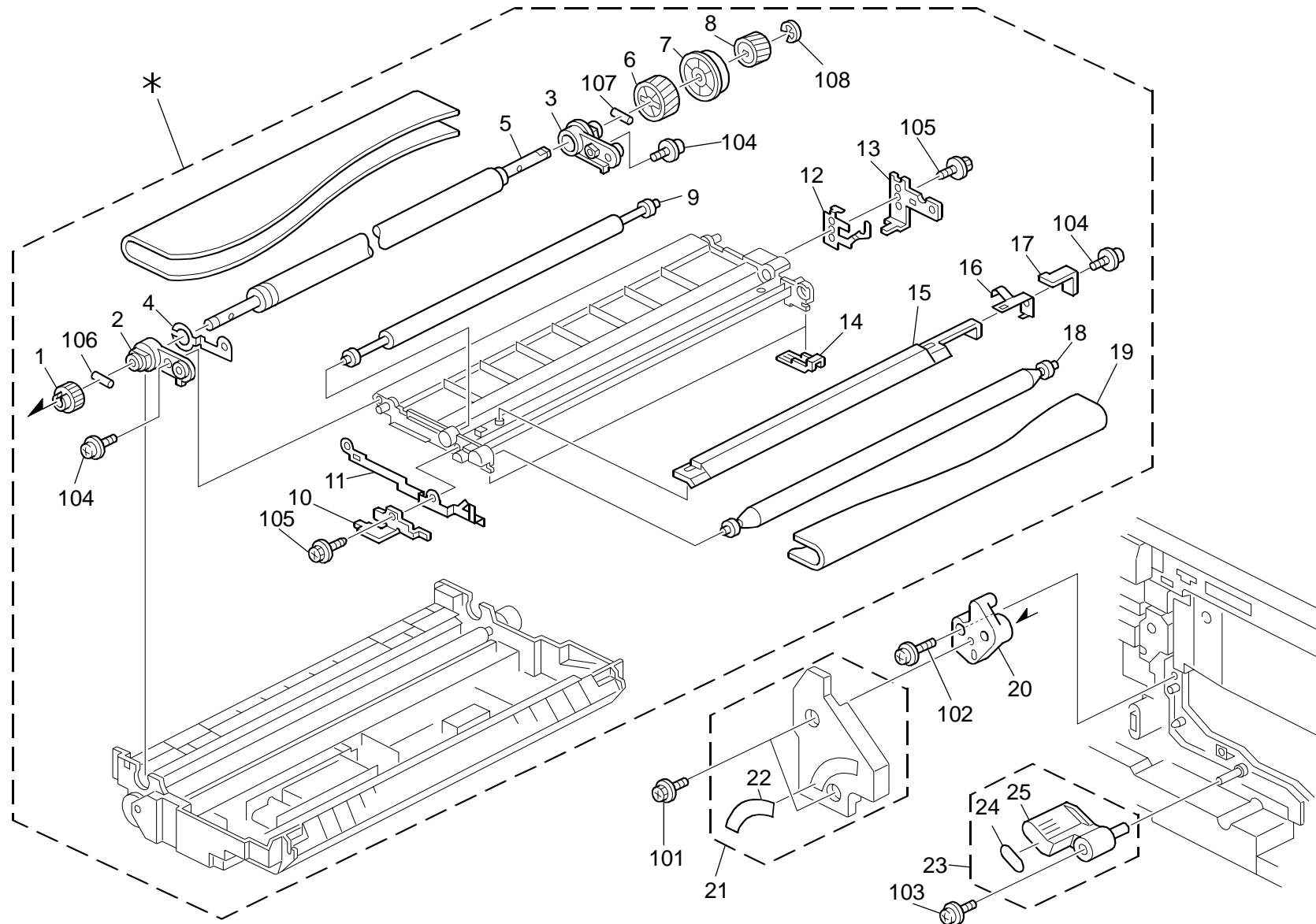


### 47. Discharge Unit (D059/D060/D061)

Index No.	Part No.	Description	Q'ty Per Assembly
1	B234 4080	Positioning Pin Bracket - Front	1
2	B234 2129	Charge Corona Bracket	1
3	B234 2431	Ground Plate	1
4	B234 2411	Arm	1
5	B234 2412	Tension Spring	1
6	AW50 0023	Push Switch	2
7	B234 2406	Release Blade Base No.2	1
8	B234 2404	DC Solenoid	1
9	D059 5667	Harness:QL:On-off:Solenoid:Connecting	1
10	B234 2434	Cover - Around The Photoconductor	1
11	B234 2422	Shadeing Plate - Discharge Lamp	1
12	B234 2423	Cover - Shield Glass	1
13	B234 2416	Frame:Upper:Drum Unit	1
14	B234 2440	LED Array - QL	1
15	B234 2427	Seal - QL	1
16	B234 3786	Push Switch Holder	1
17	D059 5668	Harness:Cleaning Unit:Set Sensor:Connecting	1

Index No.	Part No.	Description	Q'ty Per Assembly
101	0451 4008N	Tapping Screw:4x8	
102	0451 3006N	Tapping Screw - 3x6	
103	0451 4012N	Tapping Screw:4x12	
104	0450 3008N	Tapping Screw - M3x8	
105	0951 3008N	Screw:Polished Round:M3x8	
106	0353 0040N	Screw - M3x4	
107	0720 0060E	Retaining Ring - M6	
108	1105 0511	Harness Clamp - LWS-0306ZC	
109	1102 9785	Connector:55949-1819	

# 48. Transfer Belt Unit 1 (D059/D060/D061)

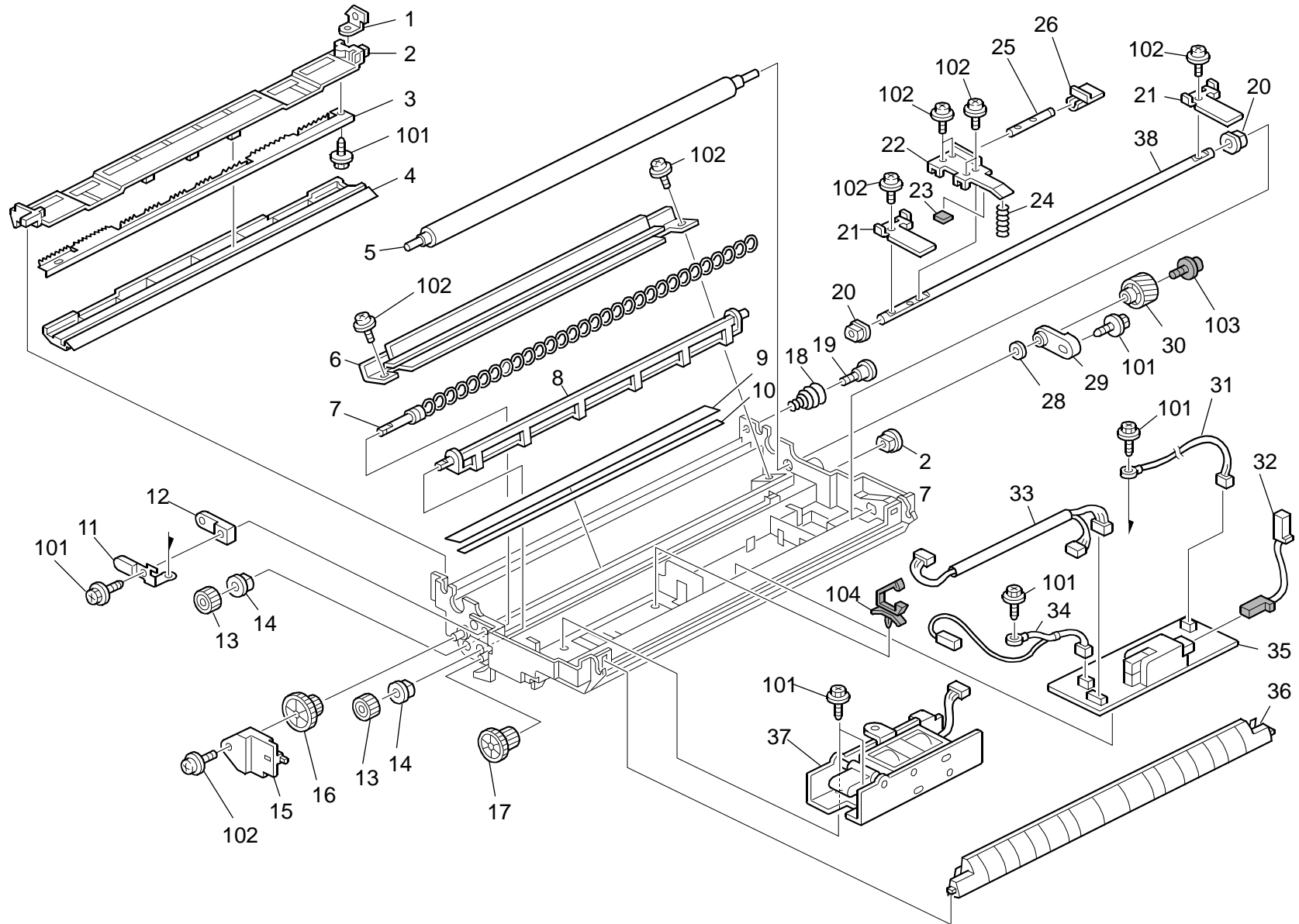


### 48.Transfer Belt Unit 1 (D059/D060/D061)

Index No.	Part No.	Description	Q'ty Per Assembly
*	D059 3900	Transfer Unit:Ass'y	1
1	B065 3873	Toner Collection Gear	1
2	A229 3861	Front Arm	1
3	A229 3862	Rear Arm	1
4	A229 3875	Drive Electrode	1
5	B234 3956	Roller - Drive	1
6	B234 3962	Gear - 50Z	1
7	A294 3869	Rear Positioning Plate	1
8	A293 3871	Gear - 20Z	1
9	B234 3960	Roller:Bias	1
10	B065 3875	Terminal	1
11	B065 3874	Electrode Plate	1
12	B247 3980	Electrode:Bias	1
13	B234 3966	Bias Terminal	1
14	B065 3868	Pressure Arm	2
15	B234 3975	Transfer Belt Brush	1
16	B234 3967	Bias Electrode	1
17	B234 3981	Cover - Electrode Plate	1
18	B234 3951	Roller - Driven	1
<b>19</b>	<b>B234 3971</b>	<b>Transfer Belt</b>	<b>1</b>
20	B234 3860	Guide Plate	1
21	B234 3890	Inner Cover - Transfer	1
22	B234 3892	Decal - Lever Release Transfer	1
23	D059 3832	Lever:Transfer Unit:Ass'y	1
24	B065 3833	Decal - Transfer Unit Lever	1
25	D059 3834	Handle:Release:Transfer Unit	1

Index No.	Part No.	Description	Q'ty Per Assembly
101	0451 4008N	Tapping Screw:4x8	
102	0951 4014N	Screw:Polished Round:M4x14	
103	0951 4008N	Screw:Polished Round:M4x8	
104	0951 3008N	Screw:Polished Round:M3x8	
105	0450 3008N	Tapping Screw - M3x8	
106	0623 0120E	Spring Pin - M3x12	
107	0633 0140G	Parallel Pin - 3x14	
108	0720 0060E	Retaining Ring - M6	

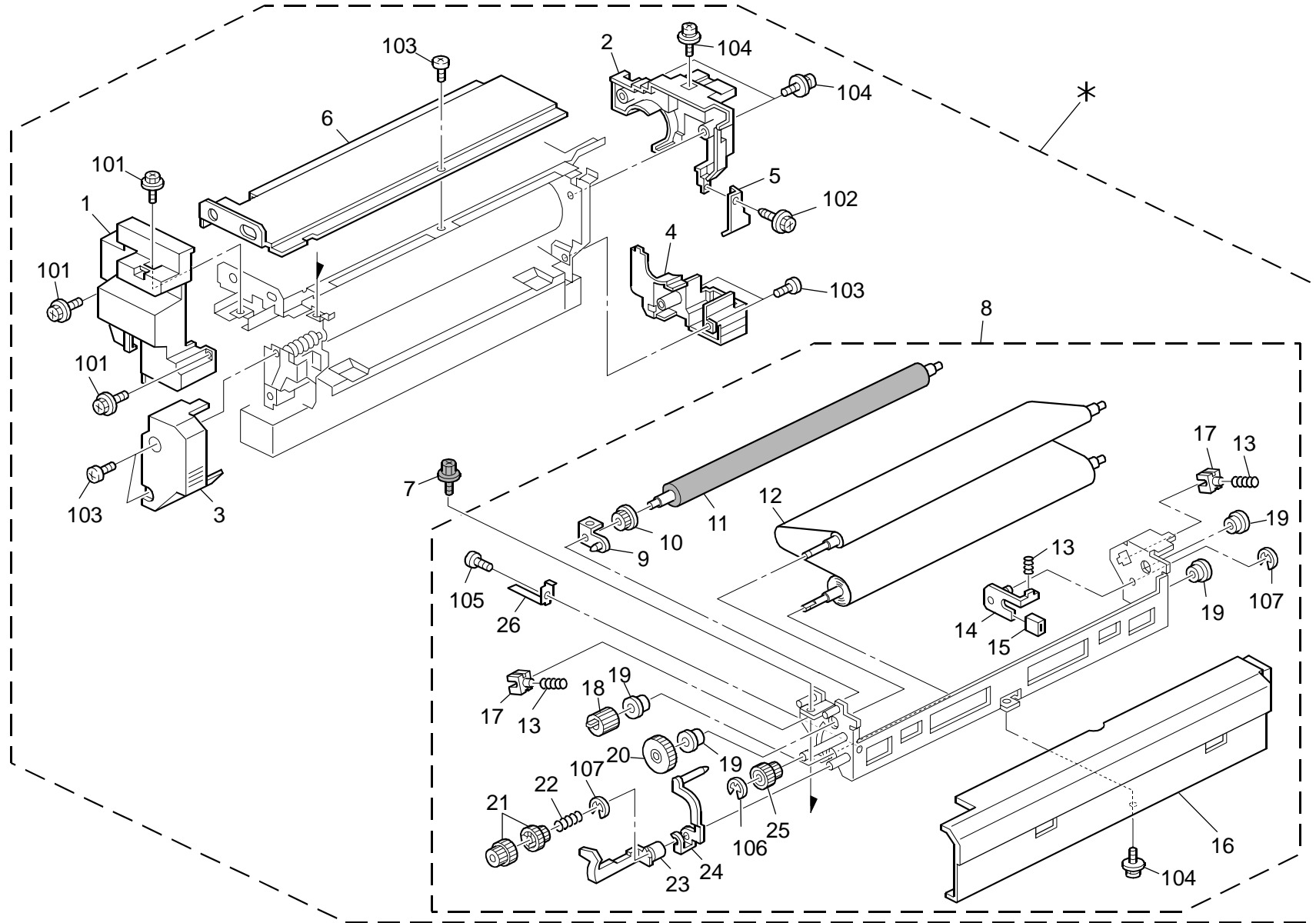
# 49. Transfer Belt Unit 2 (D059/D060/D061)







# 50.Fusing Unit 1 (D059/D060/D061)

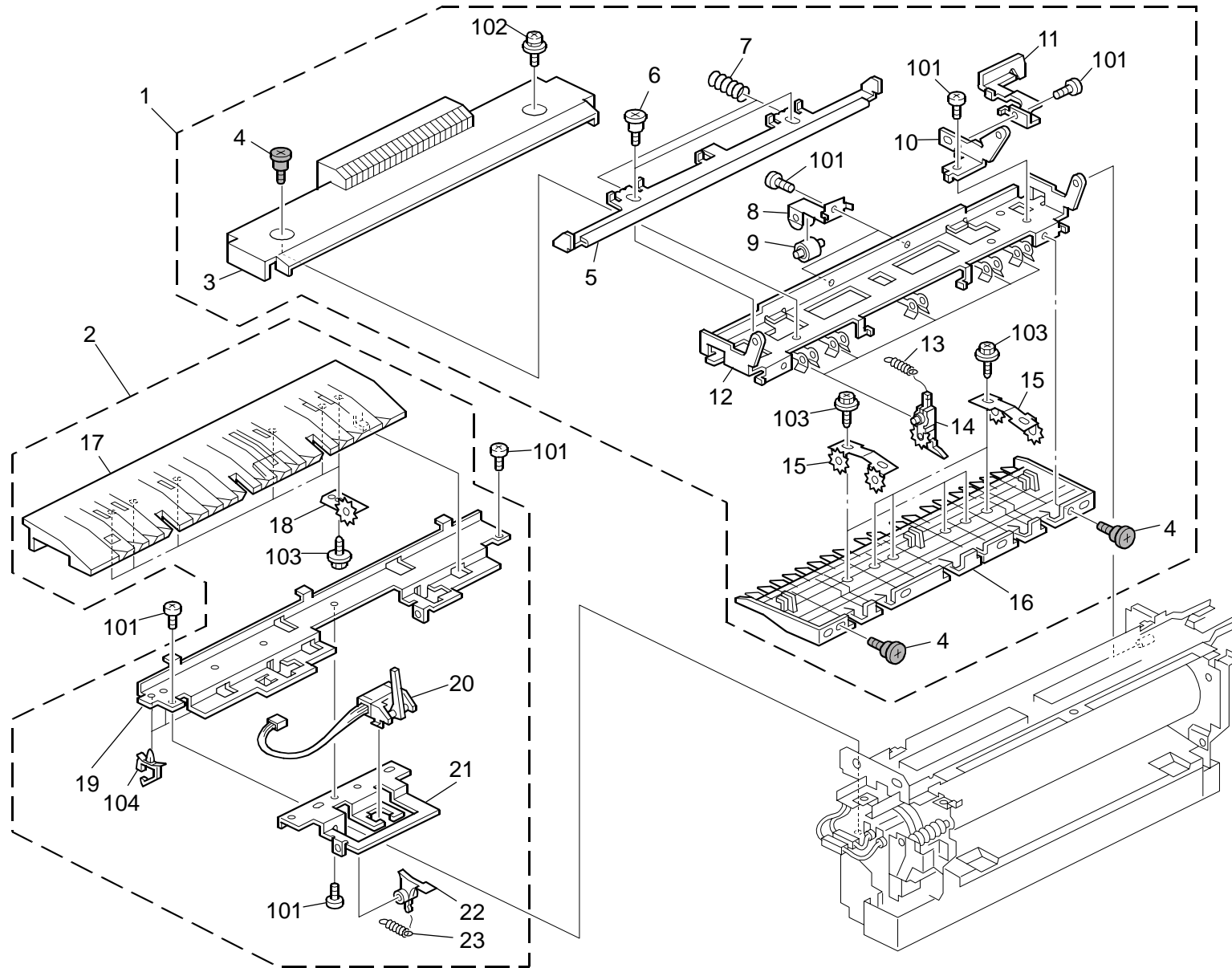


### 50.Fusing Unit 1 (D059/D060/D061)

Index No.	Part No.	Description	Q'ty Per Assembly
*	D059 4012	Fusing Unit:NA:Type AB:Ass'y	1
*	D061 4012	Fusing Unit:NA:TypeC:Ass'y	1
1	B234 4056	Inner Cover - Front Upper	1
2	B234 4059	Cover - Rear Upper	1
3	B234 4062	Inner Cover - Right Upper	1
4	B234 4064	Cover - Rear Lower	1
5	B234 4065	Cover - Rear Upper No.2	1
6	B234 4152	Cover:Fusing:Upper:TypeAB	1
6	B234 4249	Cover:Fusing:Upper:TypeC	1
7	B234 2390	Flanged Hexagonal Head Bolt:M4x8	1
8	D059 4111	Fusing Unit:Entrance:Upper:Ass'y	1
9	B234 4109	Bracket:Stopper:Ass'y	1
10	A294 4116	Plate Ratchet	1
<b>11</b>	<b>AE04 0067</b>	<b>Roller - Cleaning Felt</b>	<b>1</b>
<b>12</b>	<b>AE04 5056</b>	<b>Roller:Cleaning Felt:27M:Ass'y</b>	<b>1</b>
13	AA06 3652	Spring-oil Supply Roller	3
14	A294 4412	Web Brake Pad Bracket	1
<b>15</b>	<b>B070 4418</b>	<b>Web Brake Pad</b>	<b>1</b>
16	B234 4115	Fusing Entrance Guide Plate:Upper	1
17	AE03 1026	Bushing - Oil Supply Roller	2
18	A294 4156	Gear - 23Z	1
19	AE03 1032	Bushing - 6x9x6.5	4
20	B234 4244	Gear - 50Z	1
21	A294 4158	Coupled Gear - 25Z/32Z	2
22	AA06 3851	Pressure Spring	1
23	A294 4434	Web End Feeler	1
24	B234 4112	Feeler - Cleaning Felt	1
25	A294 4171	Coupled Gear - 17Z/32Z	1
26	A294 4433	Web Spring Plate	1

Index No.	Part No.	Description	Q'ty Per Assembly
101	0451 4008N	Tapping Screw:4x8	
102	0450 3008N	Tapping Screw - M3x8	
103	0354 0060N	Screw-M4x6	
104	0954 4008N	Screw - M4x8	
105	0354 0040N	Screw-M4x4	
106	0720 0030E	Retaining Ring - M3	
107	0720 0040E	Retaining Ring - M4	

# 51.Fusing Unit 2 (D059/D060/D061)

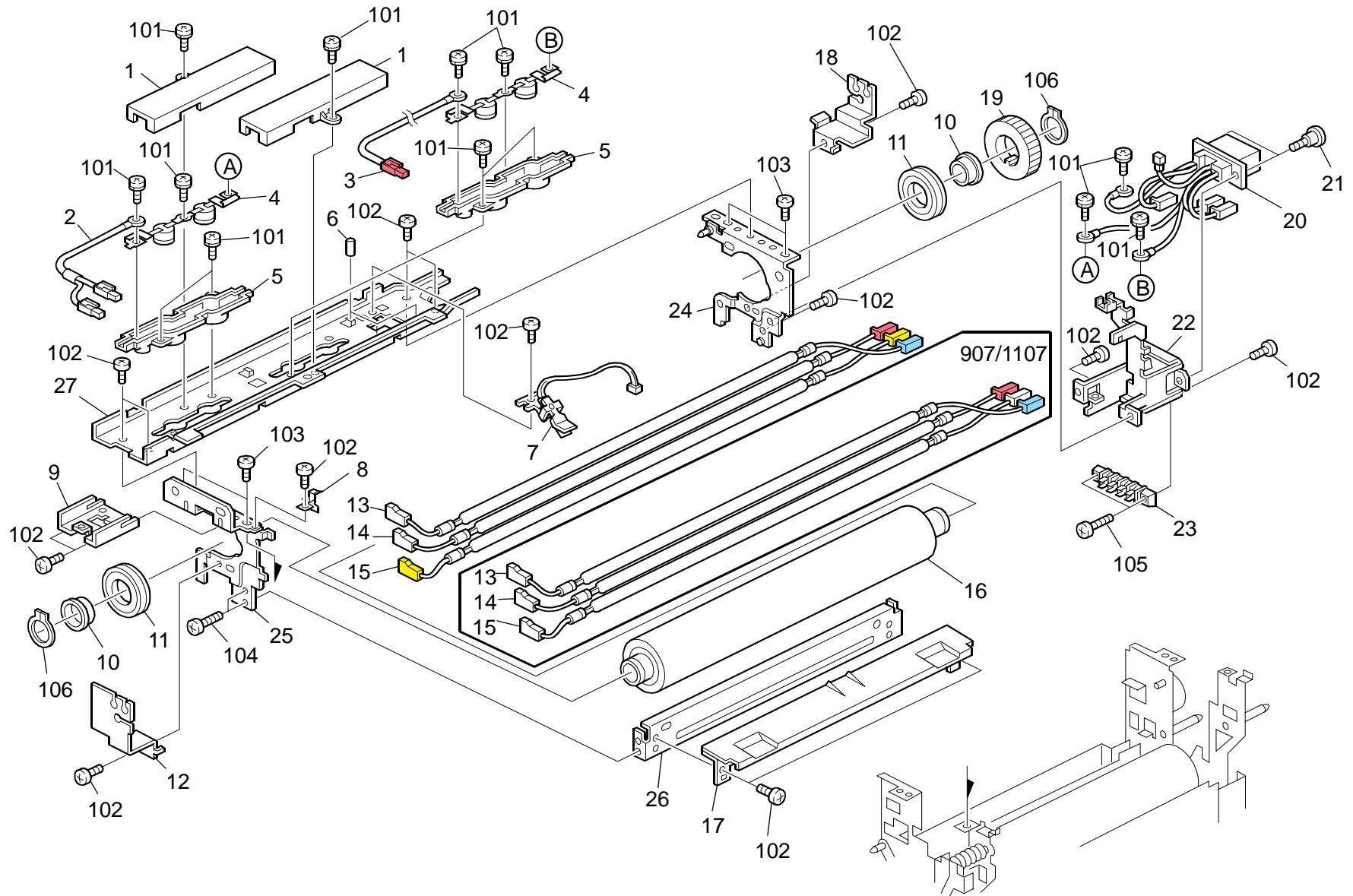


### 51.Fusing Unit 2 (D059/D060/D061)

Index No.	Part No.	Description	Q'ty Per Assembly
1	B234 4156	Guide Plate:Fusing Exit:Upper	1
2	B234 4200	Guide Plate:Fusing Exit:Lower	1
3	B234 4160	Cover - Left Upper	1
4	AA14 3810	Development Cover Screw	3
5	B234 4199	Pickoff Pawl Release Slider	1
6	AA14 3852	Screw	1
7	AA06 3853	Pressure Spring	2
8	A294 4164	Roller Spring Plate	2
9	AF04 0561	Fusing Exit Roller - Upper	2
10	B234 4167	Supporting Plate - Upper	1
11	B234 4170	Stopper - Upper	1
12	B234 4165	Bracket - Upper	1
13	AA06 0539	Stripper Pawl Spring	5
14	<b>AE04 4067</b>	<b>Stripper Pawls:Ring</b>	<b>5</b>
15	B070 4475	Holder:Ring:Fusing Exit:Ass'y	6
16	B234 4163	Guide Plate - Upper	1
17	B234 4204	Guide Plate - Lower	1
18	B070 4084	Holder:Ring:Lower:Ass'y	6
19	B234 4207	Fusing Exit Bracket - Lower	1
20	AW20 0009	Paper Feed Sensor:Fusing Exit:Reed Switch	1
21	B234 4205	Bracket	1
22	AE04 4042	Pressure Roller Stripper	1
23	AA06 2350	Tension Spring:Pickoff Pawl	1

Index No.	Part No.	Description	Q'ty Per Assembly
101	0354 0060N	Screw-M4x6	
102	0954 4008N	Screw - M4x8	
103	0450 4006N	Tapping Screw:4x6	
104	1105 0511	Harness Clamp - LWS-0306ZC	

## 52.Fusing Unit 3 (D059/D060/D061)

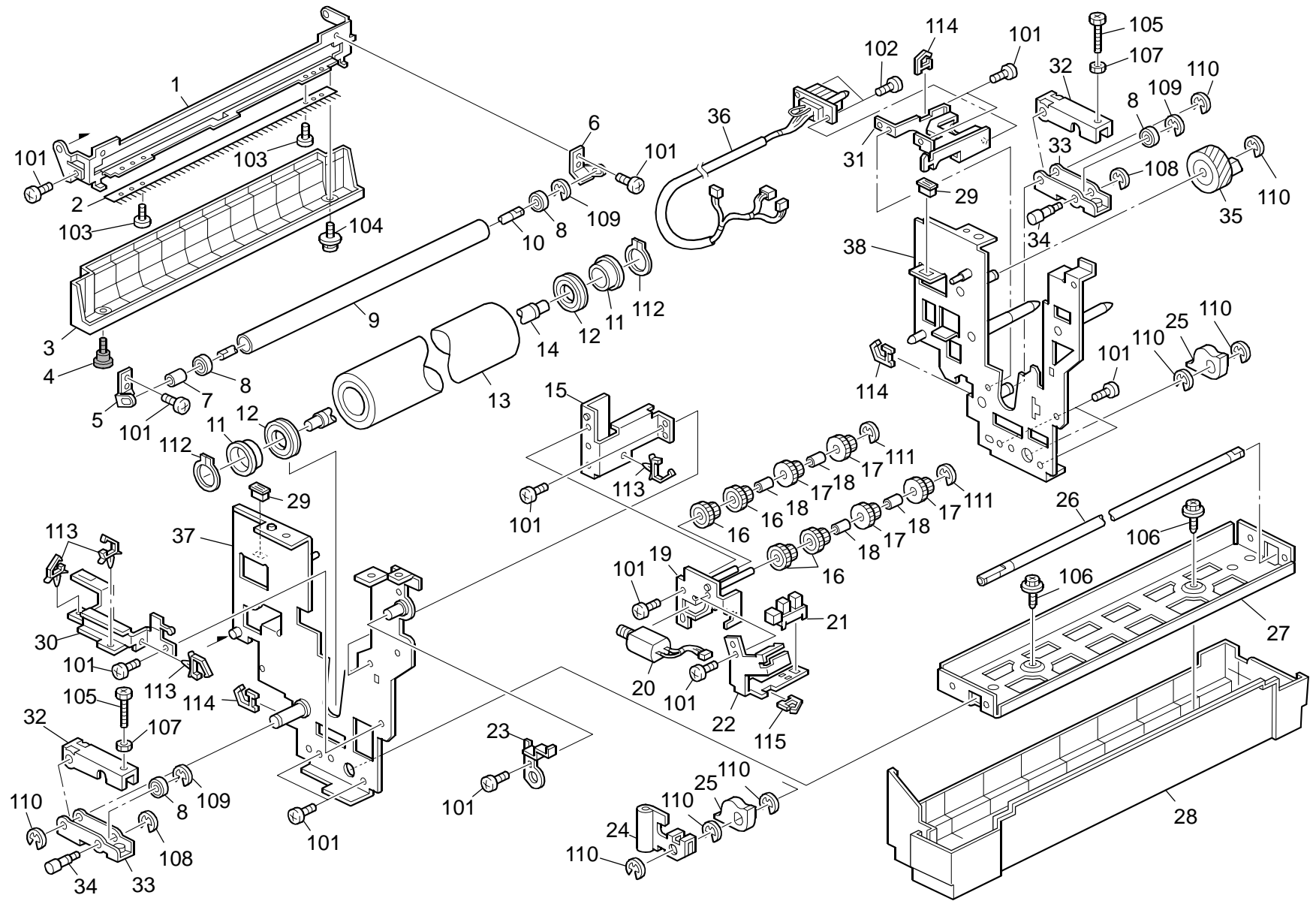


### 52.Fusing Unit 3 (D059/D060/D061)

Index No.	Part No.	Description	Q'ty Per Assembly
1	B070 4091	Housing:Thermostat:Upper	2
2	D059 4149	Harness:Thermostat:Front:No.1	1
3	D059 4150	Harness:Thermostat:Front:No.2	1
4	B234 4090	Thermostat:198/199C:No.1	2
5	B234 4241	Housing:Thermostat:Lower	2
6	B234 4195	Silicone Tube	2
7	B234 4131	Thermistor:Fusing:Ass'y	1
8	B234 4245	Spring Plate:Plate:Cleaning Unit	1
9	B234 4182	Grip - Front	1
10	AE03 2021	Bushing - 34.3x39.9x15.5	2
11	AE03 0031	Ball Bearing - 40x62x12	2
<b>11</b>	<b>AE01 1110</b>	<b>Hot Roller - DIA80 C</b>	<b>1</b>
12	D059 4056	Heater Holder:Front	1
13	AX44 0242	Heater - 208V/900W	1
14	AX44 0259	Heater:208V:900W	1
15	AX44 0241	Heater - 208V/600W	1
15	AX44 0243	Heater - 208V/600W	1
<b>16</b>	<b>AE01 1108</b>	<b>Hot Roller</b>	<b>1</b>
17	B234 4237	Fusing Entrance Guide Plate - Lower	1
18	A294 4057	Rear Heater Holder	1
19	A294 4061	Gear - 67Z	1
20	D059 5611	Harness:Fusing Unit:Upper:AB	1
20	D061 5611	Harness:Fusing Unit:Upper:C	1
21	B213 5843	Screw:Inner Cover:Joint Unit	2
22	B234 4192	Harness Bracket - Upper	1
23	A247 4249	Connector - 3P	1
24	B234 4084	Side Plate:Hot Roller:Rear	1
25	B234 4092	Side Plate:Hot Roller:Front	1
26	B234 4099	Stay:Hot Roller:Right Lower	1
27	B234 4181	Stay:Hot Roller:Upper	1

Index No.	Part No.	Description	Q'ty Per Assembly
101	0950 4006N	Screw - M4x6	
102	0354 0060N	Screw-M4x6	
103	0315 0080N	Pan Head Screw:M5x8	
104	0354 0100N	Screw - M4x10	
105	0314 0120N	Screw - M4x12	
106	0805 0098	Ring - M35	

# 53.Fusing Unit 4 (D059/D060/D061)



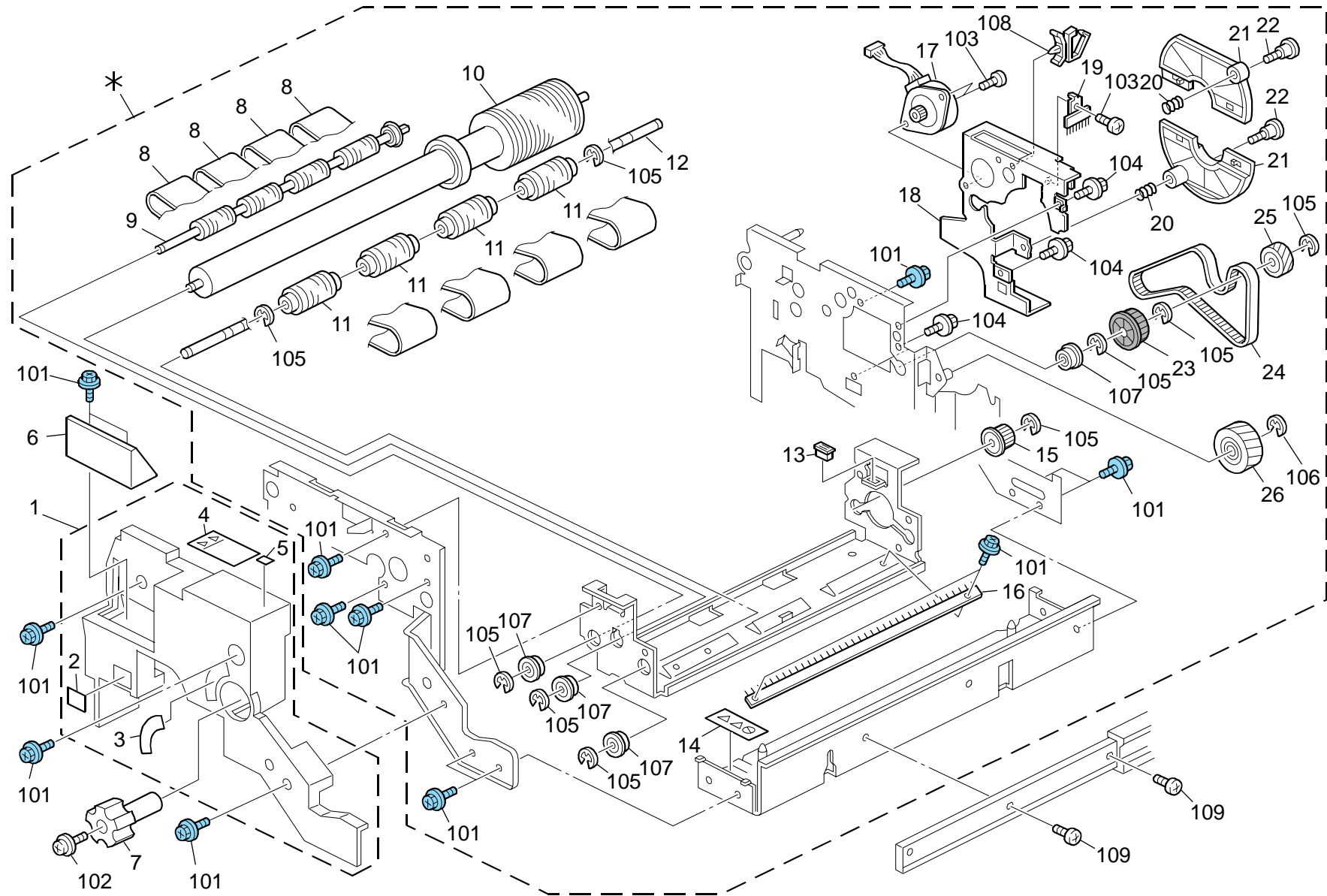
### 53.Fusing Unit 4 (D059/D060/D061)

Index No.	Part No.	Description	Q'ty Per Assembly
1	B234 4083	Pressure Roller Bracket	1
2	D059 4071	Discharge Brush:Pressure Roller	1
3	B234 4076	Cover:Cleaning Unit:Pressure Roller	1
4	AA14 3810	Development Cover Screw	1
5	A294 4077	Left Holder	1
6	A294 4078	Right Holder	1
7	AA13 2209	Spacer - 8x10x13.5	1
8	AE03 0035	Ball Bearing - 6x16x5	4
9	AE04 2090	Cleaning Roller	1
10	B234 4075	Cleaning Roller Shaft	1
11	AE03 2029	Thermal Insulating Bushing	2
12	AE03 0031	Ball Bearing - 40x62x12	2
13	<b>AE02 0177</b>	<b>Pressure Roller:DIA80</b>	<b>1</b>
14	B234 4135	Pressure Roller Shaft	1
15	B234 4235	Cleaning Drive Bracket - Lower	1
16	A294 4171	Coupled Gear - 17Z/32Z	4
17	AB01 4229	Coupled Gear - 17Z/32Z	4
18	AE03 1037	Bushing - M4	4
19	B234 4230	Cleaning Drive Bracket	1
20	AX04 0147	DC Motor:Cleaner:0.5W	1
21	AW02 0145	Photointerruptor:Flat	1
22	B234 4234	Photointerruptor Bracket	1
23	B234 4247	Fusing Cleaning Bracket - Front	1
24	B234 4185	Guide Plate - Lever	1
25	A079 4097	Pressure Cam	2
26	B234 4186	Pressure Roller Shaft	1
27	B234 4228	Stay - Lower	1
28	B234 4233	Cover - Lower	1
29	AA02 1031	Magnetic Catch	2
30	B234 4189	Pressure Roller Bracket - Front	1
31	B234 4196	Harness Bracket	1
32	A294 4103	Upper Pressure Lever	2
33	A294 4107	Lower Pressure Lever	2
34	B234 4106	Shaft:Pressure	2
35	BB01 3023	Gear:Z=41:Joint:Ass'y	1

Index No.	Part No.	Description	Q'ty Per Assembly
36	D059 5686	Harness:Fusing Unit:Lower	1
37	D059 4226	Side Plate:Fusing:Front:Ass'y	1
38	B234 4222	Side Plate:Fusing:Rear	1
101	0354 0060N	Screw-M4x6	
102	0353 0080N	Screw:M3x8	
103	0353 0030N	Screw:M3x3	
104	0954 4008N	Screw - M4x8	
105	0585 0351N	Hexagonal Head Bolt:M5x35	
106	0450 4008N	Tapping Screw - M4x8	
107	0710 0050N	Hexagonal Nut:M5	
108	0720 0040E	Retaining Ring - M4	
109	0720 0060E	Retaining Ring - M6	
110	0720 0080E	Retaining Ring - M8	
111	0720 0030E	Retaining Ring - M3	
112	0725 0200E	Retaining Ring C - M20	
113	1105 0511	Harness Clamp - LWS-0306ZC	
114	1105 0522	Edge Saddle - LES0510	
115	1105 0551	Clamp:LES-0505	



# 54.Paper Exit Section 1 (D059/D060/D061)

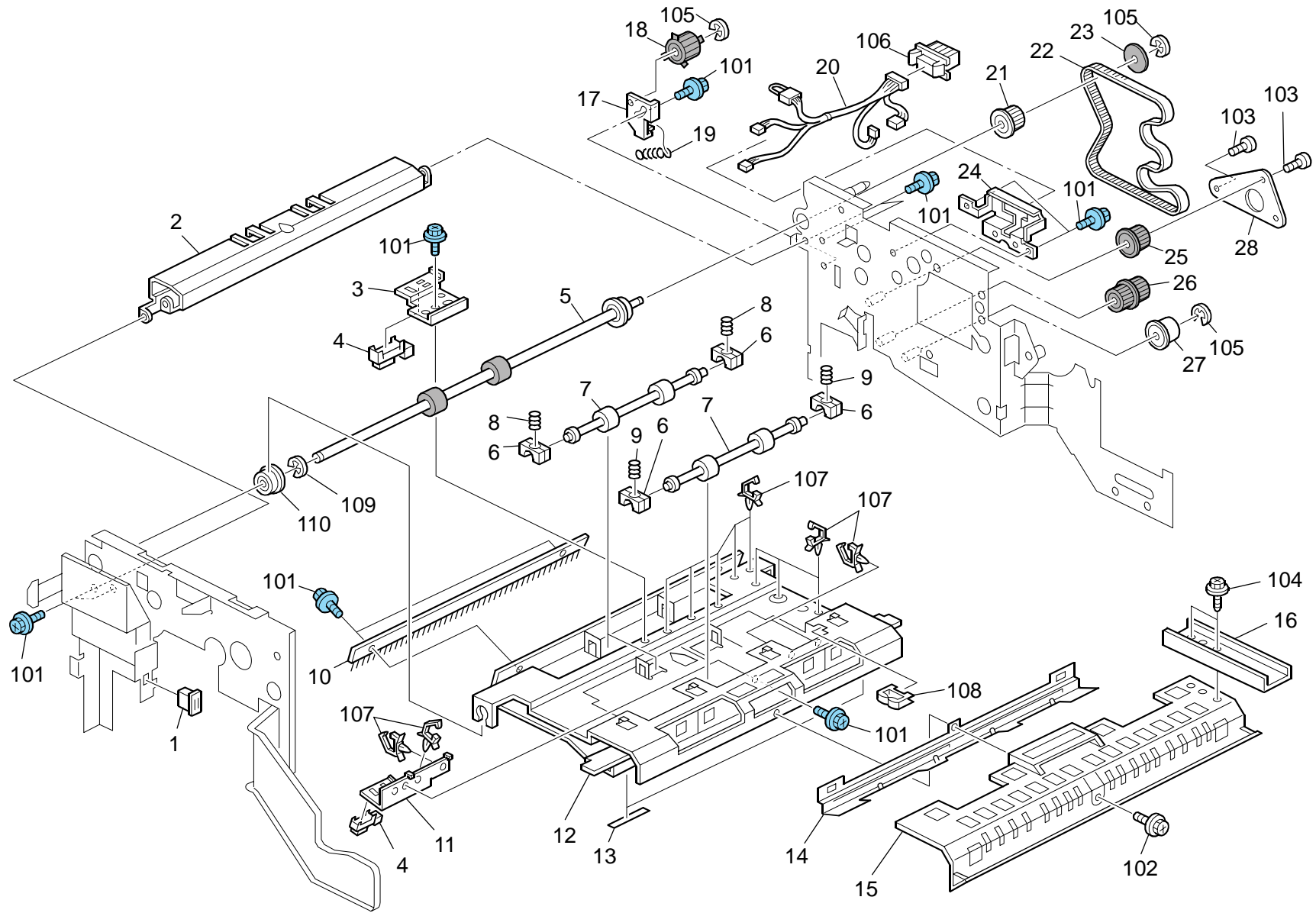


### 54.Paper Exit Section 1 (D059/D060/D061)

Index No.	Part No.	Description	Q'ty Per Assembly
*	D059 4261	Paper Exit Unit:Ass'y	1
1	B234 4284	Inner Cover	1
2	AA00 1473	Decal - Paper Exit Unit (D5)	1
3	AA00 1472	Decal - Paper Exit Unit (D1)	1
4	B234 4137	Decal:Warning:High Temperature:Exit	1
5	B234 4139	Decal:Positioning Display:Fusing	1
6	B234 4347	Release Grip	1
7	AG05 0103	Knob - Fusing/Paper Exit Unit	1
8	D059 4299	Transport Belt:Cooling	4
9	D059 4319	Transport Roller:Cooling Sub-unit:Exit	1
10	B234 4252	Transport Roller - Heat Pipe	1
11	B234 4498	Transport Roller - Cooling Entrance	4
12	B234 4254	Transport Roller Shaft	1
13	B352 2650	Magnet Catch - 5N	1
14	B234 4138	Decal - Warning (High Temperature)	1
15	AB03 0081	Pulley - 20Z	1
16	B234 4460	Discharge Brush - L=341 SUS	1
17	B234 4497	Stepper Motor DC24V 2.6W	1
18	B234 4438	Heat Sink Bracket	1
19	AA12 0097	Antistatic Brush	1
20	H072 2216	Compression Spring	2
21	B234 4258	Cap:Heat Pipe	2
22	AA14 3444	Stepped Screw	2
23	AB03 0804	Pulley - 30T	1
24	AA04 3326	Timing Belt - B60S3M474	1
25	BB01 3015	Gear - 28Z	1
26	BB01 3014	Gear - 43Z	1

Index No.	Part No.	Description	Q'ty Per Assembly
101	0454 4008Q	Tapping Screw - M4x8	
102	0951 4008N	Screw:Polished Round:M4x8	
103	0353 0060N	Bind Screw - M3x6	
104	0451 4006N	Tapping Screw - 4x6	
105	0720 0060E	Retaining Ring - M6	
106	0720 0080E	Retaining Ring - M8	
107	0742 3808	Ball Bearing - 8x16x5	
108	1105 0516	Clamp	
109	0453 4006N	Binding Self Tapping Screw:4x6	

# 55.Paper Exit Section 2 (D059/D060/D061)

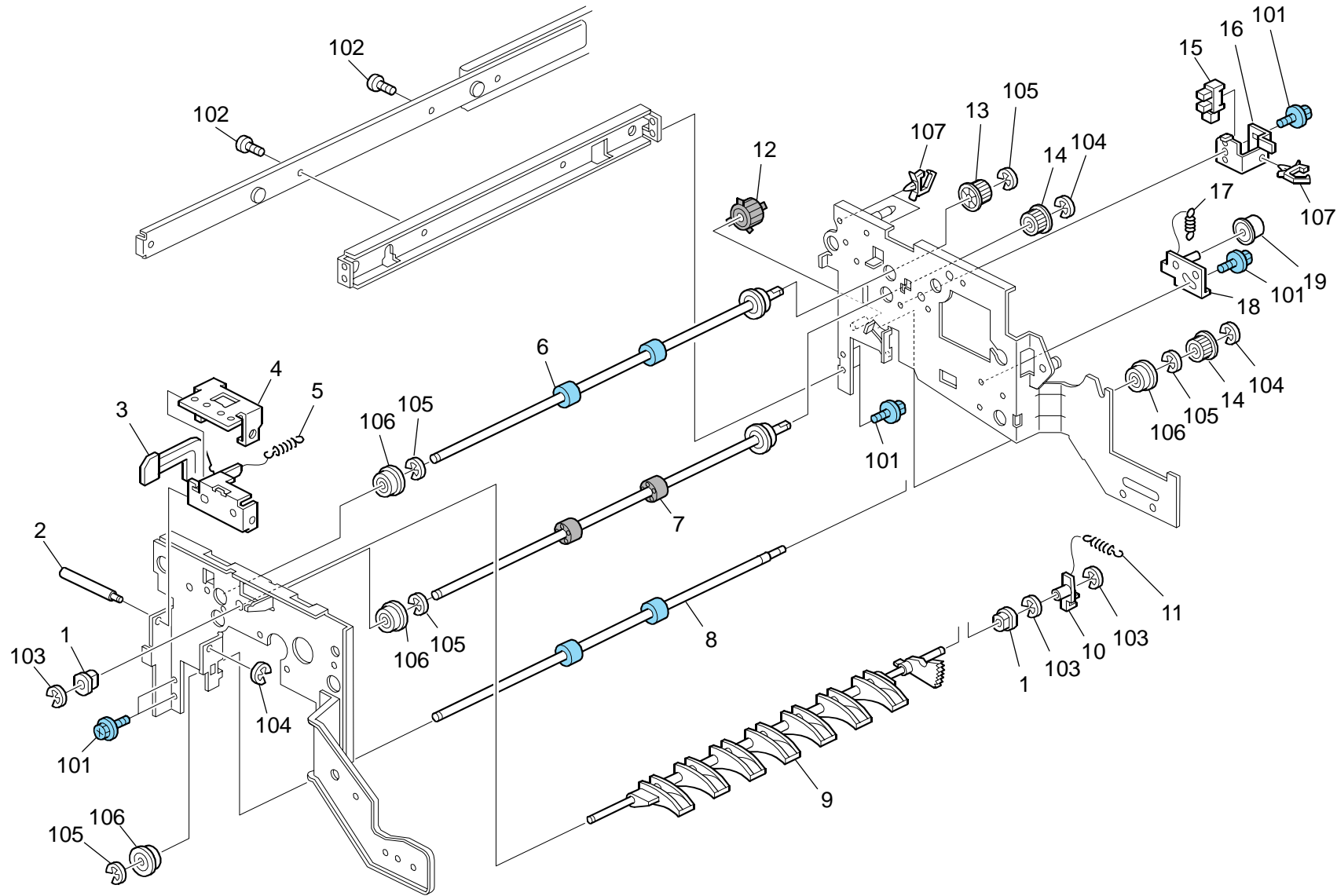


### 55.Paper Exit Section 2 (D059/D060/D061)

Index No.	Part No.	Description	Q'ty Per Assembly
1	B352 2650	Magnet Catch - 5N	1
2	D059 4464	Guide Plate:Exit:Lower	1
3	B234 4469	Paper Feed Sensor Bracket - Exit	1
4	AW01 0107	Paper Feed Sensor	2
5	D059 4921	Exit Roller:Drive:Exit	1
6	AA08 4059	Ball Bearing Holder	6
7	AF02 2171	Transport Roller:Driven:DIA18x2	3
8	AA06 3676	Spring:Pressure:2N	4
9	AA06 3680	Pressure Spring - 5x10.5	2
10	AA12 0134	Discharge Brush - Paper Exit	1
11	B234 4470	Photo Refiection Sensor Bracket	1
12	D059 4478	Guide Plate:Exit:Upper:Peen	1
13	D059 4477	Sheet:Exit:46	2
14	B234 4468	Guide - Auxiliary	1
15	B234 4360	Entrance Cooling Guide - Upper	1
16	B234 4445	Bracket - Guide Plate Stopper	1
17	B234 4440	Tightener:Left:Peen	1
18	AB03 0808	Timing Pulley - 20T	1
19	AA06 0950	Tension Spring	1
20	D059 5685	Harness:Paper Exit Unit	1
21	AB03 0807	Timing Pulley - 20T	1
22	AA04 3327	Timing Belt - B60DS3M453	1
23	B478 3569	Spacer	1
24	B234 4415	Connector Bracket	1
25	AB03 0806	Pulley - 19T	1
26	AB03 3088	Pulley - 20T/20T	1
27	AB03 0310	Tightener Pulley	1
28	B234 4420	Drum Stay - Drive Unit	1

Index No.	Part No.	Description	Q'ty Per Assembly
101	0454 4008Q	Tapping Screw - M4x8	
102	0360 4008N	Screw - M4x8	
103	0353 0060N	Bind Screw - M3x6	
104	0450 4008N	Tapping Screw - M4x8	
105	0720 0040E	Retaining Ring - M4	
106	1102 9782	Connector:51405-1819	
107	1105 0511	Harness Clamp - LWS-0306ZC	
108	1105 0328	Harness Clamp - ES-0505	
109	0720 0060E	Retaining Ring - M6	
110	0742 3808	Ball Bearing - 8x16x5	

# 56.Paper Exit Section 3 (D059/D060/D061)

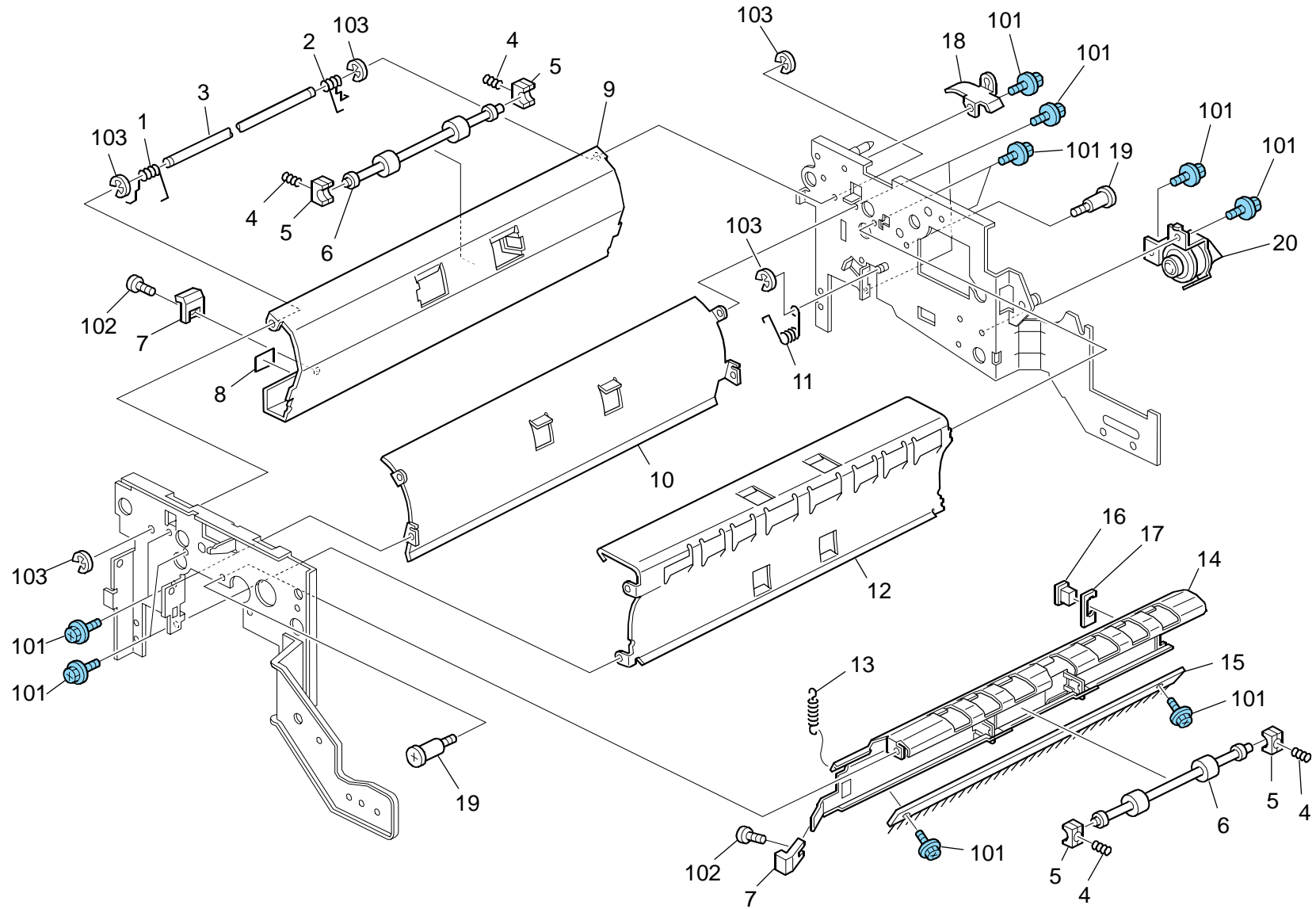


### 56.Paper Exit Section 3 (D059/D060/D061)

Index No.	Part No.	Description	Q'ty Per Assembly
1	AA08 0345	Bushing - 5mm	2
2	B234 4474	Lever Shaft	1
3	B234 4349	Lock Lever	1
4	B234 4423	Lever Bracket	1
5	B229 3273	Spring:Bracket:DC Motor	1
6	D059 4922	Exit Roller:Drive:Horizontal	1
7	D059 4924	Exit Roller:Drive:Reverse:Upper	1
8	D059 4923	Exit Roller:Reverse:Drive	1
9	B234 4455	Gate Pawl	1
10	B234 4454	Feeler	1
11	AA06 1015	Tension Spring - 5x25	1
12	AB03 0808	Timing Pulley - 20T	1
13	AB03 0081	Pulley - 20Z	1
14	AB03 0807	Timing Pulley - 20T	2
15	AW02 0145	Photointerruptor:Flat	1
16	B234 4417	Photointerruptor Bracket	1
17	AA06 0950	Tension Spring	1
18	B234 4447	Tightener - Right	1
19	AB03 0310	Tightener Pulley	1

Index No.	Part No.	Description	Q'ty Per Assembly
101	0454 4008Q	Tapping Screw - M4x8	
102	0453 4006N	Binding Self Tapping Screw:4x6	
103	0720 0030E	Retaining Ring - M3	
104	0720 0040E	Retaining Ring - M4	
105	0720 0060E	Retaining Ring - M6	
106	0742 3808	Ball Bearing - 8x16x5	
107	1105 0511	Harness Clamp - LWS-0306ZC	

# 57.Paper Exit Section 4 (D059/D060/D061)



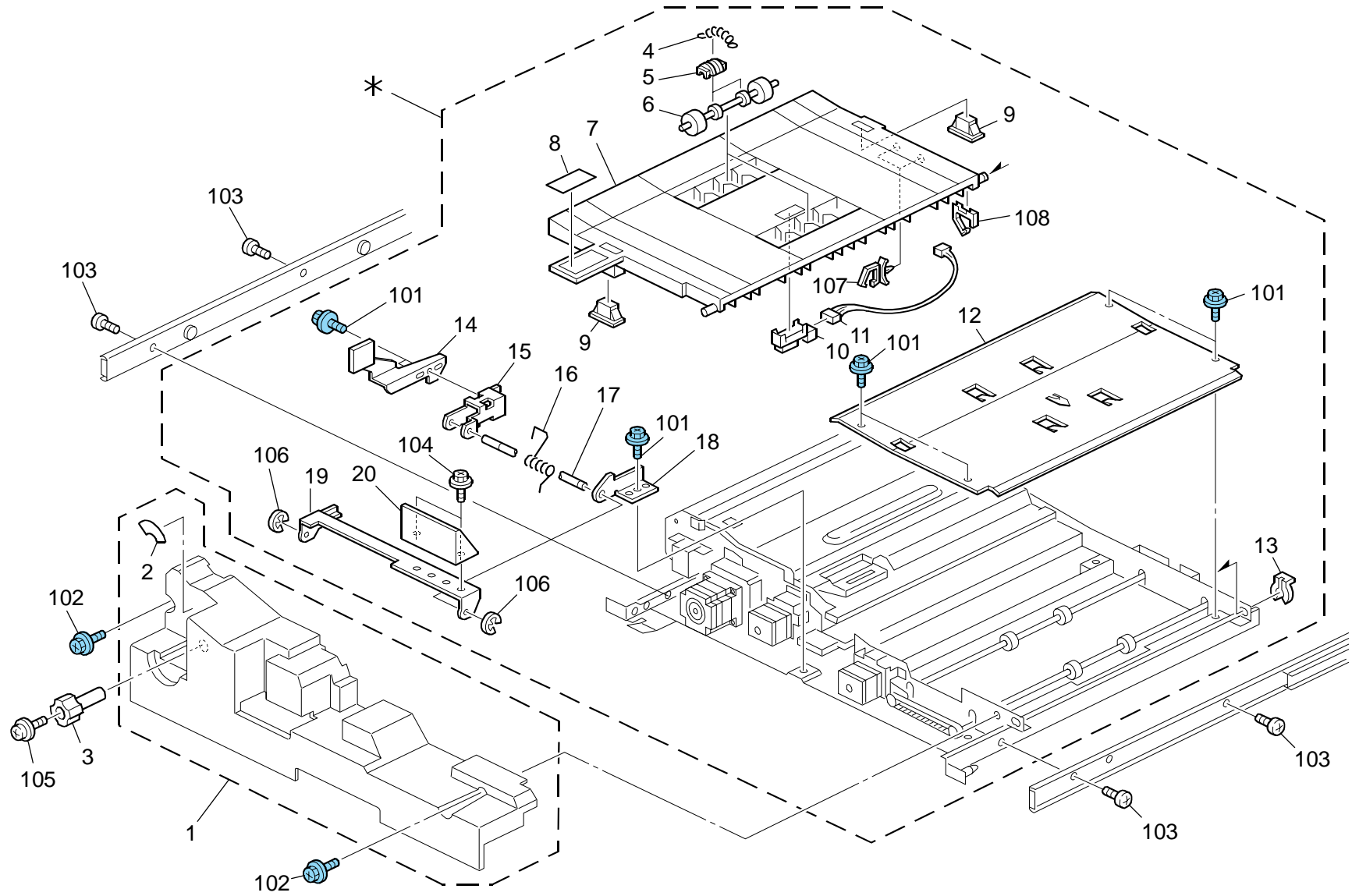
### 57.Paper Exit Section 4 (D059/D060/D061)

Index No.	Part No.	Description	Q'ty Per Assembly
1	AA06 6322	Front Guide Plate Spring	1
2	AA06 6321	Rear Guide Plate Spring	1
3	B234 4473	Contact Point Shaft	1
4	AA06 3675	Spring - 5N	4
5	AA08 4059	Ball Bearing Holder	4
6	AF02 2173	Transport Roller:Driven:DIA16x2	2
7	AG05 1141	Release Lever	2
8	AA00 1417	Decal - D6	1
9	D059 4467	Guide Plate:Exit:Reverse	1
10	D059 4466	Guide:Middle:Reverse:Exit	1
11	D059 4338	Torsion Spring:Guide Plate:Open And Close	1
12	D059 4465	Guide:Middle:Reverse:Entrance	1
13	AA06 0360	Tension Spring	1
14	D059 4442	Guide Plate:Reverse:Entrance	1
15	B234 4460	Discharge Brush - L=341 SUS	1
16	B352 2650	Magnet Catch - 5N	1
17	B234 4370	Door Catch Spacer	1
18	B234 4416	Harness Guard Bracket	1
19	AA14 3862	Screw - M4x5	2
20	D059 4256	Shaft:Drive:Paper Exit Unit:Ass'y	1

Index No.	Part No.	Description	Q'ty Per Assembly
101	0454 4008Q	Tapping Screw - M4x8	
102	0353 0060N	Bind Screw - M3x6	
103	0720 0040E	Retaining Ring - M4	



# 58.Duplex Unit 1 (D059/D060/D061)

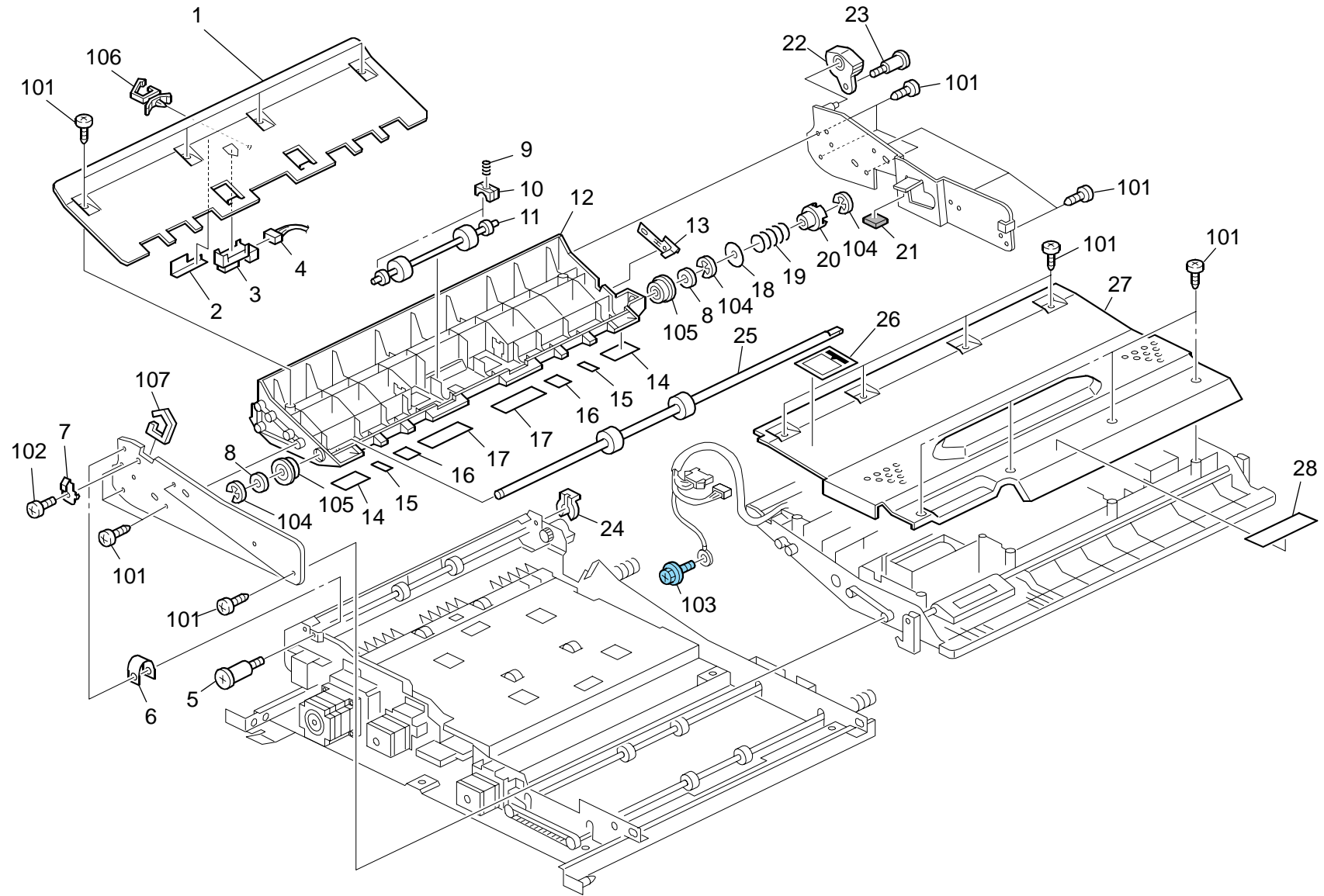


### 58.Duplex Unit 1 (D059/D060/D061)

Index No.	Part No.	Description	Q'ty Per Assembly
*	D059 4870	Duplex Unit:Ass'y	1
1	B234 4995	Inner Cover	1
2	AA00 1474	Decal - Duplex Unit (Z2)	1
3	AG05 0102	Knob - Duplex	1
4	B234 4859	Tension Spring	4
5	B234 4858	Driven Roller Holder	4
6	AF02 2175	Transport Roller:Driven:DIA18x2:INN	2
7	B234 4857	Guide Plate - Right	1
8	AA00 1476	Decal - Duplex Unit (Z5)	1
9	AG07 0513	Magnet Catch	1
10	AW01 0107	Paper Feed Sensor	1
11	D059 5696	Harness:Duplex Unit:Right:Connecting	1
12	B234 4871	Guide Plate - Right Lower	1
13	5447 2681	Snap Ring	1
14	B234 4651	Lock Lever	1
15	A294 4843	Lock Arm	1
16	AA06 6378	Grip Spring	1
17	B234 4654	Release Lever Shaft	1
18	B234 4653	Release Guide Plate	1
19	B234 4652	Release Bracket	1
20	B234 4656	Release Grip	1

Index No.	Part No.	Description	Q'ty Per Assembly
101	0454 4006Q	Tapping Screw:4x6	
102	0454 4008Q	Tapping Screw - M4x8	
103	0453 4006N	Binding Self Tapping Screw:4x6	
104	0451 4006N	Tapping Screw - 4x6	
105	0951 4008N	Screw:Polished Round:M4x8	
106	0720 0040E	Retaining Ring - M4	
107	1105 0534	Clamp	
108	1105 0551	Clamp:LES-0505	

# 59.Duplex Unit 2 (D059/D060/D061)

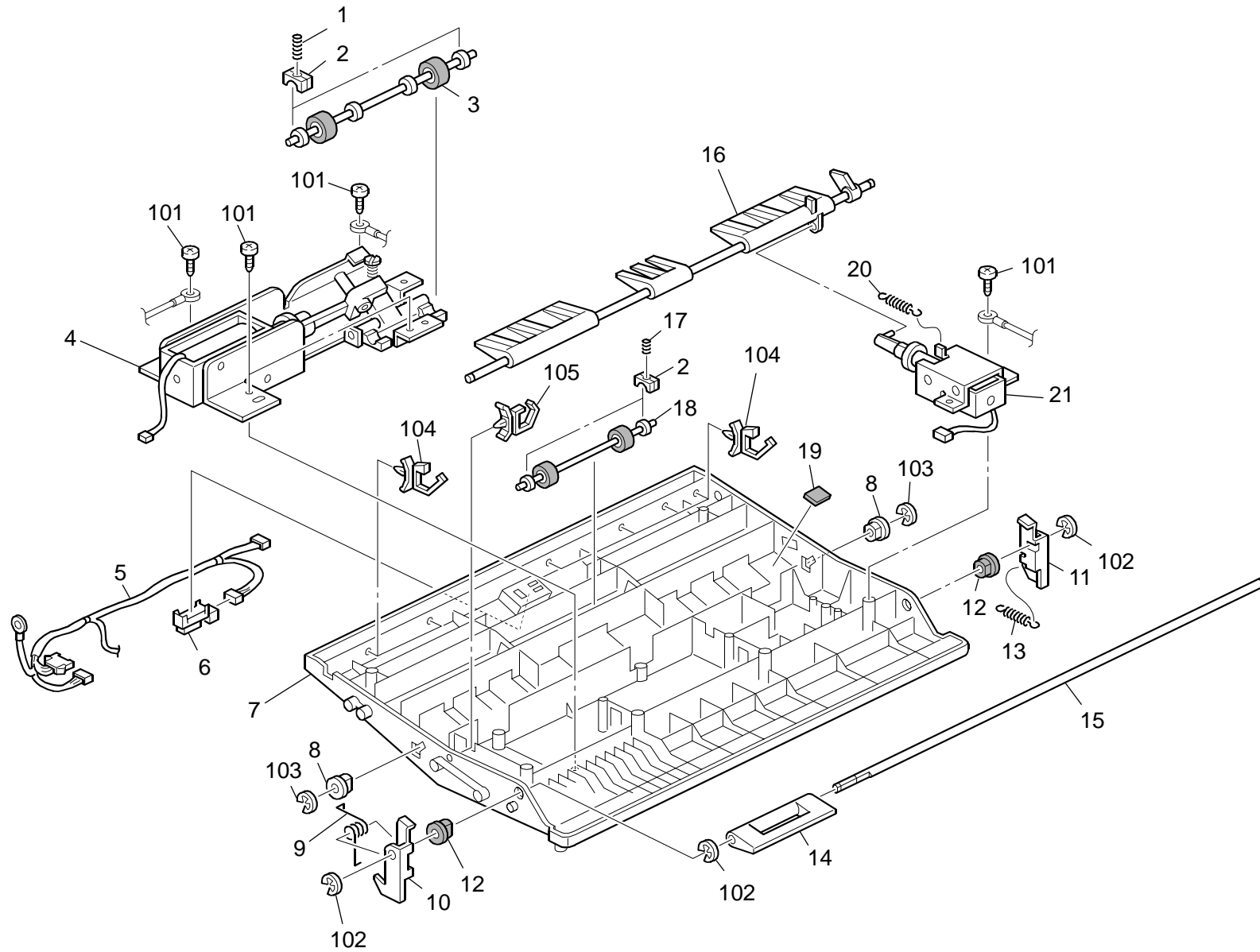


### 59.Duplex Unit 2 (D059/D060/D061)

Index No.	Part No.	Description	Q'ty Per Assembly
1	B234 4814	Entrance Guide Plate	1
2	B234 4553	Guard:Harness	1
3	AW01 0107	Paper Feed Sensor	1
4	D059 5699	Harness:Duplex Unit:Reverse:Connecting	1
5	AA14 3426	Stopped Screw - M4x17	1
6	B234 4599	Guard:Harness:Duplex:Entrance	1
7	B234 4891	Harness Clamp:Duplex:Entrance	1
8	AA13 2228	Spacer - 1mm	2
9	AA06 3674	Spring - 8N	2
10	AA08 4059	Ball Bearing Holder	2
11	AF02 0719	Transport Roller:Duplex:Driven	1
12	B234 4896	Guide Plate - Lower	1
13	B234 4921	Ground Plate:Duplex:Entrance	1
14	B234 4592	Sheet:Duplex:10.5	2
15	B234 4595	Sheet:Duplex:25	2
16	B234 4593	Sheet:Duplex:7	2
17	B234 4596	Sheet:Duplex:41.5	2
18	B125 3230	Spacer - 0.3	1
19	B234 4826	Compression Spring	1
20	B234 4819	Drive Joint	1
21	B234 4884	Gate Pawl Cushion	1
22	D059 4649	Gear:Sector:Open And Clos:Duplex:Entrance	1
23	AA14 3812	Screw - Scale	1
24	5447 2681	Snap Ring	1
25	D059 4911	Transport Roller:Duplex:Entrance:Drive	1
26	D059 4854	Decal:Operate:Z3	1
27	B234 4893	Cover:Duplex:Open And Close	1
28	D059 4858	Sheet:Plate:Guide Plate	1

Index No.	Part No.	Description	Q'ty Per Assembly
101	0452 4006N	Tapping Screw - M4x6	
102	0353 0040N	Screw - M3x4	
103	0454 4006Q	Tapping Screw:4x6	
104	0720 0060E	Retaining Ring - M6	
105	0741 3708	Ball Bearing - 8x12x3.5mm	
106	1105 0511	Harness Clamp - LWS-0306ZC	
107	1105 0522	Edge Saddle - LES0510	

# 60.Duplex Unit 3 (D059/D060/D061)

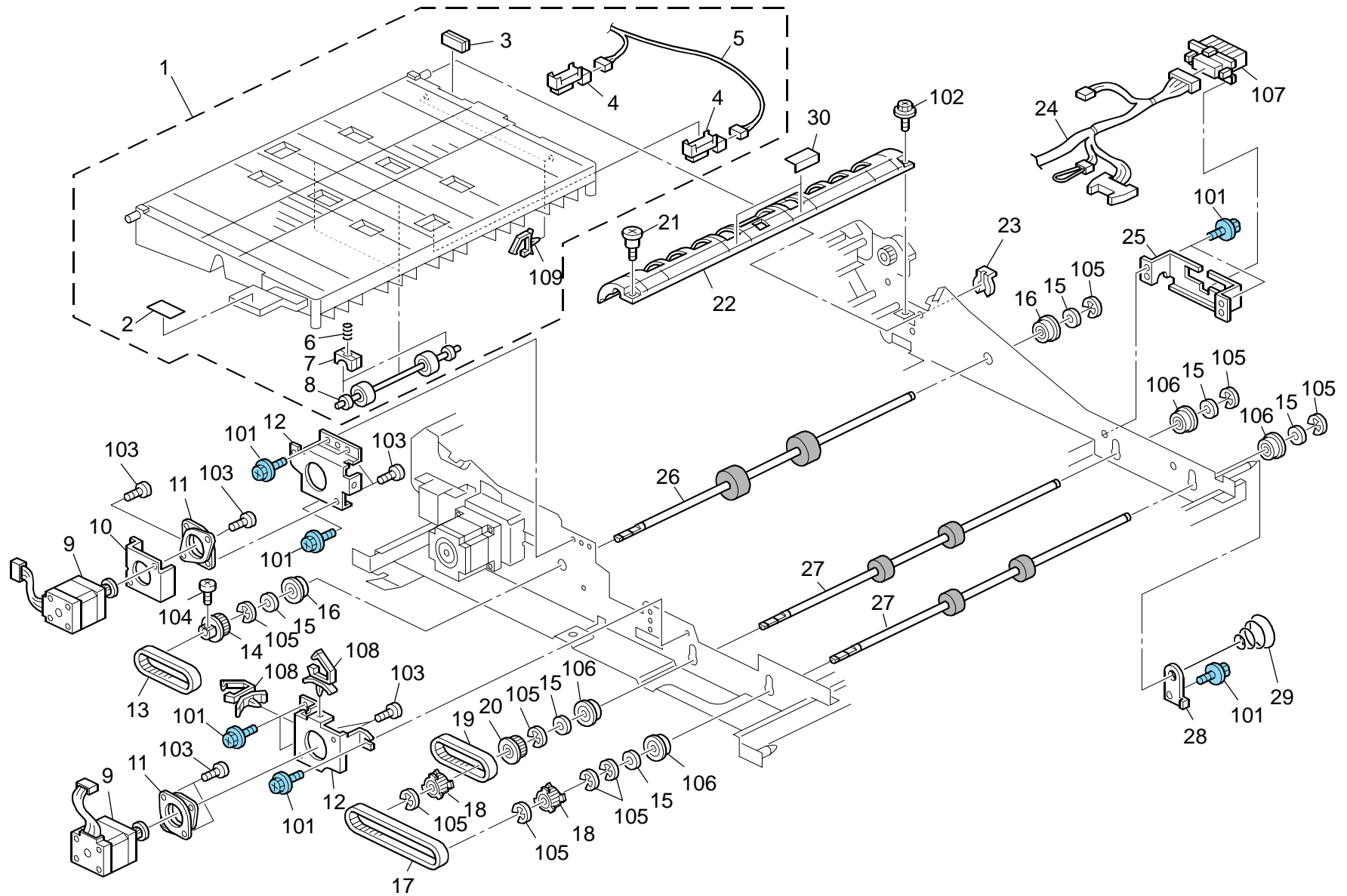


### 60.Duplex Unit 3 (D059/D060/D061)

Index No.	Part No.	Description	Q'ty Per Assembly
1	B234 4818	Compression Spring	2
2	AA08 4059	Ball Bearing Holder	4
3	AF02 0720	Transport Roller:Switchback:Driven	1
4	B234 4835	On-Off DC Solenoid	1
5	D059 5697	Harness:Duplex Unit:Left:Upper:Connecting	1
6	AW01 0107	Paper Feed Sensor	1
7	B234 4865	Guide Plate:Upper:Duplex:Entrance	1
8	AA08 0345	Bushing - 5mm	2
9	AA06 6384	Torsion Spring:Open And Close	1
10	B234 4822	Lock Pawl - Front	1
11	B234 4823	Lock Pawl - Rear	1
12	AA08 0344	Bushing - DIA5	2
13	B234 4847	Tension Spring	1
14	B234 4824	Grip	1
15	B234 4821	Guide Plate Lock Shaft	1
16	B234 4899	Gate Pawl:Switchback	1
17	AA06 3674	Spring - 8N	2
18	D059 4912	Transport Roller:Duplex:Driven	1
19	B234 4884	Gate Pawl Cushion	1
20	B234 4833	Tension Spring	1
21	B234 4830	DC Solenoid	1

Index No.	Part No.	Description	Q'ty Per Assembly
101	0452 4006N	Tapping Screw - M4x6	
102	0720 0030E	Retaining Ring - M3	
103	0720 0040E	Retaining Ring - M4	
104	1105 0534	Clamp	
105	1105 0511	Harness Clamp - LWS-0306ZC	

# 61.Duplex Unit 4 (D059/D060/D061)



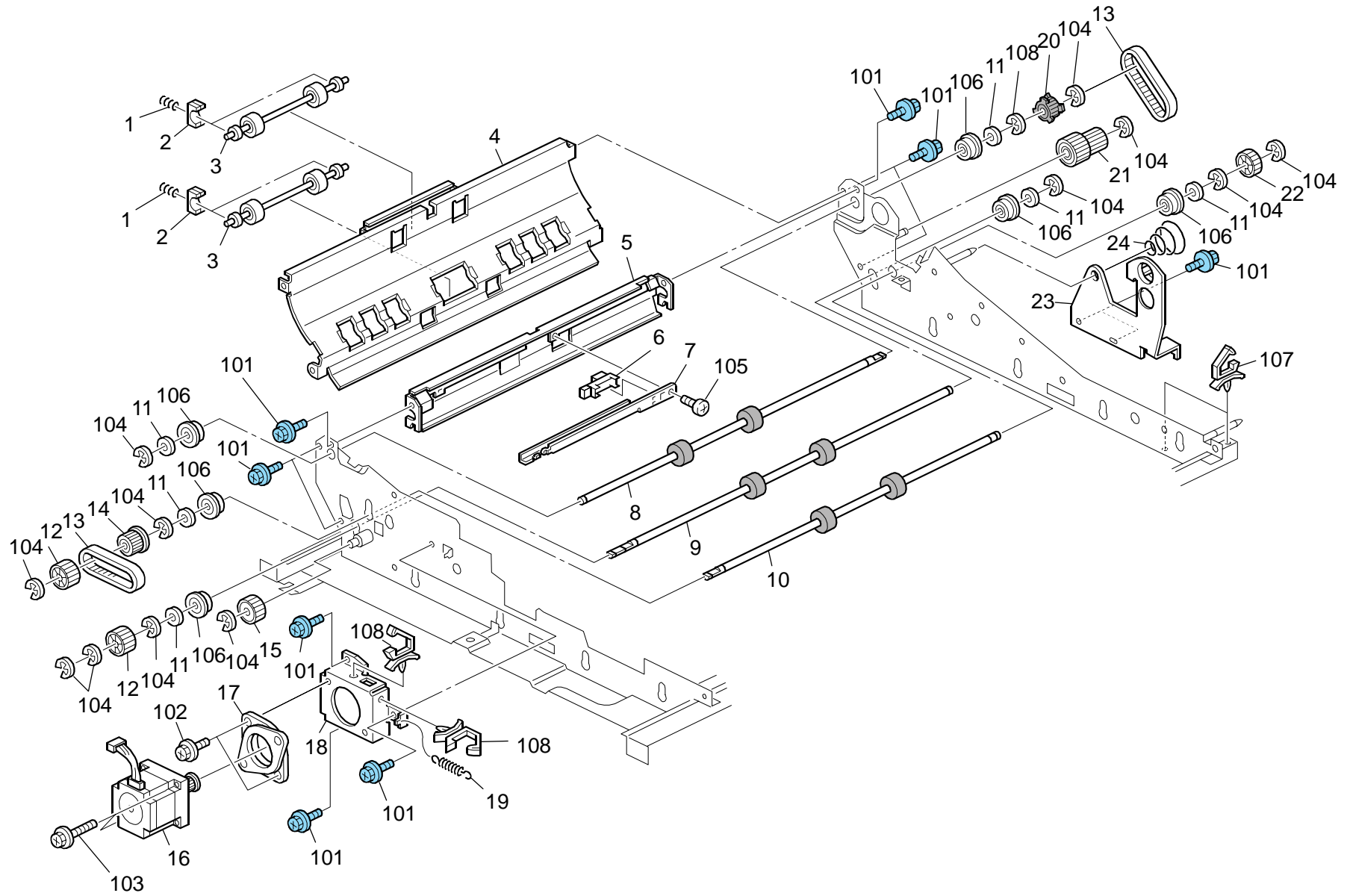
### 61.Duplex Unit 4 (D059/D060/D061)

Index No.	Part No.	Description	Q'ty Per Assembly
1	D059 4850	Guide Plate:Open And Close:Duplex: Left:Sub-ass'y	1
2	AA00 1475	Decal - Duplex Unit (Z4)	1
3	AG07 0514	Magnet Catch	1
4	AW01 0107	Paper Feed Sensor	2
5	D059 5698	Harness:Duplex Unit:Left:Lower:Connecting	1
6	AA06 3675	Spring - 5N	4
7	AA08 4059	Ball Bearing Holder	4
8	AF02 2171	Transport Roller:Driven:DIA18x2	2
9	AX04 0158	Stepper Motor DC2.64V 6.3W	2
10	D059 4743	Heat Sinker:Duplex:Switchback:1.0	1
11	A232 4666	Cushion - Stepper Motor	2
12	B234 4736	Stepper Motor Bracket	2
13	B234 6523	Timing Belt - S2M100	1
14	AB03 0803	Timing Pulley - 25T	1
15	AA13 2228	Spacer - 1mm	6
16	B234 2624	Ball Bearing - 8x12x5	2
17	AA04 3651	Timing Belt - B60S2M264	1
18	AB03 0802	Timing Pulley - 24T	2
19	B702 7210	Timing Belt:B60S2M122	1
20	B234 6507	Timing Pulley - 25T	1
21	AA14 3811	Stepped Screw - M3x4	1
22	B234 4866	Guide Plate - Upper	1
23	5447 2681	Snap Ring	1
24	D059 5695	Harness:Duplex Unit	1
25	D059 4636	Bracket:Drawer:Duplex Unit	1
26	AF02 0716	Transport Roller:Switchback:Drive	1
27	AF02 0717	Transport Roller:Duplex:Exit:Drive	2
28	B234 4632	Positioning Pin Bracket - Sub	1
29	B234 4635	Compression Spring	1
30	D059 4597	Sheet:Reverse	2

Index No.	Part No.	Description	Q'ty Per Assembly
101	0454 4006Q	Tapping Screw:4x6	
102	0451 4006N	Tapping Screw - 4x6	
103	0353 0050N	Screw-M3x5	
104	0353 0060N	Bind Screw - M3x6	
105	0720 0060E	Retaining Ring - M6	
106	0741 3708	Ball Bearing - 8x12x3.5mm	
107	1102 9781	Connector:51405-3919	
108	1105 0516	Clamp	
109	1105 0534	Clamp	



## 62.Duplex Unit 5 (D059/D060/D061)

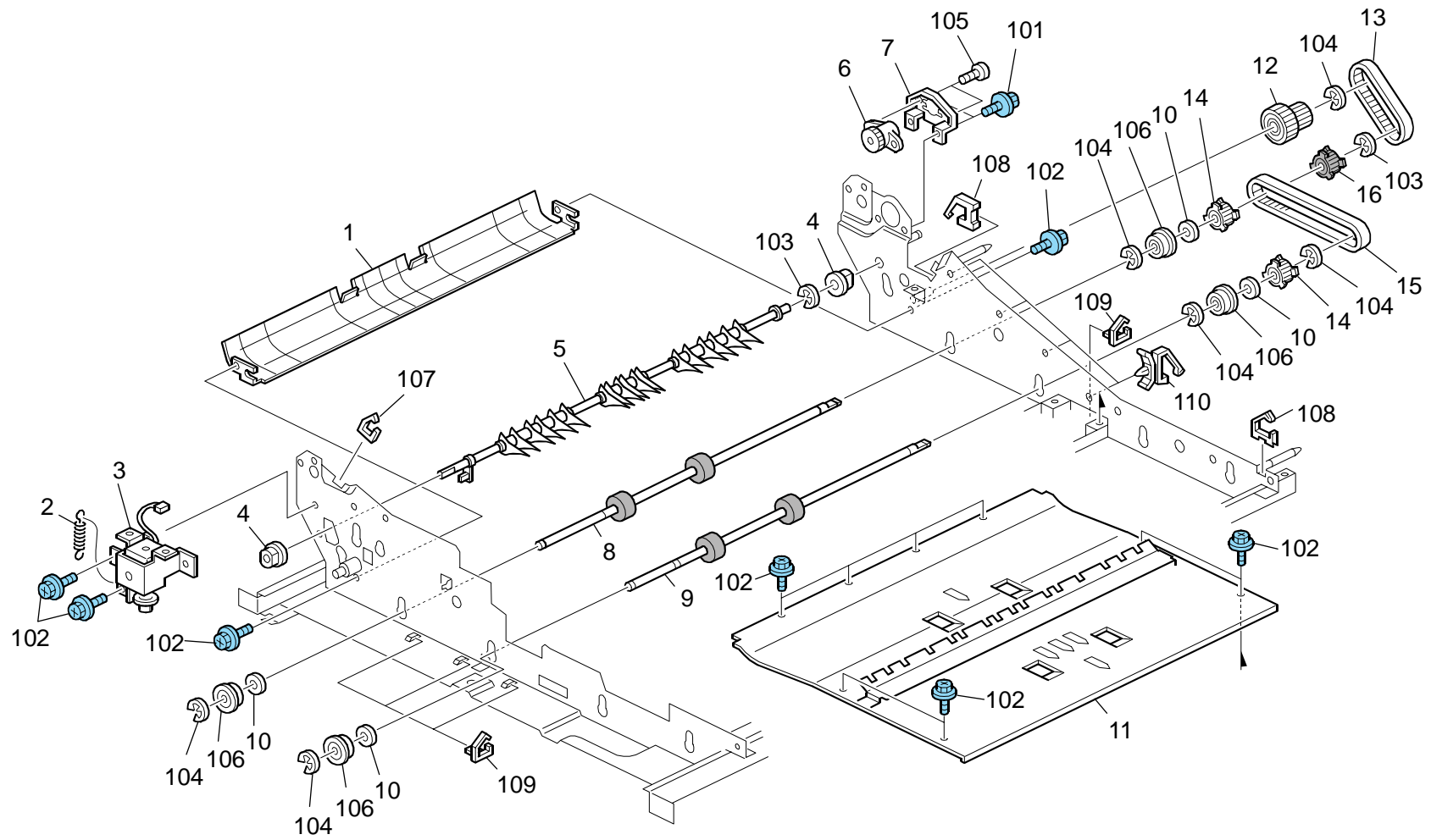


## 62.Duplex Unit 5 (D059/D060/D061)

Index No.	Part No.	Description	Q'ty Per Assembly
1	AA06 3674	Spring - 8N	4
2	AA08 4059	Ball Bearing Holder	4
3	AF02 2173	Transport Roller:Driven:DIA16x2	2
4	B234 4861	Guide Plate - Exit	1
5	B234 4927	Guide Plate:Reverse:Exit:Drive:Ass'y	1
6	AW01 0107	Paper Feed Sensor	1
7	B234 4929	Bracket:Sensor:Reverse:Exit	1
8	AF02 0713	Transport Roller:Duplex:Reverse:Exit	1
9	AF02 0712	Transport Roller:Reverse:Lower:Drive	1
10	AF02 0711	Transport Roller:Reverse:Upper:Drive	1
11	AA13 2228	Spacer - 1mm	6
12	BB01 3011	Gear - 22Z	2
13	AA04 3621	Timing Belt - 60S2M156	2
14	B234 6506	Timing Pulley - 30T	1
15	BB01 3013	Gear - 21Z	1
16	AX04 0157	Stepper Motor DC1.68V 6.7W	1
17	AA16 1122	Motor Cushion	1
18	B234 4721	Stepper Motor Bracket	1
19	B234 6508	Tension Spring	1
20	AB03 0801	Timing Pulley - 28T	1
21	AB01 7727	Gear - 27Z/30Z	1
22	BB01 3012	Gear - 28Z	1
23	D059 4632	Bracket:Support:Positioning Pin:Main	1
24	B234 4635	Compression Spring	1

Index No.	Part No.	Description	Q'ty Per Assembly
101	0454 4006Q	Tapping Screw:4x6	
102	0451 4006N	Tapping Screw - 4x6	
103	0451 4010N	Tapping Screw:4x10	
104	0720 0060E	Retaining Ring - M6	
105	0353 0060N	Bind Screw - M3x6	
106	0741 3708	Ball Bearing - 8x12x3.5mm	
107	1105 0511	Harness Clamp - LWS-0306ZC	
108	1105 0516	Clamp	

# 63.Duplex Unit 6 (D059/D060/D061)

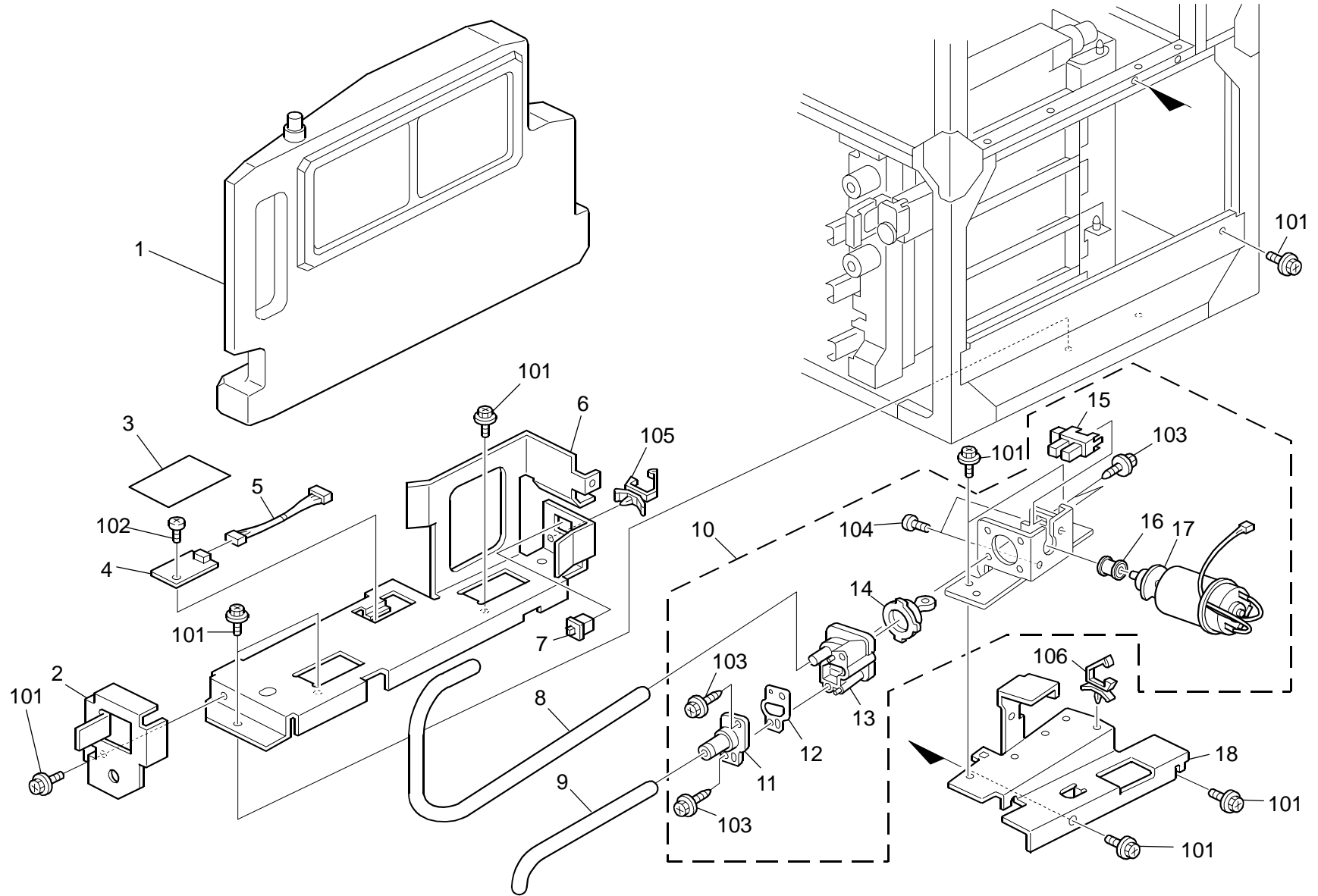


### 63.Duplex Unit 6 (D059/D060/D061)

Index No.	Part No.	Description	Q'ty Per Assembly
1	B234 4867	Guide Plate - Lower	1
2	B234 4844	Tension Spring	1
3	B234 4920	DC Solenoid:Gate Pawl:Duplex: Reverse:Ass'y	1
4	AA08 2118	Bushing - M6	2
5	B234 4888	Gate Pawl:Duplex	1
6	B234 4648	Damper:Open And Close	1
7	B234 4647	Bracket:Plate:Damper:Open And Close	1
8	AF02 0714	Transport Roller:Duplex:No.1:Drive	1
9	AF02 0715	Transport Roller:Duplex:No.2:Drive	1
10	AA13 2228	Spacer - 1mm	4
11	B234 4868	Guide Plate - Left Lower	1
12	AB01 7728	Gear: - 30Z/30T	1
13	B652 3135	Timing Belt:B60S2M172	1
14	AB03 0802	Timing Pulley - 24T	2
15	AA04 3650	Timing Belt - B60S2M290	1
16	AB03 0810	Timing Pulley - 28T	1

Index No.	Part No.	Description	Q'ty Per Assembly
101	0454 3006Q	Tapping Screw - M3x6	
102	0454 4006Q	Tapping Screw:4x6	
103	0720 0040E	Retaining Ring - M4	
104	0720 0060E	Retaining Ring - M6	
105	0353 0060N	Bind Screw - M3x6	
106	0741 3708	Ball Bearing - 8x12x3.5mm	
107	1105 0522	Edge Saddle - LES0510	
108	1105 0551	Clamp:LES-0505	
109	1105 0598	Clamp:LWSS-1N	
110	1105 0516	Clamp	

# 64.Used Toner Section (D059/D060/D061)

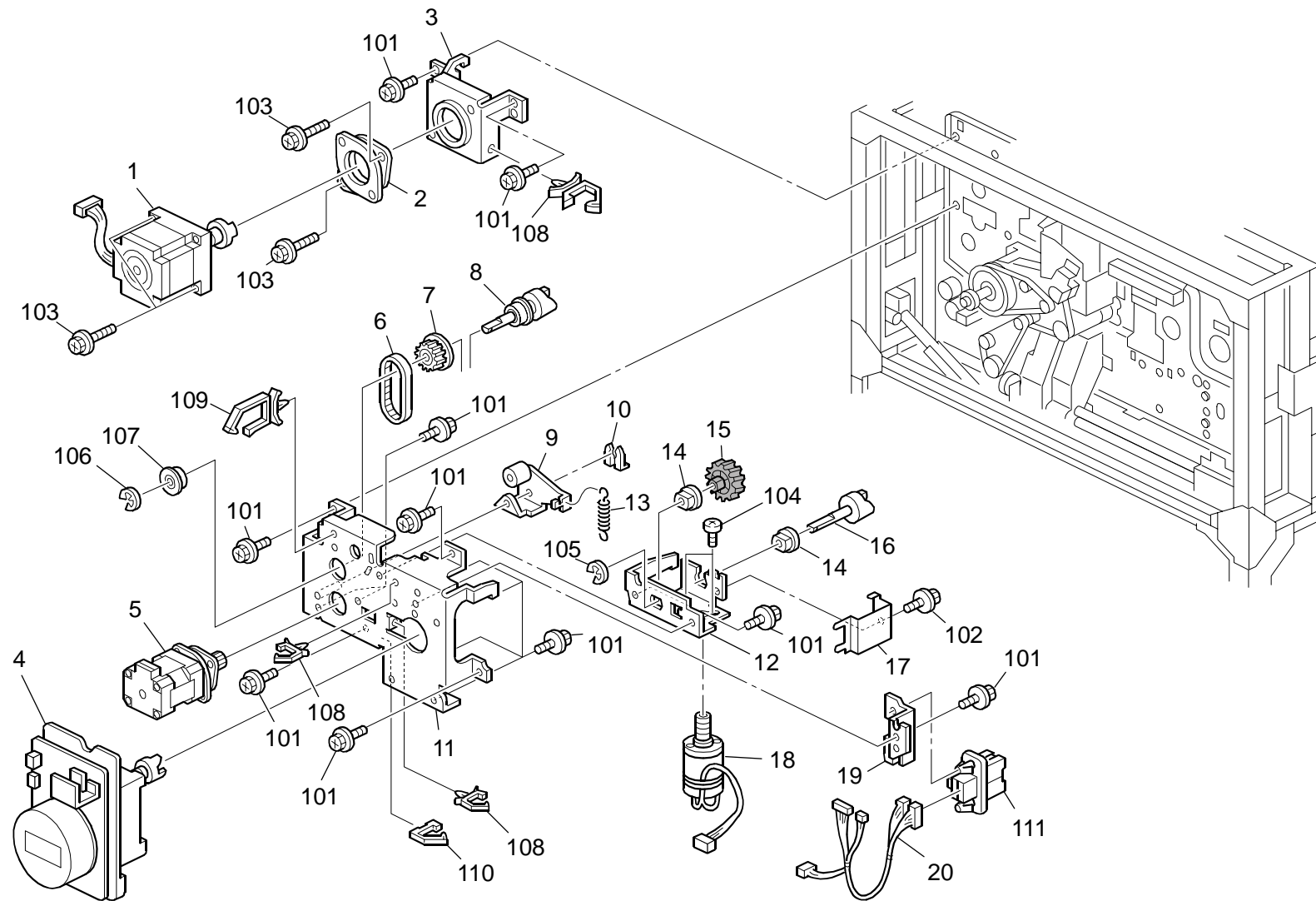


### 64.Used Toner Section (D059/D060/D061)

Index No.	Part No.	Description	Q'ty Per Assembly
1	<b>B234 3701</b>	<b>Collection Bottle</b>	1
2	B234 3725	Stopper:Collection Bottle:Vacuum:Ass'y	1
3	B234 3711	Supporter	1
4	AW14 0014	Temperature & Humidity Sensor	1
5	D059 5688	Harness:Temperature & Humidity Sensor: Connecting	1
6	B234 3712	Sensor Cover	1
7	AW50 0023	Push Switch	1
8	B234 3162	Tube - Joint	1
9	B234 3079	Tube - Collection Bottle	1
10	<b>B234 3094</b>	<b>Air Pump Unit</b>	1
11	A294 3726	Cap:Pump:MM12	1
12	A294 3085	Pump Seal	1
13	A294 3081	Air Pump	1
14	A294 3086	Toner Supply Pump	1
15	AW02 0145	Photointerruptor:Flat	1
16	A294 3084	Collar - 4x7x8	1
17	B234 3095	DC Motor 24V 5.85W	1
18	B234 3076	Pump Unit Bracket	1

Index No.	Part No.	Description	Q'ty Per Assembly
101	0451 4008N	Tapping Screw:4x8	
102	0353 0060N	Bind Screw - M3x6	
103	0450 4008N	Tapping Screw - M4x8	
104	0313 0050N	Philips Pan Head Screw - M3x5	
105	1105 0511	Harness Clamp - LWS-0306ZC	
106	1105 0508	Harness Clamp - LWS-0711	

# 65. Drive Section 1 (D059/D060/D061)



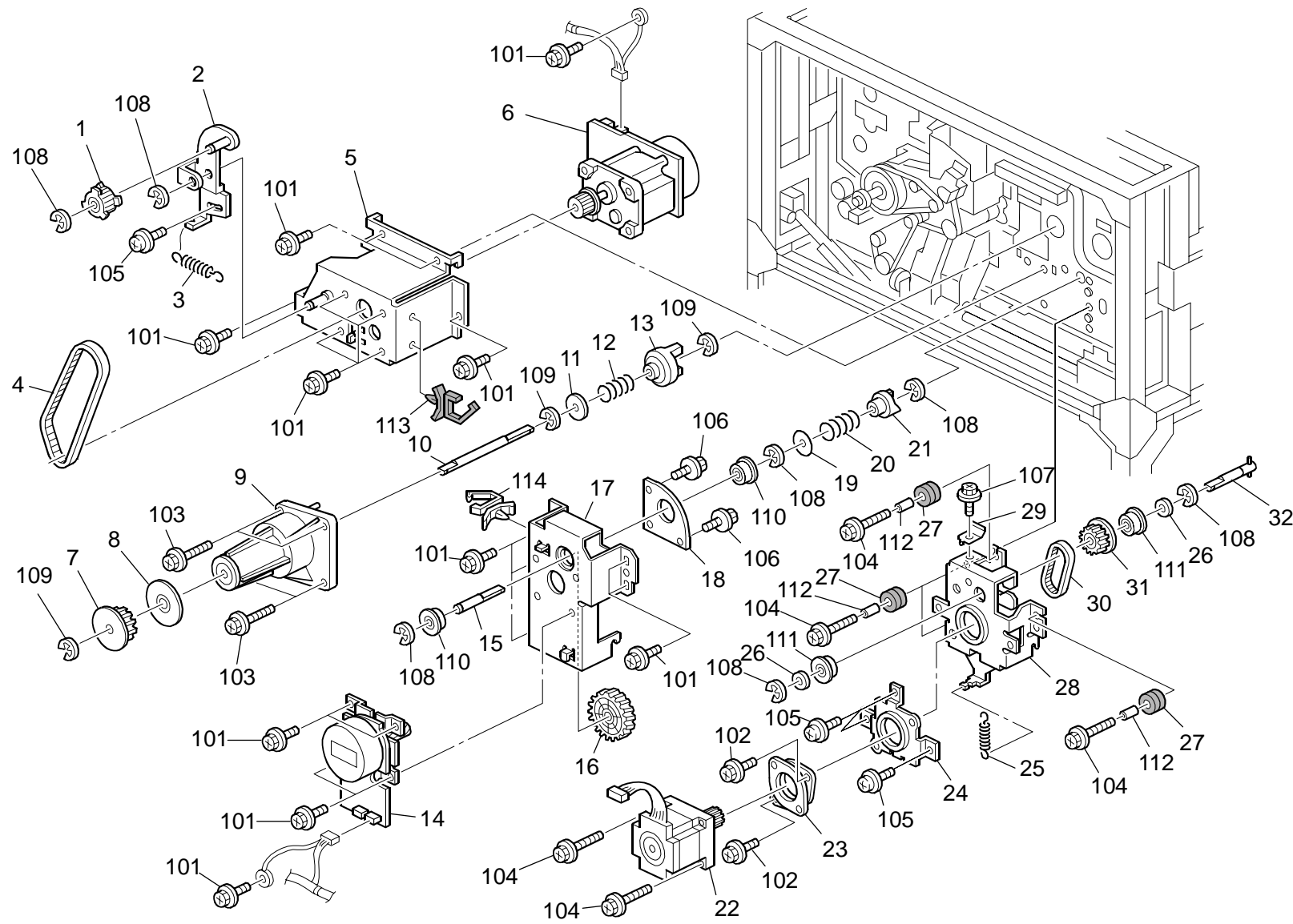
### 65. Drive Section 1 (D059/D060/D061)

Index No.	Part No.	Description	Q'ty Per Assembly
1	B234 3293	Stepper Motor DC3.6V 7.2W	1
2	AA16 1122	Motor Cushion	1
3	B234 3291	Stepper Motor Bracket	1
4	B234 3051	Brushless Motor DC24V 33W	1
5	B234 3055	Stepper Motor DC12.6V 12.6W	1
6	AA04 3974	Timing Belt - B60S2M112	1
7	B789 3126	Timing Pulley - 25T	1
8	B234 3062	Shaft - Toner Supply Roller	1
9	B234 3065	Tightener	1
10	5206 2686	Snap Ring	1
11	B234 3056	Bracket	1
12	B234 3069	Agitator Bracket	1
13	B234 3067	Spring	1
14	AA08 2101	Bushing - 6x10x6	2
15	B234 3072	Gear - 30Z	1
16	B234 3070	Agitator Drive Shaft	1
17	B234 3073	Cover	1
18	B234 3372	DC Motor:Toner Bottle:DC21V 5.85W	1
19	B234 3074	Drawer Bracket	1
20	D059 5684	Harness:Development:Connecting	1

Index No.	Part No.	Description	Q'ty Per Assembly
101	0451 4008N	Tapping Screw:4x8	
102	0451 3006N	Tapping Screw - 3x6	
103	0451 4010N	Tapping Screw:4x10	
104	0312 5060N	Screw - M2.5x6	
105	0720 0040E	Retaining Ring - M4	
106	0720 0060E	Retaining Ring - M6	
107	0742 3808	Ball Bearing - 8x16x5	
108	1105 0511	Harness Clamp - LWS-0306ZC	
109	1105 0517	Harness Clamp - LWS-2111Z	
110	1105 0522	Edge Saddle - LES0510	
111	1102 9785	Connector:55949-1819	



# 66.Drive Section 2 (D059/D060/D061)

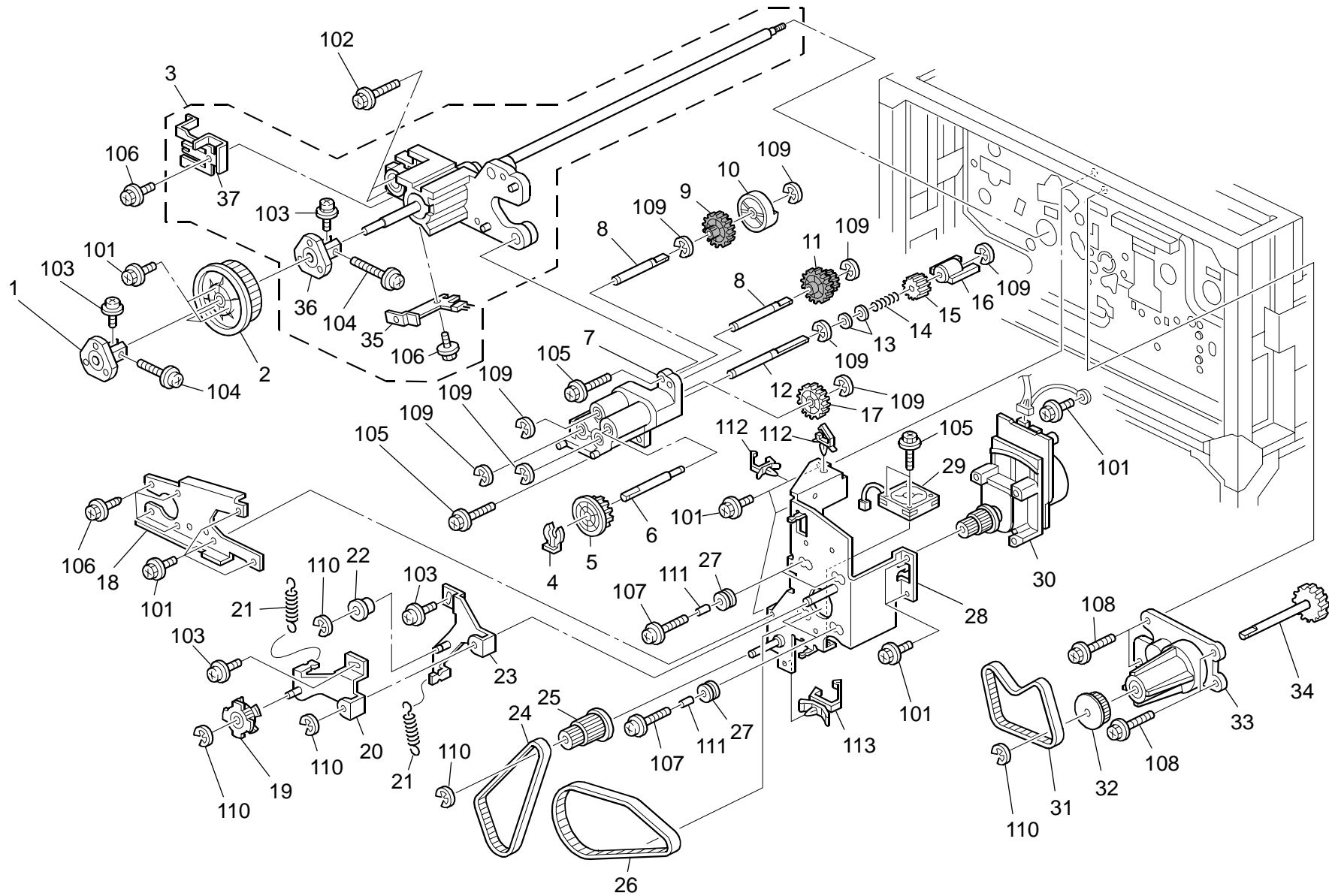


## 66. Drive Section 2 (D059/D060/D061)

Index No.	Part No.	Description	Q'ty Per Assembly
1	B234 1158	Pulley - 23T	1
2	B234 1128	Tightener	1
3	AA06 2346	Tension Spring:Tension	1
4	AA04 3977	Timing Belt:Drive:Fusing Unit	1
5	B234 1125	Brushless Motor Bracket	1
6	AX06 0329	Brushless Motor DC24V 50.4W	1
7	AB03 0794	Pulley - 40Z	1
8	B234 1135	Pulley Flange	1
9	B234 1130	Fusing Drive Unit Bracket	1
10	B234 1134	Drive Shaft	1
11	A079 1203	Fusing Drive Stopper	1
12	B234 1132	Spring:Joint:Fusing	1
13	A079 1201	Fusing Drive Joint	1
14	B234 4325	Brushless Motor DC24V 20W	1
15	D059 4427	Shaft:Drive:Coupling	1
16	D059 4428	Gear:Joint:66Z	1
17	D059 4306	Bracket:DC Brushless Motor:Peen	1
18	D059 4310	Drum Stay:Protect:DC Brushless Motor	1
19	B234 4320	Holder:Compression Spring:Joint	1
20	D059 4397	Compression Spring:Joint:10N	1
21	D059 4398	Joint:Paper Exit Unit:Drive	1
22	AX04 0157	Stepper Motor DC1.68V 6.7W	1
23	AA16 1122	Motor Cushion	1
24	B234 4663	Stepper Motor Bracket	1
25	B234 6508	Tension Spring	1
26	AA13 2228	Spacer - 1mm	2
27	D062 1739	Cushion:Scanner	4
28	D059 4662	Bracket:Stepper Motor:Duplex:Entrance	1
29	D059 4851	Ground Plate:Bracket:Motor	1
30	AA04 3652	Timing Belt - B60S2M130	1
31	B234 6506	Timing Pulley - 30T	1
32	D059 4667	Shaft:Drive:Pulley:Joint:Press Fit	1

Index No.	Part No.	Description	Q'ty Per Assembly
101	0451 4008N	Tapping Screw:4x8	
102	0451 4006N	Tapping Screw - 4x6	
103	0451 4012N	Tapping Screw:4x12	
104	0451 4010N	Tapping Screw:4x10	
105	0951 4008N	Screw:Polished Round:M4x8	
106	0451 3008N	Tapping Screw - M3x8	
107	0451 3006N	Tapping Screw - 3x6	
108	0720 0060E	Retaining Ring - M6	
109	0720 0080E	Retaining Ring - M8	
110	0742 3808	Ball Bearing - 8x16x5	
111	0741 3708	Ball Bearing - 8x12x3.5mm	
112	0707 4040N	Bushing:DIA4x4	
113	1105 0601	Clamp:LWSM-0511-2M	
114	1105 0487	Harness Clamp	

# 67. Drive Section 3 (D059/D060/D061)

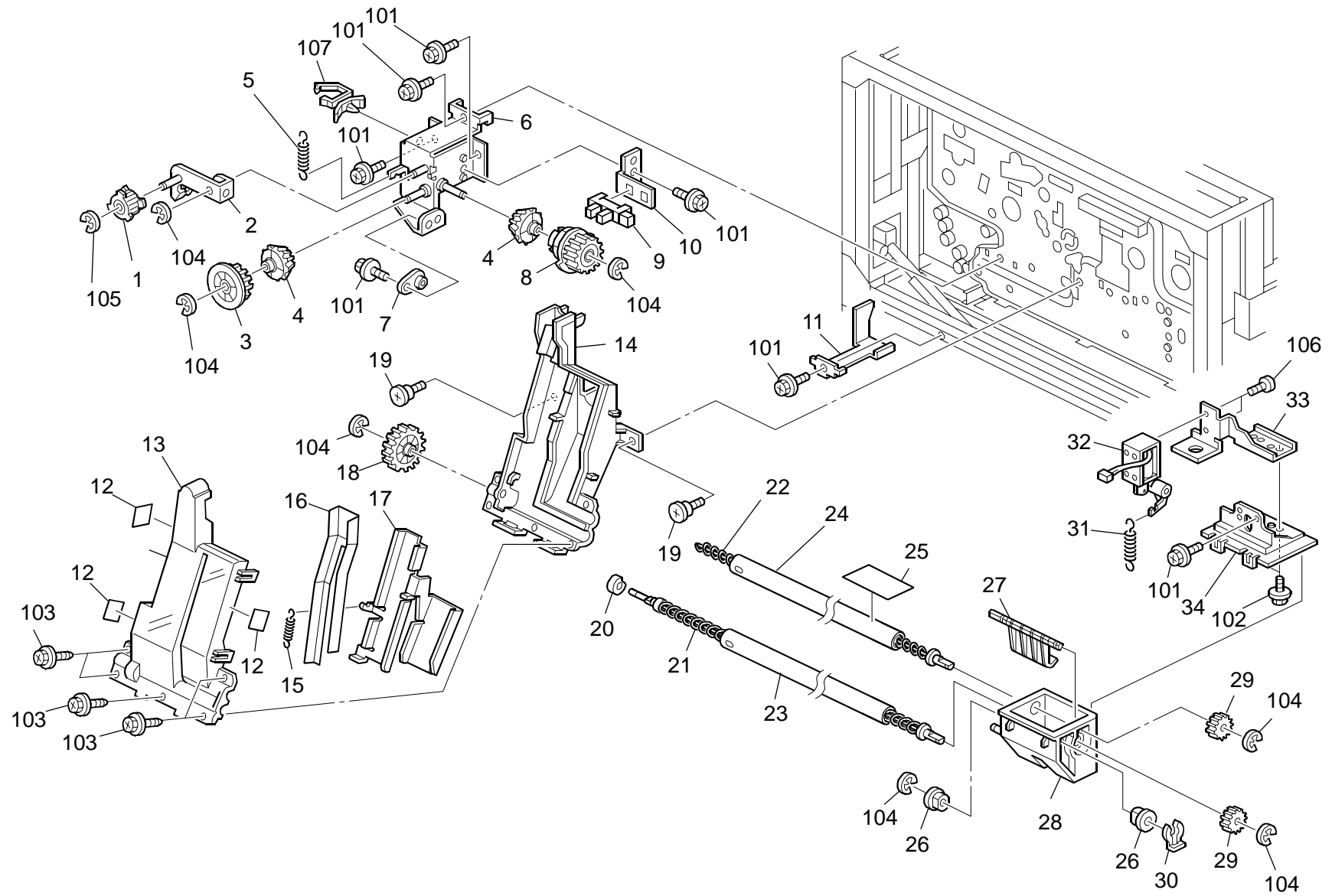


### 67. Drive Section 3 (D059/D060/D061)

Index No.	Part No.	Description	Q'ty Per Assembly
1	B234 1118	Fly Wheel Flange	1
2	AB03 0793	Pulley - 125T	1
3	B234 2350	Drum Shaft	1
4	5215 2621	Snap Ring - M6	1
5	D059 3770	Pulley:Drive:Cleaning	1
6	D059 3767	Shaft:Drive:Cleaning	1
7	B234 3765	Cleaning Drive Unit Stay	1
8	B234 3757	Shaft - Swivel	2
9	B234 3759	Gear - 32Z	1
10	B234 3764	Cam	1
11	B234 3758	Gear - 13Z/29Z	1
12	B234 3756	Shaft - Cleaning	1
13	AA13 2024	Spacer - M6	2
14	AA06 3604	Pressure Spring	1
15	B234 3762	Gear - 16Z	1
16	B234 3763	Joint	1
17	B234 3768	Gear - 22Z	1
18	B234 3078	Supporting Plate - Drum Shaft	1
19	B234 1114	Pulley:Tightener:Drum:Ass'y	1
20	B234 1106	Tightener	1
21	AA06 2346	Tension Spring:Tension	2
22	B234 1112	Pulley	1
23	B234 1110	Tightener	1
24	AA04 3972	Timing Belt - B60S3M435	1
25	AB03 3093	Idle Pulley - 25T/20T	1
26	AA04 3970	Timing Belt - B60S3M426	1
27	AA16 1072	Cushion - DC Motor	2
28	B234 1101	Brushless Motor Bracket	1
29	GX64 0028	Fan Motor DC24V 1.92W	1
30	AX06 0328	Brushless Motor DC24V 72W	1
31	AA04 3971	Timing Belt - B60S3M363	1
32	AB03 0795	Pulley - 29T	1
33	B234 1140	Transfer Drive Bracket	1
34	B234 1144	Drive Shaft	1
35	B234 2360	Electrode Plate:Drum Shaft	1

Index No.	Part No.	Description	Q'ty Per Assembly
36	B234 1117	Holder:Pulley:Drum	1
37	B234 3087	Terminal:Development Vias	1
101	0451 4008N	Tapping Screw:4x8	
102	0451 4014N	Tapping Screw:M4x14	
103	0951 4008N	Screw:Polished Round:M4x8	
104	0951 4020N	Screw - M4x20	
105	0451 4020N	Tapping Screw - M4x20	
106	0450 3008N	Tapping Screw - M3x8	
107	0951 4010N	Screw:Polished Round:M4x10	
108	0451 4012N	Tapping Screw:4x12	
109	0720 0040E	Retaining Ring - M4	
110	0720 0060E	Retaining Ring - M6	
111	0707 4050N	Bushing - 4x5	
112	1105 0511	Harness Clamp - LWS-0306ZC	
113	1105 0487	Harness Clamp	

# 68. Drive Section 4 (D059/D060/D061)

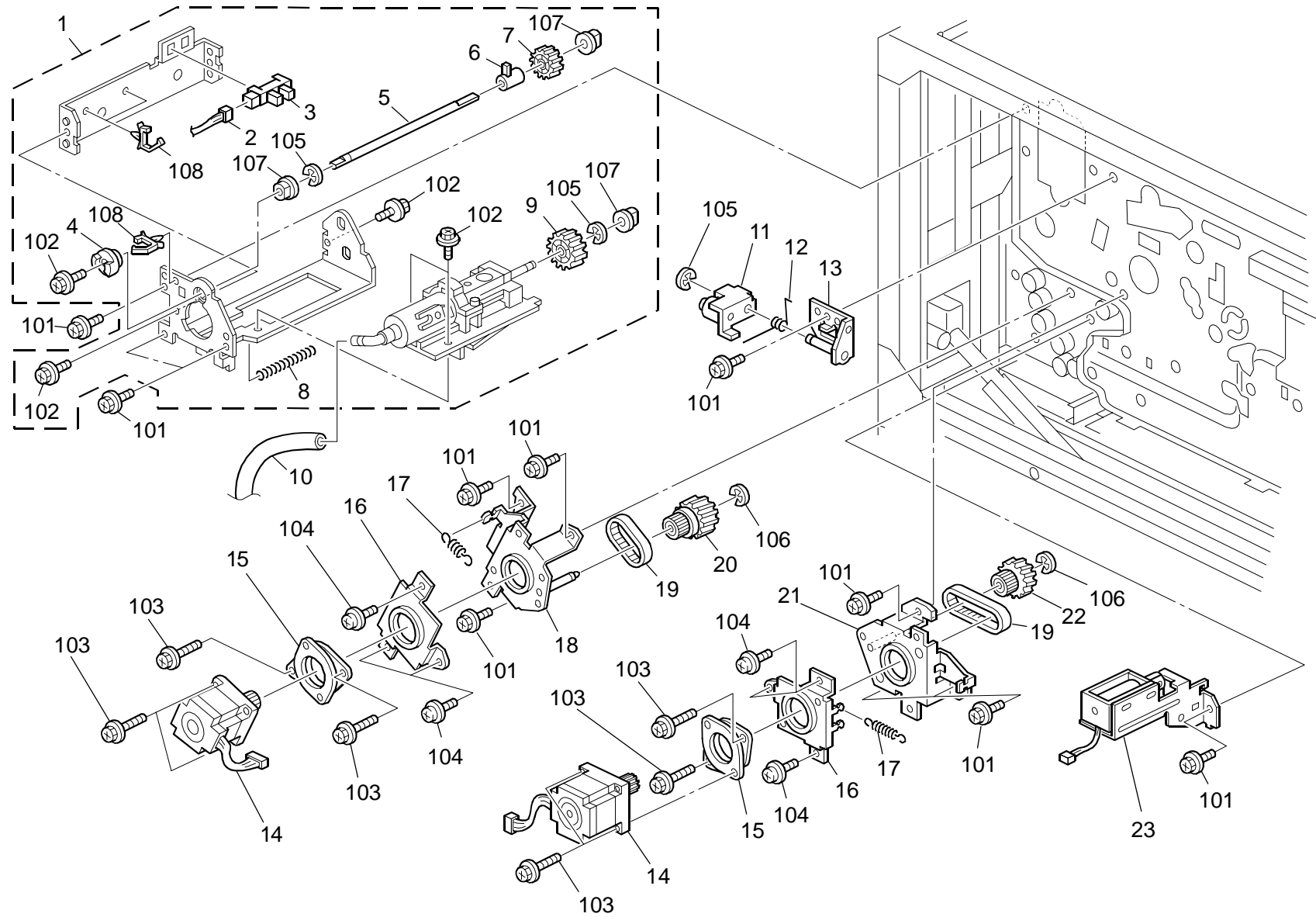


### 68. Drive Section 4 (D059/D060/D061)

Index No.	Part No.	Description	Q'ty Per Assembly
1	B234 1158	Pulley - 23T	1
2	B234 1156	Tightener	1
3	B234 1154	Pulley - 40T	1
4	A294 1163	Gear - 30Z	2
5	AA06 2346	Tension Spring:Tension	1
6	B234 1150	Toner Recycling Unit Drive Bracket	1
7	A294 1158	Transport Screw Bushing	1
8	B234 3782	Torque Limiter Gear - 24Z	1
9	AW02 0145	Photointerruptor:Flat	1
10	B234 3781	Positioning Sensor Bracket	1
11	B234 3783	Harness Guard Bracket	1
12	B234 2362	Sheet - Upper & Lower Case	3
13	B234 3704	Case - Upper	1
14	B234 3705	Case - Lower	1
15	A184 1760	Cam Spring	1
16	B234 3723	Guide - Lower	1
17	B234 3722	Vibrating Plate	1
18	A294 3621	Gear - 44Z	1
19	AA14 3545	Screw:M4	2
20	A294 3618	Vibrating Plate Cam	1
21	B234 3748	Transport Screw:Toner Recycling	1
22	B234 3731	Transport Screw	1
23	B234 3733	Pipe - DIA14	1
24	B234 3730	Pipe	1
25	B234 3736	Heat Insulation	1
26	5053 0447	Bushing - 6mm	2
27	B070 3646	Arm:Toner Recycling	1
28	B070 3630	Case:Classification:Lower:Ass'y	1
29	A294 3626	Gear - 17Z	2
30	AA10 0014	Retaining Ring C - Separate	1
31	B070 3647	Tension Spring:Arm:Toner Recycling	1
32	B234 3741	DC Solenoid	1
33	B234 3743	Solenoid Bracket	1
34	B070 3636	Case:Classification:Upper	1

Index No.	Part No.	Description	Q'ty Per Assembly
101	0451 4008N	Tapping Screw:4x8	
102	0451 4006N	Tapping Screw - 4x6	
103	0450 3008N	Tapping Screw - M3x8	
104	0720 0040E	Retaining Ring - M4	
105	0720 0060E	Retaining Ring - M6	
106	0353 0040N	Screw - M3x4	
107	1105 0488	Harness Clamp	

# 69. Drive Section 5 (D059/D060/D061)



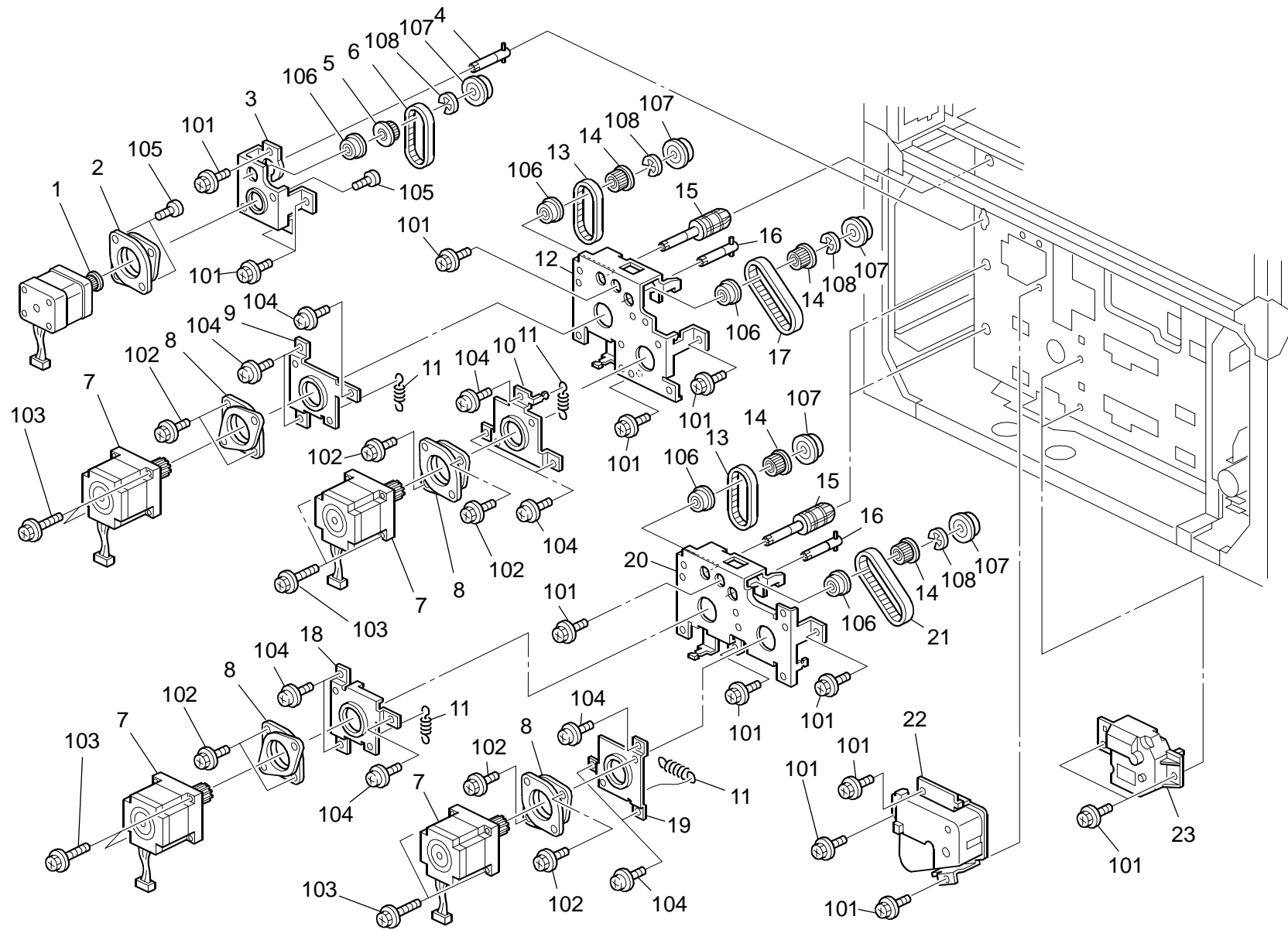
### 69. Drive Section 5 (D059/D060/D061)

Index No.	Part No.	Description	Q'ty Per Assembly
1	D059 3261	Pump:Toner Supply:Ass'y	1
2	D059 5692	Harness:Pump:Sensor:Connecting	1
3	AW02 0145	Photointerruptor:Flat	1
4	B234 3266	Drive Joint	1
5	B234 3267	Drive Shaft	1
6	B234 3269	Feeler	1
7	B234 3268	Gear - 24Z	1
8	B234 3277	Compression Spring	1
9	B234 3279	Gear - 36Z	1
10	B234 3282	Tube - DIA6	1
11	B234 2495	Roller Bracket	1
12	B234 2494	Torsion Spring	1
13	B234 2491	Roller Bracket	1
14	AX04 0157	Stepper Motor DC1.68V 6.7W	2
15	AA16 1122	Motor Cushion	2
16	B234 2812	Stepper Motor Bracket	2
17	B234 6508	Tension Spring	2
18	B234 2821	Drive Unit Bracket	1
19	AA04 3308	Timing Belt - S2M114 9MM	2
20	AB01 7723	Gear/Pulley - 31Z/31T	1
21	B234 2813	Drive Unit Bracket	1
22	AB01 7722	Gear/Pulley - 31Z/31T	1
23	B234 2830	DC Solenoid	1

Index No.	Part No.	Description	Q'ty Per Assembly
101	0451 4008N	Tapping Screw:4x8	
102	0451 3008N	Tapping Screw - M3x8	
103	0451 4010N	Tapping Screw:4x10	
104	0951 4008N	Screw:Polished Round:M4x8	
105	0720 0040E	Retaining Ring - M4	
106	0720 0060E	Retaining Ring - M6	
107	0805 3480	Bushing - 6mm	
108	1105 0511	Harness Clamp - LWS-0306ZC	



# 70. Drive Section 6 (D059/D060/D061)

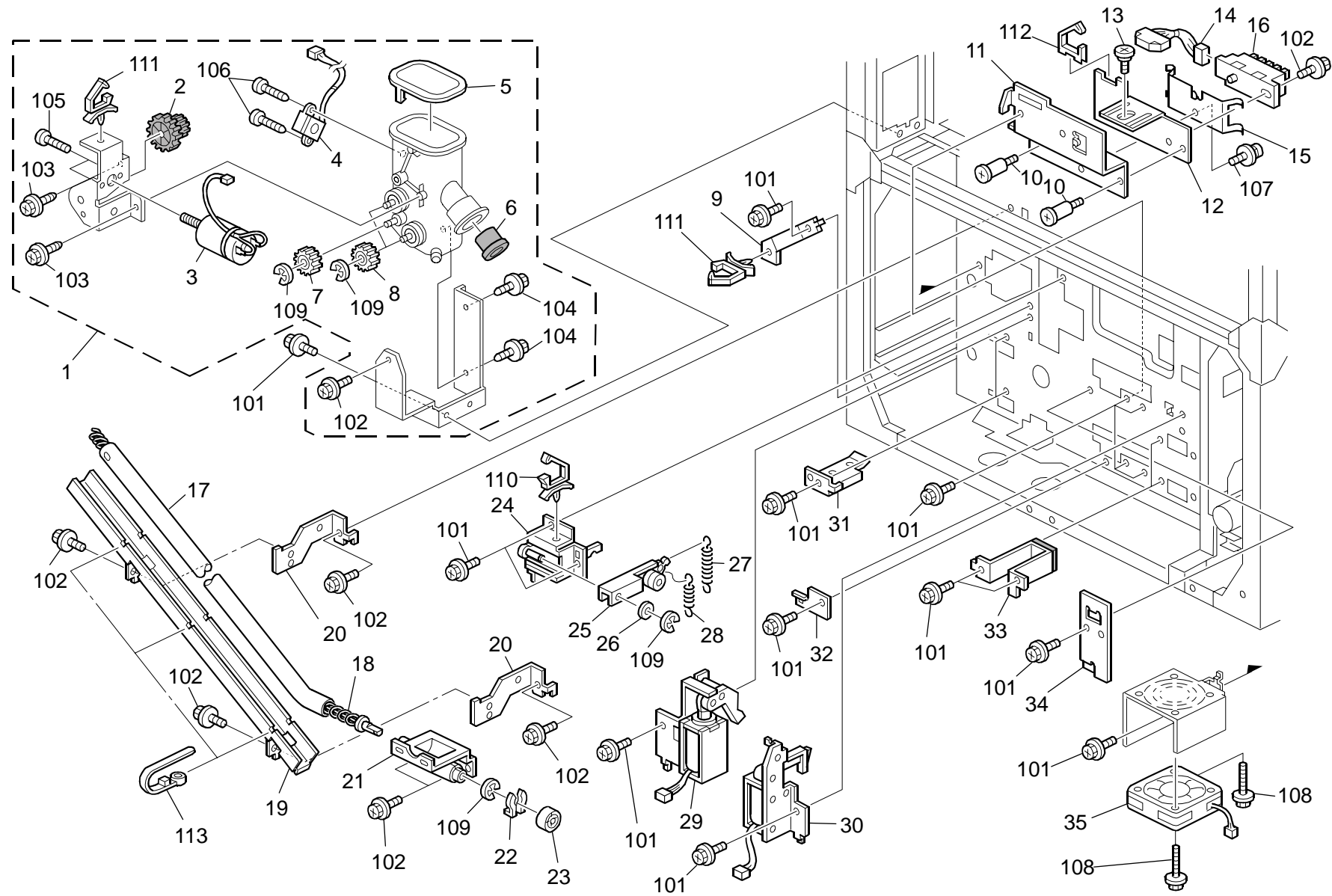


### 70. Drive Section 6 (D059/D060/D061)

Index No.	Part No.	Description	Q'ty Per Assembly
1	AX04 0158	Stepper Motor DC2.64V 6.3W	1
2	A232 4666	Cushion - Stepper Motor	1
3	B234 6520	Bracket	1
4	B234 6543	Drive Shaft	1
5	B234 6507	Timing Pulley - 25T	1
6	B234 6523	Timing Belt - S2M100	1
7	AX04 0157	Stepper Motor DC1.68V 6.7W	4
8	AA16 1122	Motor Cushion	4
9	B234 6512	Tightener Bracket	1
10	B234 6511	Tightener Bracket	1
11	B234 6508	Tension Spring	4
12	B234 6510	Tandem LCT Bracket	1
13	B234 6514	Timing Belt - S2M126	2
14	B234 6506	Timing Pulley - 30T	4
15	B234 6542	Grip Drive Shaft	2
16	B234 6541	Feed Drive Shaft	2
17	B234 6513	Timing Belt - S2M180	1
18	B234 6532	Tightener Bracket	1
19	B234 6531	Tightener Bracket	1
20	B234 6530	Bracket	1
21	B234 6533	Timing Belt - S2M152	1
22	B132 6759	DC Motor:Rise:Tandem LCT:Ass'y	1
23	AX04 0252	DC Motor:Rising Tray:Ass'y	2

Index No.	Part No.	Description	Q'ty Per Assembly
101	0451 4008N	Tapping Screw:4x8	
102	0451 4006N	Tapping Screw - 4x6	
103	0451 4010N	Tapping Screw:4x10	
104	0951 4006N	Screw:Polished Round:M4x6	
105	0353 0050N	Screw-M3x5	
106	0741 3708	Ball Bearing - 8x12x3.5mm	
107	0742 3808	Ball Bearing - 8x16x5	
108	0720 0060E	Retaining Ring - M6	

# 71.Drive Section 7 (D059/D060/D061)

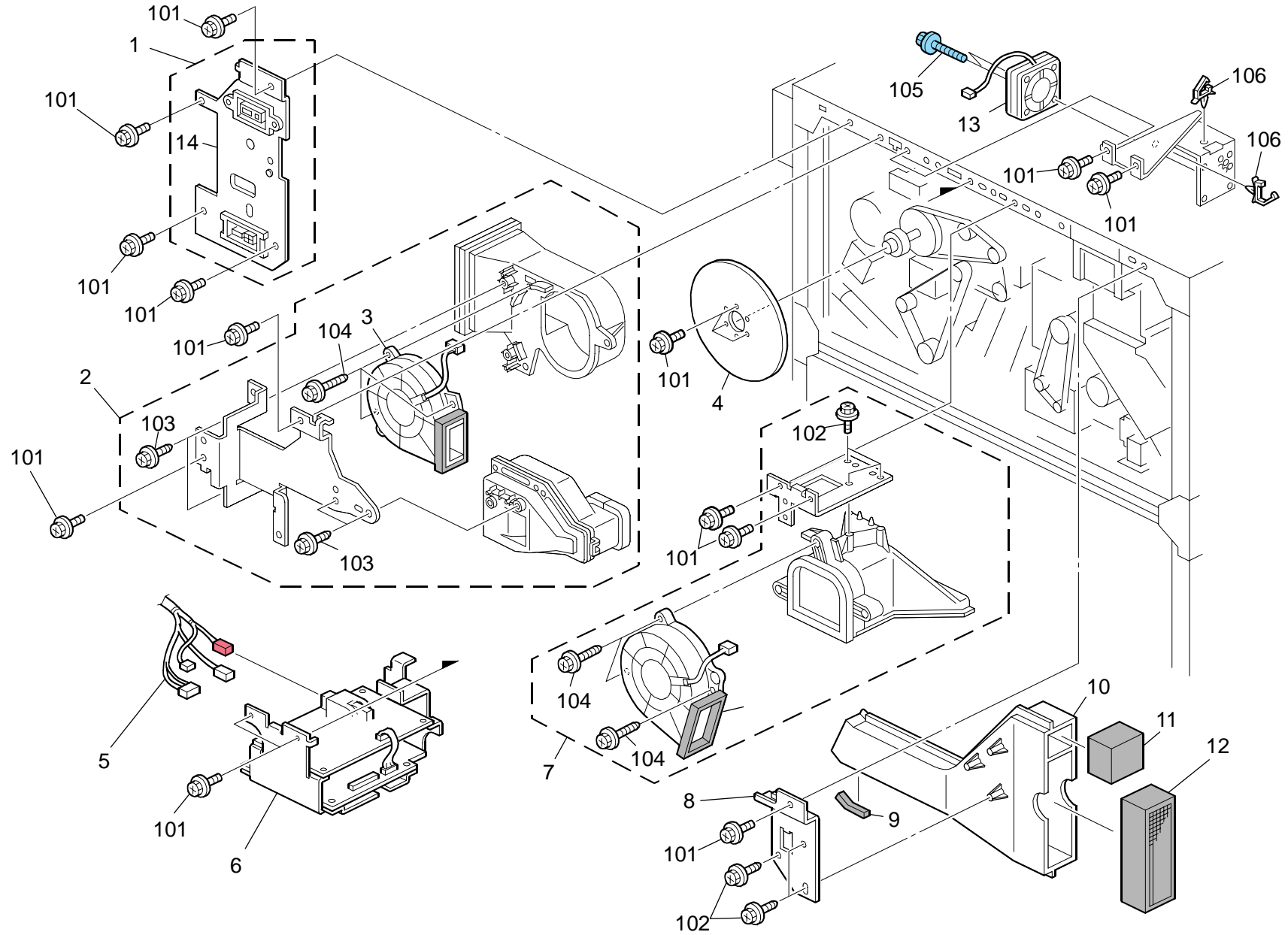


## 71. Drive Section 7 (D059/D060/D061)

Index No.	Part No.	Description	Q'ty Per Assembly
1	D059 3410	Cylinder:Toner Supply:Ass'y	1
2	B234 3434	Gear - 17Z/38Z	1
3	B234 3372	DC Motor:Toner Bottle:DC21V 5.85W	1
4	AW31 0008	Toner End Sensor	1
5	B234 3425	Cover - Cylinder	1
6	A294 3476	Pipe Seal	1
7	B234 3419	Gear - 21Z	1
8	B234 3418	Gear - 24Z	1
9	B234 6565	Harness Clamp Bracket	1
10	AA14 3569	Screw	2
11	D059 6151	Bracket:Sensor:Paper Size Sensor	1
12	D059 6152	Bracket:Sensor:Paper Size Sensor:Moveable	1
13	AA14 0912	Screw - 8x14x2.8	1
14	D059 5571	Harness:Paper Size Sensor:Connecting	1
15	D059 6153	Spring Plate:Bracket:Sensor:Paper Tray	1
16	AW50 0010	Push Switch	1
17	A294 3475	Tube - 12x14x835	1
18	A294 3477	Toner Transport Screw	1
19	A294 3482	Tube Guide Rail	1
20	B234 3446	Supporter Bracket	2
21	B070 3471	Toner Transport Screw Case	1
22	5447 2681	Snap Ring	1
23	B234 3485	Joint:Drive:Transport Screw	1
24	B132 6726	Bracket:Arm:Ass'y	1
25	B065 6769	Lock Arm	1
26	AA13 2203	Spacer - 6mm	1
27	B247 6753	Lock Spring - Large	1
28	B247 6754	Lock Spring - Small	1
29	B132 6762	DC Solenoid:Coupling:Ass'y	1
30	D059 6765	DC Solenoid:Lock:Ass'y	1
31	B234 6120	Bracket:Positioning:Paper Tray	1
32	D059 6165	Cover:Connector	1
33	D059 6172	Paper Tray Stopper	1
34	B234 6198	Cover - Spaper Size Sensor	1
35	AX64 0164	Fan Motor:15mm:24V	1

Index No.	Part No.	Description	Q'ty Per Assembly
101	0451 4008N	Tapping Screw:4x8	
102	0451 4006N	Tapping Screw - 4x6	
103	0450 3006N	Tapping Screw - M3x6	
104	0450 3008N	Tapping Screw - M3x8	
105	0312 5050N	Screw - M2.5x5	
106	0452 3008N	Tapping Screw - M3x8	
107	0954 3008N	Screw - M3x8	
108	0451 4020N	Tapping Screw - M4x20	
109	0720 0040E	Retaining Ring - M4	
110	1105 0488	Harness Clamp	
111	1105 0487	Harness Clamp	
112	1105 0522	Edge Saddle - LES0510	
113	1105 0408	Wire Binder:T18MR-HS	

## 72.Electrical Section 1 (D059/D060/D061)

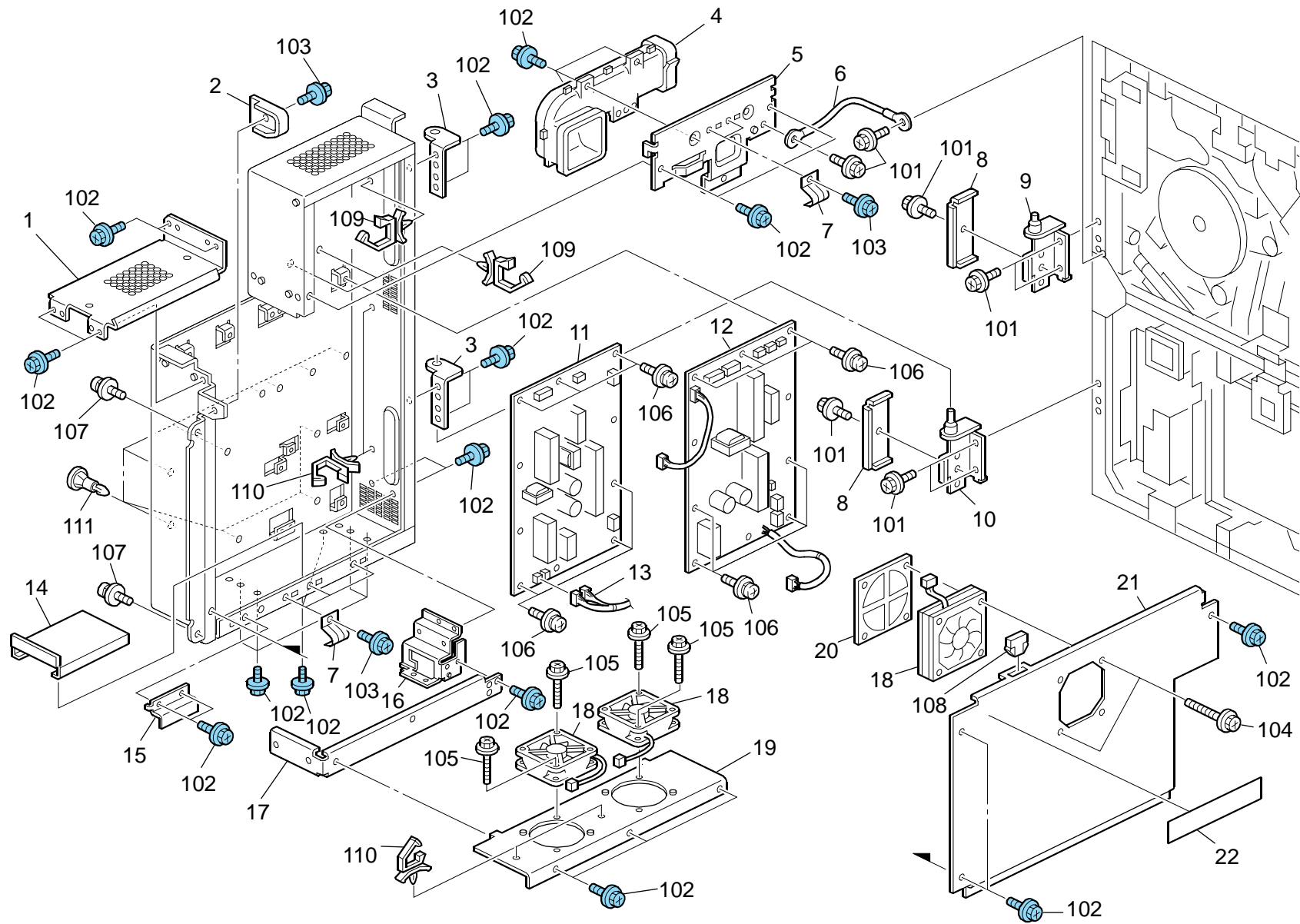


## 72.Electrical Section 1 (D059/D060/D061)

Index No.	Part No.	Description	Q'ty Per Assembly
1	D059 5050	Harness W/Bracket	1
2	B234 2051	Vacuum Duct Unit	1
3	D059 1097	Fan:Sirocco:DC24V:2Speed-S:Ass'y	1
4	A294 1119	Fly Wheel	1
5	B234 5625	High Voltage Supply Cord	1
6	AZ32 0159	Power Pack:Charge:Development	1
7	D059 2165	Duct:Rear:Ass'y	1
8	B070 2075	Bracket:Duct:Exhaust	1
9	D059 2077	Seal:Duct	1
10	B070 2072	Duct:Exhaust	1
11	B070 2098	Shield:Duct:Ozone Unit	1
12	<b>B070 2076</b>	<b>Ozone Filter:50x150x40</b>	<b>1</b>
13	AX64 0149	Fan Motor:MM40:15mm	1
14	B234 7554	ADF Plug Bracket	1

Index No.	Part No.	Description	Q'ty Per Assembly
101	0451 4008N	Tapping Screw:4x8	
102	0450 4008N	Tapping Screw - M4x8	
103	0450 3008N	Tapping Screw - M3x8	
104	0450 4016N	Tapping Screw - M4x16	
105	0454 4020Q	Tapping Screw:4x20	
106	1105 0511	Harness Clamp - LWS-0306ZC	

### 73.Electrical Section 2 (D059/D060/D061)



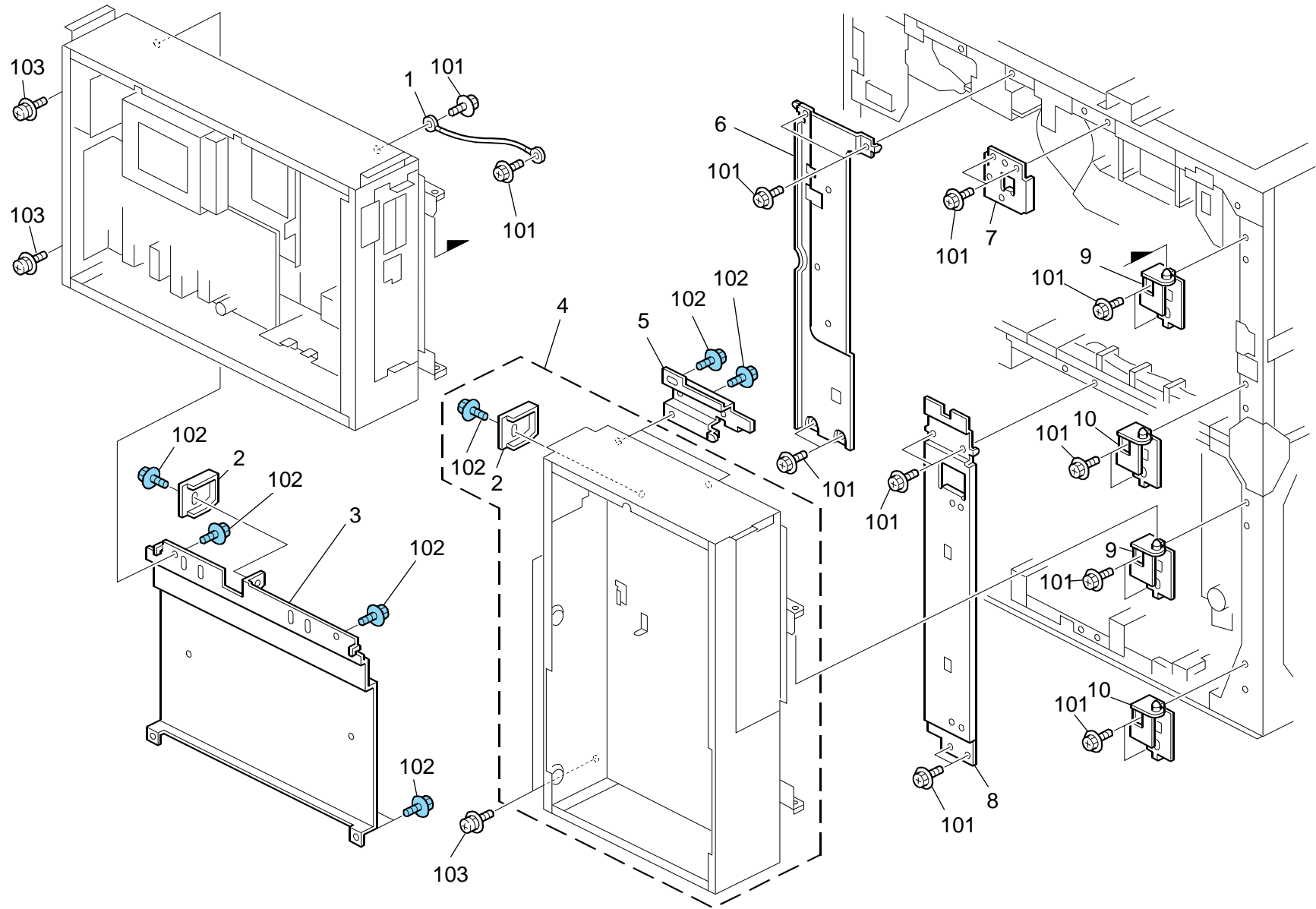
### 73.Electrical Section 2 (D059/D060/D061)

Index No.	Part No.	Description	Q'ty Per Assembly
1	B234 7570	Bracket:Power Supply Unit:Upper	1
2	B070 6849	Guide:Positioning	1
3	B234 7565	Hinge Bracket - Case	2
4	B234 7512	Duct - Vacuum	1
5	B234 7569	Bracket:Power Supply Unit:Middle	1
6	D059 5522	Harness:Ground Wire:IBM	1
7	A267 7586	Grounding Plate	5
8	B234 6827	Cover - Hinge	2
9	B234 7566	Hinge Bracket - Upper	1
10	B234 7562	Hinge Bracket - Lower	1
11	AZ25 0031	Power Supply Unit:BC3:Engine-B	1
12	AZ25 0029	Power Supply Unit:BC3:Engine-A	1
13	D059 5634	Harness:Power Supply Unit:Fan:Connecting	1
14	B234 7584	Lower Separation Plate	1
15	B234 7568	Receive Bracket - Lower	1
16	B234 7583	Stay:Power Supply Unit:Lower Right	1
17	B234 7582	Stay:Power Supply Unit:Middle Lower	1
18	AX64 0159	Fan Motor MM80	3
19	B234 7592	Bracket:Fan:Power Supply Unit	1
20	B070 6854	Bracket:Fan:Cooling	1
21	B234 7593	Power Supply Unit Cover - Front	1
22	B234 7598	Decal:Caution Chart:PSU:Service	1

Index No.	Part No.	Description	Q'ty Per Assembly
101	0451 4008N	Tapping Screw:4x8	
102	0454 4008Q	Tapping Screw - M4x8	
103	0454 3006Q	Tapping Screw - M3x6	
104	0451 4035N	Tapping Screw:4x35	
105	0451 4030N	Tapping Screw:M4x30	
106	0954 3008N	Screw - M3x8	
107	0954 4008N	Screw - M4x8	
108	1102 6246	Relay Connector - 3P	
109	1105 0490	Harness Clamp - IWS-2218	
110	1105 0487	Harness Clamp	
111	1105 0637	Harness Clamp - KGLS-10RT(V0)	



# 74.Electrical Section 3 (D059/D060/D061)

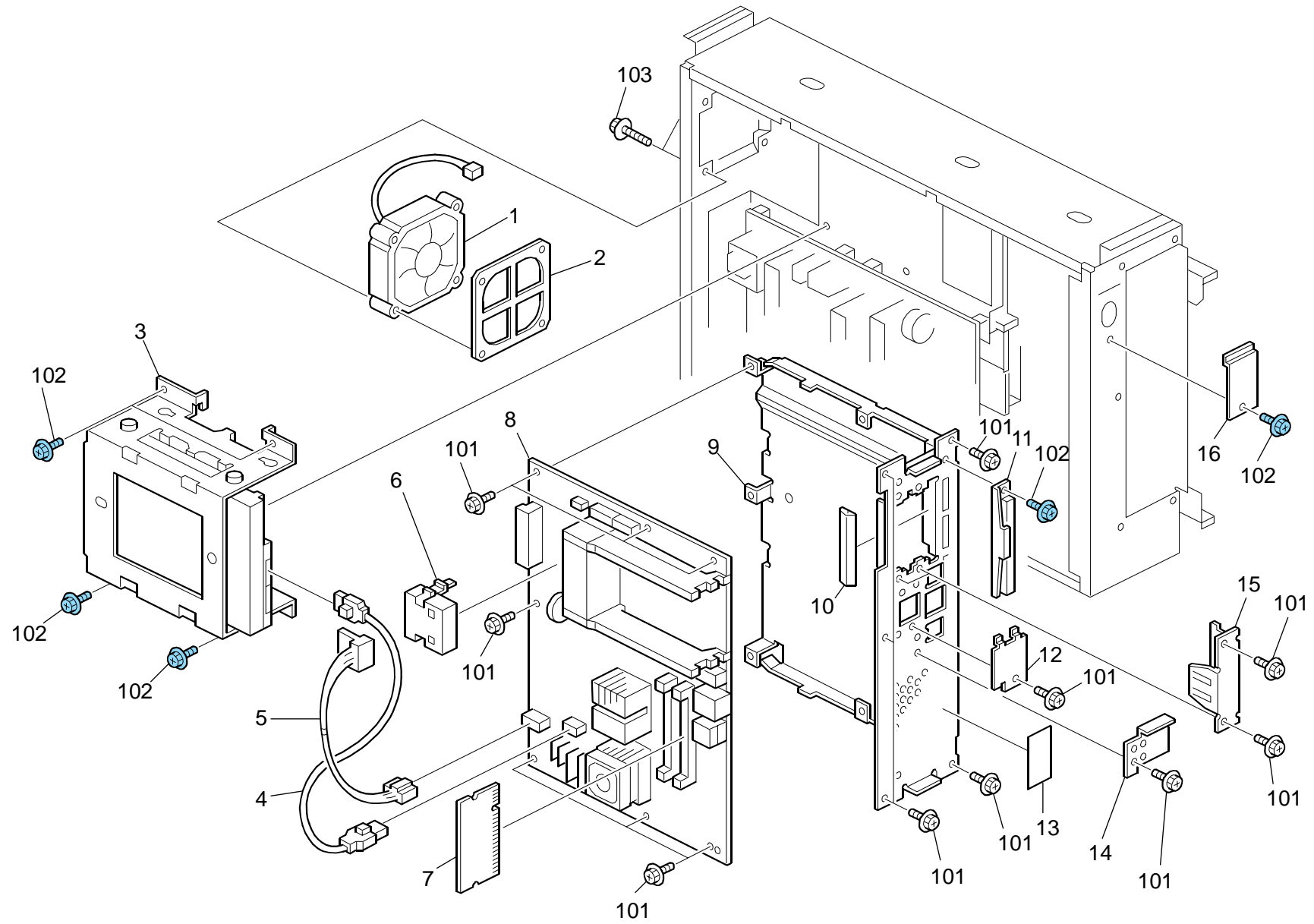


### 74.Electrical Section 3 (D059/D060/D061)

Index No.	Part No.	Description	Q'ty Per Assembly
1	D059 5522	Harness:Ground Wire:IBM	1
2	B070 6849	Guide:Positioning	2
3	D059 6856	Cover:Harness	1
4	D059 6830	C/T Box:DC:Ass'y	1
5	D059 6883	Bracket:Coupling	1
6	D059 6827	Guide Plate:C/T Box	1
7	B070 6831	Bracket:Standard:C/T Box	1
8	D059 6822	Guard:Harness:Rear:Main	1
9	D059 6820	Bracket:Hinge:Upper:Ass'y	2
10	D059 6821	Bracket:Hinge:Lower:Ass'y	2

Index No.	Part No.	Description	Q'ty Per Assembly
101	0451 4008N	Tapping Screw:4x8	
102	0454 3006Q	Tapping Screw - M3x6	
103	0954 4008N	Screw - M4x8	

# 75.Electrical Section 4 (D059/D060/D061)

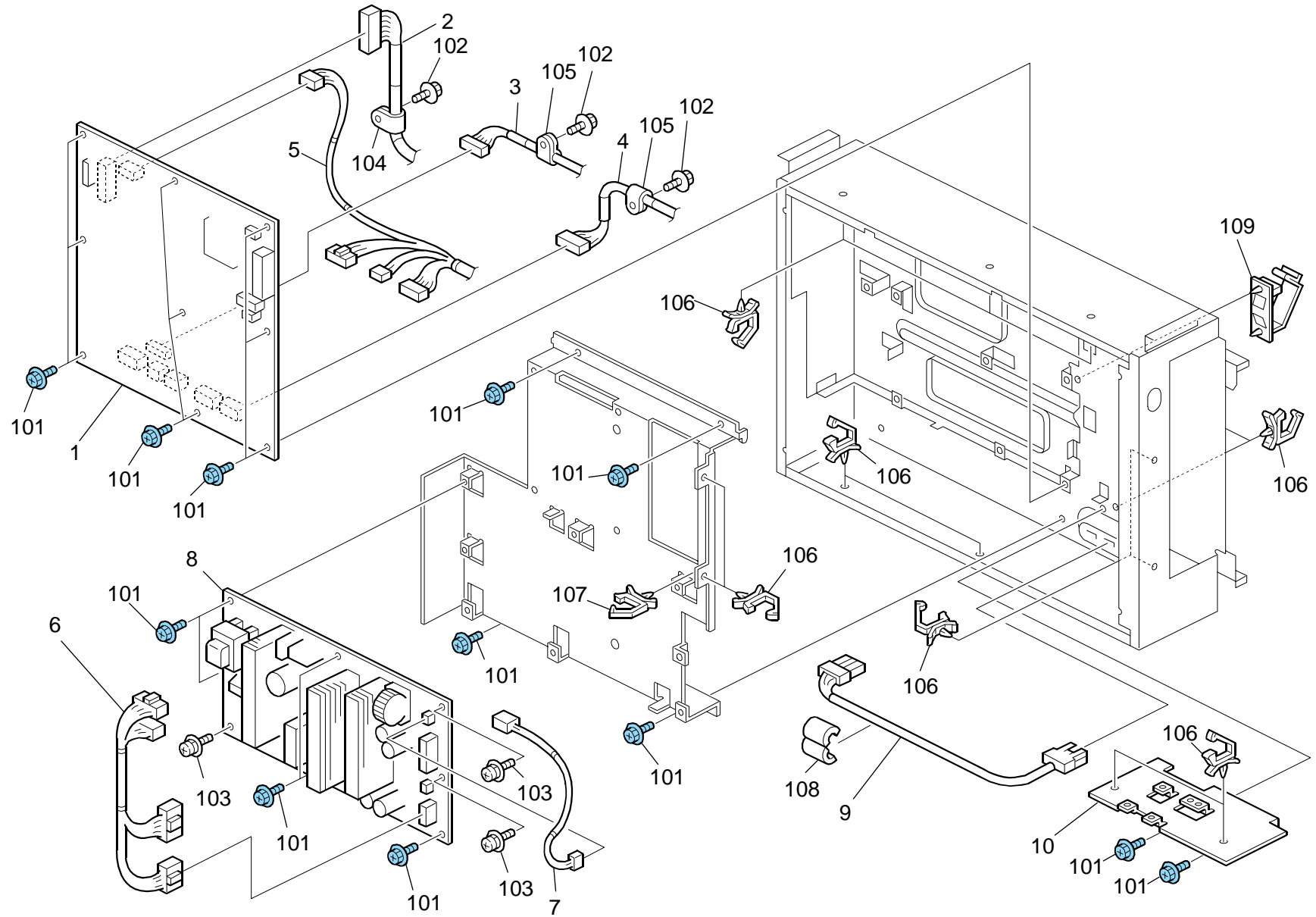


### 75.Electrical Section 4 (D059/D060/D061)

Index No.	Part No.	Description	Q'ty Per Assembly
1	AX64 0177	Fan Motor DC12V 3.6W	1
2	B070 6854	Bracket:Fan:Cooling	1
3	D059 6875	HDD Unit:GW:Ass'y	1
4	D059 5526	SATA	1
5	D059 5585	Cable:HDD:SATA:POWER:B-C4	1
6	D062 9590	NVRAM	1
7	G178 6062	PCB:PC4200:RAWCard-C:512MB	1
8	D059 5511	PCB:Type-EX1D:TEC	1
9	D059 6871	Bracket:Control Board:GW:Ass'y	1
10	B070 6877	Large Drum Stay Ground Plate	1
11	D014 5973	Cover:SD-Card	1
12	D014 5974	Cover:Connector:EFI	1
13	D059 6872	Decal:Caption:Interface	1
14	D014 5977	Cover:Control Board:USB	1
15	B101 5993	Interface Panel	1
16	B247 5881	Cover - Fax	1

Index No.	Part No.	Description	Q'ty Per Assembly
101	0451 3006N	Tapping Screw - 3x6	
102	0454 3006Q	Tapping Screw - M3x6	
103	0451 4035N	Tapping Screw:4x35	

# 76.Electrical Section 5 (D059/D060/D061)

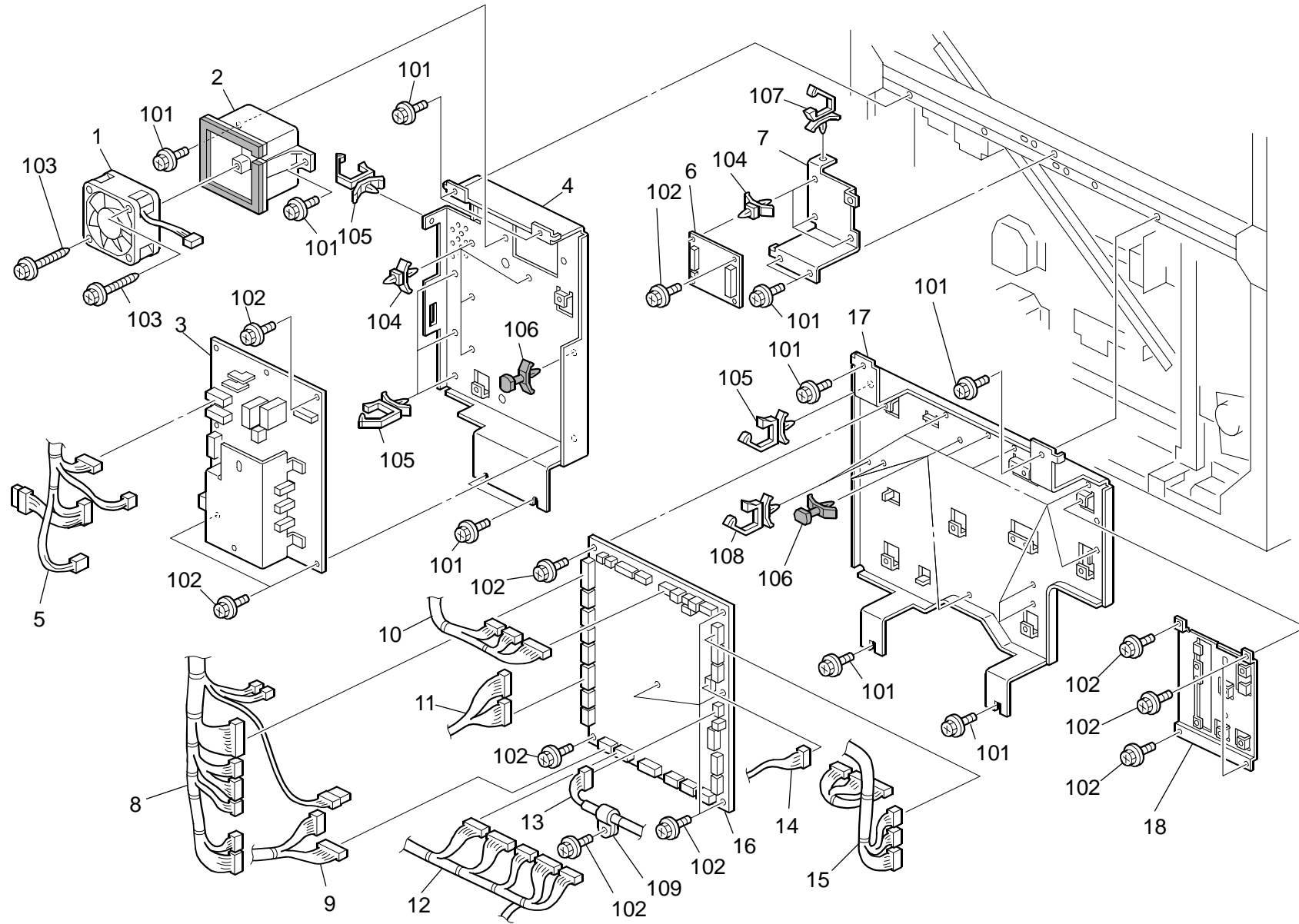


### 76.Electrical Section 5 (D059/D060/D061)

Index No.	Part No.	Description	Q'ty Per Assembly
1	D059 5230	PCB:BICU:Ass'y	1
2	D059 5168	Interface Section:Cable:Scanner	1
3	D059 5663	Cable:BICU:IOB	1
4	D059 5357	Cable:LVDS:BICU:18P:Connecting	1
5	D059 5356	Harness:LDB:OPU:BICU	1
6	D059 5631	Harness:Power Source:Control Section	1
7	D059 5633	Harness:Controler:Fan	1
8	AZ23 0233	Power Supply Unit:BC4:Control	1
9	D059 5603	Harness:AC:Control	1
10	D059 6854	Louver	1

Index No.	Part No.	Description	Q'ty Per Assembly
101	0454 3006Q	Tapping Screw - M3x6	
102	0451 3008N	Tapping Screw - M3x8	
103	0954 3008N	Screw - M3x8	
104	1105 0559	Clamp:EMT-5N	
105	1105 0529	Nylon Clamp-EMT-3N	
106	1105 0508	Harness Clamp - LWS-0711	
107	1105 0516	Clamp	
108	1607 1460	Ferrite Core:RFC-9	
109	1105 0211	Clamp	

# 77.Electrical Section 6 (D059/D060/D061)



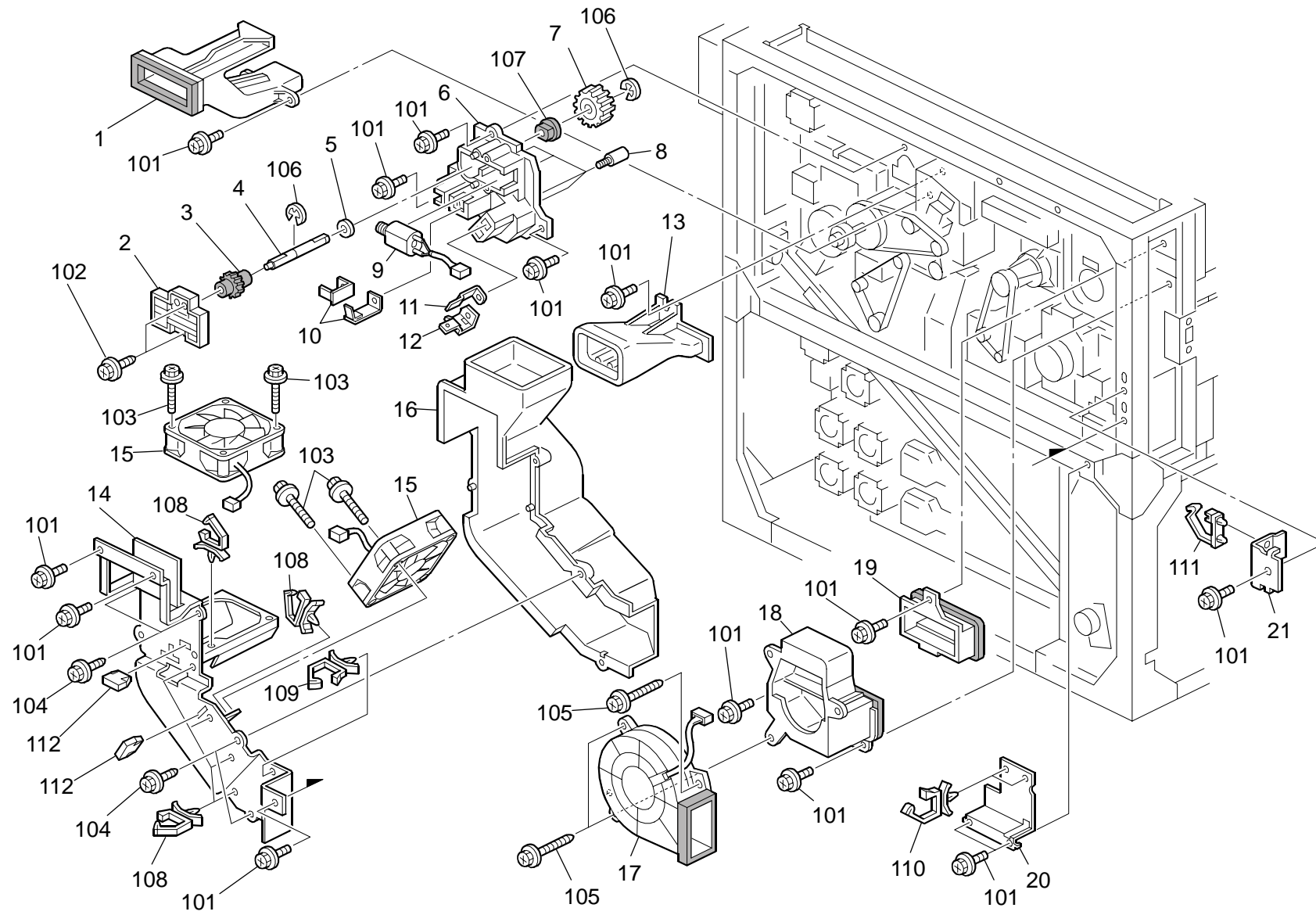
### 77.Electrical Section 6 (D059/D060/D061)

Index No.	Part No.	Description	Q'ty Per Assembly
1	AX64 0210	Fan:MM60:25mm:24V	1
2	B234 7580	Vacuum Duct - Inner Back	1
3	B234 5410	PCB AC Drive	1
4	B234 7557	Bracket - AC Drive Board	1
5	D059 5601	Harness:AC:Paperbank	1
6	B234 5440	PCB Relay Safety Switch	1
7	B234 7556	Safety Switch Bracket	1
8	D059 5703	Harness:Main:Right	1
9	D059 5655	Harness:Paper Bank:Right	1
10	D059 5651	Harness:Main:Middle	1
11	D059 5701	Harness:STM:Connecting	1
12	D059 5654	Harness:Paperbank:Middle	1
13	D059 5663	Cable:BICU:IOB	1
14	D059 5702	Harness:Operation Sub-unit:Connecting	1
15	D059 5650	Harness:Main:Left	1
16	D059 5241	PCB:IOB	1
17	B234 7558	Bracket:IOB	1
18	D059 7559	Bracket:Option	1

Index No.	Part No.	Description	Q'ty Per Assembly
101	0451 4008N	Tapping Screw:4x8	
102	0451 3006N	Tapping Screw - 3x6	
103	0450 4035N	Tapping Screw:4x35	
104	1105 0192	Locking Support	
105	1105 0490	Harness Clamp - IWS-2218	
106	1105 0367	Spacer	
107	1105 0487	Harness Clamp	
108	1105 0488	Harness Clamp	
109	1105 0529	Nylon Clamp-EMT-3N	



# 78.Electrical Section 7 (D059/D060/D061)

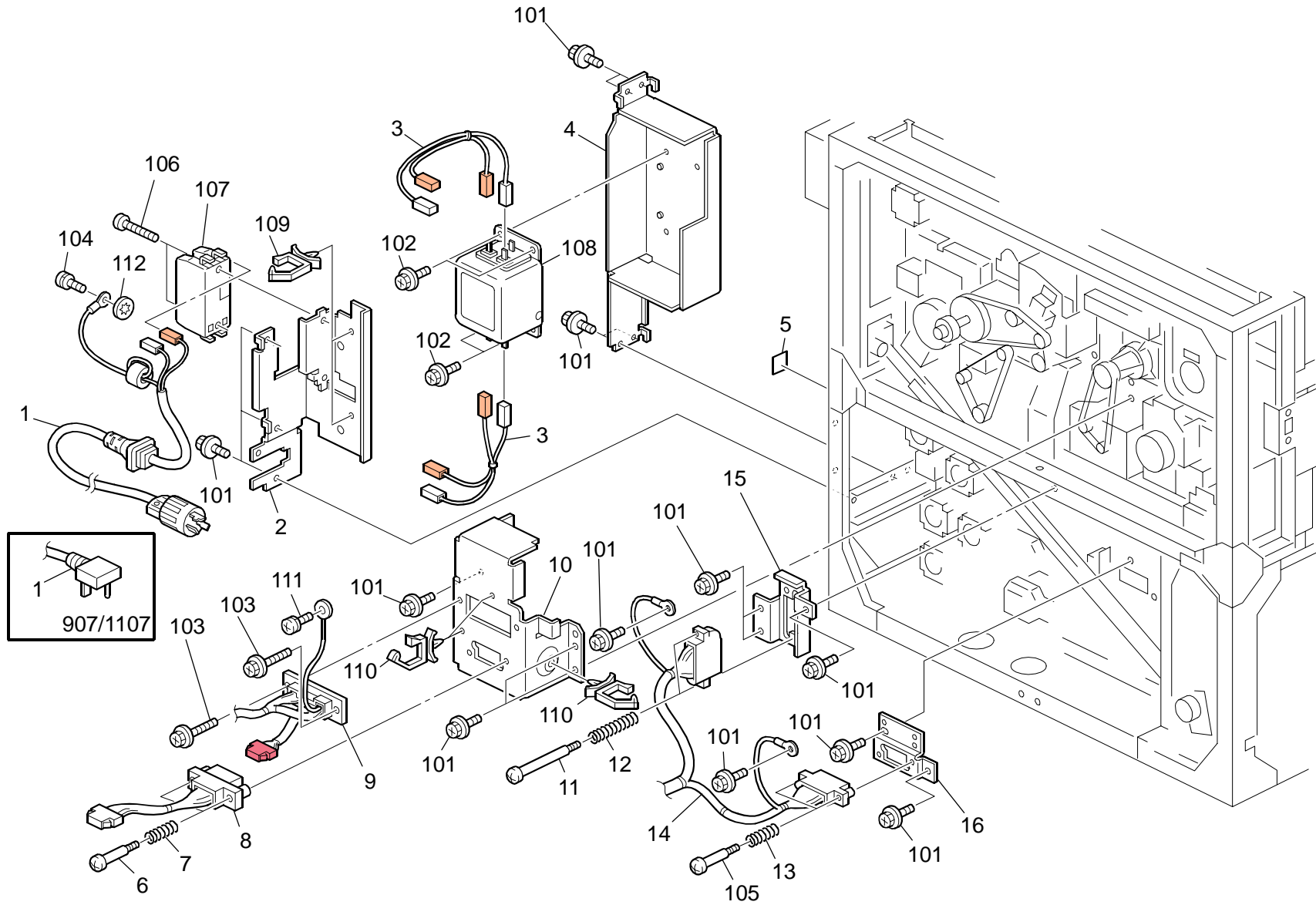


### 78.Electrical Section 7 (D059/D060/D061)

Index No.	Part No.	Description	Q'ty Per Assembly
1	B234 2065	Drum Duct	1
2	B234 2101	Cover - Motor	1
3	B234 2097	Gear - 20Z	1
4	B234 2100	Drive Shaft	1
5	A232 3077	Spacer - M5	1
6	B234 2091	Charge Receptacle	1
7	B234 2098	Gear - 14Z	1
8	B234 2092	Terminal Pin	4
9	AX04 0147	DC Motor:Cleaner:0.5W	1
10	A294 2122	Receptacle Connector C	2
11	B234 2093	Terminal - Pre G	1
12	B234 2096	Terminal - Pre C	1
13	B234 2071	Charge Duct	1
14	D059 4393	Cover:Duct:Heat Pipe:Ass'y	1
15	AX64 0185	Fan Motor DC24V 4.8W	2
16	B234 4379	Duct - Heat Pipe	1
17	B234 1097	Fan Motor DC24V 9.6W	1
18	B234 1182	Duct - Exhaust Fusing Exit	1
19	B234 4395	Duct - Coupling	1
20	D059 7553	Bracket:Harness	1
21	B070 6834	Bracket:Clamp	1

Index No.	Part No.	Description	Q'ty Per Assembly
101	0451 4008N	Tapping Screw:4x8	
102	0450 3008N	Tapping Screw - M3x8	
103	0451 4030N	Tapping Screw:M4x30	
104	0450 4010N	Tapping Screw:M4x10	
105	0450 4016N	Tapping Screw - M4x16	
106	0720 0030E	Retaining Ring - M3	
107	0805 3384	Bushing - 5mm	
108	1105 0511	Harness Clamp - LWS-0306ZC	
109	1105 0490	Harness Clamp - IWS-2218	
110	1105 0489	Harness Clamp - LWS 1316	
111	1105 0211	Clamp	
112	1102 6245	Relay Connector - 2P	

# 79.Electrical Section 8 (D059/D060/D061)

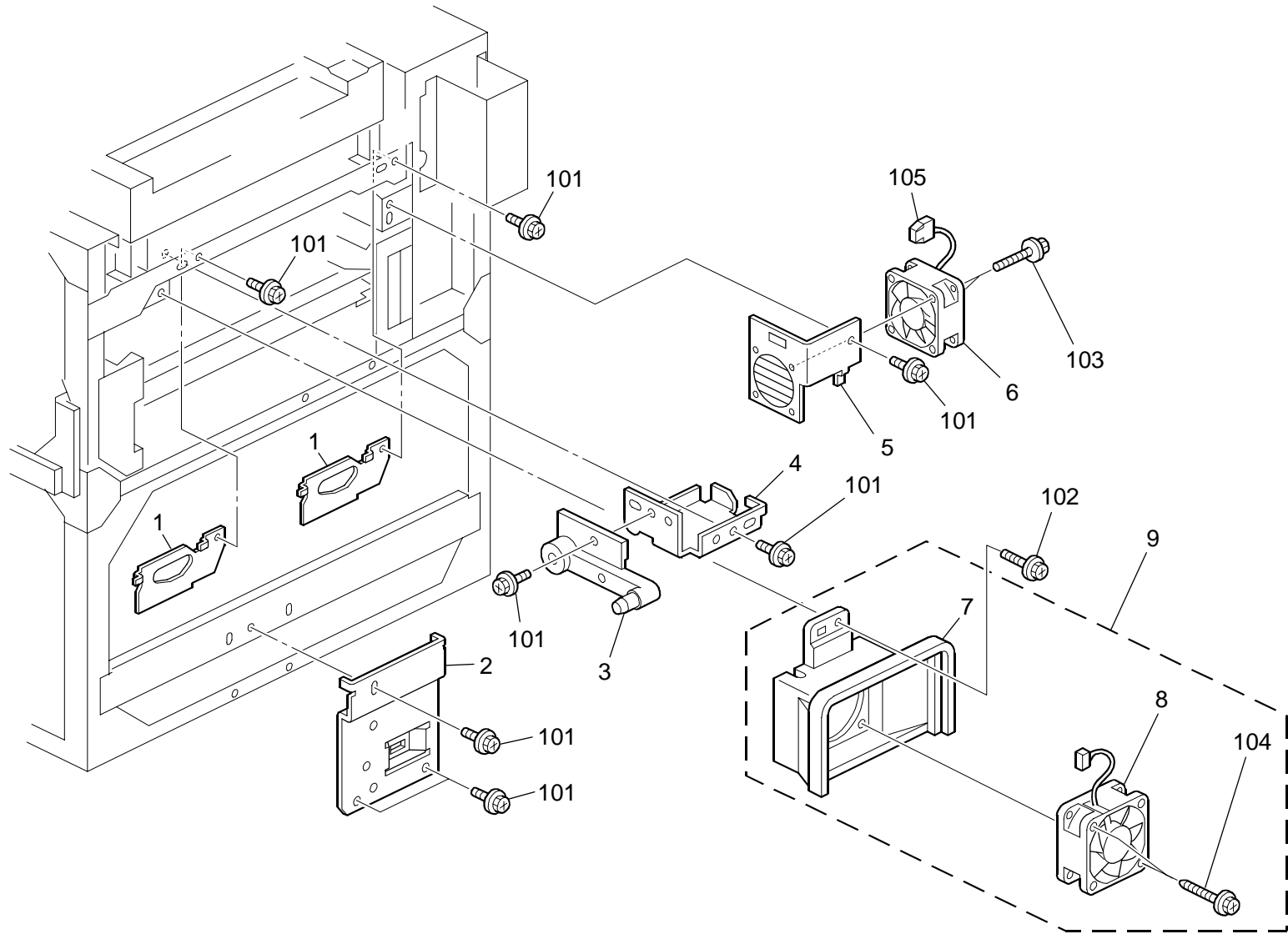


### 79.Electrical Section 8 (D059/D060/D061)

Index No.	Part No.	Description	Q'ty Per Assembly
1	AZ00 0109	Power Supply Cord NA	1
2	B234 7587	Power Supply Cord Bracket	1
3	D059 5604	Harness:AC:Noise Filter	2
4	B234 7551	Noise Filter Bracket	1
5	AA00 1190	Decal - Ground	1
6	AA14 3797	Connector Guide Pin	2
7	AA06 3670	Spring Connector:9.8N	2
8	D059 5687	Harness:Fusing:Lower:Machine Or Copier	1
9	D059 5600	Harness:AC:Main	1
10	B234 4239	Connector Bracket	1
11	AA14 3550	Screw:DIA4:M3	2
12	D059 6121	Spring:Connector:Tandem LCT	2
13	AA06 3268	Connector Spring	2
14	D059 5656	Harness:Paper Bank:Tandem LCT	1
15	B132 6764	Bracket:Connector:Right	1
16	B132 6763	Bracket:Connector:Left	1

Index No.	Part No.	Description	Q'ty Per Assembly
101	0451 4008N	Tapping Screw:4x8	
102	0451 3006N	Tapping Screw - 3x6	
103	0451 4012N	Tapping Screw:4x12	
104	0950 5010N	Screw:Spring Washer:M5x10	
105	0803 0058	Stepped Screw	
106	0434 0200N	Pan Self-tapping Screw:4x20	
107	1107 1280	Fuse:BJS1512F2	
107	1107 1281	Fuse:BJS2012F2	
108	1607 1799	Filter - SUP-ET20-ER-0	
109	1105 0489	Harness Clamp - LWS 1316	
110	1105 0488	Harness Clamp	
111	0950 4006N	Screw - M4x6	
112	0704 0050N	Washer:DIA5	

# 80.Electrical Section 9 (D059/D060/D061)

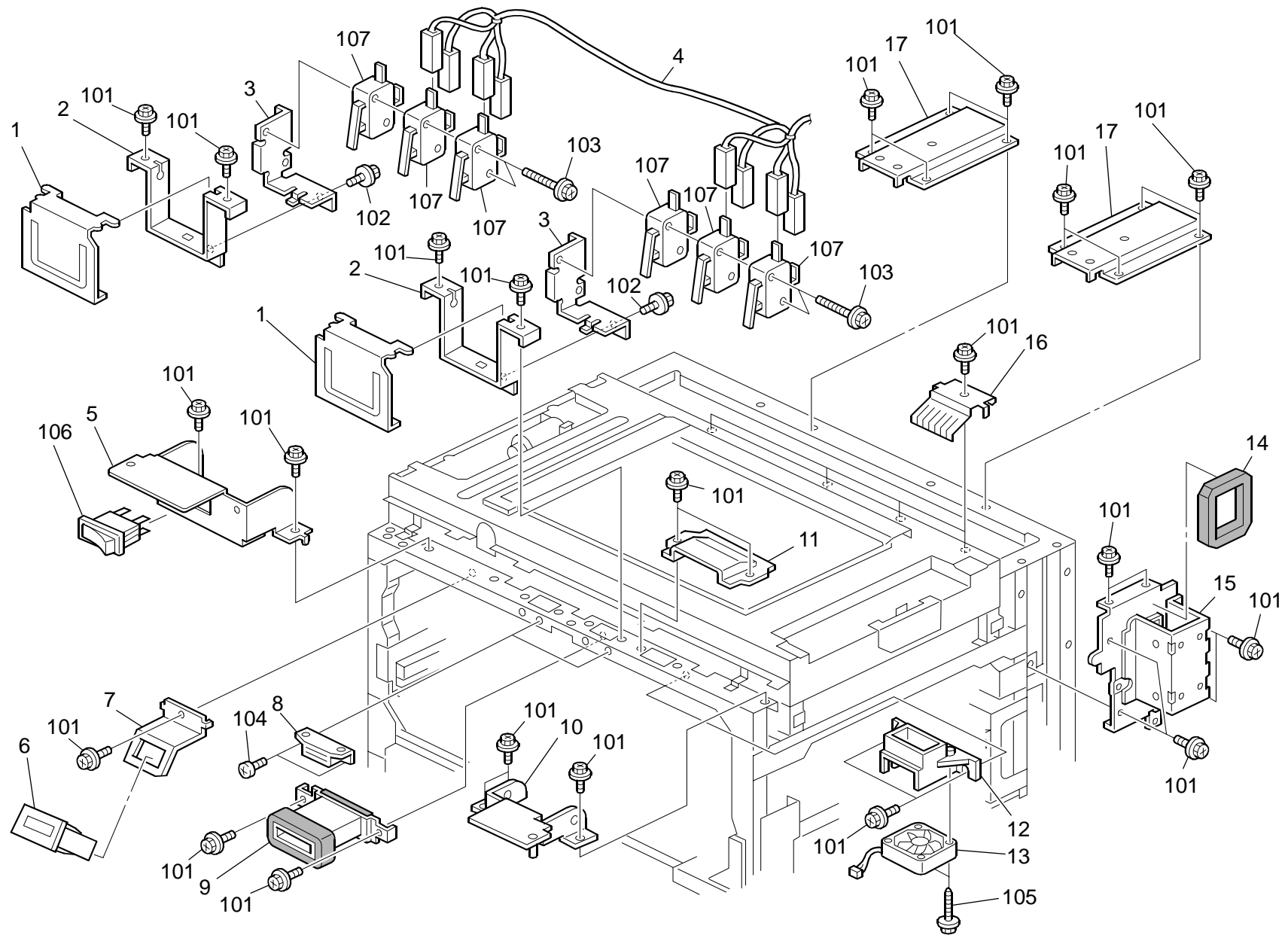


### 80.Electrical Section 9 (D059/D060/D061)

Index No.	Part No.	Description	Q'ty Per Assembly
1	A294 3093	Air Block Plate	2
2	B234 7559	Connector Bracket	1
3	B234 3256	Tube Joint	1
4	B234 3255	Tube Joint Bracket	1
5	B234 3086	Fan Motor Bracket	1
6	AX64 0164	Fan Motor:15mm:24V	1
7	B234 3081	Duct:Fan:Ass'y	1
8	AX64 0158	Fan Motor MM60/15mm:24V	1
9	B234 3248	Development Fan Motor Unit	1

Index No.	Part No.	Description	Q'ty Per Assembly
101	0451 4008N	Tapping Screw:4x8	
102	0451 4012N	Tapping Screw:4x12	
103	0451 4020N	Tapping Screw - M4x20	
104	0450 4025N	Tapping Screw:4x25	
105	1102 6245	Relay Connector - 2P	

# 81.Electrical Section 10 (D059/D060/D061)



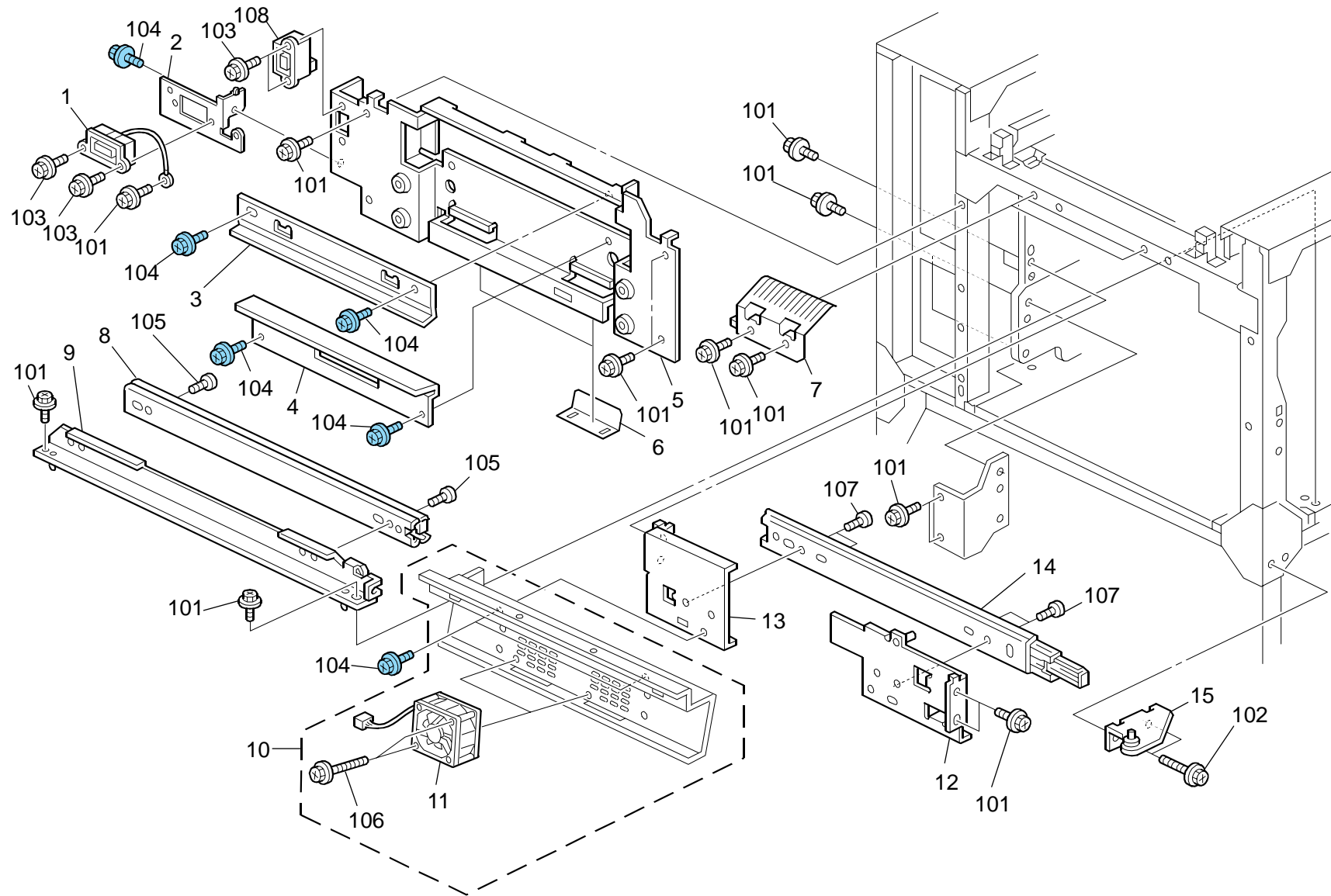
### 81.Electrical Section 10 (D059/D060/D061)

Index No.	Part No.	Description	Q'ty Per Assembly
1	B234 7655	Safety Switch Lever	2
2	B234 7651	Safety Switch Bracket A	2
3	B234 7652	Safety Switch Bracket B	2
4	D059 5355	Harness:Imaging Unit:Safety Switch	1
5	D059 1360	Bracket:Main Switch:Ass'y	1
6	AX31 0047	Total Counter:7Fig:24V:MI2	1
7	A294 1347	Bracket - Total Counter	1
8	AG07 0504	Magnet Catch:44.1N	2
9	D059 1977	Duct:Machine Or Copier:Imaging Unit:Ass'y	1
10	B234 1352	Hinge:Right Upper:Ass'y	1
11	B234 2377	Duct - Upper	1
12	B234 2372	Cleaning Fan Holder	1
13	AX64 0158	Fan Motor MM60/15MM:24V	1
14	A294 2124	Seal - Operation Frame	1
15	A294 1442	Frame - Operation Panel	1
16	A294 1837	Ground Plate - Rear Frame	1
17	B234 1686	ADF Bracket	2

Index No.	Part No.	Description	Q'ty Per Assembly
101	0451 4008N	Tapping Screw:4x8	
102	0451 3008N	Tapping Screw - M3x8	
103	0451 3035N	Tapping Screw - M3x35	
104	0314 0080N	Philips Pan Head Screw - M4x8	
105	0450 4025N	Tapping Screw:4x25	
106	1204 2614	Switch AC250V/16A	
107	1204 2805	Micro Switch	



## 82.Frame Section 1 (D059/D060/D061)

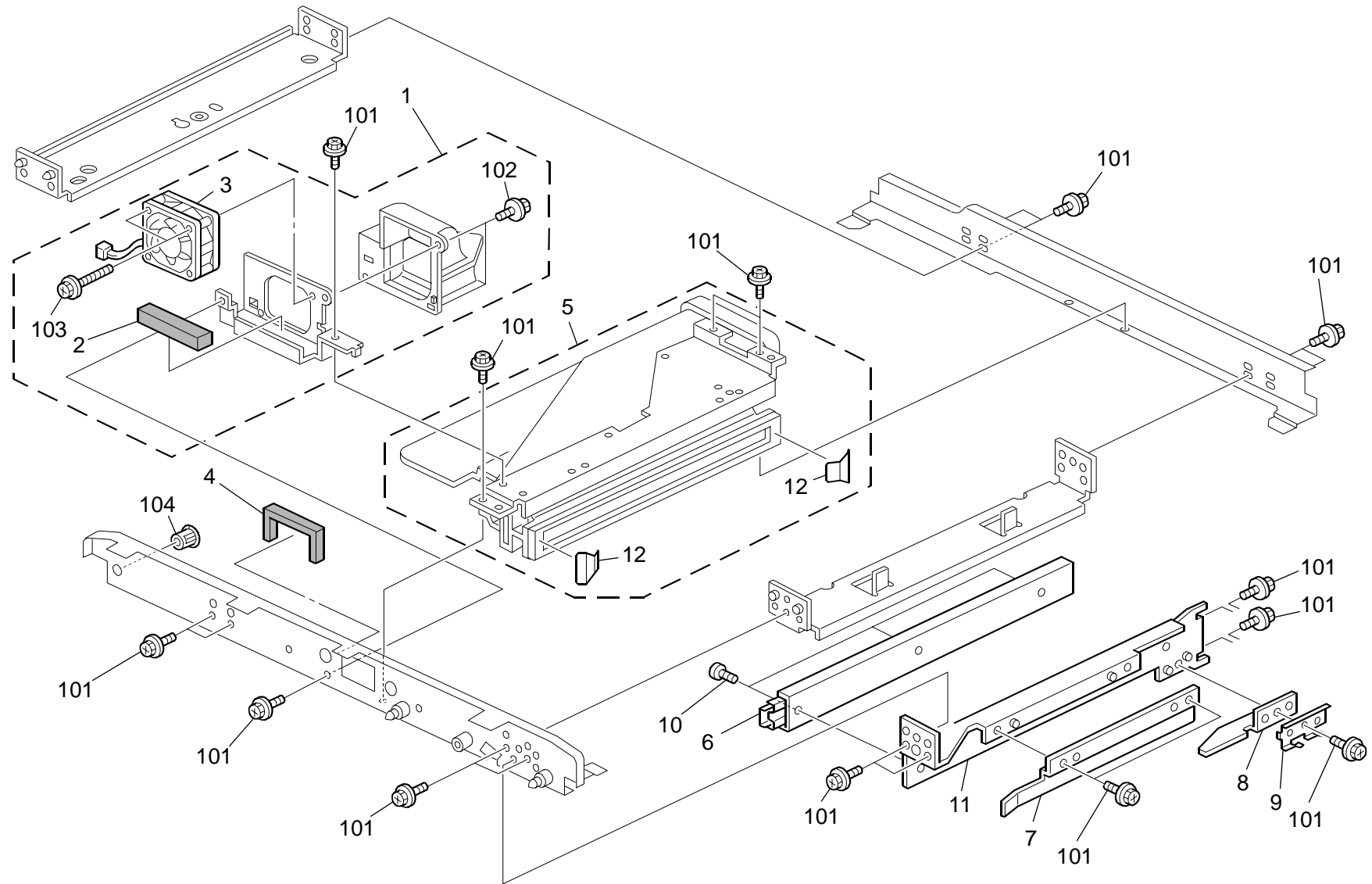


## 82.Frame Section 1 (D059/D060/D061)

Index No.	Part No.	Description	Q'ty Per Assembly
1	D059 4275	Harness:Ground Wire:Paper Exit Unit	1
2	D059 4462	Bracket:Connector:Finishing Sub-unit	1
3	B234 4404	Exit Guide:Upper	1
4	B234 4403	Exit Guide Plate - Lower	1
5	B234 4335	Drum Stay - Coupling Finishing Unit	1
6	B234 4457	Seal - Left	2
7	B234 1836	Ground Plate - Left Frame	2
8	AA07 0081	Slide Rail - Duplex	1
9	B234 4952	Slide Rail Stay - Left	1
10	B234 4901	Fan Motor Unit	1
11	AX64 0178	Fan Motor DC24V 3.36W	1
12	B234 4407	Slide Rail Bracket	1
13	B234 4409	Slide Rail Bracket	1
14	B234 4490	Slide Rail - Fusing/Paper Exit Unit	1
15	A294 1363	Lower Left Hinge	1

Index No.	Part No.	Description	Q'ty Per Assembly
101	0451 4008N	Tapping Screw:4x8	
102	0451 4012N	Tapping Screw:4x12	
103	0451 3008N	Tapping Screw - M3x8	
104	0454 4008Q	Tapping Screw - M4x8	
105	0434 0080N	Pan Self-tapping Screw:M4x8	
106	0451 4030N	Tapping Screw:M4x30	
107	0453 4006N	Binding Self Tapping Screw:4x6	
108	1102 8502	Connector - 54679-1615	

# 83.Frame Section 2 (D059/D060/D061)

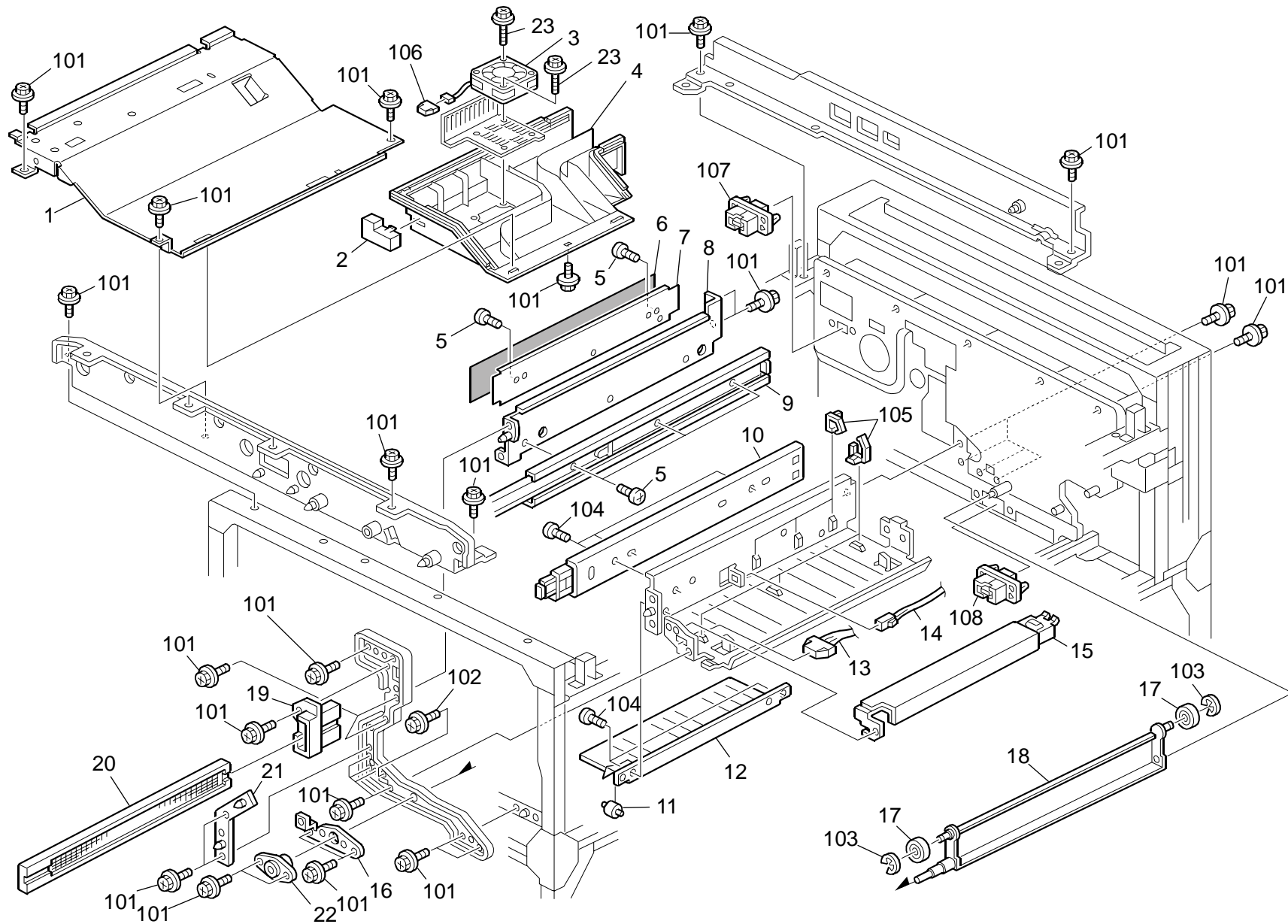


### 83.Frame Section 2 (D059/D060/D061)

Index No.	Part No.	Description	Q'ty Per Assembly
1	B236 1970	Fan:Imaging Unit:Unit:DC24V 4.8W	1
2	B234 1975	Fan Motor Seal - Lower	1
3	AX64 0150	Fan Motor:MM60:25mm:DC24V 4.8W	1
4	B234 1976	Fan Motor Seal - Upper	1
5	B234 2170	Machine Or Copier Duct	1
6	B234 2485	Slide Rail	1
7	B234 3097	Guide Plate - Development Unit	1
8	B234 3098	Guide Plate - Rail Development Unit	1
9	B234 3099	Ground Plate:Development	1
10	D059 2469	Screw:Round Point:M4x6	3
11	B234 3096	Tray Unit Stay - Right	1
12	A294 2109	Entrance Duct Slider	2

Index No.	Part No.	Description	Q'ty Per Assembly
101	0451 4008N	Tapping Screw:4x8	
102	0451 3006N	Tapping Screw - 3x6	
103	0451 3030N	Tapping Screw:3x30	
104	1106 0200	Bushing - 19.44mm	

# 84.Frame Section 3 (D059/D060/D061)

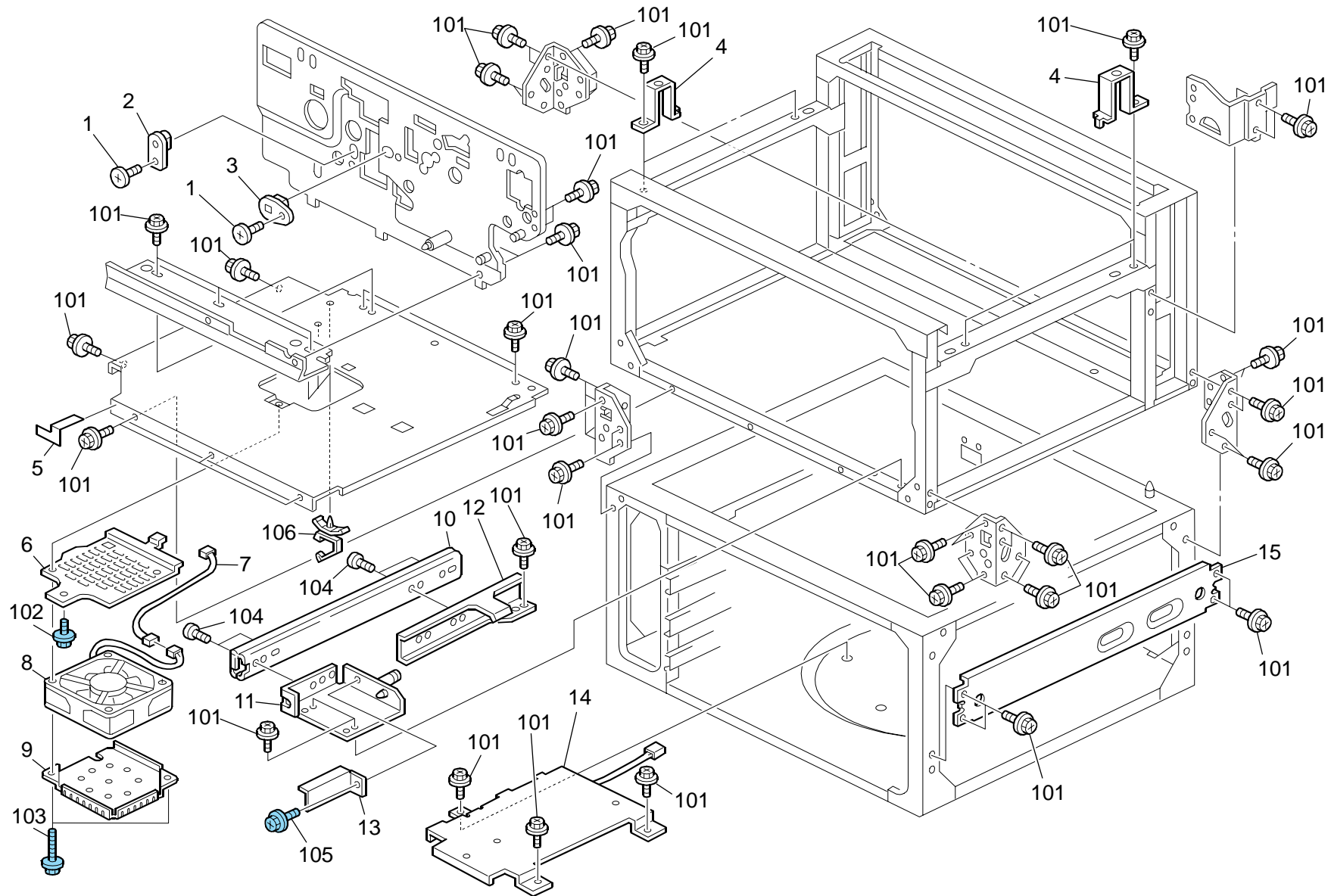


### 84.Frame Section 3 (D059/D060/D061)

Index No.	Part No.	Description	Q'ty Per Assembly
1	B234 4378	Stay:Upper:Duct	1
2	D059 4379	Cap:Connector	1
3	AX64 0150	Fan Motor:MM60:25mm:DC24V 4.8W	1
4	D059 4386	Duct:Exhaust:Upper:Sub-ass'y	1
5	D059 2469	Screw:Round Point:M4x6	2
6	B234 2487	Stay Heat Insulation - Left	1
7	B234 2486	Guard Bracket - Upper	1
8	B234 2481	Tray Unit Stay - Left	1
9	B234 2485	Slide Rail	1
10	B234 4490	Slide Rail - Fusing/Paper Exit Unit	1
11	AF02 2154	Roller:Horizontal:Transport:Driven	1
12	B234 4961	Guide Plate - Duplex Upper	1
13	D059 5690	Harness:Transfer Belt:Connecting	1
14	D059 5607	Harness:AC:Heater:Dehumidifier:Transfer	1
15	B234 3871	Heater - Transfer	1
16	B234 3863	Positioning Plate	1
17	6754 2866	Roller - Positioning Guide	2
18	B234 3858	Handle Stay	1
19	B234 2157	Filter Guide	1
<b>20</b>	<b>B234 2158</b>	<b>Filter</b>	<b>1</b>
21	B234 3854	Positioning Plate - Transfer Unit	1
22	AA08 2064	Bushing - 10mm	1
23	D059 4385	Hexagon Head Tapping Screw: DC Fan Motor	2

Index No.	Part No.	Description	Q'ty Per Assembly
101	0451 4008N	Tapping Screw:4x8	
102	0360 4008N	Screw - M4x8	
103	0720 0040E	Retaining Ring - M4	
104	0453 4008N	Binding Self Tapping Screw:4x8	
105	1105 0598	Clamp:LWSS-1N	
106	1102 6246	Relay Connector - 3P	
107	1102 9785	Connector:55949-1819	
108	1102 9783	Connector:55949-3919	

# 85.Frame Section 4 (D059/D060/D061)



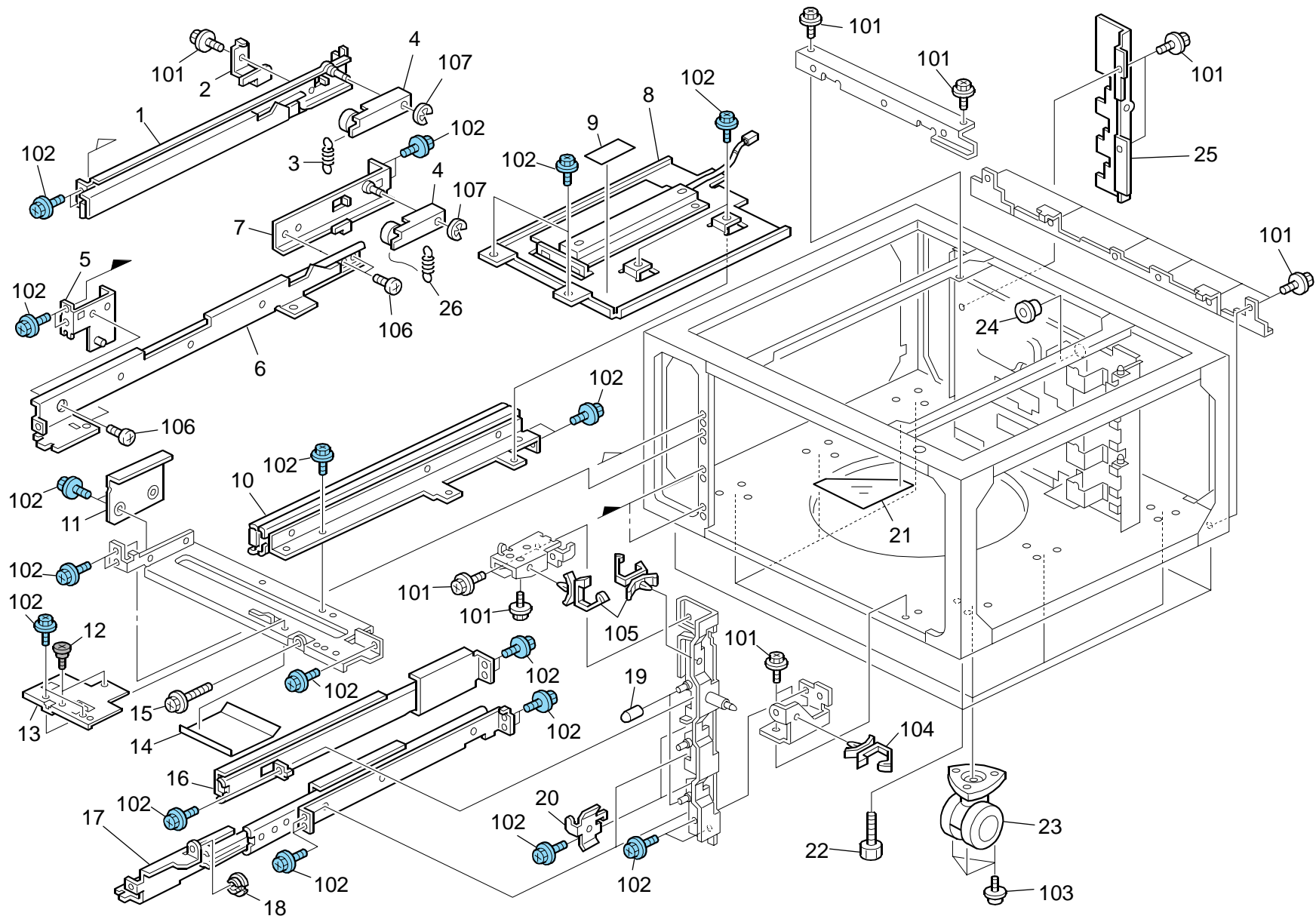
### 85.Frame Section 4 (D059/D060/D061)

Index No.	Part No.	Description	Q'ty Per Assembly
1	5506 6197	Screw - Knife Cam - Leading Edge CL	2
2	B234 4155	Positioning Pin No.2	1
3	B234 4154	Positioning Pin No.1	1
4	B234 1099	Holder:Base:Image Reading Unit	4
5	B234 4954	Shoe:Duplex Unit:Left Front	1
6	B070 4911	Fan Motor Bracket	1
7	D059 5693	Harness:Connecting:Duplex:Fan	1
8	AX64 0184	Fan Motor DC24V 3.1W	1
9	B070 4912	Cover:Fan:Duplex:Lower	1
10	AA07 0081	Slide Rail - Duplex	1
11	B234 1080	Channel Bracket - Middle Front	1
12	B234 4957	Slide Rail Stay - Right Rear	1
13	D059 4967	Cover:Bracket:Channel:Lengthwise: Middle Front	1
14	B234 6191	Heater Unit - Lower	1
15	B070 1041	Stay:Right Sideways:Lower	1

Index No.	Part No.	Description	Q'ty Per Assembly
101	0451 4008N	Tapping Screw:4x8	
102	0454 4006Q	Tapping Screw:4x6	
103	0454 4020Q	Tapping Screw:4x20	
104	0434 0080N	Pan Self-tapping Screw:M4x8	
105	0454 4008Q	Tapping Screw - M4x8	
106	1105 0511	Harness Clamp - LWS-0306ZC	



# 86.Frame Section 5 (D059/D060/D061)



### 86.Frame Section 5 (D059/D060/D061)

Index No.	Part No.	Description	Q'ty Per Assembly
1	D059 6160	Rail:Tandem LCT:Left:Sub-ass'y	1
2	D059 6742	Bracket:Rail:Left	1
3	D059 0761	Spring:Tandem Tray:Lock	1
4	B065 6136	Tray Lock Arm	2
5	D059 6170	Bracket:Slide Rail:Paper Tray:2:Ass'y	1
5	D059 6171	Bracket:Slide Rail:Paper Tray:3:Ass'y	1
6	D062 6692	Slide Rail:Paper Tray:Left:Sub-ass'y	1
7	B234 6173	Rail Stay - Left	1
8	B234 6190	Heater Unit - Upper	1
9	D046 2862	Decal:H-Temp Warning:Heater	1
10	B234 6138	Rail - Tandem LCT	1
11	B065 6777	Supporting Plate	1
12	AA14 3810	Development Cover Screw	2
13	D059 6859	Stopper:Registration:Tandem LCT	1
14	D059 6731	Shield:Guide:Misfeed Removal	1
15	D059 6858	Screw:M4x10	1
16	B132 7591	Rail:Paper Tray:Ass'y	1
17	B234 6181	Slide Rail - Right	1
18	B234 6188	Slide Sleeve Positioning	1
19	B004 2995	Cap - Positioning	2
20	B234 6125	Harness Guide Bracket	2
21	A096 6693	Paper Guide Sheet	1
22	AA14 3798	Hexagonal Bolt:M12x35	4
23	AH01 2031	Caster:1470N	4
24	B234 6141	Positioning Sleeve - Inner Back	1
25	B234 6199	Cover - Side Plate Rear	1
26	D059 6591	Spring:Paper Tray:Lock	1

Index No.	Part No.	Description	Q'ty Per Assembly
101	0451 4008N	Tapping Screw:4x8	
102	0454 4008Q	Tapping Screw - M4x8	
103	0951 6012N	Screw - M6x12	
104	1105 0487	Harness Clamp	
105	1105 0516	Clamp	
106	0354 0060N	Screw-M4x6	
107	0720 0040E	Retaining Ring - M4	

## 87.BCIU Board (D059/D060/D061)

### CAPACITOR

SYMBOL NO.	INDEX NO.	SYMBOL NO.	INDEX NO.	SYMBOL NO.	INDEX NO.	SYMBOL NO.	INDEX NO.	SYMBOL NO.	INDEX NO.	SYMBOL NO.	INDEX NO.	SYMBOL NO.	INDEX NO.
C1	186	C11	186	C21	186	C31	186	---	---	C51	186	---	---
C2	186	C12	181	---	---	C32	191	C42	186	---	---	---	---
C3	186	C13	181	C23	192	C33	197	---	---	C53	191	---	---
C4	191	C14	181	C24	205	C34	191	C44	179	---	---	C64	181
C5	181	C15	181	C25	192	---	---	---	---	C55	191	---	---
C6	178	C16	181	C26	202	C36	186	C46	177	---	---	C66	181
C7	178	---	---	---	---	C37	186	C47	191	C57	186	---	---
C8	181	C18	179	C28	186	---	---	C48	179	C58	181	C68	181
C9	181	C19	179	C29	179	---	---	---	---	C59	191	C69	177
C10	178	C20	200	C30	197	C40	177	C50	186	C60	199	C70	178

### CAPACITOR

SYMBOL NO.	INDEX NO.	SYMBOL NO.	INDEX NO.	SYMBOL NO.	INDEX NO.	SYMBOL NO.	INDEX NO.	SYMBOL NO.	INDEX NO.	SYMBOL NO.	INDEX NO.	SYMBOL NO.	INDEX NO.
C71	176	C81	184	C91	186	C101	183	C111	206	C121	186	C131	190
C72	177	C82	170	C92	183	C102	186	C112	203	C122	188	C132	192
C73	196	C83	169	C93	186	C103	174	C113	203	C123	178	C133	189
C74	178	C84	186	C94	188	C104	174	C114	186	C124	186	C134	190
C75	174	C85	186	C95	178	C105	186	C115	181	---	---	C135	192
C76	174	C86	205	C96	186	C106	188	C116	181	---	---	C136	275
C77	277	C87	188	C97	188	C107	205	C117	279	C127	189	C137	275
C78	181	C88	177	C98	178	C108	181	C118	181	C128	274	C138	274
C79	179	C89	180	C99	186	C109	181	C119	176	C129	192	C139	189
C80	184	C90	186	C100	175	C110	206	C120	186	C130	190	C140	186

## 87.BCIU Board (D059/D060/D061)

### CAPACITOR

SYMBOL NO.	INDEX NO.	SYMBOL NO.	INDEX NO.	SYMBOL NO.	INDEX NO.	SYMBOL NO.	INDEX NO.	SYMBOL NO.	INDEX NO.	SYMBOL NO.	INDEX NO.	SYMBOL NO.	INDEX NO.
---	---	C151	177	C161	188	C171	190	C181	173	C191	188	C201	190
C142	188	C152	186	C162	183	C172	168	C182	274	---	---	C202	178
---	---	C153	178	---	---	C173	276	C183	274	C193	186	C203	178
C144	186	C154	188	C164	181	C174	186	C184	206	C194	186	C204	178
C145	186	C155	186	C165	181	C175	274	C185	206	C195	183	C205	178
C146	186	C156	186	C166	204	C176	186	C186	186	C196	278	C206	178
C147	186	C157	186	C167	206	C177	274	C187	188	---	---	C207	178
C148	186	C158	169	C168	183	C178	173	C188	178	---	---	C208	178
C149	186	C159	186	C169	192	C179	274	---	---	C199	178	C209	186
C150	177	C160	171	C170	189	C180	173	---	---	C200	274	C210	178

### CAPACITOR

SYMBOL NO.	INDEX NO.	SYMBOL NO.	INDEX NO.	SYMBOL NO.	INDEX NO.	SYMBOL NO.	INDEX NO.	SYMBOL NO.	INDEX NO.	SYMBOL NO.	INDEX NO.	SYMBOL NO.	INDEX NO.
C211	186	C221	178	C231	178	C241	186	C251	186	C261	182	C271	186
C212	186	C222	186	C232	186	C242	188	C252	188	C262	178	C272	186
C213	178	C223	188	C233	178	C243	186	C253	186	C263	178	C273	188
C214	186	C224	178	C234	186	C244	186	C254	186	C264	178	C274	178
C215	186	C225	186	C235	188	C245	188	C255	186	C265	178	C275	178
C216	186	C226	188	C236	178	C246	186	C256	186	C266	178	C276	188
C217	178	C227	178	C237	186	C247	178	C257	178	C267	188	C277	188
C218	188	C228	186	C238	178	C248	178	C258	178	C268	178	C278	178
C219	188	C229	178	C239	182	C249	178	C259	186	C269	186	C279	178
C220	186	C230	195	C240	186	C250	188	C260	188	C270	178	C280	178

## 87.BCIU Board (D059/D060/D061)

### CAPACITOR

SYMBOL NO.	INDEX NO.	SYMBOL NO.	INDEX NO.	SYMBOL NO.	INDEX NO.	SYMBOL NO.	INDEX NO.	SYMBOL NO.	INDEX NO.	SYMBOL NO.	INDEX NO.	SYMBOL NO.	INDEX NO.
C281	186	C291	186	C301	186	C311	178	C321	178	C331	186	C341	201
C282	178	C292	188	C302	188	C312	178	C322	178	C332	186	C342	179
C283	186	C293	178	C303	178	C313	186	C323	178	C333	195	C343	195
C284	195	C294	186	C304	186	C314	178	C324	178	C334	188	C344	188
C285	178	C295	188	C305	188	C315	178	C325	178	C335	179	C345	201
C286	186	C296	178	C306	178	C316	178	C326	178	C336	186	C346	186
C287	178	C297	186	C307	186	C317	178	C327	202	C337	188	C347	186
C288	178	C298	178	C308	186	C318	186	C328	188	C338	195	C348	179
C289	188	C299	195	C309	178	C319	178	C329	205	C339	179	C349	195
C290	178	C300	178	C310	195	C320	178	C330	202	C340	186	C350	188

### CAPACITOR

SYMBOL NO.	INDEX NO.	SYMBOL NO.	INDEX NO.	SYMBOL NO.	INDEX NO.	SYMBOL NO.	INDEX NO.	SYMBOL NO.	INDEX NO.	SYMBOL NO.	INDEX NO.	SYMBOL NO.	INDEX NO.
C351	188	C361	186	C371	202	C381	172	C391	172	C401	190	C411	178
C352	195	C362	179	C372	186	C382	190	C392	190	C402	192	C412	198
C353	179	C363	195	C373	188	C383	190	C393	192	---	---	C413	192
C354	186	C364	188	C374	185	C384	190	C394	190	C404	192	C414	190
C355	186	C365	186	C375	199	C385	190	C395	274	C405	190	C415	274
C356	201	C366	179	---	---	C386	192	C396	172	C406	192	C416	190
C357	188	C367	188	C377	178	C387	190	C397	190	C407	190	C417	192
C358	195	C368	195	---	---	C388	192	C398	198	---	---	C418	274
C359	179	C369	186	C379	190	C389	192	C399	274	C409	190	C419	274
C360	201	C370	186	C380	172	C390	192	C400	198	C410	192	C420	198

## 87.BCIU Board (D059/D060/D061)

### CAPACITOR

SYMBOL NO.	INDEX NO.	SYMBOL NO.	INDEX NO.	SYMBOL NO.	INDEX NO.	SYMBOL NO.	INDEX NO.	SYMBOL NO.	INDEX NO.	SYMBOL NO.	INDEX NO.	SYMBOL NO.	INDEX NO.
C421	190	C431	172	C441	188	C451	202	C461	195	C471	173	C481	179
C422	172	C432	172	C442	186	C452	186	C462	186	C472	186	C482	179
C423	192	C433	190	C443	195	C453	188	C463	188	C473	186	C483	194
C424	192	---	---	C444	179	C454	201	C464	202	C474	186	C484	194
C425	192	C435	178	C445	186	C455	186	C465	186	C475	186	C485	194
C426	190	---	---	C446	195	C456	179	C466	188	C476	186	C486	186
C427	172	C437	279	C447	188	C457	195	C467	185	C477	186	C487	179
C428	190	C438	186	C448	186	C458	188	C468	199	C478	186	C488	194
C429	190	C439	179	C449	179	C459	186	C469	173	C479	186	C489	186
C430	190	C440	201	C450	195	C460	179	C470	173	C480	179	C490	186

### CAPACITOR

SYMBOL NO.	INDEX NO.	SYMBOL NO.	INDEX NO.	SYMBOL NO.	INDEX NO.	SYMBOL NO.	INDEX NO.	SYMBOL NO.	INDEX NO.	SYMBOL NO.	INDEX NO.	SYMBOL NO.	INDEX NO.
C491	179	C501	186	C511	186	C521	186	C531	178	C541	178	---	---
C492	194	C502	179	C512	195	C522	188	C532	181	C542	181	---	---
C493	186	C503	194	C513	179	C523	195	C533	176	C543	181	---	---
C494	186	C504	201	C514	186	C524	201	C534	178	C544	181	---	---
C495	179	C505	186	C515	186	C525	179	C535	178	C545	181	C555	188
C496	194	C506	194	C516	186	C526	186	C536	181	C546	178	C556	178
C497	186	C507	194	C517	186	C527	181	C537	178	C547	181	C557	186
C498	188	C508	188	C518	186	C528	178	C538	181	C548	178	C558	186
C499	195	C509	179	C519	186	C529	178	C539	178	C549	178	C559	186
C500	179	C510	179	C520	186	C530	181	C540	181	C550	181	C560	179

## 87.BCIU Board (D059/D060/D061)

### CAPACITOR

SYMBOL NO.	INDEX NO.	SYMBOL NO.	INDEX NO.	SYMBOL NO.	INDEX NO.	SYMBOL NO.	INDEX NO.	SYMBOL NO.	INDEX NO.	SYMBOL NO.	INDEX NO.	SYMBOL NO.	INDEX NO.
C561	194	C571	186	C581	179	---	---	C901	181	C911	181	C921	181
C562	179	C572	179	C582	186	C592	184	C902	181	C912	181	C922	181
C563	186	C573	186	C583	181	C593	199	C903	181	C913	181	C923	181
C564	179	C574	186	---	---	---	---	C904	181	C914	181	C924	181
C565	186	C575	179	C585	187	---	---	C905	181	C915	181	C925	181
						---	---						
C566	188	C576	186	C586	186	---	---	C906	181	C916	181	C926	181
C567	188	C577	179	---	---	---	---	C907	181	C917	181	C927	181
C568	179	C578	186	C588	186	---	---	C908	181	C918	181	C928	181
C569	186	C579	179	C589	189	---	---	C909	181	C919	181	C929	181
C570	179	C580	194	C590	179	---	---	C910	181	C920	181		

### CA

SYMBOL NO.	INDEX NO.
CA1	193
CA2	193

### CONNECTOR

SYMBOL NO.	INDEX NO.	SYMBOL NO.	INDEX NO.
CN251	113	CN451	114
CN252	107	CN452	106
---	---	CN453	104
---	---	CN454	109
---	---	CN455	102
CN256	103	CN456	105
CN257	112	CN457	101
---	---	CN458	108
---	---	---	---
---	---	CN460	111

SYMBOL NO.	INDEX NO.
CN461	110

### DIODE

SYMBOL NO.	INDEX NO.
D1	120
D2	119
D3	121

### FIL

SYMBOL NO.	INDEX NO.	SYMBOL NO.	INDEX NO.	SYMBOL NO.	INDEX NO.
FIL1	207	FIL11	207	FIL21	209
---	---	FIL12	207	FIL22	209
FIL3	207	FIL13	207	FIL23	213
FIL4	208	FIL14	207	FIL24	209
FIL5	207	FIL15	207	FIL25	209
FIL6	207	FIL16	207		
FIL7	207	FIL17	207		
FIL8	207	FIL18	213		
FIL9	208	FIL19	208		
FIL10	207	FIL20	213		

## 87.BCIU Board (D059/D060/D061)

### IC

SYMBOL NO.	INDEX NO.
IC1	137
IC2	145
IC3	139
IC4	145
IC5	136
IC6	280
IC7	280
IC8	281
IC9	143
IC10	143

SYMBOL NO.	INDEX NO.
IC11	143
IC12	126
IC13	147
IC14	157
IC15	156
IC16	155
---	---
IC18	149
---	---
---	---

SYMBOL NO.	INDEX NO.
---	---
IC22	133
IC23	129
IC24	133
IC25	131
IC26	134
IC27	127
IC28	142
IC29	138
IC30	128

SYMBOL NO.	INDEX NO.
IC31	151
IC32	141
IC33	143
IC34	128
IC35	138
IC36	135
IC37	131
IC38	148
IC39	131
IC40	128

SYMBOL NO.	INDEX NO.
IC41	144
---	---
IC43	141
IC44	140
IC45	131
IC46	132
IC47	130
IC48	153

### J

SYMBOL NO.	INDEX NO.
JP3	227
JP4	227

### L

SYMBOL NO.	INDEX NO.
L1	211
L2	214
L3	210
L4	211
L5	212

### LED

SYMBOL NO.	INDEX NO.
---	---
LED2	125
LED3	122
LED4	122
LED5	123
---	---
LED7	124
---	---
---	---
---	---

SYMBOL NO.	INDEX NO.
LED102	123
LED103	124

### OSC

SYMBOL NO.	INDEX NO.
OSC1	159
OSC2	162
OSC3	161
OSC4	160
OSC5	158

### Q

SYMBOL NO.	INDEX NO.
Q1	116
Q2	116
---	---
---	---
---	---
Q6	118
Q7	115
Q8	115
Q9	115
---	---

SYMBOL NO.	INDEX NO.
Q13	117
Q14	117

### RESISTOR

SYMBOL NO.	INDEX NO.
R1	254
R2	254
R3	246
R4	246
R5	246
R6	246
R7	231
R8	245
---	---
R10	263

SYMBOL NO.	INDEX NO.
R11	263
R12	270
R13	263
R14	273
R15	242
R16	242
R17	242
R18	268
R19	267
R20	264



## 87.BCIU Board (D059/D060/D061)

### RESISTOR

SYMBOL NO.	INDEX NO.	SYMBOL NO.	INDEX NO.	SYMBOL NO.	INDEX NO.	SYMBOL NO.	INDEX NO.	SYMBOL NO.	INDEX NO.	SYMBOL NO.	INDEX NO.	SYMBOL NO.	INDEX NO.
R21	231	R31	246	R41	231	R51	237	R61	231	R71	230	R81	228
R22	230	R32	246	R42	229	R52	228	R62	235	R72	231	R82	228
R23	250	R33	246	R43	245	R53	235	R63	230	---	---	R83	231
R24	248	R34	245	R44	246	R54	235	---	---	R74	231	R84	231
R25	248	R35	245	---	---	R55	229	R65	230	R75	231	R85	250
R26	250	R36	246	R46	250	R56	234	R66	246	R76	250	R86	250
R27	250	R37	250	---	---	R57	234	R67	246	R77	229	R87	263
R28	250	R38	229	---	---	R58	235	R68	232	R78	229	---	---
R29	250	R39	229	R49	251	R59	235	R69	230	R79	229	R89	251
R30	250	R40	235	R50	231	R60	235	R70	230	R80	228	---	---

### RESISTOR

SYMBOL NO.	INDEX NO.	SYMBOL NO.	INDEX NO.	SYMBOL NO.	INDEX NO.	SYMBOL NO.	INDEX NO.	SYMBOL NO.	INDEX NO.	SYMBOL NO.	INDEX NO.	SYMBOL NO.	INDEX NO.
R91	253	R101	263	R111	250	R121	245	R131	231	R141	246	R151	228
R92	250	---	---	R112	250	R122	250	R132	230	R142	246	R152	247
R93	250	---	---	R113	250	---	---	R133	239	R143	250	R153	247
R94	246	R104	250	R114	250	R124	263	R134	239	R144	250	R154	250
R95	246	R105	250	R115	250	---	---	R135	239	R145	246	R155	250
R96	246	R106	245	R116	257	R126	235	R136	230	R146	246	R156	247
R97	250	R107	246	R117	250	R127	231	R137	230	R147	233	R157	263
R98	250	R108	250	R118	245	R128	263	R138	246	R148	250	R158	230
R99	263	R109	250	R119	250	R129	225	R139	250	R149	263	R159	259
R100	263	R110	250	R120	250	R130	231	R140	250	R150	263	R160	259

## 87.BCIU Board (D059/D060/D061)

### RESISTOR

SYMBOL NO.	INDEX NO.	SYMBOL NO.	INDEX NO.	SYMBOL NO.	INDEX NO.	SYMBOL NO.	INDEX NO.	SYMBOL NO.	INDEX NO.	SYMBOL NO.	INDEX NO.	SYMBOL NO.	INDEX NO.
R161	259	R171	259	R181	230	R191	246	R201	225	R211	230	R221	231
R162	259	R172	259	R182	236	R192	246	R202	225	R212	230	R222	231
R163	231	R173	225	---	---	R193	246	R203	260	R213	231	R223	225
R164	230	R174	230	R184	263	---	---	R204	260	R214	236	R224	263
R165	225	R175	259	R185	246	R195	258	---	---	R215	237	R225	263
R166	231	R176	259	R186	246	---	---	R206	231	R216	231	R226	263
R167	231	R177	259	R187	245	---	---	R207	259	R217	237	R227	263
R168	235	R178	259	R188	245	R198	233	R208	259	R218	237	R228	263
R169	259	R179	225	R189	263	R199	263	R209	259	R219	237	R229	255
R170	259	R180	235	R190	246	---	---	R210	259	R220	231	R230	245

### RESISTOR

SYMBOL NO.	INDEX NO.	SYMBOL NO.	INDEX NO.	SYMBOL NO.	INDEX NO.	SYMBOL NO.	INDEX NO.	SYMBOL NO.	INDEX NO.	SYMBOL NO.	INDEX NO.	SYMBOL NO.	INDEX NO.
R231	245	R241	231	R251	241	R261	250	R271	231	R281	230	R291	235
R232	250	R242	238	R252	246	R262	246	R272	231	R282	230	R292	231
R233	246	R243	231	R253	246	R263	246	R273	231	R283	236	R293	231
R234	250	---	---	R254	246	R264	246	R274	230	R284	261	R294	231
R235	246	R245	225	R255	246	R265	246	R275	261	R285	262	R295	236
R236	246	---	---	R256	250	R266	246	R276	261	R286	261	R296	226
R237	247	R247	236	R257	246	---	---	R277	262	R287	231	R297	226
R238	241	R248	236	R258	246	R268	271	R278	262	R288	231	R298	226
R239	231	R249	236	R259	250	R269	235	R279	262	R289	231	R299	226
R240	235	R250	231	R260	250	R270	235	R280	231	R290	231	R300	226

## 87.BCIU Board (D059/D060/D061)

### RESISTOR

SYMBOL NO.	INDEX NO.	SYMBOL NO.	INDEX NO.	SYMBOL NO.	INDEX NO.	SYMBOL NO.	INDEX NO.	SYMBOL NO.	INDEX NO.	SYMBOL NO.	INDEX NO.	SYMBOL NO.	INDEX NO.
R301	226	R311	226	R321	246	R331	263	R341	231	R351	248	R361	231
R302	226	---	---	R322	246	R332	250	R342	235	R352	248	R362	231
R303	226	R313	263	R323	247	R333	250	R343	235	R353	248	R363	235
R304	226	---	---	R324	247	R334	250	R344	239	R354	248	R364	231
R305	226	R315	263	R325	256	R335	252	R345	231	R355	248	R365	235
R306	226	R316	246	R326	256	R336	271	R346	231	R356	248	R366	235
R307	226	R317	246	R327	246	R337	246	R347	234	R357	248	R367	231
R308	226	R318	246	R328	263	R338	246	R348	234	R358	248	R368	234
R309	226	R319	245	---	---	R339	246	R349	248	---	---	R369	235
R310	226	R320	245	---	---	R340	245	R350	248	---	---	R370	230

### RESISTOR

SYMBOL NO.	INDEX NO.	SYMBOL NO.	INDEX NO.	SYMBOL NO.	INDEX NO.	SYMBOL NO.	INDEX NO.	SYMBOL NO.	INDEX NO.	SYMBOL NO.	INDEX NO.	SYMBOL NO.	INDEX NO.
R371	231	---	---	R391	244	R401	244	R411	244	R421	269	---	---
---	---	---	---	R392	247	R402	247	R412	247	R422	226	R432	226
R373	231	---	---	R393	244	R403	244	R413	244	R423	265	---	---
R374	230	---	---	R394	247	R404	247	R414	247	R424	246	R434	265
R375	231	R385	244	R395	244	R405	244	R415	244	R425	272	---	---
R376	230	R386	247	R396	247	R406	247	R416	247	---	---	R436	246
R377	254	R387	244	R397	244	R407	244	R417	240	R427	243	---	---
R378	258	R388	247	R398	247	R408	247	R418	240	R428	249	---	---
R379	263	R389	244	R399	244	R409	244	---	---	R429	266	---	---
R380	245	R390	247	R400	247	R410	247	R420	265	R430	231	R440	235

## 87.BCIU Board (D059/D060/D061)

### RESISTOR

SYMBOL NO.	INDEX NO.
R441	235
R442	235
R443	230
R444	230
R445	230

### REG

SYMBOL NO.	INDEX NO.
REG1	150
REG2	154
REG3	152
REG4	152
REG5	152
REG7	152
REG8	146

### RN

SYMBOL NO.	INDEX NO.
RN1	167
RN2	167
RN3	167
RN4	217
RN5	218
RN6	215
RN7	166
RN8	220
RN9	220
RN10	220

SYMBOL NO.	INDEX NO.
RN11	216
RN12	216
RN13	216
RN14	216
RN15	216
RN16	165
RN17	223
RN18	223
RN19	217
RN20	224

SYMBOL NO.	INDEX NO.
RN21	218
RN22	217
RN23	217
RN24	216
RN25	216
RN26	215
RN27	215
RN28	215
RN29	216
RN30	215

SYMBOL NO.	INDEX NO.
RN31	215
RN32	215
RN33	216
RN34	215
---	---
RN36	219
---	---
---	---
RN39	216
RN40	216

SYMBOL NO.	INDEX NO.
RN41	216
RN42	216
RN43	216
RN44	223
RN45	223
RN46	223
RN47	223
RN48	217
RN49	217
RN50	216

### RN

SYMBOL NO.	INDEX NO.
RN51	217
RN52	216
RN53	217
RN54	163
RN55	163
RN56	217
RN57	217
RN58	217
RN59	217
RN60	216

SYMBOL NO.	INDEX NO.
RN61	216
RN62	216
RN63	215
RN64	215
---	---
---	---
RN67	216
RN68	216
RN69	216
RN70	216

SYMBOL NO.	INDEX NO.
RN71	216
RN72	217
RN73	217
RN74	217
RN75	217
RN76	217
RN77	217
RN78	216
RN79	216
RN80	223

SYMBOL NO.	INDEX NO.
RN81	223
---	---
RN83	217
RN84	221
RN85	221
RN86	221
RN87	221
RN88	217
RN89	165
RN90	165

SYMBOL NO.	INDEX NO.
RN91	165
RN92	164
RN93	224
RN94	224
RN95	221
RN96	221
RN97	224
RN98	224
RN99	224
RN100	164

SYMBOL NO.	INDEX NO.
RN101	164
RN102	216
RN103	164
RN104	164
RN105	165
RN106	222
RN107	222
RN108	222
RN109	222
RN110	222

SYMBOL NO.	INDEX NO.
RN111	222



## 87.BCIU Board (D059/D060/D061)

Index No.	Part No.	Description	Q'ty Per Assembly
*	D059 5230	PCB:BICU:Ass'y	1

Index No.	Part No.	Description	Q'ty Per Assembly
101	1102 5303	3.5:Connector:ST:4P	
102	1102 5305	Connector	
103	1102 6297	Connector - 4P	
104	1102 6397	Box Header	
105	1102 6592	Connector	
106	1102 6895	Connector - 40P	
107	1102 8471	Connector - 55447-071	
108	1102 8476	Connector:55447-1280	
109	1102 8489	Connector - 55451-3010	
110	1102 8560	Connector - KX14-60K5D1E	
111	1102 9470	Connector:55460-0619	
112	1103 3427	Connector:FH12-49S-0.5SV(89)	
113	1103 3769	Connector:BM40B-SHLDS-G(LF)(SN)	
114	1103 3947	Connector:WB4S140HA1	
115	1400 1152	Transistor:RT1N436M-T111	
116	1400 1240	Transistor:SRC1202UF	
117	1400 1286	Transistor:RT1N430M-T111	
118	1401 1401	FET:SSM3J01T	
119	1402 1336	Diode - 1SS355	
120	1402 1444	Diode:RB051L-40	
121	1402 1565	Diode:RB521S-30	
122	1403 0953	LED - SML-310MT	
123	1403 0978	LED:SML-310DT	
124	1403 0996	LED - SML-310VT	
125	1403 1033	LED:SML-310YT	
126	1407 4399	CMOS Logic:TC74VHC245FT(K)	
127	1407 4804	CMOS Logic:TC7SH08FU	
128	1407 5192	CMOS Logic:TC7SZ04FU	
129	1407 5366	IC - 74LVC08A TSSOP	
130	1407 5373	CMOS Logic:SN74LV21APW	
131	1407 5469	IC - SN74LV07APW	
132	1407 5511	IC - SN74LVC14APW	
133	1407 5633	IC:SN74LV574APW	
134	1407 6166	IC - ESOC	
135	1407 6221	EEPROM:BR24L01AFV-W	

Index No.	Part No.	Description	Q'ty Per Assembly
136	1407 6447	Custom IC - GAVD Type-W	
137	1407 6520	Custom IC - GARAC-C	
138	1407 6613	ICS7152M-01	
139	1407 6641	Custom IC:LEO	
140	1407 6803	CMOS Logic:TC7SZ07FU	
141	1407 6957	CMOS Logic:TC7SH17FU	
142	1407 6995	CMOS Logic:TC74VHC244FT(K)	
143	1407 7000	CMOS Logic:TC74VHC541FT(K)	
144	1407 7044	Clock Generator:ICS7152M-02LF	
145	1407 7190	Controller:RB5V871A	
146	1408 1669	Series Regulator:R1170H331B	
147	1408 1730	IC - MM1096BF	
148	1408 1736	Operational Amplifier:LMV358MM	
149	1408 1826	IC - R3112Q421A	
150	1408 1850	Regulator - R1170H181B	
151	1408 2024	IC:R3112Q261A-FA	
152	1408 2247	Series Regulator:R1114N181B-F	
153	1408 2377	DC/DC Converter:MP2106DK-LF	
154	1408 2524	Series Regulator:R1171S181B-F	
155	1408 2607	DC/DC Converter:BD9111NV	
156	1408 2775	IC:BD95500MUV	
157	1408 2943	DC/DC Converter:BD9107FVM	
158	1503 1111	Crystal Oscillator:14MHz	
159	1503 1215	Crystal Oscillator - 17.5MHz	
160	1503 1381	Crystal Oscillator:26.6MHz	
161	1503 1484	Crystal Oscillator:71.0966MHz	
162	1503 1505	Crystal Oscillator:50MHz	
163	1601 7751	Resistor - 4.7K $\Omega$ $\pm$ 5%	
164	1601 7752	Resistor Array - 10K $\Omega$ $\pm$ 5%	
165	1601 7887	Resistor Array - 10K $\Omega$ $\pm$ 5% 1/32W	
166	1601 7899	Resistor Array - 56 $\Omega$ $\pm$ 5% 1/16W	
167	1601 7981	Resistor Array - 100K $\Omega$ $\pm$ 5%1/16W	
168	1604 2331	Capacitor - 47 $\mu$ F $\pm$ 20% 10V	
169	1604 4967	Capacitor:220UF: $\pm$ 20%:10V	
170	1604 5069	Capacitor:47UF: $\pm$ 20%:16V	

Index No.	Part No.	Description	Q'ty Per Assembly
171	1604 5239	Capacitor - 220 $\mu$ F $\pm$ 20% 35V	
172	1605 1137	Capacitor - 470pF $\pm$ 10% 50V	
173	1605 1200	Capacitor - 10pF $\pm$ 0.5pF 50V	
174	1605 1202	Capacitor - 15pF $\pm$ 5% 50V	
175	1605 1205	Capacitor - 33pF $\pm$ 5% 50V	
176	1605 1206	Capacitor - 47pF $\pm$ 5% 50V	
177	1605 1208	Capacitor:100pF: $\pm$ 5%:50V	
178	1605 1212	Capacitor - 470pF $\pm$ 10% 50V	
179	1605 1214	Capacitor - 1000pF $\pm$ 10% 50V	
180	1605 1216	Capacitor - 2200pF $\pm$ 10%50V	
181	1605 1221	Capacitor - 0.1 $\mu$ F+80-20%16V	
182	1605 1224	Capacitor 4.7 $\mu$ F $\pm$ 10% 6.3V	
183	1605 1240	Capacitor - 0.01 $\mu$ F $\pm$ 10% 25V	
184	1605 1283	Capacitor - 680pF $\pm$ 10% 50V	
185	1605 1285	Capacitor - 3300pF $\pm$ 10% 50V	
186	1605 1289	Capacitor - 0.1 $\mu$ F $\pm$ 10% 10V	
187	1605 1294	Resistor - 1000pF $\pm$ 5% 50V	
188	1605 1303	Capacitor - 0.01 $\mu$ F+80-20% 50V	
189	1605 1306	Capacitor - 1 $\mu$ F $\pm$ 10% 10V	
190	1605 1353	Capacitor - 0.1 $\mu$ F $\pm$ 10% 25V	
191	1605 1358	Capacitor - 10 $\mu$ F $\pm$ 10% 10V	
192	1605 1406	Capacitor - 10 $\mu$ F $\pm$ 10% 6.3V	
193	1605 1440	Capacitor:100pF: $\pm$ 10%:50V	
194	1605 1451	Capacitor:0.47 $\mu$ F: $\pm$ 10%:6.3V	
195	1605 1452	Capacitor - 1 $\mu$ F $\pm$ 10% 6.3V	
196	1605 1454	Capacitor:0.33 $\mu$ F: $\pm$ 10%:6.3V	
197	1605 1474	Capacitor - 47 $\mu$ F $\pm$ 20% 6.3V	
198	1605 1478	Capacitor:0.015 $\mu$ F: $\pm$ 5%:50V	
199	1605 1544	Capacitor:330pF: $\pm$ 5%:50V	
200	1605 1583	Capacitor - 0.1 $\mu$ F: $\pm$ 10%:16V	
201	1605 1585	Capacitor:4.7 $\mu$ F: $\pm$ 10%:6.3V	
202	1605 1587	Capacitor:22 $\mu$ F: $\pm$ 20%:6.3V	
203	1605 1605	Capacitor - 4.7 $\mu$ F $\pm$ 10% 10V	
204	1605 1652	Capacitor:22 $\mu$ F: $\pm$ 20%:16V	
205	1605 1687	Capacitor:10 $\mu$ F: $\pm$ 10%:10V	

Index No.	Part No.	Description	Q'ty Per Assembly
206	1605 1710	Capacitor:10μF:±10%:25V	
207	1607 0861	Filter - BK2125HS101	
208	1607 1002	Filter:NFE31PT222Z1E9B	
209	1607 1108	Filter:BLM21PG220SN1B	
210	1607 1222	Inductor - 3.3UH ±20% 2.5A	
211	1607 1505	Inductor:SLF6028-4R7M1R6-pF	
212	1607 1546	Inductor - SLF6028-220MR77-pF	
213	1607 1567	Filter:MPZ2012S101A	
214	1607 2079	Inductor:CDEP105NP-3R2MC-50	
215	1609 0005	Resistor:33Ω:±5%:1/16W	
216	1609 0006	Resistor:10KΩ:±5%:1/16W	
217	1609 0007	Resistor - 68Ω ±5% 1/16W	
218	1609 0011	Resistor:22Ω:±5%:1/16W	
219	1609 0015	Resistor Array:1K Ω:±5%:1/16W:8Number	
220	1609 0016	Resistor:56Ω:±5%:1/16W	
221	1609 0017	Resistor:150 Ω:±5%:1/16W	
222	1609 0020	Resistor:10Ω:±5%:1/16W	
223	1609 0027	Resistor - 100KΩ±5% 1/16W	
224	1609 0175	Resistor Array:200 Ω:±5%:1/16W:8Number	
225	1633 0000	Resistor - 0 Ω 1/10W	
226	1634 0000	Resistor - 0 Ω 1/16W	
227	1634 0000	Resistor - 0 Ω 1/16W	
228	1650 4100	Resistor - 10Ω ±5% 1/10W	
229	1650 4101	Resistor - 100Ω±5%1/10W	
230	1650 4102	Resistor - 1KΩ ±5% 1/10W	
231	1650 4103	Resistor - 10KΩ ±5% 1/10W	
232	1650 4105	Resistor - 1MΩ ±5% 1/10W	
233	1650 4151	Resistor:150 Ω:±5%:1/10W:1608	
234	1650 4222	Resistor - 2.2KΩ±5%1/10W	
235	1650 4330	Chip Resistor - 33Ω ±5% 1/10W	
236	1650 4472	Resistor - 4.7KΩ ±5% 1/10W	
237	1650 4560	Chip Resistor - 56Ω ±5% 1/10W	
238	1650 4561	Resistor - 560Ω ±5% 1/10W	
239	1650 4680	Resistor - 68Ω±5%1/10W	
240	1650 4681	Resistor - 680Ω ±5% 1/10W	

Index No.	Part No.	Description	Q'ty Per Assembly
241	1650 4682	Resistor:6.8K Ω:±5%:1/10W:1608	
242	1650 4751	Resistor:750 Ω:±5%:1/10W:1608	
243	1650 5100	Chip Resistor - 10 Ω±5%1/16W	
244	1650 5101	Chip Resistor - 100 Ω±5%1/16W	
245	1650 5102	Chip Resistor - 1KΩ±5%1/16W	
246	1650 5103	Chip Resistor - 10KΩ±5%1/16W	
247	1650 5104	Chip Resistor - 100KΩ±5%1/16W	
248	1650 5201	Resistor:200 Ω:±5%:1/16W:1005	
249	1650 5302	Resistor:3K Ω:±5%:1/16W:1005	
250	1650 5330	Chip Resistor - 33Ω±5%1/16W	
251	1650 5332	Resistor - 3.3KΩ ±5% 1/16W	
252	1650 5360	Resistor:36 Ω:±5%:1/16W:1005	
253	1650 5470	Chip Resistor 47Ω ±5% 1/16W	
254	1650 5471	Chip Resistor - 470Ω -5% 1/16W	
255	1650 5472	Chip Resistor:4.7KΩ:±5%:1/16W	
256	1650 5680	Resistor - 68Ω ±5% 1/16W	
257	1650 5681	Chip Resistor:680Ω:±5%:1/16W	
258	1650 5751	Resistor:750 Ω:±5%:1/16W:1005	
259	1654 1000	Resistor - 100Ω ±1% 1/10W	
260	1654 1002	Resistor - 10KΩ±5%1/10W	
261	1654 4300	Resistor:430 Ω:±1%:1/10W:1608	
262	1654 4701	Resistor - 4.7KΩ±1% 1/10W	
263	1655 0000	Chip Resistor - 0Ω±0%1/16W	
264	1655 1003	Chip Resistor - 100KΩ±1%1/16W	
265	1655 1202	Resistor:12K Ω:±1%:1/16W:1005	
266	1655 1203	Resistor:120K Ω:±1%:1/16W:1005	
267	1655 1243	Resistor:124K Ω:±1%:1/16W:1005	
268	1655 1303	Resistor:130K Ω:±1%:1/16W:1005	
269	1655 1502	Resistor:15K Ω:±1%:1/16W:1005	
270	1655 1503	Resistor:150K Ω:±1%:1/16W:1005	
271	1655 2400	Resistor:240 Ω:±1%:1/16W:1005	
272	1655 3002	Chip Resistor - 30KΩ±1%1/16W	
273	1655 8202	Resistor:82K Ω:±1%:1/16W:1005	
274	1660 2101	Capacitor - 100pF - ±10% - 50V	
275	1660 2150	Capacitor - 15pF ±5% 50V	



Index No.	Part No.	Description	Q'ty Per Assembly
276	1660 2331	Capacitor - 330pF $\pm$ 5% 50V	
277	1660 4103	Capacitor - 10000pF - $\pm$ 10% - 50V	
278	1660 4332	Capacitor - 3300pF - $\pm$ 10% - 50V	
279	1660 8104	Capacitor - 0.1 $\mu$ F $\pm$ 20% 25V	
280	1902 0076	SRAM:8M:X16:55NS:G1	
281	1906 0130	Flash Memory:S29GL032N90TFI040:32M	

Index No.	Part No.	Description	Q'ty Per Assembly



## 88.IO Board (D059/D060/D061)

### CAPACITOR

SYMBOL NO.	INDEX NO.	SYMBOL NO.	INDEX NO.	SYMBOL NO.	INDEX NO.	SYMBOL NO.	INDEX NO.	SYMBOL NO.	INDEX NO.	SYMBOL NO.	INDEX NO.	SYMBOL NO.	INDEX NO.
C1	249	C11	248	C21	249	C31	194	C41	248	C51	190	C61	244
C2	249	C12	191	C22	248	C32	194	C42	248	C52	190	C62	243
C3	186	C13	194	C23	249	C33	249	C43	245	C53	185	---	---
C4	249	C14	248	C24	248	C34	249	C44	245	C54	249	C64	191
C5	248	C15	194	C25	249	C35	247	C45	245	C55	248	C65	249
C6	248	C16	248	C26	190	C36	249	C46	248	---	---	C66	249
C7	249	C17	248	C27	187	C37	248	C47	248	---	---	C67	191
C8	248	C18	190	C28	188	C38	191	C48	248	C58	191	C68	248
C9	249	C19	249	C29	248	C39	245	C49	248	C59	249	C69	248
C10	248	C20	248	C30	249	C40	245	C50	249	C60	249	C70	249

### CAPACITOR

SYMBOL NO.	INDEX NO.	SYMBOL NO.	INDEX NO.	SYMBOL NO.	INDEX NO.	SYMBOL NO.	INDEX NO.	SYMBOL NO.	INDEX NO.	SYMBOL NO.	INDEX NO.	SYMBOL NO.	INDEX NO.
C71	248	C81	248	C91	192	C101	189	C111	249	C121	249	C131	191
C72	189	C82	248	C92	192	C102	249	C112	248	C122	248	C132	249
C73	249	C83	248	C93	249	C103	248	C113	249	C123	248	C133	249
C74	193	C84	249	C94	249	C104	249	C114	248	C124	248	C134	191
C75	248	C85	191	C95	248	C105	248	C115	190	C125	246	C135	191
C76	194	C86	248	C96	249	C106	249	C116	249	C126	249	C136	249
C77	249	C87	192	C97	248	C107	248	C117	248	C127	249	C137	249
C78	191	C88	192	C98	249	C108	190	C118	249	C128	249	C138	191
C79	248	C89	192	C99	248	C109	249	C119	248	C129	191	C139	249
C80	248	C90	192	C100	190	C110	249	C120	249	C130	249	C140	191

## 88.IO Board (D059/D060/D061)

### CAPACITOR

SYMBOL NO.	INDEX NO.
C141	249
C142	249
C143	191
C144	249
C145	191
C146	249
C147	249
C148	191
C149	191
C150	249

SYMBOL NO.	INDEX NO.
C151	249
C152	191
C153	249
C154	191
C155	191
C156	249
C157	191
C158	249
C159	249
C160	191

SYMBOL NO.	INDEX NO.
C161	191
C162	249
C163	249
C164	191
C165	249
C166	191
C167	249
C168	249
C169	191
C170	249

SYMBOL NO.	INDEX NO.
C171	191
C172	249
C173	249
C174	191
C175	191
C176	249
C177	249
C178	191
C179	249
C180	191

SYMBOL NO.	INDEX NO.
C181	249
C182	249
C183	191
C184	249
C185	191
C186	191
C187	191
C188	246
C189	248
C190	248

SYMBOL NO.	INDEX NO.
C191	248
C192	248
C193	249
C194	248
C195	248
C196	249
C197	249

### CA

SYMBOL NO.	INDEX NO.
CA1	197
CA2	197
CA3	197
CA4	197
CA5	197
CA6	197
CA7	197
CA8	197
CA9	197
CA10	196

### CA

SYMBOL NO.	INDEX NO.
CA11	196
CA12	195
CA13	196
CA14	196
CA15	196
CA16	195
---	---
CA18	197
CA19	195
CA20	198

SYMBOL NO.	INDEX NO.
CA21	197
CA22	197
CA23	197
CA24	197
CA25	197
CA26	197
CA27	197
CA28	197
CA29	197
CA30	197

SYMBOL NO.	INDEX NO.
CA31	197
CA32	197
CA33	197
CA34	197
CA35	197

### CONNECTOR

SYMBOL NO.	INDEX NO.
CN301	120
CN302	117
CN303	115
CN304	113
CN305	107
CN306	101
CN307	119
CN308	117
CN309	102
CN310	116

SYMBOL NO.	INDEX NO.
CN311	104
CN312	116
CN313	109
CN314	118
CN315	115
CN316	116
CN317	119
CN318	105
CN319	103
CN320	116

SYMBOL NO.	INDEX NO.
CN321	112
CN322	113
CN323	105
CN324	106
CN325	103
CN326	105
CN327	114
CN328	108
CN329	106
CN330	116

SYMBOL NO.	INDEX NO.
CN331	101
---	---
CN333	111
---	---
CN335	110

## 88.IO Board (D059/D060/D061)

### DIODE

SYMBOL NO.	INDEX NO.
D1	143
D2	142
D3	142
D4	143
D5	146
D6	143
D7	143
D8	143
D9	147
D10	146

SYMBOL NO.	INDEX NO.
D11	142
D12	143
D13	145
D14	142
D15	142
D16	140
D17	146
D18	147
D19	147
D20	143

SYMBOL NO.	INDEX NO.
D21	143
---	---
D23	147
D24	143
D25	143
D26	143
D27	143
D28	142
D29	141
D30	141

SYMBOL NO.	INDEX NO.
D31	139
D32	141
D33	146
---	---
D35	142
D36	143
D37	143

### FUSE

SYMBOL NO.	INDEX NO.
FU1	121
FU2	122
FU3	123
FU5	123
FU6	123
FU7	123
FU8	122

### IC

SYMBOL NO.	INDEX NO.
IC1	152
IC2	150
IC3	168
IC4	155
IC5	172
IC6	156
IC7	167
IC8	159
IC9	159
IC10	164

SYMBOL NO.	INDEX NO.
IC11	164
IC12	163
IC13	163
IC14	150
IC15	150
IC16	169
IC17	160
IC18	151
IC19	171
IC20	151

### IC

SYMBOL NO.	INDEX NO.
IC21	152
IC22	165
IC23	165
IC24	153
IC25	150
IC26	157
IC27	1
IC28	156
IC29	164
IC30	150

SYMBOL NO.	INDEX NO.
IC31	152
IC32	165
IC33	166
IC34	165
IC35	166
IC36	166
IC37	156
IC38	158
IC39	156
IC40	151

SYMBOL NO.	INDEX NO.
IC41	160
IC42	162
IC43	164
IC44	164
IC45	163
IC46	154
IC47	166
IC48	164
IC49	164
IC50	164

SYMBOL NO.	INDEX NO.
IC51	164
IC52	164
IC53	163
IC54	164
IC55	152
IC56	152
IC57	170
IC58	161
IC59	161

### LED

SYMBOL NO.	INDEX NO.
LED101	149
LED102	148

### OSC

SYMBOL NO.	INDEX NO.
OSC1	174

### Q

SYMBOL NO.	INDEX NO.
Q1	125
Q2	133
Q3	127
Q4	137
Q5	130
Q6	128
Q7	130
---	---
---	---
Q10	138

SYMBOL NO.	INDEX NO.
Q11	138
---	---
Q13	126
Q14	135
Q15	127
Q16	127
Q17	128
Q18	138
Q19	138
Q20	128

## 88.IO Board (D059/D060/D061)

### Q

SYMBOL NO.	INDEX NO.
Q21	130
Q22	138
Q23	138
Q24	138
Q25	131
Q26	133
Q27	129
Q28	133
Q29	133
Q30	136

SYMBOL NO.	INDEX NO.
Q31	130
---	---
Q33	130
Q34	130
Q35	130
Q36	130
Q37	130
---	---
Q39	130
Q40	138

SYMBOL NO.	INDEX NO.
Q41	128
Q42	134
Q43	134
Q44	134
Q45	128
Q46	132
Q47	130
Q48	130
Q49	132
Q50	130

SYMBOL NO.	INDEX NO.
Q51	128
Q52	128

### RESISTOR

SYMBOL NO.	INDEX NO.
R1	206
R2	206
R3	206
R4	206
R5	211
R6	206
R7	212
R8	221
R9	217
R10	221

SYMBOL NO.	INDEX NO.
R11	214
R12	215
R13	215
R14	212
R15	224
R16	217
R17	217
R18	212
R19	212
R20	213

SYMBOL NO.	INDEX NO.
R21	213
R22	212
R23	219
R24	212
R25	211
R26	219
R27	212
R28	212
R29	212
R30	234

### RESISTOR

SYMBOL NO.	INDEX NO.
R31	240
R32	237
---	---
R34	212
R35	212
R36	217
R37	230
R38	240
R39	231
---	---

SYMBOL NO.	INDEX NO.
R41	212
R42	233
R43	240
---	---
R46	212
R47	229
R48	240
---	---
---	---

SYMBOL NO.	INDEX NO.
R51	212
---	---
R53	216
R54	216
R55	212
R56	207
R57	212
R58	223
R59	207
R60	217

SYMBOL NO.	INDEX NO.
R61	212
R62	175
R63	211
R64	217
R65	209
R66	219
R67	212
R68	212
R69	217
R70	212

SYMBOL NO.	INDEX NO.
R71	217
R72	212
R73	219
R74	217
R75	217
R76	212
R77	209
R78	212
R79	209
R80	212

SYMBOL NO.	INDEX NO.
R81	240
R82	212
R83	209
R84	212
R85	209
R86	212
R87	209
---	---
R89	214
R90	211

SYMBOL NO.	INDEX NO.
---	---
R92	214
R93	211
R94	239
---	---
R96	211
---	---
---	---
---	---
---	---

## 88.IO Board (D059/D060/D061)

### RESISTOR

SYMBOL NO.	INDEX NO.	SYMBOL NO.	INDEX NO.	SYMBOL NO.	INDEX NO.	SYMBOL NO.	INDEX NO.	SYMBOL NO.	INDEX NO.	SYMBOL NO.	INDEX NO.	SYMBOL NO.	INDEX NO.
R101	222	R111	227	R121	219	R131	212	---	---	R151	212	R161	240
---	---	R112	211	R122	212	R132	217	---	---	R152	212	R162	234
---	---	---	---	R123	211	---	---	R143	241	R153	212	R163	212
R104	211	R114	211	R124	212	R134	212	R144	238	R154	240	---	---
R105	209	R115	237	R125	208	R135	218	R145	240	---	---	---	---
R106	212	R116	240	R126	208	---	---	R146	240	---	---	R166	237
R107	211	R117	234	R127	212	---	---	R147	235	R157	212	R167	240
R108	214	R118	176	R128	208	---	---	R148	232	---	---	R168	234
---	---	R119	176	R129	208	R139	205	R149	236	---	---	R169	212
R110	212	R120	176	R130	212	---	---	R150	212	R160	237	---	---

### RESISTOR

SYMBOL NO.	INDEX NO.	SYMBOL NO.	INDEX NO.	SYMBOL NO.	INDEX NO.	SYMBOL NO.	INDEX NO.	SYMBOL NO.	INDEX NO.	SYMBOL NO.	INDEX NO.	SYMBOL NO.	INDEX NO.
---	---	R181	212	R191	240	---	---	R211	228	R221	209	R231	212
R172	237	R182	205	R192	236	R202	241	R212	209	R222	211	---	---
R173	240	---	---	R193	212	R203	240	R213	212	R223	217	R233	204
R174	234	R184	241	---	---	R204	236	R214	217	R224	212	R234	204
R175	209	R185	240	---	---	R205	221	R215	212	R225	210	---	---
R176	212	R186	236	---	---	R206	214	R216	212	R226	210	R236	209
R177	226	R187	212	R197	240	R207	211	R217	209	R227	210	R237	209
R178	209	R188	205	R198	233	R208	215	R218	212	R228	210	R238	209
R179	212	---	---	R199	212	R209	215	R219	209	---	---	R239	212
R180	214	R190	241	R200	205	R210	212	R220	212	---	---	R240	217

## 88.IO Board (D059/D060/D061)

### RESISTOR

SYMBOL NO.	INDEX NO.
R241	217
R242	217
R243	217
R244	212
R245	217
R246	217
R247	212
R248	209
R249	209
---	---

SYMBOL NO.	INDEX NO.
---	---
R252	213
R253	213
R254	217
R255	220
R256	217
R257	212
R258	221
R259	209
R260	209

SYMBOL NO.	INDEX NO.
R261	211
R262	209
R263	240
R264	242
R265	212
R266	209
R267	212
R268	212
R269	209
R270	213

SYMBOL NO.	INDEX NO.
R271	212
R272	225
R273	221
R274	209
R275	212
R276	209
R277	216
R278	212
R279	216
R280	211

SYMBOL NO.	INDEX NO.
R333	212

### REG

SYMBOL NO.	INDEX NO.
REG1	173

### RN

SYMBOL NO.	INDEX NO.
RN1	200
RN2	199
RN3	199
RN4	199
RN5	199
RN6	199
RN7	199
RN8	199
RN9	199
RN10	199

SYMBOL NO.	INDEX NO.
RN11	178
RN12	178
RN13	178
RN14	199
RN15	178
RN16	178
RN17	178
RN18	199
RN19	199
RN20	199

### RN

SYMBOL NO.	INDEX NO.
RN21	199
RN22	178
RN23	200
RN24	202
RN25	203
RN26	182
RN27	200
RN28	199
RN29	200
RN30	199

SYMBOL NO.	INDEX NO.
RN31	201
RN32	201
RN33	201
RN34	201
RN35	201
RN36	178
RN37	178
RN38	183
RN39	201
RN40	179

SYMBOL NO.	INDEX NO.
RN41	201
RN42	201
RN43	178
RN44	180
RN45	178
RN46	178
RN47	178
RN48	179
RN49	180
RN50	180

SYMBOL NO.	INDEX NO.
RN51	181
RN52	177
RN53	178
RN54	180
RN55	180
RN56	178
RN57	180
RN58	178
RN59	199
RN60	199

SYMBOL NO.	INDEX NO.
RN61	199
RN62	178
RN63	201
RN64	201
RN65	199
RN66	199
RN67	201
RN68	199
RN69	199
RN70	201

SYMBOL NO.	INDEX NO.
RN71	199
RN72	199
RN73	178
RN74	178
RN75	178
RN76	201
RN77	199
RN78	199
RN79	201
RN80	199

SYMBOL NO.	INDEX NO.
RN81	199
RN82	201
RN83	199
RN84	199
RN85	181
RN86	199
RN87	184
RN88	200
RN89	178
RN90	178



## 88.IO Board (D059/D060/D061)

### RN

SYMBOL NO.	INDEX NO.
RN91	178
RN92	178
RN93	178
RN94	178
RN95	178
RN96	178
RN97	178
RN98	178
RN99	178
RN100	200

### SW

SYMBOL NO.	INDEX NO.
RN101	184

SYMBOL NO.	INDEX NO.
SW1	124

### ZD

SYMBOL NO.	INDEX NO.
ZD1	144
ZD2	144

### 88.IO Board (D059/D060/D061)

Index No.	Part No.	Description	Q'ty Per Assembly
*	D059 5241	PCB:IOB	1
1	B234 5285	IC:PED	1

Index No.	Part No.	Description	Q'ty Per Assembly
101	1102 5301	Connector - 2P	
102	1102 5325	Connector:B02P-XL-HDS(LF)(SN)	
103	1102 6299	Connector - 6P	
104	1102 6301	Connector:53324-0860	
105	1102 6305	Connector - 12P	
106	1102 6306	Connector - 13P	
107	1102 6396	Connector:53313-1665	
108	1102 6403	Connector - 30P	
109	1102 8467	Connector - 55447-0370	
110	1102 8469	Connector:55447-0570	
111	1102 8477	Connector - 13P	
112	1102 8480	Connector - 55447-1610	
113	1102 8490	Connector:55451-3270	
114	1102 8492	Connector - 55451-3610	
115	1102 8493	Connector - 55451-3810	
116	1102 8494	Connector - 55451-4010	
117	1102 9547	Connector :55451-1870	
118	1103 3624	Connector:5566-22A-210	
119	1103 3663	Connector:55451-1670	
120	1103 3769	Connector:BM40B-SHLDS-G(LF)(SN)	
121	1109 0007	IC - MINISMDC100-02	
122	1109 0016	Circuit Protector - SMD075	
123	1109 0018	Circuit Protector - SMD100	
124	1204 2802	Dip Switch	
125	1400 0731	Transistor - 2SD1766	
126	1400 0781	Transistor:2SB1132R	
127	1400 0953	Transistor - 2SC4081S	
128	1400 1012	Transistor:2SD2656	
129	1400 1153	Transistor:RT1P237M-T111	
130	1400 1155	Transistor:RT1P441M-T111	
131	1400 1188	Transistor:2SB1694	
132	1400 1297	Transistor:RT1N431M-T111	
133	1400 1316	Transistor:ISA1235AC1-T112	
134	1401 1022	FET:2SK2009	
135	1401 1135	FET:2SK3019	

Index No.	Part No.	Description	Q'ty Per Assembly
136	1401 1233	FET:SSM3J14T	
137	1401 1301	FET:2SK2615	
138	1401 1419	FET:2SK4033(TE16L1,NQ)	
139	1402 1057	Diode Array - DAP202U	
140	1402 1142	Diode Array - DAN217	
141	1402 1322	Diode Array - DAN202U	
142	1402 1336	Diode - 1SS355	
143	1402 1343	Diode - RB106L-40	
144	1402 1663	Diode - ZTP12B	
145	1402 1700	Diode - ZTP12B	
146	1402 1748	Diode:RB481K	
147	1402 2008	Diode:D1N60-5060	
148	1403 0953	LED - SML-310MT	
149	1403 0996	LED - SML-310VT	
150	1407 1535	IC - TD62308AP	
151	1407 2187	TTLIC - SN74LS07NS	
152	1407 2231	IC - TD62308AF	
153	1407 4399	CMOS Logic:TC74VHC245FT(K)	
154	1407 4687	IC - TA8083F	
155	1407 5344	IC - SN74LV02APW	
156	1407 5351	IC - SN74LV14APW	
157	1407 5352	CMOS Logic:74LVC32A:TSSOP	
158	1407 5376	IC - SN74LV32APW	
159	1407 5469	IC - SN74LV07APW	
160	1407 6995	CMOS Logic:TC74VHC244FT(K)	
161	1407 7000	CMOS Logic:TC74VHC541FT(K)	
162	1407 7005	CMOS Logic:TC74VHCT244AFT(K)	
163	1407 7442	Motor Control IC:SLA7072MPRF LF2156	
164	1407 7443	Motor Control IC:SLA7073MPRF LF2156	
165	1407 7521	Custom IC:EIO	
166	1408 0826	IC - TA8428K	
167	1408 0827	IC - TA8429H	
168	1408 1206	Transistor-array - TD62M4700F	
169	1408 1779	IC - R3112Q281A	
170	1408 1829	Ope Amp - LM358PW	

Index No.	Part No.	Description	Q'ty Per Assembly
171	1408 1911	Comparator - LM2903PW	
172	1408 2007	Oerational Amplifier:LM324PW	
173	1408 2393	Series Regulator:R1172H331B-FB	
174	1503 1274	Crystal Oscilator:19.85MHz	
175	1601 5277	Resistor - 3.9 $\Omega$ $\pm$ 5% 2W	
176	1601 5532	Resistor - 91 $\Omega$ $\pm$ 5% 2W	
177	1601 7751	Resistor - 4.7K $\Omega$ $\pm$ 5%	
178	1601 7752	Resistor Array - 10K $\Omega$ $\pm$ 5%	
179	1601 7781	Resistor - 10 $\Omega$ $\pm$ 5%	
180	1601 7791	Resistor Array - 1K $\Omega$ $\pm$ 5%	
181	1601 7796	Resistor	
182	1601 7868	Resistor	
183	1601 7871	Resistor - 68 $\Omega$ $\pm$ 5% 1/16W	
184	1601 7899	Resister Array - 56 $\Omega$ $\pm$ 5% 1/16W	
185	1604 4730	Capacitor - 47 $\mu$ F $\pm$ 20% 50V	
186	1604 4838	Capacitor:47 $\mu$ F: $\pm$ 20%:10V	
187	1604 4925	Resistor - 100 $\mu$ F $\pm$ 20% 10V	
188	1604 5714	Capacitor:47 $\mu$ F: $\pm$ 20%:25V	
189	1604 5719	Capacitor:100 $\mu$ F: $\pm$ 20%:50V	
190	1604 5946	Aluminum Electrolytic Capacitor: 220 $\mu$ F: $\pm$ 20%:50V	
191	1605 1137	Capacitor - 470pF $\pm$ 10% 50V	
192	1605 1208	Capacitor:100pF: $\pm$ 5%:50V	
193	1605 1406	Capacitor - 10 $\mu$ F $\pm$ 10% 6.3V	
194	1605 1419	Capacitor:4.7UF: $\pm$ 10%:16V	
195	1605 1479	Capacitor - 47pF $\pm$ 10%:50V	
196	1605 1480	Capacitor - 100pF $\pm$ 10% 50V	
197	1605 1483	Capacitor:0.01UF: $\pm$ 20%:25V	
198	1605 1531	Capacitor:470pF: $\pm$ 20%:50V	
199	1609 0006	Resistor:10K $\Omega$ : $\pm$ 5%:1/16W	
200	1609 0016	Resistor:56 $\Omega$ : $\pm$ 5%:1/16W	
201	1609 0020	Resistor:10 $\Omega$ : $\pm$ 5%:1/16W	
202	1609 0025	Resistor Array:100 $\Omega$ : $\pm$ 5%:1/16W:8Number	
203	1609 0033	Resistor Array:82 $\Omega$ : $\pm$ 5%:1/16W:8Number	
204	1633 0000	Resistor - 0 $\Omega$ 1/10W	

Index No.	Part No.	Description	Q'ty Per Assembly
205	1634 0000	Resistor - 0 Ω 1/16W	
206	1650 2151	Resistor - 150Ω ±5% 1/4W	
207	1650 2472	Chip Resistor-4.7K	
208	1650 3331	Resistor:330Ω:±5%:1/8W	
209	1650 4100	Resistor - 10Ω ±5% 1/10W	
210	1650 4101	Resistor - 100Ω±5%1/10W	
211	1650 4102	Resistor - 1KΩ ±5% 1/10W	
212	1650 4103	Resistor - 10KΩ ±5% 1/10W	
213	1650 4104	Resistor - 100KΩ±5%1/10W	
214	1650 4105	Resistor - 1MΩ ±5% 1/10W	
215	1650 4154	Resistor 150KΩ ±5% 1/10W	
216	1650 4221	Resistor - 220Ω±5%1/10W	
217	1650 4222	Resistor - 2.2KΩ±5%1/10W	
218	1650 4223	Resistor - 22KΩ±5%1/10W	
219	1650 4393	Resistor - 39KΩ±5%1/10W	
220	1650 4471	Resistor - 470Ω±5%1/10W	
221	1650 4472	Resistor - 4.7KΩ ±5% 1/10W	
222	1650 5103	Chip Resistor - 10KΩ±5%1/16W	
223	1650 5560	Chip Resistor 56Ω ±5% 1/16W	
224	1652 1000	Chip Resistor:100Ω:±1%:1/4W	
225	1654 1002	Resistor - 10KΩ±5%1/10W	
226	1654 1003	Resistor - 100KΩ±1%1/10W	
227	1654 1201	Resistor:1.2K Ω:±1%:1/10W:1608	
228	1654 1601	Chip Resistor - 1.6KΩ±1% 1/10W	
229	1654 2000	Resistor:200 Ω:±1%:1/10W:1608	
230	1654 2050	Resistor:205 Ω:±1%:1/10W:1608	
231	1654 2152	Resistor:21.5K Ω:±1%:1/10W	
232	1654 2200	Resistor:220Ω:±1%:1/10W:1608	
233	1654 2260	Resistor:226 Ω:±1%:1/10W:1608	
234	1654 2700	Resistor:270:Ω:±1%:1/10W	
235	1654 3000	Chip Resistor:300Ω:±1%:1/10W	
236	1654 3090	Resistor:309 Ω:±1%:1/10W	
237	1654 3742	Resistor:37.4K Ω:±1%:1/10W:1608	
238	1654 4701	Resistor - 4.7KΩ±1% 1/10W	
239	1654 4702	Chip Resistor - 47KΩ±1%1/10W	

Index No.	Part No.	Description	Q'ty Per Assembly
240	1654 5231	Resistor - 5.23KΩ±1%1/10W	
241	1654 6192	Chip Resistor:61.9KΩ:±1%:1/10W:1608	
242	1654 7680	Resistor:768 Ω:±1%:1/10W:1608	
243	1660 2120	Capacitor - 12 pF ±5% 50V	
244	1660 2150	Capacitor - 15pF ±5% 50V	
245	1660 2471	Capacitor - 470pF - ±5% - 50V	
246	1660 4102	Capacitor - 1000pF ±10% 50V	
247	1660 4472	Capacitor - 4700pF±10% 50V	
248	1660 6103	Capacitor - 10000pF - +80%-20%50V	
249	1660 8104	Capacitor - 0.1μF±20% 25V	

## 89.Controller Board (D059/D060/D061)

### BAT

SYMBOL NO.	INDEX NO.
BAT1	119

### CAPACITOR

SYMBOL NO.	INDEX NO.
---	---
---	---
---	---
---	---
C5	212
---	---
C7	212
---	---
C9	220
C10	229

SYMBOL NO.	INDEX NO.
C11	212
C12	229
C13	209
C14	212
C15	212
---	---
C16	220
C17	212
C18	206
C19	212
C20	212

SYMBOL NO.	INDEX NO.
C21	212
C22	229
C24	212
C25	233
---	---
C26	233
C27	212
C28	212
C29	212
---	---
---	---

SYMBOL NO.	INDEX NO.
---	---
C32	210
C33	220
---	---
C35	229
---	---
C36	227
C37	214
C38	229
---	---
---	---
C40	229

SYMBOL NO.	INDEX NO.
C41	229
C42	220
C43	212
C44	212
---	---
---	---
C47	220
C48	229
C49	212
---	---

SYMBOL NO.	INDEX NO.
C51	220
---	---
C53	206
C54	212
---	---
---	---
C56	229
C57	229
C58	226
---	---
C60	229

### CAPACITOR

SYMBOL NO.	INDEX NO.
C61	226
---	---
C63	212
C64	212
C65	229
---	---
C66	229
C67	227
C68	229
C69	229
C70	229

SYMBOL NO.	INDEX NO.
C71	212
C72	227
C73	229
C74	229
C75	229
---	---
C76	212
C77	229
C78	229
C79	229
---	---

SYMBOL NO.	INDEX NO.
C81	229
C82	212
C83	209
C84	227
C85	229
---	---
C86	227
C87	209
C88	229
C89	229
C90	229

SYMBOL NO.	INDEX NO.
C91	213
C92	212
C93	212
C94	229
C95	205
---	---
C97	212
C98	227
C99	212
---	---

SYMBOL NO.	INDEX NO.
C101	212
C102	212
---	---
C104	220
C105	220
---	---
C106	225
C107	204
C108	225
---	---
---	---

SYMBOL NO.	INDEX NO.
C111	220
C112	220
C113	229
C114	229
C115	220
---	---
C116	225
C117	225
C118	227
C119	212
C120	229

SYMBOL NO.	INDEX NO.
C121	220
---	---
C123	229
C124	227
C125	212
---	---
C126	231
C127	216
C128	232
C129	209
C130	209

## 89.Controller Board (D059/D060/D061)

### CAPACITOR

SYMBOL NO.	INDEX NO.	SYMBOL NO.	INDEX NO.	SYMBOL NO.	INDEX NO.	SYMBOL NO.	INDEX NO.	SYMBOL NO.	INDEX NO.	SYMBOL NO.	INDEX NO.	SYMBOL NO.	INDEX NO.
---	---	C141	229	C151	220	C161	203	C171	229	C181	215	C191	229
C132	220	C142	229	C152	212	C162	203	C172	229	C182	227	C192	212
---	---	C143	212	C153	229	C163	229	C173	229	---	---	C193	214
C134	212	C144	229	---	---	C164	231	C174	209	C184	229	C194	227
---	---	---	---	---	---	C165	229	---	---	C185	212	C195	229
C136	220	C146	212	---	---	---	---	C176	229	C186	220	C196	212
---	---	C147	218	---	---	---	---	---	---	C187	229	---	---
---	---	C148	212	C158	229	---	---	C178	215	C188	229	C198	229
---	---	C149	231	C159	229	---	---	C179	215	C189	229	C199	212
C140	229	C150	220	C160	229	C170	229	C180	215	C190	229	C200	202

### CAPACITOR

SYMBOL NO.	INDEX NO.	SYMBOL NO.	INDEX NO.	SYMBOL NO.	INDEX NO.	SYMBOL NO.	INDEX NO.	SYMBOL NO.	INDEX NO.	SYMBOL NO.	INDEX NO.	SYMBOL NO.	INDEX NO.
C201	202	C211	209	C221	229	---	---	C241	215	C251	215	C261	200
C202	220	C212	229	C222	215	C232	212	---	---	C252	215	C262	200
---	---	C213	229	C223	229	C233	229	C243	229	C253	215	C263	200
C204	229	C214	229	---	---	C234	229	C244	229	C254	223	C264	200
C205	212	C215	209	C225	229	C235	229	C245	229	C255	229	C265	200
C206	212	---	---	C226	212	C236	206	C246	229	C256	223	C266	200
C207	210	C217	220	C227	228	C237	228	C247	229	---	---	C267	200
---	---	C218	212	C228	231	C238	212	C248	229	C258	229	C268	220
C209	210	C219	229	C229	231	C239	229	C249	224	C259	209	C269	229
---	---	C220	222	C230	226	C240	226	C250	224	C260	200	---	---

## 89.Controller Board (D059/D060/D061)

### CAPACITOR

SYMBOL NO.	INDEX NO.	SYMBOL NO.	INDEX NO.	SYMBOL NO.	INDEX NO.	SYMBOL NO.	INDEX NO.	SYMBOL NO.	INDEX NO.	SYMBOL NO.	INDEX NO.	SYMBOL NO.	INDEX NO.
C271	208	C281	209	C291	228	C301	229	C311	229	C321	229	C331	212
C272	206	C282	233	C292	208	C302	228	C312	224	---	---	C332	229
C273	226	C283	217	C293	209	C303	208	C313	224	C323	229	C333	229
C274	209	C284	212	C294	229	C304	221	C314	203	---	---	C334	229
C275	229	C285	221	C295	226	C305	233	C315	203	C325	212	C335	229
C276	218	---	---	C296	227	C306	212	C316	229	C326	207	C336	207
C277	229	---	---	C297	222	C307	212	C317	229	C327	209	C337	212
C278	228	---	---	---	---	C308	208	C318	229	C328	229	C338	229
C279	208	C289	229	C299	212	C309	209	C319	229	C329	209	C339	233
C280	229	C290	212	C300	229	C310	229	C320	229	C330	226	C340	229

### CAPACITOR

SYMBOL NO.	INDEX NO.	SYMBOL NO.	INDEX NO.	SYMBOL NO.	INDEX NO.	SYMBOL NO.	INDEX NO.	SYMBOL NO.	INDEX NO.	SYMBOL NO.	INDEX NO.	SYMBOL NO.	INDEX NO.
C341	229	C351	208	---	---	C371	229	C381	220	C391	220	C401	212
C342	229	---	---	C362	229	C372	212	C382	212	C392	229	C402	220
C343	229	C353	228	C363	225	---	---	C383	220	C393	220	C403	229
C344	229	C354	212	C364	220	C374	229	C384	220	C394	220	C404	220
C345	229	---	---	C365	212	C375	206	C385	212	C395	212	C405	220
C346	212	C356	220	C366	229	C376	229	C386	229	C396	229	C406	229
C347	212	C357	229	C367	229	C377	206	---	---	C397	229	C407	229
C348	229	---	---	C368	212	C378	220	C388	220	C398	229	C408	229
C349	226	C359	225	C369	212	C379	229	C389	229	C399	220	C409	212
C350	226	C360	212	C370	229	C380	212	C390	212	C400	229	C410	212

## 89.Controller Board (D059/D060/D061)

### CAPACITOR

SYMBOL NO.	INDEX NO.	SYMBOL NO.	INDEX NO.	SYMBOL NO.	INDEX NO.	SYMBOL NO.	INDEX NO.	SYMBOL NO.	INDEX NO.	SYMBOL NO.	INDEX NO.	SYMBOL NO.	INDEX NO.
C411	212	---	---	C431	212	C441	225	C451	219	C461	220	C471	212
C412	229	C422	220	C432	212	C442	229	C452	220	C462	220	C472	229
C413	229	C423	229	C433	229	C443	229	C453	229	C463	220	C473	220
C414	219	C424	229	C434	229	C444	229	C454	229	C464	220	C474	229
C415	210	C425	220	C435	220	C445	220	C455	219	C465	229	C475	229
C416	232	C426	212	C436	220	C446	230	C456	201	C466	229	C476	229
C417	229	C427	229	C437	229	C447	212	C457	220	C467	220	C477	229
C418	220	C428	225	C438	220	C448	229	C458	229	C468	201	C478	229
C419	220	C429	212	C439	229	C449	229	C459	220	C469	229	C479	229
C420	219	C430	229	C440	229	C450	212	C460	220	C470	229	C480	229

### CAPACITOR

SYMBOL NO.	INDEX NO.	SYMBOL NO.	INDEX NO.	SYMBOL NO.	INDEX NO.	SYMBOL NO.	INDEX NO.	SYMBOL NO.	INDEX NO.	SYMBOL NO.	INDEX NO.	SYMBOL NO.	INDEX NO.
C481	229	C491	209	C501	229	C511	220	C521	229	C531	229	C541	231
C482	229	C492	227	C502	229	---	---	C522	229	C532	229	C542	229
C483	229	C493	220	C503	229	C513	229	C523	229	C533	229	C543	212
C484	212	C494	229	C504	229	C514	229	C524	229	C534	229	C544	231
C485	209	C495	229	C505	229	C515	229	C525	212	C535	229	C545	229
C486	229	C496	229	---	---	C516	220	C526	229	C536	229	C546	229
C487	229	C497	229	---	---	C517	212	C527	229	C537	229	C547	229
C488	229	C498	229	---	---	C518	212	C528	229	C538	212	C548	229
C489	212	C499	229	C509	229	C519	212	C529	229	C539	229	C549	229
C490	229	C500	212	C510	229	C520	229	C530	229	C540	229	C550	229



## 89.Controller Board (D059/D060/D061)

### CAPACITOR

SYMBOL NO.	INDEX NO.	SYMBOL NO.	INDEX NO.	SYMBOL NO.	INDEX NO.	SYMBOL NO.	INDEX NO.	SYMBOL NO.	INDEX NO.	SYMBOL NO.	INDEX NO.	SYMBOL NO.	INDEX NO.
C551	229	C561	229	C571	221	C581	229	C591	229	C601	212	C611	224
C552	229	C562	229	C572	221	C582	209	C592	231	C602	212	C612	229
C553	229	C563	212	C573	227	C583	229	C593	229	C603	229	C613	220
C554	229	C564	212	C574	212	C584	220	C594	215	C604	229	C614	227
C555	229	C565	212	C575	231	C585	220	C595	215	C605	229	C615	229
C556	231	C566	229	C576	229	C586	215	C596	215	C606	212	C616	220
C557	212	C567	223	---	---	C587	220	C597	212	C607	212	C617	220
C558	229	C568	212	---	---	C588	215	C598	229	C608	220	C618	220
C559	229	C569	220	---	---	C589	215	C599	229	C609	229	C619	220
C560	227	C570	220	---	---	C590	215	C600	212	C610	229	C620	220

### CAPACITOR

SYMBOL NO.	INDEX NO.	SYMBOL NO.	INDEX NO.	SYMBOL NO.	INDEX NO.	SYMBOL NO.	INDEX NO.	SYMBOL NO.	INDEX NO.	SYMBOL NO.	INDEX NO.	SYMBOL NO.	INDEX NO.
C621	220	C631	229	C641	212	C651	220	C661	229	---	---	C681	215
C622	220	C632	212	---	---	C652	220	C662	209	C672	229	C682	215
C623	209	C633	212	C643	212	C653	229	C663	212	C673	231	C683	215
C624	229	C634	229	C644	220	C654	229	C664	229	C674	229	C684	215
C625	229	C635	229	C645	227	C655	229	C665	229	C675	220	C685	215
C626	229	C636	212	C646	220	C656	229	C666	212	C676	220	C686	215
---	---	C637	220	C647	220	C657	229	C667	209	C677	229	C687	215
C628	220	C638	231	C648	220	C658	212	---	---	C678	229	---	---
C629	220	C639	229	C649	220	C659	229	---	---	C679	215	C689	229
C630	229	C640	229	C650	220	C660	220	---	---	C680	215	C690	224

## 89.Controller Board (D059/D060/D061)

### CAPACITOR

SYMBOL NO.	INDEX NO.	SYMBOL NO.	INDEX NO.	SYMBOL NO.	INDEX NO.	SYMBOL NO.	INDEX NO.	SYMBOL NO.	INDEX NO.	SYMBOL NO.	INDEX NO.	SYMBOL NO.	INDEX NO.
C691	220	C701	220	C711	220	C721	229	C731	212	C741	229	C751	212
C692	229	C702	220	C712	220	C722	209	C732	212	C742	229	C752	212
C693	229	C703	231	C713	220	C723	212	C733	212	C743	229	C753	226
C694	212	C704	220	C714	209	C724	220	C734	229	C744	229	---	---
---	---	C705	220	C715	220	C725	220	C735	229	C745	229	C755	212
C696	209	C706	220	C716	212	C726	212	C736	229	C746	229	C756	212
C697	209	C707	220	C717	209	C727	229	C737	229	C747	229	C757	211
C698	209	C708	220	C718	212	C728	212	C738	229	C748	229	C758	227
C699	229	C709	220	C719	229	C729	212	C739	229	C749	220	C759	229
---	---	C710	220	C720	209	C730	209	C740	229	C750	212	C760	215

### CAPACITOR

SYMBOL NO.	INDEX NO.	SYMBOL NO.	INDEX NO.	SYMBOL NO.	INDEX NO.	SYMBOL NO.	INDEX NO.	SYMBOL NO.	INDEX NO.	SYMBOL NO.	INDEX NO.	SYMBOL NO.	INDEX NO.
C761	228	---	---	C781	231	C791	229	C801	209	C811	229	C821	211
---	---	C772	215	---	---	C792	215	C802	209	C812	227	C822	229
C763	212	C773	231	C783	220	C793	215	C803	229	C813	226	C823	229
C764	211	C774	229	C784	215	C794	229	C804	229	C814	229	C824	229
C765	229	C775	212	C785	212	C795	229	C805	229	C815	229	C825	229
C766	212	C776	220	C786	229	C796	229	C806	229	C816	229	C826	229
C767	212	C777	215	C787	229	C797	229	C807	226	C817	229	C827	229
C768	212	C778	229	C788	229	C798	229	C808	212	C818	212	C828	229
C769	227	C779	215	C789	231	C799	226	C809	212	C819	229	C829	229
---	---	C780	220	C790	212	C800	209	C810	229	C820	228	C830	229

## 89.Controller Board (D059/D060/D061)

### CAPACITOR

SYMBOL NO.	INDEX NO.
C831	229
C832	229
C833	229
C834	229
C835	229
---	---
C836	209
C837	228
C838	212
---	---
---	---

SYMBOL NO.	INDEX NO.
---	---
C842	221
---	---
---	---
---	---
C846	209
C847	212
C848	229
C849	220
C850	220

SYMBOL NO.	INDEX NO.
C851	220
C852	212
---	---
---	---
---	---
---	---
---	---
C857	203
C858	203
C859	226
C860	212

SYMBOL NO.	INDEX NO.
C861	210
---	---
---	---
---	---
---	---
---	---
C917	229
C918	229
C919	220
C920	212

SYMBOL NO.	INDEX NO.
C921	215
C4721	216

### CONNECTOR

SYMBOL NO.	INDEX NO.
---	---
CN2	111
---	---
---	---
---	---
CN6	110
---	---
CN8	103
CN9	115
CN10	113

SYMBOL NO.	INDEX NO.
CN11	108
CN12	106
CN13	106
CN14	111
CN15	107
CN16	107
CN17	109
---	---
---	---
---	---

### CONNECTOR

SYMBOL NO.	INDEX NO.
CN21	101
CN22	104
---	---
CN24	102
---	---
---	---
CN27	103
---	---
---	---
CN30	114

SYMBOL NO.	INDEX NO.
CN31	112
CN32	105

### DIODE

SYMBOL NO.	INDEX NO.
D1	136
D3	133
---	---
D4	134
D5	135
---	---
D6	135
D7	132
---	---
---	---
D10	136

SYMBOL NO.	INDEX NO.
D11	132
---	---
D13	135
D14	135
D15	135
---	---
D17	134
D18	134
D19	136
D20	135

SYMBOL NO.	INDEX NO.
D21	132
D22	135

### DIP SWITCH

SYMBOL NO.	INDEX NO.
DSW1	118
DSW3	118

### FIL

SYMBOL NO.	INDEX NO.
---	---
---	---
FIL3	239
FIL4	237
FIL5	234
---	---
FIL6	237
FIL7	239
FIL8	243
FIL9	235
FIL10	239

SYMBOL NO.	INDEX NO.
FIL11	239
FIL12	239
FIL13	239
FIL14	239
FIL15	239
---	---
FIL17	234
FIL18	234
---	---
FIL20	236

## 89.Controller Board (D059/D060/D061)

### FIL

SYMBOL NO.	INDEX NO.
FIL21	236
---	---
FIL23	236
FIL24	235
FIL25	237
FIL26	236
FIL28	237

### FUSE

SYMBOL NO.	INDEX NO.
FU1	117
FU2	116
FU3	117

### IC

SYMBOL NO.	INDEX NO.
IC1	164
IC2	169
IC3	169
IC4	144
IC5	169
IC6	169
IC7	145
---	---
IC9	186
---	---

SYMBOL NO.	INDEX NO.
IC11	169
IC12	172
IC13	151
IC14	165
IC15	186
IC16	164
---	---
IC18	153
IC19	182
IC20	170

SYMBOL NO.	INDEX NO.
IC21	187
---	---
---	---
IC24	152
IC25	141
IC26	187
IC27	156
IC28	169
IC29	177
IC30	159

SYMBOL NO.	INDEX NO.
IC31	143
IC32	157
IC33	3
IC34	4,167
IC35	2,171
IC36	164
IC37	327
IC38	155
IC39	154
IC40	149

SYMBOL NO.	INDEX NO.
IC41	159
IC42	160
IC43	142
---	---
IC45	177
IC46	180
IC47	164
IC48	162
IC49	158
IC50	146

### IC

SYMBOL NO.	INDEX NO.
IC51	184
IC52	147
IC53	166
IC54	169
IC55	178
IC56	173
---	---
IC58	175
IC59	328
---	---

SYMBOL NO.	INDEX NO.
---	---
IC62	145
---	---
IC64	179
IC65	168
---	---
IC67	159
IC68	164
---	---
---	---

SYMBOL NO.	INDEX NO.
---	---
IC72	181
IC73	159
---	---
IC75	166
IC76	159
IC77	166
IC78	159
---	---
---	---

SYMBOL NO.	INDEX NO.
---	---
---	---
---	---
IC84	141
IC85	148
IC86	164
IC87	161
IC88	176
IC89	169
---	---

SYMBOL NO.	INDEX NO.
---	---
IC92	175
---	---
IC94	169
IC95	153
---	---
IC97	150
IC98	150
IC99	144
IC100	169

SYMBOL NO.	INDEX NO.
IC101	169
IC102	163
IC103	180

### L

SYMBOL NO.	INDEX NO.
L1	241
L2	248
L3	245
L4	244
L5	249
L6	242
L7	242
L8	249
L9	240
L10	247

## 89.Controller Board (D059/D060/D061)

L

SYMBOL NO.	INDEX NO.
L11	246
L12	247
L13	241
L14	241
L15	241
L16	246
L17	238

LED

SYMBOL NO.	INDEX NO.
LED1	138
LED2	138
LED3	138
LED4	138
LED5	138
LED6	138
LED7	138
LED8	138
LED9	138
LED10	137

SYMBOL NO.	INDEX NO.
LED11	139

MS

SYMBOL NO.	INDEX NO.
MS1	1
MS2	1
MS3	1
MS4	1

OSC

SYMBOL NO.	INDEX NO.
OSC1	188
OSC2	190
OSC3	193
---	---
OSC5	189
OSC6	192
OSC7	190
OSC8	191

Q

SYMBOL NO.	INDEX NO.
Q1	121
---	---
Q3	122
Q4	122
Q5	122
Q6	121
Q7	122
Q8	122
Q9	122
Q10	122

SYMBOL NO.	INDEX NO.
Q11	122
Q12	122
Q13	131
Q14	126
Q15	122
Q16	120
---	---
Q18	131
Q19	122
Q20	128

SYMBOL NO.	INDEX NO.
Q21	131
Q22	121
Q23	128
Q24	121
Q25	122
---	---
Q27	130
Q28	123
---	---
---	---

Q

SYMBOL NO.	INDEX NO.
---	---
---	---
---	---
Q34	122
---	---
Q36	124
Q37	126
Q38	129
Q39	124
Q40	122

SYMBOL NO.	INDEX NO.
Q41	122
Q42	122
Q43	122
Q44	120
Q45	122
Q46	121
Q47	122
Q48	122
Q49	127
Q50	127

SYMBOL NO.	INDEX NO.
Q51	121
Q52	122
Q53	122
Q54	122
Q55	122
Q56	122
Q57	122
Q58	122
Q59	122
---	---

SYMBOL NO.	INDEX NO.
Q61	122
---	---
Q63	122
Q64	122
Q65	125
Q66	122
Q67	122
Q68	121
Q69	122
Q70	131

SYMBOL NO.	INDEX NO.
Q71	122
Q72	122
Q73	121
Q74	122

RESISTOR

SYMBOL NO.	INDEX NO.
---	---
R2	268
R3	268
---	---
R5	301
---	---
R7	265
R8	268
R9	307
R10	268

SYMBOL NO.	INDEX NO.
R11	307
R12	301
---	---
---	---
R15	268
R16	268
R17	268
R18	268
R19	268
R20	307

## 89.Controller Board (D059/D060/D061)

### RESISTOR

SYMBOL NO.	INDEX NO.	SYMBOL NO.	INDEX NO.	SYMBOL NO.	INDEX NO.	SYMBOL NO.	INDEX NO.	SYMBOL NO.	INDEX NO.	SYMBOL NO.	INDEX NO.	SYMBOL NO.	INDEX NO.
R21	301	R31	301	---	---	R51	268	R61	268	---	---	R81	267
---	---	R32	301	R42	276	---	---	R62	267	R72	268	---	---
R23	269	R33	301	---	---	R53	286	R63	267	R73	268	---	---
R24	265	R34	301	R44	307	R54	284	R64	255	---	---	R84	265
R25	271	---	---	R45	268	R55	307	R65	286	R75	267	R85	319
R26	268	---	---	R46	301	R56	285	R66	268	R76	265	R91	292
R27	285	R37	268	R47	301	R57	286	R67	268	R77	268	R96	265
---	---	R38	301	R48	267	R58	268	R68	269	---	---	R98	268
R29	268	R39	307	R49	265	R59	268	---	---	---	---	R99	302
R30	258	R40	265	R50	269	R60	268	R70	282	---	---	R100	289

### RESISTOR

SYMBOL NO.	INDEX NO.	SYMBOL NO.	INDEX NO.	SYMBOL NO.	INDEX NO.	SYMBOL NO.	INDEX NO.	SYMBOL NO.	INDEX NO.	SYMBOL NO.	INDEX NO.	SYMBOL NO.	INDEX NO.
---	---	---	---	R121	307	R131	301	R141	279	---	---	R161	257
R102	301	R112	301	R122	323	R132	268	R142	268	---	---	R162	268
---	---	R113	268	R123	323	R133	307	R143	301	R153	301	R163	323
---	---	R114	268	R124	323	R134	280	R144	259	R154	268	R164	255
R105	268	R115	268	R125	323	R135	268	R145	268	---	---	R165	323
R106	269	R116	269	R126	265	R136	268	R146	301	---	---	R166	276
R107	265	R117	323	R127	324	R137	268	R147	268	R157	307	R167	268
R109	266	R118	323	R128	307	R138	255	R148	265	R158	307	R168	323
R110	268	R119	268	R129	268	---	---	R149	323	R159	266	R169	268
R111	268	R120	307	---	---	R140	301	R150	311	R160	268	R170	323

## 89.Controller Board (D059/D060/D061)

### RESISTOR

SYMBOL NO.	INDEX NO.	SYMBOL NO.	INDEX NO.	SYMBOL NO.	INDEX NO.	SYMBOL NO.	INDEX NO.	SYMBOL NO.	INDEX NO.	SYMBOL NO.	INDEX NO.	SYMBOL NO.	INDEX NO.
---	---	---	---	R191	301	R201	310	R211	268	R221	301	R231	301
R172	323	R182	316	R192	301	R202	310	R212	268	R222	268	R232	268
R173	267	R183	256	R193	301	R203	310	R213	301	R223	268	R233	301
R174	301	R184	256	R194	268	R204	310	---	---	R224	301	---	---
R175	323	R185	256	R195	316	R205	268	---	---	R225	301	R235	301
---	---	R186	301	R196	268	R206	298	R216	301	R226	301	R236	301
R177	267	R187	290	---	---	R207	268	R217	301	R227	310	R237	268
---	---	R188	287	---	---	R208	316	R218	301	R228	310	R238	301
R179	256	R189	266	R199	310	R209	301	R219	301	R229	313	R239	287
---	---	R190	307	R200	310	R210	301	R220	301	R230	271	R240	301

### RESISTOR

SYMBOL NO.	INDEX NO.	SYMBOL NO.	INDEX NO.	SYMBOL NO.	INDEX NO.	SYMBOL NO.	INDEX NO.	SYMBOL NO.	INDEX NO.	SYMBOL NO.	INDEX NO.	SYMBOL NO.	INDEX NO.
R241	301	R251	271	R261	265	R271	313	---	---	---	---	R301	318
R242	301	R252	268	R262	301	R272	294	---	---	R292	294	R302	318
R243	266	---	---	R263	274	R273	271	---	---	R293	310	R303	268
R244	268	---	---	R264	268	R274	271	---	---	R294	310	R304	301
R245	301	---	---	---	---	R275	268	R285	301	R295	310	R305	265
R246	301	---	---	---	---	R276	270	R286	316	R296	313	R306	268
R247	301	R257	290	---	---	R277	285	R287	310	R297	316	R307	316
R248	271	---	---	---	---	R278	301	---	---	R298	318	R308	286
R249	267	R259	301	---	---	R279	301	---	---	R299	267	R309	316
R250	301	R260	271	---	---	R280	301	---	---	R300	283	R310	286

## 89.Controller Board (D059/D060/D061)

### RESISTOR

SYMBOL NO.	INDEX NO.	SYMBOL NO.	INDEX NO.	SYMBOL NO.	INDEX NO.	SYMBOL NO.	INDEX NO.	SYMBOL NO.	INDEX NO.	SYMBOL NO.	INDEX NO.	SYMBOL NO.	INDEX NO.
R311	268	R321	286	---	---	R341	286	R351	320	R361	268	R371	305
R312	265	R322	268	R332	268	R342	286	R352	269	R362	316	R372	305
---	---	---	---	R333	286	R343	269	R353	307	R363	316	R373	272
R314	286	R324	267	R334	268	R344	301	R354	271	R364	316	R374	318
R315	269	R325	286	R335	268	R345	301	R355	268	R365	286	R375	270
---	---	R326	268	R336	286	R346	301	R356	267	R366	286	---	---
R317	268	R327	301	R337	269	---	---	R357	268	R367	286	R377	265
R318	269	R328	267	R338	301	R348	268	R358	267	R368	286	R378	268
R319	301	R329	269	R339	268	R349	268	R359	267	---	---	---	---
---	---	R330	268	R340	268	---	---	R360	268	R370	307	R380	271

### RESISTOR

SYMBOL NO.	INDEX NO.	SYMBOL NO.	INDEX NO.	SYMBOL NO.	INDEX NO.	SYMBOL NO.	INDEX NO.	SYMBOL NO.	INDEX NO.	SYMBOL NO.	INDEX NO.	SYMBOL NO.	INDEX NO.
R381	307	---	---	R401	268	R411	305	R421	275	R431	268	R441	315
---	---	---	---	R402	268	R412	305	R422	305	R432	305	R442	310
R383	316	R393	268	R403	255	---	---	R423	256	R433	310	R443	310
R384	301	R394	269	R404	301	R413	305	R424	256	R434	268	R444	307
R385	286	R395	268	---	---	R415	305	R425	256	R435	268	R445	315
R386	286	R396	268	R406	269	R416	265	R426	256	R436	267	---	---
R387	269	R397	269	R407	268	---	---	R427	305	---	---	R447	269
R388	277	---	---	R408	268	R418	265	R428	310	R438	305	R448	317
R389	277	R399	254	R409	265	R419	305	R429	305	R439	305	R449	317
---	---	---	---	R410	301	R420	305	R430	310	R440	310	R450	310



## 89.Controller Board (D059/D060/D061)

### RESISTOR

SYMBOL NO.	INDEX NO.	SYMBOL NO.	INDEX NO.	SYMBOL NO.	INDEX NO.	SYMBOL NO.	INDEX NO.	SYMBOL NO.	INDEX NO.	SYMBOL NO.	INDEX NO.	SYMBOL NO.	INDEX NO.
R451	265	---	---	R471	265	R481	282	---	---	R501	307	R511	274
R452	315	---	---	R472	265	R482	307	R492	267	R502	296	R512	274
R453	318	R463	265	R473	283	R483	267	R493	293	R503	278	R513	274
R454	318	R464	307	R474	283	R484	267	R494	255	R504	269	R514	274
R455	318	R465	305	R475	282	R485	307	---	---	R505	295	R515	274
R456	318	R466	283	R476	256	R486	307	R496	281	---	---	R516	274
R457	310	---	---	R477	307	R487	274	R497	325	---	---	R517	274
---	---	R468	301	R478	255	R488	307	R498	304	---	---	R518	274
---	---	---	---	R479	255	R489	255	R499	300	---	---	R519	255
---	---	R470	301	R480	255	R490	301	R500	269	R510	274	R520	255

### RESISTOR

SYMBOL NO.	INDEX NO.	SYMBOL NO.	INDEX NO.	SYMBOL NO.	INDEX NO.	SYMBOL NO.	INDEX NO.	SYMBOL NO.	INDEX NO.	SYMBOL NO.	INDEX NO.	SYMBOL NO.	INDEX NO.
R521	297	R531	255	---	---	R551	285	R561	301	---	---	R581	268
R522	255	R532	309	R542	316	R552	270	R562	265	---	---	R582	310
R523	262	R533	255	---	---	---	---	R563	301	---	---	R583	301
---	---	R534	255	---	---	---	---	---	---	R574	267	---	---
R525	265	R535	255	---	---	R555	283	R565	301	R575	301	---	---
---	---	---	---	R546	268	R556	265	R566	301	R576	265	R586	268
---	---	---	---	R547	271	R557	268	R567	310	---	---	R587	268
R528	265	---	---	R548	268	R558	265	R568	301	R578	301	---	---
---	---	---	---	R549	301	R559	265	R569	310	R579	265	R589	308
---	---	---	---	R550	268	R560	310	R570	301	R580	268	R590	301

## 89.Controller Board (D059/D060/D061)

### RESISTOR

SYMBOL NO.	INDEX NO.	SYMBOL NO.	INDEX NO.	SYMBOL NO.	INDEX NO.	SYMBOL NO.	INDEX NO.	SYMBOL NO.	INDEX NO.	SYMBOL NO.	INDEX NO.	SYMBOL NO.	INDEX NO.
R591	310	R601	310	R611	301	R621	301	---	---	R641	285	R651	255
R592	301	---	---	R612	268	R622	301	R632	301	R642	285	---	---
R593	265	R603	301	R613	301	R623	301	---	---	R643	301	---	---
R594	301	R604	310	R614	268	R624	268	R634	285	R644	285	R654	271
R595	267	R605	301	R615	268	---	---	---	---	R645	269	R655	265
R596	268	R606	301	R616	301	---	---	R636	267	R646	255	R656	301
---	---	R607	310	R617	301	R627	274	R637	307	R647	296	R657	268
R598	268	---	---	---	---	---	---	R638	268	R648	326	R658	265
R599	268	---	---	---	---	R629	268	R639	307	---	---	R659	276
R600	301	R610	301	---	---	R630	311	R640	265	---	---	---	---

### RESISTOR

SYMBOL NO.	INDEX NO.	SYMBOL NO.	INDEX NO.	SYMBOL NO.	INDEX NO.	SYMBOL NO.	INDEX NO.	SYMBOL NO.	INDEX NO.	SYMBOL NO.	INDEX NO.	SYMBOL NO.	INDEX NO.
---	---	R671	268	R681	265	R691	265	R701	265	---	---	---	---
---	---	R672	268	---	---	---	---	---	---	R712	316	R722	268
R663	265	R673	268	---	---	R693	273	---	---	R713	265	R723	268
R664	301	R674	301	R684	265	R694	304	R704	268	R714	284	R724	268
R665	301	R675	268	---	---	R695	270	---	---	R715	321	R725	268
---	---	R676	265	R686	267	R696	267	R706	268	R716	316	---	---
R667	268	---	---	R687	268	R697	314	R707	268	R717	265	---	---
R668	301	R678	268	---	---	R698	316	R708	268	R718	268	R728	268
R669	268	R679	268	R689	268	R699	268	R709	265	R719	268	R729	267
R670	268	R680	301	R690	301	R700	268	R710	268	R720	268	R730	267

## 89.Controller Board (D059/D060/D061)

### RESISTOR

SYMBOL NO.	INDEX NO.	SYMBOL NO.	INDEX NO.	SYMBOL NO.	INDEX NO.	SYMBOL NO.	INDEX NO.	SYMBOL NO.	INDEX NO.	SYMBOL NO.	INDEX NO.	SYMBOL NO.	INDEX NO.
R731	268	R741	323	---	---	R761	268	R771	323	R781	307	R791	268
R732	323	R742	268	R752	316	R762	268	R772	268	R782	266	R792	313
R733	323	---	---	R753	312	---	---	R773	268	R783	323	R793	267
R734	323	---	---	R754	312	R764	268	R774	268	R784	323	R794	267
R735	315	R745	268	R755	312	R765	307	R775	268	R785	268	R795	268
R736	290	R746	288	R756	312	R766	323	R776	267	R786	268	R796	263
R737	323	R747	256	R757	312	R767	323	R777	282	R787	268	R797	267
---	---	R748	316	R758	312	R768	268	R778	264	R788	323	R798	267
R739	315	---	---	R759	312	R769	268	R779	268	---	---	---	---
R740	323	R750	265	R760	312	---	---	---	---	---	---	R800	267

### RESISTOR

SYMBOL NO.	INDEX NO.	SYMBOL NO.	INDEX NO.	SYMBOL NO.	INDEX NO.	SYMBOL NO.	INDEX NO.	SYMBOL NO.	INDEX NO.	SYMBOL NO.	INDEX NO.	SYMBOL NO.	INDEX NO.
R801	307	R811	286	R821	301	---	---	R841	268	R851	265	R861	301
R802	301	R812	286	R822	301	---	---	R842	290	---	---	R862	268
R803	267	R813	286	R823	301	---	---	R843	301	---	---	---	---
R804	301	R814	286	R824	301	---	---	R844	268	---	---	R864	268
R805	265	R815	286	R825	301	---	---	---	---	R855	301	R865	268
R806	267	R816	286	R826	268	R836	266	R846	301	R856	301	R866	301
R807	301	R817	286	R827	301	R837	282	R847	258	R857	257	R867	268
R808	263	R818	286	R828	301	---	---	R848	316	R858	258	R868	268
R809	266	R819	286	R829	307	R839	268	R849	268	R859	301	R869	318
R810	286	R820	286	---	---	R840	268	---	---	R860	255	R870	318

## 89.Controller Board (D059/D060/D061)

### RESISTOR

SYMBOL NO.	INDEX NO.	SYMBOL NO.	INDEX NO.	SYMBOL NO.	INDEX NO.	SYMBOL NO.	INDEX NO.	SYMBOL NO.	INDEX NO.	SYMBOL NO.	INDEX NO.	SYMBOL NO.	INDEX NO.
R871	308	R881	263	---	---	R901	267	---	---	---	---	---	---
R872	284	---	---	R892	268	R902	267	---	---	---	---	R932	252
R873	274	---	---	R893	268	R903	267	---	---	R923	268	R933	269
R874	268	---	---	R894	307	R904	306	---	---	R924	307	R934	269
R875	284	---	---	R895	301	R905	306	---	---	R925	307	R935	307
R876	268	---	---	---	---	R906	322	---	---	R926	268	R936	318
---	---	R887	307	R897	307	---	---	R917	268	R927	301	---	---
---	---	---	---	R898	268	R908	307	R918	301	R928	265	R938	307
---	---	R889	268	R899	267	R909	301	R919	268	---	---	R939	301
R880	268	---	---	R900	267	R910	268	R920	268	---	---	R940	268

### RESISTOR

SYMBOL NO.	INDEX NO.	SYMBOL NO.	INDEX NO.	SYMBOL NO.	INDEX NO.	SYMBOL NO.	INDEX NO.	SYMBOL NO.	INDEX NO.	SYMBOL NO.	INDEX NO.	SYMBOL NO.	INDEX NO.
---	---	R951	268	R961	268	---	---	R981	268	---	---	R1001	316
---	---	---	---	R962	286	R972	312	---	---	---	---	R1002	316
R943	316	---	---	R963	268	---	---	R983	286	R993	286	R1003	316
R944	322	---	---	R964	268	R974	267	R984	268	R994	268	R1004	316
---	---	R955	268	R965	267	R975	268	---	---	---	---	R1005	316
R946	268	R956	286	R966	312	---	---	---	---	---	---	R1006	316
R947	307	R957	268	---	---	R977	286	R987	307	---	---	R1007	316
R948	268	---	---	R968	299	R978	269	R988	268	R998	286	R1008	316
R949	268	---	---	---	---	R979	316	---	---	R999	269	R1009	316
---	---	R960	268	R970	307	---	---	---	---	R1000	271	R1010	316

## 89.Controller Board (D059/D060/D061)

### RESISTOR

SYMBOL NO.	INDEX NO.	SYMBOL NO.	INDEX NO.	SYMBOL NO.	INDEX NO.	SYMBOL NO.	INDEX NO.	SYMBOL NO.	INDEX NO.	SYMBOL NO.	INDEX NO.	SYMBOL NO.	INDEX NO.
R1011	316	R1021	316	R1031	268	R1041	301	R1051	286	R1061	268	R1071	268
R1012	316	R1022	316	R1032	307	R1042	301	R1052	269	R1062	269	---	---
R1013	316	R1023	316	R1033	316	R1043	301	R1053	268	R1063	268	R1073	268
R1014	316	R1024	316	R1034	268	R1044	301	R1054	286	R1064	268	R1074	316
R1015	316	R1025	316	R1035	286	R1045	301	---	---	R1065	268	R1075	315
R1016	316	R1026	316	R1036	286	R1046	301	R1056	268	R1066	307	R1076	283
R1017	316	R1027	268	R1037	286	R1047	271	R1057	268	R1067	268	R1077	283
R1018	316	R1028	271	R1038	301	R1048	301	R1058	268	R1068	316	---	---
R1019	316	R1029	268	R1039	301	R1049	301	R1059	269	---	---	R1079	268
R1020	316	R1030	301	R1040	301	R1050	269	R1060	268	R1070	268	---	---

### RESISTOR

SYMBOL NO.	INDEX NO.	SYMBOL NO.	INDEX NO.	SYMBOL NO.	INDEX NO.	SYMBOL NO.	INDEX NO.	SYMBOL NO.	INDEX NO.	SYMBOL NO.	INDEX NO.	SYMBOL NO.	INDEX NO.
R1081	267	---	---	R1101	283	R1111	301	R1121	301	R1131	307	R1141	283
R1082	267	R1092	307	R1102	267	R1112	301	R1122	301	---	---	R1142	283
R1083	268	R1093	305	R1103	307	R1113	301	R1123	267	R1133	307	R1143	316
---	---	R1094	305	R1104	315	R1114	301	R1124	301	R1134	283	R1144	316
---	---	R1095	305	R1105	267	---	---	R1125	268	R1135	283	R1145	316
---	---	R1096	268	R1106	268	R1116	266	R1126	283	R1136	305	R1146	316
R1087	323	R1097	283	R1107	316	R1117	266	R1127	268	R1137	283	R1147	316
---	---	R1098	307	---	---	R1118	301	---	---	---	---	R1148	316
R1089	267	R1099	265	R1109	283	R1119	301	R1129	316	---	---	R1149	316
R1090	255	R1100	268	R1110	266	R1120	301	R1130	268	R1140	283	R1150	316

## 89.Controller Board (D059/D060/D061)

### RESISTOR

SYMBOL NO.	INDEX NO.	SYMBOL NO.	INDEX NO.	SYMBOL NO.	INDEX NO.	SYMBOL NO.	INDEX NO.	SYMBOL NO.	INDEX NO.	SYMBOL NO.	INDEX NO.	SYMBOL NO.	INDEX NO.
R1151	316	R1161	316	R1171	291	---	---	---	---	R1201	268	R1211	301
R1152	316	R1162	316	R1172	307	---	---	R1192	307	R1202	268	R1212	301
R1153	316	R1163	316	R1173	283	R1183	265	R1193	307	R1203	268	R1213	301
R1154	316	---	---	R1174	283	---	---	---	---	---	---	R1214	301
R1155	316	R1165	316	R1175	291	---	---	R1195	269	---	---	R1215	301
R1156	316	R1166	316	---	---	R1186	265	R1196	307	R1206	265	R1216	301
R1157	316	R1167	316	R1177	260	---	---	R1197	261	---	---	---	---
R1158	316	R1168	316	R1178	284	R1188	265	R1198	266	---	---	R1218	267
R1159	316	R1169	316	R1179	301	R1189	307	R1199	256	---	---	R1219	269
R1160	316	R1170	253	---	---	R1190	307	R1200	268	---	---	R1220	307

### RESISTOR

SYMBOL NO.	INDEX NO.	SYMBOL NO.	INDEX NO.	SYMBOL NO.	INDEX NO.	SYMBOL NO.	INDEX NO.	SYMBOL NO.	INDEX NO.	SYMBOL NO.	INDEX NO.	SYMBOL NO.	INDEX NO.
R1221	307	---	---	---	---	R1251	256	R1261	255	---	---	R1281	307
R1222	315	R1232	255	R1242	271	---	---	R1262	256	R1272	265	---	---
R1223	315	R1233	271	---	---	R1253	301	R1263	268	R1273	256	R1283	267
R1224	315	---	---	---	---	---	---	---	---	---	---	---	---
R1225	301	---	---	R1245	255	---	---	R1265	269	---	---	---	---
---	---	---	---	R1246	255	---	---	---	---	---	---	---	---
---	---	---	---	R1247	268	---	---	---	---	R1277	283	R1300	301
R1228	301	---	---	R1248	256	---	---	R1268	255	---	---	R1301	301
R1229	301	---	---	---	---	R1259	255	R1269	265	R1279	265	R1302	301
R1230	301	---	---	---	---	R1260	255	R1270	303	R1280	307	R1303	301

## 89.Controller Board (D059/D060/D061)

### REG

SYMBOL NO.	INDEX NO.
REG1	183
REG2	185
REG3	174

### RN

SYMBOL NO.	INDEX NO.
RN1	198
RN2	198
RN3	198
RN4	198
RN5	198
RN6	198
RN7	198
RN8	198
RN9	198
RN10	195

SYMBOL NO.	INDEX NO.
RN11	195
RN12	195
RN13	195
RN14	197
RN15	195
RN16	197
RN17	197
RN18	197
RN19	197
RN20	194

SYMBOL NO.	INDEX NO.
RN21	251
RN22	194
RN23	194
RN24	194
RN25	194
RN26	194
RN27	194
RN28	194
RN29	194
RN30	194

SYMBOL NO.	INDEX NO.
RN31	194
RN32	194
RN33	194
RN34	194
RN35	194
RN36	194
RN37	194
RN38	194
RN39	194
RN40	194

SYMBOL NO.	INDEX NO.
RN41	194
RN42	194
RN43	194
RN44	194
RN45	194
RN46	197
RN47	197
RN48	197
RN49	199
RN50	250

SYMBOL NO.	INDEX NO.
---	---
---	---
---	---
---	---
---	---
---	---
---	---
---	---
---	---
---	---
RN100	196

### RN

SYMBOL NO.	INDEX NO.
RN101	196
RN102	196
RN103	196
RN104	196
RN105	196
RN106	196
RN107	196
RN108	196
RN109	196
RN110	196

### V

SYMBOL NO.	INDEX NO.
V1	140

## 89.Controller Board (D059/D060/D061)

Index No.	Part No.	Description	Q'ty Per Assembly
*	D059 5511	PCB:Type-EX1D:TEC	
1	B132 5794	Hook:Heat Sinker:MCH	
2	D029 5721	Heat Sinker:EX1:GMCH:Coolermaster	
3	D059 5595	Flash Memory:BIOS:EX1:B-C4	
4	G178 6016	Heat Sinker:EX1:Pen	

Index No.	Part No.	Description	Q'ty Per Assembly
101	1102 5303	3.5:Connector:ST:4P	
102	1102 6295	Connector - 2P	
103	1102 7615	Connector - B8B-XH-A	
104	1102 7635	Connector:53398-0210	
105	1102 8028	Connector - 4P	
106	1102 9336	Connector:FPS009-2300-0	
107	1102 9686	Connector - RHM-176P-SDK11-U1L1C	
108	1102 9887	Connector:52588-3090	
109	1103 3481	Connector:67800-8005	
110	1103 3497	Connector:87715-9002	
111	1103 3865	Connector:29 6406 200 101 856+	
112	1103 3964	Connector:WB4P140HA1	
113	1103 3965	Connector:6605444-6	
114	1103 4137	Connector:UAR64-8K5J00	
115	1103 4138	Connector:UBR24-4K5J00	
116	1107 1095	Fuse - SST 2	
117	1109 0042	Fuse:MINISMDC150F	
118	1204 2622	Dip Switch:CHS-08TB1	
119	1206 0122	Lithium Cell:CR2450/V1A	
120	1400 0714	Transistor - 2SD1781KR	
121	1400 1248	Transistor:2SC5342SF	
122	1401 0902	FET:2SK1590	
123	1401 1222	FET:HAT2068R	
124	1401 1234	FET - SSM3J02T	
125	1401 1235	FET:HAT2071R	
126	1401 1296	FET:TPC8115	
127	1401 1317	FET - HAT2197R	
128	1401 1318	FET - HAT2198R	
129	1401 1320	FET - TPC8107	
130	1401 1411	FET - HAT2195R-E	
131	1401 1558	FET:SI3433CDV-E3	
132	1402 1530	Diode - RB520S-30	
133	1402 1537	DIODE:RB751S-40	
134	1402 1565	DIODE - RB	
135	1402 1995	DIODE:SDS511	



Index No.	Part No.	Description	Q'ty Per Assembly
136	1402 2001	DIODE: SX34	
137	1403 0953	LED - SML-310MT	
138	1403 1131	LED: SML-311UT	
139	1403 1168	LED: SML-311YT	
140	1404 1048	VARISTOR: SRV05-4.TCT	
141	1407 4804	IC-TC7SH08FU	
142	1407 4840	IC - TC7SH04FU	
143	1407 5009	CMOS Logic: TC7SET04FU	
144	1407 5010	IC - TC7SET08FU	
145	1407 5107	CMOS Logic: TC7W66FU	
146	1407 5189	CMOS Logic: TC7SZ00FU	
147	1407 5192	CMOS Logic: TC7SZ04F	
148	1407 5194	CMOS Logic: TC7SZ32FU	
149	1407 5195	CMOS Logic: TC7SZ05FU	
150	1407 5196	CMOS Logic: TC7SZ125FU	
151	1407 5482	IC - SN74LVCO7APW	
152	1407 5523	ROM - I2C SOP 3V	
153	1407 5531	CMOS Logic: TC7WH14FU	
154	1407 6127	Clock Generator: ICS960008AFLF	
155	1407 6517	Custom IC: Whistle	
156	1407 6536	ICH6-MNH82801FBM(SL89K)	
157	1407 6676	Clock Generator: ICS954206BGLF	
158	1407 6683	Lan Controller LSI: BCM5461A1KpFG	
159	1407 6751	CMOS Logic: HD74LV1GW07ACM	
160	1407 6774	CMOS Logic: TC7WZ08FK	
161	1407 6778	CMOS Logic: TC7SH02FU	
162	1407 6784	Controller: ST19WP18FT28PVGR	
163	1407 6802	CMOS Logic: TC7PA04FU	
164	1407 6803	CMOS Logic: TC7SZ07FU	
165	1407 6824	CMOS Logic: TC7WG125FK	
166	1407 6853	CMOS Logic: HD74LV1GW17ACM	
167	1407 6915	CPU: LE80536LC0172M(SL89N)	
168	1407 6944	USB Controller IC: ST72681/R21	
169	1407 6957	CMOS Logic: TC7SH17FU	
170	1407 7005	CMOS Logic: TC74VHCT244AFT(K)	

Index No.	Part No.	Description	Q'ty Per Assembly
171	1407 7029	GMCH: QG82915GME(SLA9K)	
172	1407 7232	CUSTOM IC: VEENA	
173	1407 7234	Clock Generator: ICS960023CGLF	
174	1408 1668	IC - Regulator-R1170H251B	
175	1408 1778	IC: R3112Q101A	
176	1408 1779	IC - R3112Q281A	
178	1408 1815	IC - R3112Q151A	
179	1408 1826	IC - R3112Q421A	
180	1408 1839	IC - R3112Q211A	
181	1408 2305	Reset IC - BU4242FVE	
182	1408 2350	IC: R1211D002B-FA	
183	1408 2458	DC/DC Converter: LTC3407EMSE-2#PBF	
184	1408 2463	DDR Terminator - TPS51116PWPG4	
185	1408 2464	DC/DC Converter: MAX1907AETL+	
186	1408 2637	DC/DC Converter: MPD5S027	
187	1408 2638	DC/DC Converter: MPD6S023	
188	1503 0758	Oscillator - MC-306 32.768MHz	
189	1503 1138	Crystal Oscillator - 48MHz	
190	1503 1146	Crystal Oscillator: 14.31818MHz	
191	1503 1363	Crystal Oscillator: 12MHz	
192	1503 1367	Crystal Oscillator: 25MHz	
193	1503 1368	Crystal Oscillator: 25MHz	
194	1601 7887	Resistor Array - 10K $\Omega$ $\pm$ 5% 1/32W	
195	1601 7896	Resistor Array - 56 $\Omega$ $\pm$ 5% 1/32W	
196	1601 7898	Resistor Array	
197	1601 7909	Resistor Array - 10 $\Omega$ $\pm$ 5% 1/32W	
198	1601 7913	Resistor 22 $\Omega$ $\pm$ 5% 1/32W	
200	1605 1195	Capacitor: 4pF: $\pm$ 0.25pF: 50V	
201	1605 1197	Capacitor - 6pF $\pm$ 0.5pF 50V	
202	1605 1199	Capacitor - 8pF $\pm$ 0.5pF 50V	
203	1605 1200	Capacitor - 10pF $\pm$ 0.5pF 50V	
204	1605 1202	Capacitor - 15pF $\pm$ 5% 50V	
205	1605 1203	Capacitor - 18pF $\pm$ 5% 50V	
206	1605 1204	Capacitor-pF50V	
207	1605 1207	Capacitor - 68pF $\pm$ 5% 50V	

Index No.	Part No.	Description	Q'ty Per Assembly
208	1605 1208	Capacitor:100pF:±5%:50V	
209	1605 1214	Capacitor - 1000pF ±10% 50V	
210	1605 1216	Capacitor - 2200pF±10%:50V	
211	1605 1234	Capcitor:4700pF:±10%:50v	
212	1605 1240	Capacitor - 0.01μF±10% 25V	
213	1605 1275	Capacitor - 820pF ±5% 50V	
214	1605 1288	Capacitor - 220pF ±5% 50V	
215	1605 1291	Capacitor:2.2μF:±10%:10V	
216	1605 1299	Resistor - 56pF ±5% 50V	
217	1605 1300	Capacitor - 270pF ±5% 50V	
218	1605 1367	Capacitor - 0.033μF±10% 16V	
219	1605 1387	Capacitor - 0.68μF±10% 10V	
220	1605 1406	Capacitor - 10μF±10% 6.3V	
221	1605 1419	Capacitor:4.7μF:±10%:16V	
222	1605 1428	Capacitor:0.22μF:±10%:6.3V	
223	1605 1447	Resistor - 470pF ±5% 50V	
224	1605 1450	Resistor - 22μF±10% 6.3V	
225	1605 1453	Capacitor:0.022μF:±10%:16V	
226	1605 1464	Resistor - 10μF±20% 25V	
227	1605 1465	Resistor - 1μF±10% 25V	
228	1605 1544	Resistor - 330pF ±5% 50V	
229	1605 1583	Capacitor - 0.1μF:±10%:16V	
230	1605 1635	Capacitor:0.47μF:±10%:25V	
231	1605 1689	Capacitor:100μF:±20%:6.3V	
232	1605 1695	Capacitor:1200pF:±10%:50V	
233	1606 2319	Capacitor:100μF:±20%:6.3V	
234	1607 0810	Filter - BK2125HS121	
235	1607 1051	Filter - FBMJ2125HS420	
236	1607 1051	Filter - FBMJ2125HS420	
237	1607 1108	Filter - BLM21PG220SN1B	
238	1607 1228	Inductor - SLF7045-4R7M2R0	
239	1607 1316	Filter - FBMJ1608HS280NT	
240	1607 1362	Coil - ACM3225-800-2P	
241	1607 1388	Inductor:LB2518T1R0M	
242	1607 1438	Chock Coil:DLW21SN121SQ2B	

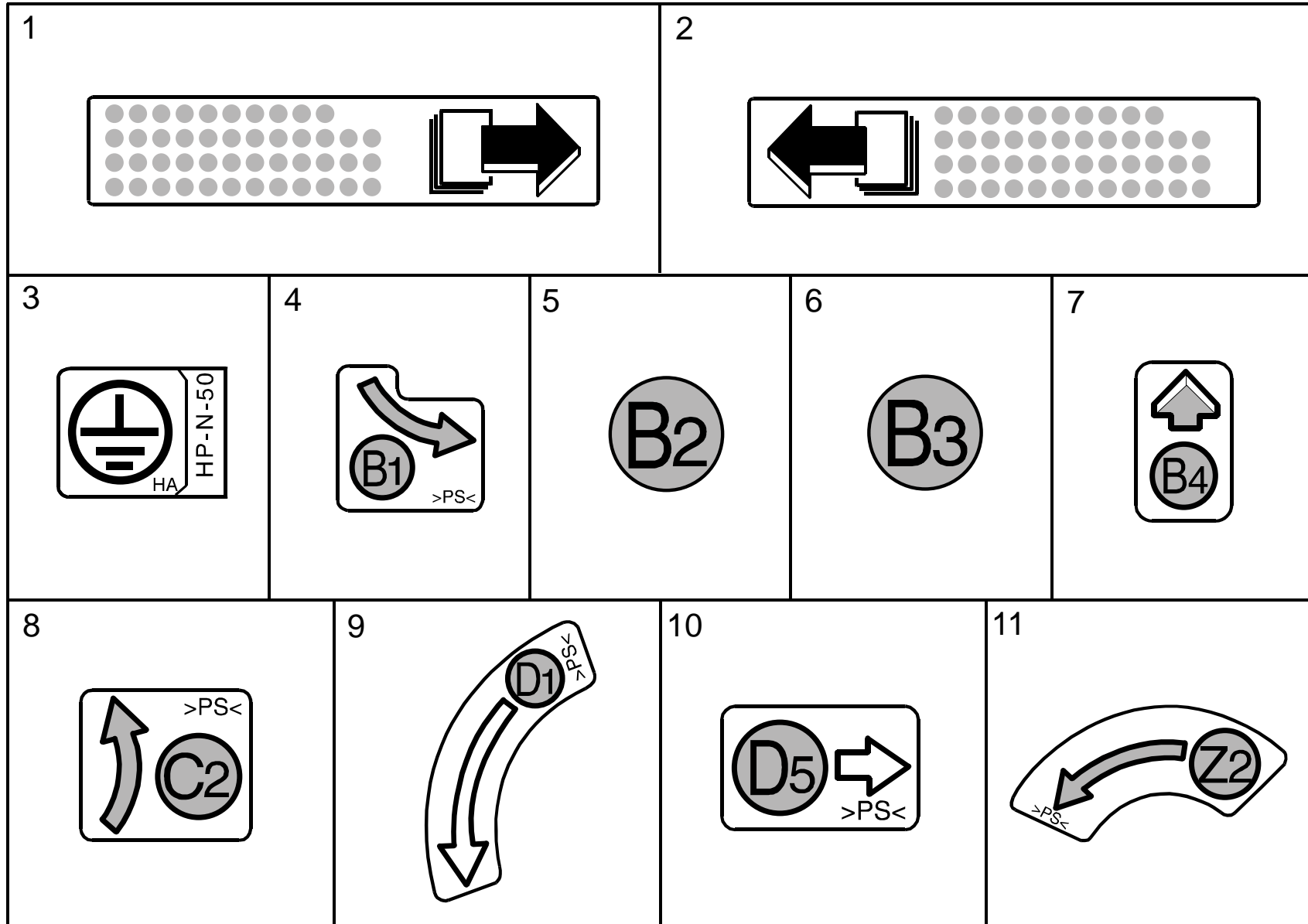
Index No.	Part No.	Description	Q'ty Per Assembly
243	1607 1489	Filter - MMZ1608B301C	
244	1607 1651	Inductor - HM73-101R0LF	
245	1607 1657	Inductor - HM73-10R68LF	
246	1607 1744	Inductor:LQH32CNR15M33	
247	1607 1853	Inductor:LB2518T100M	
248	1607 1854	Inductor:CDRH4D18CNP-1R1PC	
249	1607 1974	Inductor:VLCF4020-2R2N1R7	
250	1609 0005	Resistor:33 Ω:±5%:1/16W	
251	1609 0006	Resistor:10K Ω:±5%:1/16W	
252	1610 1417	Resistor:0.5 Ω:±5%:1/4W:1608	
253	1610 1804	Resistor:0.006 Ω:±1%:1W	
254	1610 2116	Resistor:1.5M Ω:±1%:1W:6432	
255	1633 0000	Resistor - 0 Ω 1/10W	
256	1634 0000	Resistor - 0 Ω 1/16W	
257	1650 4109	Resistor - 1Ω ±5% 1/10W	
258	1650 4229	Resistor - 2.2 Ω ±5% 1/10W	
259	1650 5106	Resistor - 10M Ω ±5% 1/16W	
260	1650 5309	Resistor - 3 Ω ±5% 1/16W	
261	1650 5519	Resistor - 5.1Ω ±5% 1/16W	
262	1653 1009	Resistor:10 Ω:±1%:1/8W:2125	
263	1654 1000	Resistor - 100Ω ±1% 1/10W	
264	1654 1009	Resistor - 10Ω±1% 1/10W	
265	1655 0000	Chip Resistor - 0Ω±0%1/16W	
266	1655 1000	Chip Resistor:100Ω:±1%:1/16W	
267	1655 1001	Chip Resistor - 1KΩ ±1% 1/16W	
268	1655 1002	Chip Resistor - 10KΩ±1%1/16W	
269	1655 1003	Chip Resistor - 100KΩ±1%1/16W	
270	1655 1004	Resistor - 1MΩ ±1% 1/16W	
271	1655 1009	Resistor - 10Ω ±1% 1/16W	
272	1655 1102	Resistor - 11KΩ ±1% 1/16W	
273	1655 1132	Resistor:11.3K Ω:±1%:1/16W:1005	
274	1655 1201	Resistor - 1.2KΩ ±1% 1/16W	
275	1655 1241	Resistor:1.24K Ω:±1%:1/16W:1005	
276	1655 1300	Resistor:130 Ω:±1%:1/16W:1005	
277	1655 1501	Chip Resistor 1.5KΩ ±1% 1/16W	

Index No.	Part No.	Description	Q'ty Per Assembly
278	1655 1502	Resistor - 15K $\Omega$ $\pm$ 1% 1/16W	
279	1655 1692	Resistor:16.9K $\Omega$ : $\pm$ 1%:1/16W:1005	
280	1655 1803	Resistor:180K $\Omega$ : $\pm$ 1%:1/16W:1005	
281	1655 1963	Resistor:196K $\Omega$ : $\pm$ 1%:1/16W:1005	
282	1655 2000	Resistor - 200 $\Omega$ $\pm$ 1% 1/16W	
283	1655 2001	Resistor - 2K $\Omega$ $\pm$ 1% 1/16W	
284	1655 2002	Chip Resistor - 20K $\Omega$ $\pm$ 1%1/16W	
285	1655 2201	Resistor:2.2K $\Omega$ : $\pm$ 1%:1/16W:1005	
286	1655 2209	Resistor - 22 $\Omega$ $\pm$ 1% 1/16W	
287	1655 2210	Resistor - 221 $\Omega$ $\pm$ 1% 1/16W	
288	1655 2269	Resistor:22.6 $\Omega$ : $\pm$ 1%:1/16W:1005	
289	1655 2432	Resistor:24.3K $\Omega$ : $\pm$ 1%:1/16W:1005	
290	1655 2499	Resistor:24.9 $\Omega$ : $\pm$ 1%:1/16W:1005	
291	1655 2700	Resistor:270 $\Omega$ : $\pm$ 1%:1/16W:1005	
292	1655 2701	Resistor:2.7K $\Omega$ : $\pm$ 1%:1/16W:1005	
293	1655 2741	Resistor:2.74K $\Omega$ : $\pm$ 1%:1/16W:1005	
294	1655 2749	Resistor - 27.4 $\Omega$ $\pm$ 1% 1/16W	
295	1655 2802	Resistor:28K $\Omega$ : $\pm$ 1%:1/16W:1005	
296	1655 3002	Chip Resistor - 30K $\Omega$ $\pm$ 1%1/16W	
297	1655 3013	Resistor:301K $\Omega$ : $\pm$ 1%:1/16W:1005	
298	1655 3242	Resistor:32.4K $\Omega$ : $\pm$ 1%:1/16W:1005	
299	1655 3302	Resistor:33K $\Omega$ : $\pm$ 1%:1/16W:1005	
300	1655 3303	Resistor - 330K $\Omega$ $\pm$ 1% 1/16W	
301	1655 3309	Resistor - 33 $\Omega$ $\pm$ 1% 1/16W	
302	1655 3601	Resistor:3.6K $\Omega$ : $\pm$ 1%:1/16W:1005	
303	1655 3602	Resistor:36K $\Omega$ : $\pm$ 1%:1/16W:1005	
304	1655 3903	Resistor:390K $\Omega$ : $\pm$ 1%:1/16W:1005	
305	1655 3909	Resistor:39 $\Omega$ : $\pm$ 1%:1/16W:1005	
306	1655 4029	Resistor:40.2 $\Omega$ : $\pm$ 1%:1/16W:1005	
307	1655 4701	Chip Resistor - 4.7K $\Omega$ $\pm$ 1%1/16W	
308	1655 4750	Resistor - 475 $\Omega$ $\pm$ 1% 1/16W	
309	1655 4992	Resistor:49.9K $\Omega$ : $\pm$ 1%:1/16W:1005	
310	1655 4999	Resistor - 49.9 $\Omega$ $\pm$ 1% 1/16W	
311	1655 5101	Resistor - 5.1K $\Omega$ $\pm$ 1% 1/16W	
312	1655 5109	Resistor - 51 $\Omega$ $\pm$ 1% 1/16W	

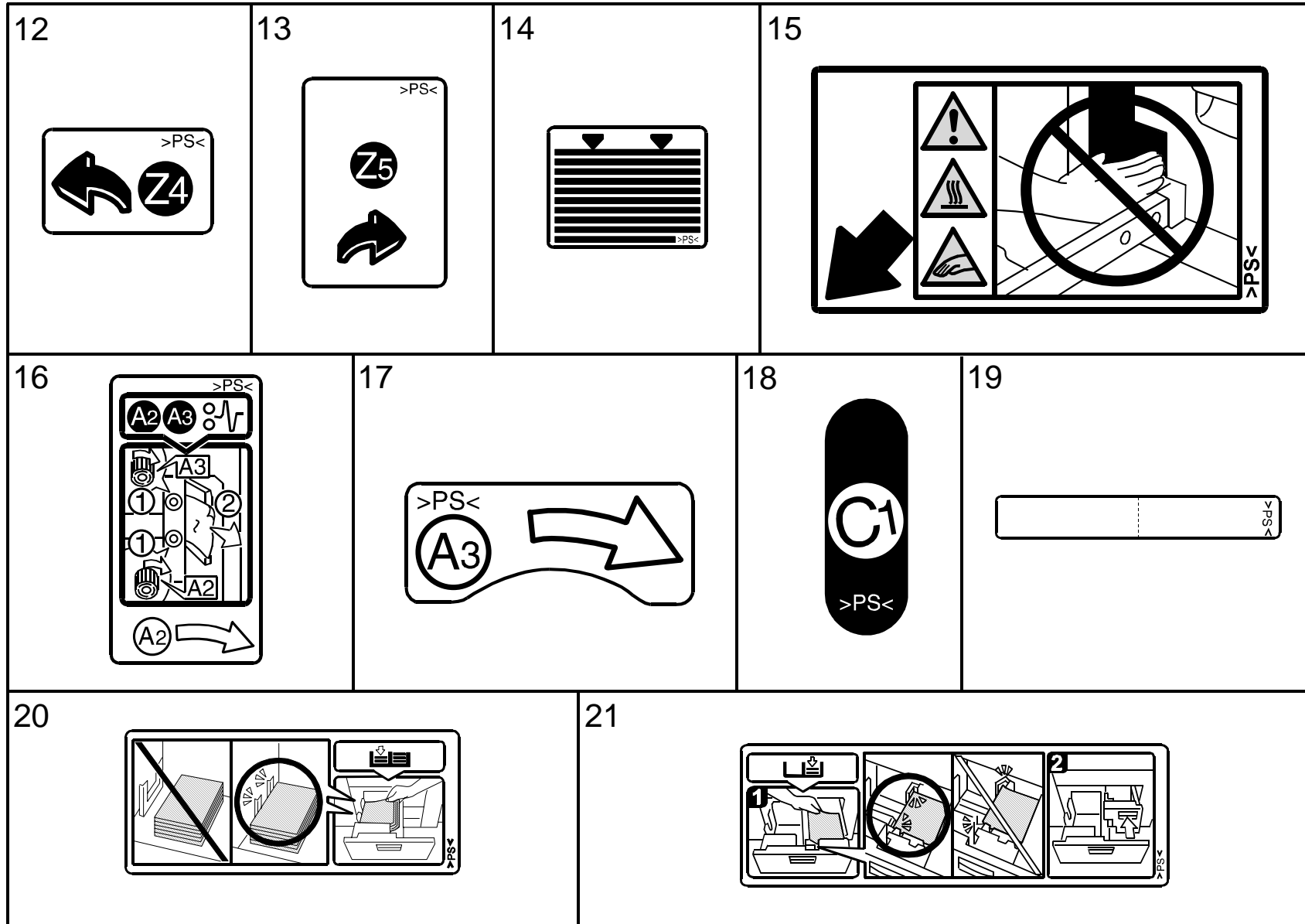
Index No.	Part No.	Description	Q'ty Per Assembly
313	1655 5499	Resistor - 54.9 $\Omega$ $\pm$ 1% 1/16W	
314	1655 5600	Resistor:560 $\Omega$ : $\pm$ 1%:1/16W:1005	
315	1655 5602	Resistor:56K $\Omega$ : $\pm$ 1%:1/16W:1005	
316	1655 5609	Resistor - 56 $\Omega$ $\pm$ 1% 1/16W	
317	1655 6043	Resistor:604K $\Omega$ : $\pm$ 1%:1/16W:1005	
318	1655 6800	Resistor:680 $\Omega$ : $\pm$ 1%:1/16W:1005	
319	1655 6801	Resistor:6.8K $\Omega$ : $\pm$ 1%:1/16W:1005	
320	1655 6809	Chip Resistor - 68 $\Omega$ $\pm$ 1%1/16W	
321	1655 7509	Resistor:75 $\Omega$ : $\pm$ 1%:1/16W:1005	
322	1655 8069	Resistor:80.6 $\Omega$ : $\pm$ 1%:1/16W:1005	
323	1655 8201	Resistor:8.2K $\Omega$ : $\pm$ 1%:1/16W:1005	
324	1655 8209	Resistor - 82 $\Omega$ $\pm$ 1% 1/16W	
325	1655 8873	Resistor:887K $\Omega$ : $\pm$ 1%:1/16W:1005	
326	1655 9101	Resistor:9.1K $\Omega$ : $\pm$ 1%:1/16W:1005	
327	1906 0101	Flash Memory:S29GI032A90TFIR40	
328	1906 0120	Nand Flash:1G:X8:30NS:3.3V:2KB	



# 90.Decals and Documents (D059/D060/D061)

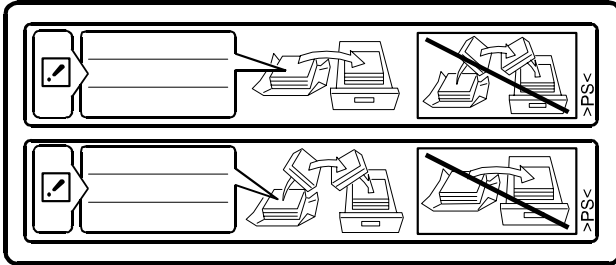


90.Decals and Documents (D059/D060/D061)

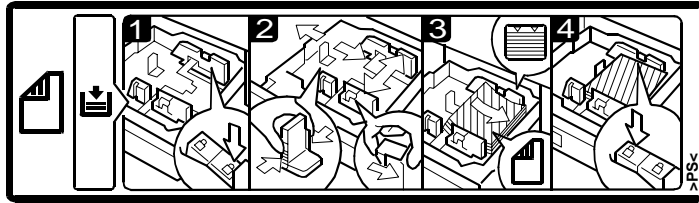


# 90.Decals and Documents (D059/D060/D061)

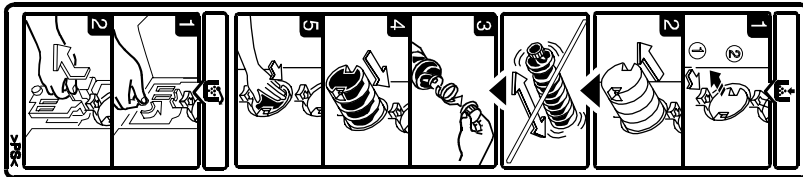
22



24



25



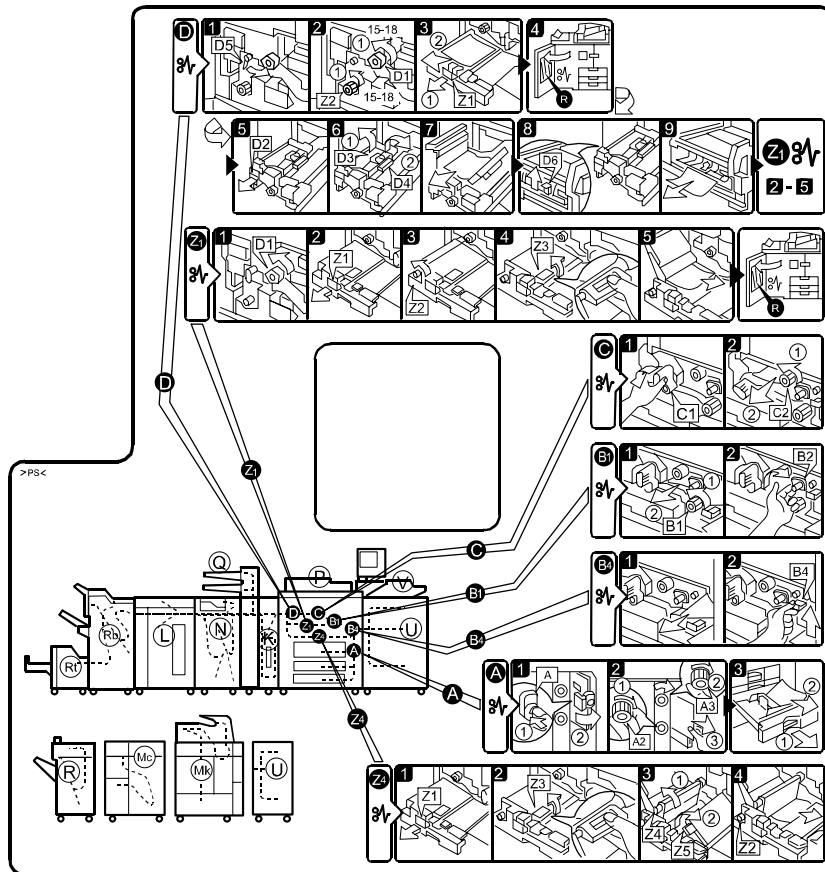
23

A3	A4	B4	B5
A3	A4	B4	SRA3
A4	A4	A5	SRA3
A4	A5	B5	SRA4
A4	A5	B5	SRA4

226×310	8×13	8½×13	11×8½
310×226	8¼×13	8½×14	11×17
310×432	8½×5½	8½×14	11×17
5½×8½	8½×11	10½×7¼	12×18
7¼×10½	8½×11	11×8½	13×18

# 90.Decals and Documents (D059/D060/D061)

26



27

**Caution: When Turning Off the Main Power**

Do not turn off the main power switch while the On indicator is lit or blinking.

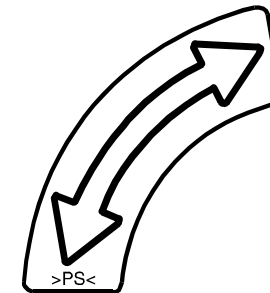
Before turning off main power switch, lower the exposure glass cover/ADF and press the operation switch. The On indicator should go out indicating that it is safe to turn off the main power switch.

>PS<

28

>PS<

29



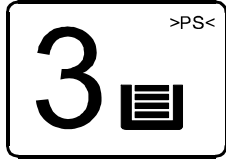
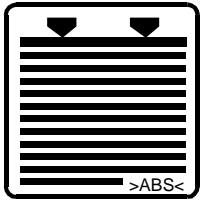
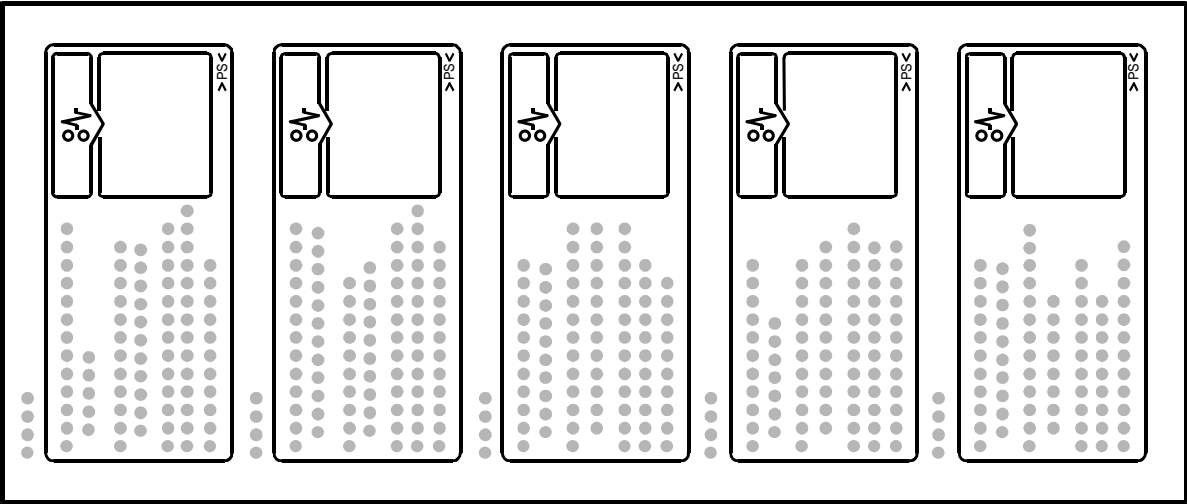

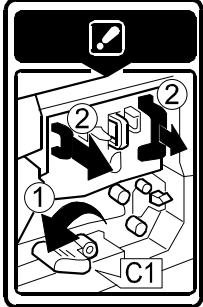














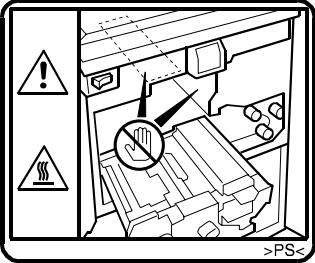
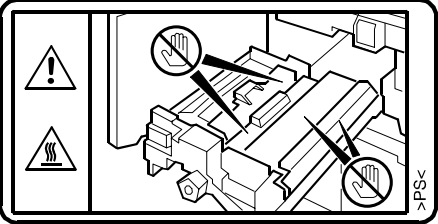

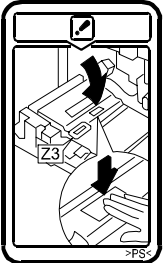
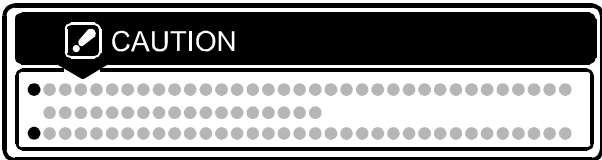
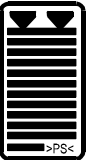
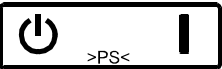
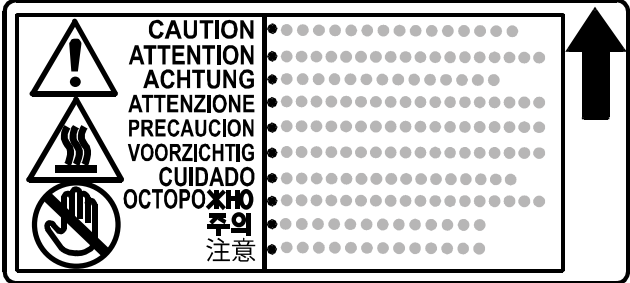
## 90.Decals and Documents (D059/D060/D061)

<p>30</p> <p>&gt;PS&lt;</p>	<p>32</p>																
<p>31</p> <table border="1"> <tr><th colspan="2">I/F Card Slot</th></tr> <tr><td>A</td><td>Option</td></tr> <tr><td>B</td><td>Tandem</td></tr> <tr><td>C</td><td>External CTL/ GIGA</td></tr> <tr><th colspan="2">SD Card Slot</th></tr> <tr><td>1</td><td>Option Slot</td></tr> <tr><td>2</td><td>Service Slot</td></tr> </table> <p>&gt;PS&lt;</p>	I/F Card Slot		A	Option	B	Tandem	C	External CTL/ GIGA	SD Card Slot		1	Option Slot	2	Service Slot	<p>33</p> <p>&gt;PS&lt;</p>	<p>34</p> <p>&gt;PS&lt;</p>	<p>35</p> <p>&gt;PS&lt;</p>
I/F Card Slot																	
A	Option																
B	Tandem																
C	External CTL/ GIGA																
SD Card Slot																	
1	Option Slot																
2	Service Slot																
<p>36</p> <table border="1"> <tr><td>Face UP</td></tr> <tr><td>Face imprimée dessus</td></tr> <tr><td>Mit der Schriftseite nach oben</td></tr> <tr><td>Faccia in su</td></tr> <tr><td>Boca arriba</td></tr> </table>	Face UP	Face imprimée dessus	Mit der Schriftseite nach oben	Faccia in su	Boca arriba	<p>37</p>	<p>38</p>	<p>39</p> <p>&gt;PS&lt;</p>									
Face UP																	
Face imprimée dessus																	
Mit der Schriftseite nach oben																	
Faccia in su																	
Boca arriba																	

# 90.Decals and Documents (D059/D060/D061)

<p>40</p> 	<p>41</p> 	<p>42</p> 	<p>43</p> 
<p>44</p> 			
<p>45</p> 	<p>47</p> 	<p>48</p> 	<p>50</p> 
<p>46</p> 	<p>49</p> 	<p>51</p> 	

90.Decals and Documents (D059/D060/D061)

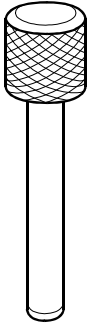
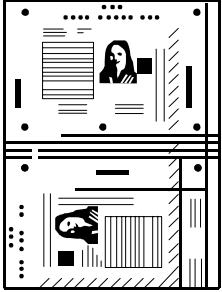
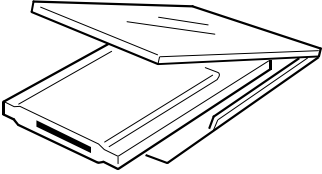
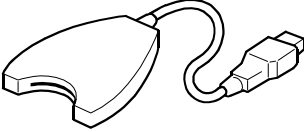
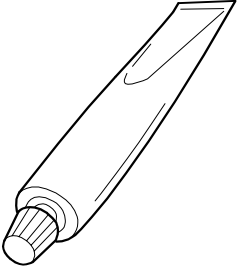
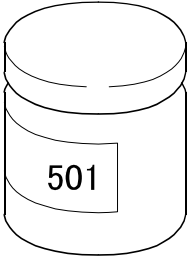
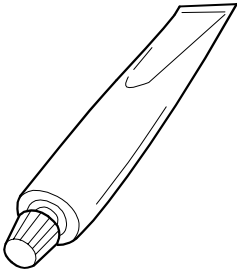
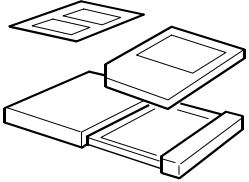
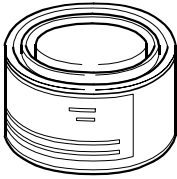

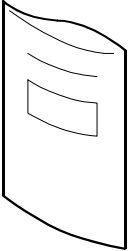
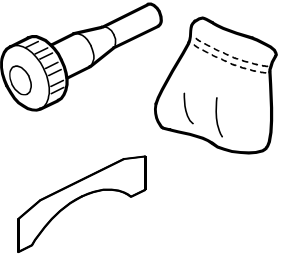
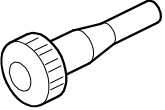


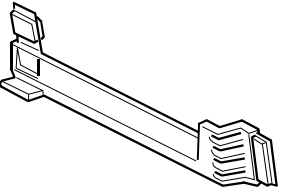
<p>52</p> 	<p>53</p> 	<p>54</p> 	<p>55</p> 
<p>56</p> 	<p>57</p> 	<p>58</p> 	
<p>59</p> 	<p>60</p> 	<p>61</p> 	
<p>62</p> 	<p>63</p> 	<p>64</p> 	

## 90.Decals and Documents (D059/D060/D061)

Index No.	Part No.	Description	Q'ty Per Assembly
1	A096 6677	Decal - Right Paper Set	1
2	A096 6678	Decal - Left Paper Set	1
3	AA00 1190	Decal - Ground	1
4	AA00 1462	Decal - Paper Feed (B1)	1
5	AA00 1463	Decal - Paper Feed:B2	1
6	AA00 1464	Decal - Paper Feed (B3)	1
7	AA00 1465	Decal - Paper Feed (B4)	1
8	AA00 1466	Decal - Paper Feed (C2)	1
9	AA00 1472	Decal - Paper Exit Unit (D1)	1
10	AA00 1473	Decal - Paper Exit Unit (D5)	1
11	AA00 1474	Decal - Duplex Unit (Z2)	1
12	AA00 1475	Decal - Duplex Unit (Z4)	1
13	AA00 1476	Decal - Duplex Unit (Z5)	1
14	AA00 1508	Decal:Side Fence:40x30	1
15	D062 6878	Decal:Caution Chart:Tandem LCT	1
16	AA00 3045	Decal - Misfeed Removal	1
17	AA00 3046	Decal - Vertical Transport (A3)	1
18	B065 3833	Decal - Transfer Unit Lever	1
19	B065 6545	Decal - Positioning	1
20	B065 6846	Decal - Paper Set - Left	1
21	B065 6877	Decal - Paper Set - Right	1
22	B070 1307	Decal:Paper Set Direction	1
23	D059 8510	Decal:Size Indication:Multi-language:1	1
23	D059 8511	Decal:Size Indication:Multi-language:2	1
24	D014 6786	Decal:Paper Set Direction	1
25	D059 1272	Decal:Operation Instructions:Toner Bank	1
26	D059 1300	Decal:Misfeed Removal:C4	1
27	B234 1357	Decal - Power Source Off English	1
28	B234 1378	Decal - Total Counter	1
29	B234 3892	Decal - Lever Release Transfer	1
30	B234 4138	Decal - Warning (High Temperature)	1
31	D059 6872	Decal:Caption:Interface	1
32	B301 4316	Decal:Misfeed Removal	1
33	B301 4336	Decal:Size:Original:RIC	1
34	B301 4357	Decal:Caution:Paper Feed	1

Index No.	Part No.	Description	Q'ty Per Assembly
35	B477 4311	Decal - Original Base	1
36	B477 4431	Decal - Original Table	1
37	G029 1982	LD Decal	1
38	AA00 1417	Decal - D6	1
39	AA00 1477	Decal:Energy-star	1
40	AA00 3217	Decal:Tray:Design Sketch1	1
41	AA00 3218	Decal:Tray:Design Sketch2	1
42	AA00 3219	Decal:Tray:Design Sketch3	1
43	B223 2873	Decal - Side Fence Rear	1
44	B234 1306	Decal:Multie:Misfeed Removal:D1/Z2	1
45	B234 2311	Decal:Grip:Drum	1
46	B234 2332	Decal:Knob:English	1
46	B234 2333	Decal:Knob:German	1
46	B234 2334	Decal:Knob:French	1
46	B234 2335	Decal:Knob:Italian	1
46	B234 2336	Decal:Knob:Spanish	1
47	B234 2338	Decal:Drum Stay	1
48	B234 2467	Decal:Side Plate:Tray Unit:Left	1
49	B234 2468	Decal:Side Plate:Tray Unit:Front	1
50	B234 3177	Decal:Positioning Display:Development	1
51	B234 3214	Decal:Display:Caution:Development	1
52	B234 3592	Decal:Positioning Display:1	1
53	B234 3593	Decal:Frame:Cleaning	1
54	B234 3644	Decal:Case:Middle:Cleaning	1
55	B234 3654	Decal:Positioning Display:2	1
56	B234 3655	Decal:Positioning Display:3	1
57	B234 4136	Decal - Warning (High Temperature)	1
58	B234 4137	Decal:Warning:High Temperature:Exit	1
59	B234 4139	Decal:Positioning Display:Fusing	1
60	D059 4854	Decal:Operate:Z3	1
61	B234 7598	Decal:Caution Chart:PSU:Service	1
62	AA00 1509	Decal:Side Fence:16x30	1
63	D046 2862	Decal:H-Temp Warning:Heater	1
64	D059 1273	Decal:Main Switch	1

# 91.Special Tools (D059/D060/D061)

1 	2 	3 	4 	5 	
6 	7 	8 	9 	10 	
11 	12 	13 	14 	15 	16 

### 91.Special Tools (D059/D060/D061)

Index No.	Part No.	Description	Q'ty Per Assembly
1	A006 9104	Scanner Positioning Pin (4pcs/set)	1
2	A292 9500	Test Chart - S5S (10 pcs/set)	1
3	B645 6700	SD-Card:Adapter:BN-SDAA2	1
4	B645 6800	SD-Card:USB:Writer:BN-SDCE2	1
5	A257 9300	Grease	1
6	5203 9502	Grease 501	1
7	G004 9668	Grease - KS660 - SHIN-ETSU	1
8	B645 5010	SD-Card:Ass'y	1
9	5447 9078	Heat Resisting Grease MT-78	1
10	5442 9103	Launa Oil 40	1
11	B234 9640	Developer Type 27W BK	1
12	B234 8611	TCRU Operation Kit	1
13	B234 8612	Driver:TCRU	1
14	B234 8614	Setting Powder	1
15	B234 2332	Decal:Knob:English	1
15	B234 2333	Decal:Knob:German	1
15	B234 2334	Decal:Knob:French	1
15	B234 2335	Decal:Knob:Italian	1
15	B234 2336	Decal:Knob:Spanish	1
16	B234 2860	Cleaner:CIS	1

Index No.	Part No.	Description	Q'ty Per Assembly

# Parts Index

## PM Parts Index

Section Name	Part No.	Description in Service Manual	Description in Parts Catalog	Q'ty Per Assembly	Page and Index No.
ADF 3 (D059/D060/D061)	A806 1295	Paper Feed Belt	Feed Belt	1	39 - 18
ADF 3 (D059/D060/D061)	A859 2241	Reverse Roller:Paper Feed	Reverse Roller	1	39 - 28
ADF 3 (D059/D060/D061)	B477 2225	Pickup Roller	Pick-up Roller	1	39 - 31
ADF 5 (D059/D060/D061)	B301 1442	Transport Belt	Transport Belt	1	43 - 1
Optics Section 1 (D059/D060/D061)	B070 1790	Exposure Glass:Ass'y	Exposure Glass:Ass'y	1	55 - 20
Paper Feed Unit 2 D059/D060/D061)	AF03 0080	Paper Feed Roller:Feed	Paper Feed Roller:Feed	1	75 - 3
Paper Feed Unit 2 D059/D060/D061)	AF03 1080	Paper Feed Roller:Pick-up	Paper Feed Roller:Pickup	1	75 - 4
Paper Feed Unit 3 (D059/D060/D061)	AF03 2080	Paper Feed Roller:Separate	Paper Feed Roller:Separate	1	77 - 5
Development Unit (D059/D060/D061)	B070 3180	Development roller gear:21Z	Gear:Development Roller:Z21:M=0.8	2	99 - 22
Development Unit (D059/D060/D061)	B234 3107	Idle Gear:23Z	Gear:Idler:Development Unit	1	99 - 23
Development Unit (D059/D060/D061)	B234 3165	Paddle Roller Gear:42Z	Gear - 42Z	1	99 - 24
Charge Unit (D059/D060/D061)	A096 2063	Corona Wire Cleaner	Corona Wire Cleaner	1	101 - 7
Charge Unit (D059/D060/D061)	B234 2123	Cushion:Wire	Cushion - Wire	1	101 - 16
Charge Unit (D059/D060/D061)	B234 2128	Wire:Charge Corona	Wire:Charge Corona	1	101 - 17
Charge Unit (D059/D060/D061)	B234 2113	Grid:Charge Corona	Charge Corona Grid	1	101 - 25
Charge Unit (D059/D060/D061)	B234 2156	Wire:Charge Corona:Pre	Charge Corona Wire	1	101 - 30
Charge Unit (D059/D060/D061)	B234 2155	Grid:Charge Corona:Pre	Charge Corona Grid	1	101 - 36
PCU 2 (D059/D060/D061)	AD02 5022	Pick-off Pawl:Swivel	Pick-off Pawl	2	105 - 5
Cleaning Unit 1 (D059/D060/D061)	B234 3637	Filter Cleaning	Filter - Cleaning	2	107 - 8
Cleaning Unit 1 (D059/D060/D061)	D059 3564	Blade:Cleaning :Ass'y	Blade:Cleaning:201707:Ass'y	1	107 - 12
Cleaning Unit 2 (D059/D060/D061)	B234 3590	Brush Roller:Cleaning	Cleaningbrush Roller	1	109 - 23
Transfer Belt Unit 1 (D059/D060/D061)	B234 3971	Transfer Belt	Transfer Belt	1	113 - 19
Transfer Belt Unit 2 (D059/D060/D061)	B234 3916	Blade:Transfer Belt:No1 2:Ass'y	Transfer Belt Cleaning Blade	1	115 - 6
Fusing Unit 1 (D059/D060/D061)	AE04 0067	Roller:Cleaning Felt:Plate	Roller - Cleaning Felt	1	117 - 11
Fusing Unit 1 (D059/D060/D061)	AE04 5056	Roller:Cleaning Felt:27M:Ass'y	Roller:Cleaning Felt:27M:Ass'y	1	117 - 12
Fusing Unit 1 (D059/D060/D061)	B070 4418	Pad:Brake: Oil Supply Roller	Web Brake Pad	1	117 - 15
Fusing Unit 2 (D059/D060/D061)	AE04 4067	Stripper Pawls:Ring	Stripper Pawls:Ring	5	119 - 14
Fusing Unit 3 (D059/D060/D061)	AE01 1110	Hot Roller:DIA80:TypeC	Hot Roller - DIA80 C	1	121 - 11
Fusing Unit 3 (D059/D060/D061)	AE01 1108	Hot Roller:DIA80	Hot Roller	1	121 - 16
Fusing Unit 4 (D059/D060/D061)	AE02 0177	Pressure Roller:DIA80	Pressure Roller:DIA80	1	123 - 13
Used Toner Section (D059/D060/D061)	B234 3701	Collection Bottle:Vacuum:Ass'y	Collection Bottle	1	145 - 1
Used Toner Section (D059/D060/D061)	B234 3094	Air Pump:Development:Ass'	Air Pump Unit	1	145 - 10
Electrical Section 1 (D059/D060/D061)	B070 2076	Ozone Filter:50x150x40	Ozone Filter:50x150x40	1	161 - 12
Frame Section 3 (D059/D060/D061)	B234 2158	Filter:Around The Photoconductor	Filter	1	185 - 20



## Parts Index

Part No.	Description	Page and Index No.
D059 0669	Transport Roller:Middle:Drive	87 - 12
D059 0670	Transport Roller:Duplex:Exit:Drive	87 - 13
D059 0671	Transport Roller:Large Capacity Tray: Exit:Drive	85 - 1
D059 0761	Spring:Tandem Tray:Lock	189 - 3
D059 1097	Fan:Sirocco:DC24V:2Speed-S:Ass'y	161 - 3
D059 1253	Door:Right Front:Ass'y	19 - 2
D059 1267	Door:Front Lower:Ass'y	21 - 13
D059 1272	Decal:Operation Instructions:Toner Bank	241 - 25
D059 1272	Decal:Operation Instructions:Toner Bank	21 - 16
D059 1273	Decal:Main Switch	19 - 15
D059 1273	Decal:Main Switch	241 - 64
D059 1277	Door:Front Left:Ass'y	19 - 1
D059 1281	Cover:Grip:Left	19 - 5
D059 1282	Cover:Grip:Right	19 - 9
D059 1300	Decal:Misfeed Removal:C4	241 - 26
D059 1300	Decal:Misfeed Removal:C4	19 - 7
D059 1320	Cover:Left Upper:C4	21 - 1
D059 1324	Cover:Rear Lower	25 - 6
D059 1330	Cover:Rear Upper	25 - 3
D059 1354	Panel:Logo:TEC	19 - 33
D059 1355	Panel:Name Plate:TEC:905	19 - 12
D059 1360	Bracket:Main Switch:Ass'y	179 - 5
D059 1367	Inner Cover:Upper	19 - 18
D059 1375	Inner Cover:Upper Right	19 - 20
D059 1377	Inner Cover:Upper Left	19 - 14
D059 1433	Frame:Arm:Operation Sub-unit	33 - 28
D059 1441	Cover:Arm:Upper	33 - 17
D059 1443	Cover:Arm:Upper Rear	33 - 20
D059 1444	Cap:Cover:Arm:Upper	33 - 18
D059 1444	Cap:Cover:Arm:Upper	33 - 19
D059 1451	Arm:Contact Point	33 - 14
D059 1452	Spacer:Arm:Contact Point	33 - 25
D059 1453	Spacer:Arm:Lower	33 - 15
D059 1454	Cover:Cable	27 - 12

Part No.	Description	Page and Index No.
D059 1455	Arm:Operation Sub-unit:Welding	33 - 27
D059 1458	Bracket:Cable:Bushing	33 - 24
D059 1459	Bracket:Cable:Operation Panel	27 - 11
D059 1460	Bracket Shoe:Operation Sub-unit:Ass'y	33 - 30
D059 1461	Cover:Arm:Upper	33 - 16
D059 1462	Cover:Arm:Lower	33 - 23
D059 1463	Cover:Panel:Rear Upper	27 - 8
D059 1464	Cover:Panel:Rear Lower	27 - 9
D059 1466	Bracket Shoe:Operation Sub-unit	33 - 11
D059 1467	Cover:Arm:Left Lower	33 - 21
D059 1468	Cover:Arm:Right Lower	33 - 22
D059 1469	Cover:Arm:Operation Sub-unit:Lower	27 - 6
D059 1516	PCB:OPU:TEC:Ass'y	31 - 26
D059 1554	Operation Panel:TEC	29 - *
D059 1721	Image Scanning Board:Ass'y	55 - 6
D059 1811	Cover:Laser Diode Unit: Polygon Mirror Motor:Ass'y	59 - 6
D059 1838	Gasket:Cover:Rail	61 - 21
D059 1839	Gasket:Stay:Rail	61 - 22
D059 1870	Imaging Unit:Ass'y	63 - *
D059 1880	Laser Diode Unit:Ass'y	63 - 5
D059 1977	Duct:Machine Or Copier:Imaging Unit:Ass'y	179 - 9
D059 2077	Seal:Duct	161 - 9
D059 2165	Duct:Rear:Ass'y	161 - 7
D059 2273	Stay:Pre-transfer Lamp:Ass'y	105 - 24
D059 2309	Drum:Unit:Ass'y	105 - *
D059 2310	Side Plate:Drum:Rear	105 - 38
D059 2312	Sheet:Guide:Harness	105 - 35
D059 2314	Seal:Thermistor	105 - 26
D059 2399	Flanged Hexagonal Head Bolt:M3x4	67 - 17
D059 2469	Screw:Round Point:M4x6	103 - 28
D059 2469	Screw:Round Point:M4x6	185 - 5
D059 2469	Screw:Round Point:M4x6	183 - 10
D059 2512	Paper Feed Unit:Machine Or Copier:Ass'y	81 - *
D059 2559	Double Feed Sensor:Sensor:Ass'y	83 - 6

Part No.	Description	Page and Index No.
D059 2612	Harness Clamp:Earth:2.0	85 - 5
D059 2620	Retaining Rings-C	77 - 4
D059 2620	Retaining Rings-C	75 - 2
D059 2632	Guide Plate:Registration:Lower:Ass'y	83 - 12
D059 2636	Bracket:LED:Ass'y	83 - 13
D059 2645	Scraper:Middle	83 - 4
D059 2653	Bracket:Cover:Ass'y	83 - 3
D059 2696	Holder:Sensor:Upper	83 - 7
D059 2697	Holder:Sensor:Lower:2	83 - 8
D059 2699	Plate:Sensor	83 - 5
D059 2765	Cover:URB:Double Feed Sensor	85 - 9
D059 2768	Guide Plate:Large Capacity Tray: Exit:Upper:Ass'y	85 - 8
D059 2771	Guide Plate:Reverse:19.2	87 - 3
D059 3100	Development Unit:Ass'y	99 - *
D059 3150	Bearing Case:DIA8:Rear:Ass'y	99 - 34
D059 3152	Seal:Bearing Case:DIA8:Rear	99 - 35
D059 3153	Bearing Case:DIA8:Ass'y	99 - 36
D059 3155	Seal:Bearing Case:DIA8	99 - 37
D059 3166	Gear:Transport Screw:Rear	99 - 27
D059 3167	Gear:Paddle:Agitate:Z37	99 - 25
D059 3200	Toner Supply Unit:Ass'y	97 - *
D059 3261	Pump:Toner Supply:Ass'y	155 - 1
D059 3311	Case:Toner Bank:Ass'y	95 - 6
D059 3378	Bracket:Positioning Sensor:Rack:Upper	91 - 5
D059 3379	Bracket:Positioning Sensor:Rack:Lower	91 - 6
D059 3402	Spring Plate:Toner Bank:Safety Switch	89 - 22
D059 3408	Bracket:Stand:Micro Switch	89 - 20
D059 3410	Cylinder:Toner Supply:Ass'y	159 - 1
D059 3415	Knob Screw:Toner Bank:Lower	21 - 21
D059 3417	Kit:Collection Bottle:&:Bag For Waste	89 - 1
D059 3467	Stay:Bracket:DC Motor	93 - 29
D059 3477	Micro Switch:V-5F936DN-01	89 - 21
D059 3492	Inner Cover:Toner Bank:Lower	21 - 22
D059 3502	Cleaning Unit:Ass'y	107 - *

Part No.	Description	Page and Index No.
D059 3564	Blade:Cleaning:201707:Ass'y	107 - 12
D059 3767	Shaft:Drive:Cleaning	151 - 6
D059 3770	Pulley:Drive:Cleaning	151 - 5
D059 3832	Lever:Transfer Unit:Ass'y	113 - 23
D059 3834	Handle:Release:Transfer Unit	113 - 25
D059 3900	Transfer Unit:Ass'y	113 - *
D059 4012	Fusing Unit:NA:Type AB:Ass'y	117 - *
D059 4056	Heater Holder:Front	121 - 12
D059 4071	Discharge Brush:Pressure Roller	123 - 2
D059 4111	Fusing Unit:Entrance:Upper:Ass'y	117 - 8
D059 4149	Harness:Thermostat:Front:No.1	121 - 2
D059 4150	Harness:Thermostat:Front:No.2	121 - 3
D059 4226	Side Plate:Fusing:Front:Ass'y	123 - 37
D059 4256	Shaft:Drive:Paper Exit Unit:Ass'y	131 - 20
D059 4261	Paper Exit Unit:Ass'y	125 - *
D059 4275	Harness:Ground Wire:Paper Exit Unit	181 - 1
D059 4299	Transport Belt:Cooling	125 - 8
D059 4306	Bracket:DC Brushless Motor:Peen	149 - 17
D059 4310	Drum Stay:Protect:DC Brushless Motor	149 - 18
D059 4319	Transport Roller:Cooling Sub-unit:Exit	125 - 9
D059 4338	Torsion Spring:Guide Plate:Open And Close	131 - 11
D059 4379	Cap:Connector	185 - 2
D059 4385	Hexagon Head Tapping Screw:DC Fan Motor	185 - 23
D059 4386	Duct:Exhaust:Upper:Sub-ass'y	185 - 4
D059 4393	Cover:Duct:Heat Pipe:Ass'y	173 - 14
D059 4397	Compression Spring:Joint:10N	149 - 20
D059 4398	Joint:Paper Exit Unit:Drive	149 - 21
D059 4427	Shaft:Drive:Coupling	149 - 15
D059 4428	Gear:Joint:66Z	149 - 16
D059 4442	Guide Plate:Reverse:Entrance	131 - 14
D059 4462	Bracket:Connector:Finishing Sub-unit	181 - 2
D059 4464	Guide Plate:Exit:Lower	127 - 2
D059 4465	Guide:Middle:Reverse:Entrance	131 - 12
D059 4466	Guide:Middle:Reverse:Exit	131 - 10
D059 4467	Guide Plate:Exit:Reverse	131 - 9

Part No.	Description	Page and Index No.
D059 4477	Sheet:Exit:46	127 - 13
D059 4478	Guide Plate:Exit:Upper:Peen	127 - 12
D059 4597	Sheet:Reverse	139 - 30
D059 4632	Bracket:Support:Positioning Pin:Main	141 - 23
D059 4636	Bracket:Drawer:Duplex Unit	139 - 25
D059 4649	Gear:Sector:Open And Clos:Duplex:Entrance	135 - 22
D059 4662	Bracket:Stepper Motor:Duplex:Entrance	149 - 28
D059 4667	Shaft:Drive:Pulley:Joint:Press Fit	149 - 32
D059 4743	Heat Sinker:Duplex:Switchback:1.0	139 - 10
D059 4850	Guide Plate:Open And Close:Duplex: Left:Sub-ass'y	139 - 1
D059 4851	Ground Plate:Bracket:Motor	149 - 29
D059 4854	Decal:Operate:Z3	241 - 60
D059 4854	Decal:Operate:Z3	135 - 26
D059 4858	Sheet:Plate:Guide Plate	135 - 28
D059 4870	Duplex Unit:Ass'y	133 - *
D059 4911	Transport Roller:Duplex:Entrance:Drive	135 - 25
D059 4912	Transport Roller:Duplex:Driven	137 - 18
D059 4921	Exit Roller:Drive:Exit	127 - 5
D059 4922	Exit Roller:Drive:Horizontal	129 - 6
D059 4923	Exit Roller:Reverse:Drive	129 - 8
D059 4924	Exit Roller:Drive:Reverse:Upper	129 - 7
D059 4967	Cover:Bracket:Channel:Lengthwise:Middle Front	187 - 13
D059 5050	Harness W/Bracket	161 - 1
D059 5116	PCB:MCU	59 - 25
D059 5122	PCB:SIB	59 - 11
D059 5152	Harness:Scanner:Main	59 - 9
D059 5153	Harness:MCU:Sensor	59 - 2
D059 5156	Harness:SBU:Power Source	59 - 7
D059 5157	Harness:SBU	59 - 8
D059 5158	Harness:SIB:Fan	59 - 10
D059 5160	Harness:Lamp Regulator	59 - 24
D059 5165	Harness:LDB:Sync Detector	63 - 4
D059 5168	Interface Section:Cable:Scanner	169 - 2
D059 5168	Interface Section:Cable:Scanner	55 - 10

Part No.	Description	Page and Index No.
D059 5230	PCB:BICU:Ass'y	169 - 1
D059 5230	PCB:BICU:Ass'y	199 - *
D059 5241	PCB:IOB	209 - *
D059 5241	PCB:IOB	171 - 16
D059 5350	Harness:Power Source:LDB	63 - 2
D059 5351	Harness:LDB:Control:Connecting	63 - 1
D059 5355	Harness:Imaging Unit:Safety Switch	179 - 4
D059 5356	Harness:LDB:OPU:BICU	169 - 5
D059 5357	Cable:LVDS:BICU:18P:Connecting	169 - 4
D059 5473	Harness:Tandem LCT:Left	65 - 28
D059 5488	Harness:Ground Wire:Vibrating Plate	95 - 12
D059 5488	Harness:Ground Wire:Vibrating Plate	93 - 2
D059 5489	Harness:Ground Wire:Toner Bank	89 - 17
D059 5489	Harness:Ground Wire:Toner Bank	91 - 21
D059 5511	PCB:Type-EX1D:TEC	231 - *
D059 5511	PCB:Type-EX1D:TEC	167 - 8
D059 5522	Harness:Ground Wire:IBM	163 - 6
D059 5522	Harness:Ground Wire:IBM	165 - 1
D059 5526	SATA	167 - 4
D059 5571	Harness:Paper Size Sensor:Connecting	159 - 14
D059 5585	Cable:HDD:SATA:POWER:B-C4	167 - 5
D059 5595	Flash Memory:BIOS:EX1:B-C4	231 - 3
D059 5600	Harness:AC:Main	175 - 9
D059 5601	Harness:AC:Paperbank	171 - 5
D059 5603	Harness:AC:Control	169 - 9
D059 5604	Harness:AC:Noise Filter	175 - 3
D059 5607	Harness:AC:Heater:Dehumidifier:Transfer	185 - 14
D059 5611	Harness:Fusing Unit:Upper:AB	121 - 20
D059 5631	Harness:Power Source:Control Section	169 - 6
D059 5633	Harness:Controler:Fan	169 - 7
D059 5634	Harness:Power Supply Unit:Fan:Connecting	163 - 13
D059 5650	Harness:Main:Left	171 - 15
D059 5651	Harness:Main:Middle	171 - 10
D059 5653	Harness:Paperbank:Left	91 - 20
D059 5654	Harness:Paperbank:Middle	171 - 12

Part No.	Description	Page and Index No.
D059 5655	Harness:Paper Bank:Right	171 - 9
D059 5655	Harness:Paper Bank:Right	79 - 1
D059 5656	Harness:Paper Bank:Tandem LCT	175 - 14
D059 5658	Cable:Operation Sub-unit:OPU	27 - 10
D059 5658	Cable:Operation Sub-unit:OPU	33 - 29
D059 5663	Cable:BICU:IOB	171 - 13
D059 5663	Cable:BICU:IOB	169 - 3
D059 5665	Harness:Drum:Uni	105 - 36
D059 5666	Harness:Density Sensor: Electric Potential Sensor:Connecting	105 - 15
D059 5667	Harness:QL:On-off:Solenoid:Connecting	111 - 9
D059 5668	Harness:Cleaning Unit:Set Sensor:Connecting	111 - 17
D059 5673	Harness:Tandem LCT:Right	69 - 39
D059 5675	Harness:Paper Feed Unit:Main	81 - 4
D059 5676	Harness:Registration Sensor:Connecting	85 - 6
D059 5677	Cable:URB:Transmitter:Connecting	85 - 3
D059 5678	Cable:URB:Receiver:Connecting	85 - 4
D059 5679	Harness:CIS:CRB	81 - 9
D059 5679	Harness:CIS:CRB	87 - 22
D059 5680	Harness:Toner Bank:Bottle:Upper:White	91 - 18
D059 5681	Harness:Toner Bank:Bottle:Lower:Red	91 - 19
D059 5683	Harness:Development Unit	99 - 29
D059 5684	Harness:Development:Connecting	147 - 20
D059 5685	Harness:Paper Exit Unit	127 - 20
D059 5686	Harness:Fusing Unit:Lower	123 - 36
D059 5687	Harness:Fusing:Lower:Machine Or Copier	175 - 8
D059 5688	Harness:Temperature & Humidity Sensor: Connecting	145 - 5
D059 5689	Harness:Toner Bank:Sub	93 - 37
D059 5690	Harness:Transfer Belt:Connecting	185 - 13
D059 5691	Harness:Transfer Belt	115 - 33
D059 5692	Harness:Pump:Sensor:Connecting	155 - 2
D059 5693	Harness:Connecting:Duplex:Fan	187 - 7
D059 5695	Harness:Duplex Unit	139 - 24
D059 5696	Harness:Duplex Unit:Right:Connecting	133 - 11

Part No.	Description	Page and Index No.
D059 5697	Harness:Duplex Unit:Left:Upper:Connecting	137 - 5
D059 5698	Harness:Duplex Unit:Left:Lower:Connecting	139 - 5
D059 5699	Harness:Duplex Unit:Reverse:Connecting	135 - 4
D059 5700	Harness:Toner Bank:Interlock	89 - 23
D059 5701	Harness:STM:Connecting	171 - 11
D059 5702	Harness:Operation Sub-unit:Connecting	171 - 14
D059 5703	Harness:Main:Right	171 - 8
D059 5753	PCB:URB	85 - 7
D059 6121	Spring:Connector:Tandem LCT	175 - 12
D059 6151	Bracket:Sensor:Paper Size Sensor	159 - 11
D059 6152	Bracket:Sensor:Paper Size Sensor:Moveable	159 - 12
D059 6153	Spring Plate:Bracket:Sensor:Paper Tray	159 - 15
D059 6160	Rail:Tandem LCT:Left:Sub-ass'y	189 - 1
D059 6165	Cover:Connector	159 - 32
D059 6170	Bracket:Slide Rail:Paper Tray:2:Ass'y	189 - 5
D059 6171	Bracket:Slide Rail:Paper Tray:3:Ass'y	189 - 5
D059 6172	Paper Tray Stopper	159 - 33
D059 6200	Paper Feed Unit:Paper Bank:Ass'y	73 - *
D059 6200	Paper Feed Unit:Paper Bank:Ass'y	79 - *
D059 6277	Cover:Gear:Paper Feed Roller	75 - 5
D059 6278	Cover:Gear:Reverse	77 - 11
D059 6400	Transport Unit:Vertical Transport: Paper Bank:Ass'y	79 - 17
D059 6496	Guide:Middle:Paper Tray	71 - 7
D059 6591	Spring:Paper Tray:Lock	189 - 26
D059 6613	Tandem LCT:Right:NA:Ass'y	67 - *
D059 6620	Lever:Coupling:Left	65 - 27
D059 6622	Tandem LCT:Left:NA:Ass'y	65 - *
D059 6631	Cover:Tandem LCT	23 - 1
D059 6632	Cover:Paper Tray:Long	23 - 22
D059 6633	Cover:Paper Tray:Short	23 - 21
D059 6634	Grip:Paper Tray:Rear	23 - 3
D059 6646	Inner Cover:Tandem LCT:Left	65 - 1
D059 6659	Supporting Plate:Side Fence:Left	65 - 10
D059 6664	Guide:Middle:Paper Tray	67 - 18

Part No.	Description	Page and Index No.
D059 6665	Bracket:DC Motor:Left:Ass'y	65 - 12
D059 6668	Side Plate:Side:Tandem LCT	67 - 16
D059 6690	Plate:Paper:Ass'y	67 - 7
D059 6699	Bracket:Base:Stopper:Tandem LCT	23 - 11
D059 6701	Torsion Spring:Stopper:Tandem LCT:Right	23 - 6
D059 6702	Stopper:Tandem LCT	23 - 13
D059 6703	Link:Stopper:Tandem LCT	23 - 14
D059 6704	Arm:Grip:Tandem LCT:Right	23 - 9
D059 6705	Arm:Grip:Tandem LCT:Left	23 - 8
D059 6706	Shaft:Grip:Tandem LCT	23 - 7
D059 6707	Base:Stopper:Tandem LCT:Peen	23 - 5
D059 6712	Inner Cover:Tandem LCT	67 - 2
D059 6721	Stopper:Paper Tray	23 - 15
D059 6722	Base:Stopper:Paper Tray	23 - 17
D059 6723	Shaft:Stopper:Paper Tray	23 - 18
D059 6724	Arm:Grip:Paper Tray	23 - 19
D059 6725	Bracket:Stopper:Paper Tray:Right:Peen	23 - 20
D059 6728	Compression Spring:Grip:Paper Tray	23 - 4
D059 6729	Torsion Spring:Stopper:Paper Tray	23 - 16
D059 6731	Shield:Guide:Misfeed Removal	189 - 14
D059 6742	Bracket:Rail:Left	189 - 2
D059 6765	DC Solenoid:Lock:Ass'y	159 - 30
D059 6771	Paper Tray:Universal:DOM:Ass'y	71 - *
D059 6820	Bracket:Hinge:Upper:Ass'y	165 - 9
D059 6821	Bracket:Hinge:Lower:Ass'y	165 - 10
D059 6822	Guard:Harness:Rear:Main	165 - 8
D059 6827	Guide Plate:C/T Box	165 - 6
D059 6830	C/T Box:DC:Ass'y	165 - 4
D059 6844	Filter:C/T Box	25 - 8
D059 6845	Cover:C/T Box:GW:Ass'y	25 - 7
D059 6854	Louver	169 - 10
D059 6856	Cover:Harness	165 - 3
D059 6858	Screw:M4x10	189 - 15
D059 6859	Stopper:Registration:Tandem LCT	189 - 13
D059 6871	Bracket:Control Board:GW:Ass'y	167 - 9

Part No.	Description	Page and Index No.
D059 6872	Decal:Caption:Interface	241 - 31
D059 6872	Decal:Caption:Interface	167 - 13
D059 6875	HDD Unit:GW:Ass'y	167 - 3
D059 6883	Bracket:Coupling	165 - 5
D059 6885	Cover:C/T Box:DC:Ass'y	25 - 5
D059 7553	Bracket:Harness	173 - 20
D059 7559	Bracket:Option	171 - 18
D059 8510	Decal:Size Indication:Multi-language:1	241 - 23
D059 8510	Decal:Size Indication:Multi-language:1	19 - 27
D059 8511	Decal:Size Indication:Multi-language:2	241 - 23
D059 8511	Decal:Size Indication:Multi-language:2	19 - 27
D059 9510	OPC Drum	105 - 1
D060 1355	Panel:Name Plate:TEC:1105	19 - 12
D060 1425	Stay:Operation Panel:Welding	33 - 10
D060 1435	Arm:Operation Sub-unit:Front Rear:Welding	33 - 26
D060 7501	Manual:ABOUT_MACHINE:TEC	19 - 21
D060 7607	Manual:COPY_REF:TEC	19 - 21
D060 7705	Manual:TROUBLESHOOT:TEC	19 - 21
D061 1355	Panel:Name Plate:TEC:1355	19 - 12
D061 4012	Fusing Unit:NA:TypeC:Ass'y	117 - *
D061 5611	Harness:Fusing Unit:Upper:C	121 - 20
D061 7400	CD-ROM:OI:USER:TEC:Ass'y	19 - 13
D061 7402	CD-ROM:OI:ADMIN:TEC:Ass'y	19 - 13

Part No.	Description	Page and Index No.
A006 9104	Scanner Positioning Pin (4pcs/set)	243 - 1
A007 3751	Large Cap - Toner Collection Tank	89 - 2
A007 3785	Toner Collection Bottle Cap	89 - 4
A028 7878	Arm Spacer	43 - 26
A048 2276	Ring - Transport Bracket	105 - 11
A069 1883	Shoe - Scanner	57 - 11
A079 1201	Fusing Drive Joint	149 - 13
A079 1203	Fusing Drive Stopper	149 - 11
A079 1406	Upper Door Spacer	19 - 8
A079 4097	Pressure Cam	123 - 25
A096 2051	Rear Grid Anchor	101 - 24
A096 2062	Wire Cleaner Slider	101 - 6
A096 2063	Corona Wire Cleaner	101 - 7
A096 2065	Slider Ring	101 - 8
A096 2330	Drum Shaft Knob	103 - 3
A096 3586	Cleaning Brush Drive Shaft	109 - 22
A096 6677	Decal - Right Paper Set	67 - 9
A096 6677	Decal - Right Paper Set	241 - 1
A096 6678	Decal - Left Paper Set	65 - 32
A096 6678	Decal - Left Paper Set	241 - 2
A096 6693	Paper Guide Sheet	189 - 21
A134 2978	Spring Plate	71 - 16
A134 3180	Bottle Chuck	95 - 19
A176 1737	Exposure Glass Cushion	55 - 17
A184 1760	Cam Spring	153 - 15
A193 1767	1st Mirror Holder	57 - 7
A193 1829	Ball Bearing - M8	61 - 17
A229 3861	Front Arm	113 - 2
A229 3862	Rear Arm	113 - 3
A229 3875	Drive Electrode	113 - 4
A232 3077	Spacer - M5	173 - 5
A232 4666	Cushion - Stepper Motor	139 - 11
A232 4666	Cushion - Stepper Motor	157 - 2
A247 3089	Ball Bearing - 9x17x5	99 - 31
A247 4249	Connector - 3P	121 - 23

Part No.	Description	Page and Index No.
A248 6687	Right Drive Shaft	69 - 25
A248 6694	Wire Ring	69 - 26
A248 6695	Guide - Pulley	69 - 1
A248 6713	Hook - Tension Sprong	69 - 14
A257 2076	Front Lens Plate	63 - 16
A257 2077	Rear Lens Plate	63 - 15
A257 2102	F-theta Lens Plate	63 - 12
A257 9300	Grease	243 - 5
A267 1820	Sheet - Photointerrupter	59 - 21
A267 2857	Spring Plate - Side Fence	71 - 29
A267 2859	Side Fence Stopper	71 - 28
A267 2860	Rear Lever Stopper	71 - 27
A267 7586	Grounding Plate	163 - 7
A292 9500	Test Chart - S5S (10 pcs/set)	243 - 2
A293 3871	Gear - 20Z	113 - 8
A294 1119	Fly Wheel	161 - 4
A294 1158	Transport Screw Bushing	153 - 7
A294 1163	Gear - 30Z	93 - 15
A294 1163	Gear - 30Z	153 - 4
A294 1266	Exit Bracket	27 - 4
A294 1268	Door Catch - Front Lower	21 - 14
A294 1270	Lower Front Hinge	21 - 15
A294 1271	Hinge - Lower Front Door	21 - 18
A294 1282	Front Door Spacer Bracket	19 - 6
A294 1347	Bracket - Total Counter	179 - 7
A294 1356	Lower Right Hinge	19 - 26
A294 1363	Lower Left Hinge	181 - 15
A294 1442	Frame - Operation Panel	179 - 15
A294 1667	Sheet - Optical Housing	61 - 26
A294 1673	Front Stay	61 - 31
A294 1688	Cushion	61 - 23
A294 1743	Cushion - 5x20x4	57 - 23
A294 1743	Cushion - 5x20x4	61 - 1
A294 1747	Timing Belt - Scanner	61 - 9
A294 1752	Pulley:Tension:Timing Belt:Ass'y	61 - 6

Part No.	Description	Page and Index No.
A294 1756	Spring - Scanner Motor	61 - 8
A294 1788	Sheet - Upper Frame	55 - 18
A294 1799	Right Stay - Optical Housing	55 - 14
A294 1837	Ground Plate - Rear Frame	179 - 16
A294 1931	BTL Lens Ass'y	63 - 17
A294 1942	Holder - Sync Detector Board	63 - 27
A294 2109	Entrance Duct Slider	183 - 12
A294 2122	Receptacle Connector C	173 - 10
A294 2124	Seal - Operation Frame	179 - 14
A294 3081	Air Pump	145 - 13
A294 3084	Collar - 4x7x8	145 - 16
A294 3085	Pump Seal	145 - 12
A294 3086	Toner Supply Pump	145 - 14
A294 3093	Air Block Plate	177 - 1
A294 3124	Ground Plate:Doctor Blade	99 - 8
A294 3125	Electrode Torsion Spring	99 - 32
A294 3126	Casing Electrode	99 - 14
A294 3195	Cam Stopper	93 - 23
A294 3225	Ground Plate - Vibrating Plate	95 - 7
A294 3292	Toner Bank Slider	95 - 18
A294 3298	Gear - 108Z OEM2 (INF/LAN)	93 - 6
A294 3323	Vibration Plate	95 - 11
A294 3327	Toner Collection Vibration Plate	95 - 10
A294 3331	Toner Bank Agitator	95 - 20
A294 3333	Agitator Shaft	95 - 21
A294 3336	Cam Shaft	95 - 26
A294 3337	Vibration Plate Cam	95 - 27
A294 3339	Spring Shaft	95 - 24
A294 3341	Vibrating Plate Link Bracket	95 - 1
A294 3354	Rack - 10Z	95 - 2
A294 3371	Motor Bracket	91 - 2
A294 3377	Sensor Bracket	91 - 22
A294 3382	Toner Bottle Drive Shaft	93 - 7
A294 3386	Driving Case	93 - 26
A294 3390	Spring Shaft Cam	93 - 24

Part No.	Description	Page and Index No.
A294 3391	Gear - 32Z	93 - 25
A294 3402	Clutch Bracket	93 - 13
A294 3406	Clutch Shaft	93 - 10
A294 3408	Tightener Bracket	93 - 19
A294 3422	Pipe Stopper-toner Collection Coil	93 - 27
A294 3423	Gear - Toner Collection Coil	91 - 16
A294 3442	Toner Bottle Guide Plate	89 - 6
A294 3445	Stopper Support Plate	89 - 8
A294 3446	Toner Bottle Stopper	89 - 16
A294 3447	Toner Bottle Set Feeler	89 - 14
A294 3451	Lever Holder	89 - 11
A294 3453	Toner Bottle Release Lever	89 - 10
A294 3454	Lever Stopper	89 - 5
A294 3461	Lever Rack Joint	89 - 18
A294 3475	Tube - 12x14x835	159 - 17
A294 3476	Pipe Seal	159 - 6
A294 3477	Toner Transport Screw	159 - 18
A294 3482	Tube Guide Rail	159 - 19
A294 3495	Fixing Plate	89 - 25
A294 3618	Vibrating Plate Cam	153 - 20
A294 3621	Gear - 44Z	153 - 18
A294 3626	Gear - 17Z	153 - 29
A294 3726	Cap:Pump:MM12	145 - 11
A294 3869	Rear Positioning Plate	113 - 7
A294 4057	Rear Heater Holder	121 - 18
A294 4061	Gear - 67Z	121 - 19
A294 4077	Left Holder	123 - 5
A294 4078	Right Holder	123 - 6
A294 4103	Upper Pressure Lever	123 - 32
A294 4107	Lower Pressure Lever	123 - 33
A294 4116	Plate Ratchet	117 - 10
A294 4156	Gear - 23Z	117 - 18
A294 4158	Coupled Gear - 25Z/32Z	117 - 21
A294 4164	Roller Spring Plate	119 - 8
A294 4171	Coupled Gear - 17Z/32Z	123 - 16

Part No.	Description	Page and Index No.
A294 4171	Coupled Gear - 17Z/32Z	117 - 25
A294 4412	Web Brake Pad Bracket	117 - 14
A294 4433	Web Spring Plate	117 - 26
A294 4434	Web End Feeler	117 - 23
A294 4843	Lock Arm	133 - 15
A294 6630	Left Rear Fence	65 - 4
A294 6643	Left Front Fence	65 - 3
A294 6645	Left Side Plate	65 - 5
A294 6655	Front Roller - Slide Rail	69 - 30
A294 6690	Feeler - Paper Height Sensor	69 - 29
A294 6700	Torque Limiter - 53mNxm	39 - 27
A294 6713	Shield - Front Side Fence	69 - 17
A300 3812	Spacer - 6x22x1.5	51 - 9
A351 3459	Idler	45 - 5
A352 2138	Slide Collar - 0.6x4.5x6	105 - 6
A418 1158	Spacer - M6.5x1	39 - 7
A422 1063	Seal - 0.7x13x20	41 - 24
A469 2123	Rubber Cushion - 1x10x10mm	87 - 14
A548 1231	Guide Roller	47 - 15
A548 1234	Driven Roller Arm	47 - 5
A548 1234	Driven Roller Arm	45 - 16
A548 1261	Exit Roller	47 - 9
A548 1317	Lever Cushion	47 - 12
A548 1321	Exchange Pawl	47 - 11
A548 1442	Transport Arm	43 - 17
A548 1531	Safety Switch Feeler	53 - 13
A548 2137	Timing Pulley - 18Z	47 - 22
A610 2132	Pressure Bushing	43 - 11
A610 2136	Bushing	43 - 9
A610 2137	Pressure Roller Bushing	43 - 19
A610 3532	Timing Pulley - 18Z	51 - 2
A628 1225	Bushing - 8mm	39 - 13
A663 1241	Exit Roller:Driven :AS	35 - 12
A680 1443	Arm Shaft	43 - 15
A680 1446	Transport Unit Arm	43 - 16

Part No.	Description	Page and Index No.
A680 1621	Feed-in Unit Stopper	39 - 12
A680 1661	Bushing - 4mm	37 - 10
A680 2262	Feeler - Pick-up Roller Cam	49 - 36
A680 2311	Pulley - 18T/32T	51 - 8
A680 2321	Pulley - 30T	47 - 1
A806 1135	Contact Point Shaft	53 - 7
A806 1141	Reverse Roller Stay	39 - 34
A806 1152	Upper Guide Plate	39 - 1
A806 1153	Upper Guide Plate	39 - 2
A806 1161	Entrance Guide Plate - Front	39 - 10
A806 1162	Entrance Guide Plate - Inner	39 - 20
A806 1163	Guide Plate Cushion	39 - 11
A806 1181	Pressure Roller Bracket - Pull Out	37 - 12
A806 1211	Middle Guide Plate	41 - 9
A806 1221	Registration Sensor Bracket	41 - 13
A806 1226	Paper Size Sensor Bracket	41 - 7
A806 1241	Lower Guide Plate	41 - 10
A806 1251	Transport Roller Arm	41 - 19
A806 1256	Middle Shaft - Roller Arm	41 - 17
A806 1257	Roller Arm Shaft	41 - 23
A806 1261	Middle Driven Roller	41 - 18
A806 1266	Driven Roller	41 - 21
A806 1271	Pull Out Drive Roller	41 - 2
A806 1276	Transport Drive Roller	41 - 3
A806 1282	Separation Drive Shaft	39 - 19
A806 1292	Feed Belt Bracket	39 - 35
A806 1293	Feed Belt Drive Roller	39 - 14
A806 1294	Feed Belt Driven Roller	39 - 16
A806 1295	Feed Belt	39 - 18
A806 1298	Transport Belt Roller Shaft	39 - 17
A806 1328	Release Lever	39 - 21
A806 1335	Original Table Guide Plate	37 - 25
A806 1342	Base Lever	37 - 38
A806 1346	Base Shaft	37 - 37
A806 1353	Feeler Stud	37 - 27



Part No.	Description	Page and Index No.
A806 1356	Original Sensor Bracket	37 - 34
A806 1361	Cover Bracket	37 - 8
A806 1371	Magnet Catch - Paper Feed Cover	37 - 5
A806 2151	Timing Pulley - T19/Z23 S2M/M0.6	39 - 32
A806 2153	Timing Pulley - T27 S2M	39 - 29
A806 2161	Timing Pulley - T30/Z20 S2M/M0.8	49 - 8
A806 2244	Separation Shaft Stopper	49 - 19
A806 2271	Gear - Z18	39 - 33
A806 2281	Gear - Z47	37 - 35
A806 2283	Gear - Z20/Z47	49 - 7
A806 2285	Gear - Z20/Z47	49 - 5
A806 2287	Gear - Z20/Z47	49 - 6
A806 3111	Drive Exit Roller	45 - 24
A806 3142	Guide Plate Bracket	45 - 10
A806 3151	Driven Exit Roller	45 - 9
A806 3171	Lower Exit Cover	45 - 12
A806 3211	Right Exit Guide Plate	45 - 18
A806 3221	Exit Ground Plate	45 - 21
A806 3222	Seal	45 - 20
A806 3251	Exit Cover Bracket	35 - 11
A806 3261	Inner Back Cover Bracket	35 - 9
A806 3266	Discharge Brush Bracket	35 - 10
A806 3281	Timing Pulley - T14 S3M	45 - 2
A806 4117	Timing Belt - B40S2M158	49 - 10
A806 4118	Timing Belt - B40S2M148	39 - 25
A806 4221	Compression Spring	41 - 20
A806 4251	Grounding Plate	37 - 22
A806 4261	Spring Belt Guide Roller	39 - 15
A859 2230	Ball Bearing - 6x13x5	49 - 28
A859 2241	Reverse Roller	39 - 28
A859 7211	Stepped Screw	35 - 6
B004 2995	Cap - Positioning	189 - 19
B065 3833	Decal - Transfer Unit Lever	241 - 18
B065 3833	Decal - Transfer Unit Lever	113 - 24
B065 3868	Pressure Arm	113 - 14

Part No.	Description	Page and Index No.
B065 3873	Toner Collection Gear	113 - 1
B065 3874	Electrode Plate	113 - 11
B065 3875	Terminal	113 - 10
B065 3918	Toner Collection Gear Coil	115 - 13
B065 3920	Idle Gear - 1	115 - 16
B065 3921	Idle Gear - 2	115 - 17
B065 3922	Electrode Plate Cover	115 - 15
B065 3963	Lever	115 - 22
B065 3964	Bushing	115 - 26
B065 6136	Tray Lock Arm	189 - 4
B065 6345	Paper End Sensor Bracket	75 - 12
B065 6428	Release Button - Vertical Transport	79 - 20
B065 6526	Lift Lever	71 - 31
B065 6538	Positioning Stopper Lever	71 - 15
B065 6545	Decal - Positioning	241 - 19
B065 6545	Decal - Positioning	71 - 5
B065 6581	Paper Tray Holder Stay	71 - 34
B065 6588	Right Support Plate	71 - 33
B065 6589	Left Support Plate	71 - 32
B065 6591	Paper Tray Holder Base	71 - 35
B065 6717	Paper Volume Shield Plate	69 - 28
B065 6769	Lock Arm	159 - 25
B065 6777	Supporting Plate	189 - 11
B065 6823	Timing Belt Cover	65 - 20
B065 6830	Pulley Bracket	65 - 24
B065 6831	Sensor Bracket	65 - 31
B065 6846	Decal - Paper Set - Left	65 - 2
B065 6846	Decal - Paper Set - Left	241 - 20
B065 6862	Large Lever	69 - 36
B065 6864	Small Lever	69 - 33
B065 6870	Stay - Rightbase	69 - 27
B065 6872	Oil Damper Bracket	69 - 12
B065 6875	Protection - Inner Cover	67 - 4
B065 6877	Decal - Paper Set - Right	67 - 3
B065 6877	Decal - Paper Set - Right	241 - 21

Part No.	Description	Page and Index No.
B070 1041	Stay:Right Sideways:Lower	187 - 15
B070 1307	Decal:Paper Set Direction	19 - 30
B070 1307	Decal:Paper Set Direction	241 - 22
B070 1312	Cap:Joint:Large Capacity Tray	21 - 10
B070 1331	Cap:Key Counter:C2	21 - 8
B070 1790	Exposure Glass:Ass'y	55 - 20
B070 1917	Aperture	63 - 9
B070 1921	Spacer:Laser Diode Unit:25Micron	63 - 6
B070 1922	Spacer:Laser Diode Unit:50Micron	63 - 6
B070 1923	Spacer:Laser Diode Unit:75Micron	63 - 6
B070 1924	Spacer:Laser Diode Unit:100Micron	63 - 6
B070 1925	Plate:Cylindrical Lens	63 - 10
B070 1932	No.1 Mirror Ass'y	63 - 19
B070 1949	Bracket:Shield Glass	63 - 21
B070 1983	Lower Laser Harness Holder	63 - 33
B070 1985	Upper Laser Harness Holder	63 - 32
B070 1987	Holder:Harness:Power Source:Lower	63 - 30
B070 1989	Holder:Harness:Power Source:Upper	63 - 29
B070 2072	Duct:Exhaust	161 - 10
B070 2075	Bracket:Duct:Exhaust	161 - 8
B070 2076	Ozone Filter:50x150x40	161 - 12
B070 2098	Shield:Duct:Ozone Unit	161 - 11
B070 3180	Gear:Development Roller:Z21:M=0.8	99 - 22
B070 3184	Gear:Idler:Z29:M=0.8:Ass'y	99 - 11
B070 3346	Toner Bank Side Plate	93 - 3
B070 3362	Toner Bottle Bracket	91 - 9
B070 3364	Shield:Bracket:Chuck	91 - 12
B070 3462	Plate:Joint:Rack:Lever	89 - 19
B070 3471	Toner Transport Screw Case	159 - 21
B070 3496	Supporter:Toner Bank	89 - 24
B070 3630	Case:Classification:Lower:Ass'y	153 - 28
B070 3636	Case:Classification:Upper	153 - 34
B070 3646	Arm:Toner Recycling	153 - 27
B070 3647	Tension Spring:Arm:Toner Recycling	153 - 31
B070 3657	Magnetic:Cleaning	105 - 18

Part No.	Description	Page and Index No.
B070 4084	Holder:Ring:Lower:Ass'y	119 - 18
B070 4091	Housing:Thermostat:Upper	121 - 1
B070 4418	Web Brake Pad	117 - 15
B070 4475	Holder:Ring:Fusing Exit:Ass'y	119 - 15
B070 4911	Fan Motor Bracket	187 - 6
B070 4912	Cover:Fan:Duplex:Lower	187 - 9
B070 6667	End Fence Cover Front	69 - 6
B070 6683	Lever:Release:Front	69 - 7
B070 6684	Lever:Release:Rear	69 - 24
B070 6831	Bracket:Standard:C/T Box	165 - 7
B070 6834	Bracket:Clamp	173 - 21
B070 6840	Filter:C/T Box	25 - 2
B070 6849	Guide:Positioning	165 - 2
B070 6849	Guide:Positioning	163 - 2
B070 6854	Bracket:Fan:Cooling	167 - 2
B070 6854	Bracket:Fan:Cooling	163 - 20
B070 6877	Large Drum Stay Ground Plate	167 - 10
B098 6639	Tray Bottom Plate:Left Middle:Ass'y	65 - 7
B101 5993	Interface Panel	167 - 15
B125 3230	Spacer - 0.3	135 - 18
B132 1226	Holder:Stand	19 - 28
B132 1278	Compression Spring:Drive	97 - 6
B132 1719	Screw:Mechanical Drive Section	61 - 16
B132 1820	Scanner Shoe Pin	57 - 10
B132 1896	Ground Wire:Scanner	61 - 11
B132 3634	Compression Spring - Earth	109 - 7
B132 5794	Hook:Heat Sinker:MCH	231 - 1
B132 6726	Bracket:Arm:Ass'y	159 - 24
B132 6759	DC Motor:Rise:Tandem LCT:Ass'y	157 - 22
B132 6762	DC Solenoid:Coupling:Ass'y	159 - 29
B132 6763	Bracket:Connector:Left	175 - 16
B132 6764	Bracket:Connector:Right	175 - 15
B132 6785	Tray Bottom Plate:Ass'y	71 - 22
B132 6791	Plate:Side Fence	71 - 14
B132 6793	Side Fence:Front:Ass'y	71 - 12

Part No.	Description	Page and Index No.
B132 6797	Side Fence:Rear:Auxiliary	71 - 11
B132 6798	Spring Plate:Paper Tray:Earth	71 - 3
B132 7541	Tray Bottom Plate:Left Rear	65 - 8
B132 7547	DC Solenoid:End Fence:Front:Ass'y	69 - 9
B132 7550	Cover:Pulley:Drive Were	69 - 5
B132 7561	Back Fence:Left	65 - 22
B132 7564	Slider:Back Fence:Left	65 - 21
B132 7571	DC Solenoid:End Fence:Rear:Ass'y	69 - 23
B132 7575	Bracket:Connector:Tandem LCT	69 - 38
B132 7591	Rail:Paper Tray:Ass'y	189 - 16
B140 2382	Pre-transfer Lamp Case Ass'y	105 - 22
B154 8521	Holder:Operating Instructions	19 - 22
B181 6780	Link:End Fence:Paper Size Sensor:Ass'y	71 - 1
B181 6789	Link:Side Fence:Paper Size Sensor	71 - 2
B188 3575	Screw:Lever:Release:Blade	43 - 25
B213 5843	Screw:Inner Cover:Joint Unit	121 - 21
B223 2873	Decal - Side Fence Rear	71 - 26
B223 2873	Decal - Side Fence Rear	241 - 43
B229 3273	Spring:Bracket:DC Motor	129 - 5
B234 1080	Channel Bracket - Middle Front	187 - 11
B234 1097	Fan Motor DC24V 9.6W	173 - 17
B234 1099	Holder:Base:Image Reading Unit	187 - 4
B234 1101	Brushless Motor Bracket	151 - 28
B234 1106	Tightener	151 - 20
B234 1110	Tightener	151 - 23
B234 1112	Pulley	151 - 22
B234 1114	Pulley:Tightener:Drum:Ass'y	151 - 19
B234 1117	Holder:Pulley:Drum	151 - 36
B234 1118	Fly Wheel Flange	151 - 1
B234 1125	Brushless Motor Bracket	149 - 5
B234 1128	Tightener	149 - 2
B234 1130	Fusing Drive Unit Bracket	149 - 9
B234 1132	Spring:Joint:Fusing	149 - 12
B234 1134	Drive Shaft	149 - 10
B234 1135	Pulley Flange	149 - 8

Part No.	Description	Page and Index No.
B234 1140	Transfer Drive Bracket	151 - 33
B234 1144	Drive Shaft	151 - 34
B234 1150	Toner Recycling Unit Drive Bracket	153 - 6
B234 1154	Pulley - 40T	153 - 3
B234 1156	Tightener	153 - 2
B234 1158	Pulley - 23T	153 - 1
B234 1158	Pulley - 23T	149 - 1
B234 1182	Duct - Exhaust Fusing Exit	173 - 18
B234 1258	Cover - Upper	21 - 5
B234 1260	ADF Exit Tray	27 - 3
B234 1261	Cover - Upper Rear	21 - 6
B234 1262	Cover - Upper Right	27 - 1
B234 1263	Stopper - ADF Exit Tray	27 - 5
B234 1293	Lever - Safety Switch	19 - 3
B234 1294	Stopper - Vertical Transport	19 - 10
B234 1296	Plate:Magnet Catch	19 - 4
B234 1306	Decal:Multie:Misfeed Removal:D1/Z2	19 - 29
B234 1306	Decal:Multie:Misfeed Removal:D1/Z2	241 - 44
B234 1311	Cover - Right Upper	21 - 3
B234 1313	Cover - Large Capacity Tray	21 - 9
B234 1316	Cover - Right Lower	21 - 4
B234 1326	Cover - Left Lower	21 - 2
B234 1341	Cap:Connector	25 - 4
B234 1341	Cap:Connector	21 - 7
B234 1352	Hinge:Right Upper:Ass'y	179 - 10
B234 1357	Decal - Power Source Off English	19 - 31
B234 1357	Decal - Power Source Off English	21 - 11
B234 1357	Decal - Power Source Off English	241 - 27
B234 1378	Decal - Total Counter	19 - 16
B234 1378	Decal - Total Counter	241 - 28
B234 1380	Inner Cover - Left	19 - 19
B234 1421	Cover - Holder	27 - 7
B234 1463	PCB Key Sub	29 - 6
B234 1466	PCB LED F	29 - 8
B234 1469	PCB LED R	29 - 9

Part No.	Description	Page and Index No.
B234 1472	PCB LCD	31 - 21
B234 1477	Harness - LED	29 - 13
B234 1479	Touch Panel S-VGA	31 - 17
B234 1480	Invertor S-VGA	31 - 28
B234 1502	Cover:Rear	29 - 7
B234 1504	Cover - Pilot Lamp	29 - 5
B234 1505	Keytop - Start	31 - 5
B234 1506	Keytop - Stop	31 - 11
B234 1507	Keytop - 10key	31 - 13
B234 1508	Keytop - Try Print	31 - 12
B234 1515	Keytop - Spacer Application	31 - 15
B234 1517	Keytop - Program	31 - 9
B234 1519	Keytop - Power Source	31 - 7
B234 1520	Keytop - Interrupt	31 - 8
B234 1521	Keytop - Login_logout	31 - 6
B234 1531	Shadeing Plate	31 - 16
B234 1535	LED Heat Sink	29 - 11
B234 1538	Sheet:Heat	29 - 10
B234 1539	Insulator - Invertor	31 - 27
B234 1542	Spacer - Touch Panel L	31 - 18
B234 1543	Spacer - Touch Panel S	31 - 19
B234 1544	Cushion - Plate LCDPCB	31 - 22
B234 1558	Keytop - Counter NA	31 - 14
B234 1559	Keytop - Reset Switch	31 - 10
B234 1569	Keytop - Copy NA	31 - 1
B234 1570	Keytop - DOCBOX NA	31 - 2
B234 1621	Sheet:Guide:Harness:Ass'y	57 - 24
B234 1630	Guide:Harness:No.2:Unit	57 - 16
B234 1640	Mirror No.2	57 - 19
B234 1669	Cover - IC	59 - 1
B234 1670	Stabilizer Duct	59 - 16
B234 1674	Cover Plate - Sync Detector Board	59 - 13
B234 1676	Stabilizer Bracket	59 - 17
B234 1681	Seal:Harness	57 - 13
B234 1683	Scanner Pulley Bracket	61 - 13

Part No.	Description	Page and Index No.
B234 1686	ADF Bracket	179 - 17
B234 1687	Sheet:S10:T0.075	61 - 28
B234 1688	Cushion:Scanner:No.1:Upper	57 - 15
B234 1690	Image Reading Unit Stay:Frame - Rear	61 - 32
B234 1696	Duct Bracket	59 - 15
B234 1697	SIB Bracket	59 - 12
B234 1699	Fan Motor Bracket	59 - 18
B234 1701	Scanner No.1 Unit	57 - 1
B234 1706	Mirror No.1	57 - 8
B234 1707	Reflector	57 - 5
B234 1709	Wire Stay	57 - 9
B234 1712	Lamp Holder - Rear	57 - 4
B234 1713	Harness Holder No.1	57 - 6
B234 1723	Scanner Pulley Bracket - Left	61 - 12
B234 1726	Scanner No.2 Bracket - Front	57 - 20
B234 1732	Scanner No.2 Unit	57 - 2
B234 1734	Bracket:Scanner:No.2:Peen	57 - 22
B234 1739	Scanner No.2 Bracket - Rear	57 - 21
B234 1744	Harness Guide	59 - 5
B234 1746	Tension Wire Bracket	61 - 19
B234 1747	Original Sensor Holder	55 - 9
B234 1748	Scanner Motor Bracket	61 - 5
B234 1749	Scanner Drive Shaft	61 - 10
B234 1751	Guard - 2nd Mirror	57 - 18
B234 1758	Tension Spring	61 - 20
B234 1759	Drive Were	61 - 18
B234 1764	Fan Motor Bracket	61 - 2
B234 1765	Fan Motor Bracket	59 - 3
B234 1766	CNB Bracket	55 - 13
B234 1774	DC Motor:Scanner:DC27V 50W	61 - 4
B234 1779	Cover - Lens SBU	55 - 7
B234 1781	Holder Lensstay Lens Unit	61 - 24
B234 1782	Lens Unit Stay Spacer	55 - 5
B234 1793	Cushion:Scanner:No.2:Upper	57 - 14
B234 1795	Scale:Rear:Ass'y	55 - 2

Part No.	Description	Page and Index No.
B234 1817	Cover - Sync Detector Board	59 - 14
B234 1825	Home Position Sensor Bracket	59 - 22
B234 1828	Scanning Fan Bracket	61 - 29
B234 1836	Ground Plate - Left Frame	181 - 7
B234 1845	Filter:Ass'y	55 - 15
B234 1934	Mirror Holder	63 - 18
B234 1944	Shield Glass Holder	63 - 20
B234 1975	Fan Motor Seal - Lower	183 - 2
B234 1976	Fan Motor Seal - Upper	183 - 4
B234 1984	Harness Cushion 1	63 - 34
B234 1988	Harness Cushion 2	63 - 31
B234 1991	Cover - Shield Glass	63 - 35
B234 2051	Vacuum Duct Unit	161 - 2
B234 2065	Drum Duct	173 - 1
B234 2071	Charge Duct	173 - 13
B234 2091	Charge Receptacle	173 - 6
B234 2092	Terminal Pin	173 - 8
B234 2093	Terminal - Pre G	173 - 11
B234 2096	Terminal - Pre C	173 - 12
B234 2097	Gear - 20Z	173 - 3
B234 2098	Gear - 14Z	173 - 7
B234 2100	Drive Shaft	173 - 4
B234 2101	Cover - Motor	173 - 2
B234 2111	Charge Corona Unit	101 - 1
B234 2112	Grid Stay - Front	101 - 23
B234 2113	Charge Corona Grid	101 - 25
B234 2114	Electrode Plate	101 - 22
B234 2115	Earth Spring Plate	101 - 12
B234 2116	Screw Shaft	101 - 9
B234 2117	Bushing - Screw Shaft	101 - 4
B234 2118	Spacer Cushion	101 - 5
B234 2119	Gear - 14Z	101 - 11
B234 2120	End Block:Charge Corona:Front	101 - 13
B234 2121	End Block:Charge Corona:Rear	101 - 14
B234 2123	Cushion - Wire	101 - 16

Part No.	Description	Page and Index No.
B234 2124	Spring - Charge Corona	101 - 18
B234 2125	Spring - Grid	101 - 19
B234 2126	End Block Cover - Front	101 - 20
B234 2127	End Block Cover - Rear	101 - 21
B234 2128	Wire:Charge Corona	101 - 17
B234 2129	Charge Corona Bracket	111 - 2
B234 2140	Pre Charge Corona	101 - 2
B234 2141	End Block:Front	101 - 28
B234 2142	End Block:Rear	101 - 29
B234 2144	End Block Cover - Front	101 - 32
B234 2145	End Block Cover - Rear	101 - 33
B234 2148	Cleaner Slider	101 - 26
B234 2149	Cleaner	101 - 27
B234 2151	Grid Stay - Front	101 - 34
B234 2152	Grid Stay - Rear	101 - 35
B234 2154	Wire Cushion	101 - 31
B234 2155	Charge Corona Grid	101 - 36
B234 2156	Charge Corona Wire	101 - 30
B234 2157	Filter Guide	185 - 19
B234 2158	Filter	185 - 20
B234 2170	Machine Or Copier Duct	183 - 5
B234 2263	Electric Potential Sensor Holder	105 - 27
B234 2264	Electric Potential Sensor	105 - 14
B234 2270	LED Array	105 - 23
B234 2276	Pickoff Pawl Stay	105 - 17
B234 2278	Ground Plate	105 - 19
B234 2279	Density Sensor P	105 - 16
B234 2281	Pickoff Pawl Unit	105 - 2
B234 2282	Spring:Pickoff Pawl:Swivel	105 - 3
B234 2283	Holder:Pickoff Pawl	105 - 12
B234 2284	Shaft	105 - 9
B234 2287	Bushing - Rear	105 - 10
B234 2288	Pawl Spring - Front	105 - 7
B234 2289	Pawl Spring - Rear	105 - 8
B234 2291	Electric Potential Sensor Holder	105 - 39

Part No.	Description	Page and Index No.
B234 2292	Seal:Holder:Base:Electric Potential Sensor	105 - 40
B234 2293	Cover - Pickoff Pawl Stay	105 - 20
B234 2296	Bracket	105 - 30
B234 2301	Gear - 17Z/18Z	105 - 31
B234 2302	Gear - 14Z/32Z	105 - 32
B234 2303	Gear - 32Z	105 - 33
B234 2305	Side Plate - Front	105 - 37
B234 2311	Decal:Grip:Drum	241 - 45
B234 2311	Decal:Grip:Drum	105 - 28
B234 2316	Holder:Base:Electric Potential Sensor:Ass'y	105 - 13
B234 2318	Drum Stay:Around The Photoconductor:Ass'y	103 - 1
B234 2323	Holder	103 - 8
B234 2324	Cover	103 - 10
B234 2325	Compression Spring	103 - 9
B234 2326	Grip - Right	103 - 5
B234 2327	Grip - Tray Unit	103 - 4
B234 2332	Decal:Knob:English	103 - 7
B234 2332	Decal:Knob:English	241 - 46
B234 2332	Decal:Knob:English	243 - 15
B234 2333	Decal:Knob:German	103 - 7
B234 2333	Decal:Knob:German	243 - 15
B234 2333	Decal:Knob:German	241 - 46
B234 2334	Decal:Knob:French	243 - 15
B234 2334	Decal:Knob:French	103 - 7
B234 2334	Decal:Knob:French	241 - 46
B234 2335	Decal:Knob:Italian	103 - 7
B234 2335	Decal:Knob:Italian	241 - 46
B234 2335	Decal:Knob:Italian	243 - 15
B234 2336	Decal:Knob:Spanish	243 - 15
B234 2336	Decal:Knob:Spanish	241 - 46
B234 2336	Decal:Knob:Spanish	103 - 7
B234 2338	Decal:Drum Stay	103 - 6
B234 2338	Decal:Drum Stay	241 - 47
B234 2342	Inner Cover	19 - 24
B234 2344	Duct	19 - 25

Part No.	Description	Page and Index No.
B234 2350	Drum Shaft	151 - 3
B234 2360	Electrode Plate:Drum Shaft	151 - 35
B234 2362	Sheet - Upper & Lower Case	153 - 12
B234 2372	Cleaning Fan Holder	179 - 12
B234 2377	Duct - Upper	179 - 11
B234 2381	Ground Plate - Front	105 - 29
B234 2382	Ground Plate - Pickoff Pawl	105 - 34
B234 2390	Flanged Hexagonal Head Bolt:M4x8	103 - 2
B234 2390	Flanged Hexagonal Head Bolt:M4x8	19 - 23
B234 2390	Flanged Hexagonal Head Bolt:M4x8	117 - 7
B234 2390	Flanged Hexagonal Head Bolt:M4x8	101 - 3
B234 2404	DC Solenoid	111 - 8
B234 2406	Release Blade Base No.2	111 - 7
B234 2411	Arm	111 - 4
B234 2412	Tension Spring	111 - 5
B234 2416	Frame:Upper:Drum Unit	111 - 13
B234 2422	Shadeing Plate - Discharge Lamp	111 - 11
B234 2423	Cover - Shield Glass	111 - 12
B234 2427	Seal - QL	111 - 15
B234 2431	Ground Plate	111 - 3
B234 2434	Cover - Around The Photoconductor	111 - 10
B234 2440	LED Array - QL	111 - 14
B234 2461	Side Plate:Tray Unit:Front:Welding	103 - 15
B234 2467	Decal:Side Plate:Tray Unit:Left	241 - 48
B234 2467	Decal:Side Plate:Tray Unit:Left	103 - 13
B234 2468	Decal:Side Plate:Tray Unit:Front	241 - 49
B234 2468	Decal:Side Plate:Tray Unit:Front	103 - 14
B234 2471	Side Plate - Rear	103 - 16
B234 2481	Tray Unit Stay - Left	185 - 8
B234 2485	Slide Rail	183 - 6
B234 2485	Slide Rail	185 - 9
B234 2486	Guard Bracket - Upper	185 - 7
B234 2487	Stay Heat Insulation - Left	185 - 6
B234 2491	Roller Bracket	155 - 13
B234 2494	Torsion Spring	155 - 12

Part No.	Description	Page and Index No.
B234 2495	Roller Bracket	155 - 11
B234 2600	Side Plate:Paper Feed:Front	87 - 1
B234 2605	Side Plate:Paper Feed:Front:No.2	83 - 21
B234 2610	Side Plate:Paper Feed:Rear	87 - 2
B234 2621	Registration Roller - Drive	83 - 2
B234 2624	Ball Bearing - 8x12x5	83 - 20
B234 2624	Ball Bearing - 8x12x5	139 - 16
B234 2624	Ball Bearing - 8x12x5	75 - 6
B234 2626	Registration Roller - Driven	83 - 1
B234 2628	Ball Bearing - Front	83 - 17
B234 2629	Ball Bearing - Rear	83 - 18
B234 2642	Guide Plate - Upper	83 - 14
B234 2643	Guide Plate - Entrance	83 - 15
B234 2658	Registration Sensor Bracket	83 - 9
B234 2660	Remove Paper Dust Case	83 - 11
B234 2704	Guide Plate	87 - 10
B234 2705	Lock Pawl - Front	87 - 6
B234 2706	Lock Pawl - Rear	87 - 7
B234 2707	Lock Lever	87 - 5
B234 2712	Guide Plate:Middle:Right:Adhesion	87 - 27
B234 2720	Guide Plat - Left Lower	87 - 26
B234 2726	Paper Feed Sensor Bracket	81 - 5
B234 2731	Positioning Sensor Bracket	87 - 24
B234 2731	Positioning Sensor Bracket	81 - 7
B234 2736	Positioning Sensor Stay	87 - 25
B234 2736	Positioning Sensor Stay	81 - 6
B234 2750	Contact Image Sensor	87 - 23
B234 2750	Contact Image Sensor	81 - 8
B234 2761	Guide Plate - Upper	87 - 15
B234 2765	Guide Plate - Lower	87 - 17
B234 2776	Guide Plate - Lower	81 - 10
B234 2781	Paper Feed Sensor Bracket	81 - 2
B234 2785	DC Solenoid	81 - 1
B234 2792	Slider	81 - 20
B234 2793	Button	81 - 19

Part No.	Description	Page and Index No.
B234 2812	Stepper Motor Bracket	155 - 16
B234 2813	Drive Unit Bracket	155 - 21
B234 2821	Drive Unit Bracket	155 - 18
B234 2830	DC Solenoid	155 - 23
B234 2850	Inner Cover	81 - 24
B234 2860	Cleaner:CIS	243 - 16
B234 2864	Pad:Cleaner	71 - 17
B234 3051	Brushless Motor DC24V 33W	147 - 4
B234 3055	Stepper Motor DC12.6V 12.6W	147 - 5
B234 3056	Bracket	147 - 11
B234 3062	Shaft - Toner Supply Roller	147 - 8
B234 3065	Tightener	147 - 9
B234 3067	Spring	147 - 13
B234 3069	Agitator Bracket	147 - 12
B234 3070	Agitator Drive Shaft	147 - 16
B234 3072	Gear - 30Z	147 - 15
B234 3073	Cover	147 - 17
B234 3074	Drawer Bracket	147 - 19
B234 3076	Pump Unit Bracket	145 - 18
B234 3078	Supporting Plate - Drum Shaft	151 - 18
B234 3079	Tube - Collection Bottle	145 - 9
B234 3081	Duct:Fan:Ass'y	177 - 7
B234 3084	Release Plate	103 - 23
B234 3086	Fan Motor Bracket	177 - 5
B234 3087	Terminal:Development Vias	151 - 37
B234 3089	Stay:Holder:Development Unit	103 - 26
B234 3090	Holder - Development Unit Move	103 - 25
B234 3093	Torsion Spring	103 - 20
B234 3094	Air Pump Unit	145 - 10
B234 3095	DC Motor 24V 5.85W	145 - 17
B234 3096	Tray Unit Stay - Right	183 - 11
B234 3097	Guide Plate - Development Unit	183 - 7
B234 3098	Guide Plate - Rail Development Unit	183 - 8
B234 3099	Ground Plate:Development	183 - 9
B234 3107	Gear:Idler:Development Unit	99 - 23

Part No.	Description	Page and Index No.
B234 3118	Bushing:Transport Screw:DIA6	99 - 9
B234 3125	Density Sensor Guide	99 - 19
B234 3138	Connector Holder	99 - 28
B234 3151	Duct	99 - 2
B234 3154	Tube	99 - 3
B234 3157	Development Guide	99 - 6
B234 3158	Tube:Duct Joint	99 - 5
B234 3162	Tube - Joint	145 - 8
B234 3165	Gear - 42Z	99 - 24
B234 3168	Knob - Development	99 - 12
B234 3170	Gear - 31Z	99 - 10
B234 3171	Entrance Seal:Ass'y	99 - 21
B234 3175	Grip	99 - 4
B234 3177	Decal:Positioning Display:Development	103 - 24
B234 3177	Decal:Positioning Display:Development	241 - 50
B234 3177	Decal:Positioning Display:Development	99 - 7
B234 3179	Shield:Development Roller:Front	99 - 15
B234 3180	Shield:Development Roller:Rear	99 - 16
B234 3187	Seal:Side Plate:Rear	99 - 26
B234 3188	Harness Cover	99 - 1
B234 3190	Seal:Joint	99 - 33
B234 3191	Shield:Drum:Front	99 - 17
B234 3192	Shield:Drum:Rear	99 - 18
B234 3195	Spring Plate:Drum Stay:Ass'y	103 - 11
B234 3214	Decal:Display:Caution:Development	241 - 51
B234 3214	Decal:Display:Caution:Development	97 - 1
B234 3216	Seal:Toner Hopper:Upper	97 - 4
B234 3221	Slitter	97 - 8
B234 3222	Plate Nut	97 - 9
B234 3223	Slitter Cover	97 - 10
B234 3239	Joint:Toner Hopper	97 - 5
B234 3248	Development Fan Motor Unit	177 - 9
B234 3255	Tube Joint Bracket	177 - 4
B234 3256	Tube Joint	177 - 3
B234 3266	Drive Joint	155 - 4

Part No.	Description	Page and Index No.
B234 3267	Drive Shaft	155 - 5
B234 3268	Gear - 24Z	155 - 7
B234 3269	Feeler	155 - 6
B234 3277	Compression Spring	155 - 8
B234 3279	Gear - 36Z	155 - 9
B234 3282	Tube - DIA6	155 - 10
B234 3283	Timing Belt - B50S2M208	93 - 18
B234 3291	Stepper Motor Bracket	147 - 3
B234 3293	Stepper Motor DC3.6V 7.2W	147 - 1
B234 3340	Guide Plate	95 - 23
B234 3356	Joint:Chuck:Toner Bottle	95 - 16
B234 3372	DC Motor:Toner Bottle:DC21V 5.85W	147 - 18
B234 3372	DC Motor:Toner Bottle:DC21V 5.85W	91 - 3
B234 3372	DC Motor:Toner Bottle:DC21V 5.85W	93 - 38
B234 3372	DC Motor:Toner Bottle:DC21V 5.85W	159 - 3
B234 3375	DC Motor:Drive:Chuck:DC21V 5.85W	91 - 10
B234 3393	Side Plate Seal	93 - 1
B234 3394	Upper Case Seal	95 - 5
B234 3418	Gear - 24Z	159 - 8
B234 3419	Gear - 21Z	159 - 7
B234 3420	Brushless Motor:DC24V 5.1W	91 - 1
B234 3424	Torque Limiter - 50T	93 - 17
B234 3425	Cover - Cylinder	159 - 5
B234 3434	Gear - 17Z/38Z	159 - 2
B234 3446	Supporter Bracket	159 - 20
B234 3452	Bracket:DC Motor:Collection Bottle	93 - 30
B234 3457	Gear - 23Z	93 - 32
B234 3458	Gear - 27Z	93 - 31
B234 3460	Cover:Drive:Agitator	93 - 33
B234 3461	Used Toner Sensor Bracket	93 - 34
B234 3485	Joint:Drive:Transport Screw	159 - 23
B234 3491	Inner Cover - Upper	21 - 19
B234 3494	Toner Collection Coil	95 - 25
B234 3499	Pipe	93 - 28
B234 3556	Bushing - Rear	107 - 10



Part No.	Description	Page and Index No.
B234 3561	Spring	107 - 11
B234 3562	Bushing - Front	107 - 9
B234 3567	Cleaning Blade Bracket	107 - 15
B234 3572	Seal:Blade:Front:Ass'y	107 - 19
B234 3575	Seal:Blade:Inner Back:Ass'y	107 - 20
B234 3578	Seal:Bracket:Blade	107 - 21
B234 3579	Spring - 16mm	107 - 14
B234 3585	Compression Spring	107 - 17
B234 3586	Cleaning Blade:No.2:Ass'y	107 - 18
B234 3590	Cleaningbrush Roller	109 - 23
B234 3592	Decal:Positioning Display:1	107 - 6
B234 3592	Decal:Positioning Display:1	241 - 52
B234 3593	Decal:Frame:Cleaning	103 - 12
B234 3593	Decal:Frame:Cleaning	241 - 53
B234 3601	Gear - 15Z	109 - 4
B234 3602	Gear - 15Z/43Z	109 - 8
B234 3603	Agitator	109 - 17
B234 3606	Ground Plate - Brush Roller	109 - 14
B234 3607	Toner Collection Coil	109 - 18
B234 3615	Vibrating Plate	109 - 24
B234 3624	Case:Cleaning:Inner Back:Ass'y	107 - 2
B234 3627	Case:Middle:Cleaning:Ass'y	109 - 1
B234 3636	Case - Upper	107 - 7
B234 3637	Filter - Cleaning	107 - 8
B234 3638	Spring Plate:Brush Roller	109 - 2
B234 3639	Holder:Spring Plate:Brush Roller	109 - 3
B234 3641	Case:Cleaning:Front:Ass'y	107 - 1
B234 3644	Decal:Case:Middle:Cleaning	107 - 5
B234 3644	Decal:Case:Middle:Cleaning	241 - 54
B234 3651	Toner Catchpan	109 - 11
B234 3652	Cap	109 - 13
B234 3653	Spring	109 - 12
B234 3654	Decal:Positioning Display:2	107 - 3
B234 3654	Decal:Positioning Display:2	241 - 55
B234 3655	Decal:Positioning Display:3	107 - 4

Part No.	Description	Page and Index No.
B234 3655	Decal:Positioning Display:3	241 - 56
B234 3656	Entrance Seal:Cleaning:Ass'y	109 - 25
B234 3658	Drum Seal - Rear	109 - 10
B234 3659	Seal:Drum:Front	109 - 9
B234 3666	Gear - 23Z	109 - 20
B234 3701	Collection Bottle	145 - 1
B234 3704	Case - Upper	153 - 13
B234 3705	Case - Lower	153 - 14
B234 3711	Supporter	145 - 3
B234 3712	Sensor Cover	145 - 6
B234 3722	Vibrating Plate	153 - 17
B234 3723	Guide - Lower	153 - 16
B234 3725	Stopper:Collection Bottle:Vacuum:Ass'y	145 - 2
B234 3730	Pipe	153 - 24
B234 3731	Transport Screw	153 - 22
B234 3733	Pipe - DIA14	153 - 23
B234 3736	Heat Insulation	153 - 25
B234 3741	DC Solenoid	153 - 32
B234 3743	Solenoid Bracket	153 - 33
B234 3748	Transport Screw:Toner Recycling	153 - 21
B234 3756	Shaft - Cleaning	151 - 12
B234 3757	Shaft - Swivel	151 - 8
B234 3758	Gear - 13Z/29Z	151 - 11
B234 3759	Gear - 32Z	151 - 9
B234 3762	Gear - 16Z	151 - 15
B234 3763	Joint	109 - 16
B234 3763	Joint	151 - 16
B234 3764	Cam	151 - 10
B234 3765	Cleaning Drive Unit Stay	151 - 7
B234 3768	Gear - 22Z	151 - 17
B234 3781	Positioning Sensor Bracket	153 - 10
B234 3782	Torque Limiter Gear - 24Z	153 - 8
B234 3783	Harness Guard Bracket	153 - 11
B234 3784	Cleaning Arm	103 - 18
B234 3785	Torsion Spring	103 - 17

Part No.	Description	Page and Index No.
B234 3786	Push Switch Holder	111 - 16
B234 3854	Positioning Plate - Transfer Unit	185 - 21
B234 3858	Handle Stay	185 - 18
B234 3860	Guide Plate	113 - 20
B234 3863	Positioning Plate	185 - 16
B234 3871	Heater - Transfer	185 - 15
B234 3890	Inner Cover - Transfer	113 - 21
B234 3892	Decal - Lever Release Transfer	241 - 29
B234 3892	Decal - Lever Release Transfer	113 - 22
B234 3907	Seal	115 - 9
B234 3908	Tape	115 - 10
B234 3911	Toner Collection Coil	115 - 7
B234 3913	Agitator	115 - 8
B234 3916	Transfer Belt Cleaning Blade	115 - 6
B234 3922	Cleaning Roller	115 - 5
B234 3924	Gear - 37Z	115 - 30
B234 3925	Bushing - Front	115 - 12
B234 3926	Bushing - Rear	115 - 29
B234 3927	Bias Terminal	115 - 11
B234 3932	Cushion:On-off:Transfer Belt	115 - 23
B234 3933	Guide Plate - Exit	115 - 2
B234 3935	Entrance Seal Holder	115 - 4
B234 3939	Electrode Plate - Transfer Belt	115 - 3
B234 3940	Earth Bracket	115 - 1
B234 3941	Guide Plate - Entrance	115 - 36
B234 3943	On-Off Shaft	115 - 38
B234 3944	DC Solenoid	115 - 37
B234 3946	Spring Plate	115 - 21
B234 3947	Spring	115 - 18
B234 3949	Bushing	115 - 20
B234 3951	Roller - Driven	113 - 18
B234 3956	Roller - Drive	113 - 5
B234 3960	Roller:Bias	113 - 9
B234 3962	Gear - 50Z	113 - 6
B234 3966	Bias Terminal	113 - 13

Part No.	Description	Page and Index No.
B234 3967	Bias Electrode	113 - 16
B234 3971	Transfer Belt	113 - 19
B234 3975	Transfer Belt Brush	113 - 15
B234 3981	Cover - Electrode Plate	113 - 17
B234 4056	Inner Cover - Front Upper	117 - 1
B234 4059	Cover - Rear Upper	117 - 2
B234 4062	Inner Cover - Right Upper	117 - 3
B234 4064	Cover - Rear Lower	117 - 4
B234 4065	Cover - Rear Upper No.2	117 - 5
B234 4075	Cleaning Roller Shaft	123 - 10
B234 4076	Cover:Cleaning Unit:Pressure Roller	123 - 3
B234 4080	Positioning Pin Bracket - Front	111 - 1
B234 4083	Pressure Roller Bracket	123 - 1
B234 4084	Side Plate:Hot Roller:Rear	121 - 24
B234 4090	Thermostat:198/199C:No.1	121 - 4
B234 4092	Side Plate:Hot Roller:Front	121 - 25
B234 4099	Stay:Hot Roller:Right Lower	121 - 26
B234 4106	Shaft:Pressure	123 - 34
B234 4109	Bracket:Stopper:Ass'y	117 - 9
B234 4112	Feeler - Cleaning Felt	117 - 24
B234 4115	Fusing Entrance Guide Plate:Upper	117 - 16
B234 4131	Thermistor:Fusing:Ass'y	121 - 7
B234 4135	Pressure Roller Shaft	123 - 14
B234 4136	Decal - Warning (High Temperature)	241 - 57
B234 4136	Decal - Warning (High Temperature)	19 - 17
B234 4137	Decal:Warning:High Temperature:Exit	241 - 58
B234 4137	Decal:Warning:High Temperature:Exit	125 - 4
B234 4138	Decal - Warning (High Temperature)	125 - 14
B234 4138	Decal - Warning (High Temperature)	241 - 30
B234 4139	Decal:Positioning Display:Fusing	241 - 59
B234 4139	Decal:Positioning Display:Fusing	125 - 5
B234 4152	Cover:Fusing:Upper:TypeAB	117 - 6
B234 4154	Positioning Pin No.1	187 - 3
B234 4155	Positioning Pin No.2	187 - 2
B234 4156	Guide Plate:Fusing Exit:Upper	119 - 1

Part No.	Description	Page and Index No.
B234 4160	Cover - Left Upper	119 - 3
B234 4163	Guide Plate - Upper	119 - 16
B234 4165	Bracket - Upper	119 - 12
B234 4167	Supporting Plate - Upper	119 - 10
B234 4170	Stopper - Upper	119 - 11
B234 4181	Stay:Hot Roller:Upper	121 - 27
B234 4182	Grip - Front	121 - 9
B234 4185	Guide Plate - Lever	123 - 24
B234 4186	Pressure Roller Shaft	123 - 26
B234 4189	Pressure Roller Bracket - Front	123 - 30
B234 4192	Harness Bracket - Upper	121 - 22
B234 4195	Silicone Tube	121 - 6
B234 4196	Harness Bracket	123 - 31
B234 4199	Pickoff Pawl Release Slider	119 - 5
B234 4200	Guide Plate:Fusing Exit:Lower	119 - 2
B234 4204	Guide Plate - Lower	119 - 17
B234 4205	Bracket	119 - 21
B234 4207	Fusing Exit Bracket - Lower	119 - 19
B234 4222	Side Plate:Fusing:Rear	123 - 38
B234 4228	Stay - Lower	123 - 27
B234 4230	Cleaning Drive Bracket	123 - 19
B234 4233	Cover - Lower	123 - 28
B234 4234	Photointerruptor Bracket	123 - 22
B234 4235	Cleaning Drive Bracket - Lower	123 - 15
B234 4237	Fusing Entrance Guide Plate - Lower	121 - 17
B234 4239	Connector Bracket	175 - 10
B234 4241	Housing:Thermostat:Lower	121 - 5
B234 4244	Gear - 50Z	117 - 20
B234 4245	Spring Plate:Plate:Cleaning Unit	121 - 8
B234 4247	Fusing Cleaning Bracket - Front	123 - 23
B234 4249	Cover:Fusing:Upper:TypeC	117 - 6
B234 4252	Transport Roller - Heat Pipe	125 - 10
B234 4254	Transport Roller Shaft	125 - 12
B234 4258	Cap:Heat Pipe	125 - 21
B234 4284	Inner Cover	125 - 1

Part No.	Description	Page and Index No.
B234 4320	Holder:Compression Spring:Joint	149 - 19
B234 4325	Brushless Motor DC24V 20W	149 - 14
B234 4335	Drum Stay - Coupling Finishing Unit	181 - 5
B234 4347	Release Grip	125 - 6
B234 4349	Lock Lever	129 - 3
B234 4360	Entrance Cooling Guide - Upper	127 - 15
B234 4370	Door Catch Spacer	131 - 17
B234 4378	Stay:Upper:Duct	185 - 1
B234 4379	Duct - Heat Pipe	173 - 16
B234 4395	Duct - Coupling	173 - 19
B234 4403	Exit Guide Plate - Lower	181 - 4
B234 4404	Exit Guide:Upper	181 - 3
B234 4407	Slide Rail Bracket	181 - 12
B234 4409	Slide Rail Bracket	181 - 13
B234 4415	Connector Bracket	127 - 24
B234 4416	Harness Guard Bracket	131 - 18
B234 4417	Photointerruptor Bracket	129 - 16
B234 4420	Drum Stay - Drive Unit	127 - 28
B234 4423	Lever Bracket	129 - 4
B234 4438	Heat Sink Bracket	125 - 18
B234 4440	Tightener:Left:Peen	127 - 17
B234 4445	Bracket - Guide Plate Stopper	127 - 16
B234 4447	Tightener - Right	129 - 18
B234 4454	Feeler	129 - 10
B234 4455	Gate Pawl	129 - 9
B234 4457	Seal - Left	181 - 6
B234 4460	Discharge Brush - L=341 SUS	131 - 15
B234 4460	Discharge Brush - L=341 SUS	125 - 16
B234 4468	Guide - Auxiliary	127 - 14
B234 4469	Paper Feed Sensor Bracket - Exit	127 - 3
B234 4470	Photo Reflection Sensor Bracket	127 - 11
B234 4473	Contact Point Shaft	131 - 3
B234 4474	Lever Shaft	129 - 2
B234 4490	Slide Rail - Fusing/Paper Exit Unit	181 - 14
B234 4490	Slide Rail - Fusing/Paper Exit Unit	185 - 10

Part No.	Description	Page and Index No.
B234 4497	Stepper Motor DC24V 2.6W	125 - 17
B234 4498	Transport Roller - Cooling Entrance	125 - 11
B234 4553	Guard:Harness	135 - 2
B234 4592	Sheet:Duplex:10.5	135 - 14
B234 4593	Sheet:Duplex:7	135 - 16
B234 4595	Sheet:Duplex:25	135 - 15
B234 4596	Sheet:Duplex:41.5	135 - 17
B234 4599	Guard:Harness:Duplex:Entrance	135 - 6
B234 4632	Positioning Pin Bracket - Sub	139 - 28
B234 4635	Compression Spring	141 - 24
B234 4635	Compression Spring	139 - 29
B234 4647	Bracket:Plate:Damper:Open And Close	143 - 7
B234 4648	Damper:Open And Close	143 - 6
B234 4651	Lock Lever	133 - 14
B234 4652	Release Bracket	133 - 19
B234 4653	Release Guide Plate	133 - 18
B234 4654	Release Lever Shaft	133 - 17
B234 4656	Release Grip	133 - 20
B234 4663	Stepper Motor Bracket	149 - 24
B234 4721	Stepper Motor Bracket	141 - 18
B234 4736	Stepper Motor Bracket	139 - 12
B234 4814	Entrance Guide Plate	135 - 1
B234 4818	Compression Spring	137 - 1
B234 4819	Drive Joint	135 - 20
B234 4821	Guide Plate Lock Shaft	137 - 15
B234 4822	Lock Pawl - Front	137 - 10
B234 4823	Lock Pawl - Rear	137 - 11
B234 4824	Grip	137 - 14
B234 4826	Compression Spring	135 - 19
B234 4830	DC Solenoid	137 - 21
B234 4833	Tension Spring	137 - 20
B234 4835	On-Off DC Solenoid	137 - 4
B234 4844	Tension Spring	143 - 2
B234 4847	Tension Spring	137 - 13
B234 4857	Guide Plate - Right	133 - 7

Part No.	Description	Page and Index No.
B234 4858	Driven Roller Holder	133 - 5
B234 4859	Tension Spring	133 - 4
B234 4861	Guide Plate - Exit	141 - 4
B234 4865	Guide Plate:Upper:Duplex:Entrance	137 - 7
B234 4866	Guide Plate - Upper	139 - 22
B234 4867	Guide Plate - Lower	143 - 1
B234 4868	Guide Plate - Left Lower	143 - 11
B234 4871	Guide Plate - Right Lower	133 - 12
B234 4884	Gate Pawl Cushion	137 - 19
B234 4884	Gate Pawl Cushion	135 - 21
B234 4888	Gate Pawl:Duplex	143 - 5
B234 4891	Harness Clamp:Duplex:Entrance	135 - 7
B234 4893	Cover:Duplex:Open And Close	135 - 27
B234 4896	Guide Plate - Lower	135 - 12
B234 4899	Gate Pawl:Switchback	137 - 16
B234 4901	Fan Motor Unit	181 - 10
B234 4920	DC Solenoid:Gate Pawl:Duplex:Reverse:Ass'y	143 - 3
B234 4921	Ground Plate:Duplex:Entrance	135 - 13
B234 4927	Guide Plate:Reverse:Exit:Drive:Ass'y	141 - 5
B234 4929	Bracket:Sensor:Reverse:Exit	141 - 7
B234 4952	Slide Rail Stay - Left	181 - 9
B234 4954	Shoe:Duplex Unit:Left Front	187 - 5
B234 4957	Slide Rail Stay - Right Rear	187 - 12
B234 4961	Guide Plate - Duplex Upper	185 - 12
B234 4995	Inner Cover	133 - 1
B234 5107	PCB CNB	55 - 11
B234 5280	PCB CRB	87 - 18
B234 5285	IC:PED	209 - 1
B234 5352	Cable - LVDS LDB 18P	63 - 3
B234 5365	PCB Sync Detector	63 - 28
B234 5380	Motor Control Board	63 - 7
B234 5410	PCB AC Drive	171 - 3
B234 5440	PCB Relay Safety Switch	171 - 6
B234 5500	Flexible Board - Xenon Lamp	57 - 12
B234 5620	High Voltage Supply Cord - T	115 - 32

Part No.	Description	Page and Index No.
B234 5621	High Voltage Supply Cord - TC	115 - 31
B234 5622	Ground Wire	115 - 34
B234 5625	High Voltage Supply Cord	161 - 5
B234 5670	Harness - Paper Feed Unit	73 - 13
B234 5682	Harness - Toner Bank Main	91 - 17
B234 6120	Bracket:Positioning:Paper Tray	159 - 31
B234 6122	Inner Cover	79 - 6
B234 6125	Harness Guide Bracket	189 - 20
B234 6138	Rail - Tandem LCT	189 - 10
B234 6141	Positioning Sleeve - Inner Back	189 - 24
B234 6141	Positioning Sleeve - Inner Back	69 - 11
B234 6173	Rail Stay - Left	189 - 7
B234 6181	Slide Rail - Right	189 - 17
B234 6188	Slide Sleeve Positioning	189 - 18
B234 6190	Heater Unit - Upper	189 - 8
B234 6191	Heater Unit - Lower	187 - 14
B234 6198	Cover - Spaper Size Sensor	159 - 34
B234 6199	Cover - Side Plate Rear	189 - 25
B234 6208	Paper Feed Unit Stay	73 - 14
B234 6212	Reverse Lever	77 - 12
B234 6222	Reverse Drive Shaft	77 - 10
B234 6223	Driven Reverse Shaft	77 - 7
B234 6231	DC Solenoid:Reverse:Ass'y	77 - 18
B234 6242	Guide - Roller:Driven Pressure	77 - 17
B234 6245	Guide Plate - Vertical Transport	77 - 19
B234 6253	Guide Plate - Reverse	77 - 3
B234 6254	Guide Plate - Feed	75 - 14
B234 6255	Guide - Front	77 - 1
B234 6256	Guide - Rear	77 - 2
B234 6272	Feed Shaft	75 - 16
B234 6275	Pickup Arm	75 - 8
B234 6282	Pickup DC Solenoid	73 - 8
B234 6286	Sensor Bracket - Vertical Transport	73 - 4
B234 6287	Sensor Bracket - Paper Feed	73 - 2
B234 6288	Sensor	73 - 6

Part No.	Description	Page and Index No.
B234 6301	Torque Limiter:75mN m	77 - 6
B234 6355	Guide Plate - Joint Unit	79 - 4
B234 6360	Transport Roller:Joint Unit:Ass'y	79 - 3
B234 6423	Release Lever	79 - 22
B234 6424	Release Grip	79 - 18
B234 6426	Bracket:Release:Vertical Transport	79 - 19
B234 6427	Cover:Release:Vertical Transport	79 - 24
B234 6455	Bracket - Upper	79 - 10
B234 6475	Bracket - Lower	79 - 11
B234 6490	Side Fence:Rear:Ass'y	71 - 13
B234 6495	Guide:Front:Paper Tray	71 - 6
B234 6497	Guide:Rear:Paper Tray	71 - 8
B234 6498	Sheet:Tray Bottom Plate	71 - 23
B234 6506	Timing Pulley - 30T	141 - 14
B234 6506	Timing Pulley - 30T	149 - 31
B234 6506	Timing Pulley - 30T	157 - 14
B234 6507	Timing Pulley - 25T	157 - 5
B234 6507	Timing Pulley - 25T	139 - 20
B234 6508	Tension Spring	157 - 11
B234 6508	Tension Spring	155 - 17
B234 6508	Tension Spring	141 - 19
B234 6508	Tension Spring	149 - 25
B234 6510	Tandem LCT Bracket	157 - 12
B234 6511	Tightener Bracket	157 - 10
B234 6512	Tightener Bracket	157 - 9
B234 6513	Timing Belt - S2M180	157 - 17
B234 6514	Timing Belt - S2M126	157 - 13
B234 6520	Bracket	157 - 3
B234 6523	Timing Belt - S2M100	139 - 13
B234 6523	Timing Belt - S2M100	157 - 6
B234 6530	Bracket	157 - 20
B234 6531	Tightener Bracket	157 - 19
B234 6532	Tightener Bracket	157 - 18
B234 6533	Timing Belt - S2M152	157 - 21
B234 6541	Feed Drive Shaft	157 - 16

Part No.	Description	Page and Index No.
B234 6542	Grip Drive Shaft	157 - 15
B234 6543	Drive Shaft	157 - 4
B234 6565	Harness Clamp Bracket	159 - 9
B234 6606	Sensor Bracket	67 - 11
B234 6612	End Fence - Front	69 - 16
B234 6625	End Fence - Rear	69 - 21
B234 6630	Guide Plate - End Fence	69 - 18
B234 6680	Base:Tandem LCT:Right:Adhesion	67 - 8
B234 6686	Side Fence - Right Front	67 - 5
B234 6691	Side Fence:Tandem LCT:Right:Ass'y	67 - 6
B234 6827	Cover - Hinge	163 - 8
B234 7001	ARDF:Unit	35 - *
B234 7512	Duct - Vacuum	163 - 4
B234 7540	Tray Bottom Plate:Left Front	65 - 6
B234 7551	Noise Filter Bracket	175 - 4
B234 7554	ADF Plug Bracket	161 - 14
B234 7556	Safety Switch Bracket	171 - 7
B234 7557	Bracket - AC Drive Board	171 - 4
B234 7558	Bracket:IOB	171 - 17
B234 7559	Connector Bracket	177 - 2
B234 7562	Hinge Bracket - Lower	163 - 10
B234 7565	Hinge Bracket - Case	163 - 3
B234 7566	Hinge Bracket - Upper	163 - 9
B234 7568	Receive Bracket - Lower	163 - 15
B234 7569	Bracket:Power Supply Unit:Middle	163 - 5
B234 7570	Bracket:Power Supply Unit:Upper	163 - 1
B234 7576	Cover - Power Supply Unit	25 - 1
B234 7580	Vacuum Duct - Inner Back	171 - 2
B234 7582	Stay:Power Supply Unit:Middle Lower	163 - 17
B234 7583	Stay:Power Supply Unit:Lower Right	163 - 16
B234 7584	Lower Separation Plate	163 - 14
B234 7587	Power Supply Cord Bracket	175 - 2
B234 7592	Bracket:Fan:Power Supply Unit	163 - 19
B234 7593	Power Supply Unit Cover - Front	163 - 21
B234 7598	Decal:Caution Chart:PSU:Service	241 - 61

Part No.	Description	Page and Index No.
B234 7598	Decal:Caution Chart:PSU:Service	163 - 22
B234 7651	Safety Switch Bracket A	179 - 2
B234 7652	Safety Switch Bracket B	179 - 3
B234 7655	Safety Switch Lever	179 - 1
B234 8611	TCRU Operation Kit	243 - 12
B234 8612	Driver:TCRU	243 - 13
B234 8614	Setting Powder	243 - 14
B234 9640	Developer Type 27W BK	243 - 11
B234 9640	Developer Type 27W BK	99 - 30
B236 1970	Fan:Imaging Unit:Unit:DC24V 4.8W	183 - 1
B247 3175	Bushing 8x14x8	97 - 3
B247 3176	Boss:Bearing:Agitator:Press Fit	97 - 2
B247 3965	Lever Shaft	115 - 25
B247 3980	Electrode:Bias	113 - 12
B247 5881	Cover - Fax	167 - 16
B247 6695	Guide:Misfeed Removal:Paper Tray	67 - 15
B247 6695	Guide:Misfeed Removal:Paper Tray	71 - 9
B247 6753	Lock Spring - Large	159 - 27
B247 6754	Lock Spring - Small	159 - 28
B247 6901	Oil Damper:Fall	69 - 13
B247 6950	Shaft:Slider:Back Fence	65 - 19
B247 6951	Bracket:Pulley:Driven:Ass'y	65 - 16
B301 1136	Spring Plate - 0.4mm	53 - 3
B301 1137	Pulley Cover	53 - 5
B301 1141	Rubber Cushion	43 - 6
B301 1141	Rubber Cushion	51 - 16
B301 1155	Separation Support Pad	39 - 3
B301 1156	Separation Pad Holder	39 - 4
B301 1171	Pulley Cover	37 - 23
B301 1188	Sensor Bracket	37 - 15
B301 1191	Pull-out Driven Roller	37 - 11
B301 1192	Bushing - 4x6x6	37 - 18
B301 1195	Gear - 19Z	37 - 14
B301 1198	Pull-out Driven Roller-front	37 - 19
B301 1216	Discharge Brush	41 - 8

Part No.	Description	Page and Index No.
B301 1232	Base:Paper Feed	41 - 27
B301 1247	Entrance Guide	41 - 26
B301 1282	Shaft:Separation:Drive:Ass'y	39 - *
B301 1286	Bushing - 6x10x6	39 - 6
B301 1314	Pick-up Roller Bracket	39 - 22
B301 1341	Stay:Original Table:Ass'y	37 - 40
B301 1351	Original Feeler	37 - 26
B301 1412	Transport Belt Plate	43 - 7
B301 1422	Transport Stay	43 - 27
B301 1432	Belt Drive Roller	43 - 2
B301 1436	Transport Belt Roller	43 - 18
B301 1442	Transport Belt	43 - 1
B301 1443	Transport Belt Stopper - Front	43 - 5
B301 1444	Transport Belt Stopper - Rear	43 - 8
B301 1445	Rear Spacer	43 - 14
B301 1449	Front Spacer	43 - 4
B301 1451	Belt Pressure Roller	43 - 3
B301 1481	Belt Pressure Roller	43 - 12
B301 1491	Tension Bracket	43 - 23
B301 1543	Sensor Bracket	53 - 14
B301 1550	Hinge - Left	53 - 8
B301 1560	Hinge - Right	53 - 11
B301 1631	Rear Side Plate	53 - 6
B301 1633	Right Stay	53 - 10
B301 1716	Cover:Front	35 - 16
B301 1726	Cover:Rear:RIC:Ass'y	35 - 7
B301 1766	Paper Feed Cover	37 - 1
B301 1786	Cover:Exit:RIC	35 - 13
B301 1796	Cover:Original Table:Lower:RIC	35 - 4
B301 1822	Original Table:RIC:Printing	35 - 2
B301 1835	Original Holder	35 - 3
B301 1852	Base:Original Table:RIC:Ass'y	37 - 30
B301 1875	Hook:Harness:Base	37 - 41
B301 1876	Side Fence:Table:Ass'y	37 - 24
B301 1919	Discharge Brush - Exit	35 - 8

Part No.	Description	Page and Index No.
B301 1919	Discharge Brush - Exit	45 - 19
B301 1926	Cover:Right	45 - 23
B301 2111	Pulley - 30Z	51 - 19
B301 2113	Pulley - 19Z	51 - 32
B301 2122	Shaft	49 - 11
B301 2123	Pulley - 24Z	49 - 27
B301 2141	Pulley - 39Z	49 - 32
B301 2161	Roller:Pressure:Belt:MM24	43 - 20
B301 2172	Cushion	51 - 30
B301 2211	Pulley - 20/19Z	49 - 13
B301 2213	Pulley - 20Z	49 - 12
B301 2221	Gear - 31Z	49 - 16
B301 2222	Gear - 20Z	49 - 40
B301 2231	Pulley - 58/20Z	51 - 39
B301 2242	Shaft	49 - 38
B301 2243	Gear - 29Z	49 - 18
B301 2244	Gear - 23Z	49 - 17
B301 2261	Pulley - 36Z	49 - 35
B301 2271	Shaft	49 - 25
B301 2273	Pulley - 32Z	49 - 23
B301 2281	Tension Bracket	49 - 15
B301 2319	Heat Sink - DC Motor	51 - 27
B301 2320	Heat Sink Holder	51 - 26
B301 2327	Holder Bracket	51 - 34
B301 2336	Side Plate	49 - 20
B301 2367	Motor Bracket	49 - 2
B301 2371	Motor Bracket	51 - 36
B301 2376	Tension Bracket	51 - 18
B301 2422	Cam - Pick-up Roller	49 - 37
B301 2511	Reverse Roller Shaft	39 - 26
B301 3132	Lower Guide Plate	45 - 17
B301 3135	Spring	45 - 11
B301 3161	Left Exit Guide	45 - 6
B301 3181	Invertor Guide Plate	47 - 8
B301 3184	Reverse Driven Roller	45 - 15

Part No.	Description	Page and Index No.
B301 3184	Reverse Driven Roller	47 - 6
B301 3185	Driven Roller Shaft	47 - 7
B301 3185	Driven Roller Shaft	45 - 14
B301 3186	Spring	47 - 4
B301 3188	Discharge Brush	47 - 3
B301 3191	Exit Junction Gate	47 - 17
B301 3192	Lever - Exit Junction Gate	47 - 19
B301 3246	Motor Bushing - 4x9x5.2	51 - 3
B301 3271	Reverse Drive Roller	47 - 14
B301 3286	Pulley - 30Z	47 - 20
B301 3301	Paper Exit Solenoid	47 - 24
B301 3311	Reverse DC Solenoid	47 - 23
B301 3341	Exit Motor Bracket	51 - 7
B301 3345	Exit Motor Guide Plate	51 - 4
B301 4211	Spring	37 - 13
B301 4222	Spring	37 - 17
B301 4226	Spring	41 - 22
B301 4316	Decal: Misfeed Removal	241 - 32
B301 4316	Decal: Misfeed Removal	37 - 2
B301 4336	Decal: Size: Original: RIC	241 - 33
B301 4336	Decal: Size: Original: RIC	37 - 4
B301 4357	Decal: Caution: Paper Feed	241 - 34
B301 4357	Decal: Caution: Paper Feed	37 - 3
B301 4415	Sound Proofing Material - Front Lower	35 - 17
B301 4416	Sound Proofing Material - Rear Lower	53 - 9
B301 4417	Sound Proofing Material - Left Right	41 - 25
B301 4417	Sound Proofing Material - Left Right	45 - 13
B301 4418	Sound Proofing Material - Hinge Side	51 - 13
B301 4426	Sound Proofing Material - Right	37 - 6
B301 4427	Sound Proofing Material - Left	37 - 7
B301 4428	Sound Proofing Material - Rear	35 - 5
B301 4431	Vibration Absorbing Pad	43 - 13
B301 5100	PCB ADF Main Control	51 - 24
B301 5190	PCB Display	49 - 4
B301 5211	Harness: DC Motor	51 - 25

Part No.	Description	Page and Index No.
B301 5221	Harness: Motor: Pick Up	49 - 29
B301 5232	Harness: Paper Feed Sub-unit: Rear	51 - 20
B301 5234	Harness: Sensor: Paper Feed: Connecting	41 - 14
B301 5245	Harness: Registration Sensor: Connecting	41 - 11
B301 5246	Harness: Sensor: Paper Size Sensor: Connecting	41 - 4
B301 5247	Harness: Paper Feed Sub-unit: Middle	51 - 21
B301 5253	Harness: Sensor: Reverse: Connecting	45 - 22
B301 5253	Harness: Sensor: Reverse: Connecting	51 - 11
B301 5255	Harness: Paper Exit Sub-unit	51 - 22
B301 5256	Harness: Sensor: Exit: Connecting	45 - 8
B301 5261	Harness: Sensor: On Off Detector	51 - 23
B301 5261	Harness: Sensor: On Off Detector	53 - 16
B301 5271	Harness: Display	49 - 3
B301 5280	Harness: Interface: Ass'y	51 - 17
B301 5290	Harness: Sensor: Original: Connecting	37 - 33
B301 5406	Harness: Connecting: Sensor: Pull Out	37 - 9
B301 5476	Harness: Earth: Exit	51 - 6
B301 5476	Harness: Earth: Exit	45 - 25
B352 2650	Magnet Catch - 5N	35 - 14
B352 2650	Magnet Catch - 5N	125 - 13
B352 2650	Magnet Catch - 5N	127 - 1
B352 2650	Magnet Catch - 5N	131 - 16
B475 6855	Shield: Tandem LCT: Rear Right	67 - 13
B477 2225	Pick-up Roller	39 - 31
B477 2226	Pickup Roller: Coupling	39 - 36
B477 4311	Decal - Original Base	241 - 35
B477 4311	Decal - Original Base	37 - 32
B477 4431	Decal - Original Table	19 - 32
B477 4431	Decal - Original Table	241 - 36
B477 4431	Decal - Original Table	35 - 1
B478 3569	Spacer	127 - 23
B645 5010	SD-Card: Ass'y	243 - 8
B645 6700	SD-Card: Adapter: BN-SDAA2	243 - 3
B645 6800	SD-Card: USB: Writer: BN-SDCE2	243 - 4
B652 1133	Shaft: Slider	51 - 33



Part No.	Description	Page and Index No.
B652 1134	Compression Spring	51 - 15
B652 2911	Stepper Motor:Base:Rise:Ass'y	49 - 1
B652 3135	Timing Belt:B60S2M172	143 - 13
B652 3157	Discharge Brush:Long	53 - 2
B700 4652	Spacer:Dia4.5	103 - 22
B702 7210	Timing Belt:B60S2M122	139 - 19
B789 3126	Timing Pulley - 25T	147 - 7
C244 2187	Shaft:Flange:Master:Right	21 - 17
D014 5973	Cover:SD-Card	167 - 11
D014 5974	Cover:Connector:EFI	167 - 12
D014 5977	Cover:Control Board:USB	167 - 14
D014 6626	Bracket:On Off Detector:Front	69 - 19
D014 6627	Bracket:On Off Detector:Rear	69 - 22
D014 6783	Arm:End Fence:Lock	71 - 18
D014 6784	Spring Plate:End Fence	71 - 20
D014 6785	Spring Plate:Arm:End Fence:Lock	71 - 19
D014 6786	Decal:Paper Set Direction	71 - 4
D014 6786	Decal:Paper Set Direction	241 - 24
D016 1960	Ground Wire	61 - 33
D029 5721	Heat Sink:EX1:GMCH:Coolermaster	231 - 2
D046 2862	Decal:H-Temp Warning:Heater	241 - 63
D046 2862	Decal:H-Temp Warning:Heater	189 - 9
D062 1739	Cushion:Scanner	149 - 27
D062 6524	Shaft:Rise:Tray Bottom Plate:Press Fit	71 - 30
D062 6692	Slide Rail:Paper Tray:Left:Sub-ass'y	189 - 6
D062 6878	Decal:Caution Chart:Tandem LCT	67 - 1
D062 6878	Decal:Caution Chart:Tandem LCT	241 - 15
D062 9590	NVRAM	167 - 6
G004 9668	Grease - KS660 - SHIN-ETSU	243 - 7
G029 1975	Cylindrical Lens	63 - 26
G029 1982	LD Decal	61 - 27
G029 1982	LD Decal	241 - 37
G065 2681	Snap Ring - M6	107 - 16
G178 1655	Brake:Turn:Upper Lower	33 - 9
G178 1678	Spring:Balancer:Cover:Operation Sub-unit	33 - 7

Part No.	Description	Page and Index No.
G178 1681	Handle:Operation Sub-unit:Upper	33 - 1
G178 1682	Coil Spring:Operation Panel:Handle	33 - 3
G178 1685	Handle:Operation Sub-unit:Lower	33 - 4
G178 1686	Holder:Fix	33 - 13
G178 1689	Stay:Operation Sub-unit:Washer	33 - 8
G178 1699	Knob:Operation Sub-unit	33 - 2
G178 1762	Stay:Turn	33 - 12
G178 1771	Shaft:Knob:Arm:Small	33 - 5
G178 1772	Shaft:Knob:Operation Sub-unit	33 - 6
G178 1804	Harness:Keymain:16	29 - 1
G178 1805	Harness:Keymain:18	29 - 2
G178 1806	Harness:Keysub	29 - 3
G178 1807	Harness:Pat:LED	29 - 12
G178 1808	Harness:INV	31 - 24
G178 1809	Cable:FFC:LCD	31 - 25
G178 1810	PCB:Key:Main:C1:Ass'y	29 - 4
G178 1841	Keytop:Application:Blank:S:BR	31 - 4
G178 1842	Keytop:Application:Blank:L:BR	31 - 3
G178 1848	Bracket:Stay:Arm	29 - 14
G178 1849	Bracket:LCD	31 - 23
G178 1853	Cover:Front:NA	31 - 29
G178 2942	Grip:Front:Paper Tray	23 - 2
G178 6016	Heat Sink:EX1:Pen	231 - 4
G178 6062	PCB:PC4200:RAWCard-C:512MB	167 - 7
G404 2810	Spring Plate - 2nd Mirror	57 - 17
G564 4151	Rail - Side Fence	37 - 28
H053 1150	Stepped Screw - Locking	115 - 19
H072 2216	Compression Spring	125 - 20

Part No.	Description	Page and Index No.
M002 1349	Dust Filter:Entrance	27 - 2
M003 3303	Toner Bank:Main:TEC:Ass'y	89 - *

Part No.	Description	Page and Index No.
AA00 1190	Decal - Ground	175 - 5
AA00 1190	Decal - Ground	241 - 3
AA00 1417	Decal - D6	241 - 38
AA00 1417	Decal - D6	131 - 8
AA00 1462	Decal - Paper Feed (B1)	81 - 26
AA00 1462	Decal - Paper Feed (B1)	241 - 4
AA00 1463	Decal - Paper Feed:B2	87 - 4
AA00 1463	Decal - Paper Feed:B2	241 - 5
AA00 1464	Decal - Paper Feed (B3)	241 - 6
AA00 1464	Decal - Paper Feed (B3)	81 - 18
AA00 1465	Decal - Paper Feed (B4)	241 - 7
AA00 1465	Decal - Paper Feed (B4)	81 - 16
AA00 1466	Decal - Paper Feed (C2)	241 - 8
AA00 1466	Decal - Paper Feed (C2)	81 - 25
AA00 1472	Decal - Paper Exit Unit (D1)	241 - 9
AA00 1472	Decal - Paper Exit Unit (D1)	125 - 3
AA00 1473	Decal - Paper Exit Unit (D5)	241 - 10
AA00 1473	Decal - Paper Exit Unit (D5)	125 - 2
AA00 1474	Decal - Duplex Unit (Z2)	241 - 11
AA00 1474	Decal - Duplex Unit (Z2)	133 - 2
AA00 1475	Decal - Duplex Unit (Z4)	241 - 12
AA00 1475	Decal - Duplex Unit (Z4)	139 - 2
AA00 1476	Decal - Duplex Unit (Z5)	133 - 8
AA00 1476	Decal - Duplex Unit (Z5)	241 - 13
AA00 1477	Decal:Energy-star	19 - 11
AA00 1477	Decal:Energy-star	241 - 39
AA00 1508	Decal:Side Fence:40x30	65 - 9
AA00 1508	Decal:Side Fence:40x30	241 - 14
AA00 1509	Decal:Side Fence:16x30	67 - 14
AA00 1509	Decal:Side Fence:16x30	241 - 62
AA00 3045	Decal - Misfeed Removal	79 - 8
AA00 3045	Decal - Misfeed Removal	241 - 16
AA00 3046	Decal - Vertical Transport (A3)	79 - 7
AA00 3046	Decal - Vertical Transport (A3)	241 - 17
AA00 3217	Decal:Tray:Design Sketch1	241 - 40

Part No.	Description	Page and Index No.
AA00 3217	Decal:Tray:Design Sketch1	23 - 23
AA00 3218	Decal:Tray:Design Sketch2	23 - 24
AA00 3218	Decal:Tray:Design Sketch2	241 - 41
AA00 3219	Decal:Tray:Design Sketch3	241 - 42
AA00 3219	Decal:Tray:Design Sketch3	23 - 25
AA02 1031	Magnetic Catch	123 - 29
AA02 1035	Magnetic:Cover	21 - 20
AA04 3271	Timing Belt S3M 196T	65 - 26
AA04 3308	Timing Belt - S2M114 9MM	155 - 19
AA04 3324	Timing Belt - B40S2M152	79 - 12
AA04 3325	Timing Belt - B40S2M250	79 - 13
AA04 3326	Timing Belt - B60S3M474	125 - 24
AA04 3327	Timing Belt - B60DS3M453	127 - 22
AA04 3533	Timing Belt - B0S2M256	51 - 38
AA04 3534	Timing Belt - B60S3M216	49 - 26
AA04 3535	Timing Belt - B60S3M195	49 - 22
AA04 3536	Timing Belt - B60S3M279	49 - 34
AA04 3537	Timing Belt - B40S2M206	49 - 31
AA04 3538	Timing Belt - B60S3M174	51 - 37
AA04 3539	Timing Belt - B40S2M104	51 - 10
AA04 3546	Timing Belt - B60S2M474	51 - 14
AA04 3547	Timing Belt - B40S3M213	47 - 21
AA04 3548	Timing Belt - B40S3M150	45 - 1
AA04 3621	Timing Belt - 60S2M156	141 - 13
AA04 3650	Timing Belt - B60S2M290	143 - 15
AA04 3651	Timing Belt - B60S2M264	139 - 17
AA04 3652	Timing Belt - B60S2M130	149 - 30
AA04 3970	Timing Belt - B60S3M426	151 - 26
AA04 3971	Timing Belt - B60S3M363	151 - 31
AA04 3972	Timing Belt - B60S3M435	151 - 24
AA04 3974	Timing Belt - B60S2M112	147 - 6
AA04 3977	Timing Belt:Drive:Fusing Unit	149 - 4
AA06 0360	Tension Spring	131 - 13
AA06 0523	Pick-up Pressure Spring	75 - 9
AA06 0539	Stripper Pawl Spring	119 - 13

Part No.	Description	Page and Index No.
AA06 0590	Pressure Spring	51 - 35
AA06 0590	Pressure Spring	49 - 14
AA06 0757	Tension Spring - Long	69 - 8
AA06 0758	Tension Spring - Short	69 - 15
AA06 0810	Tension Spring - Vibrating Plate	95 - 13
AA06 0811	Tension Spring - Stopper	89 - 7
AA06 0812	Lever Tension Spring	89 - 9
AA06 0950	Tension Spring	93 - 21
AA06 0950	Tension Spring	127 - 19
AA06 0950	Tension Spring	129 - 17
AA06 0961	Tension Spring:Side Fence:Rear	71 - 25
AA06 0987	Tension Spring:Timing Belt:10N	65 - 17
AA06 1000	Spring - 1.42N	77 - 13
AA06 1015	Tension Spring - 5x25	129 - 11
AA06 2284	Pressure Spring	101 - 15
AA06 2329	Spring:Registration:20N	83 - 16
AA06 2345	Tension Spring	43 - 22
AA06 2346	Tension Spring:Tension	151 - 21
AA06 2346	Tension Spring:Tension	149 - 3
AA06 2346	Tension Spring:Tension	153 - 5
AA06 2350	Tension Spring:Pickoff Pawl	119 - 23
AA06 2587	Tension Spring:Pressure	43 - 10
AA06 2588	Tension Spring:Exit	47 - 18
AA06 2589	Tension Spring:Reverse	47 - 13
AA06 3268	Connector Spring	175 - 13
AA06 3392	Chuck Spring	95 - 15
AA06 3435	Compression Spring:Paper Feed:Joint	39 - 8
AA06 3601	Rack Spring	95 - 3
AA06 3602	Chuck Spring	95 - 4
AA06 3604	Pressure Spring	151 - 14
AA06 3652	Spring-oil Supply Roller	117 - 13
AA06 3670	Spring Connector:9.8N	175 - 7
AA06 3674	Spring - 8N	81 - 14
AA06 3674	Spring - 8N	137 - 17
AA06 3674	Spring - 8N	77 - 16

Part No.	Description	Page and Index No.
AA06 3674	Spring - 8N	87 - 29
AA06 3674	Spring - 8N	141 - 1
AA06 3674	Spring - 8N	135 - 9
AA06 3675	Spring - 5N	87 - 21
AA06 3675	Spring - 5N	131 - 4
AA06 3675	Spring - 5N	139 - 6
AA06 3676	Spring:Pressure:2N	127 - 8
AA06 3677	Spring	81 - 22
AA06 3679	Spring - 10N	79 - 27
AA06 3680	Pressure Spring - 5x10.5	127 - 9
AA06 3851	Pressure Spring	117 - 22
AA06 3853	Pressure Spring	119 - 7
AA06 3877	Spring	115 - 24
AA06 3878	Spring	79 - 21
AA06 6319	Torsion Spring	95 - 22
AA06 6320	Feeler Torsion Spring	89 - 15
AA06 6321	Rear Guide Plate Spring	131 - 2
AA06 6322	Front Guide Plate Spring	131 - 1
AA06 6372	Spring	87 - 11
AA06 6378	Grip Spring	133 - 16
AA06 6384	Torsion Spring:Open And Close	137 - 9
AA07 0081	Slide Rail - Duplex	181 - 8
AA07 0081	Slide Rail - Duplex	187 - 10
AA08 0147	Front Bushing	101 - 10
AA08 0265	Bushing:6x8x5	79 - 16
AA08 0344	Bushing - DIA5	137 - 12
AA08 0345	Bushing - 5mm	129 - 1
AA08 0345	Bushing - 5mm	137 - 8
AA08 2045	Cleaning Brush Bushing	109 - 15
AA08 2058	Bushing - 6x10x9mm	115 - 27
AA08 2058	Bushing - 6x10x9mm	93 - 12
AA08 2059	Agitator Bushing	109 - 6
AA08 2064	Bushing - 10mm	185 - 22
AA08 2094	Bushing - Brush Roller	109 - 21
AA08 2095	Bushing - Toner Collection Coil	109 - 5

Part No.	Description	Page and Index No.
AA08 2101	Bushing - 6x10x6	147 - 14
AA08 2101	Bushing - 6x10x6	115 - 14
AA08 2118	Bushing - M6	143 - 4
AA08 3009	Clutch Roller - 8x18x11	75 - 15
AA08 4059	Ball Bearing Holder	81 - 13
AA08 4059	Ball Bearing Holder	87 - 20
AA08 4059	Ball Bearing Holder	131 - 5
AA08 4059	Ball Bearing Holder	137 - 2
AA08 4059	Ball Bearing Holder	135 - 10
AA08 4059	Ball Bearing Holder	139 - 7
AA08 4059	Ball Bearing Holder	79 - 26
AA08 4059	Ball Bearing Holder	127 - 6
AA08 4059	Ball Bearing Holder	141 - 2
AA08 4059	Ball Bearing Holder	77 - 15
AA10 0014	Retaining Ring C - Separate	153 - 30
AA12 0097	Antistatic Brush	125 - 19
AA12 0134	Discharge Brush - Paper Exit	127 - 10
AA13 2013	Spacer	39 - 9
AA13 2024	Spacer - M6	151 - 13
AA13 2024	Spacer - M6	109 - 19
AA13 2024	Spacer - M6	115 - 28
AA13 2025	Spacer - 1x8x12	83 - 19
AA13 2080	Spacer - Cleaning Brush	107 - 13
AA13 2152	Spacer - 8x20x1	49 - 9
AA13 2171	Spacer - 6x20x1	39 - 30
AA13 2203	Spacer - 6mm	159 - 26
AA13 2203	Spacer - 6mm	69 - 35
AA13 2209	Spacer - 8x10x13.5	123 - 7
AA13 2228	Spacer - 1mm	75 - 1
AA13 2228	Spacer - 1mm	143 - 10
AA13 2228	Spacer - 1mm	139 - 15
AA13 2228	Spacer - 1mm	135 - 8
AA13 2228	Spacer - 1mm	141 - 11
AA13 2228	Spacer - 1mm	149 - 26
AA14 0686	Shaft - Timing Pulley	65 - 23

Part No.	Description	Page and Index No.
AA14 0779	Lock Shaft	87 - 9
AA14 0912	Screw - 8x14x2.8	159 - 13
AA14 3379	Stepped Screw	51 - 5
AA14 3426	Stopped Screw - M4x17	99 - 13
AA14 3426	Stopped Screw - M4x17	135 - 5
AA14 3444	Stepped Screw	103 - 19
AA14 3444	Stepped Screw	93 - 22
AA14 3444	Stepped Screw	125 - 22
AA14 3545	Screw:M4	153 - 19
AA14 3550	Screw:DIA4:M3	175 - 11
AA14 3560	Stepped Screw - M4	21 - 12
AA14 3560	Stepped Screw - M4	79 - 23
AA14 3562	Screw:M4:DIA6x1.2	89 - 12
AA14 3569	Screw	159 - 10
AA14 3570	Misfeed Removal Shaft	79 - 9
AA14 3573	Shoulder Screw - M4x4	55 - 4
AA14 3788	Pin:Guide Plate:Paper Feed	37 - 20
AA14 3788	Pin:Guide Plate:Paper Feed	35 - 15
AA14 3789	Shaft:Cleaner	39 - 5
AA14 3791	Screw:Safety	23 - 12
AA14 3797	Connector Guide Pin	175 - 6
AA14 3798	Hexagonal Bolt:M12x35	189 - 22
AA14 3802	Screw:6x1.7	81 - 21
AA14 3802	Screw:6x1.7	61 - 7
AA14 3810	Development Cover Screw	123 - 4
AA14 3810	Development Cover Screw	189 - 12
AA14 3810	Development Cover Screw	103 - 27
AA14 3810	Development Cover Screw	119 - 4
AA14 3810	Development Cover Screw	23 - 10
AA14 3811	Stepped Screw - M3x4	139 - 21
AA14 3812	Screw - Scale	135 - 23
AA14 3816	Flat Screw:Chuck: Bottle	95 - 17
AA14 3831	Screw	43 - 24
AA14 3832	Release Spring Holder	53 - 4
AA14 3842	Screw:DIA6:14.5:M4	45 - 4

Part No.	Description	Page and Index No.
AA14 3852	Screw	119 - 6
AA14 3857	Screw - M4x5	41 - 1
AA14 3862	Screw - M4x5	131 - 19
AA14 3863	Shoulder Screw - M3	103 - 21
AA15 0332	Seal - 0.19x18x22	61 - 25
AA15 2299	Bottle Hold Seal	93 - 5
AA15 2471	Tank Seal	89 - 3
AA16 1072	Cushion - DC Motor	151 - 27
AA16 1104	Cushion - Motor	61 - 30
AA16 1122	Motor Cushion	149 - 23
AA16 1122	Motor Cushion	155 - 15
AA16 1122	Motor Cushion	147 - 2
AA16 1122	Motor Cushion	157 - 8
AA16 1122	Motor Cushion	141 - 17
AA16 1129	Cushion - Large	69 - 32
AA16 1130	Cushion - Small	69 - 31
AA16 1138	Cushion - 1.1	43 - 21
AA16 1138	Cushion - 1.1	55 - 16
AA16 1165	Cushion	81 - 17
AB01 1392	Drive Reverse Gear - 24Z	77 - 9
AB01 1501	Gear - 30Z	83 - 22
AB01 1502	Gear - 30Z	87 - 30
AB01 1503	Gear - 30Z	85 - 10
AB01 1504	Gear - 33Z	85 - 2
AB01 1504	Gear - 33Z	87 - 31
AB01 1505	Gear - 35Z	85 - 11
AB01 1591	Gear:Reverse	77 - 8
AB01 2003	Gear - 16Z	95 - 8
AB01 2004	Gear - 27Z	95 - 9
AB01 2004	Gear - 27Z	91 - 14
AB01 2005	Gear - 13Z	93 - 4
AB01 2006	Gear - 23Z	91 - 13
AB01 2007	Gear - 14Z	93 - 8
AB01 2008	Gear - 23Z	91 - 11
AB01 2009	Gear - 34Z	93 - 14

Part No.	Description	Page and Index No.
AB01 2010	Gear - 34Z	93 - 16
AB01 2327	Gear:16Z	71 - 10
AB01 3781	Gear - 30Z	69 - 4
AB01 3798	Gear - Z18	65 - 14
AB01 4229	Coupled Gear - 17Z/32Z	123 - 17
AB01 7514	Double Gear - 12/27Z	91 - 7
AB01 7515	Double Gear - 12/23Z	91 - 8
AB01 7722	Gear/Pulley - 31Z/31T	155 - 22
AB01 7723	Gear/Pulley - 31Z/31T	155 - 20
AB01 7725	Gear/timing Pulley - 20Z/20T	79 - 14
AB01 7726	Gear/timing Pulley - 20Z/20T	79 - 15
AB01 7727	Gear - 27Z/30Z	141 - 21
AB01 7728	Gear: - 30Z/30T	143 - 12
AB01 7732	Gear:Idler:Z16/Z47:Press Fit	91 - 15
AB01 7771	Gear:Transport Roller:Input:Z23/Z28	73 - 11
AB01 9475	Gear - 48T	65 - 13
AB03 0081	Pulley - 20Z	125 - 15
AB03 0081	Pulley - 20Z	129 - 13
AB03 0310	Tightener Pulley	127 - 27
AB03 0310	Tightener Pulley	129 - 19
AB03 0317	Gate Tightener	93 - 20
AB03 0354	Pulley - 20T	51 - 31
AB03 0643	Pulley - 23Z	93 - 9
AB03 0793	Pulley - 125T	151 - 2
AB03 0794	Pulley - 40Z	149 - 7
AB03 0795	Pulley - 29T	151 - 32
AB03 0801	Timing Pulley - 28T	141 - 20
AB03 0802	Timing Pulley - 24T	143 - 14
AB03 0802	Timing Pulley - 24T	139 - 18
AB03 0803	Timing Pulley - 25T	139 - 14
AB03 0804	Pulley - 30T	125 - 23
AB03 0806	Pulley - 19T	127 - 25
AB03 0807	Timing Pulley - 20T	129 - 14
AB03 0807	Timing Pulley - 20T	127 - 21
AB03 0808	Timing Pulley - 20T	127 - 18

Part No.	Description	Page and Index No.
AB03 0808	Timing Pulley - 20T	129 - 12
AB03 0810	Timing Pulley - 28T	143 - 16
AB03 2058	Wire Pulley - M10	69 - 2
AB03 2069	Pulley	61 - 14
AB03 2070	Pulley	61 - 15
AB03 2719	Pulley - M10	69 - 3
AB03 3084	Timing Pulley - 15T	65 - 25
AB03 3085	Timing Pulley - 15T	65 - 18
AB03 3088	Pulley - 20T/20T	127 - 26
AB03 3093	Idle Pulley - 25T/20T	151 - 25
AC01 5030	Toner Shield Glass - 366x15	63 - 36
AC02 2012	F-theta Lens 1	63 - 13
AC02 2013	F-theta Lens 2	63 - 14
AC02 4008	Lens:Cylindrical Lens	63 - 11
AC03 0078	Sync Detector Mirror	63 - 22
AC03 0150	Mirror:No.2	63 - 24
AC03 5055	Sync Detector Mirror Plate	63 - 23
AC03 5056	Plate:Mirror:No.2	63 - 25
AC04 2172	Scale:Left:Printing	55 - 1
AD02 5022	Pick-off Pawl	105 - 5
AE01 1108	Hot Roller	121 - 16
AE01 1110	Hot Roller - DIA80 C	121 - 11
AE02 0177	Pressure Roller:DIA80	123 - 13
AE03 0031	Ball Bearing - 40x62x12	121 - 11
AE03 0031	Ball Bearing - 40x62x12	123 - 12
AE03 0035	Ball Bearing - 6x16x5	123 - 8
AE03 1026	Bushing - Oil Supply Roller	117 - 17
AE03 1032	Bushing - 6x9x6.5	117 - 19
AE03 1037	Bushing - M4	123 - 18
AE03 2021	Bushing - 34.3x39.9x15.5	121 - 10
AE03 2029	Thermal Insulating Bushing	123 - 11
AE04 0067	Roller - Cleaning Felt	117 - 11
AE04 2090	Cleaning Roller	123 - 9
AE04 4042	Pressure Roller Stripper	119 - 22
AE04 4067	Stripper Pawls:Ring	119 - 14

Part No.	Description	Page and Index No.
AE04 5056	Roller:Cleaning Felt:27M:Ass'y	117 - 12
AF01 3005	Bottom Plate Pad	71 - 24
AF01 7033	End Fence	71 - 21
AF02 0672	Transport Roller - Driven	77 - 14
AF02 0711	Transport Roller:Reverse:Upper:Drive	141 - 10
AF02 0712	Transport Roller:Reverse:Lower:Drive	141 - 9
AF02 0713	Transport Roller:Duplex:Reverse:Exit	141 - 8
AF02 0714	Transport Roller:Duplex:No.1:Drive	143 - 8
AF02 0715	Transport Roller:Duplex:No.2:Drive	143 - 9
AF02 0716	Transport Roller:Switchback:Drive	139 - 26
AF02 0717	Transport Roller:Duplex:Exit:Drive	139 - 27
AF02 0719	Transport Roller:Duplex:Driven	135 - 11
AF02 0720	Transport Roller:Switchback:Driven	137 - 3
AF02 0724	Transport Roller:Grip:No.1:Drive	75 - 10
AF02 0725	Transport Roller:Grip:No.2:Drive	75 - 11
AF02 2105	Roller - Slide Rail	69 - 34
AF02 2154	Roller:Horizontal:Transport:Driven	185 - 11
AF02 2165	Transport Roller - Driven	87 - 28
AF02 2165	Transport Roller - Driven	81 - 12
AF02 2166	Transport Roller - Driven	79 - 25
AF02 2168	Transport Roller - Driven	87 - 19
AF02 2171	Transport Roller:Driven:DIA18x2	139 - 8
AF02 2171	Transport Roller:Driven:DIA18x2	127 - 7
AF02 2173	Transport Roller:Driven:DIA16x2	131 - 6
AF02 2173	Transport Roller:Driven:DIA16x2	141 - 3
AF02 2175	Transport Roller:Driven:DIA18x2:INN	133 - 6
AF03 0080	Paper Feed Roller:Pickup	75 - 3
AF03 1080	Paper Feed Roller:Feed	75 - 4
AF03 2080	Paper Feed Roller:Separate	77 - 5
AF04 0561	Fusing Exit Roller - Upper	119 - 9
AG05 0100	Knob - Transport Roller	81 - 23
AG05 0101	Knob - Misfeed Removal	79 - 5
AG05 0102	Knob - Duplex	133 - 3
AG05 0103	Knob - Fusing/Paper Exit Unit	125 - 7
AG05 1141	Release Lever	131 - 7

Part No.	Description	Page and Index No.
AG05 1141	Release Lever	81 - 15
AG07 0504	Magnet Catch:44.1N	179 - 8
AG07 0513	Magnet Catch	133 - 9
AG07 0514	Magnet Catch	139 - 3
AG07 0515	Magnet Catch:13N	53 - 12
AG07 0515	Magnet Catch:13N	49 - 39
AH01 2031	Caster:1470N	189 - 23
AW01 0107	Paper Feed Sensor	83 - 10
AW01 0107	Paper Feed Sensor	133 - 10
AW01 0107	Paper Feed Sensor	73 - 3
AW01 0107	Paper Feed Sensor	127 - 4
AW01 0107	Paper Feed Sensor	141 - 6
AW01 0107	Paper Feed Sensor	139 - 4
AW01 0107	Paper Feed Sensor	81 - 3
AW01 0107	Paper Feed Sensor	137 - 6
AW01 0107	Paper Feed Sensor	135 - 3
AW01 0107	Paper Feed Sensor	75 - 13
AW01 0109	Photo Reflection Sensor:PS117ED1	37 - 21
AW01 0109	Photo Reflection Sensor:PS117ED1	45 - 7
AW01 0109	Photo Reflection Sensor:PS117ED1	41 - 12
AW01 0113	Sensor	69 - 37
AW01 0116	Original Sensor:H=1-66	55 - 8
AW01 0122	Paper Feed Sensor	73 - 5
AW01 0130	Original Sensor:H=3-80	55 - 19
AW02 0141	Photointerruptor	41 - 15
AW02 0141	Photointerruptor	53 - 15
AW02 0141	Photointerruptor	51 - 12
AW02 0141	Photointerruptor	37 - 16
AW02 0141	Photointerruptor	49 - 21
AW02 0145	Photointerruptor:Flat	73 - 7
AW02 0145	Photointerruptor:Flat	153 - 9
AW02 0145	Photointerruptor:Flat	87 - 16
AW02 0145	Photointerruptor:Flat	93 - 36
AW02 0145	Photointerruptor:Flat	155 - 3
AW02 0145	Photointerruptor:Flat	65 - 29

Part No.	Description	Page and Index No.
AW02 0145	Photointerruptor:Flat	89 - 13
AW02 0145	Photointerruptor:Flat	69 - 20
AW02 0145	Photointerruptor:Flat	129 - 15
AW02 0145	Photointerruptor:Flat	67 - 12
AW02 0145	Photointerruptor:Flat	123 - 21
AW02 0145	Photointerruptor:Flat	91 - 4
AW02 0145	Photointerruptor:Flat	145 - 15
AW02 0154	Photointerruptor:Entrance	41 - 6
AW02 0155	Photointerruptor:Paper Size Sensor	41 - 5
AW02 0160	Paper Feed Sensor	59 - 23
AW02 0163	Paper Feed Sensor	65 - 30
AW10 0100	Thermistor:Imaging Unit	105 - 25
AW14 0014	Temperature & Humidity Sensor	145 - 4
AW20 0009	Paper Feed Sensor:Fusing Exit:Reed Switch	119 - 20
AW23 0031	Density Sensor:Development	99 - 20
AW31 0008	Toner End Sensor	95 - 14
AW31 0008	Toner End Sensor	159 - 4
AW31 0009	Toner End Sensor	97 - 7
AW50 0010	Push Switch	159 - 16
AW50 0023	Push Switch	93 - 35
AW50 0023	Push Switch	145 - 7
AW50 0023	Push Switch	111 - 6
AX04 0139	Stepper Motor:MM42:0.95A:9.5V	49 - 30
AX04 0145	DC Motor:Tandem LCT	65 - 11
AX04 0147	DC Motor:Cleaner:0.5W	173 - 9
AX04 0147	DC Motor:Cleaner:0.5W	123 - 20
AX04 0157	Stepper Motor DC1.68V 6.7W	141 - 16
AX04 0157	Stepper Motor DC1.68V 6.7W	149 - 22
AX04 0157	Stepper Motor DC1.68V 6.7W	155 - 14
AX04 0157	Stepper Motor DC1.68V 6.7W	157 - 7
AX04 0158	Stepper Motor DC2.64V 6.3W	139 - 9
AX04 0158	Stepper Motor DC2.64V 6.3W	157 - 1
AX04 0252	DC Motor:Rising Tray:Ass'y	157 - 23
AX06 0320	DC Motor:54W	51 - 29
AX06 0321	DC Motor 24V 27W	51 - 1

Part No.	Description	Page and Index No.
AX06 0328	Brushless Motor DC24V 72W	151 - 30
AX06 0329	Brushless Motor DC24V 50.4W	149 - 6
AX06 0381	Polygon Mirror Motor:Ass'y	63 - 8
AX20 0294	Magnetic Clutch - 38Z	49 - 24
AX20 0301	Magnetic Clutch:25Ncm	93 - 11
AX31 0047	Total Counter:7Fig:24V:MI2	179 - 6
AX40 0012	Heater - 230V/18W	61 - 34
AX44 0241	Heater - 208V/600W	121 - 15
AX44 0242	Heater - 208V/900W	121 - 13
AX44 0243	Heater - 208V/600W	121 - 15
AX44 0259	Heater:208V:900W	121 - 14
AX51 0011	Xenon Lamp	57 - 3
AX64 0149	Fan Motor:MM40:15mm	161 - 13
AX64 0150	Fan Motor:MM60:25mm:DC24V 4.8W	183 - 3
AX64 0150	Fan Motor:MM60:25mm:DC24V 4.8W	185 - 3
AX64 0158	Fan Motor MM60/15mm:24V	177 - 8
AX64 0158	Fan Motor MM60/15MM:24V	179 - 13
AX64 0159	Fan Motor MM80	163 - 18
AX64 0164	Fan Motor:15mm:24V	177 - 6
AX64 0164	Fan Motor:15mm:24V	159 - 35
AX64 0177	Fan Motor DC12V 3.6W	167 - 1
AX64 0178	Fan Motor DC24V 3.36W	181 - 11
AX64 0184	Fan Motor DC24V 3.1W	187 - 8
AX64 0185	Fan Motor DC24V 4.8W	173 - 15
AX64 0210	Fan:MM60:25mm:24V	171 - 1
AZ00 0109	Power Supply Cord NA	175 - 1
AZ23 0233	Power Supply Unit:BC4:Control	169 - 8
AZ25 0029	Power Supply Unit:BC3:Engine-A	163 - 12
AZ25 0031	Power Supply Unit:BC3:Engine-B	163 - 11
AZ32 0156	Power Pack	115 - 35
AZ32 0159	Power Pack:Charge:Development	161 - 6
AZ50 0071	Stabilizer	59 - 20
BB01 3007	Gear - 20Z	73 - 1
BB01 3007	Gear - 20Z	79 - 2
BB01 3008	Gear - 31Z	73 - 12



Part No.	Description	Page and Index No.
BB01 3010	Gear - 18Z	73 - 9
BB01 3011	Gear - 22Z	141 - 12
BB01 3012	Gear - 28Z	141 - 22
BB01 3013	Gear - 21Z	141 - 15
BB01 3014	Gear - 43Z	125 - 26
BB01 3015	Gear - 28Z	125 - 25
BB01 3019	Gear - 23Z	73 - 10
BB01 3023	Gear:Z=41:Joint:Ass'y	123 - 35
GX64 0021	Fan Motor DC24V 1.92W	61 - 3
GX64 0021	Fan Motor DC24V 1.92W	59 - 4
GX64 0028	Fan Motor DC24V 1.92W	59 - 19
GX64 0028	Fan Motor DC24V 1.92W	55 - 12
GX64 0028	Fan Motor DC24V 1.92W	151 - 29

Part No.	Description	Page and Index No.
RC01 0070	LCD - LQ104S1DG21A	31 - 20

Part No.	Description	Page and Index No.
0312 5050N	Screw - M2.5x5	93 - 105
0312 5050N	Screw - M2.5x5	159 -105
0312 5060N	Screw - M2.5x6	147 -104
0312 5060N	Screw - M2.5x6	91 - 104
0313 0040N	Screw:M3x4	81 - 104
0313 0050N	Philips Pan Head Screw - M3x5	145 -104
0313 0060N	Screw - M3x6	57 - 108
0313 0080N	Pan Head Screw:M3x8	65 - 106
0313 0080N	Pan Head Screw:M3x8	69 - 109
0313 0120N	Pan Head Screw:M3x12	69 - 105
0313 0120N	Pan Head Screw:M3x12	59 - 105
0313 0120N	Pan Head Screw:M3x12	57 - 109
0314 0040N	Pan Head Screw - M4x4	107 -102
0314 0060N	Screw - M4x6	65 - 107
0314 0080N	Philips Pan Head Screw - M4x8	61 - 104
0314 0080N	Philips Pan Head Screw - M4x8	55 - 105
0314 0080N	Philips Pan Head Screw - M4x8	179 -104
0314 0120N	Screw - M4x12	121 -105
0315 0080N	Pan Head Screw:M5x8	121 -103
0324 0300N	Screw - M4x30	61 - 108
0353 0030N	Screw:M3x3	123 -103
0353 0040N	Screw - M3x4	83 - 104
0353 0040N	Screw - M3x4	85 - 103
0353 0040N	Screw - M3x4	111 -106
0353 0040N	Screw - M3x4	135 -102
0353 0040N	Screw - M3x4	153 -106
0353 0040P	Screw - M3x4	31 - 103
0353 0040P	Screw - M3x4	29 - 105
0353 0050N	Screw-M3x5	49 - 101
0353 0050N	Screw-M3x5	99 - 104
0353 0050N	Screw-M3x5	157 -105
0353 0050N	Screw-M3x5	139 -103
0353 0060N	Bind Screw - M3x6	83 - 103
0353 0060N	Bind Screw - M3x6	127 -103
0353 0060N	Bind Screw - M3x6	131 -102

Part No.	Description	Page and Index No.
0353 0060N	Bind Screw - M3x6	95 - 105
0353 0060N	Bind Screw - M3x6	125 -103
0353 0060N	Bind Screw - M3x6	63 - 105
0353 0060N	Bind Screw - M3x6	143 -105
0353 0060N	Bind Screw - M3x6	145 -102
0353 0060N	Bind Screw - M3x6	31 - 102
0353 0060N	Bind Screw - M3x6	29 - 103
0353 0060N	Bind Screw - M3x6	141 -105
0353 0060N	Bind Screw - M3x6	105 -105
0353 0060N	Bind Screw - M3x6	139 -104
0353 0080N	Screw:M3x8	63 - 106
0353 0080N	Screw:M3x8	123 -102
0353 0080N	Screw:M3x8	23 - 104
0353 0100N	Screw-M3x10	63 - 103
0354 0040N	Screw-M4x4	117 -105
0354 0040N	Screw-M4x4	65 - 109
0354 0050N	Screw - M4x5	29 - 104
0354 0060N	Screw-M4x6	55 - 104
0354 0060N	Screw-M4x6	93 - 104
0354 0060N	Screw-M4x6	189 -106
0354 0060N	Screw-M4x6	123 -101
0354 0060N	Screw-M4x6	97 - 102
0354 0060N	Screw-M4x6	117 -103
0354 0060N	Screw-M4x6	121 -102
0354 0060N	Screw-M4x6	119 -101
0354 0060N	Screw-M4x6	101 -102
0354 0080N	Screw:M4x8	101 -103
0354 0080N	Screw:M4x8	63 - 104
0354 0100N	Screw - M4x10	63 - 109
0354 0100N	Screw - M4x10	121 -104
0354 0200N	Screw:M4x20	59 - 103
0354 0200N	Screw:M4x20	55 - 103
0354 0300N	Screw:M4x30	59 - 104
0354 0300N	Screw:M4x30	61 - 105
0360 3005N	Screw - M3x5	29 - 102

Part No.	Description	Page and Index No.
0360 3006N	Screw - M3x6	57 - 107
0360 3006N	Screw - M3x6	59 - 101
0360 3006N	Screw - M3x6	55 - 101
0360 3014N	Screw - M3x14	89 - 106
0360 3014N	Screw - M3x14	95 - 103
0360 4008N	Screw - M4x8	71 - 104
0360 4008N	Screw - M4x8	185 -102
0360 4008N	Screw - M4x8	127 -102
0434 0080N	Pan Self-tapping Screw:M4x8	187 -104
0434 0080N	Pan Self-tapping Screw:M4x8	181 -105
0434 0200N	Pan Self-tapping Screw:4x20	175 -106
0450 3006N	Tapping Screw - M3x6	159 -103
0450 3008N	Tapping Screw - M3x8	105 -106
0450 3008N	Tapping Screw - M3x8	19 - 104
0450 3008N	Tapping Screw - M3x8	117 -102
0450 3008N	Tapping Screw - M3x8	173 -102
0450 3008N	Tapping Screw - M3x8	161 -103
0450 3008N	Tapping Screw - M3x8	65 - 102
0450 3008N	Tapping Screw - M3x8	37 - 110
0450 3008N	Tapping Screw - M3x8	115 -101
0450 3008N	Tapping Screw - M3x8	153 -103
0450 3008N	Tapping Screw - M3x8	159 -104
0450 3008N	Tapping Screw - M3x8	45 - 102
0450 3008N	Tapping Screw - M3x8	151 -106
0450 3008N	Tapping Screw - M3x8	113 -105
0450 3008N	Tapping Screw - M3x8	111 -104
0450 3008N	Tapping Screw - M3x8	41 - 109
0450 3008N	Tapping Screw - M3x8	103 -101
0450 3010N	Tapping Screw - M3x10	31 - 101
0450 3010N	Tapping Screw - M3x10	29 - 101
0450 4006N	Tapping Screw:4x6	119 -103
0450 4006N	Tapping Screw:4x6	91 - 102
0450 4008N	Tapping Screw - M4x8	127 -104
0450 4008N	Tapping Screw - M4x8	99 - 103
0450 4008N	Tapping Screw - M4x8	71 - 105

Part No.	Description	Page and Index No.
0450 4008N	Tapping Screw - M4x8	67 - 104
0450 4008N	Tapping Screw - M4x8	93 - 103
0450 4008N	Tapping Screw - M4x8	95 - 102
0450 4008N	Tapping Screw - M4x8	161 -102
0450 4008N	Tapping Screw - M4x8	21 - 102
0450 4008N	Tapping Screw - M4x8	65 - 103
0450 4008N	Tapping Screw - M4x8	37 - 101
0450 4008N	Tapping Screw - M4x8	123 -106
0450 4008N	Tapping Screw - M4x8	19 - 103
0450 4008N	Tapping Screw - M4x8	145 -103
0450 4010N	Tapping Screw:M4x10	65 - 104
0450 4010N	Tapping Screw:M4x10	173 -104
0450 4010N	Tapping Screw:M4x10	23 - 102
0450 4012N	Tapping Screw:4x12	35 - 102
0450 4016N	Tapping Screw - M4x16	173 -105
0450 4016N	Tapping Screw - M4x16	161 -104
0450 4025N	Tapping Screw:4x25	179 -105
0450 4025N	Tapping Screw:4x25	177 -104
0450 4035N	Tapping Screw:4x35	171 -103
0451 3005N	Tapping Screw:M3x5	51 - 108
0451 3006N	Tapping Screw - 3x6	41 - 105
0451 3006N	Tapping Screw - 3x6	171 -102
0451 3006N	Tapping Screw - 3x6	93 - 102
0451 3006N	Tapping Screw - 3x6	175 -102
0451 3006N	Tapping Screw - 3x6	111 -102
0451 3006N	Tapping Screw - 3x6	183 -102
0451 3006N	Tapping Screw - 3x6	95 - 101
0451 3006N	Tapping Screw - 3x6	167 -101
0451 3006N	Tapping Screw - 3x6	105 -102
0451 3006N	Tapping Screw - 3x6	147 -102
0451 3006N	Tapping Screw - 3x6	87 - 102
0451 3006N	Tapping Screw - 3x6	149 -107
0451 3008N	Tapping Screw - M3x8	49 - 102
0451 3008N	Tapping Screw - M3x8	45 - 103
0451 3008N	Tapping Screw - M3x8	169 -102

Part No.	Description	Page and Index No.
0451 3008N	Tapping Screw - M3x8	181 -103
0451 3008N	Tapping Screw - M3x8	155 -102
0451 3008N	Tapping Screw - M3x8	71 - 102
0451 3008N	Tapping Screw - M3x8	39 - 101
0451 3008N	Tapping Screw - M3x8	35 - 101
0451 3008N	Tapping Screw - M3x8	47 - 104
0451 3008N	Tapping Screw - M3x8	53 - 101
0451 3008N	Tapping Screw - M3x8	41 - 103
0451 3008N	Tapping Screw - M3x8	37 - 102
0451 3008N	Tapping Screw - M3x8	179 -102
0451 3008N	Tapping Screw - M3x8	51 - 101
0451 3008N	Tapping Screw - M3x8	43 - 105
0451 3008N	Tapping Screw - M3x8	149 -106
0451 3010N	Tapping Screw:3x10	49 - 115
0451 3012N	Tapping Screw:3x12	91 - 103
0451 3012N	Tapping Screw:3x12	41 - 107
0451 3030N	Tapping Screw:3x30	183 -103
0451 3035N	Tapping Screw - M3x35	179 -103
0451 4006N	Tapping Screw - 4x6	93 - 101
0451 4006N	Tapping Screw - 4x6	65 - 101
0451 4006N	Tapping Screw - 4x6	139 -102
0451 4006N	Tapping Screw - 4x6	85 - 101
0451 4006N	Tapping Screw - 4x6	75 - 101
0451 4006N	Tapping Screw - 4x6	51 - 109
0451 4006N	Tapping Screw - 4x6	133 -104
0451 4006N	Tapping Screw - 4x6	149 -102
0451 4006N	Tapping Screw - 4x6	73 - 101
0451 4006N	Tapping Screw - 4x6	77 - 101
0451 4006N	Tapping Screw - 4x6	43 - 106
0451 4006N	Tapping Screw - 4x6	81 - 101
0451 4006N	Tapping Screw - 4x6	125 -104
0451 4006N	Tapping Screw - 4x6	83 - 101
0451 4006N	Tapping Screw - 4x6	87 - 101
0451 4006N	Tapping Screw - 4x6	153 -102
0451 4006N	Tapping Screw - 4x6	157 -102

Part No.	Description	Page and Index No.
0451 4006N	Tapping Screw - 4x6	53 - 106
0451 4006N	Tapping Screw - 4x6	55 - 102
0451 4006N	Tapping Screw - 4x6	91 - 101
0451 4006N	Tapping Screw - 4x6	159 -102
0451 4006N	Tapping Screw - 4x6	59 - 102
0451 4006N	Tapping Screw - 4x6	141 -102
0451 4006N	Tapping Screw - 4x6	89 - 101
0451 4006N	Tapping Screw - 4x6	57 - 101
0451 4006N	Tapping Screw - 4x6	61 - 101
0451 4008N	Tapping Screw:4x8	51 - 117
0451 4008N	Tapping Screw:4x8	21 - 101
0451 4008N	Tapping Screw:4x8	171 -101
0451 4008N	Tapping Screw:4x8	147 -101
0451 4008N	Tapping Screw:4x8	159 -101
0451 4008N	Tapping Screw:4x8	153 -101
0451 4008N	Tapping Screw:4x8	183 -101
0451 4008N	Tapping Screw:4x8	19 - 101
0451 4008N	Tapping Screw:4x8	71 - 101
0451 4008N	Tapping Screw:4x8	163 -101
0451 4008N	Tapping Screw:4x8	27 - 101
0451 4008N	Tapping Screw:4x8	157 -101
0451 4008N	Tapping Screw:4x8	181 -101
0451 4008N	Tapping Screw:4x8	179 -101
0451 4008N	Tapping Screw:4x8	151 -101
0451 4008N	Tapping Screw:4x8	25 - 101
0451 4008N	Tapping Screw:4x8	145 -101
0451 4008N	Tapping Screw:4x8	187 -101
0451 4008N	Tapping Screw:4x8	81 - 102
0451 4008N	Tapping Screw:4x8	113 -101
0451 4008N	Tapping Screw:4x8	23 - 101
0451 4008N	Tapping Screw:4x8	89 - 102
0451 4008N	Tapping Screw:4x8	177 -101
0451 4008N	Tapping Screw:4x8	61 - 102
0451 4008N	Tapping Screw:4x8	155 -101
0451 4008N	Tapping Screw:4x8	117 -101

Part No.	Description	Page and Index No.
0451 4008N	Tapping Screw:4x8	63 - 101
0451 4008N	Tapping Screw:4x8	165 -101
0451 4008N	Tapping Screw:4x8	185 -101
0451 4008N	Tapping Screw:4x8	161 -101
0451 4008N	Tapping Screw:4x8	111 -101
0451 4008N	Tapping Screw:4x8	67 - 101
0451 4008N	Tapping Screw:4x8	189 -101
0451 4008N	Tapping Screw:4x8	33 - 101
0451 4008N	Tapping Screw:4x8	173 -101
0451 4008N	Tapping Screw:4x8	149 -101
0451 4008N	Tapping Screw:4x8	69 - 101
0451 4008N	Tapping Screw:4x8	175 -101
0451 4010N	Tapping Screw:4x10	155 -103
0451 4010N	Tapping Screw:4x10	63 - 102
0451 4010N	Tapping Screw:4x10	149 -104
0451 4010N	Tapping Screw:4x10	147 -103
0451 4010N	Tapping Screw:4x10	157 -103
0451 4010N	Tapping Screw:4x10	141 -103
0451 4012N	Tapping Screw:4x12	175 -103
0451 4012N	Tapping Screw:4x12	177 -102
0451 4012N	Tapping Screw:4x12	181 -102
0451 4012N	Tapping Screw:4x12	61 - 107
0451 4012N	Tapping Screw:4x12	111 -103
0451 4012N	Tapping Screw:4x12	151 -108
0451 4012N	Tapping Screw:4x12	19 - 102
0451 4012N	Tapping Screw:4x12	149 -103
0451 4014N	Tapping Screw:M4x14	151 -102
0451 4020N	Tapping Screw - M4x20	151 -105
0451 4020N	Tapping Screw - M4x20	159 -108
0451 4020N	Tapping Screw - M4x20	177 -103
0451 4030N	Tapping Screw:M4x30	163 -105
0451 4030N	Tapping Screw:M4x30	173 -103
0451 4030N	Tapping Screw:M4x30	181 -106
0451 4035N	Tapping Screw:4x35	163 -104
0451 4035N	Tapping Screw:4x35	167 -103

Part No.	Description	Page and Index No.
0452 2004N	Screw - 2x4	57 - 110
0452 3006N	Binding Self-tapping Screw:3x6	101 -101
0452 3006N	Binding Self-tapping Screw:3x6	63 - 107
0452 3006N	Binding Self-tapping Screw:3x6	69 - 103
0452 3008N	Tapping Screw - M3x8	159 -106
0452 3008N	Tapping Screw - M3x8	97 - 103
0452 3008N	Tapping Screw - M3x8	109 -104
0452 3008N	Tapping Screw - M3x8	95 - 104
0452 3010N	Binding Self-tapping Screw:3x10	63 - 108
0452 3010N	Binding Self-tapping Screw:3x10	109 -103
0452 4006N	Tapping Screw - M4x6	135 -101
0452 4006N	Tapping Screw - M4x6	137 -101
0452 4008N	Tapping Screw:M4x8	89 - 104
0452 4008N	Tapping Screw:M4x8	37 - 103
0453 3006N	Tapping Screw - M3x6	57 - 105
0453 3006N	Tapping Screw - M3x6	33 - 102
0453 4006N	Binding Self Tapping Screw:4x6	125 -109
0453 4006N	Binding Self Tapping Screw:4x6	133 -103
0453 4006N	Binding Self Tapping Screw:4x6	129 -102
0453 4006N	Binding Self Tapping Screw:4x6	27 - 102
0453 4006N	Binding Self Tapping Screw:4x6	61 - 103
0453 4006N	Binding Self Tapping Screw:4x6	181 -107
0453 4006N	Binding Self Tapping Screw:4x6	65 - 105
0453 4008N	Binding Self Tapping Screw:4x8	185 -104
0454 3006Q	Tapping Screw - M3x6	167 -102
0454 3006Q	Tapping Screw - M3x6	163 -103
0454 3006Q	Tapping Screw - M3x6	143 -101
0454 3006Q	Tapping Screw - M3x6	85 - 102
0454 3006Q	Tapping Screw - M3x6	83 - 102
0454 3006Q	Tapping Screw - M3x6	165 -102
0454 3006Q	Tapping Screw - M3x6	169 -101
0454 3008Q	Tapping Screw:3x8	37 - 112
0454 3008Q	Tapping Screw:3x8	105 -101
0454 4006Q	Tapping Screw:4x6	143 -102
0454 4006Q	Tapping Screw:4x6	139 -101

Part No.	Description	Page and Index No.
0454 4006Q	Tapping Screw:4x6	77 - 102
0454 4006Q	Tapping Screw:4x6	141 -101
0454 4006Q	Tapping Screw:4x6	135 -103
0454 4006Q	Tapping Screw:4x6	187 -102
0454 4006Q	Tapping Screw:4x6	133 -101
0454 4006Q	Tapping Screw:4x6	89 - 103
0454 4008N	Tapping Screw:Round Point:4x8	27 - 103
0454 4008Q	Tapping Screw - M4x8	163 -102
0454 4008Q	Tapping Screw - M4x8	125 -101
0454 4008Q	Tapping Screw - M4x8	79 - 101
0454 4008Q	Tapping Screw - M4x8	181 -104
0454 4008Q	Tapping Screw - M4x8	53 - 107
0454 4008Q	Tapping Screw - M4x8	187 -105
0454 4008Q	Tapping Screw - M4x8	189 -102
0454 4008Q	Tapping Screw - M4x8	69 - 102
0454 4008Q	Tapping Screw - M4x8	67 - 103
0454 4008Q	Tapping Screw - M4x8	19 - 105
0454 4008Q	Tapping Screw - M4x8	127 -101
0454 4008Q	Tapping Screw - M4x8	133 -102
0454 4008Q	Tapping Screw - M4x8	129 -101
0454 4008Q	Tapping Screw - M4x8	131 -101
0454 4008Q	Tapping Screw - M4x8	89 - 105
0454 4020Q	Tapping Screw:4x20	161 -105
0454 4020Q	Tapping Screw:4x20	187 -103
0573 0030E	Hexagon Headless Set Screw - M3x3	77 - 104
0574 0050E	Hexagon Headless Set Screw - M4x5	51 - 102
0585 0351N	Hexagonal Head Bolt:M5x35	123 -105
0623 0120E	Spring Pin - M3x12	113 -106
0632 0120G	Parallel Pin - 2x12	47 - 102
0632 0120G	Parallel Pin - 2x12	49 - 106
0632 0120G	Parallel Pin - 2x12	51 - 113
0632 0140G	Parallel Pin	37 - 108
0632 0160G	Parallel Pin-M2x16	49 - 111
0633 0140G	Parallel Pin - 3x14	113 -107
0633 0180G	Parallel Pin - 3x18mm	83 - 107

Part No.	Description	Page and Index No.
0633 0200G	Pin - M3x20	69 - 106
0701 0030N	Washer DIA3	49 - 110
0701 0030N	Washer DIA3	51 - 110
0704 0050N	Washer:DIA5	175 -112
0707 4040N	Bushing:DIA4x4	149 -112
0707 4050N	Bushing - 4x5	151 -111
0707 4050N	Bushing - 4x5	61 - 109
0707 4060N	Bushing:DIA4x6	51 - 116
0710 0050N	Hexagonal Nut:M5	123 -107
0720 0025E	Retaining Ring - M2.5	101 -104
0720 0030E	Retaining Ring - M3	123 -111
0720 0030E	Retaining Ring - M3	21 - 103
0720 0030E	Retaining Ring - M3	137 -102
0720 0030E	Retaining Ring - M3	53 - 102
0720 0030E	Retaining Ring - M3	39 - 104
0720 0030E	Retaining Ring - M3	37 - 104
0720 0030E	Retaining Ring - M3	117 -106
0720 0030E	Retaining Ring - M3	51 - 114
0720 0030E	Retaining Ring - M3	129 -103
0720 0030E	Retaining Ring - M3	41 - 111
0720 0030E	Retaining Ring - M3	87 - 103
0720 0030E	Retaining Ring - M3	43 - 103
0720 0030E	Retaining Ring - M3	173 -106
0720 0030E	Retaining Ring - M3	105 -107
0720 0030E	Retaining Ring - M3	47 - 103
0720 0030E	Retaining Ring - M3	95 - 107
0720 0040E	Retaining Ring - M4	45 - 101
0720 0040E	Retaining Ring - M4	129 -104
0720 0040E	Retaining Ring - M4	137 -103
0720 0040E	Retaining Ring - M4	117 -107
0720 0040E	Retaining Ring - M4	37 - 109
0720 0040E	Retaining Ring - M4	69 - 107
0720 0040E	Retaining Ring - M4	73 - 102
0720 0040E	Retaining Ring - M4	39 - 102
0720 0040E	Retaining Ring - M4	97 - 104

Part No.	Description	Page and Index No.
0720 0040E	Retaining Ring - M4	189 -107
0720 0040E	Retaining Ring - M4	75 - 102
0720 0040E	Retaining Ring - M4	95 - 106
0720 0040E	Retaining Ring - M4	77 - 103
0720 0040E	Retaining Ring - M4	123 -108
0720 0040E	Retaining Ring - M4	93 - 106
0720 0040E	Retaining Ring - M4	41 - 101
0720 0040E	Retaining Ring - M4	83 - 105
0720 0040E	Retaining Ring - M4	133 -106
0720 0040E	Retaining Ring - M4	153 -104
0720 0040E	Retaining Ring - M4	127 -105
0720 0040E	Retaining Ring - M4	91 - 105
0720 0040E	Retaining Ring - M4	43 - 101
0720 0040E	Retaining Ring - M4	131 -103
0720 0040E	Retaining Ring - M4	47 - 101
0720 0040E	Retaining Ring - M4	99 - 106
0720 0040E	Retaining Ring - M4	143 -103
0720 0040E	Retaining Ring - M4	23 - 105
0720 0040E	Retaining Ring - M4	155 -105
0720 0040E	Retaining Ring - M4	151 -109
0720 0040E	Retaining Ring - M4	51 - 104
0720 0040E	Retaining Ring - M4	49 - 107
0720 0040E	Retaining Ring - M4	147 -105
0720 0040E	Retaining Ring - M4	109 -105
0720 0040E	Retaining Ring - M4	185 -103
0720 0040E	Retaining Ring - M4	159 -109
0720 0040E	Retaining Ring - M4	65 - 108
0720 0040E	Retaining Ring - M4	103 -102
0720 0060E	Retaining Ring - M6	83 - 106
0720 0060E	Retaining Ring - M6	125 -105
0720 0060E	Retaining Ring - M6	111 -107
0720 0060E	Retaining Ring - M6	37 - 107
0720 0060E	Retaining Ring - M6	85 - 104
0720 0060E	Retaining Ring - M6	143 -104
0720 0060E	Retaining Ring - M6	149 -108

Part No.	Description	Page and Index No.
0720 0060E	Retaining Ring - M6	87 - 104
0720 0060E	Retaining Ring - M6	127 -109
0720 0060E	Retaining Ring - M6	129 -105
0720 0060E	Retaining Ring - M6	155 -106
0720 0060E	Retaining Ring - M6	141 -104
0720 0060E	Retaining Ring - M6	135 -104
0720 0060E	Retaining Ring - M6	49 - 104
0720 0060E	Retaining Ring - M6	153 -105
0720 0060E	Retaining Ring - M6	73 - 103
0720 0060E	Retaining Ring - M6	123 -109
0720 0060E	Retaining Ring - M6	139 -105
0720 0060E	Retaining Ring - M6	157 -108
0720 0060E	Retaining Ring - M6	113 -108
0720 0060E	Retaining Ring - M6	39 - 103
0720 0060E	Retaining Ring - M6	147 -106
0720 0060E	Retaining Ring - M6	75 - 103
0720 0060E	Retaining Ring - M6	71 - 106
0720 0060E	Retaining Ring - M6	69 - 108
0720 0060E	Retaining Ring - M6	79 - 103
0720 0060E	Retaining Ring - M6	151 -110
0720 0080E	Retaining Ring - M8	123 -110
0720 0080E	Retaining Ring - M8	149 -109
0720 0080E	Retaining Ring - M8	125 -106
0725 0200E	Retaining Ring C - M20	123 -112
0727 0090E	Retaining Ring C - M9	99 - 108
0741 3506	Ball Bearing - 6x12x4 mm	49 - 105
0741 3506	Ball Bearing - 6x12x4 mm	43 - 104
0741 3506	Ball Bearing - 6x12x4 mm	39 - 106
0741 3506	Ball Bearing - 6x12x4 mm	41 - 102
0741 3506	Ball Bearing - 6x12x4 mm	77 - 105
0741 3706	Ball Bearing - 6x10x3	51 - 111
0741 3706	Ball Bearing - 6x10x3	49 - 108
0741 3706	Ball Bearing - 6x10x3	39 - 105
0741 3706	Ball Bearing - 6x10x3	43 - 102
0741 3708	Ball Bearing - 8x12x3.5mm	141 -106

Part No.	Description	Page and Index No.
0741 3708	Ball Bearing - 8x12x3.5mm	79 - 104
0741 3708	Ball Bearing - 8x12x3.5mm	135 - 105
0741 3708	Ball Bearing - 8x12x3.5mm	139 - 106
0741 3708	Ball Bearing - 8x12x3.5mm	157 - 106
0741 3708	Ball Bearing - 8x12x3.5mm	87 - 106
0741 3708	Ball Bearing - 8x12x3.5mm	143 - 106
0741 3708	Ball Bearing - 8x12x3.5mm	75 - 105
0741 3708	Ball Bearing - 8x12x3.5mm	149 - 111
0742 3808	Ball Bearing - 8x16x5	157 - 107
0742 3808	Ball Bearing - 8x16x5	149 - 110
0742 3808	Ball Bearing - 8x16x5	85 - 105
0742 3808	Ball Bearing - 8x16x5	125 - 107
0742 3808	Ball Bearing - 8x16x5	41 - 110
0742 3808	Ball Bearing - 8x16x5	129 - 106
0742 3808	Ball Bearing - 8x16x5	127 - 110
0742 3808	Ball Bearing - 8x16x5	147 - 107
0742 3808	Ball Bearing - 8x16x5	87 - 105
0742 3808	Ball Bearing - 8x16x5	49 - 113
0742 3906	Ball Bearing - 6x14x5mm	51 - 115
0803 0058	Stepped Screw	175 - 105
0805 0077	Retaining Ring - M3	105 - 108
0805 0088	Retaining Ring - M6	79 - 106
0805 0088	Retaining Ring - M6	75 - 104
0805 0098	Ring - M35	121 - 106
0805 3384	Bushing - 5mm	173 - 107
0805 3386	Bushing - 8mm	79 - 105
0805 3480	Bushing - 6mm	155 - 107
0805 3480	Bushing - 6mm	91 - 106
0805 3507	Bushing - 6mm	51 - 112
0805 3507	Bushing - 6mm	49 - 109
0807 3035	Washer - 4.1x10x0.5	51 - 107
0807 4138	Washer (100pcs/set)	37 - 111
0950 4006N	Screw - M4x6	175 - 111
0950 4006N	Screw - M4x6	121 - 101
0950 4008N	Screw:Spring Washer:M4x8	61 - 110

Part No.	Description	Page and Index No.
0950 5010N	Screw:Spring Washer:M5x10	175 - 104
0951 3004N	Screw:Polished Round:M3x4	57 - 106
0951 3004P	Screw:Polished Round:M3x4	115 - 103
0951 3005N	Screw:Polished Round:M3x5	105 - 103
0951 3006N	Screw - M3x6	107 - 101
0951 3006N	Screw - M3x6	99 - 101
0951 3006N	Screw - M3x6	69 - 104
0951 3006N	Screw - M3x6	57 - 104
0951 3006N	Screw - M3x6	115 - 102
0951 3006N	Screw - M3x6	109 - 102
0951 3008N	Screw:Polished Round:M3x8	113 - 104
0951 3008N	Screw:Polished Round:M3x8	111 - 105
0951 3008N	Screw:Polished Round:M3x8	105 - 104
0951 3008N	Screw:Polished Round:M3x8	109 - 101
0951 4006N	Screw:Polished Round:M4x6	97 - 101
0951 4006N	Screw:Polished Round:M4x6	157 - 104
0951 4006N	Screw:Polished Round:M4x6	99 - 102
0951 4006N	Screw:Polished Round:M4x6	67 - 102
0951 4008N	Screw:Polished Round:M4x8	149 - 105
0951 4008N	Screw:Polished Round:M4x8	81 - 103
0951 4008N	Screw:Polished Round:M4x8	79 - 102
0951 4008N	Screw:Polished Round:M4x8	133 - 105
0951 4008N	Screw:Polished Round:M4x8	125 - 102
0951 4008N	Screw:Polished Round:M4x8	99 - 105
0951 4008N	Screw:Polished Round:M4x8	155 - 104
0951 4008N	Screw:Polished Round:M4x8	151 - 103
0951 4008N	Screw:Polished Round:M4x8	23 - 103
0951 4008N	Screw:Polished Round:M4x8	113 - 103
0951 4010N	Screw:Polished Round:M4x10	151 - 107
0951 4014N	Screw:Polished Round:M4x14	113 - 102
0951 4020N	Screw - M4x20	151 - 104
0951 5008N	Screw:Polished Round:M5x8	35 - 103
0951 6012N	Screw - M6x12	189 - 103
0954 3008N	Screw - M3x8	163 - 106
0954 3008N	Screw - M3x8	169 - 103



Part No.	Description	Page and Index No.
0954 3008N	Screw - M3x8	159 -107
0954 3008N	Screw - M3x8	57 - 102
0954 4008N	Screw - M4x8	123 -104
0954 4008N	Screw - M4x8	57 - 103
0954 4008N	Screw - M4x8	119 -102
0954 4008N	Screw - M4x8	25 - 102
0954 4008N	Screw - M4x8	163 -107
0954 4008N	Screw - M4x8	165 -103
0954 4008N	Screw - M4x8	117 -104
1102 5301	Connector - 2P	209 -101
1102 5303	3.5:Connector:ST:4P	231 -101
1102 5303	3.5:Connector:ST:4P	199 -101
1102 5305	Connector	199 -102
1102 5325	Connector:B02P-XL-HDS(LF)(SN)	209 -102
1102 6245	Relay Connector - 2P	177 -105
1102 6245	Relay Connector - 2P	173 -112
1102 6246	Relay Connector - 3P	185 -106
1102 6246	Relay Connector - 3P	163 -108
1102 6253	Relay Connector	91 - 110
1102 6267	Connector - 10P	91 - 111
1102 6295	Connector - 2P	231 -102
1102 6297	Connector - 4P	199 -103
1102 6299	Connector - 6P	209 -103
1102 6301	Connector:53324-0860	209 -104
1102 6305	Connector - 12P	209 -105
1102 6306	Connector - 13P	209 -106
1102 6396	Connector:53313-1665	209 -107
1102 6397	Box Header	199 -104
1102 6403	Connector - 30P	209 -108
1102 6592	Connector	199 -105
1102 6895	Connector - 40P	199 -106
1102 7615	Connector - B8B-XH-A	231 -103
1102 7635	Connector:53398-0210	231 -104
1102 8028	Connector - 4P	231 -105
1102 8467	Connector - 55447-0370	209 -109

Part No.	Description	Page and Index No.
1102 8469	Connector:55447-0570	209 -110
1102 8471	Connector - 55447-071	199 -107
1102 8476	Connector:55447-1280	199 -108
1102 8477	Connector - 13P	209 -111
1102 8480	Connector - 55447-1610	209 -112
1102 8489	Connector - 55451-3010	199 -109
1102 8490	Connector:55451-3270	209 -113
1102 8492	Connector - 55451-3610	209 -114
1102 8493	Connector - 55451-3810	209 -115
1102 8494	Connector - 55451-4010	209 -116
1102 8502	Connector - 54679-1615	181 -108
1102 8560	Connector - KX14-60K5D1E	199 -110
1102 9336	Connector:FPS009-2300-0	231 -106
1102 9470	Connector:55460-0619	199 -111
1102 9547	Connector :55451-1870	209 -117
1102 9686	Connector - RHM-176P-SDK11-U1L1C	231 -107
1102 9781	Connector:51405-3919	139 -107
1102 9782	Connector:51405-1819	105 -114
1102 9782	Connector:51405-1819	99 - 109
1102 9782	Connector:51405-1819	127 -106
1102 9783	Connector:55949-3919	185 -108
1102 9785	Connector:55949-1819	111 -109
1102 9785	Connector:55949-1819	185 -107
1102 9785	Connector:55949-1819	147 -111
1102 9887	Connector:52588-3090	231 -108
1103 3427	Connector:FH12-49S-0.5SV(89)	199 -112
1103 3481	Connector:67800-8005	231 -109
1103 3497	Connector:87715-9002	231 -110
1103 3507	Connector:55482-1919	91 - 112
1103 3624	Connector:5566-22A-210	209 -118
1103 3663	Connector:55451-1670	209 -119
1103 3769	Connector:BM40B-SHLDS-G(LF)(SN)	199 -113
1103 3769	Connector:BM40B-SHLDS-G(LF)(SN)	209 -120
1103 3865	Connector:29 6406 200 101 856+	231 -111
1103 3947	Connector:WB4S140HA1	199 -114

Part No.	Description	Page and Index No.
1103 3964	Connector:WB4P140HA1	231 -112
1103 3965	Connector:6605444-6	231 -113
1103 4137	Connector:UAR64-8K5J00	231 -114
1103 4138	Connector:UBR24-4K5J00	231 -115
1105 0061	Nylon Clip - 5N	27 - 105
1105 0061	Nylon Clip - 5N	19 - 106
1105 0061	Nylon Clip - 5N	33 - 104
1105 0192	Locking Support	171 -104
1105 0211	Clamp	169 -109
1105 0211	Clamp	173 -111
1105 0231	Clamp	49 - 114
1105 0231	Clamp	51 - 105
1105 0328	Harness Clamp - ES-0505	37 - 105
1105 0328	Harness Clamp - ES-0505	65 - 111
1105 0328	Harness Clamp - ES-0505	41 - 104
1105 0328	Harness Clamp - ES-0505	127 -108
1105 0328	Harness Clamp - ES-0505	47 - 105
1105 0328	Harness Clamp - ES-0505	49 - 103
1105 0328	Harness Clamp - ES-0505	53 - 103
1105 0334	Edge - 17	53 - 104
1105 0367	Spacer	171 -106
1105 0408	Wire Binder:T18MR-HS	159 -113
1105 0487	Harness Clamp	59 - 106
1105 0487	Harness Clamp	61 - 112
1105 0487	Harness Clamp	151 -113
1105 0487	Harness Clamp	55 - 107
1105 0487	Harness Clamp	163 -110
1105 0487	Harness Clamp	171 -107
1105 0487	Harness Clamp	149 -114
1105 0487	Harness Clamp	189 -104
1105 0487	Harness Clamp	159 -111
1105 0488	Harness Clamp	67 - 105
1105 0488	Harness Clamp	69 - 111
1105 0488	Harness Clamp	59 - 107
1105 0488	Harness Clamp	159 -110

Part No.	Description	Page and Index No.
1105 0488	Harness Clamp	171 -108
1105 0488	Harness Clamp	153 -107
1105 0488	Harness Clamp	175 -110
1105 0488	Harness Clamp	61 - 106
1105 0489	Harness Clamp - LWS 1316	175 -109
1105 0489	Harness Clamp - LWS 1316	173 -110
1105 0490	Harness Clamp - IWS-2218	171 -105
1105 0490	Harness Clamp - IWS-2218	173 -109
1105 0490	Harness Clamp - IWS-2218	163 -109
1105 0508	Harness Clamp - LWS-0711	145 -106
1105 0508	Harness Clamp - LWS-0711	91 - 108
1105 0508	Harness Clamp - LWS-0711	169 -106
1105 0508	Harness Clamp - LWS-0711	55 - 108
1105 0511	Harness Clamp - LWS-0306ZC	135 -106
1105 0511	Harness Clamp - LWS-0306ZC	91 - 107
1105 0511	Harness Clamp - LWS-0306ZC	127 -107
1105 0511	Harness Clamp - LWS-0306ZC	147 -108
1105 0511	Harness Clamp - LWS-0306ZC	129 -107
1105 0511	Harness Clamp - LWS-0306ZC	145 -105
1105 0511	Harness Clamp - LWS-0306ZC	155 -108
1105 0511	Harness Clamp - LWS-0306ZC	57 - 111
1105 0511	Harness Clamp - LWS-0306ZC	31 - 104
1105 0511	Harness Clamp - LWS-0306ZC	137 -105
1105 0511	Harness Clamp - LWS-0306ZC	29 - 106
1105 0511	Harness Clamp - LWS-0306ZC	85 - 107
1105 0511	Harness Clamp - LWS-0306ZC	173 -108
1105 0511	Harness Clamp - LWS-0306ZC	141 -107
1105 0511	Harness Clamp - LWS-0306ZC	105 -109
1105 0511	Harness Clamp - LWS-0306ZC	187 -106
1105 0511	Harness Clamp - LWS-0306ZC	87 - 109
1105 0511	Harness Clamp - LWS-0306ZC	99 - 107
1105 0511	Harness Clamp - LWS-0306ZC	83 - 108
1105 0511	Harness Clamp - LWS-0306ZC	81 - 105
1105 0511	Harness Clamp - LWS-0306ZC	111 -108
1105 0511	Harness Clamp - LWS-0306ZC	77 - 106

Part No.	Description	Page and Index No.
1105 0511	Harness Clamp - LWS-0306ZC	93 - 107
1105 0511	Harness Clamp - LWS-0306ZC	89 - 107
1105 0511	Harness Clamp - LWS-0306ZC	151 -112
1105 0511	Harness Clamp - LWS-0306ZC	75 - 106
1105 0511	Harness Clamp - LWS-0306ZC	119 -104
1105 0511	Harness Clamp - LWS-0306ZC	123 -113
1105 0511	Harness Clamp - LWS-0306ZC	161 -106
1105 0516	Clamp	93 - 108
1105 0516	Clamp	143 -110
1105 0516	Clamp	189 -105
1105 0516	Clamp	51 - 106
1105 0516	Clamp	169 -107
1105 0516	Clamp	141 -108
1105 0516	Clamp	79 - 107
1105 0516	Clamp	139 -108
1105 0516	Clamp	65 - 110
1105 0516	Clamp	87 - 107
1105 0516	Clamp	91 - 109
1105 0516	Clamp	125 -108
1105 0517	Harness Clamp - LWS-2111Z	147 -109
1105 0518	Edge Saddle - LES-1010	105 -110
1105 0522	Edge Saddle - LES0510	147 -110
1105 0522	Edge Saddle - LES0510	105 -111
1105 0522	Edge Saddle - LES0510	61 - 111
1105 0522	Edge Saddle - LES0510	123 -114
1105 0522	Edge Saddle - LES0510	135 -107
1105 0522	Edge Saddle - LES0510	143 -107
1105 0522	Edge Saddle - LES0510	159 -112
1105 0529	Nylon Clamp-EMT-3N	169 -105
1105 0529	Nylon Clamp-EMT-3N	171 -109
1105 0529	Nylon Clamp-EMT-3N	63 - 110
1105 0534	Clamp	57 - 112
1105 0534	Clamp	83 - 109
1105 0534	Clamp	139 -109
1105 0534	Clamp	105 -113

Part No.	Description	Page and Index No.
1105 0534	Clamp	67 - 106
1105 0534	Clamp	133 -107
1105 0534	Clamp	137 -104
1105 0534	Clamp	69 - 110
1105 0551	Clamp:LES-0505	143 -108
1105 0551	Clamp:LES-0505	133 -108
1105 0551	Clamp:LES-0505	123 -115
1105 0551	Clamp:LES-0505	83 - 110
1105 0551	Clamp:LES-0505	75 - 107
1105 0551	Clamp:LES-0505	87 - 108
1105 0551	Clamp:LES-0505	105 -112
1105 0551	Clamp:LES-0505	85 - 106
1105 0559	Clamp:EMT-5N	55 - 110
1105 0559	Clamp:EMT-5N	169 -104
1105 0568	Clamp:LWSS-0504	85 - 108
1105 0598	Clamp:LWSS-1N	143 -109
1105 0598	Clamp:LWSS-1N	185 -105
1105 0601	Clamp:LWSS-0511-2M	149 -113
1105 0601	Clamp:LWSS-0511-2M	115 -104
1105 0623	Clamp - LBWS-0206S-V0	37 - 106
1105 0623	Clamp - LBWS-0206S-V0	53 - 105
1105 0623	Clamp - LBWS-0206S-V0	39 - 107
1105 0623	Clamp - LBWS-0206S-V0	41 - 106
1105 0623	Clamp - LBWS-0206S-V0	49 - 112
1105 0623	Clamp - LBWS-0206S-V0	51 - 103
1105 0637	Harness Clamp - KGLS-10RT(V0)	163 -111
1105 0650	Clamp - MS-0709	59 - 108
1105 0650	Clamp - MS-0709	55 - 109
1106 0193	Bushing - 7.9mm	41 - 108
1106 0200	Bushing - 19.44mm	183 -104
1106 0289	Bushing - SR-5N-1	27 - 104
1106 0289	Bushing - SR-5N-1	33 - 103
1106 0383	Supporter - P.C.B.	61 - 113
1107 1095	Fuse - SST 2	231 -116
1107 1280	Fuse:BJ51512F2	175 -107

Part No.	Description	Page and Index No.
1107 1281	Fuse:BJS2012F2	175 -107
1109 0007	IC - MINISMDC100-02	209 -121
1109 0016	Circuit Protector - SMD075	209 -122
1109 0018	Circuit Protector - SMD100	209 -123
1109 0042	Fuse:MINISMDC150F	231 -117
1204 2614	Switch AC250V/16A	179 -106
1204 2622	Dip Switch:CHS-08TB1	231 -118
1204 2802	Dip Switch	209 -124
1204 2805	Micro Switch	179 -107
1206 0122	Lithium Cell:CR2450/V1A	231 -119
1400 0714	Transistor - 2SD1781KR	231 -120
1400 0731	Transistor - 2SD1766	209 -125
1400 0781	Transistor:2SB1132R	209 -126
1400 0953	Transistor - 2SC4081S	209 -127
1400 1012	Transistor:2SD2656	209 -128
1400 1152	Transistor:RT1N436M-T111	199 -115
1400 1153	Transistor:RT1P237M-T111	209 -129
1400 1155	Transistor:RT1P441M-T111	209 -130
1400 1188	Transistor:2SB1694	209 -131
1400 1240	Transistor:SRC1202 $\mu$ F	199 -116
1400 1248	Transistor:2SC5342SF	231 -121
1400 1286	Transistor:RT1N430M-T111	199 -117
1400 1297	Transistor:RT1N431M-T111	209 -132
1400 1316	Transistor:ISA1235AC1-T112	209 -133
1401 0902	FET:2SK1590	231 -122
1401 1022	FET:2SK2009	209 -134
1401 1135	FET:2SK3019	209 -135
1401 1222	FET:HAT2068R	231 -123
1401 1233	FET:SSM3J14T	209 -136
1401 1234	FET - SSM3J02T	231 -124
1401 1235	FET:HAT2071R	231 -125
1401 1296	FET:TPC8115	231 -126
1401 1301	FET:2SK2615	209 -137
1401 1317	FET - HAT2197R	231 -127
1401 1318	FET - HAT2198R	231 -128

Part No.	Description	Page and Index No.
1401 1320	FET - TPC8107	231 -129
1401 1401	FET:SSM3J01T	199 -118
1401 1411	FET - HAT2195R-E	231 -130
1401 1419	FET:2SK4033(TE16L1,NQ)	209 -138
1401 1558	FET:SI3433CDV-E3	231 -131
1402 1057	Diode Array - DAP202U	209 -139
1402 1142	Diode Array - DAN217	209 -140
1402 1322	Diode Array - DAN202U	209 -141
1402 1336	Diode - 1SS355	199 -119
1402 1336	Diode - 1SS355	209 -142
1402 1343	Diode - RB106L-40	209 -143
1402 1444	Diode:RB051L-40	199 -120
1402 1530	Diode - RB520S-30	231 -132
1402 1537	DIODE:RB751S-40	231 -133
1402 1565	DIODE - RB	231 -134
1402 1565	Diode:RB521S-30	199 -121
1402 1663	Diode - ZTP12B	209 -144
1402 1700	Diode - ZTP12B	209 -145
1402 1748	Diode:RB481K	209 -146
1402 1995	DIODE:SDS511	231 -135
1402 2001	DIODE:SX34	231 -136
1402 2008	Diode:D1N60-5060	209 -147
1403 0953	LED - SML-310MT	209 -148
1403 0953	LED - SML-310MT	231 -137
1403 0953	LED - SML-310MT	199 -122
1403 0978	LED:SML-310DT	199 -123
1403 0996	LED - SML-310VT	199 -124
1403 0996	LED - SML-310VT	209 -149
1403 1033	LED:SML-310YT	199 -125
1403 1131	LED:SML-311UT	231 -138
1403 1168	LED:SML-311YT	231 -139
1404 1048	VARISTOR:SRV05-4.TCT	231 -140
1407 1535	IC - TD62308AP	209 -150
1407 2187	TTLIC - SN74LS07NS	209 -151
1407 2231	IC - TD62308AF	209 -152

Part No.	Description	Page and Index No.
1407 4399	CMOS Logic:TC74VHC245FT(K)	199 -126
1407 4399	CMOS Logic:TC74VHC245FT(K)	209 -153
1407 4687	IC - TA8083F	209 -154
1407 4804	IC-TC7SH08FU	231 -141
1407 4804	CMOS Logic:TC7SH08FU	199 -127
1407 4840	IC - TC7SH04FU	231 -142
1407 5009	CMOS Logic:TC7SET04FU	231 -143
1407 5010	IC - TC7SET08FU	231 -144
1407 5107	CMOS Logic:TC7W66FU	231 -145
1407 5189	CMOS Logic:TC7SZ00FU	231 -146
1407 5192	CMOS Logic:TC7SZ04FU	199 -128
1407 5192	CMOS Logic:TC7SZ04F	231 -147
1407 5194	CMOS Logic:TC7SZ32FU	231 -148
1407 5195	CMOS Logic:TC7SZ05FU	231 -149
1407 5196	CMOS Logic:TC7SZ125FU	231 -150
1407 5344	IC - SN74LV02APW	209 -155
1407 5351	IC - SN74LV14APW	209 -156
1407 5352	CMOS Logic:74LVC32A:TSSOP	209 -157
1407 5366	IC - 74LVC08A TSSOP	199 -129
1407 5373	CMOS Logic:SN74LV21APW	199 -130
1407 5376	IC - SN74LV32APW	209 -158
1407 5469	IC - SN74LV07APW	199 -131
1407 5469	IC - SN74LV07APW	209 -159
1407 5482	IC - SN74LVC07APW	231 -151
1407 5511	IC - SN74LVC14APW	199 -132
1407 5523	ROM - I2C SOP 3V	231 -152
1407 5531	CMOS Logic:TC7WH14FU	231 -153
1407 5633	IC:SN74LV574APW	199 -133
1407 6127	Clock Generator:ICS960008AFLF	231 -154
1407 6166	IC - ESOC	199 -134
1407 6221	EEPROM:BR24L01AFV-W	199 -135
1407 6447	Custom IC - GAVD Type-W	199 -136
1407 6517	Custom IC:Whistle	231 -155
1407 6520	Custom IC - GARAC-C	199 -137
1407 6536	ICH6-MNH82801FBM(SL89K)	231 -156

Part No.	Description	Page and Index No.
1407 6613	ICS7152M-01	199 -138
1407 6641	Custom IC:LEO	199 -139
1407 6676	Clock Generator:ICS954206BGLF	231 -157
1407 6683	Lan Controller LSI:BCM5461A1KPPFG	231 -158
1407 6751	CMOS Logic:HD74LV1GW07ACM	231 -159
1407 6774	CMOS Logic:TC7WZ08FK	231 -160
1407 6778	CMOS Logic:TC7SH02FU	231 -161
1407 6784	Controller:ST19WP18FT28PVGR	231 -162
1407 6802	CMOS Logic:TC7PA04FU	231 -163
1407 6803	CMOS Logic:TC7SZ07FU	231 -164
1407 6803	CMOS Logic:TC7SZ07FU	199 -140
1407 6824	CMOS Logic:TC7WG125FK	231 -165
1407 6853	CMOS Logic:HD74LV1GW17ACM	231 -166
1407 6915	CPU:LE80536LC0172M(SL89N)	231 -167
1407 6944	USB Controller IC:ST72681/R21	231 -168
1407 6957	CMOS Logic:TC7SH17FU	199 -141
1407 6957	CMOS Logic:TC7SH17FU	231 -169
1407 6995	CMOS Logic:TC74VHC244FT(K)	199 -142
1407 6995	CMOS Logic:TC74VHC244FT(K)	209 -160
1407 7000	CMOS Logic:TC74VHC541FT(K)	199 -143
1407 7000	CMOS Logic:TC74VHC541FT(K)	209 -161
1407 7005	CMOS Logic:TC74VHCT244AFT(K)	209 -162
1407 7005	CMOS Logic:TC74VHCT244AFT(K)	231 -170
1407 7029	GMCH:QG82915GME(SLA9K)	231 -171
1407 7044	Clock Generator:ICS7152M-02LF	199 -144
1407 7190	Controller:RB5V871A	199 -145
1407 7232	CUSTOM IC:VEENA	231 -172
1407 7234	Clock Generator:ICS960023CGLF	231 -173
1407 7442	Motor Control IC:SLA7072MPRF LF2156	209 -163
1407 7443	Motor Control IC:SLA7073MPRF LF2156	209 -164
1407 7521	Custom IC:EIO	209 -165
1408 0826	IC - TA8428K	209 -166
1408 0827	IC - TA8429H	209 -167
1408 1206	Transistor-array - TD62M4700F	209 -168
1408 1668	IC - Regulator-R1170H251B	231 -174

Part No.	Description	Page and Index No.
1408 1669	Series Regulator:R1170H331B	199 -146
1408 1730	IC - MM1096BF	199 -147
1408 1736	Operational Amplifier:LMV358MM	199 -148
1408 1778	IC:R3112Q101A	231 -175
1408 1779	IC - R3112Q281A	209 -169
1408 1779	IC - R3112Q281A	231 -176
1408 1815	IC - R3112Q151A	231 -178
1408 1826	IC - R3112Q421A	199 -149
1408 1826	IC - R3112Q421A	231 -179
1408 1829	Ope Amp - LM358PW	209 -170
1408 1839	IC - R3112Q211A	231 -180
1408 1850	Regulator - R1170H181B	199 -150
1408 1911	Comparator - LM2903PW	209 -171
1408 2007	Oerational Amplifier:LM324PW	209 -172
1408 2024	IC:R3112Q261A-FA	199 -151
1408 2247	Series Regulator:R1114N181B-F	199 -152
1408 2305	Reset IC - BU4242FVE	231 -181
1408 2350	IC:R1211D002B-FA	231 -182
1408 2377	DC/DC Converter:MP2106DK-LF	199 -153
1408 2393	Series Regulator:R1172H331B-FB	209 -173
1408 2458	DC/DC Converter:LTC3407EMSE-2#PBF	231 -183
1408 2463	DDR Terminator - TPS51116PWPG4	231 -184
1408 2464	DC/DC Converter:MAX1907AETL+	231 -185
1408 2524	Series Regulator:R1171S181B-F	199 -154
1408 2607	DC/DC Converter:BD9111NV	199 -155
1408 2637	DC/DC Converter:MPD5S027	231 -186
1408 2638	DC/DC Converter:MPD6S023	231 -187
1408 2775	IC:BD95500MUV	199 -156
1408 2943	DC/DC Converter:BD9107FVM	199 -157
1503 0758	Oscillator - MC-306 32.768MHz	231 -188
1503 1111	Crystal Oscillator:14MHz	199 -158
1503 1138	Crystal Oscillator - 48MHz	231 -189
1503 1146	Crystal Oscillator:14.31818MHz	231 -190
1503 1215	Crystal Oscillator - 17.5MHz	199 -159
1503 1274	Crystal Oscillator:19.85MHz	209 -174

Part No.	Description	Page and Index No.
1503 1363	Crystal Oscillator:12MHz	231 -191
1503 1367	Crystal Oscillator:25MHz	231 -192
1503 1368	Crystal Oscillator:25MHz	231 -193
1503 1381	Crystal Oscillator:26.6MHz	199 -160
1503 1484	Crystal Oscillator:71.0966MHz	199 -161
1503 1505	Crystal Oscillator:50MHz	199 -162
1601 5277	Resistor - 3.9 $\Omega$ $\pm$ 5% 2W	209 -175
1601 5532	Resistor - 91 $\Omega$ $\pm$ 5% 2W	209 -176
1601 7751	Resistor - 4.7K $\Omega$ $\pm$ 5%	199 -163
1601 7751	Resistor - 4.7K $\Omega$ $\pm$ 5%	209 -177
1601 7752	Resistor Array - 10K $\Omega$ $\pm$ 5%	209 -178
1601 7752	Resistor Array - 10K $\Omega$ $\pm$ 5%	199 -164
1601 7781	Resistor - 10 $\Omega$ $\pm$ 5%	209 -179
1601 7791	Resistor Array - 1K $\Omega$ $\pm$ 5%	209 -180
1601 7796	Resistor	209 -181
1601 7868	Resistor	209 -182
1601 7871	Resistor - 68 $\Omega$ $\pm$ 5% 1/16W	209 -183
1601 7887	Resistor Array - 10K $\Omega$ $\pm$ 5% 1/32W	199 -165
1601 7887	Resistor Array - 10K $\Omega$ $\pm$ 5% 1/32W	231 -194
1601 7896	Resistor Array - 56 $\Omega$ $\pm$ 5% 1/32W	231 -195
1601 7898	Resistor Array	231 -196
1601 7899	Resister Array - 56 $\Omega$ $\pm$ 5% 1/16W	199 -166
1601 7899	Resister Array - 56 $\Omega$ $\pm$ 5% 1/16W	209 -184
1601 7909	Resistor Array - 10 $\Omega$ $\pm$ 5% 1/32W	231 -197
1601 7913	Resistor 22 $\Omega$ $\pm$ 5% 1/32W	231 -198
1601 7981	Resistor Array - 100K $\Omega$ $\pm$ 5% 1/16W	199 -167
1604 2331	Capacitor - 47 $\mu$ F $\pm$ 20% 10V	199 -168
1604 4730	Capacitor - 47 $\mu$ F $\pm$ 20% 50V	209 -185
1604 4838	Capacitor:47 $\mu$ F: $\pm$ 20%:10V	209 -186
1604 4925	Resistor - 100 $\mu$ F $\pm$ 20% 10V	209 -187
1604 4967	Capacitor:220 $\mu$ F: $\pm$ 20%:10V	199 -169
1604 5069	Capacitor:47 $\mu$ F: $\pm$ 20%:16V	199 -170
1604 5239	Capacitor - 220 $\mu$ F $\pm$ 20% 35V	199 -171
1604 5714	Capacitor:47 $\mu$ F: $\pm$ 20%:25V	209 -188
1604 5719	Capacitor:100 $\mu$ F: $\pm$ 20%:50V	209 -189

Part No.	Description	Page and Index No.
1604 5946	Aluminum Electrolytic Capacitor: 220 $\mu$ F: $\pm$ 20%:50V	209 -190
1605 1137	Capacitor - 470pF $\pm$ 10% 50V	199 -172
1605 1137	Capacitor - 470pF $\pm$ 10% 50V	209 -191
1605 1195	Capacitor:4pF: $\pm$ 0.25PF:50V	231 -200
1605 1197	Capacitor - 6pF $\pm$ 0.5pF 50V	231 -201
1605 1199	Capacitor - 8pF $\pm$ 0.5pF 50V	231 -202
1605 1200	Capacitor - 10pF $\pm$ 0.5pF 50V	231 -203
1605 1200	Capacitor - 10pF $\pm$ 0.5pF 50V	199 -173
1605 1202	Capacitor - 15pF $\pm$ 5% 50V	231 -204
1605 1202	Capacitor - 15pF $\pm$ 5% 50V	199 -174
1605 1203	Capacitor - 18pF $\pm$ 5% 50V	231 -205
1605 1204	Capacitor-pF50V	231 -206
1605 1205	Capacitor - 33pF $\pm$ 5% 50V	199 -175
1605 1206	Capacitor - 47pF $\pm$ 5% 50V	199 -176
1605 1207	Capacitor - 68pF $\pm$ 5% 50V	231 -207
1605 1208	Capacitor:100pF: $\pm$ 5%:50V	199 -177
1605 1208	Capacitor:100pF: $\pm$ 5%:50V	209 -192
1605 1208	Capacitor:100pF: $\pm$ 5%:50V	231 -208
1605 1212	Capacitor - 470pF $\pm$ 10% 50V	199 -178
1605 1214	Capacitor - 1000pF $\pm$ 10% 50V	199 -179
1605 1214	Capacitor - 1000pF $\pm$ 10% 50V	231 -209
1605 1216	Capacitor - 2200pF $\pm$ 10%50V	231 -210
1605 1216	Capacitor - 2200pF $\pm$ 10%50V	199 -180
1605 1221	Capacitor - 0.1 $\mu$ F+80-20%16V	199 -181
1605 1224	Capacitor 4.7 $\mu$ F $\pm$ 10% 6.3V	199 -182
1605 1234	Capcitor:4700pF: $\pm$ 10%:50v	231 -211
1605 1240	Capacitor - 0.01 $\mu$ F $\pm$ 10% 25V	231 -212
1605 1240	Capacitor - 0.01 $\mu$ F $\pm$ 10% 25V	199 -183
1605 1275	Capacitor - 820pF $\pm$ 5% 50V	231 -213
1605 1283	Capacitor - 680pF $\pm$ 10% 50V	199 -184
1605 1285	Capacitor - 3300pF $\pm$ 10% 50V	199 -185
1605 1288	Capacitor - 220pF $\pm$ 5% 50V	231 -214
1605 1289	Capacitor - 0.1 $\mu$ F $\pm$ 10% 10V	199 -186
1605 1291	Capacitor:2.2 $\mu$ F: $\pm$ 10%:10V	231 -215

Part No.	Description	Page and Index No.
1605 1294	Resistor - 1000pF $\pm$ 5% 50V	199 -187
1605 1299	Resistor - 56pF $\pm$ 5% 50V	231 -216
1605 1300	Capacitor - 270pF $\pm$ 5% 50V	231 -217
1605 1303	Capacitor - 0.01 $\mu$ F +80-20% 50V	199 -188
1605 1306	Capacitor - 1 $\mu$ F $\pm$ 10% 10V	199 -189
1605 1353	Capacitor - 0.1 $\mu$ F $\pm$ 10% 25V	199 -190
1605 1358	Capacitor - 10 $\mu$ F $\pm$ 10% 10V	199 -191
1605 1367	Capacitor - 0.033 $\mu$ F $\pm$ 10% 16V	231 -218
1605 1387	Capacitor - 0.68 $\mu$ F $\pm$ 10% 10V	231 -219
1605 1406	Capacitor - 10 $\mu$ F $\pm$ 10% 6.3V	231 -220
1605 1406	Capacitor - 10 $\mu$ F $\pm$ 10% 6.3V	199 -192
1605 1406	Capacitor - 10 $\mu$ F $\pm$ 10% 6.3V	209 -193
1605 1419	Capacitor:4.7 $\mu$ F: $\pm$ 10%:16V	231 -221
1605 1419	Capacitor:4.7 $\mu$ F: $\pm$ 10%:16V	209 -194
1605 1428	Capacitor:0.22 $\mu$ F: $\pm$ 10%:6.3V	231 -222
1605 1440	Capacitor:100pF: $\pm$ 10%:50V	199 -193
1605 1447	Resistor - 470pF $\pm$ 5% 50V	231 -223
1605 1450	Resistor - 22 $\mu$ F $\pm$ 10% 6.3V	231 -224
1605 1451	Capacitor:0.47 $\mu$ F: $\pm$ 10%:6.3V	199 -194
1605 1452	Capacitor - 1 $\mu$ F $\pm$ 10% 6.3V	199 -195
1605 1453	Capacitor:0.022 $\mu$ F: $\pm$ 10%:16V	231 -225
1605 1454	Capacitor:0.33 $\mu$ F: $\pm$ 10%:6.3V	199 -196
1605 1464	Resistor - 10 $\mu$ F $\pm$ 20% 25V	231 -226
1605 1465	Resistor - 1 $\mu$ F $\pm$ 10% 25V	231 -227
1605 1474	Capacitor - 47 $\mu$ F $\pm$ 20% 6.3V	199 -197
1605 1478	Capacitor:0.015 $\mu$ F: $\pm$ 5%:50V	199 -198
1605 1479	Capacitor - 47pF $\pm$ 10%:50V	209 -195
1605 1480	Capacitor - 100pF $\pm$ 10% 50V	209 -196
1605 1483	Capacitor:0.01 $\mu$ F: $\pm$ 20%:25V	209 -197
1605 1531	Capacitor:470pF: $\pm$ 20%:50V	209 -198
1605 1544	Resistor - 330pF $\pm$ 5% 50V	231 -228
1605 1544	Capacitor:330pF: $\pm$ 5%:50V	199 -199
1605 1583	Capacitor - 0.1 $\mu$ F: $\pm$ 10%:16V	199 -200
1605 1583	Capacitor - 0.1 $\mu$ F: $\pm$ 10%:16V	231 -229
1605 1585	Capacitor:4.7 $\mu$ F: $\pm$ 10%:6.3V	199 -201

Part No.	Description	Page and Index No.
1605 1587	Capacitor:22μF:±20%:6.3V	199 -202
1605 1605	Capacitor - 4.7μF ±10% 10V	199 -203
1605 1635	Capacitor:0.47μF:±10%:25V	231 -230
1605 1652	Capacitor:22μF:±20%:16V	199 -204
1605 1687	Capacitor:10μF:±10%:10V	199 -205
1605 1689	Capacitor:100μF:±20%:6.3V	231 -231
1605 1695	Capacitor:1200PF:±10%:50V	231 -232
1605 1710	Capacitor:10μF:±10%:25V	199 -206
1606 2319	Capacitor:100μF:±20%:6.3V	231 -233
1607 0623	Ferrite Core - TFC-16-8-13	49 - 116
1607 0810	Filter - BK2125HS121	231 -234
1607 0861	Filter - BK2125HS101	199 -207
1607 0912	Ferrite Core:TR-25-15-12	55 - 106
1607 1002	Filter:NFE31PT222Z1E9B	199 -208
1607 1051	Filter - FBMJ2125HS420	231 -236
1607 1051	Filter - FBMJ2125HS420	231 -235
1607 1108	Filter:BLM21PG220SN1B	199 -209
1607 1108	Filter - BLM21PG220SN1B	231 -237
1607 1222	Inductor - 3.3UH ±20% 2.5A	199 -210
1607 1228	Inductor - SLF7045-4R7M2R0	231 -238
1607 1316	Filter - FBMJ1608HS280NT	231 -239
1607 1362	Coil - ACM3225-800-2P	231 -240
1607 1388	Inductor:LB2518T1R0M	231 -241
1607 1438	Chock Coil:DLW21SN121SQ2B	231 -242
1607 1460	Ferrite Core:RFC-9	169 -108
1607 1489	Filter - MMZ1608B301C	231 -243
1607 1505	Inductor:SLF6028-4R7M1R6-PF	199 -211
1607 1546	Inductor - SLF6028-220MR77-PF	199 -212
1607 1567	Filter:MPZ2012S101A	199 -213
1607 1651	Inductor - HM73-101R0LF	231 -244
1607 1657	Inductor - HM73-10R68LF	231 -245
1607 1713	Ferrite Core:ZCAT1730-0730A	19 - 107
1607 1744	Inductor:LQH32CNR15M33	231 -246
1607 1799	Filter - SUP-ET20-ER-0	175 -108
1607 1853	Inductor:LB2518T100M	231 -247

Part No.	Description	Page and Index No.
1607 1854	Inductor:CDRH4D18CNP-1R1PC	231 -248
1607 1974	Inductor:VLCF4020-2R2N1R7	231 -249
1607 2079	Inductor:CDEP105NP-3R2MC-50	199 -214
1609 0005	Resistor:33 Ω:±5%:1/16W	231 -250
1609 0005	Resistor:33Ω:±5%:1/16W	199 -215
1609 0006	Resistor:10K Ω:±5%:1/16W	231 -251
1609 0006	Resistor:10KΩ:±5%:1/16W	199 -216
1609 0006	Resistor:10KΩ:±5%:1/16W	209 -199
1609 0007	Resistor - 68Ω ±5% 1/16W	199 -217
1609 0011	Resistor:22Ω:±5%:1/16W	199 -218
1609 0015	Resistor Array:1K Ω:±5%:1/16W:8Number	199 -219
1609 0016	Resistor:56Ω:±5%:1/16W	199 -220
1609 0016	Resistor:56Ω:±5%:1/16W	209 -200
1609 0017	Resistor:150 Ω:±5%:1/16W	199 -221
1609 0020	Resistor:10Ω:±5%:1/16W	199 -222
1609 0020	Resistor:10Ω:±5%:1/16W	209 -201
1609 0025	Resistor Array:100 Ω:±5%:1/16W:8Number	209 -202
1609 0027	Resistor - 100KΩ±5% 1/16W	199 -223
1609 0033	Resistor Array:82 Ω:±5%:1/16W:8Number	209 -203
1609 0175	Resistor Array:200 Ω:±5%:1/16W:8Number	199 -224
1610 1417	Resistor:0.5 Ω:±5%:1/4W:1608	231 -252
1610 1804	Resistor:0.006 Ω:±1%:1W	231 -253
1610 2116	Resistor:1.5M Ω:±1%:1W:6432	231 -254
1633 0000	Resistor - 0 Ω 1/10W	209 -204
1633 0000	Resistor - 0 Ω 1/10W	199 -225
1633 0000	Resistor - 0 Ω 1/10W	231 -255
1634 0000	Resistor - 0 Ω 1/16W	209 -205
1634 0000	Resistor - 0 Ω 1/16W	199 -226
1634 0000	Resistor - 0 Ω 1/16W	199 -227
1634 0000	Resistor - 0 Ω 1/16W	231 -256
1650 2151	Resistor - 150Ω ±5% 1/4W	209 -206
1650 2472	Chip Resistor-4.7K	209 -207
1650 3331	Resistor:330Ω:±5%:1/8W	209 -208
1650 4100	Resistor - 10Ω ±5% 1/10W	209 -209
1650 4100	Resistor - 10Ω ±5% 1/10W	199 -228



Part No.	Description	Page and Index No.
1650 4101	Resistor - 100Ω±5%1/10W	209 -210
1650 4101	Resistor - 100Ω±5%1/10W	199 -229
1650 4102	Resistor - 1KΩ ±5% 1/10W	209 -211
1650 4102	Resistor - 1KΩ ±5% 1/10W	199 -230
1650 4103	Resistor - 10KΩ ±5% 1/10W	209 -212
1650 4103	Resistor - 10KΩ ±5% 1/10W	199 -231
1650 4104	Resistor - 100KΩ±5%1/10W	209 -213
1650 4105	Resistor - 1MΩ ±5% 1/10W	209 -214
1650 4105	Resistor - 1MΩ ±5% 1/10W	199 -232
1650 4109	Resistor - 1Ω ±5% 1/10W	231 -257
1650 4151	Resistor:150 Ω:±5%:1/10W:1608	199 -233
1650 4154	Resistor 150KΩ ±5% 1/10W	209 -215
1650 4221	Resistor - 220Ω±5%1/10W	209 -216
1650 4222	Resistor - 2.2KΩ±5%1/10W	209 -217
1650 4222	Resistor - 2.2KΩ±5%1/10W	199 -234
1650 4223	Resistor - 22KΩ±5%1/10W	209 -218
1650 4229	Resistor - 2.2 Ω ±5% 1/10W	231 -258
1650 4330	Chip Resistor - 33Ω ±5% 1/10W	199 -235
1650 4393	Resistor - 39KΩ±5%1/10W	209 -219
1650 4471	Resistor - 470Ω±5%1/10W	209 -220
1650 4472	Resistor - 4.7KΩ ±5% 1/10W	209 -221
1650 4472	Resistor - 4.7KΩ ±5% 1/10W	199 -236
1650 4560	Chip Resistor - 56Ω ±5% 1/10W	199 -237
1650 4561	Resistor - 560Ω ±5% 1/10W	199 -238
1650 4680	Resistor - 68Ω±5%1/10W	199 -239
1650 4681	Resistor - 680Ω ±5% 1/10W	199 -240
1650 4682	Resistor:6.8K Ω:±5%:1/10W:1608	199 -241
1650 4751	Resistor:750 Ω:±5%:1/10W:1608	199 -242
1650 5100	Chip Resistor - 10 Ω±5%1/16W	199 -243
1650 5101	Chip Resistor - 100 Ω±5%1/16W	199 -244
1650 5102	Chip Resistor - 1KΩ±5%1/16W	199 -245
1650 5103	Chip Resistor - 10KΩ±5%1/16W	199 -246
1650 5103	Chip Resistor - 10KΩ±5%1/16W	209 -222
1650 5104	Chip Resistor - 100KΩ±5%1/16W	199 -247
1650 5106	Resistor - 10M Ω ±5% 1/16W	231 -259

Part No.	Description	Page and Index No.
1650 5201	Resistor:200 Ω:±5%:1/16W:1005	199 -248
1650 5302	Resistor:3K Ω:±5%:1/16W:1005	199 -249
1650 5309	Resistor - 3 Ω ±5% 1/16W	231 -260
1650 5330	Chip Resistor - 33Ω±5%1/16W	199 -250
1650 5332	Resistor - 3.3KΩ ±5% 1/16W	199 -251
1650 5360	Resistor:36 Ω:±5%:1/16W:1005	199 -252
1650 5470	Chip Resistor 47Ω ±5% 1/16W	199 -253
1650 5471	Chip Resistor - 470Ω -5% 1/16W	199 -254
1650 5472	Chip Resistor:4.7KΩ:±5%:1/16W	199 -255
1650 5519	Resistor - 5.1Ω ±5% 1/16W	231 -261
1650 5560	Chip Resistor 56Ω ±5% 1/16W	209 -223
1650 5680	Resistor - 68Ω ±5% 1/16W	199 -256
1650 5681	Chip Resistor:680Ω:±5%:1/16W	199 -257
1650 5751	Resistor:750 Ω:±5%:1/16W:1005	199 -258
1652 1000	Chip Resistor:100Ω:±1%:1/4W	209 -224
1653 1009	Resistor:10 Ω:±1%:1/8W:2125	231 -262
1654 1000	Resistor - 100Ω ±1% 1/10W	199 -259
1654 1000	Resistor - 100Ω ±1% 1/10W	231 -263
1654 1002	Resistor - 10KΩ±5%1/10W	209 -225
1654 1002	Resistor - 10KΩ±5%1/10W	199 -260
1654 1003	Resistor - 100KΩ±1%1/10W	209 -226
1654 1009	Resistor - 10Ω±1% 1/10W	231 -264
1654 1201	Resistor:1.2K Ω:±1%:1/10W:1608	209 -227
1654 1601	Chip Resistor - 1.6KΩ±1% 1/10W	209 -228
1654 2000	Resistor:200 Ω:±1%:1/10W:1608	209 -229
1654 2050	Resistor:205 Ω:±1%:1/10W:1608	209 -230
1654 2152	Resistor:21.5K Ω:±1%:1/10W	209 -231
1654 2200	Resistor:220Ω:±1%:1/10W:1608	209 -232
1654 2260	Resistor:226 Ω:±1%:1/10W:1608	209 -233
1654 2700	Resistor:270:Ω:±1%:1/10W	209 -234
1654 3000	Chip Resistor:300Ω:±1%:1/10W	209 -235
1654 3090	Resistor:309 Ω:±1%:1/10W	209 -236
1654 3742	Resistor:37.4K Ω:±1%:1/10W:1608	209 -237
1654 4300	Resistor:430 Ω:±1%:1/10W:1608	199 -261
1654 4701	Resistor - 4.7KΩ±1% 1/10W	209 -238

Part No.	Description	Page and Index No.
1654 4701	Resistor - 4.7K $\Omega$ $\pm$ 1% 1/10W	199 -262
1654 4702	Chip Resistor - 47K $\Omega$ $\pm$ 1%1/10W	209 -239
1654 5231	Resistor - 5.23K $\Omega$ $\pm$ 1%1/10W	209 -240
1654 6192	Chip Resistor:61.9K $\Omega$ $\pm$ 1%:1/10W:1608	209 -241
1654 7680	Resistor:768 $\Omega$ $\pm$ 1%:1/10W:1608	209 -242
1655 0000	Chip Resistor - 0 $\Omega$ $\pm$ 0%1/16W	231 -265
1655 0000	Chip Resistor - 0 $\Omega$ $\pm$ 0%1/16W	199 -263
1655 1000	Chip Resistor:100 $\Omega$ $\pm$ 1%:1/16W	231 -266
1655 1001	Chip Resistor - 1K $\Omega$ $\pm$ 1% 1/16W	231 -267
1655 1002	Chip Resistor - 10K $\Omega$ $\pm$ 1%1/16W	231 -268
1655 1003	Chip Resistor - 100K $\Omega$ $\pm$ 1%1/16W	231 -269
1655 1003	Chip Resistor - 100K $\Omega$ $\pm$ 1%1/16W	199 -264
1655 1004	Resistor - 1M $\Omega$ $\pm$ 1% 1/16W	231 -270
1655 1009	Resistor - 10 $\Omega$ $\pm$ 1% 1/16W	231 -271
1655 1102	Resistor - 11K $\Omega$ $\pm$ 1% 1/16W	231 -272
1655 1132	Resistor:11.3K $\Omega$ $\pm$ 1%:1/16W:1005	231 -273
1655 1201	Resistor - 1.2K $\Omega$ $\pm$ 1% 1/16W	231 -274
1655 1202	Resistor:12K $\Omega$ $\pm$ 1%:1/16W:1005	199 -265
1655 1203	Resistor:120K $\Omega$ $\pm$ 1%:1/16W:1005	199 -266
1655 1241	Resistor:1.24K $\Omega$ $\pm$ 1%:1/16W:1005	231 -275
1655 1243	Resistor:124K $\Omega$ $\pm$ 1%:1/16W:1005	199 -267
1655 1300	Resistor:130 $\Omega$ $\pm$ 1%:1/16W:1005	231 -276
1655 1303	Resistor:130K $\Omega$ $\pm$ 1%:1/16W:1005	199 -268
1655 1501	Chip Resistor 1.5K $\Omega$ $\pm$ 1% 1/16W	231 -277
1655 1502	Resistor:15K $\Omega$ $\pm$ 1%:1/16W:1005	199 -269
1655 1502	Resistor - 15K $\Omega$ $\pm$ 1% 1/16W	231 -278
1655 1503	Resistor:150K $\Omega$ $\pm$ 1%:1/16W:1005	199 -270
1655 1692	Resistor:16.9K $\Omega$ $\pm$ 1%:1/16W:1005	231 -279
1655 1803	Resistor:180K $\Omega$ $\pm$ 1%:1/16W:1005	231 -280
1655 1963	Resistor:196K $\Omega$ $\pm$ 1%:1/16W:1005	231 -281
1655 2000	Resistor - 200 $\Omega$ $\pm$ 1% 1/16W	231 -282
1655 2001	Resistor - 2K $\Omega$ $\pm$ 1% 1/16W	231 -283
1655 2002	Chip Resistor - 20K $\Omega$ $\pm$ 1%1/16W	231 -284
1655 2201	Resistor:2.2K $\Omega$ $\pm$ 1%:1/16W:1005	231 -285
1655 2209	Resistor - 22 $\Omega$ $\pm$ 1% 1/16W	231 -286

Part No.	Description	Page and Index No.
1655 2210	Resistor - 221 $\Omega$ $\pm$ 1% 1/16W	231 -287
1655 2269	Resistor:22.6 $\Omega$ $\pm$ 1%:1/16W:1005	231 -288
1655 2400	Resistor:240 $\Omega$ $\pm$ 1%:1/16W:1005	199 -271
1655 2432	Resistor:24.3K $\Omega$ $\pm$ 1%:1/16W:1005	231 -289
1655 2499	Resistor:24.9 $\Omega$ $\pm$ 1%:1/16W:1005	231 -290
1655 2700	Resistor:270 $\Omega$ $\pm$ 1%:1/16W:1005	231 -291
1655 2701	Resistor:2.7K $\Omega$ $\pm$ 1%:1/16W:1005	231 -292
1655 2741	Resistor:2.74K $\Omega$ $\pm$ 1%:1/16W:1005	231 -293
1655 2749	Resistor - 27.4 $\Omega$ $\pm$ 1% 1/16W	231 -294
1655 2802	Resistor:28K $\Omega$ $\pm$ 1%:1/16W:1005	231 -295
1655 3002	Chip Resistor - 30K $\Omega$ $\pm$ 1%1/16W	231 -296
1655 3002	Chip Resistor - 30K $\Omega$ $\pm$ 1%1/16W	199 -272
1655 3013	Resistor:301K $\Omega$ $\pm$ 1%:1/16W:1005	231 -297
1655 3242	Resistor:32.4K $\Omega$ $\pm$ 1%:1/16W:1005	231 -298
1655 3302	Resistor:33K $\Omega$ $\pm$ 1%:1/16W:1005	231 -299
1655 3303	Resistor - 330K $\Omega$ $\pm$ 1% 1/16W	231 -300
1655 3309	Resistor - 33 $\Omega$ $\pm$ 1% 1/16W	231 -301
1655 3601	Resistor:3.6K $\Omega$ $\pm$ 1%:1/16W:1005	231 -302
1655 3602	Resistor:36K $\Omega$ $\pm$ 1%:1/16W:1005	231 -303
1655 3903	Resistor:390K $\Omega$ $\pm$ 1%:1/16W:1005	231 -304
1655 3909	Resistor:39 $\Omega$ $\pm$ 1%:1/16W:1005	231 -305
1655 4029	Resistor:40.2 $\Omega$ $\pm$ 1%:1/16W:1005	231 -306
1655 4701	Chip Resistor - 4.7K $\Omega$ $\pm$ 1%1/16W	231 -307
1655 4750	Resistor - 475 $\Omega$ $\pm$ 1% 1/16W	231 -308
1655 4992	Resistor:49.9K $\Omega$ $\pm$ 1%:1/16W:1005	231 -309
1655 4999	Resistor - 49.9 $\Omega$ $\pm$ 1% 1/16W	231 -310
1655 5101	Resistor - 5.1K $\Omega$ $\pm$ 1% 1/16W	231 -311
1655 5109	Resistor - 51 $\Omega$ $\pm$ 1% 1/16W	231 -312
1655 5499	Resistor - 54.9 $\Omega$ $\pm$ 1% 1/16W	231 -313
1655 5600	Resistor:560 $\Omega$ $\pm$ 1%:1/16W:1005	231 -314
1655 5602	Resistor:56K $\Omega$ $\pm$ 1%:1/16W:1005	231 -315
1655 5609	Resistor - 56 $\Omega$ $\pm$ 1% 1/16W	231 -316
1655 6043	Resistor:604K $\Omega$ $\pm$ 1%:1/16W:1005	231 -317
1655 6800	Resistor:680 $\Omega$ $\pm$ 1%:1/16W:1005	231 -318
1655 6801	Resistor:6.8K $\Omega$ $\pm$ 1%:1/16W:1005	231 -319

Part No.	Description	Page and Index No.
1655 6809	Chip Resistor - 68Ω±1%1/16W	231 -320
1655 7509	Resistor:75 Ω:±1%:1/16W:1005	231 -321
1655 8069	Resistor:80.6 Ω:±1%:1/16W:1005	231 -322
1655 8201	Resistor:8.2K Ω:±1%:1/16W:1005	231 -323
1655 8202	Resistor:82K Ω:±1%:1/16W:1005	199 -273
1655 8209	Resistor - 82Ω ±1% 1/16W	231 -324
1655 8873	Resistor:887K Ω:±1%:1/16W:1005	231 -325
1655 9101	Resistor:9.1K Ω:±1%:1/16W:1005	231 -326
1660 2101	Capacitor - 100pF - ±10% - 50V	199 -274
1660 2120	Capacitor - 12 pF ±5% 50V	209 -243
1660 2150	Capacitor - 15pF ±5% 50V	199 -275
1660 2150	Capacitor - 15pF ±5% 50V	209 -244
1660 2331	Capacitor - 330pF ±5% 50V	199 -276
1660 2471	Capacitor - 470pF - ±5% - 50V	209 -245
1660 4102	Capacitor - 1000pF ±10% 50V	209 -246
1660 4103	Capacitor - 10000pF - ±10% - 50V	199 -277
1660 4332	Capacitor - 3300pF - ±10% - 50V	199 -278
1660 4472	Capacitor - 4700PF±10% 50V	209 -247
1660 6103	Capacitor - 10000pF - +80%-20%50V	209 -248
1660 8104	Capacitor - 0.1μF ±20% 25V	199 -279
1660 8104	Capacitor - 0.1μF ±20% 25V	209 -249
1902 0076	SRAM:8M:X16:55NS:G1	199 -280
1906 0101	Flash Memory:S29GI032A90TFIR40	231 -327
1906 0120	Nand Flash:1G:X8:30NS:3.3V:2KB	231 -328
1906 0130	Flash Memory:S29GL032N90TFI040:32M	199 -281

Part No.	Description	Page and Index No.
5053 0223	Bushing - 8mm	37 - 36
5053 0223	Bushing - 8mm	69 - 10
5053 0447	Bushing - 6mm	37 - 39
5053 0447	Bushing - 6mm	153 - 26
5053 0447	Bushing - 6mm	39 - 24
5053 0447	Bushing - 6mm	45 - 3
5053 0447	Bushing - 6mm	47 - 2
5053 0447	Bushing - 6mm	49 - 33
5053 0447	Bushing - 6mm	65 - 15
5201 2858	Friction Pad	67 - 10
5203 9502	Grease 501	243 - 6
5206 2684	Shoulder Screw - M3	55 - 3
5206 2684	Shoulder Screw - M3	105 - 21
5206 2686	Snap Ring	147 - 10
5206 2686	Snap Ring	37 - 29
5215 2621	Snap Ring - M6	37 - 31
5215 2621	Snap Ring - M6	47 - 16
5215 2621	Snap Ring - M6	151 - 4
5324 1658	Bushing- 4x8x4.5mm	47 - 10
5324 1658	Bushing- 4x8x4.5mm	41 - 16
5324 1658	Bushing- 4x8x4.5mm	105 - 4
5410 1291	Pin	53 - 1
5442 9103	Launa Oil 40	243 - 10
5443 2668	Bushing - 4x6x7mm	87 - 8
5447 2681	Snap Ring	133 - 13
5447 2681	Snap Ring	139 - 23
5447 2681	Snap Ring	81 - 11
5447 2681	Snap Ring	39 - 23
5447 2681	Snap Ring	159 - 22
5447 2681	Snap Ring	135 - 24
5447 2706	Gear - 15T	75 - 7
5447 9078	Heat Resisting Grease MT-78	243 - 9
5506 6197	Screw - Knife Cam - Leading Edge CL	187 - 1
5936 2321	Rubber Bushing - Vibration Damper	51 - 28
6754 2866	Roller - Positioning Guide	185 - 17