

TOSHIBA

SERVICE PARTS LIST

MULTIFUNCTIONAL DIGITAL SYSTEMS

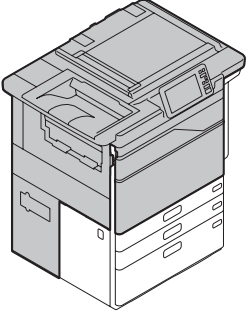
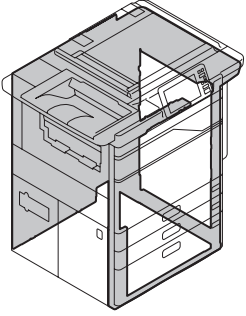
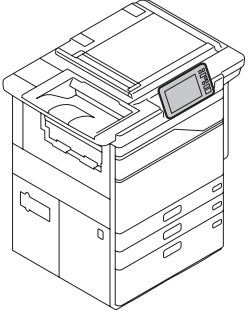
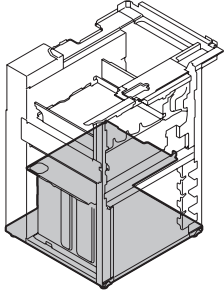
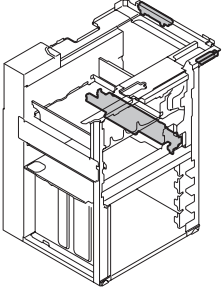
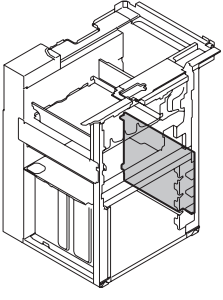
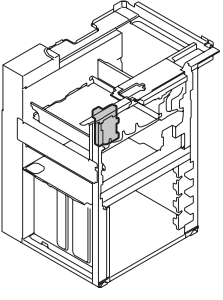
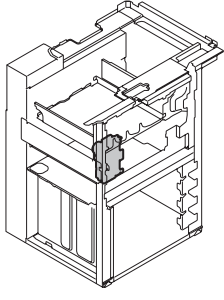
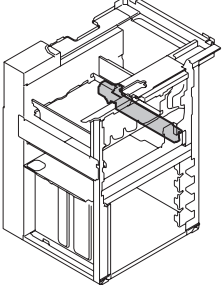
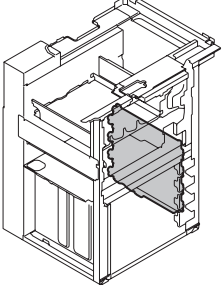
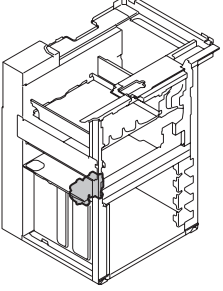
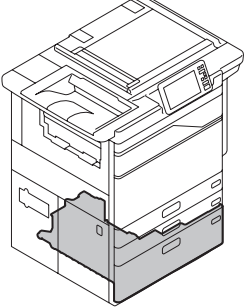
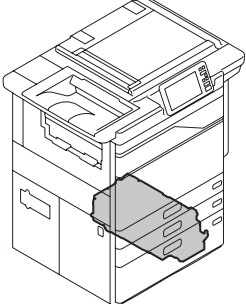
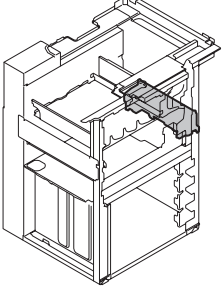
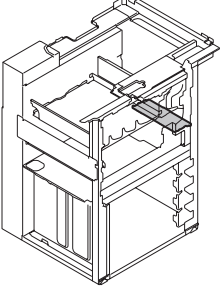
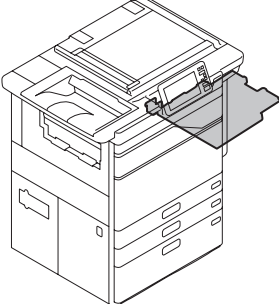
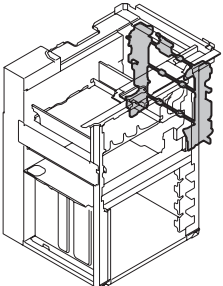
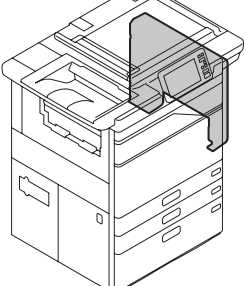
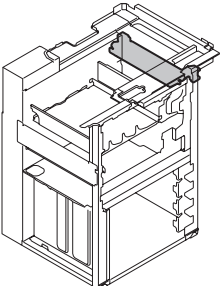
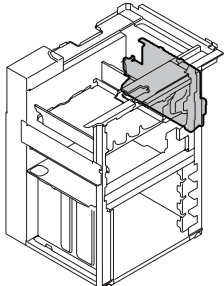
e-STUDIO6529A/7529A/9029A

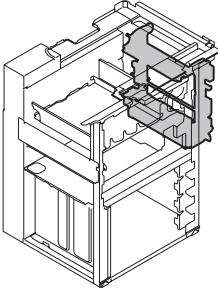
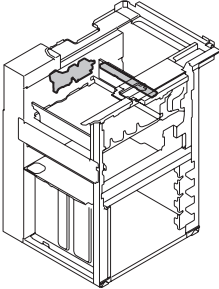
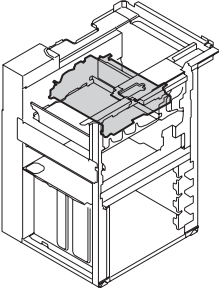
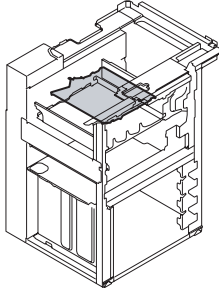
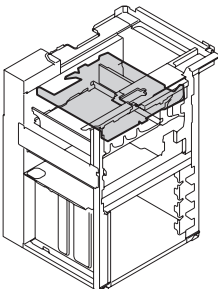
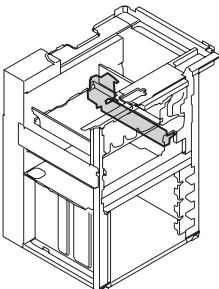
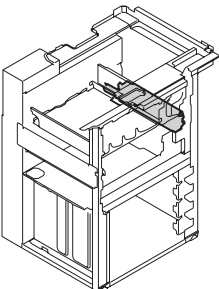
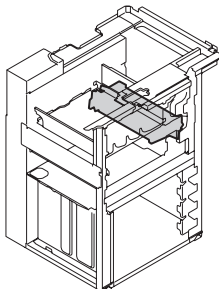
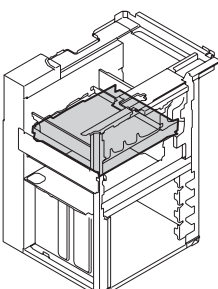
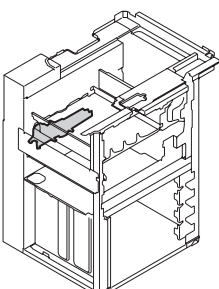
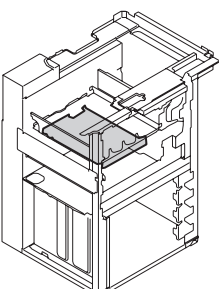
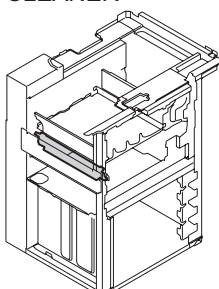
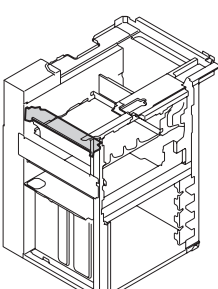
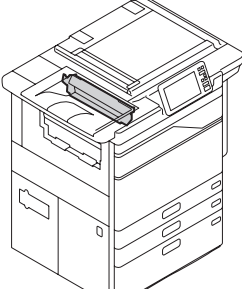
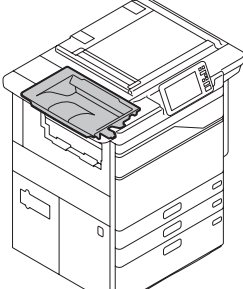
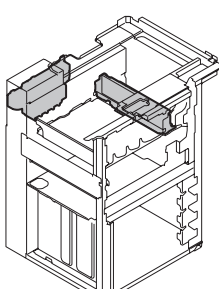
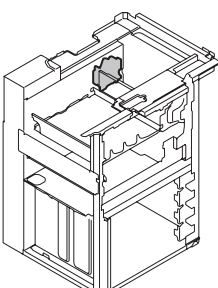
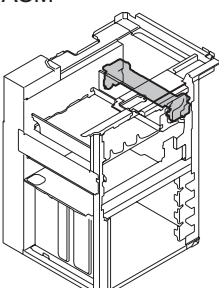
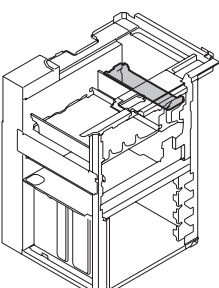
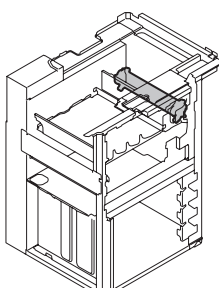
© 2022 Toshiba Tec Corporation All rights reserved

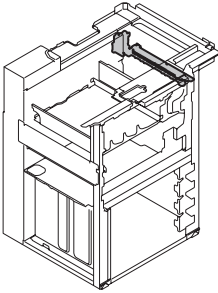
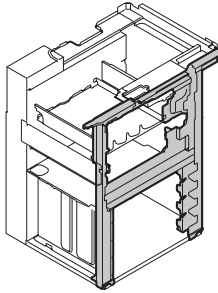
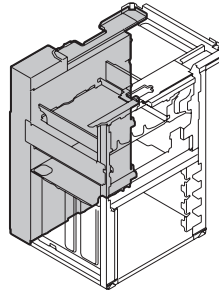
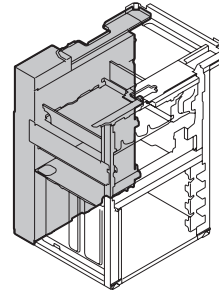
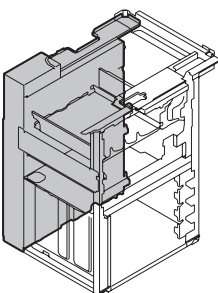
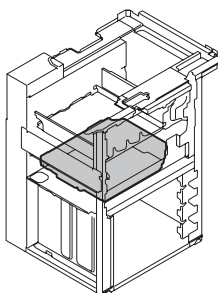
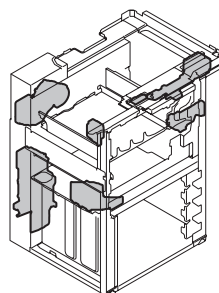
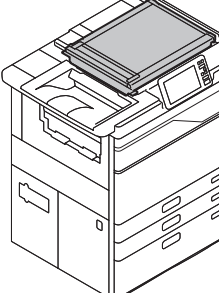
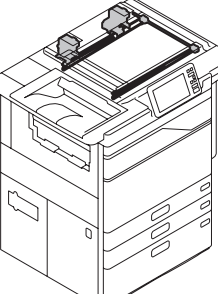
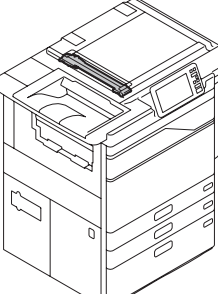
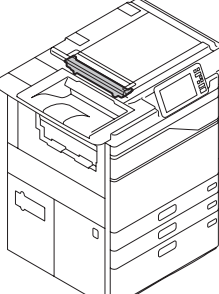
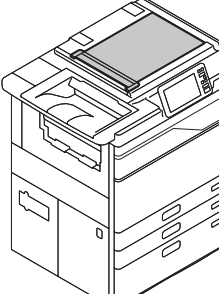
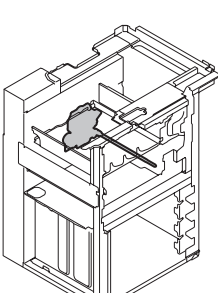
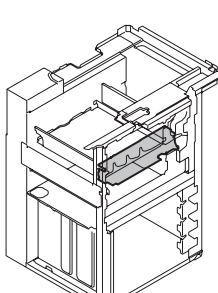
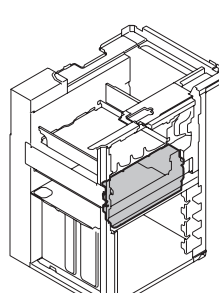
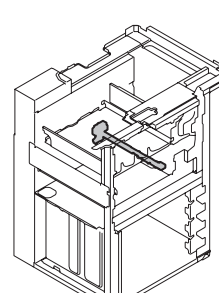
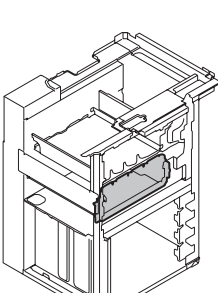
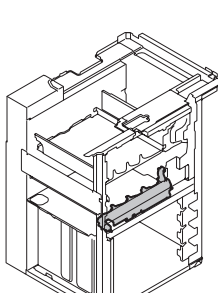
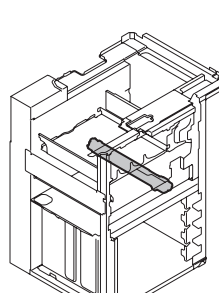
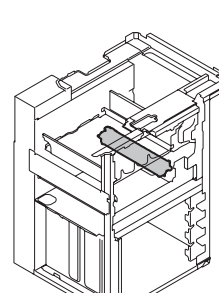
Under the copyright laws, this manual cannot be reproduced in any form without prior written permission of Toshiba Tec Corporation. No patent liability is assumed, however, with respect to the use of the information contained herein.

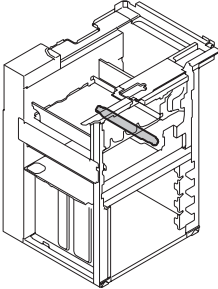
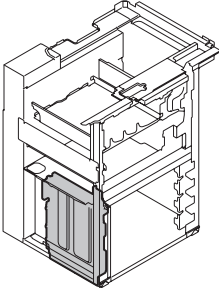
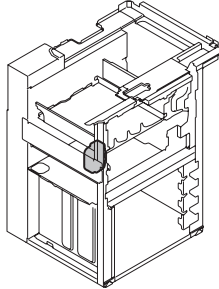
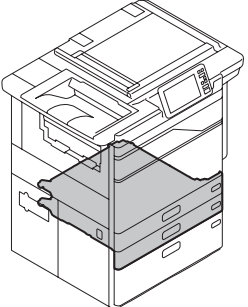
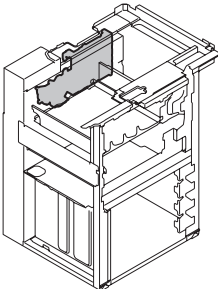
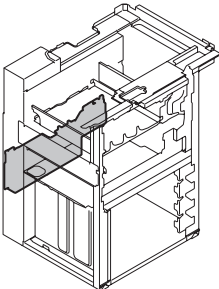
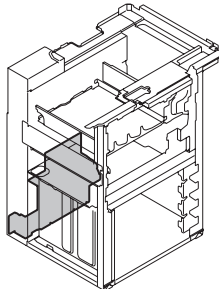
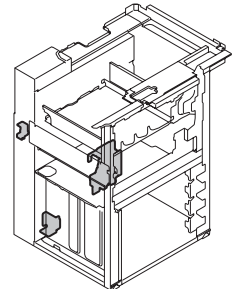
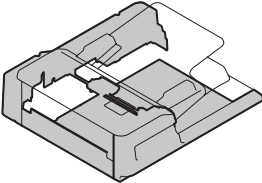
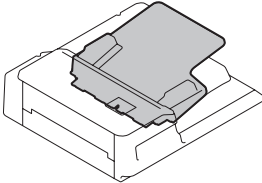
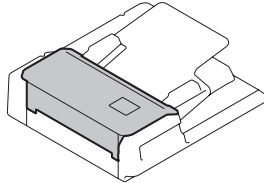
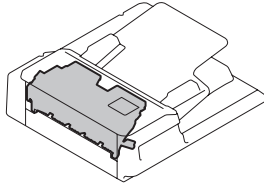
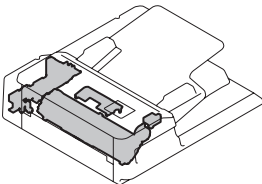
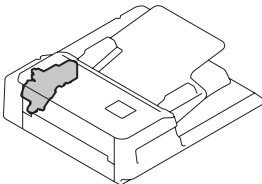
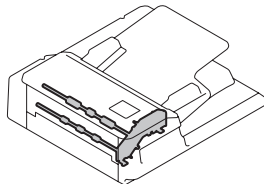
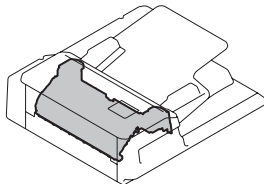
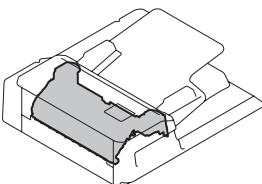
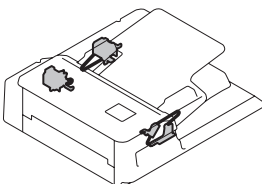
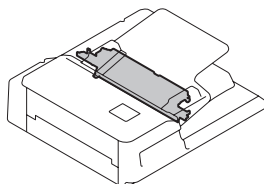
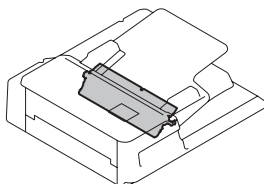
CONTENTS

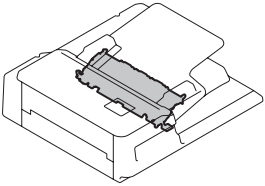
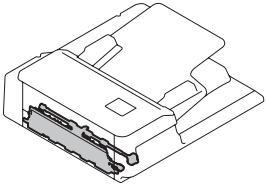
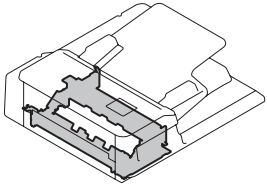
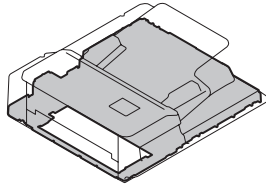
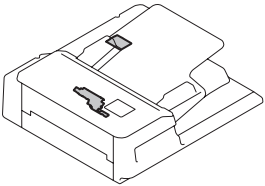
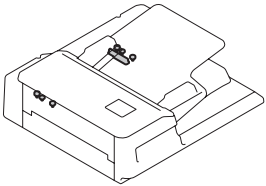
COVER-1-ASM.....	1	DUCT-ASM.....	49
COVER-2-ASM.....	2	OPTICAL-FRAME-ASM	50
CONTROL-PANEL-ASM	3	OPTICAL-DRIVE-ASM.....	51
LOWER-FRAME-ASM.....	5	CRG-1-ASM	52
UPPER-FRAME-ASM	6	CRG-2-ASM	53
FEED-COVER-ASM.....	7	GLASS-ASY	54
FEED-DRIVE-1-ASM.....	8	K-DRIVE-ASM.....	56
FEED-DRIVE-2-ASM.....	9	TONER-ASM	57
FEED-RGST-ASM.....	10	EPU-COVER-ASM	58
FEED-ASM	11	EPU-TRAY-1-ASM.....	59
TANDEM-LCF-DRIVE-ASM	12	EPU-TRAY-2-ASM.....	60
TANDEM-LCF-1-ASM	13	EPU-TRAY-3-ASM.....	61
TANDEM-LCF-2-ASM	14	DEVELOPER-ASM.....	62
MANUAL-FEED-DRIVE-1-ASM	15	CLEANER-ASM.....	63
MANUAL-FEED-DRIVE-2-ASM	16	CHARGER-ASM.....	64
MANUAL-TRAY-ASM	17	EPU-TONER-AUGER-ASM	65
ADU-DRIVE-ASM.....	18	DRAWER-DRIVE-ASM	66
ADU-COVER-ASM.....	19	DRAWER-ASM.....	67
ADU-MID-ASM	20	SYS-ASM	68
ADU-GUIDE-1-ASM	21	LGC-ASM	69
ADU-GUIDE-2-ASM	22	PS-HVT-ASM.....	70
BRIDGE-1-ASM.....	23	ELECTRIC-ASM.....	71
BRIDGE-2-ASM.....	24	DSDF-COVER-ASY	81
BRIDGE-3-ASM.....	25	DSDF-TRAY-ASY	82
BRIDGE-4-ASM.....	26	DSDF-TOP_FEED-1-ASY	83
TRANSFER-ROLLER-DRIVE-ASM	28	DSDF-TOP_FEED-2-ASY	84
TRANSFER-ROLLER-ASM.....	29	DSDF-OPTICAL-ASY.....	85
TRANSFER-BELT-1	30	DSDF-MIDDLE_FEED-DRIVE-ASY.....	86
TRANSFER-BELT-2	31	DSDF-MIDDLE_FEED-1-ASY.....	87
TRANSFER-BELT-3	32	DSDF-MIDDLE_FEED-2-ASY.....	88
TRANSFER-BELT-4	33	DSDF-MIDDLE_FEED-3-ASY.....	89
TRANSFER-BELT-CLEANER	34	DSDF-BOTTOM_FEED-DRIVE-ASY	90
EXIT-1-ASM.....	35	DSDF-BOTTOM_FEED-1-ASY	91
EXIT-2-ASM.....	36	DSDF-BOTTOM_FEED-2-ASY	92
EXIT-3-ASM.....	37	DSDF-BOTTOM_FEED-3-ASY	93
FUSER-AROUND-ASM.....	38	DSDF-BOTTOM_FEED-4-ASY	94
FUSER-DRIVE-ASM	39	DSDF-BOTTOM_FRAME-ASY	95
FUSER-COV-FRAME-ASM.....	40	DSDF-BASE-TRAY-ASY	96
FUSER-GUIDE-ASM.....	41	DSDF-DOUBLE-FEED-DETECTION-ASM ..	97
FUSER-PR-ASM	42	DSDF-INST_ASY	98
FUSER-HR-ASM.....	43	JIGS & GREASE	201
FRONT-FRAME-ASM.....	44	SUPPLIES	202
REAR-FRAME-1-ASM.....	45	REPLACE UNIT	203
REAR-FRAME-2-ASM.....	46	PM-KIT	204
REAR-FRAME-3-ASM.....	47	SERVICE.....	205
LSU-ASM.....	48		

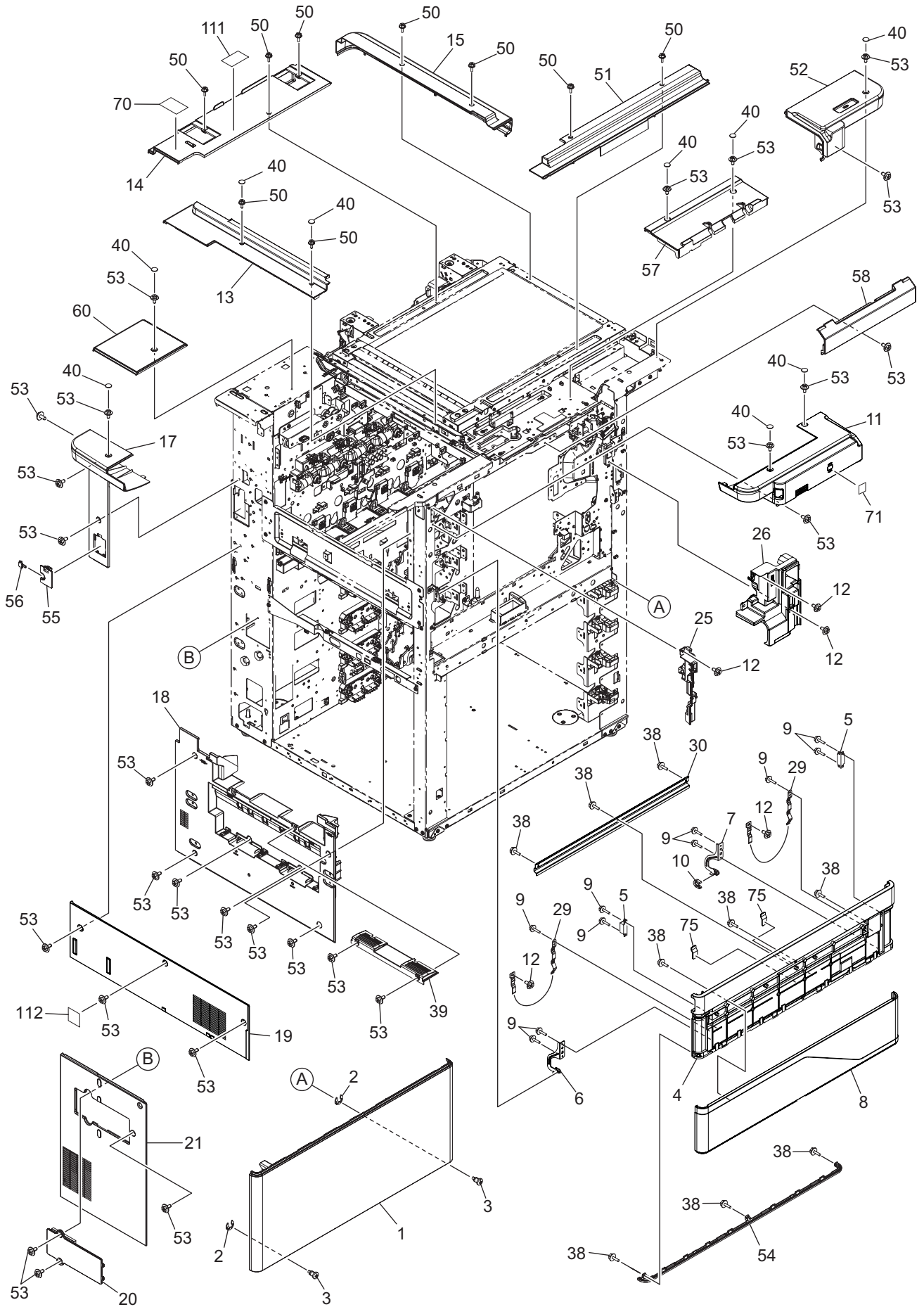
<p>1. COVER-1-ASM</p> 	<p>2. COVER-2-ASM</p> 	<p>3. CONTROL-PANEL-ASM</p> 	<p>5. LOWER-FRAME-ASM</p> 
<p>6. UPPER-FRAME-ASM</p> 	<p>7. FEED-COVER-ASM</p> 	<p>8. FEED-DRIVE-1-ASM</p> 	<p>9. FEED-DRIVE-2-ASM</p> 
<p>10. FEED-RGST-ASM</p> 	<p>11. FEED-ASM</p> 	<p>12. TANDEM-LCF-DRIVE-ASM</p> 	<p>13. TANDEM-LCF-1-ASM</p> 
<p>14. TANDEM-LCF-2-ASM</p> 	<p>15. MANUAL-FEED-DRIVE-1-ASM</p> 	<p>16. MANUAL-FEED-DRIVE-2-ASM</p> 	<p>17. MANUAL-TRAY-ASM</p> 
<p>18. ADU-DRIVE-ASM</p> 	<p>19. ADU-COVER-ASM</p> 	<p>20. ADU-MID-ASM</p> 	<p>21. ADU-GUIDE-1-ASM</p> 

<p>22. ADU-GUIDE-2-ASM</p> 	<p>23. BRIDGE-1-ASM</p> 	<p>24. BRIDGE-2-ASM</p> 	<p>25. BRIDGE-3-ASM</p> 
<p>26. BRIDGE-4-ASM</p> 	<p>28. TRANSFER-ROLLER-DRIVE-ASM</p> 	<p>29. TRANSFER-ROLLER-ASM</p> 	<p>30. TRANSFER-BELT-1</p> 
<p>31. TRANSFER-BELT-2</p> 	<p>32. TRANSFER-BELT-3</p> 	<p>33. TRANSFER-BELT-4</p> 	<p>34. TRANSFER-BELT-CLEANER</p> 
<p>35. EXIT-1-ASM</p> 	<p>36. EXIT-2-ASM</p> 	<p>37. EXIT-3-ASM</p> 	<p>38. FUSER-AROUND-ASM</p> 
<p>39. FUSER-DRIVE-ASM</p> 	<p>40. FUSER-COV-FRAME-ASM</p> 	<p>41. FUSER-GUIDE-ASM</p> 	<p>42. FUSER-PR-ASM</p> 

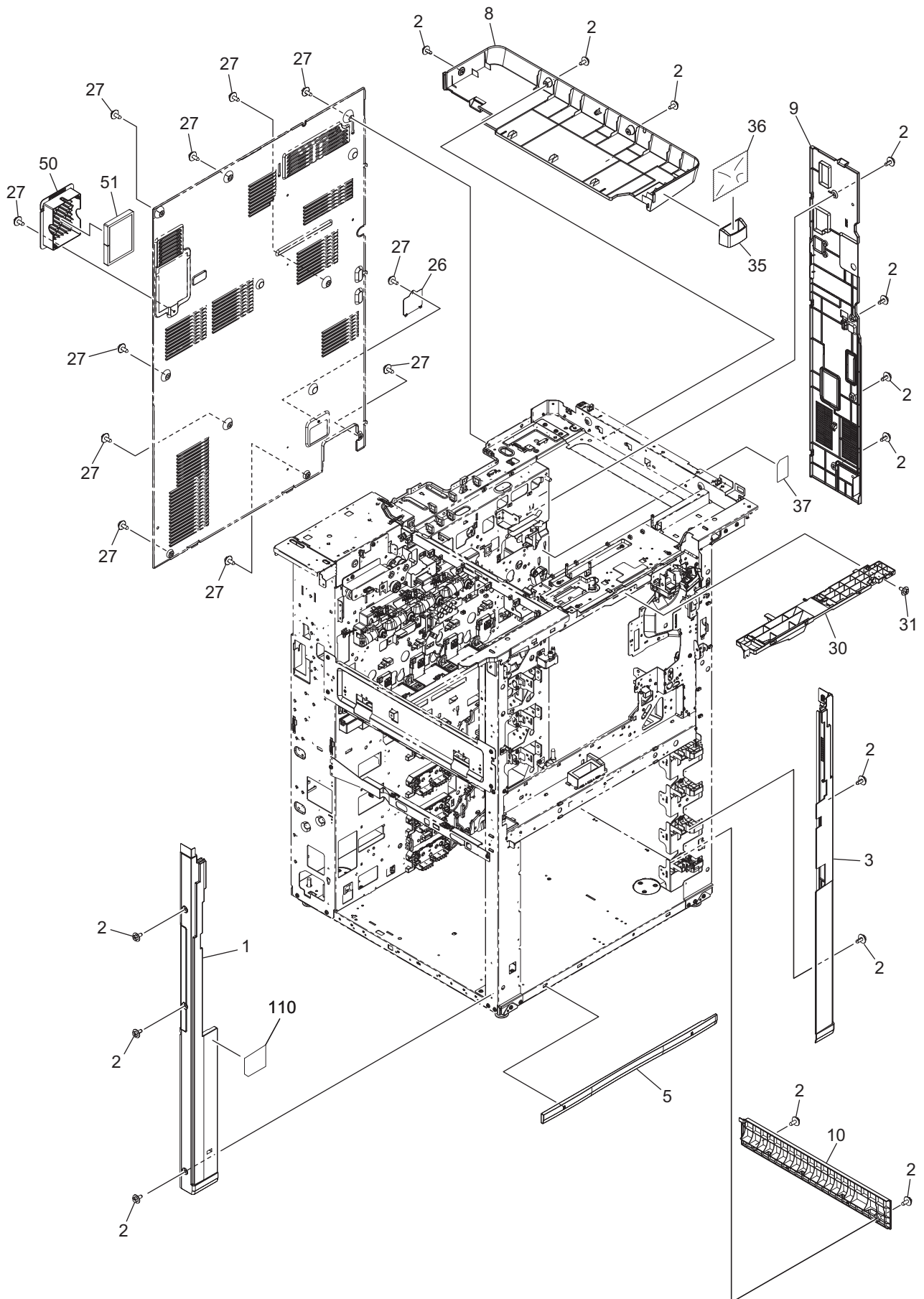
<p>43. FUSER-HR-ASM</p> 	<p>44. FRONT-FRAME-ASM</p> 	<p>45. REAR-FRAME-1-ASM</p> 	<p>46. REAR-FRAME-2-ASM</p> 
<p>47. REAR-FRAME-3-ASM</p> 	<p>48. LSU-ASM</p> 	<p>49. DUCT-ASM</p> 	<p>50. OPTICAL-FRAME-ASM</p> 
<p>51. OPTICAL-DRIVE-ASM</p> 	<p>52. CRG-1-ASM</p> 	<p>53. CRG-2-ASM</p> 	<p>54. GLASS-ASY</p> 
<p>56. K-DRIVE-ASM</p> 	<p>57. TONER-ASM</p> 	<p>58. EPU-COVER-ASM</p> 	<p>59. EPU-TRAY-1-ASM</p> 
<p>60. EPU-TRAY-2-ASM</p> 	<p>61. EPU-TRAY-3-ASM</p> 	<p>62. DEVELOPER-ASM</p> 	<p>63. CLEANER-ASM</p> 

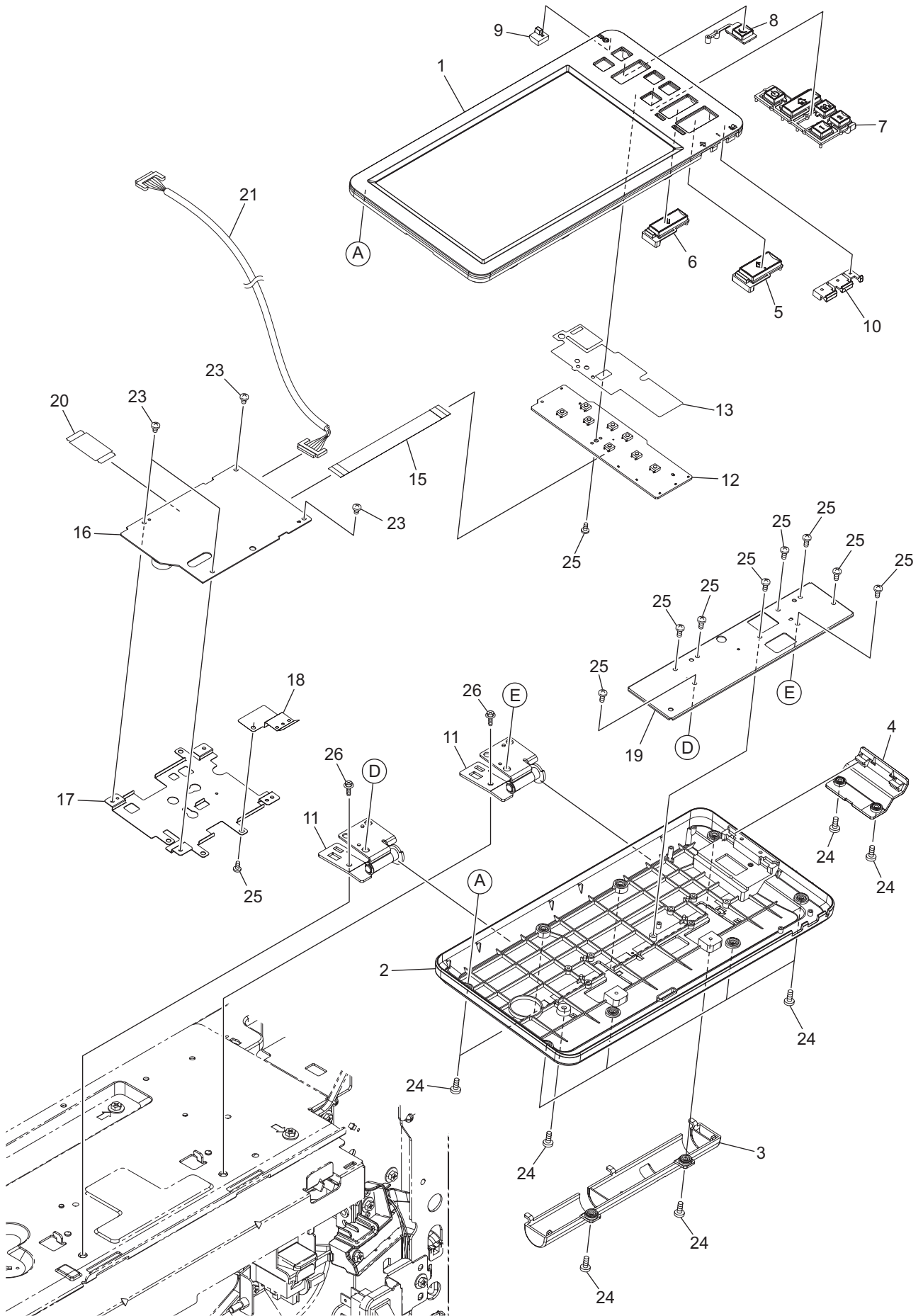
<p>64. CHARGER-ASM</p> 	<p>65. EPU-TONER-AUGER-ASM</p> 	<p>66. DRAWER-DRIVE-ASM</p> 	<p>67. DRAWER-ASM</p> 
<p>68. SYS-ASM</p> 	<p>69. LGC-ASM</p> 	<p>70. PS-HVT-ASM</p> 	<p>71. ELECTRIC-ASM</p> 
<p>81. DSDF-COVER-ASY</p> 	<p>82. DSDF-TRAY-ASY</p> 	<p>83. DSDF-TOP_FEED-1-ASY</p> 	<p>84. DSDF-TOP_FEED-2-ASY</p> 
<p>85. DSDF-OPTICAL-ASY</p> 	<p>86. DSDF-MIDDLE_FEED-DRIVE-ASY</p> 	<p>87. DSDF-MIDDLE_FEED-1-ASY</p> 	<p>88. DSDF-MIDDLE_FEED-2-ASY</p> 
<p>89. DSDF-MIDDLE_FEED-3-ASY</p> 	<p>90. DSDF-BOTTOM_FEED-DRIVE-ASY</p> 	<p>91. DSDF-BOTTOM_FEED-1-ASY</p> 	<p>92. DSDF-BOTTOM_FEED-2-ASY</p> 

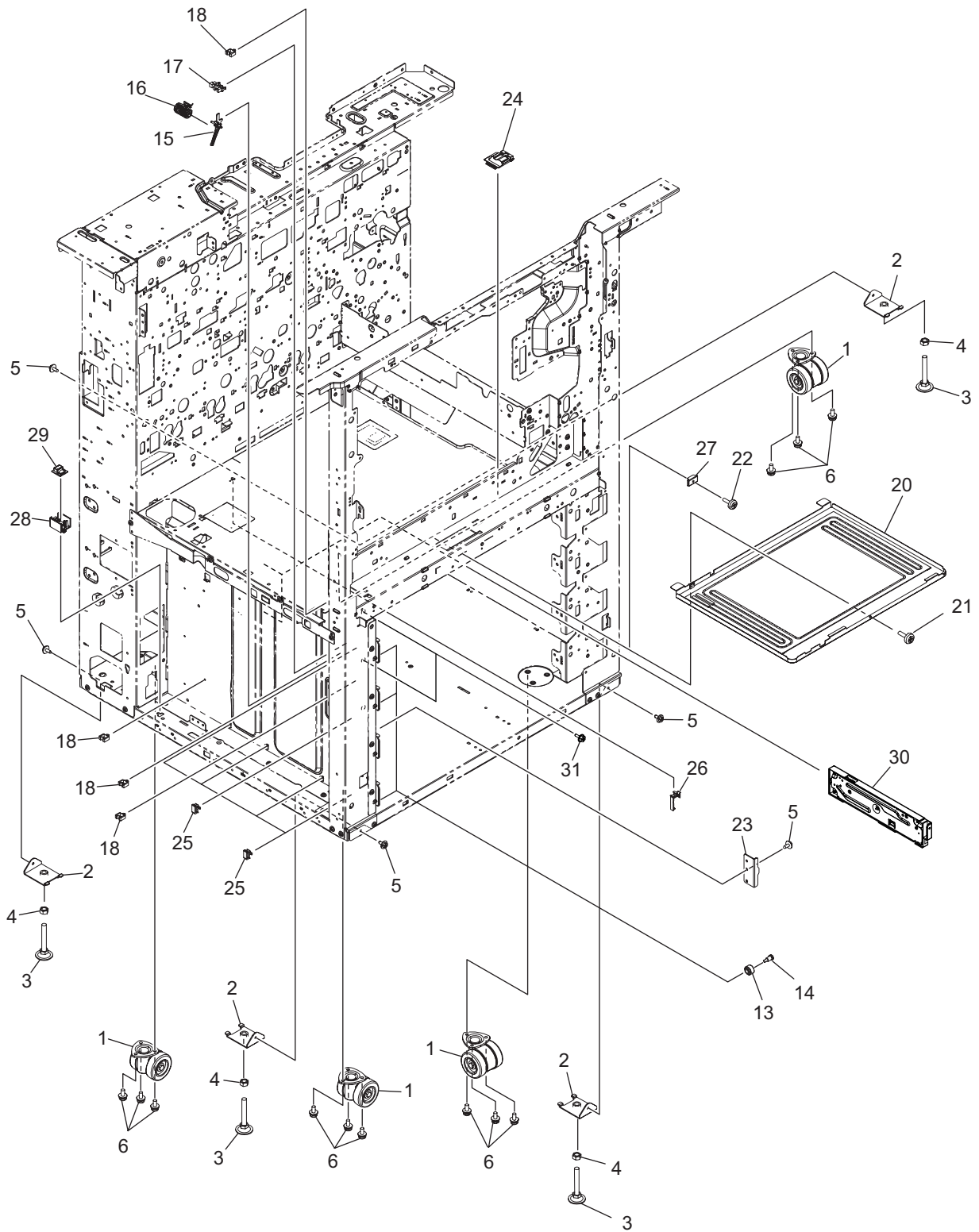
<p>93. DSDF-BOTTOM_FEED-3-ASY</p> 	<p>94. DSDF-BOTTOM_FEED-4-ASY</p> 	<p>95. DSDF-BOTTOM_FRAME-ASY</p> 	<p>96. DSDF-BASE-TRAY-ASY</p> 
<p>97. DSDF-DOUBLE-FEED-DETECTION-ASM</p> 	<p>98. DSDF-INST_ASY</p> 		

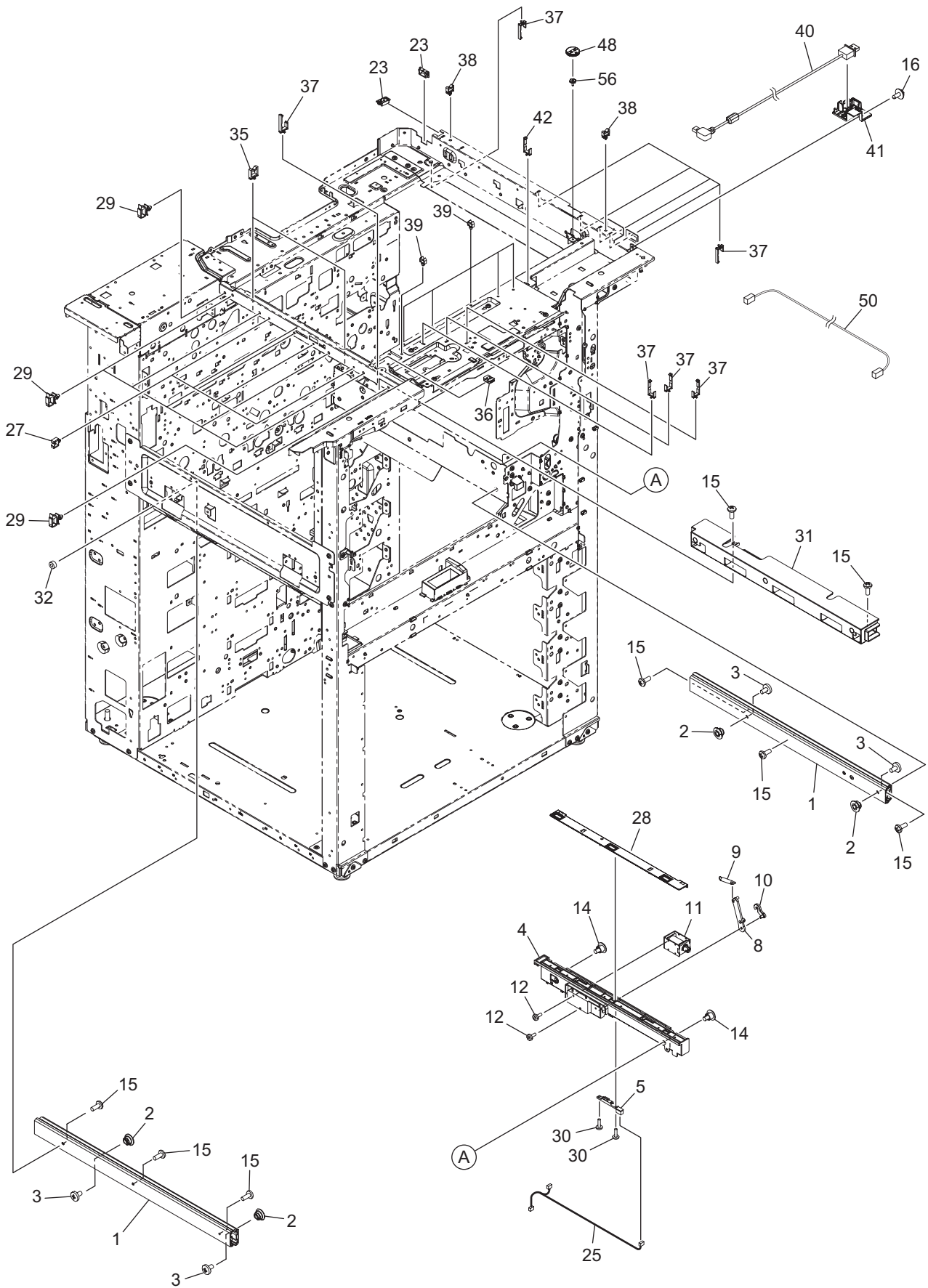


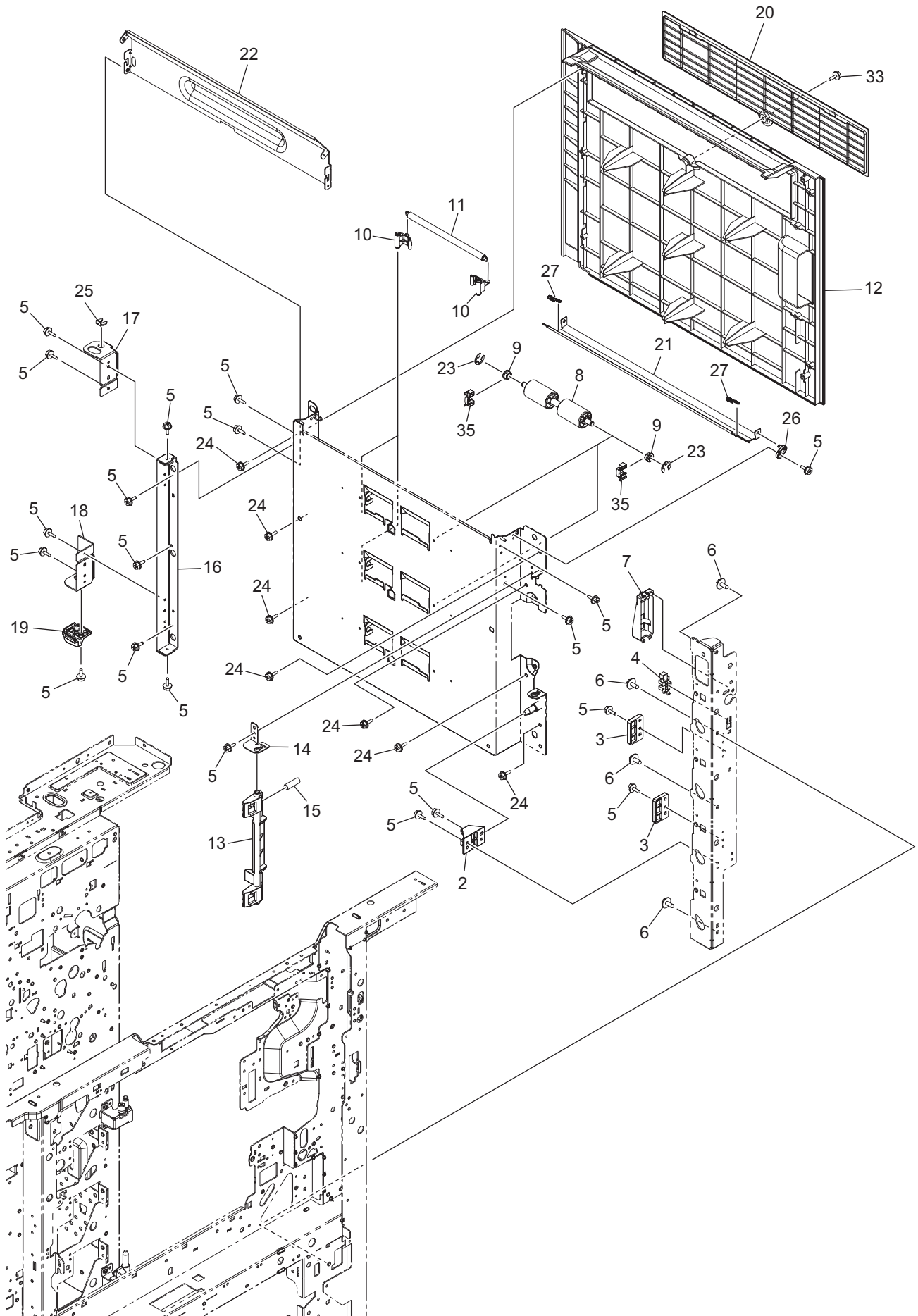
ITEM No.	PART No.	PART NAME	Q'TY / PAGE	Q'TY / PACK	REMARKS
1	6LK40221000	COVER-FRONT-EPU-H38X	1	1/PP	
2	X0-00965000	RR/E-4-SS	2	10/P	
3	6LA65682000	SCREW-CLNR-DEV	2	10/P	
4	6LL60001000	COV-FRT-TNR-BASE-K18X	1	1/PP	
5	F0-01564000	CA-0168C	2	5/P	
6	6LH02316200	ASYS-HNG-L_38X2	1	1/P	
7	6LH02315200	ASYS-HNG-R_38X2	1	1/P	
8	6LL60031000	ASYS-COV-FRT-TNR-TSB	1	1/PP	
9	X0-02248000	S/TPP/FHEXM-3X10-NI	10	10/P	
10	4407972860	STOP-RING-6-5	1	5/P	
11 A	6LK40263E00	ASYS-COV-FRT-L-6529A	1	1/PP	eS6529A
11 B	6LK40263G00	ASYS-COV-FRT-L-9029A	1	1/PP	eS9029A
11 D	6LK40263F00	ASYS-COV-FRT-L-7529A	1	1/PP	eS7529A
12	X0-02421000	S/TPS/FHEXM/R-4X8-ZU3	5	10/P	
13	6LK40217000	COV-TP-LFT-SCAN-H38X	1	1/PP	
14	6LK40218000	COV-TP-RER-SCAN-H38X	1	1/PP	
15	6LK42905000	ASYS-COV-TP-RGT-SCAN-H380	1	1/PP	
17	6LK40219000	COVER-LEFT-REAR-H38X	1	1/PP	
18	6LH02408300	COVER-LFT-EXIT-H38X	1	1/PP	
19	6LH02411500	COVER-LFT-LSU-K18X	1	1/PP	
20	6LH02357100	ASYS-COVER-FLT-H38X	1	1/PP	
21	6LH02407300	COVER-DUCT-H38X	1	1/PP	
25	6LH02354400	COVER_INNER_L-K13X	1	1/PP	
26	6LK40206200	COVER_INNER_R-K18X	1	1/PP	
29	6LH02317000	BAND-CV-FRT-TNR	2	1/P	
30	6LL60024000	STAY-COV-F-TNR-K18X	1	1/PP	
38	X0-02247000	S/TPP/FHEXM-3X8-NI	9	10/P	
39	6LH02381300	COVER-LFT-EX-UPR-H38EF	1	1/PP	
40	6LK40237000	LID-SCREW-H38X	9	5/P	
50	X0-02672000	S/FHEXM-M3X8-ZB3	9	10/P	
51	6LK40215000	COV-TP-FRT-SCAN-H38X	1	1/PP	
52	6LK40255000	COV-TP-FRT-R-K13X	1	1/PP	
53	X0-02678000	S/TPS/FHEXM/R-4X8-ZB3	27	10/P	
54	6LK40205100	FRONT-DMHS	1	1/PP	
55	6LK48728000	COVER-DF-CNT-H373	1	1/P	
56	6LK48727000	COVER-DF-SUB-H373	1	1/P	
57	6LK40257000	COVER-TP-FRT-M-K13X	1	1/PP	
58	6LK40256000	COV-TP-UNDER-K13X	1	1/PP	
60	6LK40204000	COVER-LEFT-REAR-TOP-H38X	1	1/PP	
70	6LK56550000	LBL-CLEANING	1	1/KP	
71	6LK56621000	LBL-IDGATE-MARK-KP2007	1	1/P	Exclusively supplied as the service part
75	6LL60717000	CUSHION-F-COV-K18X	2	1/P	
111	6LL10716000	LBL-PROHIBIT-H44X	1	1/P	
112	6LH08323100	LBL-MASK-COV-SCN-H38X	1	1/P	

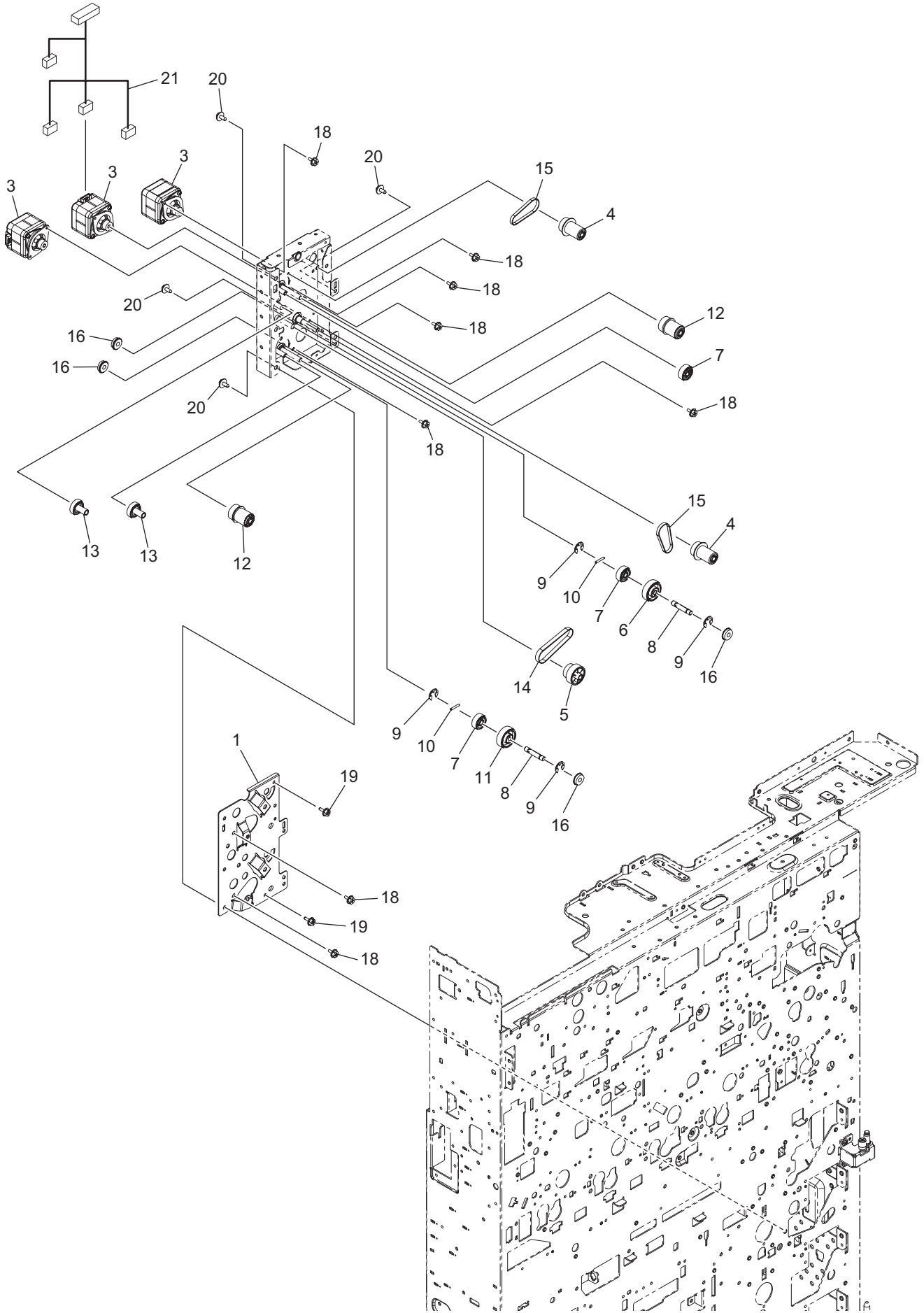


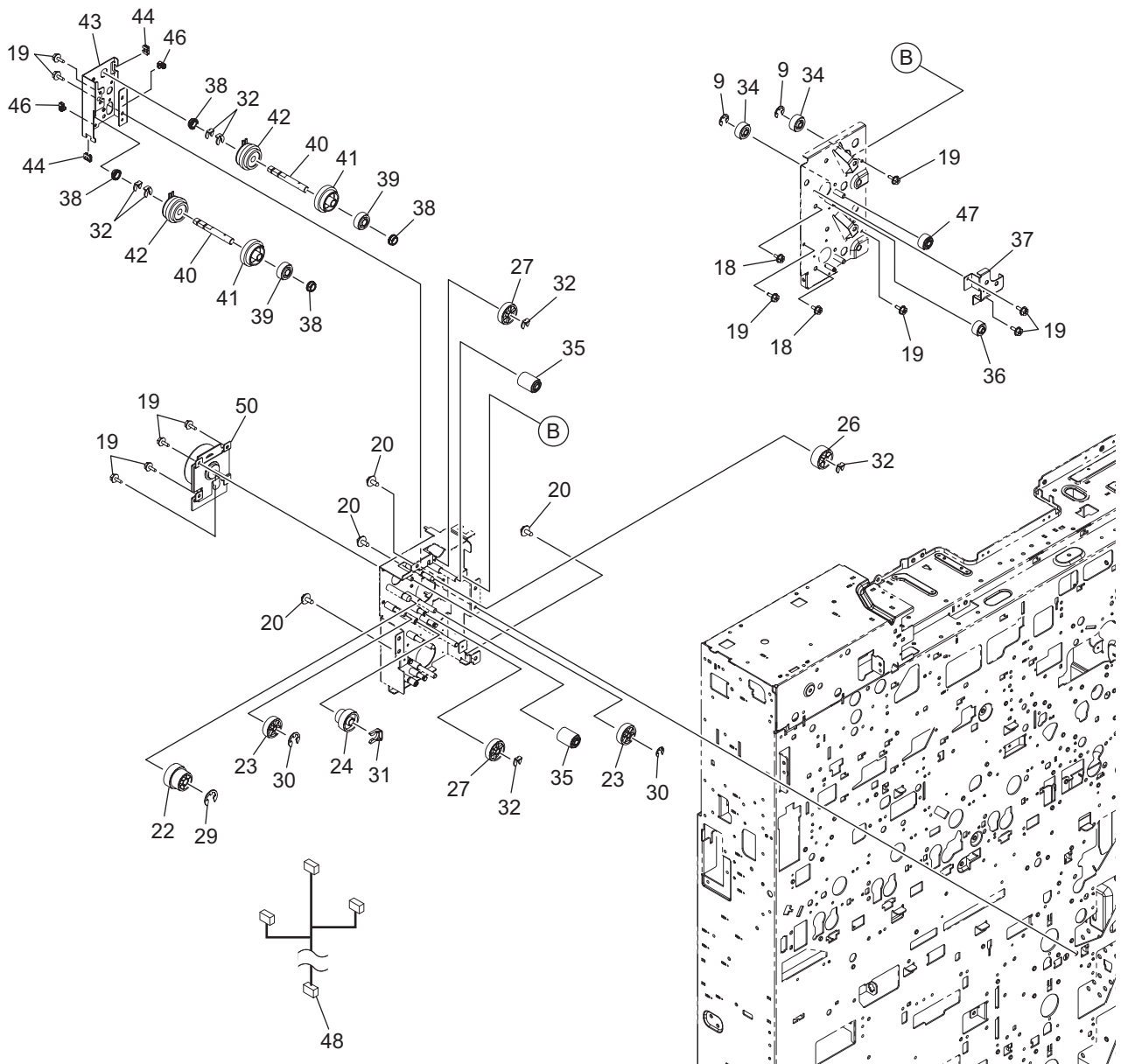


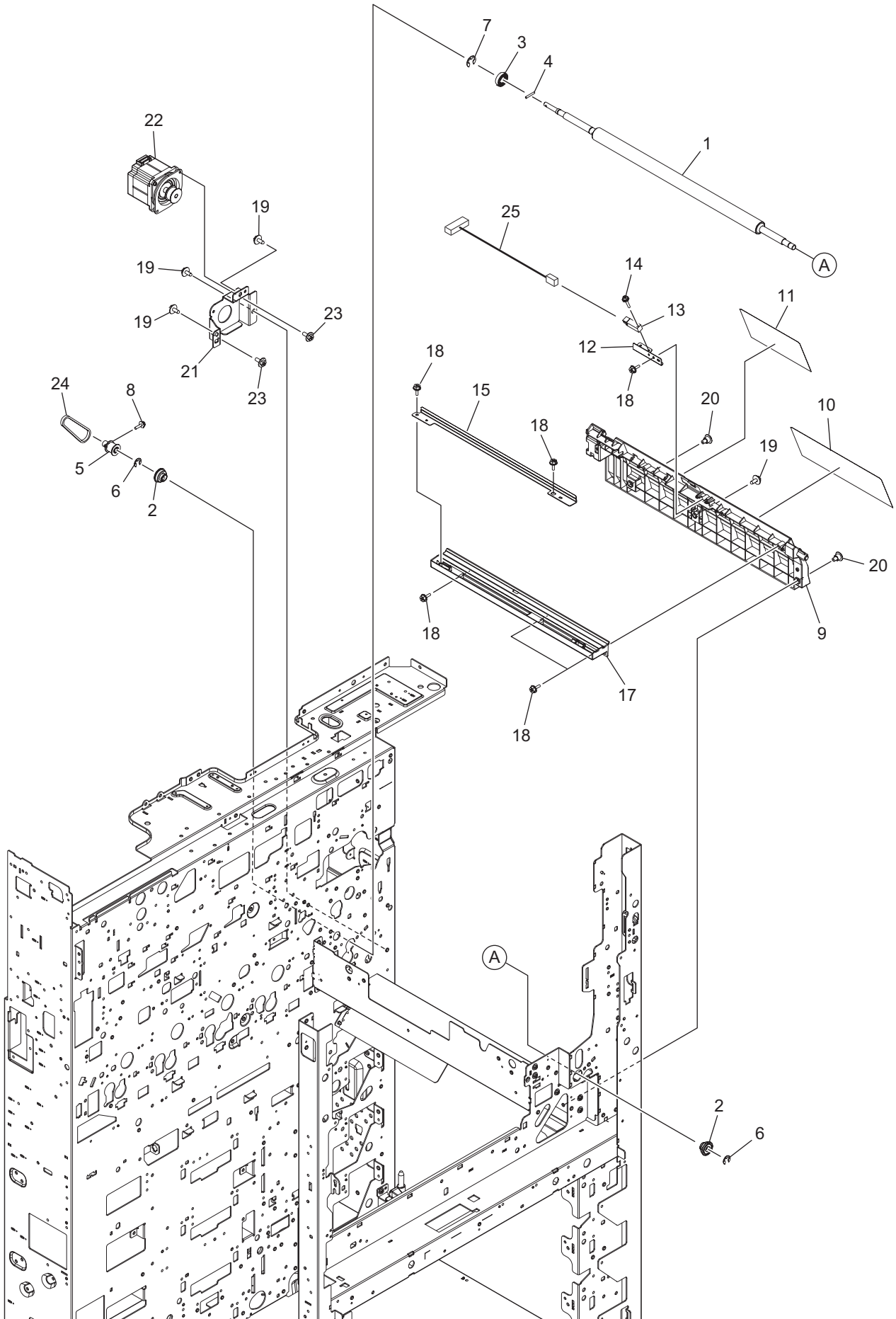




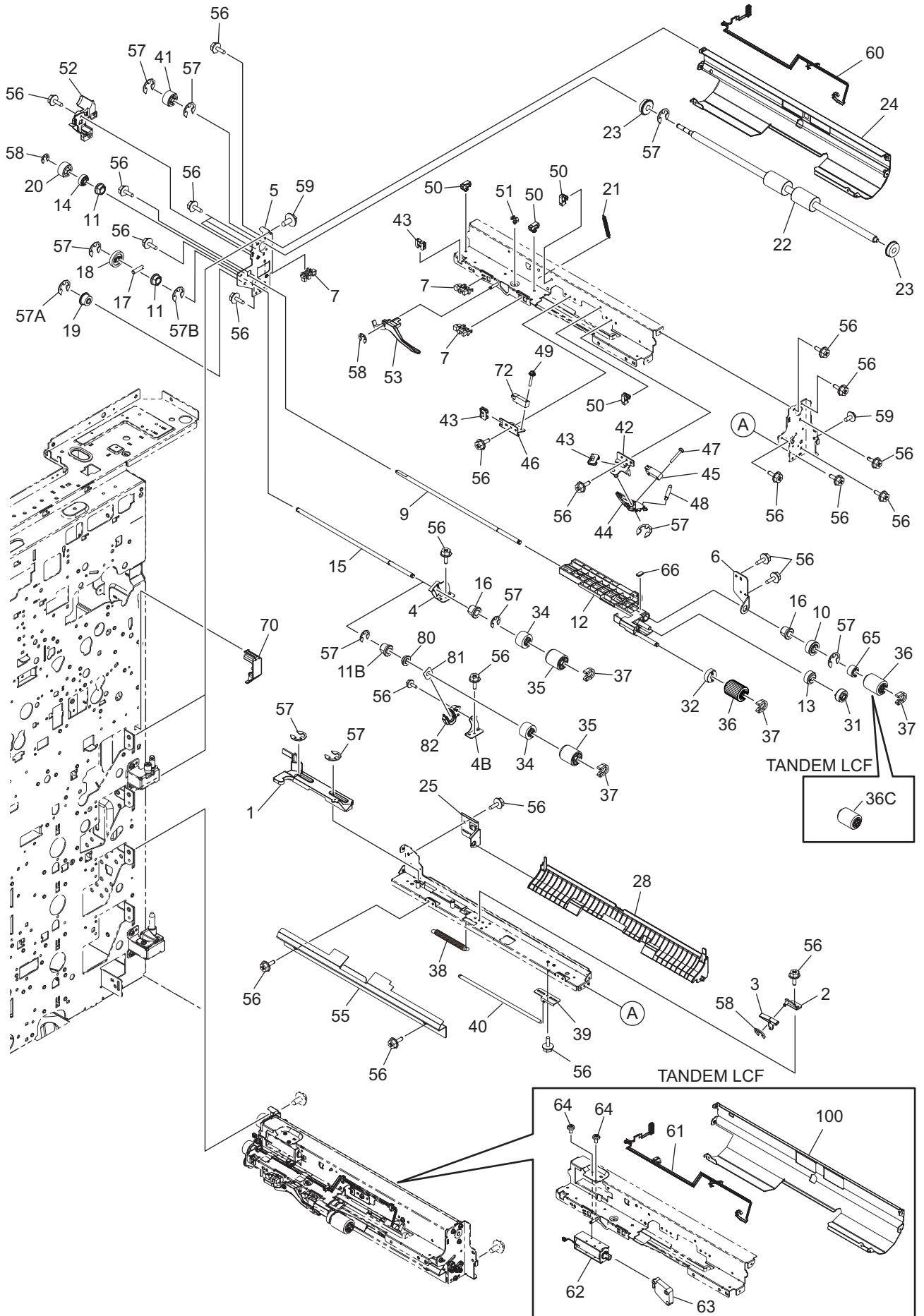




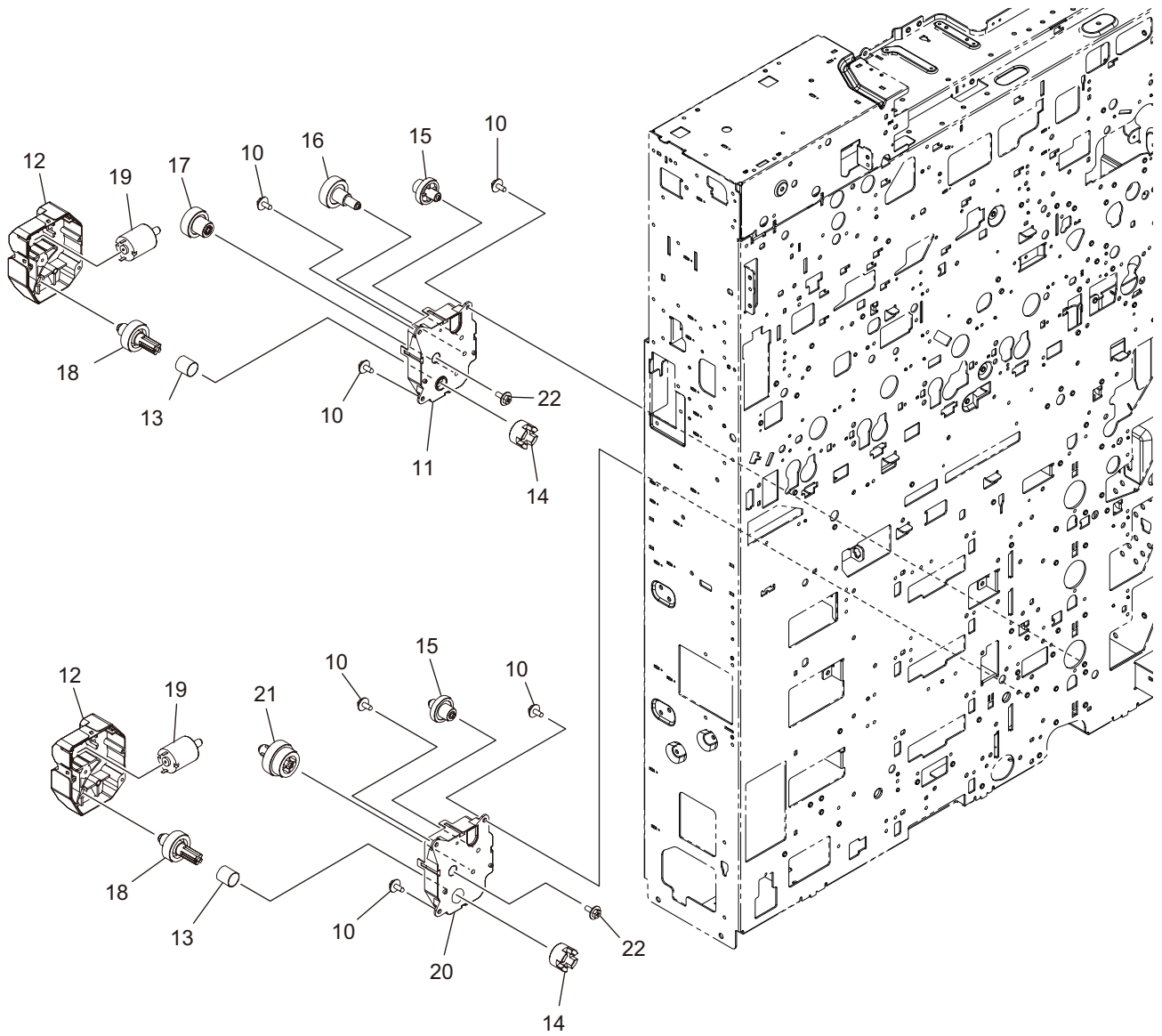


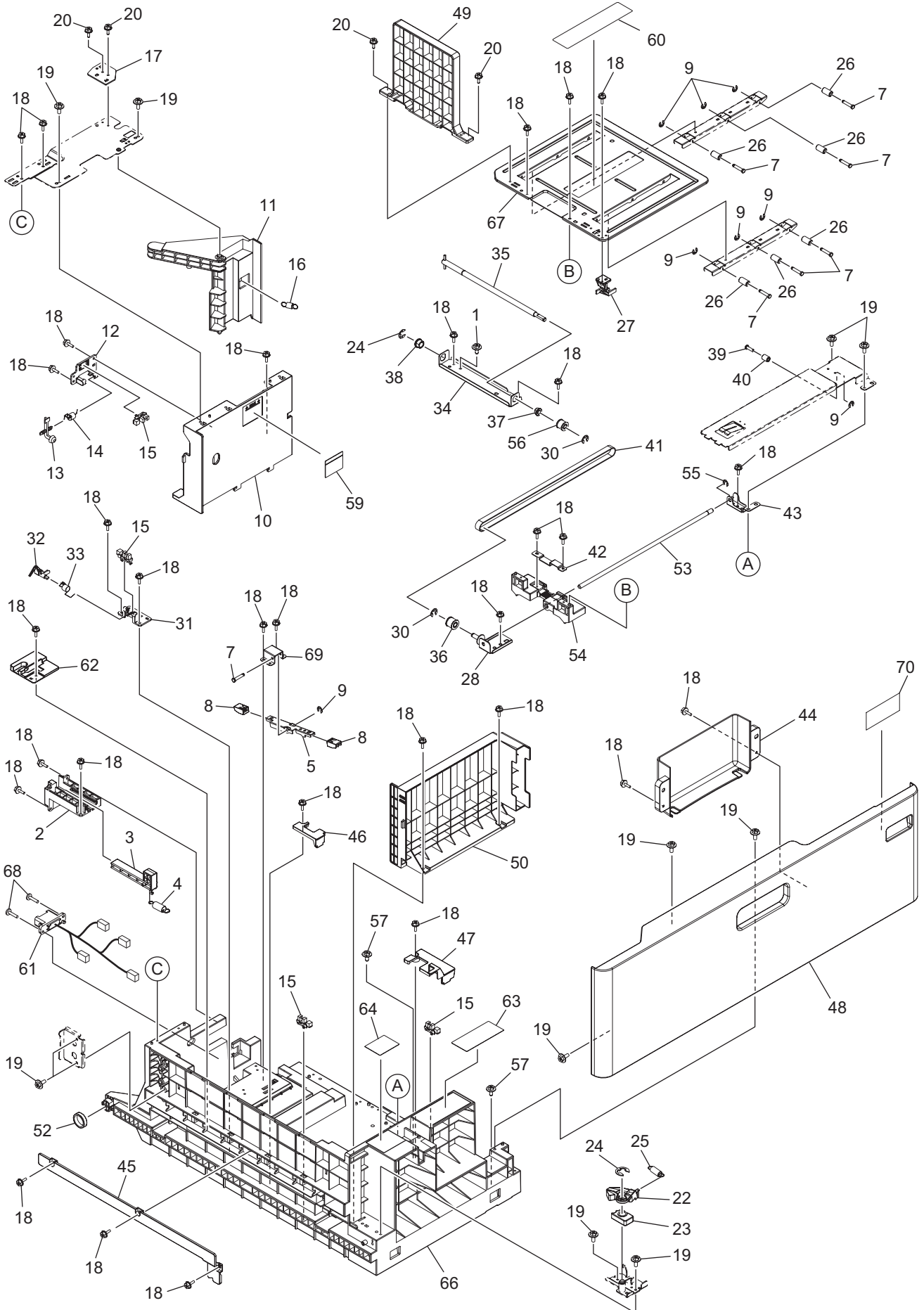


ITEM No.	PART No.	PART NAME	Q'TY / PAGE	Q'TY / PACK	REMARKS
1	6LK41570100	ROLLER-RGST-L-H38X-PBF2	1	1/KP	
2	6LH04587000	ASYS-BUSH-RGST	2	1/P	
3	6LJ07612000	GEAR-RGST-H130	1	1/P	
4	X0-01165000	P/PRL/AH7-2X14-SS	1	10/P	
5	6LJ07617000	PULLY-3GT17-06-H13X	1	1/P	
6	X0-00968000	RR/E-7-SS	2	10/P	
7	X0-00970000	RR/E-9-SS	1	10/P	
8	X0-00094000	S/PAN/SWWP-M3X10-NI	1	10/P	
9	6LK41546000	GUIDE-RGST-L-430_S	1	1/PP	
10	6LK41548000	SHEET-GUIDE-RG-L7-H38X	1	1/KP	
11	6LK41547000	SHEET-GUIDE-RGST-L-R-H38X	1	1/KP	
12	6LH04669000	BRKT-SNSR-RGST	1	1/P	
13	C0-15007000	PS119ED1	1	1/C	
14	X0-02135000	S/PAN/SWWP-M3X14-NI	1	10/P	
15	6LL61328000	ASYS-SHEET-CLEAN-GUIDE	1	1/KP	
17	6LH04730100	HOLDER-PAPER-POWDER-L_S	1	1/PP	
18	X0-02247000	S/TPP/FHEXM-3X8-NI	6	10/P	
19	X0-02421000	S/TPS/FHEXM/R-4X8-ZU3	4	10/P	
20	6LA37669000	SCREW-LOCK-ARM	2	5/P	
21	6LJ07618000	BRKT-MOT-RGST-H13X	1	1/P	
22	6LK41512000	MOTR.S-RGST-H38X	1	1/C	
23	X0-02235000	S/FHEXM-M4X8-NI	2	10/P	
24	4406350060	BLT/T-174-3GT-4	1	1/P	
25	6LH08999000	HRNS-RGTSN-430	1	1/P	

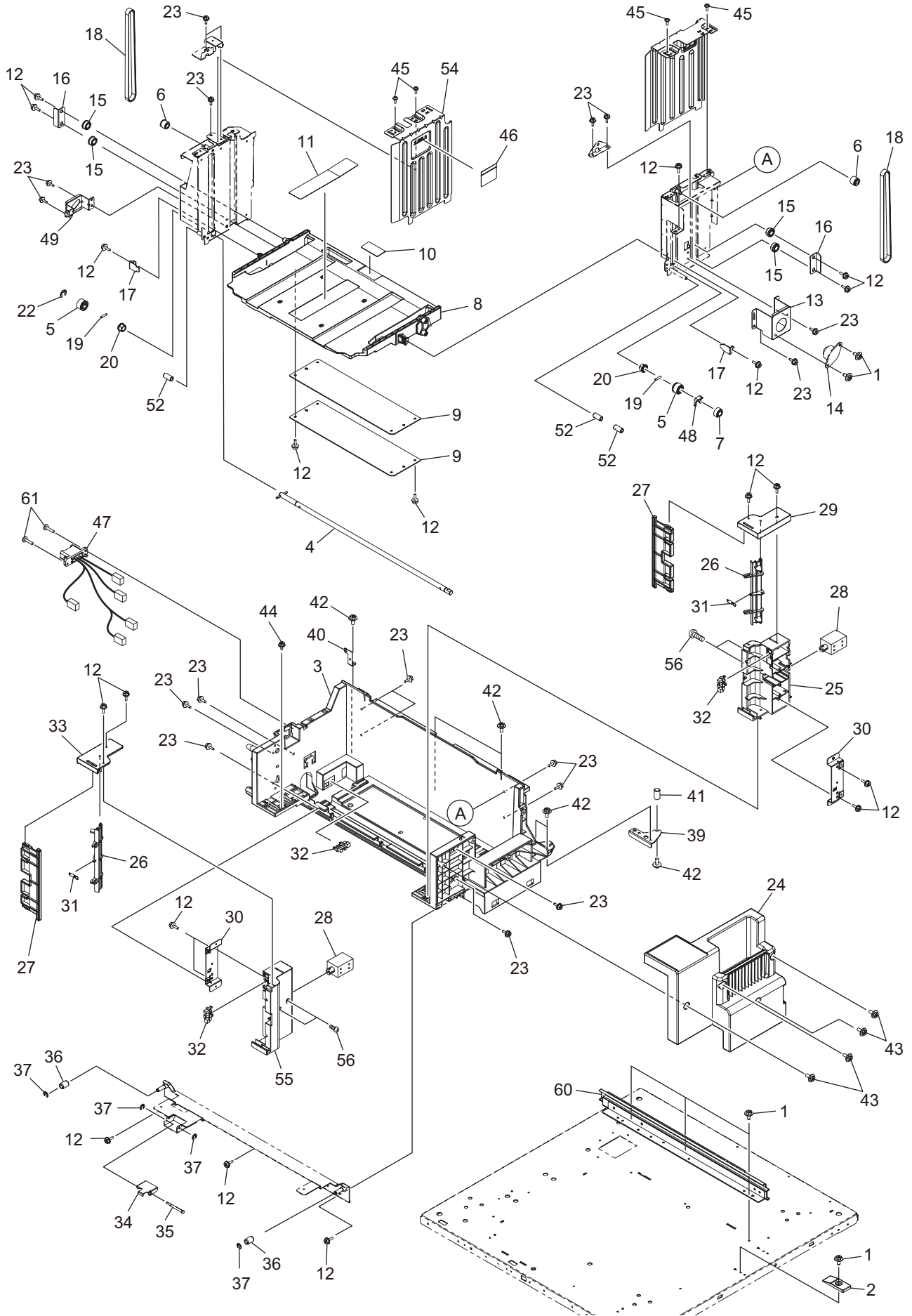


ITEM No.	PART No.	PART NAME	Q'TY / PAGE	Q'TY / PACK	REMARKS
1	6LL61918000	LEVER-FEED-UNIT-SC	1	1/P	
2	6LH04826000	ASYS-BRKT-LEVER-SPT	1	1/P	
3 A	6LH04616000	LEVER-SPT-ROL-430	1	1/P	eS6529A,eS7529A
3 B	6LL61306000	LEVER-SPT-ROL-K18X	1	1/P	eS9029A
4 A	6LH04617000	BRKT-SUP-ROL-SPT	1	1/P	eS6529A/7529A
4 B	6LL61312000	BRKT-SUP-ROL-SPT-K18X	1	1/P	eS9029A
5 A	6LL61304000	ASYS-FRM-FS-R-K18X	1	1/P	eS6529A,eS7529A
5 B	6LL61303000	ASYS-FRM-FS-R-K185	1	1/P	eS9029A
6	6LH04618000	BRKT-SUP-ROL-FEED	1	1/P	
7	C0-20495000	LG2A24BL1	3	1/C	
9	6LH04784100	SHAFT-ROL-FEED-430-PBF2	1	1/P	
10	6LH04629000	GEAR-08S24-6L	1	1/P	
11 A	6LH53768000	BUSH-6-NU4	2	1/P	eS6529A,eS7529A
11 B	6LH53768000	BUSH-6-NU4	3	1/P	eS9029A
12	6LH04827100	ASYS-ARM-PICK-K185	1	1/C	
13	6LH04742000	GEAR-08S23-6	1	1/P	
14 A	6LH04638000	GEAR-08S20-6	1	1/P	eS6529A,eS7529A
14 B	6LL61309000	GEAR-6S17-6-K185	1	1/P	eS9029A
15 A	6LH04828000	ASYS-SHAFT-ROL-SPT-430	1	1/P	eS6529A,eS7529A
15 B	6LH04828100	ASYS-SHAFT-ROL-SPT-K185	1	1/P	eS9029A
16 A	6LA03977000	BUSH-F6-GCB	2	5/P	eS6529A,eS7529A
16 B	6LA03977000	BUSH-F6-GCB	1	5/P	eS9029A
17	X0-00979000	P/PRL/AH7-2X8-SS	1	10/P	
18 A	4407906230	GEAR-08-30	1	1/P	eS6529A,eS7529A
18 B	6LL49423000	GEAR-6S41-6-SH3	1	1/P	eS9029A
19 A	6LE05774000	K-GEAR-08S022-LW-390	1	1/P	eS6529A,eS7529A
19 B	6LL61301000	GEAR-6S17-6S35-6-K185	1	1/P	eS9029A
20 A	6LH04612000	GEAR-10S20-6	1	1/P	eS6529A,eS7529A
20 B	6LL61308000	GEAR-10S20-6-K185	1	1/P	eS9029A
21	6LA03873000	SPE-P/U-110	1	5/P	
22	6LL61337000	ROLLER-FS-TR-K18X	1	1/KP	
23	F0-01482000	RNR-1560ZZRP0P24LY121	2	1/P	
24 A	6LL61300000	GUIDE-FS-U-K18X	1	1/PP	Except T-LCF
25	6LK41502000	BRKT-GUIDE-FEED-H38X	1	1/P	
28	6LK41508100	GUIDE-FS-OPEN-K18X	1	1/C	
31	6LH04740000	GEAR-08S23-6-CUP	1	1/P	
32	6LH04741000	GEAR-08S24-6-CUP	1	1/P	
34	6LK41540000	TL-SEP-ROL-Y-45-N2	1	1/P	
35 A	6LA04042000	ASYS-ROL-SPT	1	1/P	Except T-LCF
35 B	6LK41558000	ASYS-ROL-SPT-H38X	1	1/P	T-LCF
36 A	6LA04047100	ASYS-ROL-FEED_W	2	1/P	Except T-LCF
36 B	6LA04047100	ASYS-ROL-FEED_W	1	1/P	T-LCF
36 C	6LK41557000	ASYS-ROL-FEED-H38X	1	1/P	T-LCF
37	4407972860	STOP-RING-6-5	3	5/P	
38	6LL61325000	SP-SC-5N-L83	1	1/P	
39	6LH04663000	BRKT-HOLD-SPE-430	1	1/P	
40	6LH04745000	SPG-E-7XR6X82-ROL-SPT	1	1/P	
41	6LH04636000	GEAR-10S20-6L	1	1/P	
42	6LH04830000	ASYS-BRKT-SNSR-SPT	1	1/P	
43	F0-02296000	ES-0505-2	3	5/P	
44	6LH04652000	LEVER-FS-SNSR-SPT	1	1/P	
45	C0-15009000	PS124TD1-B	1	1/C	
46	6LL61302000	BRKT-SNSR-TR-K18X	1	1/P	
47	X0-02127000	S/TPP/PAN-3X16-NI	1	10/P	
48	6LH04749000	SPG-E-LEV-SNSR-SPT	1	1/P	
49	X0-02135000	S/PAN/SWWP-M3X14-NI	1	10/P	
50	F0-01462000	LBWS-0206S-V0	4	1/P	
51	F0-01194000	UAMS-02WH-2	1	5/P	
52	6LK41543000	COVER-FEED-UNIT-RER_S	1	1/P	
53	6LH04711200	ACT-SW-EMPTY-K18X	1	1/D	
55	6LJ07621200	ASYS-GUIDE-FEED-ENT-K18X	1	1/PP	
56 A	X0-02420000	S/TPS/FHEXM/R-3X8-ZU3	24	10/P	eS6529A,eS7529A
56 B	X0-02420000	S/TPS/FHEXM/R-3X8-ZU3	25	10/P	eS9029A

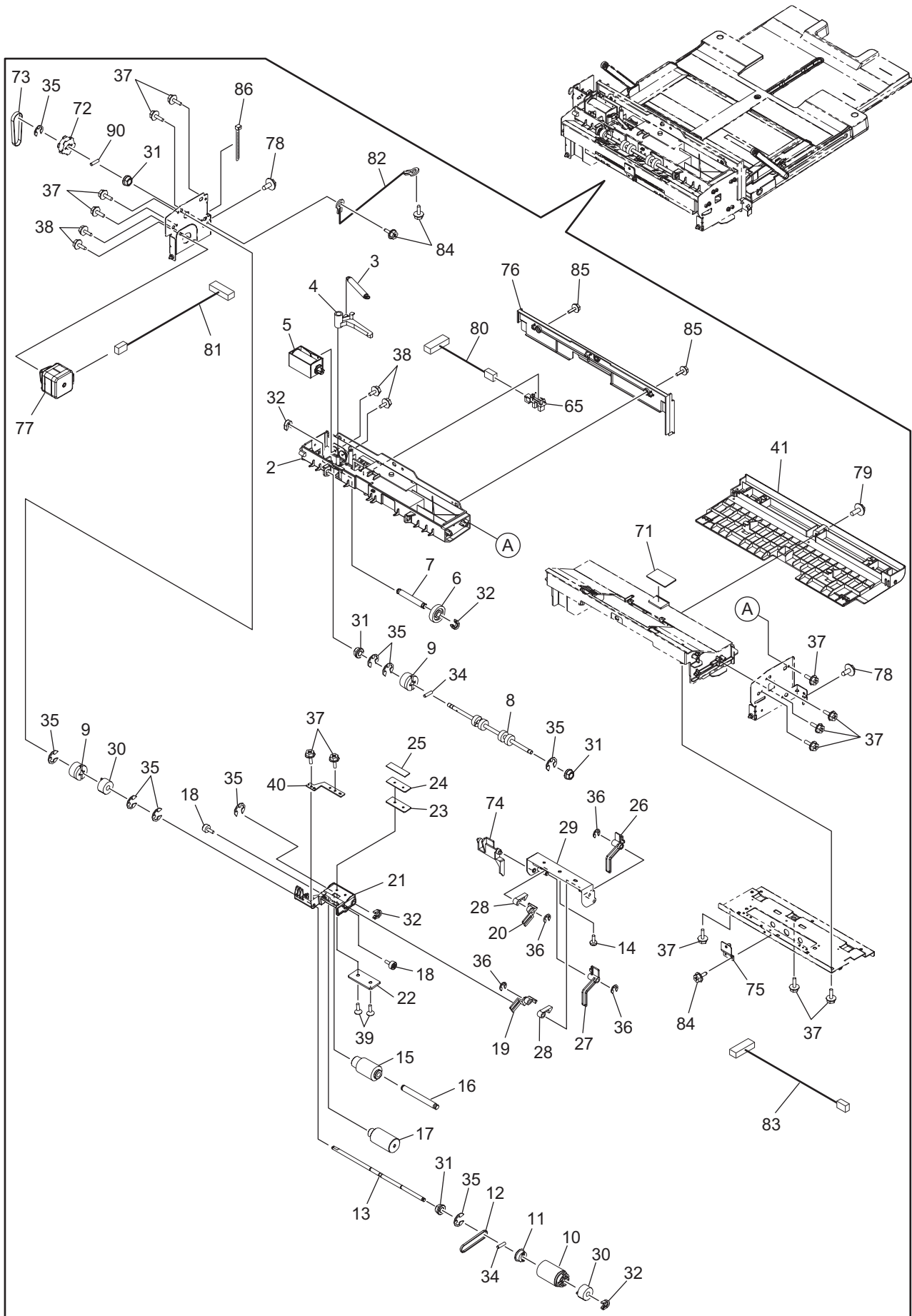




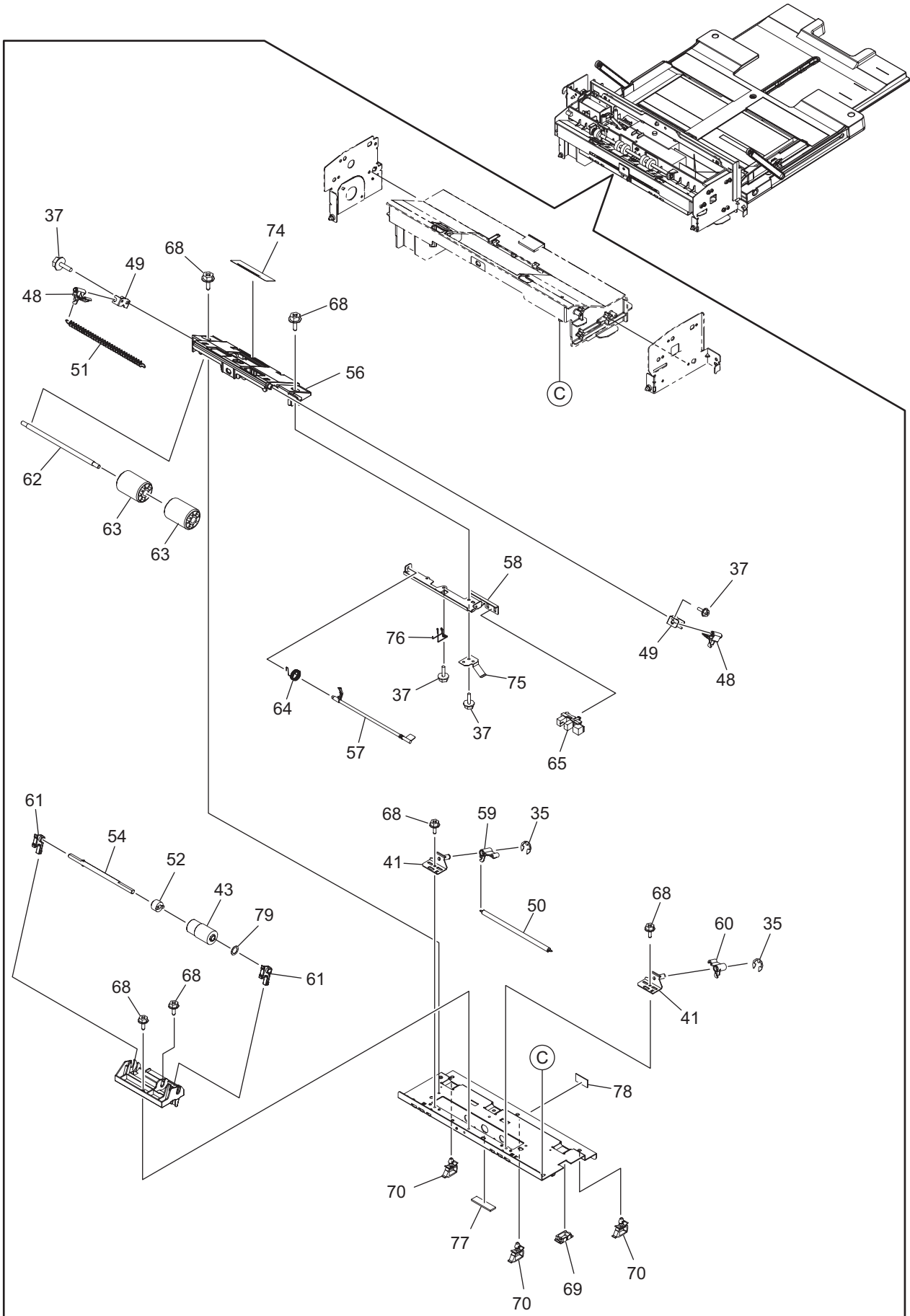
ITEM No.	PART No.	PART NAME	Q'TY / PAGE	Q'TY / PACK	REMARKS
1	X0-02590000	S/TPD3/FHEXM-4X10-ZU3	1	10/P	
2	6LH05938100	STOP-HOLD_S	1	1/P	
3	6LH05937100	LINK-STOP-SHFT_S	1	1/P	
4	6LH05926000	SPG-PISTON-TANDEM	1	1/P	
5	6LH05971000	BRKT-STP-TRAY2	1	1/P	
7	6LK42329100	SFT-ROLL-LCF-H38X-PBF2	7	1/P	
8	6LH05970000	COV-CST-COUP-TNDM	2	1/P	
9	X0-00964000	RR/E-3-SS	8	10/P	
10	6LH05973100	GUIDE-SIDE-TRAY2-R_S	1	1/PP	
11	6LK42325000	STOPPER-TRAY2-R-2	1	1/P	
12	6LH05964200	BASE-SNS-2_K180	1	1/P	
13	6LH05962100	SENSOR-ACTR-3_S	1	1/D	
14	6LH06008000	SPRING-ACT-EMPTY2	1	1/P	
15	C0-17839000	LG2A14BL1	4	1/C	
16	6LH05925000	SPG-SHUT-TANDEM-2	1	1/P	
17	6LH06040000	PLT-ATC-A	1	1/P	
18	X0-02247000	S/TPP/FHEXM-3X8-NI	31	10/P	
19	X0-02251000	S/TPP/FHEXM-4X8-NI	11	10/P	
20	X0-02420000	S/TPS/FHEXM/R-3X8-ZU3	4	10/P	
22	6LH06017000	BLOCK-LATCH-LINK	1	1/P	
23	6LH06013000	BLOCK-LATCH-HOLD	1	1/P	
24	X0-00968000	RR/E-7-SS	2	10/P	
25	6LH05755000	SPE087-090-0273	1	1/P	
26	6LH05933000	ROLL-TRAY	6	1/P	
27	6LH06006100	ACTR-MOVE-SNSR_S	1	1/P	
28	6LH06093000	ASYS-PLY-HOLD	1	1/P	
30	X0-00965000	RR/E-4-SS	2	10/P	
31	6LH05931200	BASE-SNS-E_K180	1	1/P	
32	6LH06074000	ACT-SENS-EMPTY-TDM	1	1/D	
33	6LH06060000	SPG-ACT-EMPTY	1	5/P	
34	6LH05912000	BRKT-PLY-HOLD	1	1/P	
35	6LH06096000	ASYS-TRAY2-DRIVE	1	1/P	
36	6LK42321000	PLY-DRIVE-2	1	1/P	
37	6LH53768000	BUSH-6-NU4	1	1/P	
38	4400802080	BUSH-8	1	5/P	
39	6LH06027100	SFT-BELT-ADL-PBF2	1	1/P	
40	6LH06026000	RLR-BELT-ADL	1	5/P	
41	6LH06037000	BELT-3GT-600-9-B50N17	1	1/P	
42	6LH06032000	BRKT-BELT-HOLD	1	1/P	
43	6LH05909000	BRKT-HOLD-ST	1	1/P	
44	6LH02302600	COVER-HNDL-CST-B	1	1/P	
45	6LH06041100	COVER-SIDE-HRNS_S	1	1/KP	
46	6LH06007100	COVER-SNSR-H_S	1	1/P	
47	6LH05985100	COVER-SNSR-R_S	1	1/P	
48	6LK42301000	COVER-TANDEM-LCF-H38X	1	1/PP	
49	6LH05905300	GUIDE-END-BK4	1	1/PP	
50	6LK42324000	GUIDE-SIDE-TRAY2-F-K13X	1	1/PP	
52	6LH05717000	ROLLER-LEFT-R-BP	1	1/P	
53	6LH06009100	SFT-GUIDE-PBF2	1	1/P	
54	6LH05936100	TRAY-BASE_S	1	1/P	
55	X0-00966000	RR/E-5-SS	1	10/P	
56	6LK42322000	PLY-DRIVE-1	1	1/P	
57	X0-02421000	S/TPS/FHEXM/R-4X8-ZU3	2	10/P	
59	6LK42316000	LBL-P-LIMIT-TLCF-H38X	1	1/P	
60	6LK42313000	LBL-PSET-TRAY-L-TLCF	1	1/KP	
61	6LL58525000	HRNS-TLCF2-K180	1	1/P	
62	6LJ08107100	COVER-ENPTY-SNS_S	1	1/P	
63	6LK42311000	LBL-P-SET-TLCF-H38X	1	1/KP	
64	6LK42312000	LBL-CST2-SET-TLCF-H38X	1	1/P	
66	6LH05914400	CST-TRAY2-TANDEM-K180	1	1/PP	
67	6LK42302000	TRAY-MOVE-H38X	1	1/PP	
68	X0-02596000	S/TPP/BID-3X10-NI	2	10/P	
69	6LH05972000	STOP-TRY2-HOLD	1	1/P	



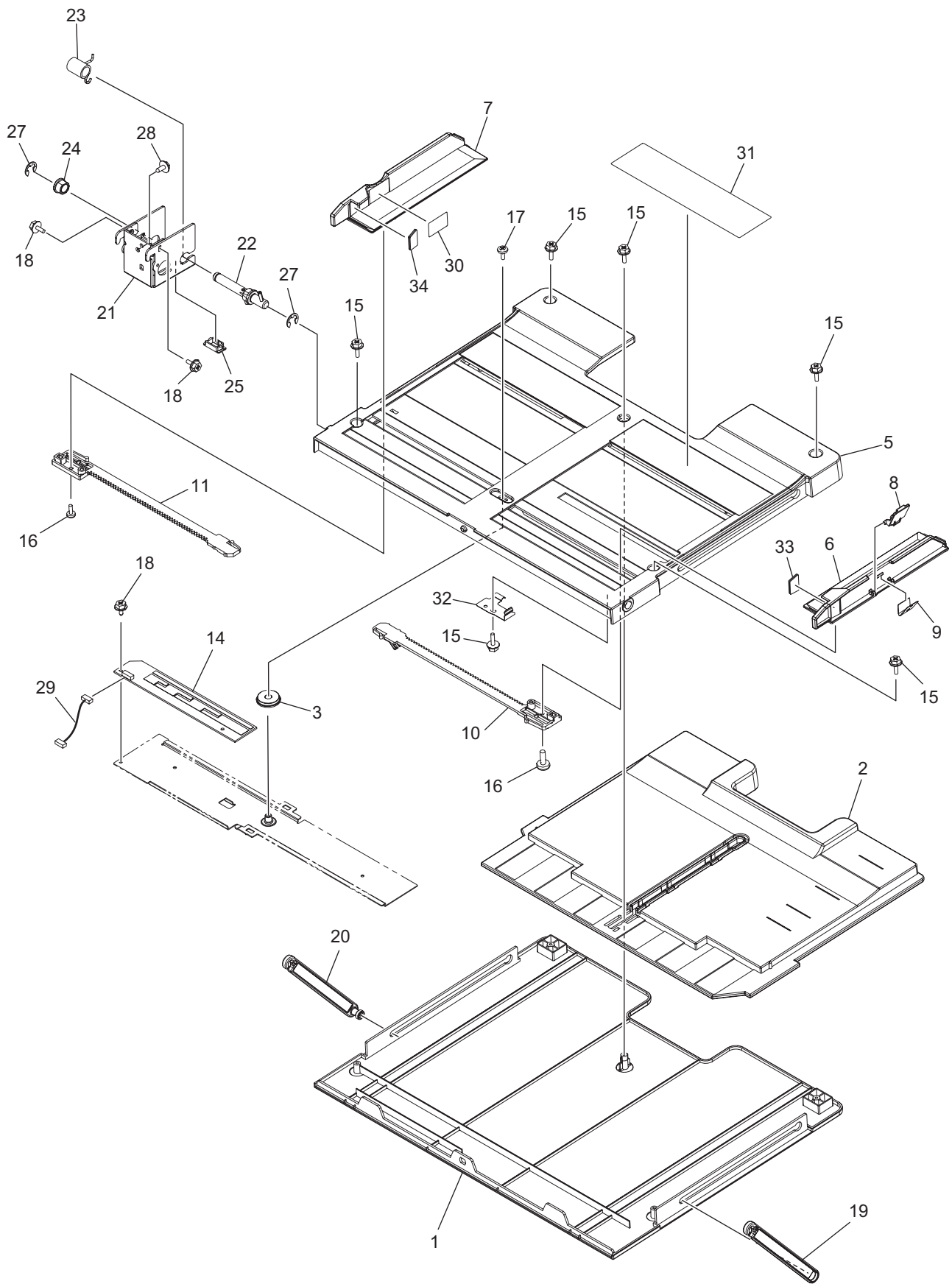
ITEM No.	PART No.	PART NAME	Q'TY / PAGE	Q'TY / PACK	REMARKS
1	X0-02421000	S/TPS/FHEXM/R-4X8-ZU3	6	10/P	
2	6LH05940000	STP-BASE-TANDEM	1	1/P	
3	6LH05916400	CST-TRAY1-TANDEM-BP-K180	1	1/C	
4	6LH06094000	ASYS-SFT-TRAY-BP-TDM	1	1/P	
5	6LH05901000	PULLY-BP-TDM2-Z18	2	1/P	
6	6LH05900000	PULLY-BP-TDM1-Z14	2	1/P	
7	6LH05903000	GEAR-DUMP-Z14	1	1/P	
8	6LH05913400	TRAY1-T-LCF-BK4	1	1/PP	
9	6LA93713000	PLT-BALANCER	2	1/P	
10	6LK42323000	PAD-TRAY	1	1/P	
11	6LK42314000	LBL-PSET-TRAY-R-TLCF	1	1/KP	
12	X0-02247000	S/TPP/FHEXM-3X8-NI	20	10/P	
13	6LH05941000	BRKT-DAMP-BP	1	1/P	
14	6LE03901000	OIL-DAMPER-390	1	1/P	
15	6LH05904000	ROLLER-BP-TDM	4	1/P	
16	6LH05906000	BRKT-GUIDE-BP	2	1/P	
17	6LJ08109000	BRKT-LU-BELT-BP	2	1/P	
18	6LH06044000	BELT-3GT-402-8-B50N17	2	1/P	
19	X0-01535000	P/PRL/AH7-3X12-SS	2	5/P	
20	6LA65698000	BUSH-8X12X8F	2	5/P	
22	X0-00968000	RR/E-7-SS	1	10/P	
23	X0-02420000	S/TPS/FHEXM/R-3X8-ZU3	18	10/P	
24	6LK42309000	ASYB-INN-COV-TLCF-H38X	1	1/PP	
25	6LH06071200	HLDR-SHUT-F_K180	1	1/D	
26	6LH05951100	JOINT-SHUT-TNDM_S	2	1/P	
27	6LH05952100	PLT-SHUTTER-TNDM_S	2	1/P	
28	6LL27027000	SOL-END-K130	2	1/D	
29	6LH06069100	PLATE-SHUT-F_S	1	1/P	
30	6LH05949000	BRKT-HOLD-SHUT	2	1/P	
31	6LH06020000	SPG-SHUT-TANDEM	2	1/P	
32	C0-17839000	LG2A14BL1	3	1/C	
33	6LH06070100	PLATE-SHUT-R_S	1	1/P	
34	6LH06064000	BRKT-STP-TANDEM	1	1/P	
35	6LH06021100	SFT-STP-TANDEM-PBF2	1	1/P	
36	6LH05958000	RLR-RAIL-CENTER	2	1/P	
37	X0-00964000	RR/E-3-SS	4	10/P	
39	6LH05718000	PLATE-LATCH	1	1/P	
40	6LH06030000	PLT-SPG-SE-R	1	1/P	
41	6LK39096100	STUD-CST-POS-PBF2	1	5/P	
42	X0-02235000	S/FHEXM-M4X8-NI	6	10/P	
43	X0-02251000	S/TPP/FHEXM-4X8-NI	4	10/P	
44	X0-02419000	S/TPS/FHEXM/R-3X6-ZU3	1	10/P	
45	X0-02069000	S/TPS/BID-3X6-ZU3	4	10/P	
46	6LK42316000	LBL-P-LIMIT-TLCF-H38X	1	1/P	
47	6LL58524000	HRNS-TLCF1-K180	1	1/P	
48	41306265000	STOP-RING-8	1	1/P	
49	6LH06054000	BRKT-HOLD-IDLER-R	1	1/P	
52	6LH06059000	RLR-BELT-IDLER-2	3	1/P	
54	6LH06022000	FENCE-TRAY1-R	1	1/P	
55	6LH06072200	HLDR-SHUT-R_K180	1	1/PP	
56	X0-00057000	S/PAN-M3X6-NI	4	10/P	
60	6LK42320000	ASYS-RAIL-TANDEM-C-L	1	1/PP	
61	X0-02596000	S/TPP/BID-3X10-NI	2	10/P	



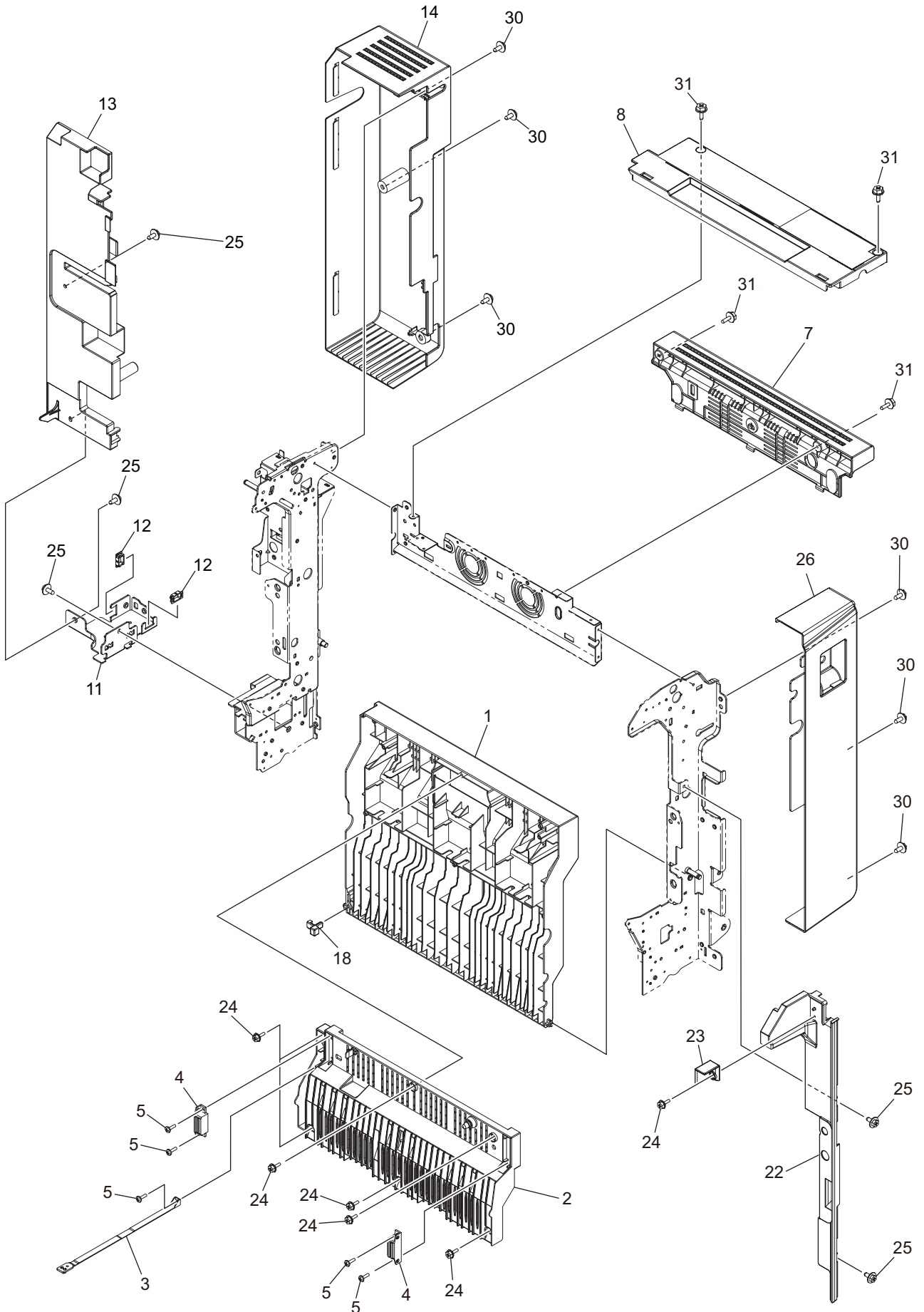
ITEM No.	PART No.	PART NAME	Q'TY / PAGE	Q'TY / PACK	REMARKS
2	6LK30998100	ASYS-GUIDE-BYP-U-K180	1	1/C	
3	6LA28769000	SPG-E-6R5XR7X28R5L	1	1/P	
4	6LA28767000	LEVER-PICK	1	1/P	
5	6LA15259000	SOL-SFB-340	1	1/D	
6	44201789000	GEAR-06S-032-06	1	1/P	
7	6LE40439100	STUD-G032-BYPS-PBF2	1	1/P	
8	6LK41737000	ROLLER-TR-BYPASS-H38X_N	1	1/KP	
9	6LA28811000	GEAR-06S-027-06	2	1/P	
10	6LK50739000	ASYS-ROLL-FEED-H373	1	1/P	
11	6LL61504000	PLY/T-2GT020-06-K18X	1	1/P	
12	6LA28835000	BLT-SY-138-2GT-2.8	1	1/P	
13	6LL61515100	SFT-ROL-FED-BYP-K18-PBF2	1	1/P	
14	X0-00595000	S/TPP/PAN-3X6-NI	1	10/P	
15	44218398000	K-ROLL-PICK-BYP	1	1/P	
16	6LE40436100	SFT-ROL-PIC-BYP-350-PBF2	1	1/P	
17	6LE40412100	WEIGHT-PICK-BYP-T-PBF2	1	1/P	
18	6LE40407000	SCREW-WEIGHT-3*6	2	5/P	
19	6LJ07623000	LEVER-STOPPER-F	1	1/P	
20	6LJ07624000	LEVER-STOPPER-R	1	1/P	
21	6LK41720000	ARM-PICK-H13X	1	1/P	
22	6LA28832000	WEIGHT-PICK-BYP-LOW	1	1/P	
23	6LA28833000	WEIGHT-PICK-BYP-MID	1	1/P	
24	6LA28834000	WEIGHT-PICK-BYP-UP	1	1/P	
25	6LA28758000	CUSHION-PAD	1	5/P	
26	6LA28821000	STPR-BYP-F-350	1	1/P	
27	6LA28822000	STPR-BYP-R-350	1	1/P	
28	4401965270	ARM-STOPPER	2	5/P	
29	6LH31603000	ASYS-BRKT-STOPPER	1	1/P	
30	4406584800	CLUTCH-6-08L2	2	1/P	
31	6LH53768000	BUSH-6-NU4	4	1/P	
32	4407972860	STOP-RING-6-5	4	5/P	
34	X0-00979000	P/PRL/AH7-2X8-SS	2	10/P	
35	X0-00966000	RR/E-5-SS	9	10/P	
36	X0-00964000	RR/E-3-SS	4	10/P	
37	X0-02247000	S/TPP/FHEXM-3X8-NI	13	10/P	
38	X0-02230000	S/FHEXM-M3X6-NI	4	10/P	
39	X0-02011000	S/CTS-M3X8-NI	2	10/P	
40	6LA28819000	PLATE-ARM-PICK	1	1/P	
41	6LH05187400	COVER-SFB-L-H38X	1	1/PP	
65	C0-20495000	LG2A24BL1	1	1/C	
71	4400901130	PAD-BRAKE	1	5/P	
72	6LB08609000	PULLY-S2M30-6-5	1	1/P	
73	6LL61508000	BLT-SY-S2M-148-4	1	1/P	
74	6LA28768000	ACTR-EMP-SW-BYP	1	1/P	
75	6LH05248000	ASYS-BRKT-SFB-EXIT-43X	1	1/P	
76	6LH05151400	COVER-SFB-H38X	1	1/PP	
77	6LK41511000	MOTR.S-FEED-H38X	1	1/C	
78	X0-02421000	S/TPS/FHEXM/R-4X8-ZU3	2	10/P	
79	X0-02676000	S/TPP/FHEXM-4X8-ZB3	1	10/P	
80	6LH08890000	HRNS-SFBSW-430	1	1/P	
81	6LL27076000	HRNS-SFBM-K130JC	1	1/P	
82	6LH08893000	HRNS-SFBFG-430	1	1/P	
83	6LL27078000	HRNS-SFBFED-K130	1	1/P	
84	X0-02419000	S/TPS/FHEXM/R-3X6-ZU3	3	10/P	
85	X0-02683000	S/TPP/FHEXM-3X8-ZB3	2	5/P	
86	F0-01012000	T18R	1	5/P	
90	X0-00980000	P/PRL/AH7-2X10-SS	1	10/P	

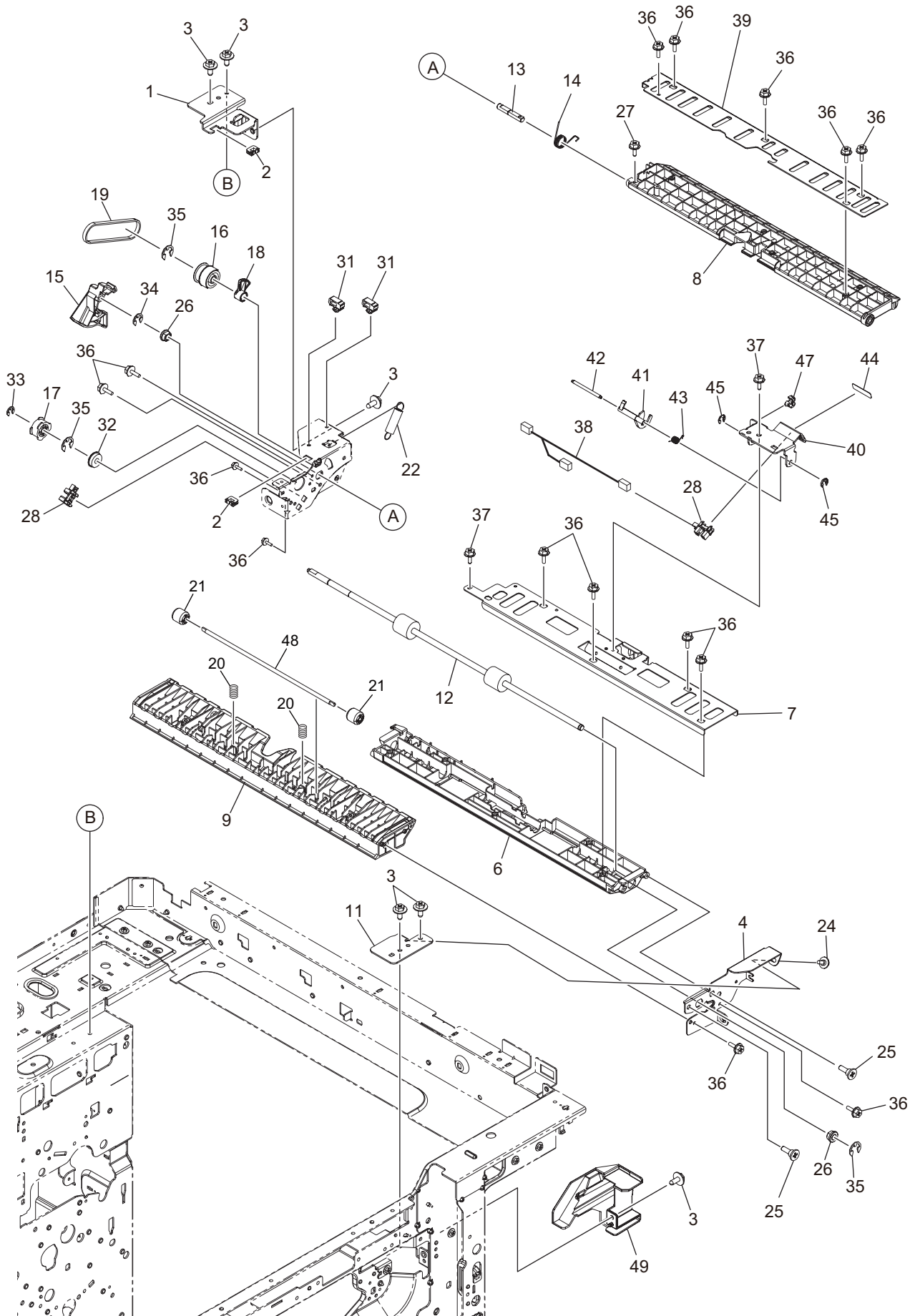


ITEM No.	PART No.	PART NAME	Q'TY / PAGE	Q'TY / PACK	REMARKS
35	X0-00966000	RR/E-5-SS	2	10/P	
37	X0-02247000	S/TPP/FHEXM-3X8-NI	4	10/P	
41	6LL61505000	ASYS-BRKT-LVR-SPT-K18X	2	1/P	
43	6LK50742000	ASYS-ROLL-SPT-H373	1	1/P	
48	6LH04521000	LVR-IDLE-F43X	2	1/P	
49	6LH05135000	BRKT-FRAME-AD	2	1/P	
50	6LL61514000	SPG-E-6XR55X83R5-SPT	1	1/P	
51	6LA82827000	SPG-E-6R7XR7X79R55	1	1/P	
52	6LJ56289000	TL-SEP-ORG-400	1	1/P	
54	6LL61518000	ASYS-SFT-ROL-SPT-K18X	1	1/P	
56	6LL61501000	CASE-BYPASS-RLR-K18X	1	1/PP	
57	6LE40422000	ACTUATOR-BYP	1	1/P	
58	6LL61502000	BRKT-ACT-BYP-K18X	1	1/P	
59	6LA28922000	LEVER-SPT-R	1	1/P	
60	6LA28921000	LEVER-SPT-F	1	1/P	
61	6LL61503000	ARBOR-SPT-BYP-K18X	2	1/P	
62	6LJ07626100	SFT-BYPASS-TR-L2-PBF2	1	1/P	
63	6LH05137000	IDLER-TR1	2	1/P	
64	6LA28960000	SPG-T-SNSR-LOW-T	1	1/P	
65	C0-20495000	LG2A24BL1	1	1/C	
68	X0-02419000	S/TPS/FHEXM/R-3X6-ZU3	6	10/P	
69	F0-01248000	ESC-0912	1	10/P	
70	F0-01811000	LWS-0711S-V0	3	5/P	
74	6LL61516000	MYLAR-BYP-FEED-K18X	1	1/KP	
75	6LK41716000	SPG-F-EARTH-SNSR-H38X	1	1/P	
76	6LL61521000	SPG-T-EARTH-BYP-IDL-K18_N	1	1/P	
77	6LK41728000	CUSH-COV-SFB-H38X	1	1/P	
78	6LL61519000	CUSHION-PAD-K18X	1	5/P	
79	6LA78908000	WASHER-6R2X9R5XR25-PL	1	5/P	

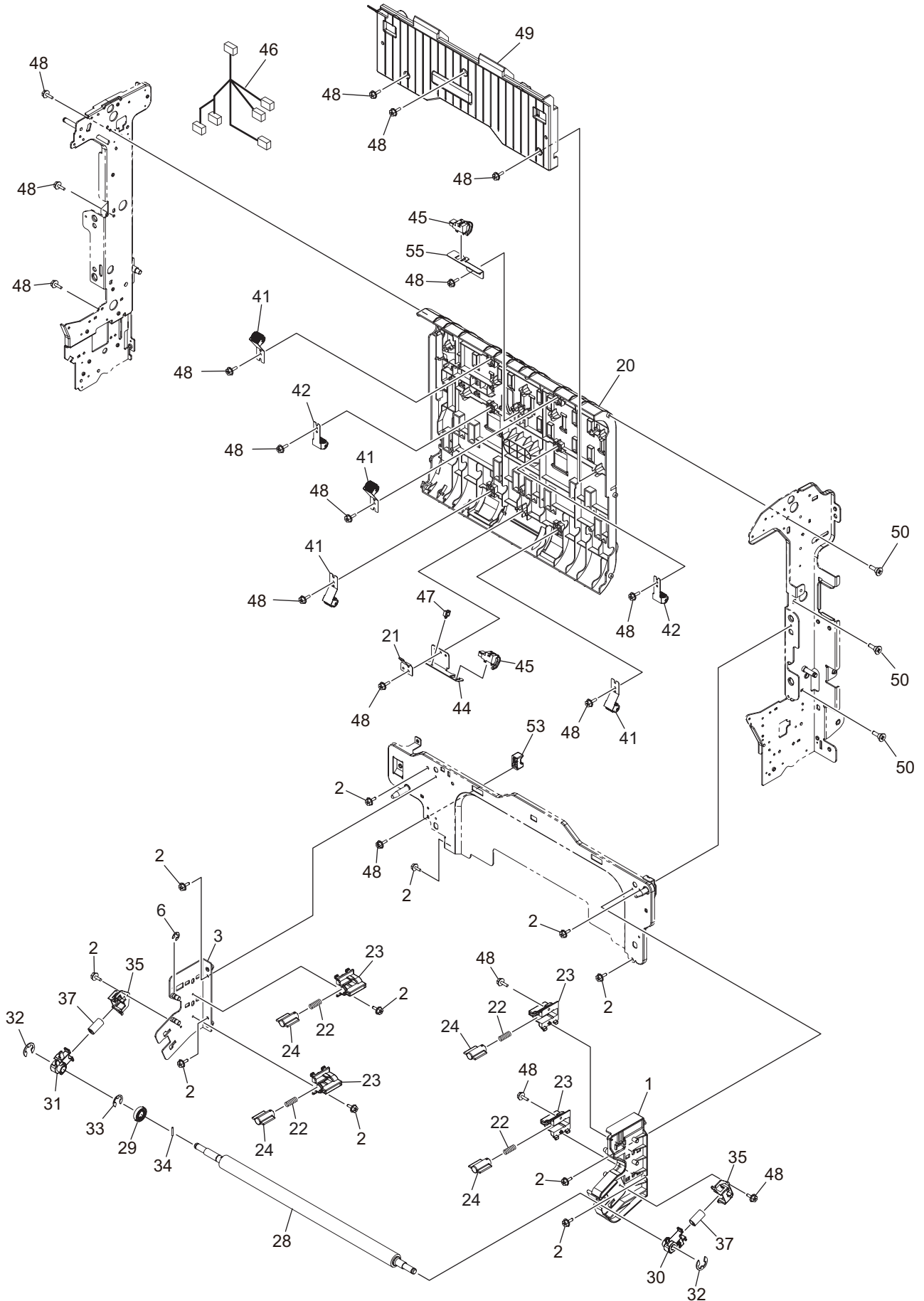


ITEM No.	PART No.	PART NAME	Q'TY / PAGE	Q'TY / PACK	REMARKS
1	6LH05435000	BRKT-MOTOR-ADU	2	1/P	
2	6LK41511000	MOTR.S-FEED-H38X	2	1/C	
3	X0-02230000	S/FHEXM-M3X6-NI	8	10/P	
5	6LK41937000	RLR-ADU-MID-H38X_N	1	1/KP	
6	6LK41936000	RLR-ADU-UP-H38X_N	1	1/KP	
7	6LK41938000	RLR-ADU-LOW-H38X_N	1	1/KP	
8	6LH05409000	GEAR-10S20_PS2M30-6	1	1/P	
9	6LH05402000	GEAR-10S20-6	1	1/P	
10	6LH05410000	PULLY-S2M30-6D-DBL	1	1/P	
11	6LH05417000	PULLY-S2M30-6-DBL	1	1/P	
12	6LH05429000	PULLY-S2M30-6D	3	1/P	
13	6LH05408000	BLT.SY-S2M-118-5	1	1/P	
14	6LH05418000	BLT.SY-S2M-142-4	1	1/P	
15	6LH05420000	BLT.SY-S2M-186-4	1	1/P	
16	6LH05430000	BLT.SY-S2M-224-4	1	1/P	
17	6LH05401000	BLT.SY-S2M-300-4	1	1/P	
19	F0-01482000	RNR-1560ZZRP0P24LY121	6	1/P	
20	6LA29859000	BUSH-6X10X4F-POM	2	5/P	
21	44201801000	STOP-RING-6-1.5	1	5/P	
22	X0-00964000	RR/E-3-SS	4	10/P	
23	X0-00966000	RR/E-5-SS	8	10/P	
24	X0-02420000	S/TPS/FHEXM/R-3X8-ZU3	8	10/P	
25	6LH05510000	BRKT-FAN-ADU	1	1/P	
26	6LK30992000	FAN-6015-090-H340	1	1/D	
27	F0-02296000	ES-0505-2	3	5/P	
28	F0-01250000	MSB-1207	1	5/P	
29	X0-02061000	S/TPS/PAN-3X20-ZU3	2	10/P	
30	6LK39235000	HRNS-ADU-SFB-H380	1	1/P	
33	6LK73050000	HRNS-ADUM-H380JC	1	1/P	
34	6LK39236000	HRNS-ADU-SNR1-H380	1	1/P	
35	6LL58418000	PWA-K-ADU-180	1	1/SB	
36	F0-00033000	UAMS-07-0	1	10/P	
37	F0-00047000	EDS-1717U	2	10/P	
39	F0-01243000	LWS-1211Z	1	5/P	
40	E0-12019000	V-152-1C25	1	1/C	
42	X0-02060000	S/TPS/PAN-3X16-ZU3	2	10/P	
45	6LH05487100	ASYS-PLANET-GEAR2	1	1/P	

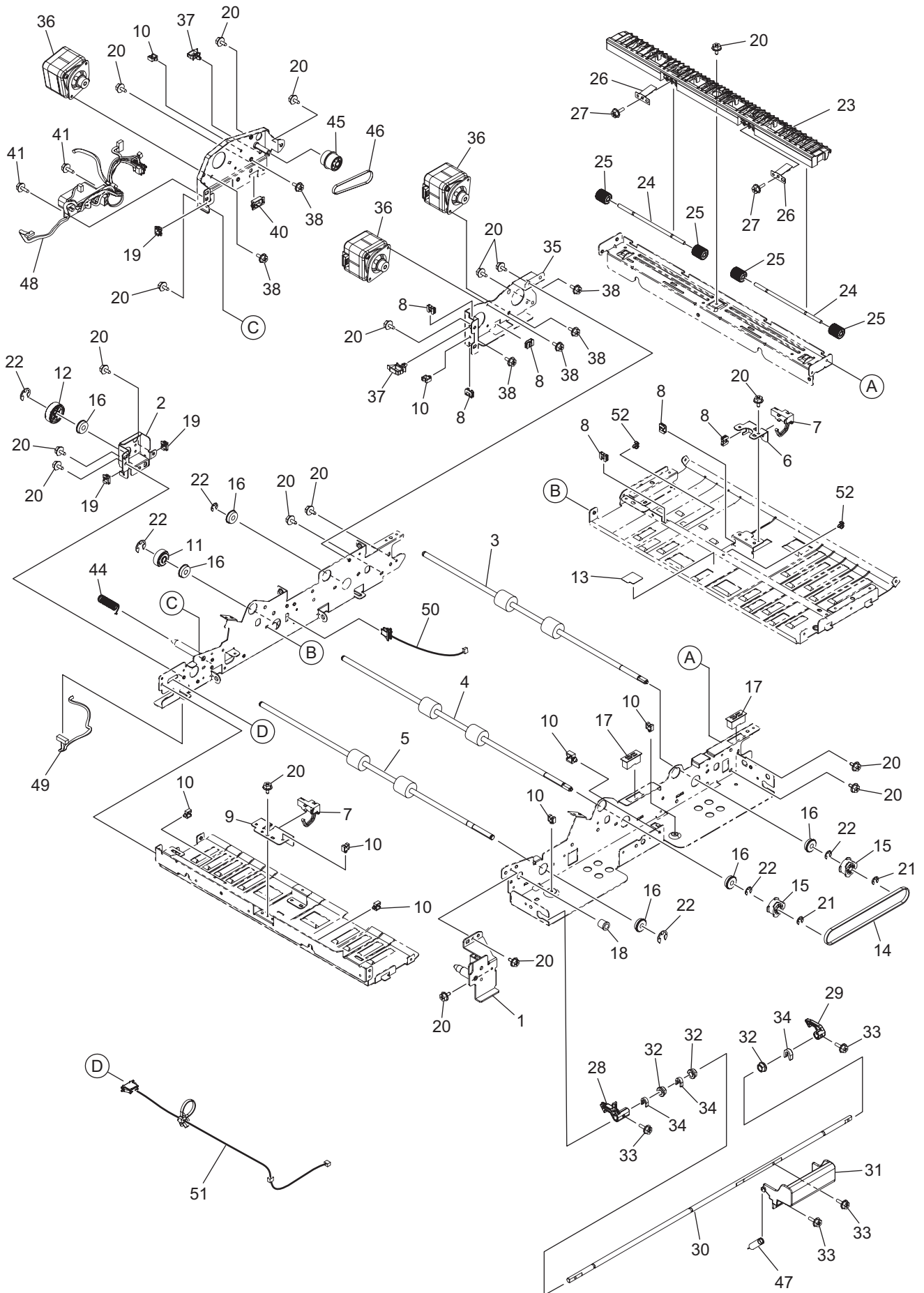




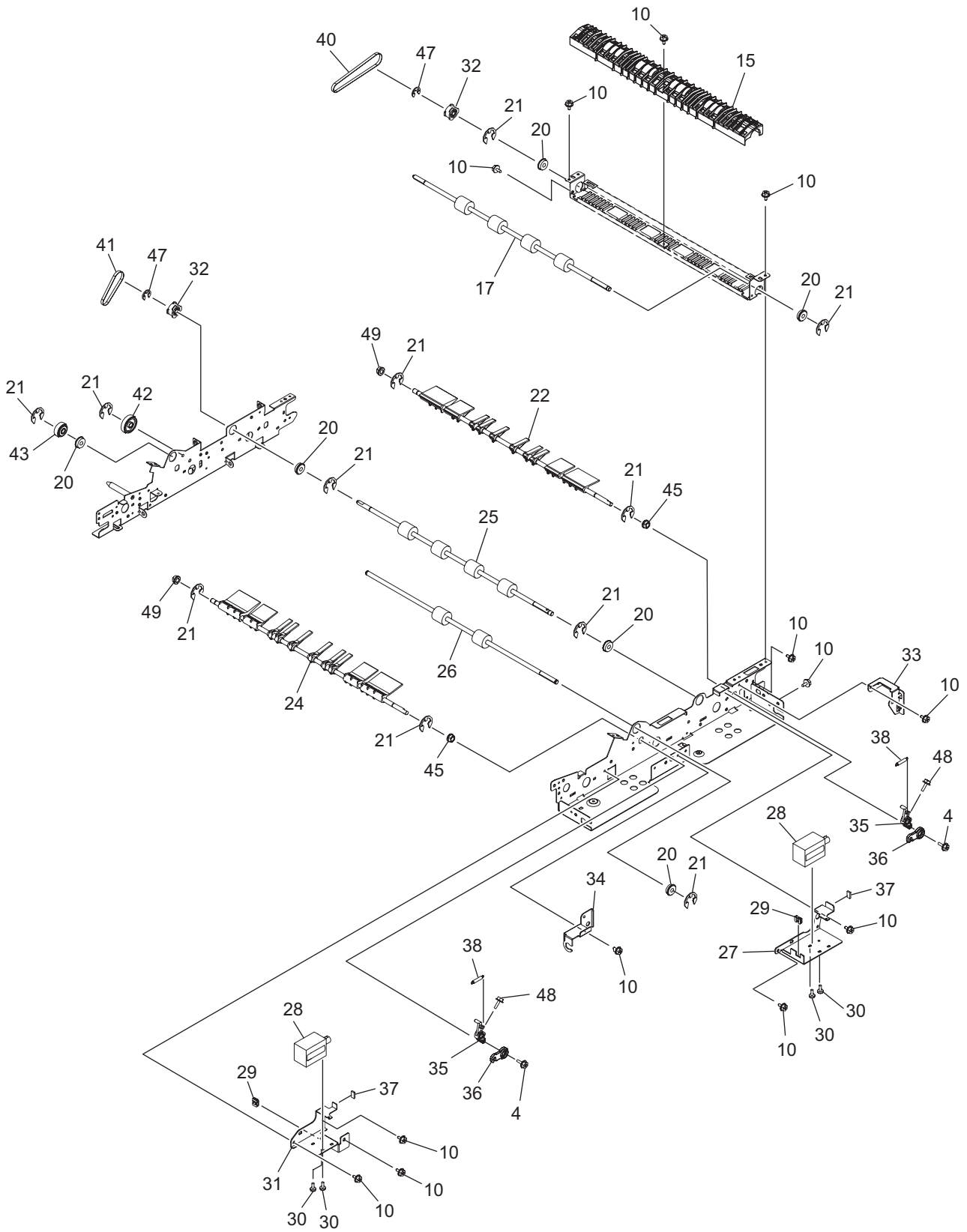
ITEM No.	PART No.	PART NAME	Q'TY / PAGE	Q'TY / PACK	REMARKS
1	6LH05494000	BRKT-HOLD-MID-R	1	1/P	
2	F0-02296000	ES-0505-2	2	5/P	
3	X0-02421000	S/TPS/FHEXM/R-4X8-ZU3	6	10/P	
4	6LH05527100	ASYS-FRM-MID-GID-F2	1	1/P	
6	6LH05456000	GUIDE-MID-JCT-U	1	1/PP	
7	6LH05493000	STAY-GUIDE-MID-JCT	1	1/P	
8	6LK41935100	GUIDE-SEPT-JCT_SH	1	1/PP	
9	6LK41905100	GUIDE-EXIT-M-SA	1	1/PP	
11	6LH05481000	BRKT-HOLD-MID-F	1	1/P	
12	6LK41939000	RLR-ADU-LFT-UP-H38X_N	1	1/KP	
13	6LH05554100	SHAFT-SEPT-GUIDE-R-PBF2	1	1/P	
14	6LH05473000	SPG-GUIDE-JCT	1	1/P	
15	6LJ07909000	CRANK-MOV-GUIDE	1	1/P	
16	6LH05409000	GEAR-10S20_PS2M30-6	1	1/P	
17	6LH05429000	PULLY-S2M30-6D	1	1/P	
18	6LH05455000	CARR-GEAR-MID	1	1/P	
19	6LH05420000	BLT.SY-S2M-186-4	1	1/P	
20	6LK41921000	SPC-ROL-IDLE-ADU-MID	2	1/P	
21	44203198000	ROLL-EXIT-L-320	2	1/P	
22	6LH05508000	SPG-E-9R1XR7X26R08	1	1/P	
24	6LE41127000	SCREW-M3-4-1.4	1	5/P	
25	6LH05511000	SCREW-M3X8-3.2-P	2	5/P	
26	6LH53768000	BUSH-6-NU4	2	1/P	
27	X0-02230000	S/FHEXM-M3X6-NI	1	10/P	
28	C0-20495000	LG2A24BL1	2	1/C	
31	F0-01462000	LBWS-0206S-V0	2	1/P	
32	F0-01482000	RNR-1560ZZRP0P24LY121	1	1/P	
33	X0-00964000	RR/E-3-SS	1	10/P	
34	X0-00965000	RR/E-4-SS	1	10/P	
35	X0-00966000	RR/E-5-SS	3	10/P	
36	X0-02247000	S/TPP/FHEXM-3X8-NI	15	10/P	
37	X0-02069000	S/TPS/BID-3X6-ZU3	2	10/P	
38	6LJ09271000	HRNS-MIDSN-130	1	1/P	
39	6LH05526000	BRKT-SUPPORT-JCT-GUIDE	1	1/P	
40	6LJ07902000	BRKT-SNSR-ADU-MID-N	1	1/P	
41	6LJ07908000	ACTR-SNSR-ADU-MID	1	1/C	
42	6LH05539100	PIN-SNSR-ADU-MID-PBF2	1	1/P	
43	6LH05538000	SPG-SNSR-ADU-MID	1	1/P	
44	6LJ08725000	SHEET-SNSR-LG248	1	5/P	
45	X0-00963000	RR/E-2-SS	2	10/P	
47	F0-01194000	UAMS-02WH-2	1	5/P	
48	6LK41947100	SFT-IDL-ADU-MID-H38X-PBF2	1	1/P	
49	6LK40273000	COV-LVR-DOOR-K13X	1	1/PP	

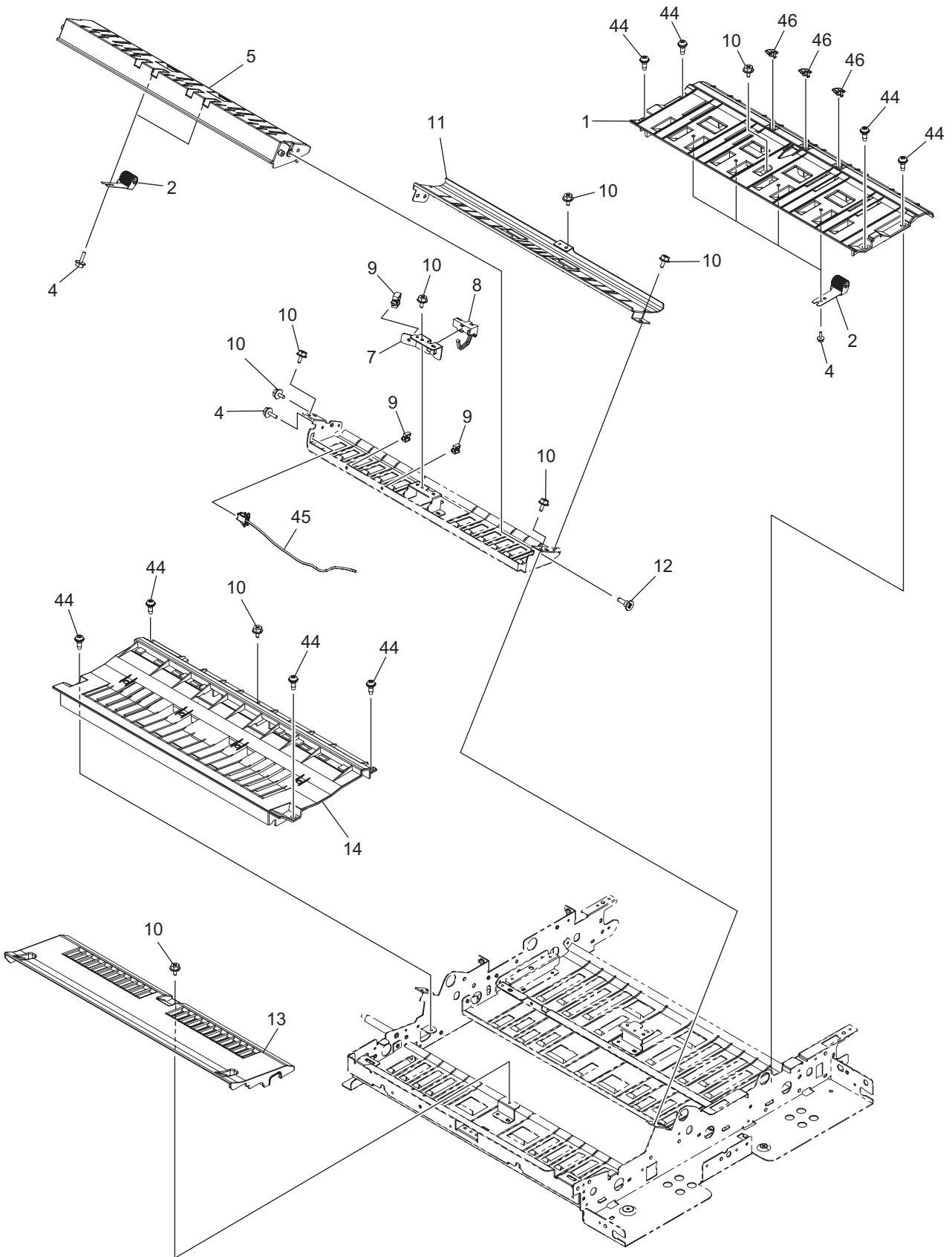


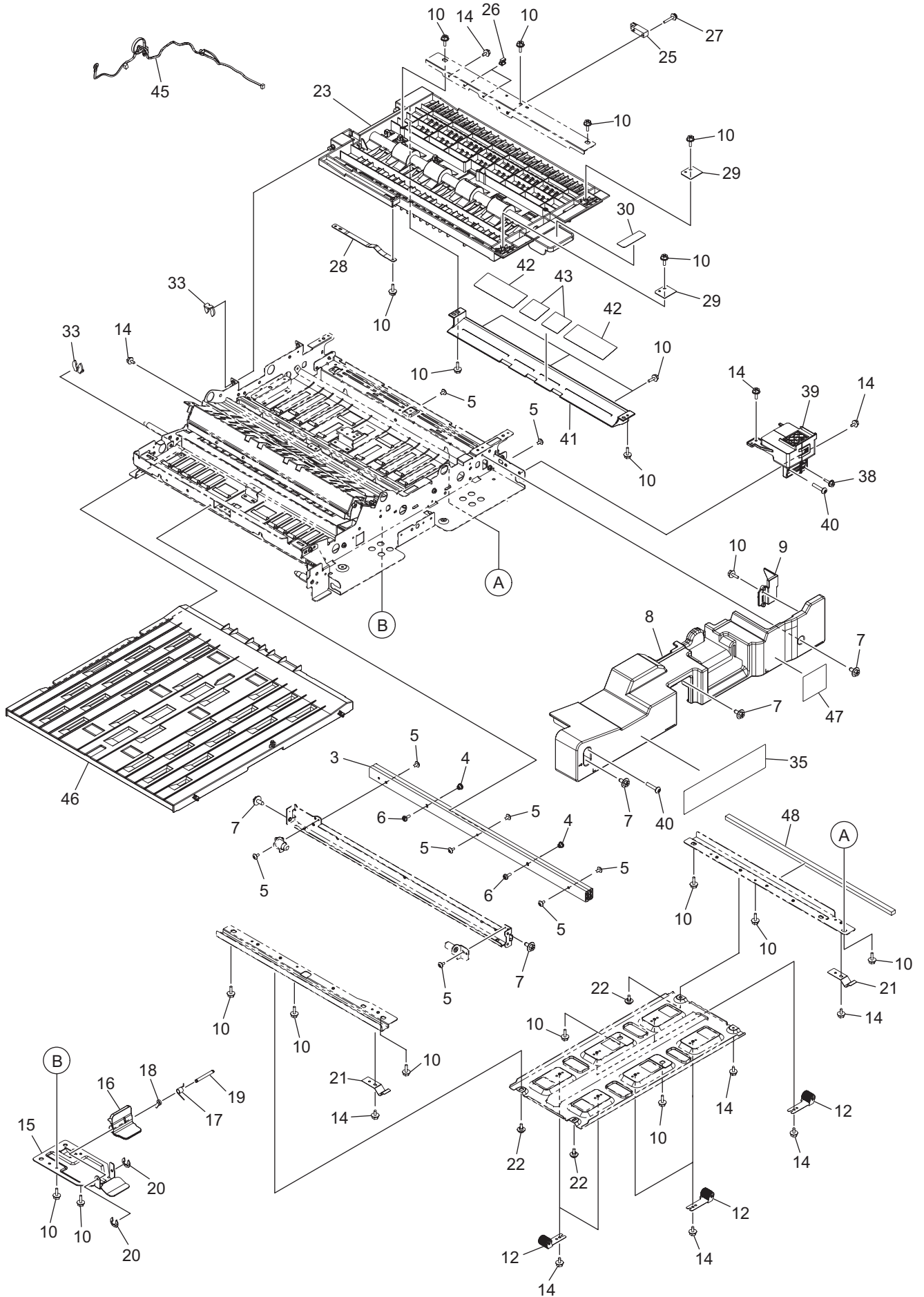
ITEM No.	PART No.	PART NAME	Q'TY / PAGE	Q'TY / PACK	REMARKS
1	6LH05404100	ASYS-GUIDE-RGST-R-H38X	1	1/PP	
2	6LH05203000	MYLAR-GUIDE-TRANS	1	1/KP	
3	X0-02420000	S/TPS/FHEXM/R-3X8-ZU3	31	10/P	
4	6LH05441100	ASYS-GUIDE-ADU-LOWH38	1	1/KP	
14	F0-02296000	ES-0505-2	2	5/P	
16	6LH05164000	BRKT-ADU-L-F	1	1/P	
17	6LH05165000	BRKT-ADU-L-R	1	1/P	
18	6LH05501200	COVER-ADU-FRT-SUB-L_B	1	1/P	
19	C0-15008000	PSR11TD1-A	1	1/P	
20	6LK42526000	COV-ADU-RTN-L-H38X	1	1/PP	
21	6LK42527100	PUSH-COV-SNSR-H38_SK	2	1/P	
22	6LH07446000	GUIDE-ADU-RTN	1	1/PP	
24	X0-02247000	S/TPP/FHEXM-3X8-NI	5	10/P	
25	6LK42528000	SPG-C-GUIDE-RTN-H38X	2	1/P	
28	6LH05502200	COVER-LEV-OPEN-ADU_B	1	1/PP	
29	6LH05509200	LEVER-OPEN-ADU-H38X	1	1/P	
31	6LH05416000	LEVER-LOCK-ADU-FU	1	1/P	
32	6LH05427000	LEVER-LOCK-ADU-FL	1	1/P	
33	6LH05413000	LEVER-LOCK-ADU-RU	2	1/P	
34	6LH05551100	SHAFT-LOCK-LEV-ADU-PBF2	1	1/P	
35	6LH05496100	SHAFT-LOCK-LEV-ADU-L-PBF2	1	1/P	
36	6LH05531000	SPG-E-15X1R4X44R7	1	1/P	
37	6LE50521000	BUSH-8X12X5R5F-NU4	2	5/P	
38	41306265000	STOP-RING-8	2	1/P	
39	X0-00968000	RR/E-7-SS	2	10/P	
40	6LH05511000	SCREW-M3X8-3.2-P	1	5/P	
41	6LA08933000	SCREW-CON-DEV-V	2	10/P	
42	6LA37669000	SCREW-LOCK-ARM	2	5/P	
43	X0-02230000	S/FHEXM-M3X6-NI	7	10/P	
44	X0-02074000	S/TPS/BID-4X8-ZU3	4	10/P	
45	6LH04434000	ASYS-BRKT-BRUSH	1	1/C	
47	6LK39454000	HRNS-FEXSN-H380	1	1/P	
48	6LK42588000	BRKT-ADU-SNSR-K11-H38X	1	1/P	
51	F0-00270000	UAMS-05L-0-46	1	10/P	
52	F0-01243000	LWS-1211Z	1	5/P	
53	6LK43982100	PIN-IDLE-ADU-H38X-PBF2	4	10/P	
54	6LA08937000	SCREW-BKT-DEV	2	10/P	
55	6LH05403100	GUIDE-RGST-RIGHT-L_S	1	1/PP	
56	6LK42525000	BRKT-RTN-SNSR-H38X	1	1/D	
57	4400802080	BUSH-8	2	5/P	
58	X0-02135000	S/PAN/SWWP-M3X14-NI	1	10/P	
59	6LK52394000	ROLL-FUS-GUIDE-D13-S	4	1/P	
62	6LA03977000	BUSH-F6-GCB	2	5/P	
63	6LK41526000	ASYB-ROLLER-IDLE-H38X	1	1/P	
64	6LH04519000	SPG-E-COVER-IDLE-F43X	1	1/P	
65	6LH04521000	LVR-IDLE-F43X	2	1/P	
66	X0-00966000	RR/E-5-SS	2	10/P	
70	6LL61333000	COV-BUSH-IDLE-ROL-K18X	2	1/P	



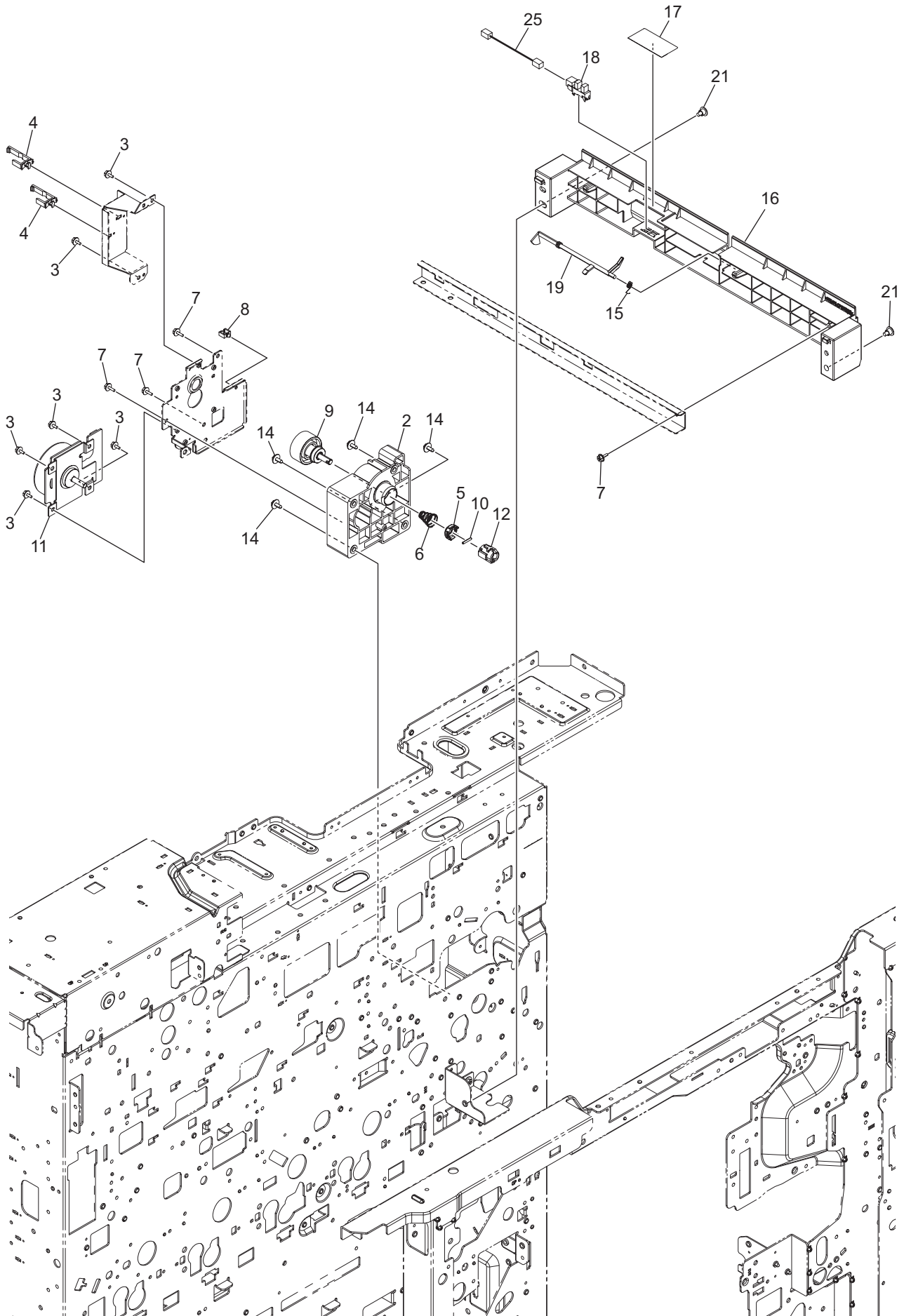
ITEM No.	PART No.	PART NAME	Q'TY / PAGE	Q'TY / PACK	REMARKS
1	6LH17871000	ASYS-BKT-PIN-F	1	1/D	
2	6LH17884000	PLATE-EX-DRV	1	1/P	
3	6LK43967000	RLR-BR-L1-H38X_N	1	1/KP	
4	6LK43968000	RLR-BR-L2-H38X_N	1	1/KP	
5	6LK43969000	RLR-BR-L3-H38X_N	1	1/KP	
6	6LH17839000	BRKT-SENS-M	1	1/P	
7	6LK73160000	SNSR-FED-RVS-H380	2	1/C	
8	F0-02296000	ES-0505-2	6	5/P	
9	6LH17831000	BRKT-BR-ML-SW	1	1/P	
10	F0-01250000	MSB-1207	8	5/P	
11	6LH17858000	GEAR-10S19-06C	1	1/P	
12	6LH17859000	GEAR-10S23-06C	1	1/P	
13	6LH17939000	MYLAR-BL	1	1/P	
14	6LH05401000	BLT.SY-S2M-300-4	1	1/P	
15	6LH05429000	PULLY-S2M30-6D	2	1/P	
16	F0-01482000	RNR-1560ZZRP0P24LY121	6	1/P	
17	6LH17973000	MG-CATCH-255	2	1/P	
18	F0-00018000	OCB-500	1	10/P	
19	F0-00671000	EDS-0607M	3	5/P	
20	X0-02419000	S/TPS/FHEXM/R-3X6-ZU3	19	10/P	
21	X0-00964000	RR/E-3-SS	2	10/P	
22	X0-00966000	RR/E-5-SS	6	10/P	
23	6LH17964000	HLDR-BR-ENT-L	1	1/P	
24	6LH18066100	SHAFT-BR-ENT-L-PBF2	2	1/P	
25	6LE23952000	ROLL-EXIT-L-380	4	1/P	
26	6LH17914000	SPL-BR-ENT-L	2	1/P	
27	X0-02247000	S/TPP/FHEXM-3X8-NI	2	10/P	
28	6LH17820000	LEVER-BR-L	1	1/P	
29	6LH17821000	LEVER-BR-R	1	1/P	
30	6LH17822100	SHAFT-HANDLE-BR-PBF2	1	1/P	
31	6LH17926100	LEV-HAND_G	1	1/P	
32	44201492000	BUSH-6-POM	3	5/P	
33	X0-02231000	S/FHEXM-M3X8-NI	4	10/P	
34	4407972860	STOP-RING-6-5	3	5/P	
35	6LH17870000	BKT-DRV-BR	1	1/P	
36	6LK41511000	MOTR.S-FEED-H38X	3	1/C	
37	F0-01811000	LWS-0711S-V0	2	5/P	
38	X0-02230000	S/FHEXM-M3X6-NI	6	10/P	
40	F0-01248000	ESC-0912	1	10/P	
41	X0-02420000	S/TPS/FHEXM/R-3X8-ZU3	2	10/P	
44	6LH17972000	SPG-C-10R6X1X31R8L	1	1/P	
45	6LK43901000	GEAR-10S19_PS2M30-6	1	1/P	
46	6LH17855000	BLT.SY-S2M-178-4	1	1/P	
47	6LH17965000	SPG-E-7R5XR7X25R3	1	1/P	
48	6LK73288000	HRNS-RLY-H380	1	1/P	
49	6LK39234000	HRNS-RLY-EXM-H380	1	1/P	
50	6LK31427000	HRNS-RLY1-FED1-340	1	1/P	
51	6LH08958000	HRNS-RLY1-SOL-430	1	1/P	
52	F0-01194000	UAMS-02WH-2	2	5/P	

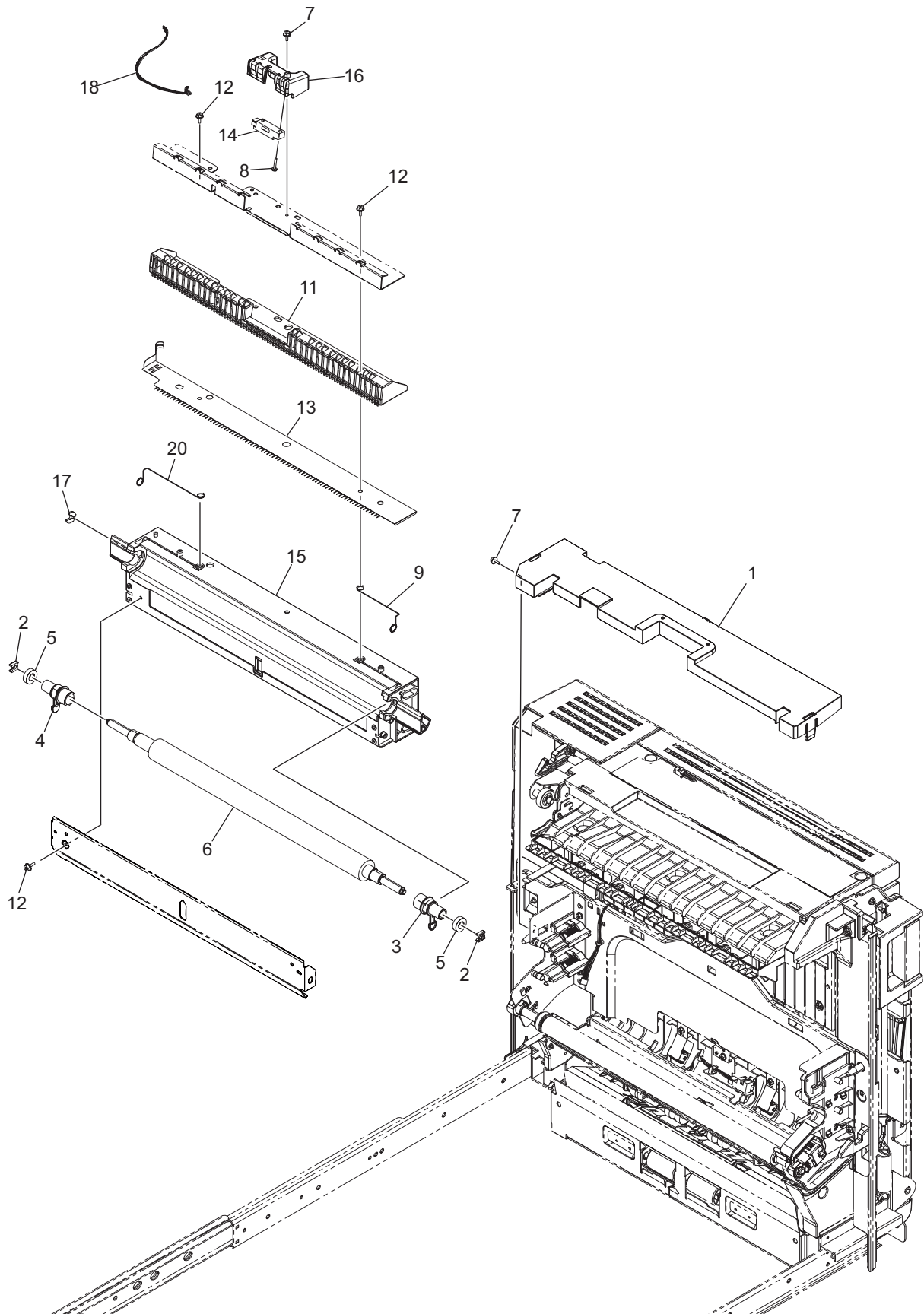




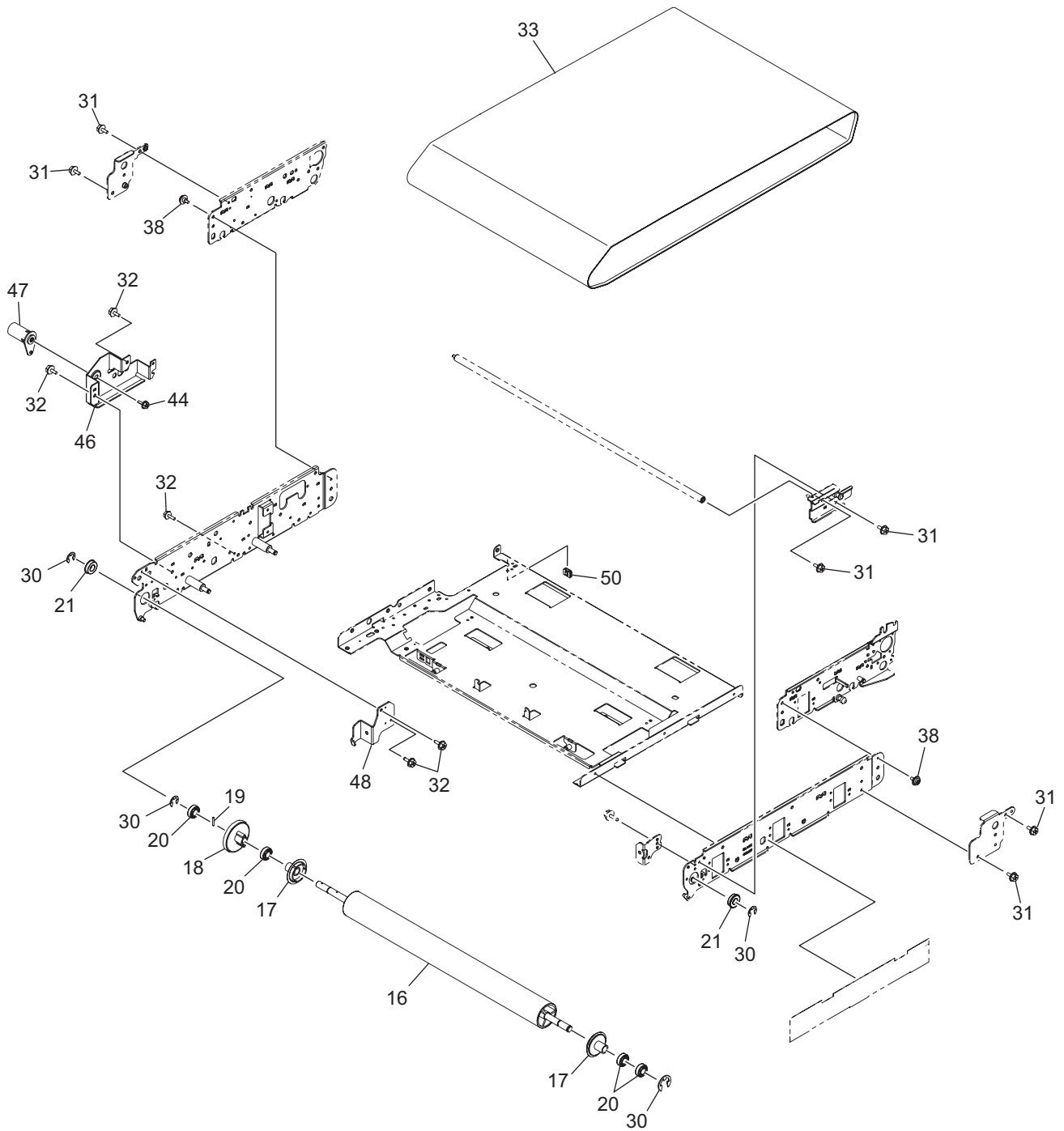


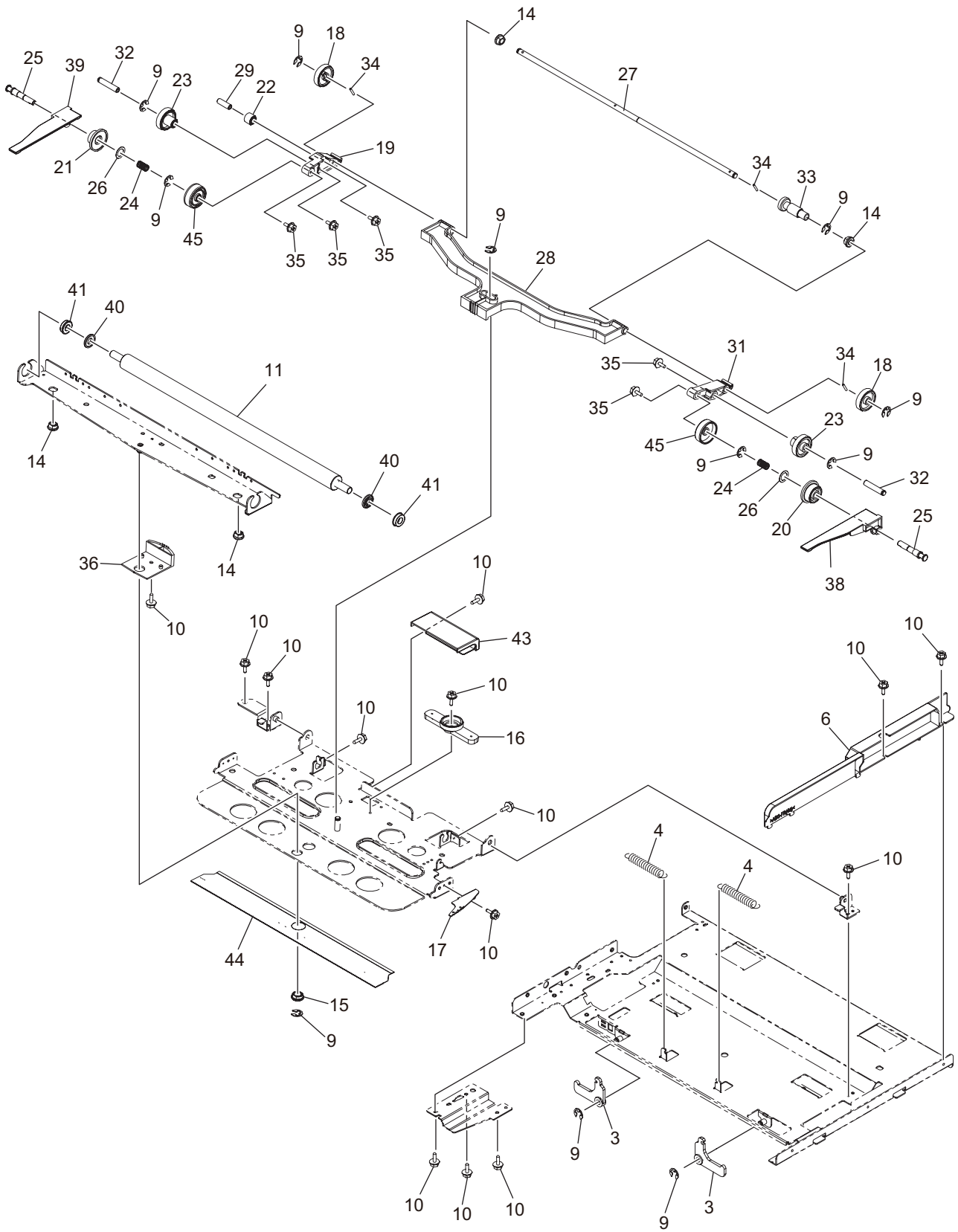
ITEM No.	PART No.	PART NAME	Q'TY / PAGE	Q'TY / PACK	REMARKS
3	6LH17809000	RAIL-BRIDGE-43X	1	1/P	
4	6LH17813100	STUD-RAIL-PBF2	2	1/P	
5	6LA08935000	SCR-M3X6BISR-NI	9	10/P	
6	X0-00057000	S/PAN-M3X6-NI	2	10/P	
7	X0-02421000	S/TPS/FHEXM/R-4X8-ZU3	5	10/P	
8	6LH17928200	COVER-IN-BR-H38X	1	1/PP	
9	6LL60003000	PUSHER-SW-R_B-K18X	1	1/P	
10	X0-02247000	S/TPP/FHEXM-3X8-NI	22	10/P	
12	6LK41941000	ASYB-ROLL-IDL-BR-H38X	6	1/P	
14	X0-02419000	S/TPS/FHEXM/R-3X6-ZU3	13	10/P	
15	6LH17896000	PLATE-F-GUIDE-L	1	1/P	
16	6LH17895100	LEVER-LK_GG	1	1/P	
17	6LH17898000	SPA-LOCK-080	1	5/P	
18	6LJ10915000	WIRE-GUIDE-L	1	1/P	
19	6LE08847100	SHAFT-LEVER-390-PBF2	1	1/P	
20	X0-00964000	RR/E-3-SS	2	10/P	
21	6LH17988000	ASYS-SPL-GUIDE-LOW	2	1/C	
22	6LE41127000	SCREW-M3-4-1.4	3	5/P	
23	6LH17906200	GUIDE-U-BR_SA	1	1/PP	
25	C0-15007000	PS119ED1	1	1/C	
26	F0-01250000	MSB-1207	2	5/P	
27	X0-02135000	S/PAN/SWWP-M3X14-NI	1	10/P	
28	6LH17937000	STOPPER-GUIDE-U	1	1/P	
29	6LH17908000	PLATE-MG-CATCH	2	1/P	
30	6LK43956000	LBL-O-GUIDE-U-BR-H38X	1	1/P	
33	44201801000	STOP-RING-6-1.5	2	5/P	
35	6LL63705000	LBL-O-BRIDGE-K18X_2	1	1/KP	
38	X0-02594000	S/TPD3/FHEXM-3X10-ZU3	1	10/P	
39	6LH17984000	ASYS-DUCT-FAN-BR-FRT	1	1/C	
40	X0-02066000	S/TPS/PAN-4X16-ZU3	2	10/P	
41	6LL63700000	GUIDE-BR-ENT2-SH3	1	1/PP	
42	6LA05697000	MYLAR-GUIDE-M95	2	1/KP	
43	6LA05696000	MYLAR-GUIDE-M39	2	1/P	
45	6LH09308000	HRNS-RLY1-RVS1-430	1	1/P	
46	6LJ10914200	GUIDE-LOW-BR_SA	1	1/PP	
47	6LL63708000	LBL-HOT-BRG-K18XN	1	1/KP	
48	6LH17962000	SEAL-BRIDGE-LOW	1	1/KP	



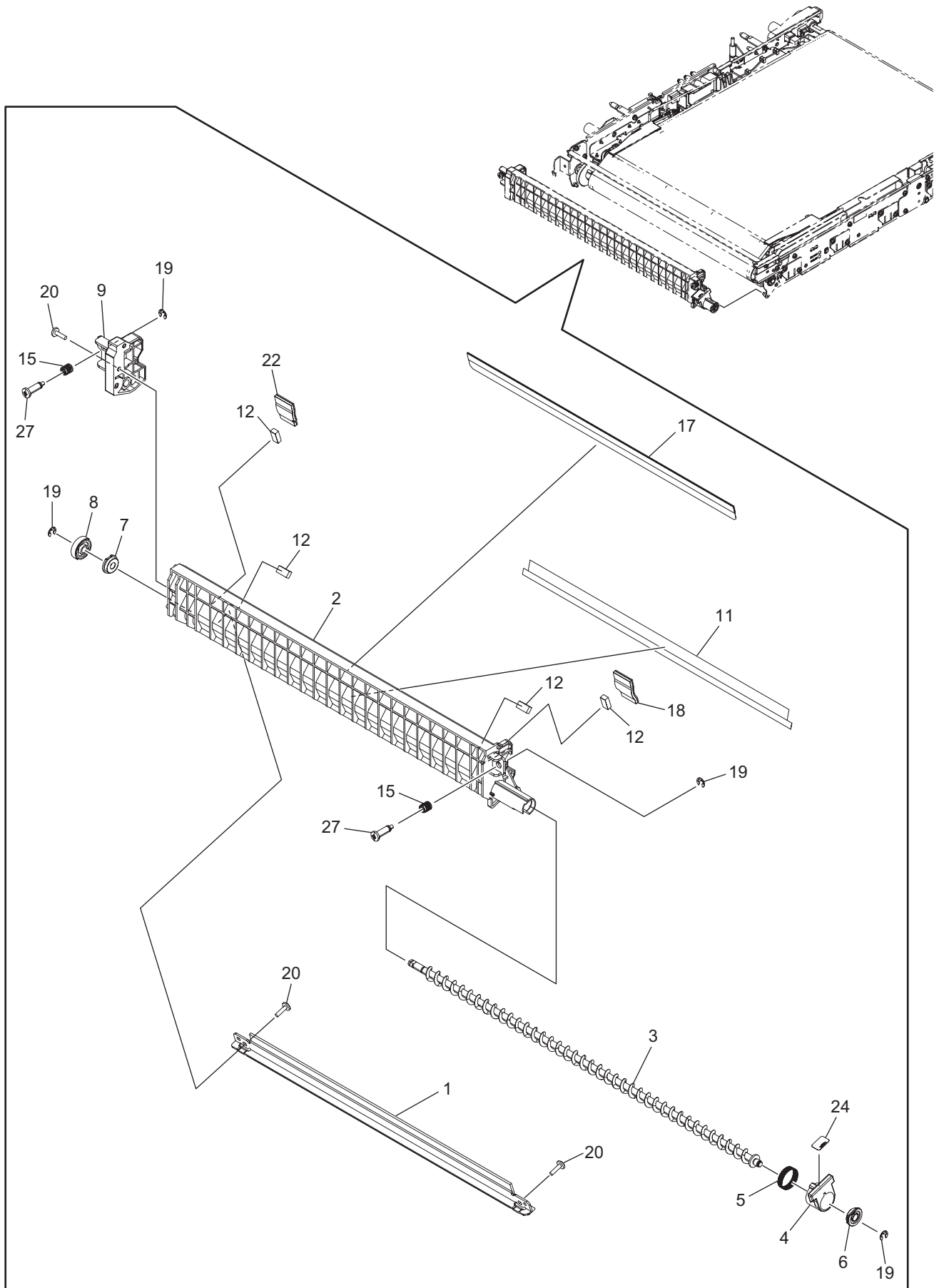


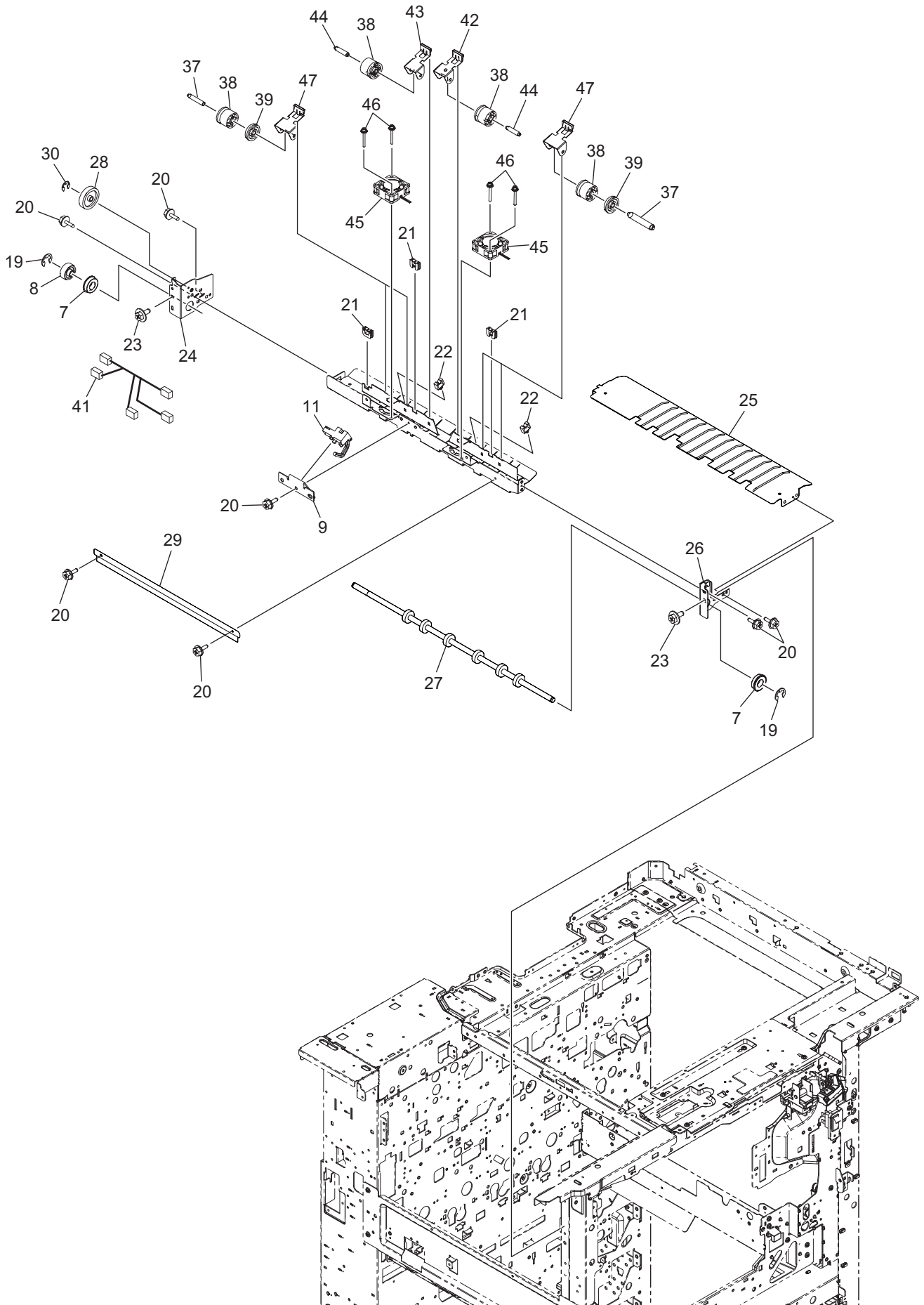
ITEM No.	PART No.	PART NAME	Q'TY / PAGE	Q'TY / PACK	REMARKS
2	6LH04100000	STUD-TBU-R-M4	1	1/P	
11	4406537280	HLDR-TR-ROLL	1	1/P	
12	6LH03865000	SPG-C-TR1-TBU	2	1/P	
13	X0-02247000	S/TPP/FHEXM-3X8-NI	7	10/P	
14	6LH03712100	HOLDER-LOCK-LVR_S	1	1/P	
15	6LJ07164000	ASYS-PIN-STOP	1	1/P	
16	6LH03715000	LINK-STOP-TBU	1	1/P	
18	X0-02420000	S/TPS/FHEXM/R-3X8-ZU3	18	10/P	
19	6LK41126100	ASYS-FRAME-F-TBU-H38X2	1	1/PP	
22	6LH04126100	SHAFT-LEVER-TBU-PBF2	1	1/P	
23	4400802080	BUSH-8	2	5/P	
24	6LH04141000	ASYS-BRKT-LINK-H-F43X	1	1/P	
25	6LH03953200	LEVER-TBU-H38X	1	1/P	
26	6LH03866000	BRKT-LINK-F-F43X	1	1/P	
27	6LH03714000	PLATE-LINK-H-F43X	1	1/P	
28	6LH03801000	SPG-E-PLATE-TBU-FIX	1	1/P	
29	6LK41173000	ASYS-RLR-RIGID-SLD-H38X	1	1/KP	
33	6LH04131000	LINK-TBU-LOCK-PBF	1	1/P	
34	6LK41144000	ASYS-RLR-TR2-TBU-H38X	1	1/C	
38	6LK41103000	HLDR-RLR-DRV-TBU-F-H38X	1	1/P	
39	6LK41108000	COVER-FR-UP-TBU-H38X	1	1/P	
40	6LK41154000	LVR-TBU-H38X	1	1/P	
42	6LL60901000	ASYS-PLATE-TBU-UD-K18X	1	1/P	
43	6LH04132000	CAM-TBU-UD-PBF	1	1/P	
44	6LH03896200	LEVER-SF-TBU-H38X	1	1/P	
45	6LH03894000	SPG-C-TBU-LIFT	1	5/P	
46	6LH03892000	SCREW-BRKT-TBU-UD	1	1/P	
48	X0-02230000	S/FHEXM-M3X6-NI	4	10/P	
49	X0-00965000	RR/E-4-SS	7	10/P	
50	4406329300	SCREW-DRM-GAP	2	10/P	
51	6LK41146000	ASYS-CLN-RLR-TBU-H38X	1	1/KP	
52	F0-02296000	ES-0505-2	1	5/P	
53	F0-01048000	UAMS-05-0	4	5/P	
54	X0-00968000	RR/E-7-SS	2	10/P	
55	6LH04124100	RLR-SNS-TBU-F43X-PBF2	2	1/P	
56	6LH03726000	COLAR-RLR-LIFT	4	1/P	
58	6LJ07150000	RLR-TR1-TBU-H130	1	1/C	
59	6LH03718000	CASE-TERM-TR1-F	1	1/P	
60	6LH03719000	COVER-TERM-TR1-F	1	1/P	
62	6LH04012000	PLATE-LINK-TBU-LOCK	1	1/P	
63	6LH04013000	BRKT-LEVER-STOPPER	1	1/P	
74	X0-02363000	S/PAN/SWWS-M4X10-NI	1	10/P	
77	6LK41105000	HLDR-RLR-DRV-TBU-R-H38X	1	1/P	
78	6LK41106000	PLATE-TR2-TBU-H38X	1	1/C	
79	6LJ07115000	PLATE-TR2-TBU2-H130	1	1/P	
80	6LK41101000	GUIDE-CLN-TR2-TBU-H38X	1	1/P	
81	6LH53768000	BUSH-6-NU4	4	1/P	
84	6LK30994000	COVER-TERM-TR1-R	1	1/P	
85	6LH03887000	CASE-TERM-TR1-R	1	1/P	
87	6LH03817000	PLATE-TR1	1	1/P	
88	6LJ07165000	BUSH-TR1-TBU	1	1/P	
90	6LJ07123100	COLLAR-STAND-TBU-L-H130_S	1	1/P	
91	6LH03850000	BRKT-TBU-UD	1	1/P	

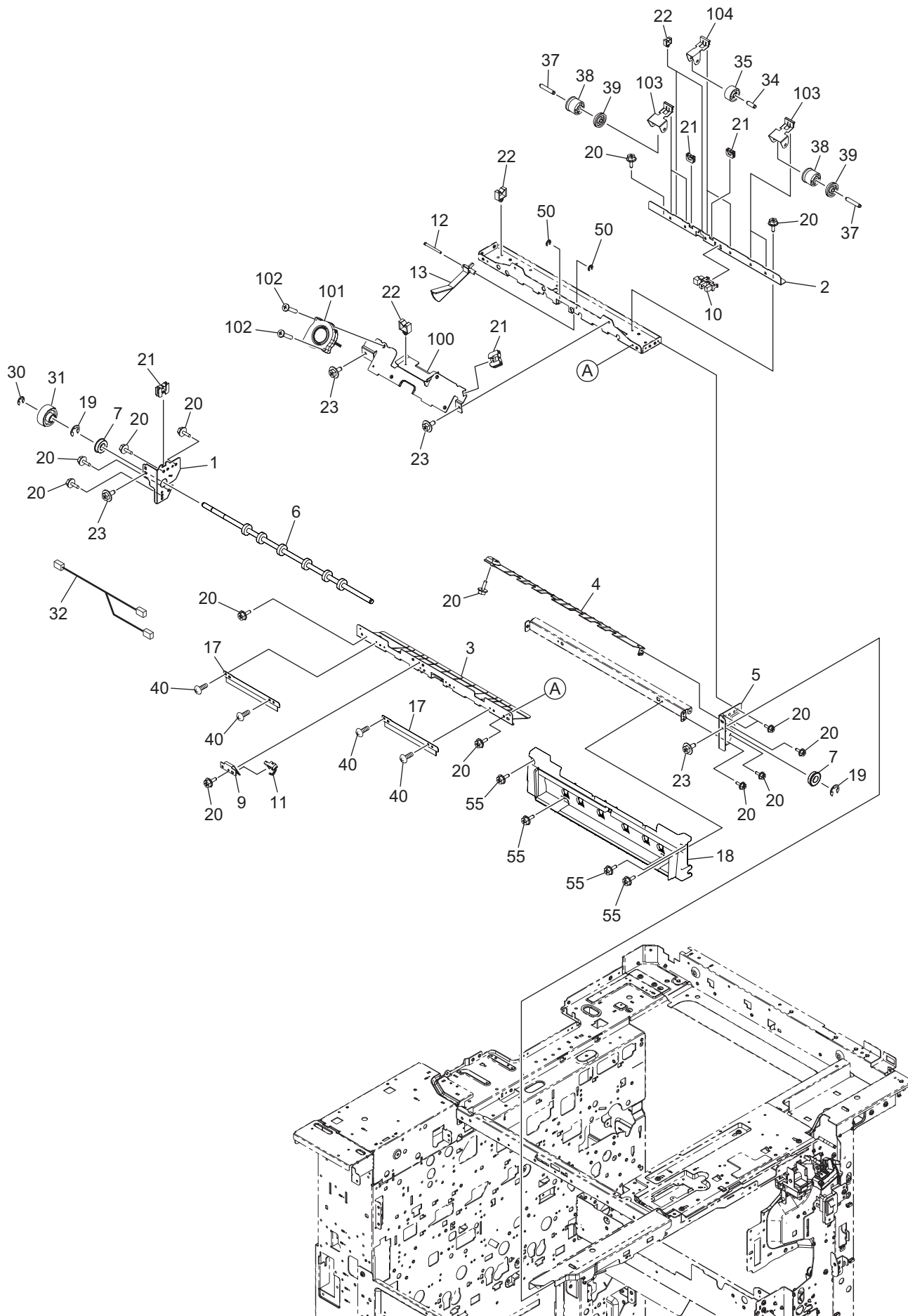


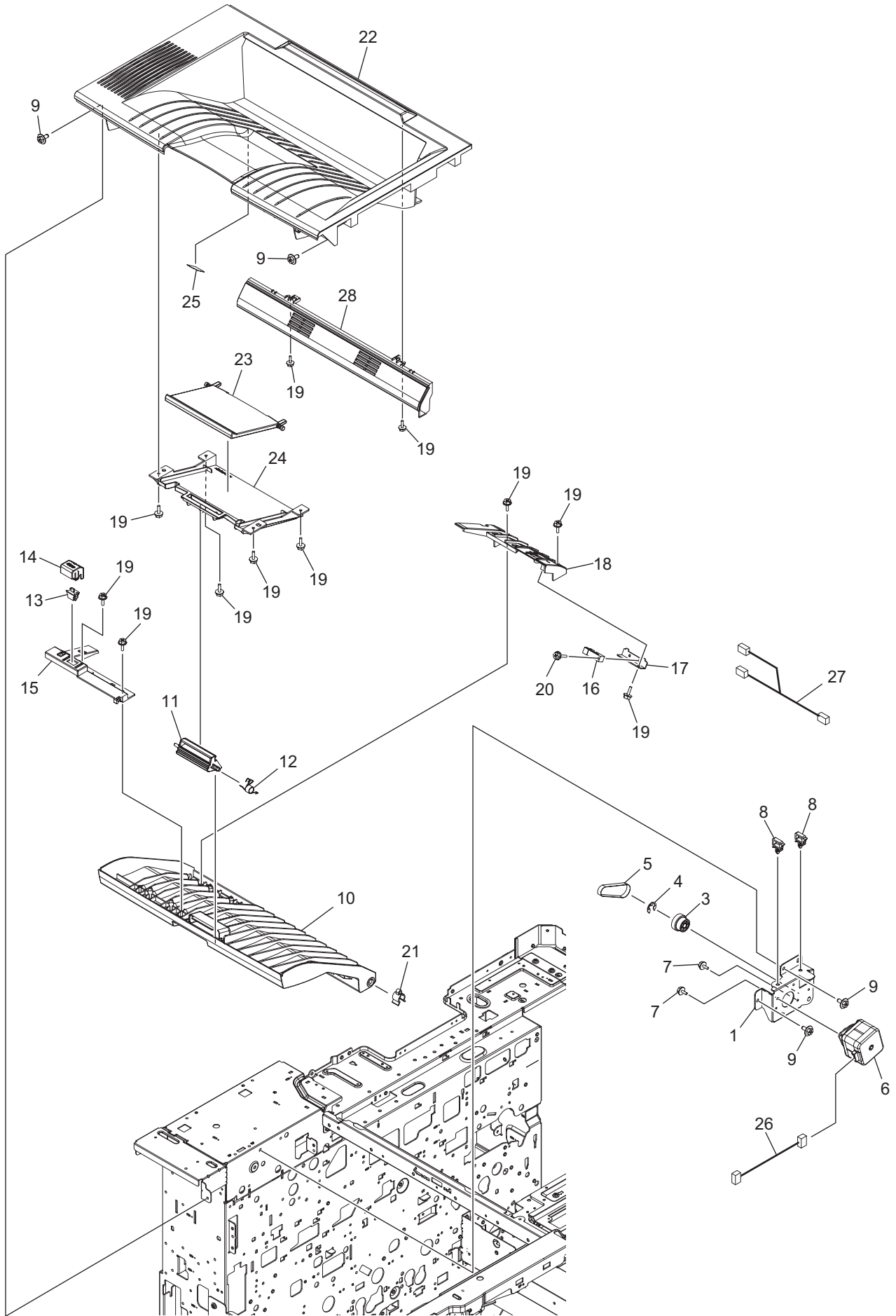


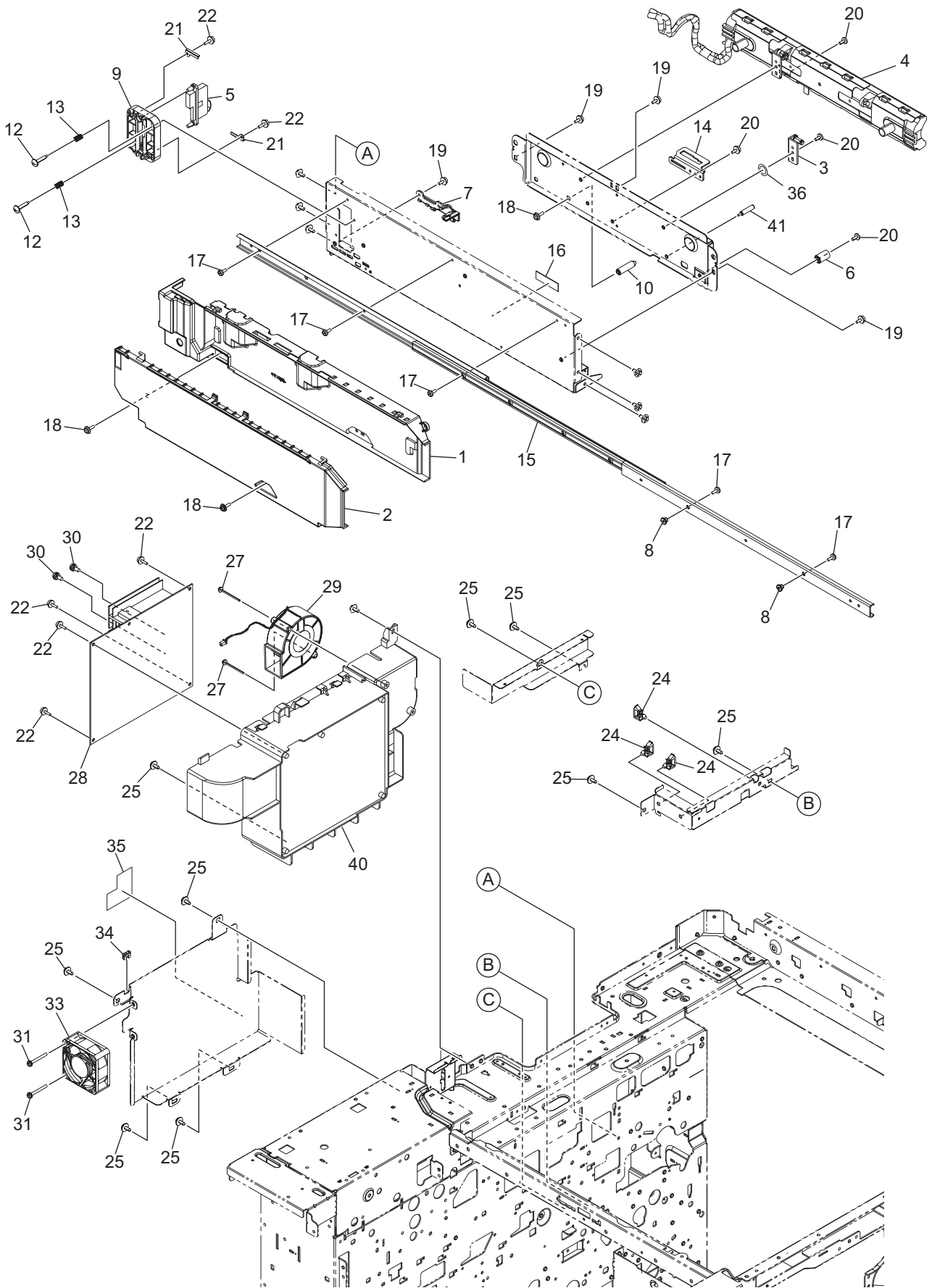
ITEM No.	PART No.	PART NAME	Q'TY / PAGE	Q'TY / PACK	REMARKS
3	6LH03725000	ARM-TENSION	2	1/P	
4	6LK41168000	SPG-E-STRG-H38X	2	1/P	
6	6LH03921100	COVER-FL-UP-TBU_S	1	1/PP	
9	X0-00965000	RR/E-4-SS	11	10/P	
10	X0-02420000	S/TPS/FHEXM/R-3X8-ZU3	14	10/P	
11	6LJ07182100	RLR-STRNG-AL-PBF2	1	1/KP	
14	44201492000	BUSH-6-POM	4	5/P	
15	6LE50521000	BUSH-8X12X5R5F-NU4	1	5/P	
16	6LH03937000	GEAR-05H50-WORM	1	1/P	
17	6LH03857000	BRKT-SCALE	1	1/P	
18	6LH03832000	GEAR-DRIVE-SHAFT	2	1/P	
19	6LH03856000	ARM-R	1	1/P	
20	6LH03915000	GEAR-ROL-GUIDE-F	1	1/P	
21	6LH03882000	GEAR-ROL-GUIDE-R	1	1/P	
22	6LH03861000	GEAR-RVRS	1	1/P	
23	6LH03831000	GEAR-IDLE-GUIDE	2	1/P	
24	6LH03986000	SPG-GEAR-STRNG-3N	2	5/P	
25	6LH04128100	STUD-GEAR-GUIDE-PBF2	2	1/P	
26	6LA78908000	WASHER-6R2X9R5XR25-PL	2	5/P	
27	6LH04091100	SFT-DRV-STEERING-PBF2	1	1/P	
28	6LH03939100	SLIDER-STNG_S	1	1/P	
29	6LH03863100	STUD-IDLE-ARM-PBF2	1	1/P	
31	6LH03855000	ARM-F	1	1/P	
32	6LH03864100	STUD-ROL-GUIDE-PBF2	2	1/P	
33	6LH03829000	WORM-STEERING	1	1/P	
34	X0-01526000	P/PRL/AH7-2X12-SS	3	10/P	
35	X0-02230000	S/FHEXM-M3X6-NI	5	10/P	
36	6LH03936000	GEAR-10S80-STERING	1	1/P	
38	6LH03913000	HLDR-BELT-F	1	1/P	
39	6LH03862000	HLDR-BELT-R	1	1/P	
40	6LH04045000	COLLAR-18	2	5/P	
41	F0-02241000	LNR-1680KKRP0P25LY727	2	1/P	
43	6LH04074100	COVER-WORM-STNG_S	1	1/P	
44	6LJ07175000	FELT-CLN-DRVRLR-TBU	1	1/KP	
45	6LH03909000	RLR-27-STRNG	2	1/P	



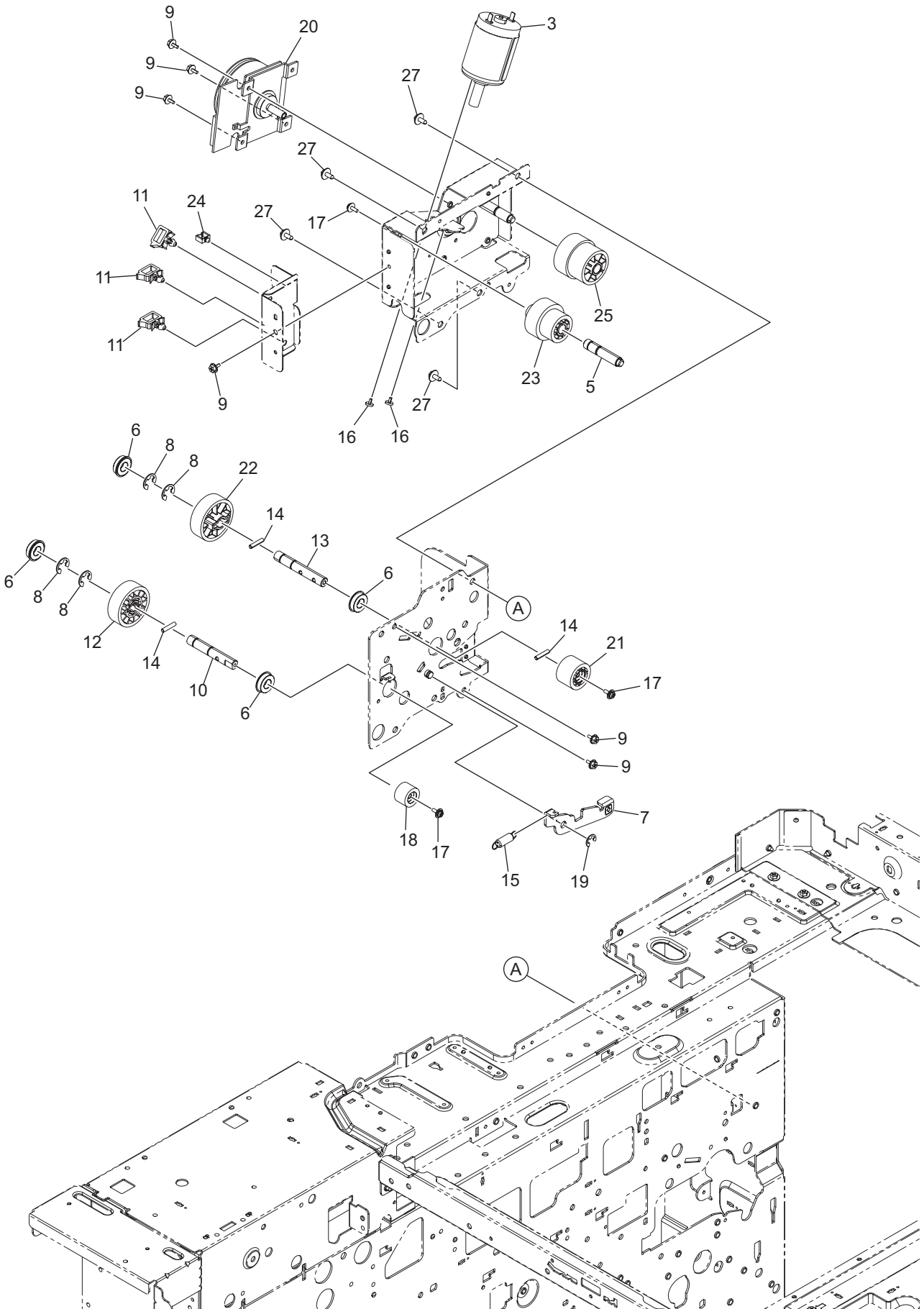


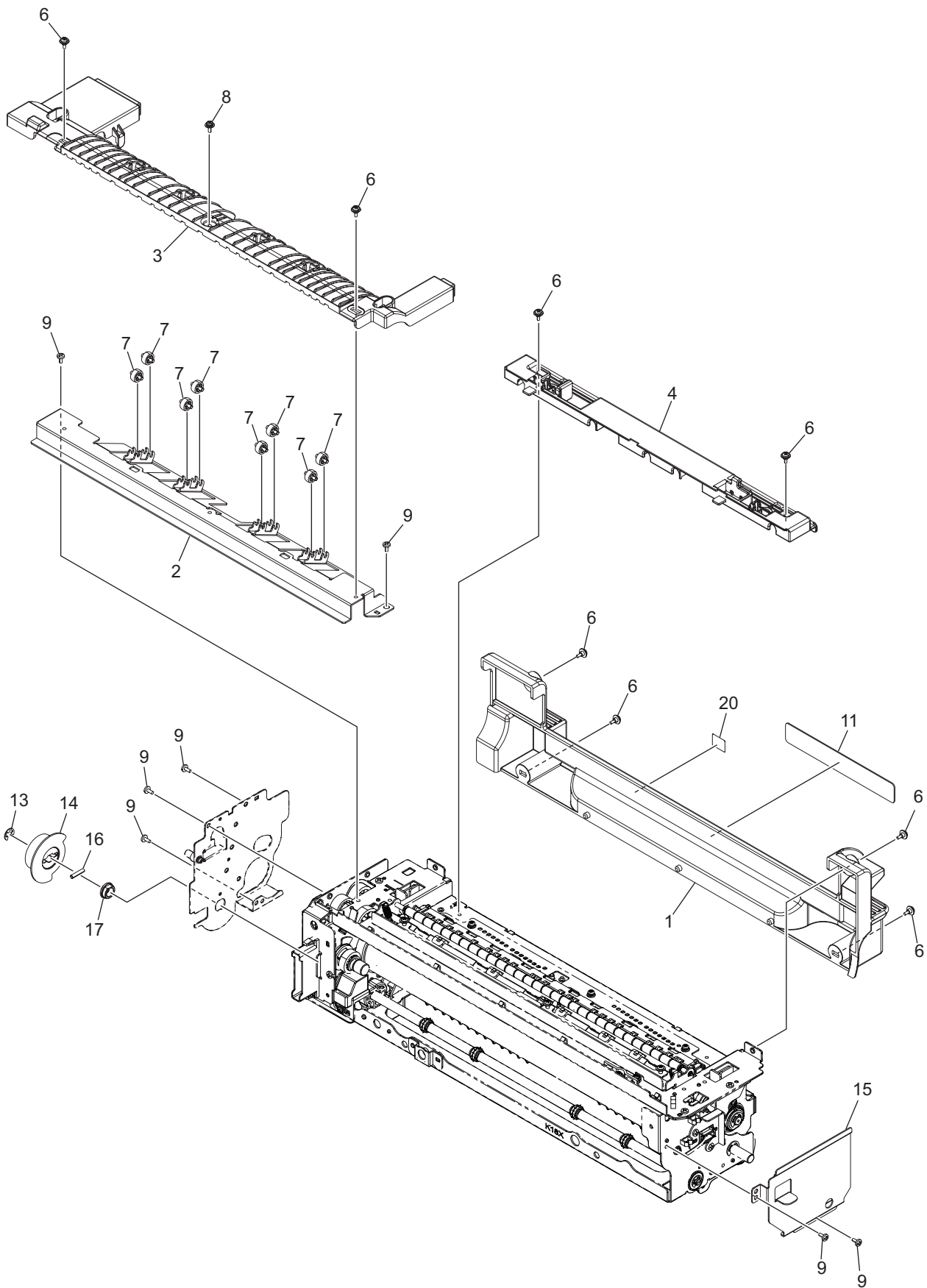


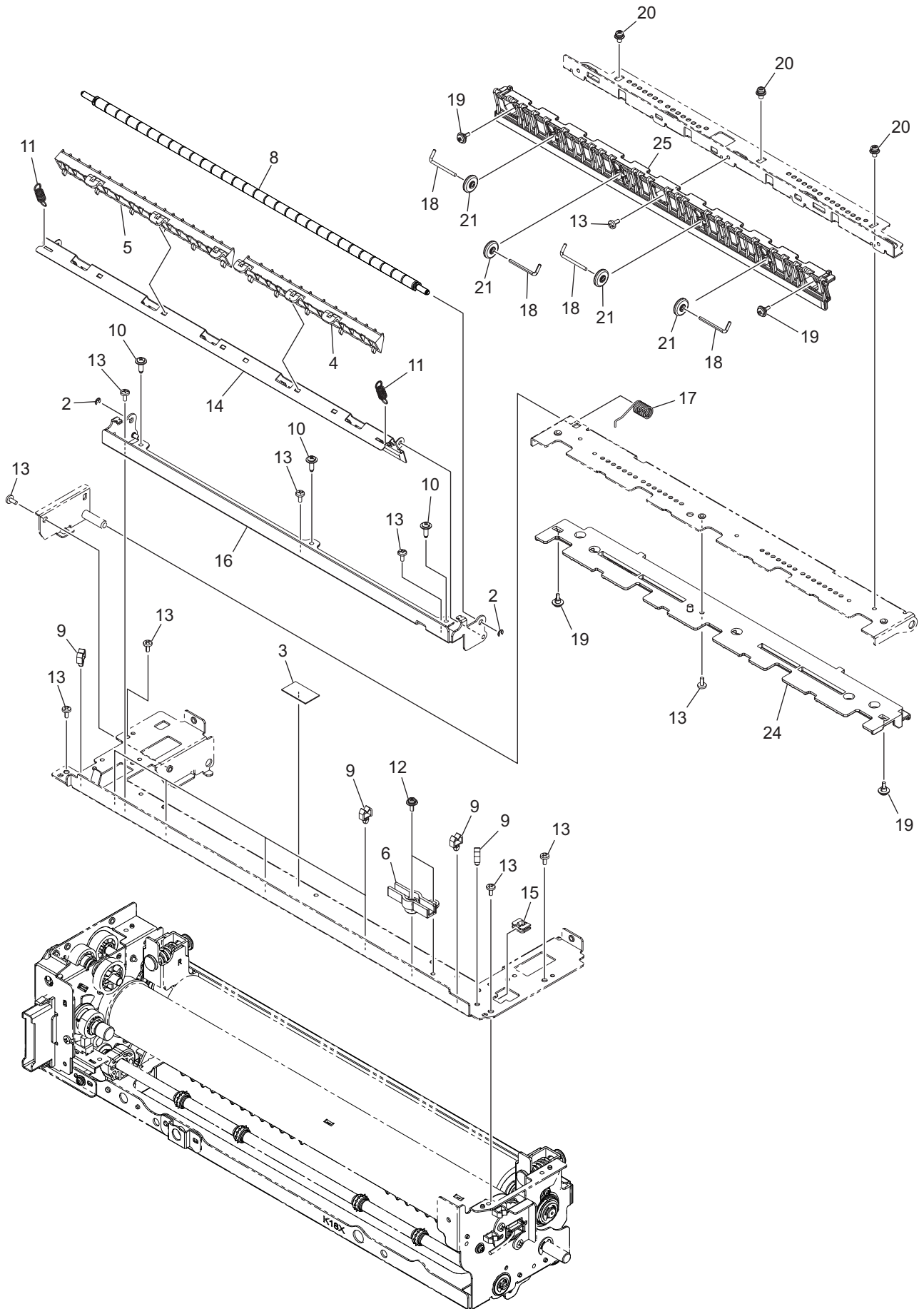


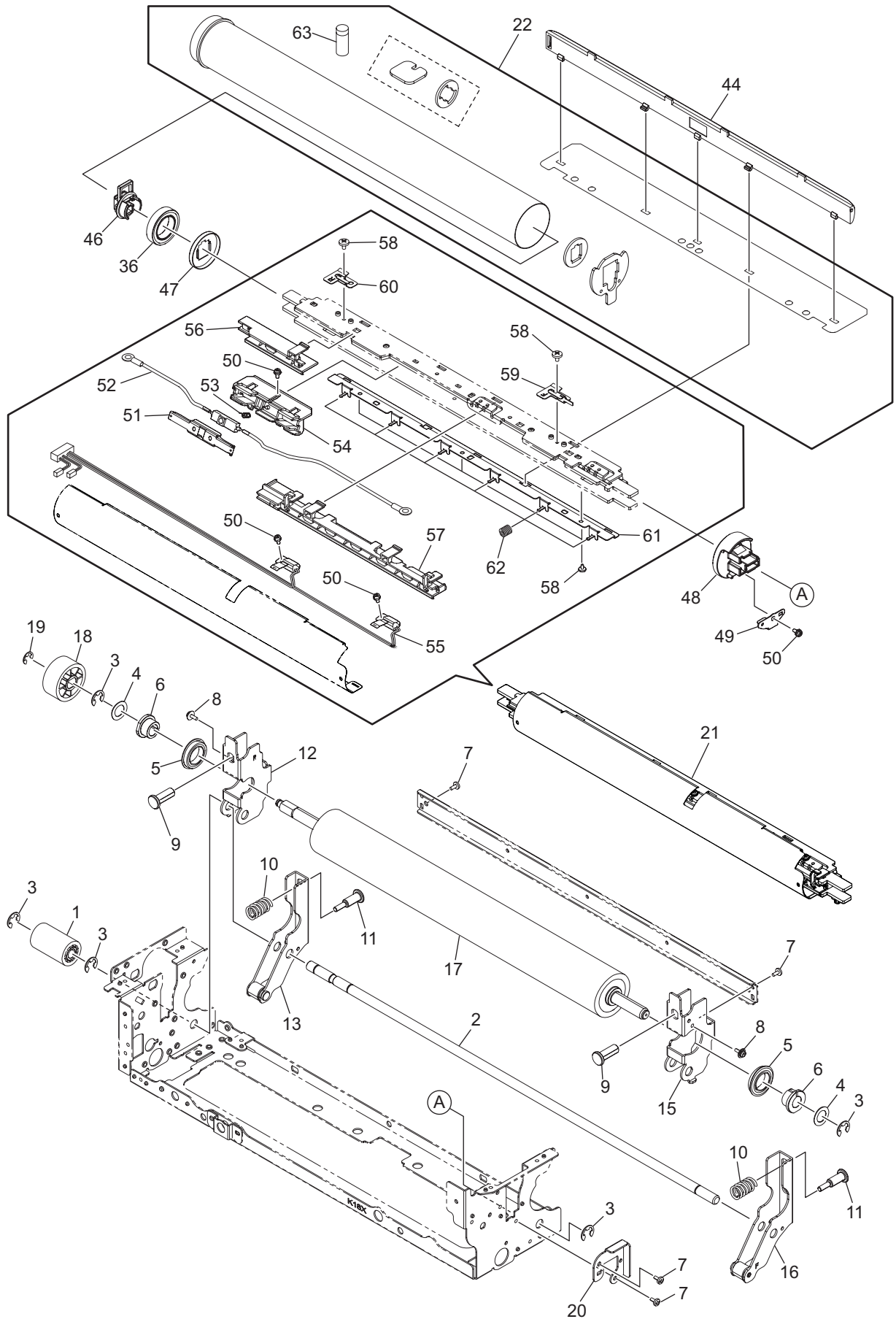


ITEM No.	PART No.	PART NAME	Q'TY / PAGE	Q'TY / PACK	REMARKS
1	6LK42583000	ASYS-DUCT-STAY-FUS-H38X	1	1/PP	NAD MJD,ASD,AUD,CND,ARD,TWD
2	6LH01520300	DUCT-STAY-FUS-L-H38XM	1	1/PP	
3	6LJ59056000	ASYS-STAY-IHUNIT-H21X	1	1/P	
4 A	6LL46843200	ASYB-IHCOIL-K16X-100S	1	1/C	
4 B	6LL46843300	ASYB-IHCOIL-K16X-200S	1	1/C	
5	6LL27016000	HRNS-LGC-FUS-K130	1	1/P	
6	6LJ58759000	SPG-C-PUSH-FUS-F-H21Y	1	1/P	
7	6LK42488100	COVER-STAY-HNS-H38_SK	1	1/P	
8	6LH17813100	STUD-RAIL-PBF2	2	1/P	
9	6LK42487100	HLDR-W-H38_SK	1	1/P	
10	6LJ59053100	STUD-STAY-FUS-H38X-PBF2	1	1/P	
12	4406326040	SCREW-D4-18-M3	2	10/P	
13	6LA14468000	SPC068-080-160	2	5/P	
14	6LK42612000	SUPPT-COIL-IH-H38X-ADJ	1	1/P	
15	6LH17809000	RAIL-BRIDGE-43X	1	1/P	
16	6LK41373000	SHEET-FUSER-SNSR-H380	1	1/P	
17	X0-00057000	S/PAN-M3X6-NI	5	10/P	
18	X0-00094000	S/PAN/SWWP-M3X10-NI	3	10/P	
19	X0-02230000	S/FHEXM-M3X6-NI	4	10/P	
20	X0-00430000	S/BID-M3X6-NI	4	10/P	
21	6LK42609000	BRKT-FUS-DRW-H38X	2	1/P	
22	X0-02247000	S/TPP/FHEXM-3X8-NI	6	10/P	
24	F0-01810000	LWS-0511S-V0	3	5/P	
25	X0-02421000	S/TPS/FHEXM/R-4X8-ZU3	9	10/P	
27	X0-02484000	S/PAN/SWWP-M3X35-NI	2	10/P	
28 A	6LL58572200	ASYB-IH-K180-E	1	1/SB	
28 B	6LL58572100	ASYB-IH-K180-U	1	1/SB	
29	6LL46725000	FAN-P7530S-170	1	1/D	
30	6LH55300000	USUITA-SPSEMS-4X8-6	2	5/P	
31	X0-02089000	S/PAN/SWWS-M4X30-NI	2	5/P	
33	6LL42600000	FAN-6025-065	1	1/D	
34	F0-02296000	ES-0505-2	1	5/P	
35	6LK40274000	SHEET-PLT-SHIELD-IH-H14X	1	1/P	
36	6LH07587000	WSHR-FUS-ST	1	5/P	
40	6LL62223300	ASYS-CASE-PS-IH-K130_2	1	1/PP	
41	6LL62229000	SCREW-FUS-K18X	1	1/P	

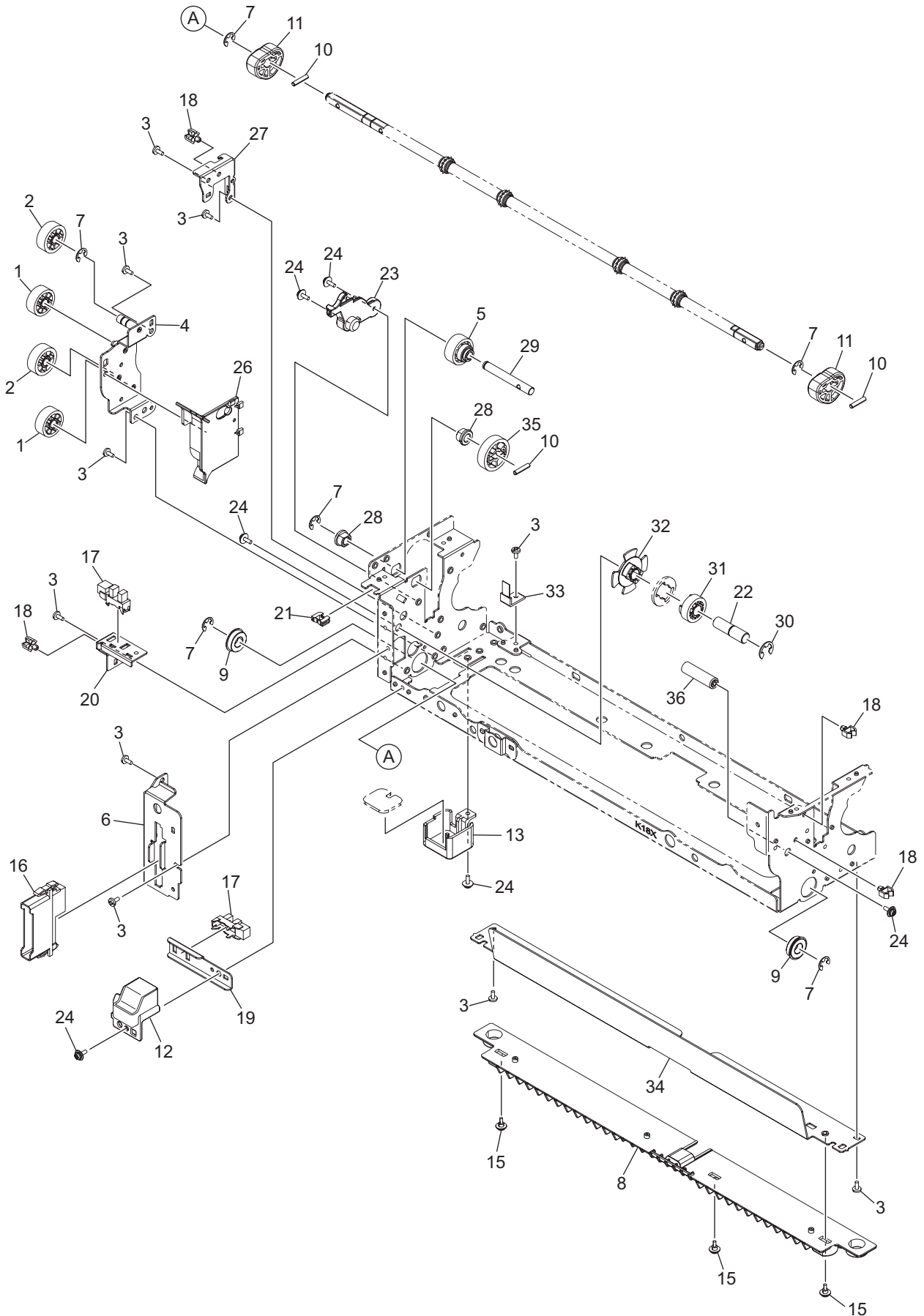




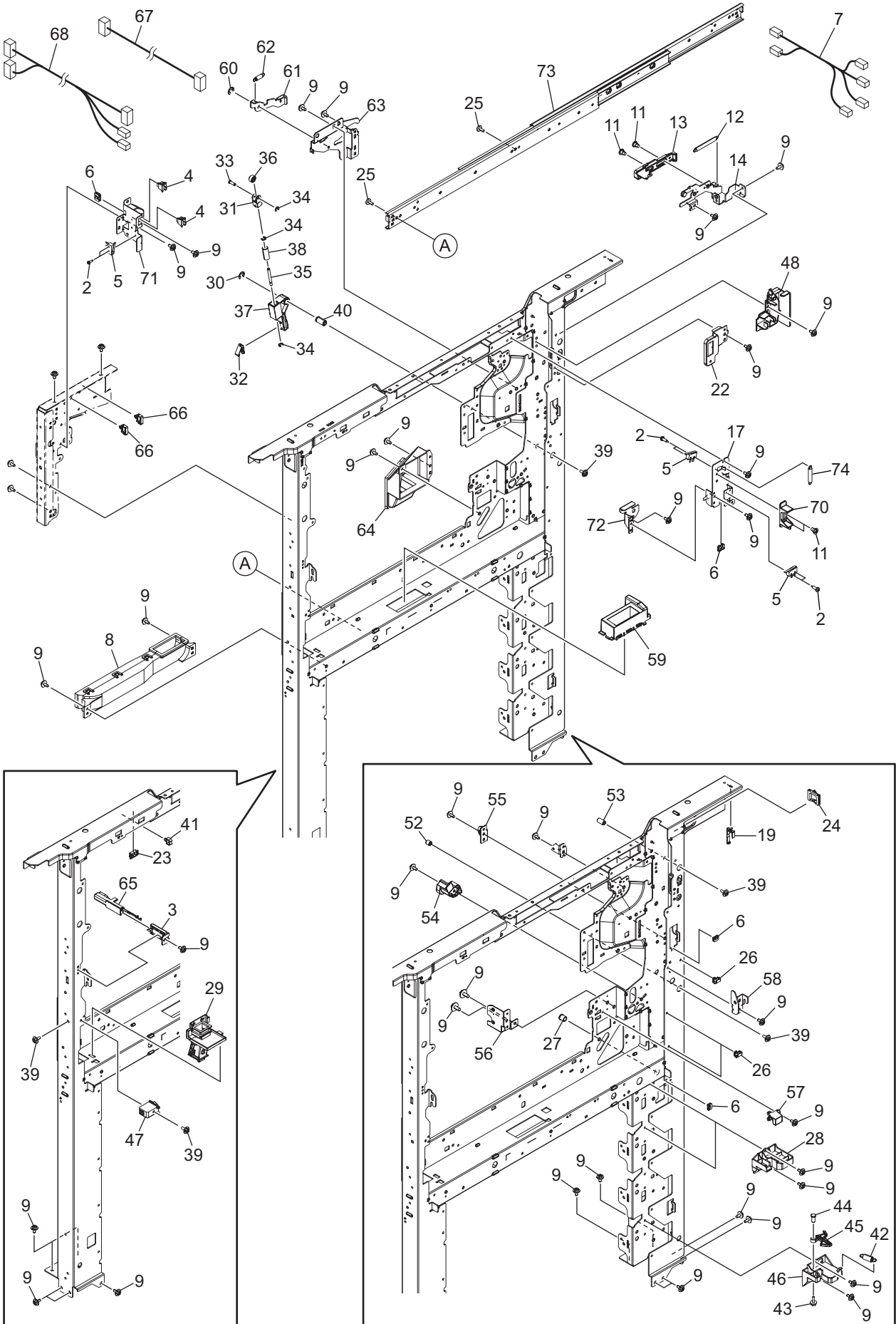




ITEM No.	PART No.	PART NAME	Q'TY / PAGE	Q'TY / PACK	REMARKS
1	6LK42409000	GEAR-10H21-IDL-PR-H38X	1	1/P	
2	6LK43980100	SHAFT-FUS-8-H38X-PBF2	1	1/P	
3	X0-00968000	RR/E-7-SS	5	10/P	
4	6LE25970000	WASHER-FUSER	2	5/P	
5	6LJ58988000	6802ZZNRS1C4-GPL226-GV22	2	1/P	
6	6LH07672000	BUSH-FUS-MR-C	2	1/P	
7	X0-00430000	S/BID-M3X6-NI	4	10/P	
8	X0-00077000	S/PAN/SWWP-M3X8-NI	2	10/P	
9	6LK43979100	SHAFT-FUS-SPG-S-H38X-PBF2	2	1/P	
10	6LK42590000	SPG-C-PR-330-H38X	2	1/P	
11	6LK42592000	SCREW-M4X10-7-ZU3	2	5/P	
12	6LK42438000	ARM-FUS-R-H38X	1	1/P	
13	6LK44120000	ASYS-PUSHER-ARM-R-H38X	1	1/P	
15	6LK42444000	ARM-FUS-F-H38X	1	1/P	
16	6LK44122000	ASYS-PUSHER-ARM-F-H38X	1	1/P	
17	6LK43647000	PR-FC556-FU	1	1/S	
18	6LK42678000	GEAR-10H32-PR-H38X	1	1/P	
19	X0-00966000	RR/E-5-SS	1	10/P	
20	6LK42422000	BRKT-BELT-F-H38X	1	1/P	
21	6LL62239000	BELT-HLDUNIT-K182	1	1/S	
22 A	6LK42668000	ASY-FUSER-BELT-FC556	1	1/S	Except CND CND
22 B	6LK42669000	ASY-FUSER-BELT-FC556-C	1	1/S	
36	6LK42559000	6804ZZS1C4-GPL226-GV22	1	1/P	
44	6LK42589000	PAD-BLT-R60-H4-H38X	1	1/KP	
46	6LK42478000	BUSH-BLT-R-H38X	1	1/P	
47	6LK42481000	WASHER-BLT-H38X	1	1/P	
48	6LK42627100	ASYS-BUSH-BLT-F-H38X2	1	1/P	
49	6LK42625000	BRKT-BLT-F-H38X	1	1/P	
50	X0-00059000	S/PAN/SWWS-M3X6-NI	4	10/P	
51	6LK42695100	HLD-THRMST-U-K18X	1	1/P	
52	6LL40975000	THRMST-HTR-K180	1	1/D	
53	6LK52255000	SPG-C-THRMST	1	1/P	
54	6LK42696000	HLD-THRM-H38X	1	1/P	
55	6LL40974000	THMS-HTR-K180	1	1/KP	
56	6LL62206000	GUIDE-HRNS-BLT-S-K18X	1	1/C	
57	6LL62207000	GUIDE-HRNS-BLT-L-K18X	1	1/C	
58	X0-00426000	S/BID-M3X4-NI	5	10/P	
59	6LL62225000	PLT-STOPPER-SHIELD-F-K18X	1	1/P	
60	6LL62224000	PLT-STOPPER-SHIELD-R-K18X	1	1/P	
61	6LK42476000	PLT-HLDR-PAD-H38X	1	1/KP	
62	6LK42479000	SPG-C-PLT-TMM-H38X	6	1/P	
63 A	6LK44116000	OIL-SILICONE-100CS	1	1/S	Except CND,Service part only CND, Service part only
63 B	6LK44116100	OIL-SILICONE-100CSC	1	1/S	



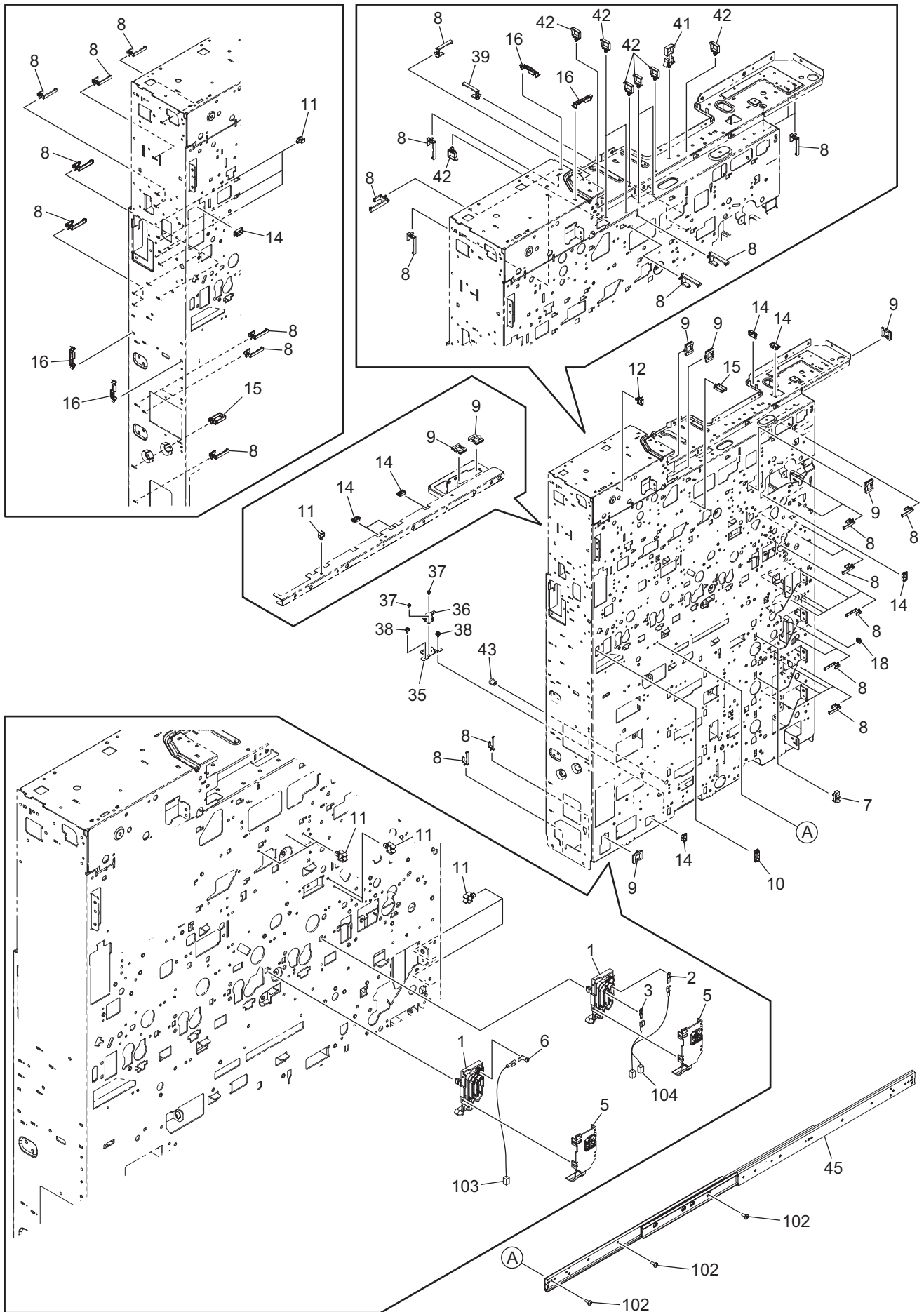
ITEM No.	PART No.	PART NAME	Q'TY / PAGE	Q'TY / PACK	REMARKS
1	6LK42462000	GEAR-10H20-R-H38X	2	1/P	
2	6LK42463000	GEAR-10H21-L-H38X	2	1/P	
3	X0-00430000	S/BID-M3X6-NI	10	10/P	
4	6LK44121000	ASYS-BRKT-DRV-G4-H38X	1	1/P	
5	6LK42614000	ASYS-GR-10H20-OWC-H38X	1	1/P	
6	6LK42414000	BRKT-DRW-W-H38X	1	1/P	
7	X0-00966000	RR/E-5-SS	6	10/P	
8	6LK42418000	GUIDE-ENT-PR-H38X	1	1/PP	
9	F0-02241000	LNR-1680KKRP0P25LY727	2	1/P	
10	X0-01169000	P/PRL/AH7-3X14-SS	3	10/P	
11	6LL62235000	CAM-FUS-3-K18X	2	1/P	
12	6LK44114100	COVER-SNSR-K13_SK	1	1/P	
13	6LK42620100	COVER-FUS-RL-H38_SK	1	1/P	
15	6LH36359000	SCREW-M3-D4X2.3	3	10/P	
16	6LK39203000	HRNS-FUS-H380	1	1/P	
17	C0-17839000	LG2A14BL1	2	1/C	
18	F0-00270000	UAMS-05L-0-46	4	10/P	
19	6LK42421000	BRKT-SNSR-R-RIKAN-H38X	1	1/P	
20	6LK42427000	BRKT-FUS-SNSR-H38X	1	1/P	
21	F0-01844000	ES-0505-2-46	1	5/P	
22	6LK43975100	STUD-SNSR-H38X-PBF2	1	1/P	
23	6LK42424300	ASYS-HLDR-FUS-R-2_SK	1	1/P	
24	X0-00077000	S/PAN/SWWP-M3X8-NI	6	10/P	
26	6LK42430100	COV-HNS-R-H38_SK	1	1/P	
27	6LK42434000	BRKT-BELT-R-H38X	1	1/P	
28	6LH68707000	BUSH-6	2	1/P	
29	6LK42419000	STUD-BELT-R-H38X	1	1/P	
30	X0-00968000	RR/E-7-SS	1	10/P	
31	6LK42426000	GEAR-10S20-SNSR-H38X	1	1/P	
32	6LK42429000	ACT-SNSR-H38X	1	1/P	
33	6LJ02533000	BRUSH-FUSER-H14X	1	1/C	
34	6LK42417000	PLT-ENT-H38X	1	1/PP	
35	6LK42408000	GEAR-10S26-BELT-H38X	1	1/P	
36	6LK44118100	STUD-SNSR-K13X-PBF2	1	1/P	

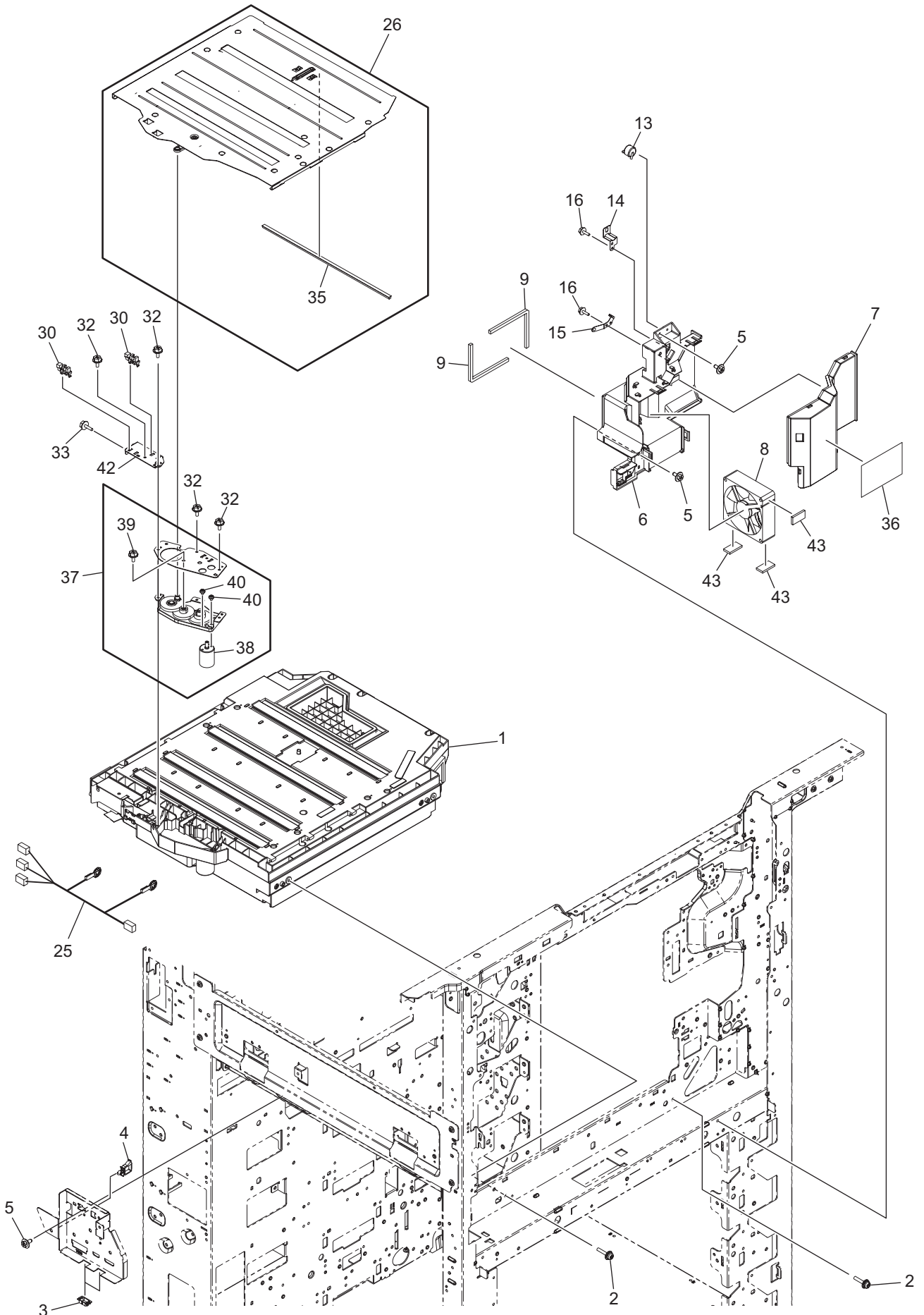


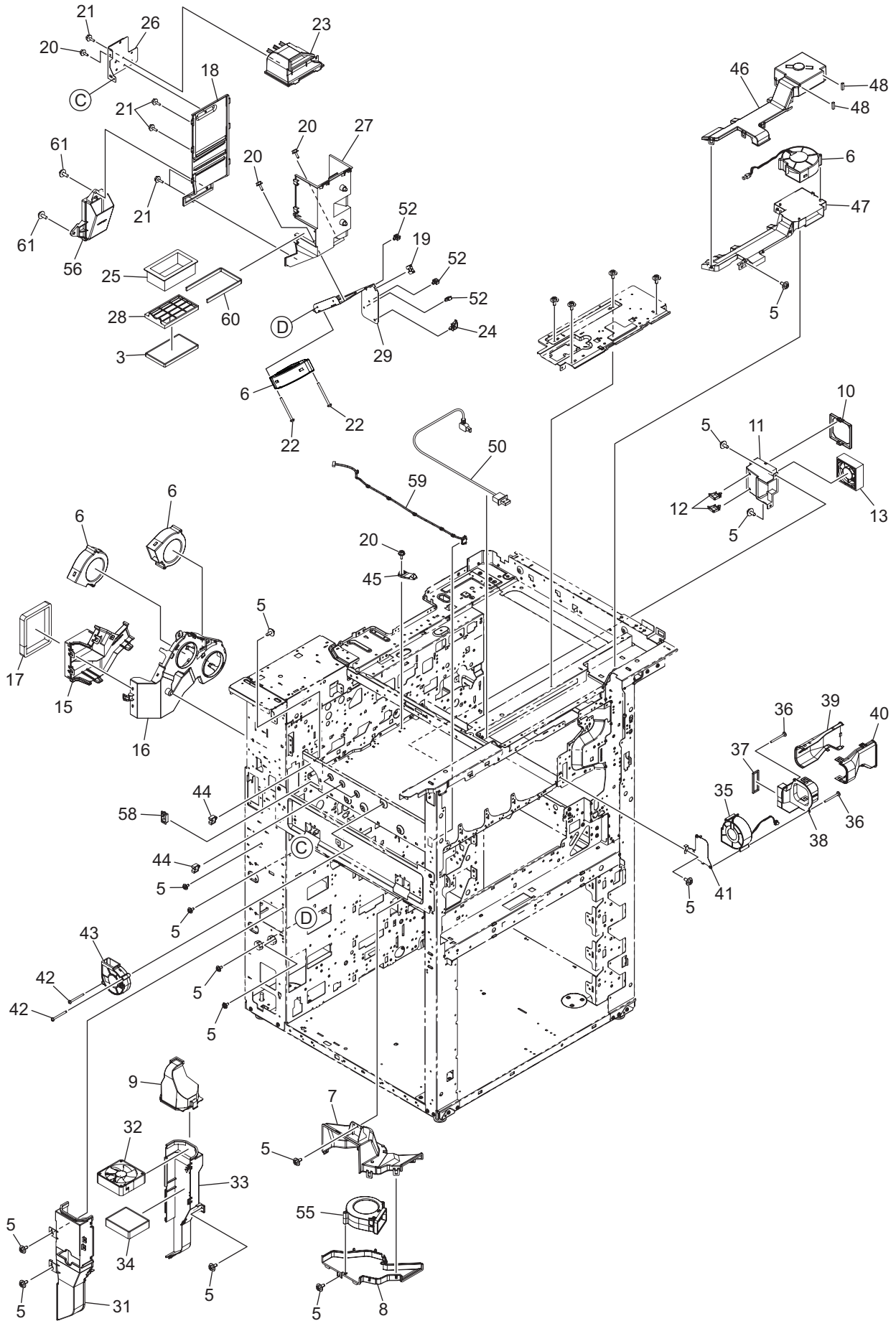
ITEM No.	PART No.	PART NAME	Q'TY / PAGE	Q'TY / PACK	REMARKS
2	44204394000	SCREW20XD23	6	10/P	
3	6LH03823100	ANG-TBU-LEFT_S	1	1/P	
4	E0-16446000	SW1AG-550	2	1/D	
5	E0-16835000	MQS-54AS-5L2-F	3	1/C	
6	F0-02296000	ES-0505-2	4	5/P	
7	6LK39422000	HRNS-FRTSW-H380	1	1/P	
8	6LH01471000	ASYS-DUCT-EPU-FRT	1	1/PP	
9	X0-02421000	S/TPS/FHEXM/R-4X8-ZU3	40	10/P	
11	6LA02823000	SCREW-RAIL-TRU	4	5/P	
12	6LH01135000	SPG-E-6R5XR5X28R	1	1/P	
13	6LL60007000	LVR-DOOR-SWMN-K18X	1	1/P	
14	6LH01169000	ASYS-BKT-LVR-DOOR	1	1/P	
17	6LL60012000	ASYS-BKT-DOOR-SW-K18X	1	1/P	
19	F0-00036000	RLWS3TV0	1	5/P	
22	6LK39004000	BRKT-SW-H38X	1	1/PP	
23	F0-01248000	ESC-0912	1	10/P	
24	F0-00047000	EDS-1717U	1	10/P	
25	X0-02577000	S/BID-M4X8-ZU3	2	10/P	
26	F0-01462000	LBWS-0206S-V0	3	1/P	
27	F0-00370000	OCB-375	1	5/P	
28	6LL61924000	HOLDER-LOCK-CST-SC	2	1/P	
29	6LK40725000	ASYB-DUCT-WTNR-VT	1	1/C	
30	X0-00968000	RR/E-7-SS	1	10/P	
31	6LK41343000	HOLDER-ROL-PUSH-H380	1	1/P	
32	6LK41350000	SPL-LEVER-TRU-H38X	1	1/P	
33	6LK41381100	SHAFT-ROLL-TRU-PUSH-PBF2	1	1/P	
34	X0-00964000	RR/E-3-SS	3	10/P	
35	6LK41382100	SHAFT-SPC-GUIDE-PBF2	1	1/P	
36	6LK41344000	ROL-PUSH_UP	1	1/P	
37	6LK41349000	LEVER-PUSH-TRU-F	1	1/P	
38	6LE62403000	SPC-PUSH-RGST	1	1/P	
39	X0-02235000	S/FHEXM-M4X8-NI	5	10/P	
40	6LK41383100	STUD-TRU-LEVER-PBF2	1	1/P	
41	F0-00270000	UAMS-05L-0-46	1	10/P	
42	6LH05751000	SPE096-100-0282	1	1/P	
43	X0-02231000	S/FHEXM-M3X8-NI	1	10/P	
44	6LA04494100	STUD-LOCK-CST-PBF2	1	5/P	
45	6LA04493000	HOOK-LOCK-CST	1	1/P	
46	6LA04492000	HOLDER-LOCK-CST	1	1/P	
47	6LH02990000	STOP-EPU-LFT	1	1/P	
48	6LL60011000	COVER-LED-FUS-K18X	1	1/P	
52	6LH05428100	STUD-LOCK-ADU-FL-PBF2	1	1/P	
53	6LH05423100	STUD-LOCK-ADU-PBF2	1	1/P	
54	6LK41365000	HLDR-GID-RGST-F-H380	1	1/P	
55	6LK41357000	PLATE-ADU-FRT	1	1/P	
56	6LH04488000	BRKT-CAM-TR2-F	1	1/P	
57	6LH02991000	STOP-EPU-RGT	1	1/P	
58	6LH02326000	SUPPORT-PLT-HNG-CV-R	1	1/P	
59	6LH01417100	DUCT-EPU-F-EXT-S_S	1	1/P	
60	X0-00966000	RR/E-5-SS	1	10/P	
61	6LK42496000	BRKT-FUS-LEV-F-H38X	1	1/P	
62	6LK42500000	SPG-E-LEV-H38X	1	1/P	
63	6LK42497000	ASYS-BRKT-FUS-F-H38X	1	1/P	
64	6LH07987000	ASYS-DUCT-LSU-IN	1	1/PP	
65	6LH04069100	LIFT-TBU-H38X	1	1/P	
66	F0-00032000	PLWS-1-46B	2	5/P	
67	6LH09006000	HRNS-SIDE-430	1	1/P	
68	6LL58456000	HRNS-LVPS-ILSW3-K180	1	1/P	
70	6LL60002000	SLIDE-FRONT-INTR-K18X	1	1/P	
71	6LL60013000	ASYS-BRKT-SW-TNR-K18X	1	1/P	
72	6LL60004000	BRKT-SW-INTER-A-K18X	1	1/P	
73	6LJ07912000	RAIL-FEED-H13X	1	1/PP	
74	6LE22836000	SPG-E-6R5XR45X31R9	1	1/P	

ITEM No.	PART No.	PART NAME	Q'TY / PAGE	Q'TY / PACK	REMARKS
1	6LH02635100	BRKT-DRAWER-CNTR-CLNR_S	1	1/P	
15	6LH03730000	COVER-TERM-KCMY	1	1/P	
16	6LH03731000	CASE-TERM-KCMY	1	1/P	
17	6LH03732000	PLATE-TERM-TBU	2	1/P	
19	X0-02247000	S/TPP/FHEXM-3X8-NI	2	10/P	
21	6LA08938000	SCREW-SOCKET	2	10/P	
22	6LH17816100	BRKT-CONH38	1	1/D	
23	6LA08950000	SPC074-070-0145	2	5/P	
24	4406326040	SCREW-D4-18-M3	2	10/P	
25	F0-01248000	ESC-0912	1	10/P	
27	6LH04564000	HLDR-GID-RGST-R-430	1	1/P	
28	6LK42680000	BRKT-SLD-R-H38X-B	1	1/P	
32	X0-02421000	S/TPS/FHEXM/R-4X8-ZU3	19	10/P	
33	6LH04832000	ASYS-FRAME-DRIVE-EXIT-F-N	1	1/C	
35	6LK43902000	GEAR-10S25_PS2M28-6	1	1/P	
36	6LH04600000	IDLER-DRIVE-EXIT	1	1/P	
37	6LA79005000	GEAR-10S022-06-DRV	1	1/P	
38	6LA04720000	PLY/T-S2M-28-08	2	1/P	
39	6LH04598000	GEAR-10S25-8-OWR	2	1/P	
40	6LH04597000	GEAR-10S25-8-DRV	2	1/P	
41	6LH04782100	SHAFT-DRIVE-EXIT-1-PBF2	2	1/P	
42	6LH04783100	SHAFT-DRIVE-EXIT-2-PBF2	1	1/P	
43	X0-01526000	P/PRL/AH7-2X12-SS	4	10/P	
44	X0-00968000	RR/E-7-SS	8	10/P	
45	X0-00966000	RR/E-5-SS	2	10/P	
46	X0-00965000	RR/E-4-SS	1	10/P	
47	6LH04592000	BLT_SY-S2M-316-6	1	1/P	
48	F0-02240000	LNR-1680KKRP0P25LY551	6	1/P	
49	6LH04608000	FRAME-DRIVE-EXIT-R	1	1/P	
50	X0-02420000	S/TPS/FHEXM/R-3X8-ZU3	3	10/P	
51	F0-01811000	LWS-0711S-V0	1	5/P	
63	6LK41123000	BRKT-GUIDE-TBU	1	1/P	
69	6LH04772000	MYLAR-DRIVE-EXIT	1	1/P	
71	F0-01460000	RWS-2T V0	1	1/P	
72	6LH03729100	COV-HRNS-TERM-TBU_S	1	1/P	
73	6LK39331000	HRNS-ERS-H385	1	1/P	
75	X0-02235000	S/FHEXM-M4X8-NI	1	10/P	
76	6LK41383100	STUD-TRU-LEVER-PBF2	1	1/P	
77	6LK72955000	HRNS-CRGIC-H385	1	1/P	
78	X0-02557000	S/BID-M2.6X3-NI	2	10/P	
79	6LH03657000	ASYS-MOTRD-KTNR-430	1	1/C	
80	6LH03599000	SPG-C-GEAR-DRV-TNR-430	1	1/P	
81	6LH03616000	GEAR-5H46-6-COUPPL-K	1	1/P	
82	6LK40967000	ASYS-TNRDRV-H38X	1	1/P	
84	6LK40941000	GUIDE-TNRSP-H38X	1	1/P	
85	6LK40964100	ASYB-PACK-CTIF-K140	1	1/S	
86	6LA80090000	S/TPP/BID-3X8-NI	1	5/P	
87	6LK40956000	HLDR-TNRDRV-H38X	1	1/PP	
88	6LK41348000	LEVER-PUSH-TRU-R	1	1/P	
89	6LK41343000	HOLDER-ROL-PUSH-H380	1	1/P	
90	6LK41382100	SHAFT-SPC-GUIDE-PBF2	1	1/P	
91	6LK41381100	SHAFT-ROLL-TRU-PUSH-PBF2	1	1/P	
92	6LK41350000	SPL-LEVER-TRU-H38X	1	1/P	
93	6LK41344000	ROL-PUSH_UP	1	1/P	
94	6LE62403000	SPC-PUSH-RGST	1	1/P	
95	X0-00964000	RR/E-3-SS	3	10/P	
96	F0-01812000	LWS-1211S-V0	1	5/P	
106	6LK73019000	HRNS-HVPS-TR-H385	1	1/P	
108	6LK39311000	HRNS-DRV-RLY-H380	1	1/P	
109	6LL58466000	HRNS-TNRD-K183	1	1/P	

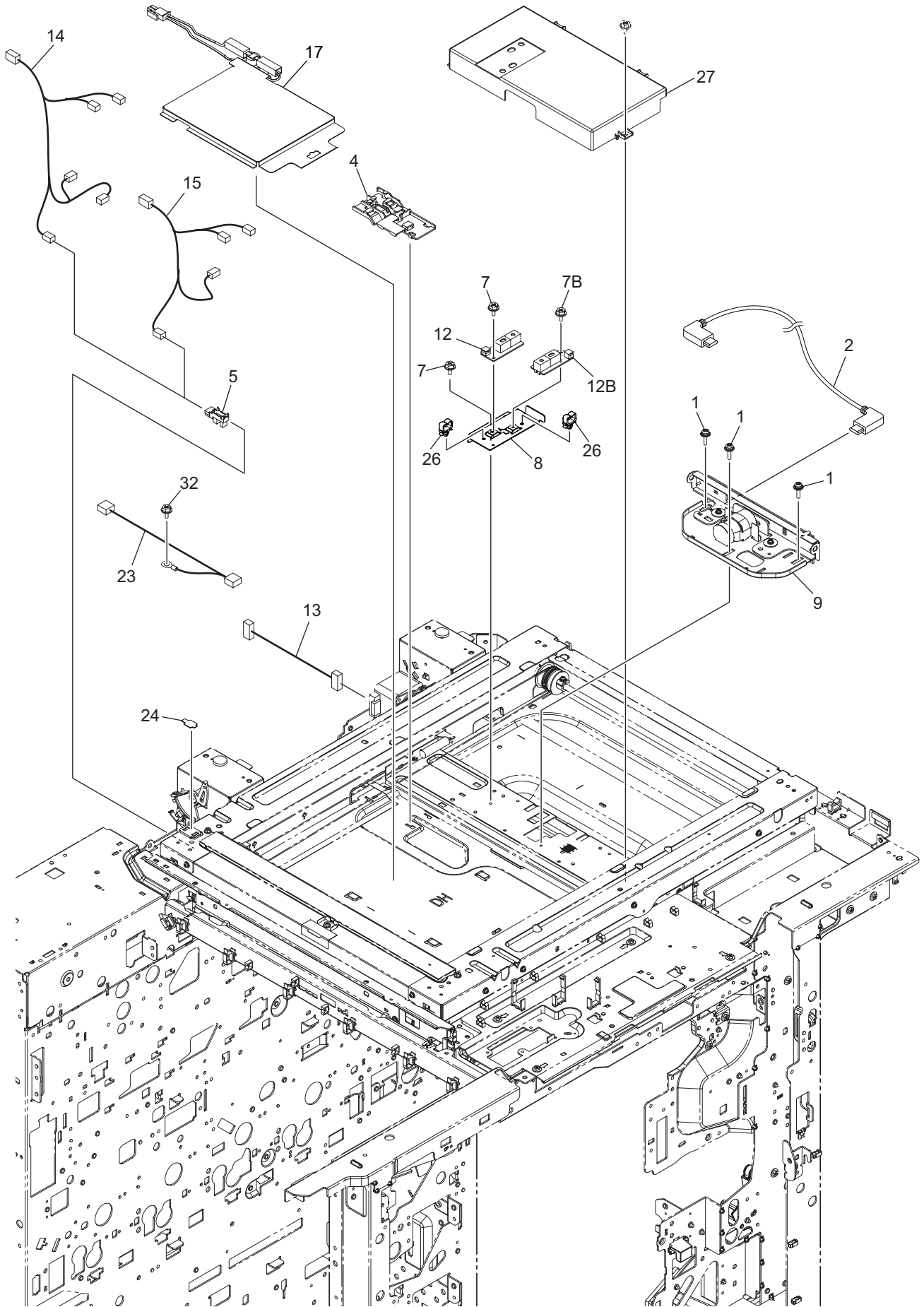
ITEM No.	PART No.	PART NAME	Q'TY / PAGE	Q'TY / PACK	REMARKS
2	6LL60006000	SLIDE-FUS-INTR-K18X	1	1/P	
3	6LL60008000	BRKT-FUS-SW-INTER-K18X	1	1/P	
4	6LA02823000	SCREW-RAIL-TRU	2	5/P	
5	6LE22836000	SPG-E-6R5XR45X31R9	1	1/P	
6	E0-16835000	MQS-54AS-5L2-F	1	1/C	
8	6LH01477000	ASYS-DUCT-LSU-RER	1	1/PP	
9	6LH04515000	BRKT-COV-HINGE-FRM-R-U	1	1/P	
10	6LH04514000	STUD-COV-HINGE-FRM-R-U	1	1/P	
11	X0-02231000	S/FHEXM-M3X8-NI	2	10/P	
12	6LH04518000	BRKT-COV-HINGE-FRM-R-L	1	1/P	
13	6LH04516000	STUD-COV-HINGE-FRM-R-L	1	1/P	
14	6LH04517000	GUIDE-SLOPE-L	1	1/P	
15	X0-02420000	S/TPS/FHEXM/R-3X8-ZU3	1	10/P	
17	6LH05731100	HOLDER-SENSOR-CST-F43X_S	2	1/P	
18	6LJ08005000	BRKT-SENSOR-CST-F43X	2	1/P	
19	6LL61944000	SPG-C-SIZE-K180	2	1/P	
20	E0-16860000	SW4AG-554-1	4	1/C	
22	6LL62104000	BRKT-DRW-TLCF-K18X	2	1/P	
23	6LH05996000	SPG-DRAWER-TANDEM	4	1/P	
24	4406326040	SCREW-D4-18-M3	4	10/P	
26	C0-20495000	LG2A24BL1	1	1/C	
27	6LH03801000	SPG-E-PLATE-TBU-FIX	1	1/P	
28	6LJ07129000	PLATE-TBU-FIX-H130	1	1/P	
30	6LH05705000	BRKT-HOLD-RAIL	2	1/P	
31	6LL61928000	HOLDER-CST-POS-K180	2	1/P	
32	X0-02067000	S/TPS/PAN-4X20-ZU3	2	10/P	
34	X0-02421000	S/TPS/FHEXM/R-4X8-ZU3	33	10/P	
36	6LJ06306000	ASYB-DUCT-OZ-TONER	1	1/PP	
38	6LA39980000	SCREW-SCAN-LFT	1	1/P	
39	6LL58523000	HRNS-PFC-TLCF-K180	1	1/P	
40	6LH09004000	HRNS-PSIZE-430	2	1/P	
41	6LE25210000	CUSH-FRM-SCREW-380	3	1/P	
50	6LK39504000	DUCT-FUSER-RER-H38X	1	1/PP	
51	6LK39507000	DUCT-TONER-RER-H38X	1	1/PP	
55	F0-00036000	RLWS3TV0	1	5/P	
57	X0-02230000	S/FHEXM-M3X6-NI	4	10/P	
59	F0-01813000	LWS-1316S-V0	1	5/P	
60	6LL58321000	PWA-K-DRV-180	1	1/SB	
62	6LK39085000	BRKT-DSDP-CBL-H38X	1	1/P	
63	6LL58368000	HRNS-LVPS-IH-K180	1	1/P	
65	44204394000	SCREW20XD23	2	10/P	
66	6LL58371000	HRNS-LVPS-ILSW1-K180	1	1/P	

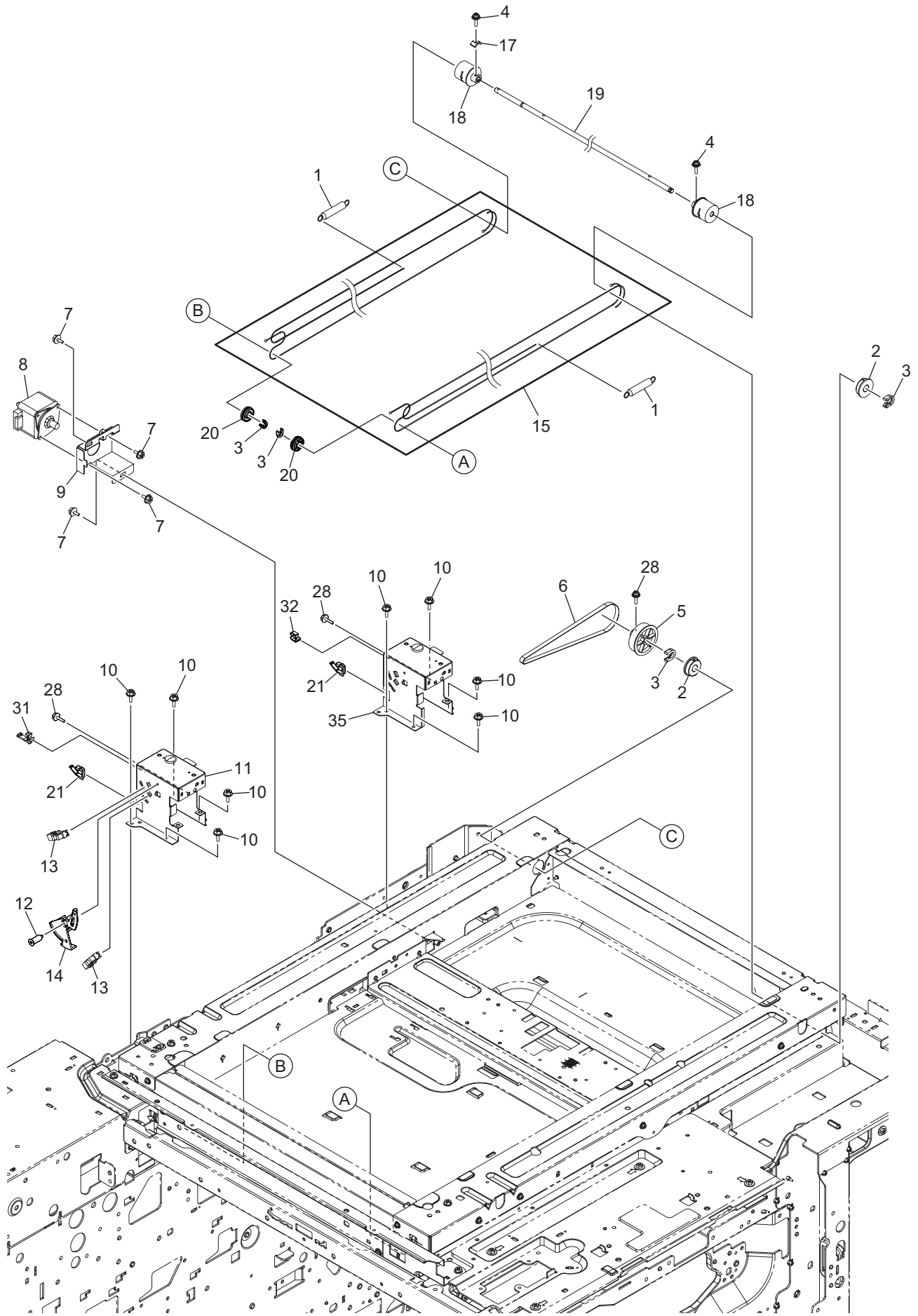


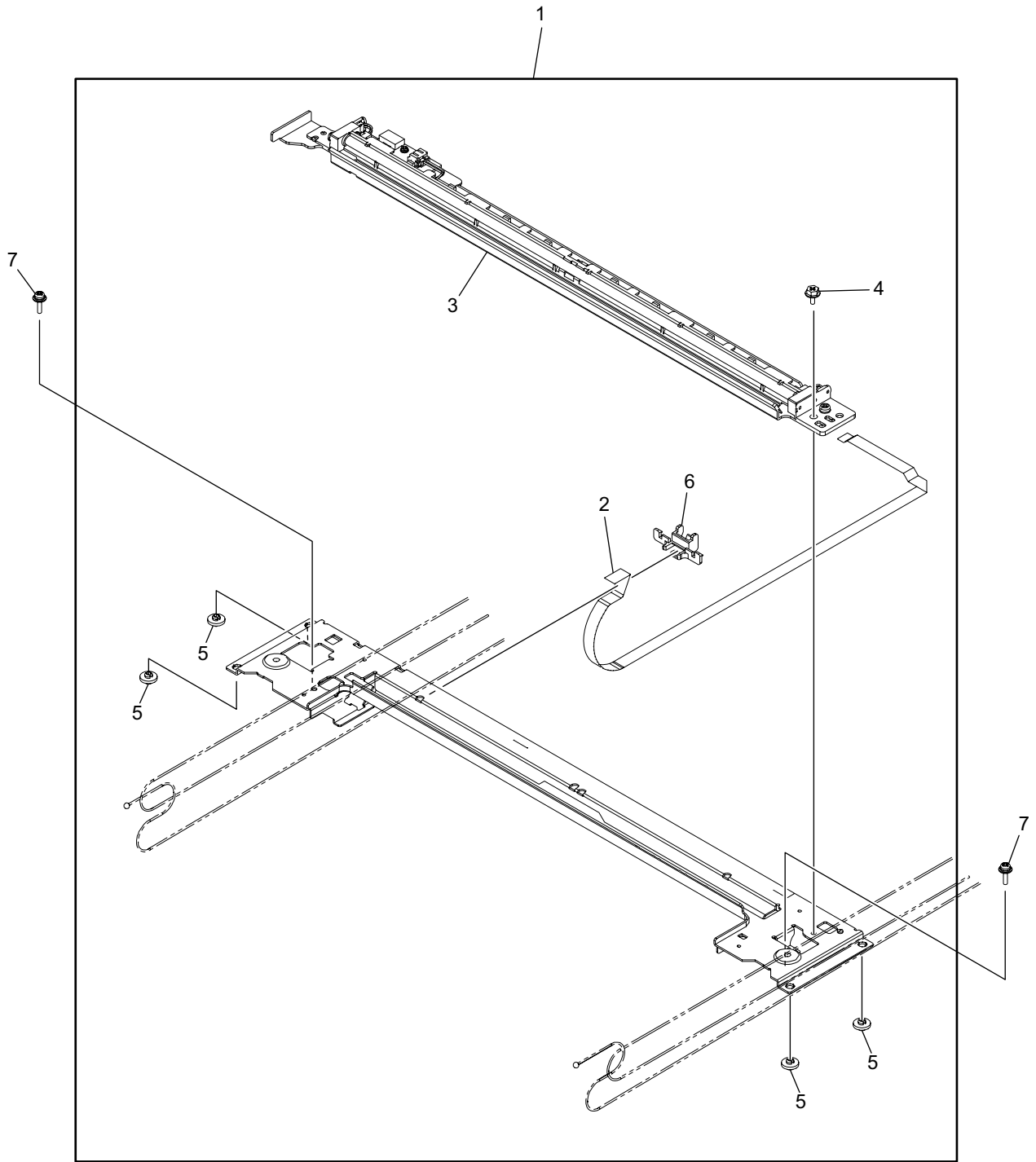


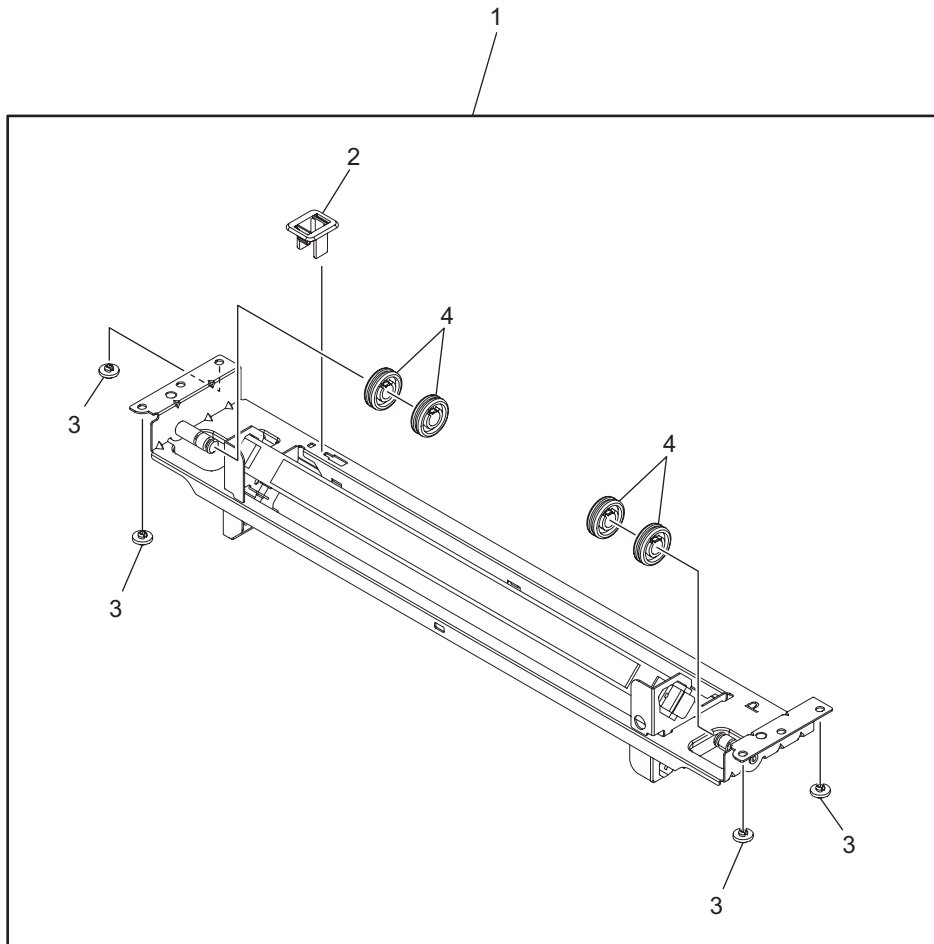


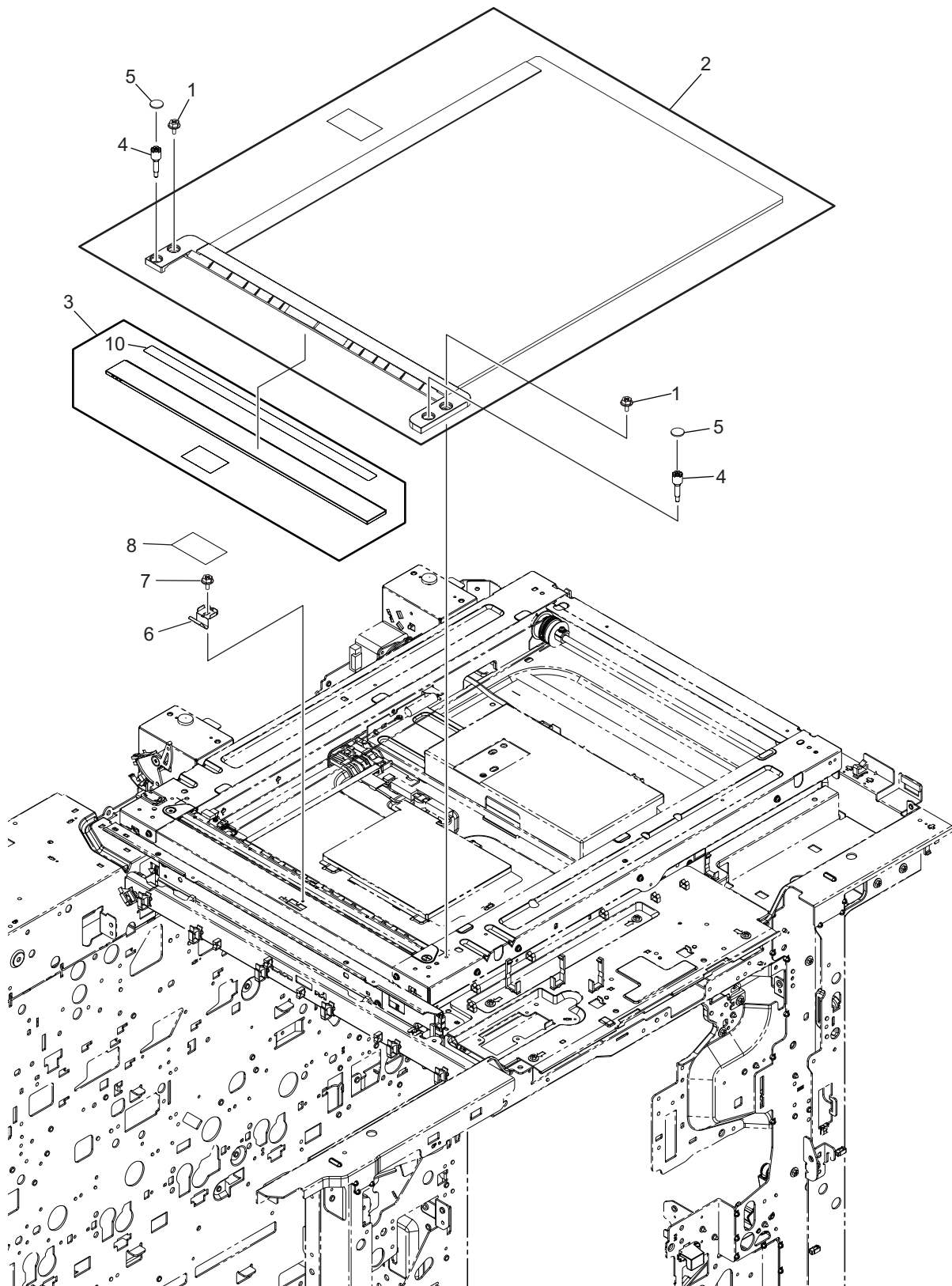
ITEM No.	PART No.	PART NAME	Q'TY / PAGE	Q'TY / PACK	REMARKS
3	6LH01575000	FLTR-OZ-TNR-38X_TR	1	1/C	
5	X0-02421000	S/TPS/FHEXM/R-4X8-ZU3	14	10/P	
6	6LE09187000	FAND-DEV-390	4	1/D	
7	6LL59312000	ASYS-DUCT-EPU-ENT-U-K18X	1	1/PP	
8	6LL59308000	ASYS-DUCT-EPU-ENT-L-K18X	1	1/P	
9	6LH01466000	ASYS-DUCT-OZ-UPR	1	1/PP	
10	6LH01413100	DUCT-LSU-R-COV_S	1	1/P	
11	6LH01412100	DUCT-LSU-R-FAN_S	1	1/P	
12	F0-01813000	LWS-1316S-V0	2	5/P	
13	6LL59306000	ASYS-FAN-6025-125-K18X	1	1/D	
15	6LK39509000	DUCT-BRDG-RER-FAN-CO-H38X	1	1/PP	
16	6LK39508000	DUCT-BRDG-RER-FAN-H38X	1	1/PP	
17	6LK39544000	SEAL-DUCT-BRG-FAN-CO-H38X	1	1/KP	
18	6LH01465000	ASYS-COVER-FLTR-TNR	1	1/PP	
19	F0-02296000	ES-0505-2	1	5/P	
20	X0-02420000	S/TPS/FHEXM/R-3X8-ZU3	4	10/P	
21	X0-02247000	S/TPP/FHEXM-3X8-NI	5	10/P	
22	X0-02507000	S/TPS/PAN-4X40-ZU3	2	10/P	
23	6LH01467000	ASYS-DUCT-TNR-UPR	1	1/PP	
24	F0-01811000	LWS-0711S-V0	1	5/P	
25	6LJ06311000	FLTR-TONER-130-TYB	1	1/C	
26	6LH01407000	BRKT-CASE-FIL-SUB	1	1/P	
27	6LK39519000	CASE-FLTR-TONER-H38X	1	1/PP	
28	6LH01492100	HLDR-FLTR-OZ-TNR_S	1	1/P	
29	6LK39516100	BRKT-CASE-FLTR-TNR-H385	1	1/P	
31	6LK30985000	ASYS-DUCT-OZ-LWR-LFT	1	1/PP	
32	6LK39531000	ASYS-FAN-8025-090-H38X	1	1/D	
33	6LH01463000	ASYS-DUCT-OZ-LWR-RGT	1	1/PP	
34	6LH01574000	FLTR-OZ-38X_TR	1	1/C	
35	6LK39556000	FAN-P7530S-270	1	1/D	
36	X0-00461000	S/BID-M4X35-NI	2	10/P	
37	6LH01500000	SEAL-DUCT-FRT-TNR	1	1/KP	
38	6LH01498200	DUCT-FRT-TNR-FAN-HLD_JB	1	1/PP	
39	6LH01496200	DUCT-FRT-TNR-BA_JB	1	1/PP	
40	6LH01497200	DUCT-FRT-TNR-CPL_JB	1	1/PP	
41	6LH01499000	PLATE-DUCT-FRT-TNR	1	1/P	
42	X0-02114000	S/TPS/PAN-4X32-ZU3	2	10/P	
43	6LH09565000	FAN-P7525-430	1	1/D	
44	F0-01250000	MSB-1207	4	5/P	
45	6LK40906000	HOOK-TNRCRTG-H38X	1	1/P	
46	6LK39513000	DUCT-BRDG-FRT-FAN-CO-H38X	1	1/PP	
47	6LK39512000	DUCT-BRDG-FRT-FAN-H38X	1	1/C	
48	6LH67727000	DAMPER-MIRR-H32X	2	1/P	
50	6LL03129000	HRNS-CABLE-USB-H440	1	1/P	
52	F0-00269000	UAMS-05L-0	3	5/P	
55	6LL59310000	ASYS-FAN-P9533S-255	1	1/D	
56	6LK39521000	DUCT-FILTER-TNR-OUT-H38X	1	1/PP	
58	F0-01248000	ESC-0912	1	10/P	
59	6LL58458000	HRNS-TCSRLY-K183	1	1/P	
60	6LH01493000	SEAL-HLDR-FLTR-OZ-TNR	1	1/KP	
61	X0-02235000	S/FHEXM-M4X8-NI	2	10/P	

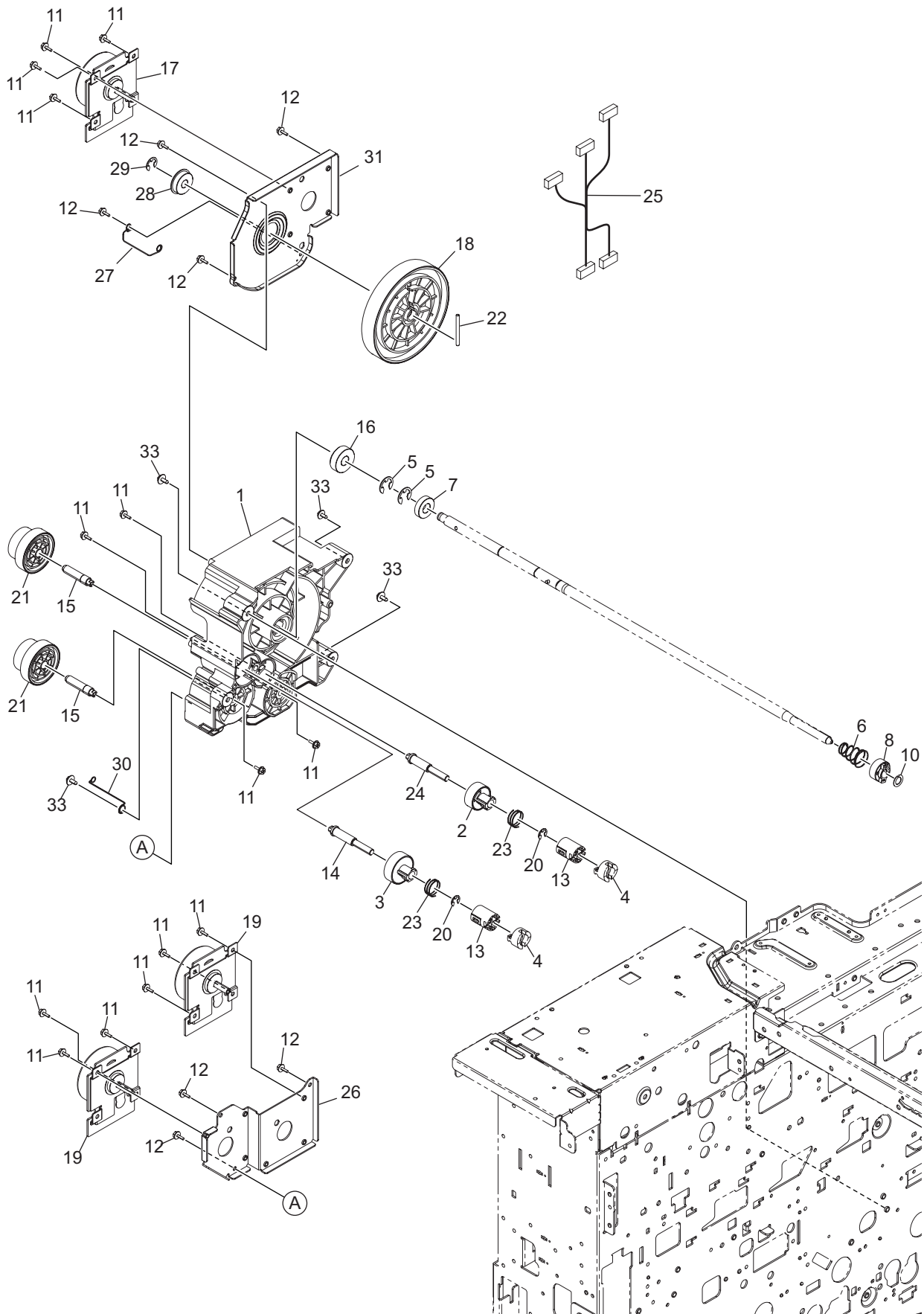




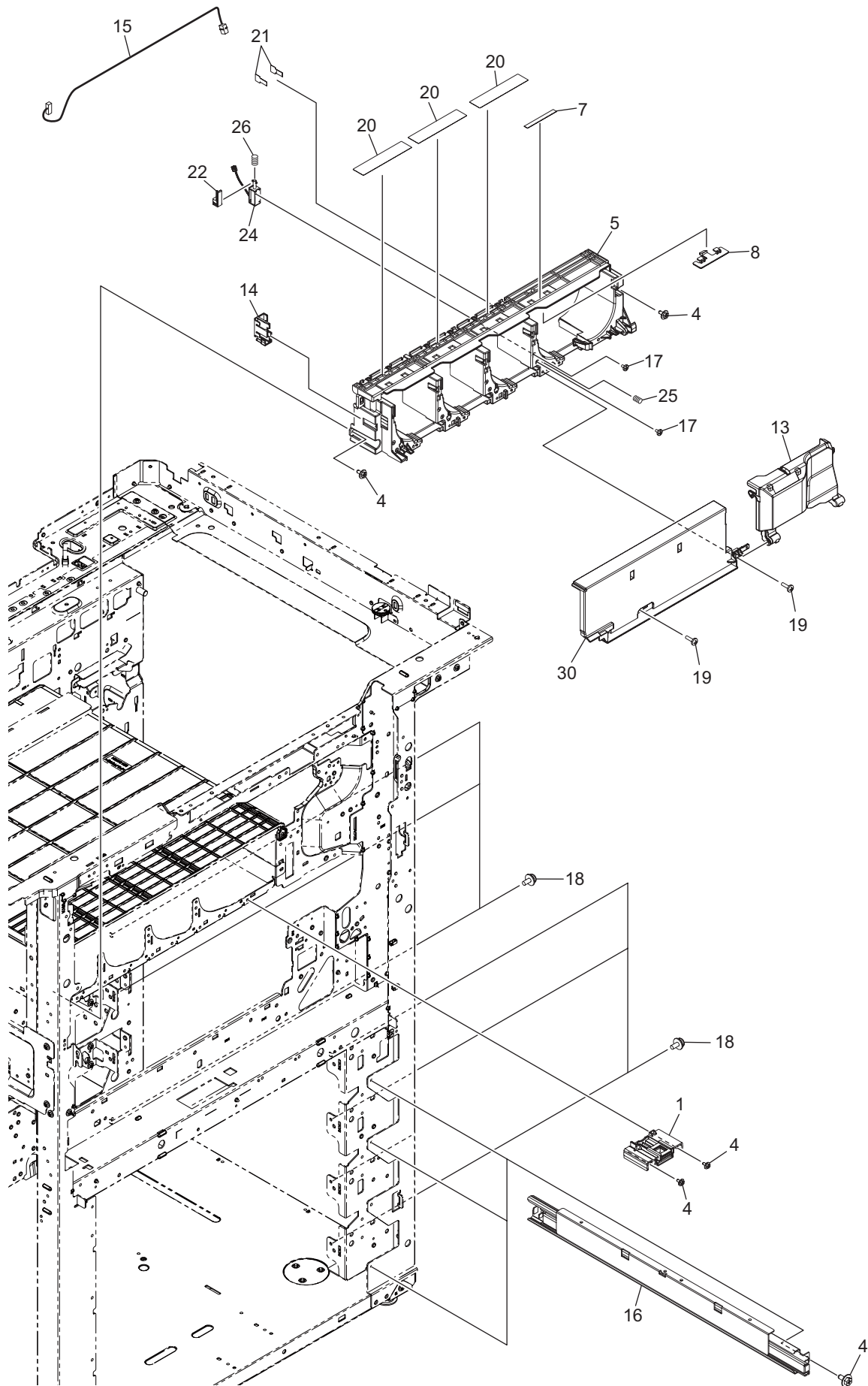




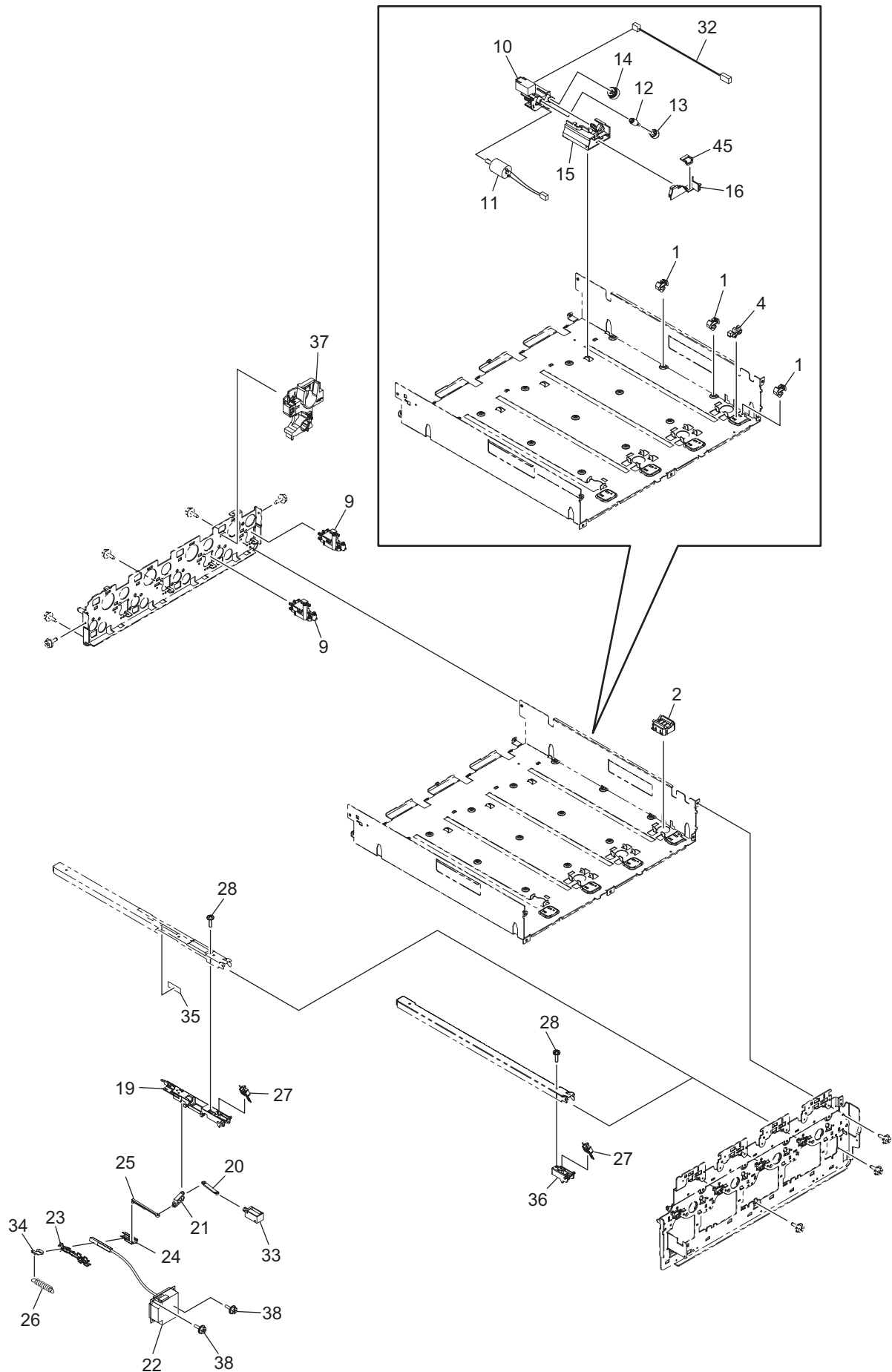


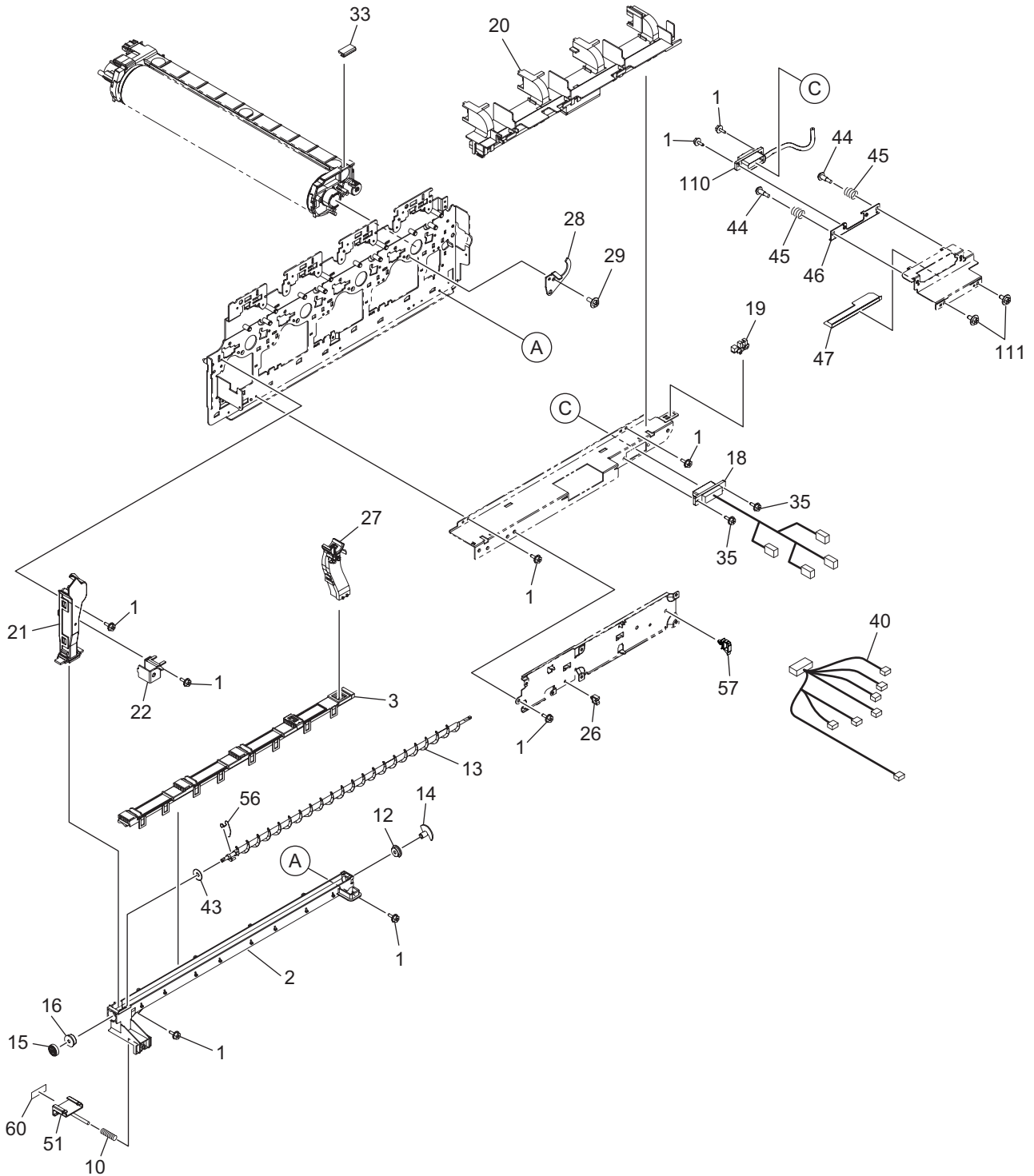


ITEM No.	PART No.	PART NAME	Q'TY / PAGE	Q'TY / PACK	REMARKS
1	6LK39705000	FRAME-DRV-K-MAIN-H38X	1	1/PP	
2	6LK39706000	GEAR-5H45-8-CUP-MIX-H38X	1	1/P	
3	6LH03958000	GEAR-5H54-8-CUP-DEV-A	1	1/P	
4	6LK39755000	CPL-DEV-DRV-F	2	1/P	
5	X0-00970000	RR/E-9-SS	2	10/P	
6	6LK39757000	SPG-C-CPL-DRUM-H38X	1	1/P	
7	F0-01854000	R-2210KKSD21MTRPOP13LY551	1	1/P	
8	6LK39710000	CPL-DRV-DRUM-H38X	1	1/P	
10	6LK39751000	RRG-7R7-P	1	1/P	
11	X0-02231000	S/FHEXM-M3X8-NI	14	10/P	
12	X0-02247000	S/TPP/FHEXM-3X8-NI	7	10/P	
13	6LK39756000	CPL-DEV-DRV-R	2	1/P	
14	6LK39762100	STUD-COUPLE-MIX-H38X-PBF2	1	1/P	
15	6LK39761100	STUD-DRV-MIX-1-PBF2	2	1/P	
16	F0-02099000	6000ZZ-DF30ELC-GV22	1	1/P	
17	6LK39747000	MOTR_D-DRIVE-04R20-22	1	1/C	
18	6LH01700000	GEAR-04H236-DRUM	1	1/P	
19	6LK52212000	MOTR_D-DRIVE-05R20-22	2	1/C	
20	X0-00966000	RR/E-5-SS	2	10/P	
21	6LK39707000	GEAR-05H58_05H78-8	2	1/P	
22	X0-02379000	P/PRL/AH7-3X35-SS	1	10/P	
23	6LK39760000	SPG-C-DEV-DRIVE	2	5/P	
24	6LK39766100	STUD-CPL-DEV-CY-H38X-PBF2	1	1/P	
25	6LL58353000	HRNS-LGC-KDRM-K180	1	1/P	
26	6LK39709000	BRKT-MOTR-K-DEV-H38X	1	1/P	
27	6LK39754000	SPG-GND-DRV-K-U2D-H380	1	1/P	
28	F0-02174000	608ZZPNR-DF30ELC-GV22	1	1/P	
29	X0-00968000	RR/E-7-SS	1	10/P	
30	6LK39753000	SPG-GND-DRV-K-H380	1	1/P	
31	6LK39708000	BRKT-MOTR-K-DRUM-H38X	1	1/P	
33	X0-02421000	S/TPS/FHEXM/R-4X8-ZU3	4	10/P	

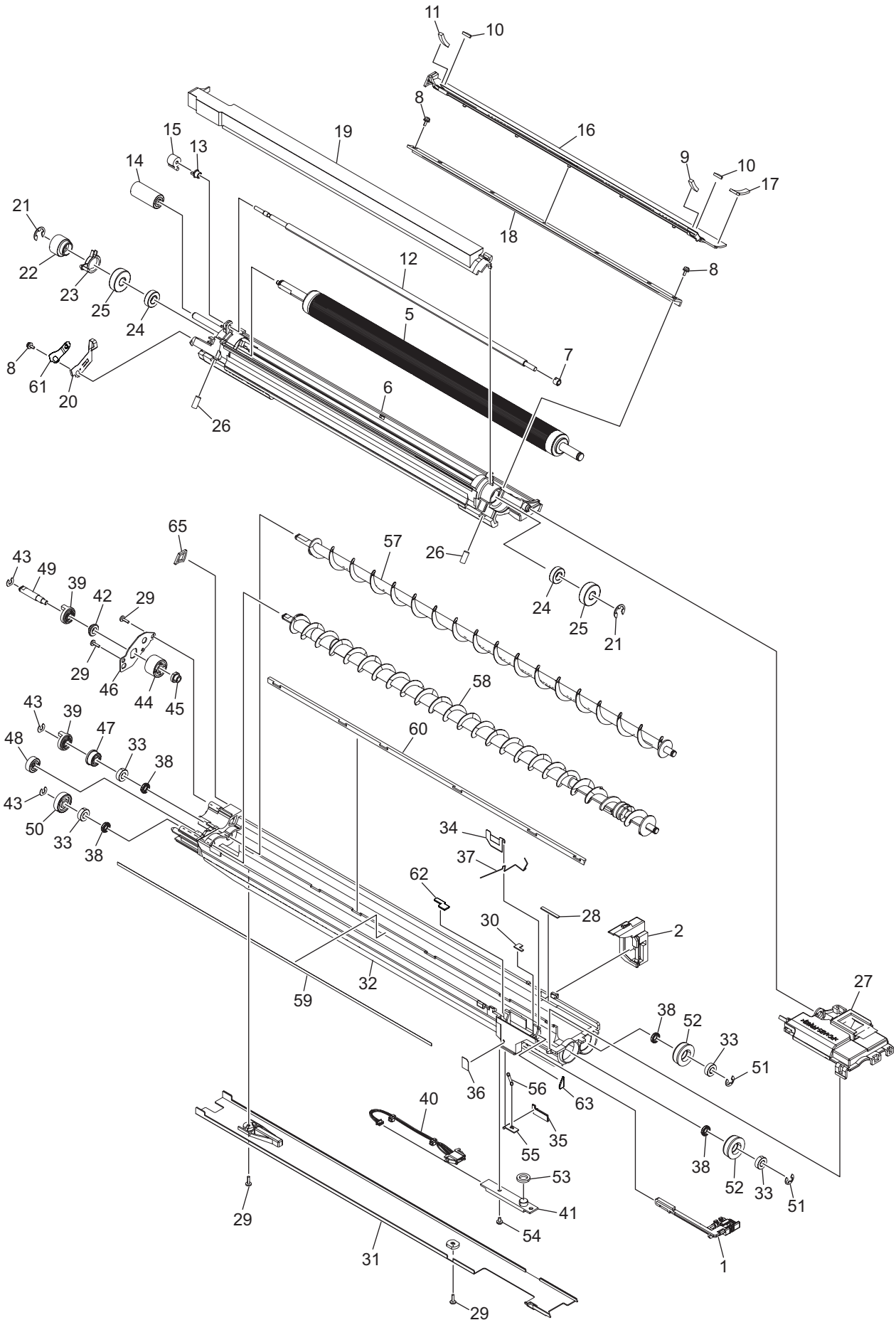


ITEM No.	PART No.	PART NAME	Q'TY / PAGE	Q'TY / PACK	REMARKS
1	6LH02827100	SHAFT-LOCK-TRAY-LFT-PBF2	1	1/P	
2	6LH02620000	LOCK-TRAY-EPU	2	1/C	
3	X0-02380000	P/PRL/AH7-3X25-SS	2	10/P	
4	6LK40656000	STOP-LOCK-TRAY-EPU	2	1/P	
5	6LH02825000	SPG-LOCK-TRAY-EPU	2	1/P	
6	6LJ06747200	LEVER-TRAY-EPU_C	2	1/P	
7	6LH02839100	SHAFT-LVR-EPU-TRAY-PBF2	2	1/P	
8	X0-00964000	RR/E-3-SS	3	10/P	
9	6LH02826100	SHAFT-LOCK-TRAY-RGT-PBF2	1	1/P	
10	X0-02420000	S/TPS/FHEXM/R-3X8-ZU3	6	10/P	
11	6LJ06934000	AUGER-SUB-HOPPER-PBF	1	1/P	
12	6LK40602000	ASYS-BUSH-6X18X6-P	1	1/P	
13	6LK40603000	ASYS-BUSH-6X12X7-P	3	1/P	
14	6LH03411000	GEAR-8S23-6-ONEWAY	1	1/P	
15	6LJ06902100	PADDLE-SH-H130_S	1	1/D	
16	6LJ06936000	ASYS-SHAFT-PADDLE-SH-H130	1	1/P	
17	6LH03454000	GEAR-08S84-6-SUB-H	1	1/P	
18	6LK40628000	ASYS-PDL-SENS-H38X	1	1/P	
19	6LA02920000	BUSH-0410-05F-M	2	5/P	
20	6LH03414000	GEAR-8S22-4	1	1/P	
21	6LH03574000	RRG-4-P	1	1/P	
22	6LH02693100	HLDR-SNSR-TNR_S	1	1/P	
23	C0-10817000	TSP15D10C-01	1	1/C	
24	X0-02247000	S/TPP/FHEXM-3X8-NI	1	10/P	
26	X0-00966000	RR/E-5-SS	3	10/P	
27	6LK39339000	HRNS-EPU-HPTN-H385	1	1/P	
28	6LL60302000	LBL-EPU_TBU-INST-K18X	1	1/KP	
30	6LH14763000	LBL-EPU-LEVER-R	1	1/P	
31	6LH14764000	LBL-EPU-LEVER-L	1	1/P	
32	6LH02696200	COVER-EPU38X	1	1/PP	
33	6LK40701000	CASE-SUBHOP-H385	1	1/PP	
37	6LH03567300	ASYS-COV-SUB-HOPPER-K	1	1/P	
38	6LH03510000	ASYS-SHUT-SH-430	1	1/P	
39	6LH03585000	SEAL-SUB-HOPPER	2	1/KP	
41	6LH08991000	HRNS-MCK-HPTN-430	1	1/P	
42	6LH03604000	SEAL-PDL-SENS-SUB-HPR	1	1/P	

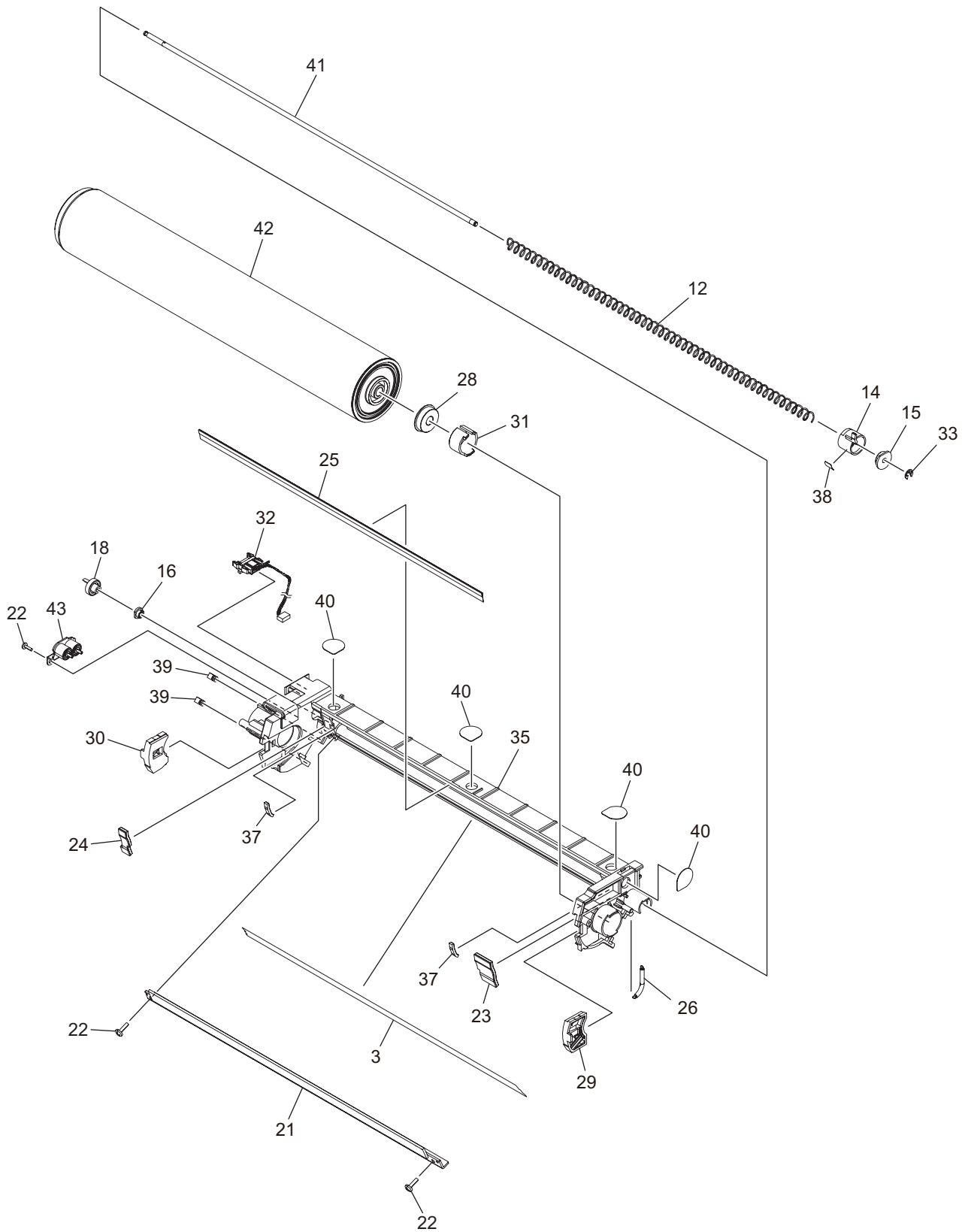


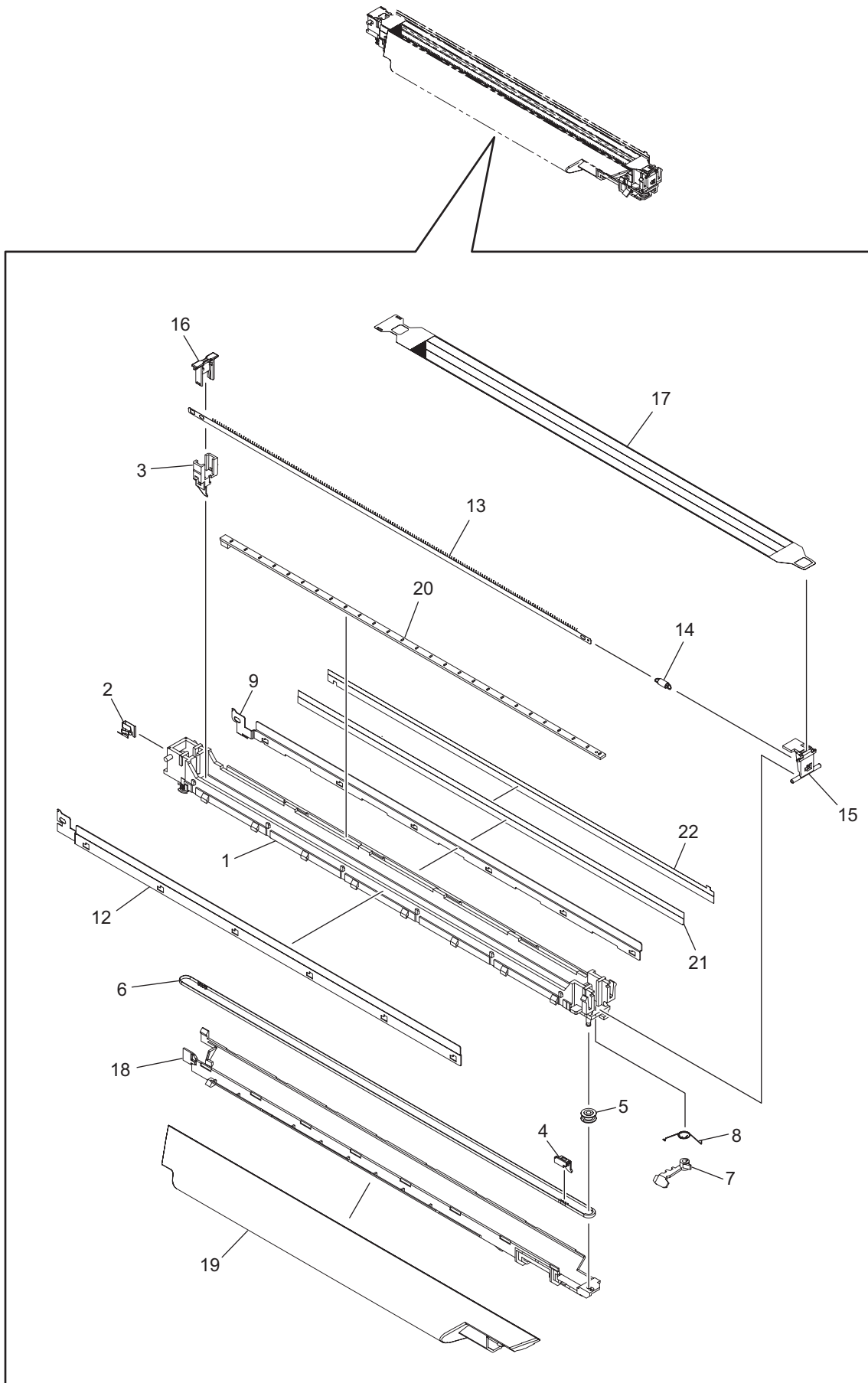


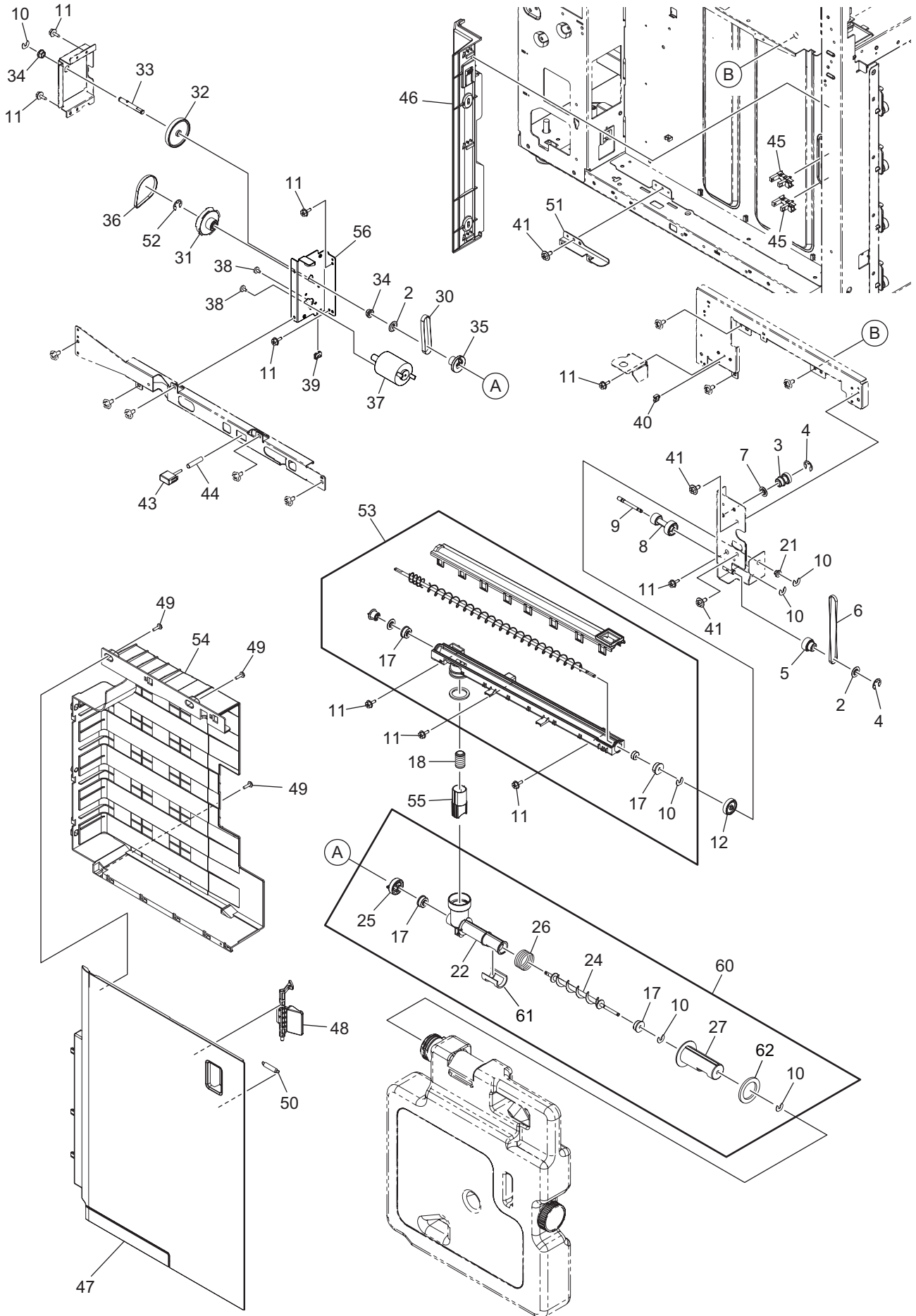
ITEM No.	PART No.	PART NAME	Q'TY / PAGE	Q'TY / PACK	REMARKS
1	X0-02420000	S/TPS/FHEXM/R-3X8-ZU3	9	10/P	
2	6LH03620000	ASYS-CASE-DUCT-WTNR-FRT	1	1/PP	
3	6LH03621100	ASYS-DUCT-WTNR-FRT-H385	1	1/PP	
10	6LH03559000	SPG-WASTE-SHUT-EPU	1	1/P	
12	6LE42524000	BUSH-4-CLN-TBU-F	1	5/P	
13	6LK40751000	AUGER-WASTE-TNR_S-PBF	1	1/KP	
14	6LH03420000	SHIELD-PLT-WTNR-AUG	1	1/P	
15	6LH03431000	GEAR-8S18-6-AUG-FRT	1	1/P	
16	6LK40734000	ASYS-BUSH-WTNR-H38X	1	1/P	
18 A	6LK39343000	HRNS-EPU-H385	1	1/P	eS6529A/7529A
18 B	6LK39436000	HRNS-EPU-H388	1	1/P	eS9029A
19	C0-20495000	LG2A24BL1	1	1/C	
20	6LH02752100	ASYB-DUCT-DEV-EPUTRAY-385	1	1/PP	
21	6LK40584000	ASYB-DUCT-CLN-TBU-H38X	1	1/PP	
22	6LH02631000	BRKT-LOCK-TRAY-EPU-LFT	1	1/P	
26 C	F0-01250000	MSB-1207	1	5/P	eS9029A
27	6LK40556000	ASYB-DUCT-W_TNR-CLNR-DRUM	1	1/D	
28	6LH02668000	RTNR-DEV-FRT	1	1/P	
29	X0-02235000	S/FHEXM-M4X8-NI	1	10/P	
33	6LH02616000	PIECE-COLOR-K	1	5/P	
35	X0-02231000	S/FHEXM-M3X8-NI	2	10/P	
40 A	6LL58470000	HRNS-KPU-K182	1	1/P	eS9029A
40 B	6LL58469000	HRNS-KPU-K180	1	1/P	eS6529A/7529A
43	6LK40611000	WASHER-41X106X05-P	1	5/P	
44	6LE06667000	SCREW-M3-D4-7-ZU3	2	5/P	
45	6LH02970000	SPG-DRW-EPU-MAIN	2	1/P	
46	6LK40703000	PLATE-DRW-EPU-MAIN-H385	1	1/P	
47	6LH02971000	SHEET-BRKT-DRW-MAIN	1	1/C	
51	6LH03466100	SHUT-WTNR-EPU_S	1	1/P	
56	6LK40718000	SPG-WTNR-F-EPU-H38X	1	1/P	
57	F0-00736000	LWS-0711S	1	5/P	
60	6LH03556000	SEAL-SHUT-WTNR-EPU-R	1	1/P	
110	6LL58364000	HRNS-LGC-EPUPOS-K183	1	1/P	
111	X0-02421000	S/TPS/FHEXM/R-4X8-ZU3	2	10/P	



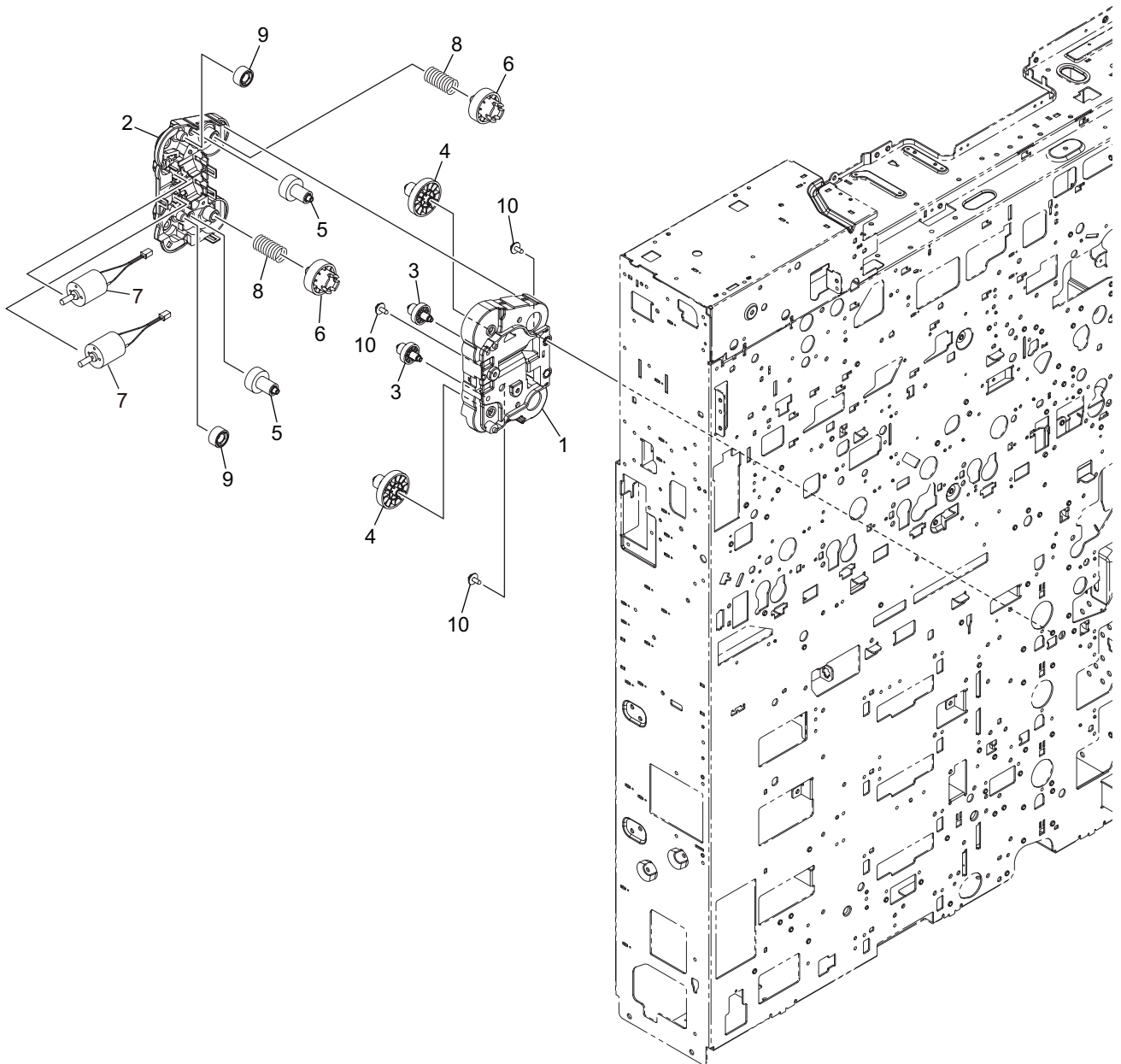
ITEM No.	PART No.	PART NAME	Q'TY / PAGE	Q'TY / PACK	REMARKS
1	6LL60301000	ASYS-CNTR-ATC-K18X	1	1/P	
2	6LK40541000	ASYB-DUCT-DOC-FRT-H38X	1	1/D	
5	6LJ06783100	RLR-MAGT-H13X-PBF2	1	1/KP	
6	6LK40519000	ASYS-HLDR-MG-SEAL-H38X	1	1/D	
7	6LH02904000	BUSH-RE-FRT	1	5/P	
8	X0-00059000	S/PAN/SWWS-M3X6-NI	3	10/P	
9	6LH02905000	SEAL-MG-SIDE-FRT	1	5/P	
10	6LH02800000	SEAL-HLDR-DOC-SIDE	2	1/P	
11	6LH02797000	SEAL-MG-SIDE	1	1/P	
12	6LH02766000	ROLLER-RE-430	1	1/P	
13	6LA81752000	BUSH-RE-ROL-R	1	1/P	
14	6LH02680000	ASYS-GEAR-MG-430	1	1/P	
15	6LH02715000	CLUCH-RE-430	1	1/D	
16	6LK40593200	ASYS-SHILD-DOC380	1	1/PP	
17	6LH02887000	SEAL-DUCT-DOC-FRT-2	1	1/P	
18	6LH02651000	ASYS-DOCTR-430	1	1/P	
19	6LH02745000	ASYS-COV-MG	1	1/C	
20	6LK40586000	ADJSTR-MAGT	1	1/P	
21	X0-00968000	RR/E-7-SS	2	10/P	
22	6LH02656000	GEAR-04H43-8-MG	1	1/P	
23	6LH02662000	LINK-MG-RE	1	1/P	
24	F0-01868000	6882RSSH44M	2	1/P	
25	F0-01862000	608ZZM2SH44M	2	1/P	
26	6LH02765000	SPG-MG-DRM	2	1/P	
27	6LK40601100	ASYS-COVER-DEV-K130	1	1/P	
28	6LK40582000	SEAL-CASE-DEV-SR4	1	1/P	
29	6LA80090000	S/TPP/BID-3*8-NI	4	5/P	
30	6LK40527000	SEAL-CASE-DEV-SR3	1	1/P	
31	6LK40525000	COVER-DV-UNDR-H38X	1	1/KP	
32	6LK40737000	ASYS-CASE-DEV-H380_K	1	1/PP	Black
33	F0-01959000	L1260 2RS-SH44M-GV22	4	1/P	
34	6LK40588000	SHEET-ADJUST-SR-C	1	1/P	
35	6LH02944000	ASYS-FLANG-SHUT-DEV	1	1/P	
36	6LH02935000	SHEET-SHUT-SHAFT	1	1/P	
37	6LH02928000	SCRAPR-SR	1	1/C	
38	4401949290	SEAL-VC6-10-2.5	4	1/P	
39	6LH01767000	COUPL-DRV-DEV	2	1/P	
40	6LK39318000	HRNS-ATC-H380	1	1/P	
41	6LK45855000	SNSR-ATC-H373	1	1/C	
42	44201994000	BUSH-6-3.7-GCB	1	5/P	
43	6LH03574000	RRG-4-P	3	1/P	
44	6LH02660000	GEAR-04H43-6-MG	1	1/P	
45	6LA34029000	BUSH-4X7X6F-POM	1	5/P	
46	6LK40521000	BRKT-GEAR-DEV-H38X	1	1/P	
47	6LH02657000	GEAR-04H30-6-MIX	1	1/P	
48	6LH02679000	ASYS-GEAR-MIX-430	1	1/P	
49	6LH03009200	SHAFT-IDL-DEV-PBF3	1	1/P	
50	6LH02658000	GEAR-04H43-6-MIX	1	1/P	
51	X0-00965000	RR/E-4-SS	2	10/P	
52	6LH02655000	BUSH-DEV-FRT-430	2	1/P	
53	6LA29904000	SEAL-ATC-BLK	1	5/P	
54	X0-02113000	S/PAN-M3X4-NI	1	10/P	
55	6LH02984000	SHUT-DEV	1	1/P	
56	6LH02770000	SPG-SHUT-DEV	1	1/P	
57	6LK40749000	MIXER-RGT-H38X-PBF	1	1/KP	
58	6LK40698100	ASYS-MIXER-LFT-K130N	1	1/KP	
59	6LK40632000	SHEET-SPACER-DEV	1	1/KP	
60	6LK40630000	SPACER-DEV	1	1/KP	
61	6LK40651000	SPG-F-RLR-DEV-H38X	1	1/P	
62	6LH02897000	SEAL-CASE-DEV-SR1	1	1/P	
63	6LH02898000	SEAL-CASE-DEV-SR2	1	1/P	
65	6LH02912000	SEAL-MG-DUCT-RER	1	1/P	



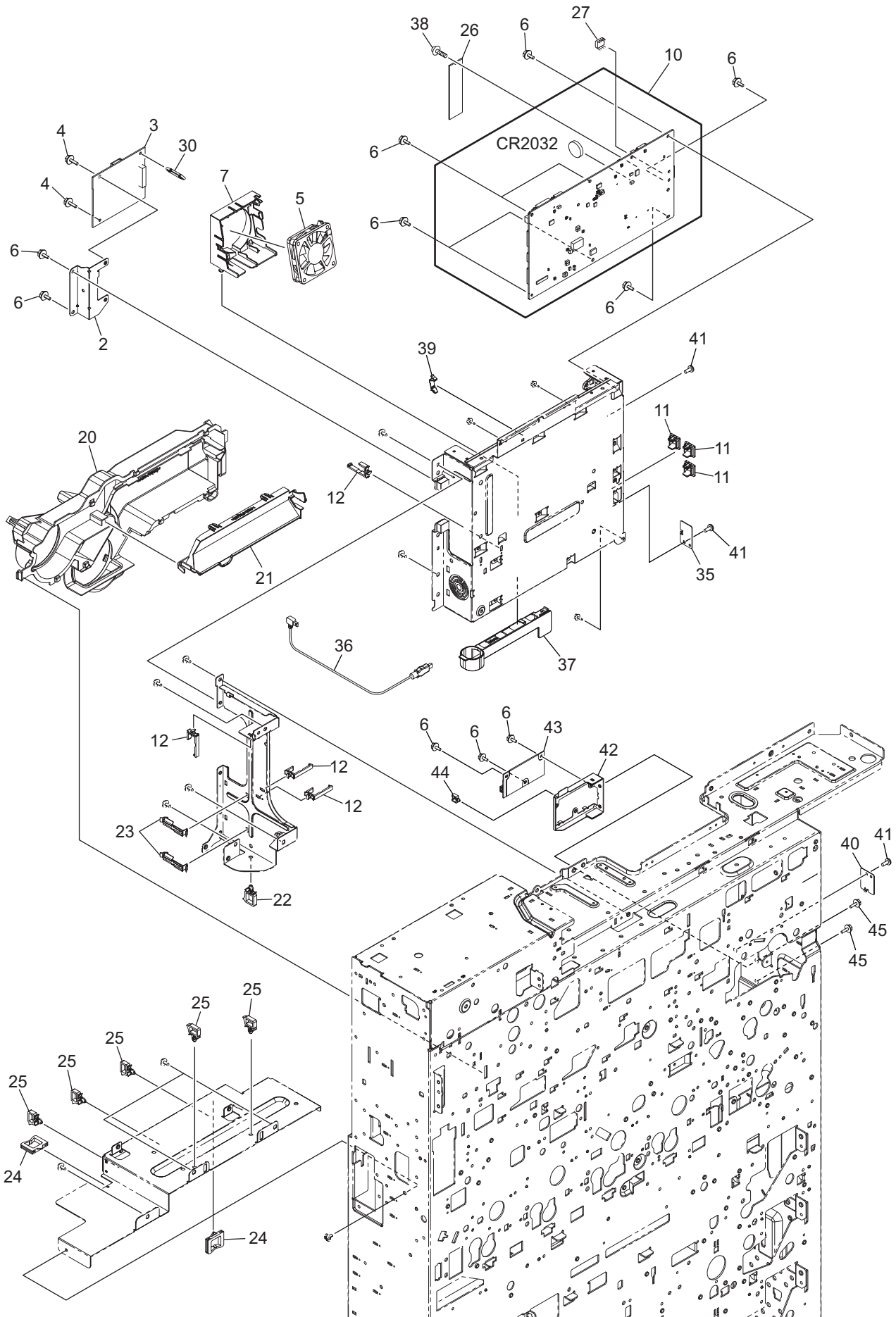


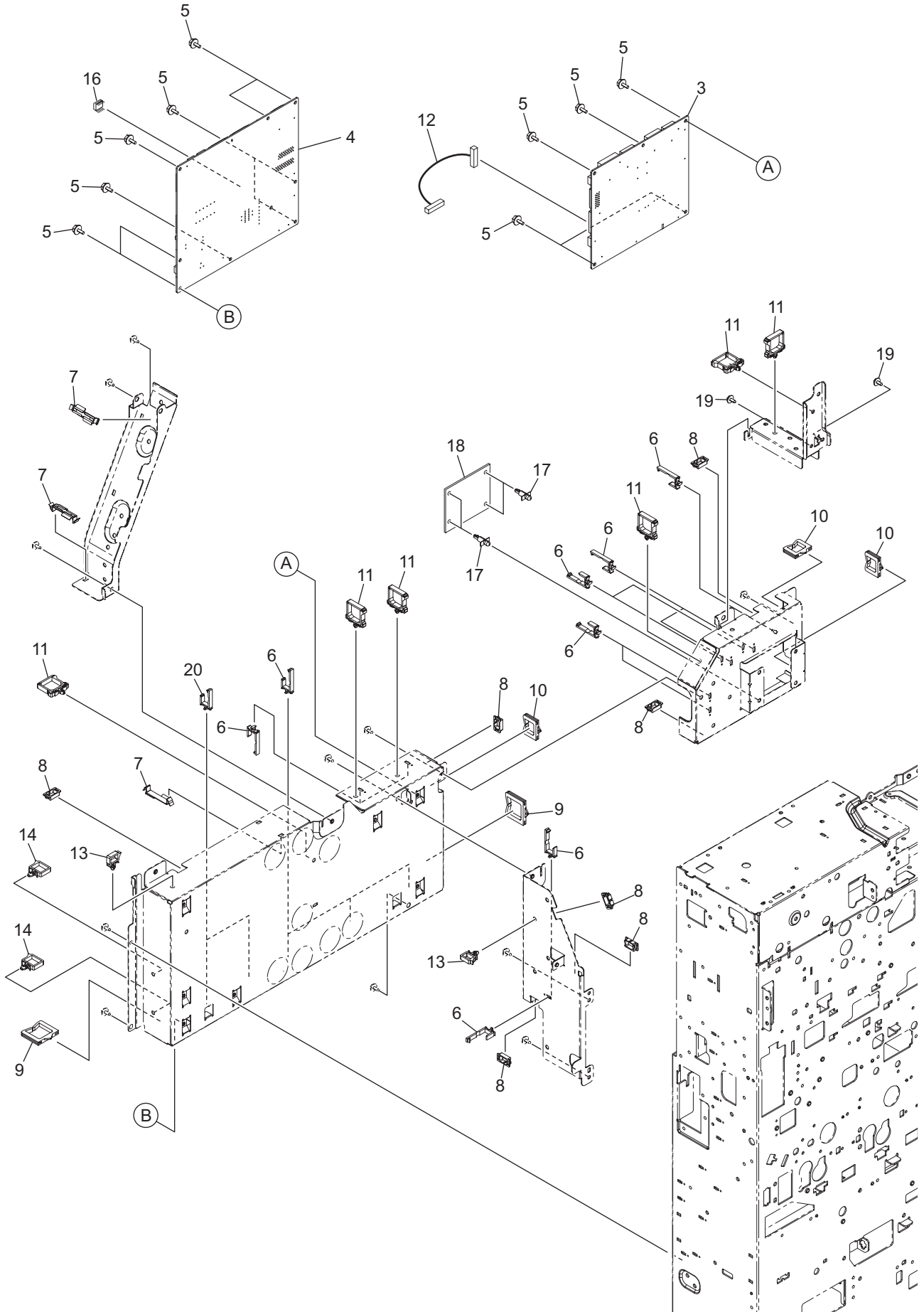


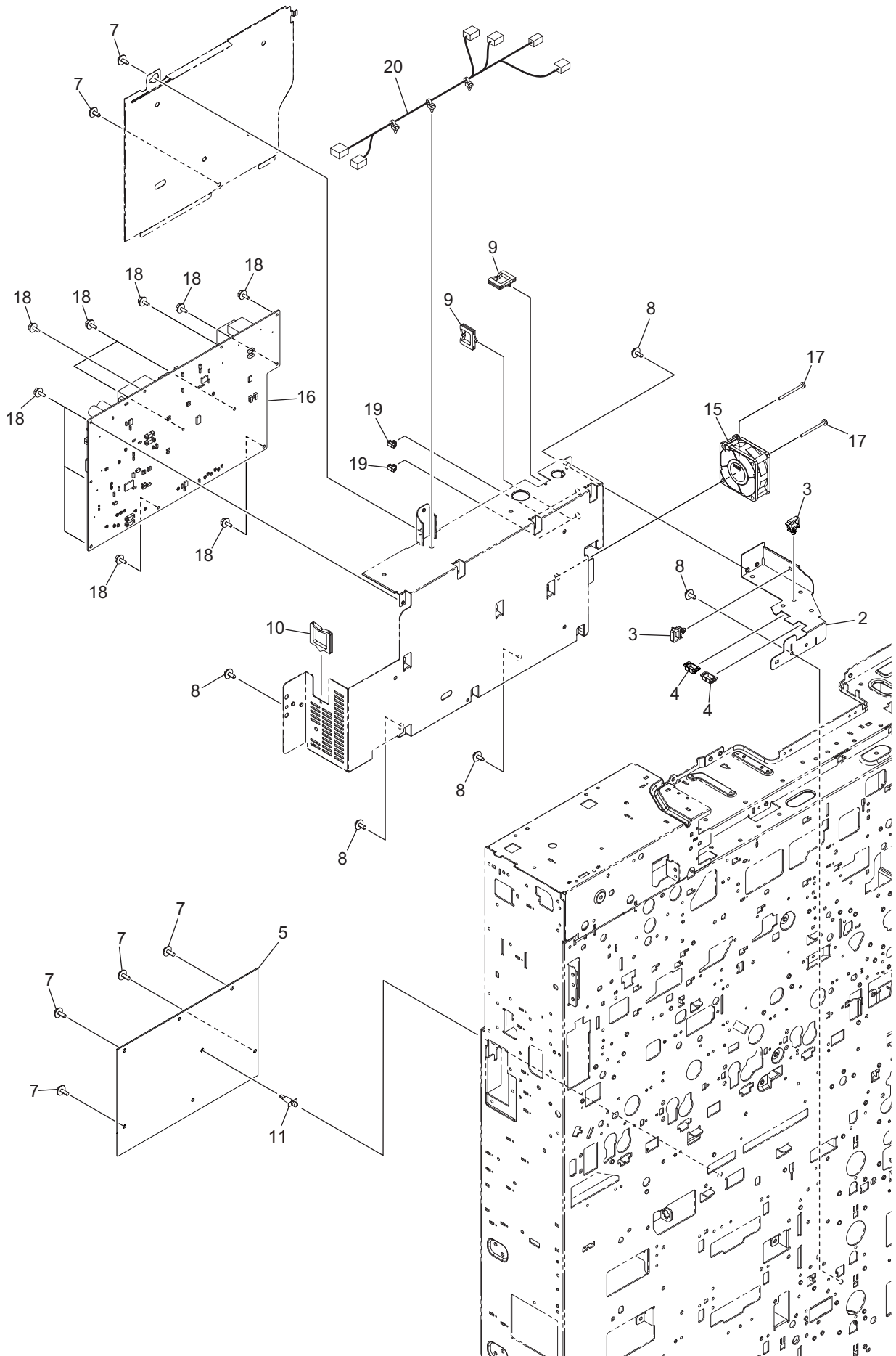
ITEM No.	PART No.	PART NAME	Q'TY / PAGE	Q'TY / PACK	REMARKS
2	6LH03437000	FLANG-DRV-WTNR	2	1/P	
3	6LH03432000	GEAR-8S18_S2M20-6-DRV-FRT	1	1/P	
4	X0-00966000	RR/E-5-SS	2	10/P	
5	6LH03461000	GEAR-8S21-PSM20-6	1	1/P	
6	6LH03541000	BLT-SY-S2M-250-4	1	1/P	
7	6LH03473000	FLNG-FRT-DRV	1	1/P	
8	6LH03435000	GEAR-8S24_8S18-5	1	1/P	
9	6LH03651100	SHAFT-DRV-WTNR-F-PBF2	1	1/P	
10	6LH02816000	RRG-3-P	6	1/P	
11	X0-02420000	S/TPS/FHEXM/R-3X8-ZU3	9	10/P	
12	6LH03436000	GEAR-8S28-4-AUGER	1	1/P	
17	6LK40734000	ASYS-BUSH-WTNR-H38X	4	1/P	
18	6LK40727000	SPG-C-WTNR-SWG2-H38X	1	1/P	
21	6LA34029000	BUSH-4X7X6F-POM	1	5/P	
22	6LH03421100	DUCT-WTNR-TRN_H	1	1/P	
24	6LH03653000	AUGER-DUCT-TURN-PBF	1	1/KP	
25	6LH03426000	COUPL-DRV-WTNR-1	1	1/P	
26	6LH03546000	SPG-C-DUCT-FINAL	1	1/P	
27	6LH03422100	SHUT-DUCT-TURN_S	1	1/P	
30	6LH03530000	BLT_SY-S2M-148-6	1	1/P	
31	6LH03602000	GEAR-5S25-P2GT60-6-IDLE	1	1/P	
32	6LH03503000	GEAR-5S86-6-WTNR-DRV	1	1/P	
33	6LH03659000	ASYS-SHAFT-WTNR-DRV	1	1/P	
34	6LH03605000	BUSH-6-POM-B	2	1/P	
35	6LH03439000	PULLY-S2M20-6_CPL-WTNR2	1	1/P	
36	6LH03603000	BLT-SY-138-2GT-4	1	1/P	
37	6LK41380000	MOTRD-UTNR-K13X	1	1/C	
38	X0-00426000	S/BID-M3X4-NI	2	10/P	
39	F0-02296000	ES-0505-2	1	5/P	
40	F0-01250000	MSB-1207	1	5/P	
41	X0-02421000	S/TPS/FHEXM/R-4X8-ZU3	3	10/P	
43	6LH03474000	OPENR-COV-WTNR	1	1/P	
44	6LH03552000	SPG-C-OPENR-WTNR	1	1/P	
45	C0-21564000	LG285L2-R2	2	1/C	
46	6LH03482200	GUIDE-BOX-WTNR_B	1	1/PP	
47	6LH03650000	ASYS-COVER-WTNR-38XS	1	1/PP	
48	6LH03467200	HOOK-COV-WTNR_B	1	1/P	
49	6LA80090000	S/TPP/BID-3*8-NI	3	5/P	
50	6LH03610000	SPG-HOOK-COV-WTNR	1	1/P	
51	6LH03429000	PLATE-HINGE-WTNR-BTM	1	1/P	
52	X0-00968000	RR/E-7-SS	1	10/P	
53	6LK40732300	ASYB-DUCT-WTNR-DPTHK2	1	1/D	
54	6LH03462200	SUPT-BOX-WTNR_B	1	1/PP	
55	6LK40714000	DUCT-TURN-WTB-H38X	1	1/P	
56	6LK41388000	ASYS-STAY-WTNR-MOTR	1	1/P	
60	6LH03533200	ASYB-DUCT-TRN_K	1	1/D	
61	6LH03594000	SEAL-DUCT-TURN	1	1/P	
62	6LH03593000	SEAL-SHUT-DUCT-TURN	1	1/P	

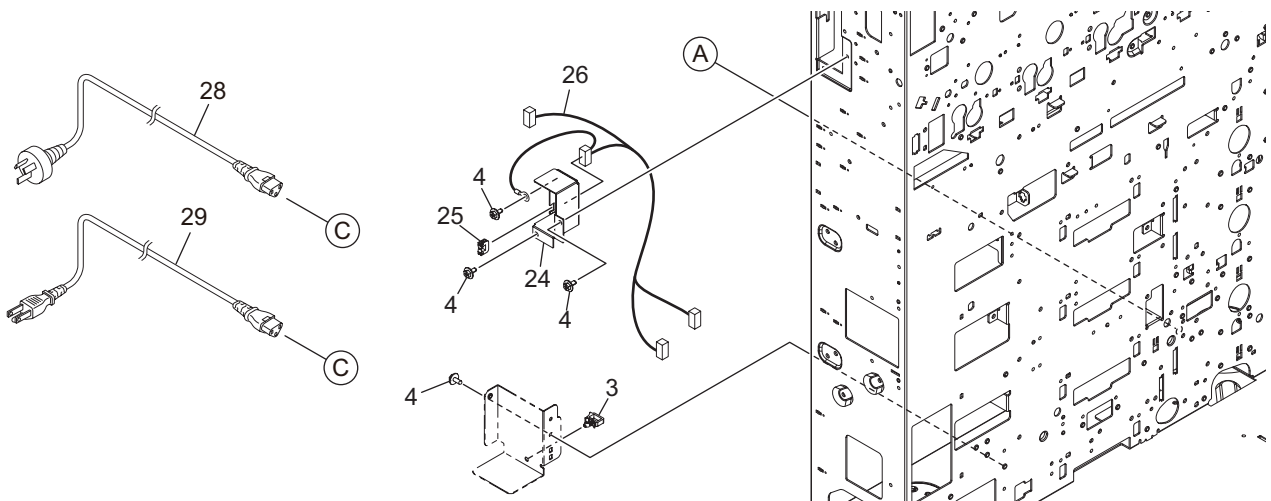
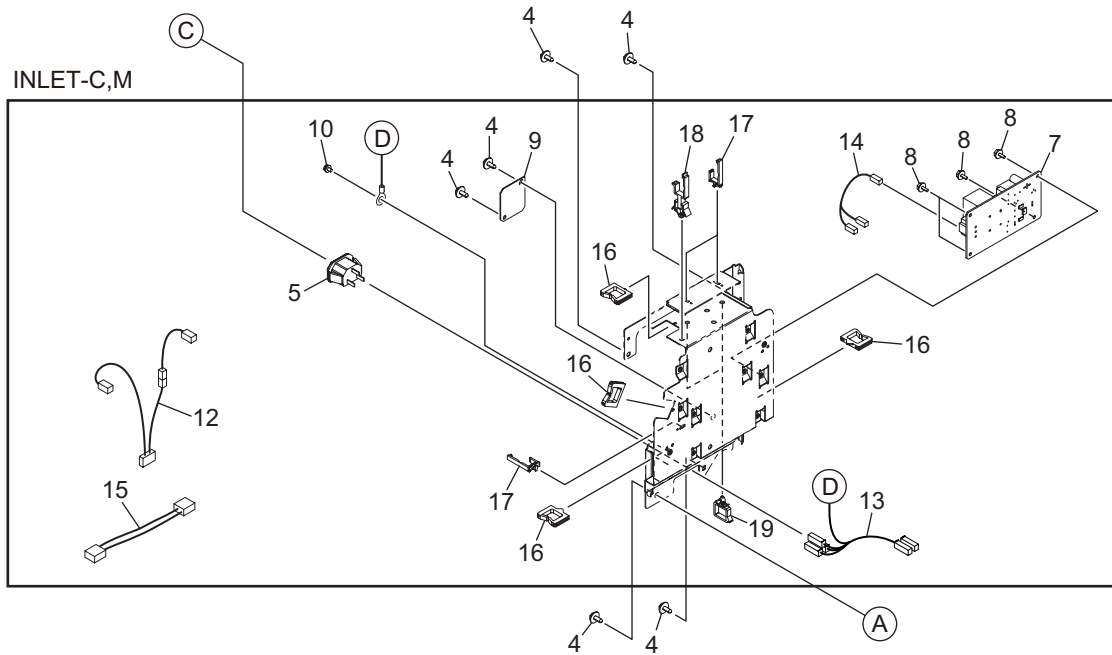
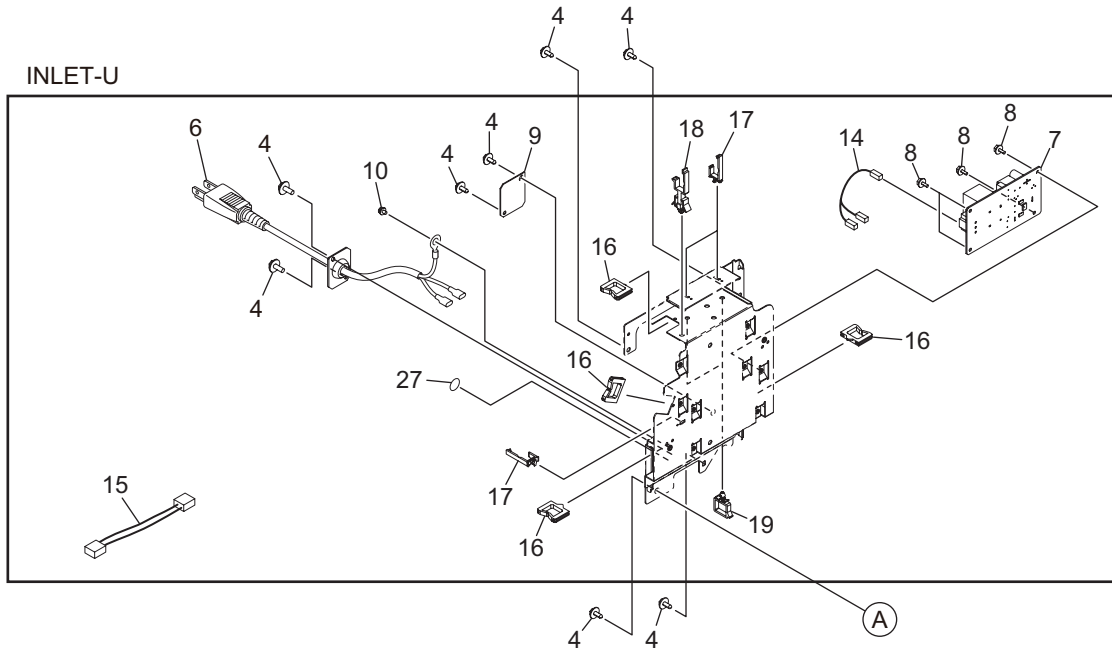


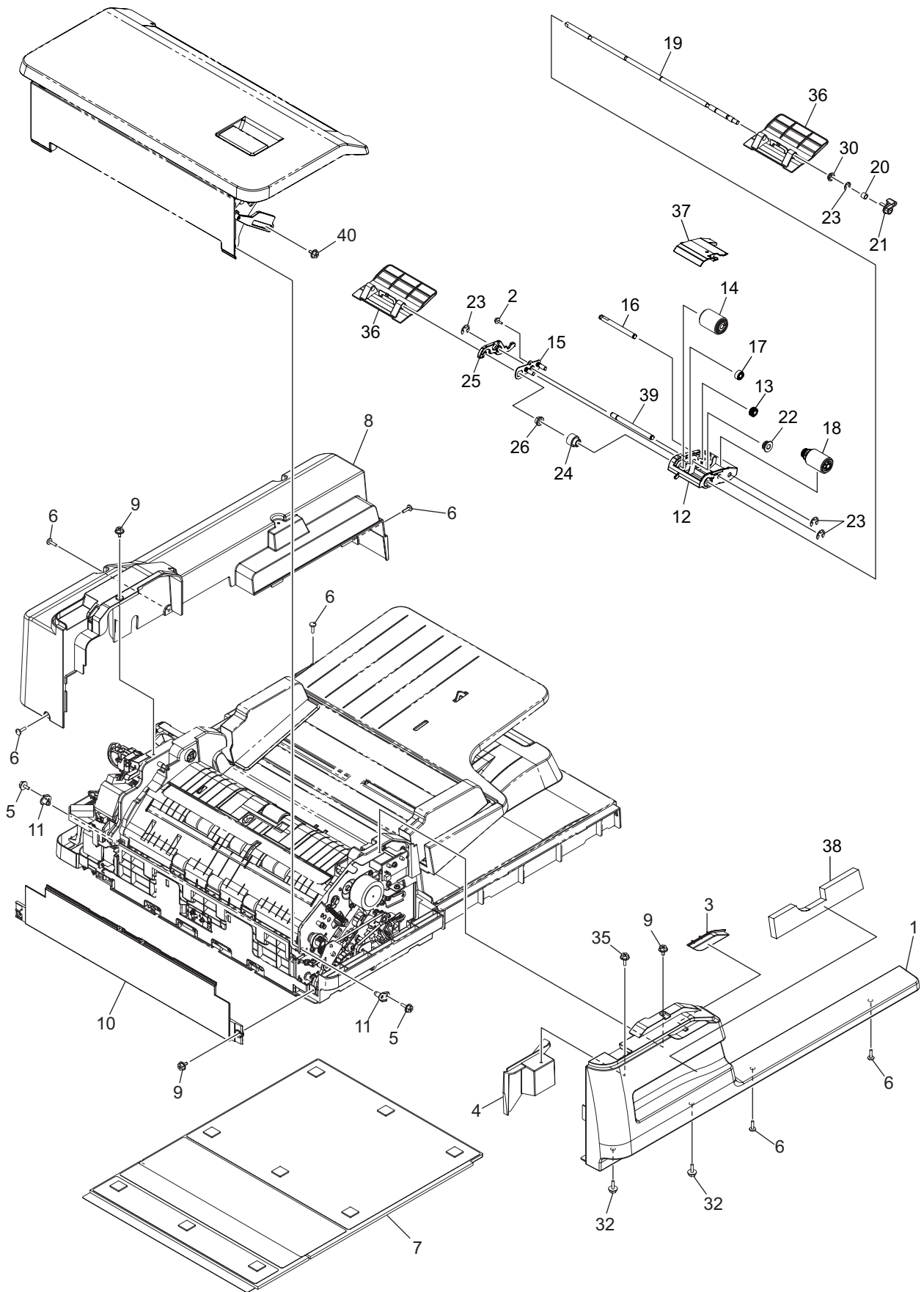
ITEM No.	PART No.	PART NAME	Q'TY / PAGE	Q'TY / PACK	REMARKS
1	6LL61908000	CASSETTE-K180-BK4	1	1/PP	
2	6LH05735000	ASYS-SFT-ELV-CST-F43X	1	1/P	
3	6LH05745200	LEVER-SENSOR-K18X	1	1/P	
4	6LA14466000	CAP-LEVER-SENS	1	1/P	
5	6LH05746000	ASYS-LEVER-ELV-CST-F43X	1	1/P	
6	6LL45600000	SLIDE-WALL-F-K163	1	1/KP	
7	6LL08537000	LEVER-SIDE-GUIDE	1	1/P	
8	6LL08520000	SPG-C-CLICK-PIN	1	1/P	
9	6LL61909000	WALL-SIDE-R-CST-K180	1	1/KP	
10	6LA29058100	LEVER-LOCK-WALL-RER_G	1	1/P	
11	6LH05748000	LOCK-WALL-R	1	1/P	
12	41305546000	SPL-LOCK-WALL-R	1	1/P	
13	6LH05752000	GUIDE-FOOT	1	1/P	
14	X0-02247000	S/TPP/FHEXM-3X8-NI	5	10/P	
15	6LL45684000	S/TPP/PANWS-3X8-NI	1	1/P	
16	6LL45605000	HLDR-ADJUST-GUIDE-K163	1	1/PP	
17	6LL08533000	GEAR-10S18-8-SIDE-GID	1	1/P	
19	6LH05700100	WALL-END-CST-F43X_G	1	1/P	
20	6LK42104100	PLATE-LATCH-K18X	1	1/P	
21	6LJ69393000	ROLL-RAIL-CST-H21X-2	1	1/P	
22	6LH05721100	PUSHER-SIDE-CST-F43X_S	1	1/P	
23	6LK51260000	PUSHER-END-CST-F43X	1	1/PP	
24	6LL61926000	ROLLER-LEFT-R-K180	1	1/P	
25	6LK42100100	COVER-CST-K18X	1	1/PP	
26	6LK42101000	COVER-HNDL-CST-H38X	1	1/P	
27	X0-02235000	S/FHEXM-M4X8-NI	7	10/P	
28	X0-02251000	S/TPP/FHEXM-4X8-NI	5	10/P	
29	6LH05511000	SCREW-M3X8-3.2-P	2	5/P	
30	6LJ75240000	LBL-CST-MAX_PP	1	1/P	
38	6LK42107000	HOLDER-LEVER-SUB-H38X	1	1/P	
41	6LK42108000	PLATE-CST-EARTH-H38X	1	1/C	
50 A	6LK51245000	SIZE-CST-37X-A4	1	1/KP	MJD,ASD,AUD,ARD,TWD
50 B	6LK51245100	SIZE-CST-37X-LT	1	1/KP	NAD
50 C	6LK51245200	SIZE-CST-37X-K	1	1/KP	CND
51	6LL61939000	LBL_O-GUIDE-CST-K18X	1	1/KP	
52	6LL45653000	LBL_P-SIZE-SRA3-K163	1	1/KP	
53	6LL61936000	ASYS-TRAY-CST-K18X	1	1/PP	
54	6LH05744000	CUSH-CST-BTM	1	1/KP	
60	6LL61949000	ASYB-ARM-SWING-PIN-K18X	1	1/P	
61	6LL08536000	CLICK-PIN	1	1/P	
62	6LL08517000	CUSH-CST-TRAY	4	1/P	
63	6LL45638000	DUMPER-CST-K163	1	1/D	
64	6LL45607000	HOLDER-DUMPER	1	1/P	
65	6LL61929000	HOLDER-ROLLER-SIDE-L	1	1/P	
66	6LL61925000	ROLLER-SIDE-L	1	1/P	
67	6LL08518000	LBL-P-SIZE-REF-H44X	1	1/P	
68	6LL08535000	PUSH-BAR	2	1/P	
69	6LL45606000	SHEET-SIDE-GUIDE-K163	2	1/P	
70	6LL08519000	SPG-C-PUSH-BAR	4	1/P	
71	6LL08538000	LOCK-RACK	1	1/P	
72	6LL08521000	SPG-C-LOCK-LACK	1	1/P	
73	6LJ56973000	SCREW-ROLL-CST-H21X	1	1/P	



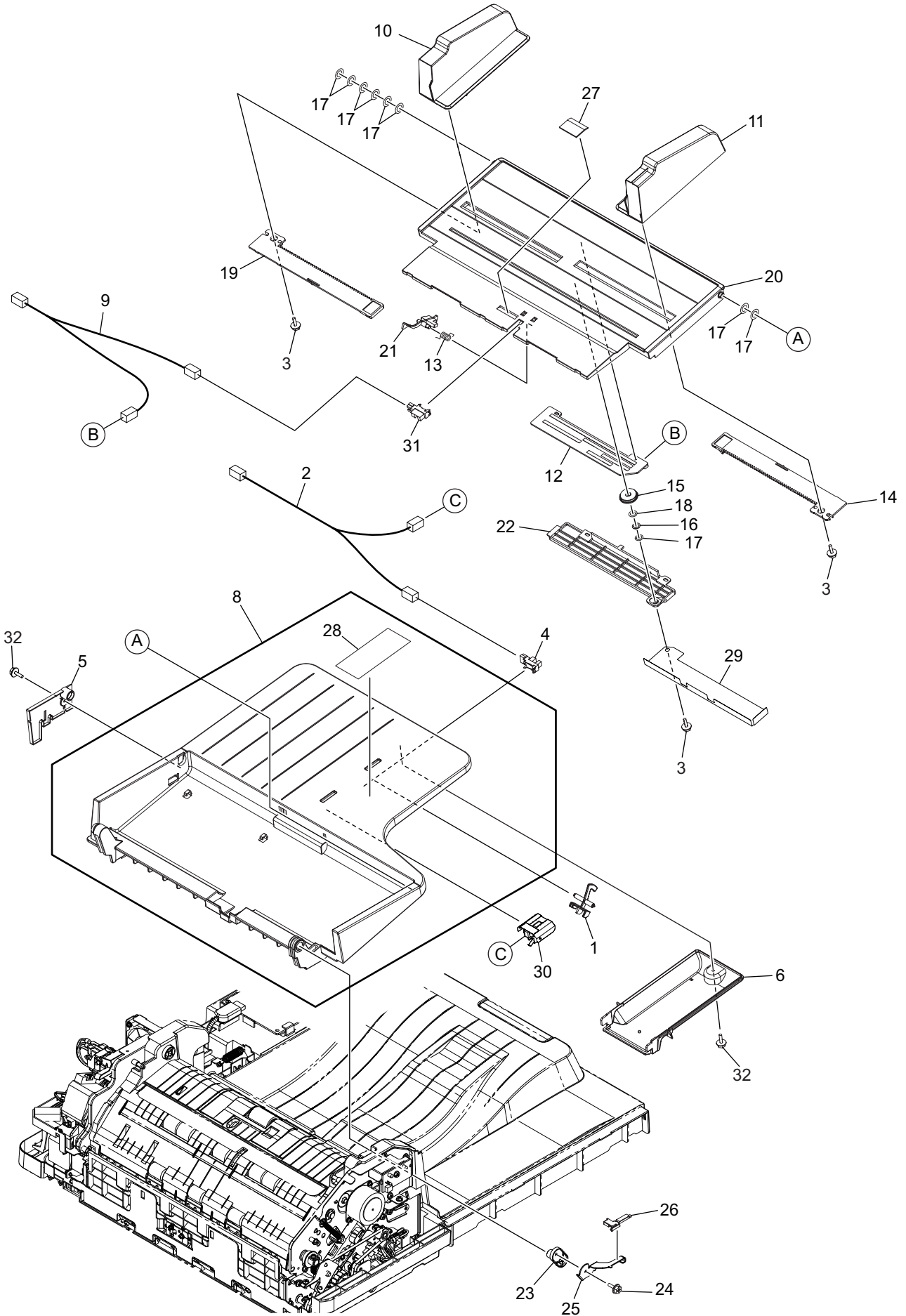




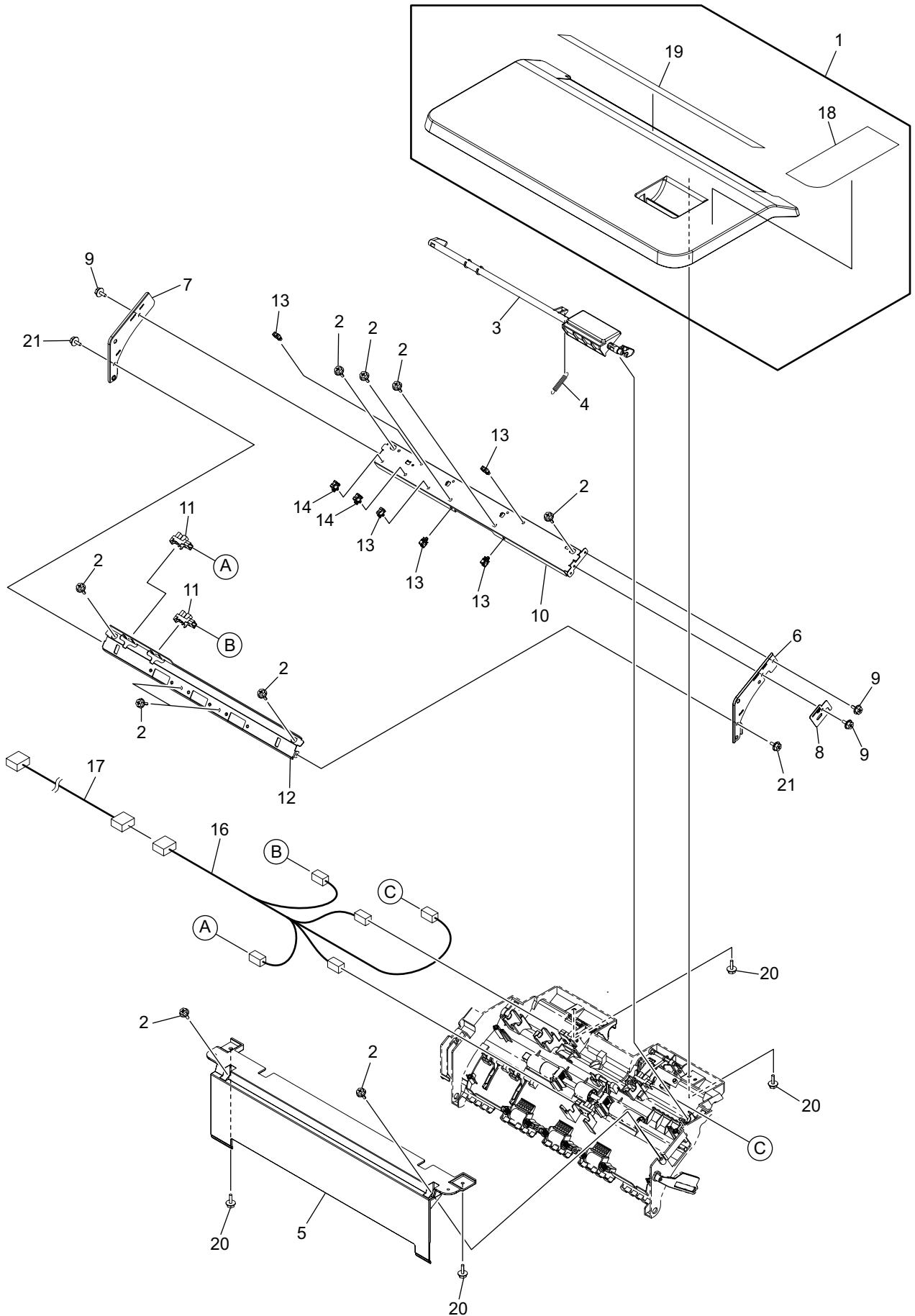


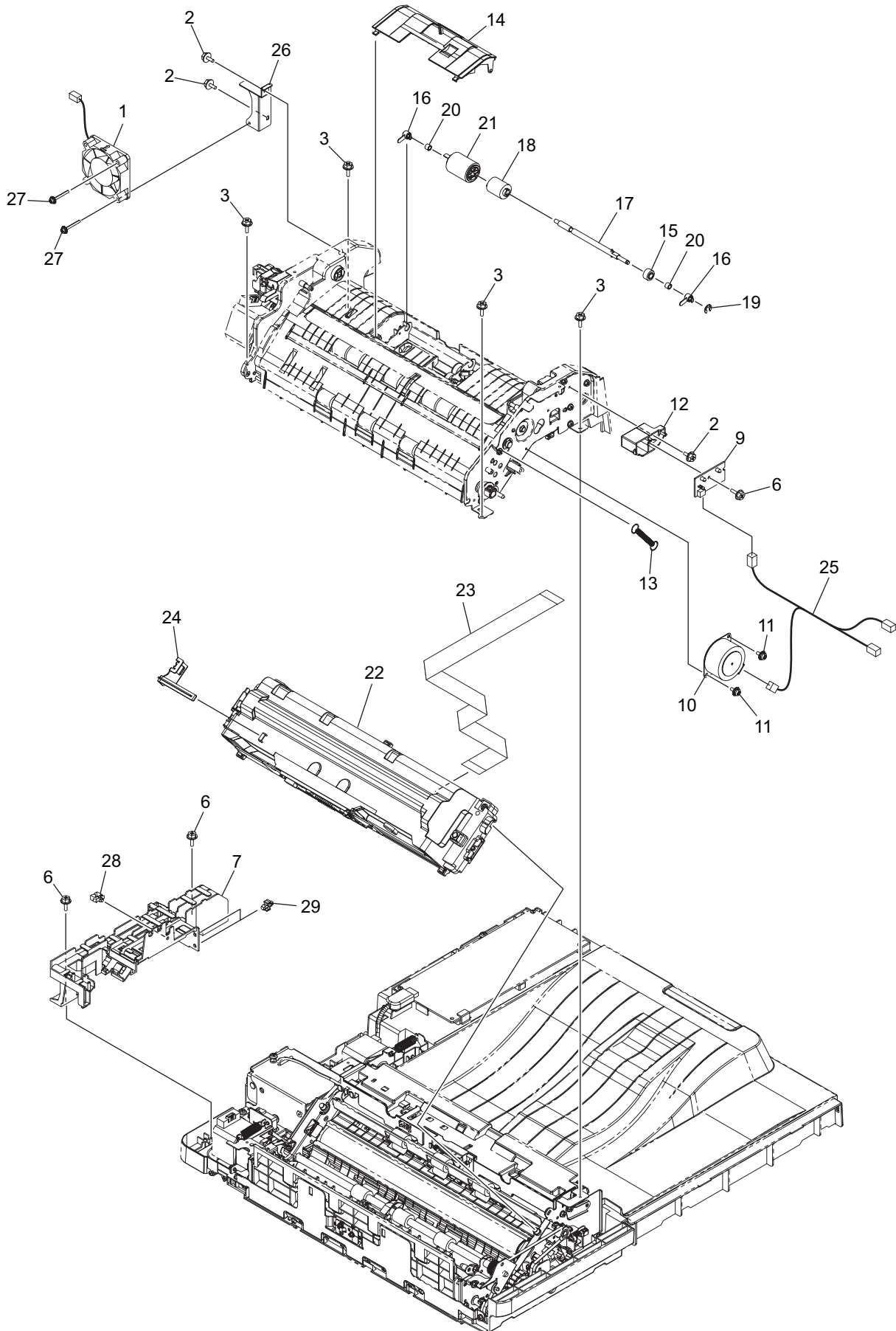


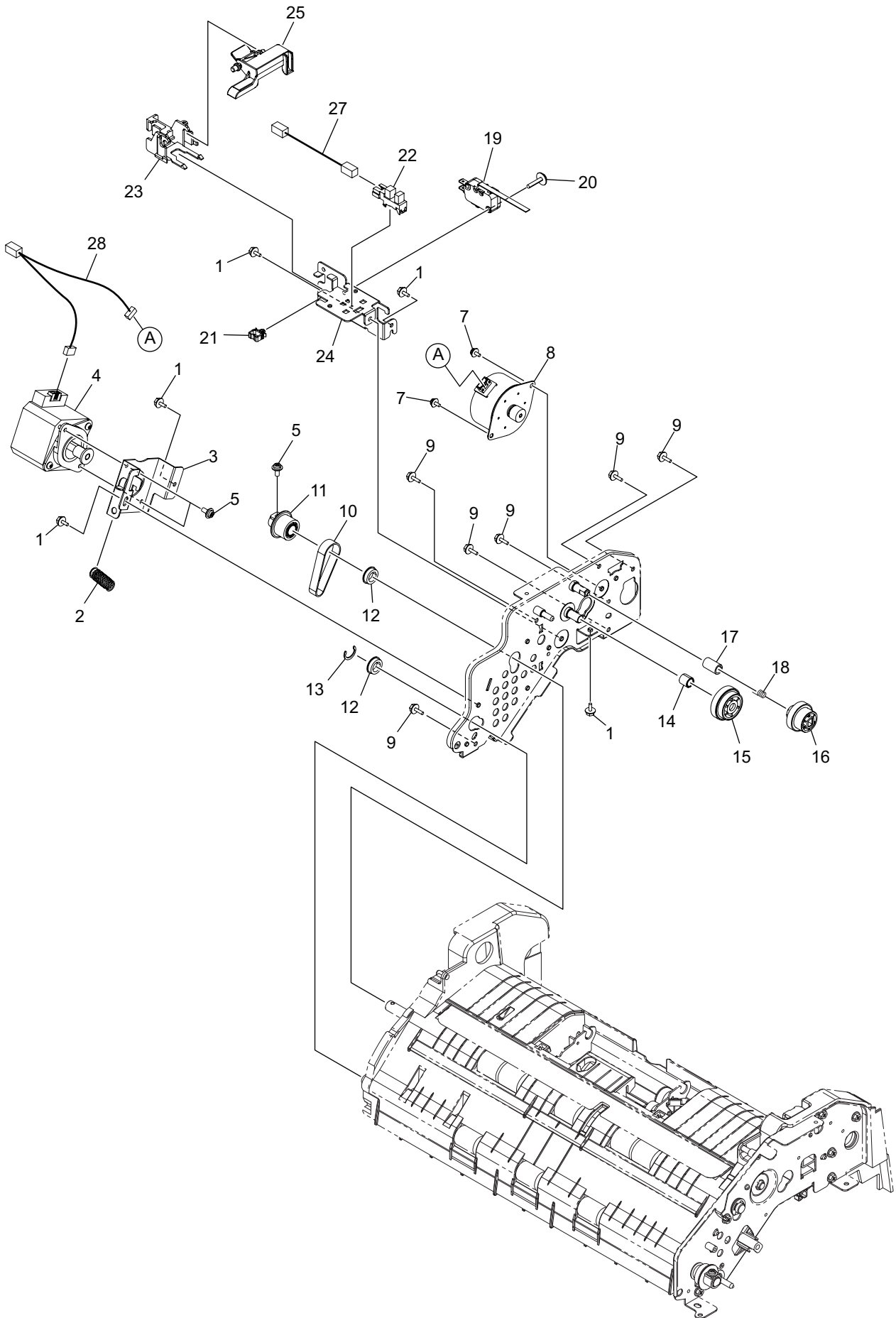
ITEM No.	PART No.	PART NAME	Q'TY / PAGE	Q'TY / PACK	REMARKS
1	6LK54371300	ASYS-COV-FRONT-DSDF-CS20	1	1/PP	
2	X0-02247000	S/TPP/FHEXM-3X8-NI	1	10/P	
3	6LK54136000	LENS-LED-DSDF	1	1/P	
4	6LK54222000	COVER-FRONT-SPRT	1	1/PP	
5	X0-02419000	S/TPS/FHEXM/R-3X6-ZU3	2	10/P	
6	X0-02675000	S/TPP/BID-3X8-ZB3	6	5/P	
7	6LK56651000	ASYS-SHEET-PLTN-DSDF_JW	1	1/KP	
8	6LK54286100	ASYS-COV-REAR-DSDF2	1	1/PP	
9	X0-02687000	S/TPS/FHEXM/R-3X6-ZB3	3	10/P	
10	6LK56665000	ASYS-COVER-LEFT-B	1	1/PP	
11	6LK54083100	ASYS-SITEN2	2	1/P	
12	6LK56948000	HLDR-PICKUP-S20	1	1/P	
13	6LK56941000	GEAR-5H20-5-S20	1	1/P	
14	6LK56800000	ASYS-ROL-FEED	1	1/P	
15	6LK56946000	ASYS-PICKUP-S20	1	1/P	
16	6LK56943000	SFT-FEED-KADO-S20	1	1/P	
17	6LK56940000	GEAR-5H22-5-S20	1	1/P	
18	6LK56966000	ASYS-ROL-PICKUP-S20	1	1/P	
19	6LK56969000	SFT-FEED-K	1	1/P	
20	6LK54306000	BUSH-S5-6	1	1/P	
21	6LK53969000	LEVER-FEED	1	1/P	
22	6LK54069000	GEAR-5H20-6	1	1/P	
23	X0-00966000	RR/E-5-SS	4	10/P	
24	6LK54265000	ASYS-GEAR-5H20-6-OW	1	1/P	
25	6LK56944000	STOPPER-FEED-ROL-S20	1	1/P	
26	4407734980	BUSH-6-GCB	1	5/P	
30	6LA65696000	BUSH-6X12X4R8F	1	5/P	
32	X0-02688000	S/TPS/FHEXM/R-3X8-ZB3	2	5/P	
35	X0-02683000	S/TPP/FHEXM-3X8-ZB3	1	5/P	
36	6LK56837000	GUIDE-KADO-FEED	2	1/PP	
37	6LK56947000	COV-HLDR-PICK-S20	1	1/P	
38	6LL48404000	CUSION-FRONT-4	1	1/P	
39	6LK56979000	SFT-PICKUP-S20	1	1/P	
40	X0-02230000	S/FHEXM-M3X6-NI	1	10/P	

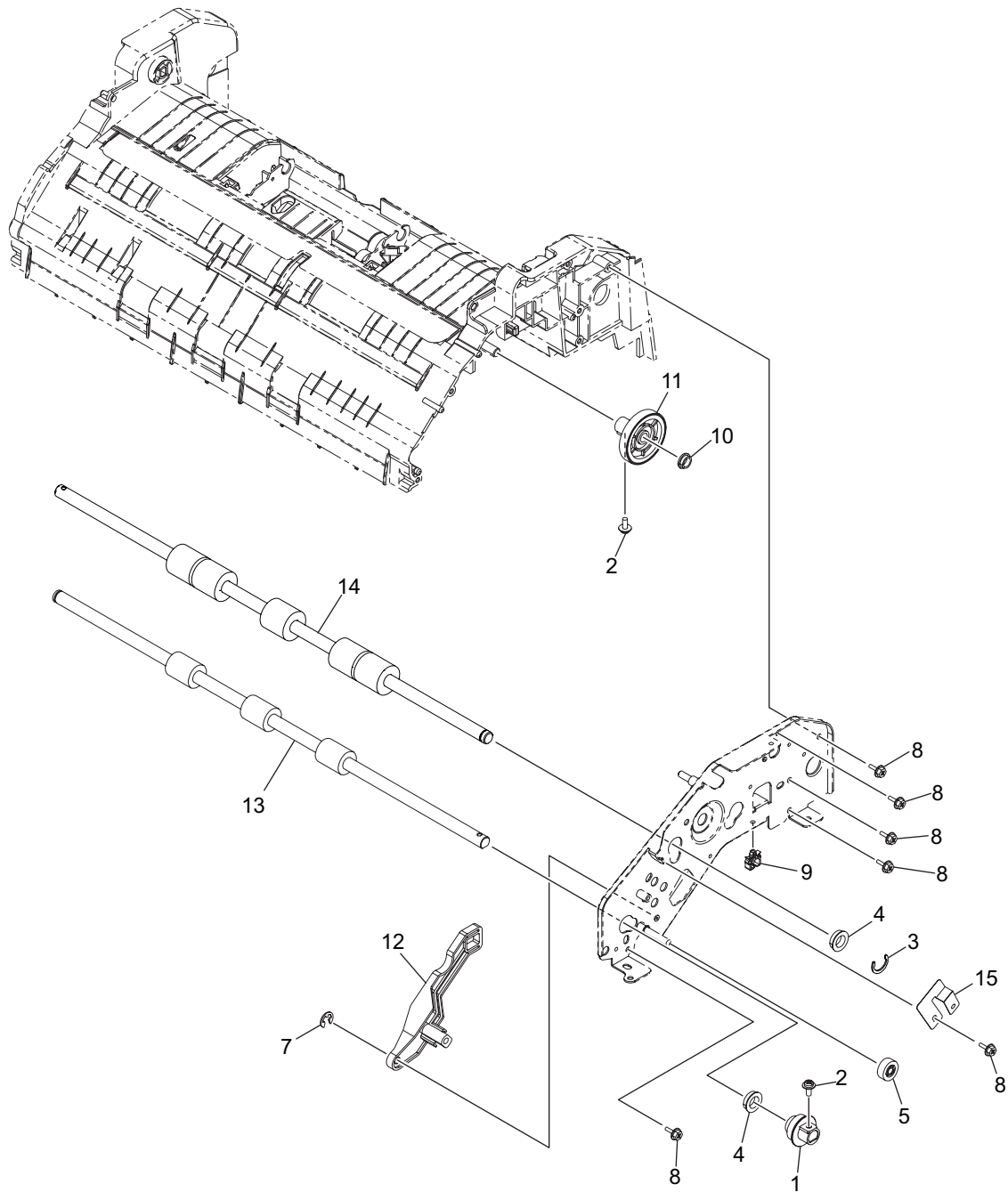


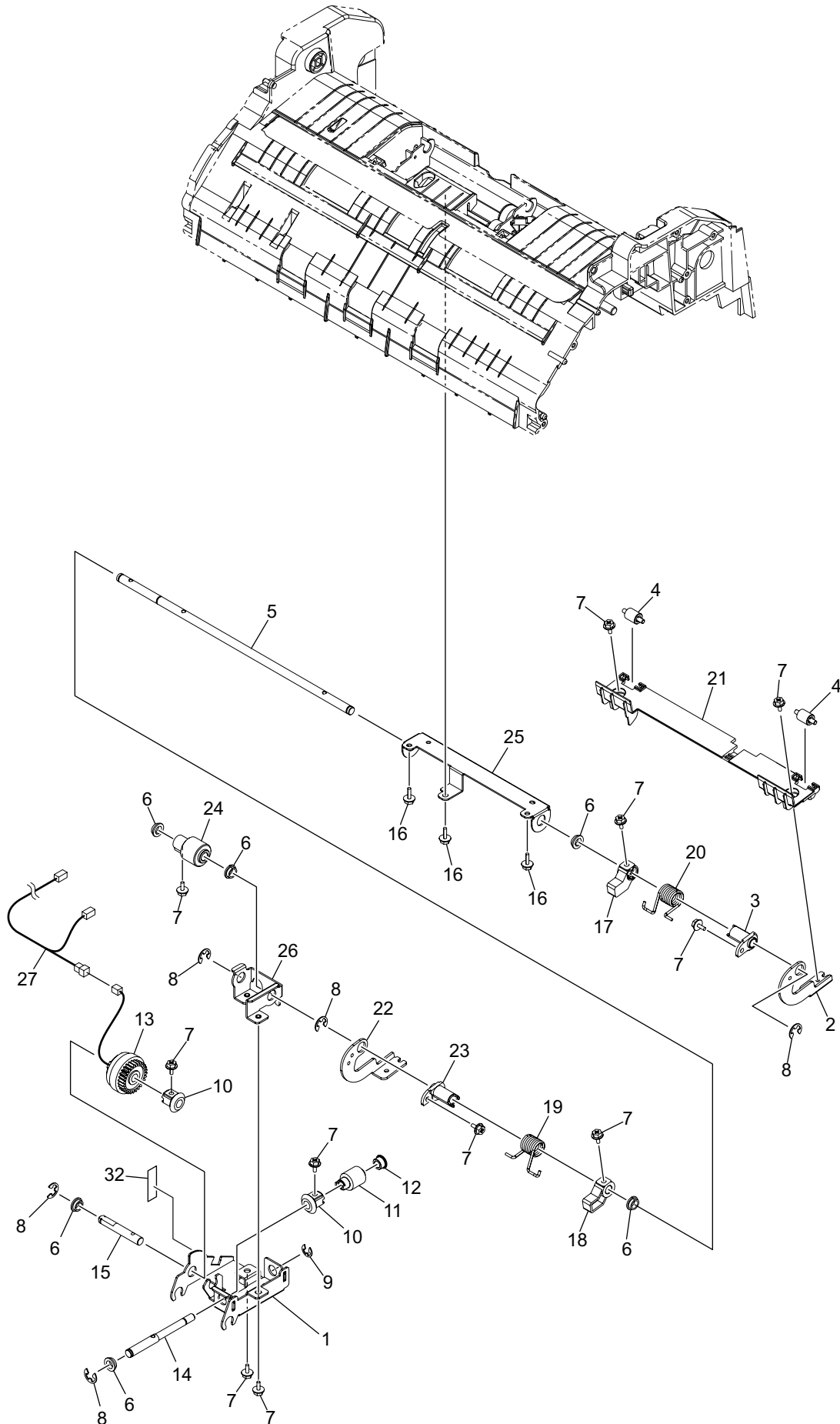
ITEM No.	PART No.	PART NAME	Q'TY / PAGE	Q'TY / PACK	REMARKS
1	6LE50461F00	ACT-SENSOR-TRAY-S_JB	1	1/P	
2	6LK53810000	HRNS-DSDF-TLENGH-H616	1	1/P	
3	X0-02247000	S/TPP/FHEXM-3X8-NI	3	10/P	
4	C0-20495000	LG2A24BL1	1	1/C	
5	6LK54123100	HLDR-TRAY-EV_P	1	1/P	
6	6LK54124000	COV-TRAY-SENS-DSDF	1	1/PP	CND Except CND
8 A	6LK54285100	ASYS-TRAY-ORG-DSDF-C	1	1/PP	
8 B	6LK54285000	ASYS-TRAY-ORG-DSDF	1	1/PP	
9	6LK53807000	HRNS-DSDF-TRAY-H616	1	1/P	
10	6LK56727000	ASYS-SIDE-GID-R-DSDF	1	1/PP	
11	6LK56726000	ASYS-SIDE-GID-F-DSDF	1	1/PP	
12	6LK53708000	PWA-H-TRAY-616	1	1/SB	
13	6LK56557000	SPG-T-ACT-SNS-EMPTY-R18	1	1/P	
14	6LK54249000	ASYS-RACK-TRAY-F	1	1/PP	
15	4407726480	PINION-18-395	1	1/P	
16	6LK56839000	WSHR-W-6-10-XHMB	1	10/P	
17	F0-01324000	STW-FT60 T0.25	9	5/P	
18	6LA78907000	WASHER-6R2X9R5XR13-PL	1	5/P	
19	6LK54132000	RACK-TRAY-PC-DSDF	1	1/P	
20	6LK56582000	ASYS-TRY-EV-DSDF	1	1/PP	
21	6LK54129100	ACT-SNS-EMPTY-P	1	1/P	
22	6LK54135000	COVER-PWA-TRAY-DSDF	1	1/P	
23	6LK54064000	HOLDER-DH	1	1/P	
24	X0-02240000	S/TPS/FHEXM-3X10-ZU3	1	10/P	
25	6LK54368000	BRKT-TRY-ORG	1	1/P	
26	6LK54369000	COV-BRKT-TRY	1	1/P	CND Except CND
27	6LK54388000	SHEET-PICKUP	1	1/P	
28 A	6LJ67549200	LABEL-CAUTION-3031C	1	1/KP	
28 B	6LJ67409300	LABEL-CAUTION-H616	1	1/P	
29	6LK56660000	SHEET-TRAY-EV	1	1/KP	
30	6LK56988000	ASYB-SNS-TRAY-L2N	1	1/C	
31	6LK56794000	ASYS-SNS-EMPTY	1	1/C	
32	X0-02683000	S/TPP/FHEXM-3X8-ZB3	2	5/P	

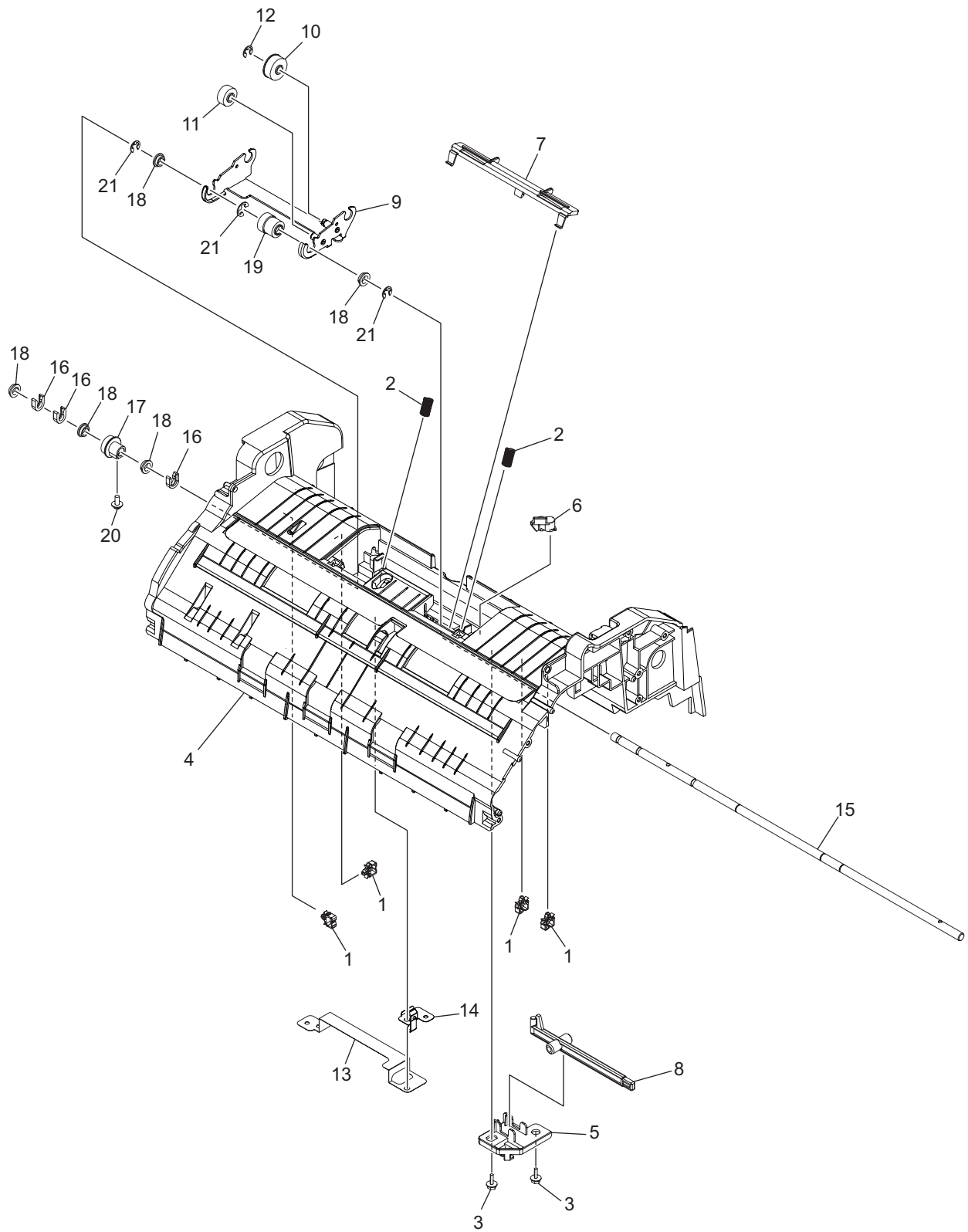


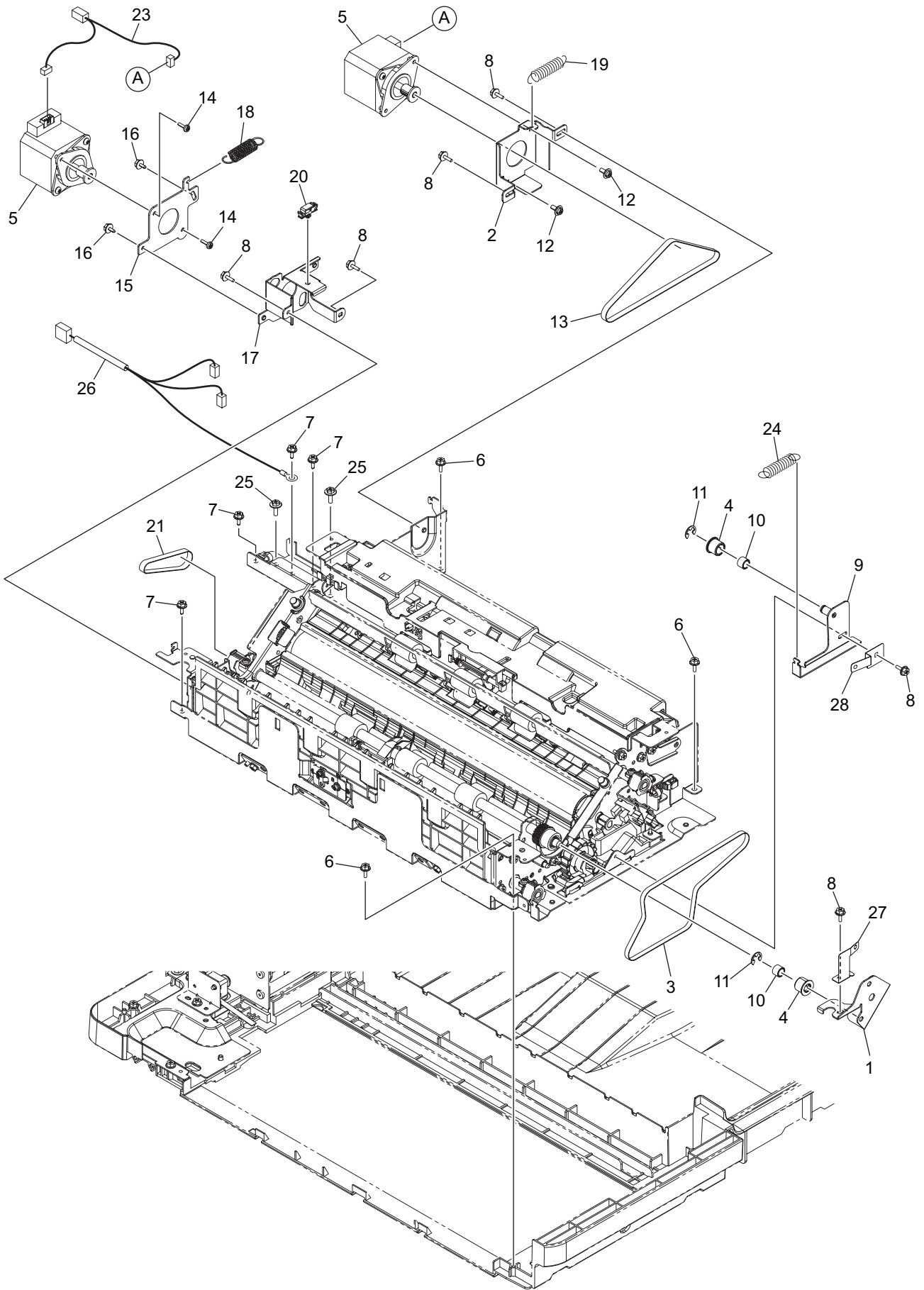


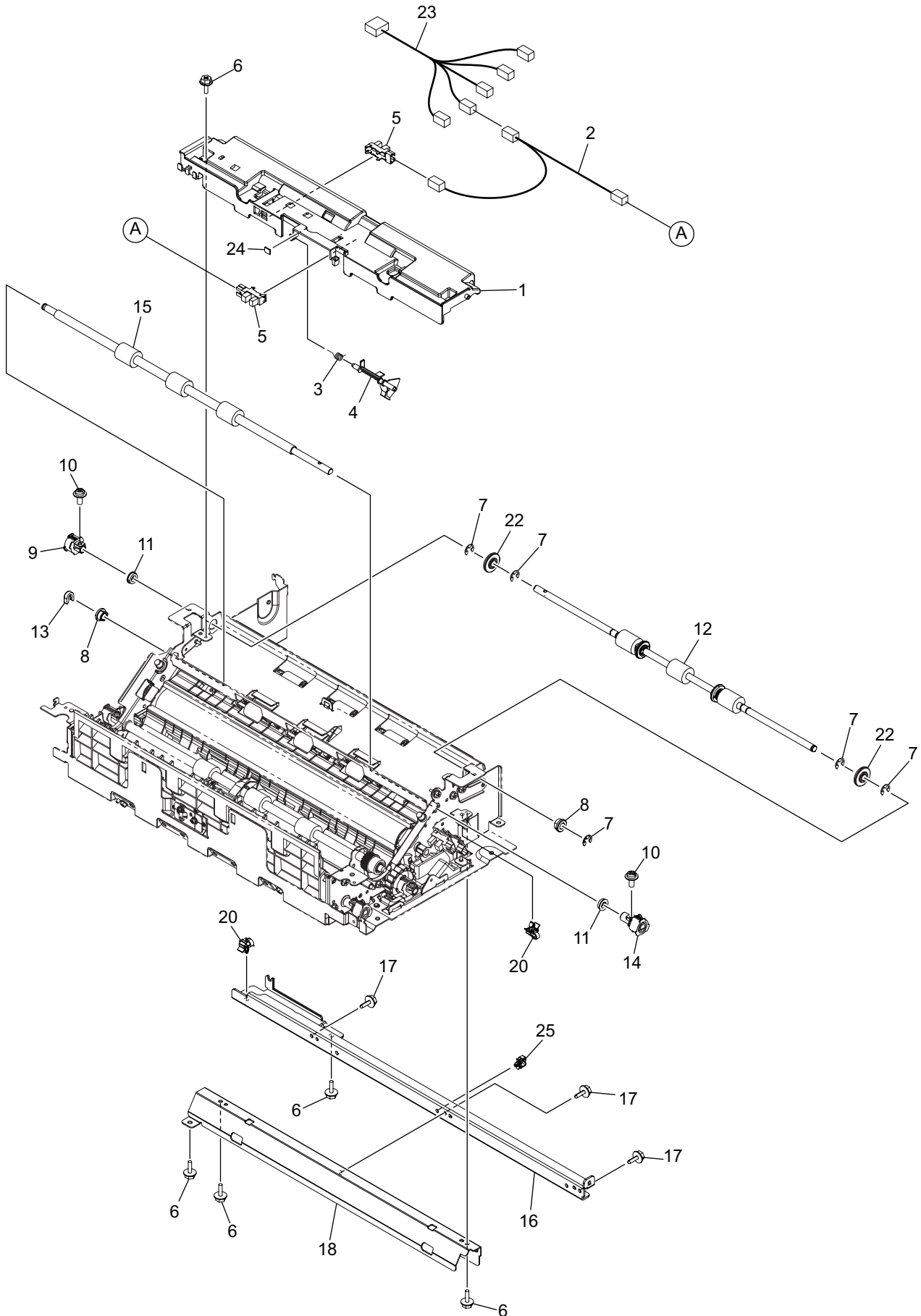


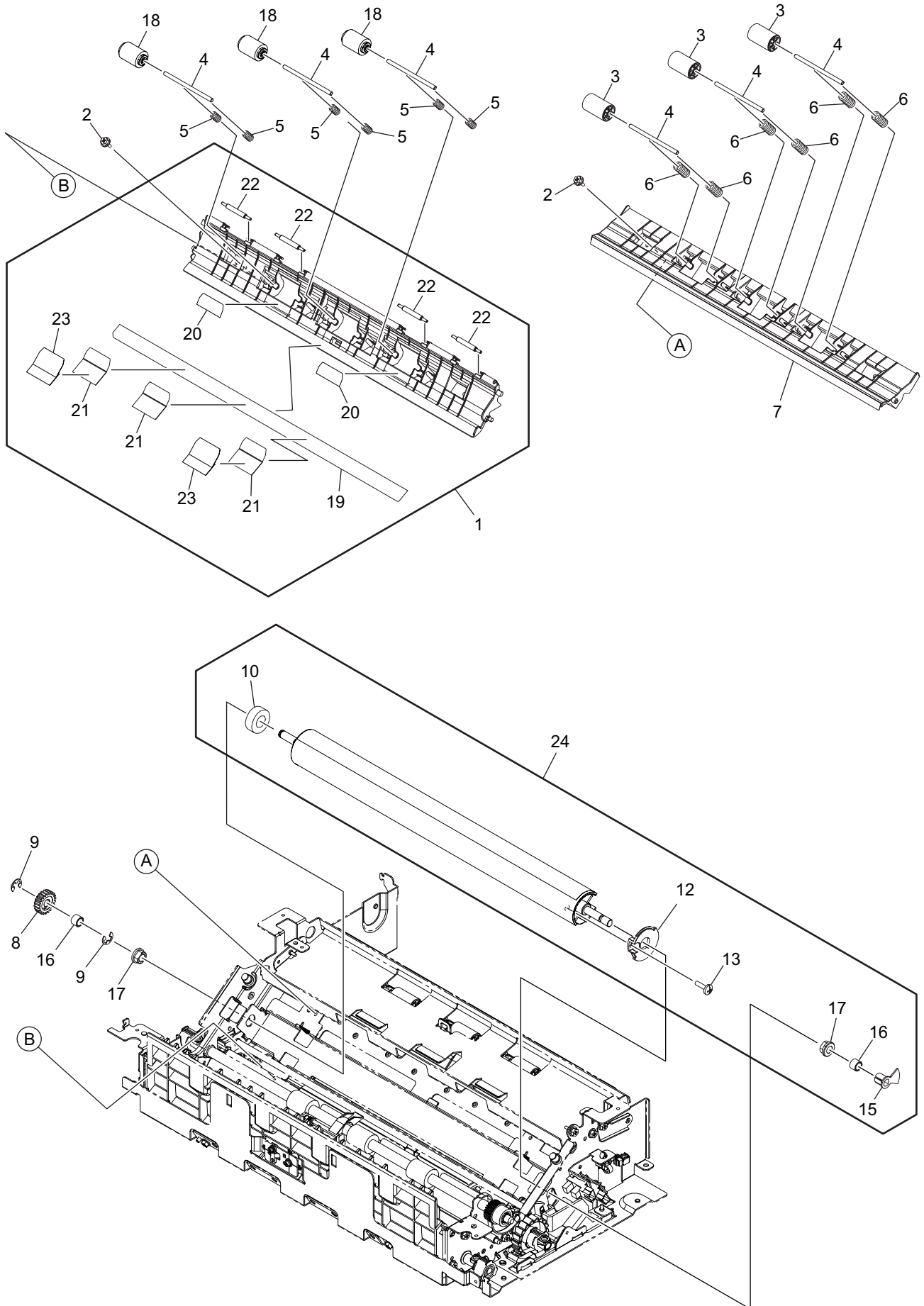


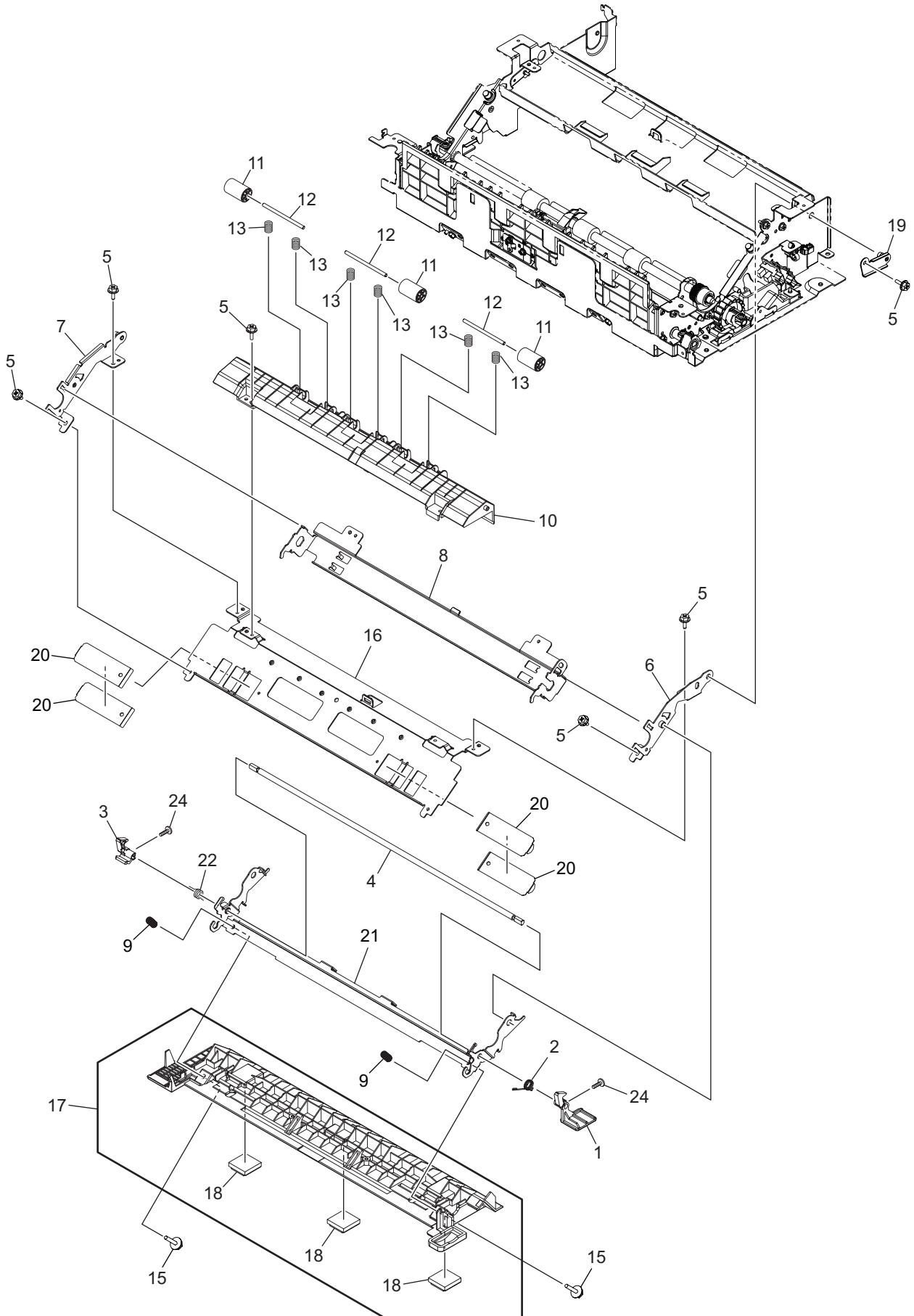


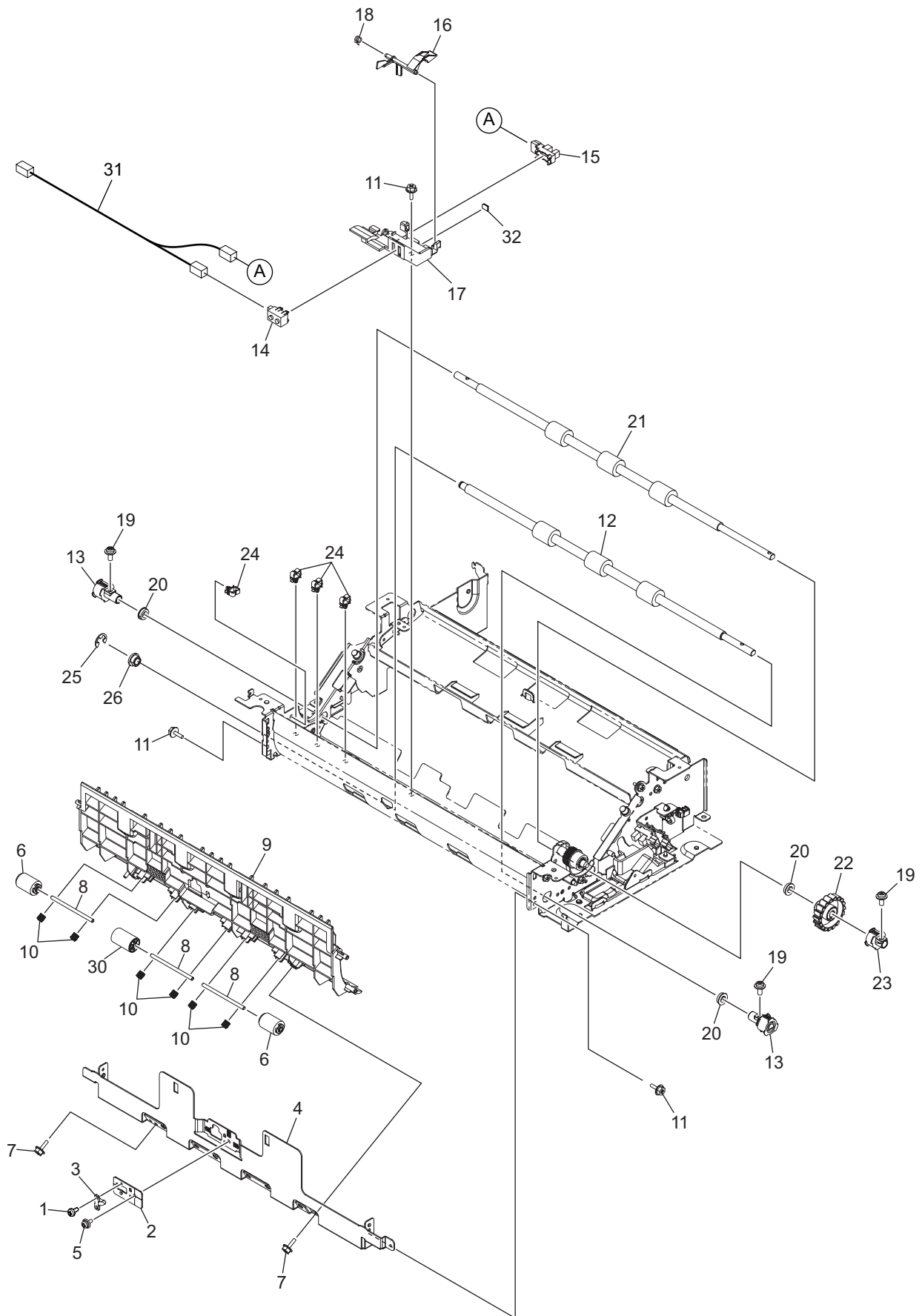


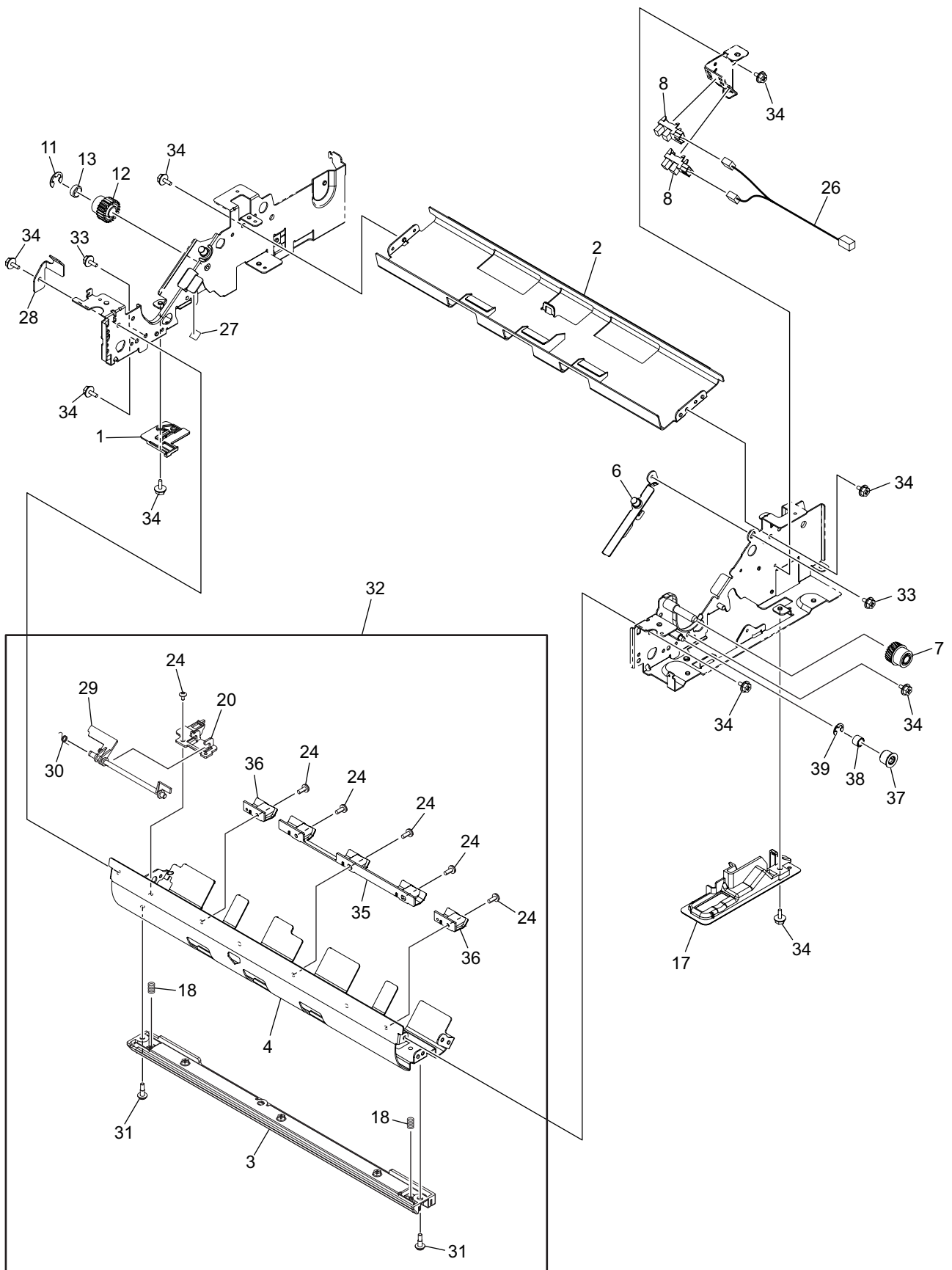


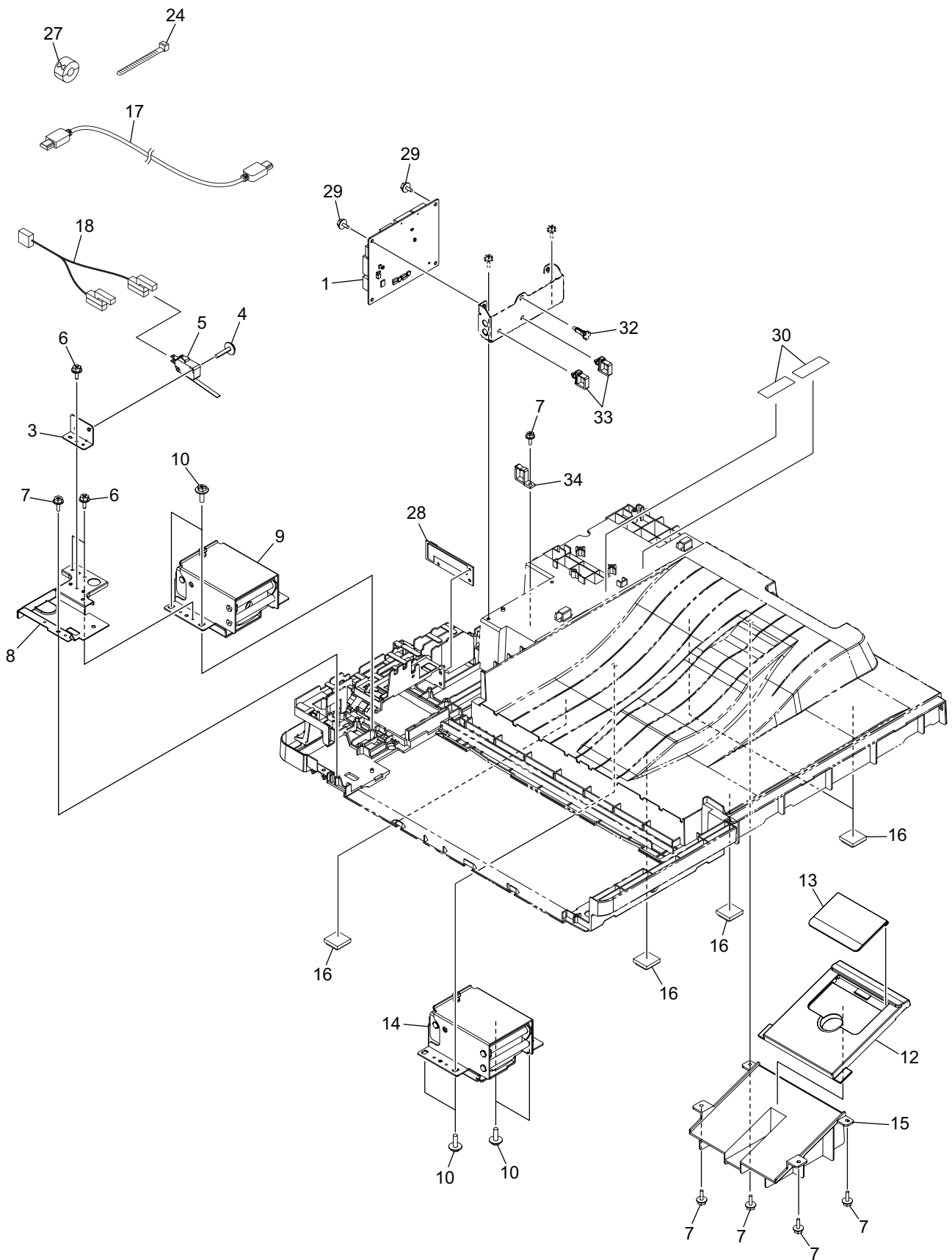


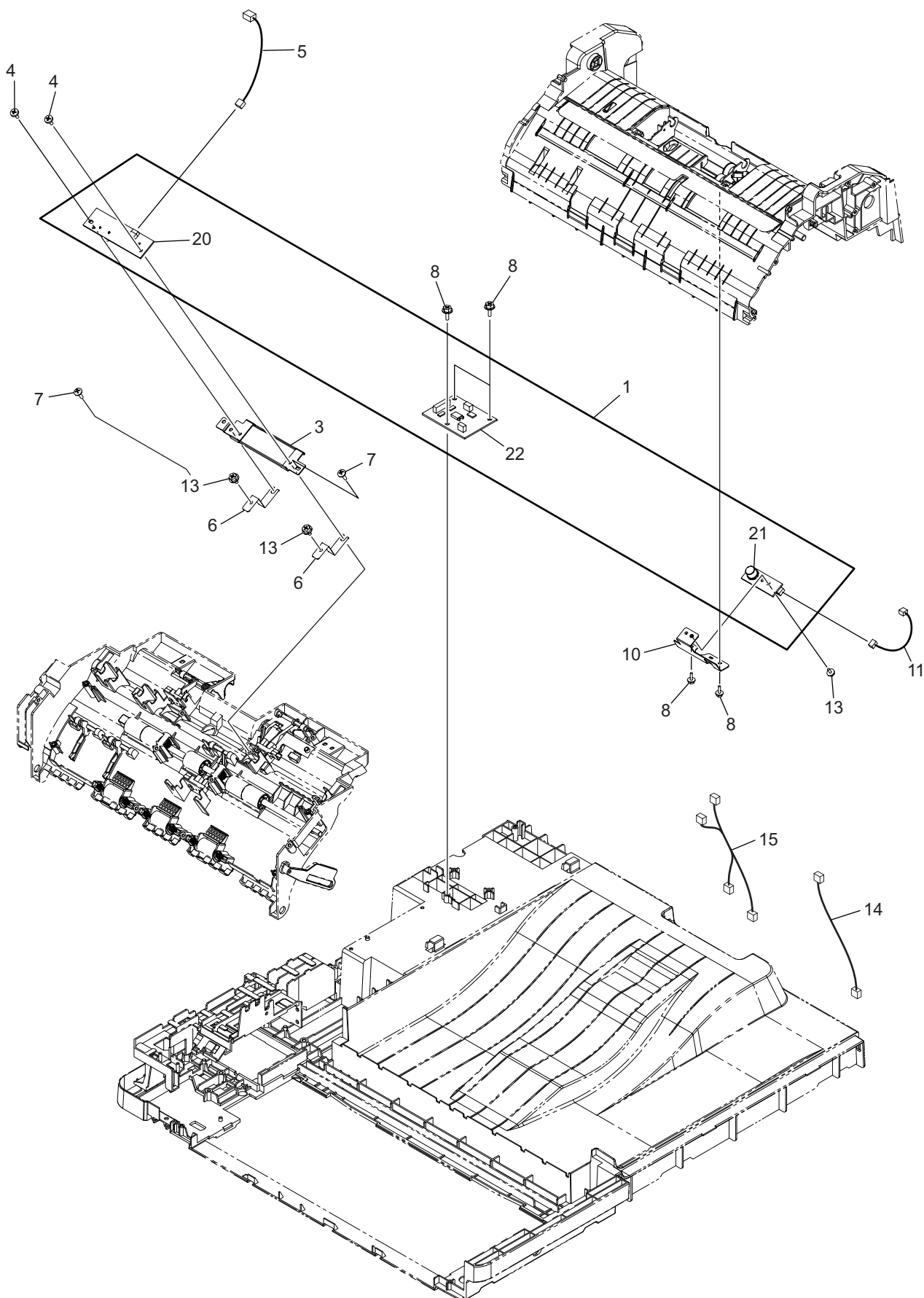


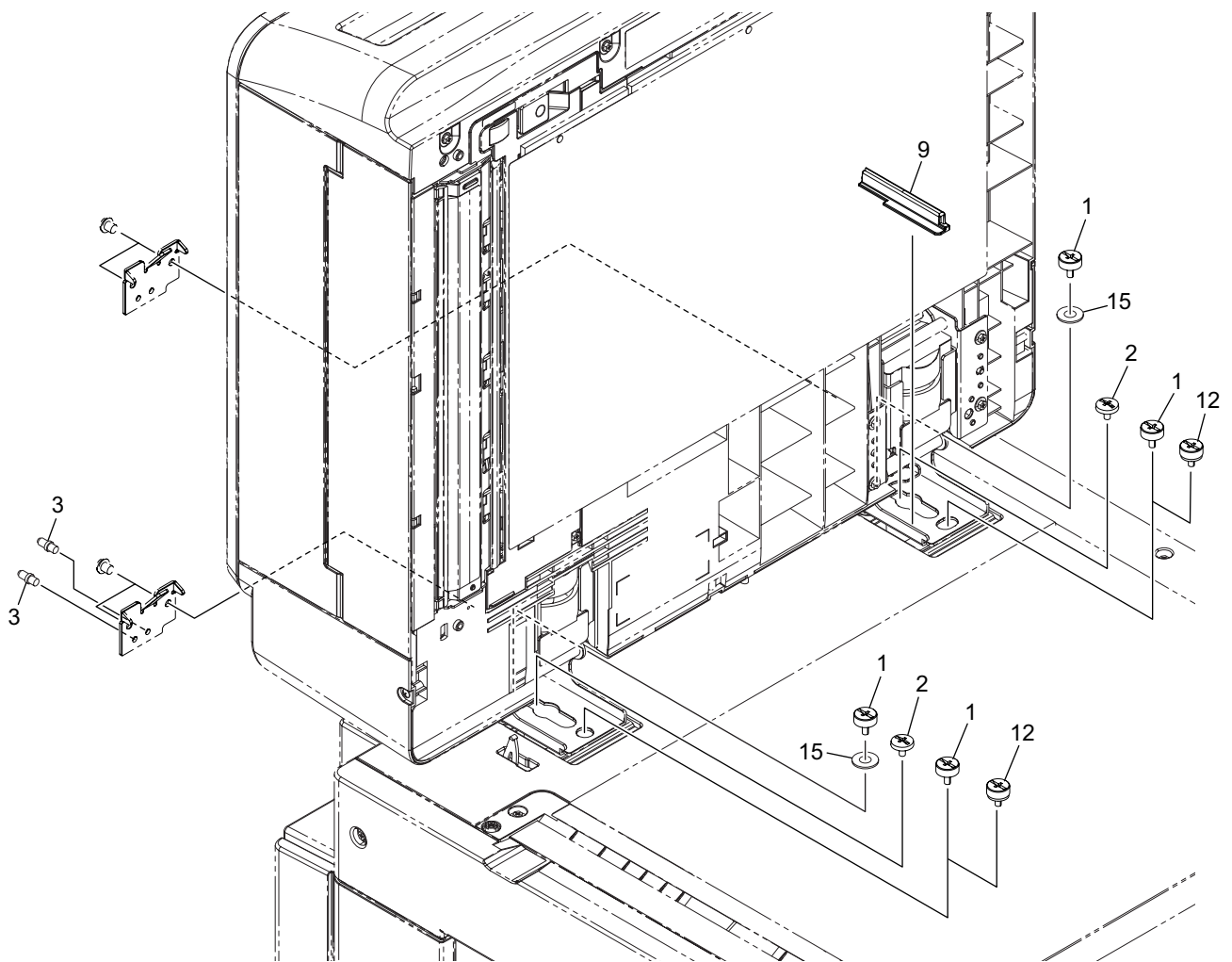


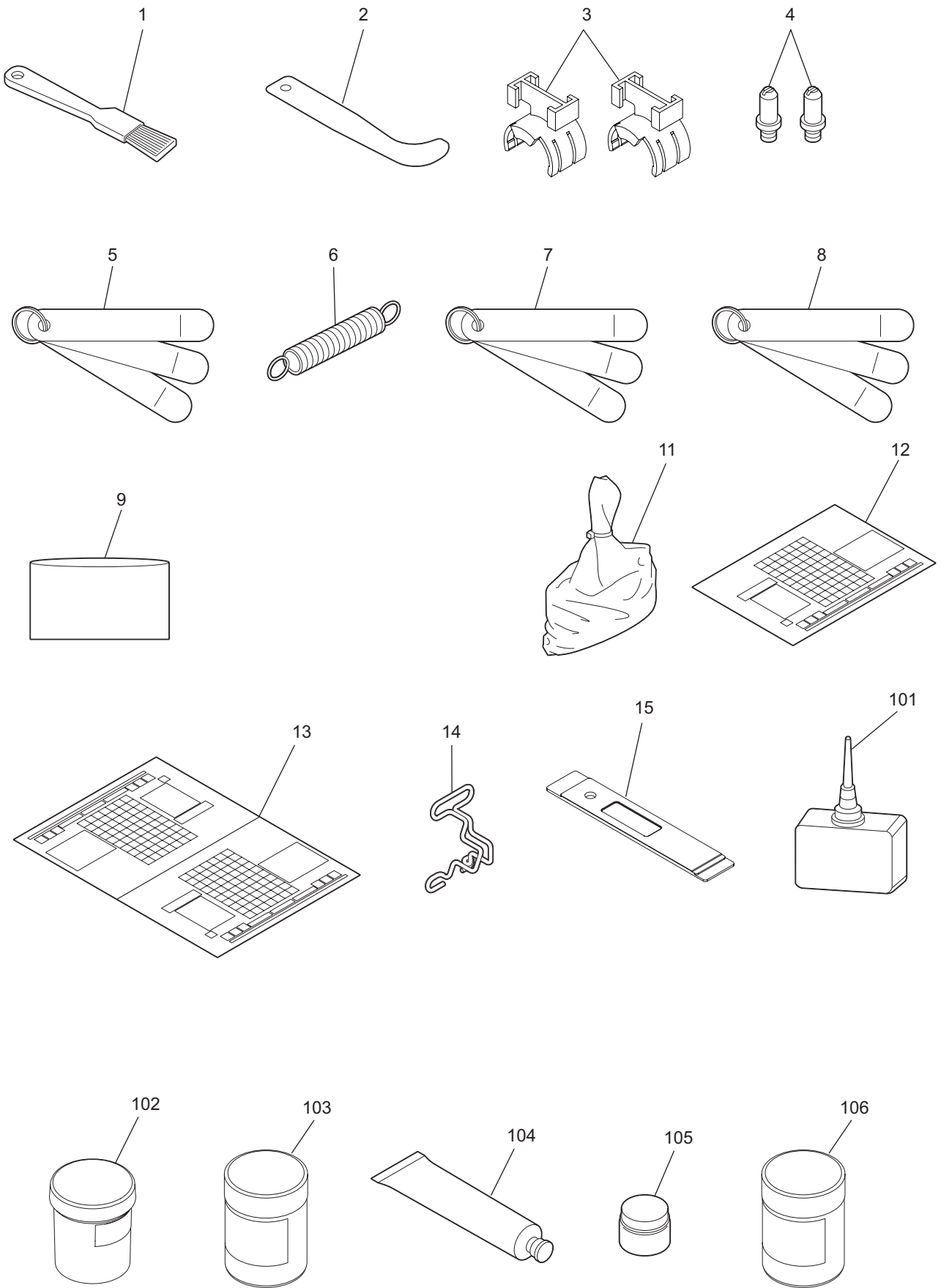


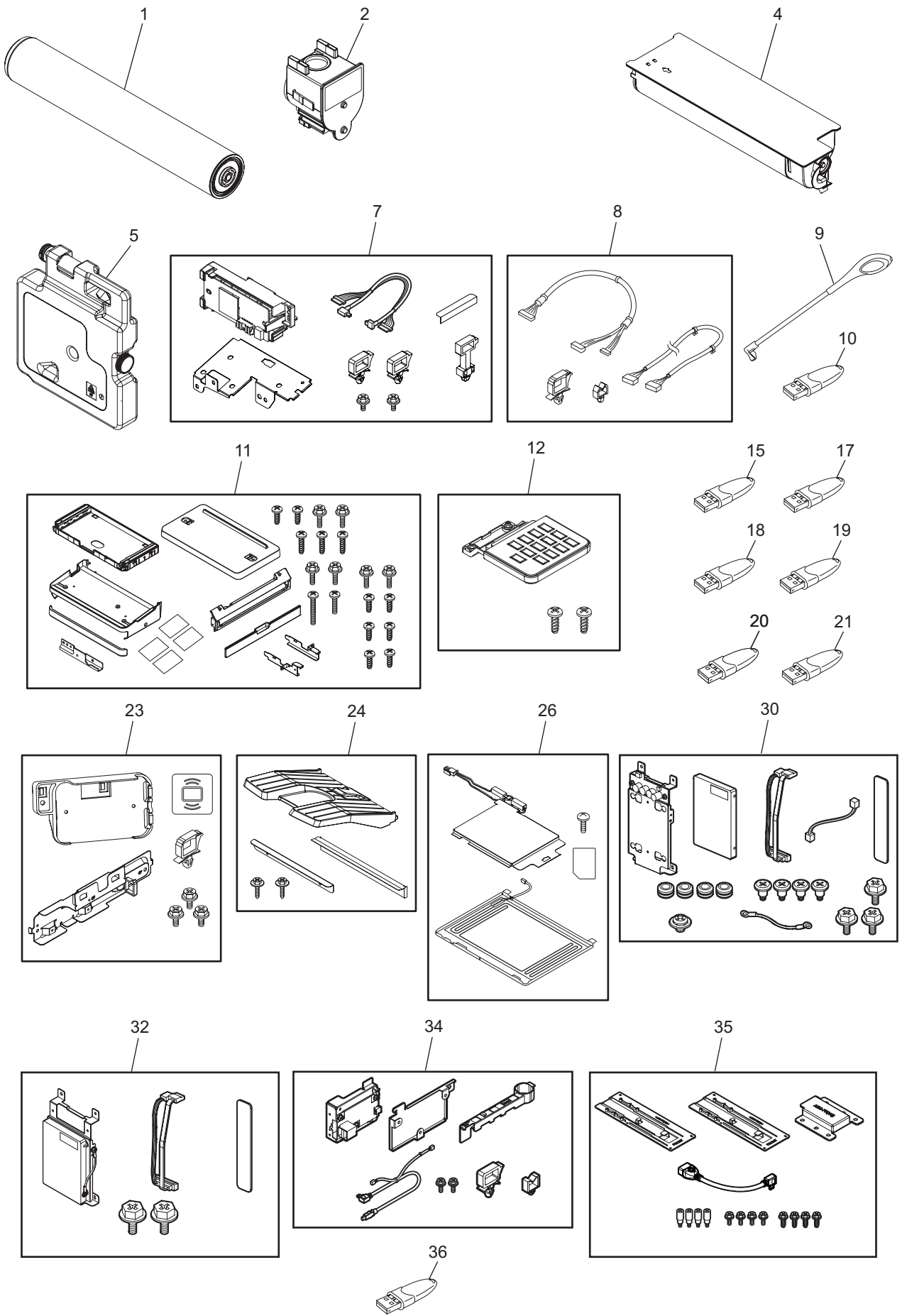






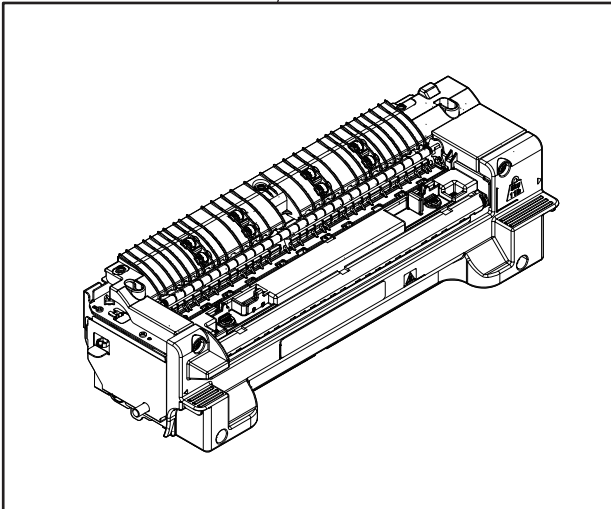




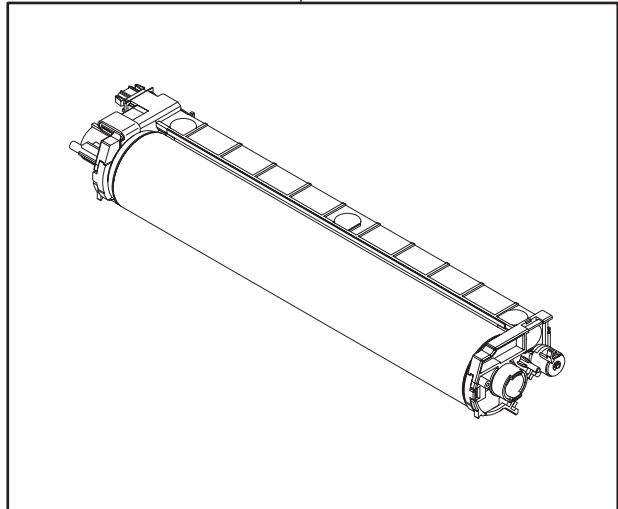


ITEM No.	PART No.	PART NAME	Q'TY / PAGE	Q'TY / PACK	REMARKS
1	6LK40607000	OD-FC556	1	1/S	DRUM
2 A	6LK43607300	D-FC556-K	1	1/S	DEVELOPER (Black)
4 A	6AK00000430	PS-ZT9029U(1)	1	SUPPLY	BLACK TONER :NAD,ARD
4 B	6AK00000443	PS-ZT9029E(1)	1	SUPPLY	BLACK TONER :MJD
4 C	6AG00009869	PS-ZT9029C(1)	1	SUPPLY	BLACK TONER :CND
4 D	6AG00009870	PS-ZT9029P(1)	1	SUPPLY	BLACK TONER :AUD,ASD,TWD
5 A	6AG00002330	PS-TBFC55	1	SUPPLY	TONER BAG :NAD,ARD,AUD,ASD,MJD,TWD
5 B	6AG00002331	PS-TBFC55C	1	SUPPLY	TONER BAG :CND
7 A	6AG00010090	GN-4030-A3	1	SUPPLY	Wireless LAN/Bluetooth Module(Except ARD,CND,TWD)
7 B	6AG00010092	GN-4030C-A3	1	SUPPLY	Wireless LAN/Bluetooth Module (CND)
8	6A000001787	GQ-1280-N	1	SUPPLY	Harness kit for coin controller
9	6A000001733	KK-2560	1	SUPPLY	Accessible Arm
10	6A000001353	GP-1190A	1	SUPPLY	Hardcopy Security Kit (ASD(HK),CND,TWD)
11 A	6AH00000946	GR-1330	1	SUPPLY	Accessory Tray (All except CND)
11 B	6AH00000947	GR-1330C	1	SUPPLY	Accessory Tray (CND)
12 A	6AG00008435	GR-1340	1	SUPPLY	Panel Ten Key Option (All except CND)
12 B	6AG00008436	GR-1340C	1	SUPPLY	Panel Ten Key Option (CND)
15	6A000001055	GS-1010	1	SUPPLY	Meta scan enabler (ASD(HK),CND,TWD)
17	6A000001053	GP-1080	1	SUPPLY	IPSec enabler (ASD(HK),TWD)
18	6A000001309	GS-1007	1	SUPPLY	Unicode Font Enabler (ASD(HK),CND,TWD)
19	6A000001784	GS-1100	1	SUPPLY	IP Fax Enabler (ASD(HK),CND,TWD)
20	6A000001803	GS-1009	1	SUPPLY	Image Log Enabler (CND)
21	6A000001715	GS-1090	1	SUPPLY	Multi Station Print Enabler (ASD(HK),CND,TWD)
23 A	6AG00008429	GR-1320	1	SUPPLY	Card Reader Holder (All except CND)
23 B	6AG00008430	GR-1320C	1	SUPPLY	Card Reader Holder (CND)
24 A	6AG00007567	KA-6551-ET	1	SUPPLY	Side Exit Tray (All except CND)
24 B	6AG00007568	KA-6551-ETC	1	SUPPLY	Side Exit Tray (CND)
26 A	6AG00010216	MF-7527D	1	SUPPLY	Damp heater (ARD,AUD,ASD)
26 B	6AG00010217	MF-7527DC	1	SUPPLY	Damp heater (CND)
30 A	6AG00009805	GE-1260	1	SUPPLY	FIPS HDD Option (320GB) (All except CND)
30 B	6AG00010282	GE-1270	1	SUPPLY	HDD without Security option (320GB) (CND)
32 A	6AG00009807	GE-1280	1	SUPPLY	Security SSD option (512GB) (All except CND)
32 B	6AG00010283	GE-1290	1	SUPPLY	SSD without Security option (512GB) (CND)
34 A	6AG00009809	GR-1420	1	SUPPLY	USB Hub Option (All except CND)
34 B	6AG00009810	GR-1420C	1	SUPPLY	USB Hub Option (CND)
35 A	6AG00009811	GR-1430	1	SUPPLY	2nd NIC holder (All except CND)
35 B	6AG00009812	GR-1430C	1	SUPPLY	2nd NIC holder (CND)
36	6A000001057	GS-1020	1	SUPPLY	External interface enabler (TWD)

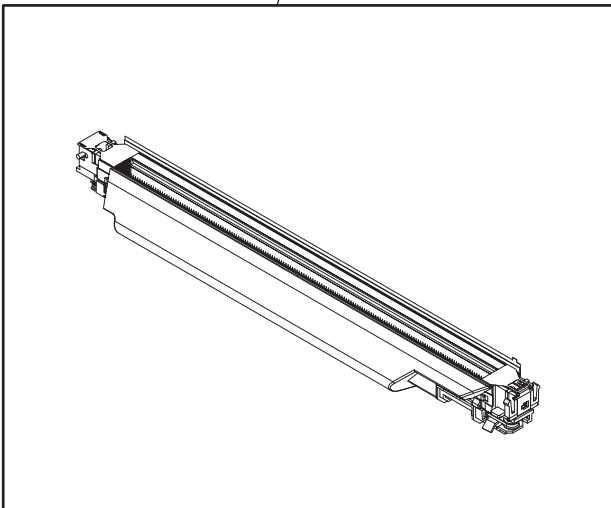
1



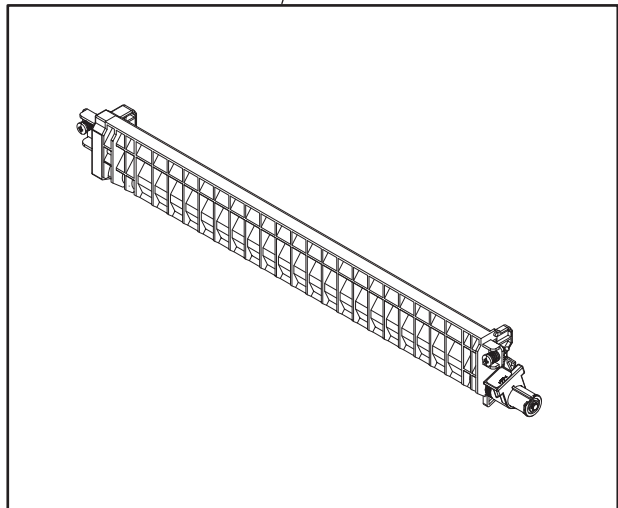
2



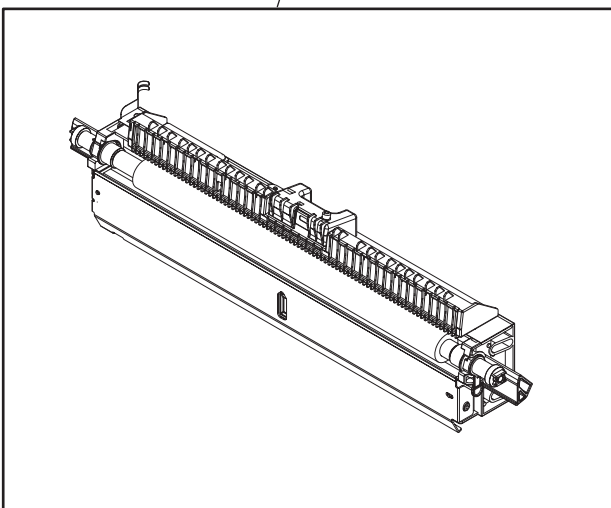
3



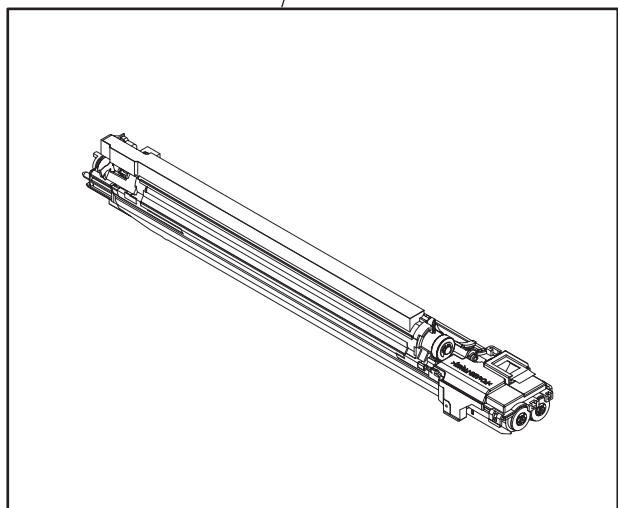
4



5

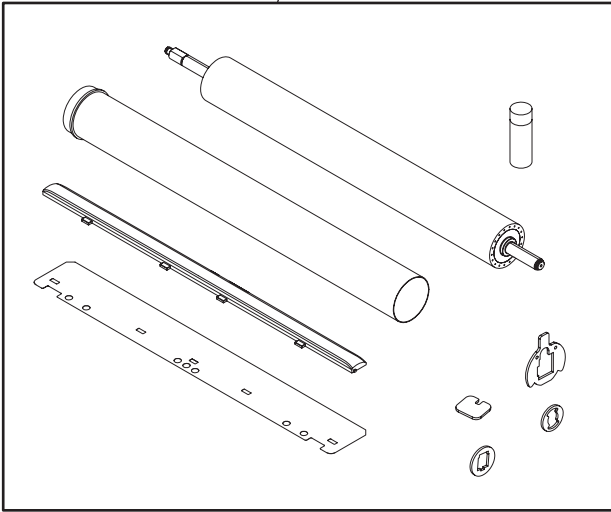


6

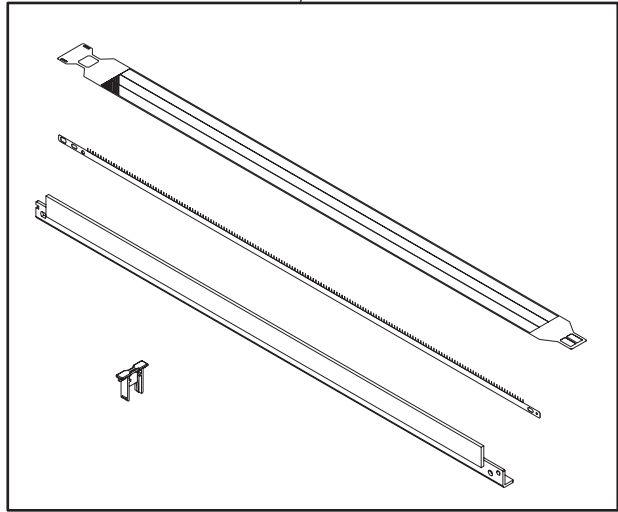


ITEM No.	PART No.	PART NAME	Q'TY / PAGE	Q'TY / PACK	REMARKS
1	6LL62240000	FUSER-K182	1	1/S	
2	6LK40615000	CLN-DRUM-FC556	1	1/S	
3 A	6LJ58193000	MAIN-CH-FC556-G	1	1/S	eS6529A/7529A
3 B	6LK44127000	MAIN-CH-FC556-S	1	1/S	eS9029A
4	6LK41164000	TR-BLT-CLN-FC556	1	1/S	
5	6LK41389000	TR2-UNIT-FC556	1	1/S	
6	6LK40755000	DEVE-UNIT-FC556-K	1	1/S	Black

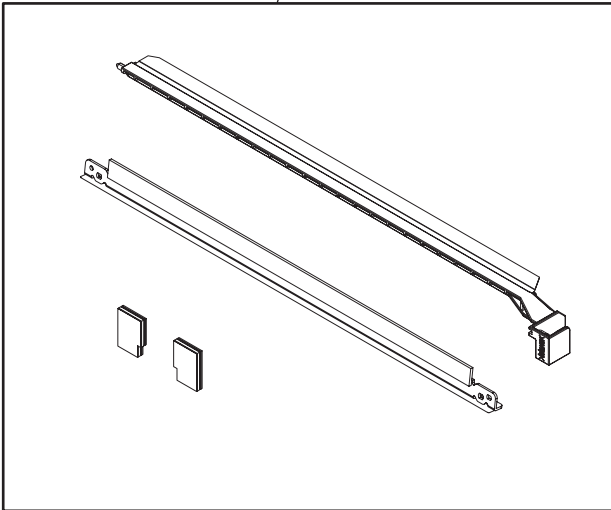
1



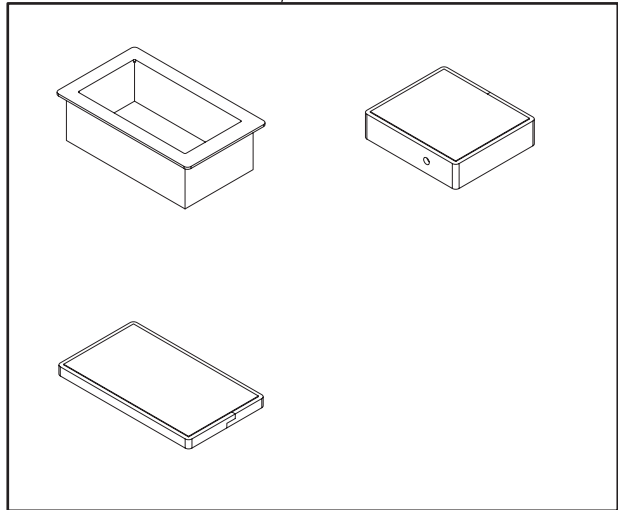
2



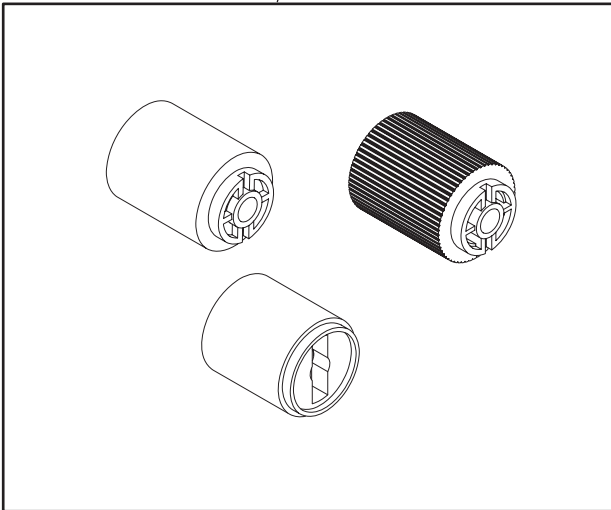
3



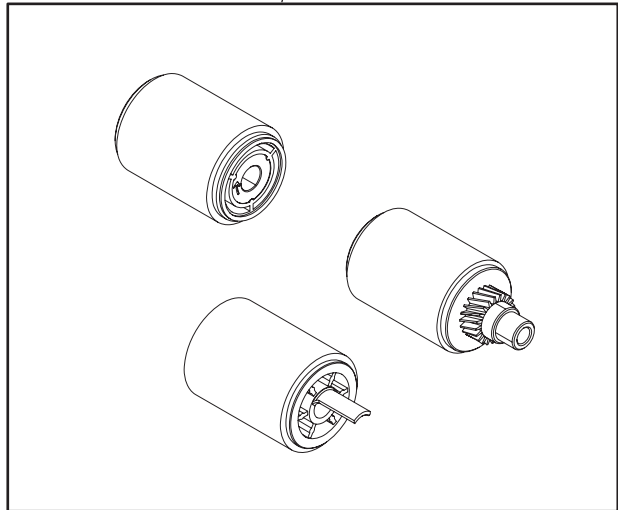
4



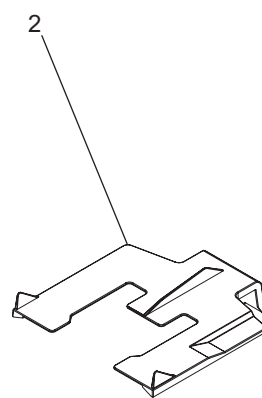
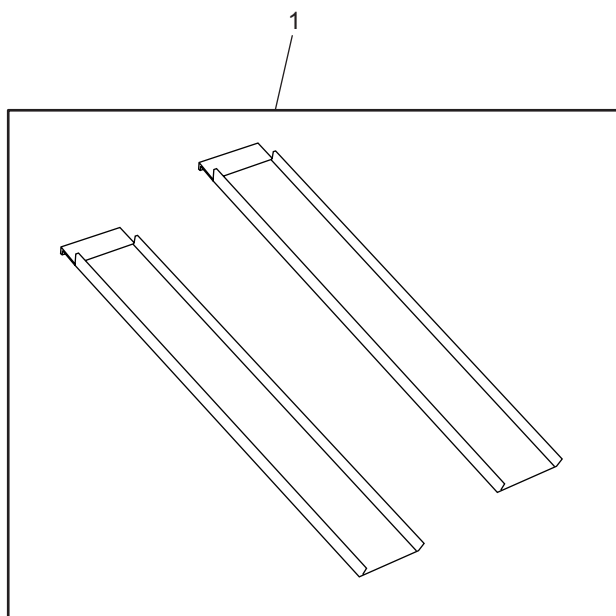
5



6



ITEM No.	PART No.	PART NAME	Q'TY / PAGE	Q'TY / PACK	REMARKS
1 A	6LK42666000	FR-KIT-FC556-FU	1	1/S	Except CND CND eS6529A/7529A eS9029A
1 B	6LK42667000	FR-KIT-FC556-FU-C	1	1/S	
2 A	6LK40618000	EPU-KIT-FC556-G	1	1/S	
2 B	6LK40619000	EPU-KIT-FC556-S	1	1/S	
3	6LK41165000	TBU-KIT-FC556	1	1/S	
4	6LK39558000	FLTR-KIT-DP55	1	1/S	Feed unit for other than the T-LCF Feed unit for the T-LCF
5 A	6LK41561000	ROL-KIT-FC75	1	1/S	
5 B	6LK41562000	ROL-KIT-FC75-U	1	1/S	
6	6LL48460000	KIT-ROL-MR4010	1	1/S	



ITEM No.	PART No.	PART NAME	Q'TY / PAGE	Q'TY / PACK	REMARKS
1 2	6LH73635000 6LE21762100	ASY-SLOPE-H100 COV-SUB-TRAY-H38X	1 1	1/S 1/PP	

TOSHIBA

Toshiba Tec Corporation

1-11-1, OSAKI, SHINAGAWA-KU, TOKYO, 141-8562, JAPAN