

TOSHIBA

SERVICE PARTS LIST

MULTIFUNCTIONAL DIGITAL SYSTEMS

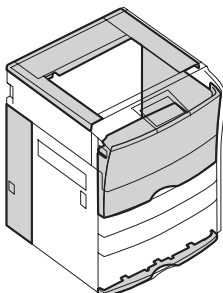
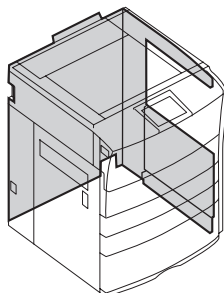
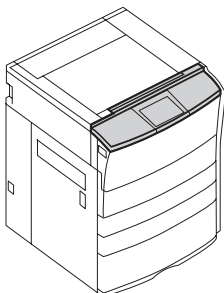
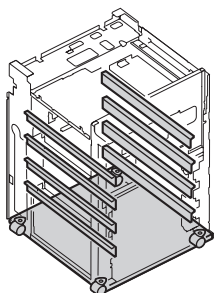
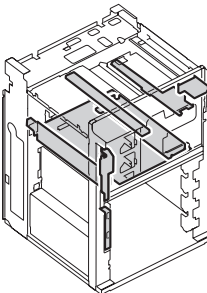
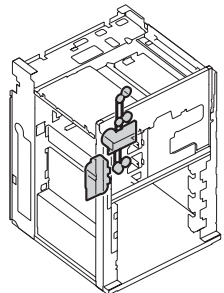
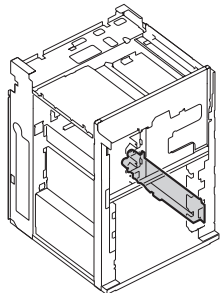
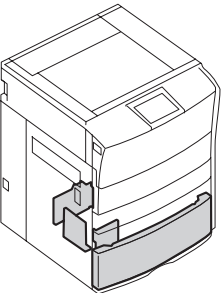
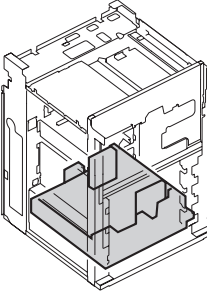
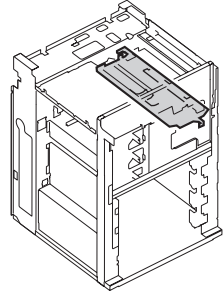
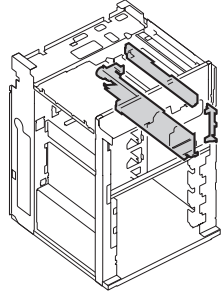
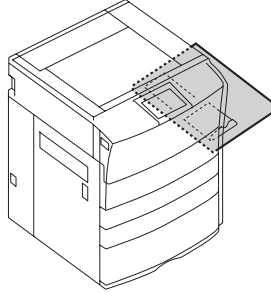
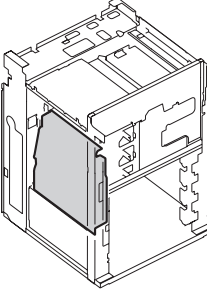
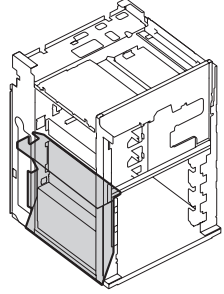
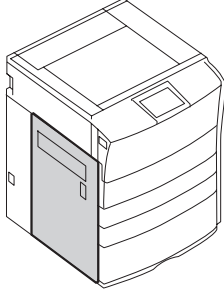
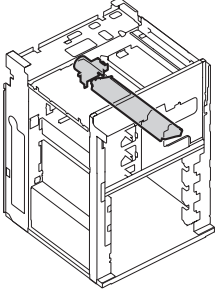
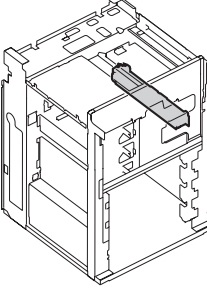
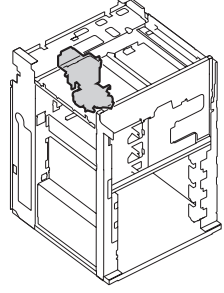
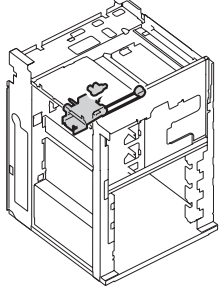
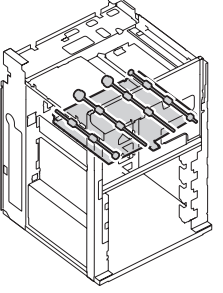
e-STUDIO557/657/757/857

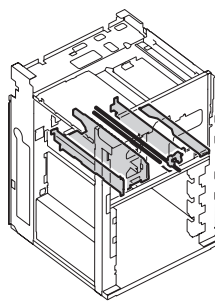
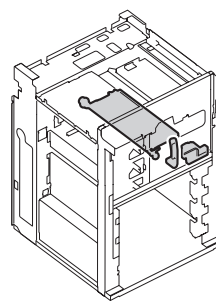
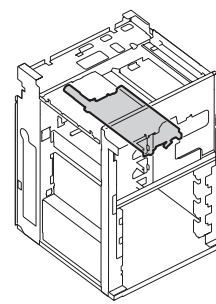
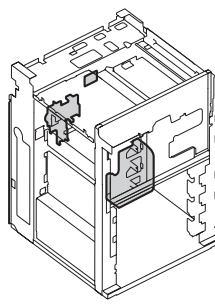
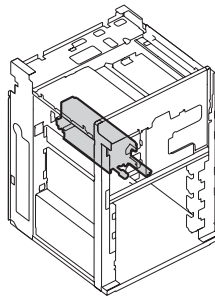
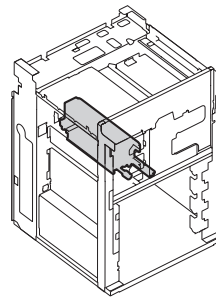
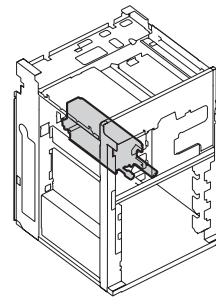
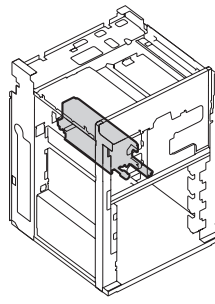
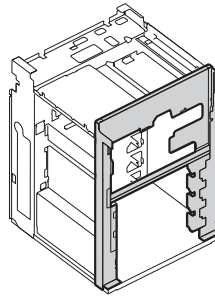
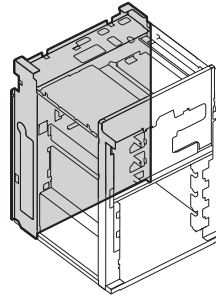
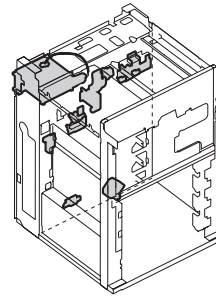
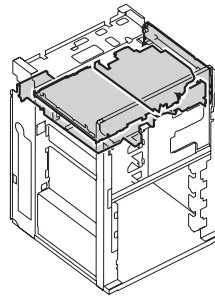
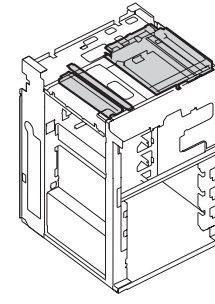
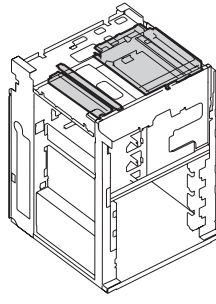
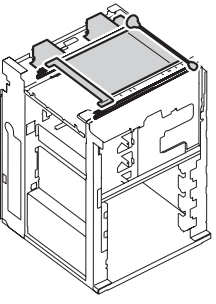
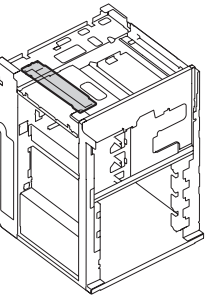
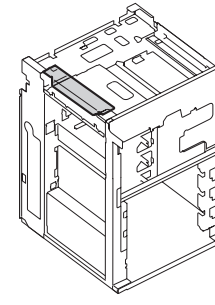
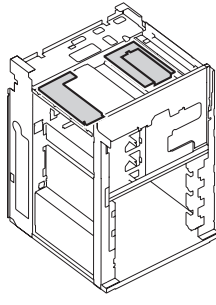
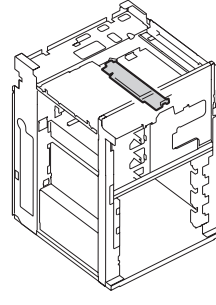
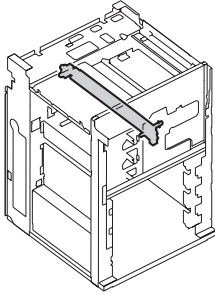
© 2014 TOSHIBA TEC CORPORATION All rights reserved

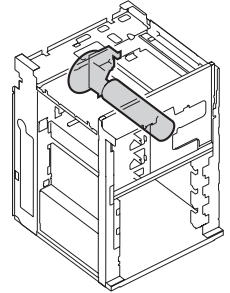
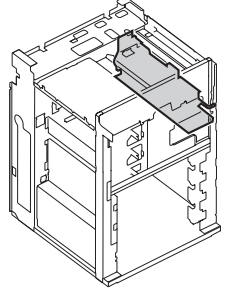
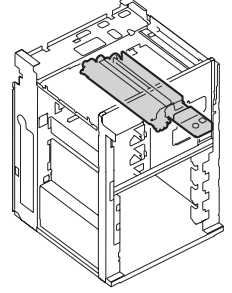
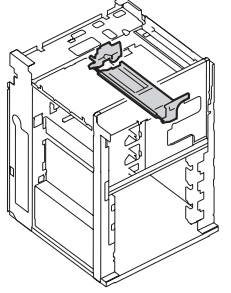
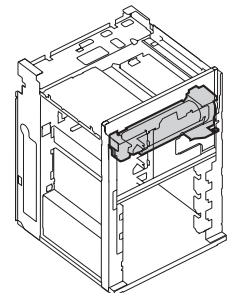
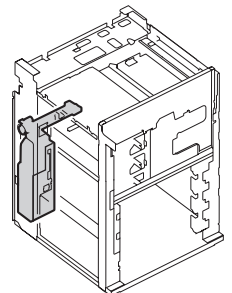
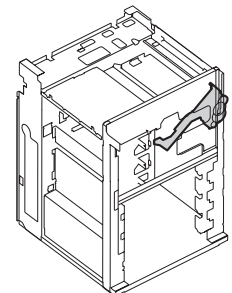
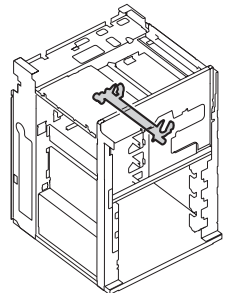
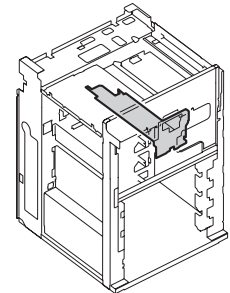
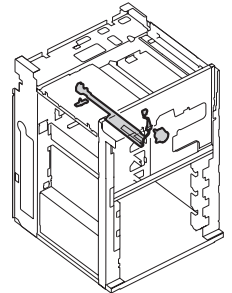
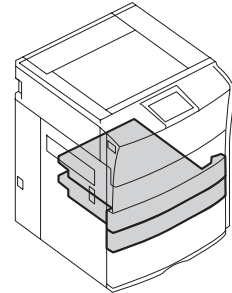
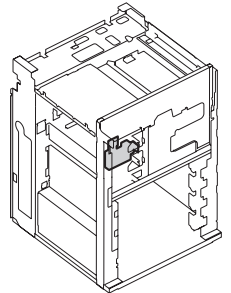
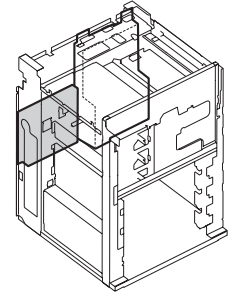
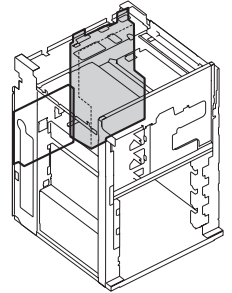
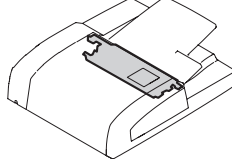
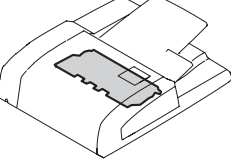
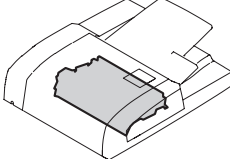
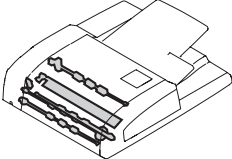
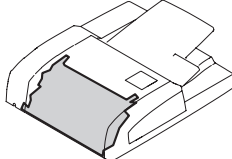
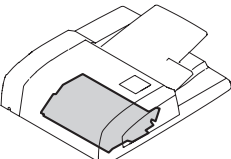
Under the copyright laws, this manual cannot be reproduced in any form without prior written permission of TOSHIBA TEC CORPORATION. No patent liability is assumed, however, with respect to the use of the information contained herein.

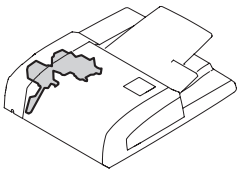
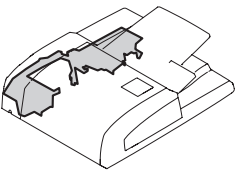
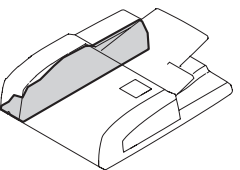
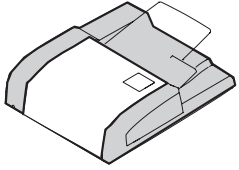
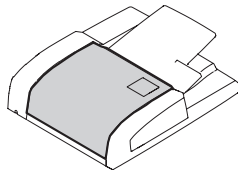
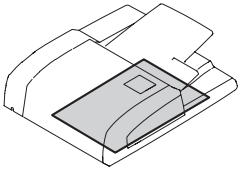
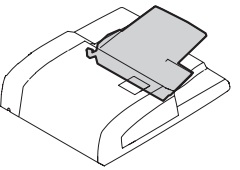
CONTENTS

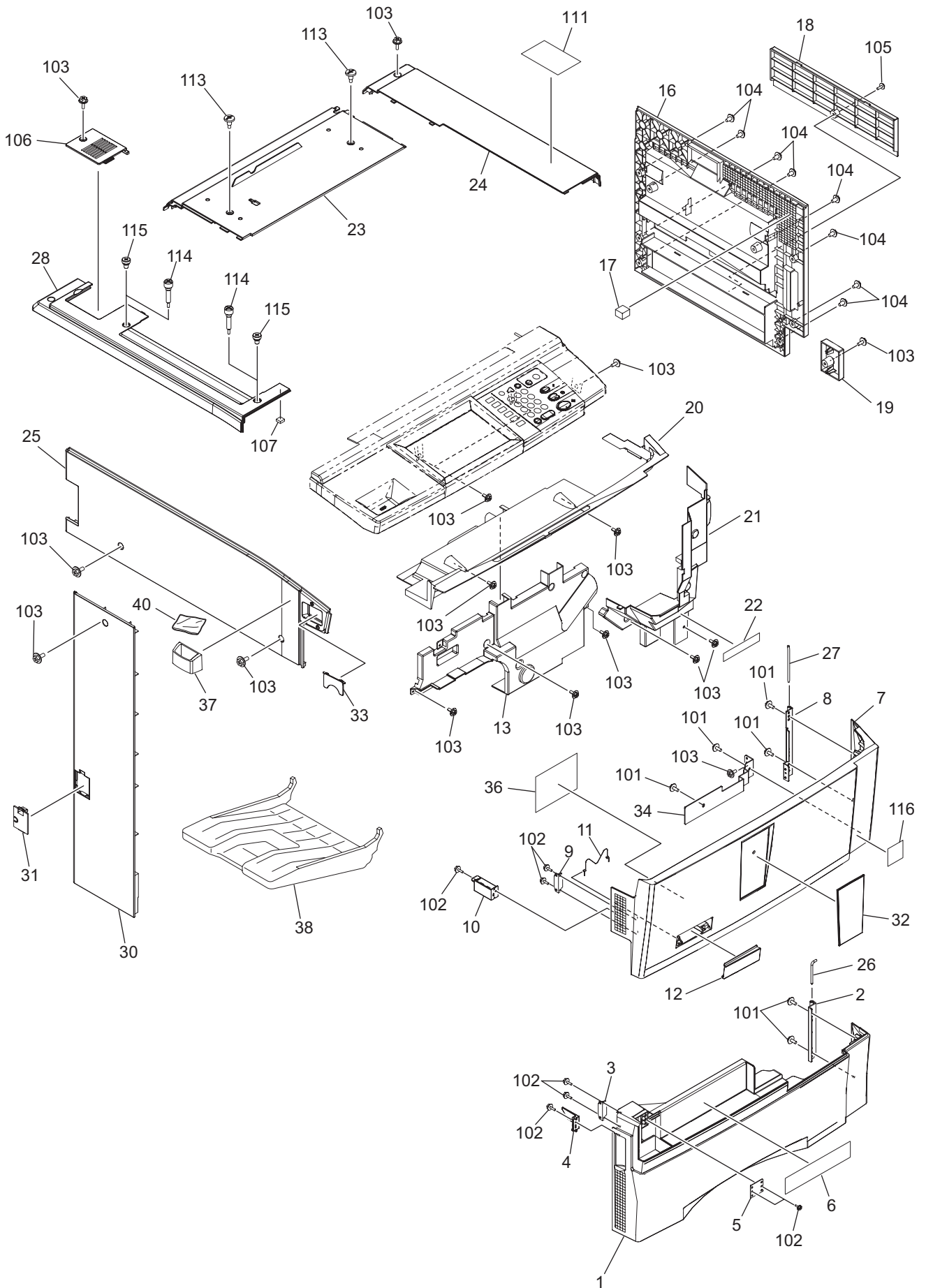
COVER-1-ASM	1	DRUM/DRUM-DRIVE ASM	41
COVER-2-ASM	2	DEV DRIVE/STAY-ASM	42
CONTROL-PANEL-ASM	3	DEVELOPER-1-ASM	43
LOWER-FRAME-ASM	4	DEVELOPER-2-ASM	44
UPPER-FRAME-ASM	5	TONER-DRIVE-ASM.....	45
FEED-DRIVE-ASM	6	USED-TONER/AUGER-ASM.....	46
PAPER-FEED-ASM.....	7	RECYCLE/AUGER-ASM	47
TANDEM-LCF-1-ASM	8	CLEANER-1-ASM	48
TANDEM-LCF-2-ASM	9	CLEANER-2-ASM	49
MANUAL-FEED-DRIVE-1-ASM	10	CLEANER-3-ASM	50
MANUAL-FEED-DRIVE-2-ASM	11	DRAWER-ASM	51
MANUAL-TRAY-ASM	12	ELECTRIC-ASM	52
REVERSE-DRIVE-ASM.....	13	LGC-ASM.....	53
REVERSE-OPEN-GUIDE-1-ASM.....	14	SYS-ASM	54
REVERSE-OPEN-GUIDE-2-ASM.....	15	RADF-FEED-1-ASM	81
ALIGNING-ROLLER-ASM	16	RADF-FEED-2-ASM	82
TRANSPORT-ROLLER-ASM.....	17	RADF-FEED-3-ASM	83
TRANSPORT-BELT-DRIVE-1-ASM	18	RADF-FEED-4-ASM	84
TRANSPORT-BELT-DRIVE-2-ASM	19	RADF-FEED-5-ASM	85
TRANSPORT-BELT-GUIDE-1-ASM.....	20	RADF-FEED-6-ASM	86
TRANSPORT-BELT-GUIDE-2-ASM.....	21	RADF-FEED-DRIVE-ASM	87
TRANSPORT-BELT-CASE-1-ASM	22	RADF-HINGE-ASM.....	88
TRANSPORT-BELT-CASE-2-ASM	23	RADF-REAR-FRAME-ASM	89
FUSER-DRIVE-ASM.....	24	RADF-COVER-ASM	90
FUSER-1-ASM.....	25	RADF-GUIDE-OPEN-ASM	91
FUSER-2-ASM.....	26	RADF-PLATEN-ASM.....	92
FUSER-3-ASM.....	27	RADF-TRAY-ASM	93
FUSER-4-ASM.....	28	JIGS & GREASE.....	201
FRONT-FRAME-ASM	29	DOWNLOAD JIGS	202
REAR-FRAME-1-ASM	30	SUPPLIES.....	203
REAR-FRAME-2-ASM	31	REPLACE UNIT	204
LASER-OPT-ASM.....	32	PM-KIT	205
DUCT-ASM	33	SERVICE.....	206
OPTICAL-FRAME-ASM	34		
OPTICAL-DRIVE-ASM.....	35		
CRG-1-ASM	36		
CRG-2-ASM.....	37		
OPTICAL-ELECTRIC-ASM.....	38		
CHARGER-DRIVE-ASM	39		
MAIN-CHARGER-ASM	40		

<p>1. COVER-1-ASM</p> 	<p>2. COVER-2-ASM</p> 	<p>3. CONTROL-PANEL-ASM</p> 	<p>4. LOWER-FRAME-ASM</p> 
<p>5. UPPER-FRAME-ASM</p> 	<p>6. FEED-DRIVE-ASM</p> 	<p>7. PAPER-FEED-ASM</p> 	<p>8. TANDEM-LCF-1-ASM</p> 
<p>9. TANDEM-LCF-2-ASM</p> 	<p>10. MANUAL-FEED-DRIVE-1-ASM</p> 	<p>11. MANUAL-FEED-DRIVE-2-ASM</p> 	<p>12. MANUAL-TRAY-ASM</p> 
<p>13. REVERSE-DRIVE-ASM</p> 	<p>14. REVERSE-OPEN-GUIDE-1-ASM</p> 	<p>15. REVERSE-OPEN-GUIDE-2-ASM</p> 	<p>16. ALIGNING-ROLLER-ASM</p> 
<p>17. TRANSPORT-ROLLER-ASM</p> 	<p>18. TRANSPORT-BELT-DRIVE-1-ASM</p> 	<p>19. TRANSPORT-BELT-DRIVE-2-ASM</p> 	<p>20. TRANSPORT-BELT-GUIDE-1-ASM</p> 

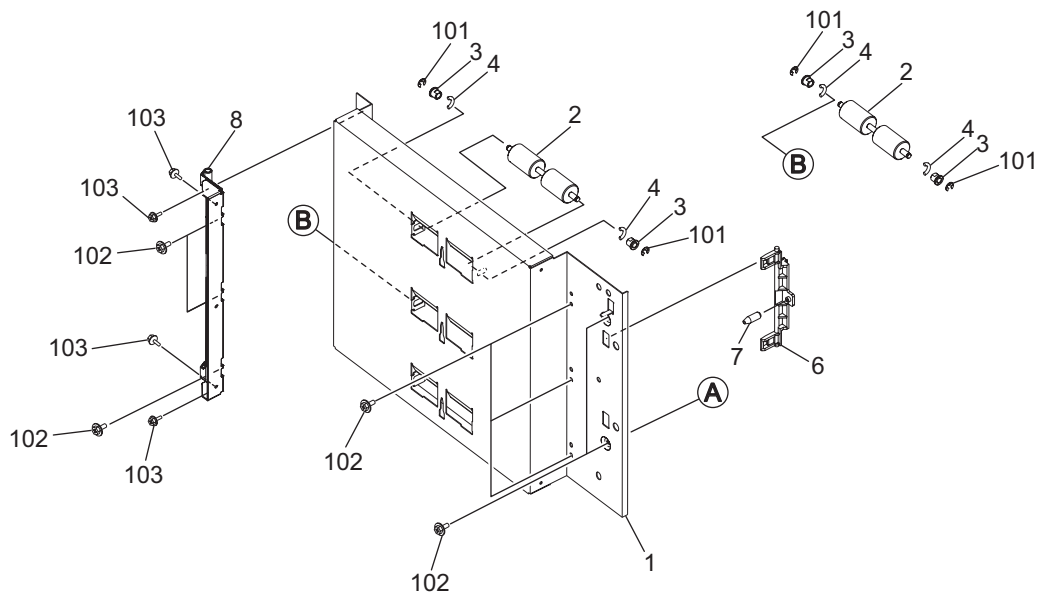
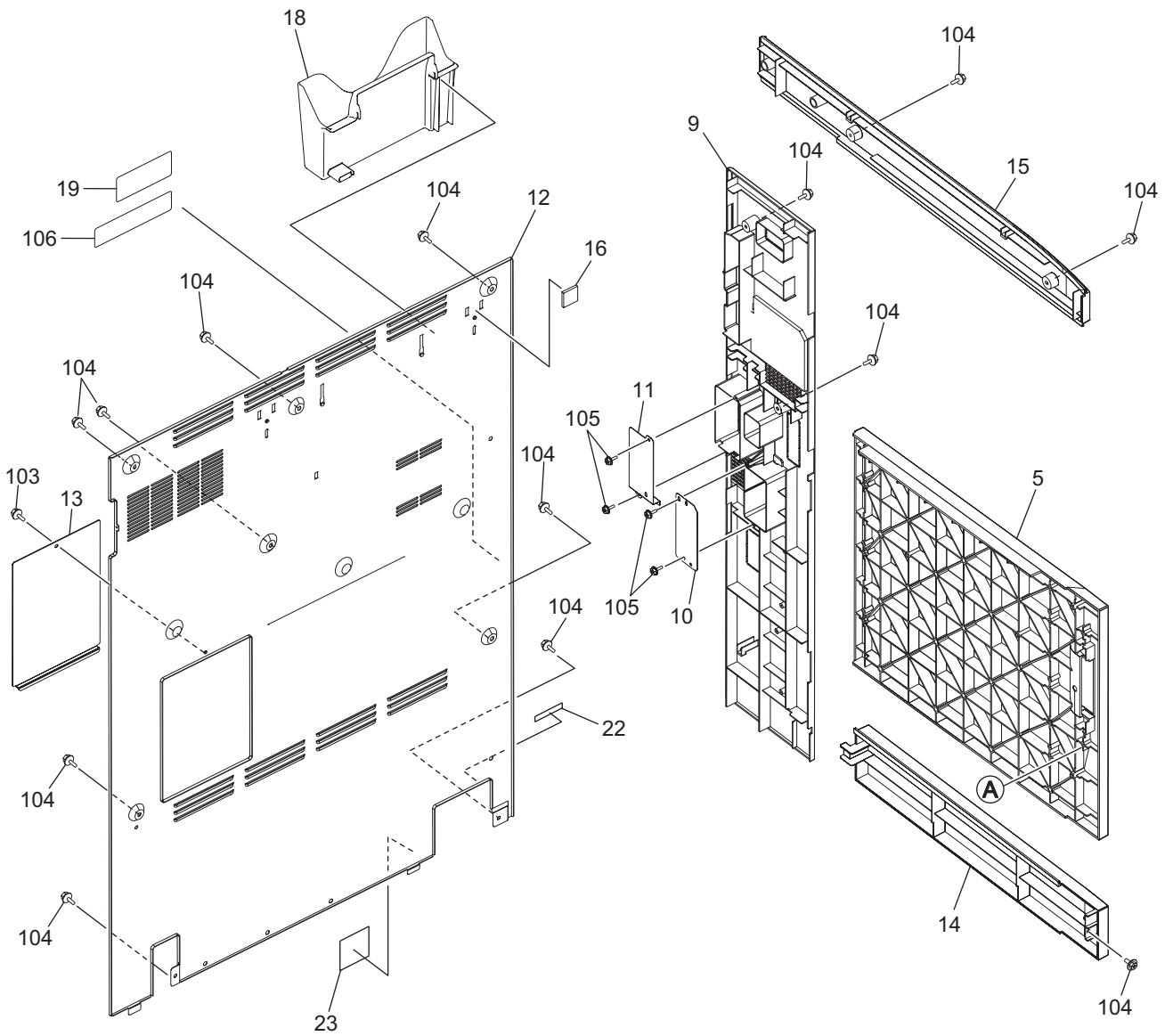
<p>21. TRANSPORT-BELT-GUIDE-2-ASM</p> 	<p>22. TRANSPORT-BELT-CASE-1-ASM</p> 	<p>23. TRANSPORT-BELT-CASE-2-ASM</p> 	<p>24. FUSER-DRIVE-ASM</p> 
<p>25. FUSER-1-ASM</p> 	<p>26. FUSER-2-ASM</p> 	<p>27. FUSER-3-ASM</p> 	<p>28. FUSER-4-ASM</p> 
<p>29. FRONT-FRAME-ASM</p> 	<p>30. REAR-FRAME-1-ASM</p> 	<p>31. REAR-FRAME-2-ASM</p> 	<p>32. LASER-OPT-ASM</p> 
<p>33. DUCT-ASM</p> 	<p>34. OPTICAL-FRAME-ASM</p> 	<p>35. OPTICAL-DRIVE-ASM</p> 	<p>36. CRG-1-ASM</p> 
<p>37. CRG-2-ASM</p> 	<p>38. OPTICAL-ELECTRIC-ASM</p> 	<p>39. CHARGER-DRIVE-ASM</p> 	<p>40. MAIN-CHARGER-ASM</p> 

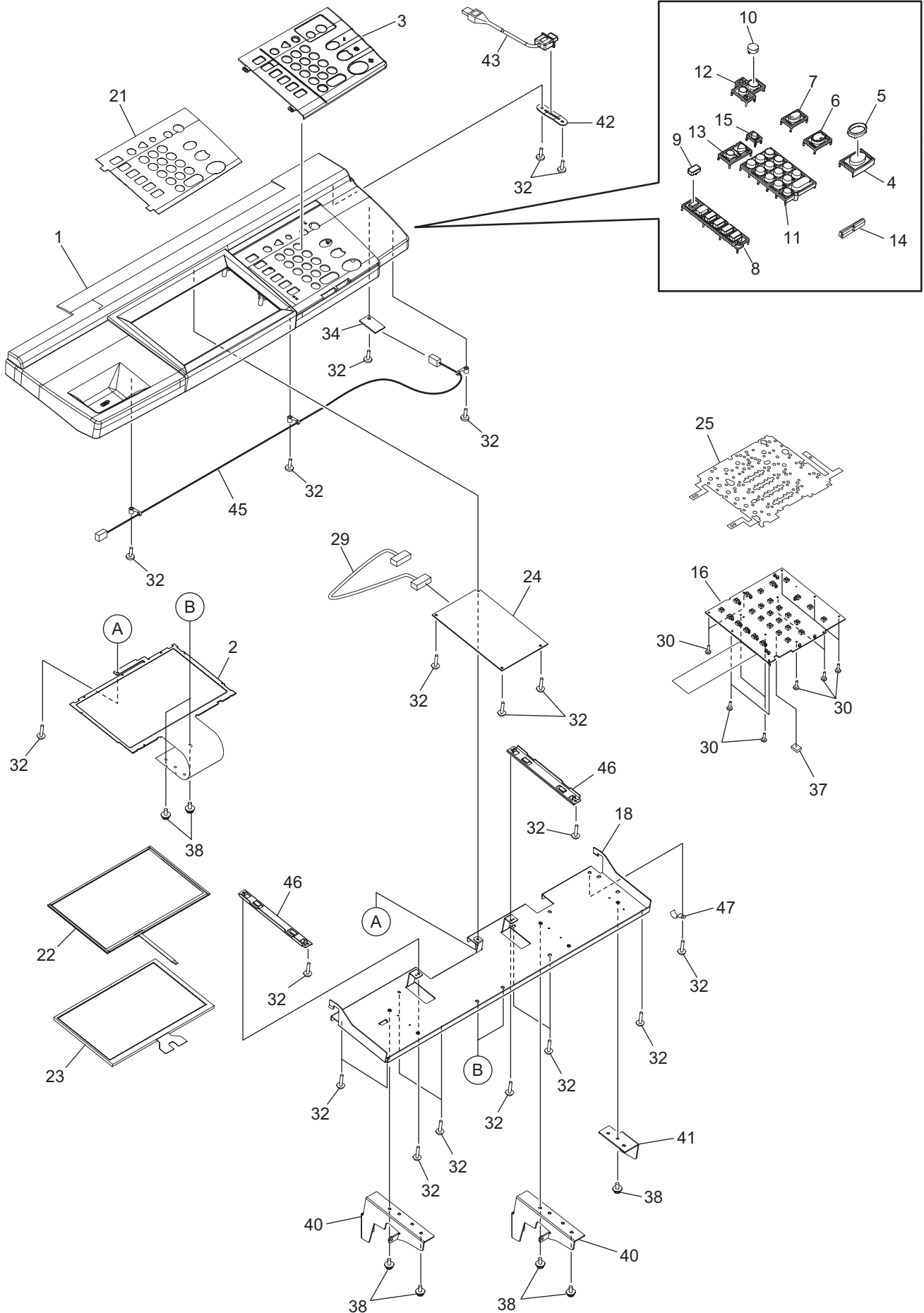
<p>41. DRUM/DRUM-DRIVE ASM</p> 	<p>42. DEV DRIVE/STAY-ASM</p> 	<p>43. DEVELOPER-1-ASM</p> 	<p>44. DEVELOPER-2-ASM</p> 
<p>45. TONER-DRIVE-ASM</p> 	<p>46. USED-TONER/AUGER-ASM</p> 	<p>47. RECYCLE/AUGER-ASM</p> 	<p>48. CLEANER-1-ASM</p> 
<p>49. CLEANER-2-ASM</p> 	<p>50. CLEANER-3-ASM</p> 	<p>51. DRAWER-ASM</p> 	<p>52. ELECTRIC-ASM</p> 
<p>53. LGC-ASM</p> 	<p>54. SYS-ASM</p> 	<p>81. FEED-1-ASM</p> 	<p>82. FEED-2-ASM</p> 
<p>83. FEED-3-ASM</p> 	<p>84. FEED-4-ASM</p> 	<p>85. FEED-5-ASM</p> 	<p>86. FEED-DRIVE-1-ASM</p> 

<p>87. FEED-DRIVE-2-ASM</p> 	<p>88. HINGE-ASM</p> 	<p>89. REAR-FRAME-1-ASM</p> 	<p>90. COVER-ASM</p> 
<p>91. GUIDE-OPEN-ASM</p> 	<p>92. PLATEN-ASM</p> 	<p>93. TRAY-ASM</p> 	

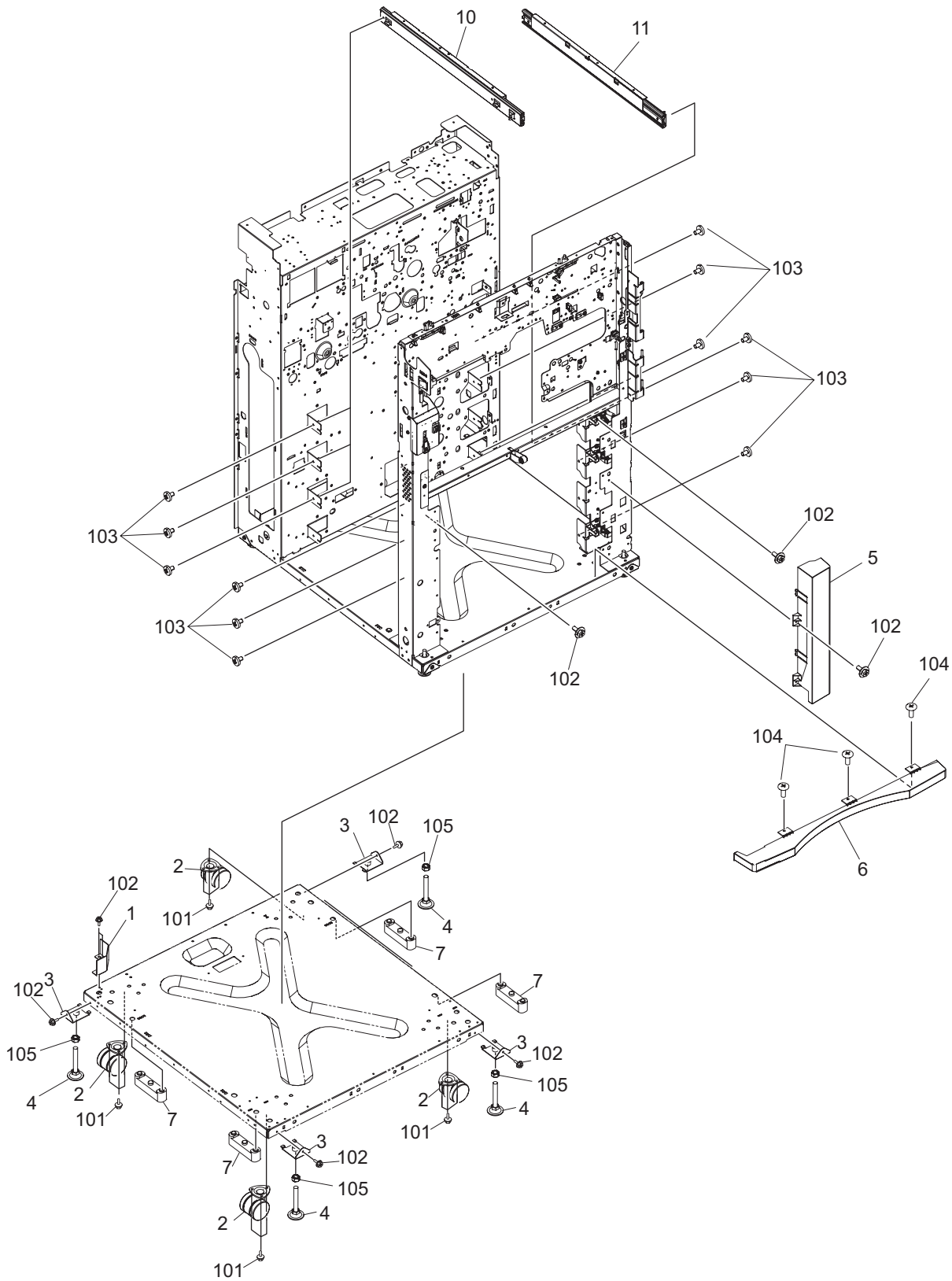


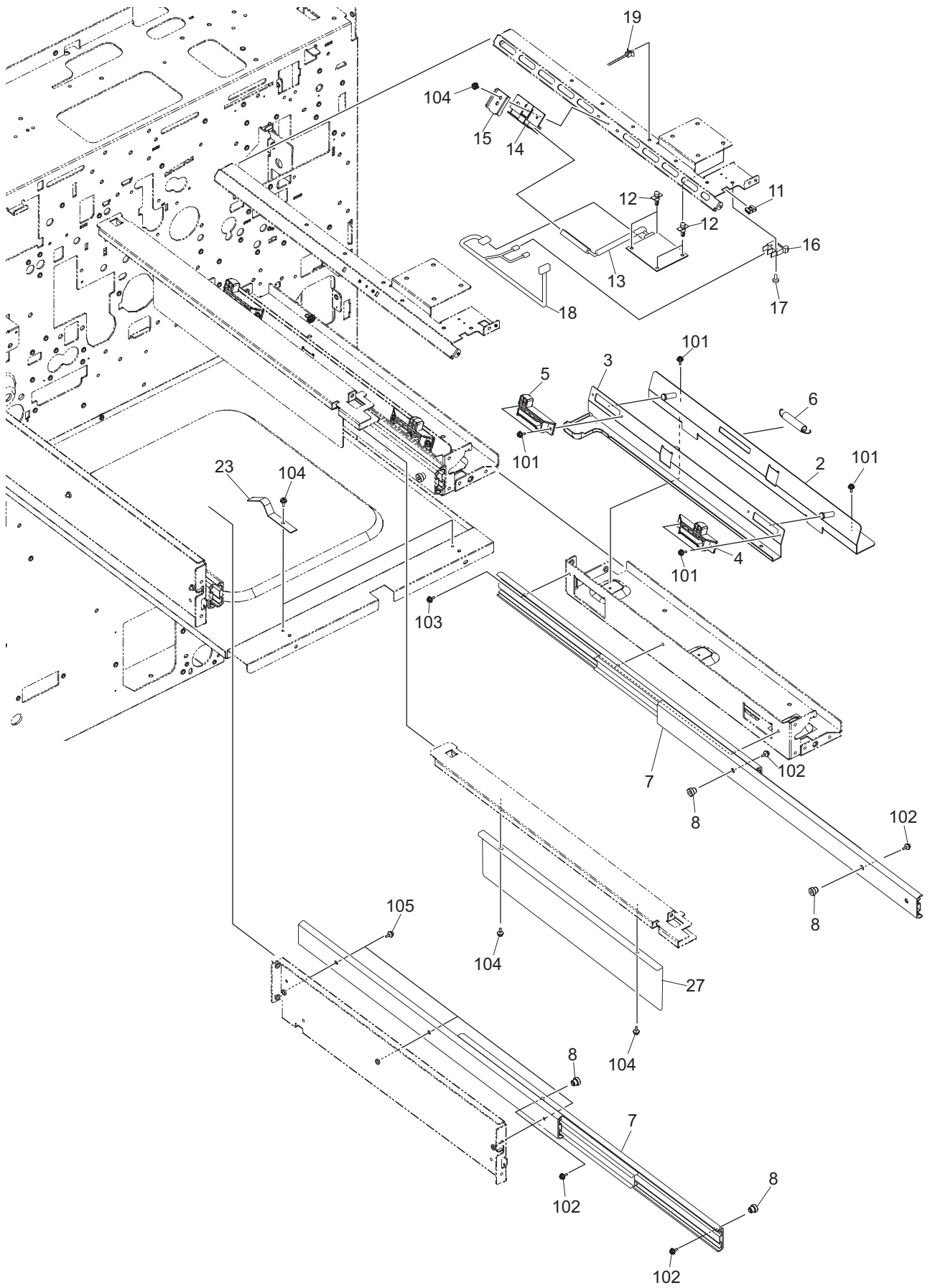
ITEM No.	PART No.	PART NAME	Q'TY / PAGE	Q'TY / PACK	REMARKS
1	6LE04448100	COVER-FRONT-LWR-N	1	1/PP	
2	6LE04453000	HINGE-COV-F-LWR	1	1/P	
3	F0-01393000	CA-0124B	1	1/P	
4	6LE03148000	PUSHER-SW-REV-390A	1	1/P	
5	6LE04451000	BRKT-CATCH-MG	1	1/P	
6	6LE13139000	LBL-TNR-IN	1	1/KP	
7	6LH67948100	COVER-FRONT-UPR-N	1	1/PP	
8	6LE04494000	HINGE-COV-F-UPR	1	1/P	
9	F0-01394000	CA-0131B	1	1/P	
10	6LE04450000	PUSHER-SWTNR-390	1	1/P	
11	6LE04495000	SPG-T-2R9XR55-HNDL	1	1/KP	
12	6LE04491000	COVER-FRONT-HNDL-N	1	1/P	
13	6LE04496000	COV-INNER-CTR-390	1	1/PP	
16	6LE04456100	ASY-COVER-BYP-N	1	1/PP	
17	6LA15048000	CUSHION-COV-BYP-N	1	5/P	
18	6LE04458100	COVER-WIN-LCF-N	1	1/PP	
19	6LE04459100	COVER-LATCH-LCF-N	1	1/P	
20	6LH67940000	COV-IN-CONP-390	1	1/PP	
21	6LE04410000	COV-INNER-R-390	1	1/PP	
22 A	6LA06563000	LBL-W-DRUM-PS	1	1/KP	NAD,MJD,ASD,AUD,ARD
22 B	6LA14336000	LBL-W-DRUM-PS-CN	1	1/KP	CND
23	6LH67936000	COVER-TOP-C-H19XN	1	1/PP	
24	6LH67935000	COVER-TOP-R-H19XN	1	1/PP	
25	6LE04473100	COVER-LEFT-U-N	1	1/PP	
26	6LE04455000	PIN-HINGE-F-55	1	1/P	
27	6LE04454000	PIN-HINGE-UPR	1	1/P	
28	6LH67939000	ASYS-COVER-TOP-L-19X	1	1/PP	
30	6LE04472100	COVER-LEFT-R-N	1	1/PP	
31	6LE04474100	COVER-DF-CNT-FW-N	1	1/P	
32 A	6LH73832000	ASYS-EMBLEM-557	1	1/D	e-STUDIO557
32 B	6LH73832100	ASYS-EMBLEM-657	1	1/D	e-STUDIO657
32 C	6LH73832200	ASYS-EMBLEM-757	1	1/D	e-STUDIO757
32 D	6LH73832300	ASYS-EMBLEM-857	1	1/D	e-STUDIO857
33	6LH73689000	COVER-SW-PW-B	1	1/P	
34	6LE04493000	COV-HINGE-UPR-1	1	1/P	
36 A	4406359210	LBL-TNR-CAU-3-E	1	1/KP	MJD
37	6LH73643000	ASYS-CLOTH-SCN-V	1	1/P	
38 A	6AG00004825	KA-8560	1	SUPPLY	Except CND
38 B	6AG00004826	KA-8560C	1	SUPPLY	CND
40	6LJ10277000	CLOTH-SCN-K	1	1/P	
101	X0-02251000	S/TPP/FHEXM-4X8-NI	6	10/P	
102	X0-02247000	S/TPP/FHEXM-3X8-NI	8	10/P	
103	X0-02589000	S/TPD3/FHEXM-4X8-ZU3	17	10/P	
104	6LA08934000	SCR-M4X8ITSR-NI	8	10/P	
105	X0-02252000	S/TPP/FHEXM-4X10-NI	1	10/P	
106	6LH67932000	ASYS-COVER-TOP-FLTR-H19XN	1	1/PP	
107	6LH08374000	SHEET-GEL-10-4	1	5/P	
111 A	6LH14765000	LBL-PROHIBIT-C-430	1	1/KP	CND
111 B	6LH14759000	LBL-PROHIBIT-E-430	1	1/KP	MJD,ASD,AUD,ARD
111 C	6LH14757000	LBL-PROHIBIT-U-430	1	1/KP	NAD
113	6LH06789000	SCR-HINGE-TQ	2	1/P	
114	6LH08324000	SCREW-LOCK-CRG1-430	2	1/P	
115	6LH08357000	SCREW-DF-EMI	2	1/P	
116	6LH88546000	LBL-ENERGY-T-PP	1	5/P	

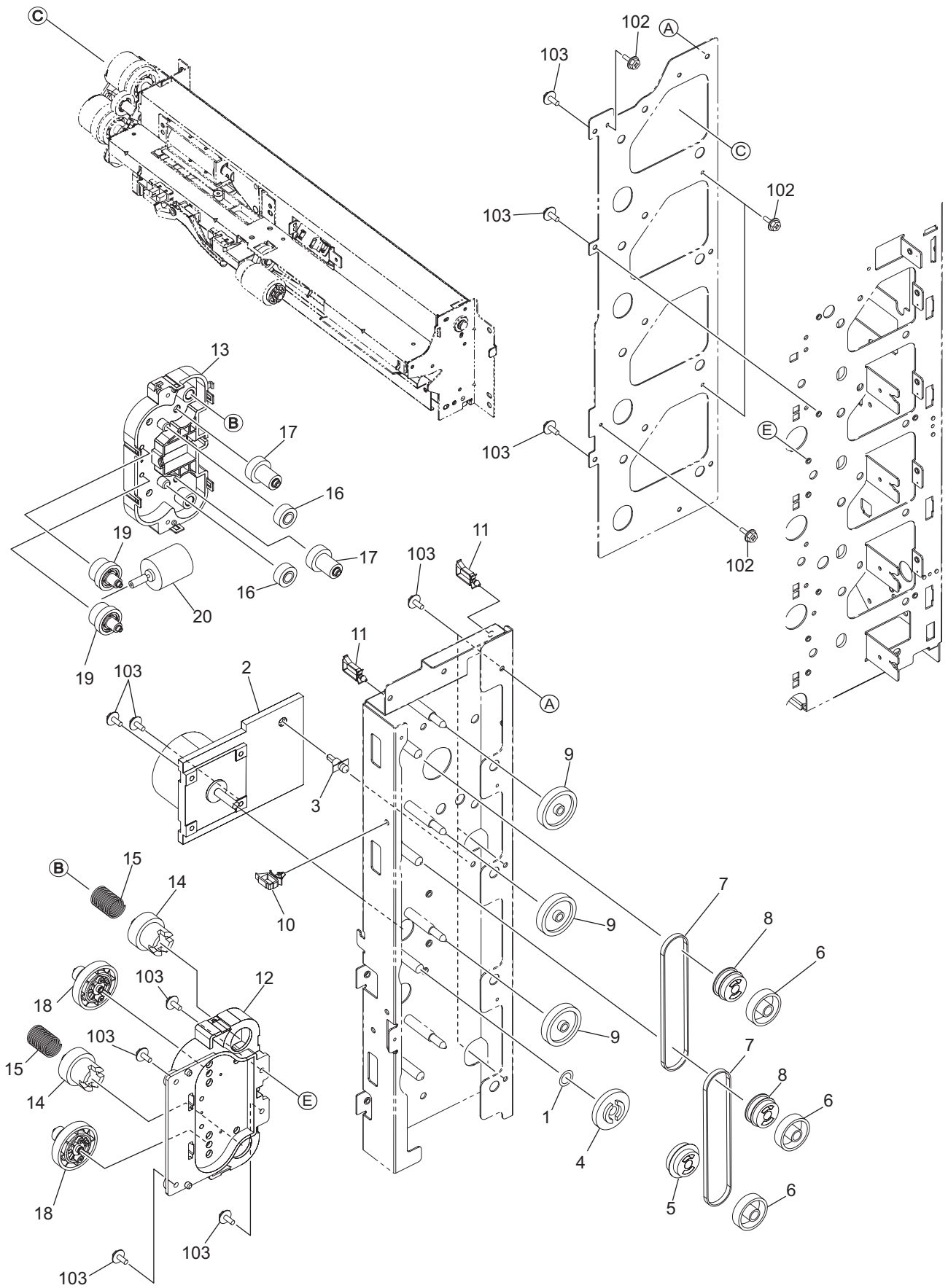


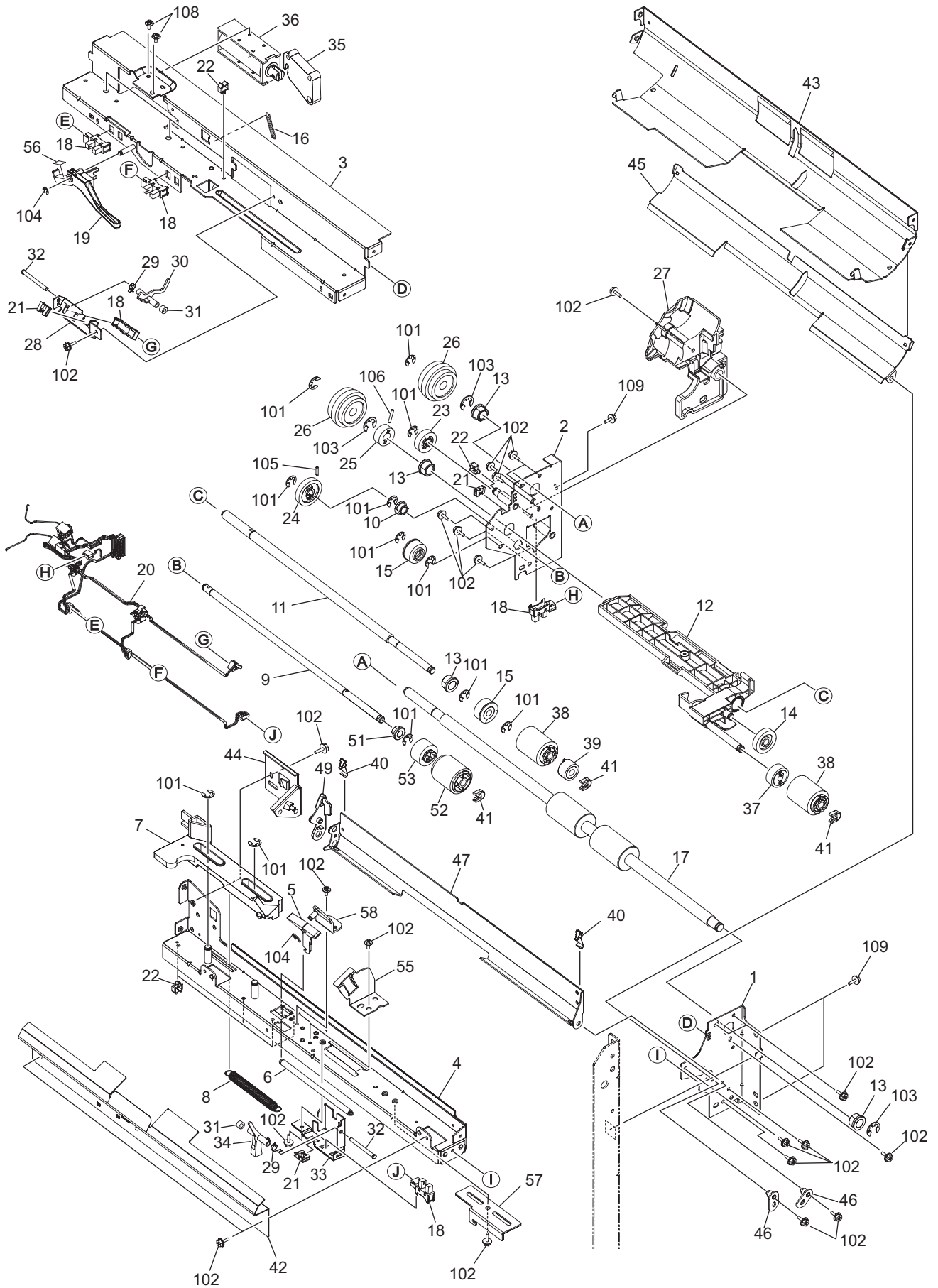


ITEM No.	PART No.	PART NAME	Q'TY / PAGE	Q'TY / PACK	REMARKS
1	6LH69065000	COVER-CONPANE-UPR-H19X	1	1/PP	
2	6LH69056000	MYLAR-SHIELD-LCD-H19X	1	1/KP	
3	6LH69008000	COV-CONP-CLEAR-H100	1	1/KP	
4	6LH02005000	KEY-START	1	1/C	
5	6LH02006000	KEY-START-RING	1	1/D	
6	6LH02007000	KEY-STOP	1	1/C	
7	6LH02008100	KEY-RESET-U	1	1/C	
8	6LH02009000	KEY-FUNCTION	1	1/C	
9	6LH02010000	KEY-MENU	1	1/P	
10	6LH02011000	KEY-POWER	1	1/P	
11	6LH37308000	KEY-TEN-45X	1	1/C	
12	6LH37306100	KEY-ENERGY-H20X	1	1/P	
13	6LH37307000	KEY-USER-FUNC-45X	1	1/C	
14	6LH69003000	LID-LED-H100	1	1/P	
15	6LH02012000	KEY-COUNT	1	1/C	
16	6LH69060000	PWA-H-KEY-H19X	1	1/SB	
18	6LH69066000	SHIELD-CONPANE-H19X	1	1/C	
21 A	6LH69010000	SHEET-PANEL-H100-U	1	1/KP	NAD,MJD,ASD,AUD,ARD CND
21 B	6LH69010200	SHEET-PANEL-H100-C	1	1/KP	
22	6LH52240000	ASYS-PNL-TOUCH-H16X-3.5	1	1/C	
23	6LH52231000	ASYS-DSP-LCD-H16X	1	1/C	
24	6LH69061000	PWA-H-DSP-H19X	1	1/SB	
25	6LH69012000	MYLAR-SHIELD-H100	1	1/KP	
29	6LH70584000	HRNS-SYS-DSP-H190	1	1/P	
30	X0-02094000	S/TPB/BID-2X6-NI	12	10/P	
32	X0-02095000	S/TPP/BRZ-3X10-NI	22	10/P	
34	6LE09111000	SNSR-THS-390	1	1/C	
37	6LH37330000	SPACER	1	1/P	
38	X0-00077000	S/PAN/SWWP-M3X8-NI	7	10/P	
40	6LH69006000	BRKT-CONPANE-H100	2	1/P	
41	6LH69005000	BRKT-CONP-TNR-SUB-H100	1	1/P	
42	6LH69007000	BRKT-USB-H100	1	1/P	
43	6LH69952000	CABLE-USB-H100	1	1/P	
45	6LH69063000	HRNS-SYS-SNSR-H19X	1	1/P	
46	6LH52221000	BRKT-LCD	2	1/P	
47	6LH70095000	CLMP-MGC-3	1	1/P	

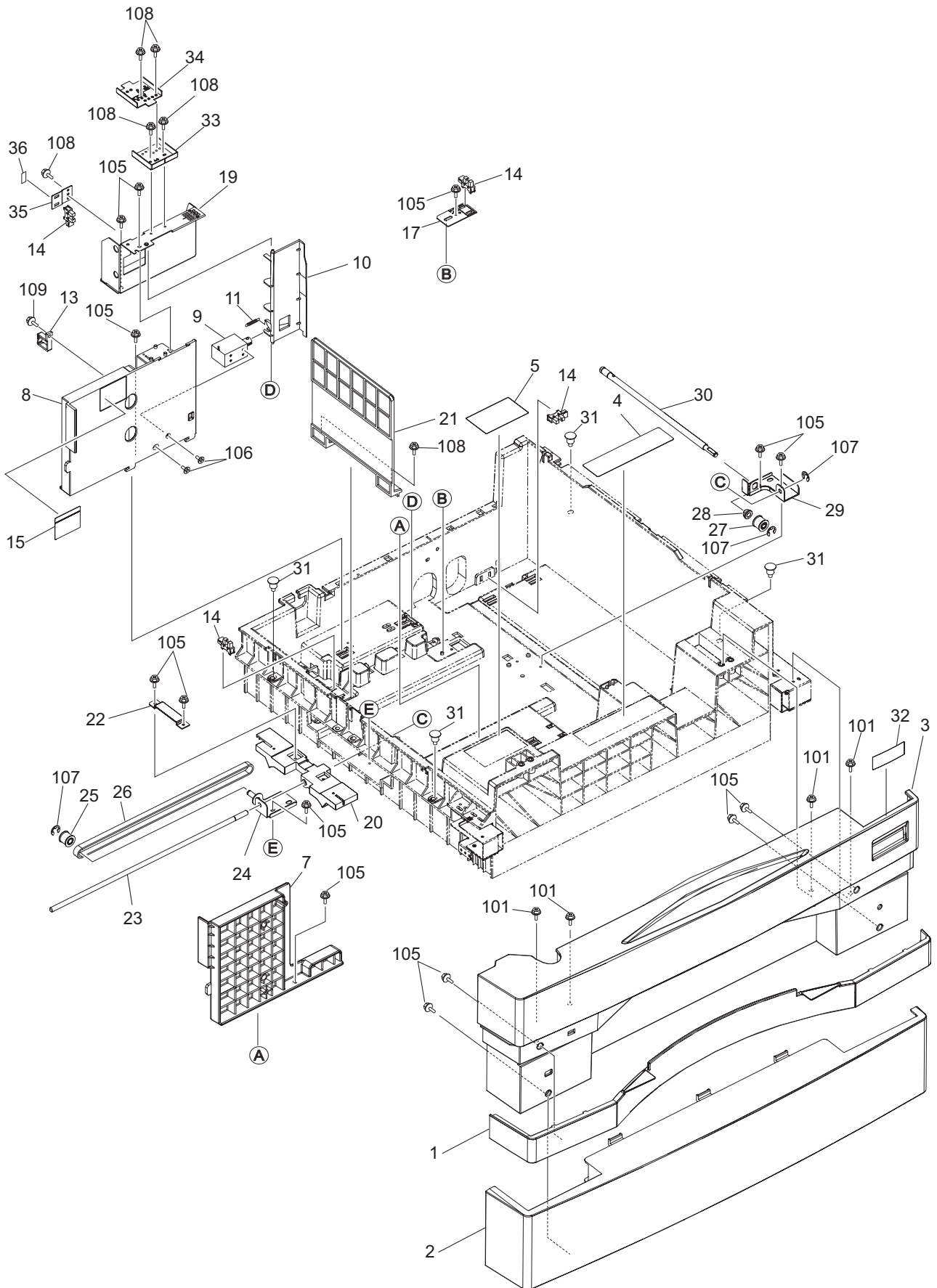




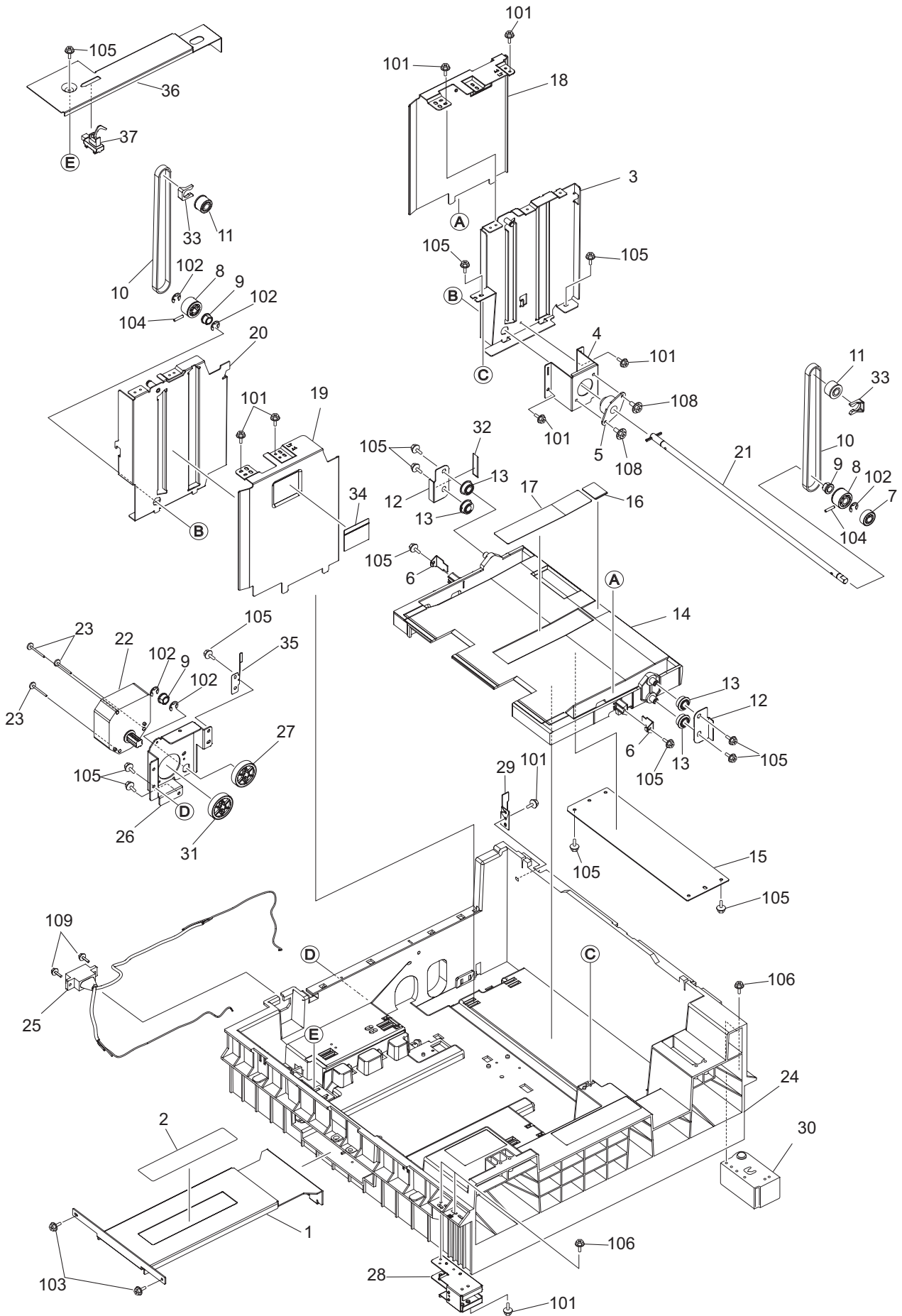




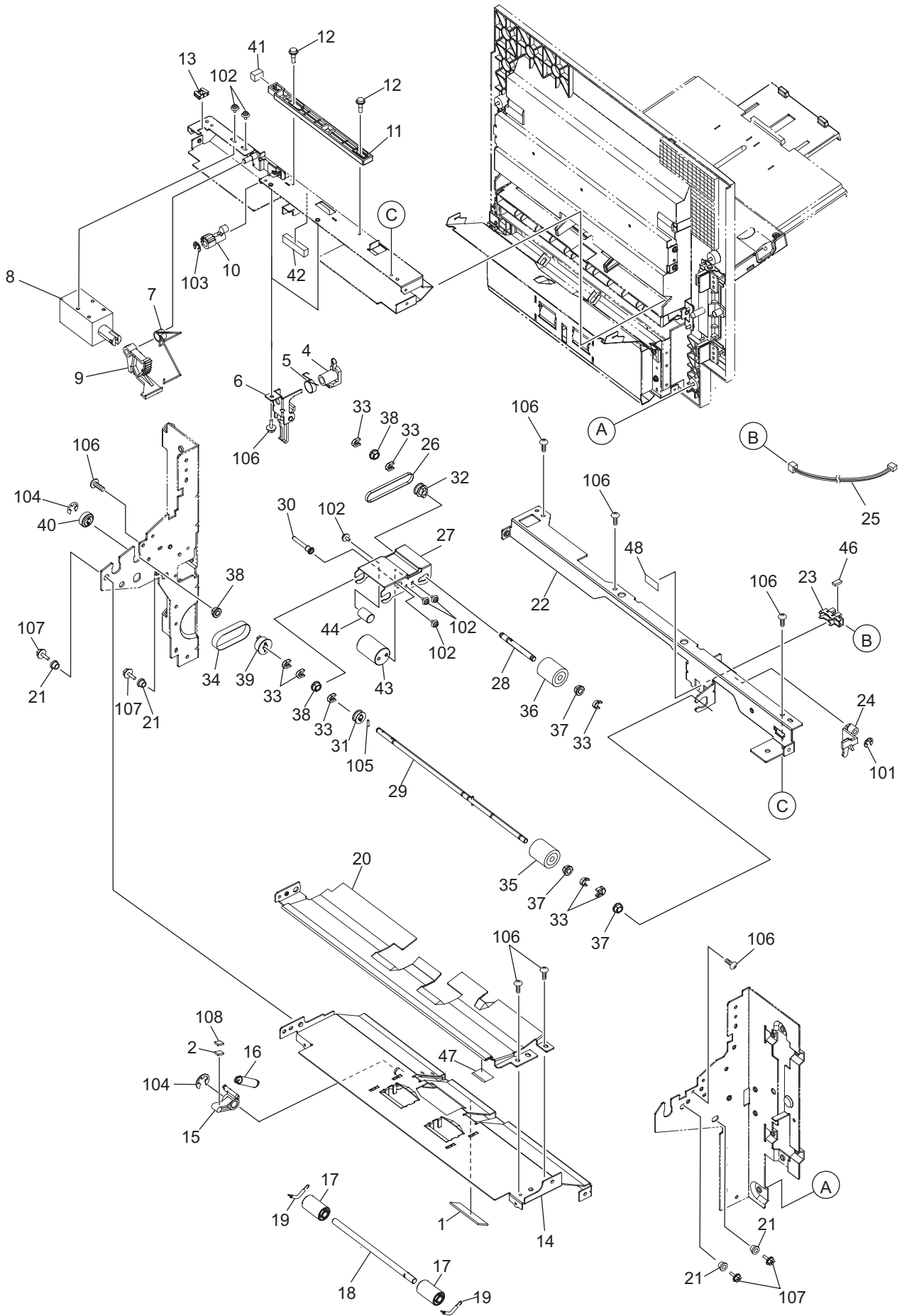
ITEM No.	PART No.	PART NAME	Q'TY / PAGE	Q'TY / PACK	REMARKS
1	6LA03812000	FRAME-F/S-F	1	1/P	For Tandem LCF For Cassette
2	6LA03826000	K-FRAME-F/S-R	1	1/P	
3 A	6LA03731000	K-STAY-FEED-T	1	1/P	
3 B	6LA03831000	K-STAY-FEED	1	1/P	
4	6LE05748000	ASYS-STAY-SPT-390	1	1/P	
5	6LA04036000	LEVER-SPT-ROL	1	1/P	
6	6LA04041000	SPE061-050-0495	1	5/P	
7	6LA04031000	LEVER-P/U-DOWN	1	1/P	
8	6LA03887000	SPE090-090-0531	1	5/P	
9	6LE05725000	ASYS-SHAFT-SPT-ROL	1	1/P	
10	4407734980	BUSH-6-GCB	1	5/P	
11	6LH73810000	SHAFT-FEED-ROL-H32X	1	1/P	
12	6LE05730000	ASYS-ARM-PU-ROL	1	1/PP	
13	6LH23442000	BUSH-8X12X8F-NU4	4	5/P	
14	6LA03897000	GEAR-08S026-06	1	1/P	
15	6LE05774000	K-GEAR-08S022-LW-390	2	1/P	For Tandem LCF For Cassette
16 A	6LA03873000	SPE-P/U-110	1	5/P	
16 B	6LA03874000	SPE-P/U-75	1	5/P	
17	6LH73809000	ROLLER-FS-TR-H32X	1	1/KP	
18	C0-10813000	GP1A73ARJ00F	5	1/P	
19	6LA03870000	ACT-SW-EMPTY	1	1/P	
20	6LH70655000	HRNS-FS-UNIT-H320	1	1/P	
21	F0-00120000	ES-0505	3	5/P	
22	F0-01250000	MSB-1207	8	5/P	
23	4400972560	GEAR-1.0-18	1	1/P	
24	4407906230	GEAR-08-30	1	1/P	
25	4406349590	GEAR-08S020-08	1	1/P	
26	6LH76403000	CLUTCH-50T2-G28-8-N	2	1/D	
27	6LH76201000	COVER-FS-CLT_H32X	1	1/P	
28	6LA03883000	BRKT-SW-TR-F/S	1	1/P	
29	6LA03876000	SPA-ACT-FS	2	5/P	
30	6LA03881000	ACT-SW-TR-F/S	1	1/P	
31	6LE05749000	CUSH-ACTR-STOP-390	2	1/P	
32	6LE03108000	PIN-ACTR	2	1/P	
33	6LA03953000	BRKT-SW-SPT	1	1/P	
34	6LA03951000	ACT-SW-SPT	1	1/P	For Tandem LCF For Tandem LCF
35 B	6LA03740000	LEVER-P/U-SND	1	1/P	
36 B	6LA15257000	SOL-PICK-340	1	1/D	
37	6LA03898000	GEAR-08S022-06	1	1/P	
38	6LA04047000	ASYS-ROL-FEED	2	1/P	
39	6LE05773000	CLUTCH-6-RW-390	1	1/P	
40	6LA03950000	SPL-F/S-TR	2	1/P	
41	4407972860	STOP-RING-6-5	3	5/P	
42	6LA04038000	ASYS-GUIDE-FS-E	1	1/C	
43	6LA03862000	GUIDE-FEED-U	1	1/PP	
44	6LA03987000	K-BRKT-GID-FEED	1	1/P	
45	6LA04043000	GUIDE-FEED-L-T	1	1/P	
46	6LE05756000	HLDR-GUIDE-FS	2	1/P	
47	6LA03944000	GUIDE-F/S-TR-U	1	1/P	
49	6LA03947000	HOLDER-F/S-TR	1	1/P	
51	6LA03977000	BUSH-F6-GCB	1	5/P	
52	6LA04042000	ASYS-ROL-SPT	1	1/P	
53	6LH04750000	TL-SEP-ROL-Y-N	1	1/P	
55	6LA04032000	BRAK-SPT	1	1/P	
56	6LA03877000	SHEET-DUMP-EMP	1	5/P	
57	6LE05718000	BRKT-HOLD-SP-390	1	1/P	
58	6LA04033000	ASYS-LEVER-SPT	1	1/P	
101	X0-00966000	RR/E-5-SS	12	10/P	
102	X0-02593000	S/TPD3/FHEXM-3X8-ZU3	22	10/P	
103	X0-00968000	RR/E-7-SS	3	10/P	
104	X0-00964000	RR/E-3-SS	2	10/P	
105	X0-00979000	P/PRL/AH7-2X8-SS	1	10/P	
106	X0-01526000	P/PRL/AH7-2X12-SS	1	10/P	



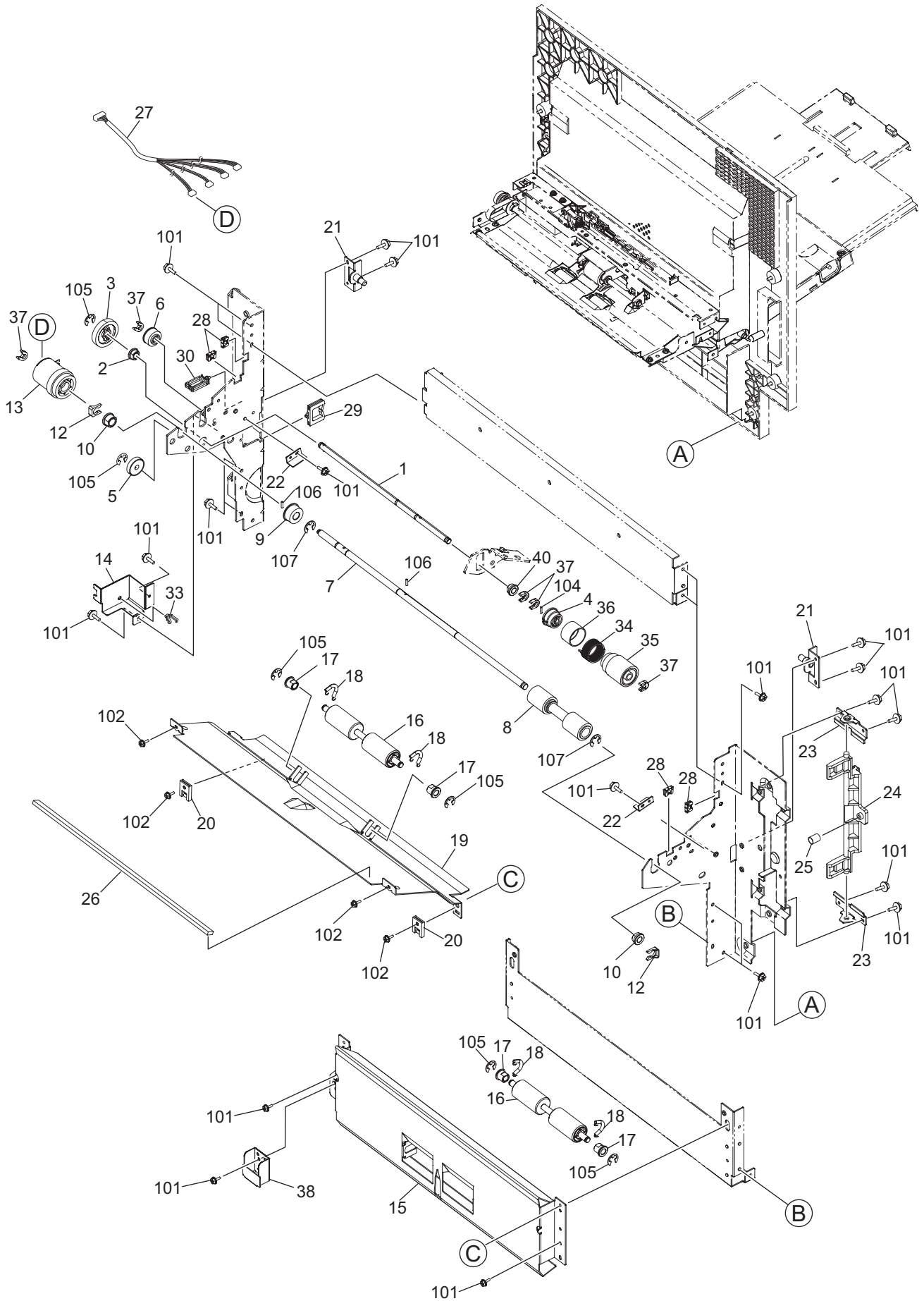
ITEM No.	PART No.	PART NAME	Q'TY / PAGE	Q'TY / PACK	REMARKS
1	6LE04404300	COVER-CSSTT-LWR-FW_N	1	1/PP	
2	6LE04406100	COVER-LCF-LWR-N	1	1/PP	
3	6LE04405100	COVER-LCF-UPR-N	1	1/PP	
4	6LE03904000	LBL-P-SET-390	1	1/KP	
5	6LE03903000	LBL-CST-SET-390	1	1/KP	
7	6LE67443000	FENCE-SIDE-L-F	1	1/PP	
8	6LE67449000	FENCE-SIDE-L-R	1	1/P	
9	6LA15258000	SOL-END-340	1	1/D	
10	6LA04838000	LEVER-TRAY-TNDM	1	1/P	
11	6LA93923000	SPE-030-035-014	1	5/P	
13	F0-01397000	LWS-2H	1	5/P	
14	C0-10813000	GP1A73ARJ00F	4	1/P	
15	6LA93862000	LBL-P-LIMIT	1	1/P	
17	6LA04810000	BRKT-P-SIZE-SZ	1	1/P	
19	6LA14833000	BRKT-FENCE-STOP-N	1	1/D	
20	6LA93731000	SLIDER-E-FENCE	1	1/P	
21	6LA93730000	FENCE-E-TRAY	1	1/PP	
22	6LA93655000	BRKT-STOP-BELT	1	1/P	
23	6LA04840000	SHAFT-FENCE-END	1	1/P	
24	6LE68320000	K-BKT-SLIDER-D3	1	1/P	
25	6LA93800000	PLY-DRIVE-2	1	1/P	
26	6LA04839000	BLT.SY-591-3GT	1	1/P	
27	6LA93799000	PLY-DRIVE-1	1	1/P	
28	4407734980	BUSH-6-GCB	1	5/P	
29	6LA93660000	BRKT-SLIDER-D2	1	1/P	
30	6LA04813000	SFT-SLID-DRV	1	1/P	
31	6LE69955000	SCREW-SEP-ADD	4	5/P	
32 A	6LE03708000	SIZE-CST-390-UC	1	1/KP	NAD
32 B	6LE03709000	SIZE-CST-390-E	1	1/KP	MJD,ASD,AUD,CND,ARD
33	6LA14779000	STAY-BRKT-FENCE-BASE	1	1/P	
34	6LA14780000	STAY-BRKT-FENCE	1	1/P	
35	6LA14820000	BRKT-FENCE-SENS	1	1/P	
36	44201543000	MYLAR-SW-RGST-2	1	5/P	
101	X0-02217000	S/PAN/SWWP-M4X8-ZU3	4	10/P	
105	X0-02247000	S/TPP/FHEXM-3X8-NI	14	10/P	
106	X0-00317000	S/CTS-M3X6-NI	2	10/P	
107	X0-00965000	RR/E-4-SS	3	10/P	
108	X0-02593000	S/TPD3/FHEXM-3X8-ZU3	6	10/P	
109	X0-02248000	S/TPP/FHEXM-3X10-NI	1	10/P	



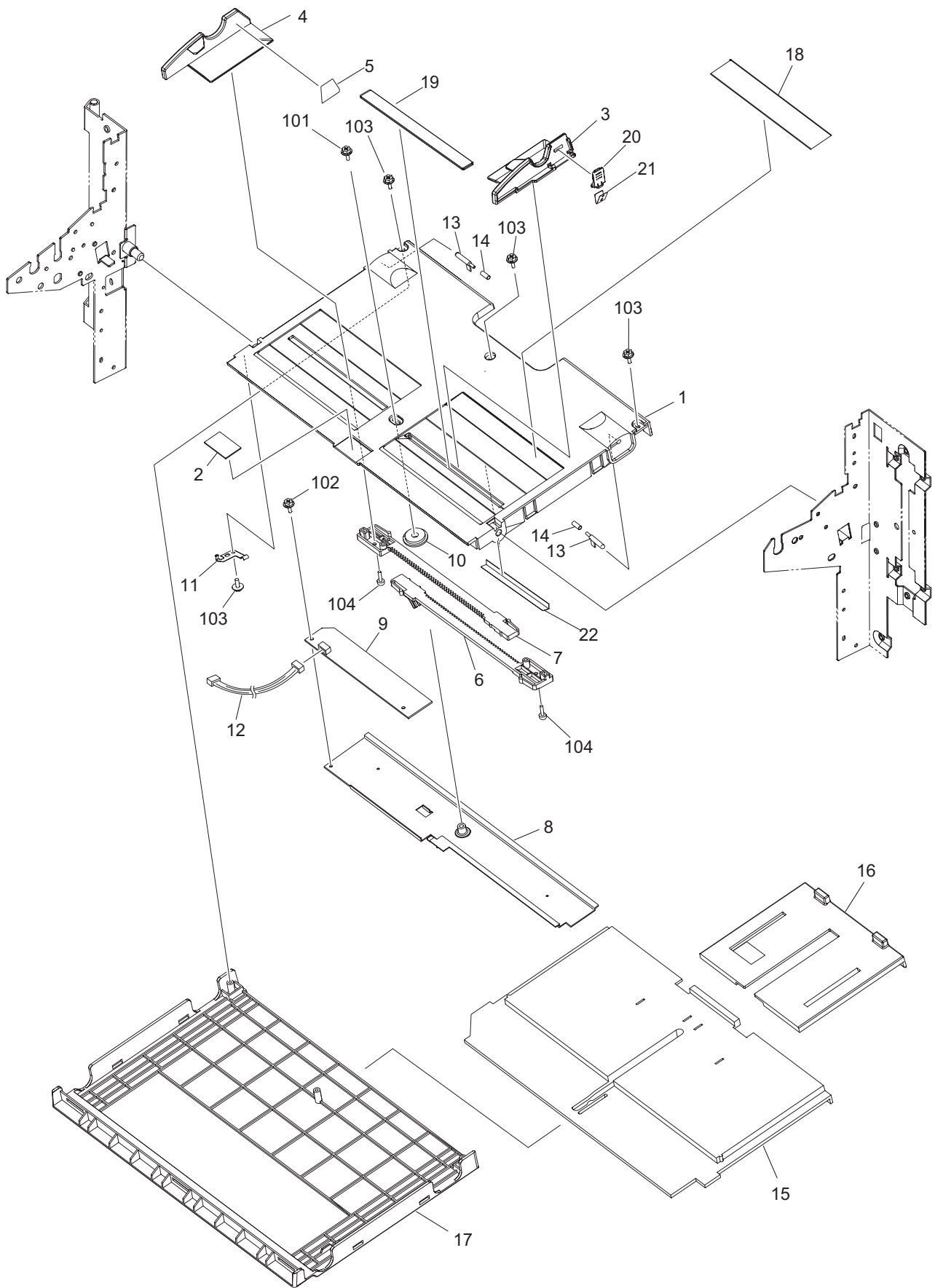
ITEM No.	PART No.	PART NAME	Q'TY / PAGE	Q'TY / PACK	REMARKS
1	6LA93658000	BRKT-COV-BELT	1	1/P	
2	6LH70860000	LBL-PSET-TRYL-WWD	1	1/KP	
3	6LA15091000	K-GUIDE-SIDE-RF	1	1/P	
4	6LA93680000	BRKT-DAMPER	1	1/P	
5	6LE03901000	OIL-DAMPER-390	1	1/P	
6	6LA93679000	BRKT-BELT-STOP	2	1/P	
7	6LA93797000	GEAR-DUMP-Z18	1	1/P	
8	6LA93798000	PLY-BRKT	2	1/P	
9	6LH23442000	BUSH-8X12X8F-NU4	3	5/P	
10	6LA14353000	BLT.SY-426-3GT	2	1/P	
11	6LA93775000	PLY/T-3-020	2	1/P	
12	6LA04814000	BRKT-ROL-STOP	2	1/P	
13	6LA93774000	PLY-TRAY-ROL	4	1/P	
14	6LE03907000	ASYS-TRAY-LCF	1	1/PP	
15	6LA93713000	PLT-BALANCER	1	1/P	
16	6LA04847000	PAD-TRAY	1	1/P	
17	6LH70861000	LBL-PSET-TRYR-WWD	1	1/KP	
18	6LA04835000	K-FENCE-SIDE-R-F	1	1/P	
19	6LA04803000	FENCE-SIDE-R-R	1	1/P	
20	6LA15092000	K-GUIDE-SIDE-RR-N	1	1/D	
21	6LA04815000	K-SFT-TRAY	1	1/P	
22	6LH73780000	MDC-SLIDER-H190	1	1/D	
23	6LA08931000	SCREW-BKT-MOT	3	10/P	
24	6LE03716000	K-CST-TLCF	1	1/PP	
25	6LE09483000	HRNS-TLCF-IN-390	1	1/P	
26	6LA04818000	BRKT-MOT-SLID	1	1/P	
27	6LA04821000	GEAR-10H033-08	1	1/P	
28	6LA04822000	BRKT-CAH-T-LCF	1	1/P	
29	6LA04824000	SPL-LEVER-LCF	1	1/P	
30	6LA04841000	ASYS-LOCK-TNDM	1	1/P	
31	6LA04829000	GEAR-MOT-Z33	1	1/P	
32	6LA04853000	MYLAR-BRKT-ROL	1	1/KP	
33	41306265000	STOP RING	2	1/P	
34	6LA93862000	LBL-P-LIMIT	1	1/P	
35	6LA04809000	SPL-EARTH-LCF	1	1/P	
36	6LA93656000	BRKT-COV-P-END	1	1/P	
37	6LH69961000	SNSR-TLCF-EMP-H100	1	1/C	
101	X0-02593000	S/TPD3/FHEXM-3X8-ZU3	8	10/P	
102	X0-00968000	RR/E-7-SS	4	10/P	
103	X0-02230000	S/FHEXM-M3X6-NI	2	10/P	
104	X0-01169000	P/PRL/AH7-3X14-SS	3	10/P	
105	X0-02247000	S/TPP/FHEXM-3X8-NI	15	10/P	
106	X0-00077000	S/PAN/SWWP-M3X8-NI	4	10/P	
107	X0-02595000	S/TPD3/FHEXM-3X12-ZU3	1	10/P	
108	X0-02589000	S/TPD3/FHEXM-4X8-ZU3	2	10/P	
109	X0-02248000	S/TPP/FHEXM-3X10-NI	2	10/P	

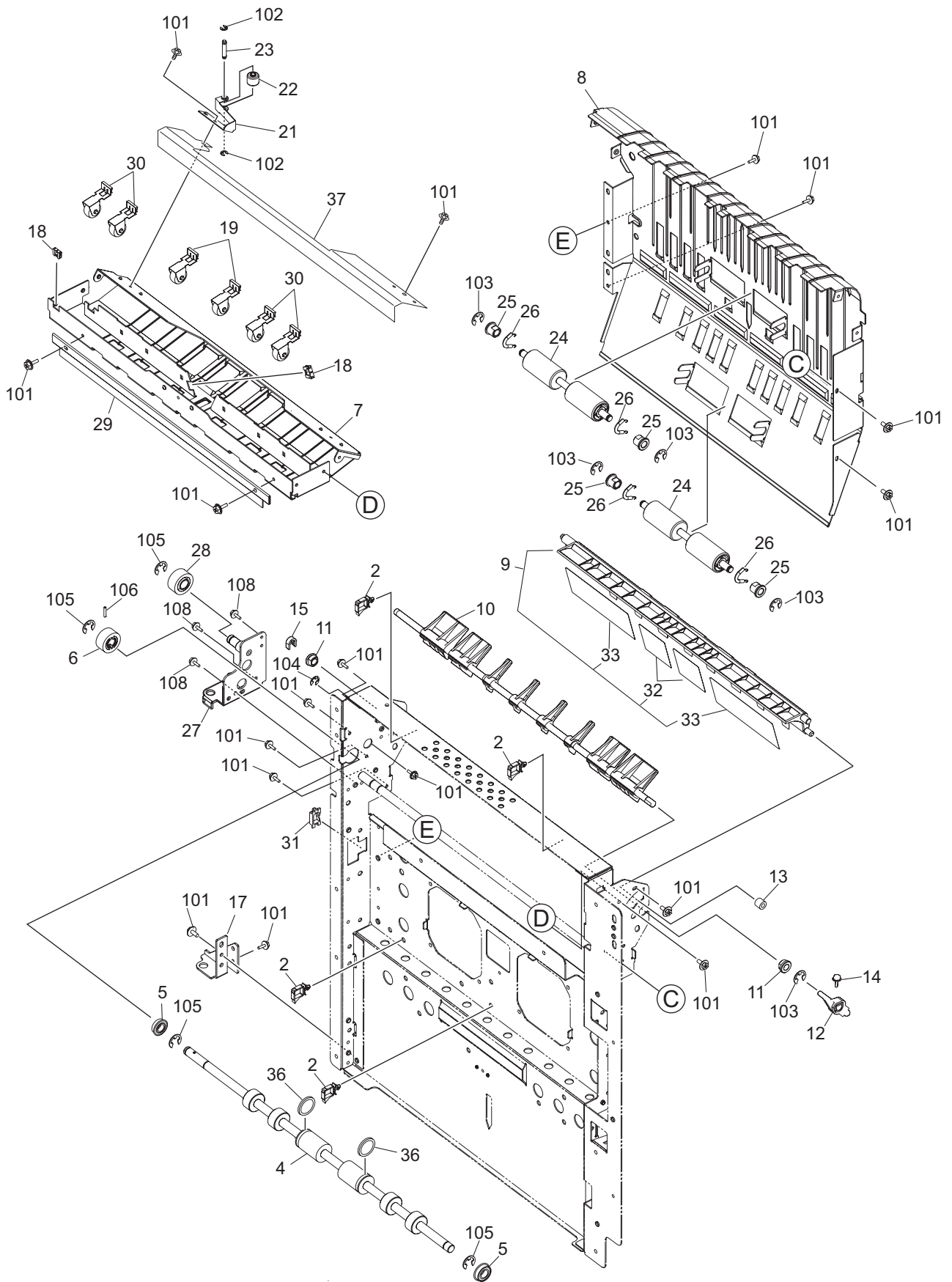


ITEM No.	PART No.	PART NAME	Q'TY / PAGE	Q'TY / PACK	REMARKS
1	6LA15837000	REINF-BRKT-BYP	1	1/P	
2	6LA15838000	REINF-MOULD-BYP	1	5/P	
4	6LA04708000	LEVER-STOPPER	2	1/P	
5	6LA04716000	SPRING-STOP-1	2	5/P	
6	6LA14349000	K-BRKT-STOPPER	2	1/D	
7	6LA04712000	SPRING-SND-LVR	1	5/P	
8	6LA15259000	SOL-SFB-340	1	1/D	
9	6LA04690000	LINK-SND-GEAR	1	1/P	
10	6LA04691000	LEVER-GEAR	1	1/P	
11	6LA04707000	SLIDER-STOPPER	1	1/P	
12	6LA08938000	SCREW-SOCKET	2	10/P	
13	F0-00120000	ES-0505	1	5/P	
14	6LA04638000	K-STAY-GUIDE-L	1	1/P	
15	6LA04635000	LEV-ROL-SEP	1	1/P	
16	6LA04715000	SPE060-080-0236	1	5/P	
17	6LA04672000	IDLR-BYPS-D16	2	1/P	
18	6LA04673000	SFT-IDL-TRF-BYP	1	1/P	
19	6LA04677000	SPRING-SRTS-TRS	2	5/P	
20	6LA04630000	GUIDE-P-U	1	1/P	
21	4407980920	BUSH-4-5	4	5/P	
22	6LA04662000	K-STAY-BYP-M	1	1/P	
23	C0-10813000	GP1A73ARJ00F	1	1/P	
24	6LA04653000	LVR-PAPER-SW	1	1/P	
25	6LE09606000	HRNS-SFB-PSW-390	1	1/P	
26	6LA04627000	BLT/T-154-2GT-4	1	1/P	
27	6LA04692000	BRKT-PICK-BYP	1	1/P	
28	6LE03438000	SHAFT-PICK	1	1/P	
29	6LA04706000	K-SHAFT-FED-BYP	1	1/P	
30	6LE03439000	SHAFT-PICK-BRKT	1	1/P	
31	4400884670	PLY-20-ROL	1	1/P	
32	4402813680	PLY-20	1	1/P	
33	4407972860	STOP-RING-6-5	8	5/P	
34	6LA04626000	BLT/T-108-S2M-7	1	1/P	
35	4401773050	K-ROL-FED-CW-H	1	1/P	
36	6LA04694000	K-RLR-P/U-24	1	1/P	
37	4407734980	BUSH-6-GCB	3	5/P	
38	44201492000	BUSH-6-POM	3	5/P	
39	6LA04721000	PLY/T-S2M-28-06	1	1/P	
40	4401777990	K-GEAR-20-08-OW	1	1/P	
41	6LA04742000	DMPR-SLIDER	1	1/P	
42	6LA04743000	DMPR-PICK-UP	1	1/P	
43	6LE03440000	WEIGHT-20-30	1	1/P	
44	6LA04697000	WEIGHT-10-15	1	1/P	
46	6LA04646000	CUSHION-ACT-BYP	1	5/P	
47	6LA04745000	CUSHION-GUIDE-P-U	1	1/P	
48	44201543000	MYLAR-SW-RGST-2	1	5/P	
101	X0-00964000	RR/E-3-SS	1	10/P	
102	X0-02551000	S/PAN/SWWP-M3X6-ZU3	6	10/P	
103	X0-00965000	RR/E-4-SS	1	10/P	
104	X0-00966000	RR/E-5-SS	2	10/P	
105	X0-00979000	P/PRL/AH7-2X8-SS	1	10/P	
106	6LA08935000	SCR-M3X6BISR-NI	9	10/P	
107	X0-02590000	S/TPD3/FHEXM-4X10-ZU3	4	10/P	
108	6LH68579000	REINF-MOULD-BYP-S	1	5/P	

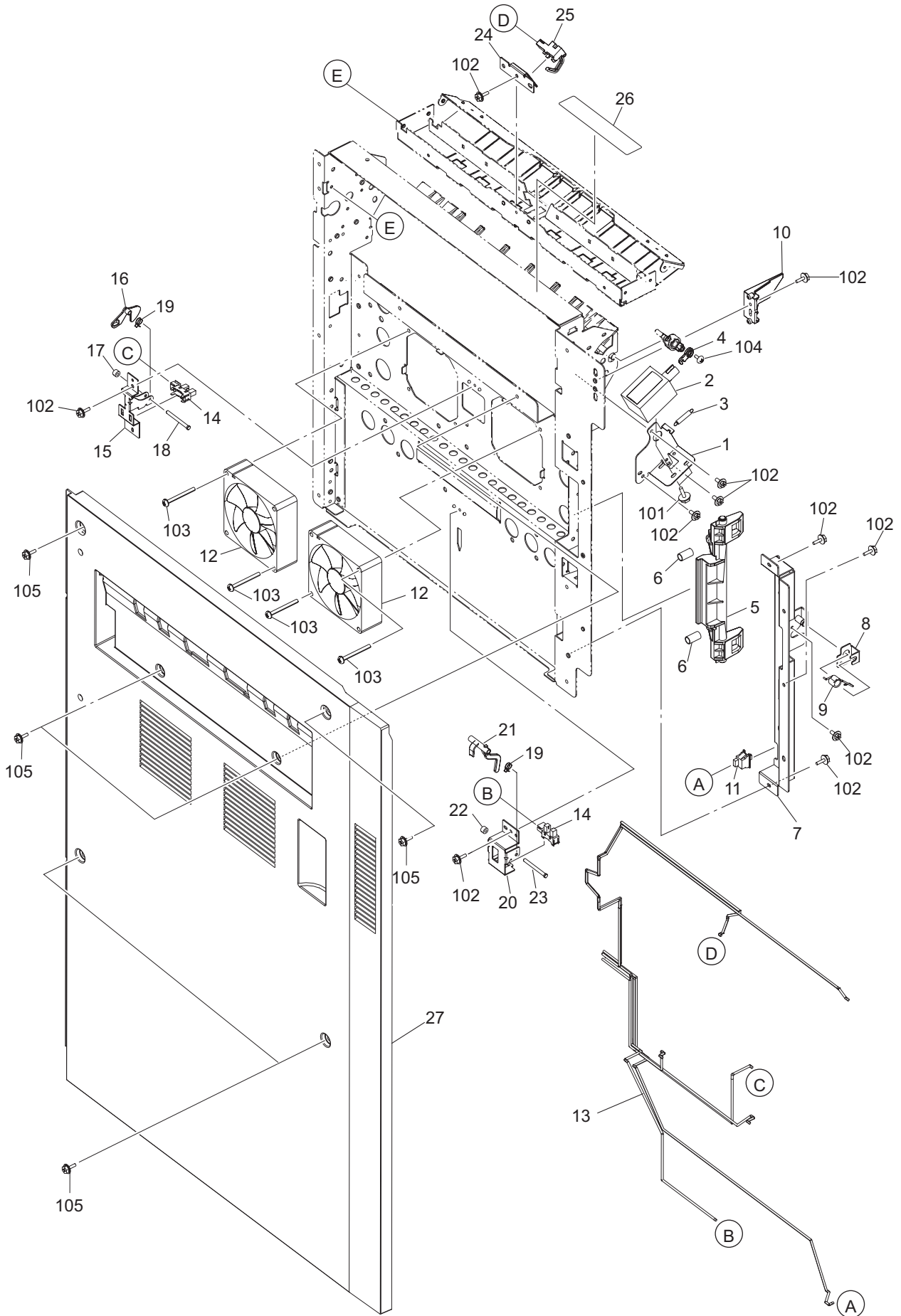


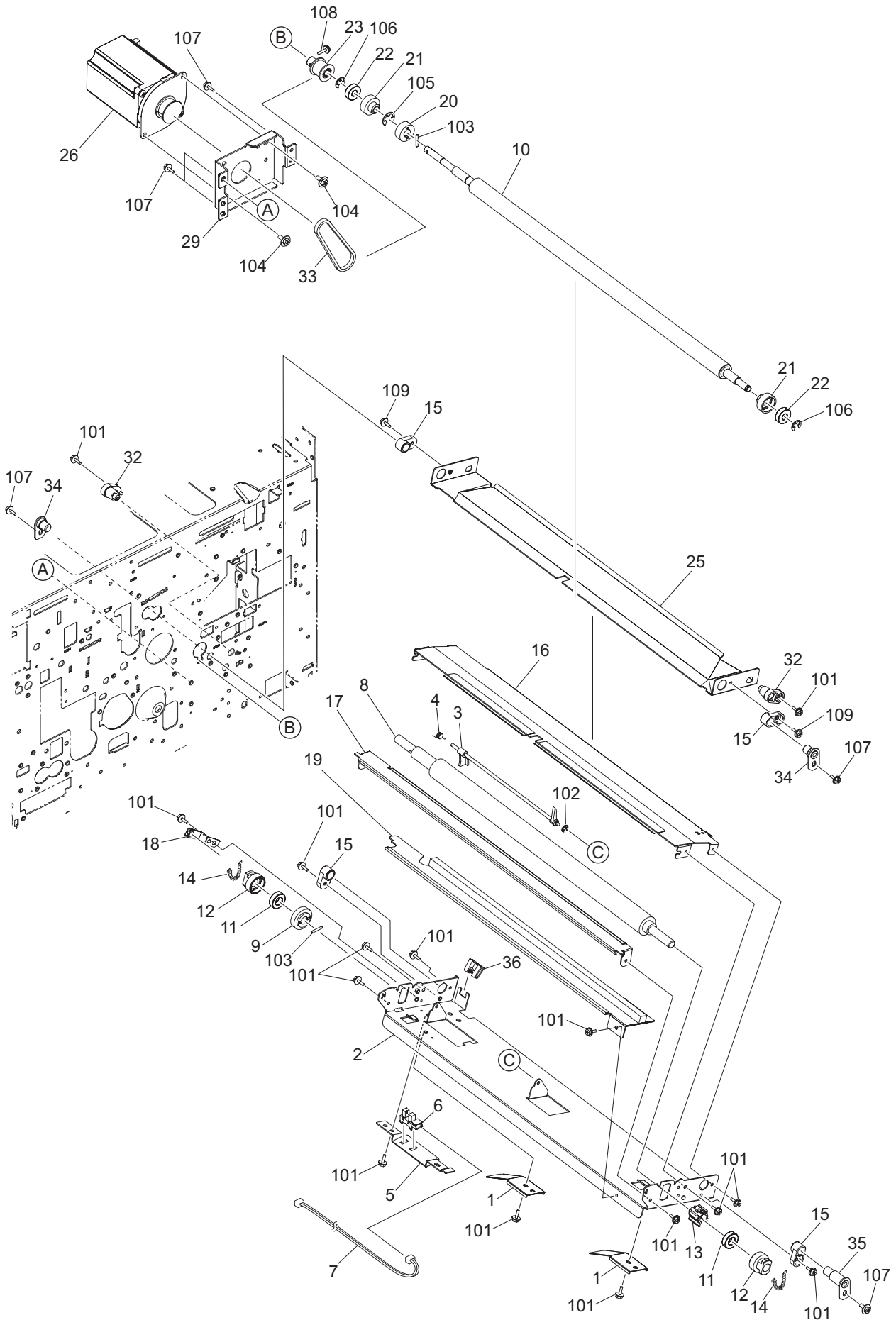
ITEM No.	PART No.	PART NAME	Q'TY / PAGE	Q'TY / PACK	REMARKS
1	6LA04674000	K-SHAFT-SEP	1	1/P	
2	44201492000	BUSH-6-POM	1	5/P	
3	4407906230	GEAR-08-30	1	1/P	
4	4408307270	ARBOR-16-POM-S	1	1/P	
5	4406342070	GEAR-10S020-06	1	1/P	
6	6LE03441000	K-GEAR-08S022-RB-390	1	1/P	
7	6LE03401000	SHAFT-RLR-TRS	1	1/P	
8	6LA04665000	K-RLR-TRS	1	1/P	
9	6LA04720000	PLY/T-S2M-28-08	1	1/P	
10	6LH23442000	BUSH-8X12X8F-NU4	2	5/P	
12	4400336190	STOP-RING-8	2	5/P	
13	6LA04768000	CLUTCH-G28-08-33F	1	1/D	
14	6LA04637000	BRKT-CLT	1	1/P	
15	6LA04661000	GUIDE-LCF-ENT-L	1	1/P	
16	6LE05723000	ROLLER-IDLE-390	2	1/P	
17	4407976990	BUSH-D6-GCB	4	1/P	
18	6LA05687000	SPRING-500-ADU	4	1/P	
19	6LA04641000	GUIDE-ROL-TRS-U	1	1/D	
20	6LA04642000	SPCR-GUIDE-ROL	2	1/P	
21	6LA04631000	K-HLDR-TRAY	2	1/P	
22	6LA04790000	STOPPER-TRAY	2	1/P	
23	6LA04651000	KNOB-HINGE	2	1/P	
24	6LE03422100	KNOB-COV-PFP-N	1	1/P	
25	6LA04152000	SPC-KNOB-STOP	1	5/P	
26	6LA04732000	CUSHION-GUIDE-TRS	1	1/KP	
27	6LE09605000	HRNS-SFB-MAIN-390	1	1/P	
28	F0-00120000	ES-0505	4	5/P	
29	F0-00047000	EDS-1717U	1	10/P	
30	F0-01299000	LWS-2111Z	1	1/P	
33	4400902490	BAND-PS100	1	5/P	
34	4406347640	SPR-1.0-15.55-S	1	5/P	
35	4406347610	K-ROL-SPT-CW-S	1	1/P	
36	4408307890	COVER-SP-CL	1	1/P	
37	4407972860	STOP-RING-6-5	5	5/P	
38	6LA04740000	BRKT-PUSH-F/S	1	1/P	
40	6LA03977000	BUSH-F6-GCB	1	5/P	
101	6LA08935000	SCR-M3X6BISR-NI	23	10/P	
102	X0-02593000	S/TPD3/FHEXM-3X8-ZU3	4	10/P	
104	X0-00979000	P/PRL/AH7-2X8-SS	1	10/P	
105	X0-00966000	RR/E-5-SS	6	10/P	
106	X0-01526000	P/PRL/AH7-2X12-SS	2	10/P	
107	X0-00968000	RR/E-7-SS	2	10/P	



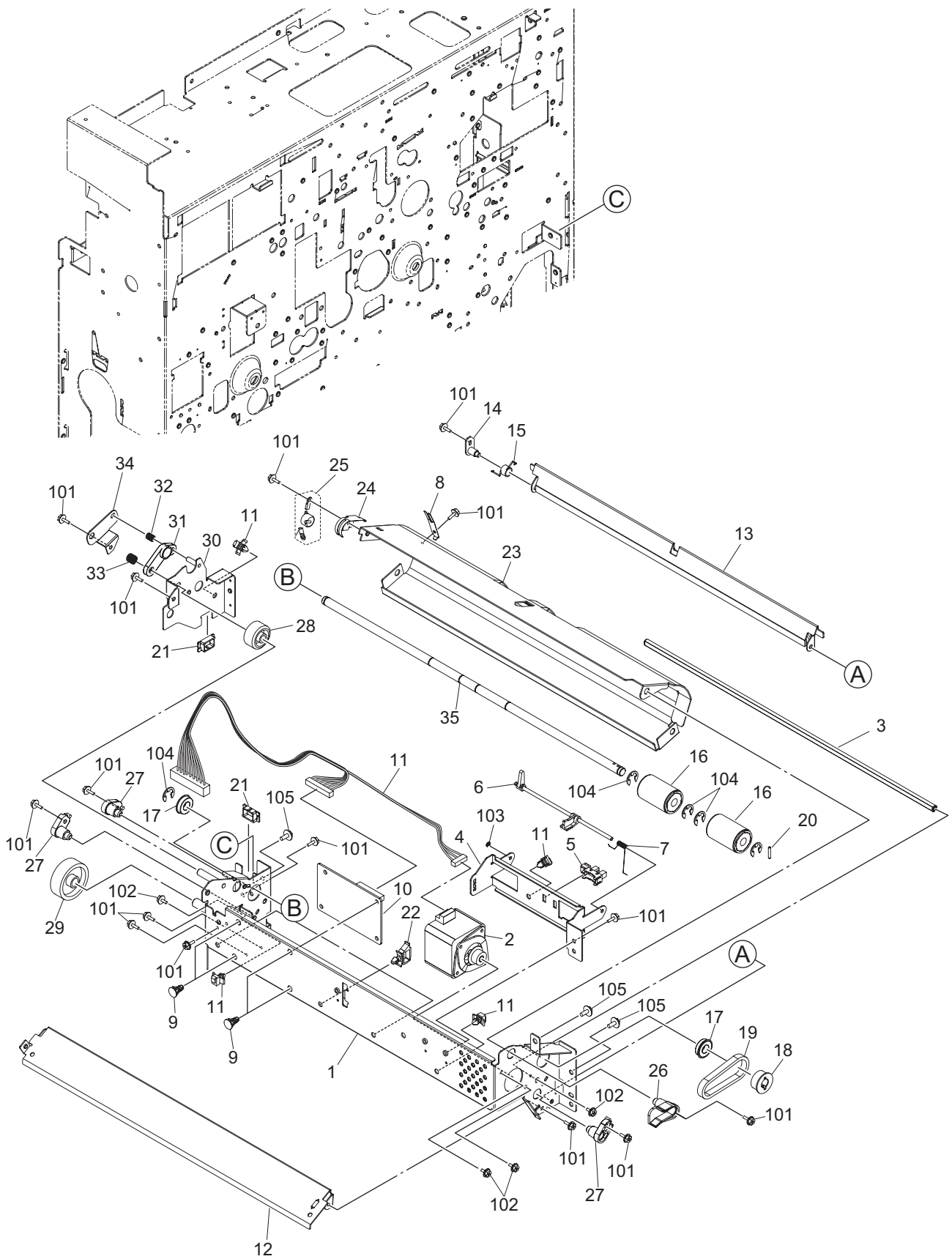


ITEM No.	PART No.	PART NAME	Q'TY / PAGE	Q'TY / PACK	REMARKS
2	F0-01243000	LWS-1211Z	4	5/P	
4	6LE03135000	ROLLER-EXIT-L-390	1	1/KP	
5	F0-01390000	LNR-1680HHRP0P15LY13	2	1/P	
6	6LA05664000	GEAR-10S019-08	1	1/P	
7	6LA05652000	K-BRKT-EXIT-U	1	1/P	
8	6LA05682000	GUIDE-REV-O-340	1	1/PP	
9	6LH68669000	ASYS-GUIDE-REV-MID-H320	1	1/C	
10	6LH68656000	GATE-H320	1	1/KP	
11	4407734980	BUSH-6-GCB	2	5/P	
12	6LH17925000	ARM-GATE-BR	1	1/P	
13	6LE05753000	CUSH-ARM-GATE-390	1	1/P	
14	X0-02231000	S/FHEXM-M3X8-NI	1	10/P	
15	4407972860	STOP-RING-6-5	1	5/P	
17	6LA05744000	BRKT-HINGE-OP-L	1	1/P	
18	F0-00120000	ES-0505	2	5/P	
19	6LE05754000	ASY-ROL-EXIT-390	2	1/D	
21	6LA05658000	SPL-FUS-EX	1	1/P	
22	4406310100	ROL-12*10	1	5/P	
23	6LE03141000	SHAFT-4X22	1	1/P	
24	6LE05723000	ROLLER-IDLE-390	2	1/P	
25	4407976990	BUSH-D6-GCB	4	1/P	
26	6LA05687000	SPRING-500-ADU	4	1/P	
27	6LE03137000	ASYS-BRKT-HIG-OP-U	1	1/P	
28	6LA05666000	GEAR-10S020-08	1	1/P	
29	6LH73641000	BRUSH-SUS-E-H100	1	1/KP	
30	6LE03143000	ASY-ROL-EXT-U	4	1/P	
31	F0-01248000	ESC-0912	1	10/P	
32	6LH68665000	MYLAR-GUD-EXIT-C	2	1/KP	
33	6LH73777000	MYLAR-GUIDE-M97-B	2	1/KP	
36	6LA05413000	RING-EXIT-24-W	2	5/P	Only Service
37	6LA15757000	BRKT-EXIT-U-COV	1	1/P	
101	X0-02592000	S/TPD3/FHEXM-3X6-ZU3	17	10/P	
102	X0-00964000	RR/E-3-SS	2	10/P	
103	X0-00966000	RR/E-5-SS	5	10/P	
104	X0-00965000	RR/E-4-SS	1	10/P	
105	X0-00968000	RR/E-7-SS	4	10/P	
106	X0-01526000	P/PRL/AH7-2X12-SS	1	10/P	
108	X0-02593000	S/TPD3/FHEXM-3X8-ZU3	3	10/P	

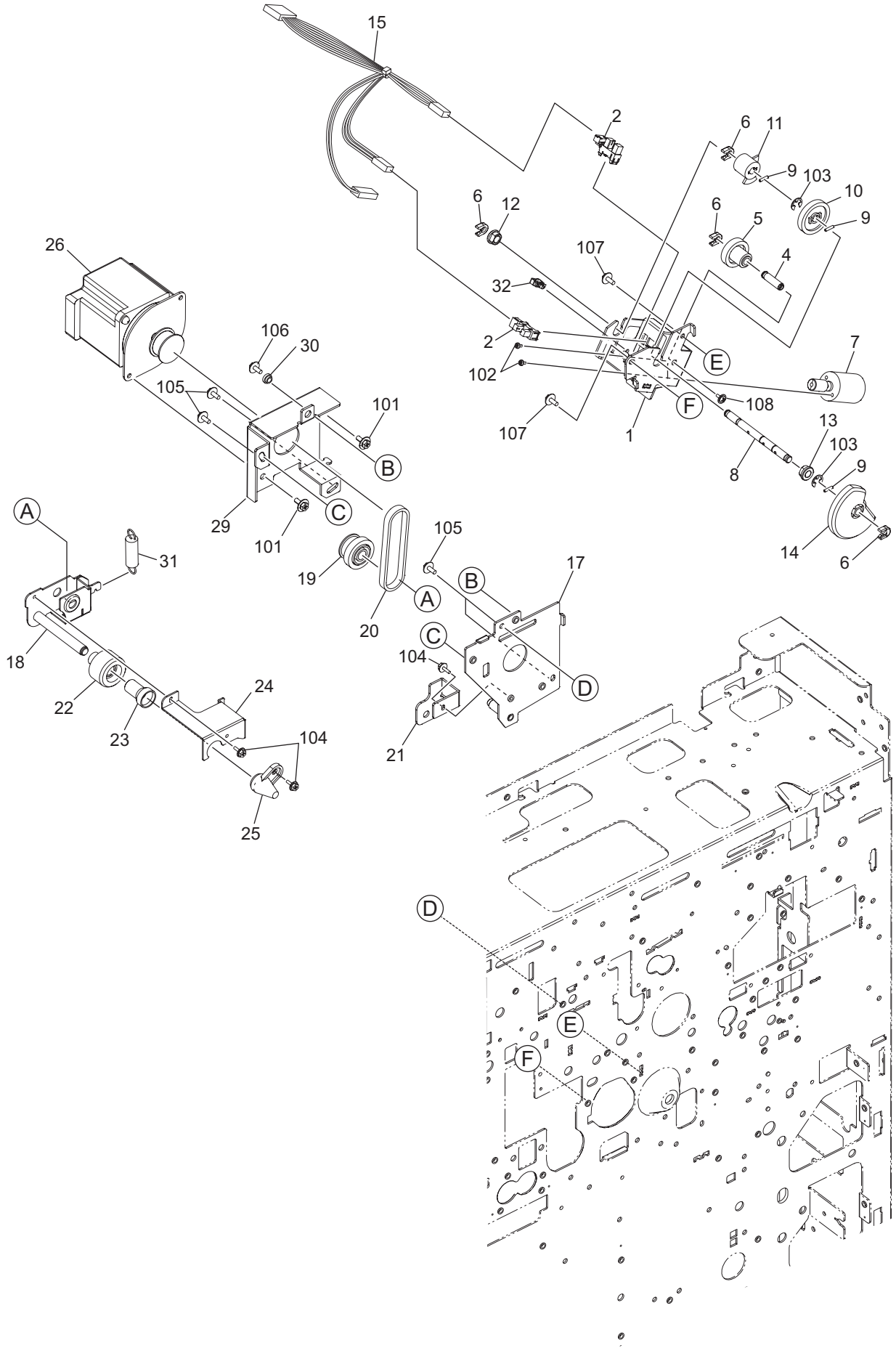


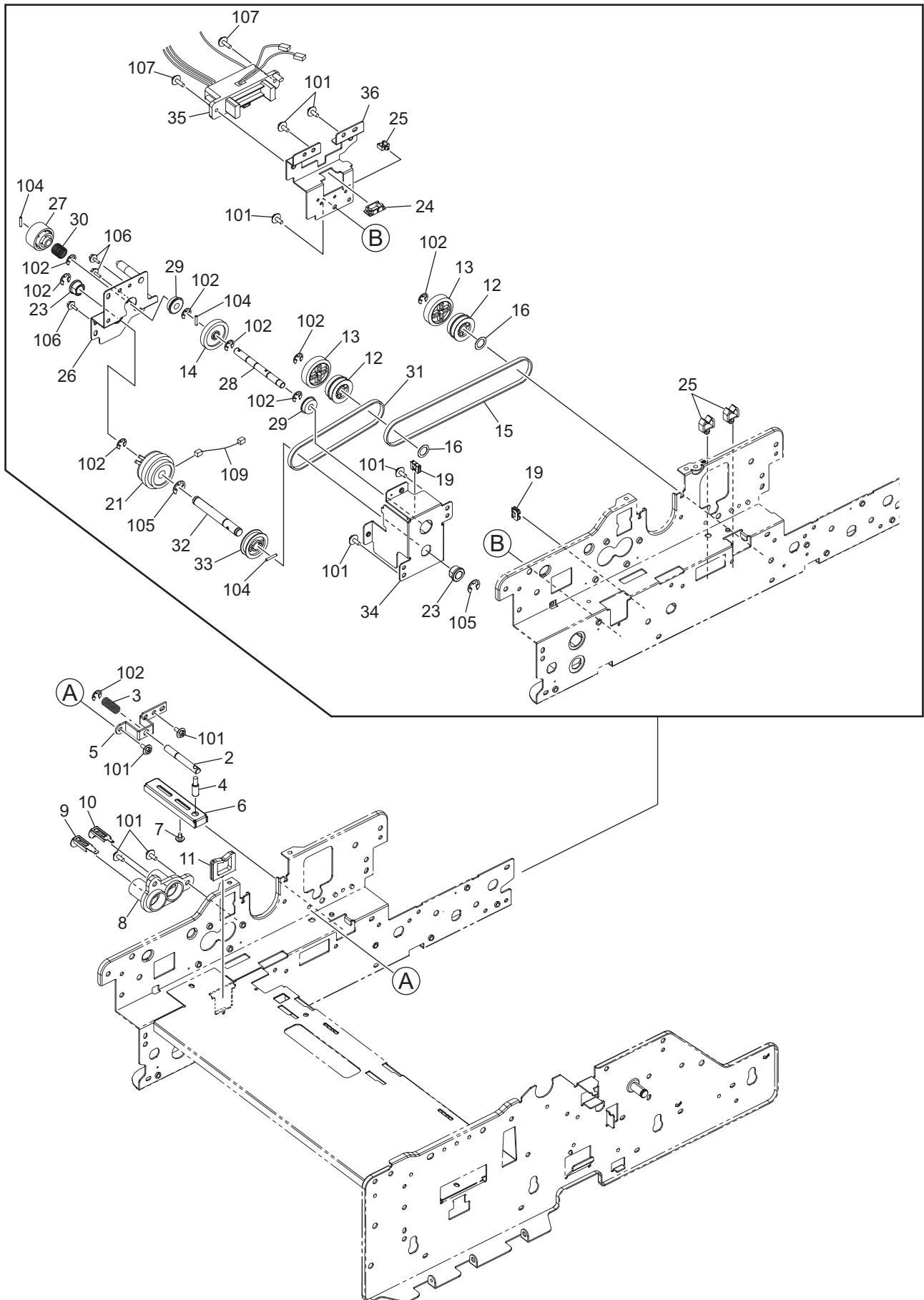


ITEM No.	PART No.	PART NAME	Q'TY / PAGE	Q'TY / PACK	REMARKS
1	4406349800	SPL-PUSH-RGST	2	1/P	
2	6LE05745000	FRAME-RGST-390	1	1/P	
3	6LA15024000	ACTUATOR-RGST-N	1	1/P	
4	4401772510	SPL-ACT-RGT	1	1/P	
5	6LA03326000	BRKT-SW-RGT-340	1	1/P	
6	C0-10813000	GP1A73ARJ00F	1	1/P	
7	6LE09602000	HRNS-RGTSW-390	1	1/P	
8	6LE05769000	ROL-RGST-D-390	1	1/KP	
9	4407547320	GEAR-0.8-25	1	1/P	
10	6LE05720000	ROLL-RGST-U-390	1	1/KP	
11	F0-00991000	L-1680HH	2	5/P	
12	4406349770	BUSH-RGST-D	2	1/P	
13	4406349790	CLIP-RGST	1	1/P	
14	6LA08949000	SPRING-1150	2	5/P	
15	4406349850	BUSH-RGST-UNIT	4	1/P	
16	6LH76207000	ASYS-GUIDE-RGST-L-H32X	1	1/P	
17	4406349920	K-GUIDE-TR	1	1/KP	
18	4406349880	SPL-ROL-RGST	1	1/P	
19	6LE05767000	ASYS-BRK-BRS-RGT-L-390	1	1/KP	
20	4406349590	GEAR-08S020-08	1	1/P	
21	4406349550	BUSH-RGST-U	2	5/P	
22	F0-00023000	696T12ZZ1MC3E	2	1/P	
23	6LE05719000	PULLY-3GT16-06-390	1	1/P	
25	6LA03341000	GUIDE-RGST-U	1	1/P	
26	6LE09196000	MOTRS-RGT-390	1	1/C	
29	6LE05747000	BRKT-MOT-RGST-390	1	1/P	
32	4401772280	SUPPORT-GUIDE-P	2	1/P	
33	4406350060	BLT/T-174-3GT-4	1	1/P	
34	6LA03350000	K-JNT-GUIDE-U-S	2	1/P	
35	6LA03380000	K-JNT-RGT-FRT-R	1	1/P	
36	F0-00120000	ES-0505	1	5/P	
101	X0-02593000	S/TPD3/FHEXM-3X8-ZU3	15	10/P	
102	X0-00963000	RR/E-2-SS	1	10/P	
103	X0-01526000	P/PRL/AH7-2X12-SS	2	10/P	
104	X0-02235000	S/FHEXM-M4X8-NI	2	10/P	
105	X0-00968000	RR/E-7-SS	1	10/P	
106	X0-00966000	RR/E-5-SS	2	10/P	
107	6LA08934000	SCR-M4X8ITSR-NI	6	10/P	
108	X0-00094000	S/PAN/SWWP-M3X10-NI	1	10/P	
109	6LA08935000	SCR-M3X6BISR-NI	2	10/P	

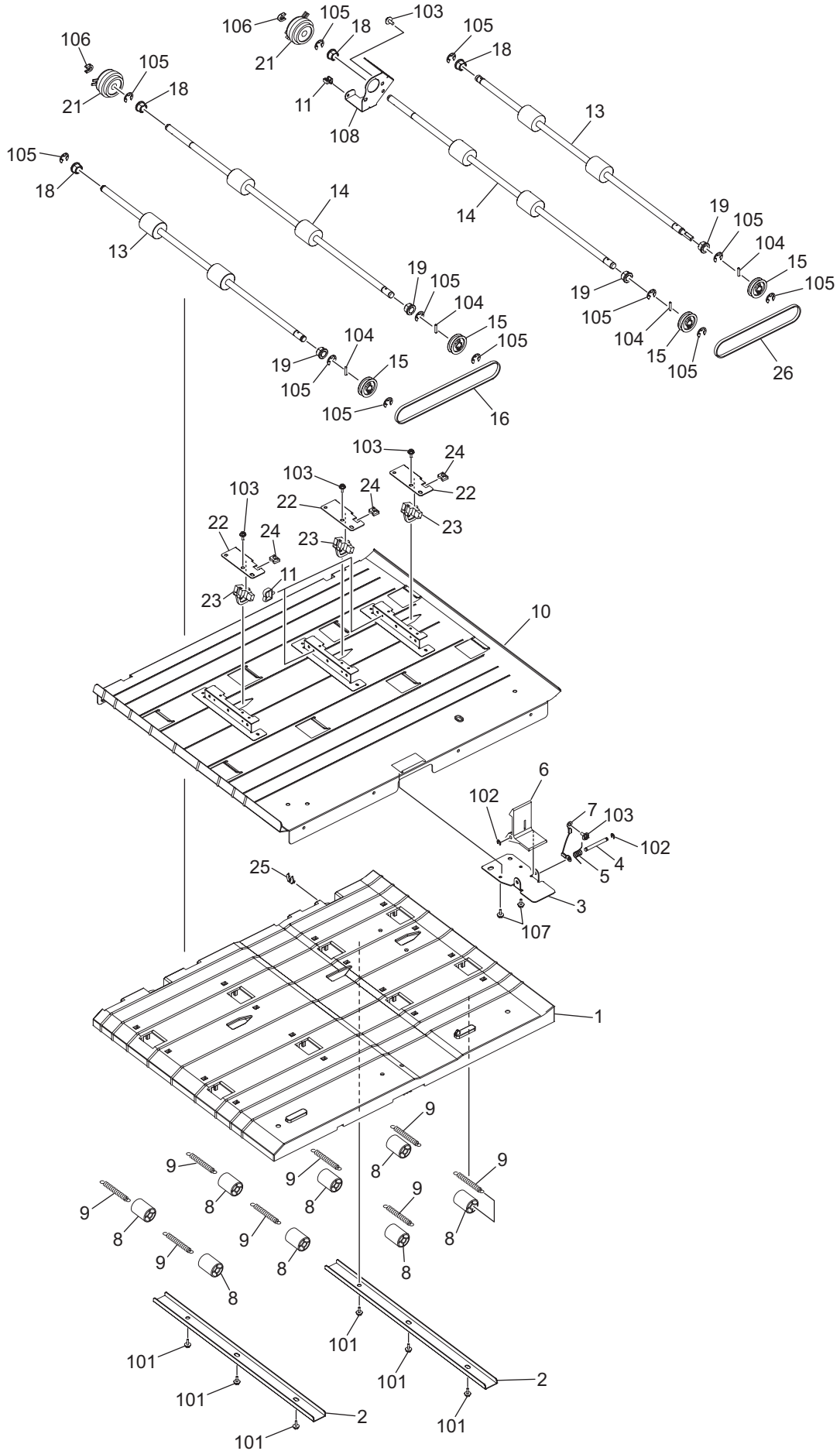


ITEM No.	PART No.	PART NAME	Q'TY / PAGE	Q'TY / PACK	REMARKS
1	6LH73650000	ASYS-FRM-TRANS	1	1/D	
2	6LE09520000	MOTRS-MT-390	1	1/C	
3	6LE05703000	SHAFT-TRANS	1	1/P	
4	6LE05706000	BRKT-ACTR-TRANS	1	1/P	
5	C0-10813000	GP1A73ARJ00F	1	1/P	
6	6LE05704000	ACTUATOR-TRANS	1	1/D	
7	6LE05770000	SPG-T-TRANS-ACTR	1	1/P	
8	6LA03543000	SPL-GUIDE-ROL2	1	1/P	
9	F0-00226000	KGLS-6RT	4	5/P	
10	6LE09140000	PWA-F-MOT2-390MT	1	1/C	
11	6LE09237000	HRNS-MIDTR-390	1	1/P	
12	6LA03557000	GUIDE-ADU-EX-L1	1	1/P	
13	6LA03558000	GUIDE-ADU-EX-L2	1	1/P	
14	6LH73649000	K-BKT-JNT-TRANS	1	1/P	
15	6LA03581000	SPRING-TRANS-R	1	5/P	
16	6LH68618000	ROLL-TRANS-H190	2	1/P	
17	F0-01390000	LNR-1680HHRP0P15LY13	2	1/P	
18	6LA04720000	PLY/T-S2M-28-08	1	1/P	
19	6LE05713000	BLT_SY-S2M-124-6	1	1/P	
20	X0-01526000	P/PRL/AH7-2X12-SS	1	10/P	
21	F0-01248000	ESC-0912	2	10/P	
22	F0-01811000	LWS-0711S-V0	3	5/P	
23	6LE05717000	GUIDE-ROL-T-L-390	1	1/D	
24	6LE05746000	SPL-GUIDE-ROL1-390	1	1/D	
25	6LE09175000	K-VARIST-390	1	1/D	
26	6LE05712000	SUPPORT-GUIDE	1	1/P	
27	4401772280	SUPPORT-GUIDE-P	3	1/P	
28	6LA03552000	GEAR-10S021-06	1	1/P	
29	6LA03553000	GEAR-10S034-08	1	1/P	
30	6LE05708000	ASYS-BRKT-TRANS-G	1	1/D	
31	6LA03570000	CAP-STUD-SFB	1	1/P	
32	6LA03576000	SPC-064-060-0110	1	5/P	
33	6LA03575000	SPC-079-070-0110	1	5/P	
34	6LA03578000	BRKT-HOLD-SP	1	1/P	
35	6LE05759000	SHAFT-TRANS-390	1	1/P	
101	X0-02593000	S/TPD3/FHEXM-3X8-ZU3	15	10/P	
102	X0-02230000	S/FHEXM-M3X6-NI	4	10/P	
103	X0-00963000	RR/E-2-SS	1	10/P	
104	X0-00968000	RR/E-7-SS	5	10/P	
105	X0-02589000	S/TPD3/FHEXM-4X8-ZU3	3	10/P	

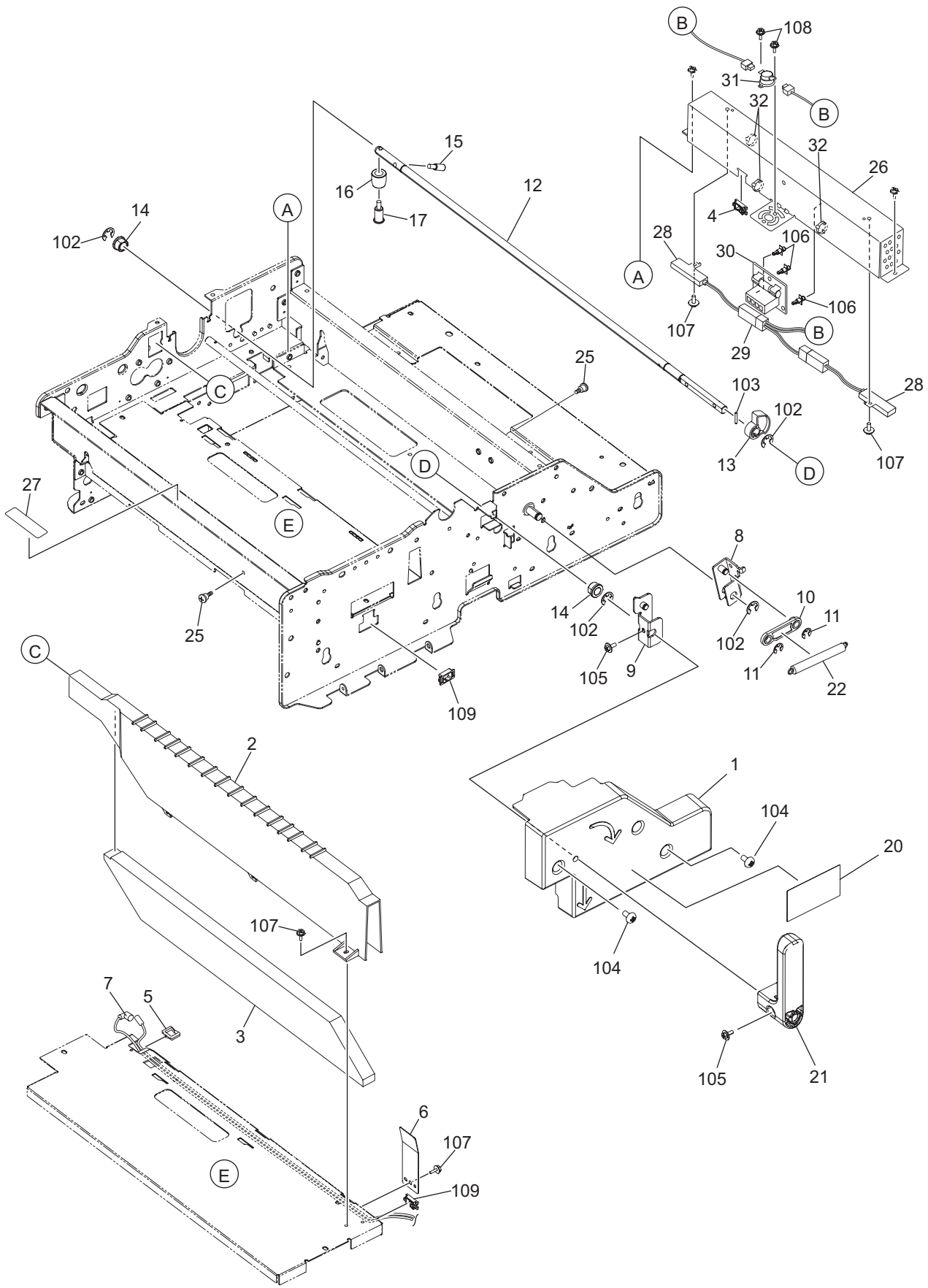




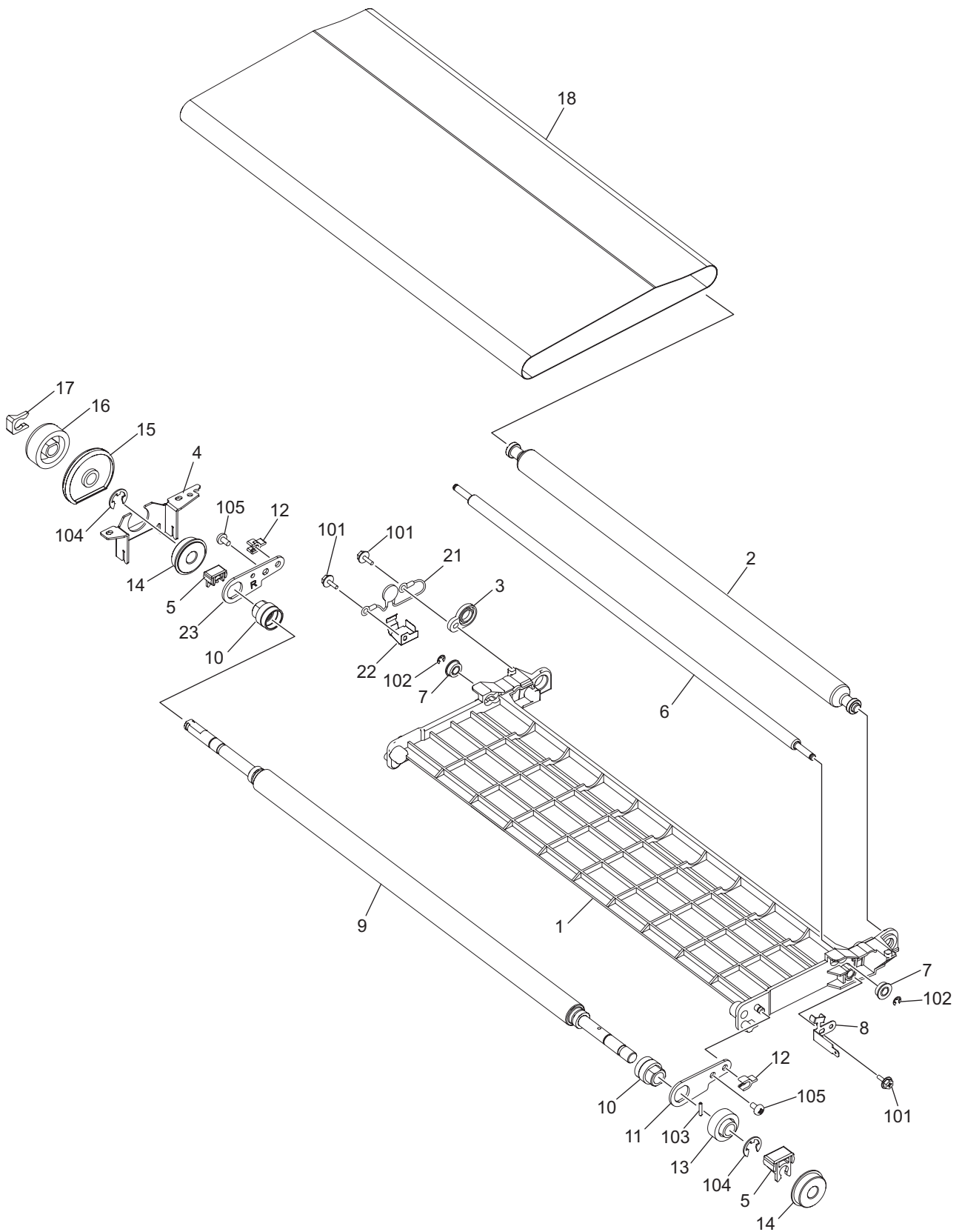
ITEM No.	PART No.	PART NAME	Q'TY / PAGE	Q'TY / PACK	REMARKS
2	6LE08848000	SHAFT-LOCK-HDL-390	1	1/P	
3	4406337960	SPC089-070-0200	1	5/P	
4	4406338130	SCREW-STOP-H	1	10/P	
5	4406338420	BRKT-STOP-SFT	1	1/P	
6	4406338400	ACTR-STOP-SFT	1	1/P	
7	6LA08932000	SCREW-ACTR-TRU	1	10/P	
8	4406337970	TERMINAL-TRU	1	1/P	
9	4406337980	PLATE-TERM-TRU1	1	1/P	
10	4406338010	PLATE-TERM-TRU2	1	1/P	
11	F0-00047000	EDS-1717U	1	10/P	
12	4406546980	PLY/T-3GT25TWIN	2	1/P	
13	4406546990	GEAR10S28-06TWN	2	1/P	
14	4406342080	GEAR-10S028-06	1	1/P	
15	6LA06121000	BLT/T-375-3GT-4	1	1/P	
16	6LA06340000	WAS-06-95-Z13-P	2	10/P	
19	F0-00120000	ES-0505	2	5/P	
21	6LH73808000	CLUTCH-50T2-G28-8	1	1/D	
23	6LH23442000	BUSH-8X12X8F-NU4	2	5/P	
24	F0-01248000	ESC-0912	1	10/P	
25	F0-01250000	MSB-1207	3	5/P	
26	6LH73826000	ASYS-PLT-CPG-TR	1	1/P	
27	6LA06320000	CPG-DRIVE-TRANS	1	1/P	
28	6LH76402000	SHAFT-CPG-TRANS-H32X	1	1/P	
29	F0-01482000	RNR-1560ZZRP0P24LY121	2	1/P	
30	6LA06330000	SPC098-080-150	1	5/P	
31	6LA06120000	BLT/T-249-3GT-4	1	1/P	
32	6LH73813000	SHAFT-CLH-CPG-H32X	1	1/P	
33	6LA06337000	PLY/T-3GT025-08	1	1/P	
34	6LE08843000	BRKT-CPG-TRS-390	1	1/P	
35	6LH70659000	HRNS-ADU-H320	1	1/P	
36	6LH73823000	BRKT-CNT-TR-H32X	1	1/P	
101	X0-02589000	S/TPD3/FHEXM-4X8-ZU3	9	10/P	
102	X0-00966000	RR/E-5-SS	9	10/P	
104	X0-01526000	P/PRL/AH7-2X12-SS	3	10/P	
105	X0-00967000	RR/E-6-SS	2	10/P	
106	6LA08935000	SCR-M3X6BISR-NI	3	10/P	
107	X0-02591000	S/TPD3/FHEXM-4X12-ZU3	2	10/P	
109	6LH70775000	HRNS-CLUCH2-H320	1	1/P	

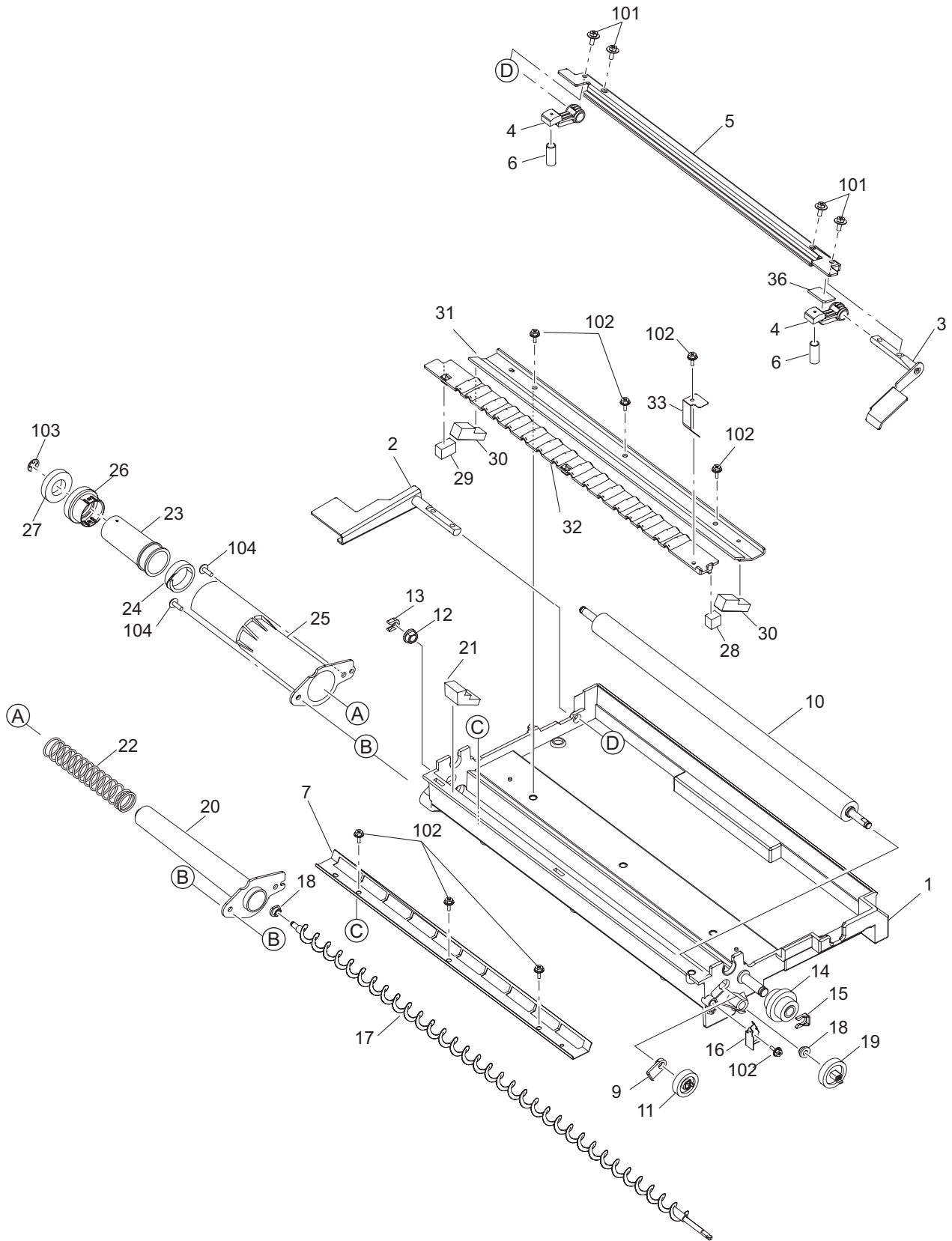


ITEM No.	PART No.	PART NAME	Q'TY / PAGE	Q'TY / PACK	REMARKS
1	6LH68619000	GUIDE-OPEN-H190	1	1/PP	
2	6LA06228000	BRKT-STAY-OPEN	2	1/P	
3	6LA06225000	PLATE-GUIDE-OP	1	1/P	
4	6LE08847000	SHAFT-LEVER-390	1	1/P	
5	4406343100	SPA057-080-R	1	5/P	
6	6LE03117000	LEVER-LOCK-GUIDE	1	1/P	
7	6LH73805000	WIRE-GUIDE-OPEN-TYF	1	1/P	
8	6LA06220000	RLR-TRANS-22	8	1/P	
9	6LE03139000	SPG-E-5R2XR7X47R2	8	1/P	
10	6LE08845000	ASYS-GUIDE-TR-390	1	1/KP	
11	F0-01250000	MSB-1207	3	5/P	
13	6LH68614000	RLR-PASS-TR-1-H190	2	1/KP	
14	6LH73816000	RLR-PASS-TR-2-H32X	2	1/KP	
15	6LA06337000	PLY/T-3GT025-08	4	1/P	
16	6LA06123000	BLT/T-366-3GT-4	1	1/P	
18	6LH23442000	BUSH-8X12X8F-NU4	4	5/P	
19	4400802080	BUSH-8	4	5/P	
21	6LH73808000	CLUTCH-50T2-G28-8	2	1/D	
22	6LA06185000	BRKT-SENSOR-TR	3	1/P	
23	6LH69960000	SNSR-FED-H100	3	1/C	
24	F0-00120000	ES-0505	3	5/P	
25	44201801000	STOP-RING-6-1.5	1	5/P	
26	6LA06124000	BLT/T-303-3GT-4	1	1/P	
101	X0-02247000	S/TPP/FHEXM-3X8-NI	6	10/P	
102	X0-00964000	RR/E-3-SS	2	10/P	
103	X0-02589000	S/TPD3/FHEXM-4X8-ZU3	5	10/P	
104	X0-01526000	P/PRL/AH7-2X12-SS	4	10/P	
105	X0-00968000	RR/E-7-SS	12	10/P	
106	4407972860	STOP-RING-6-5	2	5/P	
107	X0-01989000	S/TPP/BID-3X8-NI	2	10/P	
108	6LH76401000	BRKT-TRU-CL-H32X	1	1/P	

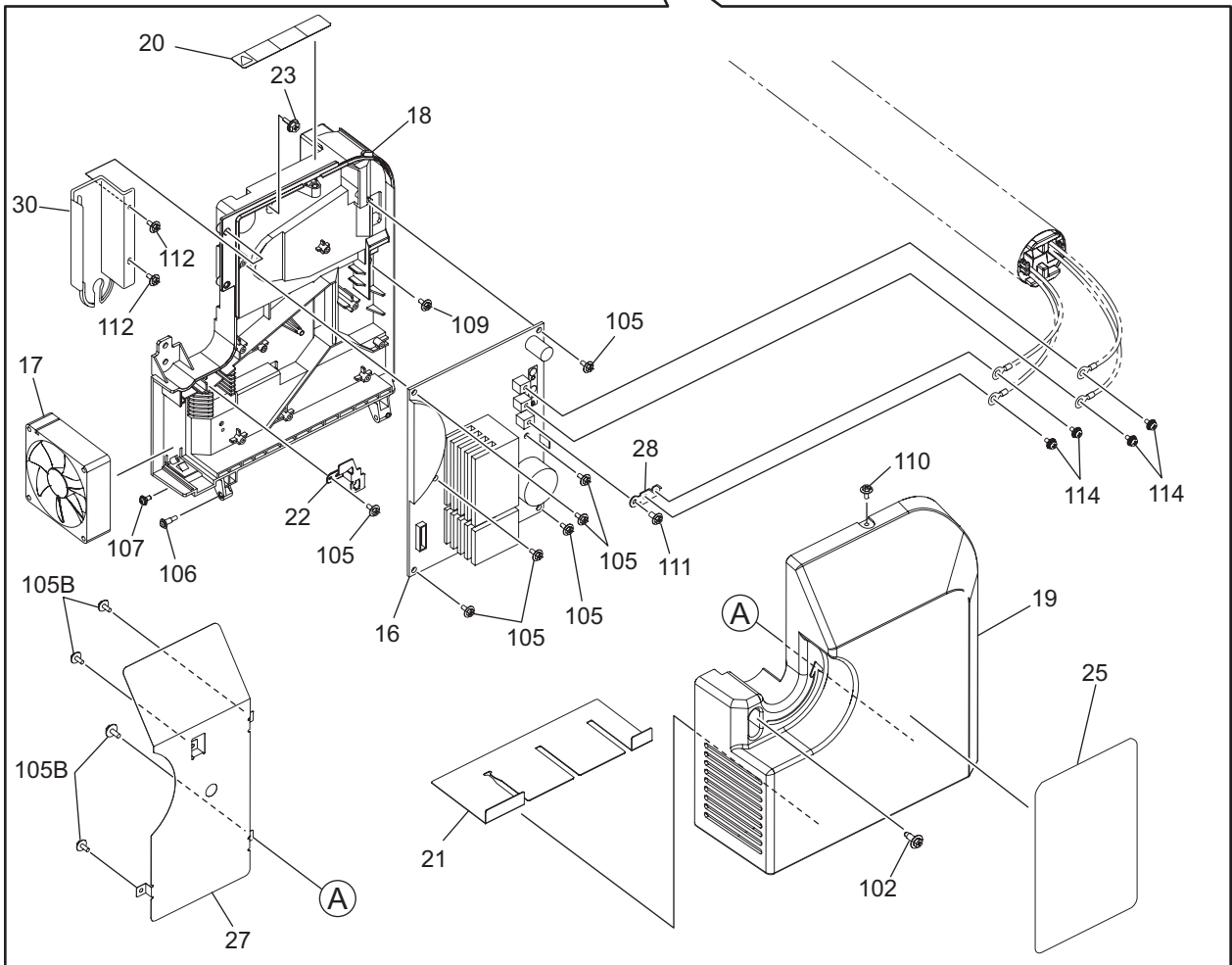
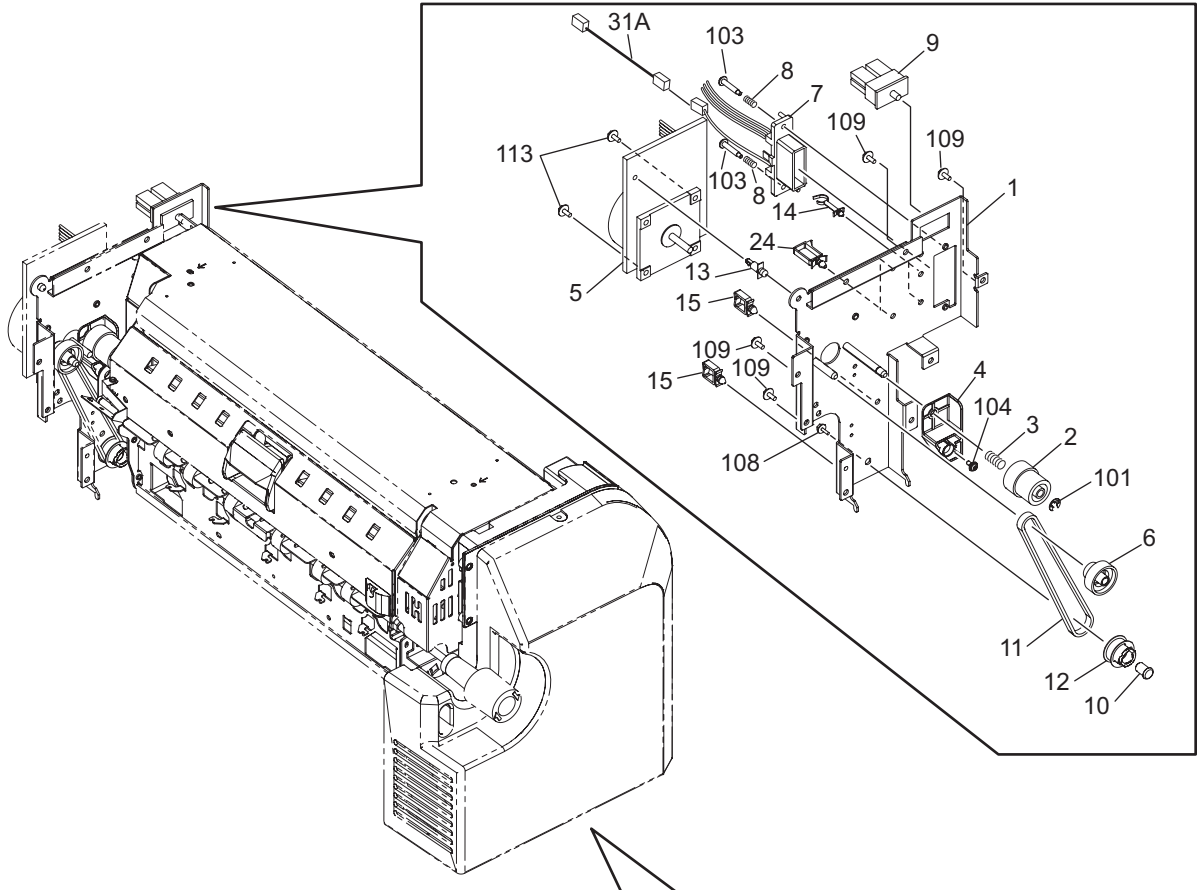


ITEM No.	PART No.	PART NAME	Q'TY / PAGE	Q'TY / PACK	REMARKS
1	6LE08805000	COVER-IN-TRU	1	1/P	
2	6LA02792000	DUCT-TRU	1	1/PP	
3	6LE16206000	SEAL-TRU-CR	1	1/KP	
4 B	F0-01248000	ESC-0912	1	10/P	NAD,MJD,ASD,AUD,CND,ARD
5	F0-00047000	EDS-1717U	1	10/P	
6	6LA02793000	PL-EARTH-C-SUB	1	1/P	
7	6LE09616000	HRNS-HVT-TR2-390	1	1/P	
8	6LA02812000	ASYS-BRKT-LNK-F	1	1/P	
9	6LA02815000	ASYS-BRKT-LNK-H	1	1/P	
10	4406338380	PLATE-LINK-H	1	1/P	
11	X0-00966000	RR/E-5-SS	2	10/P	
12	6LE08828000	SHAFT-HANDLE-TRU	1	1/P	
13	6LA02804000	CAM-F-TRU	1	1/P	
14	4400802080	BUSH-8	2	5/P	
15	4406338130	SCREW-STOP-H	1	10/P	
16	4406339490	COLLAR-STP-HDL	1	1/P	
17	4406339500	SCREW-HANDLE	1	10/P	
20	6LE08818000	LBL-ADU-OPEN	1	1/KP	
21	6LE08801000	HANDLE-TRU-390	1	1/P	
22	4406338300	SPE080-100-0530	1	5/P	
25	6LA02823000	SCREW-RAIL-TRU	2	5/P	
26 B	6LA02845000	BRKT-DH-L-340	1	1/P	ASD,AUD,CND,ARD
27	6LE08831000	LBL-W-HOT-STAY-390	1	5/P	
28 C	E0-10981000	HF05N442	2	1/D	ASD,AUD,CND,ARD
29 B	6LH70770000	HRNS-DHT-L-H320	1	1/P	ASD,AUD,CND,ARD
30 B	6LE10076100	PWA-F-FUS-390UE	1	1/C	ASD,AUD,CND,ARD
31 B	6LE71198000	THRMST-CS-7SA	1	1/C	ASD,AUD,CND,ARD
32 B	F0-00021000	SKB-80MZ	3	10/P	ASD,AUD,CND,ARD
101	X0-02593000	S/TPD3/FHEXM-3X8-ZU3	3	10/P	
102	X0-00968000	RR/E-7-SS	4	10/P	
103	X0-01526000	P/PRL/AH7-2X12-SS	1	10/P	
104	X0-02589000	S/TPD3/FHEXM-4X8-ZU3	2	10/P	
105	X0-02235000	S/FHEXM-M4X8-NI	2	10/P	
106 A	F0-00340000	SPLSN-4U	3	5/P	ASD,AUD,CND,ARD
107 A	X0-02592000	S/TPD3/FHEXM-3X6-ZU3	2	10/P	NAD,MJD
107 B	X0-02592000	S/TPD3/FHEXM-3X6-ZU3	4	10/P	ASD,AUD,CND,ARD
108 B	X0-00676000	S/TPS/BID-3X6-NI	2	10/P	ASD,AUD,CND,ARD
109	F0-01248000	ESC-0912	2	10/P	

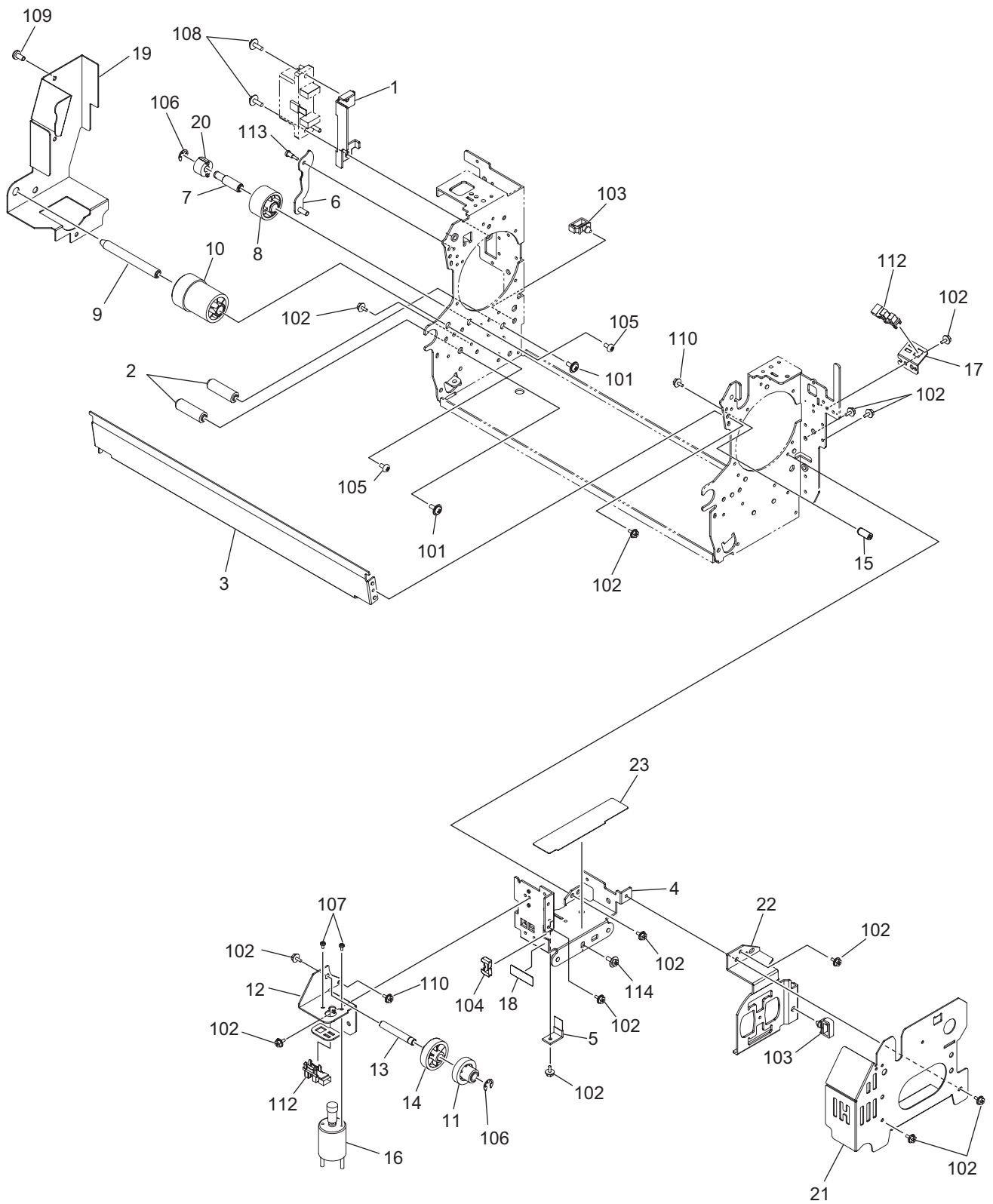


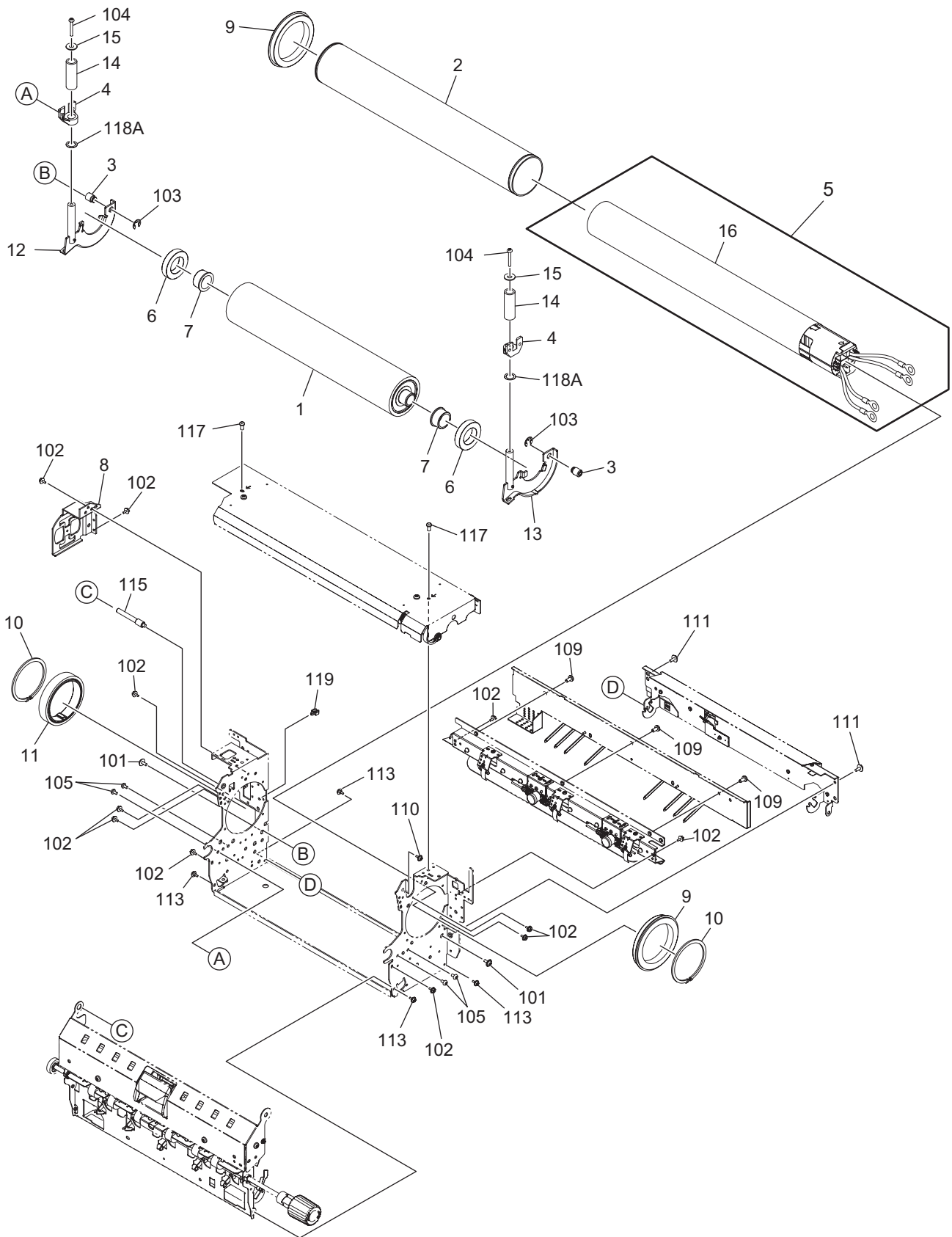


ITEM No.	PART No.	PART NAME	Q'TY / PAGE	Q'TY / PACK	REMARKS
1	6LE08858000	K-CASE-TRU	1	1/PP	
2	4406339450	K-LEVER-CAM	1	1/P	
3	6LA02905000	ASYS-LVR-HANDLE	1	1/P	
4	4406339420	ARM-BELT-TRU	2	1/P	
5	4406339410	HOLDER-ARM-TRU	1	1/P	
6	6LA08948000	SPC075-080-0315	2	5/P	
7	6LA02918000	SCRPR-BRUSH-TRU	1	1/P	
9	6LH76414000	BUSH-BRS-F-TRU	1	1/P	
10	6LA23070000	B-6510TR	1	1/S	
11	4406338950	GEAR-08H025-06	1	1/P	
12	6LA02922000	BUSH-0612-D6F-M	1	5/P	
13	4407972860	STOP-RING-6-5	1	5/P	
14	4406339300	GG08H021/08H031	1	1/P	
15	4400336190	STOP-RING-8	1	5/P	
16	4406338960	PLATE-BRS-TRU	1	1/P	
17	6LE08800000	AUGER-TRU-390	1	1/P	
18	6LA02920000	BUSH-0410-05F-M	2	5/P	
19	4406339280	GEAR-08H028-04	1	1/P	
20	4406339230	NOZZLE-TRU-IN	1	1/P	
21	6LE08816000	SEAL-BLADE-RER-SUB	1	1/D	
22	4406339690	SPC249-100-1220	1	1/P	
23	4406339510	SHTR-NZL-TRU	1	1/P	
24	4406339520	SEAL-SHTR-TRU	1	5/P	
25	4406339240	NOZZLE-TRU-OUT	1	1/P	
26	4406339530	HLDR-S-NZL-TRU	1	1/P	
27	4406339250	SEAL-NOZZLE-TRU	1	5/P	
28	4406339390	SEAL-F-TRU	1	1/P	
29	4406339400	SEAL-R-TRU	1	5/P	
30	6LA02917000	SEAL-BLADE-TRU	2	5/P	
31	6LH72622000	BL-8550TR	1	1/S	
32	4406338970	K-GUIDE-C-TRU	1	1/KP	
33	6LA02919000	SPL-EARTH-G-C	1	1/P	
36	6LA02907000	SPACER-ARM-TRU	1	5/P	
101	X0-02235000	S/FHEXM-M4X8-NI	4	10/P	
102	X0-02230000	S/FHEXM-M3X6-NI	8	10/P	
103	X0-00964000	RR/E-3-SS	1	10/P	
104	X0-02252000	S/TPP/FHEXM-4X10-NI	2	10/P	

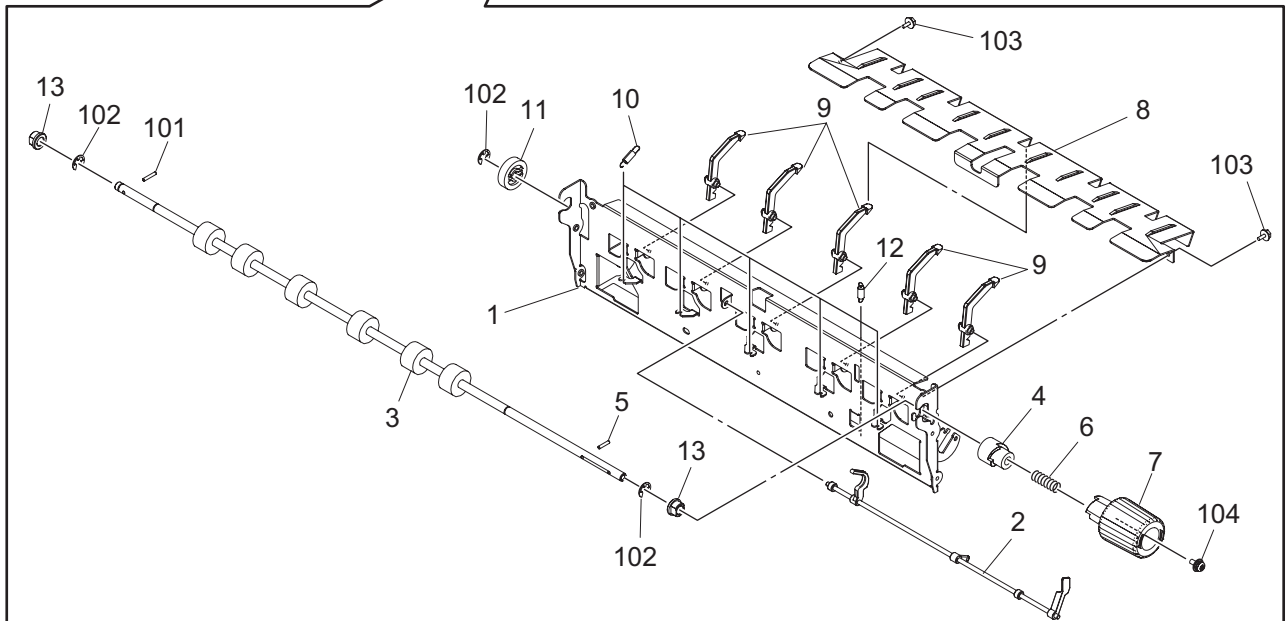
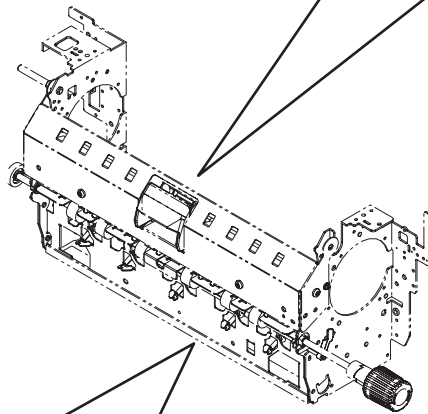
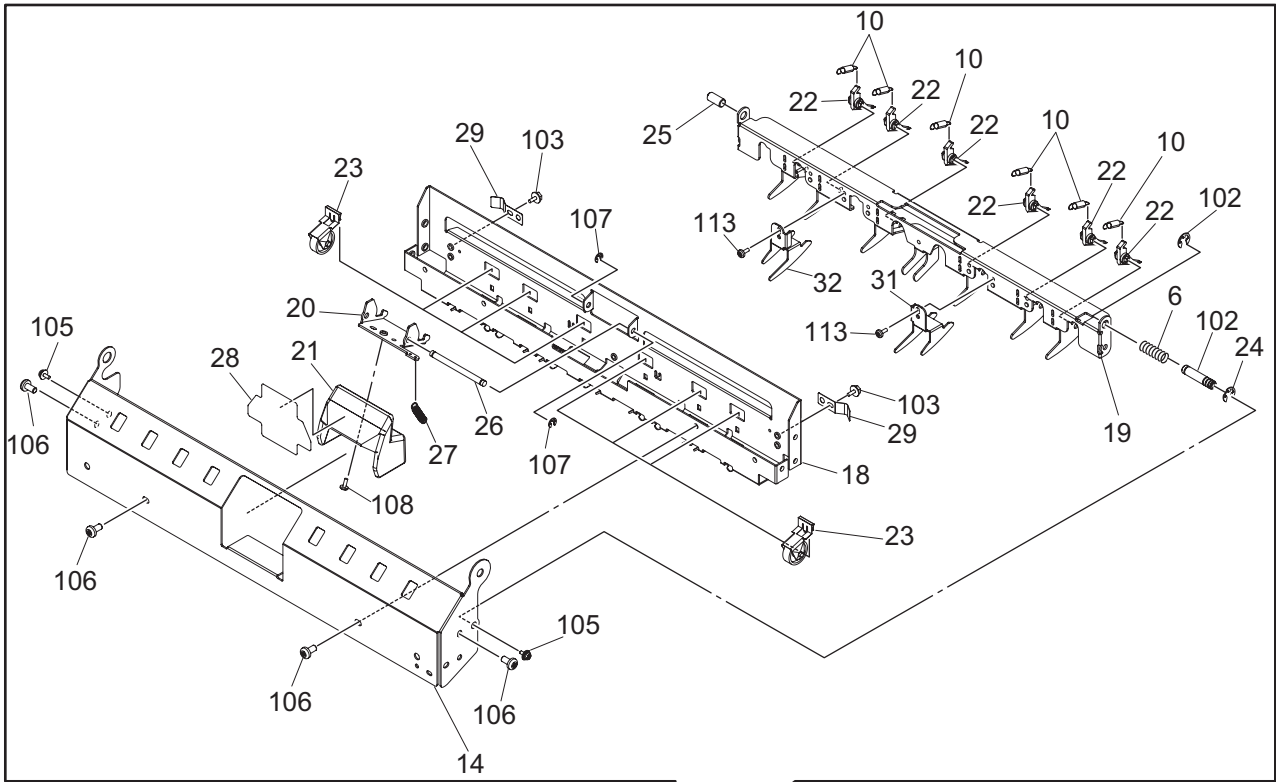


ITEM No.	PART No.	PART NAME	Q'TY / PAGE	Q'TY / PACK	REMARKS
1	6LA05484000	K-BRKT-FUS-MOT	1	1/P	
2	4406325850	K-GR10S23/05H50	1	1/P	
3	4363260910	SPC-075-055-200	1	5/P	
4	6LA05500000	COVER-FUS-GEAR	1	1/P	
5	6LE09157000	MOTRD-HTR-390	1	1/C	
6	6LE03100000	GEAR-5H50_P3GT17-6	1	1/P	
7	6LE09788000	HRNS-LGC-FUS-390	1	1/P	
8	6LH68525000	SPG-C-068-080-180	2	5/P	
9	E0-08333000	AGX206F	1	1/D	
10	6LA05488000	STUD-ADU-CUP	1	1/P	
11	6LE03101000	BLT_SY-3GT-339-6	1	1/P	
12	6LA05494000	PLY/T-3GT021-06	1	1/P	
13	F0-00340000	SPLSN-4U	1	5/P	
14	F0-00838000	HL-28-0-V0	2	1/P	
15	F0-01243000	LWS-1211Z	2	5/P	
16 A	6LH68804100	ASYS-PS-IH-320E	1	1/C	MJD,ASD,AUD,CND,ARD
16 B	6LH68804200	ASYS-PS-IH-320UT	1	1/C	NAD
17	6LA34342000	FAN-D-8025-350NH	1	1/D	
18	6LE06722000	ASYS-DUCT-FUS-PWA-390	1	1/PP	
19	6LE06624000	COV-PWA-IH	1	1/P	
20 A	6LA06571000	LBL-W-HOT-340	1	1/KP	NAD,MJD,ASD,AUD,ARD
20 B	6LH70856000	LBL-W-HOT-IH-CND	1	1/KP	CND
21	6LE06691000	PLATE-COVER-IH	1	1/KP	
22	6LA05538000	BRKT-IH-FAN	1	1/P	
23	X0-02593000	S/TPD3/FHEXM-3X8-ZU3	1	10/P	
24	F0-01299000	LWS-2111Z	2	1/P	
25	6LE13137000	LBL-FUS-TNR-IN	1	1/KP	
27 B	6LE06692000	SHIELD-IH	1	1/C	MJD,ASD,AUD,CND,ARD
28	6LA05537000	BRKT-IH-GND	1	1/P	
30	6LE06648000	ASYS-DUCT-FUS-L-390	1	1/PP	
31 A	6LE09915000	HRNS-DH-CONNECT-390	1	1/P	AUD,CND,ARD
101	X0-00966000	RR/E-5-SS	1	10/P	
102	6LA14330000	S/TPS/HEX/R-M4X12	1	10/P	
103	4406326040	SCREW-D4-18-M3	2	10/P	
104	6LA08937000	SCREW-BKT-DEV	1	10/P	
105 A	X0-02247000	S/TPP/FHEXM-3X8-NI	7	10/P	NAD
105 B	X0-02247000	S/TPP/FHEXM-3X8-NI	11	10/P	MJD,ASD,AUD,CND,ARD
106	6LE06667000	SCREW-M3-D4-7-ZU3	1	5/P	
107	6LA08933000	SCREW-CON-DEV-V	1	10/P	
108	X0-02235000	S/FHEXM-M4X8-NI	1	10/P	
109	X0-02589000	S/TPD3/FHEXM-4X8-ZU3	5	10/P	
110	X0-02230000	S/FHEXM-M3X6-NI	1	10/P	
111	X0-02217000	S/PAN/SWWP-M4X8-ZU3	1	10/P	
112	X0-00434000	S/BID-M3X8-NI	2	10/P	
113	X0-02590000	S/TPD3/FHEXM-4X10-ZU3	2	10/P	
114	6LH55300000	USUITA-SPSEMS-4X8-6	4	5/P	

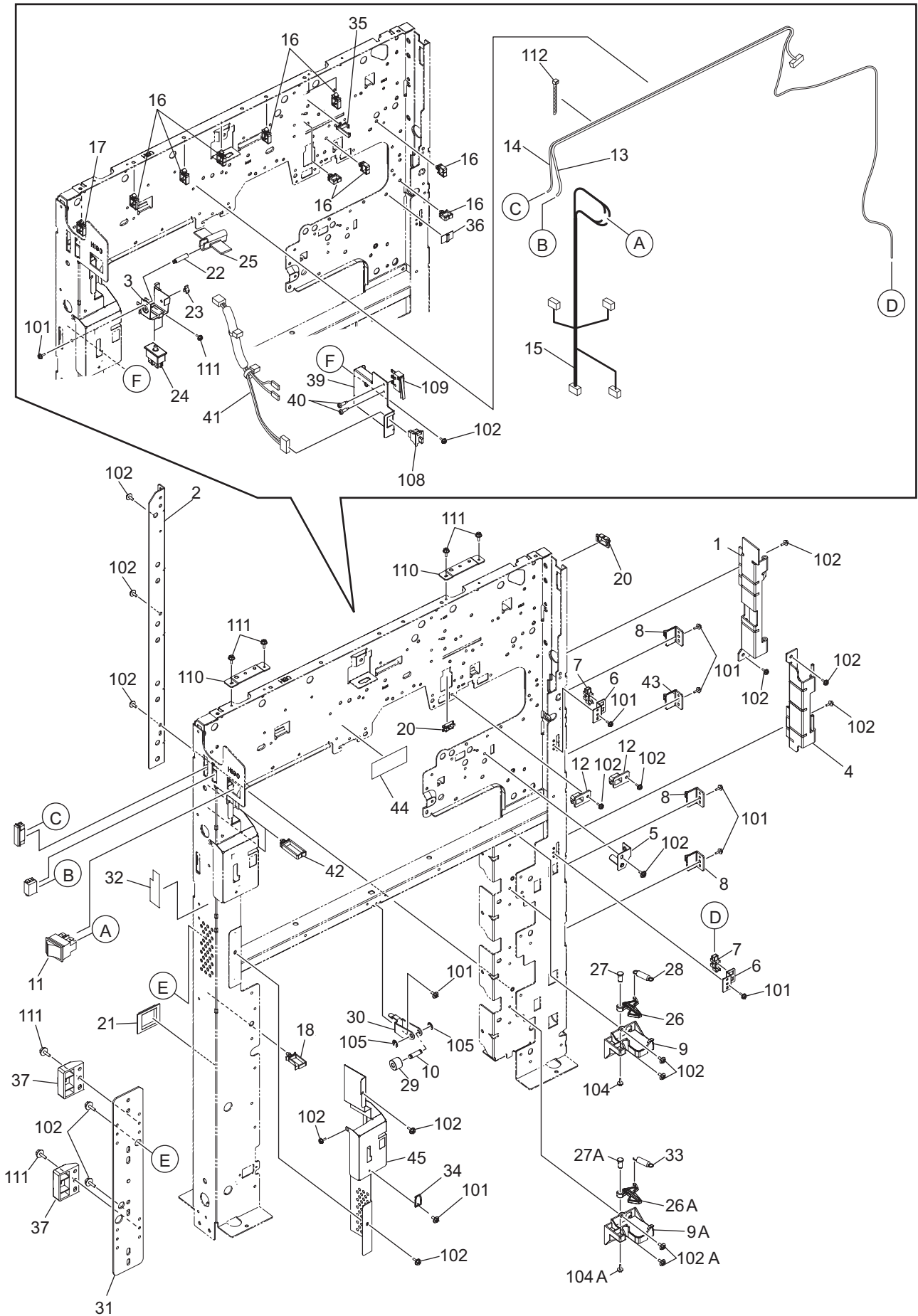




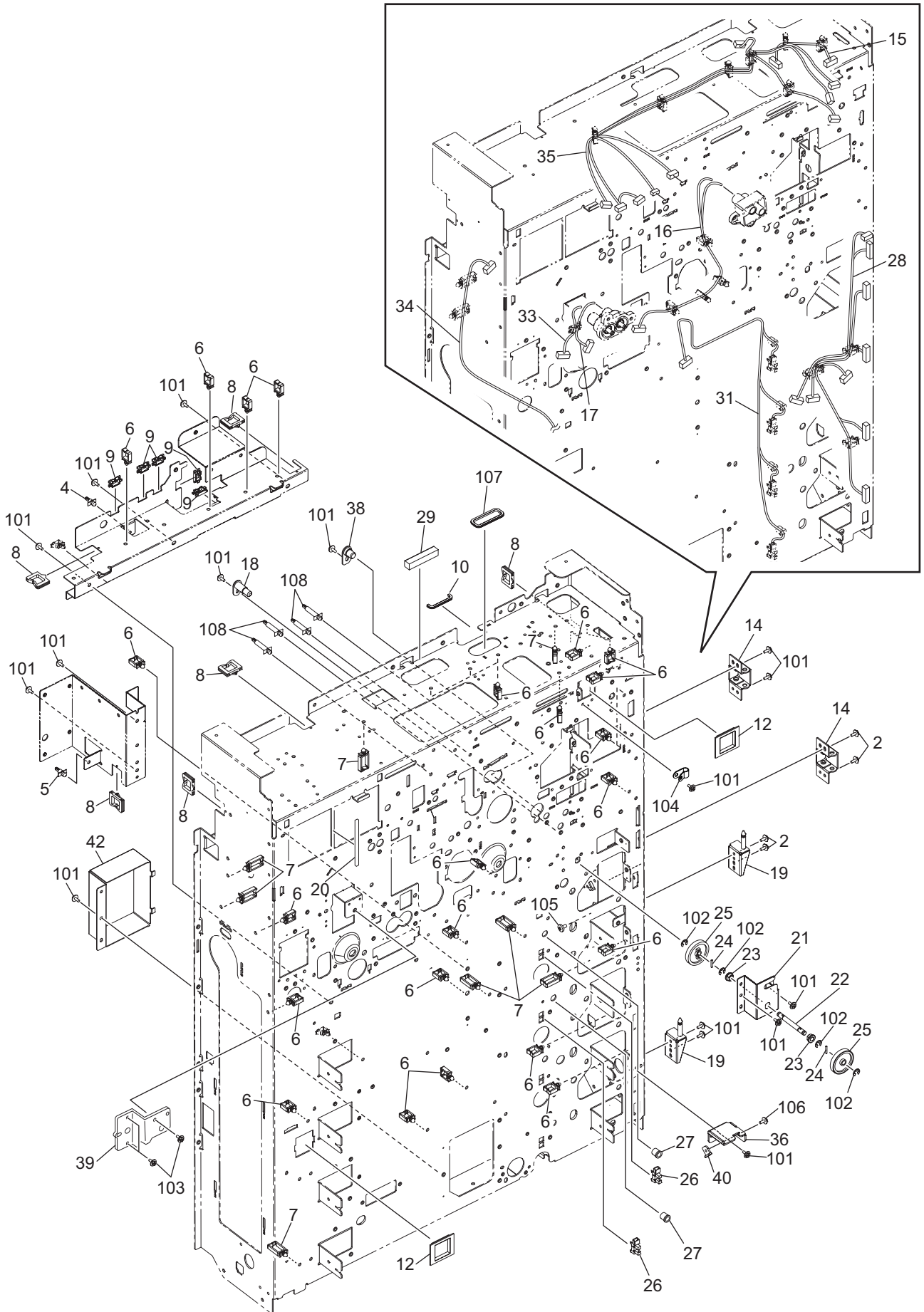
ITEM No.	PART No.	PART NAME	Q'TY / PAGE	Q'TY / PACK	REMARKS
1	6LH68803100	BRKT-FUS-ENT-U_H32X	1	1/P	
2	6LA05304000	GUIDE-FUS-ENT-U	1	1/P	
3	6LA05310000	BRKT-THERMO-H/R	2	1/P	
4	6LA07172000	THRMST-340-FUS	2	1/D	
5	6LA05309000	BRKT-THMS-H/R	3	1/P	
6	6LE09681000	THMS-HTR-U-390FS	1	1/KP	
7	F0-00032000	PLWS-1-46B	6	5/P	
8	6LE09437000	HRNS-IH-AC1-390	1	1/P	
9	6LA07431000	HRNS-IH-AC2-340	1	1/P	
10	6LH68707000	BUSH-6	5	1/P	
11	6LE19372000	CW-6000	1	1/S	
12	6LE19373000	PR-6000W	1	1/S	
13	6LE06634000	BRKT-WEB-R-390	1	1/P	
14	6LE06633000	BRKT-WEB-F-390	1	1/P	
15	6LA05444100	GUARD-FUS-CLN-U H100	1	1/PP	
16	6LA08943000	SPE-050-050-216	2	5/P	
17	6LH68705000	GEAR-08S35-06-F	1	1/P	
18	6LA05454000	BRKT-FUS-WEB-E	1	1/P	
19	6LH68703000	GG08S035_08S14L	1	1/P	
20	6LA05470000	SHEET-FUS-CLN-U	1	1/KP	
21	6LA05472000	SPL-FUS-F	1	1/P	
22 A	6LA05345000	GUIDE-FUS-EN-LJ	1	1/P	e-STUDIO557
22 B	4406325090	GUIDE-FUS-ENT-L	1	1/P	e-STUDIO657/757/857
23 A	6LA05585000	BKT-FUS-ENT-L50	1	1/P	e-STUDIO557
23 B	6LE06662000	BRKT-FUS-ENT-L390	1	1/P	e-STUDIO657/757/857
24	6LE06663000	BRKT-THMS-L390	1	1/P	
25	6LH70660000	HRNS-FUS-H320	1	1/P	
27	6LE06669000	BRUSH-SUS-HR	1	1/KP	
28	4406379760	THMS-HTR-L-300	1	1/C	
29	4406325120	COV-THMS-HT-FUS	1	1/P	
30	6LE06758000	K-HLD-THERMO	2	1/P	
33	6LA05286000	SHEET-FUS-ENT-U	1	1/KP	
34	6LE06630000	ASYS-GUIDE-EN-390	1	1/C	
35	6LA05468000	BRG-ONEWAY-6-H	2	1/P	
36	6LA05458000	SPACER-FUS-WEB	2	5/P	
101	X0-02069000	S/TPS/BID-3X6-ZU3	5	10/P	
102	X0-00077000	S/PAN/SWWP-M3X8-NI	4	10/P	
103	X0-02232000	S/FHEXM-M3X10-NI	1	10/P	
104	4401759180	SCREW-FUSER-M4	2	10/P	
105	X0-01526000	P/PRL/AH7-2X12-SS	1	10/P	
106	X0-00966000	RR/E-5-SS	8	10/P	
107	6LA08937000	SCREW-BKT-DEV	3	10/P	
108	X0-02592000	S/TPD3/FHEXM-3X6-ZU3	9	10/P	
109	X0-00094000	S/PAN/SWWP-M3X10-NI	3	10/P	



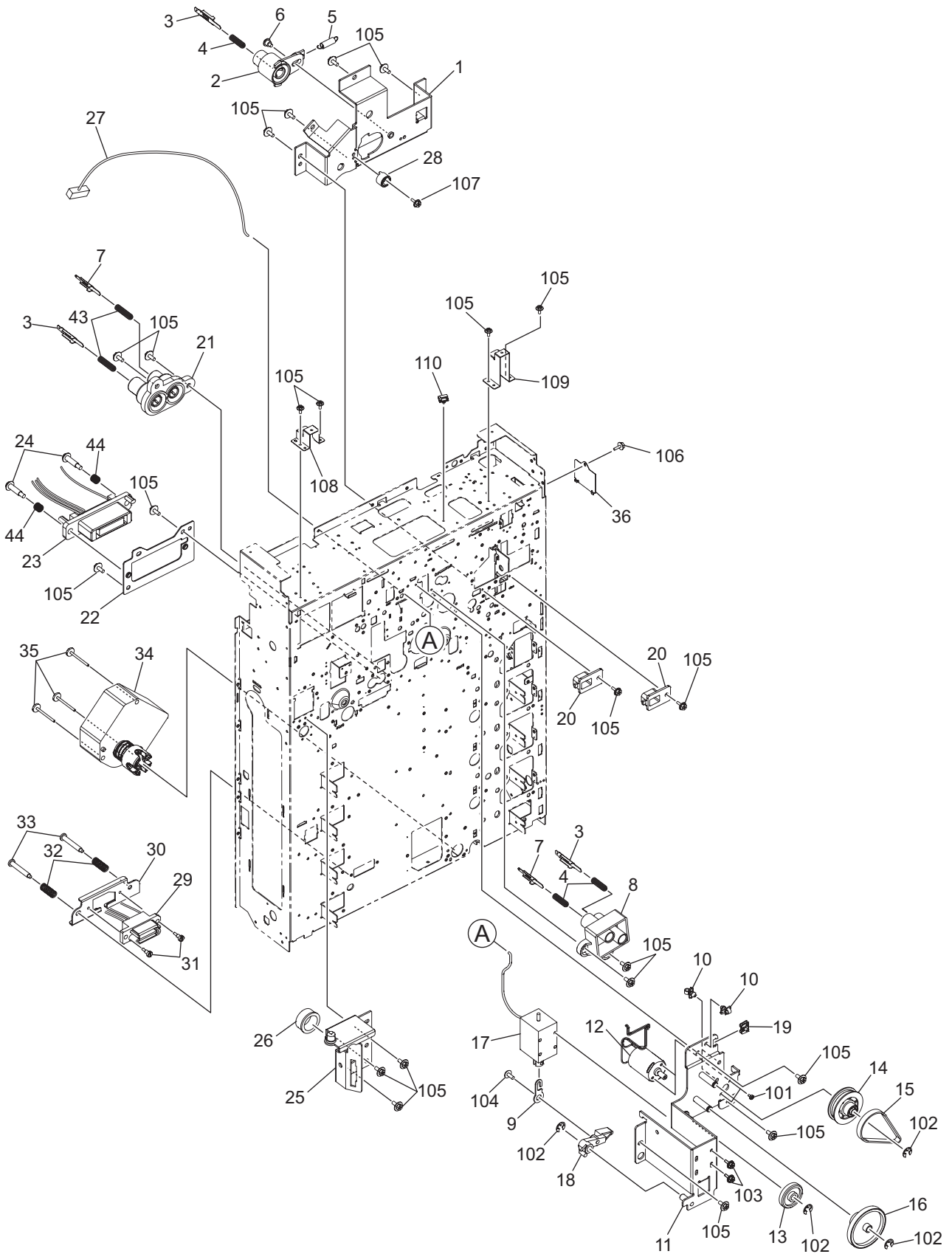
ITEM No.	PART No.	PART NAME	Q'TY / PAGE	Q'TY / PACK	REMARKS
1 A	6LH68768000	BRKT-SCRIP-L50-H32X	1	1/P	e-STUDIO557
1 B	6LA05404000	BRKT-SCRAPER-L	1	1/P	e-STUDIO657/757/857
2	6LA05410000	ACT-EXIT-FUS	1	1/C	
3	6LE06668000	ROL-EXIT-FUS-390	1	1/KP	
4	4401952430	CLUTCH-HDL-FUS	1	1/P	
5	X0-00980000	P/PRL/AH7-2X10-SS	1	10/P	
6	4401758710	SPC-FUS-HNDL-LE	2	5/P	
7	6LE06629000	HANDLE-FUS-390	1	1/P	
8	6LA05406000	GUIDE-PAPER-FUS	1	1/P	
9	4401758770	SCRAPER-P/R	5	5/P	
10	6LE06638000	SPE-SCRAPER-390	11	1/P	
11	4406324110	GEAR-10S22-6-P	1	1/P	
12	4401758810	SPE-SW-EXIT	1	5/P	
13	6LH68707000	BUSH-6	2	1/P	
14	6LA05364100	GUARD-FUS-LEVER V	1	1/PP	
18	6LA05367000	BRKT-EX-ROL-UP	1	1/P	
19	4406324510	BRKT-SCRAPER-U2	1	1/P	
20	4406324570	BRKT-LEV-HND-C	1	1/P	
21	6LE06628000	COV-FUS-LEV-390	1	1/P	
22	4402491630	SCRAPER-212	6	6/P	
23	6LH68750000	ASY-ROL-FUS-UP-H100	6	1/D	
24	4406324630	STUD-LEV-CRANK	1	1/P	
25	6LE06720000	STUD-CL-ROL-U-R	1	1/P	
26	6LE06713000	SFT-LEV-HND-C	1	1/P	
27	6LA08943000	SPE-050-050-216	1	5/P	
28	6LE06626000	SHEET-FUS-LEV-390	1	1/KP	
29	4406326180	SPL-FUS-EX-BKT	2	1/P	
31	6LA05380000	GUIDE-FUS-EX-F3	1	1/P	
32	6LA05381000	GUIDE-FUS-EX-R3	1	1/P	
101	X0-01526000	P/PRL/AH7-2X12-SS	1	10/P	
102	X0-00966000	RR/E-5-SS	5	10/P	
103	X0-02592000	S/TPD3/FHEXM-3X6-ZU3	4	10/P	
104	X0-02217000	S/PAN/SWWP-M4X8-ZU3	1	10/P	
105	X0-02551000	S/PAN/SWWP-M3X6-ZU3	2	10/P	
106	4401759180	SCREW-FUSER-M4	4	10/P	
107	X0-00964000	RR/E-3-SS	2	10/P	
108	X0-02069000	S/TPS/BID-3X6-ZU3	1	10/P	
113	X0-02056000	S/TPS/PAN-3X6-ZU3	2	10/P	



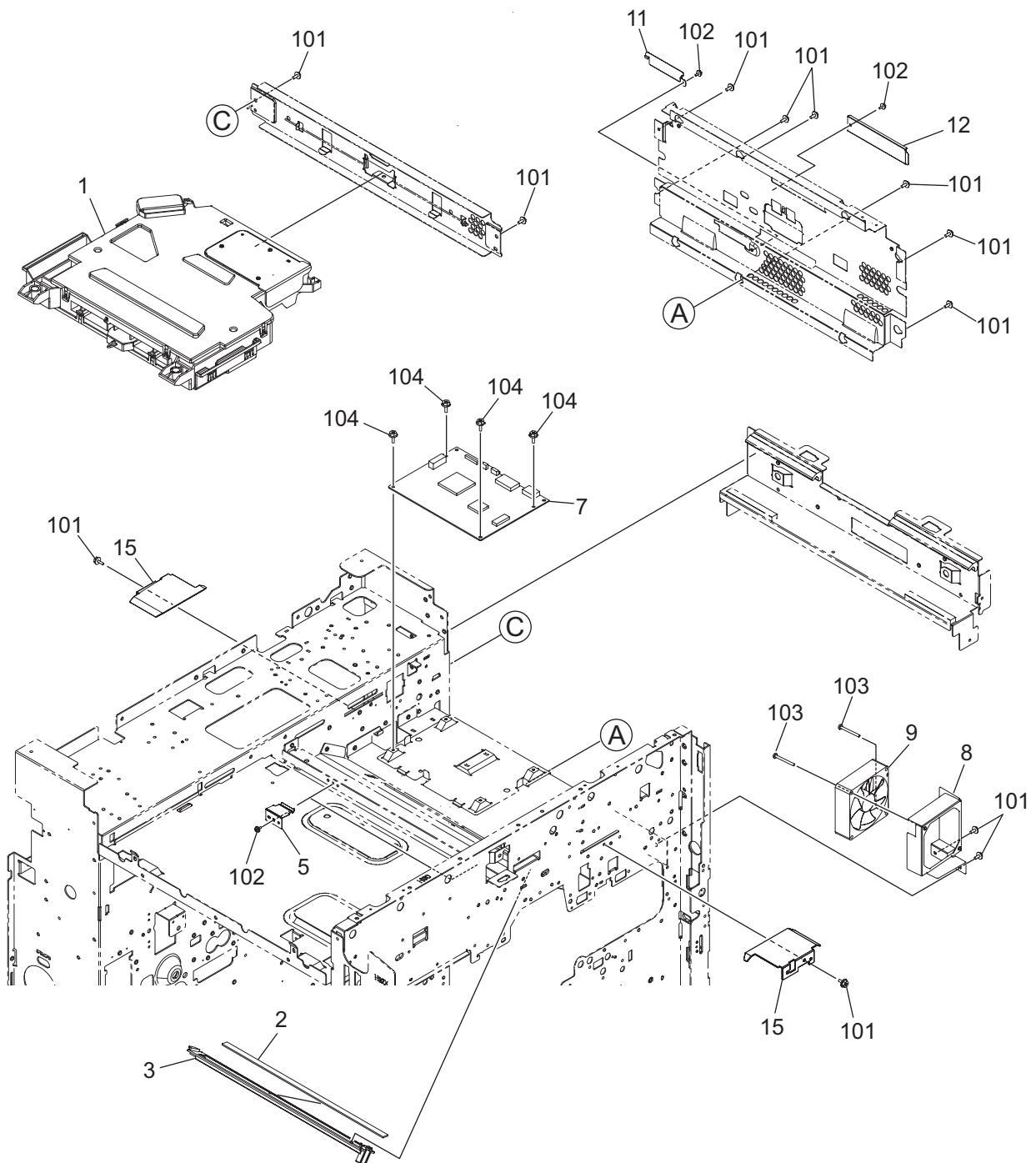
ITEM No.	PART No.	PART NAME	Q'TY / PAGE	Q'TY / PACK	REMARKS
1	6LE06335000	BRKT-HINGE-UPR	1	1/P	
2	6LA00950000	BRKT-F/S-UNIT	1	1/P	
3	6LH68507000	BRKT-DOOR-SW-H100	1	1/P	
4	6LE06338000	ASYS-BRKT-HINGE-LWR	1	1/P	
5	6LE05714000	ASYS-BRKT-POS-TRANS	1	1/P	
6	6LA04796000	BRKT-SENS-OPEN	2	1/P	
7	C0-10813000	GP1A73ARJ00F	2	1/P	
8	6LA04151000	STOPPER-KNOB	3	1/P	
9 A	6LA04492000	HOLDER-LOCK-CST	1	1/P	For Tandem LCF
9 B	6LA04492000	HOLDER-LOCK-CST	2	1/P	For Cassette
10	4406343710	SHAFT-GUIDE-OP	1	1/P	
11	E0-14534000	CF-LA-2KZ2-1C	1	1/C	
12	4406333430	BUSH-DEV	2	5/P	
13	6LE09205000	HRNS-FRONT-390	1	1/P	
14	6LE09209000	HRNS-SIDE-390	1	1/P	
15	6LH69820000	HRNS-MAIN-SW-H100	1	1/P	
16	F0-01811000	LWS-0711S-V0	9	5/P	
17	F0-01243000	LWS-1211Z	1	5/P	
18	F0-01299000	LWS-2111Z	1	1/P	
20	F0-01248000	ESC-0912	2	10/P	
21	F0-02211000	TSB-3027V0	1	1/P	
22	6LH68508000	STUD-DOOR-SW-H100	1	1/P	
23	4408354010	STOPPER-REAR	1	1/P	
24	E0-08442000	FA1L-AA22	2	1/D	
25	6LH68509000	GUIDE-SW-DOOR-H100	1	1/P	
26 A	6LA04493000	HOOK-LOCK-CST	1	1/P	For Tandem LCF
26 B	6LA04493000	HOOK-LOCK-CST	2	1/P	For Cassette
27 A	6LA04494000	STUD-LOCK-CST	1	5/P	For Tandem LCF
27 B	6LA04494000	STUD-LOCK-CST	2	5/P	For Cassette
28	6LA04495000	SPE080-100-0320	2	5/P	
29	4406343720	ROLL-GUIDE-OPEN	1	5/P	
30	6LE06351000	BRKT-HOLDER-RLR-390	1	1/P	
31	6LH68661000	ASYS-LOCK-EXIT-F-H32X	1	1/P	
32 A	6LA06575000	LBL-W-HOT-ANGL	1	1/KP	NAD,MJD,ASD,AUD,ARD
32 B	6LH70854000	LBL-W-HOT-AN-CND	1	1/P	CND
33	6LA04851000	SPE075-100-0320	1	5/P	
34	6LE06341000	GUIDE-PUSH-DOOR-390	1	1/P	
35	F0-00367000	RLWS-1TV0	1	10/P	
36	F0-00837000	P-25	1	5/P	
37	6LA05785000	HOOK-LOCK-EXIT	2	1/P	
39	6LE06400000	BRKT-SW-TNR-MAIN	1	1/P	
40	44204394000	SCREW20*D23	2	10/P	
41	6LE09240000	HRNS-FRT-USW-390	1	1/P	
42	F0-00026000	LWS-4U	2	5/P	
43	6LA15052000	STOPPER-KNOB-BYP	1	1/P	
44 A	6LA47644000	LBL-CAU-LSR-350	1	1/KP	NAD,MJD,ASD,AUD,ARD
44 B	6LA48459000	LBL-CAU-LSR-350-C	1	1/P	CND
45	6LE06310000	COVER-AGL-L-U-390	1	1/C	
101	X0-02593000	S/TPD3/FHEXM-3X8-ZU3	9	10/P	
102 A	6LA08934000	SCR-M4X8ITSR-NI	18	10/P	For Tandem LCF
102 B	6LA08934000	SCR-M4X8ITSR-NI	20	10/P	For Cassette
104 A	X0-02231000	S/FHEXM-M3X8-NI	1	10/P	For Tandem LCF
104 B	X0-02231000	S/FHEXM-M3X8-NI	2	10/P	For Cassette
105	X0-00966000	RR/E-5-SS	2	10/P	
108	E0-01853000	CS1A-B2CA	1	1/D	
109	E0-08294000	DE2L-BALG	1	1/D	
110	6LH68584000	BRKT-FRT-SCAN-H19X-N	2	1/P	
111	6LA08935000	SCR-M3X6BISR-NI	7	10/P	
112	F0-01012000	T18R	1	5/P	

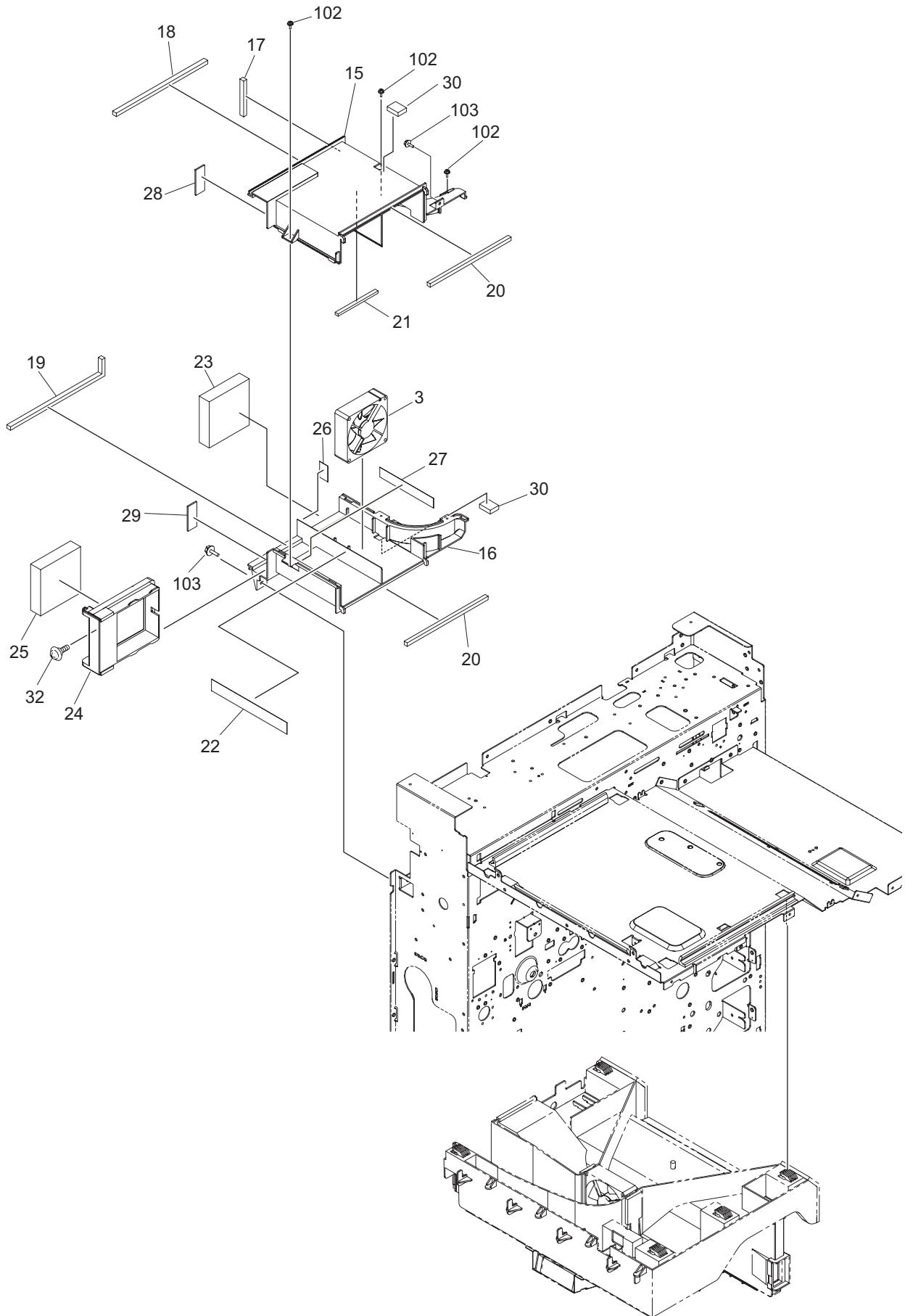


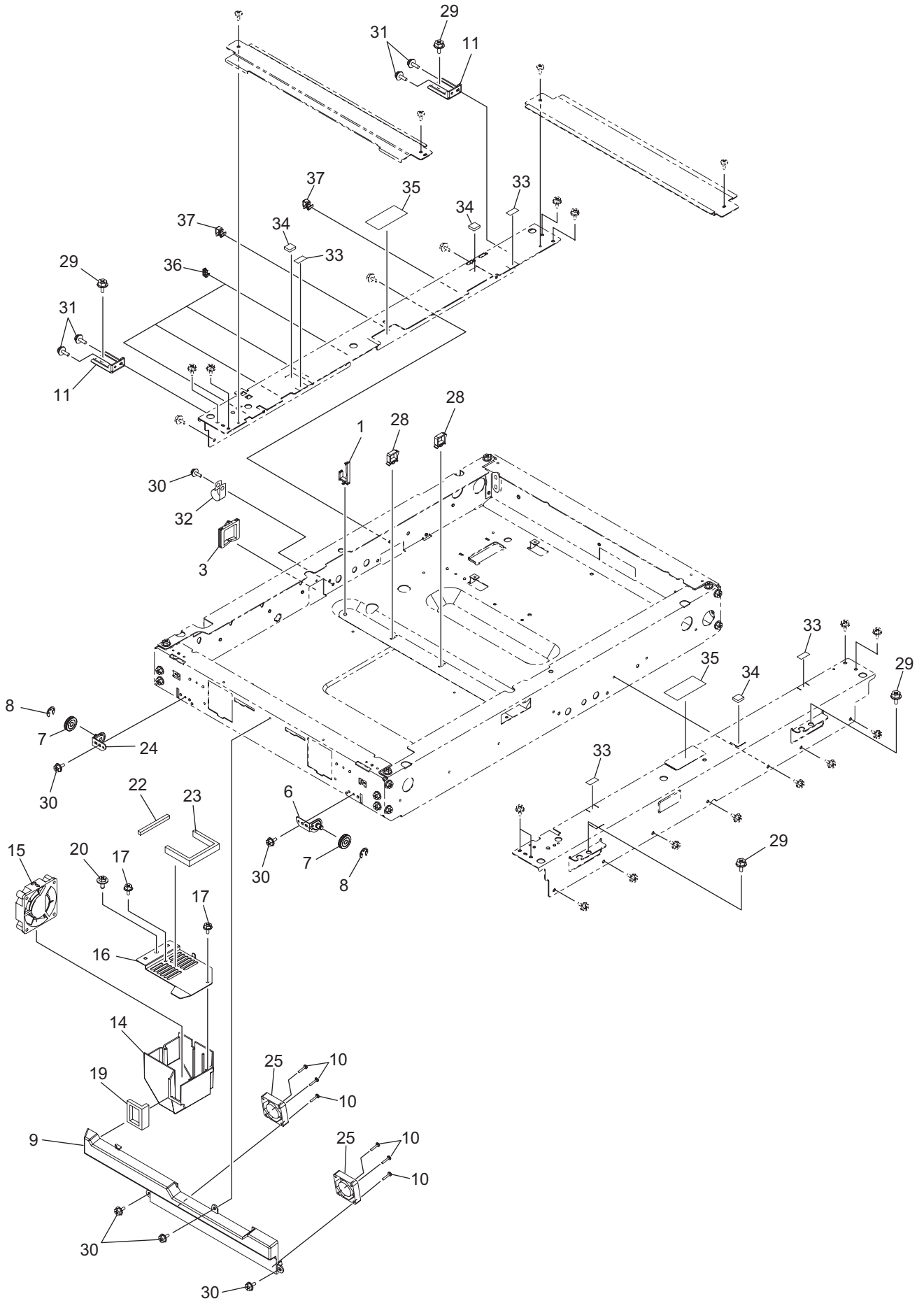
ITEM No.	PART No.	PART NAME	Q'TY / PAGE	Q'TY / PACK	REMARKS
2	X0-02421000	S/TPS/FHEXM/R-4X8-ZU3	4	10/P	
4	F0-00027000	SPS-3U	1	5/P	
5	F0-00342000	SPLSN-6U	1	5/P	
6	F0-01243000	LWS-1211Z	26	5/P	
7	F0-01299000	LWS-2111Z	8	1/P	
8	F0-00047000	EDS-1717U	6	10/P	
9	F0-01248000	ESC-0912	5	10/P	
10	6LE05412000	BUSH-KG-016L-SYS	1	1/P	
12	F0-02211000	TSB-3027V0	2	1/P	
14	6LA04747000	BRKT-HINGE-BYP	2	1/P	
15	6LH70624000	HRNS-PLG-SYS-H320	1	1/P	
16	6LE09118000	HRNS-HVT-M-390	1	1/P	
17	6LE09119000	HRNS-HVT-TR-390	1	1/P	
18	4406349900	K-JOINT-RGT	1	1/P	
19	6LA04139000	K-BKT-HINGE-FED	2	1/P	
20	6LA01386000	SEAL-FRAME-R	1	1/KP	
21	6LA04261000	BRKT-DRIVE-MID	1	1/P	
22	6LA04262000	SHAFT-DRIVE-MID	1	1/P	
23	4407734980	BUSH-6-GCB	2	5/P	
24	X0-01526000	P/PRL/AH7-2X12-SS	2	10/P	
25	6LA04263000	GEAR-10S035-06	2	1/P	
26	C0-10813000	GP1A73ARJ00F	2	1/P	
27	F0-00370000	OCB-375	2	5/P	
28	6LE09412000	ASY-HRNS-CST-390	1	1/P	
29	6LA01199000	GSKT-10-10-50	2	5/P	
31	6LA07340000	HRNS-LGC-BTM-340	1	1/P	
33	6LE09116000	HRNS-HVT-BRS-390	1	1/P	
34	6LH69989000	HRNS-LGC-REV-H100	1	1/P	
35	6LE09278000	HRNS-LGC-DEVM-390	1	1/P	
36	6LE05763000	BRKT-HINGE-STOP-390	1	1/P	
38	6LA03350000	K-JNT-GUIDE-U-S	1	1/P	
39	6LA05330000	BRKT-FUS-DRV	1	1/P	
40	6LE05764000	BRKT-HINGE-STOP-SUB	1	1/P	
42	6LA01041000	COVER-TLCF-FRM	1	1/P	
101	X0-02589000	S/TPD3/FHEXM-4X8-ZU3	16	10/P	
102	X0-00966000	RR/E-5-SS	4	10/P	
103	X0-02593000	S/TPD3/FHEXM-3X8-ZU3	2	10/P	
104	F0-00119000	EMT-4N	1	1/P	
105	X0-01285000	S/BID-M4X6-NC	1	10/P	
106	6LA08935000	SCR-M3X6BISR-NI	1	10/P	
107	6LH68279000	BUSH-ESG-16-SYS	1	1/PP	
108	F0-00312000	SPLSN-16U	4	5/P	

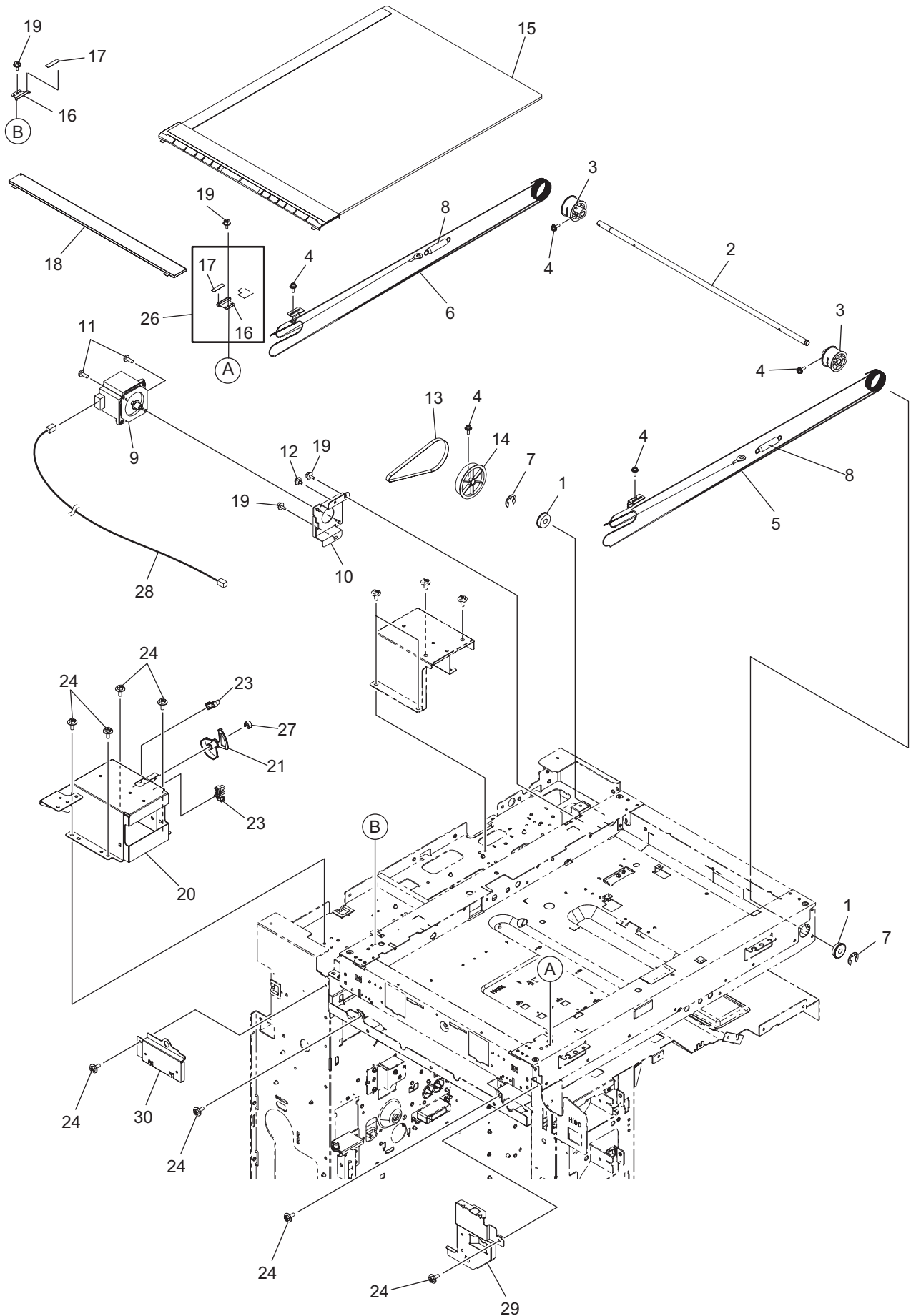


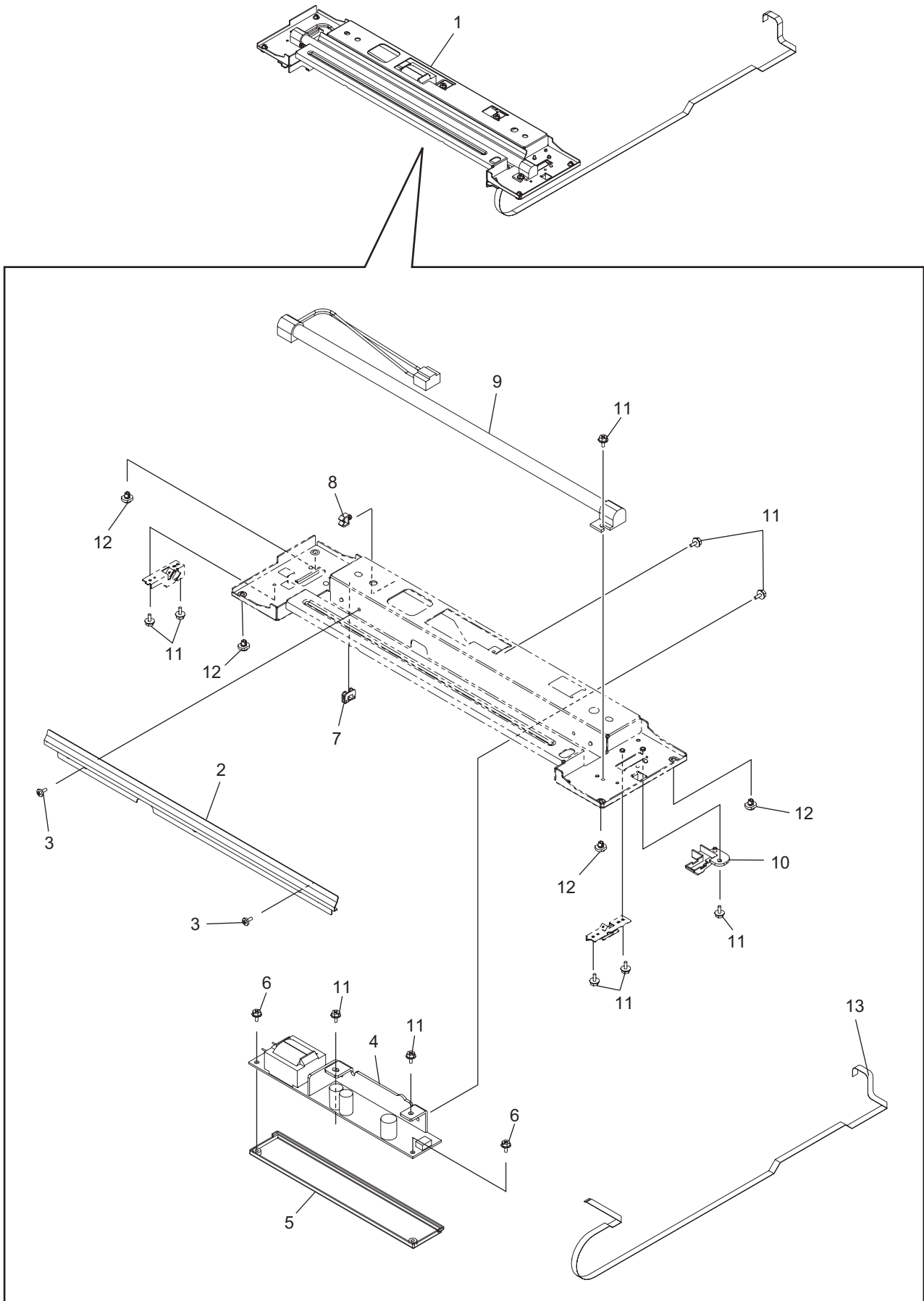
ITEM No.	PART No.	PART NAME	Q'TY / PAGE	Q'TY / PACK	REMARKS
1	6LE06334000	BRKT-DRV-SUB	1	1/P	
2	4406333770	TERM-BIAS-SUB	1	1/P	
3	4402308980	PLT-TERMINAL-R1	3	1/P	
4	4402308950	SPC055-050-0200	3	5/P	
5	4406333780	SPE060-050-184	1	5/P	
6	6LE06406000	SCREW-CH-M	1	10/P	
7	4402308970	PLT-TERMINAL-R2	2	1/P	
8	4406330810	TERMINAL-FRAME	1	1/P	
9	6LE06405000	LINK-SND-CLN	1	1/P	
10	4400902490	BAND-PS100	2	5/P	
11	6LE04116000	ASYS-BRKT-MOT-CLN-390	1	1/P	
12	6LE09545000	MOTRD-AUG-390CCW	1	1/D	
13	4401760590	GEAR-25-F	1	1/P	
14	4406329770	K-GEAR15-PLY53	1	1/P	
15	6LH68578000	BLT_T-2GT156-60	1	1/P	
16	4406329780	GEAR15-55	1	1/P	
17	6LA15256000	SOL-SCRIP-340	1	1/D	
18	6LA02238000	LEVER-CLAW-1	1	1/P	
19	F0-00120000	ES-0505	1	5/P	
20	4406333430	BUSH-DEV	2	5/P	
21	4406340260	TERM-FRAME-TRU	1	1/P	
22	6LA06405000	BRKT-CNT-R-340	1	1/P	
23	6LE09191000	HRNS-LGC-ADU-390	1	1/P	
24	4406343540	SCREW-SOCKET	2	1/P	
25	6LA05752000	K-BRKT-HIG-EX-U	1	1/P	
26	F0-00019000	OCB-875	1	10/P	
27	6LE09270000	HRNS-FUR-MOT-390	1	1/P	
28	6LE04520000	DETECTOR-DEV-390	1	1/P	
29	6LE09488000	HRNS-LGC-TLCF-390	1	1/P	
30	6LA93647000	BRKT-DRW	1	1/P	
31	6LE68371000	SCREW-CON	2	10/P	
32	6LA04817000	SPC-DRAW	2	5/P	
33	6LE68317000	SCREW-DRW-CON	2	10/P	
34	6LH73779000	MDC-TRAY-UP-H190	1	1/C	
35	6LA08931000	SCREW-BKT-MOT	3	10/P	
36	6LE06344000	BLIND-KEY-CTR-390	1	1/P	
43	6LA03023000	SPC055-050-0230	2	5/P	
44	6LA08950000	SPC074-070-0145	2	5/P	
101	X0-02254000	S/PAN/SWWS-M2.6X4-NI	2	10/P	
102	X0-00966000	RR/E-5-SS	4	10/P	
103	X0-02231000	S/FHEXM-M3X8-NI	2	10/P	
104	X0-02251000	S/TPP/FHEXM-4X8-NI	1	10/P	
105	X0-02589000	S/TPD3/FHEXM-4X8-ZU3	22	10/P	
106	X0-02230000	S/FHEXM-M3X6-NI	1	10/P	
107	X0-02056000	S/TPS/PAN-3X6-ZU3	1	10/P	
108	6LH68586000	BRKT-DMP-RER-LFT-H19X-N	1	1/P	
109	6LH68585000	BRKT-DMP-RER-RGT-H19X-N	1	1/P	
110	F0-01947000	RLWC-1SV0	1	5/P	

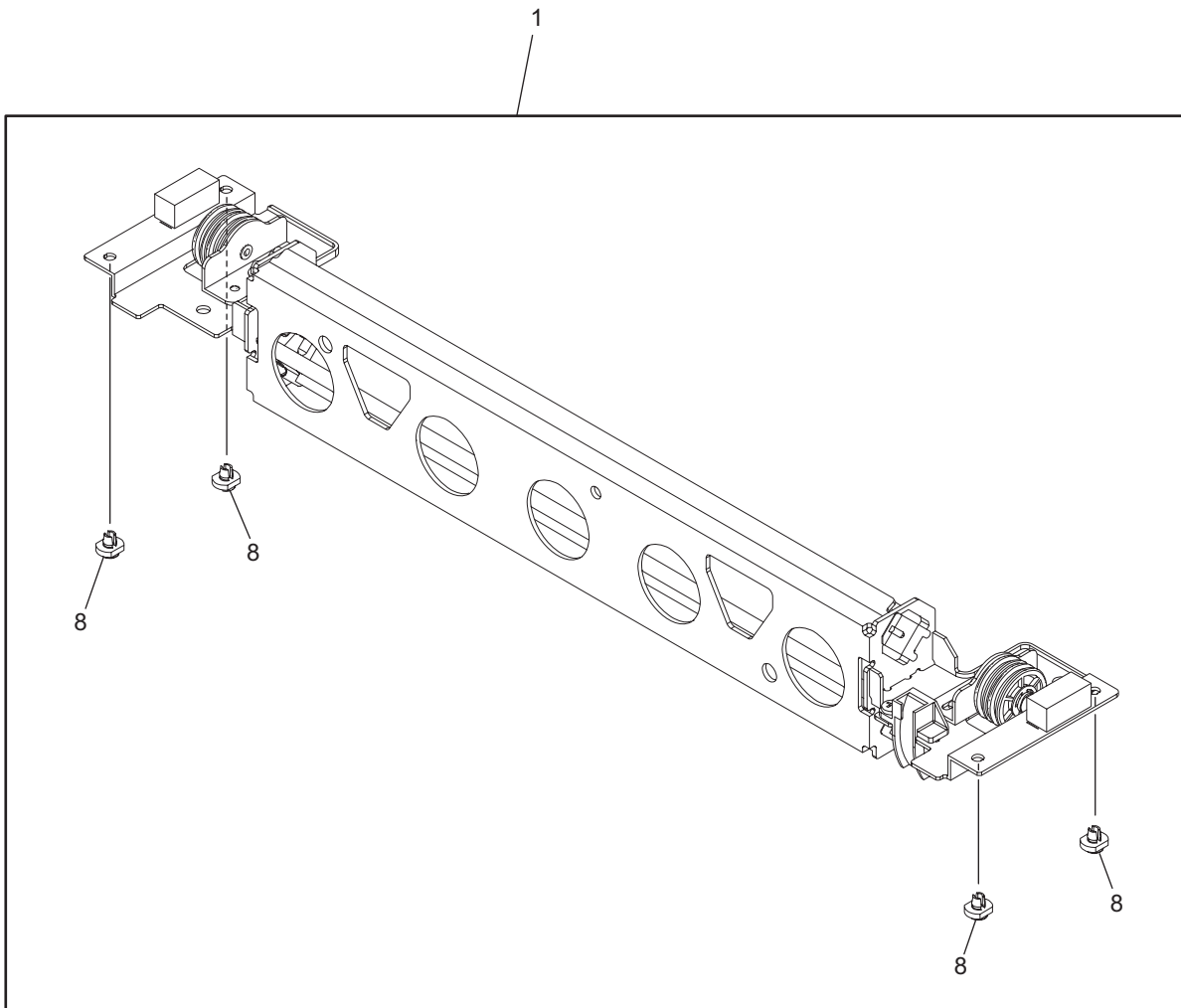


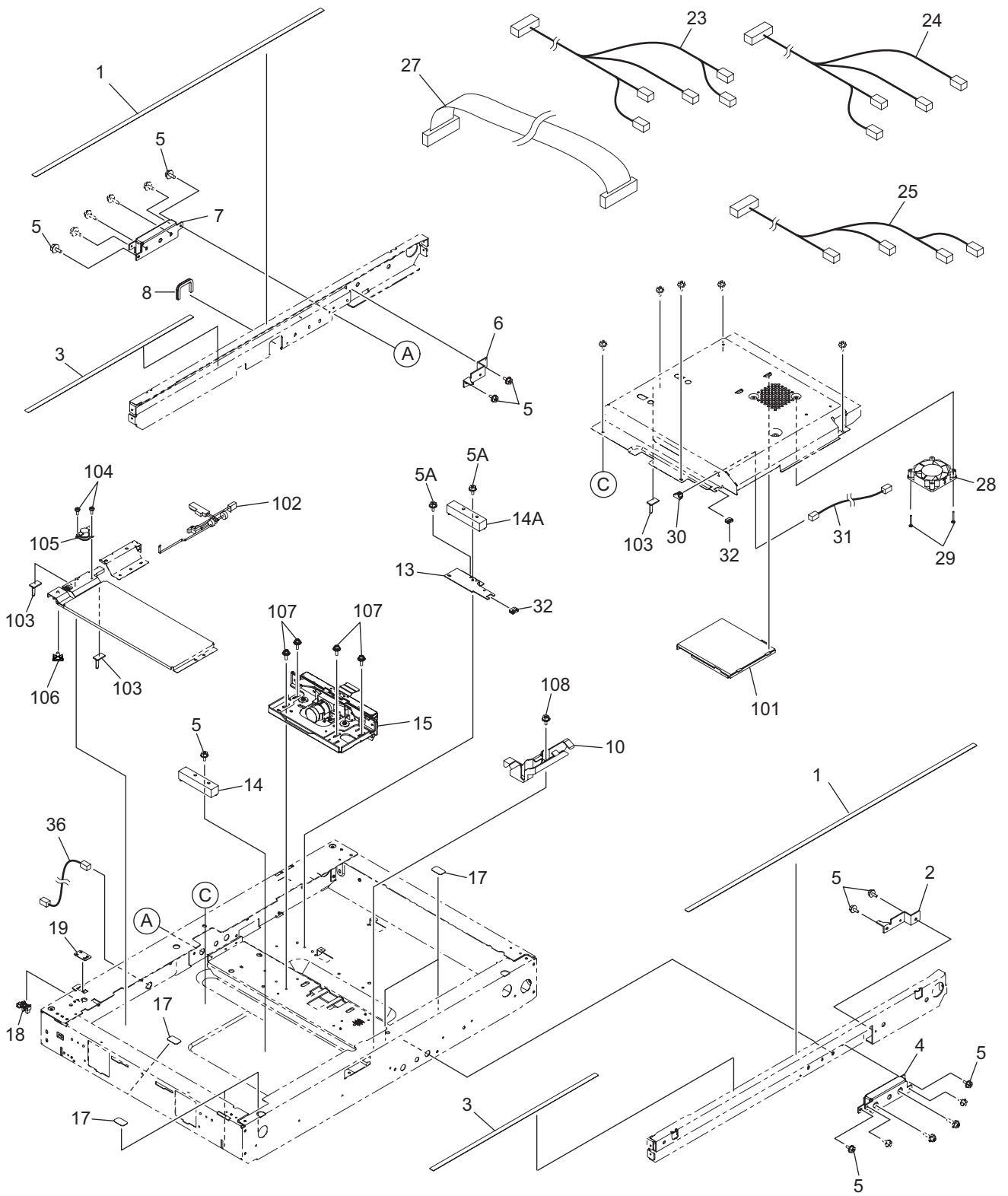




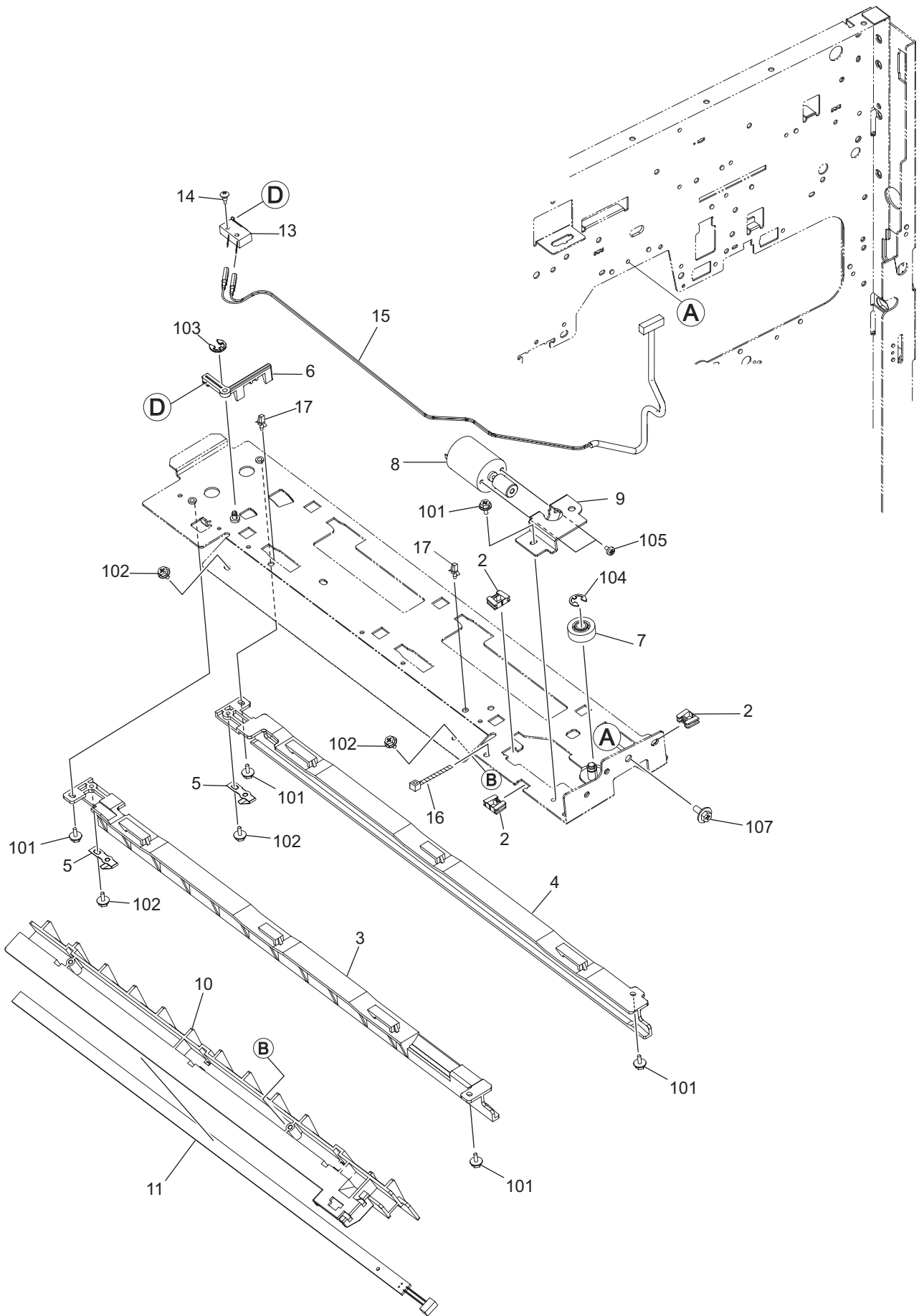


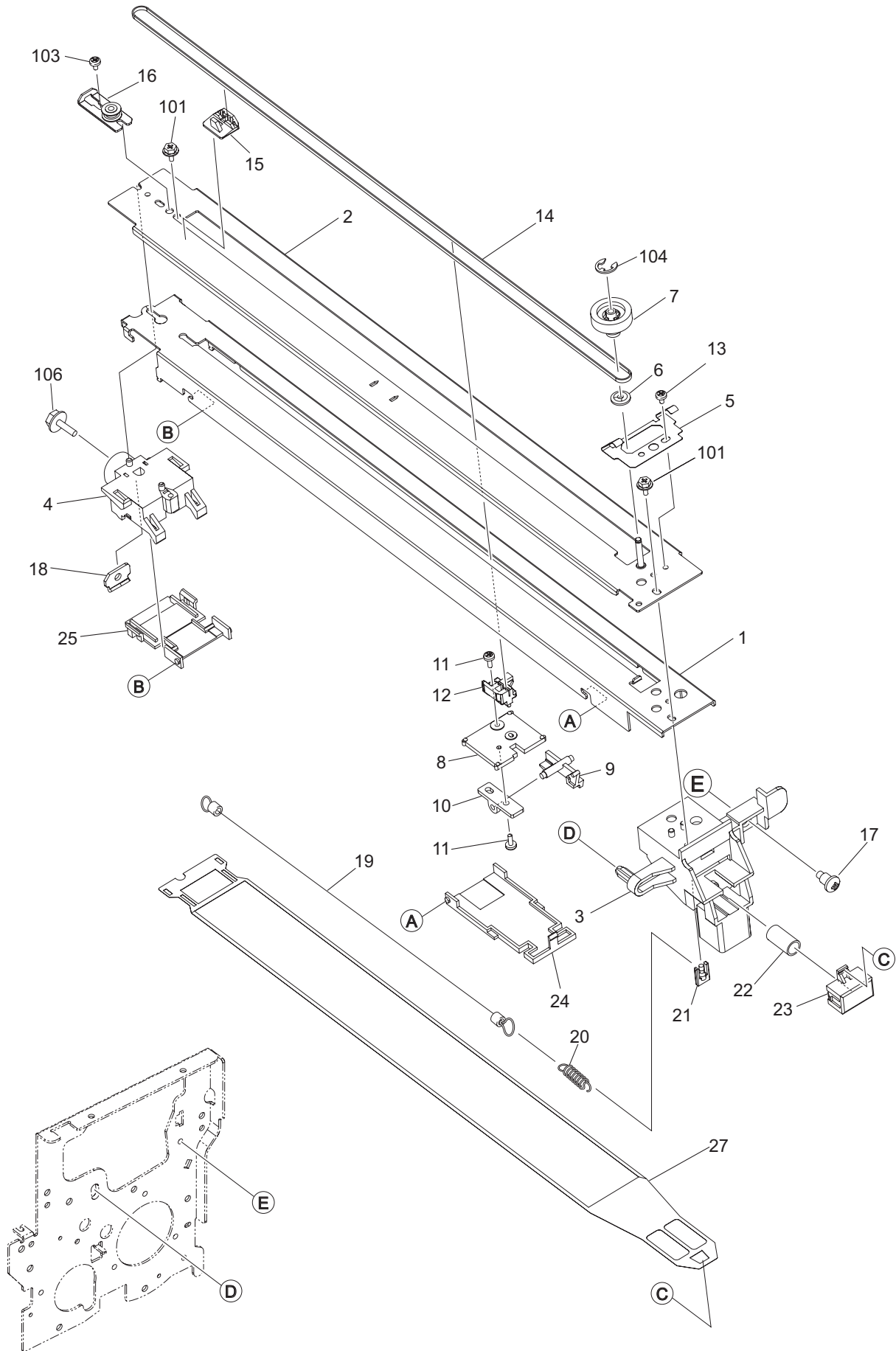


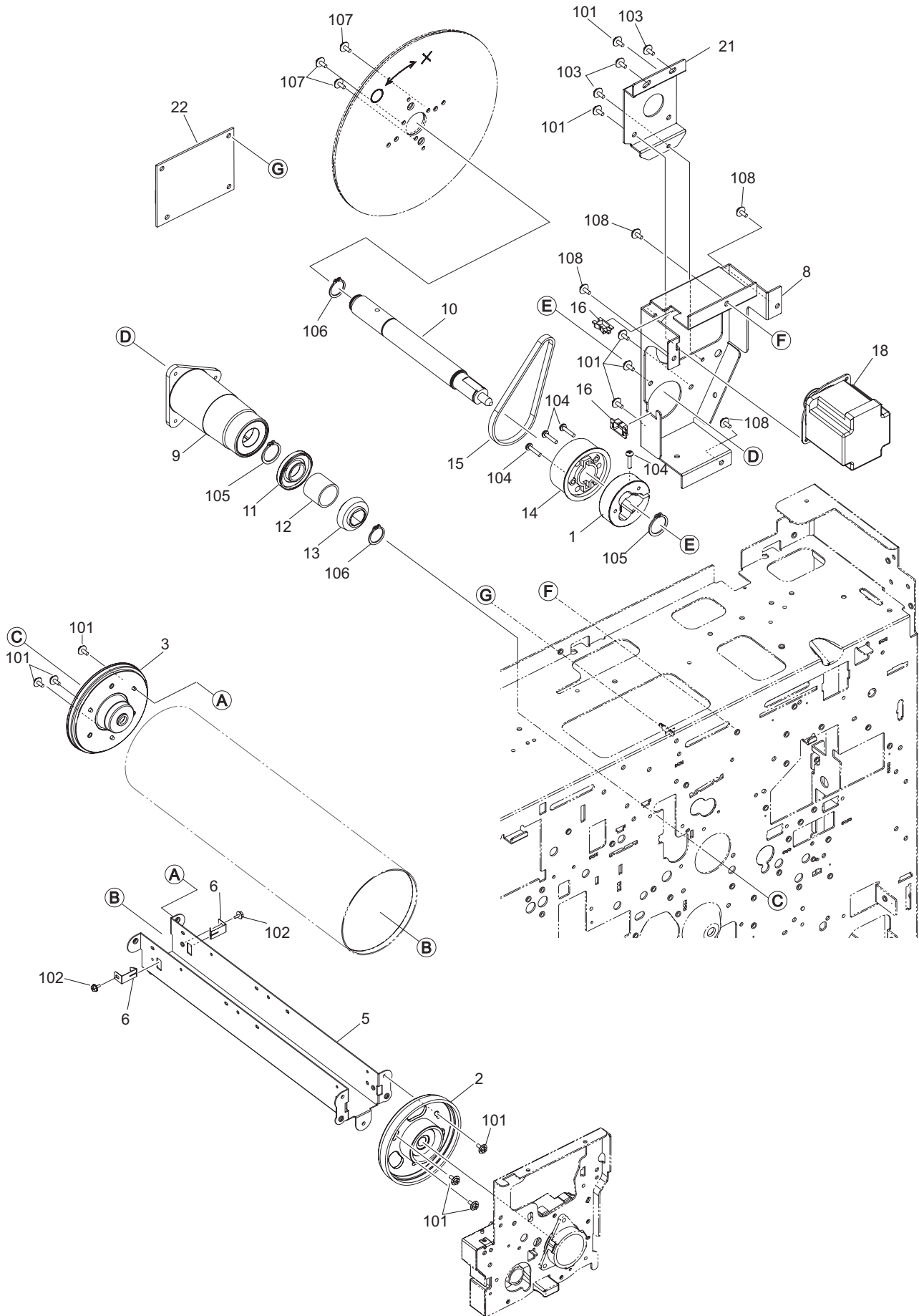


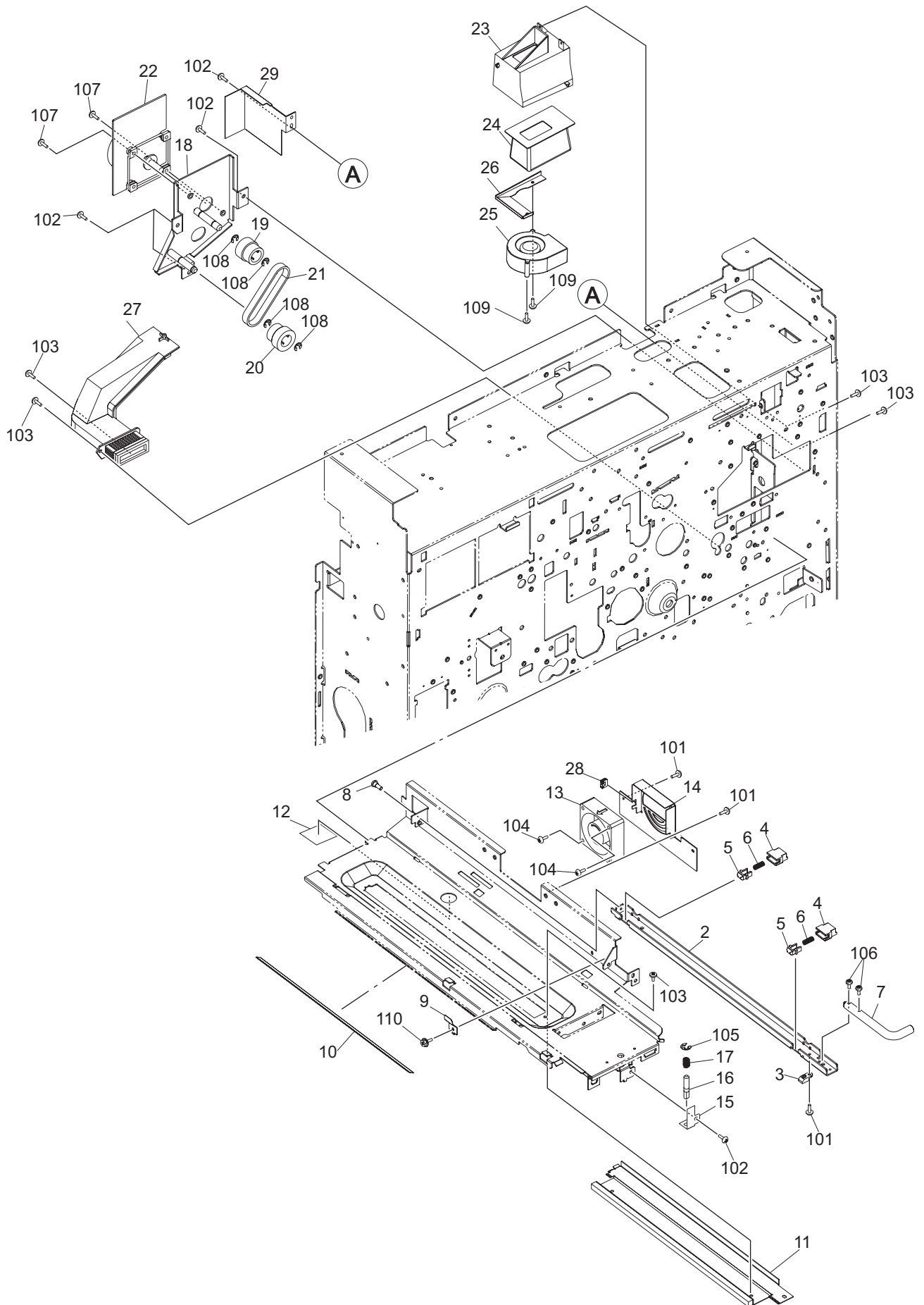


ITEM No.	PART No.	PART NAME	Q'TY / PAGE	Q'TY / PACK	REMARKS
1	6LH08200000	SHEET-CRG1-430	2	1/KP	
2	6LH08238000	BRKT-RAIL-FRT-430	1	1/P	
3	6LH08201000	SHEET-CRG2-430	2	1/KP	
4	6LH08227000	SPACER-RAIL-F-430	1	1/P	
5 A	X0-02230000	S/FHEXM-M3X6-NI	11	10/P	NAD
5 B	X0-02230000	S/FHEXM-M3X6-NI	9	10/P	MJD,ASD,AUD,CND,ARD
6	6LH08237000	BRKT-RAIL-RER-430	1	1/P	
7	6LH08228000	SPACER-RAIL-R-430	1	1/P	
8	6LH08320000	BUSH-KG-016L-63	1	5/P	
10	6LH08256000	GUIDE-HRNS-430	1	1/P	
13 A	6LH08226000	BRKT-APS-430	1	1/P	NAD
14 A	6LE09478000	SNSR-PS-TY1CH56	2	1/C	NAD
14 B	6LE09478000	SNSR-PS-TY1CH56	1	1/C	MJD,ASD,AUD,CND,ARD
15	6LJ09018200	LENS-UNIT-H32X	1	1/S	
17	6LA39577000	MYLAR-HRNS-INV	5	1/P	
18	C0-17839000	LG2A14BL1	1	1/C	
19	6LA29902000	COVER-SNSR-LIFT	1	1/P	
23 A	6LH70693000	HRNS-SCN-SNSR-L-320	1	1/P	NAD
24 A	6LH70694000	HRNS-SCN-SNSR-A-320	1	1/P	MJD,ASD,AUD,CND,ARD
25	6LH70695000	HRNS-DRV-SCNFAN-320	1	1/P	
27	6LH70768000	HRNS-SCN-SYS-320	1	1/P	
28	6LE09967000	FAND-6015-39X	1	1/D	
29	X0-02061000	S/TPS/PAN-3X20-ZU3	2	10/P	
30	E0-09305000	BU02P-TR-P-H (LF)(SN)	1	5/P	
31	6LH08852000	HRNS-SCN-FANRLY-430	1	1/P	
32	F0-00120000	ES-0505	2	5/P	
36	6LH68283000	HRNS-D_H-SCN2-320	1	1/P	
101 A	6LH08334000	ASYS-D_H-SCAN-R-430E	1	1/C	ASD,AUD,CND,ARD
102 A	6LH08840000	HRNS-SCN-DH-430	1	1/P	ASD,AUD,CND,ARD
103 A	F0-00136000	K-103G	3	5/P	ASD,AUD,CND,ARD
104	6LA08935000	SCR-M3X6BISR-NI	2	10/P	
105 A	6LE09486000	THRMST-CS-7L	1	1/D	ASD,AUD,CND,ARD
106 A	F0-00035000	LWS-05	1	5/P	ASD,AUD,CND,ARD
107	X0-00077000	S/PAN/SWWP-M3X8-NI	4	10/P	
108	X0-00430000	S/BID-M3X6-NI	1	10/P	

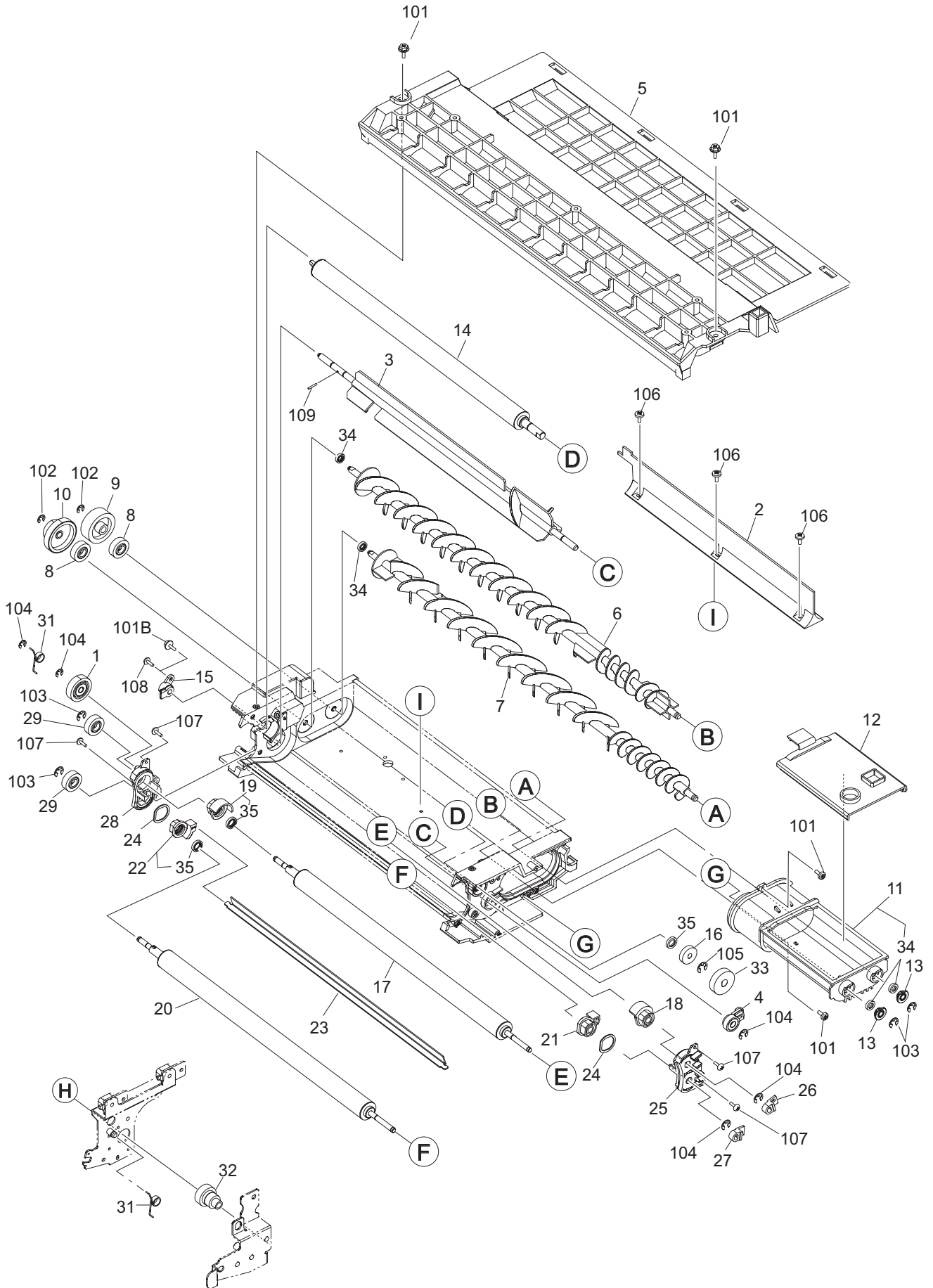




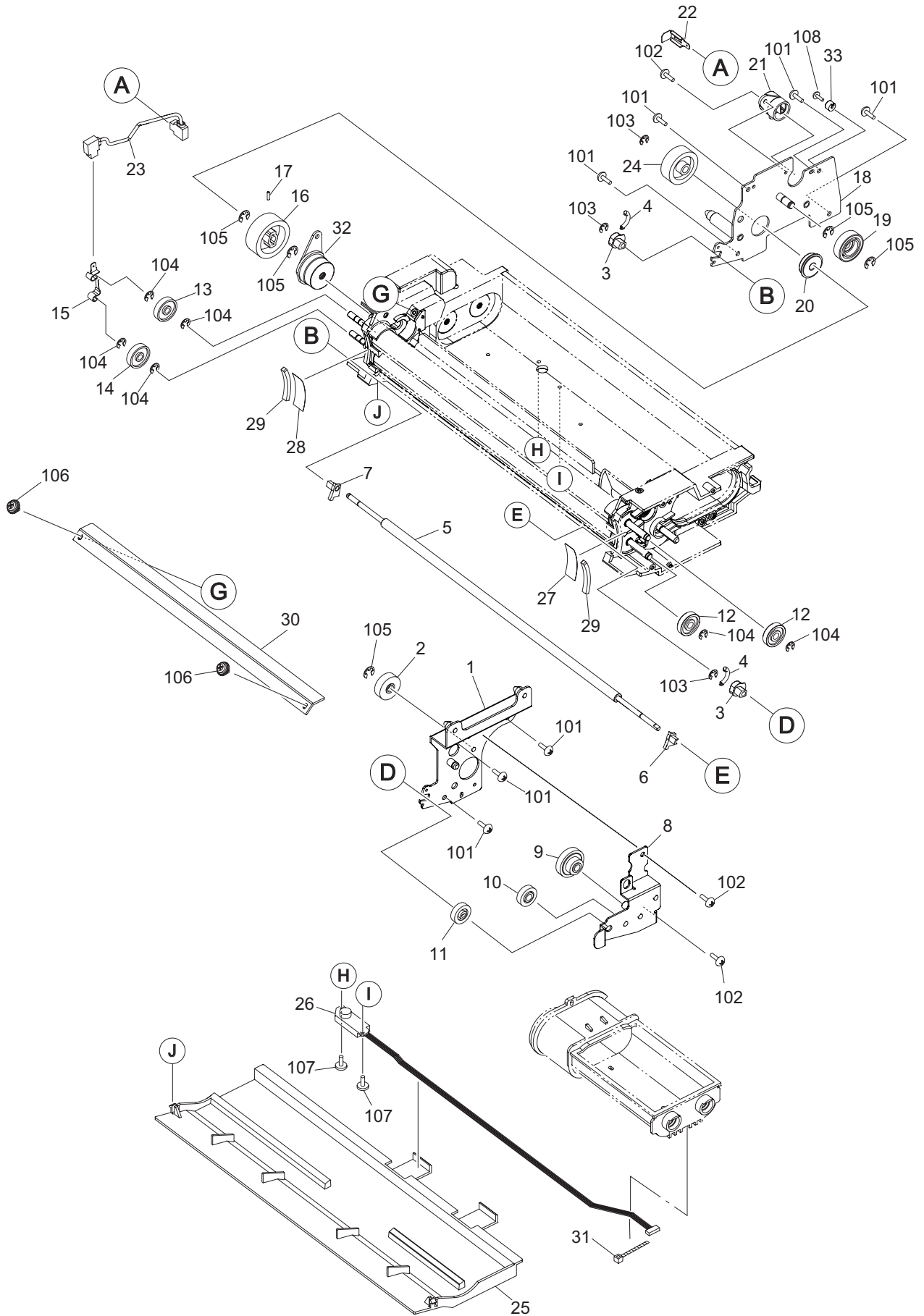




ITEM No.	PART No.	PART NAME	Q'TY / PAGE	Q'TY / PACK	REMARKS
2	4406333940	BKT-SET-DEV-300	1	1/P	
3	4406333930	PUSHER-GUIDE	1	5/P	
4	4402203810	HOLDER-PUSHER	2	1/P	
5	4402203800	PUSHER-DEV	2	1/P	
6	6LA08947000	SPC057-090-0210	2	5/P	
7	6LA02482000	LEV-SET-DEV-340	1	1/P	
8	6LA08930000	PIN-BKT-CON-H	1	10/P	
9	4401767560	SPL-SET-DEV	1	1/P	
10	4408847750	INS-ENT-DRM-85	1	1/KP	
11	6LA15093000	K-BKT-BRS-RGT-340-U	1	1/KP	
12	4406333950	MYLAR-STAY-DEV	1	1/KP	
13	6LE09167000	FAND-6015-390	1	1/D	
14	6LA02485000	BRKT-FAN-DUCT	1	1/P	
15	6LA03181000	BRKT-STUD-L	1	1/P	
16	6LA03182000	STUD-TNR-L	1	5/P	
17	6LA03183000	SPC-TNR-L	1	5/P	
18	4406333610	K-BRKT-DRV-DEV	1	1/P	
19	4406333680	K-GP48-3GT25	1	1/P	
20	4406333690	K-GP25-3GT25	1	1/P	
21	4406333670	BLT/T-195-3GT-9	1	1/P	
22	6LE09160000	MOTRD-DEV-390	1	1/C	
23	6LE06330000	BOX-FILTER-FAN-390	1	1/P	
24	4406334920	FILTER-DEV-F300	1	1/C	
25	6LE09187000	FAND-DEV-390	1	1/D	
26	6LE04527000	PLT-NUT-FAN-390	1	1/P	
27	6LA02510000	K-DUCT-DEV	1	1/P	
28	F0-00120000	ES-0505	1	5/P	
29	6LA01079000	WALL-MOT-DEV	1	1/P	
101	X0-02593000	S/TPD3/FHEXM-3X8-ZU3	3	10/P	
102	X0-02589000	S/TPD3/FHEXM-4X8-ZU3	4	10/P	
103	6LA08934000	SCR-M4X8ITSR-NI	5	10/P	
104	X0-02067000	S/TPS/PAN-4X20-ZU3	2	10/P	
105	X0-00967000	RR/E-6-SS	1	10/P	
106	X0-02060000	S/TPS/PAN-3X16-ZU3	2	10/P	
107	X0-02590000	S/TPD3/FHEXM-4X10-ZU3	2	10/P	
108	X0-00968000	RR/E-7-SS	4	10/P	
109	X0-00461000	S/BID-M4X35-NI	2	10/P	
110	6LA08935000	SCR-M3X6BISR-NI	1	10/P	

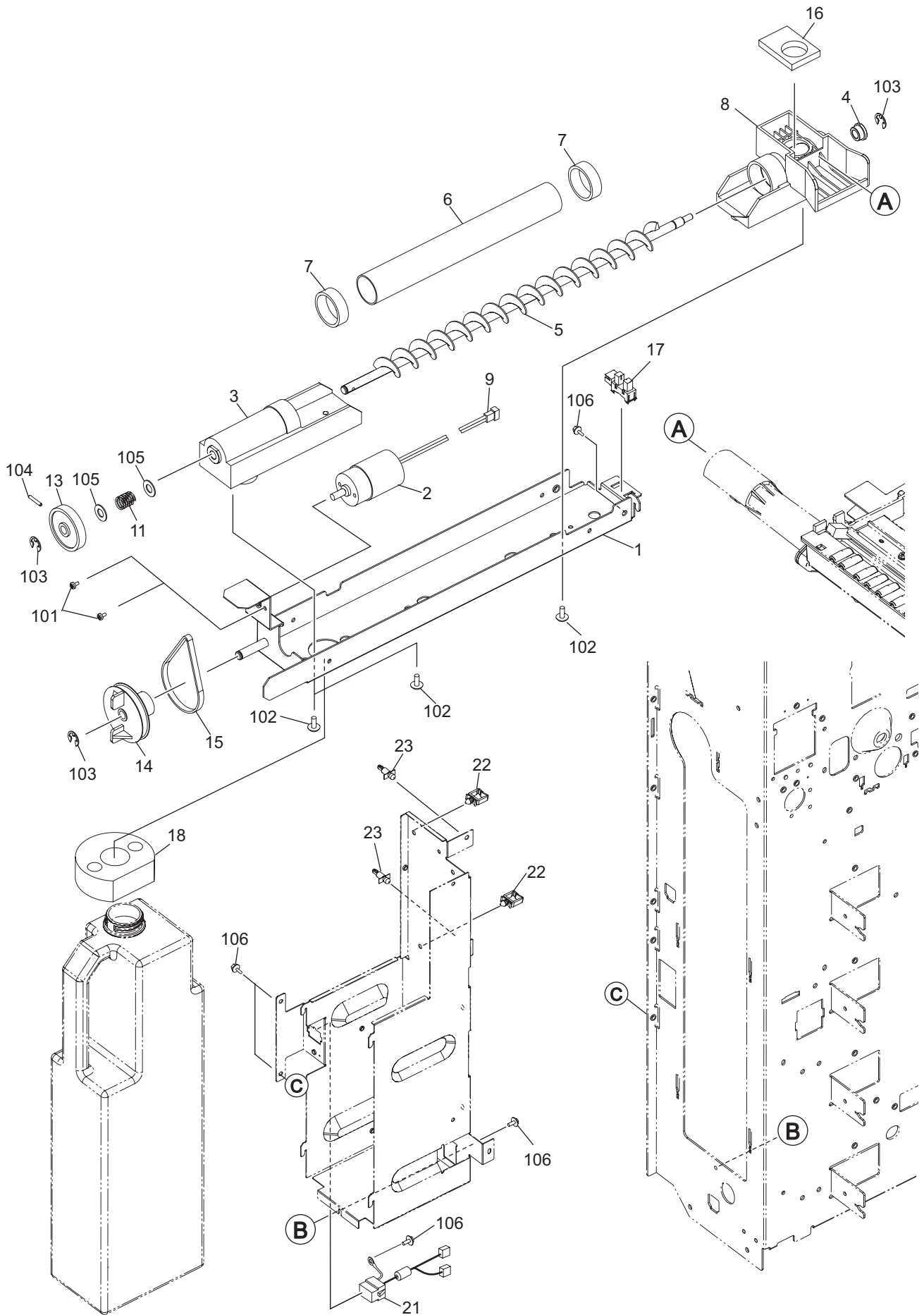


ITEM No.	PART No.	PART NAME	Q'TY / PAGE	Q'TY / PACK	REMARKS
1 A	6LE04535000	ASYS-GEAR-10H023-R	1	1/P	e-STUDIO557/657
1 B	6LE04538000	ASYS-GEAR-10H020-R	1	1/P	e-STUDIO757/857
2	4406332690	WALL-MIXER-300	1	1/C	
3	4406332460	PADDLE-DEV-300	1	1/P	
4	6LA02416000	ASYS-BUSH-PDL-F	1	1/P	
5	6LE04525000	ASY-COV-DEV-390	1	1/C	
6	6LA02410000	MIXER-1-340	1	1/C	
7	6LA02412000	K-MIXER-2-340	1	1/C	
8	F0-02057000	626DDM3MTLY551	2	1/P	
9	4406332590	GEAR-08S045-06	1	1/P	
10 A	6LE04513000	GEAR-10H19_08S45-390	1	1/P	e-STUDIO557/657
10 B	4406332600	GG10H024/08S045	1	1/P	e-STUDIO757/857
11	6LA02430000	K-NOZZLE-MIXER	1	1/P	
12	6LA02436000	COV-NOZLE-MIX	1	1/P	
13	6LA65696000	BUSH-6X12X4R8F	2	5/P	
14	4406332450	ROLLER-MGN-TR	1	1/C	
15 A	6LE04505000	BUSH-MGHI-TR-R-390	1	1/P	e-STUDIO557/657
15 B	4406332740	BUSH-MGHI-TR-R	1	1/P	e-STUDIO757/857
16	F0-01206000	L-1680DDRPOP25LY13	1	1/P	
17	6LA02380000	ROLLER-MGN-U340	1	1/C	
18	6LA02398000	SHIELD-MG-U-F-6	1	1/P	
19	4406332770	K-SHIELD-MG-U-R	1	1/P	
20	6LA02381000	ROLLER-MGN-L340	1	1/C	
21	6LA02399000	SHIELD-MG-L-F-6	1	1/P	
22	4406332800	K-SHIELD-MG-L-R	1	1/P	
23	4406332820	SCRAPER-MG-L	1	1/P	
24	4406333280	SEAL-MG-SIDE2	2	5/P	
25	6LH68621000	ASYS-HLDR-MG-F-H190	1	1/P	
26	6LA02384000	HLDR-MG-HI-L-6	1	1/P	
27	6LA02385000	HLDR-MG-HI-U-6	1	1/P	
28 A	6LH68606000	ASYS-HLDR-MG-R-H190	1	1/P	e-STUDIO557/657
28 B	6LH68623000	ASYS-HLDR-MG-R-H190	1	1/P	e-STUDIO757/857
29	4406332650	GEAR-10H017-MG	2	1/P	
31	6LA08940000	SPA-PSH-MG-100	2	5/P	
32 A	6LE04510000	GEAR-10H015_08S16-390	1	1/P	e-STUDIO557/657
32 B	6LA02454000	GEAR-10H018-PDF	1	1/P	e-STUDIO757/857
33	4406332550	GEAR-10H023-TR	1	1/P	
34	4401949290	SEAL-VC6-10-2.5	4	1/P	
35	4406333150	SEAL-VC8-12-2.5	3	1/P	
101 A	X0-02231000	S/FHEXM-M3X8-NI	4	10/P	e-STUDIO557/657
101 B	X0-02231000	S/FHEXM-M3X8-NI	5	10/P	e-STUDIO757/857
102	X0-00964000	RR/E-3-SS	2	10/P	
103	X0-00965000	RR/E-4-SS	4	10/P	
104	X0-00966000	RR/E-5-SS	5	10/P	
105	X0-00968000	RR/E-7-SS	1	10/P	
106	X0-01724000	S/BID-M3X4-BSNI	3	10/P	
107	X0-00057000	S/PAN-M3X6-NI	4	10/P	
108 A	X0-02247000	S/TPP/FHEXM-3X8-NI	1	10/P	e-STUDIO757/857
109	X0-00980000	P/PRL/AH7-2X10-SS	1	10/P	

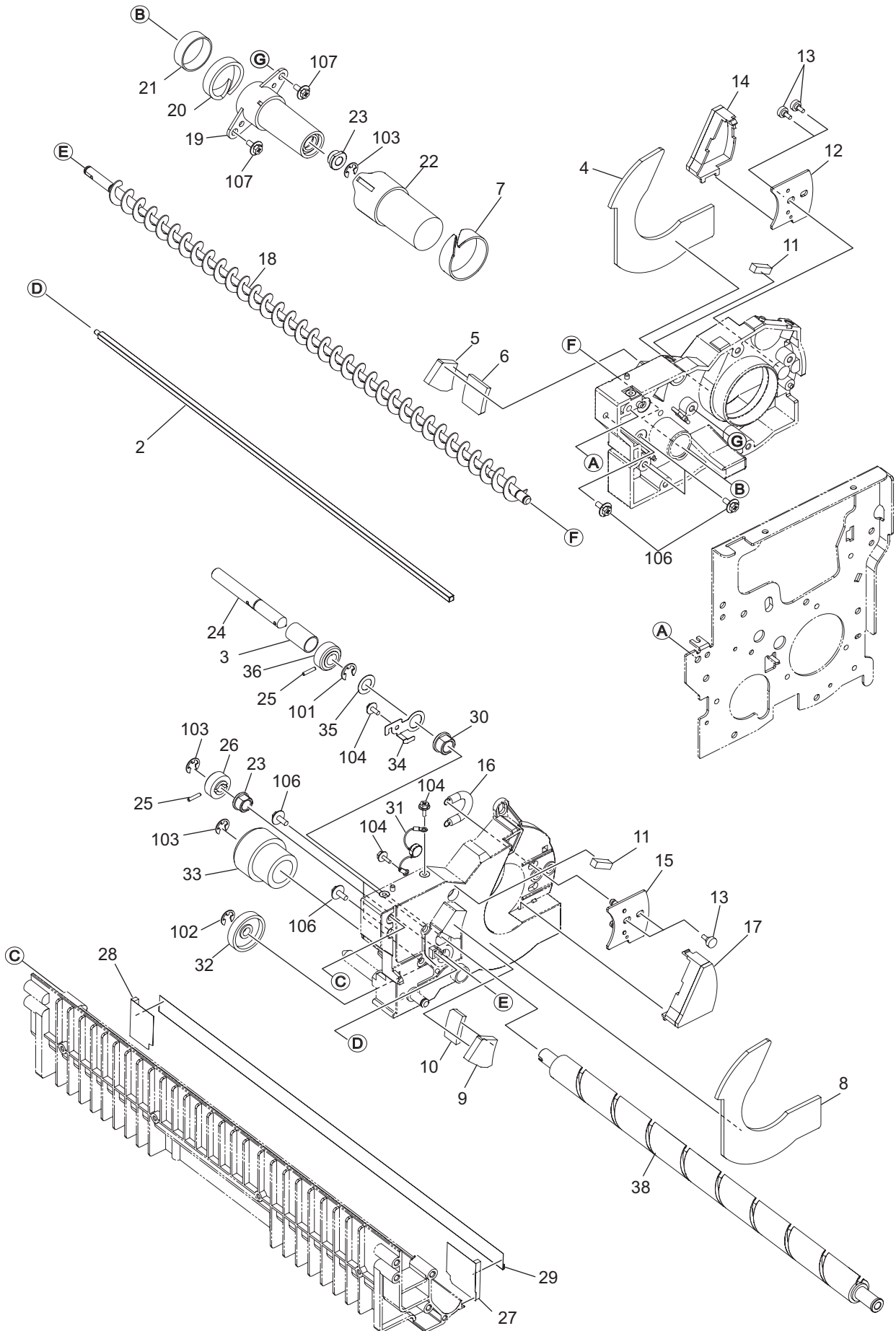


ITEM No.	PART No.	PART NAME	Q'TY / PAGE	Q'TY / PACK	REMARKS
1 A	6LE04504000	ASYS-PLT-DEV-F-390	1	1/P	e-STUDIO557/657
1 B	6LA02403000	K-PLT-DEV-F-340	1	1/P	e-STUDIO757/857
2	6LE04536000	ASYS-GEAR-10H019-F	1	1/P	
3	6LA02423000	BUSH-GAP-DEV-RE	2	5/P	
4	6LA02448000	SPRING-RE-340	2	5/P	
5	6LA02422000	ROLLER-RE	1	1/P	
6	6LA02428000	SHLD-ROL-RE-F	1	1/P	
7	6LA02429000	SHLD-ROL-RE-R	1	1/P	
8 A	6LE04502000	ASYS-BRKT-DEV-RE-390	1	1/P	e-STUDIO557/657
8 B	6LA02440000	K-BRKT-DEV-RE	1	1/P	e-STUDIO757/857
9	6LA02451000	GG08S030/08S016	1	1/P	
10	6LA02452000	GEAR-08S020-IR	1	1/P	
11	6LA02453000	GEAR-08S020-RE	1	1/P	
12	6LA02409000	ROLLER-GUIDE-6	2	1/P	
13	4406332850	ROLLER-GUIDE	1	1/P	
14	4406333300	ROLLER-GUIDE-RL	1	1/P	
15	6LA02460000	PLT-BIAS-MG-340	1	1/P	
16 A	6LE04512000	GEAR-10H025-390	1	1/P	e-STUDIO557/657
16 B	4406332630	GEAR-10H031-PDR	1	1/P	e-STUDIO757/857
17	X0-00980000	P/PRL/AH7-2X10-SS	1	10/P	
18 A	6LE04514000	ASYS-PLT-DEV-R-390	1	1/D	e-STUDIO557/657
18 B	6LA02405000	K-PLT-DEV-R-340	1	1/P	e-STUDIO757/857
19	6LE04537000	ASYS-GEAR-10H024-IDR	1	1/P	
20	4407637290	BRG-626-DD-NXR	1	1/P	
21	4406333080	TERM-BIAS-DEV	1	1/P	
22	4406333090	PLT-BIAS-DEV	1	1/P	
23	6LA07416000	HRNS-BIAS-MG-340	1	1/P	
24	4406332640	GEAR-10H027-PDR	1	1/P	
25	6LE04543000	ASYS-DUCT-DEV-390	1	1/PP	
26	6LE09165000	SNSR-ATC-390	1	1/C	
27	6LA02425000	SEAL-SIDE-DR-F	1	5/P	
28	6LA02426000	SEAL-SIDE-DR-R	1	5/P	
29	4406333580	SEAL-SIDE-D-FLT	2	1/P	
30	4406333260	K-DOCTOR-MG-TR	1	1/P	
31	F0-00017000	T18S	1	10/P	
32	6LA02414000	ASYS-BUSH-PDL-R	1	1/P	
33 A	6LE04520000	DETECTOR-DEV-390	1	1/P	e-STUDIO557/657
101	X0-02247000	S/TPP/FHEXM-3X8-NI	7	10/P	
102	X0-02593000	S/TPD3/FHEXM-3X8-ZU3	3	10/P	
103	X0-00964000	RR/E-3-SS	3	10/P	
104	X0-00965000	RR/E-4-SS	6	10/P	
105	X0-00966000	RR/E-5-SS	5	10/P	
106	X0-00084000	S/PAN/SWWP-M3X8-BSNI	2	10/P	
107	X0-01724000	S/BID-M3X4-BSNI	2	10/P	
108 A	X0-02056000	S/TPS/PAN-3X6-ZU3	1	10/P	e-STUDIO557/657

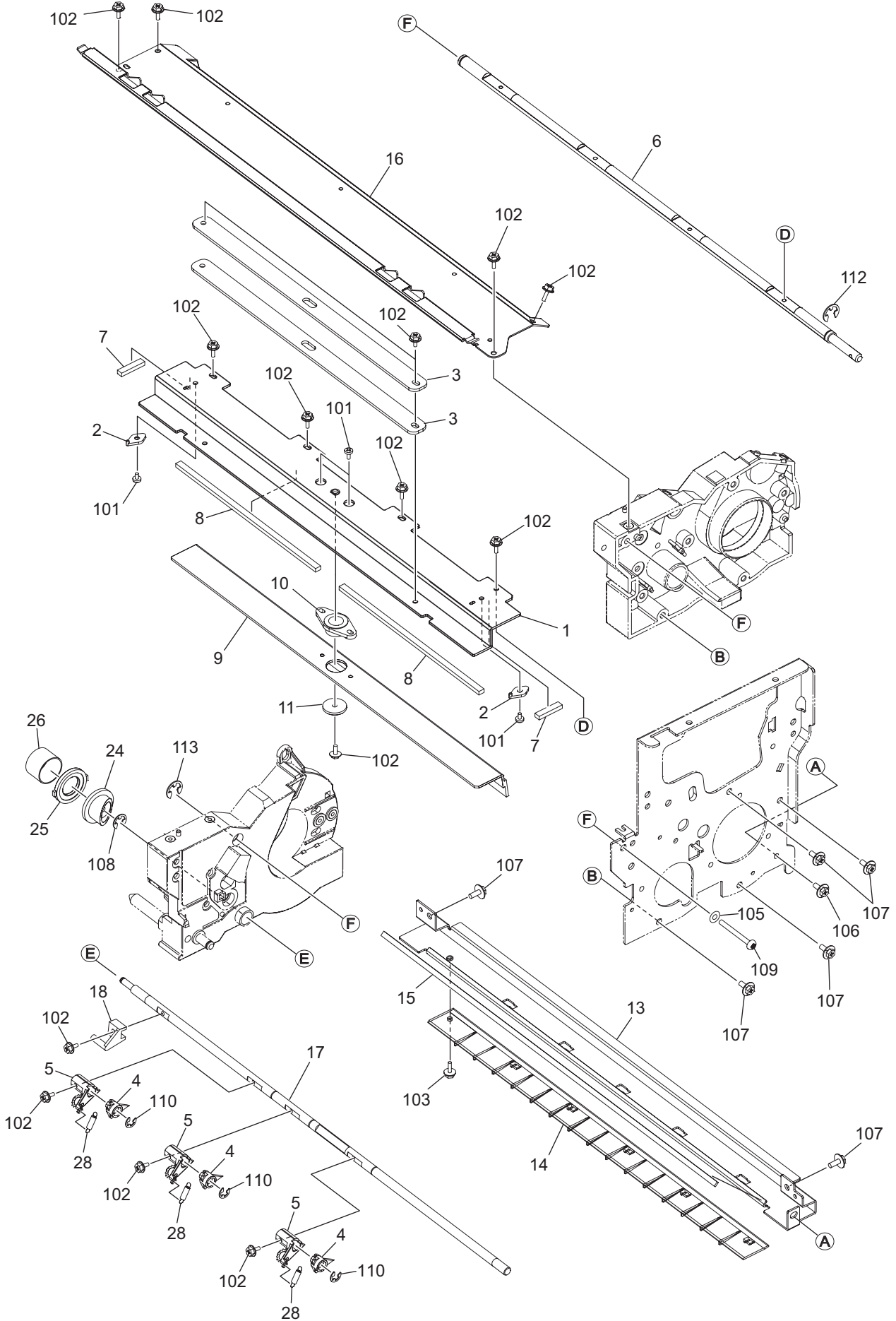
ITEM No.	PART No.	PART NAME	Q'TY / PAGE	Q'TY / PACK	REMARKS
1	6LE08502000	HOP-SUB-TNR-390	1	1/P	
2	6LH69538000	AUG-HOP-SUB-N	1	1/P	
3	6LA02367000	BUSH-0613-06F-M	1	5/P	
4	6LA03220000	BUSH-HOPPER	1	5/P	
5	6LA03085000	SEAL-SHUTTER-N	1	5/KP	
6	6LA03083000	SHUTTER-HOP-N	1	1/P	
7	6LA03084000	SPC-SHT-N	1	1/P	
8	6LE08578000	SEAL-HOPPER-N-390	2	1/KP	
9	6LE08503000	HOLDER-CPL-390	1	1/P	
10	6LE08540000	COVER-CPL-390	1	1/D	
11 A	6LH69542000	ASYS-CPL-BTL-H32XU	1	1/P	NAD,AUD
11 B	6LH69542200	ASYS-CPL-BTL-H32XE	1	1/P	MJD
11 C	6LH69542300	ASYS-CPL-BTL-H32XD	1	1/P	ASD
11 D	6LH69535200	ASYS-CPL-BTL-H19XE	1	1/P	CND
11 E	6LH69542100	ASYS-CPL-BTL-H32XR	1	1/P	ARD
12	6LE08517000	ASYS-BKT-MOT-AUG	1	1/P	
13	F0-01343000	VR90A-BM1231A0	1	5/P	
14	F0-01344000	VR14A-BM1210A0	1	1/P	
15	6LA03106000	SEAL-WAS-90108	1	5/P	
16	6LA03107000	SEAL-WAS-1426	2	5/P	
17	6LA03108000	GSKT-TNR-DRV	1	1/P	
18	E0-12172000	SSM13F3	1	1/D	
19	44204394000	SCREW20*D23	3	10/P	
20	6LA03098000	BRKT-SW-340	1	1/P	
21	6LE08509000	BRKT-DRV-BTL1-390	1	1/P	
22	6LE08511000	ASYS-BKT-DR-BTL2-390	1	1/P	
23	6LA03236000	GP08S17/2GT072	1	1/P	
24	6LA03146000	BLT/T-244-2GT-4	1	1/P	
25	6LE08554000	GG08S066/10S017/08S018	1	1/P	
26	6LE09546000	MOTRD-AUG-390CW	1	1/D	
27	6LE09626000	MOTRD-TNR-390N	1	1/C	
28	6LA03145000	GEAR10S047-06	1	1/P	
29	6LE08583000	MYLAR-CPL	1	1/C	
30	6LE08522000	GG08S043/08S017	1	1/P	
31	6LE08523000	GG08S044/08S017	1	1/P	
32	6LE08521000	GP08S018/2GT058	1	1/P	
33	6LA04627000	BLT/T-154-2GT-4	1	1/P	
34	6LA03140000	GEAR-08S036-06	1	1/P	
35	6LE08524000	HLDR-BOTTLE-390	1	1/PP	
36	F0-01393000	CA-0124B	1	1/P	
37	6LE09555000	HRNS-TNR-HOP2-390	1	1/P	
38	6LE09646000	HRNS-TNR-HOP1-390	1	1/P	
39	6LE08533000	ASYS-BKT-TNR-U-390	1	1/P	
40	6LE08528000	BRKT-TNR-U-SUB-390	1	1/P	
41	6LE08529000	BRKT-TNR-L-390	1	1/P	
42	6LE08584000	STUD-N-A-390	1	1/P	
43	6LE08565000	STICK-DRV-TNR-390	1	1/KP	
44	6LE08541000	PDL-TNR-DRV-SUB	2	1/P	
45	6LA03089000	GEAR-08S020-04	2	1/P	
46	6LA02920000	BUSH-0410-05F-M	6	5/P	
47	6LH73733000	ASYS-COVER-BTL-H190	1	1/PP	
48	6LE08580000	COVER-SW-390	1	1/P	
49	6LE08525000	COV-HLDR-BTL	1	1/P	
50	6LH73725000	LBL-O-TNR-H190	1	1/KP	
51	6LE08555000	BRKT-CLN-SENS	1	1/P	
52	6LE08569000	ASYS-PDL-SENS	1	1/C	
53	6LE08568000	GEAR-08S20-7	1	1/P	
54	6LE08556000	GEAR-08S50-5	1	1/P	
55	6LE09256000	HRNS-TNRHOP-MOT-390	1	1/P	
56	C0-17421000	TSP15D10C-101	1	1/C	
57	F0-00120000	ES-0505	1	5/P	
58	F0-01248000	ESC-0912	3	10/P	
59	6LE08534000	HLDR-PLGR-BTL-390	1	1/P	



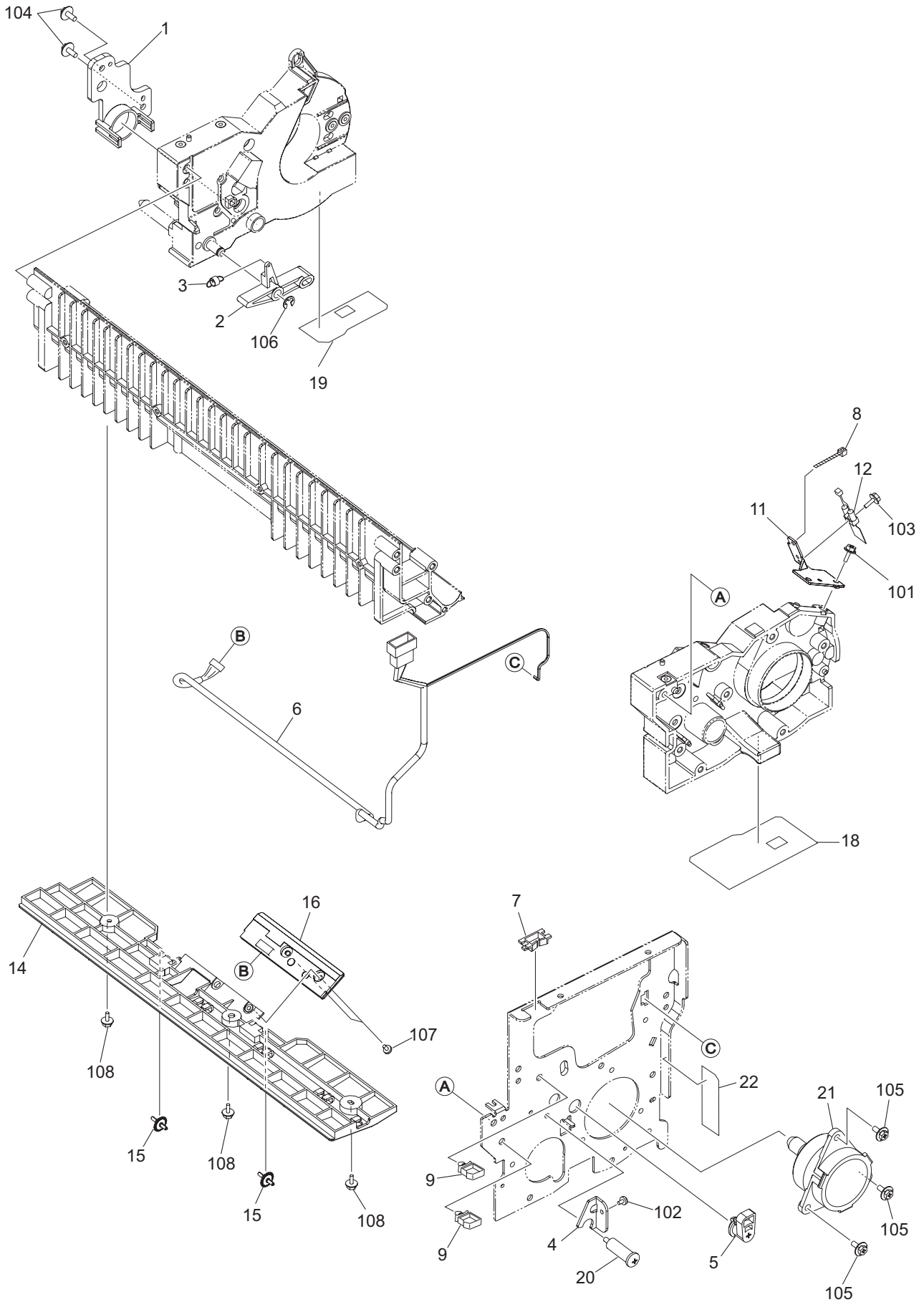
ITEM No.	PART No.	PART NAME	Q'TY / PAGE	Q'TY / PACK	REMARKS
1	6LA03210000	HOP-SUB-TNR-R	1	1/P	
2	6LA03212000	SEAL-SUB-HOP-R	2	5/KP	
3	6LH69539000	AUG-SUB-HOP-R	1	1/P	
4	6LA03214000	GEAR-10S026-06	1	1/P	
5	6LA03220000	BUSH-HOPPER	2	5/P	
6	6LA02367000	BUSH-0613-06F-M	3	5/P	
7	6LA03215000	SFT-SUB-HOP-N	1	1/P	
8	6LA03218000	PDL-SUB-HOP	1	1/P	
9	6LA03216000	GEAR-10S069-06	1	1/P	
10	6LA03243000	ASYS-REC-EXIT	1	5/P	
11	6LA14474000	SHUTTER-HOP-R	1	1/P	
12	6LA03222000	SPE-SHT-R	1	5/P	
13	6LA03211000	COV-SUB-TNR-R	1	1/P	
14	6LE08558000	ASYS-BRKT-DRV-R-390	1	1/P	
15	6LE09546000	MOTRD-AUG-390CW	2	1/D	
16	6LA03237000	BLT/T-190-2GT-4	2	1/P	
17	6LA03236000	GP08S17/2GT072	2	1/P	
18	6LA03235000	GG10S016/08S080	1	1/P	
19	6LE09241000	HRNS-RCY-MOT-390	1	1/P	
21	6LA03260000	BRKT-RECYCLE	1	1/P	
22	6LA03240000	ASYS-PIPE-195	1	1/P	
23	6LA03250000	JOIN-CL-NZL-U	1	1/P	
25	6LA14450000	ASYS-JOIN-L	1	1/P	
26	6LA03257000	SEAL-JOIN	2	5/KP	
27	6LA14448000	AUG-TNR-R	1	1/KP	
28	4406534410	WAS-06*11*Z25-P	1	5/P	
29	6LA03255000	GEAR-08S022-06	1	1/P	
30	6LE09261000	HRNS-RCY-MOT2-390	1	1/P	
101	X0-00966000	RR/E-5-SS	6	10/P	
102	X0-00965000	RR/E-4-SS	2	10/P	
103	X0-02113000	S/PAN-M3X4-NI	2	10/P	
104	X0-02247000	S/TPP/FHEXM-3X8-NI	6	10/P	
105	X0-02270000	S/PAN-M2.6X2.5-NI	4	10/P	
106	X0-02593000	S/TPD3/FHEXM-3X8-ZU3	1	10/P	
107	X0-02235000	S/FHEXM-M4X8-NI	2	10/P	
108	F0-01811000	LWS-0711S-V0	1	5/P	

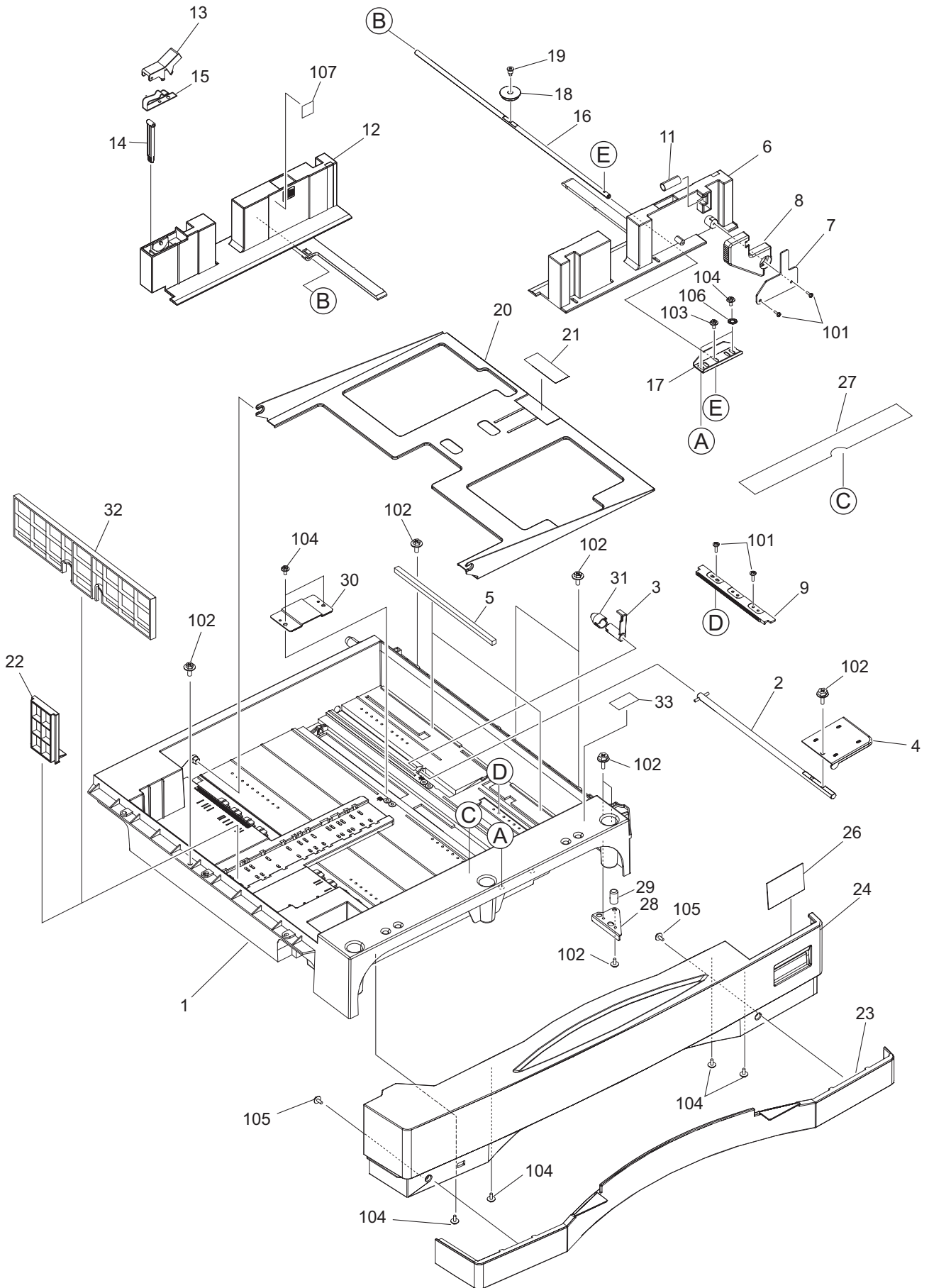


ITEM No.	PART No.	PART NAME	Q'TY / PAGE	Q'TY / PACK	REMARKS
2	6LE04157000	SFT-SCRPR-BRSH	1	1/P	
3	6LA02732000	SPC-BRSH-CLN	1	5/P	
4	6LA02646000	SEAL-SIDE-CLN-F	1	1/P	
5	4401904180	SEAL-SIDE-BLD-F	1	5/P	
6	4406329960	SEAL-SIDE-DRM-F	1	1/P	
7	6LA02704000	SEAL-CL-REC	1	5/KP	
8	6LA02669000	SEAL-SIDE-CLN-R	1	1/P	
9	4401904190	SEAL-SIDE-BLD-R	1	5/P	
10	4406329970	SEAL-SIDE-DRM-R	1	1/P	
11	4401904860	SEAL-ROOF-L	2	10/P	
12	6LA02675000	PLATE-DRM-GAP	1	1/P	
13	4406329300	SCREW-DRM-GAP	4	10/P	
14	6LA02680000	K-COV-GAP-F	1	1/P	
15	6LA02685000	K-PLATE-DRM-GAP	1	1/P	
16	6LA02688000	SPE-050-040-158	1	5/P	
17	6LA02689000	K-COV-GAP-R	1	1/P	
18	6LE04133000	AUG-CLN-390	1	1/KP	
19	6LA02700000	BASE-NOZZLE-CLN	1	1/P	
20	6LA02701000	SEAL-BASE-NOZ	1	5/P	
21	6LE04126000	SPC-NOZZLE-390	1	1/P	
22	6LA02703000	SHUTTER-NOZZLE	1	1/P	
23	6LA02367000	BUSH-0613-06F-M	2	5/P	
24	6LA02711000	K-SFT-BRUSH-340	1	1/P	
25	X0-00980000	P/PRL/AH7-2X10-SS	2	10/P	
26	4401904450	GEAR-15	1	1/P	
27	4406328750	K-SEAL-S-REC-F	1	1/KP	
28	4406328760	K-SEAL-S-REC-R	1	1/P	
29	4406328620	K-BLADE-REC-300	1	1/KP	
30	6LA02368000	BUSH-0814-08F-M	1	5/P	
31	6LE04128000	ASYS-VRST-CLN	1	1/D	
32	4401762250	GEAR-25	1	1/P	
33	6LA02719000	GEAR-23-30	1	1/P	
34	6LA02713000	PLT-BIAS-BRSH	1	1/P	
35	4407010320	WASHER-8*14*03	1	10/P	
36	4401904430	GEAR-16	1	1/P	
38	6LH73765000	B-6000	1	1/S	
101	X0-00967000	RR/E-6-SS	1	10/P	
102	X0-00965000	RR/E-4-SS	1	10/P	
103	X0-00966000	RR/E-5-SS	3	10/P	
104	X0-02230000	S/FHEXM-M3X6-NI	3	10/P	
105	X0-02052000	S/TP/PAN2/S-4X10-NI	1	10/P	
106	X0-02252000	S/TPP/FHEXM-4X10-NI	6	10/P	
107	X0-02251000	S/TPP/FHEXM-4X8-NI	2	10/P	



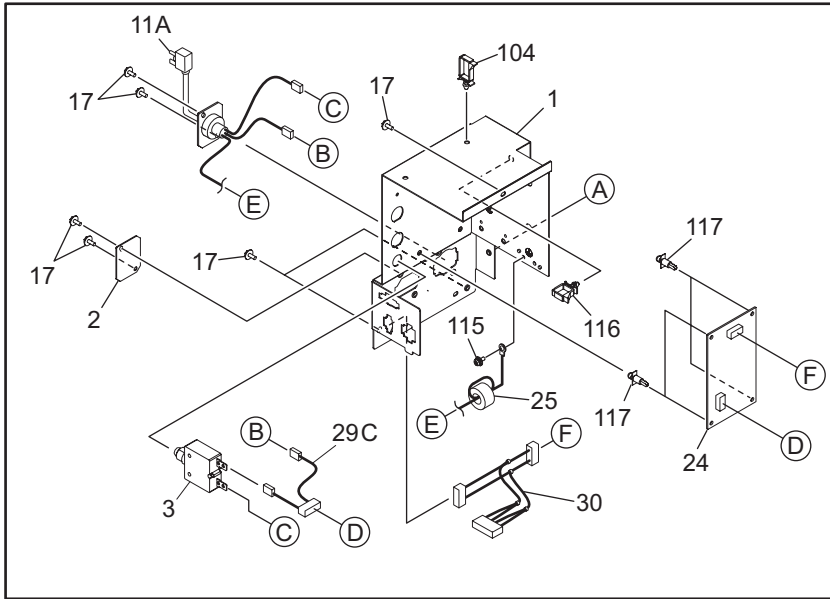
ITEM No.	PART No.	PART NAME	Q'TY / PAGE	Q'TY / PACK	REMARKS
1	4401904710	K-BRKT-BLADE	1	1/P	
2	4401761720	SPACER-BLADE	2	5/P	
3	6LE04121000	WEIGHT-BLADE-390	2	1/P	
4	6LH73868000	CLAW-DRUM-H32X	3	1/D	
5	6LH73874000	ASYB-GUIDE-PAPER-H32X	3	1/P	
6	6LE04122000	SFT-HLDR-BLADE	1	1/P	
7	4401904080	SEAL-BLD-U1	2	5/P	
8	4407887150	SEAL-BLD-U2-148	2	1/P	
9	6LE19374000	BL-6000D	1	1/S	
10	6LE04102000	BUSH-BLADE-390	1	1/P	
11	6LE04156000	CAP-BUSH-BLADE	1	5/P	
13	6LA02731000	STAY-CLN-F340	1	1/P	
14	6LE04134000	GUDE-STAY-CLN-390	1	1/KP	
15	4406328840	SEAL-STAY-CLN	1	5/KP	
16	4406328590	K-ROOF-CLN-300	1	1/KP	
17	6LH73872000	SHAFT-CLAW-H32X	1	1/P	
18	4406328970	LEVER-SFT-CLAW	1	1/P	
24	4401762520	CLT-CAM-CLAW	1	1/P	
25	4401762510	COLLAR-CLT-CLAW	1	1/P	
26	6LA02740000	SPC-CLAW-SLIDE	1	5/P	
28	6LH73875000	SPG-E-3R49XR12X11R22	3	1/P	
101	X0-00057000	S/PAN-M3X6-NI	4	10/P	
102	X0-02230000	S/FHEXM-M3X6-NI	15	10/P	
103	X0-02592000	S/TPD3/FHEXM-3X6-ZU3	1	10/P	
105	X0-01889000	W/TH/A-4-SS	1	10/P	
106	X0-02589000	S/TPD3/FHEXM-4X8-ZU3	1	10/P	
107	X0-02251000	S/TPP/FHEXM-4X8-NI	6	10/P	
108	X0-00964000	RR/E-3-SS	1	10/P	
109	X0-02114000	S/TPS/PAN-4X32-ZU3	1	10/P	
110	X0-00965000	RR/E-4-SS	3	10/P	
112	X0-00968000	RR/E-7-SS	1	10/P	
113	X0-00967000	RR/E-6-SS	1	10/P	



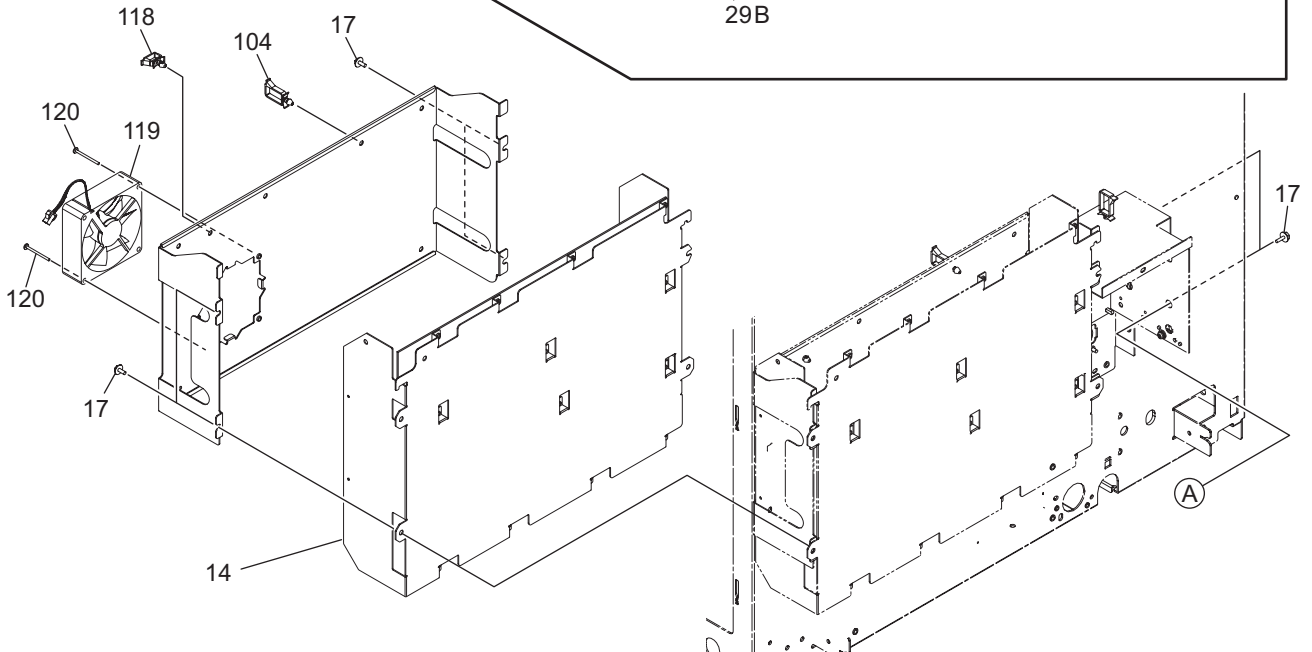
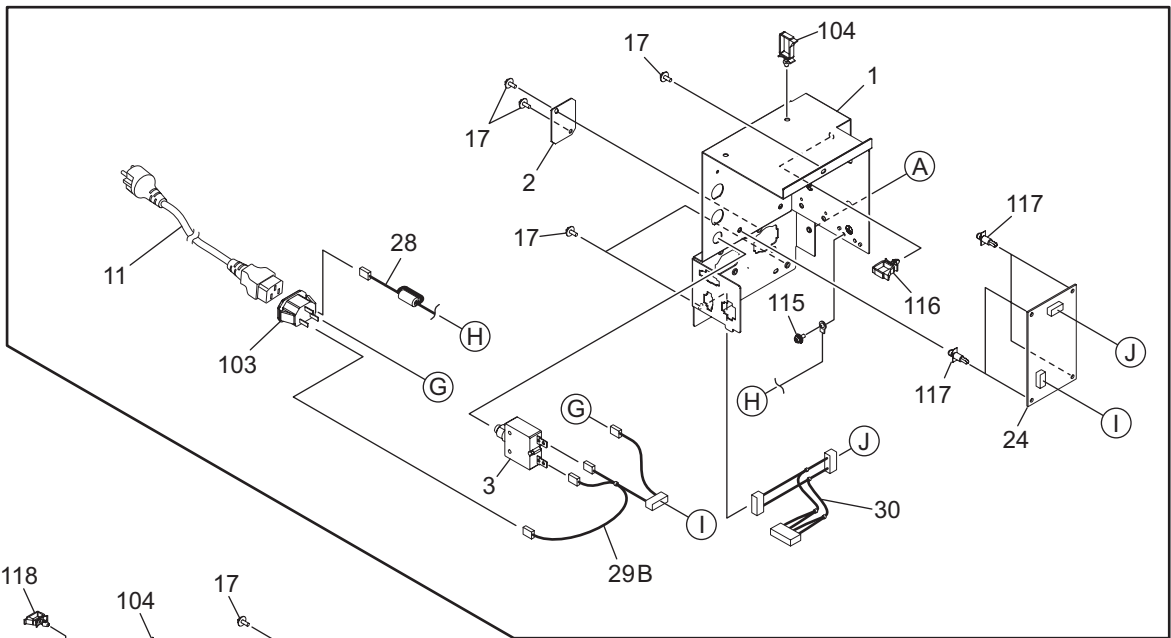


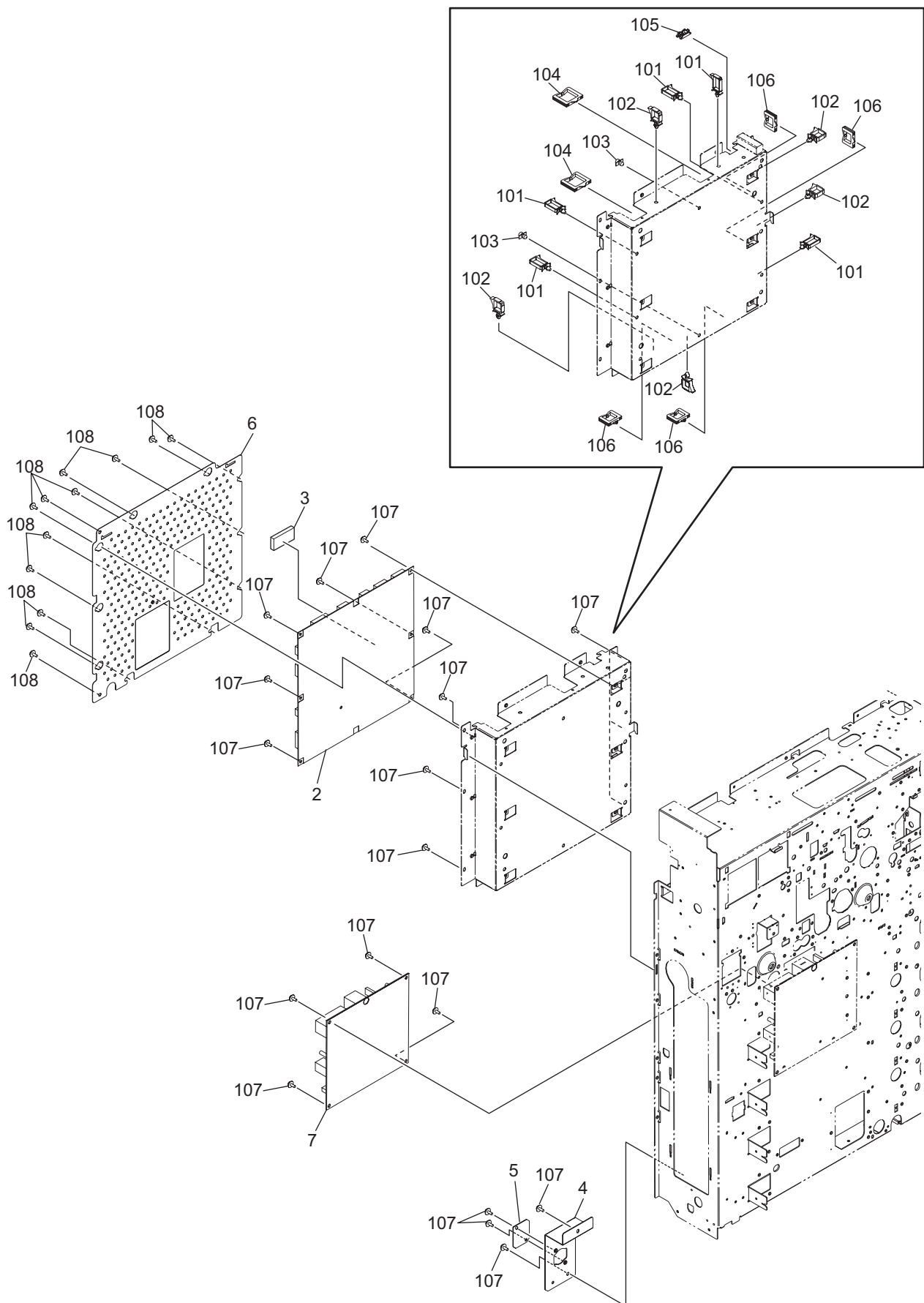
ITEM No.	PART No.	PART NAME	Q'TY / PAGE	Q'TY / PACK	REMARKS
1	6LA15843200	CASSETTE-H100	1	1/PP	
2	6LE03700000	ASYS-SHAFT-TRAY-UP	1	1/P	
3	6LA04446000	LEVER-SENS	1	1/P	
4	6LA14516000	LVR-ELV-CST	1	1/P	
5	4400908680	CUSHION-CST	2	1/KP	
6	6LA15842200	SIDE-WALL-F-H100	1	1/KP	
7	6LA15847000	PLT-LVR-CST-340	1	1/P	
8	6LE03710000	LVR-LOCK-CST	1	1/P	
9	6LA15844000	PLT-LOCK-CST-340	1	1/P	
11	6LA56695000	SPC-LVR-WALL-F	1	1/P	
12	6LA15841200	SIDE-WALL-R-H100	1	1/C	
13	6LA29058000	LEVER-LOCK-WALL-RER	1	1/P	
14	6LA04433000	WALL-LOCK-R-340	1	1/P	
15	41305546000	SPL-LOCK-WALL-R	1	1/P	
16	6LE03702000	SHAFT-GUIDE	1	1/P	
17	6LA04463000	BRKT-SHAFT	1	1/P	
18	41306029000	GER-PINION-20-AT	1	1/P	
19	6LA04456000	SCREW-PINION	1	5/P	
20	6LE03714000	TRAY-390	1	1/P	
21	6LA04500000	PAD-CST-340	1	5/P	
22	6LA29061000	WALL-CSSTT-END	1	1/P	
23	6LE04404300	COVER-CSSTT-LWR-FW_N	1	1/PP	
24	6LE04403100	COVER-CSSTT-UPR-N	1	1/PP	
26 A	6LE03708000	SIZE-CST-390-UC	1	1/KP	NAD
26 B	6LE03709000	SIZE-CST-390-E	1	1/KP	MJD,ASD,AUD,ARD
26 C	6LE03715000	SIZE-CST-390-C	1	1/KP	CND
27 A	6LH76202000	LBL_O-CST-LCD-H32X	1	1/KP	NAD,ASD,AUD,CND,ARD
27 B	6LH76203000	LBL_O-CST-H32X	1	1/KP	MJD
28	6LE03713000	BRKT-CST-POS-390	1	1/P	
29	6LA04487000	STUD-CST-POS	1	5/P	
30	6LA14327000	BRKT-FIX-PINION	1	1/P	
31	6LA14466000	CAP-LEVER-SENS	1	1/P	
32	6LE03705000	WALL-END-TAB390	1	1/PP	
33 B	6LH76204000	LBL_CST-LCD-SUB-H32X	1	1/P	MJD
101	X0-01989000	S/TPP/BID-3X8-NI	4	10/P	
102	X0-02235000	S/FHEXM-M4X8-NI	8	10/P	
103	X0-02230000	S/FHEXM-M3X6-NI	1	10/P	
104	X0-02251000	S/TPP/FHEXM-4X8-NI	8	10/P	
105	X0-02247000	S/TPP/FHEXM-3X8-NI	2	10/P	
106	6LA15906000	WSHR-M4-CST-F340	2	10/P	
107	6LH73731000	LBL-MAX-CST-H19X	1	1/KP	

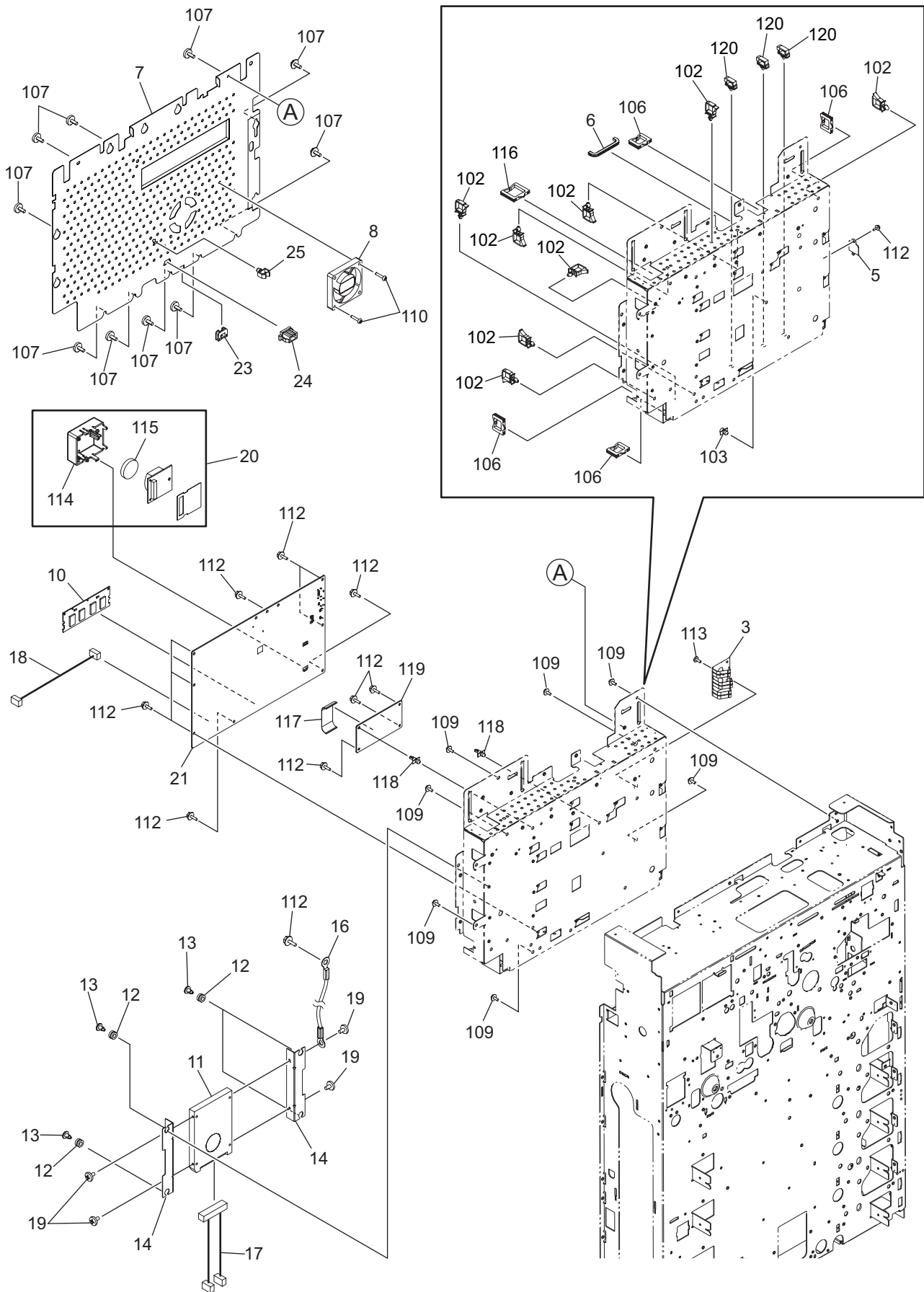
AC-115V

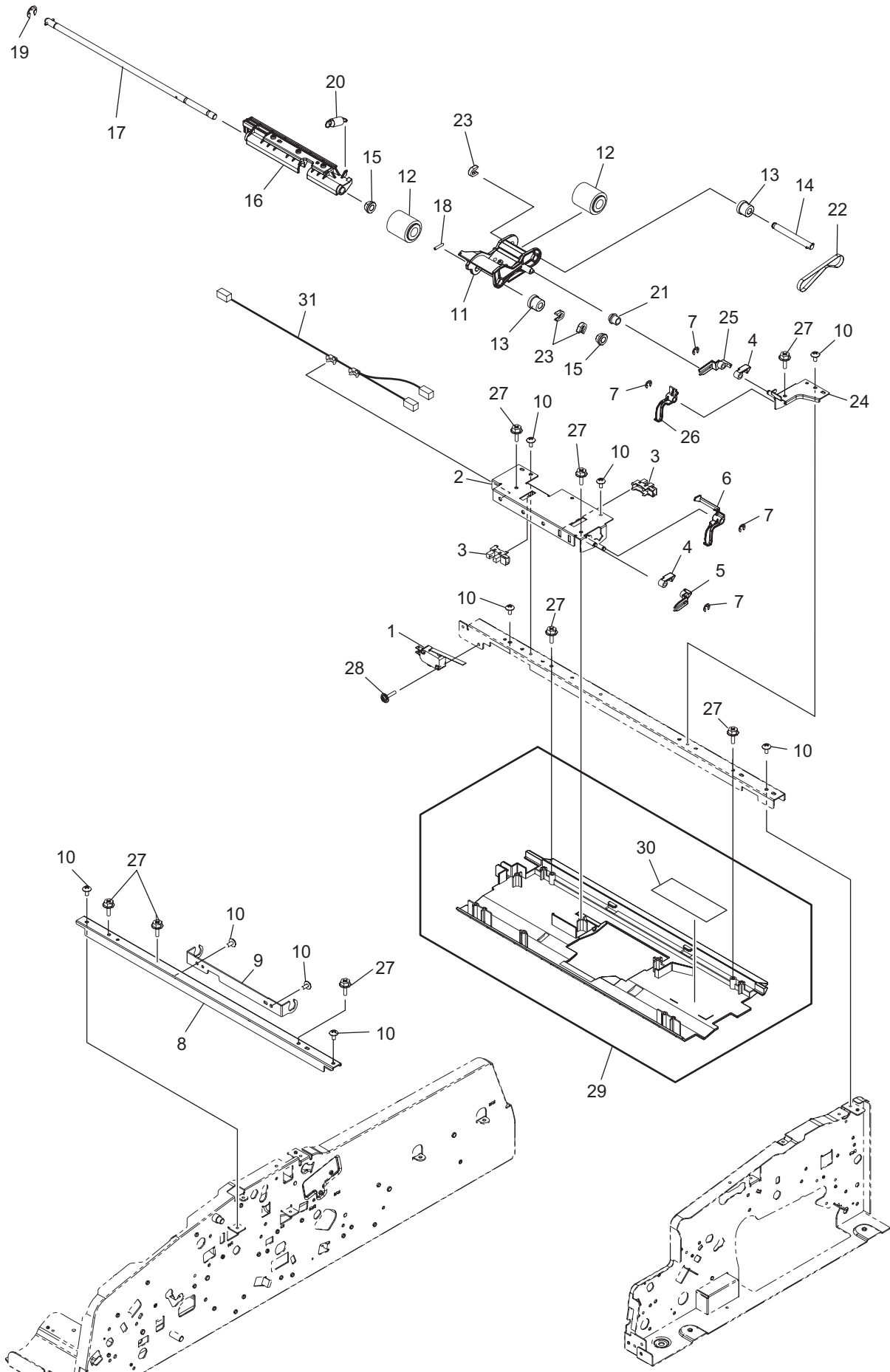


AC-240V

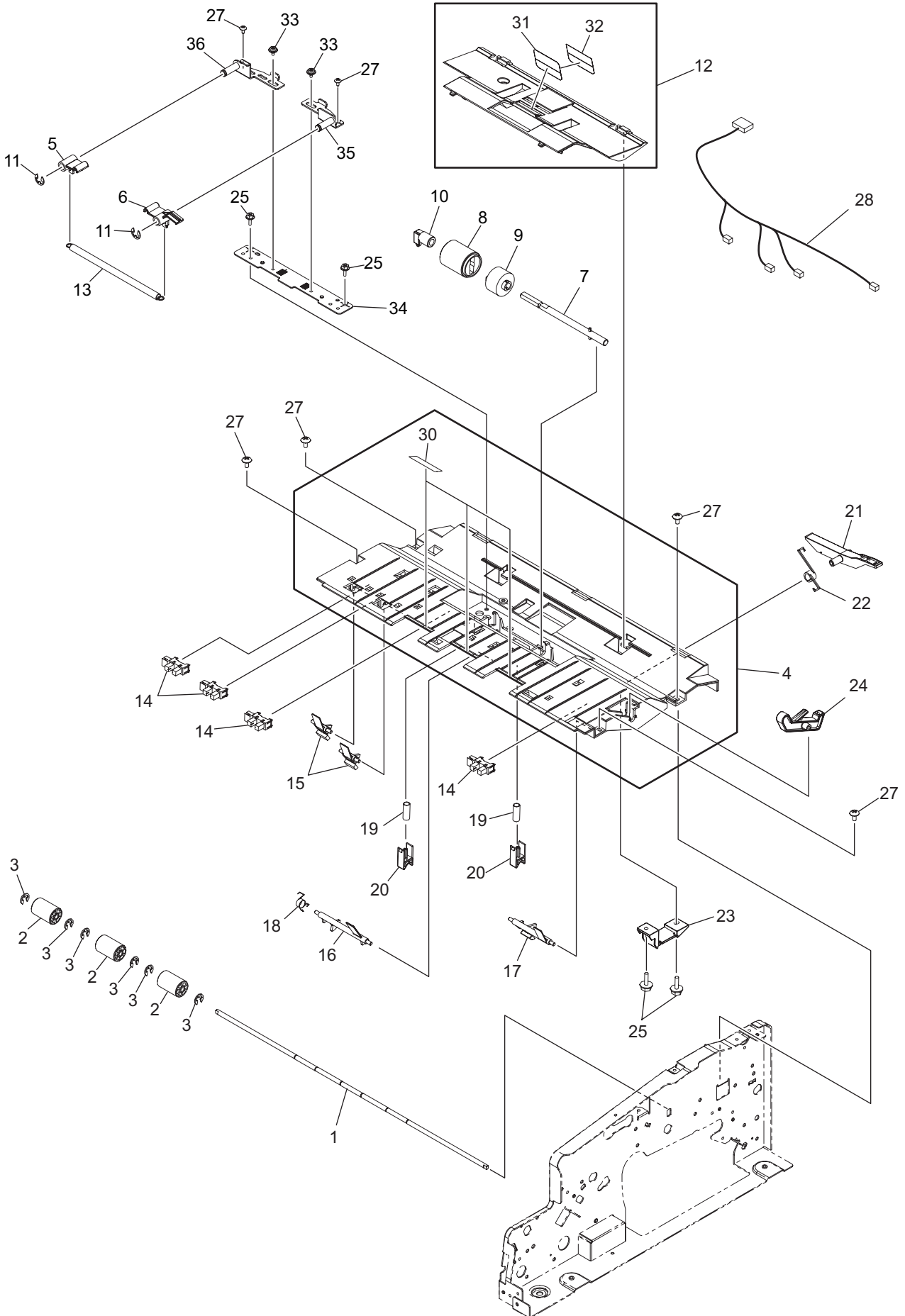




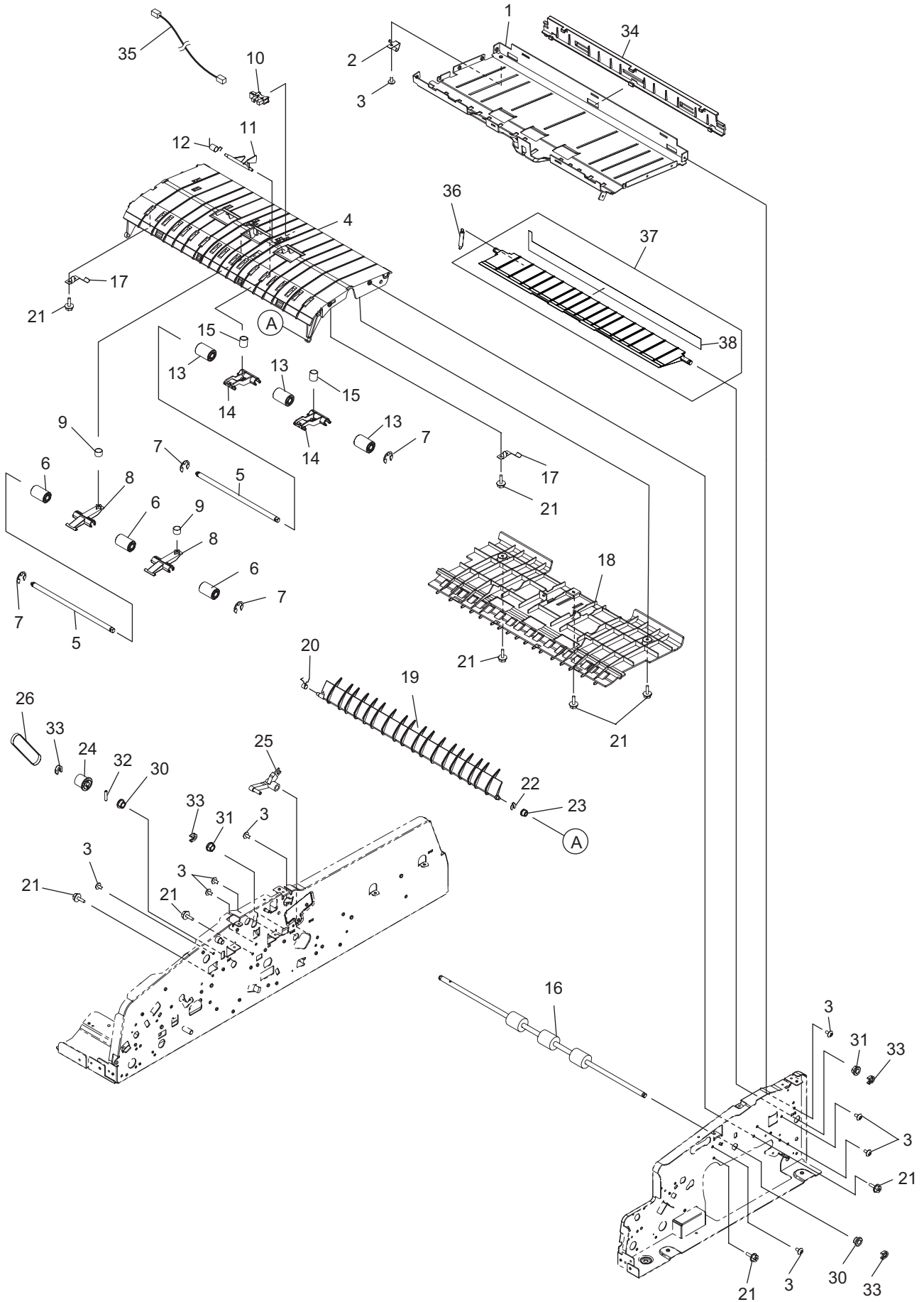




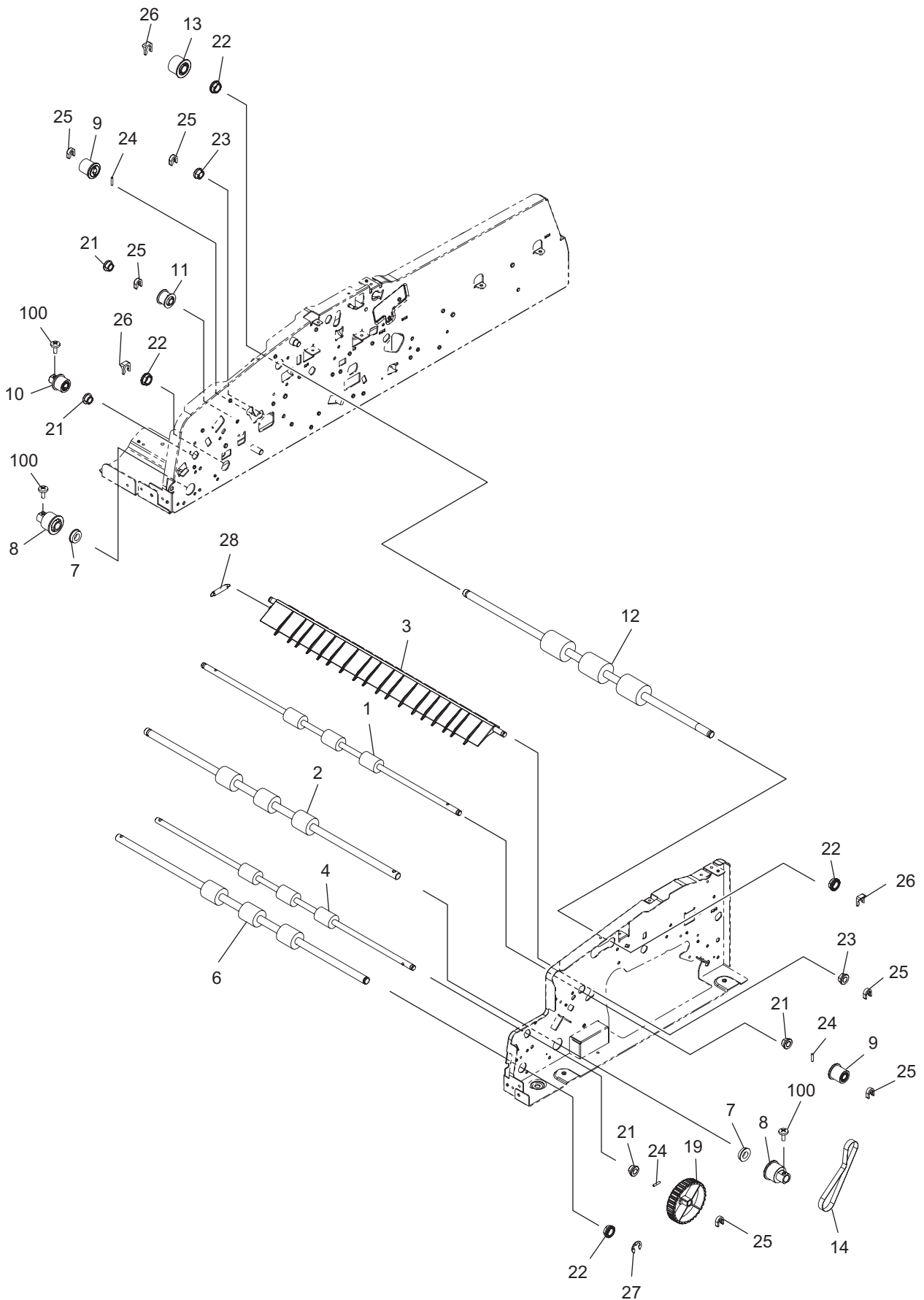
ITEM No.	PART No.	PART NAME	Q'TY / PAGE	Q'TY / PACK	REMARKS
1	E0-12468000	AM51613C731Y1N	1	1/C	
2	6LH06875000	ASYS-BRKT-STOP-R-TQ	1	1/P	
3	C0-15172000	GP1A173LCS2F	2	1/C	
4	6LE50366000	ARM-STOPPER	2	1/P	
5	6LH06548000	LVR-STOPPER-R-TQ	1	1/P	
6	6LH06916000	STPR-PICK-R-TQ-3	1	1/P	
7	X0-00964000	RR/E-3-SS	4	10/P	
8	6LH06588000	STAY-FED-U-L-TQ	1	1/P	
9	6LE50278000	BRKT-FEED-UP	1	1/P	
10	6LA08935000	SCR-M3X6BISR-NI	9	10/P	
11	6LH06902000	ASYB-HLDR-PICK_R2	1	1/P	
12	6LE50297000	ASYS-ROL-FEED	2	1/P	
13	6LE50339000	PULLY-1R5GT26-6	2	1/P	
14	6LH06657000	ASYS-SFT-PICUP-TQ	1	1/P	
15	6LH53768000	BUSH-6-NU4	2	1/P	
16	6LH06960000	ASYB-PICK-JOINT-TQ	1	1/P	
17	6LH06659000	ASYS-SFT-FEED-TQ	1	1/P	
18	X0-00980000	P/PRL/AH7-2X10-SS	1	10/P	
19	X0-00966000	RR/E-5-SS	1	10/P	
20	6LH06945000	SPG-E-PICKUP-TQ2	1	1/P	
21	6LE50336000	ROL-TNSN-PICK	1	1/P	
22	6LE50345000	BELT-141-1R5GT-4	1	1/P	
23	4407972860	STOP-RING-6-5	3	5/P	
24	6LH06878000	ASYS-BRKT-STOP-F-TQ	1	1/P	
25	6LH06547000	LVR-STOPPER-F-TQ	1	1/P	
26	6LH06917000	STPR-PICK-F-TQ-3	1	1/P	
27	X0-01989000	S/TPP/BID-3X8-NI	8	10/P	
28	X0-01615000	S/TPS/FPAN-3X14-NC	1	10/P	
29	6LH06935000	ASYS-GUIDE-FEED-U-U-TQ	1	1/D	
31	6LH06310000	HRNS-RADF-JCOVU-430	1	1/P	
32	6LH06777000	LABEL-INST-TQ	1	1/KP	



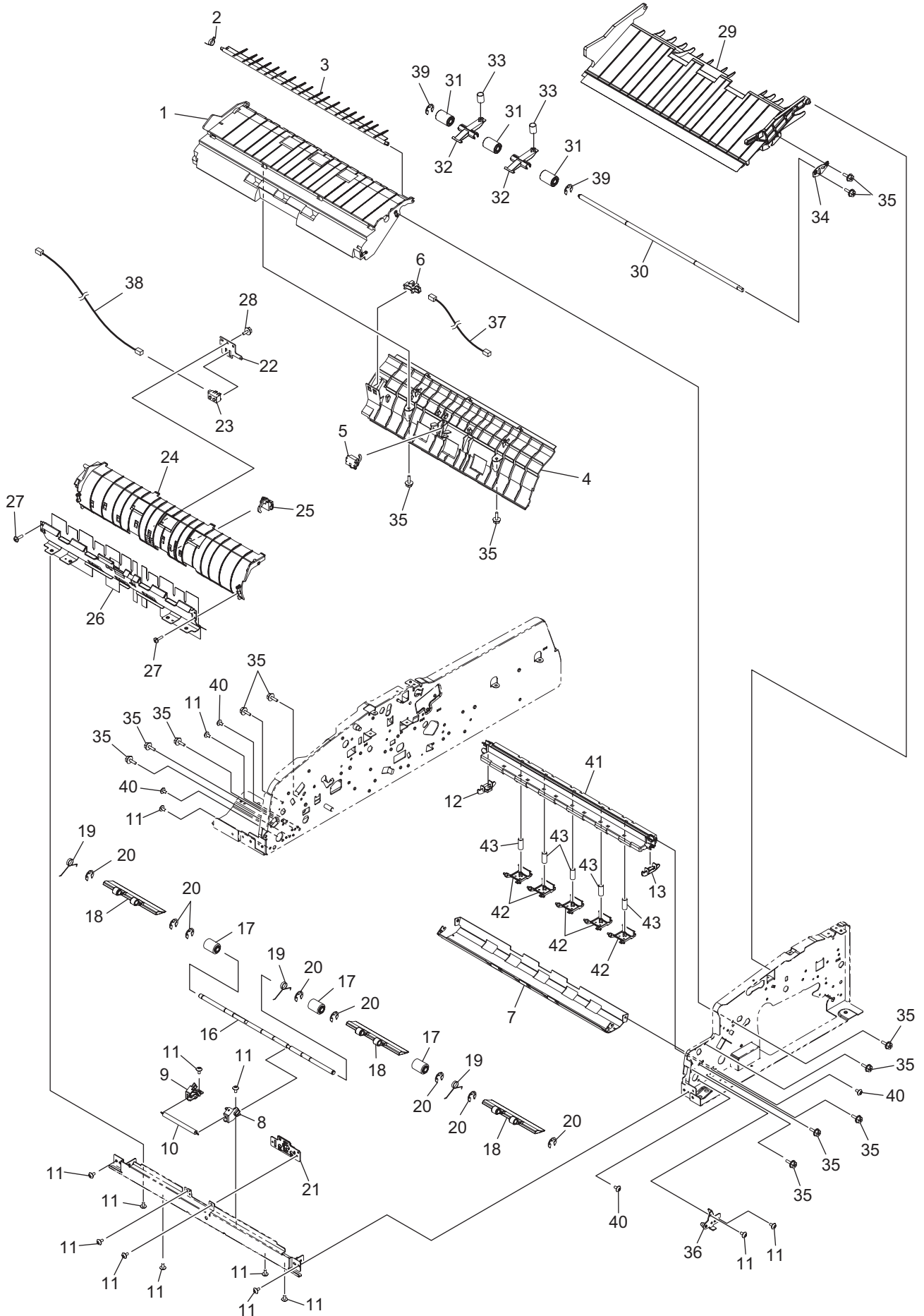
ITEM No.	PART No.	PART NAME	Q'TY / PAGE	Q'TY / PACK	REMARKS
1	6LH06716000	SFT-IDL-SWB-D4	1	1/P	
2	6LH06527000	ROL-IDL-D16-D4-POM	3	1/P	
3	X0-00964000	RR/E-3-SS	6	10/P	
4	6LH07028000	ASYS-GUIDE-FEED-U-L-H32X	1	1/PP	
5	6LH07034000	LVR-SPT-R-H32X	1	1/P	
6	6LH07033000	LVR-SPT-F-H32X	1	1/P	
7	6LH07031000	ASYS-SFT-SEP-H32X	1	1/P	
8	6LE49877000	ASYS-ROL-RET-RU	1	1/P	
9	6LH06990000	TL-SEP-ROL-Y-55-TQ	1	1/P	
10	6LH07032000	HLDR-ROLL-SPT-H32X	1	1/P	
11	X0-00966000	RR/E-5-SS	2	10/P	
12	6LH07042000	ASYS-COV-ROL-SPT-H32X	1	1/PP	
13	6LH06883000	SPG-ROL-SPT-TQ-M100	1	1/P	
14	C0-15172000	GP1A173LCS2F	4	1/C	
15	6LE50231000	LEVER-SENS-WIDTH	2	1/P	
16	6LH06558000	LEVER-SENS-LENG-TQ	1	1/P	
17	6LH06662000	LEVER-SENS-WIDE-A3LT	1	1/P	
18	6LE50234000	SPG-T-LVR-ALNG	1	1/P	
19	6LH06725000	SPR-LEV-SWB	2	1/P	
20	6LH06536000	LEV-SW-B	2	1/P	
21	6LH06559000	LEVER-SPT-CAM-TQ	1	1/P	
22	6LH06726000	SPR-LEV-SPT-CAM	1	1/P	
23	6LH06666100	HLDR-LVR-SPT-CAM-EF378	1	1/P	
24	6LH06560000	LEVER-SPT-CAM-2-TQ	1	1/P	
25	X0-02247000	S/TPP/FHEXM-3X8-NI	4	10/P	
27	6LA08935000	SCR-M3X6BISR-NI	6	10/P	
28	6LH06311000	HRNS-RADF-LENTH-430	1	1/P	
30	6LH06933000	MALAR-ALNG-LOW	3	5/P	
31	6LH06887000	SHEET-COV-SPT-TQ	1	1/P	
32	6LH06998000	PAD-SPT-TQ2	1	1/P	
33	6LA08932000	SCREW-ACTR-TRU	2	10/P	
34	6LH07035000	PLATE-BASE-LVR	1	1/P	
35	6LH07036000	ASYS-BRKT-LVR-RADF-F	1	1/P	
36	6LH07039000	ASYS-BRKT-LVR-RADF-R	1	1/P	



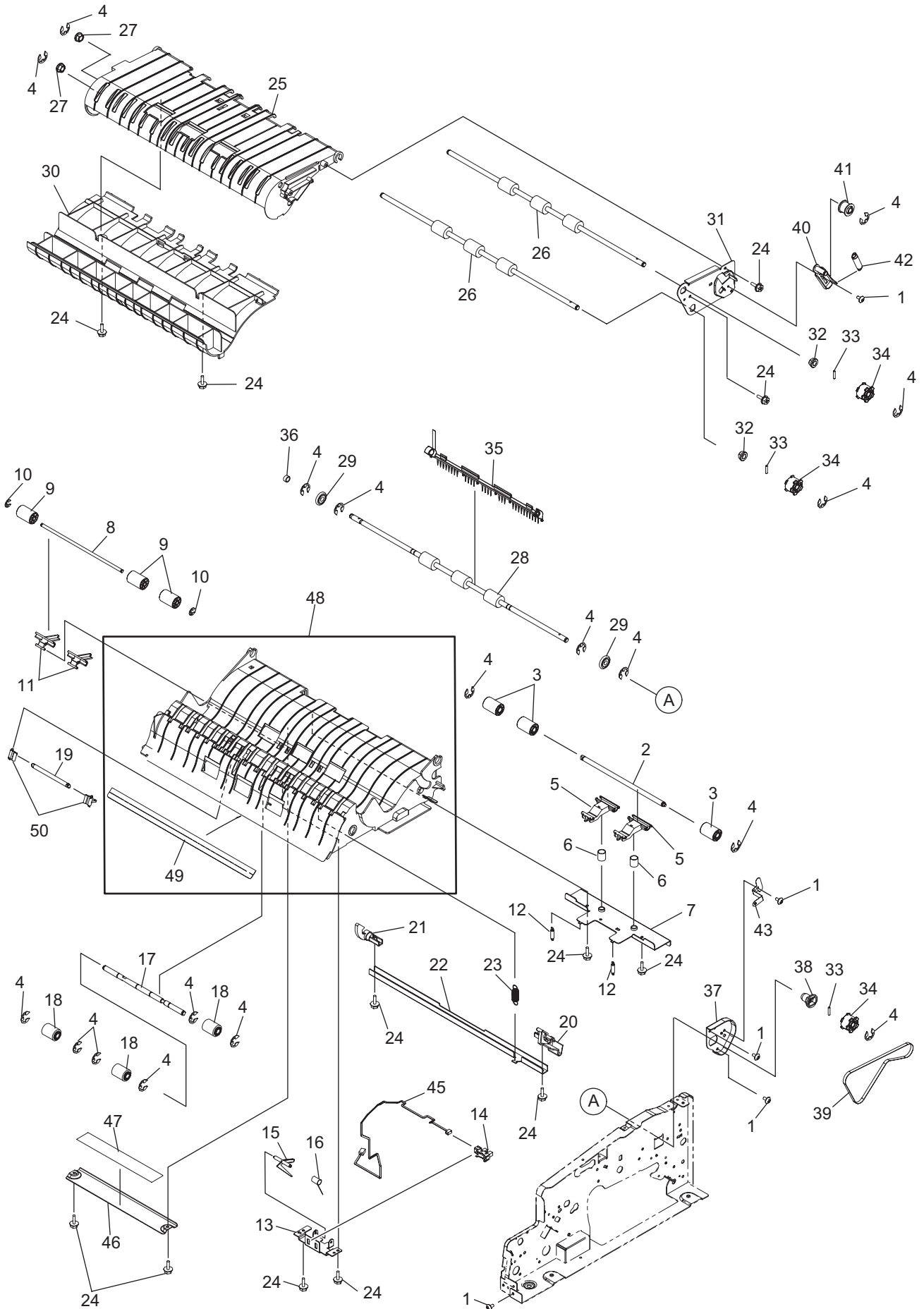
ITEM No.	PART No.	PART NAME	Q'TY / PAGE	Q'TY / PACK	REMARKS
1	6LH06595000	GUIDE-SB-U-TQ	1	1/PP	
2	6LH06623000	SPR-ERTH-SB	1	1/P	
3	6LA08935000	SCR-M3X6BISR-NI	9	10/P	
4	6LH06500100	GUIDE-SB-IN-EF378	1	1/PP	
5	6LH06677000	SFT-EXIT-SB-D6	2	1/P	
6	6LH06530000	ROL-IDL-D15-D6-POM	3	1/P	
7	X0-00966000	RR/E-5-SS	4	10/P	
8	6LH06552100	LEV-DELTA-EF378	2	1/P	
9	6LH06927000	SPR-SB-IN	2	1/P	
10	C0-10813000	GP1A73ARJ00F	1	1/P	
11	6LH06582000	LEVER-OUT-SENS	1	1/P	
12	6LH06681000	SPR-SENS-OUT	1	1/P	
13	6LH06526000	ROL-IDL-D16-POM	3	1/P	
14	6LH06554100	LEV-EXIT-EF378	2	1/P	
15	6LH06680000	SPR-SB-OUT	2	1/P	
16	6LH06646000	ROL-TRANS-RVS	1	1/KP	
17	6LH06618000	SPL-GUIDE-CUSION	2	1/P	
18	6LH06539100	GUIDE-SB-IN-EF378	1	1/PP	
19	6LH06816100	GATE-EXIT-SFT-5330	1	1/KP	
20	6LH07076000	SPR-GATE-EXIT	1	1/P	
21	X0-02247000	S/TTP/FHEXM-3X8-NI	9	10/P	
22	6LH06812000	STOP-RING-3	1	5/P	
23	4400536230	BUSH-4-7	1	5/P	
24	6LH06531000	PULLY-MAIN-ALNG	1	1/P	
25	6LH06567000	LVR-FLAP-EXIT-TQ	1	1/P	
26	6LH06746000	BLT-TRANS-RVS	1	1/P	
30	6LE49739000	BUSH-6X10X6F-SBK	2	5/P	
31	44201492000	BUSH-6-POM	2	5/P	
32	6LB12138000	PIN-2X10	1	10/P	
33	4407972860	STOP-RING-6-5	4	5/P	
34	6LH06636100	STAY-ORG-SUB-EF378	1	1/P	
35	6LH06313000	HRNS-RADF-EXIT-430	1	1/P	
36	6LH06683000	SPG-FLAP-EXIT-TQ	1	1/P	
37	6LH06700000	ASYS-FLAP-EXIT-TQ	1	1/PP	
38	6LH06898000	BRUSH-ERS-TQ-ACH	1	1/KP	



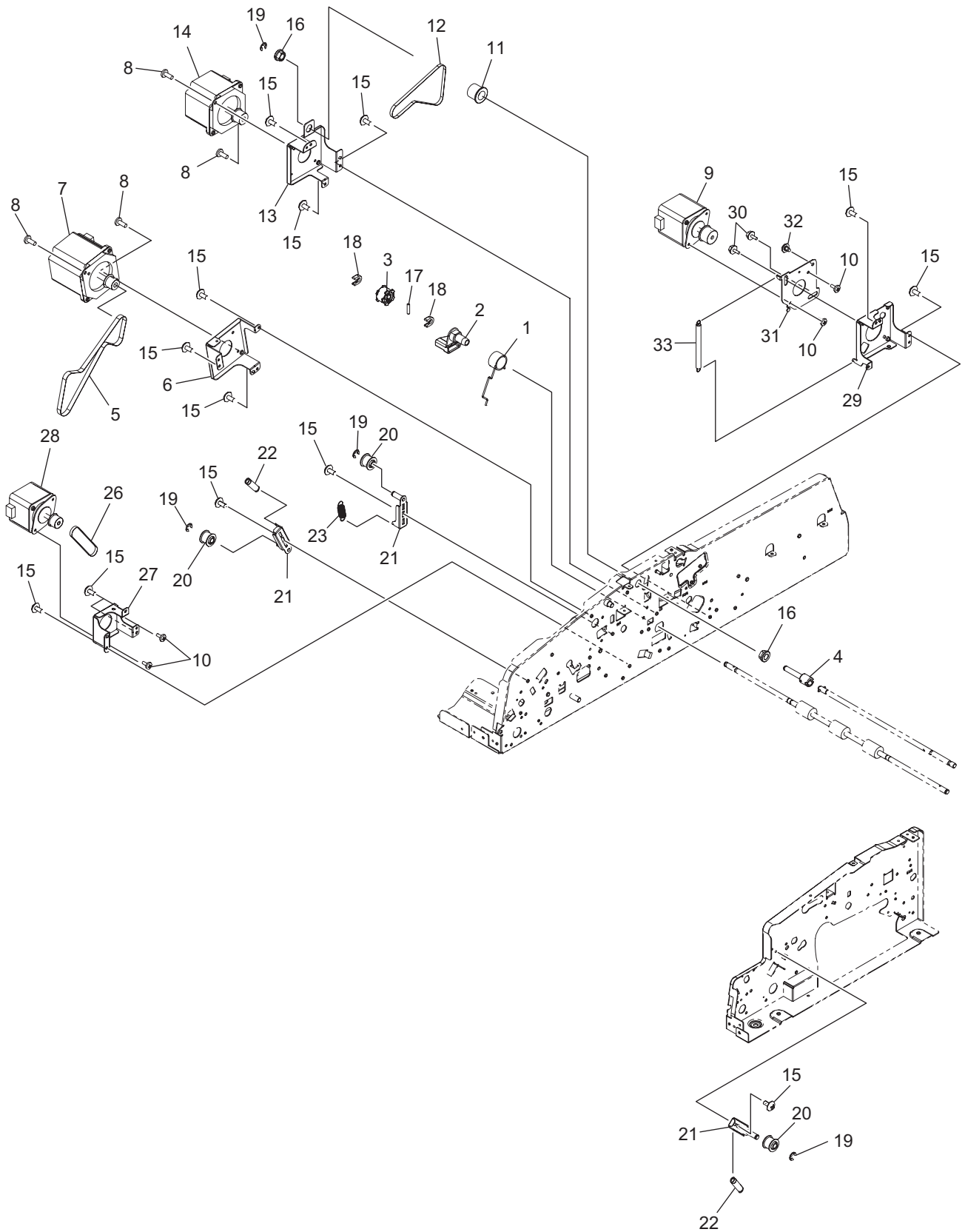
ITEM No.	PART No.	PART NAME	Q'TY / PAGE	Q'TY / PACK	REMARKS
1	6LH07015000	ROL-RVS-ALNG	1	1/KP	
2	6LH06645000	ROL-READ-OUT	1	1/KP	
3	6LH06568100	FLAP-RD-5330	1	1/KP	
4	6LH07054000	ROL-TRANS-8	1	1/KP	
6	6LH06649000	ROL-READ-IN	1	1/KP	
7	F0-00782000	LF-1480ZZ	2	1/P	
8	6LH06535000	PULLY-READ	2	1/P	
9	6LH06531000	PULLY-MAIN-ALNG	2	1/P	
10	6LH06528000	PULLY-RVS-ALNG	1	1/P	
11	6LE50098000	ROL-TNSN-FEED	1	1/P	
12	6LH07000000	ROL-ALNG-MAIN-OW	1	1/KP	
13	6LH06525000	PULLY-CLUCH-MAIN-ALNG	1	1/P	
14	6LH06742000	BLT-RD-FRONT	1	1/P	
19	6LH06545100	DIAL-JAM-TQ-EF378	1	1/P	
20	6LA08935000	SCR-M3X6BISR-NI	6	10/P	
21	6LE49739000	BUSH-6X10X6F-SBK	4	5/P	
22	6LE50521000	BUSH-8X12X5R5F-NU4	4	5/P	
23	44201492000	BUSH-6-POM	2	5/P	
24	6LB12138000	PIN-2X10	3	10/P	
25	4407972860	STOP-RING-6-5	6	5/P	
26	41306265000	STOP RING	3	1/P	
27	X0-00968000	RR/E-7-SS	1	10/P	
28	6LH06785000	SPG-FLAP-READ-TQ	1	1/P	
100	X0-01277000	S/BID-M3X6-NC	3	10/P	



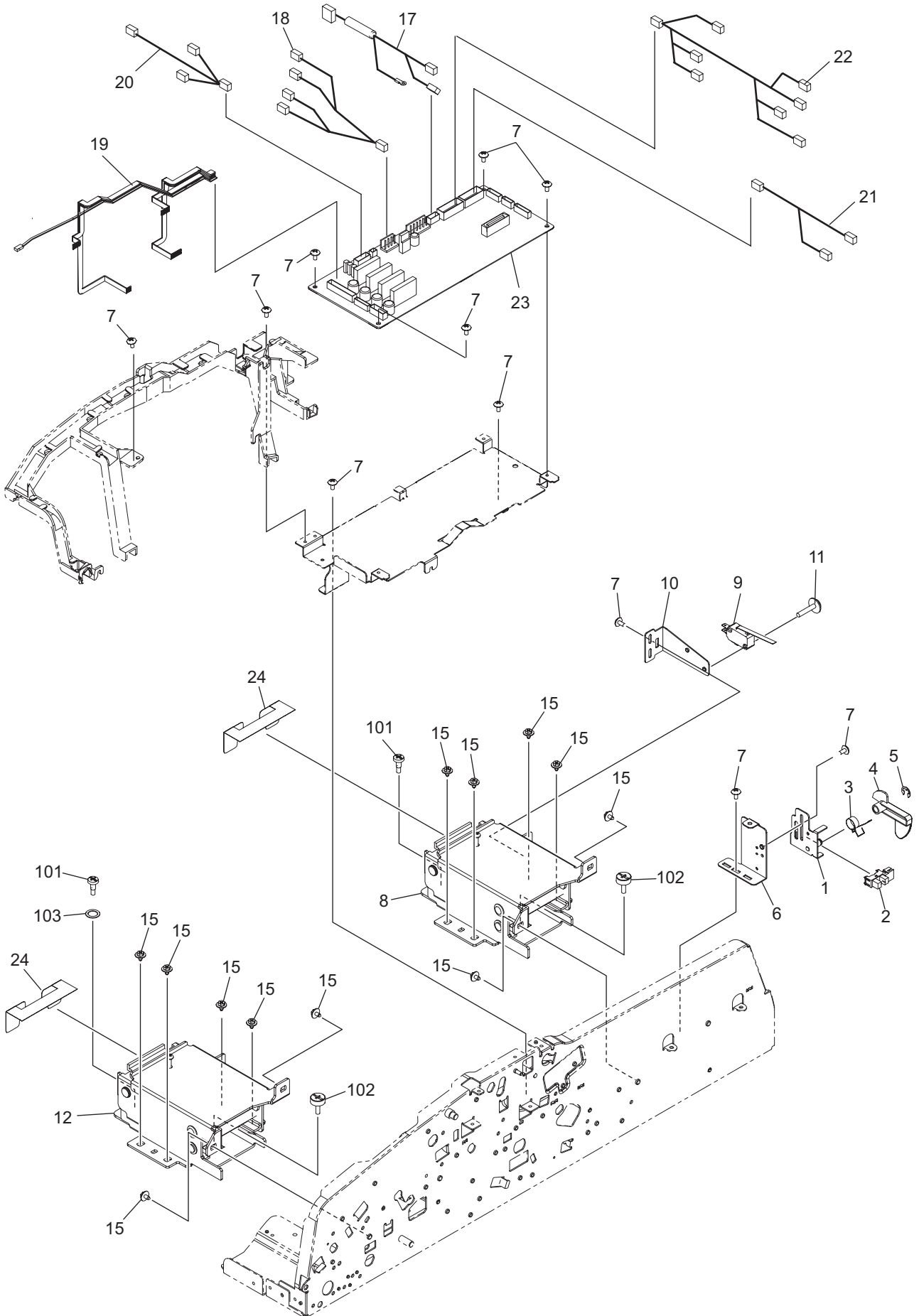
ITEM No.	PART No.	PART NAME	Q'TY / PAGE	Q'TY / PACK	REMARKS
1	6LH06518100	GUIDE-RVS-ALNG-EF378	1	1/PP	
2	6LE49784000	SPG-T-FLP-SB	1	1/P	
3	6LH06517100	GATE-SB-5330	1	1/KP	
4	6LH06837100	ASYS-GUIDE-READ-OUT_C	1	1/PP	
5	6LH06323000	SNSR-RADF-EXIT-430	1	1/C	
6	C0-10813000	GP1A73ARJ00F	1	1/P	
7	6LH07020000	GUIDE-PLTN-PUSH	1	1/D	
8	6LH06706000	ASYB-READ-IN-LEV-STAY-F	1	1/P	
9	6LH06707000	ASYB-READ-IN-LEV-STAY-R	1	1/P	
10	6LH06708000	SPR-LEV-READ-IN	1	1/P	
11	6LA08935000	SCR-M3X6BISR-NI	14	10/P	
12	6LH07022000	STPR-GID-PLTN-R	1	1/P	
13	6LH07023000	STPR-GID-PLTN-F	1	1/P	
16	6LH06710000	SFT-IDL-RD-IN-L	1	1/P	
17	6LH06637000	ASYS-ROL-RD-IN-IDL	3	1/P	
18	6LH06540000	GUIDE-RD-IN-GLASS	3	1/P	
19	6LH06712000	SPR-READ-IN-GUIDE	3	1/P	
20	X0-00965000	RR/E-4-SS	8	10/P	
21	6LH06713000	ASYB-BRKT-PRISM	1	1/P	
22	6LH06640000	PLT-SENSOR-RI	1	1/P	
23	C0-14572000	EON-5041-701	1	1/C	
24	6LH06551100	GUIDE-READ-IN-EF378	1	1/PP	
25	6LH06321000	SNSR-RADF-MID-430	1	1/C	
26	6LH06807000	ASYS-GUIDE-READ-IN-PLT	1	1/C	
27	X0-01989000	S/TPP/BID-3X8-NI	2	10/P	
28	X0-02246000	S/TPP/FHEXM-3X6-NI	1	10/P	
29	6LH06737000	ASYS-GUIDE-SB	1	1/KP	
30	6LH06740000	SFT-ROL-RVS-ALNG	1	1/P	
31	6LH06526000	ROL-IDL-D16-POM	3	1/P	
32	6LH06552100	LEV-DELTA-EF378	2	1/P	
33	6LH06741000	SPR-DELTA	2	1/P	
34	6LH06603000	BRKT-DELTA-SET	1	1/P	
35	X0-02247000	S/TPP/FHEXM-3X8-NI	14	10/P	
36	6LH06608000	ASYS-BRKT-COV-JAM-F	1	1/P	
37	6LH06316000	HRNS-RADF-JCOVL-430	1	1/P	
38	6LH06315000	HRNS-RADF-READI-430	1	1/P	
39	X0-00966000	RR/E-5-SS	2	10/P	
40	X0-01277000	S/BID-M3X6-NC	4	10/P	
41	6LH07019000	STAY-PUSH-READ-OUT	1	1/P	
42	6LH07021000	GID-PUSH-READ-OUT	5	1/P	
43	6LH07041000	SPG-C-7X0R4X19	5	5/P	



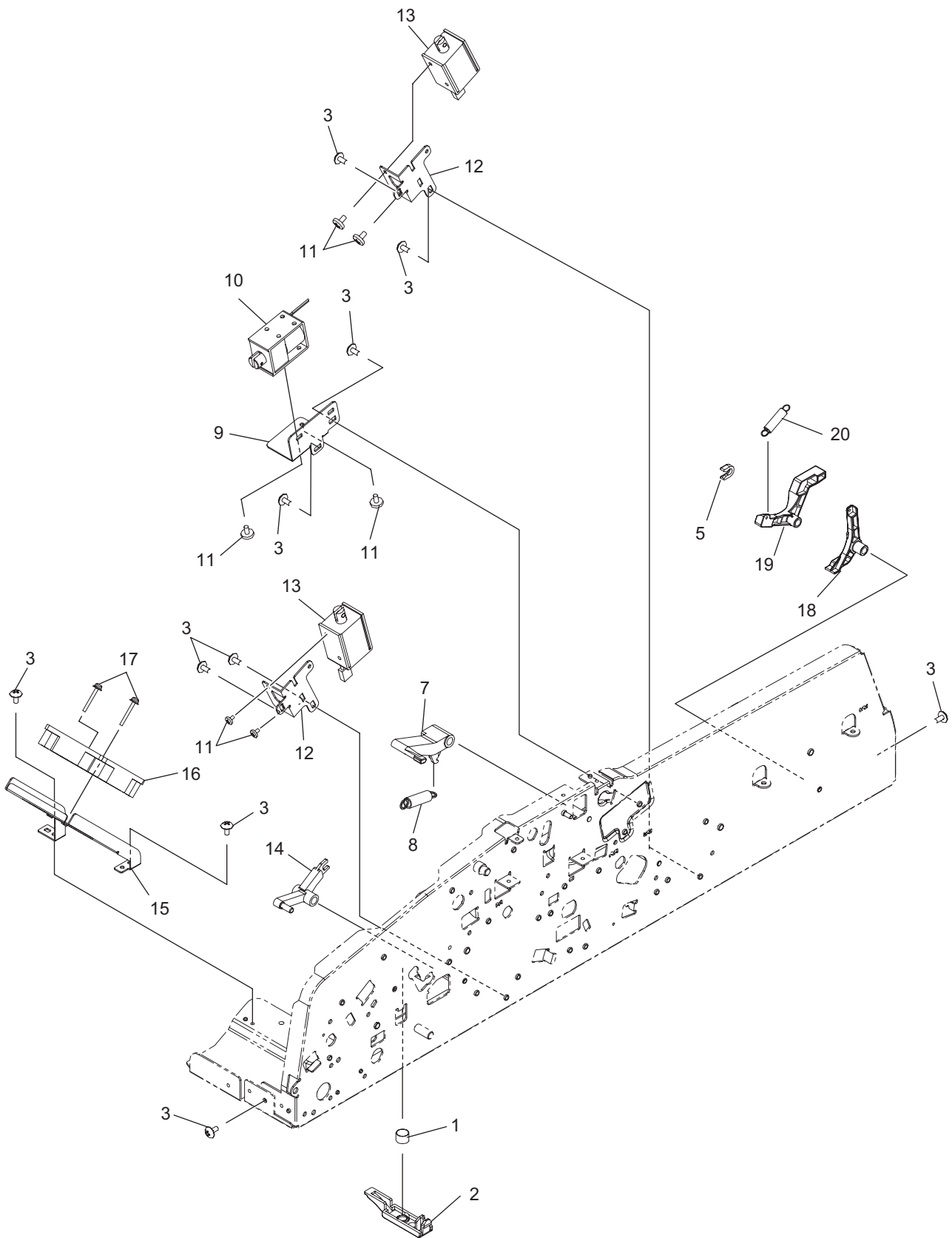
ITEM No.	PART No.	PART NAME	Q'TY / PAGE	Q'TY / PACK	REMARKS
1	6LA08935000	SCR-M3X6BISR-NI	6	10/P	
2	6LH06677000	SFT-EXIT-SB-D6	1	1/P	
3	6LH06526000	ROL-IDL-D16-POM	3	1/P	
4	X0-00966000	RR/E-5-SS	18	10/P	
5	6LH06554100	LEV-EXIT-EF378	2	1/P	
6	6LH06680000	SPR-SB-OUT	2	1/P	
7	6LH06583000	BRKT-LEV-EXIT	1	1/P	
8	6LH06687000	SFT-EXIT-D4	1	1/P	
9	6LH06527000	ROL-IDL-D16-D4-POM	3	1/P	
10	X0-00964000	RR/E-3-SS	2	10/P	
11	6LH06534100	LEV-EXIT-R-EF378	2	1/P	
12	6LH06688000	SPR-LEV-EXIT	2	1/P	
13	6LH06586000	BRKT-BACK-EXIT-SNS	1	1/P	
14	C0-15172000	GP1A173LCS2F	1	1/C	
15	6LH06546000	ACTR-BACK-EXIT	1	1/P	
16	6LH06690000	SPR-BACK-SNS	1	1/P	
17	6LH06652000	SFT-IDL-RD-OUT	1	1/P	
18	6LH06637000	ASYS-ROL-RD-IN-IDL	3	1/P	
19	6LH06708000	SPR-LEV-READ-IN	1	1/P	
20	6LH06549000	LEVER-GUIDE-LOCK-F	1	1/P	
21	6LH06550000	LEVER-GUIDE-LOCK-R	1	1/P	
22	6LH06579000	BRKT-GUIDE-OPEN	1	1/P	
23	6LH06693000	SPR-GUIDE-EXIT-OPEN	1	1/P	
24	X0-02247000	S/TPP/FHEXM-3X8-NI	12	10/P	
25	6LH06515100	GUIDE-EXIT-IN-EF378	1	1/PP	
26	6LH07051000	ROL-EXIT-SB	2	1/KP	
27	44201492000	BUSH-6-POM	2	5/P	
28	6LH06648000	ROL-EXIT	1	1/KP	
29	6LH06802000	ROL-COL-TQ	2	1/P	
30	6LH07071000	ASYS-GUIDE-EXIT-IN-L	1	1/PP	
31	6LH06578000	PLATE-DRV-EXIT-F	1	1/P	
32	6LH53768000	BUSH-6-NU4	2	1/P	
33	X0-00980000	P/PRL/AH7-2X10-SS	3	10/P	
34	6LH06529000	PULLY-EXIT	3	1/P	
35	6LH06800000	ASYS-SHUT-EXIT-TQ	1	1/KP	
36	6LH23444000	BUSH-GCB-6-4-NU4	1	1/P	
37	6LH06599000	PLT-GUIDE-EXIT	1	1/P	
38	6LH06522000	BUSH-GUIDE-EXIT-F	1	1/P	
39	6LH06697000	BLT-EXIT-F	1	1/P	
40	6LE50110000	ASYS-PLT-TNSN	1	1/P	
41	6LE50098000	ROL-TNSN-FEED	1	1/P	
42	6LH06698000	SPR-TNSN-READ-10N	1	1/P	
43	6LH06796000	SPR-ERTH-FR	1	1/C	
45	6LH74686000	HRNS-RADF-EXITR-H320	1	1/P	
46	6LH07045000	BRKT-GUIDE-PUSH	1	1/P	
47	6LH06772000	LBL-PUSH-TQ	1	1/KP	
48	6LH07064000	ASYS-GUIDE-EXIT	1	1/PP	
49	6LH06605000	MYLAR-GUIDE-EXIT	1	1/KP	
50	6LH06571000	LEV-READ-IN	2	1/P	



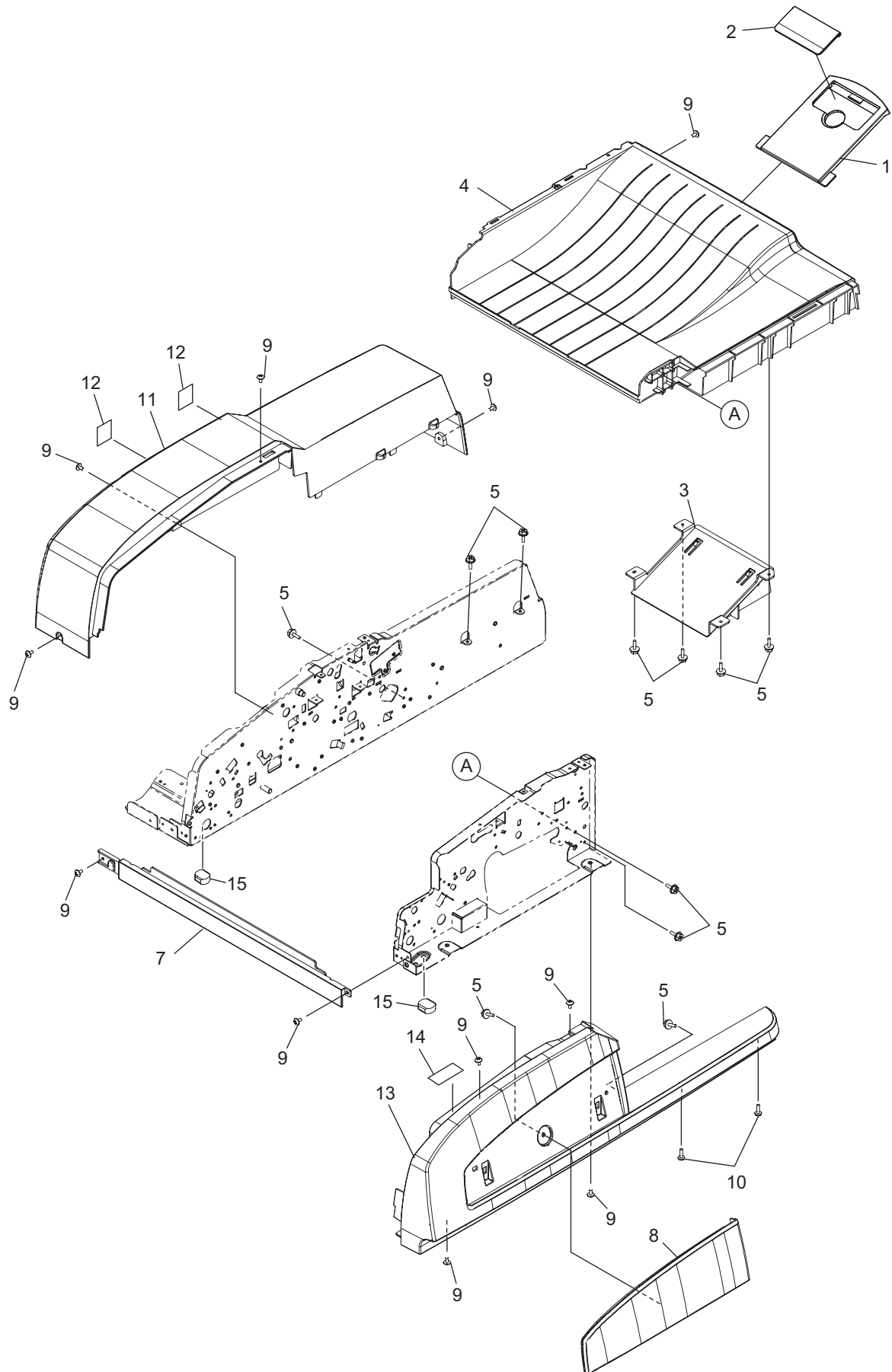
ITEM No.	PART No.	PART NAME	Q'TY / PAGE	Q'TY / PACK	REMARKS
1	6LH06841000	SPR-CUSHION-GUIDE-EXIT	1	1/P	
2	6LH06523000	BUSH-GUIDE-EXIT-R	1	1/P	
3	6LH06529000	PULLY-EXIT	1	1/P	
4	6LH06655000	ASYS-CPG-FED-TQ	1	1/P	
5	6LH06744000	BLT-RD-MOT-REAR	1	1/P	
6	6LH06575000	BRKT-MOT-EXIT	1	1/P	
7	6LH06318000	MOTR_S-RADF-READ-430	1	1/C	
8	X0-01453000	S/TSPS/BID-4X8-NC	4	10/P	
9	6LH06320000	MOTR_S-RADF-EXIT-430	1	1/C	
10	X0-01277000	S/BID-M3X6-NC	4	10/P	
11	6LH06519000	PULLY-CLUCH-FEED	1	1/P	
12	6LH06750000	BLT-FEED	1	1/P	
13	6LH06577000	BRKT-MOT-FEED	1	1/P	
14	6LH06317000	MOTR_S-RADF-FEED-430	1	1/C	
15	6LA08935000	SCR-M3X6BISR-NI	14	10/P	
16	6LH53768000	BUSH-6-NU4	2	1/P	
17	X0-00980000	P/PRL/AH7-2X10-SS	1	10/P	
18	4407972860	STOP-RING-6-5	2	5/P	
19	X0-00966000	RR/E-5-SS	4	10/P	
20	6LE50098000	ROL-TNSN-FEED	3	1/P	
21	6LE50110000	ASYS-PLT-TNSN	3	1/P	
22	6LH06698000	SPR-TNSN-READ-10N	2	1/P	
23	6LH06752000	SPR-TNSN-FEED-4N	1	1/P	
26	6LH06746000	BLT-TRANS-RVS	1	1/P	
27	6LH06576000	BRKT-MOT-SB	1	1/P	
28	6LH06319000	MOTR_S-RADF-SB-430	1	1/C	
29	6LH06978000	BRKT-MOT-EXIT-TNS	1	1/P	
30	X0-02230000	S/FHEXM-M3X6-NI	2	10/P	
31	6LH06977000	PLT-TENS-MOT-EX-TQ	1	1/P	
32	6LA08936000	SCREW-M3-TENS	1	10/P	
33	6LH06763000	SPR-LEV-READ-IN-U	1	1/P	



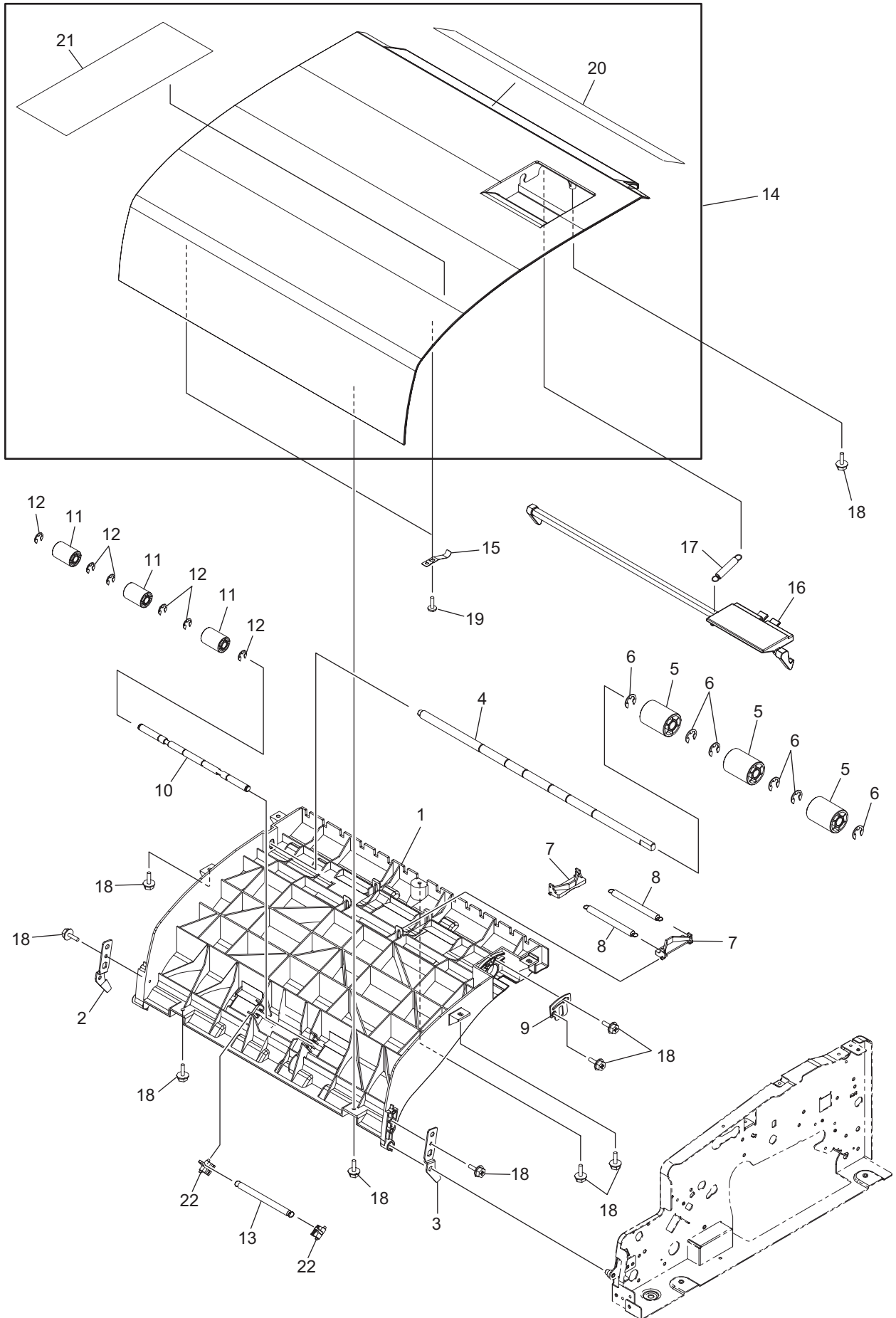
ITEM No.	PART No.	PART NAME	Q'TY / PAGE	Q'TY / PACK	REMARKS
1	6LE59872000	ASYS-PLT-OPEN-N	1	1/P	
2	C0-15172000	GP1A173LCS2F	1	1/C	
3	6LE50488000	SPG-T-OPEN-SW	1	1/P	
4	6LE50487000	LVR-OPEN-SW	1	1/P	
5	X0-00966000	RR/E-5-SS	1	10/P	
6	6LE50490000	PLT-INTRLOK	1	1/P	
7	6LA08935000	SCR-M3X6BISR-NI	11	10/P	
8	6LH07079000	HINGE-R-TQ2	1	1/C	
9	E0-12468000	AM51613C731Y1N	1	1/C	
10	6LH06667000	BRKT-I-LOCK-SW-TQ	1	1/P	
11	X0-01615000	S/TPS/FPAN-3X14-NC	1	10/P	
12	6LH07080000	HINGE-L-TQ2	1	1/C	
15	X0-02408000	S/TPS/FHEX/R-4X6-ZU3	12	10/P	
17	6LH68015000	HRNS-RADF-SCIF-H100	1	1/P	
18	6LH06349000	HRNS-RADF-INTLK-430	1	1/P	
19	6LH06306000	HRNS-RADF-MOT-430	1	1/P	
20	6LH06307000	HRNS-RADF-SOL-430	1	1/P	
21	6LH06309000	HRNS-RADF-FEED-430	1	1/P	
22	6LH06312000	HRNS-RADF-READ-430	1	1/P	
23	6LH74687000	ASYB-PWA-DLG-H320S	1	1/SB	
24	6LH06866000	MYLAR-HINGE	2	1/C	
101	6LE50496000	SCR-HINGE-B	2	5/P	
102	6LE50497000	SCR-HINGE-C	2	5/P	
103	X0-00946000	W/PL/PJO-6-SS	1	10/P	



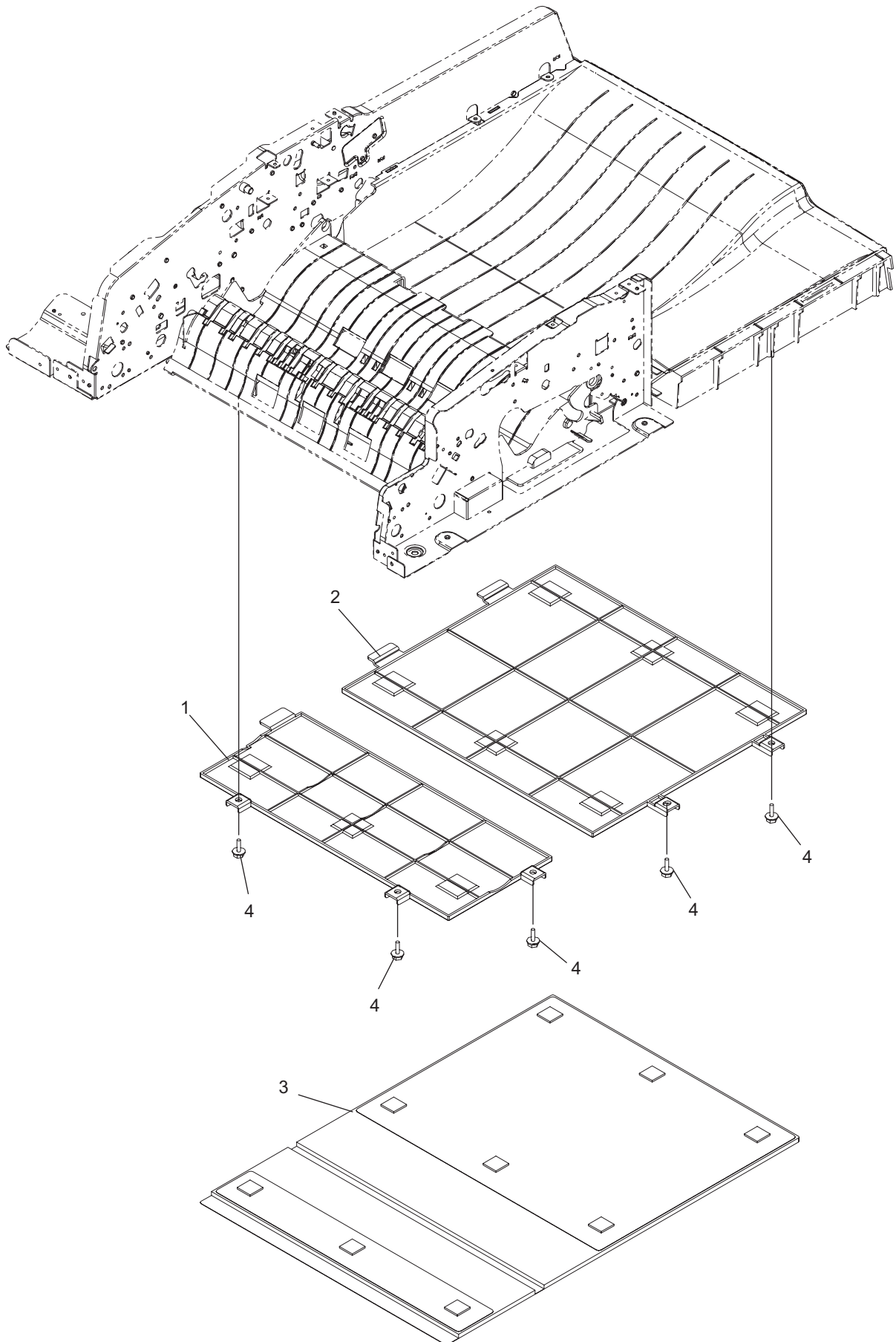
ITEM No.	PART No.	PART NAME	Q'TY / PAGE	Q'TY / PACK	REMARKS
1	6LE49758000	SPG-C-CAP-APS-R	1	5/P	
2	6LE49760100	CAP-APS-R-LG	1	1/P	
3	6LA08935000	SCR-M3X6BISR-NI	10	10/P	
5	4407972860	STOP-RING-6-5	1	5/P	
7	6LH06961000	LEVER-PICK-SOL-TQ-2W	1	1/P	
8	6LH06928000	SPG-E-PICK-SOL-2	1	1/P	
9	6LH06612000	BRKT-SOL-PICKUP	1	1/P	
10	6LE49521000	SOL-RUBY-PICKUP-623	1	1/D	
11	X0-00426000	S/BID-M3X4-NI	6	10/P	
12	6LH06824000	BRKT-SOL-FLAP-TQ	2	1/P	
13	6LH06332000	SOL-RADF-GATE-430	2	1/D	
14	6LH06569000	LVR-FLAP-RD-TQ	1	1/P	
15	6LH06589000	BRKT-FAN-TQ	1	1/P	
16	6LE09167000	FAND-6015-390	1	1/D	
17	X0-00130000	S/PAN/SWWP-M3X20-NI	2	10/P	
18	6LH06825000	LEV-I-LOCK-SW-IN-TQ	1	1/P	
19	6LH06826000	LEV-I-LOCK-SW-OUT-TQ	1	1/P	
20	6LH06827000	SPR-I-LOCK-SW	1	1/P	



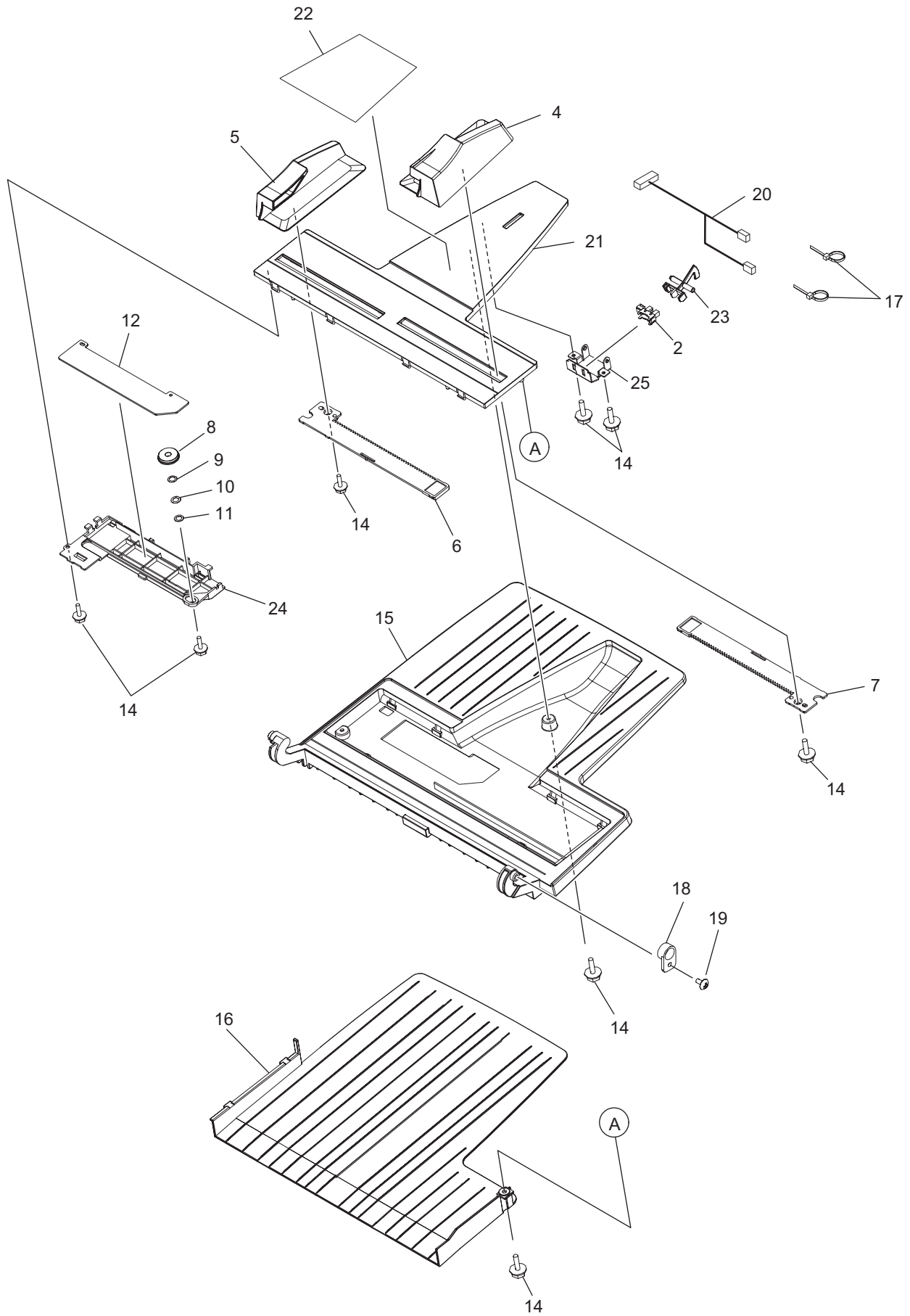
ITEM No.	PART No.	PART NAME	Q'TY / PAGE	Q'TY / PACK	REMARKS
1	6LE50001100	TRAY-SUB-EXT-OUT-LG	1	1/PP	
2	6LE50002100	TRAY-SUB-EXT-IN-LG	1	1/PP	
3	6LH06639100	HLDR-TRAY-SUB-TQ-EF378	1	1/P	
4	6LH06501000	TRAY-EXIT-TQ	1	1/PP	
5	X0-02247000	S/TPP/FHEXM-3X8-NI	11	10/P	
7	6LH06581000	COV-LEFT-TQ	1	1/KP	
8	6LH06512000	COV-POCKET-TQ	1	1/PP	
9	6LA08935000	SCR-M3X6BISR-NI	11	10/P	
10	X0-01989000	S/TPP/BID-3X8-NI	2	10/P	
11	6LH06506000	COV-REAR-TQ	1	1/PP	
12	6LH91066000	LBL.W-COV-PP	2	1/P	
13	6LH06850000	COV-FRONT-TQ	1	1/PP	
14	6LH91067000	LABEL-JAM-1-623	1	5/P	
15	6LH37848000	GASKET-5-12-14	2	5/P	



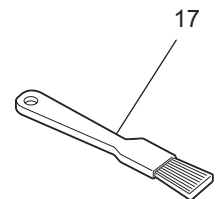
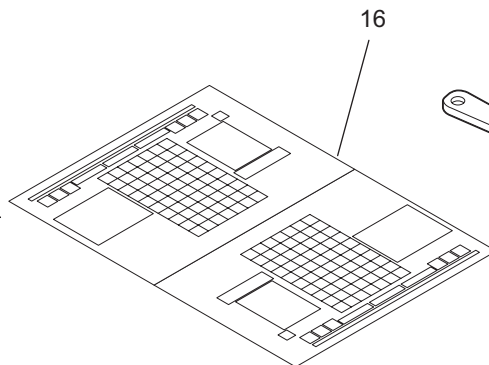
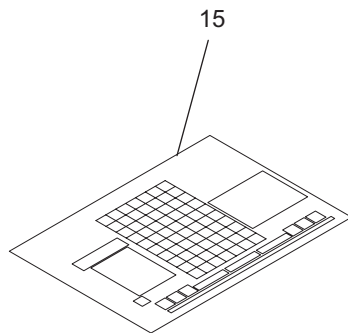
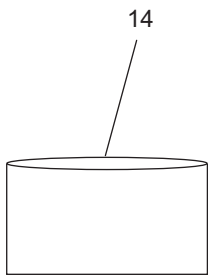
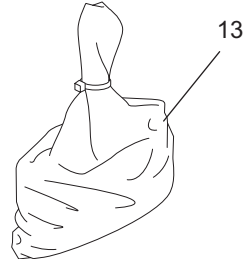
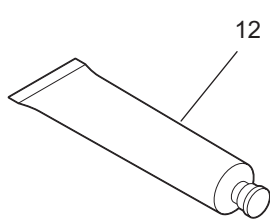
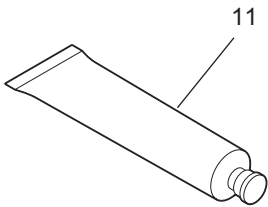
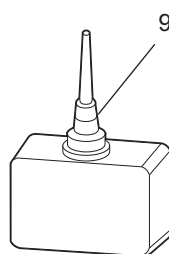
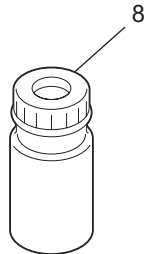
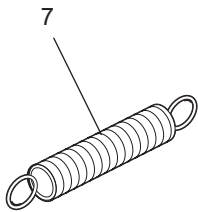
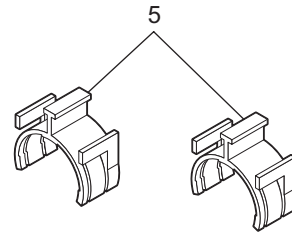
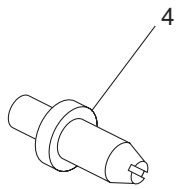
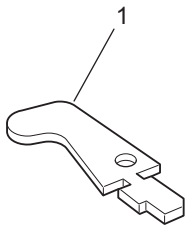
ITEM No.	PART No.	PART NAME	Q'TY / PAGE	Q'TY / PACK	REMARKS
1	6LH06804000	ASYS-GUIDE-COV-OP	1	1/PP	
2	6LH06606000	ASYS-BRKT-COV-OP	1	1/P	
3	6LH06602000	BRKT-COV-OP-F	1	1/P	
4	6LH06759000	SFT-IDL-RD-IN-D8	1	1/P	
5	6LH06881000	ROL-IDL-ALNG	3	1/P	
6	X0-00968000	RR/E-7-SS	6	10/P	
7	6LH06520000	LEV-IDL-ALNG	2	1/P	
8	6LH06760000	SPR-LEV-COV-IDL	2	1/P	
9	6LH06600000	BRKT-COV-OP-IDL-SET	1	1/P	
10	6LH06762000	SFT-IDL-D6	1	1/P	
11	6LH06526000	ROL-IDL-D16-POM	3	1/P	
12	X0-00966000	RR/E-5-SS	6	10/P	
13	6LH06763000	SPR-LEV-READ-IN-U	1	1/P	
14 A	6LH06765200	ASYS-COV-OP-TQ2	1	1/PP	NAD,MJD,ASD,AUD,ARD
14 B	6LH06765400	ASYS-COV-OP-TQ2_C	1	1/PP	CND
15	6LE50428000	SPG-F-GID-SB-PUSH	2	1/P	
16	6LH06524000	LVR-COV-OPEN-TQ	1	1/KP	
17	6LH06767000	SPG-COV-JAM	1	1/P	
18	X0-02247000	S/TPP/FHEXM-3X8-NI	10	10/P	
19	X0-01989000	S/TPP/BID-3X8-NI	2	10/P	
20	6LH07044000	LBL-SIZE-TQ2	1	1/KP	
21 A	6LH91074000	LABEL-CLN-623	1	1/KP	NAD,MJD,ASD,AUD,ARD
21 B	6LJ67548000	LABEL-CLN-C	1	1/KP	CND
22	6LH06571000	LEV-READ-IN	2	1/P	



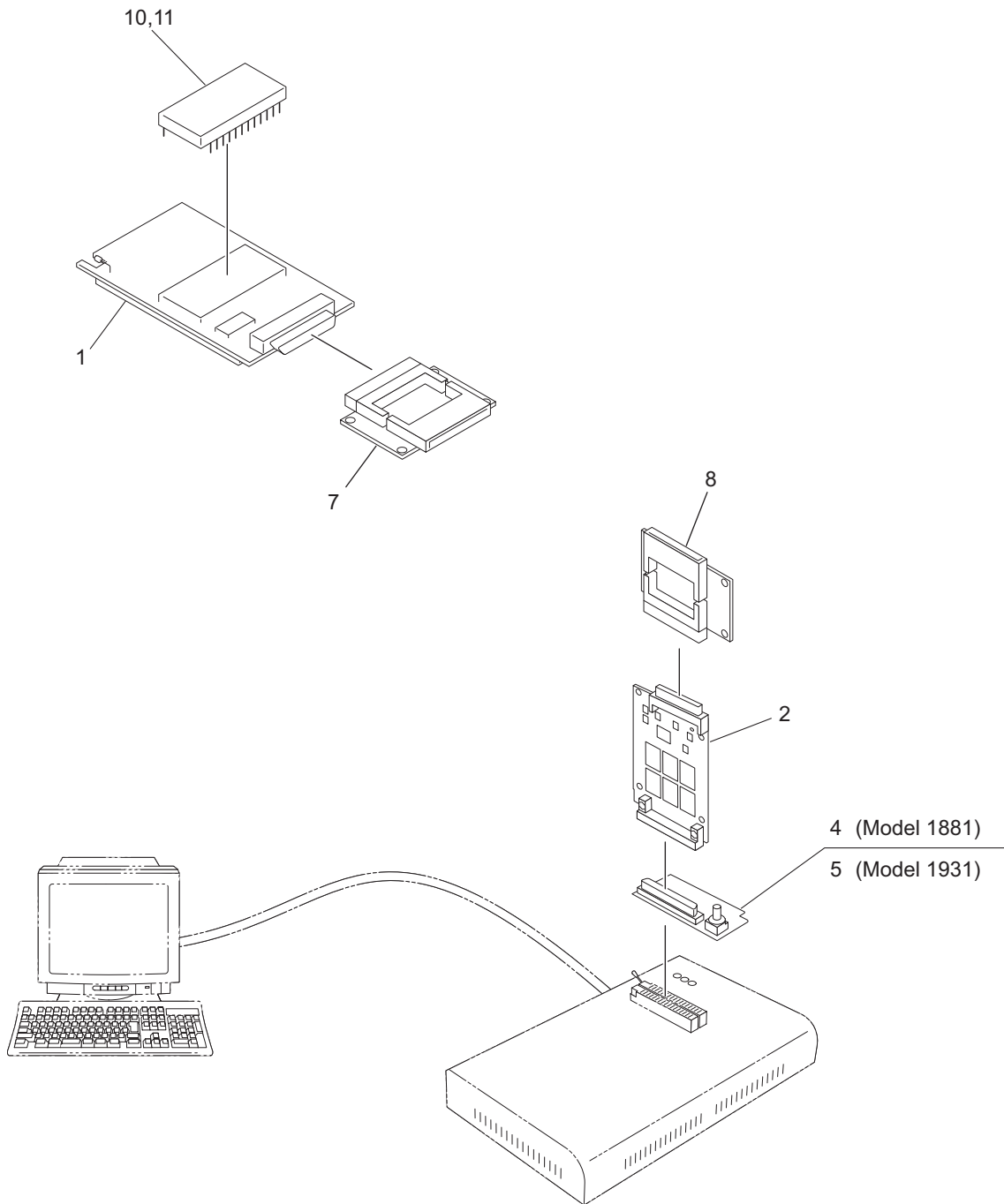
ITEM No.	PART No.	PART NAME	Q'TY / PAGE	Q'TY / PACK	REMARKS
1	6LH06702000	ASYS-BASE-PLTN-L-BP	1	1/PP	
2	6LH06703000	ASYS-BASE-PLTN-R-BP	1	1/PP	
3	6LH06929000	ASYS-SHEET-PLTN-TQ	1	1/KP	
4	X0-02247000	S/TPP/FHEXM-3X8-NI	5	10/P	

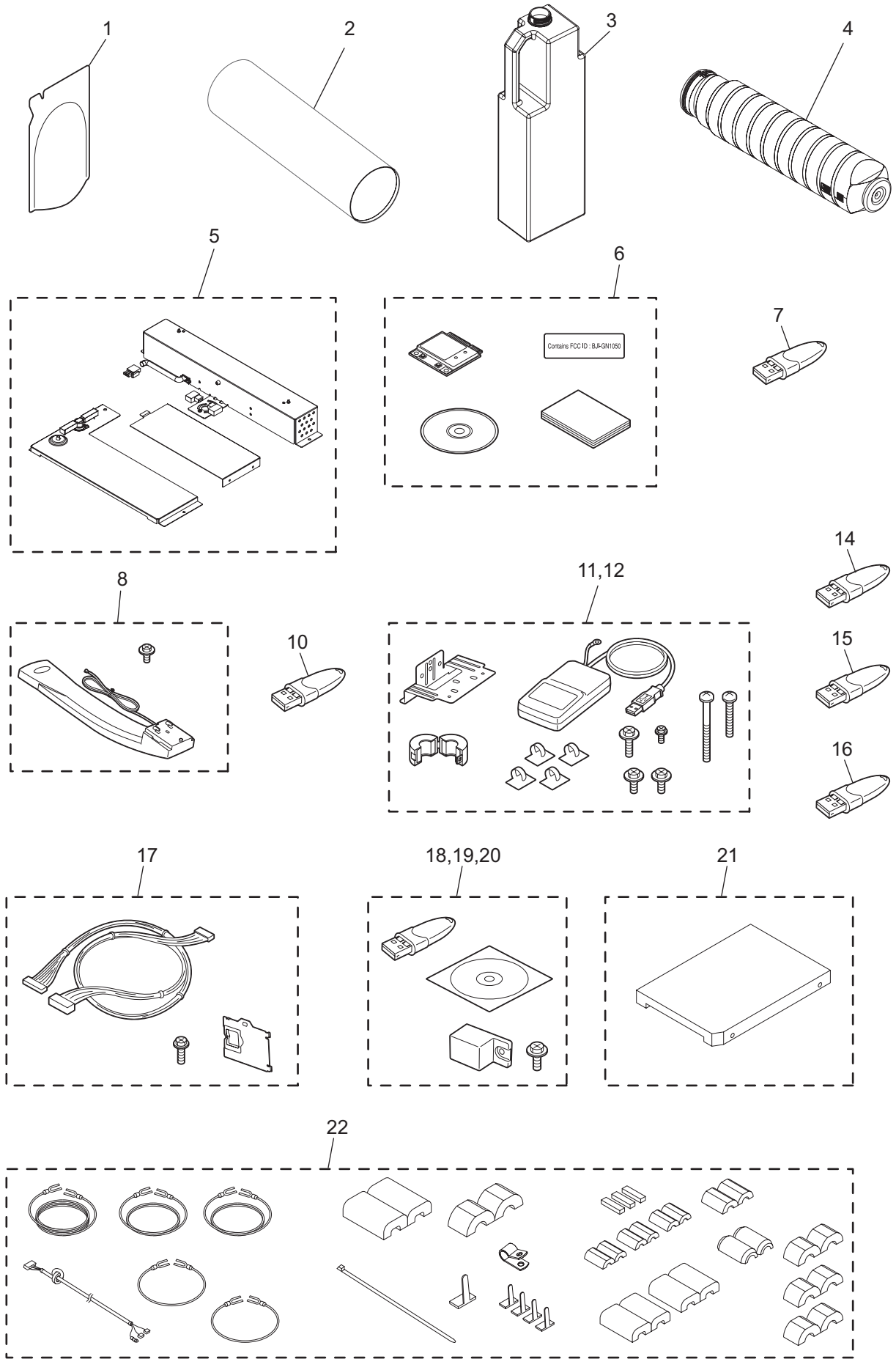


ITEM No.	PART No.	PART NAME	Q'TY / PAGE	Q'TY / PACK	REMARKS
2	C0-15172000	GP1A173LCS2F	1	1/C	
4	6LH06729400	ASYS-GID-TRY-F-SKYG	1	1/P	
5	6LH06730400	ASYS-GID-TRY-R-SKYG	1	1/P	
6	6LE59922000	RACK-TRAY-PC	1	1/P	
7	6LE59921000	ASYS-RACK-TRY-PC	1	1/PP	
8	4407726480	PINION-18-395	1	1/P	
9	6LA78907000	WASHER-6R2X9R5XR13-PL	1	5/P	
10	4400974200	WASHER-W-6-10	1	10/P	
11	6LA78908000	WASHER-6R2X9R5XR25-PL	1	5/P	
12	6LE49586000	PWA-F-TRAY-623	1	1/S	
14	X0-02247000	S/TPP/FHEXM-3X8-NI	8	10/P	
15	6LH06510200	TRAY-ORG-SG	1	1/PP	
16	6LH06513200	TRAY-MID-SG	1	1/C	
17	F0-01012000	T18R	2	5/P	
18	6LE50470000	HLDR-TRAY-F	1	1/P	
19	6LA08935000	SCR-M3X6BISR-NI	1	10/P	
20	6LH06308000	HRNS-RADF-TRAY-430	1	1/P	
21	6LH06814200	TRAY-INNER-SKYG	1	1/PP	
22 A	6LJ67409200	LABEL-CAUTION-3026	1	1/KP	NAD,MJD,ASD,AUD,ARD
22 B	6LJ67549100	LABEL-CAUTION-3026C	1	1/KP	CND
23	6LE50461900	ACT-SENSOR-TRAY-SG	1	1/P	
24	6LE59924500	COVER-PWA-TRAY-SIZE-H598	1	1/D	
25	6LH06799000	BRKT-LENGTH-TQ	1	1/P	

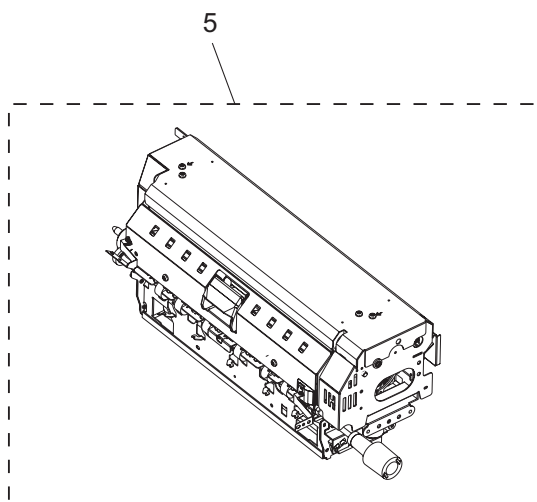
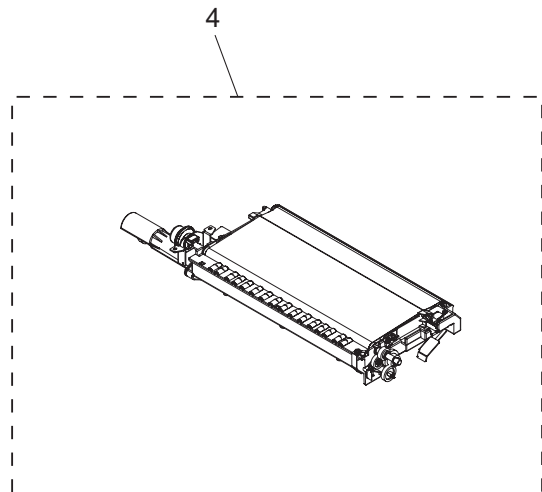
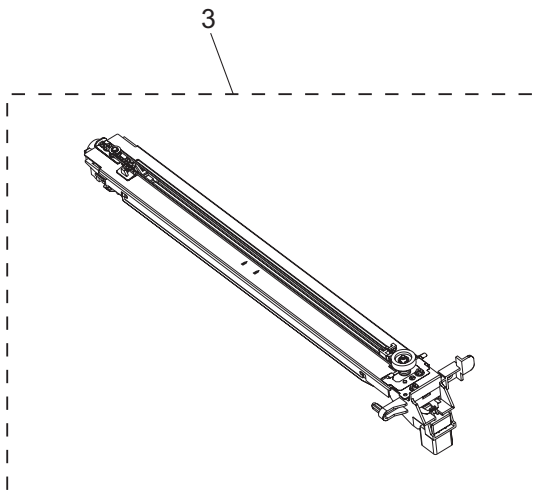
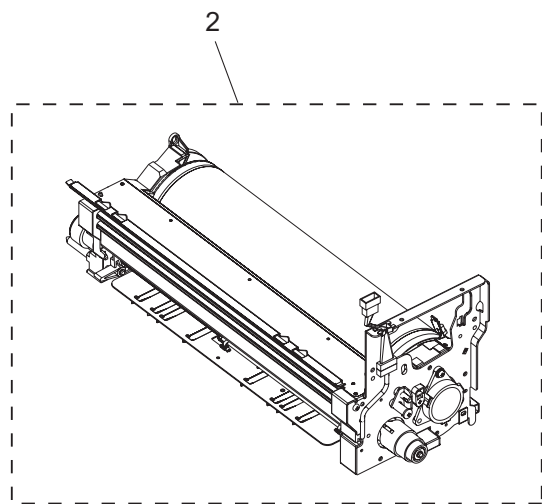
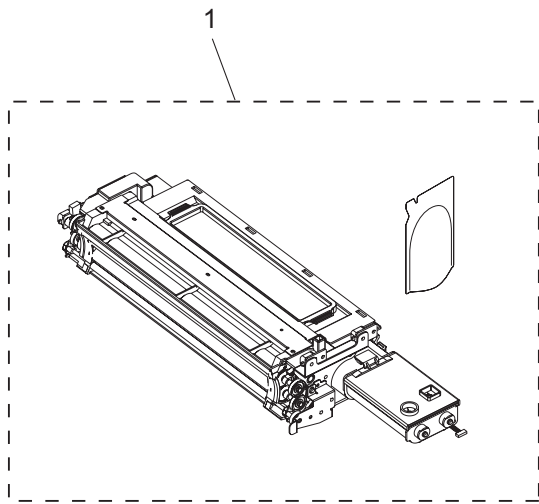


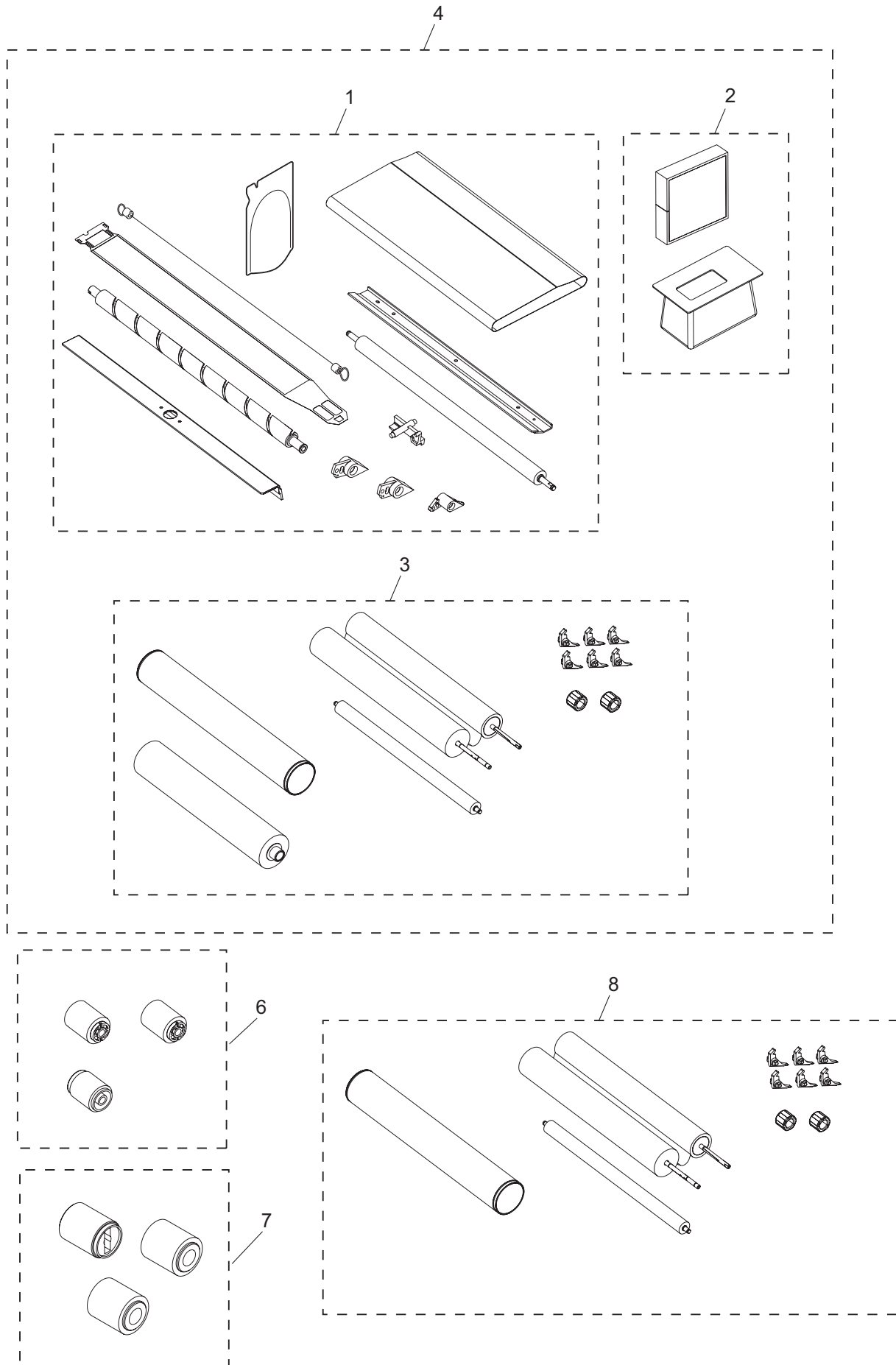
ITEM No.	PART No.	PART NAME	Q'TY / PAGE	Q'TY / PACK	REMARKS
1	4407915730	JIG-SW-F-COV	1	1/P	
4	6LA09445000	JIG-SET-PIN-551	1	1/P	
5	6LA01757000	HOLDER-WIRE-SCAN	2	1/P	
7	44202661000	SPE-MOT-TNS	1	1/P	
8	4407933080	ASM-SILICONE-1M	1	1/P	
9 A	4842512170	OIL-LAUNA40-100	1	1/P	Except Europe,LAUNA40 100cc For Europe,LAUNA40 100 cc
9 B	6LH17289000	ASYB-LAUNA40-TSB E	1	1/P	
11	41303711000	ASM-PG-ALV2	1	1/P	
12	6LE36904000	MOLYKOTE_EM-30L_100G	1	1/P	
13	6LJ18300000	P-POWDER-PPT001	1	1/P	
14	4408600920	BAG-DRUM	1	5/P	
15	6LE50524000	CHART-COLOR-A4	1	1/KP	
16	6LH17283000	CHART-COLOR-A3	1	1/KP	
17	4407915710	BRUSH-33	1	1/P	



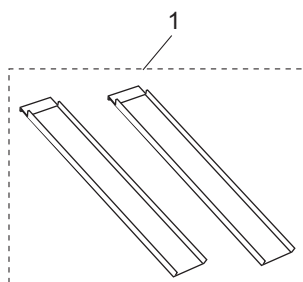


ITEM No.	PART No.	PART NAME	Q'TY / PAGE	Q'TY / PACK	REMARKS
1	6LE15897000	D-6000	1	1/S	BLACK DEVELOPER
2	6LA23006000	OD-6510	1	1/S	DRUM
3 A	66089851	PS-TB6510	1	SUPPLY	Toner-bag
3 B	66089852	PS-TB6510E	1	SUPPLY	Toner-bag for MJD
4 A	6AK00000285	PS-ZT8570D(1)	1	SUPPLY	BLACK TONER (AUD)
4 B	6AK00000222	PS-ZT8560C(1)	1	SUPPLY	BLACK TONER (CND)
4 C	6AK00000279	PS-ZT8570U(1)	1	SUPPLY	BLACK TONER (NAD)
4 D	6AK00000289	PS-ZT8570E(1)	1	SUPPLY	BLACK TONER (MJD)
4 E	6AK00000270	PS-ZT8570A(1)	1	SUPPLY	BLACK TONER (NAD, Latin America)
4 F	6AK00000274	PS-ZT8570P(1)	1	SUPPLY	BLACK TONER (ASD)
5 A	6AG00004222	MF-6560U	1	SUPPLY	DAMP HEATER KIT for 115V
5 B	6AG00004223	MF-6560E	1	SUPPLY	DAMP HEATER KIT for 230V-240V
6 A	6A000001221	GN-1060	1	SUPPLY	Wireless LAN/Bluetooth Kit (w/o CND)
6 B	6A000001223	GN-1060C	1	SUPPLY	Wireless LAN/Bluetooth Kit (CND)
7	6A000001309	GS-1007	1	SUPPLY	Unicode Font Enabler
8 A	6A000000459	GN-3010	1	SUPPLY	Antenna (All w/o CND)
8 B	6AR00000579	GN-3010C	1	SUPPLY	Antenna (CND)
10	6A000001051	GP-1070	1	SUPPLY	Data Overwrite kit (All w/o CND)
11	6A000000878	KP-2004	1	SUPPLY	HID/Mifare Card Reader
12 A	6A000000925	KP-2005	1	SUPPLY	Mifare Reader Option (All w/o CND)
12 B	6A000001016	KP-2005C	1	SUPPLY	Mifare Reader Option (CND)
14	6A000001055	GS-1010	1	SUPPLY	Meta Scan Enabler
15	6A000001053	GP-1080	1	SUPPLY	IP Sec kit (All w/o CND)
16	6A000001057	GS-1020	1	SUPPLY	External interface kit
17	6A000001209	GQ-1240	1	SUPPLY	Harness kit for coin controller
18	6AG00006120	GM-1250N	1	SUPPLY	Printer Kit (TWD, ASD)
19	6AG00006123	GM-2270N	1	SUPPLY	Printer/Scanner Kit (TWD, ASD)
20	6AG00006125	GM-4250N	1	SUPPLY	Scanner kit (TWD, ASD)
21	6AG00006088	GE-1230	1	SUPPLY	FIPS HDD Option (All except NAD/CND)
22	6A000001215	GR-1100TW	1	SUPPLY	EMI kit for TWD





ITEM No.	PART No.	PART NAME	Q'TY / PAGE	Q'TY / PACK	REMARKS
1	6LH76412000	MO-KIT-8570	1	1/S	e-STUDIO557 e-STUDIO657/757/857 e-STUDIO557
2	6LE15221000	MA-KIT-6000	1	1/S	
3 A	6LH72780000	FR-KIT-5570	1	1/S	
3 B	6LH73760000	FR-KIT-8560	1	1/S	
4 A	6LH76411100	PM-KIT-5570	1	1/S	
4 B	6LH76411000	PM-KIT-8570	1	1/S	e-STUDIO657/757/857
6	6LA06886000	ROL-KIT-81CST	1	1/P	
7	6LH06996000	DF-KIT-FEED-RU	1	1/P	
8	6LH73760000	FR-KIT-8560	1	1/S	



ITEM No.	PART No.	PART NAME	Q'TY / PAGE	Q'TY / PACK	REMARKS
1	6LH73635000	ASY-SLOPE-H100	1	1/S	

TOSHIBA

TOSHIBA TEC CORPORATION

1-11-1, OSAKI, SHINAGAWA-KU, TOKYO, 141-8562, JAPAN