

**TOSHIBA**

**SERVICE PARTS LIST**  
**MULTIFUNCTIONAL DIGITAL COLOR SYSTEMS**

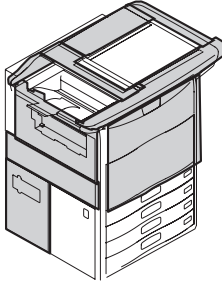
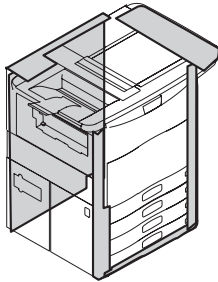
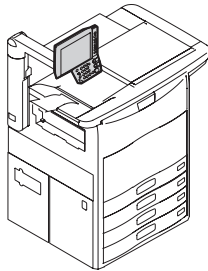
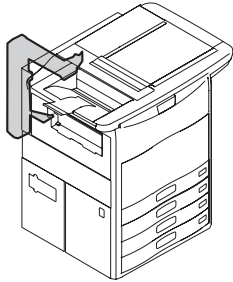
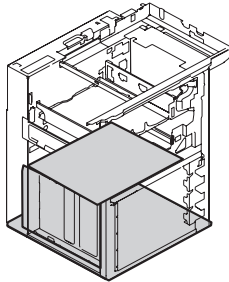
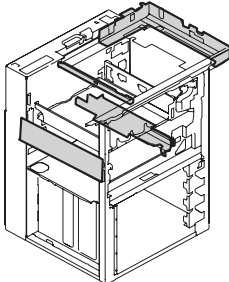
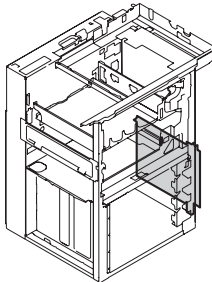
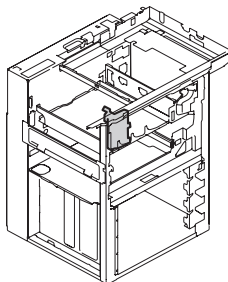
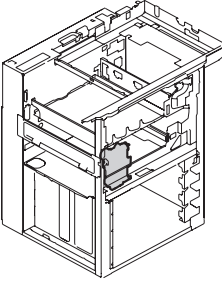
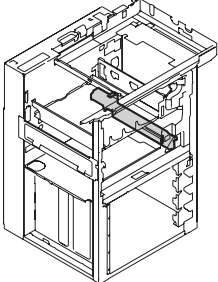
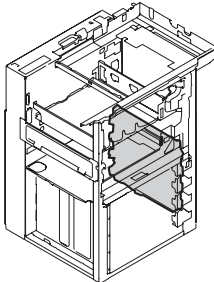
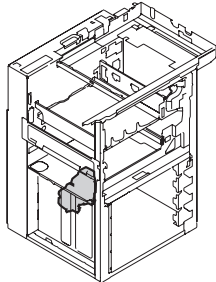
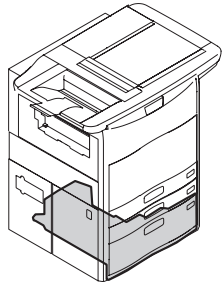
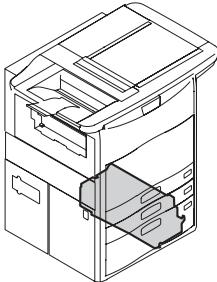
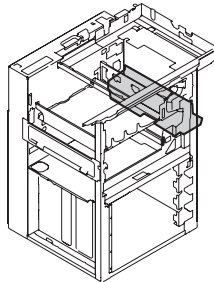
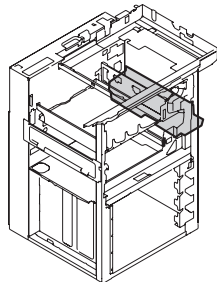
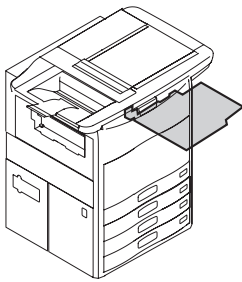
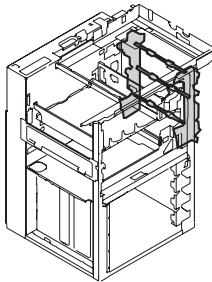
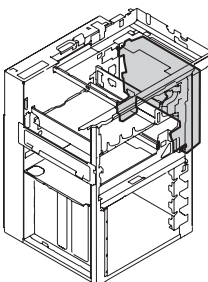
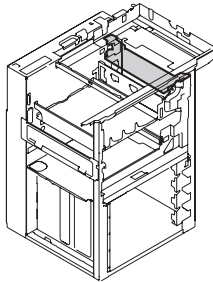
**e-STUDIO5560c/6560c/6570c**

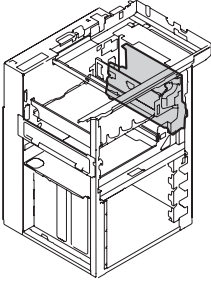
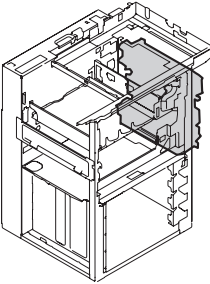
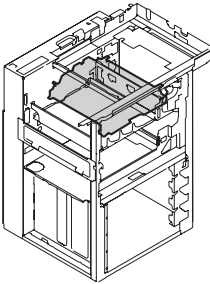
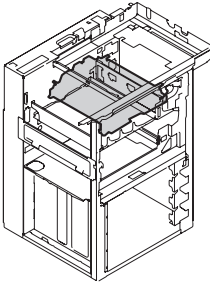
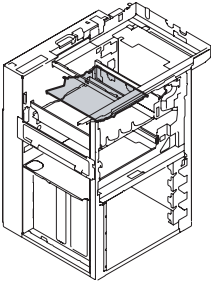
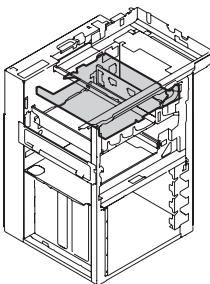
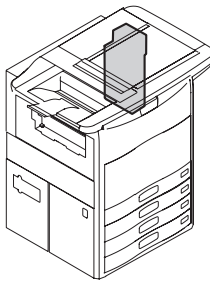
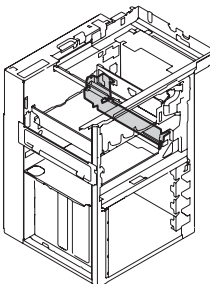
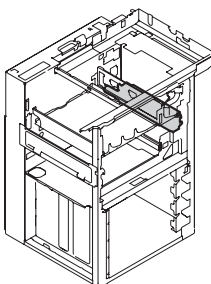
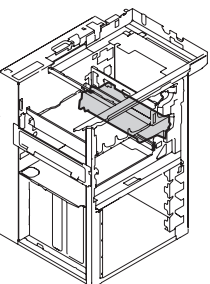
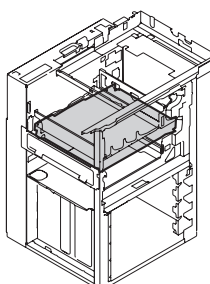
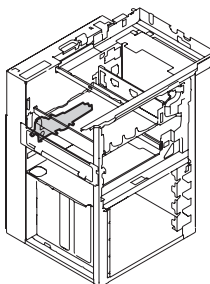
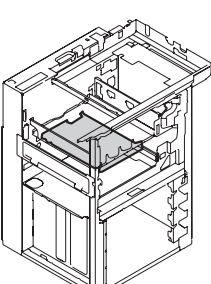
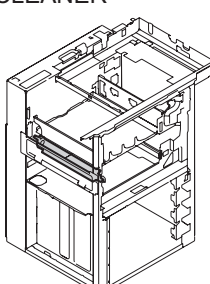
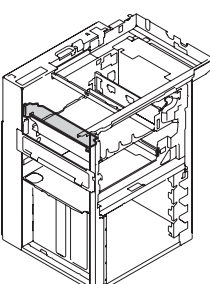
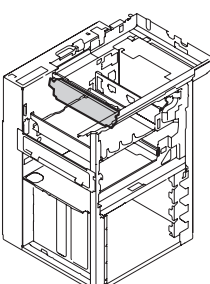
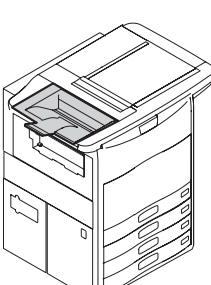
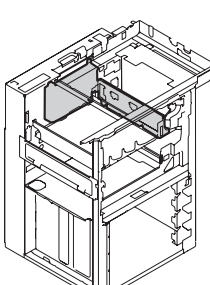
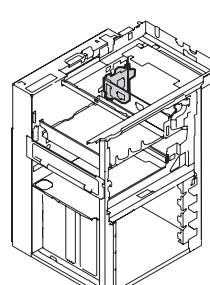
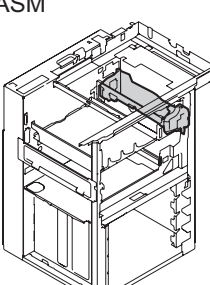
© 2014 TOSHIBA TEC CORPORATION All rights reserved

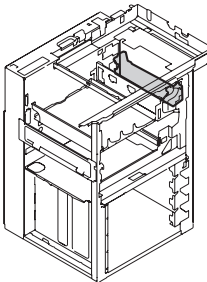
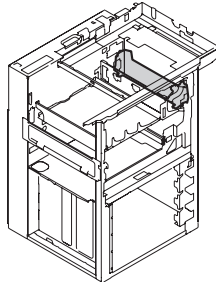
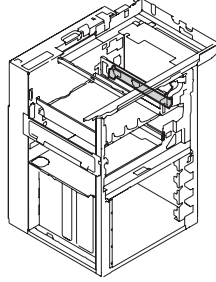
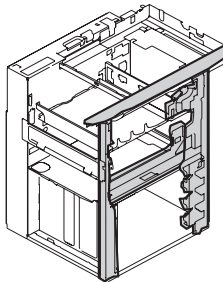
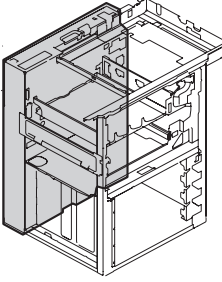
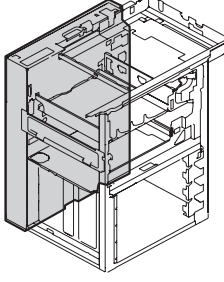
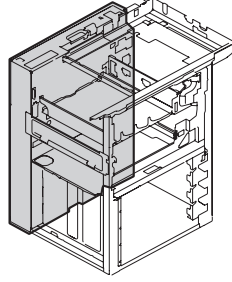
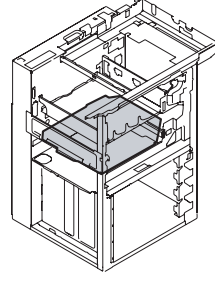
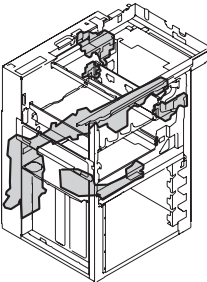
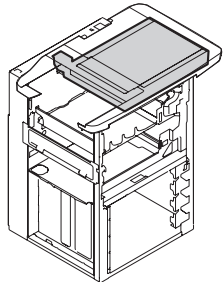
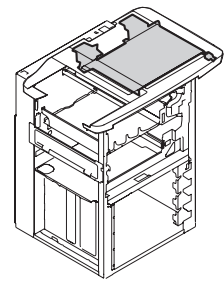
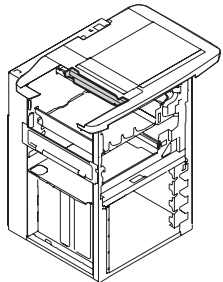
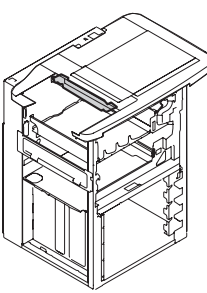
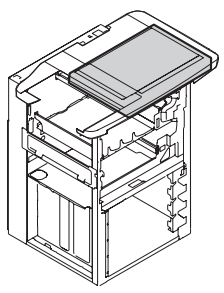
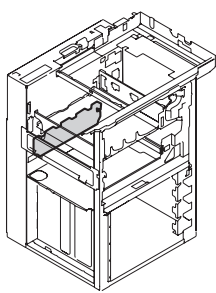
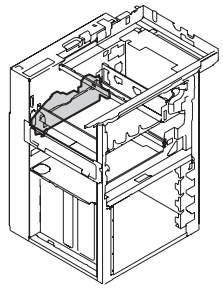
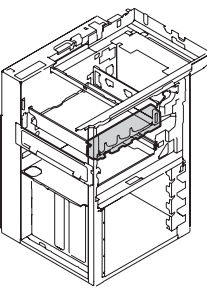
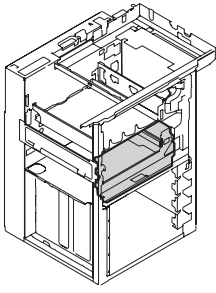
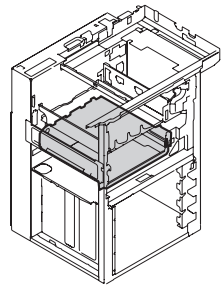
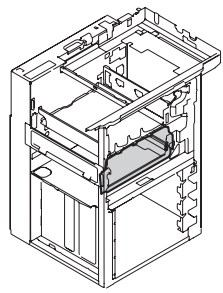
Under the copyright laws, this manual cannot be reproduced in any form without prior written permission of TOSHIBA TEC CORPORATION. No patent liability is assumed, however, with respect to the use of the information contained herein.

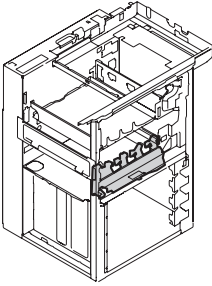
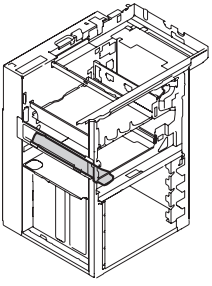
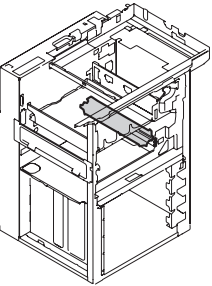
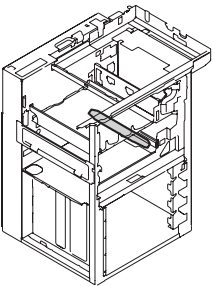
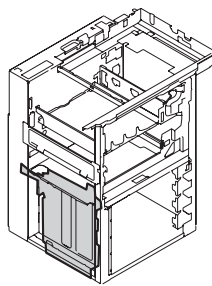
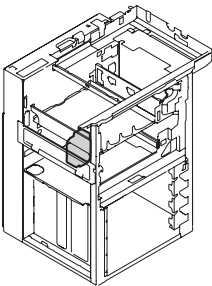
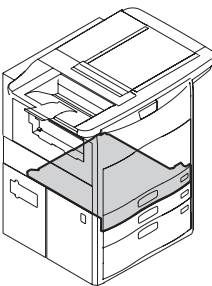
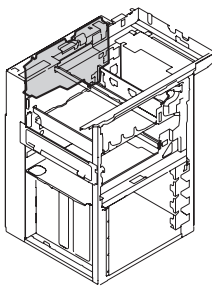
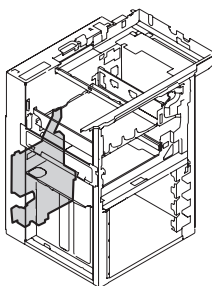
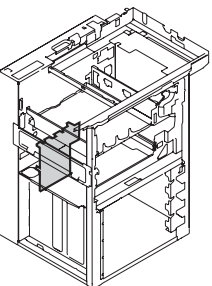
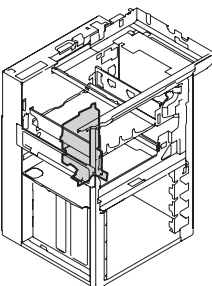
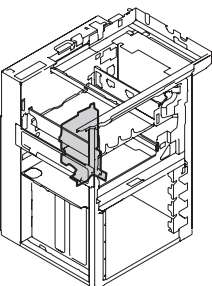
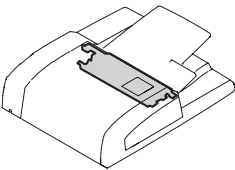
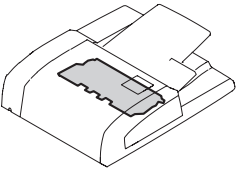
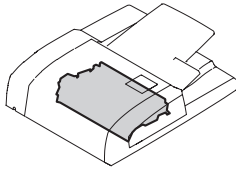
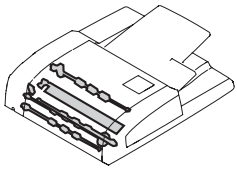
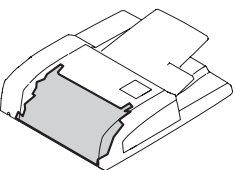
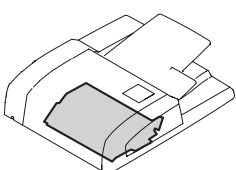
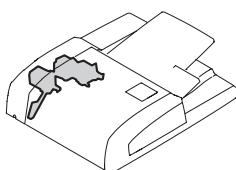
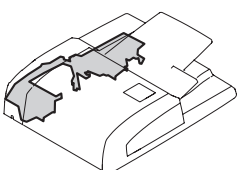
# CONTENTS

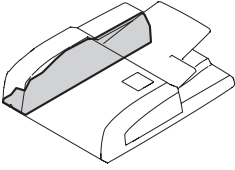
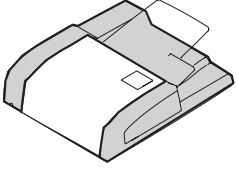
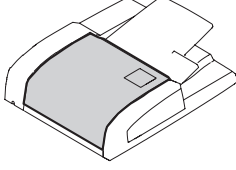
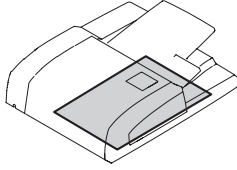
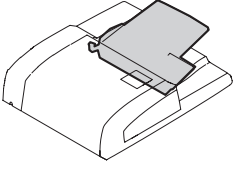
COVER-1-ASM.....	1	REAR-FRAME-2-ASM.....	46
COVER-2-ASM.....	2	REAR-FRAME-3-ASM.....	47
CONTROL-PANEL-ASM.....	3	LSU-ASM.....	48
ARM-ASM.....	4	DUCT-ASM.....	49
LOWER-FRAME-ASM.....	5	OPTICAL-FRAME-ASM.....	50
UPPER-FRAME-ASM.....	6	OPTICAL-DRIVE-ASM.....	51
FEED-COVER-ASM.....	7	CRG-1-ASM.....	52
FEED-DRIVE-1-ASM.....	8	CRG-2-ASM.....	53
FEED-DRIVE-2-ASM.....	9	OPTICAL-ELECTRIC-ASM.....	54
FEED-RGST-ASM.....	10	DRIVE-DEV-ASM.....	55
FEED-ASM.....	11	DRIVE-DRUM-ASM.....	56
TANDEM-LCF-DRIVE-ASM.....	12	TONER-ASM.....	57
TANDEM-LCF-1-ASM.....	13	EPU-COVER-ASM.....	58
TANDEM-LCF-2-ASM.....	14	EPU-TRAY-1-ASM.....	59
MANUAL-FEED-DRIVE-1-ASM.....	15	EPU-TRAY-2-ASM.....	60
MANUAL-FEED-DRIVE-2-ASM.....	16	EPU-TRAY-3-ASM.....	61
MANUAL-TRAY-ASM.....	17	DEVELOPER-ASM.....	62
ADU-DRIVE-ASM.....	18	CLEANER-ASM.....	63
ADU-COVER-ASM.....	19	CHARGER-ASM.....	64
ADU-MID-ASM.....	20	EPU-TONNER-AUGER-ASM.....	65
ADU-GUIDE-1-ASM.....	21	DRAWER-DRIVE-ASM.....	66
ADU-GUIDE-2-ASM.....	22	DRAWER-ASM.....	67
BRIDGE-1-ASM.....	23	SYS-ASM.....	68
BRIDGE-2-ASM.....	24	LGC-ASM.....	69
BRIDGE-3-ASM.....	25	ELECTRIC-ASM.....	70
BRIDGE-4-ASM.....	26	ELECTRIC-5540C-ASM.....	71
TRANSFER-ROLLER-TONNER-AUGER-ASM.....	27	ELECTRIC-6540C-6550C-ASM.....	72
TRANSFER-ROLLER-DRIVE-ASM.....	28	RADF-FEED-1-ASM.....	81
TRANSFER-ROLLER-ASM.....	29	RADF-FEED-2-ASM.....	82
TRANSFER-BELT-1.....	30	RADF-FEED-3-ASM.....	83
TRANSFER-BELT-2.....	31	RADF-FEED-4-ASM.....	84
TRANSFER-BELT-3.....	32	RADF-FEED-5-ASM.....	85
TRANSFER-BELT-4.....	33	RADF-FEED-6-ASM.....	86
TRANSFER-BELT-CLEANER.....	34	RADF-FEED-DRIVE-ASM.....	87
EXIT-1-ASM.....	35	RADF-HINGE-ASM.....	88
EXIT-2-ASM.....	36	RADF-REAR-FRAME-ASM.....	89
EXIT-3-ASM.....	37	RADF-COVER-ASM.....	90
FUSER-AROUND-ASM.....	38	RADF-GUIDE-OPEN-ASM.....	91
FUSER-DRIVE-ASM.....	39	RADF-PLATEN-ASM.....	92
FUSER-COV-FRAME-ASM.....	40	RADF-TRAY-ASM.....	93
FUSER-GUIDE-ASM.....	41	JIGS & GREASE.....	201
FUSER-PR-ASM.....	42	DOWNLOAD JIGS.....	202
FUSER-HR-ASM.....	43	SUPPLIES.....	203
FRONT-FRAME-ASM.....	44	REPLACE UNIT.....	204
REAR-FRAME-1-ASM.....	45	PM-KIT.....	205
		SERVICE.....	206

<p>1. COVER-1-ASM</p> 	<p>2. COVER-2-ASM</p> 	<p>3. CONTROL-PANEL-ASM</p> 	<p>4. ARM-ASM</p> 
<p>5. LOWER-FRAME-ASM</p> 	<p>6. UPPER-FRAME-ASM</p> 	<p>7. FEED-COVER-ASM</p> 	<p>8. FEED-DRIVE-1-ASM</p> 
<p>9. FEED-DRIVE-2-ASM</p> 	<p>10. FEED-RGST-ASM</p> 	<p>11. FEED-ASM</p> 	<p>12. TANDEM-LCF-DRIVE-ASM</p> 
<p>13. TANDEM-LCF-1-ASM</p> 	<p>14. TANDEM-LCF-2-ASM</p> 	<p>15. MANUAL-FEED-DRIVE-1-ASM</p> 	<p>16. MANUAL-FEED-DRIVE-2-ASM</p> 
<p>17. MANUAL-TRAY-ASM</p> 	<p>18. ADU-DRIVE-ASM</p> 	<p>19. ADU-COVER-ASM</p> 	<p>20. ADU-MID-ASM</p> 

<p>21.ADU-GUIDE-1-ASM</p> 	<p>22.ADU-GUIDE-2-ASM</p> 	<p>23.BRIDGE-1-ASM</p> 	<p>24.BRIDGE-2-ASM</p> 
<p>25.BRIDGE-3-ASM</p> 	<p>26.BRIDGE-4-ASM</p> 	<p>27.TRANSFER-ROLLER-TONNER-AUGER-ASM</p> 	<p>28.TRANSFER-ROLLER-DRIVE-ASM</p> 
<p>29.TRANSFER-ROLLER-ASM</p> 	<p>30.TRANSFER-BELT-1</p> 	<p>31.TRANSFER-BELT-2</p> 	<p>32.TRANSFER-BELT-3</p> 
<p>33.TRANSFER-BELT-4</p> 	<p>34.TRANSFER-BELT-CLEANER</p> 	<p>35.EXIT-1-ASM</p> 	<p>36.EXIT-2-ASM</p> 
<p>37.EXIT-3-ASM</p> 	<p>38.FUSER-AROUND-ASM</p> 	<p>39.FUSER-DRIVE-ASM</p> 	<p>40.FUSER-COV-FRAME-ASM</p> 

<p>41.FUSER-GUIDE-ASM</p> 	<p>42.FUSER-PR-ASM</p> 	<p>43.FUSER-HR-ASM</p> 	<p>44. FRONT-FRAME-ASM</p> 
<p>45. REAR-FRAME-1-ASM</p> 	<p>46. REAR-FRAME-2-ASM</p> 	<p>47. REAR-FRAME-3-ASM</p> 	<p>48.LSU-ASM</p> 
<p>49.DUCT-ASM</p> 	<p>50. OPTICAL-FRAME-ASM</p> 	<p>51. OPTICAL-DRIVE-ASM</p> 	<p>52. CRG-1-ASM</p> 
<p>53.CRG-2-ASM</p> 	<p>54.OPTICAL-ELECTRIC-ASM</p> 	<p>55.DRIVE-DEV-ASM</p> 	<p>56.DRIVE-DRUM-ASM</p> 
<p>57.TONER-ASM</p> 	<p>58.EPU-COVER-ASM</p> 	<p>59.EPU-TRAY-1-ASM</p> 	<p>60.EPU-TRAY-2-ASM</p> 

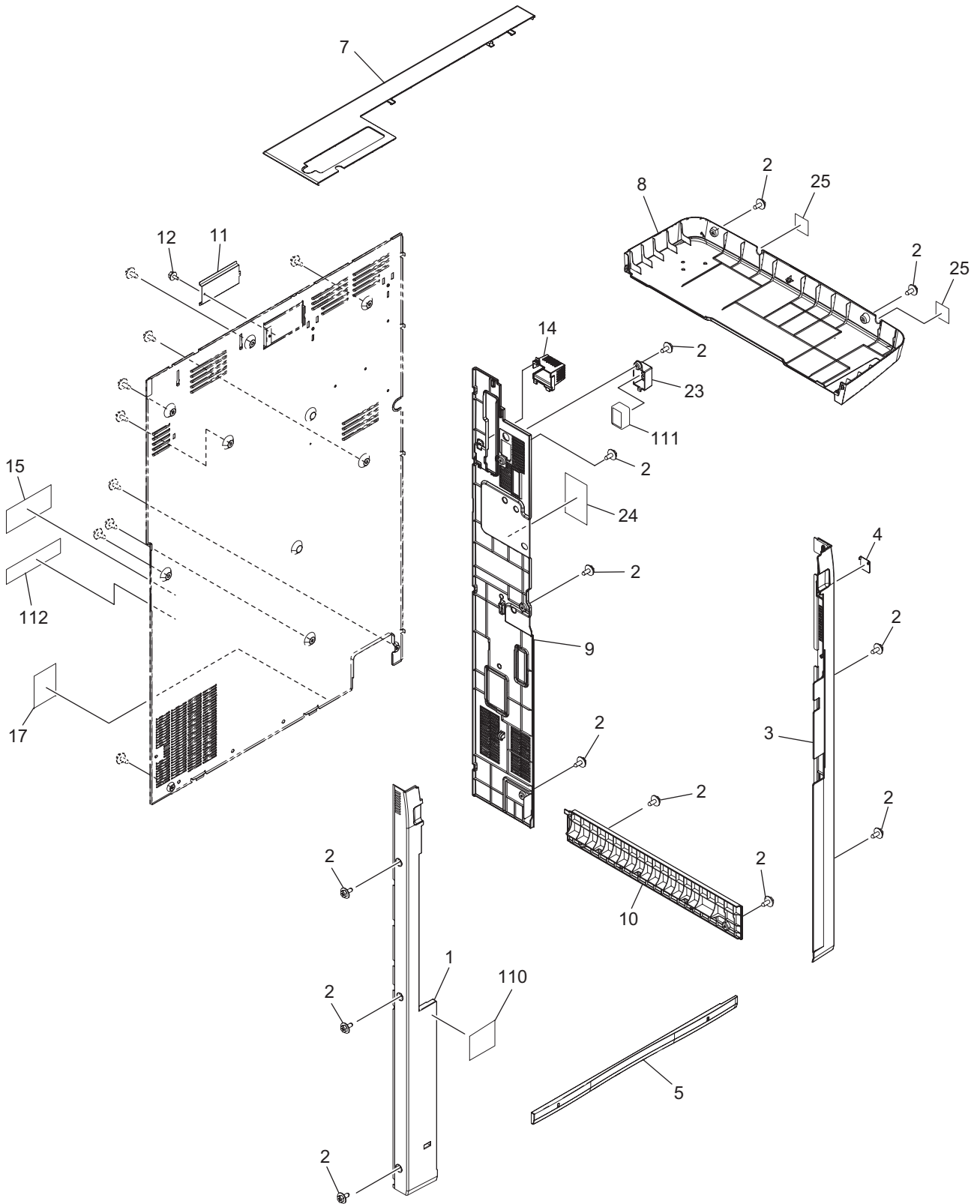
<p>61.EPU-TRAY-3-ASM</p> 	<p>62.DEVELOPER-ASM</p> 	<p>63.CLEANER-ASM</p> 	<p>64.CHARGER-ASM</p> 
<p>65.EPU-TONER-AUGER-ASM</p> 	<p>66.DRAWER-DRIVE-ASM</p> 	<p>67.DRAWER-ASM</p> 	<p>68.SYS-ASM</p> 
<p>69.LGC-ASM</p> 	<p>70.PS-HVT-ASM</p> 	<p>71.ELECTRIC-5540C-ASM</p> 	<p>72.ELECTRIC-6540C-6550C-ASM</p> 
<p>81.RADF-FEED-1-ASM</p> 	<p>82.RADF-FEED-2-ASM</p> 	<p>83.RADF-FEED-3-ASM</p> 	<p>84.RADF-FEED-4-ASM</p> 
<p>85.RADF-FEED-5-ASM</p> 	<p>86.RADF-FEED-6-ASM</p> 	<p>87.RADF-FEED-DRIVE-ASM</p> 	<p>88.RADF-HINGE-ASM</p> 

<p>89.RADF-REAR-FRAME-ASM</p> 	<p>90.RADF-COVER-ASM</p> 	<p>91.RADF-GUIDE-OPEN-ASM</p> 	<p>92.RADF-PLATEN-ASM</p> 
<p>93.RADF-TRAY-ASM</p> 			

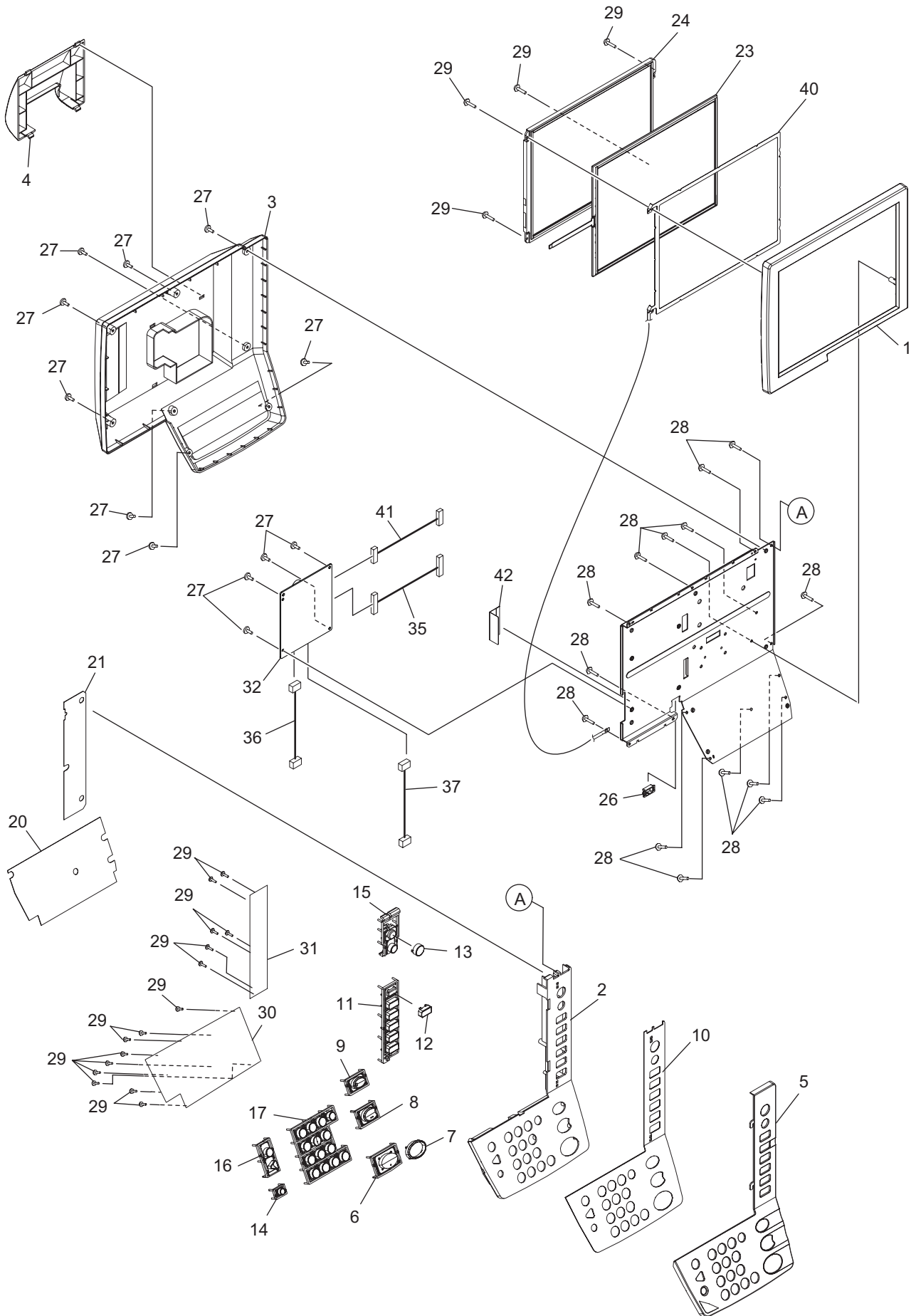




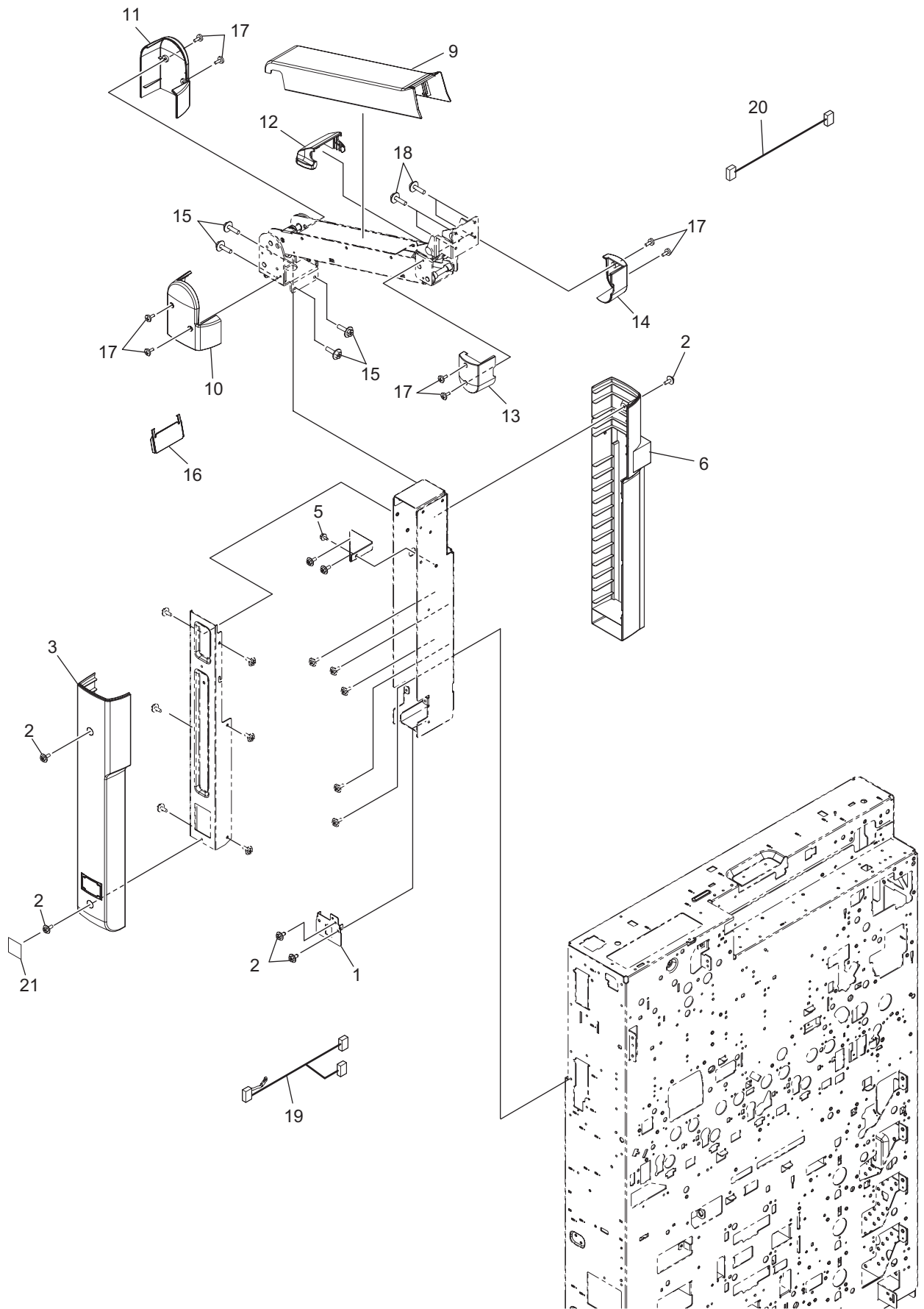
ITEM No.	PART No.	PART NAME	Q'TY / PAGE	Q'TY / PACK	REMARKS
1	6LH02306000	COVER-FRT-EPU-430T	1	1/PP	
2	X0-00965000	RR/E-4-SS	2	10/P	
3	6LA65682000	SCREW-CLNR-DEV	2	10/P	
4	6LH02307000	COVER-FRT-TNR-430T	1	1/PP	
5	F0-01564000	CA-0168C	2	5/P	
6	6LH02316000	ASYS-HNG-L	1	1/P	
7	6LH02315000	ASYS-HNG-R	1	1/P	
8	6LH02303100	PLATE-EMB34X	1	1/PP	
9	X0-02248000	S/TPP/FHEXM-3X10-NI	15	10/P	
10	4407972860	STOP-RING-6-5	1	5/P	
11	6LH02321400	COVER-TBL-FRT-H34XS	1	1/PP	
12	X0-02421000	S/TPS/FHEXM/R-4X8-ZU3	29	10/P	
13	6LH08262400	COVER-TP-LFT-CNT-H34XS	1	1/PP	
14	6LH08418300	COVER-TP-RER-H34XS	1	1/PP	
15	6LH08261400	COVER-TP-RGT-H34XS	1	1/PP	
16	6LH08264400	COVER-TP-RER-U-H34XS	1	1/P	
17	6LH02322400	COVER-TBL-FAX-H34XS	1	1/PP	
18	6LH02327200	COVER-LFT-EXIT-H34XS	1	1/PP	
19	6LH02319200	COVER-LFT-LSU-H34XS	1	1/PP	
20	6LH02357000	ASYS-COVER-FLT-F43X	1	1/PP	
21	6LH02318200	COVER-DUCT-H34XS	1	1/PP	
22	6LH02384000	CAP-USB	1	1/P	
23 A	6LK30900000	SHEET-EMBLEM-5560	1	1/C	e-STUDIO5560C
23 B	6LK30900100	SHEET-EMBLEM-6560	1	1/C	e-STUDIO6560C
23 C	6LK30900200	SHEET-EMBLEM-6570	1	1/C	e-STUDIO6570C
24	6LH02301000	COVER-EMBLEM	1	1/P	
25	6LH02354000	COVER_INNER_L-430T	1	1/PP	
26	6LH02369000	COVER_INNER_R	1	1/PP	
27	6LH02356000	PLT_MAG_CV_IN_R	1	1/P	
29	6LH02317000	BAND-CV-FRT-TNR	2	1/P	
30	6LH02364000	PLT_BRIDGE_CV_FRT_TNR	1	1/P	
36	6LH08368000	ASYS-COVER-TP-LFT-SUB-430	1	1/PP	
37	6LH01550000	ASYS-DUCT-TP-REAR-L	1	1/PP	
38	X0-02247000	S/TPP/FHEXM-3X8-NI	2	10/P	
39	6LH02381000	COVER-LFT-EX-UPR-430T	1	1/PP	
40	6LH08321000	LID-SCREW-430	5	1/P	
100	6LH73643000	ASYS-CLOTH-SCN-V	1	1/P	
101	6LJ10277000	CLOTH-SCN-K	1	1/P	
103	6LJ06307000	COVER-TP-REAR-R-H130	1	1/P	
106	6LH08357000	SCREW-DF-EMI	2	1/P	
107	6LJ06308000	FLTR-COV-TP-REAR-R	1	1/P	
108	6LH03597000	SHEET-INST-TONER-430	1	1/KP	
109	6LH45830000	LBL-E-BRIDGE2	1	1/P	
110	6LH88546000	LBL-ENERGY-T-PP	1	5/P	
111 A	6LH14759000	LBL-PROHIBIT-E-430	1	1/KP	MJD,MJC,ASD,ARD,AUD
111 B	6LH14757000	LBL-PROHIBIT-U-430	1	1/KP	NAD,NAC
112	6LH08323000	LBL-MASK-COV-SCN-430	1	1/P	





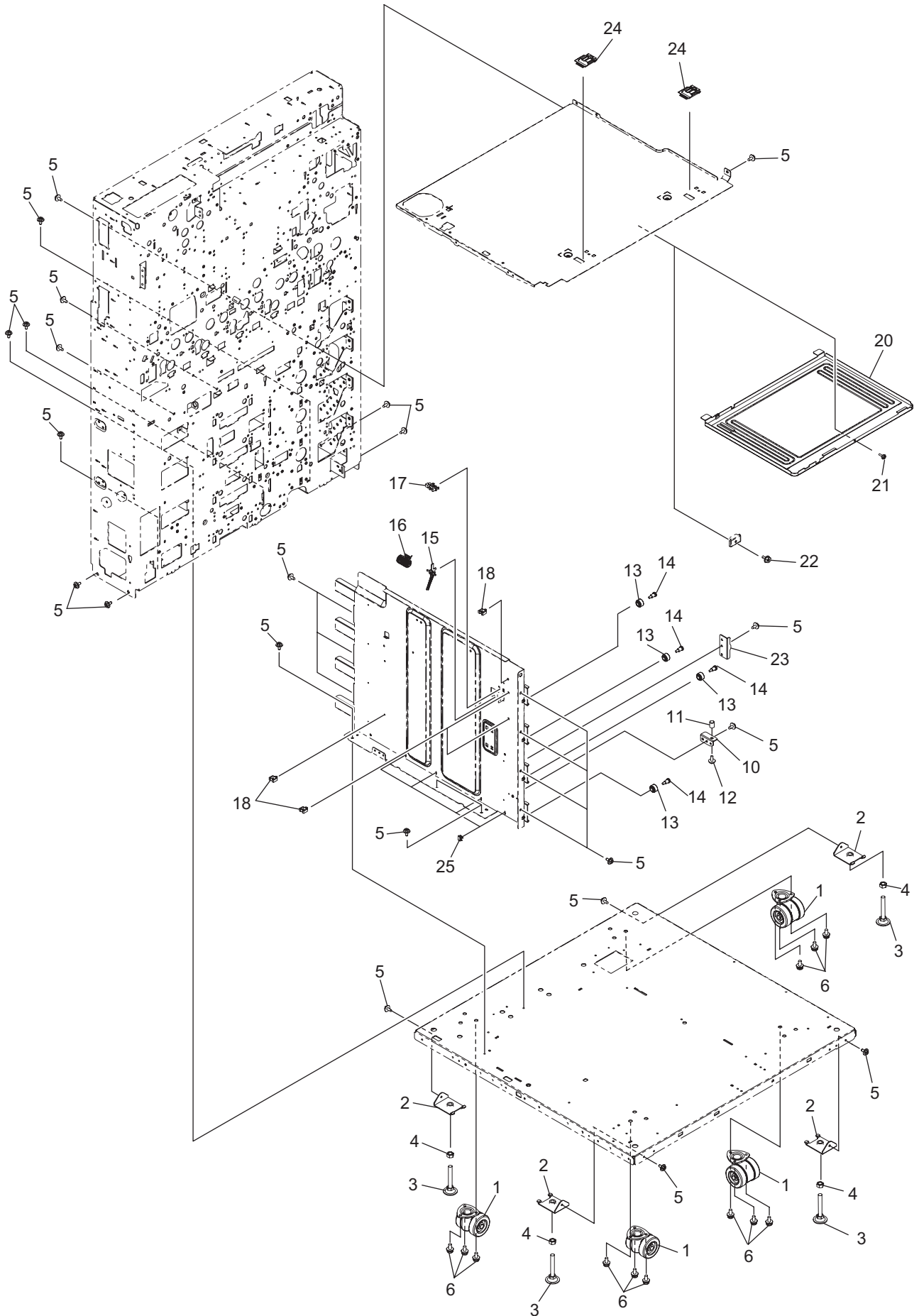




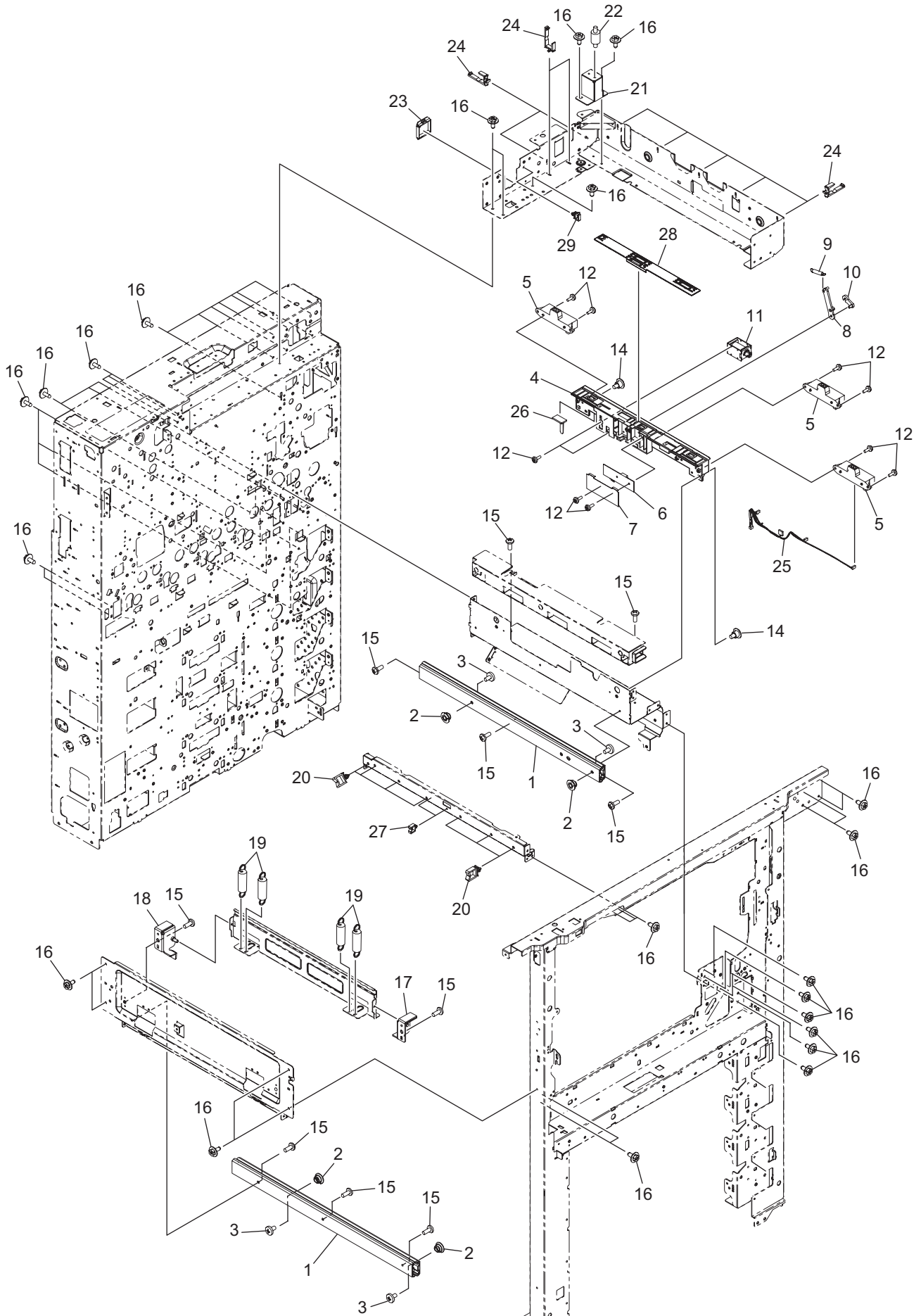








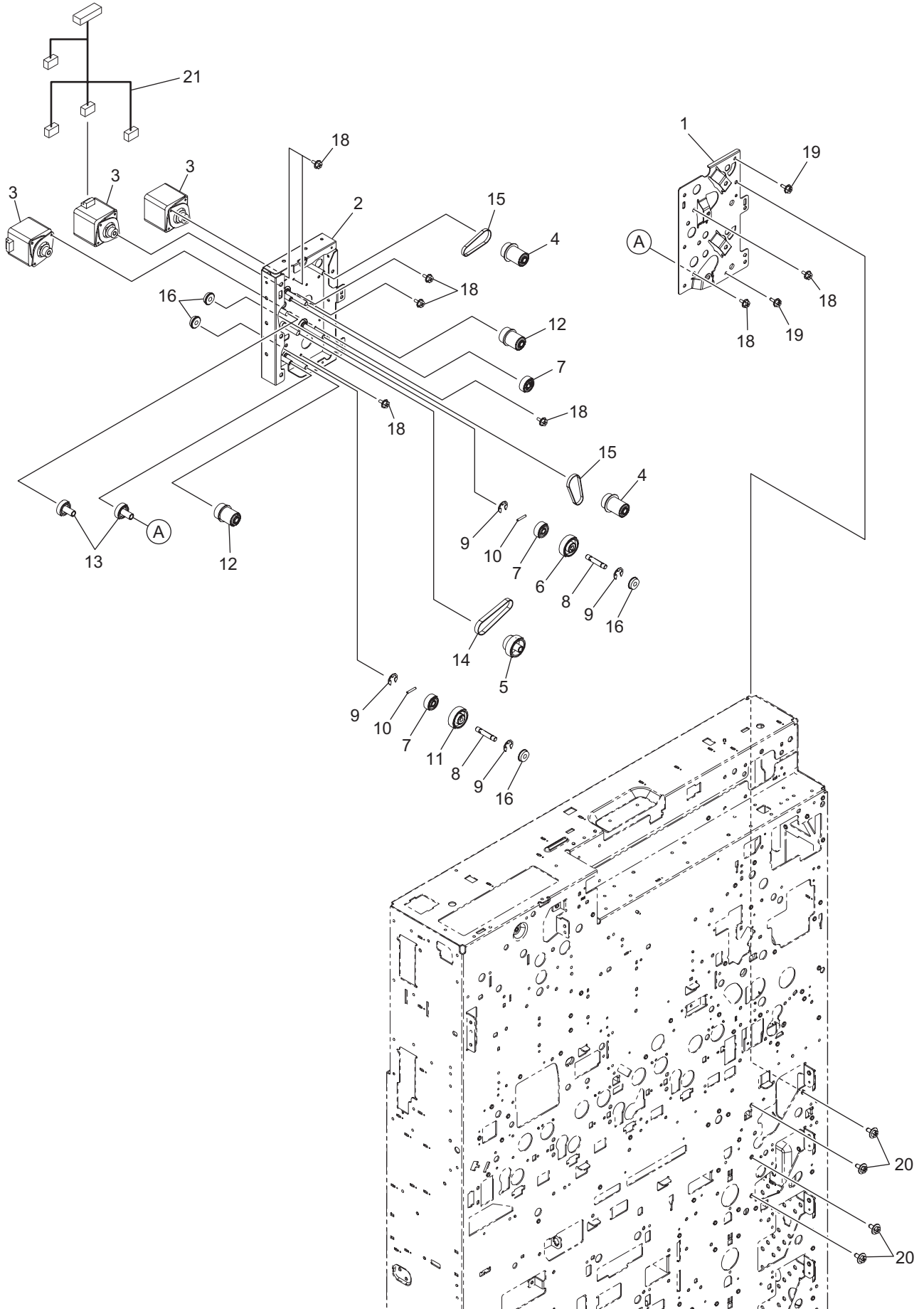










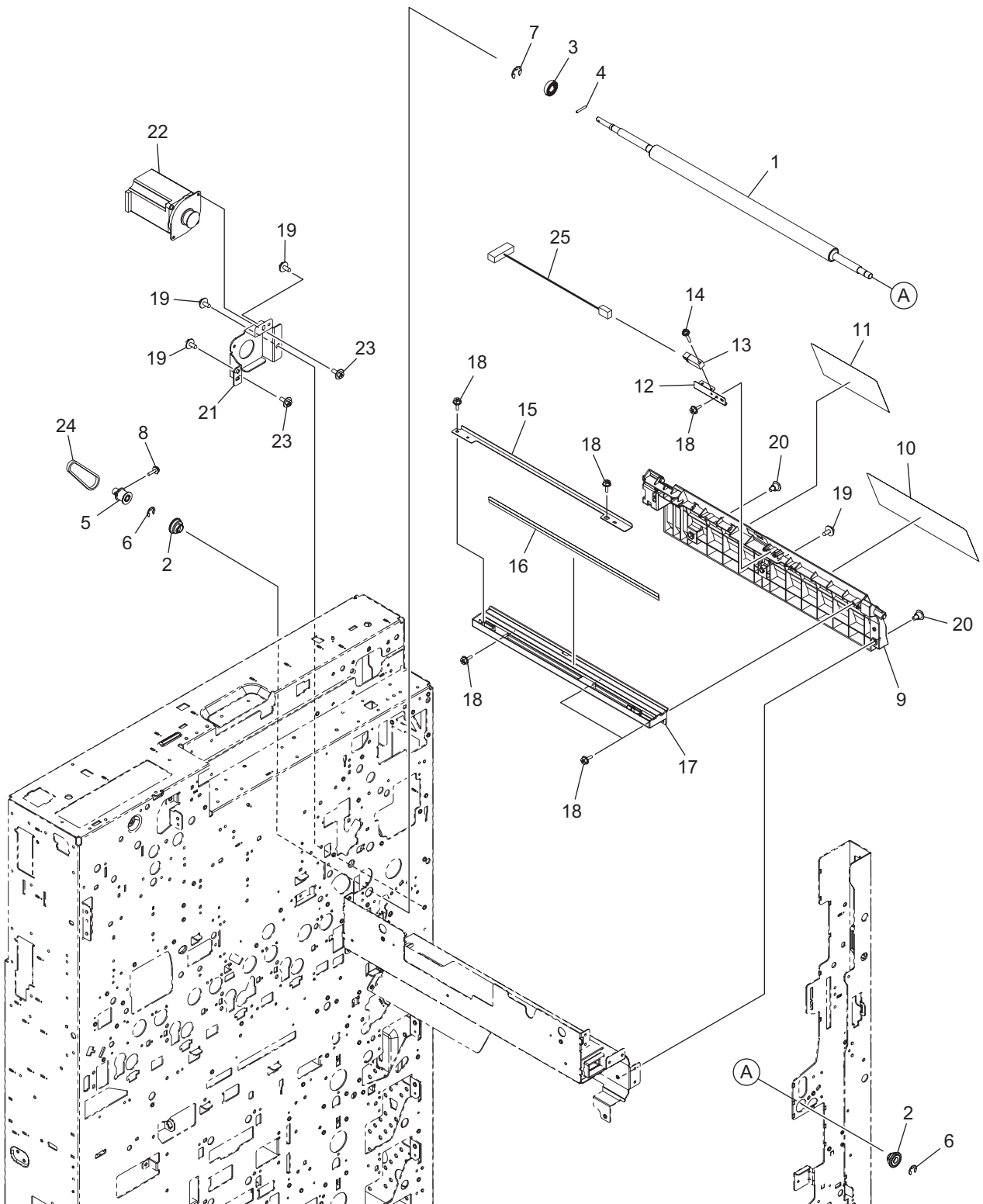




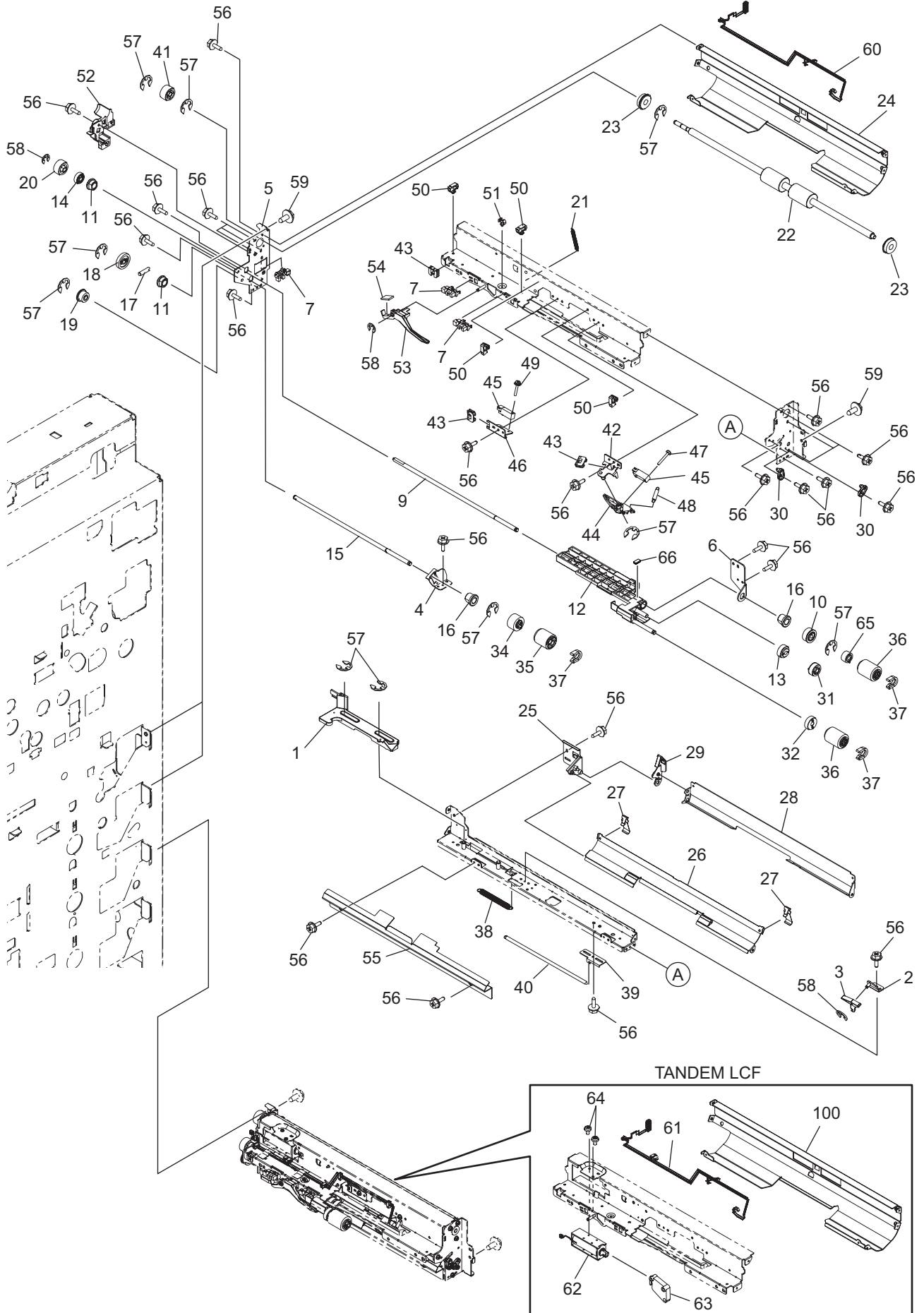




ITEM No.	PART No.	PART NAME	Q'TY / PAGE	Q'TY / PACK	REMARKS
9 A	X0-00966000	RR/E-5-SS	2	10/P	NAD,MJD,ASD,ARD,AUD
9 B	X0-00966000	RR/E-5-SS	4	10/P	NAC,MJC
18	X0-02230000	S/FHEXM-M3X6-NI	2	10/P	
19 A	X0-02420000	S/TPS/FHEXM/R-3X8-ZU3	11	10/P	NAD,MJD,ASD,ARD,AUD
19 B	X0-02420000	S/TPS/FHEXM/R-3X8-ZU3	15	10/P	NAC,MJC
20	X0-02421000	S/TPS/FHEXM/R-4X8-ZU3	4	10/P	
22	6LH04687000	GEAR-05H57_05S50-08	1	1/P	
23	6LH04686000	GEAR-05S53-05	2	1/P	
24 A	6LH04682000	GEAR-05S54_S3M20-08	1	1/P	NAD,MJD,ASD,ARD,AUD
24 B	6LH04682000	GEAR-05S54_S3M20-08	2	1/P	NAC,MJC
25 B	6LH04685000	BLT.SY-S3M-255-6	1	1/P	NAC,MJC
26 A	6LH04684000	GEAR-05S54-06	1	1/P	NAD,MJD,ASD,ARD,AUD
26 B	6LH04684000	GEAR-05S54-06	2	1/P	NAC,MJC
27 A	6LH04503000	GEAR-05S55-06	2	1/P	NAD,MJD,ASD,ARD,AUD
27 B	6LH04503000	GEAR-05S55-06	4	1/P	NAC,MJC
28 B	6LH04683000	GEAR-05S65-06	1	1/P	NAC,MJC
29	X0-00968000	RR/E-7-SS	1	10/P	
30	X0-00965000	RR/E-4-SS	2	10/P	
31 A	41306265000	STOP RING	1	1/P	NAD,MJD,ASD,ARD,AUD
31 B	41306265000	STOP RING	2	1/P	NAC,MJC
32 A	44201801000	STOP-RING-6-1.5	3	5/P	NAD,MJD,ASD,ARD,AUD
32 B	44201801000	STOP-RING-6-1.5	7	5/P	NAC,MJC
34 A	6LH04694000	GEAR-10S19-06	2	1/P	NAD,MJD,ASD,ARD,AUD
34 B	6LH04694000	GEAR-10S19-06	4	1/P	NAC,MJC
35 A	6LH04670000	GEAR-10S17-06-262	2	1/P	NAD,MJD,ASD,ARD,AUD
35 B	6LH04670000	GEAR-10S17-06-262	4	1/P	NAC,MJC
36 A	6LH04676000	GEAR-10S16-05	1	1/P	NAD,MJD,ASD,ARD,AUD
36 B	6LH04676000	GEAR-10S16-05	2	1/P	NAC,MJC
37 A	6LH04671000	PLATE-GEAR	1	1/P	NAD,MJD,ASD,ARD,AUD
37 B	6LH04671000	PLATE-GEAR	2	1/P	NAC,MJC
38 A	6LE50521000	BUSH-8X12X5R5F-NU4	4	5/P	NAD,MJD,ASD,ARD,AUD
38 B	6LE50521000	BUSH-8X12X5R5F-NU4	8	5/P	NAC,MJC
39 A	6LH04700000	GEAR-10S20-08	2	1/P	NAD,MJD,ASD,ARD,AUD
39 B	6LH04700000	GEAR-10S20-08	4	1/P	NAC,MJC
40 A	6LK30925000	ASYS-SHAFT-DRV-H34X	2	1/P	NAD,MJD,ASD,ARD,AUD
40 B	6LK30925000	ASYS-SHAFT-DRV-H34X	4	1/P	NAC,MJC
41 A	6LE24357000	GEAR-05S56-08	2	1/P	NAD,MJD,ASD,ARD,AUD
41 B	6LE24357000	GEAR-05S56-08	4	1/P	NAC,MJC
42 A	6LH73808000	CLUTCH-50T2-G28-8	2	1/D	NAD,MJD,ASD,ARD,AUD
42 B	6LH73808000	CLUTCH-50T2-G28-8	4	1/D	NAC,MJC
43	6LK30926000	BRKT-CL	2	1/P	
44	F0-00120000	ES-0505	4	5/P	
46 A	F0-01462000	LBWS-0206S-V0	2	1/P	NAD,MJD,ASD,ARD,AUD
46 B	F0-01462000	LBWS-0206S-V0	5	1/P	NAC,MJC
47 A	6LH04675000	GEAR-10S17-06-139	1	1/P	NAD,MJD,ASD,ARD,AUD
47 B	6LH04675000	GEAR-10S17-06-139	2	1/P	NAC,MJC
48 A	6LK31339000	HRNS-PFC-FDTM-340	1	1/P	NAD,MJD,ASD,ARD,AUD
49 A	6LK31338000	HRNS-PFC-FD34-340	1	1/P	NAC,MJC
50	6LH09053000	MOTRD-FEED-430	1	1/C	





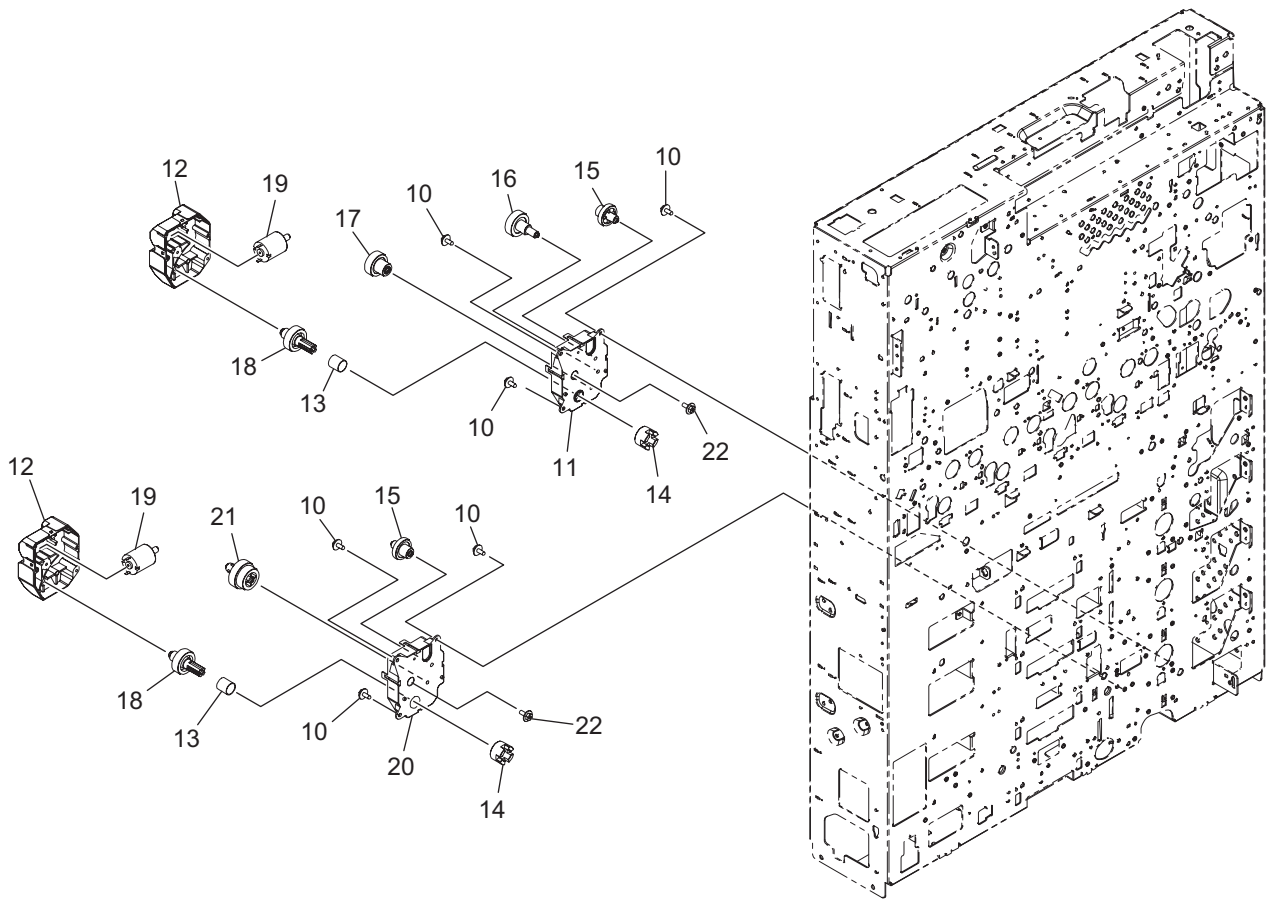


ITEM No.	PART No.	PART NAME	Q'TY / PAGE	Q'TY / PACK	REMARKS
1	6LH04610000	LEVER-FEED-UNIT	1	1/P	
2	6LH04613000	ASYS-BRKT-LEVER-SPT	1	1/P	
3	6LH04616000	LEVER-SPT-ROL-430	1	1/P	
4	6LH04617000	BRKT-SUP-ROL-SPT	1	1/P	
5	6LH04631000	ASYS-FRM-FS-R-430	1	1/P	
6	6LH04618000	BRKT-SUP-ROL-FEED	1	1/P	
7	C0-17839000	LG2A14BL1	3	1/C	
9	6LH04635000	SHAFT-ROL-FEED-430	1	1/P	
10	6LH04629000	GEAR-08S24-6L	1	1/P	
11	6LH53768000	BUSH-6-NU4	2	1/P	
12	6LH04621000	ASYS-ARM-PICK-430	1	1/C	
13	6LH04742000	GEAR-08S23-6	1	1/P	
14	6LH04638000	GEAR-08S20-6	1	1/P	
15	6LH04625000	ASYS-SHAFT-ROL-SPT-430	1	1/P	
16	6LA03977000	BUSH-F6-GCB	2	5/P	
17	X0-00979000	P/PRL/AH7-2X8-SS	1	10/P	
18	4407906230	GEAR-08-30	1	1/P	
19	6LE05774000	K-GEAR-08S022-LW-390	1	1/P	
20	6LH04612000	GEAR-10S20-6	1	1/P	
21	6LA03873000	SPE-P/U-110	1	5/P	
22	6LJ07627000	ROLLER-FS-TR-430	1	1/KP	
23	F0-01482000	RNR-1560ZZRP0P24LY121	2	1/P	
24	6LH04717000	GUIDE-FS-U-430	1	1/D	
25	6LH04658000	ASYS-BRKT-GUIDE-FEED	1	1/P	
26	6LJ07608000	GUIDE-FS-OPEN-UP-H130	1	1/PP	
27	6LA03950000	SPL-F/S-TR	2	1/P	
28	6LH04649000	GUIDE-FS-OPEN-LOW	1	1/P	
29	6LH04662000	HOLDER-FS-TR-430	1	1/P	
30	6LE05756000	HLDR-GUIDE-FS	2	1/P	
31	6LH04740000	GEAR-08S23-6-CUP	1	1/P	
32	6LH04741000	GEAR-08S24-6-CUP	1	1/P	
34	6LH04750000	TL-SEP-ROL-Y-N	1	1/P	
35	6LA04042000	ASYS-ROL-SPT	1	1/P	
36	6LA04047000	ASYS-ROL-FEED	2	1/P	
37	4407972860	STOP-RING-6-5	3	5/P	
38	6LA03887000	SPE090-090-0531	1	5/P	
39	6LH04663000	BRKT-HOLD-SPE-430	1	1/P	
40	6LH04745000	SPG-E-7XR6X82-ROL-SPT	1	1/P	
41	6LH04636000	GEAR-10S20-6L	1	1/P	
42	6LH04653000	ASYS-BRKT-SNSR-SPT	1	1/P	
43	F0-00120000	ES-0505	3	5/P	
44	6LH04652000	LEVER-FS-SNSR-SPT	1	1/P	
45	C0-15009000	PS124TD1-B	2	1/C	
46	6LH04657000	BRKT-SNSR-TR	1	1/P	
47	X0-02127000	S/TPP/PAN-3X16-NI	1	10/P	
48	6LH04749000	SPG-E-LEV-SNSR-SPT	1	1/P	
49	X0-02135000	S/PAN/SWWP-M3X14-NI	1	10/P	
50	F0-01462000	LBWS-0206S-V0	4	1/P	
51	F0-01194000	UAMS-02WH-2	1	5/P	
52	6LH04611000	COVER-FEED-UNIT-RER	1	1/P	
53	6LH04711000	ACT-SW-EMPTY-430	1	1/D	
54	6LA03877000	SHEET-DUMP-EMP	1	5/P	
55	6LJ07621000	ASYS-GUIDE-FEED-ENT-430	1	1/PP	
56	X0-02420000	S/TPS/FHEXM/R-3X8-ZU3	26	10/P	
57	X0-00966000	RR/E-5-SS	10	10/P	
58	X0-00964000	RR/E-3-SS	3	10/P	
59	X0-02421000	S/TPS/FHEXM/R-4X8-ZU3	2	10/P	
60	6LH08973000	HRNS-CSTMJ-430	1	1/P	
61 A	6LH08977000	HRNS-TLCFMJ-430	1	1/P	NAD,MJD,ASD,ARD,AUD
62 A	6LA15257000	SOL-PICK-340	1	1/D	NAD,MJD,ASD,ARD,AUD
63 A	6LA03740000	LEVER-P/U-SND	1	1/P	NAD,MJD,ASD,ARD,AUD
64 A	X0-02113000	S/PAN-M3X4-NI	2	10/P	NAD,MJD,ASD,ARD,AUD
65	6LE06731000	CLUTCH-6-LB-390	2	1/P	

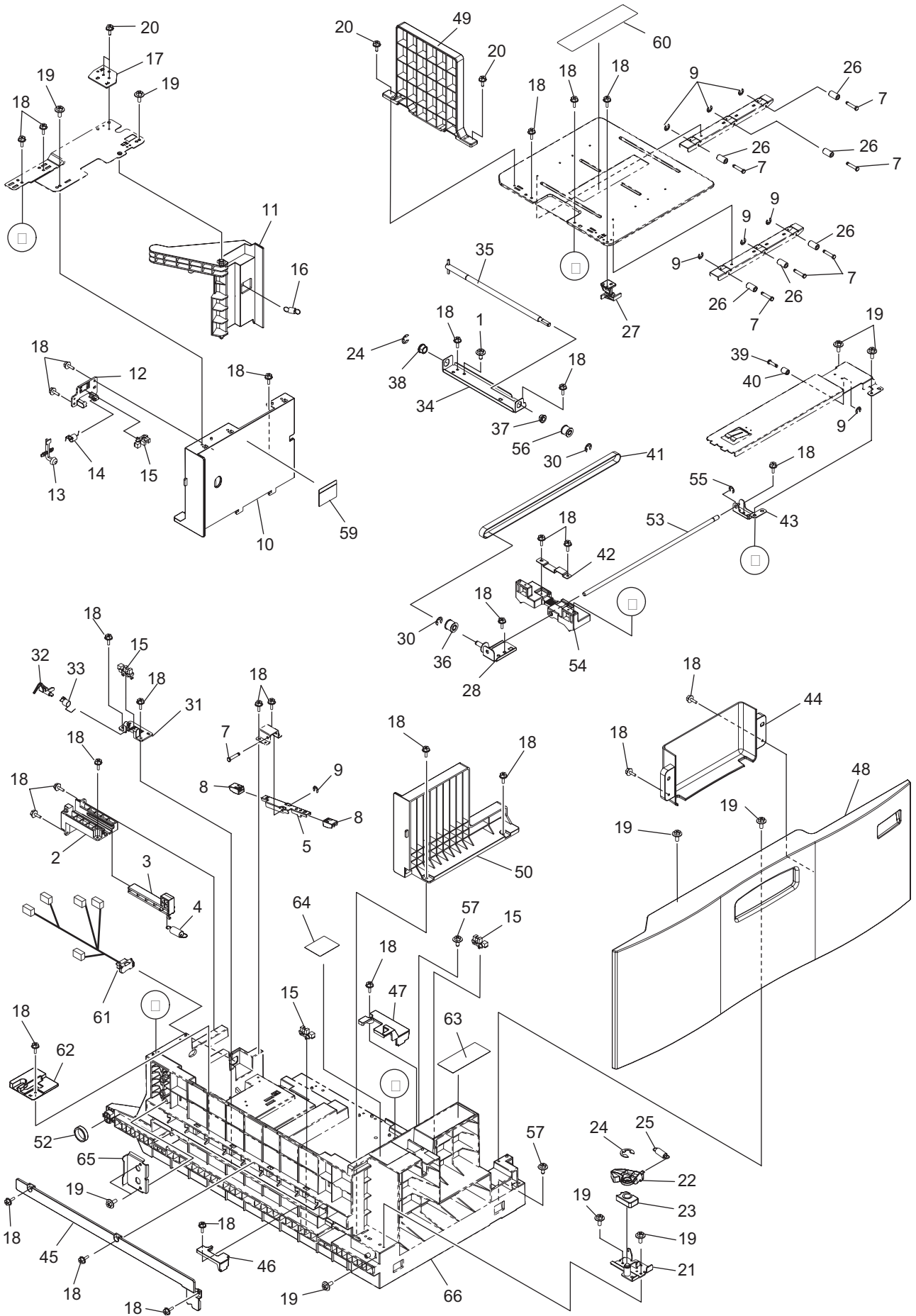




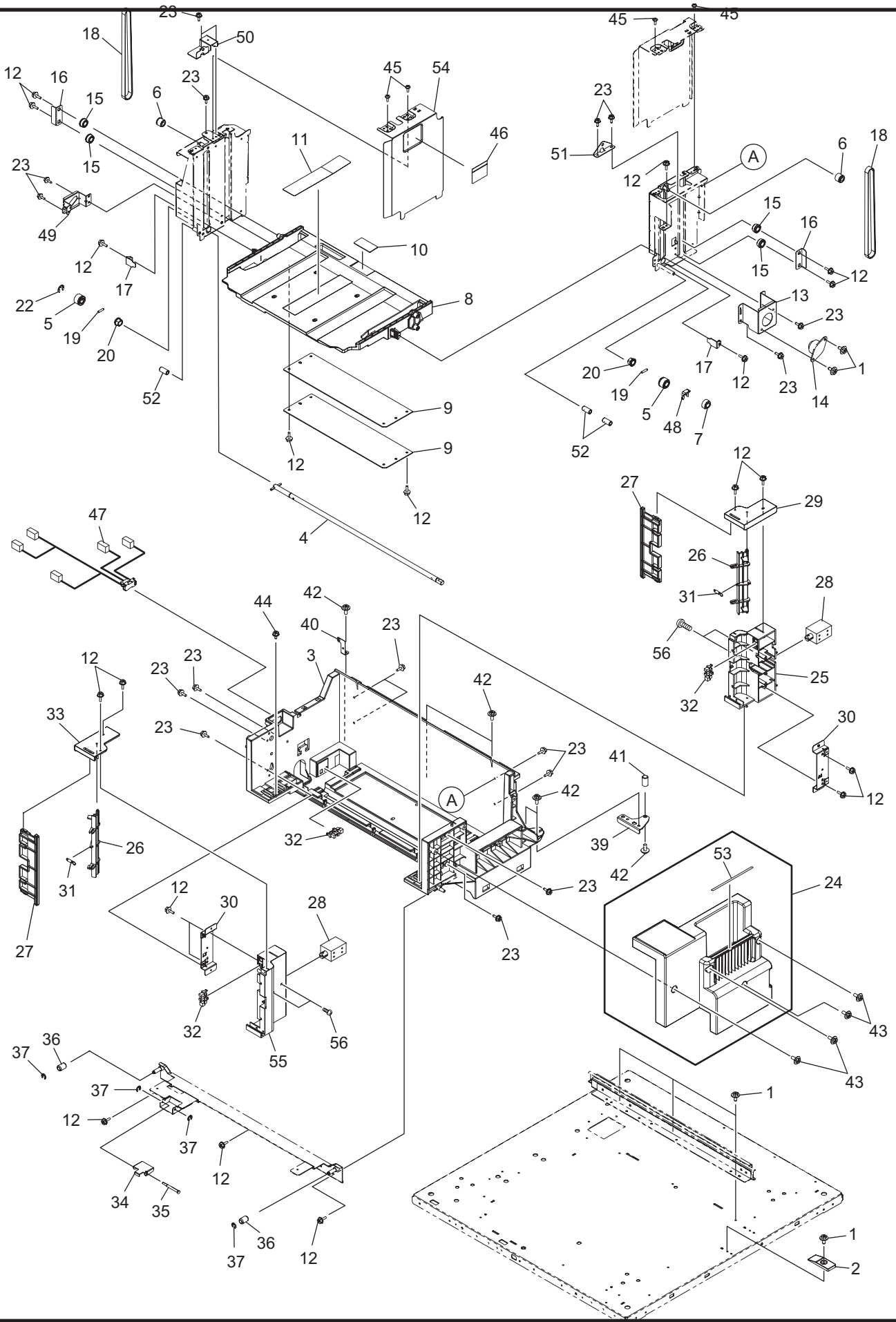




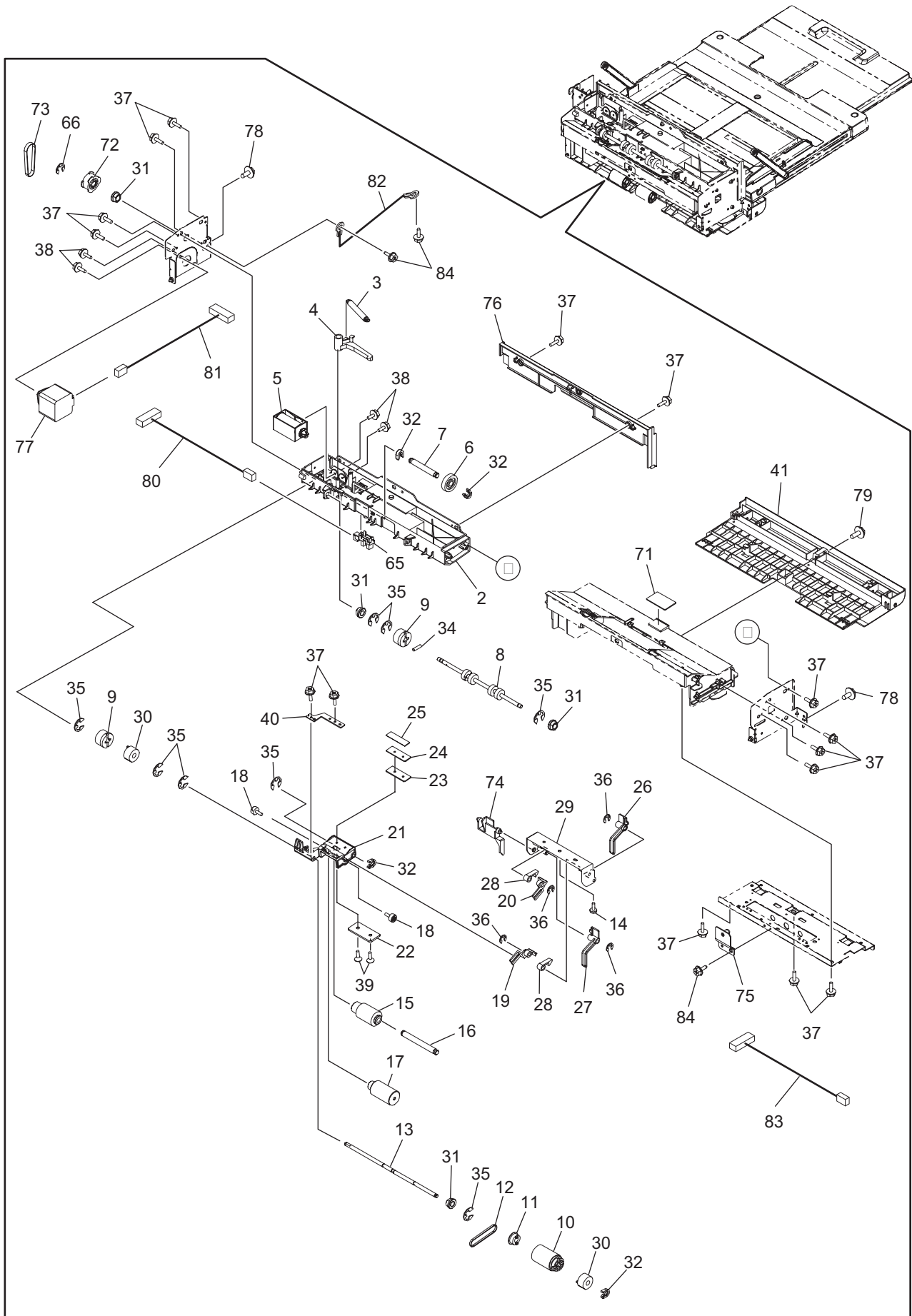




ITEM No.	PART No.	PART NAME	Q'TY / PAGE	Q'TY / PACK	REMARKS
1	X0-02590000	S/TPD3/FHEXM-4X10-ZU3	1	10/P	
2	6LH05938000	STOP-HOLD	1	1/P	
3	6LH05937000	LINK-STOP-SHAFT	1	1/P	
4	6LH05926000	SPG-PISTON-TANDEM	1	1/P	
5	6LH05971000	BRKT-STP-TRAY2	1	1/P	
7	6LH06005000	SFT-ROLL	7	1/P	
8	6LH05970000	COV-CST-COUP-TNDM	2	1/P	
9	X0-00964000	RR/E-3-SS	8	10/P	
10	6LH05973000	GUIDE-SIDE-TRAY2-R	1	1/PP	
11	6LH05965000	STOPPER-TRAY2-R-2	1	1/P	
12	6LH05964000	BASE-SNS-2	1	1/P	
13	6LH05962000	SENSOR-ACTR-3	1	1/D	
14	6LH06008000	SPRING-ACT-EMPTY2	1	1/P	
15	C0-17839000	LG2A14BL1	4	1/C	
16	6LH05925000	SPG-SHUT-TANDEM-2	1	1/P	
17	6LH06040000	PLT-ATC-A	1	1/P	
18	X0-02247000	S/TPP/FHEXM-3X8-NI	31	10/P	
19	X0-02251000	S/TPP/FHEXM-4X8-NI	11	10/P	
20	X0-02420000	S/TPS/FHEXM/R-3X8-ZU3	4	10/P	
21	6LH06014000	ASYS-PLT-LATCH-2	1	1/P	
22	6LH06017000	BLOCK-LATCH-LINK	1	1/P	
23	6LH06013000	BLOCK-LATCH-HOLD	1	1/P	
24	X0-00968000	RR/E-7-SS	2	10/P	
25	6LH05732000	SPE087-090-0269	1	1/P	
26	6LH05933000	ROLL-TRAY	6	1/P	
27	6LH06006000	ACTR-MOVE-SNSR	1	1/P	
28	6LH05934000	ASYS-PLY-HOLD	1	1/P	
30	X0-00965000	RR/E-4-SS	2	10/P	
31	6LH05931000	BASE-SNS-EMPTY	1	1/P	
32	6LH06074000	ACT-SENS-EMPTY-TDM	1	1/D	
33	6LH06060000	SPG-ACT-EMPTY	1	5/P	
34	6LH05912000	BRKT-PLY-HOLD	1	1/P	
35	6LH06018000	ASYS-TRAY2-DRIVE	1	1/P	
36	6LA93800000	PLY-DRIVE-2	1	1/P	
37	6LH53768000	BUSH-6-NU4	1	1/P	
38	6LH23442000	BUSH-8X12X8F-NU4	1	5/P	
39	6LH06027000	SFT-BELT-ADL	1	1/P	
40	6LH06026000	RLR-BELT-ADL	1	5/P	
41	6LH06037000	BELT-3GT-600-9-B50N17	1	1/P	
42	6LH06032000	BRKT-BELT-HOLD	1	1/P	
43	6LH05909000	BRKT-HOLD-ST	1	1/P	
44	6LH02302200	COVER-HNDL-CST-430G	1	1/P	
45	6LH06041000	COVER-SIDE-HRNS	1	1/KP	
46	6LH06007000	COVER-SNSR-H	1	1/P	
47	6LH05985000	COVER-SNSR-R	1	1/P	
48	6LH02320200	COVER-TANDEM-LCF-430G	1	1/PP	
49	6LH05905200	GUIDE-END-BK3	1	1/PP	
50	6LH05960000	GUIDE-SIDE-TRAY2-F	1	1/PP	
52	6LH05717000	ROLLER-LEFT-R-BP	1	1/P	
53	6LH06009000	SFT-GUIDE	1	1/P	
54	6LH05936000	TRAY-BASE	1	1/PP	
55	X0-00966000	RR/E-5-SS	1	10/P	
56	6LA93799000	PLY-DRIVE-1	1	1/P	
57	X0-02421000	S/TPS/FHEXM/R-4X8-ZU3	2	10/P	
59	6LA93862000	LBL-P-LIMIT	1	1/P	
60	6LH06061000	LBL-P-SET-TRY-L2	1	1/KP	
61 A	6LJ09827000	HRNS-TLCF2-130	1	1/P	NAD,MJD,ASD,ARD,AUD
62	6LJ08107000	COVER-ENPTY-SNS	1	1/P	
63	6LH06047000	LBL-P-SET-430-TLCF	1	1/KP	
64	6LH06048000	LBL-CST2-SET-430-TLCF	1	1/P	
65	6LH06051000	BRKT-STOP-TNDM-CST2	1	1/P	
66	6LH05914100	CST-TRAY2-TANDEM-BK2	1	1/PP	

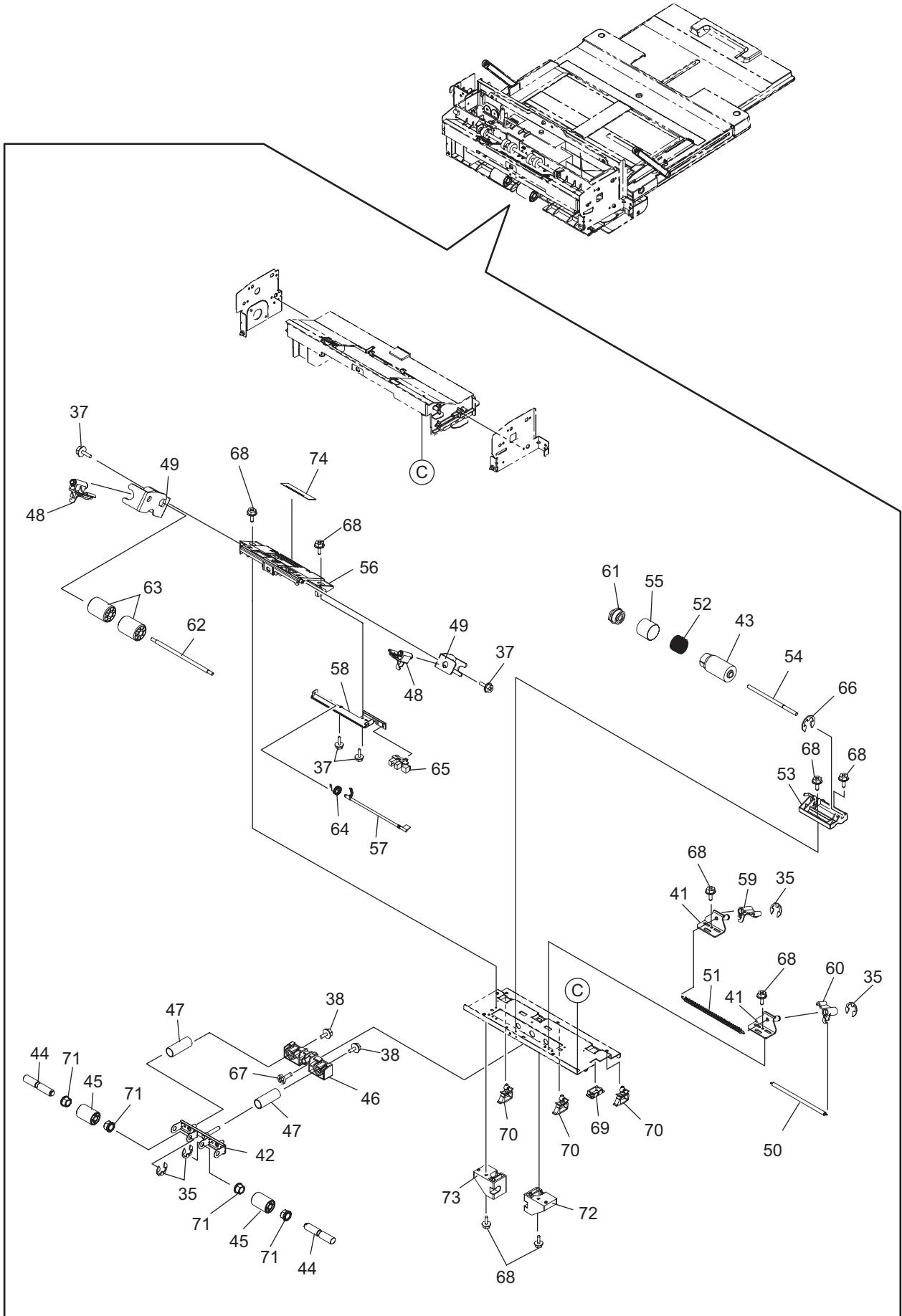


ITEM No.	PART No.	PART NAME	Q'TY / PAGE	Q'TY / PACK	REMARKS
1	X0-02421000	S/TPS/FHEXM/R-4X8-ZU3	6	10/P	
2	6LH05940000	STP-BASE-TANDEM	1	1/P	
3	6LH05916200	CST-TRAY1-TANDEM-BP-BK3	1	1/C	
4	6LH05981000	ASYS-SFT-TRAY-BP-TDM	1	1/P	
5	6LH05901000	PULLY-BP-TDM2-Z18	2	1/P	
6	6LH05900000	PULLY-BP-TDM1-Z14	2	1/P	
7	6LH05903000	GEAR-DUMP-Z14	1	1/P	
8	6LH05913200	TRAY1-T-LCF-BK3	1	1/PP	
9	6LA93713000	PLT-BALANCER	2	1/P	
10	6LA04847000	PAD-TRAY	1	1/P	
11	6LA93864000	LBL-P-SET-TRY-R	1	1/KP	
12	X0-02247000	S/TPP/FHEXM-3X8-NI	20	10/P	
13	6LH05941000	BRKT-DAMP-BP	1	1/P	
14	6LE03901000	OIL-DAMPER-390	1	1/P	
15	6LH05904000	ROLLER-BP-TDM	4	1/P	
16	6LH05906000	BRKT-GUIDE-BP	2	1/P	
17	6LJ08109000	BRKT-LU-BELT-BP	2	1/P	
18	6LH06044000	BELT-3GT-402-8-B50N17	2	1/P	
19	X0-01535000	P/PRL/AH7-3X12-SS	2	5/P	
20	6LH23442000	BUSH-8X12X8F-NU4	2	5/P	
22	X0-00968000	RR/E-7-SS	1	10/P	
23	X0-02420000	S/TPS/FHEXM/R-3X8-ZU3	18	10/P	
24	6LH05978000	ASYB-INN-COV-TLCF430	1	1/PP	
25	6LH06071000	HLDR-SHUT-F	1	1/P	
26	6LH05951000	JOINT-SHUT-TANDEM	2	1/P	
27	6LH05952000	PLT-SHUTTER-TANDEM	2	1/P	
28	6LA15258000	SOL-END-340	2	1/D	
29	6LH06069000	PLATE-SHUT-F	1	1/P	
30	6LH05949000	BRKT-HOLD-SHUT	2	1/P	
31	6LH06020000	SPG-SHUT-TANDEM	2	1/P	
32	C0-17839000	LG2A14BL1	3	1/C	
33	6LH06070000	PLATE-SHUT-R	1	1/P	
34	6LH06064000	BRKT-STP-TANDEM	1	1/P	
35	6LH06021000	SFT-STP-TANDEM	1	1/P	
36	6LH05958000	RLR-RAIL-CENTER	2	1/P	
37	X0-00964000	RR/E-3-SS	4	10/P	
39	6LH05718000	PLATE-LATCH	1	1/P	
40	6LH06030000	PLT-SPG-SE-R	1	1/P	
41	6LA04487000	STUD-CST-POS	1	5/P	
42	X0-02235000	S/FHEXM-M4X8-NI	6	10/P	
43	X0-02251000	S/TPP/FHEXM-4X8-NI	4	10/P	
44	X0-02419000	S/TPS/FHEXM/R-3X6-ZU3	1	10/P	
45	X0-02069000	S/TPS/BID-3X6-ZU3	4	10/P	
46	6LA93862000	LBL-P-LIMIT	1	1/P	
47 A	6LJ09826000	HRNS-TLCF1-130	1	1/P	NAD,MJD,ASD,ARD,AUD
48	41306265000	STOP RING	1	1/P	
49	6LH06054000	BRKT-HOLD-IDLER-R	1	1/P	
50	6LH06057000	BRKT-SUPPORT-R	1	1/P	
51	6LH06058000	BRKT-SUPPORT-F	1	1/P	
52	6LH06059000	RLR-BELT-IDLER-2	3	1/P	
53	6LH06078000	LBL-COV-R-TLCF	1	1/P	
54	6LH06022000	FENCE-TRAY1-R	1	1/P	
55	6LH06072000	HLDR-SHUT-R	1	1/PP	
56	X0-00057000	S/PAN-M3X6-NI	4	10/P	

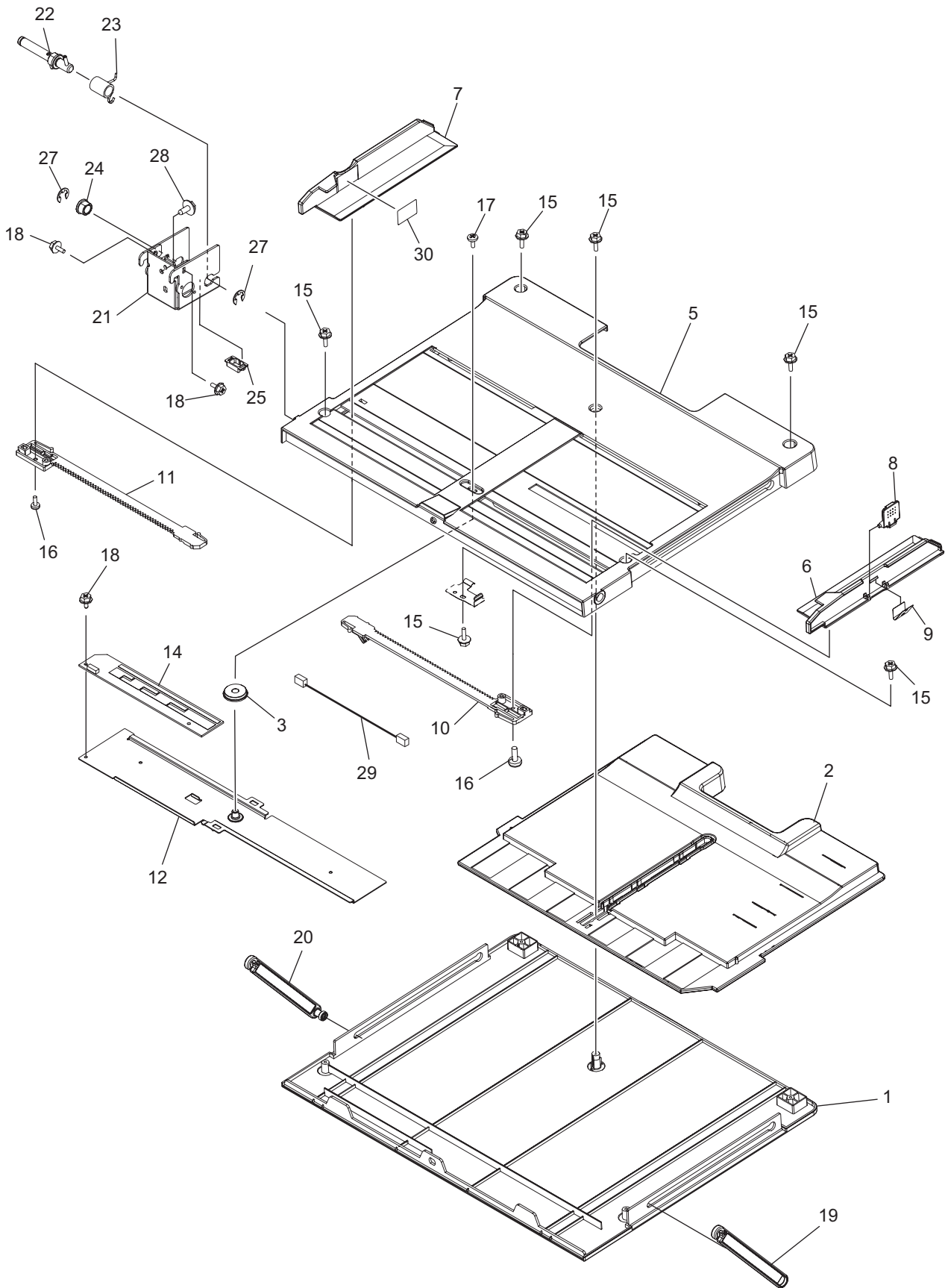


ITEM No.	PART No.	PART NAME	Q'TY / PAGE	Q'TY / PACK	REMARKS
2	6LK30913000	ASYS-GUIDE-BYP-U-H34X	1	1/PP	
3	6LA28769000	SPG-E-6R5XR7X28R5L	1	1/P	
4	6LA28767000	LEVER-PICK	1	1/P	
5	6LA15259000	SOL-SFB-340	1	1/D	
6	44201789000	GEAR-06S-032-06	1	1/P	
7	6LE40439000	STUD-G032-BYPS	1	1/P	
8	6LE40425000	ROLLER-TR-BYPASS-18.5	1	1/KP	
9	6LA28811000	GEAR-06S-027-06	2	1/P	
10	44218389000	K-RLR-FEED-SFB	1	1/P	
11	4401966400	PLY/T-2GT020-06	1	1/P	
12	6LA28835000	BLT-SY-138-2GT-2.8	1	1/P	
13	6LH05145000	SFT-ROLL-FEED-BYP	1	1/P	
14	X0-00595000	S/TPP/PAN-3X6-NI	1	10/P	
15	44218398000	K-ROLL-PICK-BYP	1	1/P	
16	6LE40436000	SFT-ROL-PIC-BYP-350	1	1/P	
17	6LE40412000	WEIGHT-PICK-BYP-T	1	1/P	
18	6LE40407000	SCREW-WEIGHT-3*6	2	5/P	
19	6LJ07623000	LEVER-STOPPER-F	1	1/P	
20	6LJ07624000	LEVER-STOPPER-R	1	1/P	
21	6LJ07622000	ARM-PICK-H13X	1	1/P	
22	6LA28832000	WEIGHT-PICK-BYP-LOW	1	1/P	
23	6LA28833000	WEIGHT-PICK-BYP-MID	1	1/P	
24	6LA28834000	WEIGHT-PICK-BYP-UP	1	1/P	
25	6LA28758000	CUSHION-PAD	1	5/P	
26	6LA28821000	STPR-BYP-F-350	1	1/P	
27	6LA28822000	STPR-BYP-R-350	1	1/P	
28	4401965270	ARM-STOPPER	2	5/P	
29	6LH31603000	ASYS-BRKT-STOPPER	1	1/P	
30	6LE69842000	CLUTCH-6-L	2	1/P	
31	6LH53768000	BUSH-6-NU4	4	1/P	
32	4407972860	STOP-RING-6-5	4	5/P	
34	X0-00979000	P/PRL/AH7-2X8-SS	1	10/P	
35	X0-00966000	RR/E-5-SS	8	10/P	
36	X0-00964000	RR/E-3-SS	4	10/P	
37	X0-02247000	S/TPP/FHEXM-3X8-NI	15	10/P	
38	X0-02230000	S/FHEXM-M3X6-NI	4	10/P	
39	X0-02011000	S/CTS-M3X8-NI	2	10/P	
40	6LA28819000	PLATE-ARM-PICK	1	1/P	
41	6LH05187200	COVER-SFB-L-43XG	1	1/PP	
65	C0-17839000	LG2A14BL1	1	1/C	
66	X0-00965000	RR/E-4-SS	1	10/P	
71	4400901130	PAD-BRAKE	1	5/P	
72	6LH05429000	PULLY-S2M30-6D	1	1/P	
73	6LH05177000	BLT-SY-S2M-148-6	1	1/P	
74	6LA28768000	ACTR-EMP-SW-BYP	1	1/P	
75	6LH05159000	ASYS-BRKT-SFB-EXIT-43X	1	1/P	
76	6LH05151200	COVER-SFB-43XG	1	1/PP	
77	6LJ09278000	MOTRS-MT-130	1	1/C	
78	X0-02421000	S/TPS/FHEXM/R-4X8-ZU3	2	10/P	
79	X0-02251000	S/TPP/FHEXM-4X8-NI	1	10/P	
80	6LH08890000	HRNS-SFBSW-430	1	1/P	
81	6LJ09267000	HRNS-SFBM-130	1	1/P	
82	6LH08893000	HRNS-SFBFG-430	1	1/P	
83	6LH08891000	HRNS-SFBFED-430	1	1/P	
84	X0-02419000	S/TPS/FHEXM/R-3X6-ZU3	3	10/P	

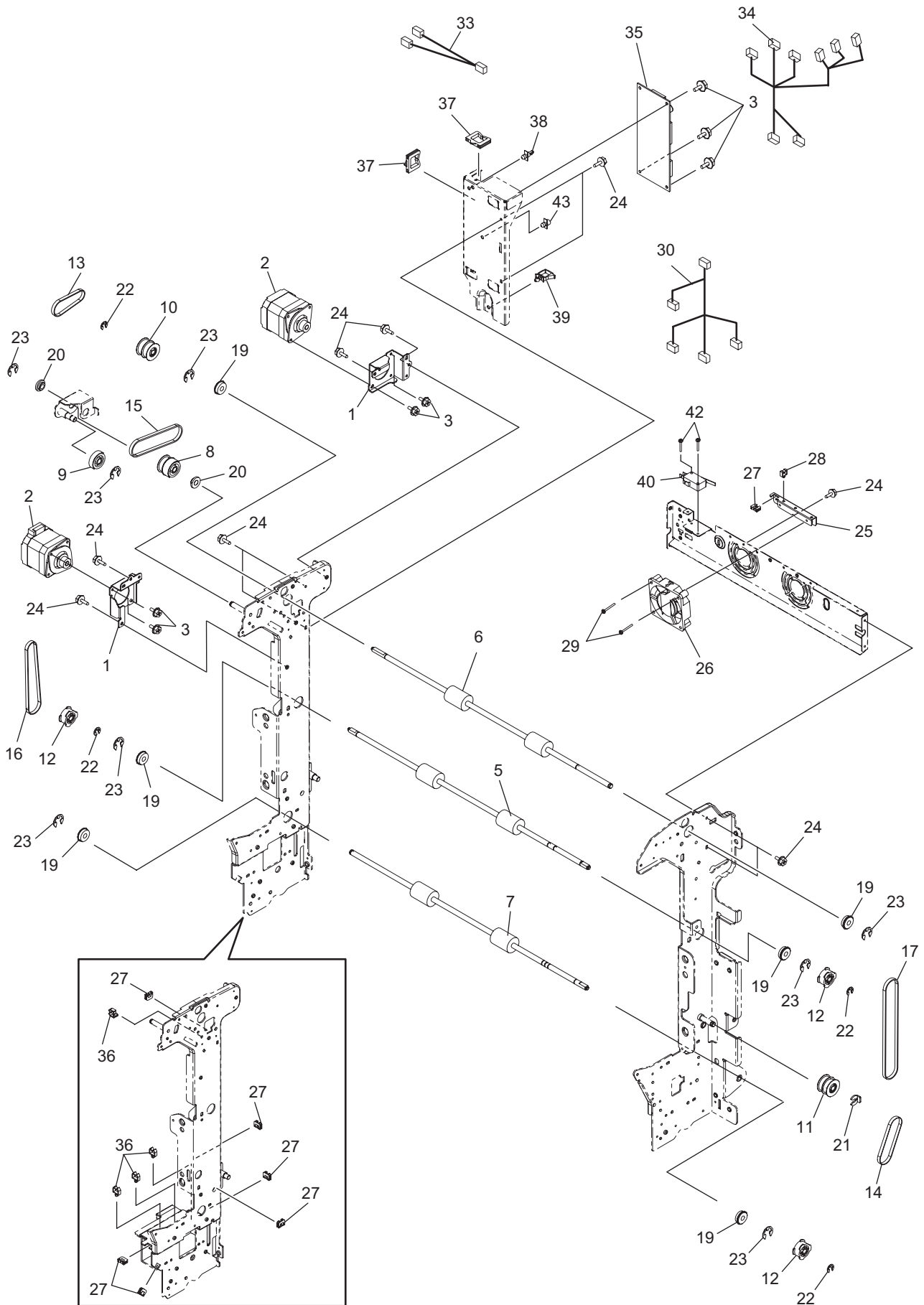




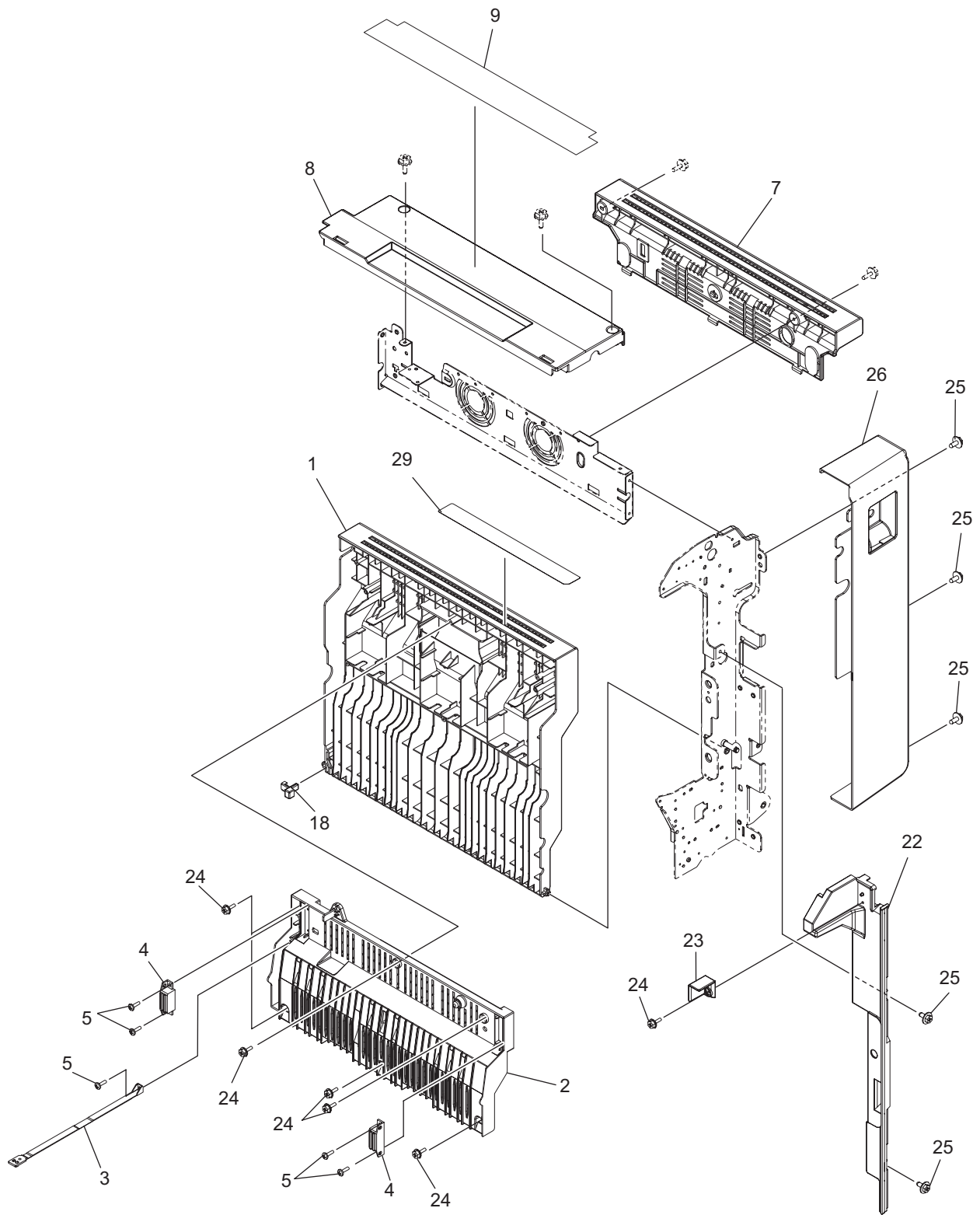
ITEM No.	PART No.	PART NAME	Q'TY / PAGE	Q'TY / PACK	REMARKS
35	X0-00966000	RR/E-5-SS	4	10/P	
37	X0-02247000	S/TPP/FHEXM-3X8-NI	4	10/P	
38	X0-02230000	S/FHEXM-M3X6-NI	2	10/P	
41	6LA28857000	ASYS-BRKT-LVR-SPT	2	1/P	
42	6LH05109000	ASYS-BRKT-GUIDE-SPG1	1	1/P	
43	6LA28899000	ASYS-ROLL-SPT-L30	1	1/P	
44	6LH05107000	SHAFT-IDLE-TR1	2	1/P	
45	6LH05108000	ROLL-IDLE-TR1-BP	2	1/P	
46	6LH05168000	GUIDE-HOLD-IDLE-TR1	1	1/P	
47	6LH05116000	SPG-C-1600BP	2	1/P	
48	6LH04521000	LVR-IDLE-F43X	2	1/P	
49	6LH05135000	BRKT-FRAME-AD	2	1/P	
50	6LH05228000	SPG-E-6XR6X92R4-SPT	1	1/P	
51	6LA82827000	SPG-E-6R7XR7X79R55	1	1/P	
52	6LA28865000	SPR-1.0-15.65-13L	1	1/P	
53	6LA28862000	HOLDER-ROL-SPT-BYP	1	1/D	
54	6LE40437000	SHAFT-ROL-SPT	1	1/P	
55	6LA28861000	COVER-SPE-ARBOR-17	1	1/P	
56	6LJ07625000	CASE-BYPASS-RLR	1	1/P	
57	6LE40422000	ACTUATOR-BYP	1	1/P	
58	6LH05148000	BRKT-ACT-BYP-43X	1	1/P	
59	6LA28922000	LEVER-SPT-R	1	1/P	
60	6LA28921000	LEVER-SPT-F	1	1/P	
61	6LA28863000	ARBOR-SPT-BYP	1	1/P	
62	6LJ07626000	SFT-BYPASS-TR-L2	1	1/P	
63	6LH05137000	IDLER-TR1	2	1/P	
64	6LA28960000	SPG-T-SNSR-LOW-T	1	1/P	
65	C0-17839000	LG2A14BL1	1	1/C	
66	X0-00965000	RR/E-4-SS	1	10/P	
67	X0-02070000	S/TPS/BID-3X8-ZU3	1	10/P	
68	X0-02419000	S/TPS/FHEXM/R-3X6-ZU3	8	10/P	
69	F0-01248000	ESC-0912	1	10/P	
70	F0-01811000	LWS-0711S-V0	3	5/P	
71	6LH23442000	BUSH-8X12X8F-NU4	4	5/P	
72	6LH05223000	HOLDER-SHAFT-F	1	1/P	
73	6LH05224000	HOLDER-SHAFT-R	1	1/P	
74	6LH05227000	MYLAR-BYP-FEED	1	1/KP	





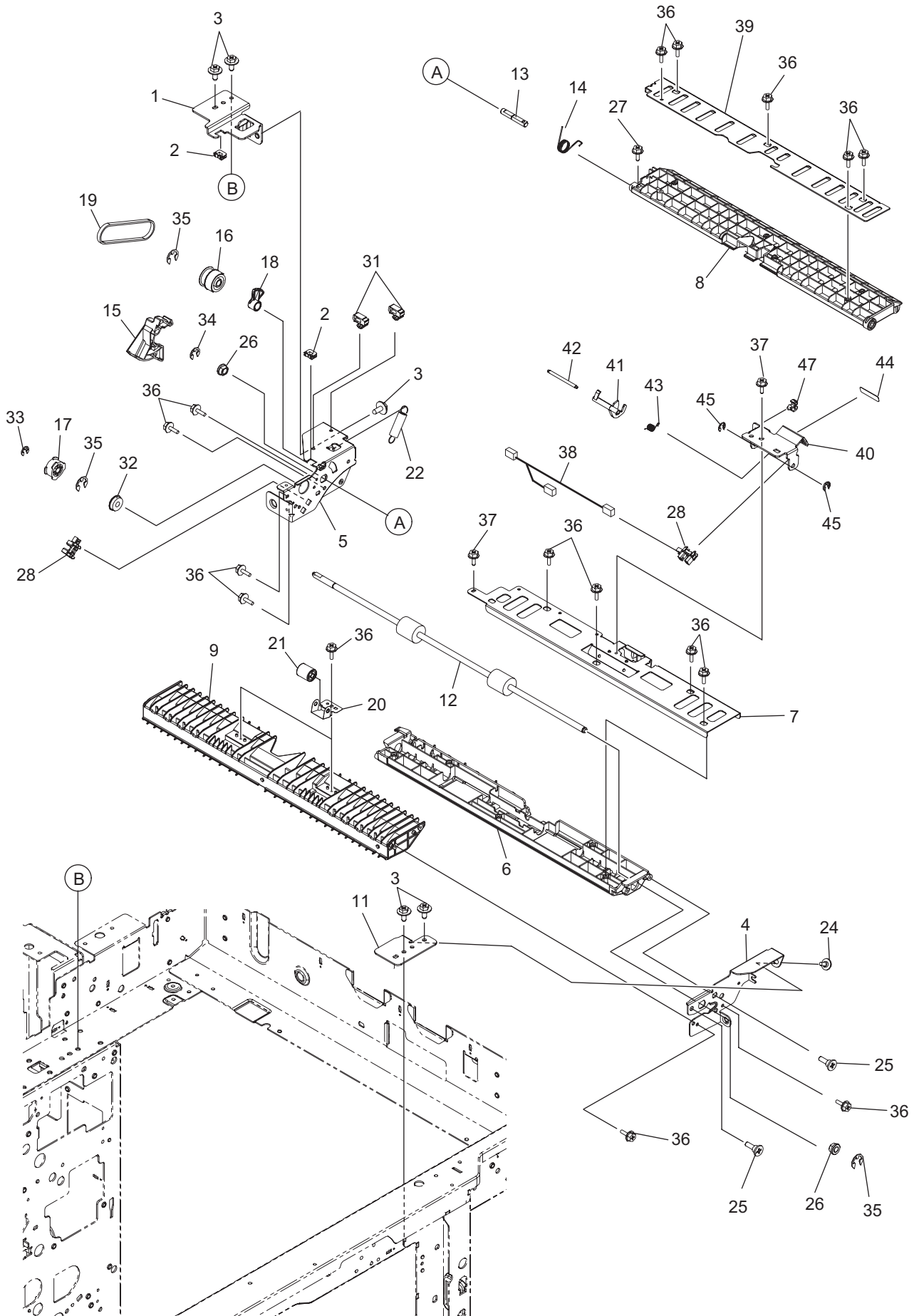


ITEM No.	PART No.	PART NAME	Q'TY / PAGE	Q'TY / PACK	REMARKS
1	6LH05435000	BRKT-MOTOR-ADU	2	1/P	
2	6LJ09278000	MOTRS-MT-130	2	1/C	
3	X0-02230000	S/FHEXM-M3X6-NI	7	10/P	
5	6LH05412000	RLR-ADU-MID-430	1	1/KP	
6	6LH05400000	RLR-ADU-UP-430	1	1/KP	
7	6LH05411000	RLR-ADU-LOW-430	1	1/KP	
8	6LH05409000	GEAR-10S20_PS2M30-6	1	1/P	
9	6LH05402000	GEAR-10S20-6	1	1/P	
10	6LH05410000	PULLY-S2M30-6D-DBL	1	1/P	
11	6LH05417000	PULLY-S2M30-6-DBL	1	1/P	
12	6LH05429000	PULLY-S2M30-6D	3	1/P	
13	6LH05408000	BLT.SY-S2M-118-5	1	1/P	
14	6LH05418000	BLT.SY-S2M-142-4	1	1/P	
15	6LH05420000	BLT.SY-S2M-186-4	1	1/P	
16	6LH05430000	BLT.SY-S2M-224-4	1	1/P	
17	6LH05401000	BLT.SY-S2M-300-4	1	1/P	
19	F0-01482000	RNR-1560ZZRP0P24LY121	6	1/P	
20	6LA29859000	BUSH-6X10X4F-POM	2	5/P	
21	44201801000	STOP-RING-6-1.5	1	5/P	
22	X0-00964000	RR/E-3-SS	4	10/P	
23	X0-00966000	RR/E-5-SS	8	10/P	
24	X0-02420000	S/TPS/FHEXM/R-3X8-ZU3	11	10/P	
25	6LH05510000	BRKT-FAN-ADU	1	1/P	
26	6LE09167000	FAND-6015-390	1	1/D	
27	F0-00120000	ES-0505	7	5/P	
28	F0-01250000	MSB-1207	1	5/P	
29	X0-02061000	S/TPS/PAN-3X20-ZU3	2	10/P	
30	6LJ09270000	HRNS-ADU-SFB-130	1	1/P	
33	6LH08994000	HRNS-ADUM-430	1	1/P	
34	6LJ09255000	HRNS-ADU-SNR1-130	1	1/P	
35	6LK31350000	PWA-H-ADU-340	1	1/SB	
36	F0-00033000	UAMS-07-0	4	10/P	
37	F0-00047000	EDS-1717U	2	10/P	
38	F0-00340000	SPLSN-4U	1	5/P	
39	F0-01243000	LWS-1211Z	1	5/P	
40	E0-12019000	V-152-1C25	1	1/C	
42	X0-02060000	S/TPS/PAN-3X16-ZU3	2	10/P	
43	F0-00331000	SPSN-4U	1	5/P	

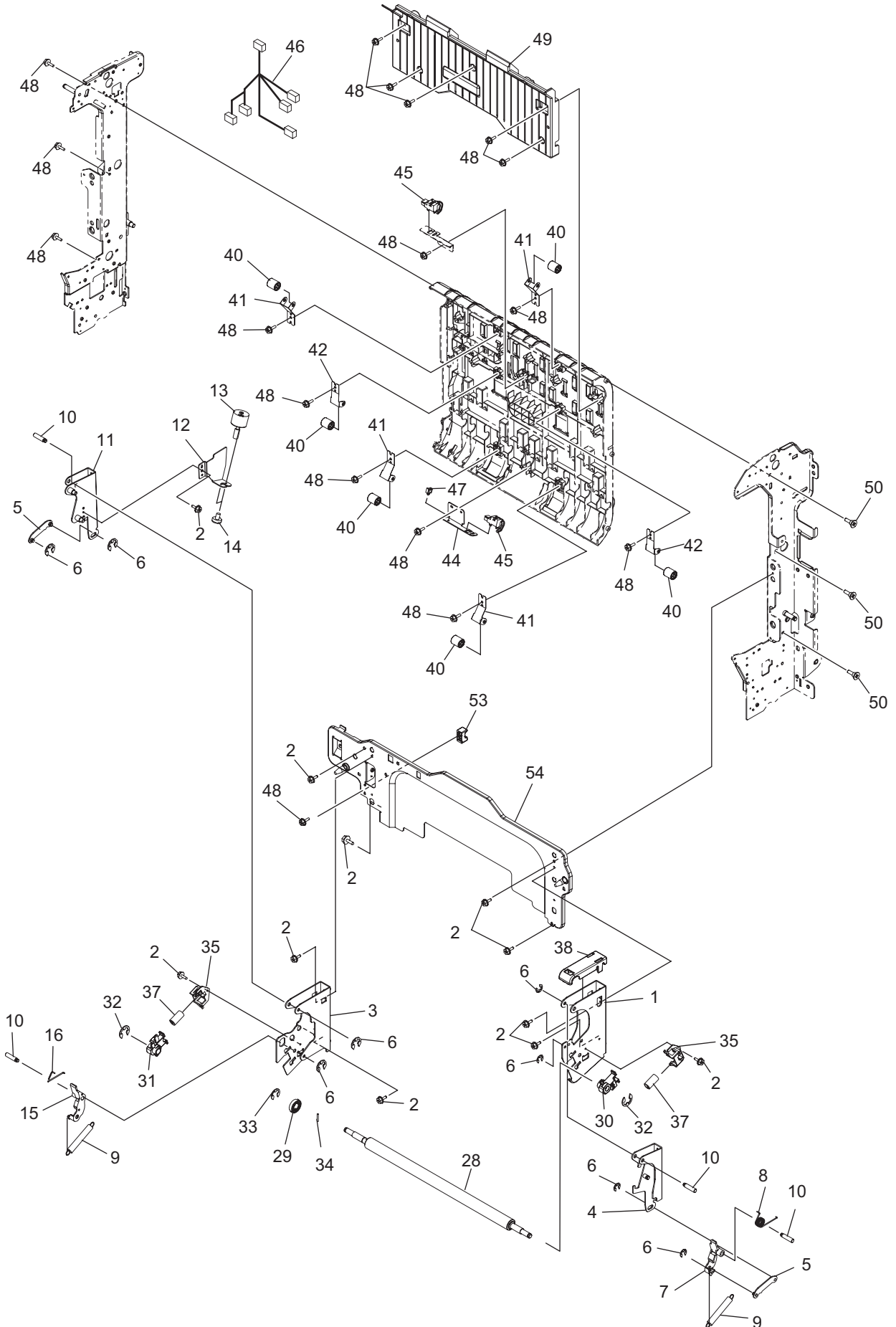




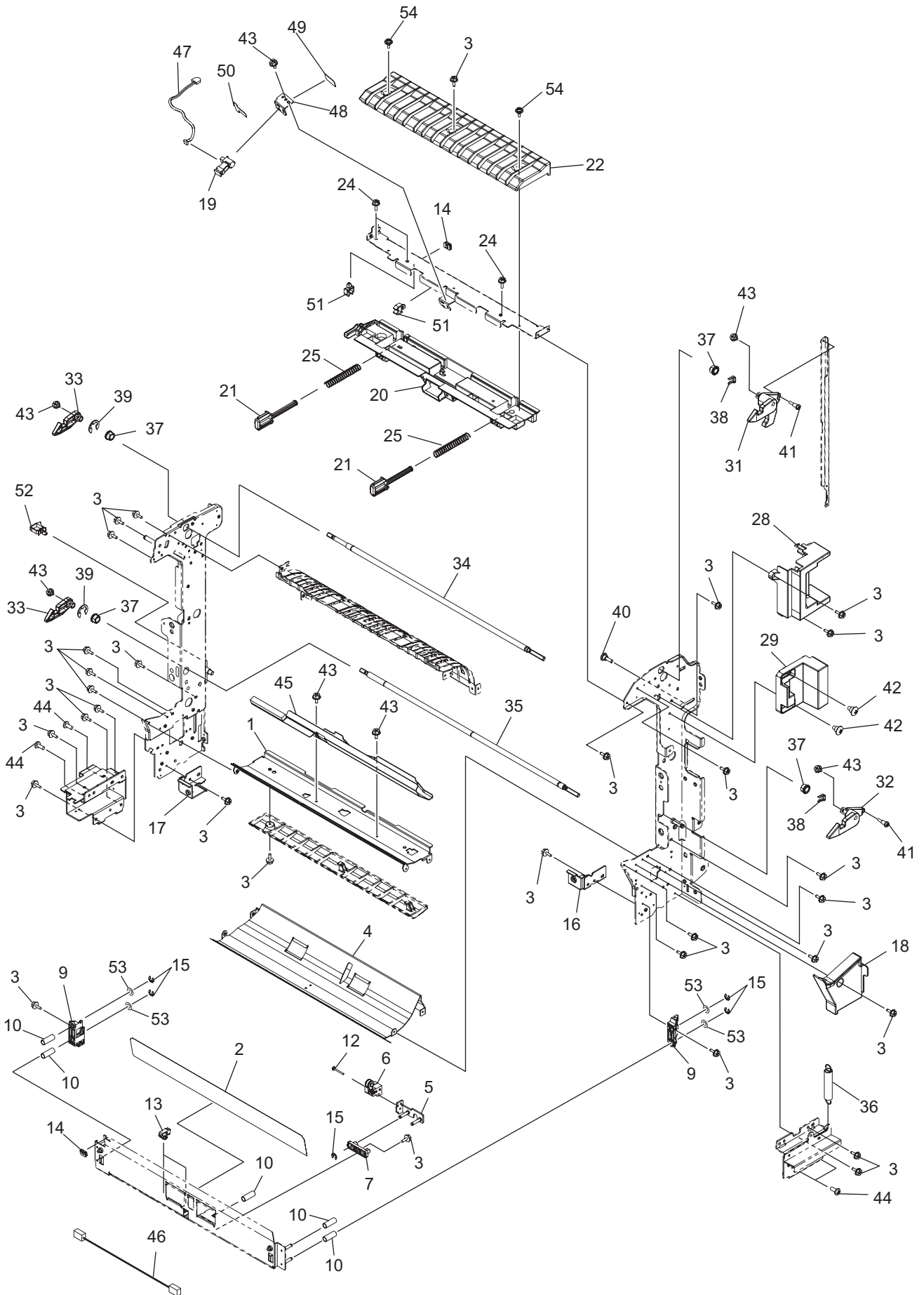




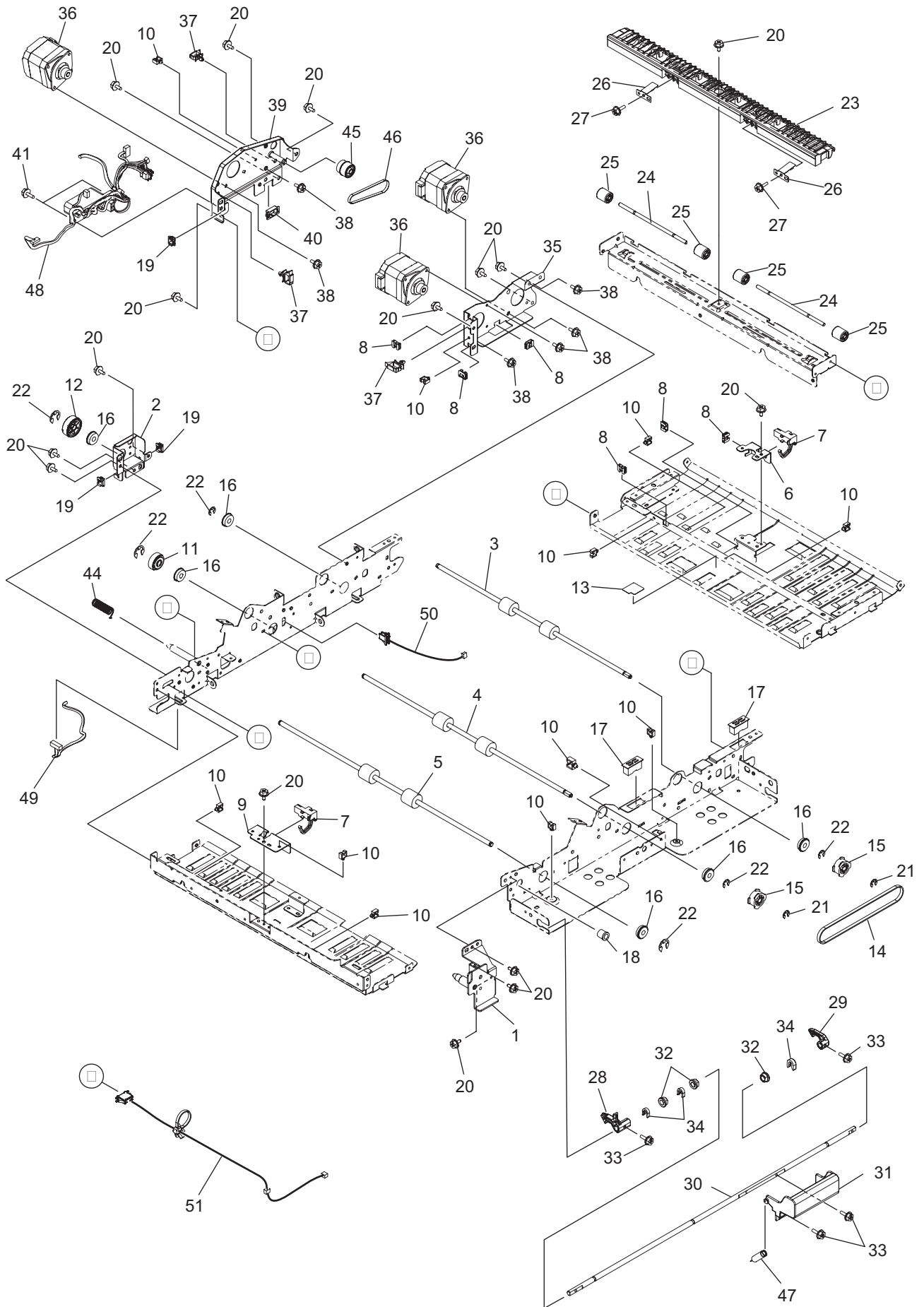
ITEM No.	PART No.	PART NAME	Q'TY / PAGE	Q'TY / PACK	REMARKS
1	6LH05494000	BRKT-HOLD-MID-R	1	1/P	
2	F0-00120000	ES-0505	2	5/P	
3	X0-02421000	S/TPS/FHEXM/R-4X8-ZU3	5	10/P	
4	6LH05527000	ASYS-FRM-MID-GID-F	1	1/P	
5	6LJ07901000	ASYS-FRM-MID-GID-RN	1	1/P	
6	6LH05456000	GUIDE-MID-JCT-U	1	1/PP	
7	6LH05493000	STAY-GUIDE-MID-JCT	1	1/P	
8	6LJ07911000	GUIDE-SEPT-JCT	1	1/P	
9	6LJ07910000	GUIDE-EXIT-M	1	1/PP	
11	6LH05481000	BRKT-HOLD-MID-F	1	1/P	
12	6LH05454000	RLR-ADU-LFT-UP-430	1	1/KP	
13	6LH05459000	SHAFT-SEPT-GUIDE-R	1	1/P	
14	6LH05473000	SPG-GUIDE-JCT	1	1/P	
15	6LJ07909000	CRANK-MOV-GUIDE	1	1/P	
16	6LH05409000	GEAR-10S20_PS2M30-6	1	1/P	
17	6LH05429000	PULLY-S2M30-6D	1	1/P	
18	6LH05455000	CARR-GEAR-MID	1	1/P	
19	6LH05420000	BLT.SY-S2M-186-4	1	1/P	
20	6LH05491000	SPL-PINCH-ADU-MID	2	1/C	
21	6LH18004000	RLR-PINCH-14-4	2	1/P	
22	6LH05508000	SPG-E-9R1XR7X26R08	1	1/P	
24	6LE41127000	SCREW-M3-4-1.4	1	5/P	
25	6LH05511000	SCREW-M3X8-3.2-P	2	5/P	
26	6LH53768000	BUSH-6-NU4	2	1/P	
27	X0-02230000	S/FHEXM-M3X6-NI	1	10/P	
28	C0-17839000	LG2A14BL1	2	1/C	
31	F0-01462000	LBWS-0206S-V0	2	1/P	
32	F0-01482000	RNR-1560ZZRP0P24LY121	1	1/P	
33	X0-00964000	RR/E-3-SS	1	10/P	
34	X0-00965000	RR/E-4-SS	1	10/P	
35	X0-00966000	RR/E-5-SS	3	10/P	
36	X0-02247000	S/TPP/FHEXM-3X8-NI	17	10/P	
37	X0-02069000	S/TPS/BID-3X6-ZU3	2	10/P	
38	6LJ09271000	HRNS-MIDSN-130	1	1/P	
39	6LH05526000	BRKT-SUPPORT-JCT-GUIDE	1	1/P	
40	6LJ07902000	BRKT-SNSR-ADU-MID-N	1	1/P	
41	6LJ07908000	ACTR-SNSR-ADU-MID	1	1/C	
42	6LH05539000	PIN-SNSR-ADU-MID	1	1/P	
43	6LH05538000	SPG-SNSR-ADU-MID	1	1/P	
44	6LJ08725000	SHEET-SNSR-LG248	1	5/P	
45	X0-00963000	RR/E-2-SS	2	10/P	
47	F0-01194000	UAMS-02WH-2	1	5/P	



ITEM No.	PART No.	PART NAME	Q'TY / PAGE	Q'TY / PACK	REMARKS
1	6LH04308000	ASYS-FRAME-TRU-F	1	1/P	
2	X0-02420000	S/TPS/FHEXM/R-3X8-ZU3	11	10/P	
3	6LH04310000	ASYS-FRAME-TRU-R	1	1/P	
4	6LH04312000	ASYS-ARM-TRU-F	1	1/P	
5	6LH04321000	ASYS-LINK-ARM-TRU	2	1/P	
6	X0-00965000	RR/E-4-SS	8	10/P	
7	6LH04324000	LINK-ARM-TRU-A-F	1	1/P	
8	6LH04453000	SPG-T-RELEASE-TRU-F	1	1/P	
9	6LH04420000	SPG-E-TRU-ROL-430	2	1/P	
10	6LH04358000	STUD-PIVOT-TRU-430	4	1/P	
11	6LH04315000	ASYS-ARM-TRU-R	1	1/P	
12	6LH04233000	BRKT-DRV-AUG-TR2	1	1/P	
13	6LH09059000	MOTRD-TR2-UTNR-430	1	1/D	
14	X0-02270000	S/PAN-M2.6X2.5-NI	2	10/P	
15	6LH04325000	LINK-ARM-TRU-A-R	1	1/P	
16	6LH04399000	SPG-T-RELEASE-TRU-R	1	1/P	
28	6LH04568000	ROLLER-RGST-R-430	1	1/KP	
29	6LJ07612000	GEAR-RGST-H130	1	1/P	
30	6LH04733000	ASYB-BUSH-ROL-RGST-F	1	1/P	
31	6LH04734000	ASYB-BUSH-ROL-RGST-R	1	1/P	
32	X0-00968000	RR/E-7-SS	2	10/P	
33	X0-00970000	RR/E-9-SS	1	10/P	
34	X0-01165000	P/PRL/AH7-2X14-SS	1	10/P	
35	6LE24244000	HOLDER-RGST-SPE	2	1/P	
37	6LH04535000	SPG-C-11R1X1X48R5	2	5/P	
38	6LH04334000	COV-FRAME-TRU-F	1	1/P	
40	6LH18004000	RLR-PINCH-14-4	6	1/P	
41	6LH05437000	SPL-PINCH-ADU-SIDE	4	1/P	
42	6LH17844000	SPL-IDLE-BR	2	1/P	
44	6LH05440000	BRKT-SNSR-ADU-LOW	1	1/P	
45	6LE09239000	SNSR-FED-390	2	1/P	
46	6LH09804000	HRNS-ADU-SNR2-430	1	1/P	
47	F0-01250000	MSB-1207	1	5/P	
48	X0-02247000	S/TPP/FHEXM-3X8-NI	17	10/P	
49	6LH05523000	COVER-HRNS-ADU-430	1	1/PP	
50	6LH05511000	SCREW-M3X8-3.2-P	3	5/P	
53	6LH04421000	HOLDER-SFT-LOCK-ADU-L	1	1/P	
54	6LH04242000	ASYS-FRAME-TRU-430	1	1/P	

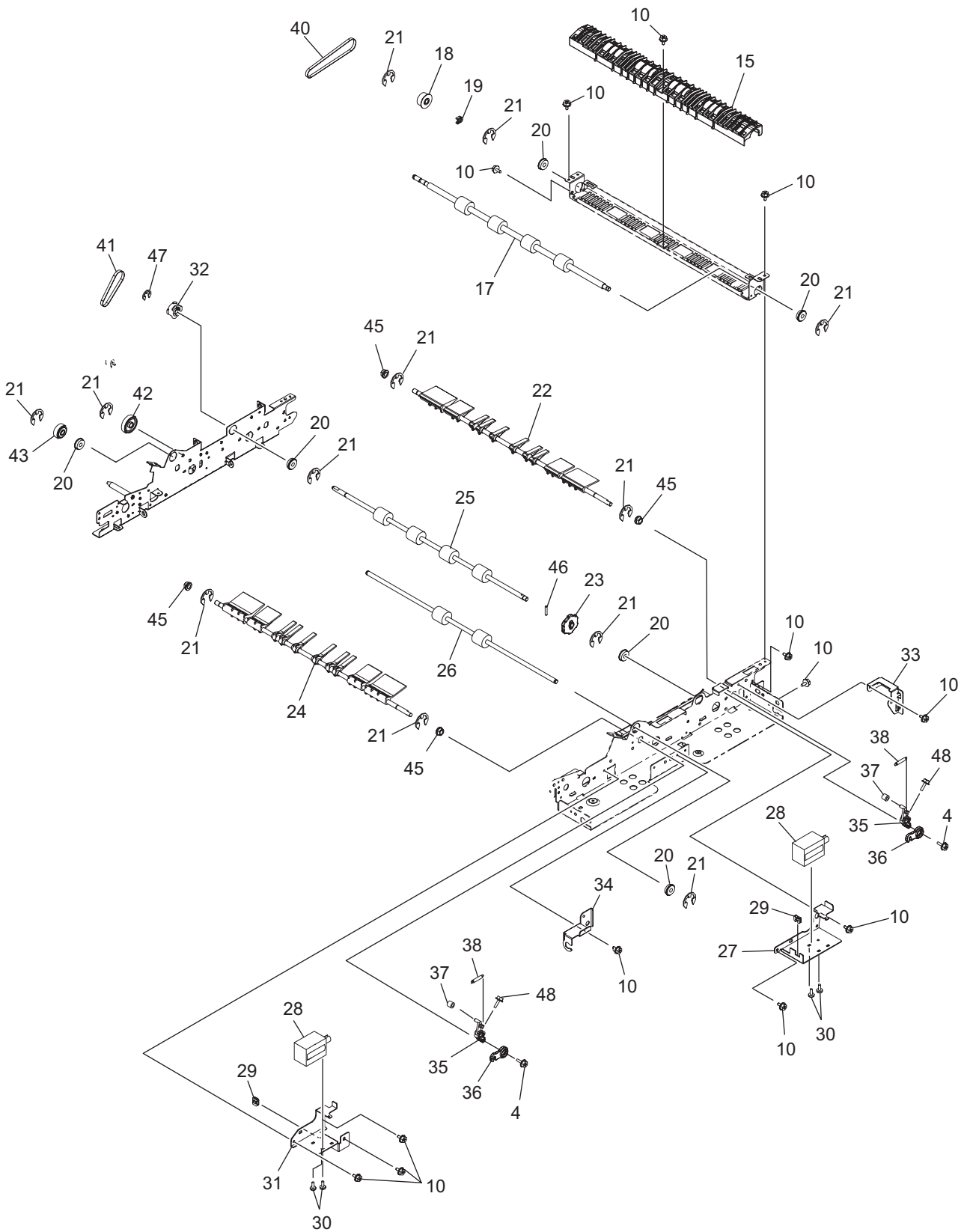


ITEM No.	PART No.	PART NAME	Q'TY / PAGE	Q'TY / PACK	REMARKS
1	6LH05404000	ASYS-GUIDE-RGST-R-430	1	1/KP	
2	6LH05203000	MYLAR-GUIDE-TRANS	1	1/KP	
3	X0-02420000	S/TPS/FHEXM/R-3X8-ZU3	31	10/P	
4	6LH05441000	ASYS-GUIDE-ADU-LOW	1	1/KP	
5	6LH05240000	ASYS-BRKT-MR-SENS	1	1/P	
6	6LH09691000	SNSR-MR-430	1	1/C	
7	6LH05123000	GUIDE-ADJUST-SENS	1	1/P	
9	6LH05233000	BUSH-HLD-G-TR1-3	2	1/P	
10	6LH05220000	SPG-GUIDE-ADJ-TR1	5	1/P	
12	X0-02556000	S/BID-M3X20-ZU3	1	10/P	
13	F0-01462000	LBWS-0206S-V0	2	1/P	
14	F0-00120000	ES-0505	2	5/P	
15	X0-00964000	RR/E-3-SS	5	10/P	
16	6LH05164000	BRKT-ADU-L-F	1	1/P	
17	6LH05165000	BRKT-ADU-L-R	1	1/P	
18	6LH05501000	COVER-ADU-FRT-SUB-LOW	1	1/P	
19	C0-15043000	GP2Y5D91S00F	1	1/C	
20	6LH07535000	COV-ADU-RTN-L	1	1/PP	
21	6LH07495000	PUSH-COV-SNSR-FUS	2	1/P	
22	6LH07446000	GUIDE-ADU-RTN	1	1/PP	
24	X0-02247000	S/TPP/FHEXM-3X8-NI	3	10/P	
25	6LH07505000	SPG-C-GUIDE-RTN	2	1/P	
28	6LH05502000	COVER-LEV-OPEN-ADU	1	1/P	
29	6LH05509000	LEVER-OPEN-ADU-430	1	1/P	
31	6LH05416000	LEVER-LOCK-ADU-FU	1	1/P	
32	6LH05427000	LEVER-LOCK-ADU-FL	1	1/P	
33	6LH05413000	LEVER-LOCK-ADU-RU	2	1/P	
34	6LH05421000	SHAFT-LOCK-LEV-ADU-UP	1	1/P	
35	6LH05496000	SHAFT-LOCK-LEV-ADU-LOW	1	1/P	
36	6LH05531000	SPG-E-15X1R4X44R7	1	1/P	
37	6LH23442000	BUSH-8X12X8F-NU4	4	5/P	
38	41306265000	STOP RING	2	1/P	
39	X0-00968000	RR/E-7-SS	2	10/P	
40	6LH05511000	SCREW-M3X8-3.2-P	1	5/P	
41	6LA08933000	SCREW-CON-DEV-V	2	10/P	
42	6LA37669000	SCREW-LOCK-ARM	2	5/P	
43	X0-02230000	S/FHEXM-M3X6-NI	7	10/P	
44	X0-02074000	S/TPS/BID-4X8-ZU3	4	10/P	
45	6LH04434000	ASYS-BRKT-BRUSH	1	1/C	
46	6LH08888000	HRNS-MEDIA-430	1	1/P	
47	6LH09016000	HRNS-FEXSN-430	1	1/P	
48	6LH07553000	BRKT-ADU-RTN-SNSR-SUB	1	1/P	
49	6LH07551000	SHEET-SNSR-GP2Y	1	5/P	
50	6LH07554000	SHEET-ADU-RTN-SNSR	1	5/P	
51	F0-00270000	UAMS-05L-0-46	2	10/P	
52	F0-01243000	LWS-1211Z	1	5/P	
53	X0-02360000	W/PL/SJO-4-NI	4	10/P	
54	6LA08937000	SCREW-BKT-DEV	2	10/P	

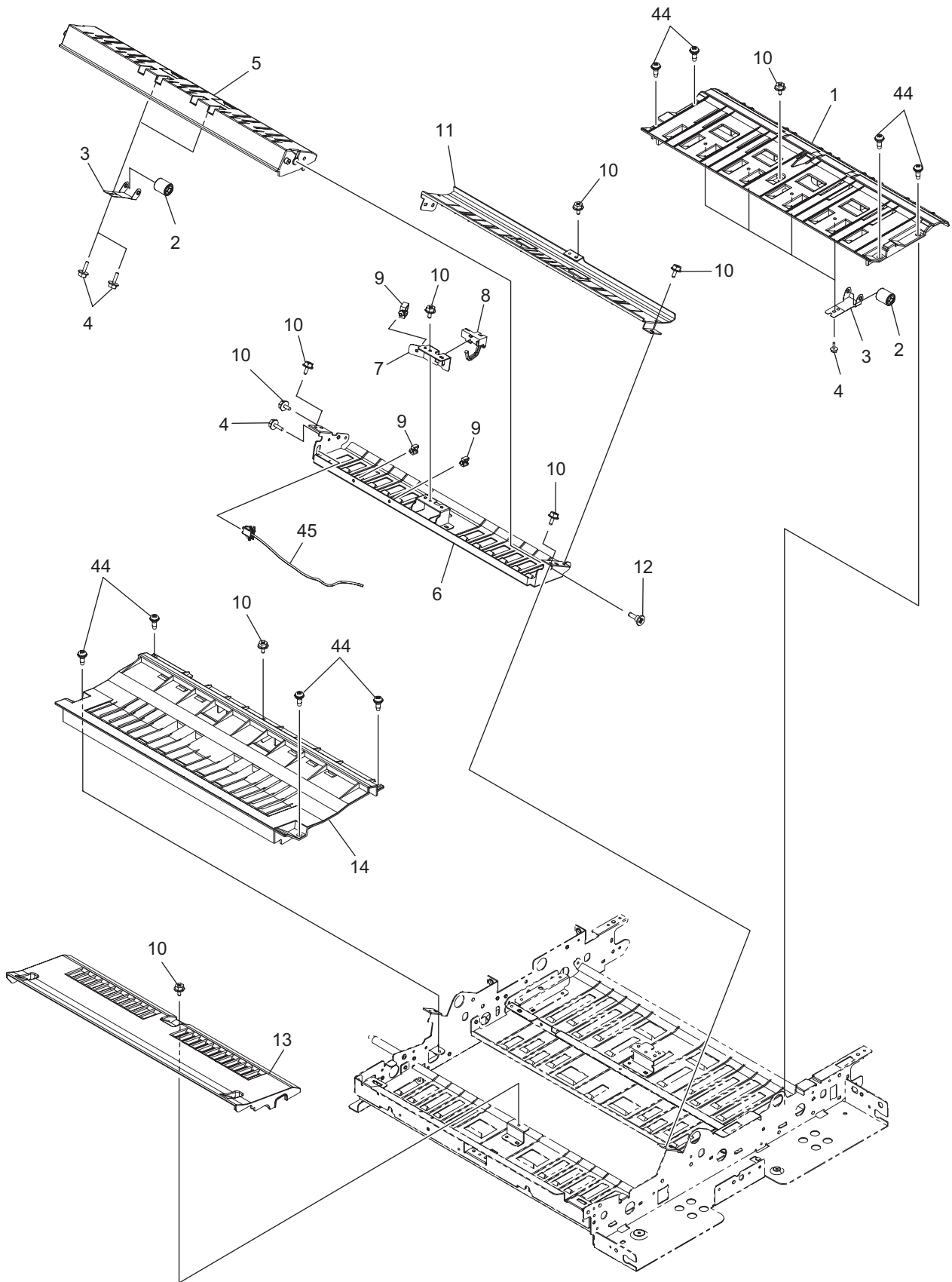


ITEM No.	PART No.	PART NAME	Q'TY / PAGE	Q'TY / PACK	REMARKS
1	6LH17871000	ASYS-BKT-PIN-F	1	1/P	
2	6LH17884000	PLATE-EX-DRV	1	1/P	
3	6LH17997000	RLR-BR-L1	1	1/KP	
4	6LH17998000	RLR-BR-L2	1	1/KP	
5	6LH17999000	RLR-BR-L3	1	1/KP	
6	6LH17839000	BRKT-SENS-M	1	1/P	
7	6LE09174000	SNSR-FED-RVS-390	2	1/P	
8	F0-00120000	ES-0505	6	5/P	
9	6LH17831000	BRKT-BR-ML-SW	1	1/P	
10	F0-01250000	MSB-1207	11	5/P	
11	6LH17858000	GEAR-10S19-06C	1	1/P	
12	6LH17859000	GEAR-10S23-06C	1	1/P	
13	6LH17939000	MYLAR-BL	1	1/P	
14	6LH05401000	BLT.SY-S2M-300-4	1	1/P	
15	6LH05429000	PULLY-S2M30-6D	2	1/P	
16	F0-01482000	RNR-1560ZZRP0P24LY121	6	1/P	
17	6LH17973000	MG-CATCH-255	2	1/P	
18	F0-00018000	OCB-500	1	10/P	
19	F0-00671000	EDS-0607M	3	5/P	
20	X0-02419000	S/TPS/FHEXM/R-3X6-ZU3	16	10/P	
21	X0-00964000	RR/E-3-SS	2	10/P	
22	X0-00966000	RR/E-5-SS	6	10/P	
23	6LH17964000	HLDR-BR-ENT-L	1	1/P	
24	6LH17913000	SHAFT-BR-ENT-L	2	1/P	
25	6LE23952000	ROLL-EXIT-L-380	4	1/P	
26	6LH17914000	SPL-BR-ENT-L	2	1/P	
27	X0-02247000	S/TPP/FHEXM-3X8-NI	2	10/P	
28	6LH17820000	LEVER-BR-L	1	1/P	
29	6LH17821000	LEVER-BR-R	1	1/P	
30	6LH17822000	SHAFT-HANDLE-BR	1	1/P	
31	6LH17926000	LEV-HAND	1	1/P	
32	44201492000	BUSH-6-POM	3	5/P	
33	X0-02231000	S/FHEXM-M3X8-NI	4	10/P	
34	4407972860	STOP-RING-6-5	2	5/P	
35	6LH17870000	BKT-DRV-BR	1	1/P	
36	6LJ09278000	MOTRS-MT-130	3	1/C	
37	F0-01811000	LWS-0711S-V0	2	5/P	
38	X0-02230000	S/FHEXM-M3X6-NI	6	10/P	
39	6LH17927000	ASYS-BKT-MOT-E	1	1/P	
40	F0-01248000	ESC-0912	1	10/P	
41	X0-02420000	S/TPS/FHEXM/R-3X8-ZU3	2	10/P	
44	6LH17972000	SPG-C-10R6X1X31R8L	1	1/P	
45	6LH17852000	ASYS-G10S19-S2M30	1	1/P	
46	6LH17855000	BLT.SY-S2M-178-4	1	1/P	
47	6LH17965000	SPG-E-7R5XR7X25R3	1	1/P	
48	6LH08943000	HRNS-RLY1-430	1	1/P	
49	6LH08962000	HRNS-RLY1-EXM-430	1	1/P	
50	6LH08961000	HRNS-RLY1-FED1-430	1	1/P	
51	6LH08958000	HRNS-RLY1-SOL-430	1	1/P	

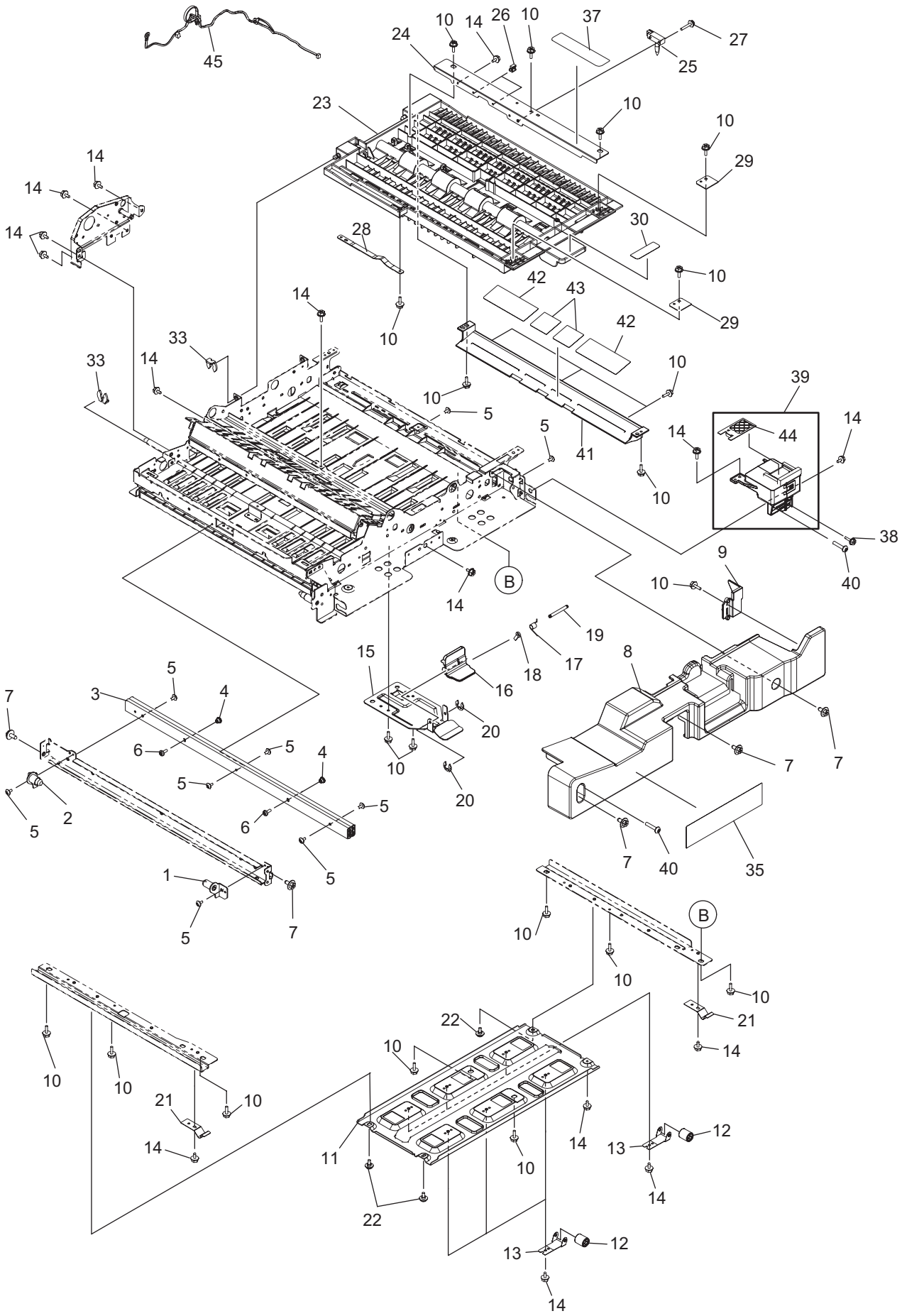




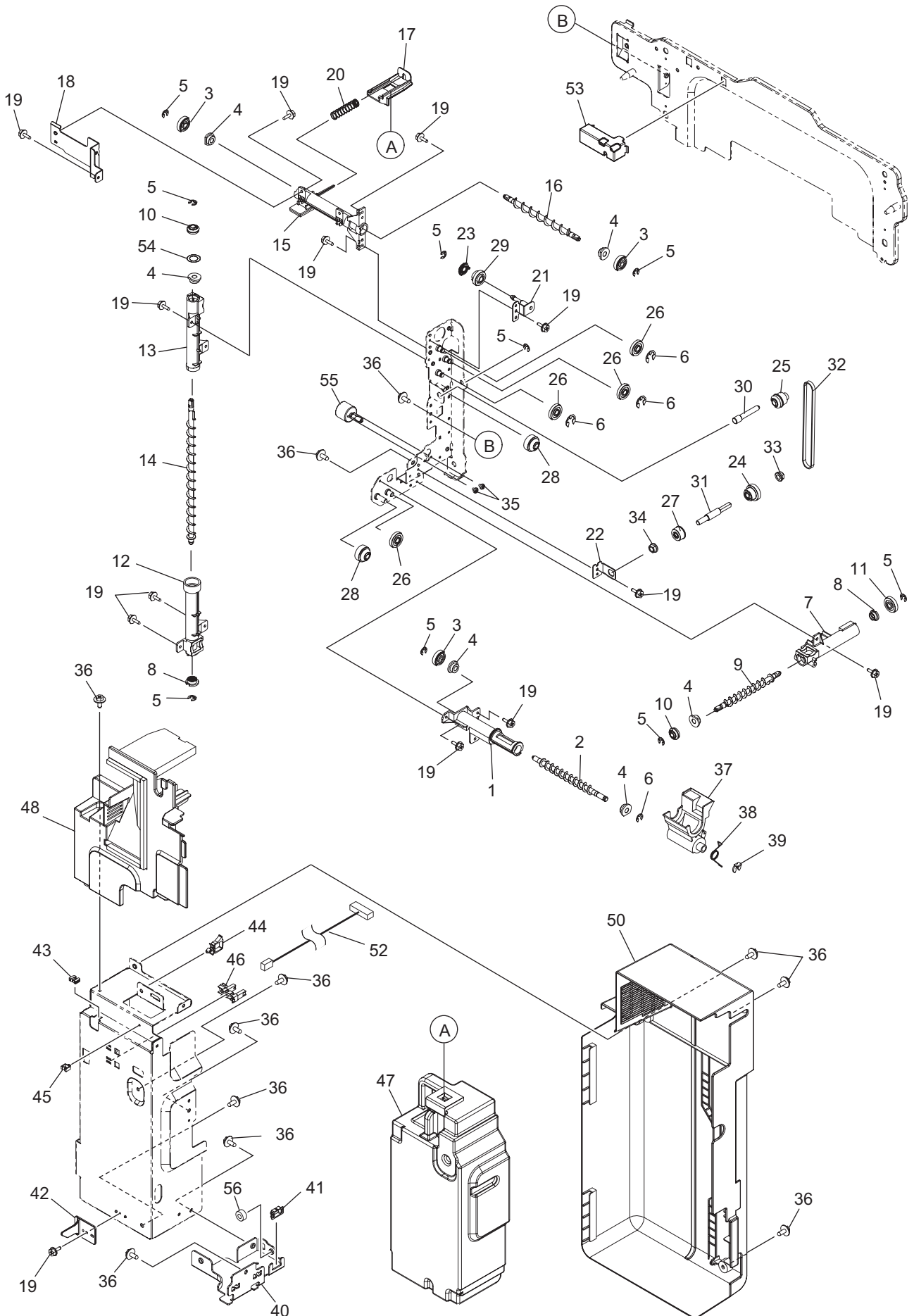






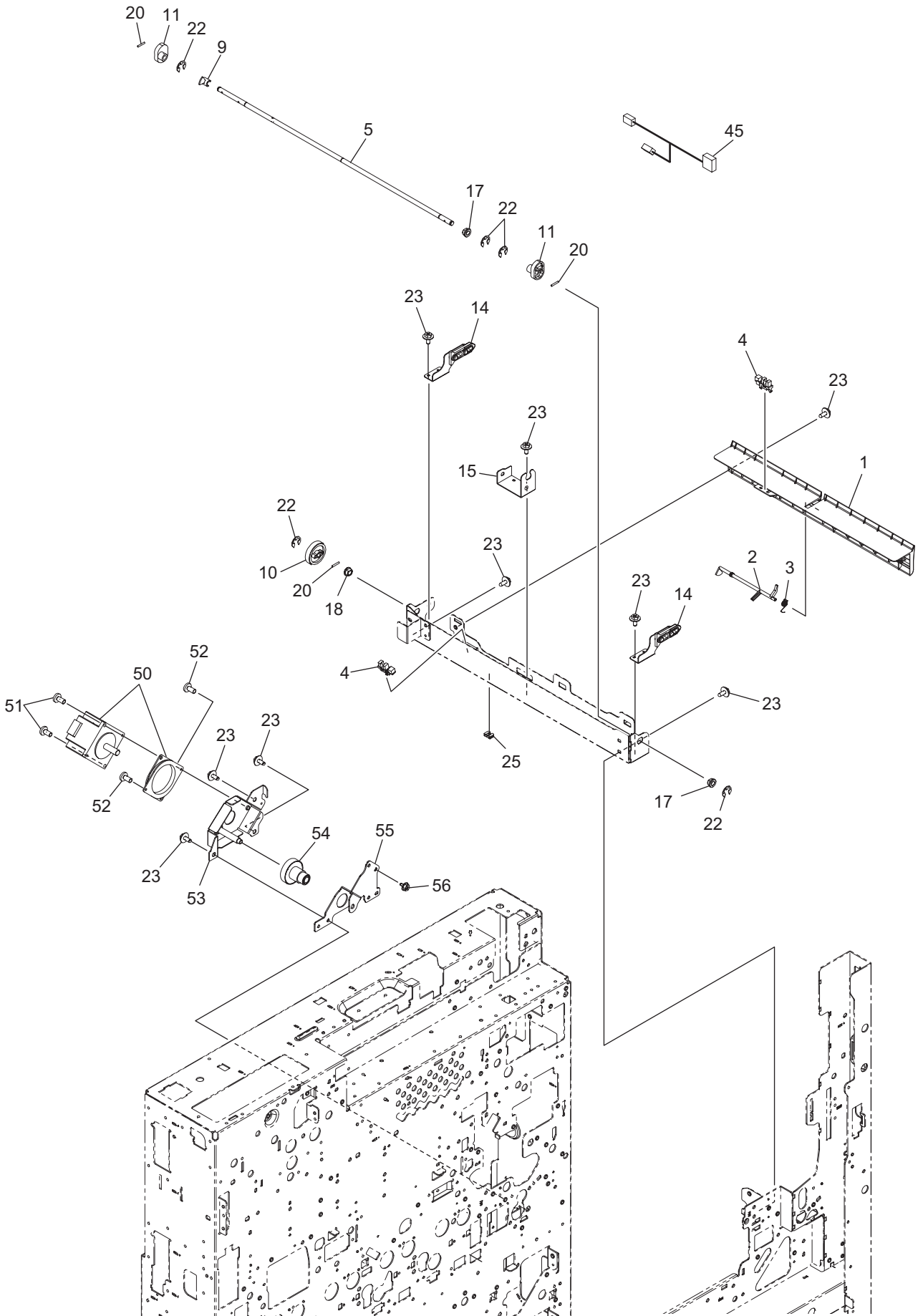


ITEM No.	PART No.	PART NAME	Q'TY / PAGE	Q'TY / PACK	REMARKS
1	6LH17800000	ASYS-BRKT-COV-UTRAY-F	1	1/P	
2	6LH17803000	ASYS-BRKT-COV-UTRAY-R	1	1/P	
3	6LH17809000	RAIL-BRIDGE-43X	1	1/P	
4	6LH17813000	STUD-RAIL	2	1/P	
5	6LA08935000	SCR-M3X6BISR-NI	9	10/P	
6	X0-00057000	S/PAN-M3X6-NI	2	10/P	
7	X0-02421000	S/TPS/FHEXM/R-4X8-ZU3	5	10/P	
8	6LH17928000	COVER-IN-BR-430T	1	1/PP	
9	6LH17930000	PUSHER-SW-R	1	1/P	
10	X0-02247000	S/TPP/FHEXM-3X8-NI	22	10/P	
11	6LH17936000	BRKT-GID-RF-BR-V	1	1/P	
12	6LH18004000	RLR-PINCH-14-4	6	1/P	
13	6LH17844000	SPL-IDLE-BR	6	1/P	
14	X0-02419000	S/TPS/FHEXM/R-3X6-ZU3	19	10/P	
15	6LH17896000	PLATE-F-GUIDE-L	1	1/P	
16	6LH17895000	LEVER-LOCK	1	1/P	
17	6LH17898000	SPA-LOCK-080	1	5/P	
18	6LJ10915000	WIRE-GUIDE-L	1	1/P	
19	6LE08847000	SHAFT-LEVER-390	1	1/P	
20	X0-00964000	RR/E-3-SS	2	10/P	
21	6LH17988000	ASYS-SPL-GUIDE-LOW	2	1/C	
22	6LE41127000	SCREW-M3-4-1.4	3	5/P	
23	6LH17906000	GUIDE-U-BR	1	1/PP	
24	6LH17904000	BRKT-SENS-BR-U-R	1	1/P	
25	C0-15007000	PS119ED1	1	1/C	
26	F0-01250000	MSB-1207	2	5/P	
27	X0-02135000	S/PAN/SWWP-M3X14-NI	1	10/P	
28	6LH17937000	STOPPER-GUIDE-U	1	1/P	
29	6LH17908000	PLATE-MG-CATCH	2	1/P	
30	6LH18028000	LBL-O-GUIDE-U-BR	1	1/P	
33	44201801000	STOP-RING-6-1.5	2	5/P	
35	6LH17981000	LBL-O-BRIDGE	1	1/KP	
37	6LE08831000	LBL-W-HOT-STAY-390	1	5/P	
38	X0-02594000	S/TPD3/FHEXM-3X10-ZU3	1	10/P	
39	6LH17984000	ASYS-DUCT-FAN-BR-FRT	1	1/C	
40	X0-02066000	S/TPS/PAN-4X16-ZU3	2	10/P	
41	6LH17923000	GUIDE-BR-ENT2	1	1/PP	
42	6LA05697000	MYLAR-GUIDE-M95	2	1/KP	
43	6LA05696000	MYLAR-GUIDE-M39	2	1/P	
44	6LH17986000	GUARD-DUCT-BR-T06W1	1	1/P	
45	6LH09308000	HRNS-RLY1-RVS1-430	1	1/P	

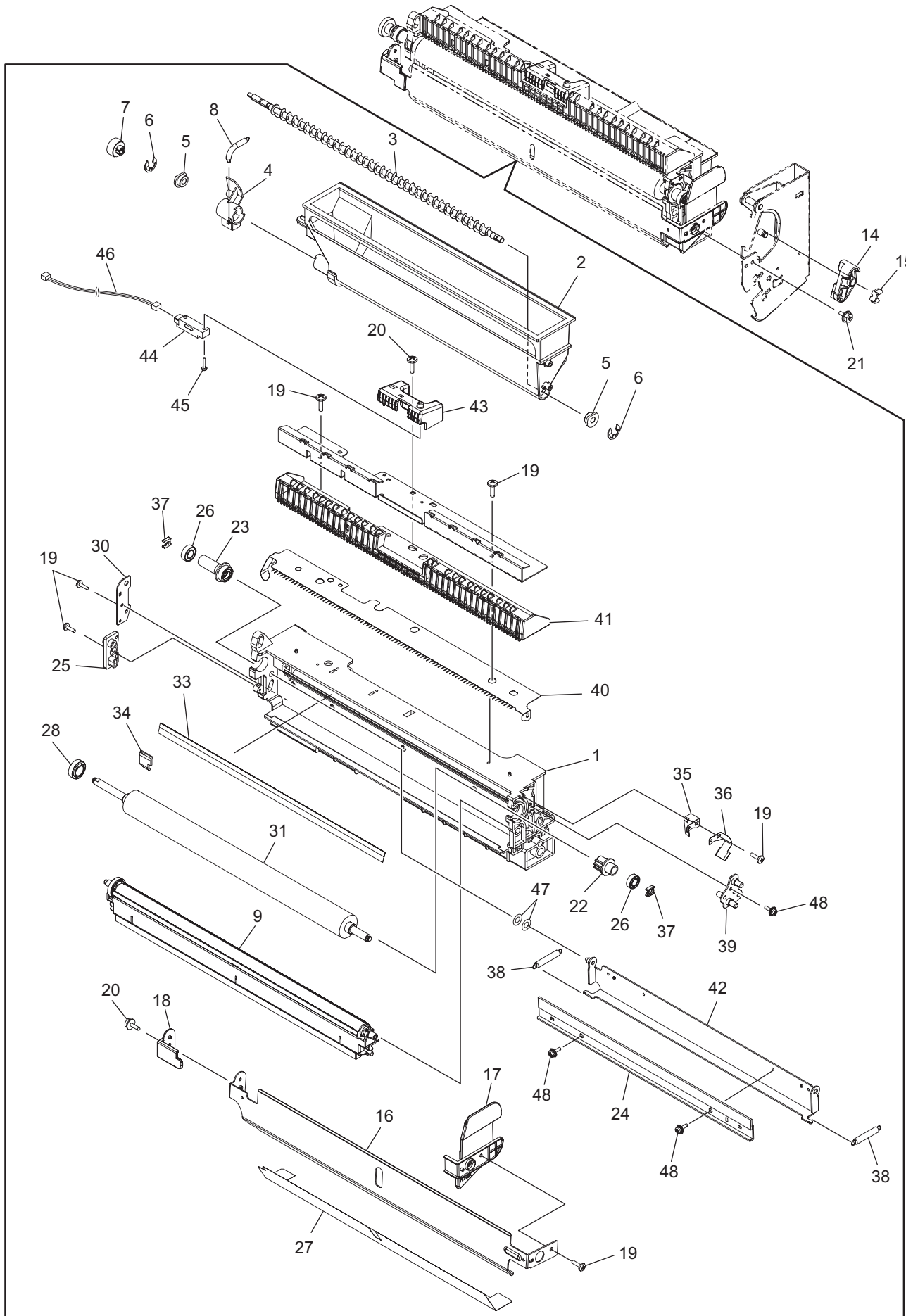


ITEM No.	PART No.	PART NAME	Q'TY / PAGE	Q'TY / PACK	REMARKS
1	6LH04375100	ASYS-TUBE-TNR-UH	1	1/P	
2	6LH04290000	AUG-CLN-TRU-B	1	1/KP	
3	6LA40614000	GEAR-08S23-6-D	3	1/P	
4	44204339000	BUSH-0612*06F-M	6	5/P	
5	X0-00964000	RR/E-3-SS	9	10/P	
6	X0-00966000	RR/E-5-SS	4	10/P	
7	6LH04377100	ASYS-TUBE-TNR-1H	1	1/P	
8	6LH04280000	ASYS-BUSH-6X12X6F-M	2	1/P	
9	6LH04272000	AUG-TRU-1	1	1/KP	
10	6LA40617000	GEAR-08B20-6	2	1/P	
11	6LH04248000	GEAR-8S24-6-D	1	1/P	
12	6LH04476100	ASYS-TUBE-TNR-2	1	1/P	
13	6LH04382100	ASYS-TUBE-TNR-4H	1	1/P	
14	6LH04473000	ASYS-AUG-TRU-2	1	1/KP	
15	6LH04381100	ASYS-TUBE-TNR-3H	1	1/P	
16	6LH04474000	AUG-TRU-3	1	1/KP	
17	6LH04327100	SHUT-TR2-TH	1	1/P	
18	6LH04279000	PLATE-WASTE-TR2	1	1/P	
19	X0-02420000	S/TPS/FHEXM/R-3X8-ZU3	13	10/P	
20	6LH04389000	SPG-C-10XR6X40-TRU	1	1/P	
21	6LH04265000	ASYS-BRKT-AUG-DRV-TR2	1	1/P	
22	6LH04276000	BRKT-W-TONER-DRV	1	1/P	
23	6LA40649000	GEAR-08B20-6	1	1/P	
24	6LH04249000	GEAR-8S24-PULLY-S2M25	1	1/P	
25	6LH04275000	GEAR-8B20-PULLY-S2M25	1	1/P	
26	6LH04246000	GEAR-8S24-TR2-IDLE	4	1/P	
27	6LH04247000	GEAR-5H30-TR2-CLT	1	1/P	
28	6LH04277000	GEAR-8B20-8S23-6	2	1/P	
29	6LH04278000	GEAR-8S23-TR2-TNR	1	1/P	
30	6LH04352000	SHAFT-TR2-AUG-BELT	1	1/P	
31	6LH04351000	SHAFT-TR2-AUG-DRV	1	1/P	
32	6LJ07434000	BELT-40S2M-280-TRU ヘルメカ変更	1	1/P	
33	44201492000	BUSH-6-POM	1	5/P	
34	4407734980	BUSH-6-GCB	1	5/P	
35	X0-02270000	S/PAN-M2.6X2.5-NI	2	10/P	
36	X0-02421000	S/TPS/FHEXM/R-4X8-ZU3	11	10/P	
37	6LH04410000	ASYS-DUCT-CLN-TR2	1	1/P	
38	6LH04457000	SPG-T-DUCT-CLN-TRU	1	1/P	
39	44201801000	STOP-RING-6-1.5	1	5/P	
40	6LH04460000	BRKT-TR2-T_BOX	1	1/P	
41	F0-01248000	ESC-0912	1	10/P	
42	6LH01130000	LVR-FUS-INTER	1	1/P	
43	F0-00120000	ES-0505	1	5/P	
44	F0-01243000	LWS-1211Z	1	5/P	
45	F0-01250000	MSB-1207	1	5/P	
46	C0-13512000	LG285L2-R	1	1/C	
47	6LH04392000	ASYS-BOX-TNR-TRU	1	1/C	
48	6LH04393000	ASYS-COV-IN-R-430	1	1/PP	
50	6LH04360200	COVER-ADU-RER-H34XS	1	1/PP	
52	6LH09017000	HRNS-TNRSN-430	1	1/P	
53	6LH04373000	COV-HRNS-SNSR-TR2	1	1/P	
54	6LA06340000	WAS-06-95-Z13-P	1	10/P	
55	6LH09058000	MOTRD-SUBH-430	1	1/C	
56	6LE25210000	CUSH-FRM-SCREW-380	1	1/P	

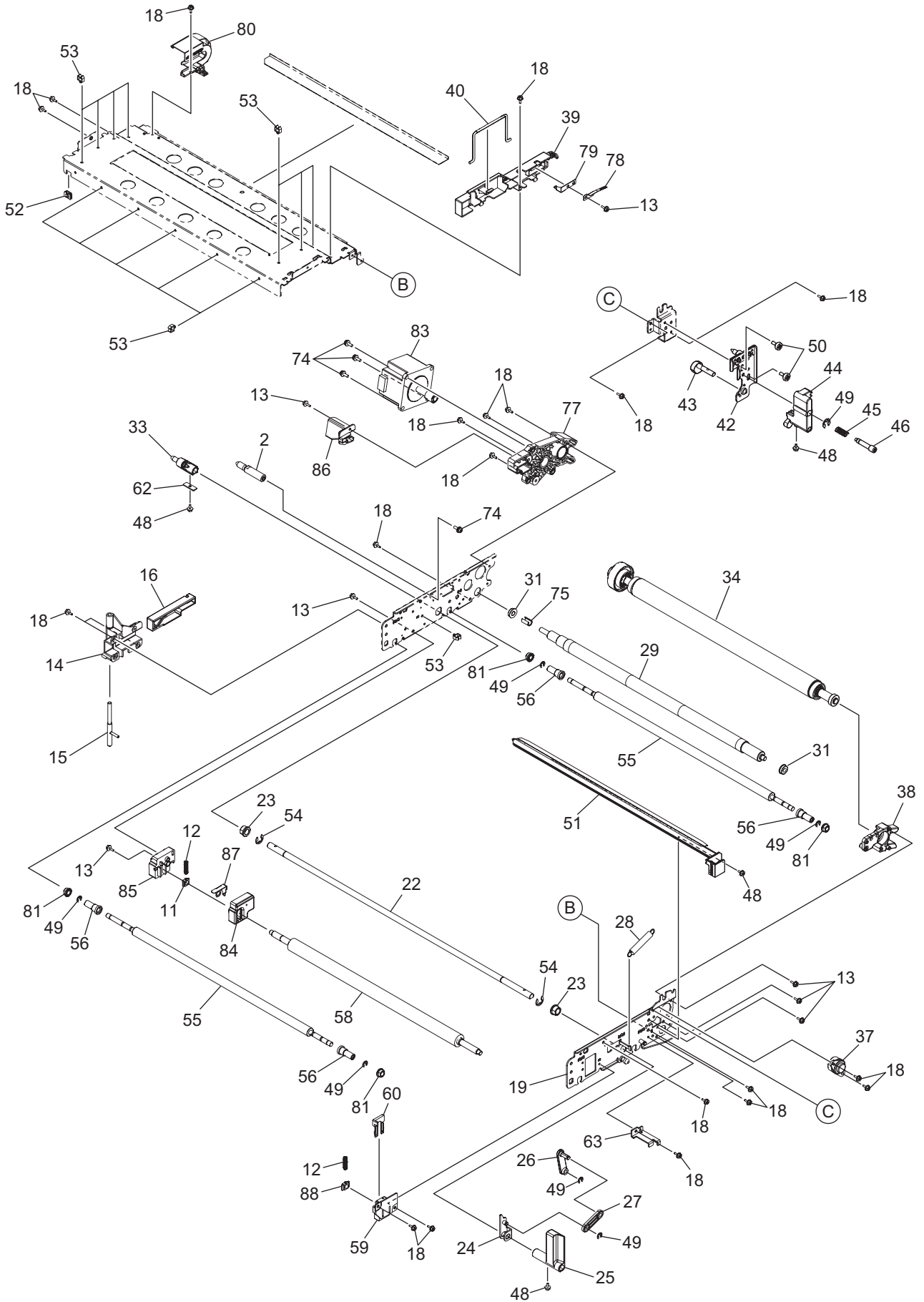




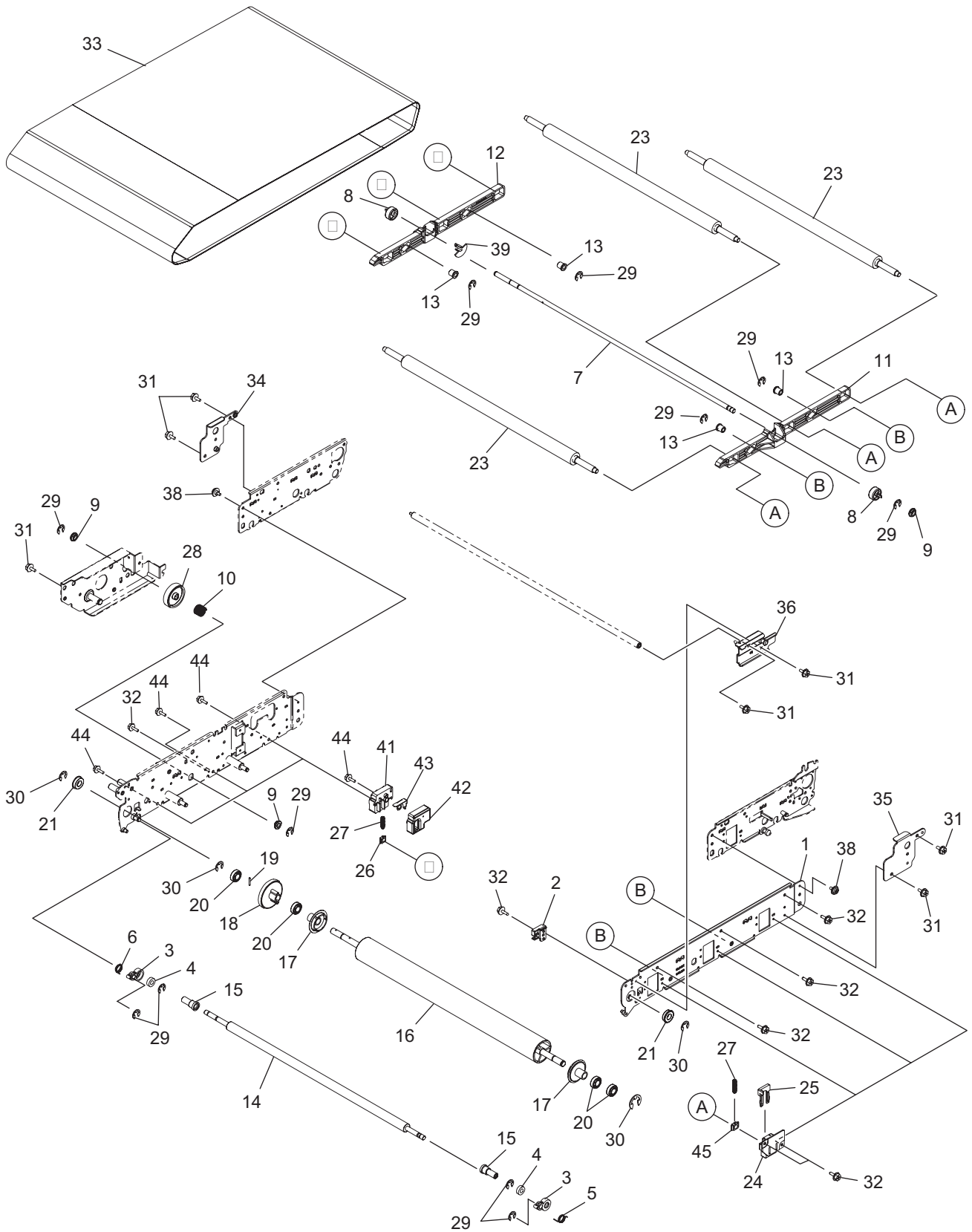




ITEM No.	PART No.	PART NAME	Q'TY / PAGE	Q'TY / PACK	REMARKS
1	6LJ07437000	ASYS-CASE-ROL-TR2-CLN	1	1/PP	
2	6LJ07448000	ASYS-CASE-WASTE-TNR-TR2	1	1/PP	
3	6LH04291000	AUG-CLN-TRU-A	1	1/KP	
4	6LH04202000	SHUT-CLN-TR2	1	1/P	
5	44204339000	BUSH-0612*06F-M	2	5/P	
6	X0-00966000	RR/E-5-SS	2	10/P	
7	6LH04203000	GEAR-8H20-AUG-TR2	1	1/P	
8	6LH04407000	SPG-E-SHUT-NOZZLE-TRU	1	1/P	
9	6LH16943000	LB-FC55TR2	1	1/S	
14	6LH04216000	BUSH-TRU-CASE	1	1/P	
15	44201801000	STOP-RING-6-1.5	1	5/P	
16	6LJ07402000	GUIDE-MID-R-H130	1	1/P	
17	6LJ07401000	HLDR-GUIDE-MID-FRT-H130	1	1/P	
18	6LJ07400000	HLDR-GUIDE-MID-RER-H130	1	1/P	
19	6LA80090000	S/TPP/BID-3*8-NI	6	5/P	
20	X0-02420000	S/TPS/FHEXM/R-3X8-ZU3	2	10/P	
21	6LA48548000	S/HEX/-M4X8-ZC3	1	10/P	
22	6LH04214000	ASYS-BUSH-TR2-ROL-F	1	1/P	
23	6LJ07421000	ASYS-BUSH-TR2-ROL-R-H130	1	1/P	
24	6LH18040000	BL-FC55TR2	1	1/S	
25	6LH04215000	BUSH-CASE-BRUSH-TR2	1	1/P	
26	F0-01550000	DDL-1680HHRP0P25LY349	2	1/P	
27	6LH04396000	FILM-LUBRICANT	1	1/C	
28	6LH04205000	GEAR-4S51-TR2ROL	1	1/P	
30	6LH04227000	PLT-AUG-UNIT-TR2	1	1/P	
31	6LJ10535000	CR-FC65TR2	1	1/S	
33	6LH04302000	SHEET-RECOVERY-TR2	1	1/KP	
34	6LH04342000	SHLD-BLADE-TR2-SIDE-R	1	1/P	
35	6LH04444000	SPG-F-EARTH-TRU-ROL	1	1/D	
36	6LH04452000	SPG-F-EARTH-TRU-ROL-B	1	1/C	
37	4408358930	STOP-RING-6-4	2	5/P	
38	6LH04405000	SPG-E-BLADE-TR2	2	1/P	
39	6LH04228000	ASYS-PLT-SUP-TRU	1	1/P	
40	6LH04232000	PLT-EARTH-TR2-430	1	1/C	
41	6LJ07430000	GUIDE-TRU-430	1	1/PP	
42	6LH04335000	ASYS-HOLDER-BLADE-TRU	1	1/P	
43	6LH04343000	HLDR-SNSR-GUIDE-TR2	1	1/P	
44	C0-15008000	PSR11TD1-A	1	1/P	
45	X0-02034000	S/TPP/PAN-3X12-NI	1	10/P	
46	6LH08997000	HRNS-TR2SN-430	1	1/P	
47	4400974200	WASHER-W-6-10	2	10/P	
48	X0-00077000	S/PAN/SWWP-M3X8-NI	3	10/P	

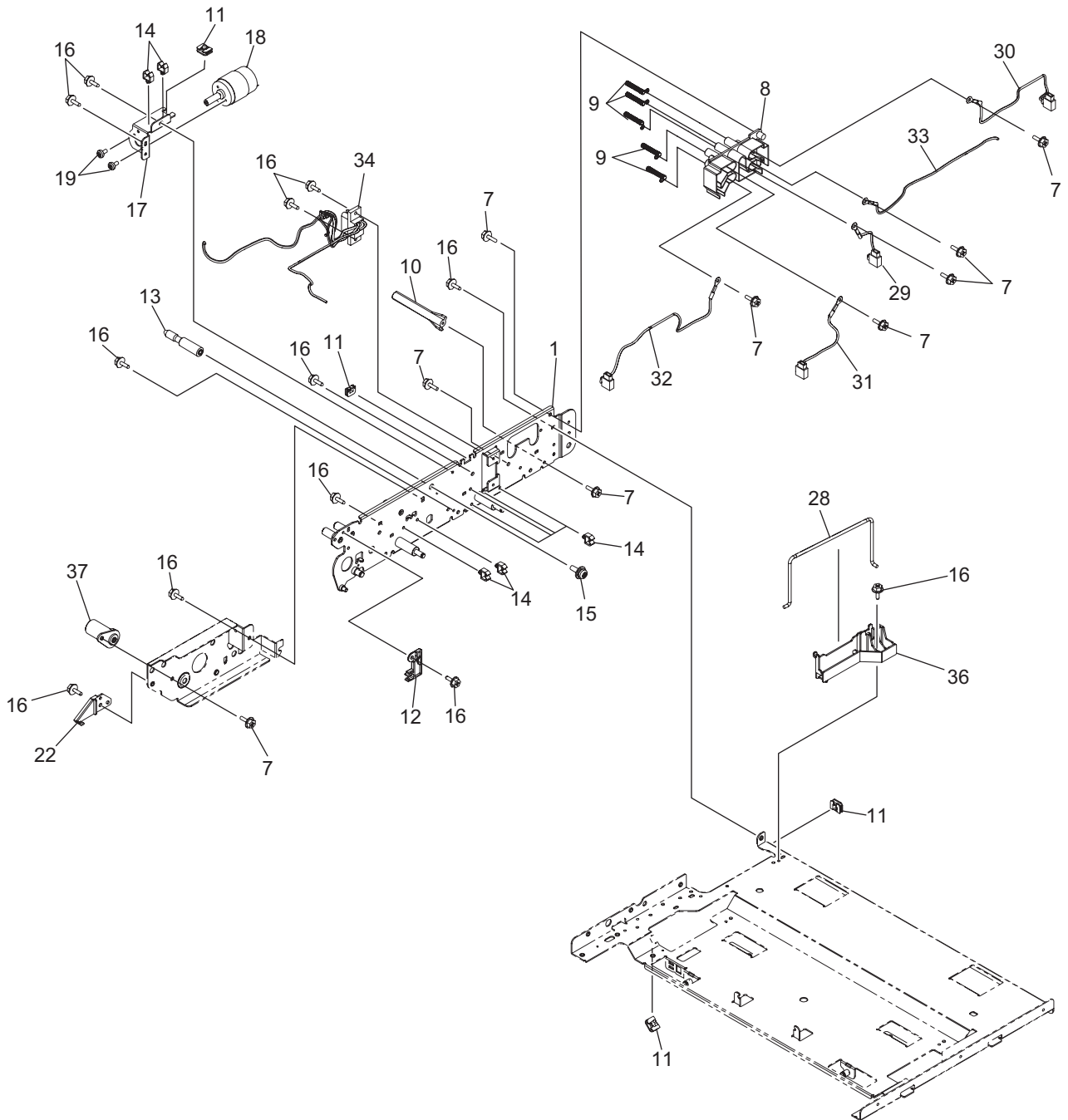


ITEM No.	PART No.	PART NAME	Q'TY / PAGE	Q'TY / PACK	REMARKS
2	6LH04100000	STUD-TBU-R-M4	1	1/P	
11	4406537280	HLDR-TR-ROLL	1	1/P	
12	6LH03865000	SPG-C-TR1-TBU	1	1/P	
13	X0-02247000	S/TPP/FHEXM-3X8-NI	7	10/P	
14	6LH03712000	HOLDER-LOCK-LEVER	1	1/P	
15	6LJ07164000	ASYS-PIN-STOP	1	1/P	
16	6LH03715000	LINK-STOP-TBU	1	1/P	
18	X0-02420000	S/TPS/FHEXM/R-3X8-ZU3	21	10/P	
19	6LJ07163000	ASYS-FRAME-F-TBU-H130	1	1/P	
22	6LH03836000	SHAFT-LEVER-TBU-F43X	1	1/P	
23	4400802080	BUSH-8	2	5/P	
24	6LH03734000	ASYS-BRKT-LINK-H-F43X	1	1/P	
25	6LH03953000	LEVER-TBU-F43X	1	1/P	
26	6LH03866000	BRKT-LINK-F-F43X	1	1/P	
27	6LH03714000	PLATE-LINK-H-F43X	1	1/P	
28	6LH03801000	SPG-E-PLATE-TBU-FIX	1	1/P	
29	6LJ07109000	RLR-RIGID-SLD-H130	1	1/KP	
31	F0-01966000	F126ZZ-DF30ELC-GV22	2	1/P	
33	6LH03742000	LINK-TBU-LOCK	1	1/P	
34	6LJ07104000	ASYS-RLR-TR2-TBU-H130	1	1/C	
37	6LH03701000	HLDR-BRG-TOP-F	1	1/P	
38	6LH03814000	HLDR-BRG-F	1	1/P	
39	6LJ07112000	COVER-FR-UP-TBU-H130	1	1/P	
40	6LH03867000	LVR-TBU-F43X	1	1/P	
42	6LJ07166000	ASYB-PLATE-TBU-UD	1	1/P	
43	6LH03950000	CAM-TBU-UD	1	1/P	
44	6LH03896000	LEVER-SF-TBU-UD	1	1/P	
45	6LH03894000	SPG-C-TBU-LIFT	1	5/P	
46	6LH03892000	SCREW-BRKT-TBU-UD	1	1/P	
48	X0-02230000	S/FHEXM-M3X6-NI	4	10/P	
49	X0-00965000	RR/E-4-SS	7	10/P	
50	4406329300	SCREW-DRM-GAP	2	10/P	
51	6LJ07147000	ASYB-CLN-RLR-TBU-H130	1	1/C	
52	F0-00120000	ES-0505	1	5/P	
53	F0-01048000	UAMS-05-0	13	5/P	
54	X0-00968000	RR/E-7-SS	2	10/P	
55	6LH03799000	RLR-SNS-TBU-F43X	2	1/P	
56	6LH03726000	COLAR-RLR-LIFT	4	1/P	
58	6LJ07150000	RLR-TR1-TBU-H130	1	1/C	
59	6LH03718000	CASE-TERM-TR1-F	1	1/P	
60	6LH03719000	COVER-TERM-TR1-F	1	1/P	
62	6LH04012000	PLATE-LINK-TBU-LOCK	1	1/P	
63	6LH04013000	BRKT-LEVER-STOPPER	1	1/P	
74	X0-02363000	S/PAN/SWWS-M4X10-NI	4	10/P	
75	6LH04047000	COL-RIGID-TBU	1	5/P	
77	6LJ07134000	ASYS-HLDR-TR2-TBU-R-H130	1	1/P	
78	6LJ07114000	PLATE-TR2-TBU1-H130	1	1/C	
79	6LJ07115000	PLATE-TR2-TBU2-H130	1	1/P	
80	6LJ07113000	COVER-GEAR-TBU-H130	1	1/P	
81	6LH53768000	BUSH-6-NU4	4	1/P	
83	6LJ09276000	MOTRS-TBU-130	1	1/C	
84	6LH03839000	COVER-TERM-TR1-R	1	1/P	
85	6LH03887000	CASE-TERM-TR1-R	1	1/P	
86	6LJ07116000	CASE-HRNS-TBU-H130	1	1/P	
87	6LH03817000	PLATE-TR1	1	1/P	
88	6LJ07165000	BUSH-TR1-TBU	1	1/P	

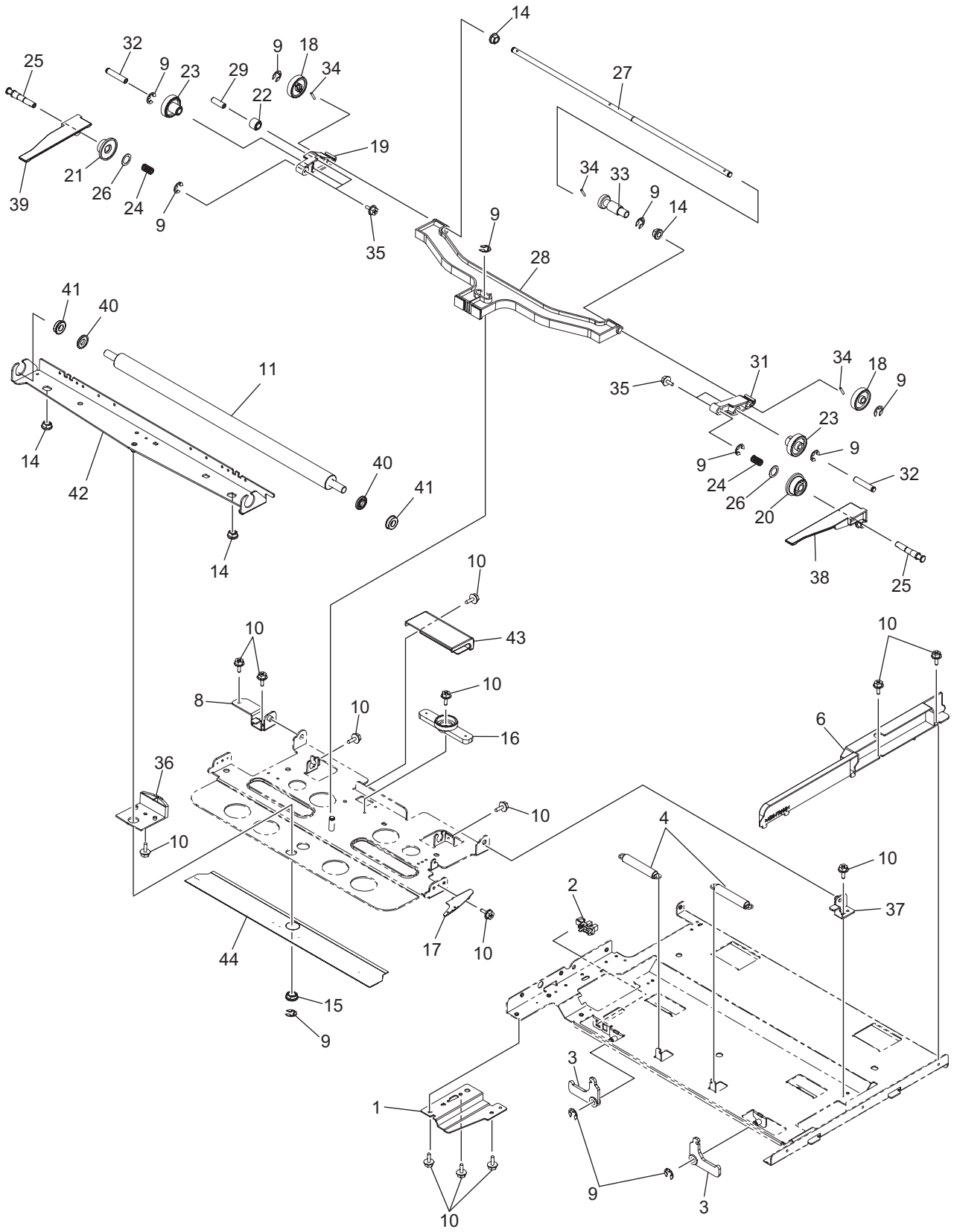


ITEM No.	PART No.	PART NAME	Q'TY / PAGE	Q'TY / PACK	REMARKS
1	6LH03807000	ASYS-FRM-TBU-F-LFT	1	1/P	
2	6LH03793000	HLDR-CLN-TBU-F	1	1/P	
3	6LE28281000	HLDR-BRG-TNS	2	1/P	
4	F0-01967000	L-1260ZZRPOP25LY551	2	1/P	
5	6LE28472000	SPG-T-LIFT-TNS-F	1	1/P	
6	6LE28473000	SPG-T-LIFT-TNS-R	1	1/P	
7	6LH03800000	SHAFT-LIFT-TBU-F43X	1	1/P	
8	6LH03710000	CAM-LINK-TBU-F43X	2	1/P	
9	4401966470	BUSH-6-3.7	3	5/P	
10	6LH03869000	SPG-C-TR-TBU	1	5/P	
11	6LH03796000	LINK-F-F43X	1	1/P	
12	6LH03797000	LINK-R-F43X	1	1/P	
13	6LH03709000	BUSH-LINK-TBU	4	5/P	
14	6LH04098000	RLR-LIFT-TBU-F43X	1	1/KP	
15	6LH03726000	COLAR-RLR-LIFT	2	1/P	
16	6LJ07118000	RLR-CLN-TBU-H130	1	1/KP	
17	6LH03842000	GUIDE-RIB-DRV	2	1/P	
18	6LH03720000	GEAR-CLN-TBU	1	1/P	
19	X0-01526000	P/PRL/AHT-2X12-SS	1	10/P	
20	6LH03727000	COL-CLN-TBU-POS	4	1/P	
21	F0-01445000	LNR-1680HHRP0P25LY349	2	1/P	
23	6LJ07150000	RLR-TR1-TBU-H130	3	1/C	
24	6LH03718000	CASE-TERM-TR1-F	1	1/P	
25	6LH03719000	COVER-TERM-TR1-F	1	1/P	
26	4406537280	HLDR-TR-ROLL	3	1/P	
27	6LH03865000	SPG-C-TR1-TBU	6	1/P	
28	6LH03835000	GEAR-5H64-6	1	1/P	
29	X0-00965000	RR/E-4-SS	11	10/P	
30	X0-00968000	RR/E-7-SS	4	10/P	
31	X0-02230000	S/FHEXM-M3X6-NI	7	10/P	
32	X0-02420000	S/TPS/FHEXM/R-3X8-ZU3	11	10/P	
33	6LH03981000	BELT-TBU-G-F43X	1	1/C	
34	6LH03795000	FRAME-TBU-HING-R	1	1/P	
35	6LH03826000	FRAME-TBU-HING-F	1	1/P	
36	6LJ07162000	ASYS-BRKT-TBU-F-LEFT	1	1/P	
38	6LA08932000	SCREW-ACTR-TRU	2	10/P	
39	6LH03702000	ACTR-LIFT-TBU-F43X	1	1/P	
41	6LH03887000	CASE-TERM-TR1-R	3	1/P	
42	6LH03839000	COVER-TERM-TR1-R	3	1/P	
43	6LH03817000	PLATE-TR1	3	1/P	
44	X0-02247000	S/TPP/FHEXM-3X8-NI	6	10/P	
45	6LJ07165000	BUSH-TR1-TBU	3	1/P	

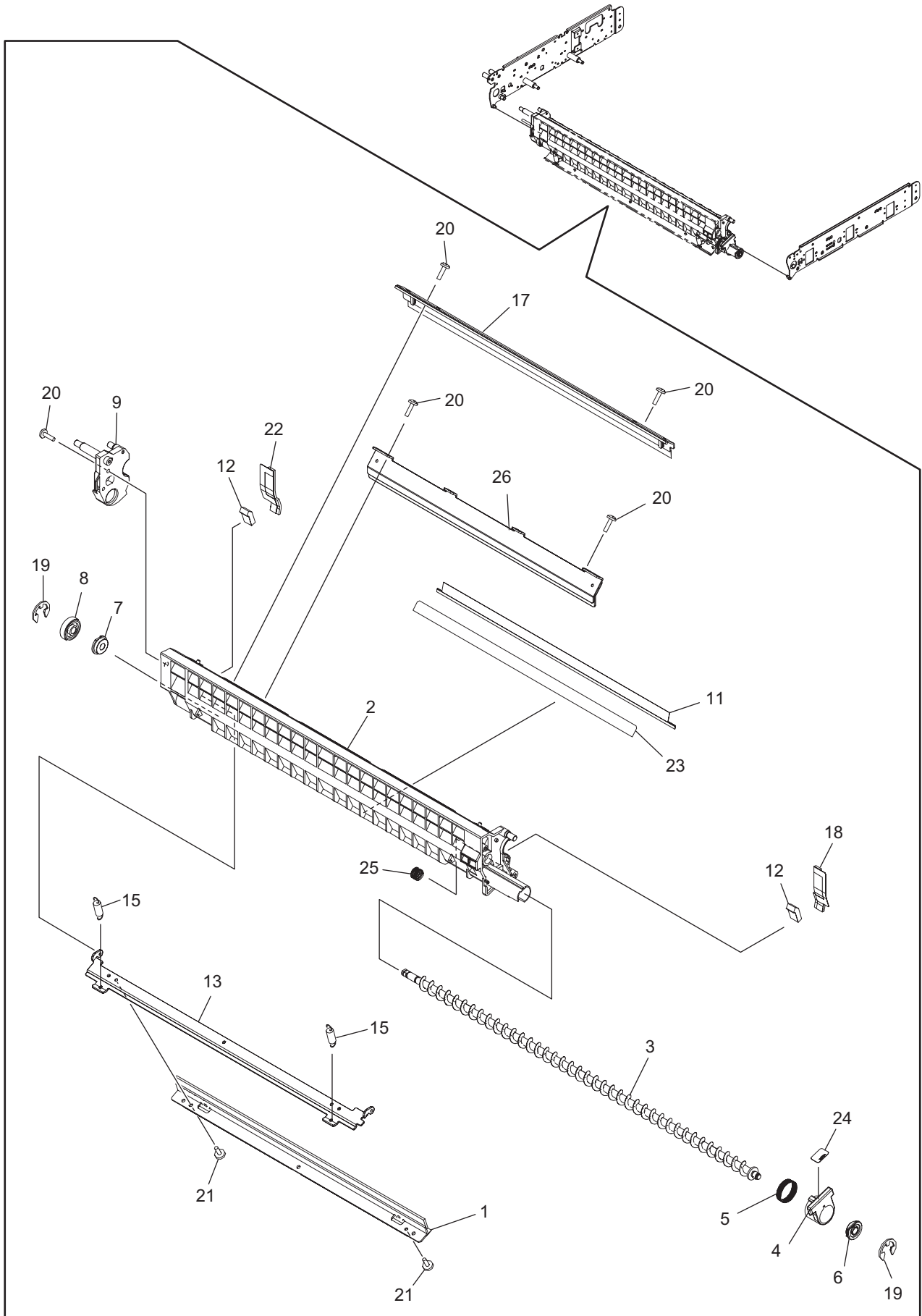




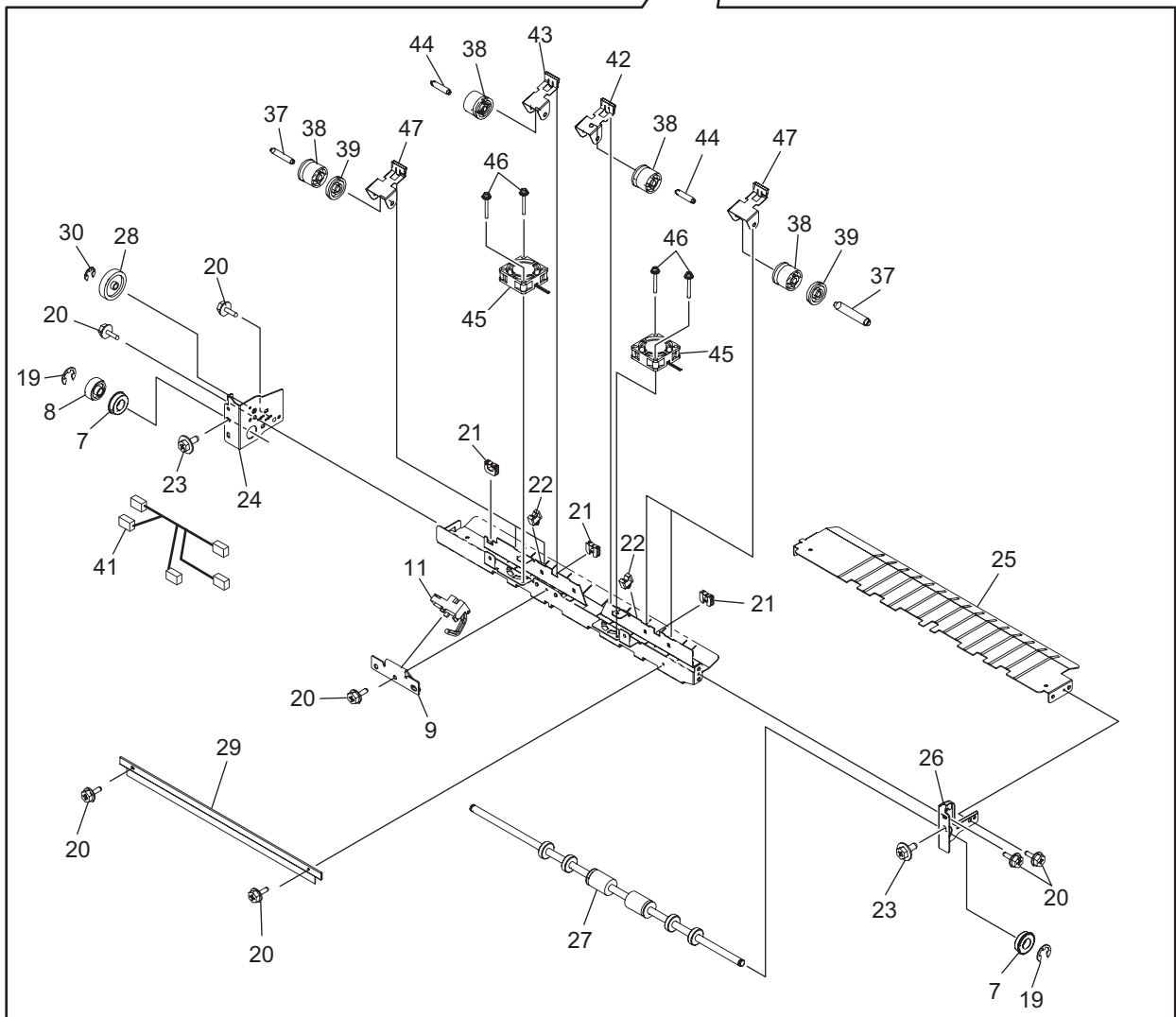
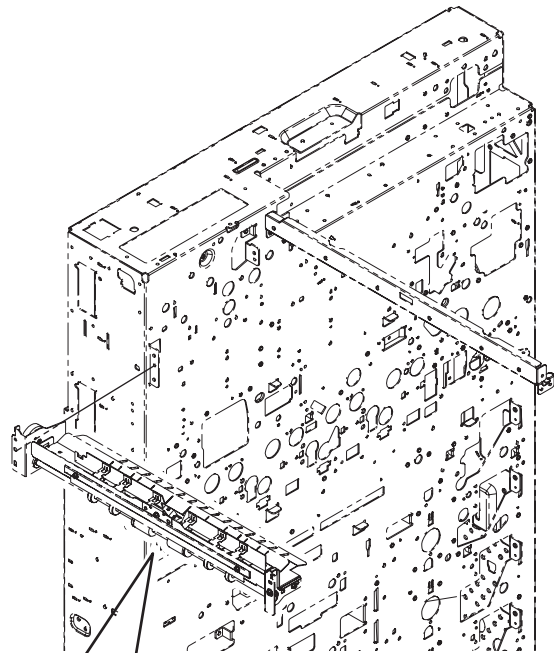




ITEM No.	PART No.	PART NAME	Q'TY / PAGE	Q'TY / PACK	REMARKS
1	6LH04104000	PLATE-STAY-YMC	1	1/P	
2	C0-17839000	LG2A14BL1	1	1/C	
3	6LH03725000	ARM-TENSION	2	1/P	
4	6LH04046000	SPG-E-STRNG-TBU-41N	2	1/P	
6	6LH03921000	COVER-FL-UP-TBU	1	1/PP	
8	6LH03944000	ASYS-BRKT-HINGE-R	1	1/P	
9	X0-00965000	RR/E-4-SS	11	10/P	
10	X0-02420000	S/TPS/FHEXM/R-3X8-ZU3	14	10/P	
11	6LJ07136000	RLR-STRNG-AL-H130	1	1/KP	
14	44201492000	BUSH-6-POM	4	5/P	
15	6LE50521000	BUSH-8X12X5R5F-NU4	1	5/P	
16	6LH03937000	GEAR-05H50-WORM	1	1/P	
17	6LH03857000	BRKT-SCALE	1	1/P	
18	6LH03832000	GEAR-DRIVE-SHAFT	2	1/P	
19	6LH03856000	ARM-R	1	1/P	
20	6LH03915000	GEAR-ROL-GUIDE-F	1	1/P	
21	6LH03882000	GEAR-ROL-GUIDE-R	1	1/P	
22	6LH03861000	GEAR-RVRS	1	1/P	
23	6LH03831000	GEAR-IDLE-GUIDE	2	1/P	
24	6LH03986000	SPG-GEAR-STRNG-3N	2	5/P	
25	6LH03911000	STUD-GEAR-GUIDE	2	1/P	
26	6LA78908000	WASHER-6R2X9R5XR25-PL	2	5/P	
27	6LH04091000	SFT-DRV-STEERING	1	1/P	
28	6LH03939000	SLIDER-STRNG	1	1/P	
29	6LH03863000	STUD-IDLE-ARM	1	1/P	
31	6LH03855000	ARM-F	1	1/P	
32	6LH03864000	STUD-ROL-GUIDE	2	1/P	
33	6LH03829000	WORM-STEERING	1	1/P	
34	X0-01526000	P/PRL/AH7-2X12-SS	3	10/P	
35	X0-02230000	S/FHEXM-M3X6-NI	5	10/P	
36	6LH03936000	GEAR-10S80-STERING	1	1/P	
37	6LH03877000	ASYS-BRKT-HINGE-F	1	1/P	
38	6LH03913000	HLDR-BELT-F	1	1/P	
39	6LH03862000	HLDR-BELT-R	1	1/P	
40	6LH04045000	COLLAR-18	2	5/P	
41	F0-01445000	LNR-1680HHRP0P25LY349	2	1/P	
42	6LH03942000	ASYS-BRKT-ROL-STRNG	1	1/P	
43	6LH04074000	COVER-WORM-STRNG	1	1/P	
44	6LJ07175000	FELT-CLN-DRVRLR-TBU	1	1/KP	

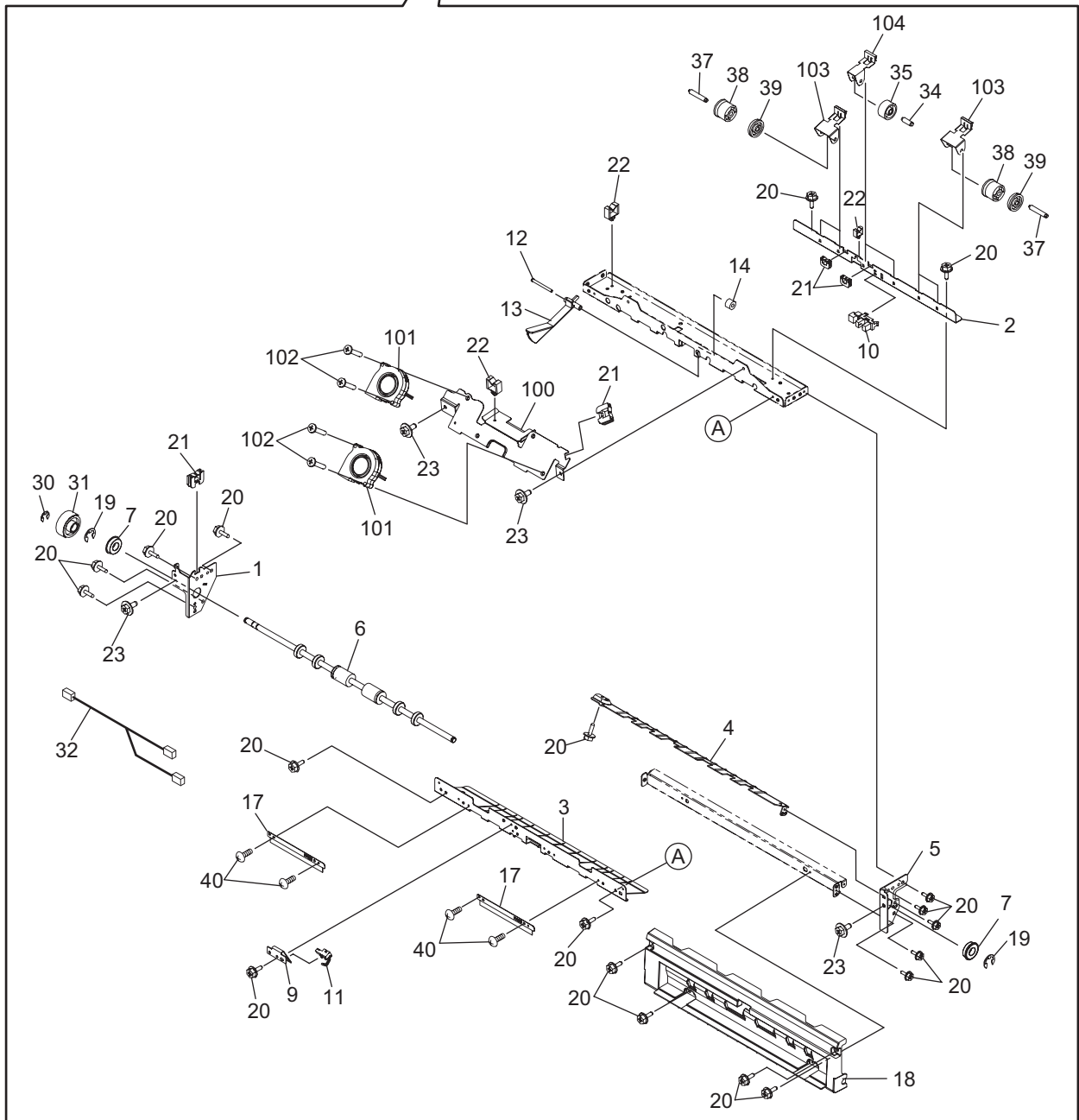
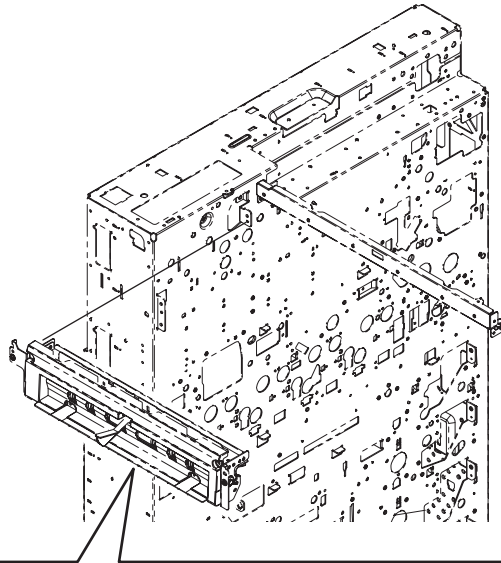




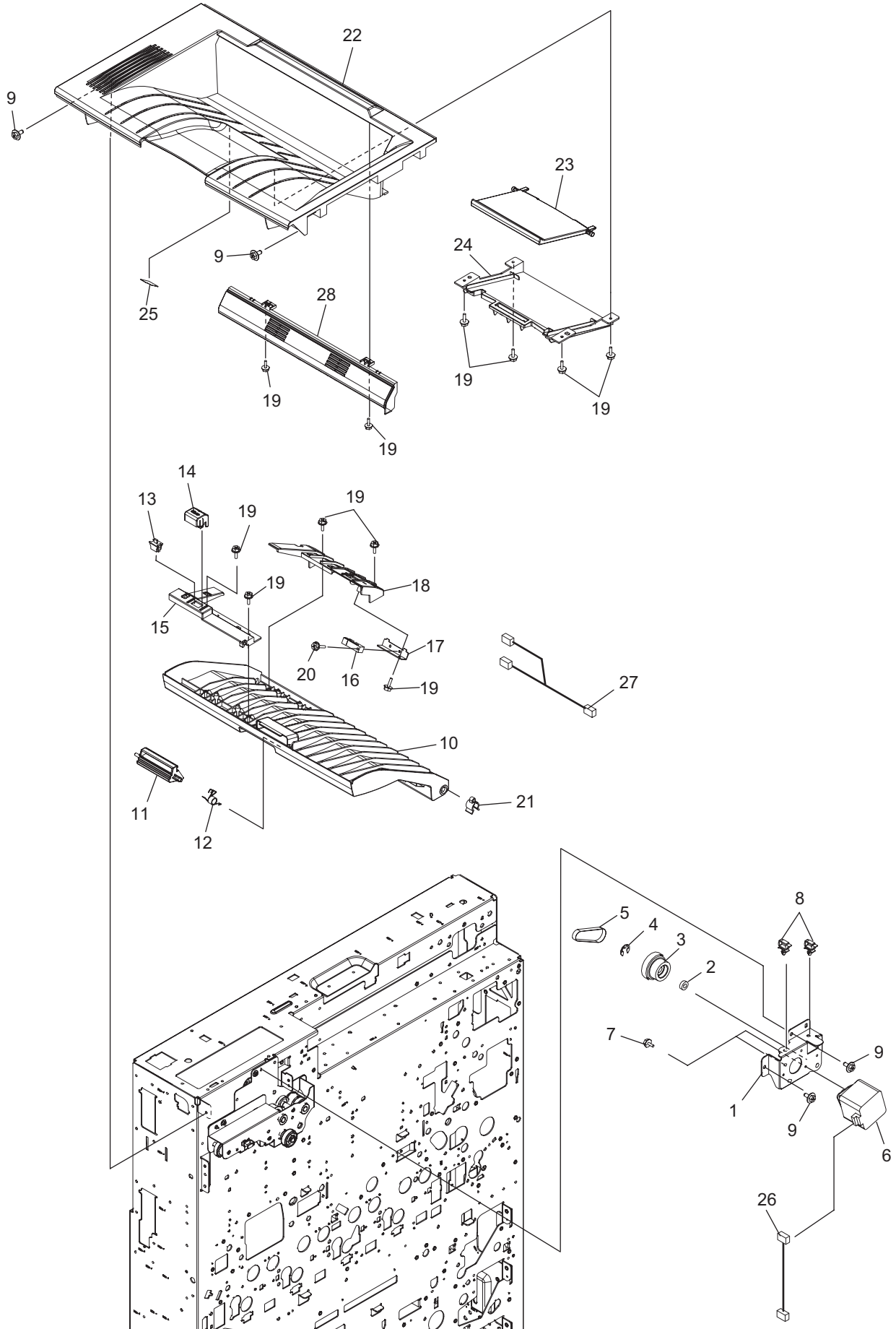




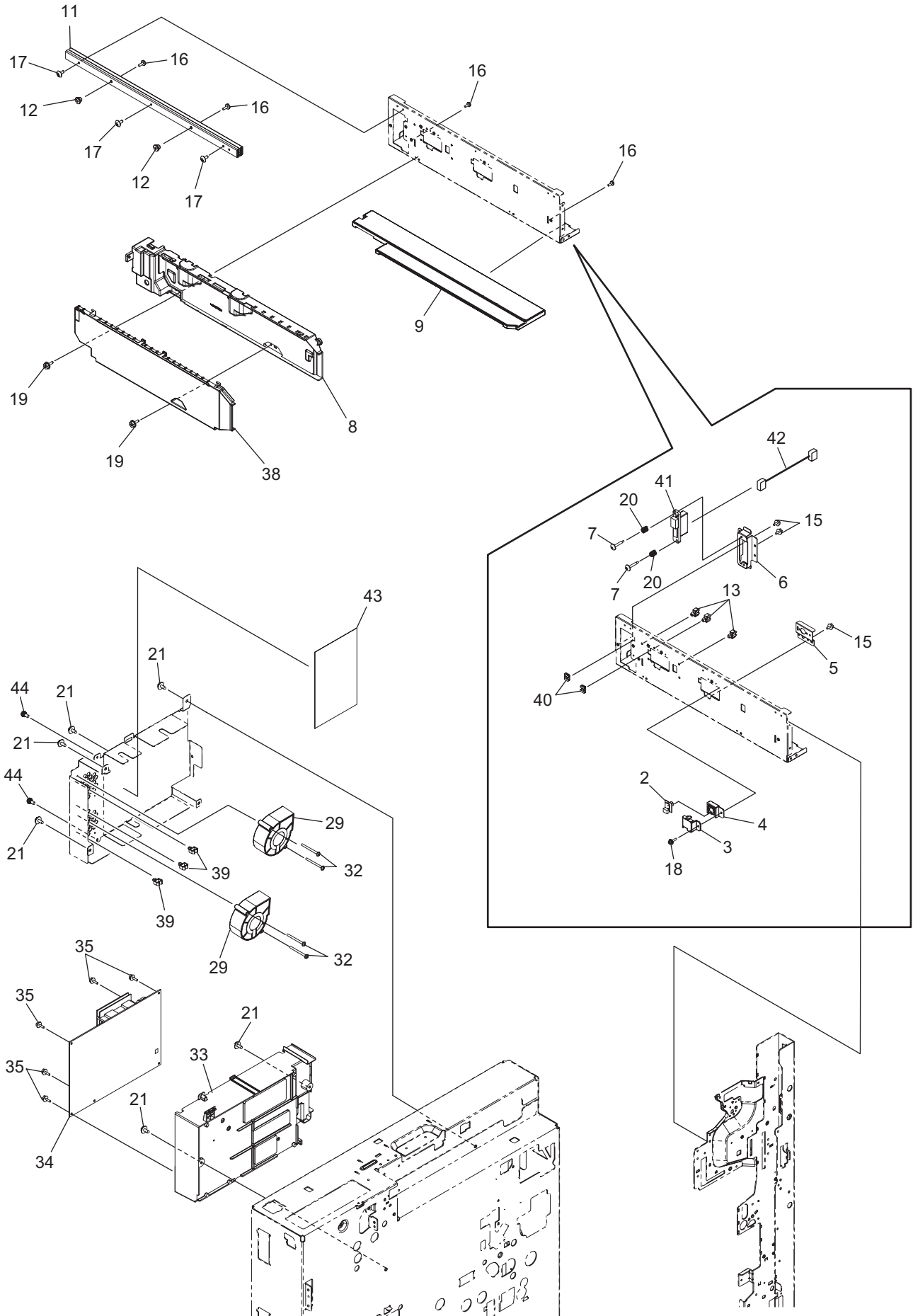




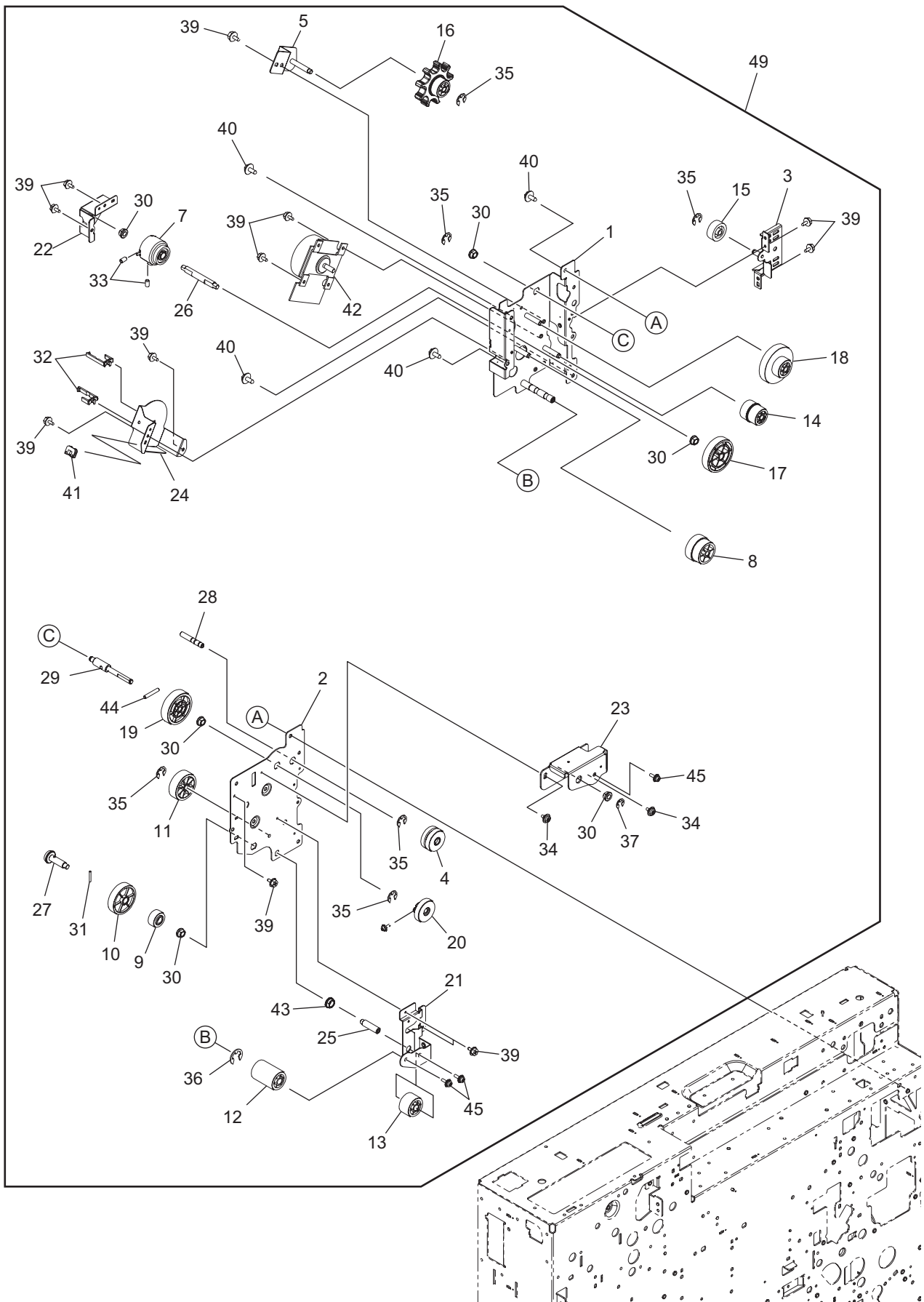
ITEM No.	PART No.	PART NAME	Q'TY / PAGE	Q'TY / PACK	REMARKS
1	6LH04777000	FRAME-ROL-EX-U-R-N	1	1/P	
2	6LJ07604000	BRKT-EXIT-IDLE-H130	1	1/P	
3	6LJ07633000	GUIDE-EXIT-UP-U-H340	1	1/P	
4	6LJ07606000	GUIDE-EXIT-UP-L-H130	1	1/P	
5	6LH04558000	FRAME-ROL-EX-U-F	1	1/P	
6	6LH04585000	ROLLER-EXIT-U	1	1/KP	
7	F0-01390000	LNR-1680HHRP0P15LY13	2	1/P	
9	6LJ07602000	BRKT-EXIT-SW-H130	1	1/P	
10	C0-17839000	LG2A14BL1	1	1/C	
11	6LE09174000	SNSR-FED-RVS-390	1	1/P	
12	6LE03108000	PIN-ACTR	1	1/P	
13	6LH04570000	ACT-FULL-EXIT-UP	1	1/P	
14	6LE05749000	CUSH-ACTR-STOP-390	1	1/P	
17	6LJ07607000	BRUSH-SUS-EXIT-H130	2	1/KP	
18	6LH04773000	COVER-EXIT-U	1	1/PP	
19	X0-00968000	RR/E-7-SS	2	10/P	
20	X0-02420000	S/TPS/FHEXM/R-3X8-ZU3	19	10/P	
21	F0-00120000	ES-0505	4	5/P	
22	F0-01250000	MSB-1207	3	5/P	
23	X0-02421000	S/TPS/FHEXM/R-4X8-ZU3	4	10/P	
30	X0-00966000	RR/E-5-SS	1	10/P	
31	6LH04753000	GEAR-10S23-8-D	1	1/P	
32	6LH08902000	HRNS-UEXTSN-430	1	1/P	
34	4408447860	PIN	2	1/PP	
35	6LH04754000	ROL-EXIT-C	2	1/P	
37	6LH04759000	PIN-ROL-EXT	4	1/P	
38	6LH04760000	ROL-EXIT	4	1/P	
39	6LH04761000	ROL-EXIT-SUB	4	1/P	
40	6LA08935000	SCR-M3X6BISR-NI	4	10/P	
100	6LH01568000	ASYS-BRKT-FAN-EX-TRAY-U	1	1/P	
101	6LH09558000	FAN-P5015-430	2	1/D	
102	X0-00458000	S/BID-M4X20-NI	4	10/P	
103	6LH04762000	SPL-EXIT	4	1/C	
104	6LE05750000	SPL-EXIT-R-MD3-390	2	1/P	





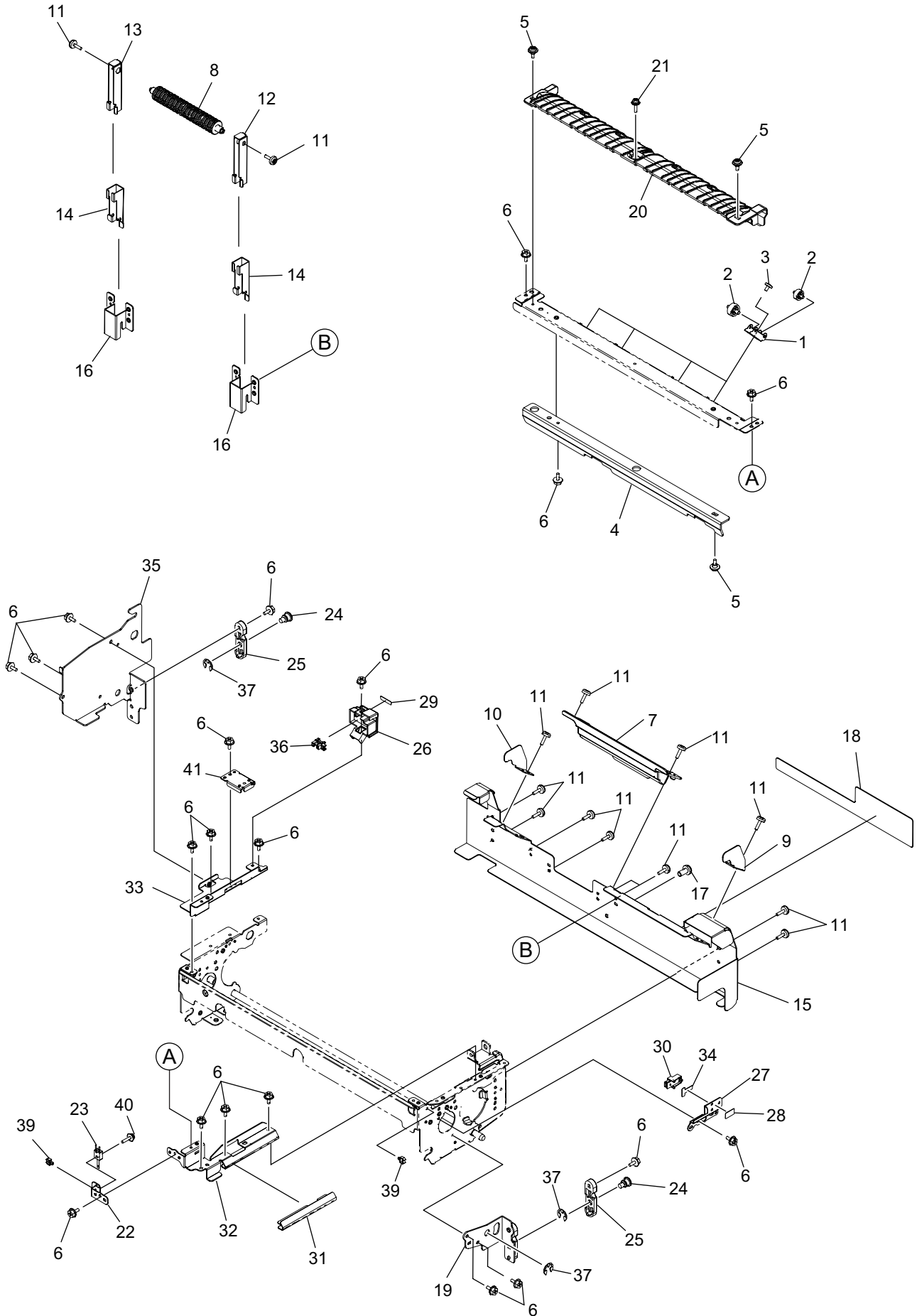


ITEM No.	PART No.	PART NAME	Q'TY / PAGE	Q'TY / PACK	REMARKS
2	6LE29449000	SNR-THRMO-380	1	1/C	
3	6LH07315000	BASE-SNSR-THRMPLE	1	1/P	
4	6LH07316000	HLDR-SNSR-THRMPLE	1	1/P	
5	6LH07364000	BRKT-SNSR-TMP	1	1/P	
6	6LJ08728000	BRKT-DRAWER-FUS-H130	1	1/P	
7	4406326040	SCREW-D4-18-M3	2	10/P	
8	6LH01528000	ASYS-DUCT-STAY-FUS-U	1	1/PP	
9	6LH01529000	ASYS-DUCT-STAY-FUS-LOW	1	1/PP	
11	6LH17809000	RAIL-BRIDGE-43X	1	1/P	
12	6LH17813000	STUD-RAIL	2	1/P	
13	F0-00270000	UAMS-05L-0-46	3	10/P	
15	X0-02419000	S/TPS/FHEXM/R-3X6-ZU3	3	10/P	
16	X0-00057000	S/PAN-M3X6-NI	4	10/P	
17	6LA08935000	SCR-M3X6BISR-NI	3	10/P	
18	X0-00094000	S/PAN/SWWP-M3X10-NI	1	10/P	
19	X0-02420000	S/TPS/FHEXM/R-3X8-ZU3	2	10/P	
20	6LH07367000	SPG-DRAWER-FUSER	2	1/P	
21	X0-02421000	S/TPS/FHEXM/R-4X8-ZU3	6	10/P	
29	6LJ09279000	FAN-P7530-130	2	1/D	
32	X0-02484000	S/PAN/SWWP-M3X35-NI	4	10/P	
33	6LH07332000	CASE-PS-IH-F43X	1	1/PP	
34 A	6LJ09429200	ASYB-IH-H130-E	1	1/SB	NAD,NAC
34 B	6LJ09429100	ASYB-IH-H130-U	1	1/SB	MJD,MJC,ASD,ARD,AUD
35	X0-02247000	S/TPP/FHEXM-3X8-NI	5	10/P	
38	6LH01520000	DUCT-STAY-FUS-L	1	1/PP	
39	F0-01048000	UAMS-05-0	3	5/P	
40	F0-01844000	ES-0505-2-46	2	5/P	
41	6LK31392000	HRNS-LGC-FUS-340	1	1/P	
42	6LJ09342000	HRNS-THMP-130	1	1/P	
43	6LH07617000	SHEET-GUARD-HT	1	1/KP	
44	6LH55300000	USUITA-SPSEMS-4X8-6	2	5/P	
45	6LH07370000	SEAL-FAN-CASE-IH	1	1/KP	

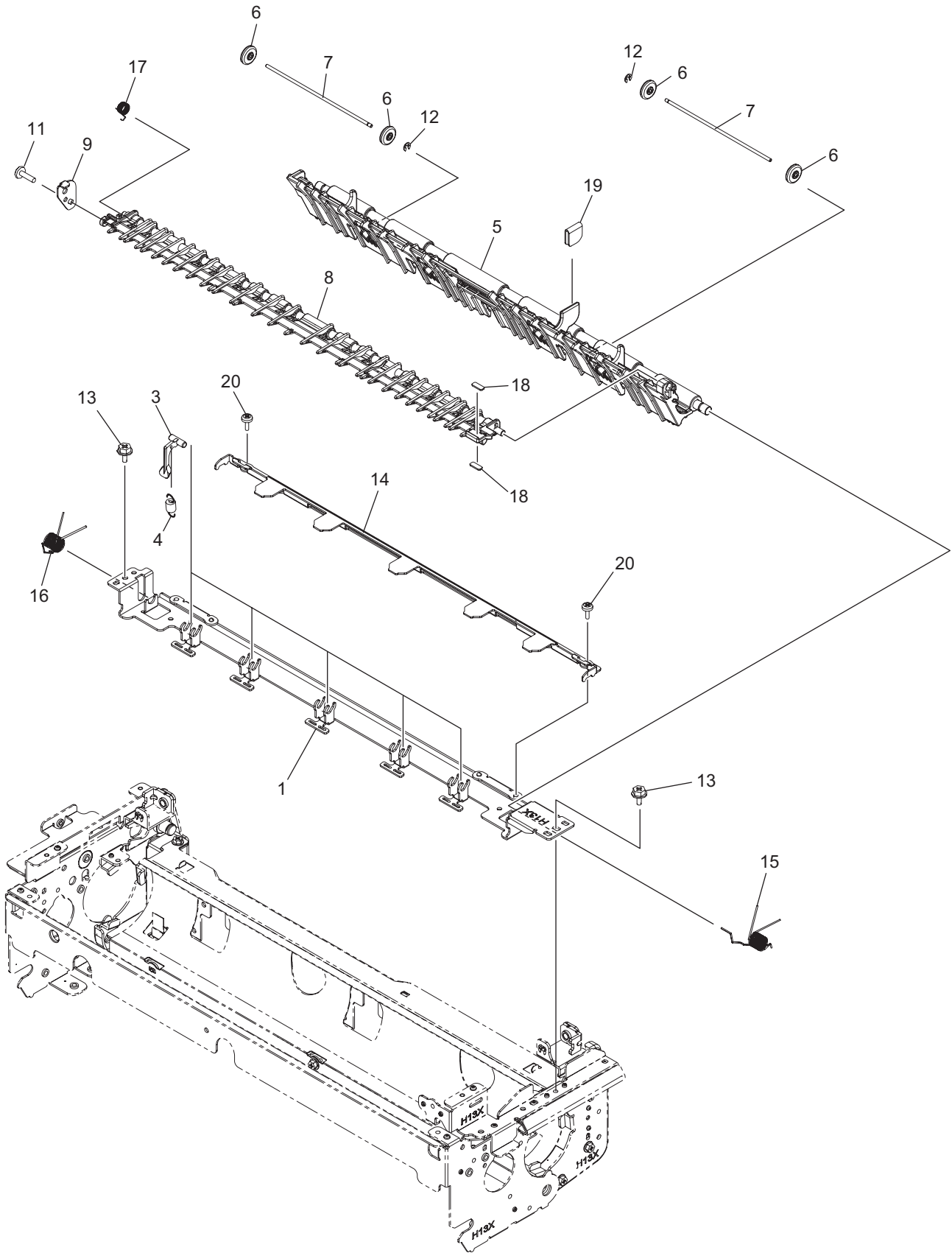


ITEM No.	PART No.	PART NAME	Q'TY / PAGE	Q'TY / PACK	REMARKS
1	6LJ08734000	ASYS-PLT-FUS-MOT-H130	1	1/PP	
2	6LJ08812000	ASYS-PLT-DRV-H130	1	1/D	
3	6LH07475000	ASYS-BRKT-IDL-HND	1	1/P	
4	6LJ08805000	ASYS-GEAR-10S28-H130	1	1/P	
5	6LH07440000	ASYS-BRKT-FUS-HND	1	1/P	
7	6LJ08829000	CLUCH-33C-8-CCW-FUS	1	1/D	
8	6LH07303000	GEAR-5H62-5H56	1	1/P	
9	6LJ08735000	GEAR-8H23-OWC-H130	1	1/P	
10	6LH07470000	GEAR-5H75-8	1	1/P	
11	6LH07305000	GEAR-8H42-6	1	1/P	
12	6LH07306000	GEAR-8H29-6	1	1/P	
13	6LJ08816000	GEAR-8H30-8	1	1/P	
14	6LH07473000	GEAR-10S23_08H26-6	1	1/P	
15	44201367000	GEAR-10S023-06	1	1/P	
16	6LE25933000	GEAR-FUS-HAND	1	1/P	
17	6LH07466000	GEAR-5H85-8	1	1/P	
18	6LJ08810000	GEAR-6H79_10S24-6-H130	1	1/P	
19	6LJ08808000	GEAR-10S43-10-H130	1	1/P	
20	6LH07468000	GEAR-10S29-SEP	1	1/P	
21	6LJ08738000	BRKT-HLD-DRV-H130	1	1/P	
22	6LH07429000	CASE-CLUTCH-DRV-BP	1	1/P	
23	6LH07434000	CASE-GEAR-FUS-BP	1	1/P	
24	6LH07481000	PLT-GUARD-MOT-FU	1	1/P	
25	6LH07426000	SHAFT-HLD-BKT	1	1/P	
26	6LH07433000	SHAFT-DRV-FUS-CLUCH	1	1/P	
27	6LJ08737000	ASYS-SHAFT-DRV-FUS	1	1/P	
28	6LH07427000	STUD-GEAR-BP	1	1/P	
29	6LJ08809000	SFT-GEAR-H130	1	1/P	
30	6LH53768000	BUSH-6-NU4	6	1/P	
31	X0-01533000	P/PRL/AH7-2X16-SS	2	10/P	
32	F0-00036000	RLWS3TV0	2	5/P	
33	X0-00730000	S/SET/K-M3X4-B	2	10/P	
34	6LA08932000	SCREW-ACTR-TRU	2	10/P	
35	X0-00966000	RR/E-5-SS	6	10/P	
36	X0-00968000	RR/E-7-SS	1	10/P	
37	X0-00965000	RR/E-4-SS	1	10/P	
39	X0-02419000	S/TPS/FHEXM/R-3X6-ZU3	12	10/P	
40	X0-02421000	S/TPS/FHEXM/R-4X8-ZU3	4	10/P	
41	F0-00120000	ES-0505	1	5/P	
42	6LH09053000	MOTRD-FEED-430	1	1/C	
43	6LE50521000	BUSH-8X12X5R5F-NU4	1	5/P	
44	6LJ08814000	SHAFT-FUS-4X25-SUS420J2	1	1/P	
45	X0-00077000	S/PAN/SWWP-M3X8-NI	3	10/P	
49	6LJ08828000	FUSER-DRIVE-FC55_65	1	1/S	

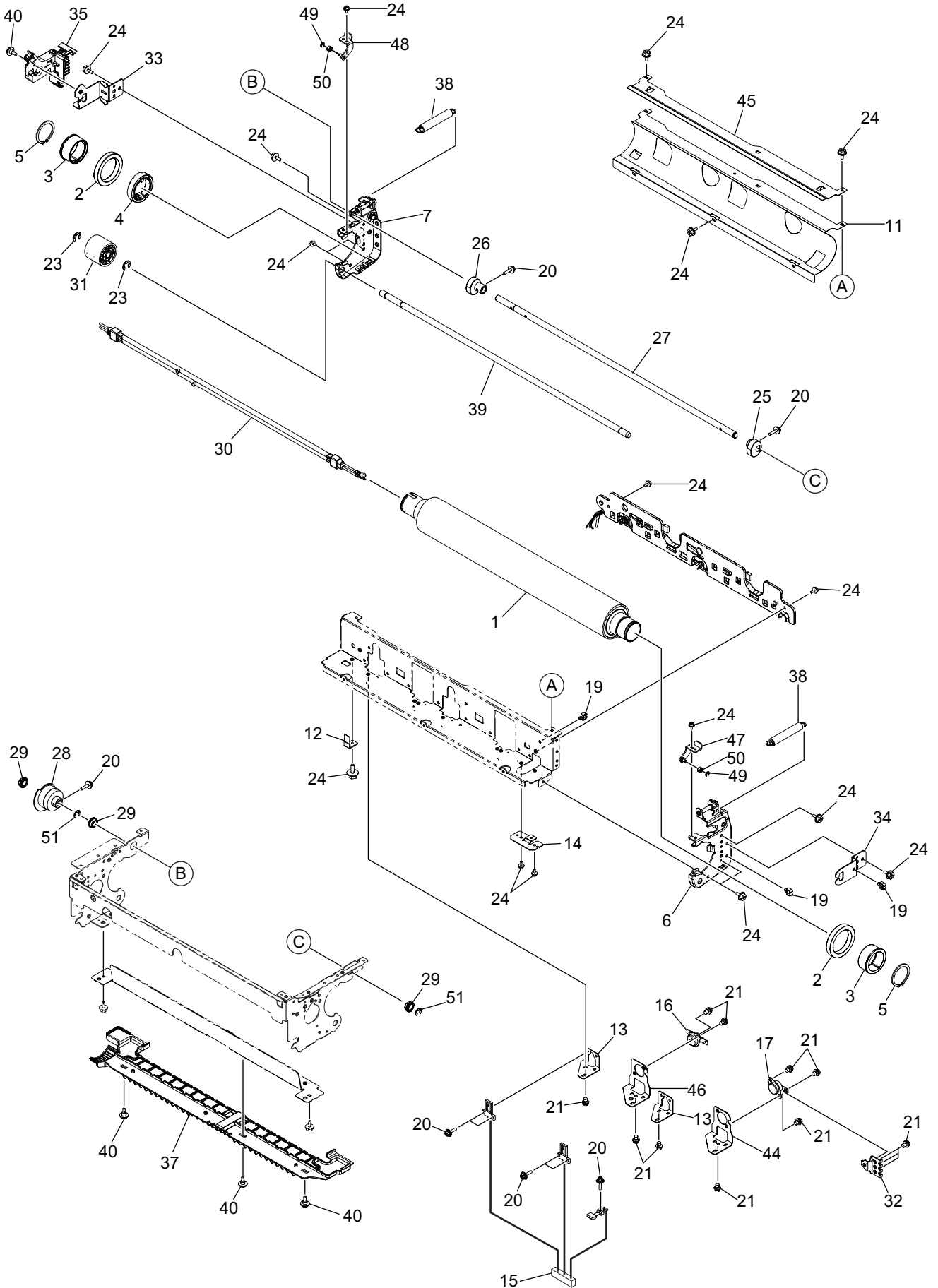




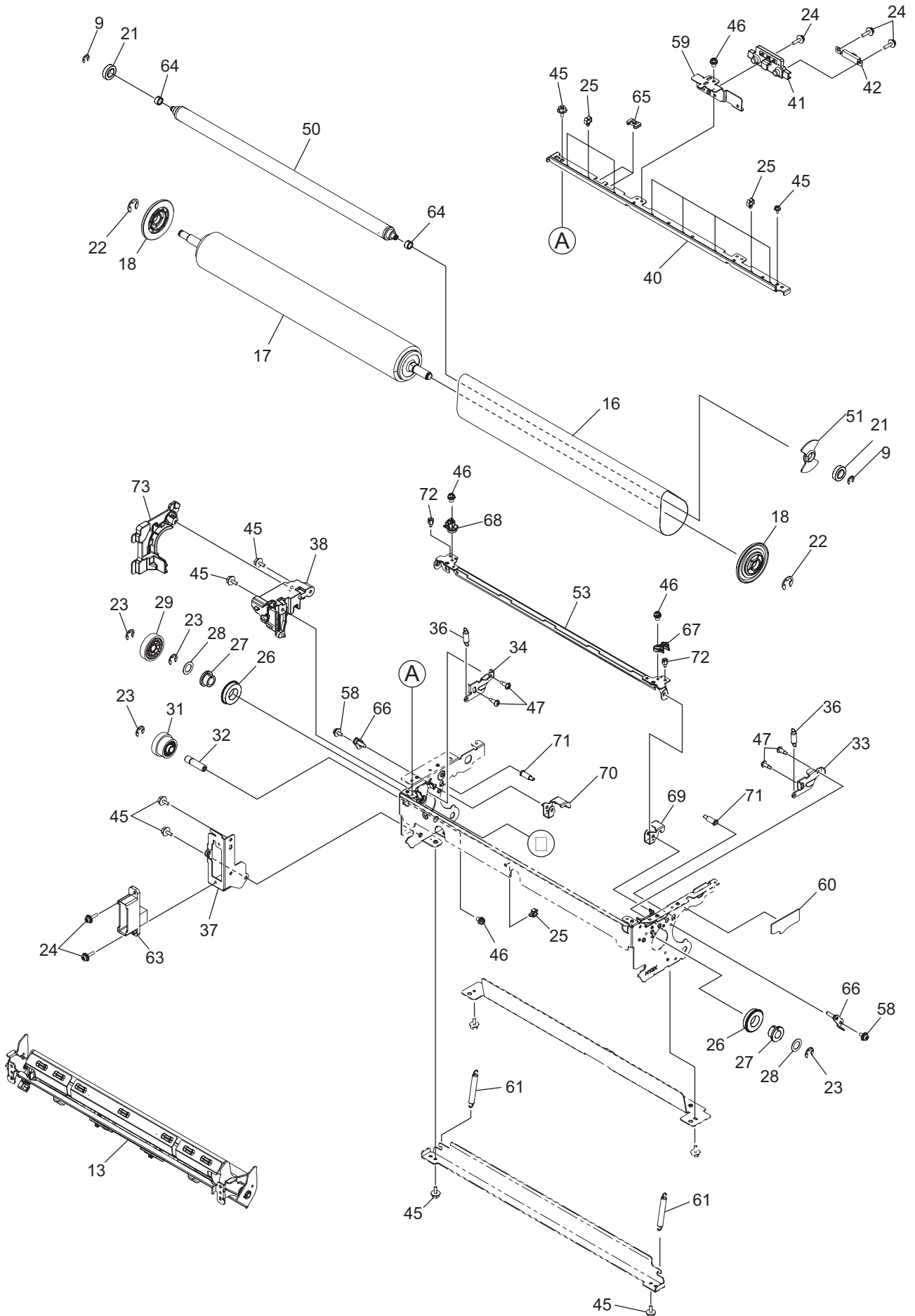
ITEM No.	PART No.	PART NAME	Q'TY / PAGE	Q'TY / PACK	REMARKS
1	6LH07323000	HLDR-GUIDE-R	4	1/P	
2	6LH07588000	ROLL-FUS-GUIDE	8	1/P	
3	X0-00426000	S/BID-M3X4-NI	4	10/P	
4	6LH07533000	PLT-GUIDE-L	1	1/P	
5	6LA08937000	SCREW-BKT-DEV	3	10/P	
6	X0-02230000	S/FHEXM-M3X6-NI	20	10/P	
7	6LH07483000	COVER-HAND-FUS-C	1	1/D	
8	6LH07538000	COV-HANDLE-FUS	1	1/P	
9	6LH07545100	COV-FUS-SIDE-F-T	1	1/P	
10	6LH07546100	COV-FUS-SIDE-R-T	1	1/P	
11	6LE25946000	SCREW-FUS-3X8-S	14	10/P	
12	6LH07537100	BRKT-SLIDE-EXT-F-T	1	1/D	
13	6LH07520100	BRKT-SLIDE-EXT-R-T	1	1/D	
14	6LH07517100	BRKT-SLIDE-BASE-T	2	1/D	
15	6LJ08791100	COVER-PR-FUSER-T	1	1/P	
16	6LH07519000	BRKT-HND-FUS	2	1/P	
17	4401759180	SCREW-FUSER-M4	1	10/P	
18	6LJ08818000	LBL-HOT-JAM-FUS	1	1/KP	
19	6LH07414000	BRKT-FUSER-F	1	1/P	
20	6LH07312000	GUIDE-FUS-U	1	1/PP	
21	X0-00094000	S/PAN/SWWP-M3X10-NI	1	10/P	
22	6LH07531000	BRKT-TMS-BLT	1	1/P	
23	6LH09031000	THMS-HTR-430	1	1/C	
24	6LJ08832000	SCREW-FUS-REP	2	10/P	
25	6LJ08831000	HLD-SCREW-FUS	2	1/P	
26	6LJ08726000	HLDR-FUS-SNSR-H130	1	1/P	
27	6LH07536000	BRKT-SNSR-RT	1	1/P	
28	6LH07551000	SHEET-SNSR-GP2Y	1	5/P	
29	6LJ08725000	SHEET-SNSR-LG248	1	5/P	
30	C0-15043000	GP2Y5D91S00F	1	1/C	
31	6LH07542000	SHEET-FUS-HND-F	1	1/KP	
32	6LJ08786000	FRAME-FUS-SPR-F-H130	1	1/P	
33	6LJ08785000	FRAME-FUS-SPR-R-H130	1	1/P	
34	6LH07554000	SHEET-ADU-RTN-SNSR	1	5/P	
35	6LH07571000	ASYS-BRKT-FUS-R	1	1/P	
36	C0-17839000	LG2A14BL1	1	1/C	
37	X0-00968000	RR/E-7-SS	3	10/P	
39	F0-00270000	UAMS-05L-0-46	2	10/P	
40	X0-01950000	S/PAN/SWWS-M3X10-NI	1	10/P	
41	6LJ08787000	BRKT-SCR-P-RER-H130	1	1/P	





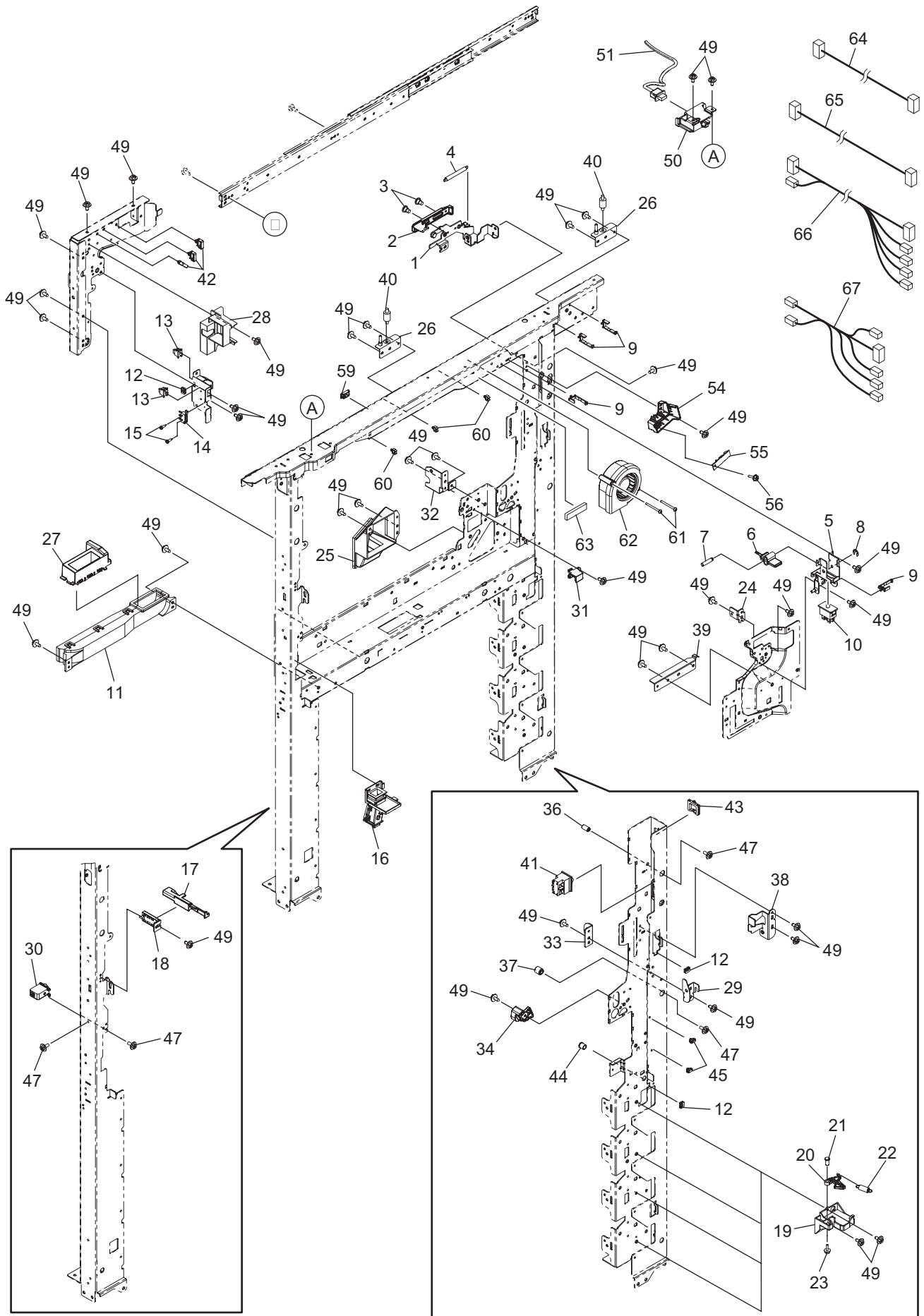


ITEM No.	PART No.	PART NAME	Q'TY / PAGE	Q'TY / PACK	REMARKS
1	6LH16937000	HR-FC55-L	1	1/S	
2	6LJ58116000	6807ZZL1S1C4KZ-C	2	1/P	
3	6LH07616000	COLLAR-PR	2	1/P	
4	6LH07302000	GEAR-PRS	1	1/P	
5	6LH07594000	CRR-PR-27	2	1/P	
6	6LJ08797000	ASYB-ARM-PR-BP-F-H130	1	1/P	
7	6LJ08796000	ASYB-ARM-PR-BP-R-H130	1	1/P	
11	6LJ08793000	CASE-PR-FUSER	1	1/D	
12	6LJ02533000	BRUSH-FUSER-H14X	1	1/C	
13	6LH07563000	BRKT-THRMS-PR	2	1/P	
14	6LH07310000	BRKT-THRMS-E-PR	1	1/P	
15	6LH09642000	THMS-PRS-430	1	1/C	
16	6LH09499000	THRMST-HTR2-430	1	1/D	
17	6LH09033000	THRMST-HTR1-430	1	1/D	
19	F0-00270000	UAMS-05L-0-46	3	10/P	
20	X0-00094000	S/PAN/SWWP-M3X10-NI	8	10/P	
21	6LH55301000	USUITA-SEMS-3X5-6	12	5/P	
23	X0-00968000	RR/E-7-SS	2	10/P	
24	X0-02230000	S/FHEXM-M3X6-NI	23	10/P	
25	6LJ08775000	CAM-FUS-F-H130-19	1	1/P	
26	6LJ08774000	CAM-FUS-R-H130-19	1	1/P	
27	6LJ08789000	SHAFT-CAM-H130	1	1/P	
28	6LH07480000	GEAR-10S30-8-CAM	1	1/P	
29	6LE50521000	BUSH-8X12X5R5F-NU4	3	5/P	
30 A	6LH07605000	LAMP-PR-DUAL-BP-NAD	1	1/C	NAD,NAC
30 D	6LH07607000	LAMP-PR-DUAL-BP-ASD	1	1/C	MJD,MJC,ASD,ARD,AUD
31	6LH07301000	GEAR-8H39-FUS	1	1/P	
32	6LH07328000	BRKT-THRM-LAMP-BP	1	1/P	
33	6LH07609000	BRKT-HLD-LAMP-DUAL	1	1/P	
34	6LH07608000	BRKT-HLD-LAMP-DUAL-F	1	1/P	
35	6LJ08820000	HLDR-HRNS-LAMP	1	1/P	
37	6LJ08744000	GUIDE-ENT-PR	1	1/PP	
38	6LJ08819000	SPG-PS-FUS-H130-K	2	1/P	
39	6LH07412000	SHAFT-ARM	1	1/P	
40	6LA08937000	SCREW-BKT-DEV	4	10/P	
44	6LH07562000	BRKT-THMST-PR	1	1/P	
45	6LJ08794000	PLT-PR-FUS	1	1/PP	
46	6LH07574000	BRKT-THMST-PR-C	1	1/P	
47	6LJ08752000	ASYS-LINK-SCR-F-H130	1	1/P	
48	6LJ08749000	ASYS-LINK-SCR-R-H130	1	1/P	
49	X0-00963000	RR/E-2-SS	2	10/P	
50	6LJ08801000	COLAR-LNK-SCR	2	1/P	
51	X0-00966000	RR/E-5-SS	2	10/P	

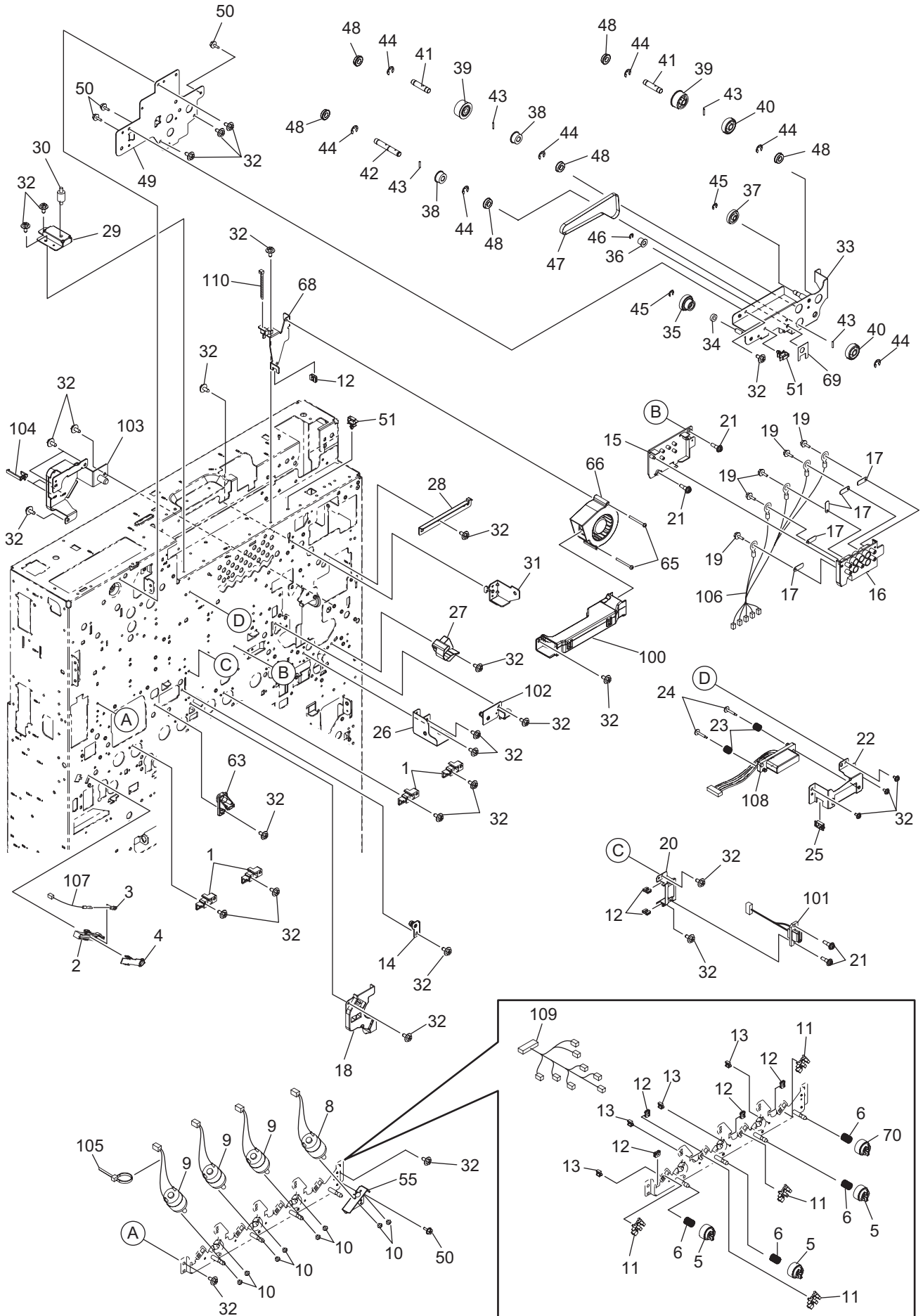


ITEM No.	PART No.	PART NAME	Q'TY / PAGE	Q'TY / PACK	REMARKS
9	X0-00966000	RR/E-5-SS	2	10/P	NAD,NAC MJD,MJC,ASD,ARD,AUD
13 A	6LJ10674000	IH-COIL-UNIT-H130-100	1	1/S	
13 B	6LJ10674100	IH-COIL-UNIT-H130-200	1	1/S	
16	6LH16936000	BT-FC55-FU	1	1/S	
17	6LH16935000	FR-FC55-U	1	1/S	
18	6LH07378000	COLLAR-BLT-MCR	2	1/P	
21	F0-01382000	6800ZZS1C4KZ	2	1/P	
22	X0-00970000	RR/E-9-SS	2	10/P	
23	X0-00968000	RR/E-7-SS	4	10/P	
24	X0-00094000	S/PAN/SWWP-M3X10-NI	5	10/P	
25	F0-00270000	UAMS-05L-0-46	9	10/P	
26	F0-01851000	6902ZZNRS1C4KZ	2	1/P	
27	6LH07393000	BUSH-FUS-MR	2	1/P	
28	6LE25970000	WASHER-FUSER	2	5/P	
29	6LH07322000	GEAR-8H40-FMR	1	1/P	
31	6LH07300000	GEAR-8H35_8H30-FMR	1	1/P	
32	6LH07385000	STUD-GEAR-FR	1	1/P	
33	6LH07603000	BRKT-FUS-SPR-F	1	1/P	
34	6LH07602000	BRKT-FUS-SPR-R	1	1/P	
36	6LJ08723000	SPG-E-HP-FUS	2	1/P	
37	6LJ08727000	BRKT-HRNS-DRW-H130	1	1/P	
38	6LJ08768000	COVER-HRNS-FUS-H130	1	1/P	
40	6LH07394000	STAY-FUS-THRM	1	1/P	
41	6LH07629000	ASYS-HLD-THRM	1	1/P	
42	6LH09193000	THRMST-FMR-430	1	1/C	
45	X0-02230000	S/FHEXM-M3X6-NI	9	10/P	
46	6LH55301000	USUITA-SEMS-3X5-6	4	5/P	
47	6LA36227000	SCREW-M3-FUS	4	5/P	
50	6LJ08827000	ROL-HP-H13X	1	1/KP	
51	6LH07530000	ROTOR-SR	1	1/P	
53	6LJ08745000	ASYS-BRKT-PLT-H130	1	1/P	
58	X0-02551000	S/PAN/SWWP-M3X6-ZU3	2	10/P	
59	6LJ08825000	BRKT-THRM-H130	1	1/P	
60	6LJ08799000	SHEET-FUS-FRM	1	1/KP	
61	6LH07572000	SPG-E-FUS-SEP	2	1/P	
63	6LJ09259000	HRNS-FUS-DUAL-130	1	1/P	
64	6LJ08724000	BUSH-FUS-STR	2	1/P	
65	F0-01845000	ES-0510-46	2	1/P	
66	6LJ08754000	ASYS-STD-SCR-H130	2	1/P	
67	6LJ08767000	COV-ADJ-SCR-F-H130	1	1/P	
68	6LJ08766000	COV-ADJ-SCR-R-H130	1	1/P	
69	6LJ08763000	PLT-SCR-POS-F-H130	1	1/P	
70	6LJ08762000	PLT-SCR-POS-R-H130	1	1/P	
71	6LJ08759000	STUD-CAM-ESC-H130	2	1/P	
72	6LJ08765000	ADJSTR-SCR-H130	2	1/P	
73	6LJ08729000	COV-HNS-FUS	1	1/P	





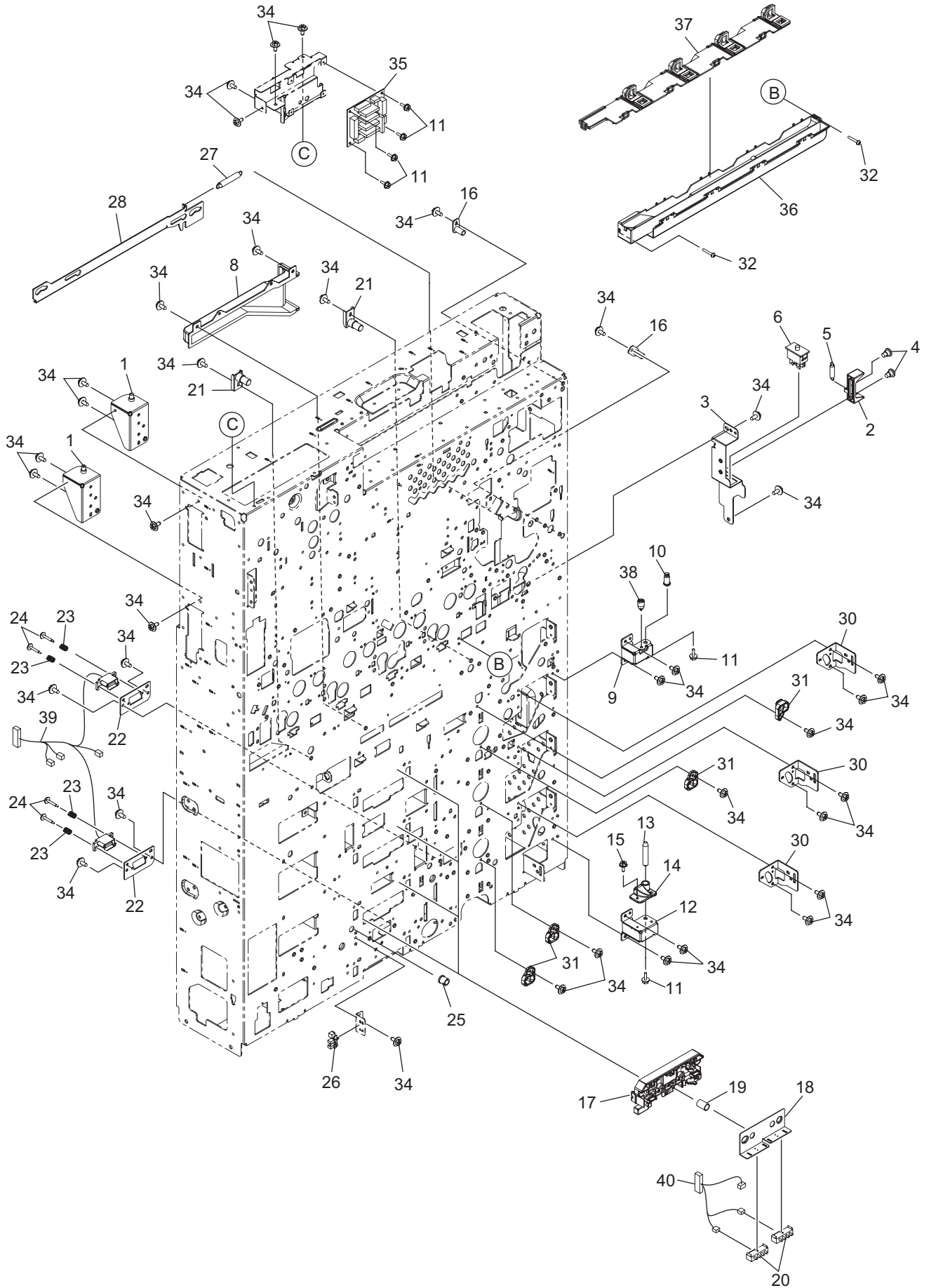
ITEM No.	PART No.	PART NAME	Q'TY / PAGE	Q'TY / PACK	REMARKS
1	6LH01169000	ASYS-BKT-LVR-DOOR	1	1/P	
2	6LH01129000	LVR-DOOR-SW	1	1/P	
3	6LA02823000	SCREW-RAIL-TRU	2	5/P	
4	6LH01135000	SPG-E-6R5XR5X28R	1	1/P	
5	6LH01131000	ASYS-BKT-DOOR-SW	1	1/P	
6	6LH01128000	GUIDE-SW-DOOR-430	1	1/P	
7	44200854000	STUD-DOOR-SW	1	5/P	
8	X0-00965000	RR/E-4-SS	1	10/P	
9	F0-00036000	RLWS3TV0	4	5/P	
10	E0-08442000	FA1L-AA22	1	1/D	
11	6LH01471000	ASYS-DUCT-EPU-FRT	1	1/PP	
12	F0-00120000	ES-0505	3	5/P	
13	E0-01853000	CS1A-B2CA	2	1/D	
14	E0-08294000	DE2L-BALG	1	1/D	
15	44204394000	SCREW20*D23	2	10/P	
16	6LH03537000	ASYB-DUCT-WTNR-VT	1	1/PP	
17	6LH04069000	LIFT-TBU-LEFT	1	1/P	
18	6LH03823000	ANG-TBU-LEFT	1	1/P	
19	6LA04492000	HOLDER-LOCK-CST	4	1/P	
20	6LA04493000	HOOK-LOCK-CST	4	1/P	
21	6LA04494000	STUD-LOCK-CST	4	5/P	
22	6LH05751000	SPE096-100-0282	4	1/P	
23	X0-02231000	S/FHEXM-M3X8-NI	4	10/P	
24	6LH05482000	ASYS-BRKT-POS-MID-F	1	1/P	
25	6LH07987000	ASYS-DUCT-LSU-IN	1	1/PP	
26	6LH08310000	ASYS-BRKT-DMP-FRT	2	1/P	
27	6LH01417000	DUCT-EPU-F-EXT-S	1	1/P	
28	6LH01418000	DUCT-BRG-LEFT-IN	1	1/P	
29	6LH02326000	SUPPORT-PLT-HNG-CV-R	1	1/P	
30	6LH02990000	STOP-EPU-LFT	1	1/P	
31	6LH02991000	STOP-EPU-RGT	1	1/P	
32	6LH04464000	BRKT-CAM-TR2-F	1	1/P	
33	6LH04231000	PLT-POS-HOLE-TRU	1	1/P	
34	6LH04563000	HLDR-GID-RGST-F-430	1	1/P	
36	6LH05423000	STUD-LOCK-ADU	1	1/P	
37	6LH05428000	STUD-LOCK-ADU-FL	1	1/P	
38	6LH07324000	BRKT-FUS-F	1	1/P	
39	6LH07329000	BRKT-SLIDE-F	1	1/P	
40	6LJ09009000	INSULATOR-H13X	2	1/P	
41	E0-08497000	AJ8W200WWF	1	1/D	
42	F0-00032000	PLWS-1-46B	3	5/P	
43	F0-00047000	EDS-1717U	1	10/P	
44	F0-00370000	OCB-375	1	5/P	
45	F0-01462000	LBWS-0206S-V0	2	1/P	
47	X0-02235000	S/FHEXM-M4X8-NI	4	10/P	
49	X0-02421000	S/TPS/FHEXM/R-4X8-ZU3	43	10/P	
50	6LH01136000	HOLDER-USB-430	1	1/P	
51	6LH08774000	CABLE-USB-430	1	1/P	
54	6LH02370000	COVER_LED_FUS	1	1/P	
55	6LH09302000	PWA-F-LED-430	1	1/C	
56	X0-02248000	S/TPP/FHEXM-3X10-NI	1	10/P	
59	F0-01248000	ESC-0912	1	10/P	
60	F0-00270000	UAMS-05L-0-46	3	10/P	
61	X0-02133000	S/TPS/PAN-4X35-ZU3	2	10/P	
62	6LH01555000	ASYS-DUCT-BRDG-F	1	1/C	
63	6LH01557000	SEAL-DUCT-BR-R	1	5/KP	
64	6LH09006000	HRNS-SIDE-430	1	1/P	
65	6LH09299000	HRNS-LED-430	1	1/P	
66	6LH08875000	HRNS-MAIN2-430	1	1/P	
67	6LJ09252000	HRNS-FRTSW-130	1	1/P	



ITEM No.	PART No.	PART NAME	Q'TY / PAGE	Q'TY / PACK	REMARKS
1	6LH02635000	BRKT-DRAWER-CNTR-CLNR	4	1/P	
2	6LH02671000	TERM-HVT-EPU-Y	1	1/P	
3	6LH02637000	PLATE-TERM-HVT-EPU-187-S	1	1/P	
4	6LH02672000	COVER-TERM-HVT-EPU-Y	1	1/P	
5	6LH03415000	GEAR-5H46-6-COUP	3	1/P	
6	6LH03599000	SPG-C-GEAR-DRV-TNR-430	4	1/P	
8	6LH03520000	ASYS-MOTRD-KTNR-430	1	1/C	
9	6LJ76845000	MOTRD-TNR-H24X	3	1/C	
10	X0-02557000	S/BID-M2.6X3-NI	8	10/P	
11	C0-15505000	LG283L1	4	1/C	
12	F0-00120000	ES-0505	7	5/P	
13	F0-01250000	MSB-1207	3	5/P	
14	6LH03820000	ASYS-BRKT-TBU-FIX	1	1/P	
15	6LH03730000	COVER-TERM-KCMY	1	1/P	
16	6LH03731000	CASE-TERM-KCMY	1	1/P	
17	6LH03732000	PLATE-TERM-TBU	5	1/P	
18	6LH03729000	COV-HRNS-TERM-TBU	1	1/P	
19	X0-02247000	S/TPP/FHEXM-3X8-NI	5	10/P	
20	6LH03728000	BRKT-TERM-AMP-DRW	1	1/P	
21	6LA08938000	SCREW-SOCKET	4	10/P	
22	6LH17816000	BRKT-CON	1	1/P	
23	6LA08950000	SPC074-070-0145	2	5/P	
24	4406326040	SCREW-D4-18-M3	2	10/P	
25	F0-01248000	ESC-0912	1	10/P	
26	6LH04210000	BRKT-CAM-TR2-R	1	1/P	
27	6LH04564000	HLDR-GID-RGST-R-430	1	1/P	
28	6LH07330000	BRKT-SLIDE-R	1	1/P	
29	6LH08276000	BRKT-DMP-RER-LFT-430	1	1/P	
30	6LJ09009000	INSULATOR-H13X	1	1/P	
31	6LH04747000	ASYS-BRKT-POS-MID-R-FAN	1	1/P	
32	X0-02421000	S/TPS/FHEXM/R-4X8-ZU3	32	10/P	
33	6LH04778000	ASYS-FRAME-DRIVE-EXIT-F-N	1	1/P	
34	F0-01967000	L-1260ZZRPOP25LY551	1	1/P	
35	6LH04599000	GEAR-10S25_PS2M28-6	1	1/P	
36	6LH04600000	IDLER-DRIVE-EXIT	1	1/P	
37	6LA79005000	GEAR-10S022-06-DRV	1	1/P	
38	6LA04720000	PLYT-S2M-28-08	2	1/P	
39	6LH04598000	GEAR-10S25-8-OWR	2	1/P	
40	6LH04597000	GEAR-10S25-8-DRV	2	1/P	
41	6LH04590000	SHAFT-DRIVE-EXIT-1	2	1/P	
42	6LH04591000	SHAFT-DRIVE-EXIT-2	1	1/P	
43	X0-01526000	P/PRL/AH7-2X12-SS	4	10/P	
44	X0-00968000	RR/E-7-SS	7	10/P	
45	X0-00966000	RR/E-5-SS	2	10/P	
46	X0-00965000	RR/E-4-SS	1	10/P	
47	6LH04592000	BLT_SY-S2M-316-6	1	1/P	
48	F0-01390000	LNR-1680HHRPOP15LY13	6	1/P	
49	6LH04608000	FRAME-DRIVE-EXIT-R	1	1/P	
50	X0-02420000	S/TPS/FHEXM/R-3X8-ZU3	4	10/P	
51	F0-01811000	LWS-0711S-V0	2	5/P	
55	6LH03615000	FRAME-TNR-MOTR-RER	1	1/P	
63	6LH04037000	HLDR-TBU-RL	1	1/P	
65	X0-02133000	S/TPS/PAN-4X35-ZU3	2	10/P	
66	6LH09500000	FAN-P7530-430M	1	1/D	
68	6LH04771000	BRKT-REAR-FAN-7525	1	1/P	
69	6LH04772000	MYLAR-DRIVE-EXIT	1	1/P	
70	6LH03616000	GEAR-5H46-6-COUP-K	1	1/P	
100	6LH01538000	ASYB-DUCT-BRDG-R	1	1/PP	
101	6LJ09246000	HRNS-TBU1-130	1	1/P	
102	6LJ07131000	ASYS-BRKT-TBU-FIX-H130	1	1/P	
103	6LJ07121000	ASYS-PLATE-RF-MCOV-TBU	1	1/P	
104	F0-00036000	RLWS3TV0	2	5/P	
105	F0-01012000	T18R	1	5/P	

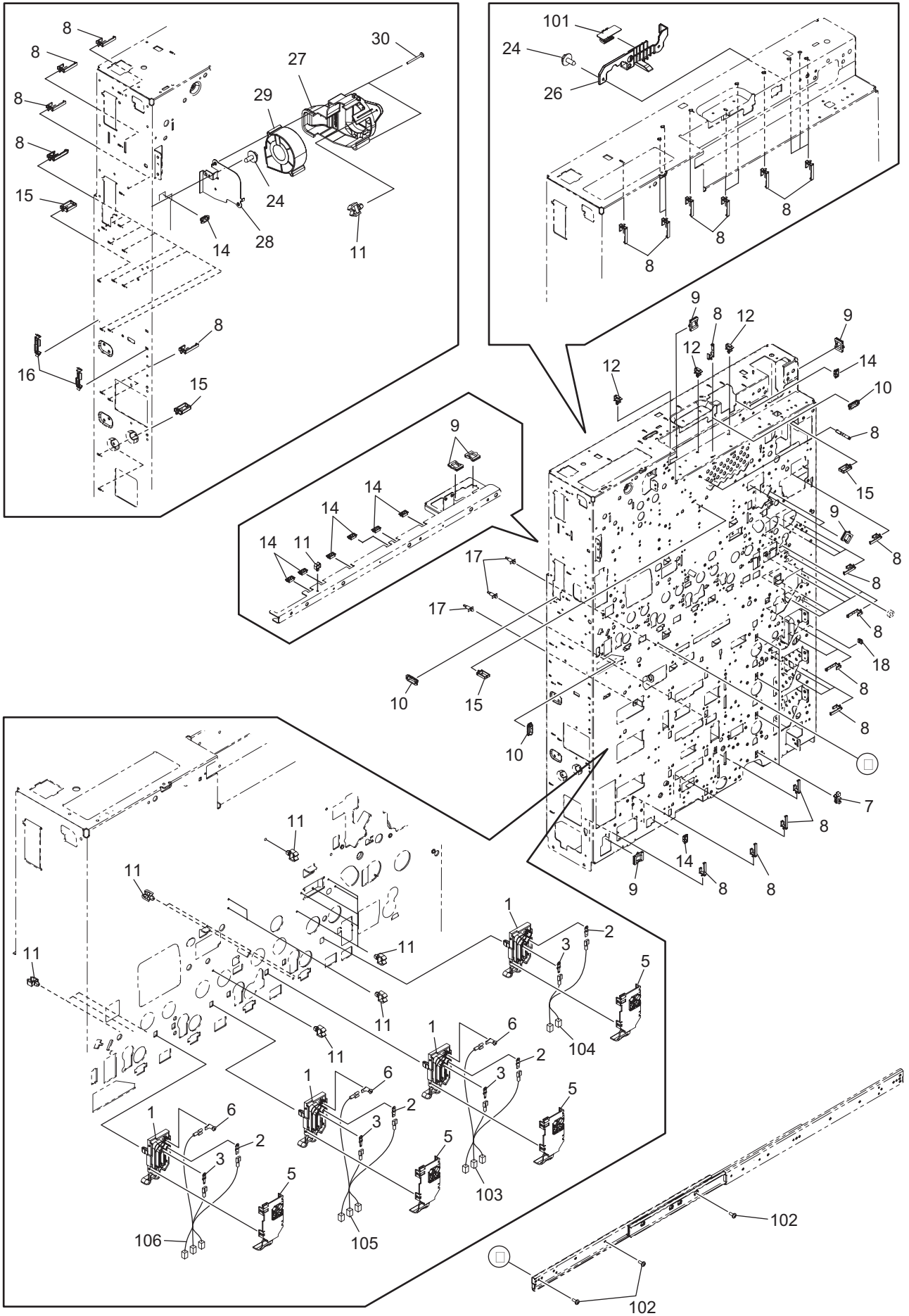




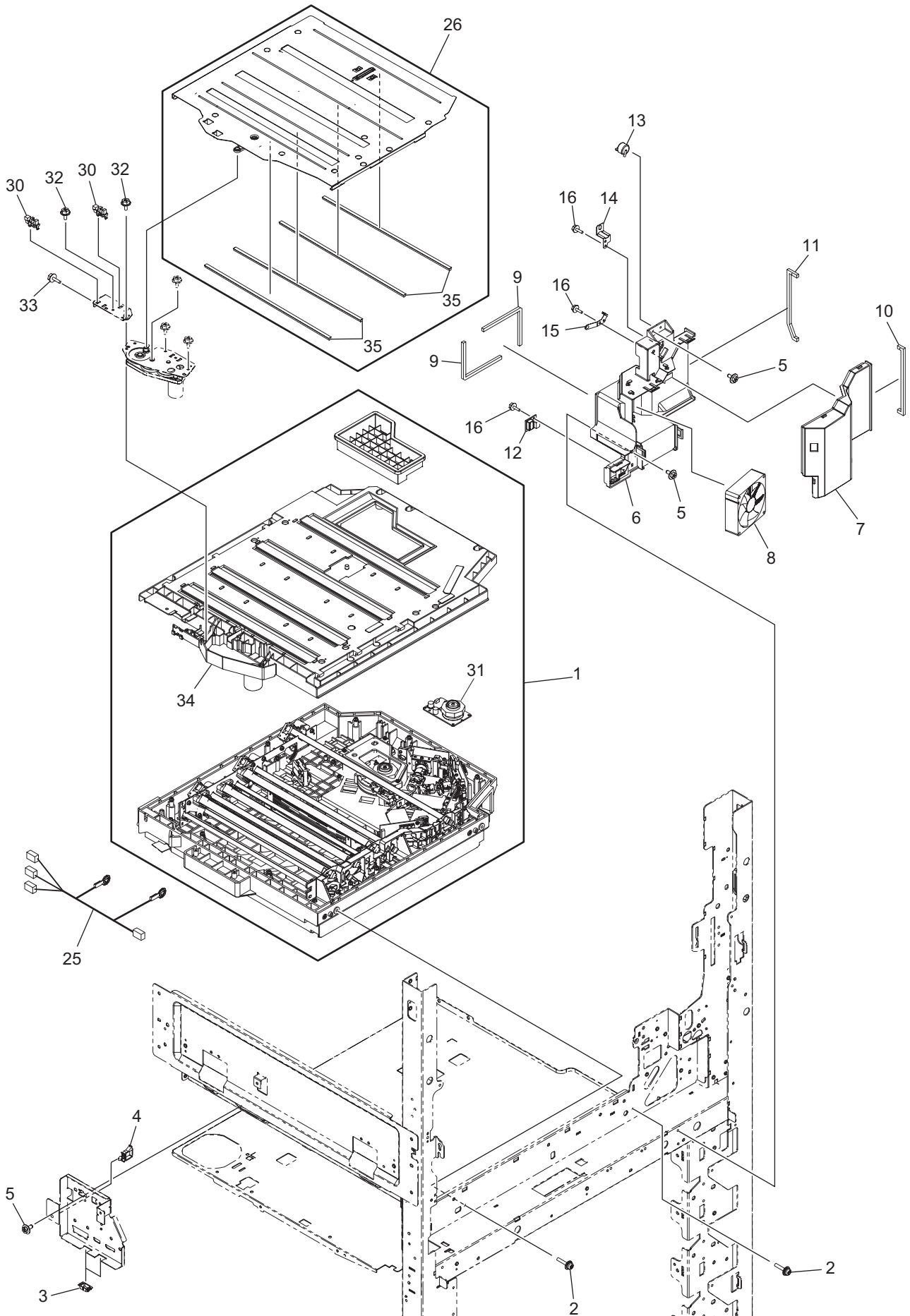


ITEM No.	PART No.	PART NAME	Q'TY / PAGE	Q'TY / PACK	REMARKS
1	6LH01115000	ASYS-BRKT-HINGE	2	1/P	
2	6LH01124000	SLIDE-FUS-INTER	1	1/P	
3	6LH01125000	BRKT-FUS-SW-INTER	1	1/P	
4	6LA02823000	SCREW-RAIL-TRU	2	5/P	
5	6LE22836000	SPG-E-6R5XR45X31R9	1	1/P	
6	E0-08442000	FA1L-AA22	1	1/D	
8	6LH01477000	ASYS-DUCT-LSU-RER	1	1/PP	
9	6LH04515000	BRKT-COV-HINGE-FRM-R-U	1	1/P	
10	6LH04514000	STUD-COV-HINGE-FRM-R-U	1	1/P	
11	X0-02231000	S/FHEXM-M3X8-NI	6	10/P	
12	6LH04518000	BRKT-COV-HINGE-FRM-R-L	1	1/P	
13	6LH04516000	STUD-COV-HINGE-FRM-R-L	1	1/P	
14	6LH04517000	GUIDE-SLOPE-L	1	1/P	
15	X0-02420000	S/TPS/FHEXM/R-3X8-ZU3	1	10/P	
16	6LH05488000	ASYS-BRKT-POS-ADU	2	1/P	
17	6LH05731000	HOLDER-SENSOR-CST-F43X	4	1/P	
18	6LJ08005000	BRKT-SENSOR-CST-F43X	4	1/P	
19	6LH05738000	SPG-C-8R9XR9X11R6	4	1/P	
20	E0-14485000	PS-42C02-F NS	8	1/C	
21	6LH07980000	ASYS-BRKT-LSU-STUD	2	1/P	
22 A	6LH05908000	BRKT-DRW-TANDEM	2	1/P	NAD,MJD,ASD,ARD,AUD
23 A	6LH05996000	SPG-DRAWER-TANDEM	4	1/P	NAD,MJD,ASD,ARD,AUD
24 A	4406326040	SCREW-D4-18-M3	4	10/P	NAD,MJD,ASD,ARD,AUD
25 A	F0-00370000	OCB-375	1	5/P	NAD,MJD,ASD,ARD,AUD
26 A	C0-17839000	LG2A14BL1	1	1/C	NAD,MJD,ASD,ARD,AUD
27	6LH03801000	SPG-E-PLATE-TBU-FIX	1	1/P	
28	6LJ07129000	PLATE-TBU-FIX-H130	1	1/P	
30 A	6LH05705000	BRKT-HOLD-RAIL	2	1/P	NAD,MJD,ASD,ARD,AUD
30 B	6LH05705000	BRKT-HOLD-RAIL	3	1/P	NAC,MJC
31 A	6LH05736000	HOLDER-CST-POS	2	1/P	NAD,MJD,ASD,ARD,AUD
31 B	6LH05736000	HOLDER-CST-POS	4	1/P	NAC,MJC
32	X0-02067000	S/TPS/PAN-4X20-ZU3	2	10/P	
34	X0-02421000	S/TPS/FHEXM/R-4X8-ZU3	37	10/P	
35	6LK31351000	PWA-H-DRV-340	1	1/SB	
36	6LH01406000	DUCT-OZ-TONER-L	1	1/PP	
37	6LJ06305000	ASYS-DUCT-OZ-TNR-UPR	1	1/PP	
38	6LA39980000	SCREW-SCAN-LFT	1	1/P	
39	6LJ09828000	HRNS-PFC-TLCF-130	1	1/P	
40	6LH09004000	HRNS-PSIZE-430	1	1/P	

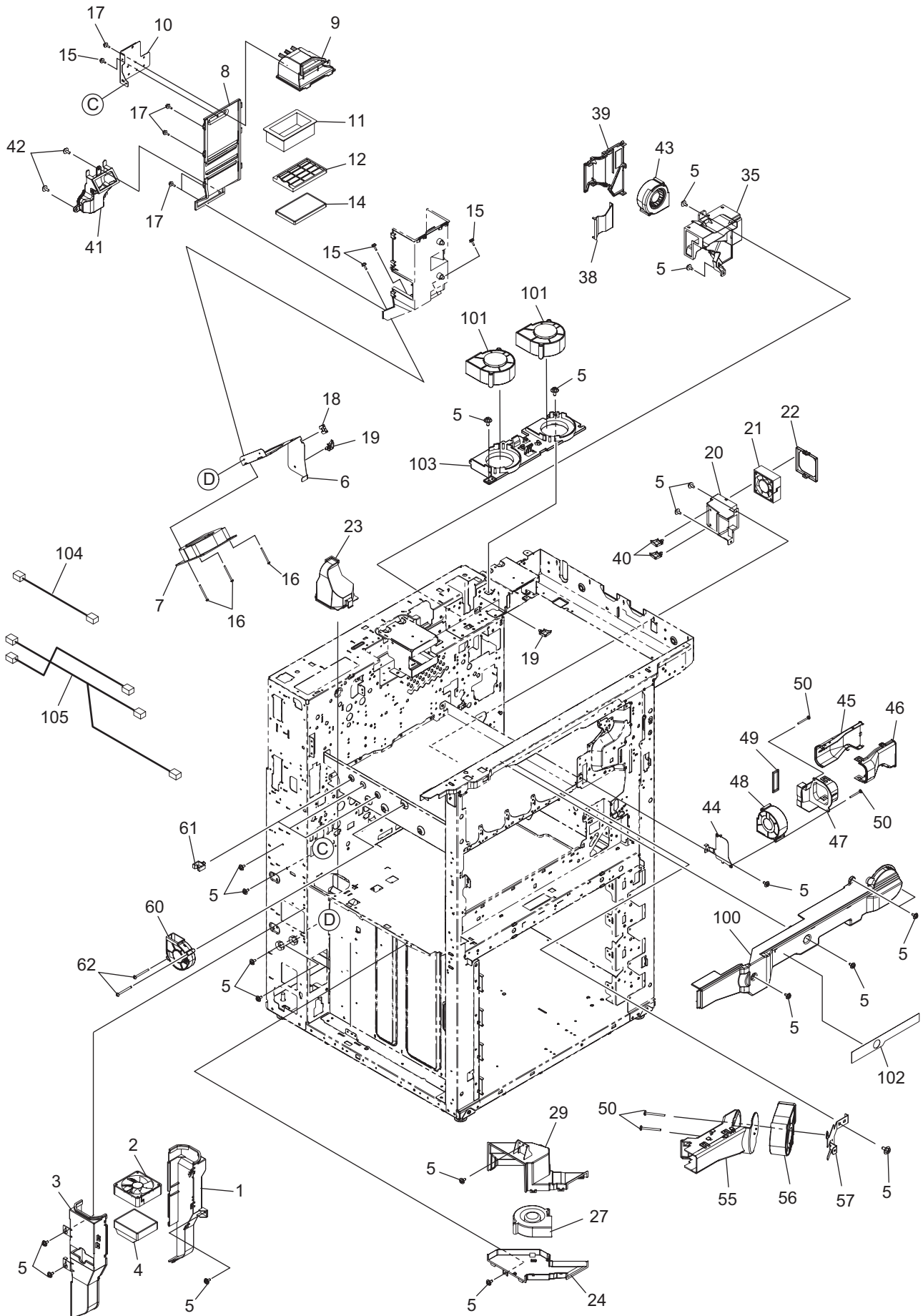




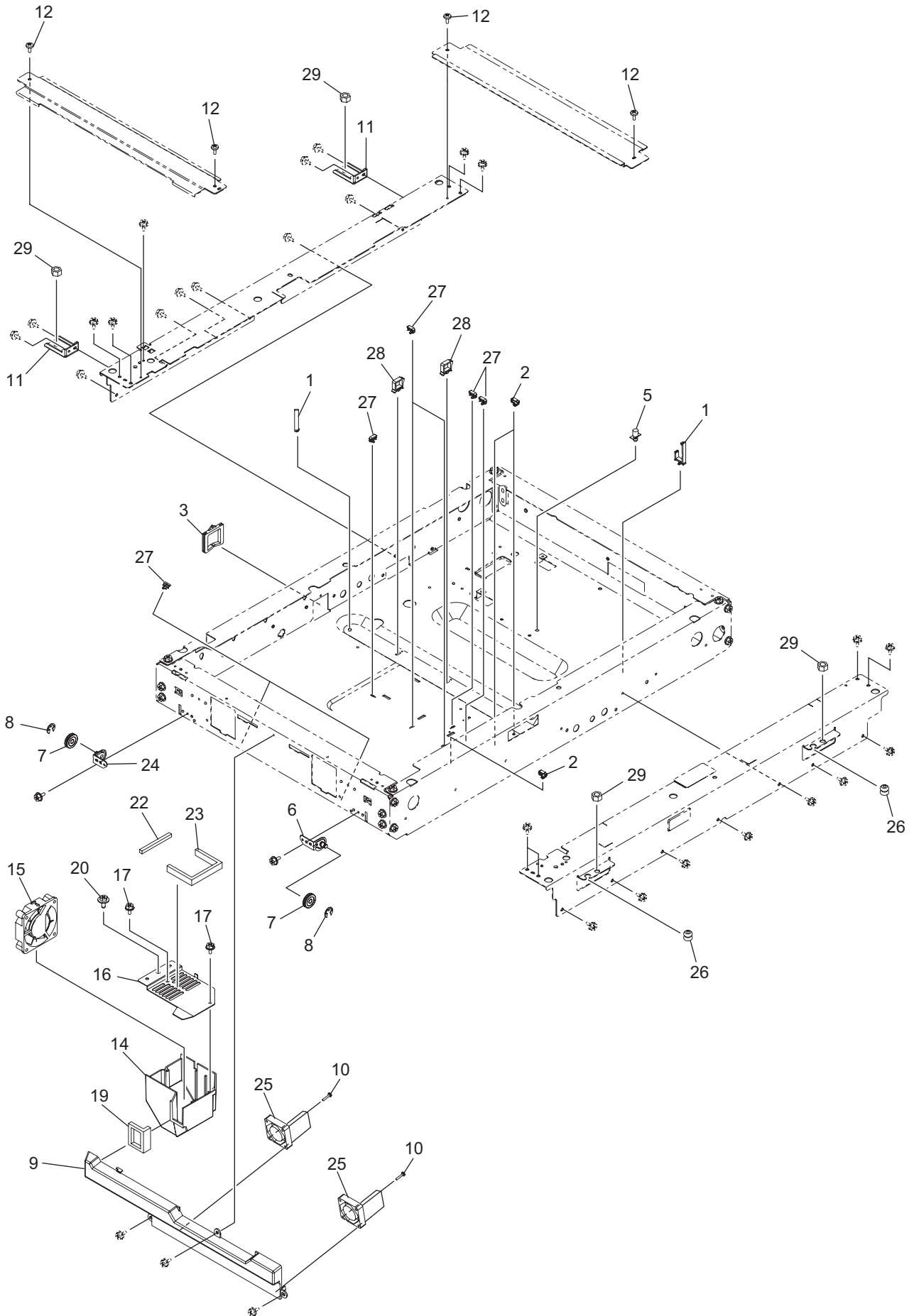






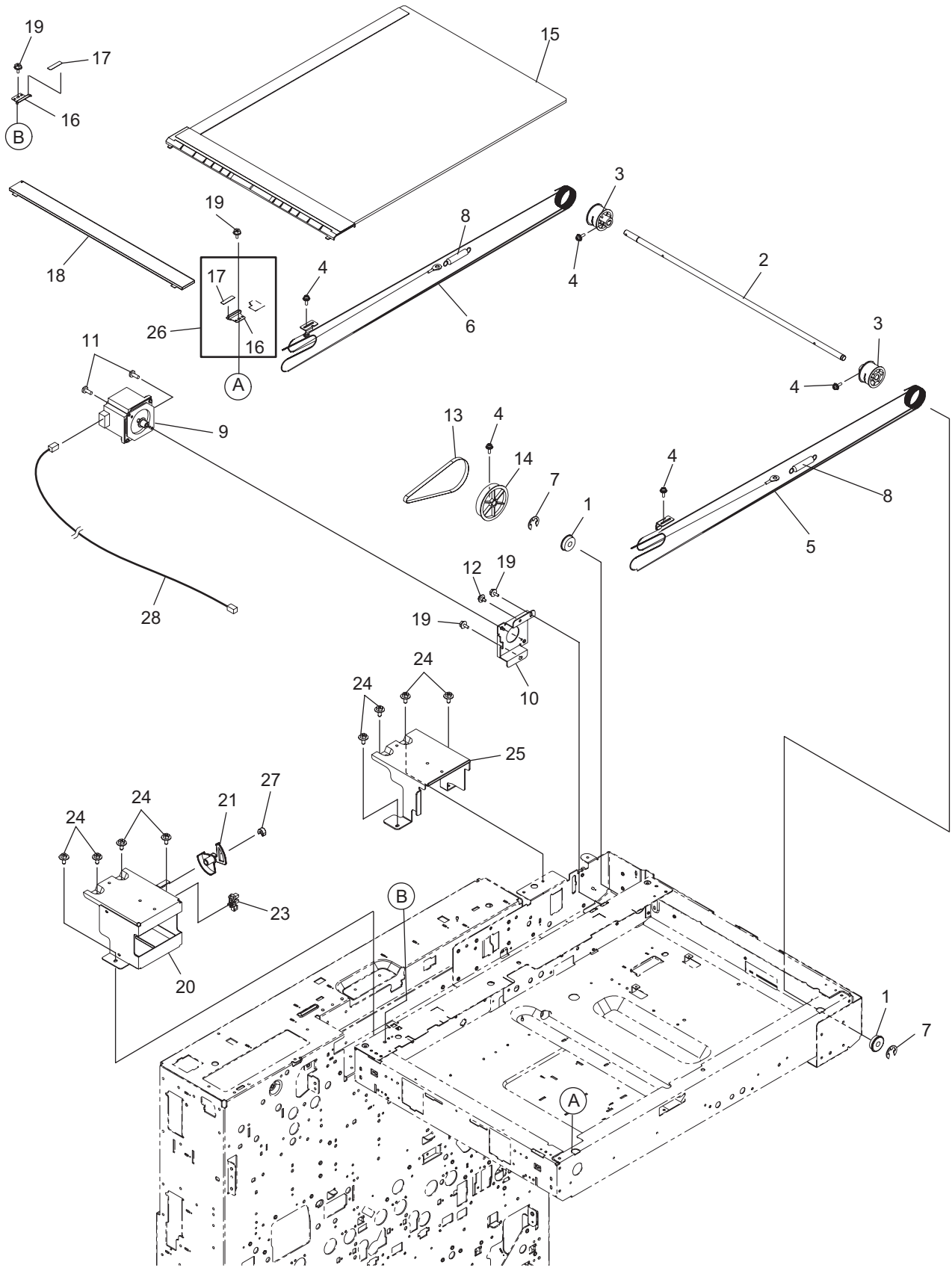


ITEM No.	PART No.	PART NAME	Q'TY / PAGE	Q'TY / PACK	REMARKS
1	6LH01463000	ASYS-DUCT-OZ-LWR-RGT	1	1/PP	
2	6LH01460000	ASYS-FAN-8025	1	1/D	
3	6LH01464000	ASYS-DUCT-OZ-LWR-LFT	1	1/PP	
4	6LH01479000	FLTR-OZ-430_TR	1	1/C	
5	X0-02421000	S/TPS/FHEXM/R-4X8-ZU3	21	10/P	
6	6LH01408000	BRKT-CASE-FIL-TNR	1	1/P	
7	6LJ09280000	FAN-P12032-130	1	1/D	
8	6LH01465000	ASYS-COVER-FLTR-TNR	1	1/PP	
9	6LH01467000	ASYS-DUCT-TNR-UPR	1	1/PP	
10	6LH01407000	BRKT-CASE-FIL-SUB	1	1/P	
11	6LJ06311000	FLTR-TONER-130-TYB	1	1/C	
12	6LH01492000	HLDR-FLTR-OZ-TNR	1	1/P	
14	6LH01481000	FLTR-OZ-TNR-430_TR	1	1/C	
15	X0-02420000	S/TPS/FHEXM/R-3X8-ZU3	4	10/P	
16	X0-02507000	S/TPS/PAN-4X40-ZU3	3	10/P	
17	X0-02247000	S/TPP/FHEXM-3X8-NI	5	10/P	
18	F0-00120000	ES-0505	1	5/P	
19	F0-01811000	LWS-0711S-V0	2	5/P	
20	6LH01412000	DUCT-LSU-R-FAN	1	1/P	
21	6LH01462000	ASYS-FAN-6025	1	1/D	
22	6LH01413000	DUCT-LSU-R-COV	1	1/P	
23	6LH01466000	ASYS-DUCT-OZ-UPR	1	1/PP	
24	6LH01416000	DUCT-EPU-F-ENT-L	1	1/P	
27	6LE09187000	FAND-DEV-390	1	1/D	
29	6LH01415000	DUCT-EPU-F-ENT-U	1	1/PP	
35	6LH01423000	DUCT-FUS-R-FAN	1	1/PP	
38	6LH01425000	DUCT-FUS-R-IN	1	1/P	
39	6LH01424000	DUCT-FUS-R-COV	1	1/PP	
40	F0-01813000	LWS-1316S-V0	2	5/P	
41	6LH01507000	ASYS-DUCT-TNR-OUT	1	1/PP	
42	X0-02235000	S/FHEXM-M4X8-NI	2	10/P	
43	6LH01555000	ASYS-DUCT-BRDG-F	1	1/C	
44	6LH01499000	PLATE-DUCT-FRT-TNR	1	1/P	
45	6LH01496000	DUCT-FRT-TNR-BASE	1	1/PP	
46	6LH01497000	DUCT-FRT-TNR-COUPLE	1	1/PP	
47	6LH01498000	DUCT-FRT-TNR-FAN-HLD	1	1/PP	
48	6LH09370000	FAN-P7530-430	1	1/D	
49	6LH01500000	SEAL-DUCT-FRT-TNR	1	1/KP	
50	X0-00461000	S/BID-M4X35-NI	4	10/P	
55	6LH01561000	ASYB-DUCT-FRONT-LS	1	1/PP	
56	6LH01547000	ASYS-FAN-DUCT-FR-L	1	1/C	
57	6LH01526000	PLT-DUCT-BRDG-FAN	1	1/P	
60	6LH09565000	FAN-P7525-430	1	1/D	
61	F0-01250000	MSB-1207	3	5/P	
62	X0-02114000	S/TPS/PAN-4X32-ZU3	2	10/P	
100	6LH01564000	ASYS-DUCT-BRIDGE-F	1	1/PP	
101	6LH01553000	ASYS-FAN-TP-REAR	2	1/D	
102	6LH18027000	LBL-HOT-BR-430	1	1/KP	
103	6LH01536000	HLD-FAN-TP-REAR	1	1/P	
104	6LJ09240000	HRNS-LGC-BMS-130	1	1/P	
105	6LJ09453000	HRNS-LVPS-LGC-130	1	1/P	

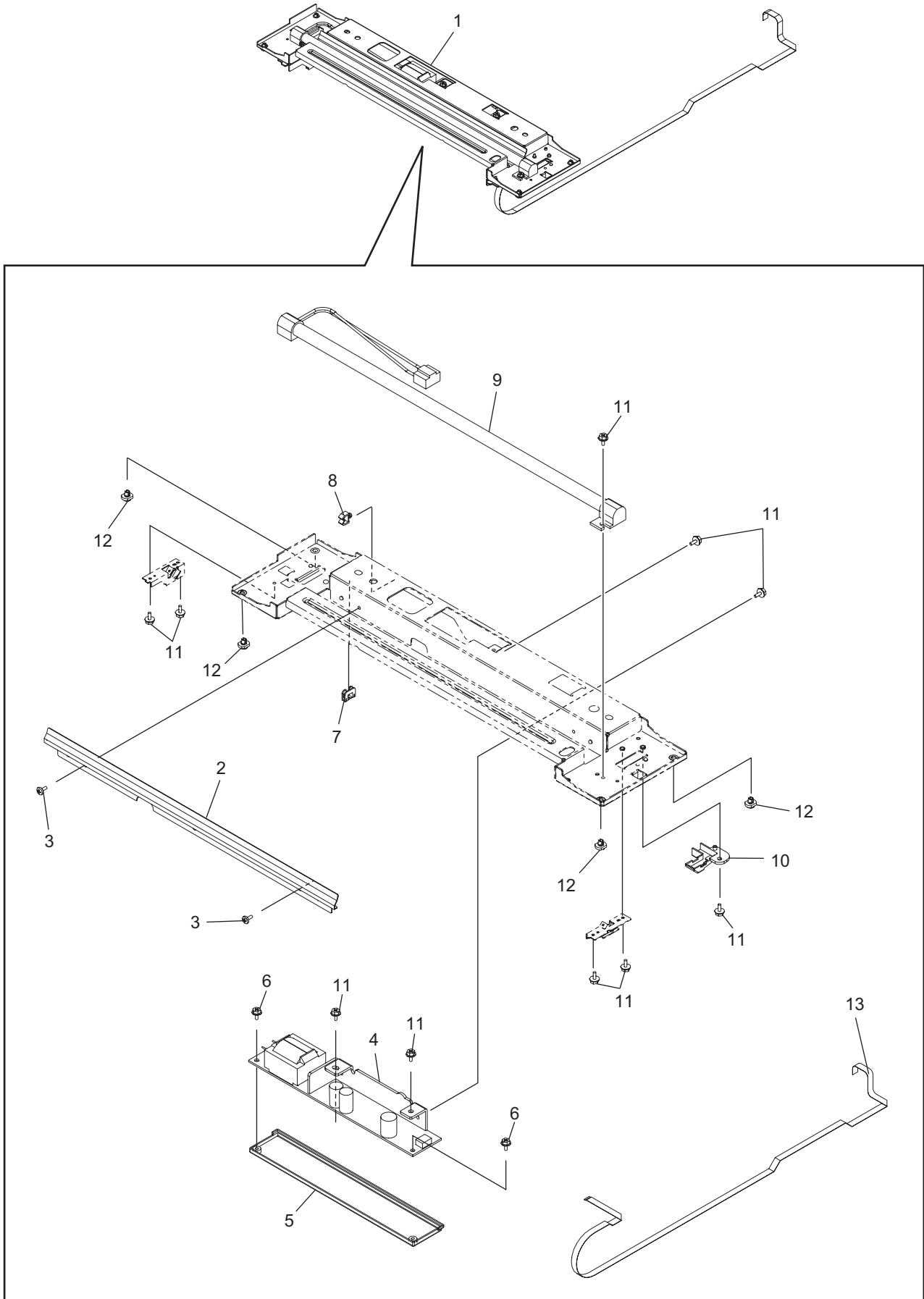








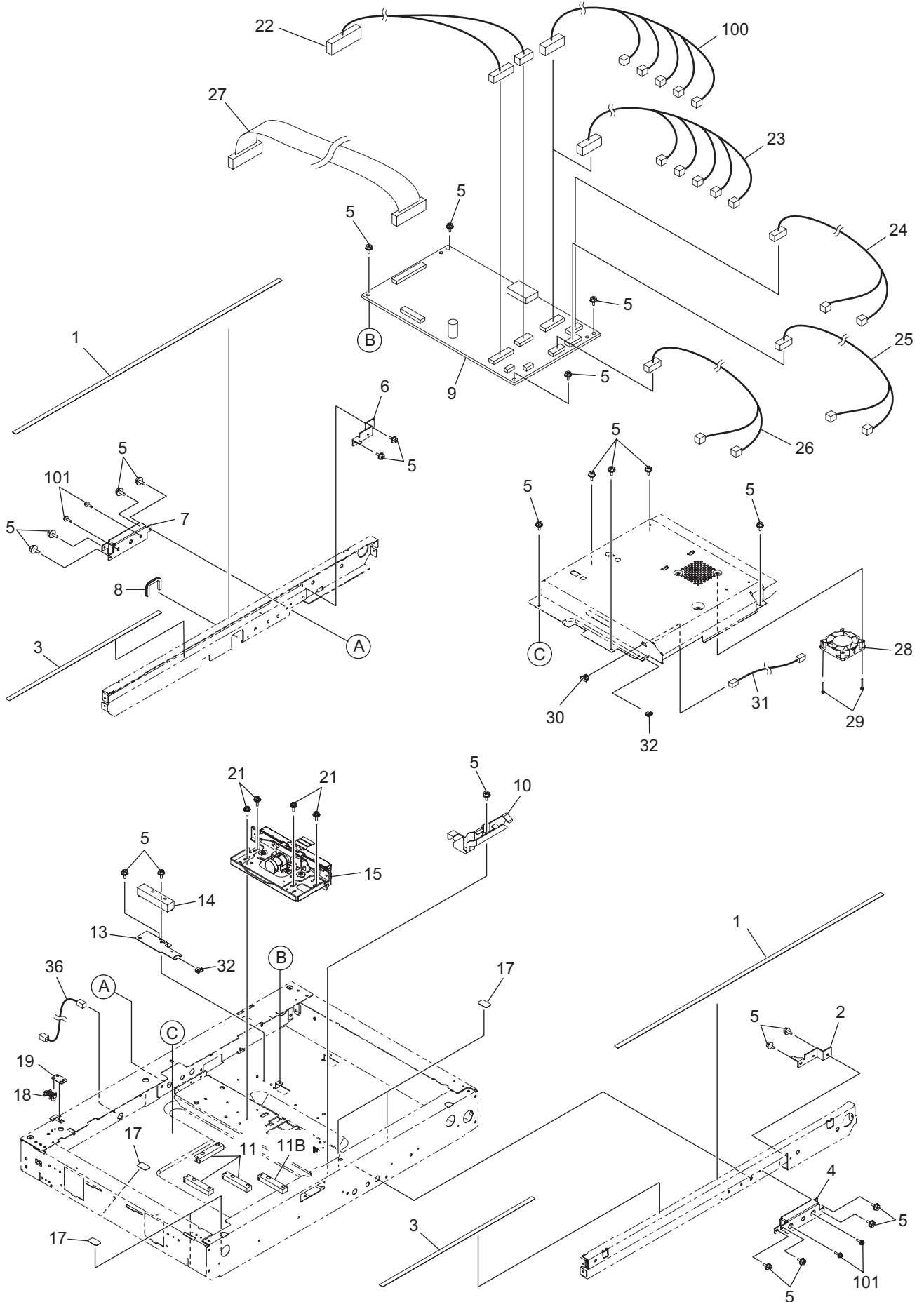






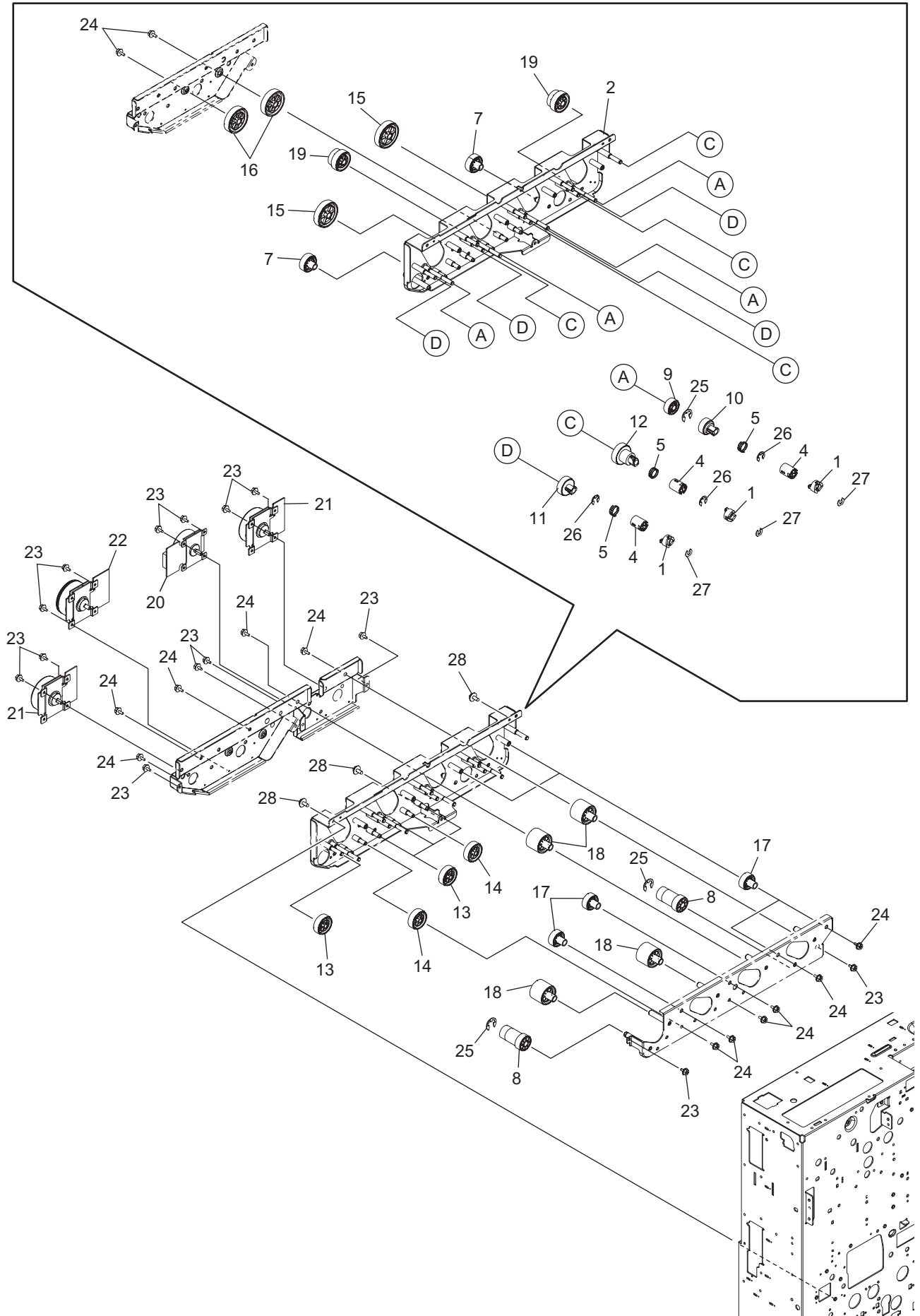




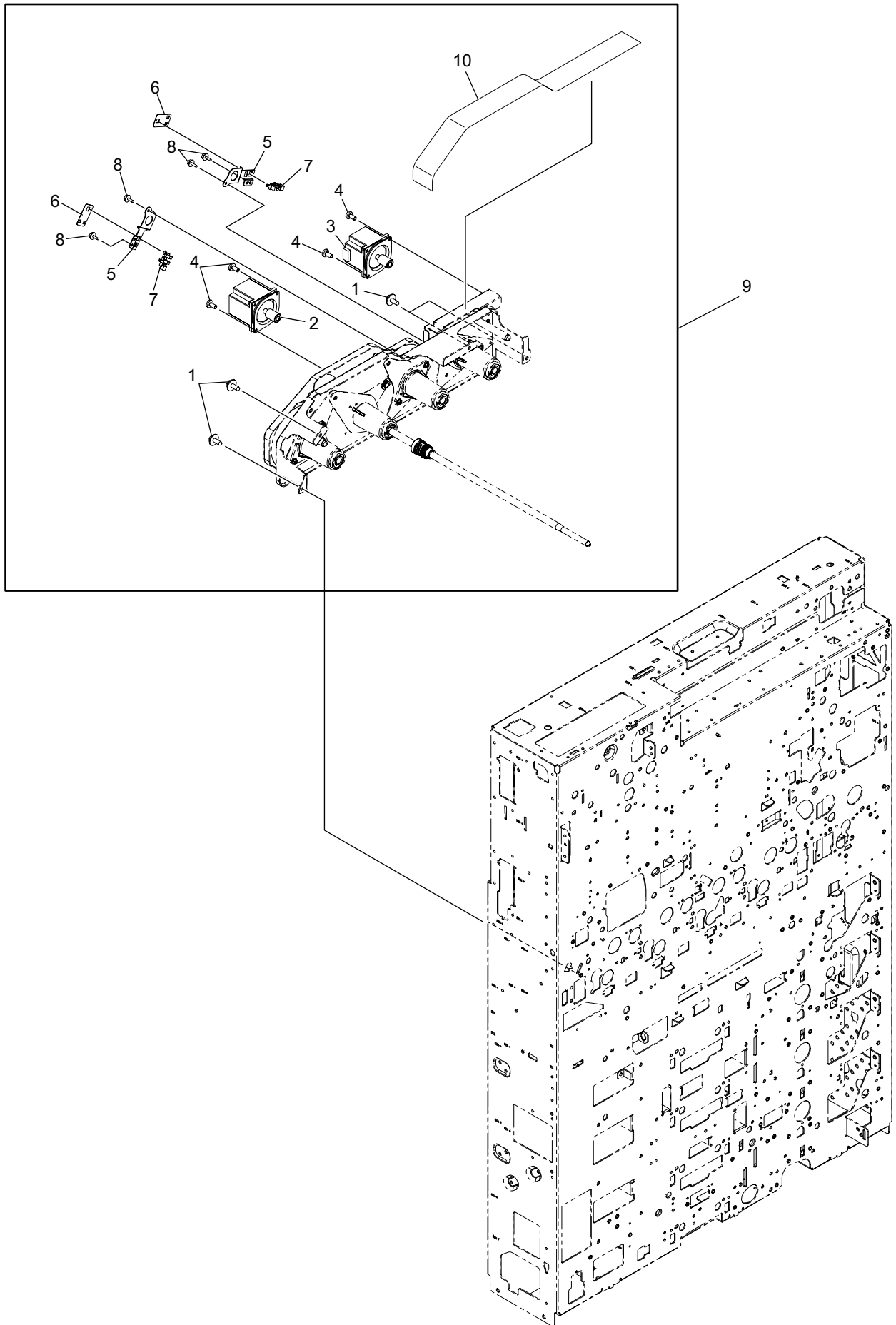


ITEM No.	PART No.	PART NAME	Q'TY / PAGE	Q'TY / PACK	REMARKS
1	6LH08200000	SHEET-CRG1-430	2	1/KP	
2	6LH08238000	BRKT-RAIL-FRT-430	1	1/P	
3	6LH08201000	SHEET-CRG2-430	2	1/KP	
4	6LH08227000	SPACER-RAIL-F-430	1	1/P	
5	X0-02230000	S/FHEXM-M3X6-NI	24	10/P	
6	6LH08237000	BRKT-RAIL-RER-430	1	1/P	
7	6LH08228000	SPACER-RAIL-R-430	1	1/P	
8	6LH08320000	BUSH-KG-016L-63	1	5/P	
9	6LJ09950000	ASYB-PWA-SLG-130S	1	1/SB	
10	6LH08256000	GUIDE-HRNS-430	1	1/P	
11 A	6LH08819000	SNSR-PS-182EL1	3	1/C	NAD,NAC
11 B	6LH08819000	SNSR-PS-182EL1	4	1/C	MJD,MJC,ASD,ARD,AUD
13 A	6LH08226000	BRKT-APS-430	1	1/P	NAD,NAC
14	6LE09478000	SNSR-PS-TY1CH56	1	1/C	
15	6LJ09018000	LENS-UNIT-H130	1	1/S	
17	6LA39577000	MYLAR-HRNS-INV	5	1/P	
18	C0-17839000	LG2A14BL1	1	1/C	
19	6LA29902000	COVER-SNSR-LIFT	1	1/P	
21	X0-00077000	S/PAN/SWWP-M3X8-NI	4	10/P	
22	6LJ09478000	HRNS-SCN-PS-130	1	1/P	
23 A	6LH09556000	HRNS-SCN-APSL-430	1	1/P	NAD,NAC
24	6LH08747000	HRNS-SCN-SNSR-430	1	1/P	
25	6LH09380000	HRNS-SCN-LMPFAN-430	1	1/P	
26	6LH09190000	HRNS-SCN-SLGFAN-430	1	1/P	
27	6LJ09475000	HRNS-SCN-SYS-430	1	1/P	
28	6LE09967000	FAND-6015-39X	1	1/D	
29	X0-02061000	S/TPS/PAN-3X20-ZU3	2	10/P	
30	E0-09305000	BU02P-TR-P-H (LF)(SN)	1	5/P	
31	6LH08852000	HRNS-SCN-FANRLY-430	1	1/P	
32 A	F0-00120000	ES-0505	3	5/P	CND,ASD,AUD
32 B	F0-00120000	ES-0505	2	5/P	ASD,ARD,AUD
32 C	F0-00120000	ES-0505	1	5/P	NAD,NAC,ASD,ARD,AUD
36	6LH08334000	ASYS-D_H-SCAN-R-430E	1	1/C	
37	F0-00136000	K-103G	1	5/P	
100 A	6LH08840000	HRNS-SCN-DH-430	1	1/P	ASD,ARD,AUD
101	X0-00094000	S/PAN/SWWP-M3X10-NI	4	10/P	

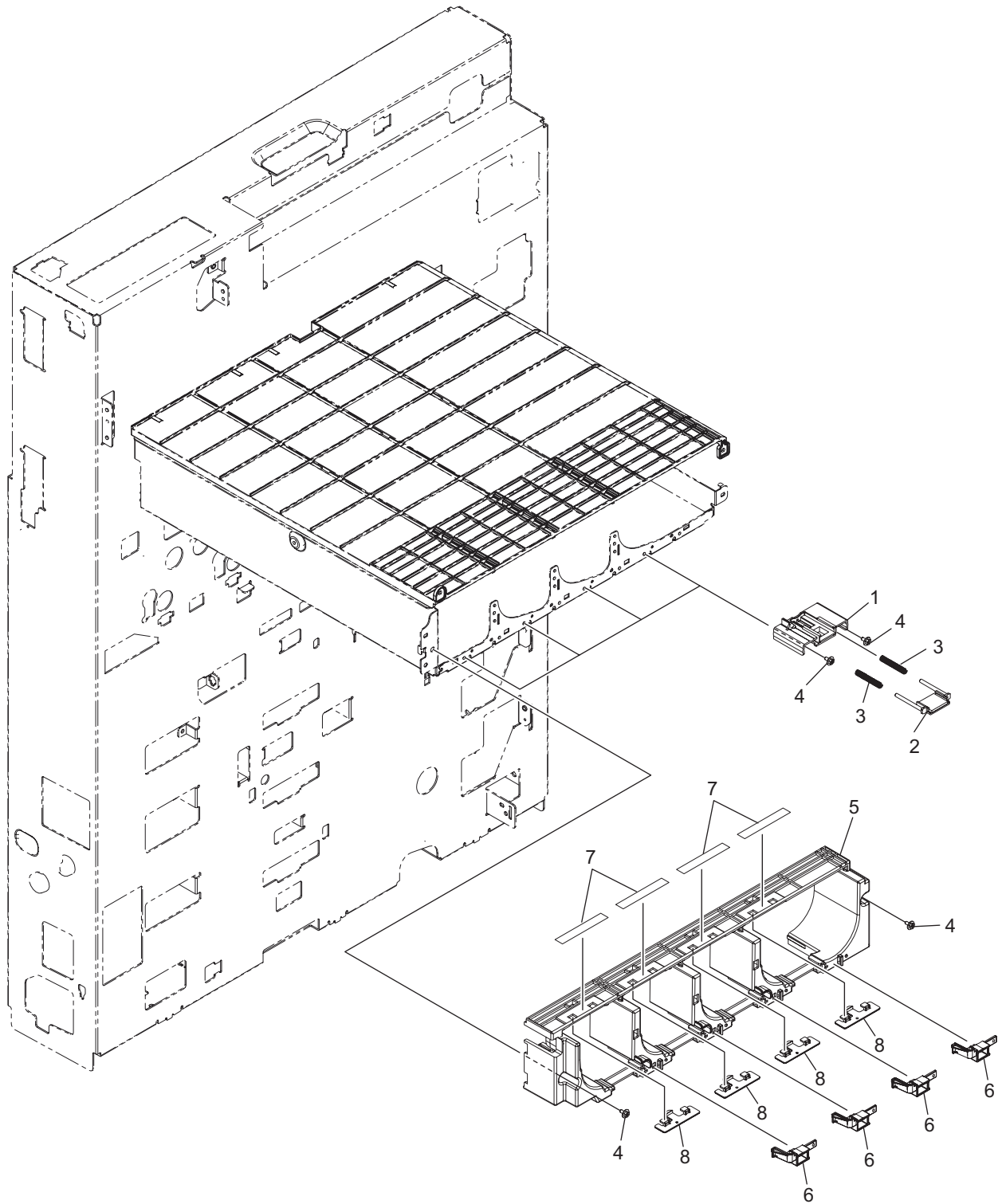










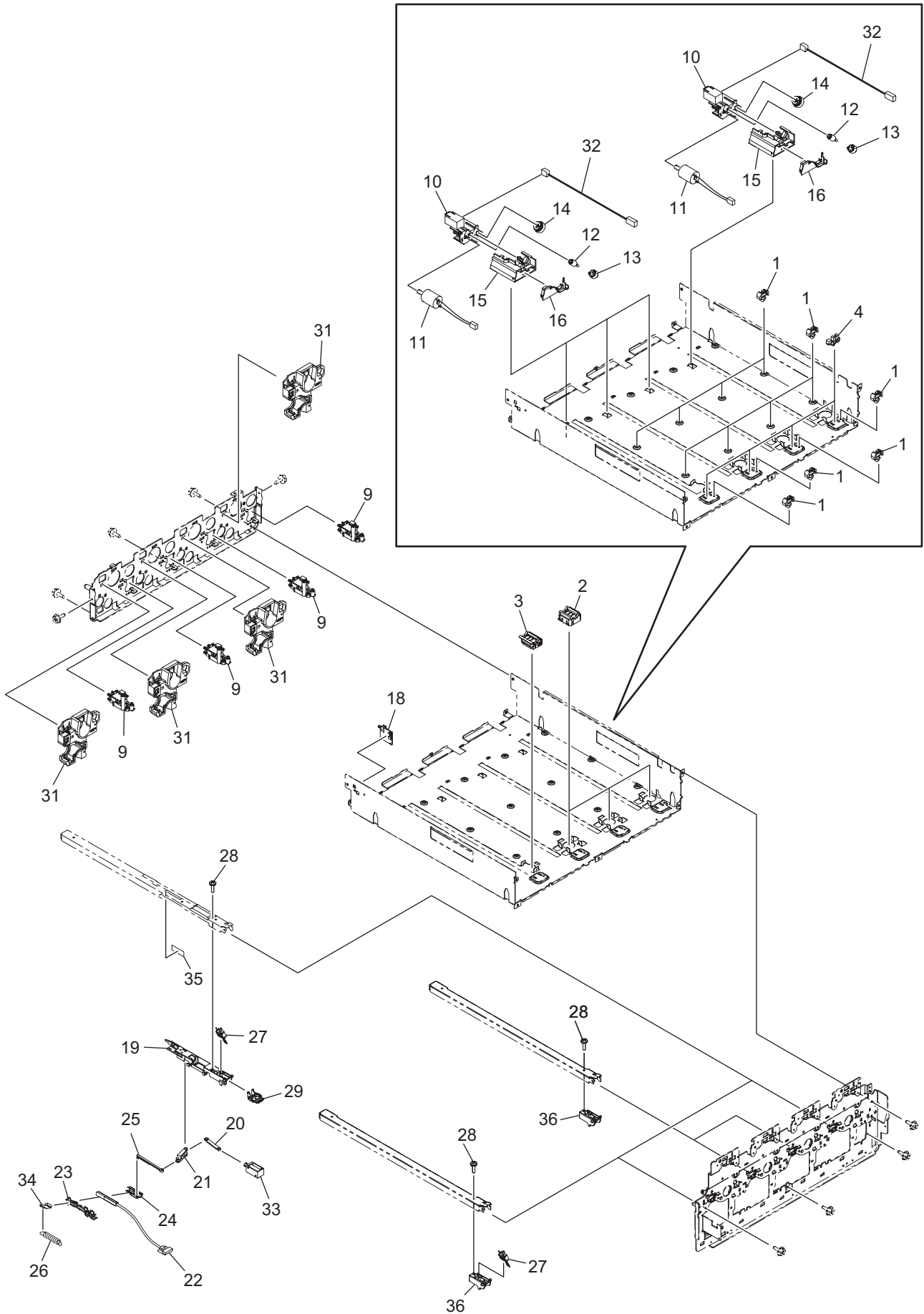




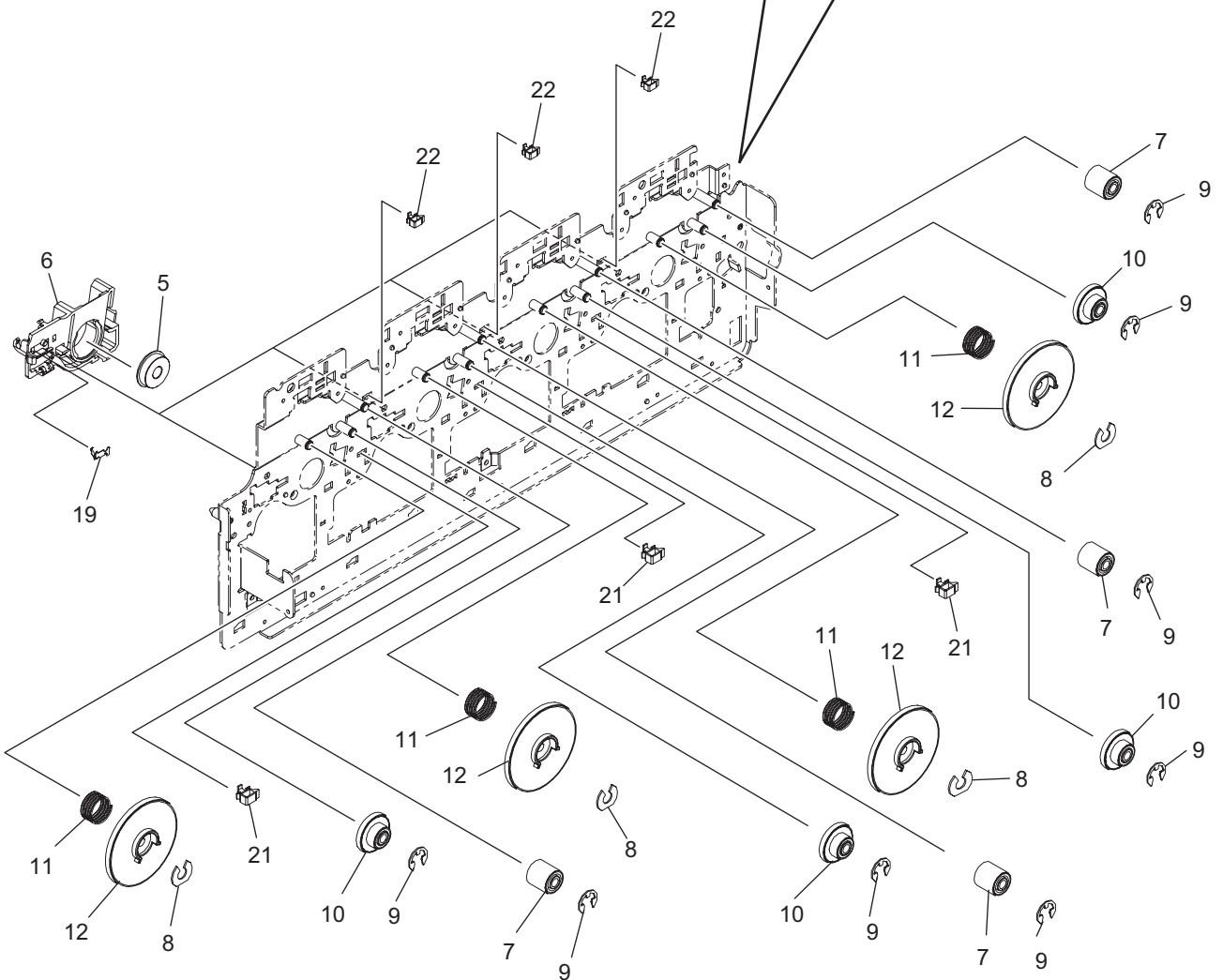
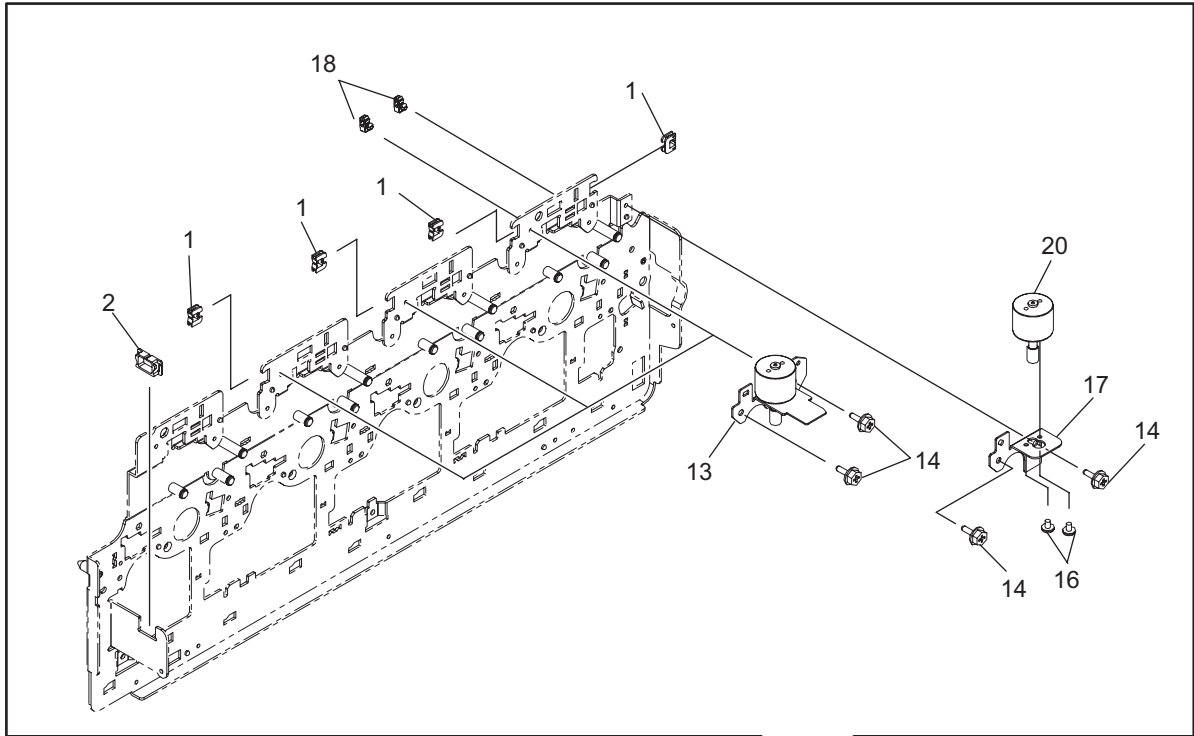


ITEM No.	PART No.	PART NAME	Q'TY / PAGE	Q'TY / PACK	REMARKS
1	6LH02827000	SHAFT-LOCK-TRAY-EPU-LFT	1	1/P	
2	6LH02620000	LOCK-TRAY-EPU	2	1/C	
3	X0-02380000	P/PRL/AH7-3X25-SS	2	10/P	
4	6LH02621000	STOP-LOCK-TRAY-EPU	2	1/P	
5	6LH02825000	SPG-LOCK-TRAY-EPU	2	1/P	
6	6LJ06747000	LEVER-TRAY-EPU	2	1/P	
7	6LH02839000	SHAFT-LVR-EPU-TRAY	2	1/P	
8	X0-00964000	RR/E-3-SS	6	10/P	
9	6LH02826000	SHAFT-LOCK-TRAY-EPU-RGT	1	1/P	
10	X0-02420000	S/TPS/FHEXM/R-3X8-ZU3	6	10/P	
11	6LJ06903000	AUGER-SUB-HOPPER	4	1/P	
12	6LH03450000	ASYS-BUSH-6X18X6F-M	4	1/P	
13	4406527560	K-BUSH-MIXER-R	12	1/P	
14	6LH03411000	GEAR-8S23-6-ONEWAY	4	1/P	
15	6LJ06902000	PADDLE-SH-H130	4	1/D	
16	6LJ06906000	ASYS-SHAFT-PADDLE-SH-H130	4	1/P	
17	6LH03454000	GEAR-08S84-6-SUB-H	4	1/P	
18	6LH03524000	ASYS-PDL-SENS-BP	4	1/P	
19	6LA02920000	BUSH-0410-05F-M	8	5/P	
20	6LH03414000	GEAR-8S22-4	4	1/P	
21	6LH03574000	RRG-4-P	4	1/P	
22	6LH02693000	HLDR-SNSR-TONER	4	1/P	
23	C0-17421000	TSP15D10C-101	4	1/C	
24	X0-02247000	S/TPP/FHEXM-3X8-NI	4	10/P	
26	X0-00966000	RR/E-5-SS	12	10/P	
27	6LH09014000	HRNS-EPU-HPTN-430	1	1/P	
28	6LH14762000	LBL-EPU_TBU-INST	1	1/KP	
29 A	6LH08990000	HRNS-Y-HPTN-430	1	1/P	Y
29 B	6LH08991000	HRNS-MCK-HPTN-430	3	1/P	M,C,K
30	6LH14763000	LBL-EPU-LEVER-R	1	1/P	
31	6LH14764000	LBL-EPU-LEVER-L	1	1/P	
32	6LH02696000	COVER-EPU	1	1/PP	
33	6LH02692000	CASE-SUB-HOPPER-MAIN	1	1/PP	
34	6LH03567000	ASYS-COV-SUB-HOPPER-Y	1	1/P	Y
35	6LH03567100	ASYS-COV-SUB-HOPPER-M	1	1/P	M
36	6LH03567200	ASYS-COV-SUB-HOPPER-C	1	1/P	C
37	6LH03567300	ASYS-COV-SUB-HOPPER-K	1	1/P	K
38	6LH03510000	ASYS-SHUT-SH-430	4	1/P	
39	6LH03585000	SEAL-SUB-HOPPER	8	1/KP	

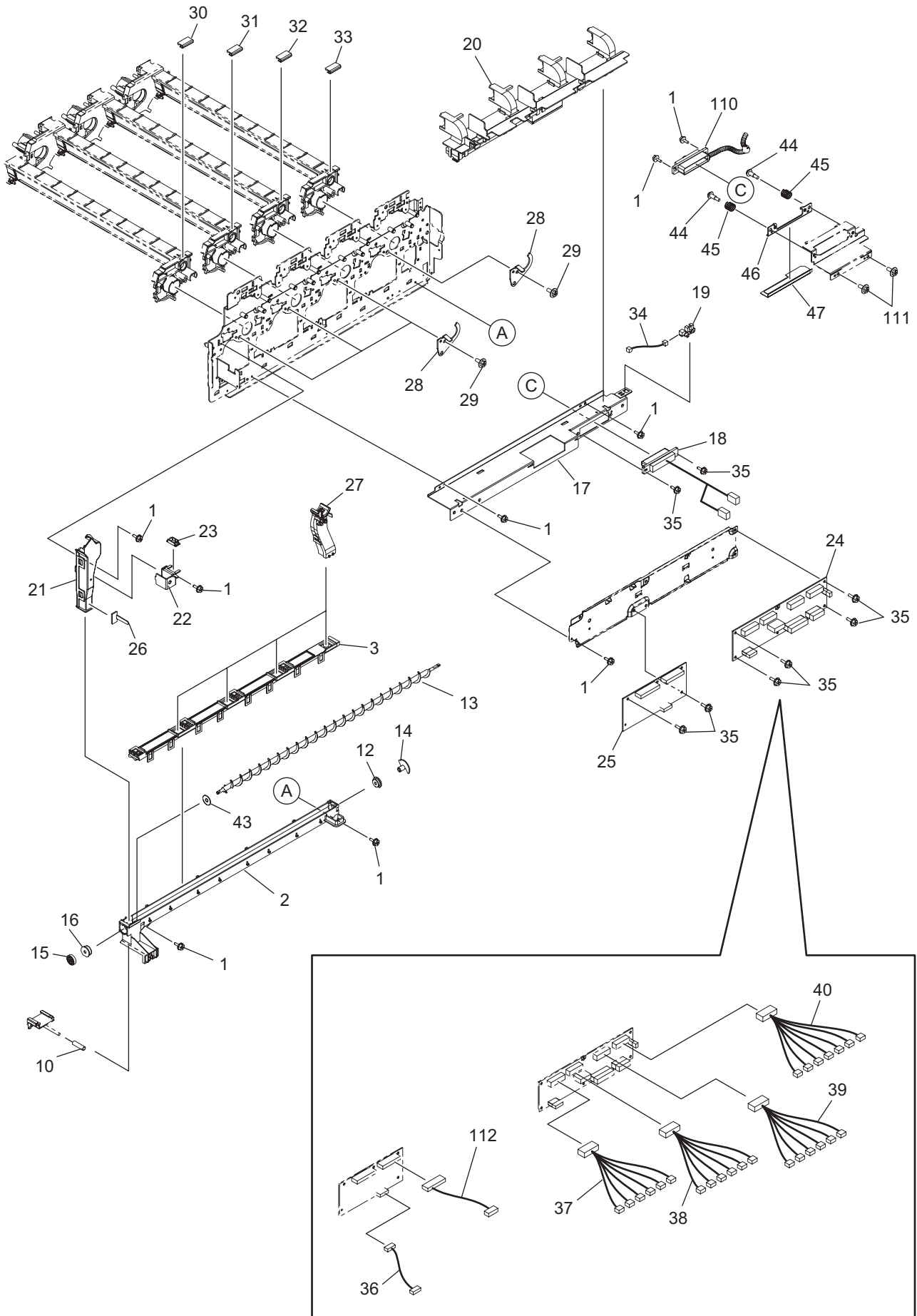




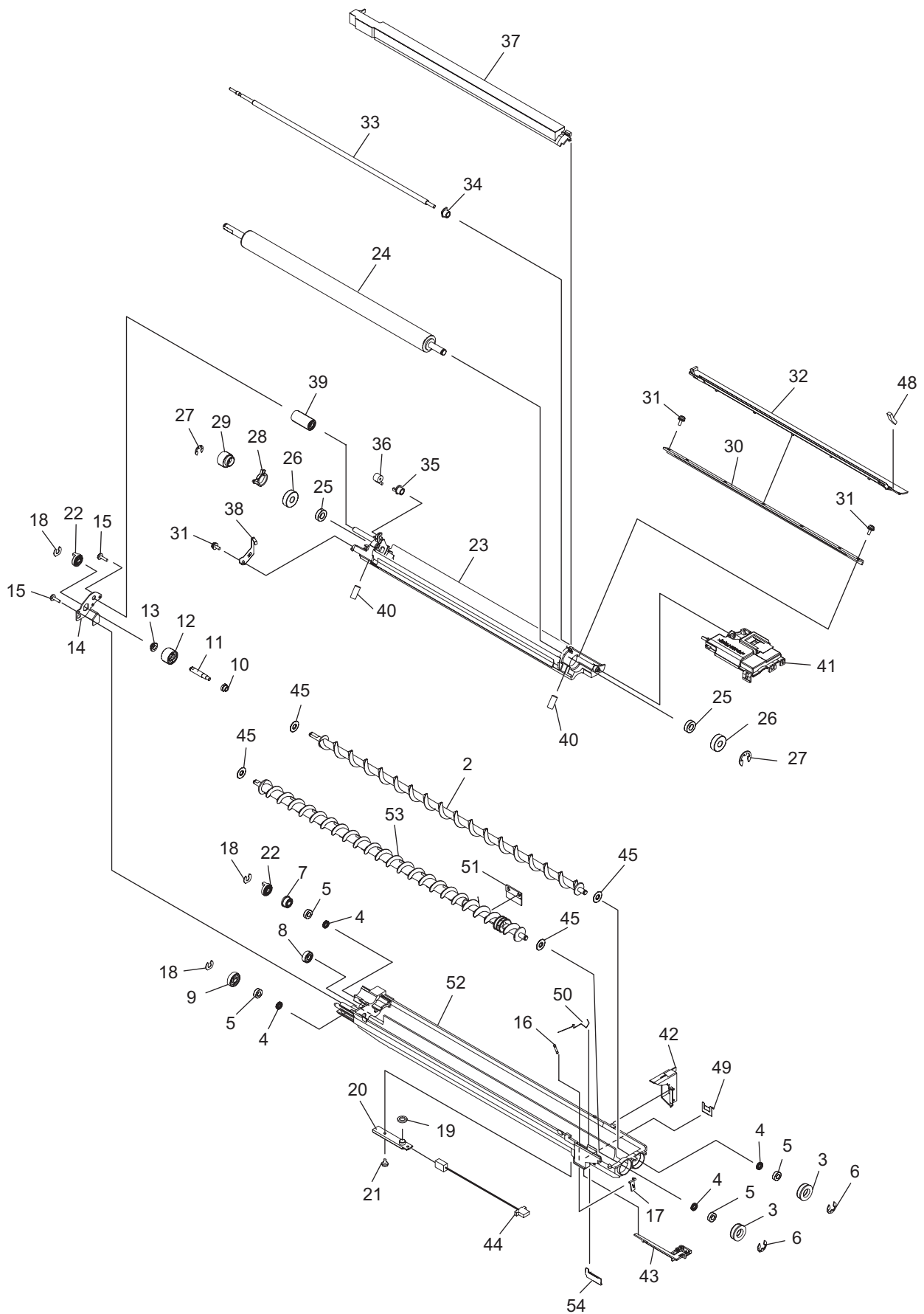
ITEM No.	PART No.	PART NAME	Q'TY / PAGE	Q'TY / PACK	REMARKS
1	F0-01046000	UAMS-02WL-0	12	5/P	
2	6LH02762000	ASYB-BRKT-FAN-OZN-MCK	3	1/C	
3	6LH02763000	ASYB-BRKT-FAN-OZN-Y	1	1/C	
4	C0-17839000	LG2A14BL1	4	1/C	
9	6LJ06738000	ASYB-TERM-HVT-CH	4	1/P	
10	6LH02622000	BRKT-DRIVE-CLNR-CHGR-2	4	1/D	
11	6LK30908000	MOTR_D-CHGR-CLNR-H34X	4	1/D	
12	6LH02675000	GEAR-IDLER-DRIVE-CLNR-CHG	4	1/P	
13	6LH02837000	GEAR-IDLER-DRIVE-CLNR-C-2	4	1/P	
14	6LH02690000	GEAR-DRIVE-CLNR-CHGR	4	1/P	
15 A	6LJ06721000	DUCT-OZONE-CLNR-CHGR-G	4	1/P	e-STUDIO5560C/6560C
15 B	6LJ06721000	DUCT-OZONE-CLNR-CHGR-G	3	1/P	e-STUDIO6570C
15 C	6LH02685000	DUCT-OZONE-CLNR-CHGR	1	1/P	e-STUDIO6570C
16	6LH02684000	COV-DUCT-OZONE-CLNR-CHGR	4	1/P	
18	6LJ06739000	ASYB-TERM-HVT-CH-Y	4	1/P	
19 A	6LH02709000	HLDR-SNSR-V0	1	1/P	e-STUDIO6570C
20 A	6LH02711000	LINK-SOL-SNSR-V0	1	1/P	e-STUDIO6570C
21 A	6LH02712000	LEVER-SHUT-SNSR-V0	1	1/P	e-STUDIO6570C
22 A	6LH09513000	SNSR-V0-PRO-430	1	1/C	e-STUDIO6570C
23 A	6LH02708000	BRKT-SNSR-V0	1	1/P	e-STUDIO6570C
24 A	6LH02710000	SHUT-SNSR-V0	1	1/D	e-STUDIO6570C
25 A	6LH02707000	LINK-SHUT-SNSR-V0	1	1/P	e-STUDIO6570C
26 A	6LH02929000	SPG-E-SHUT-SNSR-V0	1	5/P	e-STUDIO6570C
27 A	6LE29945000	THMS-DRM-380	2	1/C	e-STUDIO5560C/6560C
27 B	6LE29945000	THMS-DRM-380	1	1/C	e-STUDIO6570C
28	6LA80090000	S/TPP/BID-3*8-NI	4	5/P	
29 A	6LH02848000	HLDR-PWA-V0-PRO	1	1/P	e-STUDIO6570C
31	6LH02758000	ASYS-GUIDE-CLNR-D-RER	1	1/D	
32	6LH08986000	HRNS-CLNMT-430	4	1/P	
33 A	6LA34003000	SOL_IQ	1	1/D	e-STUDIO6570C
34 A	6LH02930000	PLATE-CONDUCT-SNSR-V0	1	1/D	e-STUDIO6570C
35 A	6LH02983000	SHEET-STAY-V0	1	1/P	e-STUDIO6570C
36 A	6LJ06724000	HLDR-STAY-EPU-H130	4	1/P	e-STUDIO5560C/6560C
36 B	6LJ06724000	HLDR-STAY-EPU-H130	3	1/P	e-STUDIO6570C





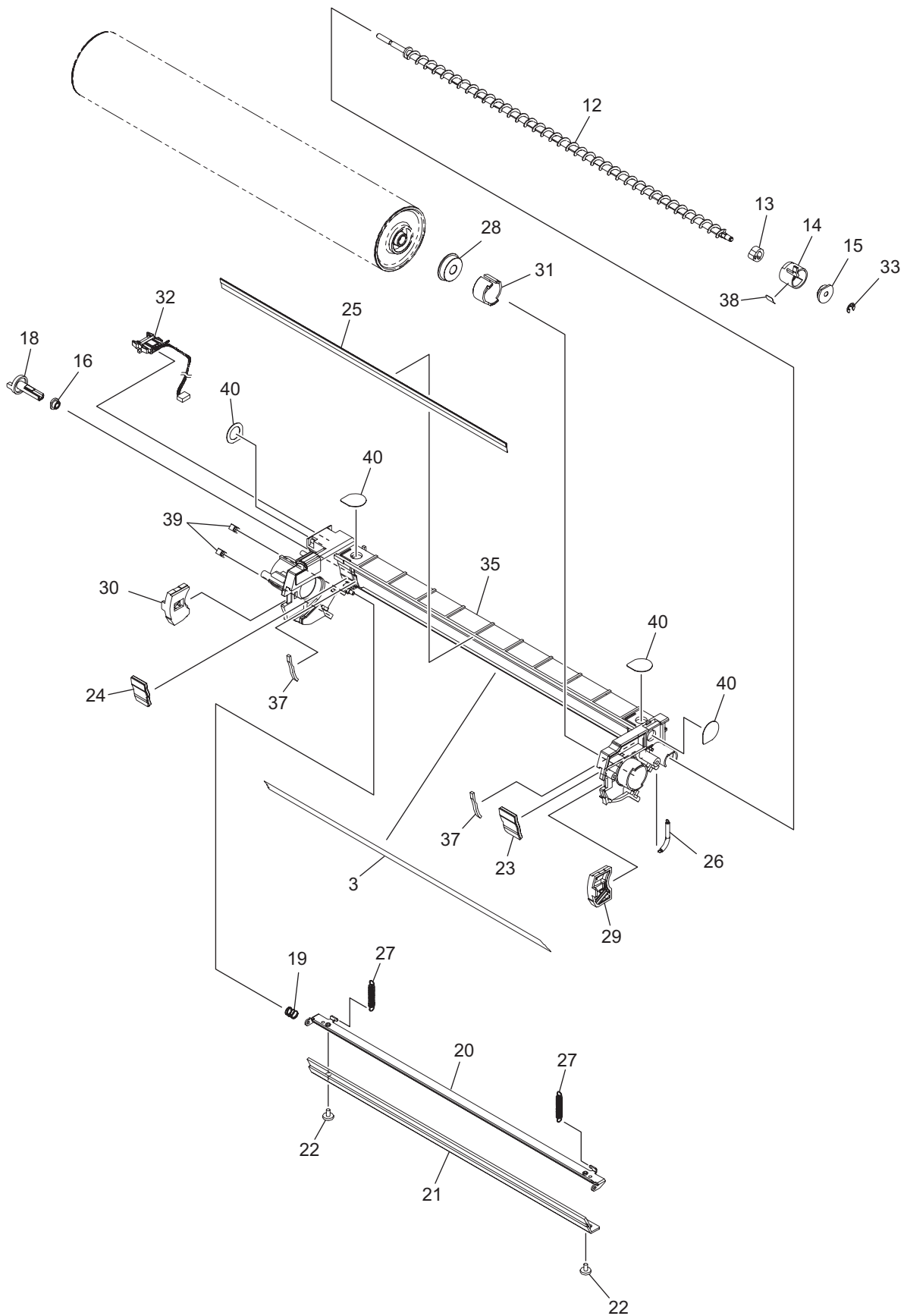


ITEM No.	PART No.	PART NAME	Q'TY / PAGE	Q'TY / PACK	REMARKS
1	X0-02420000	S/TPS/FHEXM/R-3X8-ZU3	9	10/P	
2	6LH03620000	ASYS-CASE-DUCT-WTNR-FRT	1	1/PP	
3	6LH03621000	ASYS-DUCT-WTNR-FRT	1	1/PP	
10	6LH03559000	SPG-WASTE-SHUT-EPU	1	1/P	
12	6LE42524000	BUSH-4-CLN-TBU-F	1	5/P	
13	6LH03428000	AUGER-WASTE-TNR	1	1/KP	
14	6LH03420000	SHIELD-PLT-WTNR-AUG	1	1/P	
15	6LH03431000	GEAR-8S18-6-AUG-FRT	1	1/P	
16	6LH03489000	ASYS-BUSH-4-WTNR	1	1/P	
17	6LH02700000	BRKT-CNTR-EPU-TRAY	1	1/P	
18	6LH08913000	ASY-HRNS-EPU-430	1	1/P	
19	C0-17839000	LG2A14BL1	1	1/C	
20	6LH02752000	ASYB-DUCT-DEV-EPU_TRAY	1	1/PP	
21	6LJ07152000	ASYB-DUCT-CLN-TBU-H13X	1	1/PP	
22	6LH02631000	BRKT-LOCK-TRAY-EPU-LFT	1	1/P	
23	F0-01248000	ESC-0912	1	10/P	
24	6LJ09868000	PWA-H-EPU-130F	1	1/C	
25 B	6LH09888000	SNSR-V0-CNT-430	1	1/C	e-STUDIO6570C
26	F0-00136000	K-103G	1	5/P	
27	6LH02963000	ASYB-DUCT-W_TNR-CLNR-DRUM	4	1/D	
28	6LH02668000	RTNR-DEV-FRT	4	1/P	
29	X0-02235000	S/FHEXM-M4X8-NI	4	10/P	
30	6LH02616300	PIECE-COLOR-Y	1	5/P	
31	6LH02616200	PIECE-COLOR-M	1	5/P	
32	6LH02616100	PIECE-COLOR-C	1	5/P	
33	6LH02616000	PIECE-COLOR-K	1	5/P	
34	6LJ09256000	HRNS-EPOGS-130	1	1/P	
35	X0-02231000	S/FHEXM-M3X8-NI	8	10/P	
36 B	6LH08987000	HRNS-V0T-430	1	1/P	e-STUDIO6570C
37	6LJ09350000	HRNS-YPU-130	1	1/P	
38	6LJ09352000	HRNS-MPU-130	1	1/P	
39	6LJ09353000	HRNS-CPU-130	1	1/P	
40 A	6LJ09354000	HRNS-KPU-130	1	1/P	e-STUDIO5560C/6560C
40 B	6LH08942000	HRNS-KPU-430	1	1/P	e-STUDIO6570C
43	6LH03606000	WASHER-4X12X05-P	1	5/P	
44	6LE06667000	SCREW-M3-D4-7-ZU3	2	5/P	
45	6LH02970000	SPG-DRW-EPU-MAIN	2	1/P	
46	6LH02969000	PLATE-DRW-EPU-MAIN	1	1/P	
47	6LH02971000	SHEET-BRKT-DRW-MAIN	1	1/C	
110	6LJ09253000	HRNS-LGC-EPU-130	1	1/P	
111	X0-02421000	S/TPS/FHEXM/R-4X8-ZU3	2	10/P	
112 B	6LJ09304000	HRNS-V02-132	1	1/P	e-STUDIO6570C

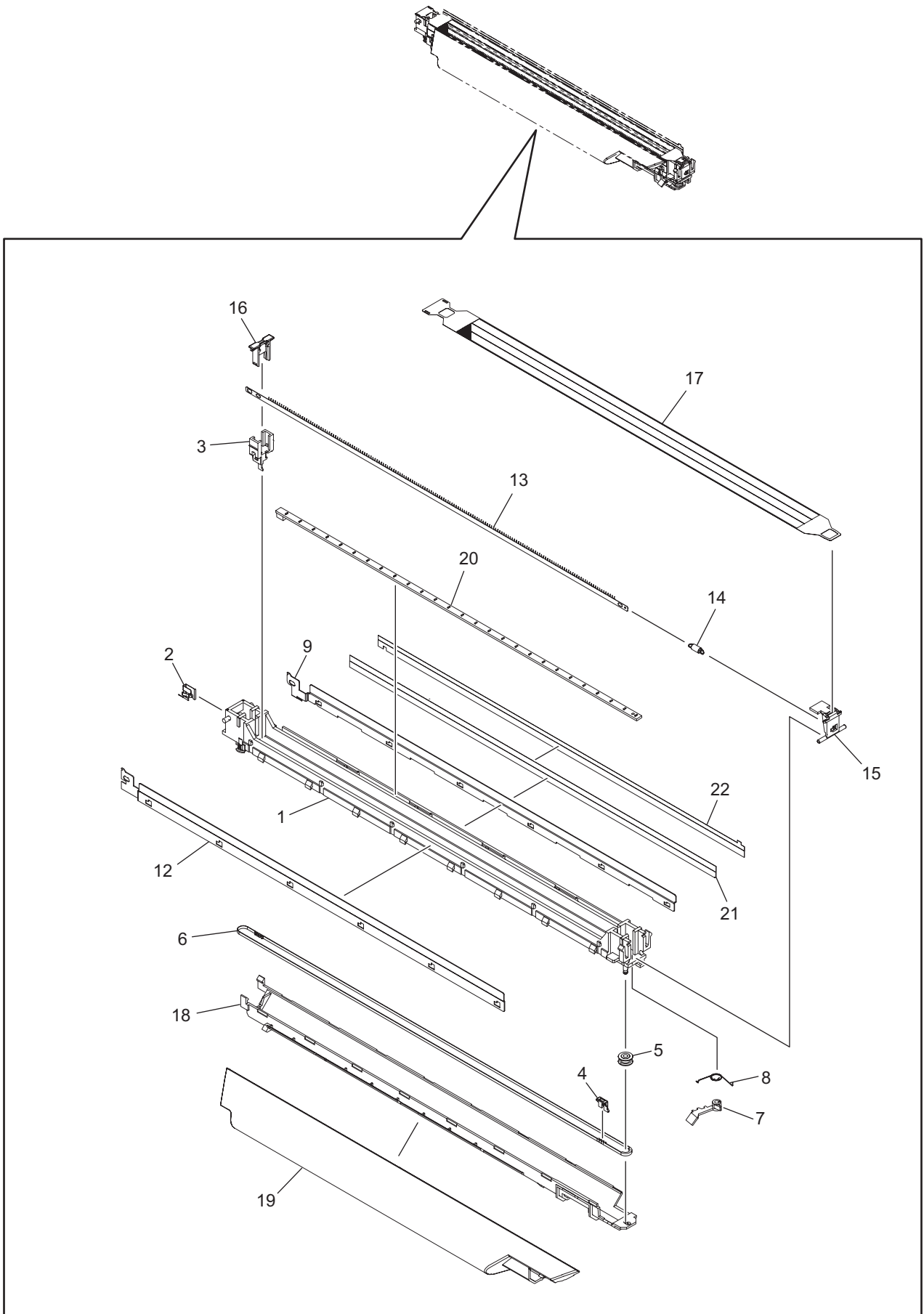


ITEM No.	PART No.	PART NAME	Q'TY / PAGE	Q'TY / PACK	REMARKS
2	6LH02910000	MIXER-RGT-430	1	1/KP	
3	6LH02655000	BUSH-DEV-FRT-430	2	1/P	
4	4401949290	SEAL-VC6-10-2.5	4	1/P	
5	F0-01959000	L1260 2RS-SH44M-GV22	4	1/P	
6	X0-00966000	RR/E-5-SS	2	10/P	
7	6LH02657000	GEAR-04H30-6-MIX	1	1/P	
8	6LH02679000	ASYS-GEAR-MIX-430	1	1/P	
9	6LH02658000	GEAR-04H43-6-MIX	1	1/P	
10	6LA34029000	BUSH-4X7X6F-POM	1	5/P	
11	6LH02767000	SHAFT-IDL-DEV	1	1/P	
12	6LH02660000	GEAR-04H43-6-MG	1	1/P	
13	44201994000	BUSH-6-3.7-GCB	1	5/P	
14	6LH02667000	BRKT-GEAR-DEV	1	1/P	
15	6LA80090000	S/TPP/BID-3*8-NI	2	5/P	
16	6LH02770000	SPG-SHUT-DEV	1	1/P	
17	6LH02984000	SHUT-DEV	1	1/P	
18	6LH03574000	RRG-4-P	3	1/P	
19	6LA29904000	SEAL-ATC-BLK	1	5/P	
20	6LE29460000	SNSR-ATC-380	1	1/C	
21	X0-02113000	S/PAN-M3X4-NI	1	10/P	
22	6LH01767000	COUPL-DRV-DEV	2	1/P	
23	6LJ06717000	ASYS-HLDR-MG-SEAL-H130	1	1/C	
24	6LJ06700000	RLR-MAGT-H13X	1	1/KP	
25	F0-01868000	6882RSSH44M	2	1/P	
26	F0-01862000	608ZZM2SH44M	2	1/P	
27	X0-00968000	RR/E-7-SS	2	10/P	
28	6LH02662000	LINK-MG-RE	1	1/P	
29	6LH02656000	GEAR-04H43-8-MG	1	1/P	
30	6LH02651000	ASYS-DOCTR-430	1	1/P	
31	X0-00059000	S/PAN/SWWS-M3X6-NI	3	10/P	
32	6LH02746000	ASYS-SHLD-DOC	1	1/C	
33	6LH02766000	ROLLER-RE-430	1	1/P	
34	6LH02904000	BUSH-RE-FRT	1	5/P	
35	6LA81752000	BUSH-RE-ROL-R	1	1/P	
36	6LH02715000	CLUCH-RE-430	1	1/D	
37	6LH02745000	ASYS-COV-MG	1	1/C	
38	6LH02663000	ADJSTR-MAGT	1	1/P	
39	6LH02680000	ASYS-GEAR-MG-430	1	1/P	
40	6LH02765000	SPG-MG-DRM	2	1/P	
41	6LJ06726000	ASYS-COVER-DEV-H130	1	1/D	
42	6LH02670000	DUCT-DOC-FRT	1	1/D	
43	6LH02714000	CNTR-ATC-430	1	1/P	
44	6LH08985000	HRNS-ATC-430	1	1/P	
45	6LE23233000	SEAL-MIXER-380	4	5/P	
48	6LH02905000	SEAL-MG-SIDE-FRT	1	5/P	
49	6LJ06773000	SHEET-ADJUST-SR-B	1	1/P	
50	6LH02928000	SCRAPR-SR	1	1/C	
51	6LH02768000	BLADE-PADDLE-430	1	1/P	
52	6LJ06761000	ASYS-CASE-DEV-H130	1	1/PP	
53	6LH02911000	MIXER-LFT-430	1	1/KP	
54	6LH02944000	ASYS-FLANG-SHUT-DEV	1	1/P	

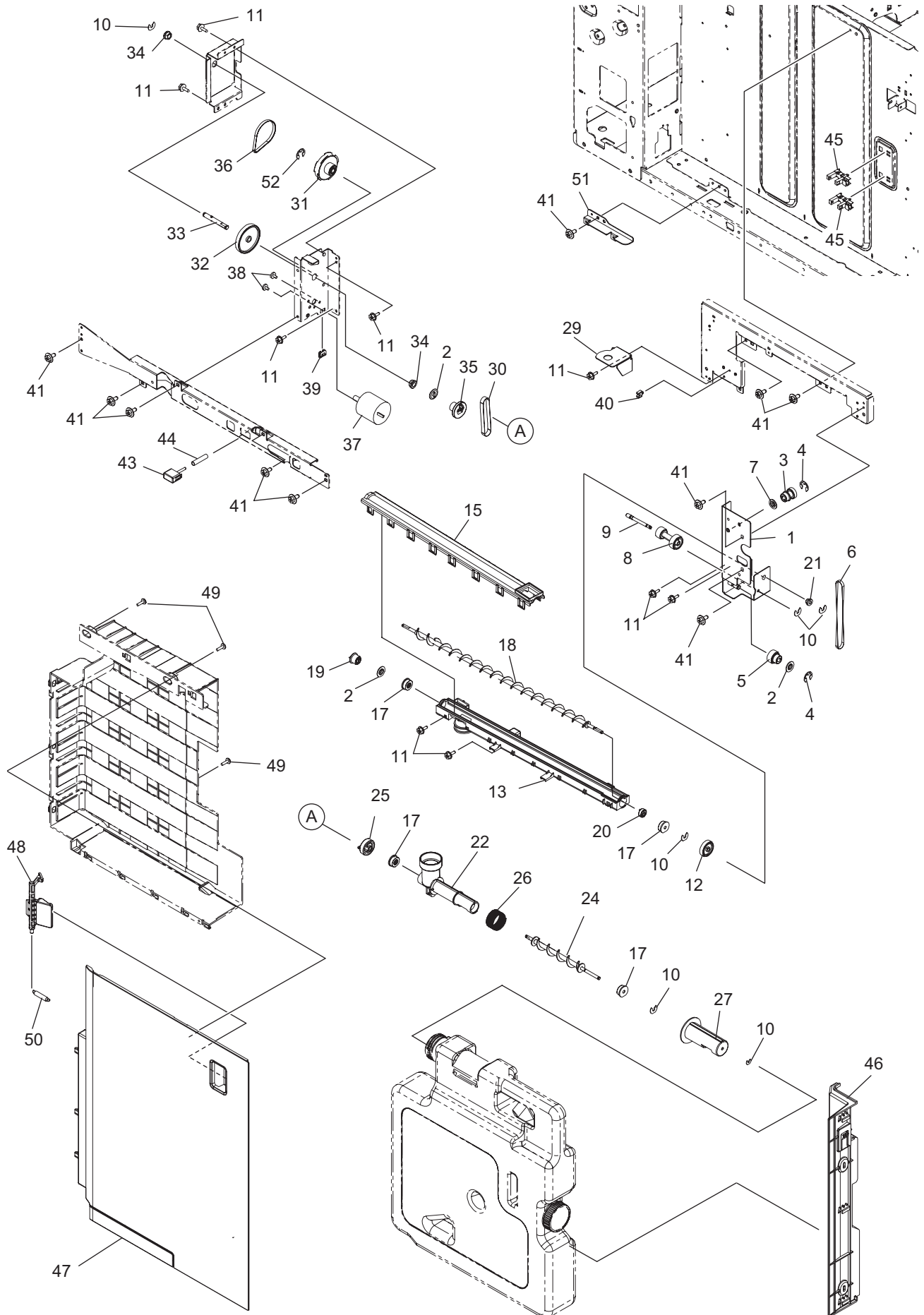




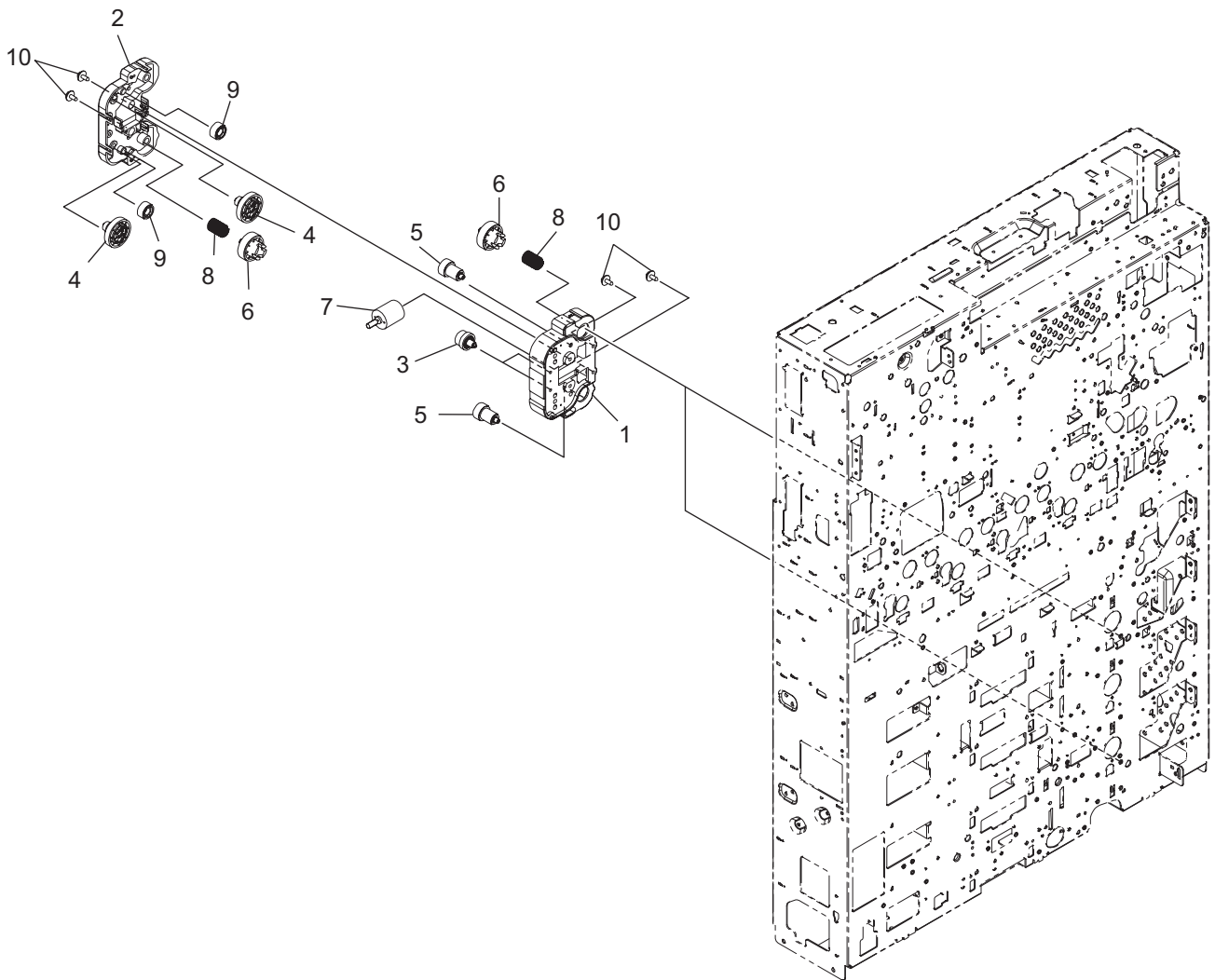






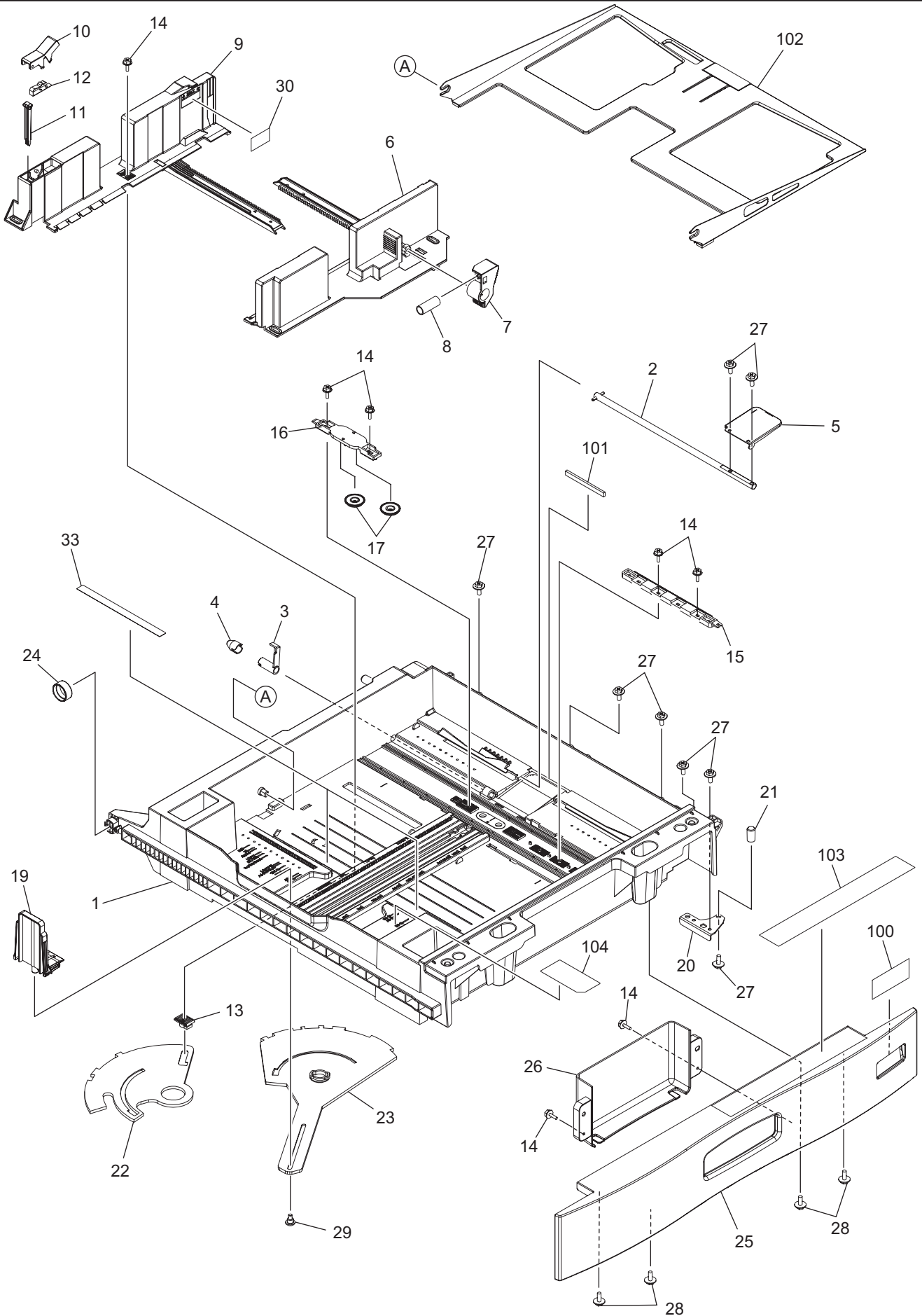


ITEM No.	PART No.	PART NAME	Q'TY / PAGE	Q'TY / PACK	REMARKS
1	6LH03488000	ASYS-BRKT-DRV-WTNR-F	1	1/P	
2	6LH03437000	FLANG-DRV-WTNR	3	1/P	
3	6LH03432000	GEAR-8S18_S2M20-6-DRV-FRT	1	1/P	
4	X0-00966000	RR/E-5-SS	2	10/P	
5	6LH03461000	GEAR-8S21-PSM20-6	1	1/P	
6	6LJ06913000	BLT-SY-S2M-250-4	1	1/P	
7	6LH03473000	FLNG-FRT-DRV	1	1/P	
8	6LH03435000	GEAR-8S24_8S18-5	1	1/P	
9	6LH03542000	SHAFT-DRV-WTNR-F-GEAR	1	1/P	
10	6LH02816000	RRG-3-P	6	1/P	
11	X0-02420000	S/TPS/FHEXM/R-3X8-ZU3	9	10/P	
12	6LH03436000	GEAR-8S28-4-AUGER	1	1/P	
13	6LH03458000	CASE-DUCT-WTNR-DPTH	1	1/PP	
15	6LH03457000	COV-DUCT-WTNR-DPTH	1	1/D	
17	6LH03489000	ASYS-BUSH-4-WTNR	4	1/P	
18	6LH03477000	AUGER-WTNR-UPR	1	1/KP	
19	6LH03424000	PULLY-S2M20-4-U	1	1/P	
20	6LH03425000	COLAR-AUG-WTNR-SIDE	1	1/P	
21	6LA34029000	BUSH-4X7X6F-POM	1	5/P	
22	6LH03421000	DUCT-WTNR-TURN	1	1/P	
24	6LH03430000	AUGER-DUCT-TURN	1	1/KP	
25	6LH03426000	COUPL-DRV-WTNR-1	1	1/P	
26	6LH03546000	SPG-C-DUCT-FINAL	1	1/P	
27	6LH03422000	SHUT-DUCT-TURN	1	1/P	
29	6LH03427000	STAY-HINGE-WTNR-TOP	1	1/P	
30	6LH03530000	BLT_SY-S2M-148-6	1	1/P	
31	6LH03602000	GEAR-5S25-P2GT60-6-IDLE	1	1/P	
32	6LH03503000	GEAR-5S86-6-WTNR-DRV	1	1/P	
33	6LH03580000	ASYS-SHAFT-WTNR-DRV	1	1/P	
34	6LH03605000	BUSH-6-POM-B	2	1/P	
35	6LH03439000	PULLY-S2M20-6_CPL-WTNR2	1	1/P	
36	6LH03603000	BLT-SY-138-2GT-4	1	1/P	
37	6LH09431000	MOTRD-UTNR-430	1	1/C	
38	X0-00426000	S/BID-M3X4-NI	2	10/P	
39	F0-00120000	ES-0505	1	5/P	
40	F0-01250000	MSB-1207	1	5/P	
41	X0-02421000	S/TPS/FHEXM/R-4X8-ZU3	10	10/P	
43	6LH03474000	OPENR-COV-WTNR	1	1/P	
44	6LH03552000	SPG-C-OPENR-WTNR	1	1/P	
45	C0-13512000	LG285L2-R	2	1/C	
46	6LH03482000	GUIDE-BOX-WTNR	1	1/D	
47	6LH03619000	COVER-BOX-WTNR-430T	1	1/PP	
48	6LH03467000	HOOK-COV-WTNR	1	1/D	
49	6LA80090000	S/TPP/BID-3*8-NI	3	5/P	
50	6LH03610000	SPG-HOOK-COV-WTNR	1	1/P	
51	6LH03429000	PLATE-HINGE-WTNR-BTM	1	1/P	
52	X0-00968000	RR/E-7-SS	1	10/P	

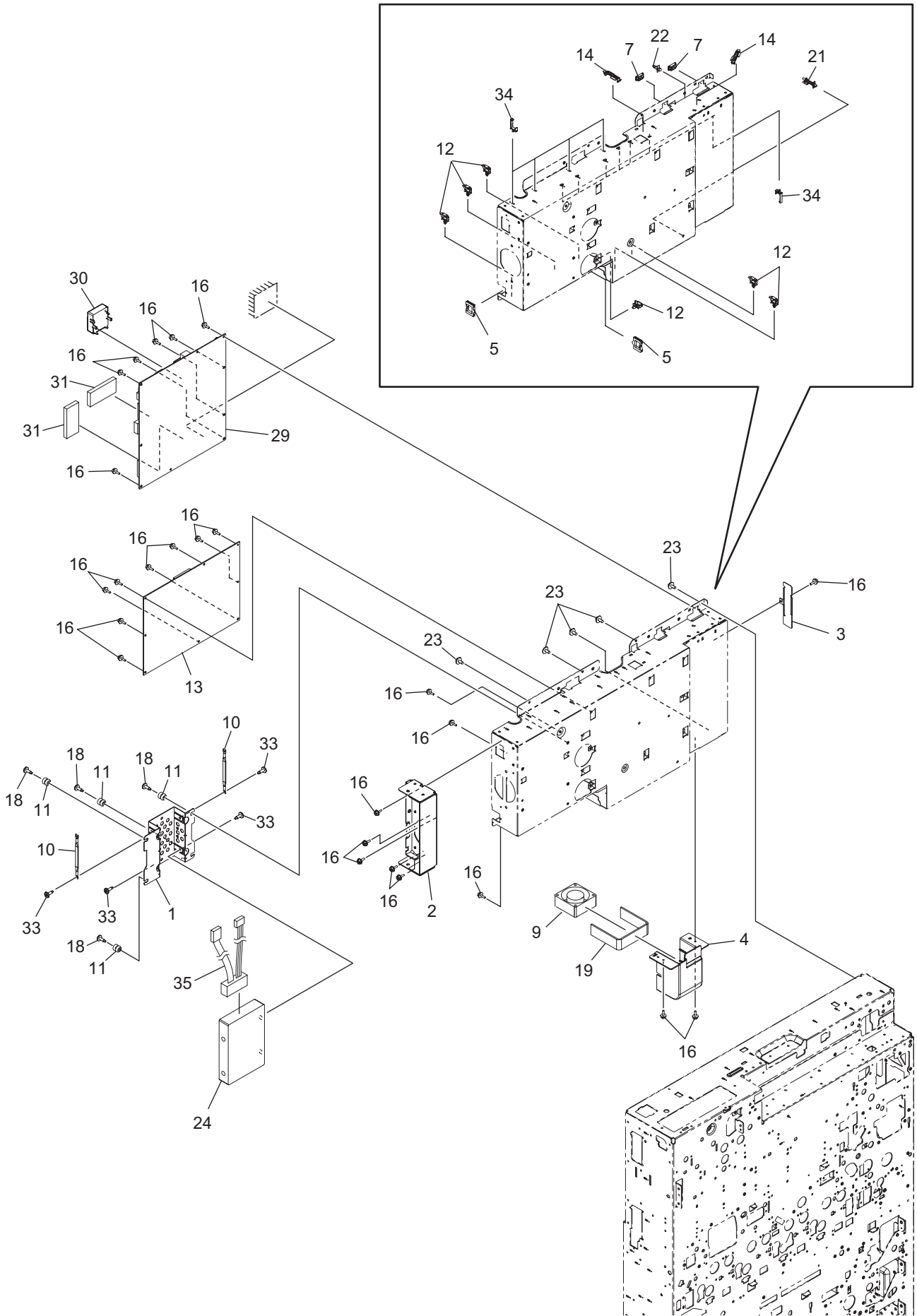




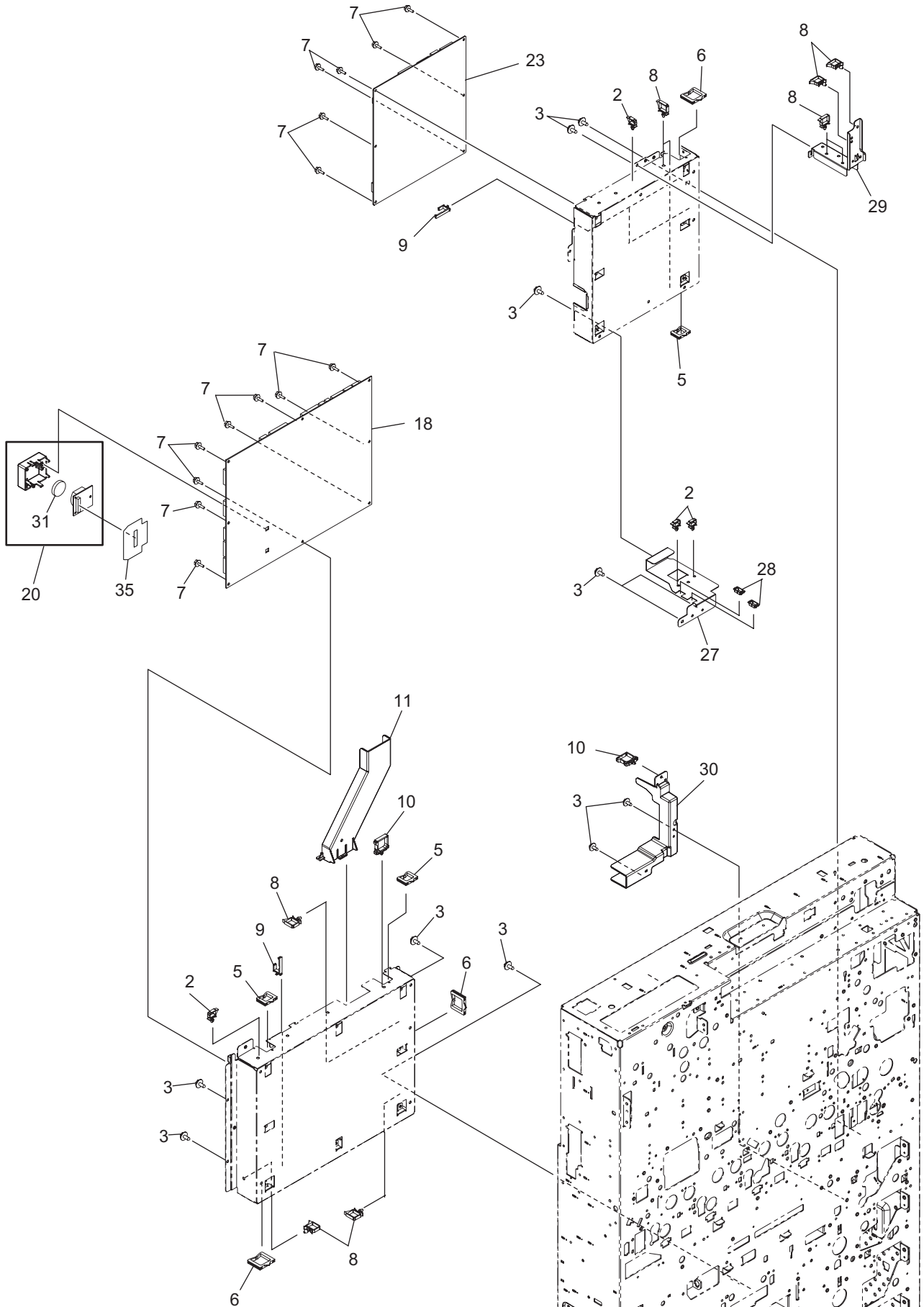




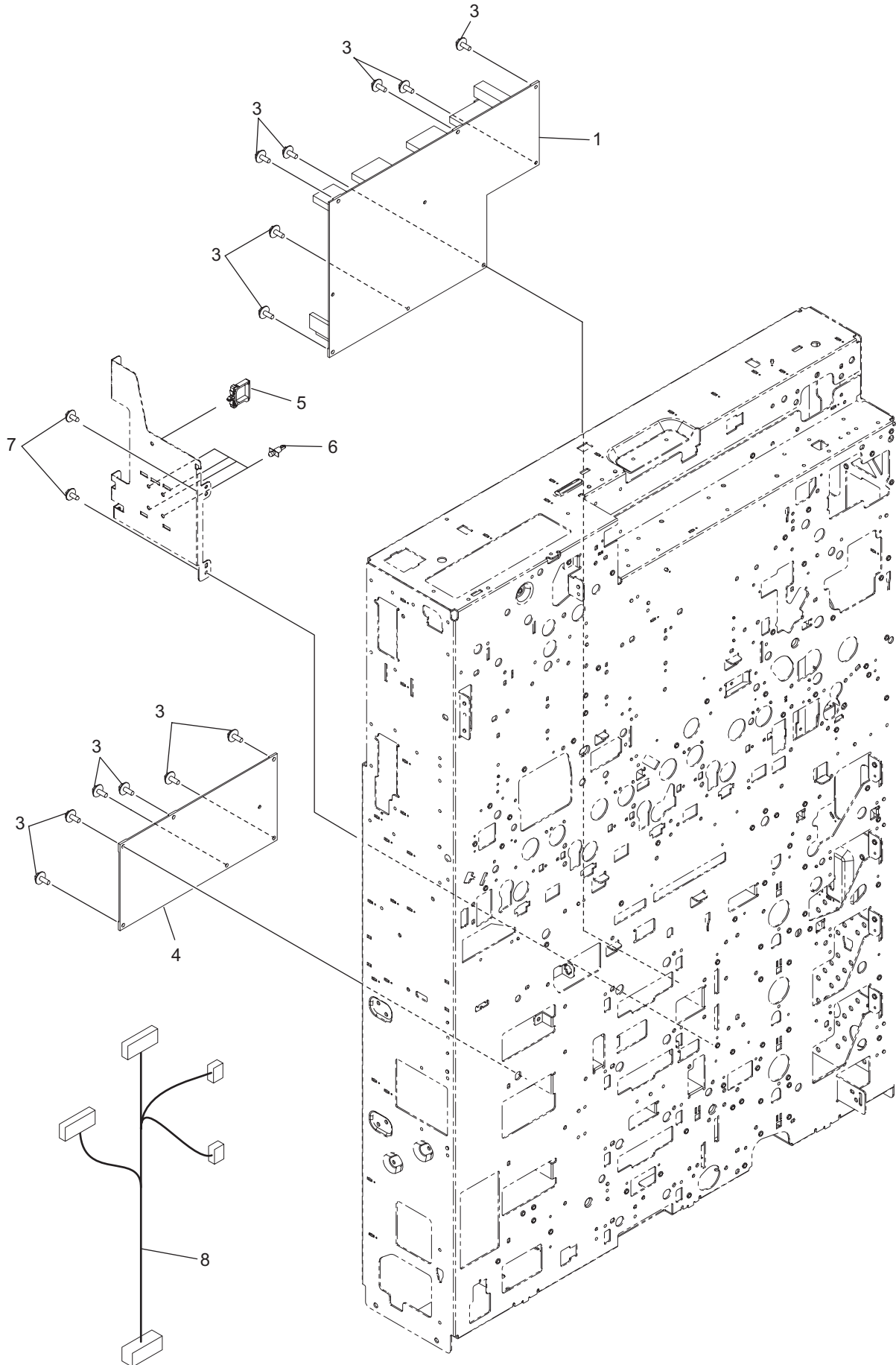
ITEM No.	PART No.	PART NAME	Q'TY / PAGE	Q'TY / PACK	REMARKS
1	6LJ08010200	CASSETTE-F43X-BK3	1	1/PP	
2	6LH05735000	ASYS-SFT-ELV-CST-F43X	1	1/P	
3	6LH05745000	LEVER-SENSOR-F43X	1	1/P	
4	6LA14466000	CAP-LEVER-SENS	1	1/P	
5	6LH05746000	ASYS-LEVER-ELV-CST-F43X	1	1/P	
6	6LH05719200	ASYS-WALL-SIDE-F-CST-BK3	1	1/KP	
7	6LH05704000	LVR-ADJUST-WALL	1	1/P	
8	6LA56695000	SPC-LVR-WALL-F	1	1/P	
9	6LJ08001200	ASYS-WALL-SIDE-R-CST-BK3	1	1/KP	
10	6LA29058000	LEVER-LOCK-WALL-RER	1	1/P	
11	6LH05748000	LOCK-WALL-R	1	1/P	
12	41305546000	SPL-LOCK-WALL-R	1	1/P	
13	6LH05752000	GUIDE-FOOT	1	1/P	
14	X0-02247000	S/TPP/FHEXM-3X8-NI	7	10/P	
15	6LH05703000	WALL-STOP	1	1/KP	
16	6LH05702000	HOLD-CASSET-PINION	1	1/P	
17	6LE53717000	GEAR-10S18-8-TRAY	2	1/P	
19	6LH05700000	WALL-END-CST-F43X	1	1/D	
20	6LH05718000	PLATE-LATCH	1	1/P	
21	6LA04487000	STUD-CST-POS	1	5/P	
22	6LH05721000	PUSHER-SIDE-CST-F43X	1	1/P	
23	6LJ08007000	PUSHER-END-CST-F43X	1	1/P	
24	6LH05717000	ROLLER-LEFT-R-BP	1	1/P	
25	6LH02300200	COVER-CST-430G	1	1/PP	
26	6LH02302200	COVER-HNDL-CST-430G	1	1/P	
27	X0-02235000	S/FHEXM-M4X8-NI	8	10/P	
28	X0-02251000	S/TPP/FHEXM-4X8-NI	4	10/P	
29	6LH05511000	SCREW-M3X8-3.2-P	1	5/P	
30	6LH05749000	LBL-MAX-CST-F43X	1	5/KP	
33	6LH05740000	MYLAR-CST-SIDE-WALL	2	1/KP	
100 A	6LH31900000	SIZE-CST-450-A4	4	1/KP	MJD,MJC,ASD,ARD,AUD
100 B	6LH31900100	SIZE-CST-450-LT	4	1/KP	NAD,NAC
101	6LH05744000	CUSH-CST-BTM	1	1/KP	
102	6LJ08011000	ASYS-TRAY-CST-F43X	1	1/PP	
103	6LK30950000	LBL_O-GUIDE-CST-H34X	1	1/KP	
104	6LK30956000	LBL_PAPER-SIZE-SRA3-H34X	1	1/P	





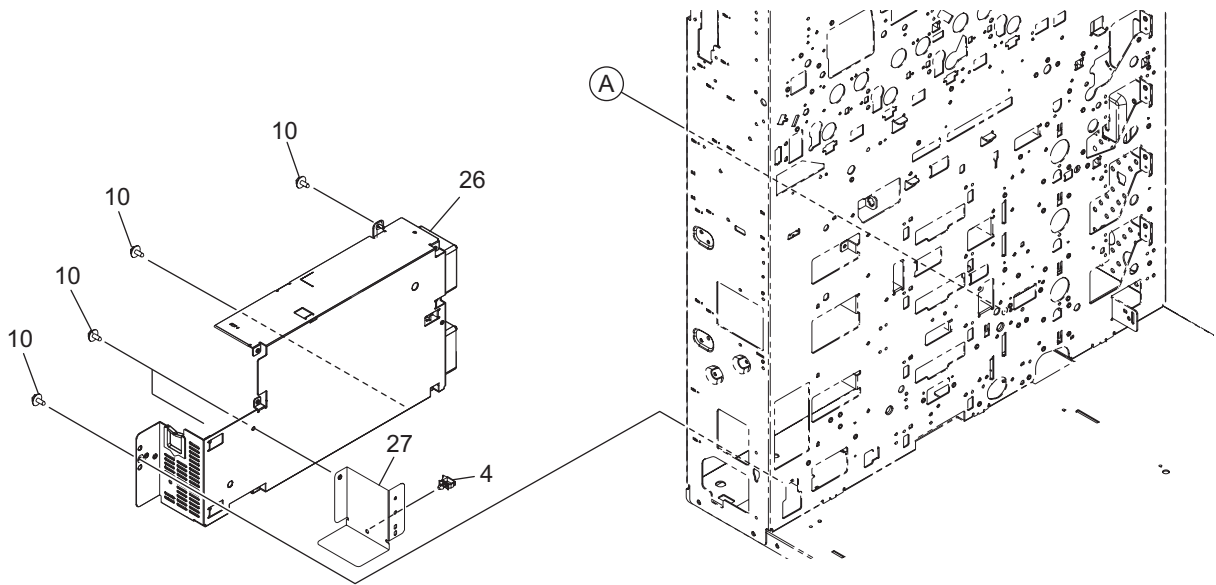




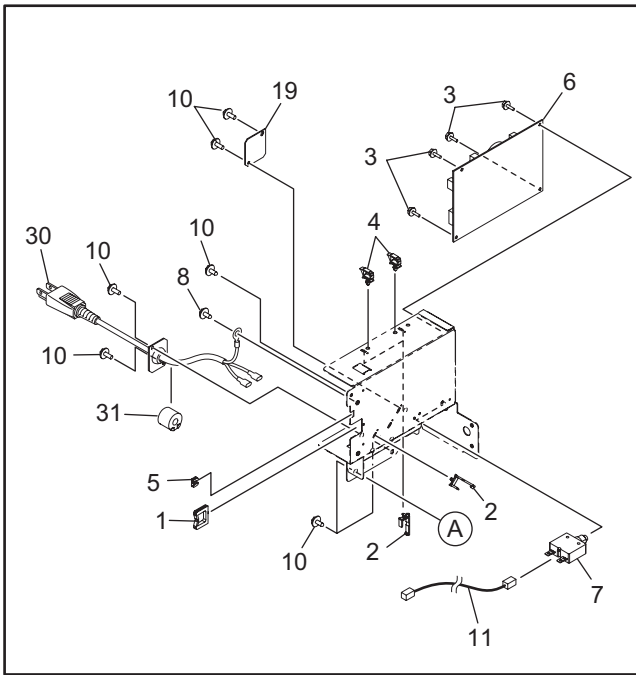




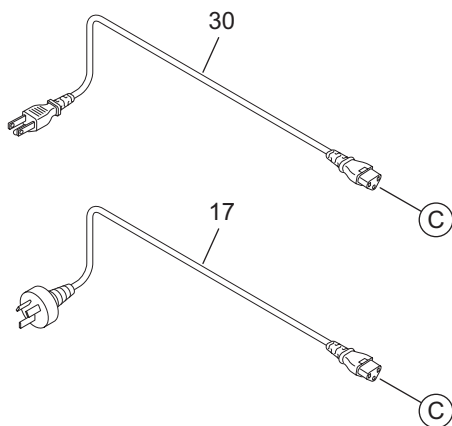
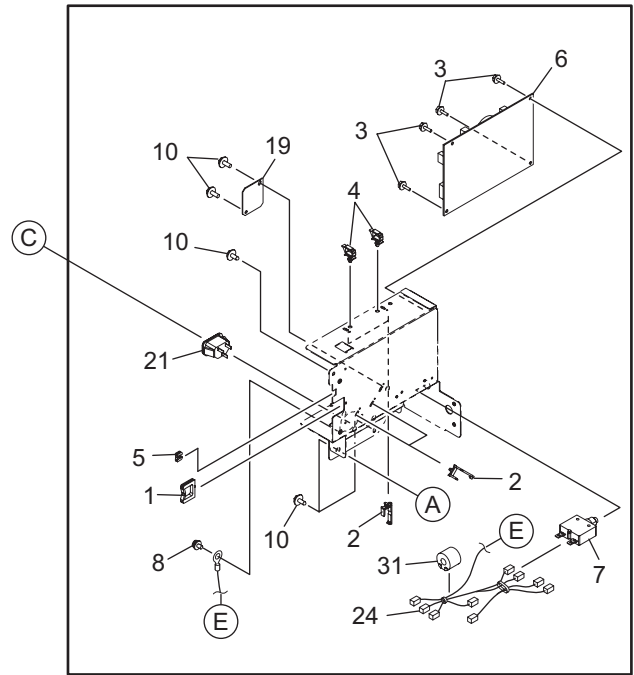




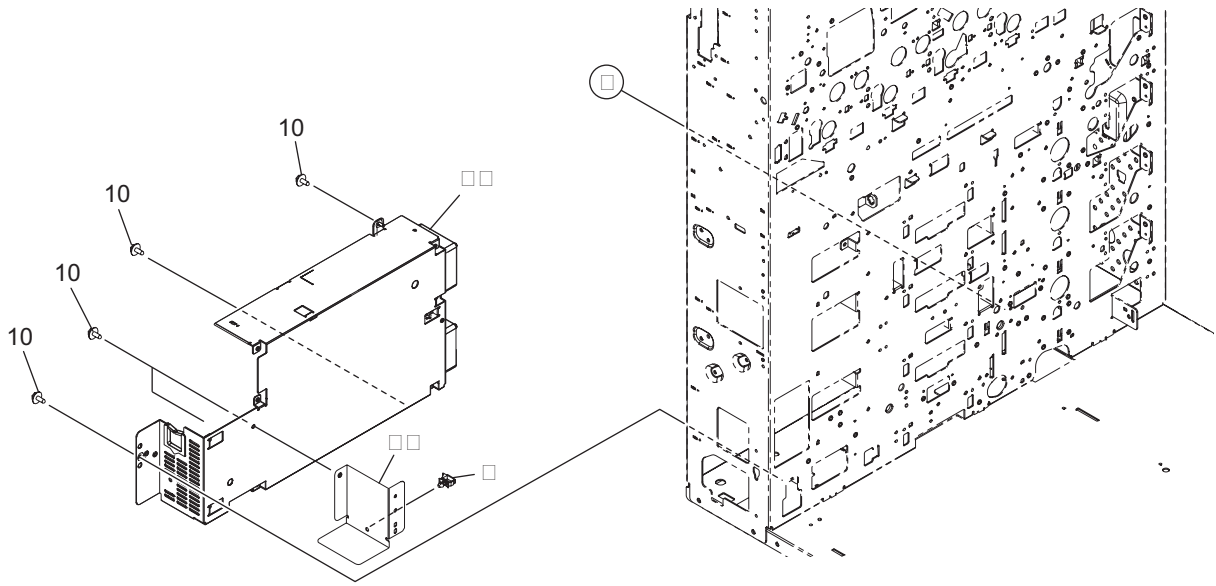
INLET-U



INLET-A

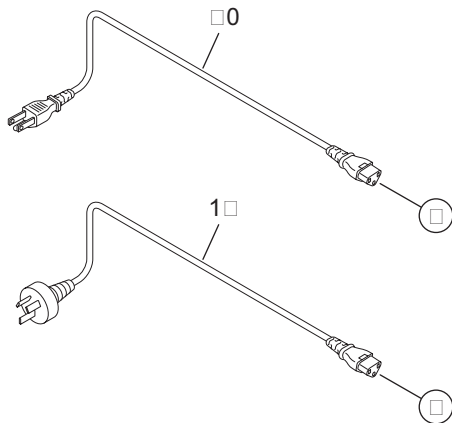
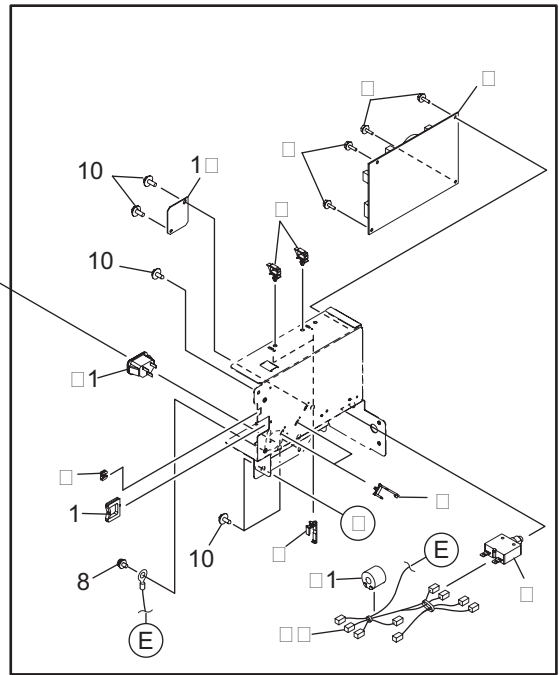
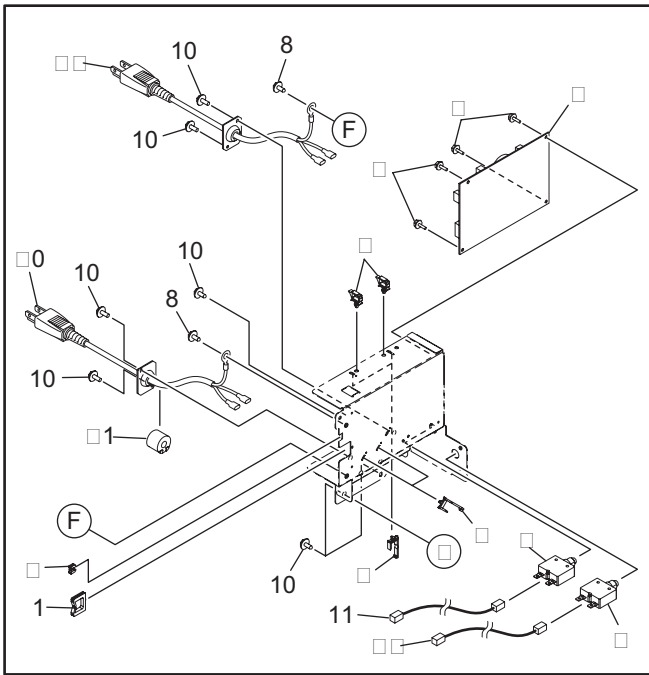




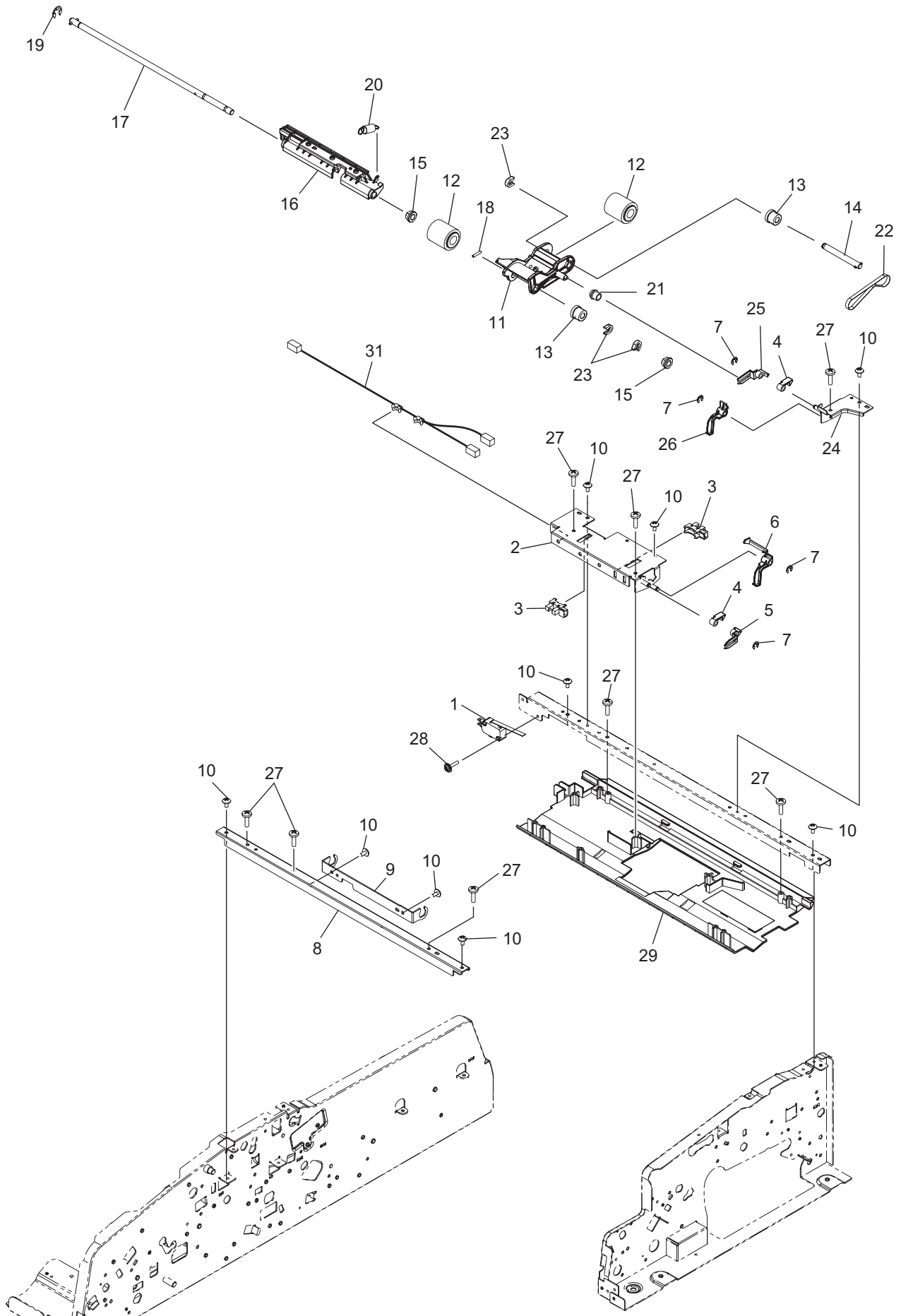


□□□E□□□

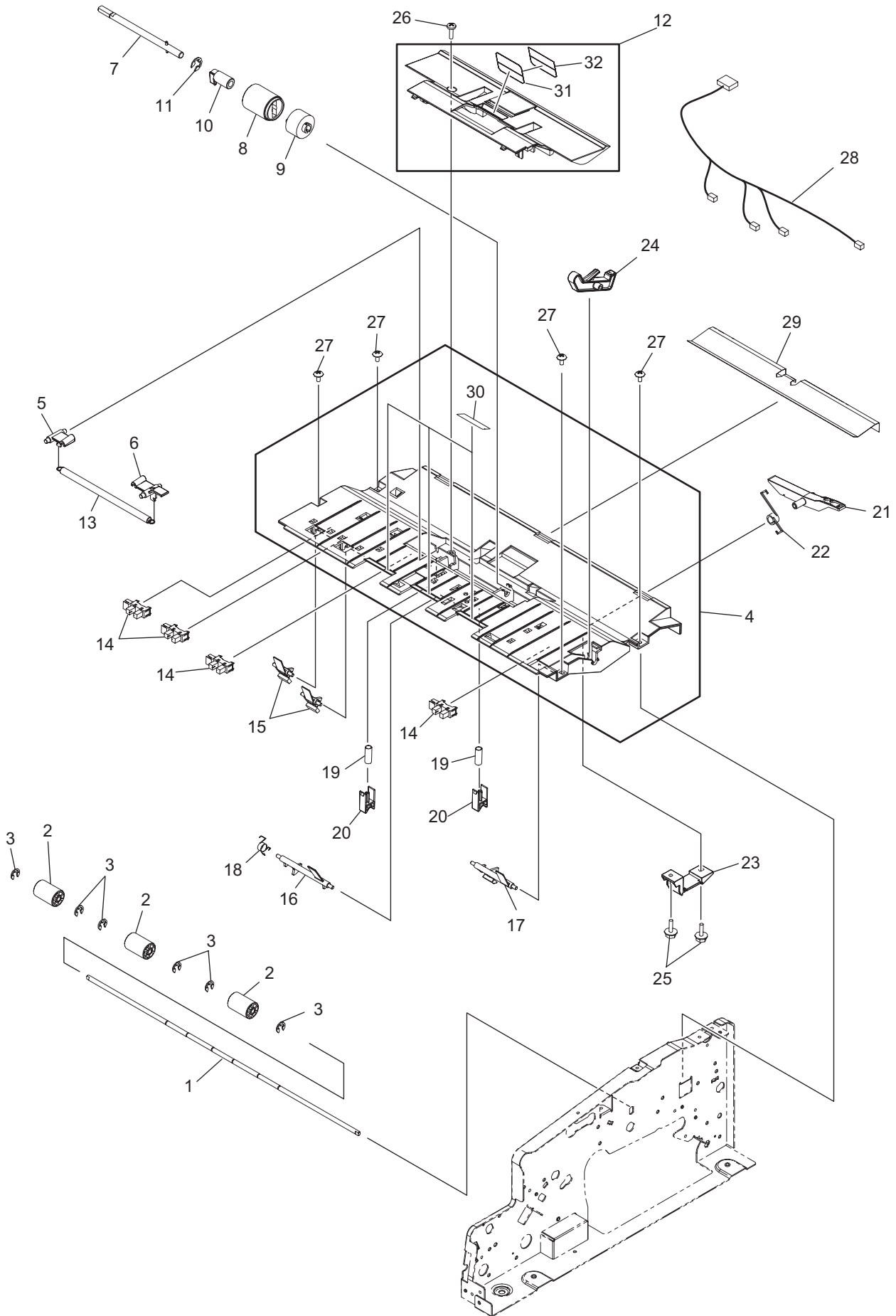
□□□E□□□





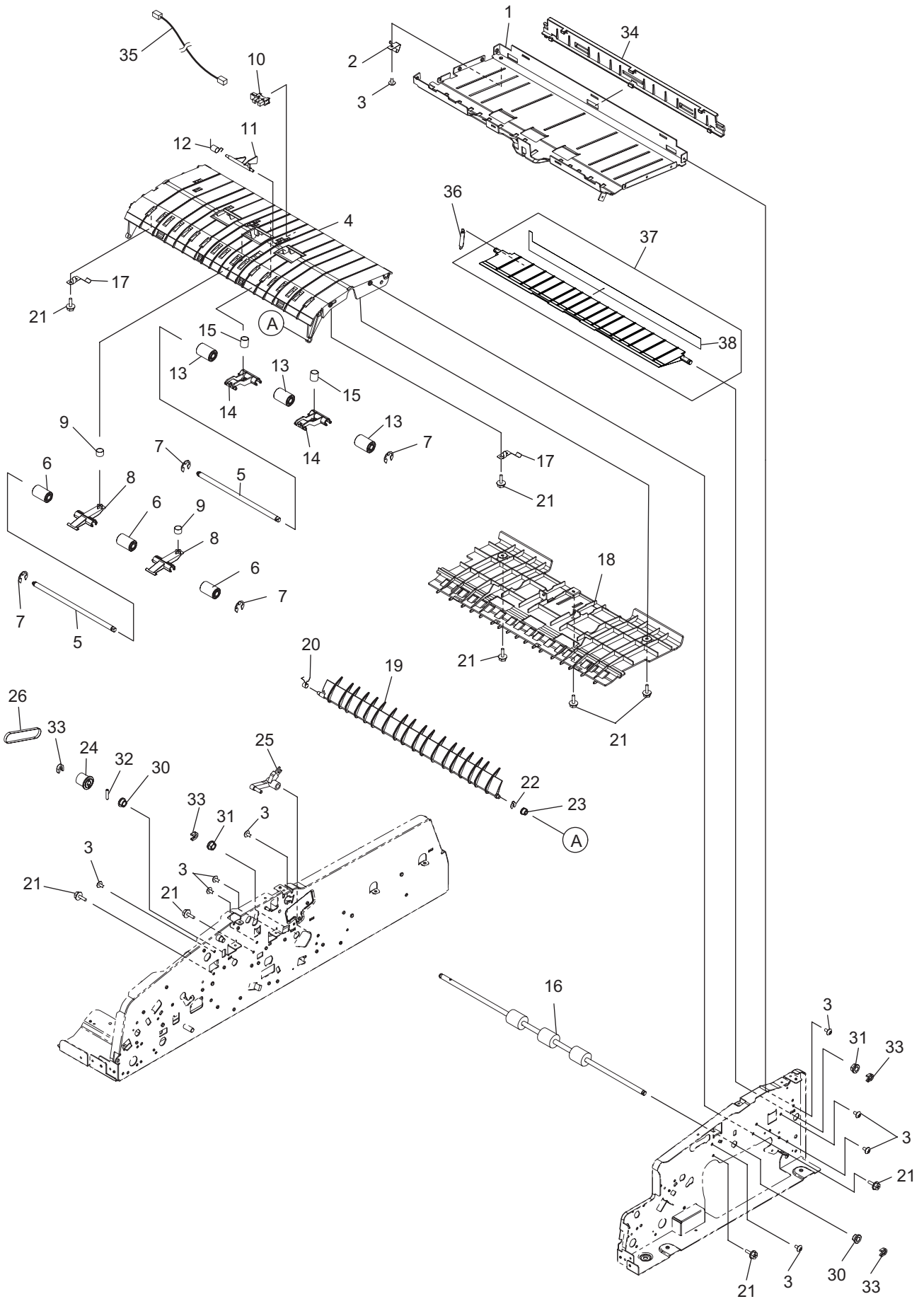




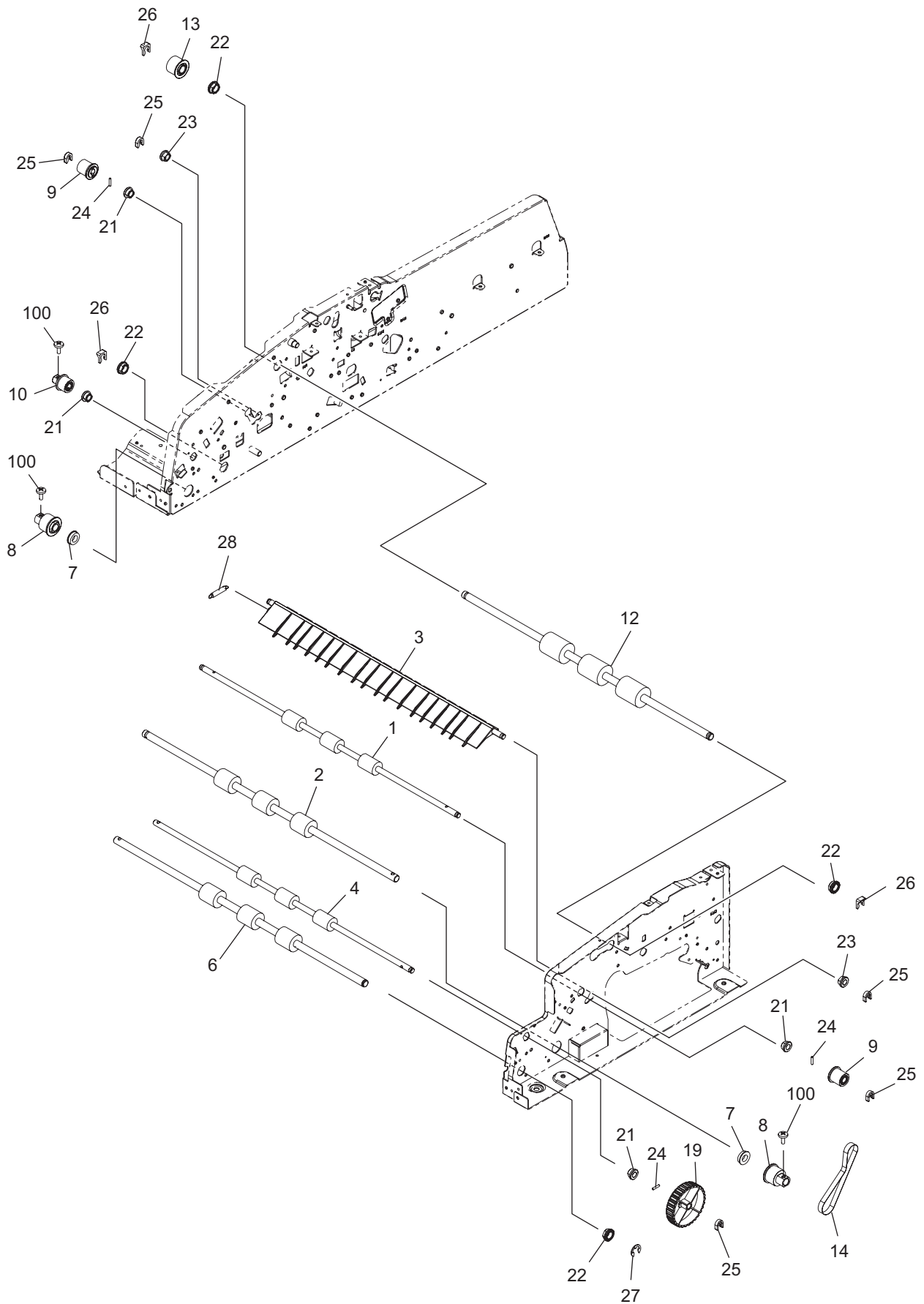




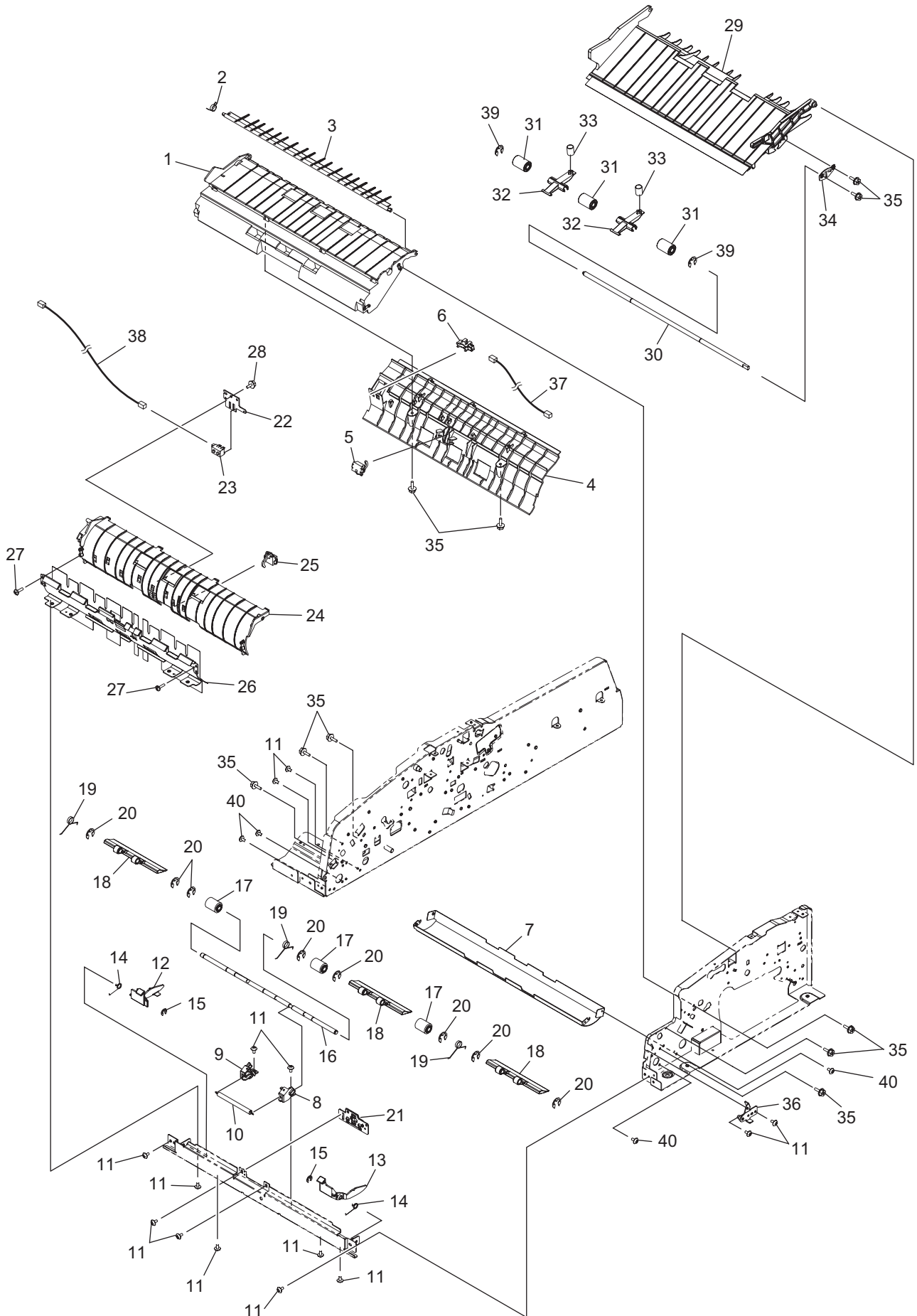




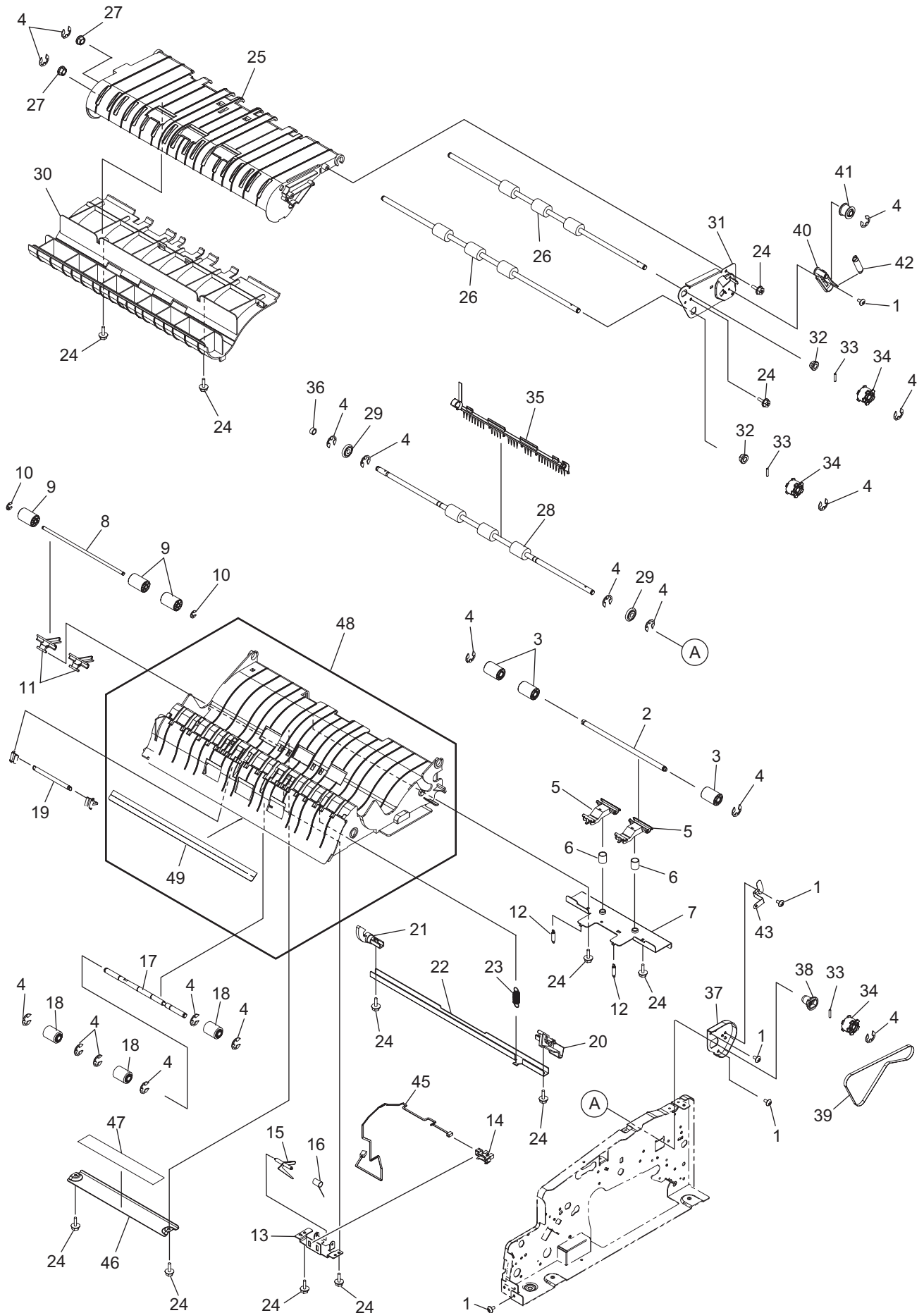
ITEM No.	PART No.	PART NAME	Q'TY / PAGE	Q'TY / PACK	REMARKS
1	6LH06595000	GUIDE-SB-U-TQ	1	1/PP	
2	6LH06623000	SPR-ERTH-SB	1	1/P	
3	6LA08935000	SCR-M3X6BISR-NI	9	10/P	
4	6LH06500100	GUIDE-SB-IN-EF378	1	1/PP	
5	6LH06677000	SFT-EXIT-SB-D6	2	1/P	
6	6LH06530000	ROL-IDL-D15-D6-POM	3	1/P	
7	X0-00966000	RR/E-5-SS	4	10/P	
8	6LH06552100	LEV-DELTA-EF378	2	1/P	
9	6LH06927000	SPR-SB-IN	2	1/P	
10	C0-10813000	GP1A73ARJ00F	1	1/P	
11	6LH06582000	LEVER-OUT-SENS	1	1/P	
12	6LH06681000	SPR-SENS-OUT	1	1/P	
13	6LH06526000	ROL-IDL-D16-POM	3	1/P	
14	6LH06554100	LEV-EXIT-EF378	2	1/P	
15	6LH06680000	SPR-SB-OUT	2	1/P	
16	6LH06646000	ROL-TRANS-RVS	1	1/KP	
17	6LH06618000	SPL-GUIDE-CUSION	2	1/P	
18	6LH06539100	GUIDE-SB-IN-D-EF378 材料テ イスコン対応	1	1/PP	
19	6LH06816100	GATE-EXIT-SFT-5330	1	1/KP	
20	6LH06682000	SPR-GATE-EXIT	1	1/P	
21	X0-02247000	S/TTP/FHEXM-3X8-NI	9	10/P	
22	6LH06812000	STOP-RING-3	1	5/P	
23	4400536230	BUSH-4-7	1	5/P	
24	6LH06531000	PULLY-MAIN-ALNG	1	1/P	
25	6LH06567000	LVR-FLAP-EXIT-TQ	1	1/P	
26	6LH06746000	BLT-TRANS-RVS	1	1/P	
30	6LH53768000	BUSH-6-NU4	2	1/P	
31	44201492000	BUSH-6-POM	2	5/P	
32	X0-00980000	P/PRL/AH7-2X10-SS	1	10/P	
33	4407972860	STOP-RING-6-5	4	5/P	
34	6LH06636100	STAY-ORG-SUB-EF378	1	1/P	
35	6LH06313000	HRNS-RADF-EXIT-430	1	1/P	
36	6LH06683000	SPG-FLAP-EXIT-TQ	1	1/P	
37	6LH06700000	ASYS-FLAP-EXIT-TQ	1	1/PP	
38	6LH06898000	BRUSH-ERS-TQ-ACH	1	1/KP	





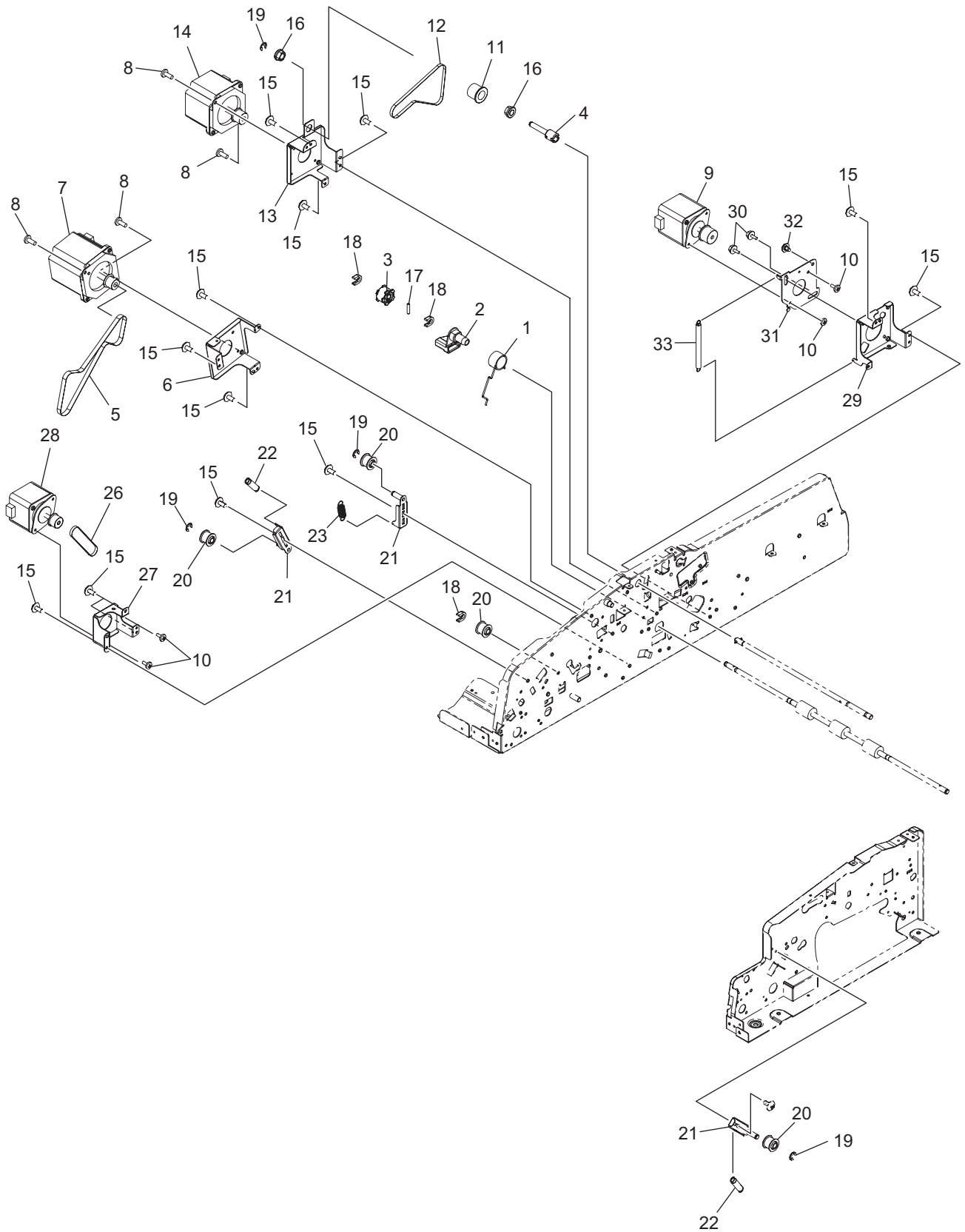


ITEM No.	PART No.	PART NAME	Q'TY / PAGE	Q'TY / PACK	REMARKS
1	6LH06518100	GUIDE-RVS-ALNG-EF378	1	1/PP	
2	6LE49784000	SPG-T-FLP-SB	1	1/P	
3	6LH06517100	GATE-SB-5330	1	1/KP	
4	6LH06837000	ASYS-GUIDE-READ-OUT	1	1/KP	
5	6LH06323000	SNSR-RADF-EXIT-430	1	1/C	
6	C0-10813000	GP1A73ARJ00F	1	1/P	
7	6LH06948000	GUIDE-PLTN	1	1/D	
8	6LH06706000	ASYB-READ-IN-LEV-STAY-F	1	1/P	
9	6LH06707000	ASYB-READ-IN-LEV-STAY-R	1	1/P	
10	6LH06708000	SPR-LEV-READ-IN	1	1/P	
11	6LA08935000	SCR-M3X6BISR-NI	18	10/P	
12	6LH06561000	STPR-GID-PLTN-R	1	1/P	
13	6LH06563000	STPR-GID-PLTN-F	1	1/P	
14	6LH06709000	SPR-STPR-GID-PLTN	2	1/P	
15	X0-00964000	RR/E-3-SS	2	10/P	
16	6LH06710000	SFT-IDL-RD-IN-L	1	1/P	
17	6LH06637000	ASYS-ROL-RD-IN-IDL	3	1/P	
18	6LH06540000	GUIDE-RD-IN-GLASS	3	1/P	
19	6LH06712000	SPR-READ-IN-GUIDE	3	1/P	
20	X0-00965000	RR/E-4-SS	8	10/P	
21	6LH06713000	ASYB-BRKT-PRISM	1	1/P	
22	6LH06640000	PLT-SENSOR-RI	1	1/P	
23	C0-14572000	EON-5041-701	1	1/C	
24	6LH06551100	GUIDE-READ-IN-EF378	1	1/PP	
25	6LH06321000	SNSR-RADF-MID-430	1	1/C	
26	6LH06807000	ASYS-GUIDE-READ-IN-PLT	1	1/C	
27	X0-01989000	S/TPP/BID-3X8-NI	2	10/P	
28	X0-02246000	S/TPP/FHEXM-3X6-NI	1	10/P	
29	6LH06737000	ASYS-GUIDE-SB	1	1/KP	
30	6LH06740000	SFT-ROL-RVS-ALNG	1	1/P	
31	6LH06526000	ROL-IDL-D16-POM	3	1/P	
32	6LH06552100	LEV-DELTA-EF378	2	1/P	
33	6LH06741000	SPR-DELTA	2	1/P	
34	6LH06603000	BRKT-DELTA-SET	1	1/P	
35	X0-02247000	S/TPP/FHEXM-3X8-NI	10	10/P	
36	6LH06608000	ASYS-BRKT-COV-JAM-F	1	1/P	
37	6LH06316000	HRNS-RADF-JCOVL-430	1	1/P	
38	6LH06315000	HRNS-RADF-READI-430	1	1/P	
39	X0-00966000	RR/E-5-SS	2	10/P	
40	X0-01277000	S/BID-M3X6-NC	4	10/P	

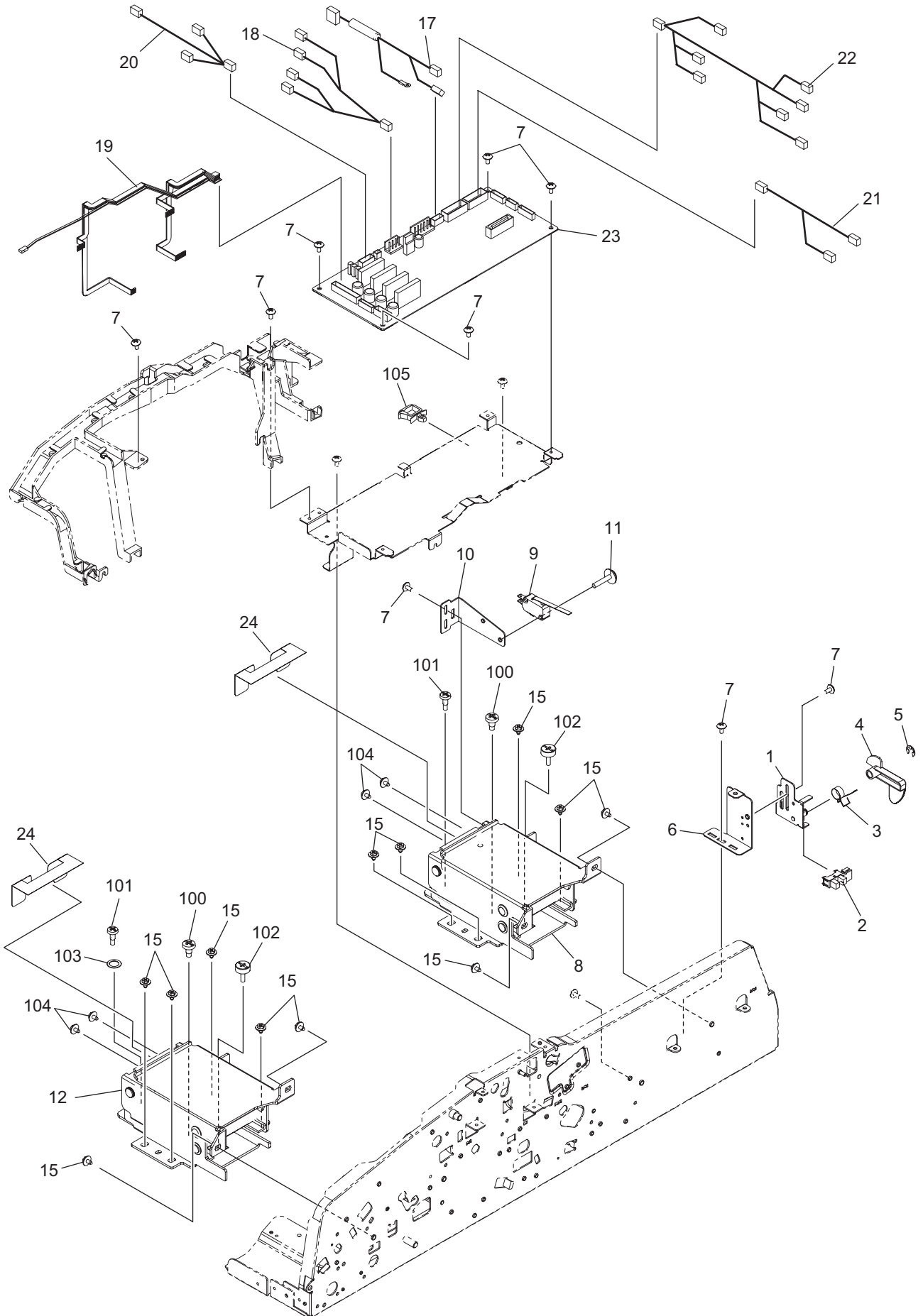


ITEM No.	PART No.	PART NAME	Q'TY / PAGE	Q'TY / PACK	REMARKS
1	6LA08935000	SCR-M3X6BISR-NI	5	10/P	
2	6LH06677000	SFT-EXIT-SB-D6	1	1/P	
3	6LH06526000	ROL-IDL-D16-POM	3	1/P	
4	X0-00966000	RR/E-5-SS	18	10/P	
5	6LH06571000	LEV-READ-IN	2	1/P	
6	6LH06680000	SPR-SB-OUT	2	1/P	
7	6LH06583000	BRKT-LEV-EXIT	1	1/P	
8	6LH06687000	SFT-EXIT-D4	1	1/P	
9	6LH06527000	ROL-IDL-D16-D4-POM	3	1/P	
10	X0-00964000	RR/E-3-SS	2	10/P	
11	6LH06534100	LEV-EXIT-R-EF378	2	1/P	
12	6LH06688000	SPR-LEV-EXIT	2	1/P	
13	6LH06586000	BRKT-BACK-EXIT-SNS	1	1/P	
14	C0-15172000	GP1A173LCS2F	1	1/C	
15	6LH06546000	ACTR-BACK-EXIT	1	1/P	
16	6LH06690000	SPR-BACK-SNS	1	1/P	
17	6LH06652000	SFT-IDL-RD-OUT	1	1/P	
18	6LH06637000	ASYS-ROL-RD-IN-IDL	3	1/P	
19	6LH06708000	SPR-LEV-READ-IN	1	1/P	
20	6LH06549000	LEVER-GUIDE-LOCK-F	1	1/P	
21	6LH06550000	LEVER-GUIDE-LOCK-R	1	1/P	
22	6LH06579000	BRKT-GUIDE-OPEN	1	1/P	
23	6LH06693000	SPR-GUIDE-EXIT-OPEN	1	1/P	
24	X0-02247000	S/TPP/FHEXM-3X8-NI	12	10/P	
25	6LH06515100	GUIDE-EXIT-IN-EF378	1	1/PP	
26	6LH07051000	ROL-EXIT-SB	2	1/KP	
27	44201492000	BUSH-6-POM	2	5/P	
28	6LH06648000	ROL-EXIT	1	1/KP	
29	6LH06802000	ROL-COL-TQ	2	1/P	
30	6LH07071000	ASYS-GUIDE-EXIT-IN-L	1	1/PP	
31	6LH06578000	PLATE-DRV-EXIT-F	1	1/P	
32	6LE50521000	BUSH-8X12X5R5F-NU4	2	5/P	
33	X0-00980000	P/PRL/AH7-2X10-SS	3	10/P	
34	6LH06529000	PULLY-EXIT	3	1/P	
35	6LH06800000	ASYS-SHUT-EXIT-TQ	1	1/KP	
36	6LH23444000	BUSH-GCB-6-4-NU4	1	1/P	
37	6LH06599000	PLT-GUIDE-EXIT	1	1/P	
38	6LH06522000	BUSH-GUIDE-EXIT-F	1	1/P	
39	6LH06697000	BLT-EXIT-F	1	1/P	
40	6LE50110000	ASYS-PLT-TNSN	1	1/P	
41	6LE50098000	ROL-TNSN-FEED	1	1/P	
42	6LH06698000	SPR-TNSN-READ-10N	1	1/P	
43	6LH06796000	SPR-ERTH-FR	1	1/C	
44	6LH06314000	HRNS-RADF-EXITR-430	1	1/P	
45	6LH07045000	BRKT-GUIDE-PUSH	1	1/P	
46	6LH06772000	LBL-PUSH-TQ	1	1/KP	
47	6LH07064000	ASYS-GUIDE-EXIT	1	1/PP	
48	6LH06605000	MYLAR-GUIDE-EXIT	1	1/KP	
49					

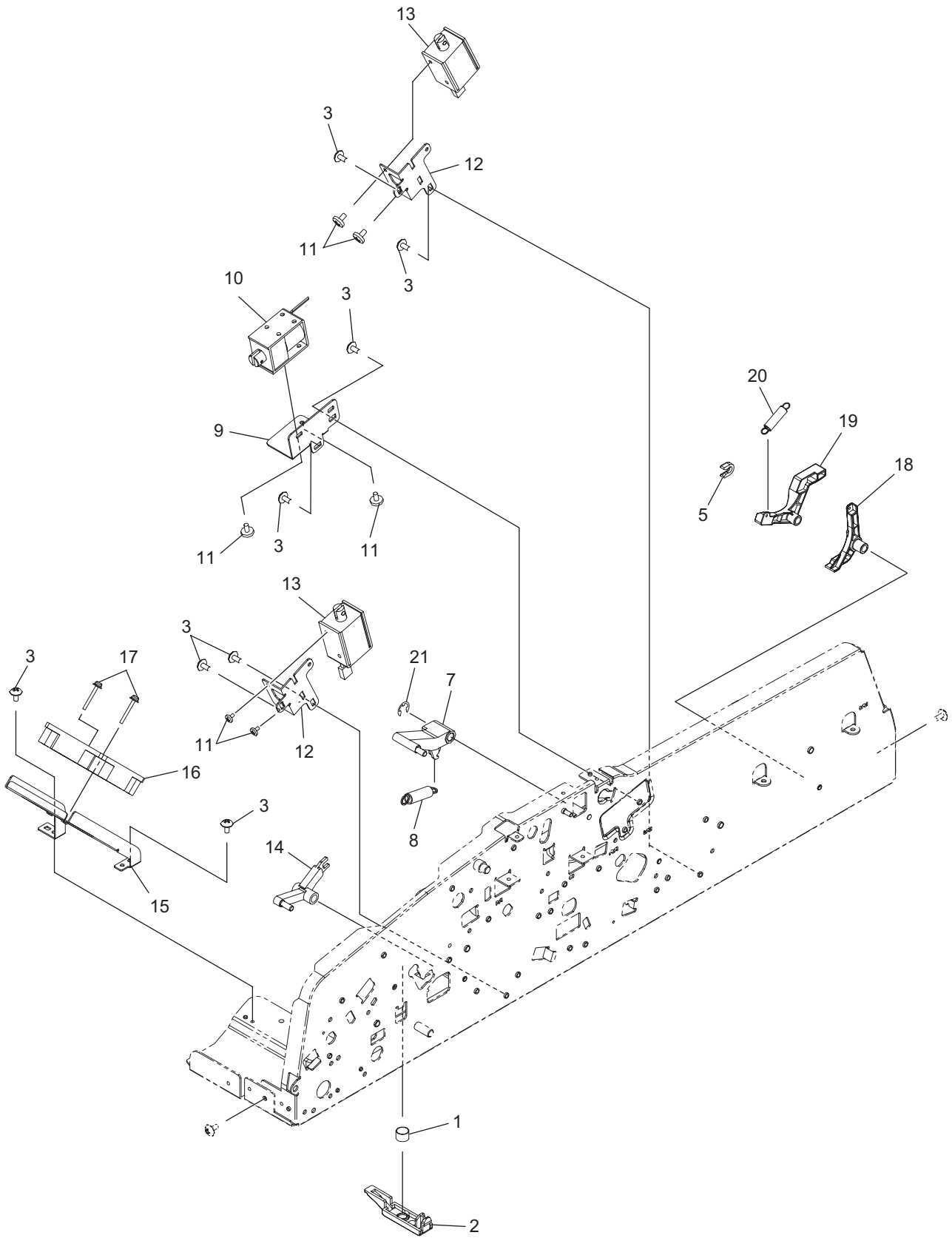




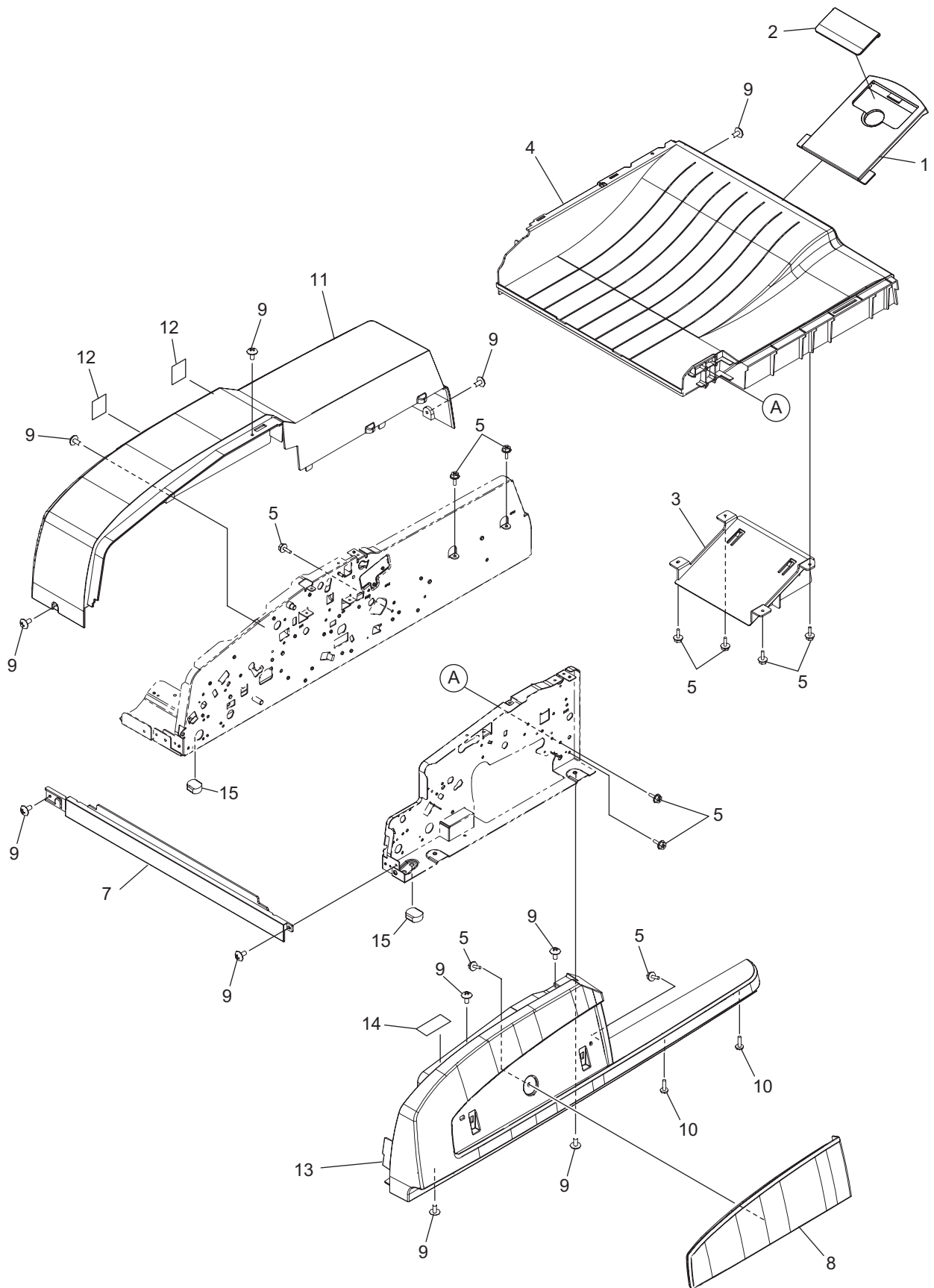






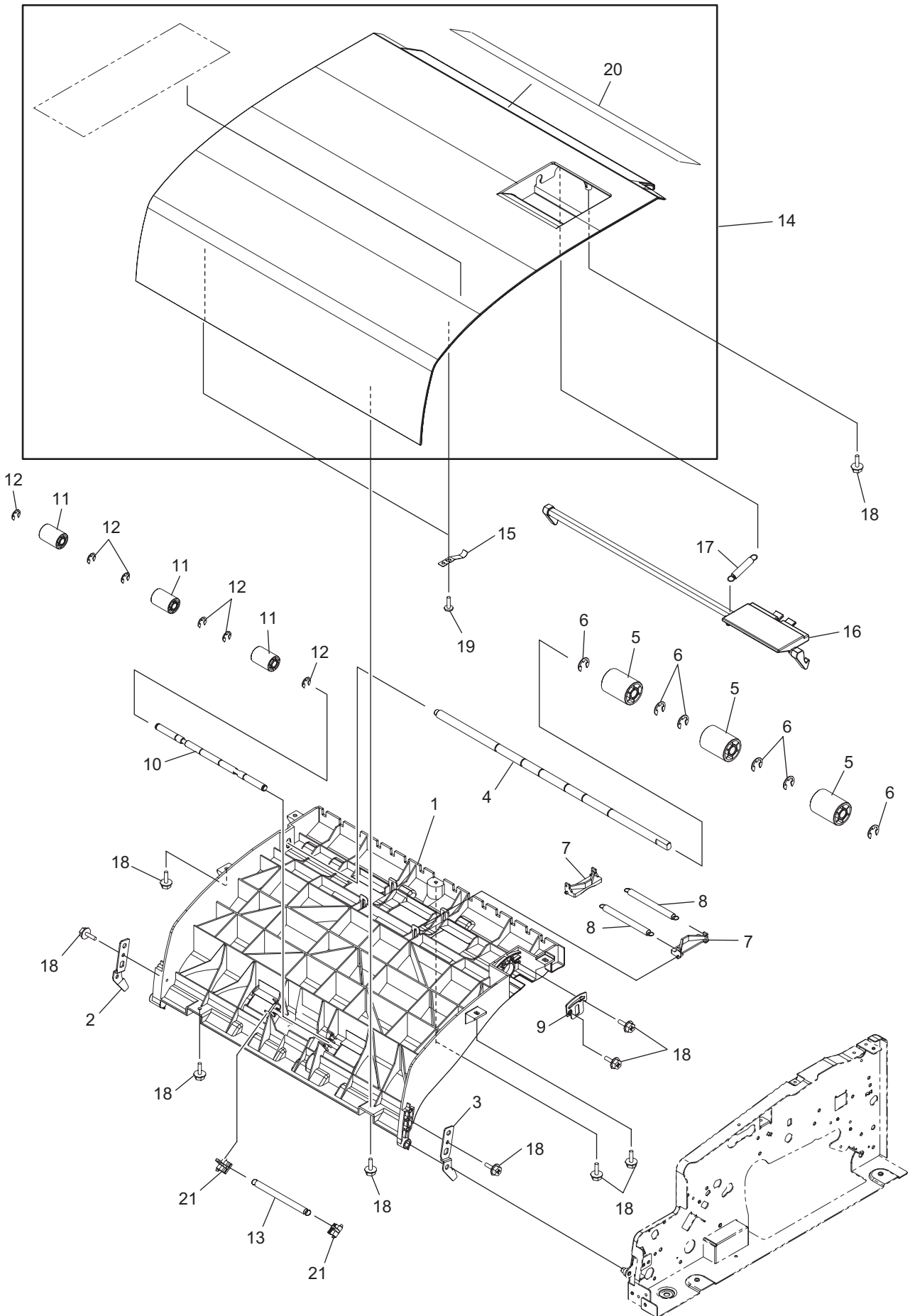




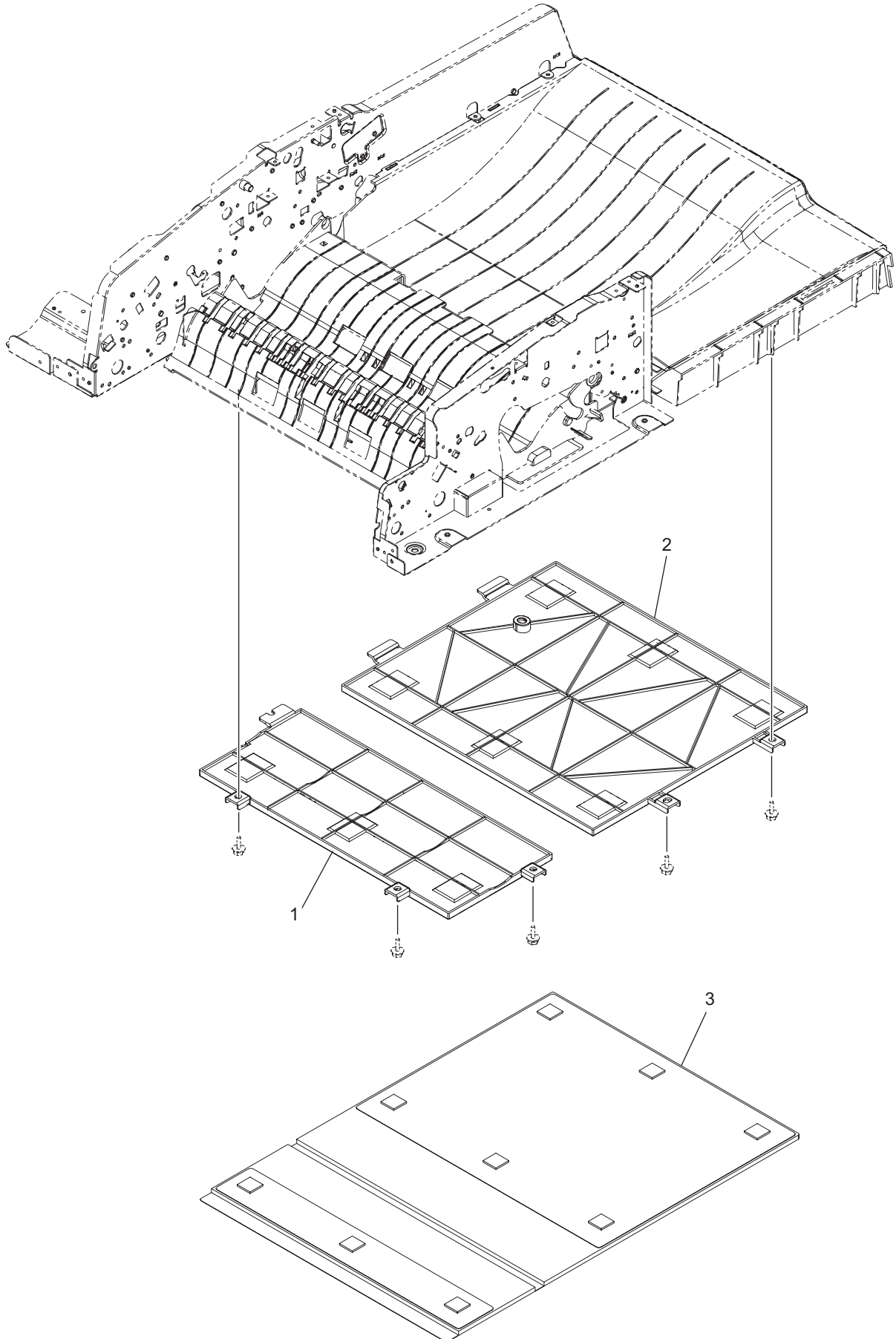




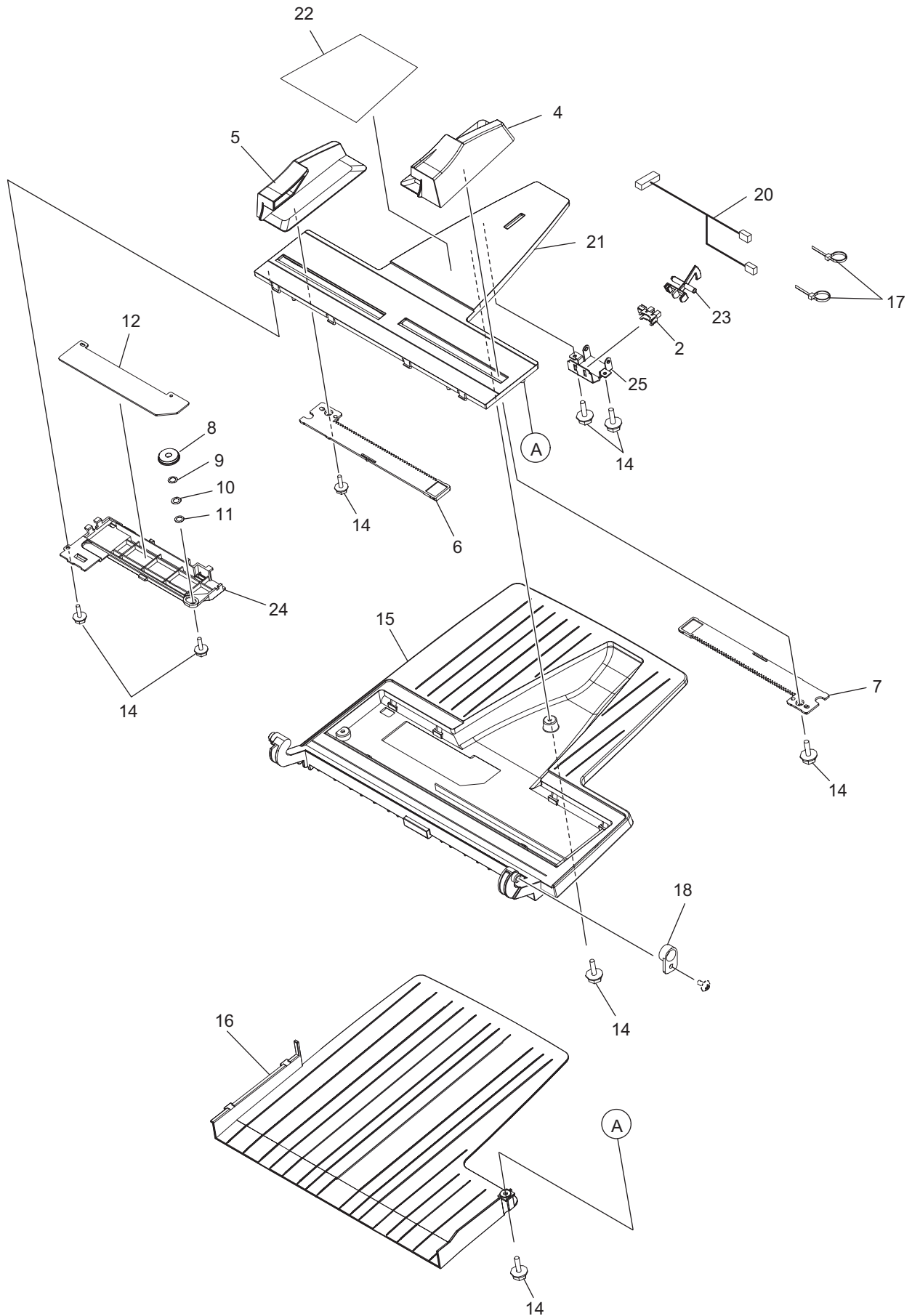




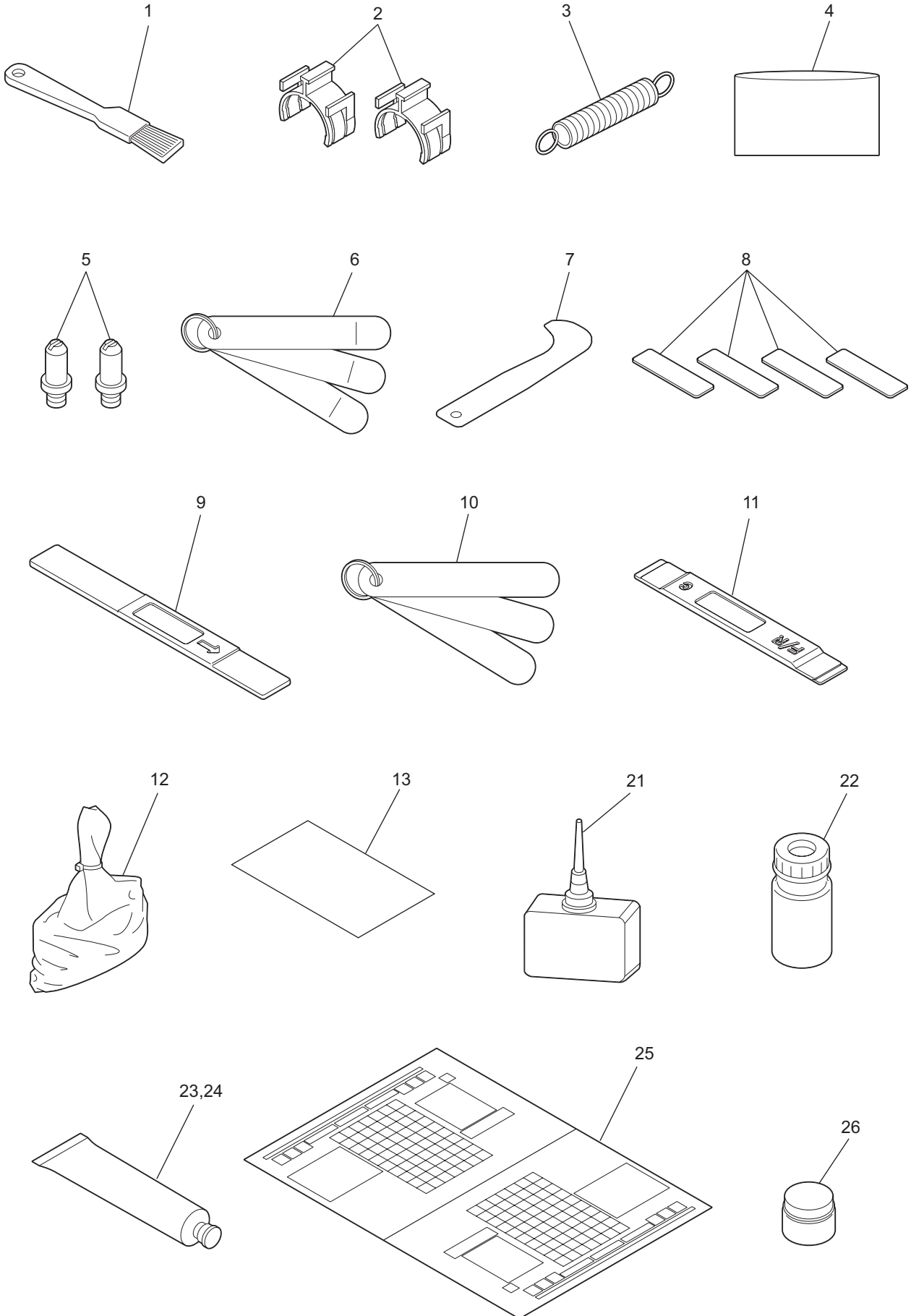






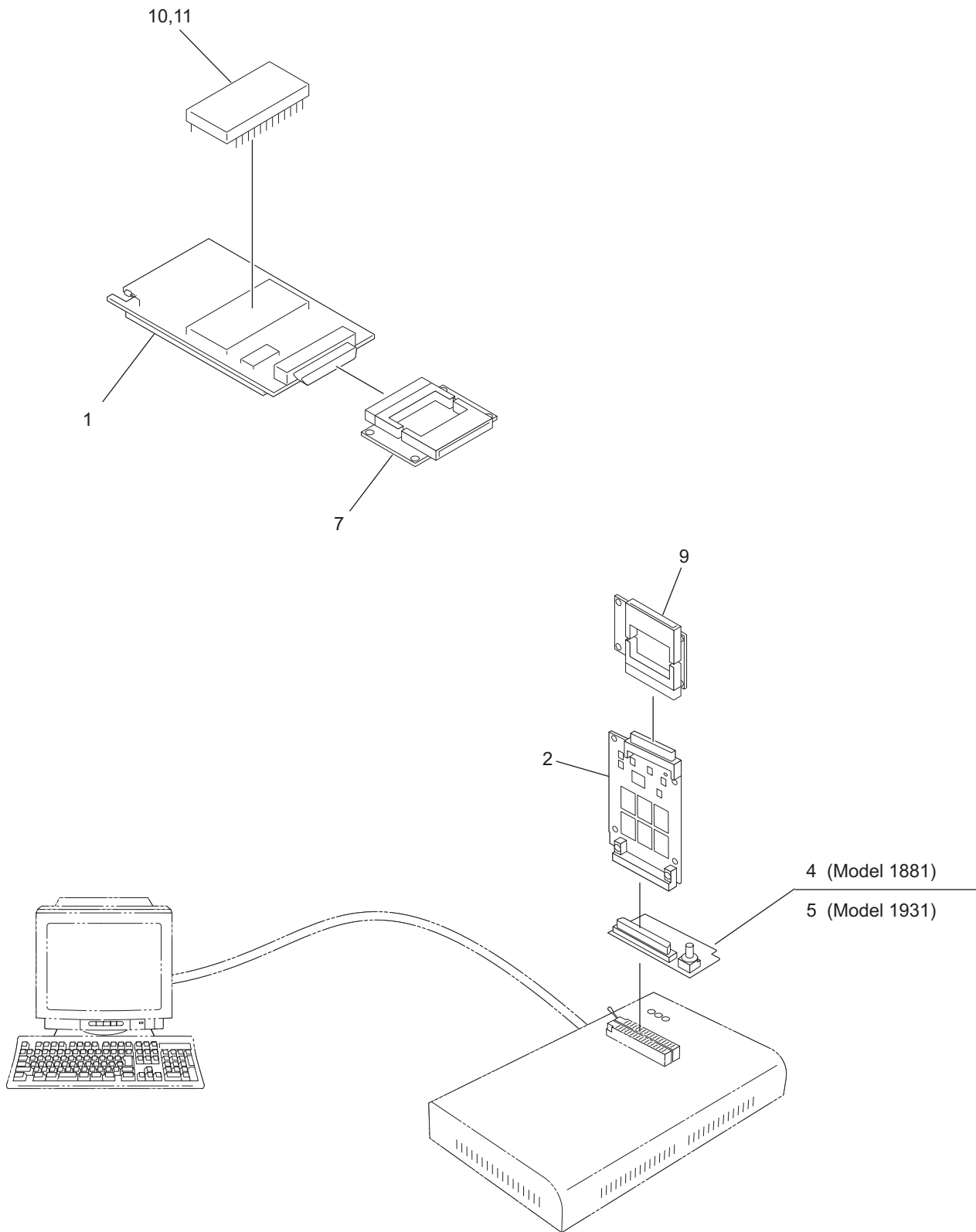




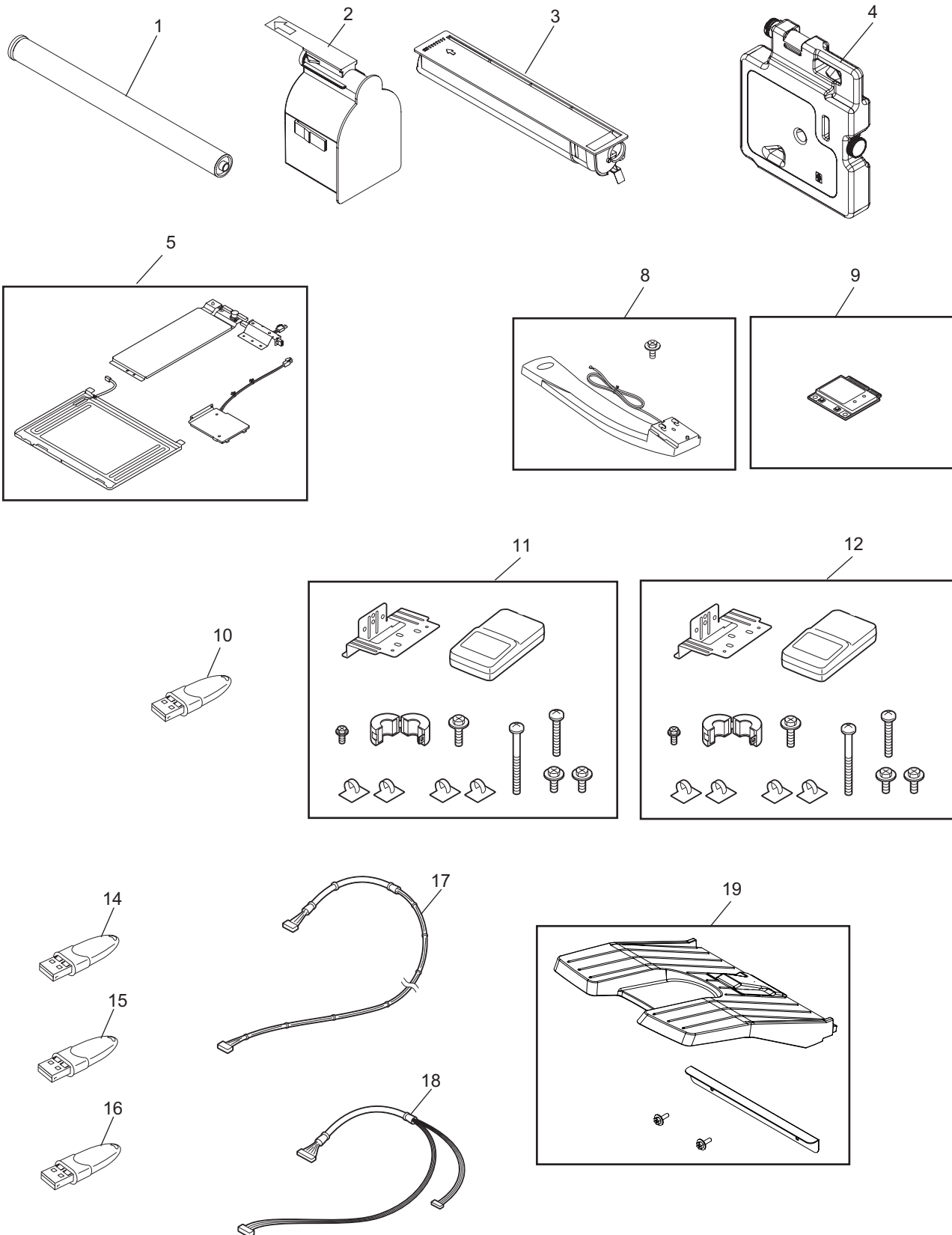




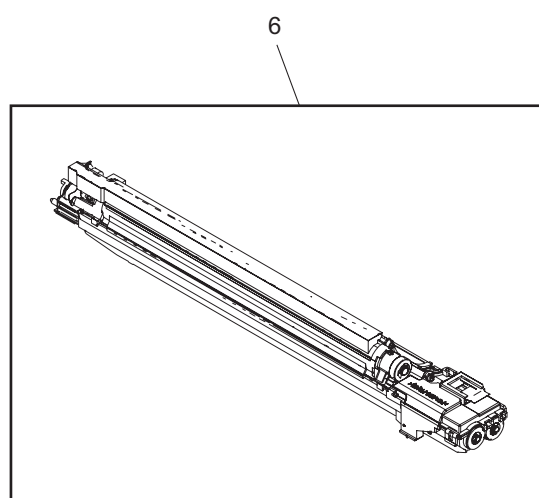
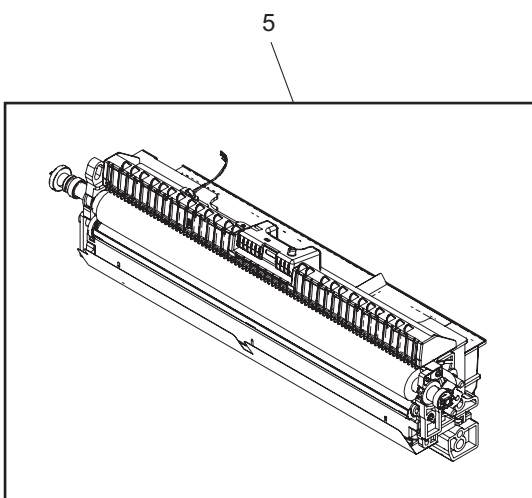
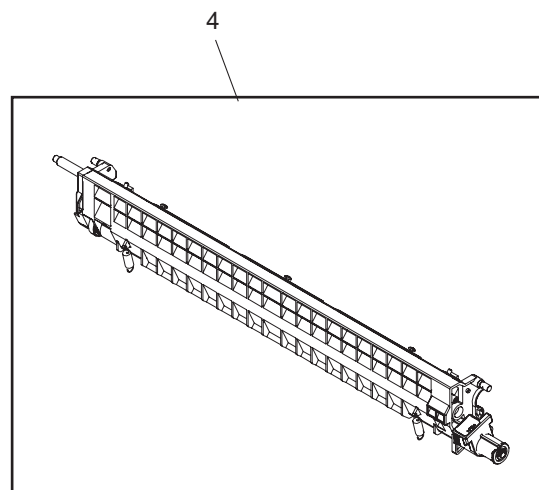
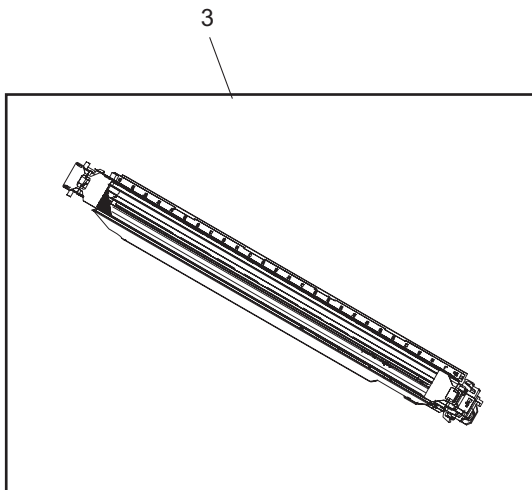
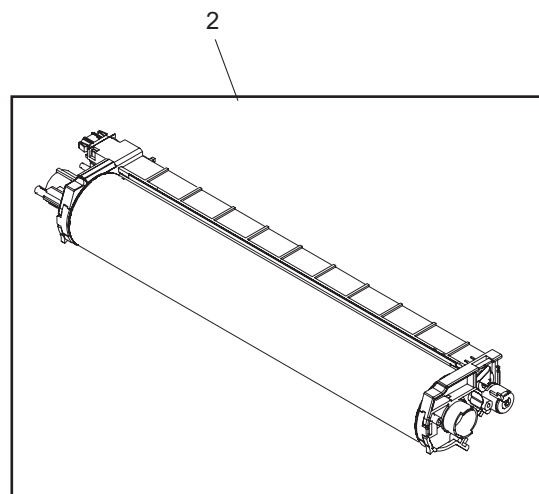
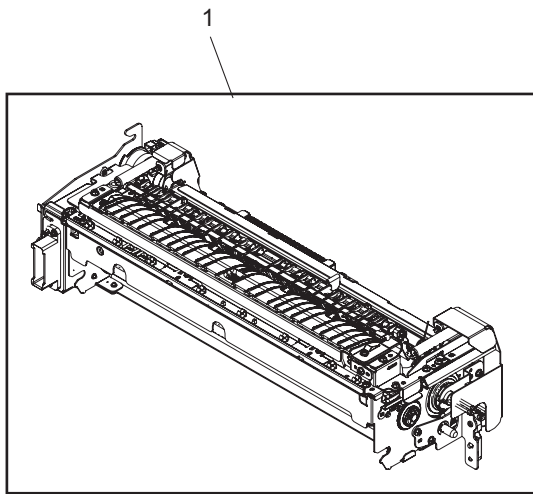




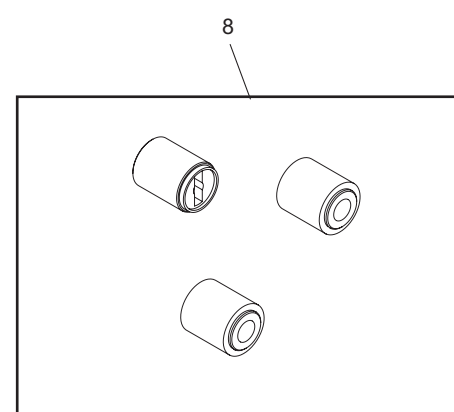
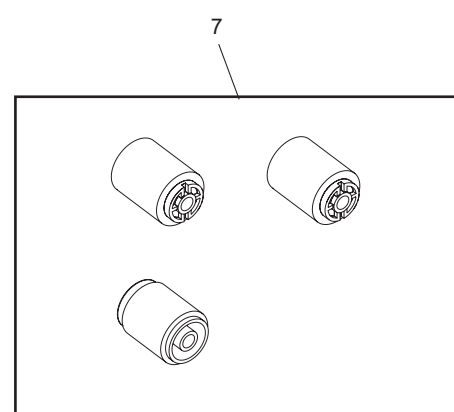
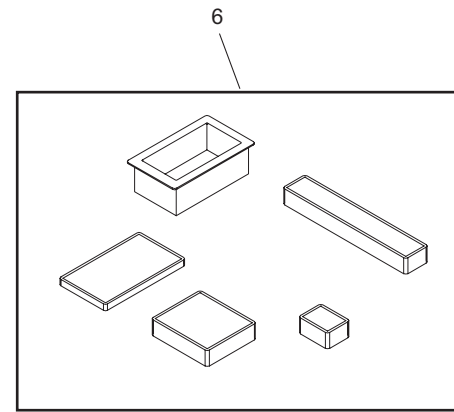
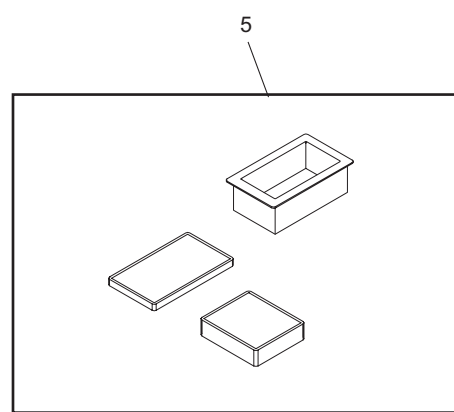
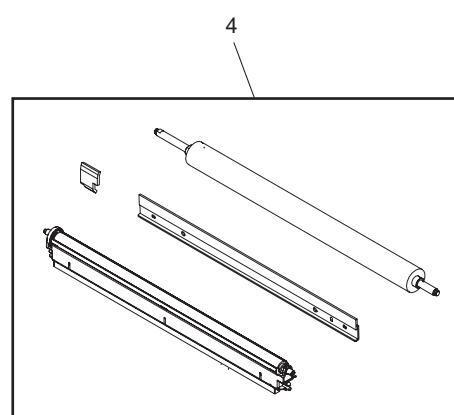
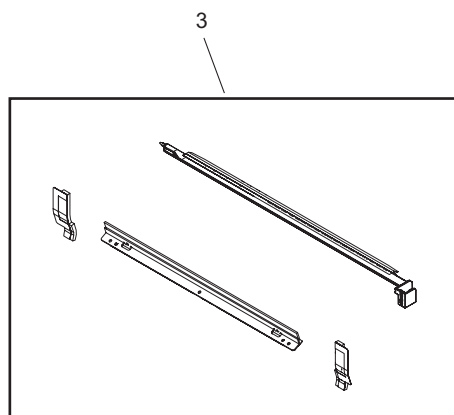
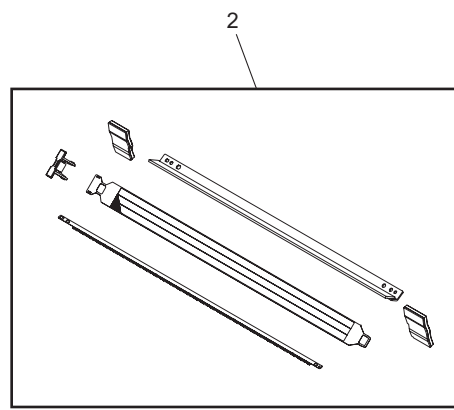
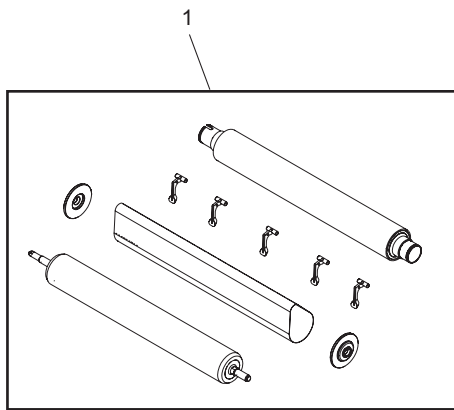




ITEM No.	PART No.	PART NAME	Q'TY / PAGE	Q'TY / PACK	REMARKS
1 A	6LH16946000	OD-FC55	1	1/S	DRUM (except for CND)
1 B	6LH16946100	OD-FC55C	1	1/S	CND
2 A	6LJ10690300	D-FC65-K	1	1/S	DEVELOPER (Black )
2 B	6LJ10690000	D-FC65-Y	1	1/S	DEVELOPER (Yellow)
2 C	6LJ10690100	D-FC65-M	1	1/S	DEVELOPER (Magenta)
2 D	6LJ10690200	D-FC65-C	1	1/S	DEVELOPER (Cyan)
3 A	6AK00000257	PS-ZTFC75UK(1)	1	SUPPLY	BLACK TONER for TABS/TCL
3 B	6AK00000255	PS-ZTFC75AK(1)	1	SUPPLY	BLACK TONER for TABS (Latin America)
3 C	6AK00000252	PS-ZTFC75EK(1)	1	SUPPLY	BLACK TONER for EUROPE
3 D	6AG00005708	PS-ZTFC75DK(1)	1	SUPPLY	BLACK TONER for TAP
3 E	6AG00003521	PS-ZTFC65CK(1)	1	SUPPLY	BLACK TONER for China
3 F	6AG00005721	PS-ZTFC75PK(1)	1	SUPPLY	COLOR TONER(Yellow) for TSP
3 G	6AK00000259	PS-ZTFC75UY(1)	1	SUPPLY	COLOR TONER(Yellow) for TABS/TCL
3 H	6AK00000261	PS-ZTFC75AY(1)	1	SUPPLY	COLOR TONER(Yellow) for TABS (Latin America)
3 I	6AK00000254	PS-ZTFC75EY(1)	1	SUPPLY	COLOR TONER(Yellow) for EUROPE
3 J	6AG00005712	PS-ZTFC75DY(1)	1	SUPPLY	COLOR TONER(Yellow) for TAP
3 K	6AG00003527	PS-ZTFC65CY(1)	1	SUPPLY	COLOR TONER(Yellow) for China
3 L	6AG00005725	PS-ZTFC75PY(1)	1	SUPPLY	COLOR TONER(Magenta) for TSP
3 M	6AK00000258	PS-ZTFC75UM(1)	1	SUPPLY	COLOR TONER(Magenta) for TABS/TCL
3 N	6AK00000260	PS-ZTFC75AM(1)	1	SUPPLY	COLOR TONER(Magenta) for TABS (Latin America)
3 O	6AK00000253	PS-ZTFC75EM(1)	1	SUPPLY	COLOR TONER(Magenta) for EUROPE
3 P	6AG00005710	PS-ZTFC75DM(1)	1	SUPPLY	COLOR TONER(Magenta) for TAP
3 Q	6AG00003524	PS-ZTFC65CM(1)	1	SUPPLY	COLOR TONER(Magenta) for China
3 R	6AG00005723	PS-ZTFC75PM(1)	1	SUPPLY	COLOR TONER(Cyan) for TSP
3 S	6AK00000256	PS-ZTFC75UC(1)	1	SUPPLY	COLOR TONER(Cyan) for TABS/TCL
3 T	6AK00000250	PS-ZTFC75AC(1)	1	SUPPLY	COLOR TONER(Cyan) for TABS (Latin America)
3 U	6AK00000251	PS-ZTFC75EC(1)	1	SUPPLY	COLOR TONER(Cyan) for EUROPE
3 V	6AG00005734	PS-ZTFC75DC(1)	1	SUPPLY	COLOR TONER(Cyan) for TAP
3 X	6AG00003518	PS-ZTFC65CC(1)	1	SUPPLY	COLOR TONER(Cyan) for China
4 A	6AG00002330	PS-TBFC55	1	SUPPLY	TONER BAG for TABS,TCL,TAP,TSP,Asia,Latin(TABS)
4 B	6AG00002332	PS-TBFC55E	1	SUPPLY	TONER BAG for EUROPE,
4 C	6AG00002331	PS-TBFC55C	1	SUPPLY	TONER BAG for China
5 A	6AG00002376	MF-5520U	1	SUPPLY	DAMP HEATER KIT (NAD)
5 B	6AG00002375	MF-5520E	1	SUPPLY	DAMP HEATER KIT (EUROPE, ASIA)
8 A	6A000000459	GN-3010	1	SUPPLY	Antenna All except CND
8 B	6A000000579	GN-3010C	1	SUPPLY	Antenna CND
9 A	6A000001221	GN-1060	1	SUPPLY	Except CND
9 B	6A000001223	GN-1060C	1	SUPPLY	CND
10	6A000001051	GP-1070	1	SUPPLY	Data Overwrite enabler
11	6A000000878	KP-2004	1	SUPPLY	e-BRIDGE ID Gate
12	6A000000925	KP-2005	1	SUPPLY	e-BRIDGE ID Gate
14	6A000001055	GS-1010	1	SUPPLY	Meta scan enabler
15	6A000001053	GP-1080	1	SUPPLY	IPSec enabler (Except CND)
16	6A000001057	GS-1020	1	SUPPLY	External interface enabler
17	6LH09467000	HRNS-LGC-CTR-430	1	1/P	
18	6A000001088	GQ-1200	1	SUPPLY	
19 A	6AG00003458	KA-6550-ET	1	SUPPLY	NAD,NAC,MJD,MJC,ASD,AUD
19 B	6AG00003459	KA-6550-ETC	1	SUPPLY	CND

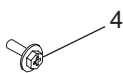
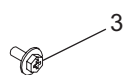
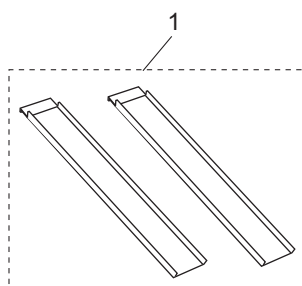
















**TOSHIBA**

**TOSHIBA TEC CORPORATION**

1-11-1, OSAKI, SHINAGAWA-KU, TOKYO, 141-8562, JAPAN