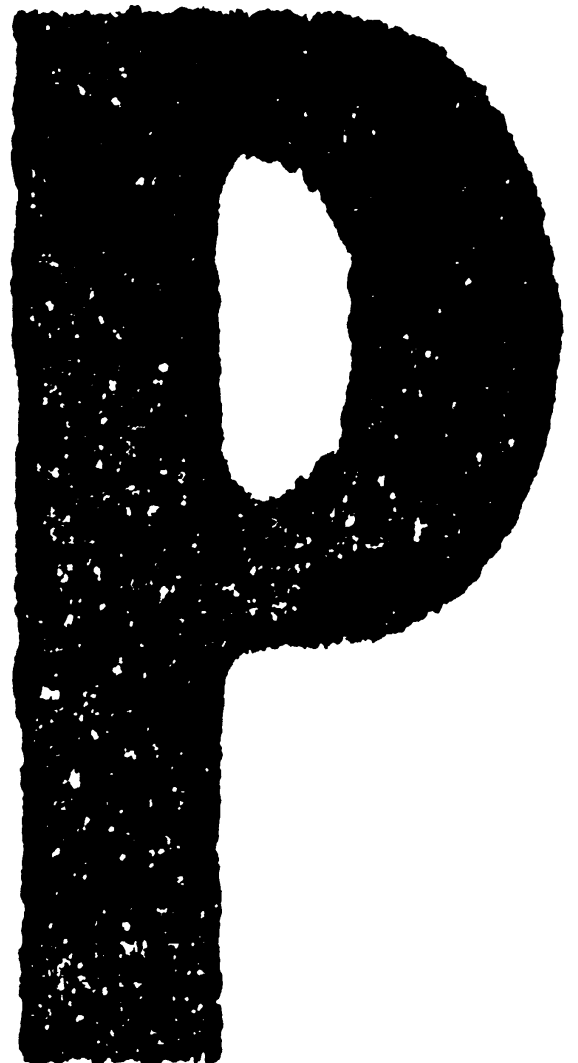


TOSHIBA

SERVICE PARTS LIST

MULTIFUNCTIONAL DIGITAL SYSTEMS

e-STUDIO556/656/756/856

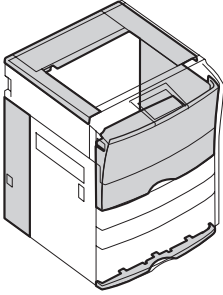
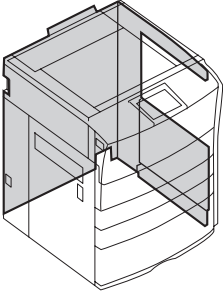
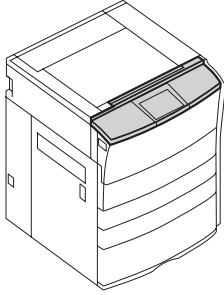
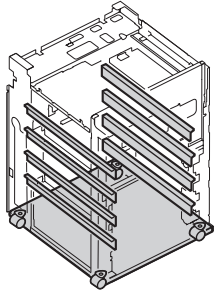
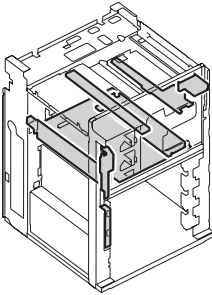
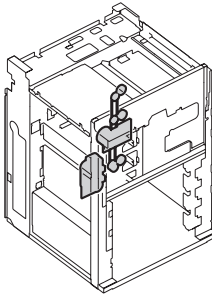
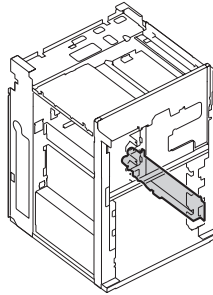
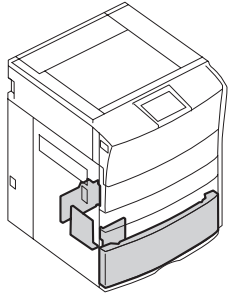
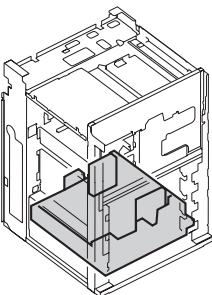
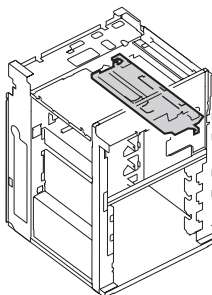
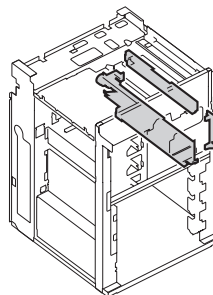
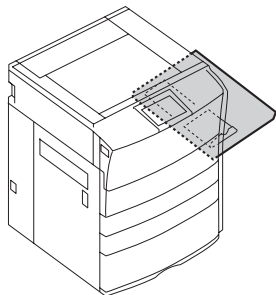
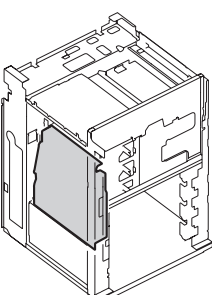
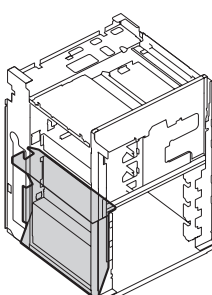
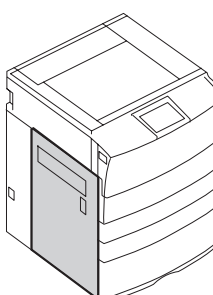
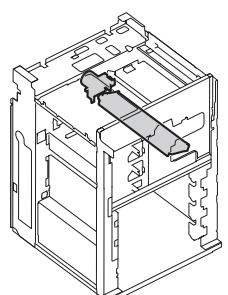
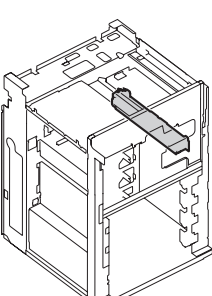
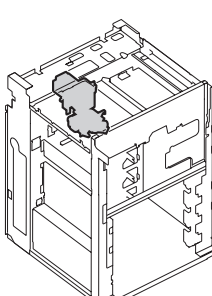
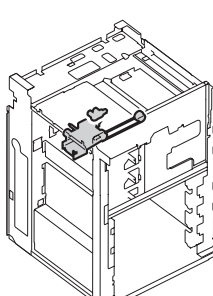
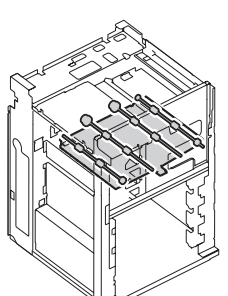


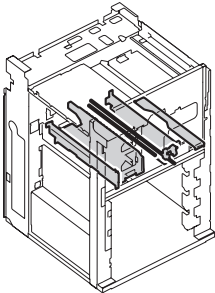
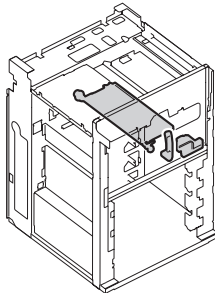
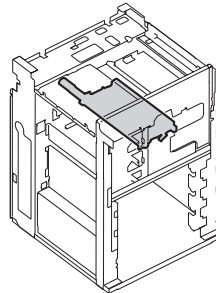
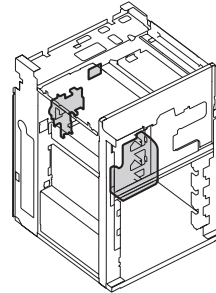
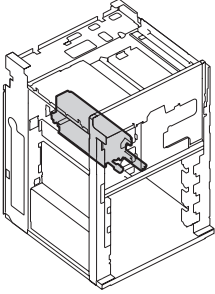
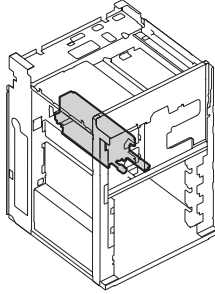
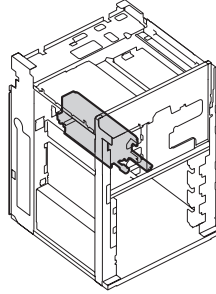
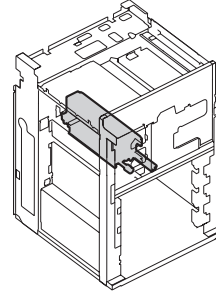
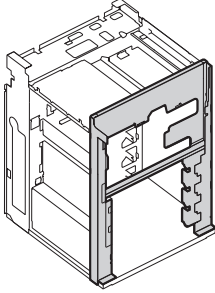
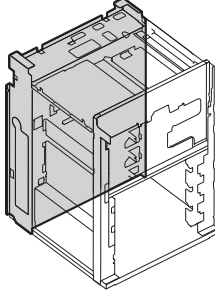
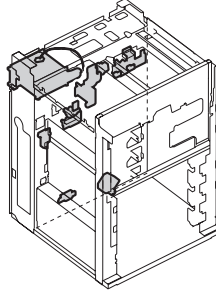
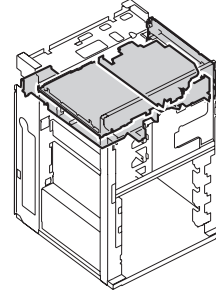
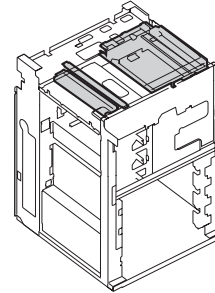
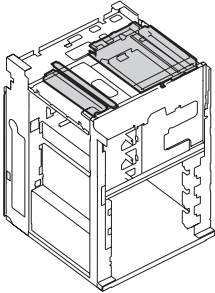
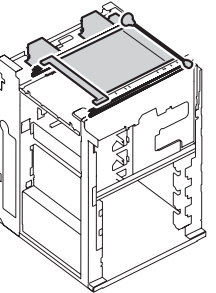
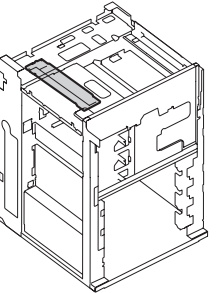
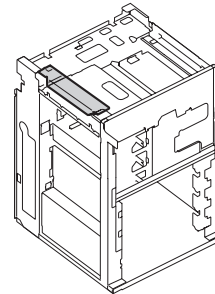
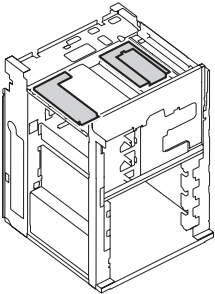
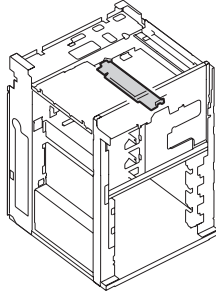
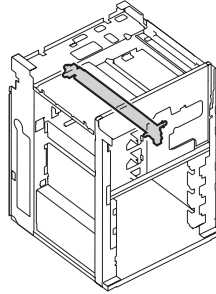
© 2011 TOSHIBA TEC CORPORATION All rights reserved

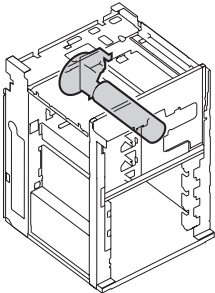
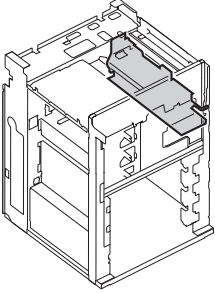
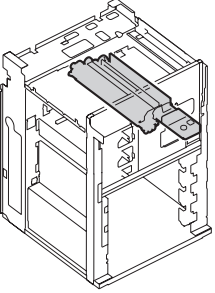
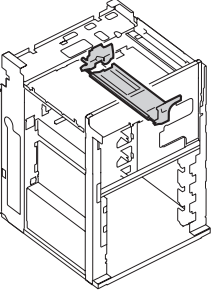
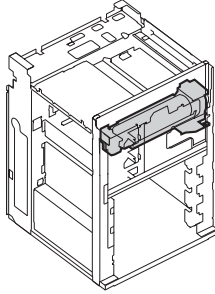
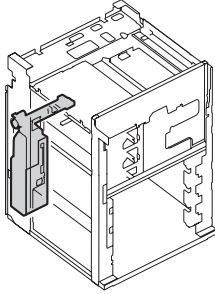
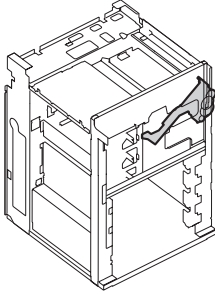
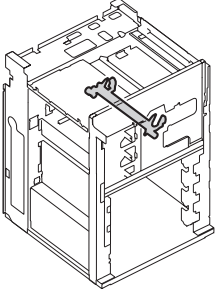
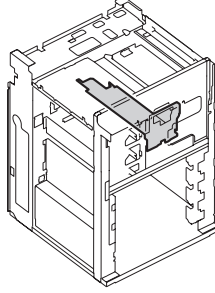
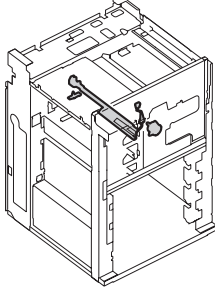
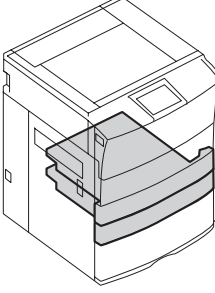
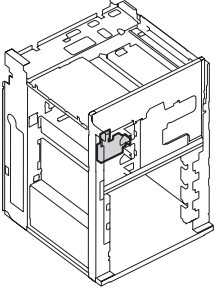
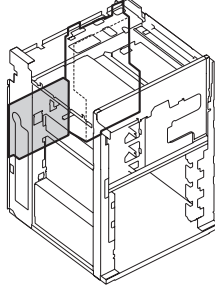
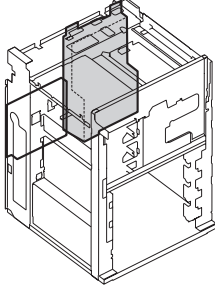
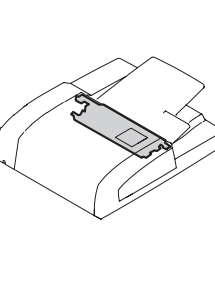
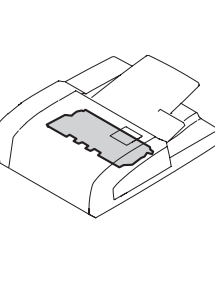
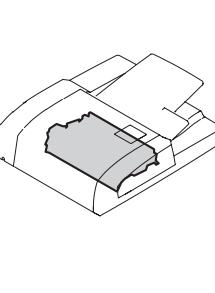
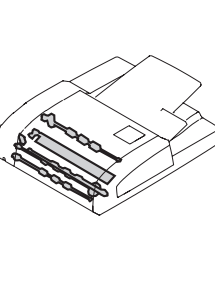
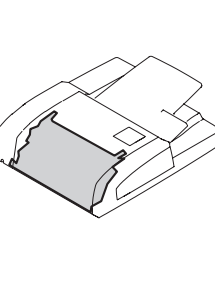
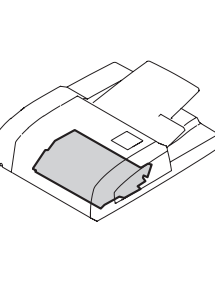
Under the copyright laws, this manual cannot be reproduced in any form without prior written permission of TOSHIBA TEC CORPORATION. No patent liability is assumed, however, with respect to the use of the information contained herein.

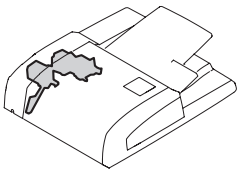
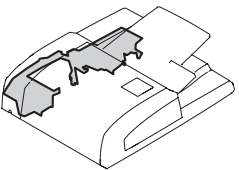
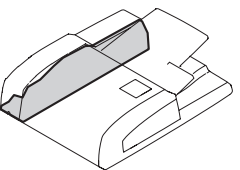
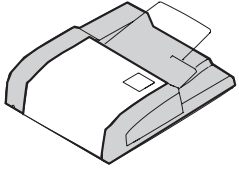
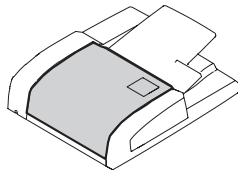
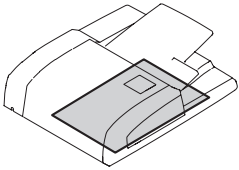
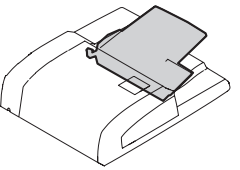
CONTENTS

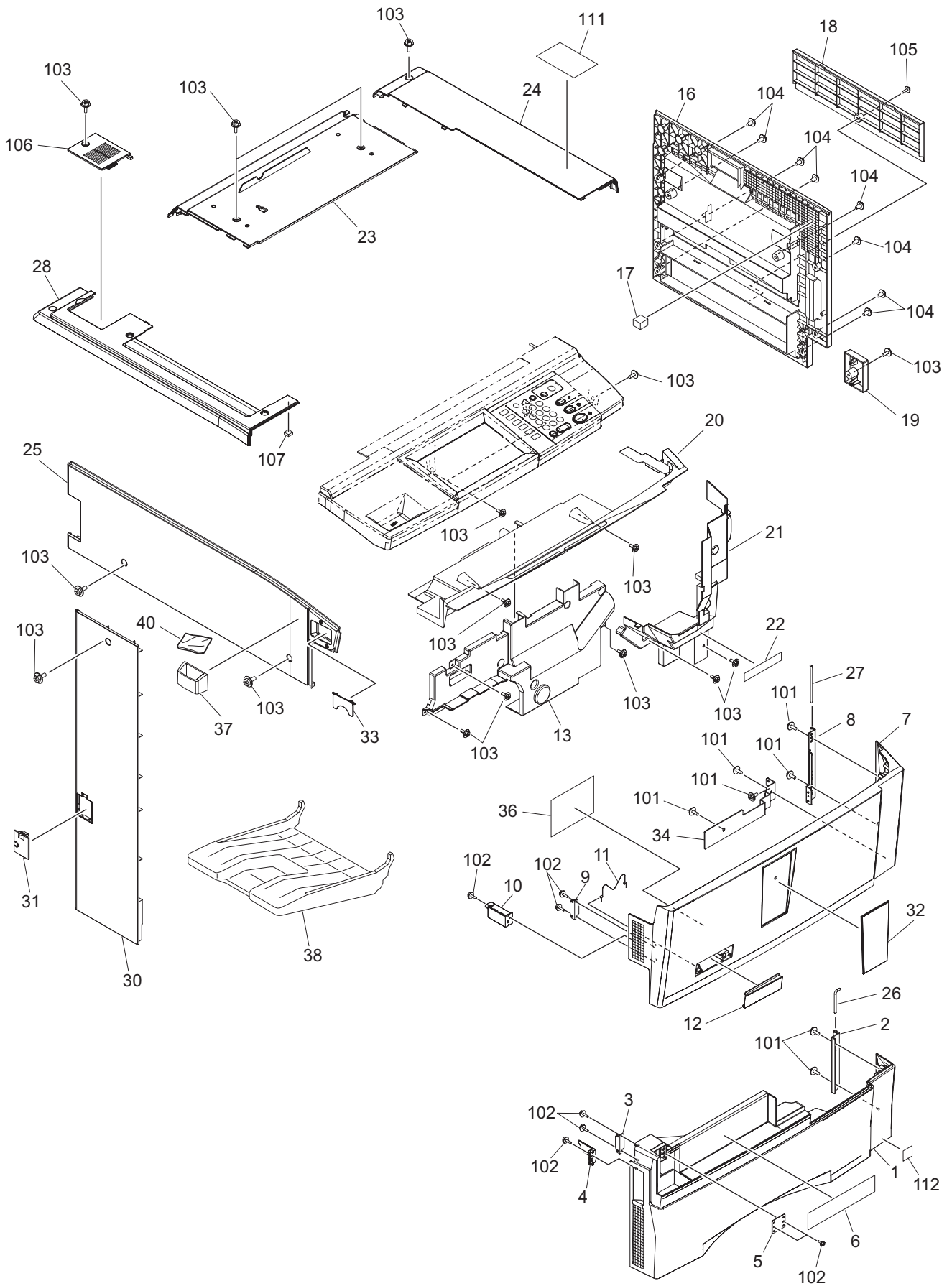
COVER-1-ASM	1	DRUM/DRUM-DRIVE ASM.....	41
COVER-2-ASM	2	DEV DRIVE/STAY-ASM	42
CONTROL-PANEL-ASM	3	DEVELOPER-1-ASM	43
LOWER-FRAME-ASM	4	DEVELOPER-2-ASM	44
UPPER-FRAME-ASM	5	TONER-DRIVE-ASM.....	45
FEED-DRIVE-ASM	6	USED-TONER/AUGER-ASM.....	46
PAPER-FEED-ASM.....	7	RECYCLE/AUGER-ASM	47
TANDEM-LCF-1-ASM	8	CLEANER-1-ASM	48
TANDEM-LCF-2-ASM	9	CLEANER-2-ASM	49
MANUAL-FEED-DRIVE-1-ASM	10	CLEANER-3-ASM	50
MANUAL-FEED-DRIVE-2-ASM	11	DRAWER-ASM	51
MANUAL-TRAY-ASM	12	ELECTRIC-ASM	52
REVERSE-DRIVE-ASM.....	13	LGC-ASM.....	53
REVERSE-OPEN-GUIDE-1-ASM.....	14	SYS-ASM.....	54
REVERSE-OPEN-GUIDE-2-ASM.....	15	RADF-FEED-1-ASM	81
ALIGNING-ROLLER-ASM	16	RADF-FEED-2-ASM	82
TRANSPORT-ROLLER-ASM.....	17	RADF-FEED-3-ASM	83
TRANSPORT-BELT-DRIVE-1-ASM	18	RADF-FEED-4-ASM	84
TRANSPORT-BELT-DRIVE-2-ASM	19	RADF-FEED-5-ASM	85
TRANSPORT-BELT-GUIDE-1-ASM.....	20	RADF-FEED-6-ASM	86
TRANSPORT-BELT-GUIDE-2-ASM.....	21	RADF-FEED-DRIVE-ASM	87
TRANSPORT-BELT-CASE-1-ASM	22	RADF-HINGE-ASM.....	88
TRANSPORT-BELT-CASE-2-ASM	23	RADF-REAR-FRAME-ASM	89
FUSER-DRIVE-ASM.....	24	RADF-COVER-ASM	90
FUSER-1-ASM.....	25	RADF-GUIDE-OPEN-ASM	91
FUSER-2-ASM.....	26	RADF-PLATEN-ASM.....	92
FUSER-3-ASM.....	27	RADF-TRAY-ASM	93
FUSER-4-ASM.....	28	JIGS & GREASE.....	201
FRONT-FRAME-ASM	29	DOWNLOAD JIGS	202
REAR-FRAME-1-ASM	30	SUPPLIES.....	203
REAR-FRAME-2-ASM	31	REPLACE UNIT	204
LASER-OPT-ASM.....	32	PM-KIT	205
DUCT-ASM	33	SERVICE.....	206
OPTICAL-FRAME-ASM	34	SUPPLIES-TWD	207
OPTICAL-DRIVE-ASM.....	35		
CRG-1-ASM	36		
CRG-2-ASM.....	37		
OPTICAL-ELECTRIC-ASM.....	38		
CHARGER-DRIVE-ASM	39		
MAIN-CHARGER-ASM	40		

<p>1. COVER-1-ASM</p> 	<p>2. COVER-2-ASM</p> 	<p>3. CONTROL-PANEL-ASM</p> 	<p>4. LOWER-FRAME-ASM</p> 
<p>5. UPPER-FRAME-ASM</p> 	<p>6. FEED-DRIVE-ASM</p> 	<p>7. PAPER-FEED-ASM</p> 	<p>8. TANDEM-LCF-1-ASM</p> 
<p>9. TANDEM-LCF-2-ASM</p> 	<p>10. MANUAL-FEED-DRIVE-1-ASM</p> 	<p>11. MANUAL-FEED-DRIVE-2-ASM</p> 	<p>12. MANUAL-TRAY-ASM</p> 
<p>13. REVERSE-DRIVE-ASM</p> 	<p>14. REVERSE-OPEN-GUIDE-1-ASM</p> 	<p>15. REVERSE-OPEN-GUIDE-2-ASM</p> 	<p>16. ALIGNING-ROLLER-ASM</p> 
<p>17. TRANSPORT-ROLLER-ASM</p> 	<p>18. TRANSPORT-BELT-DRIVE-1-ASM</p> 	<p>19. TRANSPORT-BELT-DRIVE-2-ASM</p> 	<p>20. TRANSPORT-BELT-GUIDE-1-ASM</p> 

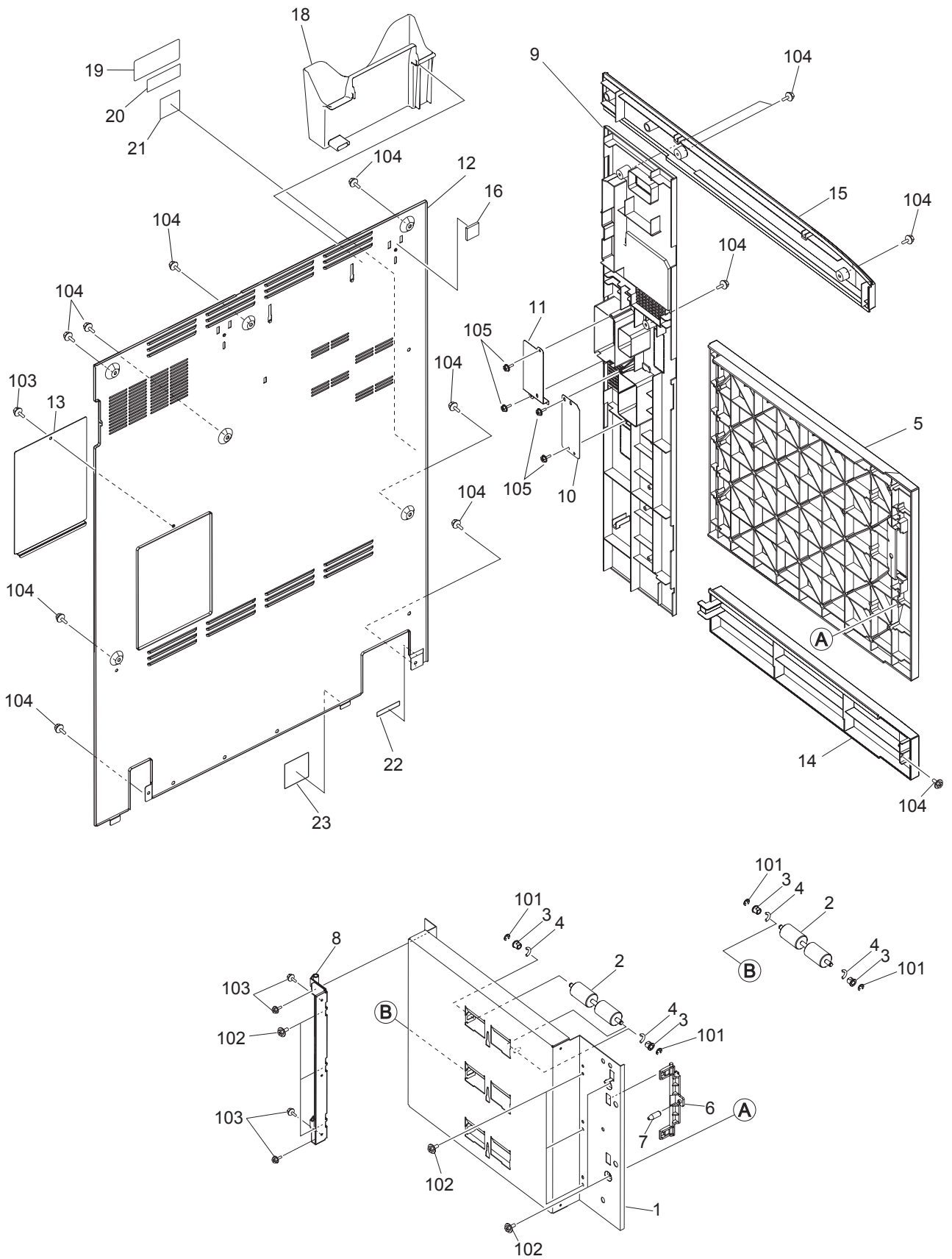
<p>21. TRANSPORT-BELT-GUIDE-2-ASM</p> 	<p>22. TRANSPORT-BELT-CASE-1-ASM</p> 	<p>23. TRANSPORT-BELT-CASE-2-ASM</p> 	<p>24. FUSER-DRIVE-ASM</p> 
<p>25. FUSER-1-ASM</p> 	<p>26. FUSER-2-ASM</p> 	<p>27. FUSER-3-ASM</p> 	<p>28. FUSER-4-ASM</p> 
<p>29. FRONT-FRAME-ASM</p> 	<p>30. REAR-FRAME-1-ASM</p> 	<p>31. REAR-FRAME-2-ASM</p> 	<p>32. LASER-OPT-ASM</p> 
<p>33. DUCT-ASM</p> 	<p>34. OPTICAL-FRAME-ASM</p> 	<p>35. OPTICAL-DRIVE-ASM</p> 	<p>36. CRG-1-ASM</p> 
<p>37. CRG-2-ASM</p> 	<p>38. OPTICAL-ELECTRIC-ASM</p> 	<p>39. CHARGER-DRIVE-ASM</p> 	<p>40. MAIN-CHARGER-ASM</p> 

<p>41. DRUM/DRUM-DRIVE ASM</p> 	<p>42. DEV DRIVE/STAY-ASM</p> 	<p>43. DEVELOPER-1-ASM</p> 	<p>44. DEVELOPER-2-ASM</p> 
<p>45. TONER-DRIVE-ASM</p> 	<p>46. USED-TONER/AUGER-ASM</p> 	<p>47. RECYCLE/AUGER-ASM</p> 	<p>48. CLEANER-1-ASM</p> 
<p>49. CLEANER-2-ASM</p> 	<p>50. CLEANER-3-ASM</p> 	<p>51. DRAWER-ASM</p> 	<p>52. ELECTRIC-ASM</p> 
<p>53. LGC-ASM</p> 	<p>54. SYS-ASM</p> 	<p>81. FEED-1-ASM</p> 	<p>82. FEED-2-ASM</p> 
<p>83. FEED-3-ASM</p> 	<p>84. FEED-4-ASM</p> 	<p>85. FEED-5-ASM</p> 	<p>86. FEED-DRIVE-1-ASM</p> 

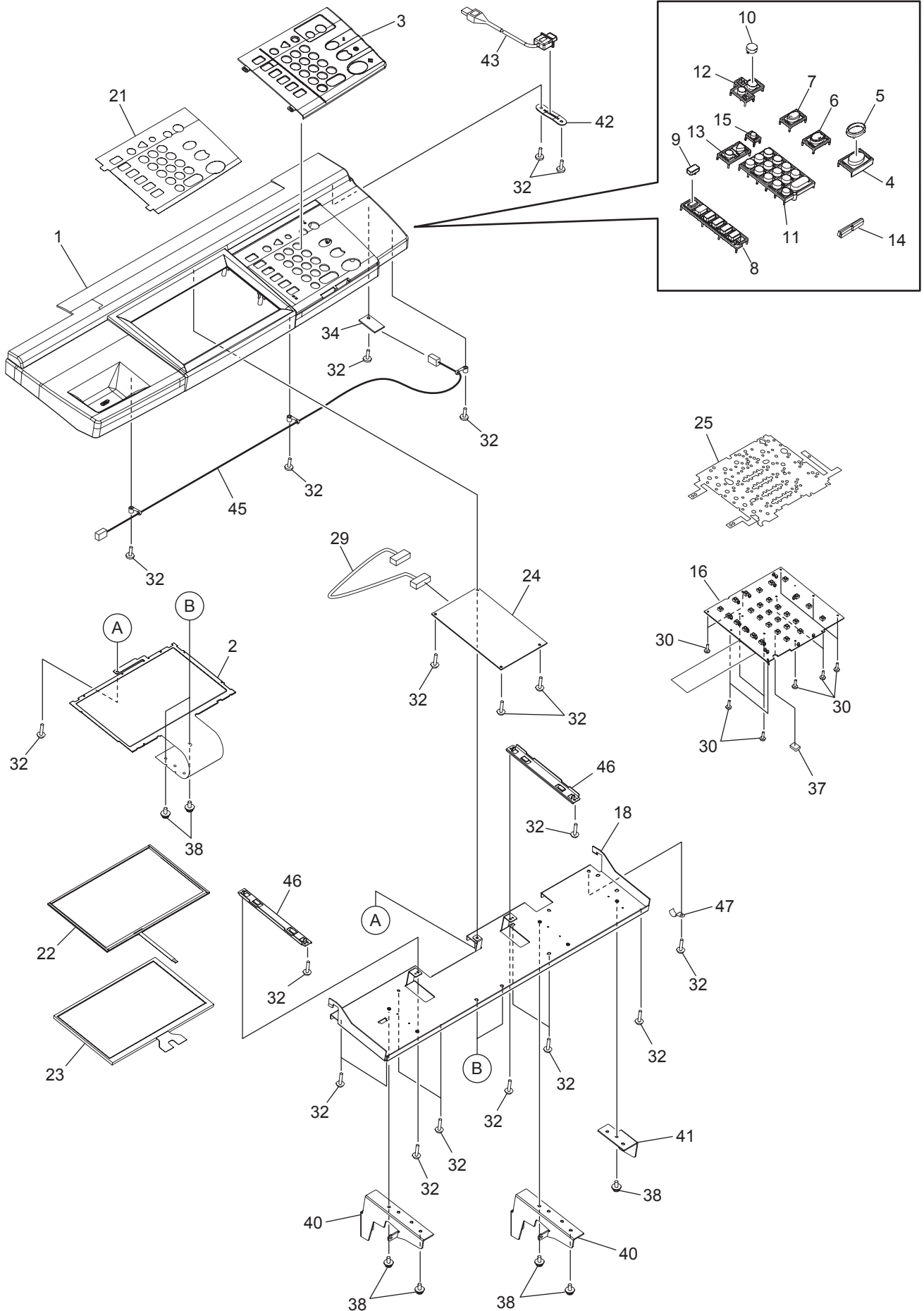
<p>87. FEED-DRIVE-2-ASM</p> 	<p>88. HINGE-ASM</p> 	<p>89. REAR-FRAME-1-ASM</p> 	<p>90. COVER-ASM</p> 
<p>91. GUIDE-OPEN-ASM</p> 	<p>92. PLATEN-ASM</p> 	<p>93. TRAY-ASM</p> 	



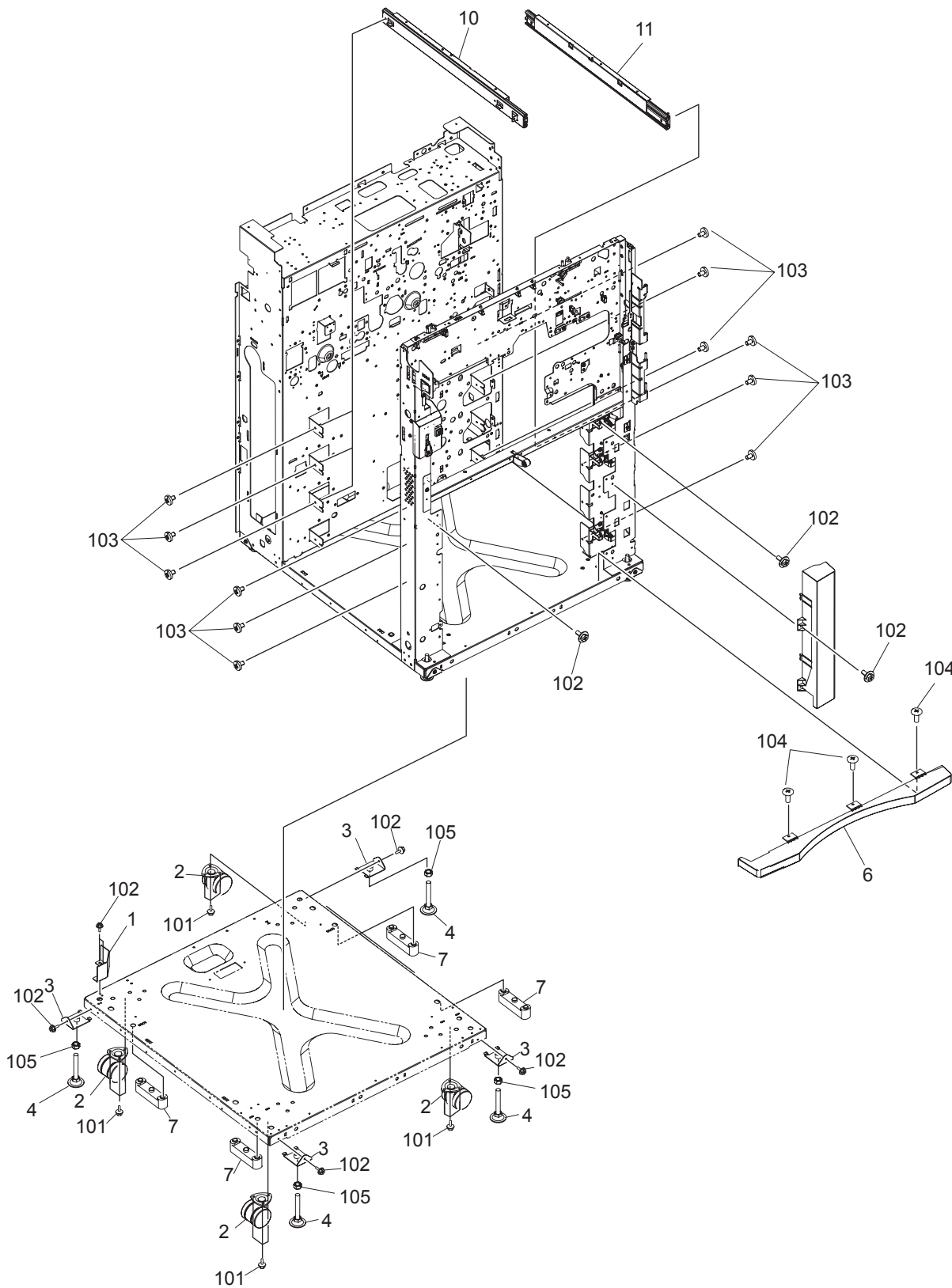
ITEM No.	PART No.	PART NAME	Q'TY / PAGE	Q'TY / PACK	REMARKS
1	6LE04448000	COVER-FRONT-LWR	1	1/PP	
2	6LE04453000	HINGE-COV-F-LWR	1	1/P	
3	F0-01393000	CA-0124B	1	1/P	
4	6LE03148000	PUSHER-SW-REV-390A	1	1/P	
5	6LE04451000	BRKT-CATCH-MG	1	1/P	
6	6LE13139000	LBL-TNR-IN	1	1/KP	
7	6LE04447000	COVER-FRONT-UPR	1	1/PP	
8	6LE04494000	HINGE-COV-F-UPR	1	1/P	
9	F0-01394000	CA-0131B	1	1/P	
10	6LE04450000	PUSHER-SWTNR-390	1	1/P	
11	6LE04495000	SPG-T-2R9XR55-HNDL	1	1/KP	
12	6LE04449000	COVER-FRONT-HNDL	1	1/P	
13	6LE04496000	COV-INNER-CTR-390	1	1/PP	
16	6LE04456000	ASY-COVER-BYP	1	1/PP	
17	6LA15048000	CUSHION-COV-BYP-N	1	5/P	
18	6LE04458000	COVER-WIN-LCF	1	1/PP	
19	6LE04459000	COVER-LATCH-LCF	1	1/P	
20	6LE07500000	COV-IN-CONP-390	1	1/PP	
21	6LE04410000	COV-INNER-R-390	1	1/PP	
22 A	6LA06563000	LBL-W-DRUM-PS	1	1/KP	NAD,MJD,ASD,AUD,NAG,GSA
22 B	6LA14336000	LBL-W-DRUM-PS-CN	1	1/KP	CND
23	6LH67936000	COVER-TOP-C-H19XN	1	1/PP	
24	6LH67935000	COVER-TOP-R-H19XN	1	1/PP	
25	6LE04473000	COVER-LEFT-U	1	1/PP	
26	6LE04455000	PIN-HINGE-F-55	1	1/P	
27	6LE04454000	PIN-HINGE-UPR	1	1/P	
28	6LH67939000	ASYS-COVER-TOP-L-19X	1	1/PP	
30	6LE04472000	COVER-LEFT-R	1	1/PP	
31	6LE04474000	COVER-DF-CNT-FW	1	1/P	
32 A	6LH73691000	ASYS-EMBLEM-556	1	1/D	e-STUDIO556
32 B	6LH73691400	ASYS-EMBLEM-556SE	1	1/D	e-STUDIO556SE
32 C	6LH73691100	ASYS-EMBLEM-656	1	1/D	e-STUDIO656
32 D	6LH73691500	ASYS-EMBLEM-656SE	1	1/D	e-STUDIO656SE
32 E	6LH73691200	ASYS-EMBLEM-756	1	1/D	e-STUDIO756
32 F	6LH73691600	ASYS-EMBLEM-756SE	1	1/D	e-STUDIO756SE
32 G	6LH73691300	ASYS-EMBLEM-856	1	1/D	e-STUDIO856
32 H	6LH73691700	ASYS-EMBLEM-856SE	1	1/D	e-STUDIO856SE
33	6LH73689000	COVER-SW-PW-B	1	1/P	
34	6LE04493000	COV-HINGE-UPR-1	1	1/P	
36 A	4406359210	LBL-TNR-CAU-3-E	1	1/KP	MJD
37	6LH73643000	ASYS-CLOTH-SCN-V	1	1/P	
38	6LA06850000	TRAY-FW	1	1/PP	
40	6LH73639000	CLOTH-SCN-V	1	1/P	
101	X0-02251000	S/TPP/FHEXM-4X8-NI	7	10/P	
102	X0-02247000	S/TPP/FHEXM-3X8-NI	8	10/P	
103	X0-02589000	S/TPD3/FHEXM-4X8-ZU3	19	10/P	
104	6LA08934000	SCR-M4X8ITSR-NI	8	10/P	
105	X0-02252000	S/TPP/FHEXM-4X10-NI	1	10/P	
106	6LH67932000	ASYS-COVER-TOP-FLTR-H19XN	1	1/PP	
107	6LH08374000	SHEET-GEL-10-4	1	5/P	
111 A	6LH14765000	LBL-PROHIBIT-C-430	1	1/KP	CND
111 B	6LH14759000	LBL-PROHIBIT-E-430	1	1/KP	MJD,ASD,AUD
111 C	6LH14757000	LBL-PROHIBIT-U-430	1	1/KP	NAD,NAG,GSA
112	6LH88546000	LBL-ENERGY-T-PP	1	5/P	

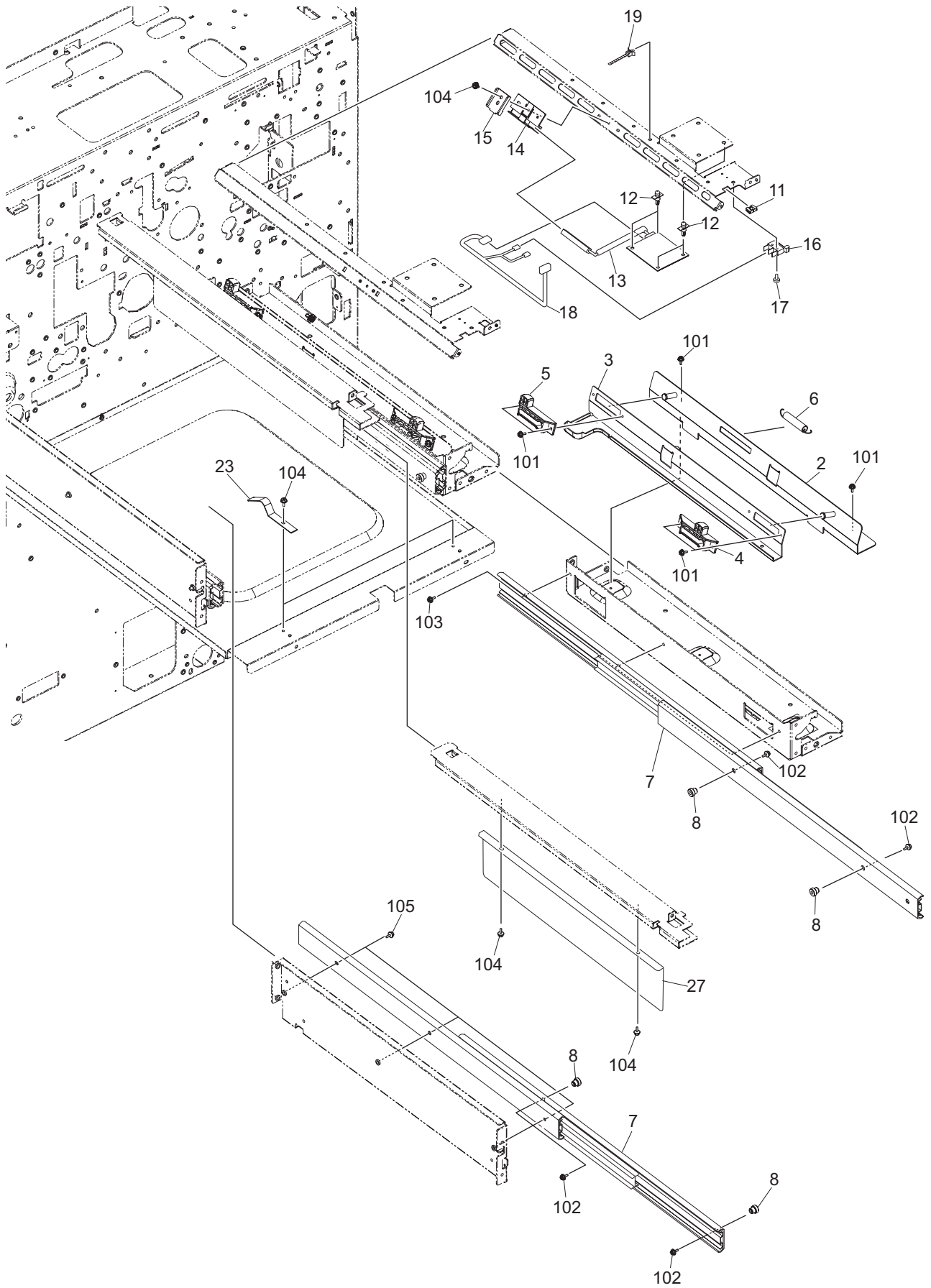


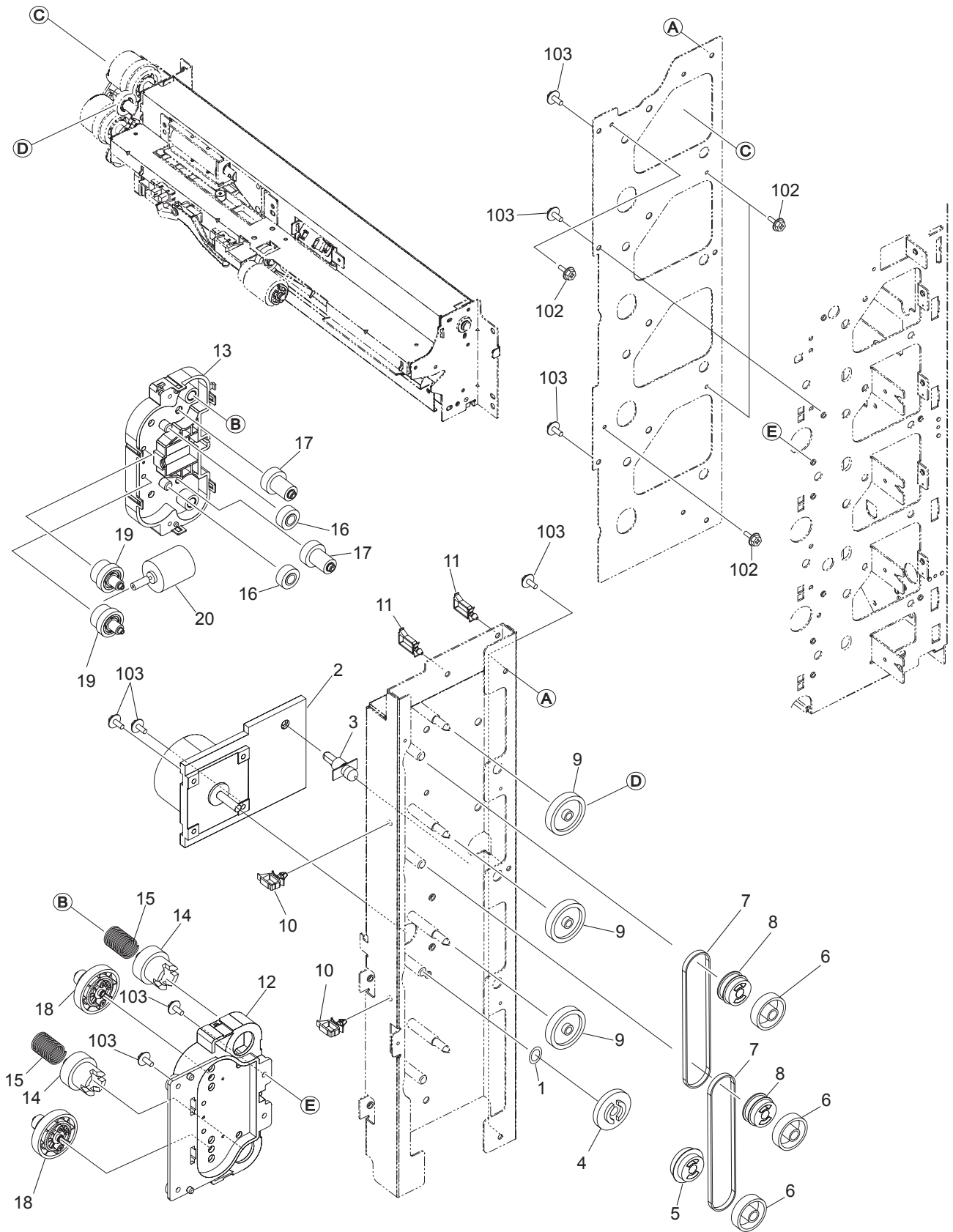
ITEM No.	PART No.	PART NAME	Q'TY / PAGE	Q'TY / PACK	REMARKS
1	6LE05736000	ASYS-GUIDE-PAPER-390	1	1/PP	
2	6LE05723000	ROLLER-IDLE-390	2	1/P	
3	4407976990	BUSH-D6-GCB	4	1/P	
4	6LA14855000	SPRING-PFP-340	4	1/P	
5	6LE05751000	COVER-PFP-OPEN	1	1/PP	
6	6LE03422000	KNOB-COV-PFP	1	1/P	
7	6LA04152000	SPC-KNOB-STOP	1	5/P	
8	6LA04146000	BRKT-HINGE-U	1	1/P	
9	6LE04440000	ASYS-COV-RIGHT-R-390	1	1/PP	
10	6LE04480000	PLATE-FAX	1	1/P	
11	6LE04479000	PLATE-PCI	1	1/P	
12	6LH73619000	COVER-REAR-H100	1	1/PP	
13	6LE16216000	COVER-DL-REAR-390V	1	1/PP	
14	6LE04476100	COVER-RIGHT-L-N	1	1/PP	
15	6LE04475000	COVER-RIGHT-U	1	1/PP	
16	6LE04492000	RUBBER-COVER-R-390	1	5/P	
18	6LE75819000	POCKET-MANUAL	1	1/PP	
19 A	6LA47529000	LBL-LASER	1	1/KP	NAD,MJD,ASD,AUD,NAG,GSA
19 B	6LA56226000	LBL-LASER-C	1	5/KP	CND
20 A	6LA15839000	LABEL-FCC-18	1	10/KP	NAD,NAG,GSA
21 A	4408860880	LABEL-CANADA-A	1	5/P	NAD,NAG,GSA
22 C	4402860770	LBL-C-TICK-MARK	1	5/P	AUD
23 A	44204604000	LBL-SERVICE-45	1	5/P	NAD,MJD,ASD,AUD,NAG,GSA
23 B	6LA56227000	LBL-SERVICE-45C	1	5/KP	CND
101	X0-00966000	RR/E-5-SS	4	10/P	
102	X0-02251000	S/TPP/FHEXM-4X8-NI	8	10/P	
103	X0-02593000	S/TPD3/FHEXM-3X8-ZU3	5	10/P	
104	X0-02589000	S/TPD3/FHEXM-4X8-ZU3	13	10/P	
105	X0-02247000	S/TPP/FHEXM-3X8-NI	4	10/P	

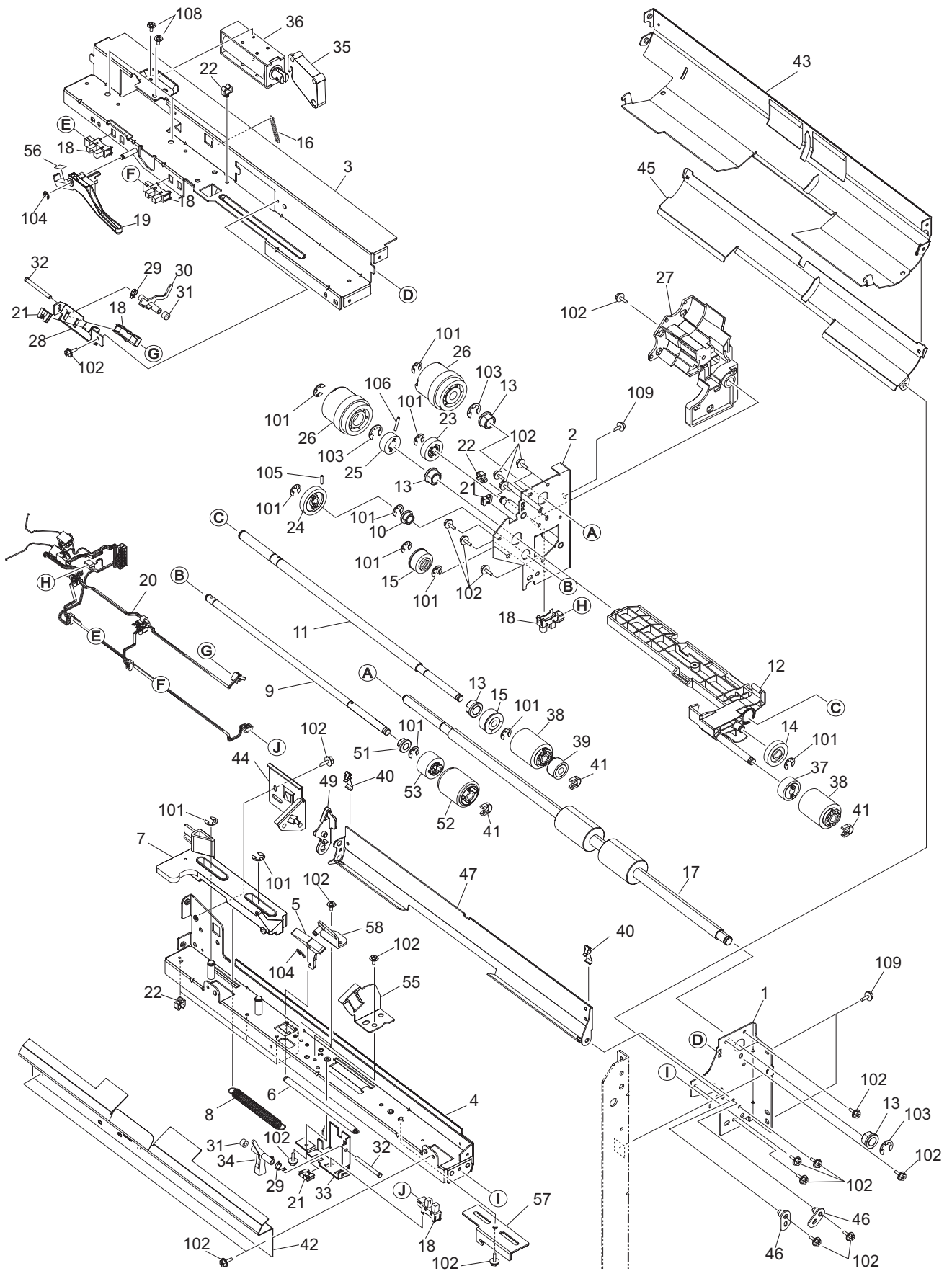


ITEM No.	PART No.	PART NAME	Q'TY / PAGE	Q'TY / PACK	REMARKS
1	6LH69054000	COVER-CONPANE-UPR-H19X	1	1/PP	
2	6LH69056000	MYLAR-SHIELD-LCD-H19X	1	1/P	
3	6LH69008000	COV-CONP-CLEAR-H100	1	1/KP	
4	6LH02005000	KEY-START	1	1/C	
5	6LH02006000	KEY-START-RING	1	1/D	
6	6LH02007000	KEY-STOP	1	1/C	
7	6LH02008100	KEY-RESET-U	1	1/C	
8	6LH02009000	KEY-FUNCTION	1	1/C	
9	6LH02010000	KEY-MENU	1	1/P	
10	6LH02011000	KEY-POWER	1	1/P	
11	6LH37308000	KEY-TEN-45X	1	1/C	
12	6LH37306000	KEY-ENERGY-45X	1	1/C	
13	6LH37307000	KEY-USER-FUNC-45X	1	1/C	
14	6LH69003000	LID-LED-H100	1	1/P	
15	6LH02012000	KEY-COUNT	1	1/C	
16	6LH69060000	PWA-H-KEY-H19X	1	1/SB	
18	6LH69055000	SHIELD-CONPANE-H19X	1	1/P	
21 A	6LH69010000	SHEET-PANEL-H100-U	1	1/KP	NAD,MJD,ASD,AUD,NAG,GSA
21 B	6LH69010200	SHEET-PANEL-H100-C	1	1/KP	CND
22	6LH52233000	ASYS-PNL-TOUCH-H16X	1	1/C	
23	6LH52231000	ASYS-DSP-LCD-H16X	1	1/C	
24	6LH69061000	PWA-H-DSP-H19X	1	1/SB	
25	6LH69012000	MYLAR-SHIELD-H100	1	1/KP	
29	6LH69939000	HRNS-SYS-DSP-H100	1	1/P	
30	X0-02094000	S/TPB/BID-2X6-NI	12	10/P	
32	X0-02095000	S/TPP/BRZ-3X10-NI	22	10/P	
34	6LE09111000	SNSR-THS-390	1	1/C	
37	6LH37330000	SPACER	1	1/P	
38	X0-00077000	S/PAN/SWWP-M3X8-NI	7	10/P	
40	6LH69006000	BRKT-CONPANE-H100	2	1/P	
41	6LH69005000	BRKT-CONP-TNR-SUB-H100	1	1/P	
42	6LH69007000	BRKT-USB-H100	1	1/P	
43	6LH69952000	CABLE-USB-H100	1	1/P	
45	6LH69063000	HRNS-SYS-SNSR-H19X	1	1/P	
46	6LH52221000	BRKT-LCD	2	1/P	
47	6LH70095000	CLMP-MGC-3	1	1/P	

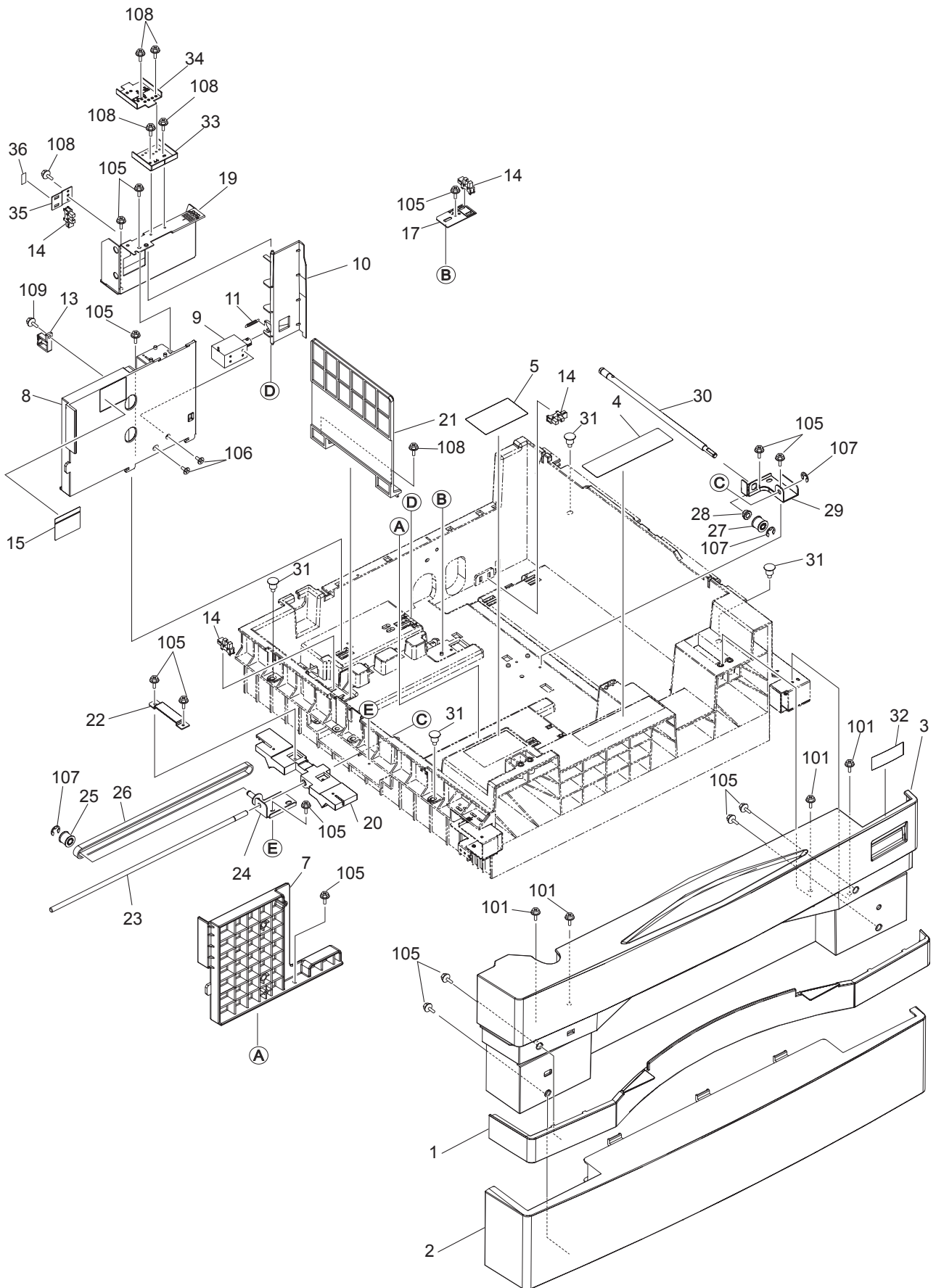




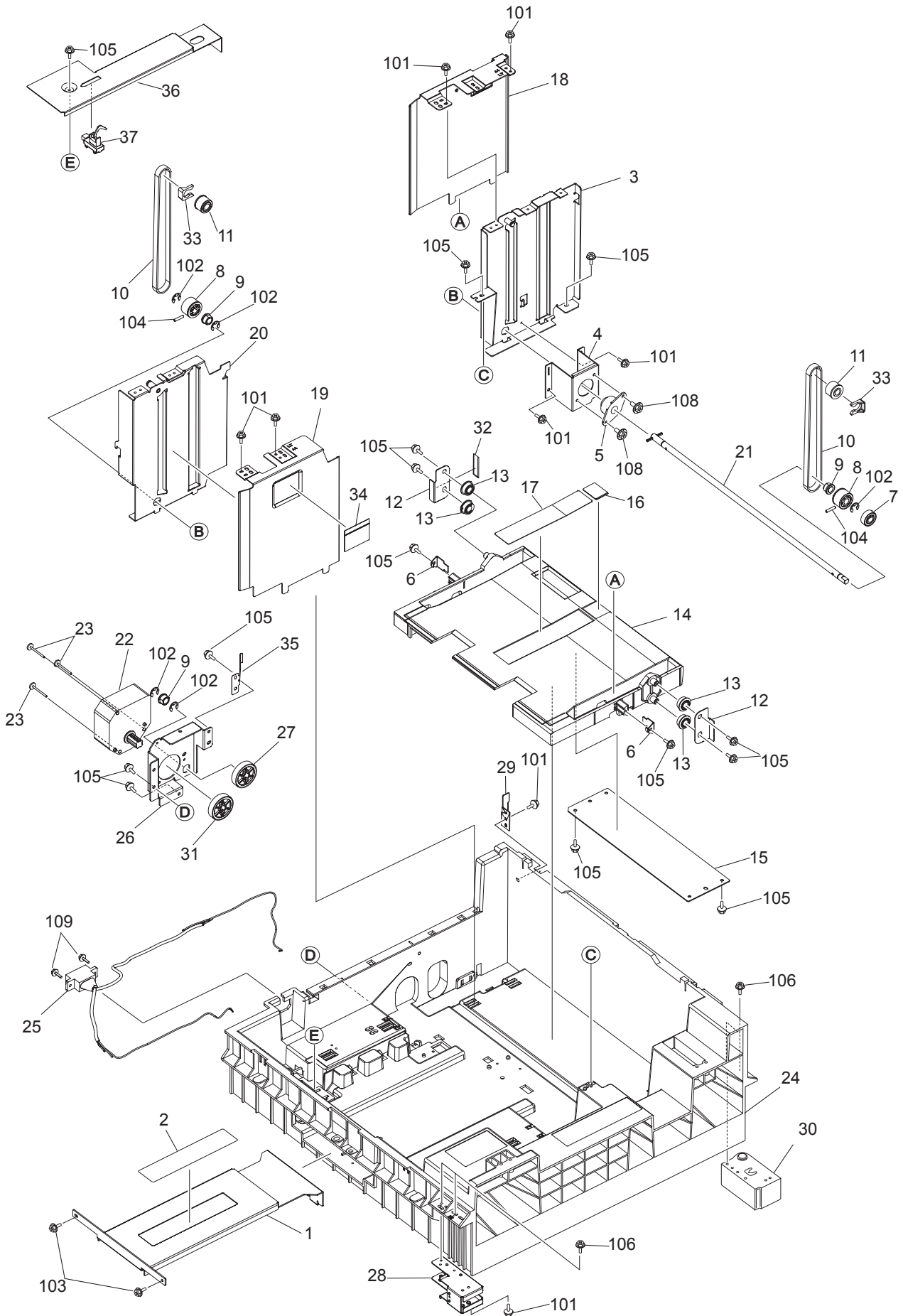




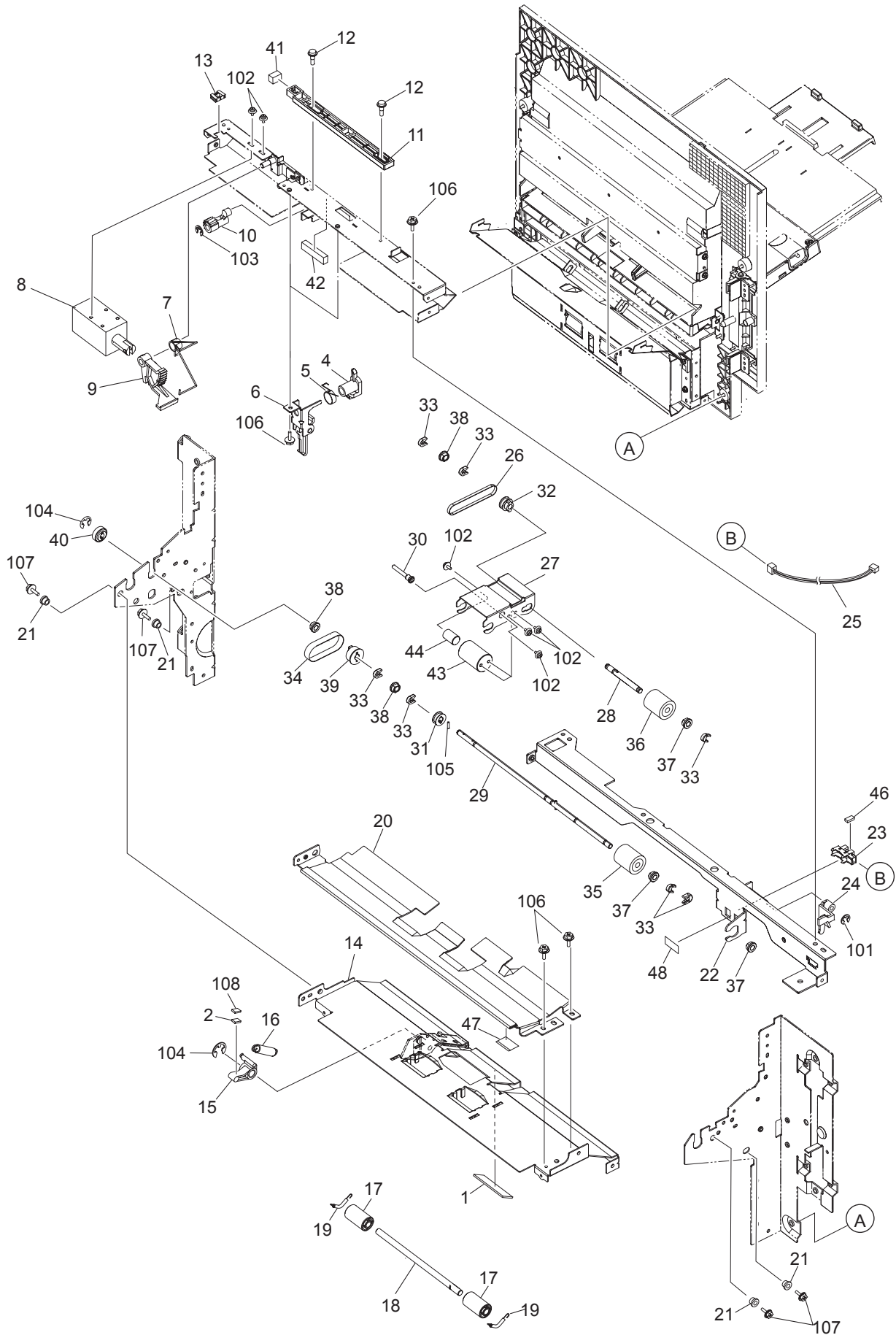
ITEM No.	PART No.	PART NAME	Q'TY / PAGE	Q'TY / PACK	REMARKS
1	6LA03812000	FRAME-F/S-F	1	1/P	
2	6LA03826000	K-FRAME-F/S-R	1	1/P	
3 A	6LA03731000	K-STAY-FEED-T	1	1/P	For Tandem LCF
3 B	6LA03831000	K-STAY-FEED	1	1/P	For Cassette
4	6LE05748000	ASYS-STAY-SPT-390	1	1/P	
5	6LA04036000	LEVER-SPT-ROL	1	1/P	
6	6LA04041000	SPE061-050-0495	1	5/P	
7	6LA04031000	LEVER-P/U-DOWN	1	1/P	
8	6LA03887000	SPE090-090-0531	1	5/P	
9	6LE05725000	ASYS-SHAFT-SPT-ROL	1	1/P	
10	4407734980	BUSH-6-GCB	1	5/P	
11	6LA14783000	SHAFT-FEED-ROL	1	1/P	
12	6LE05730000	ASYS-ARM-PU-ROL	1	1/PP	
13	6LH23442000	BUSH-8X12X8F-NU4	4	5/P	
14	6LA03897000	GEAR-08S026-06	1	1/P	
15	6LE05774000	K-GEAR-08S022-LW-390	2	1/P	
16 A	6LA03873000	SPE-P/U-110	1	5/P	For Tandem LCF
16 B	6LA03874000	SPE-P/U-75	1	5/P	For Cassette
17	6LE05727000	ROLLER-FS-TR	1	1/KP	
18	C0-10813000	GP1A73ARJ00F	5	1/P	
19	6LA03870000	ACT-SW-EMPTY	1	1/P	
20	6LE09603000	HRNS-FS-UNIT-390	1	1/P	
21	F0-00120000	ES-0505	3	5/P	
22	F0-01250000	MSB-1207	8	5/P	
23	4400972560	GEAR-1.0-18	1	1/P	
24	4407906230	GEAR-08-30	1	1/P	
25	4406349590	GEAR-08S020-08	1	1/P	
26	6LA15184000	CLUCH-G28-08D	2	1/D	
27	6LA03972000	COVER-F/S-CLT	1	1/P	
28	6LA03883000	BRKT-SW-TR-F/S	1	1/P	
29	6LA03876000	SPA-ACT-FS	2	5/P	
30	6LA03881000	ACT-SW-TR-F/S	1	1/P	
31	6LE05749000	CUSH-ACTR-STOP-390	2	1/P	
32	6LE03108000	PIN-ACTR	2	1/P	
33	6LA03953000	BRKT-SW-SPT	1	1/P	
34	6LA03951000	ACT-SW-SPT	1	1/P	
35 B	6LA03740000	LEVER-P/U-SND	1	1/P	For Tandem LCF
36 B	6LA15257000	SOL-PICK-340	1	1/D	For Tandem LCF
37	6LA03898000	GEAR-08S022-06	1	1/P	
38	6LA04047000	ASYS-ROL-FEED	2	1/P	
39	6LE05773000	CLUTCH-6-RW-390	1	1/P	
40	6LA03950000	SPL-F/S-TR	2	1/P	
41	4407972860	STOP-RING-6-5	3	5/P	
42	6LA04038000	ASYS-GUIDE-FS-E	1	1/C	
43	6LA03862000	GUIDE-FEED-U	1	1/PP	
44	6LA03987000	K-BRKT-GID-FEED	1	1/P	
45	6LA04043000	GUIDE-FEED-L-T	1	1/P	
46	6LE05756000	HLDR-GUIDE-FS	2	1/P	
47	6LA03944000	GUIDE-F/S-TR-U	1	1/P	
49	6LA03947000	HOLDER-F/S-TR	1	1/P	
51	6LA03977000	BUSH-F6-GCB	1	5/P	
52	6LA04042000	ASYS-ROL-SPT	1	1/P	
53	6LH04750000	TL-SEP-ROL-Y-N	1	1/P	
55	6LA04032000	BRAK-SPT	1	1/P	
56	6LA03877000	SHEET-DUMP-EMP	1	5/P	
57	6LE05718000	BRKT-HOLD-SP-390	1	1/P	
58	6LA04033000	ASYS-LEVER-SPT	1	1/P	
101	X0-00966000	RR/E-5-SS	12	10/P	
102	X0-02593000	S/TPD3/FHEXM-3X8-ZU3	22	10/P	
103	X0-00968000	RR/E-7-SS	3	10/P	
104	X0-00964000	RR/E-3-SS	2	10/P	
105	X0-00979000	P/PRL/AH7-2X8-SS	1	10/P	
106	X0-01526000	P/PRL/AH7-2X12-SS	1	10/P	



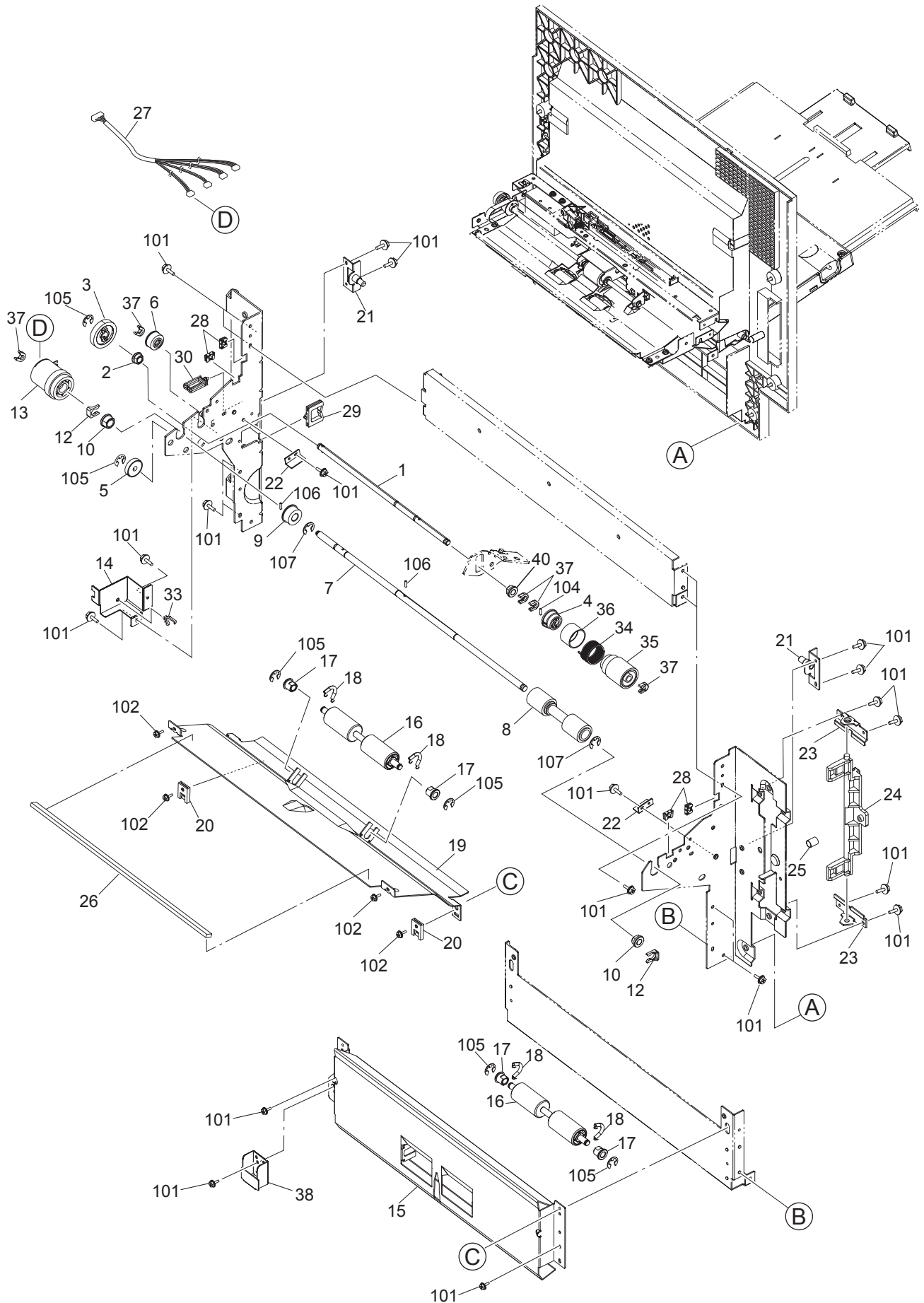
ITEM No.	PART No.	PART NAME	Q'TY / PAGE	Q'TY / PACK	REMARKS
1	6LE04404000	COVER-CSSTT-LWR	1	1/PP	
2	6LE04406000	COVER-LCF-LWR	1	1/PP	
3	6LE04405000	COVER-LCF-UPR	1	1/PP	
4	6LE03904000	LBL-P-SET-390	1	1/KP	
5	6LE03903000	LBL-CST-SET-390	1	1/KP	
7	6LE67443000	FENCE-SIDE-L-F	1	1/PP	
8	6LE67449000	FENCE-SIDE-L-R	1	1/P	
9	6LA15258000	SOL-END-340	1	1/D	
10	6LA04838000	LEVER-TRAY-TNDM	1	1/P	
11	6LA93923000	SPE-030-035-014	1	5/P	
13	F0-01397000	LWS-2H	1	5/P	
14	C0-10813000	GP1A73ARJ00F	4	1/P	
15	6LA93862000	LBL-P-LIMIT	1	1/P	
17	6LA04810000	BRKT-P-SIZE-SZ	1	1/P	
19	6LA14833000	BRKT-FENCE-STOP-N	1	1/D	
20	6LA93731000	SLIDER-E-FENCE	1	1/P	
21	6LA93730000	FENCE-E-TRAY	1	1/PP	
22	6LA93655000	BRKT-STOP-BELT	1	1/P	
23	6LA04840000	SHAFT-FENCE-END	1	1/P	
24	6LE68320000	K-BKT-SLIDER-D3	1	1/P	
25	6LA93800000	PLY-DRIVE-2	1	1/P	
26	6LA04839000	BLT.SY-591-3GT	1	1/P	
27	6LA93799000	PLY-DRIVE-1	1	1/P	
28	4407734980	BUSH-6-GCB	1	5/P	
29	6LA93660000	BRKT-SLIDER-D2	1	1/P	
30	6LA04813000	SFT-SLID-DRV	1	1/P	
31	6LE69955000	SCREW-SEP-ADD	4	5/P	
32 A	6LE03708000	SIZE-CST-390-UC	1	1/KP	NAD,NAG,GSA
32 B	6LE03709000	SIZE-CST-390-E	1	1/KP	MJD,ASD,AUD,CND
33	6LA14779000	STAY-BRKT-FENCE-BASE	1	1/P	
34	6LA14780000	STAY-BRKT-FENCE	1	1/P	
35	6LA14820000	BRKT-FENCE-SENS	1	1/P	
36	44201543000	MYLAR-SW-RGST-2	1	5/P	
101	X0-02217000	S/PAN/SWWP-M4X8-ZU3	4	10/P	
105	X0-02247000	S/TPP/FHEXM-3X8-NI	14	10/P	
106	X0-00317000	S/CTS-M3X6-NI	2	10/P	
107	X0-00965000	RR/E-4-SS	3	10/P	
108	X0-02593000	S/TPD3/FHEXM-3X8-ZU3	7	10/P	
109	X0-02248000	S/TPP/FHEXM-3X10-NI	1	10/P	



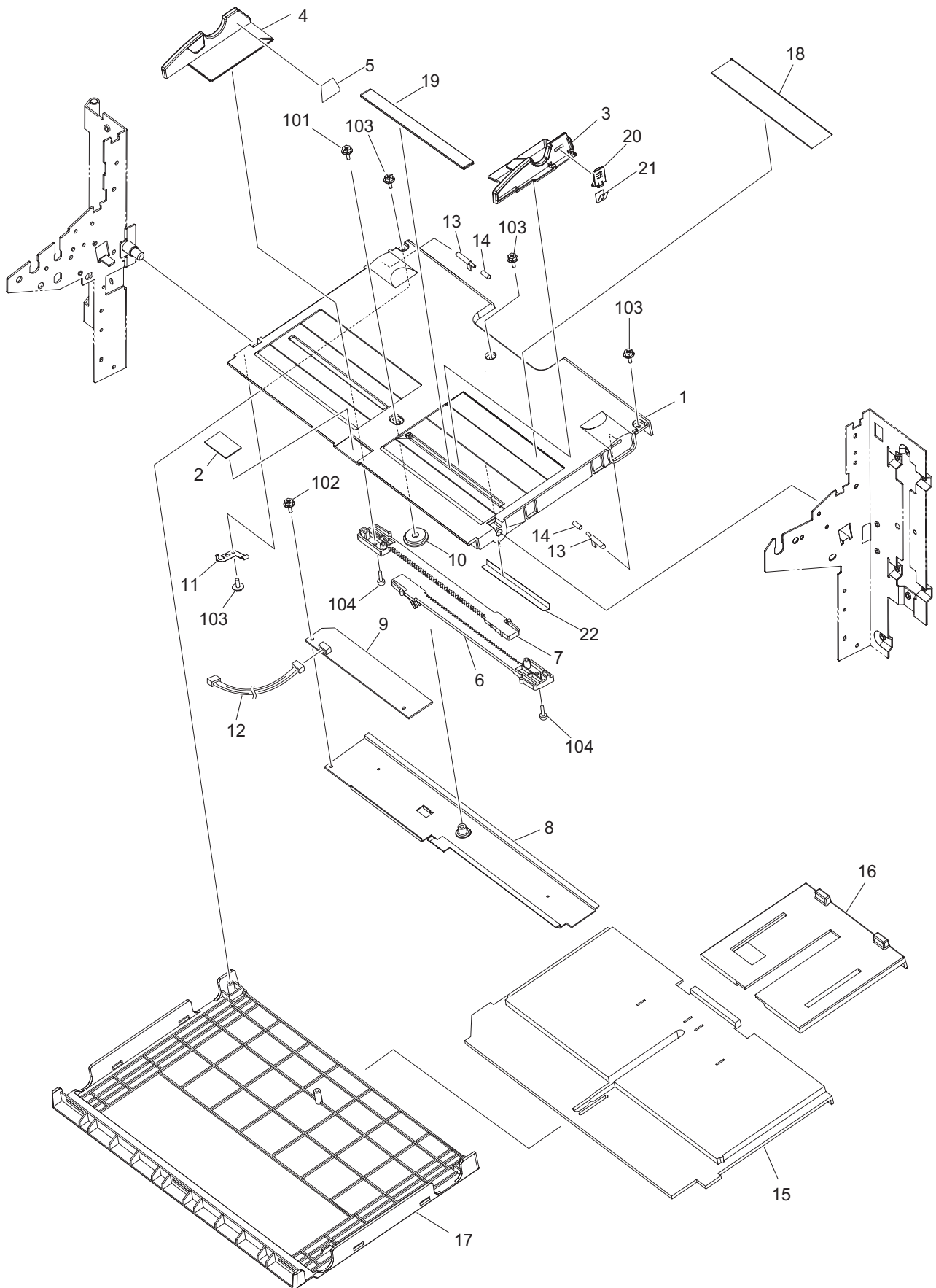
ITEM No.	PART No.	PART NAME	Q'TY / PAGE	Q'TY / PACK	REMARKS
1	6LA93658000	BRKT-COV-BELT	1	1/P	
2	6LA93863000	LBL-P-SET-TRY-L	1	5/P	
3	6LA15091000	K-GUIDE-SIDE-RF	1	1/P	
4	6LA93680000	BRKT-DAMPER	1	1/P	
5	6LE03901000	OIL-DAMPER-390	1	1/P	
6	6LA93679000	BRKT-BELT-STOP	2	1/P	
7	6LA93797000	GEAR-DUMP-Z18	1	1/P	
8	6LA93798000	PLY-BRKT	2	1/P	
9	6LH23442000	BUSH-8X12X8F-NU4	3	5/P	
10	6LA14353000	BLT.SY-426-3GT	2	1/P	
11	6LA93775000	PLY/T-3-020	2	1/P	
12	6LA04814000	BRKT-ROL-STOP	2	1/P	
13	6LA93774000	PLY-TRAY-ROL	4	1/P	
14	6LE03907000	ASYS-TRAY-LCF	1	1/PP	
15	6LA93713000	PLT-BALANCER	1	1/P	
16	6LA04847000	PAD-TRAY	1	1/P	
17	6LA93864000	LBL-P-SET-TRY-R	1	1/KP	
18	6LA04835000	K-FENCE-SIDE-R-F	1	1/P	
19	6LA04803000	FENCE-SIDE-R-R	1	1/P	
20	6LA15092000	K-GUIDE-SIDE-RR-N	1	1/D	
21	6LA04815000	K-SFT-TRAY	1	1/P	
22	6LE09179000	MDC-SLIDER-390	1	1/D	
23	6LA08931000	SCREW-BKT-MOT	3	10/P	
24	6LE03716000	K-CST-TLCF	1	1/C	
25	6LE09483000	HRNS-TLCF-IN-390	1	1/P	
26	6LA04818000	BRKT-MOT-SLID	1	1/P	
27	6LA04821000	GEAR-10H033-08	1	1/P	
28	6LA04822000	BRKT-CAH-T-LCF	1	1/P	
29	6LA04824000	SPL-LEVER-LCF	1	1/P	
30	6LA04841000	ASYS-LOCK-TNDM	1	1/P	
31	6LA04829000	GEAR-MOT-Z33	1	1/P	
32	6LA04853000	MYLAR-BRKT-ROL	1	1/KP	
33	41306265000	STOP RING	2	1/P	
34	6LA93862000	LBL-P-LIMIT	1	1/P	
35	6LA04809000	SPL-EARTH-LCF	1	1/P	
36	6LA93656000	BRKT-COV-P-END	1	1/P	
37	6LH69961000	SNSR-TLCF-EMP-H100	1	1/C	
101	X0-02593000	S/TPD3/FHEXM-3X8-ZU3	8	10/P	
102	X0-00968000	RR/E-7-SS	4	10/P	
103	X0-02230000	S/FHEXM-M3X6-NI	2	10/P	
104	X0-01169000	P/PRL/AH7-3X14-SS	3	10/P	
105	X0-02247000	S/TPP/FHEXM-3X8-NI	15	10/P	
106	X0-00077000	S/PAN/SWWP-M3X8-NI	4	10/P	
107	X0-02595000	S/TPD3/FHEXM-3X12-ZU3	1	10/P	
108	X0-02589000	S/TPD3/FHEXM-4X8-ZU3	2	10/P	
109	X0-02248000	S/TPP/FHEXM-3X10-NI	2	10/P	

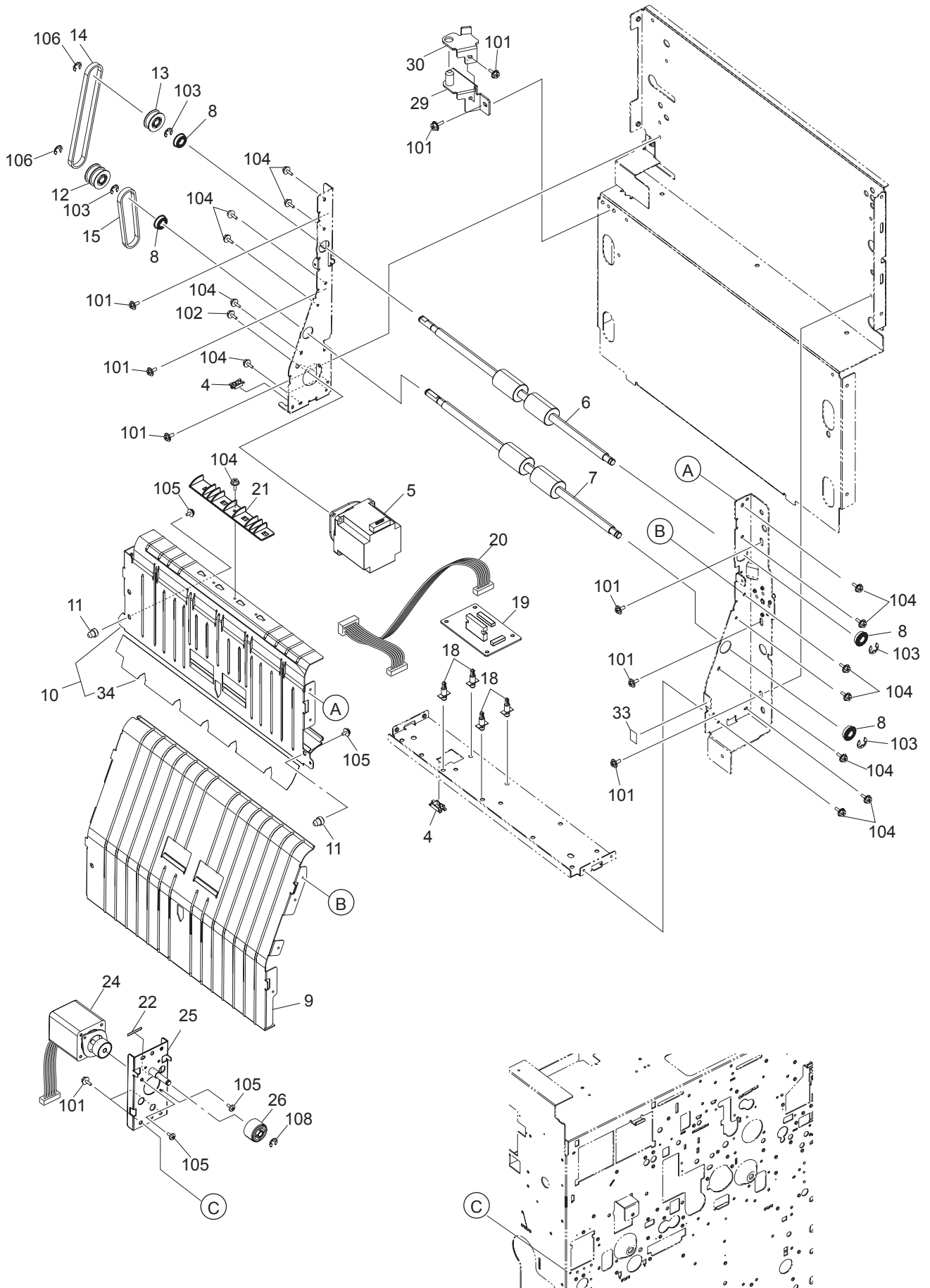


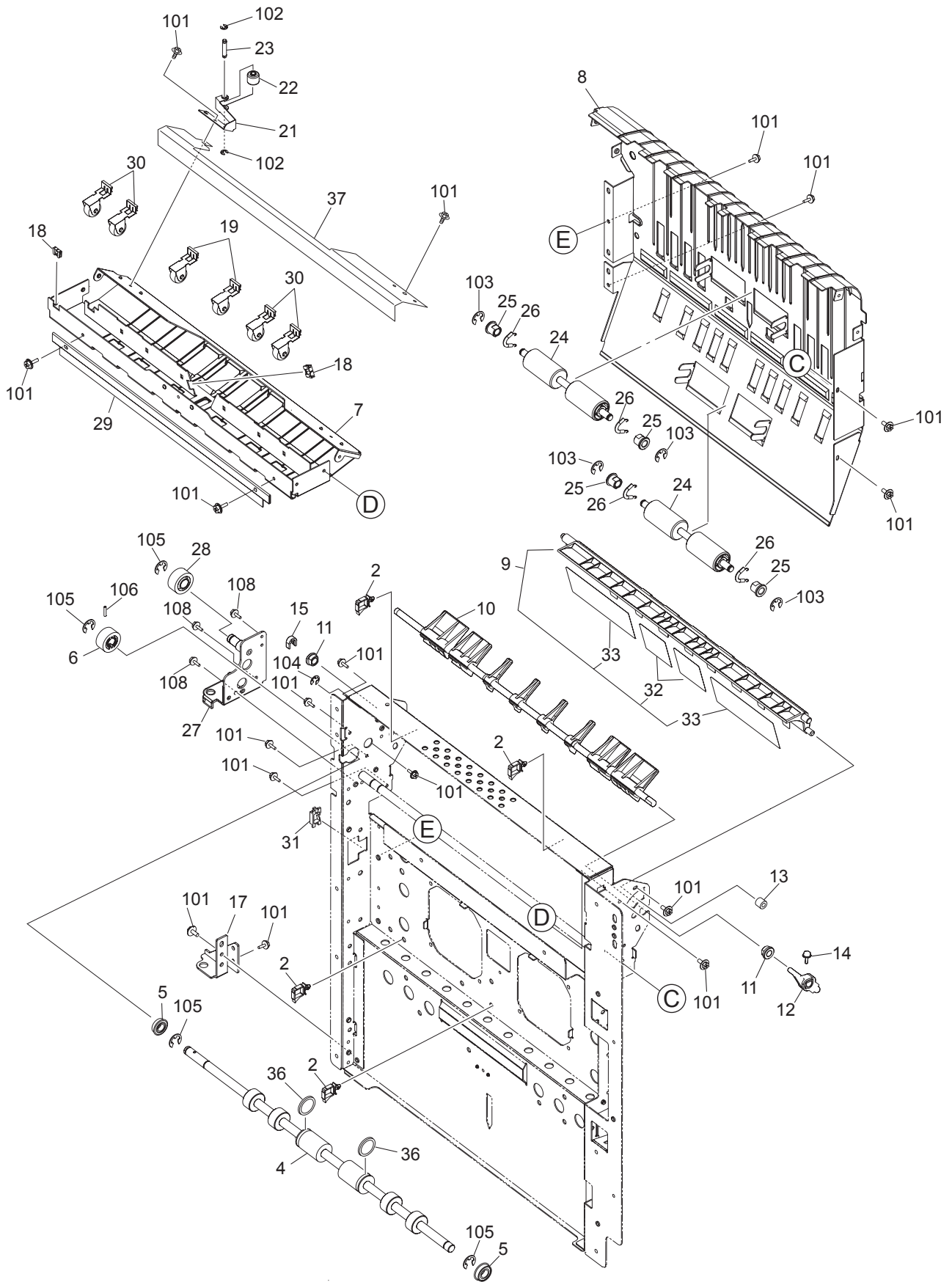
ITEM No.	PART No.	PART NAME	Q'TY / PAGE	Q'TY / PACK	REMARKS
1	6LA15837000	REINF-BRKT-BYP	1	1/P	
2	6LA15838000	REINF-MOULD-BYP	1	5/P	
4	6LA04708000	LEVER-STOPPER	2	1/P	
5	6LA04716000	SPRING-STOP-1	2	5/P	
6	6LA14349000	K-BRKT-STOPPER	2	1/D	
7	6LA04712000	SPRING-SND-LVR	1	5/P	
8	6LA15259000	SOL-SFB-340	1	1/D	
9	6LA04690000	LINK-SND-GEAR	1	1/P	
10	6LA04691000	LEVER-GEAR	1	1/P	
11	6LA04707000	SLIDER-STOPPER	1	1/P	
12	6LA08938000	SCREW-SOCKET	2	10/P	
13	F0-00120000	ES-0505	1	5/P	
14	6LA04638000	K-STAY-GUIDE-L	1	1/P	
15	6LA04635000	LEV-ROL-SEP	1	1/P	
16	6LA04715000	SPE060-080-0236	1	5/P	
17	6LA04672000	IDLR-BYPS-D16	2	1/P	
18	6LA04673000	SFT-IDL-TRS-BYP	1	1/P	
19	6LA04677000	SPRING-SFT-TRS	2	5/P	
20	6LA04630000	GUIDE-P-U	1	1/P	
21	4407980920	BUSH-4-5	4	5/P	
22	6LA04662000	K-STAY-BYP-M	1	1/P	
23	C0-10813000	GP1A73ARJ00F	1	1/P	
24	6LA04653000	LVR-PAPER-SW	1	1/P	
25	6LE09606000	HRNS-SFB-PSW-390	1	1/P	
26	6LA04627000	BLT/T-154-2GT-4	1	1/P	
27	6LA04692000	BRKT-PICK-BYP	1	1/P	
28	6LE03438000	SHAFT-PICK	1	1/P	
29	6LA04706000	K-SHAFT-FED-BYP	1	1/P	
30	6LE03439000	SHAFT-PICK-BRKT	1	1/P	
31	4400884670	PLY-20-ROL	1	1/P	
32	4402813680	PLY-20	1	1/P	
33	4407972860	STOP-RING-6-5	7	5/P	
34	6LA04626000	BLT/T-108-S2M-7	1	1/P	
35	4401773050	K-ROL-FED-CW-H	1	1/P	
36	6LA04694000	K-RLR-P/U-24	1	1/P	
37	4407734980	BUSH-6-GCB	3	5/P	
38	44201492000	BUSH-6-POM	3	5/P	
39	6LA04721000	PLY/T-S2M-28-06	1	1/P	
40	4401777990	K-GEAR-20-08-OW	1	1/P	
41	6LA04742000	DMPR-SLIDER	2	1/P	
42	6LA04743000	DMPR-PICK-UP	1	1/P	
43	6LE03440000	WEIGHT-20-30	1	1/P	
44	6LA04697000	WEIGHT-10-15	1	1/P	
46	6LA04646000	CUSHION-ACT-BYP	1	5/P	
47	6LA04745000	CUSHION-GUIDE-P-U	1	1/P	
48	44201543000	MYLAR-SW-RGST-2	1	5/P	
101	X0-00964000	RR/E-3-SS	1	10/P	
102	X0-02551000	S/PAN/SWWP-M3X6-ZU3	6	10/P	
103	X0-00965000	RR/E-4-SS	1	10/P	
104	X0-00966000	RR/E-5-SS	2	10/P	
105	X0-00979000	P/PRL/AH7-2X8-SS	1	10/P	
106	6LA08935000	SCR-M3X6BISR-NI	14	10/P	
107	X0-02590000	S/TPD3/FHEXM-4X10-ZU3	4	10/P	
108	6LH68579000	REINF-MOULD-BYP-S	1	5/P	



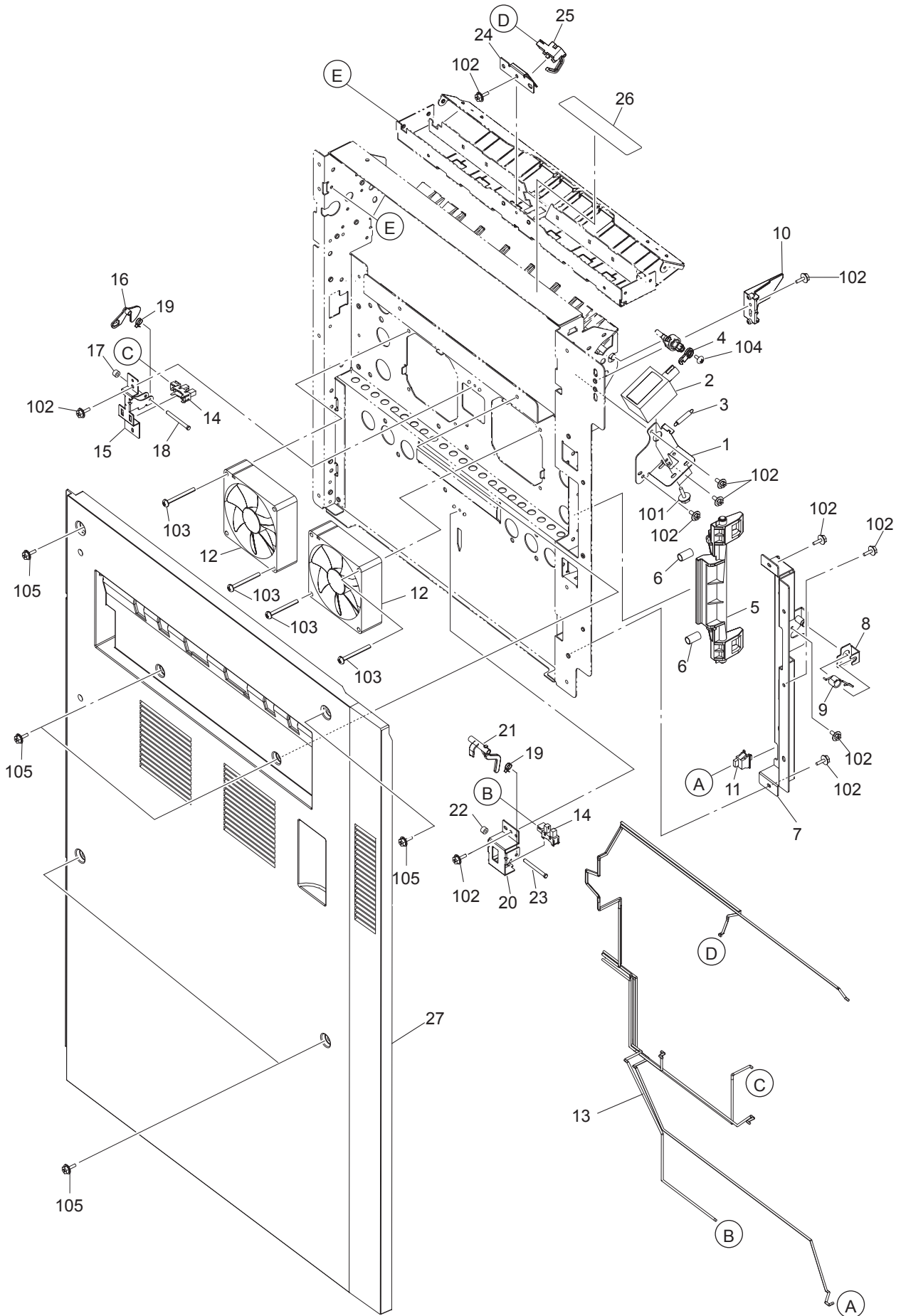
ITEM No.	PART No.	PART NAME	Q'TY / PAGE	Q'TY / PACK	REMARKS
1	6LA04674000	K-SHAFT-SEP	1	1/P	
2	44201492000	BUSH-6-POM	1	5/P	
3	4407906230	GEAR-08-30	1	1/P	
4	4408307270	ARBOR-16-POM-S	1	1/P	
5	4406342070	GEAR-10S020-06	1	1/P	
6	6LE03441000	K-GEAR-08S022-RB-390	1	1/P	
7	6LE03401000	SHAFT-RLR-TRS	1	1/P	
8	6LA04665000	K-RLR-TRS	1	1/P	
9	6LA04720000	PLY/T-S2M-28-08	1	1/P	
10	6LH23442000	BUSH-8X12X8F-NU4	2	5/P	
12	4400336190	STOP-RING-8	2	5/P	
13	6LA04768000	CLUTCH-G28-08-33F	1	1/D	
14	6LA04637000	BRKT-CLT	1	1/P	
15	6LA04661000	GUIDE-LCF-ENT-L	1	1/P	
16	6LE05723000	ROLLER-IDLE-390	2	1/P	
17	4407976990	BUSH-D6-GCB	4	1/P	
18	6LA05687000	SPRING-500-ADU	4	1/P	
19	6LA04641000	GUIDE-ROL-TRS-U	1	1/P	
20	6LA04642000	SPCR-GUIDE-ROL	2	1/P	
21	6LA04631000	K-HLDR-TRAY	2	1/P	
22	6LA04790000	STOPPER-TRAY	2	1/P	
23	6LA04651000	KNOB-HINGE	2	1/P	
24	6LE03422000	KNOB-COV-PFP	1	1/P	
25	6LA04152000	SPC-KNOB-STOP	1	5/P	
26	6LA04732000	CUSHION-GUIDE-TRS	1	1/KP	
27	6LE09605000	HRNS-SFB-MAIN-390	1	1/P	
28	F0-00120000	ES-0505	4	5/P	
29	F0-00047000	EDS-1717U	1	10/P	
30	F0-01299000	LWS-2111Z	1	1/P	
33	4400902490	BAND-PS100	1	5/P	
34	4406347640	SPR-1.0-15.55-S	1	5/P	
35	4406347610	K-ROL-SPT-CW-S	1	1/P	
36	4408307890	COVER-SP-CL	1	1/P	
37	4407972860	STOP-RING-6-5	5	5/P	
38	6LA04740000	BRKT-PUSH-F/S	1	1/P	
40	6LA03977000	BUSH-F6-GCB	1	5/P	
101	6LA08935000	SCR-M3X6BISR-NI	19	10/P	
102	X0-02593000	S/TPD3/FHEXM-3X8-ZU3	4	10/P	
104	X0-00979000	P/PRL/AH7-2X8-SS	1	10/P	
105	X0-00966000	RR/E-5-SS	6	10/P	
106	X0-01526000	P/PRL/AH7-2X12-SS	2	10/P	
107	X0-00968000	RR/E-7-SS	2	10/P	



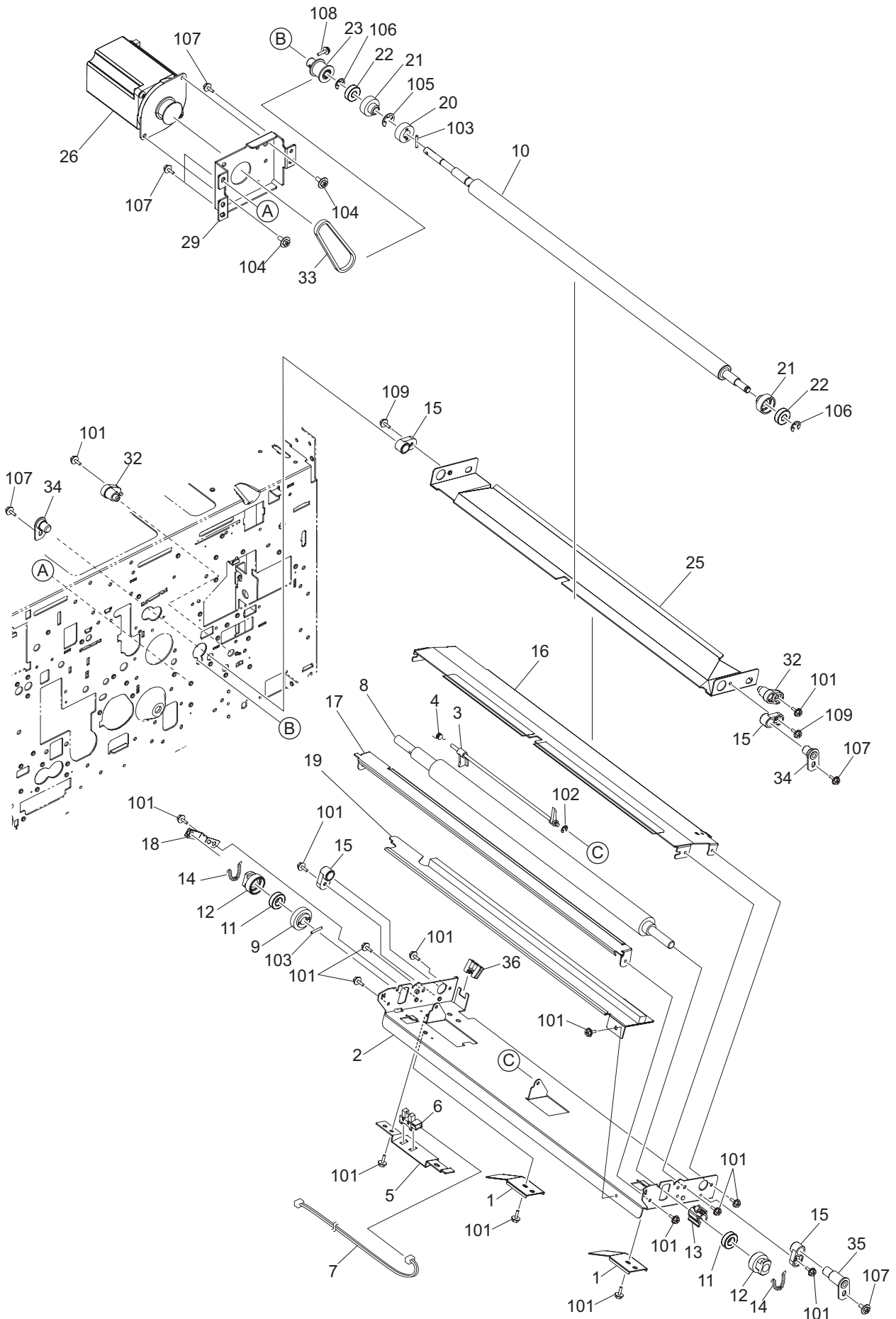




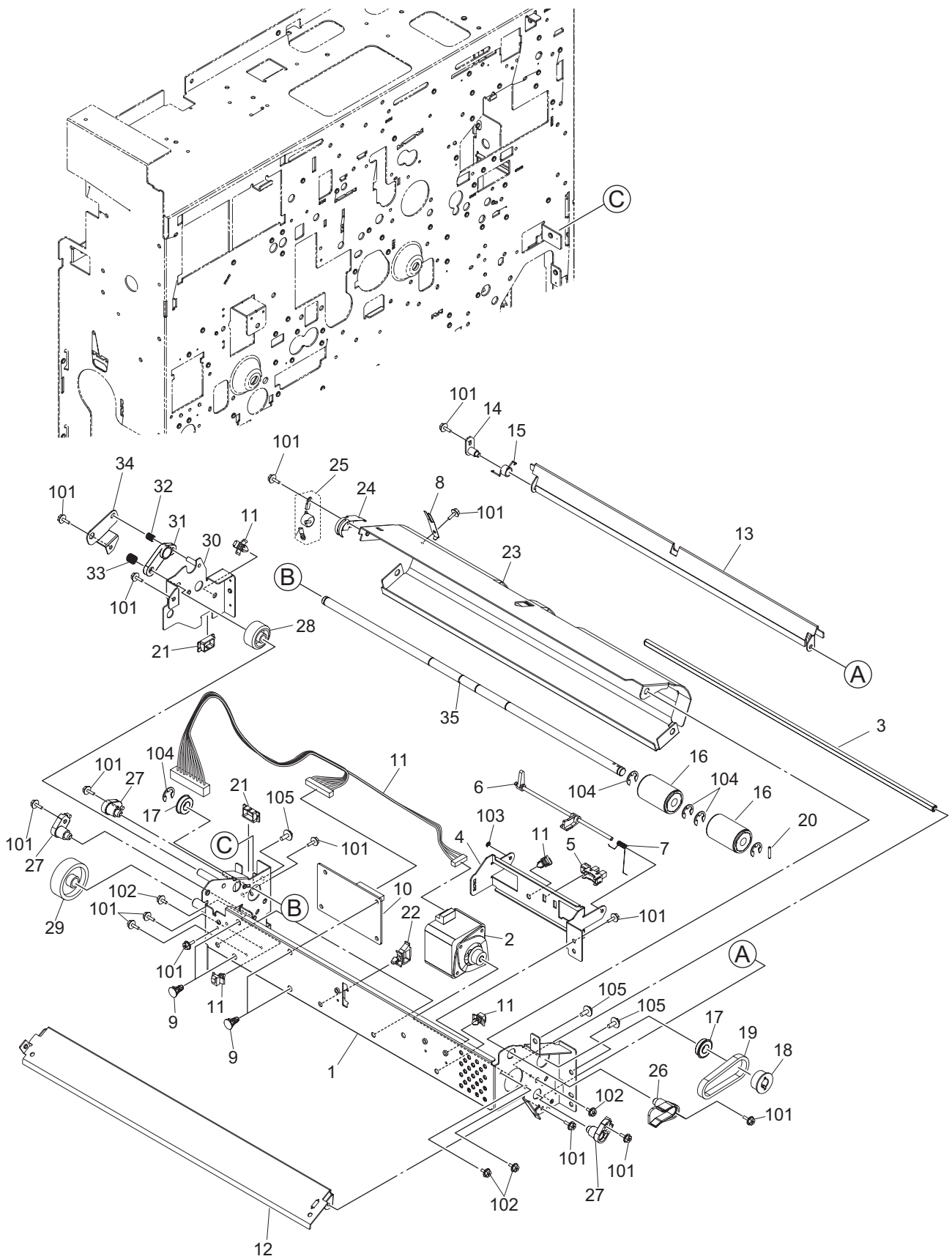
ITEM No.	PART No.	PART NAME	Q'TY / PAGE	Q'TY / PACK	REMARKS
2	F0-01243000	LWS-1211Z	4	5/P	
4	6LE03135000	ROLLER-EXIT-L-390	1	1/KP	
5	F0-01390000	LNR-1680HHRPOP15LY13	2	1/P	
6	6LA05664000	GEAR-10S019-08	1	1/P	
7	6LA05652000	K-BRKT-EXIT-U	1	1/P	
8	6LA05682000	GUIDE-REV-O-340	1	1/PP	
9	6LE03115000	ASYS-GUIDE-REV-MID	1	1/KP	
10	6LH73618000	GATE-H100	1	1/KP	
11	4407734980	BUSH-6-GCB	2	5/P	
12	6LH17925000	ARM-GATE-BR	1	1/P	
13	6LE05753000	CUSH-ARM-GATE-390	1	1/P	
14	X0-02231000	S/FHEXM-M3X8-NI	1	10/P	
15	4407972860	STOP-RING-6-5	1	5/P	
17	6LA05744000	BRKT-HINGE-OP-L	1	1/P	
18	F0-00120000	ES-0505	2	5/P	
19	6LE05754000	ASY-ROL-EXIT-390	2	1/D	
21	6LA05658000	SPL-FUS-EX	1	1/P	
22	4406310100	ROL-12*10	1	5/P	
23	6LE03141000	SHAFT-4X22	1	1/P	
24	6LE05723000	ROLLER-IDLE-390	2	1/P	
25	4407976990	BUSH-D6-GCB	4	1/P	
26	6LA05687000	SPRING-500-ADU	4	1/P	
27	6LE03137000	ASYS-BRKT-HIG-OP-U	1	1/P	
28	6LA05666000	GEAR-10S020-08	1	1/P	
29	6LH73641000	BRUSH-SUS-E-H100	1	1/KP	
30	6LE03143000	ASY-ROL-EXT-U	4	1/P	
31	F0-01248000	ESC-0912	1	10/P	
32	6LA05696000	MYLAR-GUIDE-M39	2	1/P	
33	6LA05697000	MYLAR-GUIDE-M95	2	1/KP	
36	6LA05413000	RING-EXIT-24-W	2	5/P	
37	6LA15757000	BRKT-EXIT-U-COV	1	1/P	
101	X0-02592000	S/TPD3/FHEXM-3X6-ZU3	17	10/P	
102	X0-00964000	RR/E-3-SS	2	10/P	
103	X0-00966000	RR/E-5-SS	5	10/P	
104	X0-00965000	RR/E-4-SS	1	10/P	
105	X0-00968000	RR/E-7-SS	4	10/P	
106	X0-01526000	P/PRL/AH7-2X12-SS	1	10/P	
108	X0-02593000	S/TPD3/FHEXM-3X8-ZU3	3	10/P	



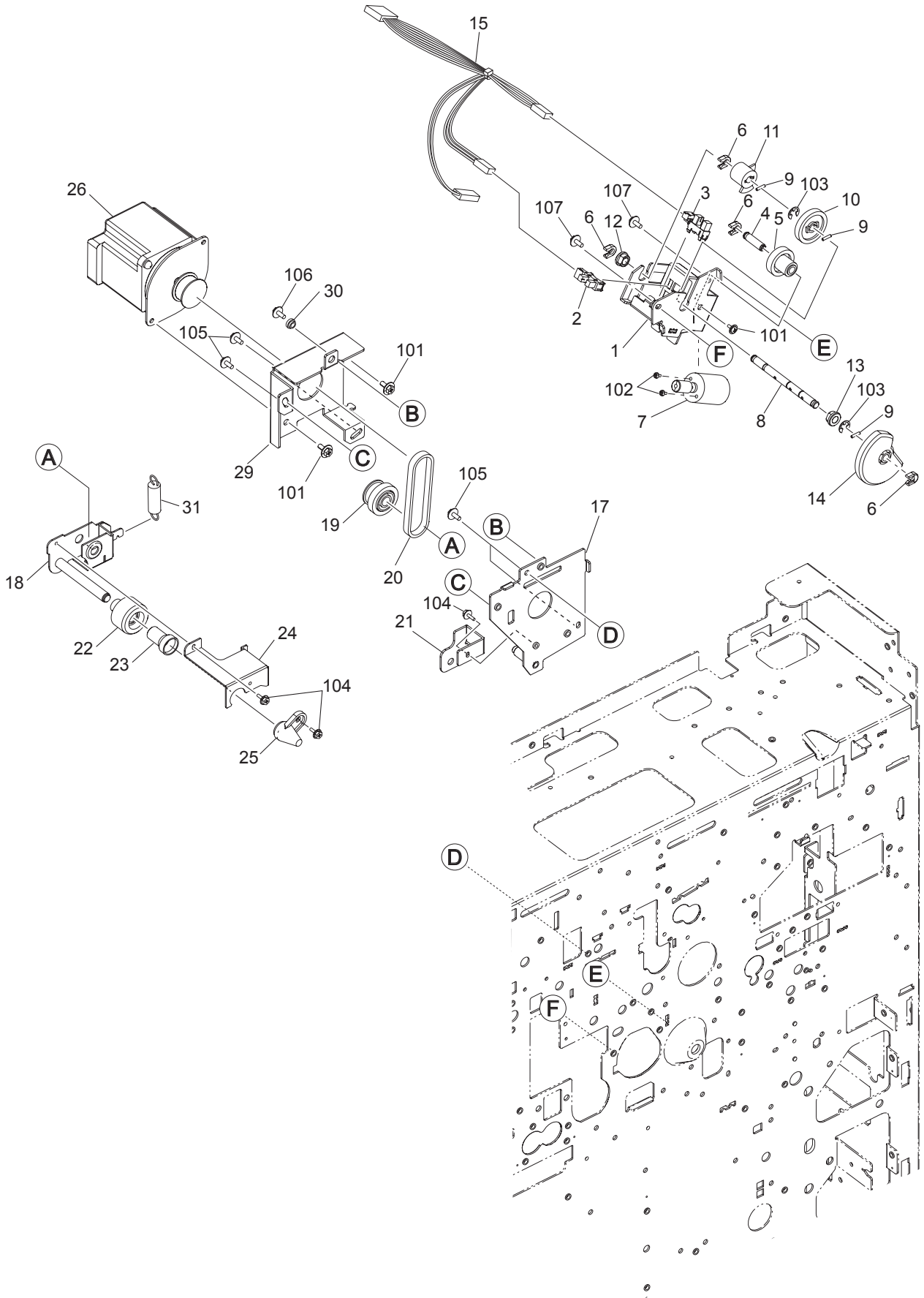
ITEM No.	PART No.	PART NAME	Q'TY / PAGE	Q'TY / PACK	REMARKS
1	6LA05706000	BRKT-SND-340	1	1/P	
2	6LE09192000	SOL-GATE-390	1	1/D	
3	6LA05704000	SPE-050-030-119	1	5/P	
4	6LH17995000	LINK-BR-SOL-430	1	1/P	
5	6LE03133000	HNDL-HOOK-EXIT	1	1/PP	
6	6LA05715000	SPC072-070-0135	2	5/P	
7	6LE03147000	BRKT-HNDL-EXIT-390	1	1/P	
8	6LA05716000	BRKT-STOP-EXIT	1	1/P	
9	6LA05717000	SPA-HNDL-EXIT	1	1/P	
10	6LE03148000	PUSHER-SW-REV-390A	1	1/P	
11	E0-01853000	CS1A-B2CA	1	1/D	
12	6LA34342000	FAN_D-8025-350NH	2	1/D	
13	6LE09604000	HRNS-REV-OPEN-390	1	1/P	
14	C0-10813000	GP1A73ARJ00F	2	1/P	
15	6LA05671000	BRKT-ACTR-REV	1	1/P	
16	6LA05668000	ACTR-REV	1	1/P	
17	6LA05674000	CUSH-ACTR-REV	1	5/P	
18	6LA05679000	PIN-ACTR-REV	1	5/P	
19	6LA05678000	SPA-ACTR	2	5/P	
20	6LE03126000	BRKT-ACTR-ADU-390	1	1/P	
21	6LA05675000	ACTR-ADU	1	1/P	
22	6LE05749000	CUSH-ACTR-STOP-390	1	1/P	
23	6LE03108000	PIN-ACTR	1	1/P	
24	6LA05655000	BRKT-EXIT-SW	1	1/P	
25	6LH69959000	SNSR-FED-RVS-H100	1	1/C	
26	6LA06574000	LBL-W-HOT-EXIT	1	1/KP	
27	6LA05792000	COVER-EXIT-OPEN	1	1/PP	
101	X0-02230000	S/FHEXM-M3X6-NI	2	10/P	
102	X0-02592000	S/TPD3/FHEXM-3X6-ZU3	11	10/P	
103	X0-02114000	S/TPS/PAN-4X32-ZU3	4	10/P	
104	X0-02115000	S/TP/FPAN2/S-3X8-NI	1	10/P	
105	6LA08934000	SCR-M4X8ITSR-NI	6	10/P	



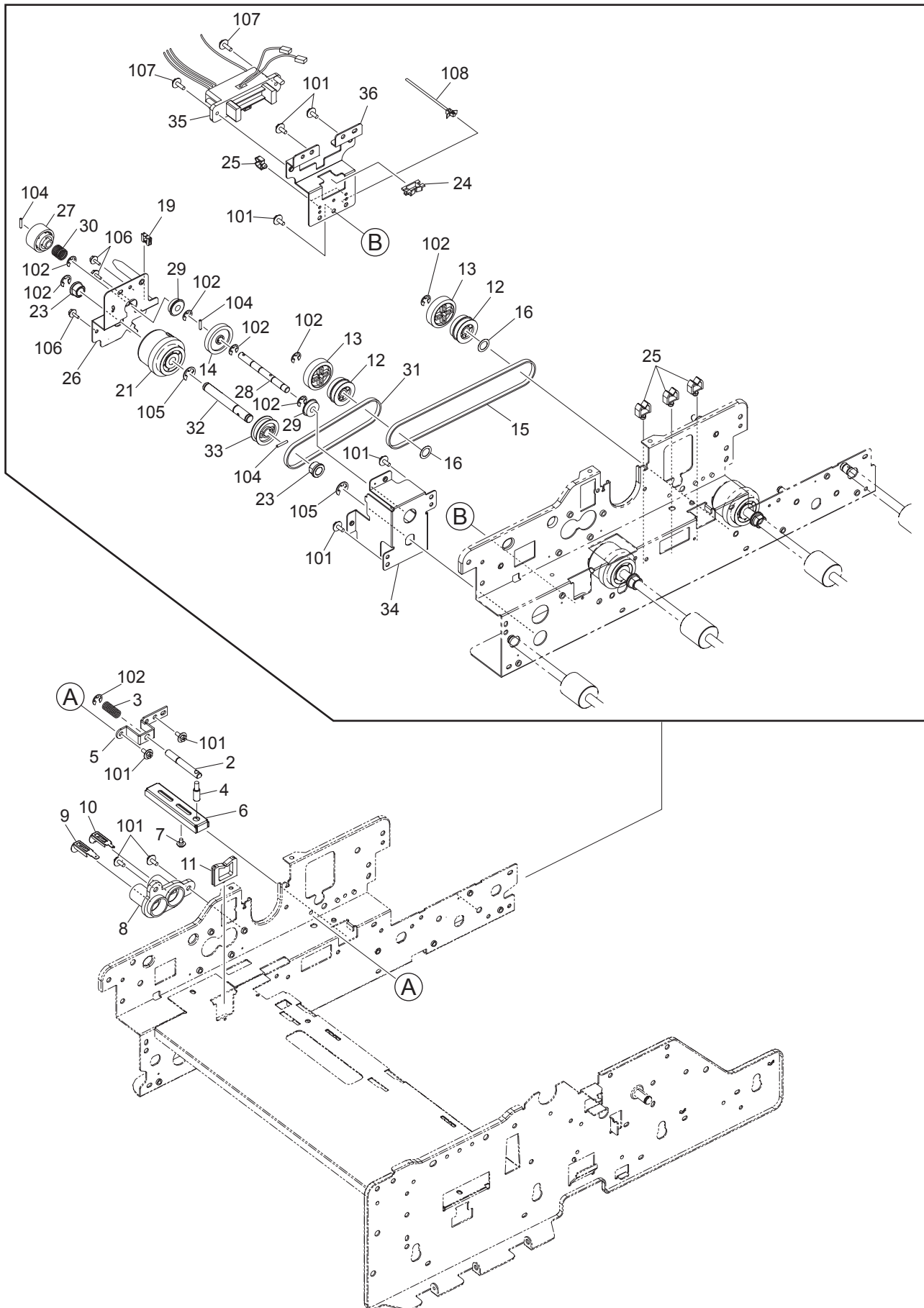
ITEM No.	PART No.	PART NAME	Q'TY / PAGE	Q'TY / PACK	REMARKS
1	4406349800	SPL-PUSH-RGST	2	1/P	
2	6LE05745000	FRAME-RGST-390	1	1/P	
3	6LA15024000	ACTUATOR-RGST-N	1	1/P	
4	4401772510	SPL-ACT-RGT	1	1/P	
5	6LA03326000	BRKT-SW-RGT-340	1	1/P	
6	C0-10813000	GP1A73ARJ00F	1	1/P	
7	6LE09602000	HRNS-RGTSW-390	1	1/P	
8	6LE05769000	ROL-RGST-D-390	1	1/KP	
9	4407547320	GEAR-0.8-25	1	1/P	
10	6LE05720000	ROLL-RGST-U-390	1	1/KP	
11	F0-00991000	L-1680HH	2	5/P	
12	4406349770	BUSH-RGST-D	2	1/P	
13	4406349790	CLIP-RGST	1	1/P	
14	6LA08949000	SPRING-1150	2	5/P	
15	4406349850	BUSH-RGST-UNIT	4	1/P	
16	6LA03335000	K-GUIDE-RGST-L	1	1/P	
17	4406349920	K-GUIDE-TR	1	1/KP	
18	4406349880	SPL-ROL-RGST	1	1/P	
19	6LE05767000	ASYS-BRK-BRS-RGT-L-390	1	1/KP	
20	4406349590	GEAR-08S020-08	1	1/P	
21	4406349550	BUSH-RGST-U	2	5/P	
22	F0-00023000	696T12ZZ1MC3E	2	1/P	
23	6LE05719000	PULLY-3GT16-06-390	1	1/P	
25	6LA03341000	GUIDE-RGST-U	1	1/P	
26	6LE09196000	MOTRS-RGT-390	1	1/C	
29	6LE05747000	BRKT-MOT-RGST-390	1	1/P	
32	4401772280	SUPPORT-GUIDE-P	2	1/P	
33	4406350060	BLT/T-174-3GT-4	1	1/P	
34	6LA03350000	K-JNT-GUIDE-U-S	2	1/P	
35	6LA03380000	K-JNT-RGT-FRT-R	1	1/P	
36	F0-00120000	ES-0505	1	5/P	
101	X0-02593000	S/TPD3/FHEXM-3X8-ZU3	15	10/P	
102	X0-00963000	RR/E-2-SS	1	10/P	
103	X0-01526000	P/PRL/AH7-2X12-SS	2	10/P	
104	X0-02235000	S/FHEXM-M4X8-NI	2	10/P	
105	X0-00968000	RR/E-7-SS	1	10/P	
106	X0-00966000	RR/E-5-SS	2	10/P	
107	6LA08934000	SCR-M4X8ITSR-NI	6	10/P	
108	X0-00094000	S/PAN/SWWP-M3X10-NI	1	10/P	
109	6LA08935000	SCR-M3X6BISR-NI	2	10/P	



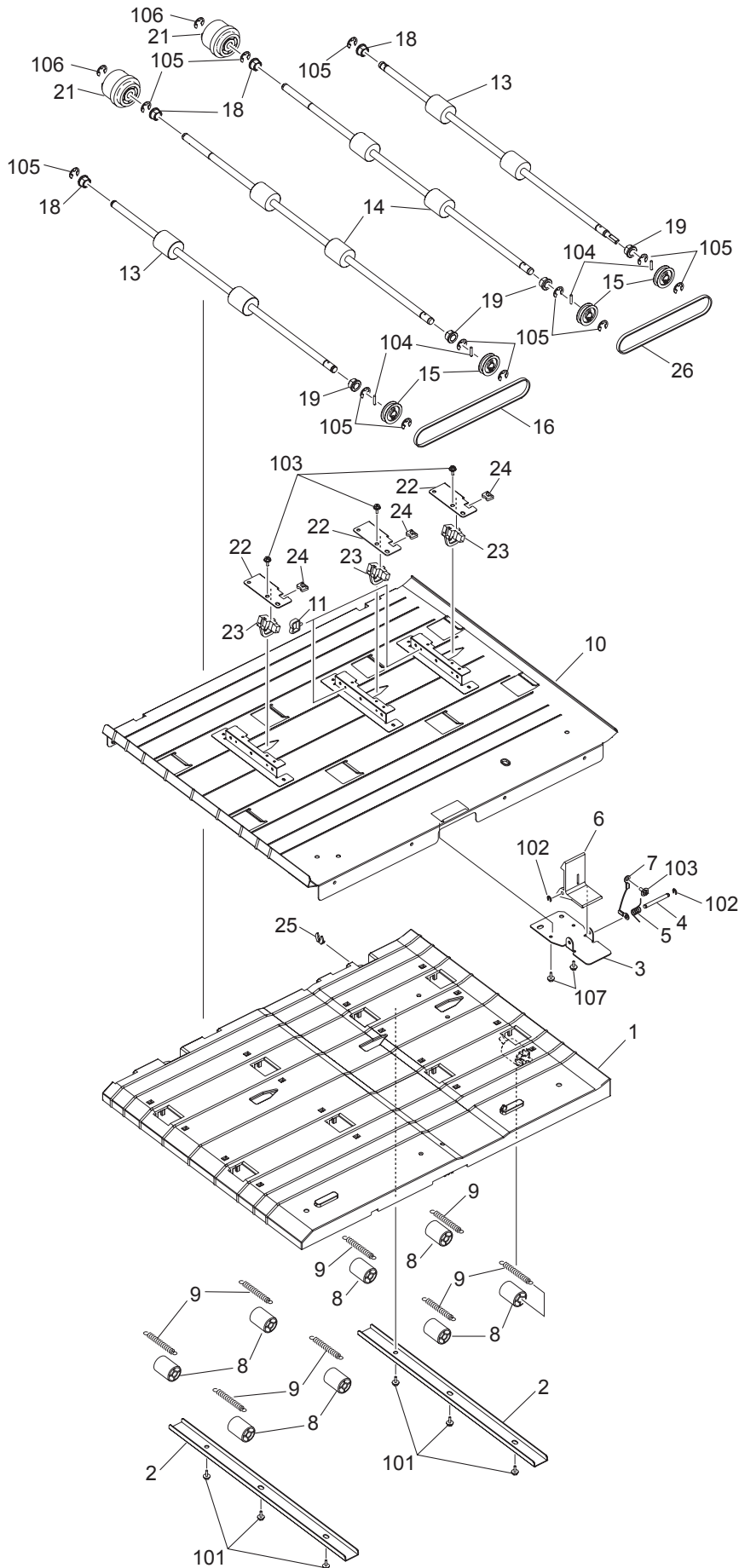
ITEM No.	PART No.	PART NAME	Q'TY / PAGE	Q'TY / PACK	REMARKS
1	6LH73650000	ASYS-FRM-TRANS	1	1/D	
2	6LE09520000	MOTRS-MT-390	1	1/C	
3	6LE05703000	SHAFT-TRANS	1	1/P	
4	6LE05706000	BRKT-ACTR-TRANS	1	1/P	
5	C0-10813000	GP1A73ARJ00F	1	1/P	
6	6LE05704000	ACTUATOR-TRANS	1	1/D	
7	6LE05770000	SPG-T-TRANS-ACTR	1	1/P	
8	6LA03543000	SPL-GUIDE-ROL2	1	1/P	
9	F0-00226000	KGLS-6RT	4	5/P	
10	6LE09140000	PWA-F-MOT2-390MT	1	1/C	
11	6LE09237000	HRNS-MIDTR-390	1	1/P	
12	6LA03557000	GUIDE-ADU-EX-L1	1	1/P	
13	6LA03558000	GUIDE-ADU-EX-L2	1	1/P	
14	6LH73649000	K-BKT-JNT-TRANS	1	1/P	
15	6LA03581000	SPRING-TRANS-R	1	5/P	
16	6LE05758000	ROLL-TRANS-390	2	1/P	
17	F0-01390000	LNR-1680HHRPOP15LY13	2	1/P	
18	6LA04720000	PLY/T-S2M-28-08	1	1/P	
19	6LE05713000	BLT_SY-S2M-124-6	1	1/P	
20	X0-01526000	P/PRL/AH7-2X12-SS	1	10/P	
21	F0-01248000	ESC-0912	2	10/P	
22	F0-00736000	LWS-0711Z	3	5/P	
23	6LE05717000	GUIDE-ROL-T-L-390	1	1/D	
24	6LE05746000	SPL-GUIDE-ROL1-390	1	1/D	
25	6LE09175000	K-VARIST-390	1	1/D	
26	6LE05712000	SUPPORT-GUIDE	1	1/P	
27	4401772280	SUPPORT-GUIDE-P	3	1/P	
28	6LA03552000	GEAR-10S021-06	1	1/P	
29	6LA03553000	GEAR-10S034-08	1	1/P	
30	6LE05708000	ASYS-BRKT-TRANS-G	1	1/D	
31	6LA03570000	CAP-STUD-SFB	1	1/P	
32	6LA03576000	SPC-064-060-0110	1	5/P	
33	6LA03575000	SPC-079-070-0110	1	5/P	
34	6LA03578000	BRKT-HOLD-SP	1	1/P	
35	6LE05759000	SHAFT-TRANS-390	1	1/P	
101	X0-02593000	S/TPD3/FHEXM-3X8-ZU3	15	10/P	
102	X0-02230000	S/FHEXM-M3X6-NI	4	10/P	
103	X0-00963000	RR/E-2-SS	1	10/P	
104	X0-00968000	RR/E-7-SS	5	10/P	
105	X0-02589000	S/TPD3/FHEXM-4X8-ZU3	3	10/P	

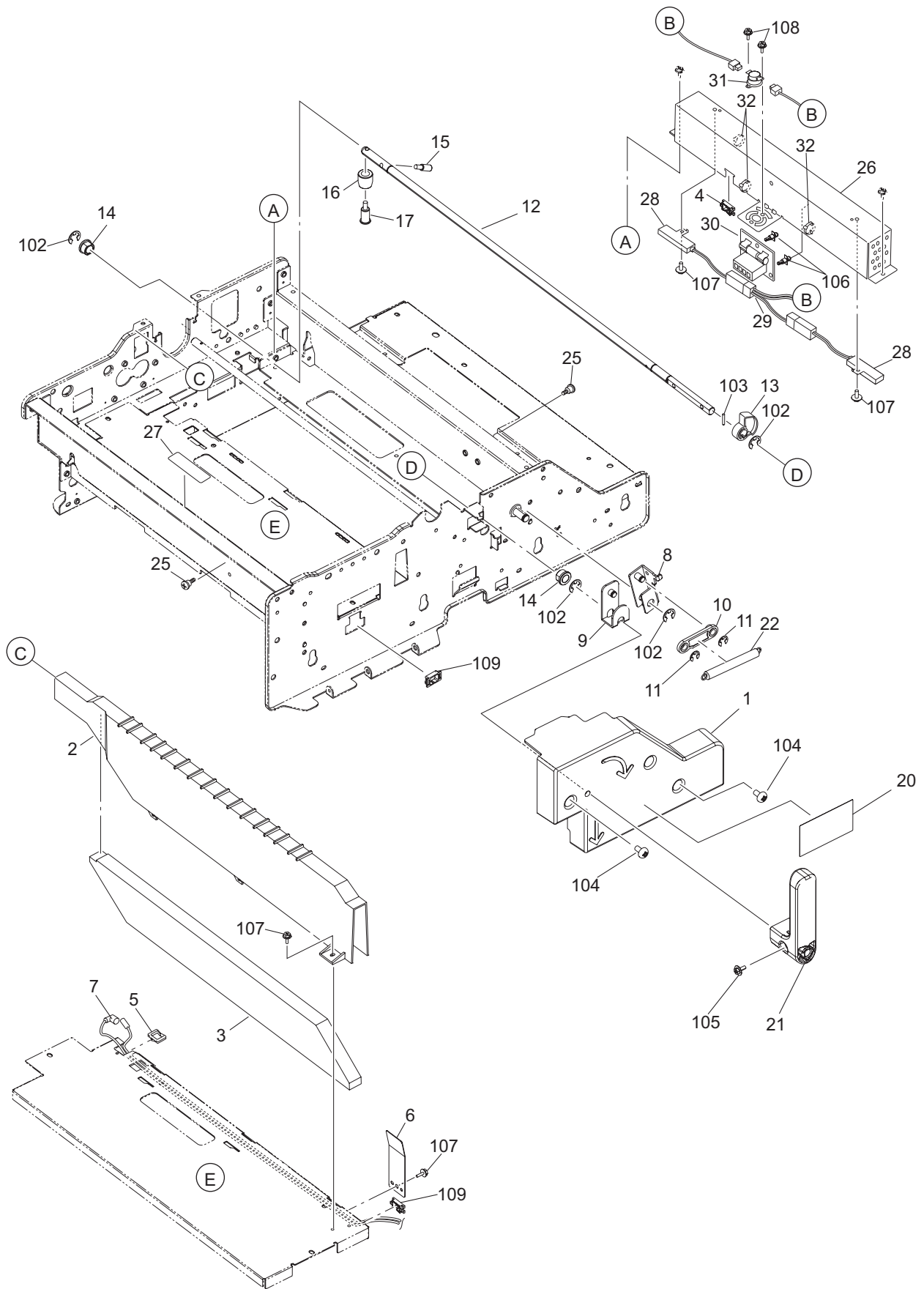


ITEM No.	PART No.	PART NAME	Q'TY / PAGE	Q'TY / PACK	REMARKS
1	6LE08814000	BRKT-CAM-MAIN-390	1	1/P	
2	C0-10813000	GP1A73ARJ00F	1	1/P	
3	C0-10814000	TLP1255(C8)	1	5/C	
4	4406339670	STUD-CAM	1	1/P	
5	4406339680	GG08H028/08S014	1	1/P	
6	4407972860	STOP-RING-6-5	4	5/P	
7	6LE09171000	MOTRD-CAM-390	1	1/C	
8	4406339640	SHAFT-CAM	1	1/P	
9	X0-00979000	P/PRL/AH7-2X8-SS	3	10/P	
10	4406339650	GEAR-08S035-06	1	1/P	
11	4406339660	ACTR-CAM	1	1/P	
12	44201492000	BUSH-6-POM	1	5/P	
13	4407734980	BUSH-6-GCB	1	5/P	
14	4406339630	CAM-LEVER-R	1	1/P	
15	6LE09260000	HRNS-TRU-CAM-390	1	1/P	
17	6LA03005000	ASYS-BASE-D-TRU	1	1/P	
18	6LA03010000	ASYS-DRV-J-TRU	1	1/P	
19	4406340090	K-GP10H24/3GT21	1	1/P	
20	4401906540	BLT/T-3GT180-60	1	1/P	
21	6LA03015000	BRKT-STUD-DRV	1	1/P	
22	4406340060	K-GR-10H024-08B	1	1/P	
23	4406339970	IDLER-DRV-TRU	1	1/P	
24	6LA03013000	BRKT-DRIVE-CAP	1	1/P	
25	4406339980	CAP-IDLE-DRV	1	1/P	
26	6LE09170000	MOTRS-TRU-390	1	1/C	
29	6LE08815000	BRKT-MOT-TRU-390	1	1/P	
30	4408302680	BUSH-BRKT-SCAN	1	5/P	
31	4406340030	SPE100-100-0335	1	5/P	
101	X0-02235000	S/FHEXM-M4X8-NI	3	10/P	
102	X0-00286000	S/PAN-M2.6X4-SS	2	10/P	
103	X0-00966000	RR/E-5-SS	2	10/P	
104	X0-02593000	S/TPD3/FHEXM-3X8-ZU3	3	10/P	
105	X0-02589000	S/TPD3/FHEXM-4X8-ZU3	4	10/P	
106	X0-02591000	S/TPD3/FHEXM-4X12-ZU3	1	10/P	
107	6LA08934000	SCR-M4X8ITSR-NI	2	10/P	

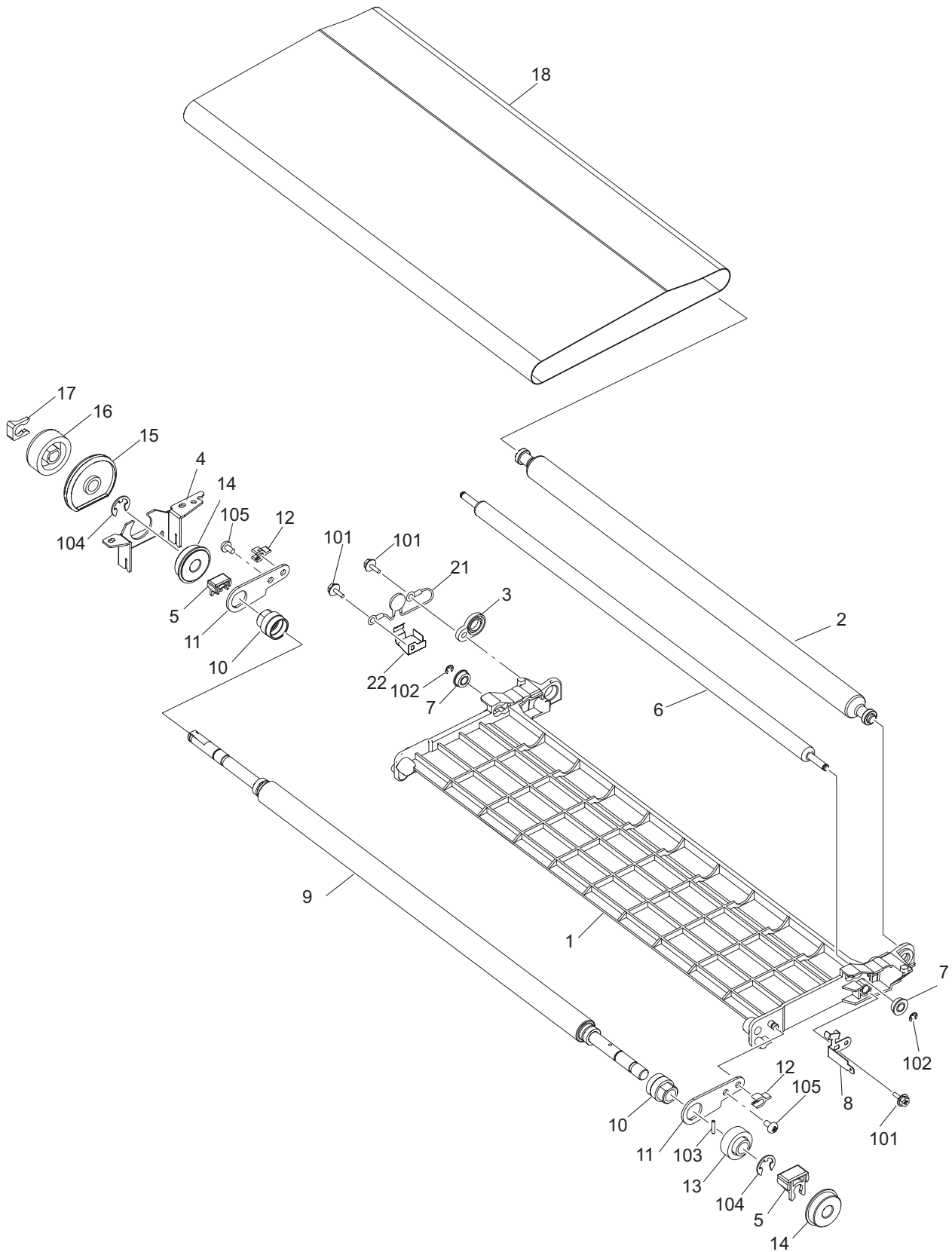


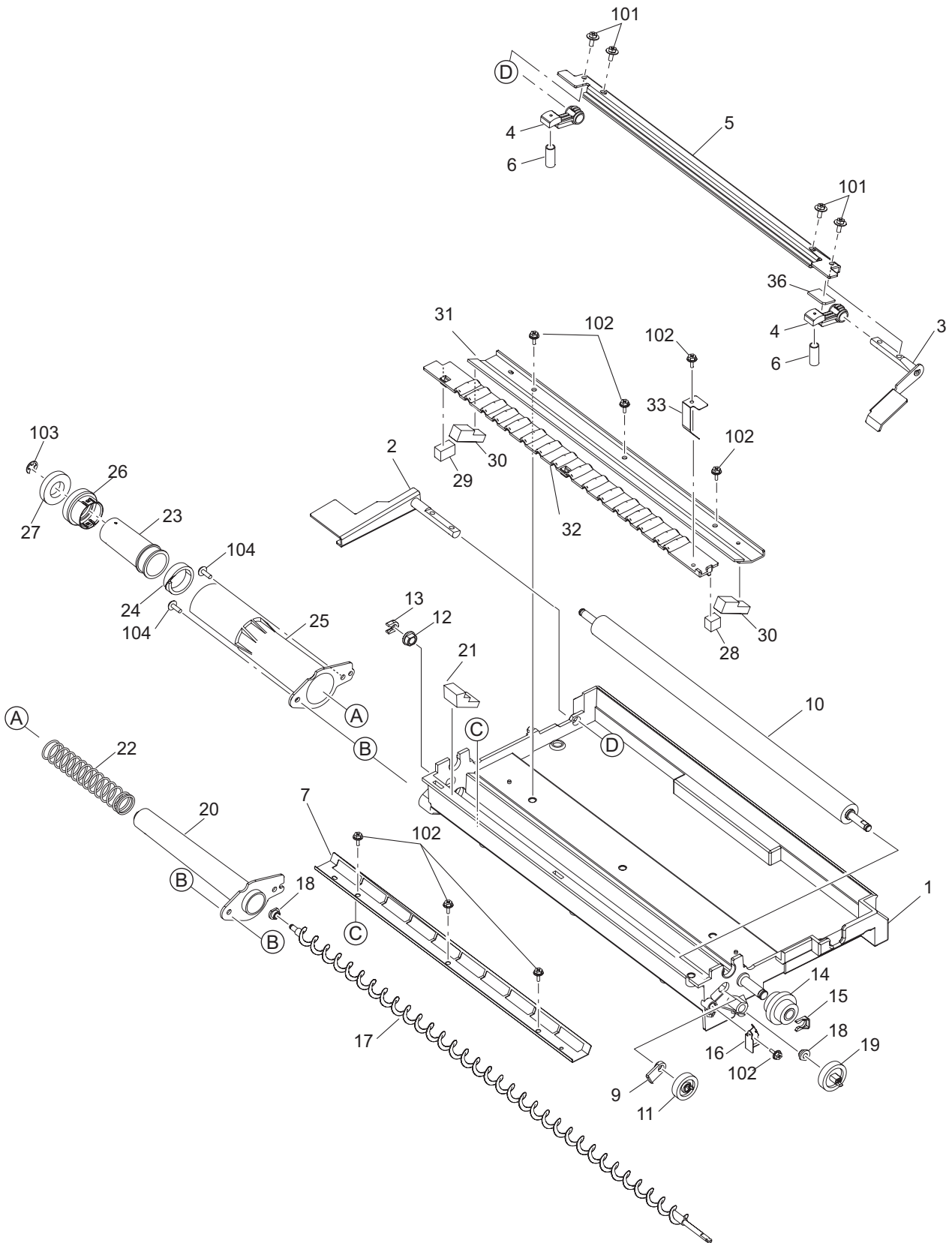
ITEM No.	PART No.	PART NAME	Q'TY / PAGE	Q'TY / PACK	REMARKS
2	6LE08848000	SHAFT-LOCK-HDL-390	1	1/P	
3	4406337960	SPC089-070-0200	1	5/P	
4	4406338130	SCREW-STOP-H	1	10/P	
5	4406338420	BRKT-STOP-SFT	1	1/P	
6	4406338400	ACTR-STOP-SFT	1	1/P	
7	6LA08932000	SCREW-ACTR-TRU	1	10/P	
8	4406337970	TERMINAL-TRU	1	1/P	
9	4406337980	PLATE-TERM-TRU1	1	1/P	
10	4406338010	PLATE-TERM-TRU2	1	1/P	
11	F0-00047000	EDS-1717U	1	10/P	
12	4406546980	PLY/T-3GT25TWIN	2	1/P	
13	4406546990	GEAR10S28-06TWN	2	1/P	
14	4406342080	GEAR-10S028-06	1	1/P	
15	6LA06121000	BLT/T-375-3GT-4	1	1/P	
16	6LA06340000	WAS-06-95-Z13-P	2	10/P	
19	F0-00120000	ES-0505	1	5/P	
21	6LA15184000	CLUCH-G28-08D	1	1/D	
23	6LH23442000	BUSH-8X12X8F-NU4	2	5/P	
24	F0-01248000	ESC-0912	1	10/P	
25	F0-01250000	MSB-1207	4	5/P	
26	6LE08846000	ASYS-PLT-CPG-TR	1	1/P	
27	6LA06320000	CPG-DRIVE-TRANS	1	1/P	
28	6LE08857000	SHAFT-CPG-TRANS	1	1/P	
29	F0-01482000	RNR-1560ZZRP0P24LY121	2	1/P	
30	6LA06330000	SPC098-080-150	1	5/P	
31	6LA06120000	BLT/T-249-3GT-4	1	1/P	
32	6LA14346000	SHAFT-CLH-CPG	1	1/P	
33	6LA06337000	PLY/T-3GT025-08	1	1/P	
34	6LE08843000	BRKT-CPG-TRS-390	1	1/P	
35	6LE09132000	HRNS-ADU-390	1	1/P	
36	6LE08842000	BRKT-CNT-TR-390	1	1/P	
101	X0-02589000	S/TPD3/FHEXM-4X8-ZU3	9	10/P	
102	X0-00966000	RR/E-5-SS	8	10/P	
104	X0-01526000	P/PRL/AH7-2X12-SS	3	10/P	
105	X0-00967000	RR/E-6-SS	2	10/P	
106	6LA08935000	SCR-M3X6BISR-NI	3	10/P	
107	X0-02591000	S/TPD3/FHEXM-4X12-ZU3	2	10/P	
108	4400902490	BAND-PS100	1	5/P	



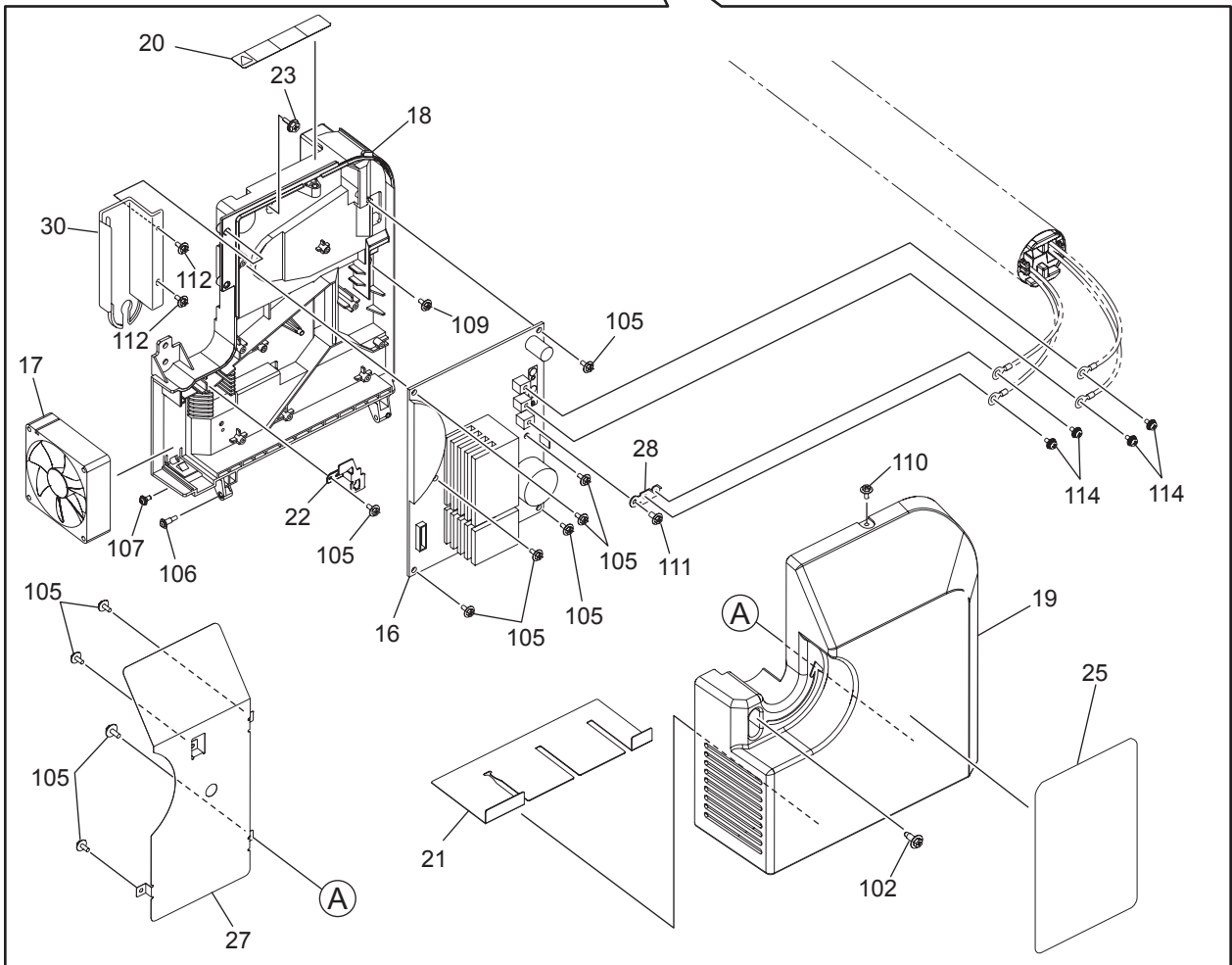
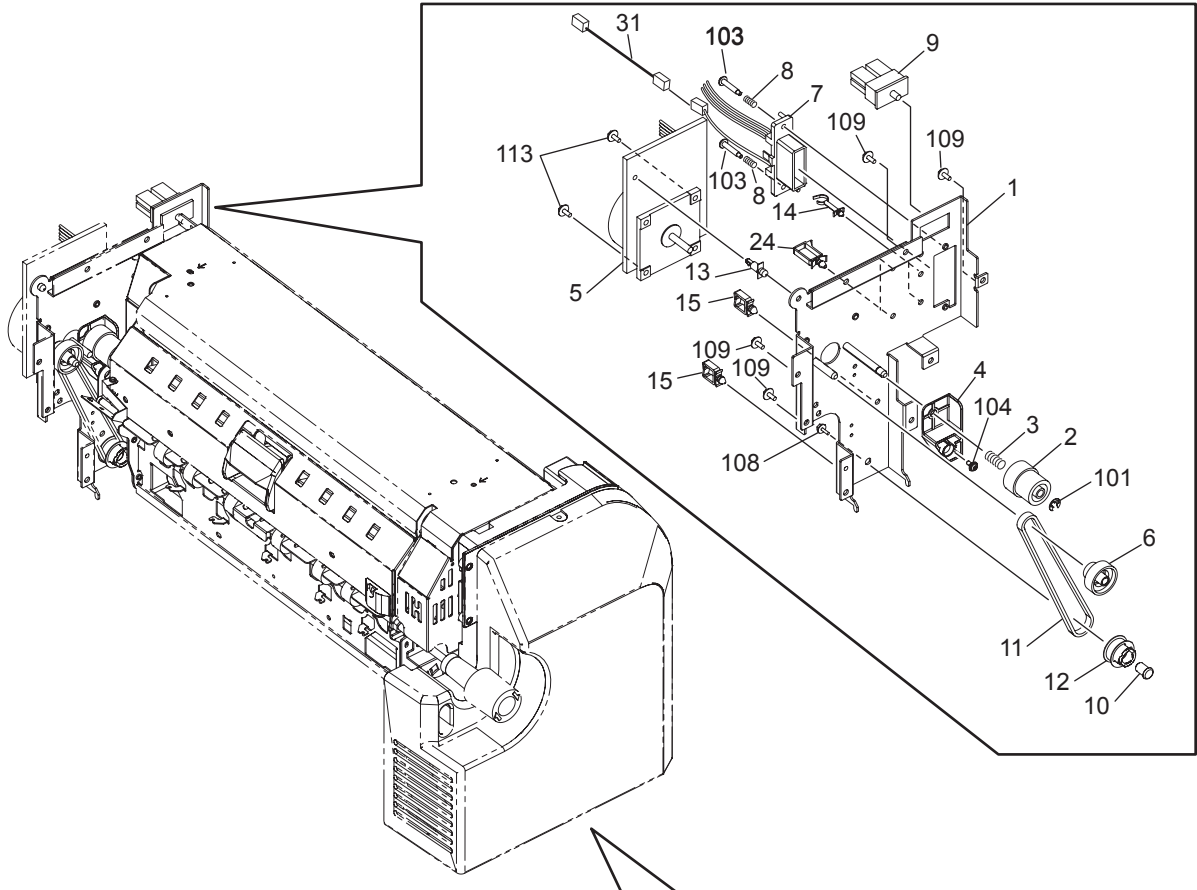


ITEM No.	PART No.	PART NAME	Q'TY / PAGE	Q'TY / PACK	REMARKS
1	6LE08805000	COVER-IN-TRU	1	1/P	
2	6LA02792000	DUCT-TRU	1	1/PP	
3	6LE16206000	SEAL-TRU-CR	1	1/KP	
4 B	F0-00045000	EDS-1	1	10/P	ASD,AUD,CND
5	F0-00047000	EDS-1717U	1	10/P	
6	6LA02793000	PL-EARTH-C-SUB	1	1/P	
7	6LE09616000	HRNS-HVT-TR2-390	1	1/P	
8	6LA02812000	ASYS-BRKT-LNK-F	1	1/P	
9	6LA02815000	ASYS-BRKT-LNK-H	1	1/P	
10	4406338380	PLATE-LINK-H	1	1/P	
11	X0-00966000	RR/E-5-SS	2	10/P	
12	6LE08828000	SHAFT-HANDLE-TRU	1	1/P	
13	6LA02804000	CAM-F-TRU	1	1/P	
14	4400802080	BUSH-8	2	5/P	
15	4406338130	SCREW-STOP-H	1	10/P	
16	4406339490	COLLAR-STP-HDL	1	1/P	
17	4406339500	SCREW-HANDLE	1	10/P	
20	6LE08818000	LBL-ADU-OPEN	1	1/KP	
21	6LE08801000	HANDLE-TRU-390	1	1/P	
22	4406338300	SPE080-100-0530	1	5/P	
25	6LA02823000	SCREW-RAIL-TRU	2	5/P	
26 B	6LA02845000	BRKT-DH-L-340	1	1/P	ASD,AUD,CND
27	6LE08831000	LBL-W-HOT-STAY-390	1	5/P	
28 C	E0-10981000	HF05N442	2	1/D	ASD,AUD,CND
29 B	6LA07432000	HRNS-DHT-L-340	1	1/P	ASD,AUD,CND
30 B	6LE09411100	PWA-F-FUS-390UE	1	1/C	ASD,AUD,CND
31 B	6LE71198000	THRMST-CS-7SA	1	1/C	ASD,AUD,CND
32 B	F0-00021000	SKB-80MZ	3	10/P	ASD,AUD,CND
101	X0-02593000	S/TPD3/FHEXM-3X8-ZU3	3	10/P	
102	X0-00968000	RR/E-7-SS	3	10/P	
103	X0-01526000	P/PRL/AH7-2X12-SS	1	10/P	
104	X0-02589000	S/TPD3/FHEXM-4X8-ZU3	2	10/P	
105	X0-02235000	S/FHEXM-M4X8-NI	1	10/P	
106 B	F0-00340000	SPLSN-4U	3	5/P	ASD,AUD,CND
107 A	X0-02592000	S/TPD3/FHEXM-3X6-ZU3	2	10/P	NAD,MJD,NAG,GSA
107 B	X0-02592000	S/TPD3/FHEXM-3X6-ZU3	4	10/P	ASD,AUD,CND
108 B	X0-00676000	S/TPS/BID-3X6-NI	2	10/P	ASD,AUD,CND
109	F0-01248000	ESC-0912	1	10/P	

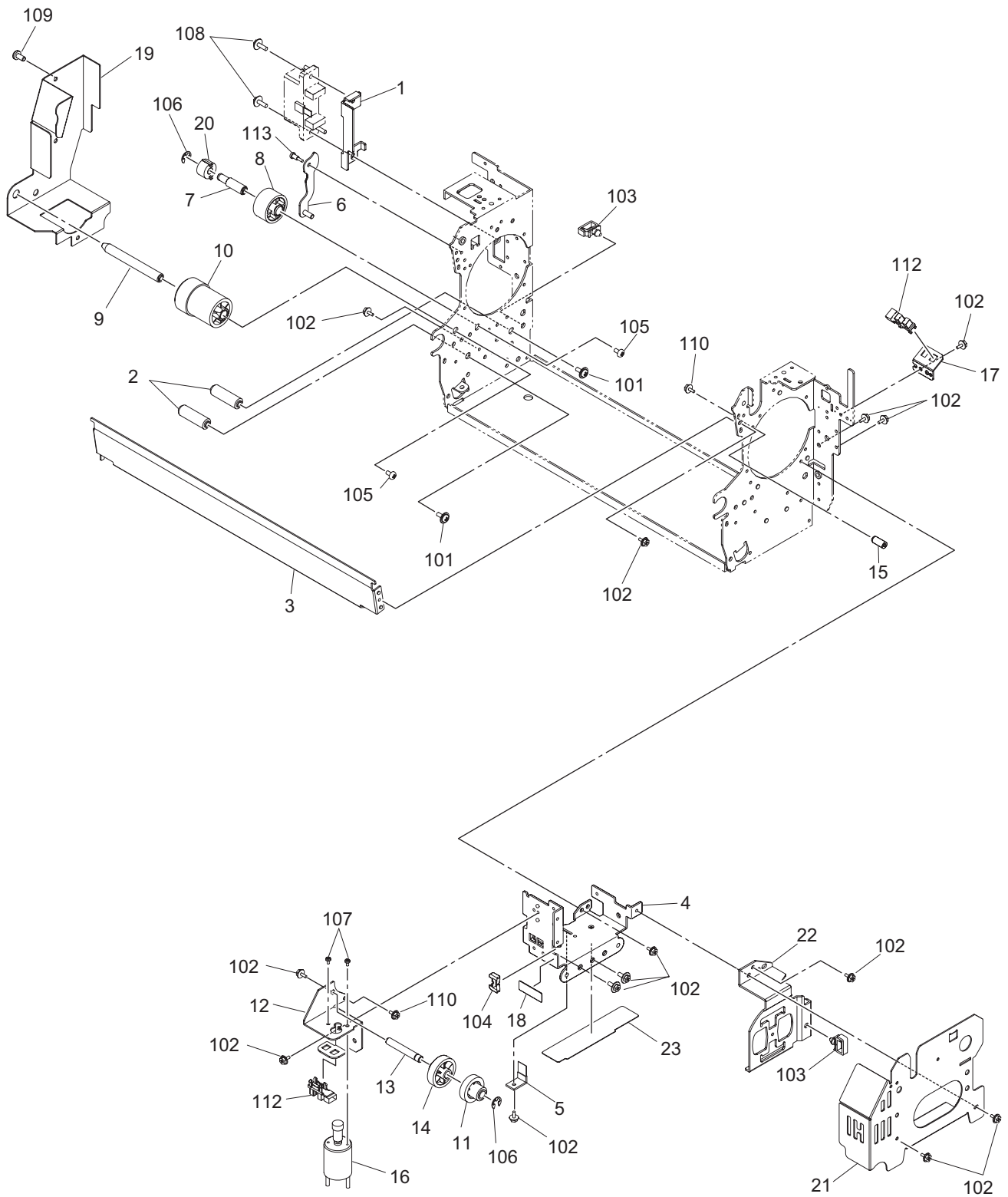




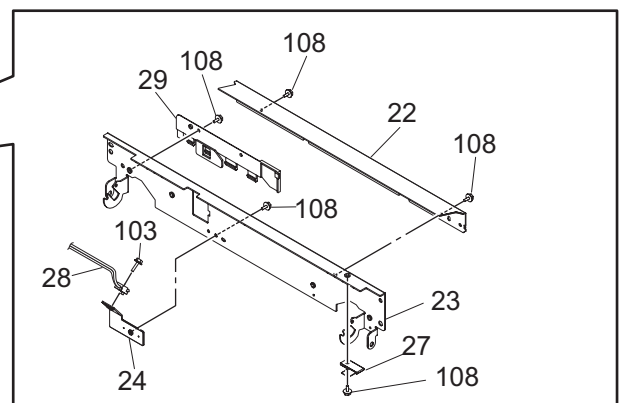
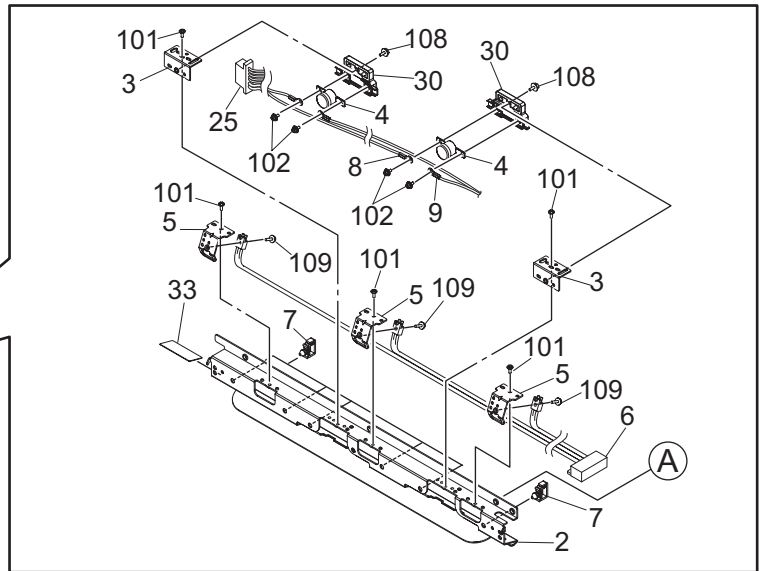
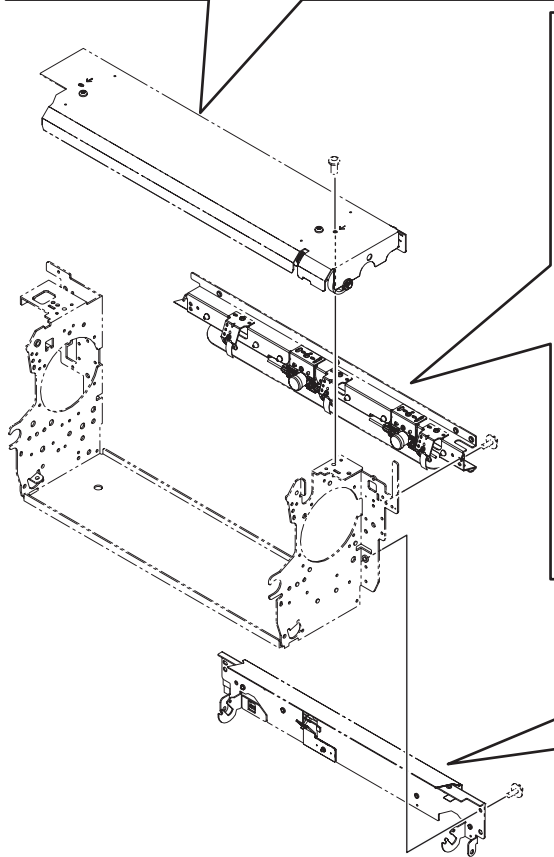
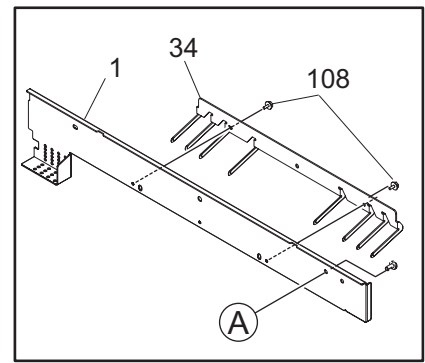
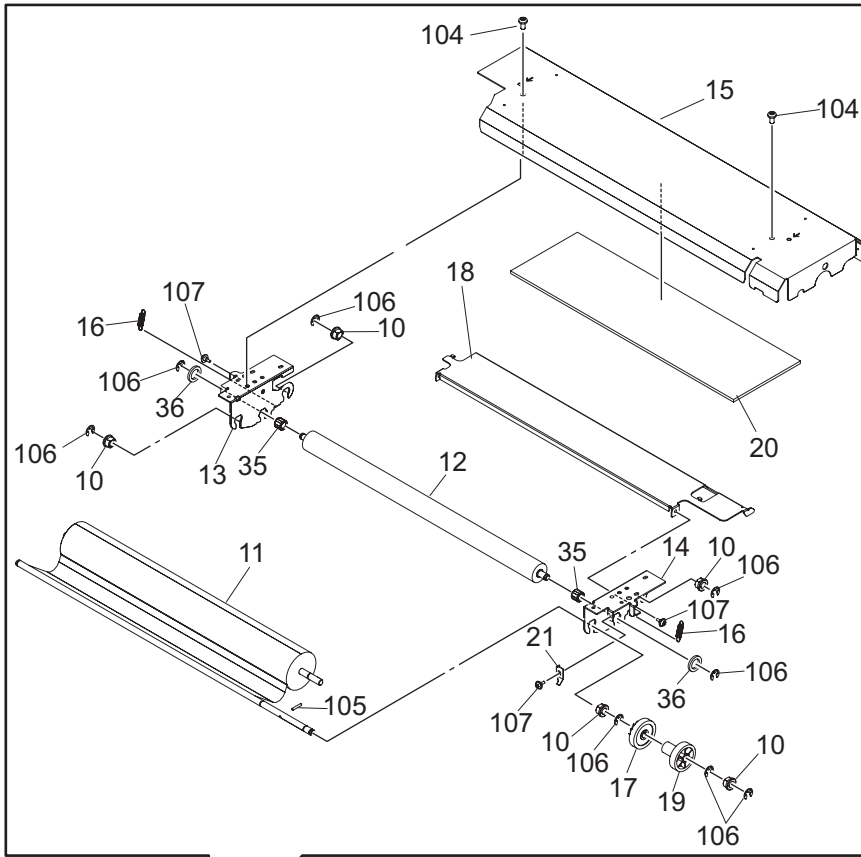
ITEM No.	PART No.	PART NAME	Q'TY / PAGE	Q'TY / PACK	REMARKS
1	6LE08858000	K-CASE-TRU	1	1/PP	
2	4406339450	K-LEVER-CAM	1	1/P	
3	6LA02905000	ASYS-LVR-HANDLE	1	1/P	
4	4406339420	ARM-BELT-TRU	2	1/P	
5	4406339410	HOLDER-ARM-TRU	1	1/P	
6	6LA08948000	SPC075-080-0315	2	5/P	
7	6LA02918000	SCRPR-BRUSH-TRU	1	1/P	
9	4406338940	BUSH-BRS-F-TRU	1	1/P	
10	6LA23070000	B-6510TR	1	1/S	
11	4406338950	GEAR-08H025-06	1	1/P	
12	6LA02922000	BUSH-0612-D6F-M	1	5/P	
13	4407972860	STOP-RING-6-5	1	5/P	
14	4406339300	GG08H021/08H031	1	1/P	
15	4400336190	STOP-RING-8	1	5/P	
16	4406338960	PLATE-BRS-TRU	1	1/P	
17	6LE08800000	AUGER-TRU-390	1	1/P	
18	6LA02920000	BUSH-0410-05F-M	2	5/P	
19	4406339280	GEAR-08H028-04	1	1/P	
20	4406339230	NOZZLE-TRU-IN	1	1/P	
21	6LE08816000	SEAL-BLADE-RER-SUB	1	1/D	
22	4406339690	SPC249-100-1220	1	1/P	
23	4406339510	SHTR-NZL-TRU	1	1/P	
24	4406339520	SEAL-SHTR-TRU	1	5/P	
25	4406339240	NOZZLE-TRU-OUT	1	1/P	
26	4406339530	HLDR-S-NZL-TRU	1	1/P	
27	4406339250	SEAL-NOZZLE-TRU	1	5/P	
28	4406339390	SEAL-F-TRU	1	1/P	
29	4406339400	SEAL-R-TRU	1	5/P	
30	6LA02917000	SEAL-BLADE-TRU	2	5/P	
31	6LH72622000	BL-8550TR	1	1/S	
32	4406338970	K-GUIDE-C-TRU	1	1/KP	
33	6LA02919000	SPL-EARTH-G-C	1	1/P	
36	6LA02907000	SPACER-ARM-TRU	1	5/P	
101	X0-02235000	S/FHEXM-M4X8-NI	4	10/P	
102	X0-02230000	S/FHEXM-M3X6-NI	8	10/P	
103	X0-00964000	RR/E-3-SS	1	10/P	
104	X0-02252000	S/TPP/FHEXM-4X10-NI	2	10/P	



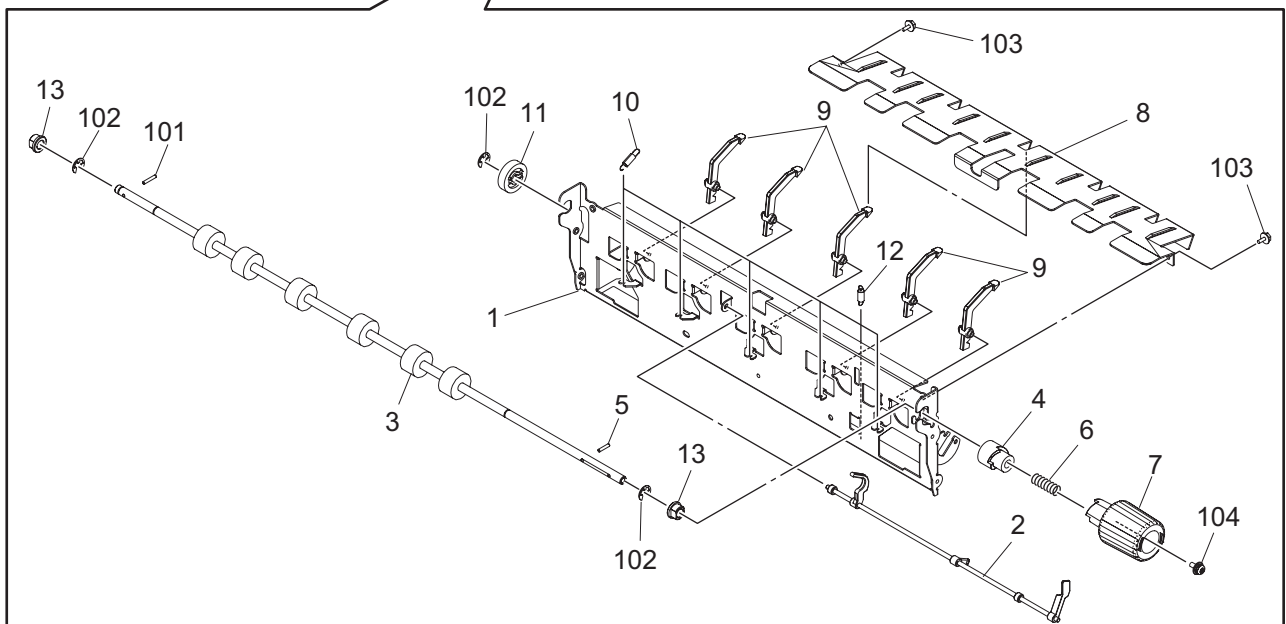
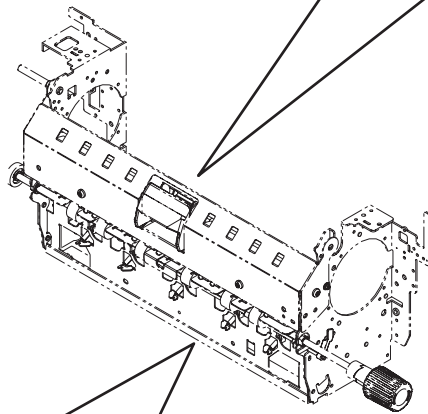
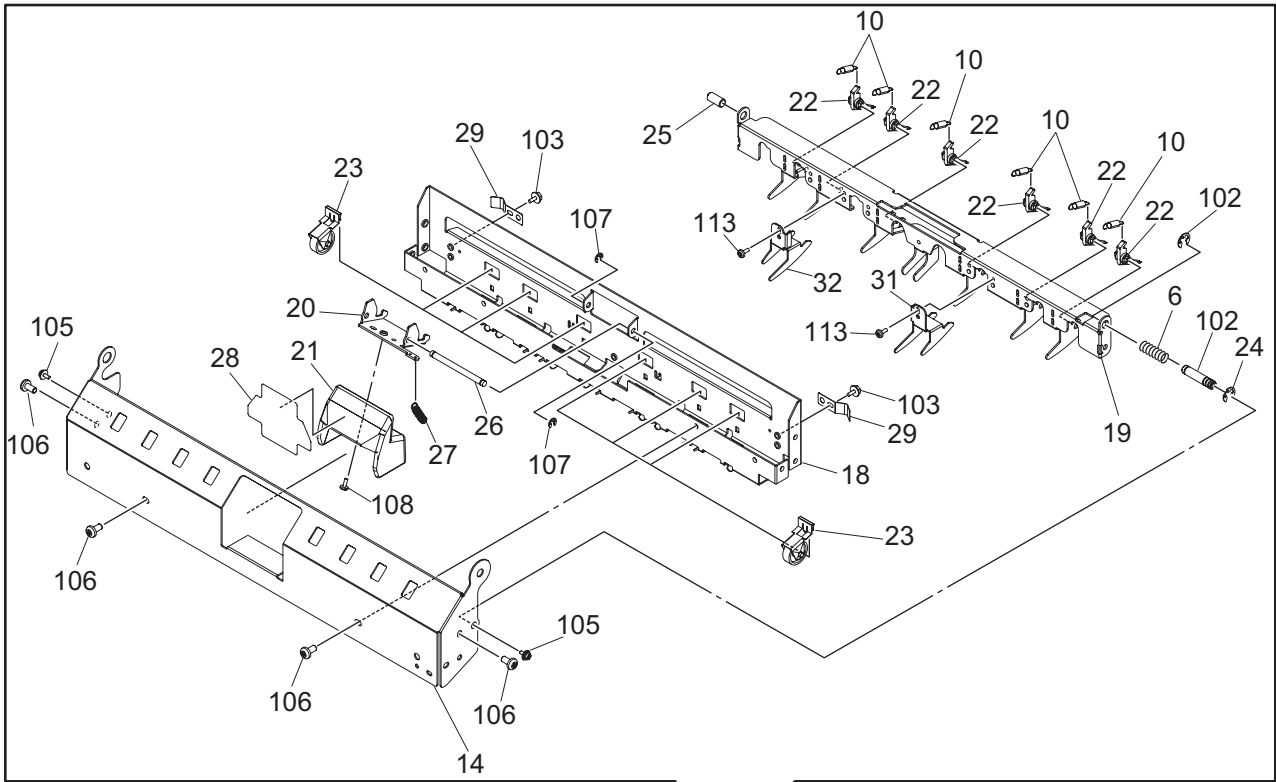
ITEM No.	PART No.	PART NAME	Q'TY / PAGE	Q'TY / PACK	REMARKS
1	6LA05484000	K-BRKT-FUS-MOT	1	1/P	
2	4406325850	K-GR10S23/05H50	1	1/P	
3	4363260910	SPC-075-055-200	1	5/P	
4	6LA05500000	COVER-FUS-GEAR	1	1/P	
5	6LE09157000	MOTRD-HTR-390	1	1/C	
6	6LE03100000	GEAR-5H50_P3GT17-6	1	1/P	
7	6LE09788000	HRNS-LGC-FUS-390	1	1/P	
8	6LH68525000	SPG-C-068-080-180	2	5/P	
9	E0-08333000	AGX206F	1	1/D	
10	6LA05488000	STUD-ADU-CUP	1	1/P	
11	6LE03101000	BLT_SY-3GT-339-6	1	1/P	
12	6LA05494000	PLY/T-3GT021-06	1	1/P	
13	F0-00340000	SPLSN-4U	1	5/P	
14	F0-00838000	HL-28-0-V0	2	1/P	
15	F0-01243000	LWS-1211Z	2	5/P	
16 A	6LE06718000	ASYS-PS-IH-390U	1	1/C	NAD,NAG,GSA
16 B	6LE06718400	ASYS-PS-IH-H100E	1	1/C	MJD,ASD,AUD,CND
17	6LA34342000	FAN_D-8025-350NH	1	1/D	
18	6LE06722000	ASYS-DUCT-FUS-PWA-390	1	1/PP	
19	6LE06624000	COV-PWA-IH	1	1/P	
20	6LA06571000	LBL-W-HOT-340	1	1/KP	
21	6LE06691000	PLATE-COVER-IH	1	1/KP	
22	6LA05538000	BRKT-IH-FAN	1	1/P	
23	X0-02593000	S/TPD3/FHEXM-3X8-ZU3	1	10/P	
24	F0-01299000	LWS-2111Z	2	1/P	
25	6LE13137000	LBL-FUS-TNR-IN	1	1/KP	
27 B	6LE06692000	SHIELD-IH	1	1/C	MJD,ASD,AUD,CND
28	6LA05537000	BRKT-IH-GND	1	1/P	
30	6LE06648000	ASYS-DUCT-FUS-L-390	1	1/PP	
31 A	6LE09915000	HRNS-DH-CONNECT-390	1	1/P	AUD,CND
101	X0-00966000	RR/E-5-SS	1	10/P	
102	6LA14330000	S/TPS/HEX/R-M4X12	1	10/P	
103	4406326040	SCREW-D4-18-M3	2	10/P	
104	6LA08937000	SCREW-BKT-DEV	1	10/P	
105 A	X0-02247000	S/TPP/FHEXM-3X8-NI	7	10/P	NAD,NAG,GSA
105 B	X0-02247000	S/TPP/FHEXM-3X8-NI	11	10/P	MJD,ASD,AUD,CND
106	6LE06667000	SCREW-M3-D4-7-ZU3	1	5/P	
107	6LA08933000	SCREW-CON-DEV-V	1	10/P	
108	X0-02235000	S/FHEXM-M4X8-NI	1	10/P	
109	X0-02589000	S/TPD3/FHEXM-4X8-ZU3	5	10/P	
110	X0-02230000	S/FHEXM-M3X6-NI	1	10/P	
111	X0-02217000	S/PAN/SVWP-M4X8-ZU3	1	10/P	
112	X0-00434000	S/BID-M3X8-NI	2	10/P	
113	X0-02590000	S/TPD3/FHEXM-4X10-ZU3	2	10/P	
114	6LH55300000	USUITA-SPSEMS-4X8-6	4	5/P	

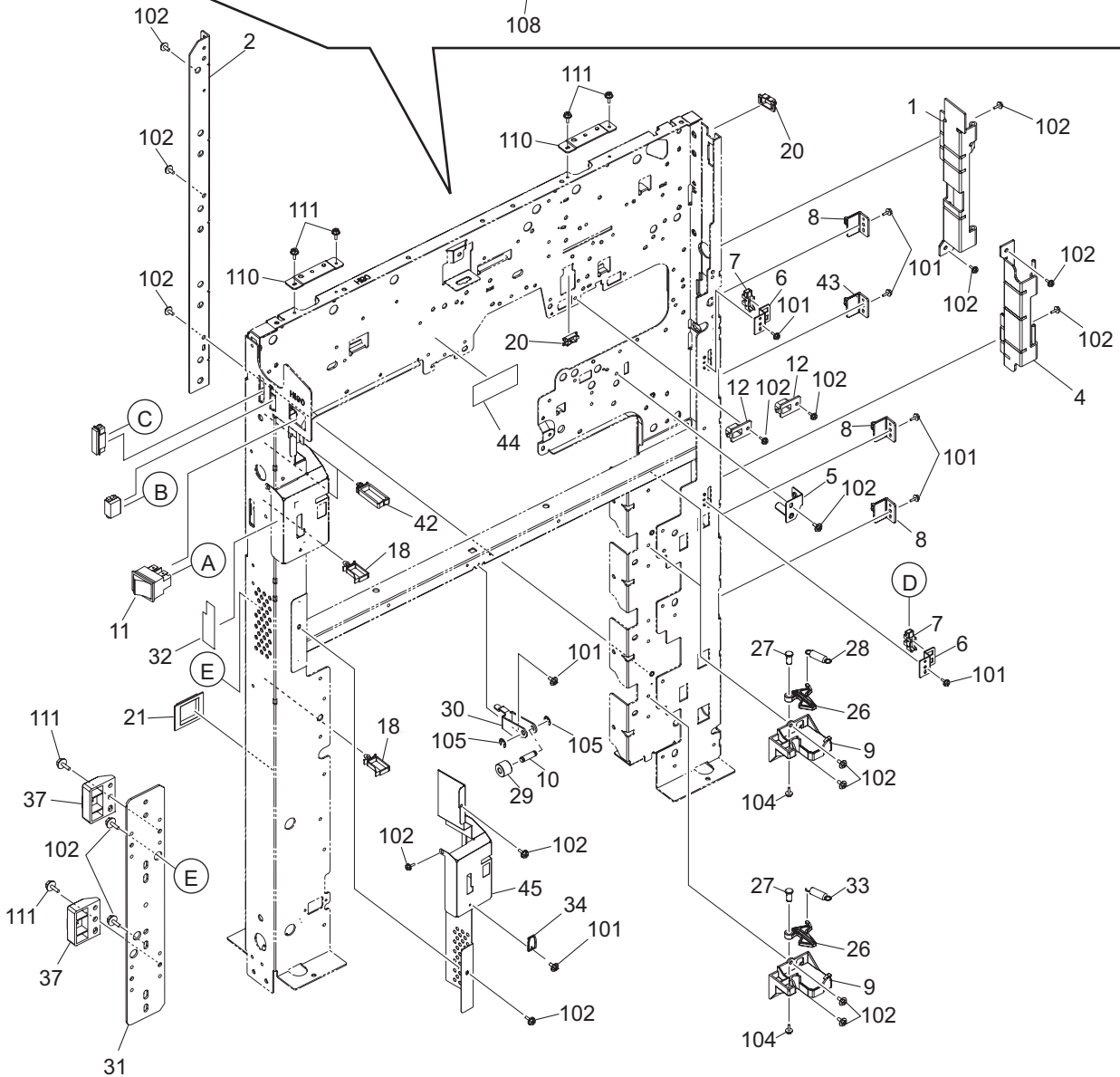
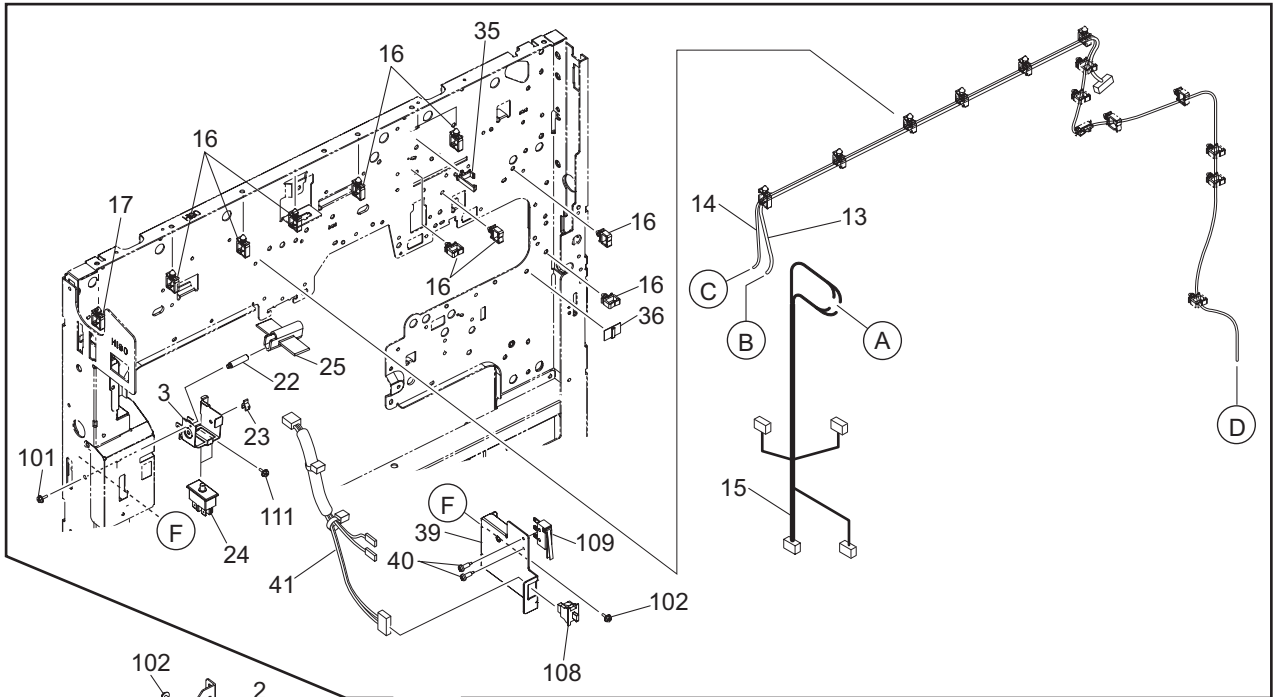


ITEM No.	PART No.	PART NAME	Q'TY / PAGE	Q'TY / PACK	REMARKS
1	6LA14365000	SPACER-DRW-CNCT	1	1/P	
2	4406324600	STUD-FUS-REAR	2	1/P	
3	6LA05193000	BRKT-FUS-EXIT-U	1	1/P	
4	6LA05208000	K-BKT-FUS-F	1	1/P	
5	6LE06670000	BRUSH-FUSER	1	1/C	
6	6LA05370000	K-BRKT-LEV-R	1	1/P	
7	6LA05290000	STUD-FUS-R-G27	1	1/P	
8	6LH68701000	GEAR-10S027-08	1	1/P	
9	6LA05292000	STUD-REAR-GEAR	1	1/P	
10	6LA05262000	GG10S029/10S026	1	1/P	
11	6LH68702000	GG08H028_08S014	1	1/P	
12	6LE06635000	BRKT-WEB-MOT-390	1	1/P	
13	6LA05220000	STUD-WEB-MOT	1	1/P	
14	6LH68704000	GG08S035_08S14S	1	1/P	
15	6LE06721000	STUD-WEB-FRM	1	1/P	
16	6LE09234000	MOTR.D-WEB-390	1	1/D	
17	6LE06605000	BRKT-WEB-SEN-390	1	1/P	
18	6LE06759000	SHEET-FUS-FRONT-N	1	1/KP	
19	6LA05205100	COVER-FUS-R H100	1	1/P	
20	6LE06731000	CLUTCH-6-LB-390	1	1/P	
21	6LA05204100	COVER-FUS-F H100	1	1/P	
22	6LA05200000	BRKT-IH-F	1	1/P	
23	6LA05287000	SHEET-FUS-FR-L	1	1/KP	
101	X0-02589000	S/TPD3/FHEXM-4X8-ZU3	2	10/P	
102	X0-02592000	S/TPD3/FHEXM-3X6-ZU3	12	10/P	
103	F0-00032000	PLWS-1-46B	4	5/P	
105	X0-01528000	S/PAN-M4X6-NC	2	10/P	
106	X0-00966000	RR/E-5-SS	2	10/P	
107	X0-01670000	S/PAN-M2.6X4-NC	2	10/P	
108	X0-02590000	S/TPD3/FHEXM-4X10-ZU3	2	10/P	
109	4401759180	SCREW-FUSER-M4	1	10/P	
112	C0-10814000	TLP1255(C8)	2	5/C	
113	6LA08933000	SCREW-CON-DEV-V	1	10/P	

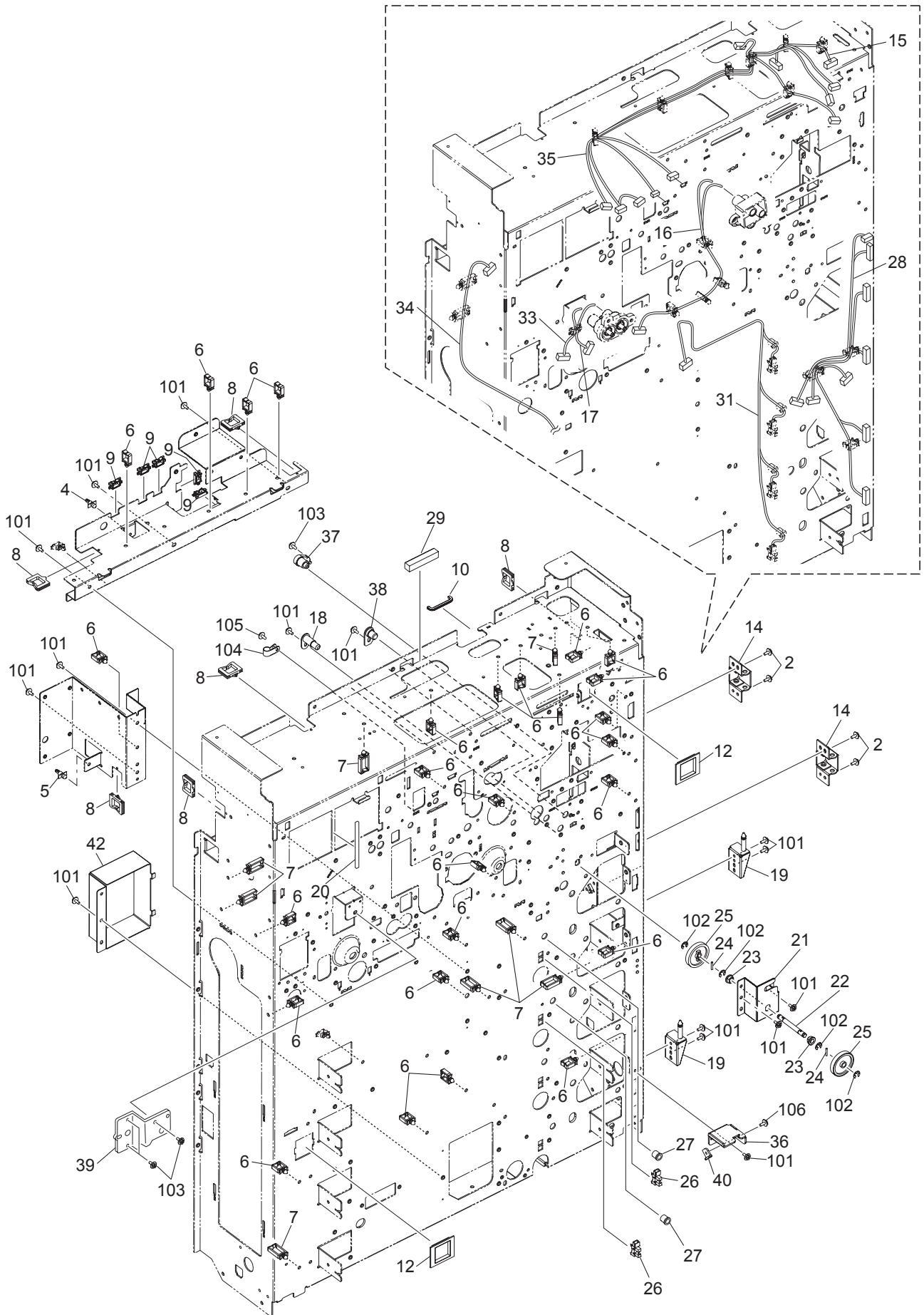


ITEM No.	PART No.	PART NAME	Q'TY / PAGE	Q'TY / PACK	REMARKS
1	6LA05313100	BRKT-FUS-ENT-U H100	1	1/PP	
2	6LA05304000	GUIDE-FUS-ENT-U	1	1/P	
3	6LA05310000	BRKT-THERMO-H/R	2	1/P	
4	6LA07172000	THRMST-340-FUS	2	1/D	
5	6LA05309000	BRKT-THMS-H/R	3	1/P	
6	6LE09681000	THMS-HTR-U-390FS	1	1/KP	
7	F0-00032000	PLWS-1-46B	6	5/P	
8	6LE09437000	HRNS-IH-AC1-390	1	1/P	
9	6LA07431000	HRNS-IH-AC2-340	1	1/P	
10	6LH68707000	BUSH-6	5	1/P	
11	6LE19372000	CW-6000	1	1/S	
12	6LE19373000	PR-6000W	1	1/S	
13	6LE06634000	BRKT-WEB-R-390	1	1/P	
14	6LE06633000	BRKT-WEB-F-390	1	1/P	
15	6LA05444100	GUARD-FUS-CLN-U H100	1	1/PP	
16	6LA08943000	SPE-050-050-216	2	5/P	
17	6LH68705000	GEAR-08S35-06-F	1	1/P	
18	6LA05454000	BRKT-FUS-WEB-E	1	1/P	
19	6LH68703000	GG08S035_08S14L	1	1/P	
20	6LA05470000	SHEET-FUS-CLN-U	1	1/KP	
21	6LA05472000	SPL-FUS-F	1	1/P	
22	4406325090	GUIDE-FUS-ENT-L	1	1/P	
23	6LE06662000	BRKT-FUS-ENT-L390	1	1/P	
24	6LE06663000	BRKT-THMS-L390	1	1/P	
25	6LE09155000	HRNS-FUS-390	1	1/P	
27	6LE06669000	BRUSH-SUS-HR	1	1/KP	
28	4406379760	THMS-HTR-L-300	1	1/C	
29	4406325120	COV-THMS-HT-FUS	1	1/P	
30	6LE06758000	K-HLD-THERMO	2	1/P	
33	6LA05286000	SHEET-FUS-ENT-U	1	1/KP	
34	6LE06630000	ASYS-GUIDE-EN-390	1	1/KP	
35	6LA05468000	BRG-ONEWAY-6-H	2	1/P	
36	6LA05458000	SPACER-FUS-WEB	2	5/P	
101	X0-02069000	S/TPS/BID-3X6-ZU3	5	10/P	
102	X0-00077000	S/PAN/SWWP-M3X8-NI	4	10/P	
103	X0-02232000	S/FHEXM-M3X10-NI	1	10/P	
104	4401759180	SCREW-FUSER-M4	2	10/P	
105	X0-01526000	P/PRL/AH7-2X12-SS	1	10/P	
106	X0-00966000	RR/E-5-SS	8	10/P	
107	6LA08937000	SCREW-BKT-DEV	3	10/P	
108	X0-02592000	S/TPD3/FHEXM-3X6-ZU3	9	10/P	
109	X0-00094000	S/PAN/SWWP-M3X10-NI	3	10/P	



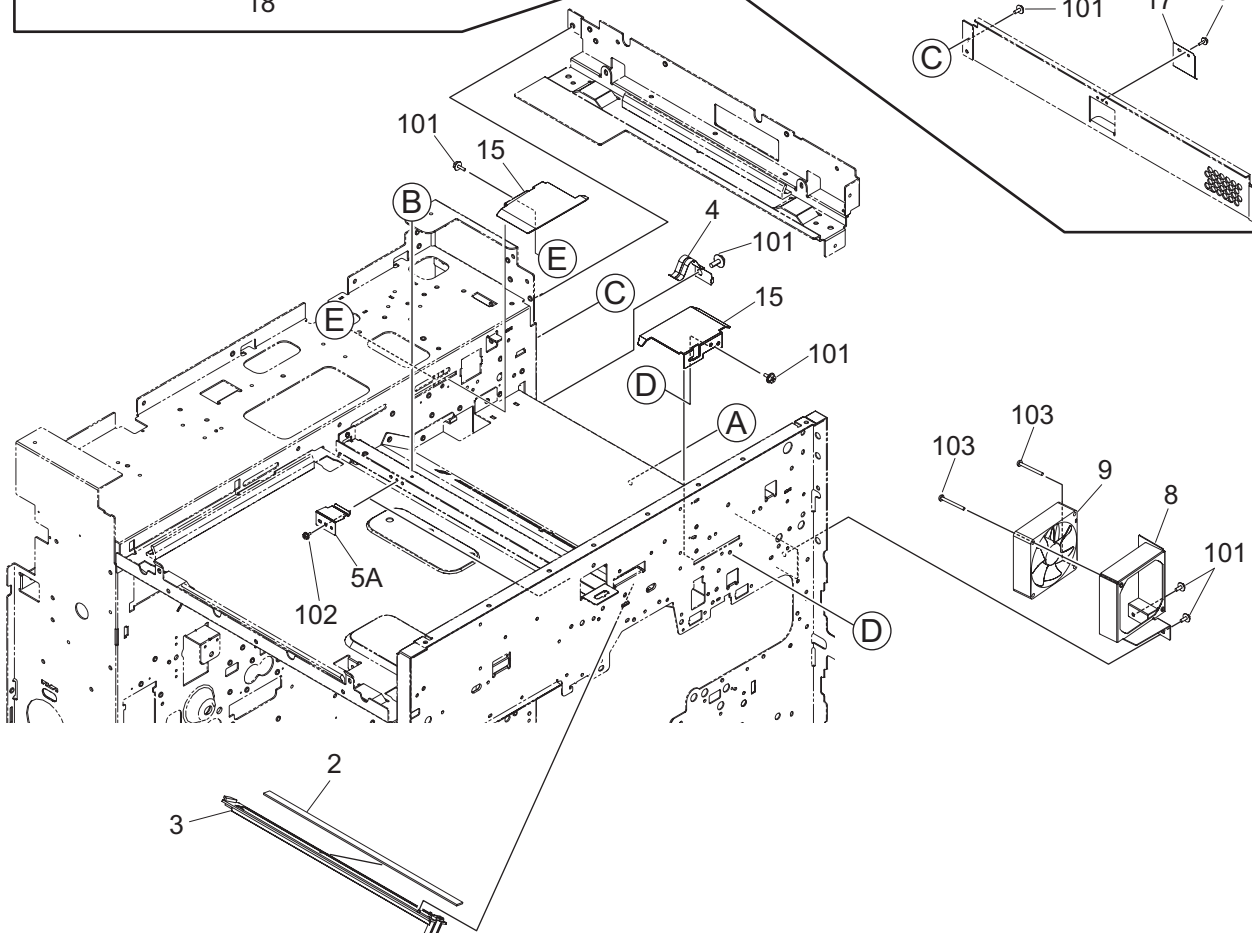
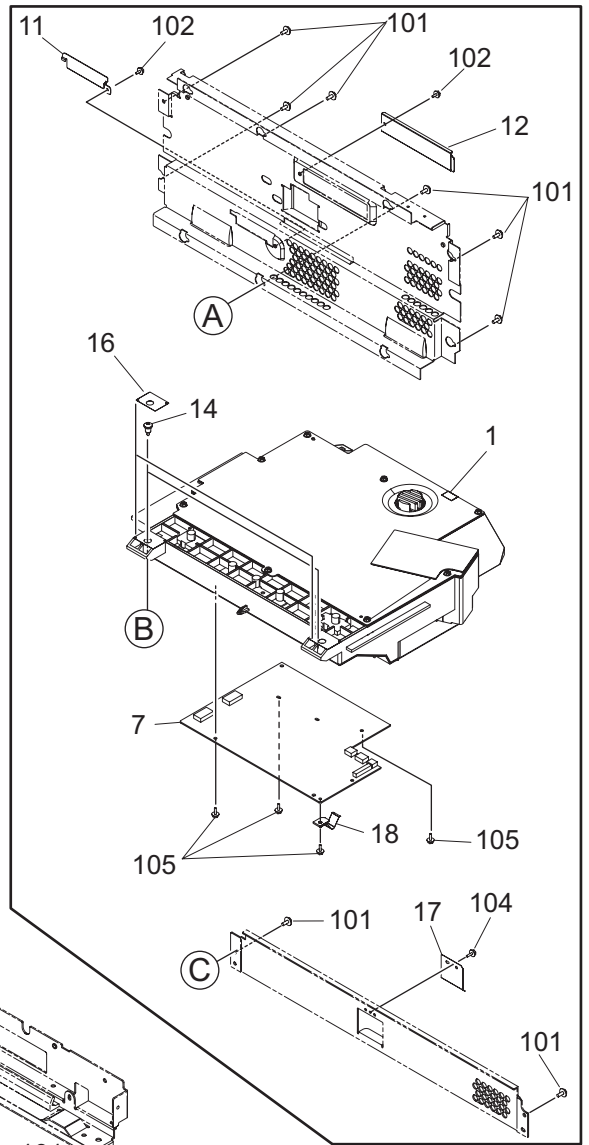
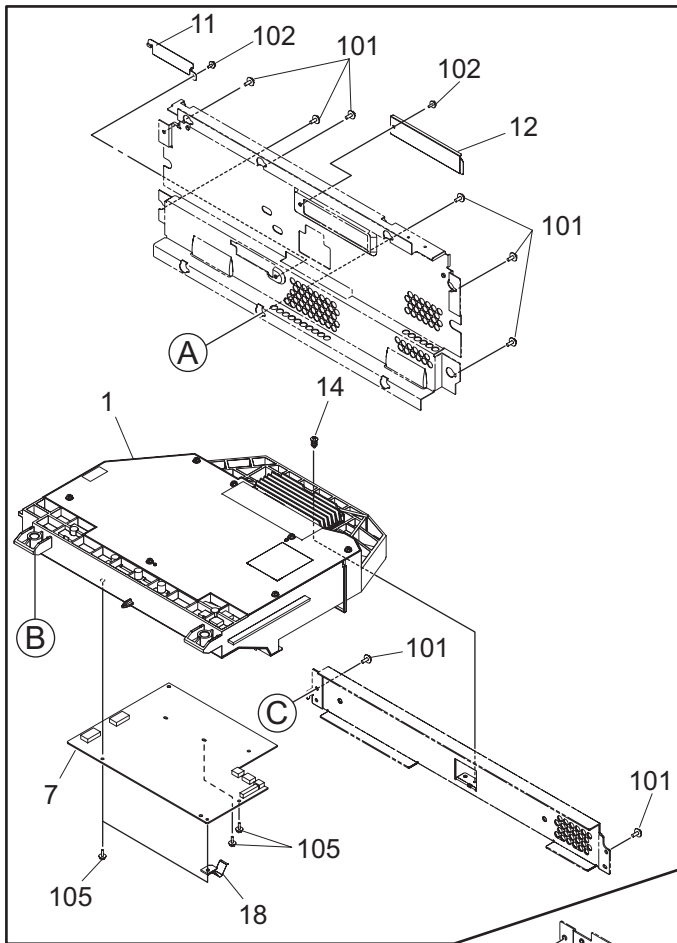


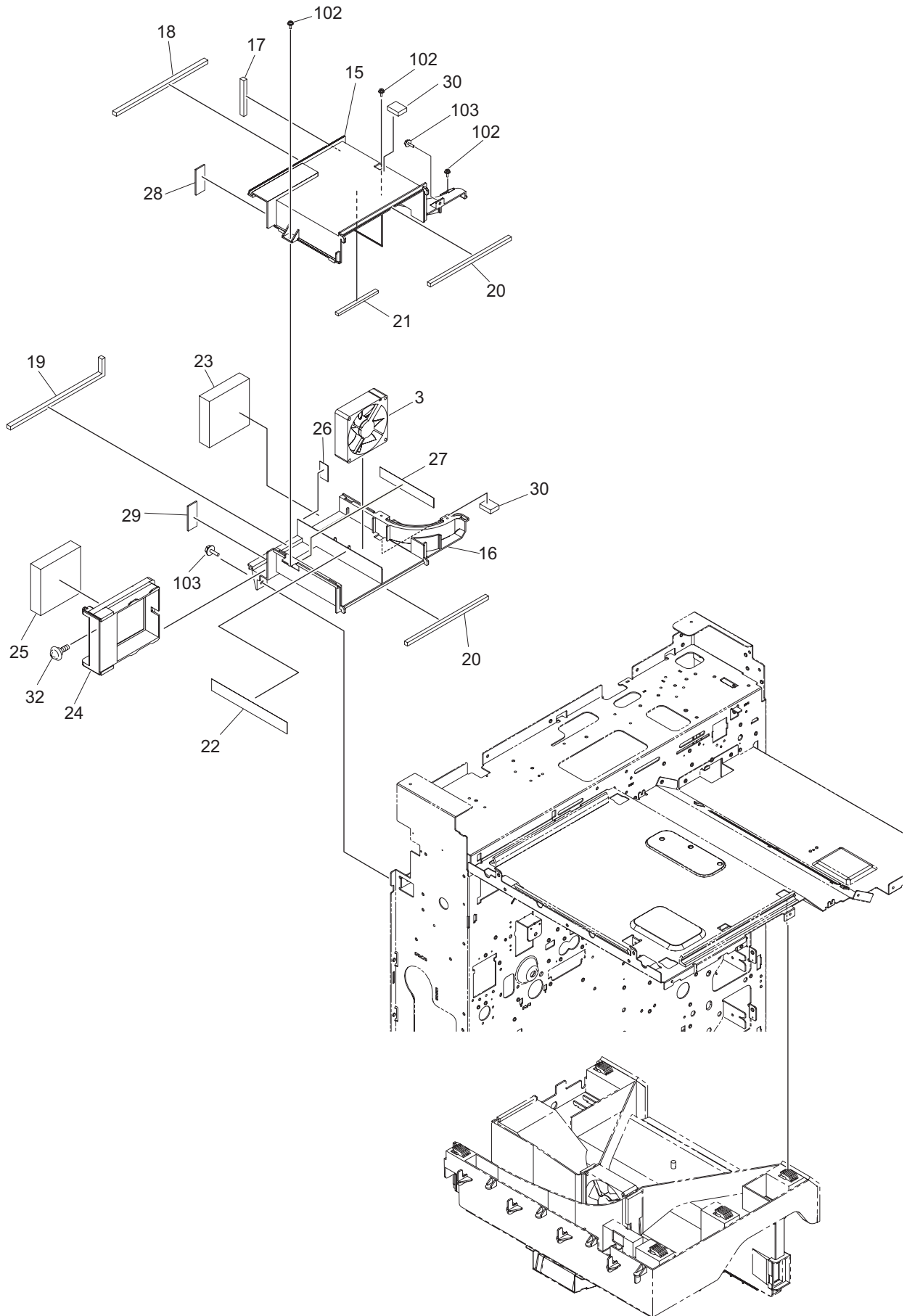
ITEM No.	PART No.	PART NAME	Q'TY / PAGE	Q'TY / PACK	REMARKS
1	6LE06335000	BRKT-HINGE-UPR	1	1/P	
2	6LA00950000	BRKT-F/S-UNIT	1	1/P	
3	6LH68507000	BRKT-DOOR-SW-H100	1	1/P	
4	6LE06338000	ASYS-BRKT-HINGE-LWR	1	1/P	
5	6LE05714000	ASYS-BRKT-POS-TRANS	1	1/P	
6	6LA04796000	BRKT-SENS-OPEN	2	1/P	
7	C0-10813000	GP1A73ARJ00F	2	1/P	
8	6LA04151000	STOPPER-KNOB	3	1/P	
9	6LA04492000	HOLDER-LOCK-CST	3	1/P	
10	4406343710	SHAFT-GUIDE-OP	1	1/P	
11	E0-08497000	AJ8W200WWF	1	1/D	
12	4406333430	BUSH-DEV	2	5/P	
13	6LE09205000	HRNS-FRONT-390	1	1/P	
14	6LE09209000	HRNS-SIDE-390	1	1/P	
15	6LH69820000	HRNS-MAIN-SW-H100	1	1/P	
16	F0-01811000	LWS-0711S-V0	9	5/P	
17	F0-01243000	LWS-1211Z	1	5/P	
18	F0-01299000	LWS-2111Z	3	1/P	
20	F0-01248000	ESC-0912	1	10/P	
21	4406509170	BD/W-TWS-3027	1	1/P	
22	6LH68508000	STUD-DOOR-SW-H100	1	1/P	
23	4408354010	STOPPER-REAR	1	1/P	
24	E0-08442000	FA1L-AA22	1	1/D	
25	6LH68509000	GUIDE-SW-DOOR-H100	1	1/P	
26	6LA04493000	HOOK-LOCK-CST	3	1/P	
27	6LA04494000	STUD-LOCK-CST	3	5/P	
28	6LA04495000	SPE080-100-0320	3	5/P	
29	4406343720	ROLL-GUIDE-OPEN	1	5/P	
30	6LE06351000	BRKT-HOLDER-RLR-390	1	1/P	
31	6LE03146000	ASYS-LOCK-EXIT-F-390	1	1/P	
32	6LA06575000	LBL-W-HOT-ANGL	1	1/KP	
33	6LA04851000	SPE075-100-0320	1	5/P	
34	6LE06341000	GUIDE-PUSH-DOOR-390	1	1/P	
35	F0-00367000	RLWS-1TV0	1	10/P	
36	F0-00837000	P-25	1	5/P	
37	6LA05785000	HOOK-LOCK-EXIT	2	1/P	
39	6LE06400000	BRKT-SW-TNR-MAIN	1	1/P	
40	44204394000	SCREW20*D23	2	10/P	
41	6LE09240000	HRNS-FRT-USW-390	1	1/P	
42	F0-00026000	LWS-4U	1	5/P	
43	6LA15052000	STOPPER-KNOB-BYP	1	1/P	
44 A	6LA47644000	LBL-CAU-LSR-350	1	1/KP	NAD,MJD,ASD,AUD,NAG,GSA
44 B	6LA48459000	LBL-CAU-LSR-350-C	1	1/P	CND
45	6LE06310000	COVER-AGL-L-U-390	1	1/C	
101	X0-02593000	S/TPD3/FHEXM-3X8-ZU3	9	10/P	
102	6LA08934000	SCR-M4X8ITSR-NI	22	10/P	
104	X0-02231000	S/FHEXM-M3X8-NI	2	10/P	
105	X0-00966000	RR/E-5-SS	2	10/P	
108	E0-01853000	CS1A-B2CA	1	1/D	
109	E0-08294000	DE2L-BALG	1	1/D	
110	6LH68584000	BRKT-FRT-SCAN-H19X-N	2	1/P	
111	6LA08935000	SCR-M3X6BISR-NI	7	10/P	

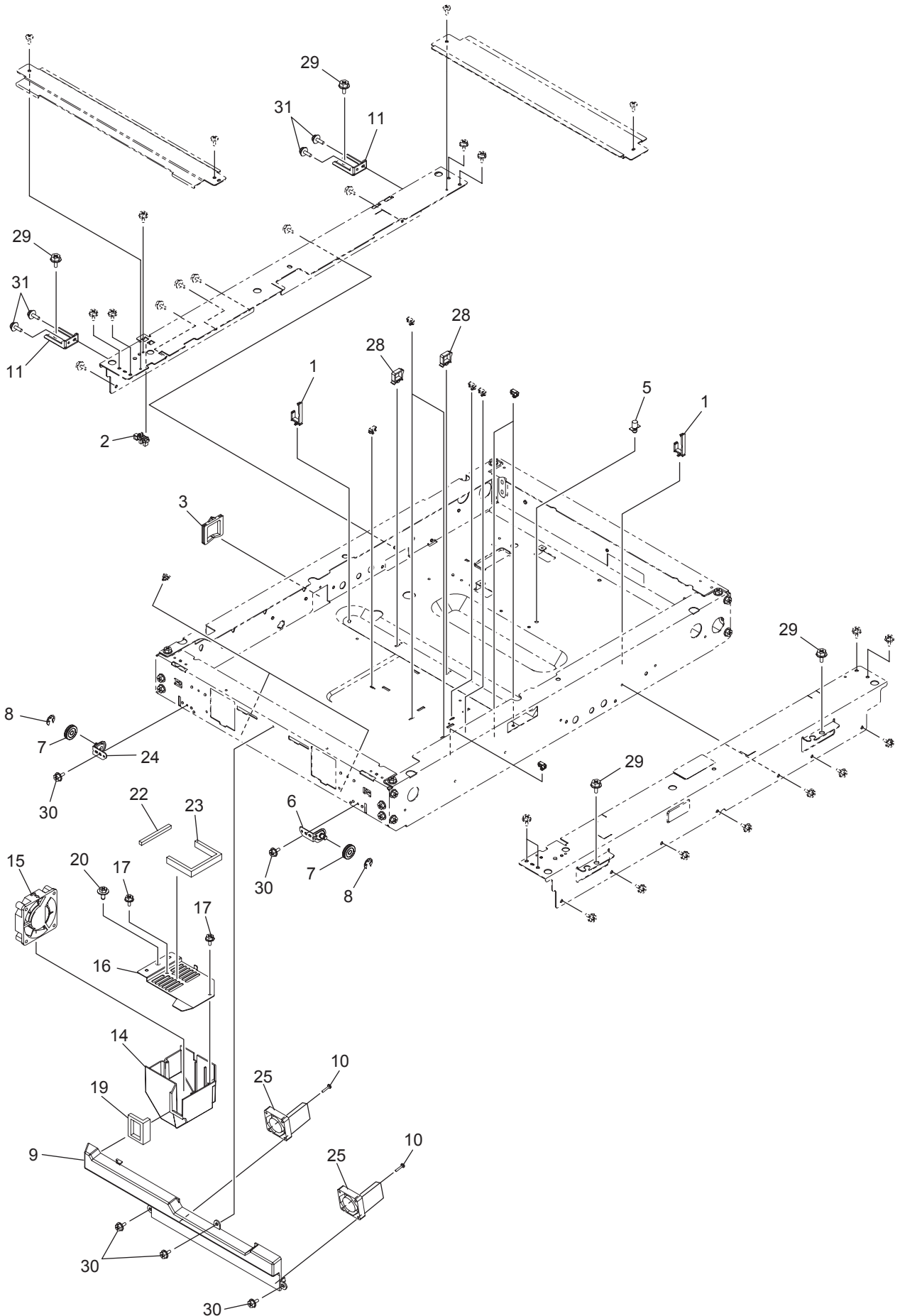


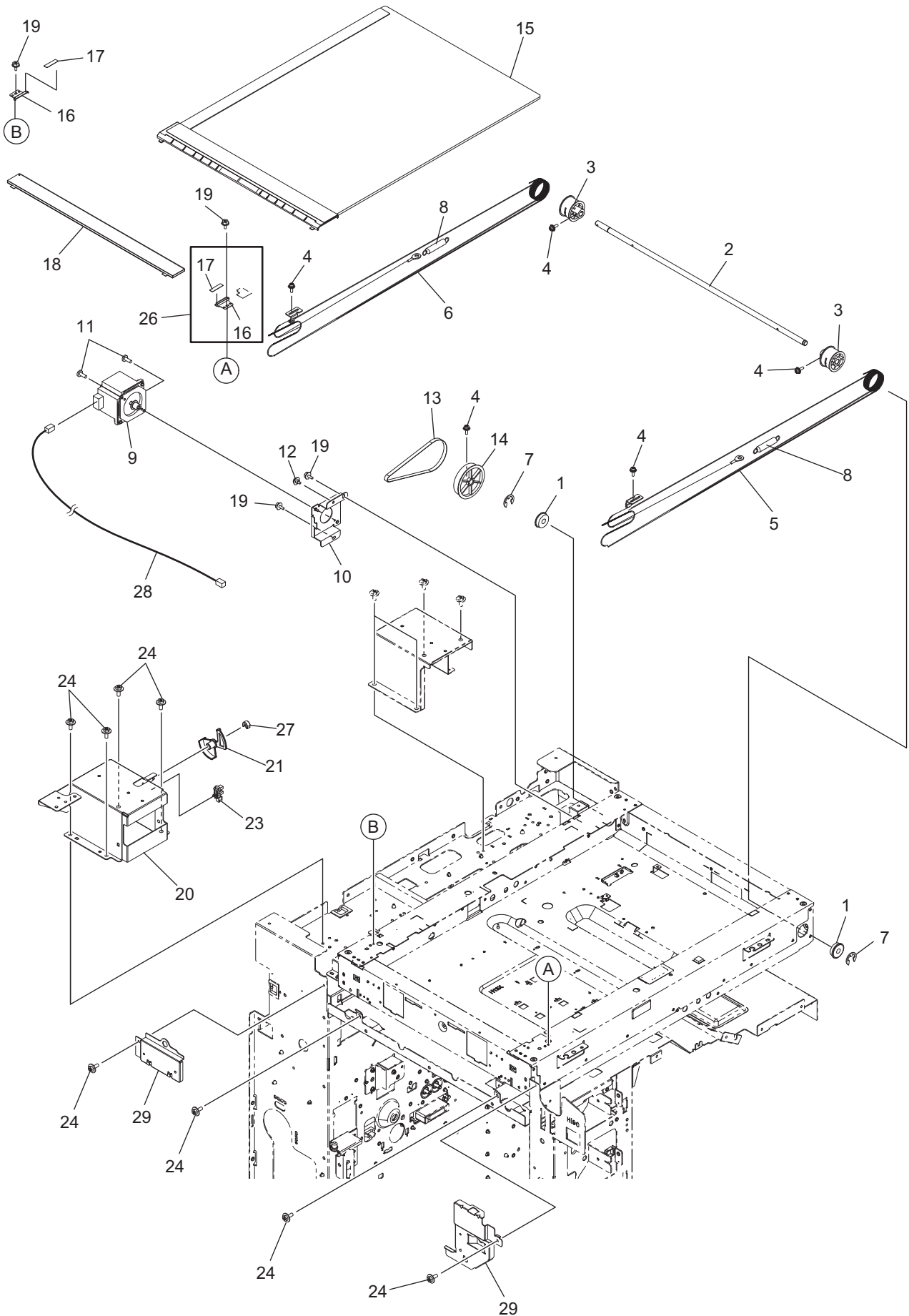
ITEM No.	PART No.	PART NAME	Q'TY / PAGE	Q'TY / PACK	REMARKS
2	X0-02421000	S/TPS/FHEXM/R-4X8-ZU3	4	10/P	
4	F0-00027000	SPS-3U	1	5/P	
5	F0-00342000	SPLSN-6U	1	5/P	
6	F0-01243000	LWS-1211Z	27	5/P	
7	F0-01299000	LWS-2111Z	8	1/P	
8	F0-00047000	EDS-1717U	6	10/P	
9	F0-01248000	ESC-0912	5	10/P	
10	6LE05412000	BUSH-KG-016L-SYS	1	1/P	
12	4406509170	BD/W-TWS-3027	2	1/P	
14	6LA04747000	BRKT-HINGE-BYP	2	1/P	
15	6LH69852000	HRNS-PLG-SYS-H100	1	1/P	
16	6LE09118000	HRNS-HVT-M-390	1	1/P	
17	6LE09119000	HRNS-HVT-TR-390	1	1/P	
18	4406349900	K-JOINT-RGT	1	1/P	
19	6LA04139000	K-BKT-HINGE-FED	2	1/P	
20	6LA01386000	SEAL-FRAME-R	1	1/KP	
21	6LA04261000	BRKT-DRIVE-MID	1	1/P	
22	6LA04262000	SHAFT-DRIVE-MID	1	1/P	
23	4407734980	BUSH-6-GCB	2	5/P	
24	X0-01526000	P/PRL/AH7-2X12-SS	2	10/P	
25	6LA04263000	GEAR-10S035-06	2	1/P	
26	C0-10813000	GP1A73ARJ00F	2	1/P	
27	F0-00370000	OCB-375	2	5/P	
28	6LE09412000	ASY-HRNS-CST-390	1	1/P	
29	6LA01199000	GSKT-10-10-50	1	5/P	
31	6LA07340000	HRNS-LGC-BTM-340	1	1/P	
33	6LE09116000	HRNS-HVT-BRS-390	1	1/P	
34	6LH69989000	HRNS-LGC-REV-H100	1	1/P	
35	6LE09278000	HRNS-LGC-DEVM-390	1	1/P	
36	6LE05763000	BRKT-HINGE-STOP-390	1	1/P	
37	4401772280	SUPPORT-GUIDE-P	1	1/P	
38	6LA03350000	K-JNT-GUIDE-U-S	1	1/P	
39	6LA05330000	BRKT-FUS-DRV	1	1/P	
40	6LE05764000	BRKT-HINGE-STOP-SUB	1	1/P	
42	6LA01041000	COVER-TLCF-FRM	1	1/P	
101	X0-02589000	S/TPD3/FHEXM-4X8-ZU3	23	10/P	
102	X0-00966000	RR/E-5-SS	4	10/P	
103	X0-02593000	S/TPD3/FHEXM-3X8-ZU3	4	10/P	
104	F0-00119000	EMT-4N	1	1/P	
105	X0-01285000	S/BID-M4X6-NC	1	10/P	
106	6LA08935000	SCR-M3X6BISR-NI	1	10/P	

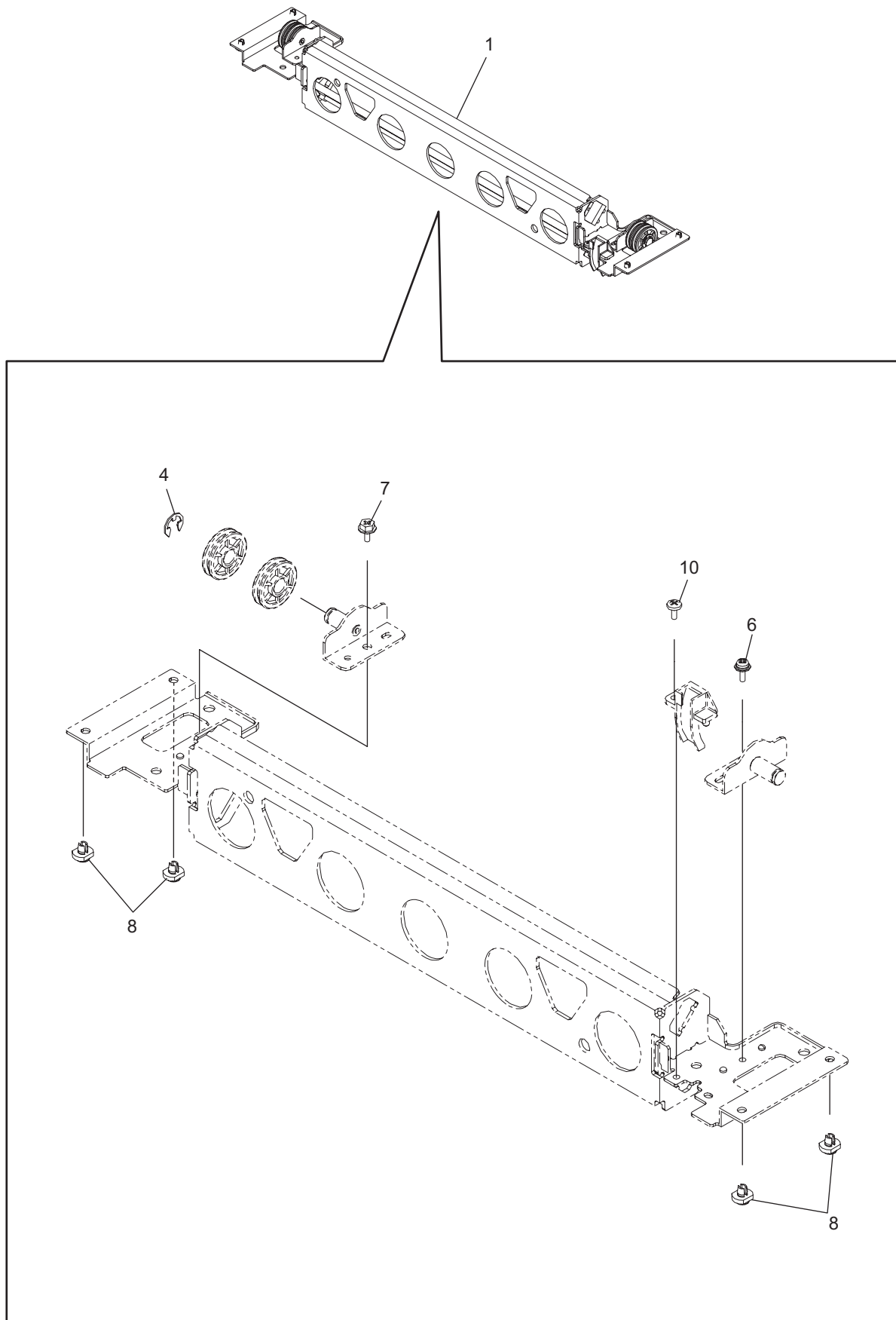
ITEM No.	PART No.	PART NAME	Q'TY / PAGE	Q'TY / PACK	REMARKS
1	6LE06334000	BRKT-DRV-SUB	1	1/P	
2	4406333770	TERM-BIAS-SUB	1	1/P	
3	4402308980	PLT-TERMINAL-R1	3	1/P	
4	4402308950	SPC055-050-0200	3	5/P	
5	4406333780	SPE060-050-184	1	5/P	
6	6LE06406000	SCREW-CH-M	1	10/P	
7	4402308970	PLT-TERMINAL-R2	2	1/P	
8	4406330810	TERMINAL-FRAME	1	1/P	
9	6LE06405000	LINK-SND-CLN	1	1/P	
10	4400902490	BAND-PS100	3	5/P	
11	6LE04116000	ASYS-BRKT-MOT-CLN-390	1	1/P	
12	6LE09545000	MOTRD-AUG-390CCW	1	1/D	
13	4401760590	GEAR-25-F	1	1/P	
14	4406329770	K-GEAR15-PLY53	1	1/P	
15	6LH68578000	BLT_T-2GT156-60	1	1/P	
16	4406329780	GEAR15-55	1	1/P	
17	6LA15256000	SOL-SCRIP-340	1	1/D	
18	6LA02238000	LEVER-CLAW-1	1	1/P	
19	F0-00120000	ES-0505	1	5/P	
20	4406333430	BUSH-DEV	2	5/P	
21	4406340260	TERM-FRAME-TRU	1	1/P	
22	6LA06405000	BRKT-CNT-R-340	1	1/P	
23	6LE09191000	HRNS-LGC-ADU-390	1	1/P	
24	4406343540	SCREW-SOCKET	2	1/P	
25	6LA05752000	K-BRKT-HIG-EX-U	1	1/P	
26	F0-00019000	OCB-875	1	10/P	
27	6LE09270000	HRNS-FUR-MOT-390	1	1/P	
28	6LE04520000	DETECTOR-DEV-390	2	1/P	
29	6LE09488000	HRNS-LGC-TLCF-390	1	1/P	
30	6LA93647000	BRKT-DRW	1	1/P	
31	6LE68371000	SCREW-CON	2	10/P	
32	6LA04817000	SPC-DRAW	2	5/P	
33	6LE68317000	SCREW-DRW-CON	2	10/P	
34	6LE09162000	MDC-TRAY-UP	1	1/D	
35	6LA08931000	SCREW-BKT-MOT	3	10/P	
36	6LE06344000	BLIND-KEY-CTR-390	1	1/P	
43	6LA03023000	SPC055-050-0230	2	5/P	
44	6LA08950000	SPC074-070-0145	2	5/P	
101	X0-02254000	S/PAN/SWWS-M2.6X4-NI	2	10/P	
102	X0-00966000	RR/E-5-SS	5	10/P	
103	X0-02231000	S/FHEXM-M3X8-NI	2	10/P	
104	X0-02251000	S/TPP/FHEXM-4X8-NI	1	10/P	
105	X0-02589000	S/TPD3/FHEXM-4X8-ZU3	18	10/P	
106	X0-02230000	S/FHEXM-M3X6-NI	1	10/P	
107	X0-02592000	S/TPD3/FHEXM-3X6-ZU3	1	10/P	
108	6LH68586000	BRKT-DMP-RER-LFT-H19X-N	1	1/P	
109	6LH68585000	BRKT-DMP-RER-RGT-H19X-N	1	1/P	

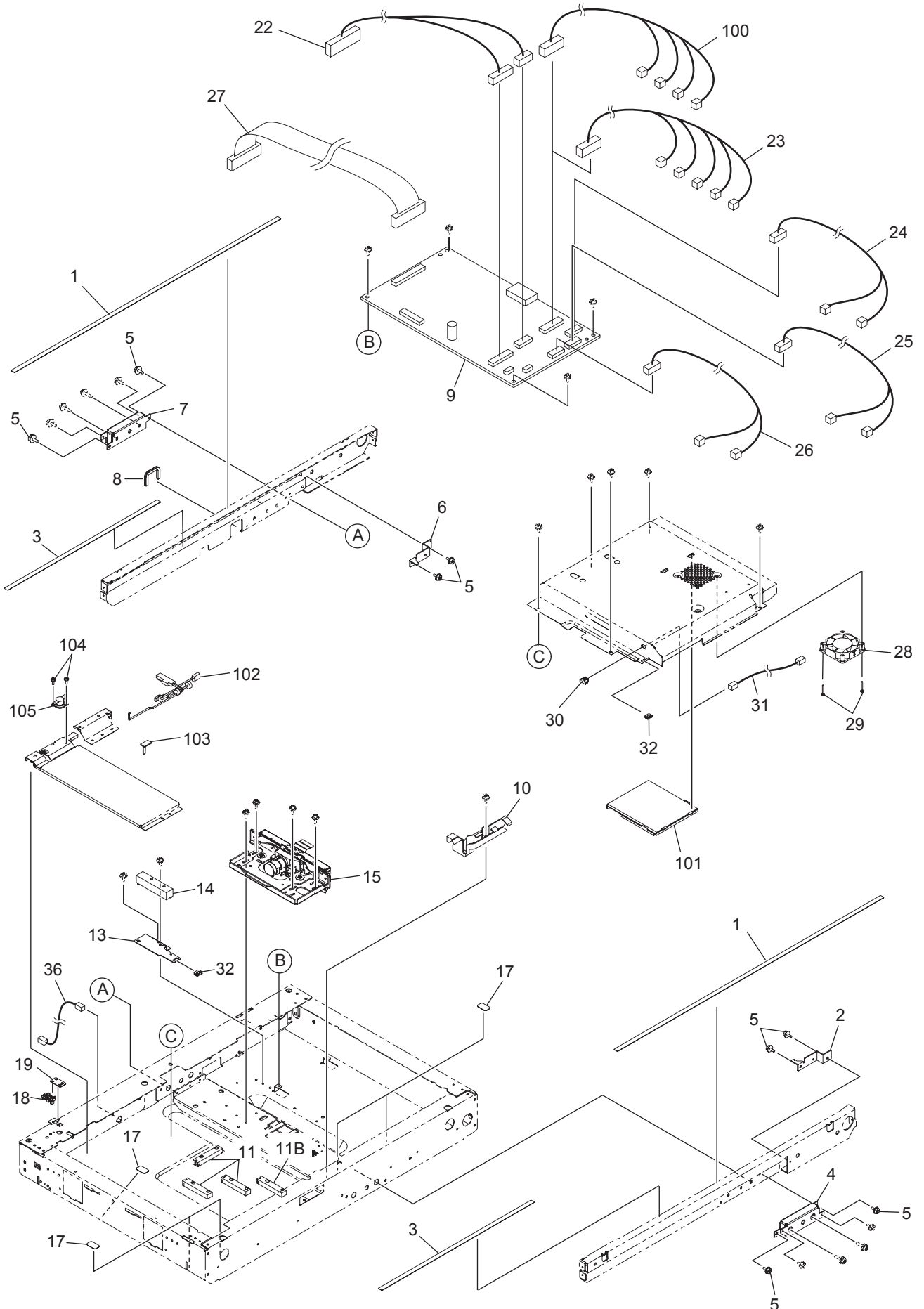




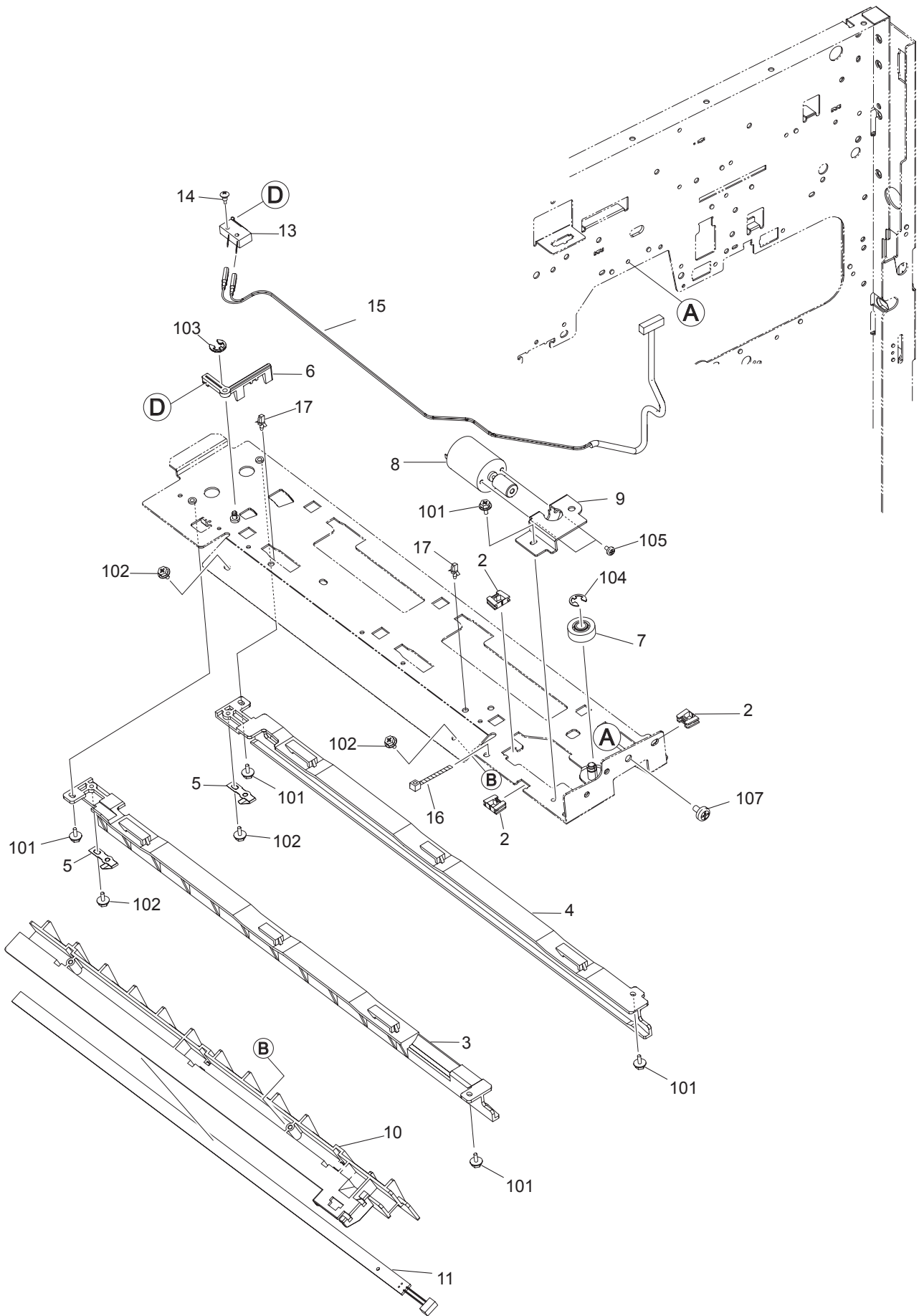


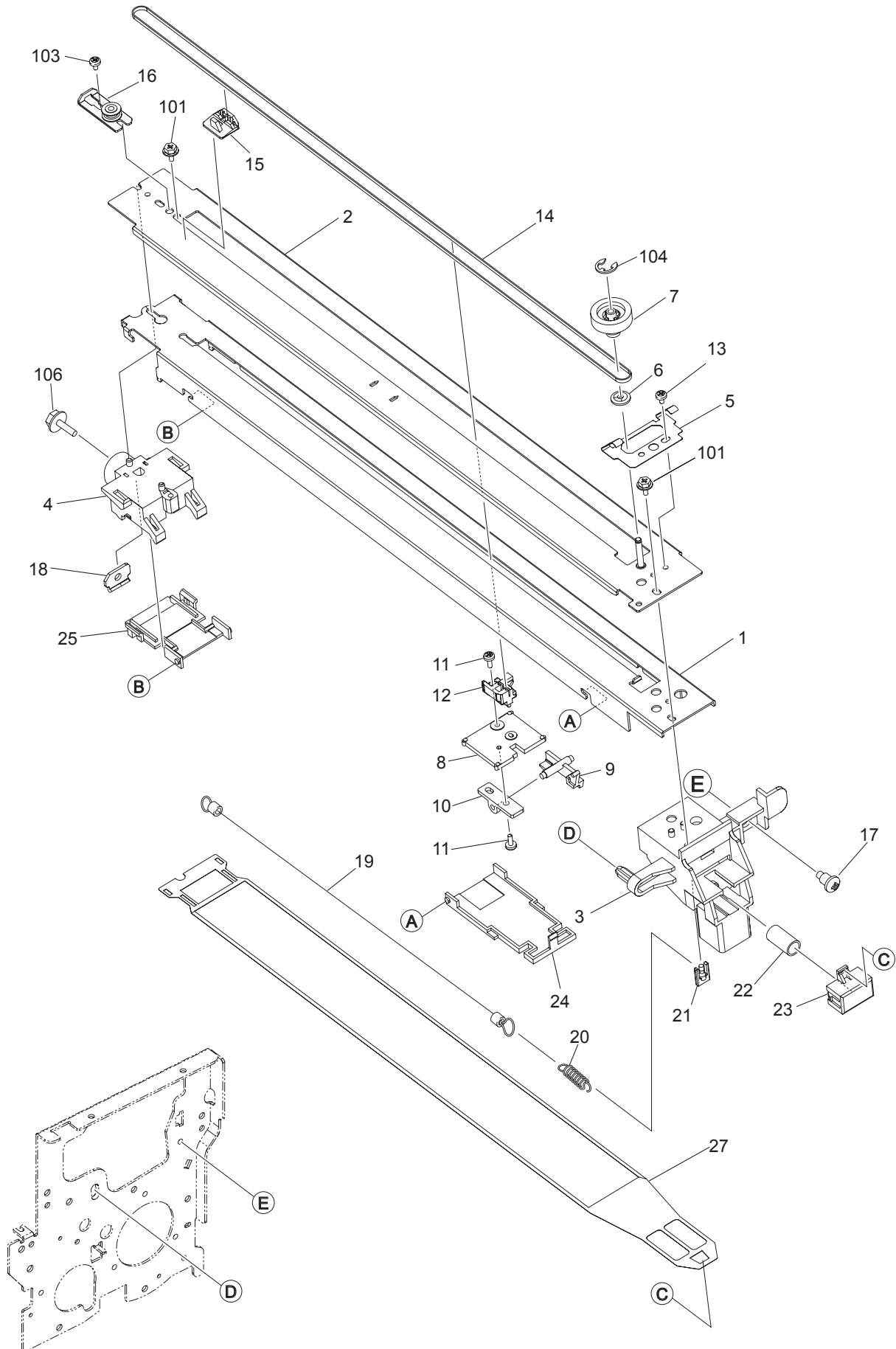


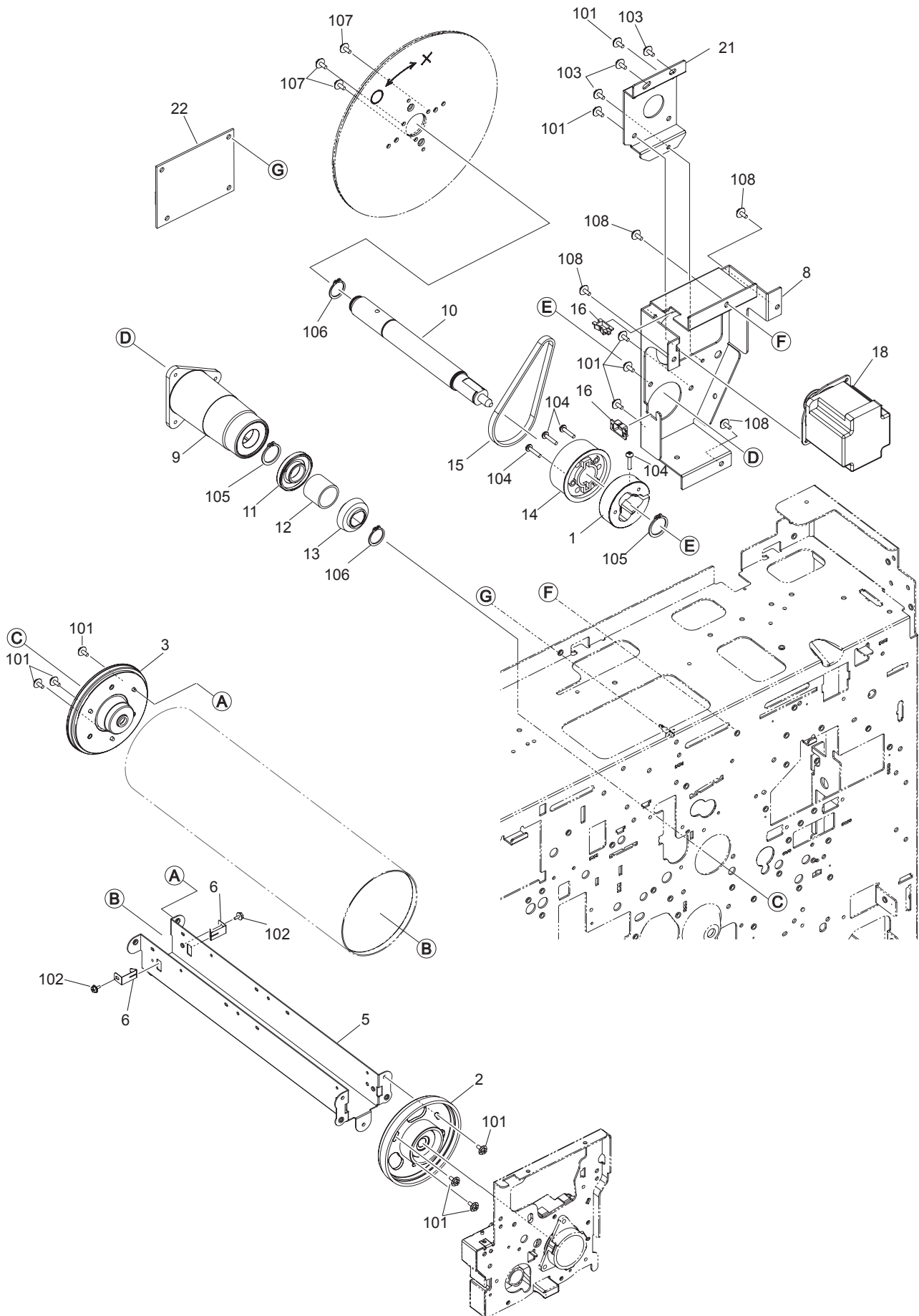




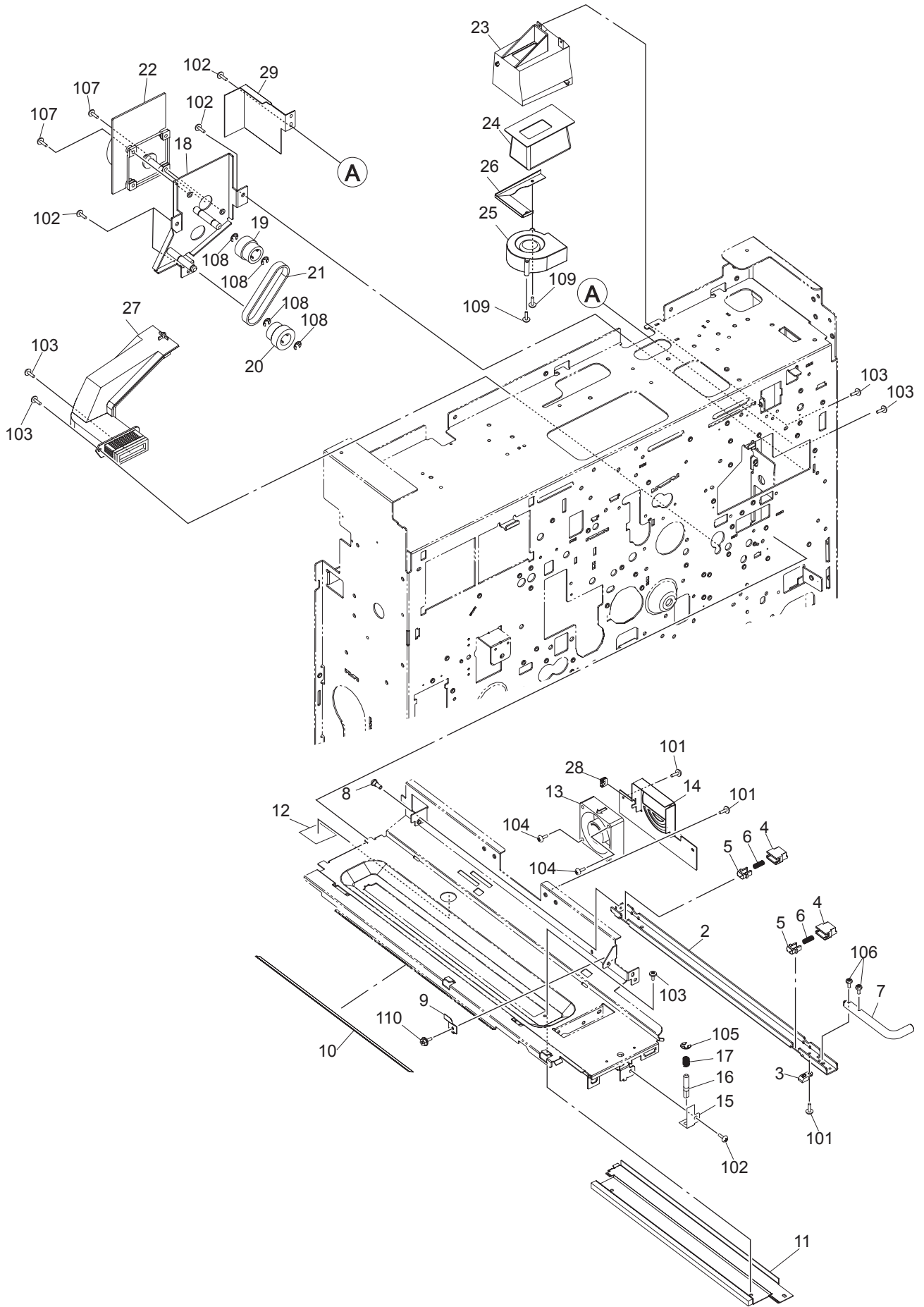
ITEM No.	PART No.	PART NAME	Q'TY / PAGE	Q'TY / PACK	REMARKS
1	6LH08200000	SHEET-CRG1-430	2	1/KP	
2	6LH08238000	BRKT-RAIL-FRT-430	1	1/P	
3	6LH08201000	SHEET-CRG2-430	2	1/KP	
4	6LH08227000	SPACER-RAIL-F-430	1	1/P	
5	X0-02230000	S/FHEXM-M3X6-NI	8	10/P	
6	6LH08237000	BRKT-RAIL-RER-430	1	1/P	
7	6LH08228000	SPACER-RAIL-R-430	1	1/P	
8	6LH08320000	BUSH-KG-016L-63	1	5/P	
9	6LH70302000	ASYB-PWA-SLG-190S	1	1/SB	
10	6LH08256000	GUIDE-HRNS-430	1	1/P	
11 A	6LH08819000	SNSR-PS-182EL1	3	1/C	NAD,NAG,GSA
11 B	6LH08819000	SNSR-PS-182EL1	4	1/C	MJD,ASD,AUD,CND
13 A	6LH08226000	BRKT-APS-430	1	1/P	NAD,NAG,GSA
14	6LE09478000	SNSR-PS-TY1CH56	1	1/C	
15	6LJ09018000	LENS-UNIT-H130	1	1/S	
17	6LA39577000	MYLAR-HRNS-INV	5	1/P	
18	C0-14266000	LG248BL1	1	1/C	
19	6LA29902000	COVER-SNSR-LIFT	1	1/P	
22	6LH70197000	HRNS-SCN-PS-190	1	1/P	
23 A	6LH09556000	HRNS-SCN-APSL-430	1	1/P	NAD,NAG,GSA
24	6LH08747000	HRNS-SCN-SNSR-430	1	1/P	
25	6LH09380000	HRNS-SCN-LMPFAN-430	1	1/P	
26	6LH09190000	HRNS-SCN-SLGFAN-430	1	1/P	
27	6LH70198000	HRNS-SCN-SYS-190	1	1/P	
28	6LE09967000	FAND-6015-39X	1	1/D	
29	X0-02061000	S/TPS/PAN-3X20-ZU3	2	10/P	
30	E0-09305000	BU02P-TR-P-H (LF)(SN)	1	5/P	
31	6LH08852000	HRNS-SCN-FANRLY-430	1	1/P	
32 B	F0-00120000	ES-0505	2	5/P	NAD,NAG,GSA
32 C	F0-00120000	ES-0505	1	5/P	MJD,ASD,AUD,CND
36	6LH70215000	HRNS-D_H-SCN2-190	1	1/P	
100 A	6LH08757000	HRNS-SCN-APSA-430	1	1/P	MJD,ASD,AUD,CND
101	6LH08334000	ASYS-D_H-SCAN-R-430E	1	1/C	
102	6LH08840000	HRNS-SCN-DH-430	1	1/P	
103	F0-00136000	K-103G	1	5/P	
104	X0-02056000	S/TPS/PAN-3X6-ZU3	2	10/P	
105	6LE09486000	THRMST-CS-7L	1	1/D	





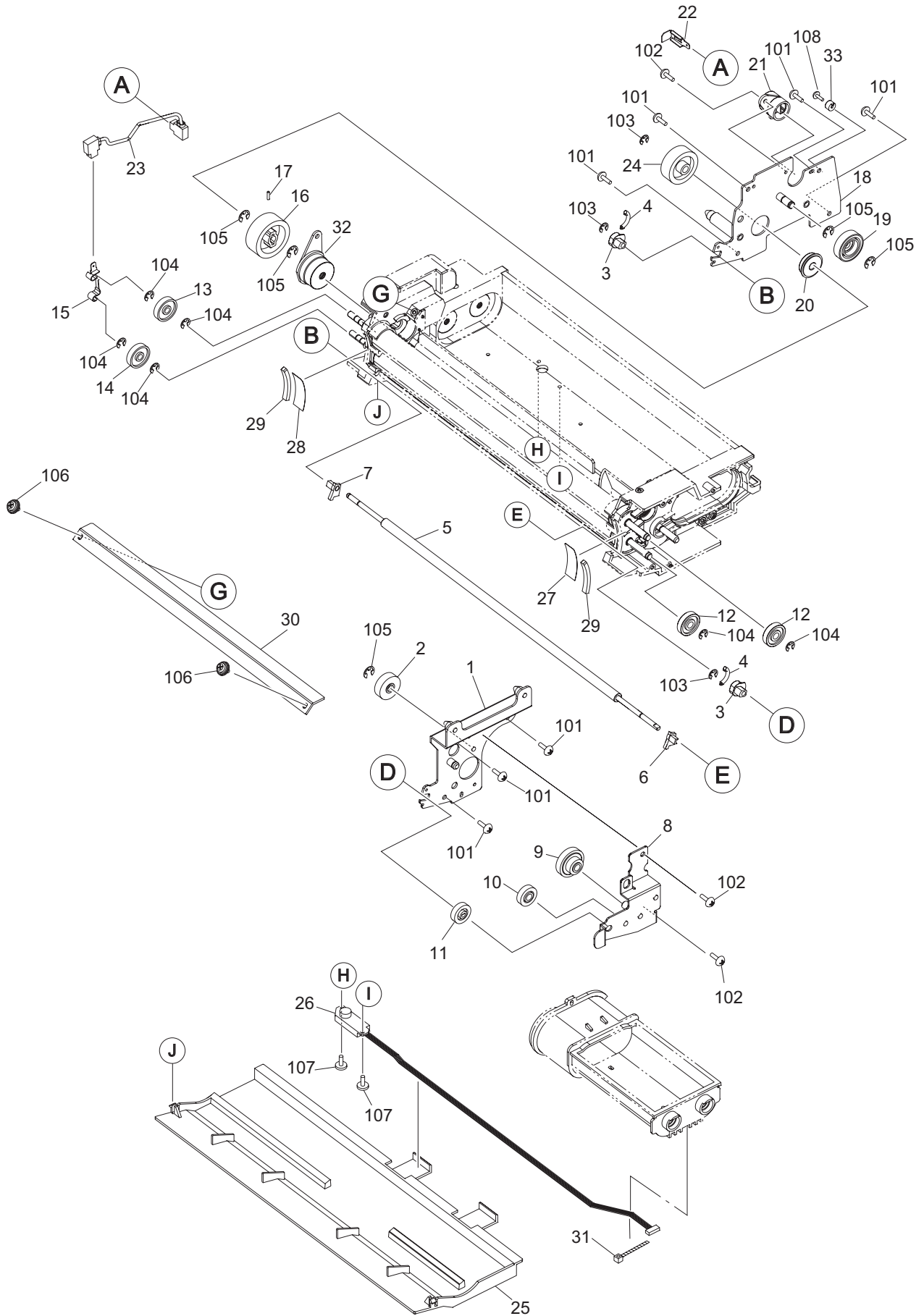


ITEM No.	PART No.	PART NAME	Q'TY / PAGE	Q'TY / PACK	REMARKS
1	6LE16210000	FLNG-FLY-390	1	1/P	
2	6LA02225000	K-FLG-DRUM-F	1	1/D	
3	6LA02228000	ASY-FLG-DRUM-R	1	1/D	
5	4406331570	BRKT-JOINT-FLG	1	1/D	
6	4406331580	SPL030-S304-DRV	2	1/P	
8	6LA02266000	BRKT-DRV-DRUM	1	1/P	
9	6LA02267000	K-HSG-SFT-BRG	1	1/D	
10	6LA02269000	SHAFT-DRUM-20-C	1	1/P	
11	4406331740	CLR-COUP-SUB-C	1	1/P	
12	4406331750	SPC-235-180-300	1	1/P	
13	4406331650	CPG-DRUM-300	1	1/P	
14	6LE04147000	ASYS-PLY/T-3GT056	1	1/P	
15	4406331240	BLT/T-3GT276-60	1	1/P	
16	F0-01248000	ESC-0912	2	10/P	
18	6LE09158000	MOTRS-DRUM-390	1	1/C	
21	6LE04117000	BRKT-MOT-DRUM-390	1	1/P	
22	6LE09183000	PWA-F-MOT-DRTM-390	1	1/C	
101	X0-02235000	S/FHEXM-M4X8-NI	11	10/P	
102	X0-02592000	S/TPD3/FHEXM-3X6-ZU3	2	10/P	
103	X0-02589000	S/TPD3/FHEXM-4X8-ZU3	3	10/P	
104	X0-02004000	S/PAN-M4X16-NI	4	10/P	
105	X0-01241000	RR/C/EXT-20-B	2	10/P	
106	X0-01240000	RR/C/EXT-17-B	2	10/P	
107	X0-01981000	S/PAN/SWWP-M4X10-NI	3	10/P	
108	6LA08934000	SCR-M4X8ITSR-NI	4	10/P	

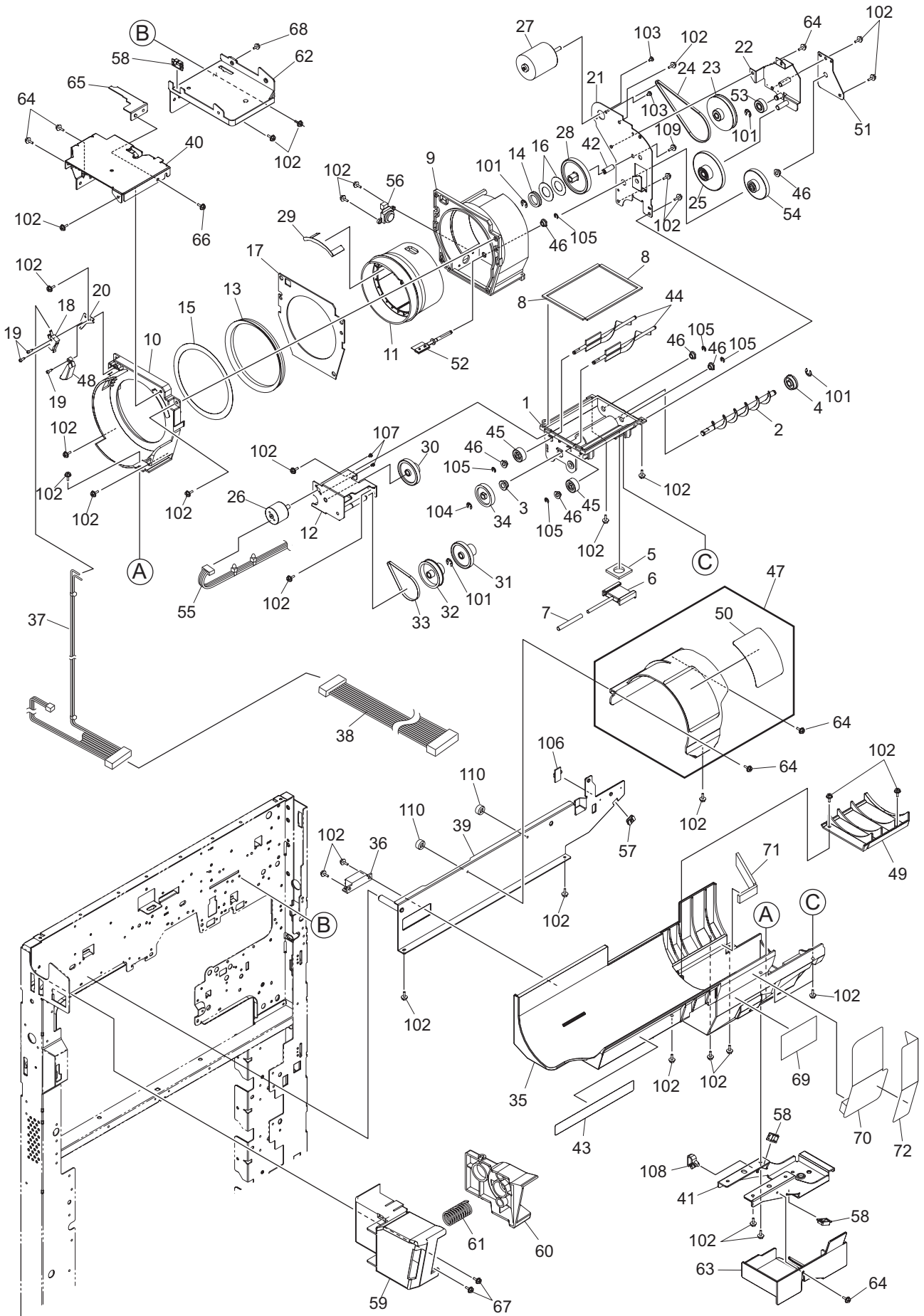


ITEM No.	PART No.	PART NAME	Q'TY / PAGE	Q'TY / PACK	REMARKS
2	4406333940	BKT-SET-DEV-300	1	1/P	
3	4406333930	PUSHER-GUIDE	1	5/P	
4	4402203810	HOLDER-PUSHER	2	1/P	
5	4402203800	PUSHER-DEV	2	1/P	
6	6LA08947000	SPC057-090-0210	2	5/P	
7	6LA02482000	LEV-SET-DEV-340	1	1/P	
8	6LA08930000	PIN-BKT-CON-H	1	10/P	
9	4401767560	SPL-SET-DEV	1	1/P	
10	4408847750	INS-ENT-DRM-85	1	1/KP	
11	6LA15093000	K-BKT-BRS-RGT-340-U	1	1/KP	
12	4406333950	MYLAR-STAY-DEV	1	1/KP	
13	6LE09167000	FAND-6015-390	1	1/D	
14	6LA02485000	BRKT-FAN-DUCT	1	1/P	
15	6LA03181000	BRKT-STUD-L	1	1/P	
16	6LA03182000	STUD-TNR-L	1	5/P	
17	6LA03183000	SPC-TNR-L	1	5/P	
18	4406333610	K-BRKT-DRV-DEV	1	1/P	
19	4406333680	K-GP48-3GT25	1	1/P	
20	4406333690	K-GP25-3GT25	1	1/P	
21	4406333670	BLT/T-195-3GT-9	1	1/P	
22	6LE09160000	MOTRD-DEV-390	1	1/C	
23	6LE06330000	BOX-FILTER-FAN-390	1	1/P	
24	4406334920	FILTER-DEV-F300	1	1/C	
25	6LE09187000	FAND-DEV-390	1	1/D	
26	6LE04527000	PLT-NUT-FAN-390	1	1/P	
27	6LA02510000	K-DUCT-DEV	1	1/P	
28	F0-00120000	ES-0505	1	5/P	
29	6LA01079000	WALL-MOT-DEV	1	1/P	
101	X0-02593000	S/TPD3/FHEXM-3X8-ZU3	3	10/P	
102	X0-02589000	S/TPD3/FHEXM-4X8-ZU3	4	10/P	
103	6LA08934000	SCR-M4X8ITSR-NI	5	10/P	
104	X0-02067000	S/TPS/PAN-4X20-ZU3	2	10/P	
105	X0-00967000	RR/E-6-SS	1	10/P	
106	X0-02060000	S/TPS/PAN-3X16-ZU3	2	10/P	
107	X0-02590000	S/TPD3/FHEXM-4X10-ZU3	2	10/P	
108	X0-00968000	RR/E-7-SS	4	10/P	
109	X0-00461000	S/BID-M4X35-NI	2	10/P	
110	6LA08935000	SCR-M3X6BISR-NI	1	10/P	

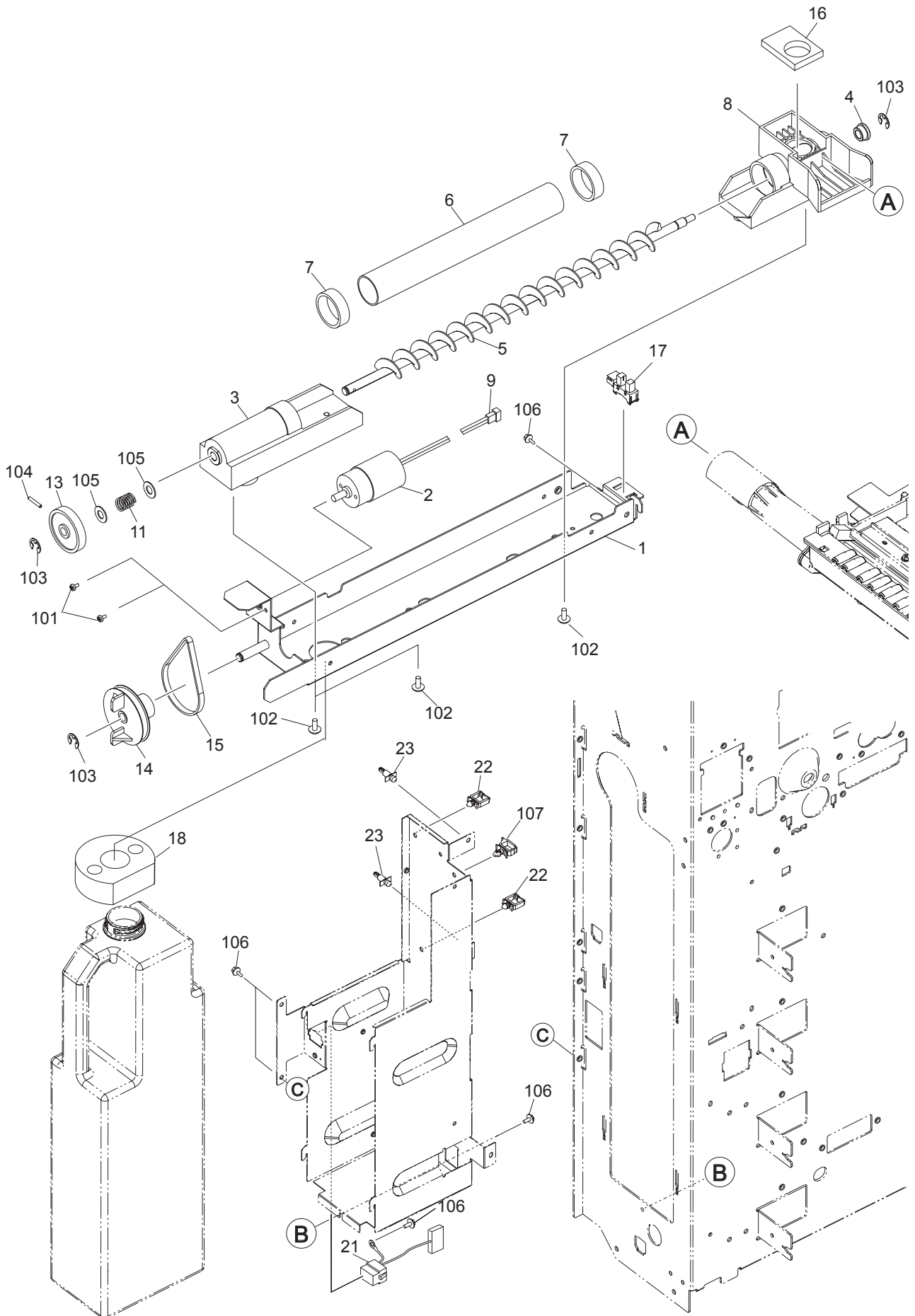
ITEM No.	PART No.	PART NAME	Q'TY / PAGE	Q'TY / PACK	REMARKS
1 A	6LE04535000	ASYS-GEAR-10H023-R	1	1/P	e-STUDIO556/556SE/656/656SE
1 B	6LE04538000	ASYS-GEAR-10H020-R	1	1/P	e-STUDIO756/756SE/856/856SE
2	4406332690	WALL-MIXER-300	1	1/C	
3	4406332460	PADDLE-DEV-300	1	1/P	
4	6LA02416000	ASYS-BUSH-PDL-F	1	1/P	
5	6LE04525000	ASY-COV-DEV-390	1	1/C	
6	6LA02410000	MIXER-1-340	1	1/C	
7	6LA02412000	K-MIXER-2-340	1	1/C	
8	F0-02057000	626DDM3MTLY551	2	1/P	
9	4406332590	GEAR-08S045-06	1	1/P	
10 A	6LE04513000	GEAR-10H19_08S45-390	1	1/P	e-STUDIO556/556SE/656/656SE
10 B	4406332600	GG10H024/08S045	1	1/P	e-STUDIO756/756SE/856/856SE
11	6LA02430000	K-NOZZLE-MIXER	1	1/P	
12	6LA02436000	COV-NOZLE-MIX	1	1/P	
13	6LA65696000	BUSH-6X12X4R8F	2	5/P	
14	4406332450	ROLLER-MGN-TR	1	1/C	
15 A	6LE04505000	BUSH-MGHI-TR-R-390	1	1/P	e-STUDIO556/556SE/656/656SE
15 B	4406332740	BUSH-MGHI-TR-R	1	1/P	e-STUDIO756/756SE/856/856SE
16	F0-01206000	L-1680DDRPOP25LY13	1	1/P	
17	6LA02380000	ROLLER-MGN-U340	1	1/C	
18	6LA02398000	SHIELD-MG-U-F-6	1	1/P	
19	4406332770	K-SHIELD-MG-U-R	1	1/P	
20	6LA02381000	ROLLER-MGN-L340	1	1/C	
21	6LA02399000	SHIELD-MG-L-F-6	1	1/P	
22	4406332800	K-SHIELD-MG-L-R	1	1/P	
23	4406332820	SCRAPER-MG-L	1	1/P	
24	4406333280	SEAL-MG-SIDE2	2	5/P	
25	6LA02386000	K-HLDR-MG-F340	1	1/P	
26	6LA02384000	HLDR-MG-HI-L-6	1	1/P	
27	6LA02385000	HLDR-MG-HI-U-6	1	1/P	
28 A	6LE04503000	ASYS-HLDR-MG-R-390	1	1/P	e-STUDIO556/556SE/656/656SE
28 B	4406332530	K-HLDR-MG-R	1	1/P	e-STUDIO756/756SE/856/856SE
29	4406332650	GEAR-10H017-MG	2	1/P	
31	6LA08940000	SPA-PSH-MG-100	2	5/P	
32 A	6LE04510000	GEAR-10H015_08S16-390	1	1/P	e-STUDIO556/556SE/656/656SE
32 B	6LA02454000	GEAR-10H018-PDF	1	1/P	e-STUDIO756/756SE/856/856SE
33	4406332550	GEAR-10H023-TR	1	1/P	
34	4401949290	SEAL-VC6-10-2.5	4	1/P	
35	4406333150	SEAL-VC8-12-2.5	3	1/P	
101 A	X0-02231000	S/FHEXM-M3X8-NI	4	10/P	e-STUDIO556/556SE/656/656SE
101 B	X0-02231000	S/FHEXM-M3X8-NI	5	10/P	e-STUDIO756/756SE/856/856SE
102	X0-00964000	RR/E-3-SS	2	10/P	
103	X0-00965000	RR/E-4-SS	4	10/P	
104	X0-00966000	RR/E-5-SS	5	10/P	
105	X0-00968000	RR/E-7-SS	1	10/P	
106	X0-01724000	S/BID-M3X4-BSNI	3	10/P	
107	X0-00057000	S/PAN-M3X6-NI	4	10/P	
108 A	X0-02247000	S/TPP/FHEXM-3X8-NI	1	10/P	e-STUDIO556/556SE/656/656SE

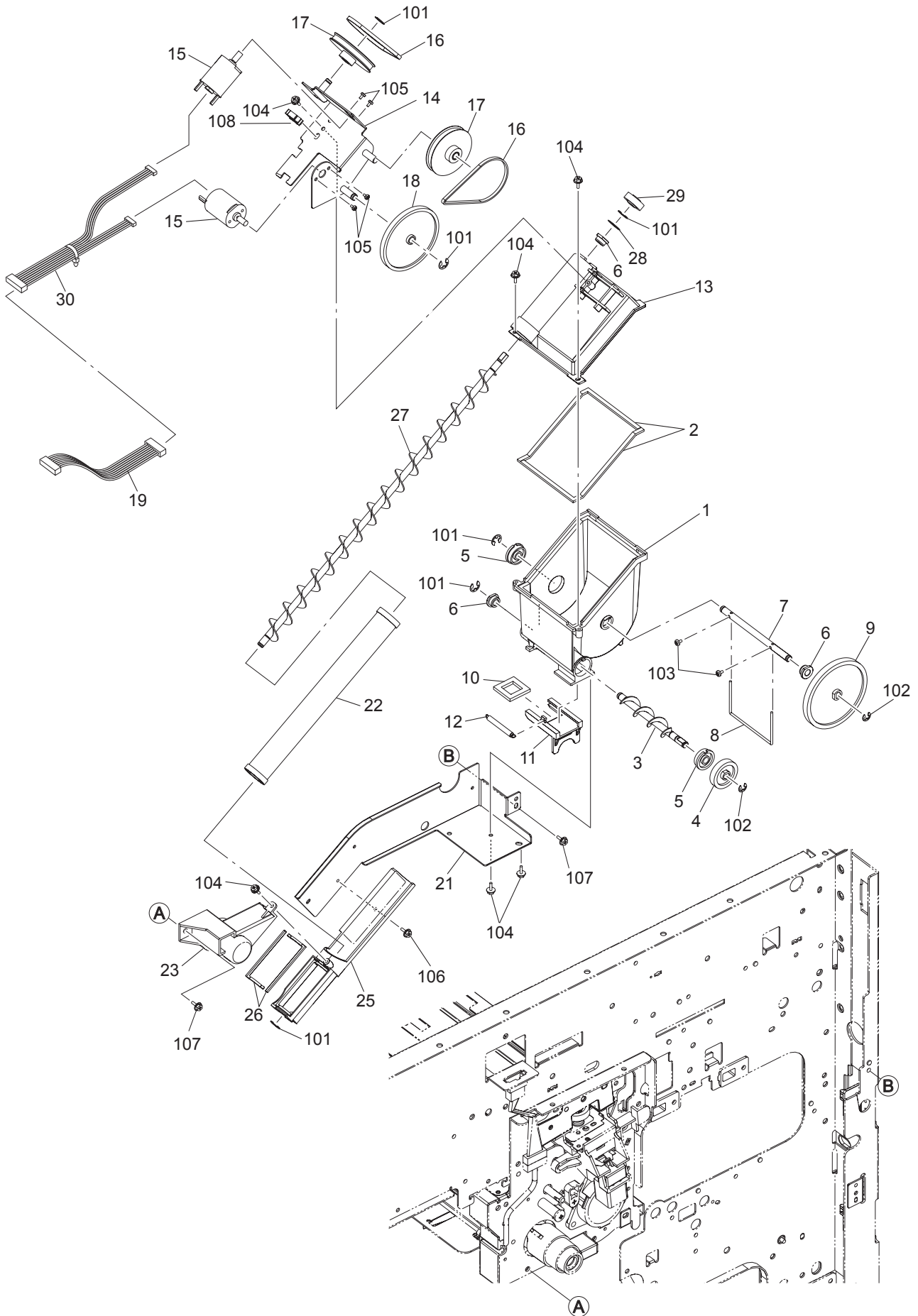


ITEM No.	PART No.	PART NAME	Q'TY / PAGE	Q'TY / PACK	REMARKS
1 A	6LE04504000	ASYS-PLT-DEV-F-390	1	1/P	e-STUDIO556/556SE/656/656SE
1 B	6LA02403000	K-PLT-DEV-F-340	1	1/P	e-STUDIO756/756SE/856/856SE
2	6LE04536000	ASYS-GEAR-10H019-F	1	1/P	
3	6LA02423000	BUSH-GAP-DEV-RE	2	5/P	
4	6LA02448000	SPRING-RE-340	2	5/P	
5	6LA02422000	ROLLER-RE	1	1/P	
6	6LA02428000	SHLD-ROL-RE-F	1	1/P	
7	6LA02429000	SHLD-ROL-RE-R	1	1/P	
8 A	6LE04502000	ASYS-BRKT-DEV-RE-390	1	1/P	e-STUDIO556/556SE/656/656SE
8 B	6LA02440000	K-BRKT-DEV-RE	1	1/P	e-STUDIO756/756SE/856/856SE
9	6LA02451000	GG08S030/08S016	1	1/P	
10	6LA02452000	GEAR-08S020-IR	1	1/P	
11	6LA02453000	GEAR-08S020-RE	1	1/P	
12	6LA02409000	ROLLER-GUIDE-6	2	1/P	
13	4406332850	ROLLER-GUIDE	1	1/P	
14	4406333300	ROLLER-GUIDE-RL	1	1/P	
15	6LA02460000	PLT-BIAS-MG-340	1	1/P	
16 A	6LE04512000	GEAR-10H025-390	1	1/P	e-STUDIO556/556SE/656/656SE
16 B	4406332630	GEAR-10H031-PDR	1	1/P	e-STUDIO756/756SE/856/856SE
17	X0-00980000	P/PRL/AH7-2X10-SS	1	10/P	
18 A	6LE04514000	ASYS-PLT-DEV-R-390	1	1/D	e-STUDIO556/556SE/656/656SE
18 B	6LA02405000	K-PLT-DEV-R-340	1	1/P	e-STUDIO756/756SE/856/856SE
19	6LE04537000	ASYS-GEAR-10H024-IDR	1	1/P	
20	4407637290	BRG-626-DD-NXR	1	1/P	
21	4406333080	TERM-BIAS-DEV	1	1/P	
22	4406333090	PLT-BIAS-DEV	1	1/P	
23	6LA07416000	HRNS-BIAS-MG-340	1	1/P	
24	4406332640	GEAR-10H027-PDR	1	1/P	
25	6LE04543000	ASYS-DUCT-DEV-390	1	1/PP	
26	6LE09165000	SNSR-ATC-390	1	1/C	
27	6LA02425000	SEAL-SIDE-DR-F	1	5/P	
28	6LA02426000	SEAL-SIDE-DR-R	1	5/P	
29	4406333580	SEAL-SIDE-D-FLT	2	1/P	
30	4406333260	K-DOCTOR-MG-TR	1	1/P	
31	F0-00017000	T18S	1	10/P	
32	6LA02414000	ASYS-BUSH-PDL-R	1	1/P	
33 A	6LE04520000	DETECTOR-DEV-390	1	1/P	e-STUDIO556/556SE/656/656SE
101	X0-02247000	S/TPP/FHEXM-3X8-NI	7	10/P	
102	X0-02593000	S/TPD3/FHEXM-3X8-ZU3	3	10/P	
103	X0-00964000	RR/E-3-SS	3	10/P	
104	X0-00965000	RR/E-4-SS	6	10/P	
105	X0-00966000	RR/E-5-SS	5	10/P	
106	X0-00067000	S/PAN/SWWP-M3X6-BSNI	2	10/P	
107	X0-01724000	S/BID-M3X4-BSNI	2	10/P	
108 A	X0-02056000	S/TPS/PAN-3X6-ZU3	1	10/P	e-STUDIO556/556SE/656/656SE

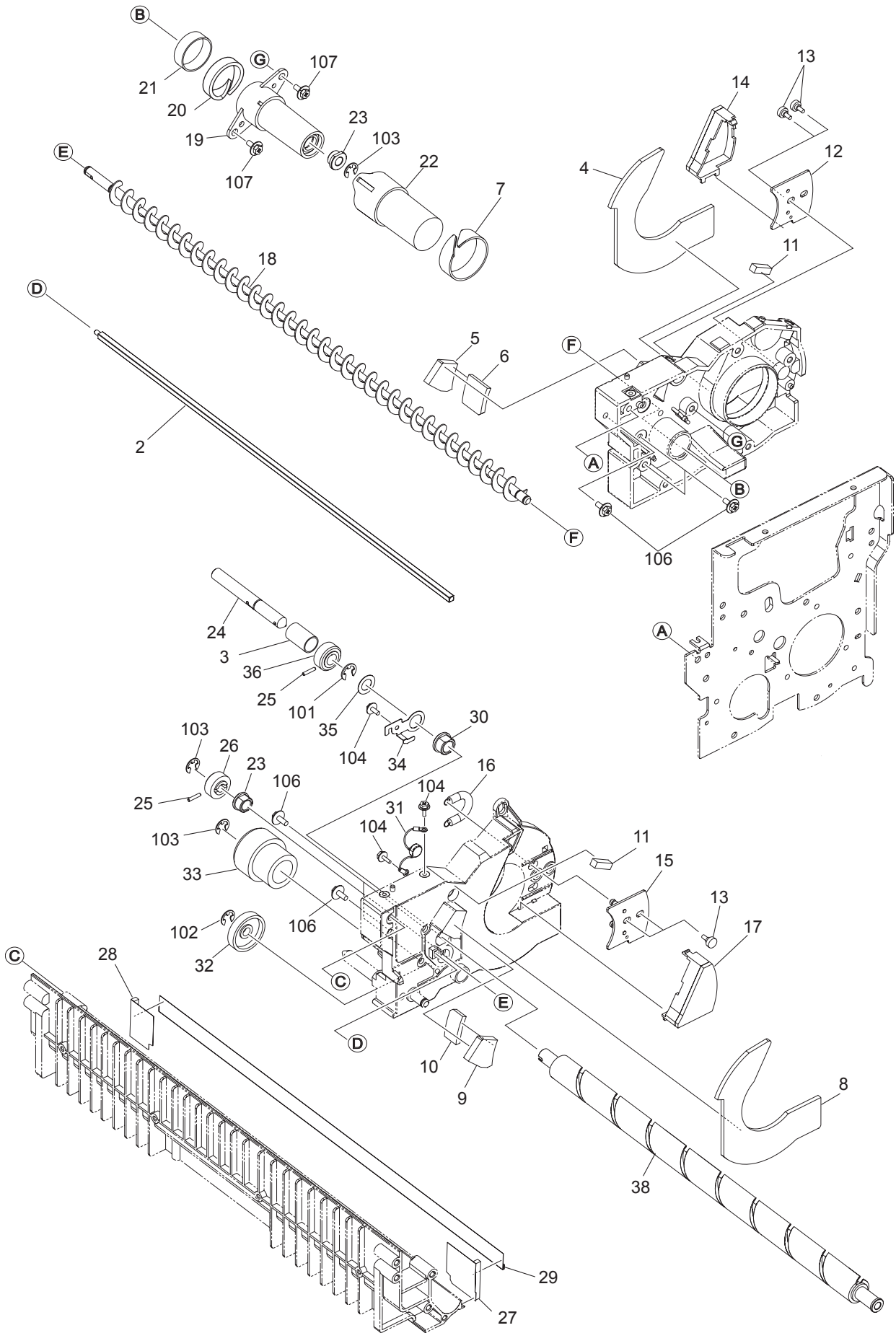


ITEM No.	PART No.	PART NAME	Q'TY / PAGE	Q'TY / PACK	REMARKS
1	6LE08502000	HOP-SUB-TNR-390	1	1/P	
2	6LA03087000	AUG-HOP-SUB-N	1	1/P	
3	6LA02367000	BUSH-0613-06F-M	1	5/P	
4	6LA03220000	BUSH-HOPPER	1	5/P	
5	6LA03085000	SEAL-SHUTTER-N	1	5/KP	
6	6LA03083000	SHUTTER-HOP-N	1	1/P	
7	6LA03084000	SPC-SHT-N	1	1/P	
8	6LE08578000	SEAL-HOPPER-N-390	2	1/KP	
9	6LE08503000	HOLDER-CPL-390	1	1/P	
10	6LE08540000	COVER-CPL-390	1	1/D	
11 A	6LH69535200	ASYS-CPL-BTL-H19XE	1	1/P	MJD
11 B	6LH69535000	ASYS-CPL-BTL-H19XU	1	1/P	NAD,NAG,GSA
11 C	6LH69535300	ASYS-CPL-BTL-H19XD	1	1/P	ASD,AUD,CND
12	6LE08517000	ASYS-BKT-MOT-AUG	1	1/P	
13	F0-01343000	VR90A-BM1231A0	1	5/P	
14	F0-01344000	VR14A-BM1210A0	1	1/P	
15	6LA03106000	SEAL-WAS-90108	1	5/P	
16	6LA03107000	SEAL-WAS-1426	2	5/P	
17	6LA03108000	GSKT-TNR-DRV	1	1/P	
18	E0-12172000	SSM13F3	1	1/D	
19	44204394000	SCREW20*D23	3	10/P	
20	6LA03098000	BRKT-SW-340	1	1/P	
21	6LE08509000	BRKT-DRV-BTL1-390	1	1/P	
22	6LE08511000	ASYS-BKT-DR-BTL2-390	1	1/P	
23	6LA03236000	GP08S17/2GT072	1	1/P	
24	6LA03146000	BLT/T-244-2GT-4	1	1/P	
25	6LE08554000	GG08S066/10S017/08S018	1	1/P	
26	6LE09546000	MOTRD-AUG-390CW	1	1/D	
27	6LE09626000	MOTRD-TNR-390N	1	1/C	
28	6LA03145000	GEAR10S047-06	1	1/P	
29	6LE08583000	MYLAR-CPL	1	1/C	
30	6LE08522000	GG08S043/08S017	1	1/P	
31	6LE08523000	GG08S044/08S017	1	1/P	
32	6LE08521000	GP08S018/2GT058	1	1/P	
33	6LA04627000	BLT/T-154-2GT-4	1	1/P	
34	6LA03140000	GEAR-08S036-06	1	1/P	
35	6LE08524000	HLDR-BOTTLE-390	1	1/PP	
36	F0-01393000	CA-0124B	1	1/P	
37	6LE09555000	HRNS-TNR-HOP2-390	1	1/P	
38	6LE09646000	HRNS-TNR-HOP1-390	1	1/P	
39	6LE08533000	ASYS-BKT-TNR-U-390	1	1/P	
40	6LE08528000	BRKT-TNR-U-SUB-390	1	1/P	
41	6LE08529000	BRKT-TNR-L-390	1	1/P	
42	6LE08584000	STUD-N-A-390	1	1/P	
43	6LE08565000	STICK-DRV-TNR-390	1	1/KP	
44	6LE08541000	PDL-TNR-DRV-SUB	2	1/P	
45	6LA03089000	GEAR-08S020-04	2	1/P	
46	6LA02920000	BUSH-0410-05F-M	6	5/P	
47	6LH73733000	ASYS-COVER-BTL-H190	1	1/PP	
48	6LE08580000	COVER-SW-390	1	1/P	
49	6LE08525000	COV-HLDR-BTL	1	1/P	
50	6LH73725000	LBL-O-TNR-H190	1	1/KP	
51	6LE08555000	BRKT-CLN-SENS	1	1/P	
52	6LE08569000	ASYS-PDL-SENS	1	1/C	
53	6LE08568000	GEAR-08S20-7	1	1/P	
54	6LE08556000	GEAR-08S50-5	1	1/P	
55	6LE09256000	HRNS-TNRHOP-MOT-390	1	1/P	
56	C0-17421000	TSP15D10C-101	1	1/C	
57	F0-00120000	ES-0505	1	5/P	
58	F0-01248000	ESC-0912	3	10/P	
59	6LE08534000	HLDR-PLGR-BTL-390	1	1/P	
60	6LA03155000	PLGR-CATCH-BLT	1	1/P	
61	6LA03153000	SPC-CATCH	1	5/P	

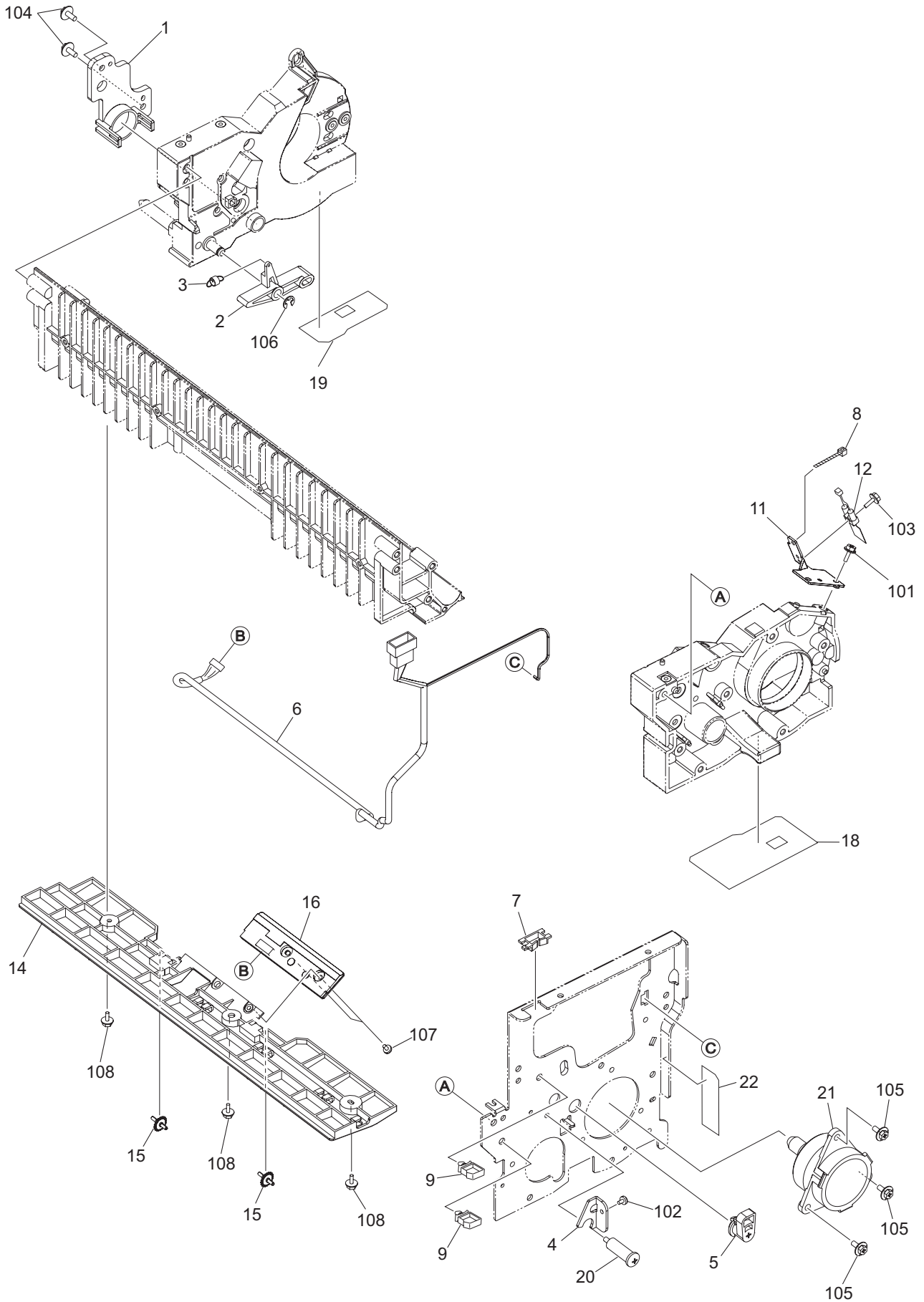


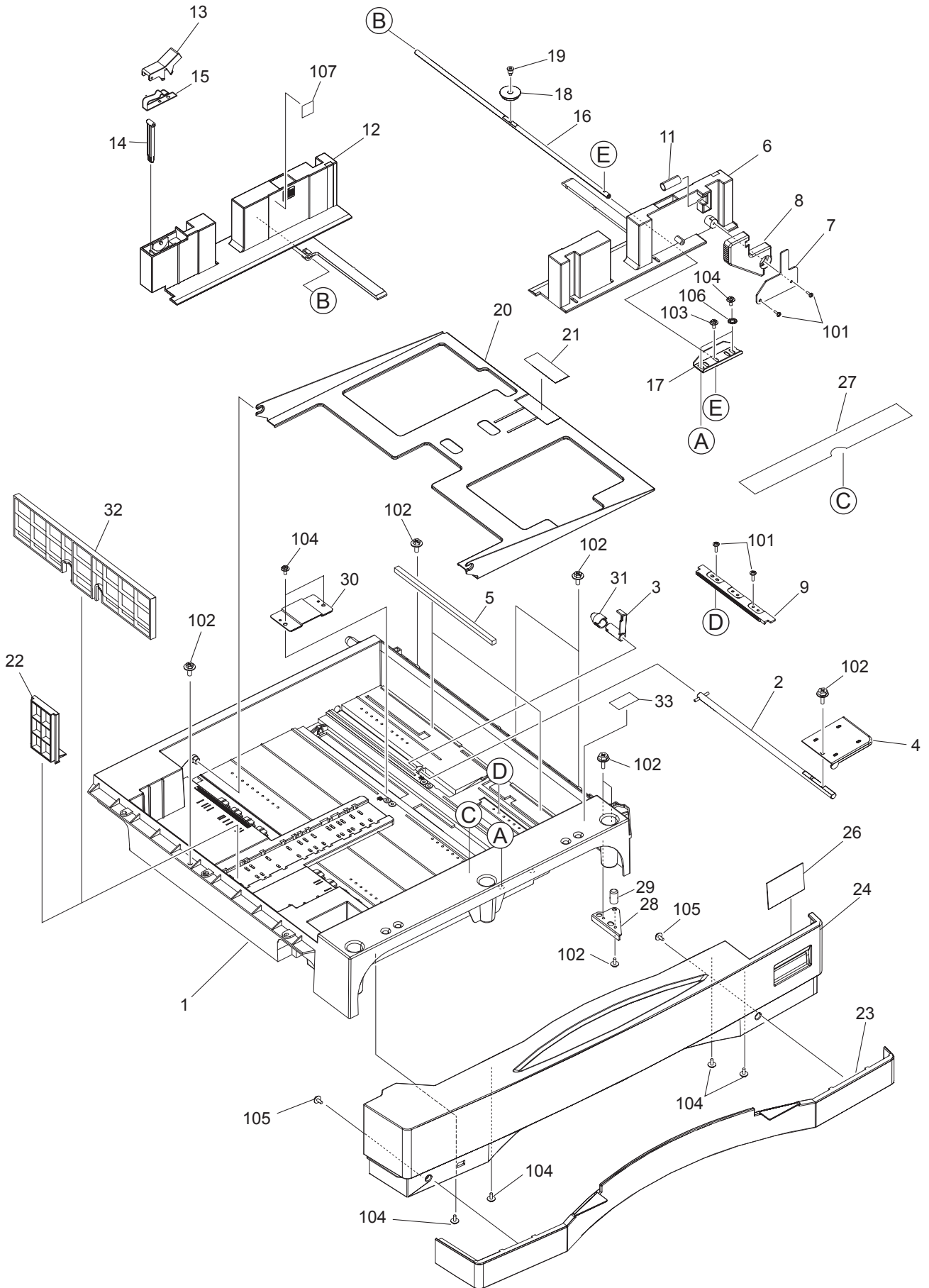


ITEM No.	PART No.	PART NAME	Q'TY / PAGE	Q'TY / PACK	REMARKS
1	6LA03210000	HOP-SUB-TNR-R	1	1/P	
2	6LA03212000	SEAL-SUB-HOP-R	2	5/KP	
3	6LA03213000	AUG-SUB-HOP-R	1	1/P	
4	6LA03214000	GEAR-10S026-06	1	1/P	
5	6LA03220000	BUSH-HOPPER	2	5/P	
6	6LA02367000	BUSH-0613-06F-M	3	5/P	
7	6LA03215000	SFT-SUB-HOP-N	1	1/P	
8	6LA03218000	PDL-SUB-HOP	1	1/P	
9	6LA03216000	GEAR-10S069-06	1	1/P	
10	6LA03243000	ASYS-REC-EXIT	1	5/P	
11	6LA14474000	SHUTTER-HOP-R	1	1/P	
12	6LA03222000	SPE-SHT-R	1	5/P	
13	6LA03211000	COV-SUB-TNR-R	1	1/P	
14	6LE08558000	ASYS-BRKT-DRV-R-390	1	1/P	
15	6LE09546000	MOTRD-AUG-390CW	2	1/D	
16	6LA03237000	BLT/T-190-2GT-4	2	1/P	
17	6LA03236000	GP08S17/2GT072	2	1/P	
18	6LA03235000	GG10S016/08S080	1	1/P	
19	6LE09241000	HRNS-RCY-MOT-390	1	1/P	
21	6LA03260000	BRKT-RECYCLE	1	1/P	
22	6LA03240000	ASYS-PIPE-195	1	1/P	
23	6LA03250000	JOIN-CL-NZL-U	1	1/P	
25	6LA14450000	ASYS-JOIN-L	1	1/P	
26	6LA03257000	SEAL-JOIN	2	5/KP	
27	6LA14448000	AUG-TNR-R	1	1/KP	
28	4406534410	WAS-06*11*Z25-P	1	5/P	
29	6LA03255000	GEAR-08S022-06	1	1/P	
30	6LE09261000	HRNS-RCY-MOT2-390	1	1/P	
101	X0-00966000	RR/E-5-SS	6	10/P	
102	X0-00965000	RR/E-4-SS	2	10/P	
103	X0-02113000	S/PAN-M3X4-NI	2	10/P	
104	X0-02247000	S/TPP/FHEXM-3X8-NI	6	10/P	
105	X0-02270000	S/PAN-M2.6X2.5-NI	4	10/P	
106	X0-02593000	S/TPD3/FHEXM-3X8-ZU3	1	10/P	
107	X0-02235000	S/FHEXM-M4X8-NI	2	10/P	
108	F0-00736000	LWS-0711Z	1	5/P	



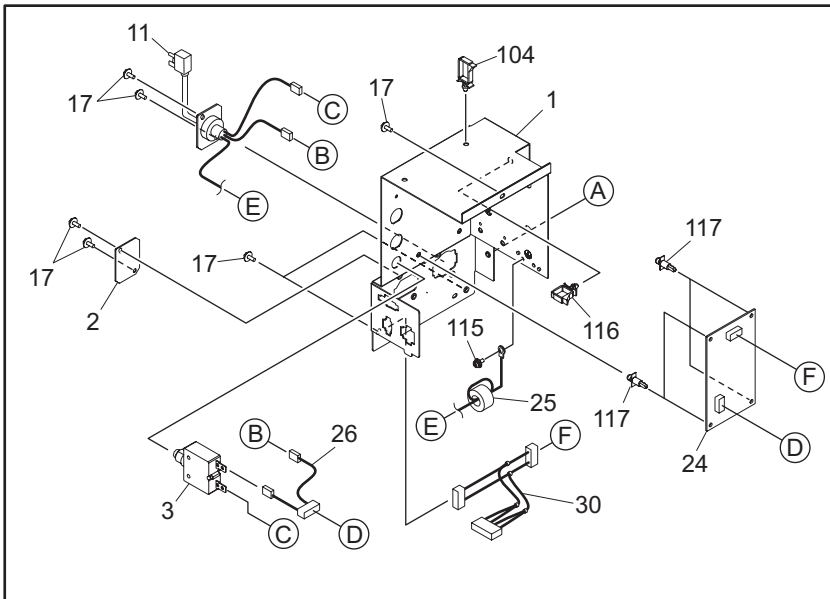
ITEM No.	PART No.	PART NAME	Q'TY / PAGE	Q'TY / PACK	REMARKS
2	6LE04157000	SFT-SCRPR-BRSH	1	1/P	
3	6LA02732000	SPC-BRSH-CLN	1	5/P	
4	6LA02646000	SEAL-SIDE-CLN-F	1	1/P	
5	4401904180	SEAL-SIDE-BLD-F	1	5/P	
6	4406329960	SEAL-SIDE-DRM-F	1	1/P	
7	6LA02704000	SEAL-CL-REC	1	5/KP	
8	6LA02669000	SEAL-SIDE-CLN-R	1	1/P	
9	4401904190	SEAL-SIDE-BLD-R	1	5/P	
10	4406329970	SEAL-SIDE-DRM-R	1	1/P	
11	4401904860	SEAL-ROOF-L	2	10/P	
12	6LA02675000	PLATE-DRM-GAP	1	1/P	
13	4406329300	SCREW-DRM-GAP	4	10/P	
14	6LA02680000	K-COV-GAP-F	1	1/P	
15	6LA02685000	K-PLATE-DRM-GAP	1	1/P	
16	6LA02688000	SPE-050-040-158	1	5/P	
17	6LA02689000	K-COV-GAP-R	1	1/P	
18	6LE04133000	AUG-CLN-390	1	1/KP	
19	6LA02700000	BASE-NOZZLE-CLN	1	1/P	
20	6LA02701000	SEAL-BASE-NOZ	1	5/P	
21	6LE04126000	SPC-NOZZLE-390	1	1/P	
22	6LA02703000	SHUTTER-NOZZLE	1	1/P	
23	6LA02367000	BUSH-0613-06F-M	2	5/P	
24	6LA02711000	K-SFT-BRUSH-340	1	1/P	
25	X0-00980000	P/PRL/AH7-2X10-SS	2	10/P	
26	4401904450	GEAR-15	1	1/P	
27	4406328750	K-SEAL-S-REC-F	1	1/KP	
28	4406328760	K-SEAL-S-REC-R	1	1/KP	
29	4406328620	K-BLADE-REC-300	1	1/KP	
30	6LA02368000	BUSH-0814-08F-M	1	5/P	
31	6LE04128000	ASYS-VRST-CLN	1	1/D	
32	4401762250	GEAR-25	1	1/P	
33	6LA02719000	GEAR-23-30	1	1/P	
34	6LA02713000	PLT-BIAS-BRSH	1	1/P	
35	4407010320	WASHER-8*14*03	1	10/P	
36	4401904430	GEAR-16	1	1/P	
38	6LE19369000	B-6000	1	1/S	
101	X0-00967000	RR/E-6-SS	1	10/P	
102	X0-00965000	RR/E-4-SS	1	10/P	
103	X0-00966000	RR/E-5-SS	3	10/P	
104	X0-02230000	S/FHEXM-M3X6-NI	3	10/P	
105	X0-02052000	S/TP/PAN2/S-4X10-NI	1	10/P	
106	X0-02252000	S/TPP/FHEXM-4X10-NI	6	10/P	
107	X0-02251000	S/TPP/FHEXM-4X8-NI	2	10/P	



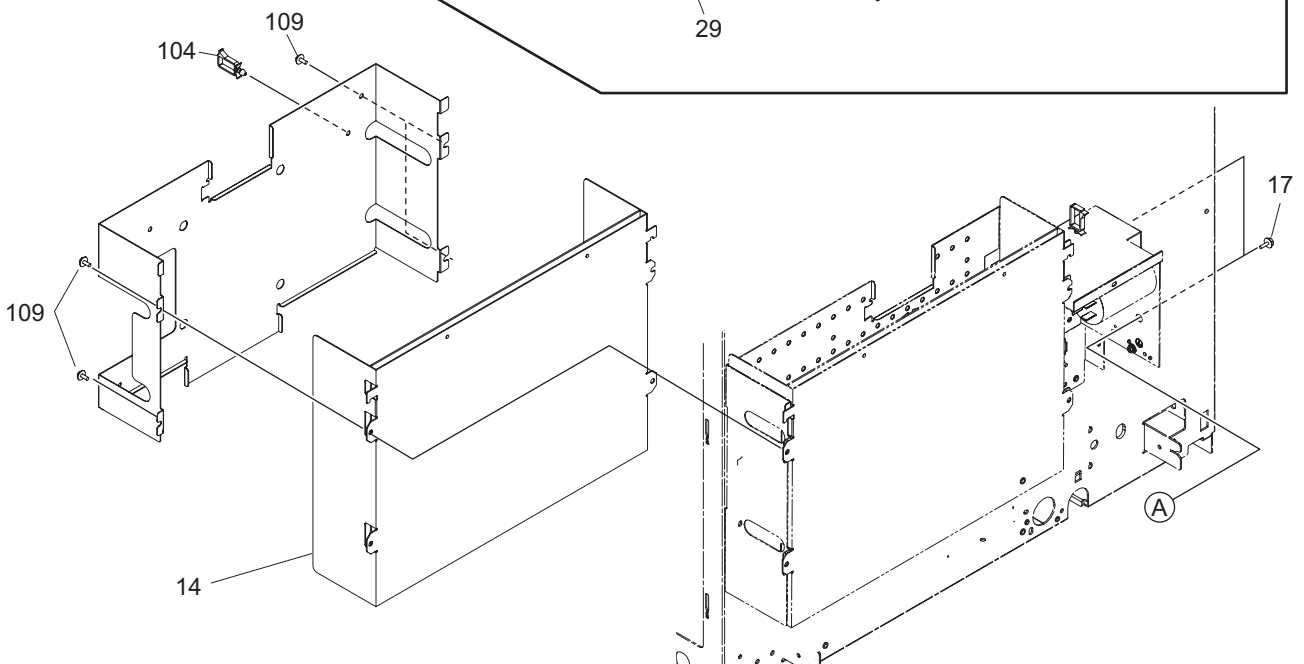
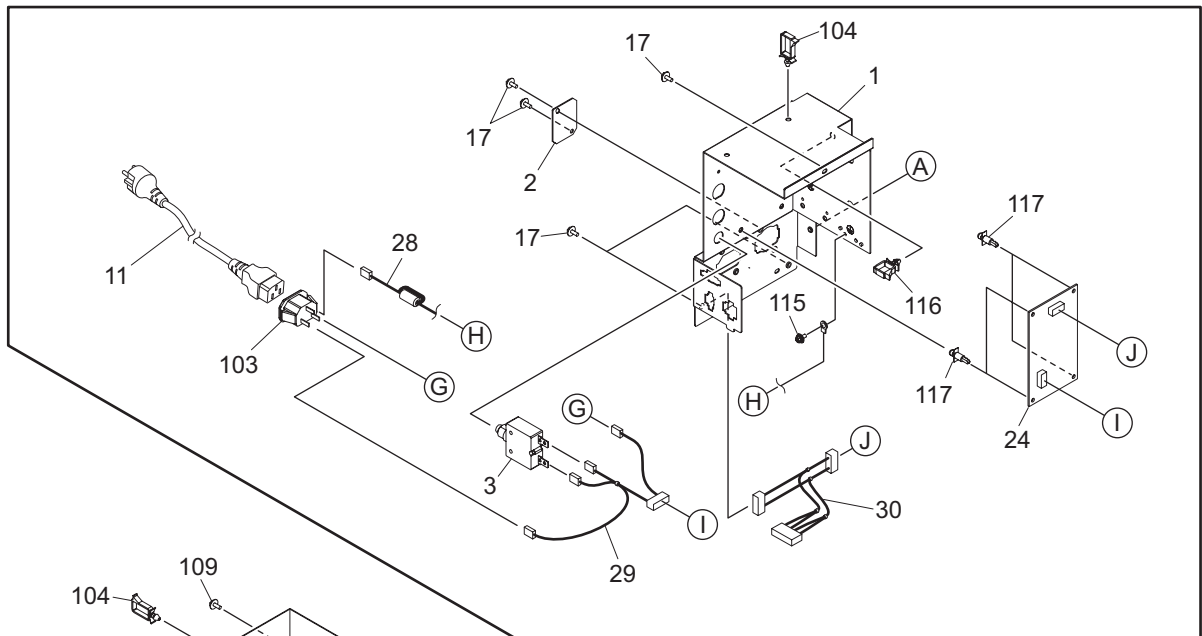


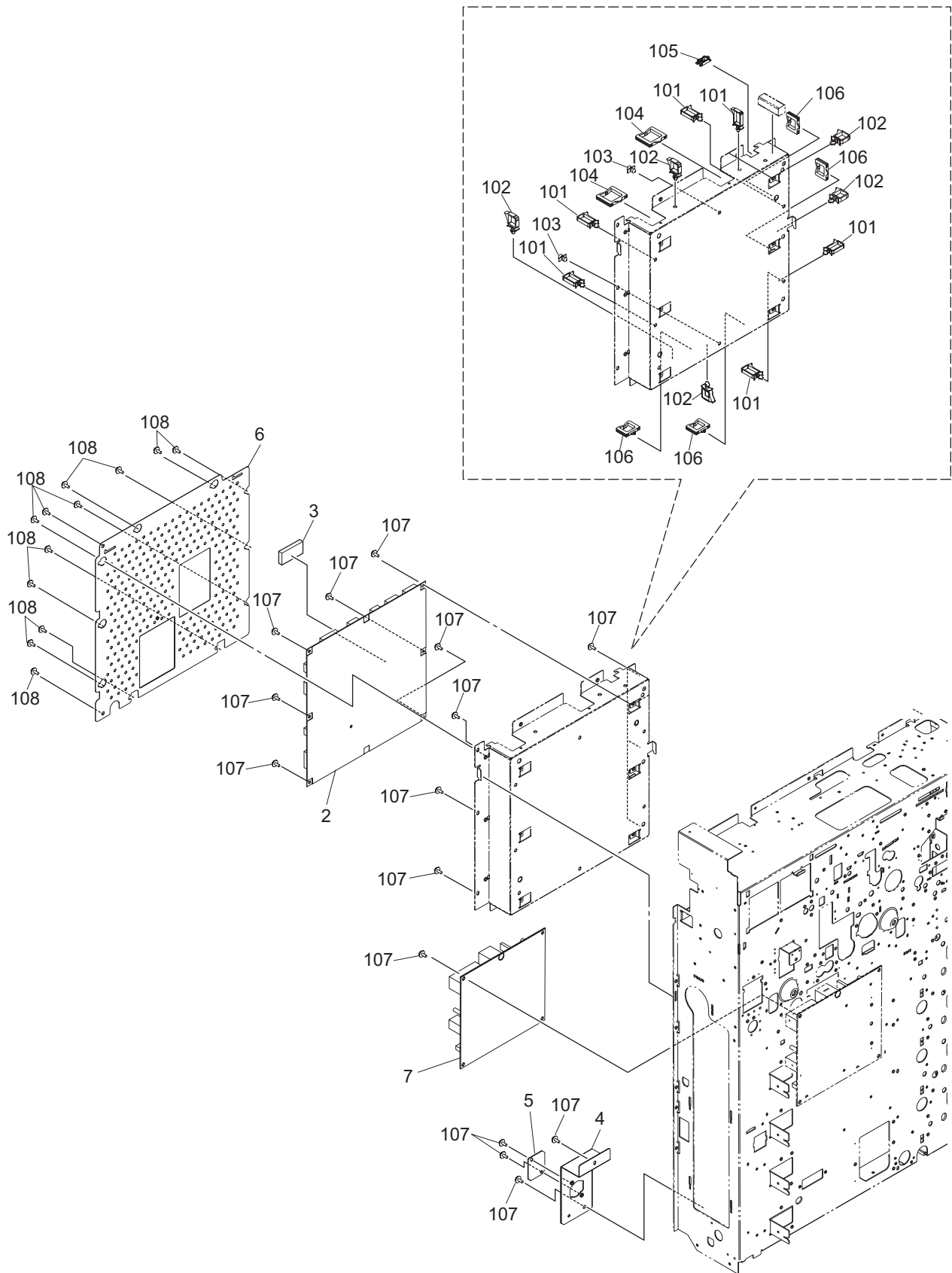
ITEM No.	PART No.	PART NAME	Q'TY / PAGE	Q'TY / PACK	REMARKS
1	6LA15843200	CASSETTE-H100	1	1/PP	
2	6LE03700000	ASYS-SHAFT-TRAY-UP	1	1/P	
3	6LA04446000	LEVER-SENS	1	1/P	
4	6LA14516000	LVR-ELV-CST	1	1/P	
5	4400908680	CUSHION-CST	2	1/KP	
6	6LA15842200	SIDE-WALL-F-H100	1	1/KP	
7	6LA15847000	PLT-LVR-CST-340	1	1/P	
8	6LE03710000	LVR-LOCK-CST	1	1/P	
9	6LA15844000	PLT-LOCK-CST-340	1	1/P	
11	6LA56695000	SPC-LVR-WALL-F	1	1/P	
12	6LA15841200	SIDE-WALL-R-H100	1	1/KP	
13	6LA29058000	LEVER-LOCK-WALL-RER	1	1/P	
14	6LA04433000	WALL-LOCK-R-340	1	1/P	
15	41305546000	SPL-LOCK-WALL-R	1	1/P	
16	6LE03702000	SHAFT-GUIDE	1	1/P	
17	6LA04463000	BRKT-SHAFT	1	1/P	
18	41306029000	GER-PINION-20-AT	1	1/P	
19	6LA04456000	SCREW-PINION	1	5/P	
20	6LE03714000	TRAY-390	1	1/P	
21	6LA04500000	PAD-CST-340	1	5/P	
22	6LA29061000	WALL-CSSTT-END	1	1/P	
23	6LE04404000	COVER-CSSTT-LWR	1	1/PP	
24	6LE04403000	COVER-CSSTT-UPR	1	1/PP	
26 A	6LE03708000	SIZE-CST-390-UC	1	1/KP	NAD,NAG,GSA
26 B	6LE03709000	SIZE-CST-390-E	1	1/KP	MJD,ASD,AUD
26 C	6LE03715000	SIZE-CST-390-C	1	1/KP	CND
27 A	6LE03707000	LBL-O-CST-390	1	1/KP	NAD,AUD,CND,NAG,GSA
27 B	6LE03711000	LBL-O-CST-390	1	1/KP	MJD,ASD
28	6LE03713000	BRKT-CST-POS-390	1	1/P	
29	6LA04487000	STUD-CST-POS	1	5/P	
30	6LA14327000	BRKT-FIX-PINION	1	1/P	
31	6LA14466000	CAP-LEVER-SENS	1	1/P	
32	6LE03705000	WALL-END-TAB390	1	1/PP	
33 B	6LE03712000	LBL-CST-LCD-SUB	1	5/P	MJD
101	X0-01989000	S/TPP/BID-3X8-NI	4	10/P	
102	X0-02235000	S/FHEXM-M4X8-NI	8	10/P	
103	X0-02230000	S/FHEXM-M3X6-NI	1	10/P	
104	X0-02251000	S/TPP/FHEXM-4X8-NI	8	10/P	
105	X0-02247000	S/TPP/FHEXM-3X8-NI	2	10/P	
106	6LA15906000	WSHR-M4-CST-F340	2	10/P	
107	6LH73731000	LBL-MAX-CST-H19X	1	1/P	

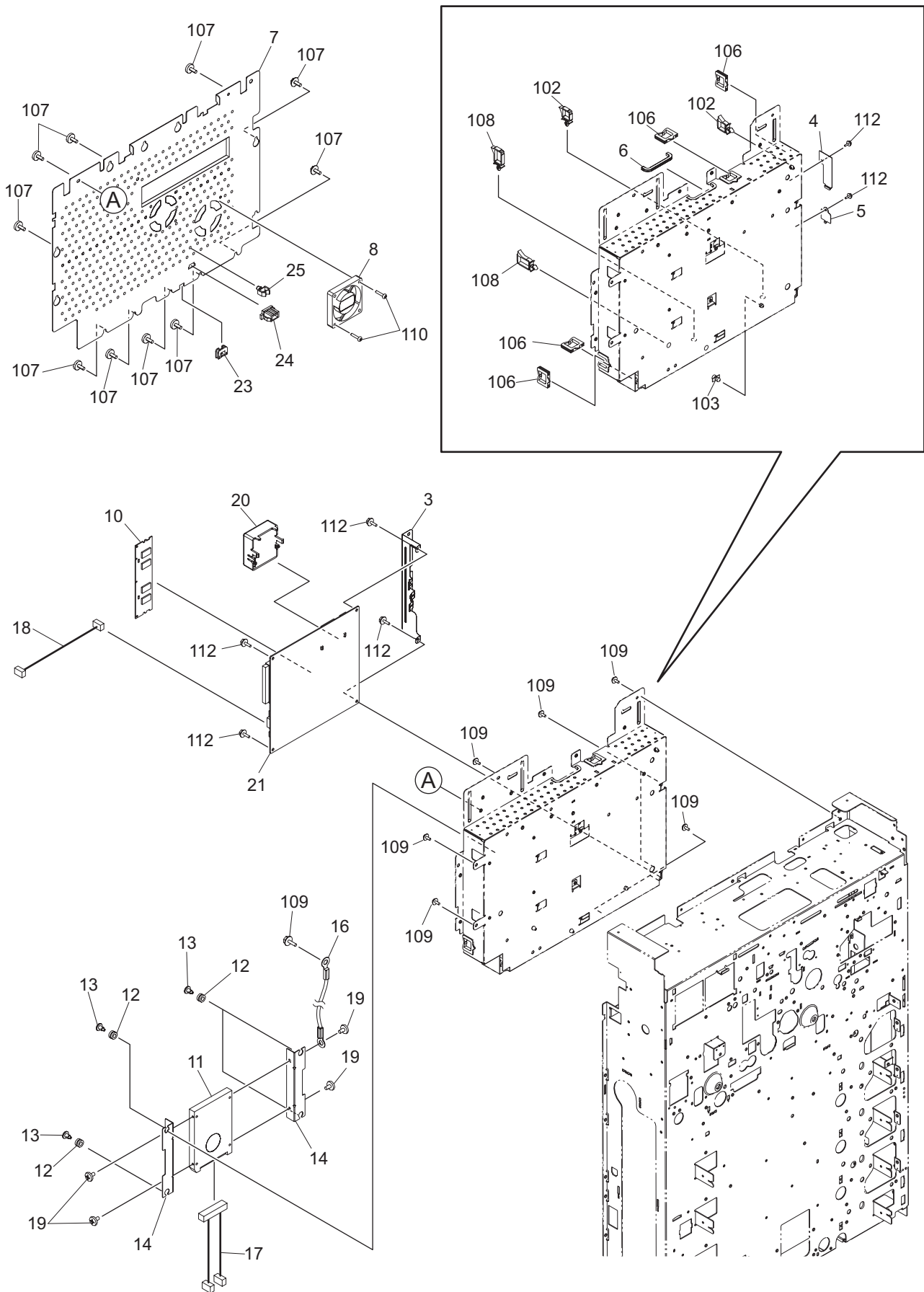
AC-115V

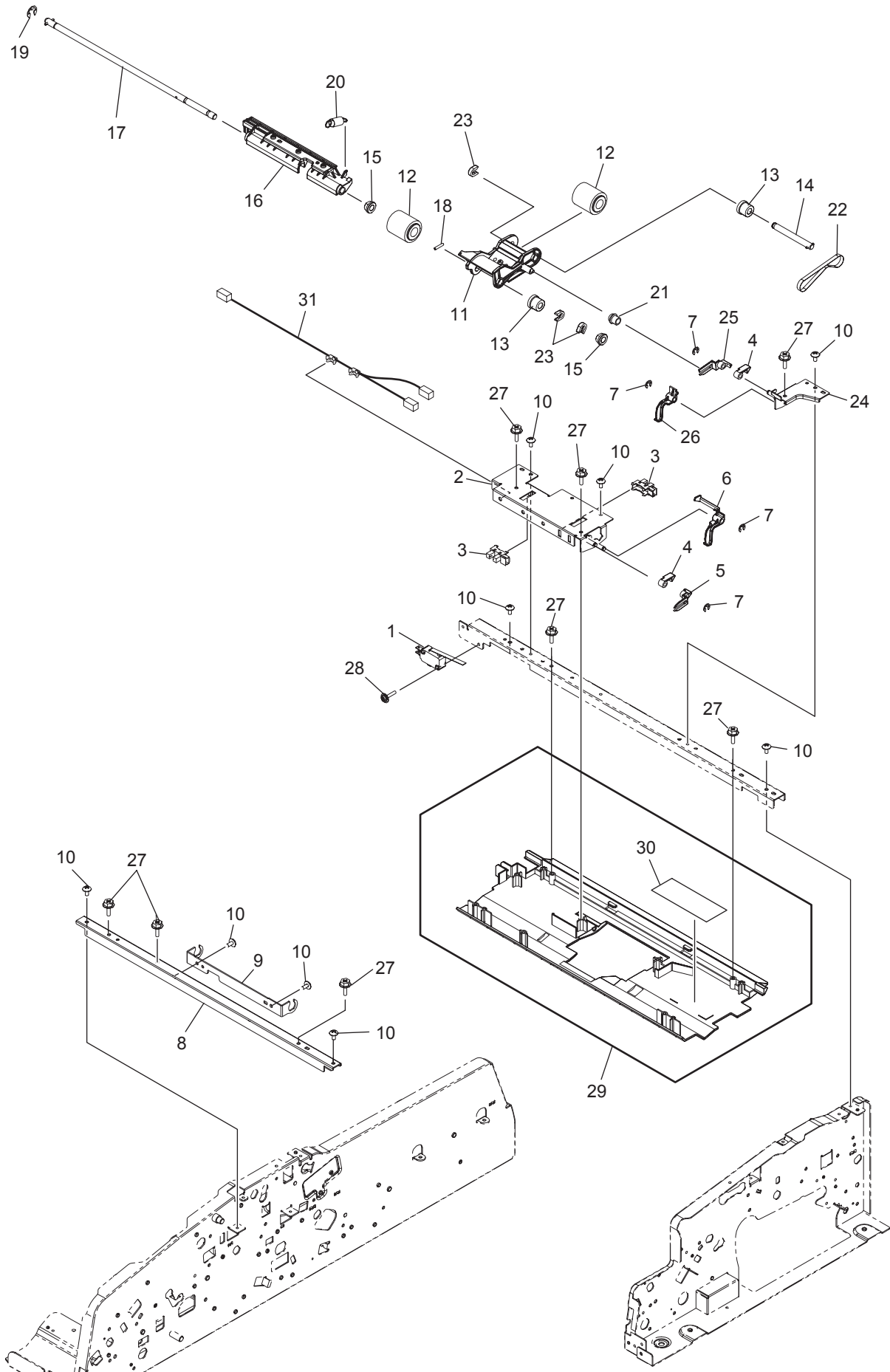


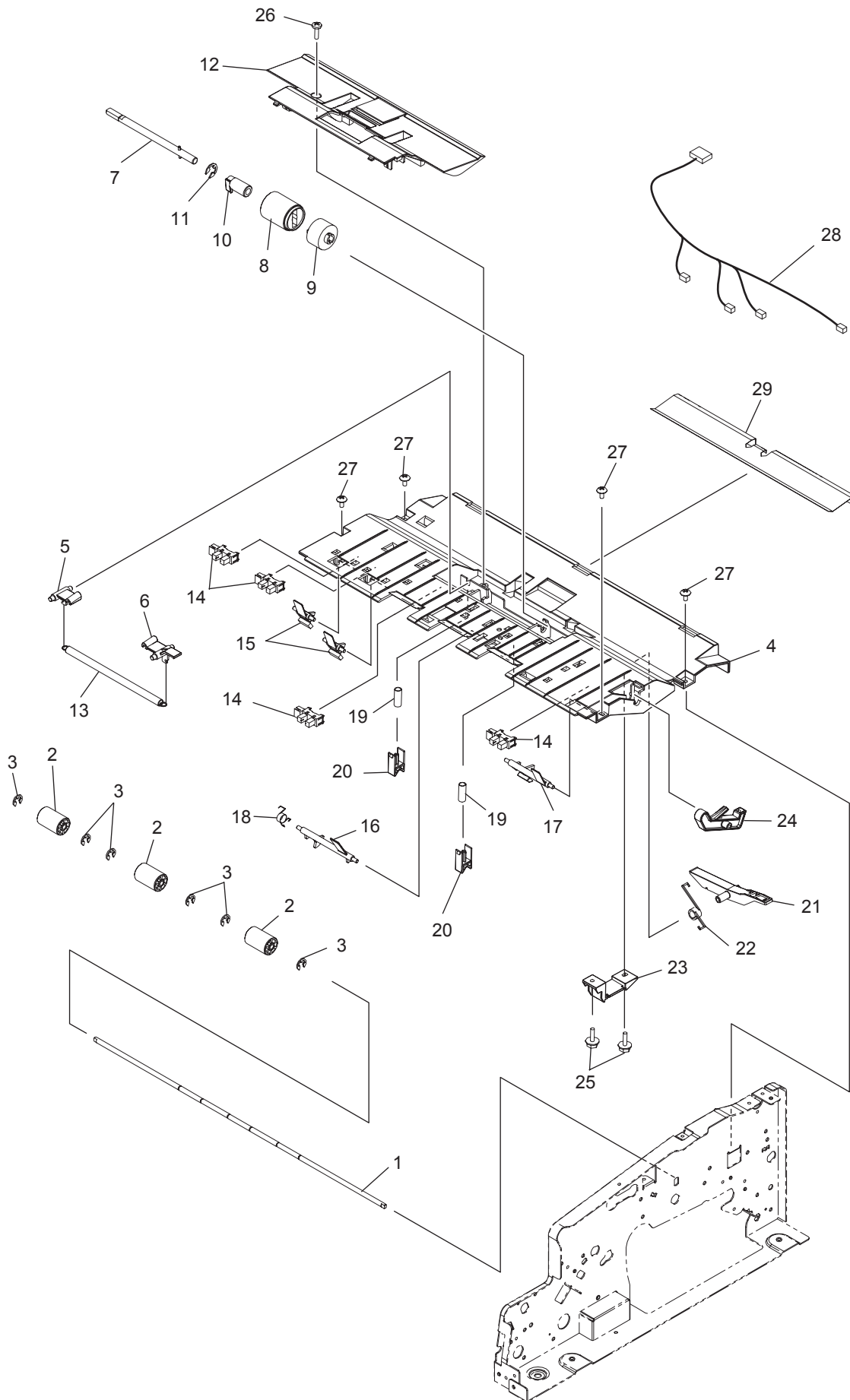
AC-240V

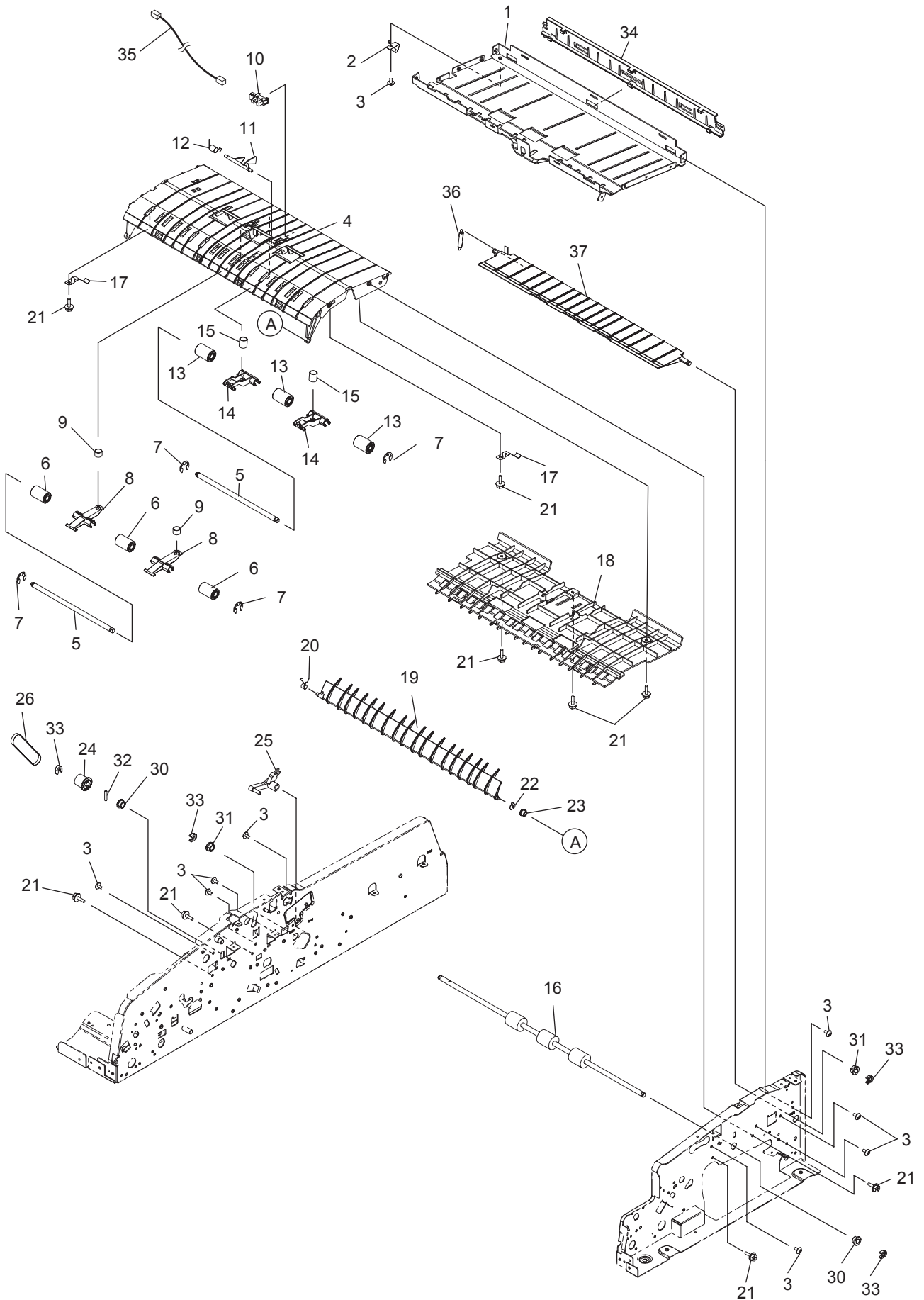


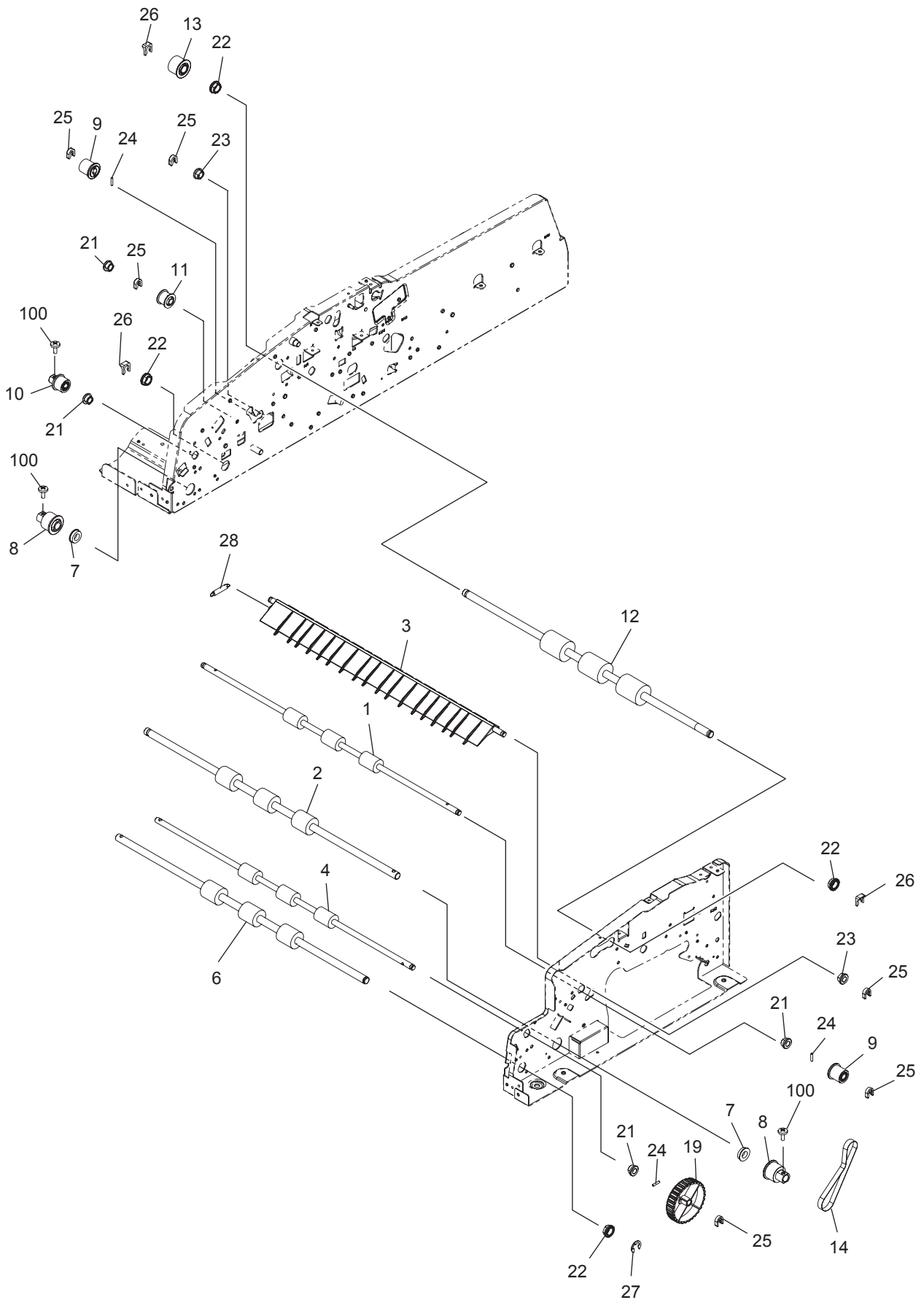


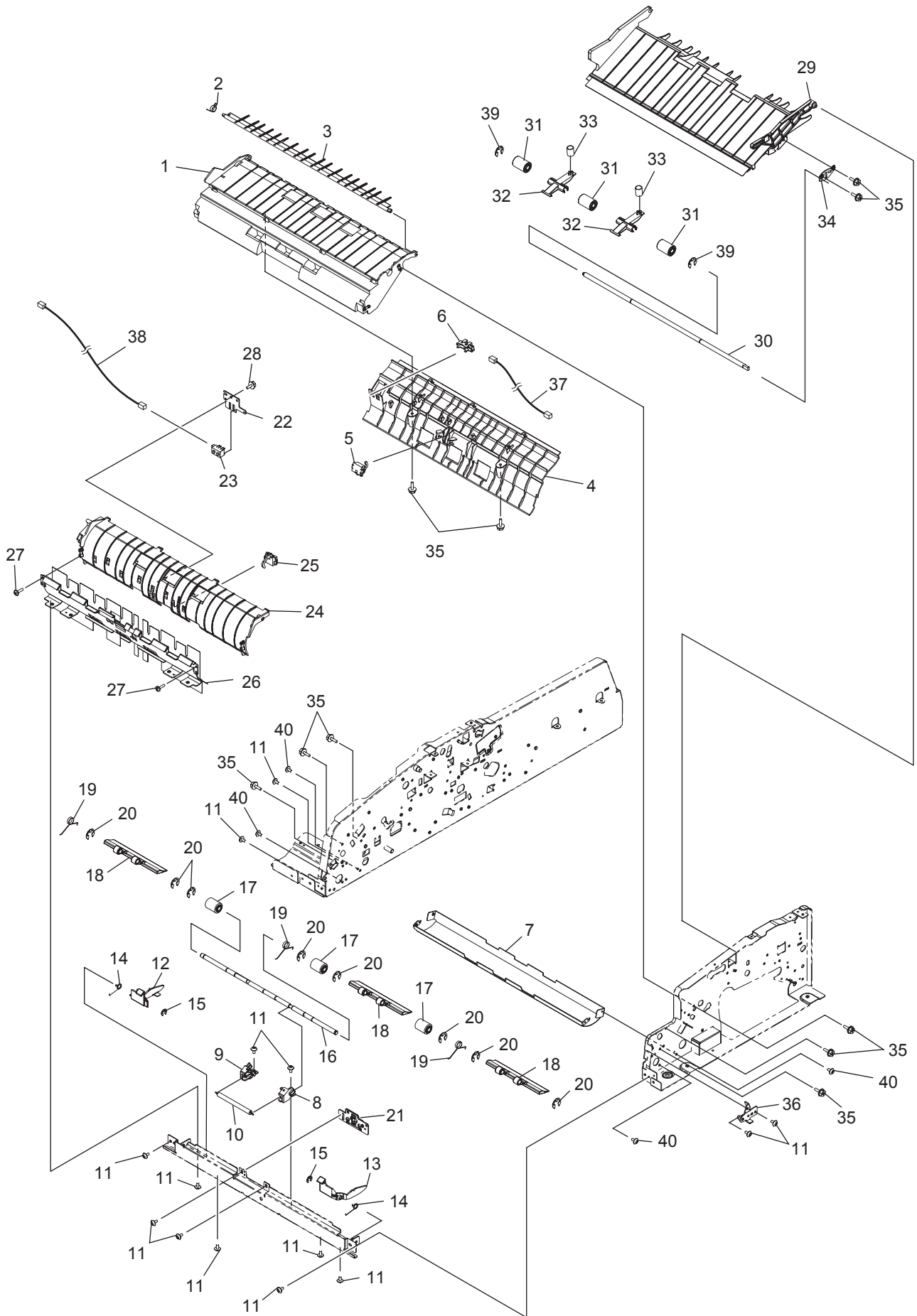




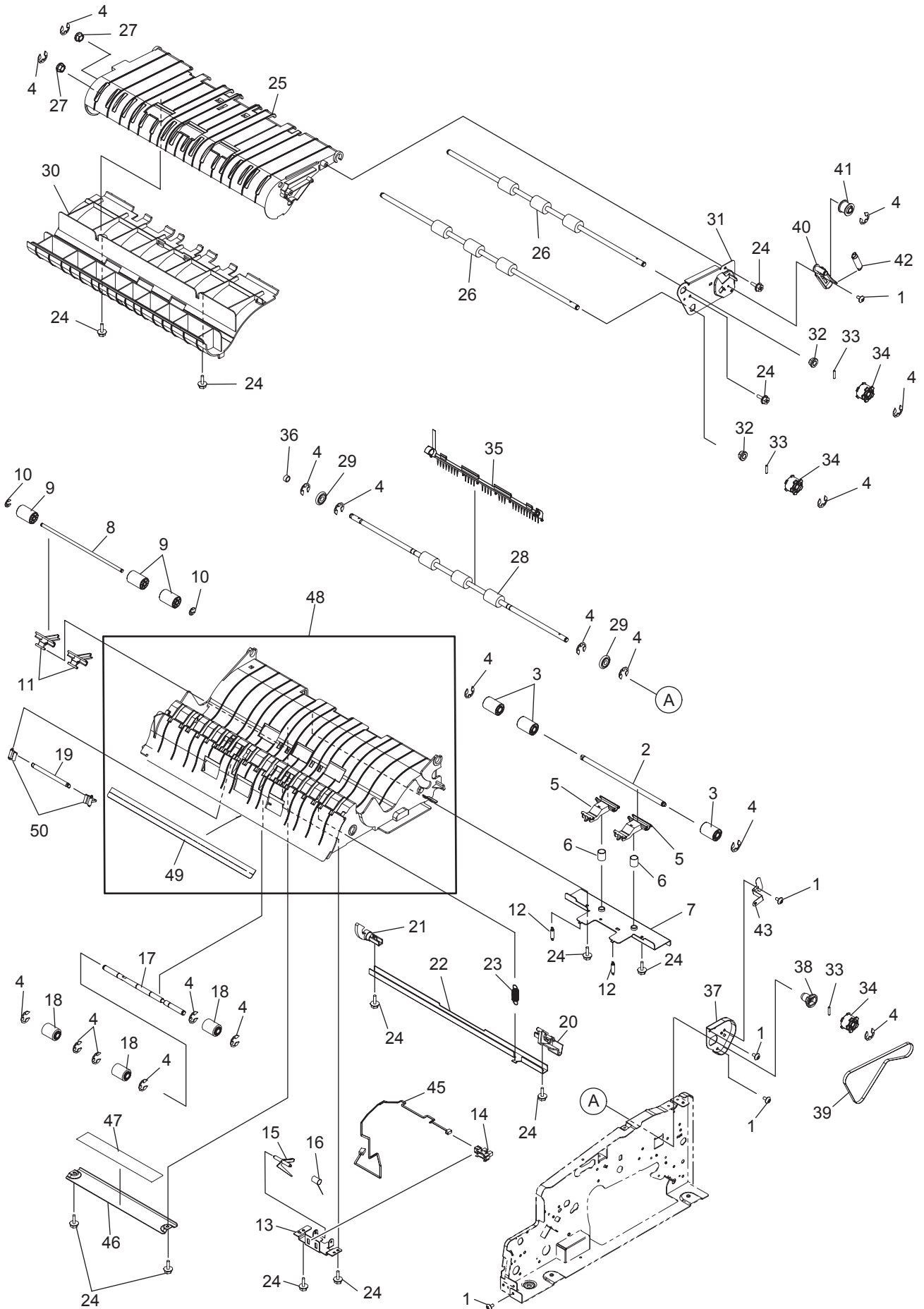




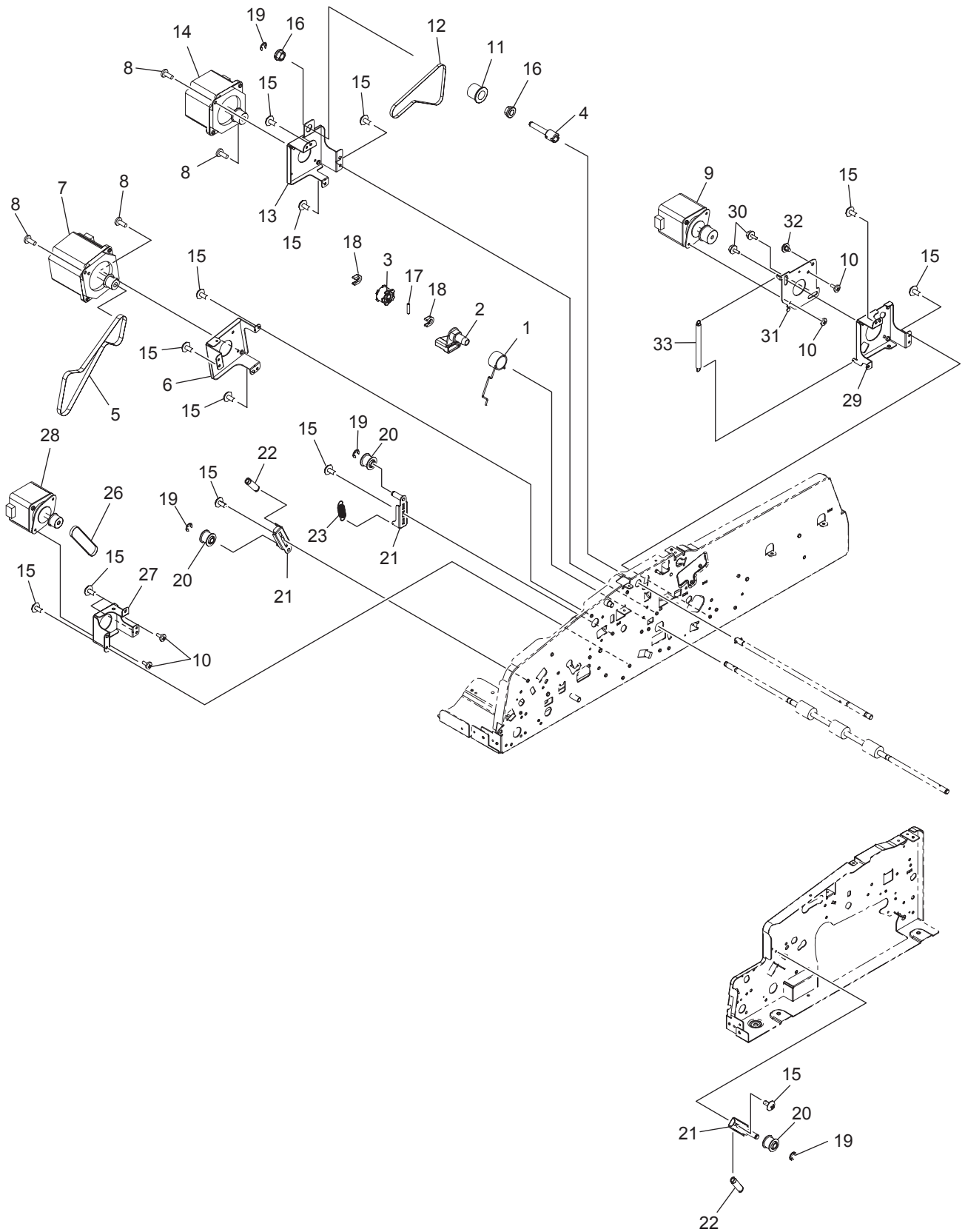


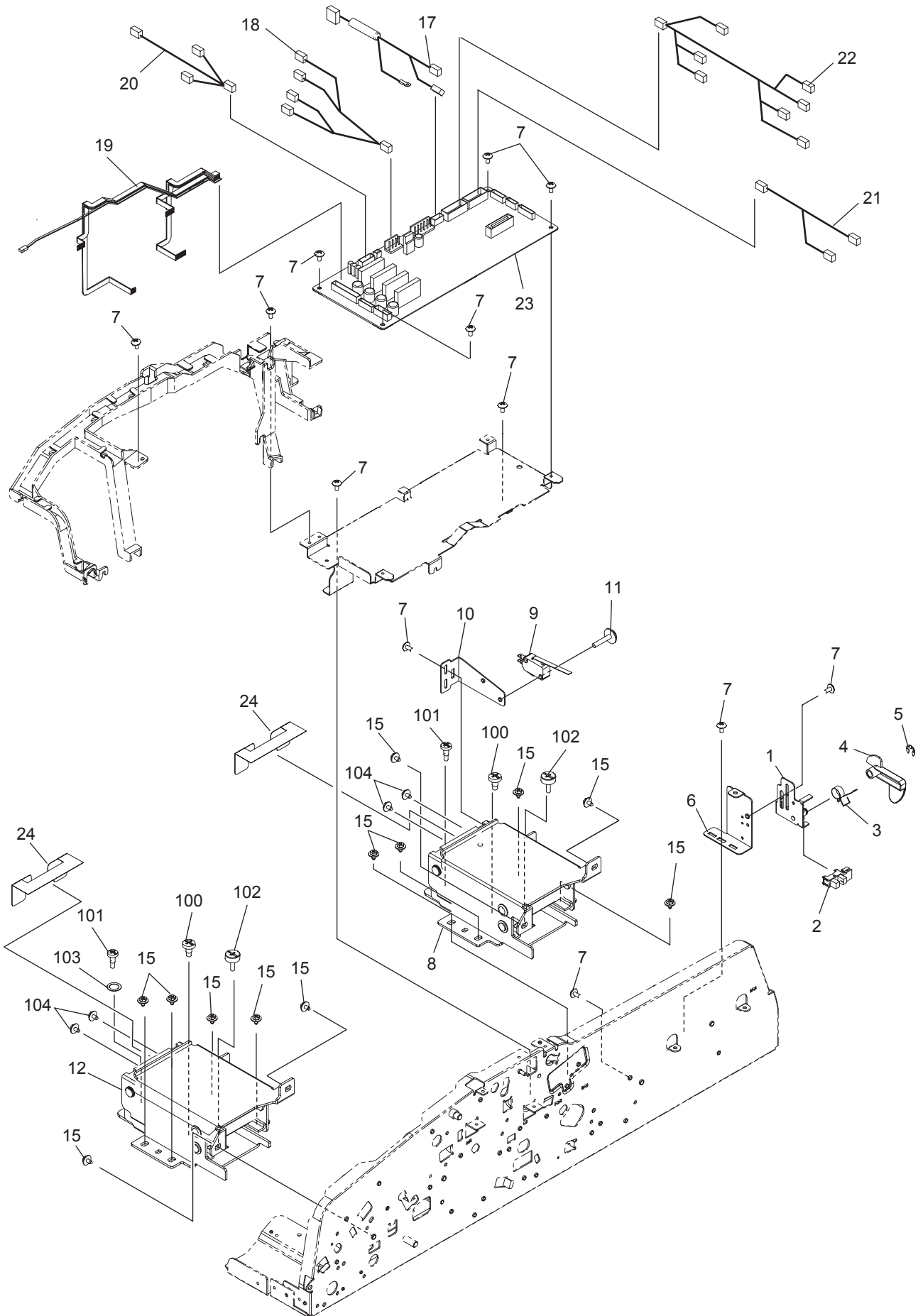


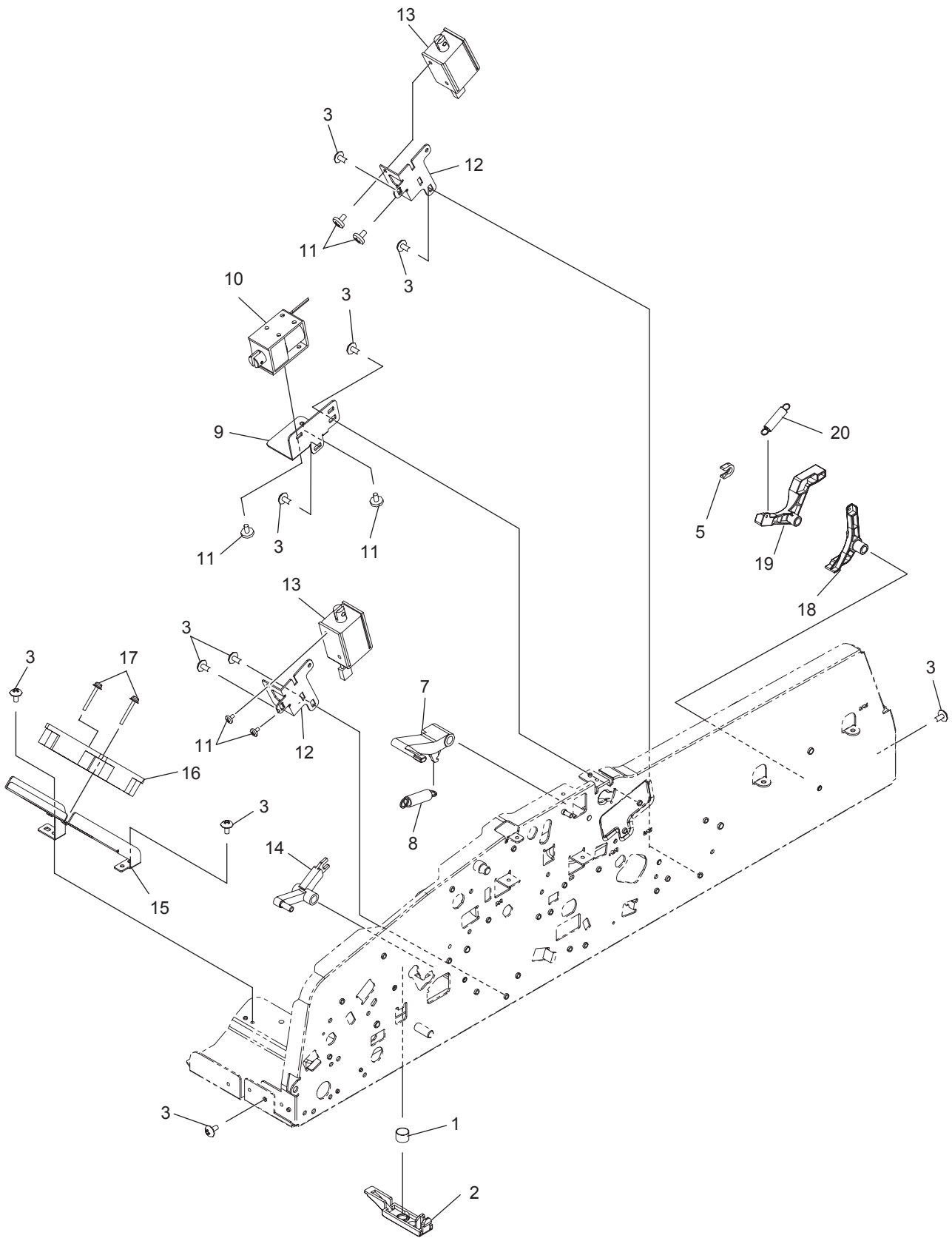
ITEM No.	PART No.	PART NAME	Q'TY / PAGE	Q'TY / PACK	REMARKS
1	6LH06518100	GUIDE-RVS-ALNG-EF378	1	1/PP	
2	6LE49784000	SPG-T-FLP-SB	1	1/P	
3	6LH06517100	GATE-SB-5330	1	1/KP	
4	6LH06837000	ASYS-GUIDE-READ-OUT	1	1/KP	
5	6LH06323000	SNSR-RADF-EXIT-430	1	1/C	
6	C0-10813000	GP1A73ARJ00F	1	1/P	
7	6LH06948000	GUIDE-PLTN	1	1/D	
8	6LH06706000	ASYB-READ-IN-LEV-STAY-F	1	1/P	
9	6LH06707000	ASYB-READ-IN-LEV-STAY-R	1	1/P	
10	6LH06708000	SPR-LEV-READ-IN	1	1/P	
11	6LA08935000	SCR-M3X6BISR-NI	14	10/P	
12	6LH06561000	STPR-GID-PLTN-R	1	1/P	
13	6LH06563000	STPR-GID-PLTN-F	1	1/P	
14	6LH06709000	SPR-STPR-GID-PLTN	2	1/P	
15	X0-00964000	RR/E-3-SS	2	10/P	
16	6LH06710000	SFT-IDL-RD-IN-L	1	1/P	
17	6LH06637000	ASYS-ROL-RD-IN-IDL	3	1/P	
18	6LH06540000	GUIDE-RD-IN-GLASS	3	1/P	
19	6LH06712000	SPR-READ-IN-GUIDE	3	1/P	
20	X0-00965000	RR/E-4-SS	8	10/P	
21	6LH06713000	ASYB-BRKT-PRISM	1	1/P	
22	6LH06640000	PLT-SENSOR-RI	1	1/P	
23	C0-14572000	EON-5041-701	1	1/C	
24	6LH06551100	GUIDE-READ-IN-EF378	1	1/PP	
25	6LH06321000	SNSR-RADF-MID-430	1	1/C	
26	6LH06807000	ASYS-GUIDE-READ-IN-PLT	1	1/C	
27	X0-01989000	S/TPP/BID-3X8-NI	2	10/P	
28	X0-02246000	S/TPP/FHEXM-3X6-NI	1	10/P	
29	6LH06737000	ASYS-GUIDE-SB	1	1/KP	
30	6LH06740000	SFT-ROL-RVS-ALNG	1	1/P	
31	6LH06526000	ROL-IDL-D16-POM	3	1/P	
32	6LH06552100	LEV-DELTA-EF378	2	1/P	
33	6LH06741000	SPR-DELTA	2	1/P	
34	6LH06603000	BRKT-DELTA-SET	1	1/P	
35	X0-02247000	S/TPP/FHEXM-3X8-NI	10	10/P	
36	6LH06608000	ASYS-BRKT-COV-JAM-F	1	1/P	
37	6LH06316000	HRNS-RADF-JCOVL-430	1	1/P	
38	6LH06315000	HRNS-RADF-READI-430	1	1/P	
39	X0-00966000	RR/E-5-SS	2	10/P	
40	X0-01277000	S/BID-M3X6-NC	4	10/P	

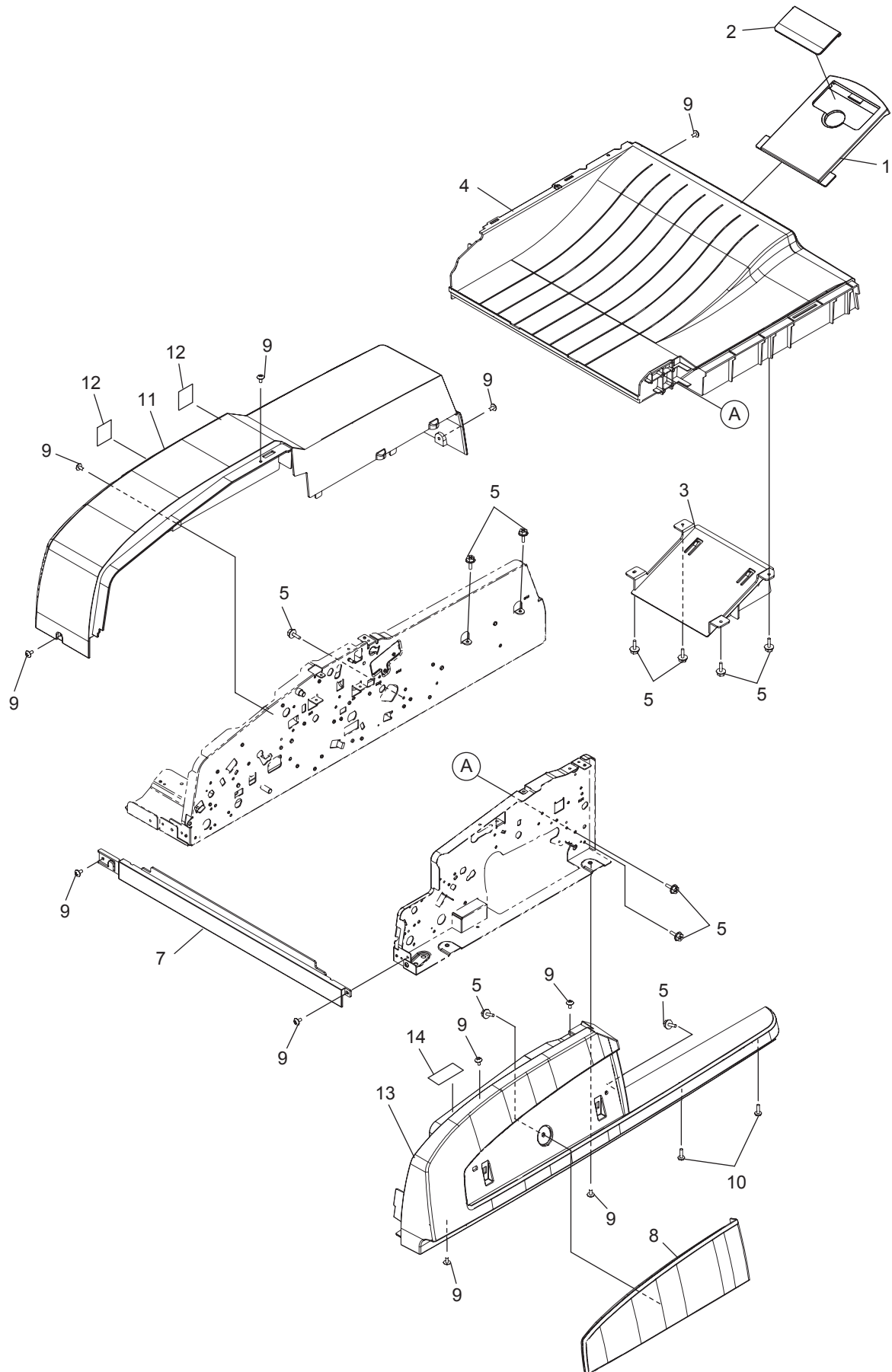


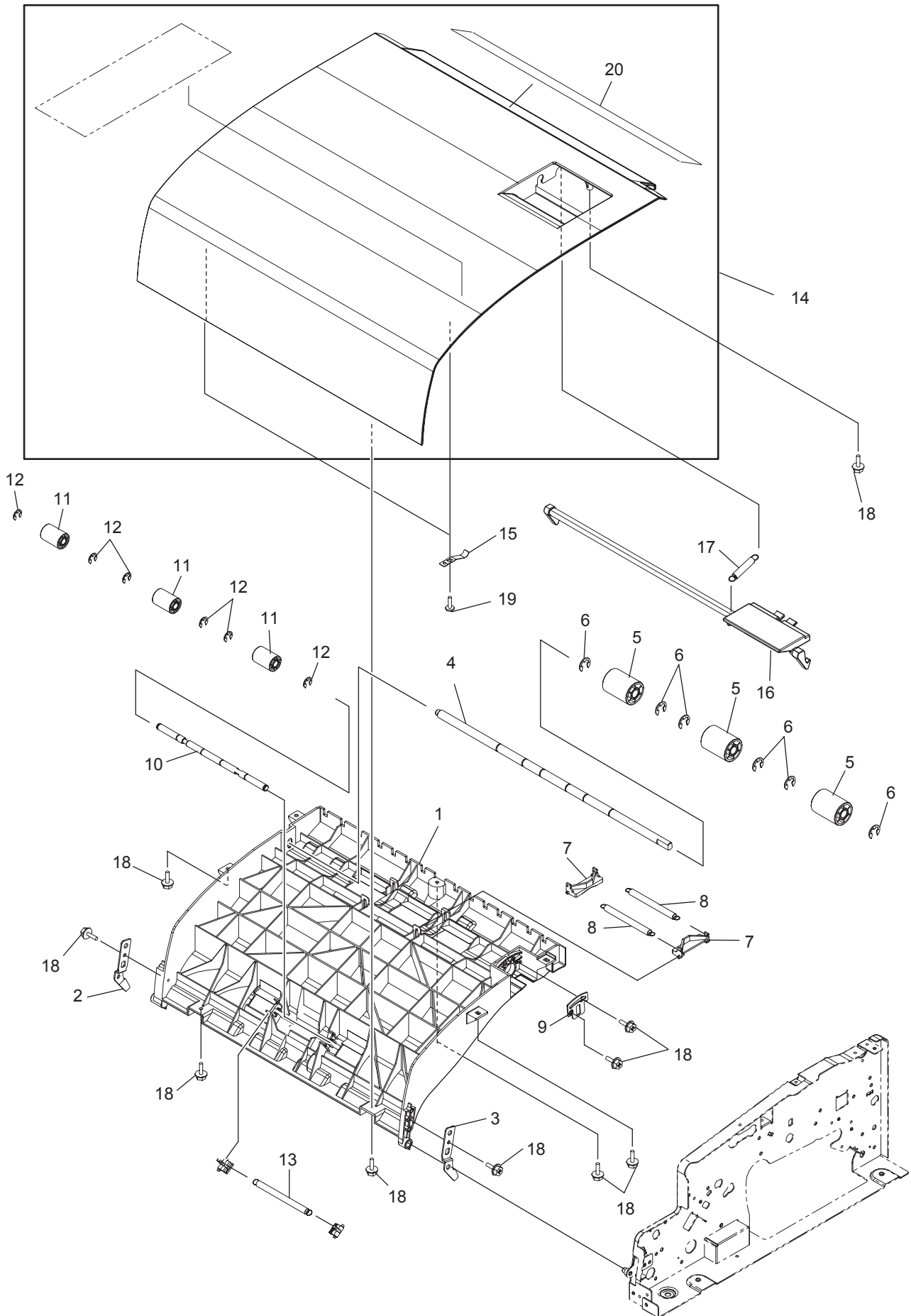
ITEM No.	PART No.	PART NAME	Q'TY / PAGE	Q'TY / PACK	REMARKS
1	6LA08935000	SCR-M3X6BISR-NI	6	10/P	
2	6LH06677000	SFT-EXIT-SB-D6	1	1/P	
3	6LH06526000	ROL-IDL-D16-POM	3	1/P	
4	X0-00966000	RR/E-5-SS	18	10/P	
5	6LH06554100	LEV-EXIT-EF378	2	1/P	
6	6LH06680000	SPR-SB-OUT	2	1/P	
7	6LH06583000	BRKT-LEV-EXIT	1	1/P	
8	6LH06687000	SFT-EXIT-D4	1	1/P	
9	6LH06527000	ROL-IDL-D16-D4-POM	3	1/P	
10	X0-00964000	RR/E-3-SS	2	10/P	
11	6LH06534100	LEV-EXIT-R-EF378	2	1/P	
12	6LH06688000	SPR-LEV-EXIT	2	1/P	
13	6LH06586000	BRKT-BACK-EXIT-SNS	1	1/P	
14	C0-15172000	GP1A173LCS2F	1	1/C	
15	6LH06546000	ACTR-BACK-EXIT	1	1/P	
16	6LH06690000	SPR-BACK-SNS	1	1/P	
17	6LH06652000	SFT-IDL-RD-OUT	1	1/P	
18	6LH06637000	ASYS-ROL-RD-IN-IDL	3	1/P	
19	6LH06708000	SPR-LEV-READ-IN	1	1/P	
20	6LH06549000	LEVER-GUIDE-LOCK-F	1	1/P	
21	6LH06550000	LEVER-GUIDE-LOCK-R	1	1/P	
22	6LH06579000	BRKT-GUIDE-OPEN	1	1/P	
23	6LH06693000	SPR-GUIDE-EXIT-OPEN	1	1/P	
24	X0-02247000	S/TPP/FHEXM-3X8-NI	12	10/P	
25	6LH06515100	GUIDE-EXIT-IN-EF378	1	1/PP	
26	6LH06647000	ROL-EXIT-SB	2	1/KP	
27	44201492000	BUSH-6-POM	2	5/P	
28	6LH06648000	ROL-EXIT	1	1/KP	
29	6LH06802000	ROL-COL-TQ	2	1/P	
30	6LH06516100	GUIDE-EXIT-IN-L-EF378	1	1/PP	
31	6LH06578000	PLATE-DRV-EXIT-F	1	1/P	
32	6LH53768000	BUSH-6-NU4	2	1/P	
33	X0-00980000	P/PRL/AH7-2X10-SS	3	10/P	
34	6LH06529000	PULLY-EXIT	3	1/P	
35	6LH06800000	ASYS-SHUT-EXIT-TQ	1	1/KP	
36	6LH23444000	BUSH-GCB-6-4-NU4	1	1/P	
37	6LH06599000	PLT-GUIDE-EXIT	1	1/P	
38	6LH06522000	BUSH-GUIDE-EXIT-F	1	1/P	
39	6LH06697000	BLT-EXIT-F	1	1/P	
40	6LE50110000	ASYS-PLT-TNSN	1	1/P	
41	6LE50098000	ROL-TNSN-FEED	1	1/P	
42	6LH06698000	SPR-TNSN-READ-10N	1	1/P	
43	6LH06796000	SPR-ERTH-FR	1	1/C	
45	6LH06314000	HRNS-RADF-EXITR-430	1	1/P	
46	6LH06584000	BRKT-GUIDE-PUSH	1	1/P	
47	6LH06772000	LBL-PUSH-TQ	1	1/KP	
48	6LH06983000	ASYS-GUIDE-EXIT	1	1/C	
49	6LH06605000	MYLAR-GUIDE-EXIT	1	1/KP	

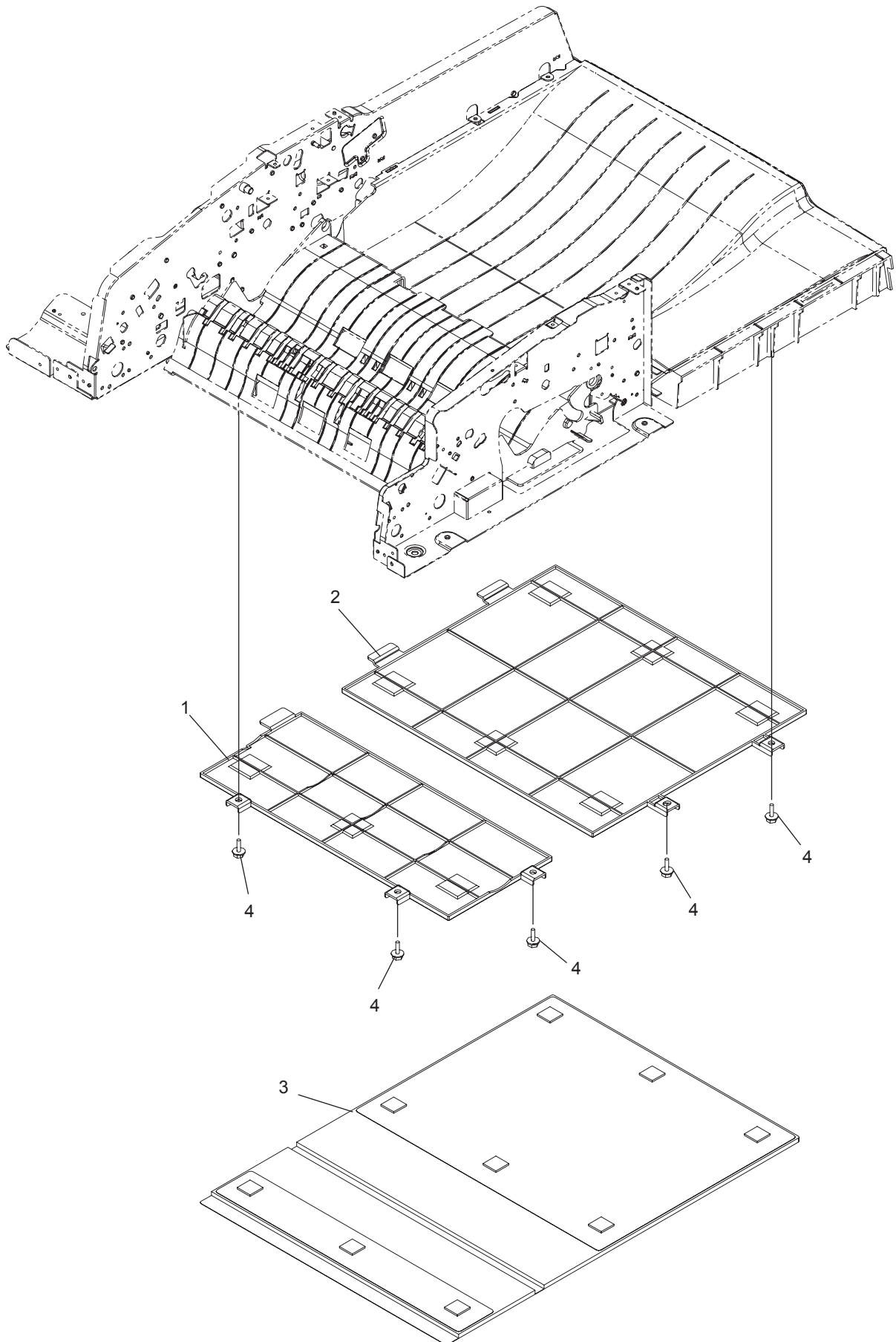


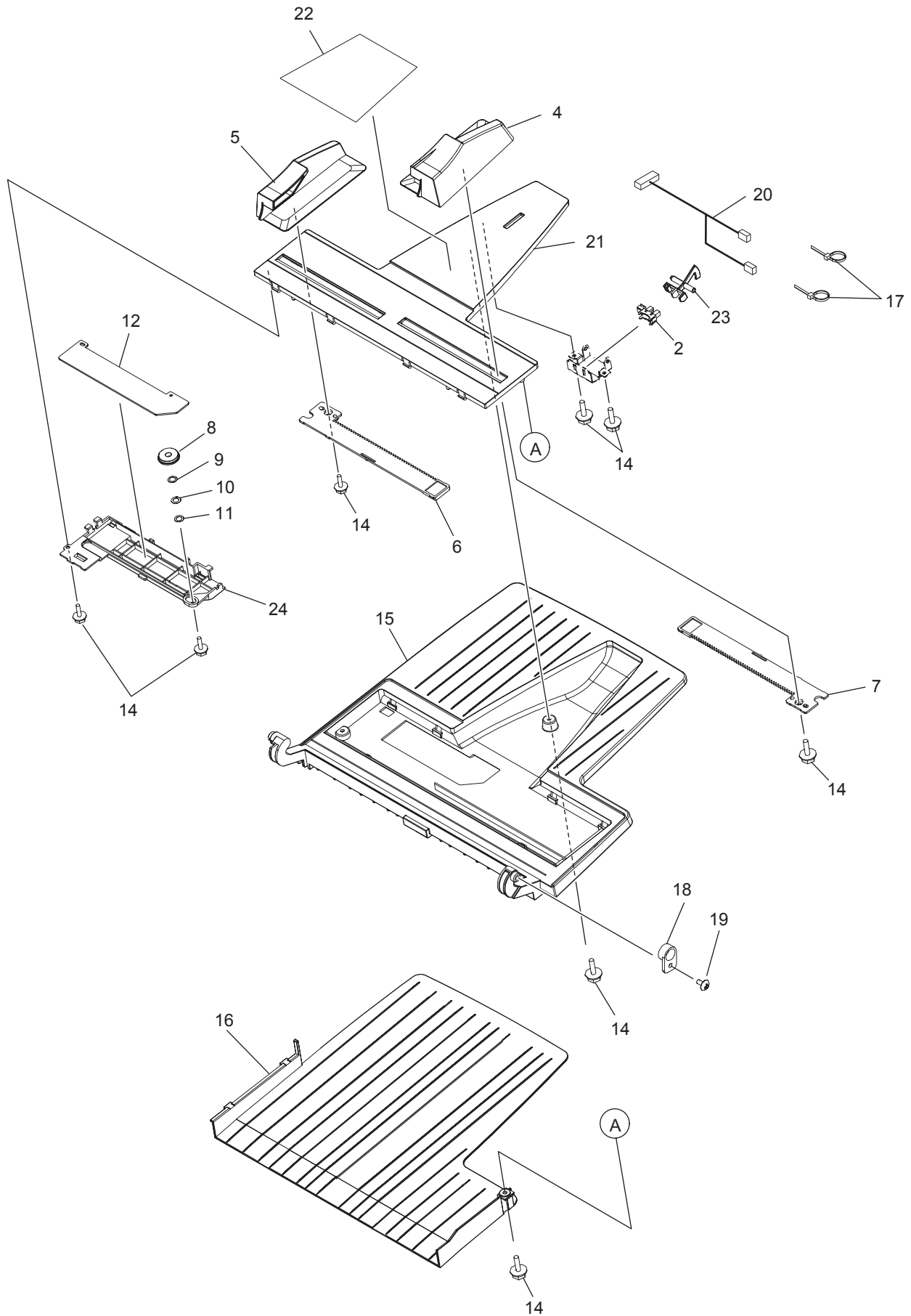


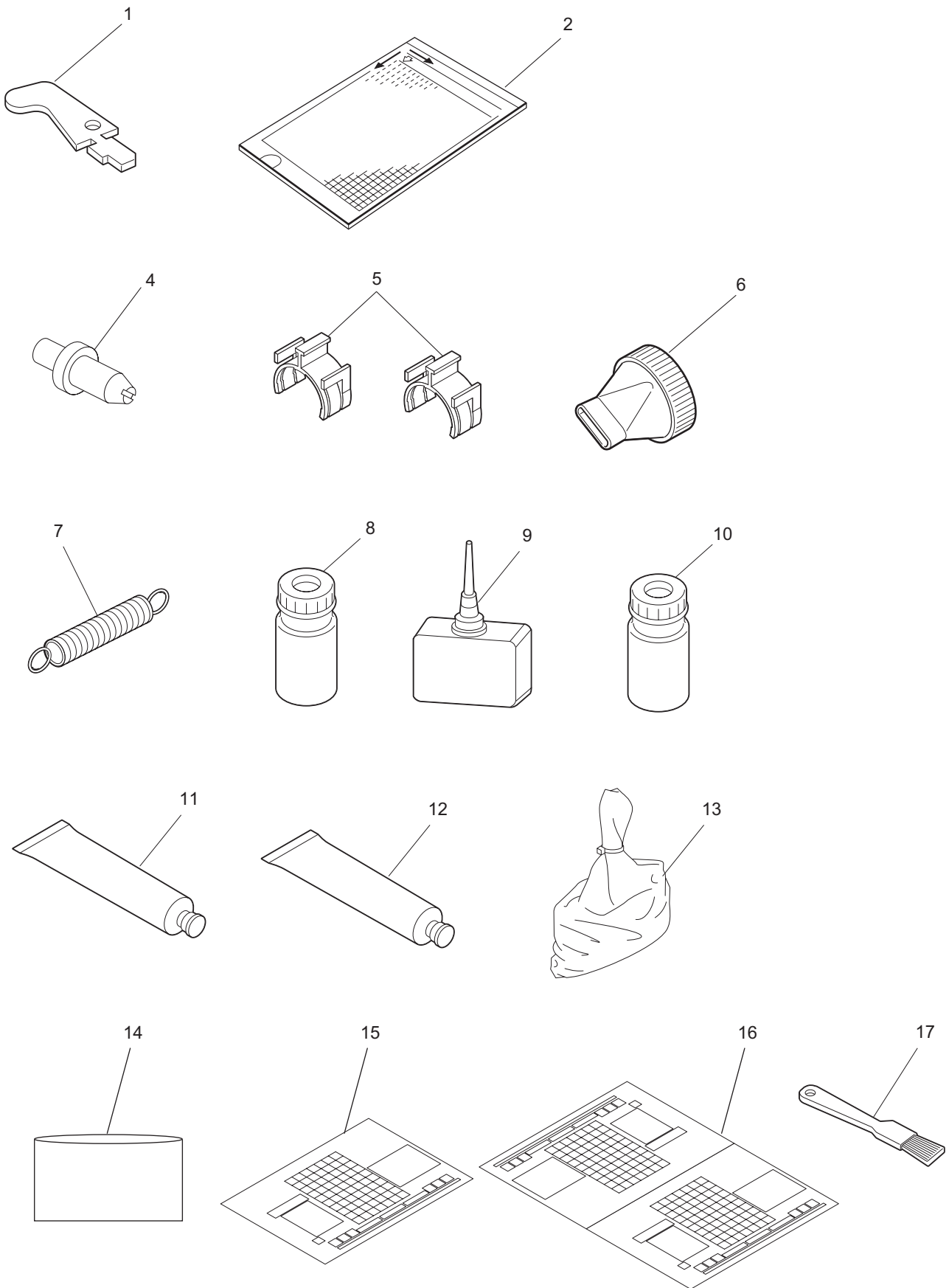


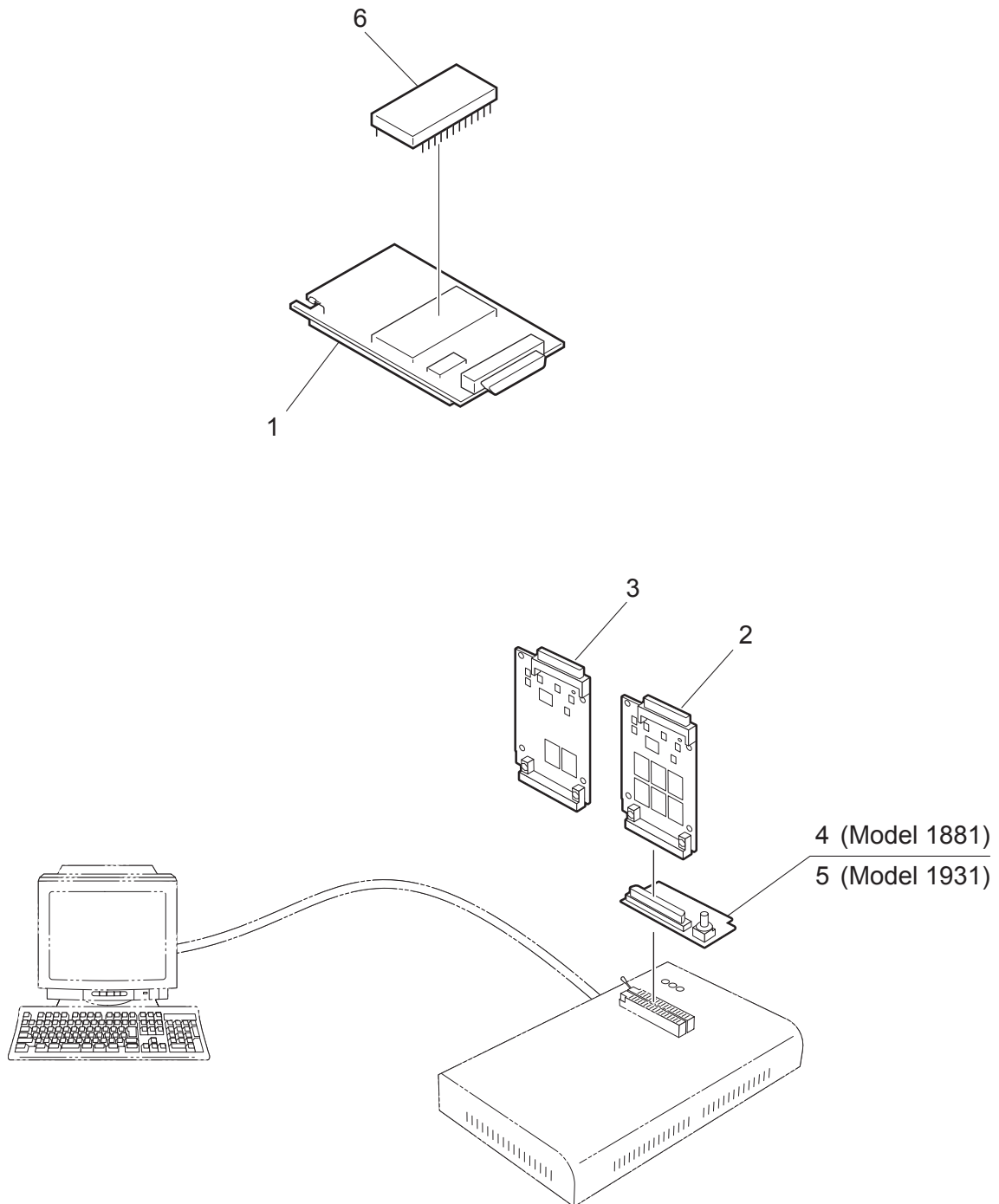


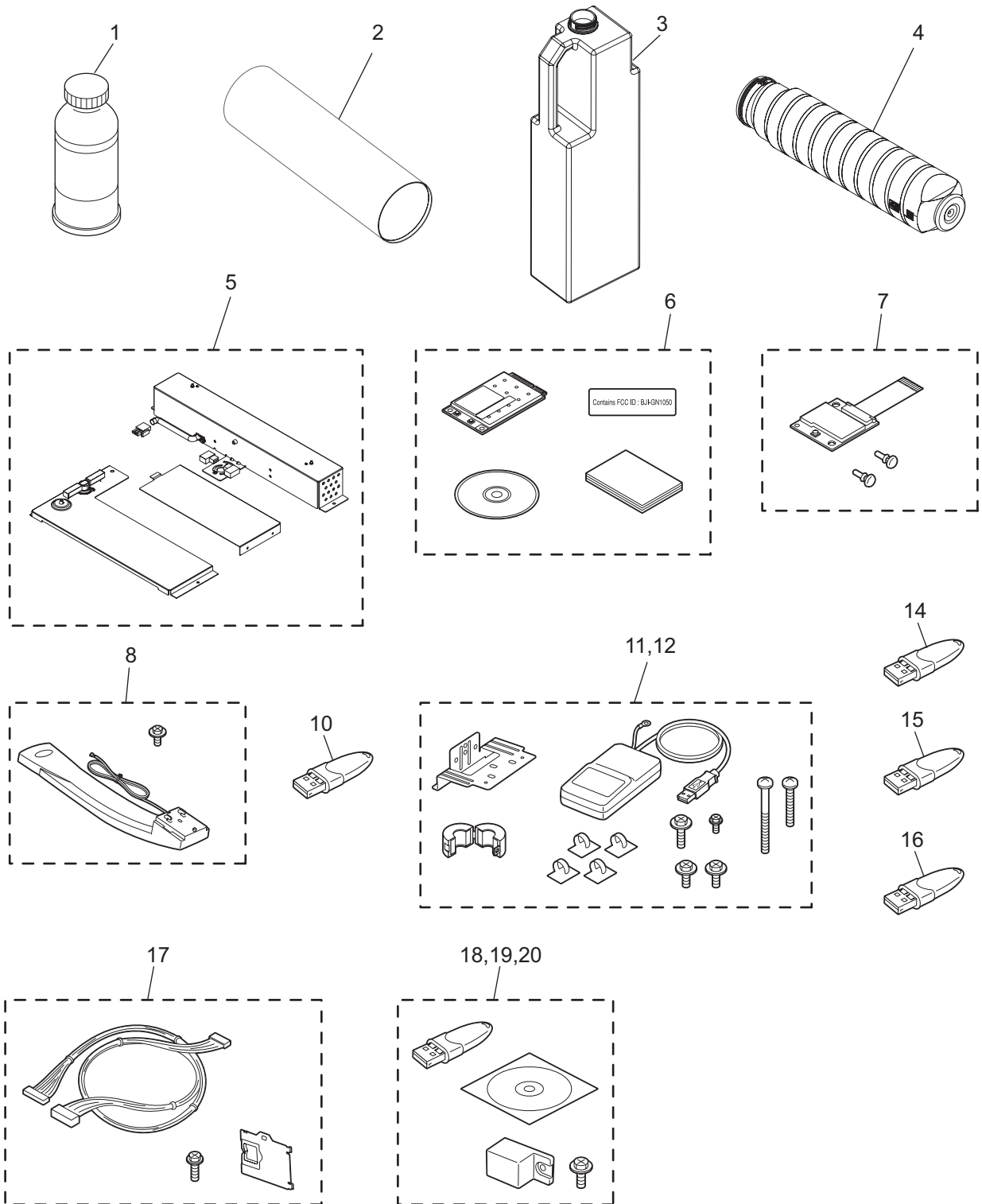


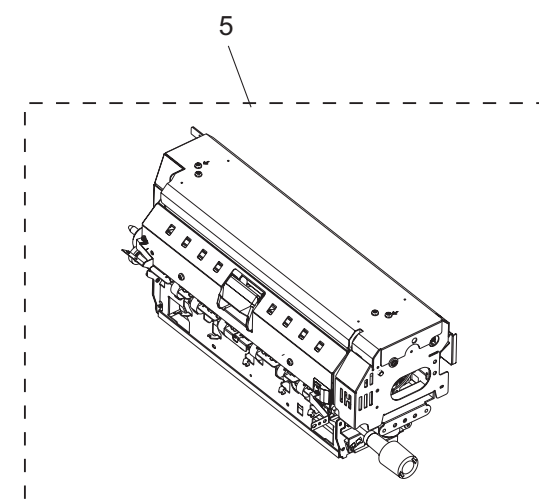
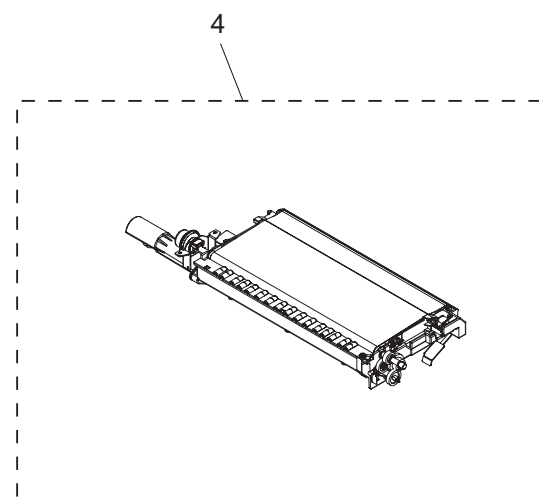
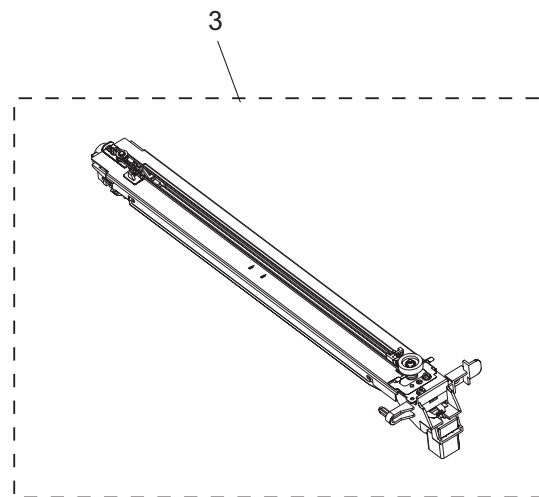
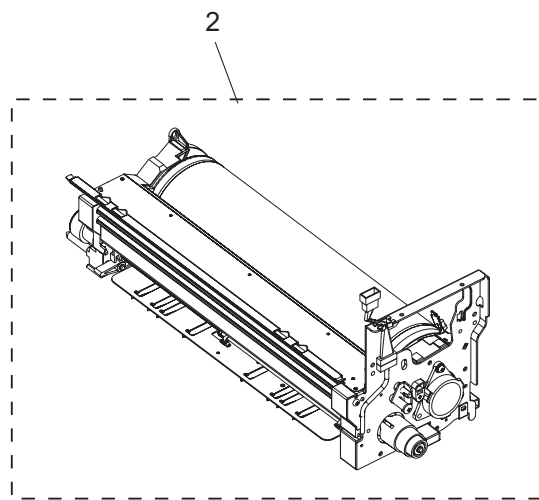
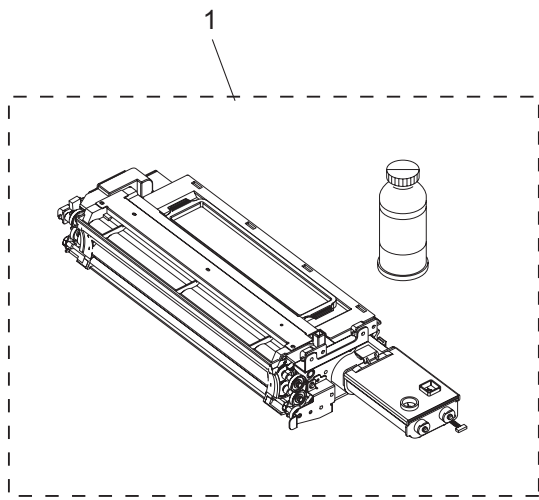


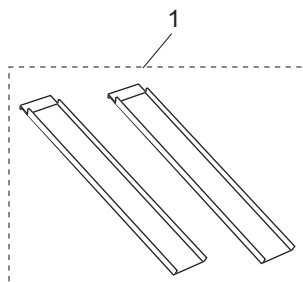




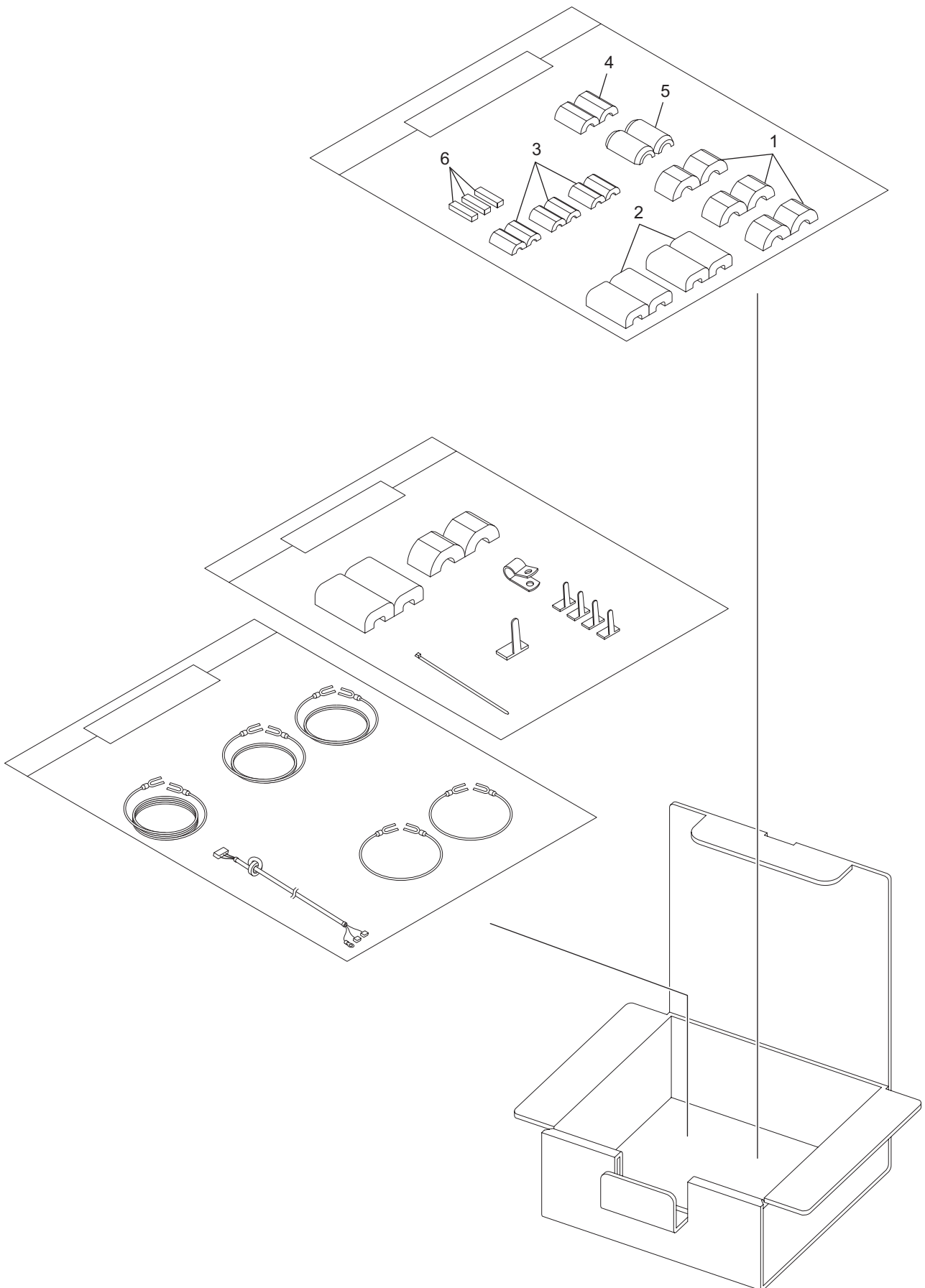








(GR-1100TW for MJ-1027/1028/1029/6003/7001)



TOSHIBA

TOSHIBA TEC CORPORATION

2-17-2, HIGASHIGOTANDA, SHINAGAWA-KU, TOKYO, 141-8664, JAPAN

WWW.SERVICE-MANUAL.NET