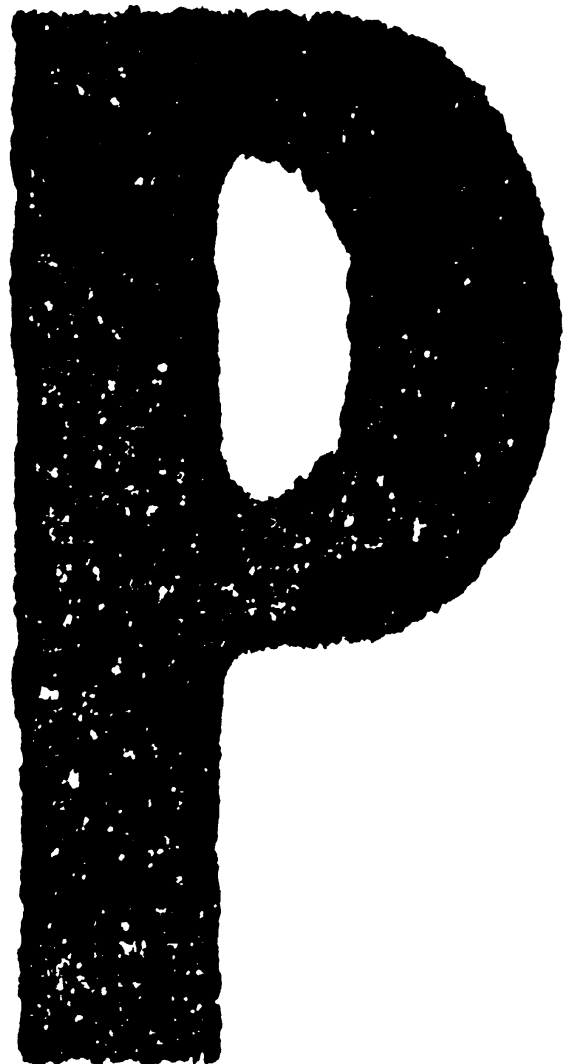


SERVICE PARTS LIST

MULTIFUNCTIONAL DIGITAL SYSTEMS
e-STUDIO05530C/7030C PRO



© 2009 TOSHIBA TEC CORPORATION All rights reserved

Under the copyright laws, this manual cannot be reproduced in any form without prior written permission of TOSHIBA TEC CORPORATION. No patent liability is assumed, however, with respect to the use of the information contained herein.

EXPLANATION OF SERVICE-PARTS LIST

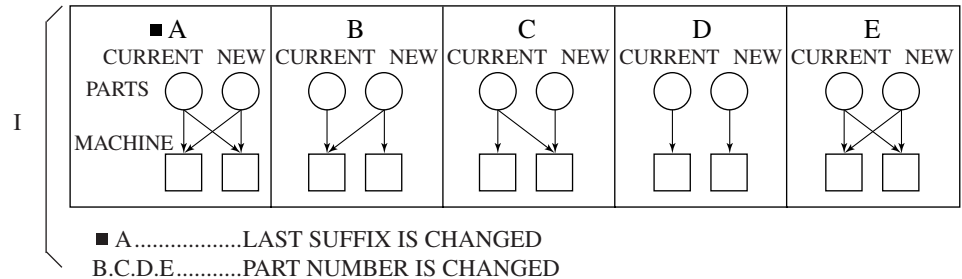
1. HOW TO READ THE PARTS LIST

- (1) Number of pieces
The number of pieces in the list denotes total pieces used per unit. But the numbers in the list for PACKING MATERIAL and ACCESSORY denote total pieces used per machine.
- (2) One pack of screws in the list includes 50 pieces.
- (3) ABBREVIATED CODES

QTY/PAC	{	QTY.....one piece
		PAC.....one pack
		1/P.....one piece packed in polyethylene bag
		1/S.....one piece packed in special pack
		1/C.....one piece packed in carton box
		1/PP.....one piece packed in paper and polyethylene bag
		1/KP.....one piece packed in polyethylene bag with cardboard
		1/D.....one piece packed in polyethylene-cushion bag
1/SB.....one piece packed in shielding bag		
N/A.....not available		

P	{	P.....PURPOSE
		A.....ADD
		B.....DELETE
		C.....CHANGE
		D.....QTY, CHANGE
		E.....MISENTRY
		F.....OMISSION

I.....INTERCHANGEABILITY STATUS



■ A.....LAST SUFFIX IS CHANGED
B.C.D.E.....PART NUMBER IS CHANGED

2. HOW TO PLACE ORDER FOR PARTS

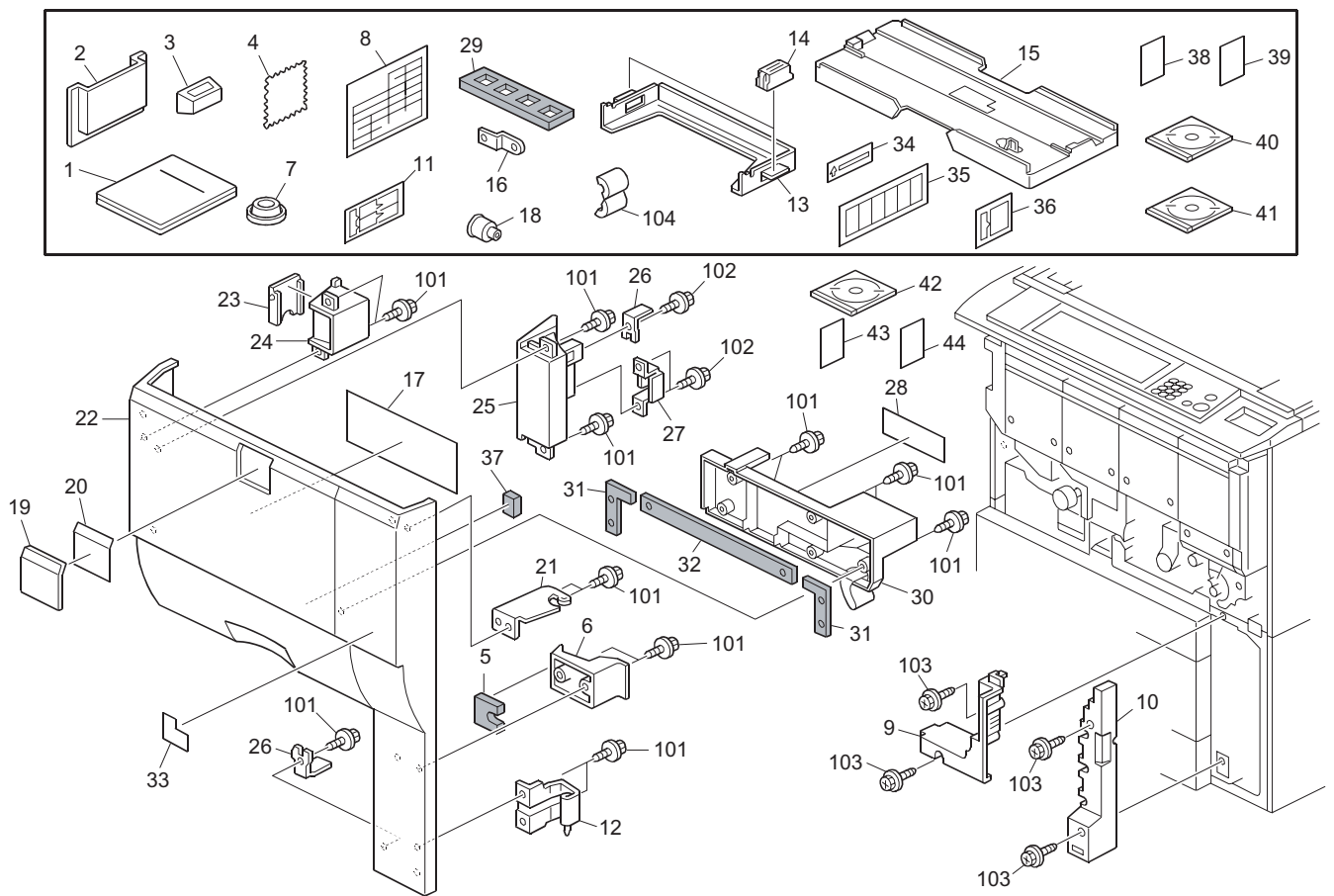
- (1) The parts handled as service parts are only those with their "QTY/PACK" column listed with a quantity other than "N/A***" or "SUPPLY".
Those parts with "N/A***" are listed only for the purpose of showing the mechanical construction, those listed with "SUPPLY" are handled only as a sales item, and therefore both types of parts are not supplied as service parts.
- (2) Orders for any parts which form a component of a semi-assembled unit are not acceptable.
Note: All the screws and nuts used are ISO standard.

3. REGION

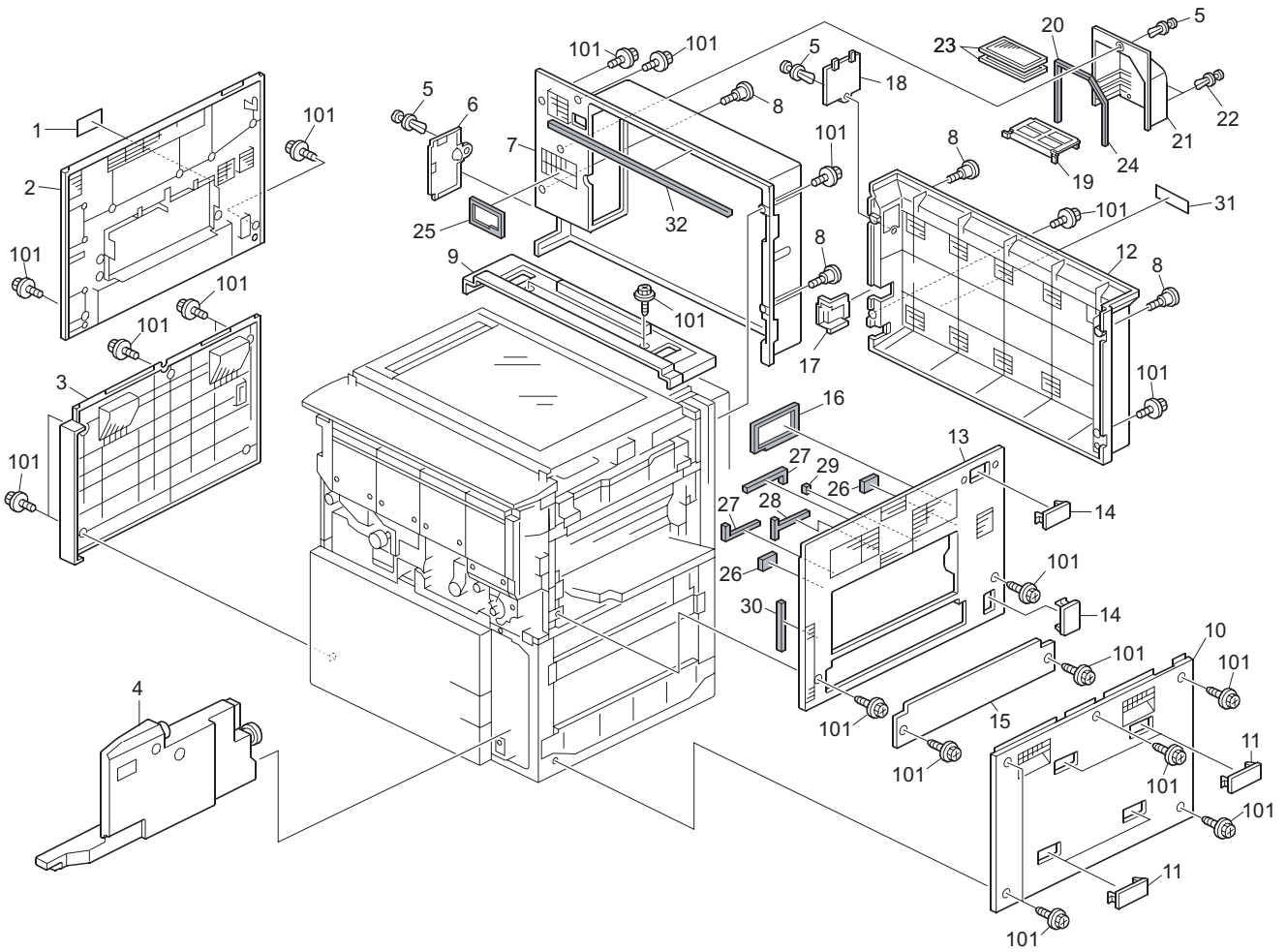
NAD.....115V	50/60Hz, NORTH AMERICA, SOUTH AMERICA
TWD.....110/220V	50/60Hz, TAIWAN
SAD.....127V/60Hz, SAUDI ARABIA	
ASD.....220-240V	50/60Hz, ASIA, SOUTH AMERICA, etc.
ASU.....220-240V	50/60Hz, ASIA, etc.
AUD.....220-240V	50/60Hz, AUSTRALIA
MJD.....220-240V	50/60Hz, EUROPE
CND.....220-240V	50/60Hz, CHINA
KRD.....220-240V	50/60Hz, KOREA

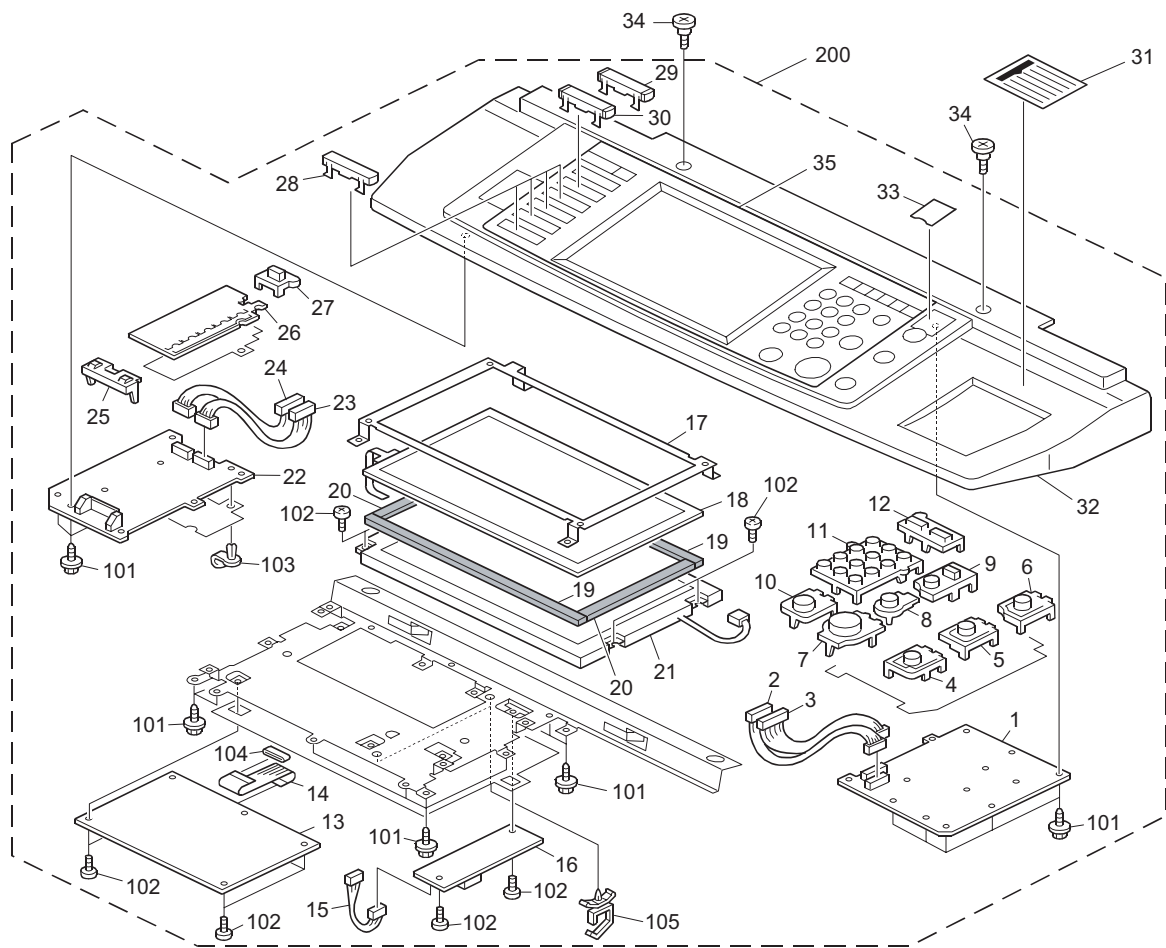
CONTENTS

Exterior 1	1	Paper Transfer 1	47
Exterior 2	2	Paper Transfer 2	48
Operation Panel	3	Fusing Unit 1	49
ARDF Exterior	4	Fusing Unit 2	50
ARDF Original Tray	5	Fusing Unit 3	51
Original Feed 1	6	Fusing Unit 4	52
Original Feed 2	7	Fusing Unit 5	53
Original Trans 1	8	Fusing Unit 6	54
Original Trans 2	9	Fusing Unit 7	55
Original Trans 3	10	Paper Exit 1	56
Original Exit 1	11	Paper Exit 2	57
Original Exit 2	12	Paper Exit 3	58
ARDF Drive & Electrical 1	13	Paper Exit 4	59
ARDF Drive & Electrical 2	14	Duplex Unit 1	60
ARDF Frame	15	Duplex Unit 2	61
Optics Section 1	16	Duplex Unit 3	62
Optics Section 2	17	Duplex Unit 4	63
Optics Section 3	18	Duplex Unit 5	64
Optics Section 4	19	Used Toner Section 1	65
Laser Unit	20	Used Toner Section 2	66
By-pass Feed 1	21	Drive Section 1	67
By-pass Feed 2	22	Drive Section 2	68
Tandem Tray 1	23	Drive Section 3	69
Tandem Tray 2	24	Drive Section 4	70
Tandem Tray 3	25	Drive Section 5	71
Universal Tray 1	26	Drive Section 6	72
Universal Tray 2	27	Electrical Section 1	73
Paper Registration 1	28	Electrical Section 2	74
Paper Registration 2	29	Electrical Section 3	75
Vertical Transport	30	Electrical Section 4	76
Toner Supply 1	31	Electrical Section 5	77
Toner Supply 2	32	Electrical Section 6	78
Toner Supply 3	33	Electrical Section 7	79
PCU 1	34	Electrical Section 8	80
PCU 2	35	Frame Section 1	81
PCU 3	36	Frame Section 2	82
Development Unit	37	Frame Section 3	83
Transfer Belt Unit 1	38	Frame Section 4	84
Transfer Belt Unit 2	39	Frame Section 5	85
Transfer Belt Unit 3	40	Decals and Documents 1	86
Transfer Belt Cleaning 1	41	Decals and Documents 2	87
Transfer Belt Cleaning 2	42	Decals and Documents 3	88
Transfer Cover	43	Decals and Documents 4	89
Transfer Entrance 1	44	Special Tools	90
Transfer Entrance 2	45		
Transfer Entrance 3	46		

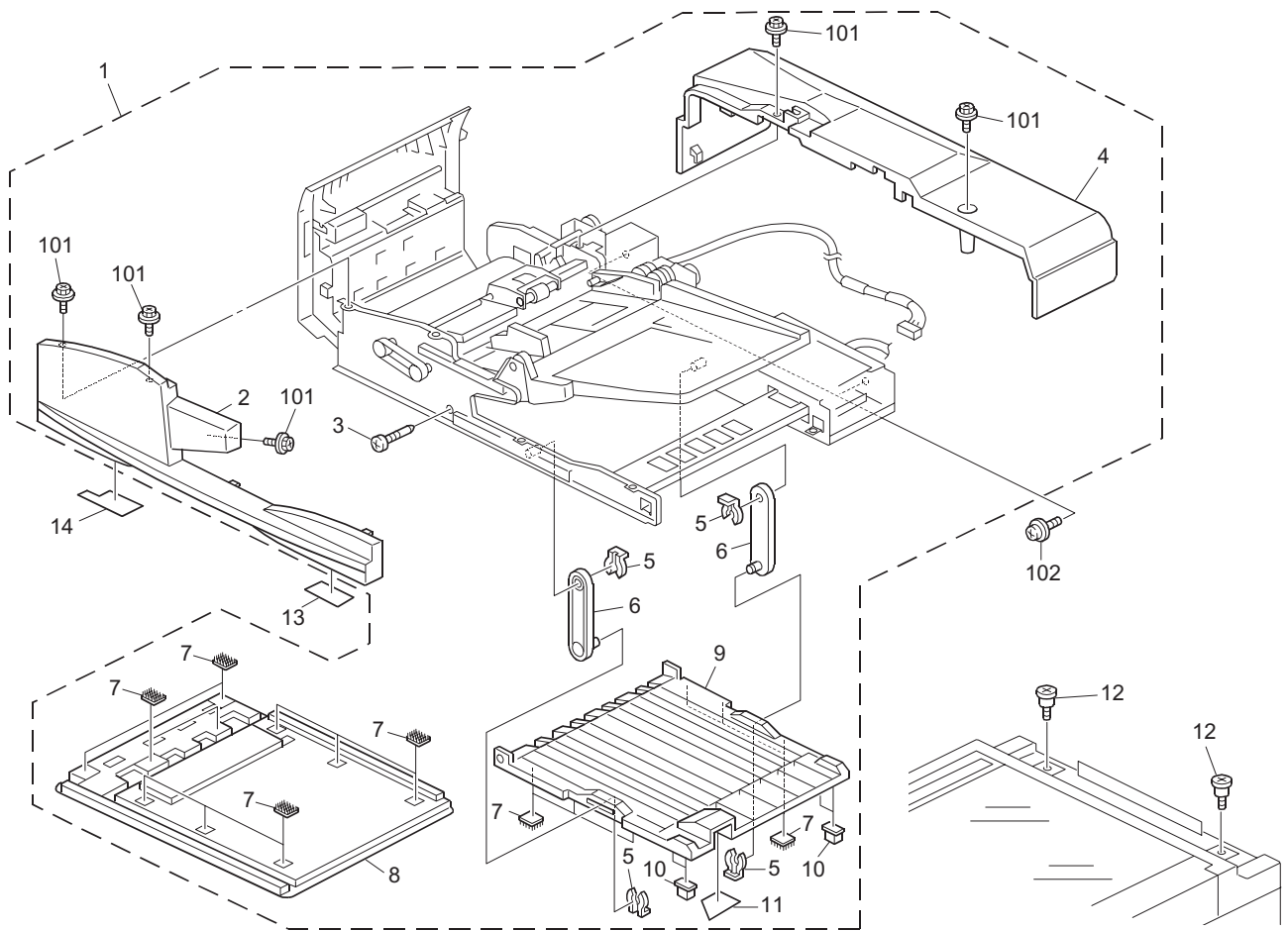


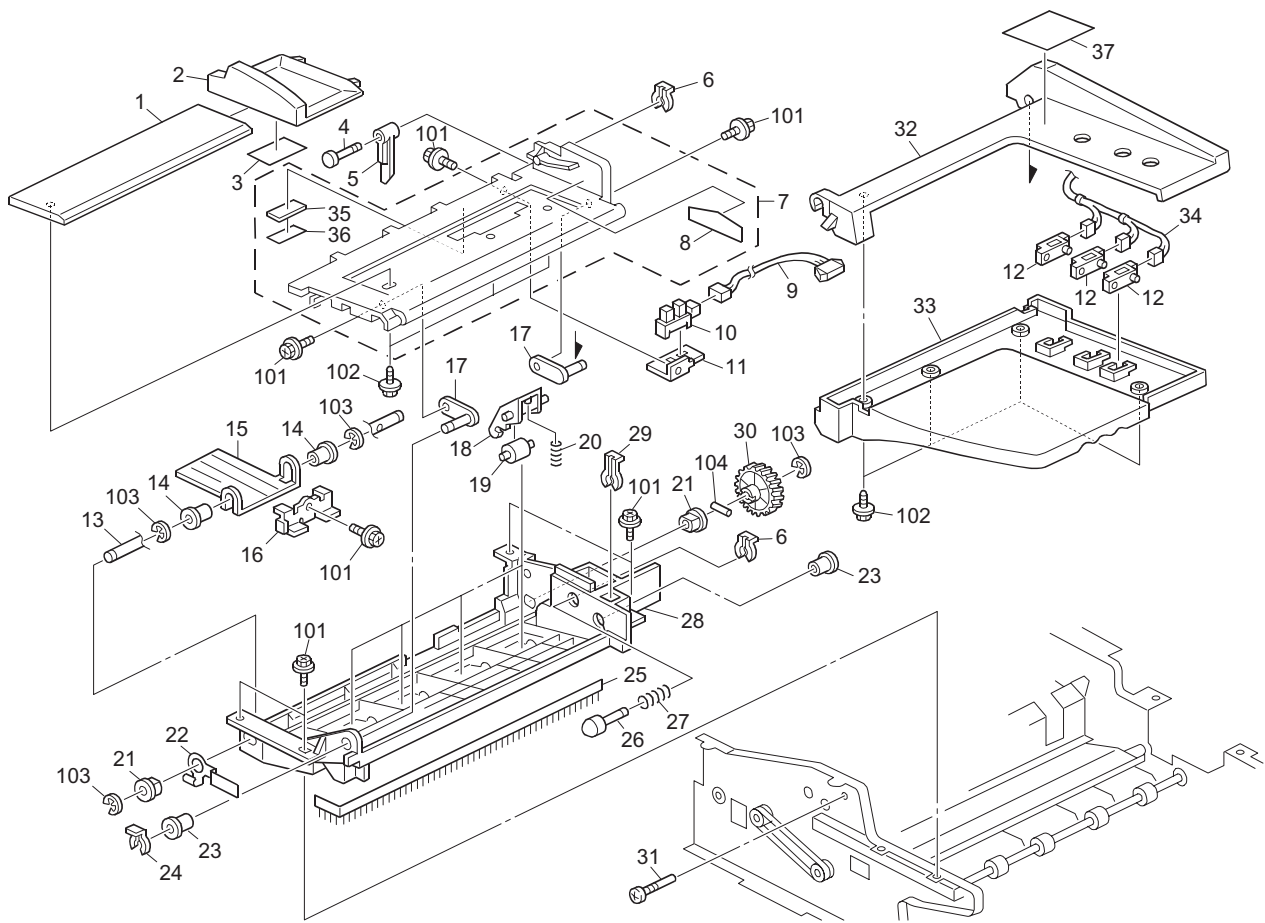
ITEM No.	PART No.	PART NAME	Q'TY / PAGE	Q'TY / PACK	REMARKS
1 A	D0157201	Manual:COPY_REF:TEC	1		
1 B	D0157203	Manual:ABOUT_MACHINE:TEC	1		
1 C	D0157205	Manual:TROUBLESHOOT:TEC	1		
2	B0278521	O/I Holder - Assembly	1		
3	B0651371	Cloth Holder	1		
4	B0651374	Cloth - DF Exposure Glass	1		
5	B1321529	Sponge:SD-Card:Plate	1		
6	B1321511	Lever:Guide Plate	1		
7	B1321226	Holder:Stand	2		
8	B2348510	Decal:Size Indication:Multi-Language:C3	1		
9	B1321558	Inner Cover:Paper Feed	1		
10	B1326761	Inner Cover:Paper Feed	1		
11	B0701307	Decal:Paper Set Direction	3		
12	D0141466	Hinge:Door:Lower:Ass'y	1		
13	B1322393	Tray:Holder:PCU	1		
14	AG071012	Magnet Catch:Ass'y	2		
15	D0143690	Holder:PCU:VC2	1		
16	D0143144	Adjusting Pin:Development	1		
17	D0141551	Decal:Misfeed Removal	1		
18	D0143135	Joint:Drive:Development Unit	1		
19	B1321531	Panel:Logo	1		
20 A	D0141548	Sheet:Logo:TEC:5530C	1		
20 B	D0151548	Sheet:Logo:TEC:7030C	1		
21	D0141455	Hinge:Door:Upper	1		
22	D0141501	Door:Front	1		
23	B1321512	Cover:Main Switch	1		
24	B1321513	Case:Main Switch	1		
25	B1321514	Grip:Door:Front	1		
26	B1321515	Lever:Micro Switch	2		
27	B1321526	Door Catch	1		
28	D0141560	Decal:Toner Supply	1		
29	B1323084	Holder:Cap:Receiving Sub-unit	1		
30	D0146961	Duct:Door:Front	1		
31	D0146975	Seal:Duct:Door:Front:Short	2		
32	D0146974	Seal:Duct:Door:Front:Long	1		
33	AA001477	Decal:Energy-star	1		
34	D0141571	Decal:Cleaning:Exposure Glass:TEC	1		
35	B6522379	Decal:Caution:Original:5-Lang	1		
36	B1321573	Decal - Power Source:Off	1		
37	D0146866	Seal:Door:Front	1		
38	D0147240	Sheet:Data:Design Sketch:TTEC:NA	1		
39	D0147244	Sheet:Data:Design Sketch:Plain:TTEC	1		
40	D0157246	CD-ROM:Ol>User:TEC:Ass'y	1		
41	D0157248	CD-ROM:Ol:Admin:TEC:Ass'y	1		
101	04504012N	Tapping Screw:4x12			
102	04504010N	Tapping Screw:M4x10			
103	04514008N	Tapping Screw:4x8			
104	16071461	Ferrite Core			



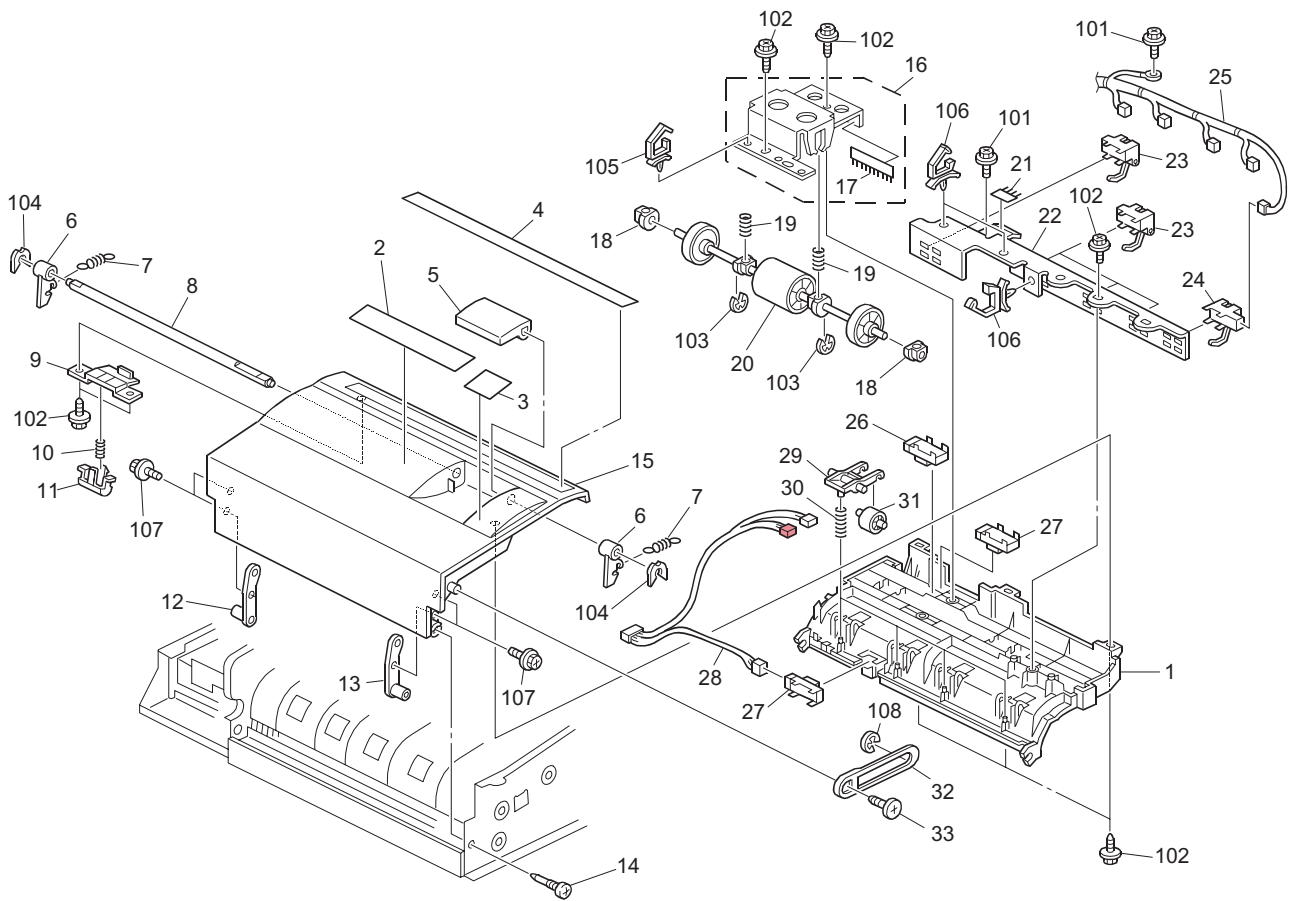


ITEM No.	PART No.	PART NAME	Q'TY / PAGE	Q'TY / PACK	REMARKS
1	D0091466	PCB:ALC1:OP-R:Sub-Ass'y	1		
2	D0091482	Harness:OP-L:12	1		
3	D0091483	Harness:OP-L:13	1		
4	B2381552	Keytop - Kantan	1		
5	B2381550	Keytop - Login	1		
6	B2381549	Keytop - Power Source	1		
7	B2381504	Keytop - Start	1		
8	B2381506	Keytop - Try Print	1		
9	B2381509	Keytop - Interrupt	1		
10	B2231520	Keytop - Clear/Stop	1		
11	D0147214	Keytop:10key:TTEC:NA	1		
12	B2381583	Keytop - Clear Modes	1		
13	D0145193	PCB:VC2:LCDC:TTE:Ass'y	1		
14	D0091487	Cable:FFC:TFT:LCD	1		
15	D0091484	Harness:Invertor	1		
16	D0091486	Invertor:TFT	1		
17	D0091504	Shadeing Plate:Touch Panel	1		
18	D0091488	Touch Panel:W-VGA:MA	1		
19	B2381535	LCD Spacer B	2		
20	B2381534	LCD Spacer A	2		
21	D0091489	LCD:TFT:W-VGA:SH	1		
22	B2231497	PCB:APC1:OP-L:Sub-Ass'y	1		
23	D0091481	Harness:OP-R:13	1		
24	D0091480	Harness:OP-R:10	1		
25	D0147223	Lens:Front	1		
26	B2381547	Spacer - Keytop	1		
27	B2381511	Keytop - Counter	1		
28	B2381518	Keytop - Blank	4		
29	B2231529	Keytop - Doc NA	1		
30	B2231528	Keytop - Copy NA	1		
31	D0141572	Decal:Caution Chart:Inkjet:Paper:TEC	1		
32	D0147227	Cover:Upper:V-C2:TTEC:NA	1		
33	D0147239	Sheet:Power Source:Display:TTEC	1		
34	52062684	Shoulder Screw - M3	2		
35	D0147256	Panel:Upper:TTEC:NA	1		
101	04503010N	Tapping Screw - M3x10			
102	03530060N	Bind Screw - M3x6			
103	11050032	Clamp			
104	16072053	Ferrite Core:E04FG210810			
105	11050582	Clamp:RBWS-0510D-V0			
200	D0147206	Operation Sub-unit:TTEC:NA:Ass'y	1		

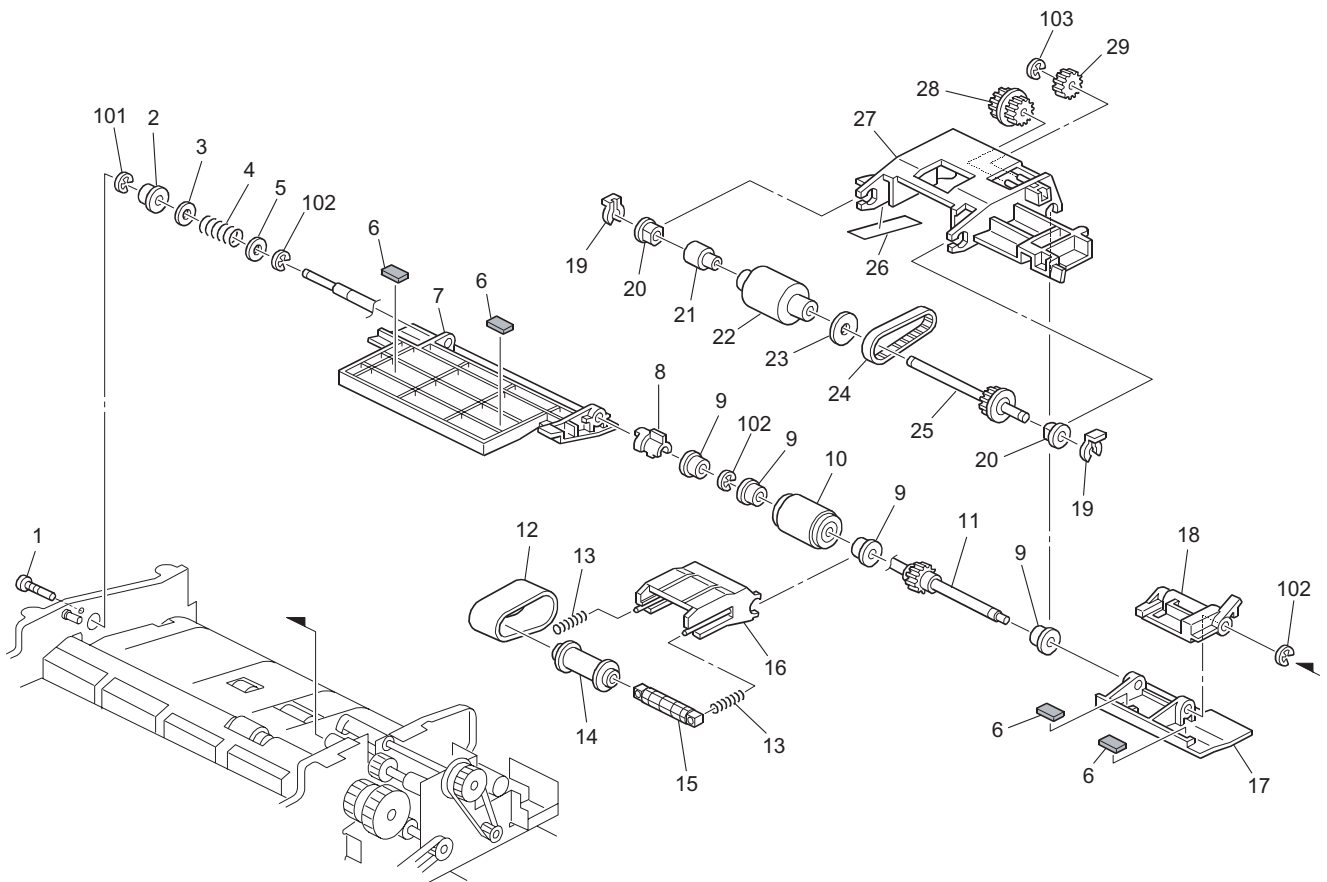


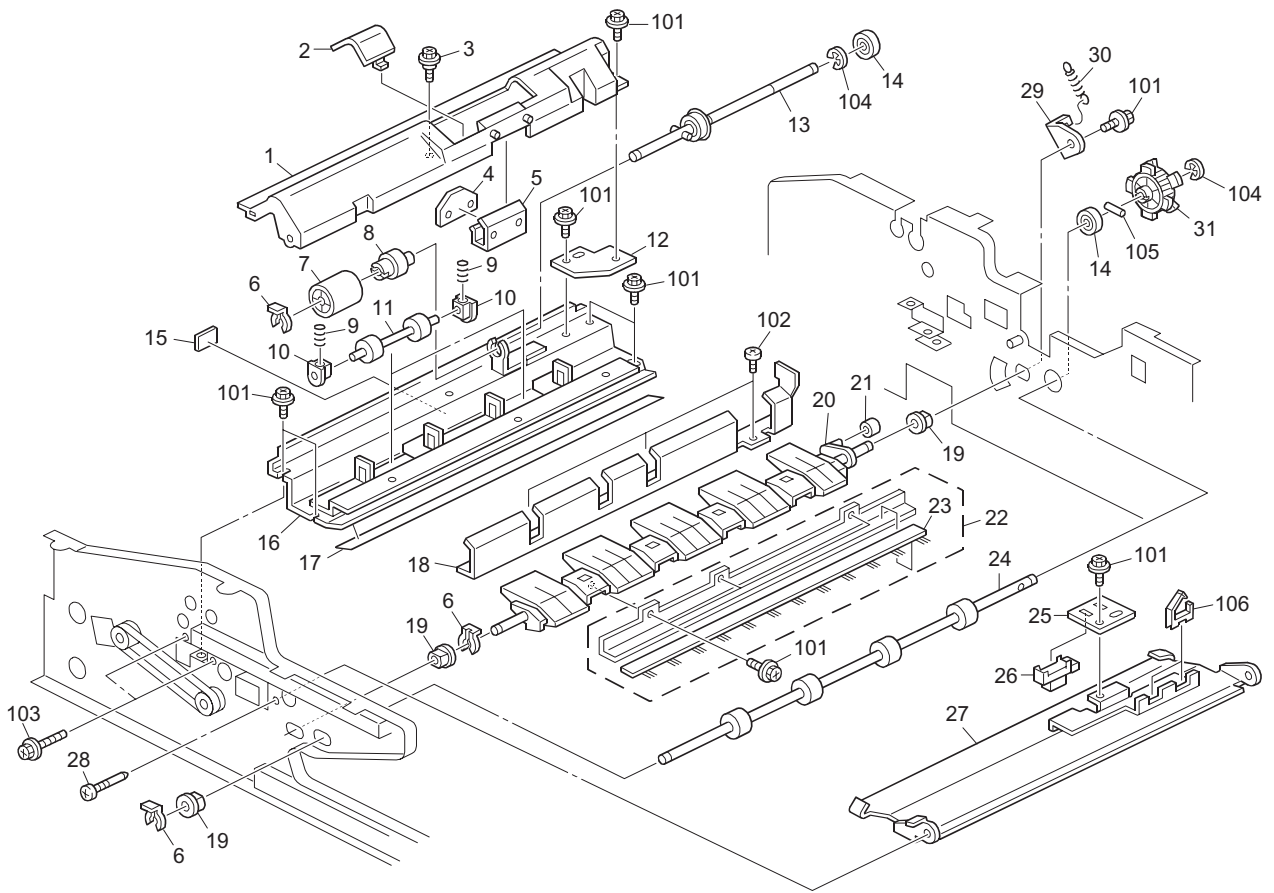


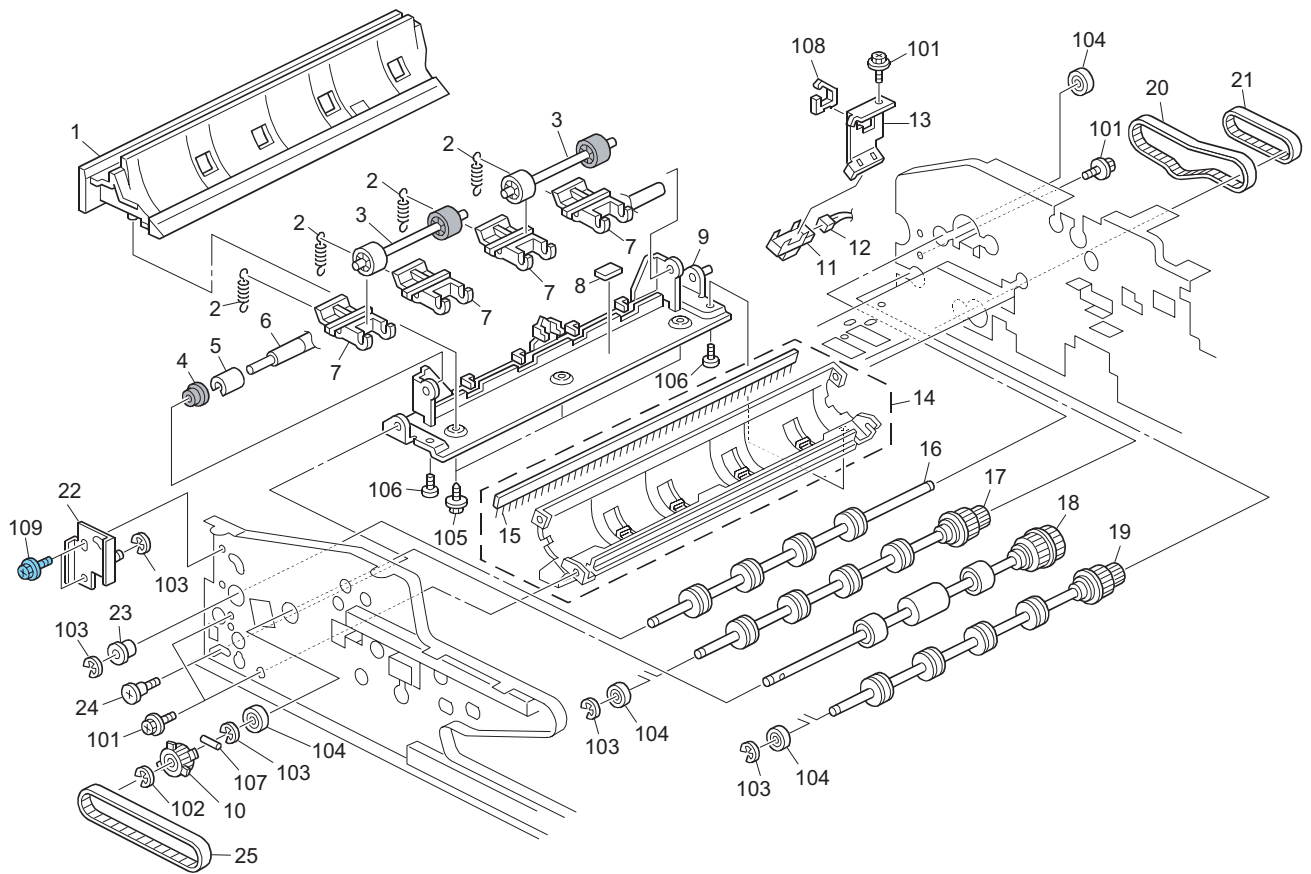
ITEM No.	PART No.	PART NAME	Q'TY / PAGE	Q'TY / PACK	REMARKS
1	G5644151	Rail - Side Fence	1		
2	B4772272	Table Side Fence	1		
3	A3764599	Side Fence Pad	1		
4	B4772286	Original Sensor Feeler Stud	1		
5	A8061351	Original Sensor Feeler	1		
6	52062686	Snap Ring	2		
7	B6522351	Base:Original Table:Ass'y	1		
8	B6522354	Decal:Base:Original	1		
9	B6525451	Harness:Original Sensor	1		
10	AW020141	Photointerruptor	1		
11	B4772281	Original Sensor Bracket	1		
12	AW010112	Photo Reflection Sensor:Original Table	3		
13	B6522333	Shaft:Rise:Base	1		
14	A6281225	Bushing - 8mm	2		
15	B6522334	Lever:Rise:Base	1		
16	B6522335	Bracket:Lever:Rise:Base	1		
17	B6522363	Shaft:Base:Rear:Ass'y	2		
18	B6522403	Arm:Roller:Reverse:Upper	4		
19	B3513752	Pressure Roller - Reverse	4		
20	B6522404	Compression Spring:3.1N	4		
21	50530223	Bushing - 8mm	2		
22	B6522323	Ground Plate:Shaft:Base	1		
23	B6522375	Bushing:Original Table	2		
24	54472681	Snap Ring	1		
25	A8593225	Discharge Brush	1		
26	B6522392	Stopper:Original Table	1		
27	B6522393	Compression Spring	1		
28	B6522322	Guide Plate:Reverse:Upper	1		
29	C1012360	Snap Ring	1		
30	D4122345	Gear:Z47:M0.8	1		
31	AA143789	Shaft:Cleaner	1		
32	B6522376	Original Table:Face Front	1		
33	B6522383	Original Table:Behind	1		
34	B6525436	Harness:Sensor:Original Table	1		
35	B4772263	Cushion:Base:Behind	1		
36	B4772264	Sheet:Cushion:Base	1		
37	D4124402	Decal:Set:Original Table	1		
101	04513006N	Tapping Screw - 3x6			
102	04503008N	Tapping Screw - M3x8			
103	07200060E	Retaining Ring - M6			
104	06320140G	Parallel Pin			

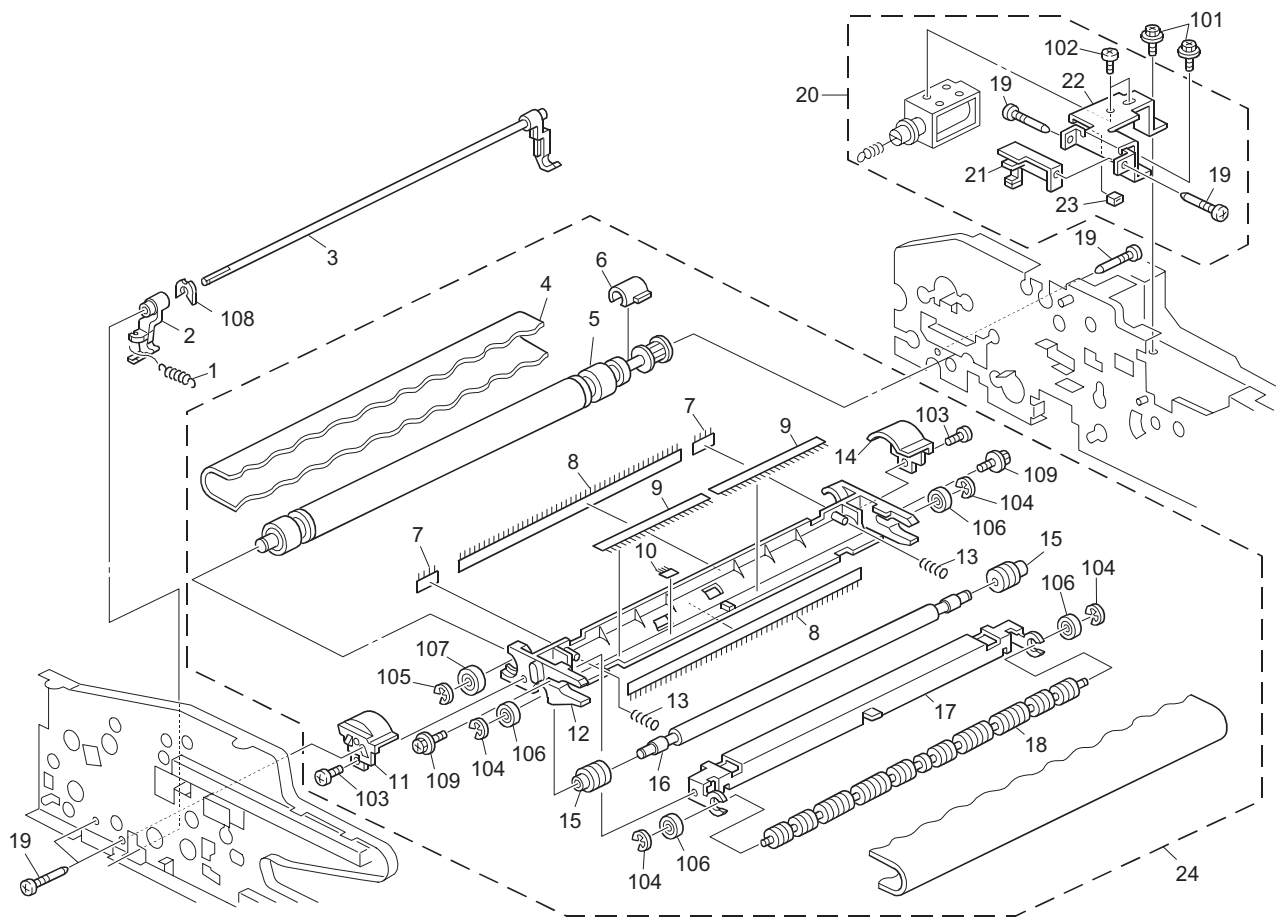


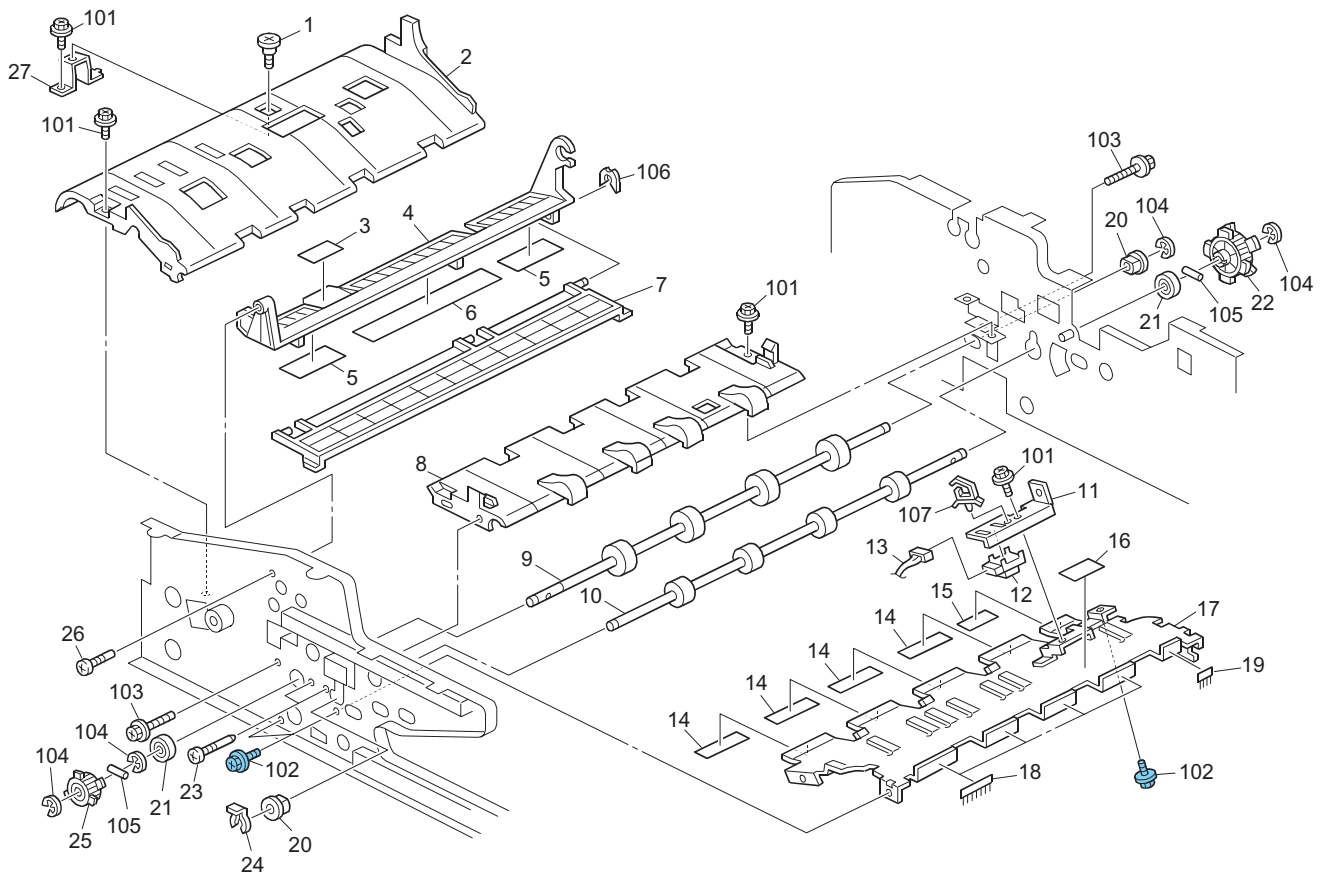
ITEM No.	PART No.	PART NAME	Q'TY / PAGE	Q'TY / PACK	REMARKS
1	B4772342	Guide:Paper Feed:Upper	1		
2	B6521811	Decal:Misfeed Removal:Paper Feed	1		
3	B6521812	Decal:Display Guidance	1		
4	B6521807	Decal:Size:Original	1		
5	B4771821	Paper Feed Cover Grip	1		
6	B4771825	Paper Feed Release Lever	2		
7	B4774117	Spring	2		
8	B4771831	Grip Shaft	1		
9	B6521822	Bracket:Pressure:Pickup	1		
10	B6521824	Compression Spring	1		
11	B6521823	Pressure Plate:Pickup	1		
12	B4771851	Rear Cover Bracket	1		
13	B4771841	Front Cover Bracket	1		
14	AA143788	Pin:Guide Plate:Paper Feed	1		
15	B4771791	Paper Feed Cover	1		
16	B6522362	Bracket:Pressure:Pull Out:Ass'y	1		
17	B6522516	Discharge Brush:Exit:L45	1		
18	AA080037	Bushing - 6mm	2		
19	B4774111	Spring	2		
20	B4772351	Driven Pull Out Roller	1		
21	A6972131	Antistatic Brush	1		
22	B6522523	Bracket:Paper Size Sensor	1		
23	AW020155	Photointerruptor:Paper Size Sensor	4		
24	AW020154	Photointerruptor:Entrance	1		
25	B6525412	Harness:Sensor:Connecting:Paper Size Sensor	1		
26	AW010107	Paper Feed Sensor	1		
27	AW010117	Paper Feed Sensor	2		
28	B6525418	Harness:Sensor:Connecting:Stopper Guide	1		
29	B4772373	Relay Roller Arm	4		
30	B6522505	Compression Spring	4		
31	B4772372	Driven Paper Feed Roller	4		
32	B6521816	Link:Stopper:Cover:Paper Feed	1		
33	AA143846	Tapping Screw:M3x6	1		
101	04513006N	Tapping Screw - 3x6			
102	04503008N	Tapping Screw - M3x8			
103	07200040E	Retaining Ring - M4			
104	08050089	Retaining Ring - M4			
105	11050487	Harness Clamp			
106	11050511	Harness Clamp - LWS-0306ZC			
107	04513008N	Tapping Screw - M3x8			
108	07200060E	Retaining Ring - M6			

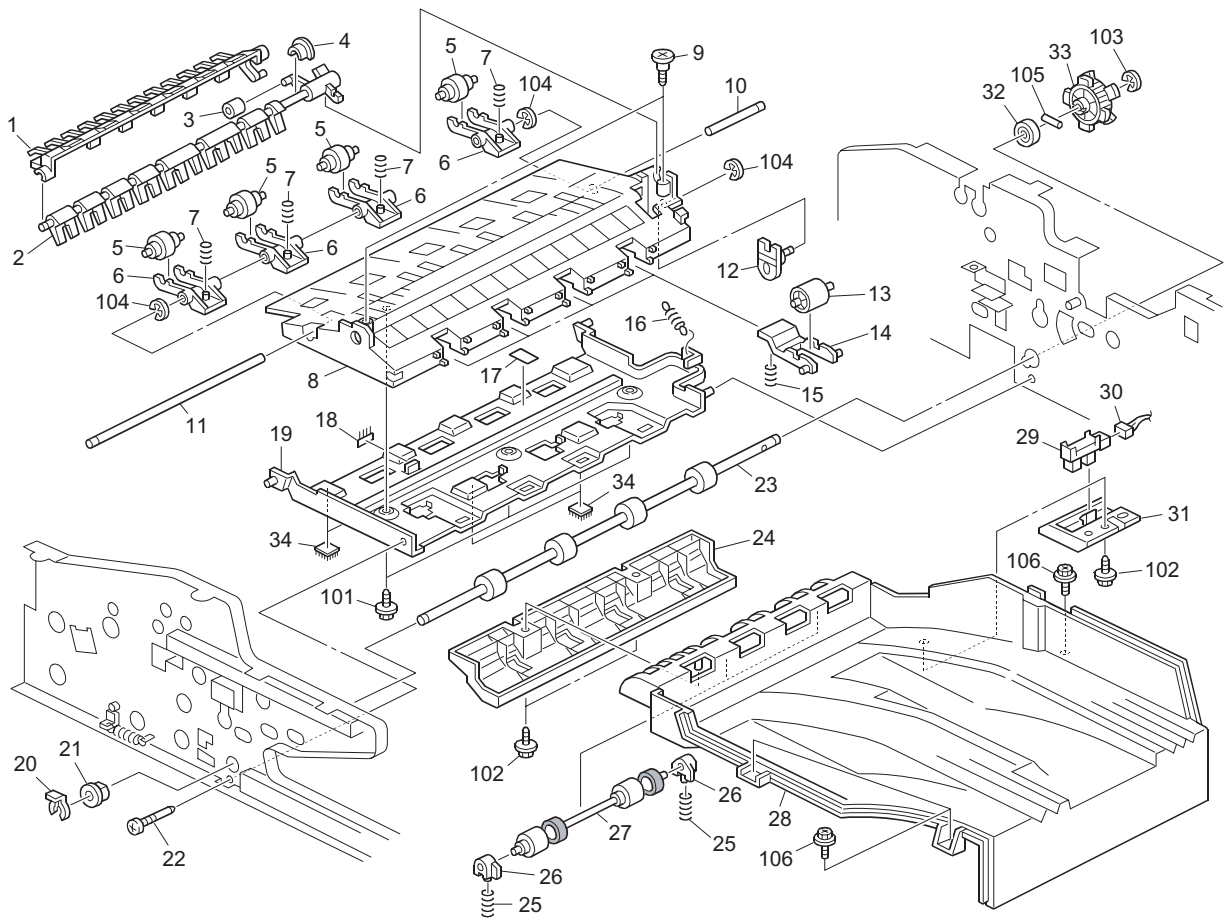




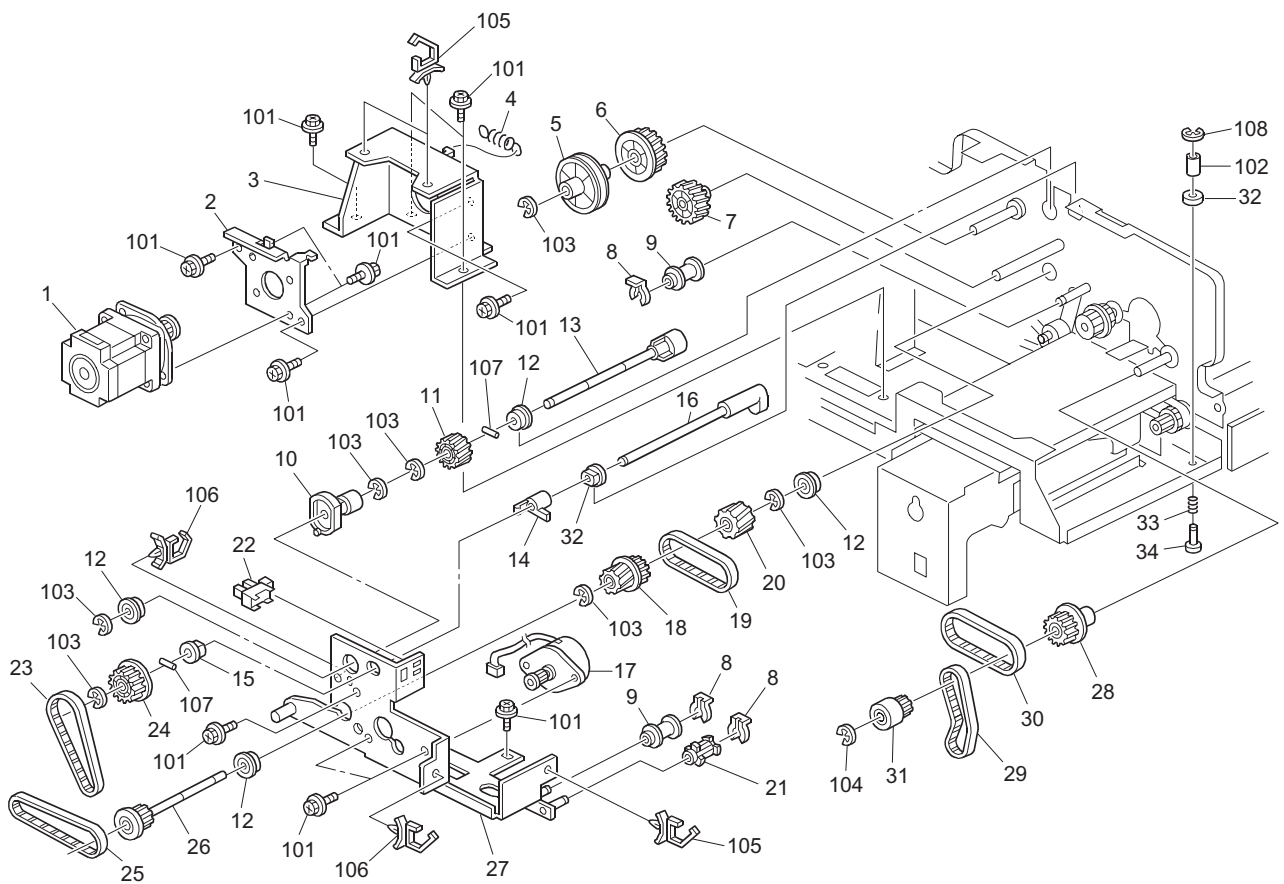




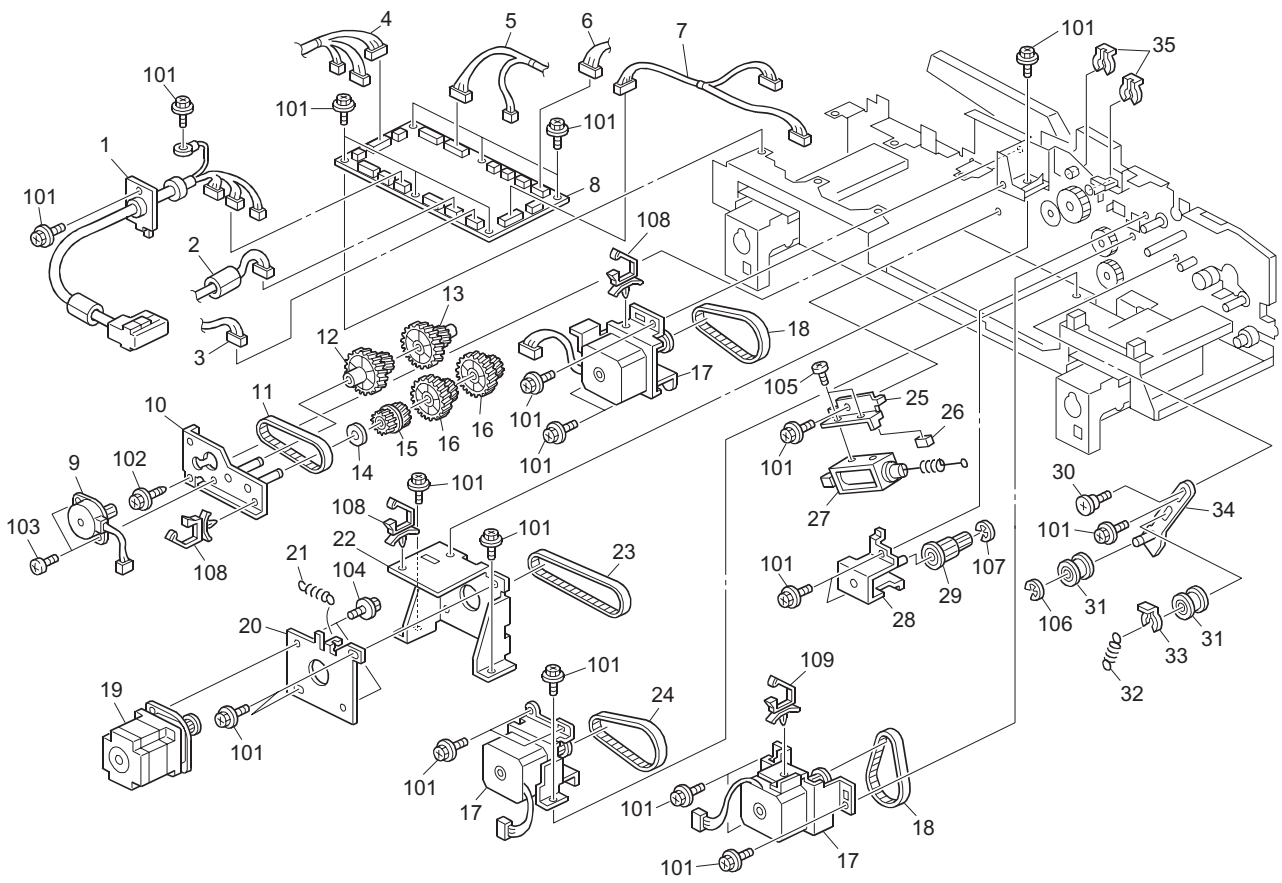




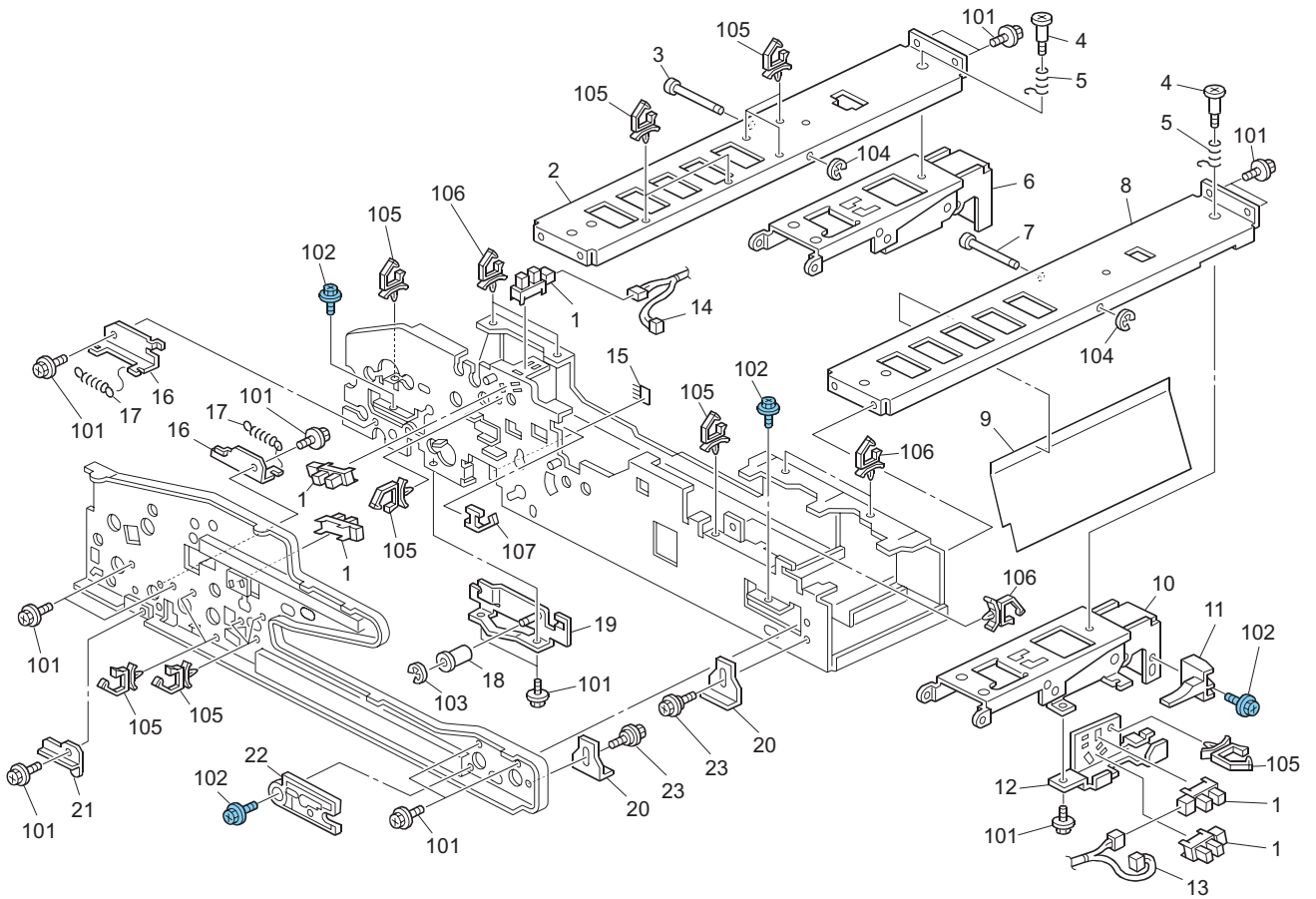
ITEM No.	PART No.	PART NAME	Q'TY / PAGE	Q'TY / PACK	REMARKS
1	B6524527	Gate Pawl:Reverse:Lower:Left	1		
2	B6524528	Gate Pawl:Reverse:Lower:Right	1		
3	A4582251	Cushion - Bin Solenoid Lever	1		
4	B6524520	Bushing:Reverse:Lower:Gate Pawl	1		
5	B6524519	Roller:Scanning:Exit:Driven	4		
6	B4772637	Driven Exit Arm	4		
7	B4774127	Exit Arm Spring	4		
8	B6524521	Guide Plate:Reverse:Lower	1		
9	AA143843	Screw:DIA6	2		
10	B4772645	Short Arm Shaft	1		
11	B4772641	Long Arm Shaft	1		
12	B6524529	Lever:Reverse:Lower	1		
13	B4772636	Driven Exit Scanning Roller	4		
14	B6524517	Arm:Pressure:Reverse:Lower	4		
15	B6524518	Compression Spring	4		
16	B6524530	Tension Spring	1		
17	A4221063	Seal - 0.7x13x20	1		
18	B4772621	Anti-static Brush	1		
19	B6524522	Bracket:Reverse:Lower	1		
20	54472681	Snap Ring	1		
21	50530447	Bushing - 6mm	1		
22	AA143788	Pin:Guide Plate:Paper Feed	1		
23	B6524726	Exit Roller	1		
24	B6524602	Guide Plate:Reverse:Lower:Fix	1		
25	B6521853	Compression Spring	4		
26	A8594836	Bushing- Exit Driven Roller	4		
27	B4772861	Driven Exit Roller	2		
28	B6521852	Cover:Exit	1		
29	AW010117	Paper Feed Sensor	1		
30	B6525456	Harness:Sensor:Reverse:Lower	1		
31	B6521854	Cover:Sensor:Reverse:Lower	1		
32	A8592230	Ball Bearing - 6x13x5	1		
33	B6524727	Timing Pulley:44T	1		
34	B4772715	Pressure Plate Tape	4		
101	04504008N	Tapping Screw - M4x8			
102	04503008N	Tapping Screw - M3x8			
103	07200040E	Retaining Ring - M4			
104	07200030E	Retaining Ring - M3			
105	06320120G	Parallel Pin - 2x12			
106	04513006N	Tapping Screw - 3x6			

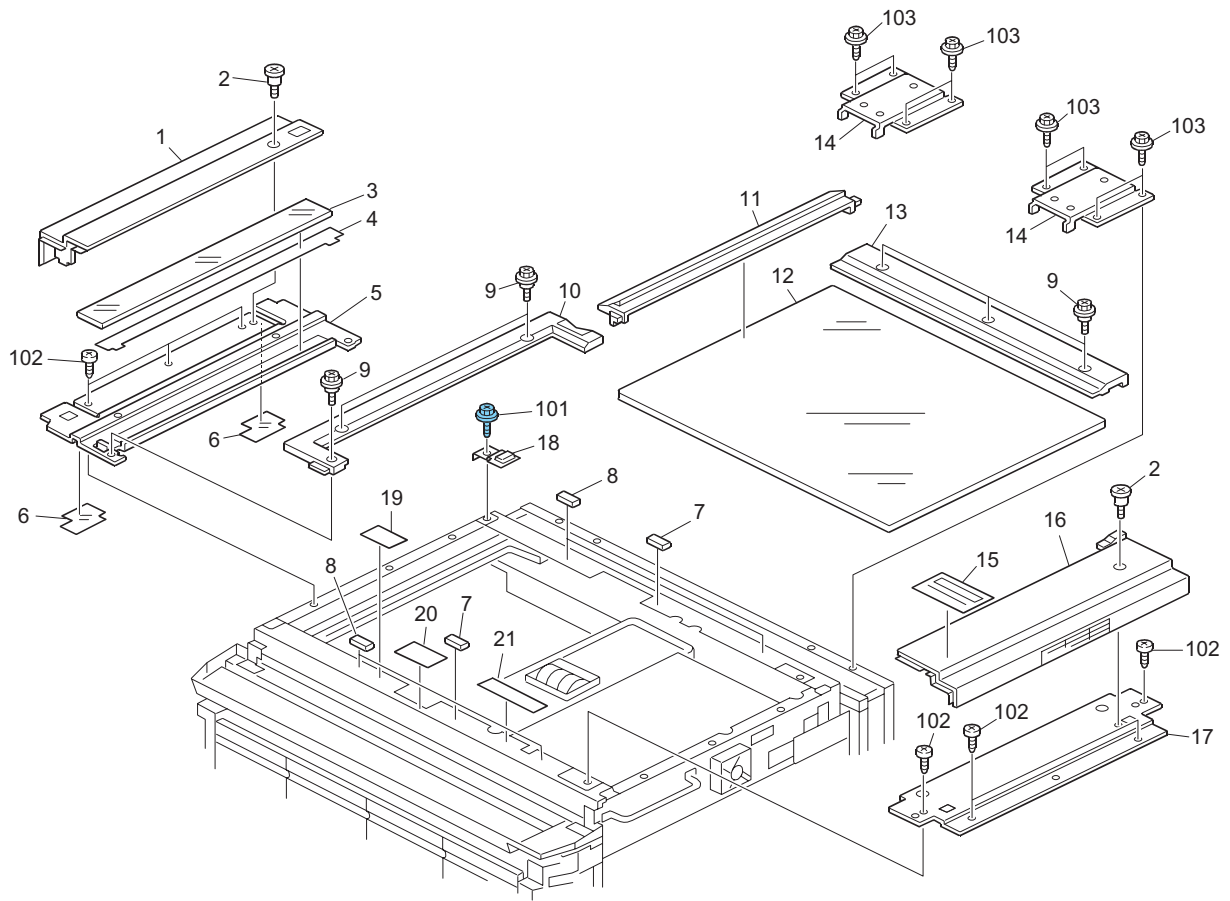


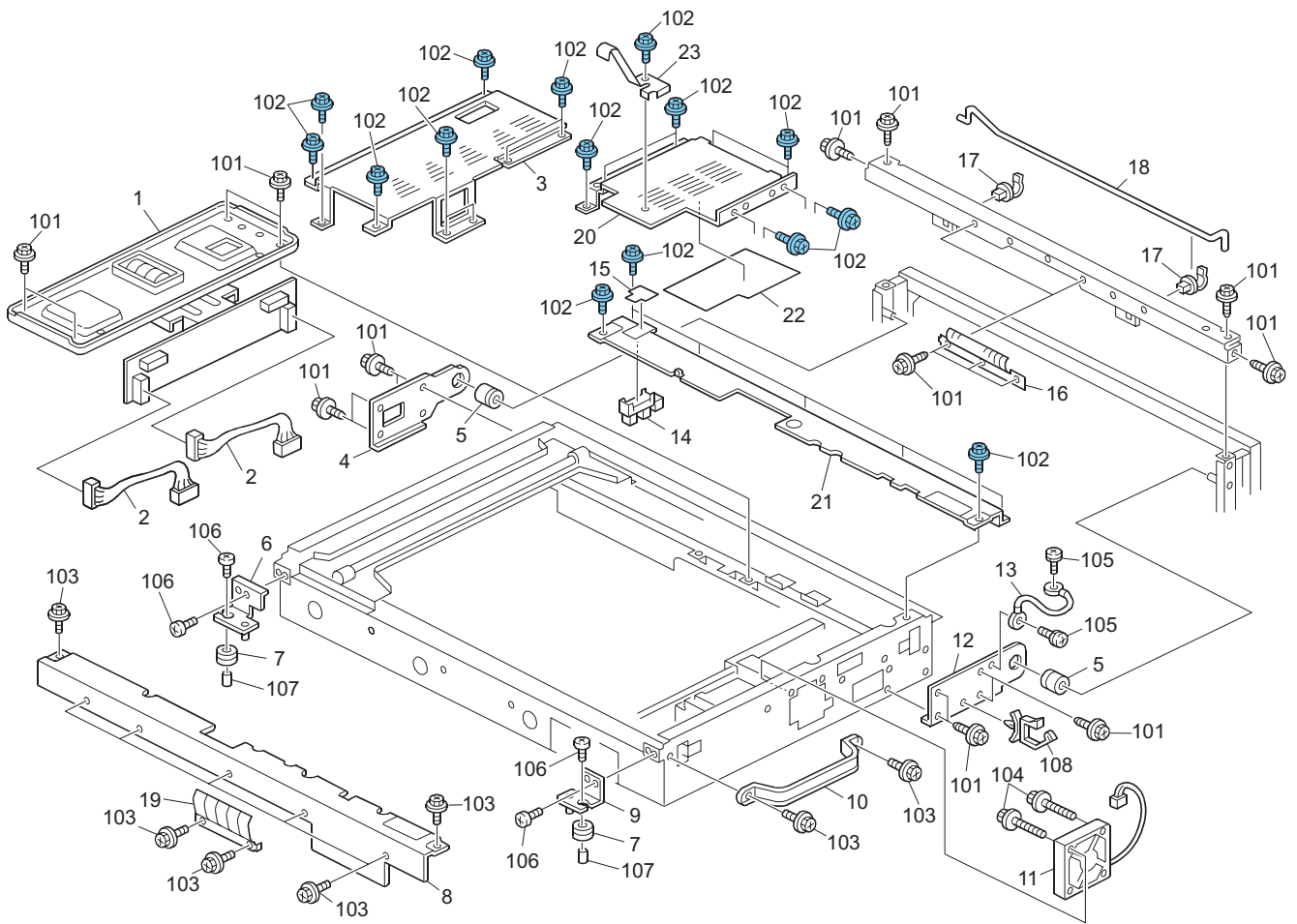
ITEM No.	PART No.	PART NAME	Q'TY / PAGE	Q'TY / PACK	REMARKS
1	B4773711	Paper Feed Motor - DC 7.4W	1		
2	B4773115	Paper Feed Motor Stay	1		
3	B4773111	Paper Feed Motor Bracket	1		
4	AA060842	Tension Spring	1		
5	B6521633	Spacer:Reverse Roller:Rear	1		
6	B4773164	Gear - 37Z	1		
7	B4773151	Gear - 31Z	1		
8	54472681	Snap Ring	3		
9	A5482139	Pulley	2		
10	B4772244	Stopper:Shaft:Separation	1		
11	B4773123	Gear - 24Z	1		
12	A8592230	Ball Bearing - 6x13x5	4		
13	B4773124	Shaft:Separation:Drive	1		
14	A6802262	Feeler - Pick-up Roller Cam	1		
15	50530447	Bushing - 6mm	1		
16	B4773251	Pick-up Roller Cam	1		
17	AX040139	Stepper Motor:MM42:0.95A:9.5V	1		
18	B4773144	Gear:Z20/T21:Input:Rear	1		
19	B6521643	Timing Belt:B40S3M186	1		
20	B4773142	Gear:Z23:Input:Front	1		
21	B4773177	Pulley	1		
22	AW020141	Photointerruptor	1		
23	B6521773	Timing Belt:B40S2M178	1		
24	B3012141	Pulley - 39Z	1		
25	B6521613	Timing Belt:B60S2M212	1		
26	B4773145	Pulley	1		
27	B4773181	Paper Feed Drive Bracket	1		
28	B4773172	Timing Pulley:T23:S3M	1		
29	B6521674	Timing Belt:B40S2M170	1		
30	B6521673	Timing Belt:B40S3M180	1		
31	B4773174	Timing Pulley:T26:S2M	1		
32	A6972102	Damper - Junction Gate Solenoid	1		
33	B6521134	Compression Spring	1		
34	B6521133	Shaft:Slider	1		
35	AA082101	Bushing - 6x10x6	1		
101	04513006N	Tapping Screw - 3x6			
102	07074060N	Bushing:DIA4x6			
103	07200040E	Retaining Ring - M4			
104	07200060E	Retaining Ring - M6			
105	11050487	Harness Clamp			
106	11050511	Harness Clamp - LWS-0306ZC			
107	06320120G	Parallel Pin - 2x12			
108	07200030E	Retaining Ring - M3			

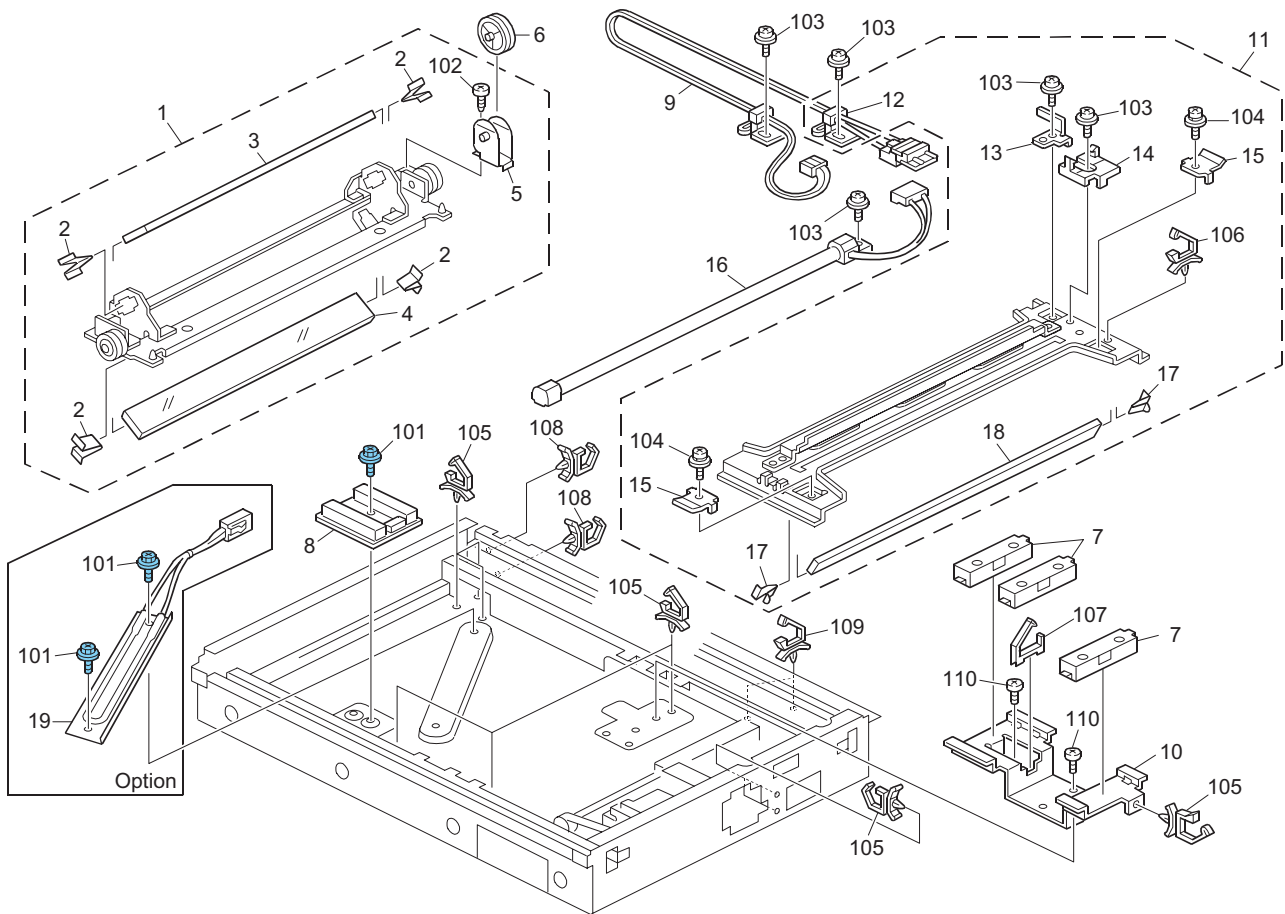


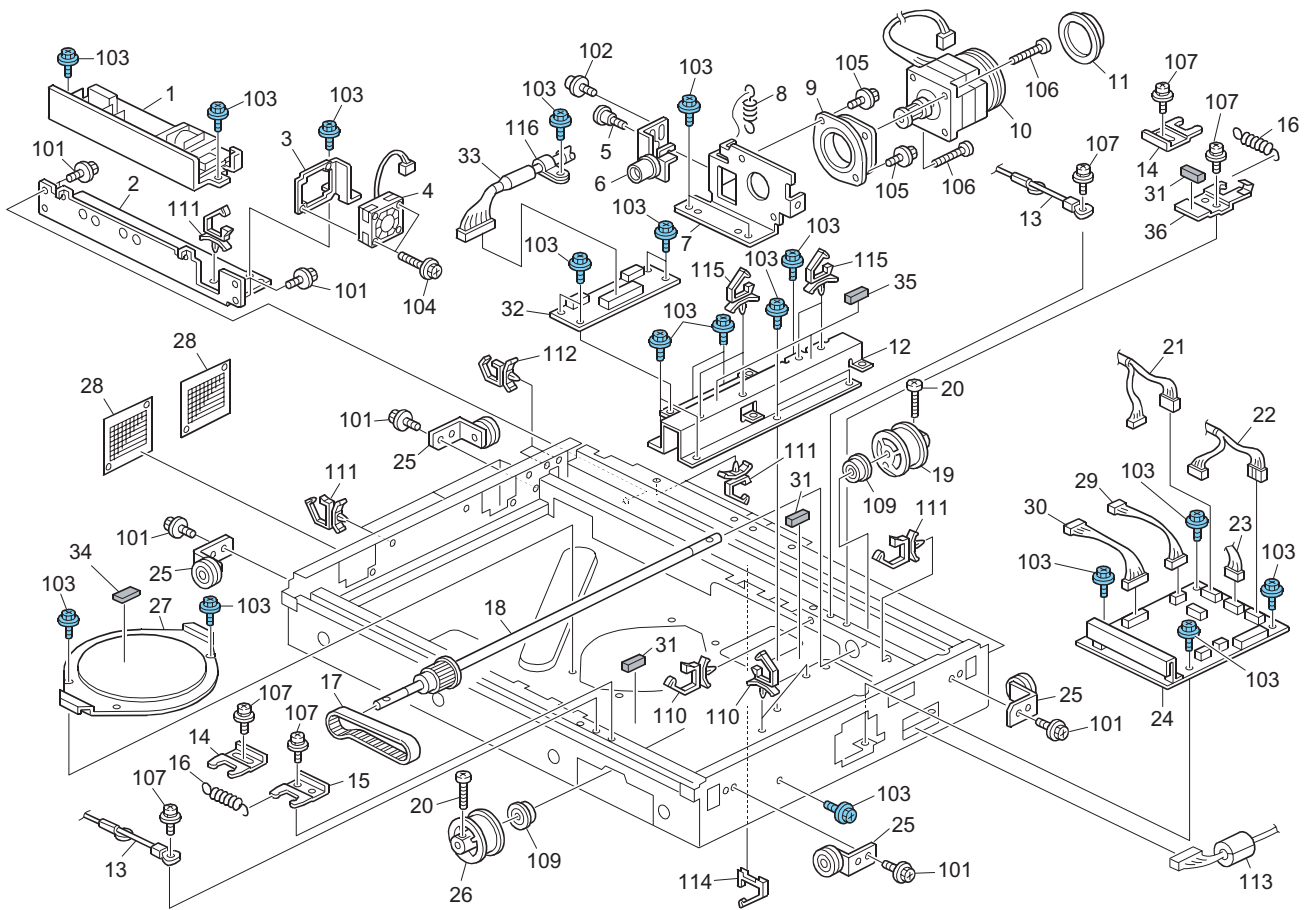
ITEM No.	PART No.	PART NAME	Q'TY / PAGE	Q'TY / PACK	REMARKS
1	B4775751	Interface Harness	1		
2	B6525422	Harness:Motor:Exit	1		
3	B6525426	Harness:Solenoid:Reverse	1		
4	B6525406	Harness:Paper Size Sensor	1		
5	B6525401	Harness:Original Sensor	1		
6	B6525441	Harness:Motor:Pick Up	1		
7	B4775691	Paper Feed Motor Harness	1		
8	B6525505	PCB:Main Control:Ass'y	1		
9	B6522911	Stepper Motor:Base:Rise:Ass'y	1		
10	B6522343	Bracket:Motor:Base:Ass'y	1		
11	B7004428	Timing Belt:B40S2M158	1		
12	D4122348	Gear:Z20/Z47:M0.8:Right:Rear	1		
13	D4122346	Gear:Z20/Z47:M0.8:Right:Front	1		
14	AA132152	Spacer - 8x20x1	1		
15	D4122349	Timing Pulley:T30/Z20:S2M/M0.8	1		
16	D4122347	Gear:Z20/Z47:M0.8:Left:Rear	2		
17	B6524772	DC Stepper Motor:Exit:2.1W	3		
18	B6524728	Timing Belt:B40S2M138	2		
19	B4773721	Scanning Motor- DC 7.4W	1		
20	B6523211	Bracket:Stepper Motor	1		
21	AA060991	Tension Spring:Tension:Transport	1		
22	B6523215	Guide Plate:Stepper Motor	1		
23	B6521721	Timing Belt:B60S2M280	1		
24	B6524153	Timing Belt:B40S2M230	1		
25	B6524223	Bracket:Solenoid:Reverse:Upper	1		
26	A6972102	Damper - Junction Gate Solenoid	1		
27	B6524222	DC Solenoid:Ass'y	1		
28	B6521781	Bracket:Shaft:Scanning:Ass'y	1		
29	B4773217	Pulley	1		
30	AA143791	Screw:Safety	1		
31	B4773175	Pulley	2		
32	B6523174	Tension Spring	1		
33	52152621	Snap Ring - M6	1		
34	B6523231	Belt Tensioner:Ass'y	1		
35	54472681	Snap Ring	2		
101	04513006N	Tapping Screw - 3x6			
102	04503008N	Tapping Screw - M3x8			
103	03530050N	Screw-M3x5			
104	04514006N	Tapping Screw - 4x6			
105	03530040N	Screw - M3x4			
106	07200060E	Retaining Ring - M6			
107	07200040E	Retaining Ring - M4			
108	11050487	Harness Clamp			
109	11050511	Harness Clamp - LWS-0306ZC			



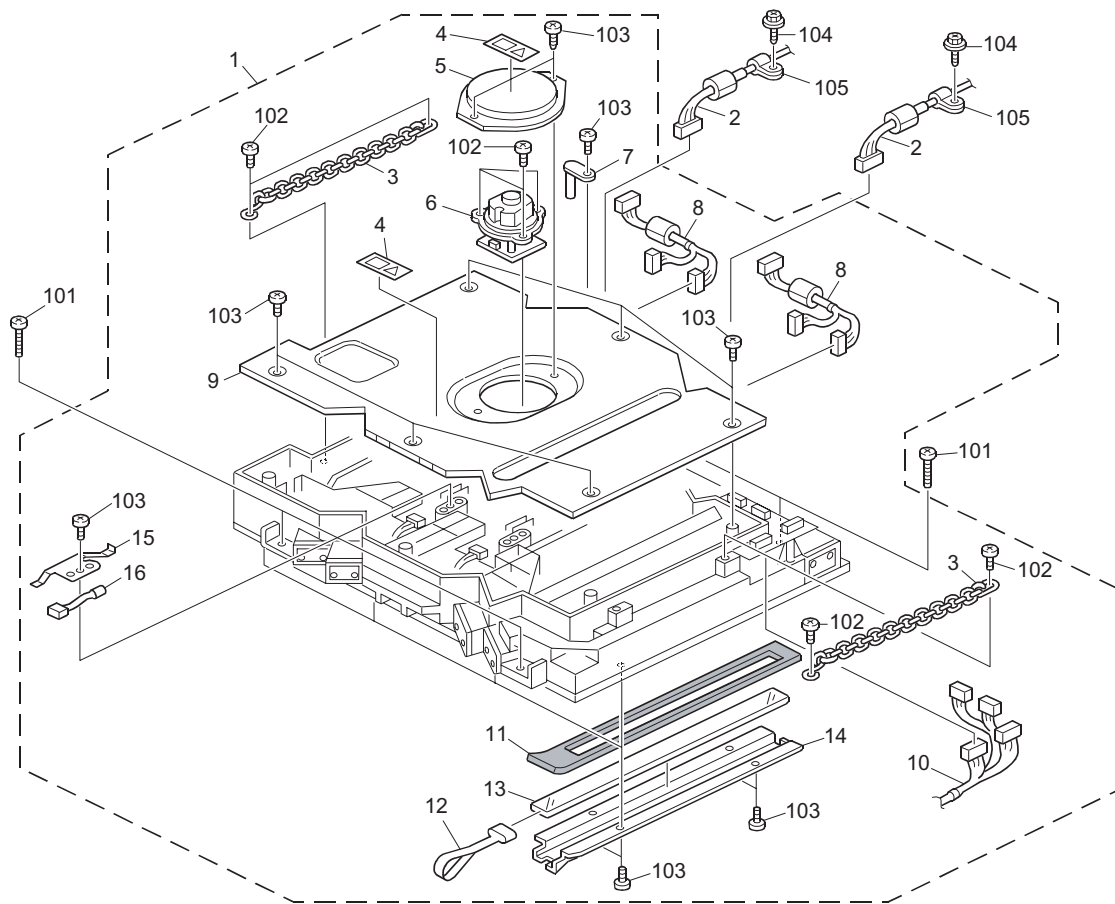


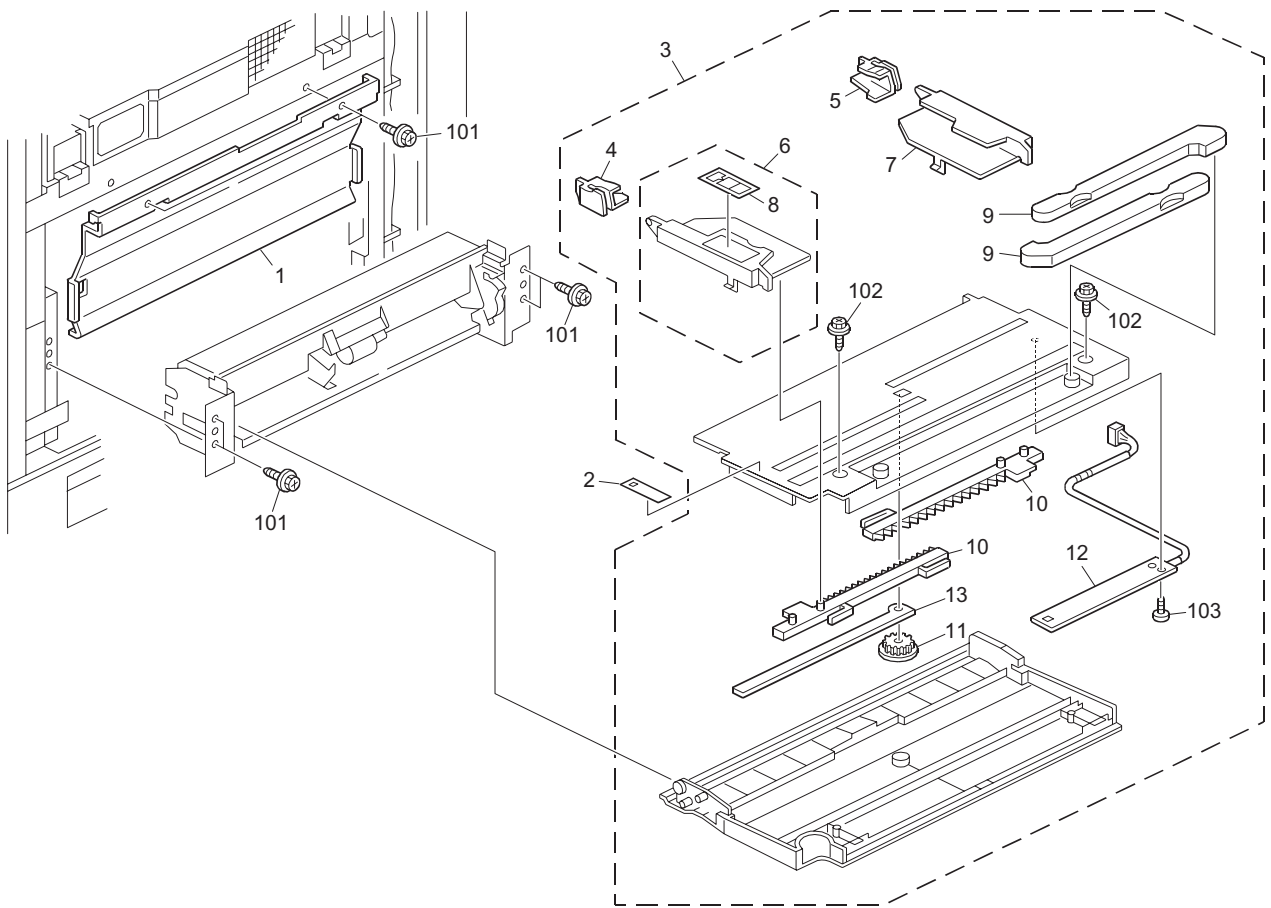


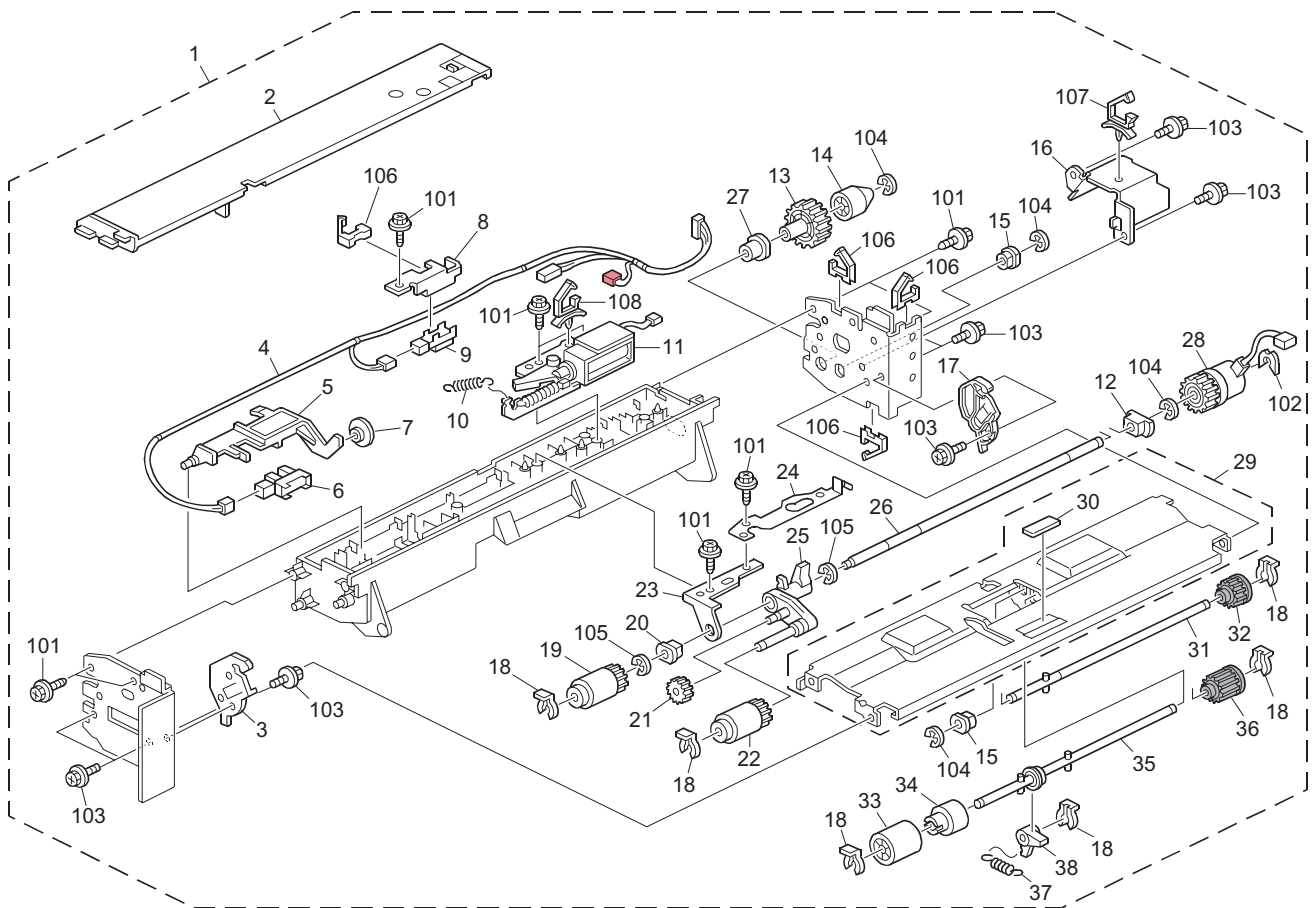




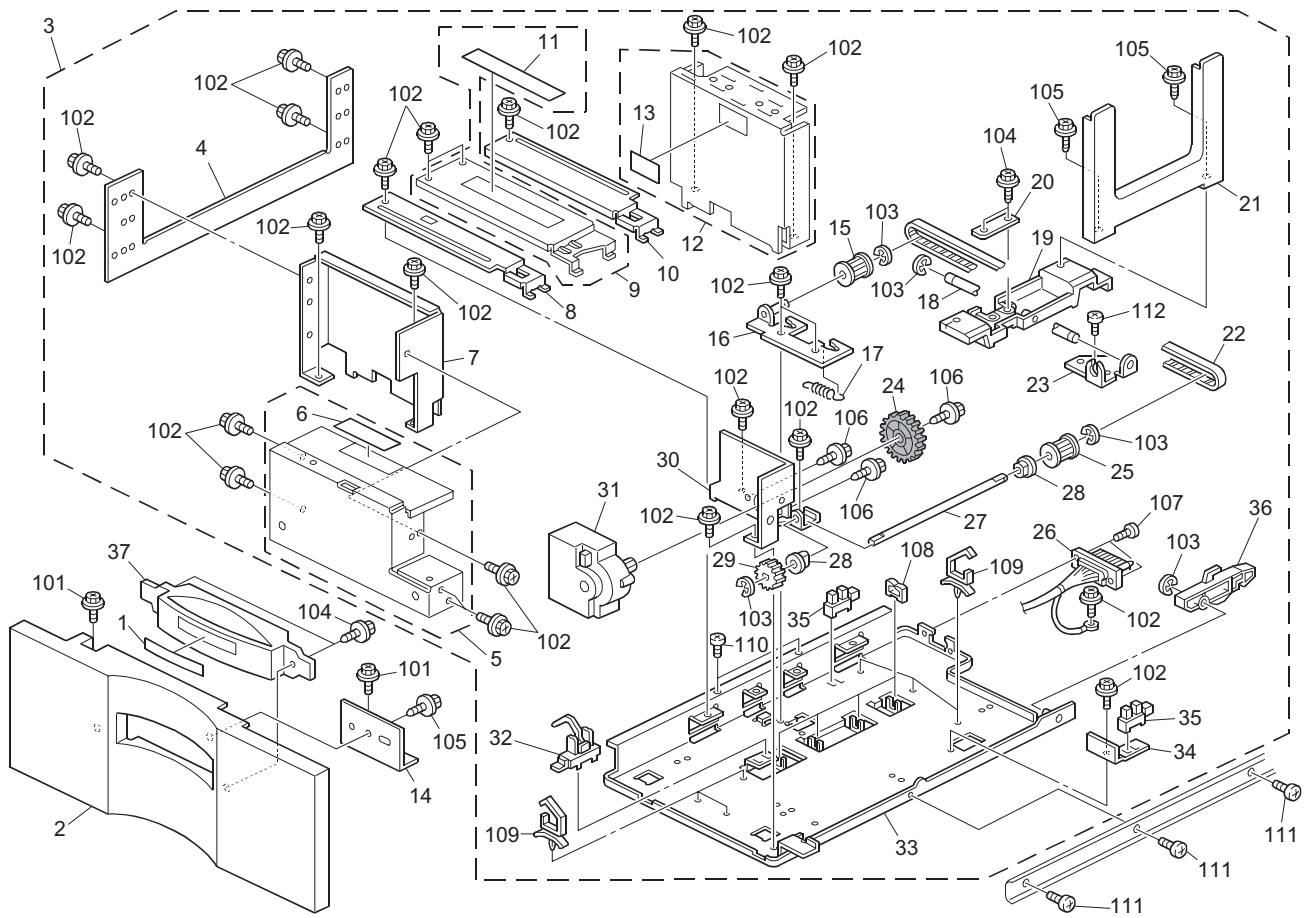
ITEM No.	PART No.	PART NAME	Q'TY / PAGE	Q'TY / PACK	REMARKS
1	AZ500075	Stabilizer	1		
2	B1321851	Bracket:Invertor	1		
3	B1321852	Bracket:Fan:MM40:Invertor	1		
4	AX640149	Fan Motor:MM40:15mm	1		
5	AA143802	Screw:6x1.7	1		
6	B1321710	Pulley:Tension:Timing Belt:Ass'y	1		
7	B1321702	Bracket:Motor	1		
8	G0294150	Pressure Spring	1		
9	A1341724	Cushion - Stepper Motor	1		
10	D0141703	Stepper Motor:DC1.98V 7.13W	1		
11	B1321714	Cover:Damper	1		
12	D0141716	Cover:Shaft	1		
13	B1321729	Drive Wire:Scanner	2		
14	B1321724	Bracket:Tension	2		
15	B1321725	Bracket:Tension:Fix	1		
16	B1321723	Spring:Drive Were	2		
17	AA043314	Timing Belt:100S2M266	1		
18	B1321720	Pulley:40T	1		
19	AB032070	Pulley	1		
20	B1321719	Screw:Mechanical Drive Section	2		
21	D0145306	Harness:SIOB:VBCU	1		
22	D0145302	Harness:SIOB:Fan:Lamp	1		
23	D0145300	Harness:SIOB:Original Sensor	1		
24	D0145494	PCB:SIOB	1		
25	B1321671	Bracket:Pulley	4		
26	AB032069	Pulley	1		
27	B1321675	Cover:Polygon Mirror Motor	1		
28	D0141876	Filter:Scanner	2		
29	D0145303	Harness:SBU	1		
30	D0145304	Harness:SBU:Power Source	1		
31	D0141744	Gasket:MM10x20	3		
32	D0145486	PCB:SCNB	1		
33	D0145305	Interface Cable:Scanner:Image Processing Unit	1		
34	D0141748	Gasket:Shading Plate	1		
35	D0141747	Gasket:Cover:Shaft	2		
36	D0141722	Bracket:Tension:Inner Back:Peen	1		
101	04513006N	Tapping Screw - 3x6			
102	09513006N	Screw - M3x6			
103	04543006Q	Tapping Screw - M3x6			
104	04513020N	Tapping Screw:3x20			
105	04514008N	Tapping Screw:4x8			
106	03140120N	Screw - M4x12			
107	09544008N	Screw - M4x8			
108	04514025N	Tapping Screw:M4x25			
109	08053368	Ball Bearing - 8x16x5MM			
110	11050487	Harness Clamp			
111	11050516	Clamp			
112	11050511	Harness Clamp - LWS-0306ZC			
113	16071574	Ferrite Core:RFC-H13			
114	11050518	Edge Saddle - LES-1010			
115	11050487	Harness Clamp			
116	11050559	Clamp:EMT-5N			



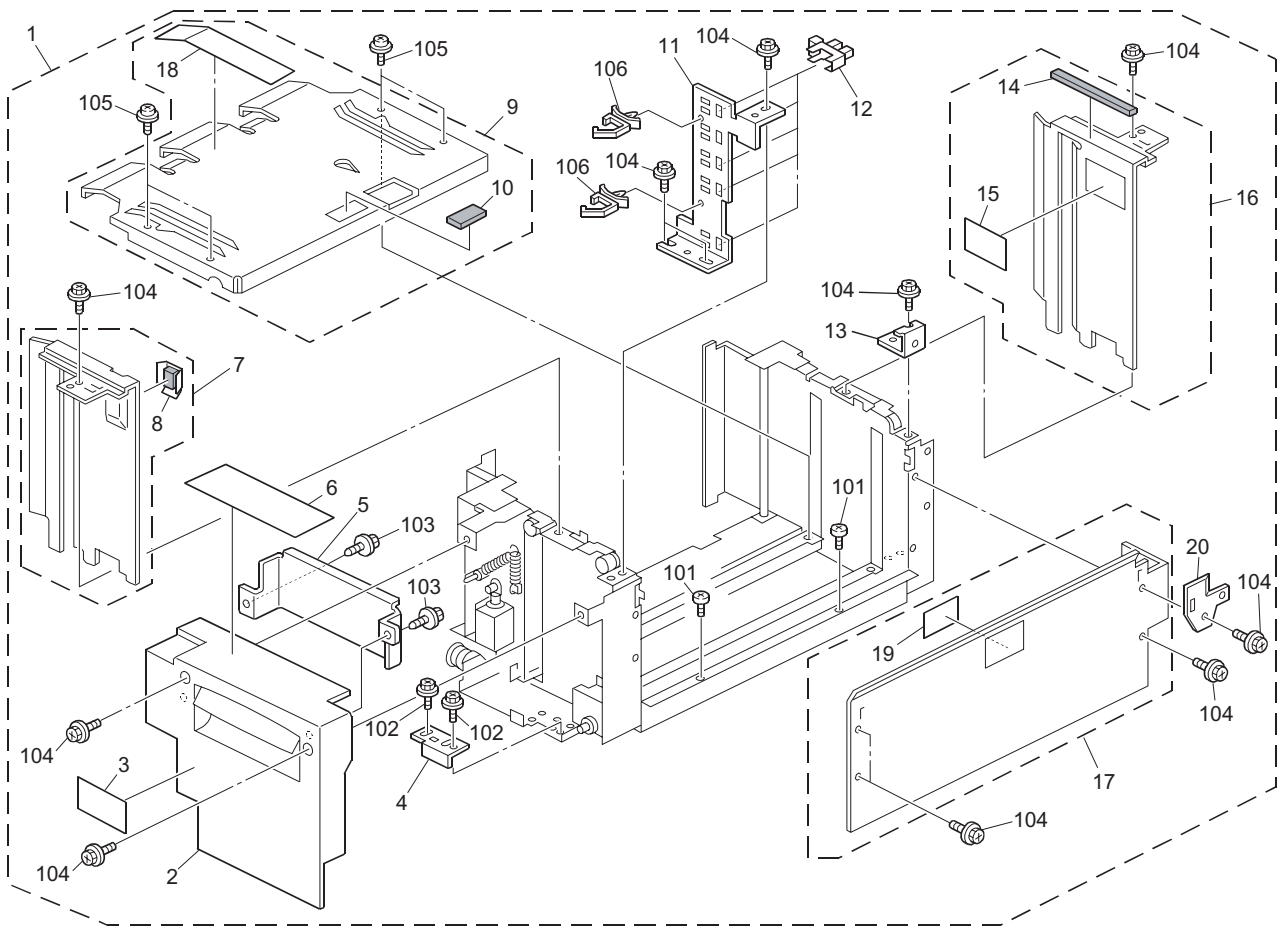




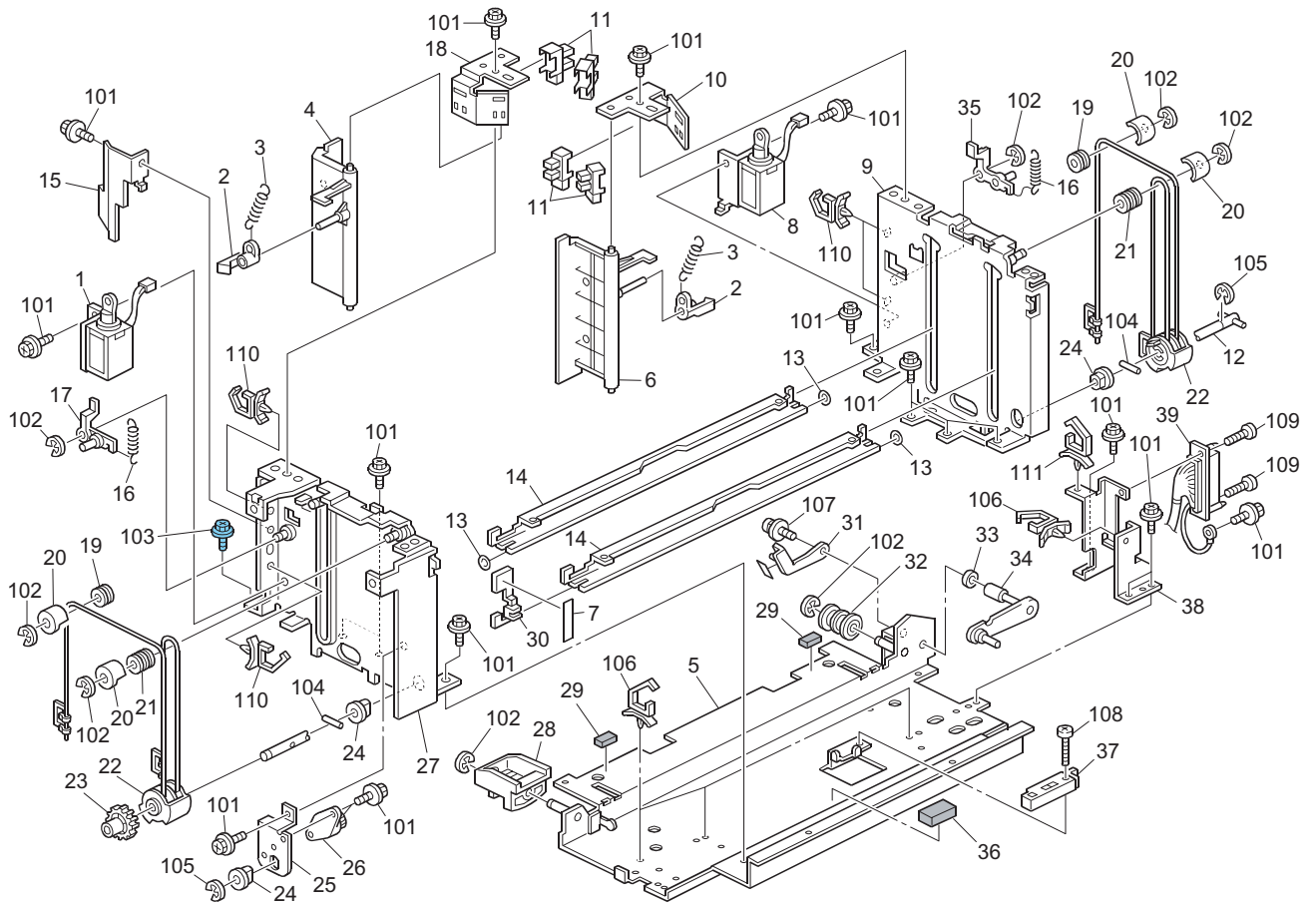
ITEM No.	PART No.	PART NAME	Q'TY / PAGE	Q'TY / PACK	REMARKS
1	D0142800	Manual Paper Feed Unit	1		
2	B1322859	Cover:Manual Feed Unit	1		
3	B1322819	Holder:Manual Feed Table:Front	1		
4	D0145249	Harness:Manual Paper Feed Unit	1		
5	B1322845	Feeler:Paper End Sensor	1		
6	AW020160	Paper Feed Sensor	1		
7	A1342661	Feeler Roller	1		
8	B1322848	Bracket:Sensor:Manual Feed	1		
9	AW010107	Paper Feed Sensor	1		
10	AA060952	Tension Spring	1		
11	B1322839	DC Solenoid:Pickup:Ass'y	1		
12	AA083014	One-way Clutch	1		
13	AB011307	Gear:42Z	1		
14	B1322856	Roller:Manual Feed Unit:Drive	1		
15	AA082118	Bushing - M6	2		
16	B1322857	Stopper:Magnetic Clutch	1		
17	B1322823	Holder:Manual Feed Table:Rear	1		
18	54472681	Snap Ring	6		
19	AF031081	Paper Feed Roller:Feed:Manual Feed	1		
20	AA082116	Bushing - M8	1		
21	54472706	Gear - 15T	1		
22	AF030080	Paper Feed Roller:Pickup	1		
23	B1322837	Guide Plate:Feed	1		
24	B1322846	Ground Plate:Manual Feed	1		
25	B1322835	Arm:Pickup:Manual Feed	1		
26	AA140761	Shaft:Feed Roller	1		
27	AA083013	Bushing - 8x18x11	1		
28	AX200277	Magnetic Clutch:0.53N M:36Z	1		
29	D0142825	Guide Plate:Separator:Adhesion	1		
30	AF013016	Bottom Plate Pad	1		
31	B1322849	Shaft:Separator:Drive:Ass'y	1		
32	AB011306	Gear:24Z	1		
33	AF032080	Paper Feed Roller:Separate	1		
34	A2946700	Torque Limiter - 53mnm	1		
35	B1322851	Shaft:Separator:Driven:Ass'y	1		
36	AB011305	Gear:21Z	1		
37	AA060954	Tension Spring	1		
38	B1322853	Lever:Pressure:Separator	1		
101	04503010N	Tapping Screw - M3x10			
102	08050088	Retaining Ring - M6			
103	04513006N	Tapping Screw - 3x6			
104	07200040E	Retaining Ring - M4			
105	07200060E	Retaining Ring - M6			
106	11050522	Edge Saddle - LES0510			
107	11050516	Clamp			
108	11050511	Harness Clamp - LWS-0306ZC			



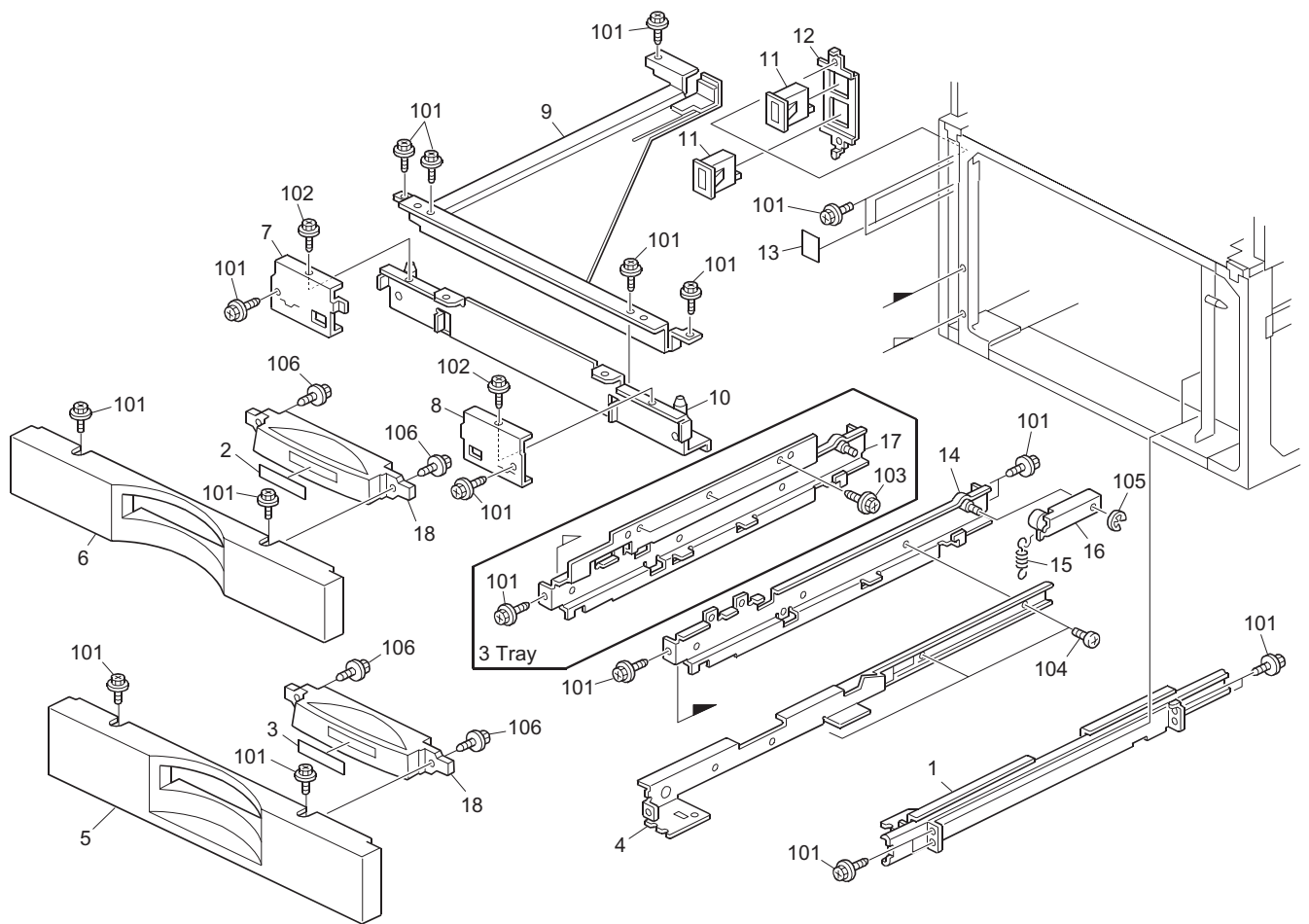
ITEM No.	PART No.	PART NAME	Q'TY / PAGE	Q'TY / PACK	REMARKS
1	AA003211	Decal:Paper Tray:Display:1	1		
2	D0146671	Cover - Tandem LCT	1		
3	B2346616	Tandem LCT Unit - Left	1		
4	A2946645	Left Side Plate	1		
5	B0706516	Bracket:Cover:Tandem LCT:Ass'y	1		
6	B0656846	Decal - Paper Set - Left	1		
7	A2946643	Left Front Fence	1		
8	B2347540	Tray Bottom Plate:Left Front	1		
9	B0986639	Tray Bottom Plate:Left Middle:Ass'y	1		
10	B1327541	Tray Bottom Plate:Left Rear	1		
11	A0966678	Decal - Left Paper Set	1		
12	A2946630	Left Rear Fence	1		
13	AA001508	Decal:Side Fence:40x30	1		
14	D0146788	Bracket - Tandem LCT Cover	1		
15	AB033085	Timing Pulley - 15T	1		
16	B2476951	Bracket:Pulley:Driven:Ass'y	1		
17	AA060987	Tension Spring:Timing Belt:10N	1		
18	B2476950	Shaft:Slider:Back Fence	1		
19	B1327564	Slider:Back Fence:Left	1		
20	B0656823	Timing Belt Cover	1		
21	B1327561	Back Fence:Left	1		
22	AA043271	Timing Belt S3M 196T	1		
23	B0656830	Pulley Bracket	1		
24	AB019475	Gear - 48T	1		
25	AB033084	Timing Pulley - 15T	1		
26	B0705473	DC Harness - Left	1		
27	AA140686	Shaft - Timing Pulley	1		
28	50530447	Bushing - 6mm	2		
29	AB013798	Gear - Z18	1		
30	B0706666	Left DC Motor Bracket	1		
31	AX040145	DC Motor:Tandem LCT	1		
32	AW020163	Paper Feed Sensor	1		
33	B2476970	Base:Tandem LCT:Left:Ass'y	1		
34	B0656831	Sensor Bracket	1		
35	AW020145	Photointerruptor:Flat	2		
36	A2486615	Coupling Lever - Left	1		
37	B2476634	Grip - Paper Tray Cover	1		
101	04514008N	Tapping Screw:4x8			
102	04514006N	Tapping Screw - 4x6			
103	07200040E	Retaining Ring - M4			
104	04504008N	Tapping Screw - M4x8			
105	04504010N	Tapping Screw:M4x10			
106	04503008N	Tapping Screw - M3x8			
107	03130080N	Pan Head Screw:M3x8			
108	11050328	Harness Clamp - ES-0505			
109	11050516	Clamp			
110	03540040N	Screw-M4x4			
111	04340060N	Pan Self-Tapping Screw:M4x6			
112	04534006N	Binding Self Tapping Screw:4x6			



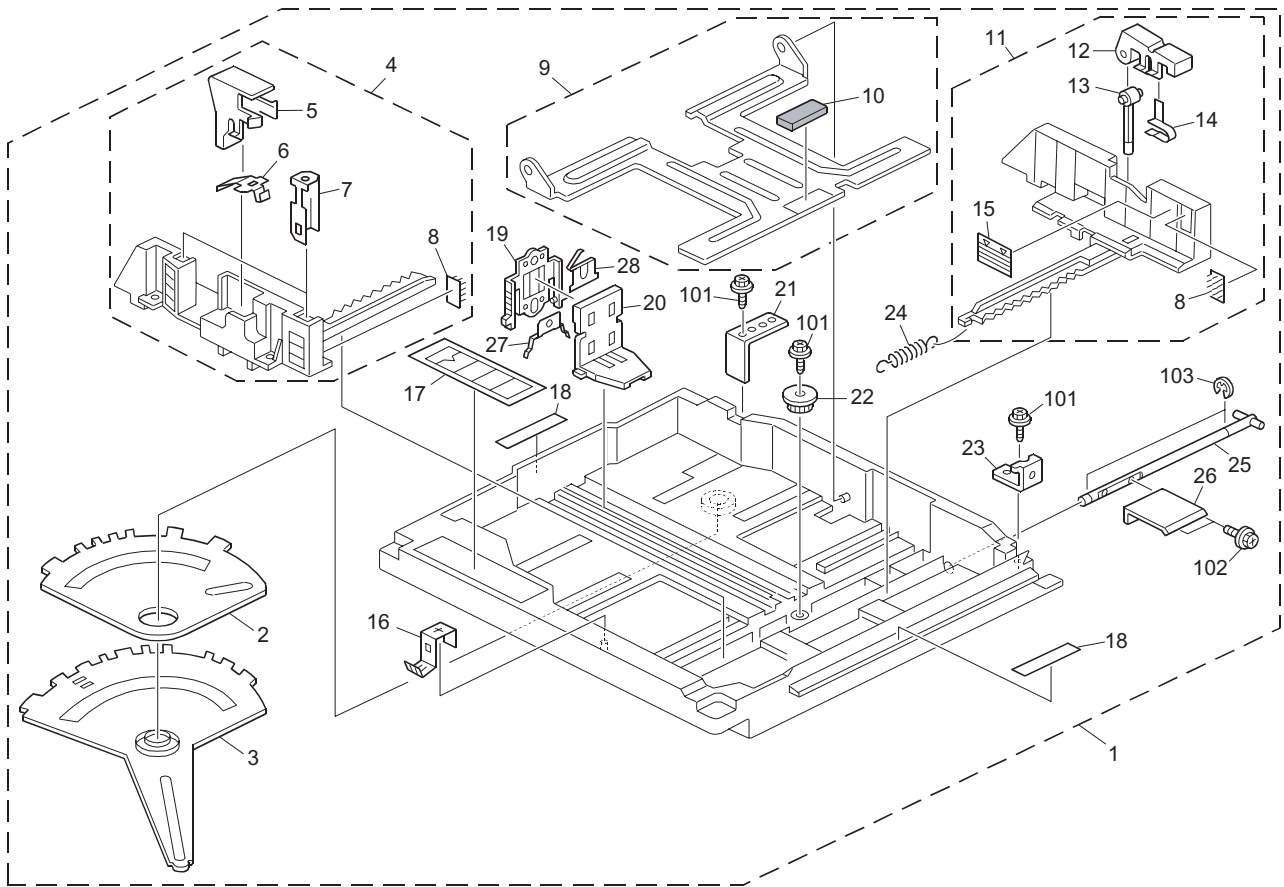
ITEM No.	PART No.	PART NAME	Q'TY / PAGE	Q'TY / PACK	REMARKS
1	D0147506	Tandem LCT:Right:NA:Ass'y	1		
2	B1327586	Inner Cover:Tandem LCT	1		
3	AA002246	Decal - Caution	1		
4	B0656859	Right Stopper	1		
5	B0656875	Protection -inner Cover	1		
6	B0656877	Decal - Paper Set - Right	1		
7	B2346686	Side Fence - Right Front	1		
8	B2346690	Plate:Paper:Ass'y	1		
9	B2346680	Base:Tandem LCT:Right:Adhesion	1		
10	52012858	Friction Pad	1		
11	A2946706	Sensor Bracket	1		
12	AW020145	Photointerruptor:Flat	5		
13	B2476695	Guide:Misfeed Removal:Paper Tray	1		
14	B4756855	Shield:Tandem LCT:Rear Right	1		
15	AA001509	Decal:Side Fence:16x30	1		
16	B2346691	Side Fence:Tandem LCT:Right:Ass'y	1		
17	A2946666	Side Plate	1		
18	A0966677	Decal - Right Paper Set	1		
19	AA001508	Decal:Side Fence:40x30	1		
20	B2476672	Guide:Interlock:Tandem LCT	1		
101	03540040N	Screw-M4x4			
102	04514006N	Tapping Screw - 4x6			
103	04504008N	Tapping Screw - M4x8			
104	04514008N	Tapping Screw:4x8			
105	09514006N	Screw:Polished Round:M4x6			
106	11050534	Clamp			

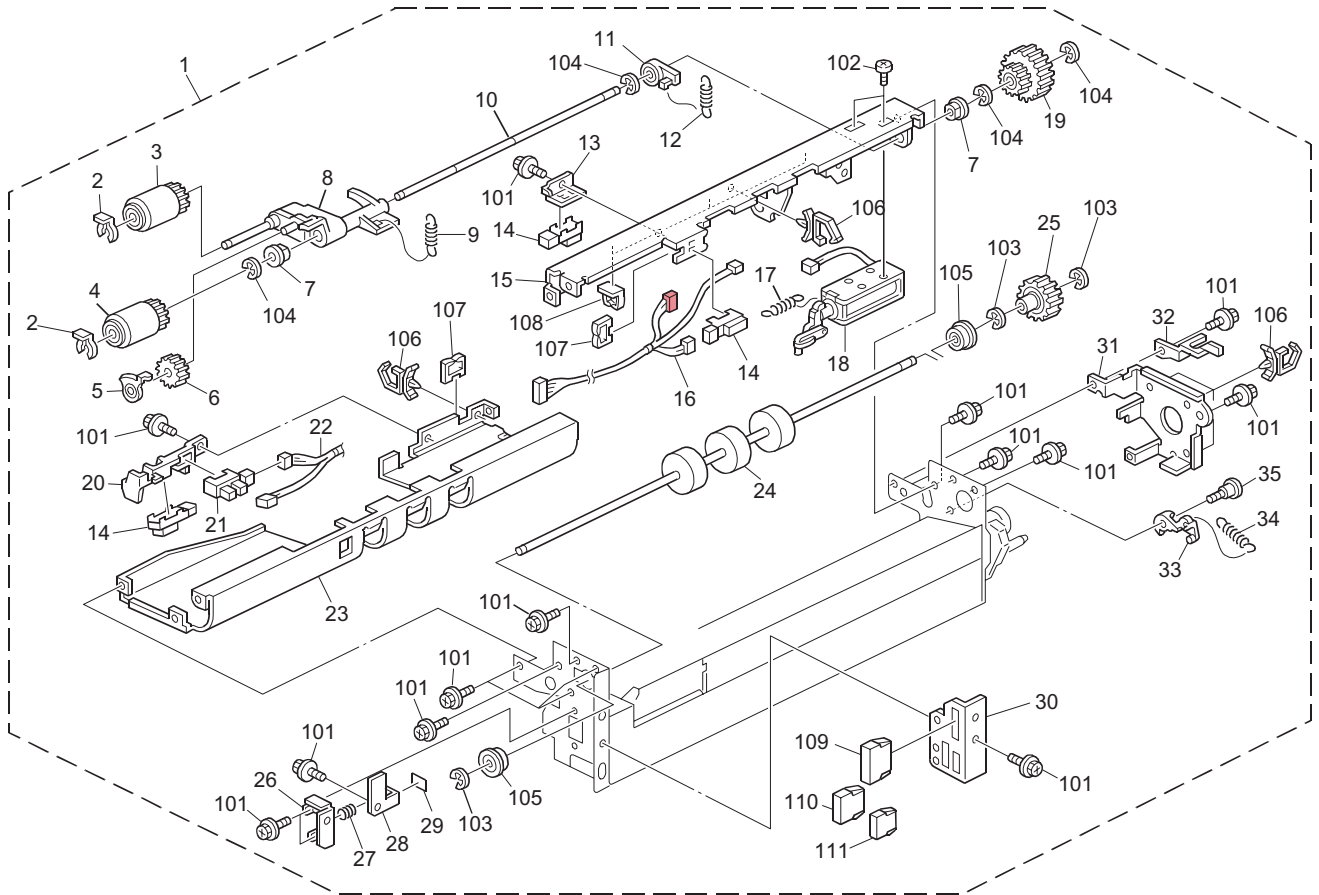


ITEM No.	PART No.	PART NAME	Q'TY / PAGE	Q'TY / PACK	REMARKS
1	B1327547	DC Solenoid:End Fence:Front:Ass'y	1		
2	A2486713	Hook - Tension Spring	2		
3	AA060757	Tension Spring - Long	2		
4	B2346612	End Fence - Front	1		
5	B1327545	Base:Tandem LCT:Right:Welding	1		
6	B2346625	End Fence - Rear	1		
7	B0656717	Paper Volume Shield Plate	1		
8	B1327571	DC Solenoid:End Fence:Rear:Ass'y	1		
9	D0146676	Side Plate:Tandem LCT:Right Rear:Ass'y	1		
10	D0146627	Bracket:On Off Detector:Rear	1		
11	AW020145	Photointerruptor:Flat	4		
12	A2486687	Right Drive Shaft	1		
13	A2486694	Wire Ring	2		
14	B0656870	Stay - Rightbase	2		
15	B0706667	End Fence Cover Front	1		
16	AA060758	Tension Spring - Short	2		
17	B0706683	Lever:Release:Front	1		
18	D0146626	Bracket:On Off Detector:Front	1		
19	AB032058	Wire Pulley - M10	2		
20	A2486695	Guide - Pulley	4		
21	AB032719	Pulley - M10	2		
22	B1327550	Cover:Pulley:Drive Were	2		
23	AB013781	Gear - 30Z	1		
24	50530223	Bushing - 8mm	3		
25	B0656872	Oil Damper Bracket	1		
26	A2486701	Oil Damper	1		
27	D0146668	Side Plate:Tandem LCT:Right Front:Ass'y	1		
28	A2946655	Front Roller - Slide Rail	1		
29	AA161130	Cushion - Small	2		
30	A2946690	Feeler - Paper Height Sensor	1		
31	B0656864	Small Lever	1		
32	AF022105	Roller - Slide Rail	1		
33	AA132203	Spacer - 6mm	1		
34	B0656862	Large Lever	1		
35	B0706684	Lever:Release:Rear	1		
36	AA161129	Cushion - Large	1		
37	AW010113	Sensor	1		
38	B1327575	Bracket:Connector:Tandem LCT	1		
39	B2345673	Harness - Tandem LCT Right	1		
101	04514008N	Tapping Screw:4x8			
102	07200040E	Retaining Ring - M4			
103	04544008Q	Tapping Screw - M4x8			
104	06330200G	Pin - M3x20			
105	07200060E	Retaining Ring - M6			
106	11050488	Harness Clamp			
107	09513006N	Screw - M3x6			
108	03130120N	Pan Head Screw:M3x12			
109	03130080N	Pan Head Screw:M3x8			
110	11050534	Clamp			
111	11050511	Harness Clamp - LWS-0306ZC			

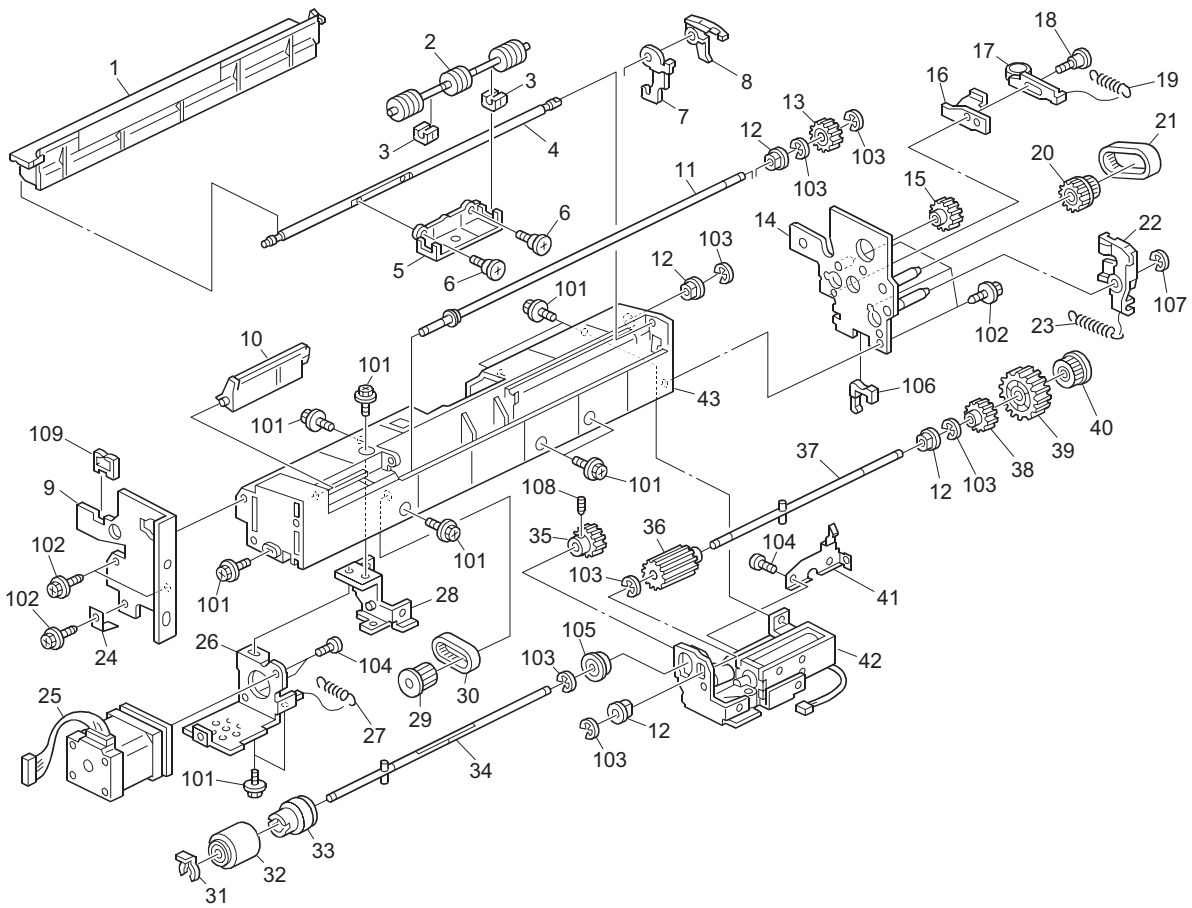


ITEM No.	PART No.	PART NAME	Q'TY / PAGE	Q'TY / PACK	REMARKS
1	B1326693	Slide Rail:Right:Ass'y	2		
2	AA003213	Decal:Paper Tray:Display:3	1		
3	AA003212	Decal:Paper Tray:Display:2	1		
4	B1326692	Slide Rail:Left:Sub-ass'y	2		
5	B2476632	Paper Tray Cover - Long	1		
6	B2476633	Paper Tray Cover - Short	1		
7	B0656589	Left Support Plate	2		
8	B0656588	Right Support Plate	2		
9	B0656591	Paper Tray Holder Base	2		
10	B1326653	Stay:Holder:Paper Tray:Ass'y	2		
11	AX310047	Total Counter:7FIG:24V:MI2	2		
12	B1325976	Bracket:Total Counter	1		
13	B1325996	Decal:Total Counter	2		
14	B2476781	Base:Slide Rail:No.2:Peen	1		
15	AA060534	Tray Lock Spring - 19mm	2		
16	B0656136	Tray Lock Arm	2		
17	B2476783	Base:Slide Rail:No.3:Peen	1		
18	B2476634	Grip - Paper Tray Cover	2		
101	04514008N	Tapping Screw:4x8			
102	04513008N	Tapping Screw - M3x8			
103	04513006N	Tapping Screw - 3x6			
104	04533006N	Tapping Screw - M3x6			
105	07200040E	Retaining Ring - M4			
106	04504008N	Tapping Screw - M4x8			

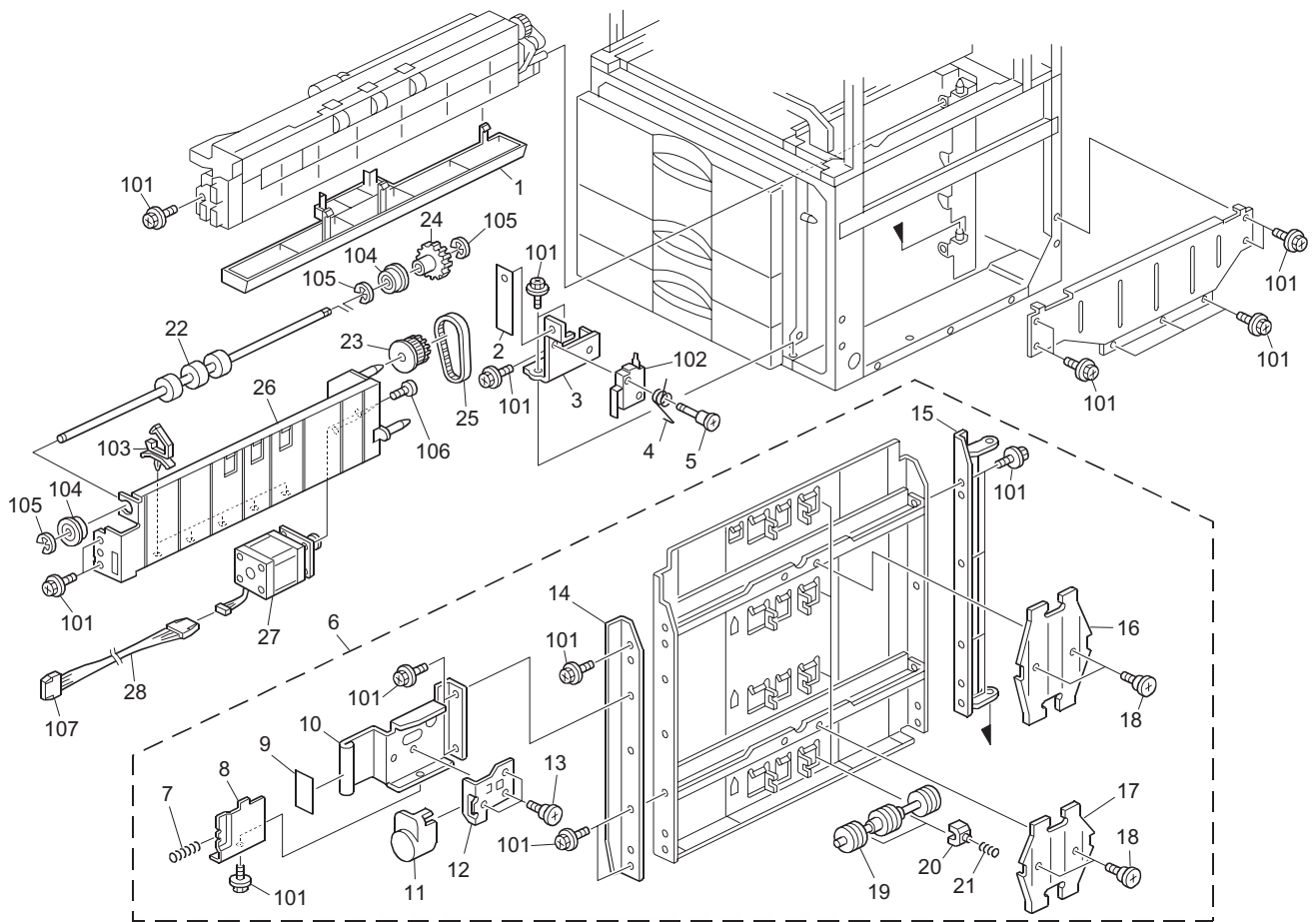


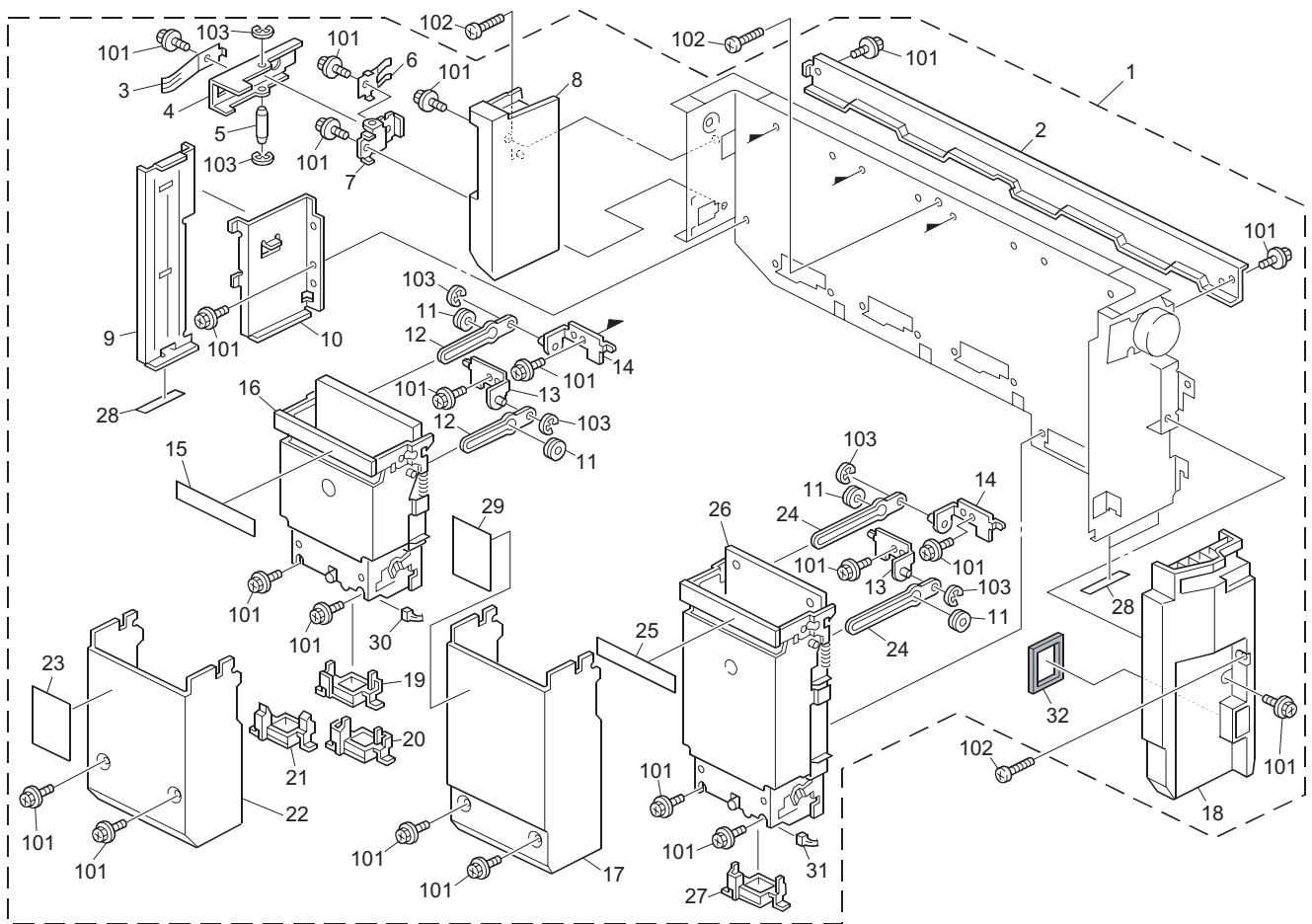


ITEM No.	PART No.	PART NAME	Q'TY / PAGE	Q'TY / PACK	REMARKS
1	B1326621	Paper Feed Unit:Paper Bank	3		
2	54472681	Snap Ring	2		
3	AF030081	Paper Feed Roller:Pickup	1		
4	AF031082	Paper Feed Roller:Feed	1		
5	B0656350	Pick-up Gear Cover	1		
6	AB011465	Idler Gear	1		
7	AA082118	Bushing - M6	2		
8	B0656357	Pick-up Arm	1		
9	AA060898	Spring	1		
10	AA140828	Feed Roller Shaft	1		
11	B0656445	Feed Lever	1		
12	AA060897	Spring	1		
13	B0656358	Paper Feed Sensor Bracket	1		
14	AW010107	Paper Feed Sensor	3		
15	B0656364	Feed Stay	1		
16	B2476488	Harness:Paper Feed Unit:Upper:Ass'y	1		
17	AA060899	Spring	1		
18	B1326659	DC Solenoid:Pickup:Ass'y	1		
19	AB017617	Gear - 21Z/38Z	1		
20	B0656345	Paper End Sensor Bracket	1		
21	AW020160	Paper Feed Sensor	1		
22	B2476487	Harness:Paper Feed Unit:Lower:Ass'y	1		
23	B1406339	Paper Feed Guide Plate	1		
24	AF020726	Transport Roller:Drive:Grip	1		
25	AB011466	Gear - 35Z	1		
26	B0656334	Heat Sink Base	1		
27	AA063889	Heat Sink Spring	1		
28	B0656337	Heat Sink	1		
29	B0656338	Heat Sink Sheet	1		
30	B0656375	Paper Feed Unit Stay	1		
31	B2476366	Drive Bracket	1		
32	B0656353	Feed Gear Cover	1		
33	B0656457	Driven Pressure Lever	1		
34	AA060896	Spring	1		
35	AA143718	Stepped Screw - M4	1		
101	04514008N	Tapping Screw:4x8			
102	03530040N	Screw - M3x4			
103	07200060E	Retaining Ring - M6			
104	07200040E	Retaining Ring - M4			
105	07423808	Ball Bearing - 8x16x5			
106	11050511	Harness Clamp - LWS-0306ZC			
107	11050328	Harness Clamp - ES-0505			
108	11050542	Harness Clamp - MSBS-1207			
109	11026252	Connector - 9P			
110	11026251	Connector - 8P			
111	11026249	Relay Connector - 6P			

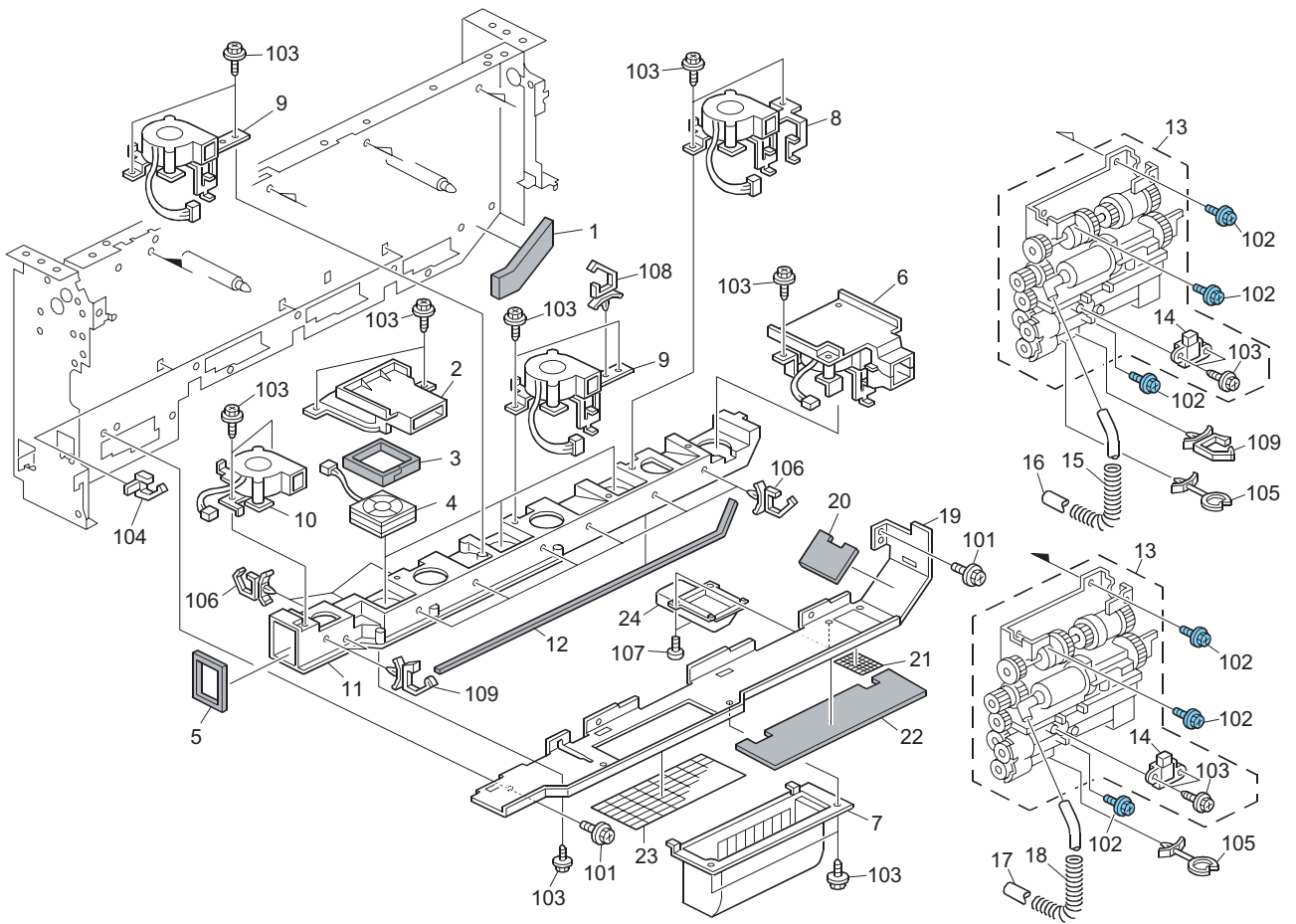


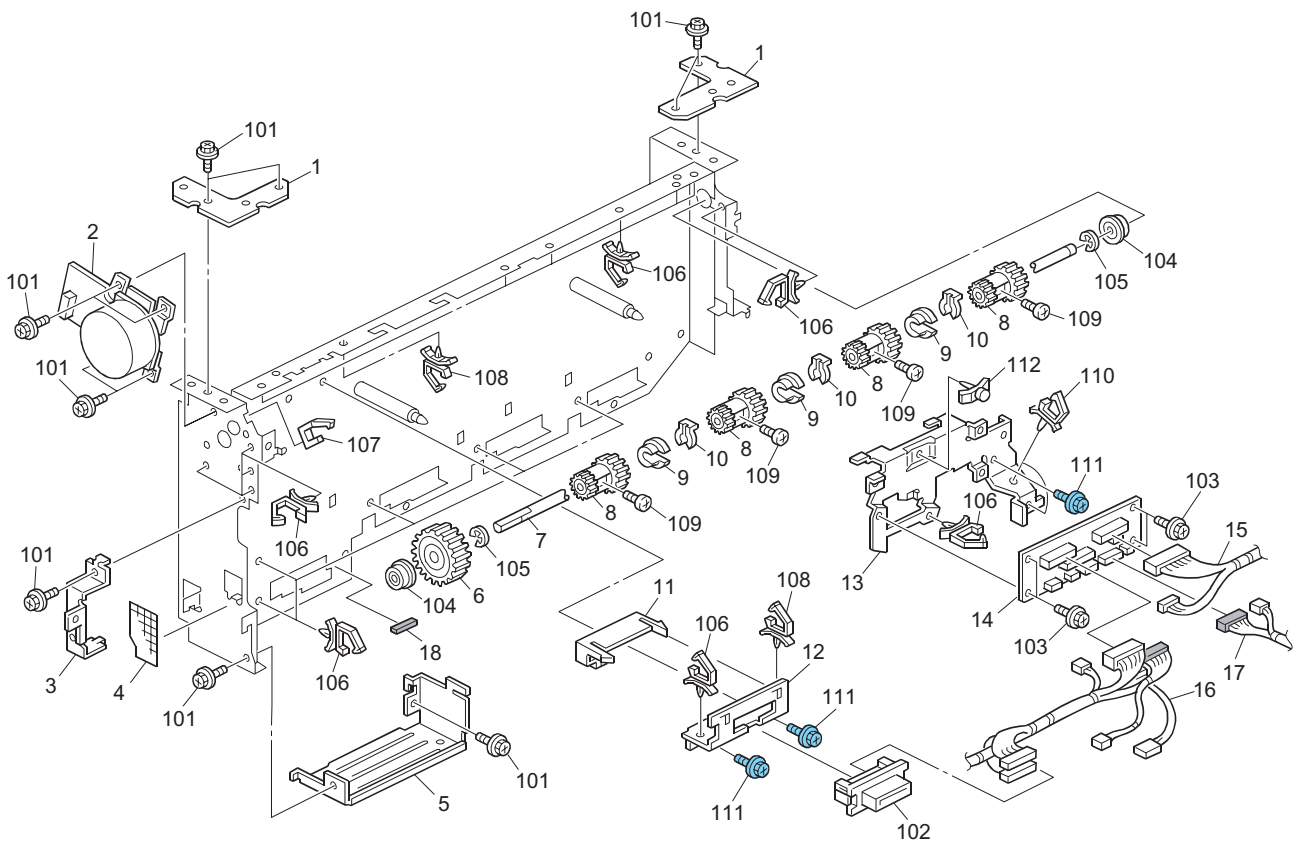
ITEM No.	PART No.	PART NAME	Q'TY / PAGE	Q'TY / PACK	REMARKS
1	B1816640	Guide Plate:Swivel:Adhesion	1		
2	AF022149	Transport Roller	1		
3	AA080327	Bushing - M4	2		
4	AA140829	Driven Shaft	1		
5	B0656453	Transport Roller Lever	1		
6	AA143812	Screw - Scale	2		
7	B0656454	Driven Release Lever	1		
8	B0656455	Driven Pressure Lever	1		
9	B0656336	Front Side Plate - Paper Feed	1		
10	B0656371	Support Guide Plate	1		
11	B0656317	Relay Shaft	1		
12	AA082118	Bushing - M6	4		
13	AB011469	Gear - 19Z	1		
14	B2476335	Side Plate:Rear:Paper Feed Unit:Ass'y	1		
15	AB011470	Gear - 18Z	1		
16	B0656452	Tray Link Guide	1		
17	B0656346	Paper Tray Link	1		
18	58942540	Arm Screw	1		
19	AA060900	Spring	1		
20	AB017690	Pulley:Idler:30T/24Z	1		
21	AA043575	Timing Belt	1		
22	B0656456	Vertical Transport Link	1		
23	AA060901	Spring	1		
24	B1406378	Ground Plate:Stepper Motor:Paper Feed Unit	1		
25	B1326655	Stepper Motor:Paper Feed Unit:Ass'y	1		
26	B0656394	Motor Bracket	1		
27	AA060904	Spring	1		
28	B0656415	Motor Base	1		
29	AB030733	Pulley - 20T	1		
30	AA043576	Timing Belt	1		
31	54472681	Snap Ring	1		
32	AF032080	Paper Feed Roller:Separate	1		
33	A2946700	Torque Limiter - 53mnm	1		
34	B0656307	Reverse Driven Shaft	1		
35	AB011591	Gear:Reverse	1		
36	AB011471	Reverse Gear	1		
37	B0656306	Reverse Drive Shaft	1		
38	AB011491	Gear - 21Z	1		
39	AB011490	Gear - 38Z	1		
40	AB030734	Pulley - 30Z	1		
41	B1406377	Ground Plate:Reverse:Paper Feed Unit	1		
42	B1326670	DC Solenoid:Reverse:Ass'y	1		
43	B0656333	Reverse Housing	1		
101	04514008N	Tapping Screw:4x8			
102	04504008N	Tapping Screw - M4x8			
103	07200040E	Retaining Ring - M4			
104	03530040N	Screw - M3x4			
105	07413506	Ball Bearing - 6x12x4 MM			
106	11050522	Edge Saddle - LES0510			
107	07200060E	Retaining Ring - M6			
108	05730030E	Hexagon Headless Set Screw - M3x3			
109	11050328	Harness Clamp - ES-0505			

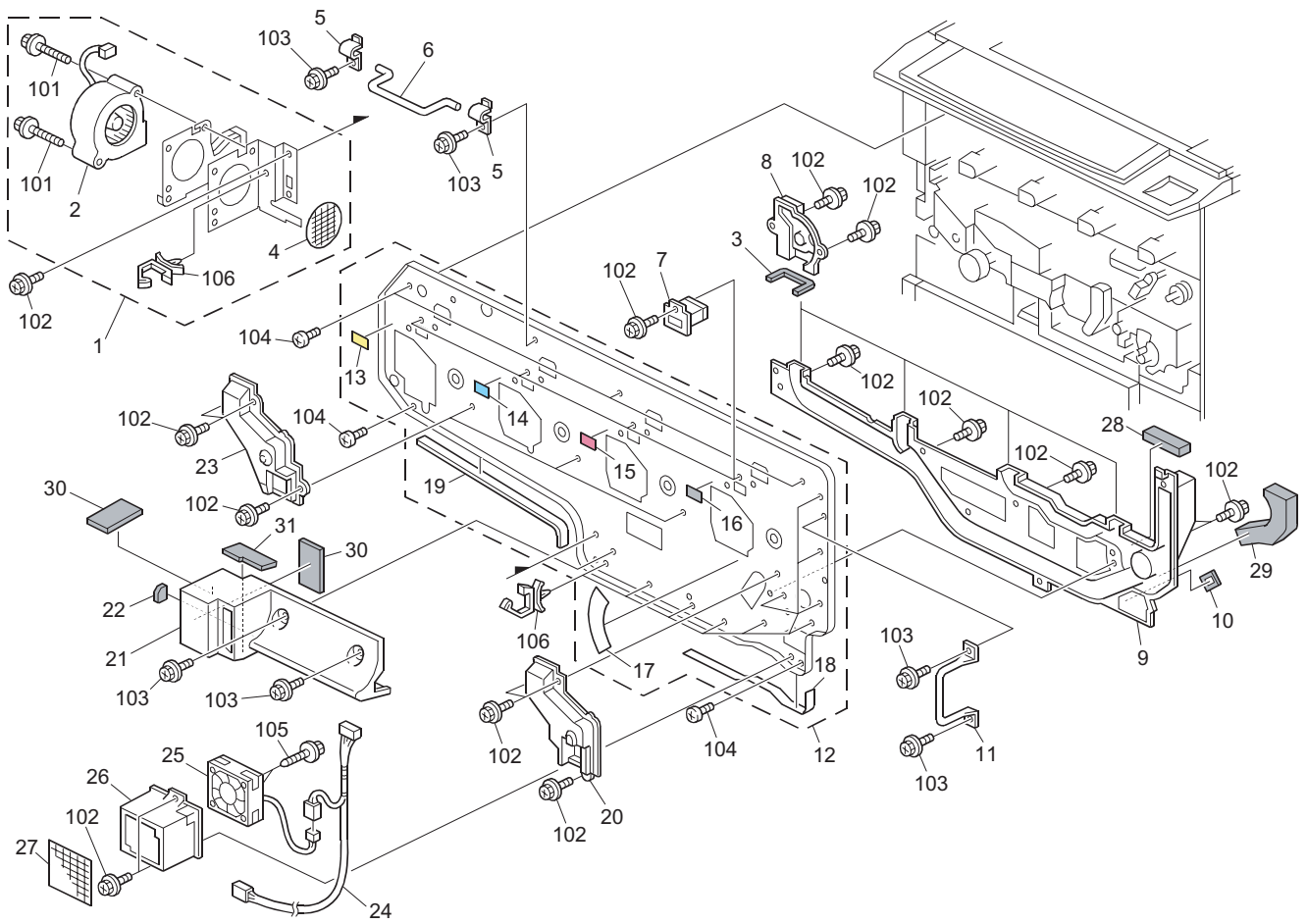


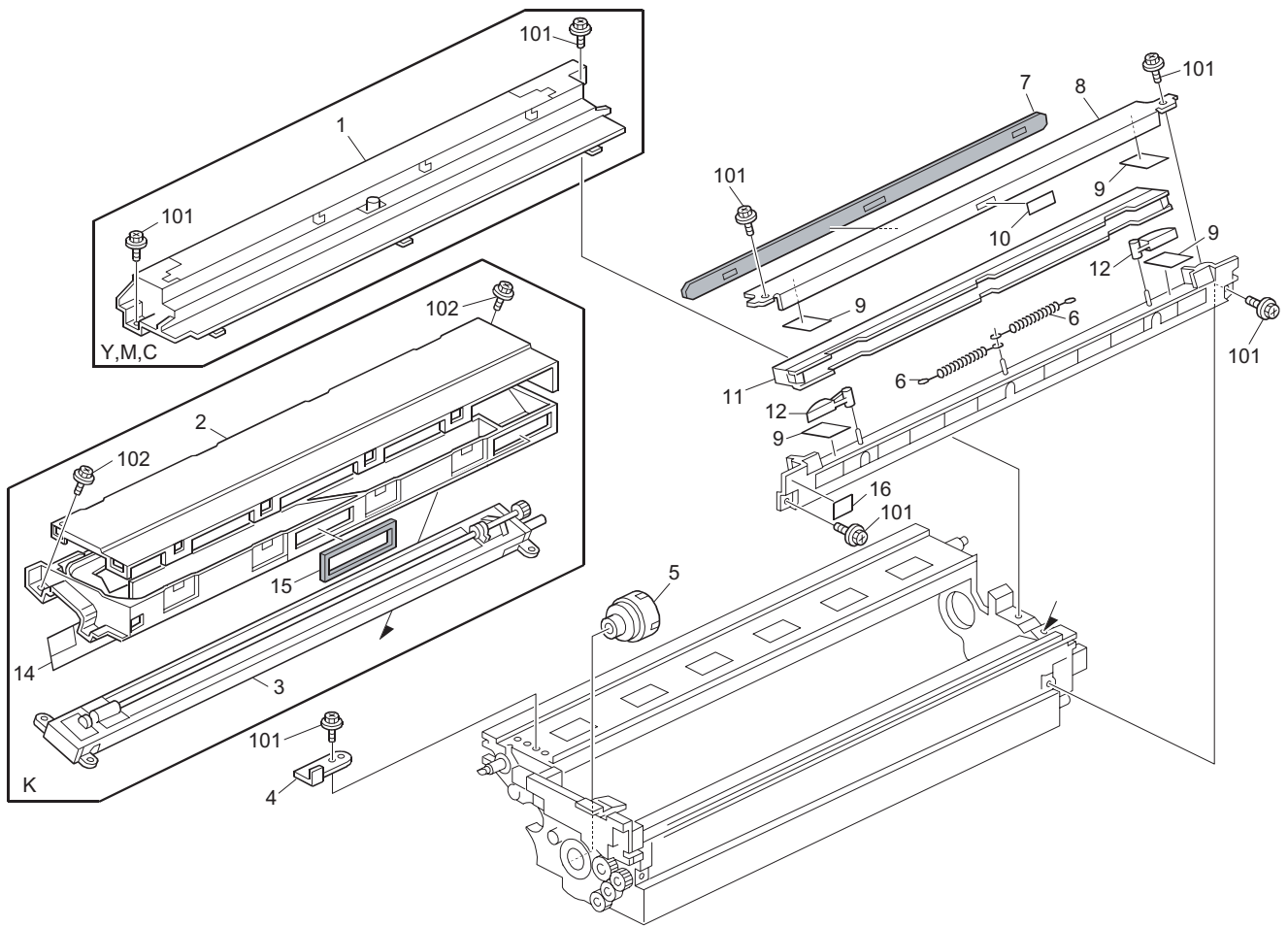


ITEM No.	PART No.	PART NAME	Q'TY / PAGE	Q'TY / PACK	REMARKS
1	D0143306	Toner Supply Unit:TEC	1		
2	B1323428	Stay	1		
3	B1323240	Spring Plate:Stand	1		
4	B1323239	Lever:Stand	1		
5	B1323216	Shaft:Lever:Stand	1		
6	B1323242	Spring Plate:Lever:Stand	1		
7	B1323241	Guide Plate:Lever:Stand	1		
8	B1323236	Inner Cover:Left	1		
9	B1323237	Stand:Left	1		
10	B1323238	Guide:Stand	1		
11	B1323323	Guide:Arm:Stopper:Holder	8		
12	B1323322	Arm:Stopper:Holder:Color	6		
13	B1323316	Bracket:Stopper:Holder:Left:Ass'y	4		
14	B1323314	Bracket:Stopper:Holder:Right:Ass'y	4		
15 A	B1323331	Decal:Lever:Toner Supply:M	1		
15 B	B1323332	Decal:Lever:Toner Supply:C	1		
15 C	B1323333	Decal:Lever:Toner Supply:Y	1		
16	D0143341	Toner Cartridge Unit:Color	3		
17	B1323232	Cover:Black	1		
18	B1323235	Inner Cover:Right	1		
19	D0143358	Cover:Lower:Holder:TEC:Y	1		
20	D0143356	Cover:Lower:Holder:TEC:M	1		
21	D0143357	Cover:Lower:Holder:TEC:C	1		
22	B1323233	Cover:Color	3		
23 A	B1323248	Decal:Cover:Toner Supply:M	1		
23 B	B1323249	Decal:Cover:Toner Supply:C	1		
23 C	B1323250	Decal:Cover:Toner Supply:Y	1		
24	B1323321	Arm:Stopper:Holder:Black	2		
25	B1323330	Decal:Lever:Toner Supply:K	1		
26	D0143340	Toner Cartridge Unit:Black	1		
27	D0143355	Cover:Lower:Holder:TEC:BK	1		
28	B1323245	Sheet	3		
29	B1323247	Decal:Cover:Toner Supply:Black	1		
30	D0145252	Harness:ID	2		
31	D0145256	Harness:ID:Black	2		
32	B1322474	Shield:Duct	1		
101	04514008N	Tapping Screw:4x8			
102	03540080N	Screw:M4x8			
103	07200040E	Retaining Ring - M4			

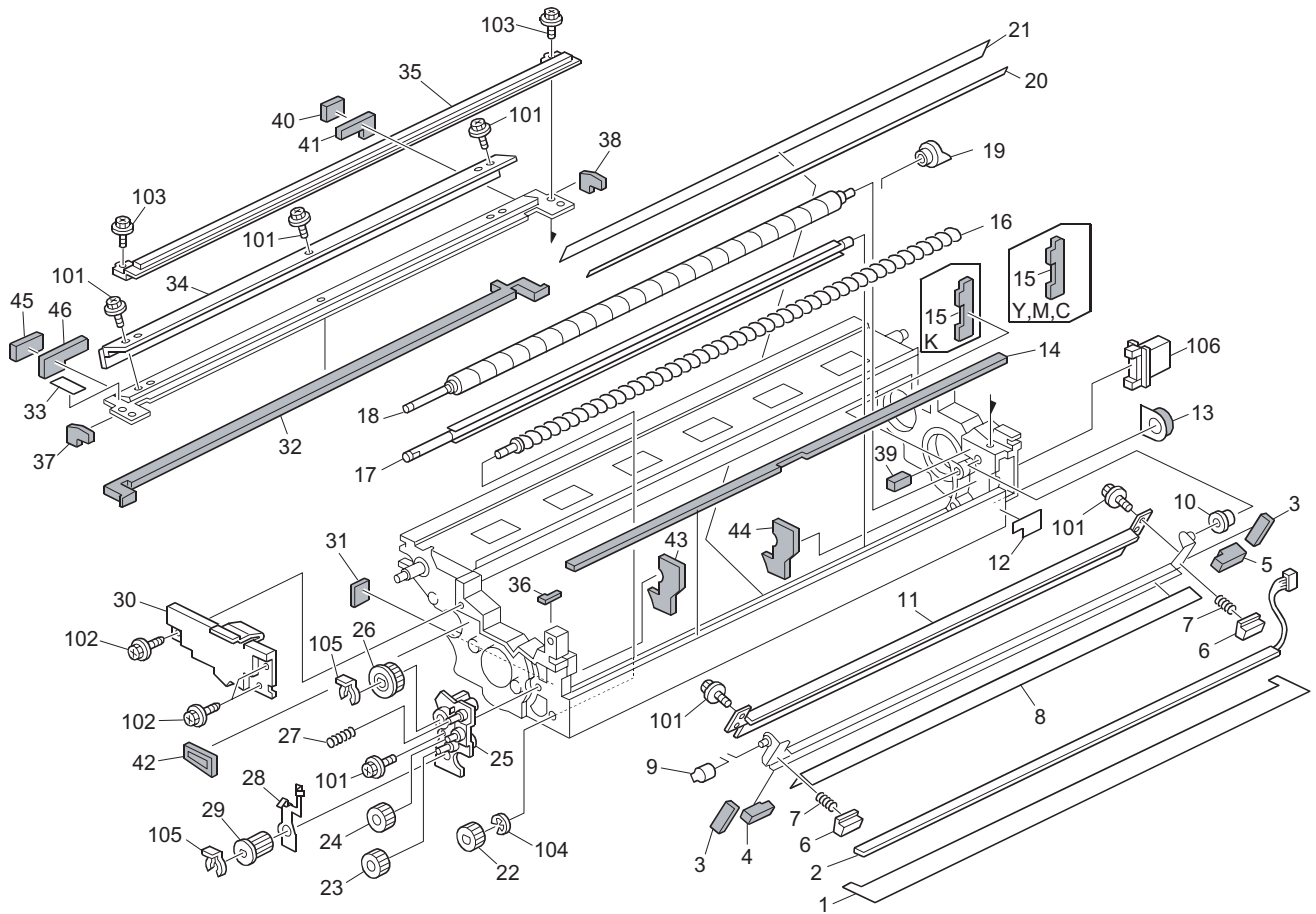




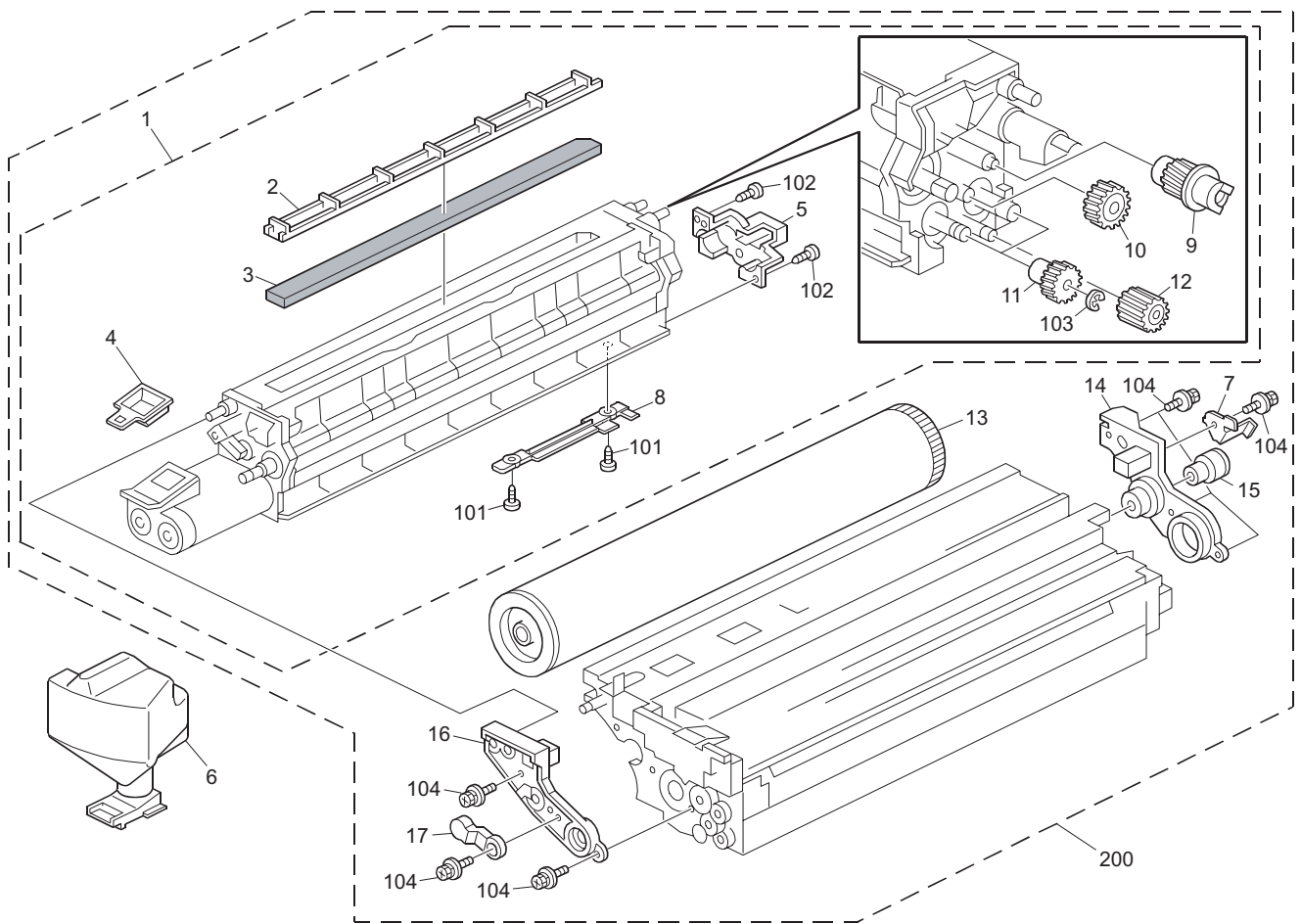




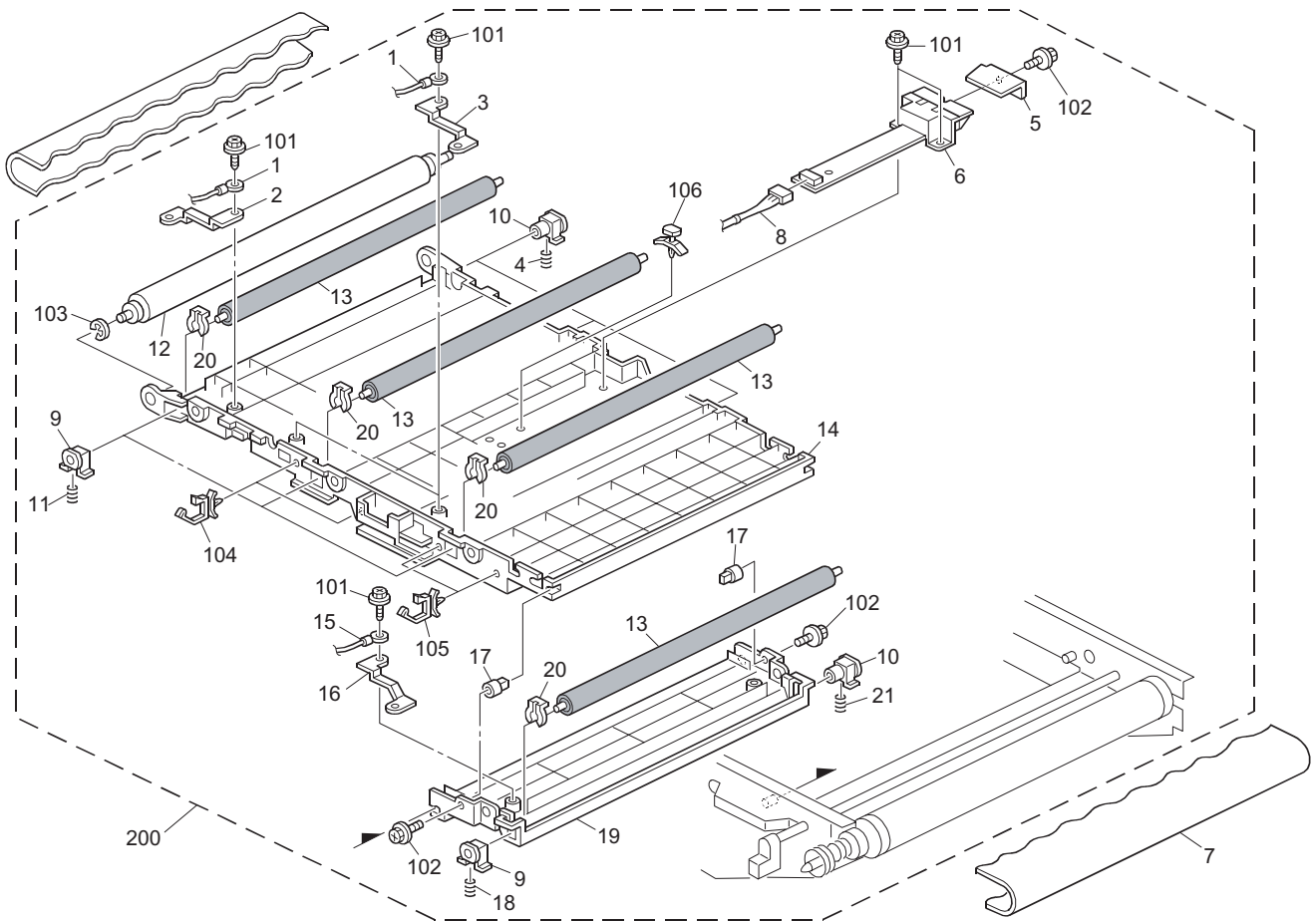
ITEM No.	PART No.	PART NAME	Q'TY / PAGE	Q'TY / PACK	REMARKS
1	D0142441	Charge Roller Unit	3		
2	D0142421	Duct Cover - Charge Corona	1		
3	D0142391	Charge Corona Unit	1		
4	B1322361	Positioning Plate:PCU	4		
5	D0142380	Compression Spring - Drum	4		
6 A	D0142325	Tension Spring - Coating Bar (K)	2		
6 B	D0142326	Tension Spring - Coating Bar (YMC)	6		
7	D0142432	Right Middle Seal - Bar Bracket	4		
8	D0142327	Bracket - Coating Bar	4		
9	D0142328	Seal - Coating Bar Bracket	16		
10	D0142349	Right Seal - Coating Bar Bracket	4		
11	D0142321	Drum Lubricant Bar	4		
12	D0142324	Arm - Coating Bar	8		
13	D0142422	Duct- Charge Corona	1		
14	D0142425	Guide Plate - Charge Corona Duct	1		
15	D0142428	Duct Seal - Charge Corona	2		
16	GA003033	Decal - Shielding Plate K	1		
101	03603006N	Screw - M3x6			
102	03603008N	Screw:M3x8			



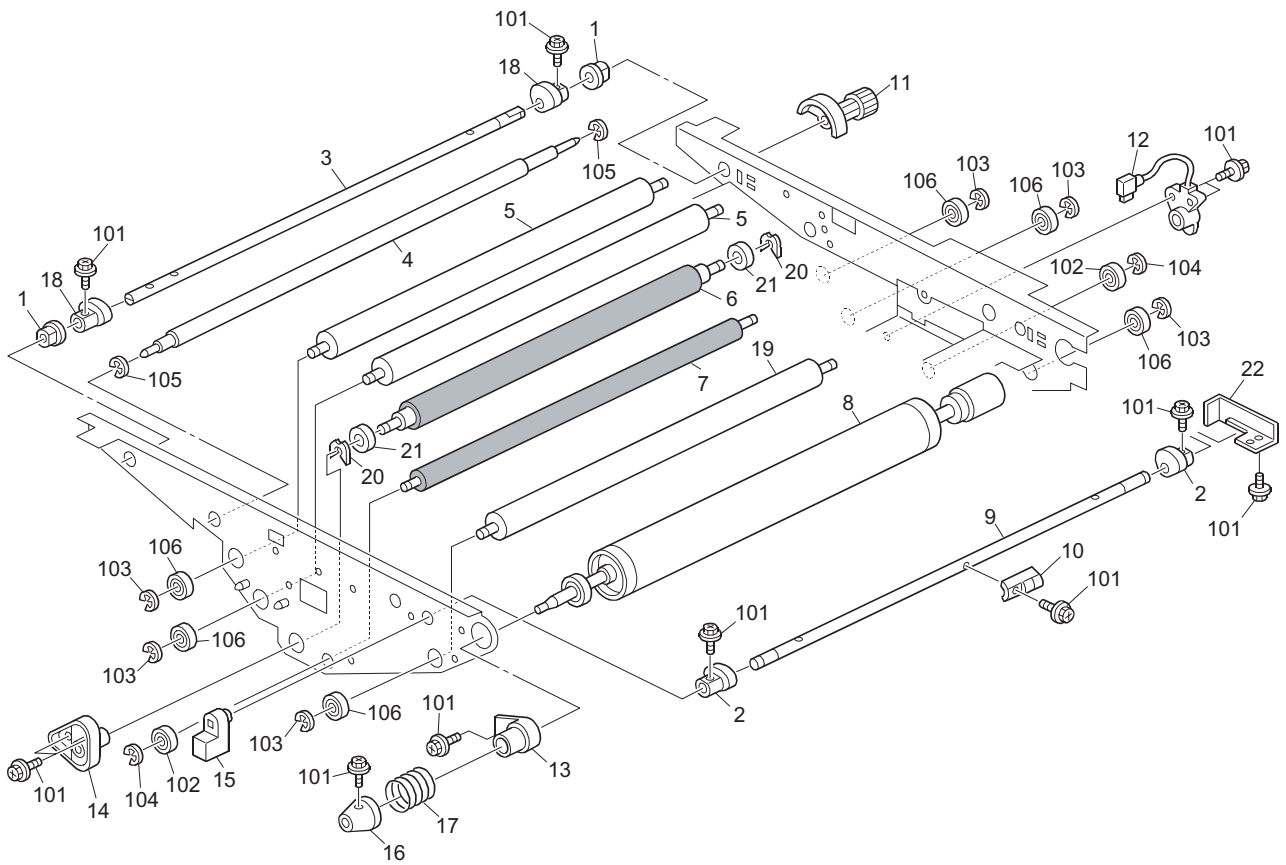
ITEM No.	PART No.	PART NAME	Q'TY / PAGE	Q'TY / PACK	REMARKS
1	D0142376	Sheet:Discharge Lamp	4		
2	D0142278	Discharge Lamp:LED Array:25MM	4		
3	D0142299	Seal - Blade Bracket	8		
4	D0142301	Front Seal - Blade Bracket	4		
5	D0142300	Rear Seal - Blade Bracket	4		
6	D0142306	Spring Holder	8		
7	D0142305	Compression Spring - Blade	8		
8	D0142297	Seal - Blade Holder	4		
9	D0142303	Bushing:Blade:Front	4		
10	D0142302	Bushing:Blade:Rear	4		
11	D0142352	Cleaning Blade	4		
12	D0142479	Cover:Discharge Lamp	4		
13	D0142269	Seal - Discharge Used Toner	4		
14	D0142276	Seal - Toner Recycling	4		
15 A	D0142460	Shield:Case:Rear:K (K)	1		
15 B	D0142457	Shield:Case:Rear:Color (YMC)	3		
16	D0142281	Transport Screw	4		
17	D0142470	Collection Coil:Ass'y	4		
18	D0142335	Drum Lubricant Supply Brush	4		
19	D0142465	Joint:Cleaning Unit	4		
20	D0142267	Tape:Entrance Seal	4		
21	D0142466	Entrance Seal	4		
22	D0142286	Gear - 23Z	4		
23	D0142345	Idler Gear - 23Z	4		
24	D0142346	Idler Gear - 22Z	4		
25 A	D0142463	Drum Stay:Brush Roller:K:Ass'y (K)	1		
25 B	D0142461	Drum Stay:Brush Roller:Color:Ass'y (YMC)	3		
26	D0142337	Gear - 27Z	4		
27	D0142307	Spring:Earth:Brush Roller	4		
28	D0142347	Ground Plate - Brush Roller	4		
29	D0142333	Gear - 17Z	4		
30	D0142277	Lever - PCU	4		
31	D0142270	Shield - Front Middle Case	4		
32	D0142433	Seal - Blade Guide Plate	4		
33	D0142377	Upper Seal - Blade Guide Plate	4		
34	D0142368	Lubricant Supply Blade	4		
35	D0142365	Stay - PCU Rail	4		
36	D0142474	Seal:Frame:Front Left	4		
37	D0142371	Front Seal - Blade Guide Plate	4		
38	D0142374	Rear Seal - Blade Guide Plate	4		
39	D0142288	Rear Seal - Frame	4		
40	D0142438	Seal:Blade:Apply:Rear	4		
41	D0142439	Seal:Blade:Apply:Rear Middle	4		
42	D0142271	Front Seal - Duct	4		
43	D0142279	Seal - Front Frame	4		
44	D0142287	Seal - Rear Frame	4		
45	D0142436	Seal:Blade:Apply:Front	4		
46	D0142437	Seal:Blade:Apply:Front Middle	4		
101	03603006N	Screw - M3x6			
102	04503008N	Tapping Screw - M3x8			
103	03603008N	Screw:M3x8			
104	07200040E	Retaining Ring - M4			
105	08050097	Ring Separator			
106	11029432	Connector:Drawer			



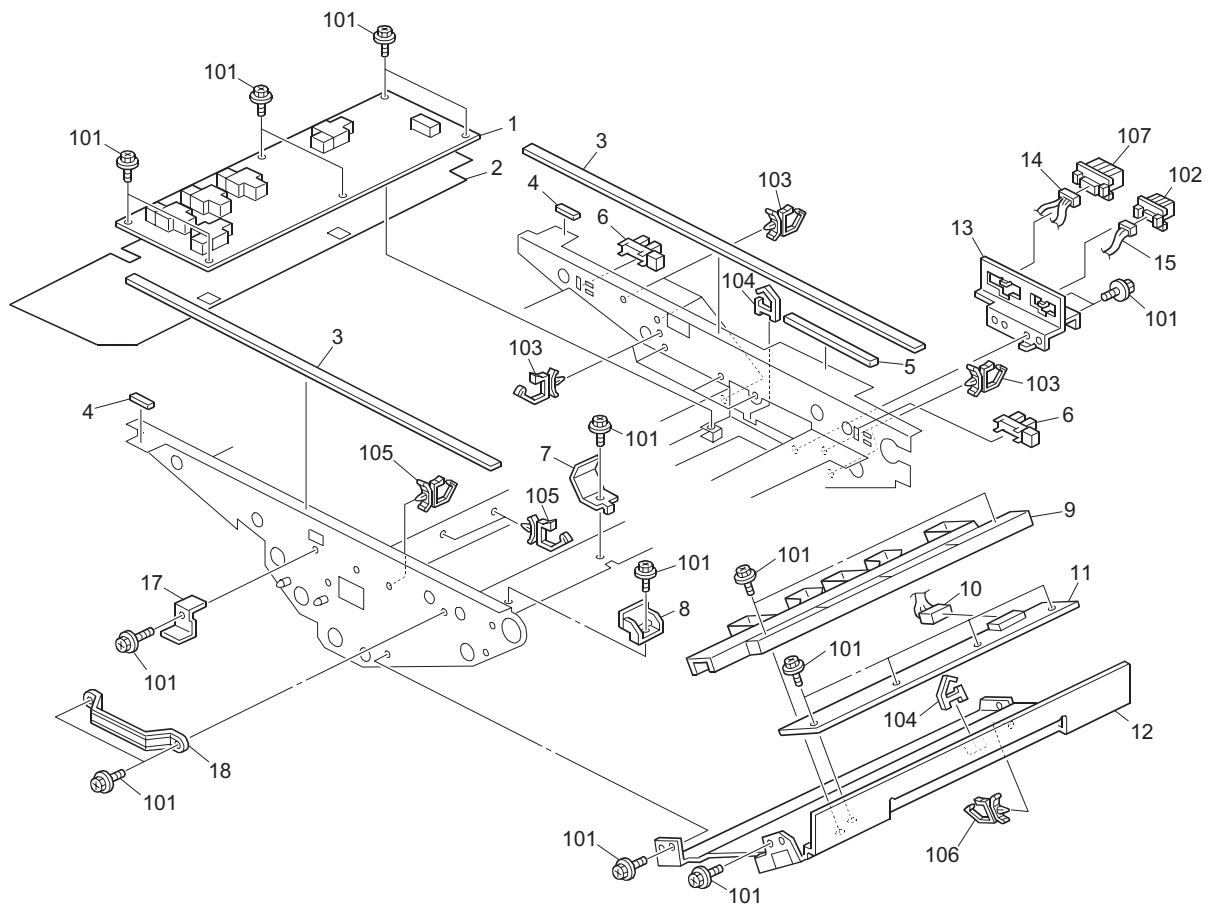
ITEM No.	PART No.	PART NAME	Q'TY / PAGE	Q'TY / PACK	REMARKS
1	D0143005	Development Unit	4		
2	B0653108	Plate:Filter	4		
3	B2473340	Filter:Development	4		
4	B1323179	Cap:Toner Supply:Upper	4		
5	D0143130	Connector Holder - Density Sensor	4		
6 A	D0149640	Developer:Black	1		
6 B	D0149660	Developer:Cyan	1		
6 C	D0149670	Developer:Magenta	1		
6 D	D0149680	Developer:Yellow	1		
7	D0143136	Bracket:Plate:Joint	4		
8	D0143132	Plate - Density Sensor	4		
9	AB011276	Joint Gear - 180Z	4		
10	AB011277	Idle Gear - 21Z	4		
11	AB011275	Gear - 17Z	8		
12	AB011279	Idle Gear - 18Z	4		
13	D0149510	OPC Drum	4		
14	D0143044	Rear Stay - PCU	4		
15	D0143135	Joint:Drive:Development Unit	4		
16	D0143043	Front Stay - PCU	4		
17	B1323159	Adjusting Pin:Magnetic Roller	4		
101	04503006P	Tapping Screw - M3x6			
102	04503008N	Tapping Screw - M3x8			
103	07200060E	Retaining Ring - M6			
104	08046123	Hexagonal Bolt:W/Washer:M3x8			
200 A	D0143047	PCU:K:EXP:Set:Ass'y	1		
200 B	D0143046	PCU:FC:EXP:Set:Ass'y	3		



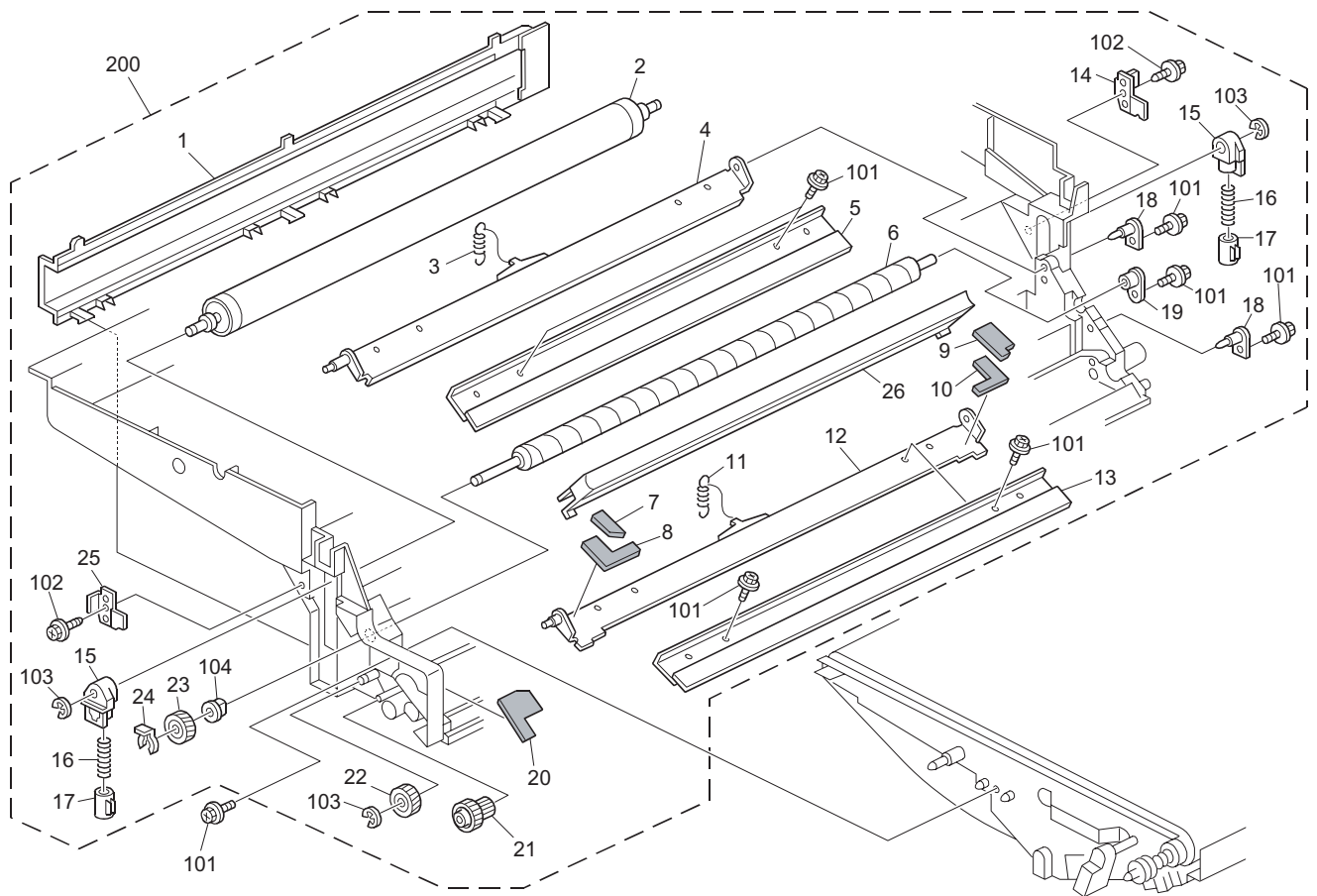
ITEM No.	PART No.	PART NAME	Q'TY / PAGE	Q'TY / PACK	REMARKS
1	D0145352	Harness:High Voltage Supply Cord:MCY	1		
2	B1326140	Terminal:Collar	1		
3	B1326149	Terminal:Yellow	2		
4	D0146147	Compression Spring	3		
5	D0146168	Plate:Upper:Positioning Sensor	1		
6	D0146141	Positioning Sensor	1		
7	D0146050	Image Transfer Belt	1		
8	D0145378	Harness:Positioning Sensor	1		
9	D0146116	Bushing:Intermediate Transfer	4		
10	D0146115	Bushing:Intermediate Transfer	4		
11	D0146144	Compression Spring	3		
12	B1326061	Roller:Driven	1		
13	D0146070	Roller:Intermediate Transfer:Ass'y	4		
14	B1326077	Bracket:Collar	1		
15	D0145351	Harness:High Voltage Supply Cord:K	1		
16	B1326137	Terminal:Black	1		
17	B1326098	Shaft:Contact Point:Collar	2		
18	D0146135	Spring:Transfer:Black:Front	1		
19	B1326076	Bracket:On-Off:Black	1		
20	G0143291	Snap Ring - Pick Up	4		
21	D0146136	Spring:Transfer:Black:Rear	1		
101	04503008N	Tapping Screw - M3x8			
102	03603006N	Screw - M3x6			
103	07200060E	Retaining Ring - M6			
104	11050511	Harness Clamp - LWS-0306ZC			
105	11050516	Clamp			
106	11050367	Spacer			
200	D0146001	Image Transfer Belt Unit	1		



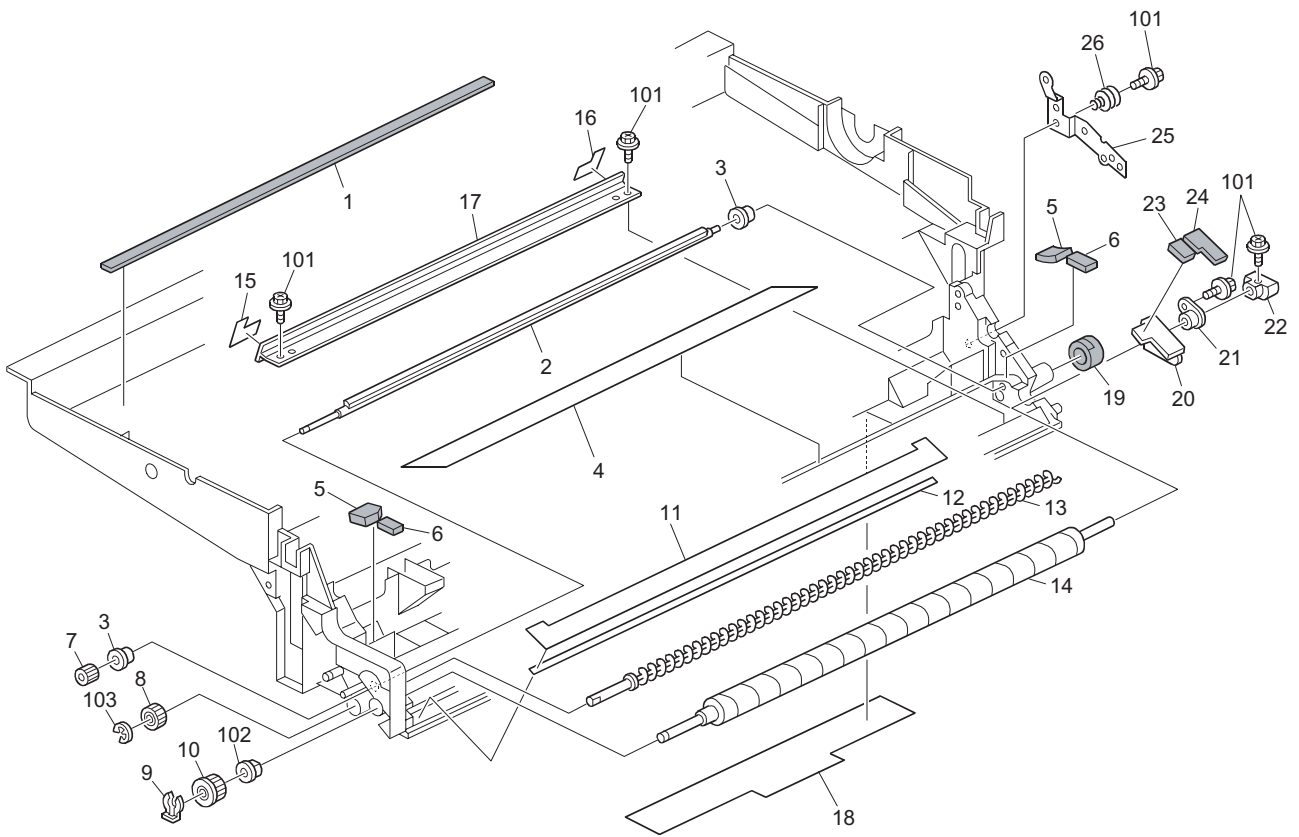
ITEM No.	PART No.	PART NAME	Q'TY / PAGE	Q'TY / PACK	REMARKS
1	AA082104	Bushing - 8x12x7	2		
2	B1326111	Cam:On-off	2		
3	B1326112	Shaft:Cam:Color	1		
4	B1326094	Shaft:Positioning	1		
5	D0146190	Roller:Opposed:Belt Cleaning	2		
6	D0146073	Roller:Opposed:Transfer:Paper	1		
7	B1326069	Roller:Transfer:Front	1		
8	D0146055	Roller:Drive	1		
9	D0146123	Shaft:Cam	1		
10	B1326114	Cam:On-Off:Black	1		
11	B1326130	Gear:16Z	1		
12	B1326150	Holder:Opposed:Rear:Ass'y	1		
13	B1326134	Plate:Intermediate Transfer:Front	1		
14	B1326143	Holder:Opposed:Transfer:Front	1		
15	B1326132	Grip:On-Off	1		
16	B1326175	Joint:Intermediate Transfer:Front:Ass'y	1		
17	B1326136	Compression Spring:Plate:Intermediate	1		
18	D0146119	Cam:On-Off	2		
19	D0146065	Roller:Opposed:Density Sensor	1		
20	AA100011	Retaining Ring:Silencer:MM7	2		
21	D0146014	Spacer:Opposed:Transfer:Paper	2		
22	D0146151	Shielding Plate:Black	1		
101	03603006N	Screw - M3x6			
102	08053496	Ball Bearing - 6x10x3			
103	07200060E	Retaining Ring - M6			
104	07200040E	Retaining Ring - M4			
105	07200080E	Retaining Ring - M8			
106	08053511	Bushing 8MM			



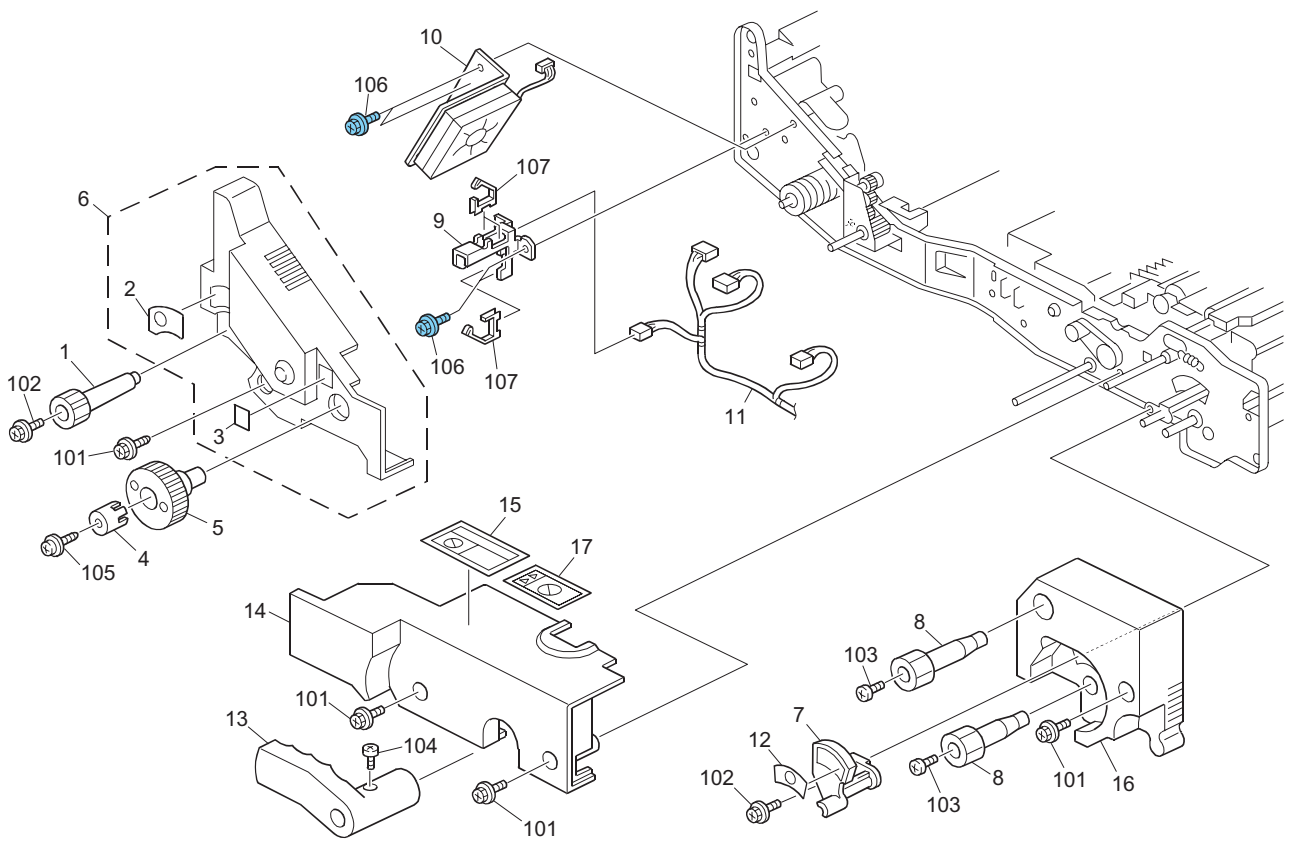
ITEM No.	PART No.	PART NAME	Q'TY / PAGE	Q'TY / PACK	REMARKS
1	AZ320170	Power Pack:T1/T2	1		
2	D0146145	Insulating Sheet:Power Pack:Intermediate Tran	1		
3	B1326170	Guard:Right	2		
4	B1326171	Guard:Left	2		
5	B1326172	Guard:Rear	1		
6	AW020145	Photointerruptor:Flat	2		
7	B1326124	Spring Plate:Cam	1		
8	B1326157	Stopper:On-Off	1		
9	B1326121	Duct	1		
10	D0145237	Harness:Density Sensor	1		
11	AW010141	Positioning Sensor	1		
12	D0146122	Bracket:Positioning Sensor:Intermediate Trans	1		
13	B1326156	Stand	1		
14	D0145376	Harness:Transfer Belt Unit	1		
15	D0145377	Harness:18Pin	1		
16	B7125605	Grip:Application	1		
17	B1326165	Plate:Bracket	1		
101	03603006N	Screw - M3x6			
102	11029782	Connector:51405-1819			
103	11050511	Harness Clamp - LWS-0306ZC			
104	11050522	Edge Saddle - LES0510			
105	11050516	Clamp			
106	11050534	Clamp			
107	11029781	Connector:51405-3919			



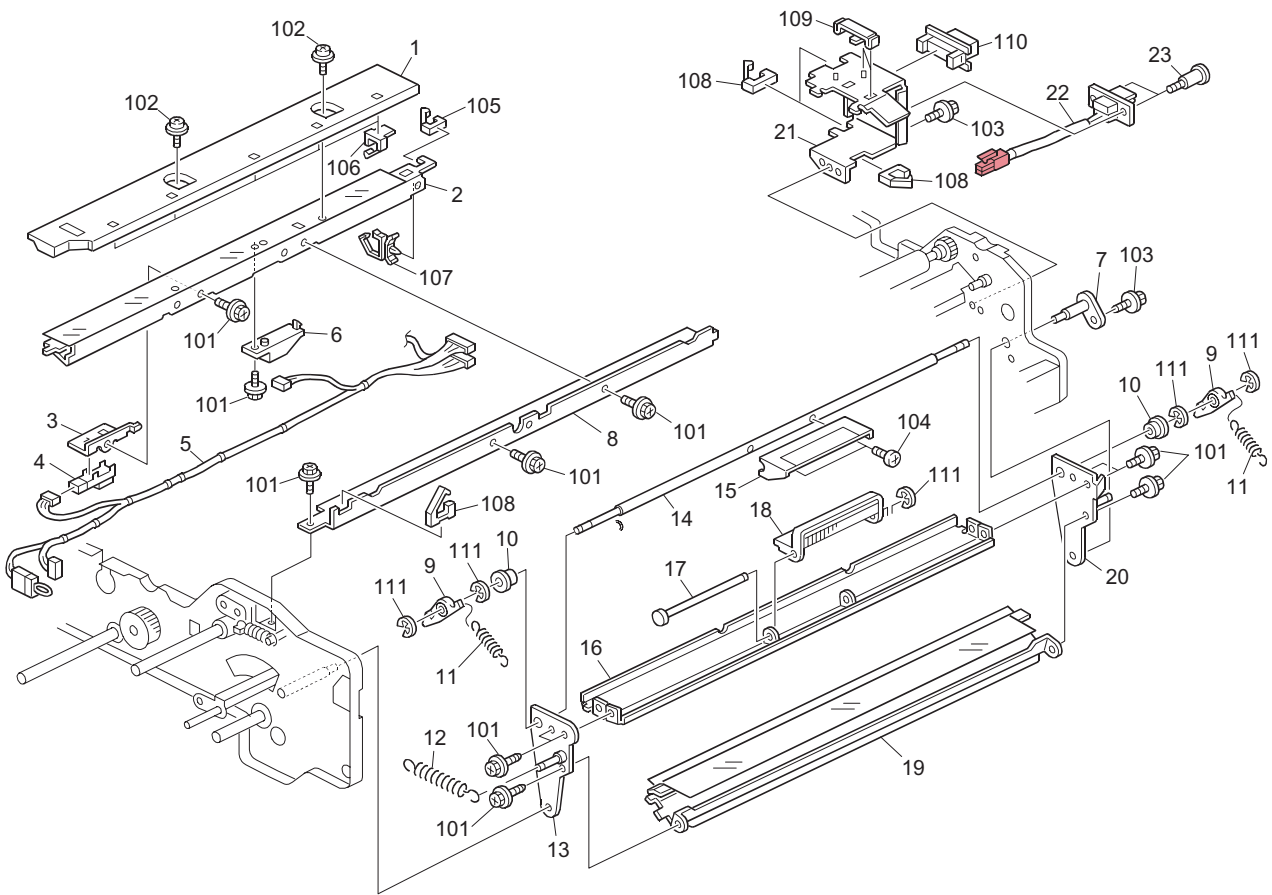
ITEM No.	PART No.	PART NAME	Q'TY / PAGE	Q'TY / PACK	REMARKS
1	D0146951	Duct:Belt Cleaning:Side:Ass'y	1		
2	B1326469	Roller:Pressure	1		
3	D0146489	Spring:Blade:Apply	1		
4	D0146486	Holder:Belt Cleaning Unit	1		
5	D0146507	Lubricant Supply Blade	1		
6	D0146463	Lubricant Supply Brush	1		
7	D0146517	Shield:Holder:Blade:Front Upper	1		
8	D0146518	Shield:Holder:Blade:Front Lower	1		
9	D0146522	Shield:Holder:Blade:Rear Upper	1		
10	D0146523	Shield:Holder:Blade:Rear Lower	1		
11	D0146458	Spring:Blade:No.1	1		
12	D0146466	Holder:Blade:Belt Cleaning Unit	1		
13	D0146455	Belt Cleaning Blade	1		
14	D0146529	Stay:Roller:Pressure:Rear	1		
15	B1326459	Holder:Spring:Roller:Pressure	2		
16	D0146478	Spring:Roller:Pressure	2		
17	B1326460	Case:Spring:Roller:Pressure	2		
18	D0146510	Pin:Positioning:Blade	2		
19	AA083022	Bushing:DIA6:DIA8	1		
20	D0146521	Shield:Case:Brush:Front	1		
21	D0146483	Gear:12Z/21Z	1		
22	D0146485	Gear:19Z	1		
23	D0146481	Gear:18Z	1		
24	G0111058	Snap Ring	1		
25	D0146528	Stay:Roller:Pressure:Front	1		
26	D0146470	Belt Cleaning Lubricant Bar	1		
101	03603006N	Screw - M3x6			
102	04503008N	Tapping Screw - M3x8			
103	07200040E	Retaining Ring - M4			
104	08053385	Bushing - 6MM			
200	D0146400	Belt Cleaning Unit	1		



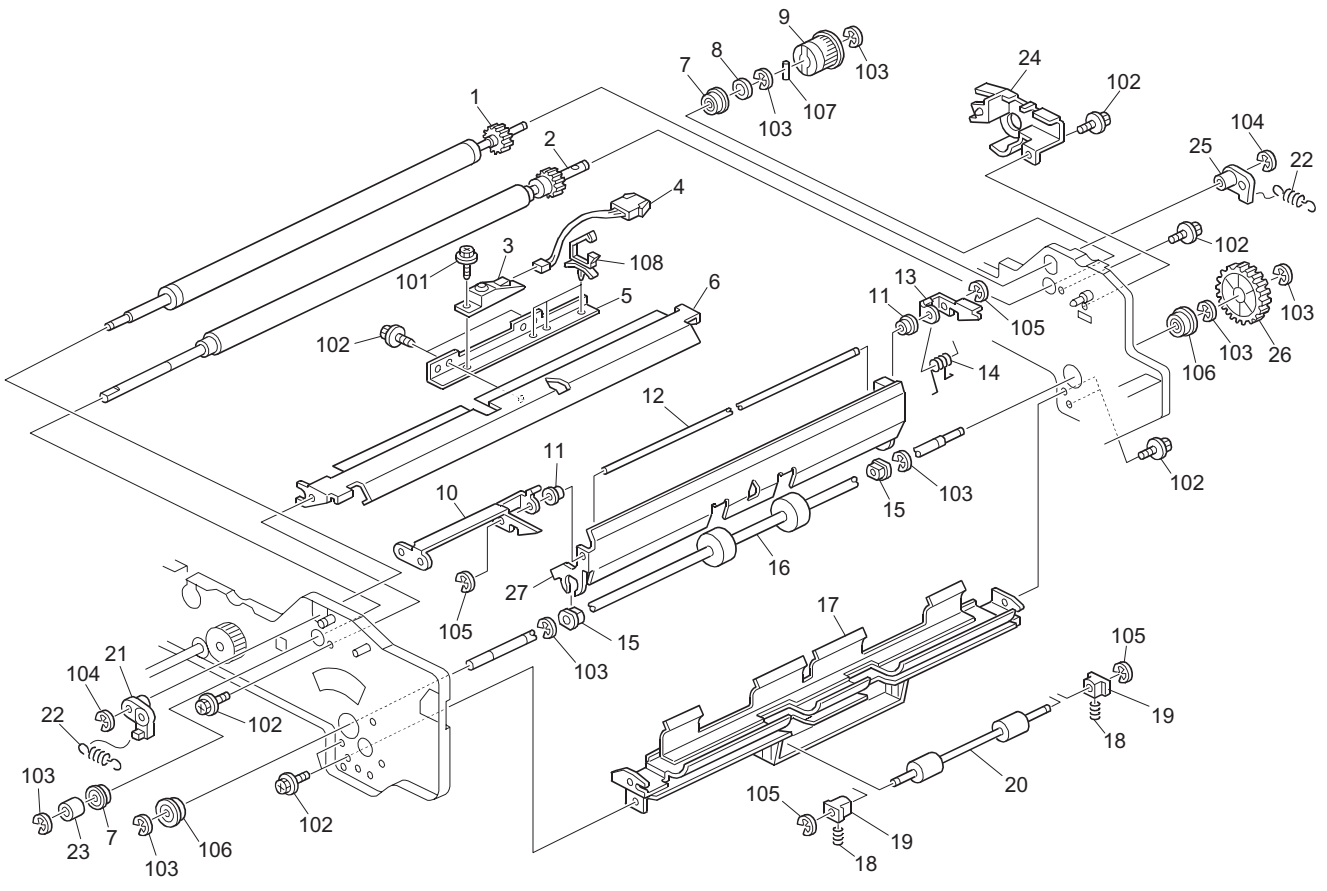
ITEM No.	PART No.	PART NAME	Q'TY / PAGE	Q'TY / PACK	REMARKS
1	B1326120	Seal:Upper:Belt Cleaning	1		
2	D0146497	Brush:Agitator	1		
3	A5717653	Bushing:Cutter Unit	2		
4	D0146524	Seal:Holder:Behind:Belt Cleaning	1		
5	D0146519	Shield:Case:Holder:Rear	2		
6	D0146520	Shield:Case:Holder:Front	2		
7	D0146484	Gear:9Z	1		
8	D0146482	Gear:14Z	1		
9	G0111058	Snap Ring	1		
10	D0146480	Gear:16Z	1		
11	D0146514	Entrance Seal:Belt Cleaning	1		
12	D0146515	Dual Faces Tepe:Entrance Seal:Belt Cleaning	1		
13	D0146490	Toner Collection Coil	1		
14	D0146460	Brush:Remove Paper Dust	1		
15	D0146531	Seal:Scrapper:Front:Belt Cleaning	1		
16	D0146530	Seal:Scrapper:Rear:Belt Cleaning	1		
17	D0146462	Scrapper:Brush	1		
18	D0146525	Seal:Case:Base:Belt Cleaning	1		
19	D0146526	Seal:Toner Recycling Section	1		
20	D0146504	Side Plate:Case	1		
21	AA083022	Bushing:Dia6:Dia8	1		
22	D0146476	Joint:Drive:Brush	1		
23	D0146506	Shield:Side Plate:Front	1		
24	D0146505	Shield:Side Plate:Rear	1		
25	D0146500	Ground Plate:Case	1		
26	D0146501	Compression Spring:Earth	1		
101	03603006N	Screw - M3x6			
102	08053385	Bushing - 6MM			
103	07200040E	Retaining Ring - M4			



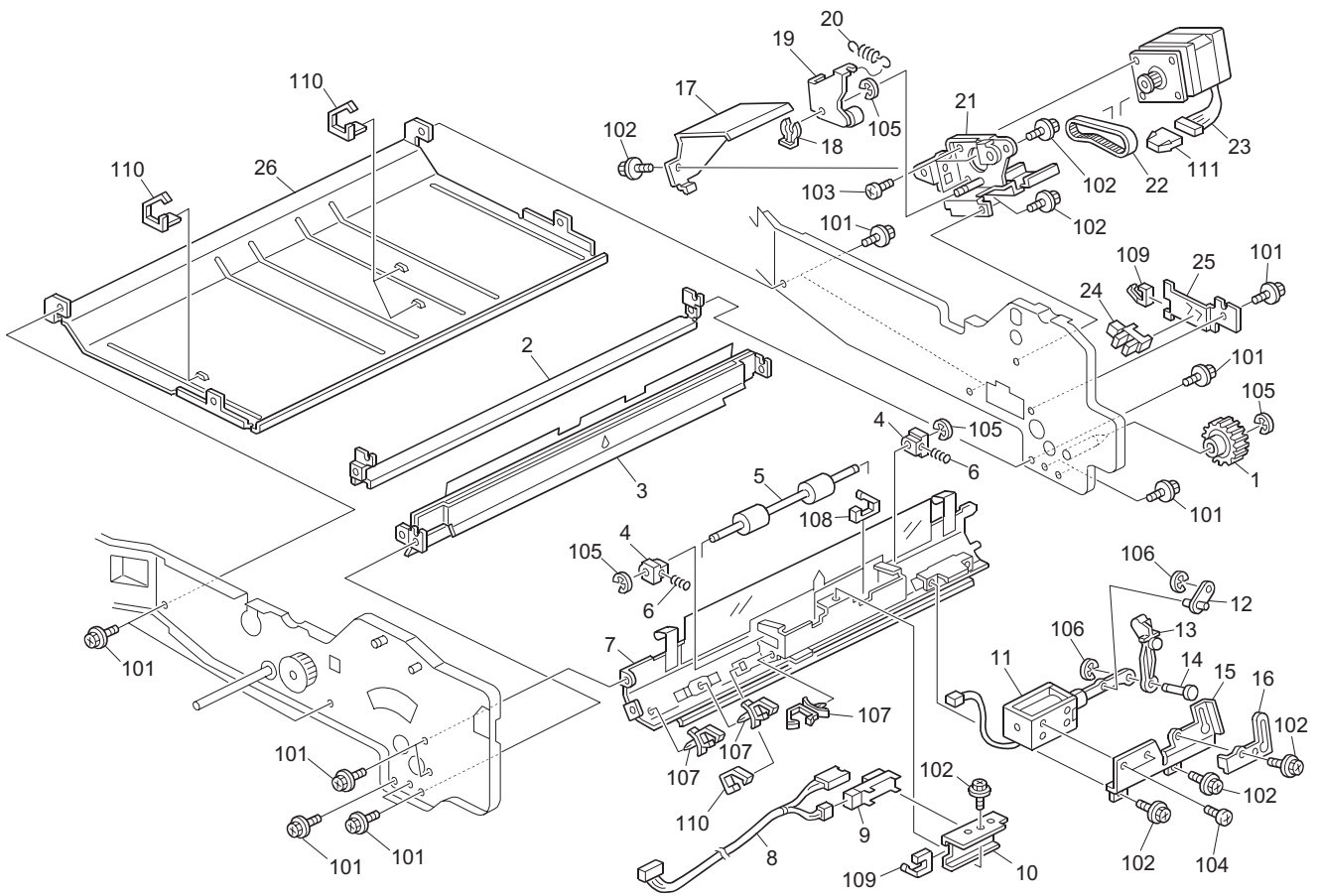
ITEM No.	PART No.	PART NAME	Q'TY / PAGE	Q'TY / PACK	REMARKS
1	B1327008	Knob:Front	1		
2	B1327130	Decal:LED:E1	1		
3	D0147131	Decal:LED:D1	1		
4	A1664290	Knob Joint	1		
5	AG051147	Knob:Fusing	1		
6	D0141182	Inner Cover:Left	1		
7	B1322716	Lever:Release	1		
8	AG050102	Knob - Duplex	2		
9	B1327166	Bracket:LED:Left	1		
10	B1326940	Fan Motor:Unit:DC24V 2.4W	1		
11	D0145277	Harness:Front:Fan	1		
12	B1322709	Decal:Lever:B4	1		
13	B1321184	Lever:Pull Out:Printing	1		
14	D0141200	Inner Cover:Middle	1		
15	B1321238	Decal:Caution:Pull Out	1		
16	B1321189	Inner Cover:Pull Out:Right	1		
17	D0141570	Decal:Caution:Pull Out:Inner Back	1		
101	04514008N	Tapping Screw:4x8			
102	04513006N	Tapping Screw - 3x6			
103	03540080N	Screw:M4x8			
104	03540060N	Screw-M4x6			
105	09514006N	Screw:Polished Round:M4x6			
106	04544008Q	Tapping Screw - M4x8			
107	11050522	Edge Saddle - LES0510			



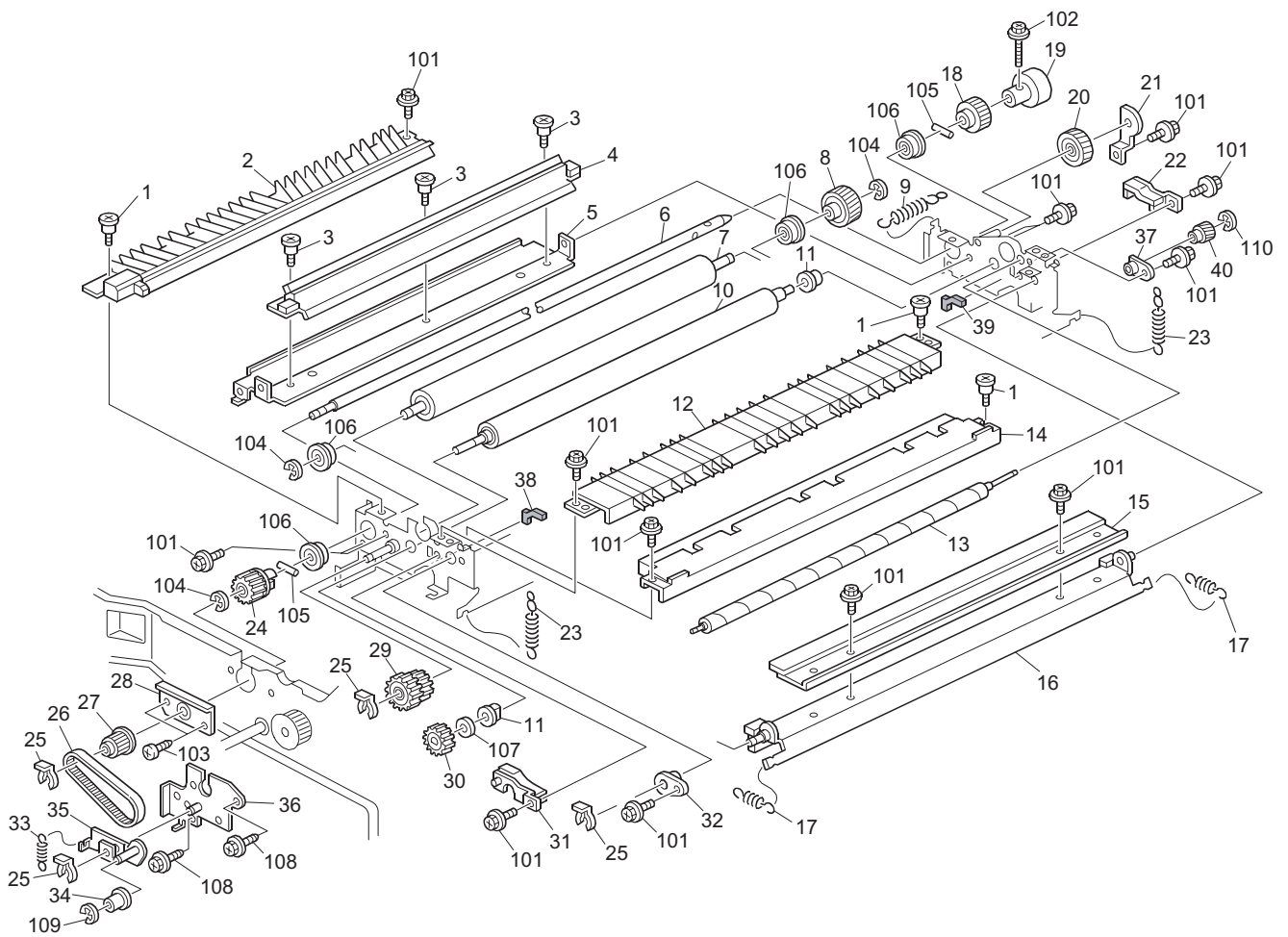
ITEM No.	PART No.	PART NAME	Q'TY / PAGE	Q'TY / PACK	REMARKS
1	B1322605	Case:Remove Paper Dust	1		
2	D0142602	Bracket:Remove Paper Dust:Ass'y	1		
3	D0142620	Bracket:Registration Sensor	1		
4	AW010107	Paper Feed Sensor	1		
5	D0145245	Harness:Pull Out:Uni:26Pin	1		
6	AW000011	Optics Sensor:Photo	1		
7	B1322703	Stud:Contact Point	1		
8	D0142631	Registration Guide:Upper	1		
9	B1322671	Lever:Un Lock	2		
10	54432668	Bushing - 4x6x7mm	2		
11	AA061025	Tension Spring:Open And Close	2		
12	AA061033	Tension Spring:Registration	1		
13	B1322674	Side Plate:Open And Close:Front	1		
14	B1322670	Shaft:Lock	1		
15	B1322644	Lever:Knob:Release	1		
16	B1322682	Registration Guide:Upper	1		
17	B1322681	Shaft:Contact Point:Lever	1		
18	B1322651	Knob:Release	1		
19	B1322680	Registration Guide:Connecting	1		
20	D0142669	Side Plate:Open And Close:Rear:Peen	1		
21	B1321188	Cover:Drive Sub-unit	1		
22	D0145265	Harness:Pull Out:Uni:Dehumidifier	1		
23	AA143792	Screw:Drawer	2		
101	04513006N	Tapping Screw - 3x6			
102	09513006N	Screw - M3x6			
103	04514008N	Tapping Screw:4x8			
104	03530060N	Bind Screw - M3x6			
105	11050551	Clamp:LES-0505			
106	11050568	Clamp:LWSS-0504			
107	11050534	Clamp			
108	11050522	Edge Saddle - LES0510			
109	11050604	Clamp:RFC-16V0			
110	11029387	Connector:Drawer:51405-2611			
111	07200025E	Retaining Ring - M2.5			



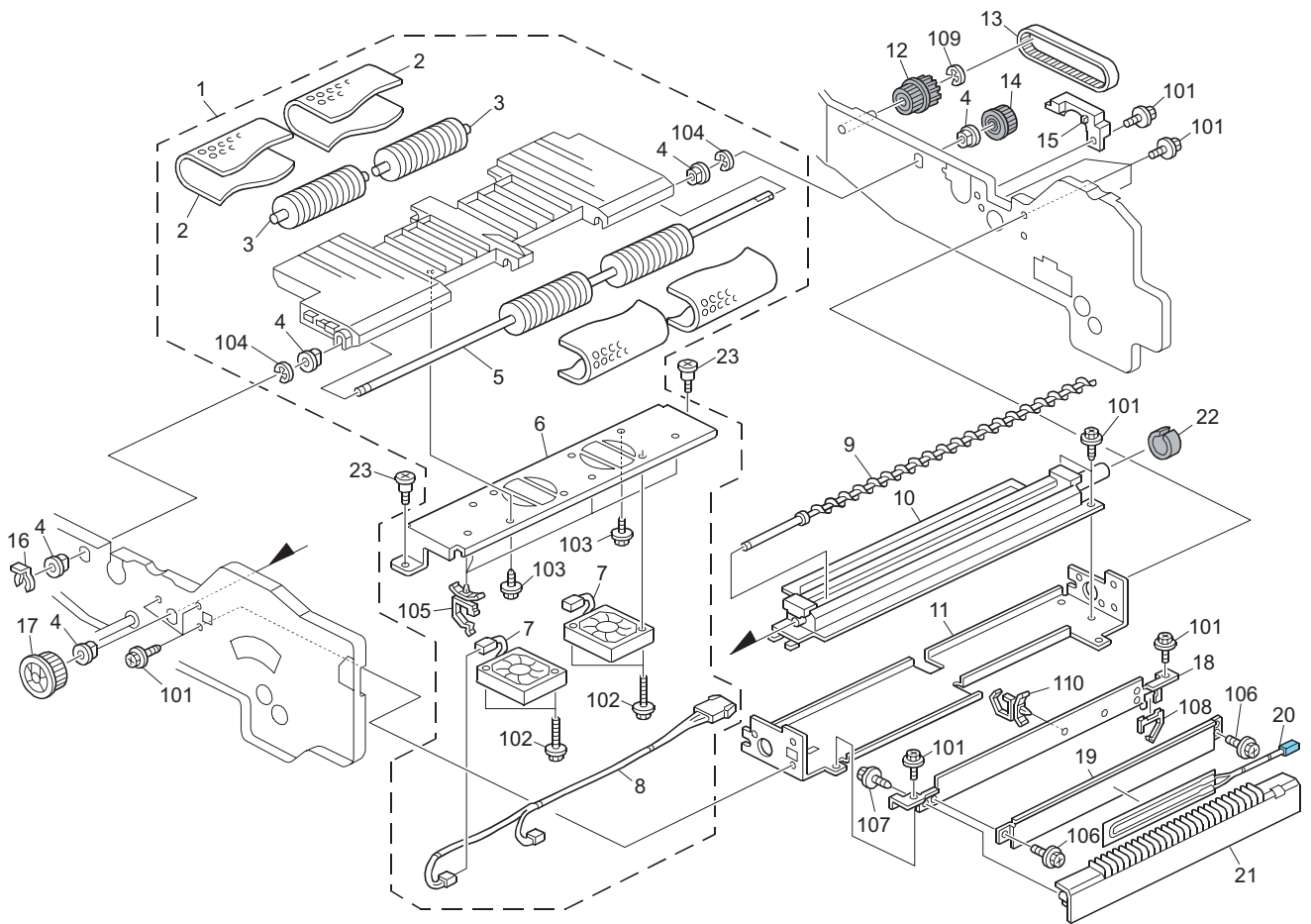
ITEM No.	PART No.	PART NAME	Q'TY / PAGE	Q'TY / PACK	REMARKS
1	B1322629	Registration Roller:Upper	1		
2	B1322617	Registration Roller:Lower	1		
3	AX560011	LED	1		
4	D0145246	Harness:LED:Sensor	1		
5	B1322624	Bracket:Optics Sensor	1		
6	D0142610	Registration Guide:Lower	1		
7	A2472800	Ball Bearing - 8x12x5	2		
8	AA132025	Spacer - 1x8x12	1		
9	AB030302	Timing Pulley:35T	1		
10	B1322708	Pawl:Lock:Front	1		
11	54432668	Bushing - 4x6x7mm	2		
12	B1322691	Shaft:Lock	1		
13	B1322692	Pawl:Lock:Rear	1		
14	AA066372	Spring	1		
15	AA082116	Bushing - M8	2		
16	B1322658	Roller:Connecting:Drive	1		
17	B1812790	Guide Plate:Entrance:Lower Left:Peen	1		
18	AA063433	Exit Roller Spring	2		
19	AA080034	Bushing - 4x5x7	2		
20	B1322675	Transport Roller:Driven:Duplex	1		
21	B1322724	Bushing:Registration:Front	1		
22	AA062329	Spring:Registration:20N	2		
23	54462901	Collar - 8mm	1		
24	B1321232	Cover:Harness:Pull Out	1		
25	B1322725	Bushing:Registration:Rear	1		
26	AB011300	Gear:50Z	1		
27	B1812641	Guide Plate:Open And Close:Middle	1		
101	04513006N	Tapping Screw - 3x6			
102	04514008N	Tapping Screw:4x8			
103	07200060E	Retaining Ring - M6			
104	07200040E	Retaining Ring - M4			
105	07200025E	Retaining Ring - M2.5			
106	07423808	Ball Bearing - 8x16x5			
107	06330160G	Parallel Pin - 3x16MM			
108	11050534	Clamp			



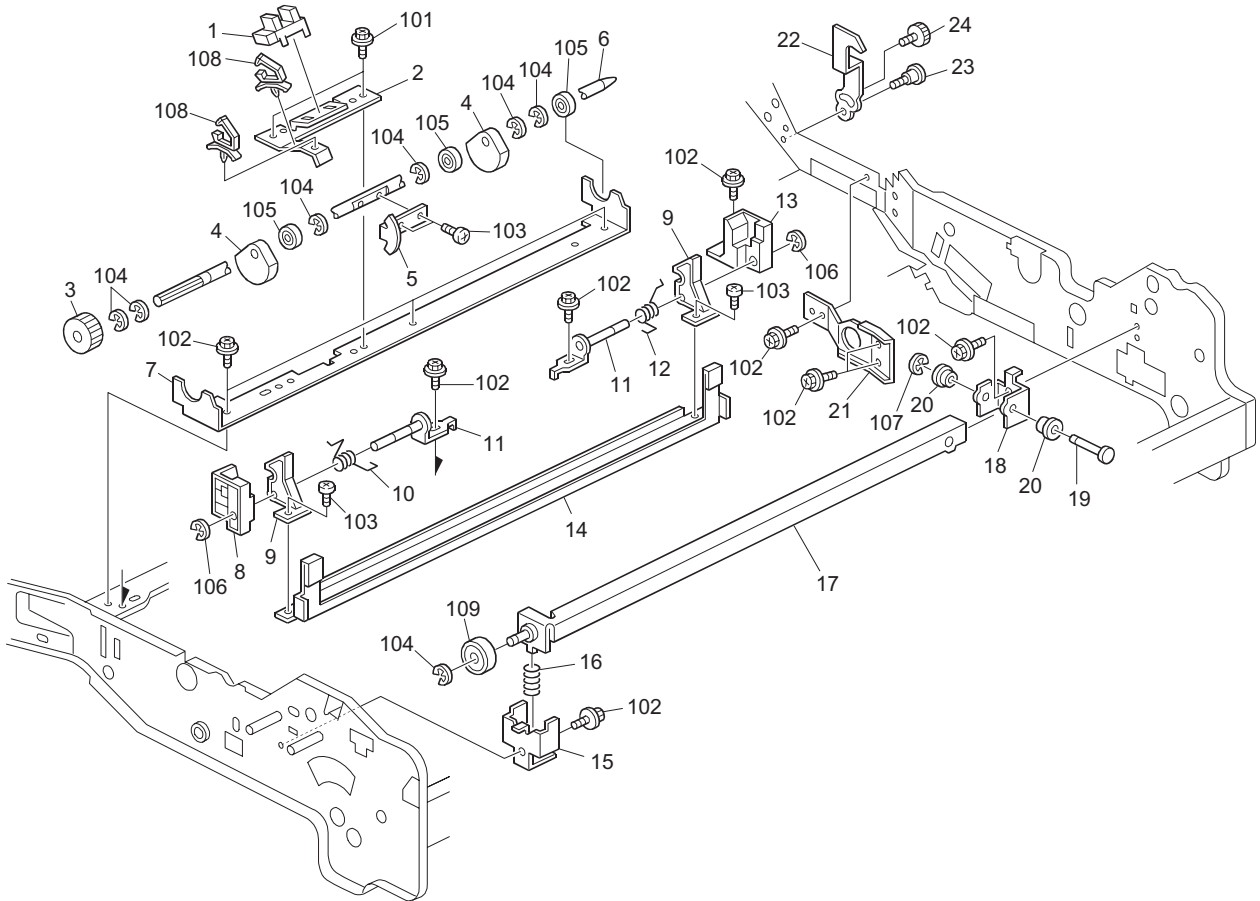
ITEM No.	PART No.	PART NAME	Q'TY / PAGE	Q'TY / PACK	REMARKS
1	AB011301	Gear:32Z	1		
2	B1321192	Guard:Pull Out	1		
3	B1322767	Guide Plate:Paper Bank:Ass'y	1		
4	AA080203	Bushing - 6mm	2		
5	B1322639	Transport Roller:Driven	1		
6	AA063254	Driven Roller Spring	2		
7	D0142636	Guide Plate:Connecting:Right Upper:Adhesion	1		
8	D0145247	Harness:Sensor	1		
9	AW010107	Paper Feed Sensor	1		
10	B1812773	Bracket:Sensor:Connecting	1		
11	B1322594	DC Solenoid:24V:16.5W:Ass'y	1		
12	B1322649	Arm:Guide	1		
13	B1322650	Arm:Perpendicular	1		
14	B1322753	Support Stay:Solenoid	1		
15	B1322661	Bracket:Solenoid	1		
16	B1322667	Rail:Solenoid:Release	1		
17	B1322723	Cover:Motor:Registration	1		
18	52062686	Snap Ring	1		
19	B1322720	Bracket:Tightener	1		
20	B1322710	Tension Spring	1		
21	B1322711	Bracket:Stepper Motor	1		
22	AA043312	Timing Belt:60S2M138	1		
23	B1322722	Stepper Motor:Registration:Ass'y	1		
24	AW020145	Photointerruptor:Flat	1		
25	B1321233	Bracket:Photointerruptor	1		
26	B1324868	Guide:Duplex:Upper Right	1		
101	04514008N	Tapping Screw:4x8			
102	04513006N	Tapping Screw - 3x6			
103	03530060N	Bind Screw - M3x6			
104	03530040N	Screw - M3x4			
105	07200040E	Retaining Ring - M4			
106	07200025E	Retaining Ring - M2.5			
107	11050511	Harness Clamp - LWS-0306ZC			
108	11050522	Edge Saddle - LES0510			
109	11050551	Clamp:LES-0505			
110	11050568	Clamp:LWSS-0504			
111	11026249	Relay Connector - 6P			



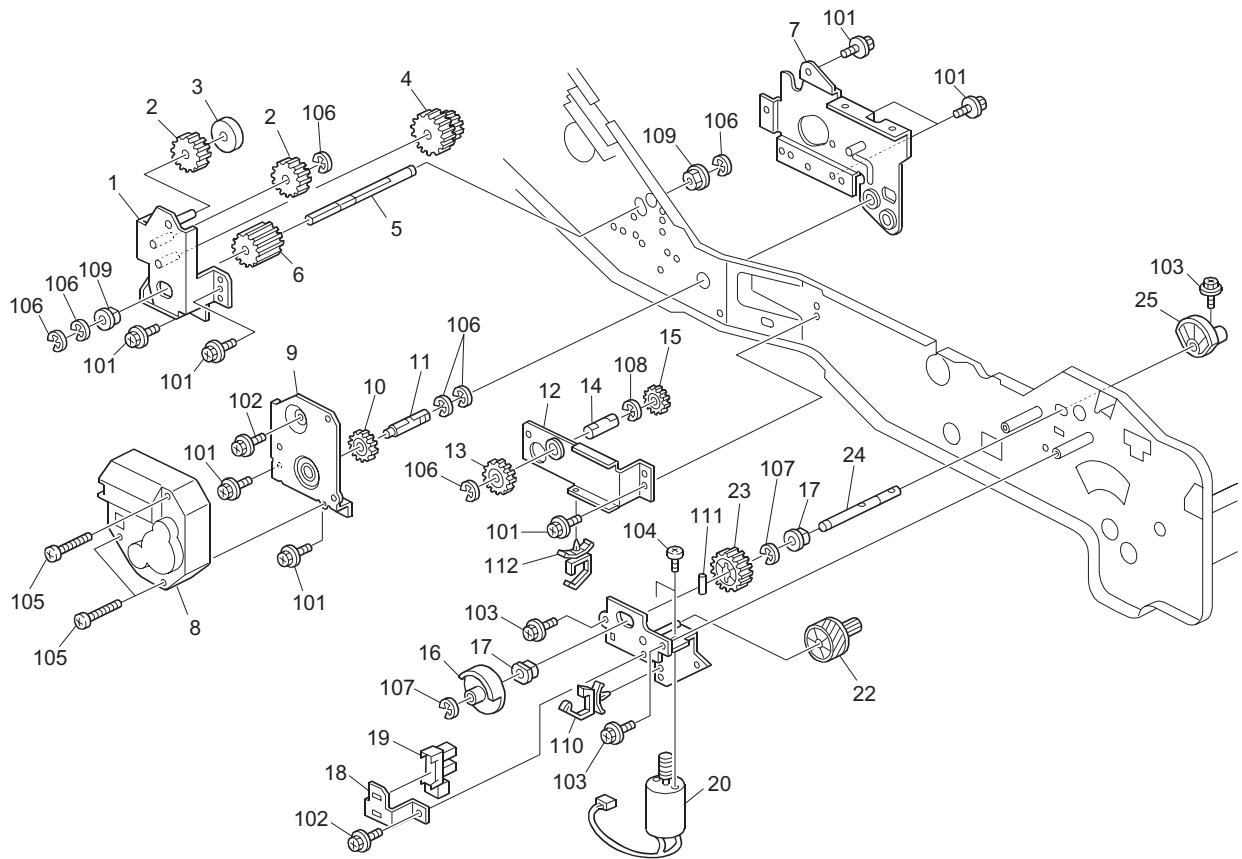
ITEM No.	PART No.	PART NAME	Q'TY / PAGE	Q'TY / PACK	REMARKS
1	54472769	Stepped Screw	3		
2	B1326268	Paper Discharge Plate	1		
3	AA143870	Stepped Screw	3		
4	B1326253	Stay:Brush Roller:Ass'y	1		
5	B1326274	Stay:Transfer Unit	1		
6	B1326287	Shaft:Contact Point	1		
7	D0146280	Paper Transfer Roller	1		
8	B1326303	Gear:40Z	1		
9	B1326306	Spring:Pressure	1		
10	B1326255	PTR Cleaning Brush	1		
11	AA082137	Bushing:6x10x6	2		
12	B1326295	Guide Plate:Entrance:Ass'y	1		
13	D0146268	Brush Roller:Apply	1		
14	D0146260	PTR Lubricant Bar	1		
15	D0146265	PTR Cleaning Blade	1		
16	B1326269	Holder:Blade	1		
17	B1326299	Spring:Blade	2		
18	B1326301	Gear:40Z	1		
19	B1326284	Joint:Transfer:Drive	1		
20	B1326302	Gear:40Z	1		
21	B1326311	Bracket:Gear:Idler	1		
22	B1326307	Base:Transfer Roller:Rear:Ass'y	1		
23	B1326288	Spring:Pressure	2		
24	AB011124	Gear:21Z	1		
25	54472681	Snap Ring	4		
26	AA043587	Timing Belt:S2M170	1		
27	AB030749	Pulley:23T	1		
28	B1321186	Supporting Plate:Pull Out	1		
29	AB011125	Gear:20/29Z	1		
30	AB011126	Gear:20Z	1		
31	B1326314	Basefront	1		
32	AA080154	Rear Bushing	1		
33	B1326337	Spring:Tightener:Transport Screw	1		
34	A2576112	Pulley:Belt Tensioner	1		
35	B1326331	Tightener:Transfer:Transport Screw:Ass'y	1		
36	B1326334	Side Plate:Positioning:Transfer:Front:Ass'y	1		
37	D0146272	Bushing:Brush:Rear	1		
38	B1326326	Seal:Side Plate:Rear	1		
39	B1326325	Seal:Side Plate:Front	1		
40	D0146273	Gear:16Z	1		
101	03603006N	Screw - M3x6			
102	04514014N	Tapping Screw:M4x14			
103	03540080N	Screw:M4x8			
104	07200060E	Retaining Ring - M6			
105	06330120G	Parallel Pin - 3x12			
106	08053511	Bushing 8MM			
107	07010060N	Washer DIA6			
108	04514008N	Tapping Screw:4x8			
109	07200040E	Retaining Ring - M4			
110	07200030E	Retaining Ring - M3			



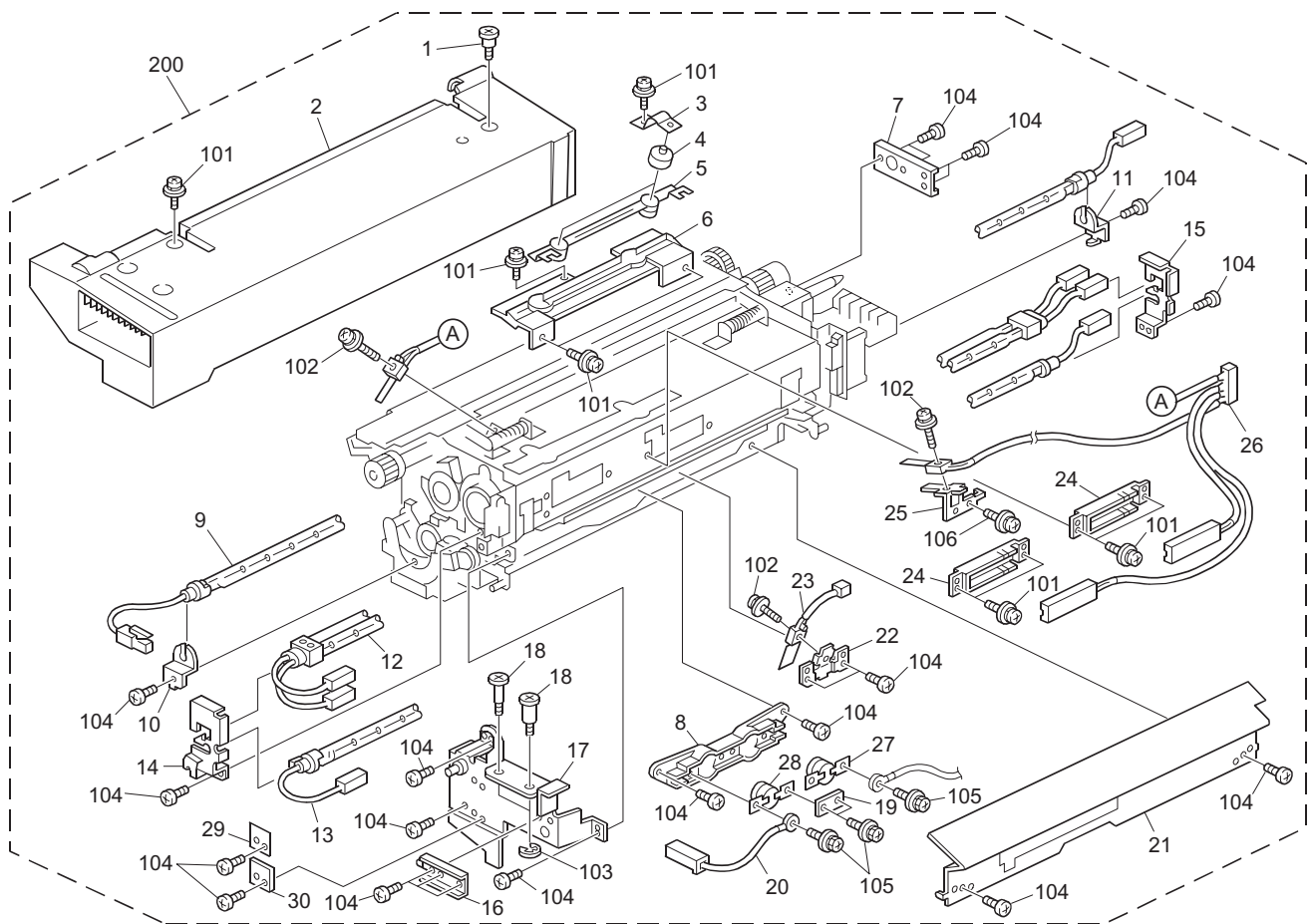
ITEM No.	PART No.	PART NAME	Q'TY / PAGE	Q'TY / PACK	REMARKS
1	D0143850	Paper Transport Belt Unit	1		
2	AA040033	Transport Belt	2		
3	AF022064	Transport Roller:Driven	2		
4	AA082101	Bushing - 6x10x6	5		
5	B1323851	Transport Roller:Drive	1		
6	B1323862	Supporting Plate:Vacuum	1		
7	AX640158	Fan Motor Mm60/15mm:24V	2		
8	D0145248	Harness:Fan Motor	1		
9	B1326260	Collection Coil:Toner:Ass'y	1		
10	B1326257	Tray:Toner Catchpan:Ass'y	1		
11	B1326304	Stay:Pull Out	1		
12	AB017338	Gear:30T	1		
13	AA043578	Timing Belt:S2M208	1		
14	AB030275	Pulley:31T	1		
15	B1326286	Stopper:Transfer/Separation Unit	1		
16	54472681	Snap Ring	1		
17	AB030748	Pulley:40T	1		
18	B1326507	Holder:Heater	1		
19	B1326506	Heat Sink:Heater:Toner	1		
20 A	AX400176	Heater:115V:18W:Upper	1		
20 B	AX400178	Heater:240V:18W:Upper	1		
21	B1816502	Cover:Heater	1		
22	B1326328	Seal:Tray:Toner Recycling Unit	1		
23	AA143394	Stepped Screw - M3x10	2		
101	04514008N	Tapping Screw:4x8			
102	04513020N	Tapping Screw:3x20			
103	04504008N	Tapping Screw - M4x8			
104	07200040E	Retaining Ring - M4			
105	11050511	Harness Clamp - LWS-0306ZC			
106	04513006N	Tapping Screw - 3x6			
107	04503010N	Tapping Screw - M3x10			
108	11050518	Edge Saddle - LES-1010			
109	07200060E	Retaining Ring - M6			
110	11050516	Clamp			



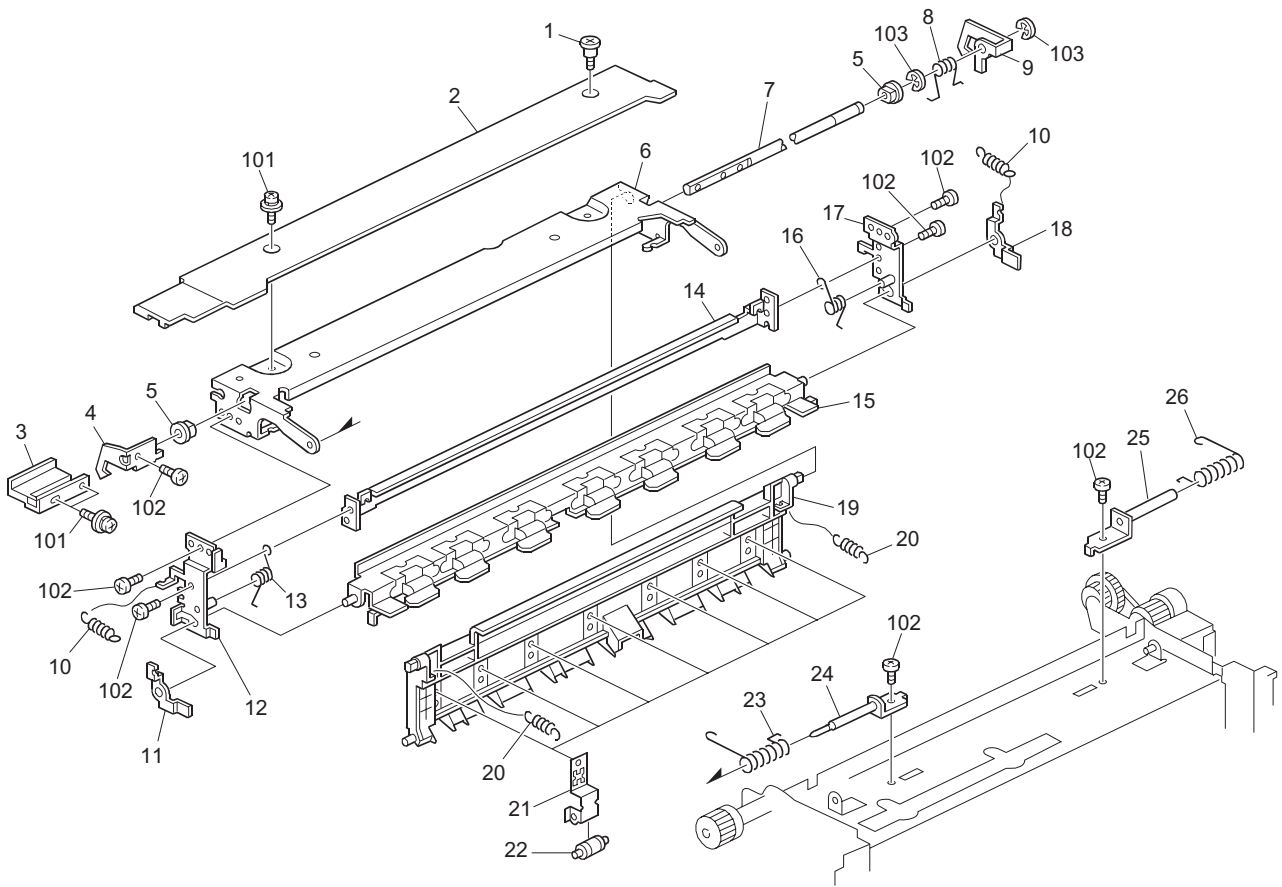
ITEM No.	PART No.	PART NAME	Q'TY / PAGE	Q'TY / PACK	REMARKS
1	AW020145	Photointerruptor:Flat	1		
2	D0144264	Bracket:Photointerruptor	1		
3	AB014309	Gear:Shaft:Cam	1		
4	D0144297	Cam:On-Off:Pressure Roller	2		
5	D0144260	Feeler	1		
6	D0144261	Shaft	1		
7	D0144263	Bracket:Shaft:Cam	1		
8	D0144274	Guide:Hook:Lock:Fusing Unit	1		
9	D0144276	Hook:Lock:Fusing Unit	2		
10	AA066684	Torsion Spring:Front:2n	1		
11	D0144277	Bracket:Lock:Fusing Unit	2		
12	AA066685	Torsion Spring:Rear:2n	1		
13	D0144275	Guide:Hook:Lock:Fusing Unit:Rear	1		
14	D0144280	Stay:Lock:Fusing Unit	1		
15	D0146311	Bracket:Side Fence	1		
16	D0146315	Compression Spring:Stay:On-Off	1		
17	D0146312	Stay	1		
18	D0146310	Bracket:Contact Point	1		
19	D0146316	Shaft:Contact Point	1		
20	G0473472	Bushing:Back Up:Master Belt	2		
21	D0144249	Guide Plate:Shaft:Cam:Rear	1		
22	D0144259	Stay:Fusing Unit:Rear:Exit	1		
23	52062684	Shoulder Screw - M3	1		
24	AA143424	Knob Screw - M4x8	1		
101	04513006N	Tapping Screw - 3x6			
102	04514008N	Tapping Screw:4x8			
103	03530060N	Bind Screw - M3x6			
104	07200060E	Retaining Ring - M6			
105	07423808	Ball Bearing - 8x16x5			
106	07200040E	Retaining Ring - M4			
107	07200030E	Retaining Ring - M3			
108	11050534	Clamp			
109	07403008	Ball Bearing - 8x22x7			

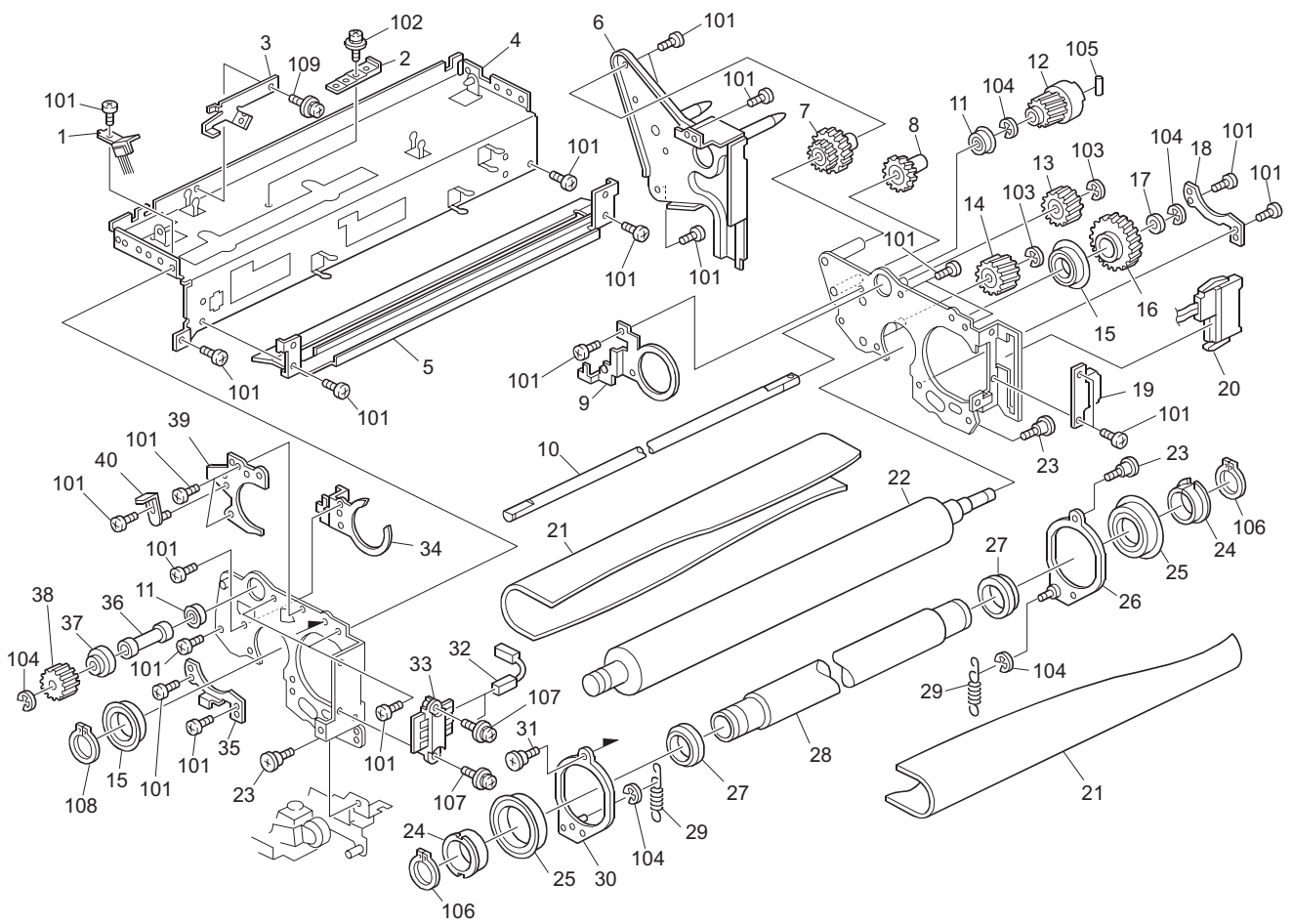


ITEM No.	PART No.	PART NAME	Q'TY / PAGE	Q'TY / PACK	REMARKS
1	D0141150	Bracket:Knob:Fusing	1		
2	AB013309	Gear:18Z	2		
3	B1321235	Collar:Dia18	1		
4	AB017688	Gear:13/20Z	1		
5	D0141156	Shaft:Knob:Fusing	1		
6	AB013363	Gear - 16Z	1		
7	D0141154	Guide Plate:Fusing Unit	1		
8	AX060357	Motor:DC24V 24W	1		
9	D0144265	Bracket:Motor:On-Off:Press Fit	1		
10	AB014310	Gear:Motor:On-Off	1		
11	D0144268	Shaft:Motor	1		
12	D0144351	Bracket:Gear:Slow Down:Press Fit	1		
13	AB014311	Gear:Coupling:Slow Down:21Z	1		
14	D0144350	Shaft:Gear:Slow Down	1		
15	AB014312	Gear:Motor:Drive:15Z	1		
16	D0146322	Feeler	1		
17	AA082101	Bushing - 6x10x6	2		
18	D0146325	Bracket:Sensor	1		
19	AW020145	Photointerruptor:Flat	1		
20	B1326511	DC Motor:Agitate:Ass'y	1		
21	D0146318	Bracket:Motor	1		
22	D0146323	Gear:15Z/24Z	1		
23	D0146324	Gear:45Z	1		
24	D0146321	Shaft:Cam	1		
25	D0146326	Cam	1		
101	04514008N	Tapping Screw:4x8			
102	04513006N	Tapping Screw - 3x6			
103	03603006N	Screw - M3x6			
104	03530030N	Screw:M3x3			
105	03530250N	Screw:M3x25			
106	07200060E	Retaining Ring - M6			
107	07200030E	Retaining Ring - M3			
108	07200040E	Retaining Ring - M4			
109	08053386	Bushing - 8MM			
110	11050511	Harness Clamp - LWS-0306ZC			
111	06320160G	Parallel Pin-M2x16			
112	11050534	Clamp			

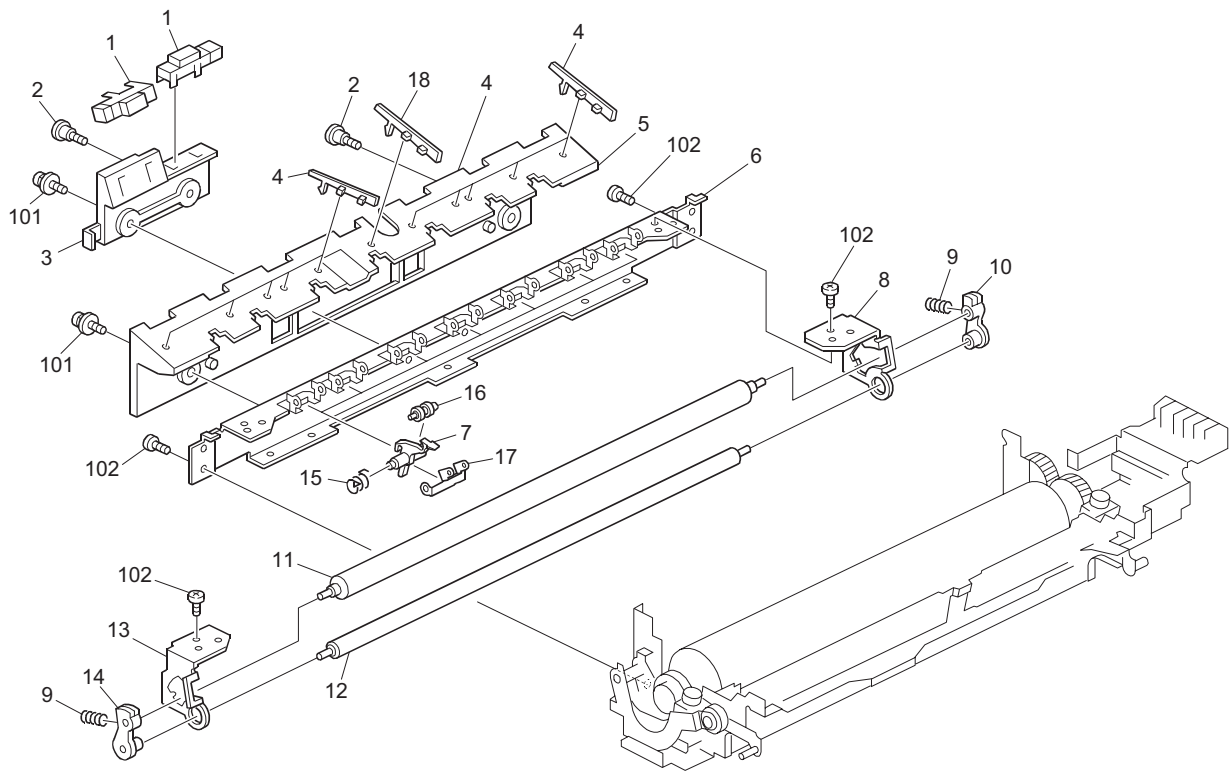


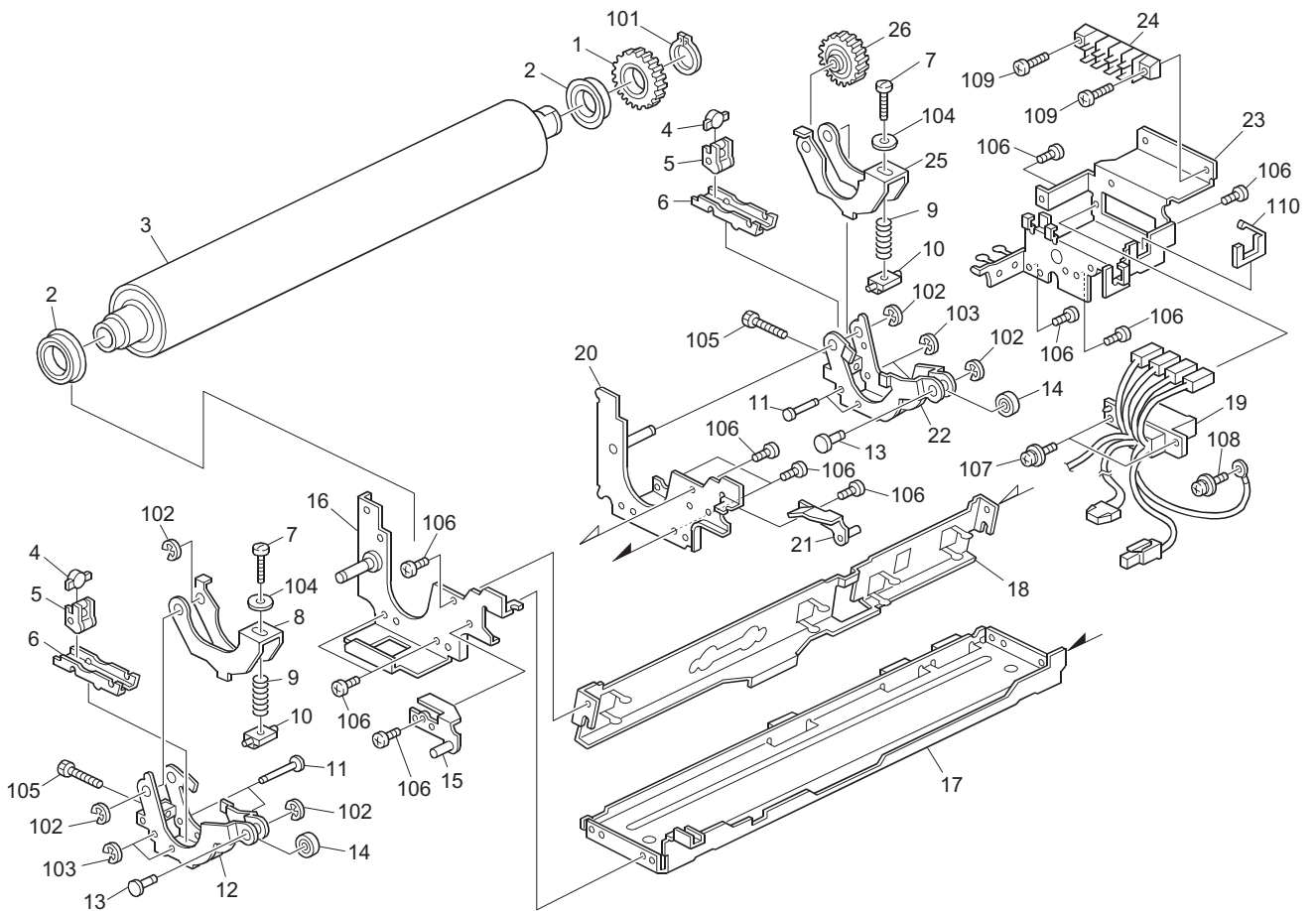
ITEM No.	PART No.	PART NAME	Q'TY / PAGE	Q'TY / PACK	REMARKS
1	52062684	Shoulder Screw - M3	1		
2	D0144124	Fusing Cover:Ass'y	1		
3	D0144190	Stopper - Thermostat	2		
4	D0144191	Stopper Pad - Thermostat	2		
5	D0144175	Thermostat:Heat Roller:Welding	1		
6	D0144235	Housing:Thermostat:Press Fit	1		
7	D0144161	Supporting Plate:Positioning:Fusing Unit:Rear	1		
8	B1324148	Housing:Thermostat	1		
9 A	AX430186	Heater - 117V 400W	1		
9 B	AX430190	Heater - 227V 400W	1		
10	D0144236	Front Heater Holder - Pressure	1		
11	D0144237	Rear Heater Holder - Pressure	1		
12 A	AX440269	Heater - 117V 700W	1		
12 B	AX440271	Heater - 227V 700W	1		
13 A	AX430188	Heater - 117V 250W	1		
13 B	AX440267	Heater - 227V 600W	1		
14	D0144136	Front Heater Holder - Heat Roller	1		
15	D0144138	Rear Heater Holder - Heat Roller	1		
16	D0144164	Supporting Plate:Positioning:FusingUnit:Front	1		
17	D0144093	Front Stay - Fusing Unit	1		
18	B0514103	Knob Screw - 4m	2		
19	B0654121	Thermostat Terminal	1		
20	D0144298	AC Harness - Thermostat	1		
21	D0144234	Entrance Guide Plate - Lower	1		
22	D0144240	Bracket - Thermistor:Pressure	1		
23	AW100110	Thermistor	1		
24	D0144247	Housing - Temperature Sensor	2		
25	D0144238	Bracket - Heat Roller Thermistor	1		
26	AW100114	Temperature Sensor:Upper	1		
27	AW110044	Thermostat:150C:250V/17A	1		
28	AW110045	Thermostat:149C:250V/17A	1		
29	D0144343	Spacer:MIN	1		
30	D0144342	Spacer:Max	1		
101	09543008N	Screw - M3x8			
102	09543010N	Screw:Polished Round/Spring:M3x10			
103	07200040E	Retaining Ring - M4			
104	03530060N	Bind Screw - M3x6			
105	08046123	Hexagonal Bolt:W/Washer:M3x8			
106	09543006N	Screw - M3x6			
200 A	D0144018	Fusing Unit:C2ANA:Ass'y	1		
200 B	D0144028	Fusing Unit:C2EU:Ass'y	1		



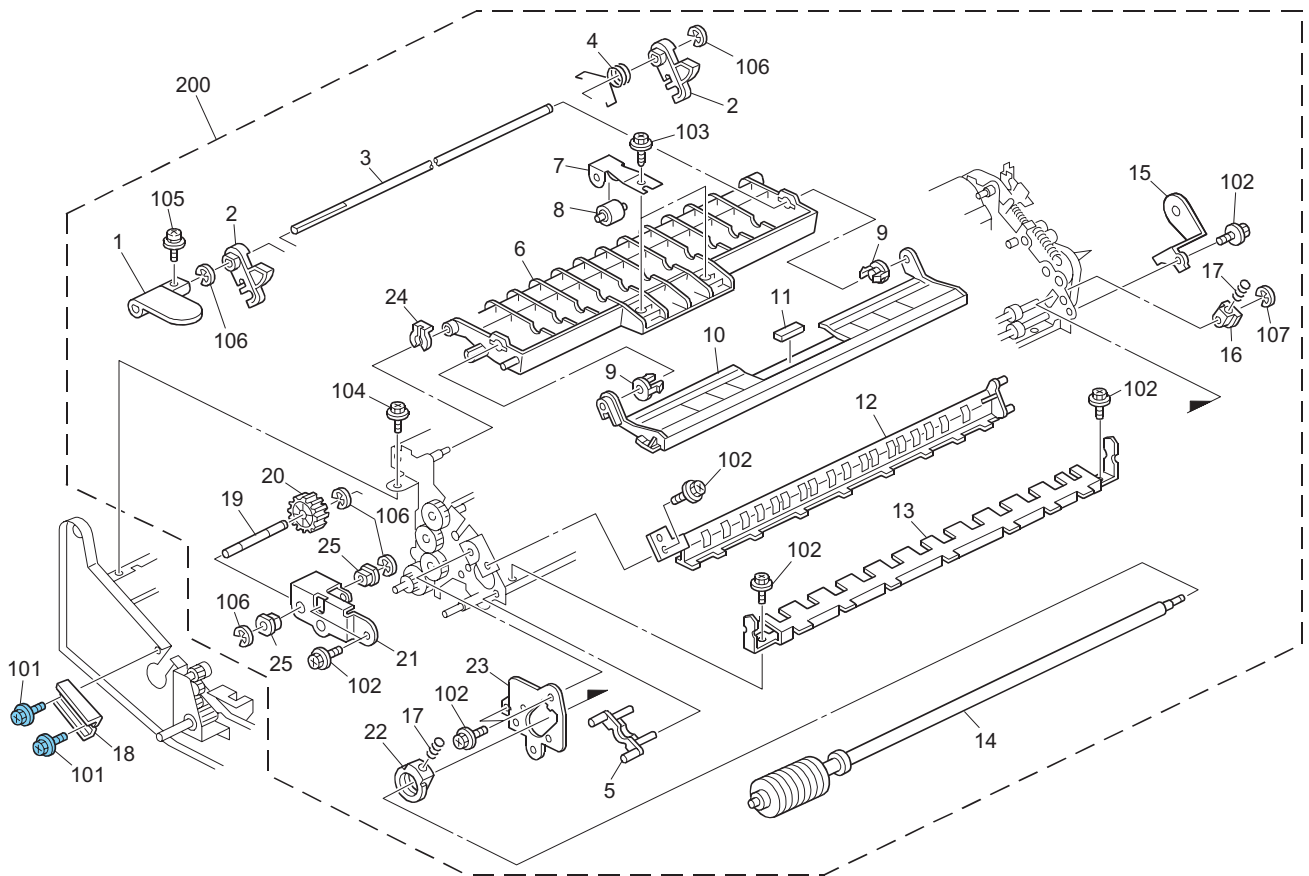


ITEM No.	PART No.	PART NAME	Q'TY / PAGE	Q'TY / PACK	REMARKS
1	D0144353	Discharge Brush:Heat Roller:Upper	1		
2	D0144309	Spacer:Housing:Thermostat:Front	1		
3	D0144239	Bracket - Hot Roller Thermistor	1		
4	D0144103	Stay - Upper	1		
5	D0144147	Entrance Guide Plate - Upper	1		
6	D0144095	Rear Stay - Fusing Unit	1		
7	AB014294	Gear - 30Z/23Z	1		
8	AB014295	Gear - 20Z	1		
9	D0144306	Rear Positioning Plate - Stripper	1		
10	D0144194	Drive Haft	1		
11	AE030056	Ball Bearing - 8x16x5	2		
12	AB014298	Drive Gear - 23Z	1		
13	AB014323	Gear:Idler:Drive	1		
14	AB014324	Gear:Idler:Hot Roller	1		
15	AE030049	Ball Bearing -20x32x7	2		
16	AB014325	Gear:Hot Roller	1		
17	AA132204	Collar	1		
18	D0144134	Rear Positioning Plate	1		
19	D0144163	Rear Guide Plate - Fusing Unit	1		
20	D0145205	AC Harness 2 - Fusing Unit 230V	1		
21	D0144090	Fusing Belt	1		
22	AE010075	Hot Roller:DIA52	1		
23	52062684	Shoulder Screw - M3	3		
24	AE032031	Thermal Insulating Bushing - 30mm	2		
25	AE030039	Ball Bearing	2		
26	D0144141	Rear Lever - Heat Roller	1		
27	D0144130	Guide Ring - Heat Roller	2		
28	AE012032	Heat Roller	1		
29	AA062351	Tension Spring - Heat Roller	2		
30	D0144140	Front Lever - Heat Roller	1		
31	AA143517	Guide Plate Screw	1		
32	D0144179	Upper Front Harness - Thermostat	1		
33	D0144243	Relay Terminal	1		
34	D0144305	Front Positioning Plate - Stripper	1		
35	D0144133	Front Positioning Plate	1		
36	B1324125	Collar:Shaft:Drive	1		
37	B1324138	Roller:Coupling:Knob:Fusing	1		
38	AB013703	Gear - 24Z	1		
39	D0144188	Adjusting Pin:Heat Roller	1		
40	D0144185	Pin:Adjusting Pin:Heat Roller:Peen	1		
101	03530060N	Bind Screw - M3x6			
102	09543008N	Screw - M3x8			
103	07200040E	Retaining Ring - M4			
104	07200060E	Retaining Ring - M6			
105	06330120G	Parallel Pin - 3x12			
106	07250300E	Retaining Ring C - M30			
107	09543010N	Screw:Polished Round/Spring:M3x10			
108	07250200E	Retaining Ring C - M20			
109	09543006N	Screw - M3x6			

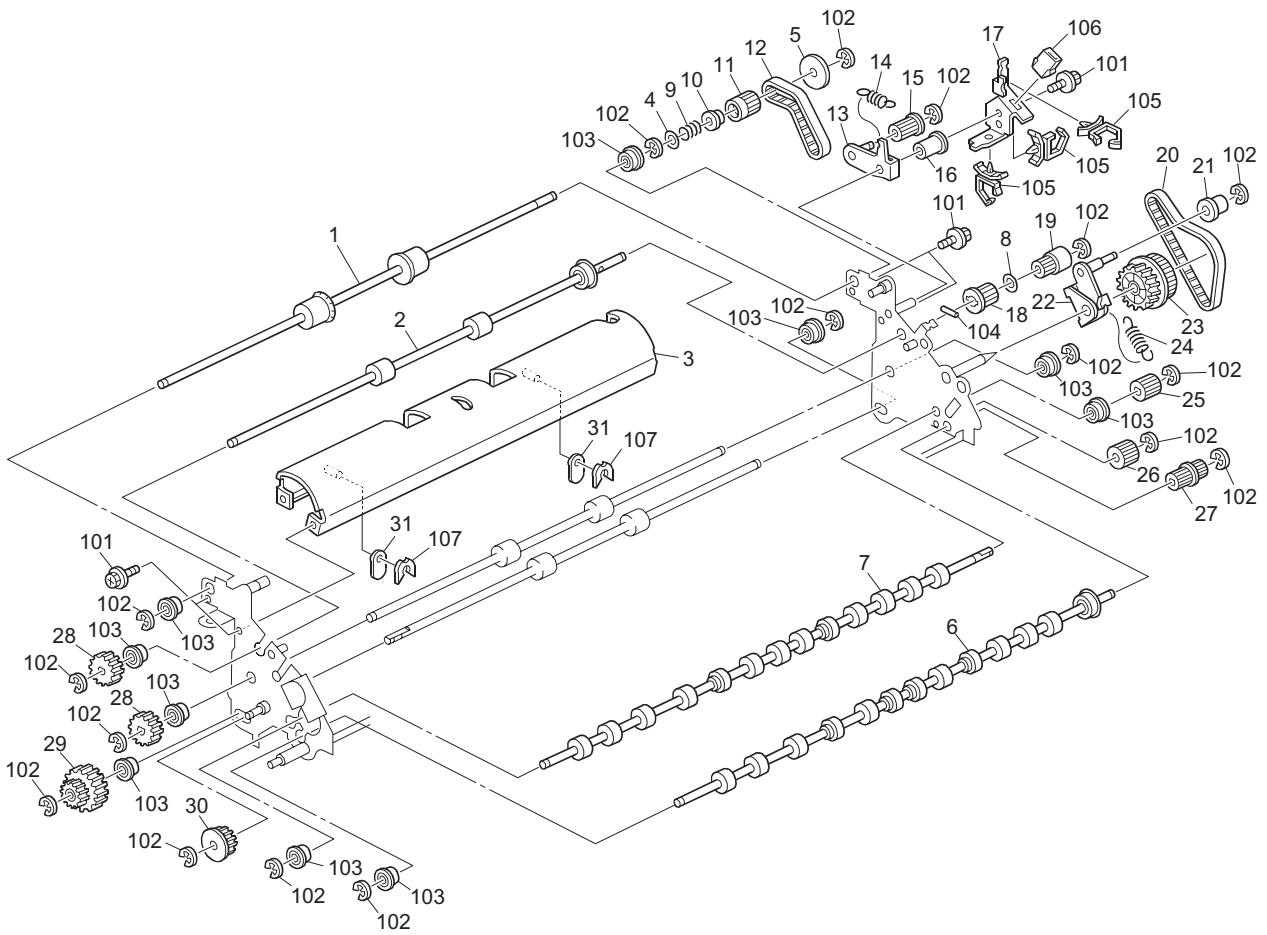




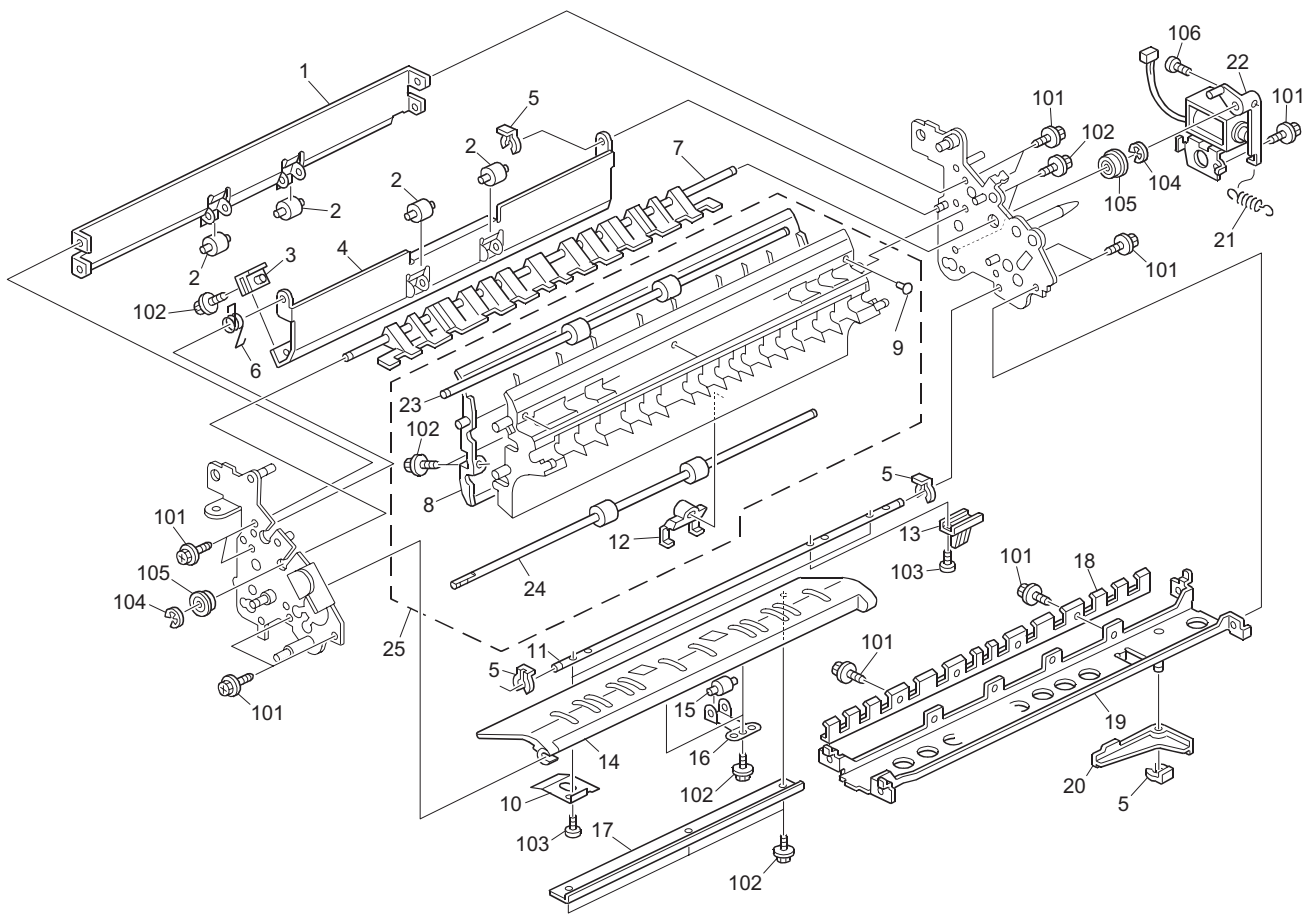
ITEM No.	PART No.	PART NAME	Q'TY / PAGE	Q'TY / PACK	REMARKS
1	AB014291	Gear - 32Z	1		
2	AE030049	Ball Bearing -20x32x7	2		
3	AE020165	Pressure Roller	1		
4	D0144291	Holder:Adjusting Pin:M5	2		
5	D0144292	Lever:Control Plate:Pressure:Link:Peen	2		
6	D0144289	Lever:Control Plate:Pressure	2		
7	D0144296	Stepped Screw - M5	2		
8	D0144281	Upper Front Lever - Pressure	1		
9	AA063450	Compression Spring - Pressure	2		
10	D0144290	Hub:Pressure Stand:M5	2		
11	D0144287	Pin:Lever:Pressure:Control Plate	4		
12	D0144284	Lever:Pressure:Lower Front:Ass'y	1		
13	D0144233	Pin:Cam:Lever:Pressure	2		
14	AE030030	Ball Bearing - 8x19x6	2		
15	D0144269	Front Lock Bracket - Fusing Unit	1		
16	D0144201	Side Plate - Lower Front	1		
17	D0144203	Stay - Lower	1		
18	D0144204	Stay - Right Lower	1		
19 A	D0145204	AC/DC Harness - Fusing Unit 120V	1		
19 B	D0145209	AC/DC Harness - Fusing Unit 230V	1		
20	D0144202	Side Plate - Lower Rear	1		
21	D0144271	Rear Lock Bracket - Fusing Unit	1		
22	D0144225	Lever:Pressure:Lower Rear:Ass'y	1		
23	D0144241	Bracket - Drawer	1		
24	AA113037	Terminal:4P:187	1		
25	D0144282	Upper Rear Lever - Pressure	1		
26	AB014322	Idle Gear - 27Z	1		
101	07250200E	Retaining Ring C - M20			
102	07200060E	Retaining Ring - M6			
103	07200030E	Retaining Ring - M3			
104	07010060N	Washer DIA6			
105	05850201N	Hexagonal Head Bolt:M5x20			
106	03530060N	Bind Screw - M3x6			
107	09543010N	Screw:Polished Round/Spring:M3x10			
108	09543008N	Screw - M3x8			
109	03540120N	Screw M4x12			
110	11050518	Edge Saddle - LES-1010			



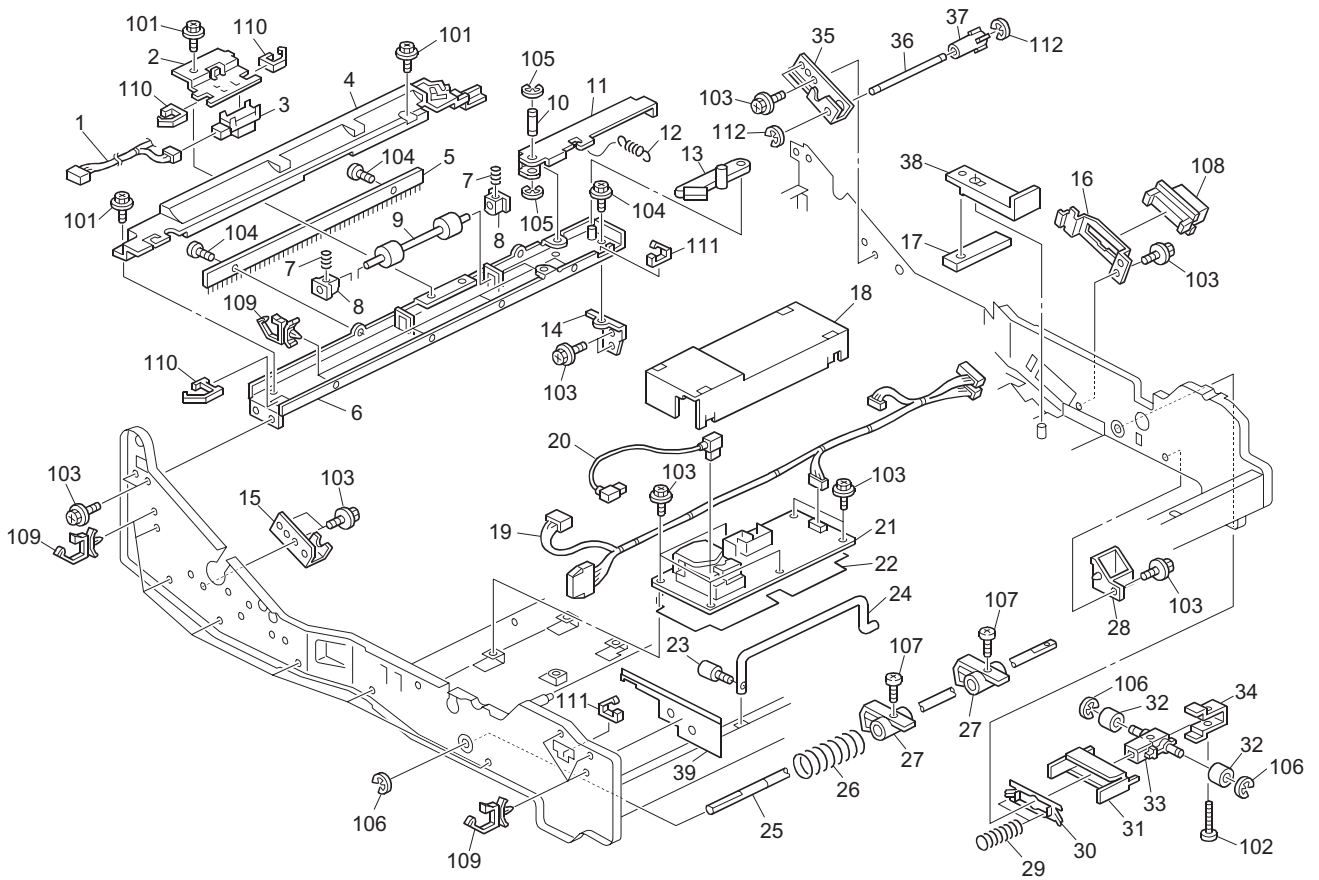
ITEM No.	PART No.	PART NAME	Q'TY / PAGE	Q'TY / PACK	REMARKS
1	B1327056	Grip:Guide Plate:Upper	1		
2	B1327044	Pawl:Guide Plate:Fix	2		
3	B1327052	Shaft:Release:Guide Plate:Upper	1		
4	AA063909	Spring:Guide Plate:Open And Close	1		
5	B1327105	Stopper:Pipe	1		
6	B1327016	Guide Plate:Transport:Upper:Left	1		
7	B1327013	Spring Plate:Upper:Right	2		
8	B1327033	Roller:MM14	2		
9	AA080213	Bushing:DIA6	2		
10	D0147010	Guide Plate:Right	1		
11	B1327124	Sound Proofing Material	1		
12	B1327129	Guide Plate:Entrance:Upper	1		
13	B1327164	Guide:Entrance:Right Front	1		
14	B1327005	Decura:Heat Pipe:DIA15	1		
15	B1327133	Bracket:Positioning Plate:Rear	1		
16	AA080240	Bushing - Mm5	1		
17	AA063906	Compression Spring	2		
18	B1321159	Supporting Plate:Pull Out:Front	1		
19	B1817037	Shaft:Knob	1		
20	B1327002	Gear:28Z	1		
21	B1817007	Bracket:Lever	1		
22	B1327011	Holder:Bearing:Front	1		
23	B1327039	Bracket:Bearing:Front	1		
24	54472681	Snap Ring	1		
25	AA082118	Bushing - M6	2		
101	04544008Q	Tapping Screw - M4x8			
102	04513006N	Tapping Screw - 3x6			
103	04503008N	Tapping Screw - M3x8			
104	04514008N	Tapping Screw:4x8			
105	09543006N	Screw - M3x6			
106	07200040E	Retaining Ring - M4			
107	07413706	Ball Bearing - 6x10x3			
108	07200030E	Retaining Ring - M3			
200	D0147001	Paper Exit Unit	1		



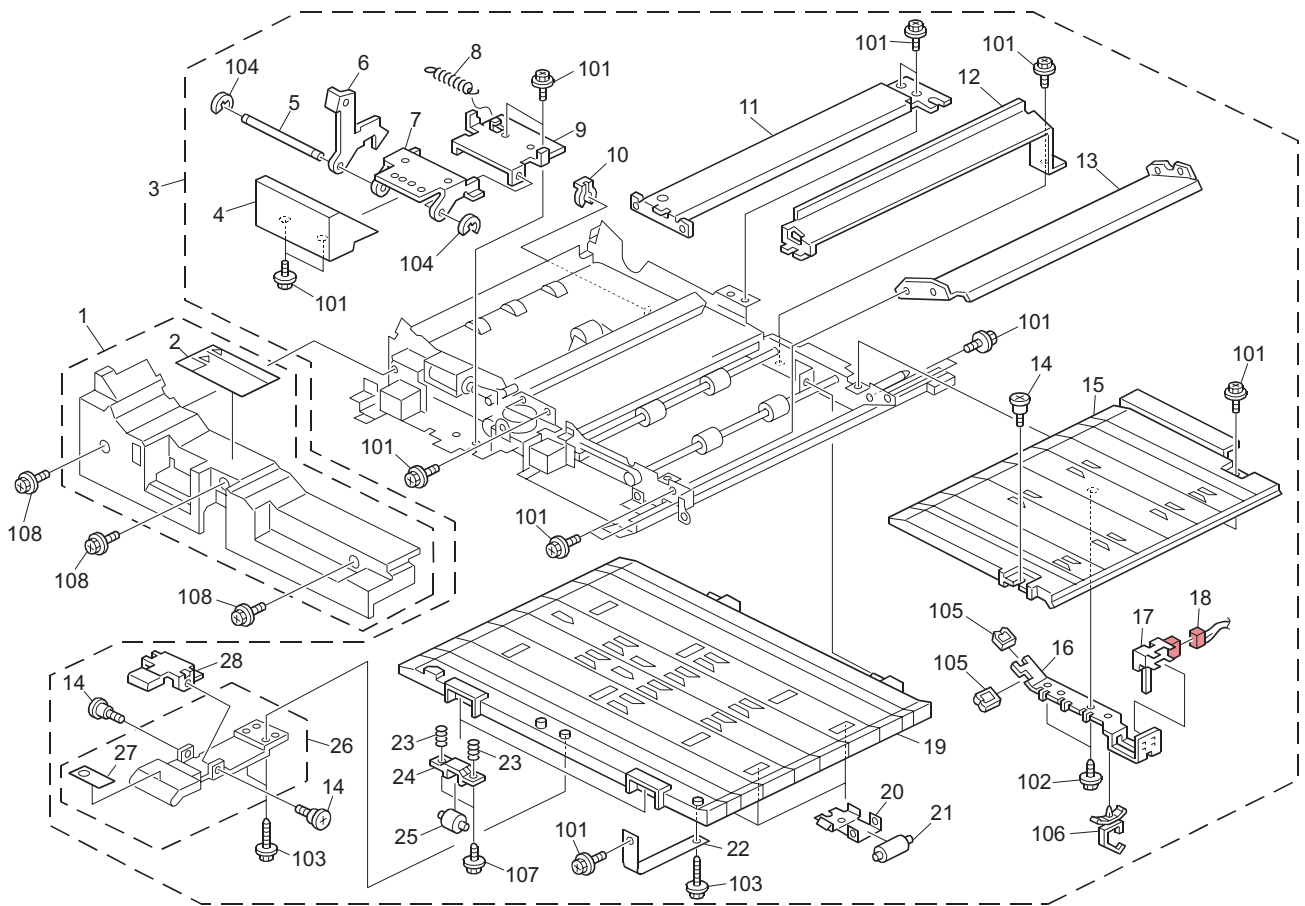
ITEM No.	PART No.	PART NAME	Q'TY / PAGE	Q'TY / PACK	REMARKS
1	B1327086	Exit Roller:Exit:Drive	1		
2	D0147082	Roller:Middle	1		
3	B1327151	Guide Plate:Shaft:Ass'y	1		
4	B1327165	Spacer:DIA21	1		
5	59374158	Spring Washer - BD10	1		
6	D0147156	Roller:Decura	1		
7	B1327085	Roller:Decura:Exit	1		
8	H0531174	Washer M6 - Scanner Unit	1		
9	B2474456	Spring - Lower Exit Roller	1		
10	A4701703	Shift Clutch	1		
11	B1327051	Pulley:19Z	1		
12	B1327116	Timing Belt:T198	1		
13	B1327112	Tightener:Front Upper:Ass'y	1		
14	AA060695	Tension Spring	1		
15	B1327048	Pulley:13T	1		
16	B1327025	Roller:Tightener	1		
17	B1327069	Bracket:Connector	1		
18	B1327036	Pulley:15T	1		
19	B1327028	Pulley:15T	1		
20	B1327117	Timing Belt:T213	1		
21	B1327059	Roller:Tightener	1		
22	B1327141	Shaft:Base:Tightener	1		
23	B1327080	Pulley:37T	1		
24	B1327143	Spring:Tightener	1		
25	B1327138	Gear:Z20	1		
26	B1327144	Gear:Z28	1		
27	B1327162	Pulley:Z13	1		
28	B1327030	Gear:Z27	2		
29	B1327060	Gear:29Z	1		
30	B1327055	Gear:22Z	1		
31	B1327155	Stopper:Guide	2		
101	04513006N	Tapping Screw - 3x6			
102	07200040E	Retaining Ring - M4			
103	07413706	Ball Bearing - 6x10x3			
104	06320100G	Pin - 2x10mm			
105	11050511	Harness Clamp - LWS-0306ZC			
106	11026245	Relay Connector - 2P			
107	08050089	Retaining Ring - M4			



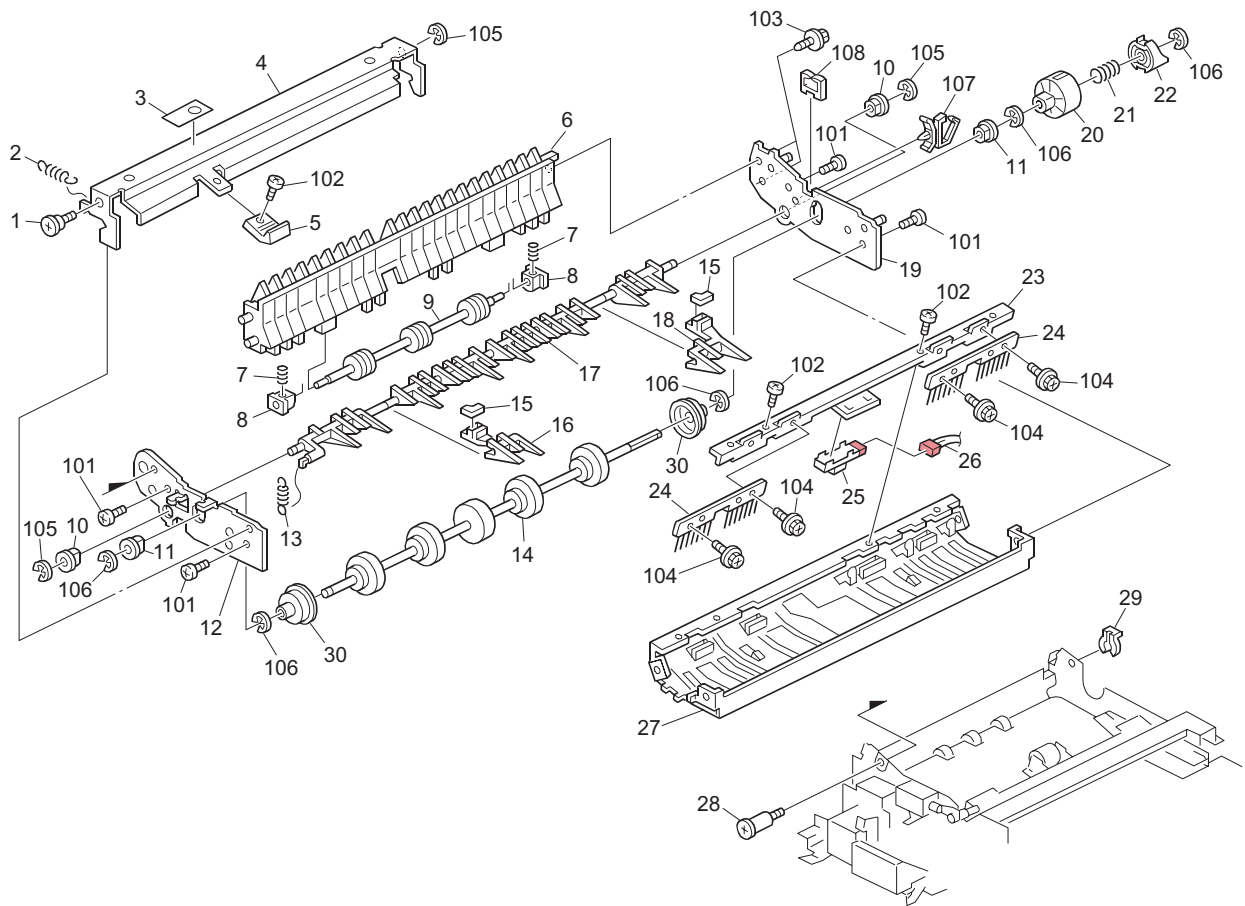
ITEM No.	PART No.	PART NAME	Q'TY / PAGE	Q'TY / PACK	REMARKS
1	B1327115	Guide Plate:Left Upper:Ass'y	1		
2	B1327033	Roller:Mm14	4		
3	B1327015	Grip:Guide Plate:Left	1		
4	B1327110	Guide Plat:Left Lower:Ass'y	1		
5	54472681	Snap Ring	4		
6	AA063908	Spring:Tightener	1		
7	D0147159	Gate Pawl:Reverse:Paper Exit Unit	1		
8	B1327004	Guide Plate:Middle:Transport	1		
9	H0202318	NRP345	3		
10	B1327045	Arm:Pressure	2		
11	B1327029	Shaft:Release:Guide Plate	1		
12	B1327169	Plate:Transport Roller	1		
13	B1327098	Lever:Release	1		
14	B1327017	Guide Plate:Middle:Right	1		
15	B1327031	Roller:Middle	2		
16	B1327020	Spring Plate:Middle	2		
17	B1327160	Stay:Supporting Plate	1		
18	B1327103	Guide:Entrance:Right Rear	1		
19	B1327097	Stay:Shaft:Ass'y	1		
20	B1327046	Lever:Release:Guide Plate:Lower	1		
21	AA062330	Tension Spring	1		
22	D0147148	DC Solenoid	1		
23	B1327088	Roller:Middle:Duplex Sub-Unit	1		
24	D0147081	Roller:Drive:Connecting:Reverse	1		
25	D0147027	Guide Plate:Middle:Ass'y	1		
101	04513006N	Tapping Screw - 3x6			
102	04503008N	Tapping Screw - M3x8			
103	03530060N	Bind Screw - M3x6			
104	07200040E	Retaining Ring - M4			
105	07413706	Ball Bearing - 6x10x3			
106	03530060N	Bind Screw - M3x6			



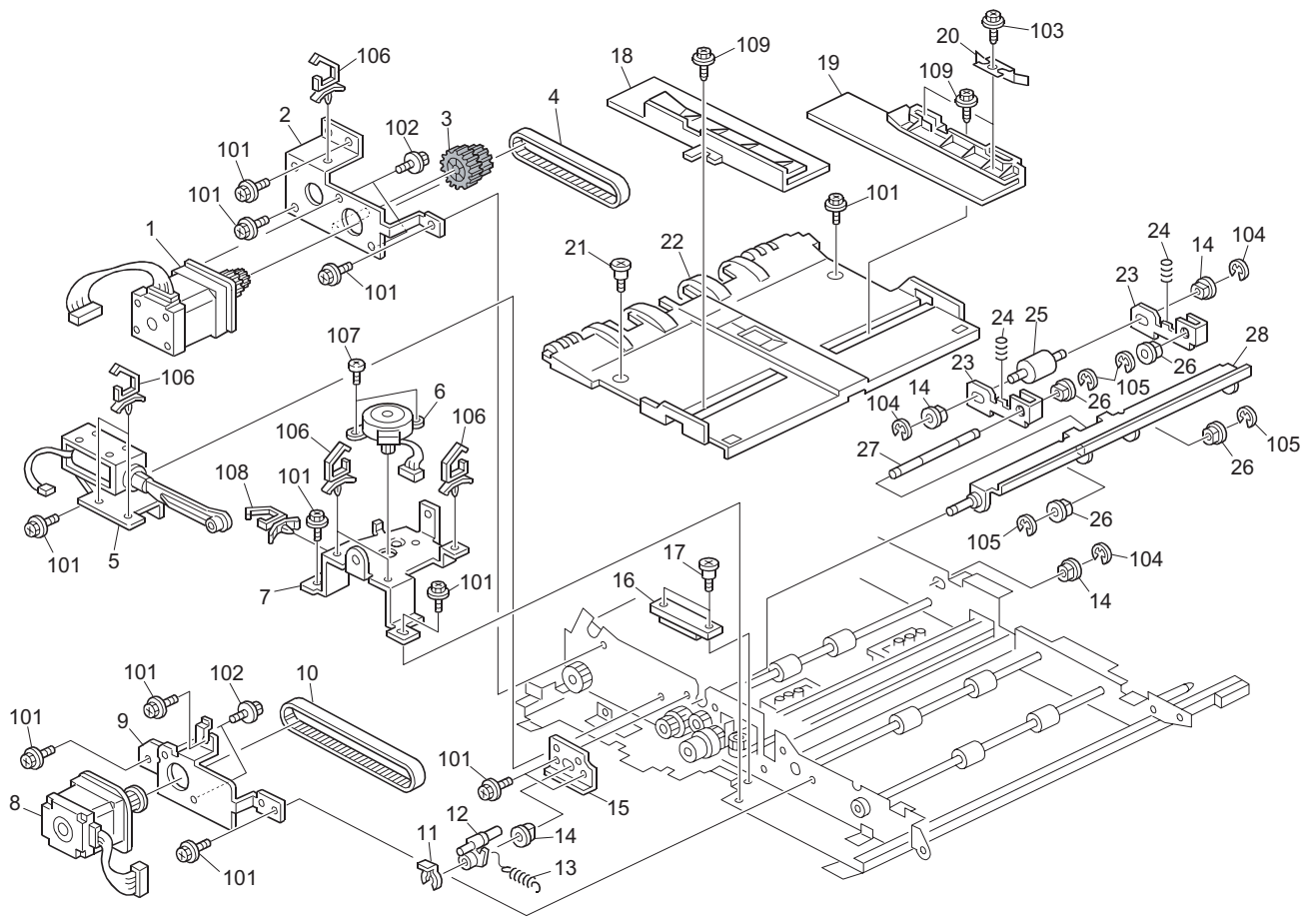
ITEM No.	PART No.	PART NAME	Q'TY / PAGE	Q'TY / PACK	REMARKS
1	D0145244	Harness:Paper Exit Unit	1		
2	B1327049	Bracket:Sensor	1		
3	AW010107	Paper Feed Sensor	1		
4	B1327023	Cover:Exhaust	1		
5	AA120084	Discharge Brush	1		
6	B1327018	Stay:Exit:Ass'y	1		
7	B2474455	Compression Spring	2		
8	AA084053	Ball Bearing:Driven:MM4	2		
9	B1327147	Exit Roller:Driven:Upper	1		
10	B1327123	Shaft:Lever:Left Inner Rear	1		
11	B1327041	Lever:Stopper	1		
12	AA062319	Spring	1		
13	B1327042	Lever:Open And Close	1		
14	B1327119	Bracket:Stay:Left	1		
15	B1327043	Bracket:Fix:Front	1		
16	B1321195	Bracket:Drawer:Pull Out	1		
17	B1321194	Actuator:Pull Out	1		
18	B1321220	Cover:Base:Pull Out	1		
19	D0145242	Harness:Pull Out:Uni:39Pin	1		
20	B1325356	Harness:High Voltage Supply Cord	1		
21	AZ310029	Power Pack:D	1		
22	B1321228	Insulating Sheet:Pull Out	1		
23	54131875	Knob Screw	1		
24	B1321191	Handle:Pull Out	1		
25	B1321185	Shaft:Lock:Pull Out	1		
26	AA063951	Compression Spring	1		
27	B1326305	Cam:Transfer Roller	2		
28	B1326285	Toner Catchpan	1		
29	A2675814	Compression Spring	2		
30	B1321221	Holder:Spring:Pull Out	1		
31	B1321190	Bracket:Release:Lock	1		
32	AA132300	Roller:Lock:Pull Out	2		
33	B1321183	Bracket:Lock	1		
34	B1321224	Supporting Plate:Bracket:Lock	1		
35	B1327050	Bracket:Fix:Rear	1		
36	B1327096	Shaft:Stopper	1		
37	B1327070	Holder:Shaft	1		
38	B1321193	Bracket:Interlock:Lever	1		
39	D0146820	Seal:Side Plate:Pull Out:Front	1		
101	04513006N	Tapping Screw - 3x6			
102	03140180N	Pan Head Screw:M4x18			
103	04514008N	Tapping Screw:4x8			
104	03530060N	Bind Screw - M3x6			
105	07200040E	Retaining Ring - M4			
106	07200060E	Retaining Ring - M6			
107	03540060N	Screw-M4x6			
108	11029781	Connector:51405-3919			
109	11050534	Clamp			
110	11050551	Clamp:LES-0505			
111	11050522	Edge Saddle - LES0510			
112	07200030E	Retaining Ring - M3			



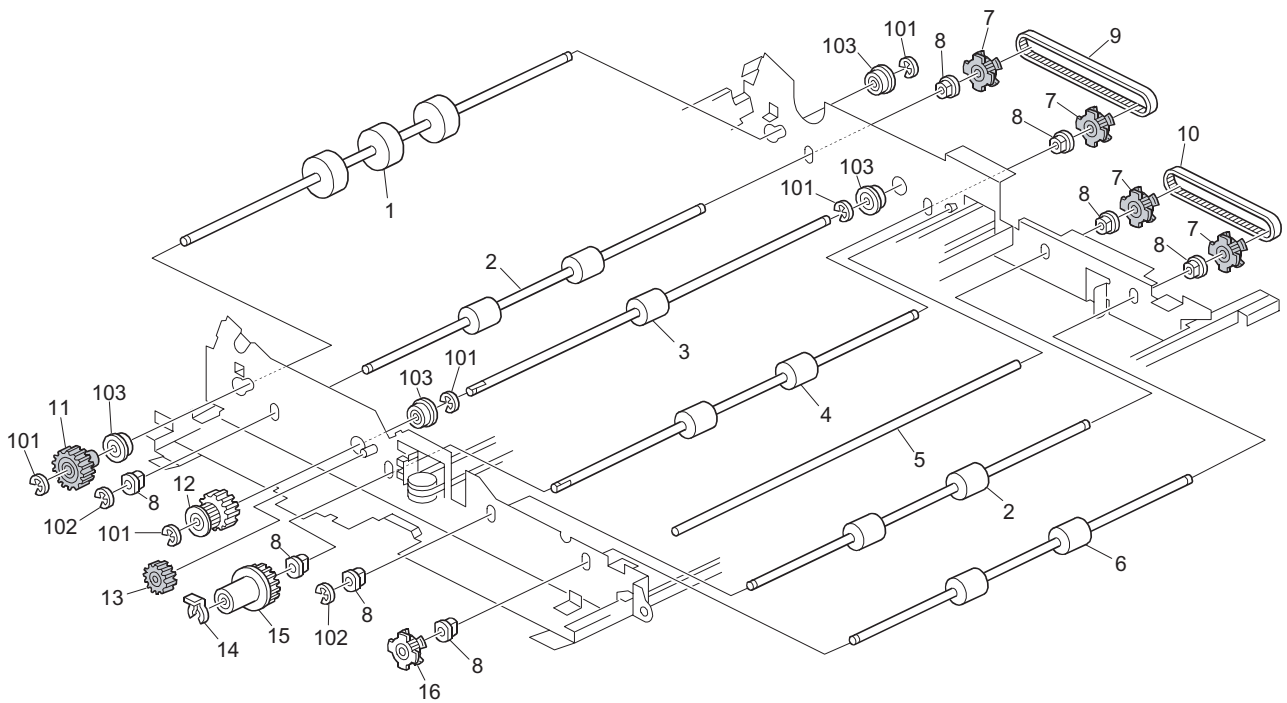
ITEM No.	PART No.	PART NAME	Q'TY / PAGE	Q'TY / PACK	REMARKS
1	B1324525	Inner Cover: Duplex Unit: Ass'y	1		
2	B1324797	Decal: Warning (High Temperature)	1		
3	D0144501	Duplex Unit	1		
4	B1324674	Grip: Release: Duplex Unit	1		
5	B2474673	Shaft: Lever: Release	1		
6	B1324671	Arm: Lock: Duplex	1		
7	B0654675	Duplex Release Bracket	1		
8	AA062320	Spring	1		
9	B0654672	Release Lever Bracket	1		
10	54472681	Snap Ring	1		
11	B1324987	Stay: Duplex Unit: Upper	1		
12	D0144874	Guide Plate: Jogger: Upper	1		
13	B1324869	Guide Plate: Duplex: Exit	1		
14	AA143811	Stepped Screw - M3x4	3		
15	B1814725	Table: Duplex: Right	1		
16	B1324727	Bracket: Sensor: Right	1		
17	AW020149	Paper Feed Sensor	1		
18	D0145263	Harness: Sensor: Duplex: 3P	1		
19	B1324730	Guide Plate: Transport: Lower	1		
20	B0654731	Spring Plate - Driven Roller	8		
21	AF022077	Driven Roller	8		
22	A0964928	Guide Plate Band	1		
23	AA063581	Compression Spring	4		
24	A2294727	Guide Plate Pressure Holder	2		
25	AF022067	Guide Stopper Roller	2		
26	B0654531	Guide Plate Lever	1		
27	B0654867	Decal - Guide Plate Lever	1		
28	B0654933	Guide Plate Lever Hook	1		
101	04514006N	Tapping Screw - 4x6			
102	04504008N	Tapping Screw - M4x8			
103	04504010N	Tapping Screw: M4x10			
104	07200040E	Retaining Ring - M4			
105	11050328	Harness Clamp - ES-0505			
106	11050511	Harness Clamp - LWS-0306ZC			
107	04503008N	Tapping Screw - M3x8			
108	04514008N	Tapping Screw: 4x8			



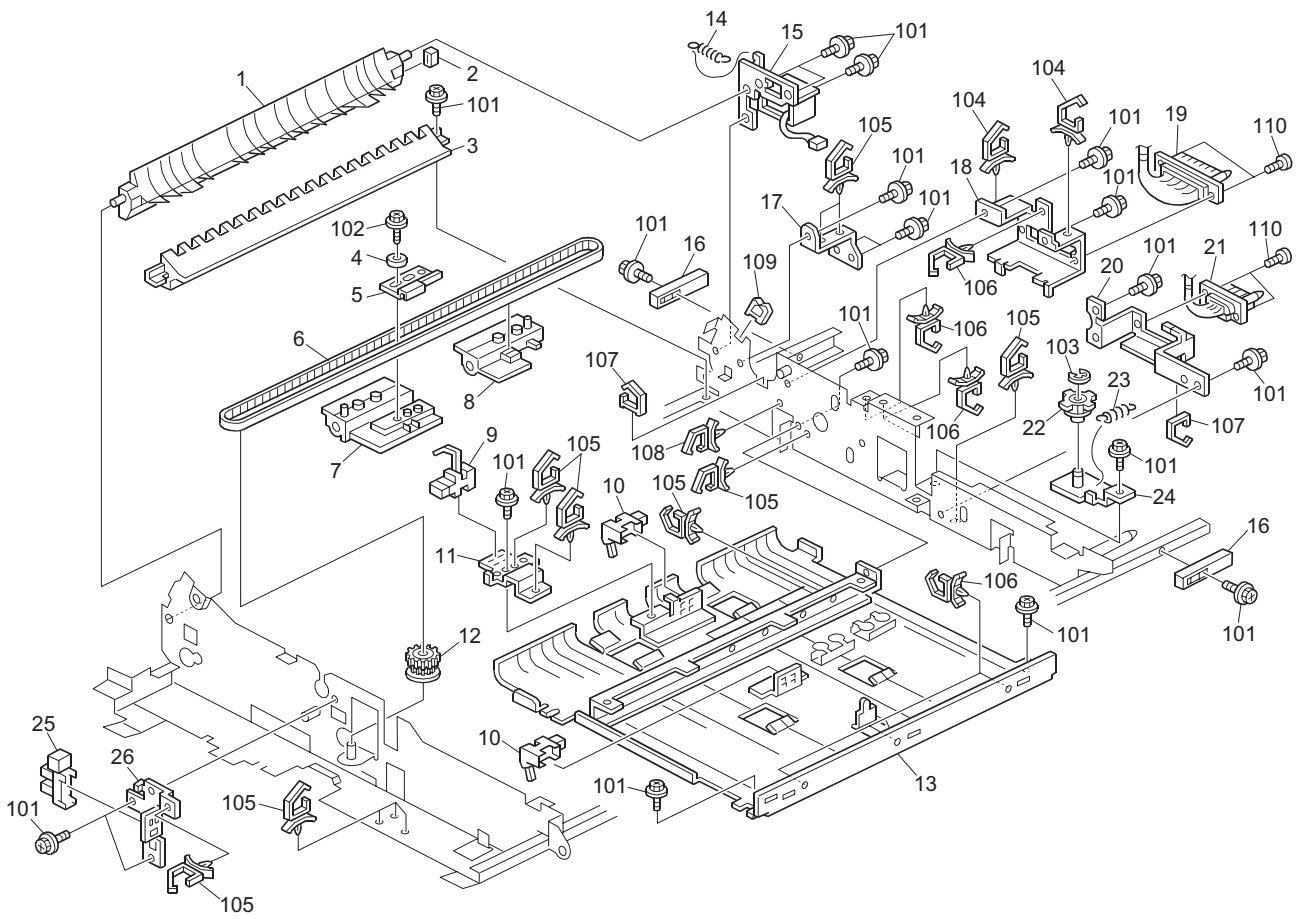
ITEM No.	PART No.	PART NAME	Q'TY / PAGE	Q'TY / PACK	REMARKS
1	AA143129	Shoulder Screw - Front Cover	1		
2	AA062318	Spring	1		
3	B1324796	Decal:Grip:E3	1		
4	B1324647	Lever:Open And Close:Reverse Unit	1		
5	AG051141	Release Lever	1		
6	A2294623	Lower Entrance Guide Plate	1		
7	B2474817	Compression Spring	2		
8	AA080034	Bushing - 4x5x7	2		
9	B2474624	Roller:Driven:Duplex	1		
10	AA082118	Bushing - M6	2		
11	AA082116	Bushing - M8	2		
12	B1324627	Side Plate:Front:Reverse Unit	1		
13	AA062328	Tension Spring:Black	1		
14	D0144818	Reverse Roller:Entrance	1		
15	B1324643	Spacer:Gate Pawl	2		
16	A2934613	Front Gate Pawl	1		
17	A2934611	Reverse Roller	1		
18	A2934614	Rear Gate Pawl	1		
19	B1324620	Side Plate:Rear:Reverse Unit:Ass'y	1		
20	B0654632	Joint Holder	1		
21	B2474815	Compression Spring	1		
22	A2294740	Drive Joint	1		
23	B0654644	Sensor Bracket	1		
24	A2294617	Duplex Discharge Brush	2		
25	AW010119	Paper Feed Sensor	1		
26	D0144985	Harness:Sensor:Reverse Unit:3P	1		
27	B1324640	Guide Plate:Entrance:Upper:Ass'y	1		
28	AA143426	Stopped Screw - M4x17	1		
29	54472681	Snap Ring	1		
30	D0144819	Guide:Auxiliary:Reverse Roller	2		
101	03540060N	Screw-M4x6			
102	03530050N	Screw-M3x5			
103	04504010N	Tapping Screw:M4x10			
104	04513006N	Tapping Screw - 3x6			
105	07200040E	Retaining Ring - M4			
106	07200060E	Retaining Ring - M6			
107	11050511	Harness Clamp - LWS-0306ZC			
108	11050328	Harness Clamp - ES-0505			

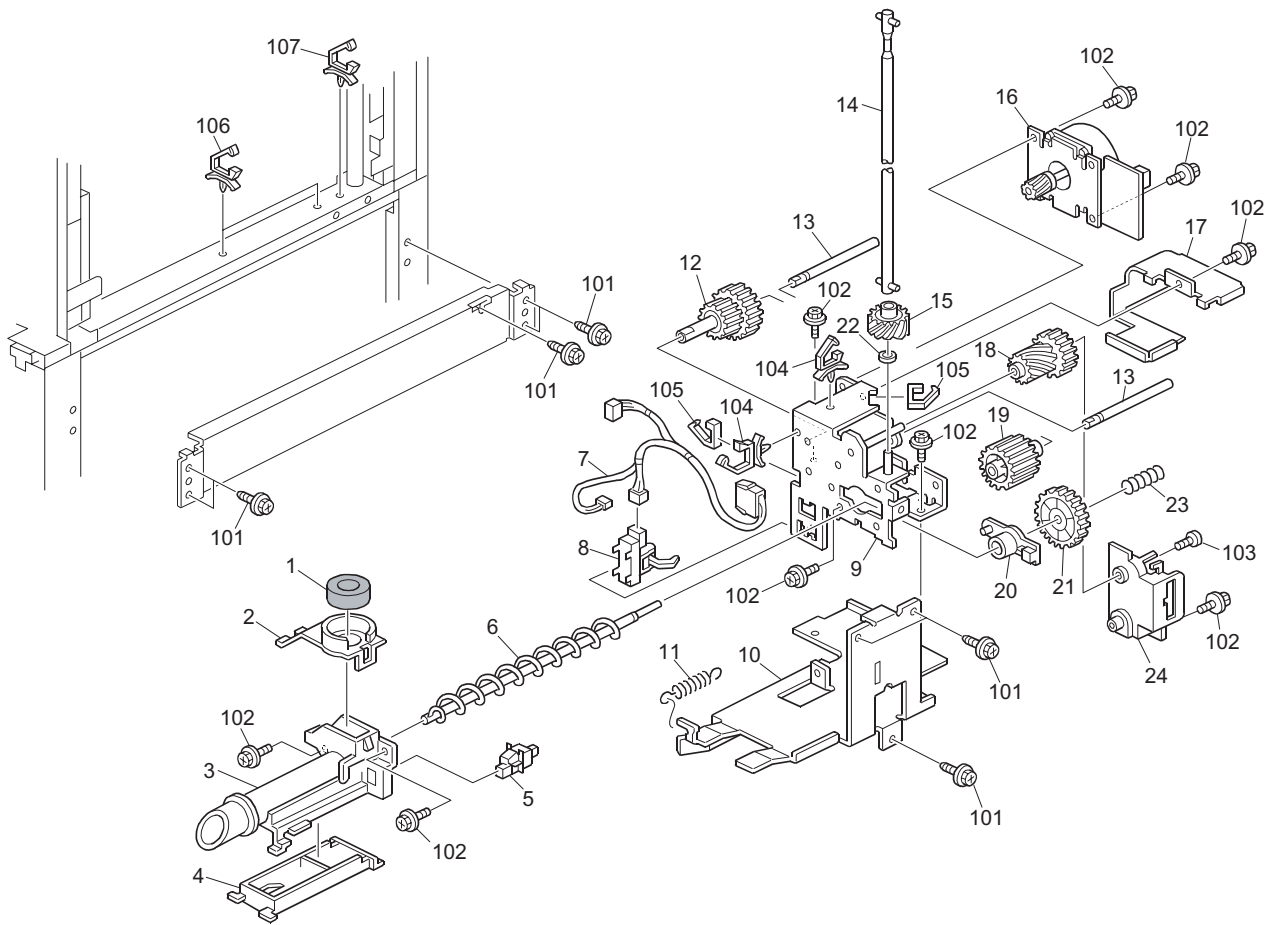


ITEM No.	PART No.	PART NAME	Q'TY / PAGE	Q'TY / PACK	REMARKS
1	B1324780	Stepper Motor:Reverse:Ass'y	1		
2	B1324810	Bracket:Motor:Reverse:Ass'y	1		
3	AB017687	Gear:22/24Z	1		
4	AA043291	Timing Belt	1		
5	B1324745	DC Solenoid:Reversal:Ass'y	1		
6	B1324650	Stepper Motor:Jogger:Ass'y	1		
7	B1324696	Bracket:Stepper Motor:Jogger	1		
8	B1324785	Stepper Motor:Transport:Ass'y	1		
9	B1324789	Bracket:Stepper Motor:Transport	1		
10	AA043309	Timing Belt:40S2M360G	1		
11	54472681	Snap Ring	1		
12	B1324663	Lever:Roller:Driven:Reversal	1		
13	AA062327	Tension Spring	1		
14	AA082118	Bushing - M6	4		
15	B1324665	Stay: Bearing:Reversal	1		
16	AA021034	Magnetic	1		
17	AA143183	Stepped Screw	2		
18	B1324681	Jogger Fence:Front	1		
19	B1324682	Jogger Fence:Rear	1		
20	B0654683	Spring Plate - Rear Jogger Fence	2		
21	AA143811	Stepped Screw - M3x4	1		
22	B1324720	Table:Duplex:Left	1		
23	B1324661	Arm:Roller:Reversal:Driven	2		
24	AA063592	Compression Spring	2		
25	AF020690	Roller:Reversal:Driven	1		
26	AA082063	Bushing - 8x10x5	4		
27	AA148692	Shaft:Roller:Reversal	1		
28	B1324655	Bracket:Reversal:Driven:Ass'y	1		
101	04514006N	Tapping Screw - 4x6			
102	04513006N	Tapping Screw - 3x6			
103	04503006N	Tapping Screw - M3x6			
104	07200040E	Retaining Ring - M4			
105	07200030E	Retaining Ring - M3			
106	11050534	Clamp			
107	03530050N	Screw-M3x5			
108	11050508	Harness Clamp - LWS-0711			
109	04503008N	Tapping Screw - M3x8			

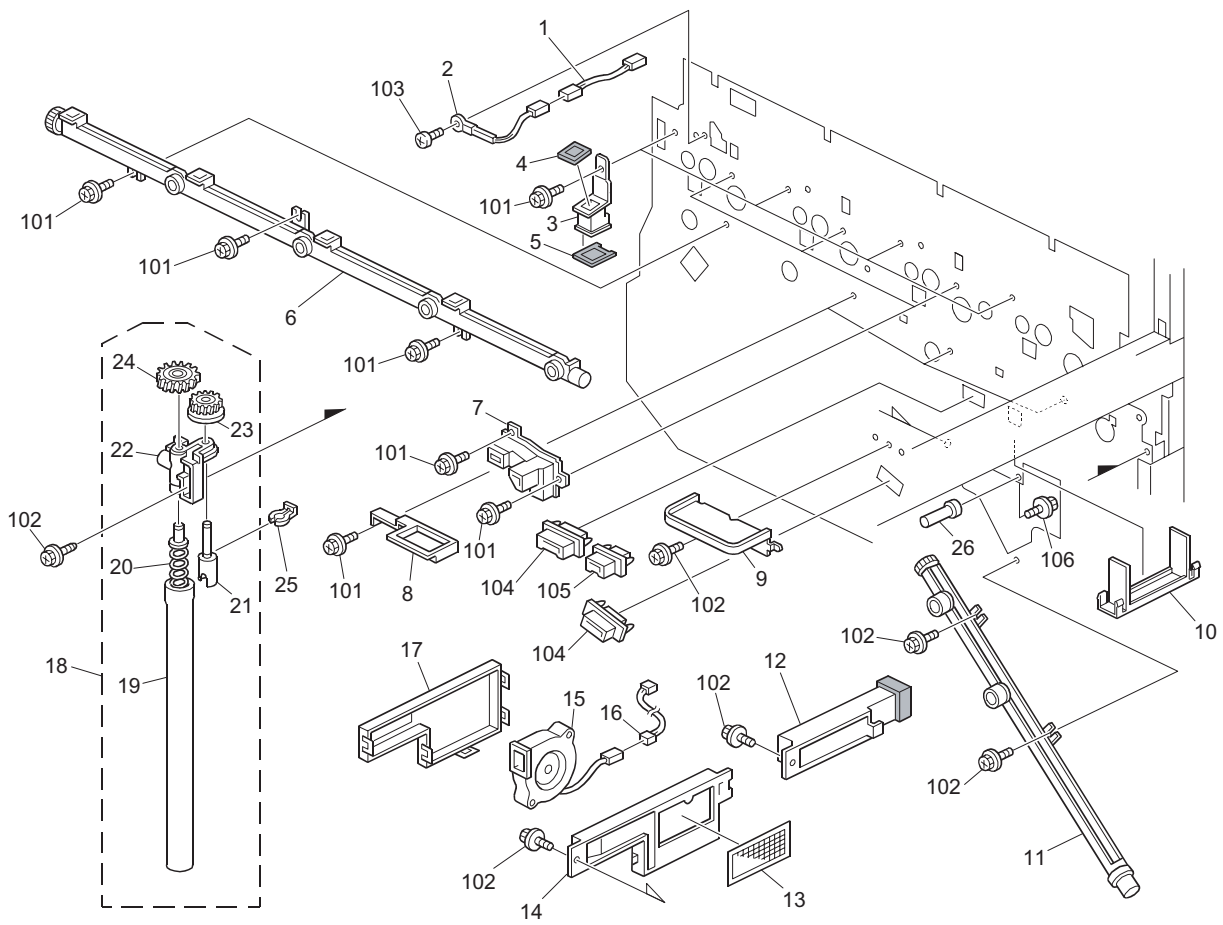


ITEM No.	PART No.	PART NAME	Q'TY / PAGE	Q'TY / PACK	REMARKS
1	AF021075	Duplex Turn Roller	1		
2	B2474812	Roller:Transport:Driven:Left:Right	2		
3	B2474813	Roller:Reversal:Drive	1		
4	B2474825	Roller:Drive:Left	1		
5	B0654694	Jogger Guide Rod	1		
6	AF021079	Right Drive Roller	1		
7	AB030583	Timing Pulley - 24Z	4		
8	AA082118	Bushing - M6	8		
9	AA043310	Timing Belt:40S2M278G	1		
10	AA043311	Timing Belt:40S2M302G	1		
11	AB011497	Gear:45Z	1		
12	AB017614	Pulley	1		
13	AB011498	Gear:22Z	1		
14	54472681	Snap Ring	1		
15	AB011496	Gear - 32Z	1		
16	AB030731	Pulley - 29Z	1		
101	07200060E	Retaining Ring - M6			
102	07200040E	Retaining Ring - M4			
103	07413808	Ball Bearing - 8x16x5MM			

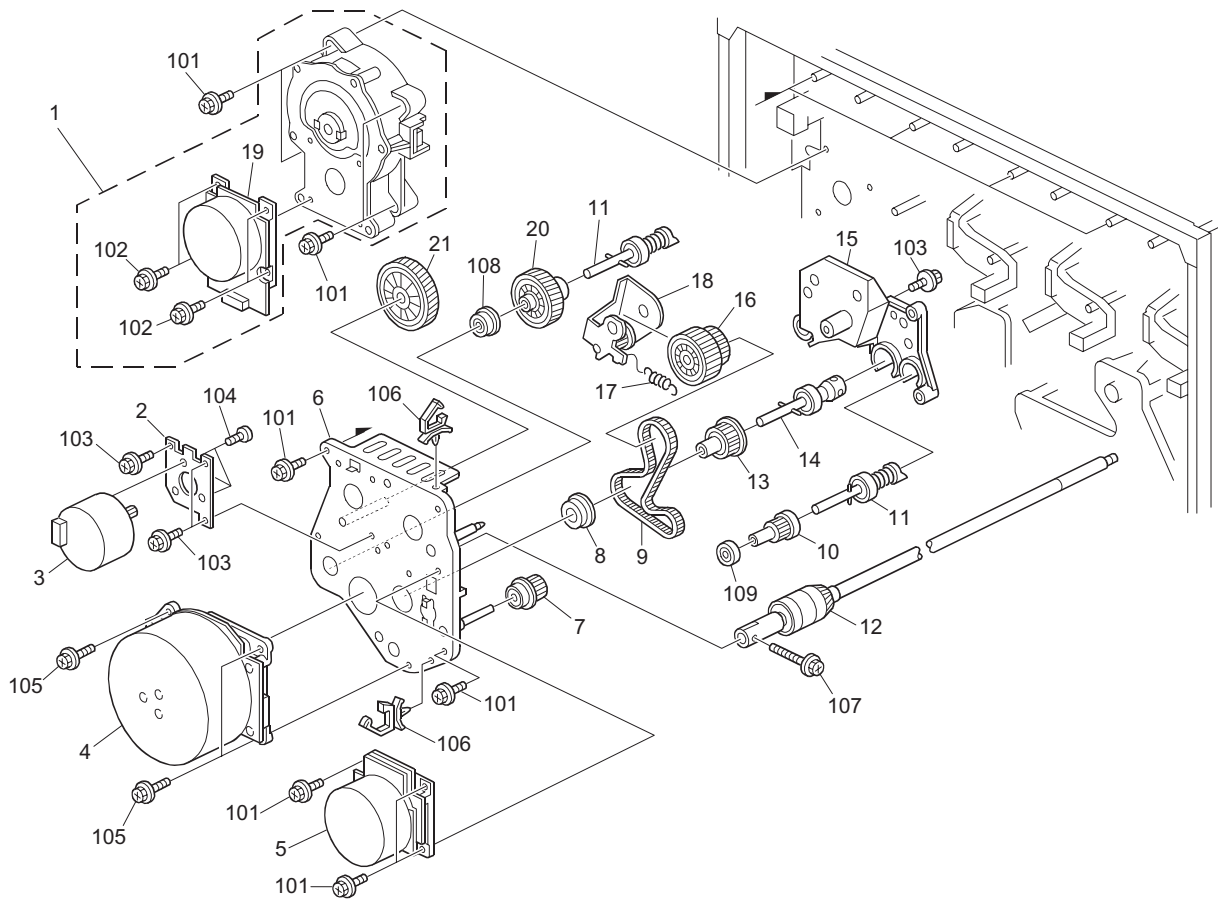


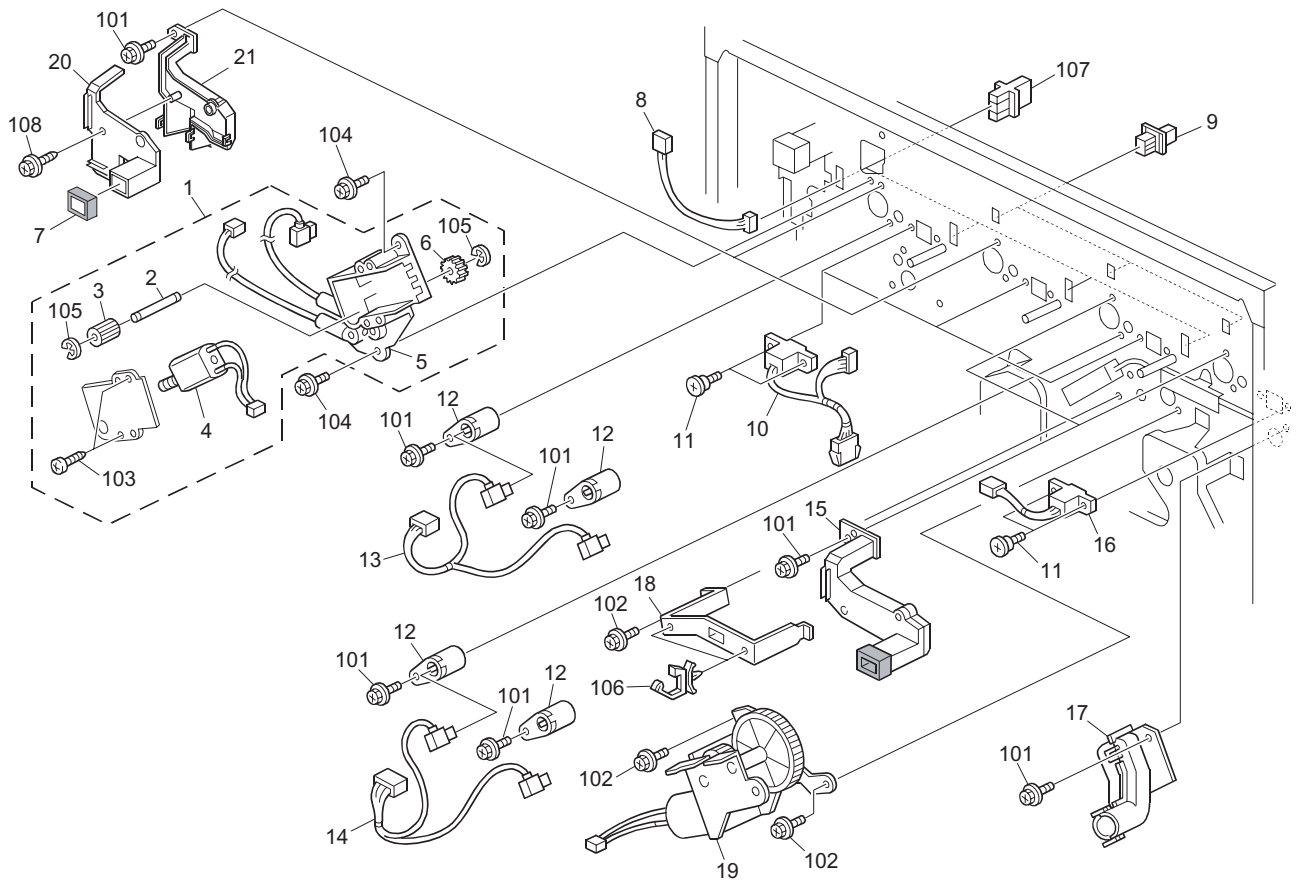


ITEM No.	PART No.	PART NAME	Q'TY / PAGE	Q'TY / PACK	REMARKS
1	B1326578	Shield:Joint:PCU	1		
2	B1326519	Case:Toner Outlet Sub-unit:Cover	1		
3	B1326518	Case:Toner Outlet Sub-unit	1		
4	B1326539	Toner Catchpan:Tank:Entrance	1		
5	AW500023	Push Switch	1		
6	B1326520	Transport Screw:Upper:Ass'y	1		
7	D0145393	Harness:Bank	1		
8	AW020147	Photointerruptor:Feeler:Square	1		
9	B1326512	Base:Toner Outlet Sub-unit:Ass'y	1		
10	B1326514	Bracket:Toner Outlet Sub-unit:Drive	1		
11	B1326542	Tension Spring	1		
12	AB011029	Gear:31/44Z	1		
13	B1326527	Shaft:Toner Outlet Sub-unit	2		
14	B1326548	Shaft:Drive:Long:Ass'y	1		
15	AB013299	Gear:18Z	1		
16	AX060302	Brushless MotorDC24V 2.4W	1		
17	B1326537	Cover:DC Motor	1		
18	AB011248	Gear:14/30Z	1		
19	AB011247	Gear:32Z	1		
20	B1326536	Bushing:Transport Screw	1		
21	B0653587	Toner Collection Gear	1		
22	AA132208	Spacer - M6	1		
23	B0653561	Spring	1		
24	B1326526	Guide:Spring:Discharge Used Toner	1		
101	04514008N	Tapping Screw:4x8			
102	04513008N	Tapping Screw - M3x8			
103	03530080N	Screw:M3x8			
104	11050511	Harness Clamp - LWS-0306ZC			
105	11050522	Edge Saddle - LES0510			
106	11050508	Harness Clamp - LWS-0711			
107	11050516	Clamp			

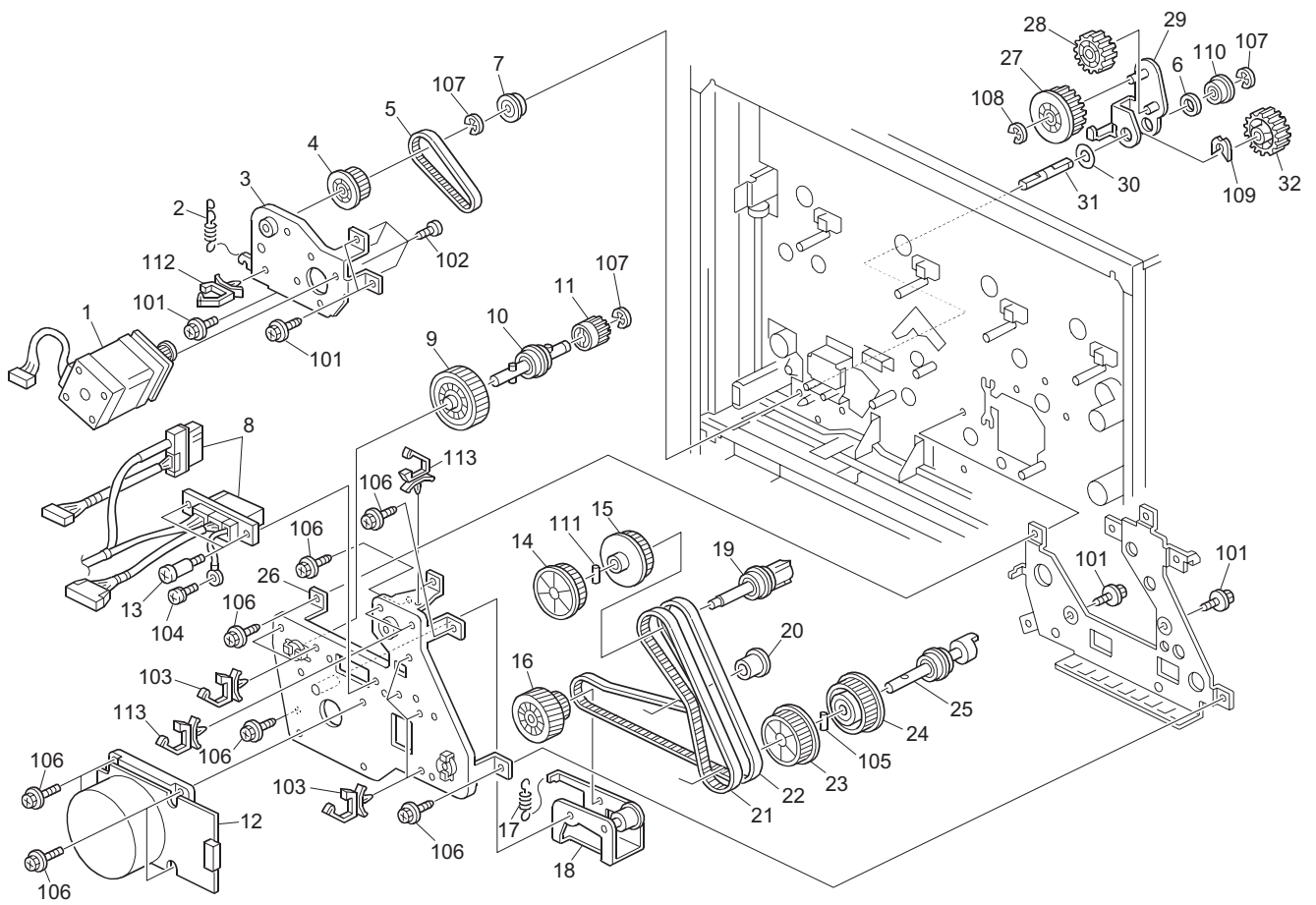


ITEM No.	PART No.	PART NAME	Q'TY / PAGE	Q'TY / PACK	REMARKS
1	D0145264	Harness:Connecting:Main:Thermistor	1		
2	AW100107	Thermistor	1		
3	D0143240	Cover:Discharge Used Toner	4		
4	D0143241	Seal:Discharge Used Toner	4		
5	D0143242	Seal:Discharge Used Toner:Lower	4		
6	D0146558	Toner Outlet Unit:PCU	1		
7	D0143624	Duct:PCU:Side Plate:Main	3		
8	B1326599	Toner Catchpan:K	3		
9	B1321229	Cover:Drawer	1		
10	D0143613	Duct:Stay:Right	1		
11	D0146569	Toner Outlet Unit:Transfer Belt	1		
12	D0143616	Duct:Charge Corona:Side	1		
13	D0143664	Duct Filter - Charge Corona	1		
14	D0143611	Cover:Duct:Blower:Charge Corona	1		
15	D0143607	Sirocco Fan Motor:DC24V 1.44W	1		
16	D0145385	Harness:Sirocco Fan Motor	1		
17	D0143610	Duct:Blower:Charge Corona	1		
18	B1326528	Toner Outlet Sub-unit:PCU:Lengthwise:Ass'y	1		
19	B1326531	Pipe:Toner Recycling Section:Around The Photo	1		
20	B1326561	Transport Screw:Lengthwise	1		
21	B1326545	Shaft:Drive:Short:Ass'y	1		
22	B1326540	Case:Drive:Ass'y	1		
23	AB013122	Gear:26Z	1		
24	AB013189	Gear:30Z	1		
25	54472681	Snap Ring	1		
26	D0141127	Stud:Manual Feed:Rear	1		
101	04514006N	Tapping Screw - 4x6			
102	04514008N	Tapping Screw:4x8			
103	03530060N	Bind Screw - M3x6			
104	11029783	Connector:55949-3919			
105	11029785	Connector:55949-1819			
106	03604008N	Screw - M4x8			

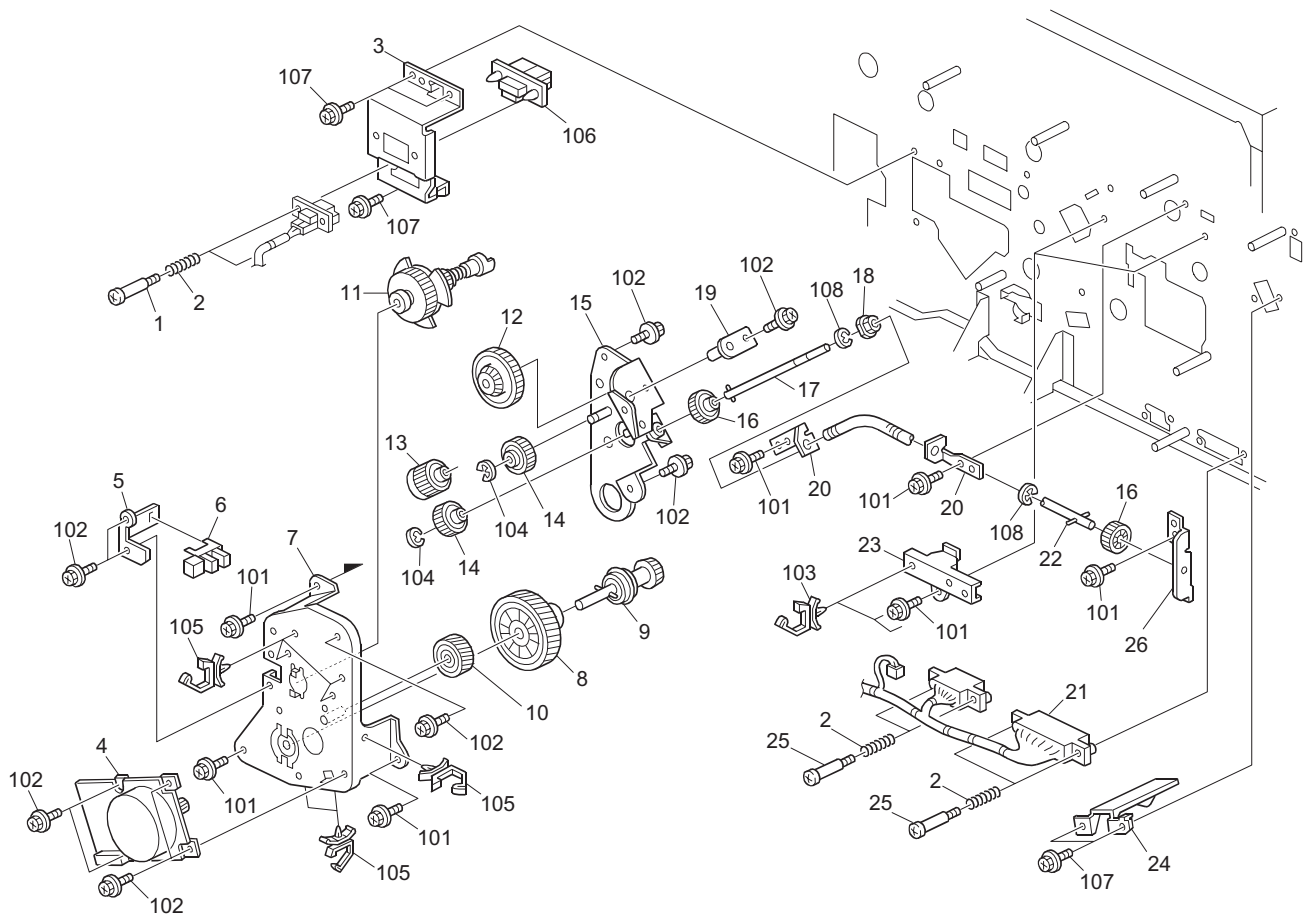




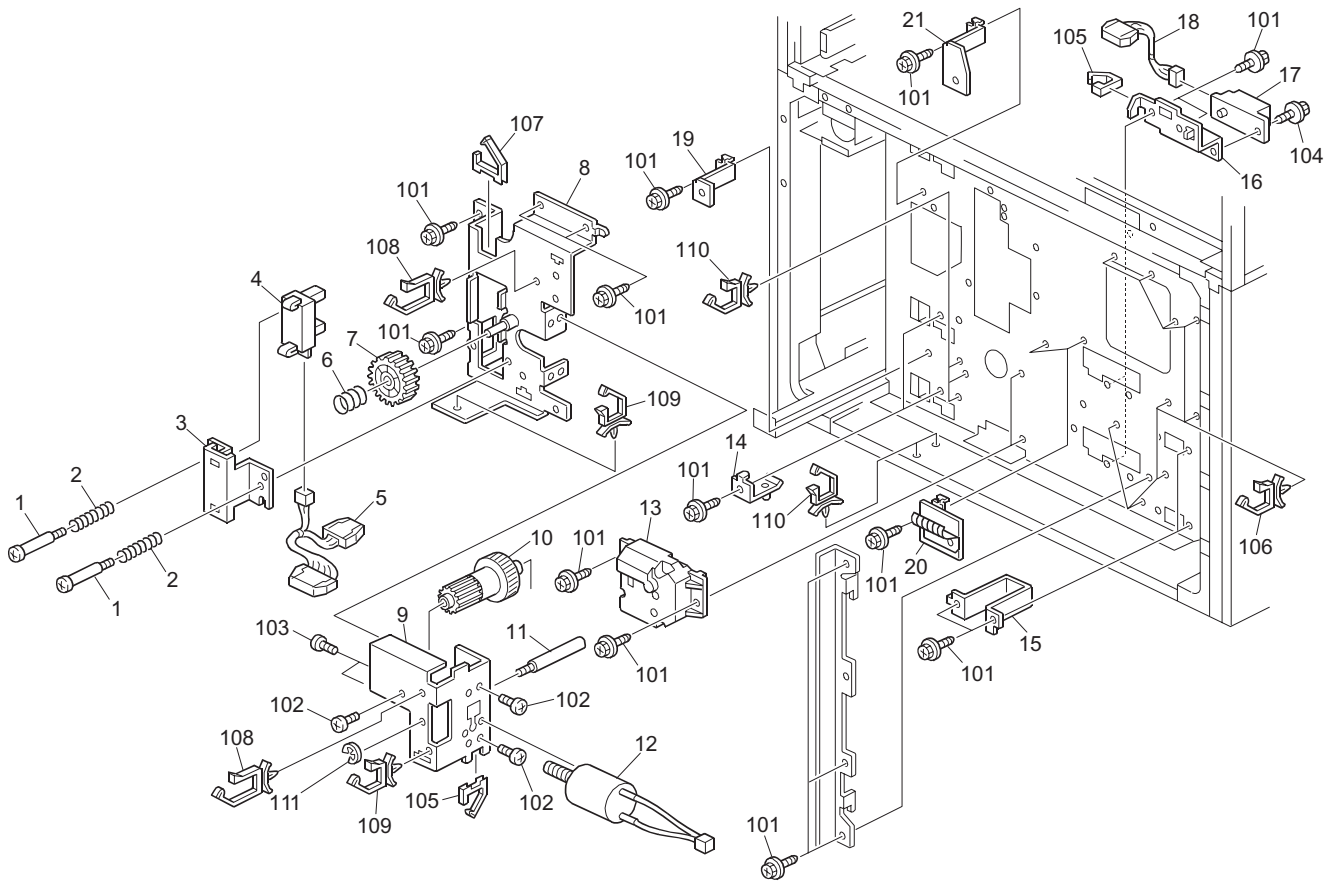
ITEM No.	PART No.	PART NAME	Q'TY / PAGE	Q'TY / PACK	REMARKS
1	D0143553	Cleaning Drive Unit:Charge	1		
2	D0143558	Shaft:Drive:Cleaner:Charge Corona	1		
3	D0143559	Gear:20Z	1		
4	AX040167	Motor:DC5V 0.71W	1		
5	D0143554	Housing:Charge Corona	1		
6	D0142419	Gear:11Z	1		
7	D0146835	Seal:Duct:PCU	2		
8	D0145272	Harness:T:Sensor:Drawer	1		
9	D0143550	Connector:1Pole	3		
10	D0145271	Harness:PCU:Drawer:MCY	3		
11	B2591131	Screw:PCU	8		
12	D0143261	Receptacle:Development Unit	4		
13	D0145340	Harness:Development:BM	1		
14	D0145342	Harness:Development:CY	1		
15	D0143630	Duct:Joint:PCU:Color	2		
16	D0145270	Harness:PCU:Drawer:Black	1		
17	D0143601	Duct:Connecting:Fusing Unit	1		
18	B1321339	Bracket:On-Off:Plate	1		
19	B1321338	DC Motor:On-Off:Ass'y	1		
20	D0143672	Duct:Joint:PCU:M&K:Upper	2		
21	D0143671	Duct:Joint:PCU:M&K:Lower	2		
101	04514008N	Tapping Screw:4x8			
102	04513006N	Tapping Screw - 3x6			
103	04523008N	Tapping Screw - M3x8			
104	03604006N	Screw - M4x6			
105	07200025E	Retaining Ring - M2.5			
106	11050511	Harness Clamp - LWS-0306ZC			
107	11029430	Connector:Drawer:1612257-7			
108	04503008N	Tapping Screw - M3x8			

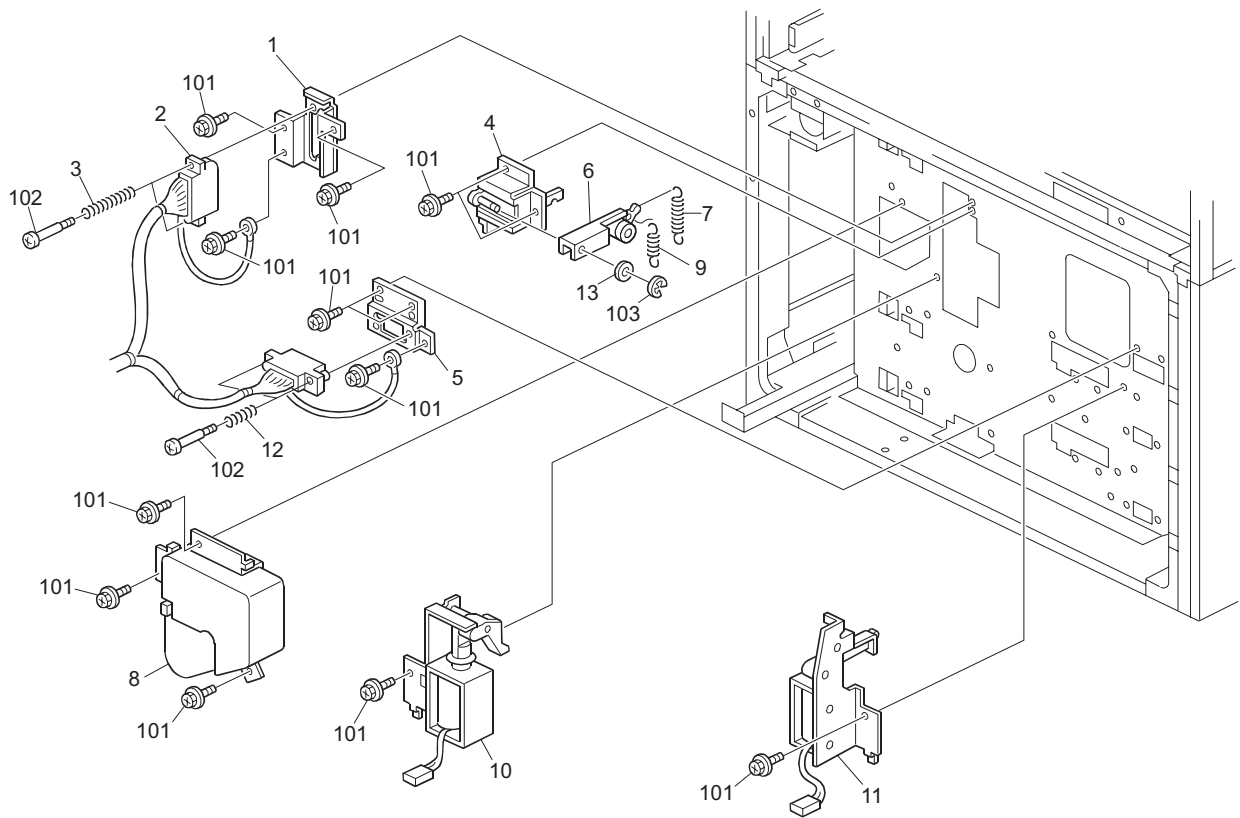


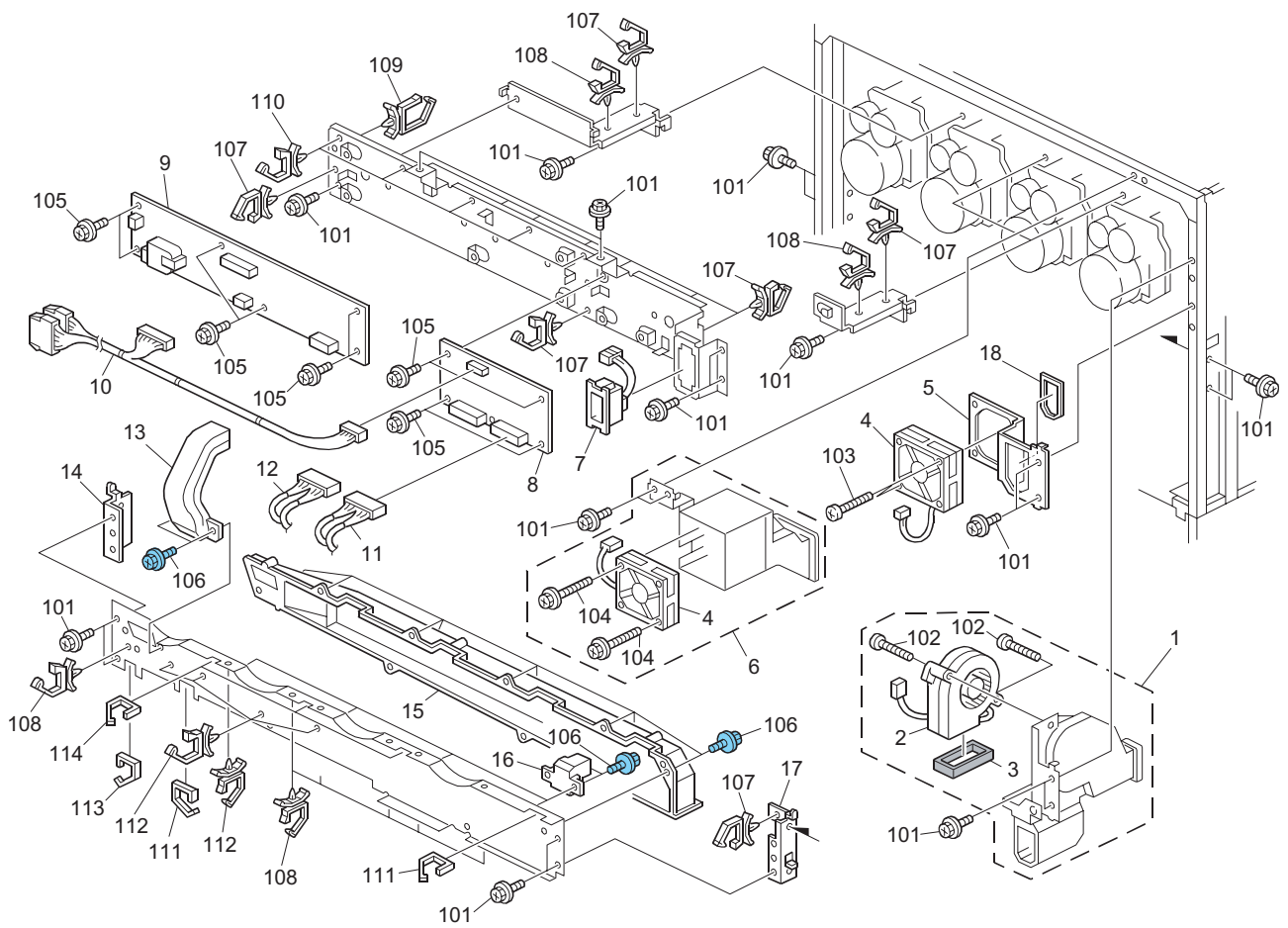
ITEM No.	PART No.	PART NAME	Q'TY / PAGE	Q'TY / PACK	REMARKS
1	B1326655	Stepper Motor:Paper Feed Unit:Ass'y	1		
2	AA060958	Tension Spring	1		
3	B1322760	Bracket:Drive:Paper Feed Sub-Unit	1		
4	AB030301	Timing Pulley:35T	1		
5	AA043313	Timing Belt:40S2M150	1		
6	AA132025	Spacer - 1x8x12	1		
7	A2472800	Ball Bearing - 8x12x5	1		
8 A	D0145371	Harness:PSU:Fusing:100V	1		
8 B	D0145374	Harness - PSU 230V	1		
9	D0141372	Gear:86Z	1		
10	B1321367	Shaft:Drive:Vacuum	1		
11	AB011250	Gear:22Z	1		
12	AX060362	Motor:DC24V 48W	1		
13	AA143301	Stepped Screw - M3x4	2		
14	AB030770	Timing Pulley:47T	1		
15	AB030768	Timing Pulley:47T	1		
16	D0141371	Gear:80Z/30T	1		
17	AA060951	Pressure Spring	1		
18	B1321356	Bracket:Tightener:Ass'y	1		
19	B1321360	Shaft:Drive:Fusing:Ass'y	1		
20	B1321370	Pulley:Idler	1		
21	AA043965	Timing Belt:40S3M471	1		
22	AA043964	Timing Belt:60S3M741	1		
23	AB030771	Timing Pulley:44T	1		
24	AB030772	Timing Pulley:44T	1		
25	B1321363	Shaft:Drive:Reverse:Ass'y	1		
26	D0141380	Bracket:Drive:Fusing Unit	1		
27	AB011304	Gear:40Z	1		
28	AB011302	Gear:30Z	1		
29	B1322679	Bracket:Gear:Swivel	1		
30	B1322699	Spacer:Mm12	1		
31	B1322762	Shaft:Drive:Paper Feed	1		
32	AB011303	Gear:33Z	1		
101	04513006N	Tapping Screw - 3x6			
102	03530060N	Bind Screw - M3x6			
103	11050488	Harness Clamp			
104	09504008N	Screw:Spring Washer:M4x8			
105	06330160G	Parallel Pin - 3x16MM			
106	03604006N	Screw - M4x6			
107	07200060E	Retaining Ring - M6			
108	07200040E	Retaining Ring - M4			
109	08050088	Retaining Ring - M6			
110	08053497	Bushing - 8x12x3.5MM			
111	06330140G	Parallel Pin - 3x14			
112	11050511	Harness Clamp - LWS-0306ZC			
113	11050516	Clamp			



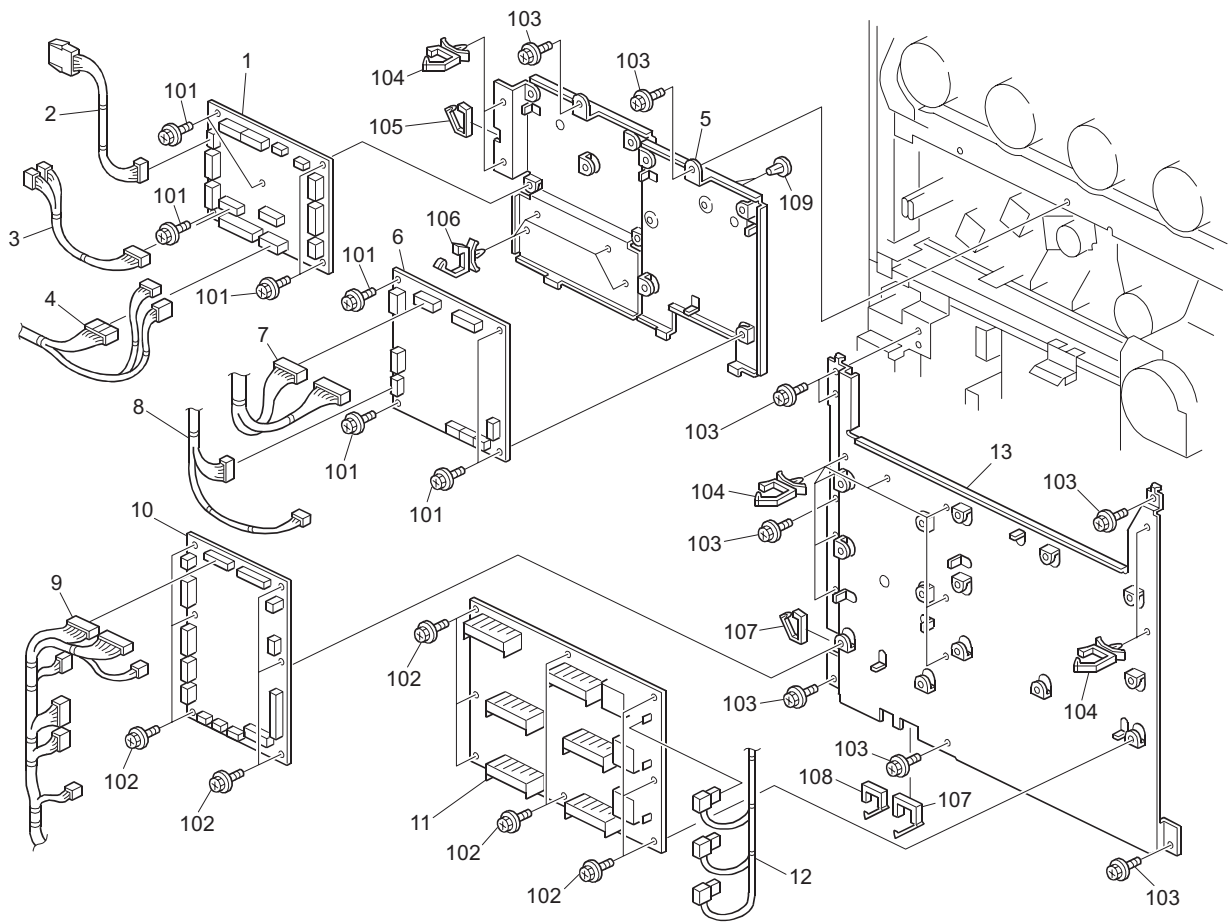
ITEM No.	PART No.	PART NAME	Q'TY / PAGE	Q'TY / PACK	REMARKS
1	AA143794	Screw:Spring:Drawer	2		
2	AA063670	Spring Connector:9.8n	6		
3	B1321020	Bracket:Drawer:Paper Feed Unit	1		
4	AX060361	Motor:DC24V 17W	1		
5	B1321307	Bracket:Sensor	1		
6	AW020145	Photointerruptor:Flat	1		
7	D0141334	Bracket:Brushless Motor	1		
8	AB010145	Gear:96Z	1		
9	D0141326	Shaft:Drive:Transfer	1		
10	AB010144	Gear:64Z	1		
11	D0141331	Shaft:Drive:Cleaning	1		
12	AB017746	Gear:46Z/25Z	1		
13	AB017747	Gear:25Z/25Z	1		
14	AB011274	Gear:25Z	2		
15	D0141338	Bracket:Plate	1		
16	AB011273	Gear:24Z	2		
17	D0141343	Toner Recycling Unit	1		
18	AA082063	Bushing - 8x10x5	1		
19	D0141328	Stud:Bracket	1		
20	D0141350	Holder:Toner Recycling Unit	2		
21	D0145260	Harness:Duplex:DRB:Drawer	1		
22	D0141345	Shaft:Horizontal	1		
23	D0141351	Cover:Toner Recycling Unit:Shaft	2		
24	B1327107	Bracket:Spring Plate:Ass'y	1		
25	AA143797	Connector Guide Pin	4		
26	D0141344	Holder:Drive Unit	1		
101	03604006N	Screw - M4x6			
102	03603006N	Screw - M3x6			
103	11050511	Harness Clamp - LWS-0306ZC			
104	07200040E	Retaining Ring - M4			
105	11050516	Clamp			
106	11029784	Connector:55949-2619			
107	04514008N	Tapping Screw:4x8			
108	07200030E	Retaining Ring - M3			

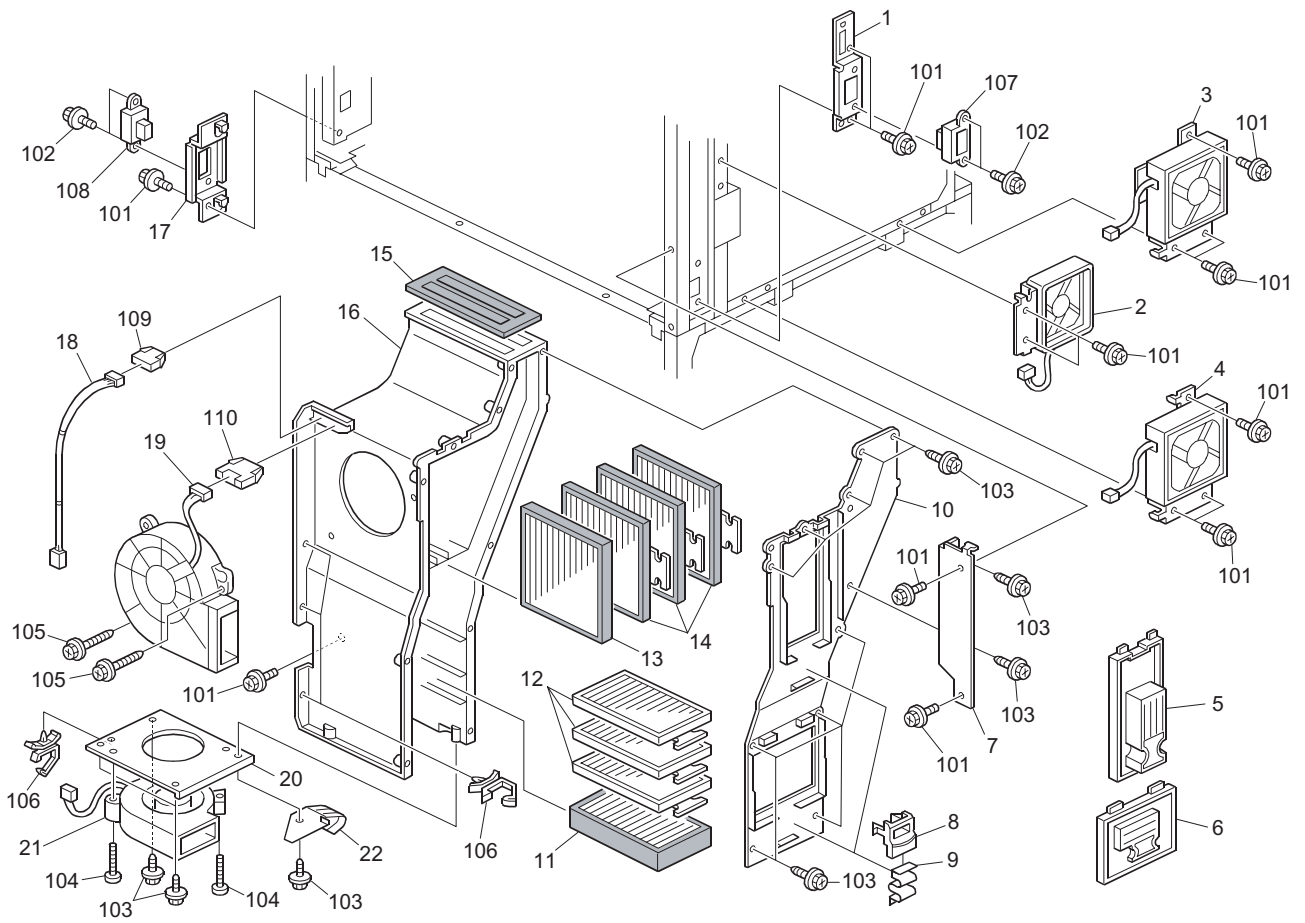




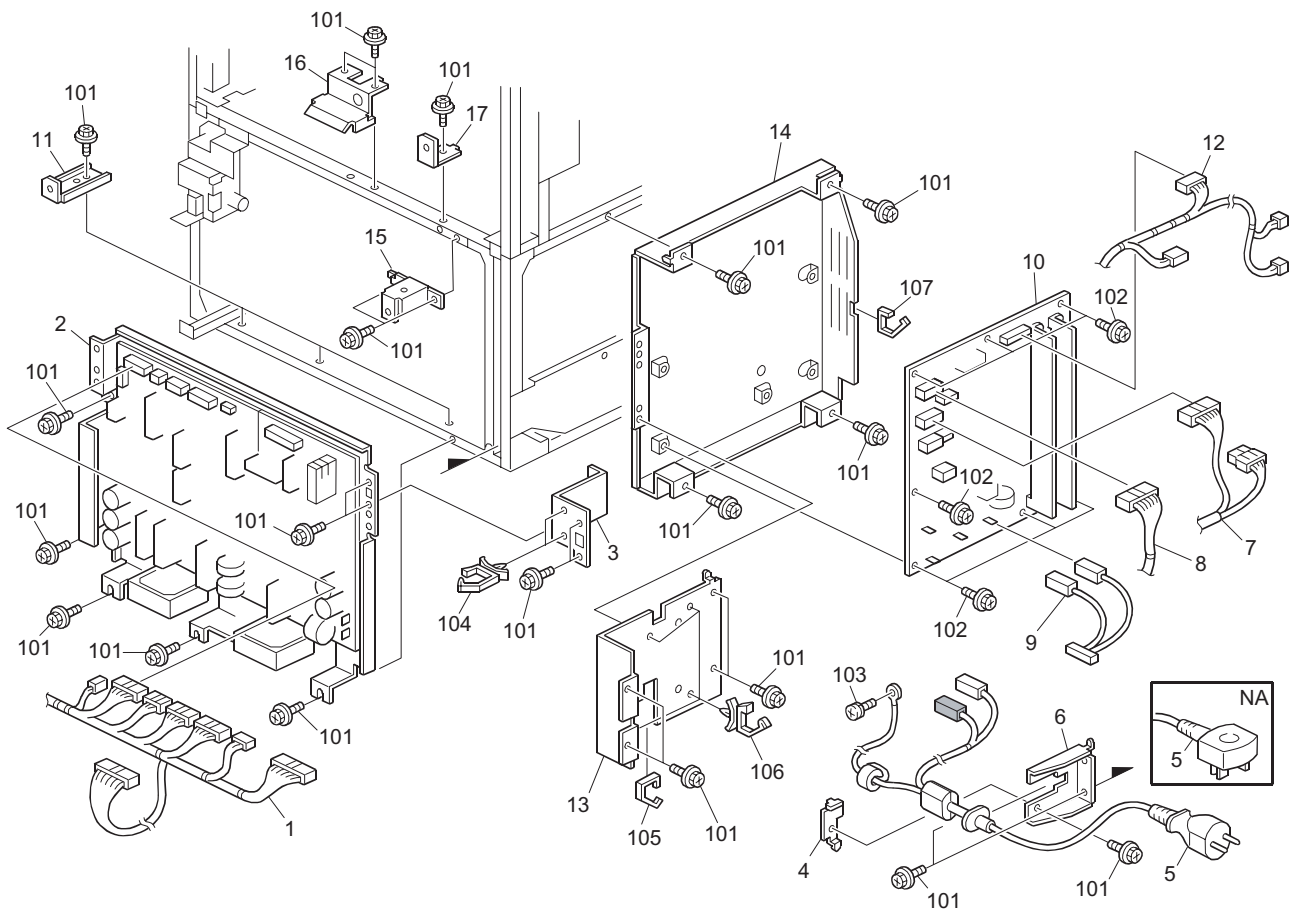


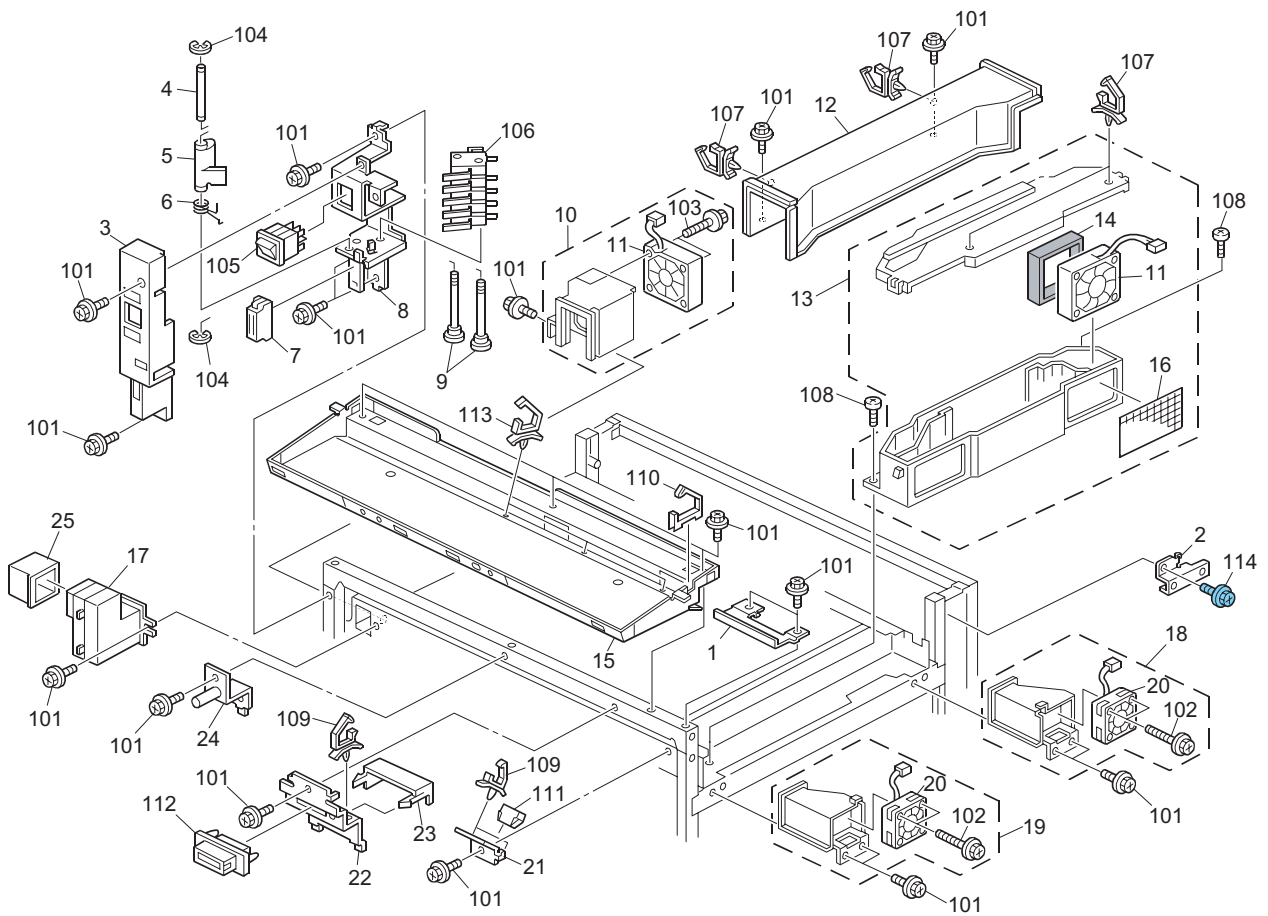
ITEM No.	PART No.	PART NAME	Q'TY / PAGE	Q'TY / PACK	REMARKS
1	D0146911	Duct:Exit:Exhaust	1		
2	AX650042	Fan:Sirocco:DC24V:2Speed	1		
3	B1326966	Shield:Sirocco	1		
4	AX640150	Fan Motor:Mm60:25mm:DC24V 4.8W	2		
5	D0146852	Bracket:Drive:Exhaust	1		
6	D0146861	Duct:Exhaust	1		
7	D0145258	Harness:DRB:ADF:Power Source	1		
8	B1325415	Base:Electric Potential Sensor	1		
9	AZ320169	Power Pack:C/G/B	1		
10	D0145229	Harness:Electric Potential Sensor	1		
11	D0145358	Harness:Sensor:CY	1		
12	D0145357	Harness:Sensor:KM	1		
13	D0143661	Relay Duct:Black:PCU	1		
14	B1322433	Bracket:Stay:Duct:Right	1		
15	D0143567	Duct:Horizontal:PCU	1		
16	D0143575	Duct:Exhaust:Color	4		
17	D0141018	Bracket:Stay:Duct:Horizontal	1		
18	D0146836	Seal:Drive:Exhaust	1		
101	04514008N	Tapping Screw:4x8			
102	03540400N	Screw:M4x40			
103	04514030N	Tapping Screw:M4x30			
104	04514035N	Tapping Screw:4x35			
105	03603006N	Screw - M3x6			
106	04543006Q	Tapping Screw - M3x6			
107	11050508	Harness Clamp - LWS-0711			
108	11050488	Harness Clamp			
109	11050490	Harness Clamp - IWS-2218			
110	11050511	Harness Clamp - LWS-0306ZC			
111	11050521	Clamp - LES-1017			
112	11050489	Harness Clamp - LWS 1316			
113	11050518	Edge Saddle - LES-1010			
114	11050522	Edge Saddle - LES0510			



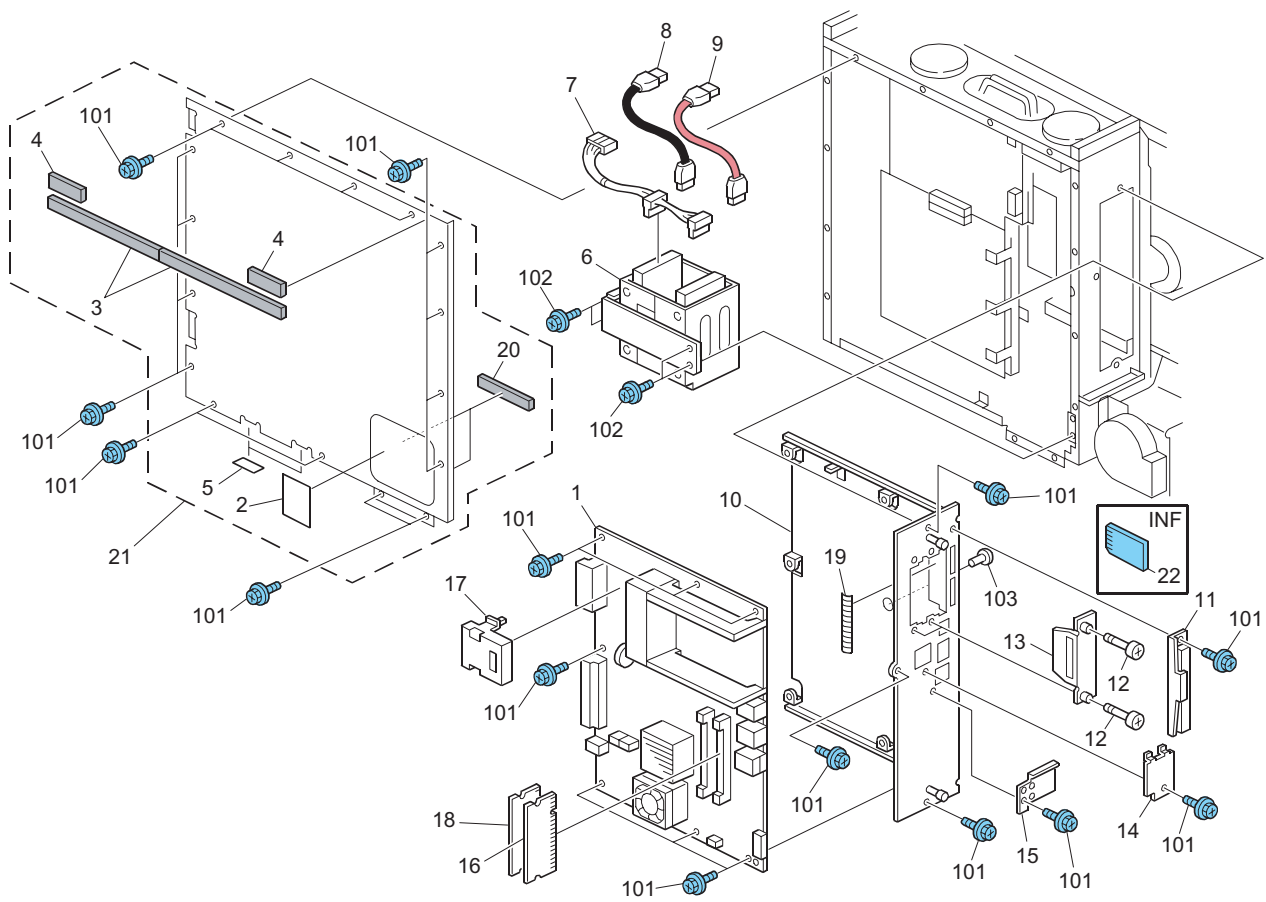


ITEM No.	PART No.	PART NAME	Q'TY / PAGE	Q'TY / PACK	REMARKS
1	D0145865	Bracket:Finisher	1		
2	B1326954	Fan Motor:Upper:DC24V 2.4W	1		
3	B1326950	Bracket:Duplex:Exhaust:Front	1		
4	B1326951	Fan Motor:Lower:Unit:DC24V 2.64W	1		
5	D0143595	Cover:Filter:Color	1		
6	D0143592	Cover:Filter:Black	1		
7	D0143588	Bracket:Stay:Sirocco	1		
8	D0143589	Lever:Cover:Filter	2		
9	D0143591	Spring Plate:Cover:Filter	2		
10	D0143584	Cover:Duct:Exhaust	1		
11	D0143585	Ozone Filter:Black	1		
12	D0143586	Dust Filter	3		
13	B1322436	Ozone Filter	1		
14	B1322435	Dust Filter	3		
15	D0143590	Seal:Duct:Exhaust	1		
16	D0143583	Duct:Exhaust:PCU	1		
17	B1325866	Bracket:LCT	1		
18	D0145385	Harness:Sirocco Fan Motor	1		
19	AX650041	Fan Motor:Sirocco	1		
20	D0143587	Bracket:Duct:Exhaust	1		
21	AX650036	Sirocco Fan Motor:DC24V 7.92W	1		
22	D0143598	Spring Plate:Duct:Exhaust	1		
101	04514008N	Tapping Screw:4x8			
102	04513008N	Tapping Screw - M3x8			
103	04503008N	Tapping Screw - M3x8			
104	03540400N	Screw:M4x40			
105	04504014N	Tapping Screw:4x14			
106	11050534	Clamp			
107	11028504	Connector			
108	11028502	Connector - 54679-1615			
109	11026246	Relay Connector - 3P			
110	11026247	Connector - 4P			

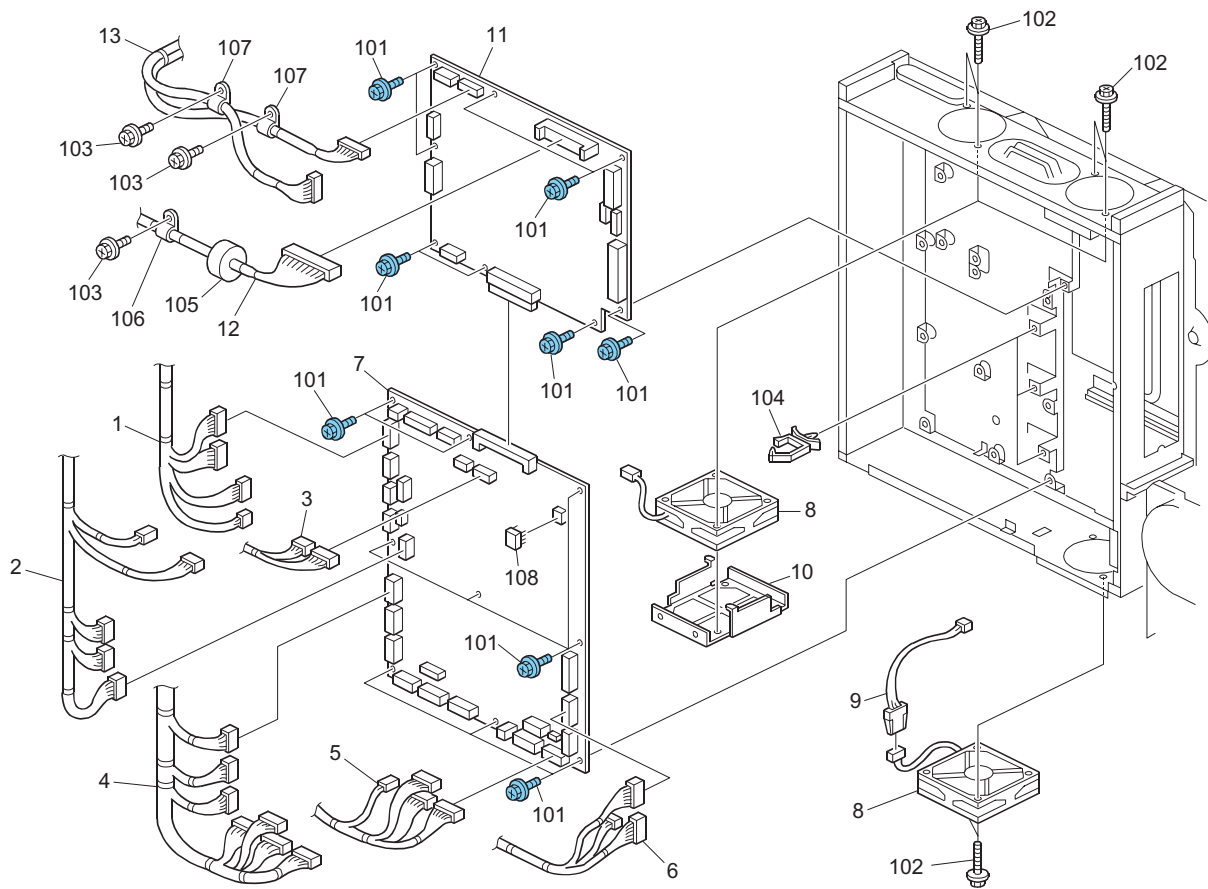


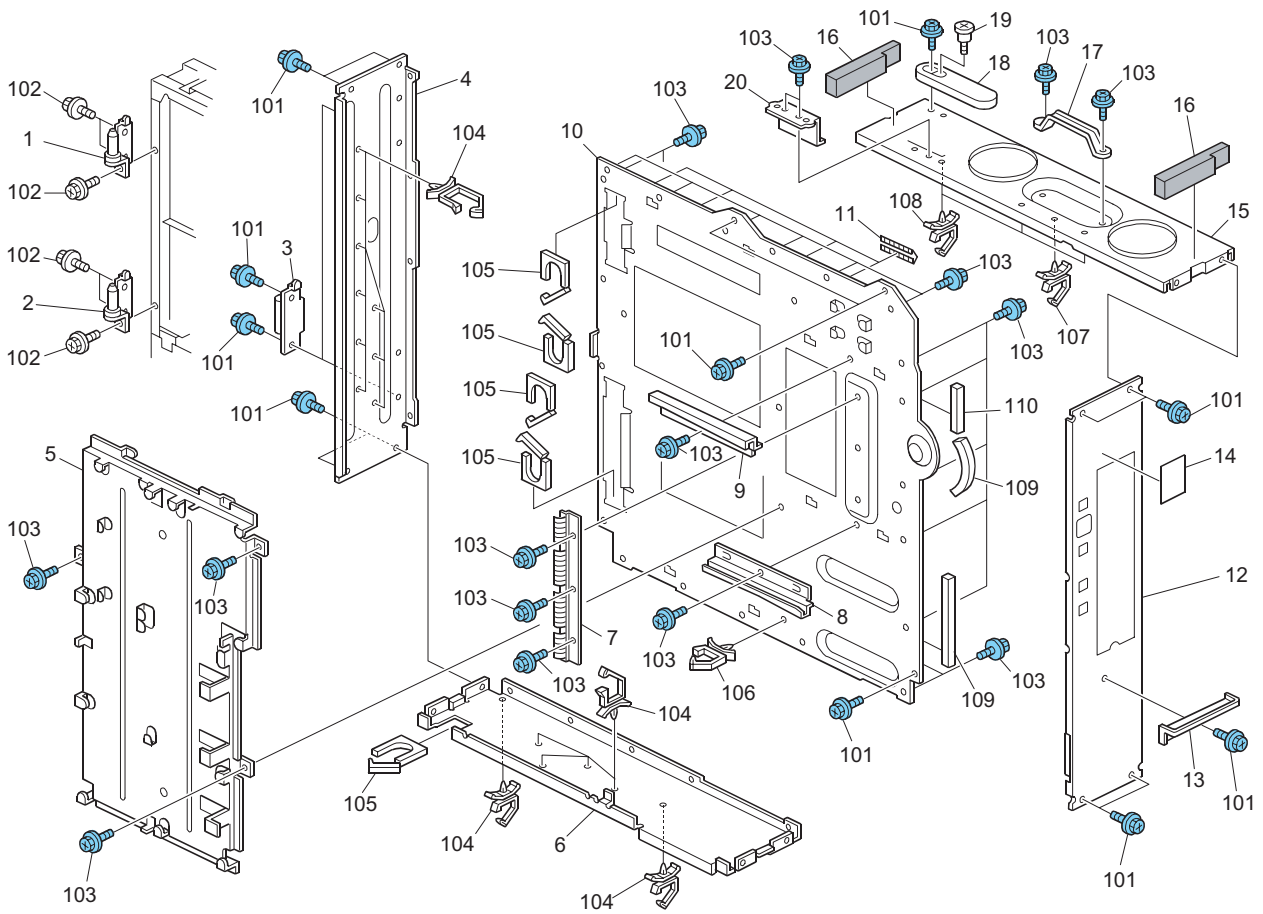


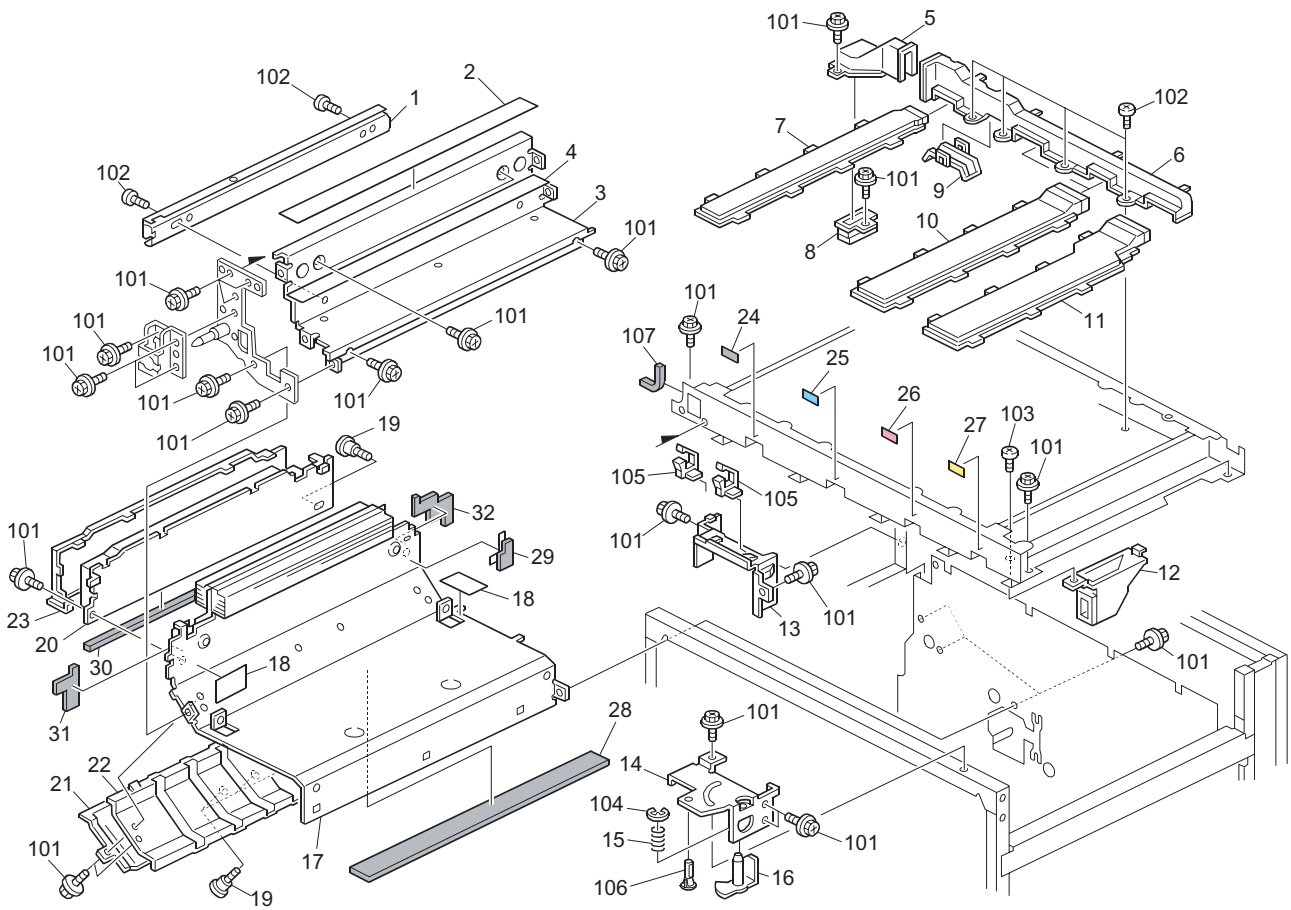
ITEM No.	PART No.	PART NAME	Q'TY / PAGE	Q'TY / PACK	REMARKS
1	D0141453	Bracket:Harness:Operation Panel	1		
2	D0141514	Cover:Connector:Key Counter	1		
3	B1321551	Inner Cover:Main Switch	1		
4	B1325855	Shaft:Micro Switch:Front	1		
5	B1325853	Lever:Micro Switch	1		
6	A2571165	Safety Switch Spring	1		
7	AG071012	Magnet Catch:Ass'y	1		
8	B1325851	Bracket:Main Switch	1		
9	B1325852	Screw:Micro Switch	2		
10	D0146876	Duct:Main:Vacuum	1		
11	AX640150	Fan Motor:MM60:25mm:DC24V 4.8W	2		
12	D0146871	Duct:Heat Sink	1		
13	D0143635	Humidity Control Unit	1		
14	B1322465	Seal:Fan:Humidity Control	1		
15	D0141450	Operation Panel Bracket	1		
16	B1322468	Filter	1		
17	B1326851	Duct:Vacuum:Ass'y	1		
18	D0146983	Duct:Imaging Unit:Rear:C2:Ass'y	1		
19	B1326921	Duct:Imaging Unit:Front:Ass'y	1		
20	AX640164	Fan Motor:15mm:24V	2		
21	D0141020	Bracket:Connector	1		
22	B1323489	Bracket:Drawer:Toner Supply	1		
23	B1323491	Cover:Drawer	1		
24	B1323493	Bracket:Fix:Toner Supply	1		
25	B1326855	Duct:Vacuum:Entrance	1		
101	04514008N	Tapping Screw:4x8			
102	04513025N	Tapping Screw:M3x25			
103	04514035N	Tapping Screw:4x35			
104	07200040E	Retaining Ring - M4			
105	12042598	Switch			
106	12042521	Micro Switch			
107	11050508	Harness Clamp - LWS-0711			
108	03604008N	Screw - M4x8			
109	11050516	Clamp			
110	11050551	Clamp:LES-0505			
111	11026248	Connector - 5P			
112	11029783	Connector:55949-3919			
113	11050511	Harness Clamp - LWS-0306ZC			
114	04544008Q	Tapping Screw - M4x8			



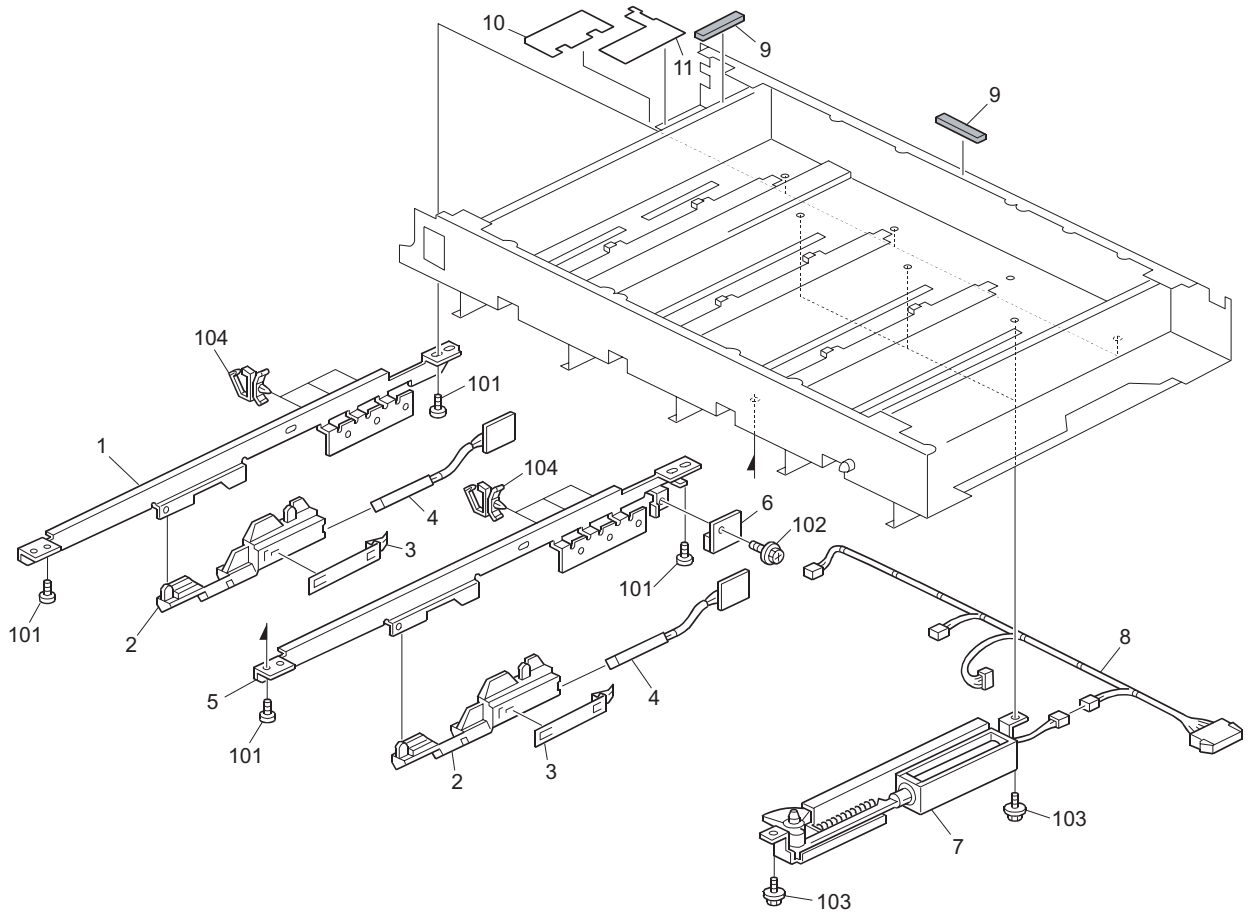
ITEM No.	PART No.	PART NAME	Q'TY / PAGE	Q'TY / PACK	REMARKS
1	D0145734	PCB:Control Board:EX1:V-C2TEC:Sub-ass'y	1		
2	B1325819	Decal:Caution:HDD:Fan	1		
3	B1325809	Seal:C/T Box:Cover:Middle	2		
4	B1325812	Seal:C/T Box:Cover:Side	2		
5	B1325832	Sheet:Cover:C/T Box	2		
6	D0145720	HDD Unit	1		
7	D0145783	Cable:HDD:Power	1		
8	D0145782	Cable:HDD:Gray	1		
9	D0145781	Cable:HDD:Red	1		
10	D0145971	Bracket:Control Board	1		
11	D0145973	Cover:SD-Card	1		
12	AA141008	Panel Knob Screw	4		
13	B1325835	Panel -Interface	2		
14	D0145974	Cover:Connector:EFI	1		
15	D0145977	Cover:Control Board:USB	1		
16	G1786072	PCB:PC4200:Rawcard-A:1GB	1		
17	D0149590	NVRAM	1		
18	G1786062	PCB:PC4200:Rawcard-C:512MB	1		
19	B0706877	Large Drum Stay Ground Plate	1		
20	B1325831	Gasket:Cover:C/T Box	2		
21	D0145816	Cover - C/T Box	1		
101	04543006Q	Tapping Screw - M3x6			
102	04544008Q	Tapping Screw - M4x8			
103	11050680	Spacer:KGPS-5RF-V0			

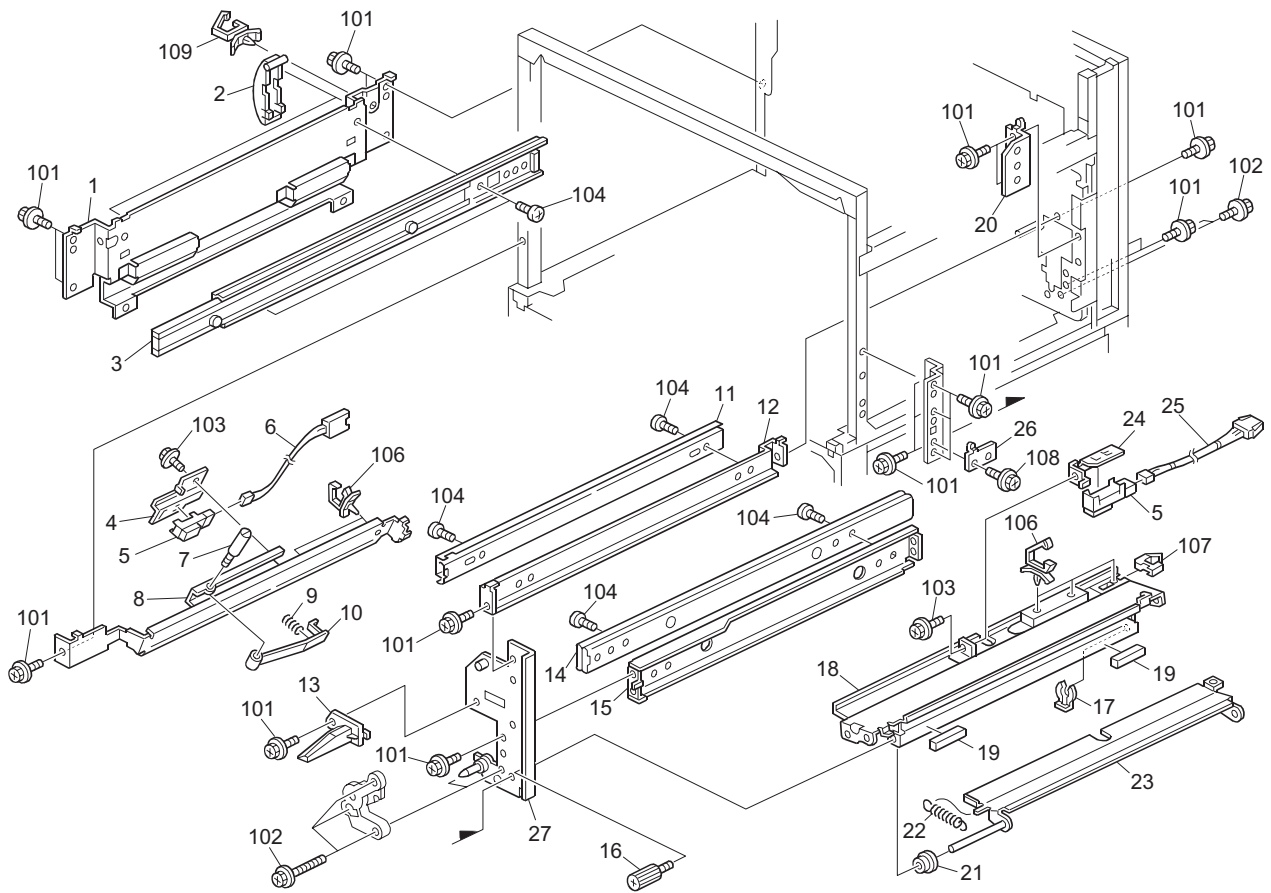




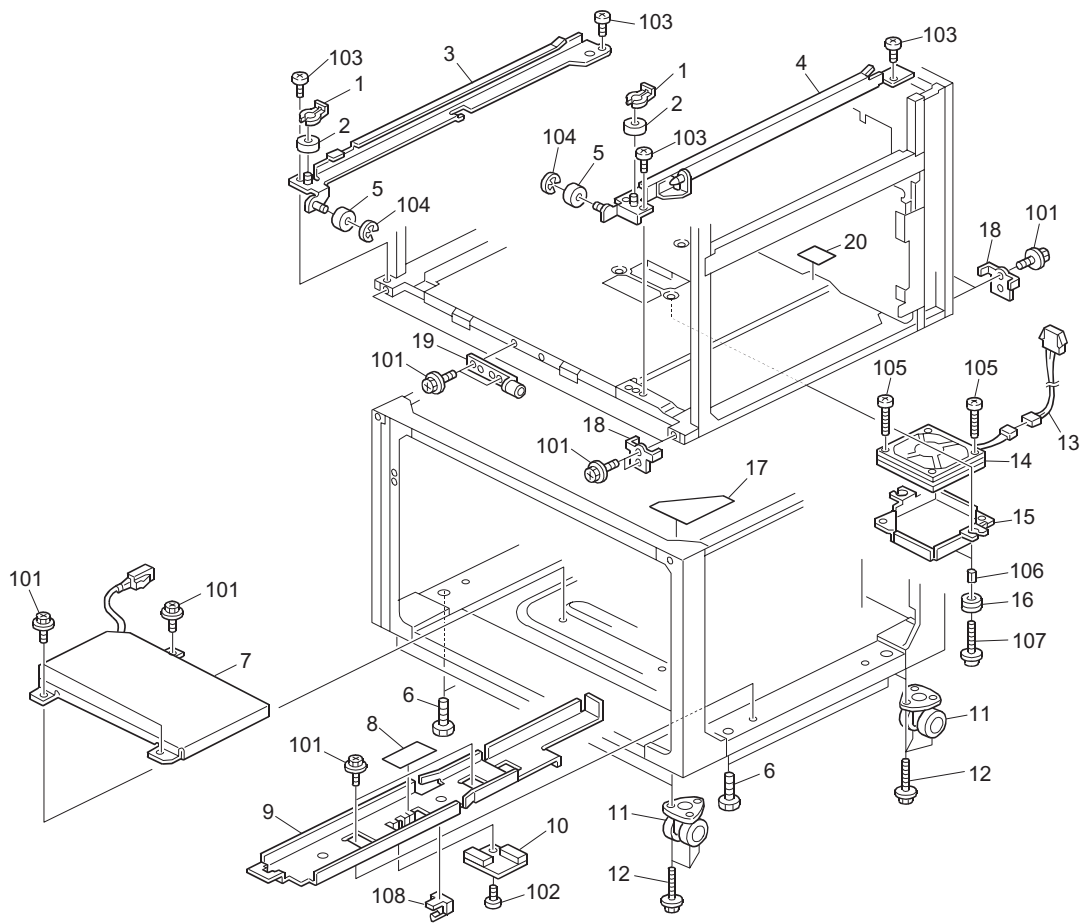


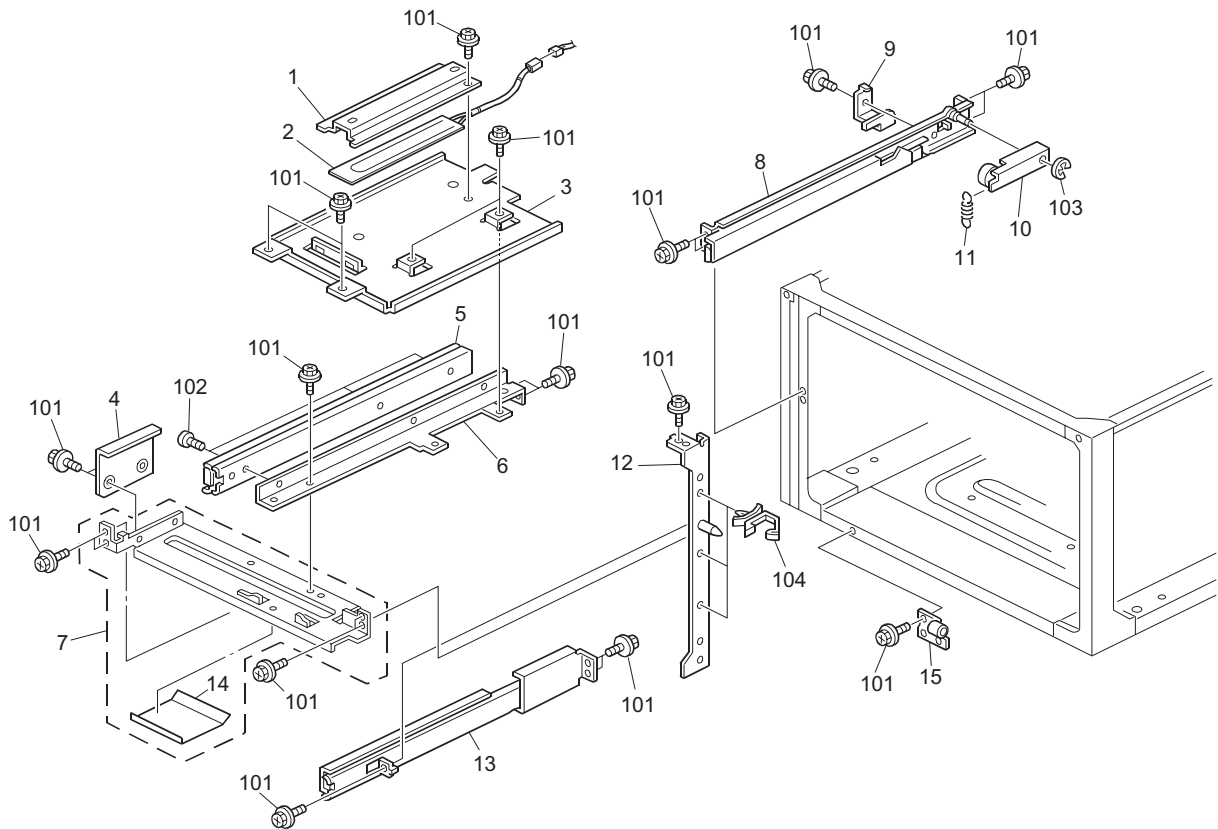
ITEM No.	PART No.	PART NAME	Q'TY / PAGE	Q'TY / PACK	REMARKS
1	AA070064	Slide Rail:Toner Supply:Ass'y	1		
2	D0146830	Upper Sheet - Stay Left	1		
3	D0141003	Stay:Intermediate Transfer:Left	1		
4	D0146899	Lower Sheet - Stay Left	1		
5	B1326958	Duct:Imaging Unit:Exhaust:Ass'y	1		
6	B1326978	Duct:Imaging Unit:Sub-ass'y	1		
7	B1326971	Duct:Imaging Unit:1st:Ass'y	1		
8	B1326965	Duct:Imaging Unit:Exhaust:Ass'y	1		
9	B1326980	Cover:Duct:Imaging Unit:Ass'y	1		
10	B1326973	Duct:Imaging Unit:23ST:Ass'y	2		
11	B1326975	Duct:Imaging Unit:4ST:Ass'y	1		
12	B1322470	Duct:Humidity Control:Ass'y	1		
13	B1326867	Bracket:Exhaust:Harness	1		
14	D0141463	Bracket:Hinge:Door	1		
15	B1321465	Spring:Hinge:Upper	1		
16	B1321463	Hinge Shaft	1		
17	D0146882	Heat Pipe	1		
18	D0146891	Sheet - Shielding Plate	2		
19	AA143791	Screw:Safety	4		
20	B1326912	Duct:Exit:Upper	1		
21	D0146893	Duct:Fusing:Exit:Upper	1		
22	D0146894	Duct:Fusing:Exit:Upper:Left	1		
23	B1326908	Duct:Exit:Upper:Left:Ass'y	1		
24	GA003016	Decal - Y Toner Supply	1		
25	GA003018	Decal - C Toner Supply	1		
26	GA003017	Decal - M Toner Supply	1		
27	GA003019	Decal - K Toner Supply	1		
28	D0146892	Heat Insulation:Heat Pipe:Panel	1		
29	D0146814	Seal:Inner Back:Stay:Intermediate Transfer:	1		
30	D0146831	Seal:Duct:Exit:Upper	1		
31	D0146828	Seal:Heat Pipe:Front	1		
32	D0146829	Seal:Heat Pipe:Inner Back	1		
101	04514008N	Tapping Screw:4x8			
102	03540060N	Screw-M4x6			
103	03540080N	Screw:M4x8			
104	07200040E	Retaining Ring - M4			
105	11050598	Clamp:LWSS-1N			
106	11050701	KGPS-16RF-V0			
107	11060922	Bushing:JKR-60			

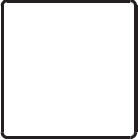

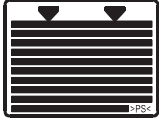
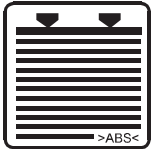

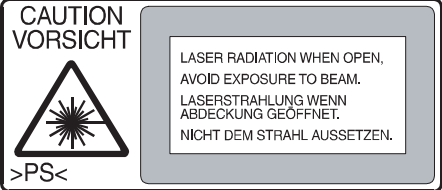

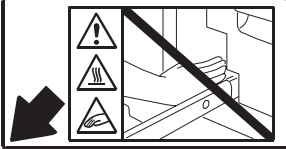



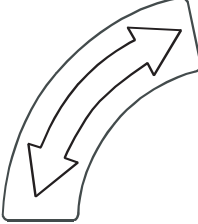



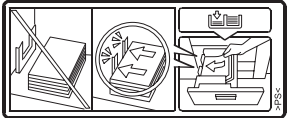
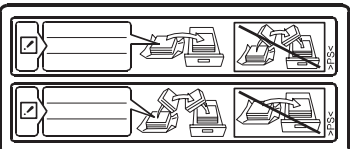
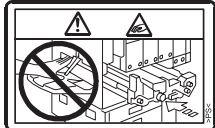
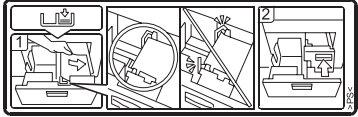
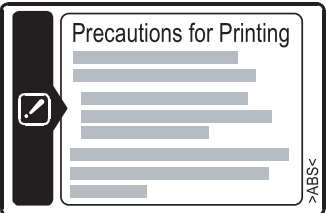
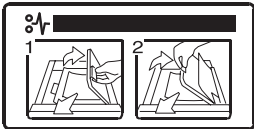

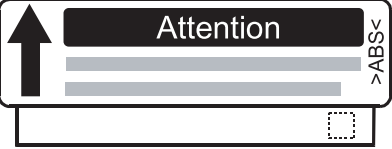
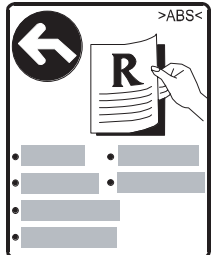




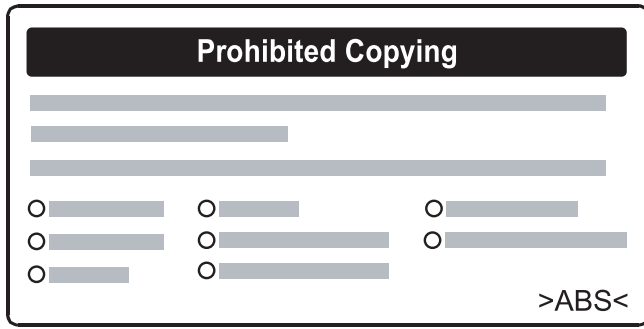
ITEM No.	PART No.	PART NAME	Q'TY / PAGE	Q'TY / PACK	REMARKS
1	B1321115	Stay:Machine Or Copier:Left:Peen	1		
2	B1321222	Cover:Stay:Left	2		
3	AA070066	Slide Rail:Pull Out:Left	1		
4	B1327101	Bracket:Sensor:Entrance	1		
5	AW010107	Paper Feed Sensor	2		
6	D0145253	Harness:Sensor	1		
7	AA143421	Stud:Guide Pin	1		
8	B1327114	Guide Plate:Left Lower:Ass'y	1		
9	AA063907	Compression Spring	1		
10	B1327038	Stopper:Pressure	1		
11	AA070064	Slide Rail:Toner Supply:Ass'y	1		
12	B1323486	Stay:Slide Rail:Toner Supply	1		
13	B1322718	Guide:Registration:Open And Close	1		
14	AA070067	Slide Rail:Pull Out:Right	1		
15	B1321004	Stay:Machine Or Copier:Right Lower	1		
16	G1045139	Knob Screw:HDD Unit	1		
17	54472681	Snap Ring	1		
18	D0142637	Guide Plate:Connecting:LCT	1		
19	B0101289	Left Gasket - Front Rear	2		
20	B1322815	Bracket:Fix:Manual Feed	1		
21	AA080265	Bushing:6x8x5	1		
22	AA060960	Tension Spring	1		
23	D0142662	Guide Plate:LCT:Open And Close	1		
24	B1322654	Bracket:Sensor:Large Capacity Tray	1		
25	D0145250	Harness:Paper Feed Unit:LCT:Sensor	1		
26	B1321008	Bracket:Cover:LCT	1		
27	D0141011	Side Plate:Front Right:Peen	1		
101	04514008N	Tapping Screw:4x8			
102	04514012N	Tapping Screw:4x12			
103	04513006N	Tapping Screw - 3x6			
104	03540060N	Screw-M4x6			
105	09513006N	Screw - M3x6			
106	11050511	Harness Clamp - LWS-0306ZC			
107	11050551	Clamp:LES-0505			
108	04514010N	Tapping Screw:4x10			
109	11050600	Clamp:LWSM-0306-2M			





<p>1</p> 	<p>2</p> <p>用紙は右に突き当ててセットしてください。</p> 	<p>4</p> 	<p>5</p> 	
<p>3</p>  <p>用紙は左に突き当ててセットしてください。</p>				
<p>6</p> 		<p>7</p> 	<p>8</p> 	
<p>9</p> 	<p>10</p> 	<p>11</p> 	<p>12</p> 	<p>13</p> 
<p>14</p> 	<p>15</p> 			
<p>16</p> 	<p>18</p> 		<p>19</p> 	
<p>17</p> 	<p>22</p> 		<p>23</p> 	
<p>20</p> 	<p>21</p> 		<p>24</p> 	

25



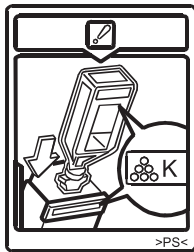
26



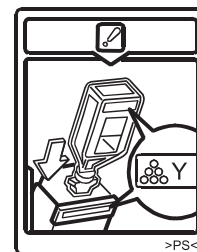
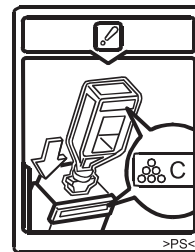
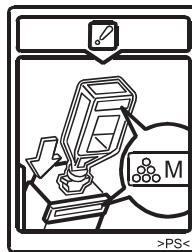
27



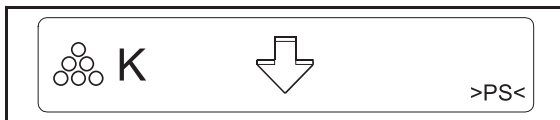
28



29



30



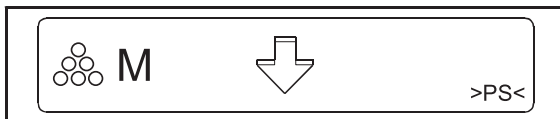
32



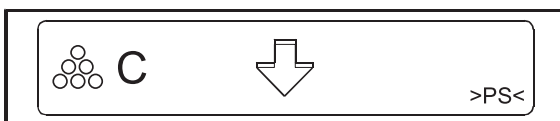
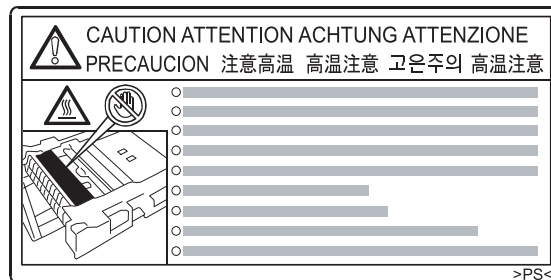
33



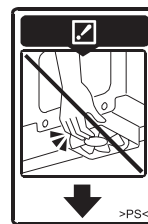
31



34



35



36



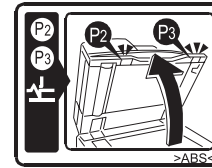
37

1		5½ x 8½	8½ x 13
		8½ x 5½	8½ x 14
A3	A4	7¼ x 10½	8½ x 14
A3	A4	10½ x 7¼	11 x 17
B4	B5	8 x 13	11 x 17
B4	B5	8¼ x 13	12 x 18
A4	B5	8½ x 11	
A4	A5	8½ x 11	
A4	A5	11 x 8½	
A4	A5	11 x 8½	

39



40



41



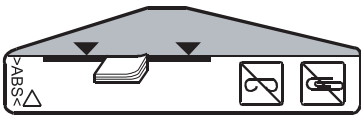
38



42



43



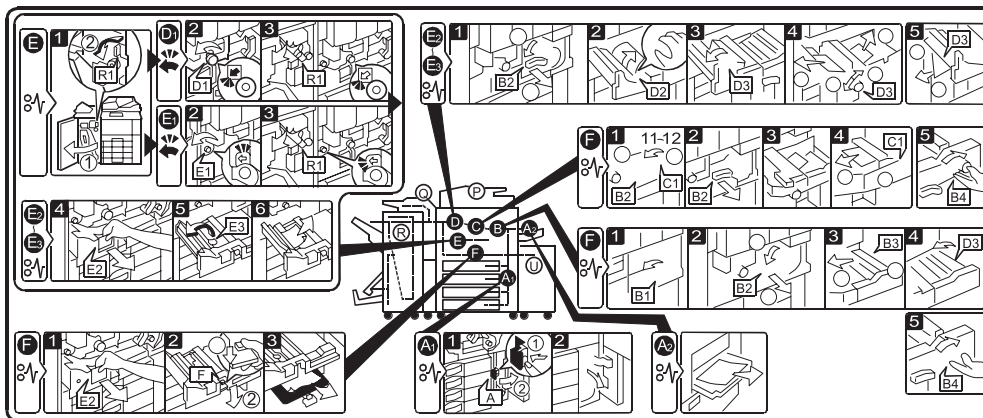
44

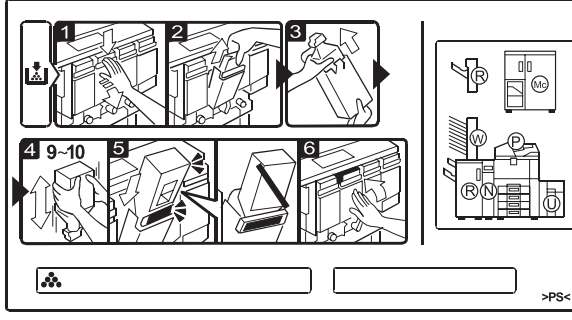

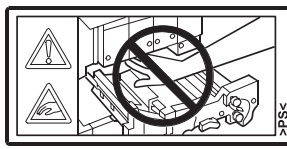


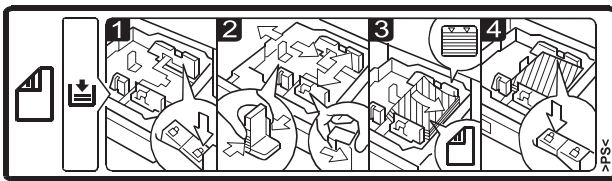





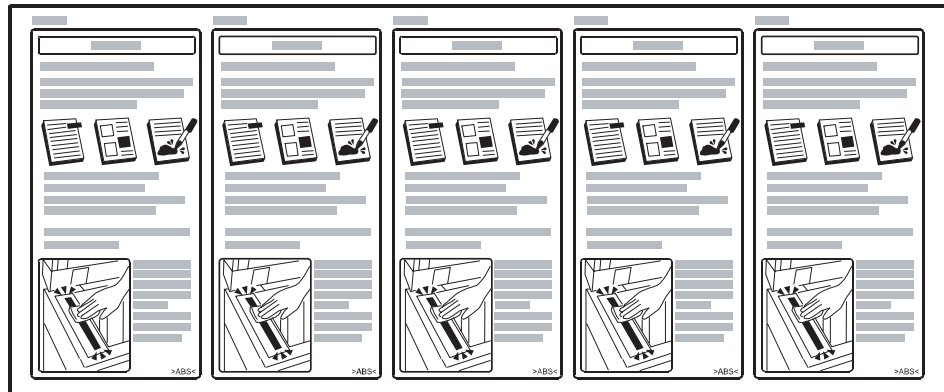


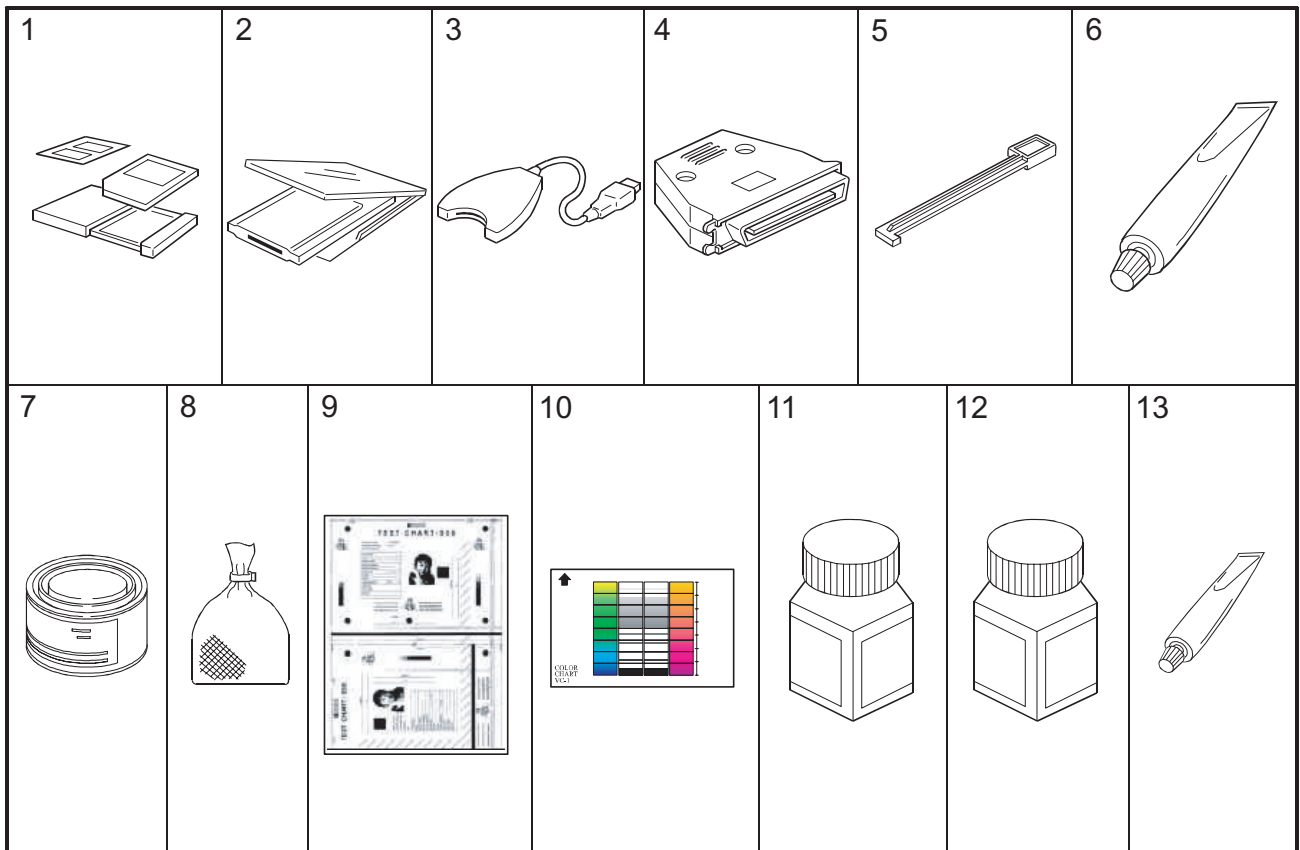
45



46



<p>47</p> 	<p>51</p> 																
<p>48</p> 	<p>49</p> <table border="1" data-bbox="702 595 861 798"><tr><td colspan="2">I/F Card Slot</td></tr><tr><td>A</td><td>Tandem</td></tr><tr><td>B</td><td>Option</td></tr><tr><td>C</td><td>External CTL/GIGA</td></tr><tr><td colspan="2">SD Card Slot</td></tr><tr><td>2</td><td>Service Slot</td></tr><tr><td>1</td><td>Option Slot</td></tr></table> <p>>PS<</p>	I/F Card Slot		A	Tandem	B	Option	C	External CTL/GIGA	SD Card Slot		2	Service Slot	1	Option Slot	<p>53</p> 	<p>54</p> 
I/F Card Slot																	
A	Tandem																
B	Option																
C	External CTL/GIGA																
SD Card Slot																	
2	Service Slot																
1	Option Slot																
<p>50</p> 	<p>55</p> 	<p>56</p> 															
<p>59</p> 	<p>60</p> 	<p>61</p> 															
<p>62</p> 																	



TOSHIBA

TOSHIBA TEC CORPORATION

2-17-2, HIGASHIGOTANDA, SHINAGAWA-KU, TOKYO, 141-8664, JAPAN