

**TOSHIBA**

# **SERVICE PARTS LIST**

**MULTIFUNCTIONAL DIGITAL SYSTEMS**

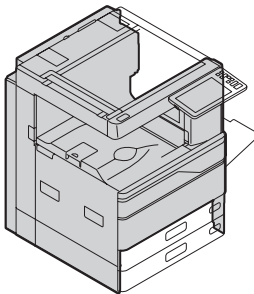
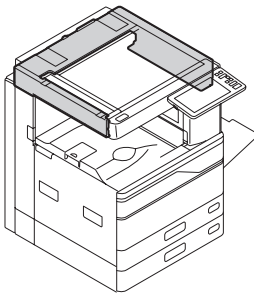
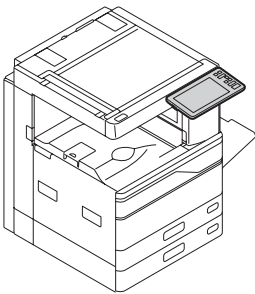
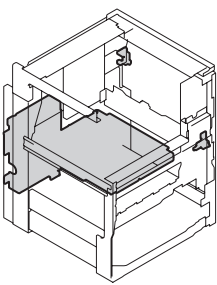
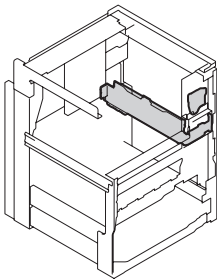
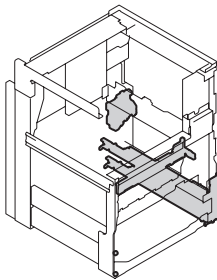
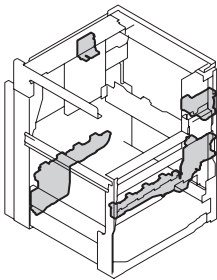
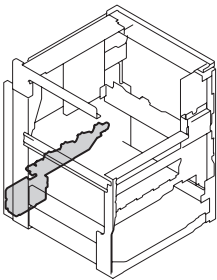
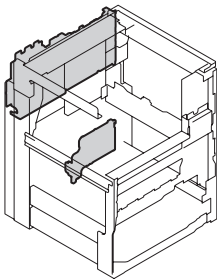
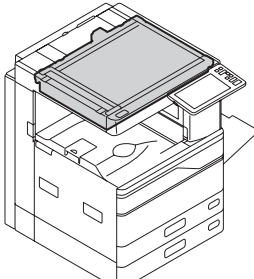
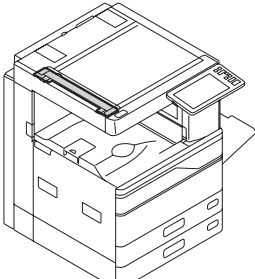
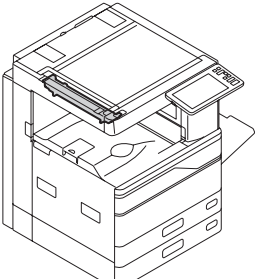
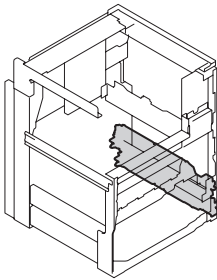
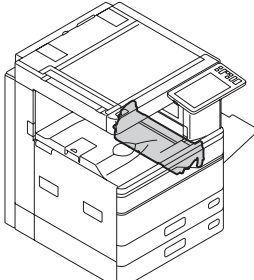
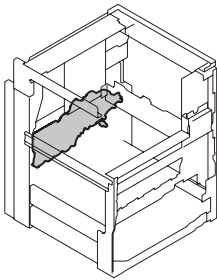
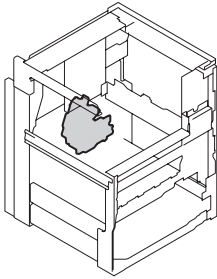
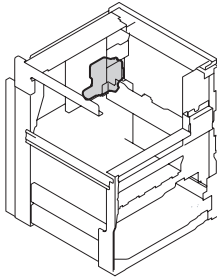
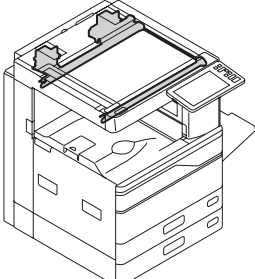
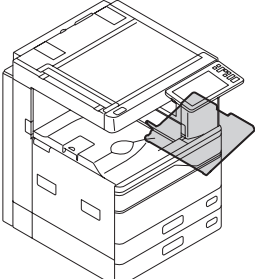
# **e-STUDIO05528A/6528A**

© 2022 Toshiba Tec Corporation All rights reserved

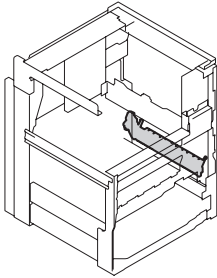
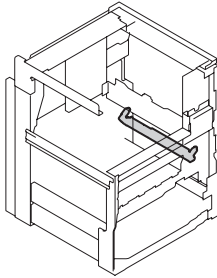
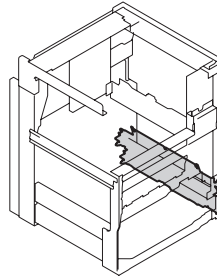
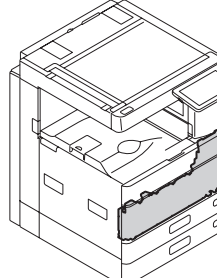
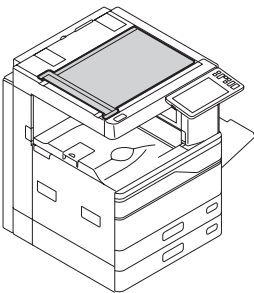
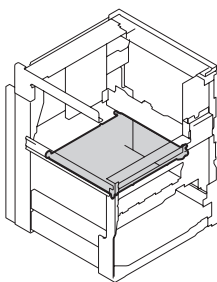
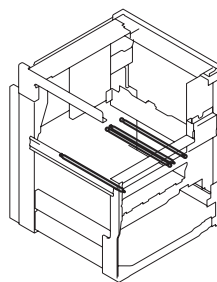
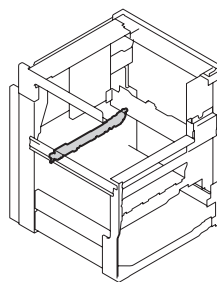
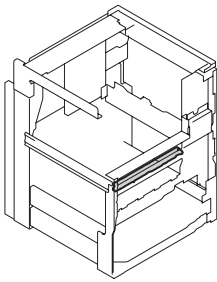
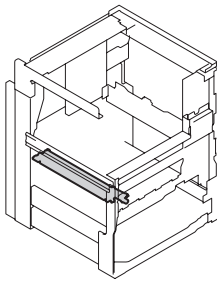
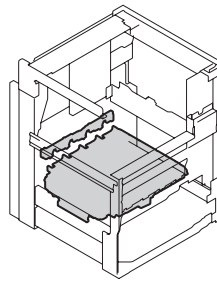
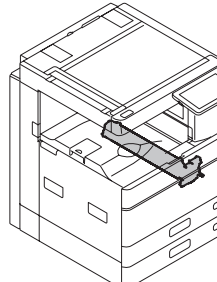
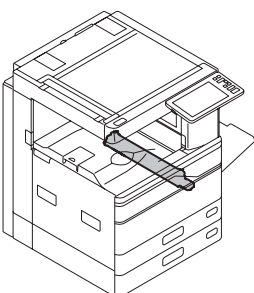
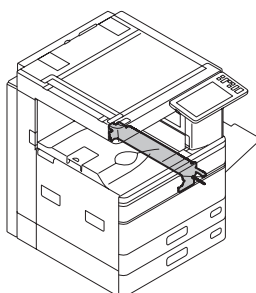
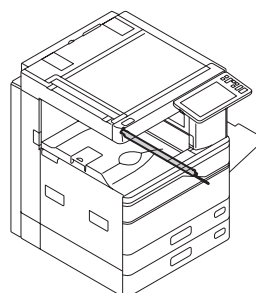
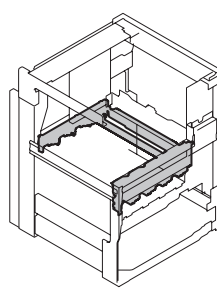
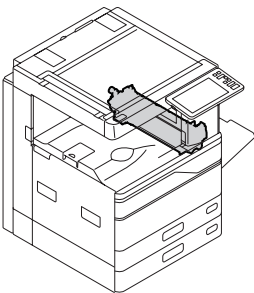
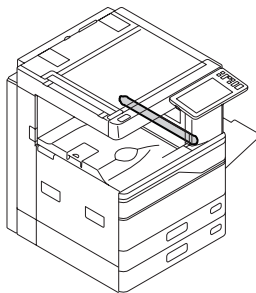
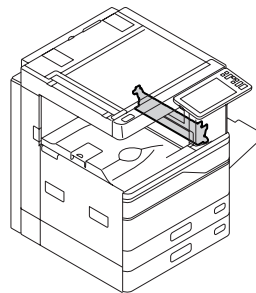
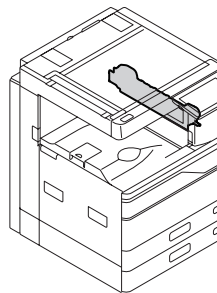
Under the copyright laws, this manual cannot be reproduced in any form without prior written permission of Toshiba Tec Corporation. No patent liability is assumed, however, with respect to the use of the information contained herein.

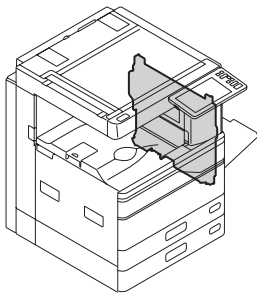
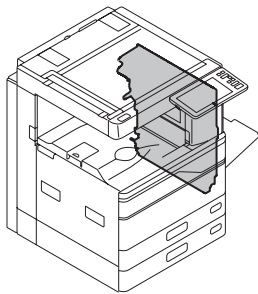
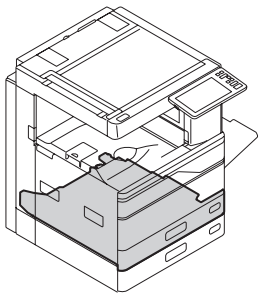
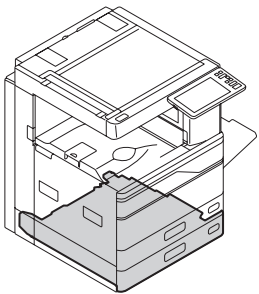
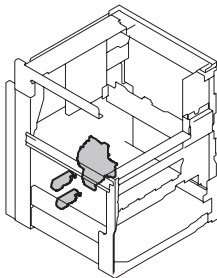
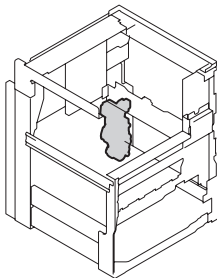
# CONTENTS

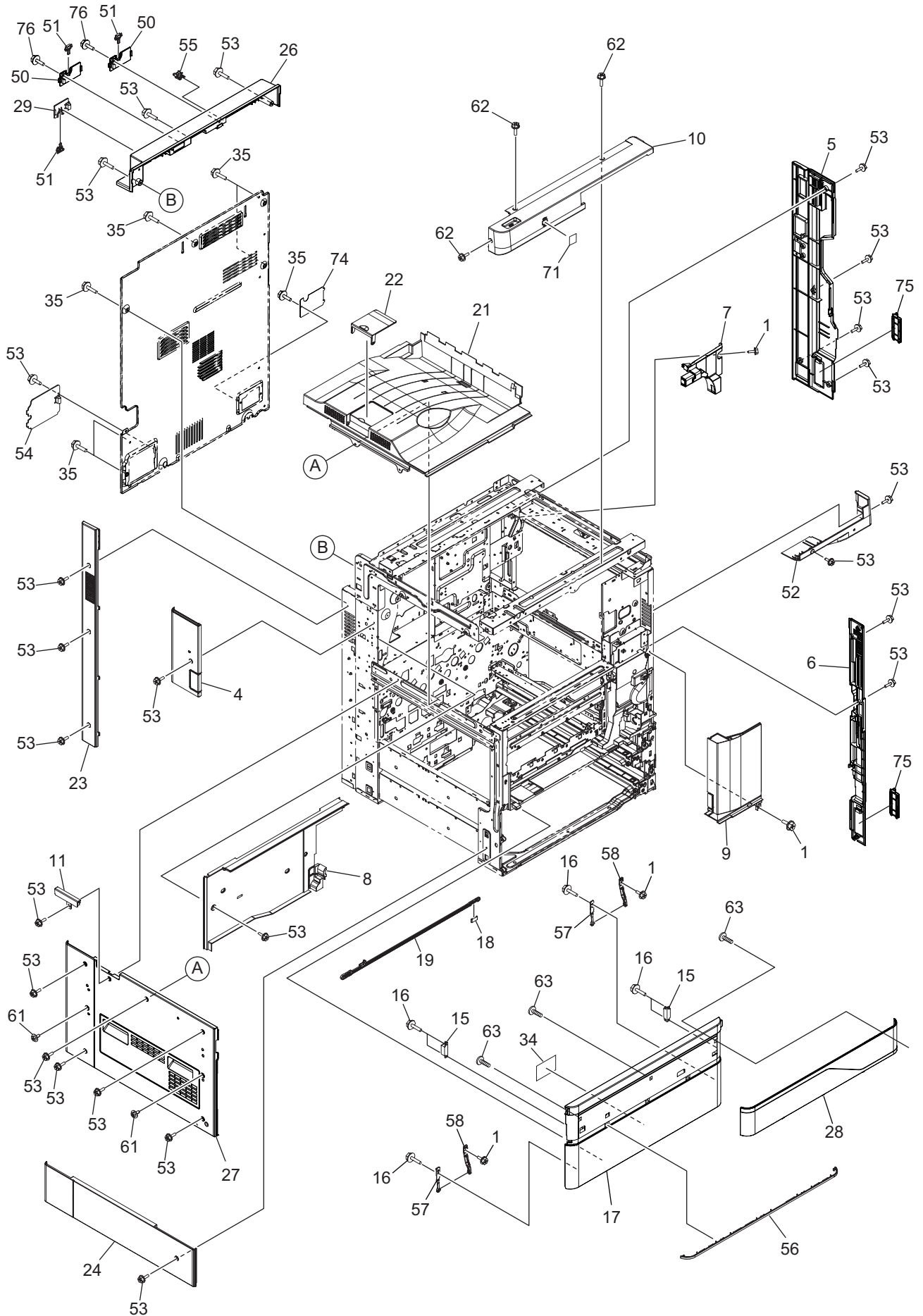
COVER-1-ASY .....	1	ADU-2-ASY .....	42
COVER-2-ASY .....	2	DRAWER-ASY-1 .....	43
CONTROL-PANEL-ASY .....	3	DRAWER-ASY-2 .....	44
FRAME-1-ASY .....	4	TRAYUP-MOT-ASY .....	45
FRAME-2-ASY .....	5	FEEDER-DRIVE-ASY .....	46
FRAME-3-ASY .....	6	JIGS & GREASE .....	101
FRAME-4-ASY .....	7	SUPPLIES .....	102
ELECTRIC-ASY .....	8	REPLACE UNIT .....	103
CASE-SYS-LGC-ASY .....	9	PM-KIT .....	104
OPTICAL-FRAME-ASY .....	10		
CRG-1-ASY .....	11		
CRG-2-ASY .....	12		
GUIDE-RGST-ASY .....	13		
TRU-ASY .....	14		
DRIVE-DRUM-ASY .....	15		
DEVELOPER-DRIVE-ASY .....	17		
DRIVE-FUSER-ASY .....	18		
OPTICAL-DRIVE .....	19		
BYPASS-ASY .....	20		
BYPASS-FEEDER-ASY .....	21		
RGST-GUIDE .....	22		
FEEDER-GUIDE-ASY .....	23		
DRIVE-WTNR-ASY .....	24		
GLASS-ASY .....	25		
TBU-ASY-1 .....	26		
TBU-ASY-2 .....	27		
TBU-ASY-3 .....	28		
TBU-ASY-4 .....	29		
TBU-ASY-5 .....	30		
EPU-GUIDE-ASY .....	31		
DEVELOPER-ASY-1 .....	32		
DEVELOPER-ASY-2 .....	33		
CLEANER-ASY .....	34		
MAIN-CHARGER-ASY .....	35		
TNR-DRIVE-ASY .....	36		
FUSER-ASY-1 .....	37		
FUSER-ASY-2 .....	38		
FUSER-ASY-3 .....	39		
EXIT-ASY .....	40		
ADU-1-ASY .....	41		

<p>1. COVER-1-ASY</p> 	<p>2. COVER-2-ASY</p> 	<p>3. CONTROL-PANEL-ASY</p> 	<p>4. FRAME-1-ASY</p> 
<p>5. FRAME-2-ASY</p> 	<p>6. FRAME-3-ASY</p> 	<p>7. FRAME-4-ASY</p> 	<p>8. ELECTRIC-ASY</p> 
<p>9. CASE-SYS-LGC-ASY</p> 	<p>10. OPTICAL-FRAME-ASY</p> 	<p>11. CRG-1-ASY</p> 	<p>12. CRG-2-ASY</p> 
<p>13. GUIDE-RGST-ASY</p> 	<p>14. TRU-ASY</p> 	<p>15. DRIVE-DRUM-ASY</p> 	
<p>17. DEVELOPER-DRIVE-ASY</p> 	<p>18. DRIVE-FUSER-ASY</p> 	<p>19. OPTICAL-DRIVE</p> 	<p>20. BYPASS-ASY</p> 

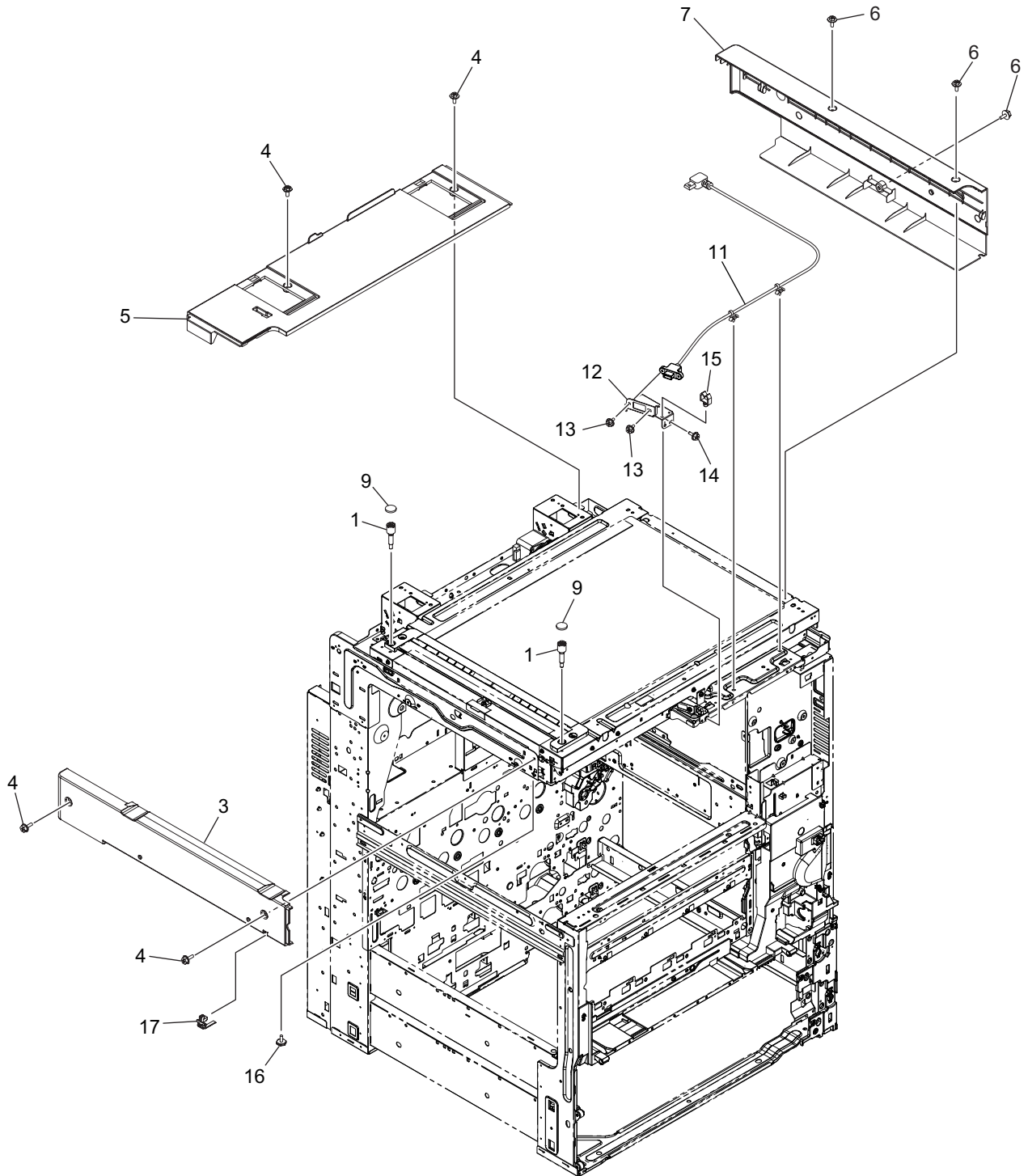


<p>21. BYPASS-FEEDER-ASY</p> 	<p>22. RGST-GUIDE</p> 	<p>23. FEEDER-GUIDE-ASY</p> 	<p>24. DRIVE-WTNR-ASY</p> 
<p>25. GLASS-ASY</p> 	<p>26. TBU-ASY-1</p> 	<p>27. TBU-ASY-2</p> 	<p>28. TBU-ASY-3</p> 
<p>29. TBU-ASY-4</p> 	<p>30. TBU-ASY-5</p> 	<p>31. EPU-GUIDE-ASY</p> 	<p>32. DEVELOPER-ASY-1</p> 
<p>33. DEVELOPER-ASY-2</p> 	<p>34. CLEANER-ASY</p> 	<p>35. MAIN-CHARGER-ASY</p> 	<p>36. TNR-DRIVE-ASY</p> 
<p>37. FUSER-ASY-1</p> 	<p>38. FUSER-ASY-2</p> 	<p>39. FUSER-ASY-3</p> 	<p>40. EXIT-ASY</p> 

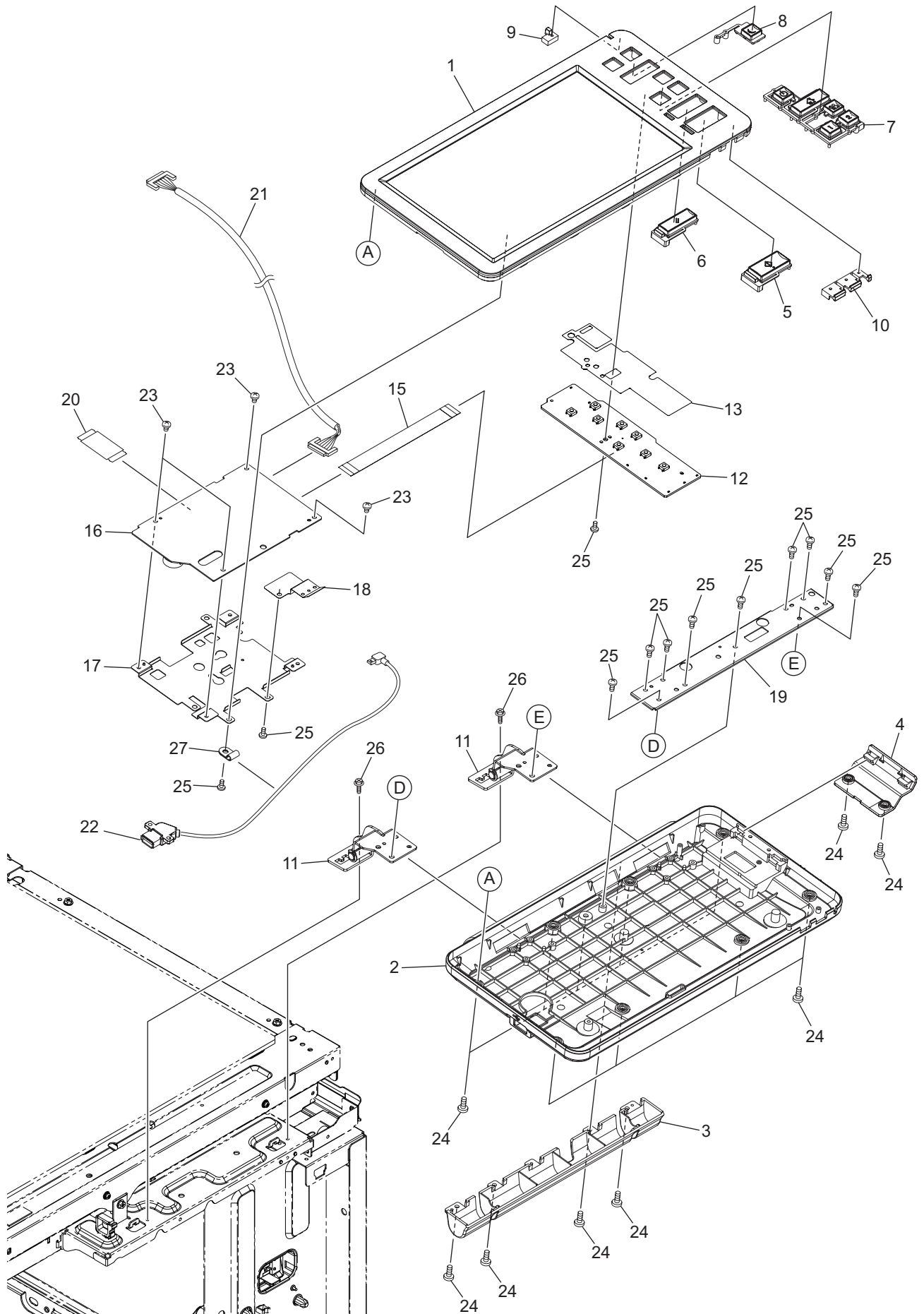
<p>41. ADU-1-ASY</p>  Exploded view of the ADU-1-ASY assembly, showing a grey component being inserted into the top of a white printer chassis.	<p>42. ADU-2-ASY</p>  Exploded view of the ADU-2-ASY assembly, showing a grey component being inserted into the top of a white printer chassis.	<p>43. DRAWER-ASY-1</p>  Exploded view of the DRAWER-ASY-1 assembly, showing a grey tray being inserted into the front of a white printer chassis.	<p>44. DRAWER-ASY-2</p>  Exploded view of the DRAWER-ASY-2 assembly, showing a grey tray being inserted into the front of a white printer chassis.
<p>45. TRAYUP-MOT-ASY</p>  Exploded view of the TRAYUP-MOT-ASY assembly, showing a motor and gear mechanism being inserted into a white tray frame.	<p>46. FEEDER-DRIVE-ASY</p>  Exploded view of the FEEDER-DRIVE-ASY assembly, showing a motor and gear mechanism being inserted into a white tray frame.		



ITEM No.	PART No.	PART NAME	Q'TY / PAGE	Q'TY / PACK	REMARKS
1	X0-02420000	S/TPS/FHEXM/R-3X8-ZU3	4	10/P	
4	6LK48707000	COVER-LEFT-REAR-H370	1	1/PP	
5	6LL43120100	COVER-RIGHT-REAR-K163NS	1	1/PP	
6	6LL43119000	COVER-FRT-PILLAR-R-K163	1	1/PP	
7	6LL43139200	ASYS-COV-FUS-R-K167	1	1/PP	
8	6LL43112000	COVER-TRAY-BACK-K167	1	1/PP	
9	6LK48705000	COVER-FRT-PILLAR-H370	1	1/PP	
10 A	6LL43127800	ASYS-COV-TP-FRT-DP5528	1	1/PP	eS5528A
10 B	6LL43127900	ASYS-COV-TP-FRT-DP6528	1	1/PP	eS6528A
11	6LK48711000	COVER-LEFT-2-H370	1	1/P	
15	F0-01394000	CA-0131B	2	1/P	
16	X0-02248000	S/TTP/FHEXM-3X10-NI	6	10/P	
17	6LL43108000	COVER-FRONT-K163	1	1/PP	
18	6LK49403000	ASYS-CLNLSU-H373	1	1/P	
19	6LK49407000	ROD-CLNLSU-H373	1	1/P	
21	6LL43104000	COVER-TRAY-K16X	1	1/PP	
22	6LH52423700	COVER-STOP-PAPER-470-N_B	1	1/P	
23	6LJ53747100	COVER-LEFT-REAR2-H373	1	1/PP	
24	6LJ69439200	COVER-LEFT-PFU_B	1	1/PP	
26	6LK48710100	COVER-REAR-TOP-K163	1	1/PP	
27	6LL43124100	ASYB-COVER-LEFT-K163	1	1/PP	
28	6LL43125000	ASYS-COVER-DECO-K16X	1	1/PP	
29	6LK48728000	COVER-DF-CNT-H373	1	1/P	
34	4406550190	LBL-HVT-BIT	1	5/P	
35	X0-02230000	S/FHEXM-M3X6-NI	7	10/P	
50	6LL43144000	COVER-DSDf-CNT-K163	2	1/P	
51	6LK48727000	COVER-DF-SUB-H373	3	1/P	
52	6LK48736000	COV-FRT-PILLAR-U	1	1/PP	
53	X0-02681000	S/TPD3/FHEXM/R-3X8-ZB3	24	10/P	
54	6LK48716000	COVER-PFP-CNCT-H373	1	1/P	
55	6LK48724000	COVER-REAR-TOP-DSDf	1	1/P	
56	6LK48766200	COVER-RIM-HS	1	1/PP	
57	6LK48768000	LINK-FCOV-R-H373N	2	1/P	
58	6LK48712000	LINK-FCOV-U-H373	2	1/P	
61	X0-02678000	S/TPS/FHEXM/R-4X8-ZB3	2	10/P	
62	X0-02672000	S/FHEXM-M3X8-ZB3	3	10/P	
63	X0-01989000	S/TTP/BID-3X8-NI	3	10/P	
71	6LK56621000	LBL-IDGATE-MARK-KP2007	1	1/P	
74	6LL40136000	COVER-REAR-LCF-K163	1	1/P	
75	6LL43110000	COV-SUB-EX-LCF-K163	2	1/P	
76	X0-02683000	S/TTP/FHEXM-3X8-ZB3	2	5/P	

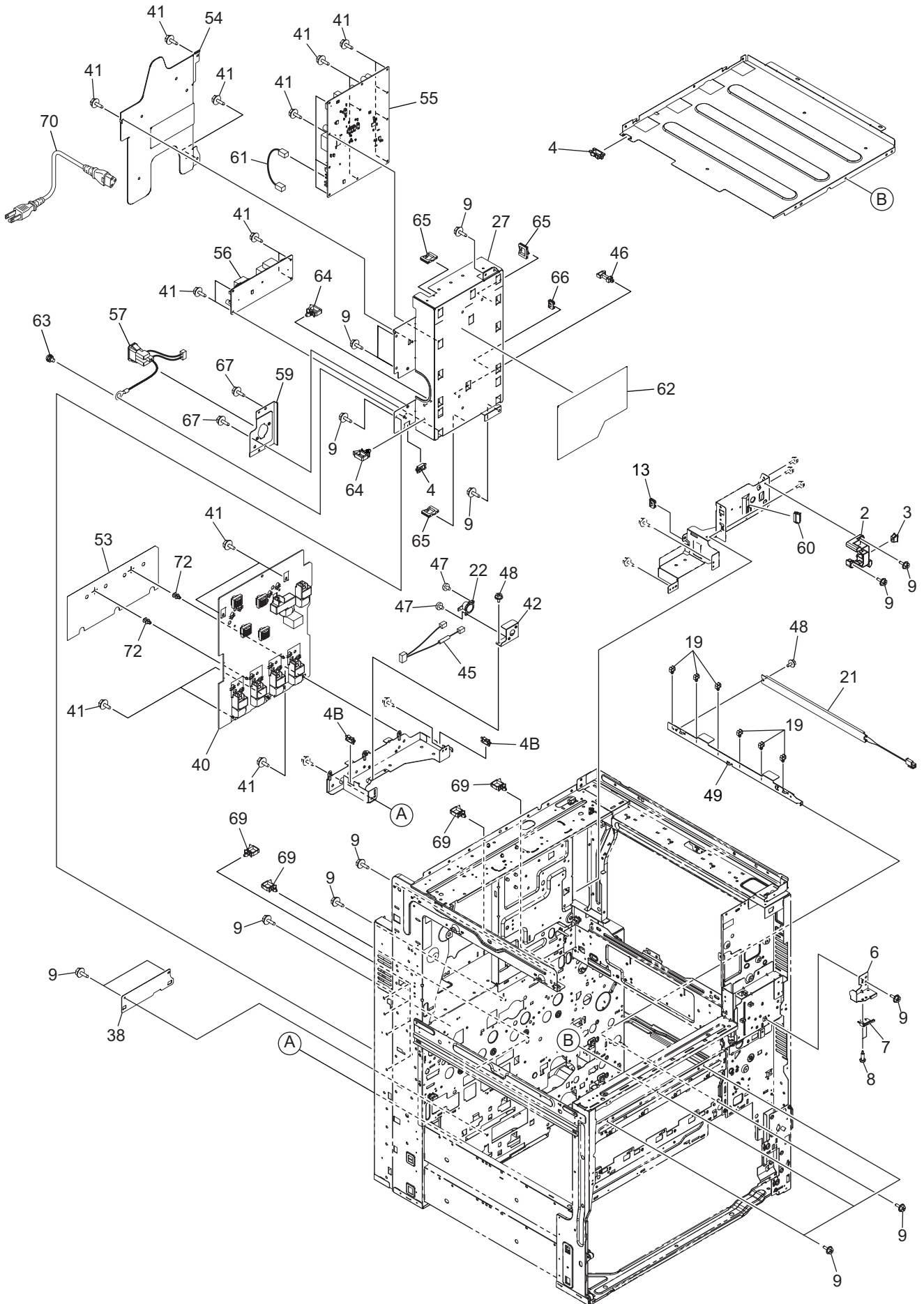


ITEM No.	PART No.	PART NAME	Q'TY / PAGE	Q'TY / PACK	REMARKS
1	6LJ59784000	LOCK-CRG-H21X	2	1/P	
3	6LK53234100	COVER-TP-LFT-K160	1	1/PP	
4	X0-02681000	S/TPD3/FHEXM/R-3X8-ZB3	4	10/P	
5	6LL43132000	ASYS-COV-TP-RER-K160	1	1/PP	
6	X0-02672000	S/FHEXM-M3X8-ZB3	3	10/P	
7	6LK53271000	ASYS-COV-TP-RGT-H370	1	1/PP	
9	6LH56607200	LID-SCREW-H370	2	5/P	
11	6LL40935000	ASYB-CABLE-USB-K162	1	1/P	
12	6LK44871000	BRKT-USB-K110	1	1/P	
13	X0-02230000	S/FHEXM-M3X6-NI	2	10/P	
14	X0-02420000	S/TPS/FHEXM/R-3X8-ZU3	1	10/P	
15	F0-00033000	UAMS-07-0	1	10/P	
16	6LL47743000	SCREW-SCAN-ADJT-K160	1	1/P	
17	6LL47746000	COV-SCRW-SCN-K160	1	1/P	

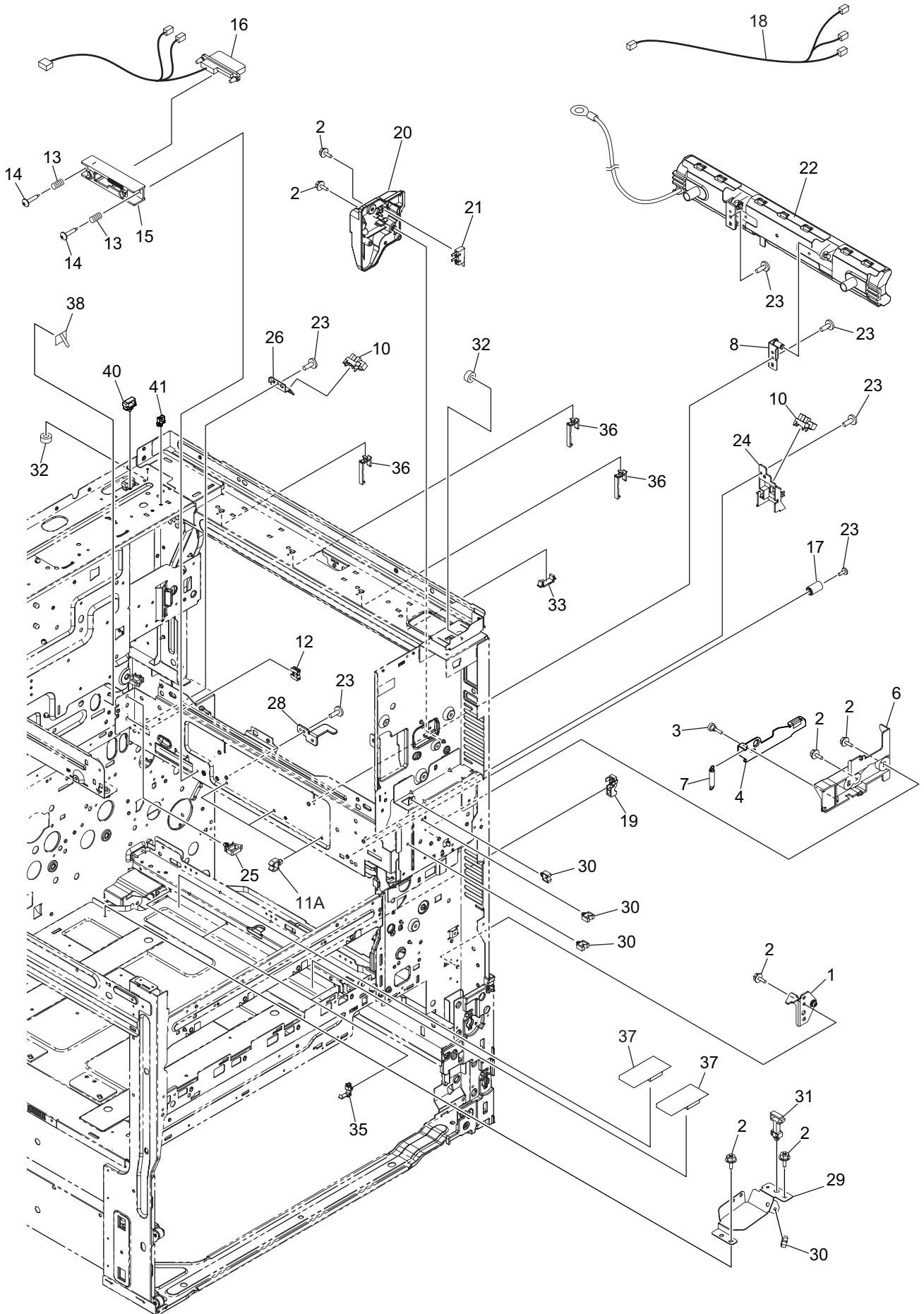


ITEM No.	PART No.	PART NAME	Q'TY / PAGE	Q'TY / PACK	REMARKS
1 A	6LL42907000	CONPANE-LCD-K16X-SVP-W	1	1/C	Except CND CND
1 B	6LL42907300	CONPANE-LCD-K16X-SVP-C	1	1/C	
2	6LL42902000	COVER-CONPANE-LWR-K16X	1	1/PP	
3	6LK48569000	COVER-HINGE-K100	1	1/PP	
4	6LK48603000	COVER-SIDE-K1XX	1	1/P	
5	6LK48607000	KEY-START-K1XX	1	1/P	
6	6LK48606000	KEY-RESET-K1XX	1	1/P	
7	6LK48604000	KEY-FUNCTION-K1XX	1	1/C	
8	6LK48605000	KEY-ENERGY-K1XX	1	1/P	
9	6LK48570000	LID-POWER-K1XX	1	1/P	
10	6LK48571000	LID-LED-K1XX	1	1/P	
11	6LK48576000	ASYS-HINGE-K100	2	1/P	
12	6LL42903000	PWA-SW-K16X	1	1/SB	
13	6LK48601000	FILM-SW-K1XX	1	1/KP	
15	6LK48597000	HRNS-KEY-K1XX-2	1	1/P	
16	6LL42904000	PWA-LCD-K16X	1	1/SB	
17	6LK48573000	SHIELD-PCB-K1XX	1	1/P	
18	6LL42901000	EARTH-SPRING-K16X	1	1/P	
19	6LK48575000	BASE-BRACKET-K100	1	1/P	
20	6LK48598000	HRNS-KEY-K1XX-1	1	1/P	
21	6LL42905000	CABLE-LCD-K16X	1	1/P	
22	6LL42906000	USB-CABLE-K16X	1	1/P	
23	6LK48594000	SCREW-M3X4	4	5/P	
24	6LK48593000	SCREW-M3X8	15	5/P	
25	6LK48592000	SCREW-M3X6	12	5/P	
26	X0-02681000	S/TPD3/FHEXM/R-3X8-ZB3	2	10/P	
27	F0-02431000	ALC-3	1	5/P	

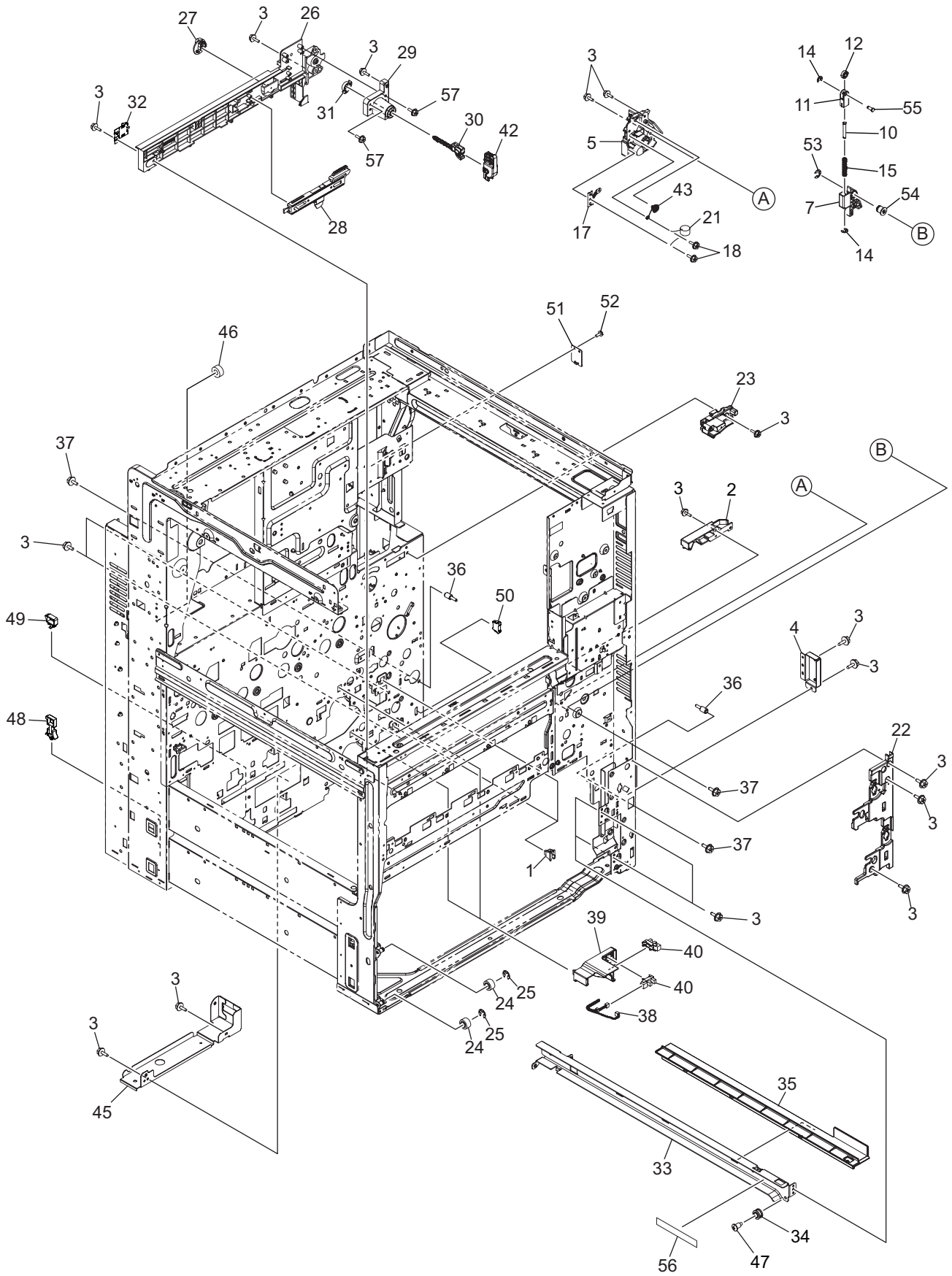




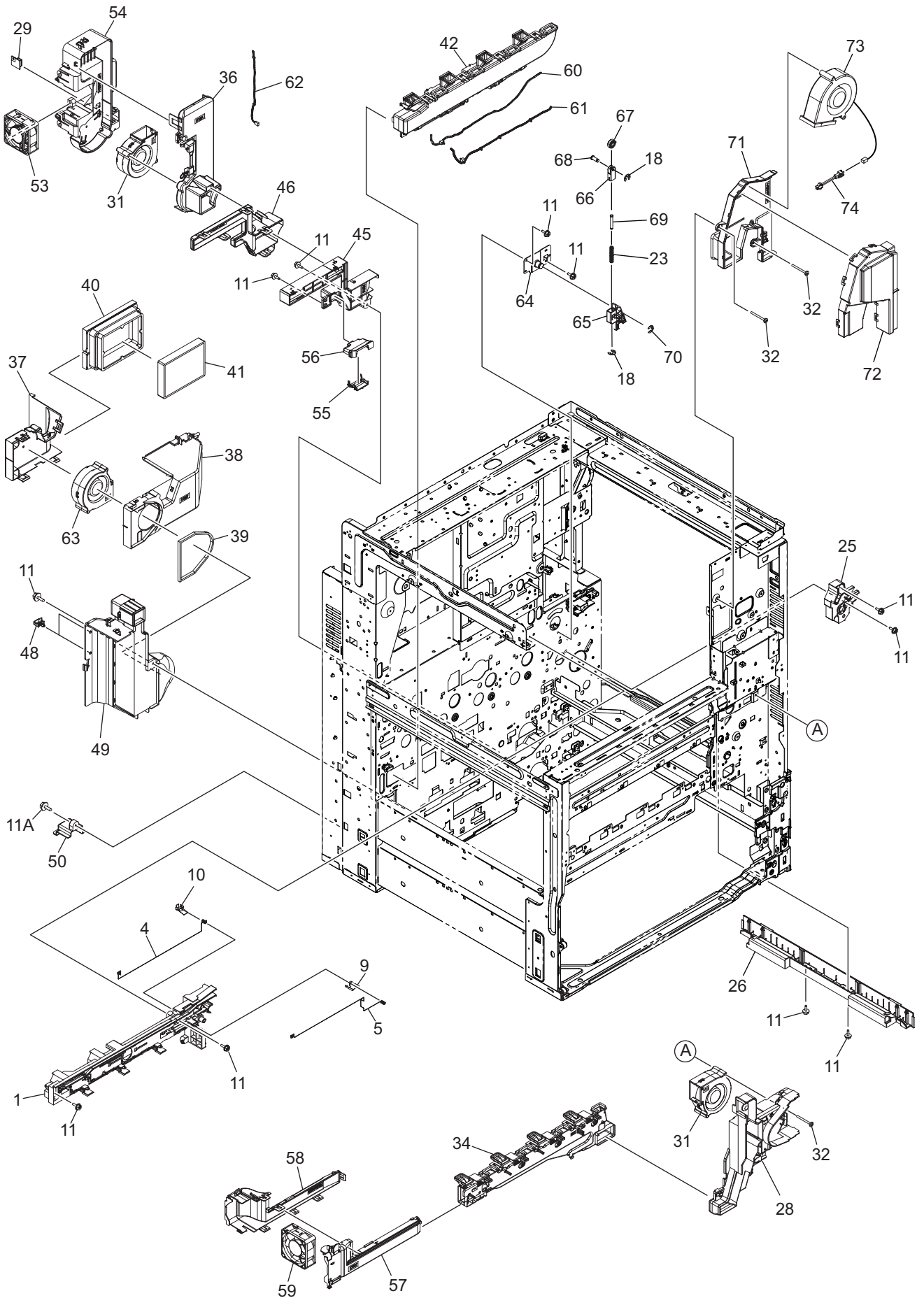
ITEM No.	PART No.	PART NAME	Q'TY / PAGE	Q'TY / PACK	REMARKS
2	6LJ52416300	HOLD-ADU-HOOK-R-K163SA	1	1/P	ASD,AUD,ARD,CND
3	E0-16446000	SW1AG-550	1	1/D	
4 A	F0-00045000	EDS-1	2	10/P	
4 B	F0-00045000	EDS-1	4	10/P	
6	6LL40153000	BRKT-INTERLOCK-SW-K163	1	1/P	
7	E0-16835000	MQS-54AS-5L2-F	1	1/C	
8	44204394000	SCREW20*D23	2	10/P	
9	X0-02420000	S/TPS/FHEXM/R-3X8-ZU3	17	10/P	
13	F0-02296000	ES-0505-2	1	5/P	
19 A	F0-00270000	UAMS-05L-0-46	6	10/P	
21 A	6LK49451200	HEATER-DRUM-PTC-E	1	1/C	ASD
22 A	6LK45759000	THRMST-DAMP-H373	1	1/D	ASD,AUD,ARD,CND
27	6LL40131000	CASE-LVPS-K163	1	1/P	ASD,AUD,ARD,CND
38	6LJ66759000	PLATE-BLIND-PFP	1	1/P	
40	6LL40903000	PS-HVT-K174	1	1/SB	
41	X0-02230000	S/FHEXM-M3X6-NI	25	10/P	
42 A	6LK49458000	BRKT-THRMST-DHTR-H373	1	1/P	ASD,AUD,ARD,CND
45 A	6LK45670000	HRNS-DAMP-THRMST-H373	1	1/P	ASD,AUD,ARD,CND
46	F0-02287000	RSPC-125P	1	5/P	ASD,AUD,ARD,CND
47 A	X0-02112000	S/PAN-M3X3-NI	2	10/P	
48 A	X0-02419000	S/TPS/FHEXM/R-3X6-ZU3	2	10/P	
48 B	X0-02419000	S/TPS/FHEXM/R-3X6-ZU3	1	10/P	ASD
49 A	6LK49441000	BRKT-HEATR-R-H373	1	1/PP	AUD,ARD,CND
53	6LK44863000	SHEET-HVT-H373	1	1/KP	ASD,AUD,ARD,CND
54	6LL40197000	ASYS-COVER-LVPS-K167	1	1/PP	ASD,AUD,ARD,CND
55	6LG08604200	PWA-PSU-K168M	1	1/SB	
56	6LL41013100	PWA-K-FIL-K166	1	1/SB	
57	6LL41017000	ASYB-INLET-K163	1	1/P	
59	6LL40132000	BRKT-INLET-K163	1	1/P	
60	E0-10241000	292254-8	1	1/P	
61 A	6LL41043000	HRNS-LVPS-FIL-K163	1	1/P	NAD,MJD
61 B	6LL41204000	HRNS-LVPS-FIL-K163C	1	1/P	AUD,ARD,CND
61 C	6LL41083000	HRNS-LVPS-FIL-K163J	1	1/P	ASD
62	6LL40178000	SHEET-GUARD-HVT-K163	1	1/KP	ASD,AUD,ARD,CND
63	6LJ52428000	USUITA-SPSEMS-4X6-6	1	5/P	
64	F0-01811000	LWS-0711S-V0	2	5/P	
65	F0-00047000	EDS-1717U	3	10/P	ASD,AUD,ARD,CND
66	F0-00120000	ES-0505	1	5/P	
67	X0-02235000	S/FHEXM-M4X8-NI	2	10/P	
69	F0-02417000	LWS-1211A	7	10/P	
70 A	6LL41161000	CABLE-P-INLET-AR-C	1	1/P	
70 B	6LJ62294000	CABLE-P-INLET-AU-C-S	1	1/P	AUD
70 C	6LJ62297000	CABLE-P-INLET-CCC-C-S	1	1/P	CND
70 D	6LK83856000	CABLE-P-INLET-EUR-C-S	1	1/P	NJD
70 E	6LJ62296000	CABLE-P-INLET-NAD-15A-C-S	1	1/P	NAD
70 F	6LK83857000	CABLE-P-INLET-UK-C-S	1	1/P	ASD
72	F0-00244000	MPS-06-0	2	10/P	



ITEM No.	PART No.	PART NAME	Q'TY / PAGE	Q'TY / PACK	REMARKS
1	6LJ57337300	ASYB-HINGE-F2	1	1/P	
2	X0-02420000	S/TPS/FHEXM/R-3X8-ZU3	7	10/P	
3	6LA65683000	SCREW-HLDR-MG	1	10/P	
4	6LK52396000	LEVER-FUS-F-METAL-H37X	1	1/P	
6	6LJ58738000	GUIDE-FUS-F	1	1/PP	
7	6LJ58761000	SPG-E-LVR-LOCK-F-H21Y	1	1/P	
8	6LJ59056000	ASYS-STAY-IHUNIT-H21X	1	1/P	
10	C0-17839000	LG2A14BL1	2	1/C	
11	F0-00270000	UAMS-05L-0-46	3	10/P	
12	F0-02296000	ES-0505-2	1	5/P	
13	6LA14468000	SPC068-080-160	2	5/P	
14	4406326040	SCREW-D4-18-M3	2	10/P	
15	6LJ58705000	HLDR-DRW-FRM-L-H212	1	1/P	
16	6LL40745000	HRNS-FIL-IH-K167	1	1/P	
17	6LJ58759000	SPG-C-PUSH-FUS-F-H21Y	1	1/P	
18	6LL40884000	HRNS-LGC-FUSER-K166	1	1/P	
19	6LJ56357000	BUSH-ROL-6	1	1/P	
20	6LJ52415300	HOLD-ADU-HOOK-F-K163	1	1/P	
21	E0-16835000	MQS-54AS-5L2-F	1	1/C	
22 A	6LL46843000	ASYB-IHCOIL-K16X-100	1	1/C	NAD
22 B	6LL46843100	ASYB-IHCOIL-K16X-200	1	1/C	MJD,ASD,AUD,ARD,CND
23	X0-02069000	S/TPS/BID-3X6-ZU3	6	10/P	
24	6LK52420000	HLDR-SNSR-FUS-F-H373	1	1/P	
25	F0-01810000	LWS-0511S-V0	2	5/P	
26	6LK52300000	BRKT-SNSR-FUS-R-CAM-H373	1	1/P	
28	6LJ58852000	SUPPT-COIL-IH-H21Y	1	1/P	
29	6LK44740000	BRKT-GUIDE-HRNS-MID	1	1/P	
30	F0-01250000	MSB-1207	4	5/P	
31	F0-02287000	RSPC-125P	1	5/P	
32	6LE25210000	CUSH-FRM-SCREW-380	2	1/P	
33	F0-01451000	RFC-16V0	1	1/P	
35	F0-01933000	RLMS-1V0	4	5/P	
36	F0-00036000	RLWS3TV0	3	5/P	
37	6LK52839000	DAMP-LSU-K110-Y	2	1/P	
38	F0-00136000	K-103G	1	5/P	
40	F0-01947000	RLWC-1SV0	1	5/P	
41	F0-01673000	RMS-2V0	1	5/P	

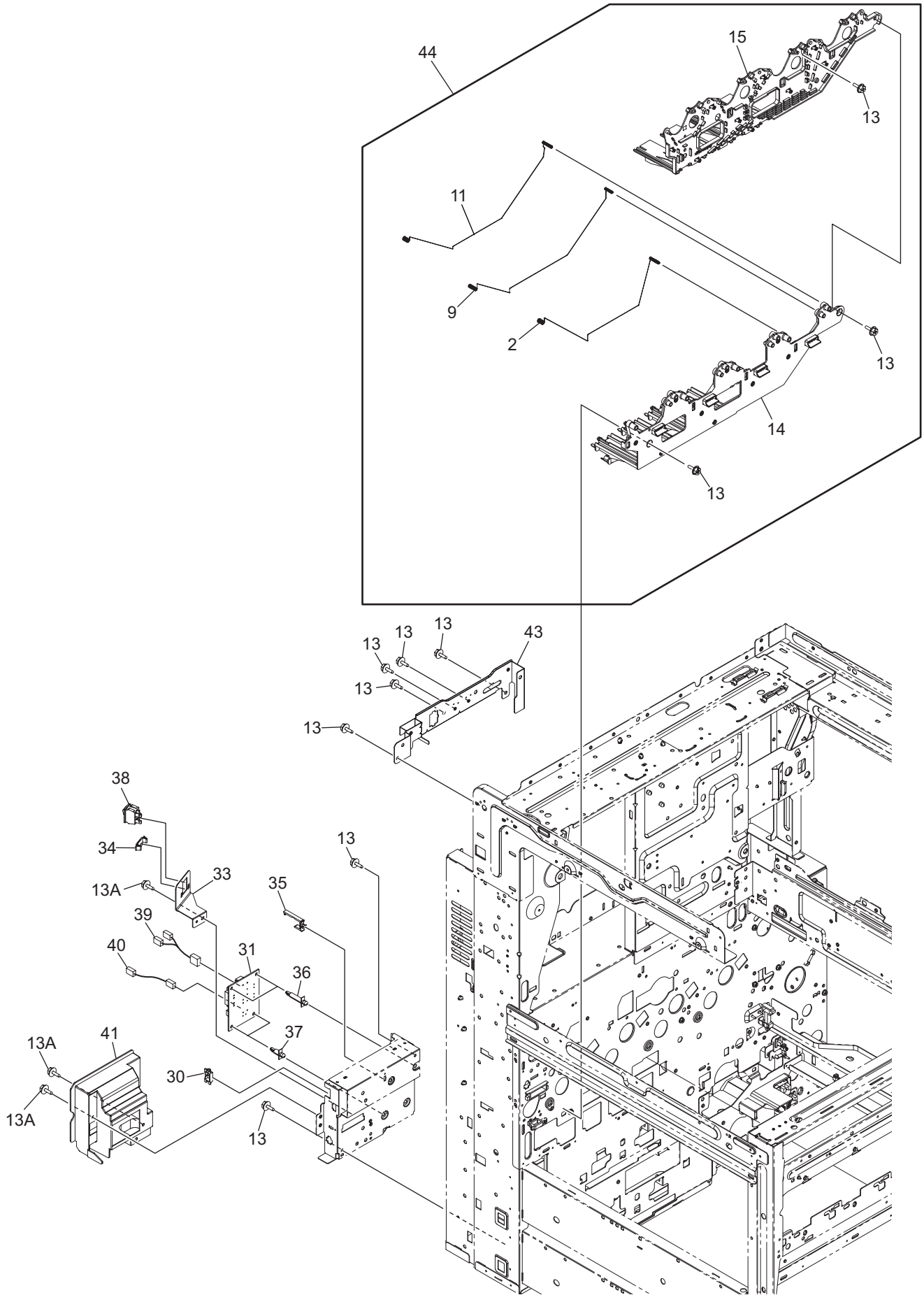


ITEM No.	PART No.	PART NAME	Q'TY / PAGE	Q'TY / PACK	REMARKS
1	E0-16446000	SW1AG-550	2	1/D	
2	6LJ55504200	GUIDE-RAIL-TBU-F_W	1	1/P	
3	X0-02420000	S/TPS/FHEXM/R-3X8-ZU3	18	10/P	
4	6LJ52439000	BRKT-BEAM-SFB-SUB	1	1/P	
5	6LL45102000	FRM-RGST-R-F-K16X	1	1/PP	
7	6LL45004000	LEVER-PUSH-TRU-F-K163	1	1/P	
10	6LL45013000	SHAFT-SPG-GUIDE-K163	1	1/P	
11	6LL45003000	HOLDER-ROL-PUSH-K163	1	1/P	
12	6LL45006000	ROL-PUSH-UP-K163	1	1/P	
14	X0-00964000	RR/E-3-SS	2	10/P	
15	6LL45020000	SPG-C-PUSH-TRU-K163	1	1/P	
17	6LL45103000	SPG-F-RGST-GND-K16X	1	1/P	
18	X0-02247000	S/TPP/FHEXM-3X8-NI	2	10/P	
21	D0-24198000	ERZV10D821	1	1/C	
22	6LJ53749200	COV-FRT-PILLAR-CST-K16X	1	1/P	
23	6LL44819000	ASYB-LVR-TBU-CPL-K163	1	1/P	
24	6LJ69393000	ROLL-RAIL-CST-H21X-2	2	1/P	
25	X0-00966000	RR/E-5-SS	2	10/P	
26	6LL44800000	RAIL-TBU-F-K163	1	1/PP	
27	6LJ55587000	GEAR-LINK-TBU-RAIL	1	1/P	
28	6LJ55483100	SLIDER-LIFT-K_S	1	1/P	
29	6LJ55570100	BRKT-LEVER-TBU_S	1	1/P	
30	6LJ55564100	SHAFT-LIFT-H21Y_S	1	1/P	
31	6LJ55569000	GEAR-LINK-TBU-LVR	1	1/P	
32	6LJ55441000	SPG-F-PUSH-TBU-CL	1	1/P	
33	6LJ66740200	RAIL-CST-RIGHT-K163	2	1/PP	
34	6LJ69392000	ROLL-RAIL-CST-H21X-1	2	1/P	
35	6LK50704000	RAIL-FEED-UNIT-L-H373	2	1/PP	
36	6LJ56378100	STUD-HOOK-COV-H21Y-N-PBF2	2	1/P	
37	X0-02230000	S/FHEXM-M3X6-NI	3	10/P	
38	6LL40939000	HRNS-PPF-EMP-K163	2	1/P	
39	6LJ56265200	HOLDER-SNSR-FS-K16X	2	1/P	
40	C0-20495000	LG2A24BL1	4	1/C	
42	6LJ55565200	LEVER-TBULIFT-H370	1	1/P	
43	6LL45132000	SPG-GND-RGST-K16X	1	1/P	
45	6LK44724000	BRKT-MAIN-SW-H373	1	1/P	
46	6LE25210000	CUSH-FRM-SCREW-380	1	1/P	
47	6LJ56973000	SCREW-ROLL-CST-H21X	2	1/P	
48	F0-02289000	RSPC-325P	1	5/P	
49	F0-00047000	EDS-1717U	1	10/P	
50	E0-10095000	BU05P-TZ-S (LF)(SN)	1	5/P	
51	6LL40117000	BRKT-USB2-K16X	1	1/P	
52	X0-00057000	S/PAN-M3X6-NI	1	10/P	
53	X0-00968000	RR/E-7-SS	1	10/P	
54	6LL45021000	STUD-TRU-LEVER-F-K163	1	1/P	
55	6LL45019000	SHAFT-ROLL-TRU-PUSH-K163	1	1/P	
56	6LL45671000	MYLAR-CST-RAIL-K163	2	1/P	
57	X0-02246000	S/TPP/FHEXM-3X6-NI	2	10/P	

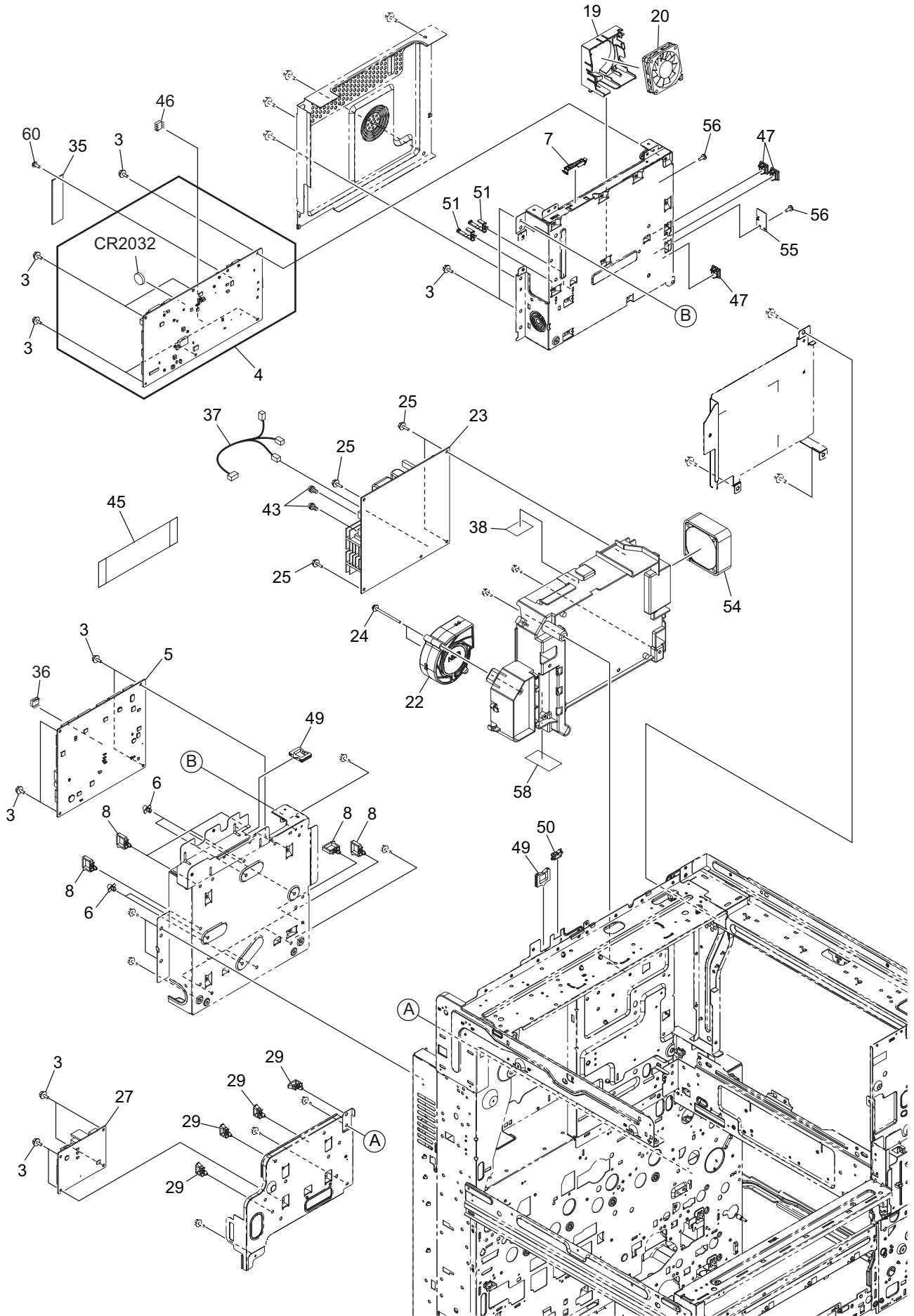


ITEM No.	PART No.	PART NAME	Q'TY / PAGE	Q'TY / PACK	REMARKS
1	6LL44801000	RAIL-TBU-R-K163	1	1/PP	
4	6LJ55461000	SPG-RAIL-HVT-TR2-H21X	1	1/P	
5	6LJ55460000	SPG-RAIL-HVT-K-H21X	1	1/P	
9	6LJ55439000	SPG-F-BIAS-HV-H21X	1	1/P	
10	6LJ55440000	SPG-F-BIAS-HV-TR2	1	1/P	
11 A	X0-02420000	S/TPS/FHEXM/R-3X8-ZU3	12	10/P	AUD,ASD,ARD,CND
11 B	X0-02420000	S/TPS/FHEXM/R-3X8-ZU3	11	10/P	NAD,MJD
18	X0-00964000	RR/E-3-SS	2	10/P	
23	6LL45020000	SPG-C-PUSH-TRU-K163	1	1/P	
25	6LL45104000	FRM-RGST-R-R-K16X	1	1/PP	
26	6LL40156000	COVER-RIGHT-B-K163	1	1/PP	
28	6LJ53212200	DUCT-FRONT-FAN-H373	1	1/PP	
29	D0-43266000	HSU-08F9C1A-D	1	1/C	
31	6LL46725000	FAN-P7530S-170	2	1/D	
32	X0-00461000	S/BID-M4X35-NI	3	10/P	
34	6LK48219600	ASYS-DUCT-DEV-OZN-F-K174	1	1/P	
36	6LL42604000	DUCT-DEV-FAN-F-K16X	1	1/PP	
37	6LJ53213200	DUCT-OZN-FAN-R-K16X	1	1/PP	
38	6LJ53217200	DUCT-OZN-FAN-F-K16X	1	1/PP	
39	6LJ53155000	SEAL-DUCT-OZN-FAN-H21Y	1	1/KP	
40	6LK48224200	ASYS-HLD-OZN-FIL-K16X	1	1/PP	
41	6LL42620000	FILTER-OZN-KCH-A08K-X2	1	1/C	
42	6LL42617100	ASYS-DUCT-OZN-DEV-R-K17X	1	1/PP	
45	6LK48202100	DUCT-DEV-PASS-F-K16X	1	1/C	
46	6LK48203100	DUCT-DEV-PASS-R-K16X	1	1/C	
48	F0-01813000	LWS-1316S-V0	2	5/P	
49	6LJ53169000	ASYS-DUCT-OZN-R-PASS-H21Y	1	1/PP	
50 A	6LJ52842000	COVER-BOTTOM-HOLE-H21Y	1	1/P	ASD,AUD,ARD,CND
53	6LL42601000	FAN-6025-125	1	1/D	
54	6LL42605000	DUCT-DEV-FAN-R-K16X	1	1/PP	
55	6LK48207000	DUCT-LSU-PASS-L-H373	1	1/P	
56	6LK48206000	DUCT-LSU-PASS-U-H373	1	1/P	
57	6LK48204100	DUCT-LSU-FAN-F-K16X	1	1/PP	
58	6LK48205100	DUCT-LSU-FAN-R-K16X	1	1/PP	
59	6LL42600000	FAN-6025-065	1	1/D	
60 A	6LK45380000	HRNS-DH3-H373	1	1/P	ASD,AUD,ARD,CND
61	6LL40949000	HRNS-LGC-FRONT-K163	1	1/P	
62	6LL40924000	HRNS-LGC-THMS-K163	1	1/P	
63	6LJ53227000	FAN-P7530S-170-24N	1	1/D	
64	6LL45014000	ASYS-STUD-LVR-R-TRU-K163	1	1/P	
65	6LL45005000	LEVER-PUSH-TRU-R-K163	1	1/P	
66	6LL45003000	HOLDER-ROL-PUSH-K163	1	1/P	
67	6LL45006000	ROL-PUSH-UP-K163	1	1/P	
68	6LL45019000	SHAFT-ROLL-TRU-PUSH-K163	1	1/P	
69	6LL45013000	SHAFT-SPG-GUIDE-K163	1	1/P	
70	X0-00968000	RR/E-7-SS	1	10/P	
71	6LL42619000	ASYS-EXIT-COOL-R-K167	1	1/PP	
72	6LL42611000	ASYS-EXIT-COOL-F-K167	1	1/PP	
73	6LL42610000	ASYS-EXIT-COOL-FAN	1	1/D	
74	6LL41096000	HRNS-FANRLY-K163	1	1/P	

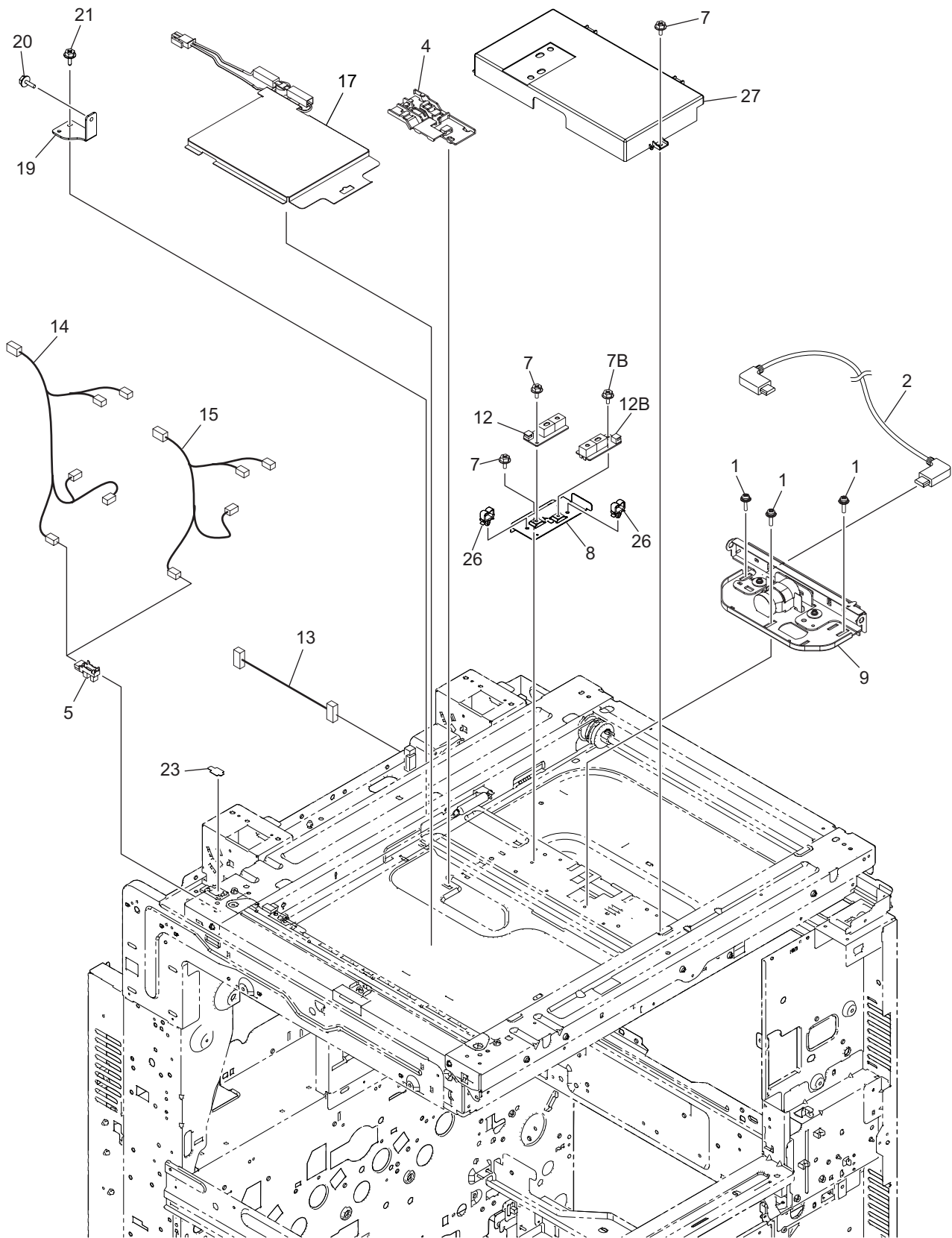




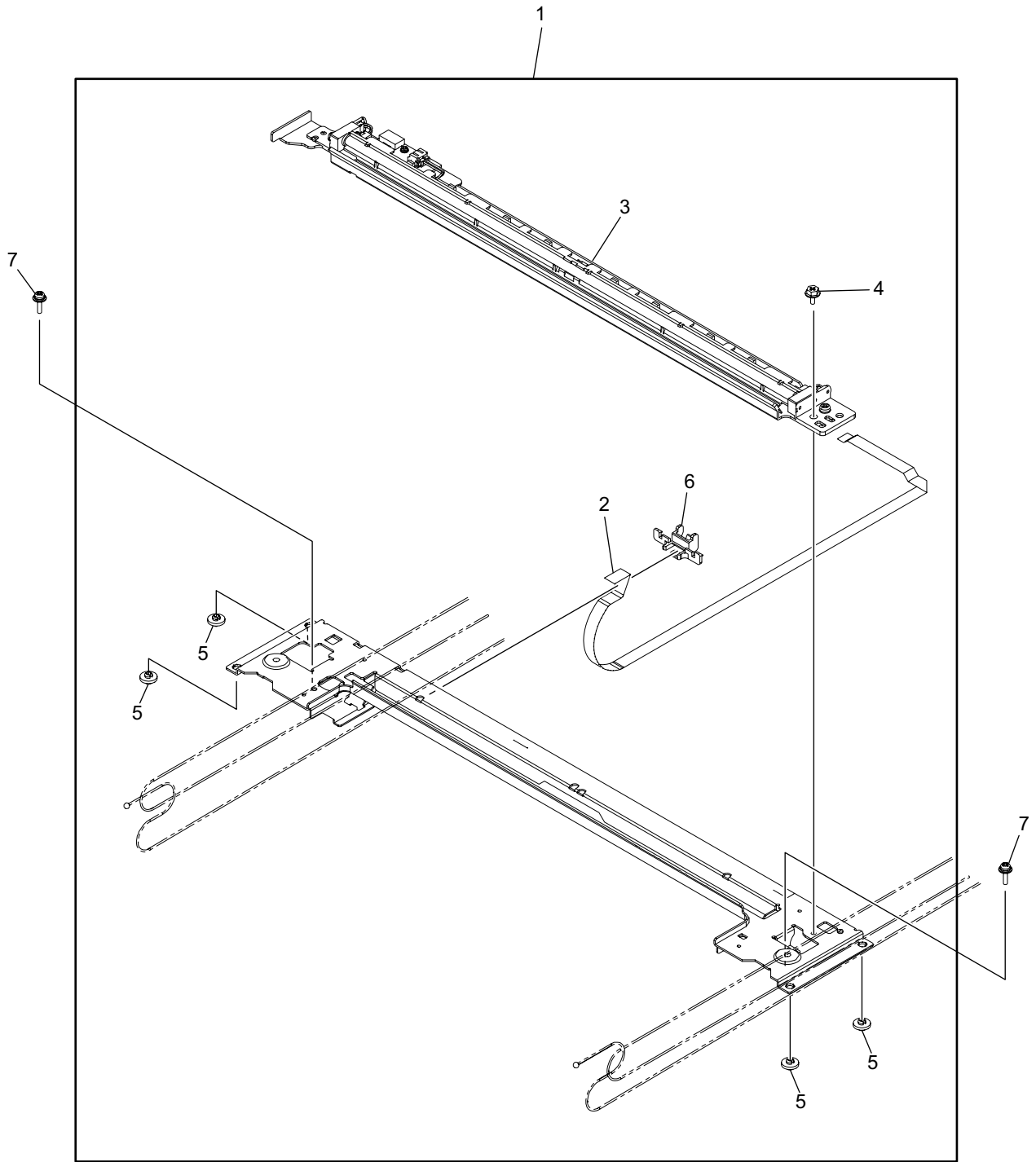




ITEM No.	PART No.	PART NAME	Q'TY / PAGE	Q'TY / PACK	REMARKS
3	X0-02230000	S/FHEXM-M3X6-NI	16	10/P	
4 A	6LL39631200	ASYB-PWA-SYS-K174S	1	1/SB	Except CND
4 B	6LL39631900	ASYB-PWA-SYS-K174CS	1	1/SB	eS5528A,CND
4 C	6LL39631A00	ASYB-PWA-SYS-K175CS	1	1/SB	eS6528A,CND
5 A	6LL41343300	ASYB-LGC-K174S	1	1/SB	eS5528A
5 B	6LL41343400	ASYB-LGC-K175S	1	1/SB	eS6528A
6	F0-00331000	SPSN-4U	4	5/P	
7	F0-01418000	RFC-33V0	1	1/P	
8	F0-01813000	LWS-1316S-V0	8	5/P	
19	6LJ53224000	DUCT-SYS-FAN-H21X	1	1/P	
20	6LJ53202000	FAN_D-SYS-6015-H21X	1	1/D	
22	6LL46725000	FAN-P7530S-170	1	1/D	
23 A	6LL40841200	ASYB-IH-K166E	1	1/SB	MJD,ASD,AUD,ARD,CND
23 B	6LL40841100	ASYB-IH-K166U	1	1/SB	NAD
24	X0-02484000	S/PAN/SWWP-M3X35-NI	2	10/P	
25	X0-02247000	S/TPP/FHEXM-3X8-NI	4	10/P	
27	6LL41152000	PWA-K-PFC-163	1	1/SB	
29	F0-01811000	LWS-0711S-V0	4	5/P	
35 A	C0-23203000	PHSML128GFNTI-IE-TE0040-S	1	1/SB	Except CND
35 B	C0-23372000	PHSML128GFNTI-IE-TE0030-S	1	1/SB	CND
36	C0-22253000	24AA256-I/P	1	1/S	
37	6LL40871000	HRNS-LGC-IH-K167	1	1/P	
38	6LL46733000	SHEET-CASE-IH-2-K16X	1	1/P	
43	6LJ52428000	USUITA-SPSEMS-4X6-6	2	5/P	
45	6LL40700000	HRNS-LGC-SYS2-K160	1	1/P	
46	C0-23436000	CY15B102QN-50PZXI	1	1/C	
47	6LK48745000	COVER-MODULAR-B	3	1/P	
49	F0-00047000	EDS-1717U	2	10/P	
50	F0-00045000	EDS-1	1	10/P	
51	F0-00036000	RLWS3TV0	2	5/P	
54	6LL46726000	ASYS-FAN-6025-080	1	1/D	
55	6LL40116000	BRKT-LAN2-K16X	1	1/P	
56	X0-00057000	S/PAN-M3X6-NI	2	10/P	
58	6LL46720000	SHEET-CASE-IH-K16X	1	1/P	
60	X0-02027000	S/PAN/SWWP-M2X5-NI	1	5/P	

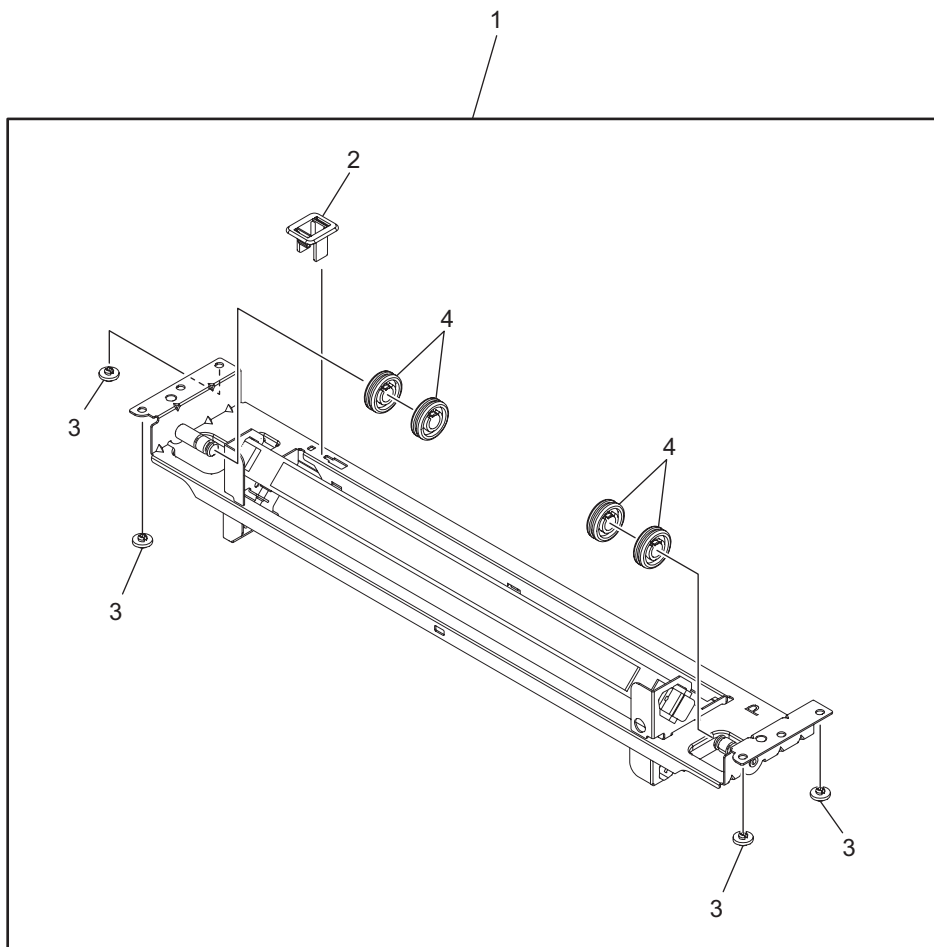


ITEM No.	PART No.	PART NAME	Q'TY / PAGE	Q'TY / PACK	REMARKS
1	X0-00077000	S/PAN/SWWP-M3X8-NI	3	10/P	
2	6LL40922000	HRNS-SCN-SYS-K160	1	1/P	
4	6LK53203000	GUIDE-HRNS-SCAN-H370	1	1/C	
5	C0-17839000	LG2A14BL1	1	1/C	
7 A	X0-02230000	S/FHEXM-M3X6-NI	2	10/P	Except NAD
7 B	X0-02230000	S/FHEXM-M3X6-NI	3	10/P	NAD
8	6LK53320000	BRKT-APS-H370	1	1/P	
9	6LK53304200	LENS-K1XX	1	1/S	
12 A	6LE63995000	SNSR-PS181EL1-S42	1	1/C	Except NAD
12 B	6LE63995000	SNSR-PS181EL1-S42	2	1/C	NAD
13	6LJ60440000	HRNS-SCN-MOT-210	1	1/P	
14 A	6LJ61098000	HRNS-SCN-SNSR-212	1	1/P	NAD
15 A	6LJ61116000	HRNS-SCN-SNSR-A-212	1	1/P	Except NAD
17 A	6LL47767100	ASYS-D_H-SCAN-K160-E	1	1/D	ASD
19	6LJ52385000	BRKT-CNT-SCAN-R-H21X	1	1/P	
20	X0-02231000	S/FHEXM-M3X8-NI	1	10/P	
21	X0-02420000	S/TPS/FHEXM/R-3X8-ZU3	1	10/P	
23	6LJ59840000	MYLAR-HP-SNSR-H21Y	1	5/P	
26 A	F0-01453000	RMS-1V0	2	5/P	NAD
27	6LK53333000	COVER-LENS-K1XX	1	1/PP	

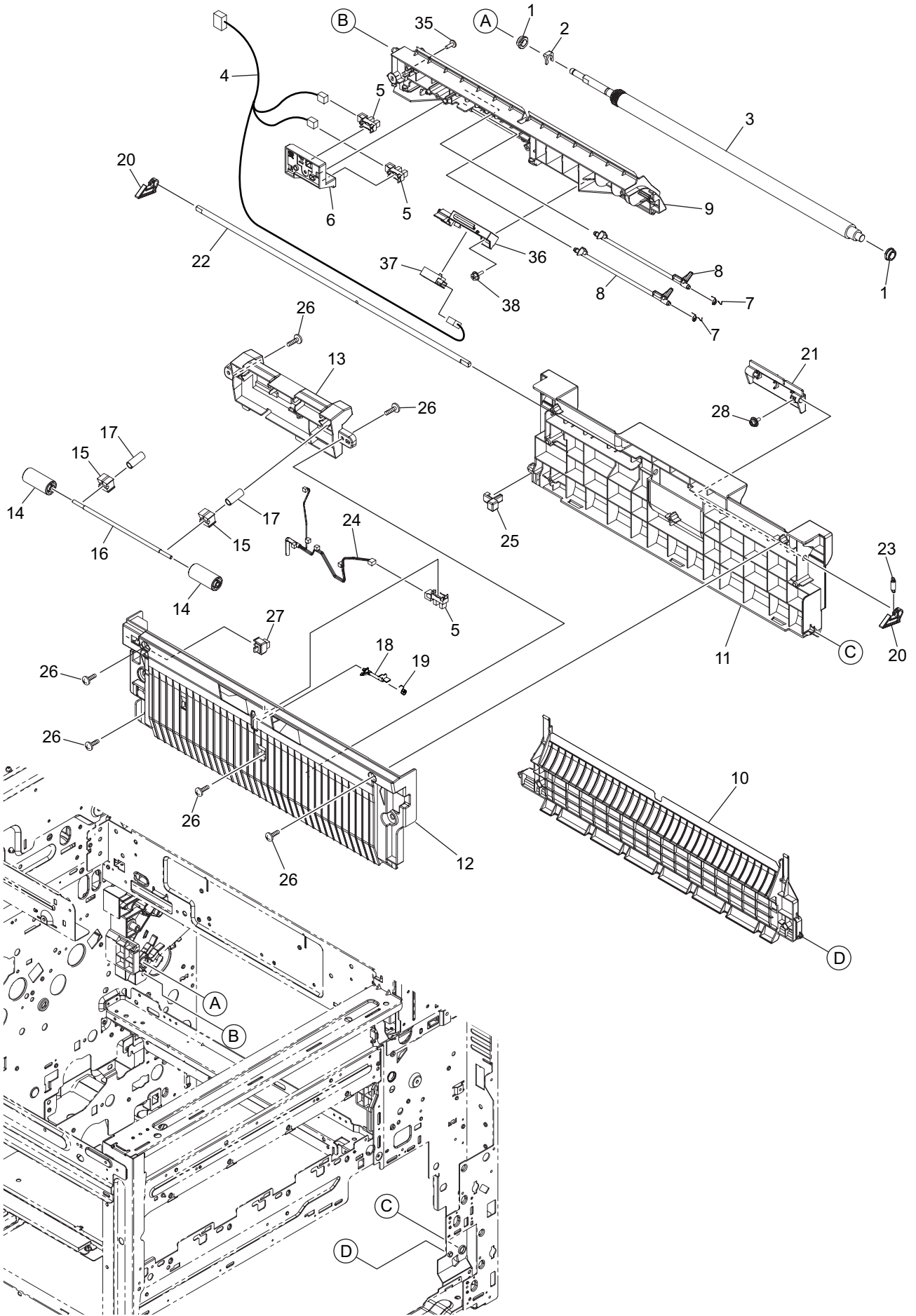


ITEM No.	PART No.	PART NAME	Q'TY / PAGE	Q'TY / PACK	REMARKS
1	6LK53302400	CRG1-K160	1	1/S	
2	6LL41225000	HRNS-SCN-LED-K160	1	1/C	
3	6LL47768000	LAMP-SCN-LED-S-K160	1	1/C	
4	X0-02113000	S/PAN-M3X4-NI	1	10/P	
5	6LJ59748000	FOOT-CRG-H21X	4	1/P	
6	6LK53219000	HLDR-HRNS-CRG1-H370	1	1/P	
7	X0-00077000	S/PAN/SWWP-M3X8-NI	2	10/P	

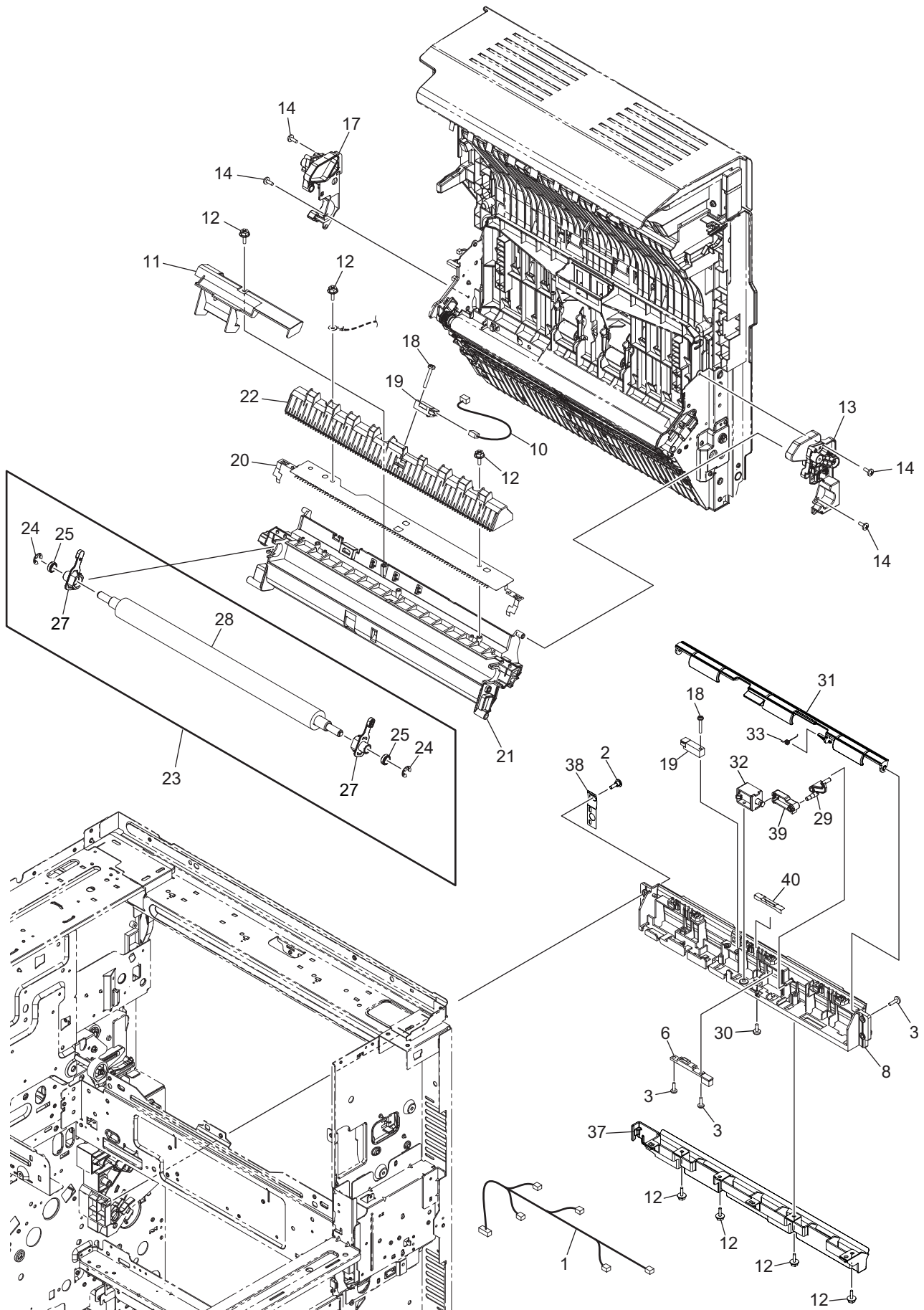




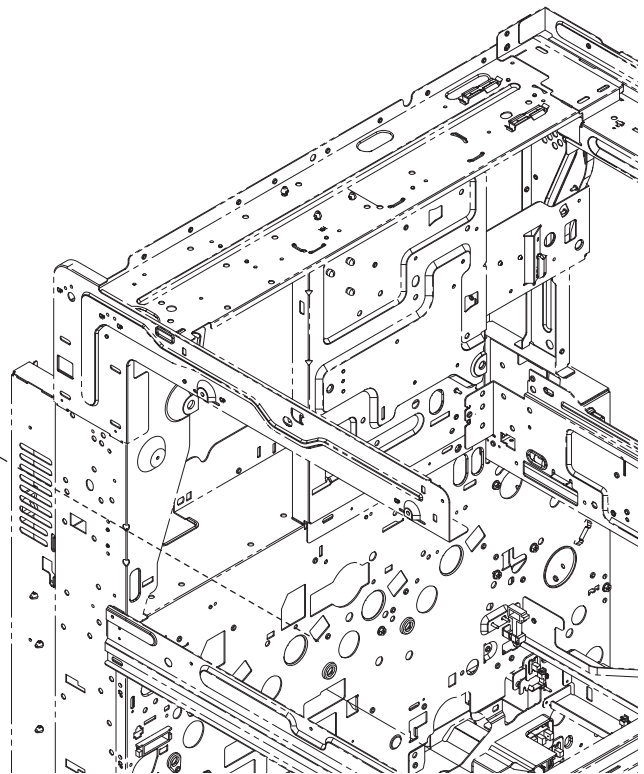
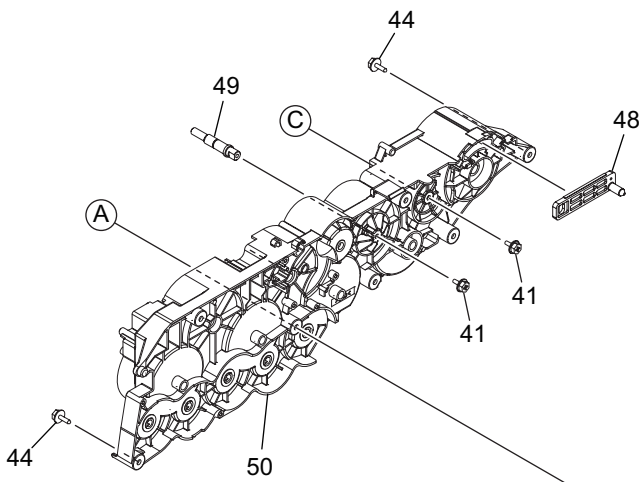
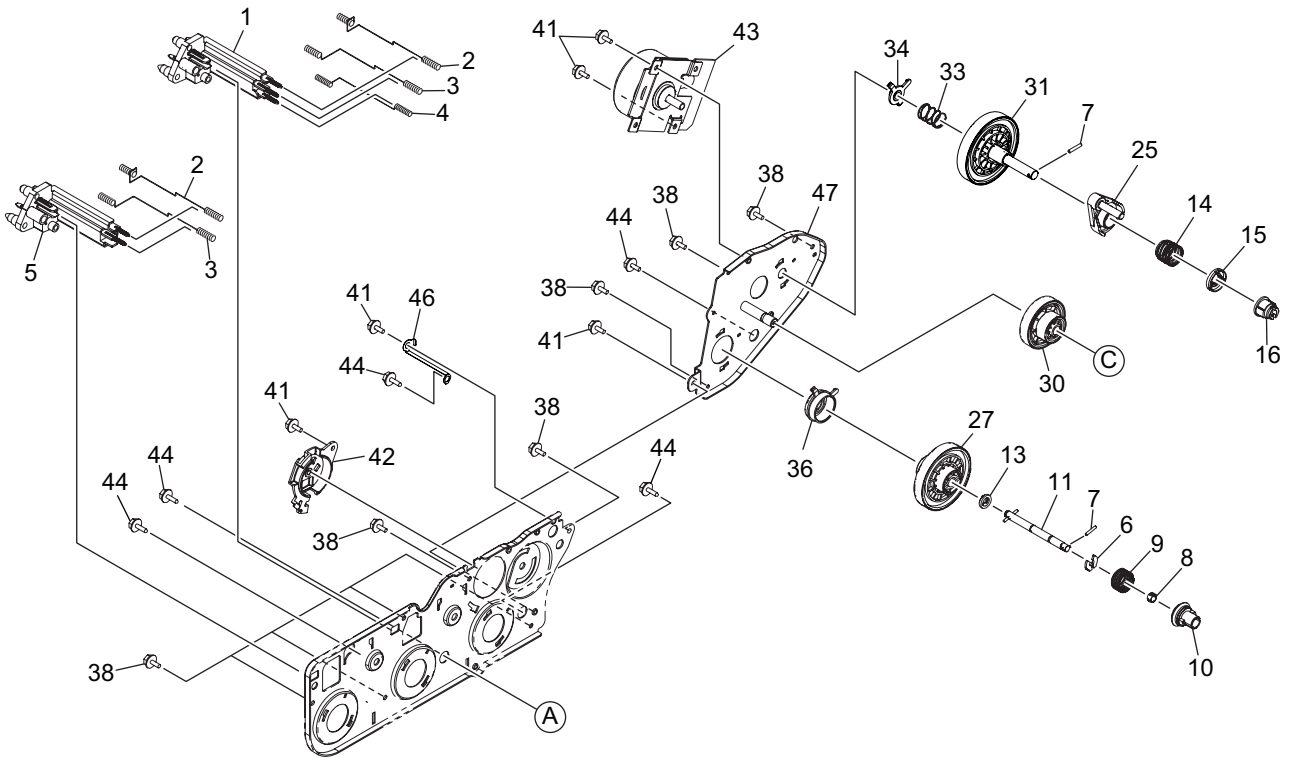
ITEM No.	PART No.	PART NAME	Q'TY / PAGE	Q'TY / PACK	REMARKS
1	6LK53300100	CRG2-K160	1	1/S	
2	6LK53214000	HLDR-HRNS-CRG2-H370	1	1/P	
3	6LJ59748000	FOOT-CRG-H21X	4	1/P	
4	6LJ59707000	PLY-19-H21X	4	1/P	



ITEM No.	PART No.	PART NAME	Q'TY / PAGE	Q'TY / PACK	REMARKS
1	6LA65697000	BUSH-8X12X5R5F	2	5/P	
2	41306265000	STOP RING	1	1/P	
3	6LJ56368100	ASYB-ROLLER-RGST-L-K16X	1	1/KP	
4	6LL40855000	HRNS-FEEDSNR-K167	1	1/P	
5	C0-20495000	LG2A24BL1	3	1/C	
6	6LJ56205200	HOLDER-SNSR-RGST-K16X	1	1/P	
7	6LJ56206000	SPG-ACT-FEED-H21X_L	2	1/P	
8	6LJ56200000	ACTR-FEED-H21X_L	2	1/KP	
9	6LJ56348200	ASYS-GUIDE-RGST-L-K167	1	1/PP	
10	6LK50701000	GUIDE-TRANS-OPEN-H373	1	1/C	
11	6LJ56303200	COVER-FEED-LOW-K16X	1	1/PP	
12	6LL34601000	GUIDE-FEED-R-LOW-K16X	1	1/PP	
13	6LL34600000	HOLDER-ROL-IDL-TRNS-K16X	1	1/P	
14	6LH57916000	ROL-RELAY-IDL-PFP	2	1/P	
15	6LH34715000	BUSH-FEED-IDL	2	5/P	
16	6LK50771100	SHAFT-RELAY-IDL-H373-PBF2	1	1/P	
17	6LL45141000	SPG-C-ROL-TRNS-K16X	2	1/P	
18	6LL49320000	ACTR-GUIDE-FEED-K17X	1	1/P	
19	6LL49458000	SPG-T-ACTR-COV-FEED-K17X	1	1/P	
20	6LH58005000	HOOK-COVER-PFP	2	1/P	
21	6LH57995200	KNOB-COVER-LOIRE-W2	1	1/P	
22	6LJ56377100	SHAFT-HOOK-COV-H21Y-PBF2	1	1/P	
23	6LH58002000	SPG-E-4R9XR6X18R2-HOOK	1	1/P	
24	6LL39573000	HRNS-CST-COV-K17X	1	1/P	
25	44201629000	STOPPER-COV-FED	1	1/P	
26	6LA80090000	S/TPP/BID-3X8-NI	6	5/P	
27	E0-16832000	SW1AG-552	1	1/C	
28	X0-00060000	S/PAN/SWWP-M3X6-NI	1	10/P	
35	X0-02069000	S/TPS/BID-3X6-ZU3	1	10/P	
36	6LL45119000	HOLDER-SNSR-FED-K167	1	1/P	
37	C0-15007000	PS119ED1	1	1/C	
38	X0-02247000	S/TPP/FHEXM-3X8-NI	1	10/P	

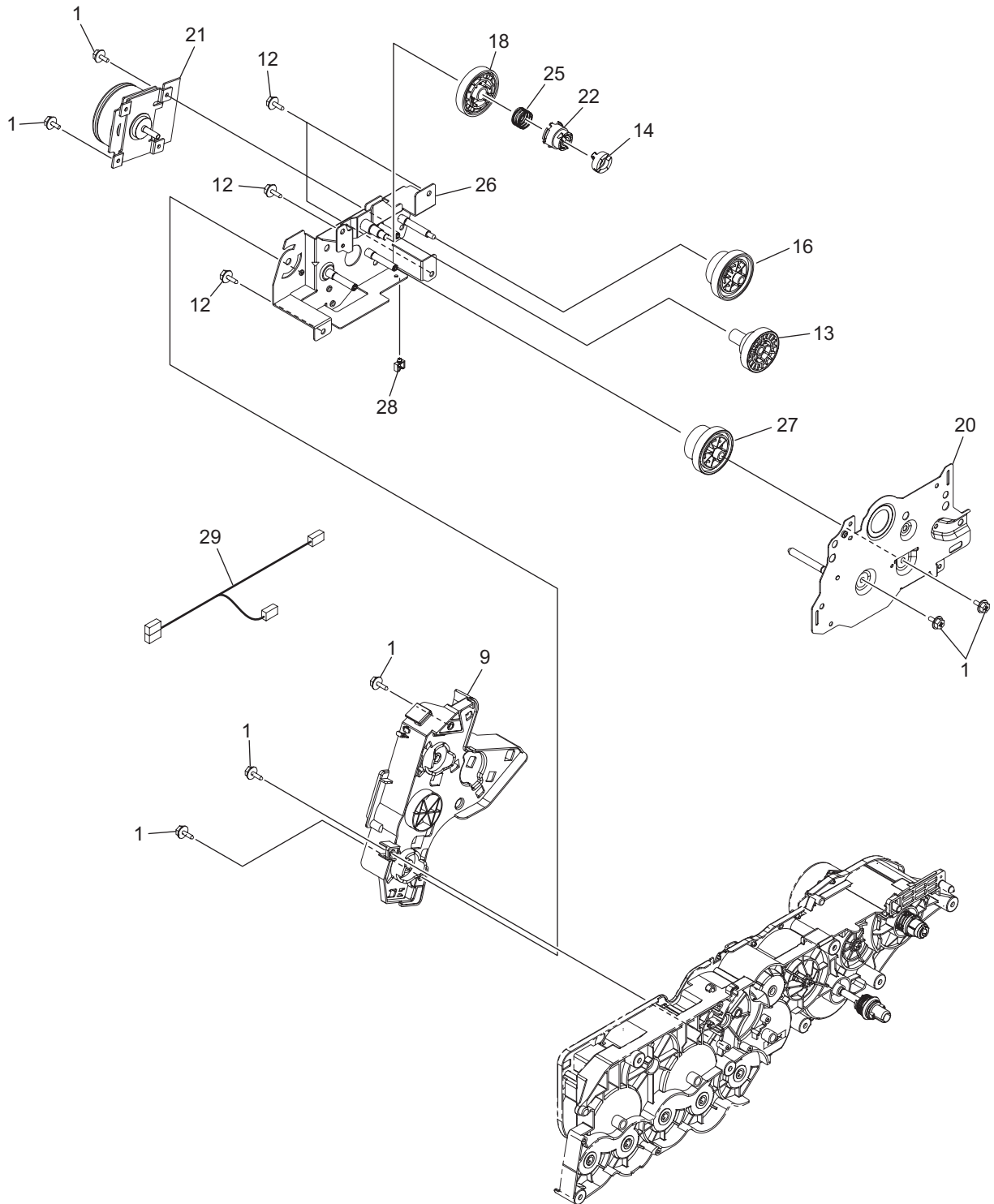


ITEM No.	PART No.	PART NAME	Q'TY / PAGE	Q'TY / PACK	REMARKS
1	6LL41006000	HRNS-PSNR-K174	1	1/P	
2	6LH05511000	SCREW-M3X8-3.2-P	1	5/P	
3	6LA80090000	S/TPP/BID-3*8-NI	3	5/P	
6	6LK83792000	SNSR-POS-CTD-K100	1	1/D	
8	6LL44826000	ASYS-CASE-GUIDE-IMG-K163	1	1/PP	
10	6LK45474000	HRNS-TRU-H370	1	1/P	
11	6LJ55937200	COVER-HRNS-TRU163	1	1/PP	
12	X0-02247000	S/TPP/FHEXM-3X8-NI	7	10/P	
13	6LL45029000	ASYB-LINK-TRU-F-K163	1	1/P	
14	X0-02069000	S/TPS/BID-3X6-ZU3	4	10/P	
17	6LL45030000	ASYB-LINK-TRU-R-K163	1	1/P	
18	X0-02127000	S/TPP/PAN-3X16-NI	2	10/P	
19	C0-15007000	PS119ED1	2	1/C	
20	6LL45012000	PLT-EARTH-TRU-K163	1	1/C	
21	6LL45000000	CASE-TRU-K163	1	1/PP	
22	6LJ55915100	GUIDE-TRU-H21X_S	1	1/PP	
23	6LL45027000	ASYB-ROL-TR2-K163	1	1/C	
24	X0-00965000	RR/E-4-SS	2	10/P	
25	F0-02388000	DDL-1280ZZHP0P25LY727	2	1/P	
27	6LL45018000	BUSH-TRU-K163	2	1/P	
28	6LJ58192000	CR-FC30TR2	1	1/S	
29	6LK50623000	LINK-SHUT-IMG-K11X	1	1/P	
30	X0-00430000	S/BID-M3X6-NI	1	10/P	
31	6LK50621000	SHUT-IMG-K11X	1	1/KP	
32	6LJ55959000	SOL-06A-IMG-POS-2	1	1/C	
33	6LK50625000	SPG-T-SHUT-IMG-K11X	1	1/P	
37	6LK50633000	ASYS-HLDR-PAPER-DUST-K11X	1	1/PP	
38	6LK50624000	SPG-PLATE-IMG-K11X	1	1/P	
39	6LK50622000	LINK-SOL-IMG-K11X	1	1/P	
40	6LL44832000	SHEET-BARRIER-IMG-K16X	1	1/P	

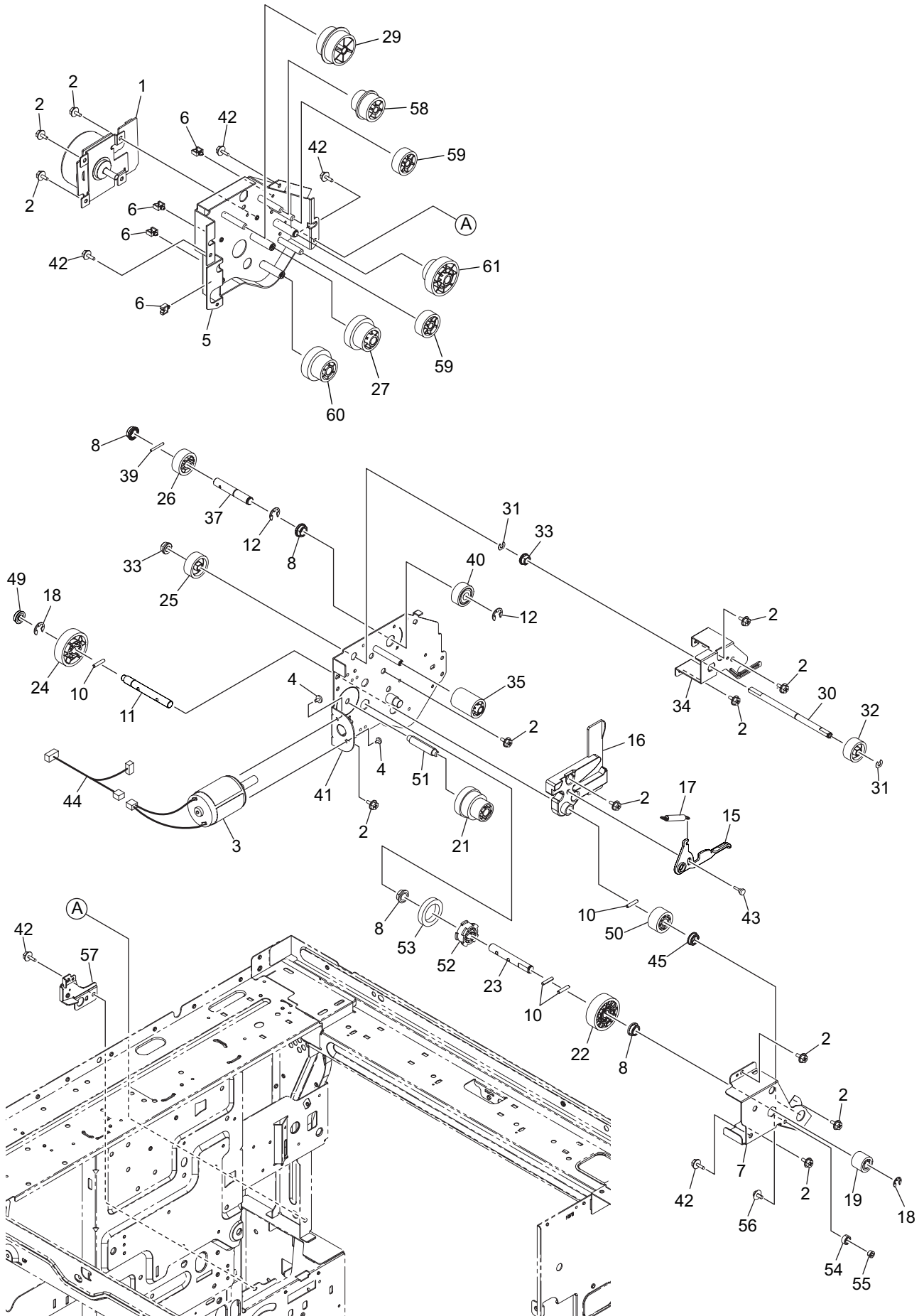


ITEM No.	PART No.	PART NAME	Q'TY / PAGE	Q'TY / PACK	REMARKS
1	6LK50405000	RAIL-WIRE-HV-TBU	1	1/C	
2	6LJ55462000	SPG-HVT-MK-H21X	2	1/P	
3	6LJ55463000	SPG-HVT-YC-H21X	2	1/P	
4	6LJ55464000	SPG-HVT-TR2-H21X	1	1/P	
5	6LK50404000	RAIL-WIRE-HV-TBU-YM	1	1/C	
6	44201801000	STOP-RING-6-1.5	1	5/P	
7	X0-01526000	P/PRL/AH7-2X12-SS	2	10/P	
8	6LJ55133000	CAP-SHAFT-DRUM	1	1/P	
9	6LJ55198000	SPG-C-DRIVE-DRUM	1	1/P	
10	6LJ55152000	COUPLE-DRUM-DRIVE	1	1/P	
11	6LJ55280000	ASYS-SHAFT-DRV-DRUM-K	1	1/P	
13	6LJ55175000	CAP-SHAFT-DRUM-R	1	1/P	
14	6LJ55253000	SPG-C-DRIVE-TBU	1	1/P	
15	6LJ55141000	RING-DRIVE-TBU	1	1/P	
16	6LJ55244000	COUPLE-DRIVE-TBU	1	1/P	
25	6LJ55138100	CAM-DRV-TBU_W	1	1/P	
27	6LJ55110100	GEAR-04H132-DRUM_W	1	1/P	
30	6LJ55209000	GEAR-5H65-4H57-H21Y	1	1/P	
31	6LJ55233000	ASYB-GEAR-DRV-TBU-H21Y	1	1/P	
33	6LJ55162000	SPG-C-DRV-TBU-R	1	1/P	
34	6LK50232000	BUSH-TBU-DRIVE-H21Y	1	1/P	
36	6LL07067000	BUSH-DRUM-DRIVE-H44X	1	1/P	
38	X0-02246000	S/TPP/FHEXM-3X6-NI	9	10/P	
41	X0-02230000	S/FHEXM-M3X6-NI	7	10/P	
42	6LK50202000	COVER-CLUCH-G28-H370	1	1/P	
43	6LL44604000	MOTR_D-DRIVE-05R20-31-DRV	1	1/D	
44	X0-02420000	S/TPS/FHEXM/R-3X8-ZU3	7	10/P	
46	6LL44613000	COIL-GND-DRV-DRUM-K163	1	1/P	
47	6LL44614000	ASYS-BRKT-MOT-DRUM-K167	1	1/P	
48	6LJ55160100	LVR-COUPLE-DRV-TBU_S	1	1/P	
49	6LJ55259100	SHAFT-RELAY-DRV-DRUM-PBF2	1	1/P	
50	6LL44610000	FRAME-DRV-DRUM-TBU-K163	1	1/PP	

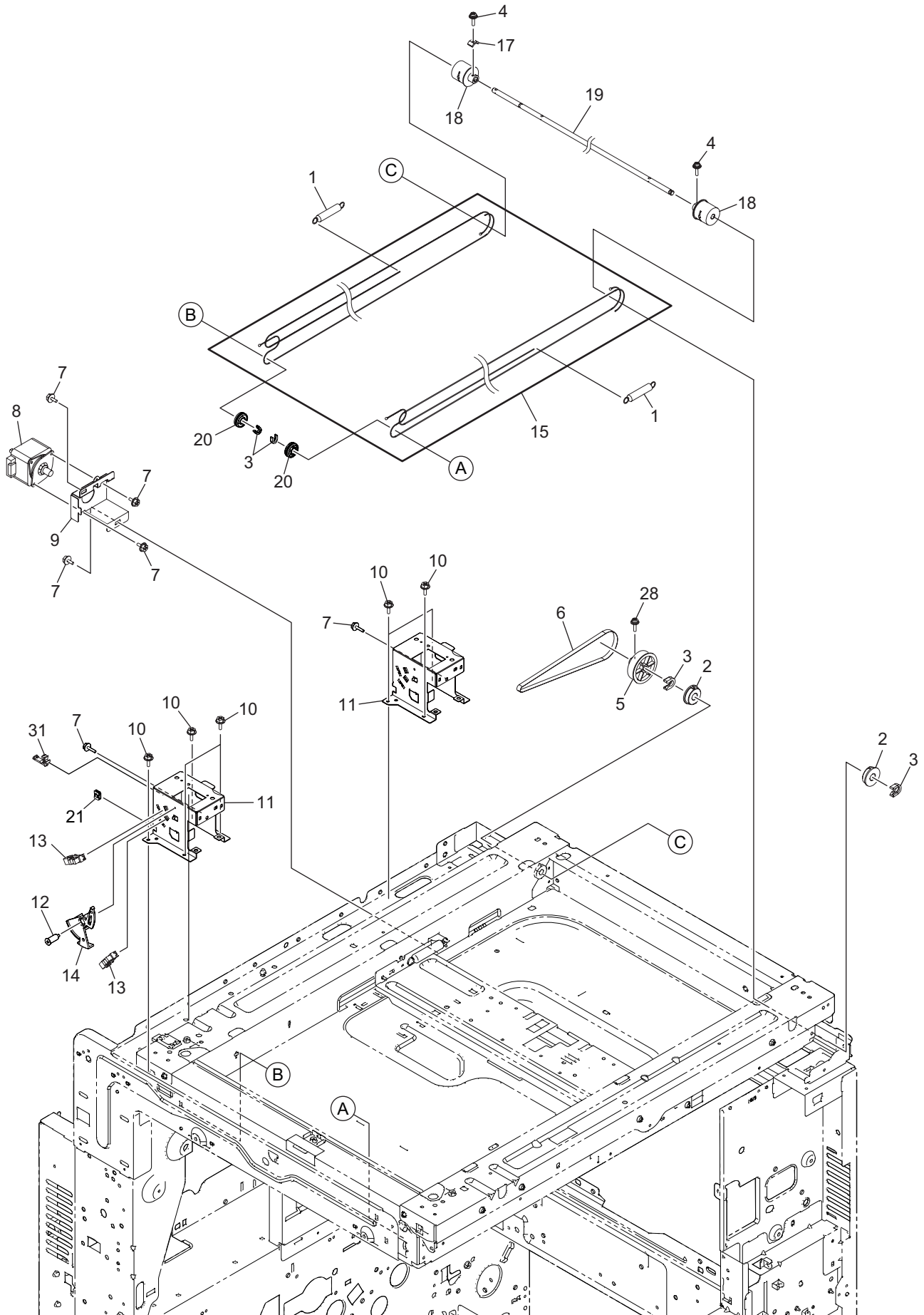




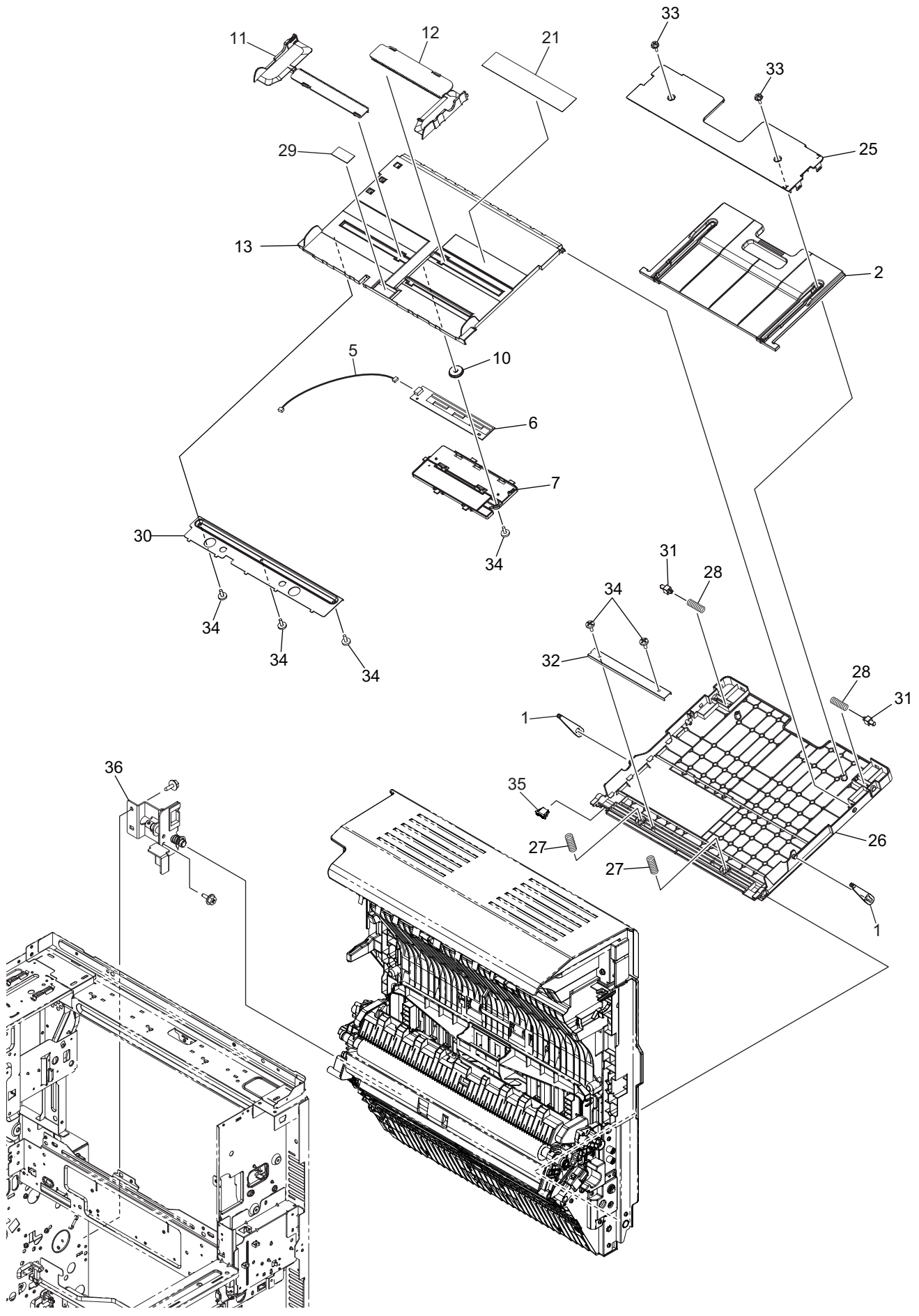
ITEM No.	PART No.	PART NAME	Q'TY / PAGE	Q'TY / PACK	REMARKS
1	X0-02230000	S/FHEXM-M3X6-NI	7	10/P	
9	6LL44627100	BASE-CRNK-K163	1	1/PP	
12	X0-02420000	S/TPS/FHEXM/R-3X8-ZU3	4	10/P	
13	6LL44603000	GEAR-05H43-05H74-K163	1	1/P	
14	6LJ55226000	COUPLE-DEV-DRIVE-F-H21Y	1	1/P	
16	6LL44602000	GEAR-05H84-08H36-K163	1	1/P	
18	6LJ55108100	GEAR-5H85-CPL-DEV_W	1	1/P	
20	6LL44615000	ASYS-PLT-DEV-DRV-K163	1	1/P	
21	6LK50207000	MOTR_D-DRIVE-05L20-39	1	1/SB	
22	6LJ55126100	COUPLE-DEV-DRIVE-R_W	1	1/P	
25	6LJ55167000	SPG-C-DEV-DRV-C	1	1/P	
26	6LL44605000	ASYS-FRM-DRV-DEV-K163	1	1/D	
27	6LL44600000	GEAR-5H59-5H80-KDEV-K163	1	1/P	
28	F0-01250000	MSB-1207	1	5/P	
29	6LL41009000	HRNS-LGC-FEED-K174	1	1/P	



ITEM No.	PART No.	PART NAME	Q'TY / PAGE	Q'TY / PACK	REMARKS
1	6LL46710000	MOTR_D-DRIVE-05R20-31-FUS	1	1/C	
2	X0-02230000	S/FHEXM-M3X6-NI	13	10/P	
3	6LK52439000	ASYS-FUSSETM-H373	1	1/D	
4	X0-00426000	S/BID-M3X4-NI	2	10/P	
5	6LK52207100	ASYS-FRAME-DRV-FUS-K16X	1	1/D	
6	F0-01250000	MSB-1207	4	5/P	
7	6LK52204000	BRKT-DRV-FUS-PR-H373	1	1/P	
8	6LJ55544000	BUSH-8X12X5R5F-BCF-050	4	1/P	
10	X0-01169000	P/PRL/AH7-3X14-SS	4	10/P	
11	6LJ58787000	SHAFT-DRV-FUS-BLT	1	1/P	
12	X0-00968000	RR/E-7-SS	2	10/P	
15	6LK52395000	LEVER-FUS-R-METAL-H37X	1	1/P	
16	6LJ58674000	GUIDE-FUS-R	1	1/P	
17	6LJ58760000	SPG-E-LVR-LOCK-R-H21Y	1	1/P	
18	X0-00966000	RR/E-5-SS	2	10/P	
19	6LK52341000	GEAR-10S17-8-H373	1	1/P	
21	6LK52437000	GEAR-05S42-08H35-8-H373-A	1	1/P	
22	6LK52202000	GEAR-05S76-8-H373	1	1/P	
23	6LK52424100	SFT-DRV-FUS-CAM-H373-PBF2	1	1/P	
24	6LJ58734000	GEAR-10H22-8	1	1/P	
25	6LJ58670000	GEAR-10S24-6	1	1/P	
26	6LJ58666000	GEAR-10S26-6	1	1/P	
27	6LJ58658000	GEAR-5H65-8H31-8	1	1/P	
29	6LJ58668000	GEAR-10S34-10S31-6	1	1/P	
30	6LK52426100	SFT-DR-FUS-EXIT-H373-PBF2	1	1/P	
31	6LH03574000	RRG-4-P	2	1/P	
32	6LJ58673000	GEAR-10S23-EXIT	1	1/P	
33	44201492000	BUSH-6-POM	2	5/P	
34	6LJ58653000	BRKT-DRV-EXIT-H	1	1/P	
35	6LJ58669000	GEAR-10S21-6	1	1/P	
37	6LK52427100	SFT-DRV-FUS-PR-H373-PBF2	1	1/P	
39	X0-01165000	P/PRL/AH7-2X14-SS	1	10/P	
40	6LJ58667000	GEAR-10S23-8-OWR	1	1/P	
41	6LK52208000	ASYS-FRM-DRV-FUS-B-H373	1	1/C	
42	X0-02420000	S/TPS/FHEXM/R-3X8-ZU3	5	10/P	
43	6LA65683000	SCREW-HLDR-MG	1	10/P	
44	6LL40883000	HRNS-LGC-FSRMOT-K167	1	1/P	
45	F0-02187000	DDLF-1280ZZHP0P25LY551	1	1/P	
49	F0-01966000	F126ZZ-DF30ELC-GV22	1	1/P	
50	6LK52203000	GEAR-10H22-8-H373	1	1/P	
51	6LK52425100	SFT-DRV-FUS-CAM-IDL-PBF2	1	1/P	
52	6LK52311000	COLAR-8X21X8-H373	1	1/P	
53	6LH07435000	BRAKE-CAM-PR	1	1/P	
54	6LK52344000	COLLAR-HLD-SFT-CAM	1	1/P	
55	6LK52343000	STUD-HLD-SFT-CAM	1	1/P	
56	X0-00060000	S/PAN/SWWP-M3X6-NI	1	10/P	
57	6LK52210000	BRKT-DRV-FUS-BASE-H373	1	1/P	
58	6LJ58665000	GEAR-8H26-10S27-6	1	1/P	
59	6LJ58661000	GEAR-8H31-6	2	1/P	
60	6LJ58663000	GEAR-8H40-10H23-8	1	1/P	
61	6LJ58660000	GEAR-8H46-8H27-8	1	1/P	

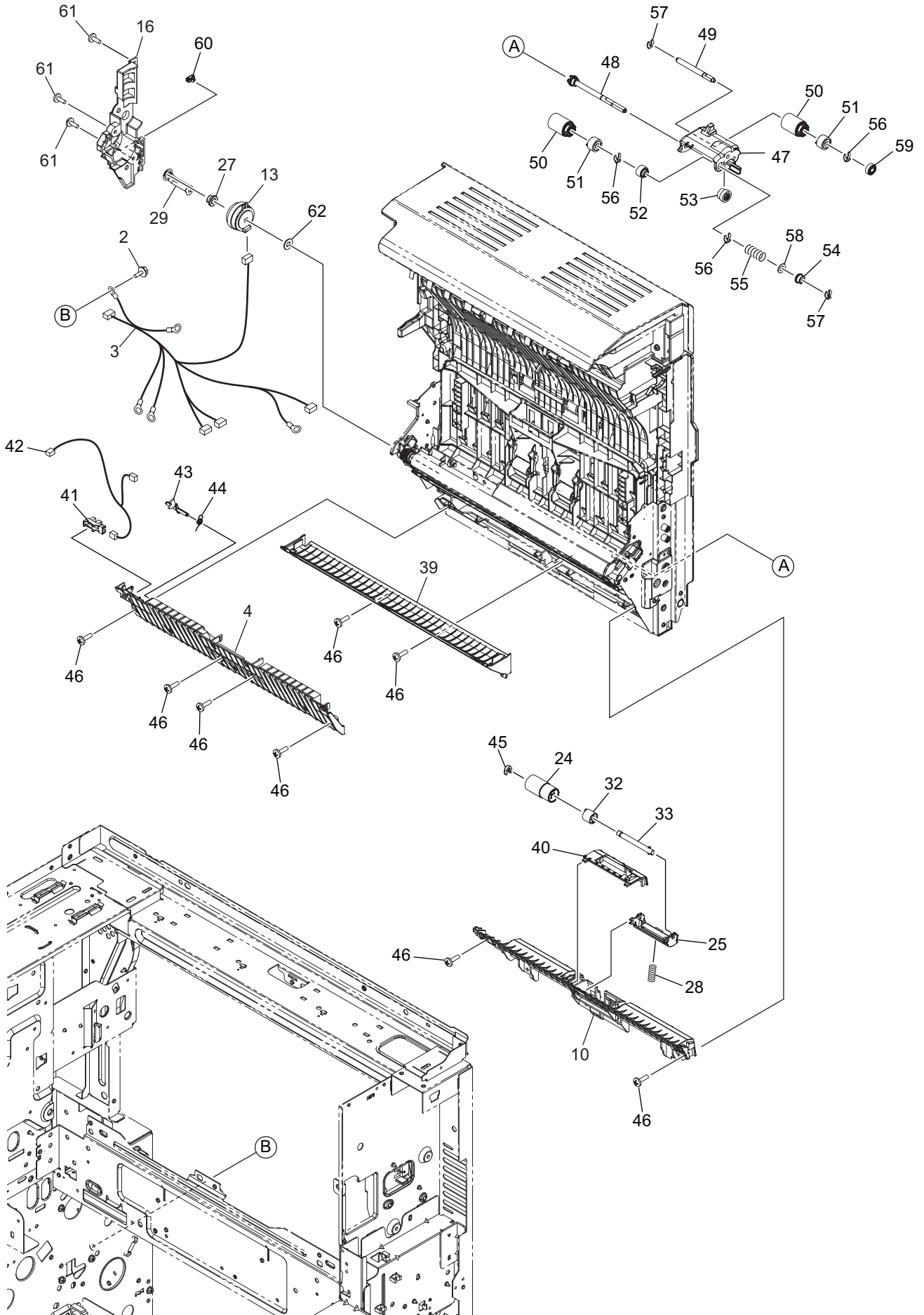


ITEM No.	PART No.	PART NAME	Q'TY / PAGE	Q'TY / PACK	REMARKS
1	6LJ15115000	SPE-WIRE-TNS-H16X-SUS	2	1/P	
2	6LJ59746000	BUSH-061505	2	1/P	
3	4407972860	STOP-RING-6-5	4	5/P	
4	X0-00094000	S/PAN/SWWP-M3X10-NI	2	10/P	
5	6LK53291000	PULLEY-SCAN-H21X	1	1/P	
6	6LJ59906000	BLT_SY-S1.5M-378-6	1	1/P	
7	X0-02230000	S/FHEXM-M3X6-NI	6	10/P	
8	6LK46174000	MOTR_S-SCN-37X-N	1	1/D	
9	6LK53269000	BRKT-MOT-SCAN-H370	1	1/P	
10	X0-02420000	S/TPS/FHEXM/R-3X8-ZU3	7	10/P	
11	6LK53332000	ASYS-BRKT-DF-K100	2	1/C	
12	6LK53327000	SCREW-PLATEN-LVR-H373	1	1/P	
13	C0-17839000	LG2A14BL1	2	1/C	
14	6LK53326000	LVR-OPEN-SNS-H373	1	1/P	
15 A	6LK53308000	WIRE-SCN-KIT-H373	1	1/S	Except CND
15 B	6LJ59941000	WIRE-SCN-KIT-H373C	1	1/S	CND
17	6LJ59727000	HOLD-PLY-SCR	1	1/P	
18	6LK53309000	PLY-WIRE-SCAN-H21X	2	1/P	
19	6LJ59944100	SFT-DRV-SCAN-H21X-PBF2	1	1/P	
20	6LE46342000	PLY-19-410	2	1/P	
21	F0-02296000	ES-0505-2	1	5/P	
28	X0-00077000	S/PAN/SWWP-M3X8-NI	1	10/P	
31	F0-02293000	BLBWS-0206S-V0	1	5/P	

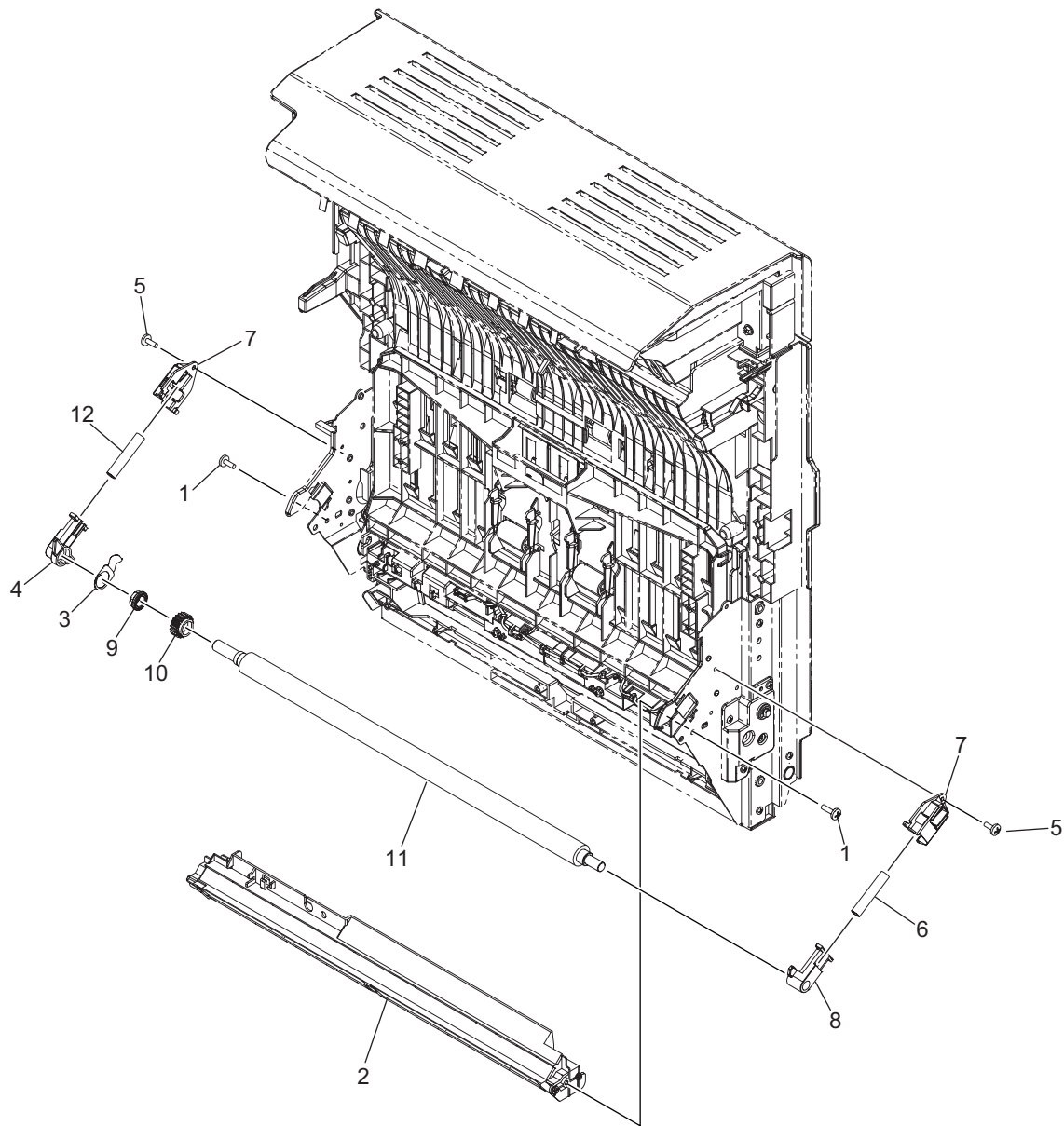


ITEM No.	PART No.	PART NAME	Q'TY / PAGE	Q'TY / PACK	REMARKS
1	6LL08701000	ARM-SFB-H44X	2	1/P	
2	6LL45801000	TRAY-BYP-M-K163	1	1/PP	
5	6LL41130000	HRNS-SFB-SIZE-K163	1	1/P	
6	6LK83879000	PWA-K-SFB-100	1	1/SB	
7	6LJ57010200	HOLDER-PWA-SFB-H370	1	1/PP	
10	4407726480	PINION-18-395	1	1/P	
11	6LL45834000	ASYS-GUIDE-SFB-R-K163	1	1/PP	
12	6LL45833000	ASYS-GUIDE-SFB-F-K163	1	1/PP	
13	6LL45800000	TRAY-UPR-SFB-K163	1	1/PP	
21 A	6LL45828000	LBL-TRAY-E-K163	1	1/P	MJD,ASD,AUD,ARD
21 B	6LL45829000	LBL-TRAY-C-K163	1	1/P	CND
21 C	6LL45830000	LBL-TRAY-U-K163	1	1/KP	NAD
25	6LL45802000	TRAY-SUB-UPR-SFB-K163	1	1/PP	
26	6LL45803000	TRAY-LWR-SFB-K163	1	1/PP	
27	6LL45856000	SPG-TRAY-UP-SFB-K163	2	1/P	
28	6LL45814000	SPG-LOCK-SFB-K163	2	1/P	
29	6LL08742000	SHEET-BRAKE-SFB	1	1/P	
30	6LL45804000	PLATE-RELAY-TRAY-SFB-K163	1	1/P	
31	6LL08712000	LOCK-PIN-SFB-H44X	2	1/P	
32	6LL08702000	PLT-REIN-SFB-H44X	1	1/P	
33	X0-02683000	S/TPP/FHEXM-3X8-ZB3	2	5/P	
34	X0-01414000	S/TPP/BID-3X6-NC	6	10/P	
35	E0-10095000	BU05P-TZ-S (LF)(SN)	1	5/P	
36	6LJ57338400	ASYB-BRKT-HINGE-ADU-RB2	1	1/P	

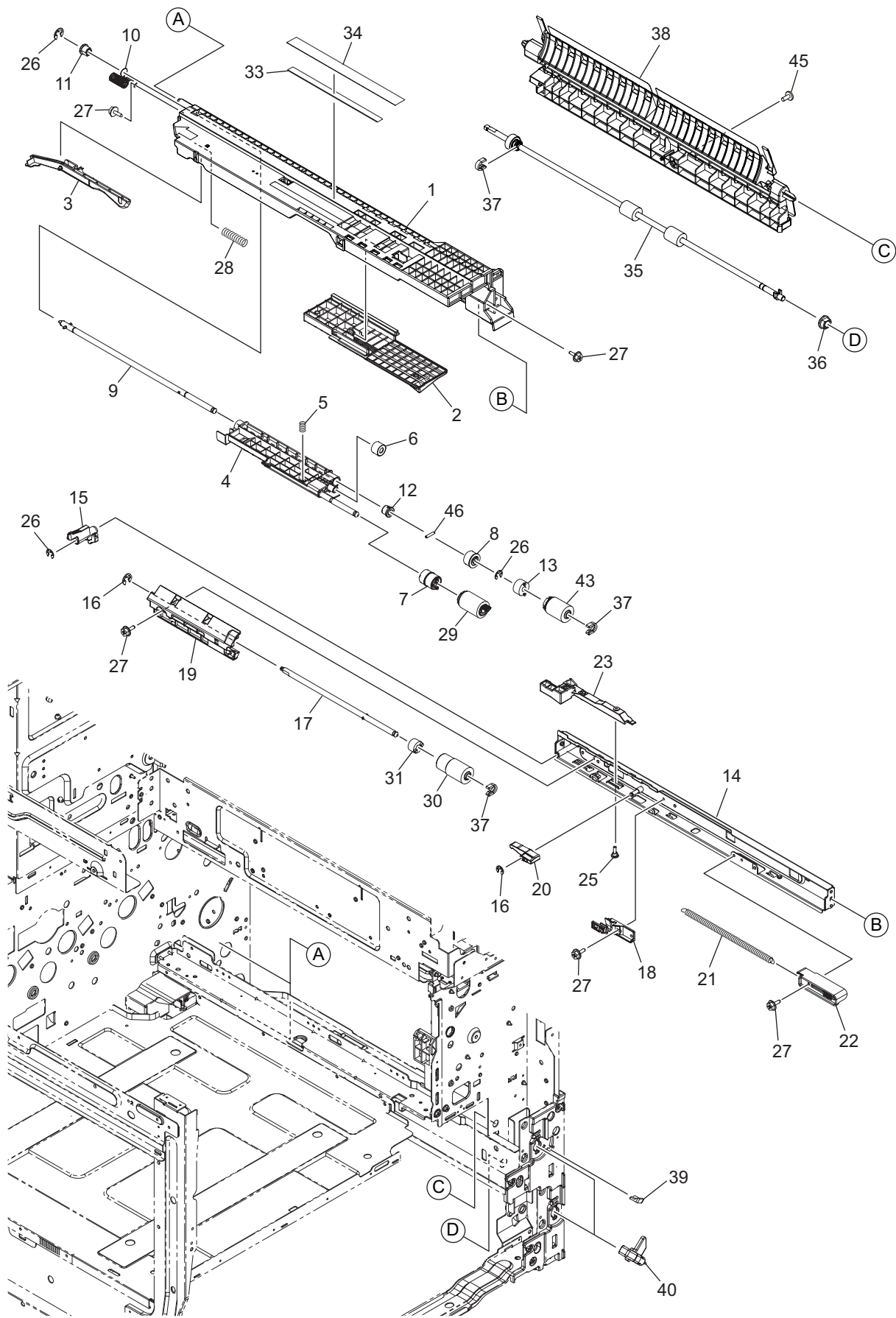




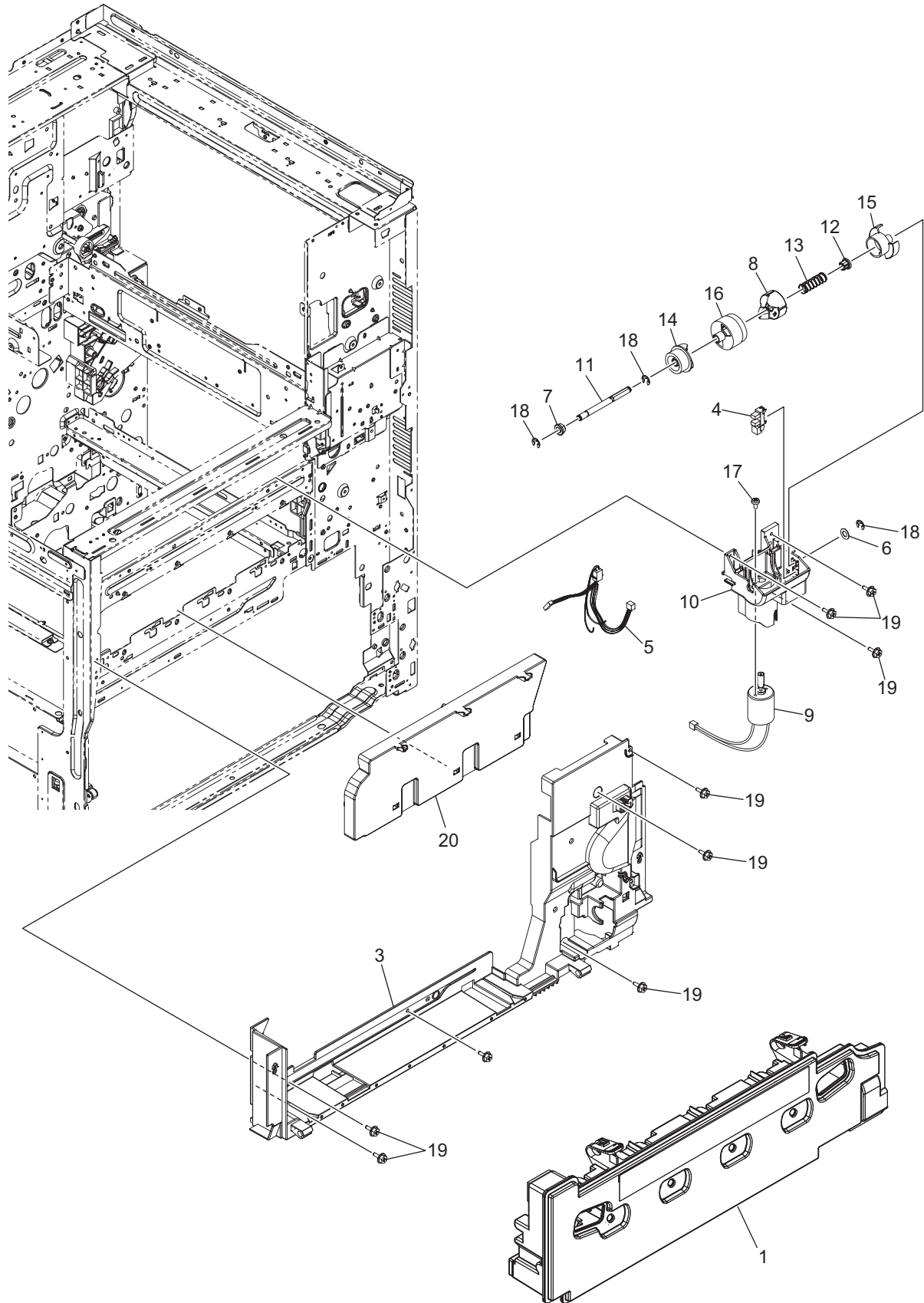
ITEM No.	PART No.	PART NAME	Q'TY / PAGE	Q'TY / PACK	REMARKS
2	X0-02420000	S/TPS/FHEXM/R-3X8-ZU3	1	10/P	
3	6LL41299000	HRNS-SFBTRU-K163	1	1/P	
4	6LL45819000	ASYS-GUIDE-FEED-R-U-K163	1	1/PP	
10	6LL46022000	GUIDE-FEED-SFB-L-K163	1	1/PP	
13	6LH51224000	CLUTCH-50C-G28-6	1	1/D	
16	6LL46004000	COVER-HRNS-ADU-K163	1	1/PP	
24	6LL07912000	ASYS-ROLL-SPT-H44X	1	1/P	
25	6LL08730100	HOLDER-SPT-SFB-K163	1	1/P	
27	6LJ55543000	BUSH-6-BCF-050	1	1/P	
28	6LL45857000	SPG-SEP-SFB-K163	1	1/P	
29	6LJ57114000	SPG-F-SFB-EARTH-H21Y	1	1/C	
32	6LL45848000	TL-SEP-OTLP6-400	1	1/D	
33	6LL46044000	ASYS-SHAFT-SEP-K163	1	1/P	
39	6LL46023000	GUIDE-SPT-SFB-K163	1	1/PP	
40	6LL46036000	ASYS-COVER-SEP-SFB-K163	1	1/PP	
41	C0-20495000	LG2A24BL1	1	1/C	
42	6LL41302000	HRNS-SFB-POS-K163	1	1/P	
43	6LL45845000	ACTR-CAM-TRAY-UP-K163	1	1/P	
44	6LJ57327000	SPG-ACT-ADU-H21X	1	1/P	
45	4407972860	STOP-RING-6-5	1	5/P	
46	6LA80090000	S/TPP/BID-3X8-NI	8	5/P	
47	6LL45842000	HOLDER-FEED-SFB-K163	1	1/PP	
48	6LL45817000	ASYS-SFT-FEED-SFB-K163	1	1/P	
49	6LL45852000	SFT-ROL-PU-SFB-K163	1	1/P	
50	6LL08761000	ASYS-ROLL-FEED-SFB-H44X	2	1/KP	
51	4406584800	CLUTCH-6-08L2	2	1/P	
52	6LL45805000	GEAR-05S27-6D	1	1/P	
53	6LL45838000	GEAR-5S30_5S25-6	1	1/P	
54	6LL08763000	BUSH-6-SFB-H44X	1	1/P	
55	6LL08737000	SPG-C-FEED-SFB-H44X	1	1/P	
56	6LL45807000	STOP-RING-6-T08	3	5/P	
57	6LL45806000	STOP-RING-3-T08	2	5/P	
58	6LE28372000	WSHR-6R2X12XR5-APS	1	5/P	
59	6LL45840000	GEAR-5S27-6D-PIC	1	1/P	
60	F0-01242000	LWSM-0306	1	10/P	
61	X0-02069000	S/TPS/BID-3X6-ZU3	3	10/P	
62	6LJ38207000	WASHER-6-14-POM	1	5/P	



ITEM No.	PART No.	PART NAME	Q'TY / PAGE	Q'TY / PACK	REMARKS
1	X0-02247000	S/TPP/FHEXM-3X8-NI	2	10/P	
2	6LK50725100	ASYS-GUIDE-RGST-R-K16X	1	1/C	
3	6LJ56234000	SPG-F-RGST-R-H21X_L	1	1/P	
4	6LJ56230000	BUSH-ROL-RGST-R-H21X	1	1/P	
5	X0-02420000	S/TPS/FHEXM/R-3X8-ZU3	2	10/P	
6	6LJ56293000	SPG-C-RGST-F-H21X	1	1/P	
7	6LJ56228000	HOLDER-RGST-SPE-H21X	2	1/P	
8	6LJ56229100	BUSH-ROL-RGST-F-H370	1	1/P	
9	6LA65697000	BUSH-8X12X5R5F	1	5/P	
10	6LJ56291000	GEAR-8S19-8_D10	1	1/P	
11	6LL45125000	ROLLER-RGST-R-K16X	1	1/KP	
12	6LJ56294000	SPG-C-RGST-R-H21X	1	1/P	

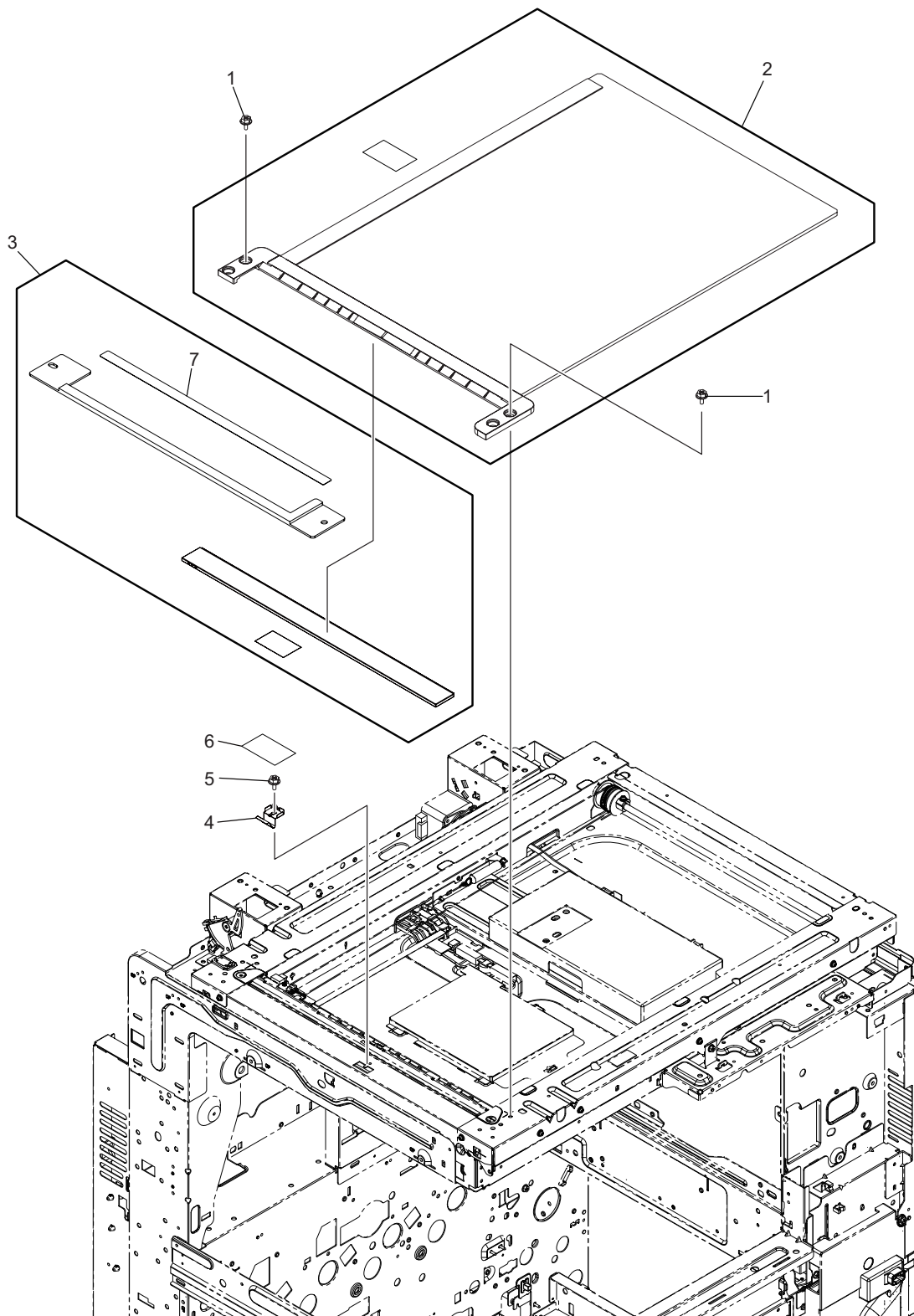


ITEM No.	PART No.	PART NAME	Q'TY / PAGE	Q'TY / PACK	REMARKS
1	6LK50760000	FRAME-FEED-H373	1	1/PP	
2	6LJ56263100	GUIDE-FEED-UP-F-21X_HS	1	1/PP	
3	6LJ56248100	ACTR-EMPTY-CST-2X_HS	1	1/P	
4	6LJ56381100	ARM-PICK-H21X_H-K170	1	1/PP	
5	6LJ56359000	SPG-C-PU-H21Y	1	1/P	
6	6LJ56244000	GEAR-5S25-8	1	1/P	
7	6LJ56245000	GEAR-5S30-6	1	1/P	
8	6LL45118000	GEAR-5S30-6	1	1/P	
9	6LL45127000	ASYS-SFT-ROL-FEED-K163	1	1/P	
10	6LJ56267000	SPG-EARTH-FEED-UNIT	1	1/P	
11	6LA03977000	BUSH-F6-GCB	1	5/P	
12	6LJ56246000	BUSH-6X10X9F-POM	1	1/P	
13	4406584800	CLUTCH-6-08L2	1	1/P	
14	6LK50773000	ASYS-STAY-FEED-H373	1	1/PP	
15	6LL45142000	LEVER-PU-LINK-K163	1	1/P	
16	X0-00964000	RR/E-3-SS	2	10/P	
17	6LJ56393000	ASYS-SHAFT-ROL-SPT-H21X_H	1	1/P	
18	6LJ56258000	GUIDE-SFT-SPT-H21X_H	1	1/P	
19	6LJ56264100	GUIDE-FEED-R-21X_HS	1	1/P	
20	6LJ56249100	ARM-SFT-SPT-K163	1	1/P	
21	6LK51232000	SPG-E-SPT-H373	1	1/P	
22	6LJ56247100	HOLDER-SPE-SPT-21X_HS	1	1/P	
23	6LL45124000	SLIDER-SPT-K163	1	1/P	
25	6LH05511000	SCREW-M3X8-3.2-P	1	5/P	
26	X0-00966000	RR/E-5-SS	3	10/P	
27	X0-02420000	S/TPS/FHEXM/R-3X8-ZU3	5	10/P	
28	6LL45130000	SPG-SLIDER-K163	1	1/P	
29	6LJ56242000	ASYS-ROLL-FEED-H21X_H	1	1/P	
30	6LK50742000	ASYS-ROLL-SPT-H373	1	1/P	
31	6LJ56289000	TL-SEP-ORG-400	1	1/P	
33	6LJ56296000	RUBBER-SPACE-FEED	1	1/P	
34	6LJ56295000	MYLAR-SPACE-FEED	1	1/P	
35	6LK50768100	ASYB-ROL-TRANS-K12X	1	1/KP	
36	44201492000	BUSH-6-POM	1	5/P	
37	4407972860	STOP-RING-6-5	3	5/P	
38	6LJ56340500	ASYB-GUIDE-FEED-L-K167	1	1/PP	
39	41306265000	STOP RING	1	1/P	
40	6LJ56274100	LEVER-FEED-UNIT-21X_HS	2	1/P	
43	6LK50739000	ASYS-ROLL-FEED-H373	1	1/P	
45	X0-02069000	S/TPS/BID-3X6-ZU3	1	10/P	
46	X0-00980000	P/PRL/AH7-2X10-SS	1	10/P	

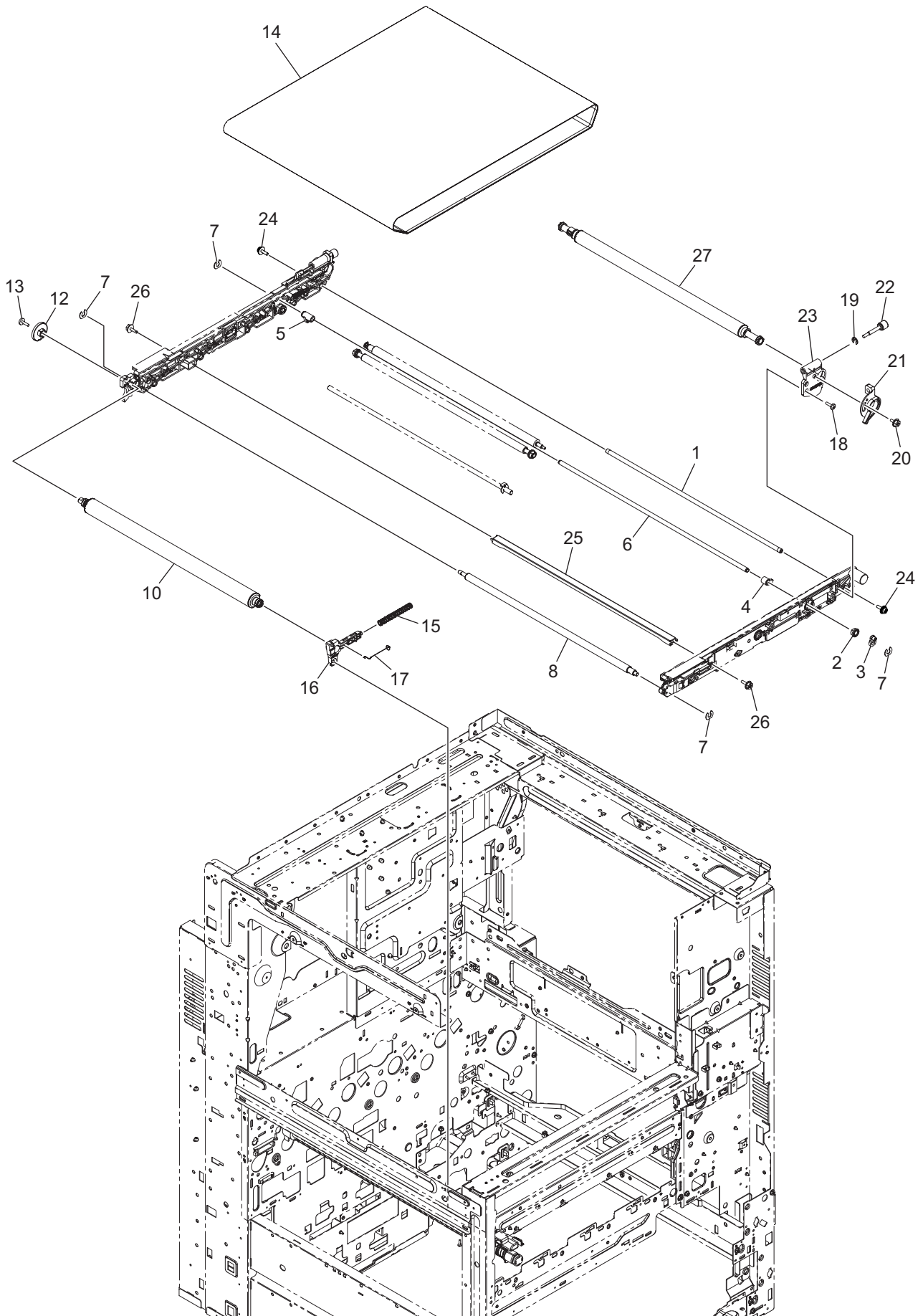


ITEM No.	PART No.	PART NAME	Q'TY / PAGE	Q'TY / PACK	REMARKS
1 A	6AG00009839	PS-TBFC425	1	SUPPLY	Except CND
1 B	6AG00009840	PS-TBFC425C	1	SUPPLY	CND
3 A	6LL43135000	ASYB-COV-INNR-WTNR-K163	1	1/PP	Except CND
3 B	6LL43135100	ASYB-COV-INNR-WTNR-K163C	1	1/PP	CND
4	C0-20495000	LG2A24BL1	1	1/C	
5	6LJ60319000	HRNS-UTNR-210	1	1/P	
6	6LE28372000	WSHR-6R2X12XR5-APS	1	5/P	
7	44201492000	BUSH-6-POM	1	5/P	
8	6LJ54683000	COUPL-DRV-WTNR	1	1/P	
9	6LK49492000	MOTRD-PDL-WTNR-H370	1	1/C	
10	6LK49446000	HLDR-DRV-WTNR	1	1/P	
11	6LJ55987100	SHAFT-DRV-WTNR-PBF2	1	1/P	
12	6LJ54636000	COLAR-DRV-WTNR	1	1/P	
13	6LJ54649000	SPG-C-10R7XR6X30R3R-WTNR	1	1/P	
14	6LJ54637000	GEAR-15S16-6-COUPPL-WTNR	1	1/P	
15	6LJ54638000	SLIT-DRV-WTNR	1	1/P	
16	6LJ54639000	GEAR-5H66-6-DRV-WTNR	1	1/P	
17	X0-01670000	S/PAN-M2.6X4-NC	1	10/P	
18	X0-00966000	RR/E-5-SS	3	10/P	
19	X0-02420000	S/TPS/FHEXM/R-3X8-ZU3	9	10/P	
20	6LL43825000	COVER-EPU-K174	1	1/PP	

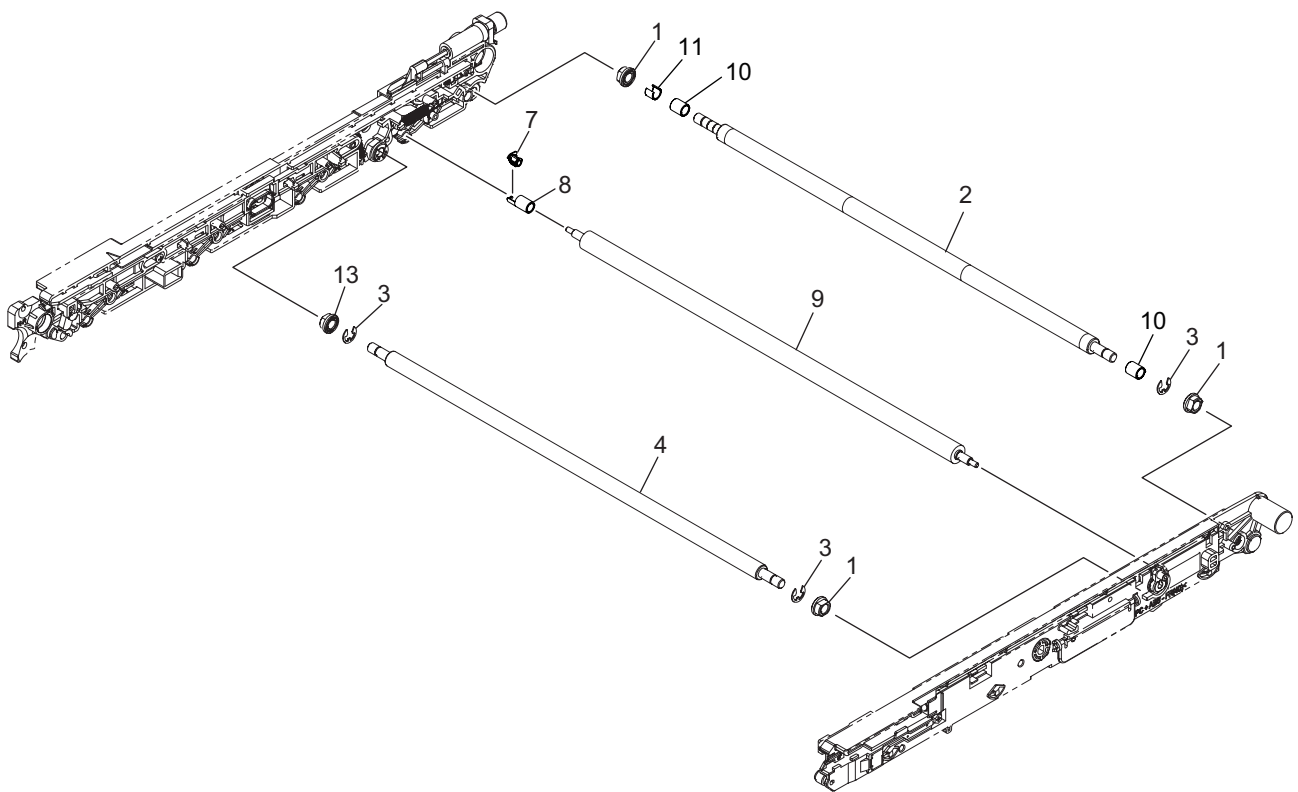




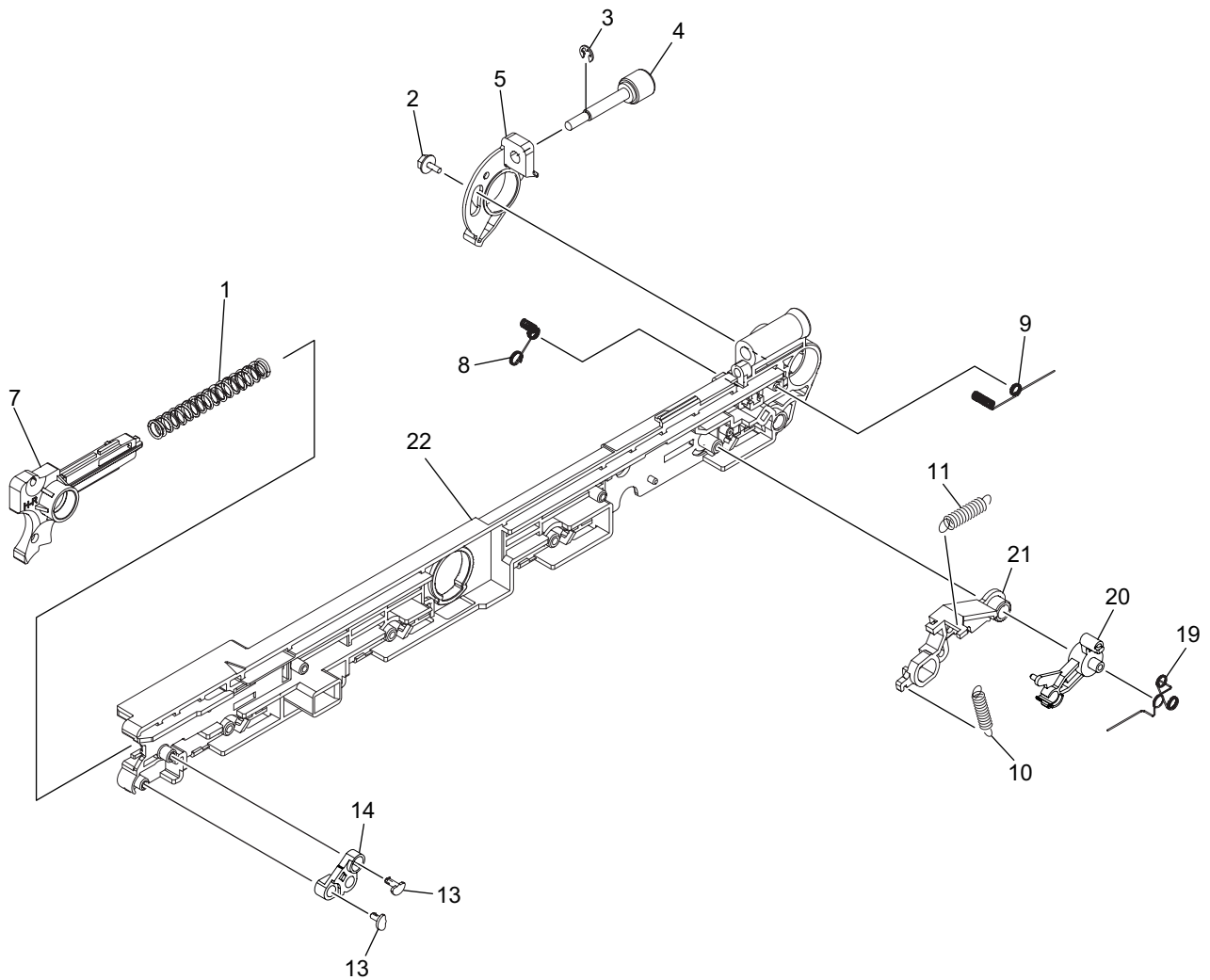
ITEM No.	PART No.	PART NAME	Q'TY / PAGE	Q'TY / PACK	REMARKS
1	X0-02671000	S/FHEXM-M3X6-ZB3	2	10/P	With film and jig
2	6LK53368200	ASY-GLASS-KIT-K1XX-W4	1	1/C	
3	6LK56956000	ASYB-GLASS-ADF-KIT	1	1/C	
4	6LK53343000	SPL-GLS-DF-K1XX	1	1/P	
5	X0-02230000	S/FHEXM-M3X6-NI	1	10/P	
6	6LK53356000	MYLAR-BASE-SCAN-K1XX	1	1/P	With jig
7	6LK56957000	ASYB-SHEET-ADF-KIT	1	1/C	



ITEM No.	PART No.	PART NAME	Q'TY / PAGE	Q'TY / PACK	REMARKS
1	6LJ55518000	SHAFT-STY-TBU	1	1/P	
2	4407734980	BUSH-6-GCB	1	5/P	
3	6LJ55588000	LIFT-ARM-TR1-K	1	1/P	
4	6LJ55578000	CAM-K-LIFT-F	1	1/P	
5	6LJ55489000	CAM-K-LIFT-R	1	1/P	
6	6LJ55494000	SHAFT-K-LIFT	1	1/P	
7	6LH03574000	RRG-4-P	4	1/P	
8	6LJ55610100	RLR-LIFT-TBU-H21X-PFU2	1	1/KP	
10	6LL44811000	ASYS-ROL-CLN-TBU-K16X	1	1/KP	
12	6LJ55430000	GEAR-S08-32-TBU	1	1/P	
13	X0-00434000	S/BID-M3X8-NI	1	10/P	
14	6LK50424000	BELT-TBU-H370	1	1/S	
15	6LJ55472000	SPG-C-TNS-TBU-20N	1	1/P	
16	6LL44804000	HLDR-TNSF-K163	1	1/P	
17	6LL07359000	WIRE-GND-CLN-TBU-H44X	1	1/P	
18	6LA80090000	S/TPP/BID-3X8-NI	1	5/P	
19	X0-00964000	RR/E-3-SS	1	10/P	
20	X0-02247000	S/TPP/FHEXM-3X8-NI	1	10/P	
21	6LK50419000	LOCK-TBU-F-H373	1	1/P	
22	6LJ55516000	SCREW-TBU-LOCK	1	1/P	
23	6LL44808000	ASYS-HLDR-TR2-F-K163	1	1/P	
24	X0-00077000	S/PAN/SWWP-M3X8-NI	2	10/P	
25	6LJ55438000	STAY-TBU-H21X	1	1/P	
26	X0-02231000	S/FHEXM-M3X8-NI	2	10/P	
27	6LL44821000	ASYS-RLR-TR2-TBU-K163	1	1/KP	

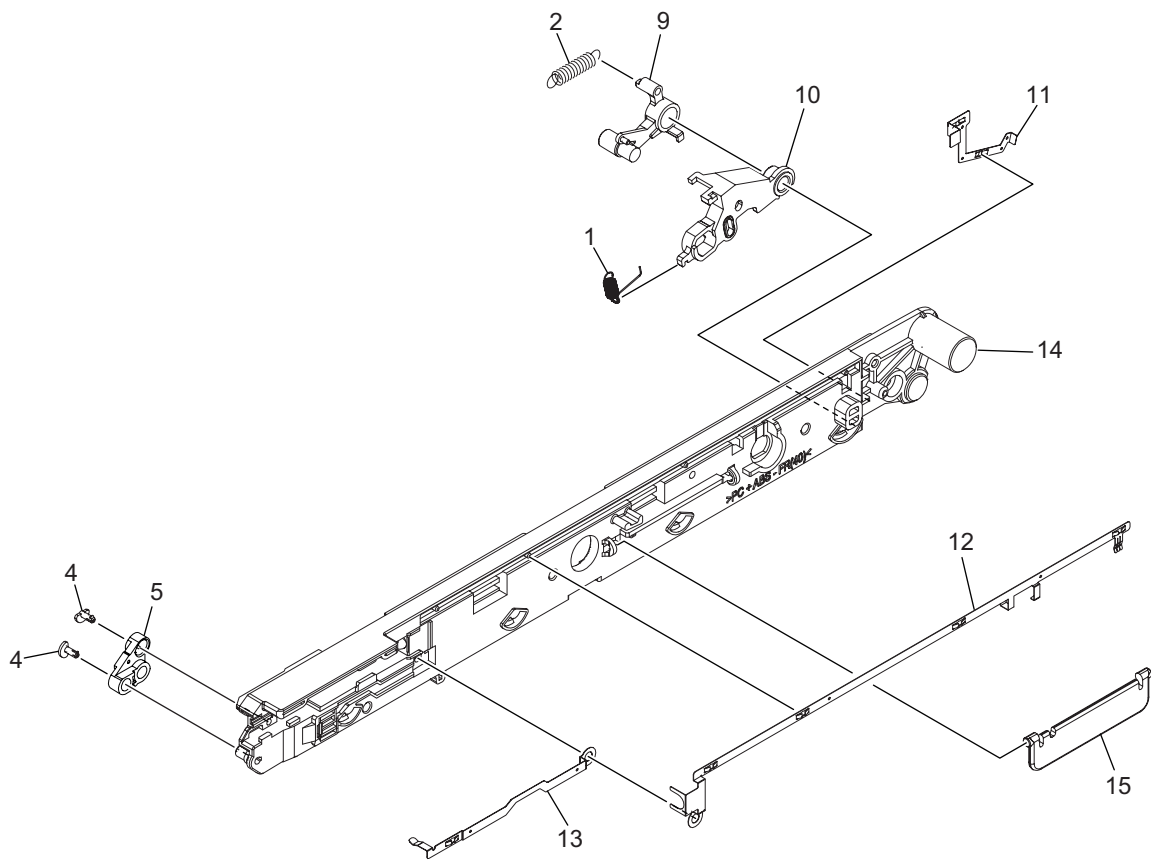


ITEM No.	PART No.	PART NAME	Q'TY / PAGE	Q'TY / PACK	REMARKS
1	4407734980	BUSH-6-GCB	3	5/P	
2	6LJ55614100	RLR-RGD-TBU-H21X-TP4-PBF2	1	1/KP	
3	X0-00966000	RR/E-5-SS	3	10/P	
4	6LJ55612100	RLR-KSET-TBU-H21X-PBF2	1	1/P	
7	6LJ5553000	BUSH-EL-TR1-H21X	1	1/P	
8	6LJ5554000	BUSH-TR1-H21X	1	1/P	
9	6LL44833000	CR-FC506TR1	1	1/S	
10	6LJ55536000	COLLAR-TBU-H21X	2	1/P	
11	6LJ55537000	COL-RIGID-TBU-H21X	1	1/P	
13	44201492000	BUSH-6-POM	1	5/P	

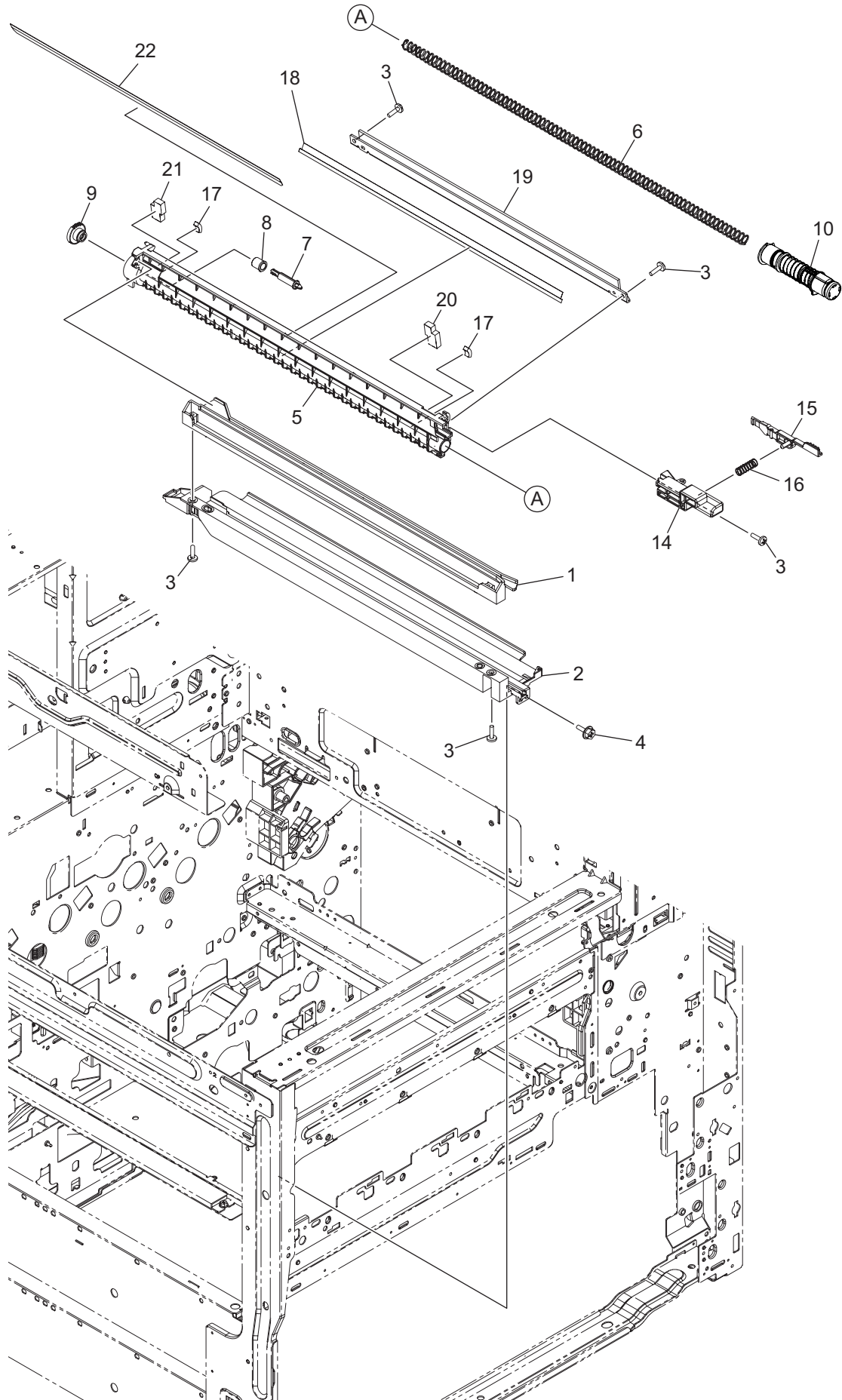


ITEM No.	PART No.	PART NAME	Q'TY / PAGE	Q'TY / PACK	REMARKS
1	6LJ55472000	SPG-C-TNS-TBU-20N	1	1/P	
2	X0-02246000	S/TPP/FHEXM-3X6-NI	1	10/P	
3	X0-00964000	RR/E-3-SS	1	10/P	
4	6LJ55516000	SCREW-TBU-LOCK	1	1/P	
5	6LJ55467100	LOCK-TBU-R_S	1	1/P	
7	6LJ55562100	HLDR-TNSR-H21Y_S	1	1/P	
8	6LJ55473000	SPG-T-HV-TR2-OUTSIDE	1	1/P	
9	6LK50418000	SPG-T-HV-TR2-INSIDE2	1	1/P	
10	6LJ55498000	SPG-E-K-LIFT-R	1	1/P	
11	6LJ55470000	SPG-E-TR1-TBU	1	1/P	
13	6LJ55513000	STOP-RING-LIFT	2	1/P	
14	6LL44810000	SFT-CAM-LIFT-BLK-R-K174	1	1/P	
19	6LJ55509000	SPG-T-HV-TR1-K	1	1/P	
20	6LJ55555000	ARM-TR1-K-R	1	1/P	
21	6LJ55492000	HLDR-ROL-K-R	1	1/P	
22	6LJ55594100	ASYS-FRAME-TBU-R-H21X2	1	1/PP	

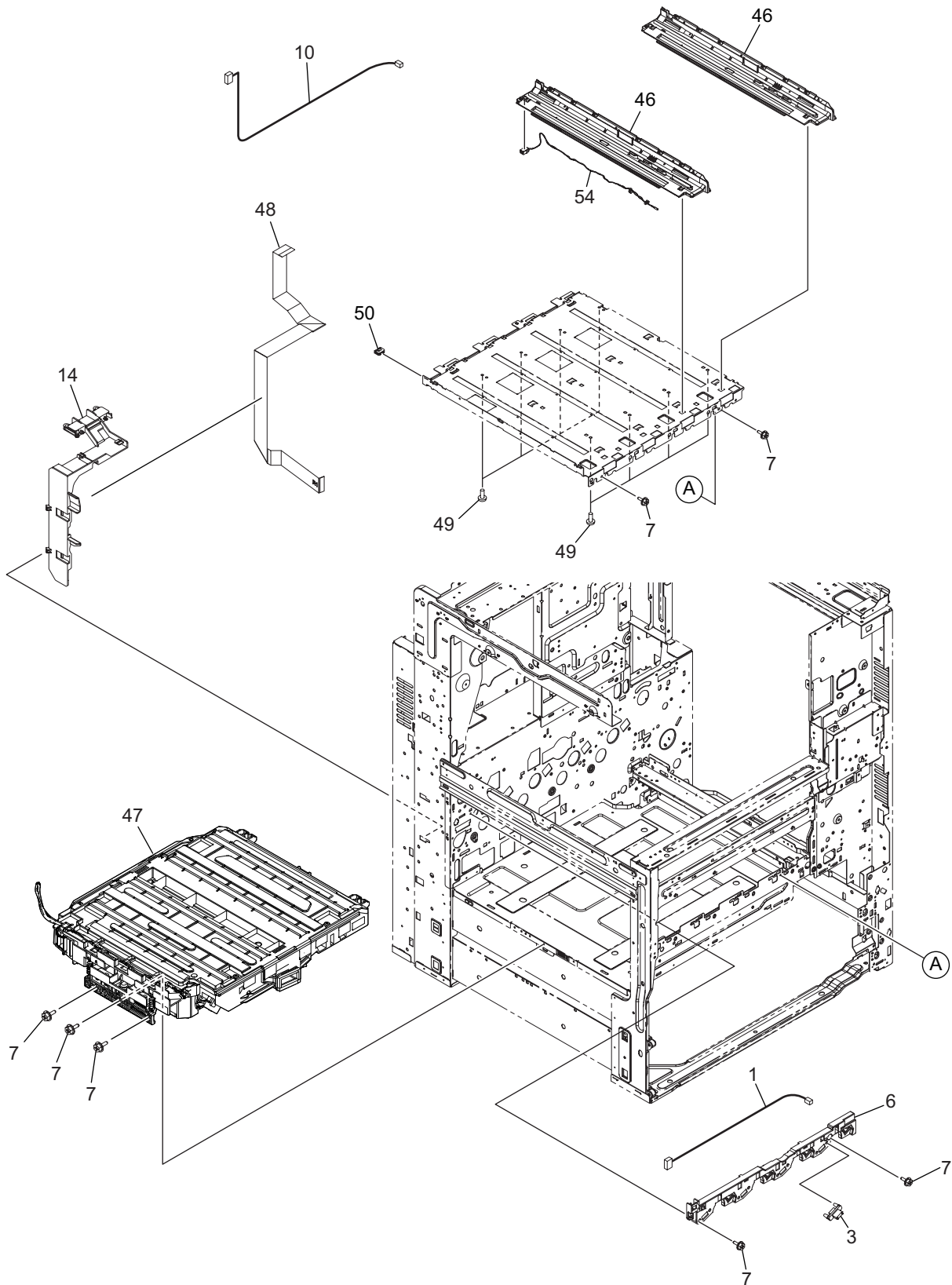




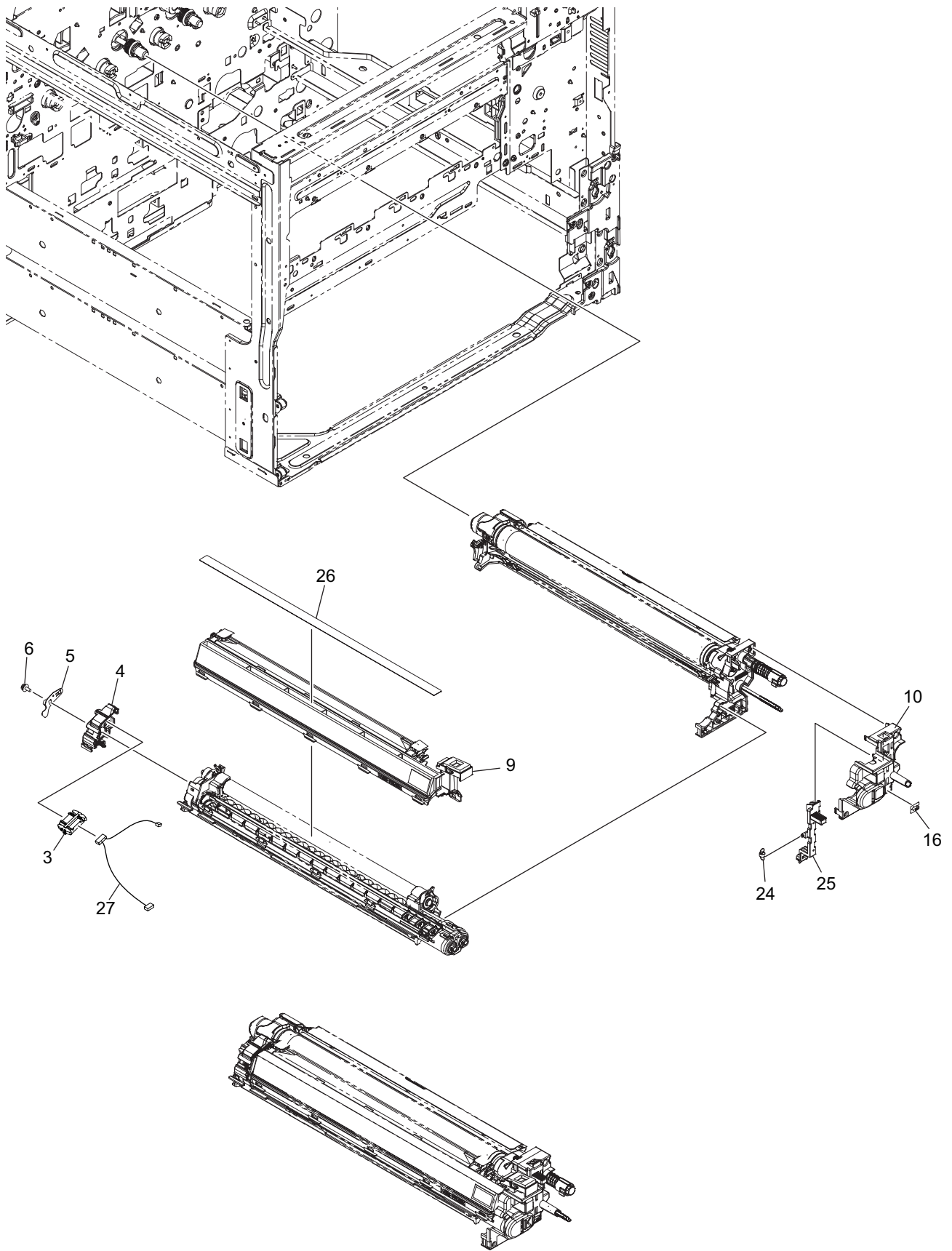
ITEM No.	PART No.	PART NAME	Q'TY / PAGE	Q'TY / PACK	REMARKS
1	6LJ55497000	SPG-E-K-LIFT-F	1	1/P	
2	6LJ55470000	SPG-E-TR1-TBU	1	1/P	
4	6LJ55513000	STOP-RING-LIFT	2	1/P	
5	6LL44809000	SFT-CAM-LIFT-BLK-F-K174	1	1/P	
9	6LJ55500000	ARM-TR1-K-F	1	1/P	
10	6LJ55491000	HLDR-ROL-K-F	1	1/P	
11	6LJ55449000	SPG-F-GND-RIGID-TBU	1	1/P	
12	6LJ55447000	SPG-F-GND-K-TBU	1	1/PP	
13	6LJ55448000	SPG-F-GND-LIFT-TBU	1	1/P	
14	6LL44802000	FRAME-TBU-F-K163	1	1/PP	
15	6LJ55517100	HANDLE-TBU-F-H21X_S	1	1/P	



ITEM No.	PART No.	PART NAME	Q'TY / PAGE	Q'TY / PACK	REMARKS
1	6LJ55431100	GUIDE-CLN-TBU-UP_S	1	1/P	
2	6LK50403100	GUIDE-CLN-TBU-LOW_S	1	1/PP	
3	6LA80090000	S/TPP/BID-3*8-NI	5	5/P	
4	X0-02420000	S/TPS/FHEXM/R-3X8-ZU3	1	10/P	
5	6LJ55400000	FRAME-CLN-TBU-H21X	1	1/PP	
6	6LJ55415000	SP-AUGER-G10-P5-S1	1	1/P	
7	6LJ55552000	BUSH-JOINT-TBU-H21X	1	1/P	
8	6LJ55503000	BUSH-AUGER-TBUCLN	1	1/P	
9	6LJ55403000	GEAR-CLN-TBU-H21X	1	1/P	
10	6LJ55549100	ASYB-NOZZLE-CLNR-H21X2	1	1/D	
14	6LJ55502100	HANDLE-TBCL_S	1	1/P	
15	6LJ55506100	HANDLE-LOCK-CLNGRY	1	1/P	
16	6LJ55507000	SPG-C-LOCK-TBUCLN	1	1/P	
17	6LJ55446000	SEAL-BLADE-BACK-TBU	2	1/P	
18	6LJ55442000	SHEET-AUGER-TBU-H21X	1	1/KP	
19	6LJ70396000	BL-FC30TR	1	1/S	
20	6LJ55444000	SEAL-SIDE-TBU-F	1	1/P	
21	6LJ55445000	SEAL-SIDE-TBU-R	1	1/P	
22	6LJ55443000	SHEET-REC-TBU-H21X	1	1/KP	

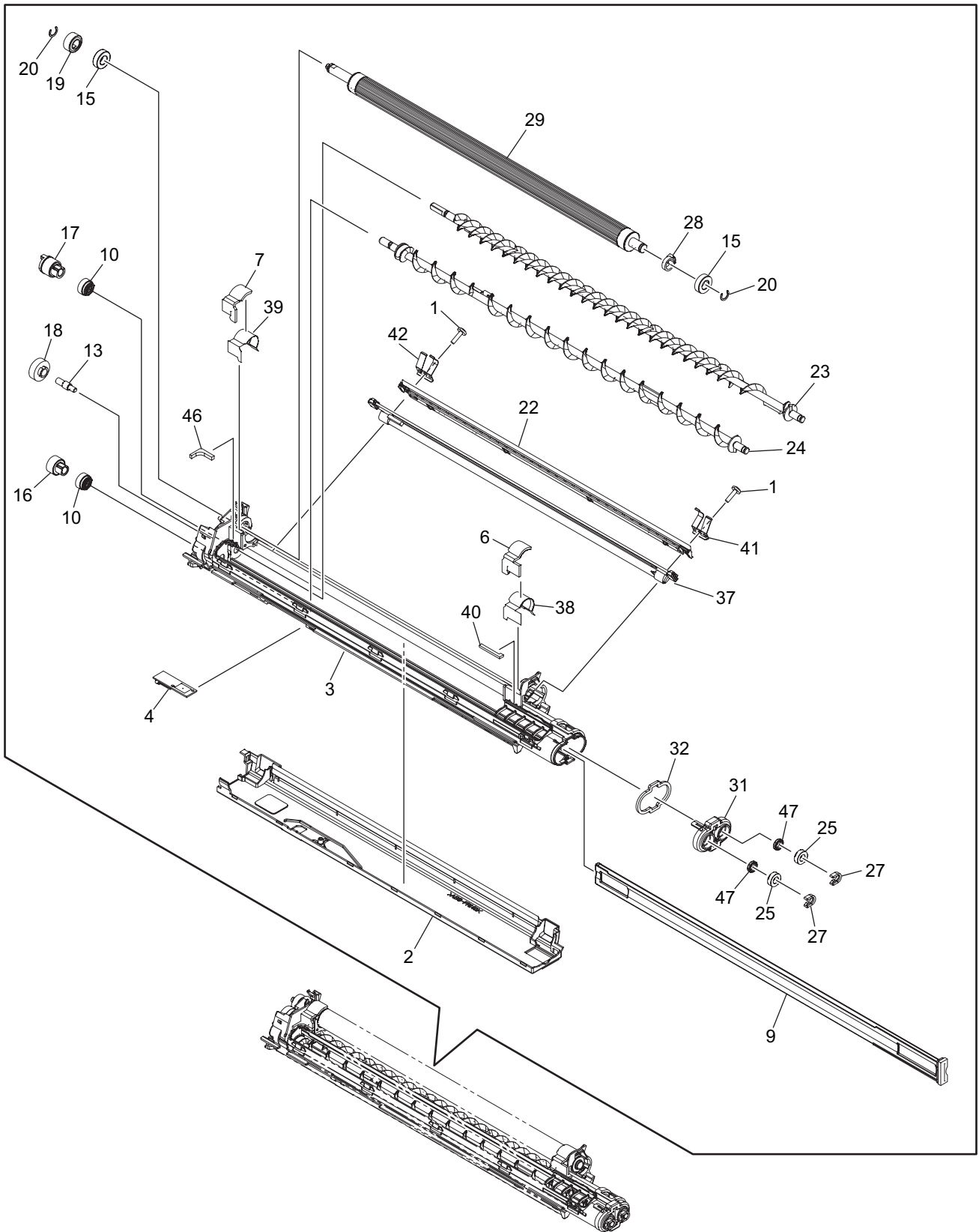


ITEM No.	PART No.	PART NAME	Q'TY / PAGE	Q'TY / PACK	REMARKS
1	6LL41007000	HRNS-LGC-EPU-K174	1	1/P	
3	E0-11777000	08R-RIZ-K4GG-FL (LF)(SN)	1	1/P	
6	6LL43809000	BASE-DRWEPU-K163	1	1/PP	
7	X0-02420000	S/TPS/FHEXM/R-3X8-ZU3	7	10/P	
10	6LL40956000	HRNS-DRMTHMS-K163	1	1/P	
14	6LK52728000	GUIDE-HRNS-LSU-H373	1	1/PP	
46	6LL43807000	GUIDE-EPU-K163	2	1/PP	
47	6LL47237200	LSU-UNIT-K174	1	1/S	
48	6LK45754300	ASY-FFC-LDR-H430	1	1/C	
49	X0-00595000	S/TPP/PAN-3X6-NI	8	10/P	
50	F0-02296000	ES-0505-2	1	5/P	
54	6LL41158000	THMS-DRM-K163	1	1/P	

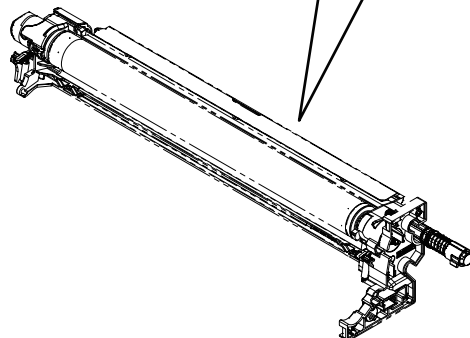
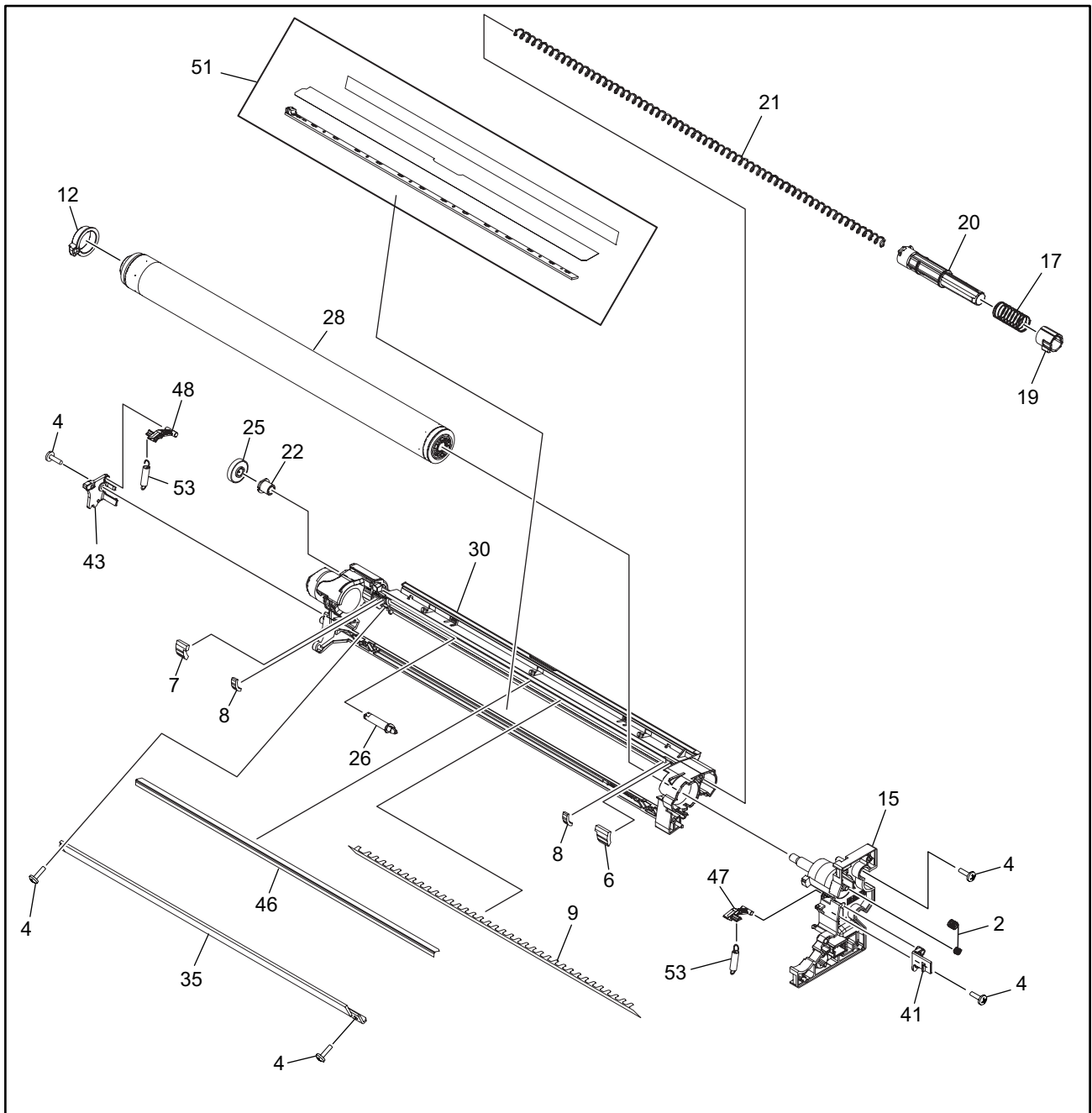


ITEM No.	PART No.	PART NAME	Q'TY / PAGE	Q'TY / PACK	REMARKS
3	E0-11759000	08P-RIZ-K2GG-RL (LF)(SN)	1	5/P	
4	6LL43311000	HLDR-GEAR-IDLE-DEV-K163	1	1/P	
5	6LL43314000	SPG-F-MG-BIAS-K16X	1	1/P	
6	X0-00059000	S/PAN/SWWS-M3X6-NI	1	10/P	
9	6LL43399000	ASYS-COVER-DEV-K163	1	1/PP	
10	6LL43330700	COV-FRT-EPU-K166K	1	1/C	
16	6LK48990000	LBL-ARRW-PU-H373	1	1/P	
24	6LK48989000	SPG-E-LOCK-EPU-H373	1	1/P	
25	6LK48932000	LOCK-COV-FRT-DEV-H373	1	1/P	
26	6LL43378000	SHEET-PRIN-DEV-K163	1	1/P	
27	6LL41112000	HRNS-EPU-K163	1	1/P	

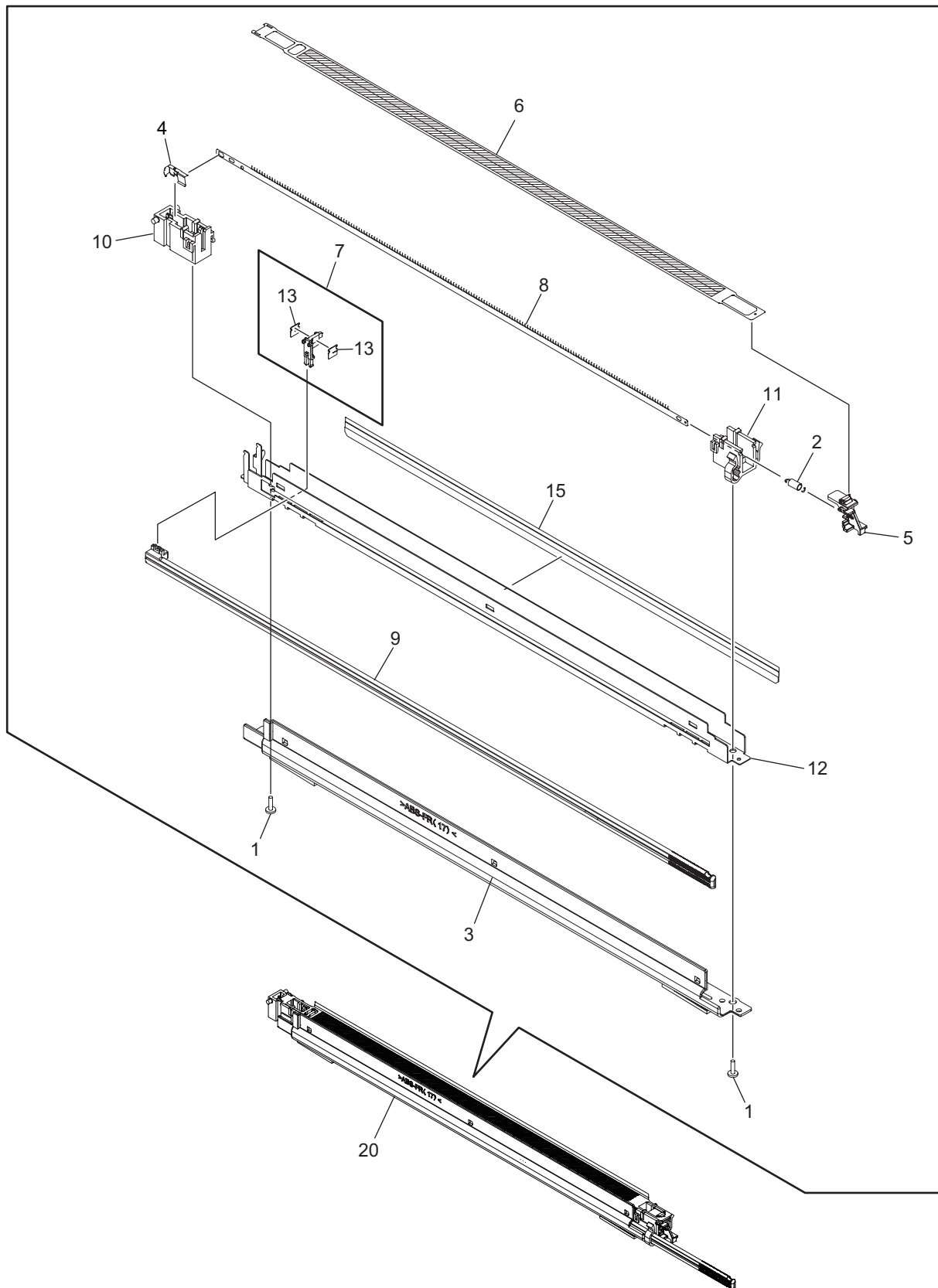




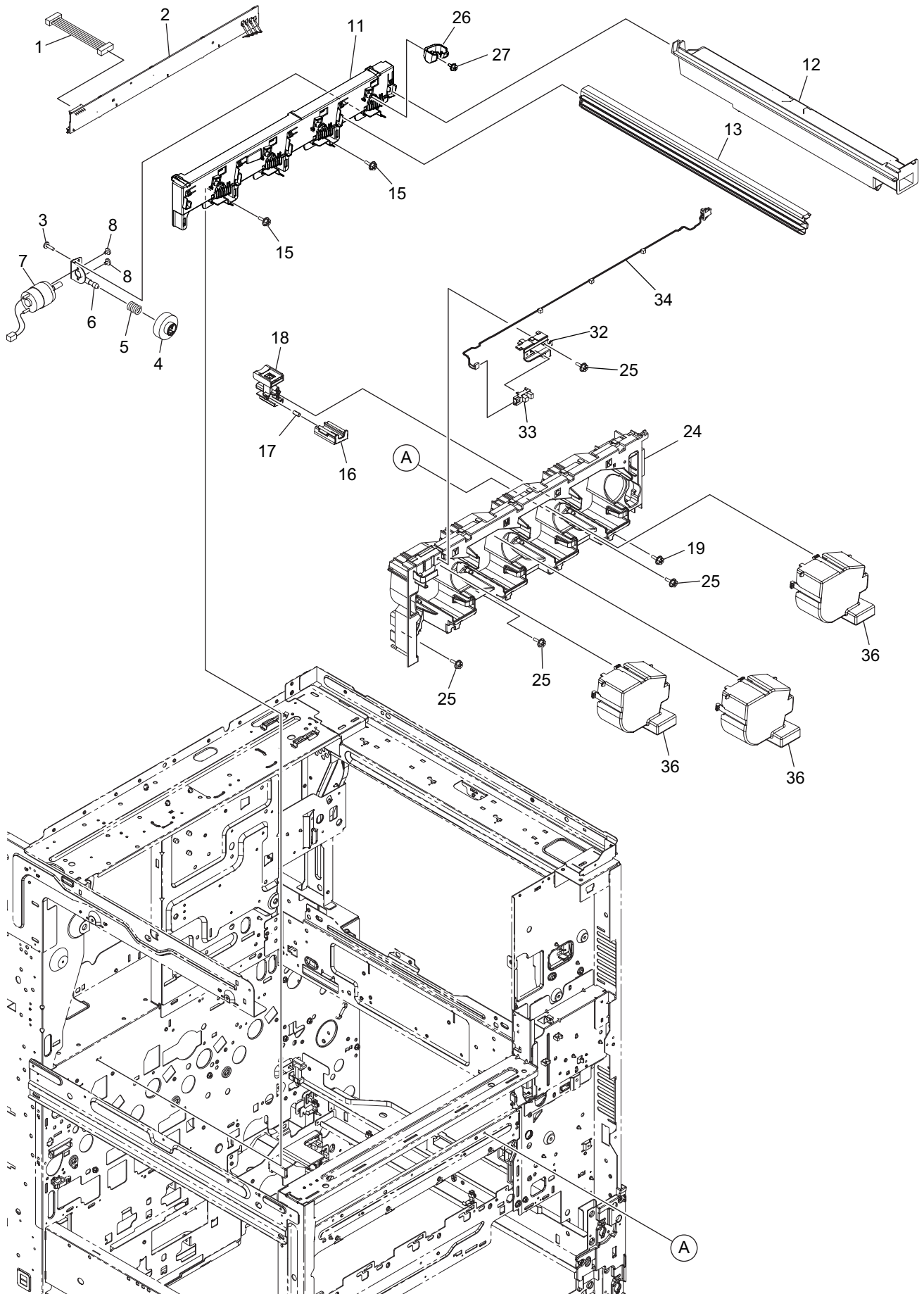
ITEM No.	PART No.	PART NAME	Q'TY / PAGE	Q'TY / PACK	REMARKS
1	6LA80090000	S/TPP/BID-3X8-NI	2	5/P	
2	6LL43398000	ASYS-DUCT-DEV-K163	1	1/PP	
3	6LL43397000	ASYS-CASE-DEV-K163	1	1/C	
4	6LL04019000	SNSR-ATC-H44X	1	1/C	
6	6LL43375000	SEAL-MG-FRT-K163	1	1/KP	
7	6LL43374000	SEAL-MG-RER-K163	1	1/KP	
9	6LL43351000	ASYS-SPRTR-DEV-K163	1	1/P	
10	6LL05816000	ASYS-BUSH-MIX-H44X	2	1/P	
13	6LL43349100	STUD-GEAR-IDLE-K163	1	1/P	
15	F0-01868000	6882RSSH44M	2	1/P	
16	6LL43309000	GEAR-04H-33-9-MIX-AG-K163	1	1/P	
17	6LL43310000	GEAR-04H-33-9-MIX-SP-K163	1	1/P	
18	6LL05823000	ASYS-GEAR-IDL-H44X	1	1/P	
19	6LL05814100	GEAR-04H-37-RLR-MG-K163	1	1/P	
20	F0-01499000	S5103-31 3BC	2	10/P	
22	6LL43395000	ASYS-HLDR-FRT-K163	1	1/PP	
23	6LL43329000	MIXER-DEV-SPLR-K163	1	1/KP	
24	6LL43327000	ASYS-MIXR-DEV-AGIR-K163	1	1/KP	
25	F0-01959000	L1260 2RS-SH44M-GV22	2	1/P	
27	4407972860	STOP-RING-6-5	2	5/P	
28	6LL05815000	SPC-GAP-RLR-MG-H44X	1	1/P	
29	6LL43326000	RLR-MAGT-D18-100-K163	1	1/KP	
31	6LL05832000	BUSH-DEV-FRT-H44X	1	1/P	
32	6LL43415000	SEAL-BUSH-DEV-FRT-K163	1	5/P	
37	6LL43394000	ASYS-DOCTR-SEAL-K163	1	1/KP	
38	6LL43373000	SHEET-MG-FRT-K163	1	1/KP	
39	6LL43372000	SHEET-MG-RER-K163	1	1/KP	
40	6LL43409000	SEAL-CASE-DEV-FRT-K163	1	5/P	
41	6LL43312000	SPG-F-DEV-FRT-K163	1	1/P	
42	6LL43313000	SPG-F-DEV-RER-K163	1	1/P	
46	6LL43408000	SEAL-CASE-DEV-RER-K163	1	5/P	
47	4401949290	SEAL-VC6-10-2.5	2	1/P	



ITEM No.	PART No.	PART NAME	Q'TY / PAGE	Q'TY / PACK	REMARKS
2	6LK48985000	SPG-C-DR-EARTH-H373	1	1/P	
4	6LA80090000	S/TPP/BID-3X8-NI	5	5/P	
6	6LL43390000	SEAL-SIDE-FRT-K163	1	5/P	
7	6LL43389000	SEAL-SIDE-RER-K163	1	5/P	
8	6LL43388000	SEAL-BLADE-BACK-K163	2	5/P	
9	6LL43410000	SHEET-BLADE-DRUM-K163	1	1/KP	
12	6LL43302000	BUSH-DRUM-RER-K163	1	1/P	
15	6LL43322000	RTNR-EPU-FRT-K163-K	1	1/C	
17	6LJ54040000	SPG-SHUT-CNLR-DRUM-H21X	1	1/P	
19	6LL43336000	SHUT-NOZZLE-CLNR-K163	1	1/P	
20	6LL43300000	NOZZLE-CLNR-AUGER-K163	1	1/P	
21	6LL43411000	SPG-AUGER-7R5-6_7-K163	1	1/P	
22	6LJ54001000	BUSH-AUGER-RER-H21X	1	1/P	
25	6LL43301000	GEAR-6S32-4-AG-K163	1	1/P	
26	6LL05872100	SHAFT-HLDR-AUGER-K163	1	1/P	
28	6LK49015000	OD-FC505	1	1/S	
30	6LL43320000	CASE-CLNR-DRUM-K163	1	1/PP	
35	6LL43424000	BL-FC425D	1	1/S	
41	6LL43334000	HLDR-HOOK-FRT-K163	1	1/P	
43	6LL43335000	HLDR-HOOK-RER-K163	1	1/P	
46	6LL43387000	BLADE-REC-K163	1	1/KP	
47	6LL43332000	HOOK-FRT-DR-GAP-K163	1	1/P	
48	6LL43333000	HOOK-RER-DR-GAP-K163	1	1/P	
51	6LL43416000	ASYB-SP-ERASE-LED-K163	1	1/SB	
53	6LL43384000	SPG-E-DR-GAP-K163	2	1/P	

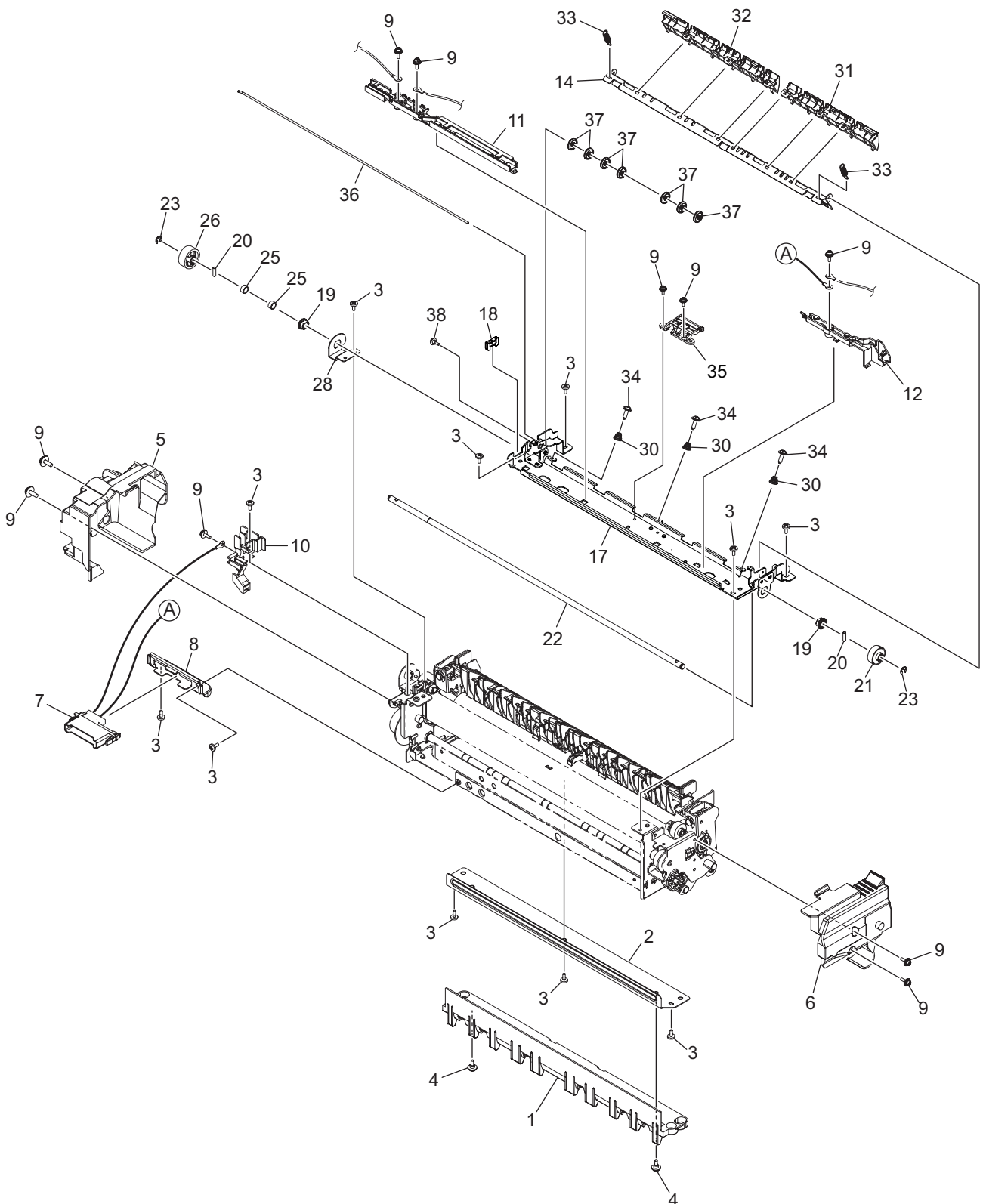


ITEM No.	PART No.	PART NAME	Q'TY / PAGE	Q'TY / PACK	REMARKS
1	6LA80090000	S/TPP/BID-3*8-NI	2	5/P	
2	6LE23557000	SPG-E-4XR5X11R2-CHARGR	1	5/P	
3	6LL43365000	ASYS-DUCT-CHARGR-K163	1	1/P	
4	6LL43303000	SPG-F-BIAS-CHGR-K163	1	1/P	
5	6LL43304000	LEVER-GR-CHARGR-K163-K	1	1/P	
6	6LL43324000	GRID-CHARGR-MAIN-K163-K	1	1/KP	
7	6LL43366000	ASYS-HLDR-CLNR-CH-K163	1	1/P	
8	6LK49126000	PIN-ARRAY-CHARGR-H37X	1	1/KP	
9	6LL43343000	ROD-CHARGR-CLNR-K163	1	1/P	
10	6LL43305000	TEARM-CHGR-MAIN-R-K163	1	1/P	
11	6LL43306000	TEARM-CHGR-MAIN-F-K163	1	1/P	
12	6LL43307000	CASE-CHARGR-MAIN-K163	1	1/P	
13	6LK48987000	FILM-CLNR-CHARGR-H373	2	1/P	
15	6LL43405000	SHEET-CHGR-SIDE-K163	1	1/KP	
20	6LL43323000	ASYB-MCH-K163-K	1	1/C	

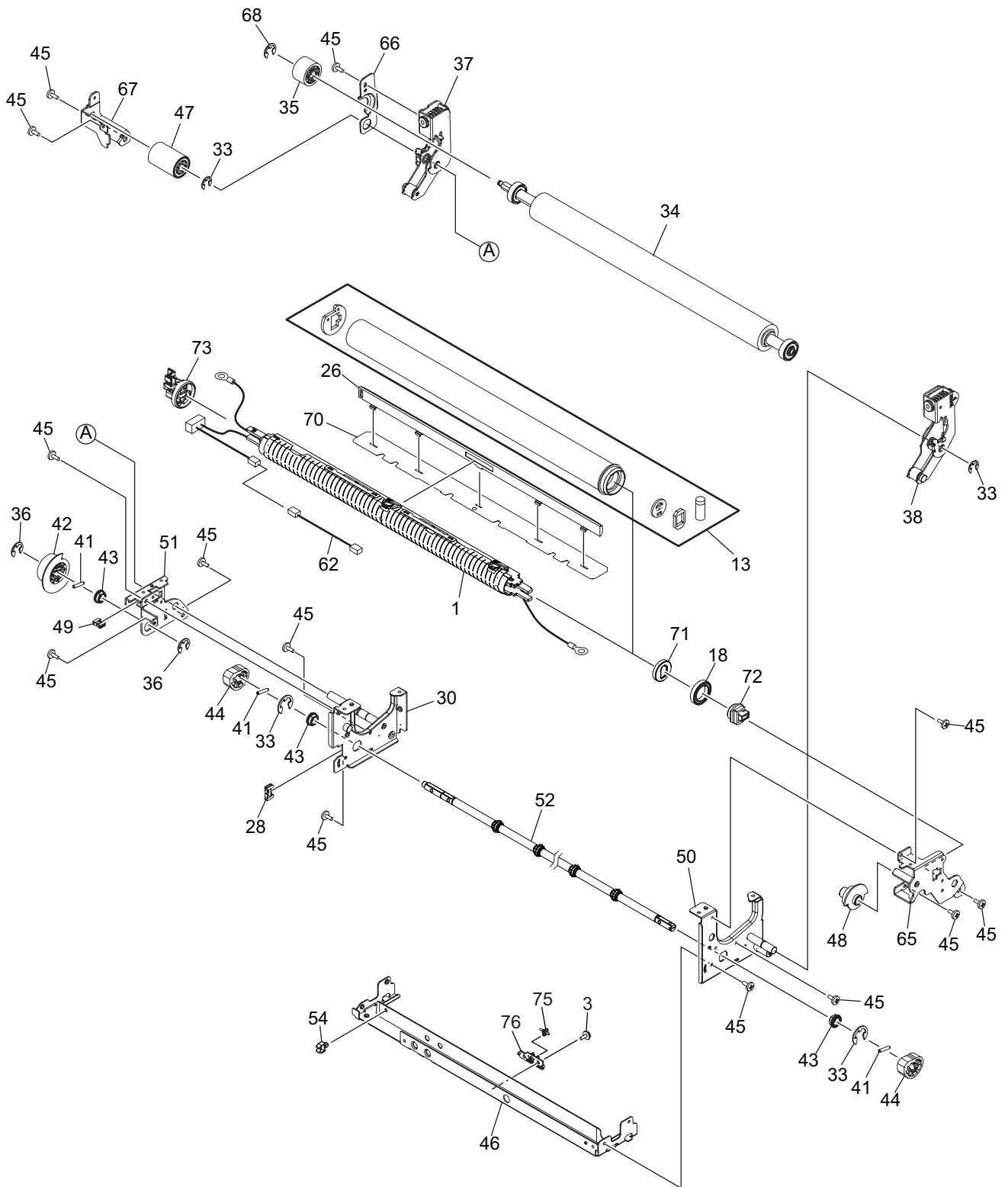


ITEM No.	PART No.	PART NAME	Q'TY / PAGE	Q'TY / PACK	REMARKS
1	6LL41005000	HRNS-LGC-TNRIC-K174	1	1/P	
2	6LK56073200	ASYB-PACK-CTIF-K174	1	1/S	
3	6LA80090000	S/TPP/BID-3*8-NI	1	5/P	
4	6LJ54816000	GEAR-5H68-6-H21X-E	1	1/P	
5	6LH39254000	SPG-C-11R8XR8X24R	1	1/P	
6	6LJ54809000	ASYS-TNRBKT-H21X	1	1/P	
7	6LJ76845000	MOTRD-TNR-H24X	1	1/D	
8	X0-02557000	S/BID-M2.6X3-NI	2	10/P	
11	6LJ54897100	HLDR-TNRDRV-H370	1	1/PP	
12	6LJ53199300	ASYS-DUCT-STAY-FUS-K167	1	1/PP	
13	6LJ54813100	STAY-TNR-H21X_S	1	1/P	
15	X0-02420000	S/TPS/FHEXM/R-3X8-ZU3	2	10/P	
16	6LK48925000	SHUT-TNR-H373	1	1/P	
17	6LJ54893000	SPG-C-SHUT-TONER-N1	1	1/P	
18	6LK49912000	ASYS-PIPE-H373	1	1/P	
19	X0-02247000	S/TPP/FHEXM-3X8-NI	1	10/P	
24	6LL44304300	ASYS-COVIN-K174	1	1/PP	
25	X0-02231000	S/FHEXM-M3X8-NI	4	10/P	
26	6LK49920000	CATCH-TNR-H370	1	1/P	
27	X0-02246000	S/TPP/FHEXM-3X6-NI	1	10/P	
32	6LL43106000	COV-SENSOR-K16X	1	1/PP	
33	C0-20495000	LG2A24BL1	1	1/C	
34	6LL41108000	HRNS-FRTSNS-K160	1	1/P	
36	6LK76700000	COVER-TONER-H430	3	1/PP	

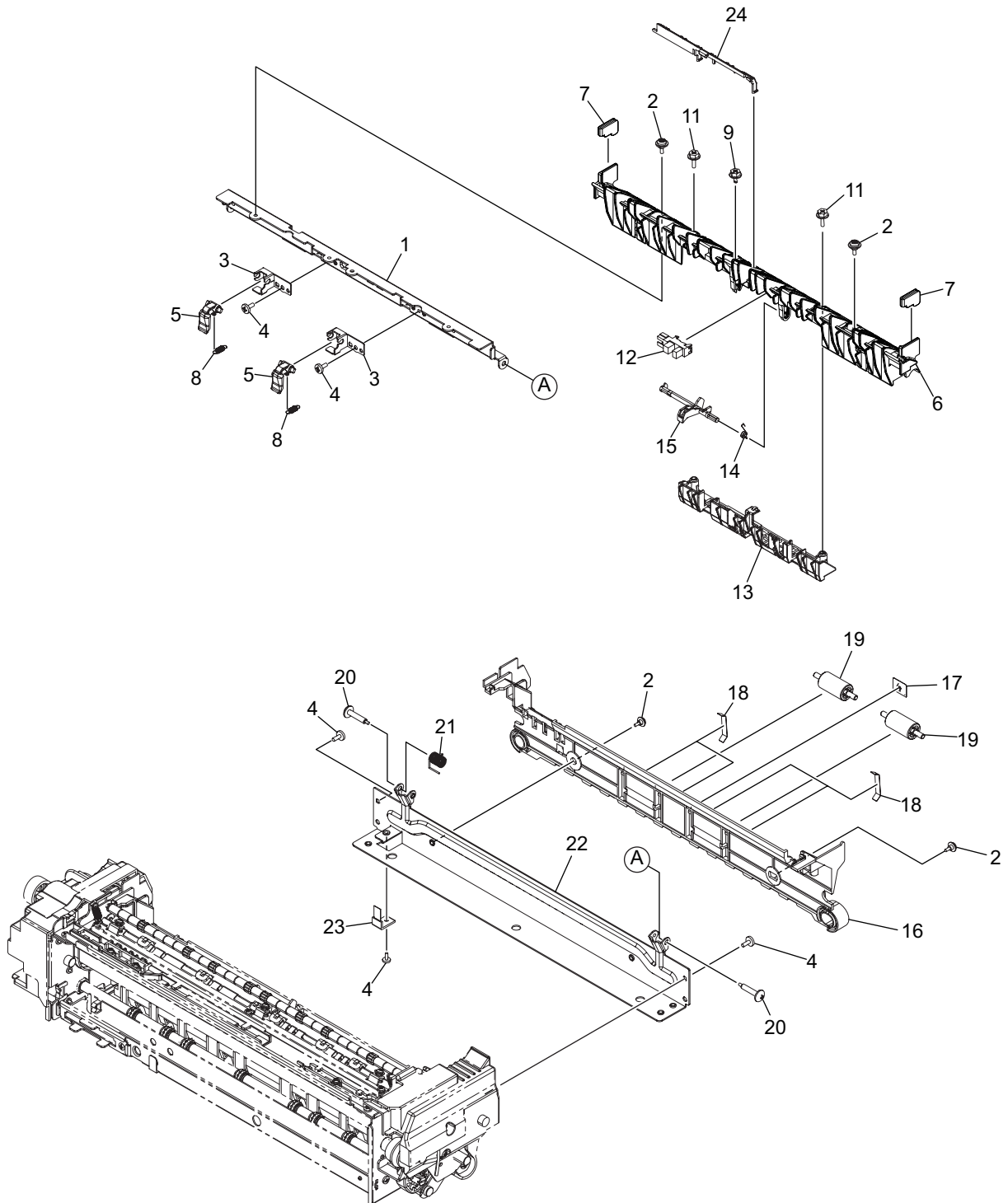




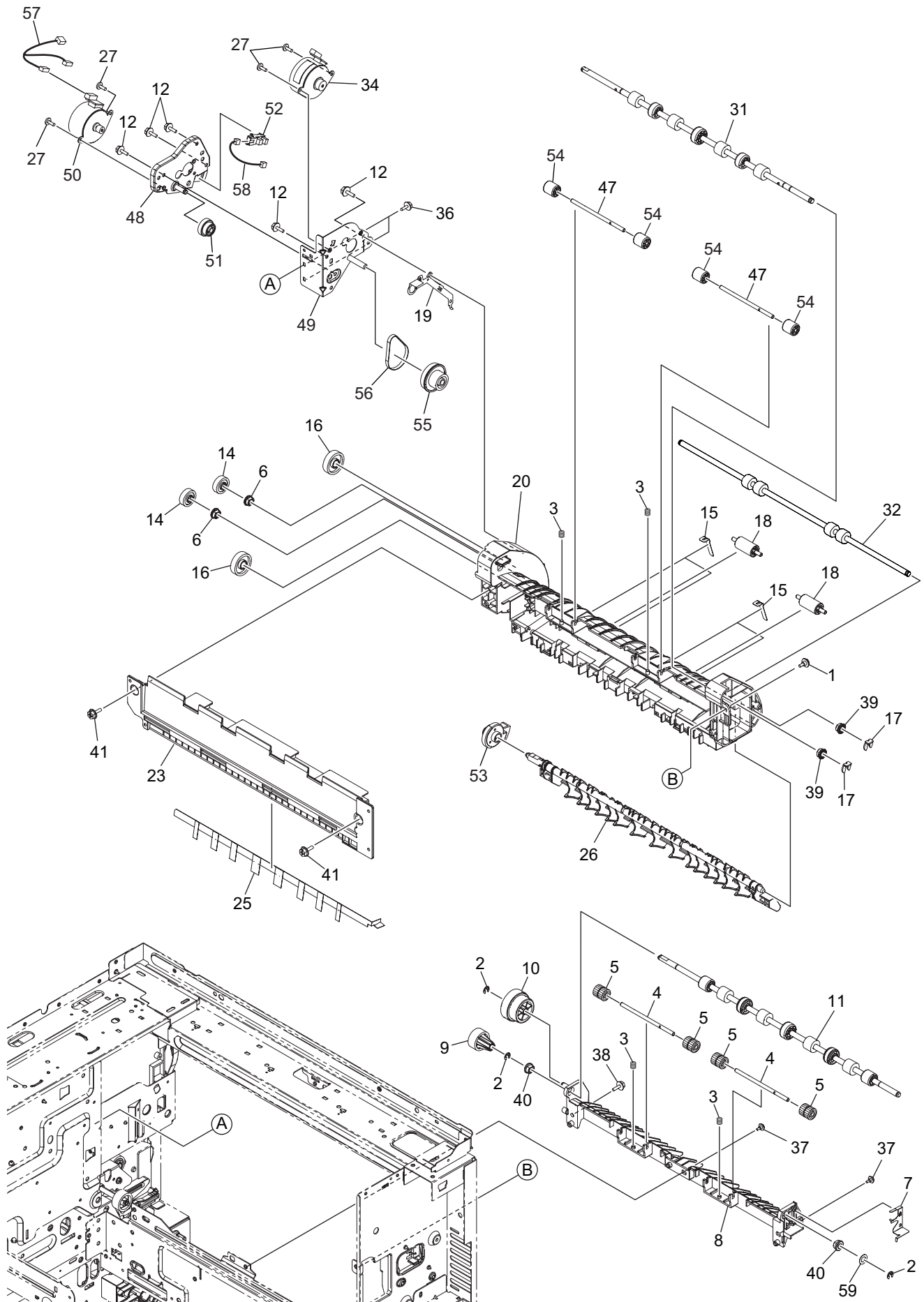




ITEM No.	PART No.	PART NAME	Q'TY / PAGE	Q'TY / PACK	REMARKS
1	6LL51808000	BELT-HLDUNIT-K167	1	1/S	Except CND CND
3	X0-00077000	S/PAN/SWWP-M3X8-NI	1	10/P	
13 A	6LL51804000	BT-FC6525	1	1/S	
13 B	6LL51805000	BT-FC6525-C	1	1/S	
18	6LJ58989000	6803ZZS1C4-GPL226-GV22	1	1/P	
26	6LK52274000	PAD-BLT-R55-H376	1	1/KP	
28	F0-01845000	ES-0510-46	1	1/P	
30	6LL46784000	ASYS-FRM-FUS-R-K16X	1	1/D	
33	X0-00968000	RR/E-7-SS	4	10/P	
34	6LK55468000	PR-FC505	1	1/S	
35	6LK52302000	GEAR-10H24-PR-H373	1	1/P	
36	X0-00966000	RR/E-5-SS	2	10/P	
37	6LL46818000	ASYB-PUSHER-R-K167	1	1/P	
38	6LL46819000	ASYB-PUSHER-F-K167	1	1/P	
41	X0-01169000	P/PRL/AH7-3X14-SS	3	10/P	
42	6LK52214000	GEAR-10S30-CAM-8	1	1/P	
43	6LJ55544000	BUSH-8X12X5R5F-BCF-050	3	1/P	
44	6LJ58971000	CAM-FUS-HH-E	2	1/P	
45	X0-00430000	S/BID-M3X6-NI	13	10/P	
46	6LJ58877200	FRAME-FUS-LOW3	1	1/PP	
47	6LK52200000	GEAR-10H21-IDL-PR-H373	1	1/P	
48	6LJ58809000	GEAR-SNSR-ROTATION	1	1/P	
49	F0-01844000	ES-0505-2-46	1	5/P	
50	6LL46782000	ASYS-FRM-FUS-F-K16X	1	1/D	
51	6LK52222000	BRKT-HLD-BLT-R-H373	1	1/P	
52	6LL46849000	ASYB-SFT-CAM-FUS-K16X	1	1/KP	
54	F0-00270000	UAMS-05L-0-46	1	10/P	
62	6LJ61506000	HRNS-FUS-EXT-212	1	1/P	
65	6LJ58956200	ASYS-BRKT-HLD-BLT-FH37_2	1	1/P	
66	6LK52345000	BRKT-BRG-PR-R-H373	1	1/P	
67	6LK52213000	BRKT-HLD-GEAR-PR	1	1/P	
68	X0-00965000	RR/E-4-SS	1	10/P	
70	6LJ58874000	SHEET-PAD-BELT	1	1/KP	
71	6LK52253000	WASHER-BLT-F	1	1/P	
72	6LK52350000	BUSH-BLT-F	1	1/P	
73	6LL46788000	BUSH-BLT-R-K167	1	1/P	
75	41306325000	WHEEL-CLN-8	1	1/P	
76	6LL46842000	HLDR-STAR-WHEEL-K16X	1	1/P	

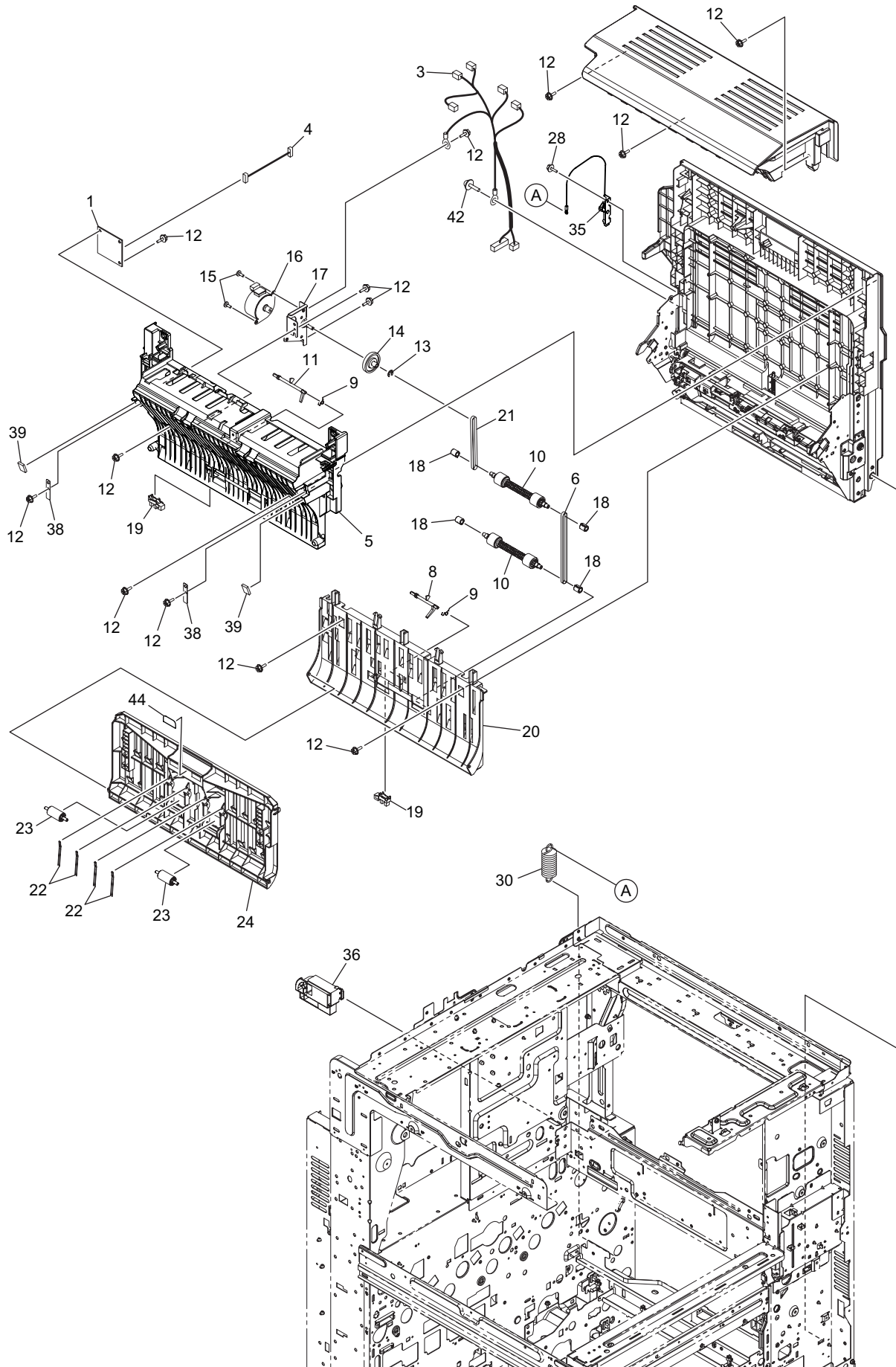




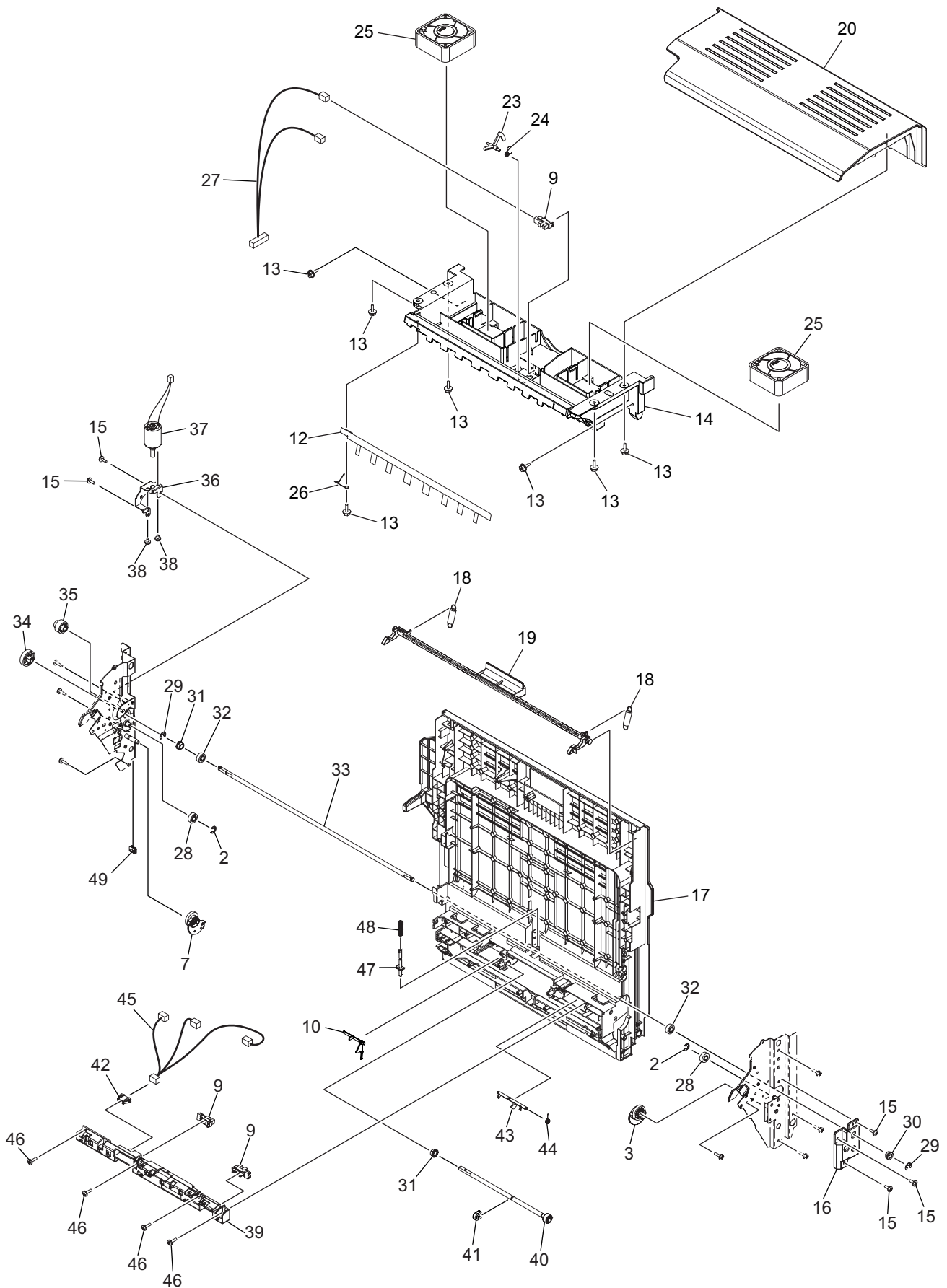


ITEM No.	PART No.	PART NAME	Q'TY / PAGE	Q'TY / PACK	REMARKS
1	6LA08937000	SCREW-BKT-DEV	1	10/P	
2	X0-00965000	RR/E-4-SS	3	10/P	
3	6LJ57614000	SPG-C-ROLL-EXIT-H21Y	4	1/P	
4	6LJ57801000	SHAFT-ROL-EXIT-L	2	1/P	
5	6LK52391000	RLR-EXIT-L-EX	4	1/P	
6	4407734980	BUSH-6-GCB	2	5/P	
7	6LK52351000	SPG-F-GND-EXIT-H373	1	1/C	
8	6LJ59057000	ASYS-GUIDE-EXIT-H21Y	1	1/PP	
9	6LL46719000	GEAR-10S23-EXIT-K16X	1	1/P	
10	6LJ58672000	GEAR-10S28-10S34-6	1	1/P	
11	6LK52354100	ASYB-ROLL-EXIT-LOW-H373_2	1	1/KP	
12	X0-02247000	S/TPP/FHEXM-3X8-NI	5	10/P	
14	6LL46313000	GEAR-10S20-06	2	1/P	
15	6LJ57610000	SPG-F-ROL-REV-H21Y	4	1/P	
16	6LH54009000	GEAR-10S27-08	2	1/P	
17	44201801000	STOP-RING-6-1.5	2	5/P	
18	41316101000	ROLL-TRANS-IDLE	2	1/P	
19	6LJ57635100	SPG-F-GND-EXIT-UPR-H373	1	1/C	
20	6LL46300000	GUIDE-EXIT-UPR-K167	1	1/PP	
23	6LJ57616100	COV-EXIT-UPR-H373	1	1/PP	
25	6LJ57617000	BRUSH-EXIT-L-H21Y	1	1/KP	
26	6LL46301000	GATE-ADU-K167	1	1/PP	
27	X0-02069000	S/TPS/BID-3X6-ZU3	4	10/P	
31	6LL46316000	ASYB-ROLL-EXIT-U-K16X	1	1/KP	
32	6LL46315000	ROLL-TRANS-UPR-K16X	1	1/KP	
34	6LJ57816000	MOTR_S-EXIT-L-H21X	1	1/D	
36	X0-02683000	S/TPP/FHEXM-3X8-ZB3	2	5/P	
37	6LA36749000	ASYS-SCREW-LSU-NI	2	5/P	
38	X0-02230000	S/FHEXM-M3X6-NI	1	10/P	
39	44201492000	BUSH-6-POM	2	5/P	
40	6LL46806000	BUSH-6-GCB-A	2	1/P	
41	X0-02420000	S/TPS/FHEXM/R-3X8-ZU3	2	10/P	
47	6LK51938000	SHAFT-ROL-EXIT-L-N	2	1/P	
48	6LL46302000	ASYS-BKT-DRV-GATE-K167	1	1/P	
49	6LL46305000	ASYS-BKT-EXUPR-K167	1	1/P	
50	6LJ57330000	ASYS-MOTR-S-ADU-H21X	1	1/D	
51	6LL46311000	GEAR-08S25_08H18-5	1	1/P	
52	C0-20495000	LG2A24BL1	1	1/C	
53	6LL46308000	GEAR-GATE-K167	1	1/P	
54	6LE23971000	ROLL-EXIT-L-380-B	4	1/P	
55	6LL46312000	GEAR-10S20_PS2M50-6	1	1/P	
56	6LH78503000	BLT-40-S2M-126	1	1/P	
57	6LL40875000	HRNS-EXTMOT-K167	1	1/P	
58	6LL40894000	HRNS-RVGPOS-K167	1	1/P	
59	6LL46709000	WSHR-6R4X12XR3-SS	1	5/P	

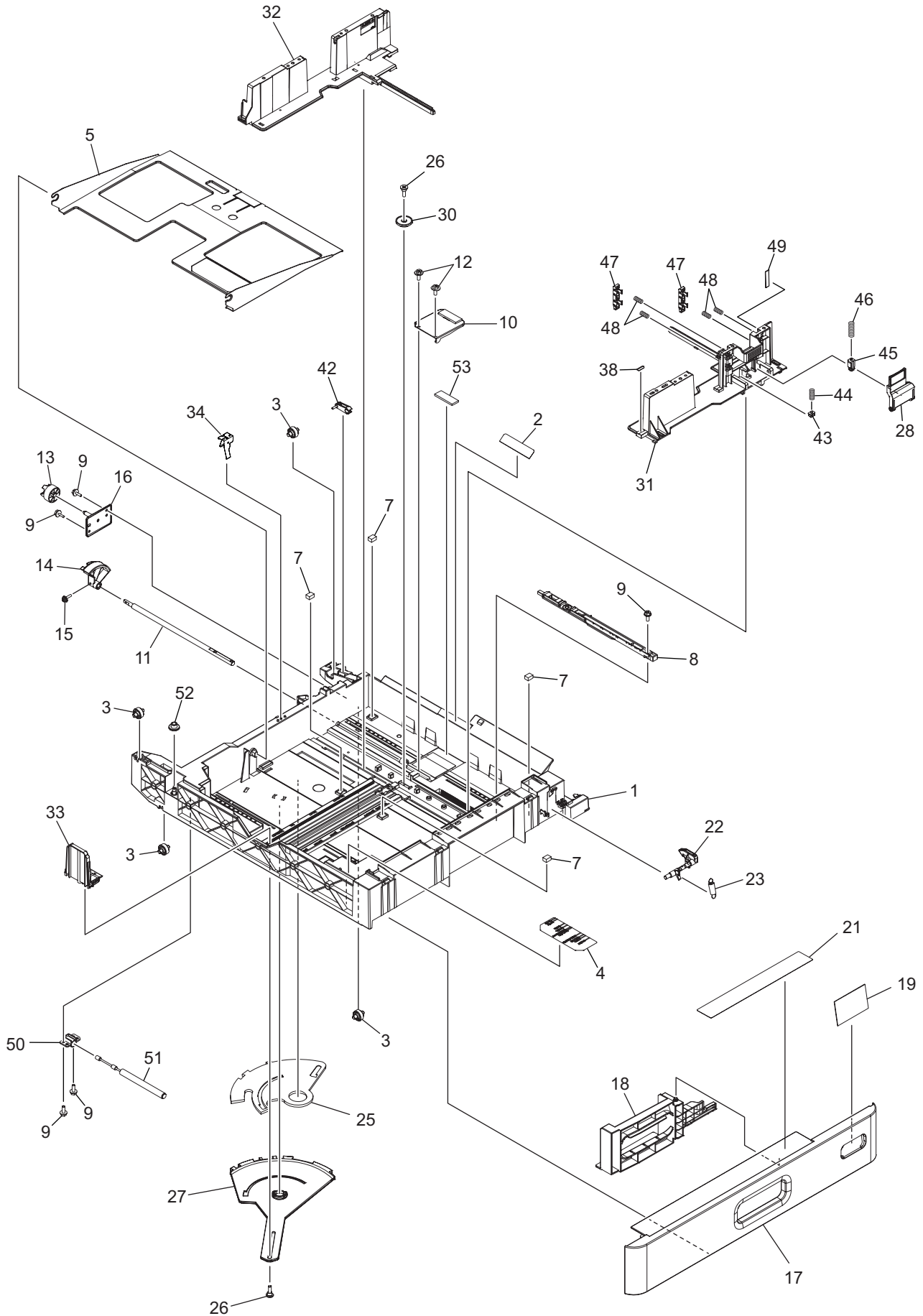




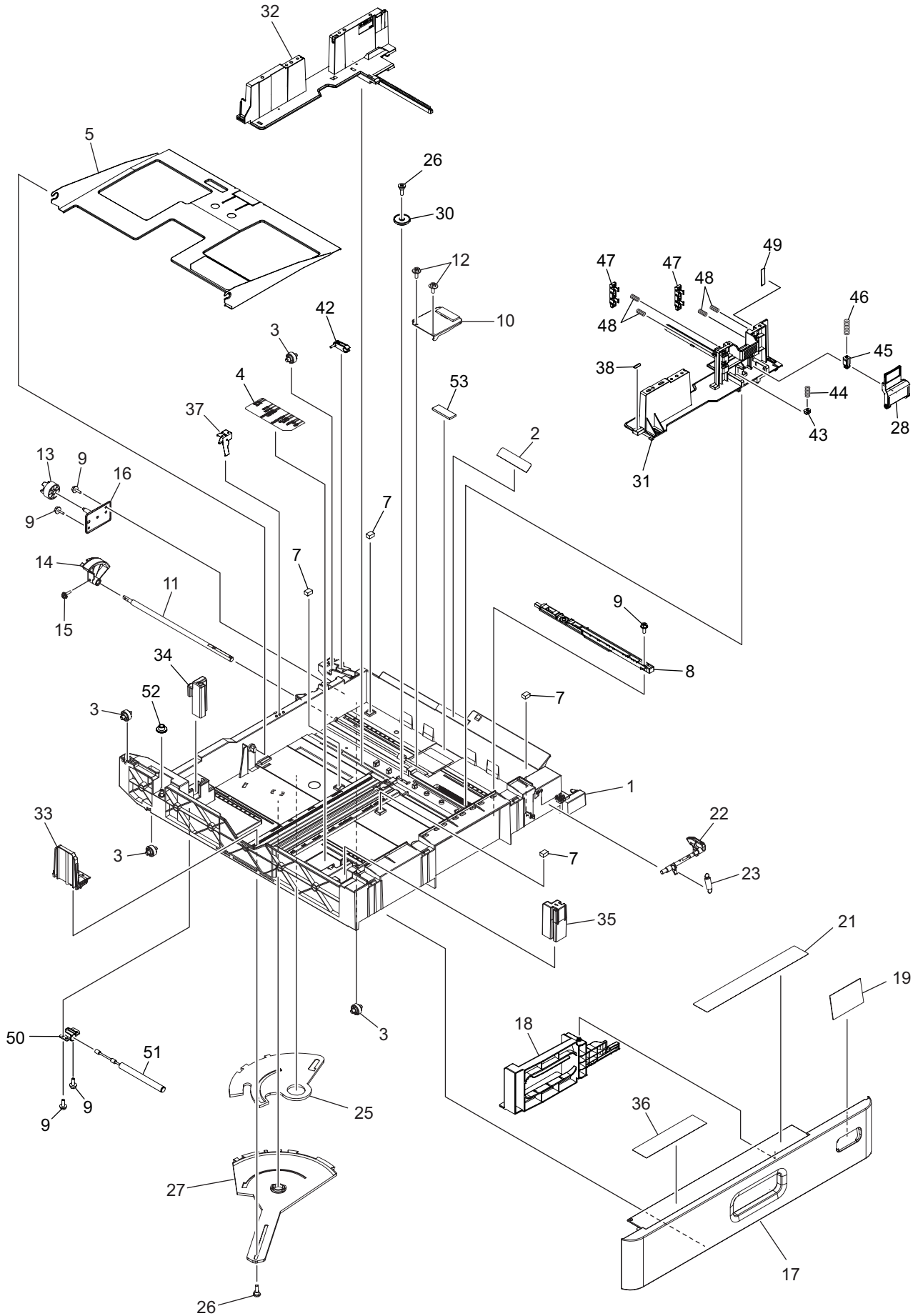
ITEM No.	PART No.	PART NAME	Q'TY / PAGE	Q'TY / PACK	REMARKS
1	6LL40821000	PWA-K-ADU-160	1	1/SB	
3	6LL41195000	HRNS-ADU-K166	1	1/P	
4	6LK45417000	HRNS-ADU-MOT-H373	1	1/P	
5	6LJ57392200	GUIDE-ADU-UPR-K163	1	1/PP	
6	6LJ57400000	BLT.SY-S2M-264-4	1	1/P	
8	6LJ57322000	ACTR-ADU-L-H21X	1	1/P	
9	6LJ57327000	SPG-ACT-ADU-H21X	2	1/P	
10	6LK51624000	ASYS-ROL-ADU-H21Y_N	2	1/KP	
11	6LJ57323000	ACTR-ADU-U-H21X	1	1/P	
12	X0-02247000	S/TPP/FHEXM-3X8-NI	13	10/P	
13	X0-00964000	RR/E-3-SS	1	10/P	
14	6LL46024000	GEAR-08S34_S2M012-7	1	1/P	
15	X0-02069000	S/TPS/BID-3X6-ZU3	2	10/P	
16	6LJ57330000	ASYS-MOTR-S-ADU-H21X	1	1/D	
17	6LL46017000	ASYS-BRKT-DRV-ADU-K16X	1	1/P	
18	6LJ57387100	BUSH-ADU-POMSW	4	1/P	
19	C0-20495000	LG2A24BL1	2	1/C	
20	6LJ57316200	GUIDE-ADU-L-K163	1	1/PP	
21	6LJ57399000	BLT.SY-S2M-200-4	1	1/P	
22	6LJ57315000	SPR-IDLE-ADU	4	1/P	
23	41316101000	ROLL-TRANS-IDLE	2	1/P	
24	6LJ57318100	GUIDE-OPEN-L_S	1	1/PP	
28	X0-02420000	S/TPS/FHEXM/R-3X8-ZU3	1	10/P	
30	6LJ57406000	SPG-ADU-WIRE	1	1/P	
35	6LJ57382000	ASYB-BRKT-HOLD-WIRE-H21Y	1	1/P	
36	6LJ57371000	HOLDER-WIRE-ADU-H21Y	1	1/P	
38	6LJ57379000	SPG-F-GUIDE-EXIT-H21Y	2	1/P	
39	6LK51909000	DAMP-SOL-GATE-H373	2	1/P	
42	X0-02040000	S/TPP/FPAN-3X10-NI	1	10/P	
44	6LJ54687000	LBL-HNDL-WTNR-21X	1	1/P	



ITEM No.	PART No.	PART NAME	Q'TY / PAGE	Q'TY / PACK	REMARKS
2	X0-00966000	RR/E-5-SS	2	10/P	
3	6LL45844000	CAM-TRAY-UP-F-K163	1	1/P	
7	6LL45843000	CAM-TRAY-UP-R-K163	1	1/P	
9	C0-20495000	LG2A24BL1	3	1/C	
10	6LL45836000	ACTR-PE-SENS-SFB-K163	1	1/P	
12	6LK50729000	BRUSH-EXIT-UPR-H373	1	1/KP	
13	X0-02247000	S/TPP/FHEXM-3X8-NI	7	10/P	
14	6LJ57394200	GUIDE-ADU-U-K163	1	1/PP	
15	X0-02069000	S/TPS/BID-3X6-ZU3	5	10/P	
16	6LL45808000	COVER-CAM-DRV-K163	1	1/P	
17	6LL46000000	COVER-ADU-K163	1	1/PP	
18	6LH51228000	SPG-C-COV-SIDE	2	1/P	
19	6LJ57393100	LEVER-ADU-H370	1	1/PP	
20	6LJ57376200	COVER-ADU-TOP-K163	1	1/PP	
23	6LH54010000	ACTR-EXIT-UPR-473	1	1/P	
24	6LJ12930000	SPG-T-ACT-EXIT-UPR-16X	1	1/P	
25	6LL42609000	ASYS-FAN-6025-065-K163	2	1/D	
26	6LK50730000	SPG-GND-EX-UPR-H373	1	1/P	
27	6LK45979000	HRNS-ADU-SNR-H373	1	1/P	
28	6LL45812000	GEAR-8S18-6	2	1/P	
29	X0-00965000	RR/E-4-SS	2	10/P	
30	44201492000	BUSH-6-POM	1	5/P	
31	6LJ55543000	BUSH-6-BCF-050	2	1/P	
32	6LL08714000	GEAR-8S17-6	2	1/P	
33	6LL45822000	SFT-TRAYUP-DRV-K163	1	1/P	
34	6LL45813000	GEAR-5S48-6	1	1/P	
35	6LL46016000	GEAR-5S22-5H37-6	1	1/P	
36	6LL46013000	BRKT-MOTR-TRAYUP-SFB-K163	1	1/P	
37	6LJ55174000	MOTR_D-SWITCH-H21X	1	1/D	
38	X0-02112000	S/PAN-M3X3-NI	2	10/P	
39	6LL45809000	STAY-GID-FEED-R-U-K163	1	1/PP	
40	6LL46001000	SHAFT-ROL-SFB-K163	1	1/P	
41	4407972860	STOP-RING-6-5	1	5/P	
42	E0-10096000	BU06P-TZ-S (LF)(SN)	1	1/P	
43	6LL45841000	ACTR-HLDR-FEED-SFB-K163	1	1/P	
44	6LL45849000	SPG-ACT-HLD-SFB-K163	1	1/P	
45	6LL41157000	HRNS-SFB-PIC-K163	1	1/P	
46	6LA80090000	S/TPP/BID-3X8-NI	4	5/P	
47	6LL45846000	ACTR-TOP-PICK-K163	1	1/P	
48	6LL45858000	SPG-PIC-UP-K163	1	1/P	
49	F0-00120000	ES-0505	1	5/P	

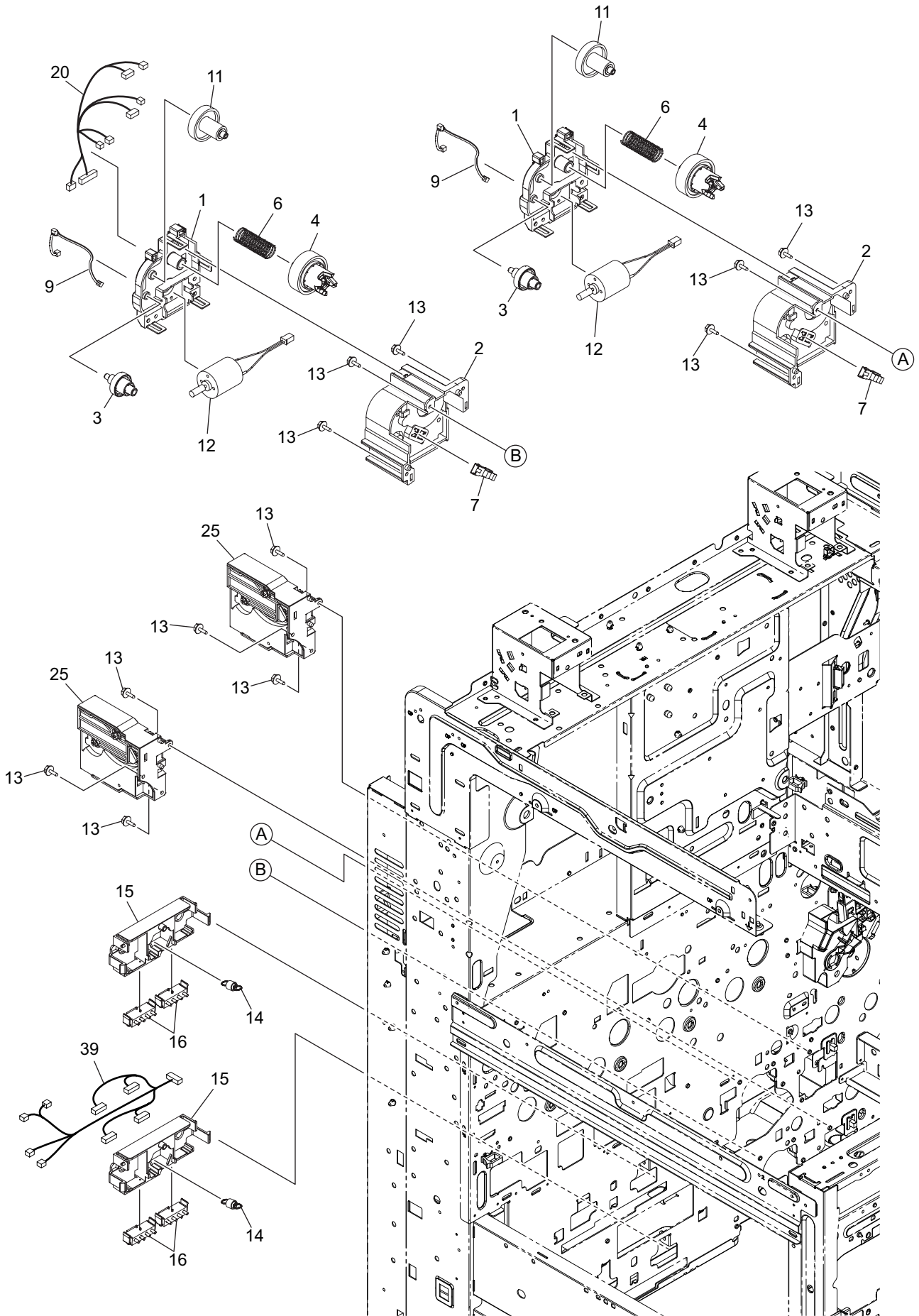


ITEM No.	PART No.	PART NAME	Q'TY / PAGE	Q'TY / PACK	REMARKS
1	6LL45604000	CST-K163-A3	1	1/PP	
2	6LJ66823000	SHEET-CST-H21X	1	1/P	
3	6LJ56845000	ROLL-CST-H21X	4	1/P	
4	6LL45652000	LBL_P-SIZE-LDA3-K163	1	1/KP	
5	6LL45633000	ASYS-TRAY-CST-H-K163	1	1/PP	
7	6LL08517000	CUSH-CST-TRAY	4	1/P	
8	6LL45605000	HLDR-ADJUST-GUIDE-K163	1	1/PP	
9	X0-02247000	S/TPP/FHEXM-3X8-NI	5	10/P	
10	6LH05746000	ASYS-LEVER-ELV-CST-F43X	1	1/P	
11	6LJ56910000	SHAFT-ELV-CST-H21X	1	1/P	
12	X0-02235000	S/FHEXM-M4X8-NI	2	10/P	
13	6LJ56847100	CPG-TRAY-UP-H37X	1	1/P	
14	6LJ56832100	GEAR-DRV-TRAYUP-SFT-H37X	1	1/P	
15	X0-00094000	S/PAN/SWWP-M3X10-NI	1	10/P	
16	6LL45678000	ASYS-PLATE-DRV-CST-K16X	1	1/P	
17	6LK51218100	COVER-CST-K163A3	1	1/PP	
18	6LJ56838200	HNDL-CST-H370	1	1/PP	
19 A	6LK51245000	SIZE-CST-37X-A4	1	1/KP	NJD,ASD,AUD,ARD,CND
19 B	6LK51245100	SIZE-CST-37X-LT	1	1/KP	NAD
21	6LL45639000	LBL_O-GUIDE-CST-K163	1	1/KP	
22	6LL45650000	LVR-CST1-K163	1	1/P	
23	6LL45637000	SPG-E-CST-HOOK-K163	1	1/P	
25	6LH05721100	PUSHER-SIDE-CST-F43X_S	1	1/P	
26	6LH05511000	SCREW-M3X8-3.2-P	2	5/P	
27	6LK51261000	PUSHER-END-CST-H21X	1	1/PP	
28	6LL08537000	LEVER-SIDE-GUIDE	1	1/P	
30	6LL08533000	GEAR-10S18-8-SIDE-GID	1	1/P	
31	6LL45600000	SLIDE-WALL-F-K163	1	1/KP	
32	6LL45630000	ASYS-SLIDE-WALL-R-K163	1	1/PP	
33	6LJ56827100	WALL-END-CST-H-H21X_S	1	1/P	
34	6LK51269000	SPG-F-TRAY-CST-H21Y	1	1/C	
38	6LL08518000	LBL-P-SIZE-REF-H44X	1	1/P	
42	6LL45634000	ASYB-ARM-SWING-PIN	1	1/P	
43	6LL08536000	CLICK-PIN	1	1/P	
44	6LL08520000	SPG-C-CLICK-PIN	1	1/P	
45	6LL08538000	LOCK-RACK	1	1/P	
46	6LL08521000	SPG-C-LOCK-LACK	1	1/P	
47	6LL08535000	PUSH-BAR	2	1/P	
48	6LL08519000	SPG-C-PUSH-BAR	4	1/P	
49	6LL45606000	SHEET-SIDE-GUIDE-K163	1	1/P	
50	6LL45607000	HOLDER-DUMPER	1	1/P	
51	6LL45638000	DUMPER-CST-K163	1	1/D	
52	6LL45608000	ROLL-CST-SIDE-H21X	1	1/P	
53	6LH05743000	CUSH-CST-LIFT	1	1/P	

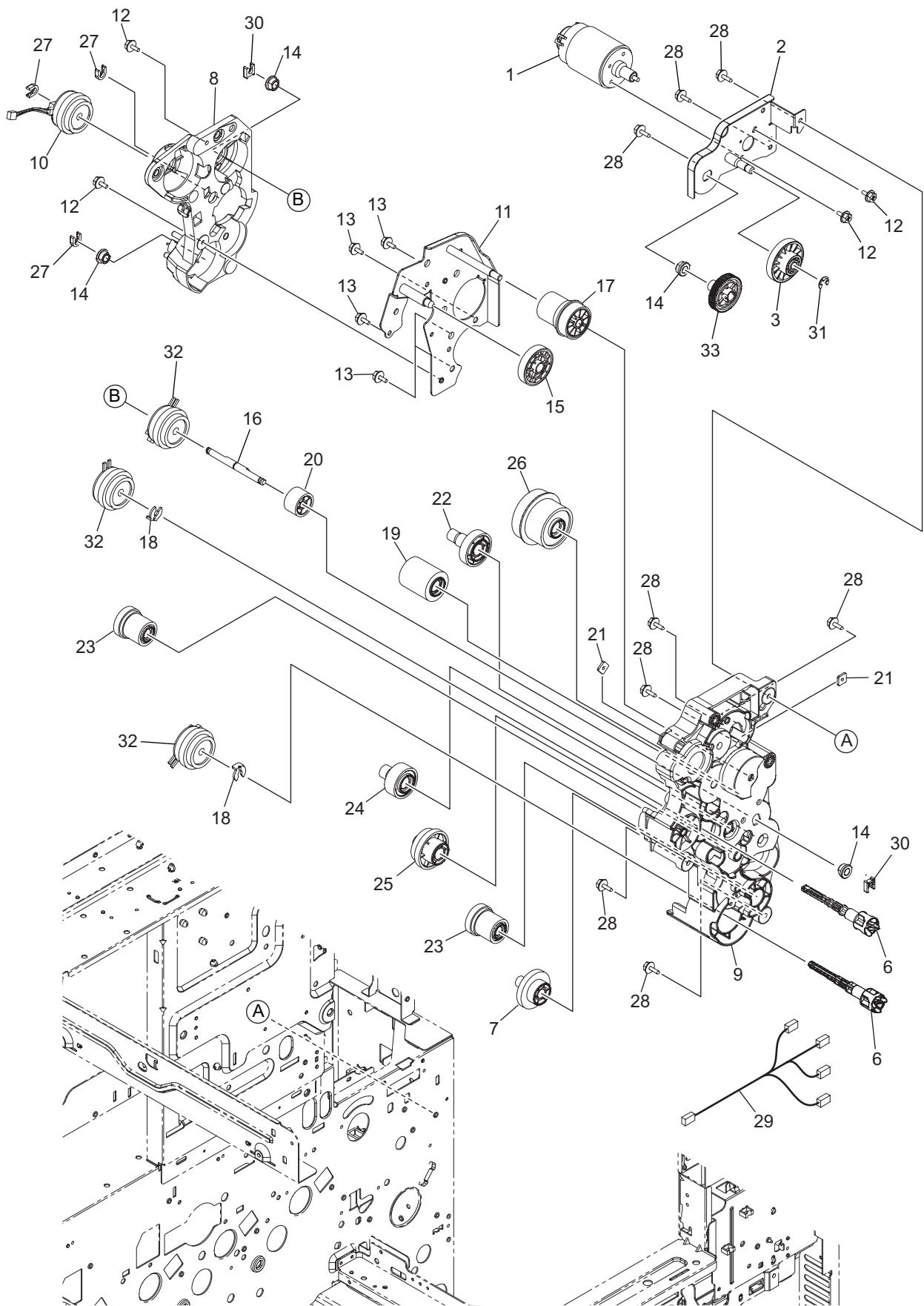


ITEM No.	PART No.	PART NAME	Q'TY / PAGE	Q'TY / PACK	REMARKS
1	6LL45601000	CST-K163-SRA3	1	1/PP	
2	6LJ66823000	SHEET-CST-H21X	1	1/P	
3	6LJ56845000	ROLL-CST-H21X	4	1/P	
4	6LL45653000	LBL_P-SIZE-SRA3-K163	1	1/KP	
5	6LL45633000	ASYS-TRAY-CST-H-K163	1	1/PP	
7	6LL08517000	CUSH-CST-TRAY	4	1/P	
8	6LL45605000	HLDR-ADJUST-GUIDE-K163	1	1/PP	
9	X0-02247000	S/TPP/FHEXM-3X8-NI	5	10/P	
10	6LH05746000	ASYS-LEVER-ELV-CST-F43X	1	1/P	
11	6LJ56910000	SHAFT-ELV-CST-H21X	1	1/P	
12	X0-02235000	S/FHEXM-M4X8-NI	2	10/P	
13	6LJ56847100	CPG-TRAY-UP-H37X	1	1/P	
14	6LJ56832100	GEAR-DRV-TRAYUP-SFT-H37X	1	1/P	
15	X0-00094000	S/PAN/SWWP-M3X10-NI	1	10/P	
16	6LL45678000	ASYS-PLATE-DRV-CST-K16X	1	1/P	
17	6LL45603000	COVER-CST-K163	1	1/PP	
18	6LJ56838200	HNDL-CST-H370	1	1/PP	
19 A	6LK51245000	SIZE-CST-37X-A4	1	1/KP	NJD,ASD,AUD,ARD,CND
19 B	6LK51245100	SIZE-CST-37X-LT	1	1/KP	NAD
21	6LL45639000	LBL_O-GUIDE-CST-K163	1	1/KP	
22	6LL45651000	LVR-CST2-K163	1	1/P	
23	6LL45637000	SPG-E-CST-HOOK-K163	1	1/P	
25	6LH05721100	PUSHER-SIDE-CST-F43X_S	1	1/P	
26	6LH05511000	SCREW-M3X8-3.2-P	2	5/P	
27	6LK51260000	PUSHER-END-CST-F43X	1	1/PP	
28	6LL08537000	LEVER-SIDE-GUIDE	1	1/P	
30	6LL08533000	GEAR-10S18-8-SIDE-GID	1	1/P	
31	6LL45600000	SLIDE-WALL-F-K163	1	1/KP	
32	6LL45630000	ASYS-SLIDE-WALL-R-K163	1	1/PP	
33	6LJ56827100	WALL-END-CST-H-H21X_S	1	1/P	
34	6LJ56834100	WALL-LONGPAPER-R-H-H21X_S	1	1/P	
35	6LJ56833100	WALL-LONGPAPER-F-H-H21X_S	1	1/P	
36	6LK51279000	LBL_O-GUIDE-SRA3-H373	1	1/P	
37	6LK51269000	SPG-F-TRAY-CST-H21Y	1	1/C	
38	6LL08518000	LBL-P-SIZE-REF-H44X	1	1/P	
42	6LL45634000	ASYB-ARM-SWING-PIN	1	1/P	
43	6LL08536000	CLICK-PIN	1	1/P	
44	6LL08520000	SPG-C-CLICK-PIN	1	1/P	
45	6LL08538000	LOCK-RACK	1	1/P	
46	6LL08521000	SPG-C-LOCK-LACK	1	1/P	
47	6LL08535000	PUSH-BAR	2	1/P	
48	6LL08519000	SPG-C-PUSH-BAR	4	1/P	
49	6LL45606000	SHEET-SIDE-GUIDE-K163	1	1/P	
50	6LL45607000	HOLDER-DUMPER	1	1/P	
51	6LL45638000	DUMPER-CST-K163	1	1/D	
52	6LL45608000	ROLL-CST-SIDE-H21X	1	1/P	
53	6LH05743000	CUSH-CST-LIFT	1	1/P	

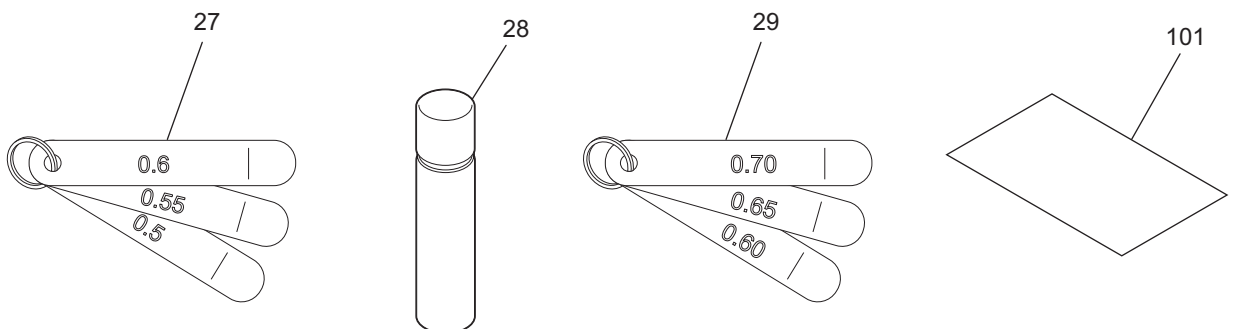
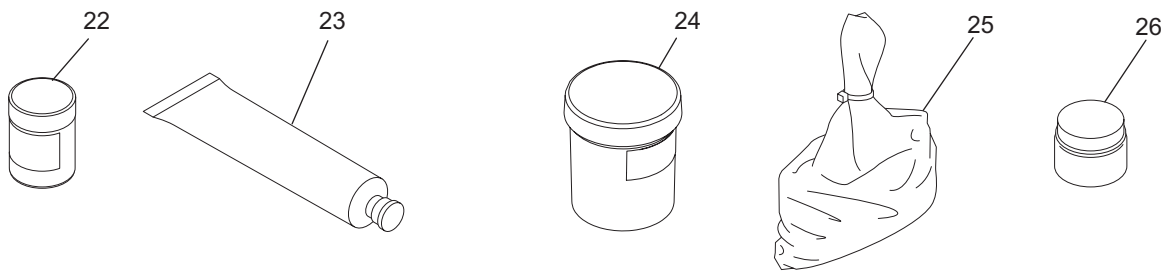
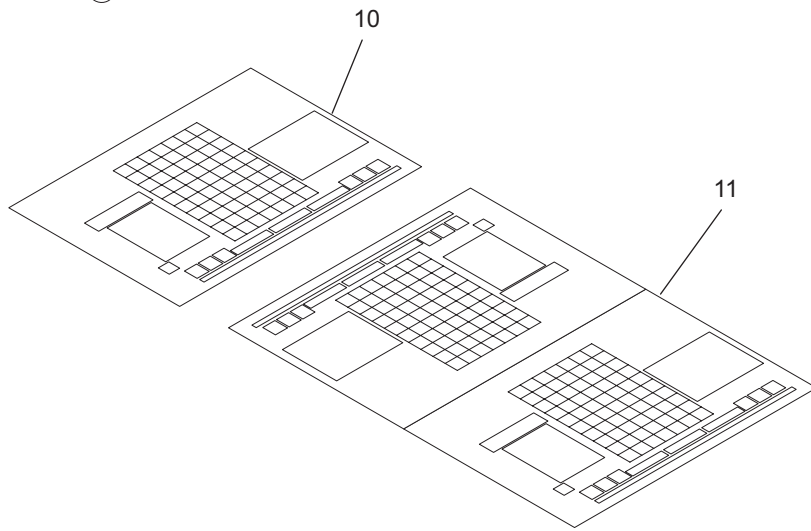
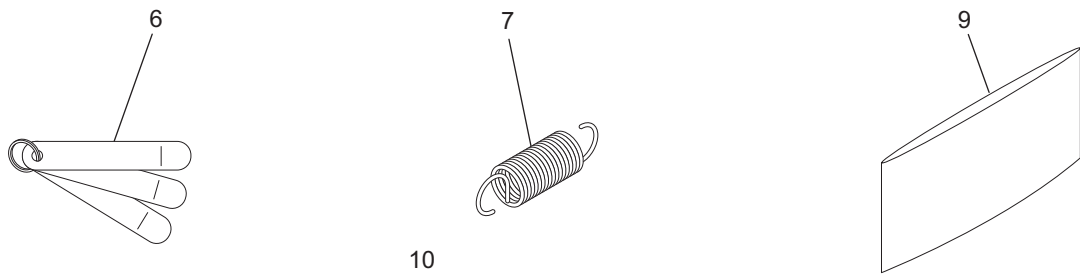
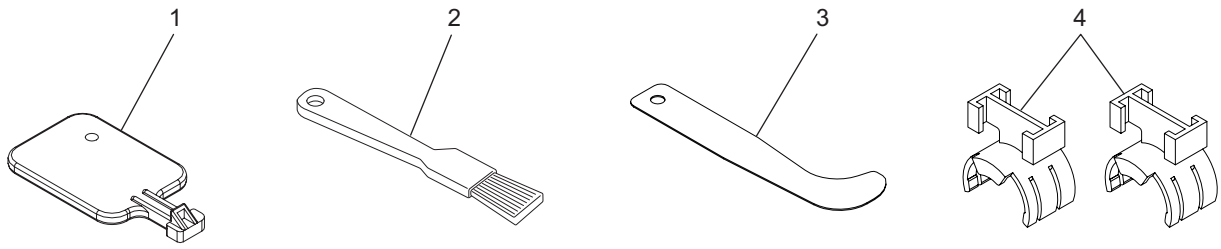




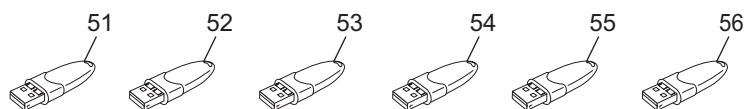
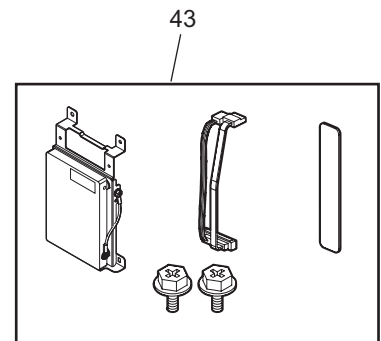
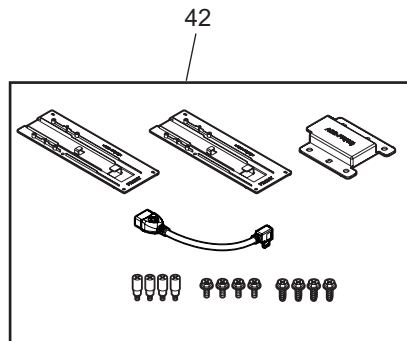
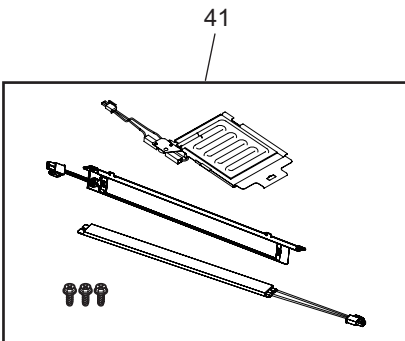
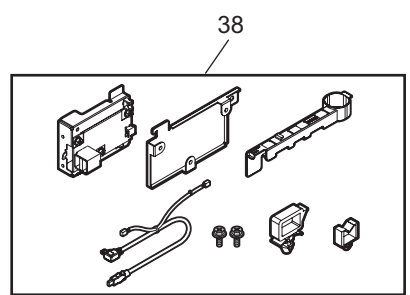
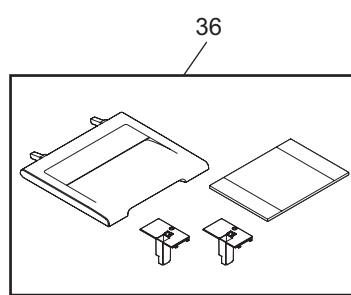
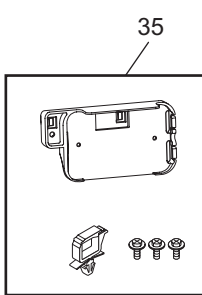
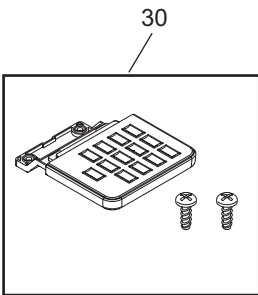
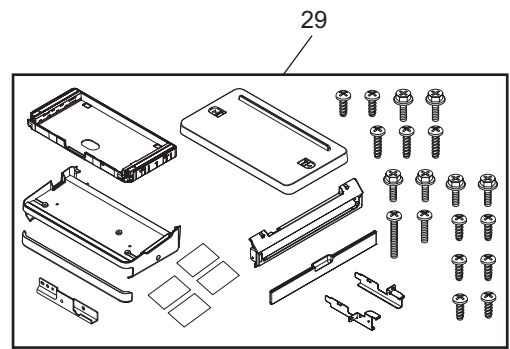
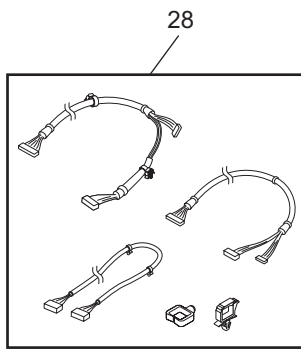
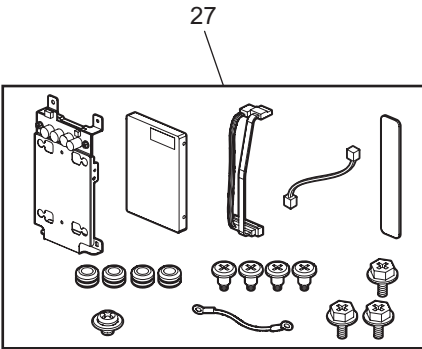
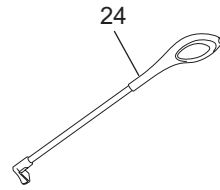
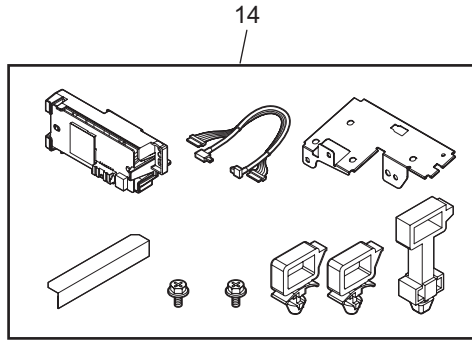
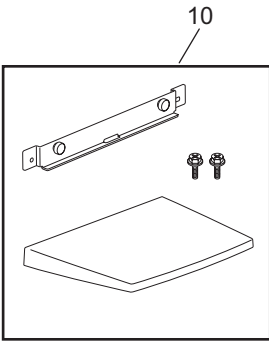
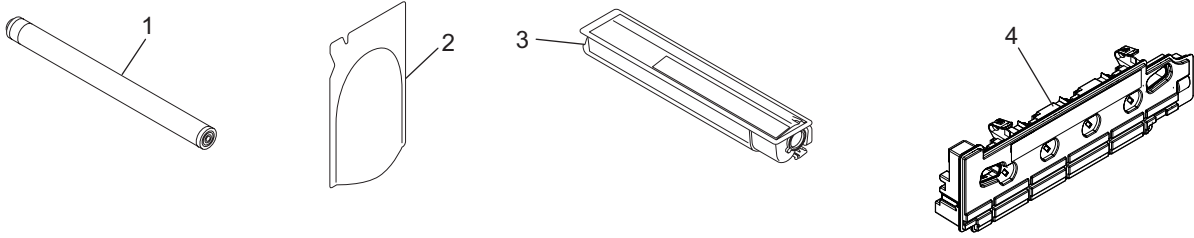




ITEM No.	PART No.	PART NAME	Q'TY / PAGE	Q'TY / PACK	REMARKS
1	6LL45139000	MOTR.D-RGST-K16X	1	1/D	
2	6LL45105000	ASYS-BRKT-RGST-L-K16X	1	1/P	
3	6LL45109000	GEAR-RGST-L2-K16X	1	1/P	
6	6LJ56332000	COUPL-CST-H21Y	2	1/P	
7	6LJ56328000	GEAR-8H39	1	1/P	
8	6LL45110000	HOLDER-CL-FED-K16X	1	1/P	
9	6LL45101000	CASE-DRV-FEED-K16X	1	1/PP	
10	6LH53742000	CLUTCH-50R-G28-6	1	1/D	
11	6LL45112000	ASYS-FRM-DRV-FED-K16X	1	1/C	
12	X0-02230000	S/FHEXM-M3X6-NI	4	10/P	
13	X0-02246000	S/TPP/FHEXM-3X6-NI	4	10/P	
14	44201492000	BUSH-6-POM	4	5/P	
15	6LL45115000	GEAR-8H39-FED-DEV-K16X	1	1/P	
16	6LH03021100	SHAFT-DRV-CL-FD-H373-PBF2	1	1/P	
17	6LL45116000	GEAR-10S29_8H28-6-K16X	1	1/P	
18	44201801000	STOP-RING-6-1.5	2	5/P	
19	6LL45122000	GEAR-8H31-K16X	1	1/P	
20	6LJ56330000	GEAR-8S26-6	1	1/P	
21	6LH55260100	PLT-NUT_N	2	5/P	
22	6LJ56329000	GEAR-8S37	1	1/P	
23	6LJ56325200	GEAR-10S26_8H25-K16X	2	1/P	
24	6LL45120000	GEAR-8H32-K16X	1	1/P	
25	6LJ56375000	GEAR-10S29_8H40	1	1/P	
26	6LL45121000	GEAR-10S43_8H43-K16X	1	1/P	
27	4407972860	STOP-RING-6-5	3	5/P	
28	X0-02420000	S/TPS/FHEXM/R-3X8-ZU3	8	10/P	
29	6LL40837000	HRNS-PFC-CLT-K163	1	1/P	
30	4408358930	STOP-RING-6-4	2	5/P	
31	X0-00966000	RR/E-5-SS	1	10/P	
32	6LH51224000	CLUTCH-50C-G28-6	3	1/D	
33	6LL45108000	GEAR-RGST_ROL-L-K16X	1	1/P	

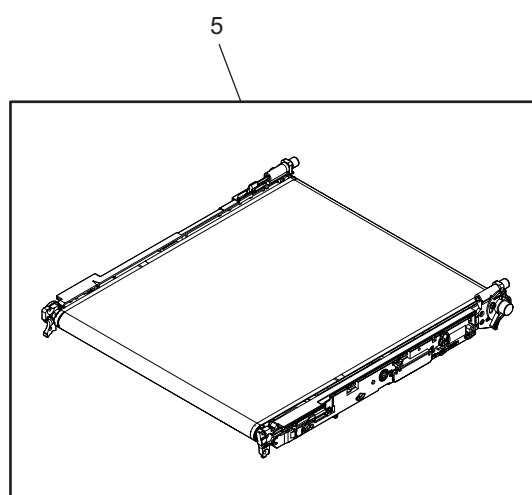
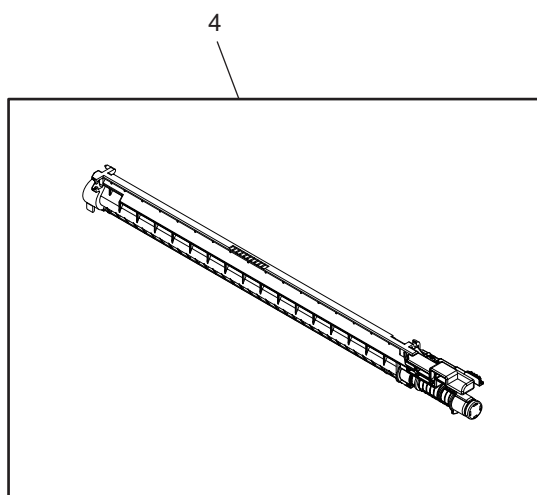
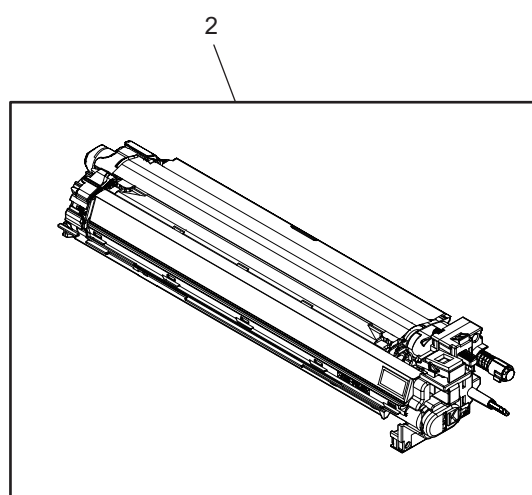
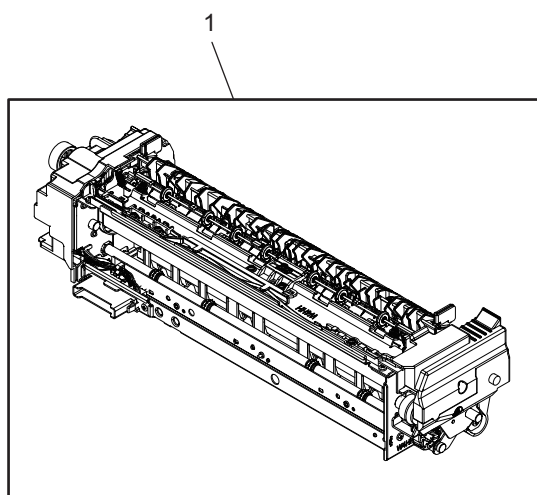






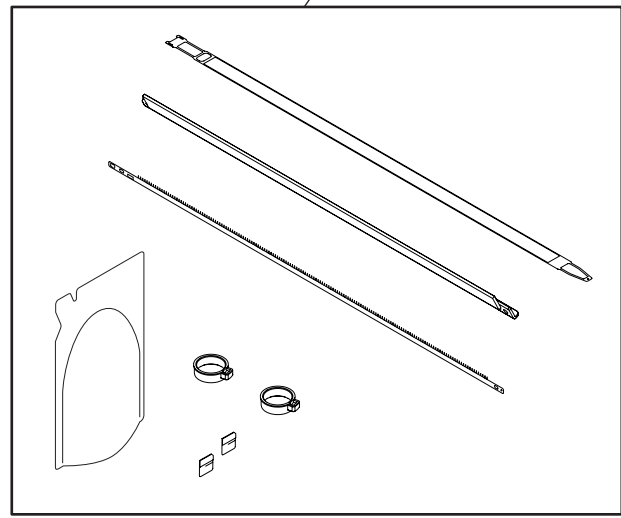
ITEM No.	PART No.	PART NAME	Q'TY / PAGE	Q'TY / PACK	REMARKS
1	6LK49015000	OD-FC505	1	1/S	
2	6LL51735300	D-FC425-K	1	1/S	
3 A	6AK00000429	PS-ZT5528U(1)	1	SUPPLY	NAD,ARD
3 B	6AJ00000229	PS-ZT5528E(1)	1	SUPPLY	MJD
3 C	6AG00009868	PS-ZT5528P(1)	1	SUPPLY	AUD,ASD
3 D	6AG00009866	PS-ZT5528C(1)	1	SUPPLY	CND
4 A	6AG00009839	PS-TBFC425	1	SUPPLY	Except CND
4 B	6AG00009840	PS-TBFC425C	1	SUPPLY	CND
10 A	6AR00000925	KK-5005	1	SUPPLY	Work Tray (All except CND)
10 B	6AR00000926	KK-5005C	1	SUPPLY	Work Tray (CND)
14 A	6AG00010090	GN-4030-A3	1	SUPPLY	Wireless LAN /Bluetooth Module (Except ARD,CND)
14 B	6AG00010092	GN-4030C-A3	1	SUPPLY	Wireless LAN /Bluetooth Module (CND)
24	6A000001733	KK-2560	1	SUPPLY	Accessible Arm
27 A	6AG00009805	GE-1260	1	SUPPLY	FIPS HDD Option (All except CND)
27 B	6AG00009806	GE-1270	1	SUPPLY	HDD without Security option (CND)
28	6A000001787	GQ-1280-N	1	SUPPLY	Harness kit for coin controller
29 A	6AH00000946	GR-1330	1	SUPPLY	Accessory Tray (All except CND)
29 B	6AH00000947	GR-1330C	1	SUPPLY	Accessory Tray (CND)
30 A	6AG00008435	GR-1340	1	SUPPLY	Panel Ten Key Option (All except CND)
30 B	6AG00008436	GR-1340C	1	SUPPLY	Panel Ten Key Option (CND)
35 A	6AG00008429	GR-1320	1	SUPPLY	Card Reader Holder (All except CND)
35 B	6AG00008430	GR-1320C	1	SUPPLY	Card Reader Holder (CND)
36 A	6AG00006726	KA-5005PC	1	SUPPLY	Platen Cover (All except CND)
36 B	6AG00006727	KA-5005PCC	1	SUPPLY	Platen Cover (CND)
38 A	6AG00009809	GR-1420	1	SUPPLY	USB Hub Option (All except CND)
38 B	6AG00009810	GR-1420C	1	SUPPLY	USB Hub Option (CND)
41 A	6AG00010227	MF-6525D	1	SUPPLY	Damp Heater (ARD,AUD)
41 B	6AG00010213	MF-6525DC	1	SUPPLY	Damp Heater (CND)
42 A	6AG00009811	GR-1430	1	SUPPLY	2nd NIC holder (All except CND)
42 B	6AG00009812	GR-1430C	1	SUPPLY	2nd NIC holder (CND)
43 A	6AG00009807	GE-1280	1	SUPPLY	Security SSD option (All except CND)
43 B	6AG00009808	GE-1290	1	SUPPLY	SSD without Security option (CND)
51	6A000001784	GS-1100	1	SUPPLY	IP Fax Enabler (ASD(HK),CND)
52	6A000001055	GS-1010	1	SUPPLY	Meta scan enabler (ASD(HK),CND)
53	6A000001053	GP-1080	1	SUPPLY	IPSec Enabler (ASD(HK))
54	6A000001309	GS-1007	1	SUPPLY	Unicode Font enabler (ASD(HK),CND)
55	6A000001715	GS-1090	1	SUPPLY	Multi Station print (ASD(HK),CND)
56	6A000001803	GS-1009	1	SUPPLY	Image Log Enabler (CND)



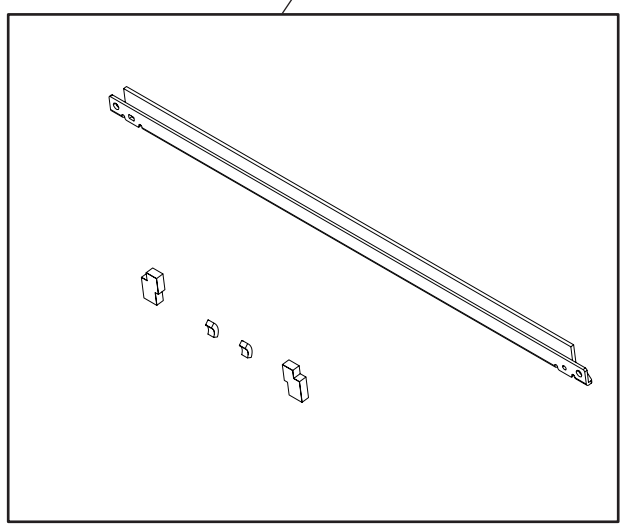




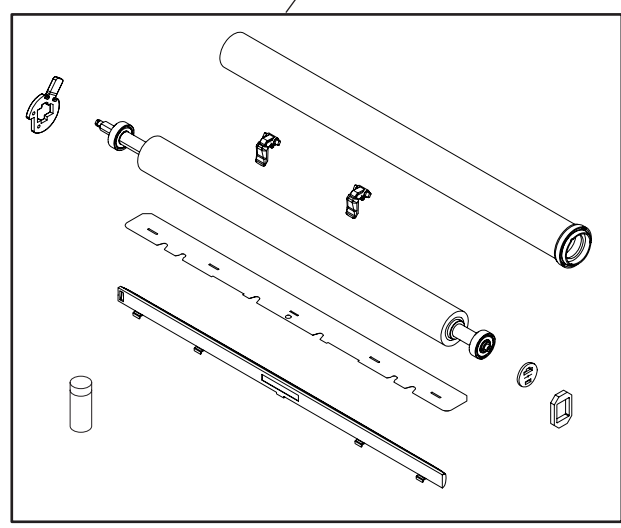
2



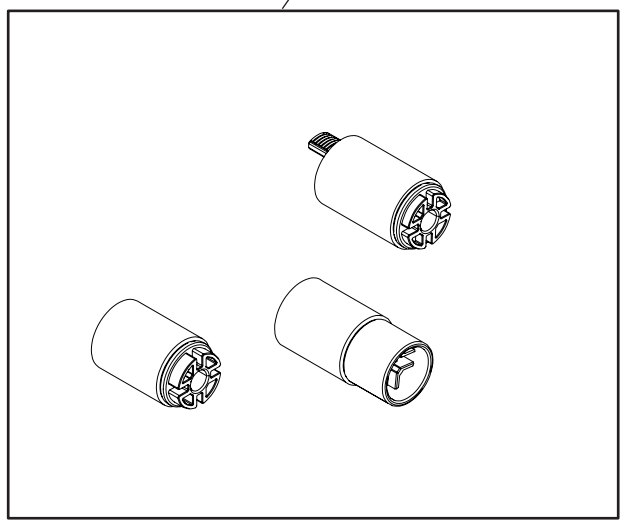
3



4



5







**TOSHIBA**

**Toshiba Tec Corporation**

1-11-1, OSAKI, SHINAGAWA-KU, TOKYO, 141-8562, JAPAN