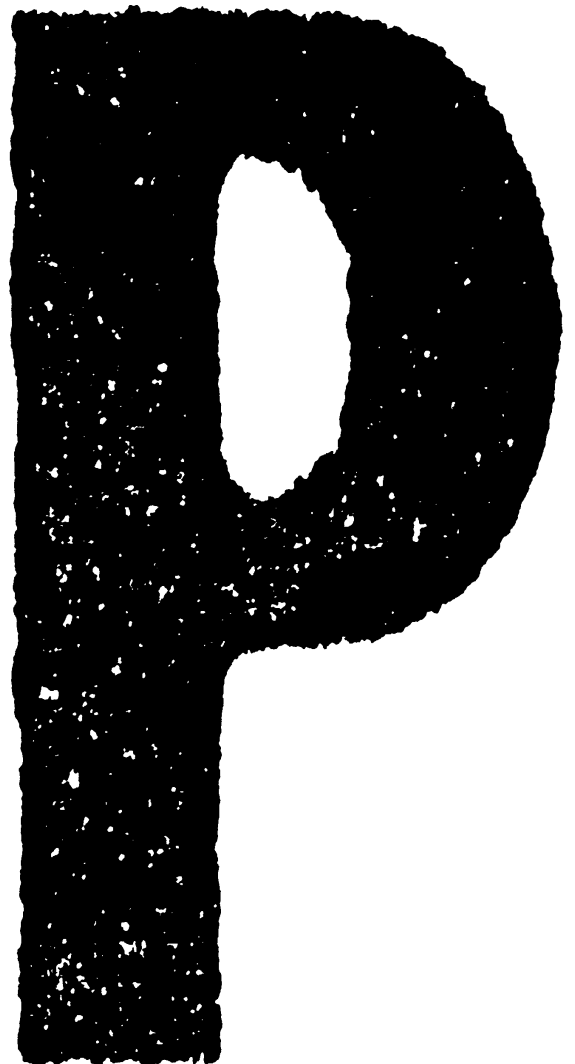


SERVICE PARTS LIST

MULTIFUNCTIONAL DIGITAL SYSTEMS

e-STUDIO5520c/6520c/6530c



© 2008 TOSHIBA TEC CORPORATION All rights reserved

Under the copyright laws, this manual cannot be reproduced in any form without prior written permission of TOSHIBA TEC CORPORATION. No patent liability is assumed, however, with respect to the use of the information contained herein.

EXPLANATION OF SERVICE-PARTS LIST

1. HOW TO READ THE PARTS LIST

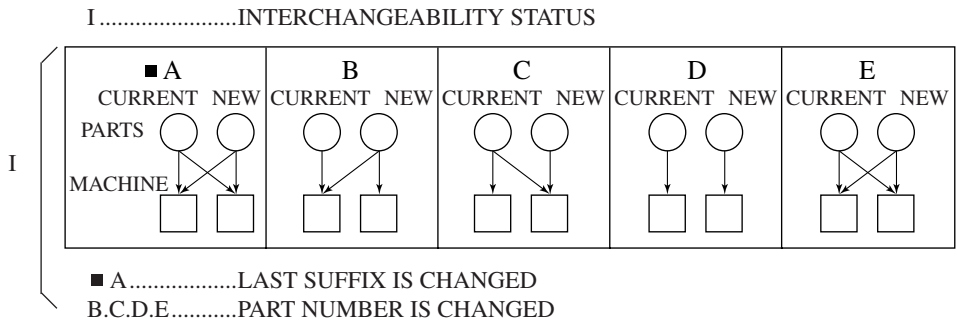
- (1) Number of pieces
The number of pieces in the list denotes total pieces used per unit. But the numbers in the list for PACKING MATERIAL and ACCESSORY denote total pieces used per machine.
- (2) One pack of screws in the list includes 50 pieces.
- (3) ABBREVIATED CODES

QTY/PAC

- QTY.....one piece
- PAC.....one pack
- 1/P.....one piece packed in polyethylene bag
- 1/S.....one piece packed in special pack
- 1/C.....one piece packed in carton box
- 1/PP.....one piece packed in paper and polyethylene bag
- 1/KP.....one piece packed in polyethylene bag with cardboard
- 1/D.....one piece packed in polyethylene-cushion bag
- 1/SB.....one piece packed in shielding bag
- N/A.....not available

P

- P.....PURPOSE
- A.....ADD
- B.....DELETE
- C.....CHANGE
- D.....QTY, CHANGE
- E.....MISENTRY
- F.....OMISSION



2. HOW TO PLACE ORDER FOR PARTS

- (1) The parts handled as service parts are only those with their "QTY/PACK" column listed with a quantity other than "N/A***" or "SUPPLY".
Those parts with "N/A***" are listed only for the purpose of showing the mechanical construction, those listed with "SUPPLY" are handled only as a sales item, and therefore both types of parts are not supplied as service parts.
- (2) Orders for any parts which form a component of a semi-assembled unit are not acceptable.
Note: All the screws and nuts used are ISO standard.

3. REGION

NAD.....115V
50/60Hz, NORTH AMERICA, SOUTH AMERICA

TWD.....110/220V
50/60Hz, TAIWAN

SAD.....127V/60Hz, SAUDI ARABIA

ASD.....220-240V
50/60Hz, ASIA, SOUTH AMERICA, etc.

ASU.....220-240V
50/60Hz, ASIA, etc.

AUD.....220-240V
50/60Hz, AUSTRALIA

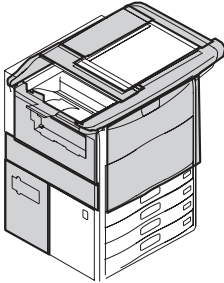
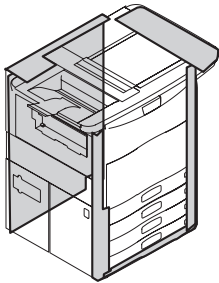
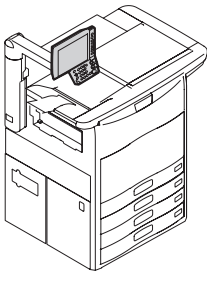
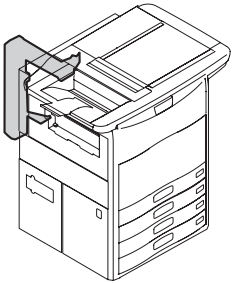
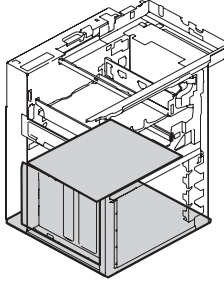
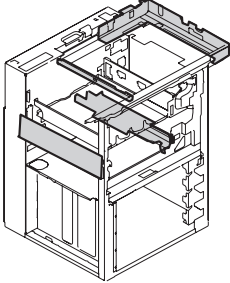
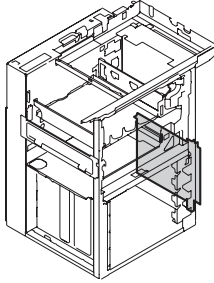
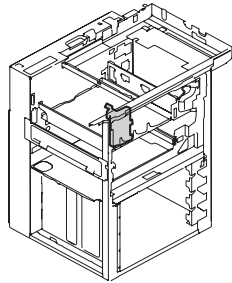
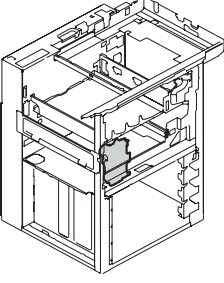
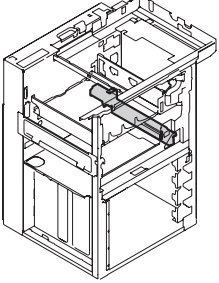
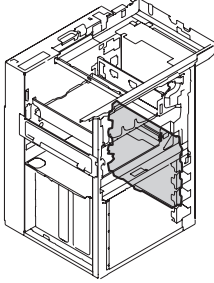
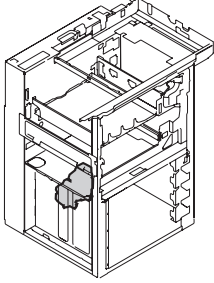
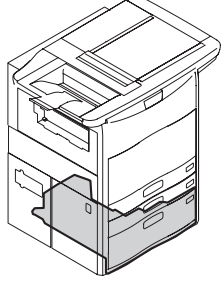
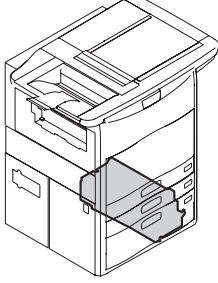
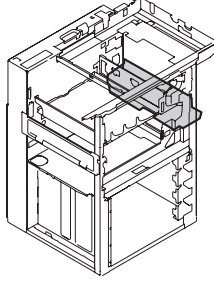
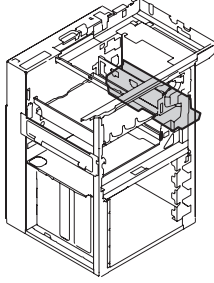
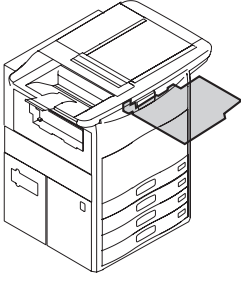
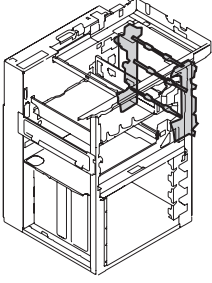
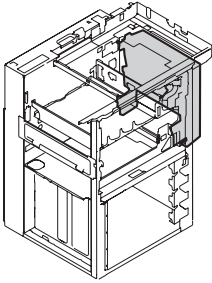
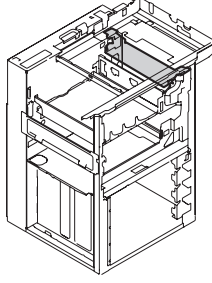
MJD.....220-240V
50/60Hz, EUROPE

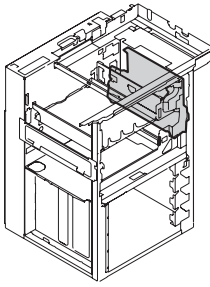
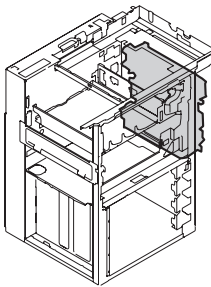
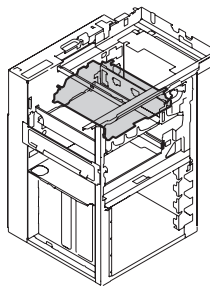
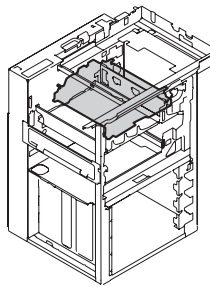
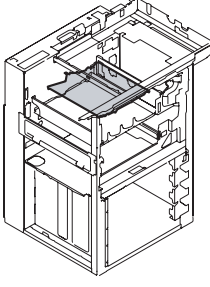
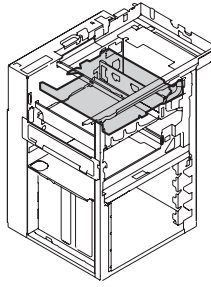
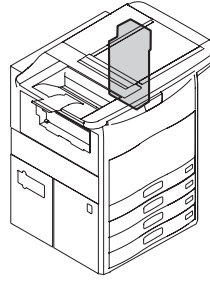
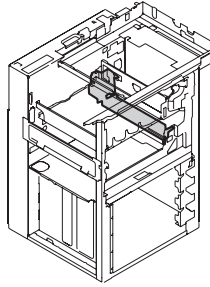
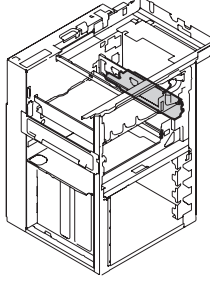
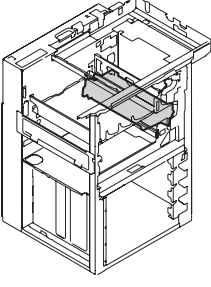
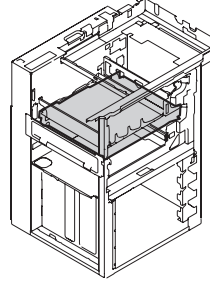
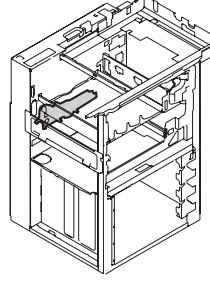
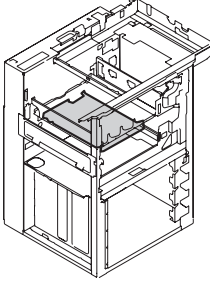
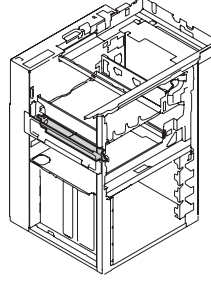
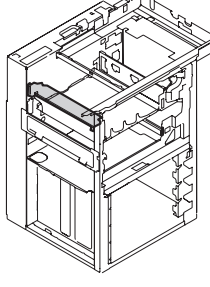
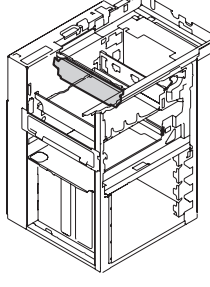
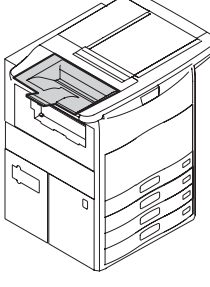
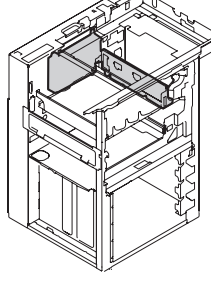
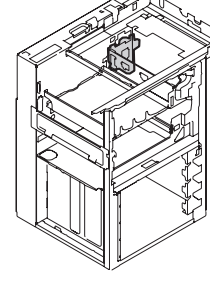
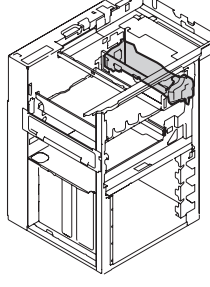
CND.....220-240V
50/60Hz, CHINA

KRD.....220-240V
50/60Hz, KOREA

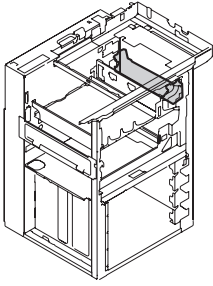
CONTENTS

COVER-1-ASM	1	FUSER-HR-ASM.....	43
COVER-2-ASM	2	FRONT-FRAME-ASM	44
CONTROL-PANEL-ASM	3	REAR-FRAME-1-ASM	45
ARM-ASM	4	REAR-FRAME-2-ASM	46
LOWER-FRAME-ASM	5	REAR-FRAME-3-ASM	47
UPPER-FRAME-ASM	6	LSU-ASM	48
FEED-COVER-ASM.....	7	DUCT-ASM	49
FEED-DRIVE-1-ASM	8	OPTICAL-FRAME-ASM	50
FEED-DRIVE-2-ASM	9	OPTICAL-DRIVE-ASM.....	51
FEED-RGST-ASM.....	10	CRG-1-ASM	52
FEED-ASM.....	11	CRG-2-ASM	53
TANDEM-LCF-DRIVE-ASM	12	OPTICAL-ELECTRIC-ASM.....	54
TANDEM-LCF-1-ASM	13	DRIVE-DEV-ASM.....	55
TANDEM-LCF-2-ASM	14	DRIVE-DRUM-ASM	56
MANUAL-FEED-DRIVE-1-ASM	15	TONER-ASM.....	57
MANUAL-FEED-DRIVE-2-ASM	16	EPU-COVER-ASM.....	58
MANUAL-TRAY-ASM	17	EPU-TRAY-1-ASM	59
ADU-DRIVE-ASM	18	EPU-TRAY-2-ASM	60
ADU-COVER-ASM.....	19	EPU-TRAY-3-ASM	61
ADU-MID-ASM.....	20	DEVELOPER-ASM	62
ADU-GUIDE-1-ASM.....	21	CLEANER-ASM	63
ADU-GUIDE-2-ASM.....	22	CHARGER-ASM	64
BRIDGE-1-ASM	23	EPU-TONNER-AUGER-ASM.....	65
BRIDGE-2-ASM	24	DRAWER-DRIVE-ASM	66
BRIDGE-3-ASM	25	DRAWER-ASM	67
BRIDGE-4-ASM	26	SYS-ASM.....	68
TRANSFER-ROLLER-TONNER- AUGER-ASM	27	LGC-ASM.....	69
TRANSFER-ROLLER-DRIVE-ASM	28	ERECTRIC-ASM.....	70
TRANSFER-ROLLER-ASM	29	PS-HVT-ASM	71
TRANSFER-BELT-1	30	RADF-FEED-1-ASM	81
TRANSFER-BELT-2	31	RADF-FEED-2-ASM	82
TRANSFER-BELT-3	32	RADF-FEED-3-ASM	83
TRANSFER-BELT-4	33	RADF-FEED-4-ASM	84
TRANSFER-BELT-CLEANER.....	34	RADF-FEED-5-ASM	85
EXIT-1-ASM	35	RADF-FEED-6-ASM	86
EXIT-2-ASM	36	RADF-FEED-DRIVE-ASM	87
EXIT-3-ASM	37	RADF-HINGE-ASM.....	88
FUSER-AROUND-ASM	38	RADF-REAR-FRAME-ASM	89
FUSER-DRIVE-ASM.....	39	RADF-COVER-ASM	90
FUSER-COV-FRAME-ASM	40	RADF-GUIDE-OPEN-ASM	91
FUSER-GUIDE-ASM	41	RADF-PLATEN-ASM.....	92
FUSER-PR-ASM.....	42	RADF-TRAY-ASM	93

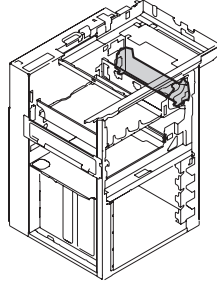
<p>1. COVER-1-ASM</p> 	<p>2. COVER-2-ASM</p> 	<p>3. CONTROL-PANEL-ASM</p> 	<p>4. ARM-ASM</p> 
<p>5. LOWER-FRAME-ASM</p> 	<p>6. UPPER-FRAME-ASM</p> 	<p>7. FEED-COVER-ASM</p> 	<p>8. FEED-DRIVE-1-ASM</p> 
<p>9. FEED-DRIVE-2-ASM</p> 	<p>10. FEED-RGST-ASM</p> 	<p>11. FEED-ASM</p> 	<p>12. TANDEM-LCF-DRIVE-ASM</p> 
<p>13. TANDEM-LCF-1-ASM</p> 	<p>14. TANDEM-LCF-2-ASM</p> 	<p>15. MANUAL-FEED-DRIVE-1-ASM</p> 	<p>16. MANUAL-FEED-DRIVE-2-ASM</p> 
<p>17. MANUAL-TRAY-ASM</p> 	<p>18. ADU-DRIVE-ASM</p> 	<p>19. ADU-COVER-ASM</p> 	<p>20. ADU-MID-ASM</p> 

<p>21.ADU-GUIDE-1-ASM</p> 	<p>22.ADU-GUIDE-2-ASM</p> 	<p>23.BRIDGE-1-ASM</p> 	<p>24.BRIDGE-2-ASM</p> 
<p>25.BRIDGE-3-ASM</p> 	<p>26.BRIDGE-4-ASM</p> 	<p>27.TRANSFER-ROLLER-TONNER-AUGER-ASM</p> 	<p>28.TRANSFER-ROLLER-DRIVE-ASM</p> 
<p>29.TRANSFER-ROLLER-ASM</p> 	<p>30.TRANSFER-BELT-1</p> 	<p>31.TRANSFER-BELT-2</p> 	<p>32.TRANSFER-BELT-3</p> 
<p>33.TRANSFER-BELT-4</p> 	<p>34.TRANSFER-BELT-CLEANER</p> 	<p>35.EXIT-1-ASM</p> 	<p>36.EXIT-2-ASM</p> 
<p>37.EXIT-3-ASM</p> 	<p>38.FUSER-AROUND-ASM</p> 	<p>39.FUSER-DRIVE-ASM</p> 	<p>40.FUSER-COV-FRAME-ASM</p> 

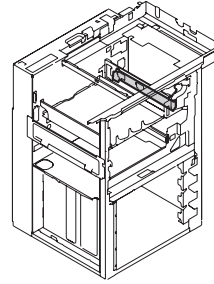
41.FUSER-GUIDE-ASM



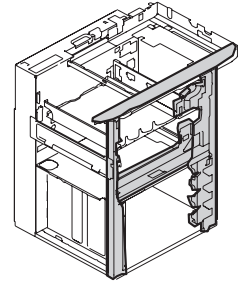
42.FUSER-PR-ASM



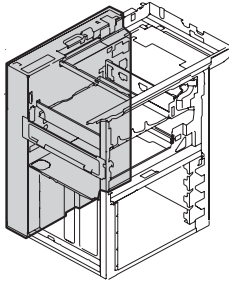
43.FUSER-HR-ASM



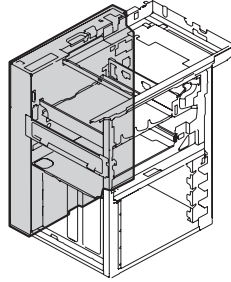
44. FRONT-FRAME-ASM



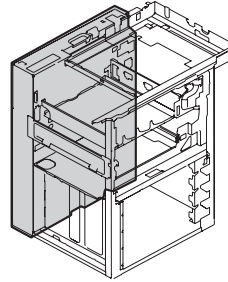
45. REAR-FRAME-1-ASM



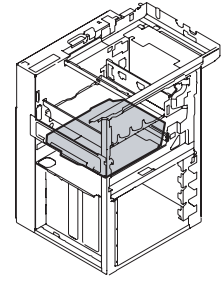
46. REAR-FRAME-2-ASM



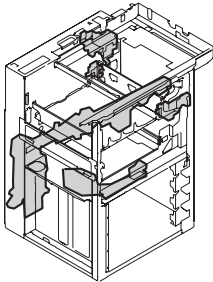
47. REAR-FRAME-3-ASM



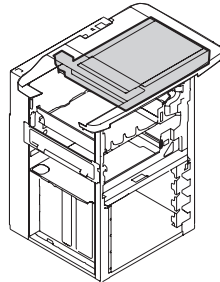
48.LSU-ASM



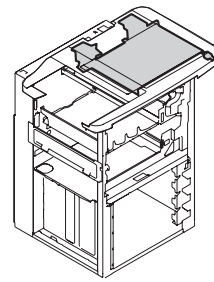
49.DUCT-ASM



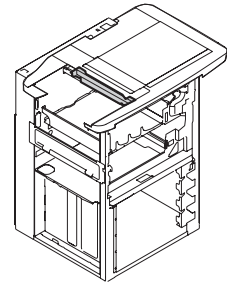
50. OPTICAL-FRAME-ASM



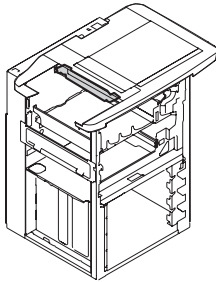
51. OPTICAL-DRIVE-ASM



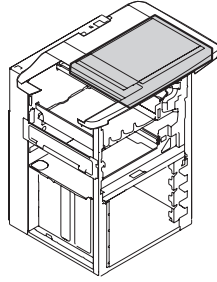
52. CRG-1-ASM



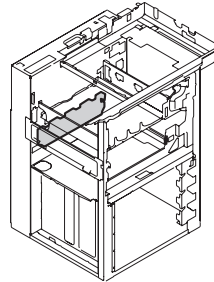
53.CRG-2-ASM



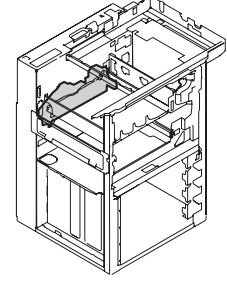
54.OPTICAL-ELECTRIC-ASM



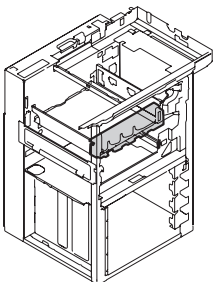
55.DRIVE-DEV-ASM



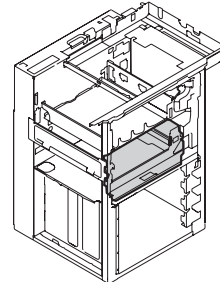
56.DRIVE-DRUM-ASM



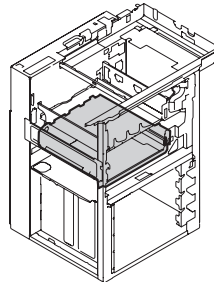
57.TONER-ASM



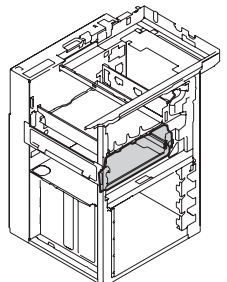
58.EPU-COVER-ASM

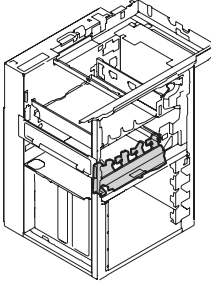
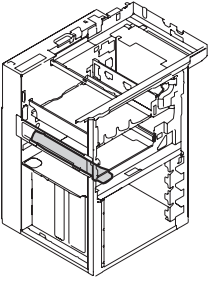
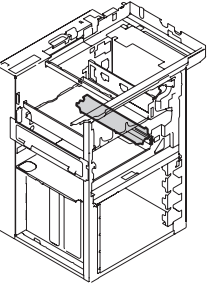
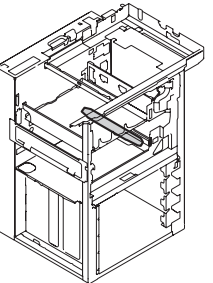
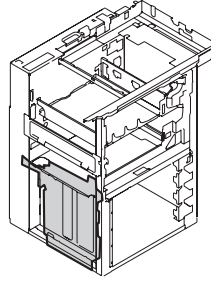
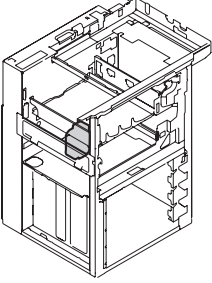
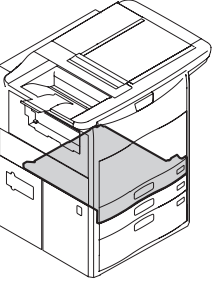
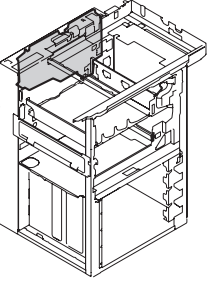
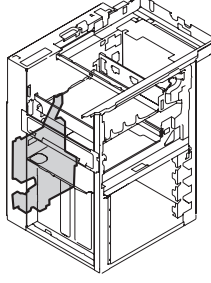
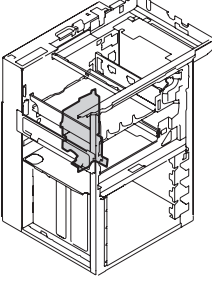
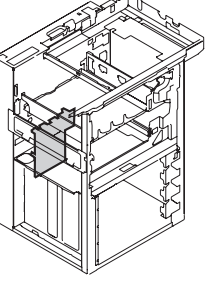
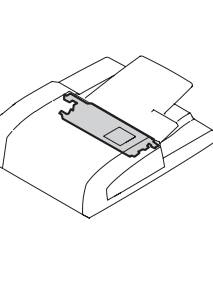
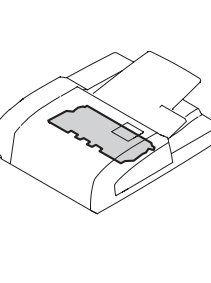
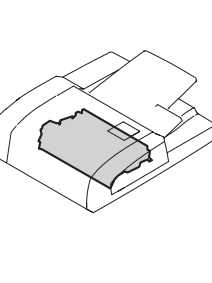
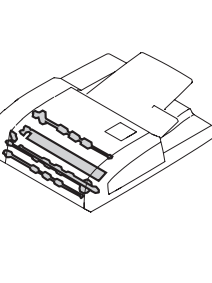
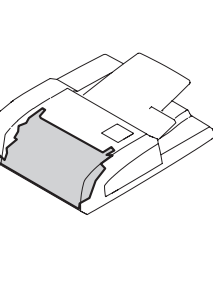
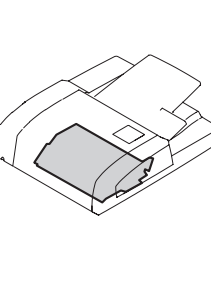
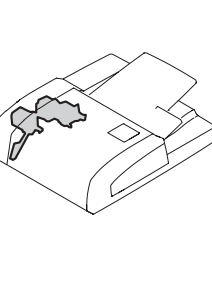
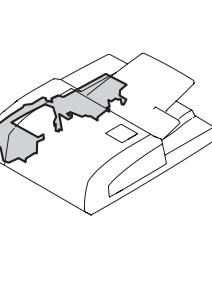
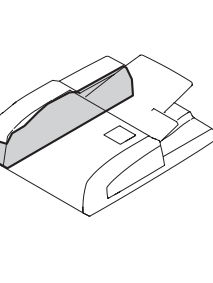


59.EPU-TRAY-1-ASM

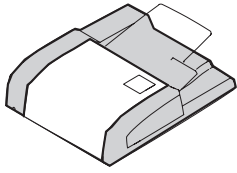


60.EPU-TRAY-2-ASM

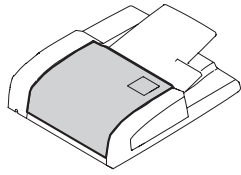


<p>61.EPU-TRAY-3-ASM</p> 	<p>62.DEVELOPER-ASM</p> 	<p>63.CLEANER-ASM</p> 	<p>64.CHARGER-ASM</p> 
<p>65.EPU-TONER-AUGER-ASM</p> 	<p>66.DRAWER-DRIVE-ASM</p> 	<p>67.DRAWER-ASM</p> 	<p>68.SYS-ASM</p> 
<p>69.LGC-ASM</p> 	<p>70.ELECTRIC-ASM</p> 	<p>71.PS-HVT-ASM</p> 	<p>81.RADF-FEED-1-ASM</p> 
<p>82.RADF-FEED-2-ASM</p> 	<p>83.RADF-FEED-3-ASM</p> 	<p>84.RADF-FEED-4-ASM</p> 	<p>85.RADF-FEED-5-ASM</p> 
<p>86.RADF-FEED-6-ASM</p> 	<p>87.RADF-FEED-DRIVE-ASM</p> 	<p>88.RADF-HINGE-ASM</p> 	<p>89.RADF-REAR-FRAME-ASM</p> 

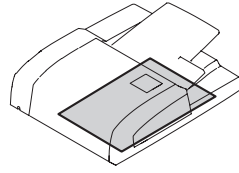
90.RADF-COVER-ASM



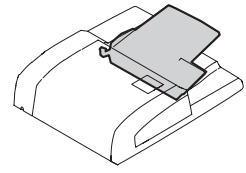
91.RADF-GUIDE-OPEN-ASM

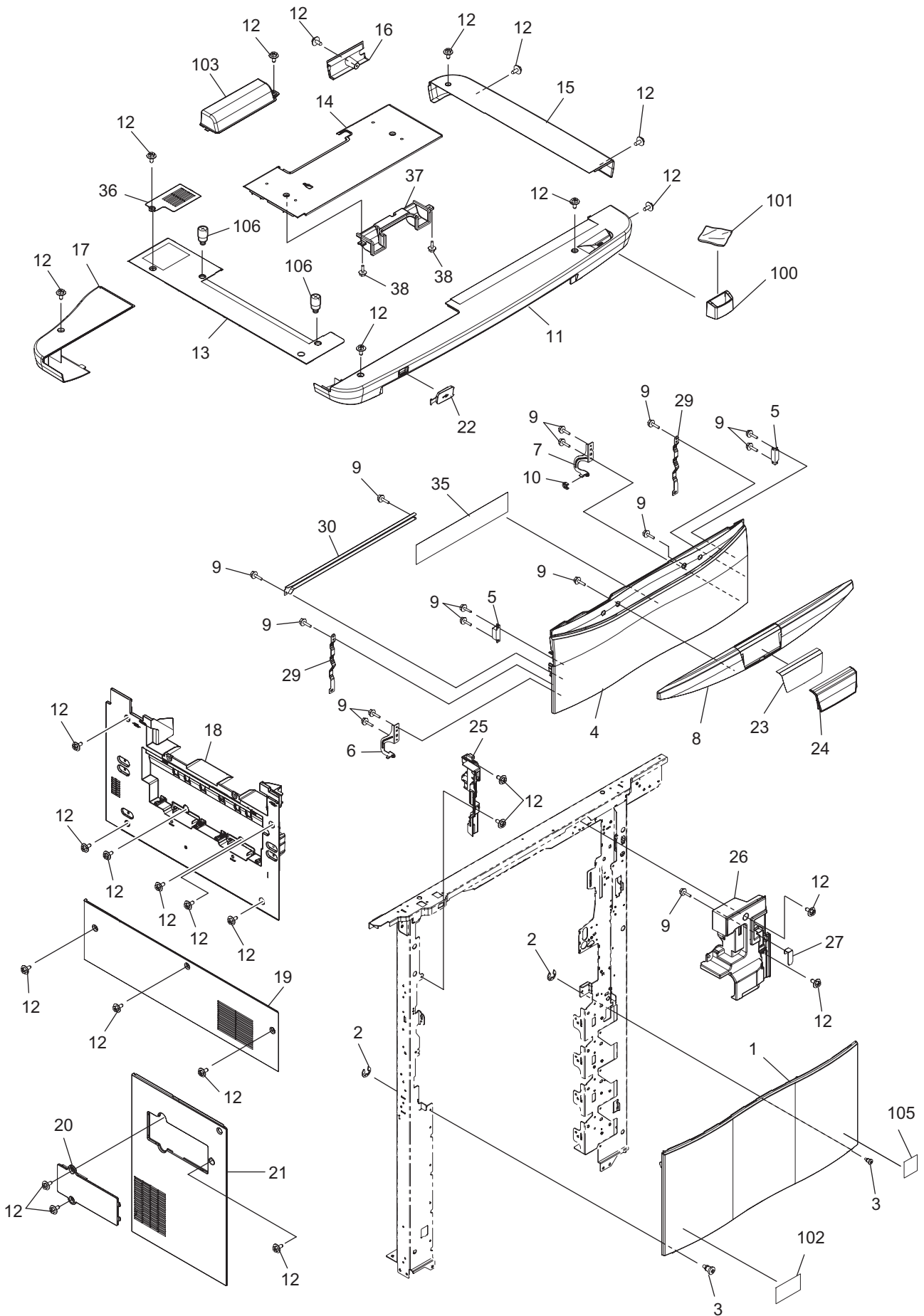


92.RADF-PLATEN-ASM

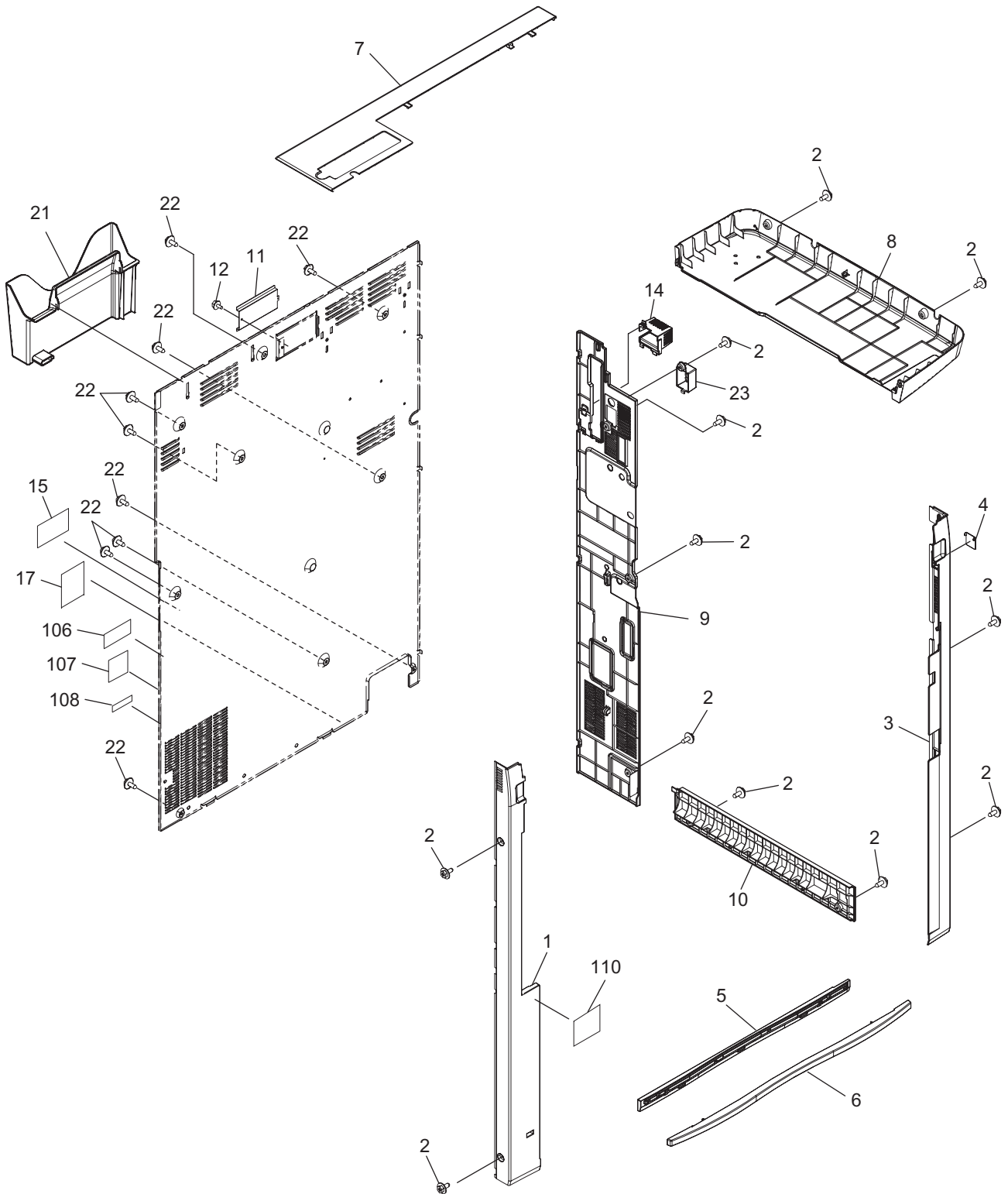


93.RADF-TRAY-ASM

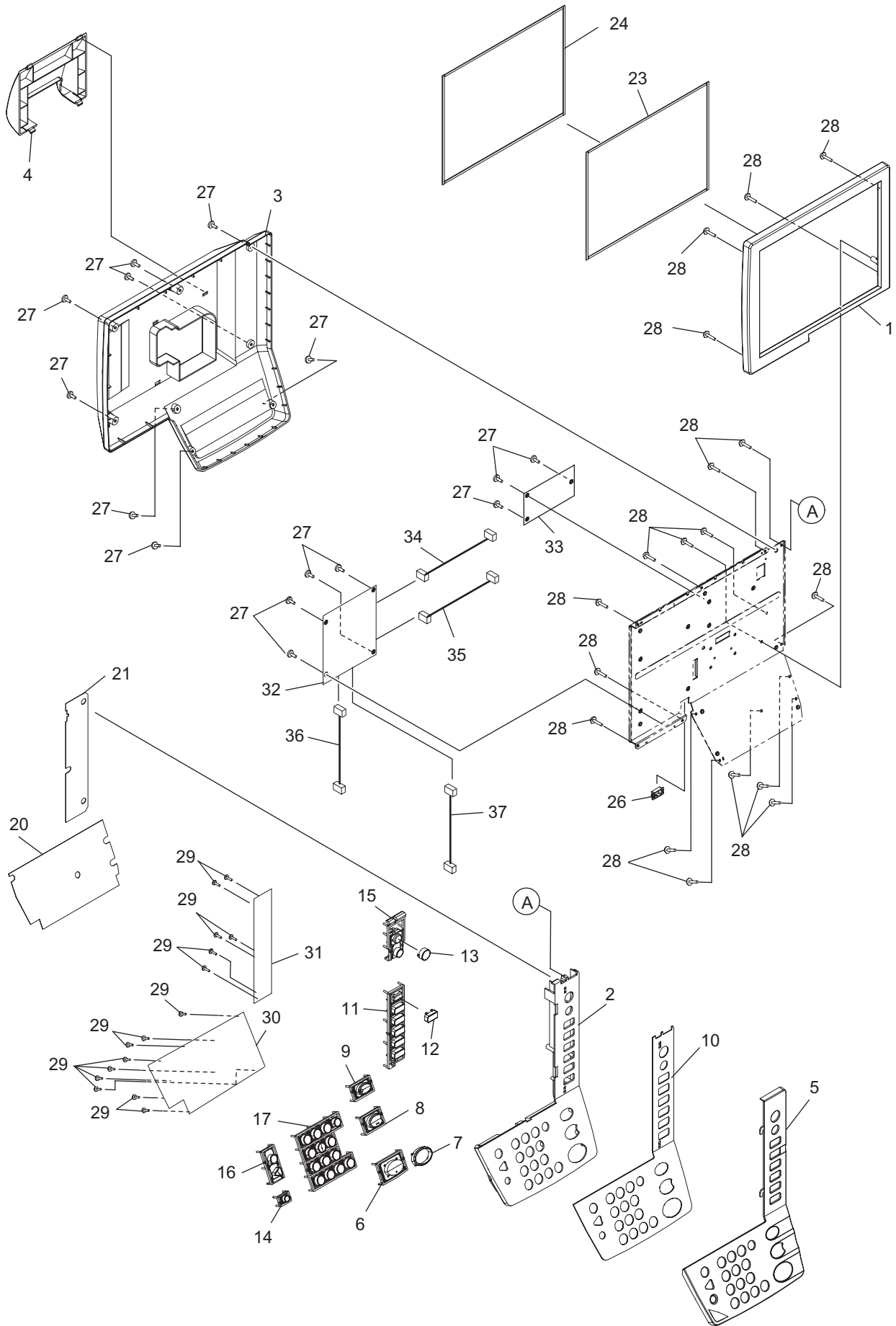




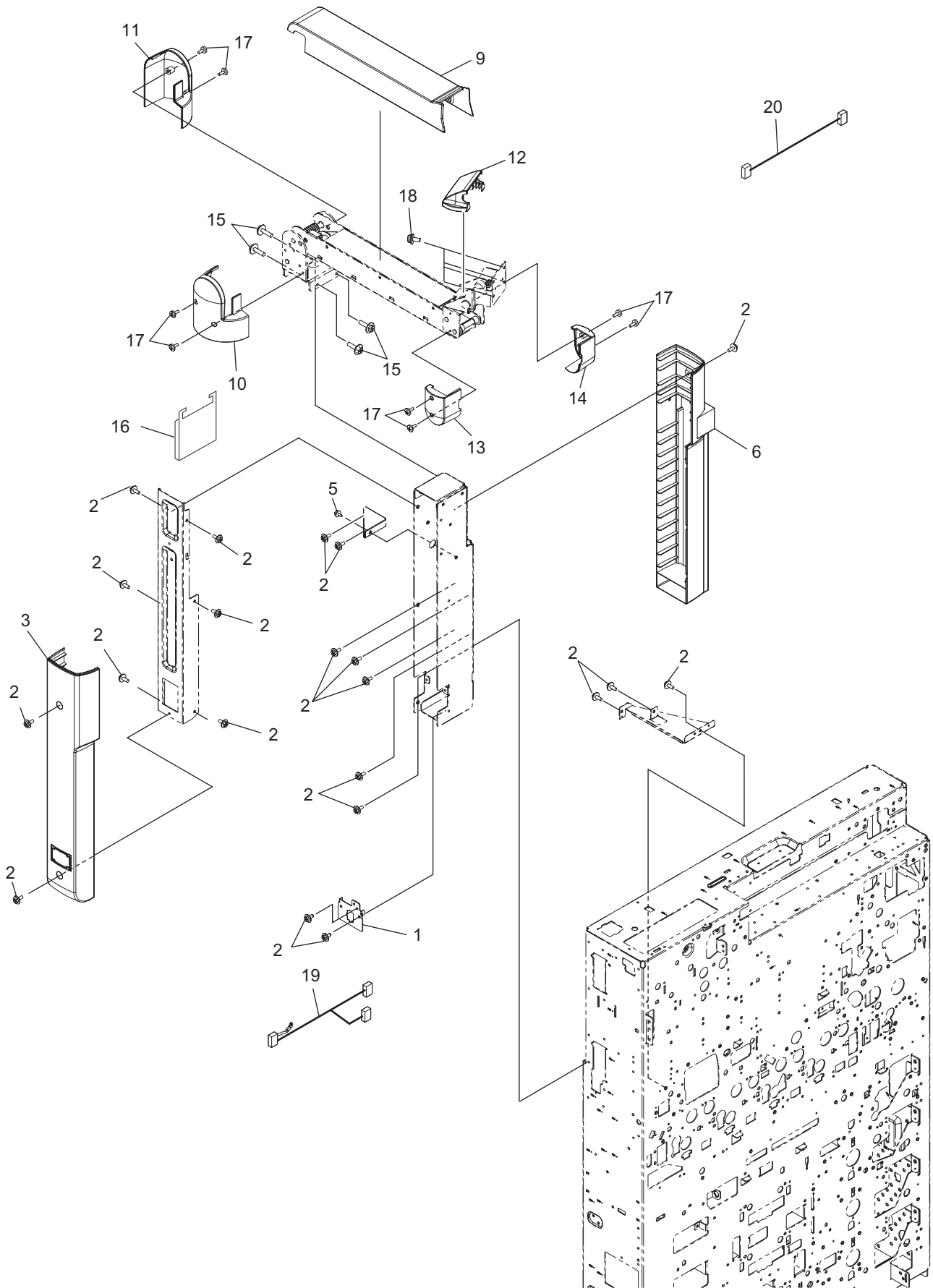
ITEM NO.	PARTS NO.	PARTS NAME	Q'TY / PAGE	Q'TY / PACK	PIR	BSI NO.	TO	T	FROM	SERIAL NO.	REMARKS	C
1	6LH02306000	COVER-FRT-EPU-430T		1/1/PP								
2	X0-00965000	RR/E-4-SS		2/10/P								
3	6LA65682000	SCREW-CLNR-DEV		2/10/P								
4	6LH02307000	COVER-FRT-TNR-430T		1/1/PP								
5	F0-01564000	CA-0168C		2/5/P								
6	6LH02316000	ASYS-HNG-L		1/1/P								
7	6LH02315000	ASYS-HNG-R		1/1/P								
8	6LH02303000	PLATE-EMBLEM		1/1/PP								
9	X0-02248000	S/TPP/FHEXM-3X10-NI		15/10/P								
10	4407972860	STOP-RING-6-5		1/5/P								
11	6LH02321000	COVER-TBL-FRT-430T		1/1/PP								
12	X0-02421000	S/TPS/FHEXM/R-4X8-ZU3		25/10/P								
13	6LH08262000	COVER-TP-LFT-CNT-430T		1/1/KP								
14	6LH08263000	COVER-TP-RER-430T		1/1/PP								
15	6LH08261000	COVER-TP-RGT-430T		1/1/PP								
16	6LH08264000	COVER-TP-RER-U-430T		1/1/P								
17	6LH02322000	COVER-TBL-FAX-430T		1/1/PP								
18	6LH02327000	COVER-LFT-EXIT-430T		1/1/PP								
19	6LH02319000	COVER-LFT-LSU-430T		1/1/PP								
20	6LH02357000	ASYS-COVER-FLT-F43X		1/1/PP								
21	6LH02318000	COVER-DUCT-430T		1/1/PP								
22	6LH02384000	CAP-USB		1/1/P								
23A	6LH02347000	SHEET-EMBLEM-5520		1/1/D							e-STUDIO55 20C	
23B	6LH02347100	SHEET-EMBLEM-6520		1/1/D							e-STUDIO65 20C	
23C	6LH02347200	SHEET-EMBLEM-6530		1/1/D							e-STUDIO65 30C	
24	6LH02301000	COVER-EMBLEM		1/1/P								
25	6LH02354000	COVER_INNER_L-430T		1/1/PP								
26	6LH02369000	COVER_INNER_R		1/1/PP								
27	6LH02356000	PLT_MAG_CV_IN_R		1/1/P								
29	6LH02317000	BAND-CV-FRT-TNR		2/1/P								
30	6LH02364000	PLT_BRIDGE_CV_FRT_TNR		1/1/P								
35	6LH03597000	SHEET-INST-TONER-430		1/1/KP								
36	6LH08368000	ASYS-COVER-TP-LFT-SUB-430		1/1/PP								
37	6LH01550000	ASYS-DUCT-TP-REAR-L		1/1/PP								
38	X0-02247000	S/TPP/FHEXM-3X8-NI		2/10/P								
100	6LE16209000	ASYS-CLOTH-SCN		1/1/P								
101	6LE16207000	CLOTH-SCN		1/1/KP								
102	6LH45830000	LBL-E-BRIDGE2		1/1/P								
103	6LH02373000	COVER-TP-REAR-R		1/1/P								
105	6LE84761000	LBL-ENERGY-T-PS-N		1/5/KP								



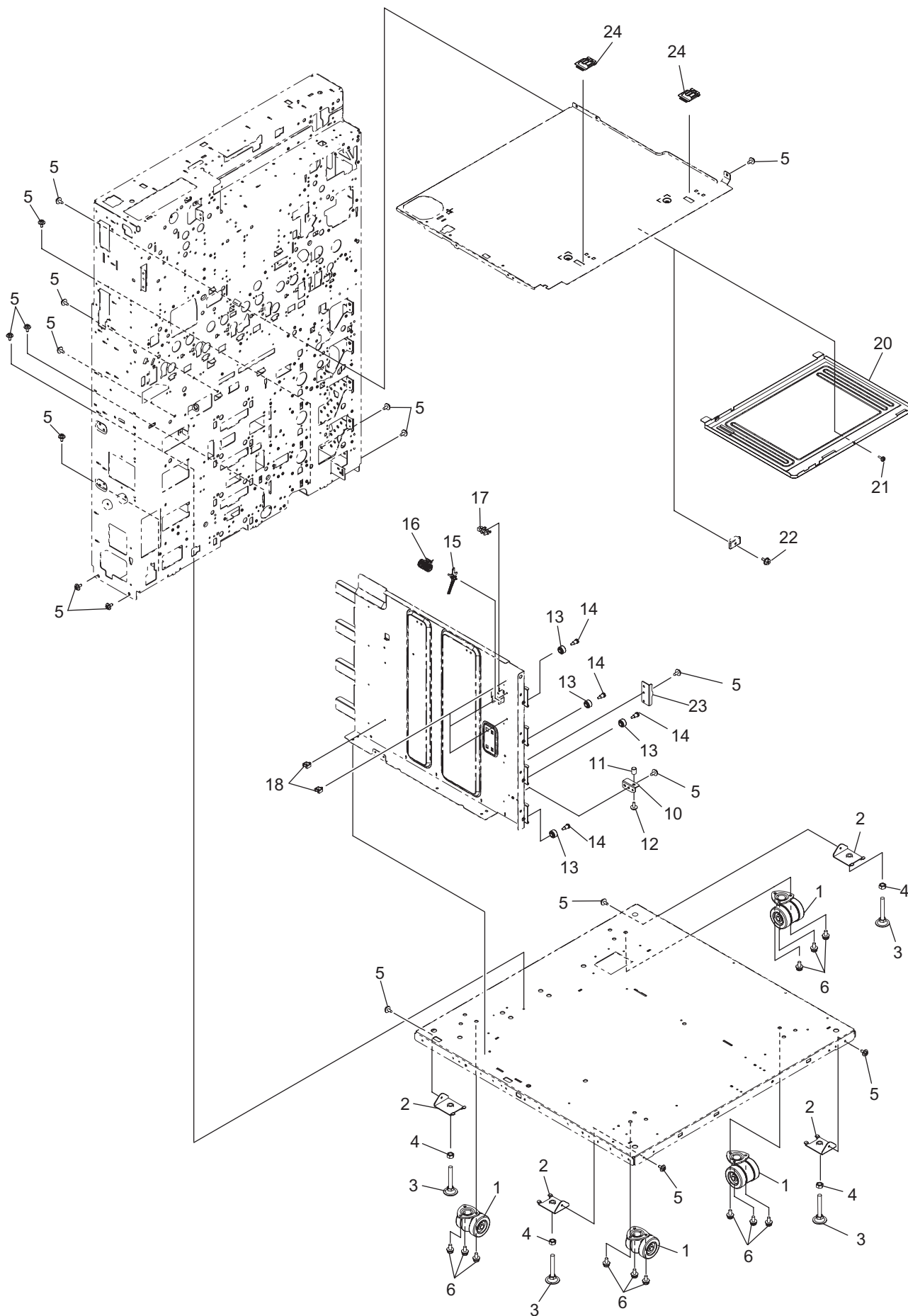
ITEM NO.	PARTS NO.	PARTS NAME	Q'TY / PAGE	Q'TY / PACK	PIR	BSI NO.	TO	T	FROM	SERIAL NO.	REMARKS	C
1	6LH02304000	COVER-FRT-CNR-L-430T		1/1/PP								
2	X0-02421000	S/TPS/FHEXM/R-4X8-ZU3		12/10/P								
3	6LH02305000	COVER-FRT-CNR-R-430T		1/1/PP								
4	6LH02325000	COVER-LID-SW		1/1/P								
5	6LH02309000	COVER-FRT-SKIRT-430T		1/1/P								
6A	6LH02310000	COVER-FRT-SKIRT-CV-430		1/1/KP							NAC,MJC,AU C	
7	6LH02323000	COVER-TBL-BCK-430T		1/1/KP								
8	6LH02368000	ASYS-COVER-TBL-UDR		1/1/PP								
9	6LH02328000	COVER-RGT-RER-430T		1/1/PP								
10	6LH02308000	COVER-LCF-RAIL-430T		1/1/P								
11	6LH02345000	COVER-RER-SUB-EFI		1/1/P								
12	X0-02419000	S/TPS/FHEXM/R-3X6-ZU3		1/10/P								
14	6LH02329000	COVER-CABLE-RGT-RER-430T		1/1/P								
15	6LA47529000	LBL-LASER		1/1/KP								
17A	44204604000	LBL-SERVICE-45		1/5/P							NAD,NAC,AS D,AUD,AUC, ASU	
21	6LE75819000	POCKET-MANUAL		1/1/PP								
22	X0-02235000	S/FHEXM-M4X8-NI		10/10/P								
23	6LH02372000	COVER-FILTER-FUS		1/1/P								
106A	6LA15839000	LABEL-FCC-18		1/10/KP							NAD,NAC	
107A	4408860880	LABEL-CANADA-A		1/5/P							NAD,NAC	
108A	6LE90046000	LBL-MERCURY-US		1/1/KP							NAD,NAC	
110	6LH14714000	LBL-CAUTION-DAMP-HTR		1/1/KP								



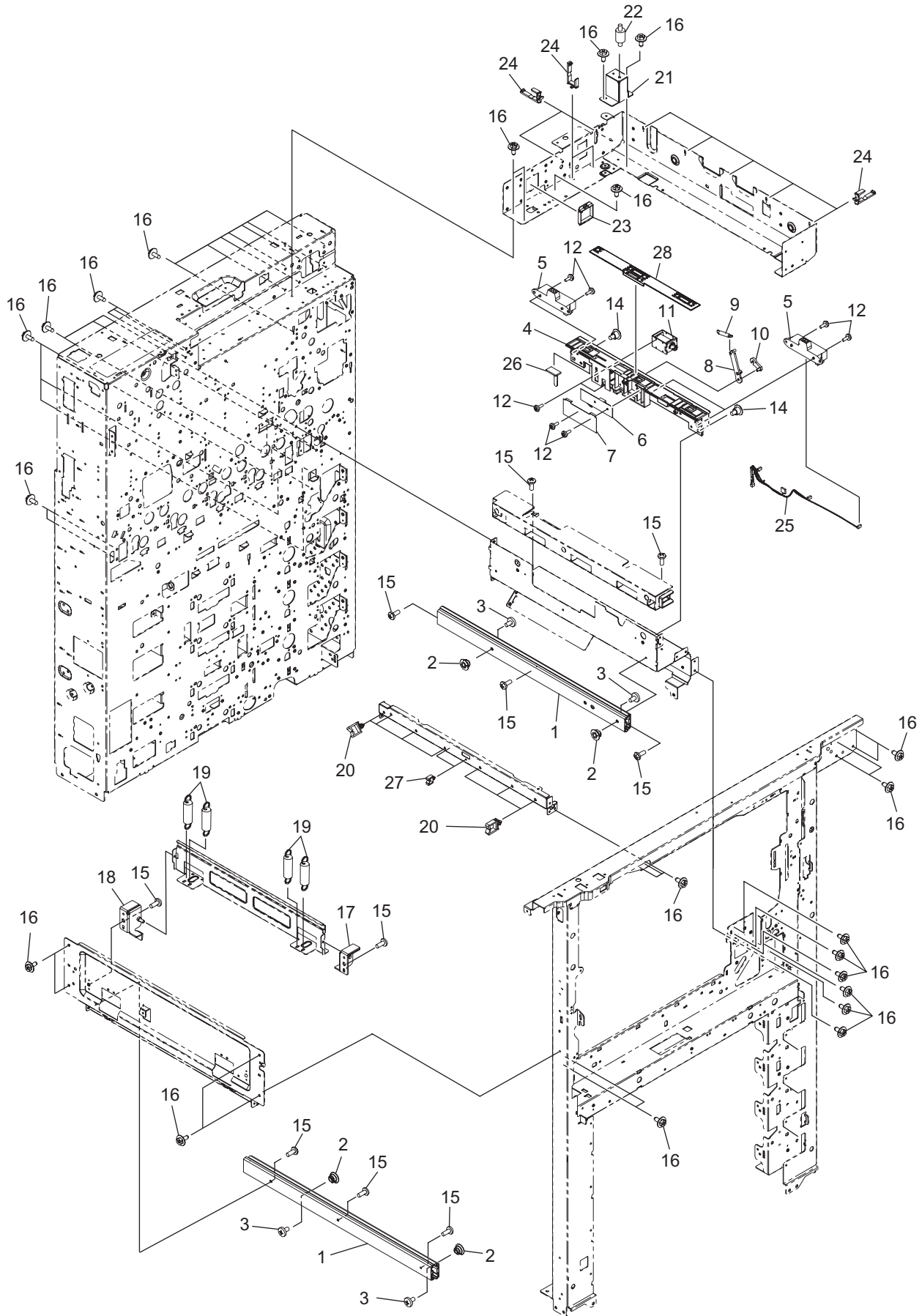
ITEM NO.	PARTS NO.	PARTS NAME	Q'TY / PAGE	Q'TY / PACK	P I R	B S I NO.	T O	T	F R O M	S E R I A L NO.	R E M A R K S	C
1	6LH02000000	COVER-CONPANE-UPR1		1/1/KP								
2	6LH02001000	COVER-CONPANE-UPR2		1/1/PP								
3	6LH02002000	COVER-CONPANE-BCK		1/1/PP								
4	6LH02003000	COVER-CONPANE-HINGE		1/1/PP								
5	6LH02004000	COVER-CONPANE-SHEET		1/1/PP								
6	6LH02005000	KEY-START		1/1/D								
7	6LH02006000	KEY-START-RING		1/1/D								
8	6LH02007000	KEY-STOP		1/1/D								
9	6LH02008100	KEY-RESET-U		1/1/D								
10	6LH02021100	SHEET-PANEL-U		1/1/KP								
11	6LH02009000	KEY-FUNCTION		1/1/D								
12	6LH02010000	KEY-MENU		1/1/D								
13	6LH02011000	KEY-POWER		1/1/D								
14	6LH02012000	KEY-COUNT		1/1/D								
15	6LH02013000	KEY-ENERGY-SAVE		1/1/D								
16	6LH02014000	KEY-JUMP		1/1/D								
17	6LH02015000	KEY-TEN		1/1/D								
20	6LH02018000	SHILD-SHEET-A		1/1/KP								
21	6LH02019000	SHILD-SHEET-B		1/1/KP								
23	6LH02026000	ASYS-PNL-TOUCH-430		1/1/C								
24	6LH02027000	ASYS-DSP-LCD-430		1/1/C								
26	F0-01248000	ESC-0912		1/10/P								
27	X0-00430000	S/BID-M3X6-NI		15/10/P								
28	X0-02095000	S/TPP/BRZ-3X10-NI		18/10/P								
29	X0-02094000	S/TPB/BID-2X6-NI		15/10/P								
30	6LH09084000	PWA-F-KEY1-430		1/1/SB								
31	6LH09087000	PWA-F-KEY2-430		1/1/SB								
32	6LH09081000	PWA-F-DSP-430		1/1/SB								
33	6LH09162000	INV-DSP-430		1/1/C								



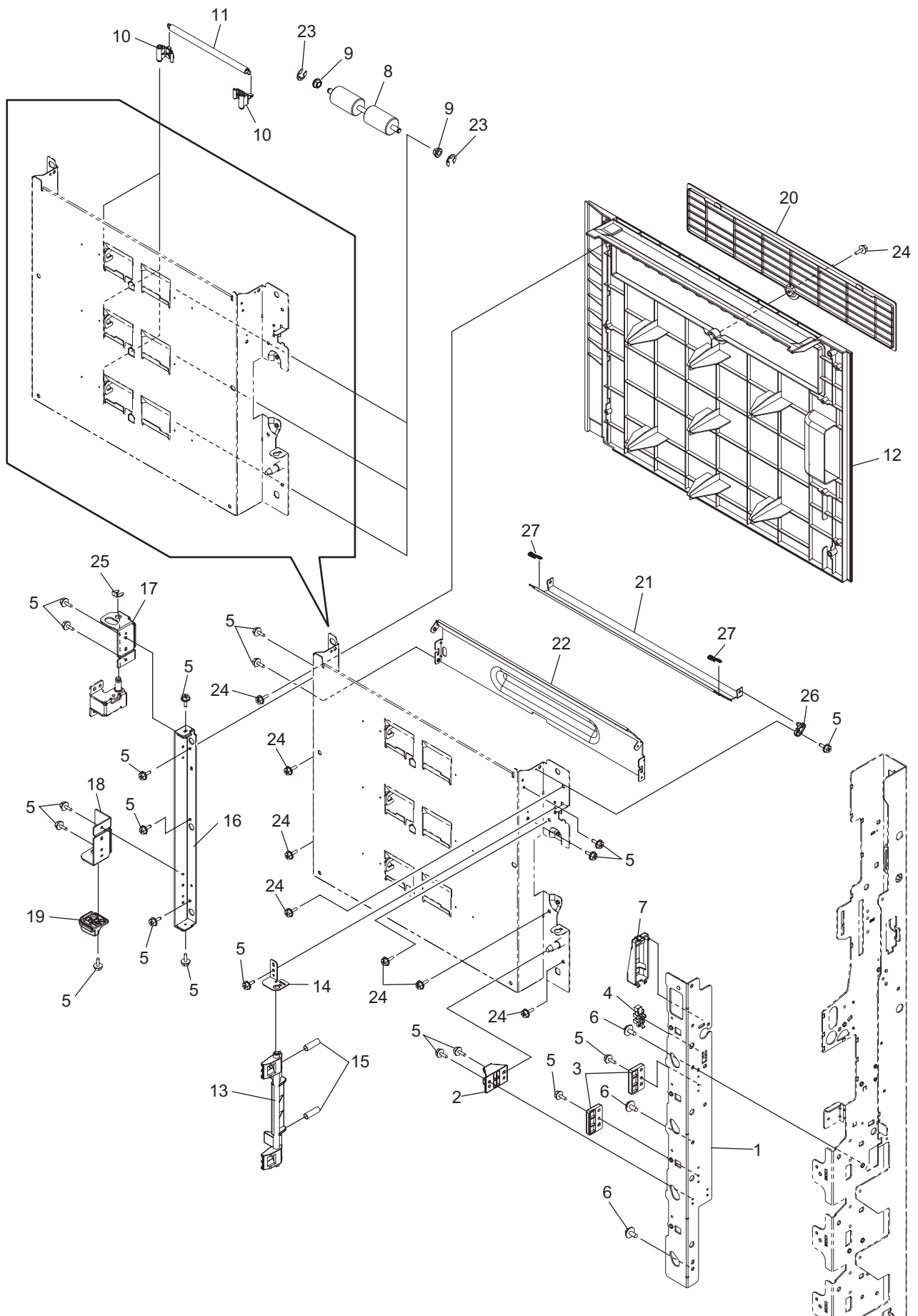
ITEM NO.	PARTS NO.	PARTS NAME	Q'TY / PAGE	Q'TY / PACK	P I R	B S I NO.	T O	T	F R O M	S E R I A L NO.	R E M A R K S	C
1	6LH01138000	BRKT-FIN-CBL-COMP		1/1/P								
2	X0-02421000	S/TPS/FHEXM/R-4X8-ZU3		2/1/10/P								
3	6LH02342000	COVER-OPE-LFT		1/1/D								
5	X0-02419000	S/TPS/FHEXM/R-3X6-ZU3		1/1/10/P								
6	6LH02341000	COVER-OPE-RGT		1/1/D								
9	6LH02040000	COVER-ARM-MAIN		1/1/P								
10	6LH02041000	COVER-ARM-LWR-L		1/1/P								
11	6LH02042000	COVER-ARM-LWR-R		1/1/P								
12	6LH02043000	COVER-ARM-UPR-C		1/1/P								
13	6LH02044000	COVER-ARM-UPR-L		1/1/P								
14	6LH02045000	COVER-ARM-UPR-R		1/1/P								
15	X0-02237000	S/FHEXM-M4X12-NI		4/1/10/P								
16	6LH02046000	COVER-ARM-SHUTTER		1/1/P								
17	X0-00430000	S/BID-M3X6-NI		8/1/10/P								
18	X0-02217000	S/PAN/SWWP-M4X8-ZU3		4/1/10/P								
		X0-02217000										



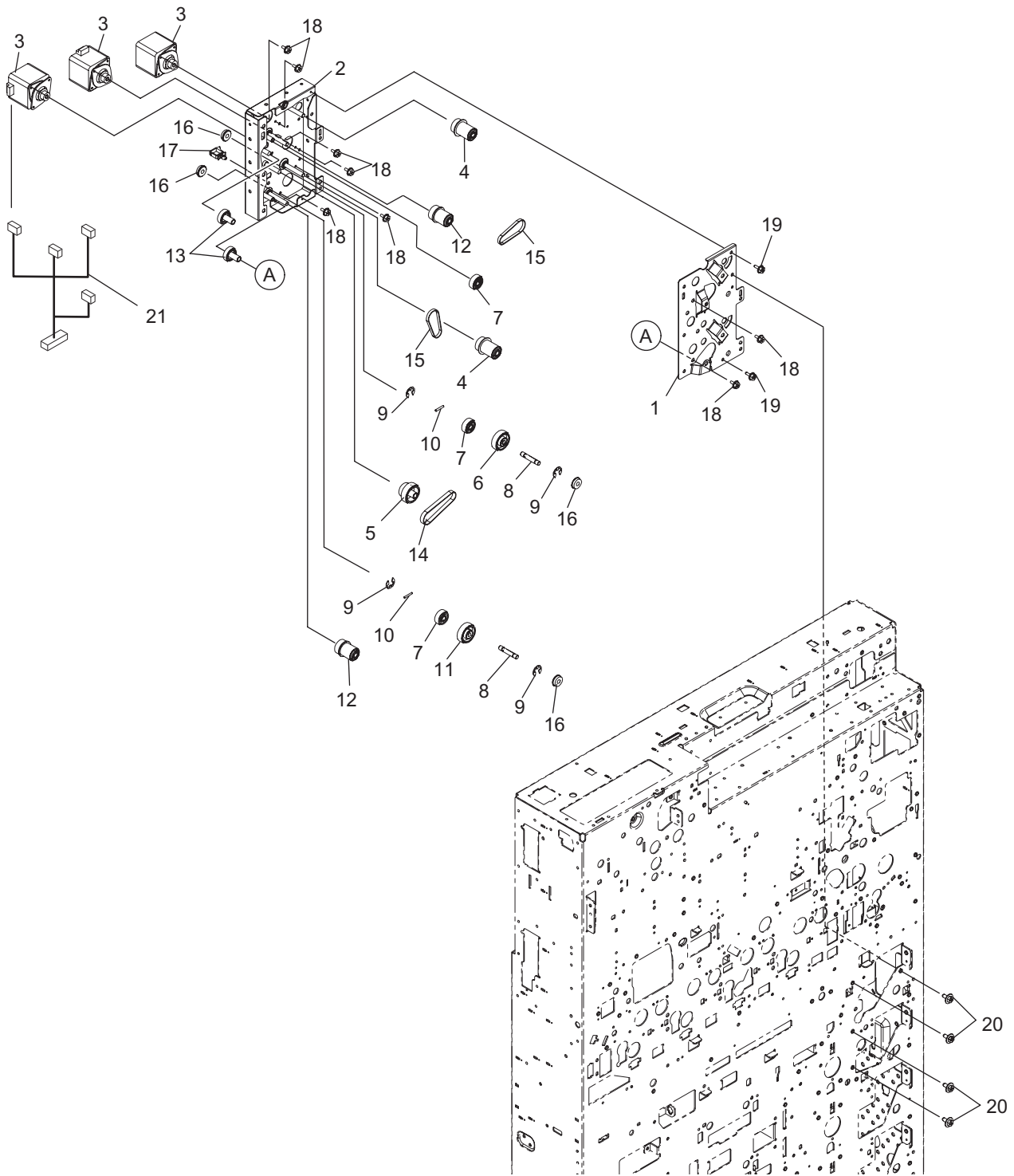
ITEM NO.	PARTS NO.	PARTS NAME	Q'TY / PAGE	Q'TY / PACK	PIR	BSI NO.	TO	T	FROM	SERIAL NO.	REMARKS	C
1	6LH00835000	BWP-50N-CUSTOM		41/D								
2	6LE06312000	ASYS-BRKT-ADJ-390		41/P								
3	6LE06413000	FOOT-H-AD-502-ZU3-39X 6LE06413000		41/D								
4	X0-00864000	N/HEX/1-M8-SS		410/P								
5	X0-02421000	S/TPS/FHEXM/R-4X8-ZU3		2810/P								
6	X0-02481000	S/PAN/SWWP-M5X10-NI		1210/P								
10A	6LH06001000	PLT-LATCH-L		11/P							NAD,MJD,AS D,AUD,ASU	
11A	6LH06000000	STUD-LATCH-1		11/P							NAD,MJD,AS D,AUD,ASU	
12A	X0-02235000	S/FHEXM-M4X8-NI		110/P							NAD,MJD,AS D,AUD,ASU	
13A	6LH05709000	ROLL-LEFT-F-CST-F43X		41/P							NAD,NAC,MJ D,MJC,ASD, AUD,AUC,AS U	
14A	6LH05710000	SCREW-ROLL-CST-F43X		45/P							NAD,NAC,MJ D,MJC,ASD, AUD,AUC,AS U	
15	6LH03469000	ACTR-SNSR-WINR-BOX		11/P								
16	6LH03565000	SPG-T-ACT-WINR-BOX		11/P								
17	C0-14266000	LG248BL1		11/C								
18	F0-01250000	MSB-1207		45/P								
20A	6LH00840200	ASYS-DHTR-DRUM-5520-E		11/C							ASD,AUD,AU C	
21A	6LE25946000	SCREW-FUS-3X8-S		110/P							ASD,AUD,AU C	
22A	X0-02230000	S/FHEXM-M3X6-NI		110/P							NAD,NAC,MJ D,MJC,ASU	
23A	6LH06050000	BRKT-STOP-TNDM-FRSD		11/P							NAD,MJD,AS D,AUD,ASU	
24	6LH07983000	GUIDE-LSU-430		21/P								



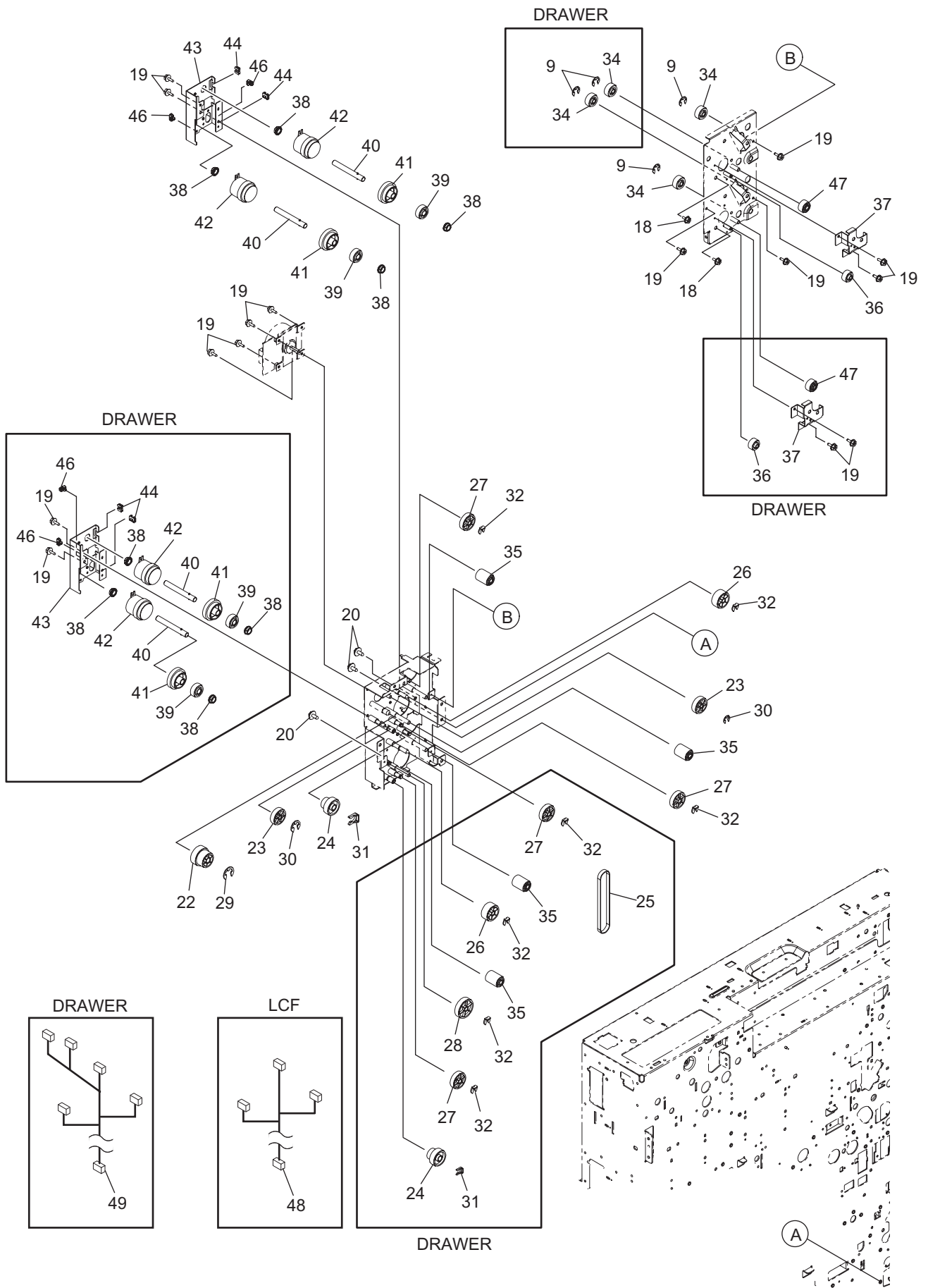
ITEM NO.	PARTS NO.	PARTS NAME	Q'TY / PAGE	Q'TY / PACK	P I R	B S I NO.	T O	T	F R O M	S E R I A L NO.	R E M A R K S	C
1	6LE08860000	RAIL-TRU-390		21/P								
2	6LH02834000	STUD-RAIL		41/P								
3	X0-01285000	S/BID-M4X6-NC		410/P								
4	6LH03749000	HLD-IMG-POS-SNS		11/PP								
5	6LE29453000	SNSR-POS-380		31/C								
6	6LE29754000	SNSR-CTD-380		11/D								
7	6LH03746000	MYLAR-IMG-SNS		11/KP								
8	6LH03748000	LINK-IMG-POS-SNS-2		11/P								
9	6LE22846000	SPG-E-4R5XR3X20R8		11/P								
10	6LH03747000	LINK-IMG-POS-SNS-1		11/P								
11	6LE22859000	SND-TDS-10A-380		11/D								
12	X0-02256000	S/PAN-M3X6-ZU3		1010/P								
14	6LA37669000	SCREW-LOCK-ARM		25/P								
15	X0-02074000	S/TPS/BID-4X8-ZU3		1010/P								
16	X0-02421000	S/TPS/FHEXM/R-4X8-ZU3		4210/P								
17	6LH03966000	ASYS-BRKT-TNS-CLN-F		11/P								
18	6LH03967000	ASYS-BRKT-TNS-CLN-R		11/P								
19	6LH03792000	SPG-CLN-TBU-TNS		41/P								
20	FO-00338000	WS-2U		75/P								
21	6LH08277000	BRKT-DMP-RER-RGT		11/P								
22	6LH08278000	INSULATOR-430		11/P								
23	4406509170	BD/W-TWS-3027		11/P								
24	FO-00036000	RLWS3TV0		95/P								
26	FO-00136000	K-103G		15/P								
27	FO-01250000	MSB-1207		25/P								
28	6LH03744000	SHUT-IMG-POS-SNS		11/KP								



ITEM NO.	PARTS NO.	PARTS NAME	Q'TY / PAGE	Q'TY / PACK	P I R	B S I NO.	T O	T	F R O M	S E R I A L NO.	R E M A R K S	C
1	6LH04504000	BRKT-POS-FS-UNIT-F		1/1/P								
2	6LH04509000	GUIDE-STUD-POS-F43X		1/1/P								
3	6LH04508000	HOOK-COVER-LOCK-F43X		2/1/P								
4	CO-14266000	LG248BL1		1/1/C								
5	X0-02420000	S/TPS/FHEXM/R-3X8-ZU3		2/1/10/P								
6	X0-02421000	S/TPS/FHEXM/R-4X8-ZU3		3/10/P								
7	6LH04510000	COVER-OPEN-SENS		1/1/P								
8	6LE05723000	ROLLER-IDLE-390		3/1/KP								
9	4407734980	BUSH-6-GCB		6/5/P								
10	6LH04521000	LVR-IDLE-F43X		6/1/P								
11	6LH04519000	SPG-E-COVER-IDLE-F43X		3/1/P								
12	6LH04506000	COVER-FEED-LOW-F430-T		1/1/PP								
13	6LE03133000	HNDL-HOOK-EXIT		1/1/PP								
14	6LH04527000	BRKT-LATCH-FIXATION		1/1/P								
15	6LH04520000	SPG-C-7R2XR7X22R1		2/1/P								
16	6LH04526000	BRKT-STAY-HINGE		1/1/P								
17	6LH04528000	BRKT-COVER-HINGE-U-U-F43X		1/1/P								
18	6LH04534000	BRKT-COVER-HINGE-U-L-F43X		1/1/P								
19	6LH04533000	GUIDE-SLOPE-U		1/1/P								
20	6LH04524000	COVER-FEED-LOW-SUB-F430-T		1/1/P								
21	6LH04744000	GUIDE-OLCF-UPPER		1/1/P								
22	6LH04523000	GUIDE-OLCF-LOW		1/1/D								
23	X0-00966000	RR/E-5-SS		6/10/P								
24	X0-02247000	S/TPP/FHEXM-3X8-NI		8/10/P								
25	44201801000	STOP-RING-6-1.5		1/5/P								
26	6LE05756000	HLDG-GUIDE-FS		1/1/P								
27	6LH04743000	GUIDE-LIFT-OLCF-UPPER		2/1/P								
105	6LA08938000	SCREW-SOCKET		2/10/P								

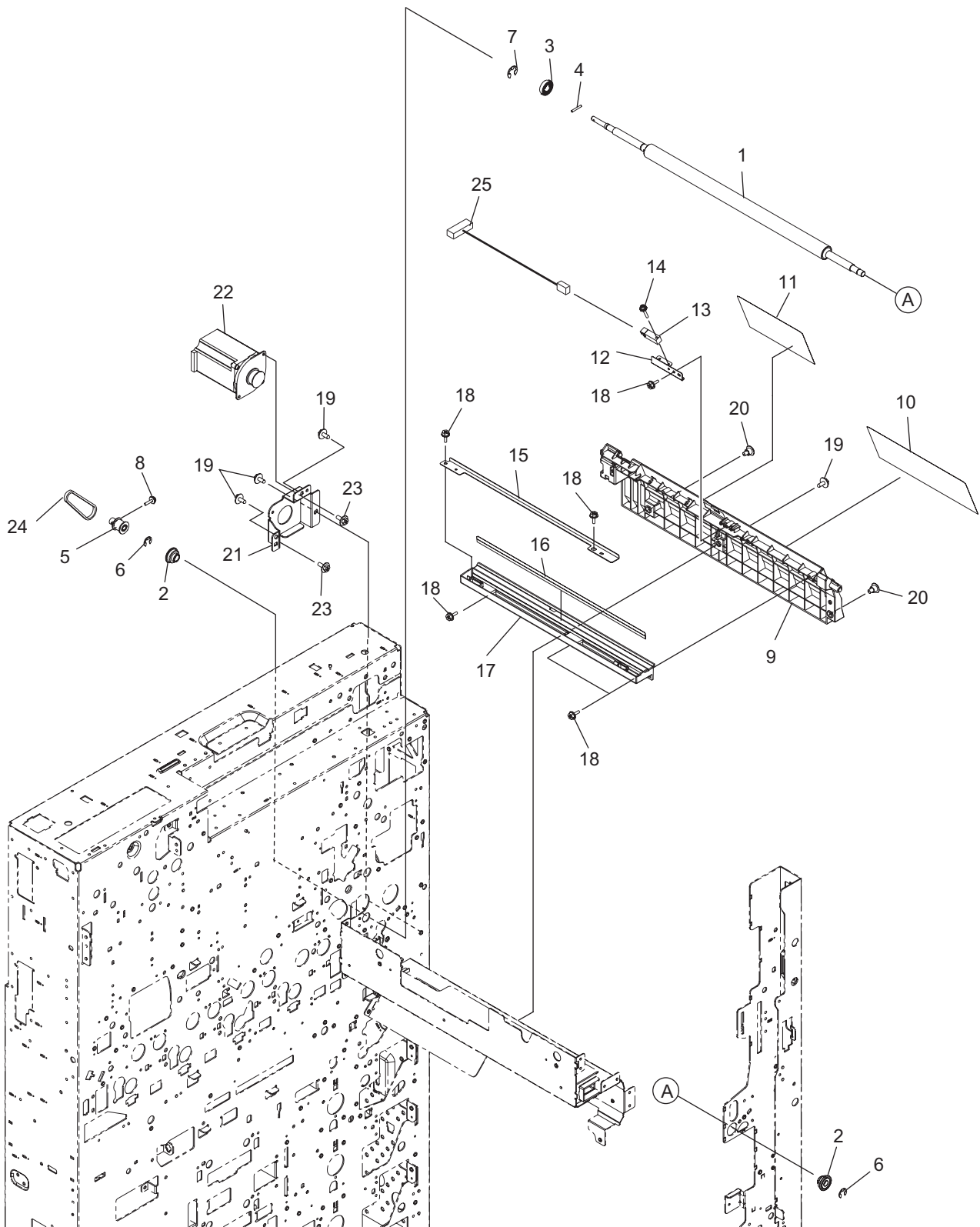


ITEM NO.	PARTS NO.	PARTS NAME	Q'TY / PAGE	Q'TY / PACK	P I R	B S I NO.	T O	T	F R O M	S E R I A L NO.	R E M A R K S	C
1	6LH04555000	BRKT-DRV-FEED-FRT-430		1/1/P								
2	6LH04548000	ASYS-BRKT-DRV-FEED-RER		1/1/P								
3	6LH09354000	MOTRS-TR-430		3/1/C								
4	6LH04546000	ASYS-BE-G10S017_PS2M32-6		2/1/P								
5	6LH04544000	ASYS-BE-G10S027_PS2M32-6		1/1/P								
6	6LH04538000	GEAR-10S027-06-RB		1/1/P								
7	6LH04540000	GEAR-10S019-06		3/1/P								
8	6LH04539000	STUD-DRV-FEED-4		2/1/P								
9	X0-00966000	RR/E-5-SS		4/10/P								
10	X0-01526000	P/PRL/AH7-2X12-SS		2/10/P								
11	6LH04541000	GEAR-10S027-06-LW		1/1/P								
12	6LH04537000	GEAR-10S019_10S017		2/1/P								
13	6LH04588000	GEAR-10S019-06-B		2/1/P								
14	6LH05177000	BLT-SY-S2M-148-6		1/1/P								
15	6LH05408000	BLT.SY-S2M-118-5		2/1/P								
16	F0-01482000	RNR-1560ZZRPOP24LY121		4/1/P								
17	F0-01243000	LWS-1211Z		1/5/P								
18	X0-02230000	S/FHEXM-M3X6-NI		8/10/P								
19	X0-02420000	S/TPS/FHEXM/R-3X8-ZU3		2/10/P								
20	X0-02421000	S/TPS/FHEXM/R-4X8-ZU3		4/10/P								

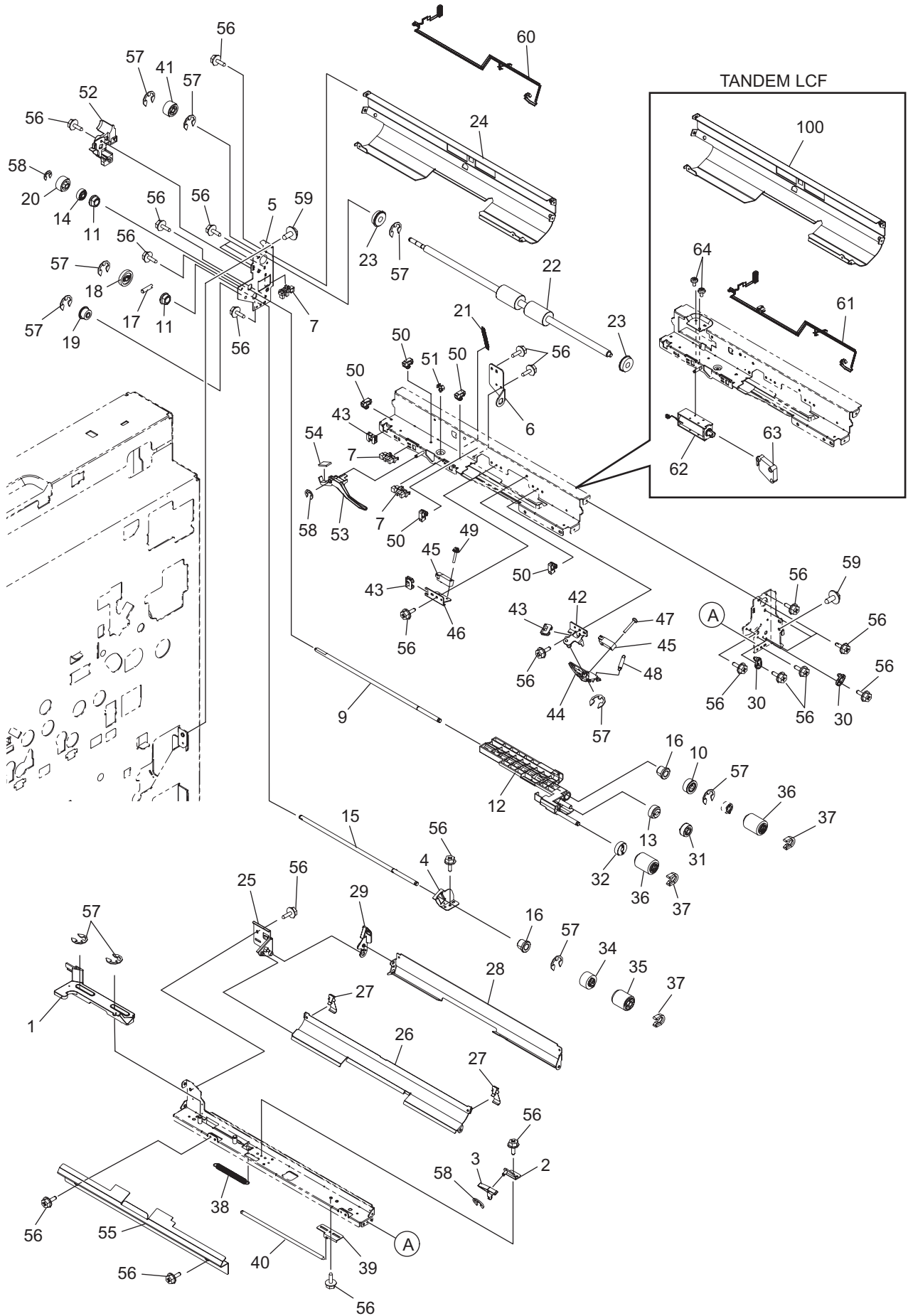


ITEM NO.	PARTS NO.	PARTS NAME	Q'TY / PAGE	Q'TY / PACK	P	I	R	BSI NO.	TO	T	FROM	SERIAL NO.	REMARKS	C
9A	X0-00966000	RR/E-5-SS		210/P									NAD,MJD,AS D,AUD,ASU	
9B	X0-00966000	RR/E-5-SS		410/P									NAC,MJC,AU C	
18	X0-02230000	S/FHEXM-M3X6-NI		210/P										
19A	X0-02420000	S/TPS/FHEXM/R-3X8-ZU3		1110/P									NAD,MJD,AS D,AUD,ASU	
19B	X0-02420000	S/TPS/FHEXM/R-3X8-ZU3		1510/P									NAC,MJC,AU C	
20	X0-02421000	S/TPS/FHEXM/R-4X8-ZU3		410/P										
22	6LH04687000	GEAR-05H57_05S50-08		11/P										
23	6LH04686000	GEAR-05S53-05		21/P										
24A	6LH04682000	GEAR-05S54_S3M20-08		11/P									NAD,MJD,AS D,AUD,ASU	
24B	6LH04682000	GEAR-05S54_S3M20-08		21/P									NAC,MJC,AU C	
25B	6LH04685000	BLT.SY-S3M-255-6		11/P									NAC,MJC,AU C	
26A	6LH04684000	GEAR-05S54-06		11/P									NAD,MJD,AS D,AUD,ASU	
26B	6LH04684000	GEAR-05S54-06		21/P									NAC,MJC,AU C	
27A	6LH04503000	GEAR-05S55-06		21/P									NAD,MJD,AS D,AUD,ASU	
27B	6LH04503000	GEAR-05S55-06		41/P									NAC,MJC,AU C	
28B	6LH04683000	GEAR-05S65-06		11/P									NAC,MJC,AU C	
29	X0-00968000	RR/E-7-SS		110/P										
30	X0-00965000	RR/E-4-SS		210/P										
31A	41306265000	STOP RING		11/P									NAD,MJD,AS D,AUD,ASU	
31B	41306265000	STOP RING		21/P									NAC,MJC,AU C	
32A	44201801000	STOP-RING-6-1.5		35/P									NAD,MJD,AS D,AUD,ASU	
32B	44201801000	STOP-RING-6-1.5		75/P									NAC,MJC,AU C	
34A	6LH04694000	GEAR-10S19-06		21/P									NAD,MJD,AS D,AUD,ASU	
34B	6LH04694000	GEAR-10S19-06		41/P									NAC,MJC,AU C	
35A	6LH04670000	GEAR-10S17-06-262		21/P									NAD,MJD,AS D,AUD,ASU	
35B	6LH04670000	GEAR-10S17-06-262		41/P									NAC,MJC,AU C	
36A	6LH04676000	GEAR-10S16-05		11/P									NAD,MJD,AS D,AUD,ASU	
36B	6LH04676000	GEAR-10S16-05		21/P									NAC,MJC,AU C	
37A	6LH04671000	PLATE-GEAR		11/P									NAD,MJD,AS D,AUD,ASU	
37B	6LH04671000	PLATE-GEAR		21/P									NAC,MJC,AU C	
38A	6LE50521000	BUSH-8X12X5R5F-NU4		45/P									NAD,MJD,AS D,AUD,ASU	
38B	6LE50521000	BUSH-8X12X5R5F-NU4		85/P									NAC,MJC,AU C	
39A	6LH04700000	GEAR-10S20-08		21/P									NAD,MJD,AS D,AUD,ASU	
39B	6LH04700000	GEAR-10S20-08		41/P									NAC,MJC,AU C	
40A	6LH04719000	ASYS-SHAFT-DRV		21/P									NAD,MJD,AS D,AUD,ASU	
40B	6LH04719000	ASYS-SHAFT-DRV		41/P									NAC,MJC,AU C	
41A	6LE24357000	GEAR-05S56-08		21/P									NAD,MJD,AS D,AUD,ASU	
41B	6LE24357000	GEAR-05S56-08		41/P									NAC,MJC,AU	

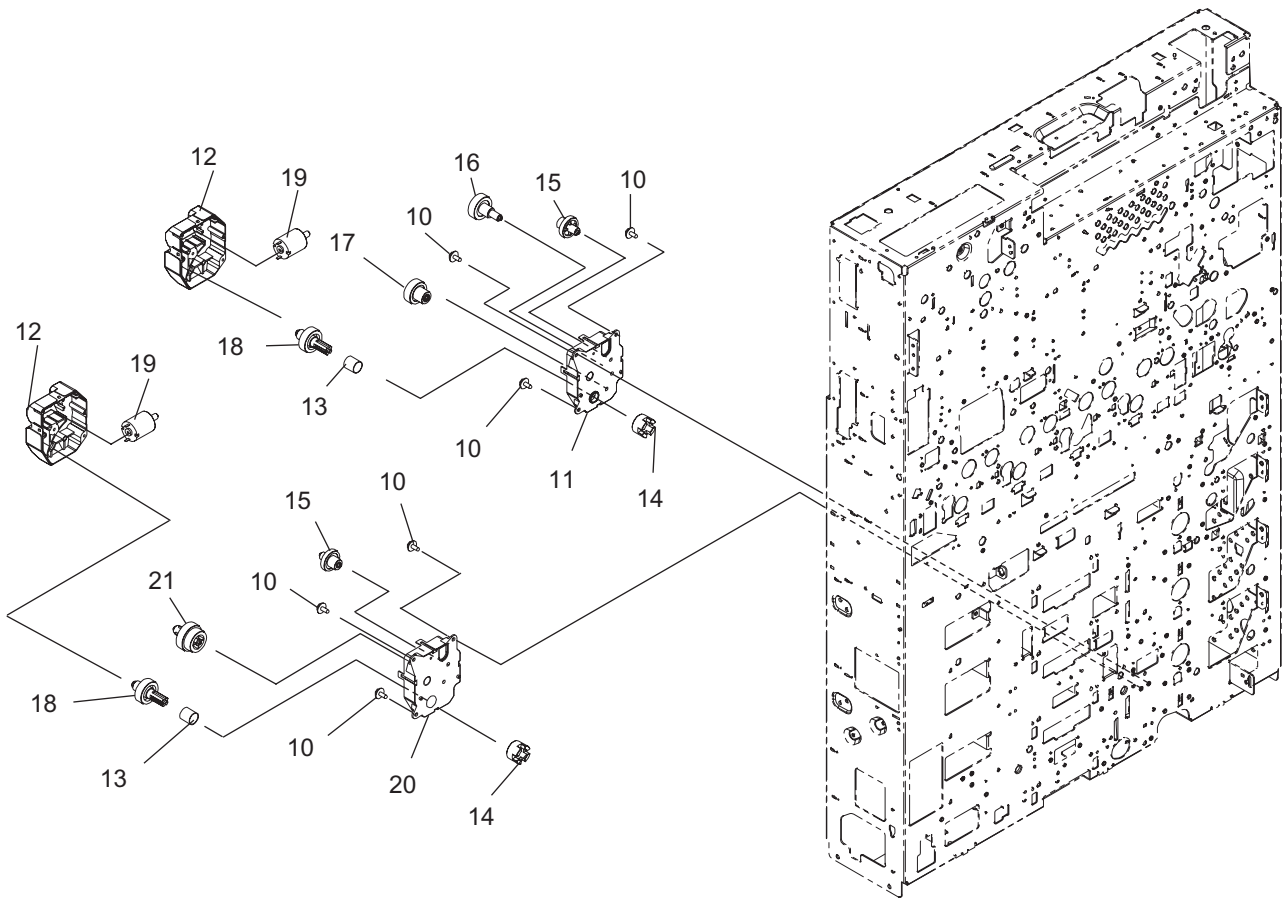
ITEM NO.	PARTS NO.	PARTS NAME	Q'TY / PAGE	Q'TY / PACK	P I R	B S I NO.	T O	T	F R O M	S E R I A L NO.	R E M A R K S	C
42A	6LA15184000	CLUCH-G28-08D		21/D							C NAD,MJD,AS D,AUD,ASU	
42B	6LA15184000	CLUCH-G28-08D		41/D							NAC,MJC,AU C	
43	6LH04674000	BRKT-CL		21/P								
44	F0-00120000	ES-0505		45/P								
46A	F0-01462000	LBWS-0206S-V0		21/P							NAD,MJD,AS D,AUD,ASU	
46B	F0-01462000	LBWS-0206S-V0		41/P							NAC,MJC,AU C	
47A	6LH04675000	GEAR-10S17-06-139		11/P							NAD,MJD,AS D,AUD,ASU	
47B	6LH04675000	GEAR-10S17-06-139		21/P							NAC,MJC,AU C	



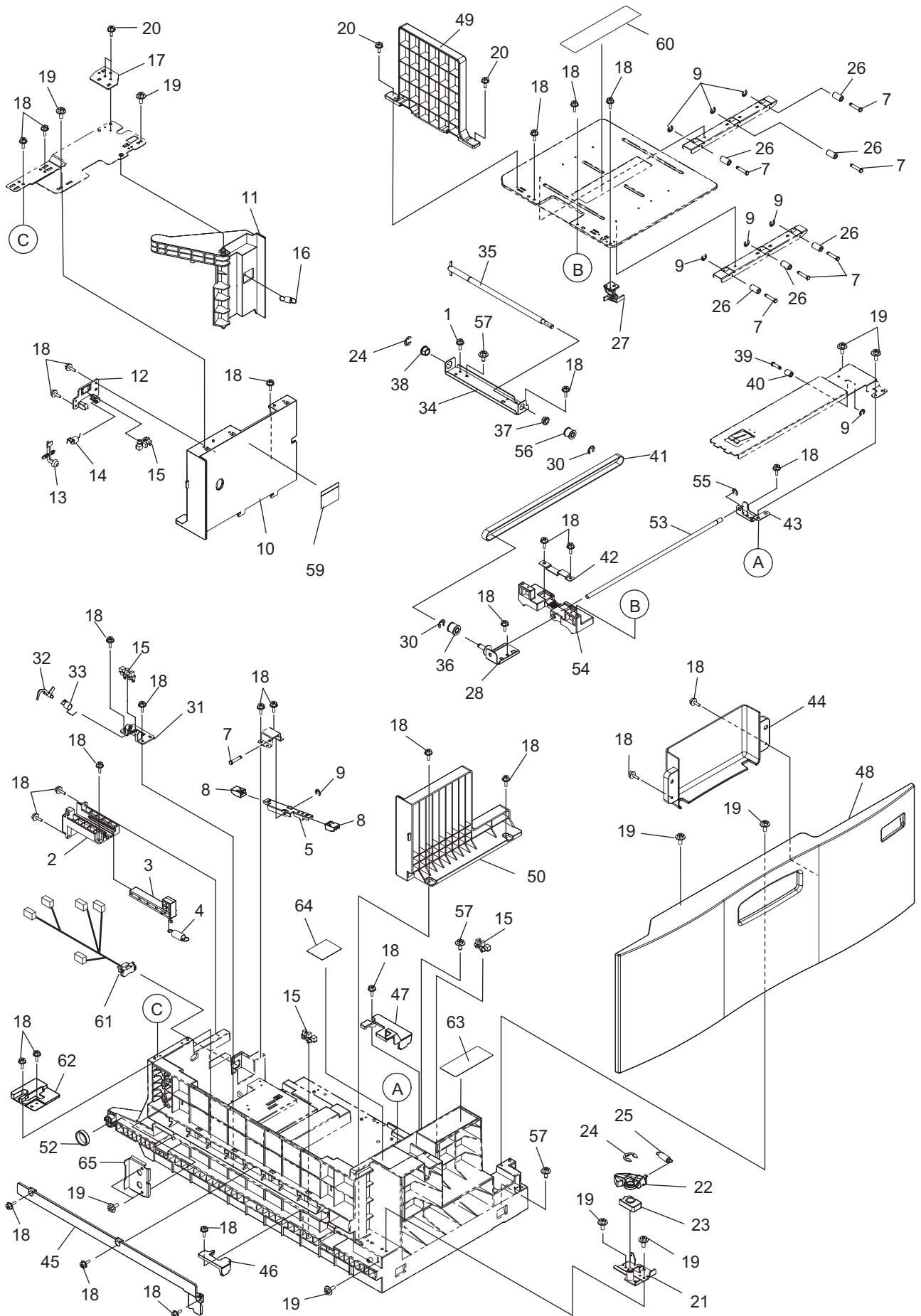
ITEM NO.	PARTS NO.	PARTS NAME	Q'TY / PAGE	Q'TY / PACK	P I R	B S I NO.	T O	T	F R O M	S E R I A L NO.	R E M A R K S	C
1	6LH04565000	ROLLER-RGST-L-430		1/1/KP								
2	6LH04587000	ASYS-BUSH-RGST		2/1/P								
3	6LH04559000	GEAR-RGST		1/1/P								
4	X0-01165000	P/PRL/AH7-2X14-SS		1/10/P								
5	6LE05719000	PULLY-3GT16-06-390		1/1/P								
6	X0-00968000	RR/E-7-SS		2/10/P								
7	X0-00970000	RR/E-9-SS		1/10/P								
8	X0-00094000	S/PAN/SWWP-M3X10-NI		1/10/P								
9	6LH04666000	GUIDE-RGST-L-430		1/1/D								
10	6LH04086000	SHEET-GUIDE-RGST-L-FRT6		1/1/KP								
11	6LH04668000	SHEET-GUIDE-RGST-L-RER		1/1/KP								
12	6LH04669000	BRKT-SNSR-RGST		1/1/P								
13	C0-15007000	PS119ED1		1/1/C								
14	X0-02135000	S/PAN/SWWP-M3X14-NI		1/10/P								
15	6LH04731000	BRKT-SHEET-CLEAN		1/1/P								
16	6LH04739000	MYLAR-GUIDE-RGST-L-430		1/1/KP								
17	6LH04730000	HOLDER-PAPER-POWDER-L		1/1/P								
18	X0-02247000	S/TPP/FHEXM-3X8-NI		6/10/P								
19	X0-02421000	S/TPS/FHEXM/R-4X8-ZU3		4/10/P								
20	6LA37669000	SCREW-LOCK-ARM		2/5/P								
21	6LH04567000	BRKT-MOT-RGST-430		1/1/P								
22	6LE09196000	MOTRS-RGT-390		1/1/C								
23	X0-02235000	S/FHEXM-M4X8-NI		2/10/P								
24	4406350060	BLT/T-174-3GT-4		1/1/P								



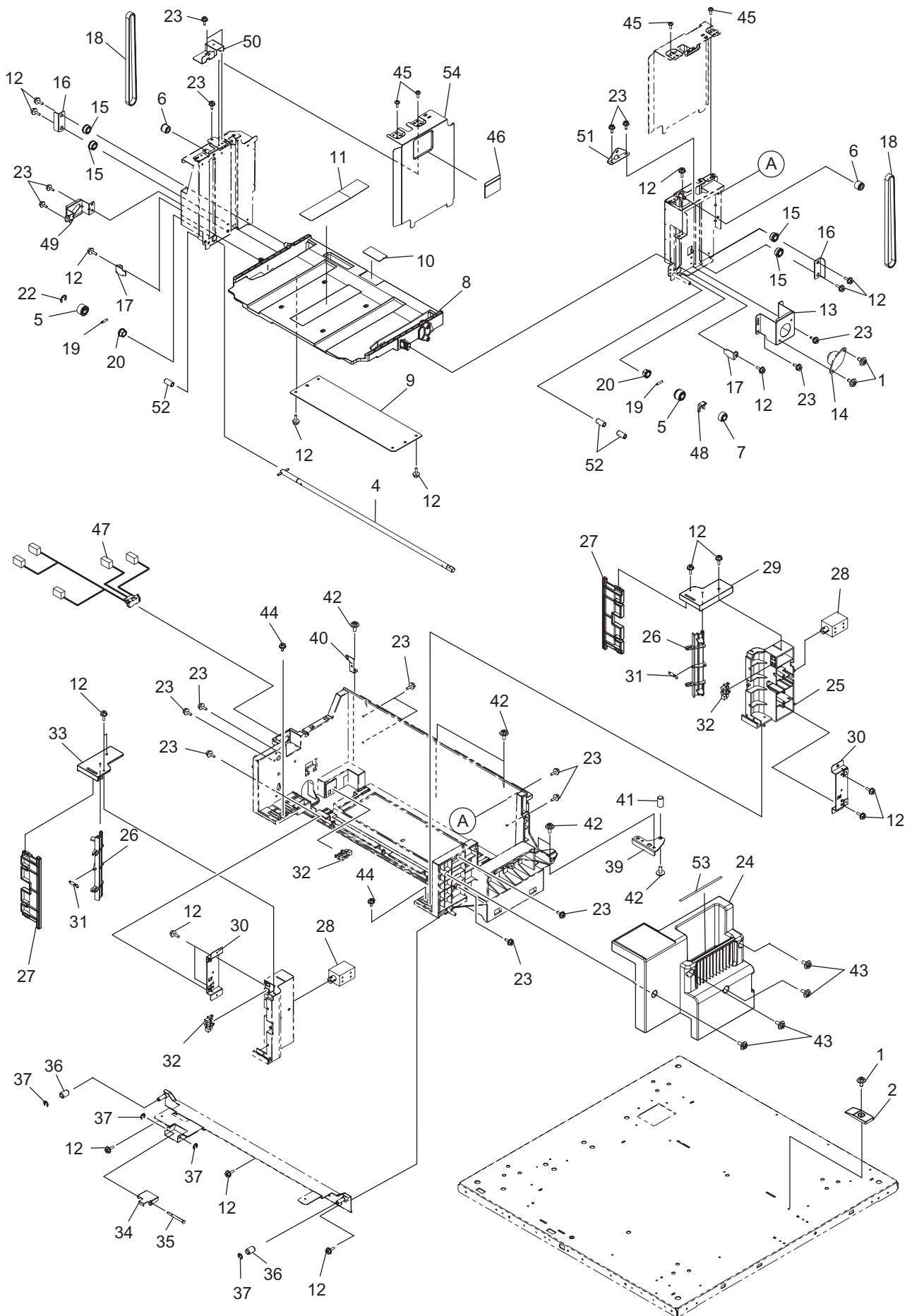
ITEM NO.	PARTS NO.	PARTS NAME	Q'TY / PAGE	Q'TY / PACK	P I R	B S I NO.	T O	T	F R O M	S E R I A L NO.	R E M A R K S	C
1	6LH04610000	LEVER-FEED-UNIT		11/P								
2	6LH04613000	ASYS-BRKT-LEVER-SPT		11/P								
3	6LH04616000	LEVER-SPT-ROL-430		11/P								
4	6LH04617000	BRKT-SUP-ROL-SPT		11/P								
5	6LH04631000	ASYS-FRM-FS-R-430		11/P								
6	6LH04618000	BRKT-SUP-ROL-FEED		11/P								
7	C0-14266000	LG248BL1		31/C								
9	6LH04635000	SHAFT-ROL-FEED-430		11/P								
10	6LH04629000	GEAR-08S24-6L		11/P								
11	4407734980	BUSH-6-GCB		25/P								
12	6LH04621000	ASYS-ARM-PICK-430		11/PP								
13	6LH04742000	GEAR-08S23-6		11/P								
14	6LH04638000	GEAR-08S20-6		11/P								
15	6LH04625000	ASYS-SHAFT-ROL-SPT-430		11/P								
16	6LA03977000	BUSH-F6-GCB		25/P								
17	X0-00979000	P/PRL/AH7-2X8-SS		110/P								
18	4407906230	GEAR-08-30		11/P								
19	6LE05774000	K-GEAR-08S022-LW-390		11/P								
20	6LH04612000	GEAR-10S20-6		11/P								
21	6LA03873000	SPE-P/U-110		15/P								
22	6LH04648000	ROLLER-FS-TR-430		11/KP								
23	F0-01482000	RNR-1560ZZRPOP24LY121		21/P								
24	6LH04717000	GUIDE-FS-U-430		11/D								
25	6LH04658000	ASYS-BRKT-GUIDE-FEED		11/P								
26	6LH04650000	GUIDE-FS-OPEN-UP		11/PP								
27	6LA03950000	SPL-F/S-TR		21/P								
28	6LH04649000	GUIDE-FS-OPEN-LOW		11/P								
29	6LH04662000	HOLDER-FS-TR-430		11/P								
30	6LE05756000	HLD-GEAR-FS		21/P								
31	6LH04740000	GEAR-08S23-6-CUP		11/P								
32	6LH04741000	GEAR-08S24-6-CUP		11/P								
34	6LH04750000	TL-SEP-ROL-Y-N		11/P								
35	6LA04042000	ASYS-ROL-SPT		11/P								
36	6LA04047000	ASYS-ROL-FEED		21/P								
37	4407972860	STOP-RING-6-5		35/P								
38	6LA03887000	SPE090-090-0531		15/P								
39	6LH04663000	BRKT-HOLD-SPE-430		11/P								
40	6LH04745000	SPG-E-7XR6X82-ROL-SPT		11/P								
41	6LH04636000	GEAR-10S20-6L		11/P								
42	6LH04653000	ASYS-BRKT-SNSR-SPT		11/P								
43	F0-00120000	ES-0505		35/P								
44	6LH04652000	LEVER-FS-SNSR-SPT		11/P								
45	C0-15009000	PS124TD1-B		21/C								
46	6LH04657000	BRKT-SNSR-TR		11/P								
47	X0-02127000	S/TPP/PAN-3X16-NI		110/P								
48	6LH04749000	SPG-E-LEV-SNSR-SPT		11/P								
49	X0-02135000	S/PAN/SWVP-M3X14-NI		110/P								
50	F0-01462000	LBWS-0206S-V0		51/P								
51	F0-01194000	UAMS-02WH-2		15/P								
52	6LH04611000	COVER-FEED-UNIT-RER		11/P								
53	6LH04711000	ACT-SW-EMPTY-430		11/D								
54	6LA03877000	SHEET-DUMP-EMP		15/P								
55	6LH04619000	ASYS-GUIDE-FEED-ENT-430		11/KP								
56	X0-02420000	S/TPS/FHEXM/R-3X8-ZU3		2610/P								
57	X0-00966000	RR/E-5-SS		1010/P								
58	X0-00964000	RR/E-3-SS		310/P								
59	X0-02421000	S/TPS/FHEXM/R-4X8-ZU3		210/P								
62A	6LA15257000	SOL-PICK-340		11/D							NAD,MJD,AS D,AUD,ASU	
63A	6LA03740000	LEVER-P/U-SND		11/P							NAD,MJD,AS D,AUD,ASU	
64A	X0-02113000	S/PAN-M3X4-NI		210/P							NAD,MJD,AS D,AUD,ASU	
100A	6LH04646000	GUIDE-FS-UT-430		11/D							NAD,MJD,AS D,AUD,ASU	



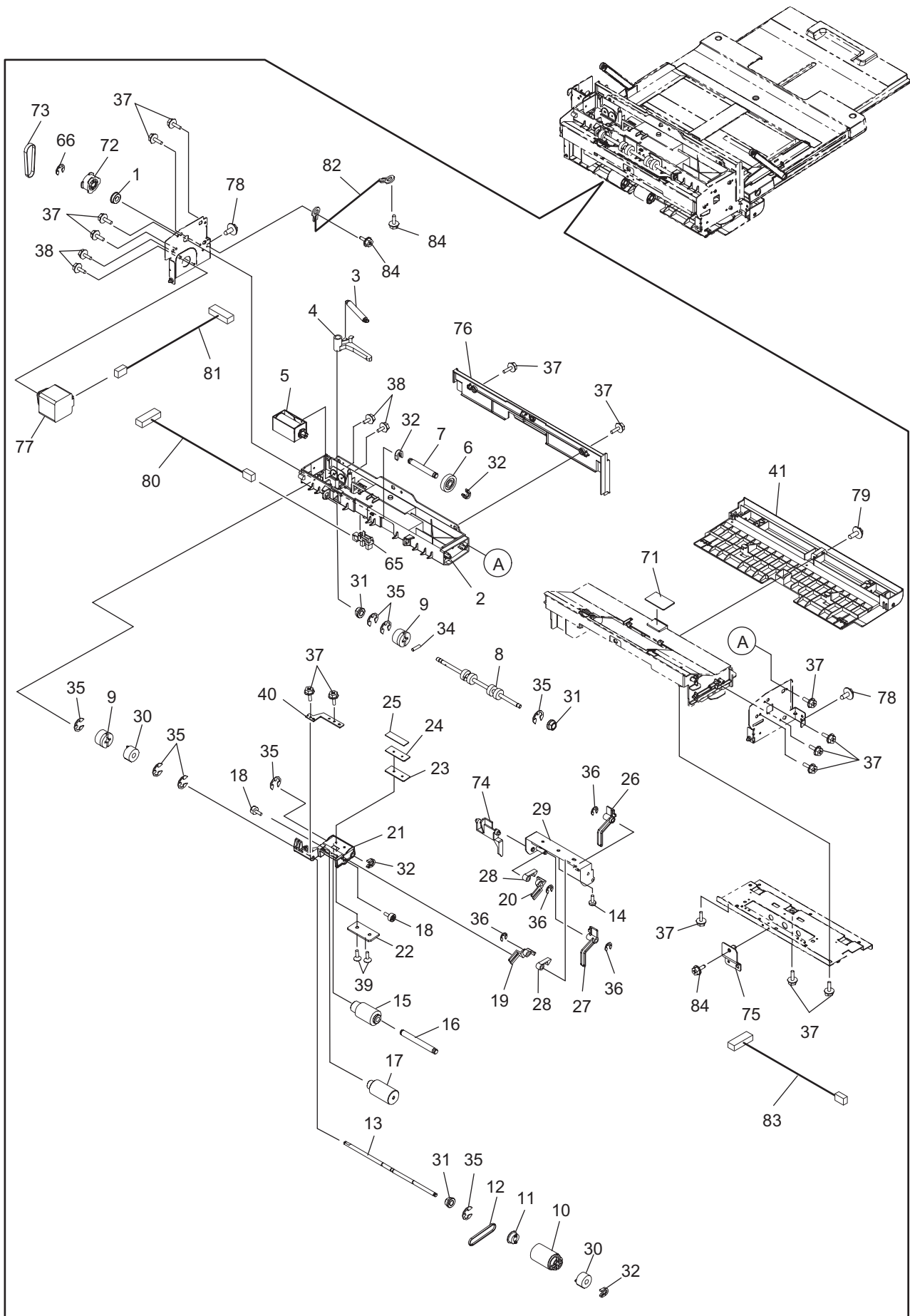
ITEM NO.	PARTS NO.	PARTS NAME	Q'TY / PAGE	Q'TY / PACK	P I R	B S I NO.	T O	T	F R O M	S E R I A L NO.	R E M A R K S	C
10	X0-02421000	S/TPS/FHEXM/R-4X8-ZU3	10	10/P								
11	6LH05917000	BOX-DRV-TANDEM-F		1/P								
12	6LH05919000	BOX-DRV-TANDEM-R		2/P								
13	6LH06003000	SPG-DRV-TANDEM-CUP		2/P								
14	6LH05923000	CUP-DRV-TANDEM		2/P								
15	6LH05902000	GEAR-08S-34-08S-17		2/P								
16	6LH05920000	GEAR-08S-39-08S-16-L		1/P								
17	6LH05924000	GEAR-08S-37-08S-20		1/P								
18	6LH05921000	GEAR-08S-38		2/P								
19	6LH06034000	ASYS-MOTR_D-TLCF-430		2/C								
20	6LH05918000	BOX-DRV-TANDEM-F-2		1/P								
21	6LH05922000	GEAR-08S-44-08S-36		1/P								



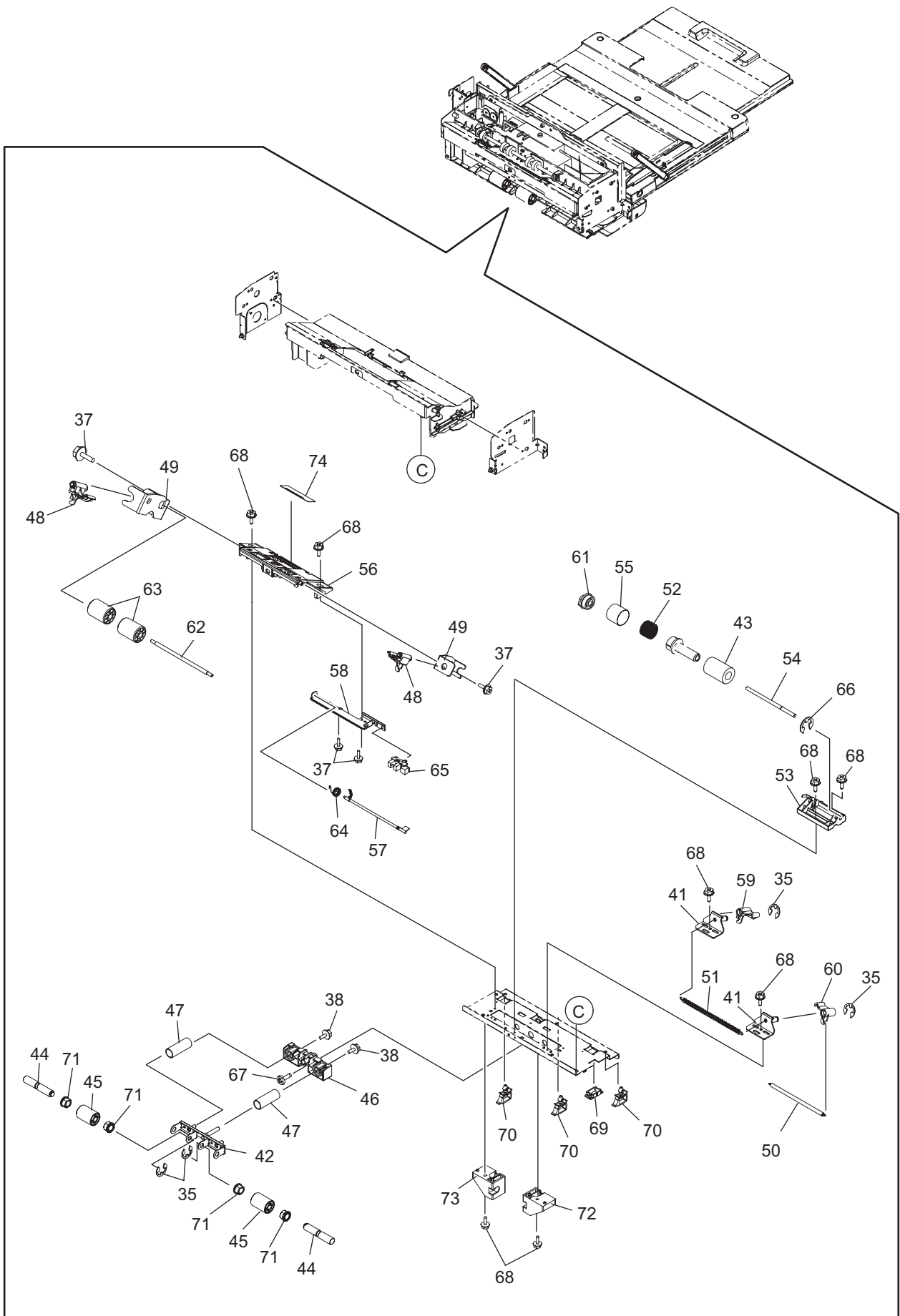
ITEM NO.	PARTS NO.	PARTS NAME	Q'TY / PAGE	Q'TY / PACK	PIR	BSI NO.	TO	T	FROM	SERIAL NO.	REMARKS	C
1	X0-02244000	S/TPS/FHEXM-4X10-ZU3		1/10/P								
2	6LH05938000	STOP-HOLD		1/1/P								
3	6LH05937000	LINK-STOP-SHAFT		1/1/D								
4	6LH05926000	SPG-PISTON-TANDEM		1/1/P								
5	6LH05971000	BRKT-STP-TRAY2		1/1/P								
7	6LH06005000	SFT-ROLL		7/1/P								
8	6LH05970000	COV-CST-COUP-TNDM		2/1/P								
9	X0-00964000	RR/E-3-SS		8/10/P								
10	6LH05973000	GUIDE-SIDE-TRAY2-R		1/1/PP								
11	6LH05965000	STOPPER-TRAY2-R-2		1/1/P								
12	6LH05964000	BASE-SNS-2		1/1/P								
13	6LH05962000	SENSOR-ACTR-3		1/1/D								
14	6LH06008000	SPRING-ACT-EMPTY2		1/1/P								
15	C0-14266000	LG248BL1		4/1/C								
16	6LH05925000	SPG-SHUT-TANDEM-2		1/1/P								
17	6LH06040000	PLT-ATC-A		1/1/P								
18	X0-02247000	S/TPP/FHEXM-3X8-NI		3/10/P								
19	X0-02251000	S/TPP/FHEXM-4X8-NI		1/10/P								
20	X0-02420000	S/TPS/FHEXM/R-3X8-ZU3		4/10/P								
21	6LH06014000	ASYS-PLT-LATCH-2		1/1/P								
22	6LH06017000	BLOCK-LATCH-LINK		1/1/P								
23	6LH06013000	BLOCK-LATCH-HOLD		1/1/P								
24	X0-00968000	RR/E-7-SS		2/10/P								
25	6LH05732000	SPE087-090-0269		1/1/P								
26	6LH05933000	ROLL-TRAY		6/1/P								
27	6LH06006000	ACTR-MOVE-SNSR		1/1/P								
28	6LH05934000	ASYS-PLY-HOLD		1/1/P								
30	X0-00965000	RR/E-4-SS		2/10/P								
31	6LH05931000	BASE-SNS-EMPTY		1/1/P								
32	6LH05930000	ACT-SENS-EMPTY-TDM		1/1/D								
33	6LH06060000	SPG-ACT-EMPTY		1/5/P								
34	6LH05912000	BRKT-PLY-HOLD		1/1/P								
35	6LH06018000	ASYS-TRAY2-DRIVE		1/1/P								
36	6LA93800000	PLY-DRIVE-2		1/1/P								
37	4407734980	BUSH-6-GCB		1/5/P								
38	6LH23442000	BUSH-8X12X8F-NU4		1/5/P								
	6LH23442000											
39	6LH06027000	SFT-BELT-ADL		1/1/P								
40	6LH06026000	RLR-BELT-ADL		1/5/P								
41	6LH06037000	BELT-3GT-600-9-B50N17		1/1/P								
42	6LH06032000	BRKT-BELT-HOLD		1/1/P								
43	6LH05909000	BRKT-HOLD-ST		1/1/P								
44	6LH02302000	COVER-HNDL-CST-430T		1/1/P								
45	6LH06041000	COVER-SIDE-HRNS		1/1/KP								
46	6LH06007000	COVER-SNSR-H		1/1/P								
47	6LH05985000	COVER-SNSR-R		1/1/P								
48	6LH02320000	COVER-TANDEM-ICF-430T		1/1/PP								
49	6LH05905000	GUIDE-END		1/1/PP								
50	6LH05960000	GUIDE-SIDE-TRAY2-F		1/1/PP								
52	6LH05717000	ROLLER-LEFT-R-BP		1/1/P								
53	6LH06009000	SFT-GUIDE		1/1/P								
54	6LH05936000	TRAY-BASE		1/1/PP								
55	X0-00966000	RR/E-5-SS		1/10/P								
56	6LA93799000	PLY-DRIVE-1		1/1/P								
57	X0-02421000	S/TPS/FHEXM/R-4X8-ZU3		3/10/P								
59	6LA93862000	LBL-P-LIMIT		1/1/P								
60	6LH06061000	LBL-P-SET-TRY-L2		1/1/KP								
62	6LH06043000	COVER-EMPTY-SNS		1/1/P								
63	6LH06047000	LBL-P-SET-430-TLCF		1/1/KP								
64	6LH06048000	LBL-CST2-SET-430-TLCF		1/1/P								
65	6LH06051000	BRKT-STOP-TNDM-CST2		1/1/P								



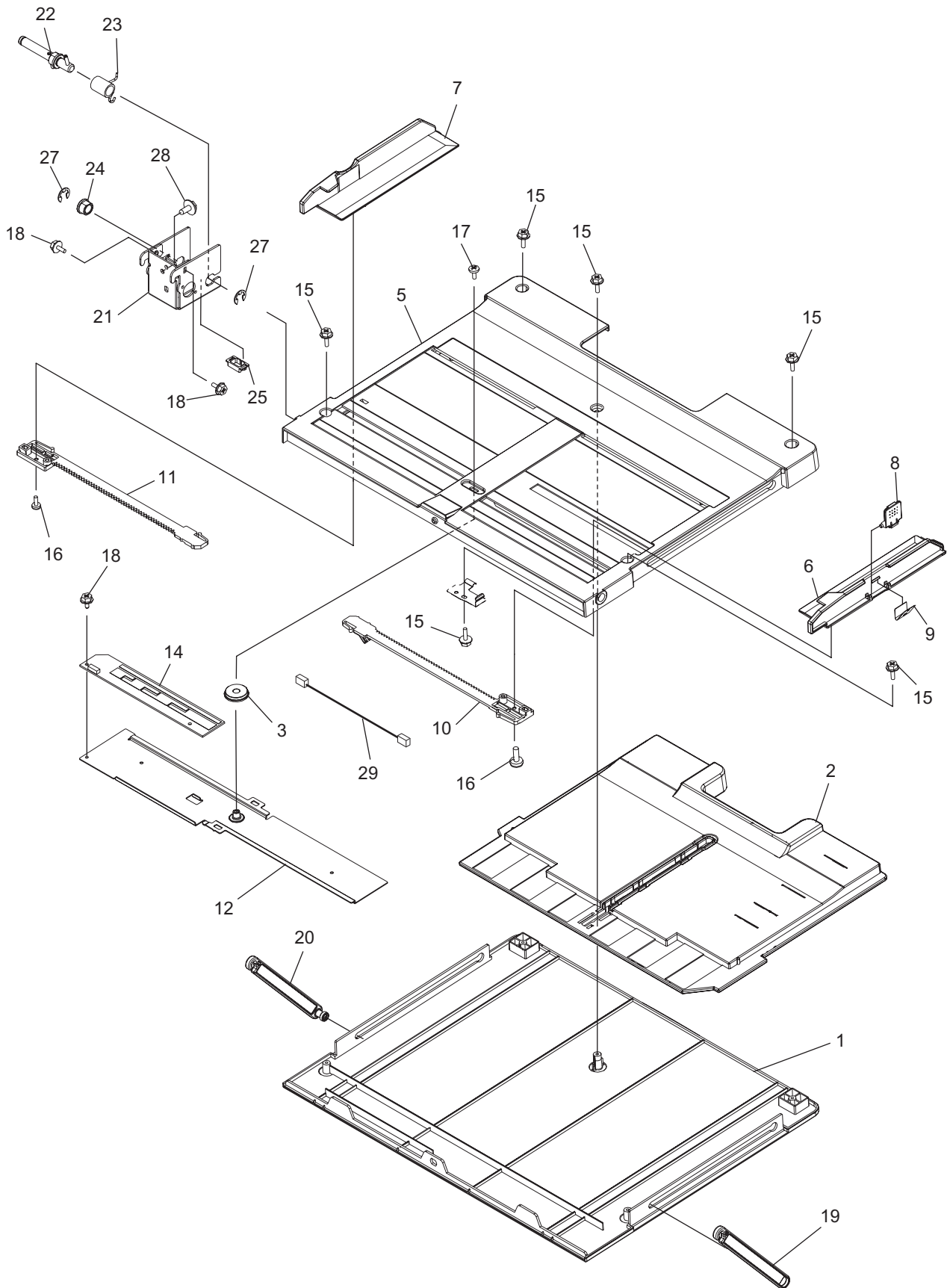
ITEM NO.	PARTS NO.	PARTS NAME	Q'TY / PAGE	Q'TY / PACK	PIR	BSI NO.	TO	T	FROM	SERIAL NO.	REMARKS	C
1	X0-02421000	S/TPS/FHEXM/R-4X8-ZU3		3/10/P								
2	6LH05940000	STP-BASE-TANDEM		1/1/P								
4	6LH05981000	ASYS-SFT-TRAY-BP-TDM		1/1/P								
5	6LH05901000	PULLY-BP-TDM2-Z18		2/1/P								
6	6LH05900000	PULLY-BP-TDM1-Z14		2/1/P								
7	6LH05903000	GEAR-DUMP-Z14		1/1/P								
8	6LH05913000	TRAY1-T-LCF		1/1/PP								
9	6LA93713000	PLT-BALANCER		1/1/P								
10	6LA04847000	PAD-TRAY		1/1/KP								
11	6LA93864000	LBL-P-SET-TRY-R		1/1/KP								
12	X0-02247000	S/TPP/FHEXM-3X8-NI		20/10/P								
13	6LH05941000	BRKT-DAMP-BP		1/1/P								
14	6LE03901000	OIL-DAMPER-390		1/1/P								
15	6LH05904000	ROLLER-BP-TDM		4/1/P								
16	6LH05906000	BRKT-GUIDE-BP		2/1/P								
17	6LH05947000	BRKT-LU-BELT-BP		2/1/P								
18	6LH06044000	BELT-3GT-402-8-B50N17		2/1/P								
19	X0-01535000	P/PRL/AH7-3X12-SS		2/5/P								
20	6LH23442000	BUSH-8X12X8F-NU4		2/5/P								
		6LH23442000										
22	X0-00968000	RR/E-7-SS		1/10/P								
23	X0-02420000	S/TPS/FHEXM/R-3X8-ZU3		18/10/P								
24	6LH05978000	ASYB-INN-COV-TLCF430		1/1/PP								
25	6LH05950000	HLDL-R-SHUT-F		1/1/P								
26	6LH05951000	JOINT-SHUT-TANDEM		2/1/P								
27	6LH05952000	PLT-SHUTTER-TANDEM		2/1/P								
28	6LA15258000	SOL-END-340		2/1/D								
29	6LH05939000	PLATE-SHUT-F		1/1/P								
30	6LH05949000	BRKT-HOLD-SHUT		2/1/P								
31	6LH06020000	SPG-SHUT-TANDEM		2/1/P								
32	C0-14266000	LG248BL1		3/1/C								
33	6LH05954000	PLATE-SHUT-R		1/1/P								
34	6LH05910000	BRKT-STP-TANDEM		1/1/P								
35	6LH06021000	SFT-STP-TANDEM		1/1/P								
36	6LH05958000	RLR-RAIL-CENTER		2/1/P								
37	X0-00964000	RR/E-3-SS		4/10/P								
39	6LH05718000	PLATE-LATCH		1/1/P								
40	6LH06030000	PLT-SPG-SE-R		1/1/P								
41	6LA04487000	STUD-CST-POS		1/5/P								
42	X0-02235000	S/FHEXM-M4X8-NI		6/10/P								
43	X0-02251000	S/TPP/FHEXM-4X8-NI		4/10/P								
44	X0-02419000	S/TPS/FHEXM/R-3X6-ZU3		2/10/P								
45	X0-02069000	S/TPS/BID-3X6-ZU3		4/10/P								
46	6LA93862000	LBL-P-LIMIT		1/1/P								
48	41306265000	STOP RING		1/1/P								
49	6LH06054000	BRKT-HOLD-IDLER-R		1/1/P								
50	6LH06057000	BRKT-SUPPORT-R		1/1/P								
51	6LH06058000	BRKT-SUPPORT-F		1/1/P								
52	6LH06059000	RLR-BELT-IDLER-2		3/1/P								
53	6LH06045000	LBL-COV-R-TLCF		1/1/KP								
54	6LH06022000	FENCE-TRAY1-R		1/1/D								



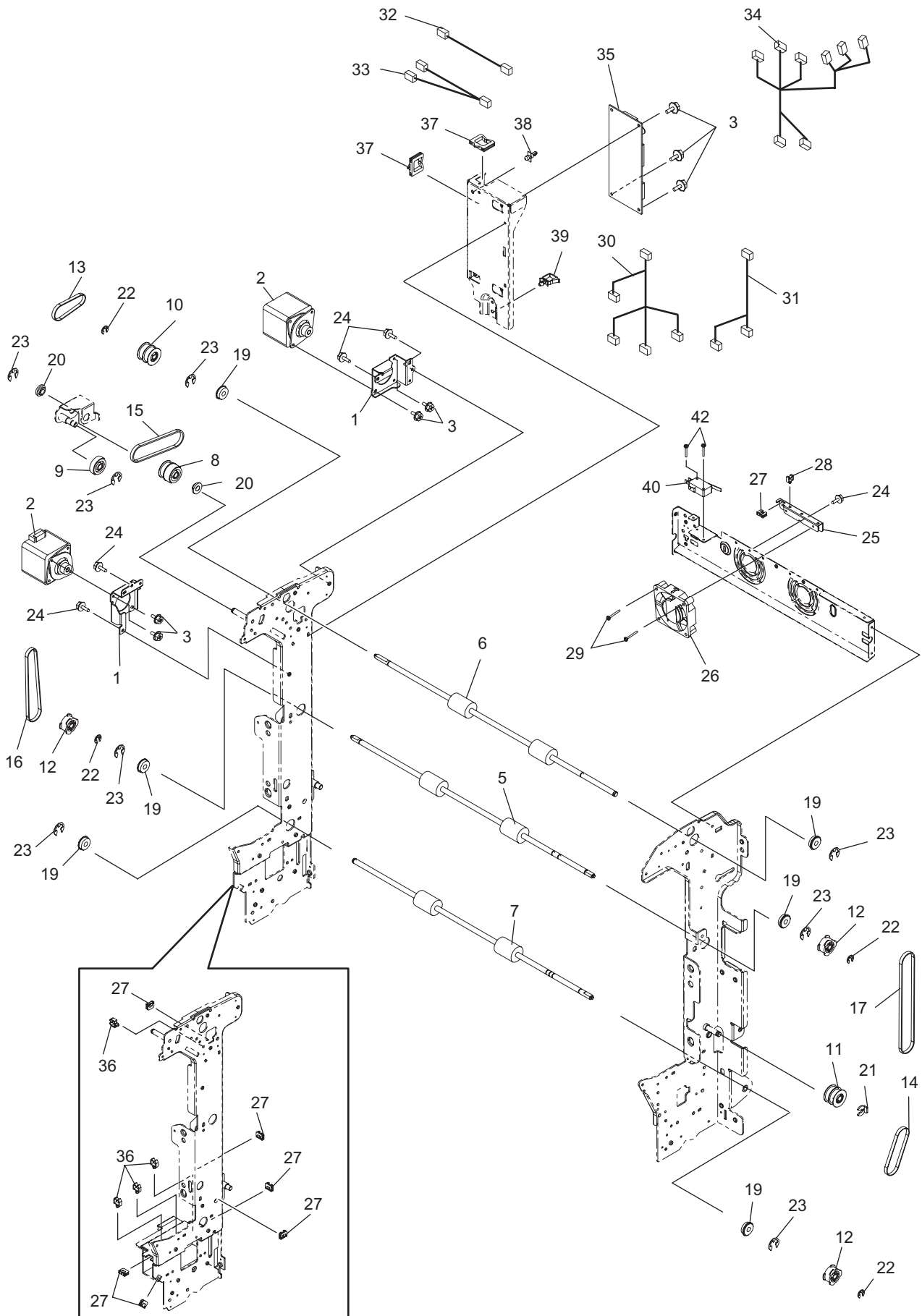
ITEM NO.	PARTS NO.	PARTS NAME	Q'TY / PAGE	Q'TY / PACK	P I R	B S I NO.	T O	T	F R O M	S E R I A L NO.	R E M A R K S	C
1	FO-00781000	LF-1260ZZ		1/1/P								
2	6LH05181000	ASYS-GUIDE-BYP-U		1/1/P								
3	6LA28769000	SPG-E-6R5XR7X28R5L		1/1/P								
4	6LA28767000	LEVER-PICK		1/1/P								
5	6LA15259000	SOL-SFB-340		1/1/D								
6	44201789000	GEAR-06S-032-06		1/1/P								
7	6LE40439000	STUD-G032-BYPS		1/1/P								
8	6LE40425000	ROLLER-TR-BYPASS-18.5		1/1/KP								
9	6LA28811000	GEAR-06S-027-06		2/1/P								
10	44218389000	K-RLR-FEED-SFB		1/1/P								
11	4401966400	PLY/T-2GT020-06		1/1/P								
12	6LA28835000	BLT-SY-138-2GT-2.8		1/1/P								
13	6LH05145000	SFT-ROLL-FEED-BYP		1/1/P								
14	X0-00595000	S/TPP/PAN-3X6-NI		1/10/P								
15	44218398000	K-ROLL-PICK-BYP		1/1/P								
16	6LE40436000	SFT-ROL-PIC-BYP-350		1/1/P								
17	6LE40412000	WEIGHT-PICK-BYP-T		1/1/P								
18	6LE40407000	SCREW-WEIGHT-3*6		2/5/P								
19	4401965250	LEVER-STOPPER-F		1/1/P								
20	4401965260	LEVER-STOPPER-R		1/1/P								
21	6LA28756000	ARM-PICK-350		1/1/P								
22	6LA28832000	WEIGHT-PICK-BYP-LOW		1/1/P								
23	6LA28833000	WEIGHT-PICK-BYP-MID		1/1/P								
24	6LA28834000	WEIGHT-PICK-BYP-UP		1/1/P								
25	6LA28758000	CUSHION-PAD		1/5/P								
26	6LA28821000	STPR-BYP-F-350		1/1/P								
27	6LA28822000	STPR-BYP-R-350		1/1/P								
28	4401965270	ARM-STOPPER		2/5/P								
29	6LH31603000	ASYS-BRKT-STOPPER		1/1/P								
30	6LE06731000	CLUTCH-6-LB-390		2/1/P								
		6LE06731000										
31	4407734980	BUSH-6-GCB		3/5/P								
32	4407972860	STOP-RING-6-5		4/5/P								
34	X0-00979000	P/PRL/AH7-2X8-SS		1/10/P								
35	X0-00966000	RR/E-5-SS		8/10/P								
36	X0-00964000	RR/E-3-SS		4/10/P								
37	X0-02247000	S/TPP/FHEXM-3X8-NI		15/10/P								
38	X0-02230000	S/FHEXM-M3X6-NI		4/10/P								
39	X0-02011000	S/CTS-M3X8-NI		2/10/P								
40	6LA28819000	PLATE-ARM-PICK		1/1/P								
41	6LH05187000	COVER-SFB-L-43XT		1/1/PP								
65	CO-14266000	LG248BL1		1/1/C								
66	X0-00965000	RR/E-4-SS		1/10/P								
68	X0-02420000	S/TPS/FHEXM/R-3X8-ZU3		2/10/P								
71	4400901130	PAD-BRAKE		1/5/P								
72	6LH05429000	PULLY-S2M30-6D		1/1/P								
73	6LH05177000	BLT-SY-S2M-148-6		1/1/P								
74	6LA28768000	ACTR-EMP-SW-BYP		1/1/P								
75	6LH05159000	ASYS-BRKT-SFB-EXIT-43X		1/1/P								
76	6LH05151000	COVER-SFB-43XT		1/1/PP								
77	6LH09354000	MOTRS-TR-430		1/1/C								
78	X0-02421000	S/TPS/FHEXM/R-4X8-ZU3		2/10/P								
79	X0-02251000	S/TPP/FHEXM-4X8-NI		1/10/P								
84	X0-02419000	S/TPS/FHEXM/R-3X6-ZU3		3/10/P								



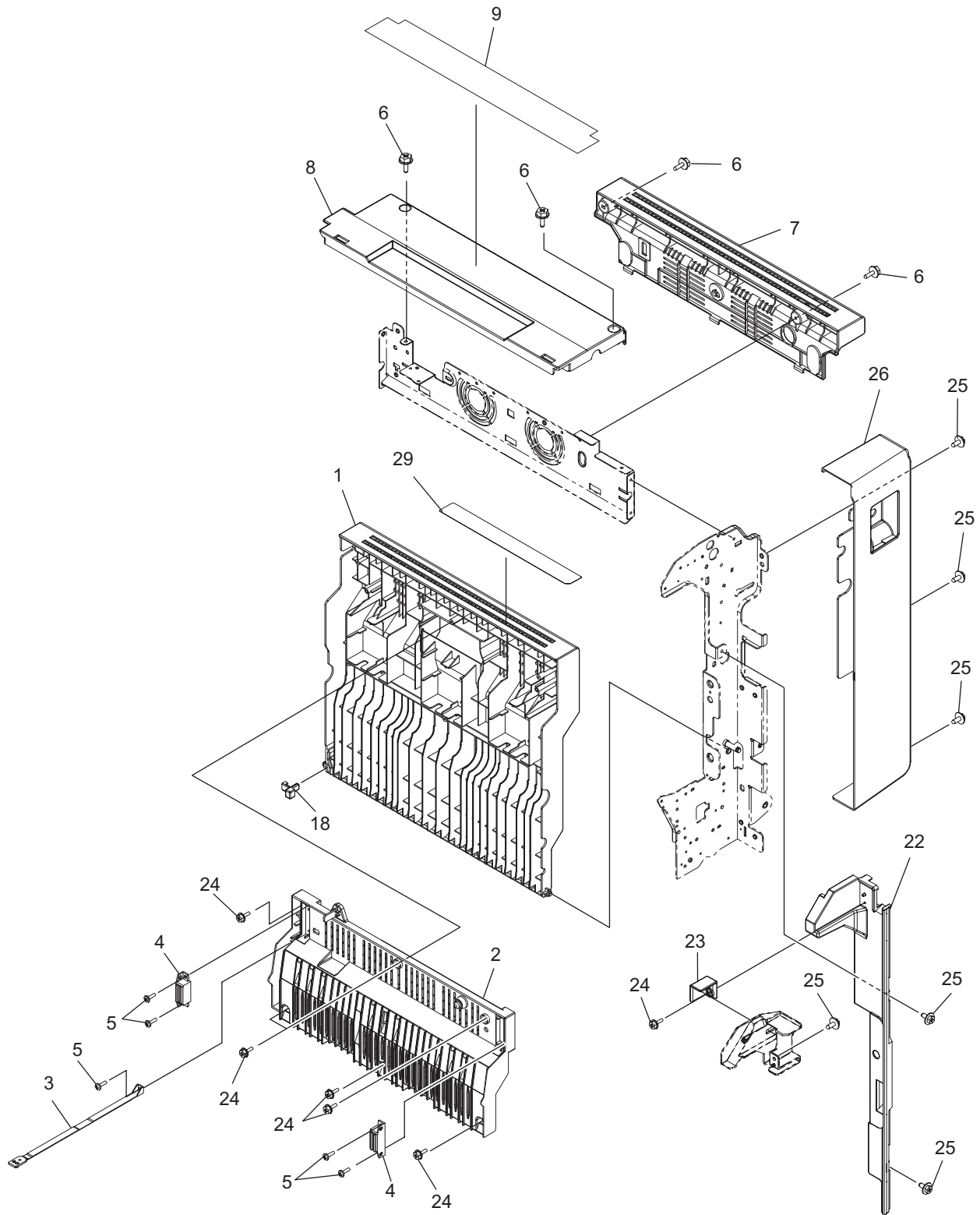
ITEM NO.	PARTS NO.	PARTS NAME	Q'TY / PAGE	Q'TY / PACK	P I R	B S I NO.	T O	T	F R O M	S E R I A L NO.	R E M A R K S	C
35	X0-00966000	RR/E-5-SS		410/P								
37	X0-02247000	S/TPP/FHEXM-3X8-NI		510/P								
38	X0-02230000	S/FHEXM-M3X6-NI		210/P								
41	6LA28857000	ASYS-BRKT-LVR-SPT		21/P								
42	6LH05109000	ASYS-BRKT-GUIDE-SPG1		11/P								
43	6LA28899000	ASYS-ROLL-SPT-L30		11/P								
44	6LH05107000	SHAFT-IDLE-TR1		21/P								
45	6LH05108000	ROLL-IDLE-TR1-BP		21/P								
46	6LH05168000	GUIDE-HOLD-IDLE-TR1		11/P								
47	6LH05116000	SPG-C-1600BP		21/P								
48	6LH04521000	LVR-IDLE-F43X		21/P								
49	6LH05135000	BRKT-FRAME-AD		21/P								
50	6LH05228000	SPG-E-6XR6X92R4-SPT		11/P								
51	6LA82827000	SPG-E-6R7XR7X79R55		11/P								
52	6LA28865000	SPR-1.0-15.65-13L		11/P								
53	6LA28862000	HOLDER-ROL-SPT-BYP		11/D								
54	6LE40437000	SHAFT-ROL-SPT		11/P								
55	6LA28861000	COVER-SPE-ARBOR-17		11/P								
56	6LH05136000	CASE-BYPASS-RLR		11/P								
57	6LE40422000	ACTUATOR-BYP		11/P								
58	6LH05148000	BRKT-ACT-BYP-43X		11/P								
59	6LA28922000	LEVER-SPT-R		11/P								
60	6LA28921000	LEVER-SPT-F		11/P								
61	6LA28863000	ARBOR-SPT-BYP		11/P								
62	6LH05225000	SFT-BYPASS-TR-L2		11/P								
63	6LH05137000	IDLER-TR1		21/P								
64	6LA28960000	SPG-T-SNSR-LOW-T		11/P								
65	C0-14266000	LG248BL1		11/C								
66	X0-00965000	RR/E-4-SS		110/P								
67	X0-02070000	S/TPS/BID-3X8-ZU3		110/P								
68	X0-02419000	S/TPS/FHEXM/R-3X6-ZU3		110/P								
69	F0-01248000	ESC-0912		110/P								
70	F0-00736000	LWS-0711Z		35/P								
71	6LH23442000	BUSH-8X12X8F-NU4		45/P								
	6LH23442000											
72	6LH05223000	HOLDER-SHAFT-F		11/P								
73	6LH05224000	HOLDER-SHAFT-R		11/P								
74	6LH05227000	MYLAR-BYP-FEED		11/KP								



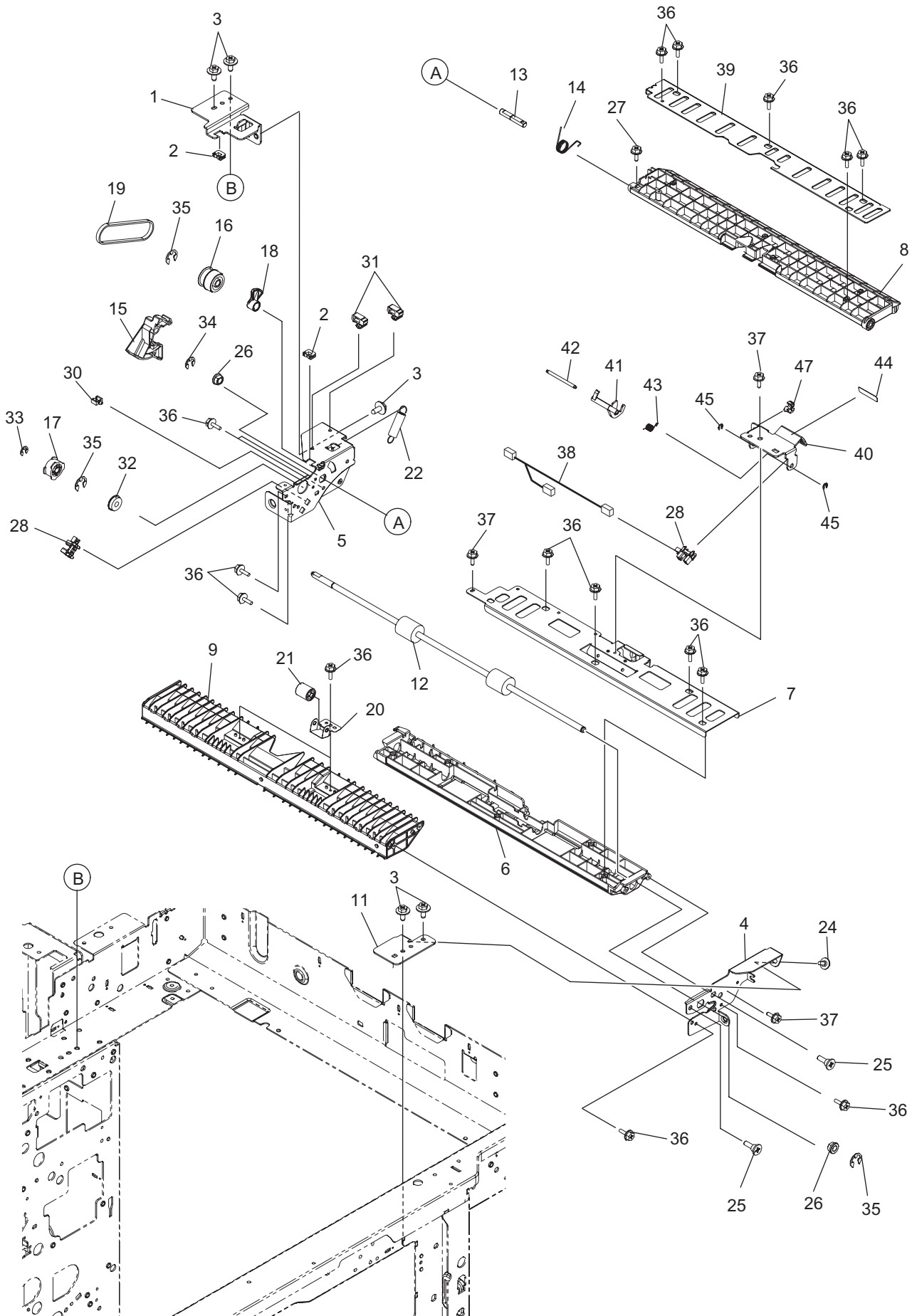
ITEM NO.	PARTS NO.	PARTS NAME	Q'TY / PAGE	Q'TY / PACK	P	I	R	B S I NO.	T O	T	F R O M	S E R I A L NO.	R E M A R K S	C
1	6LH05173000	TRAY-BYPASS-L		1/1/KP										
2	6LH05215000	TRAY-BYP-M-430		1/1/PP										
3	4407726480	PINION-18-395		1/1/P										
5	6LH05174000	TRAY-BYPASS-UP		1/1/PP										
6	6LH05172000	GUIDE-TRAY-FRT-43X		1/1/PP										
7	6LE21244000	GUIDE-TRAY-RER-380		1/1/D										
8	6LA29006000	LEVER-GUIDE-F		1/1/P										
9	6LA29007000	SPG-GUIDE-F		1/1/P										
10	6LE21265000	ASYS-RACK-BYPASS-380		1/1/C										
11	6LE21245000	RACK-BYPASS-380		1/1/D										
12	6LE21247000	ASYS-PLATE-PINION-380		1/1/D										
14	6LE29825000	PWA-F-SFB-380		1/1/C										
15	X0-02247000	S/TPP/FHEXM-3X8-NI		6/10/P										
16	X0-00595000	S/TPP/PAN-3X6-NI		2/10/P										
17	X0-00430000	S/BID-M3X6-NI		1/10/P										
18	X0-02419000	S/TPS/FHEXM/R-3X6-ZU3		3/10/P										
19	6LH05188000	ARM-TRAY-SFB-F		1/1/P										
20	6LH05191000	ARM-TRAY-SFB-R		1/1/P										
21	6LH05133000	BRKT-TRAY-BYP-R		1/1/P										
22	6LH05180000	ASYS-SFT-TRAY-BYP-43X		1/1/P										
23	6LH05155000	SPA-TRAY-SFB-43X		1/1/P										
24	4400802080	BUSH-8		1/5/P										
25	F0-01248000	ESC-0912		1/10/P										
27	X0-00968000	RR/E-7-SS		2/10/P										
28	X0-02421000	S/TPS/FHEXM/R-4X8-ZU3		1/10/P										



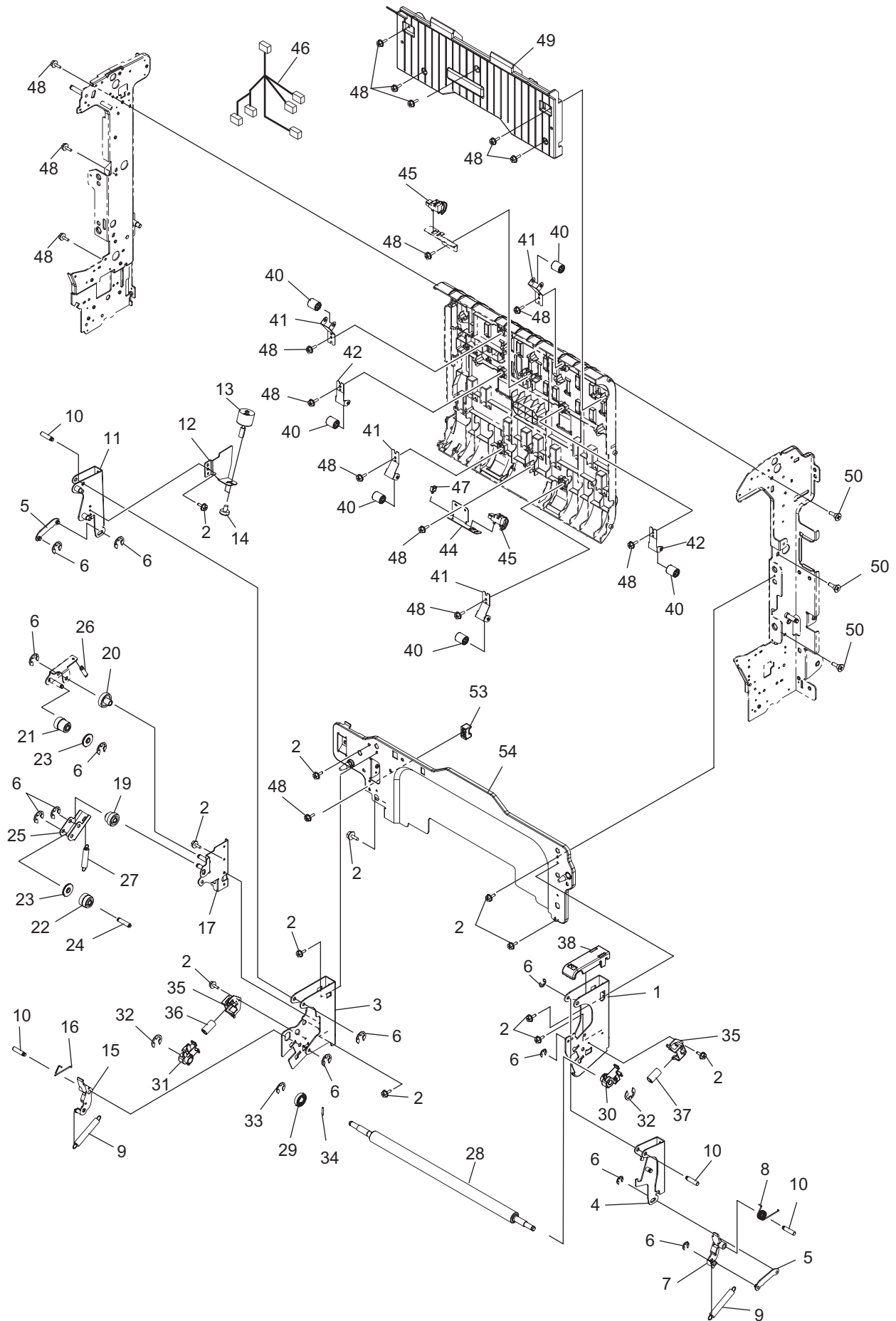
ITEM NO.	PARTS NO.	PARTS NAME	Q'TY / PAGE	Q'TY / PACK	P I R	B S I NO.	T O	T	F R O M	S E R I A L NO.	R E M A R K S	C
1	6LH05435000	BRKT-MOTOR-ADU		21/P								
2	6LH08863000	MOTRS-MT-430		21/C								
3	X0-02230000	S/FHEXM-M3X6-NI		410/P								
5	6LH05412000	RLR-ADU-MTD-430		11/KP								
6	6LH05400000	RLR-ADU-UP-430		11/KP								
7	6LH05411000	RLR-ADU-LOW-430		11/KP								
8	6LH05409000	GEAR-10S20_PS2M30-6		11/P								
9	6LH05402000	GEAR-10S20-6		11/P								
10	6LH05410000	PULLY-S2M30-6D-DBL		11/P								
11	6LH05417000	PULLY-S2M30-6-DBL		11/P								
12	6LH05429000	PULLY-S2M30-6D		31/P								
13	6LH05408000	BLT.SY-S2M-118-5		11/P								
14	6LH05418000	BLT.SY-S2M-142-4		11/P								
15	6LH05420000	BLT.SY-S2M-186-4		11/P								
16	6LH05430000	BLT.SY-S2M-224-4		11/P								
17	6LH05401000	BLT.SY-S2M-300-4		11/P								
19	F0-01482000	RNR-1560ZZRPOP24LY121		61/P								
20	6LA29859000	BUSH-6X10X4F-POM		25/P								
21	44201801000	STOP-RING-6-1.5		15/P								
22	X0-00964000	RR/E-3-SS		410/P								
23	X0-00966000	RR/E-5-SS		810/P								
24	X0-02420000	S/TPS/FHEXM/R-3X8-ZU3		1110/P								
25	6LH05510000	BRKT-FAN-ADU		11/P								
26	6LE09167000	FAND-6015-390		11/D								
27	F0-00120000	ES-0505		75/P								
28	F0-01250000	MSB-1207		15/P								
29	X0-02061000	S/TPS/PAN-3X20-ZU3		210/P								
35	6LH09296000	PWA-F-ADU-430		11/SB								
36	F0-00033000	UAMS-07-0		410/P								
37	F0-00047000	EDS-1717U		210/P								
38	F0-00340000	SPLSN-4U		15/P								
39	F0-01243000	LWS-1211Z		15/P								
40	E0-12019000	V-152-1C25		11/C								
42	X0-02060000	S/TPS/PAN-3X16-ZU3		210/P								



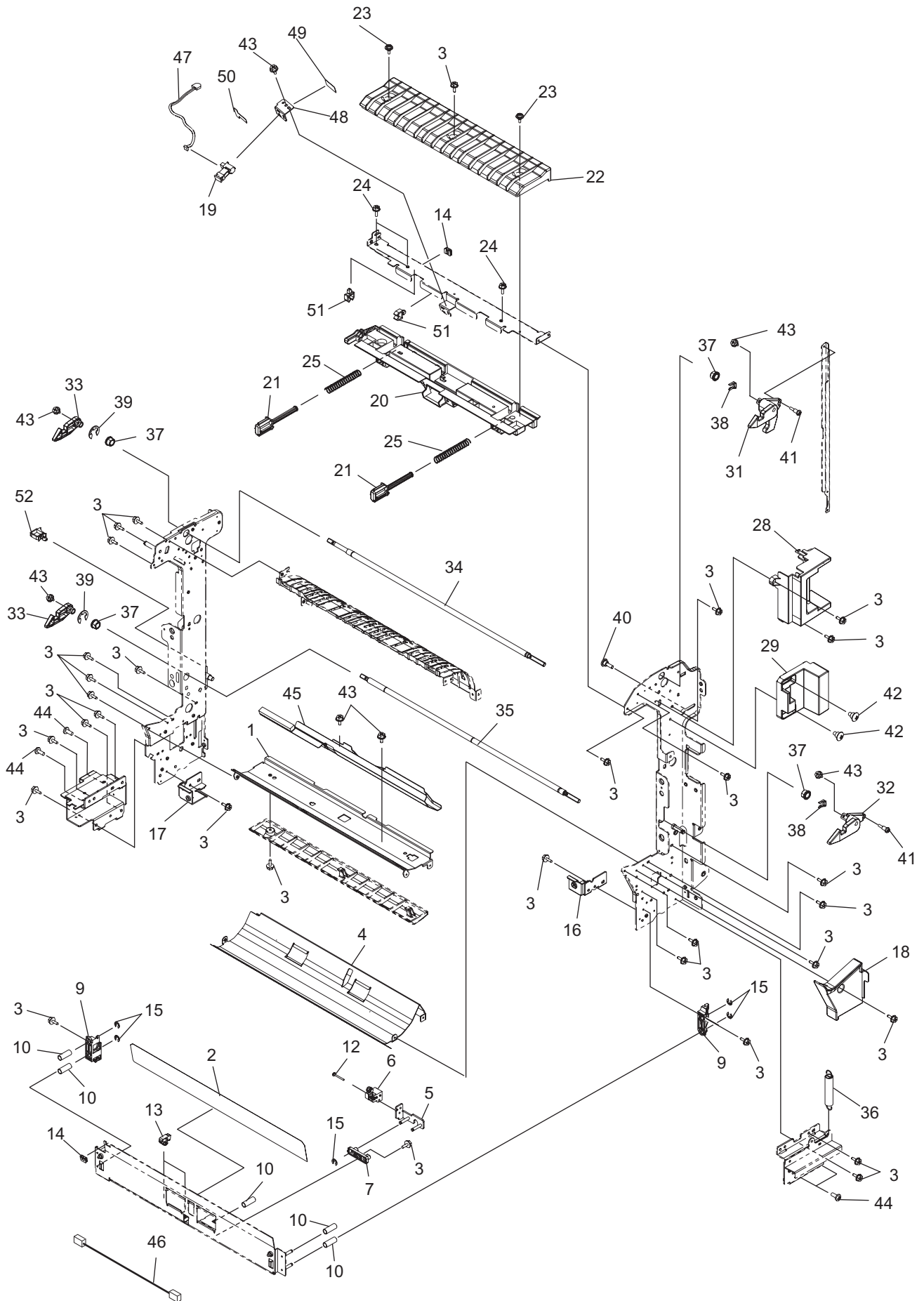
ITEM NO.	PARTS NO.	PARTS NAME	Q'TY / PAGE	Q'TY / PACK	P I R	B S I NO.	T O	T	F R O M	S E R I A L NO.	R E M A R K S	C
1	6LH05530000	COVER-ADU-RIGHT-430-T		1/1/PP								
2	6LH05432000	GUIDE-ADU-RIGHT-UP		1/1/PP								
3	6LH05522000	STOPPER-STRING-430		1/1/P								
4	F0-01394000	CA-0131B		2/1/P								
5	X0-01989000	S/TPP/BID-3X8-NI		5/10/P								
6	X0-02420000	S/TPS/FHEXM/R-3X8-ZU3		4/10/P								
7	6LH05529000	COVER-ADU-U-SUB-430-T		1/1/PP								
8	6LH05504000	COVER-ADU-UP-430		1/1/P								
9	6LH14712000	LBL-ADU-UPPER		1/1/KP								
18	44201629000	STOPPER-COV-FED		1/1/P								
22	6LH05503000	COVER-ADU-FRT-SUB-UP		1/1/KP								
23	6LH05507000	PUSHER-COVER-ADU-SW		1/1/P								
24	X0-02247000	S/TPP/FHEXM-3X8-NI		7/10/P								
25	X0-02421000	S/TPS/FHEXM/R-4X8-ZU3		6/10/P								
26	6LH05500000	COVER-ADU-FRT-430T		1/1/PP								
29	6LH05532000	LBL-ADU-OPEN		1/1/KP								



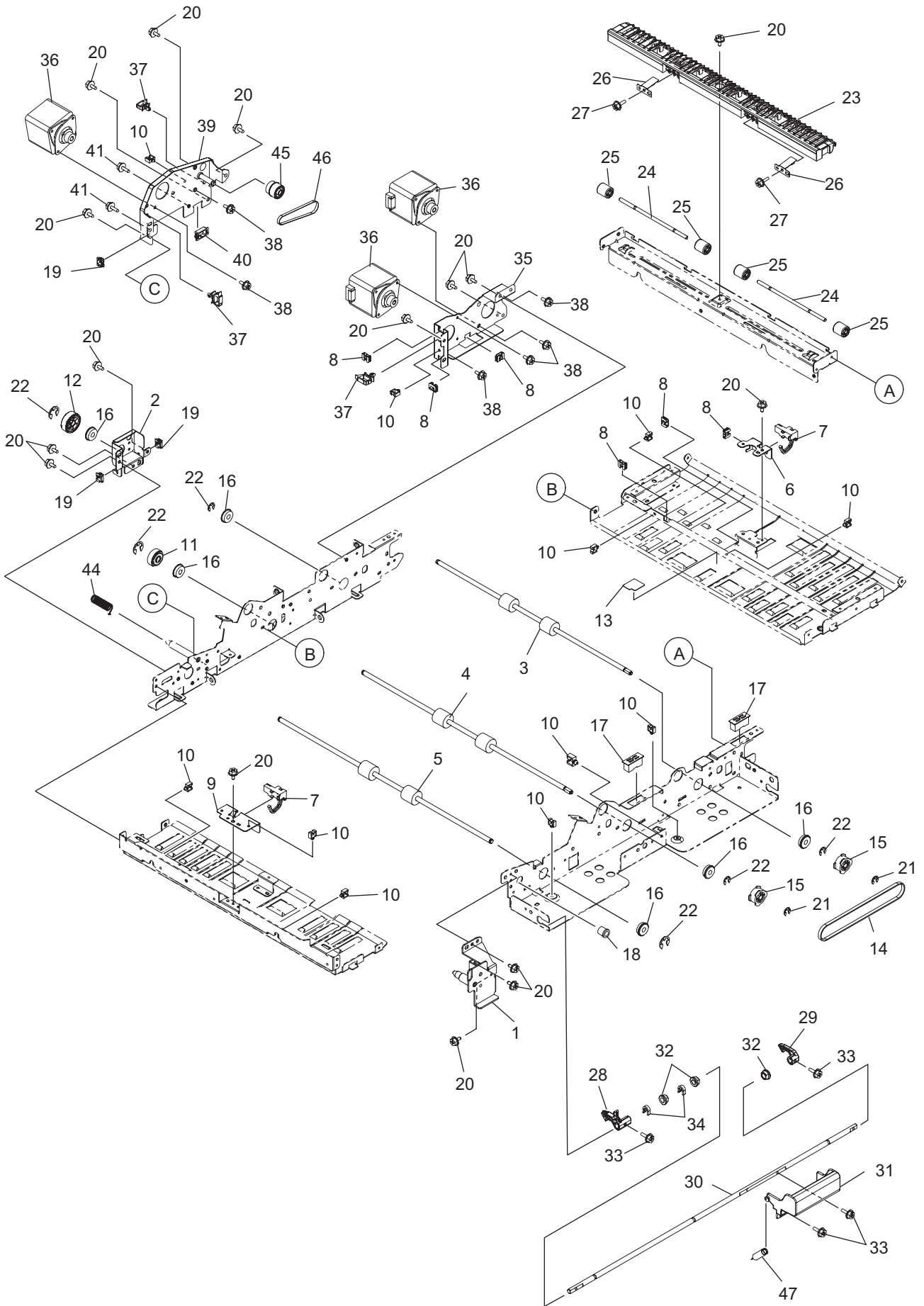
ITEM NO.	PARTS NO.	PARTS NAME	Q'TY / PAGE	Q'TY / PACK	P I R	B S I NO.	T O	T	F R O M	S E R I A L NO.	R E M A R K S	C
1	6LH05494000	BRKT-HOLD-MID-R		1/1/P								
2	F0-00120000	ES-0505		2/5/P								
3	X0-02421000	S/TPS/FHEXM/R-4X8-ZU3		5/10/P								
4	6LH05527000	ASYS-FRM-MID-GID-F		1/1/P								
5	6LH05468000	ASYS-FRM-MID-GID-R		1/1/P								
6	6LH05456000	GUIDE-MID-JCT-U		1/1/D								
7	6LH05493000	STAY-GUIDE-MID-JCT		1/1/P								
8	6LH05472000	GUIDE-SEPT-JCT		1/1/D								
9	6LH05457000	GUIDE-EXIT-M		1/1/D								
11	6LH05481000	BRKT-HOLD-MID-F		1/1/P								
12	6LH05454000	RLR-ADU-LFT-UP-430		1/1/KP								
13	6LH05459000	SHAFT-SEPT-GUIDE-R		1/1/P								
14	6LH05473000	SPG-GUIDE-JCT		1/1/P								
15	6LH05492000	CRANK-MOV-GUIDE		1/1/P								
16	6LH05409000	GEAR-10S20_PS2M30-6		1/1/P								
17	6LH05429000	PULLY-S2M30-6D		1/1/P								
18	6LH05455000	CARR-GEAR-MID		1/1/P								
19	6LH05420000	BLT.SY-S2M-186-4		1/1/P								
20	6LH05491000	SPL-PINCH-ADU-MID		2/1/P								
21	6LH17989000	RLR-PINCH-14-4		2/1/P								
24	6LE41127000	SCREW-M3-4-1.4		1/5/P								
25	6LH05511000	SCREW-M3X8-3.2-P		2/5/P								
26	4407734980	BUSH-6-GCB		2/5/P								
27	X0-02230000	S/FHEXM-M3X6-NI		1/10/P								
28	C0-10814000	TLP1255(C8)		2/5/C								
30	F0-01250000	MSB-1207		1/5/P								
31	F0-01462000	LEWS-0206S-V0		2/1/P								
32	F0-01482000	RNR-1560ZZRPOP24LY121		1/1/P								
33	X0-00964000	RR/E-3-SS		1/10/P								
34	X0-00965000	RR/E-4-SS		1/10/P								
35	X0-00966000	RR/E-5-SS		3/10/P								
36	X0-02247000	S/TPP/FHEXM-3X8-NI		17/10/P								
37	X0-02069000	S/TPS/BID-3X6-ZU3		2/10/P								
39	6LH05526000	BRKT-SUPPORT-JCT-GUIDE		1/1/P								
40	6LH05536000	BRKT-SNSR-ADU-MID		1/1/P								
41	6LH05535000	ACTR-SNSR-ADU-MID		1/1/C								
42	6LH05539000	PIN-SNSR-ADU-MID		1/1/P								
43	6LH05538000	SPG-SNSR-ADU-MID		1/1/P								
44	6LH07552000	SHEET-SNSR-TLP1255		1/5/P								
45	X0-00963000	RR/E-2-SS		2/10/P								
47	F0-01194000	UAMS-02WH-2		1/5/P								



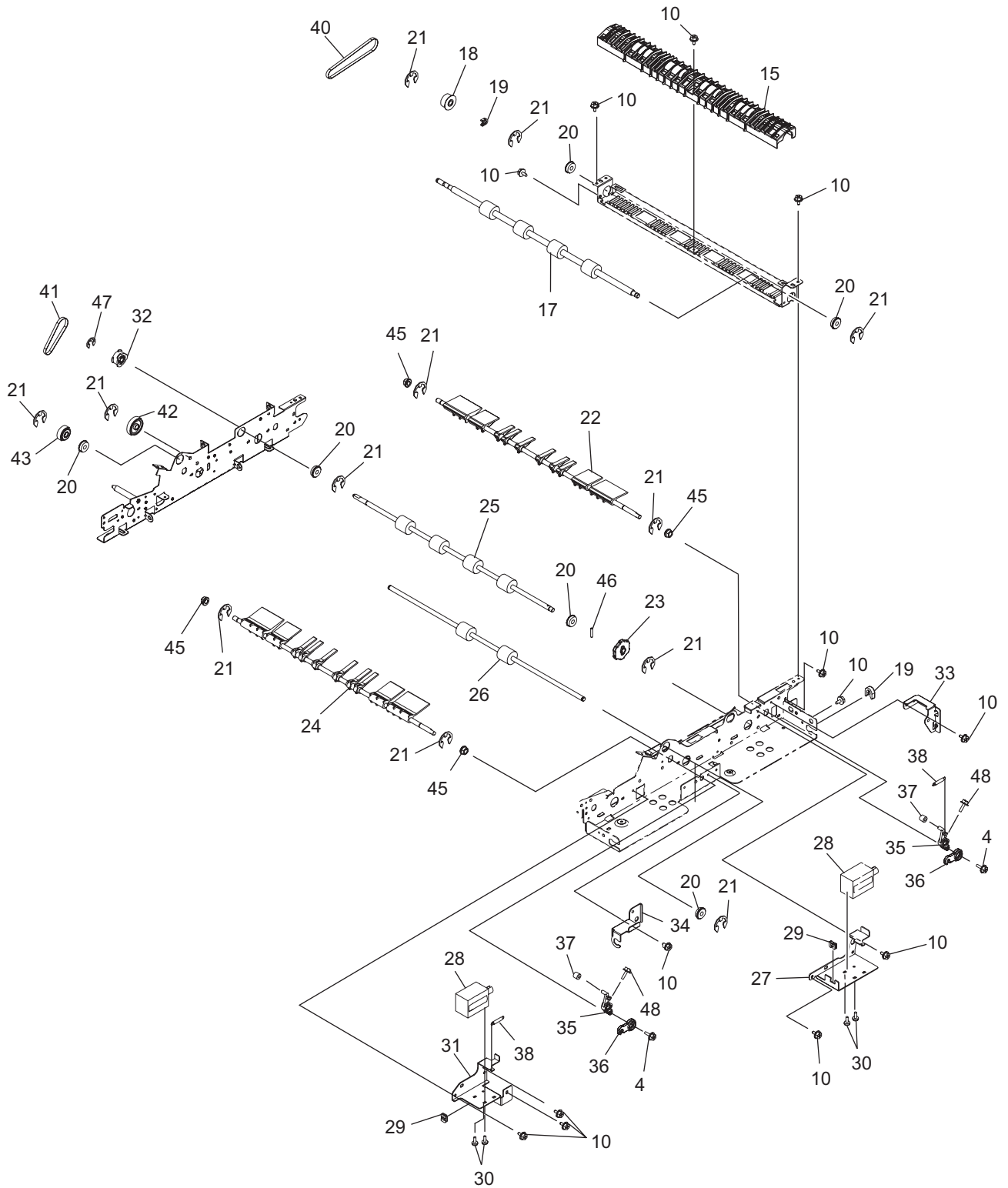
ITEM NO.	PARTS NO.	PARTS NAME	Q'TY / PAGE	Q'TY / PACK	P I R	B S I NO.	T O	T	F R O M	S E R I A L NO.	R E M A R K S	C
1	6LH04308000	ASYS-FRAME-TRU-F		1/1/P								
2	X0-02420000	S/TPS/FHEXM/R-3X8-ZU3		12/10/P								
3	6LH04310000	ASYS-FRAME-TRU-R		1/1/P								
4	6LH04312000	ASYS-ARM-TRU-F		1/1/P								
5	6LH04321000	ASYS-LINK-ARM-TRU		2/1/P								
6	X0-00965000	RR/E-4-SS		12/10/P								
7	6LH04324000	LINK-ARM-TRU-A-F		1/1/P								
8	6LH04453000	SPG-T-RELEASE-TRU-F		1/1/P								
9	6LH04420000	SPG-E-TRU-ROL-430		2/1/P								
10	6LH04358000	STUD-PIVOT-TRU-430		4/1/P								
11	6LH04315000	ASYS-ARM-TRU-R		1/1/P								
12	6LH04233000	BRKT-DRV-AUG-TR2		1/1/P								
13	6LH09059000	MOTRD-TR2-UTNR-430		1/1/C								
14	X0-02270000	S/PAN-M2.6X2.5-NI		2/10/P								
15	6LH04325000	LINK-ARM-TRU-A-R		1/1/P								
16	6LH04399000	SPG-T-RELEASE-TRU-R		1/1/P								
17	6LH04292000	ASYS-BRKT-DRV-TR2		1/1/P								
19	6LH04286000	GEAR-6H31_6H24-6-TR2		1/1/P								
20	6LH04287000	GEAR-6H35-6-TR2		1/1/P								
21	6LH04285000	GEAR-6S27_6H28-6-TR2		1/1/P								
22	6LH04284000	GEAR-6H28_8S23-6-TR2		1/1/P								
23	6LH04289000	COLLAR-TR2-DRV		2/1/P								
24	6LH04348000	SHAFT-PLT-TR2		1/1/P								
25	6LH04299000	BRKT-UNIT-GEAR		1/1/P								
26	6LH04387000	SPG-E-6XR4X19R2-TR2		1/1/P								
27	6LH04388000	SPG-E-8R5XR9X31R4-TRU		1/1/P								
28	6LH04568000	ROLLER-RGST-R-430		1/1/KP								
29	6LH04559000	GEAR-RGST		1/1/P								
30	6LH04733000	ASYB-BUSH-ROL-RGST-F		1/1/P								
31	6LH04734000	ASYB-BUSH-ROL-RGST-R		1/1/P								
32	X0-00968000	RR/E-7-SS		2/10/P								
33	X0-00970000	RR/E-9-SS		1/10/P								
34	X0-01165000	P/PRL/AH7-2X14-SS		1/10/P								
35	6LE24244000	HOLDER-RGST-SPE		2/1/P								
36	6LH04507000	SPG-C-11X1X53R1		1/1/P								
37	6LH04535000	SPG-C-11R1X1X48R5		1/1/P								
38	6LH04334000	COV-FRAME-TRU-F		1/1/P								
40	6LH17989000	RLR-PINCH-14-4		6/1/P								
41	6LH05437000	SPL-PINCH-ADU-SIDE		4/1/P								
42	6LH17844000	SPL-IDLE-BR		2/1/P								
44	6LH05440000	BRKT-SNSR-ADU-LOW		1/1/P								
45	6LE09239000	SNSR-FED-390		2/1/P								
47	F0-01250000	MSB-1207		1/5/P								
48	X0-02247000	S/TPP/FHEXM-3X8-NI		17/10/P								
49	6LH05523000	COVER-HRNS-ADU-430		1/1/PP								
50	6LH05511000	SCREW-M3X8-3.2-P		3/5/P								
53	6LH04421000	HOLDER-SFT-LOCK-ADU-L		1/1/P								
54	6LH04242000	ASYS-FRAME-TRU-430		1/1/P								



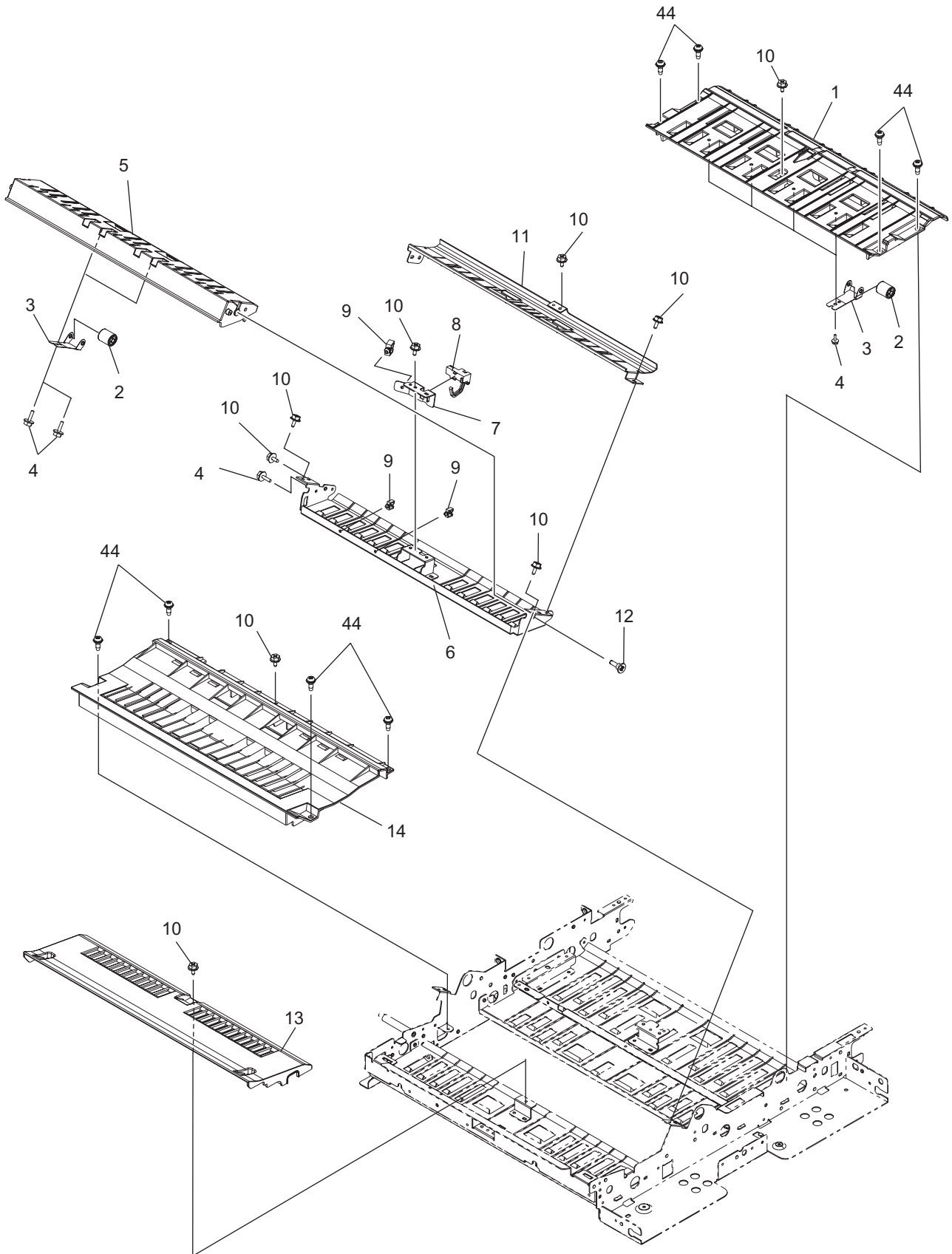
ITEM NO.	PARTS NO.	PARTS NAME	Q'TY / PAGE	Q'TY / PACK	PIR	BSI NO.	TO	T	FROM	SERIAL NO.	REMARKS	C
1	6LH05404000	ASYS-GUIDE-RGST-R-430		1/1/KP								
2	6LH05203000	MYLAR-GUIDE-TRANS		1/1/KP								
3	X0-02420000	S/TPS/FHEXM/R-3X8-ZU3		3/10/P								
4	6LH05441000	ASYS-GUIDE-ADU-LOW		1/1/KP								
5	6LH05100000	ASYS-BRKT-MR-SENS		1/1/P								
6	6LH09587000	SNSR-MR-430		1/1/C								
7	6LH05123000	GUIDE-ADJUST-SENS		1/1/P								
9	6LH05193000	BUSH-HLD-G-TR1-3		2/1/P								
10	6LH05220000	SPG-GUIDE-ADJ-TR1		5/1/P								
12	X0-02556000	S/BID-M3X20-ZU3		1/10/P								
13	F0-01462000	LEWS-0206S-V0		2/1/P								
14	F0-00120000	ES-0505		2/5/P								
15	X0-00964000	RR/E-3-SS		5/10/P								
16	6LH05164000	BRKT-ADU-L-F		1/1/P								
17	6LH05165000	BRKT-ADU-L-R		1/1/P								
18	6LH05501000	COVER-ADU-FRT-SUB-LOW		1/1/P								
19	CO-15043000	GP2Y5D91S00F		1/1/C								
20	6LH07535000	COV-ADU-RTN-L		1/1/D								
21	6LH07495000	PUSH-COV-SNSR-FUS		2/1/P								
22	6LH07446000	GUIDE-ADU-RTN		1/1/D								
23	6LA08937000	SCREW-BKT-DEV		2/10/P								
24	X0-02247000	S/TPP/FHEXM-3X8-NI		1/10/P								
25	6LH07505000	SPG-C-GUIDE-RTN		2/1/P								
28	6LH05502000	COVER-LEV-OPEN-ADU		1/1/P								
29	6LH05509000	LEVER-OPEN-ADU-430		1/1/P								
31	6LH05416000	LEVER-LOCK-ADU-FU		1/1/P								
32	6LH05427000	LEVER-LOCK-ADU-FL		1/1/P								
33	6LH05413000	LEVER-LOCK-ADU-RU		2/1/P								
34	6LH05421000	SHAFT-LOCK-LEV-ADU-UP		1/1/P								
35	6LH05496000	SHAFT-LOCK-LEV-ADU-LOW		1/1/P								
36	6LH05531000	SPG-E-15X1R4X44R7		1/1/P								
37	6LH23442000	BUSH-8X12X8F-NU4		4/5/P								
		6LH23442000										
38	41306265000	STOP RING		2/1/P								
39	X0-00968000	RR/E-7-SS		2/10/P								
40	6LH05511000	SCREW-M3X8-3.2-P		1/5/P								
41	6LA08933000	SCREW-CON-DEV-V		2/10/P								
42	6LA37669000	SCREW-LOCK-ARM		2/5/P								
43	X0-02230000	S/FHEXM-M3X6-NI		7/10/P								
44	X0-02074000	S/TPS/BID-4X8-ZU3		4/10/P								
45	6LH04434000	ASYS-BRKT-BRUSH		1/1/C								
48	6LH07553000	BRKT-ADU-RTN-SNSR-SUB		1/1/P								
49	6LH07551000	SHEET-SNSR-GP2Y		1/5/P								
50	6LH07554000	SHEET-ADU-RTN-SNSR		1/5/P								
51	F0-00270000	UAMS-05L-0-46		2/10/P								
52	F0-01243000	LWS-1211Z		1/5/P								



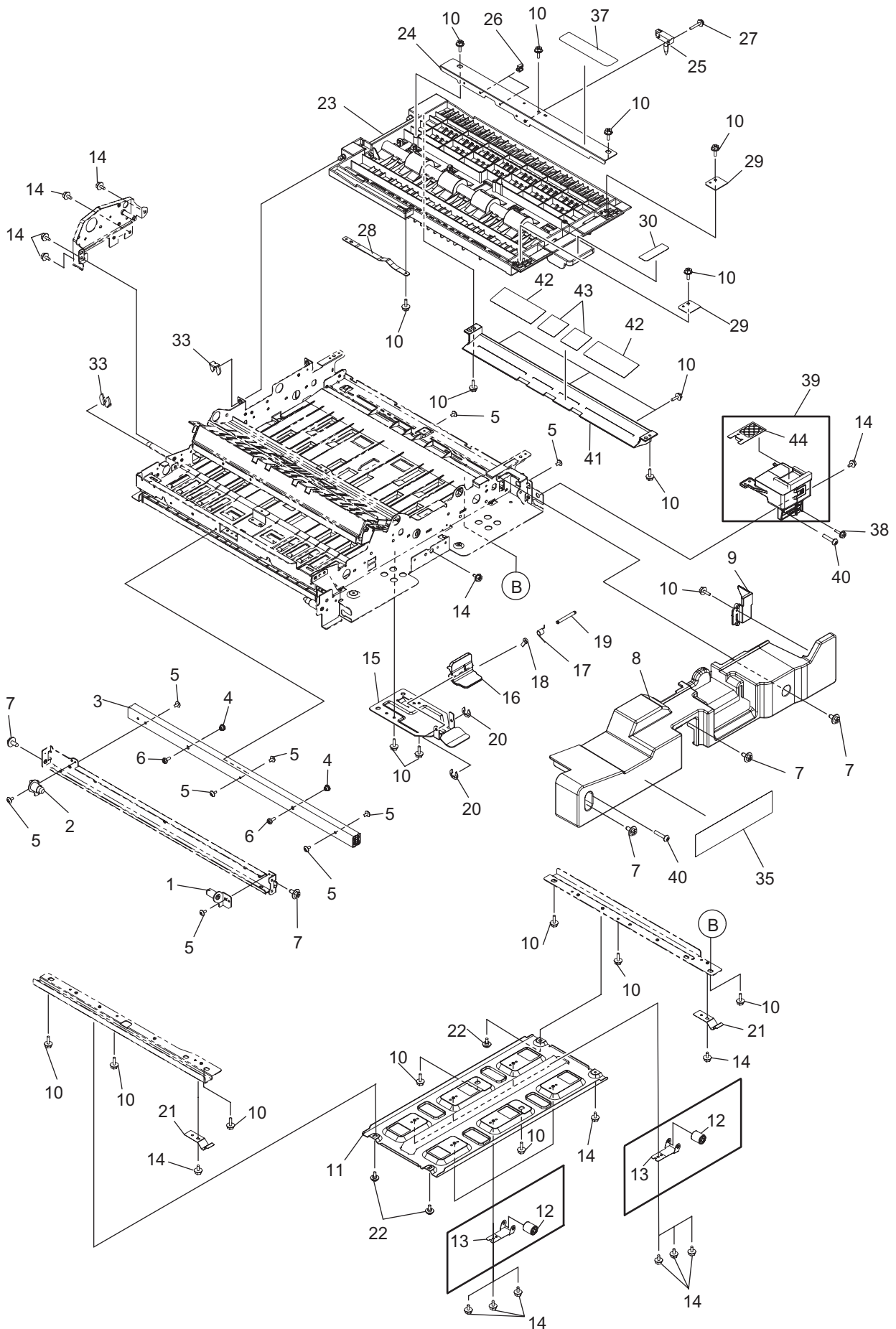
ITEM NO.	PARTS NO.	PARTS NAME	Q'TY / PAGE	Q'TY / PACK	P I R	B S I NO.	T O	T	F R O M	S E R I A L NO.	R E M A R K S	C
1	6LH17871000	ASYS-BKT-PIN-F		11/P								
2	6LH17884000	PLATE-EX-DRV		11/P								
3	6LH17866000	RLR-BR-L1		11/KP								
4	6LH17867000	RLR-BR-L2		11/KP								
5	6LH17868000	RLR-BR-L3		11/KP								
6	6LH17839000	BRKT-SENS-M		11/P								
7	6LE09174000	SNSR-FED-RVS-390		21/P								
8	FO-00120000	ES-0505		65/P								
9	6LH17831000	BRKT-BR-ML-SW		11/P								
10	FO-01250000	MSB-1207		115/P								
11	6LH17858000	GEAR-10S19-06C		11/P								
12	6LH17859000	GEAR-10S23-06C		11/P								
13	6LH17939000	MYLAR-BL		11/P								
14	6LH05401000	BLT.SY-S2M-300-4		11/P								
15	6LH05429000	PULLY-S2M30-6D		21/P								
16	FO-01482000	RNR-1560ZZRPOP24LY121		61/P								
17	6LH17973000	MG-CATCH-255		21/P								
18	FO-00018000	OCB-500		110/P								
19	FO-00671000	EDS-0607M		35/P								
20	X0-02419000	S/TPS/FHEXM/R-3X6-ZU3		1210/P								
21	X0-00964000	RR/E-3-SS		210/P								
22	X0-00966000	RR/E-5-SS		610/P								
23	6LH17964000	HLDL-BR-ENT-L		11/P								
24	6LH17913000	SHAFT-BR-ENT-L		21/P								
25	6LE23952000	ROLL-EXIT-L-380		41/P								
26	6LH17914000	SPL-BR-ENT-L		21/P								
27	X0-02247000	S/TPP/FHEXM-3X8-NI		210/P								
28	6LH17820000	LEVER-BR-L		11/P								
29	6LH17821000	LEVER-BR-R		11/P								
30	6LH17822000	SHAFT-HANDLE-BR		11/P								
31	6LH17926000	LEV-HAND		11/P								
32	44201492000	BUSH-6-POM		35/P								
33	X0-02231000	S/FHEXM-M3X8-NI		410/P								
34	4407972860	STOP-RING-6-5		25/P								
35	6LH17870000	BKT-DRV-BR		11/P								
36	6LH08863000	MOTRS-MT-430		31/C								
37	FO-00736000	LWS-0711Z		35/P								
38	X0-02230000	S/FHEXM-M3X6-NI		610/P								
39	6LH17927000	ASYS-BKT-MOT-E		11/P								
40	FO-01248000	ESC-0912		110/P								
41	X0-02420000	S/TPS/FHEXM/R-3X8-ZU3		210/P								
44	6LH17972000	SPG-C-10R6X1X31R8L		11/P								
45	6LH17852000	ASYS-G10S19-S2M30		11/P								
46	6LH17855000	BLT.SY-S2M-178-4		11/P								
47	6LH17965000	SPG-E-7R5XR7X25R3		11/P								



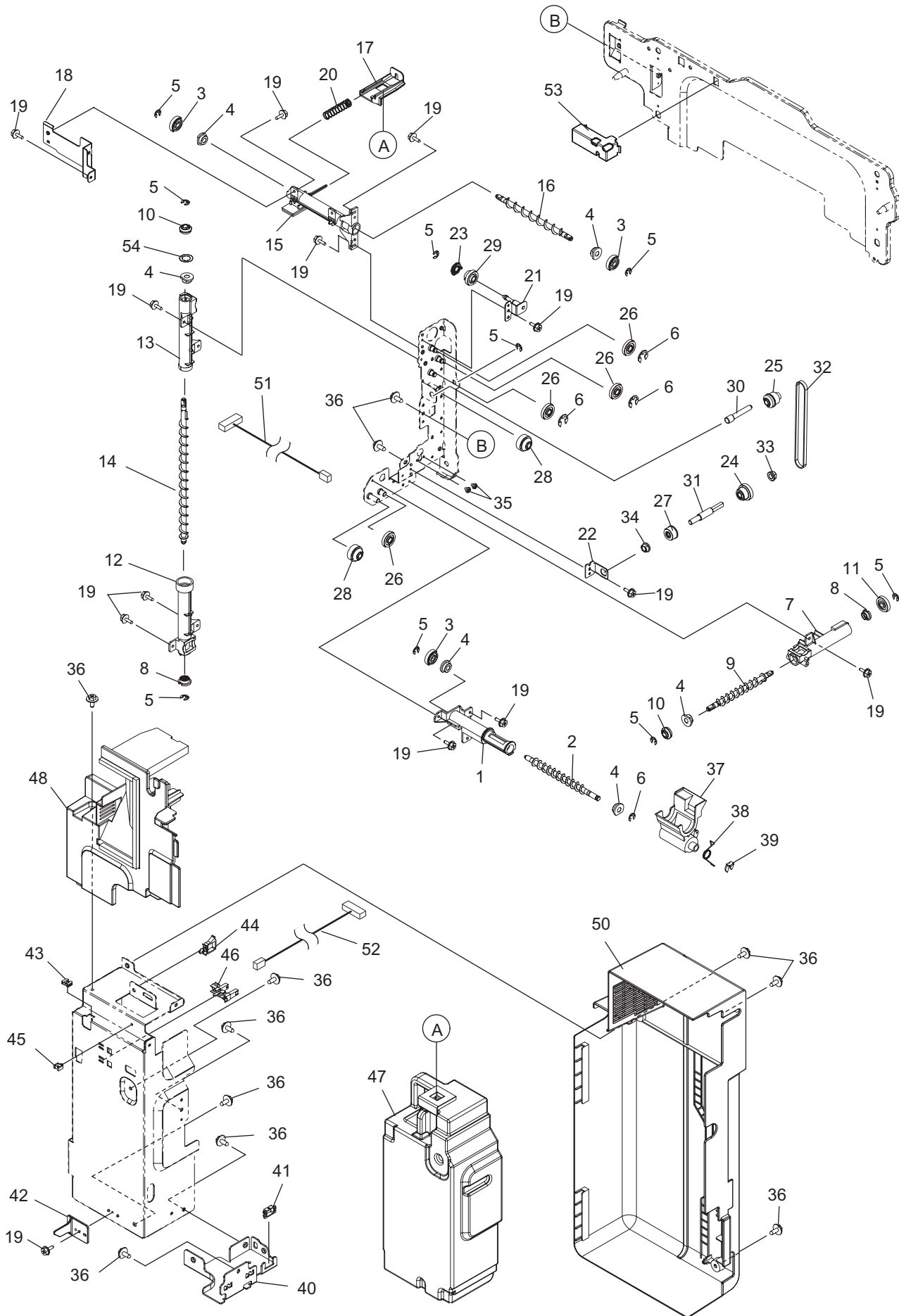
ITEM NO.	PARTS NO.	PARTS NAME	Q'TY / PAGE	Q'TY / PACK	P	I	R	BSI NO.	TO	T	FROM	SERIAL NO.	REMARKS	C
4	X0-02247000	S/TPP/FHEXM-3X8-NI		9/10/P										
10	X0-02419000	S/TPS/FHEXM/R-3X6-ZU3		2/1/10/P										
15	6LH17961000	GUIDE-BR-ENT-U		1/1/D										
17	6LH17889000	RLR-BR-ENT		1/1/KP										
18	6LH17863000	PLY-S2M-30C		1/1/P										
19	4407972860	STOP-RING-6-5		2/5/P										
20	F0-01482000	RNR-1560ZZRPOP24LY121		6/1/P										
21	X0-00966000	RR/E-5-SS		12/10/P										
22	6LH17824000	GATE-BR-1		1/1/KP										
23	6LH17861000	KNOB-BRIDGE		1/1/P										
24	6LH17827000	GATE-BR-2		1/1/KP										
25	6LH17869000	RLR-BR-REV		1/1/KP										
26	6LH17865000	RLR-BR-EXU		1/1/KP										
27	6LH17823000	BRKT-SOL-1		1/1/P										
28	6LE09192000	SOL-GATE-390		2/1/D										
29	F0-00120000	ES-0505		2/5/P										
30	X0-00057000	S/PAN-M3X6-NI		4/10/P										
31	6LH17826000	BRKT-SOL-2		1/1/P										
32	6LH05429000	PULLY-S2M30-6D		1/1/P										
33	6LH17874000	BRKT-F-R		1/1/P										
34	6LH17818000	BRKT-LEVER-BR		1/1/P										
35	6LH17925000	ARM-GATE-BR		2/1/P										
36	6LH17993000	LINK-BR-SOL-430		2/1/P										
		6LH17993000												
37	6LE05753000	CUSH-ARM-GATE-390		2/1/P										
38	6LA05704000	SPE-050-030-119		2/5/P										
40	6LH17856000	BLT.SY-S2M-212-4		1/1/P										
41	6LH17854000	BLT.SY-S2M-130-4		1/1/P										
42	6LH17860000	GEAR-10S25-06		1/1/P										
43	6LH17858000	GEAR-10S19-06C		1/1/P										
45	4407734980	BUSH-6-GCB		4/5/P										
46	X0-00980000	P/PRL/AH7-2X10-SS		1/10/P										
47	X0-00964000	RR/E-3-SS		1/10/P										
48	X0-02231000	S/FHEXM-M3X8-NI		2/10/P										



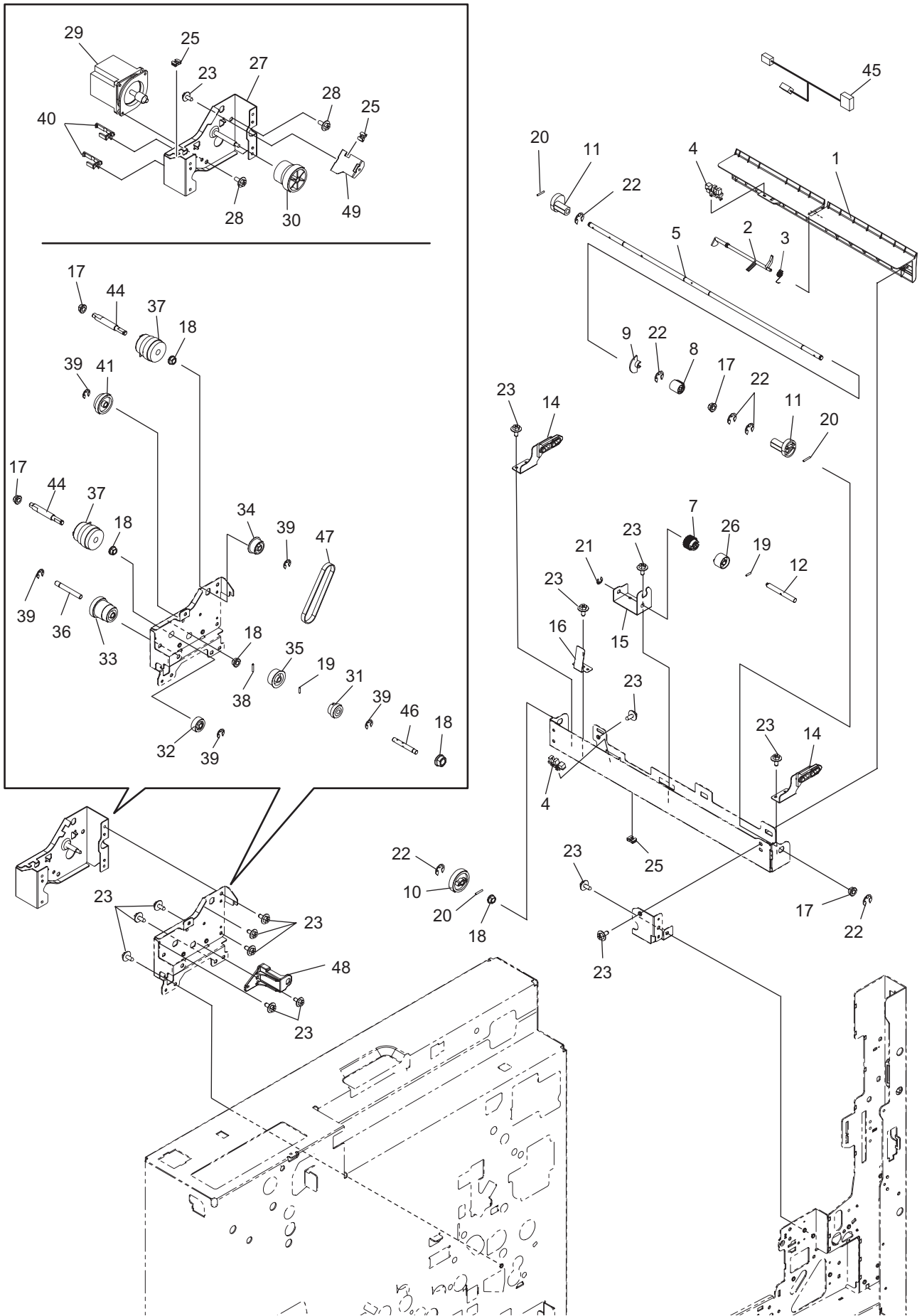
ITEM NO.	PARTS NO.	PARTS NAME	Q'TY / PAGE	Q'TY / PACK	P I R	B S I NO.	T O	T	F R O M	S E R I A L NO.	R E M A R K S	C
1	6LH17842000	GUIDE-M-BR-R		1/1/PP								
2	6LH17989000	RLR-PINCH-14-4		2/1/P								
3	6LH17844000	SPL-IDLE-BR		2/1/P								
4	X0-02247000	S/TPP/FHEXM-3X8-NI		7/10/P								
5	6LH17851000	GUIDE-M-EX		1/1/PP								
6	6LH17846000	ASYS-PLT-GUIDE-EX		1/1/P								
7	6LH17849000	BRKT-SENS-BR-EX		1/1/P								
8	6LE09174000	SNSR-FED-RVS-390		1/1/P								
9	FO-01250000	MSB-1207		3/5/P								
10	X0-02419000	S/TPS/FHEXM/R-3X6-ZU3		8/10/P								
11	6LH17850000	GUIDE-EXIT-U		1/1/PP								
12	6LH05511000	SCREW-M3X8-3.2-P		1/5/P								
13	6LH17841000	GUIDE-M-BR-L		1/1/D								
14	6LH17980000	ASYS-GUIDE-M-BR-C		1/1/PP								
44	6LA36276000	SCREW-M3-FUS-C		8/5/P								



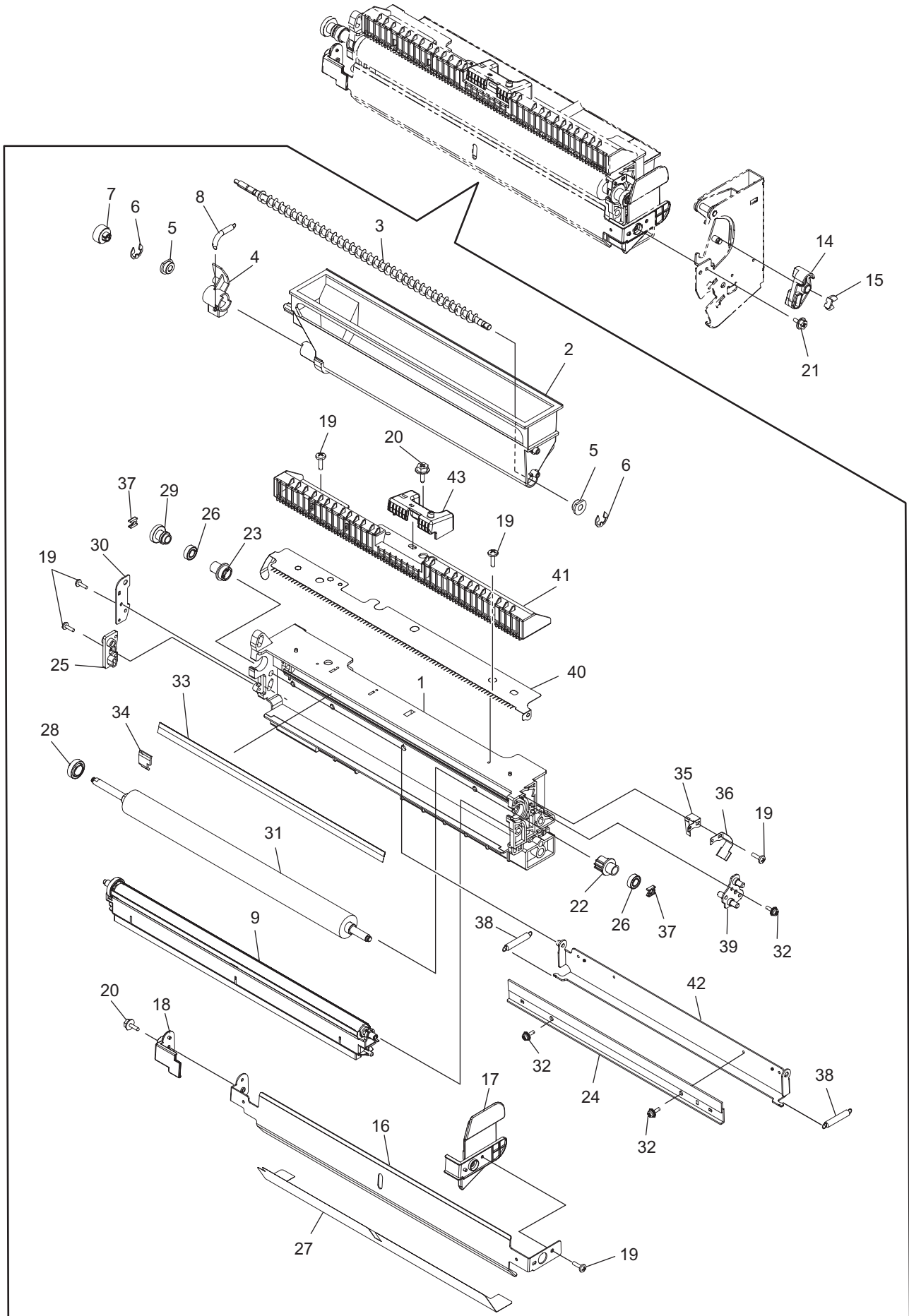
ITEM NO.	PARTS NO.	PARTS NAME	Q'TY / PAGE	Q'TY / PACK	PIR	BSI NO.	TO	T	FROM	SERIAL NO.	REMARKS	C
1	6LH17800000	ASYS-BRKT-COV-UTRAY-F		1/1/P								
2	6LH17803000	ASYS-BRKT-COV-UTRAY-R		1/1/P								
3	6LH17809000	RAIL-BRIDGE-43X		1/1/D								
4	6LH17813000	STUD-RAIL		2/1/P								
5	6LA08935000	SCR-M3X6BISR-NI		9/10/P								
6	X0-00057000	S/PAN-M3X6-NI		2/10/P								
7	X0-02421000	S/TPS/FHEXM/R-4X8-ZU3		5/10/P								
8	6LH17928000	COVER-IN-BR-430T		1/1/PP								
9	6LH17930000	PUSHER-SW-R		1/1/P								
10	X0-02247000	S/TPP/FHEXM-3X8-NI		22/10/P								
11	6LH17936000	BRKT-GID-RF-BR-V		1/1/P								
12	6LH17989000	RLR-PINCH-14-4		2/1/P								
13	6LH17844000	SPL-IDLE-BR		2/1/P								
14	X0-02419000	S/TPS/FHEXM/R-3X6-ZU3		18/10/P								
15	6LH17896000	PLATE-F-GUIDE-L		1/1/D								
16	6LH17895000	LEVER-LOCK		1/1/P								
17	6LH17898000	SPA-LOCK-080		1/5/P								
18	6LH17900000	WIRE-GUIDE-L		1/1/P								
19	6LE08847000	SHAFT-LEVER-390		1/1/P								
20	X0-00964000	RR/E-3-SS		2/10/P								
21	6LH17988000	ASYS-SPL-GUIDE-LOW		2/1/C								
22	6LE41127000	SCREW-M3-4-1.4		3/5/P								
23	6LH17906000	GUIDE-U-BR		1/1/PP								
24	6LH17904000	BRKT-SENS-BR-U-R		1/1/P								
25	C0-15007000	PS119ED1		1/1/C								
26	F0-01250000	MSB-1207		2/5/P								
27	X0-02135000	S/PAN/SWWP-M3X14-NI		1/10/P								
28	6LH17937000	STOPPER-GUIDE-U		1/1/P								
29	6LH17908000	PLATE-MG-CATCH		2/1/P								
30	6LH17960000	LBL-O-GUIDE-U-BR		1/1/P								
33	44201801000	STOP-RING-6-1.5		2/5/P								
35	6LH17981000	LBL-O-BRIDGE		1/1/KP								
37	6LE08831000	LBL-W-HOT-STAY-390		1/5/P								
38	X0-02240000	S/TPS/FHEXM-3X10-ZU3		1/10/P								
39	6LH17984000	ASYS-DUCT-FAN-BR-FRT		1/1/C								
40	X0-02066000	S/TPS/PAN-4X16-ZU3		2/10/P								
41	6LH17923000	GUIDE-BR-ENT2		1/1/PP								
42	6LA05697000	MYLAR-GUIDE-M95		2/1/KP								
43	6LA05696000	MYLAR-GUIDE-M39		2/1/P								
44	6LH17986000	GUARD-DUCT-BR-T06W1		1/1/KP								



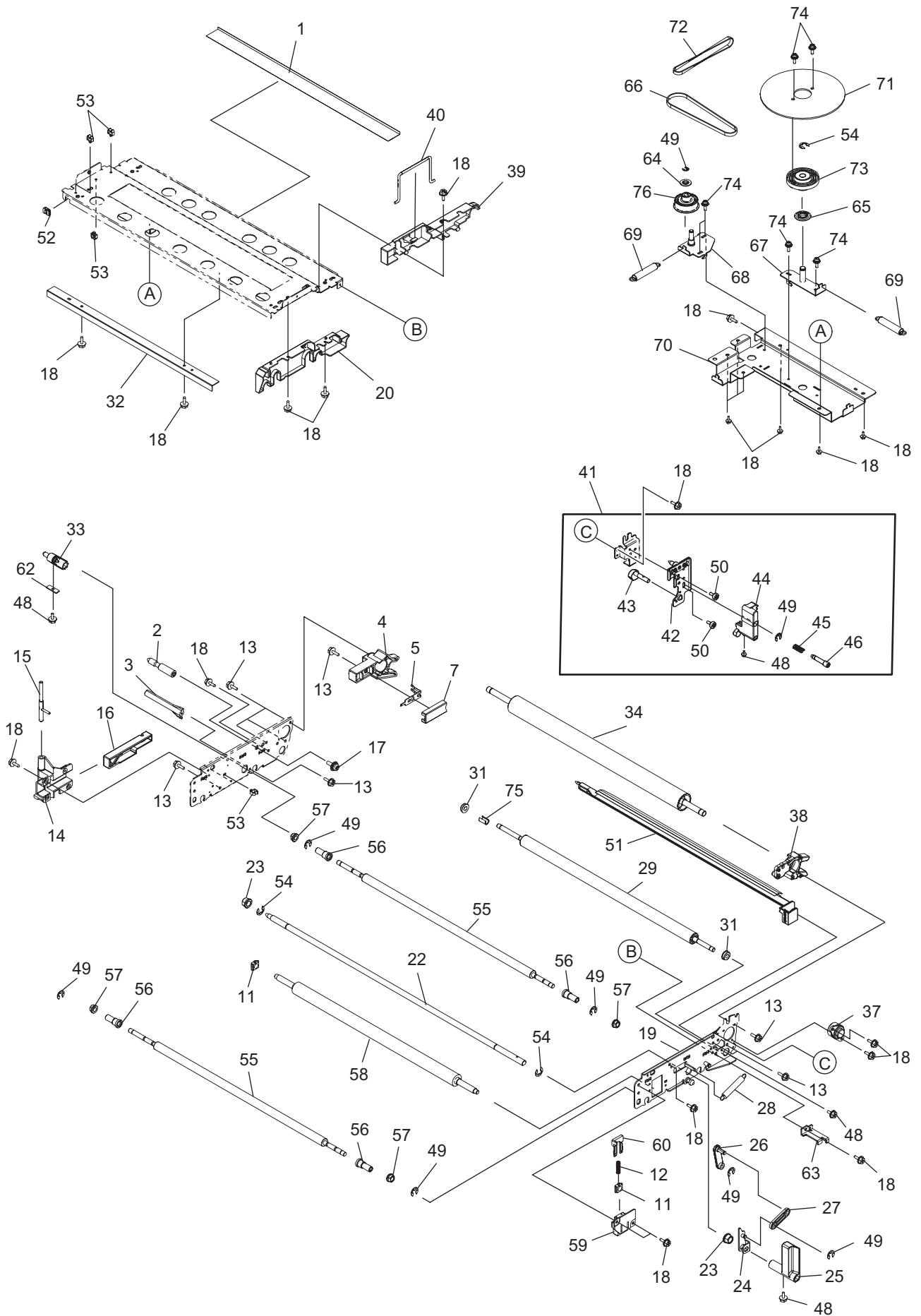
ITEM NO.	PARTS NO.	PARTS NAME	Q'TY / PAGE	Q'TY / PACK	P I R	B S I NO.	T O	T	F R O M	S E R I A L NO.	R E M A R K S	C
1	6LH04375000	ASYS-TUBE-TNR-UNIT		1/1/P								
2	6LH04290000	AUG-CLN-TRU-B		1/1/KP								
3	6LA40614000	GEAR-08S23-6-D		3/1/P								
4	44204339000	BUSH-0612*06F-M		6/5/P								
5	X0-00964000	RR/E-3-SS		9/10/P								
6	X0-00966000	RR/E-5-SS		4/10/P								
7	6LH04377000	ASYS-TUBE-TNR-1		1/1/P								
8	6LH04280000	ASYS-BUSH-6X12X6F-M		2/1/P								
9	6LH04272000	AUG-TRU-1		1/1/KP								
10	6LA40617000	GEAR-08B20-6		2/1/P								
11	6LH04248000	GEAR-8S24-6-D		1/1/P								
12	6LH04379000	ASYS-TUBE-TNR-2		1/1/P								
13	6LH04382000	ASYS-TUBE-TNR-4		1/1/P								
14	6LH04443000	ASYS-AUG-TRU		1/1/KP								
15	6LH04381000	ASYS-TUBE-TNR-3		1/1/P								
16	6LH04274000	AUG-TRU-3		1/1/P								
17	6LH04327000	SHUT-TR2-TONER		1/1/P								
18	6LH04279000	PLATE-WASTE-TR2		1/1/P								
19	X0-02420000	S/TPS/FHEXM/R-3X8-ZU3		13/10/P								
20	6LH04389000	SPG-C-10XR6X40-TRU		1/1/P								
21	6LH04265000	ASYS-BRKT-AUG-DRV-TR2		1/1/P								
22	6LH04276000	BRKT-W-TONER-DRV		1/1/P								
23	6LA40649000	GEAR-08B20-6		1/1/P								
24	6LH04249000	GEAR-8S24-PULLY-S2M25		1/1/P								
25	6LH04275000	GEAR-8B20-PULLY-S2M25		1/1/P								
26	6LH04246000	GEAR-8S24-TR2-IDLE		4/1/P								
27	6LH04247000	GEAR-5H30-TR2-CLT		1/1/P								
28	6LH04277000	GEAR-8B20-8S23-6		2/1/P								
29	6LH04278000	GEAR-8S23-TR2-TNR		1/1/P								
30	6LH04352000	SHAFT-TR2-AUG-BELT		1/1/P								
31	6LH04351000	SHAFT-TR2-AUG-DRV		1/1/P								
32	6LH04384000	BELT-40S2M-280-TRU		1/1/P								
33	44201492000	BUSH-6-POM		1/5/P								
34	4407734980	BUSH-6-GCB		1/5/P								
35	X0-02270000	S/PAN-M2.6X2.5-NI		2/10/P								
36	X0-02421000	S/TPS/FHEXM/R-4X8-ZU3		11/10/P								
37	6LH04410000	ASYS-DUCT-CLN-TR2		1/1/P								
38	6LH04457000	SPG-T-DUCT-CLN-TRU		1/1/P								
39	44201801000	STOP-RING-6-1.5		1/5/P								
40	6LH04460000	BRKT-TR2-T_BOX		1/1/P								
41	F0-01248000	ESC-0912		1/10/P								
42	6LH01130000	LVR-FUS-INIER		1/1/P								
43	F0-00120000	ES-0505		1/5/P								
44	F0-01243000	LWS-1211Z		1/5/P								
45	F0-01250000	MSB-1207		1/5/P								
46	C0-13512000	LG285L2-R		1/1/C								
47	6LH04392000	ASYS-BOX-TNR-TRU		1/1/P								
48	6LH04393000	ASYS-COV-IN-R-430		1/1/PP								
50	6LH04360000	COVER-ADU-RER-430T		1/1/P								
53	6LH04373000	COV-HRNS-SNSR-TR2		1/1/P								
54	6LA06340000	WAS-06-95-Z13-P		1/10/P								



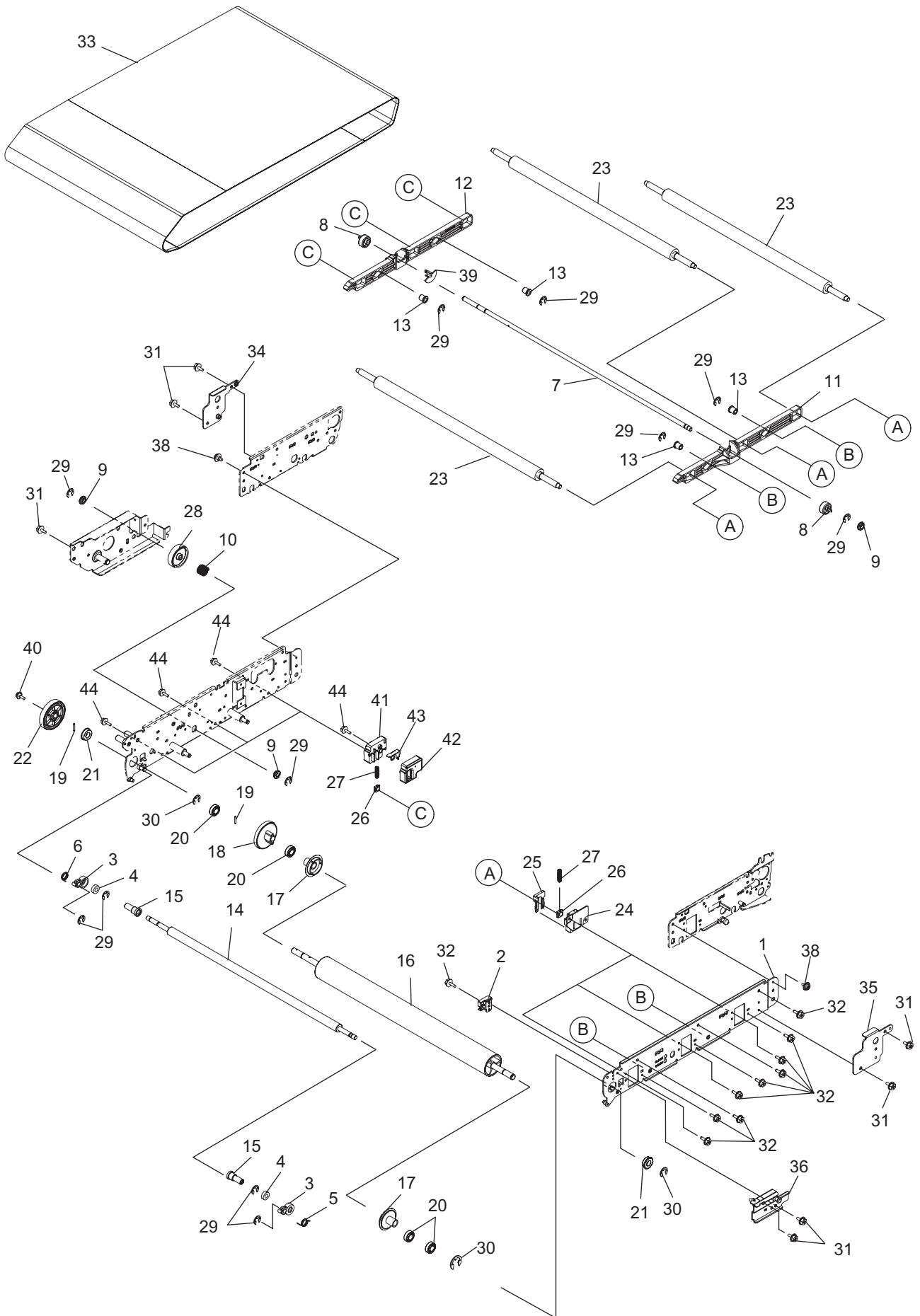
ITEM NO.	PARTS NO.	PARTS NAME	Q'TY / PAGE	Q'TY / PACK	P	I	R	BSI NO.	TO	T	FROM	SERIAL NO.	REMARKS	C
1	6LH04223000	GUIDE-MID-L-430		1/1/D										
2	6LH04332000	ACTR-GUIDE-MID-L-430		1/1/P										
3	6LE24277000	SPG-ACT-380		1/1/C										
4	C0-14266000	LG248BL1		2/1/C										
5	6LH04362000	ASYS-SHAFT-CAM-TR2		1/1/P										
7	6LE29011000	GEAR-08S21-TRU-S		1/1/P										
8	6LE46431000	GEAR-08S21-TR2-S2		1/1/P										
9	6LE29012000	ACTR-CAM-TRU		1/1/P										
10	6LH04226000	GEAR-10S31-6-CAM		1/1/P										
11	6LE29010000	CAM-TRU		2/1/P										
12	6LH04350000	SHAFT-TL-TRU		1/1/P										
14	6LH04458000	ASYS-BRKT-PUSHER		2/1/P										
15	6LH04212000	BRKT-TL-TR2		1/1/P										
16	6LH04213000	SPG-F-DETENT		1/1/P										
17	44201492000	BUSH-6-POM		4/5/P										
18	4407734980	BUSH-6-GCB		5/5/P										
19	X0-00979000	P/PRL/AH7-2X8-SS		2/10/P										
20	X0-00990000	P/PRL/BH7-2X14-SS		3/10/P										
21	X0-00964000	RR/E-3-SS		1/10/P										
22	X0-00966000	RR/E-5-SS		6/10/P										
23	X0-02421000	S/TPS/FHEXM/R-4X8-ZU3		16/10/P										
25	F0-00120000	ES-0505		3/5/P										
26	F0-01560000	OTLV6-500B		1/5/P										
27	6LH04260000	ASYS-PLT-MIR-DRV		1/1/P										
28	X0-02235000	S/FHEXM-M4X8-NI		2/10/P										
29	6LH04448000	MOTOR-DRV-TRU		1/1/C										
30	6LH04450000	GEAR-4H76_10S39		1/1/P										
31	6LH04329000	GEAR-8S23-6-TR2-CLT		1/1/P										
32	6LH04251000	GEAR-8S23-6-CAM		1/1/P										
33	6LH04250000	GEAR-8S35_10S21-6-CAM		1/1/P										
34	6LH04257000	PULLY-S2M32-6-TR2		1/1/P										
35	6LH04414000	PULLY-S2M36-TL-C		1/1/P										
36	6LH04345000	SHAFT-DRV-CAM-TR2		1/1/P										
37	6LE40813000	CLUTCH-G28-08D-30A		2/1/D										
38	X0-01526000	P/PRL/AH7-2X12-SS		1/10/P										
39	X0-00965000	RR/E-4-SS		5/10/P										
40	F0-00036000	RLWS3TV0		2/5/P										
41	6LH04254000	GEAR-10S22_10S28		1/1/P										
44	6LH04347000	SHAFT-DRV-TR2-CLT		2/1/P										
46	6LH04455000	SHAFT-DRV-TRU-TL		1/1/P										
47	6LH04413000	BELT-40S2M-200-TRU		1/1/P										
48	6LH04454000	SUP-DRV-TRU		1/1/P										
49	6LH04451000	BRKT-DRV-TRU		1/1/P										



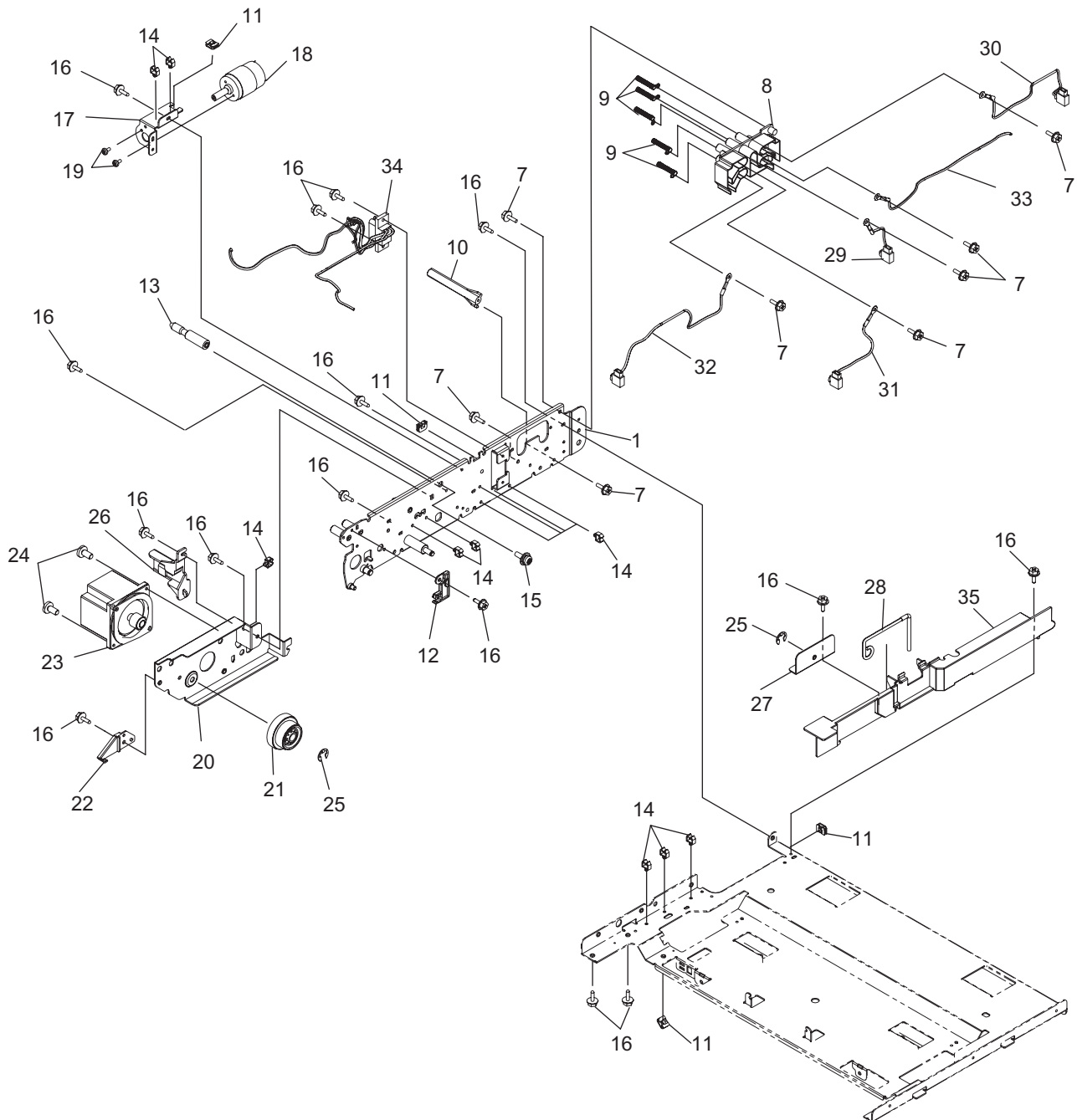
ITEM NO.	PARTS NO.	PARTS NAME	Q'TY / PAGE	Q'TY / PACK	P I R	B S I NO.	T O	T	F R O M	S E R I A L NO.	R E M A R K S	C
1	6LH04401000	ASYS-CASE-ROL-TR2-CLN		11/C								
2	6LH04411000	ASYS-CASE-WASTE-TNR-TR2		11/P								
3	6LH04291000	AUG-CLN-TRU-A		11/KP								
4	6LH04202000	SHUT-CLN-TR2		11/P								
5	44204339000	BUSH-0612*06F-M		25/P								
6	X0-00966000	RR/E-5-SS		210/P								
7	6LH04203000	GEAR-8H20-AUG-TR2		11/P								
8	6LH04407000	SPG-E-SHUT-NOZZLE-TRU		11/P								
9	6LH16943000	LB-FC55TR2		11/S								
14	6LH04216000	BUSH-TRU-CASE		11/P								
15	44201801000	STOP-RING-6-1.5		15/P								
16	6LH04331000	GUIDE-MID-R-430		11/KP								
17	6LH04220000	HLD-GUIDE-MID-R-FRT		11/P								
18	6LH04221000	HLD-GUIDE-MID-R-RER		11/P								
19	6LA80090000	S/TPP/BID-3*8-NI		45/P								
20	X0-02420000	S/TPS/FHEXM/R-3X8-ZU3		110/P								
21	6LA48548000	S/HEX/-M4X8-ZC3		110/P								
22	6LH04214000	ASYS-BUSH-TR2-ROL-F		11/P								
23	6LH04200000	ASYS-BUSH-TR2-ROL-R		11/P								
24	6LH16942000	BL-FC55TR2		11/S								
25	6LH04215000	BUSH-CASE-BRUSH-TR2		11/P								
26	F0-01550000	DDL-1680HHRPOP25LY349		21/P								
27	6LH04396000	FILM-LUBRICANT		11/C								
28	6LH04205000	GEAR-4S51-TR2ROL		11/P								
29	6LH04288000	GEAR-6S32-TR2_ROL		11/P								
30	6LH04227000	PLT-AUG-UNIT-TR2		11/P								
31	6LH16941000	CR-FC55TR2		11/S								
32	X0-00077000	S/PAN/SWWP-M3X8-NI		310/P								
33	6LH04302000	SHEET-RECOVERY-TR2		11/KP								
34	6LH04342000	SHLD-BLADE-TR2-SIDE-R		11/P								
35	6LH04444000	SPG-F-EARTH-TRU-ROL		11/D								
36	6LH04452000	SPG-F-EARTH-TRU-ROL-B		11/C								
37	4408358930	STOP-RING-6-4		25/P								
38	6LH04405000	SPG-E-BLADE-TR2		21/P								
39	6LH04228000	ASYS-PLT-SUP-TRU		11/P								
40	6LH04232000	PLT-EARTH-TR2-430		11/C								
41	6LH04318000	GUIDE-TRU-430		11/D								
42	6LH04335000	ASYS-HOLDER-BLADE-TRU		11/P								
43	6LH04343000	HLD-SENSR-GUIDE-TR2		11/P								



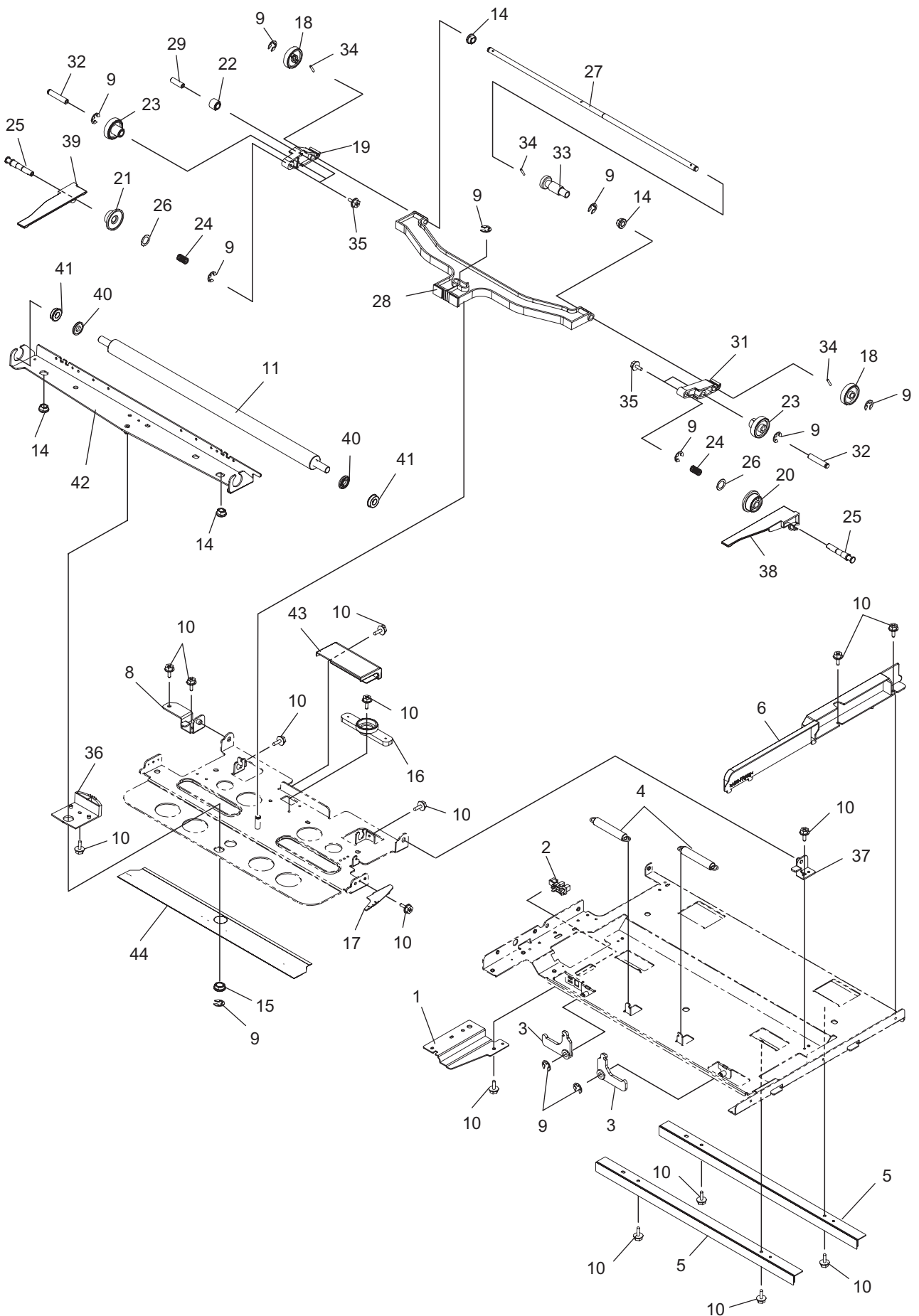
ITEM NO.	PARTS NO.	PARTS NAME	Q'TY / PAGE	Q'TY / PACK	PIR	BSI NO.	TO	T	FROM	SERIAL NO.	REMARKS	C
1	6LH03895000	SEAT-TBU-TR2-CLN		1/1/KP								
2	6LH04100000	STUD-TBU-R-M4		1/1/P								
3	6LH03844000	COLLAR-STAND-TBU		1/1/P								
4	6LH03815000	HLDL-BRG-R		1/1/P								
5	6LH03870000	SPG-F-HLDR-BRG-R		1/1/D								
7	6LH03816000	HLDL-BRG-R-3		1/1/P								
11	4406537280	HLDL-TR-ROLL		1/1/P								
12	6LH03865000	SPG-C-TR1-TBU		1/1/P								
13	X0-02247000	S/TPP/FHEXM-3X8-NI		9/10/P								
14	6LH03712000	HOLDER-LOCK-LEVER		1/1/P								
15	6LH03737000	ASYS-PIN-STOP		1/1/P								
16	6LH03715000	LINK-STOP-TBU		1/1/P								
17	X0-01981000	S/PAN/SWWP-M4X10-NI		1/10/P								
18	X0-02420000	S/TPS/FHEXM/R-3X8-ZU3		27/10/P								
19	6LH03805000	ASYS-FRAME-F-TBU		1/1/P								
20	6LH03916000	COVER-FR-BT-TBU		1/1/P								
22	6LH03836000	SHAFT-LEVER-TBU-F43X		1/1/P								
23	4400802080	BUSH-8		2/5/P								
24	6LH03734000	ASYS-BRKT-LINK-H-F43X		1/1/P								
25	6LH03953000	LEVER-TBU-F43X		1/1/P								
26	6LH03866000	BRKT-LINK-F-F43X		1/1/P								
27	6LH03714000	PLATE-LINK-H-F43X		1/1/P								
28	6LH03801000	SPG-E-PLATE-TBU-FIX		1/1/P								
29	6LH04099000	RLR-RIGID-SLD		1/1/KP								
31	F0-01707000	DDLDF-1260ZZRPOP25LY349		2/1/P								
32	6LH03900000	BRUSH-TBU-F43X		1/1/KP								
33	6LH03742000	LINK-TBU-LOCK		1/1/P								
34	6LH04097000	ASYS-RLR-TR2-TBU		1/1/C								
37	6LH03701000	HLDL-BRG-TOP-F		1/1/P								
38	6LH03814000	HLDL-BRG-F		1/1/P								
39	6LH03918000	COVER-FR-UP-TBU		1/1/P								
40	6LH03867000	LVR-TBU-F43X		1/1/P								
41	6LH03984000	ASYB-LIFT-R-TBU		1/1/C								
42	6LH04093000	ASYB-PLATE-TBU-UD		1/1/D								
43	6LH03950000	CAM-TBU-UD		1/1/P								
44	6LH03896000	LEVER-SF-TBU-UD		1/1/P								
45	6LH03894000	SPG-C-TBU-LIFT		1/5/P								
46	6LH03892000	SCREW-BRKT-TBU-UD		1/1/P								
48	X0-02230000	S/FHEXM-M3X6-NI		4/10/P								
49	X0-00965000	RR/E-4-SS		8/10/P								
50	4406329300	SCREW-DRM-GAP		2/10/P								
51	6LH03975000	ASYB-CLN-RLR-TBU		1/1/C								
52	F0-00120000	ES-0505		1/5/P								
53	F0-01048000	UAMS-05-0		4/5/P								
54	X0-00968000	RR/E-7-SS		3/10/P								
55	6LH03799000	RLR-SNS-TBU-F43X		2/1/P								
56	6LH03726000	COLAR-RLR-LIFT		4/1/P								
57	4407734980	BUSH-6-GCB		4/5/P								
58	6LH03717000	RLR-TR1-TBU-F43X		1/1/C								
59	6LH03718000	CASE-TERM-TR1-F		1/1/P								
60	6LH03719000	COVER-TERM-TR1-F		1/1/P								
62	6LH04012000	PLATE-LINK-TBU-LOCK		1/1/P								
63	6LH04013000	BRKT-LEVER-STOPPER		1/1/P								
64	6LH03437000	FLANG-DRV-WINR		1/1/P								
65	6LH04026000	FLANGE-PLY-FW-30		1/1/P								
66	6LH04027000	BLT_SY-S2M-284-5		1/1/P								
67	6LH04016000	ASYS-BRKT-FW		1/1/P								
68	6LH04019000	ASYS-BRKT-PLY-FW		1/1/P								
69	6LH04028000	SPG-E-FLY-TBU		2/1/P								
70	6LH04029000	PLATE-BASE-FW		1/1/P								
71	6LH04030000	PLATE-FW-120		1/1/P								
72	6LH04031000	BLT_SY-S2M-240-5		1/1/P								
73	6LH04022000	ASYS-PLY-FW-30		1/1/P								
74	X0-00077000	S/PAN/SWWP-M3X8-NI		6/10/P								
75	6LH04047000	COL-RIGID-TBU		1/5/P								
76	6LH04024000	ASYS-PLY-S2M50_S2M20		1/1/P								



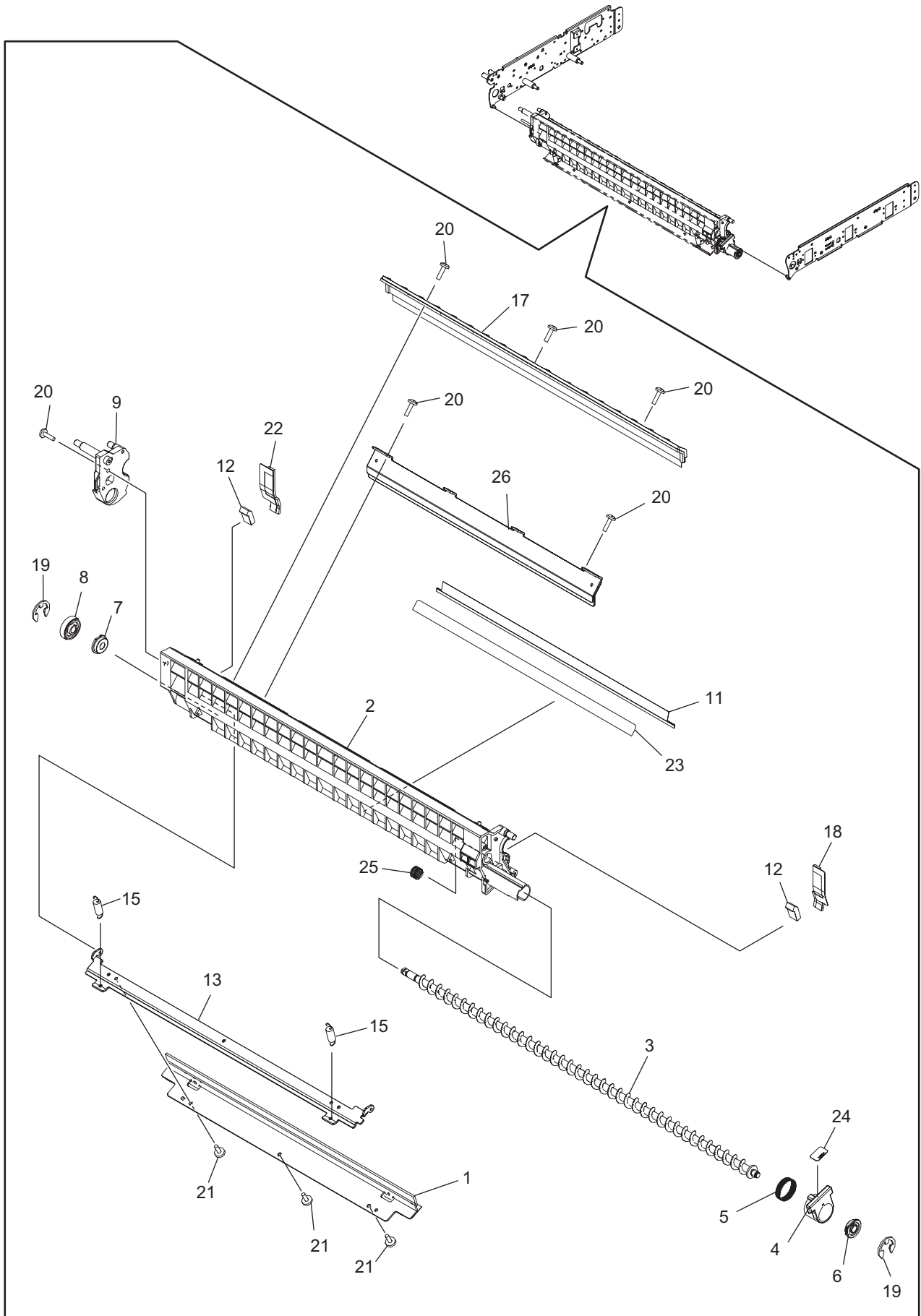
ITEM NO.	PARTS NO.	PARTS NAME	Q'TY / PAGE	Q'TY / PACK	P I R	B S I NO.	T O	T	F R O M	S E R I A L NO.	R E M A R K S	C
1	6LH03807000	ASYS-FRM-TBU-F-LFT		1/1/P								
2	6LH03793000	HLDR-CLN-TBU-F		1/1/P								
3	6LE28281000	HLDR-BRG-TNS		2/1/P								
4	F0-01371000	DDL-1260ZZHP0P25LY13		2/1/P								
5	6LE28472000	SPG-T-LIFT-TNS-F		1/1/P								
6	6LE28473000	SPG-T-LIFT-TNS-R		1/1/P								
7	6LH03800000	SHAFT-LIFT-TBU-F43X		1/1/P								
8	6LH03710000	CAM-LINK-TBU-F43X		2/1/P								
9	4401966470	BUSH-6-3.7		3/5/P								
10	6LH03869000	SPG-C-TR-TBU		1/5/P								
11	6LH03796000	LINK-F-F43X		1/1/KP								
12	6LH03797000	LINK-R-F43X		1/1/P								
13	6LH03709000	BUSH-LINK-TBU		4/5/P								
14	6LH04098000	RLR-LIFT-TBU-F43X		1/1/KP								
15	6LH03726000	COLAR-RLR-LIFT		2/1/P								
16	6LH04015000	RLR-DRV-TBU-F43X-EPDM		1/1/C								
17	6LH03842000	GUIDE-RIB-DRV		2/1/P								
18	6LH03720000	GEAR-CLN-TBU		1/1/P								
19	X0-01526000	P/PRL/AH7-2X12-SS		2/10/P								
20	6LH03727000	COL-CLN-TBU-POS		4/1/P								
21	F0-01445000	LNR-1680HHRPOP25LY349		2/1/P								
22	6LH03704000	GEAR-5H81-8-TBU		1/1/P								
23	6LH03717000	RLR-TR1-TBU-F43X		3/1/C								
24	6LH03718000	CASE-TERM-TR1-F		1/1/P								
25	6LH03719000	COVER-TERM-TR1-F		1/1/P								
26	4406537280	HLDR-TR-ROLL		1/1/P								
27	6LH03865000	SPG-C-TR1-TBU		1/1/P								
28	6LH03835000	GEAR-5H64-6		1/1/P								
29	X0-00965000	RR/E-4-SS		11/10/P								
30	X0-00968000	RR/E-7-SS		3/10/P								
31	X0-02230000	S/FHEXM-M3X6-NI		7/10/P								
32	X0-02420000	S/TPS/FHEXM/R-3X8-ZU3		11/10/P								
33	6LH03981000	BELT-TBU-G-F43X		1/1/C								
34	6LH03795000	FRAME-TBU-HING-R		1/1/P								
35	6LH03826000	FRAME-TBU-HING-F		1/1/P								
36	6LH03802000	ASYS-BRKT-TBU-F-LEFT		1/1/P								
38	6LA08932000	SCREW-ACTR-TRU		2/10/P								
39	6LH03702000	ACTR-LIFT-TBU-F43X		1/1/P								
40	X0-00077000	S/PAN/SWVP-M3X8-NI		1/10/P								
41	6LH03887000	CASE-TERM-TR1-R		1/1/P								
42	6LH03839000	COVER-TERM-TR1-R		1/1/P								
43	6LH03817000	PLATE-TR1		1/1/P								
44	X0-02247000	S/TPP/FHEXM-3X8-NI		6/10/P								



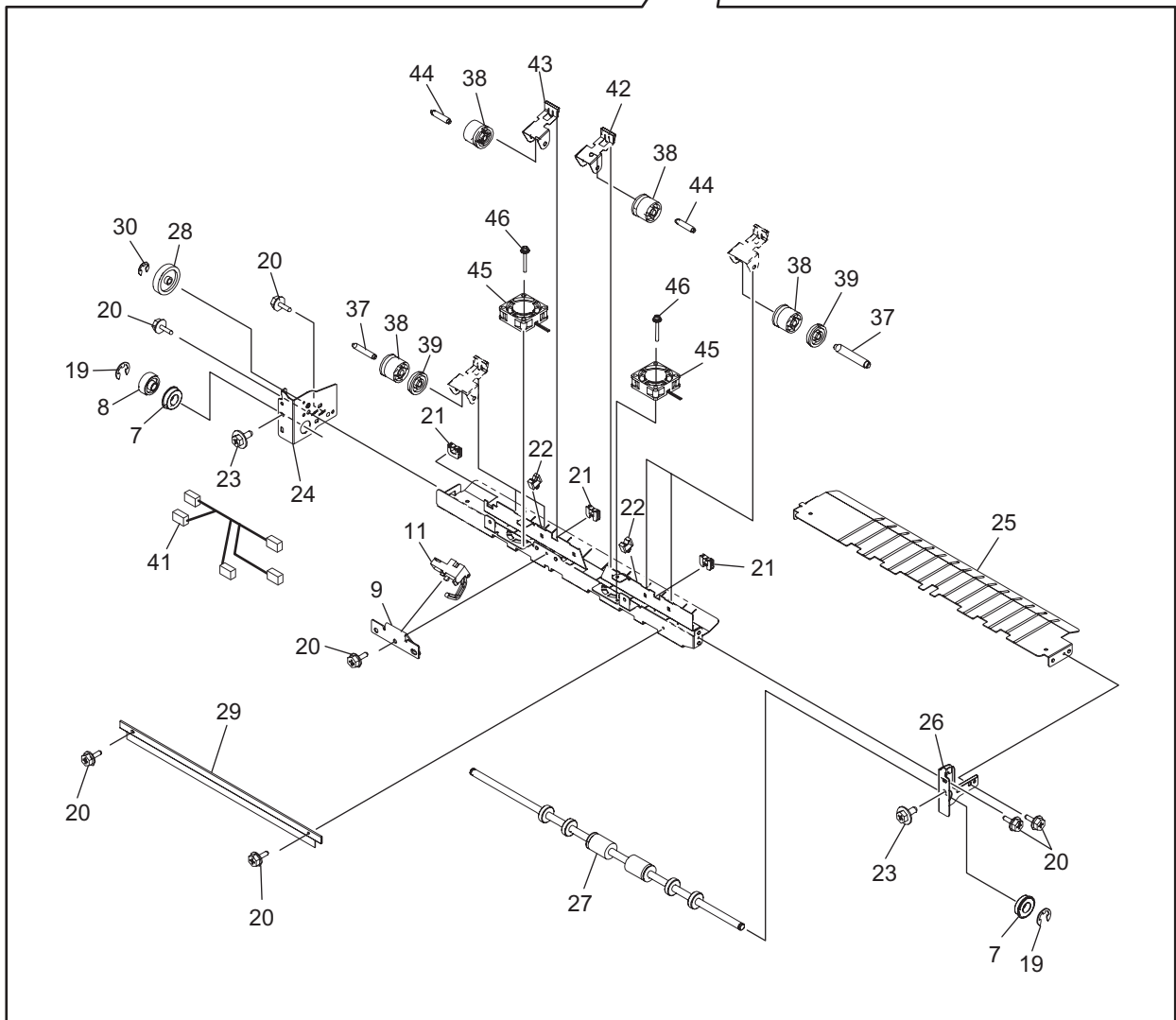
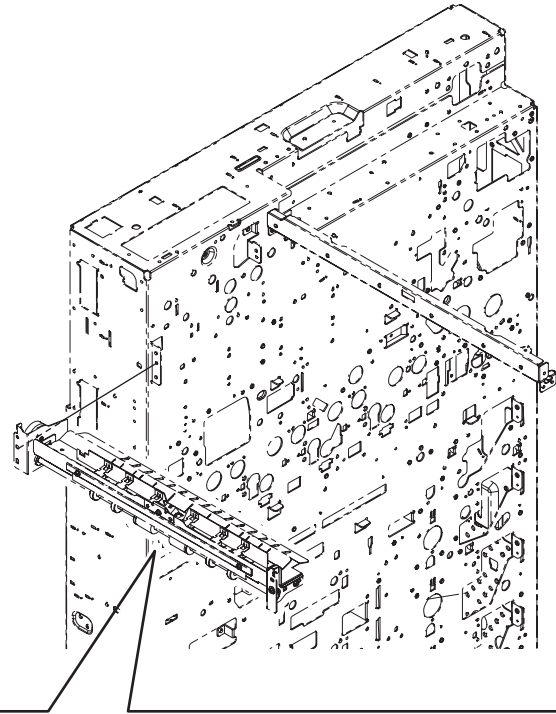
ITEM NO.	PARTS NO.	PARTS NAME	Q'TY / PAGE	Q'TY / PACK	P I R	B S I NO.	T O	T	F R O M	S E R I A L NO.	R E M A R K S	C
1	6LH03810000	ASYS-FRM-TBU-R-LFT		11/P								
7	X0-02247000	S/TPP/FHEXM-3X8-NI		810/P								
8	6LH03723000	TERM-KCMY-TRU		11/P								
9	6LH03827000	SPG-TERM-HVT-PIN		51/P								
10	6LH03844000	COLLAR-STAND-TBU		11/P								
11	F0-00120000	ES-0505		45/P								
12	6LH03794000	HLDL-CLN-TBU-R		11/P								
13	6LH04100000	STUD-TBU-R-M4		11/P								
14	F0-01048000	UAMS-05-0		125/P								
15	X0-01981000	S/PAN/SWWP-M4X10-NI		110/P								
16	X0-02420000	S/TPS/FHEXM/R-3X8-ZU3		1510/P								
17	6LH03708000	BRKT-MOT-LIFT-F43X		11/P								
18	6LH03992000	ASYS-TBUSETM-430		11/C								
19	X0-01670000	S/PAN-M2.6X4-NC		210/P								
20	6LH03923000	ASYS-BRKT-DRV-TBU		11/P								
21	6LH03705000	GEAR-4H86_5H53-8-TBU		11/P								
22	6LH03733000	HLDL-CLN-TBU-F43X		11/P								
23	6LH09063000	MOTRS-TBU-430		11/C								
24	X0-00451000	S/BID-M4X8-NI		210/P								
25	X0-00968000	RR/E-7-SS		210/P								
26	6LH03952000	CASE-HRNS-TBU		11/P								
27	6LH04002000	ASYS-PLATE-LVR-TBU		11/P								
28	6LH04001000	LVR-LEFT-TBU		11/P								
35	6LH03920000	COVER-RL-UP-TBU		11/P								



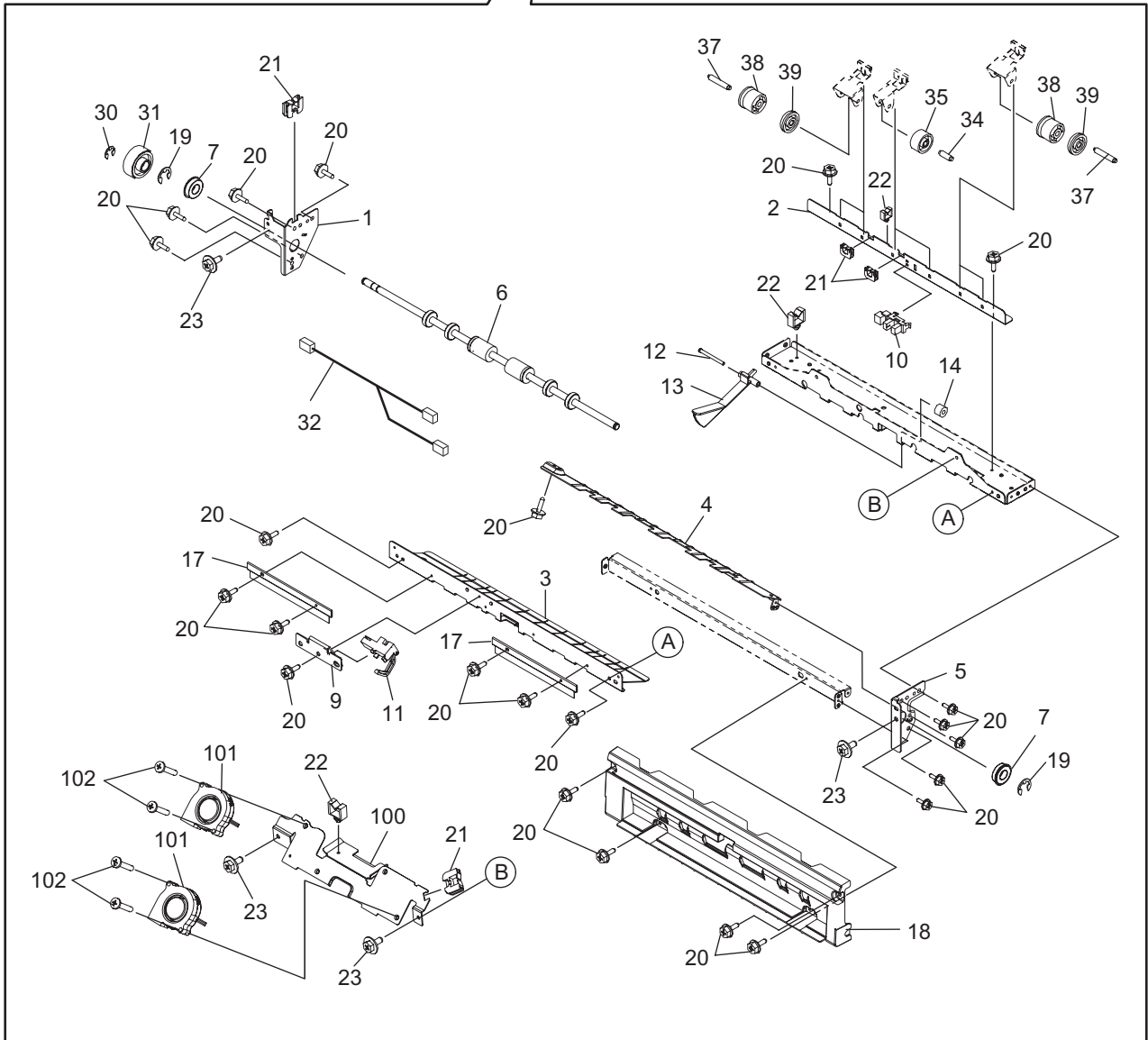
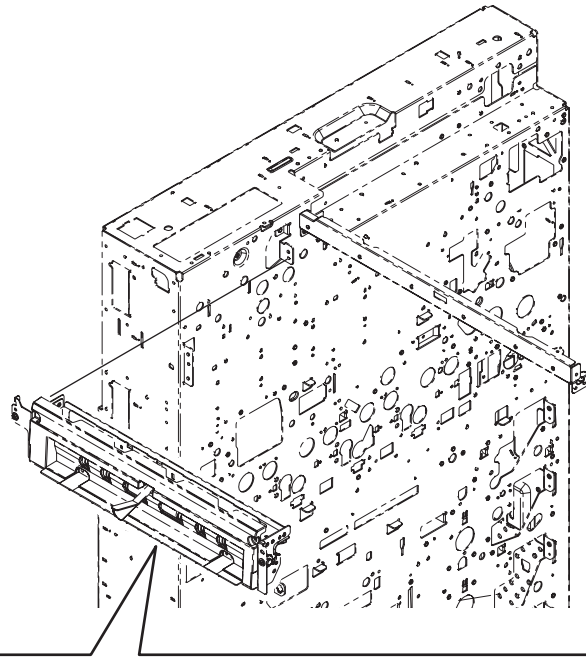
ITEM NO.	PARTS NO.	PARTS NAME	Q'TY / PAGE	Q'TY / PACK	P I R	B S I NO.	T O	T	F R O M	S E R I A L NO.	R E M A R K S	C
1	6LH03949000	PLATE-STAY-YMC		1/1/P								
2	C0-14266000	LG248BL1		1/1/C								
3	6LH03725000	ARM-TENSION		2/1/P								
4	6LH04046000	SPG-E-STRNG-TBU-41N		2/1/P								
5	6LH03900000	BRUSH-TBU-F43X		2/1/KP								
6	6LH03921000	COVER-FL-UP-TBU		1/1/P								
8	6LH03944000	ASYS-BRKT-HINGE-R		1/1/P								
9	X0-00965000	RR/E-4-SS		11/10/P								
10	X0-02420000	S/TPS/FHEXM/R-3X8-ZU3		16/10/P								
11	6LH04044000	RLR-STRNG-AL		1/1/KP								
14	44201492000	BUSH-6-POM		4/5/P								
15	6LE50521000	BUSH-8X12X5R5F-NU4 6LE50521000		1/5/P								
16	6LH03937000	GEAR-05H50-WORM		1/1/P								
17	6LH03857000	BRKT-SCALE		1/1/P								
18	6LH03832000	GEAR-DRIVE-SHAFT		2/1/P								
19	6LH03856000	ARM-R		1/1/P								
20	6LH03915000	GEAR-ROL-GUIDE-F		1/1/P								
21	6LH03882000	GEAR-ROL-GUIDE-R		1/1/P								
22	6LH03861000	GEAR-RVRS		1/1/P								
23	6LH03831000	GEAR-IDLE-GUIDE		2/1/P								
24	6LH03986000	SPG-GEAR-STRNG-3N		2/5/P								
25	6LH03911000	STUD-GEAR-GUIDE		2/1/P								
26	6LA78908000	WASHER-6R2X9R5XR25-PL		2/5/P								
27	6LH04091000	SFT-DRV-STEERING		1/1/P								
28	6LH03939000	SLIDER-STRNG		1/1/P								
29	6LH03863000	STUD-IDLE-ARM		1/1/P								
31	6LH03855000	ARM-F		1/1/P								
32	6LH03864000	STUD-ROL-GUIDE		2/1/P								
33	6LH03829000	WORM-STEERING		1/1/P								
34	X0-01526000	P/PRL/AH7-2X12-SS		3/10/P								
35	X0-02230000	S/FHEXM-M3X6-NI		5/10/P								
36	6LH03936000	GEAR-10S80-STERING		1/1/P								
37	6LH03877000	ASYS-BRKT-HINGE-F		1/1/P								
38	6LH03913000	HLDL-BELT-F		1/1/P								
39	6LH03862000	HLDL-BELT-R		1/1/P								
40	6LH04045000	COLLAR-18		2/5/P								
41	F0-01445000	LNR-1680HHRPOP25LY349		2/1/P								
42	6LH03942000	ASYS-BRKT-ROL-STRNG		1/1/P								
43	6LH04074000	COVER-WORM-STRNG		1/1/P								
44	6LH04090000	FELT-CLN-DRVRLR-TBU		1/1/KP								



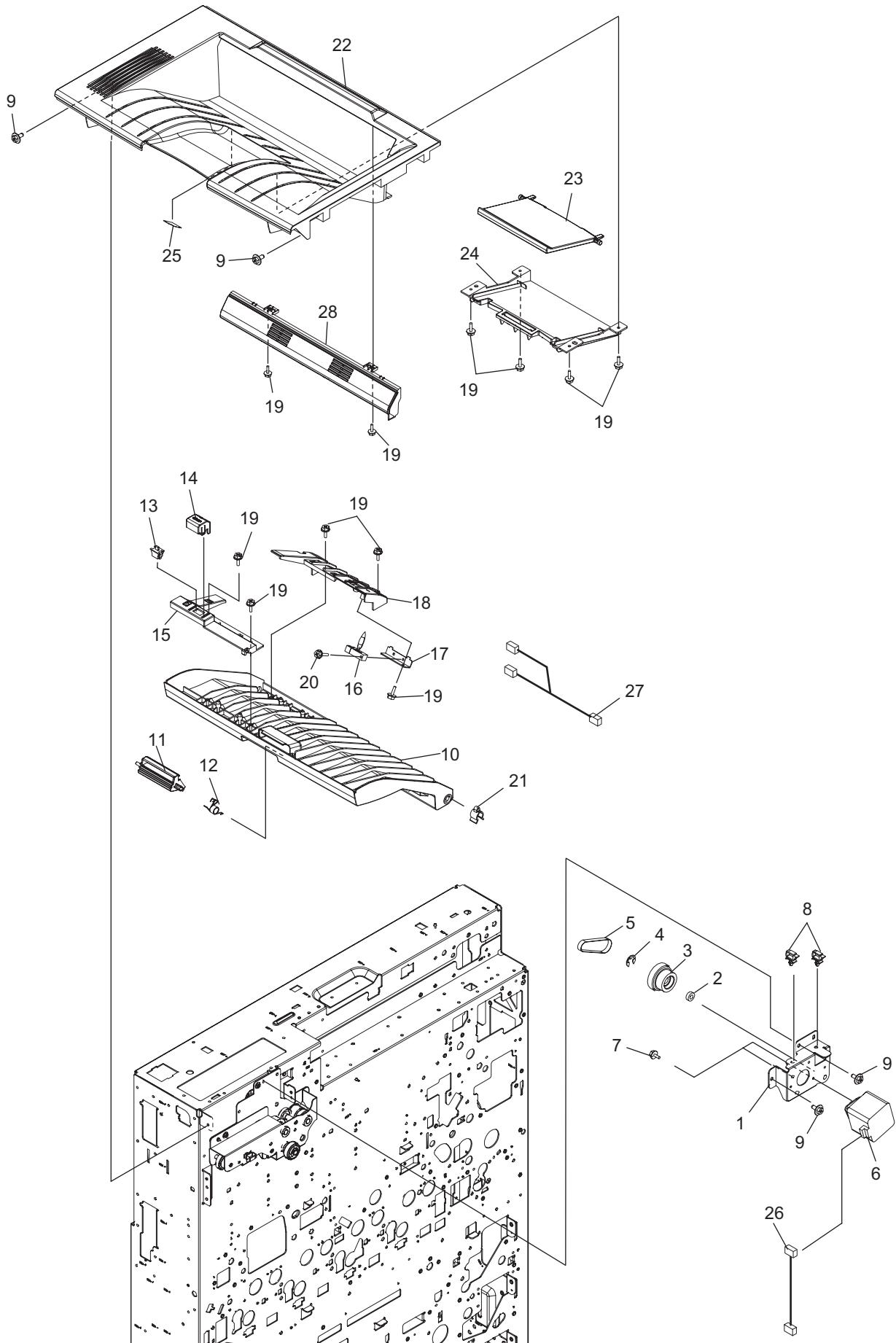
ITEM NO.	PARTS NO.	PARTS NAME	Q'TY / PAGE	Q'TY / PACK	PIR	BSI NO.	TO	T	FROM	SERIAL NO.	REMARKS	C
1	6LH16940000	BL-FC55-TBU		1/1/S								
2	6LH03769000	ASYS-FRM-CLN-TBU		1/1/PP								
3	6LH03930000	AUG-CLN-TBU-M		1/1/KP								
4	6LH03780000	SHUT-AUG-CLN-TBU		1/1/P								
5	6LH03785000	SPG-CLN-TBU-SHUT		1/1/P								
6	6LH03925000	BUSH-06X18X4R4F-M-F		1/1/P								
7	6LH03929000	BUSH-06X18X4R4F-M-R		1/1/P								
8	6LH03773000	GEAR-AUGER-CLN-TBU		1/1/P								
9	6LH03764000	ASYS-FRM-CLN-TBU-R		1/1/P								
11	6LH03779000	SHEET-AUGER-CLN-TBU		1/1/KP								
12	6LH03782000	SEAL-CLN-TBU-SIDE		2/5/P								
13	6LH04088000	HLDL-BLADE-CLN-TBU		1/1/P								
15	6LH04089000	SPG-BLADE-CLN-TBU		2/1/P								
17	6LH03760000	ASYS-REC-CLN-TBU		1/1/C								
18	6LH03989000	SEAL-CLN-TBU-F		1/1/P								
19	X0-00965000	RR/E-4-SS		2/10/P								
20	6LA80090000	S/TPP/BID-3*8-NI		6/5/P								
21	X0-00426000	S/BID-M3X4-NI		3/10/P								
22	6LH03990000	SEAL-CLN-TBU-R		1/1/P								
23	6LH04034000	MYLAR-AUG-CLN-TBU		1/1/KP								
24	6LH04035000	LBL-SHUT-CLN-TBU		1/5/P								
25	6LH04065000	SPG-B-LOCK-CLN-TBU		1/1/P								
26	6LH04081000	ASYS-PLT-WEIGHT		1/1/P								



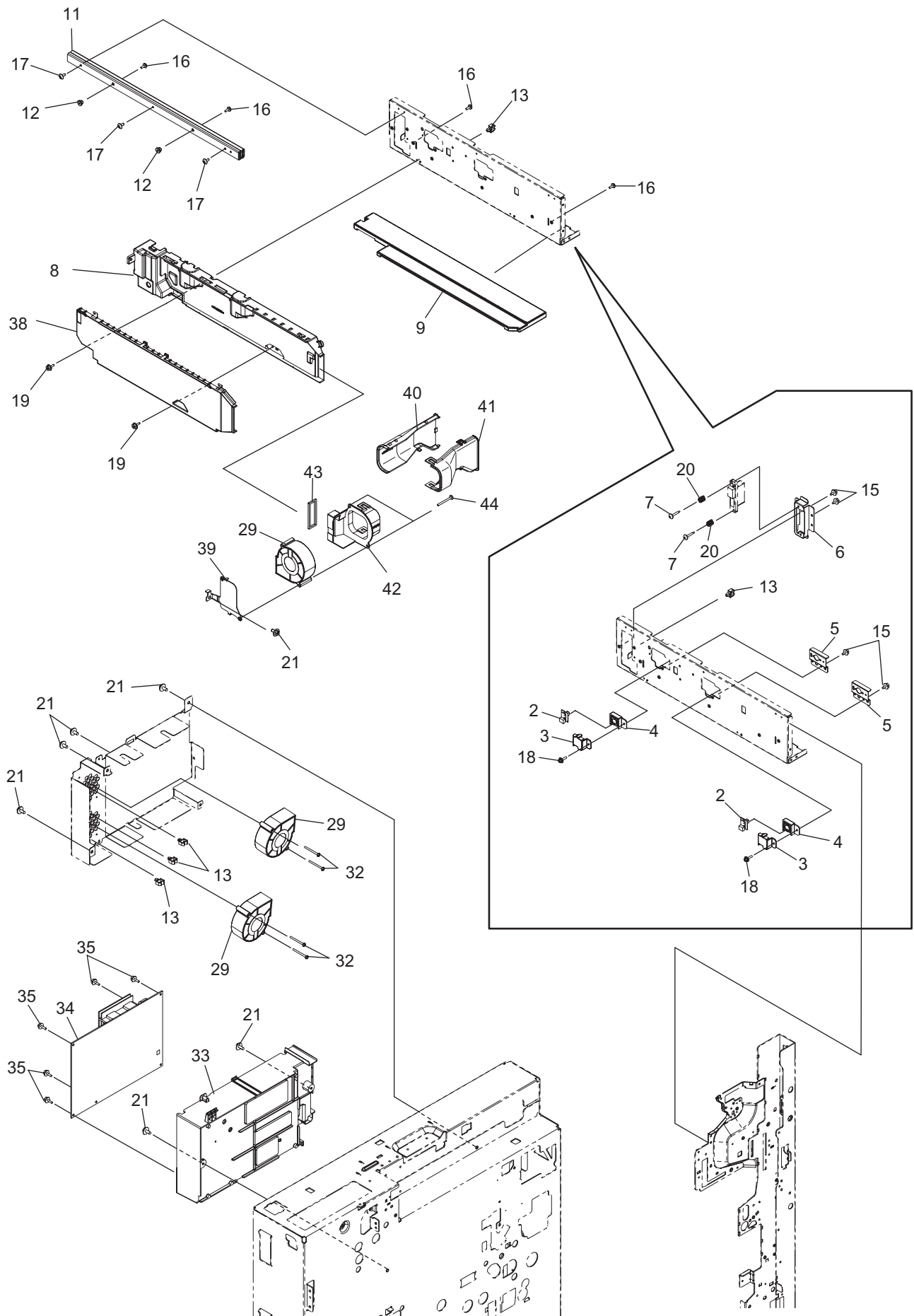
ITEM NO.	PARTS NO.	PARTS NAME	Q'TY / PAGE	Q'TY / PACK	P I R	B S I NO.	T O	T	F R O M	S E R I A L NO.	R E M A R K S	C
7	F0-01390000	LNR-1680HHRPOP15LY13		21/P								
8	6LH04596000	GEAR-10S23-8-OWL		11/P								
9	6LH04752000	BRKT-EXIT-SW		21/P								
11	6LE09174000	SNSR-FED-RVS-390		11/P								
19	X0-00968000	RR/E-7-SS		210/P								
20	X0-02420000	S/TPS/FHEXM/R-3X8-ZU3		710/P								
21	F0-00120000	ES-0505		35/P								
22	F0-01250000	MSB-1207		25/P								
23	X0-02421000	S/TPS/FHEXM/R-4X8-ZU3		210/P								
24	6LH04573000	ASYS-FRAME-ROL-EX-L-R		11/P								
25	6LH04603000	GUIDE-EXIT-LOW-L		11/P								
26	6LH04574000	FRAME-ROL-EX-L-F		11/P								
27	6LH04586000	ROLLER-EXIT-L		11/KP								
28	44201746000	GEAR-10S033-06		11/P								
29	6LE05752000	BRUSH-SUS-E-390		11/KP								
30	X0-00966000	RR/E-5-SS		110/P								
37	6LH04759000	PIN-ROL-EXT		41/P								
38	6LH04760000	ROL-EXIT		61/P								
39	6LH04761000	ROL-EXIT-SUB		41/P								
42	6LH04763000	SPL-EXIT-LC1		11/C								
43	6LH04764000	SPL-EXIT-LC2		11/D								
44	6LH04758000	PIN-ROL-EXT-LC		21/P								
45	6LH09569000	FAN-4015-430		21/D								
46	X0-00130000	S/PAN/SWWP-M3X20-NI		410/P								



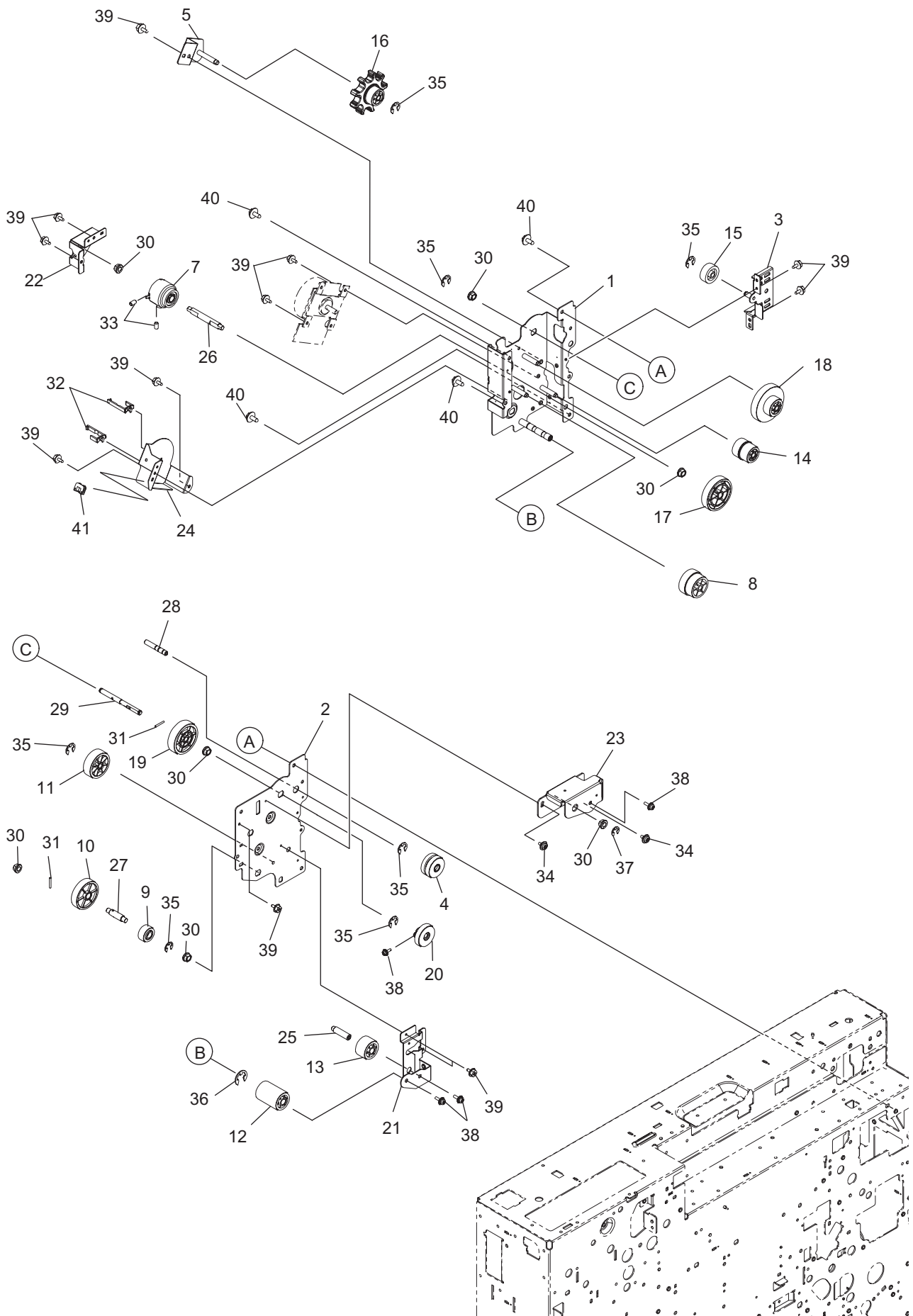
ITEM NO.	PARTS NO.	PARTS NAME	Q'TY / PAGE	Q'TY / PACK	P I R	B S I NO.	T O	T	F R O M	S E R I A L NO.	R E M A R K S	C
1	6LH04543000	FRAME-ROL-EX-U-R		11/P								
2	6LH04604000	BRKT-EXIT-IDLE		11/P								
3	6LH04605000	GUIDE-EXIT-UP-U		11/KP								
4	6LH04606000	GUIDE-EXIT-UP-L		11/KP								
5	6LH04558000	FRAME-ROL-EX-U-F		11/P								
6	6LH04585000	ROLLER-EXIT-U		11/KP								
7	F0-01390000	LNR-1680HHRPOP15LY13		21/P								
9	6LH04752000	BRKT-EXIT-SW		21/P								
10	C0-14266000	LG248BL1		11/C								
11	6LE09174000	SNSR-FED-RVS-390		11/P								
12	6LE03108000	PIN-ACTR		11/P								
13	6LH04570000	ACT-FULL-EXIT-UP		11/P								
14	6LE05749000	CUSH-ACTR-STOP-390		11/P								
17	6LH04589000	BRUSH-SUS-EXIT		21/KP								
18	6LH04609000	COVER-EXIT-U		11/PP								
19	X0-00968000	RR/E-7-SS		210/P								
20	X0-02420000	S/TPS/FHEXM/R-3X8-ZU3		2310/P								
21	F0-00120000	ES-0505		35/P								
22	F0-01250000	MSB-1207		25/P								
23	X0-02421000	S/TPS/FHEXM/R-4X8-ZU3		210/P								
30	X0-00966000	RR/E-5-SS		110/P								
31	6LH04753000	GEAR-10S23-8-D		11/P								
34	4408447860	PIN		21/								
35	6LH04754000	ROL-EXIT-C		21/P								
37	6LH04759000	PIN-ROL-EXT		41/P								
38	6LH04760000	ROL-EXIT		41/P								
39	6LH04761000	ROL-EXIT-SUB		41/P								
100	6LH01568000	ASYS-BRKT-FAN-EX-TRAY-U		11/P								
101	6LH09558000	FAN-P5015-430		21/D								
102	X0-00458000	S/BID-M4X20-NI		410/P								



ITEM NO.	PARTS NO.	PARTS NAME	Q'TY / PAGE	Q'TY / PACK	P	I	R	B S I NO.	T O	T	F R O M	S E R I A L NO.	R E M A R K S	C
1	6LH04578000	ASYS-BRKT-MOT-EXIT		1/1/P										
2	F0-01371000	DDL-1260ZZHP0P25LY13		1/1/P										
3	6LH04601000	GEAR-10S23_PS2M30-6		1/1/P										
4	X0-00966000	RR/E-5-SS		1/10/P										
5	6LH04593000	BLT_SY-S2M-140-6		1/1/P										
6	6LH08863000	MOTRS-MT-430		1/1/C										
7	X0-02230000	S/FHEXM-M3X6-NI		2/10/P										
8	F0-00736000	LWS-0711Z		2/5/P										
9	X0-02421000	S/TPS/FHEXM/R-4X8-ZU3		4/10/P										
10	6LH02332000	TRAY-LEFT-LOW-430T		1/1/PP										
11	6LH02330000	LEVER-COV-TRAY-LEFT		1/1/P										
12	6LH02349000	SPG-COV-OPEN-08		1/1/P										
13	E0-01853000	CS1A-B2CA		1/1/D										
14	6LH02376000	COVER-SW-OPEN-COV-RVS		1/1/PP										
15	6LH02336000	HOLDER-SW-COV-RVS		1/1/P										
16	C0-15007000	PS119ED1		1/1/C										
17	6LH02348000	BRKT-SW-PS119ED1		1/1/P										
18	6LH02337000	COVER-SNSR-TRAY		1/1/PP										
19	X0-02247000	S/TPP/FHEXM-3X8-NI		11/10/P										
20	X0-02135000	S/PAN/SWWP-M3X14-NI		1/10/P										
21	6LH02359000	CLIP-TRAY-LOW		1/5/P										
22	6LH02380000	ASYS-TRAY-LEFT-EXIT		1/1/PP										
23	6LH02333000	TRAY-SUB-LEFT		1/1/PP										
24	6LH02335000	HOLDER-TRAY-LEFT		1/1/PP										
25	6LH17939000	MYLAR-BL		1/1/P										
28	6LH02378000	COVER-TRAY-FAN-430T		1/1/PP										



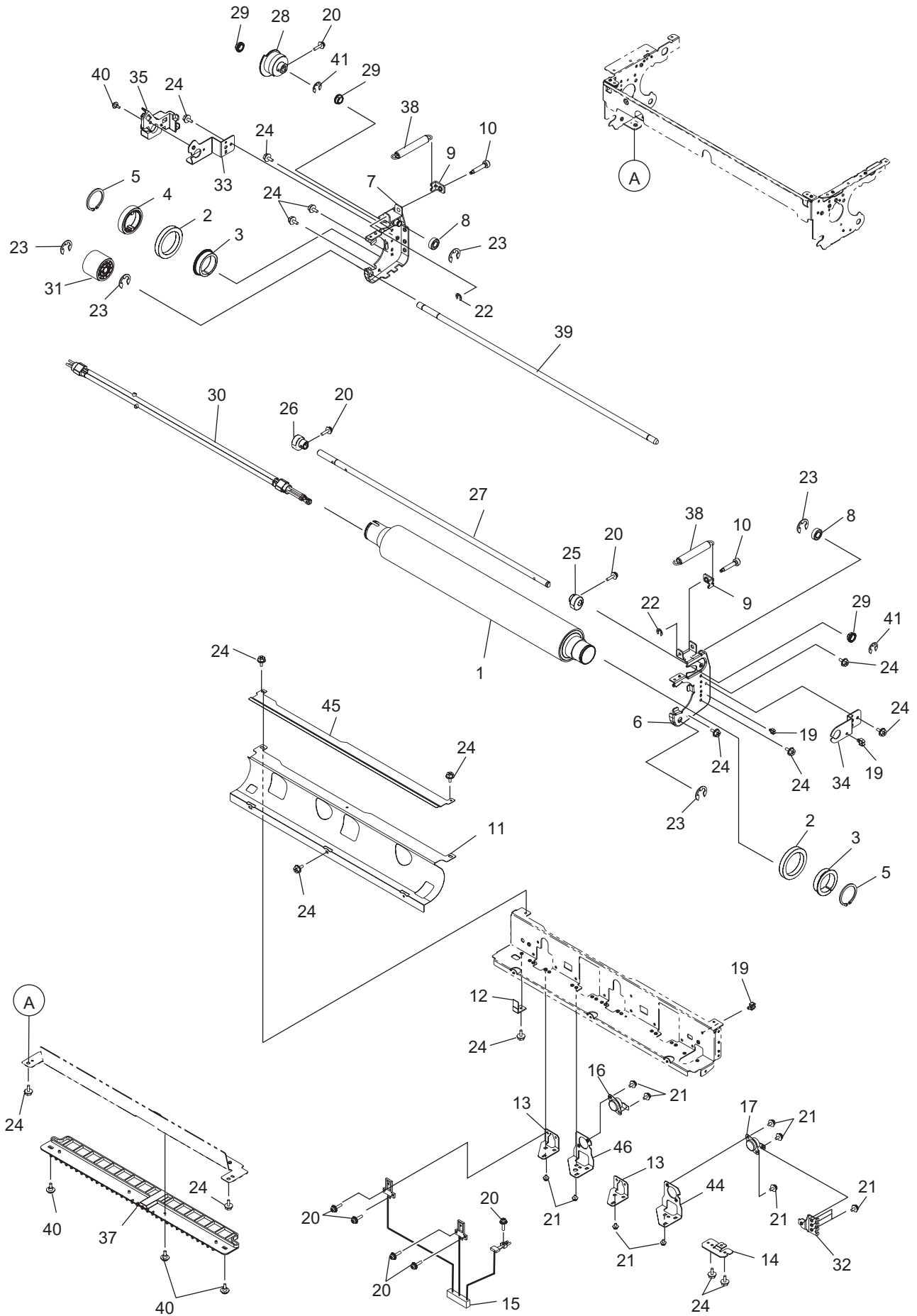
ITEM NO.	PARTS NO.	PARTS NAME	Q'TY / PAGE	Q'TY / PACK	PIR	BSI NO.	TO	T	FROM	SERIAL NO.	REMARKS	C
2	6LE29449000	SNR-THRMO-380		21/C								
3	6LH07315000	BASE-SNSR-THRMPLE		21/D								
4	6LH07316000	HLLDR-SNSR-THRMPLE		21/P								
5	6LH07364000	BRKT-SNSR-TMP		21/P								
6	6LH07366000	BRKT-DRAWER-FUS		11/P								
7	4406326040	SCREW-D4-18-M3		210/P								
8	6LH01528000	ASYS-DUCT-STAY-FUS-U		11/PP								
9	6LH01529000	ASYS-DUCT-STAY-FUS-LOW		11/PP								
11	6LH17809000	RAIL-BRIDGE-43X		11/D								
12	6LH17813000	STUD-RAIL		21/P								
13	F0-00270000	UAMS-05L-0-46		510/P								
15	X0-02419000	S/TPS/FHEXM/R-3X6-ZU3		410/P								
16	X0-00057000	S/PAN-M3X6-NI		410/P								
17	6LA08935000	SCR-M3X6BISR-NI		310/P								
18	X0-00094000	S/PAN/SWWP-M3X10-NI		210/P								
19	X0-02420000	S/TPS/FHEXM/R-3X8-ZU3		210/P								
20	6LH07367000	SPG-DRAWER-FUSER		21/P								
21	X0-02421000	S/TPS/FHEXM/R-4X8-ZU3		710/P								
29	6LH01547000	ASYS-FAN-DUCT-FR-L		31/C								
		6LH01547000										
32	X0-02484000	S/PAN/SWWP-M3X35-NI		410/P								
33	6LH07332000	CASE-PS-IH-F43X		11/P								
34A	6LH09293200	ASYB-IH-430E		11/SB							MJD,MJC,AS D,AUD,AUC, ASU	
34B	6LH09293100	ASYB-IH-430U		11/SB							NAD,NAC	
35	X0-02247000	S/TPP/FHEXM-3X8-NI		510/P								
38	6LH01520000	DUCT-STAY-FUS-L		11/PP								



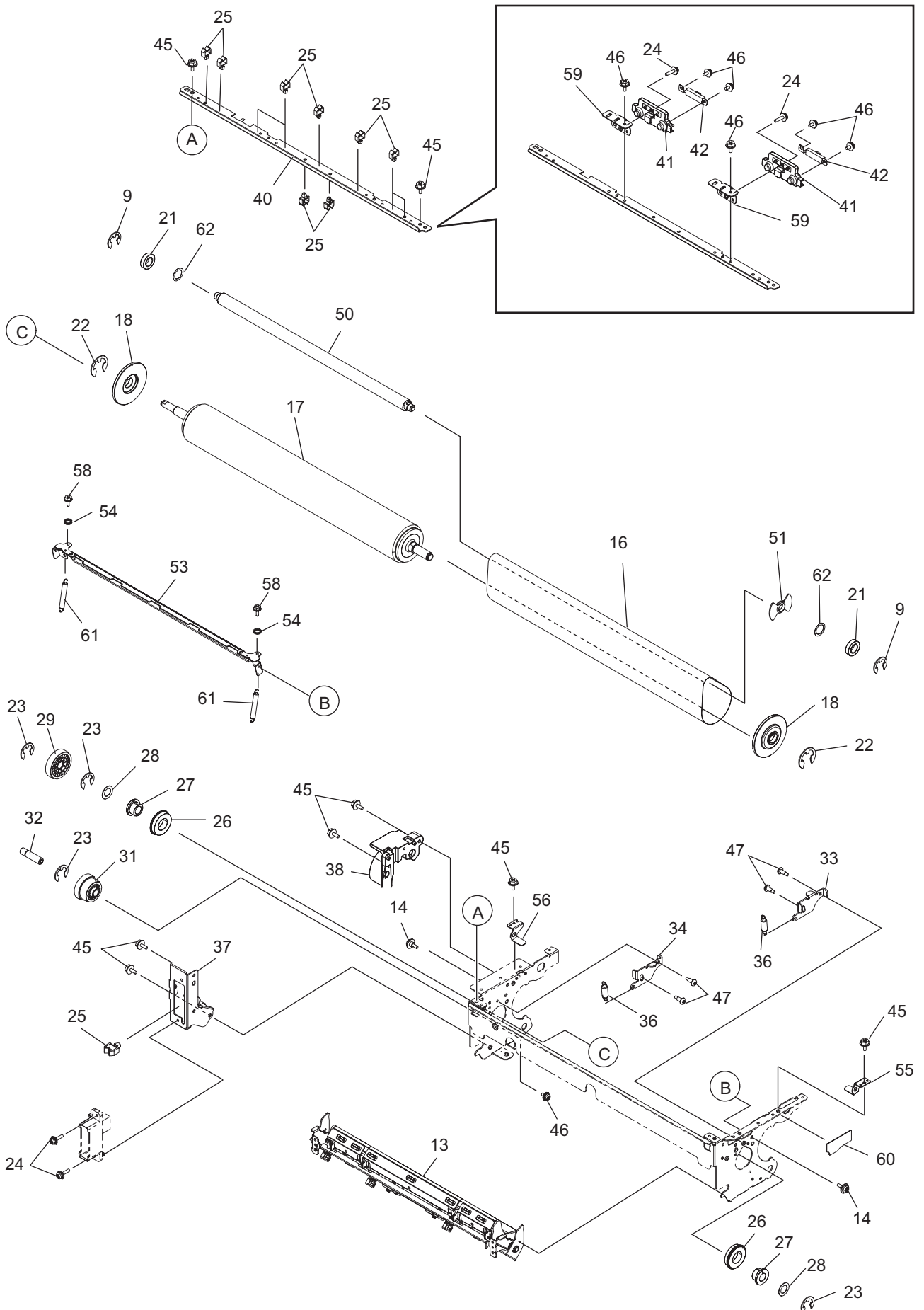
ITEM NO.	PARTS NO.	PARTS NAME	Q'TY / PAGE	Q'TY / PACK	P I R	B S I NO.	T O	T	F R O M	S E R I A L NO.	R E M A R K S	C
1	6LH07431000	ASYS-PLT-FUS-MOT		1/1/P								
2	6LH07430000	ASYS-PLT-DRV		1/1/P								
3	6LH07475000	ASYS-BRKT-IDL-HND		1/1/P								
4	6LH07498000	ASYS-GEAR-10S28		1/1/P								
5	6LH07440000	ASYS-BRKT-FUS-HND		1/1/P								
7	6LH07500000	CLUCH-33C-8-CCW-FUS		1/1/D								
8	6LH07303000	GEAR-5H62-5H56		1/1/P								
9	6LH07583000	GEAR-8H23-OWC-N		1/1/P								
10	6LH07470000	GEAR-5H75-8		1/1/P								
11	6LH07305000	GEAR-8H42-6		1/1/P								
12	6LH07306000	GEAR-8H29-6		1/1/P								
13	6LH07307000	GEAR-8H30-8		1/1/P								
14	6LH07473000	GEAR-10S23_08H26-6		1/1/P								
15	44201367000	GEAR-10S023-06		1/1/P								
16	6LE25933000	GEAR-FUS-HAND		1/1/P								
17	6LH07466000	GEAR-5H85-8		1/1/P								
18	6LH07465000	GEAR-6H79_10S24-6		1/1/P								
19	6LH07469000	GEAR-10S43-6		1/1/P								
20	6LH07468000	GEAR-10S29-SEP		1/1/P								
21	6LH07325000	BRKT-HLD-DRV		1/1/P								
22	6LH07429000	CASE-CLUTCH-DRV-BP		1/1/P								
23	6LH07434000	CASE-GEAR-FUS-BP		1/1/P								
24	6LH07481000	PLT-GUARD-MOT-FU		1/1/P								
25	6LH07426000	SHAFT-HLD-BKT		1/1/P								
26	6LH07433000	SHAFT-DRV-FUS-CLUCH		1/1/P								
27	6LH07584000	SHAFT-DRV-FUS-OWC		1/1/P								
28	6LH07427000	STUD-GEAR-BP		1/1/P								
29	6LH07428000	SFT-GEAR-BP		1/1/P								
30	4407734980	BUSH-6-GCB		7/5/P								
31	X0-01533000	P/PRL/AH7-2X16-SS		2/10/P								
32	F0-00036000	RLWS3TV0		2/5/P								
33	X0-00730000	S/SET/K-M3X4-B		2/10/P								
34	6LA08932000	SCREW-ACTR-TRU		2/10/P								
35	X0-00966000	RR/E-5-SS		7/10/P								
36	X0-00968000	RR/E-7-SS		1/10/P								
37	X0-00965000	RR/E-4-SS		1/10/P								
38	X0-00077000	S/PAN/SWVP-M3X8-NI		4/10/P								
39	X0-02419000	S/TPS/FHEXM/R-3X6-ZU3		12/10/P								
40	X0-02421000	S/TPS/FHEXM/R-4X8-ZU3		4/10/P								
41	F0-00120000	ES-0505		1/5/P								

ITEM NO.	PARTS NO.	PARTS NAME	Q'TY / PAGE	Q'TY / PACK	PIR	BSI NO.	TO	T	FROM	SERIAL NO.	REMARKS	C
1	6LH07323000	HLLDR-GUIDE-R		41/P								
2	6LH07588000	ROLL-FUS-GUIDE		81/P								
3	X0-00426000	S/BID-M3X4-NI		410/P								
4	6LH07533000	PLT-GUIDE-L		11/P								
5	6LA08937000	SCREW-BKT-DEV		310/P								
6	X0-02230000	S/FHEXM-M3X6-NI		1910/P								
7	6LH07483000	COVER-HAND-FUS-C		11/D								
8	6LH07538000	COV-HANDLE-FUS		11/P								
9	6LH07545000	COV-FUS-SIDE-F		11/P								
10	6LH07546000	COV-FUS-SIDE-R		11/P								
11	6LE25946000	SCREW-FUS-3X8-S		1410/P								
12	6LH07537000	BRKT-SLIDE-EXT-F		11/P								
13	6LH07520000	BRKT-SLIDE-EXT-R		11/P								
14	6LH07517000	BRKT-SLIDE-BASE		21/P								
15	6LH07522000	COVER-PR-FUSER		11/D								
16	6LH07519000	BRKT-HND-FUS		21/P								
17	4401759180	SCREW-FUSER-M4		110/P								
18	6LH07582000	LBL-HOT-JAM-FUS		11/KP								
19	6LH07414000	BRKT-FUSER-F		11/P								
20	6LH07312000	GUIDE-FUS-U		11/D								
21	X0-00094000	S/PAN/SWWP-M3X10-NI		210/P								
22	6LH07531000	BRKT-TMS-BLT		11/P								
23	6LH09031000	THMS-HTR-430		11/C								
24	6LA65684000	SCREW-FUS-REP		210/P								
25	6LH07532000	HLD-SCREW-FUS		21/P								
26	6LH07523000	HLLDR-FUS-SNSR		11/P								
27	6LH07536000	BRKT-SNSR-RT		11/P								
28	6LH07551000	SHEET-SNSR-GP2Y		15/P								
29	6LH07552000	SHEET-SNSR-TLP1255		15/P								
30	C0-15043000	GP2Y5D91S00F		11/C								
31	6LH07542000	SHEET-FUS-HND-F		11/KP								
32	6LH07560000	FRAME-FUS-SPR-F		11/P								
33	6LH07561000	FRAME-FUS-SPR-R		11/P								
34	6LH07554000	SHEET-ADU-RIN-SNSR		15/P								
35	6LH07571000	ASYS-BRKT-FUS-R		11/P								
36	C0-10814000	TLP1255(C8)		15/C								
38	X0-00966000	RR/E-5-SS		210/P								
39	F0-00270000	UAMS-05L-0-46		210/P								

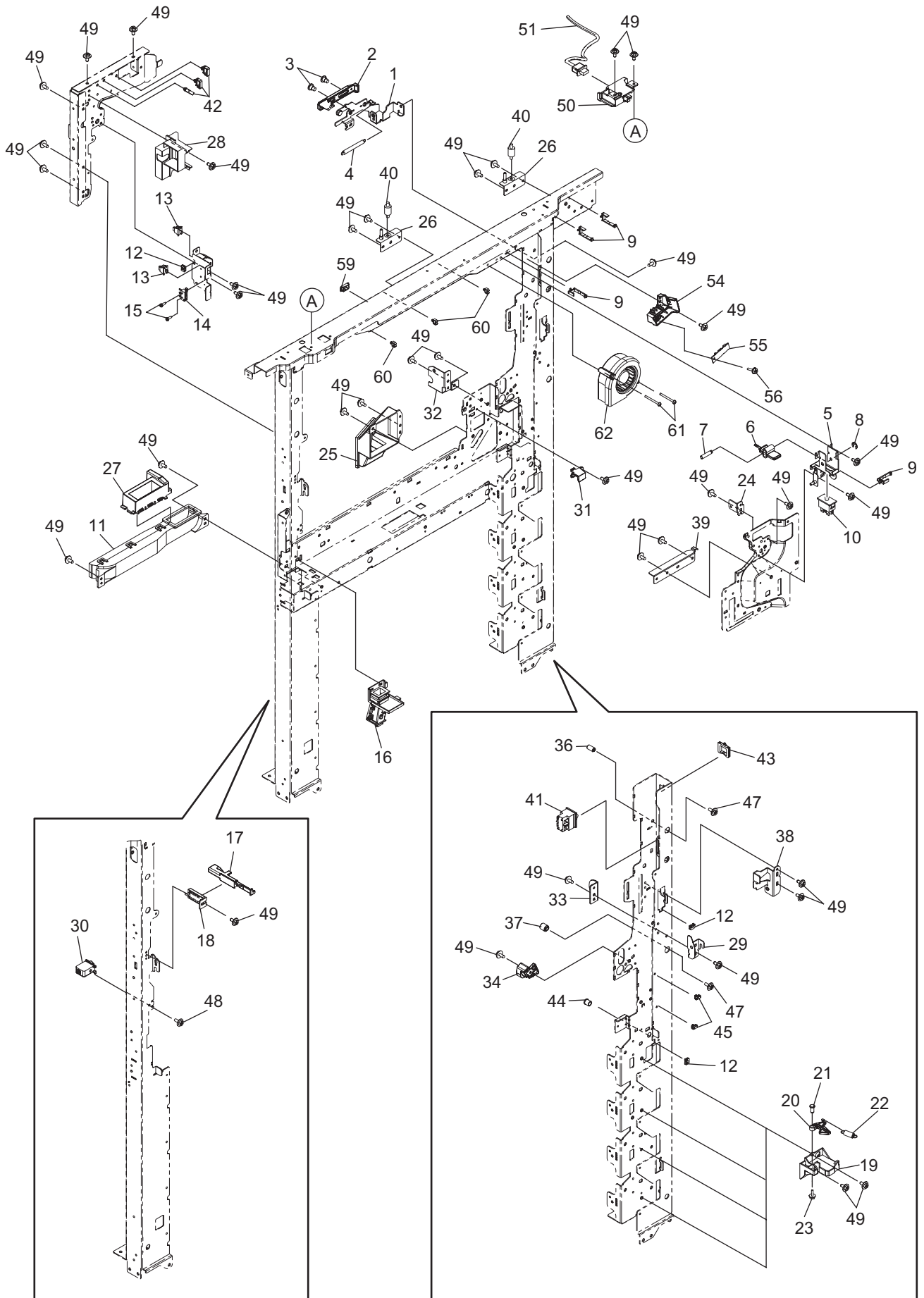
ITEM NO.	PARTS NO.	PARTS NAME	Q'TY / PAGE	Q'TY / PACK	P I R	B S I NO.	T O	T	F R O M	S E R I A L NO.	R E M A R K S	C
1	6LH07491000	BRKT-SCRIP-PR		1/1/P								
3	6LA36256000	SCRAPR-FUS-350		5/5/P								
4	6LE25949000	SPG-E-SCRIP-F380		5/1/C								
5	6LH07461000	ASYS-GUIDE-EXIT-OPEN-SNSR		1/1/PP								
6	6LH07453000	ROLL-FUS-GUIDE		4/1/P								
7	6LH07454000	SHAFT-GUIDE-OPEN		2/1/P								
8	6LH07462000	ASYS-GUIDE-ADU-RTN-G		1/1/PP								
9	6LH07550000	COV-GUIDE-OPEN		1/1/P								
10	6LA02922000	BUSH-0612-D6F-M		2/5/P								
11	X0-01989000	S/TPP/BID-3X8-NI		1/10/P								
12	X0-00973000	RR/E-1.5-SS		2/10/P								
13	X0-02230000	S/FHEXM-M3X6-NI		4/10/P								
14	6LH07516000	ASYS-BRKT-SCRIP-COV		1/1/C								
15	6LH07589000	SPG-T-GUIDE-OP-F		1/1/P								
16	6LH07590000	SPG-T-GUIDE-OP-R		1/1/P								
17	6LH07591000	SPG-T-GUIDE-OPEN		1/1/P								
18	6LH07543000	SHEET-FUS-RIN-G		2/5/P								
19	6LH07539000	SHEET-FUS-OPEN		1/5/P								



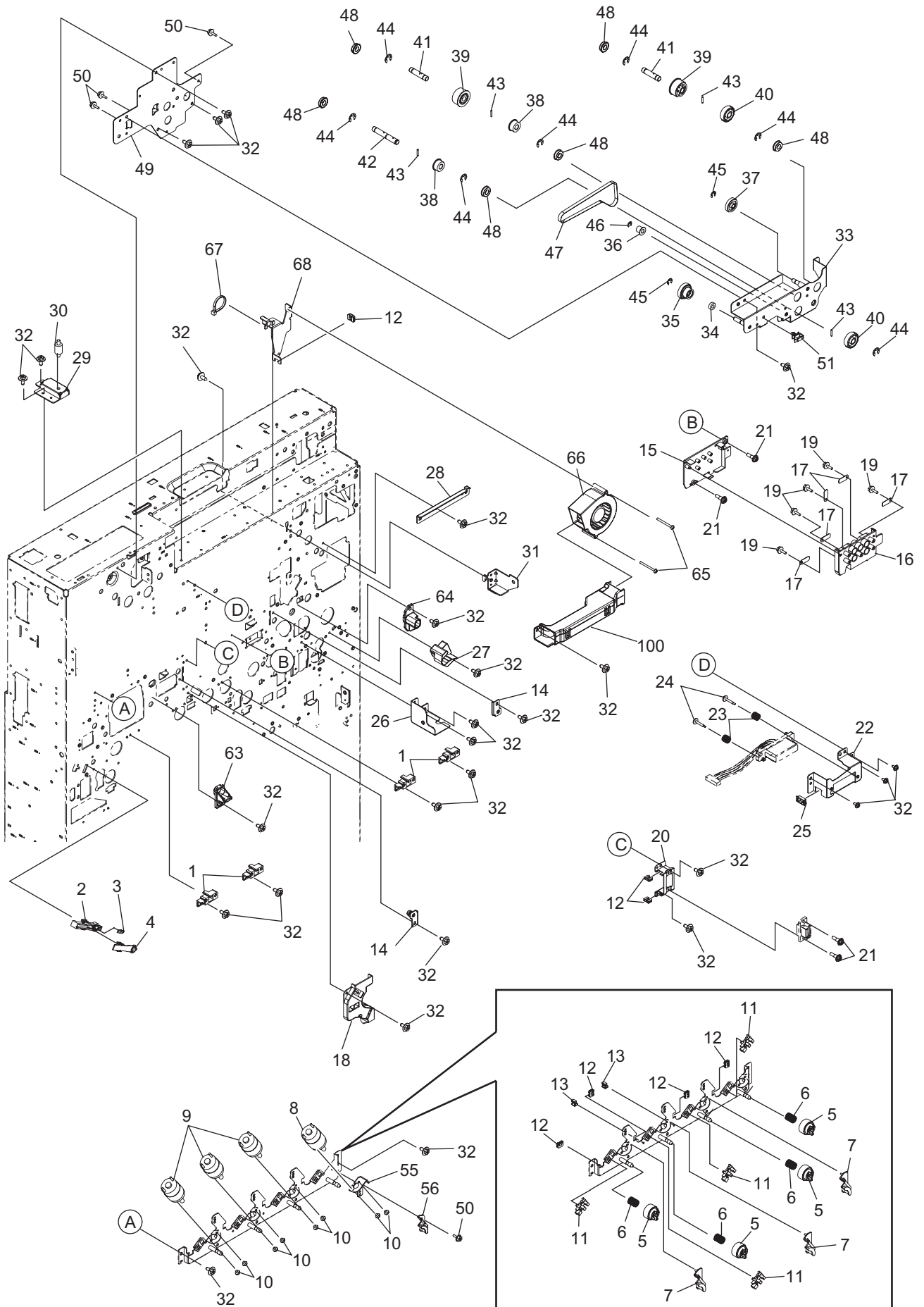
ITEM NO.	PARTS NO.	PARTS NAME	Q'TY / PAGE	Q'TY / PACK	PIR	BSI NO.	TO	T	FROM	SERIAL NO.	REMARKS	C
1	6LH16937000	HR-FC55-L		11/S								
2	F0-01852000	6807ZZL1S1C4KZ		21/D								
3	6LH07308000	COLLAR-PR		21/P								
4	6LH07302000	GEAR-PRS		11/P								
5	6LH07405000	CRR-PR-27		21/P								
6	6LH07403000	ASYS-ARM-PR-BP-F		11/P								
7	6LH07404000	ASYS-ARM-PR-BP-R		11/P								
8	F0-01159000	DDL-1680HH		25/P								
9	6LH07400000	BRKT-TENSION-FUSER		21/P								
10	6LH07399000	SCREW-PR-SPG-F43X		21/P								
11	6LH07424000	CASE-PR-FUSER		11/D								
12	6LE06670000	BRUSH-FUSER		11/C								
13	6LH07563000	BRKT-THRMS-PR		21/P								
14	6LH07310000	BRKT-THRMS-E-PR		11/P								
15	6LH09032000	THMS-PRS-430		11/C								
16	6LH09499000	THRMST-HTR2-430		11/C								
17	6LH09033000	THRMST-HTR1-430		11/C								
19	F0-00270000	UAMS-05L-0-46		310/P								
20	X0-00094000	S/PAN/SWWP-M3X10-NI		810/P								
21	X0-00050000	S/PAN/SWWP-M3X5-NI		1210/P								
22	X0-00964000	RR/E-3-SS		210/P								
23	X0-00968000	RR/E-7-SS		410/P								
24	X0-02230000	S/FHEXM-M3X6-NI		1610/P								
25	6LH07482000	CAM-FUS-BP-F		11/P								
26	6LH07502000	CAM-FUS-BP-R		11/P								
27	6LH07418000	SHAFT-CAM		11/P								
28	6LH07480000	GEAR-10S30-8-CAM		11/P								
29	6LE50521000	BUSH-8X12X5R5F-NU4 6LE50521000		35/P								
30A	6LH07402000	LAMP-PR-TRP-BP-NAD		11/C							NAD,NAC	
30B	6LH07450000	LAMP-PR-TRP-BP-ASD		11/C							ASD,AUD,AU C,ASU	
30C	6LH07564000	LAMP-PR-TRP-BP-MJD		11/C							MJD,MJC	
31	6LH07301000	GEAR-8H39-FUS		11/P								
32	6LH07328000	BRKT-THRM-LAMP-BP		11/P								
33	6LH07309000	BRKT-HLD-LAMP		11/P								
34	6LH07314000	BRKT-HLD-LAMP-F		11/P								
35	6LH07573000	HLDL-HRNS-LAMP		11/P								
37	6LH07593000	GUIDE-ENT-PR		11/PP								
38	6LH07419000	SPG-PS-FUS-N		21/P								
39	6LH07412000	SHAFT-ARM		11/P								
40	6LA08937000	SCREW-BKT-DEV		410/P								
41	X0-00966000	RR/E-5-SS		210/P								
44	6LH07562000	BRKT-THMST-PR		11/P								
45	6LH07544000	PLT-PR-FUS		11/P								
46	6LH07574000	BRKT-THMST-PR-C		11/P								



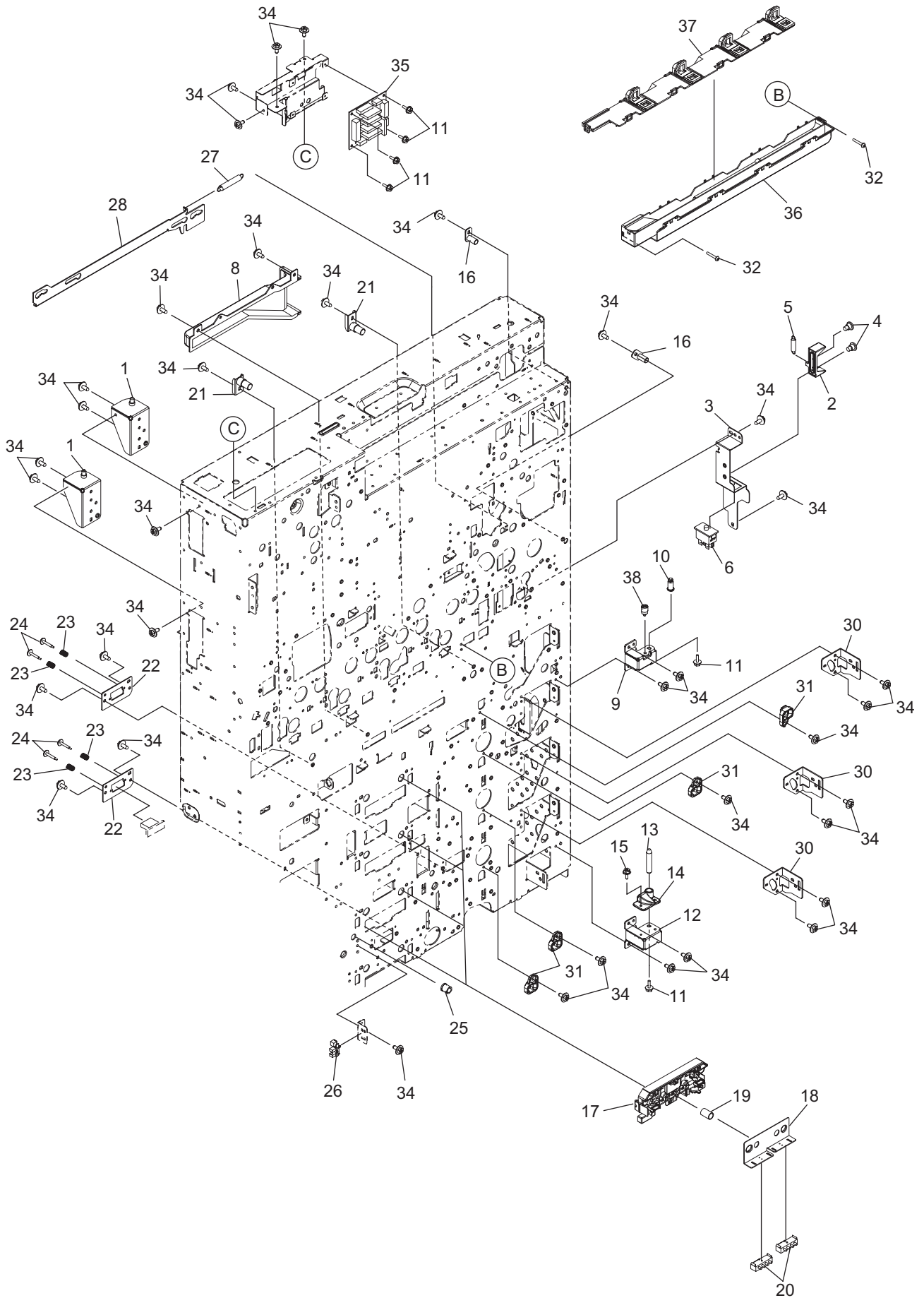
ITEM NO.	PARTS NO.	PARTS NAME	Q'TY / PAGE	Q'TY / PACK	PIR	BSI NO.	TO	T	FROM	SERIAL NO.	REMARKS	C
9	X0-00966000	RR/E-5-SS		210/P								
13A	6LH17011000	IH-COIL-UNIT-100		11/S							NAD,NAC	
13B	6LH17011100	IH-COIL-UNIT-200		11/S							MJD,MJC,AS D,AUD,AUC, ASU	
14	6LA08937000	SCREW-BKT-DEV		210/P								
16	6LH16936000	BT-FC55-FU		11/S								
17	6LH16935000	FR-FC55-U		11/S								
18	6LH07378000	COLLAR-BLT-MCR		21/P								
21	F0-01382000	6800ZZS1C4KZ		21/P								
22	X0-00970000	RR/E-9-SS		210/P								
23	X0-00968000	RR/E-7-SS		410/P								
24	X0-00094000	S/PAN/SWVP-M3X10-NI		410/P								
25	F0-00270000	UAMS-05L-0-46		1110/P								
26	F0-01851000	6902ZZNRS1C4KZ		21/D								
27	6LH07393000	BUSH-FUS-MR		21/P								
28	6LE25970000	WASHER-FUSER		25/P								
29	6LH07322000	GEAR-8H40-FMR		11/P								
31	6LH07300000	GEAR-8H35_8H30-FMR		11/P								
32	6LH07385000	STUD-GEAR-FR		11/P								
33	6LH07388000	BRKT-FUS-SPR-F		11/P								
34	6LH07389000	BRKT-FUS-SPR-R		11/P								
36	6LH07565000	SPG-E-SR-FUS-M		21/P								
37	6LH07392000	BRKT-HRNS-DRW		11/P								
38	6LH07395000	COVER-HRNS-FUS		11/P								
40	6LH07394000	STAY-FUS-THRM		11/P								
41	6LH07506000	ASYS-HLD-THRM		21/P								
42	6LH09193000	THRMST-FMR-430		21/C								
45	X0-02230000	S/FHEXM-M3X6-NI		810/P								
46	X0-00050000	S/PAN/SWVP-M3X5-NI		710/P								
47	6LA36227000	SCREW-M3-FUS		45/P								
50	6LH07377000	ROLLER-BELT-ST		11/KP								
51	6LH07530000	ROTOR-SR		11/P								
53	6LH07396000	ASYS-BRKT-PLT		11/P								
54	6LE25967000	SPG-C-SEP-ADJ		25/P								
55	6LH07547000	BRKT-ADJ-SC-F		11/P								
56	6LH07548000	BRKT-ADJ-SC-R		11/P								
58	X0-02420000	S/TPS/FHEXM/R-3X8-ZU3		210/P								
59	6LH07508000	BRKT-THRM		21/P								
60	6LH07555000	SHEET-FUS-FRM		11/KP								
61	6LH07572000	SPG-E-FUS-SEP		21/P								
62	6LH07587000	WSHR-FUS-ST		25/P								



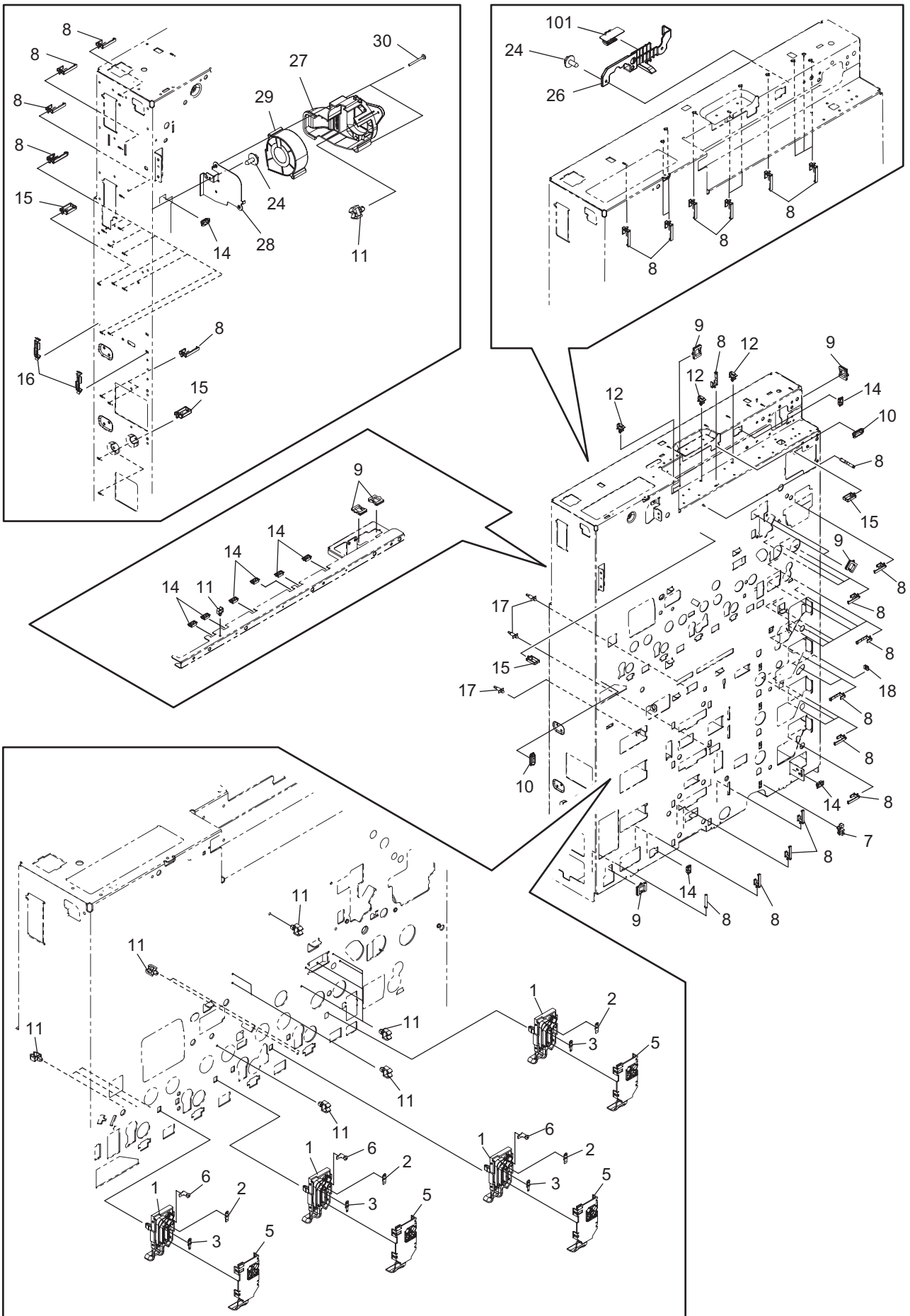
ITEM NO.	PARTS NO.	PARTS NAME	Q'TY / PAGE	Q'TY / PACK	PIR	BSI NO.	TO	T	FROM	SERIAL NO.	REMARKS	C
1	6LH01169000	ASYS-BKT-LVR-DOOR		1/1/P								
2	6LH01129000	LVR-DOOR-SW		1/1/P								
3	6LA02823000	SCREW-RAIL-TRU		2/5/P								
4	6LH01135000	SPG-E-6R5XR5X28R		1/1/P								
5	6LH01131000	ASYS-BKT-DOOR-SW		1/1/P								
6	6LH01128000	GUIDE-SW-DOOR-430		1/1/P								
7	44200854000	STUD-DOOR-SW		1/5/P								
8	X0-00965000	RR/E-4-SS		1/10/P								
9	F0-00036000	RLWS3TV0		4/5/P								
10	E0-08442000	FAIL-AA22		1/1/D								
11	6LH01471000	ASYS-DUCT-EPU-FRT		1/1/PP								
12	F0-00120000	ES-0505		3/5/P								
13	E0-01853000	CS1A-B2CA		2/1/D								
14	E0-08294000	DE2L-BALG		1/1/D								
15	44204394000	SCREW20*D23		2/10/P								
16	6LH03537000	ASYB-DUCT-WINR-VT		1/1/PP								
17	6LH04069000	LIFT-TBU-LEFT		1/1/P								
18	6LH03823000	ANG-TBU-LEFT		1/1/P								
19	6LA04492000	HOLDER-LOCK-CST		1/1/P								
20	6LA04493000	HOOK-LOCK-CST		1/1/P								
21	6LA04494000	STUD-LOCK-CST		1/5/P								
22	6LH05751000	SPE096-100-0282		1/1/P								
23	X0-02231000	S/FHEXM-M3X8-NI		1/10/P								
24	6LH05482000	ASYS-BRKT-POS-MID-F		1/1/P								
25	6LH07987000	ASYS-DUCT-LSU-IN		1/1/PP								
26	6LH08310000	ASYS-BRKT-DMP-FRT		2/1/P								
27	6LH01417000	DUCT-EPU-F-EXT-S		1/1/P								
28	6LH01418000	DUCT-BRG-LEFT-IN		1/1/P								
29	6LH02326000	SUPPORT-PLT-HNG-CV-R		1/1/P								
30	6LH02840000	STOP-EPU-LFT		1/1/P								
31	6LH02841000	STOP-EPU-RGT		1/1/P								
32	6LH04211000	BRKT-CAM-TR2-F		1/1/P								
33	6LH04231000	PLT-POS-HOLE-TRU		1/1/P								
34	6LH04563000	HLDL-RGID-RGST-F-430		1/1/P								
36	6LH05423000	STUD-LOCK-ADU		1/1/P								
37	6LH05428000	STUD-LOCK-ADU-FL		1/1/P								
38	6LH07324000	BRKT-FUS-F		1/1/P								
39	6LH07329000	BRKT-SLIDE-F		1/1/P								
40	6LH08278000	INSULATOR-430		2/1/P								
41	E0-08497000	AJ8W200WWF		1/1/D								
42	F0-00032000	PLWS-1-46B		3/5/P								
43	F0-00047000	EDS-1717U		1/10/P								
44	F0-00370000	OCB-375		1/5/P								
45	F0-01462000	LBWS-0206S-V0		2/1/P								
47	X0-02235000	S/FHEXM-M4X8-NI		2/10/P								
48	X0-02251000	S/TPP/FHEXM-4X8-NI		1/10/P								
49	X0-02421000	S/TPS/FHEXM/R-4X8-ZU3		42/10/P								
50	6LH01136000	HOLDER-USB-430		1/1/P								
51	6LH08774000	CABLE-USB-430		1/1/P								
54	6LH02370000	COVER_LED_FUS		1/1/P								
55	6LH09302000	PWA-F-LED-430		1/1/C								
56	X0-02248000	S/TPP/FHEXM-3X10-NI		1/10/P								
59	F0-01248000	ESC-0912		1/10/P								
60	F0-00270000	UAMS-05L-0-46		3/10/P								
61	X0-02133000	S/TPS/PAN-4X35-ZU3		2/10/P								
62	6LH01555000	ASYS-DUCT-BRDG-F		1/1/C								



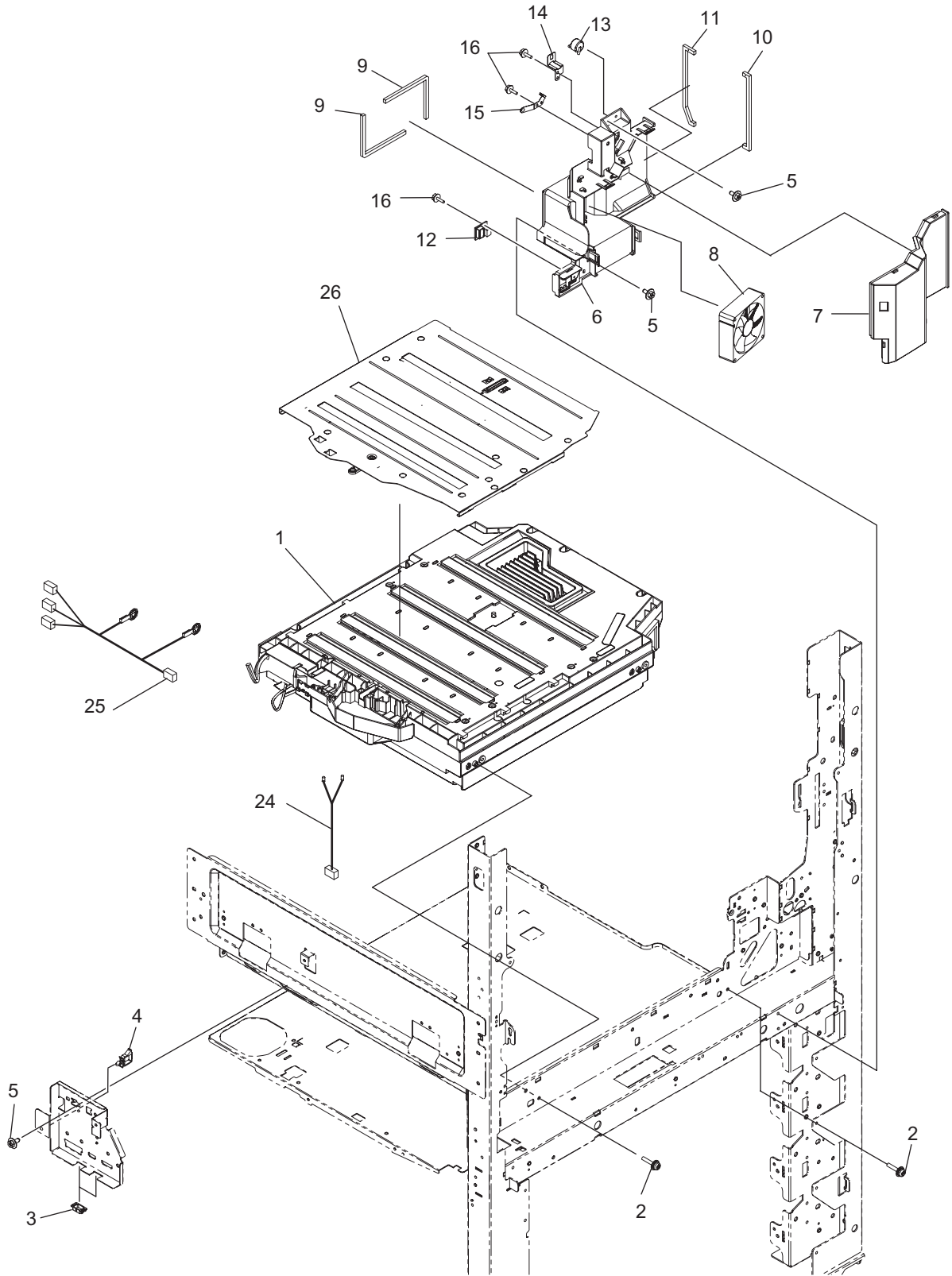
ITEM NO.	PARTS NO.	PARTS NAME	Q'TY / PAGE	Q'TY / PACK	P I R	B S I NO.	T O	T	F R O M	S E R I A L NO.	R E M A R K S	C
1	6LH02635000	BRKT-DRAWER-CNIR-CLNR		41/P								
2	6LH02671000	TERM-HVT-EPU-Y		11/P								
3	6LH02637000	PLATE-TERM-HVT-EPU-187-S		11/P								
4	6LH02672000	COVER-TERM-HVT-EPU-Y		11/P								
5	6LH03415000	GEAR-5H46-6-COUP		41/P								
6	6LH03599000	SPG-C-GEAR-DRV-TNR-430		41/P								
7	6LH03481000	COV-DRV-TONER		31/P								
8	6LH03520000	ASYS-MOTRD-KTNR-430		11/C								
9	6LH03521000	ASYS-MOTRD-CTNR-430		31/C								
10	X0-02557000	S/BID-M2.6X3-NI		810/P								
11	C0-15505000	LG283L1		41/C								
12	F0-00120000	ES-0505		75/P								
13	F0-01250000	MSB-1207		25/P								
14	6LH03820000	ASYS-BRKT-TBU-FIX		21/P								
15	6LH03730000	COVER-TERM-KCMY		11/P								
16	6LH03731000	CASE-TERM-KCMY		11/P								
17	6LH03732000	PLATE-TERM-TBU		51/P								
18	6LH03729000	COV-HRNS-TERM-TBU		11/P								
19	X0-02247000	S/TPP/FHEXM-3X8-NI		510/P								
20	6LH03728000	BRKT-TERM-AMP-DRW		11/P								
21	6LA08938000	SCREW-SOCKET		410/P								
22	6LH17816000	BRKT-CON		11/P								
23	6LA08950000	SPC074-070-0145		25/P								
24	4406326040	SCREW-D4-18-M3		210/P								
25	F0-01248000	ESC-0912		110/P								
26	6LH04210000	BRKT-CAM-TR2-R		11/P								
27	6LH04564000	HLD-GRD-RGST-R-430		11/P								
28	6LH07330000	BRKT-SLIDE-R		11/P								
29	6LH08276000	BRKT-DMP-RER-LFT-430		11/P								
30	6LH08278000	INSULATOR-430		11/P								
31	6LH04747000	ASYS-BRKT-POS-MID-R-FAN		11/P								
32	X0-02421000	S/TPS/FHEXM/R-4X8-ZU3		2710/P								
33	6LH04579000	ASYS-FRAME-DRIVE-EXIT-F		11/P								
34	F0-01371000	DDL-1260ZZHPOP25LY13		11/P								
35	6LH04599000	GEAR-10S25_PS2M28-6		11/P								
36	6LH04600000	IDLER-DRIVE-EXIT		11/P								
37	6LA79005000	GEAR-10S022-06-DRV		11/P								
38	6LA04720000	PLY/T-S2M-28-08		21/P								
39	6LH04598000	GEAR-10S25-8-OWR		21/P								
40	6LH04597000	GEAR-10S25-8-DRV		21/P								
41	6LH04590000	SHAFT-DRIVE-EXIT-1		21/P								
42	6LH04591000	SHAFT-DRIVE-EXIT-2		11/P								
43	X0-01526000	P/PRL/AH7-2X12-SS		410/P								
44	X0-00968000	RR/E-7-SS		710/P								
45	X0-00966000	RR/E-5-SS		210/P								
46	X0-00965000	RR/E-4-SS		110/P								
47	6LH04592000	BLT_SY-S2M-316-6		11/P								
48	F0-01390000	LNR-1680HHRPOP15LY13		61/P								
49	6LH04608000	FRAME-DRIVE-EXIT-R		11/P								
50	X0-02420000	S/TPS/FHEXM/R-3X8-ZU3		410/P								
51	F0-00736000	LWS-0711Z		15/P								
55	6LH03598000	FRAME-TNR-MOTR-RER		11/P								
56	6LH03600000	COV-DRV-TONER-K		11/P								
63	6LH04037000	HLD-TRBU-RL		11/P								
64	6LH04038000	HLD-TRBU-RR		11/P								
65	X0-02133000	S/TPS/PAN-4X35-ZU3		210/P								
66	6LH09500000	FAN-P7530-430M		11/P								
67	F0-00017000	T18S		110/P								
68	6LH04771000	BRKT-REAR-FAN-7525		11/P								
100	6LH01538000	ASYB-DUCT-BRDG-R		11/PP								



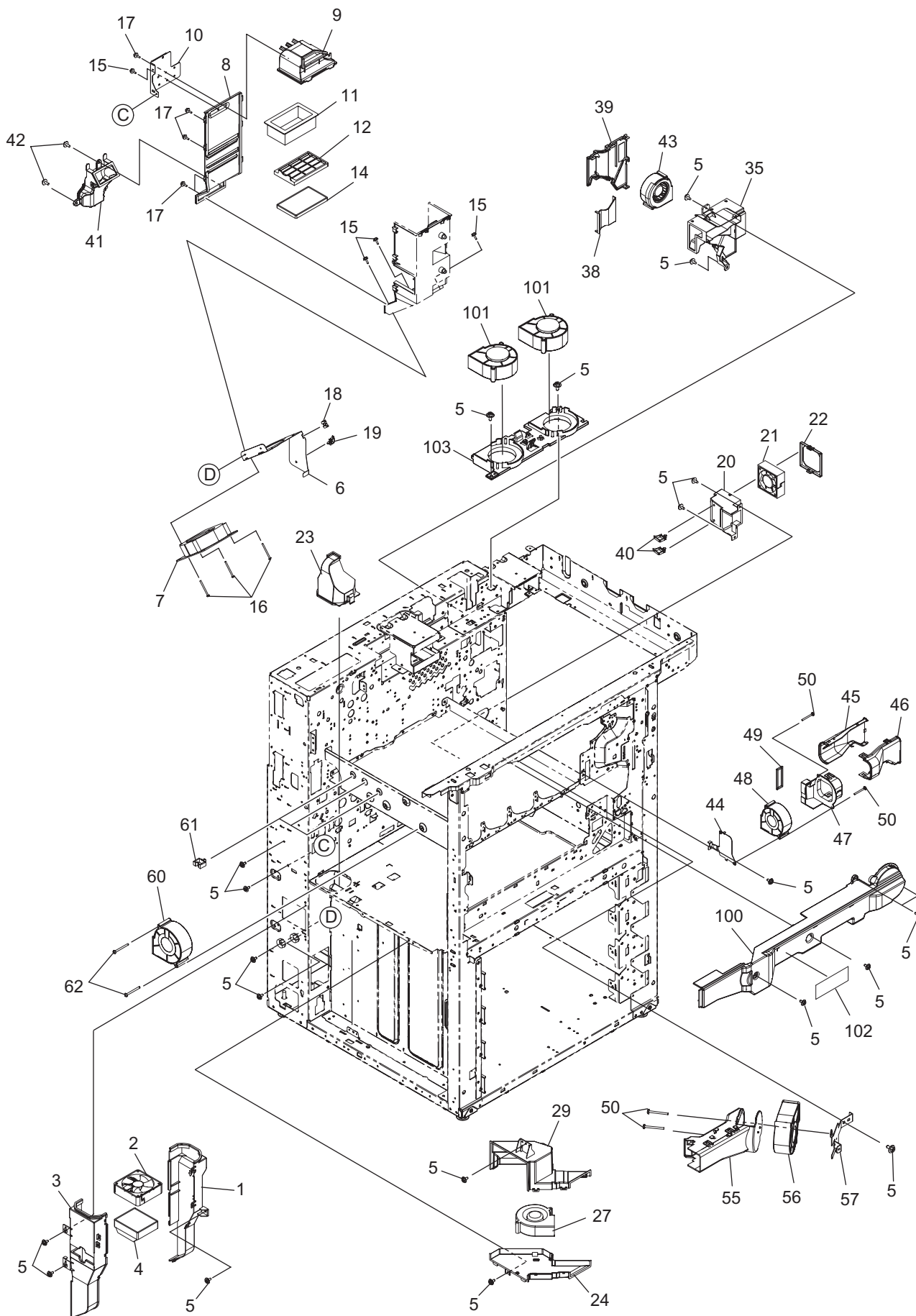
ITEM NO.	PARTS NO.	PARTS NAME	Q'TY / PAGE	Q'TY / PACK	PIR	BSI NO.	TO	T	FROM	SERIAL NO.	REMARKS	C
1	6LH01115000	ASYS-BRKT-HINGE		21/P								
2	6LH01124000	SLIDE-FUS-INTER		11/P								
3	6LH01125000	BRKT-FUS-SW-INTER		11/P								
4	6LA02823000	SCREW-RAIL-TRU		25/P								
5	6LE22836000	SPG-E-6R5XR45X31R9		11/P								
6	EO-08442000	FAIL-AA22		11/D								
8	6LH01477000	ASYS-DUCT-LSU-RER		11/PP								
9	6LH04515000	BRKT-COV-HINGE-FRM-R-U		11/P								
10	6LH04514000	STUD-COV-HINGE-FRM-R-U		11/P								
11	X0-02231000	S/FHEXM-M3X8-NI		610/P								
12	6LH04518000	BRKT-COV-HINGE-FRM-R-L		11/P								
13	6LH04516000	STUD-COV-HINGE-FRM-R-L		11/P								
14	6LH04517000	GUIDE-SLOPE-L		11/P								
15	X0-02420000	S/TPS/FHEXM/R-3X8-ZU3		110/P								
16	6LH05488000	ASYS-BRKT-POS-ADU		21/P								
17	6LH05731000	HOLDER-SENSOR-CST-F43X		41/P								
18	6LH05728000	BRKT-SENSOR-CST-F43X		41/P								
19	6LH05738000	SPG-C-8R9XR9X11R6		41/P								
20	EO-08635000	HS12-0001		81/C								
21	6LH07980000	ASYS-BRKT-LSU-STUD		21/P								
22A	6LH05908000	BRKT-DRW-TANDEM		21/P							NAD,MJD,AS D,AUD,ASU	
23A	6LH05996000	SPG-DRAWER-TANDEM		41/P							NAD,MJD,AS D,AUD,ASU	
24A	4406326040	SCREW-D4-18-M3		410/P							NAD,MJD,AS D,AUD,ASU	
25	F0-00370000	OCB-375		15/P							NAD,MJD,AS D,AUD,ASU	
26A	C0-14266000	LG248BL1		11/C							NAD,MJD,AS D,AUD,ASU	
27	6LH03801000	SPG-E-PLATE-TBU-FIX		11/P								
28	6LH03824000	PLATE-TBU-FIX		11/P								
30A	6LH05705000	BRKT-HOLD-RAIL		21/P							NAD,MJD,AS D,AUD,ASU	
30B	6LH05705000	BRKT-HOLD-RAIL		31/P							NAC,MJC,AU C	
31A	6LH05736000	HOLDER-CST-POS		21/P							NAD,MJD,AS D,AUD,ASU	
31B	6LH05736000	HOLDER-CST-POS		41/P							NAC,MJC,AU C	
32	X0-02067000	S/TPS/PAN-4X20-ZU3		210/P								
34	X0-02421000	S/TPS/FHEXM/R-4X8-ZU3		3710/P								
35	6LH09286000	PWA-F-DRV-430		11/SB								
36	6LH01406000	DUCT-OZ-TONER-L		11/PP								
37	6LH01478000	ASYS-DUCT-OZ-TNR-UPR		11/PP								



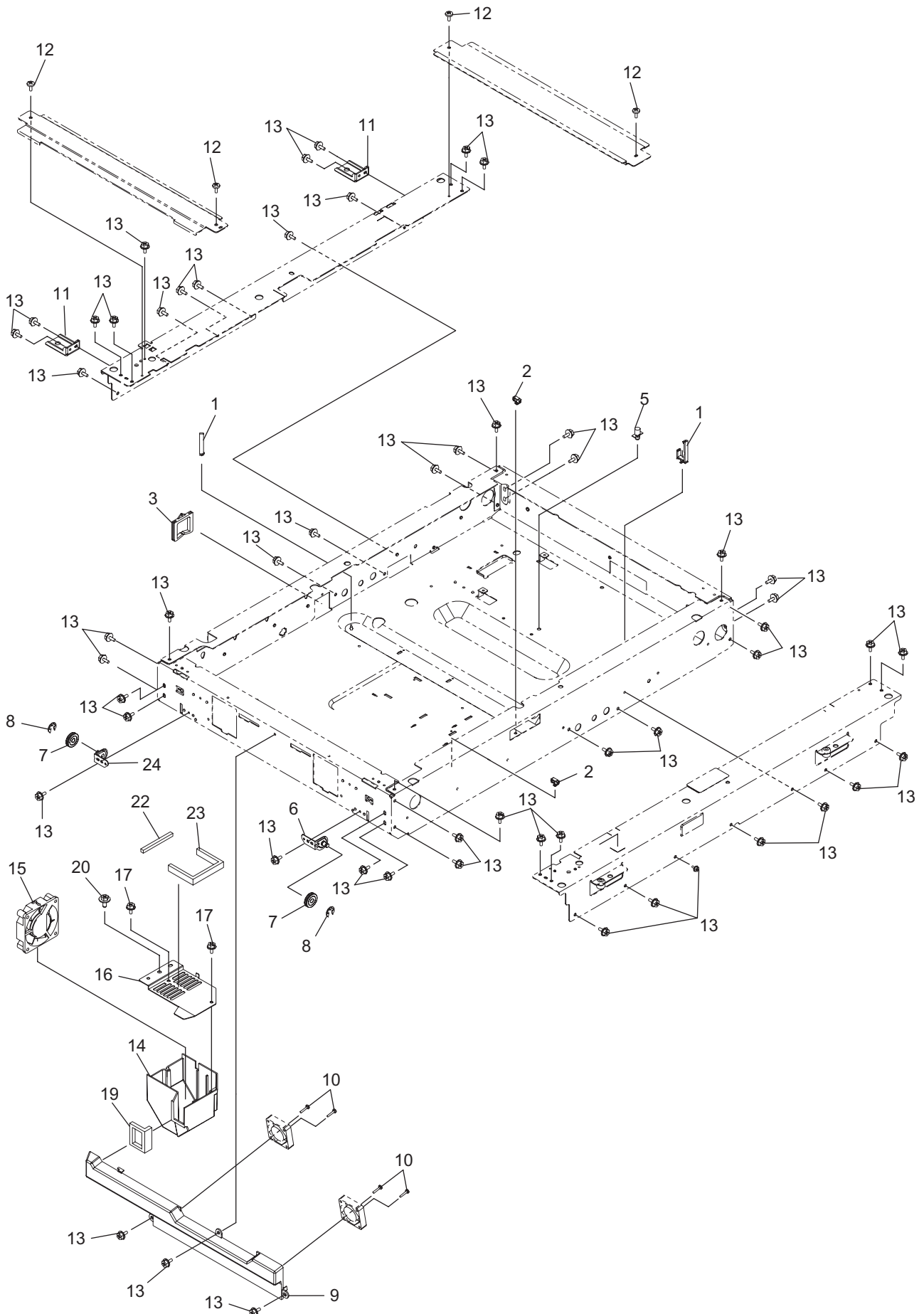
ITEM NO.	PARTS NO.	PARTS NAME	Q'TY / PAGE	Q'TY / PACK	P I R	B S I NO.	T O	T	F R O M	S E R I A L NO.	R E M A R K S	C
1	6LH02638000	TERM-HVT-EPU		41/P								
2	6LH02637000	PLATE-TERM-HVT-EPU-187-S		41/P								
3	6LH02918000	PLATE-TERM-HVT-EPU-110-S		45/P								
5	6LH02636000	COV-TERM-HVT-EPU		41/P								
6	6LH02641000	PLATE-TERM-HVT-EPU-187-D		31/P								
7	CO-14266000	LG248BL1		41/C							NAD,NAC,MJ D,MJC,ASD, AUD,AUC,AS U	
8	F0-00036000	RLWS3TV0		485/P								
9	F0-00047000	EDS-1717U		710/P								
10	F0-00199000	TSB-1909N		31/P								
11	F0-00270000	UAMS-05L-0-46		1610/P								
12	F0-00736000	LWS-0711Z		35/P								
14	F0-01248000	ESC-0912		1010/P								
15	F0-01263000	RWS-3T V0		55/P								
16	F0-01418000	RFC-33V0		21/P								
17	F0-00343000	SPLSN-8U		35/P								
18	F0-00120000	ES-0505		15/P								
24	X0-02421000	S/TPS/FHEXM/R-4X8-ZU3		210/P								
26	6LH01535000	GUIDE-HRNS-AC		11/D								
27	6LH01540000	ASYS-DUCT-STAY-TL		11/PP								
28	6LH01534000	PLATE-DUCT-TNR		11/P								
29	6LH09500000	FAN-P7530-430M		11/P								
30	X0-00461000	S/BID-M4X35-NI		210/P								
101	6LH01562000	HLDR-HRNS-AC		11/P								



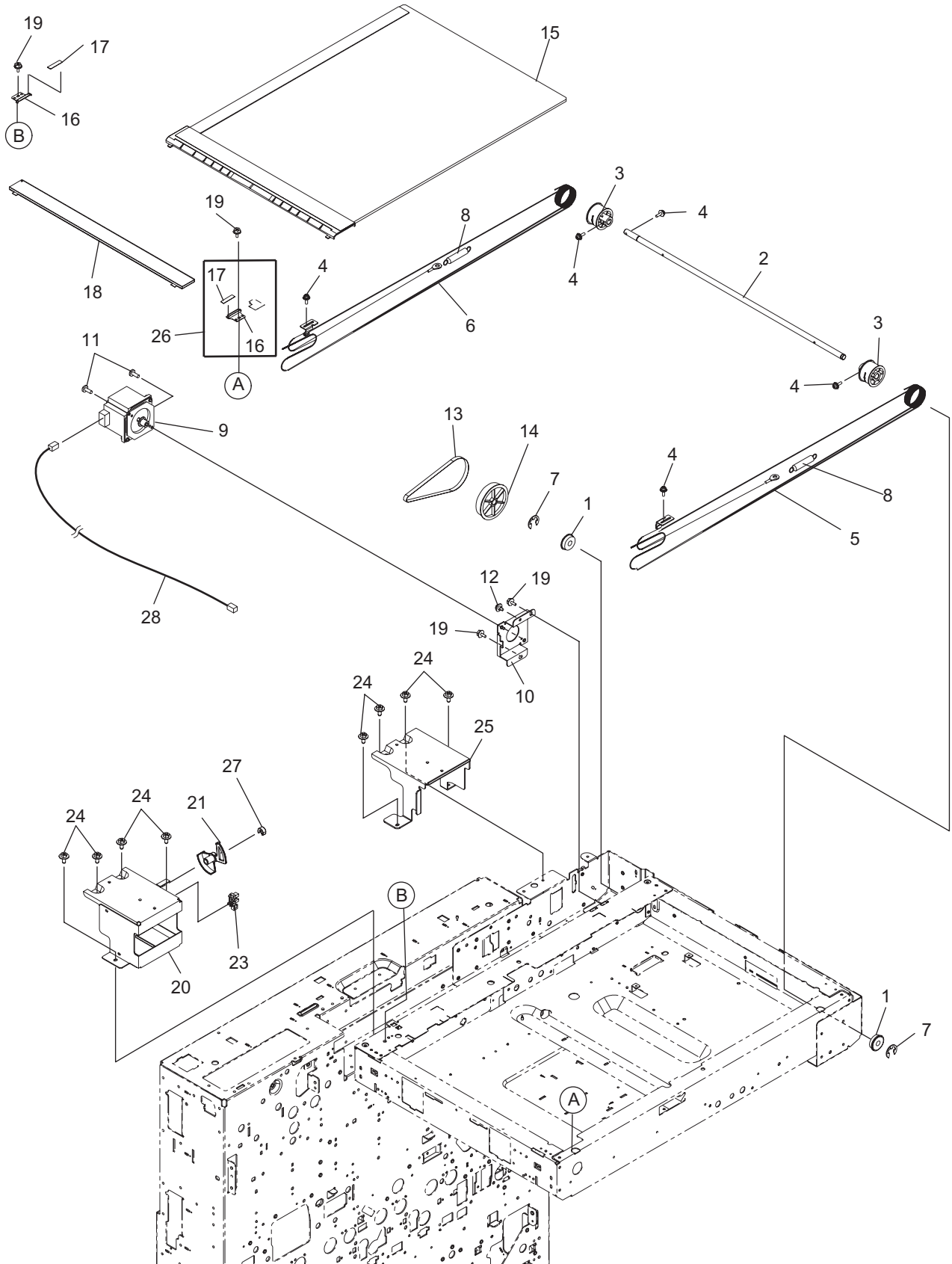
ITEM NO.	PARTS NO.	PARTS NAME	Q'TY / PAGE	Q'TY / PACK	P I R	B S I NO.	T O	T	F R O M	S E R I A L NO.	R E M A R K S	C
1	6LH16914000	LSU-UNIT-F430		1/1/S								
2	X0-00198000	S/PAN/SWWP-M4X16-N1		2/10/P								
3	F0-01248000	ESC-0912		2/10/P								
4	F0-01243000	LWS-1211Z		1/5/P								
5	X0-02421000	S/TPS/FHEXM/R-4X8-ZU3		3/10/P								
6	6LH07937000	DUCT-LSU-430-IN		1/1/P								
7	6LH07936000	DUCT-LSU-430-OUT		1/1/P								
8	6LA34342000	FAN-D-8025-350NH		1/1/D								
9	6LH08004000	SEAL-LSU-DUCT-INR		2/5/KP								
10	6LH08002000	SEAL-LSU-DUCT-RGT1		1/5/KP								
11	6LH08003000	SEAL-LSU-DUCT-RGT2		1/5/KP								
12	D0-27874000	CHS-CSC-20		1/1/P								
13	6LA37732000	ASYS-ERZV10D821-350		1/1/D								
14	6LA37612000	SPG-F-RGST-R		1/1/P								
15	6LA37613000	SPG-F-RGST-L		1/1/P								
16	X0-02247000	S/TPP/FHEXM-3X8-NI		3/10/P								
26	6LH17057000	SHUTTER-UNIT-430		1/1/S								



ITEM NO.	PARTS NO.	PARTS NAME	Q'TY / PAGE	Q'TY / PACK	P I R	B S I NO.	T O	T	F R O M	S E R I A L NO.	R E M A R K S	C
1	6LH01463000	ASYS-DUCT-OZ-LWR-RGT		1/1/P								
2	6LH01460000	ASYS-FAN-8025		1/1/D								
3	6LH01464000	ASYS-DUCT-OZ-LWR-LFT		1/1/PP								
4	6LH01479000	FLTR-OZ-430_TR		1/1/D								
5	X0-02421000	S/TPS/FHEXM/R-4X8-ZU3		2/1/10/P								
6	6LH01408000	BRKT-CASE-FIL-TNR		1/1/P								
7	6LH09048000	FAN-P12032-430		1/1/D								
8	6LH01465000	ASYS-COVER-FLTR-TNR		1/1/PP								
9	6LH01467000	ASYS-DUCT-TNR-UPR		1/1/PP								
10	6LH01407000	BRKT-CASE-FIL-SUB		1/1/P								
11	6LH01459000	FLTR-TONER-430_N		1/1/D								
12	6LH01492000	HLD-FLTR-OZ-TNR		1/1/P								
14	6LH01481000	FLTR-OZ-TNR-430_TR		1/1/D								
15	X0-02420000	S/TPS/FHEXM/R-3X8-ZU3		4/10/P								
16	X0-02507000	S/TPS/PAN-4X40-ZU3		3/10/P								
17	X0-02247000	S/TPP/FHEXM-3X8-NI		5/10/P								
18	F0-00120000	ES-0505		1/5/P								
19	F0-00736000	LWS-0711Z		1/5/P								
20	6LH01412000	DUCT-LSU-R-FAN		1/1/P								
21	6LH01462000	ASYS-FAN-6025		1/1/D								
22	6LH01413000	DUCT-LSU-R-COV		1/1/P								
23	6LH01466000	ASYS-DUCT-OZ-UPR		1/1/PP								
24	6LH01416000	DUCT-EPU-F-ENT-L		1/1/P								
27	6LE09187000	FAND-DEV-390		1/1/D								
29	6LH01415000	DUCT-EPU-F-ENT-U		1/1/PP								
35	6LH01423000	DUCT-FUS-R-FAN		1/1/PP								
38	6LH01425000	DUCT-FUS-R-IN		1/1/P								
39	6LH01424000	DUCT-FUS-R-COV		1/1/P								
40	F0-01245000	LWS-1316Z		2/5/P								
41	6LH01507000	ASYS-DUCT-TNR-OUT		1/1/PP								
42	X0-02235000	S/FHEXM-M4X8-NI		2/10/P								
43	6LH01555000	ASYS-DUCT-BRDG-F		1/1/C								
44	6LH01499000	PLATE-DUCT-FRT-TNR		1/1/P								
45	6LH01496000	DUCT-FRT-TNR-BASE		1/1/PP								
46	6LH01497000	DUCT-FRT-TNR-COUPLE		1/1/PP								
47	6LH01498000	DUCT-FRT-TNR-FAN-HLD		1/1/PP								
48	6LH01547000	ASYS-FAN-DUCT-FR-L 6LH01547000		1/1/C								
49	6LH01500000	SEAL-DUCT-FRT-TNR		1/1/KP								
50	X0-00461000	S/BID-M4X35-NI		4/10/P								
55	6LH01561000	ASYB-DUCT-FRONT-LS		1/1/PP								
56	6LH01547000	ASYS-FAN-DUCT-FR-L		1/1/C								
57	6LH01526000	PLT-DUCT-BRDG-FAN		1/1/P								
60	6LH09565000	FAN-P7525-430		1/1/D								
61	F0-01250000	MSB-1207		3/5/P								
62	X0-02114000	S/TPS/PAN-4X32-ZU3		2/10/P								
100	6LH01564000	ASYS-DUCT-BRIDGE-F		1/1/PP								
101	6LH01553000	ASYS-FAN-TP-REAR		2/1/D								
102	6LH17982000	LBL-HOT-BR-430		1/1/KP								
103	6LH01536000	HLD-FAN-TP-REAR		1/1/P								

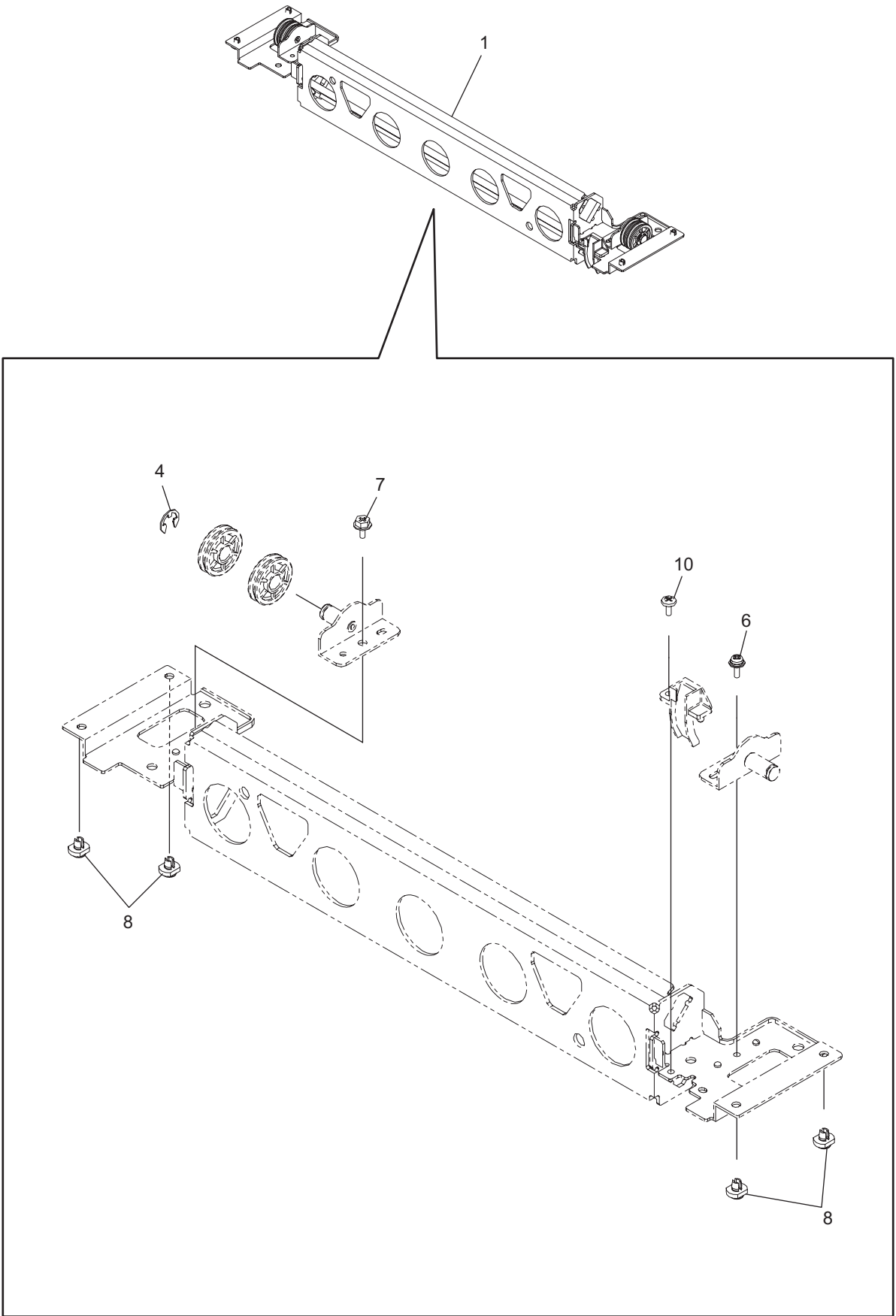


ITEM NO.	PARTS NO.	PARTS NAME	Q'TY / PAGE	Q'TY / PACK	P I R	B S I NO.	T O	T	F R O M	S E R I A L NO.	R E M A R K S	C
1	F0-00036000	RLWS3TV0		25/P								
2	F0-01462000	LEWS-0206S-V0		21/P								
3	F0-00034000	EDS-2323U		15/P								
5	F0-00332000	SPSN-6U		15/P								
6	6LH08385000	ASYS-PLY-BRKT-FRAME-F		11/P								
7	6LH08380000	PLY-BRG-430		21/P								
8	X0-00966000	RR/E-5-SS		210/P								
9	6LH08284000	DUCT-FAN-SCAN-LFT-430		11/KP								
10	X0-02034000	S/TPP/PAN-3X12-NI		410/P								
11	6LH08275000	BRKT-DMP-SCN-RER		21/P								
12	X0-00430000	S/BID-M3X6-NI		410/P								
13	X0-02230000	S/FHEXM-M3X6-NI		5510/P								
14	6LH08283000	DUCT-SCAN-RER-L-430		11/P								
15	6LE09967000	FAND-6015-39X		11/D								
16	6LH08281000	COVER-DUCT-SCAN		11/PP								
17	X0-02541000	S/TPP/BRZ-3X6-ZU3 X0-02541000		210/P								
19	6LH08280000	CUSH-DUCT-SCAN-430		11/P								
20	X0-02421000	S/TPS/FHEXM/R-4X8-ZU3		110/P								
22	6LH08362000	CUSH-DUCT-5-5-60		15/P								
23	6LH08363000	CUSH-DUCT-SCAN-RER		11/KP								
24	6LH08384000	ASYS-PLY-BRKT-FRAME-R		11/P								

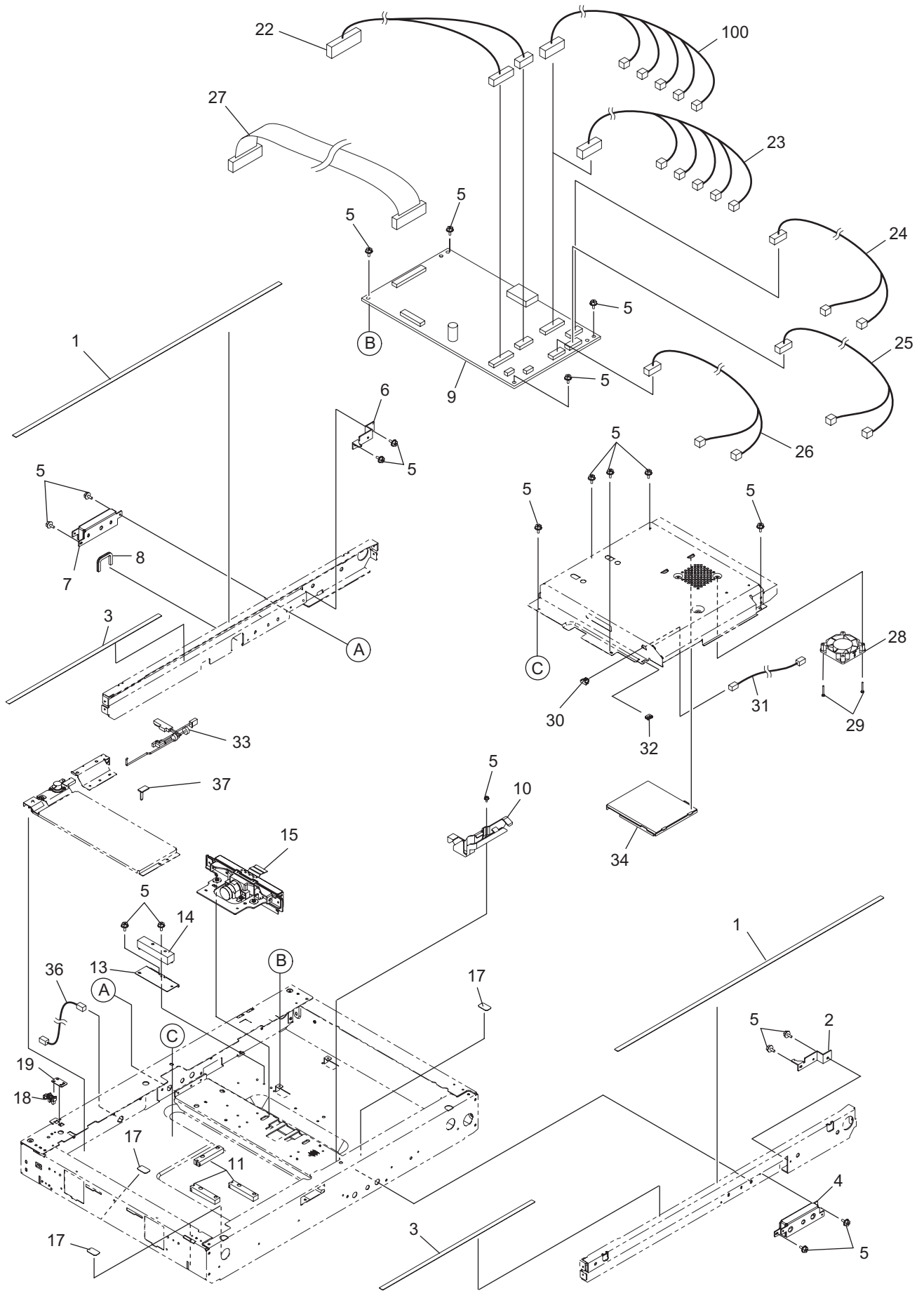


ITEM NO.	PARTS NO.	PARTS NAME	Q'TY / PAGE	Q'TY / PACK	PIR	BSI NO.	TO	T	FROM	SERIAL NO.	REMARKS	C
1	F0-01360000	608ZZNRA2		21/P								
2	6LH08265000	SHAFT-DRV-SCAN-430		11/P								
3	6LH08243000	PLY-WIRE-SCAN-430		21/P								
4	X0-00077000	S/PAN/SWWP-M3X8-NI		510/P								
5	6LH08246000	ASYS-WIR_RP-SCAN-FRT-430		11/P								
6	6LH08247000	ASYS-WIR_RP-SCAN-RER-430		11/P								
7	X0-00968000	RR/E-7-SS		210/P								
8	6LH08289000	SPE-WIRE-TNS-430		21/P								
9	6LH08776000	MOTR_S-SCN-430		11/C								
10	6LH08241000	BRKT-MOT-SCAN-430		11/P								
11	X0-00451000	S/BID-M4X8-NI		210/P								
12	6LA08932000	SCREW-ACTR-TRU		110/P								
13	6LH08266000	BLT-SY300-S2M-6		11/P								
14	6LH08202000	PULLEY-84S2M		11/P								
15A	6LH08291000	ASYS-GLASS-430L		11/S							NAD,NAC	
15B	6LH08291100	ASYS-GLASS-430A		11/S							MJD,MJC,AS D,AUD,AUC, ASU	
16	6LA39841000	SPL-GLASS-ADF		11/P								
17	6LA39842000	MYLAR-SPL-GLASS-ADF		15/KP								
18	6LH08302000	ASYS-GLASS-ADF-430		11/KP								
19	X0-02495000	N/HEX/1-M5-NI		410/P								
20	6LH08376000	ASYS-BRKT-DF-LFT-430		11/P								
21	6LH08254000	LVR-OPEN-SNS-430		11/P								
23	C0-14266000	LG248BL1		11/C								
24	X0-02421000	S/TPS/FHEXM/R-4X8-ZU3		810/P								
25	6LH08251000	BRKT-DF-RGT-430		11/P								
26	6LH08372000	ASYS-SPL-GLASS-ADF-430		11/C								
27	4401953270	STOP-RING-4		15/P								

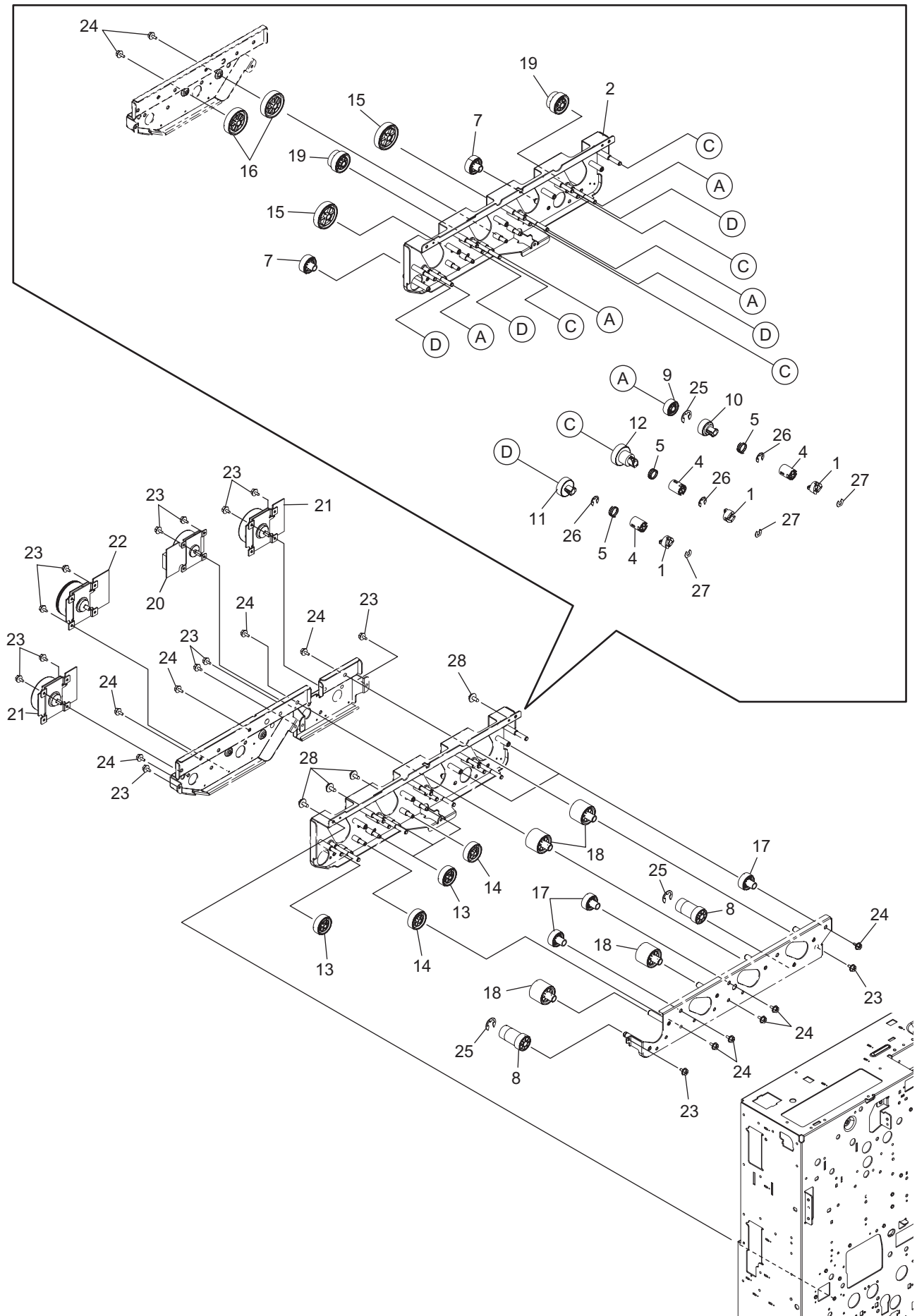
ITEM NO.	PARTS NO.	PARTS NAME	Q'TY / PAGE	Q'TY / PACK	P I R	B S I NO.	T O	T	F R O M	S E R I A L NO.	R E M A R K S	C
1	6LH16916000	CARRIGE-1-F430S		1/1/S								
2	6LH08210000	REF-LAMP-430		1/1/C								
3	X0-00430000	S/BID-M3X6-NI		2/10/P								
4	6LH08791000	INV-EXPO-430		1/1/C								
5	6LA39548000	COVER-INV		1/1/P								
6	X0-02541000	S/TPP/BRZ-3X6-ZU3 X0-02541000		2/10/P								
7	F0-00120000	ES-0505		1/5/P								
8	F0-00044000	UAMS-05-2		1/5/P								
9	6LH08790000	LAMP-EXPO-430		1/1/C								
10	6LH08316000	GUIDE-HRNS-CRG1-430		1/1/P								
11	X0-02230000	S/FHEXM-M3X6-NI		10/10/P								
12	6LE46323000	FOOT-CRG-410		4/5/P								



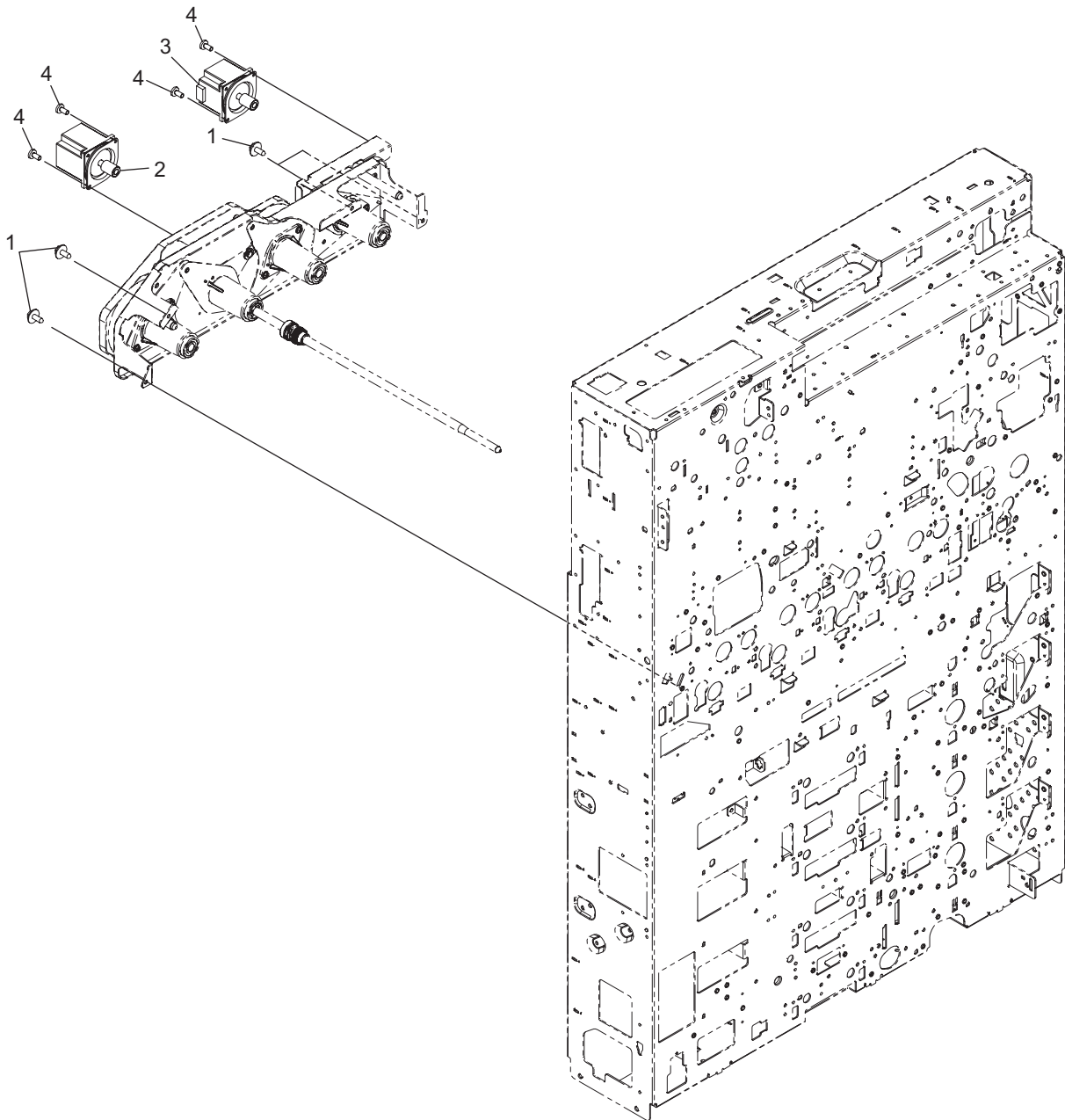
ITEM NO.	PARTS NO.	PARTS NAME	Q'TY / PAGE	Q'TY / PACK	P	I	R	B S I NO.	T O	T	F R O M	S E R I A L NO.	R E M A R K S	C
1	6LH16917000	CARRIGE-2-F430S		1/1/S										
4	X0-00966000	RR/E-5-SS		1/10/P										
6	X0-00077000	S/PAN/SWWP-M3X8-NI		1/10/P										
7	X0-02230000	S/FHEXM-M3X6-NI		1/10/P										
8	6LE46323000	FOOT-CRG-410		4/5/P										
10	X0-00430000	S/BID-M3X6-NI		1/10/P										



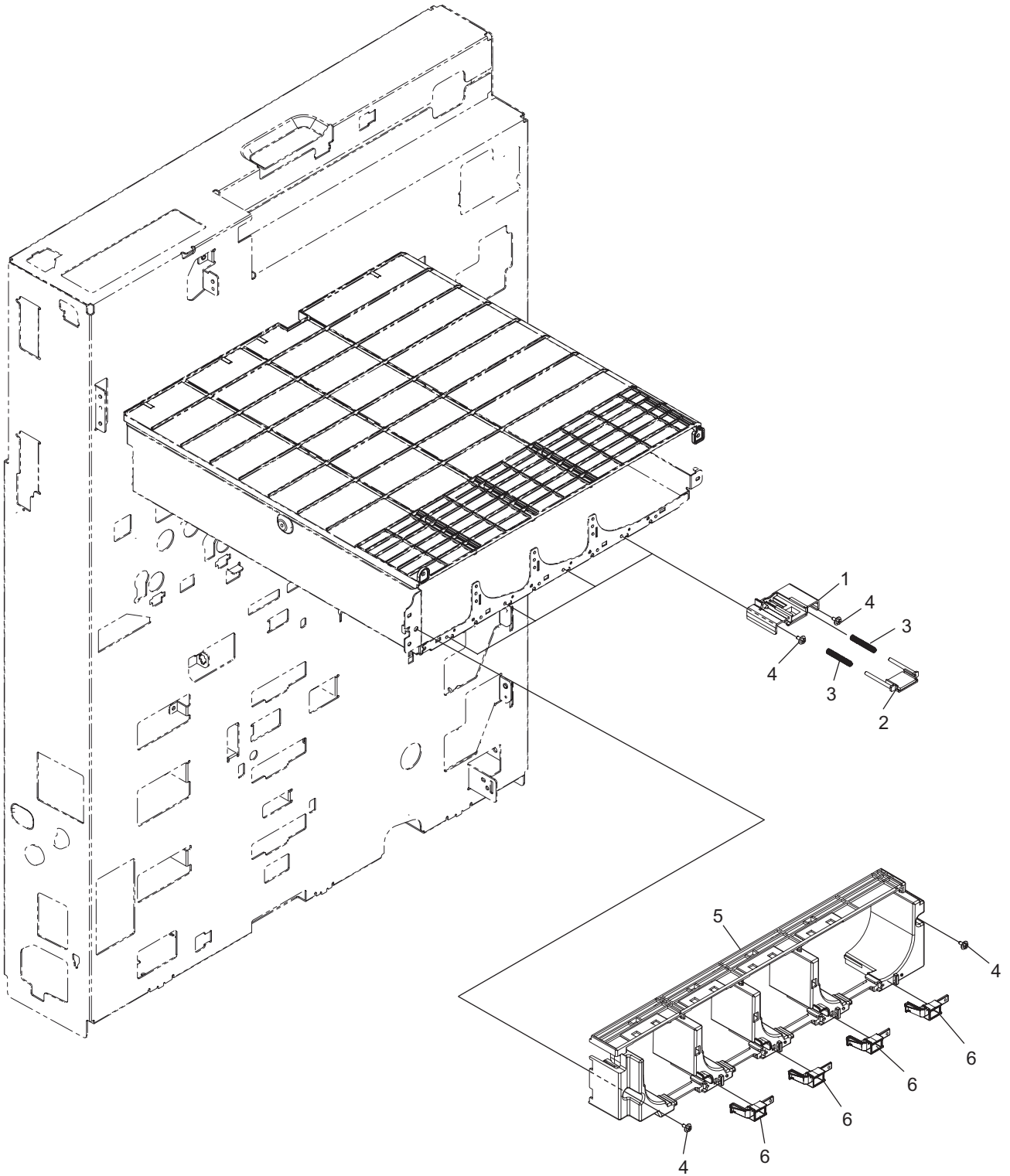
ITEM NO.	PARTS NO.	PARTS NAME	Q'TY / PAGE	Q'TY / PACK	P I R	B S I NO.	T O	T	F R O M	S E R I A L NO.	R E M A R K S	C
1	6LH08200000	SHEET-CRGL-430		21/KP								
2	6LH08238000	BRKT-RAIL-FRT-430		11/P								
3	6LH08201000	SHEET-CRG2-430		21/KP								
4	6LH08227000	SPACER-RAIL-F-430		11/P								
5	X0-02230000	S/FHEXM-M3X6-NI		1910/P								
6	6LH08237000	BRKT-RAIL-RER-430		11/P								
7	6LH08228000	SPACER-RAIL-R-430		11/P								
8	6LH08320000	BUSH-KG-016L-63		15/P								
9	6LH09328000	ASY-SLG-430S		11/SB								
10	6LH08256000	GUIDE-HRNS-430		11/P								
11A	6LH08819000	SNSR-PS-182EL1		31/C							NAD,NAC	
11B	6LH08819000	SNSR-PS-182EL1		41/C							NAD,NAC,MJ D,MJC,ASD, AUD,AUC,AS U NAD,NAC	
13	6LH08226000	BRKT-APS-430		11/P								
14	6LE09478000	SNSR-PS-TY1CH56		11/C								
15	6LH16915000	LENS-UNIT-F430		11/S								
17	6LA39577000	MYLAR-HRNS-INV		61/P								
18	C0-14266000	LG248BL1		11/C								
19	6LA29902000	COVER-SNSR-LIFT		11/P								
21	6LA39660000	S/PAN/SWWP-M3X8-ZC3		410/P								
28	6LE09967000	FAND-6015-39X		11/D								
29	X0-02061000	S/TPS/PAN-3X20-ZU3		210/P								
30	E0-09305000	BU02P-TR-P-H (LF)(SN)		15/P								
32	F0-00120000	ES-0505		15/P								
34	6LH08334000	ASYS-D_H-SCAN-R-430E		11/C							ASD,AUD,AU C	
37	F0-00136000	K-103G		15/P							ASD,AUD,AU C	



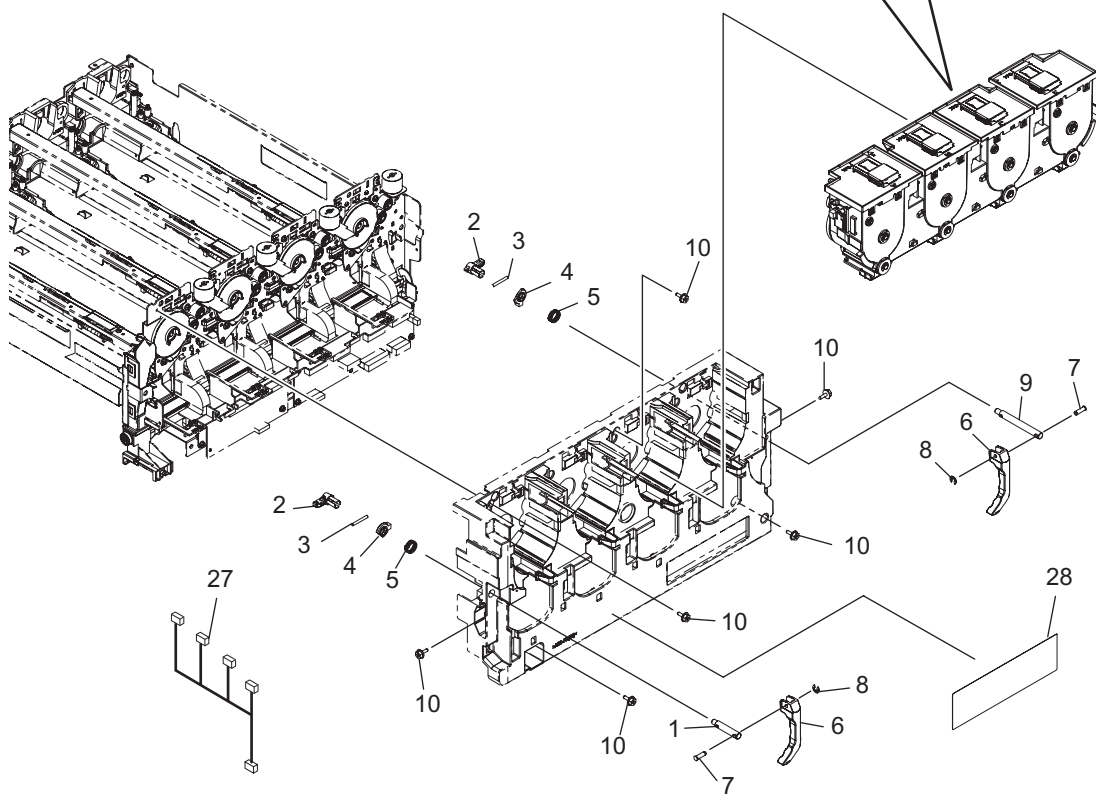
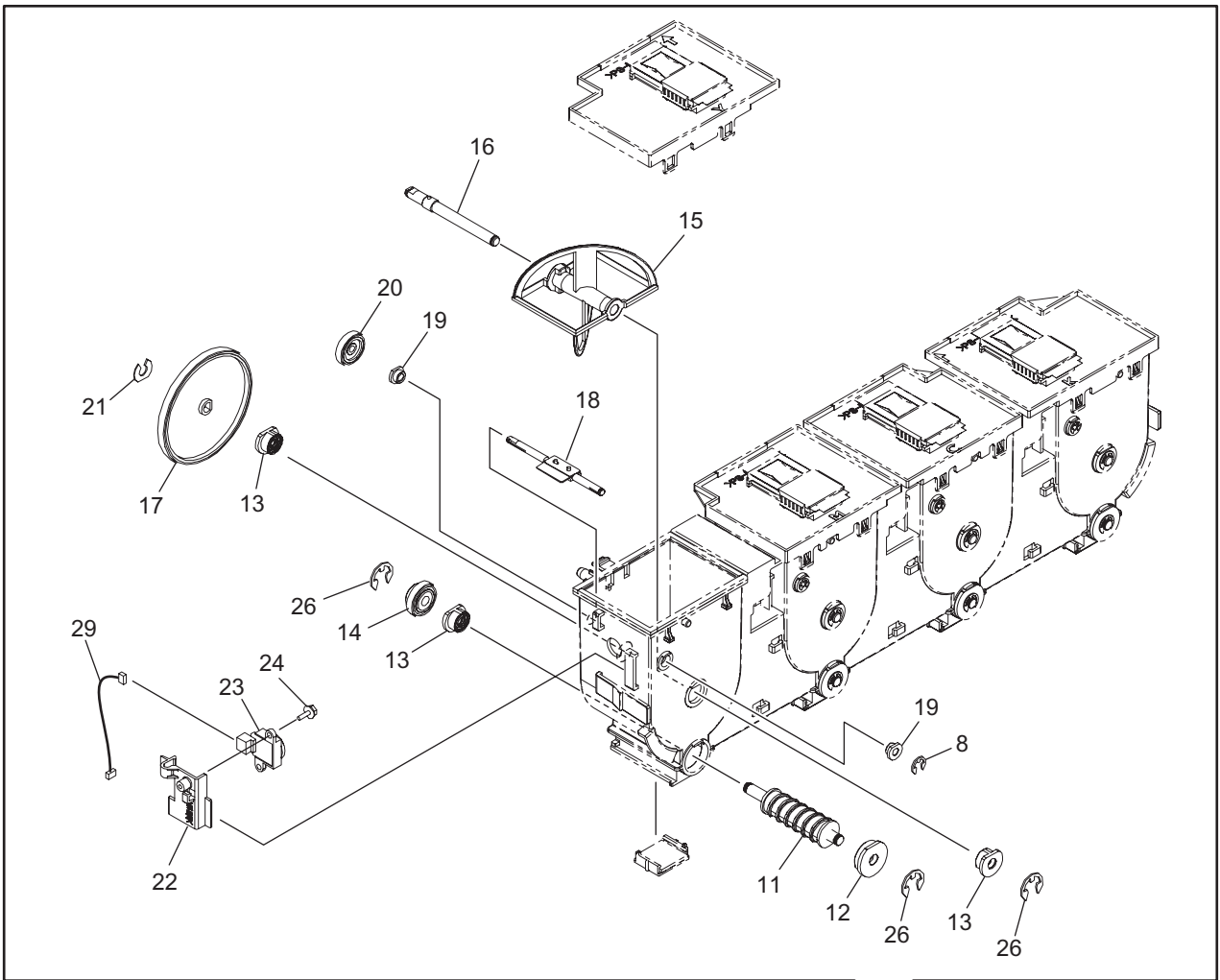
ITEM NO.	PARTS NO.	PARTS NAME	Q'TY / PAGE	Q'TY / PACK	P I R	B S I NO.	T O	T	F R O M	S E R I A L NO.	R E M A R K S	C
1	6LH03962000	CPL-DEV-DRV-F	12	1/P								
2	6LH01730000	ASYS-FRAME-DEV-DRV	1	1/P								
4	6LH03961000	CPL-DEV-DRV-R	12	1/P								
5	6LH01775000	SPG-C-DEV-DRIVE	12	5/P								
7	6LH01761000	GEAR-5H52-8-DEV-IDLE	2	1/P								
8	6LH01754000	GEAR-5H39_5H47-8-DEV	2	1/P								
9	6LH01755000	GEAR-5H45-8-DEV	4	1/P								
10	6LH03959000	GEAR-5H45-8-CUP-DEV	4	1/P								
11	6LH03958000	GEAR-5H54-8-CUP-DEV-A	4	1/P								
12	6LH03960000	GEAR-5H61-8-CUP-DEV	4	1/P								
13	6LH01756000	GEAR-5H57-DEV	4	1/P								
14	6LH01747000	GEAR-5H58-DEV	2	1/P								
15	6LH01757000	GEAR-5H80-8-DEV	2	1/P								
16	6LH01758000	GEAR-5H79-8-DEV	2	1/P								
17	6LH01746000	GEAR-5H47-08-IDLE	4	1/P								
18	6LH01749000	GEAR-5H59-8-DEV-IDLE	4	1/P								
19	6LH01759000	GEAR-5H50_5H61-8-DEV	2	1/P								
20	6LH09057000	MOTRD-KMIX-430	1	1/C								
21	6LH09056000	MOTRD-DEV-430	2	1/C								
22	6LH09392000	MOTRD-CDEV-430	1	1/C								
23	X0-02419000	S/TPS/FHEXM/R-3X6-ZU3	14	10/P								
24	X0-02230000	S/FHEXM-M3X6-NI	13	10/P								
25	X0-00968000	RR/E-7-SS	6	10/P								
26	X0-00966000	RR/E-5-SS	12	10/P								
27	6LH03574000	RRG-4-P	12	1/P								
28	X0-02421000	S/TPS/FHEXM/R-4X8-ZU3	4	10/P								



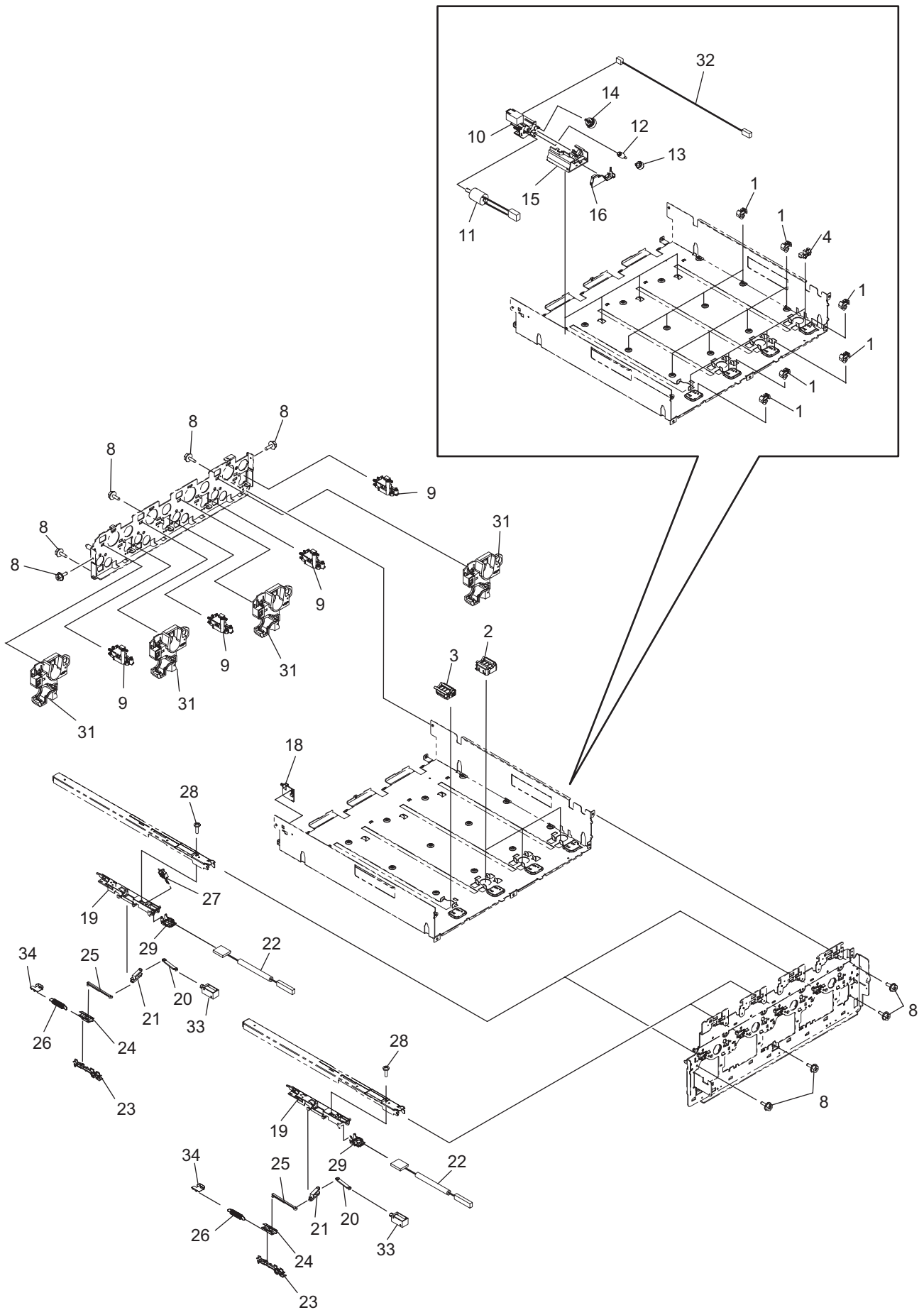
ITEM NO.	PARTS NO.	PARTS NAME	Q'TY / PAGE	Q'TY / PACK	P	I	R	B S I NO.	T O	T	F R O M	S E R I A L N O .	R E M A R K S	C
1	X0-02421000	S/TPS/FHEXM/R-4X8-ZU3	4	10/P										
2	6LH09064000	MOTRS-CDRUM	1	1/C										
3	6LH09065000	MOTRS-KDRUM	1	1/C										



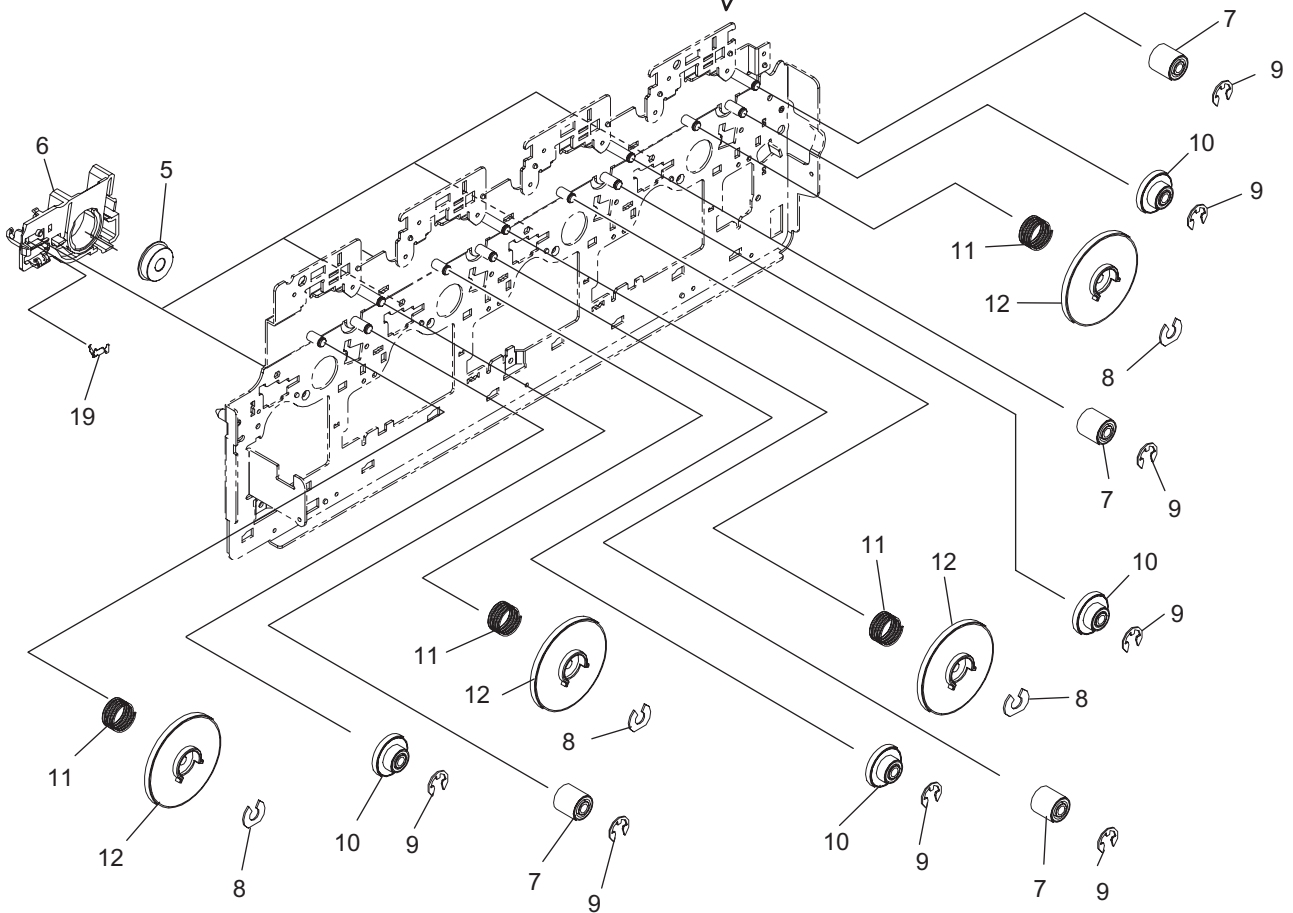
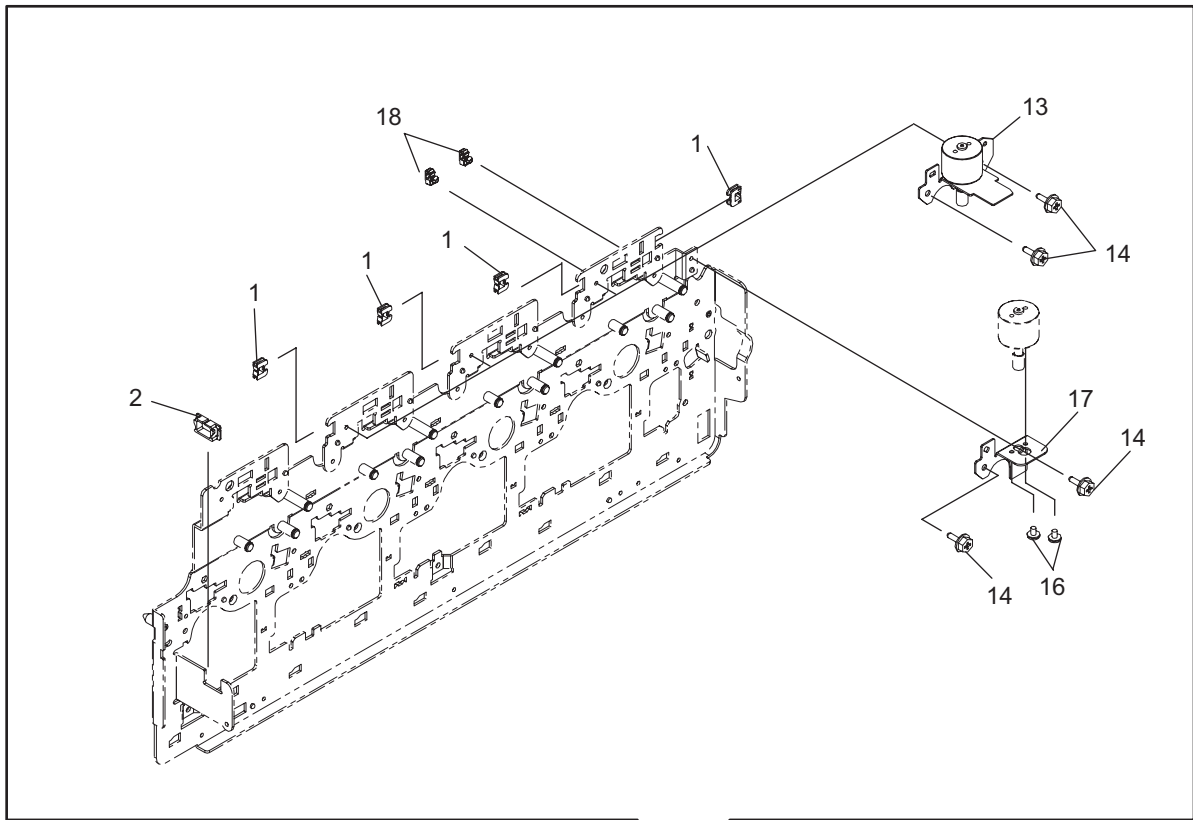
ITEM NO.	PARTS NO.	PARTS NAME	Q'TY / PAGE	Q'TY / PACK	P	I	R	BSI NO.	TO	T	FROM	SERIAL NO.	REMARKS	C
1	6LH03444000	DUCT-TONER		11/P										
2	6LH03512000	ASYS-SHUT-TONER-H		11/D										
3	6LH03519000	SPG-DUCT-TONER-H		21/P										
4	X0-02421000	S/TPS/FHEXM/R-4X8-ZU3		1010/P										
5	6LH03484000	COV-GUIDE-TC-430		11/PP										
6	6LH03455000	HOOK-COV-GUIDE-TC		41/P										



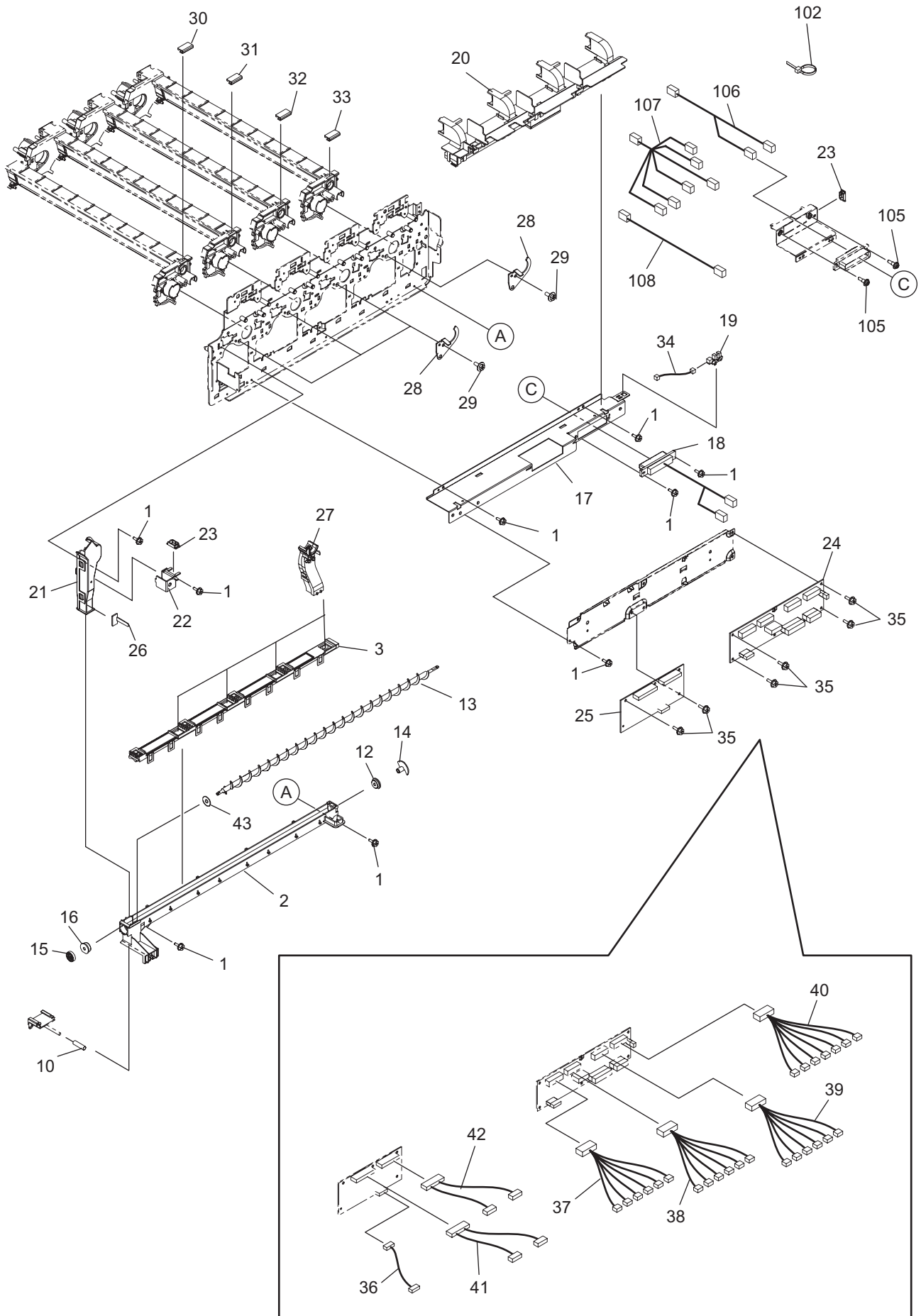
ITEM NO.	PARTS NO.	PARTS NAME	Q'TY / PAGE	Q'TY / PACK	P I R	B S I NO.	T O	T	F R O M	S E R I A L NO.	R E M A R K S	C
1	6LH02827000	SHAFT-LOCK-TRAY-EPU-LFT	1	1/P								
2	6LH02620000	LOCK-TRAY-EPU	2	1/P								
3	X0-02380000	P/PRL/AH7-3X25-SS	2	10/P								
4	6LH02621000	STOP-LOCK-TRAY-EPU	2	1/P								
5	6LH02825000	SPG-LOCK-TRAY-EPU	2	1/P								
6	6LH02838000	LEVER-TRAY-EPU	2	1/P								
7	6LH02839000	SHAFT-LVR-EPU-TRAY	2	1/P								
8	X0-00964000	RR/E-3-SS	3	10/P								
9	6LH02826000	SHAFT-LOCK-TRAY-EPU-RGT	1	1/P								
10	X0-02420000	S/TPS/FHEXM/R-3X8-ZU3	6	10/P								
11	6LH03419000	AUGER-SUB-HOPPER	1	1/P								
12	6LH03450000	ASYS-BUSH-6X18X6F-M	1	1/P								
13	4406527560	K-BUSH-MIXER-R	3	1/P								
14	6LH03411000	GEAR-8S23-6-ONEWAY	1	1/P								
15	6LH03416000	PADDLE-SUB-HOPPER	1	1/D								
16	6LH03525000	ASYS-SHAFT-PADDLE-SH	1	1/P								
17	6LH03454000	GEAR-08S84-6-SUB-H	1	1/P								
18	6LH03524000	ASYS-PDL-SENS-BP	1	1/P								
19	6LA02920000	BUSH-0410-05F-M	2	5/P								
20	6LH03414000	GEAR-8S22-4	1	1/P								
21	6LH03574000	RRG-4-P	1	1/P								
22	6LH02693000	HLDR-SNSR-TONER	1	1/P								
23	C0-10817000	TSP15D10C-01	1	1/C								
24	X0-02247000	S/TPP/FHEXM-3X8-NI	1	10/P								
26	X0-00966000	RR/E-5-SS	3	10/P								
28	6LH14705000	LBL-EPU_TBU-INST	1	1/KP								



ITEM NO.	PARTS NO.	PARTS NAME	Q'TY / PAGE	Q'TY / PACK	P I R	B S I NO.	T O	T	F R O M	S E R I A L NO.	R E M A R K S	C
1	FO-01046000	UAMS-02WL-0	1	25/P								
2	6LH02762000	ASYB-BRKT-FAN-OZN-MCK	1	1/C								
3	6LH02763000	ASYB-BRKT-FAN-OZN-Y	1	1/C								
4	CO-14266000	LG248BL1	4	1/C								
8	XO-02420000	S/TPS/FHEXM/R-3X8-ZU3	9	10/P								
9	6LH02754000	ASYB-TERM-HVT-CH	1	1/D								
10	6LH02622000	BRKT-DRIVE-CLNR-CHGR-2	1	1/D								
11	6LH38646000	ASYS-MOTR-SW-DRIVE-DRUM	1	1/D								
12	6LH02675000	GEAR-IDLER-DRIVE-CLNR-CHG	1	1/P								
13	6LH02837000	GEAR-IDLER-DRIVE-CLNR-C-2	1	1/P								
14	6LH02690000	GEAR-DRIVE-CLNR-CHGR	1	1/P								
15	6LH02685000	DUCT-OZONE-CLNR-CHGR	1	1/P								
16	6LH02684000	COV-DUCT-OZONE-CLNR-CHGR	1	1/P								
18	6LH02835000	ASYB-TERM-HVT-CH-Y	1	1/P								
19	6LH02709000	HLDL-SNSR-V0	2	1/P								
20	6LH02711000	LINK-SOL-SNSR-V0	2	1/P								
21	6LH02712000	LEVER-SHUT-SNSR-V0	2	1/P								
22	6LH09513000	SNSR-V0-PRO-430	2	1/C								
23	6LH02708000	BRKT-SNSR-V0	2	1/P								
24	6LH02710000	SHUT-SNSR-V0	2	1/D								
25	6LH02707000	LINK-SHUT-SNSR-V0	2	1/P								
26	6LH02929000	SPG-E-SHUT-SNSR-V0	2	5/P								
27	6LE29461000	THMS-DRM-380	1	1/C								
28	6LA80090000	S/TPP/BID-3*8-NI	2	5/P								
29	6LH02848000	HLDL-PWA-V0-PRO	2	1/P								
31	6LH02758000	ASYS-GUIDE-CLNR-D-RER	1	1/D								
33	6LA34003000	SOL_IQ	2	1/D								
34	6LH02930000	PLATE-CONDUCT-SNSR-V0	1	1/D								

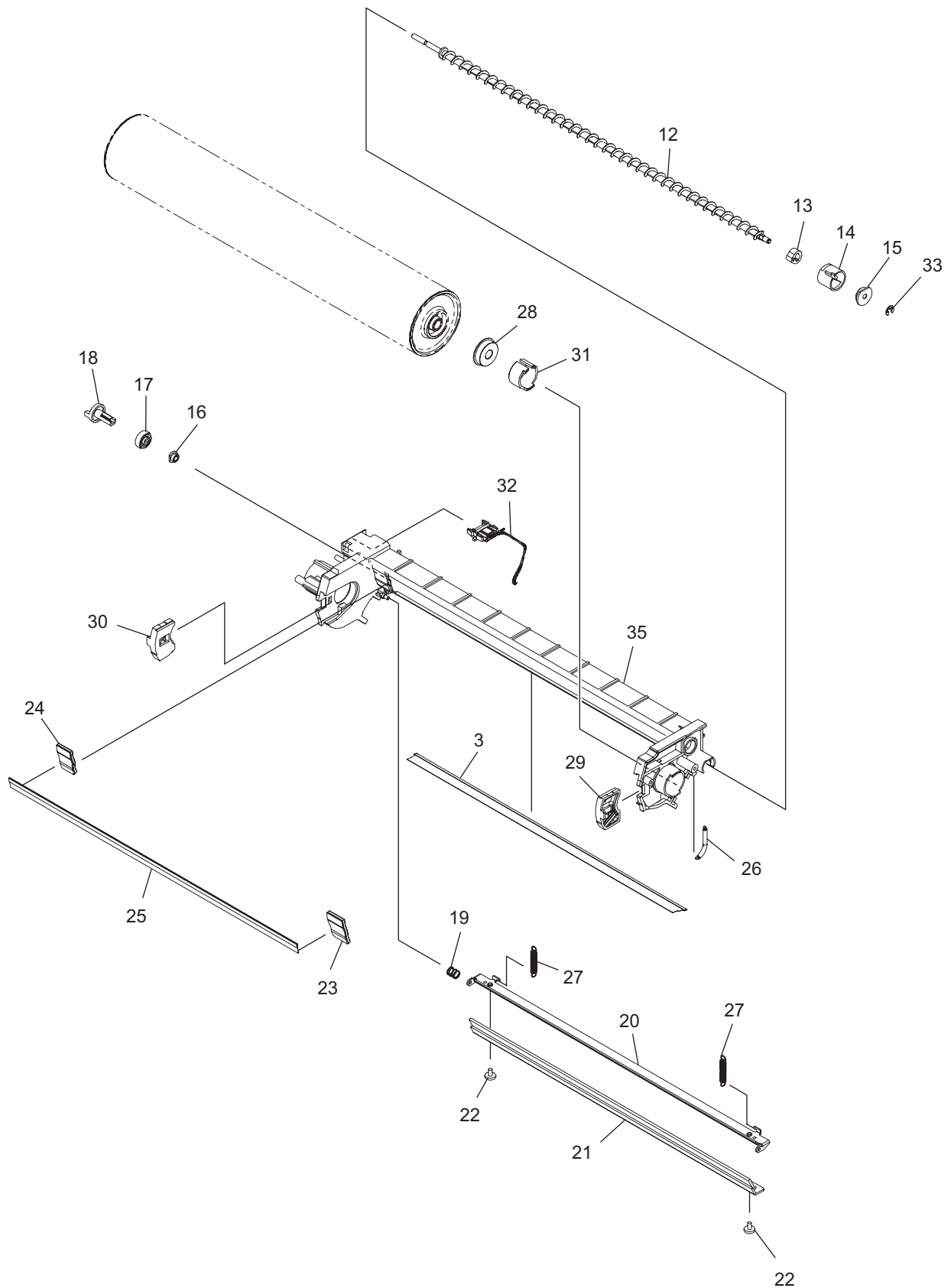


ITEM NO.	PARTS NO.	PARTS NAME	Q'TY / PAGE	Q'TY / PACK	P I R	B S I NO.	T O	T	F R O M	S E R I A L NO.	R E M A R K S	C
1	F0-00120000	ES-0505		45/P								
2	F0-01248000	ESC-0912		110/P								
5	F0-01388000	608ZZNR2KS		41/P								
6	6LH02629000	GUIDE-CLNR-DRUM-FRT		41/P								
7	6LH03601000	GEAR-5S28-6		41/P								
8	6LH03574000	RRG-4-P		11/P								
9	X0-00966000	RR/E-5-SS		810/P								
10	6LH03412000	GEAR-5H52_6S25-6		41/P								
11	6LH03573000	SPG-GEAR-DRV-SB		15/P								
12	6LH03452000	GEAR-06S100-6-SUB-H-D		11/P								
13	6LH03571000	ASYB-MOTOR-SUB-HOPPER-A		31/C								
14	X0-02420000	S/TPS/FHEXM/R-3X8-ZU3		810/P								
16	X0-02557000	S/BID-M2.6X3-NI		210/P								
17	6LH02695000	BRKT-MOTRD-SUB-HOPPER-B		11/P								
18	F0-01462000	LBWS-0206S-V0		21/P								
19	6LH02933000	SPG-F-GND-STAY-V0		41/P								

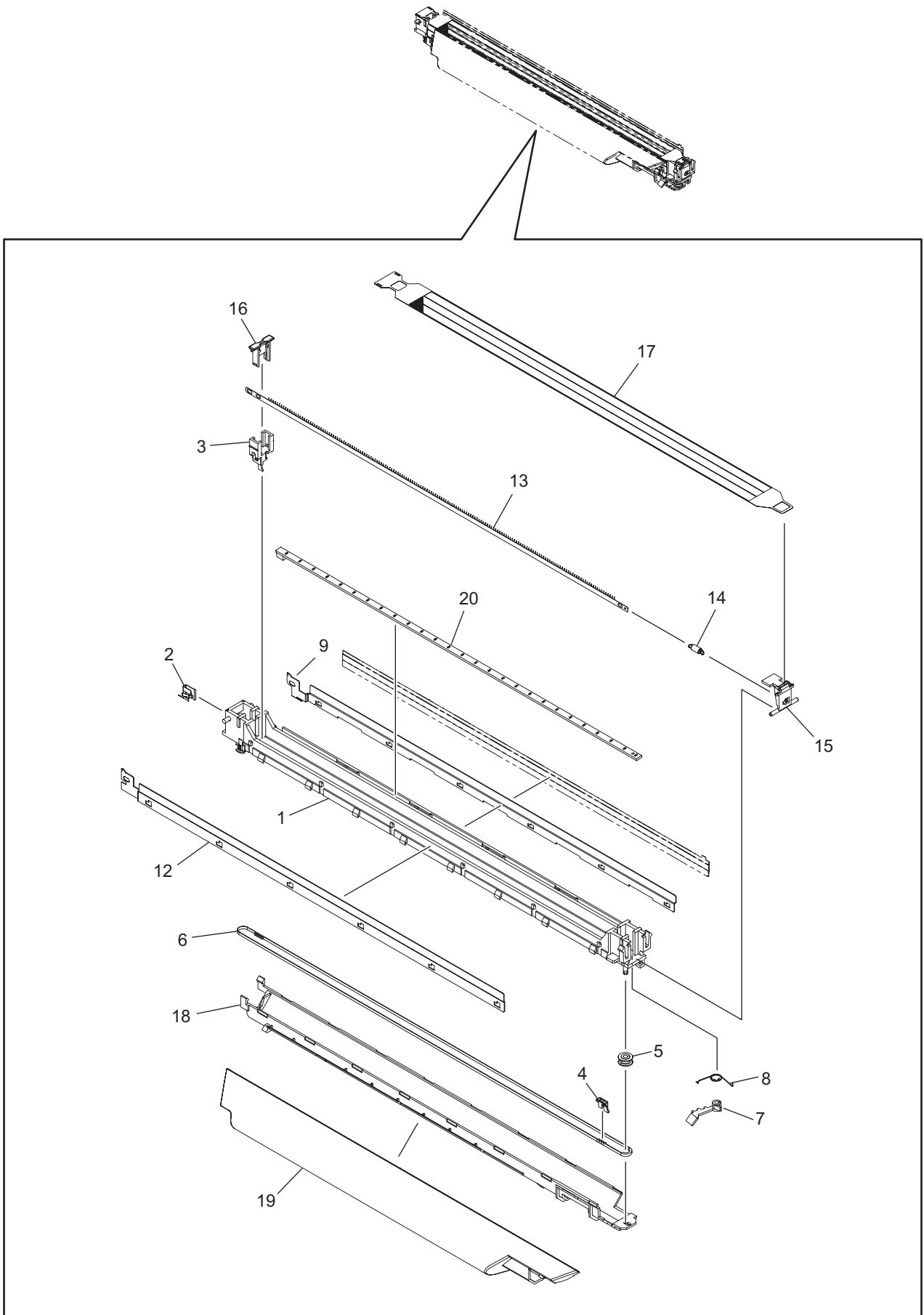


ITEM NO.	PARTS NO.	PARTS NAME	Q'TY / PAGE	Q'TY / PACK	P I R	B S I NO.	T O	T	F R O M	S E R I A L NO.	R E M A R K S	C
1	X0-02420000	S/TPS/FHEXM/R-3X8-ZU3		9/10/P								
2	6LH03460000	CASE-DUCT-WINR-FRT		1/1/KP								
3	6LH03609000	ASYS-DUCT-WINR-FRT		1/1/PP								
10	6LH03559000	SPG-WASTE-SHUT-EPU		1/1/P								
12	6LE42524000	BUSH-4-CLN-TBU-F		1/5/P								
13	6LH03428000	AUGER-WASTE-TNR		1/1/KP								
14	6LH03420000	SHIELD-PLT-WINR-AUG		1/1/P								
15	6LH03431000	GEAR-8S18-6-AUG-FRT		1/1/P								
16	6LH03489000	ASYS-BUSH-4-WINR		1/1/P								
17	6LH02700000	BRKT-CNTR-EPU-TRAY		1/1/P								
19	C0-14266000	LG248BL1		1/1/C								
20	6LH02752000	ASYB-DUCT-DEV-EPU_TRAY		1/1/PP								
21	6LH03970000	ASYB-DUCT-CLN-TBU		1/1/PP								
22	6LH02631000	BRKT-LOCK-TRAY-EPU-LFT		1/1/P								
23	F0-01248000	ESC-0912		2/10/P								
24	6LH09102000	PWA-F-EPU-430		1/1/SB								
25	6LH09512000	SNSR-V0-CNT-430		1/1/C								
26	F0-00136000	K-103G		1/5/P								
27	6LH02750000	ASYB-DUCT-W_TNR-CLNR-DRUM		4/1/D								
28	6LH02668000	RTNR-DEV-FRT		4/1/P								
29	X0-02235000	S/FHEXM-M4X8-NI		4/10/P								
30	6LH02616300	PIECE-COLOR-Y		1/5/P								
31	6LH02616200	PIECE-COLOR-M		1/5/P								
32	6LH02616100	PIECE-COLOR-C		1/5/P								
33	6LH02616000	PIECE-COLOR-K		1/5/P								
35	X0-02231000	S/FHEXM-M3X8-NI		6/10/P								
43	6LH03606000	WASHER-4X12X05-P		1/5/P								
102	F0-01012000	T18R		15/5/P								
105	6LA08938000	SCREW-SOCKET		2/10/P								

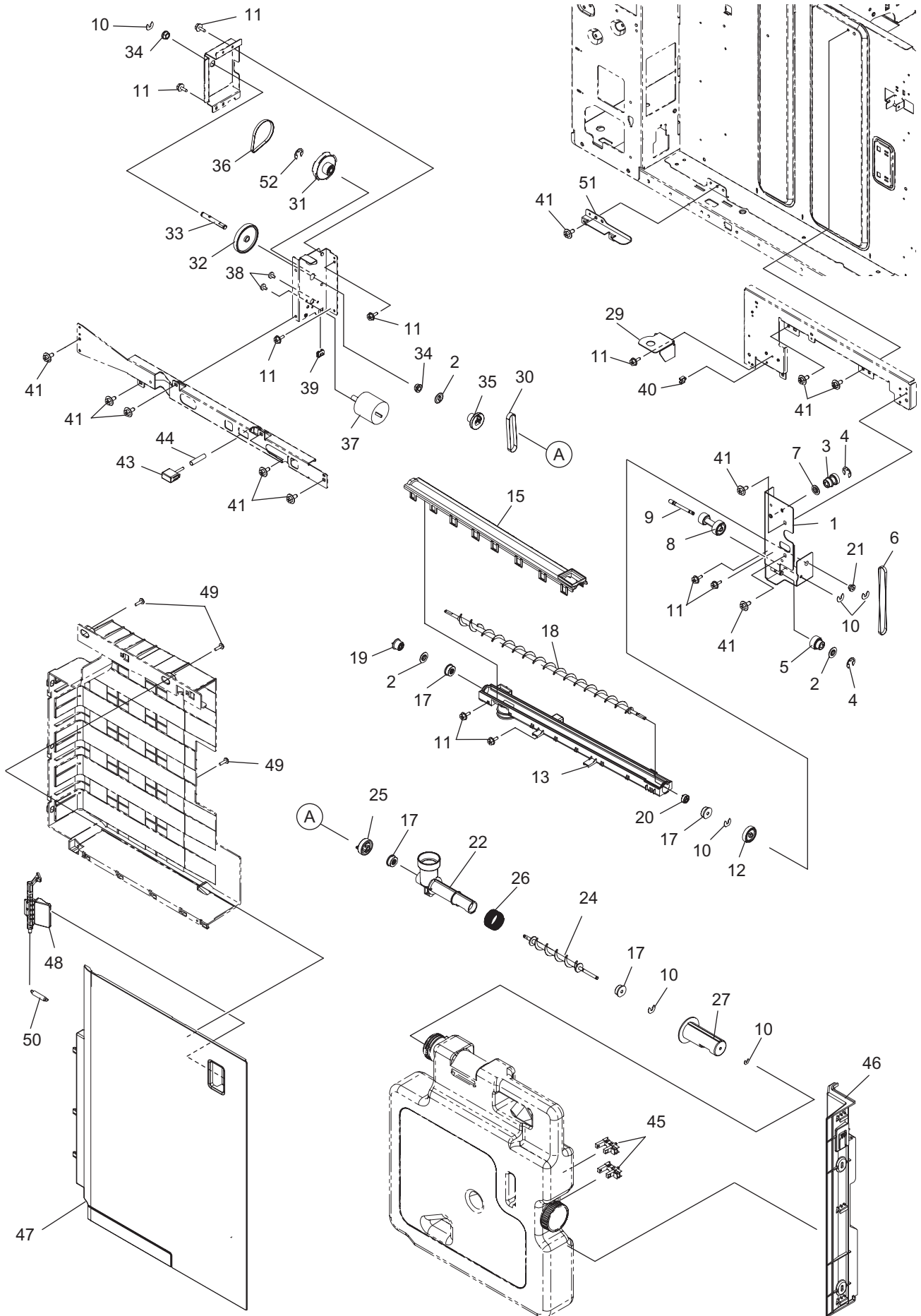
ITEM NO.	PARTS NO.	PARTS NAME	Q'TY / PAGE	Q'TY / PACK	P I R	B S I NO.	T O	T	F R O M	S E R I A L NO.	R E M A R K S	C
2	6LH02910000	MIXER-RGT-430		1/1/P								
3	6LH02655000	BUSH-DEV-FRT-430		2/1/P								
4	4401949290	SEAL-VC6-10-2.5		4/1/P								
5	F0-01867000	L12602RSSH44M		4/1/P								
6	X0-00966000	RR/E-5-SS		2/10/P								
7	6LH02657000	GEAR-04H30-6-MIX		1/1/P								
8	6LH02679000	ASYS-GEAR-MIX-430		1/1/P								
9	6LH02658000	GEAR-04H43-6-MIX		1/1/P								
10	6LA34029000	BUSH-4X7X6F-POM		1/5/P								
11	6LH02767000	SHAFT-IDL-DEV		1/1/P								
12	6LH02660000	GEAR-04H43-6-MG		1/1/P								
13	44201994000	BUSH-6-3.7-GCB		1/5/P								
14	6LH02667000	BRKT-GEAR-DEV		1/1/P								
15	6LA80090000	S/TPP/BID-3*8-NI		2/5/P								
16	6LH02770000	SPG-SHUT-DEV		1/1/P								
17	6LH02666000	SHUT-DEV		1/1/P								
18	6LH03574000	RRG-4-P		3/1/P								
19	6LA29904000	SEAL-ATC-BLK		1/5/P								
20	6LE29460000	SNSR-ATC-380		1/1/C								
21	X0-02113000	S/PAN-M3X4-NI		1/10/P								
22	6LH01767000	COUPL-DRV-DEV		2/1/P								
23	6LH02744000	ASYS-HLDR-MG-SEAL		1/1/C								
24	6LH02716000	RLR-MAGT-430		1/1/KP								
25	F0-01868000	6882RSSH44M		2/1/P								
26	F0-01862000	608ZZM2SH44M		2/1/D								
27	X0-00968000	RR/E-7-SS		2/10/P								
28	6LH02662000	LINK-MG-RE		1/1/P								
29	6LH02656000	GEAR-04H43-8-MG		1/1/P								
30	6LH02651000	ASYS-DOCTR-430		1/1/P								
31	X0-00059000	S/PAN/SWWS-M3X6-NI		3/10/P								
32	6LH02746000	ASYS-SHILD-DOC		1/1/C								
33	6LH02766000	ROLLER-RE-430		1/1/P								
34	6LH02904000	BUSH-RE-FRT		1/5/P								
35	6LA81752000	BUSH-RE-ROL-R		1/1/P								
36	6LH02715000	CLUCH-RE-430		1/1/D								
37	6LH02745000	ASYS-COV-MG		1/1/C								
38	6LH02663000	ADJSTR-MAGT		1/1/P								
39	6LH02680000	ASYS-GEAR-MG-430		1/1/P								
40	6LH02765000	SPG-MG-DRM		2/1/P								
41	6LH02743000	ASYS-COVER-DEV		1/1/D								
42	6LH02670000	DUCT-DOC-FRT		1/1/D								
43	6LH02714000	CNTR-ATC-430		1/1/P								
45	6LE23233000	SEAL-MIXER-380		4/5/P								
48	6LH02905000	SEAL-MG-SIDE-FRT		1/5/P								
49	6LH02940000	SHEET-ADJUST-SR		1/1/KP								
50	6LH02928000	SCRAPR-SR		1/1/C								
51	6LH02768000	BLADE-PADDLE-430		1/1/P								
52	6LH02681000	ASYS-CASE-DEV		1/1/PP								
53	6LH02911000	MIXER-LFT-430		1/1/P								
54	6LH02944000	ASYS-FLANG-SHUT-DEV		1/1/P								



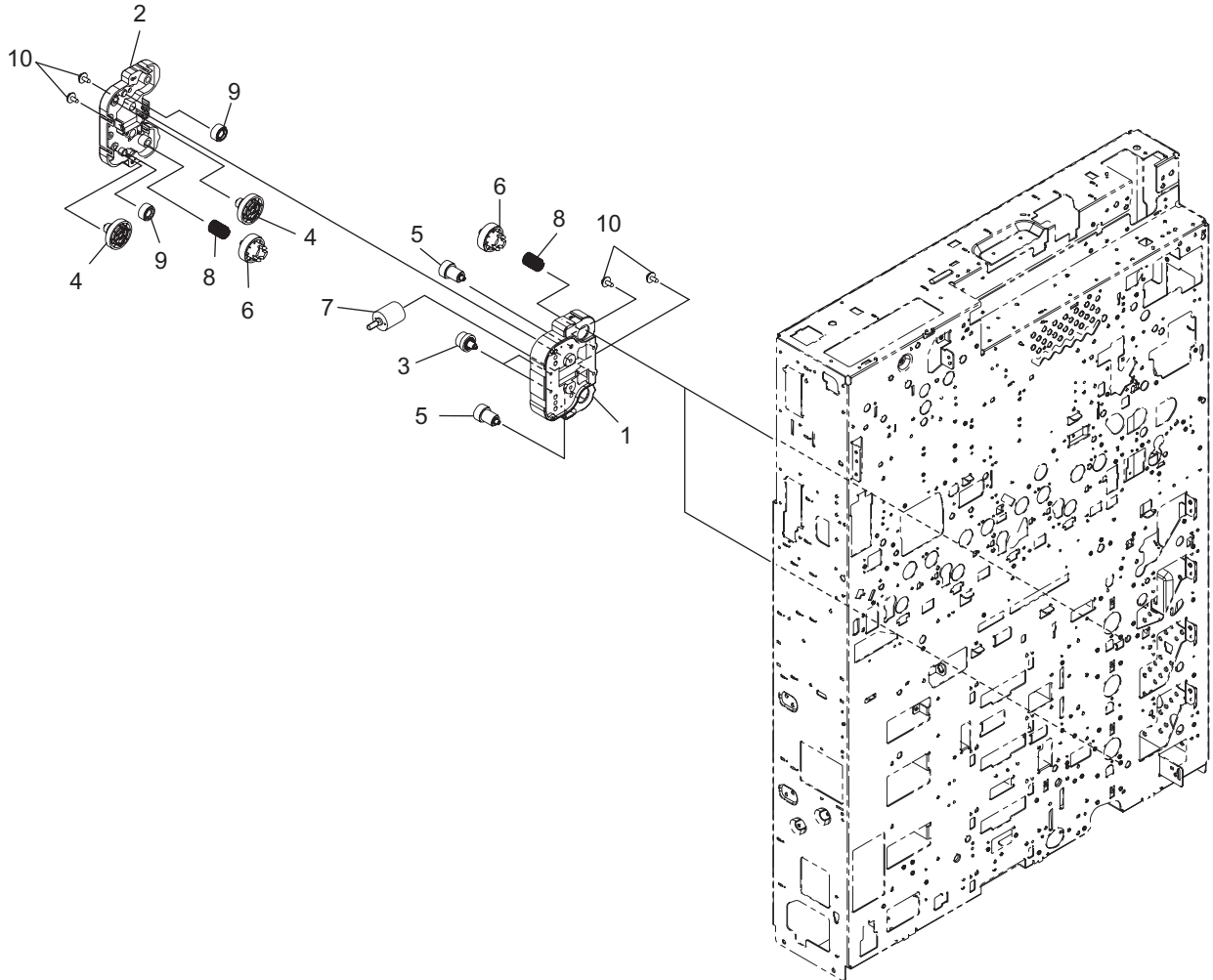
ITEM NO.	PARTS NO.	PARTS NAME	Q'TY / PAGE	Q'TY / PACK	P I R	B S I NO.	T O	T	F R O M	S E R I A L NO.	R E M A R K S	C
3	6LH02924000	SHEET-BLADE-DRUM-BCK		1/1/KP								
12	6LH02611000	AUGER-CLNR-DRUM-430		1/1/KP								
13	6LH02937000	CAM-NOZZLE-CLNR		1/1/P								
14	6LH02673000	SHUT-AUGER-CLNR-DRUM		1/1/P								
15	6LE42524000	BUSH-4-CLN-TBU-F		1/5/P								
16	6LA02920000	BUSH-0410-05F-M		1/5/P								
17	6LH02677000	GEAR-CLNR-DRUM-AUGER		1/1/P								
18	6LH02613000	COUPL-AUGER-CLNR-DRUM		1/1/P								
19	6LH02824000	SPG-C-BIAS-BLADE-DRUM		1/5/P								
20	6LH02615000	HLDR-BLADE-CLNR-DRUM		1/1/P								
21	6LH16938000	BL-FC55D		1/1/S								
22	X0-00426000	S/BID-M3X4-NI		2/10/P								
23	6LH02818000	SEAL-BLADE-SIDE-FRT		1/1/P								
24	6LH02819000	SEAL-BLADE-SIDE-RER		1/1/P								
25	6LH02815000	BLADE-REC-DRUM-430		1/1/KP								
26	6LH02822000	SPG-E-SHUT-NOZZLE		1/1/P								
27	6LH02817000	SPG-E-BLADE-CLNR-DRUM		2/1/P								
28	F0-01388000	608ZZNR2KS		1/1/P								
29	6LH02955000	RTNR-DR-SL-FRT		1/1/P								
30	6LH02950000	RTNR-DR-SL-RER		1/1/P								
31	6LH02854000	COLAR-CLNR-DRUM-FRT		1/1/P								
33	X0-00964000	RR/E-3-SS		1/10/P								
35	6LH02600000	CASE-CLNR-DRUM-430		1/1/PP								



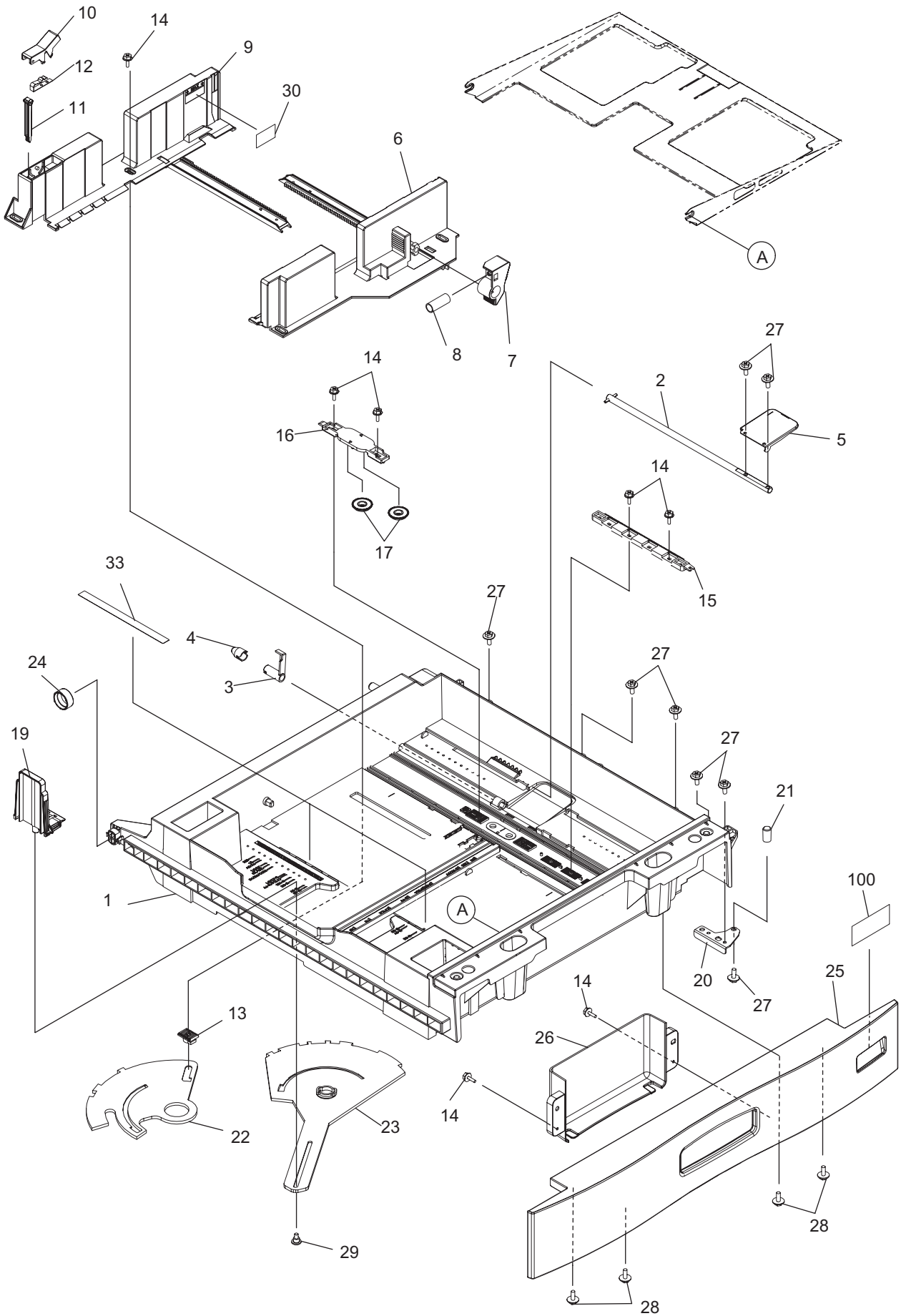
ITEM NO.	PARTS NO.	PARTS NAME	Q'TY / PAGE	Q'TY / PACK	P	I	R	BSI NO.	TO	T	FROM	SERIAL NO.	REMARKS	C
1	6LH02844000	ASYS-CASE-CHARGR-MAIN-430	1/1	D										
2	6LH02619000	SPG-F-BIAS-MAIN-CHGR	1/1	P										
3	6LH02606000	BRKT-HLDR-CLNR-CH	1/1	P										
4	6LH02676000	SLIDE-PSN-CLNR-CHGR	1/5	P										
6	6LH02828000	BLT_SY-2GT-760-2	1/1	P										
7	6LH02607000	LEVER-PSN-CLNR-CHGR	1/1	P										
8	6LH02923000	SPG-T-ACTR-CHARGR-430	1/1	P										
9	6LH02609000	PLATE-CHARGR-MAIN-RGT	1/1	KP										
12	6LH02610000	PLATE-CHARGR-MAIN-LFT	1/1	KP										
13	6LH02871000	PIN_ARRAY-CHARGR-MAIN-430	1/1	KP										
14	6LH02811000	SPG-E-GRID	1/1	P										
15	6LH02608000	LEVER-CHARGR-MAIN	1/1	P										
16	6LH02739000	ASYS-HLDR-CLNR-CH	1/1	P										
17	6LH02725000	GRID-CHARGR-MAIN-430	1/1	KP										
18	6LH02683000	DUCT-CHARGR-MAIN	1/1	PP										
19	6LH02724000	DUCT-CHARGR-OZN-RER	1/1	P										
20	6LH09330000	LAMP-ERASE-430	1/1	C										



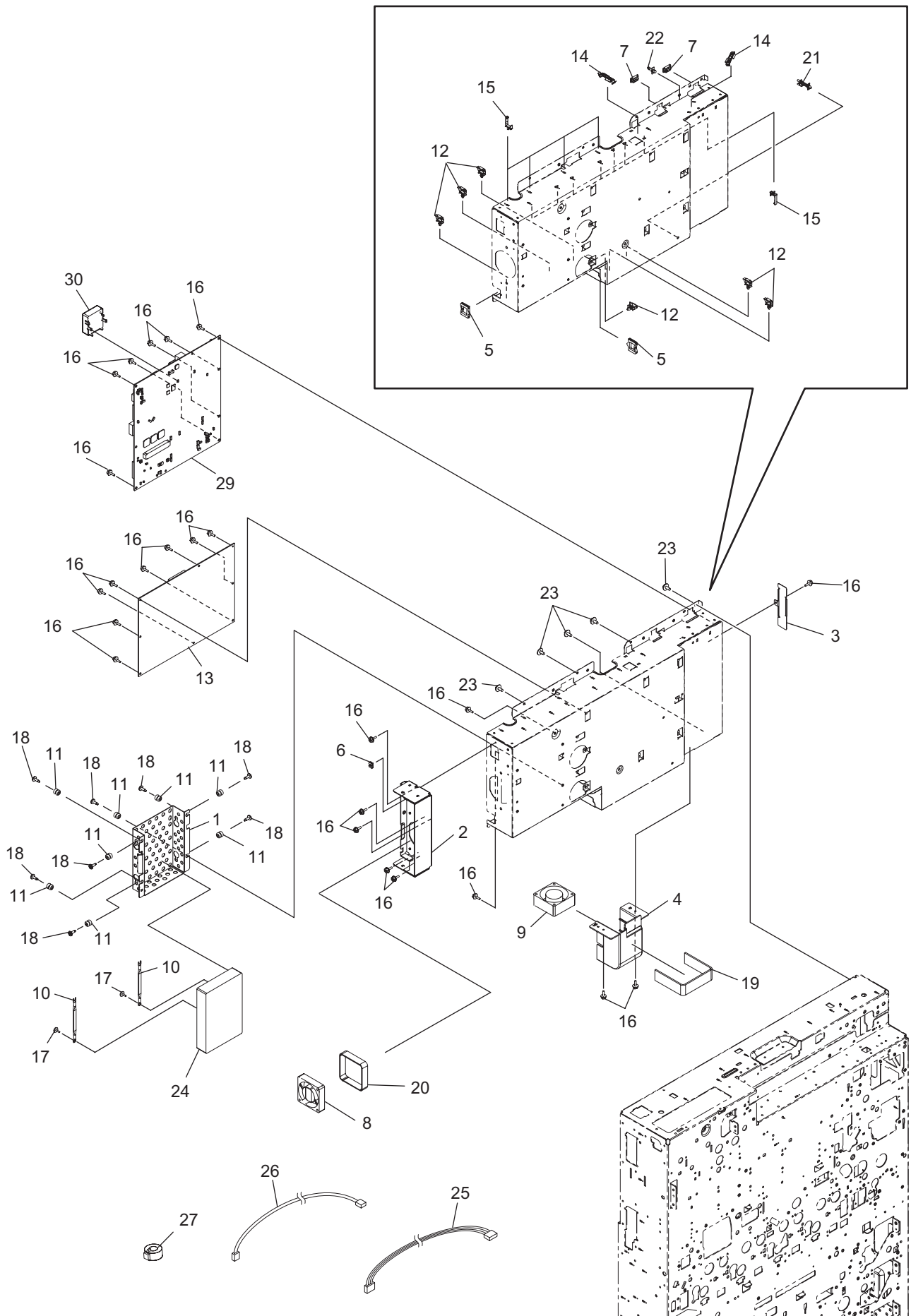
ITEM NO.	PARTS NO.	PARTS NAME	Q'TY / PAGE	Q'TY / PACK	P I R	B S I NO.	T O	T	F R O M	S E R I A L NO.	R E M A R K S	C
1	6LH03488000	ASYS-BRKT-DRV-WINR-F		1/1/P								
2	6LH03437000	FLANG-DRV-WINR		3/1/P								
3	6LH03432000	GEAR-8S18_S2M20-6-DRV-FRT		1/1/P								
4	X0-00966000	RR/E-5-SS		2/10/P								
5	6LH03461000	GEAR-8S21-PSM20-6		1/1/P								
6	6LH03541000	BLT-SY-S2M-250-4		1/1/P								
7	6LH03473000	FLNG-FRT-DRV		1/1/P								
8	6LH03435000	GEAR-8S24_8S18-5		1/1/P								
9	6LH03542000	SHAFT-DRV-WINR-F-GEAR		1/1/P								
10	6LH02816000	RRG-3-P		6/1/P								
11	X0-02420000	S/TPS/FHEXM/R-3X8-ZU3		9/10/P								
12	6LH03436000	GEAR-8S28-4-AUGER		1/1/P								
13	6LH03458000	CASE-DUCT-WINR-DPTH		1/1/PP								
15	6LH03457000	COV-DUCT-WINR-DPTH		1/1/D								
17	6LH03489000	ASYS-BUSH-4-WINR		4/1/P								
18	6LH03477000	AUGER-WINR-UPR		1/1/KP								
19	6LH03424000	PULLY-S2M20-4-U		1/1/P								
20	6LH03425000	COLAR-AUG-WINR-SIDE		1/1/P								
21	6LA34029000	BUSH-4X7X6F-POM		1/5/P								
22	6LH03421000	DUCT-WINR-TURN		1/1/P								
24	6LH03430000	AUGER-DUCT-TURN		1/1/KP								
25	6LH03426000	COUPL-DRV-WINR-1		1/1/P								
26	6LH03546000	SPG-C-DUCT-FINAL		1/1/P								
27	6LH03422000	SHUT-DUCT-TURN		1/1/P								
29	6LH03427000	STAY-HINGE-WINR-TOP		1/1/P								
30	6LH03530000	BLT_SY-S2M-148-6		1/1/P								
31	6LH03602000	GEAR-5S25-P2GT60-6-IDLE		1/1/P								
32	6LH03503000	GEAR-5S86-6-WINR-DRV		1/1/P								
33	6LH03580000	ASYS-SHAFT-WINR-DRV		1/1/P								
34	6LH03605000	BUSH-6-POM-B		2/1/P								
35	6LH03439000	PULLY-S2M20-6_CPL-WINR2		1/1/P								
36	6LH03603000	BLT-SY-138-2GT-4		1/1/P								
37	6LH09431000	MOTRD-UTNR-430		1/1/C								
38	X0-00426000	S/BID-M3X4-NI		2/10/P								
39	F0-00120000	ES-0505		1/5/P								
40	F0-01250000	MSB-1207		1/5/P								
41	X0-02421000	S/TPS/FHEXM/R-4X8-ZU3		10/10/P								
43	6LH03474000	OPENR-COV-WINR		1/1/P								
44	6LH03552000	SPG-C-OPENR-WINR		1/1/P								
45	C0-13512000	LG285L2-R		2/1/C								
46	6LH03482000	GUIDE-BOX-WINR		1/1/D								
47	6LH03483000	COVER-BOX-WINR-430T		1/1/PP								
48	6LH03467000	HOOK-COV-WINR		1/1/D								
49	6LA80090000	S/TPP/BID-3*8-NI		3/5/P								
50	6LH03610000	SPG-HOOK-COV-WINR		1/1/P								
51	6LH03429000	PLATE-HINGE-WINR-BTM		1/1/P								
52	X0-00968000	RR/E-7-SS		1/10/P								



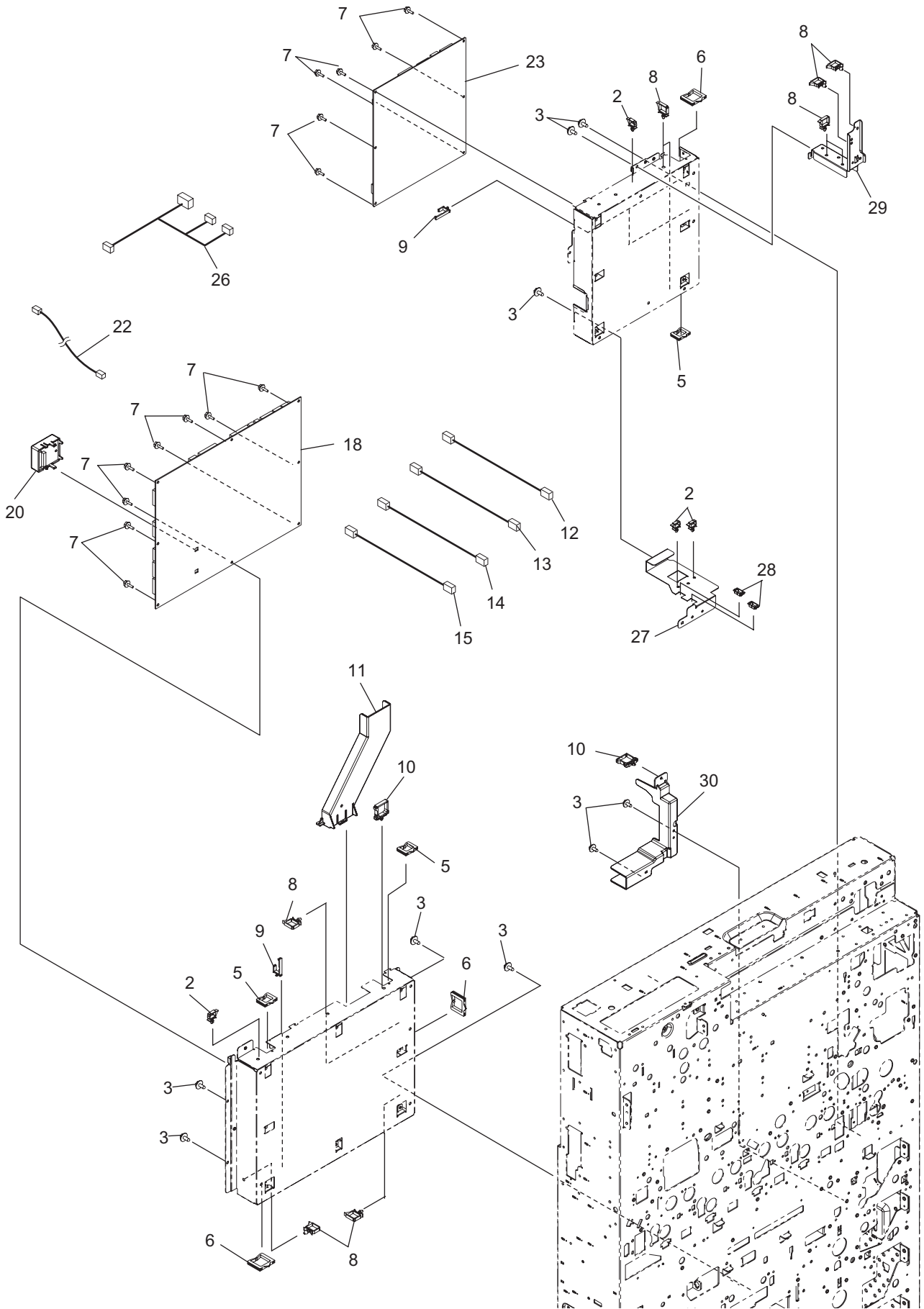
ITEM NO.	PARTS NO.	PARTS NAME	Q'TY / PAGE	Q'TY / PACK	P I R	B S I NO.	T O	T	F R O M	S E R I A L NO.	R E M A R K S	C
1	6LH05729000	CASE-DRV-TRY-LOW-430		1/1/P								
2	6LH05730000	CASE-DRV-TRY-UP-430		1/1/PP								
3	6LA04324000	G05H-45/G05S-15		2/1/P								
4	6LA04323000	G06S-13/G05S-80		2/1/P								
5	6LH05706000	GEAR-8S26_8S18-6		2/1/P								
6	6LH05715000	GEAR-8S45-8_CPG		2/1/P								
7	6LA56976000	MOTR.D-TRAY-CST		1/1/D								
8	4401966050	SPC172-100-3400		2/1/P								
9	6LH05707000	GEAR-8S25-10		2/1/P								
10	X0-02421000	S/TPS/FHEXM/R-4X8-ZU3		10/10/P								



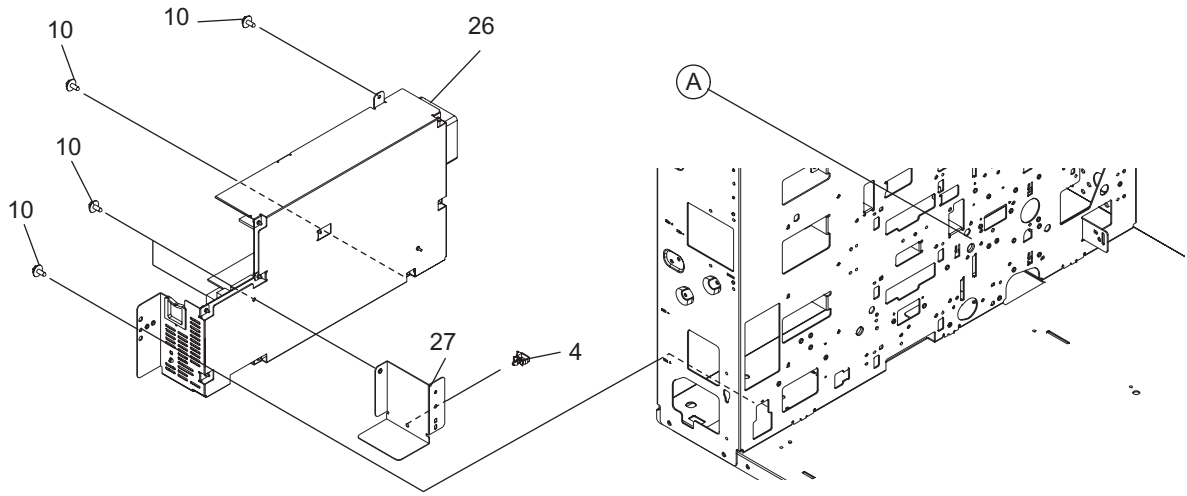
ITEM NO.	PARTS NO.	PARTS NAME	Q'TY / PAGE	Q'TY / PACK	PIR	BSI NO.	TO	T	FROM	SERIAL NO.	REMARKS	C
1	6LH04500000	CASSETTE-F43X		1/1/PP								
2	6LH05735000	ASYS-SFT-ELV-CST-F43X		1/1/P								
3	6LH05745000	LEVER-SENSOR-F43X		1/1/P								
4	6LA14466000	CAP-LEVER-SENS		1/1/P								
5	6LH05746000	ASYS-LEVER-ELV-CST-F43X		1/1/P								
6	6LH05719000	ASYS-WALL-SIDE-F-CST-F43X		1/1/KP								
7	6LH05704000	LVR-ADJUST-WALL		1/1/P								
8	6LA56695000	SPC-LVR-WALL-F		1/1/P								
9	6LH05725000	ASYS-WALL-SIDE-R-CST-F43X		1/1/KP								
10	6LA29058000	LEVER-LOCK-WALL-RER		1/1/P								
11	6LH05748000	LOCK-WALL-R		1/1/P								
12	41305546000	SPL-LOCK-WALL-R		1/1/P								
13	6LH05752000	GUIDE-FOOT		1/1/P								
14	X0-02247000	S/TPP/FHEXM-3X8-NI		7/10/P								
15	6LH05703000	WALL-STOP		1/1/KP								
16	6LH05702000	HOLD-CASSET-PINION		1/1/P								
17	6LE53717000	GEAR-10S18-8-TRAY		2/1/P								
19	6LH05700000	WALL-END-CST-F43X		1/1/D								
20	6LH05718000	PLATE-LATCH		1/1/P								
21	6LA04487000	STUD-CST-POS		1/5/P								
22	6LH05721000	PUSHER-SIDE-CST-F43X		1/1/P								
23	6LH05722000	PUSHER-END-CST-F43X		1/1/P								
24	6LH05717000	ROLLER-LEFT-R-BP		1/1/P								
25	6LH02300000	COVER-CST-430T		1/1/PP								
26	6LH02302000	COVER-HNDL-CST-430T		1/1/P								
27	X0-02235000	S/FHEXM-M4X8-NI		8/10/P								
28	X0-02251000	S/TPP/FHEXM-4X8-NI		4/10/P								
29	6LH05511000	SCREW-M3X8-3.2-P		1/5/P								
30	6LH05749000	LBL-MAX-CST-F43X		1/5/P								
33	6LH05740000	MYLAR-CST-SIDE-WALL		2/1/KP								
100A	6LH31900000	SIZE-CST-450-A4		4/1/KP							MJD, MJC, ASD, AUD, AUC, ASU	
100B	6LH31900100	SIZE-CST-450-LT		4/1/KP							NAD, NAC	



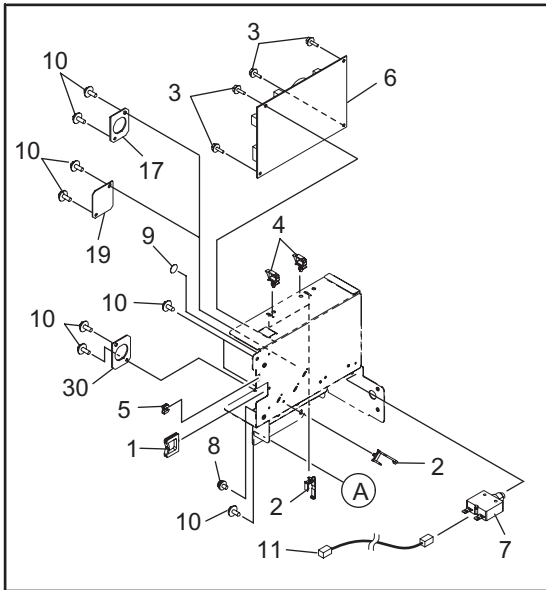
ITEM NO.	PARTS NO.	PARTS NAME	Q'TY / PAGE	Q'TY / PACK	P I R	B S I NO.	T O	T	F R O M	S E R I A L NO.	R E M A R K S	C
1	6LH01118000	BRKT-HDD-430		1/1/P								
2	6LH01101000	BRKT-HINGE-CASE		1/1/P								
3	6LH01122000	COVER-SYS-DWN		1/1/P								
4	6LH01119000	DUCT-SYS-430		1/1/P								
5	F0-00047000	EDS-1717U		2/10/P								
6	F0-00120000	ES-0505		1/5/P								
7	F0-01248000	ESC-0912		2/10/P								
8	6LH09430000	FAN_D-HDD-6015-430		1/1/D								
9	6LH08778000	FAN_D-SYS-6025-430		1/1/D								
10	E0-05933000	GST-100-RFM4		2/1/P								
11	F0-01327000	HED-1111-ALS20ABK		8/1/P								
12	F0-00736000	LWS-0711Z		6/5/P								
13	6LH09025000	PWA-F-IMG-430		1/1/SB								
14	F0-01418000	RFC-33V0		2/1/P								
15	F0-00367000	RLWS-1TV0		11/10/P								
16	X0-02231000	S/FHEXM-M3X8-NI		24/10/P								
17	6LE82485000	SCREW-#6-32X1/4		2/10/P								
18	6LA56769000	SCREW-HDD-CASE		8/1/P								
19	6LE57843000	SEAL-FAN-280		1/1/KP								
20	6LA29616000	SEAL-FAN-T2		1/1/KP								
21	F0-01756000	SHCBS-14		1/1/P								
22	F0-00340000	SPLSN-4U		1/5/P								
23	X0-02421000	S/TPS/FHEXM/R-4X8-ZU3		5/10/P								
24	G0-00496000	WD800JD-22LSA1		1/1/S								
27	D0-18749000	TFC-25-15-12A		1/1/C								
29	6LH09474000	ASYB-PWA-SYS-430S		1/1/SB								



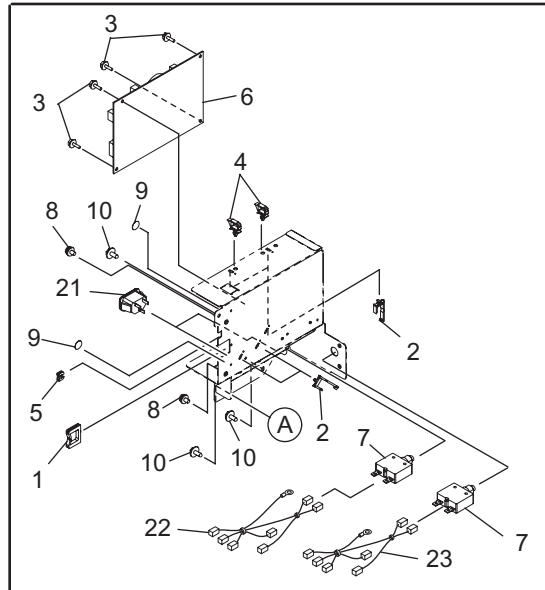
ITEM NO.	PARTS NO.	PARTS NAME	Q'TY / PAGE	Q'TY / PACK	P I R	B S I NO.	T O	T	F R O M	S E R I A L NO.	R E M A R K S	C
2	F0-00736000	LWS-0711Z		25/P								
3	X0-02421000	S/TPS/FHEXM/R-4X8-ZU3		810/P								
5	F0-00047000	EDS-1717U		310/P								
6	F0-00034000	EDS-2323U		35/P								
7	X0-02231000	S/FHEXM-M3X8-NI		1410/P								
8	F0-01245000	LWS-1316Z		55/P								
9	F0-00036000	RLWS3TV0		35/P								
10	F0-01629000	RLWC-6SV0		15/P								
11	6LH01114000	GUIDE-HRNS-LGC		11/D								
12	6LH08880000	HRNS-LGC-POL-430		11/P								
13	6LH08877000	HRNS-LGC-SHT-430		11/P								
15	6LH08892000	HRNS-LGC-SNS-430		11/P								
18A	6LH09555000	ASYB-LGC-430S		11/SB							e-STUDIO55 20C	
18B	6LH09555100	ASYB-LGC-431S		11/SB							e-STUDIO65 20C	
18C	6LH09555200	ASYB-LGC-432S		11/SB							e-STUDIO65 30C	
23	6LH09557000	ASYB-PFC-430S		11/SB								
27	6LH01155000	BRKT-HOLD-PFC		11/P								
28	F0-01248000	ESC-0912		210/P								
29	6LH01137000	BRKT-HRNS-TRU		11/P								
30	6LH01104000	GUIDE-HRNS-REAR		11/P								



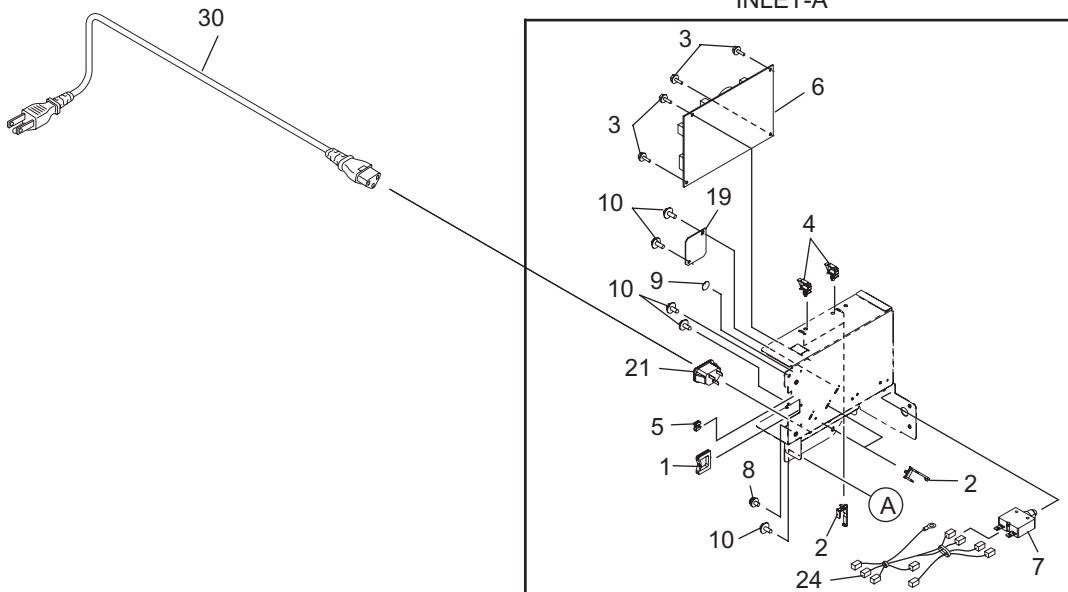
INLET-U



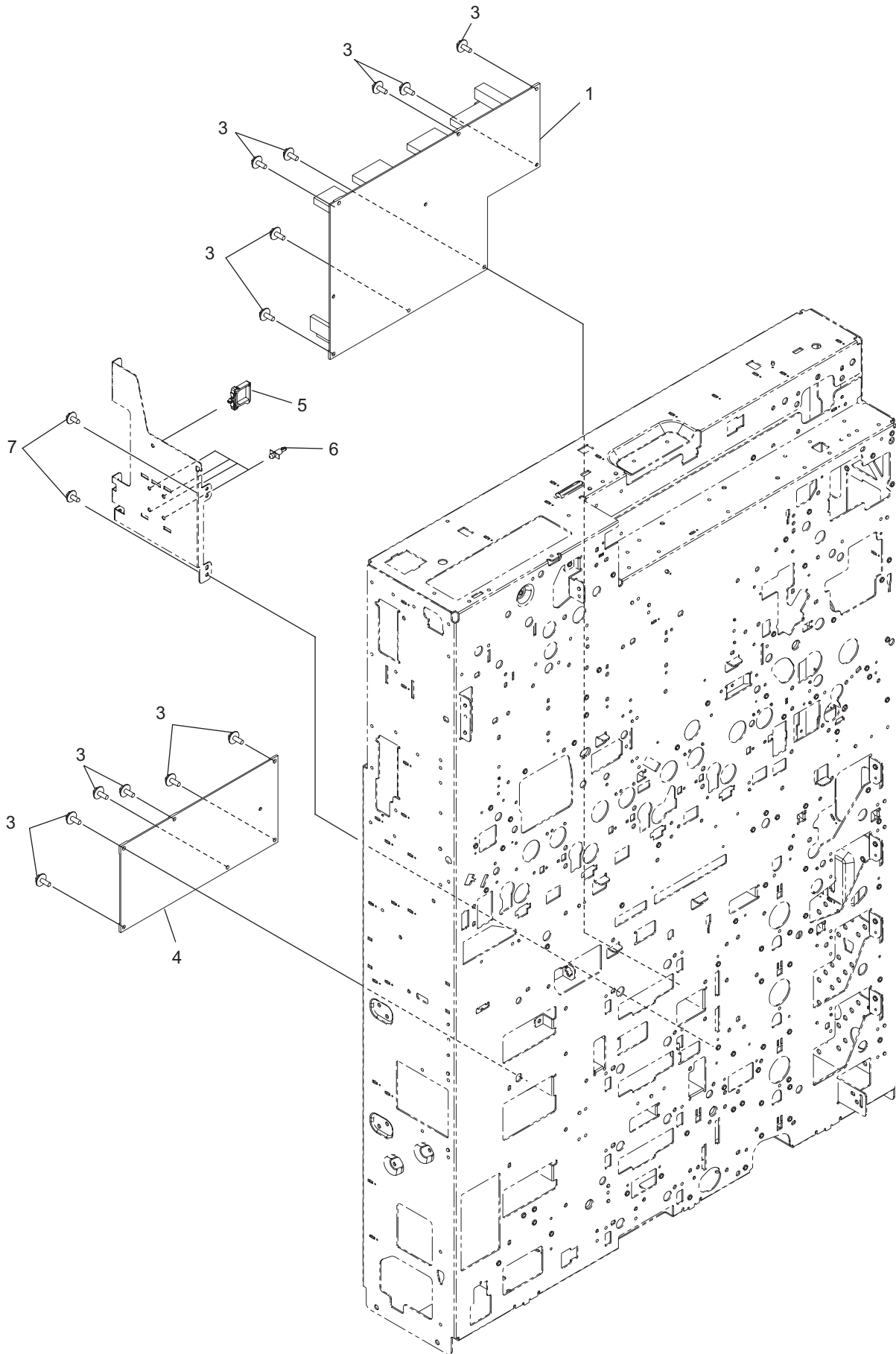
INLET-E



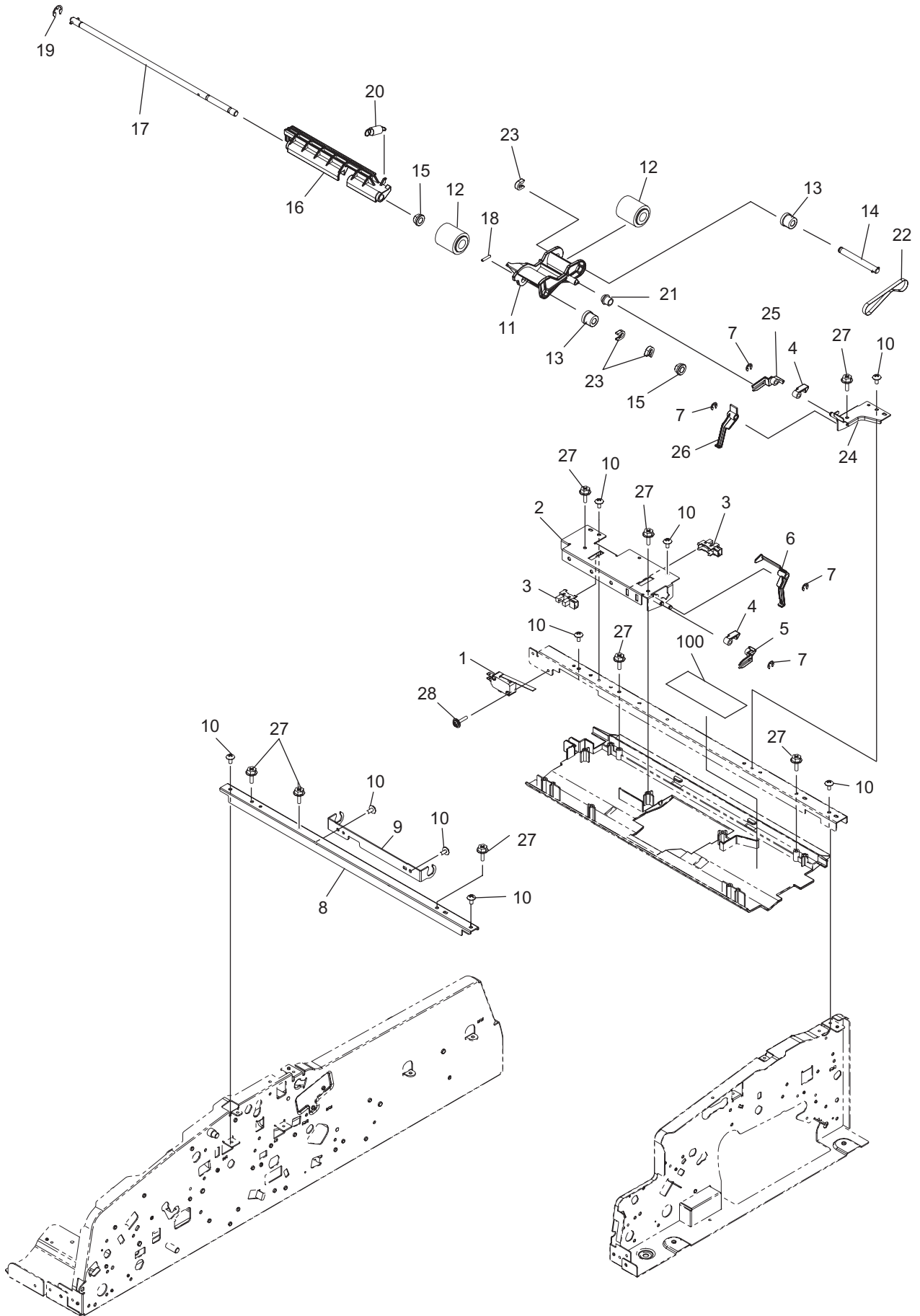
INLET-A



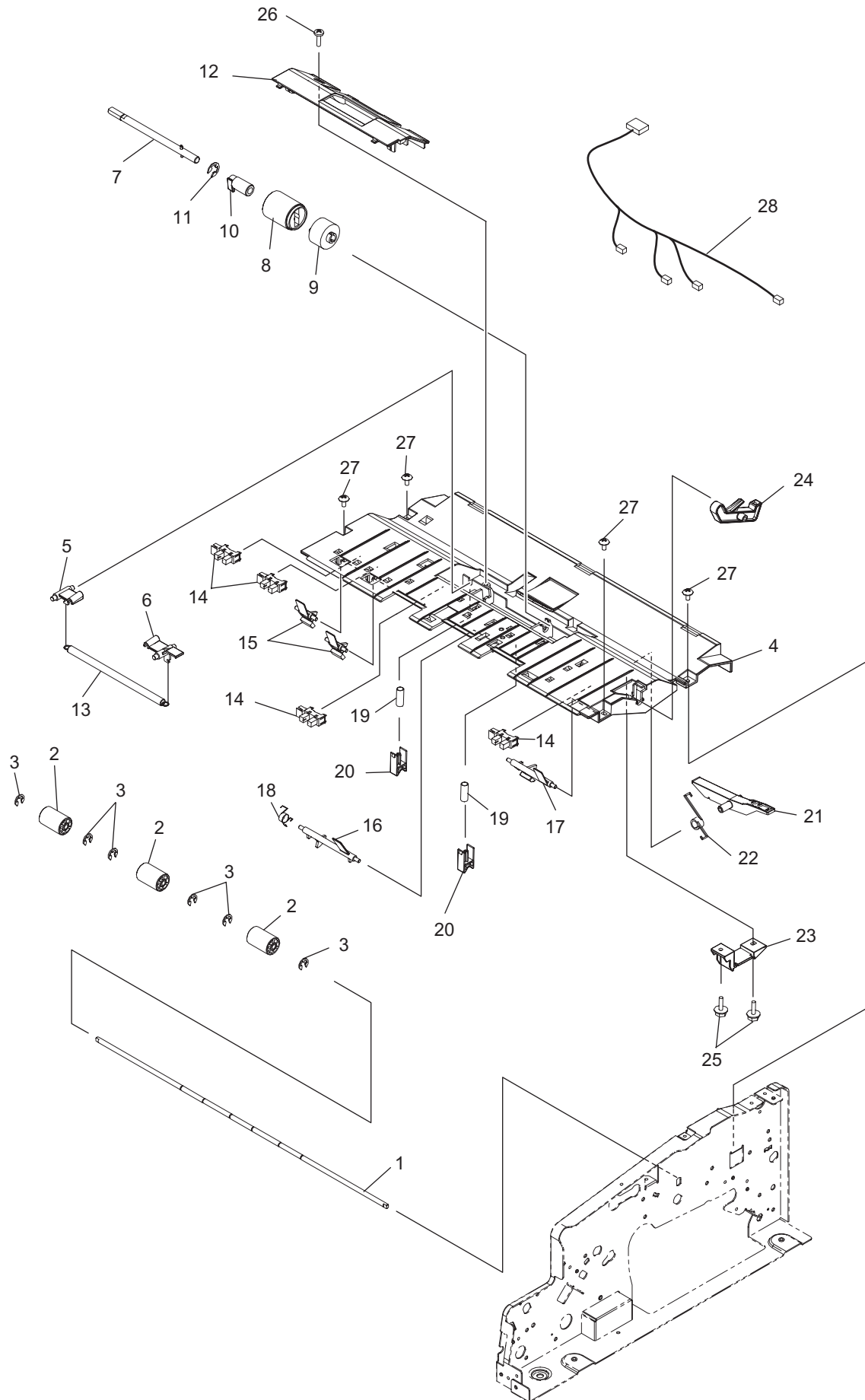
ITEM NO.	PARTS NO.	PARTS NAME	Q'TY / PAGE	Q'TY / PACK	P I R	B S I NO.	T O	T	F R O M	S E R I A L NO.	R E M A R K S	C
1	F0-00047000	EDS-1717U		210/P								
2	F0-00036000	RLWS3TV0		55/P								
3	X0-02231000	S/FHEXM-M3X8-NI		810/P								
4	F0-00736000	LWS-0711Z		45/P								
5	F0-00120000	ES-0505		25/P								
6A	6LH09375000	PWA-F-FIL-430-55U		11/SB							e-STUDIO55 20C NAD,NA C	
6B	6LH09375100	PWA-F-FIL-430-E		11/SB							MJD,MJC	
6C	6LH09375300	PWA-F-FIL-430-A		11/SB							ASD,AUD,AU C,ASU	
6D	6LH09375200	PWA-F-FIL-430-JU		11/SB							e-STUDIO65 20C/30C NA D,NAC	
7A	E0-11992000	PE7410-1381-091H		21/C							MJD,MJC	
7B	E0-11993000	PE7415-1381-091H		11/C							ASD,AUD,AU C,ASU	
7C	E0-12091000	PE7420-1381-091H		11/C							e-STUDIO55 20C NAD,NA C	
8A	X0-02093000	S/PAN/SWWS-M4X6-NI		110/P							NAD,NAC,AS D,AUD,AUC, ASU	
8B	X0-02093000	S/PAN/SWWS-M4X6-NI		210/P							MJD,MJC	
9A	6LA91550000	MARK-EARTH-VDE-371		110/P							NAD,NAC,AS D,AUD,AUC, ASU	
9B	6LA91550000	MARK-EARTH-VDE-371		210/P							MJD,MJC	
10	X0-02421000	S/TPS/FHEXM/R-4X8-ZU3		1010/P								
17A	6LH09482000	ASYS-P-CABLE-UC-430-B		11/D							e-STUDIO65 20C/30C NA D,NAC	
19A	6LH01161000	BRKT-BLIND-IH		11/P							NAD,NAC,AS D,AUD,AUC, ASU	
21A	E0-06067000	NC-179-F6.35		21/P							MJD,MJC	
21B	E0-06067000	NC-179-F6.35		11/P							ASD,AUD,AU C,ASU	
26A	6LH09432000	ASYB-PSU-F430-U		11/C							NAD,NAC	
26B	6LH09432100	ASYB-PSU-F430-E		11/C							MJD,MJC,AS D,AUD,AUC, ASU	
27	6LH01106000	BRKT-HOLD-LVPS		11/P								
30A	6LE95825000	CABLE-P-INLET-UK		11/P							ASU	
30B	6LE95823000	CABLE-P-INLET-AU		11/P							AUD,AUC	
30C	6LE95822000	CABLE-P-INLET-EUR		21/P							MJD,MJC,AS D	
30D	6LE95822000	CABLE-P-INLET-EUR		11/P							MJD,MJC,AS D	
30E	6LH09481000	ASYS-P-CABLE-UC-430		11/P							e-STUDIO55 20C NAD,NA C	



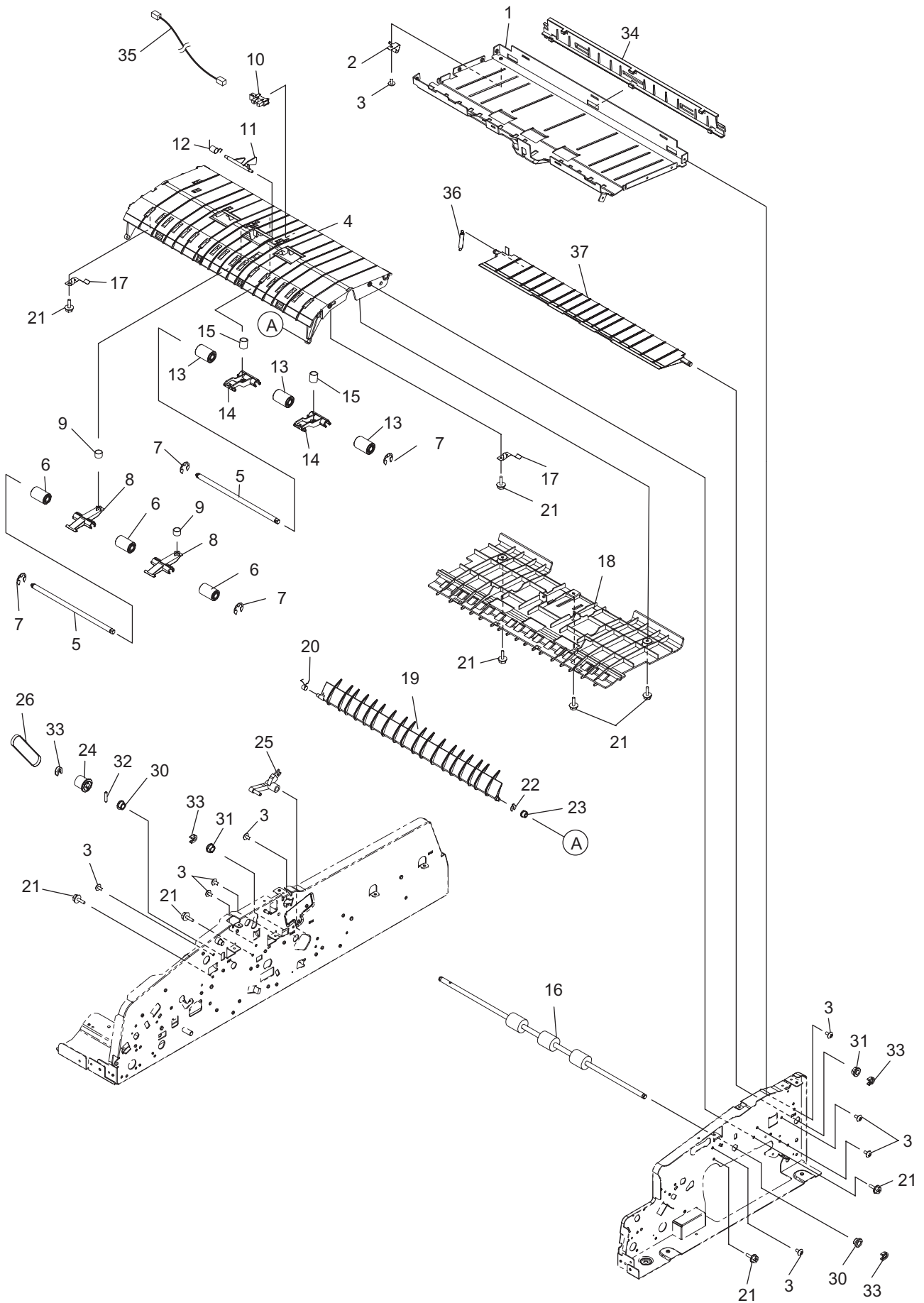
ITEM NO.	PARTS NO.	PARTS NAME	Q'TY / PAGE	Q'TY / PACK	P I R	B S I NO.	T O	T	F R O M	S E R I A L NO.	R E M A R K S	C
1	6LH09606000	PS-HVT1-430 6LH09606000		1/1/C								
3	X0-02235000	S/FHEXM-M4X8-NI		13/10/P								
4	6LH09166000	PS-HVT2-430		1/1/C								
5	F0-01629000	RLWC-6SV0		1/5/P								
6	F0-00342000	SPLSN-6U		4/5/P								
7	X0-02421000	S/TPS/FHEXM/R-4X8-ZU3		2/10/P								



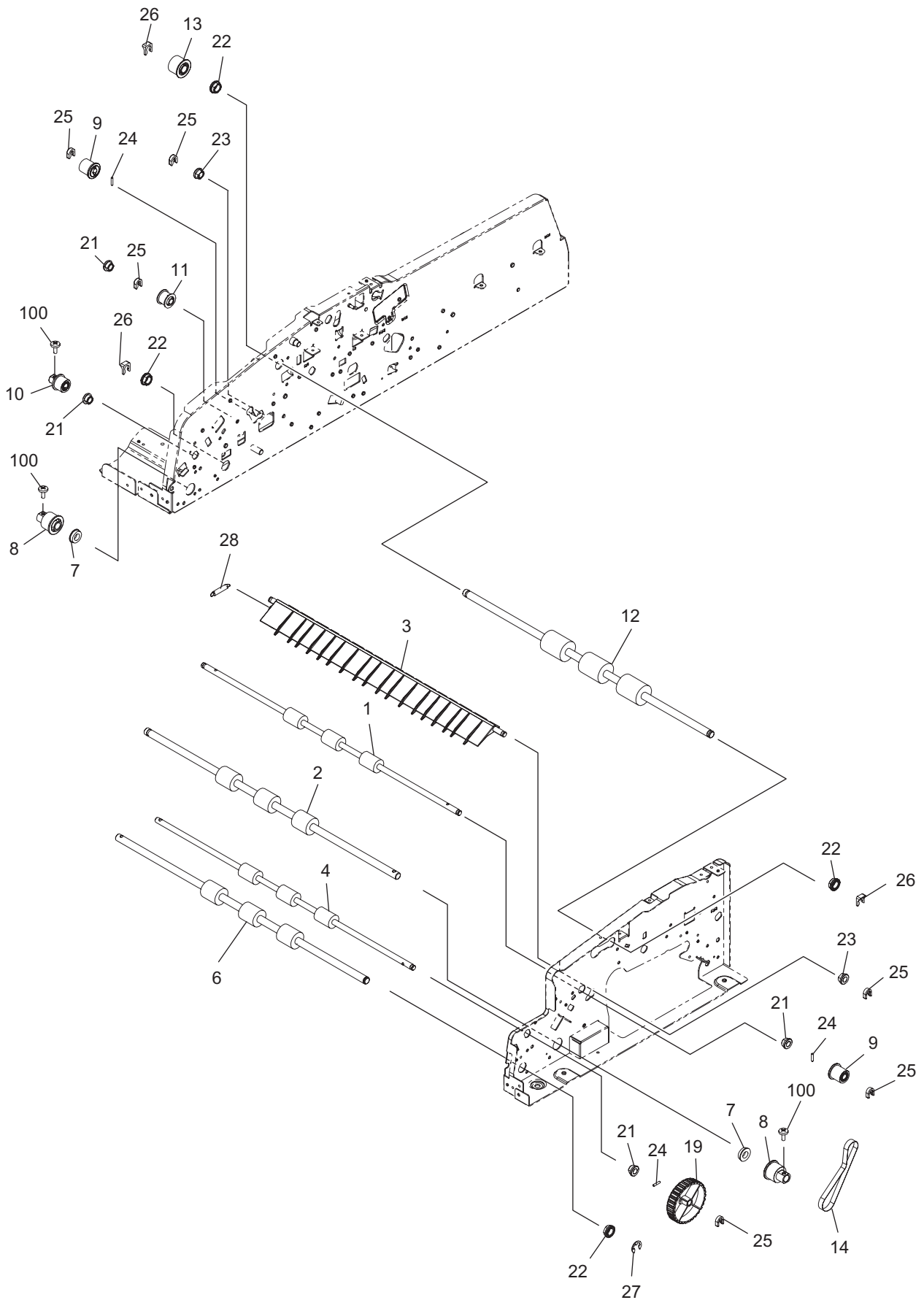
ITEM NO.	PARTS NO.	PARTS NAME	Q'TY / PAGE	Q'TY / PACK	P I R	B S I NO.	T O	T	F R O M	S E R I A L NO.	R E M A R K S	C
1	E0-12468000	AM51613C731Y1N		11/C								
2	6LH06609000	ASYS-BRKT-STOP-R-TQ		11/P								
3	C0-15172000	GP1A173LCS2F		21/C								
4	6LE50366000	ARM-STOPPER		21/P								
5	6LH06548000	LVR-STOPPER-R-TQ		11/P								
6	6LH06533000	STPR-PICK-R-TQ		11/P								
7	X0-00964000	RR/E-3-SS		410/P								
8	6LH06588000	STAY-FED-U-L-TQ		11/P								
9	6LE50278000	BRKT-FEED-UP		11/P								
10	6LA08935000	SCR-M3X6BLSR-NI		910/P								
11	6LE50310000	ASYS-HLDR-PICK		11/P								
12	6LE50297000	ASYS-ROL-FEED		21/P								
13	6LE50339000	PULLY-1R5GT26-6		21/P								
14	6LH06657000	ASYS-SFT-PICUP-TQ		11/P								
15	6LE49739000	BUSH-6X10X6F-SBK		25/P								
16	6LH06544000	LVR-PICK-JOINT-TQ		11/P								
17	6LH06659000	ASYS-SFT-FEED-TQ		11/P								
18	6LB12138000	PIN-2X10		110/P								
19	X0-00966000	RR/E-5-SS		110/P								
20	6LH06810000	SPG-E-PICKUP		11/P								
21	6LE50336000	ROL-TNSN-PICK		11/P								
22	6LE50345000	BELT-141-1R5GT-4		11/P								
23	6LE49743000	STOP-RING-6-5-POM		35/P								
24	6LH06607000	ASYS-BRKT-STOP-F-TQ		11/P								
25	6LH06547000	LVR-STOPPER-F-TQ		11/P								
26	6LH06532000	STPR-PICK-F-TQ		11/P								
27	X0-01989000	S/TPP/BID-3X8-NI		810/P								
28	X0-01615000	S/TPS/FPAN-3X14-NC		110/P								
100	6LH06777000	LABEL-INST-TQ		11/P								



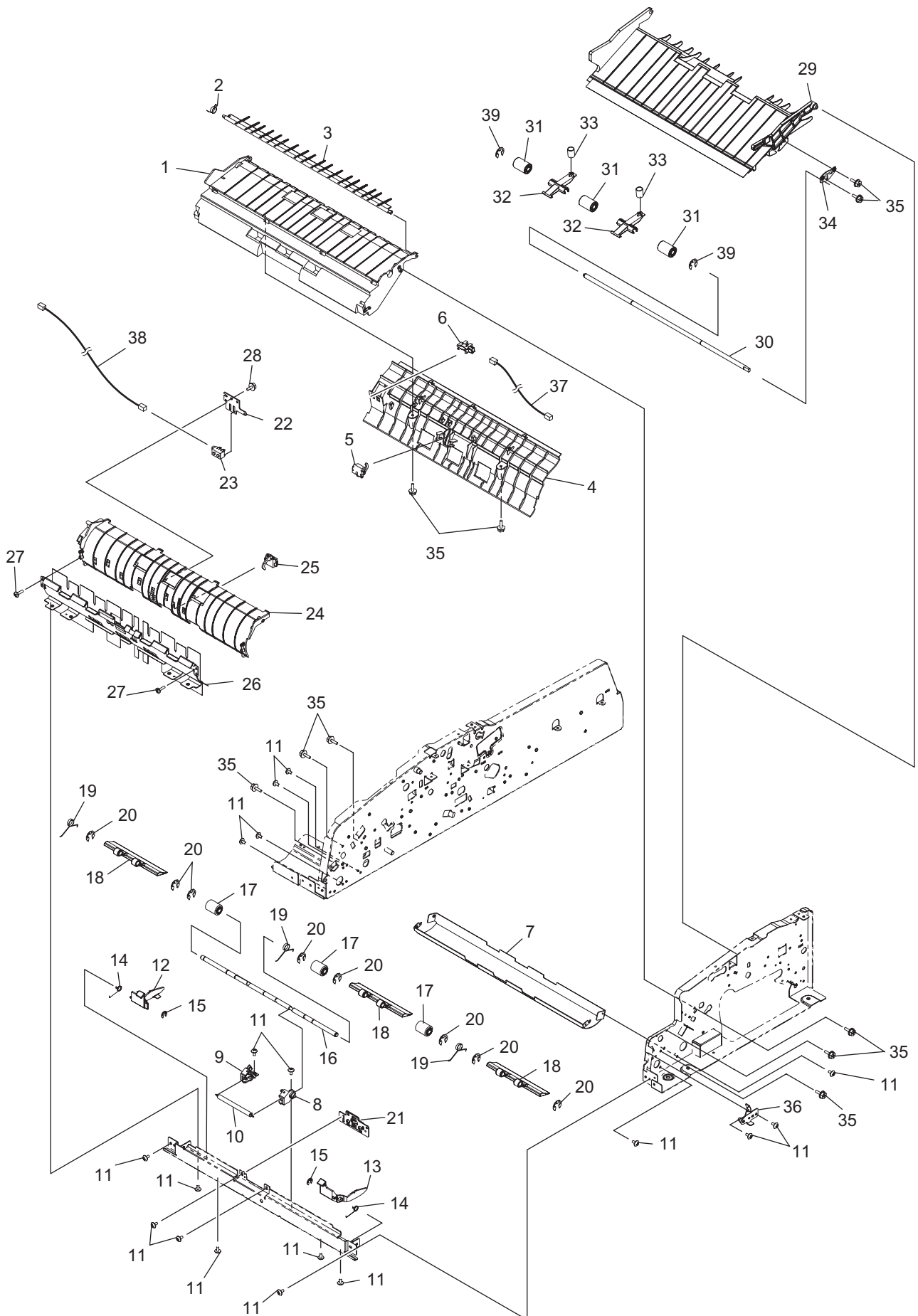
ITEM NO.	PARTS NO.	PARTS NAME	Q'TY / PAGE	Q'TY / PACK	P I R	B S I NO.	T O	T	F R O M	S E R I A L NO.	R E M A R K S	C
1	6LH06716000	SFT-IDL-SWB-D4		1/1/P								
2	6LH06527000	ROL-IDL-D16-D4-POM		3/1/P								
3	X0-00964000	RR/E-3-SS		6/10/P								
4	6LH06718000	ASYS-GUIDE-FEED-U-L-TQ		1/1/PP								
5	6LH06564000	LVR-SPT-R-TQ		1/1/P								
6	6LH06562000	LVR-SPT-F-TQ		1/1/P								
7	6LH06654000	ASYS-SFT-SEP-TQ		1/1/P								
8	6LE50296000	ASYS-ROL-RET		1/1/P								
9	6LH04750000	TL-SEP-ROL-Y-N		1/1/P								
10	6LH06661000	HLDL-ROLL-SPT-TQ		1/1/P								
11	X0-00965000	RR/E-4-SS		1/10/P								
12	6LH06721000	ASYS-COV-SPT-TQ		1/1/PP								
13	6LH06723000	SPG-ROL-SPT-TQ		1/1/P								
14	C0-15172000	GP1A173LCS2F		4/1/C								
15	6LE50231000	LEVER-SENS-WIDTH		2/1/P								
16	6LH06558000	LEVER-SENS-LENG-TQ		1/1/P								
17	6LH06662000	LEVER-SENS-WIDE-A3LT		1/1/P								
18	6LE50234000	SPG-T-LVR-ALNG		1/1/P								
19	6LH06725000	SPR-LEV-SWB		2/1/P								
20	6LH06536000	LEV-SW-B		2/1/P								
21	6LH06559000	LEVER-SPT-CAM-TQ		1/1/P								
22	6LH06726000	SPR-LEV-SPT-CAM		1/1/P								
23	6LH06666000	HLDL-LVR-SPT-CAM		1/1/P								
24	6LH06560000	LEVER-SPT-CAM-2-TQ		1/1/P								
25	X0-02247000	S/TPP/FHEXM-3X8-NI		2/10/P								
26	X0-01989000	S/TPP/BID-3X8-NI		1/10/P								
27	6LA08935000	SCR-M3X6BISR-NI		4/10/P								



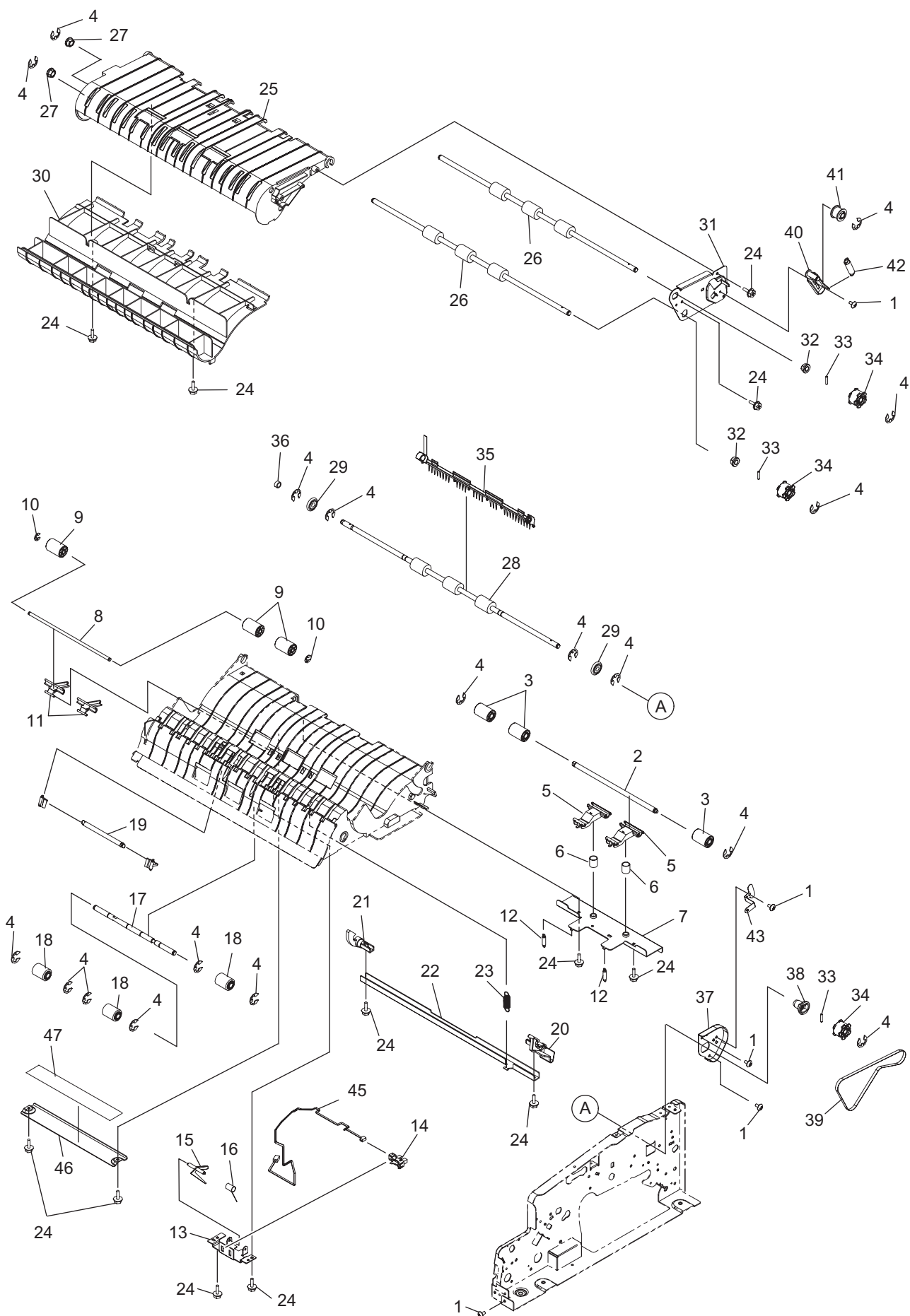
ITEM NO.	PARTS NO.	PARTS NAME	Q'TY / PAGE	Q'TY / PACK	P I R	B S I NO.	T O	T	F R O M	S E R I A L NO.	R E M A R K S	C
1	6LH06595000	GUIDE-SB-U-TQ		11/PP								
2	6LH06623000	SPR-ERTH-SB		11/P								
3	6LA08935000	SCR-M3X6BISR-NI		910/P								
4	6LH06500000	GUIDE-SB-IN		11/PP								
5	6LH06677000	SFT-EXIT-SB-D6		21/P								
6	6LH06530000	ROL-IDL-D15-D6-POM		31/P								
7	X0-00966000	RR/E-5-SS		410/P								
8	6LH06552000	LEV-DELTA		21/P								
9	6LH06678000	SPR-SB-IN		21/P								
10	CO-10813000	GPLA73ARJ00F		11/P								
11	6LH06582000	LEVER-OUT-SENS		11/P								
12	6LH06681000	SPR-SENS-OUT		11/P								
13	6LH06526000	ROL-IDL-D16-POM		31/P								
14	6LH06554000	LEV-EXIT		21/P								
15	6LH06680000	SPR-SB-OUT		21/P								
16	6LH06646000	ROL-TRANS-RVS		11/KP								
17	6LH06618000	SPL-GUIDE-CUSION		21/P								
18	6LH06539000	GUIDE-SB-IN-D		11/PP								
19	6LH06816000	GATE-EXIT-SFT		11/KP								
20	6LH06682000	SPR-GATE-EXIT		11/P								
21	X0-02247000	S/TPP/FHEXM-3X8-NI		910/P								
22	6LH06812000	STOP-RING-3		15/P								
23	4400536230	BUSH-4-7		15/P								
24	6LH06531000	PULLY-MAIN-ALNG		11/P								
25	6LH06567000	LVR-FLAP-EXIT-TQ		11/P								
26	6LH06746000	BLT-TRANS-RVS		11/P								
30	6LE49739000	BUSH-6X10X6F-SBK		25/P								
31	6LH06646000	ROL-TRANS-RVS		21/KP								
32	6LB12138000	PIN-2X10		110/P								
33	6LE49743000	STOP-RING-6-5-POM		25/P								
34	6LH06636000	STAY-ORG-SUB		11/P								
36	6LH06683000	SPG-FLAP-EXIT-TQ		11/P								
37	6LH06700000	ASYS-FLAP-EXIT-TQ		11/PP								



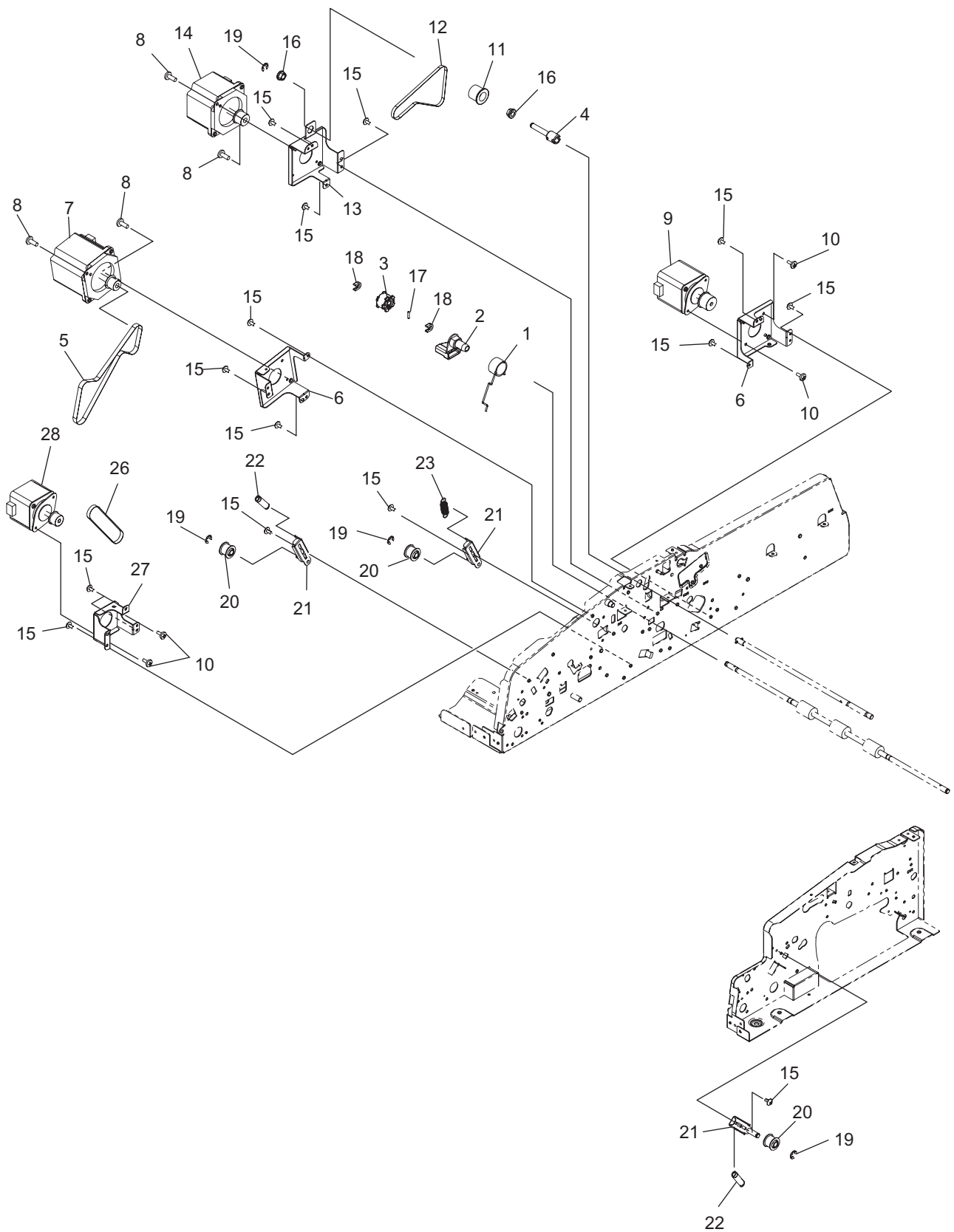
ITEM NO.	PARTS NO.	PARTS NAME	Q'TY / PAGE	Q'TY / PACK	P	I	R	BSI NO.	TO	T	FROM	SERIAL NO.	REMARKS	C
1	6LH06644000	ROL-RVS-ALNG		1/1/KP										
2	6LH06645000	ROL-READ-OUT		1/1/KP										
3	6LH06568000	FLAP-RD		1/1/KP										
4	6LH06829000	ROL-TRANS-8		1/1/KP										
6	6LH06649000	ROL-READ-IN		1/1/KP										
7	FO-00782000	LF-1480ZZ		2/1/P										
8	6LH06535000	PULLY-READ		2/1/P										
9	6LH06531000	PULLY-MAIN-ALNG		2/1/P										
10	6LH06528000	PULLY-RVS-ALNG		1/1/P										
11	6LE50098000	ROL-TNSN-FEED		1/1/P										
12	6LH06651000	ROL-ALNG-MAIN		1/1/KP										
13	6LH06525000	PULLY-CLUCH-MAIN-ALNG		1/1/P										
14	6LH06742000	BLT-RD-FRONT		1/1/P										
19	6LH06545000	DIAL-JAM-TQ		1/1/P										
20	6LA08935000	SCR-M3X6BISR-NI		6/10/P										
21	6LE49739000	BUSH-6X10X6F-SBK		4/5/P										
22	6LE50521000	BUSH-8X12X5R5F-NU4		4/5/P										
		6LE50521000												
23	44201492000	BUSH-6-POM		2/5/P										
		44201492000												
24	6LB12138000	PIN-2X10		3/10/P										
25	6LE49743000	STOP-RING-6-5-POM		6/5/P										
26	41306265000	STOP RING		3/1/P										
27	X0-00968000	RR/E-7-SS		1/10/P										
28	6LH06785000	SPG-FLAP-READ-TQ		1/1/P										
100	X0-01277000	S/BID-M3X6-NC		3/10/P										



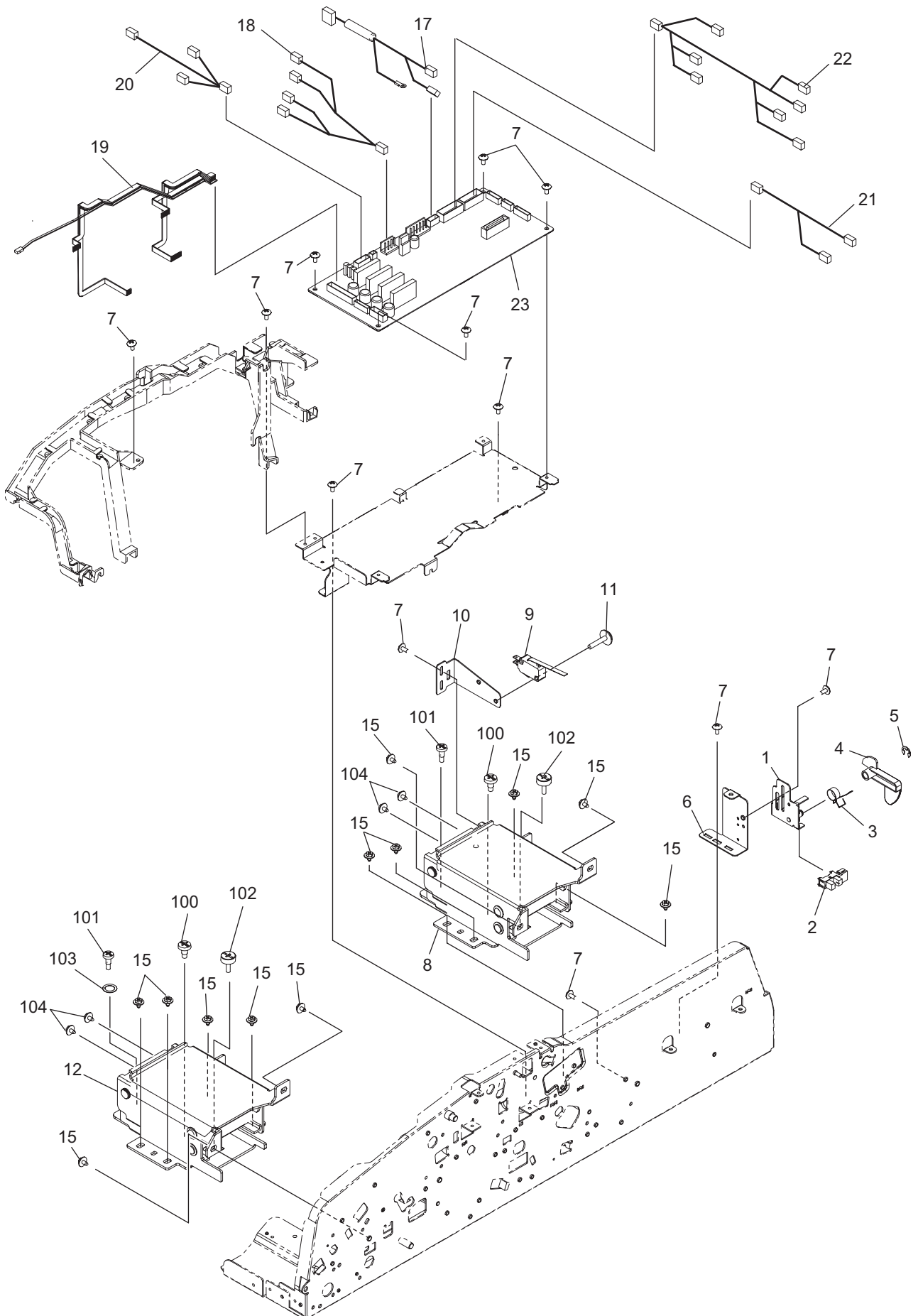
ITEM NO.	PARTS NO.	PARTS NAME	Q'TY / PAGE	Q'TY / PACK	P	I	R	BSI NO.	TO	T	FROM	SERIAL NO.	REMARKS	C
1	6LH06518000	GUIDE-RVS-ALNG		11/PP										
2	6LE49784000	SPG-T-FLP-SB		11/C										
3	6LH06517000	GATE-SB		11/KP										
4	6LH06837000	ASYS-GUIDE-READ-OUT		11/KP										
5	6LH06323000	SNSR-RADF-EXIT-430		11/C										
6	C0-10813000	CP1A73ARJ00F		11/P										
7	6LH06521000	GUIDE-PLTN		11/D										
8	6LH06706000	ASYB-READ-IN-LEV-STAY-F		11/P										
9	6LH06707000	ASYB-READ-IN-LEV-STAY-R		11/P										
10	6LH06708000	SPR-LEV-READ-IN		11/P										
11	6LA08935000	SCR-M3X6BISR-NI		1810/P										
12	6LH06561000	STPR-GID-PLTN-R		11/P										
13	6LH06563000	STPR-GID-PLTN-F		11/P										
14	6LH06709000	SPR-STPR-GID-PLTN		21/P										
15	X0-00964000	RR/E-3-SS		210/P										
16	6LH06710000	SFT-IDL-RD-IN-L		11/P										
17	6LH06637000	ASYS-ROL-RD-IN-IDL		31/P										
18	6LH06540000	GUIDE-RD-IN-GLASS		31/P										
19	6LH06712000	SPR-READ-IN-GUIDE		31/P										
20	X0-00965000	RR/E-4-SS		810/P										
21	6LH06713000	ASYB-BRKT-PRISM		11/P										
22	6LH06640000	PLT-SENSOR-RI		11/P										
23	C0-14572000	EON-5041-701		11/C										
24	6LH06551000	GUIDE-READ-IN		11/PP										
25	6LH06321000	SNSR-RADF-MID-430		11/C										
26	6LH06807000	ASYS-GUIDE-READ-IN-PLT		11/C										
27	X0-01989000	S/TPP/BID-3X8-NI		210/P										
28	X0-02541000	S/TPP/BRZ-3X6-ZU3		110/P										
		X0-02541000												
29	6LH06737000	ASYS-GUIDE-SB		11/KP										
30	6LH06740000	SFT-ROL-RVS-ALNG		11/P										
31	6LH06526000	ROL-IDL-D16-POM		31/P										
32	6LH06552000	LEV-DELTA		21/P										
33	6LH06741000	SPR-DELTA		21/P										
34	6LH06603000	BRKT-DELTA-SET		11/P										
35	X0-02247000	S/TPP/FHEXM-3X8-NI		1010/P										
36	6LH06608000	ASYS-BRKT-COV-JAM-F		11/P										
39	X0-00966000	RR/E-5-SS		210/P										



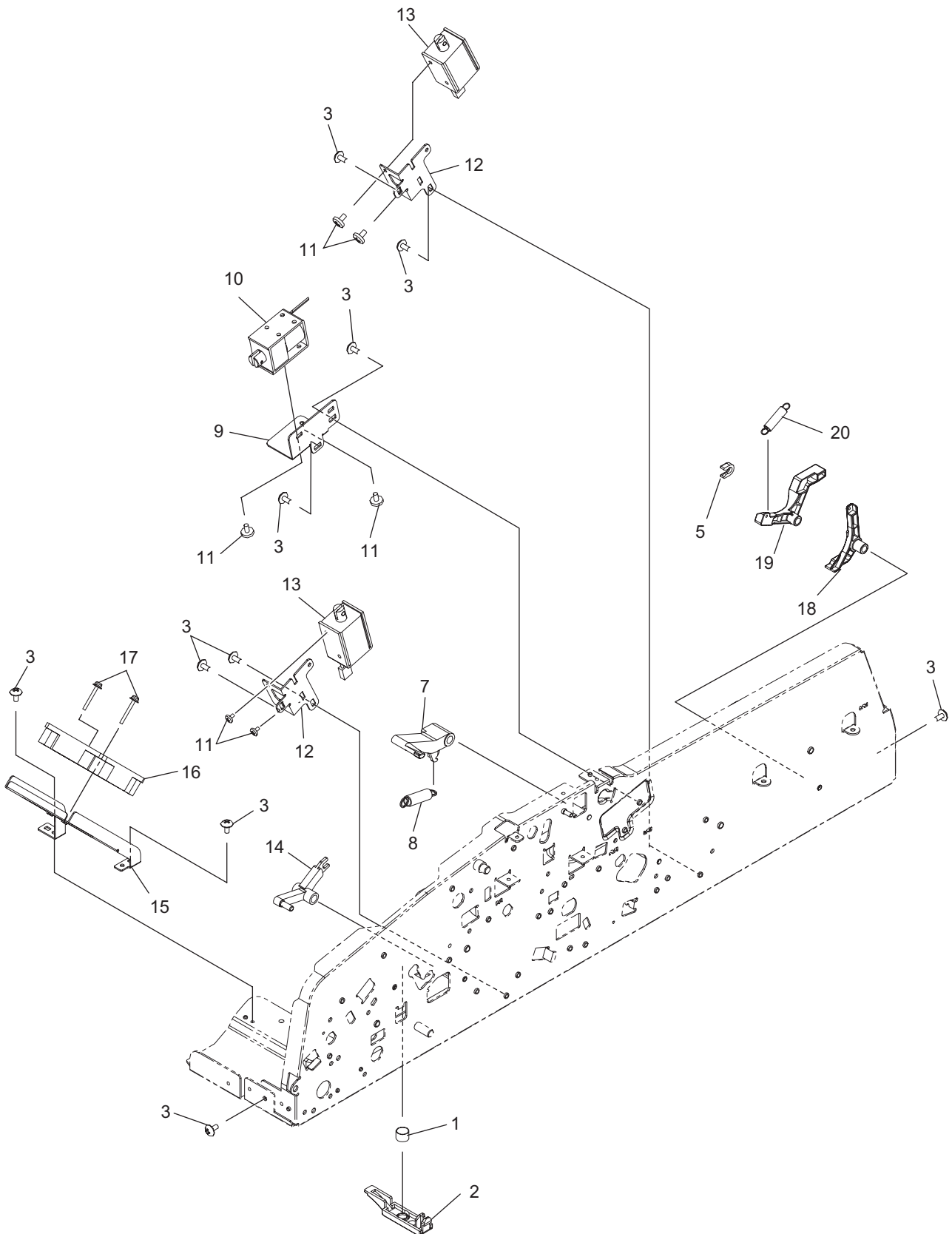
ITEM NO.	PARTS NO.	PARTS NAME	Q'TY / PAGE	Q'TY / PACK	P	I	R	BSI NO.	TO	T	FROM	SERIAL NO.	REMARKS	C
1	6LA08935000	SCR-M3X6BLSR-NI		610/P										
2	6LH06677000	SFT-EXIT-SB-D6		11/P										
3	6LH06526000	ROL-IDL-D16-POM		31/P										
4	X0-00966000	RR/E-5-SS		1810/P										
5	6LH06554000	LEV-EXIT		21/P										
6	6LH06680000	SPR-SB-OUT		21/P										
7	6LH06583000	BRKT-LEV-EXIT		11/P										
8	6LH06687000	SFT-EXIT-D4		11/P										
9	6LH06527000	ROL-IDL-D16-D4-POM		31/P										
10	X0-00964000	RR/E-3-SS		210/P										
11	6LH06534000	LEV-EXIT-R		21/P										
12	6LH06688000	SPR-LEV-EXIT		21/P										
13	6LH06586000	BRKT-BACK-EXIT-SNS		11/P										
14	C0-15172000	GP1A173LCS2F		11/C										
15	6LH06546000	ACTR-BACK-EXIT		11/P										
16	6LH06690000	SPR-BACK-SNS		11/P										
17	6LH06652000	SFT-IDL-RD-OUT		11/P										
18	6LH06637000	ASYS-ROL-RD-IN-IDL		31/P										
19	6LH06708000	SPR-LEV-READ-IN		11/P										
20	6LH06549000	LEVER-GUIDE-LOCK-F		11/P										
21	6LH06550000	LEVER-GUIDE-LOCK-R		11/P										
22	6LH06579000	BRKT-GUIDE-OPEN		11/P										
23	6LH06693000	SPR-GUIDE-EXIT-OPEN		11/P										
24	X0-02247000	S/TPP/FHEXM-3X8-NI		1210/P										
25	6LH06515000	GUIDE-EXIT-IN		11/PP										
26	6LH06647000	ROL-EXIT-SB		21/KP										
27	44201492000	BUSH-6-POM		25/P										
	44201492000													
28	6LH06648000	ROL-EXIT		11/KP										
29	6LH06802000	ROL-COL-TQ		21/P										
30	6LH06516000	GUIDE-EXIT-IN-L		11/PP										
31	6LH06578000	PLATE-DRV-EXIT-F		11/P										
32	6LE49739000	BUSH-6X10X6F-SBK		25/P										
33	6LB12138000	PIN-2X10		310/P										
34	6LH06529000	PULLY-EXIT		31/P										
35	6LH06800000	ASYS-SHUT-EXIT-TQ		11/KP										
37	6LH06599000	PLT-GUIDE-EXIT		11/P										
38	6LH06522000	BUSH-GUIDE-EXIT-F		11/P										
39	6LH06697000	BLT-EXIT-F		11/P										
40	6LE50110000	ASYS-PLT-TNSN		11/P										
41	6LE50098000	ROL-TNSN-FEED		11/P										
42	6LH06698000	SPR-TNSN-READ-10N		11/P										
43	6LH06796000	SPR-ERTH-FR		11/C										
46	6LH06584000	BRKT-GUIDE-PUSH		11/P										
47	6LH06772000	LBL-PUSH-TQ		11/KP										



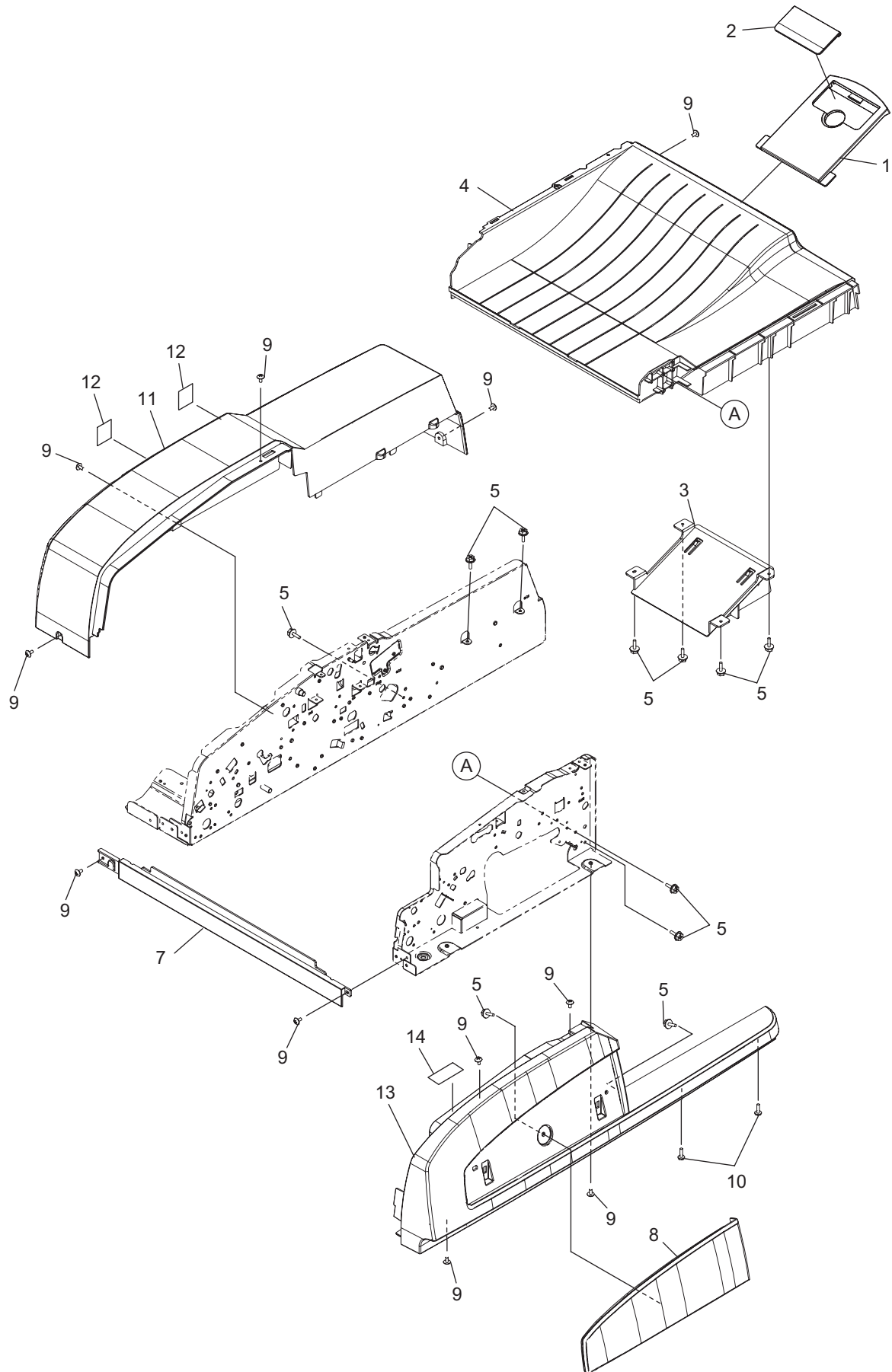
ITEM NO.	PARTS NO.	PARTS NAME	Q'TY / PAGE	Q'TY / PACK	P I R	B S I NO.	T O	T	F R O M	S E R I A L NO.	R E M A R K S	C
1	6LH06841000	SPR-CUSHION-GUIDE-EXIT	1	1/P								
2	6LH06523000	BUSH-GUIDE-EXIT-R	1	1/P								
3	6LH06529000	PULLY-EXIT	1	1/P								
4	6LH06655000	ASYS-CPG-FED-TQ	1	1/P								
5	6LH06744000	BLT-RD-MOT-REAR	1	1/P								
6	6LH06575000	BRKT-MOT-EXIT	2	1/P								
7	6LH06318000	MOTR_S-RADF-READ-430	1	1/C								
8	X0-01453000	S/TPS/BID-4X8-NC	4	10/P								
9	6LH06320000	MOTR_S-RADF-EXIT-430	1	1/C								
10	X0-01277000	S/BID-M3X6-NC	2	10/P								
11	6LH06519000	PULLY-CLUCH-FEED	1	1/P								
12	6LH06750000	BLT-FEED	1	1/P								
13	6LH06577000	BRKT-MOT-FEED	1	1/P								
14	6LH06317000	MOTR_S-RADF-FEED-430	1	1/C								
15	6LA08935000	SCR-M3X6BISR-NI	6	10/P								
16	6LE49739000	BUSH-6X10X6F-SBK	2	5/P								
17	6LB12138000	PIN-2X10	1	10/P								
18	6LE49743000	STOP-RING-6-5-POM	2	5/P								
19	X0-00966000	RR/E-5-SS	3	10/P								
20	6LE50098000	ROL-TNSN-FEED	3	1/P								
21	6LE50110000	ASYS-PLT-TNSN	3	1/P								
22	6LH06698000	SPR-TNSN-READ-10N	2	1/P								
23	6LH06752000	SPR-TNSN-FEED-4N	1	1/P								
26	6LH06746000	BLT-TRANS-RVS	1	1/P								
27	6LH06576000	BRKT-MOT-SB	1	1/P								
28	6LH06319000	MOTR_S-RADF-SB-430	1	1/C								



ITEM NO.	PARTS NO.	PARTS NAME	Q'TY / PAGE	Q'TY / PACK	P I R	B S I NO.	T O	T	F R O M	S E R I A L NO.	R E M A R K S	C
1	6LE59872000	ASYS-PLT-OPEN-N		11/P								
2	C0-15172000	GP1A173LCS2F		11/C								
3	6LE50488000	SPG-T-OPEN-SW		11/P								
4	6LE50487000	LVR-OPEN-SW		11/P								
5	X0-00966000	RR/E-5-SS		110/P								
6	6LE50490000	PLT-INIRLOK		11/P								
7	6LA08935000	SCR-M3X6BISR-NI		1210/P								
8	6LH06755000	HINGE-R-TQ		11/D								
9	E0-12468000	AM51613C731Y1N		11/C								
10	6LH06667000	BRKT-I-LOCK-SW-TQ		11/P								
11	X0-01615000	S/TPS/FPAN-3X14-NC		110/P								
12	6LH06668000	HINGE-L-TQ		11/D								
15	X0-02408000	S/TPS/FHEX/R-4X6-ZU3		1210/P								
23	6LH06338000	ASY-DLG-430S		11/SB								
		6LH06338000										
100	6LH06789000	SCR-HINGE-TQ		21/P								
101	6LE50496000	SCR-HINGE-B		25/P								
102	6LE50497000	SCR-HINGE-C		25/P								
103	X0-00946000	W/PL/PJO-6-SS		110/P								
104	X0-01528000	S/PAN-M4X6-NC		410/P								

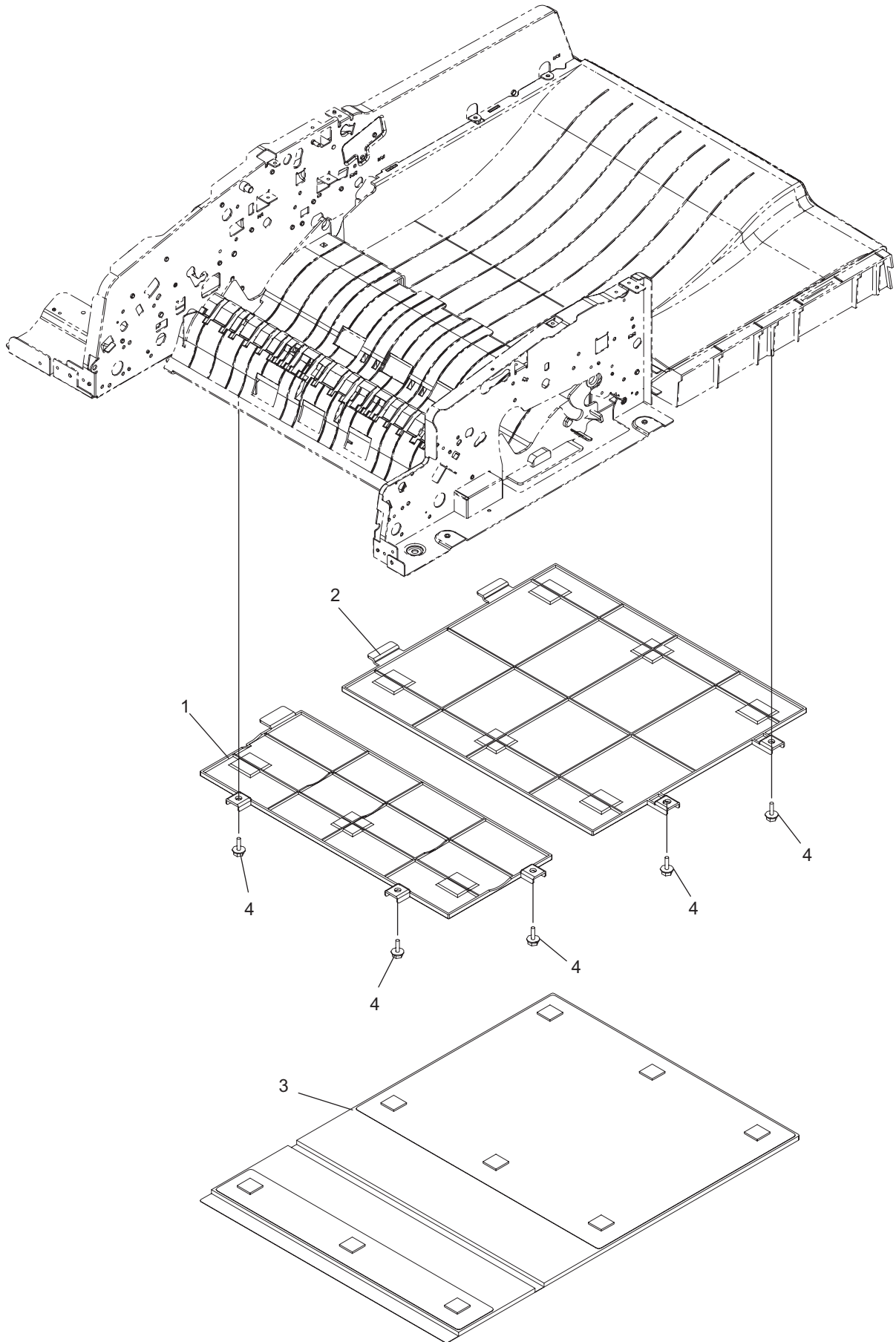


ITEM NO.	PARTS NO.	PARTS NAME	Q'TY / PAGE	Q'TY / PACK	P	I	R	B S I NO.	T O	T	F R O M	S E R I A L NO.	R E M A R K S	C
1	6LE49758000	SPG-C-CAP-APS-R		1/5/P										
2	6LE49760000	CAP-APS-R		1/1/P										
3	6LA08935000	SCR-M3X6BISR-NI		10/10/P										
5	6LE49743000	STOP-RING-6-5-POM		1/5/P										
7	6LH06555000	LEVER-PICK-SOL		1/1/P										
8	6LH06811000	SPG-E-PICK-SOL		1/1/P										
9	6LH06612000	BRKT-SOL-PICKUP		1/1/P										
10	6LE49521000	SOL-RUBY-PICKUP-623		1/1/D										
11	X0-00426000	S/BID-M3X4-NI		6/10/P										
12	6LH06824000	BRKT-SOL-FLAP-TQ		2/1/P										
13	6LH06332000	SOL-RADF-GATE-430		2/1/D										
14	6LH06569000	LVR-FLAP-RD-TQ		1/1/P										
15	6LH06589000	BRKT-FAN-TQ		1/1/P										
16	6LE09167000	FAND-6015-390		1/1/D										
17	X0-00130000	S/PAN/SWWP-M3X20-NI		2/10/P										
18	6LH06825000	LEV-I-LOCK-SW-IN-TQ		1/1/P										
19	6LH06826000	LEV-I-LOCK-SW-OUT-TQ		1/1/P										
20	6LH06827000	SPR-I-LOCK-SW		1/1/P										

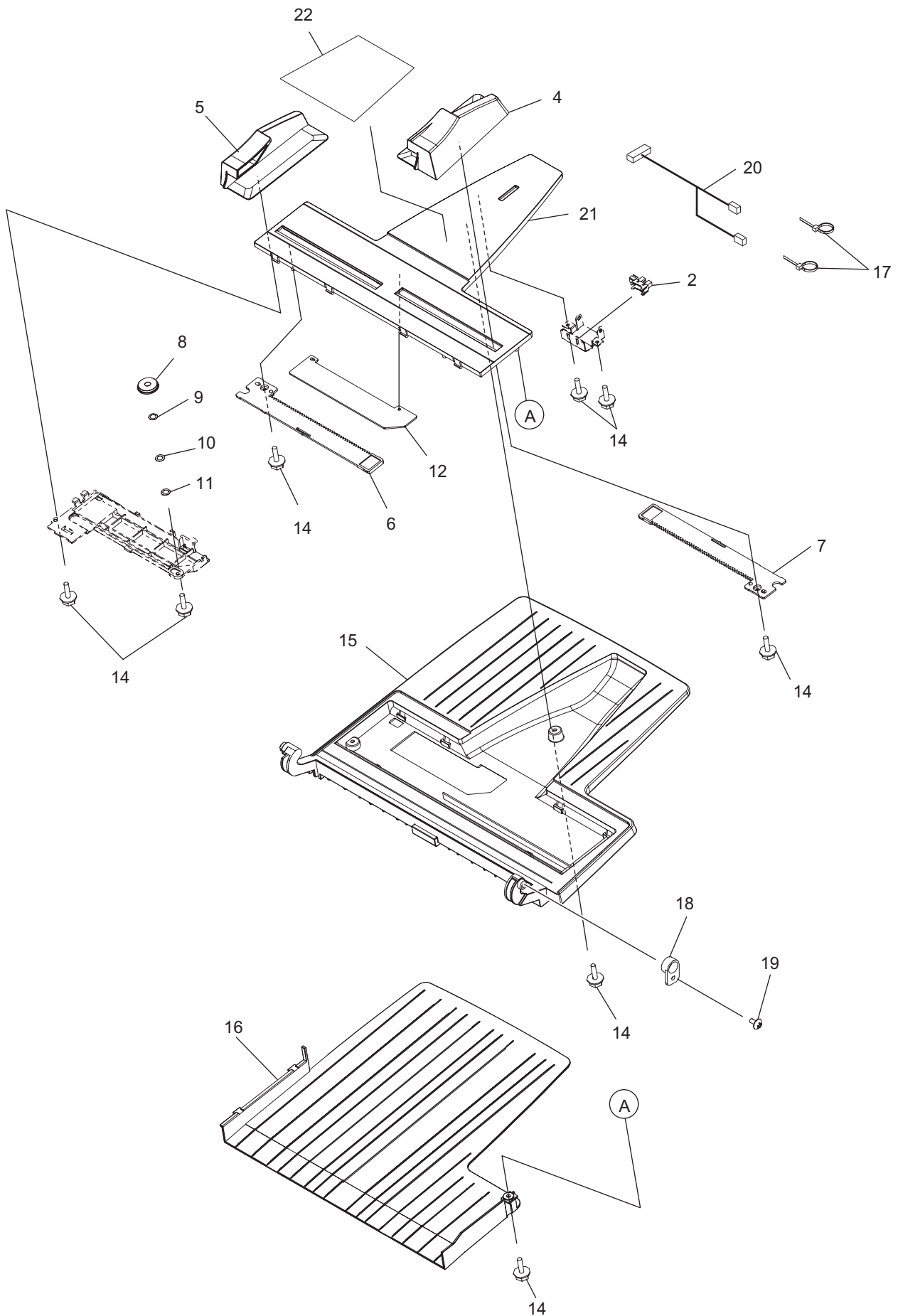


ITEM NO.	PARTS NO.	PARTS NAME	Q'TY / PAGE	Q'TY / PACK	P	I	R	B S I NO.	T O	T	F R O M	S E R I A L NO.	R E M A R K S	C
1	6LE50001000	TRAY-SUB-EXT-OUT		1/1/P										
2	6LE50002000	TRAY-SUB-EXT-IN		1/1/P										
3	6LH06639000	HLLDR-TRAY-SUB-TQ		1/1/P										
4	6LH06501000	TRAY-EXIT-TQ		1/1/PP										
5	X0-02247000	S/TPP/FHEXM-3X8-NI		11/10/P										
7	6LH06581000	COV-LEFT-TQ		1/1/KP										
8	6LH06512000	COV-POCKET-TQ		1/1/PP										
9	6LA08935000	SCR-M3X6BISR-NI		11/10/P										
10	X0-01989000	S/TPP/BID-3X8-NI		2/10/P										
11	6LH06506000	COV-REAR-TQ		1/1/PP										
12	6LE49769000	LBL.W-COV-PS		1/1/P										
13	6LH06507000	COV-FRONT-TQ		1/1/PP										
14	6LE49717000	LABEL-JAM-1-623		1/5/P										

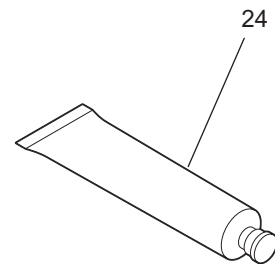
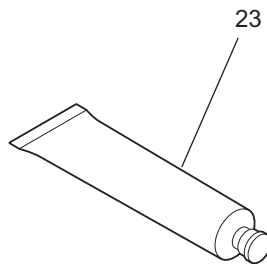
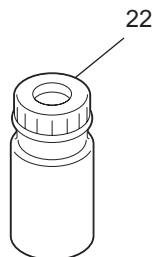
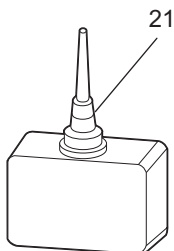
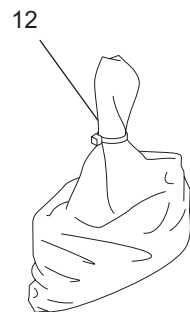
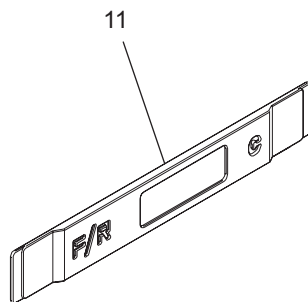
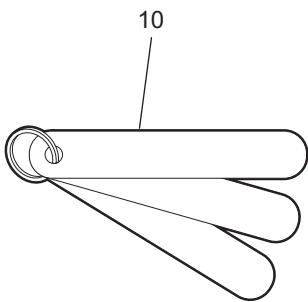
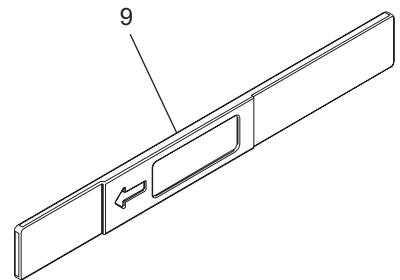
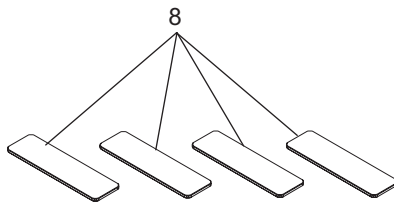
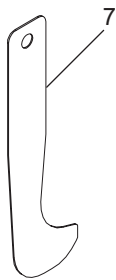
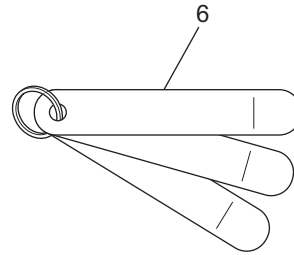
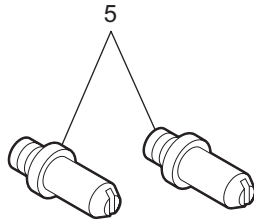
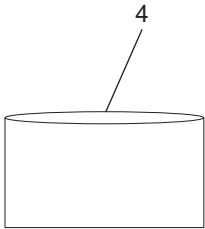
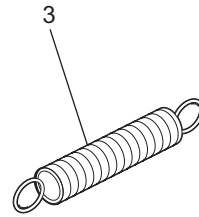
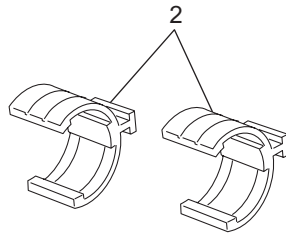
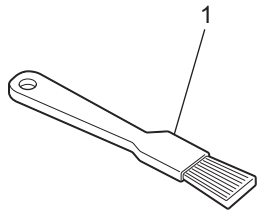
ITEM NO.	PARTS NO.	PARTS NAME	Q'TY / PAGE	Q'TY / PACK	P	I	R	B S I NO.	T O	T	F R O M	S E R I A L NO.	R E M A R K S	C
1	6LH06804000	ASYS-GUIDE-COV-OP		1/1/PP										
2	6LH06606000	ASYS-BRKT-COV-OP		1/1/P										
3	6LH06602000	BRKT-COV-OP-F		1/1/P										
4	6LH06759000	SFT-IDL-RD-IN-D8		1/1/P										
5	6LH06613000	ROL-IDL-ALNG		3/1/P										
6	X0-00968000	RR/E-7-SS		6/10/P										
7	6LH06520000	LEV-IDL-ALNG		2/1/P										
8	6LH06760000	SPR-LEV-COV-IDL		2/1/P										
9	6LH06600000	BRKT-COV-OP-IDL-SET		1/1/P										
10	6LH06762000	SFT-IDL-D6		1/1/P										
11	6LH06526000	ROL-IDL-D16-POM		3/1/P										
12	X0-00966000	RR/E-5-SS		6/10/P										
13	6LH06763000	SPR-LEV-READ-IN-U		1/1/P										
14	6LH06765000	ASYS-COV-OP		1/1/PP										
15	6LE50428000	SPG-F-GID-SB-PUSH		2/1/P										
16	6LH06524000	LVR-COV-OPEN-TQ		1/1/KP										
17	6LH06767000	SPG-COV-JAM		1/1/P										
18	X0-02247000	S/TPP/FHEXM-3X8-NI		10/10/P										
19	X0-01989000	S/TPP/BID-3X8-NI		2/10/P										
20	6LH06766000	LBL-SIZE-TQ		1/1/KP										



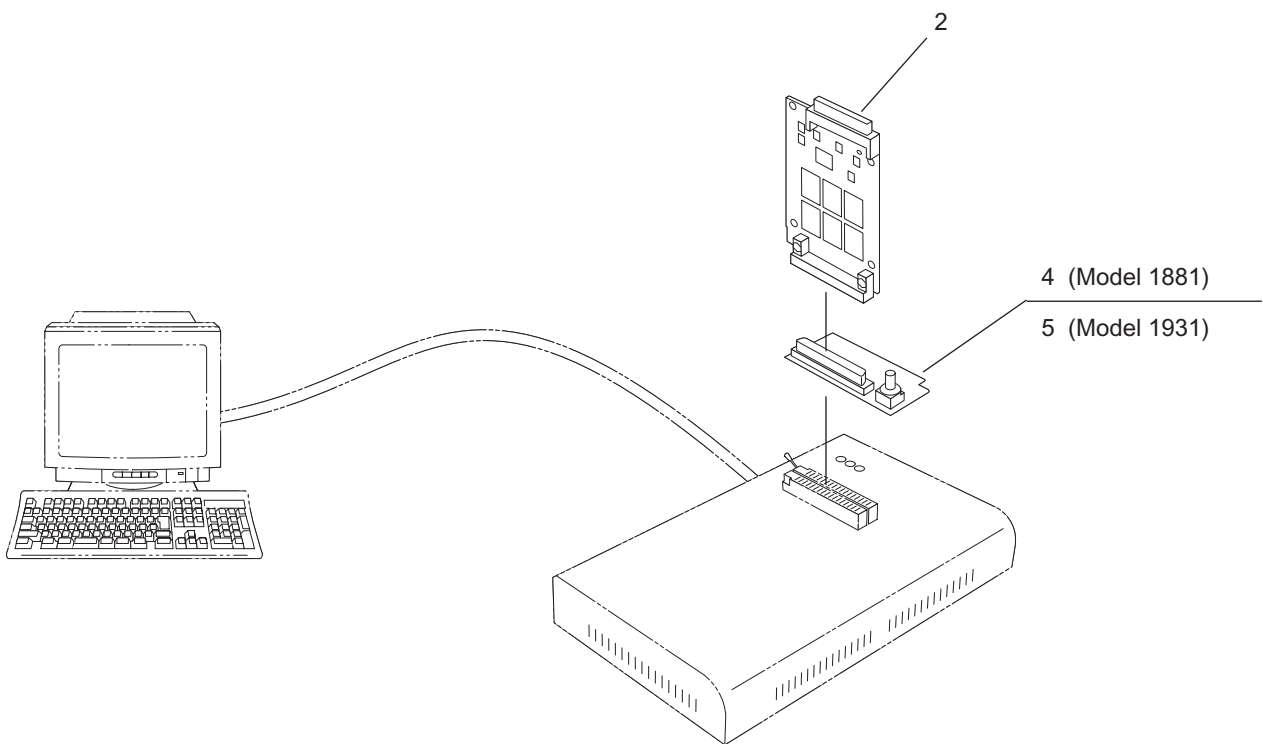
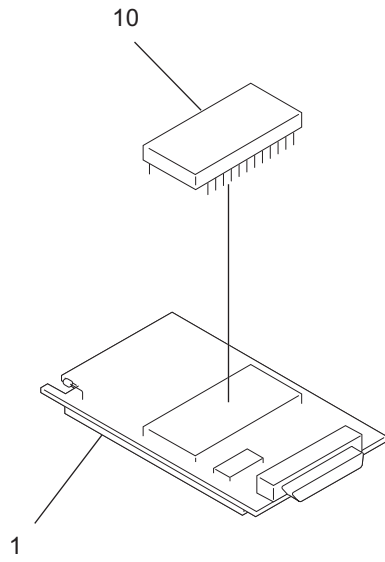
ITEM NO.	PARTS NO.	PARTS NAME	Q'TY / PAGE	Q'TY / PACK	P	I	R	B S I NO.	T O	T	F R O M	S E R I A L NO.	R E M A R K S	C
1	6LH06702000	ASYS-BASE-PLTN-L		1/1/PP										
2	6LH06703000	ASYS-BASE-PLTN-R		1/1/PP										
3	6LH06663000	ASYS-SHEET-PLTN-TQ		1/1/KP										
4	X0-02247000	S/TPP/FHEXM-3X8-NI		5/10/P										



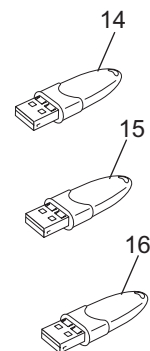
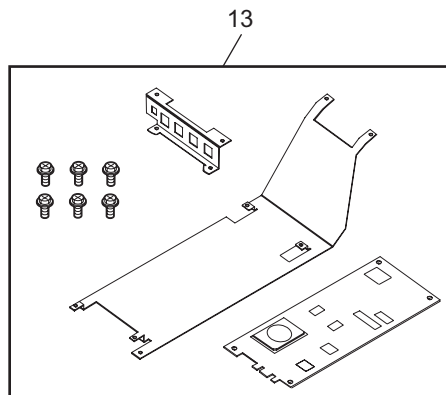
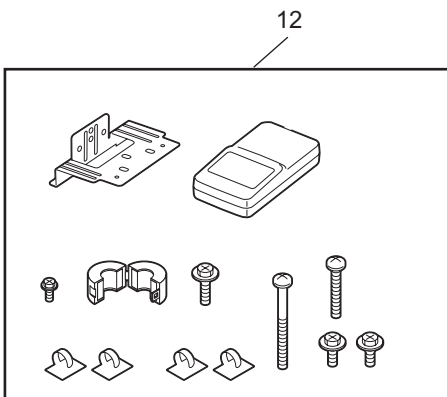
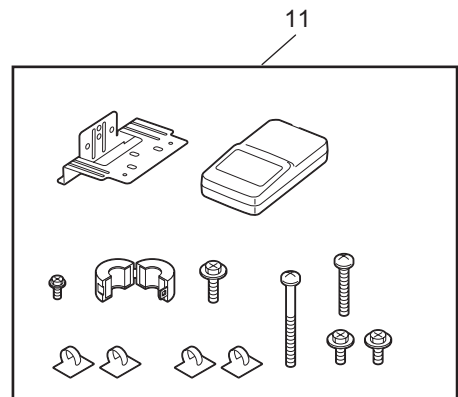
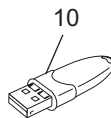
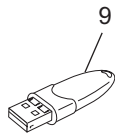
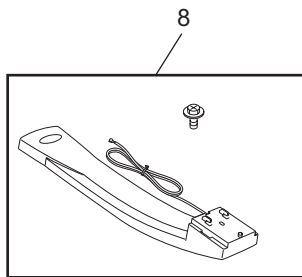
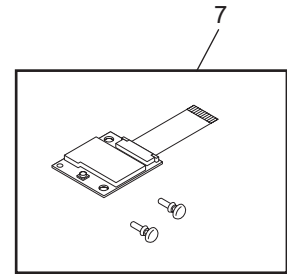
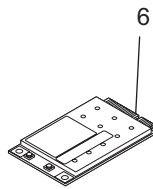
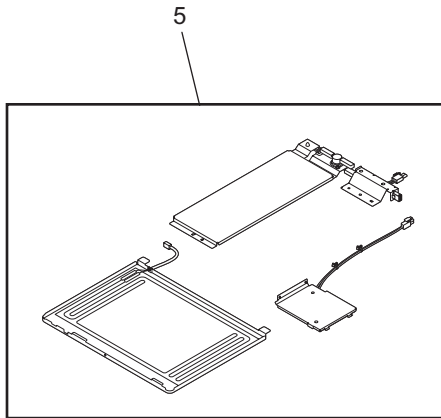
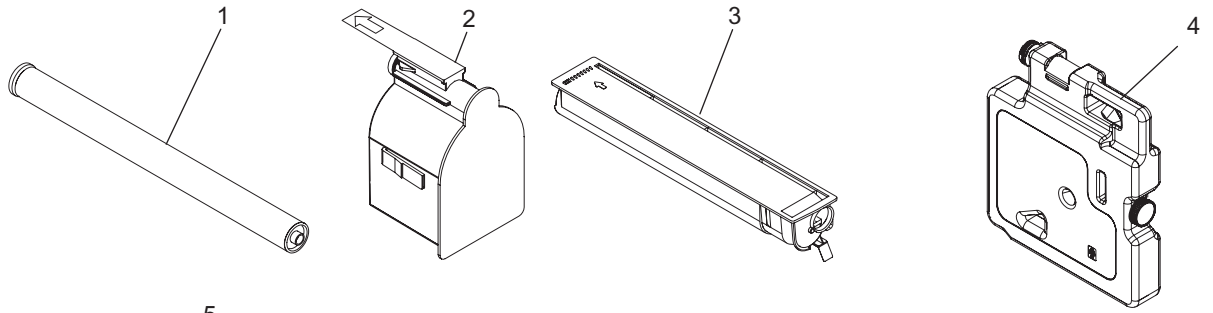
ITEM NO.	PARTS NO.	PARTS NAME	Q'TY / PAGE	Q'TY / PACK	PIR	BSI NO.	TO	T	FROM	SERIAL NO.	REMARKS	C
2	C0-15172000	GP1A173LCS2F		1/1/C								
4	6LH06729000	ASYS-GID-TRY-F-TQ		1/1/P								
5	6LH06730000	ASYS-GID-TRY-R-TQ		1/1/P								
6	6LE59922000	RACK-TRAY-PC		1/1/P								
7	6LE59921000	ASYS-RACK-TRY-PC		1/1/PP								
8	4407726480	PINION-18-395		1/1/P								
9	6LA78907000	WASHER-6R2X9R5XR13-PL		1/5/P								
10	4400974200	WASHER-W-6-10		1/10/P								
11	F0-01324000	STW-FI60 T0.25		1/5/P								
12	6LE49586000	PWA-F-TRAY-623		1/1/S								
14	X0-02247000	S/TPP/FHEXM-3X8-NI		8/10/P								
15	6LH06510000	TRAY-ORG-TQ		1/1/PP								
16	6LH06513000	TRAY-MID-TQ		1/1/PP								
17	F0-01846000	YJ-100		2/1/P								
18	6LE50470000	HLD-TRAY-F		1/1/P								
19	6LA08935000	SCR-M3X6BISR-NI		1/10/P								
21	6LH06814000	TRAY-INNER-TQ		1/1/PP								
22	6LH06808000	LABEL-CAUTION-TQ		1/1/KP								



ITEM NO.	PARTS NO.	PARTS NAME	Q'TY / PAGE	Q'TY / PACK	PIR	BSI NO.	TO	T	FROM	SERIAL NO.	REMARKS	C
1	4407915710	BRUSH-33		1/1/P								
2	6LA01757000	HOLDER-WIRE-SCAN		2/1/P							Wire holder jig	
3	44202661000	SPE-MOT-TNS		1/1/P								
4	4408600920	BAG-DRUM		1/5/P								
5	6LE50499000	SFT-PA-PIN-R		1/1/P								
6	4406552150	ASM-JIG-DOC-310		1/1/P								
7	6LH02876000	JIG-CLNR-DOCTOR		1/1/P								
8	6LH03596000	PLATE-TONER-SEAL		1/4/P								
9	6LH07575000	JIG-FU-THRMST-BP		1/1/P								
10	6LH07577000	ASYB-JIG-THRMIS-BP		1/1/P								
11	6LH07576000	JIG-FU-SEP-BP		1/1/P								
12	4407015430	P-POWDER-PPT001		1/1/P								
21	4842512170	OIL-LAUNA40-100		1/1/P							LAUNA40 100cc	
22A	41303709000	ASM-PG-HP300-S		1/1/D							White grease 100g	
22B	6LA00019000	GREASE-HP300-S		1/1/P							White grease 10g	
23	41303711000	ASM-PG-ALV2		1/1/P							Alvania No.2	
24	6LE36904000	MOLYKOTE_EM-30L_100G		1/1/P								



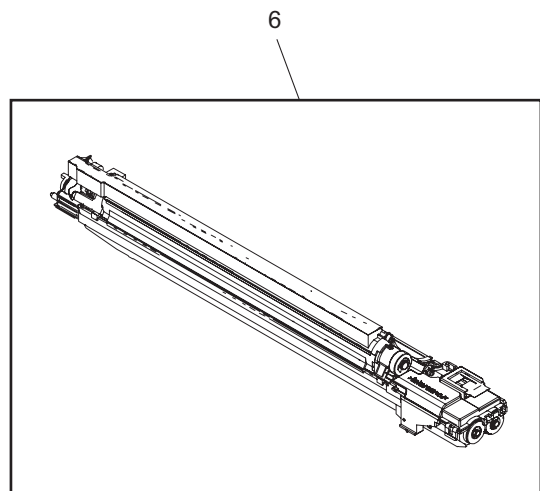
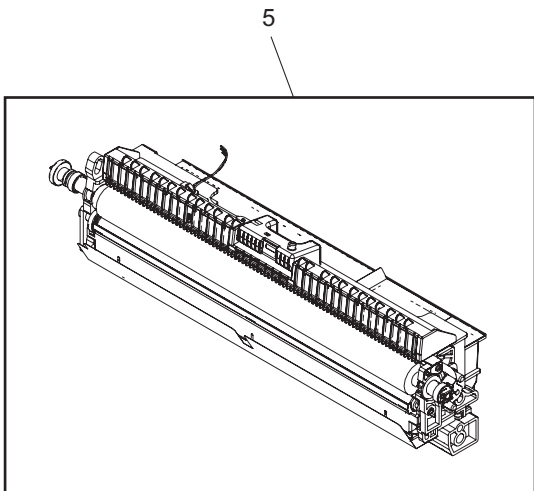
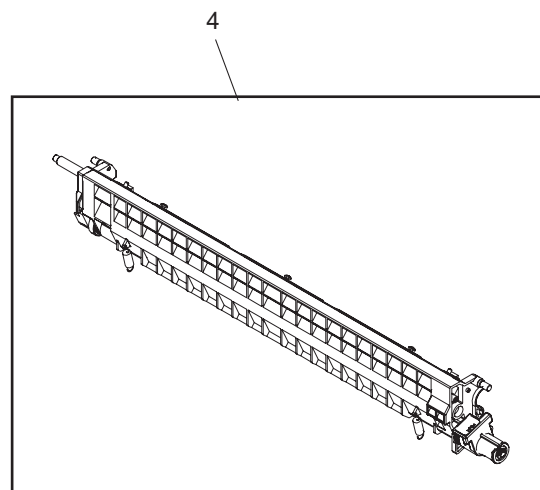
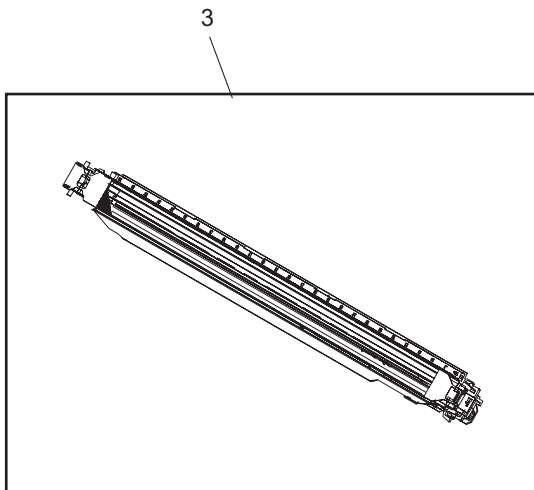
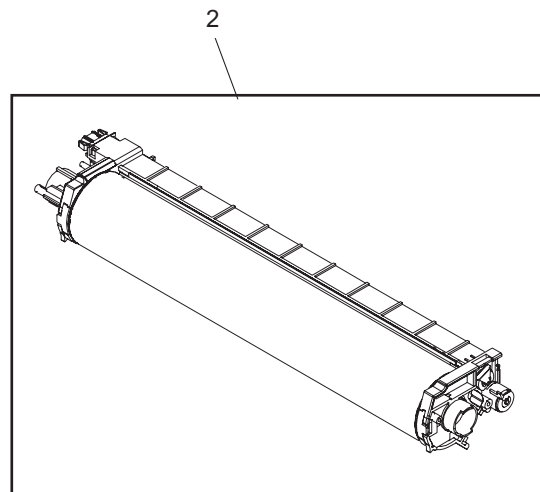
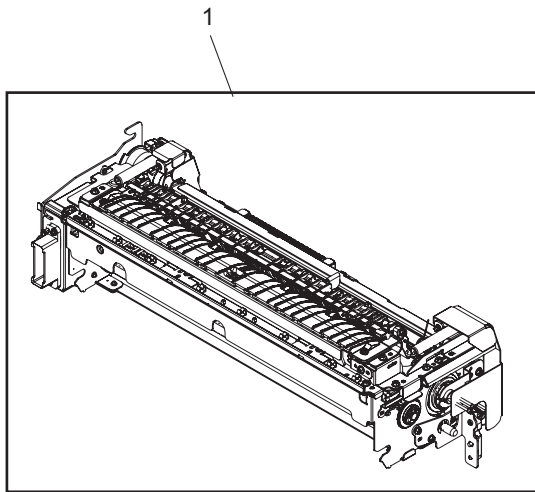
ITEM NO.	PARTS NO.	PARTS NAME	Q'TY / PAGE	Q'TY / PACK	P I R	B S I NO.	T O	T	F R O M	S E R I A L NO.	R E M A R K S	C
1	44205829000	K-PWA-DLM-320		1/1/C								
2	6LA41995000	PWA-DWNLD-350-JIG2		1/1/SB								
4	6LA41996000	PWA-DL-ADP-350-1881		1/1/S							For Model 1881	
5	6LA41997000	PWA-DL-ADP-350-1931		1/1/C							For Model 1931	
10	C0-04530000	M27C4001-10F1		1/1/S								
11	C0-05769000	M27C160-100F1		1/1/S								



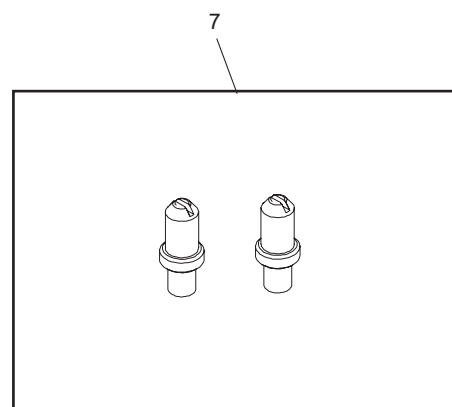
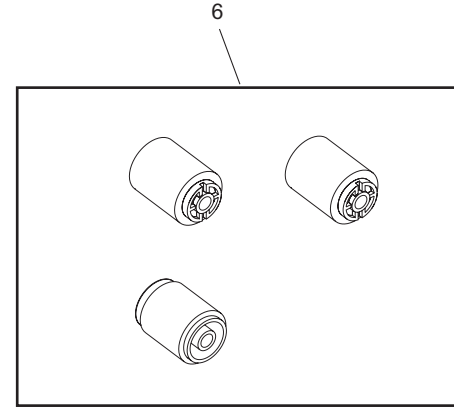
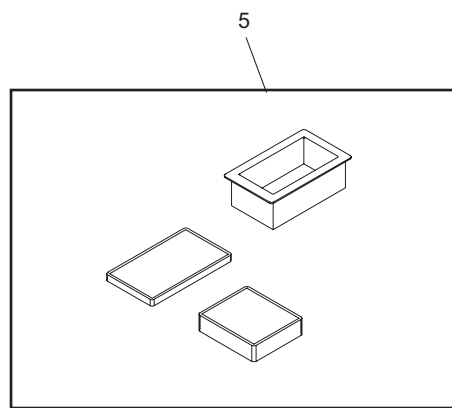
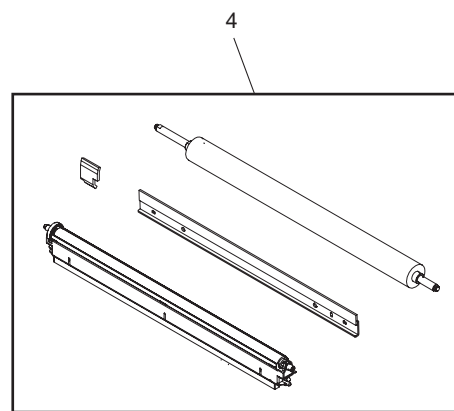
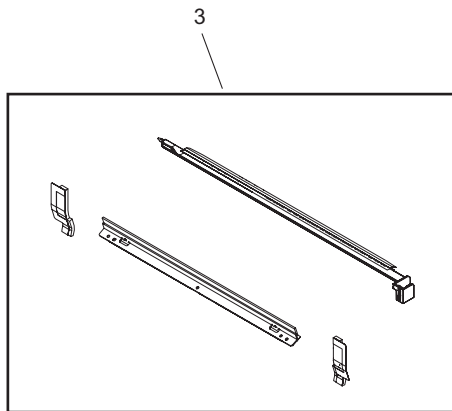
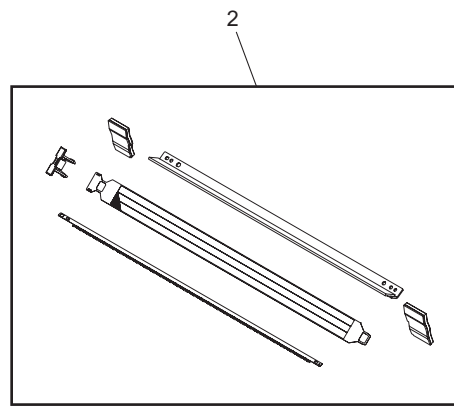
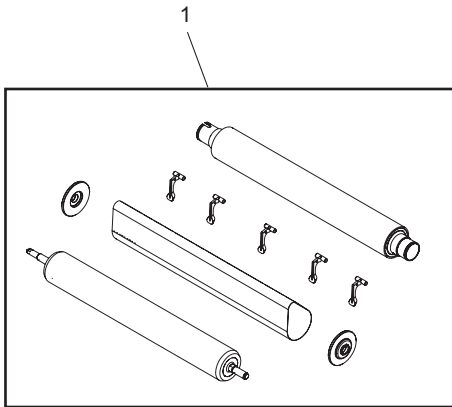
ITEM NO.	PARTS NO.	PARTS NAME	Q'TY / PAGE	Q'TY / PACK	PIR	BSI NO.	TO	T	FROM	SERIAL NO.	REMARKS	C
1A	6LH16946000	OD-FC55		1/1/S							DRUM (except for China)	
2A	6LH16883300	D-FC55-K		1/1/S							DEVELOPER (Black)	
2B	6LH16883000	D-FC55-Y		1/1/S							DEVELOPER (Yellow)	
2C	6LH16883100	D-FC55-M		1/1/S							DEVELOPER (Magenta)	
2D	6LH16883200	D-FC55-C		1/1/S							DEVELOPER (Cyan)	
3A	6AG00002327	PS-ZTFC55K(1)		1/SUPPLY							BLACK TONER for TABS/TCL	
3B	6AK00000118	PS-ZTFC55K(1)		1/SUPPLY							BLACK TONER for TABS/TCL (from	
3C	6AG00002319	PS-ZTFC55EK(1)		1/SUPPLY							BLACK TONER for EUROPE	
3D	6AK00000115	PS-ZTFC55EK(1)		1/SUPPLY							BLACK TONER for EUROPE (from Oct	
3E	6AG00002378	PS-ZTFC55DK(1)		1/SUPPLY							BLACK TONER for TAP, TSP, Latin	
3F	6AG00002308	PS-ZTFC55CK(1)		1/SUPPLY							BLACK TONER for China	
3G	6AG00002329	PS-ZTFC55Y(1)		1/SUPPLY							COLOR TONER (Yellow) for TABS/TCL	
3H	6AK00000120	PS-ZTFC55Y(1)		1/SUPPLY							COLOR TONER (Yellow) for TABS/TCL (from Oct. 2008)	
3I	6AG00002321	PS-ZTFC55EY(1)		1/SUPPLY							COLOR TONER (Yellow) for EUROPE	
3J	6AK00000117	PS-ZTFC55EY(1)		1/SUPPLY							COLOR TONER (Yellow) for EUROPE (from Oct. 2008)	
3K	6AG00002380	PS-ZTFC55DY(1)		1/SUPPLY							COLOR TONER (Yellow) for TAP, TSP, Latin (TABS)	
3L	6AG00002314	PS-ZTFC55CY(1)		1/SUPPLY							COLOR TONER (Yellow) for China	
3M	6AG00002328	PS-ZTFC55M(1)		1/SUPPLY							COLOR TONER (Magenta) for TABS/TCL	
3N	6AK00000119	PS-ZTFC55M(1)		1/SUPPLY							COLOR TONER (Magenta) for TABS/TCL (from Oct. 2008)	
3O	6AG00002320	PS-ZTFC55EM(1)		1/SUPPLY							COLOR TONER (Magenta) for EUROPE	

ITEM NO.	PARTS NO.	PARTS NAME	Q'TY / PAGE	Q'TY / PACK	PIR	BSI NO.	TO	T	FROM	SERIAL NO.	REMARKS	C
3P	6AK0000116	PS-ZTFC55EM(1)		1	SUPPLY						E COLOR TONE R(Magenta) for EUROP E (from Oc t. 2008)	
3Q	6AG00002379	PS-ZTFC55DM(1)		1	SUPPLY						COLOR TONE R(Magenta) for TAP, TSP, Latin (TABS)	
3R	6AG00002311	PS-ZTFC55CM(1)		1	SUPPLY						COLOR TONE R(Magenta) for China	
3S	6AG00002333	PS-ZTFC55C(1)		1	SUPPLY						COLOR TONE R(Cyan) fo r TABS/TCL	
3T	6AK0000113	PS-ZTFC55C(1)		1	SUPPLY						COLOR TONE R(Cyan) fo r TABS/TCL (from Oct . 2008)	
3U	6AG00002318	PS-ZTFC55EC(1)		1	SUPPLY						COLOR TONE R(Cyan) fo r EUROPE	
3V	6AK0000114	PS-ZTFC55EC(1)		1	SUPPLY						COLOR TONE R(Cyan) fo r EUROPE (from Oct. 2008)	
3W	6AG00002377	PS-ZTFC55DC(1)		1	SUPPLY						COLOR TONE R(Cyan) fo r TAP, TSP , Latin(TA BS)	
3X	6AG00002305	PS-ZTFC55CC(1)		1	SUPPLY						COLOR TONE R(Cyan) fo r China	
4A	6AG00002330	PS-TBFC55		1	SUPPLY						TONER BAG for TABS,T CL,TAP,TSP ,Asia,Lati n(TABS)	
4B	6AG00002332	PS-TBFC55E		1	SUPPLY						TONER BAG for EUROPE	
4C	6AG00002331	PS-TBFC55C		1	SUPPLY						TONER BAG for China	
5A	6AG00002376	MF-5520U		1	SUPPLY						DAMP HEATE R KIT (TAB S, TCL)	
5B	6AG00002375	MF-5520E		1	SUPPLY						DAMP HEATE R KIT (EUR OPE, ASIA)	
6A	6A00000981	GN-1050		1	SUPPLY						Wireless L AN Module (Except Ch ina)	
6B	6A00001050	GN-1050C		1	SUPPLY						Wireless L AN Module (China)	
7	6A00000766	GN-2010		1	SUPPLY						Bluetooth Module	
8	6A00000459	GN-3010		1	SUPPLY						Antenna	
9A	6AG00001715	GP-1060		1	SUPPLY						Data Overw rite enabl er (Except China)	
9B	6AG00001716	GP-1060C		1	SUPPLY						Data Overw	

ITEM NO.	PARTS NO.	PARTS NAME	Q'TY / PAGE	Q'TY / PACK	P I R	B S I NO.	T O	T	F R O M	S E R I A L NO.	R E M A R K S	C
10	6A000001051	GP-1070	1	SUPPLY							rite enabl er (China) Data Overw rite enabl er	
11	6A000000878	KP-2004	1	SUPPLY							e-BRIDGE I D Gate (Al l except J PN *2)	
12	6A000000925	KP-2005	1	SUPPLY							e-BRIDGE I D Gate (Al l *3)	
13	6A000001048	GE-1170	1	SUPPLY							Imaging Ac celeration Board	
14	6A000001055	GS-1010	1	SUPPLY							Meta scan enabler	
15	6A000001053	GP-1080	1	SUPPLY							IPSec enab ler (Excep t China)	
16	6A000001057	GS-1020	1	SUPPLY							External i nterface e nabler	



ITEM NO.	PARTS NO.	PARTS NAME	Q'TY / PAGE	Q'TY / PACK	P I R	B S I NO.	T O	T	F R O M	S E R I A L NO.	R E M A R K S	C
1A	6LH16906000	FUSER-FC55-115		1/1/S							NAD,NAC	
1B	6LH16907000	FUSER-FC55-220M		1/1/S							MJD,MJC	
1C	6LH16945000	FUSER-FC55-220A		1/1/S							ASD,AUD,AU C,ASU	
2	6LH17091000	CLN-DRUM-FC55		1/1/S								
3	6LH16910000	TR-CH-FC55		1/1/S								
4	6LH16911000	TR-BLT-CLN-FC55		1/1/S								
5	6LH16912000	TR2-UNIT-FC55		1/1/S								
6	6LH16913000	DEVE-UNIT-FC55		1/1/S								



ITEM NO.	PARTS NO.	PARTS NAME	Q'TY / PAGE	Q'TY / PACK	P	I	R	B S I NO.	T O	T	F R O M	S E R I A L NO.	R E M A R K S	C
1	6LH16897000	FR-KIT-FC55		1/1/S										
2	6LH16898000	EPU-KIT-FC55		1/1/S										
3	6LH16899000	TBU-KIT-FC55		1/1/S										
4	6LH16900000	TR2-KIT-FC55		1/1/S										
5	6LH16901000	FLTR-KIT-FC55		1/1/S										
6	6LA06886000	ROL-KIT-81CST		1/1/P										
7	6LE49738000	DF-KIT-3018		1/1/P										

TOSHIBA

TOSHIBA TEC CORPORATION

2-17-2, HIGASHIGOTANDA, SHINAGAWA-KU, TOKYO, 141-8664, JAPAN