

TOSHIBA

SERVICE PARTS LIST

MULTIFUNCTIONAL DIGITAL SYSTEMS

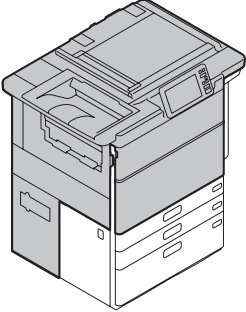
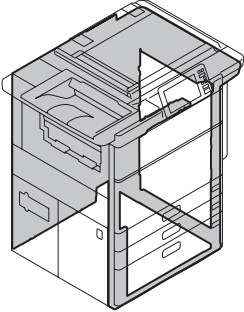
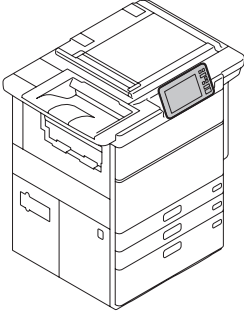
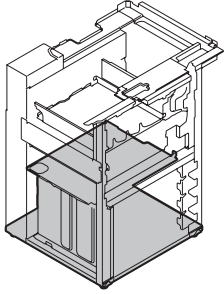
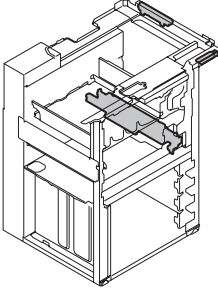
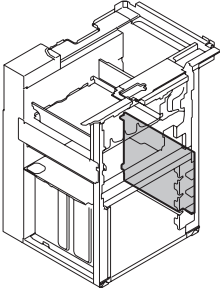
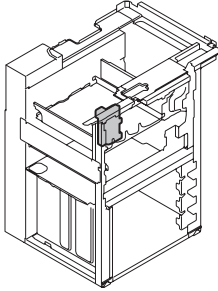
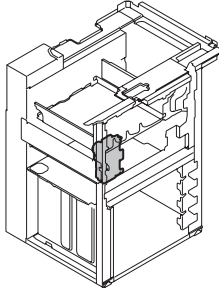
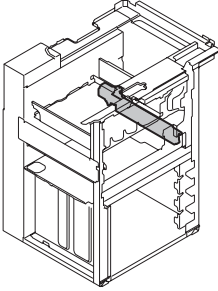
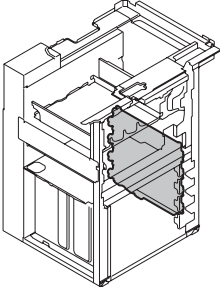
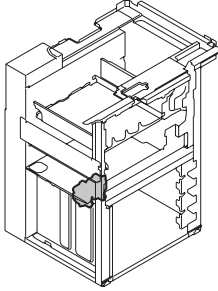
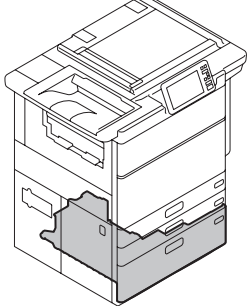
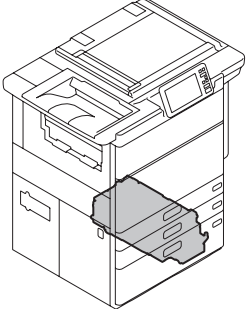
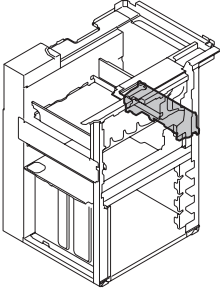
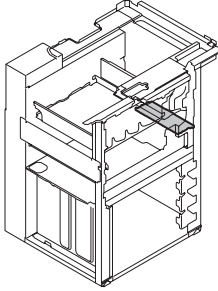
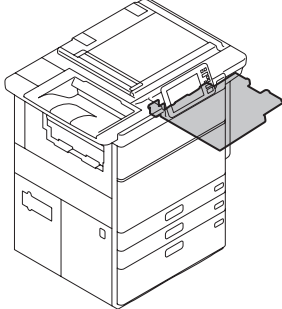
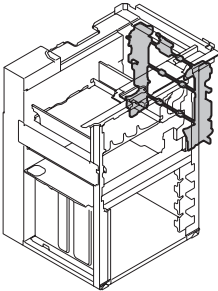
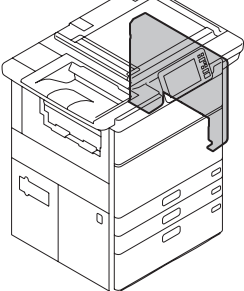
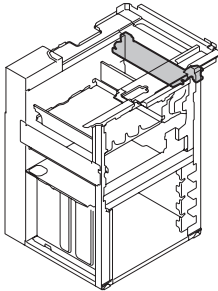
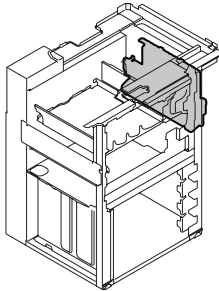
**e-STUDIO05518A/6518A/
7518A/8518A**

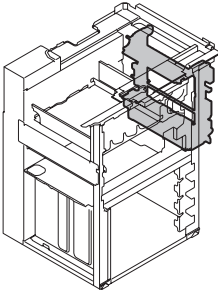
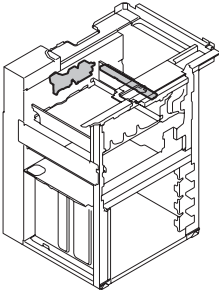
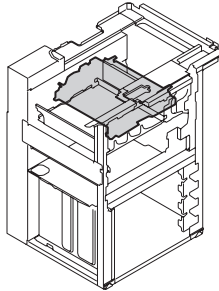
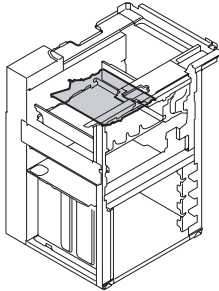
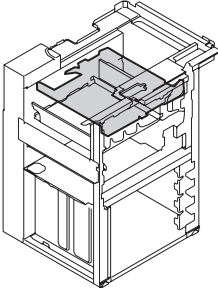
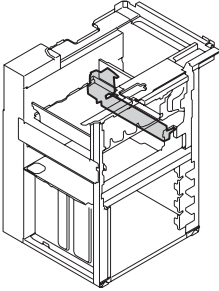
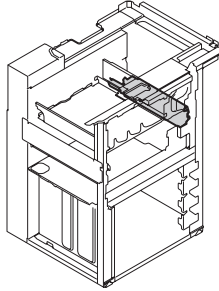
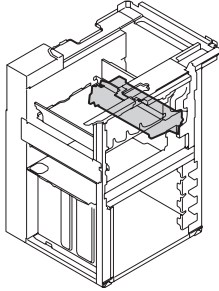
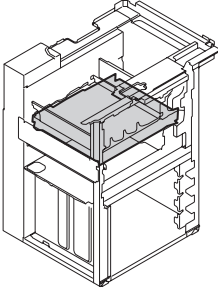
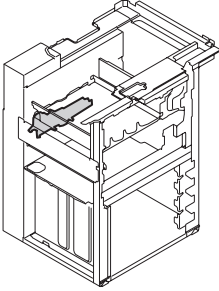
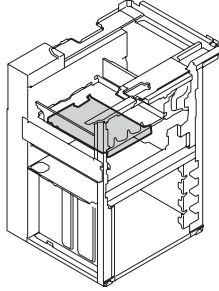
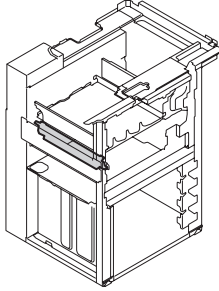
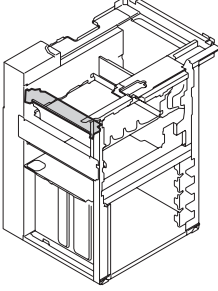
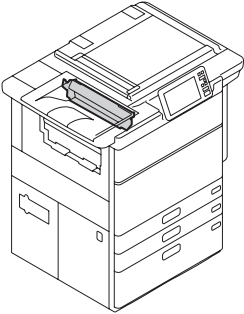
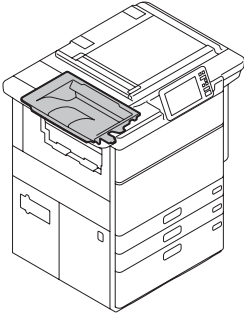
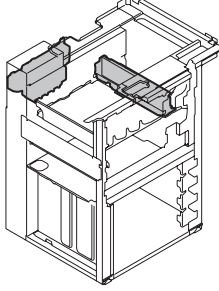
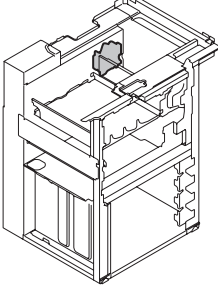
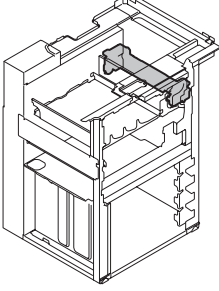
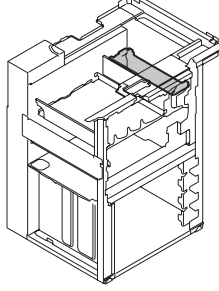
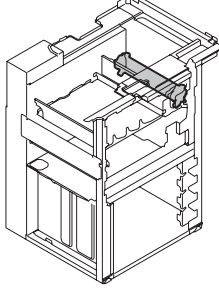
© 2018 TOSHIBA TEC CORPORATION All rights reserved

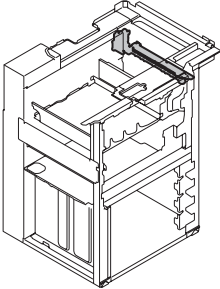
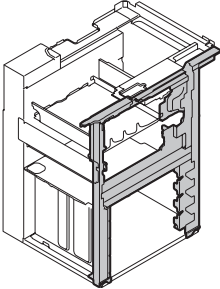
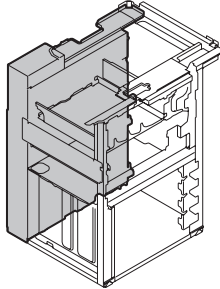
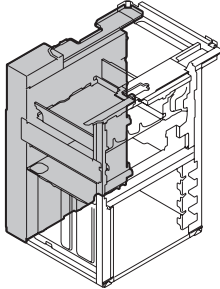
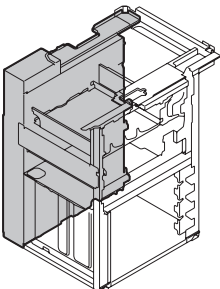
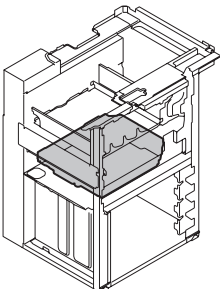
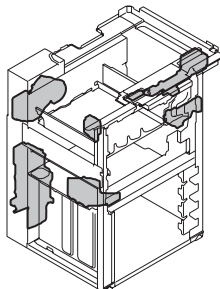
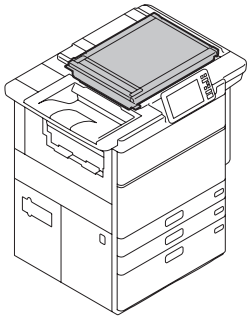
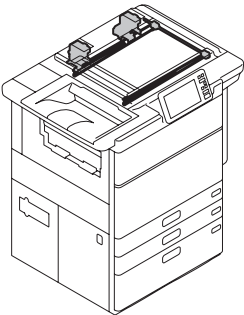
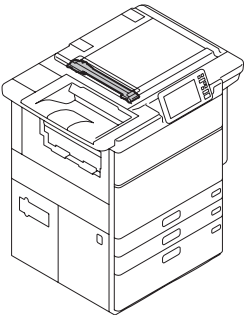
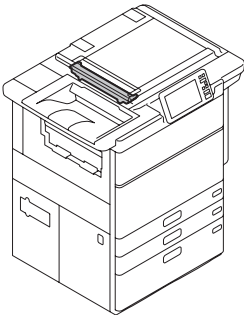
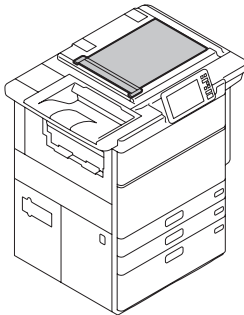
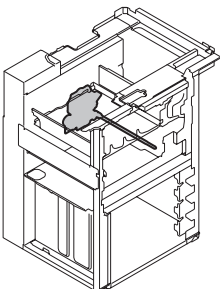
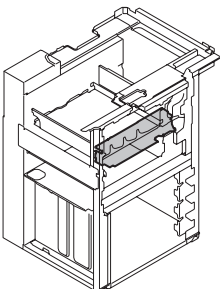
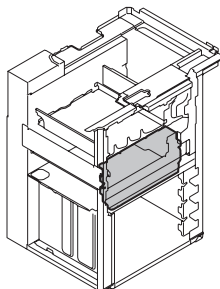
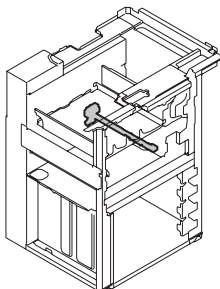
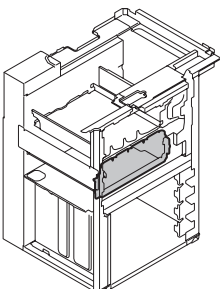
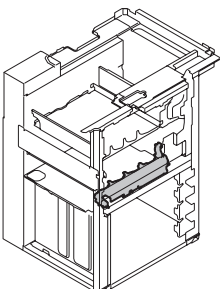
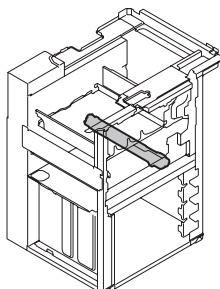
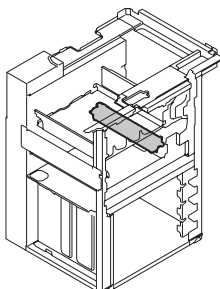
Under the copyright laws, this manual cannot be reproduced in any form without prior written permission of TOSHIBA TEC CORPORATION. No patent liability is assumed, however, with respect to the use of the information contained herein.

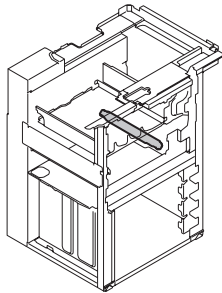
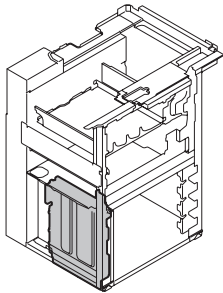
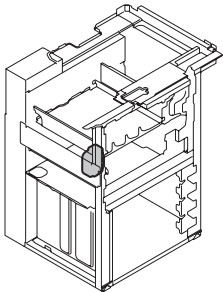
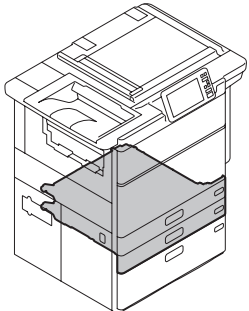
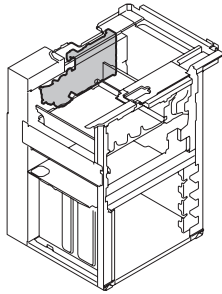
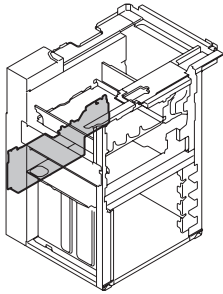
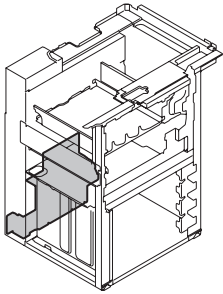
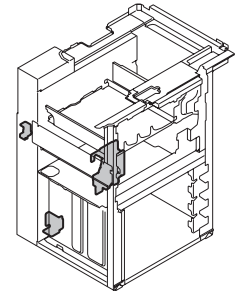
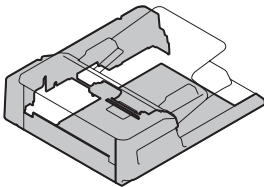
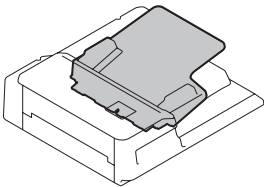
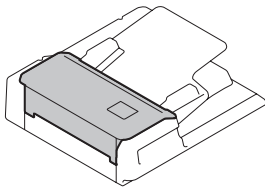
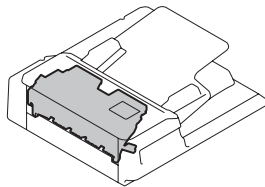
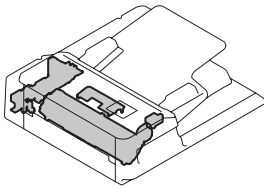
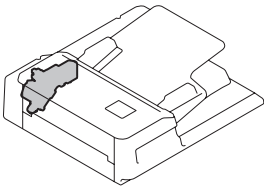
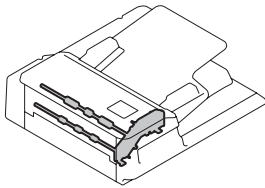
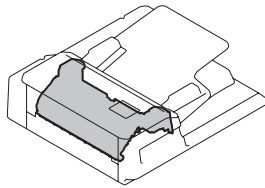
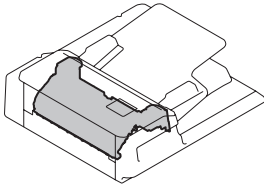
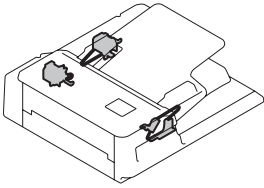
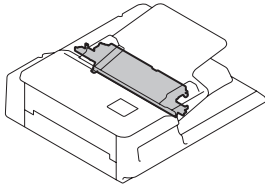
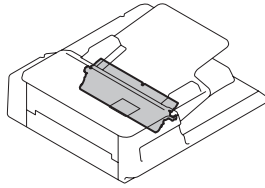
CONTENTS

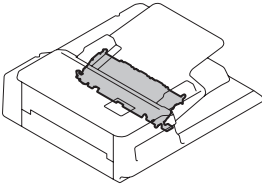
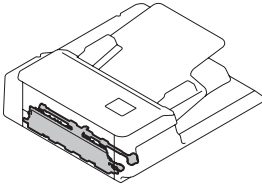
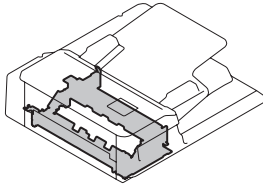
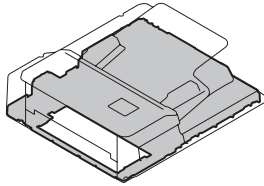
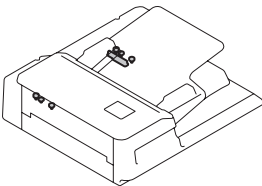
COVER-1-ASM	1	LSU-ASM	48
COVER-2-ASM	2	DUCT-ASM	49
CONTROL-PANEL-ASM	3	OPTICAL-FRAME-ASM	50
LOWER-FRAME-ASM	5	OPTICAL-DRIVE-ASM.....	51
UPPER-FRAME-ASM	6	CRG-1-ASM	52
FEED-COVER-ASM.....	7	CRG-2-ASM	53
FEED-DRIVE-1-ASM	8	GLASS-ASY	54
FEED-DRIVE-2-ASM	9	K-DRIVE-ASM.....	56
FEED-RGST-ASM.....	10	TONER-ASM.....	57
FEED-ASM.....	11	EPU-COVER-ASM	58
TANDEM-LCF-DRIVE-ASM	12	EPU-TRAY-1-ASM	59
TANDEM-LCF-1-ASM	13	EPU-TRAY-2-ASM	60
TANDEM-LCF-2-ASM	14	EPU-TRAY-3-ASM	61
MANUAL-FEED-DRIVE-1-ASM	15	DEVELOPER-ASM	62
MANUAL-FEED-DRIVE-2-ASM	16	CLEANER-ASM	63
MANUAL-TRAY-ASM	17	CHARGER-ASM	64
ADU-DRIVE-ASM	18	EPU-TONER-AUGER-ASM	65
ADU-COVER-ASM.....	19	DRAWER-DRIVE-ASM	66
ADU-MID-ASM.....	20	DRAWER-ASM	67
ADU-GUIDE-1-ASM.....	21	SYS-ASM	68
ADU-GUIDE-2-ASM.....	22	LGC-ASM.....	69
BRIDGE-1-ASM	23	PS-HVT-ASM	70
BRIDGE-2-ASM	24	ELECTRIC-ASM	71
BRIDGE-3-ASM	25	DSDF-COVER-ASY	81
BRIDGE-4-ASM	26	DSDF-TRAY-ASY	82
TRANSFER-ROLLER-DRIVE-ASM	28	DSDF-TOP_FEED-1-ASY.....	83
TRANSFER-ROLLER-ASM	29	DSDF-TOP_FEED-2-ASY.....	84
TRANSFER-BELT-1	30	DSDF-OPTICAL-ASY.....	85
TRANSFER-BELT-2	31	DSDF-MIDDLE_FEED-DRIVE-ASY.....	86
TRANSFER-BELT-3	32	DSDF-MIDDLE_FEED-1-ASY.....	87
TRANSFER-BELT-4	33	DSDF-MIDDLE_FEED-2-ASY.....	88
TRANSFER-BELT-CLEANER.....	34	DSDF-MIDDLE_FEED-3-ASY.....	89
EXIT-1-ASM	35	DSDF-BOTTOM_FEED-DRIVE-ASY....	90
EXIT-2-ASM	36	DSDF-BOTTOM_FEED-1-ASY.....	91
EXIT-3-ASM	37	DSDF-BOTTOM_FEED-2-ASY.....	92
FUSER-AROUND-ASM	38	DSDF-BOTTOM_FEED-3-ASY.....	93
FUSER-DRIVE-ASM.....	39	DSDF-BOTTOM_FEED-4-ASY.....	94
FUSER-COV-FRAME-ASM	40	DSDF-BOTTOM_FRAME-ASY	95
FUSER-GUIDE-ASM	41	DSDF-BASE-TRAY-ASY	96
FUSER-PR-ASM.....	42	DSDF-INST_ASY	97
FUSER-HR-ASM.....	43	JIGS & GREASE.....	201
FRONT-FRAME-ASM	44	SUPPLIES.....	202
REAR-FRAME-1-ASM	45	REPLACE UNIT	203
REAR-FRAME-2-ASM	46	PM-KIT	204
REAR-FRAME-3-ASM	47	SERVICE.....	205

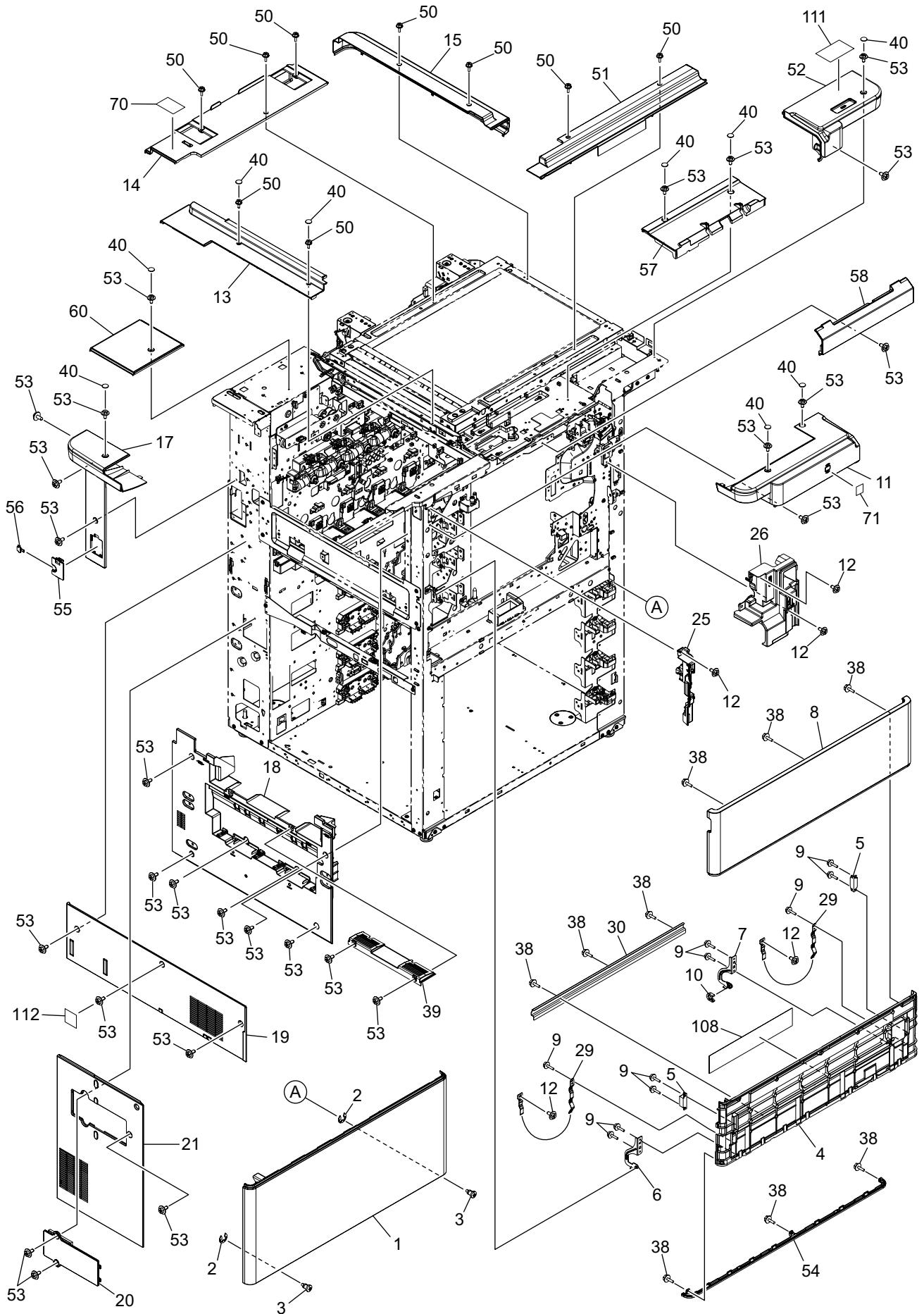
<p>1. COVER-1-ASY</p> 	<p>2. COVER-2-ASY</p> 	<p>3. CONTROL-PANEL-ASY</p> 	<p>5. LOWER-FRAME-ASM</p> 
<p>6. UPPER-FRAME-ASM</p> 	<p>7. FEED-COVER-ASM</p> 	<p>8. FEED-DRIVE-1-ASM</p> 	<p>9. FEED-DRIVE-2-ASM</p> 
<p>10. FEED-RGST-ASM</p> 	<p>11. FEED-ASM</p> 	<p>12. TANDEM-LCF-DRIVE-ASM</p> 	<p>13. TANDEM-LCF-1-ASM</p> 
<p>14. TANDEM-LCF-2-ASM.</p> 	<p>15. MANUAL-FEED-DRIVE-1-ASM</p> 	<p>16. MANUAL-FEED-DRIVE-2-ASM</p> 	<p>17. MANUAL-TRAY-ASM</p> 
<p>18. ADU-DRIVE-ASM</p> 	<p>19. ADU-COVER-ASM</p> 	<p>20. ADU-MID-ASM</p> 	<p>21. ADU-GUIDE-1-ASM</p> 

<p>22. ADU-GUIDE-2-ASM</p> 	<p>23. BRIDGE-1-ASM</p> 	<p>24. BRIDGE-2-ASM</p> 	<p>25. BRIDGE-3-ASM</p> 
<p>26. BRIDGE-4-ASM</p> 	<p>28. TRANSFER-ROLLER-DRIVE-ASM</p> 	<p>29. TRANSFER-ROLLER-ASM</p> 	<p>30. TRANSFER-BELT-1</p> 
<p>31. TRANSFER-BELT-2</p> 	<p>32. TRANSFER-BELT-3</p> 	<p>33. TRANSFER-BELT-4</p> 	<p>34. TRANSFER-BELT-CLEANER</p> 
<p>35. EXIT-1-ASM</p> 	<p>36. EXIT-2-ASM</p> 	<p>37. EXIT-3-ASM</p> 	<p>38. FUSER-AROUND-ASM</p> 
<p>39. FUSER-DRIVE-ASM</p> 	<p>40. FUSER-COV-FRAME-ASM</p> 	<p>41. FUSER-GUIDE-ASM</p> 	<p>42. FUSER-PR-ASM</p> 

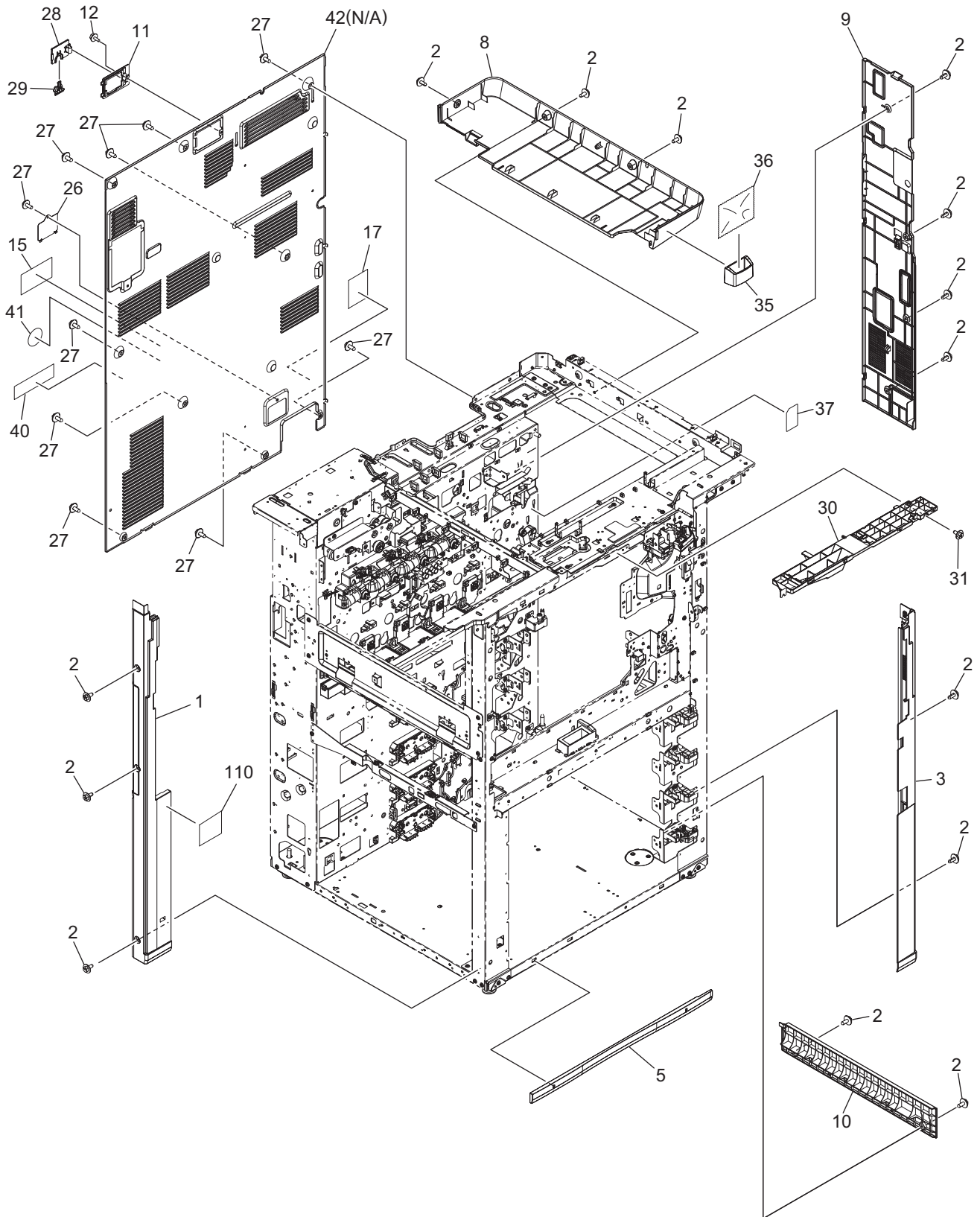
<p>43. FUSER-HR-ASM</p> 	<p>44. FRONT-FRAME-ASM</p> 	<p>45. REAR-FRAME-1-ASM</p> 	<p>46. REAR-FRAME-2-ASM</p> 
<p>47. REAR-FRAME-3-ASM</p> 	<p>48. LSU-ASM</p> 	<p>49. DUCT-ASM</p> 	<p>50. OPTICAL-FRAME-ASM</p> 
<p>51. OPTICAL-DRIVE-ASM</p> 	<p>52. CRG-1-ASM</p> 	<p>53. CRG-2-ASM</p> 	<p>54. GLASS-ASY</p> 
<p>56. K-DRIVE-ASM</p> 	<p>57. TONER-ASM</p> 	<p>58. EPU-COVER-ASM</p> 	<p>59. EPU-TRAY-1-ASM</p> 
<p>60. EPU-TRAY-2-ASM</p> 	<p>61. EPU-TRAY-3-ASM</p> 	<p>62. DEVELOPER-ASM</p> 	<p>63. CLEANER-ASM</p> 

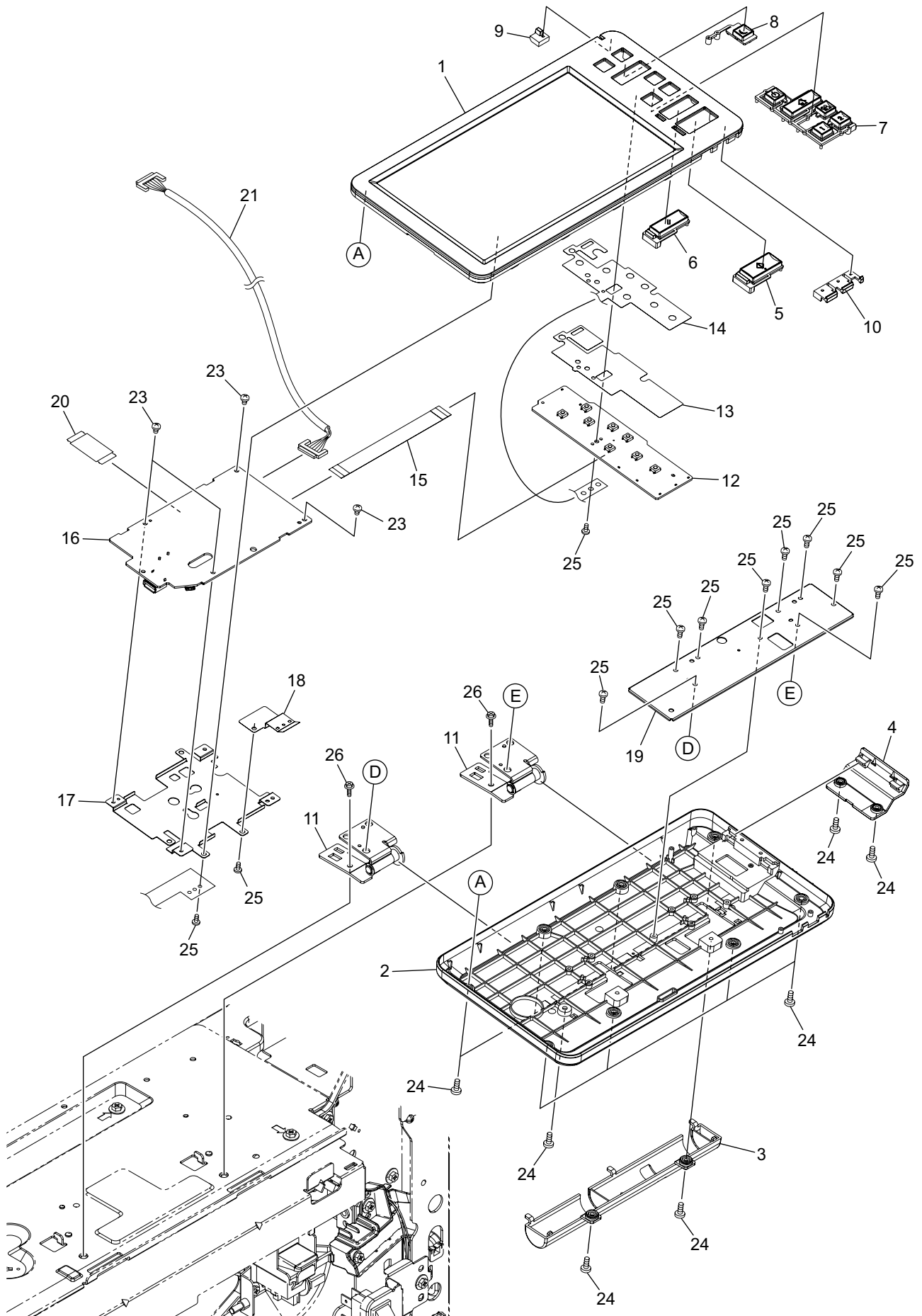
<p>64. CHARGER-ASM</p> 	<p>65. EPU-TONNER-AUGER-ASM</p> 	<p>66. DRAWER-DRIVE-ASM</p> 	<p>67. DRAWER-ASM</p> 
<p>68. SYS-ASM</p> 	<p>69. LGC-ASM</p> 	<p>70. PS-HVT-ASM</p> 	<p>71. ELECTRIC-ASM</p> 
<p>81. DSDF-COVER-ASY</p> 	<p>82. DSDF-TRAY-ASY</p> 	<p>83. DSDF-TOP_FEED-1-ASY</p> 	<p>84. DSDF-TOP_FEED-2-ASY</p> 
<p>85. DSDF-OPTICAL-ASY</p> 	<p>86. DSDF-MIDDLE_FEED-DRIVE-ASY</p> 	<p>87. DSDF-MIDDLE_FEED-1-ASY</p> 	<p>88. DSDF-MIDDLE_FEED-2-ASY</p> 
<p>89. DSDF-MIDDLE_FEED-3-ASY</p> 	<p>90. DSDF-BOTTOM_FEED-DRIVE-ASY</p> 	<p>91. DSDF-BOTTOM_FEED-1-ASY</p> 	<p>92. DSDF-BOTTOM_FEED-2-ASY</p> 

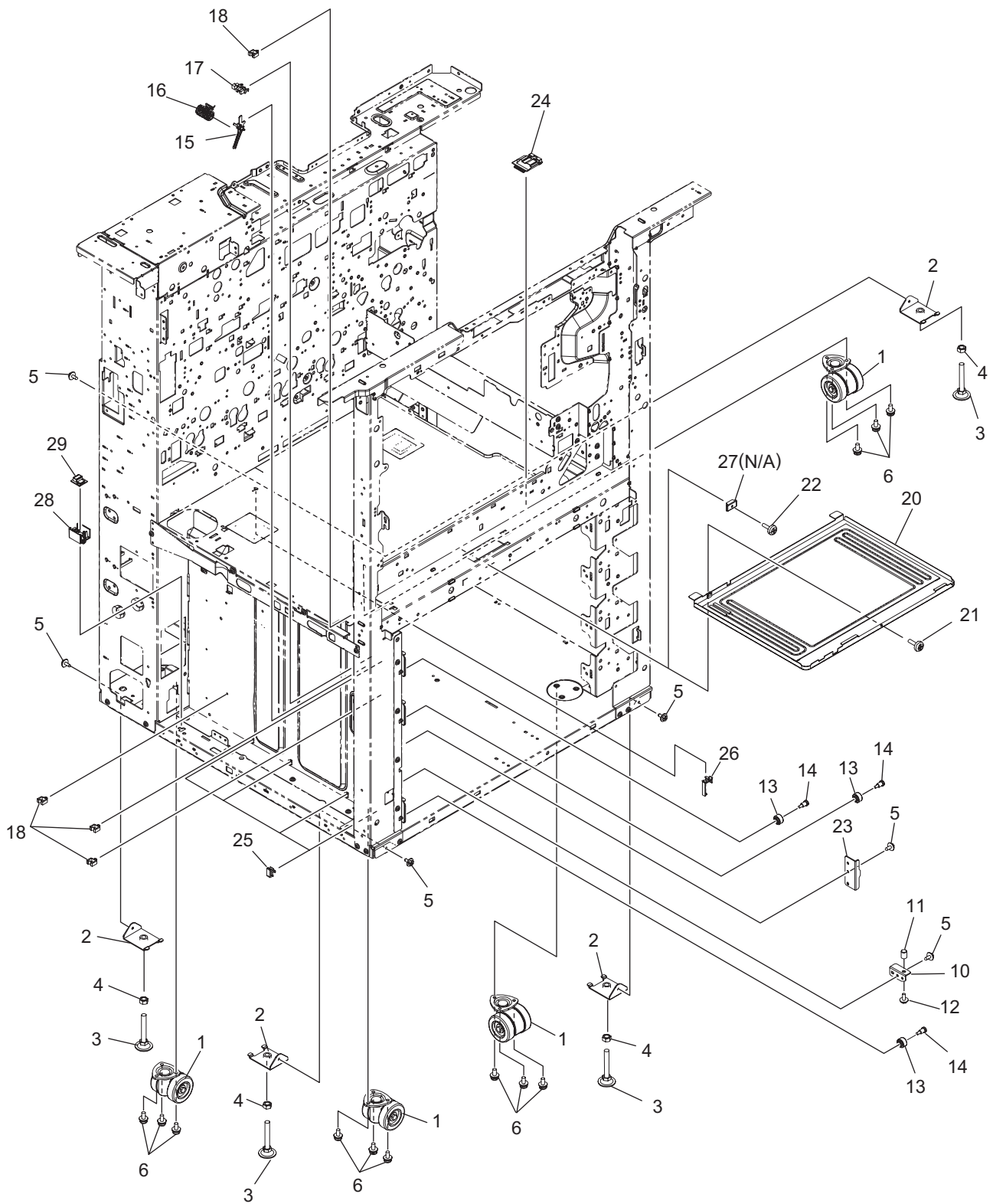
<p>93. DSDF-BOTTOM_FEED-3-ASY</p> 	<p>94. DSDF-BOTTOM_FEED-4-ASY</p> 	<p>95. DSDF-BOTTOM_FRAME-ASY</p> 	<p>96. DSDF-BASE-TRAY-ASY</p> 
<p>97. DSDF-INST_ASY</p> 			

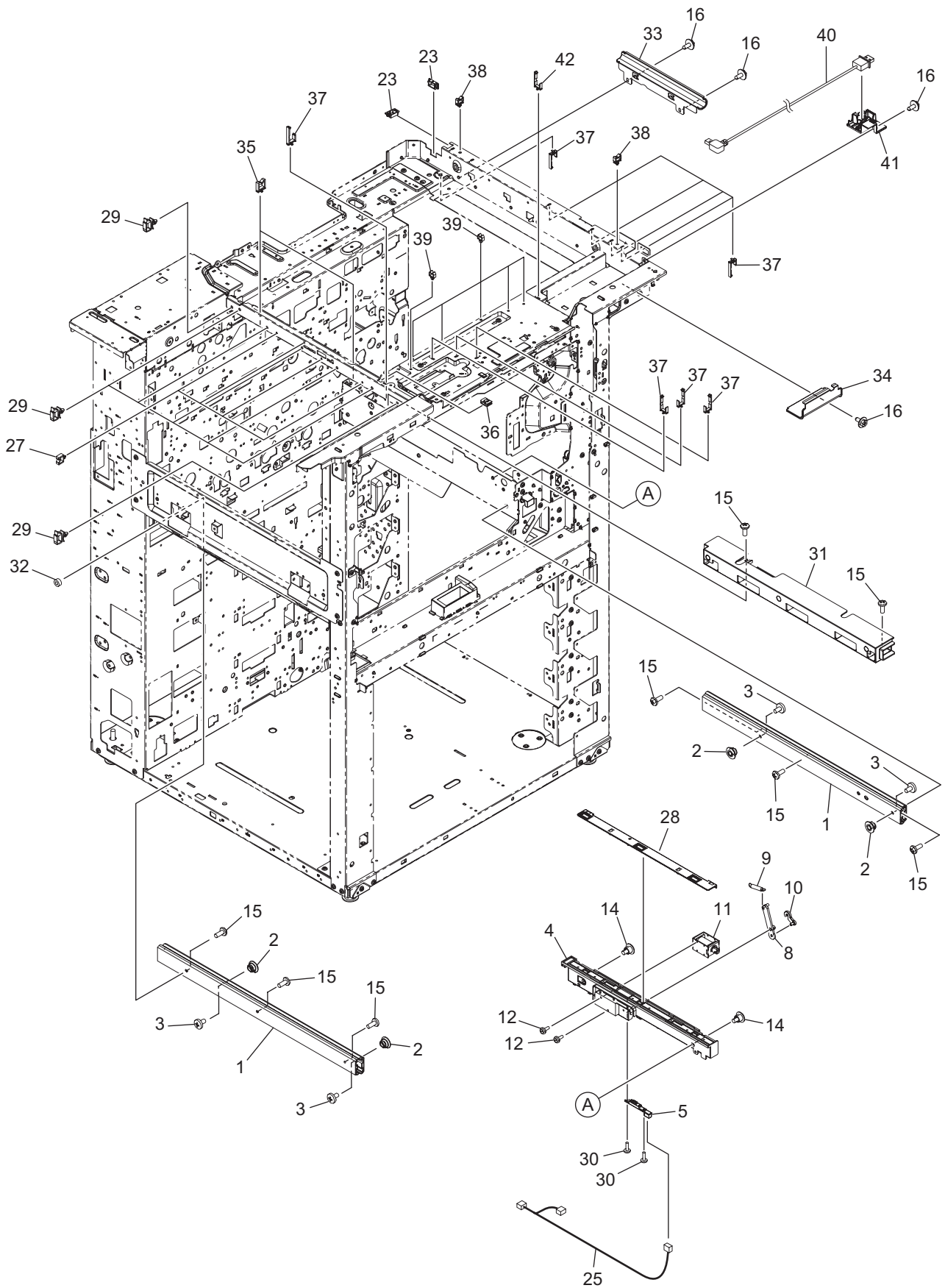


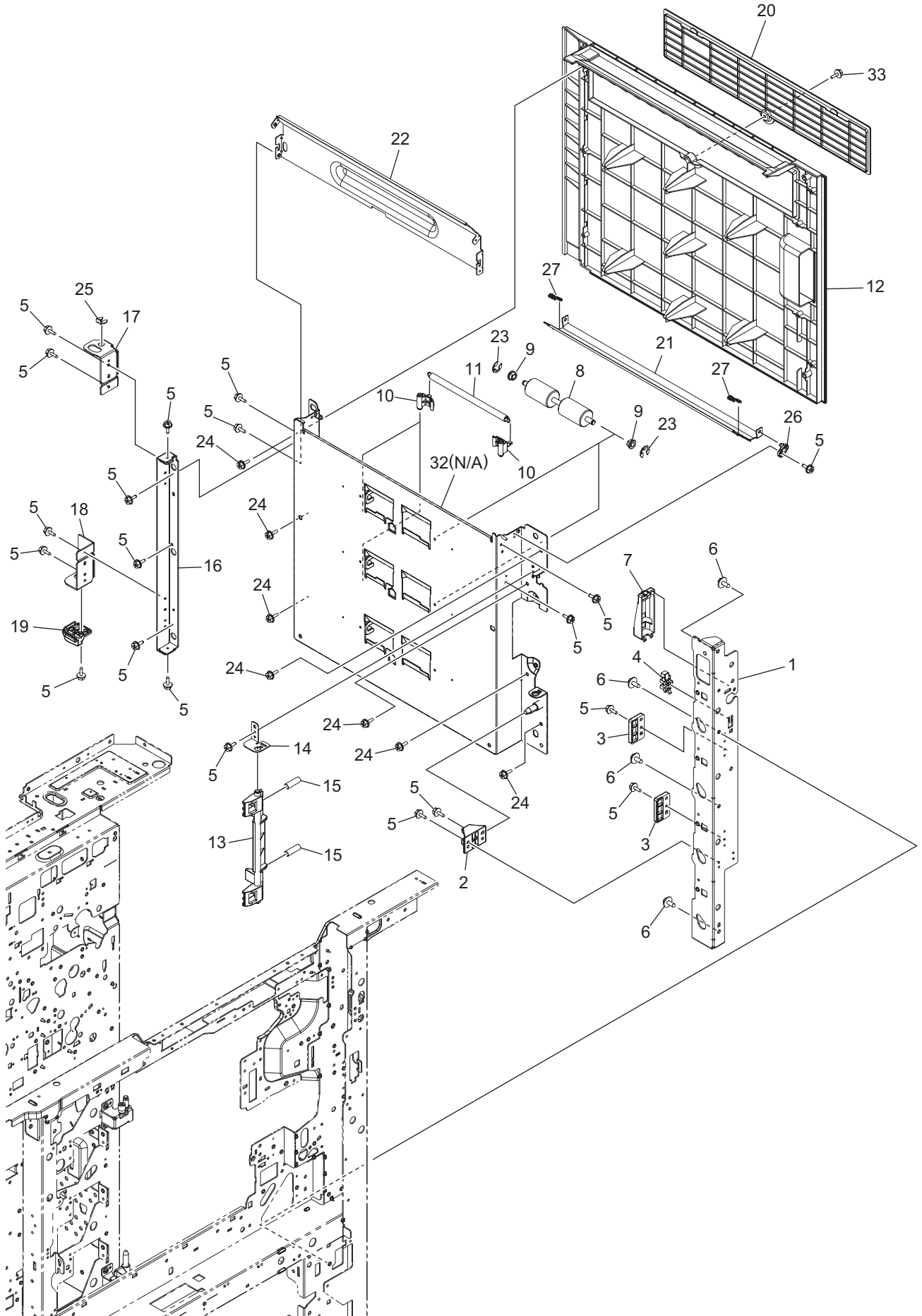
ITEM No.	PART No.	PART NAME	Q'TY / PAGE	Q'TY / PACK	REMARKS
1	6LK40221000	COVER-FRONT-EPU-H38X	1	1/PP	
2	X0-00965000	RR/E-4-SS	2	10/P	
3	6LA65682000	SCREW-CLNR-DEV	2	10/P	
4	6LK40222100	COVER-FRT-TNR-BASE-K13X	1	1/PP	
5	F0-01564000	CA-0168C	2	5/P	
6	6LH02316100	ASYS-HNG-L_38X	1	1/P	
7	6LH02315100	ASYS-HNG-R_38X	1	1/P	
8	6LK40262000	ASYS-COV-FRT-TNR-TSB	1	1/PP	
9	X0-02248000	S/TPP/FHEXM-3X10-NI	10	10/P	
10	4407972860	STOP-RING-6-5	1	5/P	
11 A	6LK40263300	ASYS-COV-FRT-L-5518A	1	1/PP	eS5518A
11 B	6LK40263400	ASYS-COV-FRT-L-6518A	1	1/PP	eS6518A
11 C	6LK40263500	ASYS-COV-FRT-L-7518A	1	1/PP	eS7518A
11 D	6LK40263600	ASYS-COV-FRT-L-8518A	1	1/PP	eS8518A
12	X0-02421000	S/TPS/FHEXM/R-4X8-ZU3	5	10/P	
13	6LK40217000	COV-TP-LFT-SCAN-H38X	1	1/PP	
14	6LK40218000	COV-TP-RER-SCAN-H38X	1	1/PP	
15	6LK42905000	ASYS-COV-TP-RGT-SCAN-H380	1	1/PP	
17	6LK40219000	COVER-LEFT-REAR-H38X	1	1/PP	
18	6LH02408300	COVER-LFT-EXIT-H38X	1	1/PP	
19 A	6LH02411300	COVER-LFT-LSU-H38X	1	1/PP	NAD,MJD,ASD,AUD,CND,ARD,eS7518A-TWD
19 B	6LK40246000	ASYS-COV-LFT-LSU-TWD	1	1/PP	eS6518A-TWD
20	6LH02357100	ASYS-COVER-FLT-H38X	1	1/PP	
21	6LH02407300	COVER-DUCT-H38X	1	1/PP	
25	6LH02354400	COVER_INNER_L-K13X	1	1/PP	
26	6LK40206100	COVER_INNER_R-K13X	1	1/PP	
29	6LH02317000	BAND-CV-FRT-TNR	2	1/P	
30	6LK40234000	PLATE-COVER-FRT-TNR	1	1/PP	
38	X0-02247000	S/TPP/FHEXM-3X8-NI	9	10/P	
39	6LH02381300	COVER-LFT-EX-UPR-H38EF	1	1/PP	
40	6LK40237000	LID-SCREW-H38X	9	5/P	
50	X0-02672000	S/FHEXM-M3X8-ZB3	9	10/P	
51	6LK40215000	COV-TP-FRT-SCAN-H38X	1	1/PP	
52	6LK40255000	COV-TP-FRT-R-K13X	1	1/PP	
53	X0-02678000	S/TPS/FHEXM/R-4X8-ZB3	27	10/P	
54	6LK40205100	FRONT-DMHS	1	1/PP	
55	6LK48728000	COVER-DF-CNT-H373	1	1/P	
56	6LK48727000	COVER-DF-SUB-H373	1	1/P	
57	6LK40257000	COVER-TP-FRT-M-K13X	1	1/PP	
58	6LK40256000	COV-TP-UNDER-K13X	1	1/PP	
60	6LK40204000	COVER-LEFT-REAR-TOP-H38X	1	1/PP	
70	6LK56550000	LBL-CLEANING	1	1/KP	
71	6LK56621000	LBL-IDGATE-MARK-KP2007	1	1/P	Exclusively supplied as the service part
108	6LK43019100	SHEET-INST-TONER-H385	1	1/KP	
111 A	6LK43015000	LBL-PROHIBIT-E-H38X	1	1/KP	MJD,ASD,AUD,ARD
111 B	6LK43014000	LBL-PROHIBIT-U-H38X	1	1/KP	NAD
111 C	6LK54440000	LBL-PROHIBIT-C-H37X	1	1/KP	CND
111 D	6LK54468000	LBL-PROHIBIT-T-H37X	1	1/KP	TWD
112	6LH08323100	LBL-MASK-COV-SCN-H38X	1	1/P	

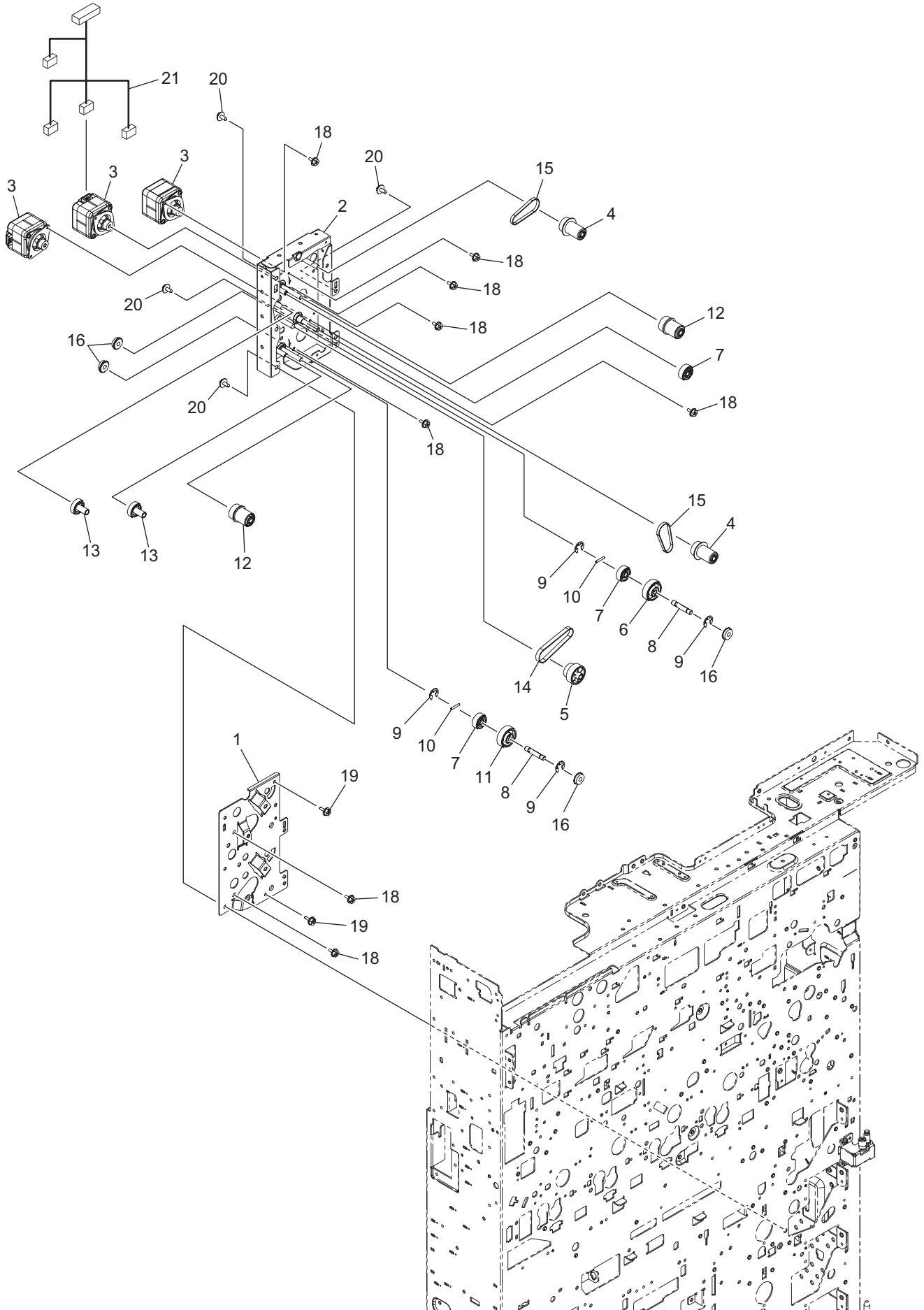


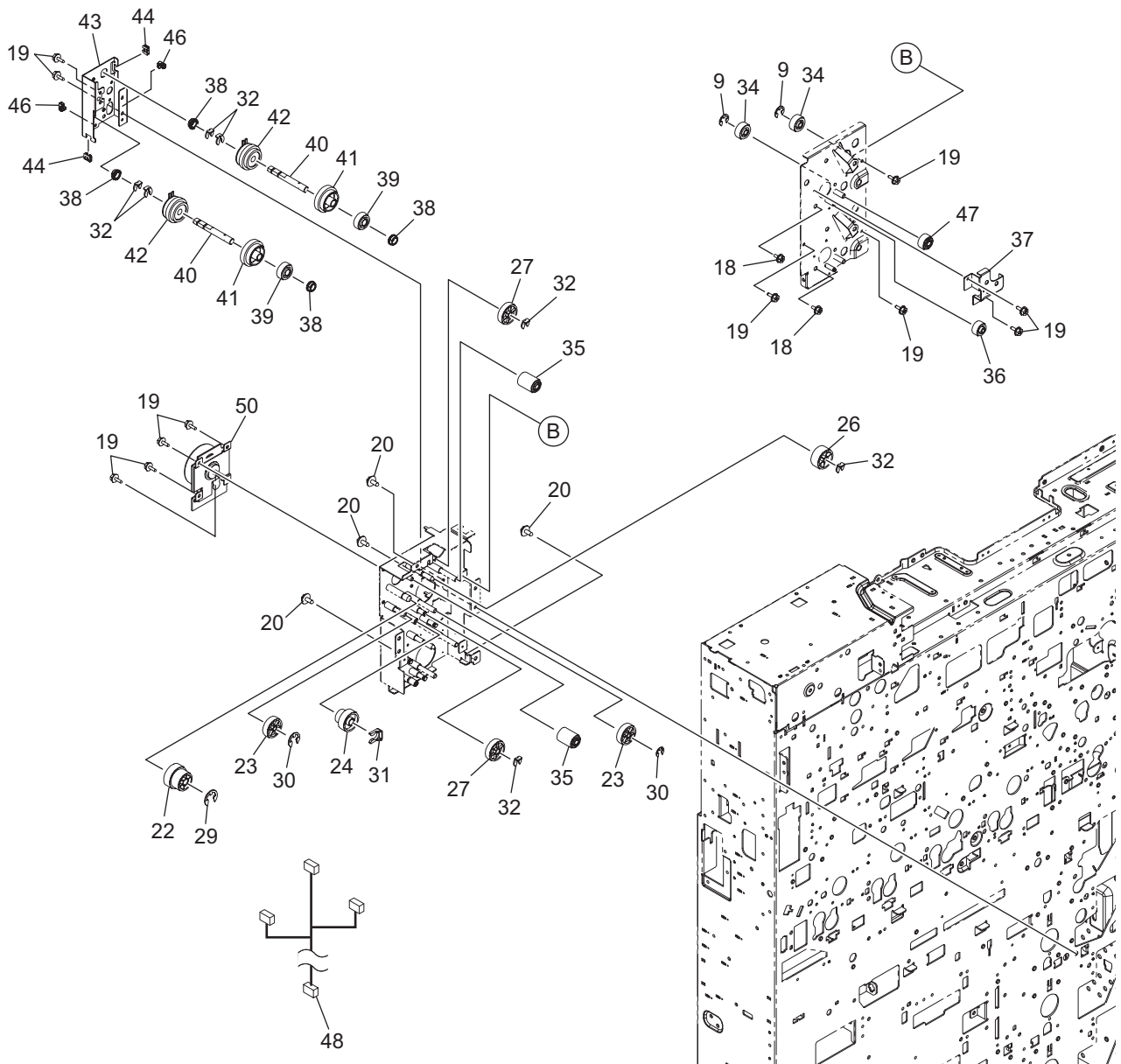


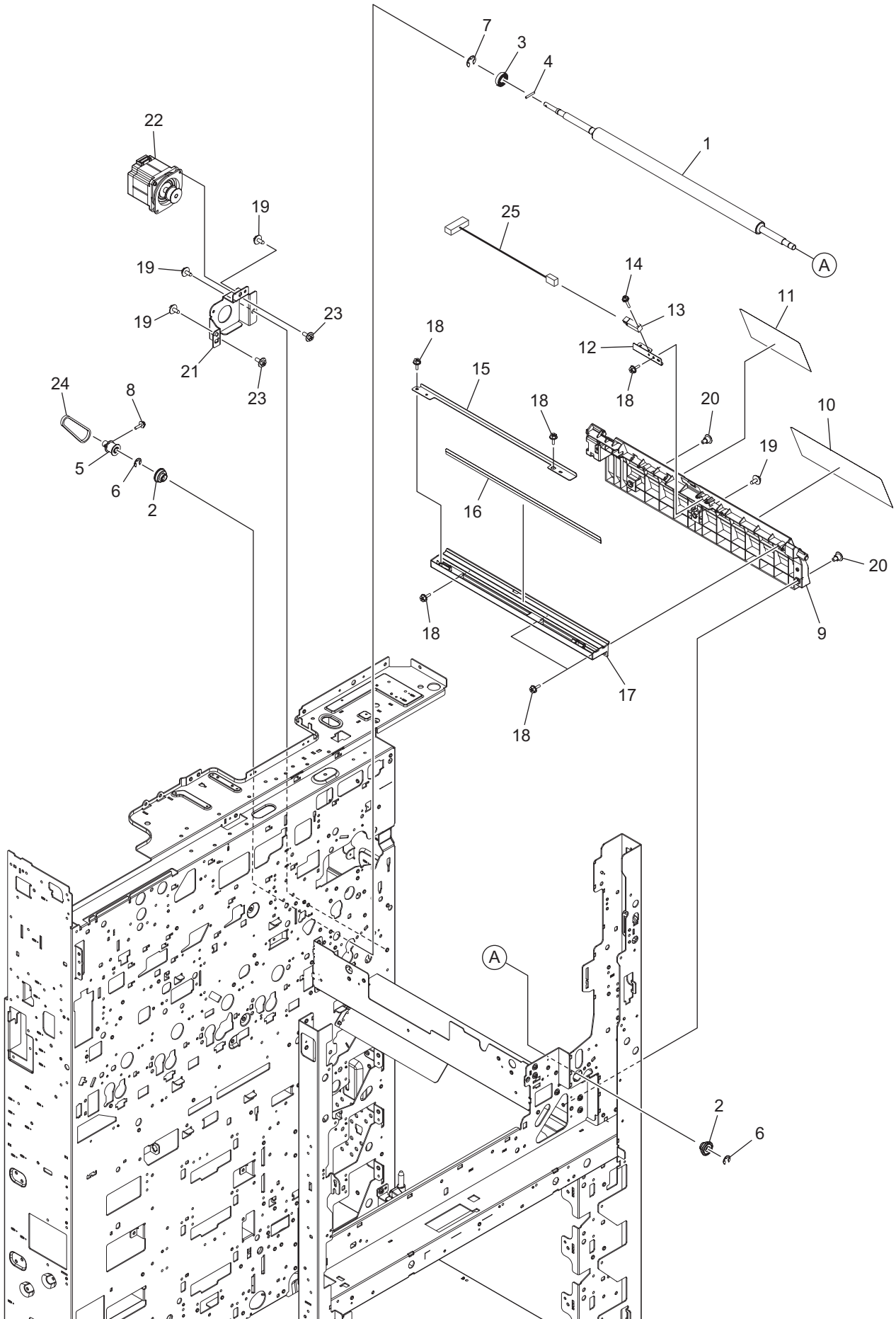




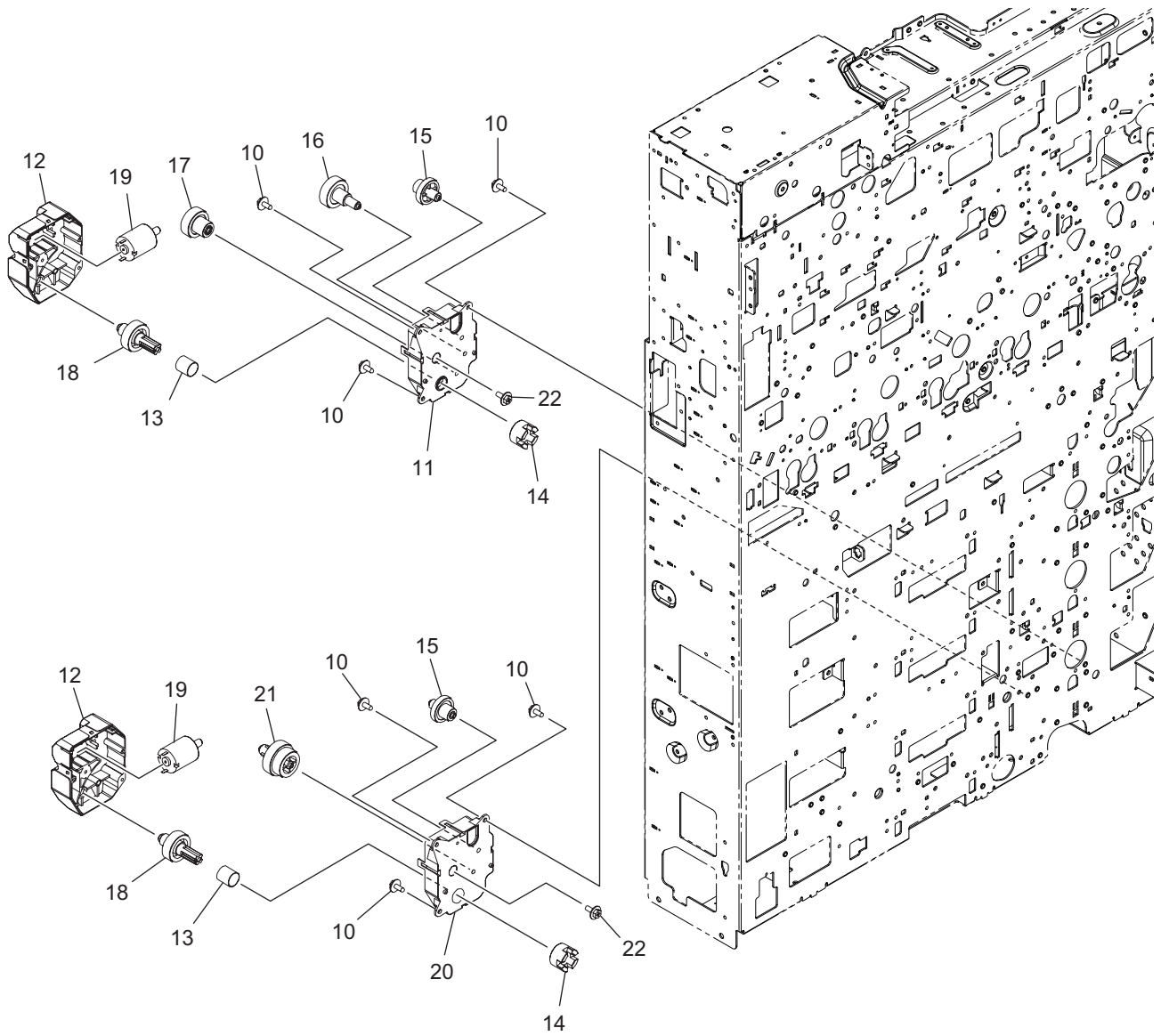


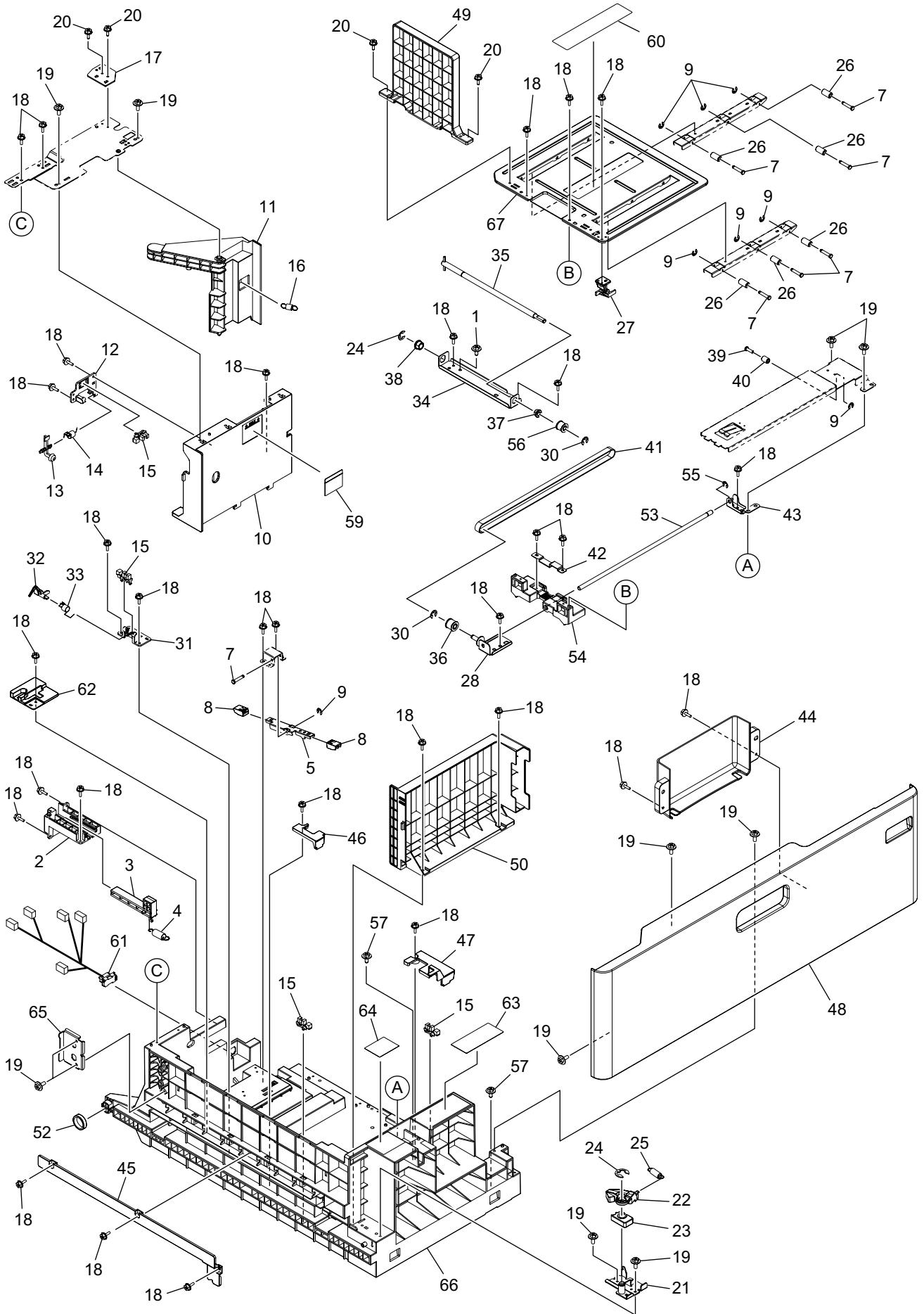




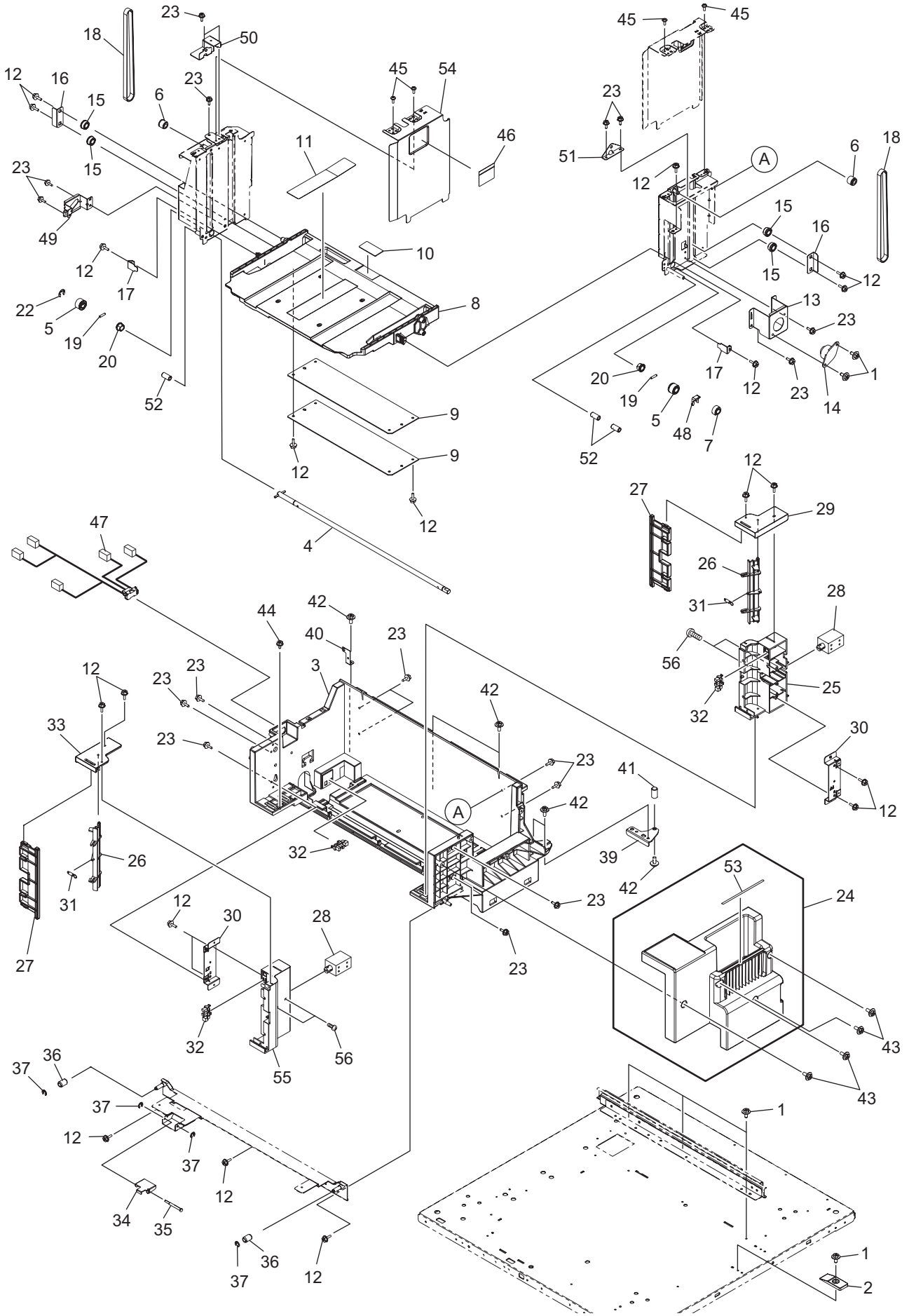


ITEM No.	PART No.	PART NAME	Q'TY / PAGE	Q'TY / PACK	REMARKS
1	6LH04610000	LEVER-FEED-UNIT	1	1/P	
2	6LH04613000	ASYS-BRKT-LEVER-SPT	1	1/P	
3	6LH04616000	LEVER-SPT-ROL-430	1	1/P	
4	6LH04617000	BRKT-SUP-ROL-SPT	1	1/P	
5	6LH04631000	ASYS-FRM-FS-R-430	1	1/P	
6	6LH04618000	BRKT-SUP-ROL-FEED	1	1/P	
7	C0-17839000	LG2A14BL1	3	1/C	
9	6LH04635000	SHAFT-ROL-FEED-430	1	1/P	
10	6LH04629000	GEAR-08S24-6L	1	1/P	
11	6LH53768000	BUSH-6-NU4	2	1/P	
12	6LH04621000	ASYS-ARM-PICK-430	1	1/C	
13	6LH04742000	GEAR-08S23-6	1	1/P	
14	6LH04638000	GEAR-08S20-6	1	1/P	
15	6LH04625000	ASYS-SHAFT-ROL-SPT-430	1	1/P	
16	6LA03977000	BUSH-F6-GCB	2	5/P	
17	X0-00979000	P/PRL/AH7-2X8-SS	1	10/P	
18	4407906230	GEAR-08-30	1	1/P	
19	6LE05774000	K-GEAR-08S022-LW-390	1	1/P	
20	6LH04612000	GEAR-10S20-6	1	1/P	
21	6LA03873000	SPE-P/U-110	1	5/P	
22	6LK41550000	ROLLER-FS-TR-H38X	1	1/KP	
23	F0-02297000	696ZZNR-SB-M-GV22	2	1/P	
24	6LH04717100	GUIDE-FS-U-H38X	1	1/PP	
25	6LK41502000	BRKT-GUIDE-FEED-H38X	1	1/P	
28	6LK41508000	GUIDE-FS-OPEN-H38X	1	1/C	
31	6LH04740000	GEAR-08S23-6-CUP	1	1/P	
32	6LH04741000	GEAR-08S24-6-CUP	1	1/P	
34	6LK41540000	TL-SEP-ROL-Y-45-N2	1	1/P	
35 A	6LA04042000	ASYS-ROL-SPT	1	1/P	Except T-LCF
35 B	6LK41558000	ASYS-ROL-SPT-H38X	1	1/P	T-LCF
36 A	6LA04047100	ASYS-ROL-FEED_W	2	1/P	4-drawer model
36 B	6LA04047100	ASYS-ROL-FEED_W	1	1/P	1st and 2nd drawers in the T-LCF model
37	4407972860	STOP-RING-6-5	3	5/P	
38	6LA03887000	SPE090-090-0531	1	5/P	
39	6LH04663000	BRKT-HOLD-SPE-430	1	1/P	
40	6LH04745000	SPG-E-7XR6X82-ROL-SPT	1	1/P	
41	6LH04636000	GEAR-10S20-6L	1	1/P	
42	6LH04653000	ASYS-BRKT-SNSR-SPT	1	1/P	
43	F0-02296000	ES-0505-2	3	5/P	
44	6LH04652000	LEVER-FS-SNSR-SPT	1	1/P	
45	C0-15009000	PS124TD1-B	2	1/C	
46	6LH04657000	BRKT-SNSR-TR	1	1/P	
47	X0-02127000	S/TPP/PAN-3X16-NI	1	10/P	
48	6LH04749000	SPG-E-LEV-SNSR-SPT	1	1/P	
49	X0-02135000	S/PAN/SWWP-M3X14-NI	1	10/P	
50	F0-01462000	LBWS-0206S-V0	4	1/P	
51	F0-01194000	UAMS-02WH-2	1	5/P	
52	6LK41543000	COVER-FEED-UNIT-RER_S	1	1/P	
53	6LH04711100	ACT-SW-EMPTY-430_S	1	1/D	
54	6LA03877000	SHEET-DUMP-EMP	1	5/P	
55	6LJ07621100	ASYS-GUIDE-FEED-ENT-H38X	1	1/PP	
56	X0-02420000	S/TPS/FHEXM/R-3X8-ZU3	24	10/P	
57	X0-00966000	RR/E-5-SS	10	10/P	
58	X0-00964000	RR/E-3-SS	3	10/P	
59	X0-02421000	S/TPS/FHEXM/R-4X8-ZU3	2	10/P	
60	6LK73046000	HRNS-CSTMJ-H380	1	1/P	
61	6LK73226000	HRNS-TLCFMJ-H380	1	1/P	
62	6LA15257000	SOL-PICK-340	1	1/D	
63	6LA03740000	LEVER-P/U-SND	1	1/P	
64	X0-02113000	S/PAN-M3X4-NI	2	10/P	
65	6LE06731000	CLUTCH-6-LB-390	1	1/P	
66	6LJ08112000	DAMPER-BP-LCF	1	1/P	
70	6LK41503000	COVER-HRNS-FS-H38X	1	1/P	



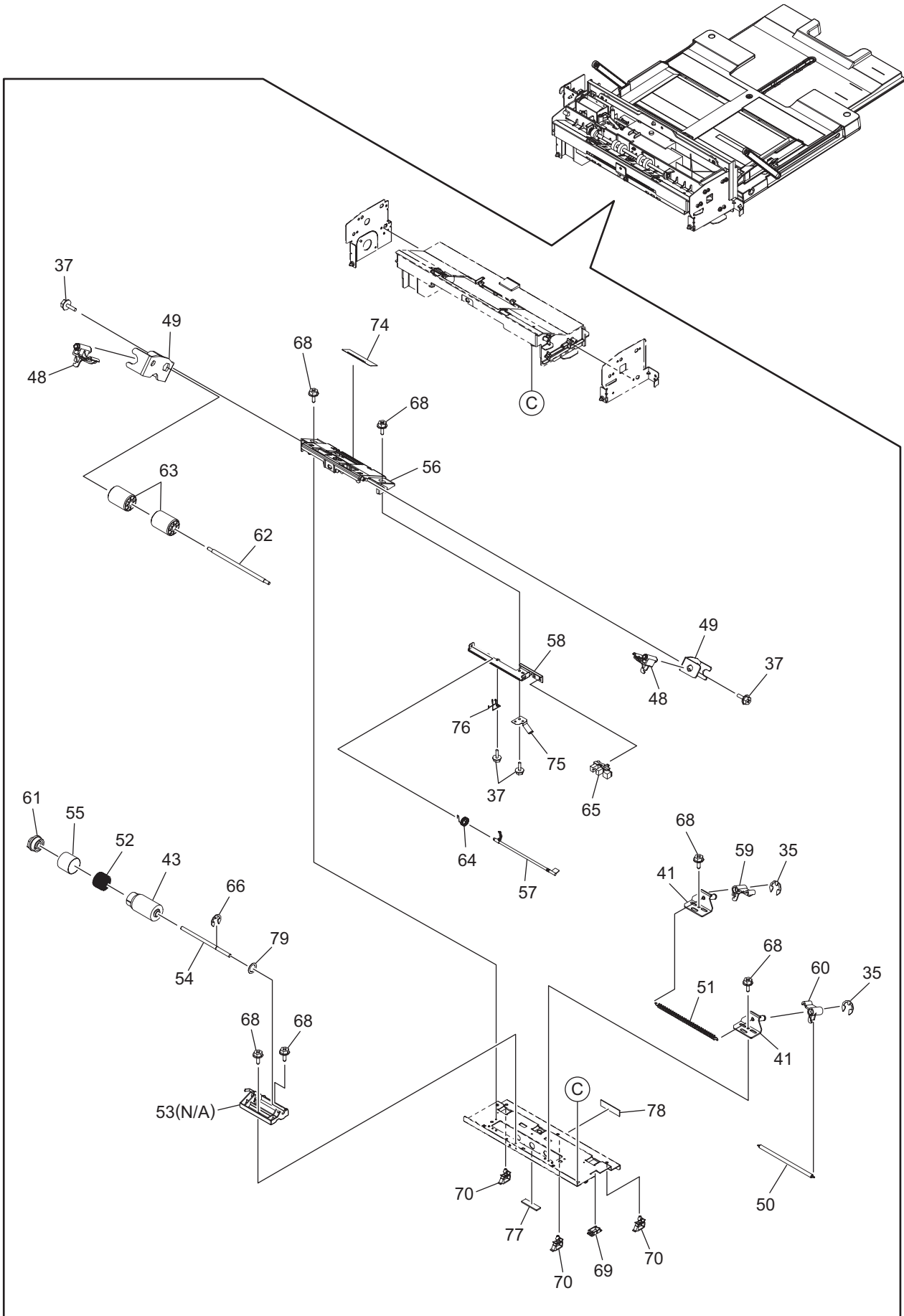


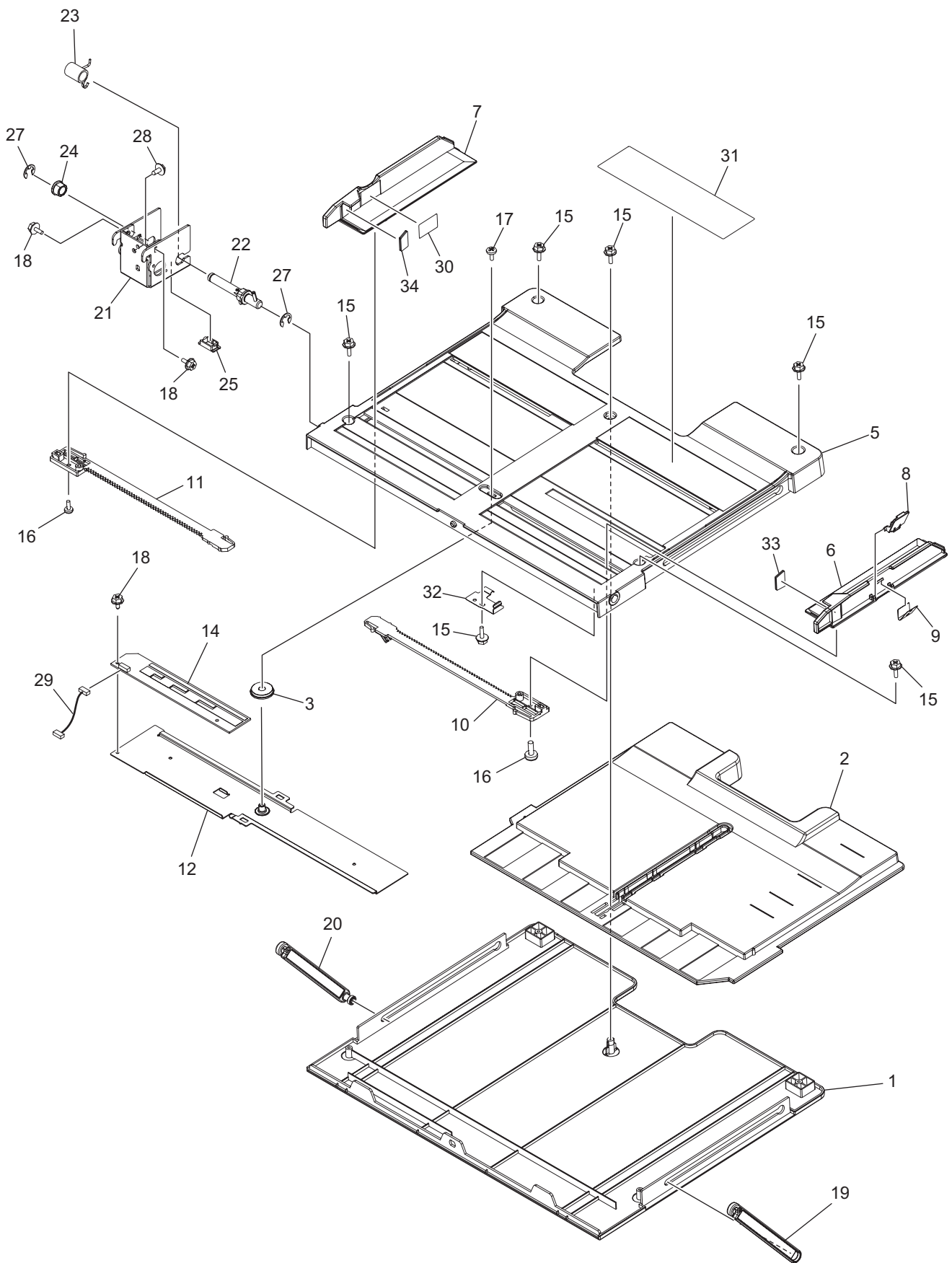
ITEM No.	PART No.	PART NAME	Q'TY / PAGE	Q'TY / PACK	REMARKS
1	X0-02590000	S/TPD3/FHEXM-4X10-ZU3	1	10/P	
2	6LH05938100	STOP-HOLD_S	1	1/P	
3	6LH05937100	LINK-STOP-SHFT_S	1	1/P	
4	6LH05926000	SPG-PISTON-TANDEM	1	1/P	
5	6LH05971000	BRKT-STP-TRAY2	1	1/P	
7	6LK42303000	SHAFT-ROLL-LCF-H38X	7	1/P	
8	6LH05970000	COV-CST-COUP-TNDM	2	1/P	
9	X0-00964000	RR/E-3-SS	8	10/P	
10	6LH05973100	GUIDE-SIDE-TRAY2-R_S	1	1/PP	
11	6LK42325000	STOPPER-TRAY2-R-2	1	1/P	
12	6LH05964100	BASE-SNS-2_S	1	1/P	
13	6LH05962100	SENSOR-ACTR-3_S	1	1/D	
14	6LH06008000	SPRING-ACT-EMPTY2	1	1/P	
15	C0-17839000	LG2A14BL1	4	1/C	
16	6LH05925000	SPG-SHUT-TANDEM-2	1	1/P	
17	6LH06040000	PLT-ATC-A	1	1/P	
18	X0-02247000	S/TPP/FHEXM-3X8-NI	31	10/P	
19	X0-02251000	S/TPP/FHEXM-4X8-NI	11	10/P	
20	X0-02420000	S/TPS/FHEXM/R-3X8-ZU3	4	10/P	
21	6LH06014000	ASYS-PLT-LATCH-2	1	1/P	
22	6LH06017000	BLOCK-LATCH-LINK	1	1/P	
23	6LH06013000	BLOCK-LATCH-HOLD	1	1/P	
24	X0-00968000	RR/E-7-SS	2	10/P	
25	6LH05732000	SPE087-090-0269	1	1/P	
26	6LH05933000	ROLL-TRAY	6	1/P	
27	6LH06006100	ACTR-MOVE-SNSR_S	1	1/P	
28	6LH05934000	ASYS-PLY-HOLD	1	1/P	
30	X0-00965000	RR/E-4-SS	2	10/P	
31	6LH05931100	BASE-SNS-EMPY_S	1	1/P	
32	6LH06074000	ACT-SENS-EMPTY-TDM	1	1/D	
33	6LH06060000	SPG-ACT-EMPTY	1	5/P	
34	6LH05912000	BRKT-PLY-HOLD	1	1/P	
35	6LH06018000	ASYS-TRAY2-DRIVE	1	1/P	
36	6LK42321000	PLY-DRIVE-2	1	1/P	
37	6LH53768000	BUSH-6-NU4	1	1/P	
38	4400802080	BUSH-8	1	5/P	
39	6LH06027000	SFT-BELT-ADL	1	1/P	
40	6LH06026000	RLR-BELT-ADL	1	5/P	
41	6LH06037000	BELT-3GT-600-9-B50N17	1	1/P	
42	6LH06032000	BRKT-BELT-HOLD	1	1/P	
43	6LH05909000	BRKT-HOLD-ST	1	1/P	
44	6LH02302600	COVER-HNDL-CST-B	1	1/P	
45	6LH06041100	COVER-SIDE-HRNS_S	1	1/KP	
46	6LH06007100	COVER-SNSR-H_S	1	1/P	
47	6LH05985100	COVER-SNSR-R_S	1	1/P	
48	6LK42301000	COVER-TANDEM-LCF-H38X	1	1/PP	
49	6LH05905300	GUIDE-END-BK4	1	1/PP	
50	6LK42324000	GUIDE-SIDE-TRAY2-F-K13X	1	1/PP	
52	6LH05717000	ROLLER-LEFT-R-BP	1	1/P	
53	6LH06009000	SFT-GUIDE	1	1/P	
54	6LH05936100	TRAY-BASE_S	1	1/P	
55	X0-00966000	RR/E-5-SS	1	10/P	
56	6LK42322000	PLY-DRIVE-1	1	1/P	
57	X0-02421000	S/TPS/FHEXM/R-4X8-ZU3	2	10/P	
59	6LK42316000	LBL-P-LIMIT-TLCF-H38X	1	1/P	
60	6LK42313000	LBL-PSET-TRAY-L-TLCF	1	1/KP	
61	6LJ09827000	HRNS-TLCF2-130	1	1/P	
62	6LJ08107100	COVER-ENPTY-SNS_S	1	1/P	
63	6LK42311000	LBL-P-SET-TLCF-H38X	1	1/KP	
64	6LK42312000	LBL-CST2-SET-TLCF-H38X	1	1/P	
65	6LH06051000	BRKT-STOP-TNDM-CST2	1	1/P	
66	6LH05914300	CST-TRAY2-TANDEM-BK4	1	1/PP	
67	6LK42302000	TRAY-MOVE-H38X	1	1/PP	

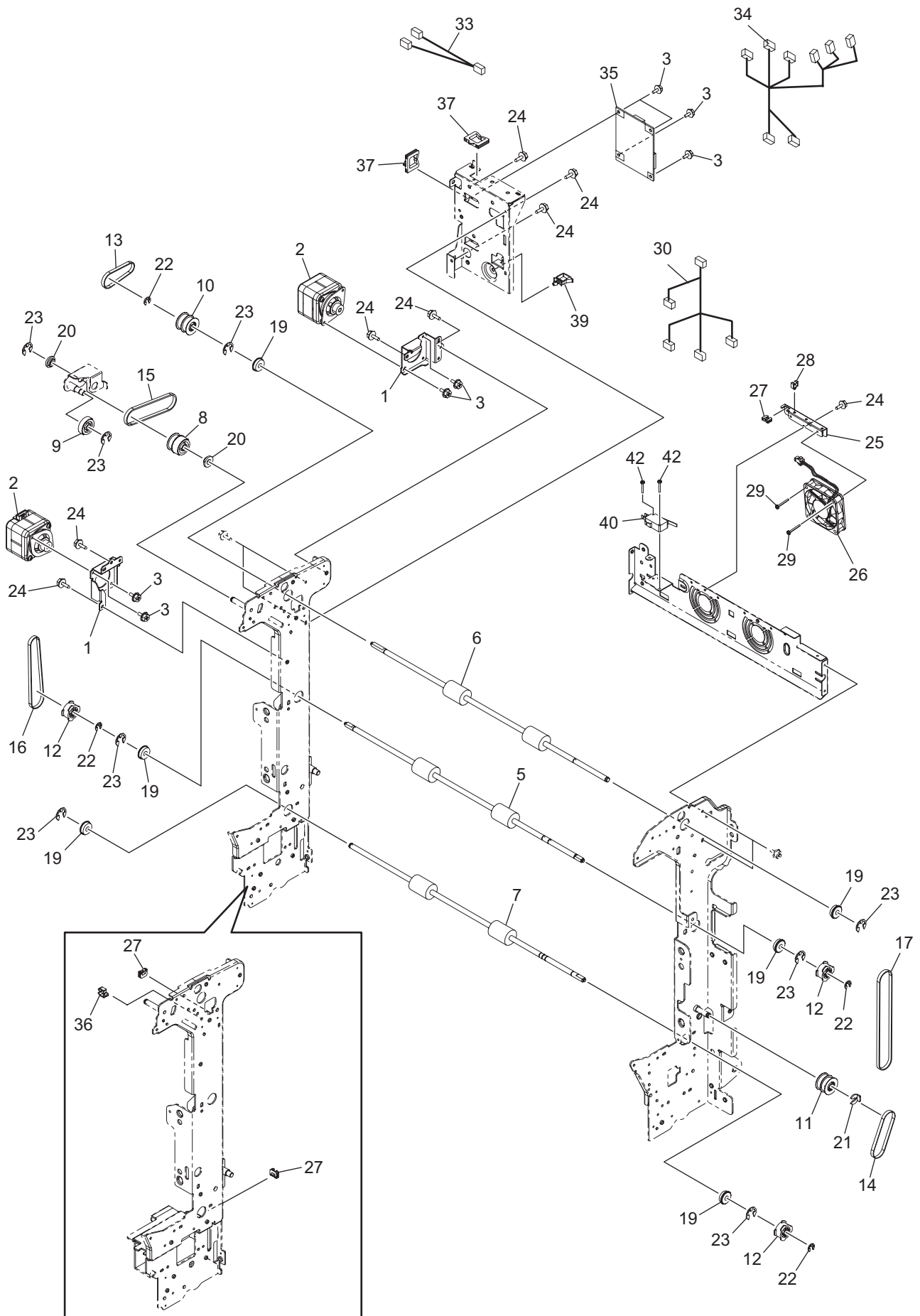


ITEM No.	PART No.	PART NAME	Q'TY / PAGE	Q'TY / PACK	REMARKS
1	X0-02421000	S/TPS/FHEXM/R-4X8-ZU3	6	10/P	
2	6LH05940000	STP-BASE-TANDEM	1	1/P	
3	6LH05916300	CST-TRAY1-TANDEM-BP-BK4	1	1/C	
4	6LH05981000	ASYS-SFT-TRAY-BP-TDM	1	1/P	
5	6LH05901000	PULLY-BP-TDM2-Z18	2	1/P	
6	6LH05900000	PULLY-BP-TDM1-Z14	2	1/P	
7	6LH05903000	GEAR-DUMP-Z14	1	1/P	
8	6LH05913300	TRAY1-T-LCF-BK4	1	1/PP	
9	6LA93713000	PLT-BALANCER	2	1/P	
10	6LK42323000	PAD-TRAY	1	1/P	
11	6LK42314000	LBL-PSET-TRAY-R-TLCF	1	1/KP	
12	X0-02247000	S/TPP/FHEXM-3X8-NI	20	10/P	
13	6LH05941000	BRKT-DAMP-BP	1	1/P	
14	6LE03901000	OIL-DAMPER-390	1	1/P	
15	6LH05904000	ROLLER-BP-TDM	4	1/P	
16	6LH05906000	BRKT-GUIDE-BP	2	1/P	
17	6LJ08109000	BRKT-LU-BELT-BP	2	1/P	
18	6LH06044000	BELT-3GT-402-8-B50N17	2	1/P	
19	X0-01535000	P/PRL/AH7-3X12-SS	2	5/P	
20	6LA65698000	BUSH-8X12X8F	2	5/P	
22	X0-00968000	RR/E-7-SS	1	10/P	
23	X0-02420000	S/TPS/FHEXM/R-3X8-ZU3	18	10/P	
24	6LK42309000	ASYB-INN-COV-TLCF-H38X	1	1/PP	
25	6LH06071100	HLDR-SHUT-F_S	1	1/D	
26	6LH05951100	JOINT-SHUT-TNDM_S	2	1/P	
27	6LH05952100	PLT-SHUTTER-TNDM_S	2	1/P	
28	6LL27027000	SOL-END-K130	2	1/D	
29	6LH06069100	PLATE-SHUT-F_S	1	1/P	
30	6LH05949000	BRKT-HOLD-SHUT	2	1/P	
31	6LH06020000	SPG-SHUT-TANDEM	2	1/P	
32	C0-17839000	LG2A14BL1	3	1/C	
33	6LH06070100	PLATE-SHUT-R_S	1	1/P	
34	6LH06064000	BRKT-STP-TANDEM	1	1/P	
35	6LH06021000	SFT-STP-TANDEM	1	1/P	
36	6LH05958000	RLR-RAIL-CENTER	2	1/P	
37	X0-00964000	RR/E-3-SS	4	10/P	
39	6LH05718000	PLATE-LATCH	1	1/P	
40	6LH06030000	PLT-SPG-SE-R	1	1/P	
41	6LA04487000	STUD-CST-POS	1	5/P	
42	X0-02235000	S/FHEXM-M4X8-NI	6	10/P	
43	X0-02251000	S/TPP/FHEXM-4X8-NI	4	10/P	
44	X0-02419000	S/TPS/FHEXM/R-3X6-ZU3	1	10/P	
45	X0-02069000	S/TPS/BID-3X6-ZU3	4	10/P	
46	6LK42316000	LBL-P-LIMIT-TLCF-H38X	1	1/P	
47	6LL27039000	HRNS-TLCF1-K130	1	1/P	
48	41306265000	STOP RING	1	1/P	
49	6LH06054000	BRKT-HOLD-IDLER-R	1	1/P	
50	6LH06057000	BRKT-SUPPORT-R	1	1/P	
51	6LH06058000	BRKT-SUPPORT-F	1	1/P	
52	6LH06059000	RLR-BELT-IDLER-2	3	1/P	
53	6LK42315000	LBL-COV-R-TLCF-H38X	1	1/KP	
54	6LH06022000	FENCE-TRAY1-R	1	1/P	
55	6LH06072100	HLDR-SHUT-R_S	1	1/PP	
56	X0-00057000	S/PAN-M3X6-NI	4	10/P	

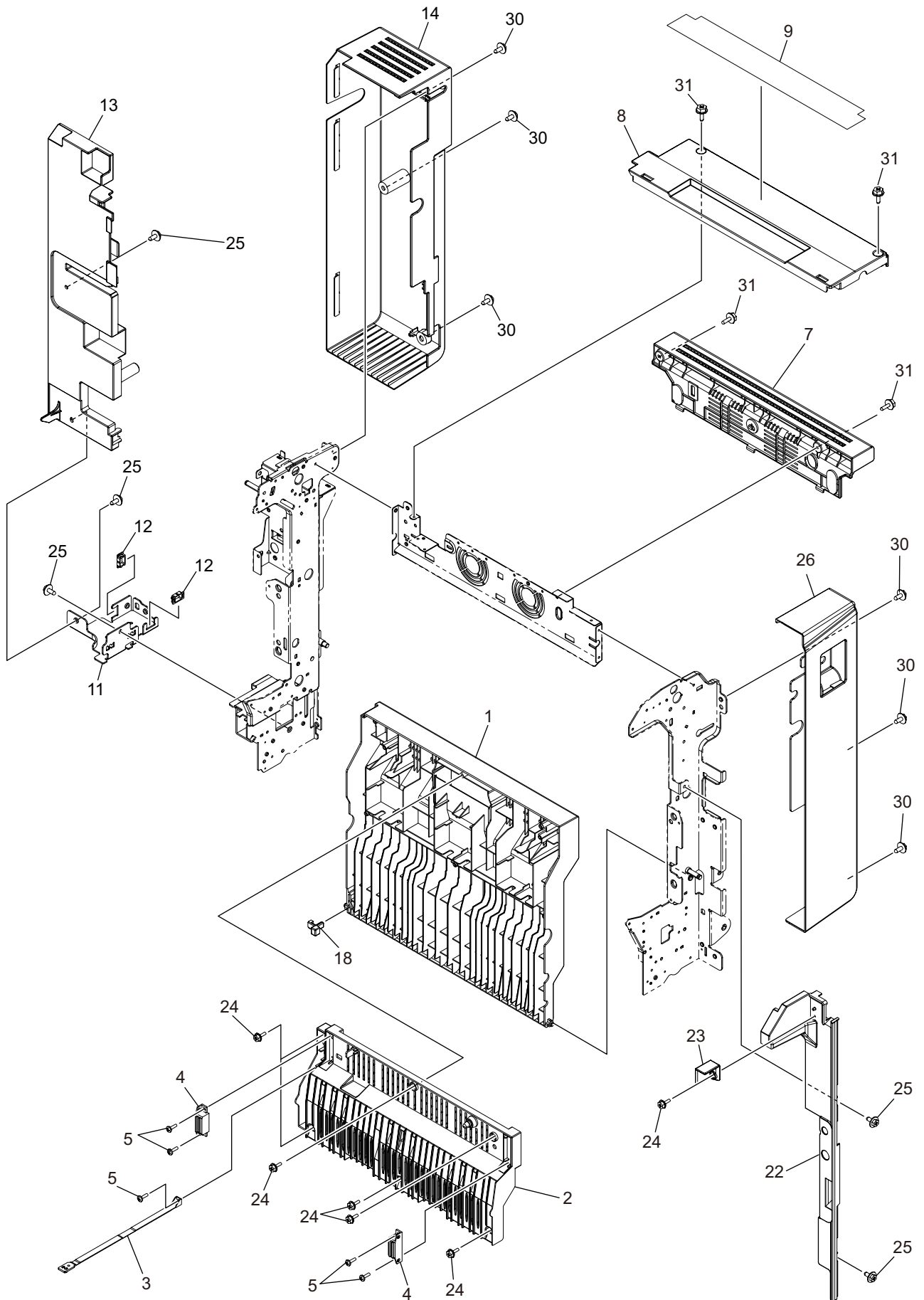
ITEM No.	PART No.	PART NAME	Q'TY / PAGE	Q'TY / PACK	REMARKS
2	6LK30913000	ASYS-GUIDE-BYP-U-H34X	1	1/C	
3	6LA28769000	SPG-E-6R5XR7X28R5L	1	1/P	
4	6LA28767000	LEVER-PICK	1	1/P	
5	6LA15259000	SOL-SFB-340	1	1/D	
6	44201789000	GEAR-06S-032-06	1	1/P	
7	6LE40439000	STUD-G032-BYPS	1	1/P	
8	6LK41701000	ROLLER-TR-BYPASS-H38X	1	1/KP	
9	6LA28811000	GEAR-06S-027-06	2	1/P	
10	44218389000	K-RLR-FEED-SFB	1	1/P	
11	4401966400	PLY/T-2GT020-06	1	1/P	
12	6LA28835000	BLT-SY-138-2GT-2.8	1	1/P	
13	6LH05145000	SFT-ROLL-FEED-BYP	1	1/P	
14	X0-00595000	S/TPP/PAN-3X6-NI	1	10/P	
15	44218398000	K-ROLL-PICK-BYP	1	1/P	
16	6LE40436000	SFT-ROL-PIC-BYP-350	1	1/P	
17	6LE40412000	WEIGHT-PICK-BYP-T	1	1/P	
18	6LE40407000	SCREW-WEIGHT-3*6	2	5/P	
19	6LJ07623000	LEVER-STOPPER-F	1	1/P	
20	6LJ07624000	LEVER-STOPPER-R	1	1/P	
21	6LK41720000	ARM-PICK-H13X	1	1/P	
22	6LA28832000	WEIGHT-PICK-BYP-LOW	1	1/P	
23	6LA28833000	WEIGHT-PICK-BYP-MID	1	1/P	
24	6LA28834000	WEIGHT-PICK-BYP-UP	1	1/P	
25	6LA28758000	CUSHION-PAD	1	5/P	
26	6LA28821000	STPR-BYP-F-350	1	1/P	
27	6LA28822000	STPR-BYP-R-350	1	1/P	
28	4401965270	ARM-STOPPER	2	5/P	
29	6LH31603000	ASYS-BRKT-STOPPER	1	1/P	
30	4406584800	CLUTCH-6-08L2	2	1/P	
31	6LH53768000	BUSH-6-NU4	4	1/P	
32	4407972860	STOP-RING-6-5	4	5/P	
34	X0-00979000	P/PRL/AH7-2X8-SS	1	10/P	
35	X0-00966000	RR/E-5-SS	8	10/P	
36	X0-00964000	RR/E-3-SS	4	10/P	
37	X0-02247000	S/TPP/FHEXM-3X8-NI	13	10/P	
38	X0-02230000	S/FHEXM-M3X6-NI	4	10/P	
39	X0-02011000	S/CTS-M3X8-NI	2	10/P	
40	6LA28819000	PLATE-ARM-PICK	1	1/P	
41	6LH05187400	COVER-SFB-L-H38X	1	1/PP	
65	C0-17839000	LG2A14BL1	1	1/C	
66	X0-00965000	RR/E-4-SS	1	10/P	
71	4400901130	PAD-BRAKE	1	5/P	
72	6LH05429000	PULLY-S2M30-6D	1	1/P	
73	6LH05177000	BLT-SY-S2M-148-6	1	1/P	
74	6LA28768000	ACTR-EMP-SW-BYP	1	1/P	
75	6LH05159000	ASYS-BRKT-SFB-EXIT-43X	1	1/P	
76	6LH05151400	COVER-SFB-H38X	1	1/PP	
77	6LK41511000	MOTR.S-FEED-H38X	1	1/C	
78	X0-02421000	S/TPS/FHEXM/R-4X8-ZU3	2	10/P	
79	X0-02676000	S/TPP/FHEXM-4X8-ZB3	1	10/P	
80	6LH08890000	HRNS-SFBSW-430	1	1/P	
81 A	6LL27076000	HRNS-SFBM-K130JC	1	1/P	Except for eS8518A MJD eS8518A MJD
81 B	6LL27077000	HRNS-SFBM-K130HF	1	1/P	
82	6LH08893000	HRNS-SFBFG-430	1	1/P	
83 A	6LL27078000	HRNS-SFBFED-K130	1	1/P	Except for eS8518A MJD
83 B	6LL27079000	HRNS-SFBFED-K130HF	1	1/P	eS8518A MJD
84	X0-02419000	S/TPS/FHEXM/R-3X6-ZU3	3	10/P	
85	X0-02683000	S/TPP/FHEXM-3X8-ZB3	2	5/P	
86	F0-01012000	T18R	1	5/P	

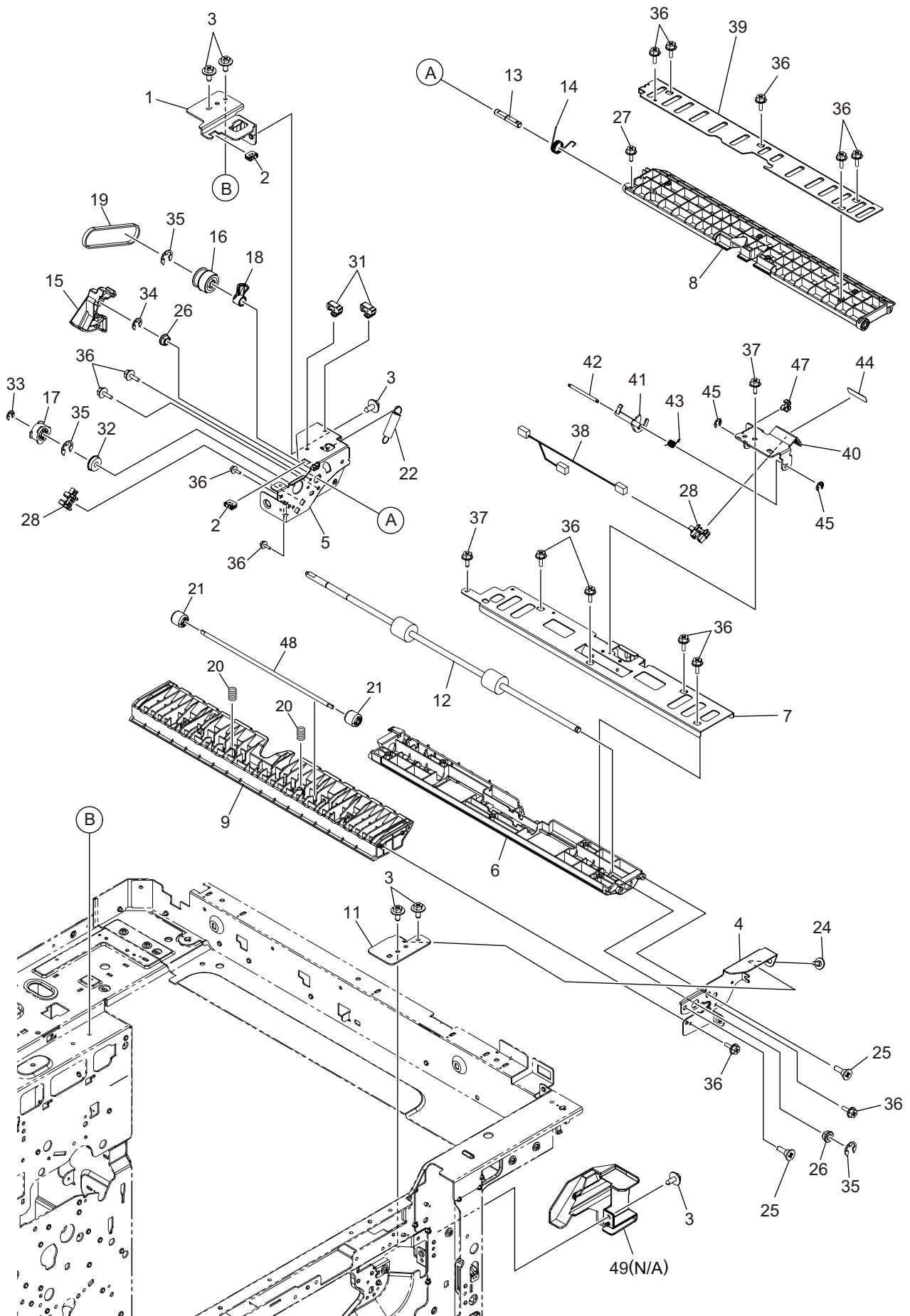




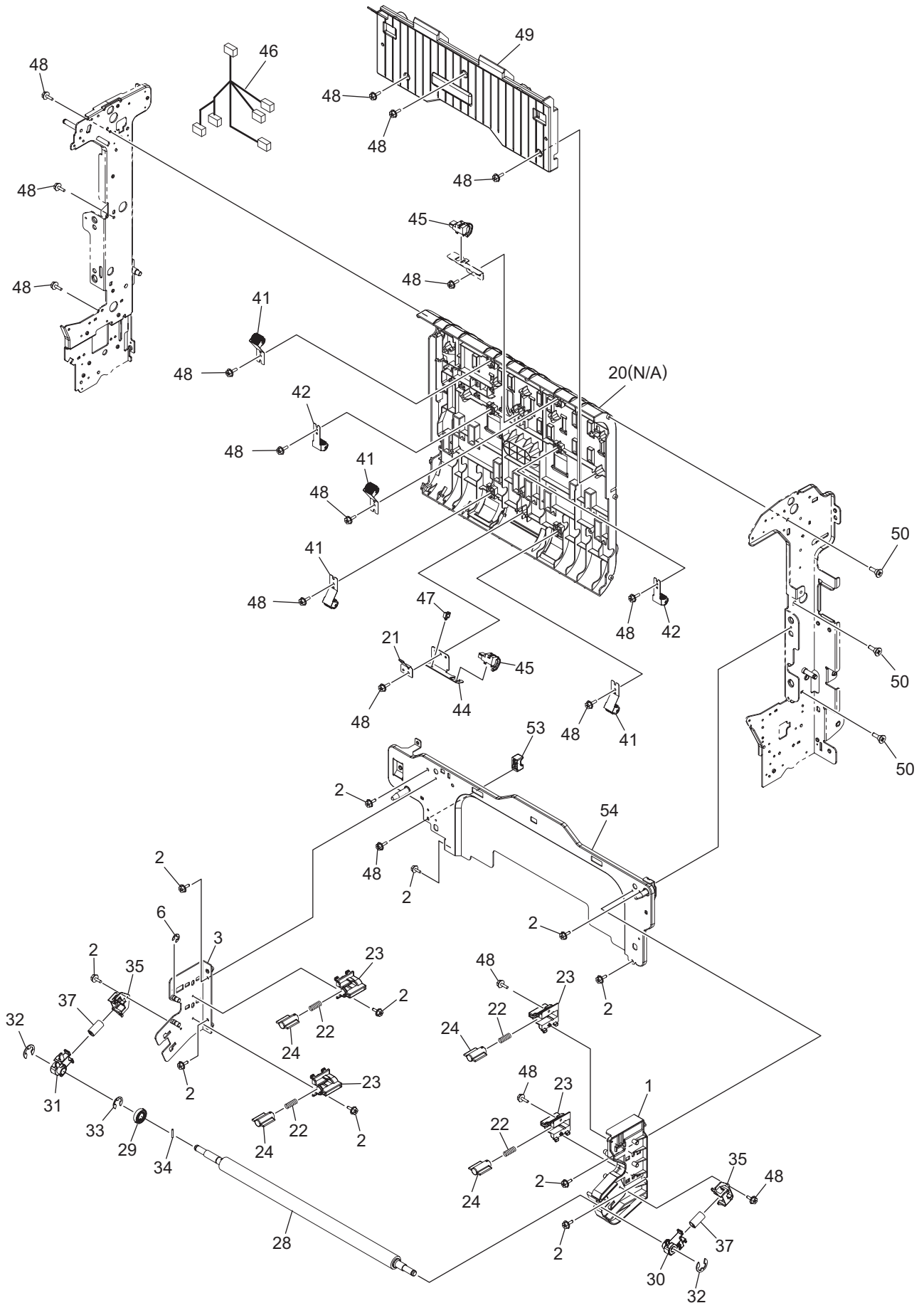


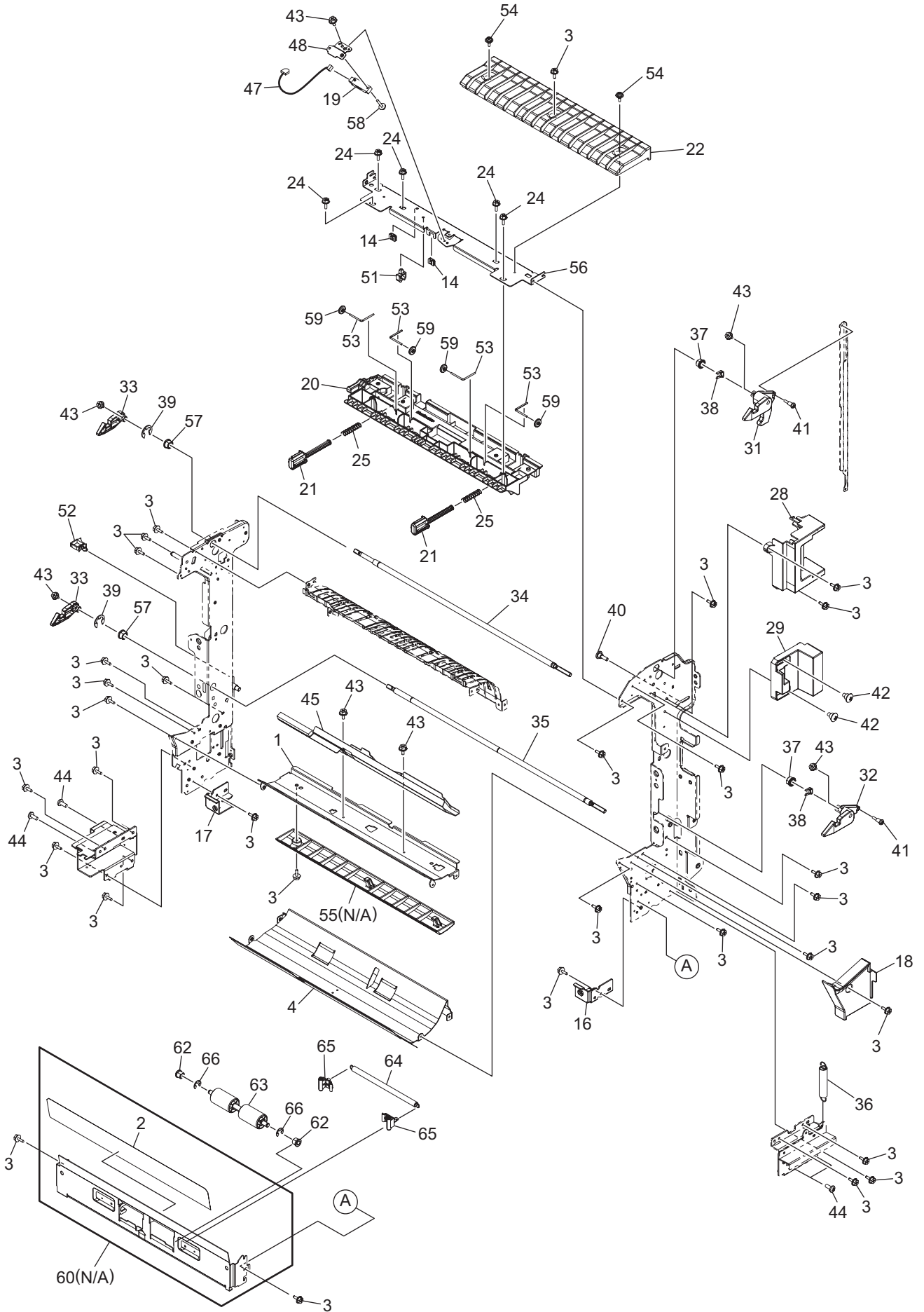
ITEM No.	PART No.	PART NAME	Q'TY / PAGE	Q'TY / PACK	REMARKS
1	6LH05435000	BRKT-MOTOR-ADU	2	1/P	
2	6LK41511000	MOTR.S-FEED-H38X	2	1/C	
3	X0-02230000	S/FHEXM-M3X6-NI	8	10/P	
5	6LK41909000	RLR-ADU-MID-H38X	1	1/KP	
6	6LK41908000	RLR-ADU-UP-H38X	1	1/KP	
7	6LK41910000	RLR-ADU-LOW-H38X	1	1/KP	
8	6LH05409000	GEAR-10S20_PS2M30-6	1	1/P	
9	6LH05402000	GEAR-10S20-6	1	1/P	
10	6LH05410000	PULLY-S2M30-6D-DBL	1	1/P	
11	6LH05417000	PULLY-S2M30-6-DBL	1	1/P	
12	6LH05429000	PULLY-S2M30-6D	3	1/P	
13	6LH05408000	BLT.SY-S2M-118-5	1	1/P	
14	6LH05418000	BLT.SY-S2M-142-4	1	1/P	
15	6LH05420000	BLT.SY-S2M-186-4	1	1/P	
16	6LH05430000	BLT.SY-S2M-224-4	1	1/P	
17	6LH05401000	BLT.SY-S2M-300-4	1	1/P	
19	F0-02297000	696ZZNR-SB-M-GV22	6	1/P	
20	6LA29859000	BUSH-6X10X4F-POM	2	5/P	
21	44201801000	STOP-RING-6-1.5	1	5/P	
22	X0-00964000	RR/E-3-SS	4	10/P	
23	X0-00966000	RR/E-5-SS	8	10/P	
24	X0-02420000	S/TPS/FHEXM/R-3X8-ZU3	8	10/P	
25	6LH05510000	BRKT-FAN-ADU	1	1/P	
26	6LK30992000	FAN-6015-090-H340	1	1/D	
27	F0-02296000	ES-0505-2	3	5/P	
28	F0-01250000	MSB-1207	1	5/P	
29	X0-02061000	S/TPS/PAN-3X20-ZU3	2	10/P	
30	6LK39235000	HRNS-ADU-SFB-H380	1	1/P	
33	6LK73050000	HRNS-ADUM-H380JC	1	1/P	
34	6LK39236000	HRNS-ADU-SNR1-H380	1	1/P	
35	6LL27069000	PWA-K-ADU-130	1	1/SB	
36	F0-00033000	UAMS-07-0	1	10/P	
37	F0-00047000	EDS-1717U	2	10/P	
39	F0-01243000	LWS-1211Z	1	5/P	
40	E0-12019000	V-152-1C25	1	1/C	
42	X0-02060000	S/TPS/PAN-3X16-ZU3	2	10/P	





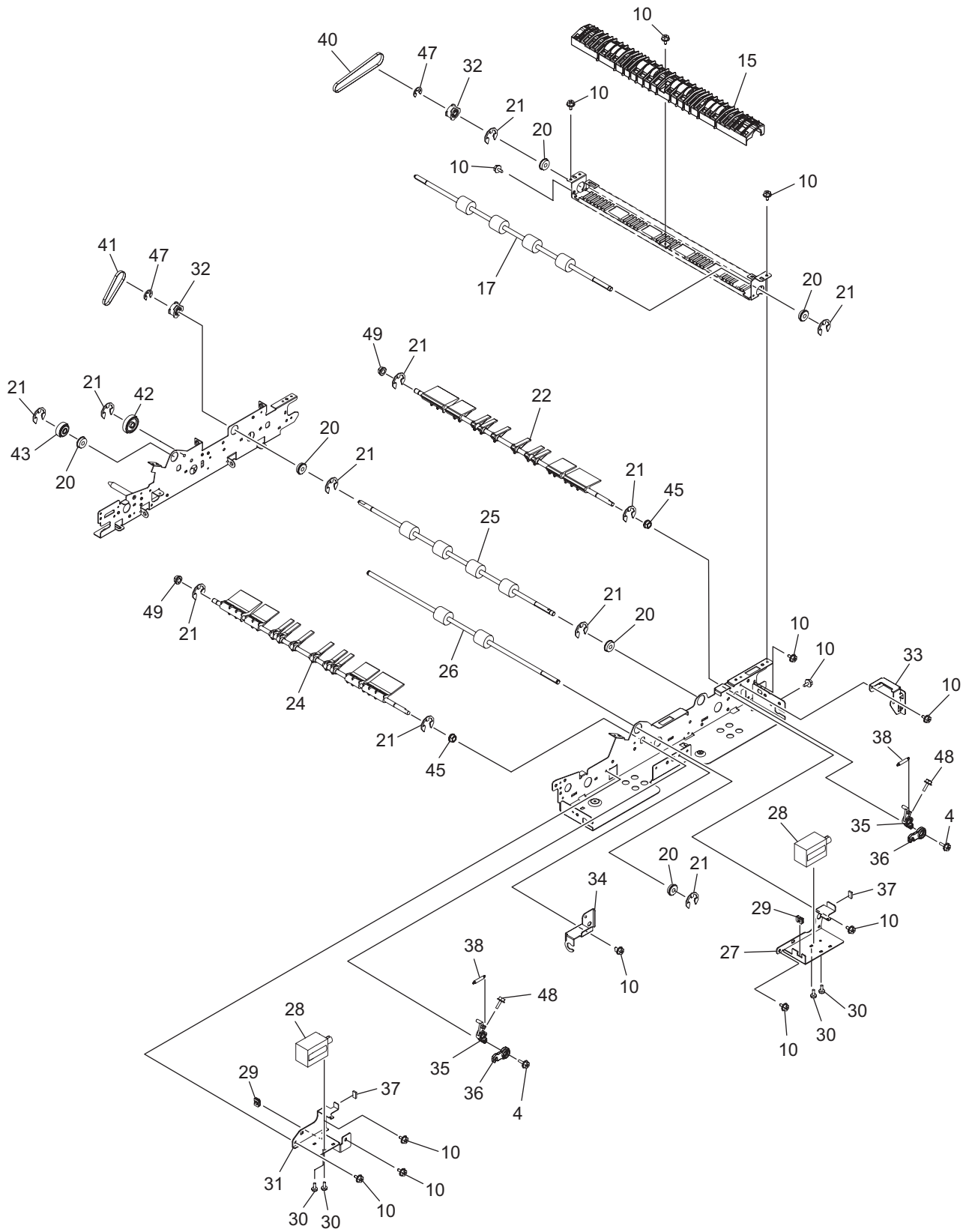
ITEM No.	PART No.	PART NAME	Q'TY / PAGE	Q'TY / PACK	REMARKS
1	6LH05494000	BRKT-HOLD-MID-R	1	1/P	
2	F0-02296000	ES-0505-2	2	5/P	
3	X0-02421000	S/TPS/FHEXM/R-4X8-ZU3	6	10/P	
4	6LH05527000	ASYS-FRM-MID-GID-F	1	1/P	
5	6LJ07901000	ASYS-FRM-MID-GID-RN	1	1/P	
6	6LH05456000	GUIDE-MID-JCT-U	1	1/PP	
7	6LH05493000	STAY-GUIDE-MID-JCT	1	1/P	
8	6LK41935100	GUIDE-SEPT-JCT_SH	1	1/PP	
9	6LK41905000	GUIDE-EXIT-M-H38X	1	1/PP	
11	6LH05481000	BRKT-HOLD-MID-F	1	1/P	
12	6LK41911000	RLR-ADU-LFT-UP-H38X	1	1/KP	
13	6LH05459000	SHAFT-SEPT-GUIDE-R	1	1/P	
14	6LH05473000	SPG-GUIDE-JCT	1	1/P	
15	6LJ07909000	CRANK-MOV-GUIDE	1	1/P	
16	6LH05409000	GEAR-10S20_PS2M30-6	1	1/P	
17	6LH05429000	PULLY-S2M30-6D	1	1/P	
18	6LH05455000	CARR-GEAR-MID	1	1/P	
19	6LH05420000	BLT.SY-S2M-186-4	1	1/P	
20	6LK41921000	SPC-ROL-IDLE-ADU-MID	2	1/P	
21	44203198000	ROLL-EXIT-L-320	2	1/P	
22	6LH05508000	SPG-E-9R1XR7X26R08	1	1/P	
24	6LE41127000	SCREW-M3-4-1.4	1	5/P	
25	6LH05511000	SCREW-M3X8-3.2-P	2	5/P	
26	6LH53768000	BUSH-6-NU4	2	1/P	
27	X0-02230000	S/FHEXM-M3X6-NI	1	10/P	
28	C0-20495000	LG2A24BL1	2	1/C	
31	F0-01462000	LBWS-0206S-V0	2	1/P	
32	F0-02297000	696ZZNR-SB-M-GV22	1	1/P	
33	X0-00964000	RR/E-3-SS	1	10/P	
34	X0-00965000	RR/E-4-SS	1	10/P	
35	X0-00966000	RR/E-5-SS	3	10/P	
36	X0-02247000	S/TPP/FHEXM-3X8-NI	15	10/P	
37	X0-02069000	S/TPS/BID-3X6-ZU3	2	10/P	
38	6LJ09271000	HRNS-MIDSN-130	1	1/P	
39	6LH05526000	BRKT-SUPPORT-JCT-GUIDE	1	1/P	
40	6LJ07902000	BRKT-SNSR-ADU-MID-N	1	1/P	
41	6LJ07908000	ACTR-SNSR-ADU-MID	1	1/C	
42	6LH05539000	PIN-SNSR-ADU-MID	1	1/P	
43	6LH05538000	SPG-SNSR-ADU-MID	1	1/P	
44	6LJ08725000	SHEET-SNSR-LG248	1	5/P	
45	X0-00963000	RR/E-2-SS	2	10/P	
47	F0-01194000	UAMS-02WH-2	1	5/P	
48	6LK41917000	SHAFT-IDLE-ADU-MID-H38X	1	1/P	
49	6LK40273000	COV-LVR-DOOR-K13X	1	N/A***	

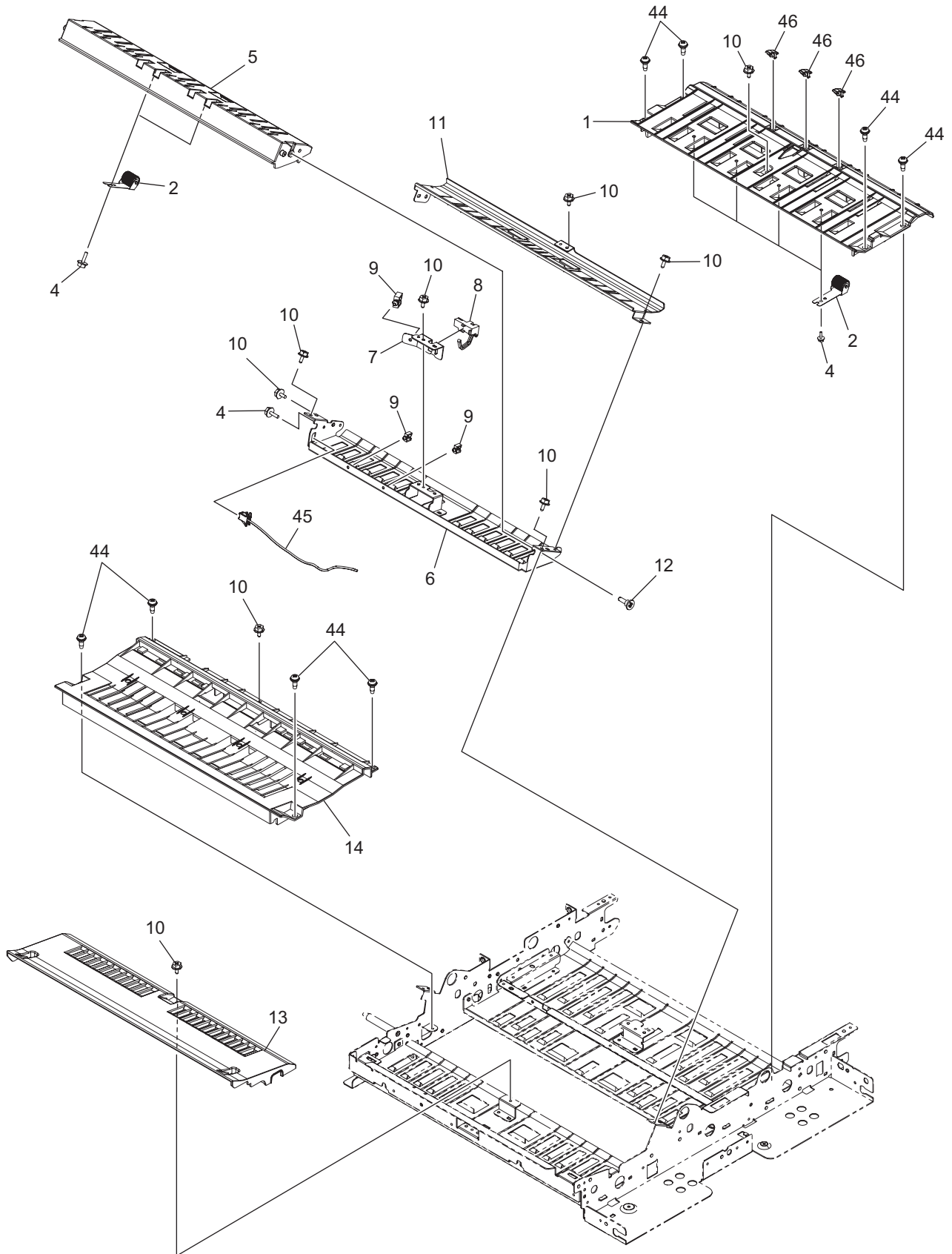


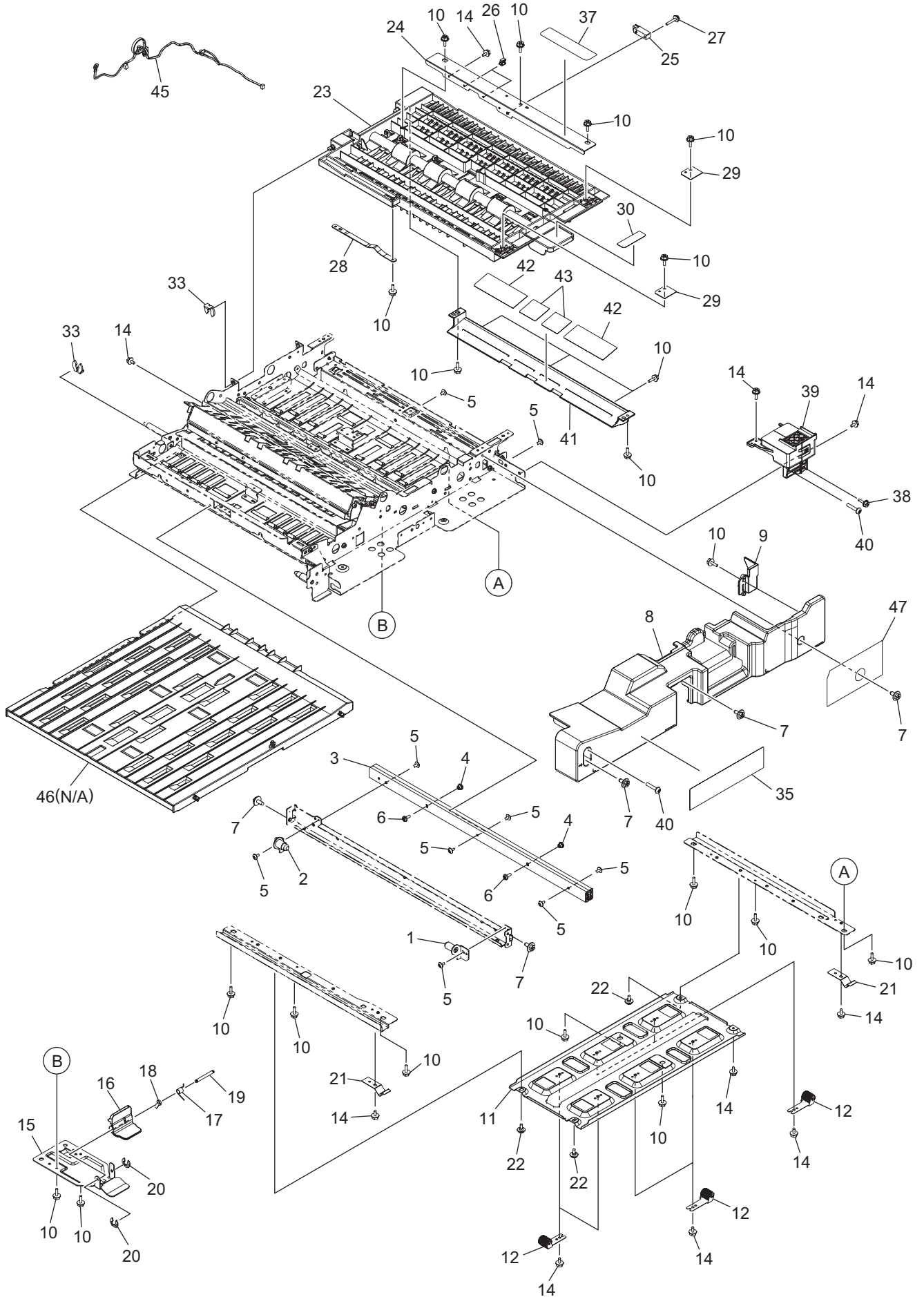


ITEM No.	PART No.	PART NAME	Q'TY / PAGE	Q'TY / PACK	REMARKS
1	6LH05404100	ASYS-GUIDE-RGST-R-H38X	1	1/PP	
2	6LH05203000	MYLAR-GUIDE-TRANS	1	1/KP	
3	X0-02420000	S/TPS/FHEXM/R-3X8-ZU3	31	10/P	
4	6LH05441100	ASYS-GUIDE-ADU-LOWH38	1	1/KP	
14	F0-02296000	ES-0505-2	2	5/P	
16	6LH05164000	BRKT-ADU-L-F	1	1/P	
17	6LH05165000	BRKT-ADU-L-R	1	1/P	
18	6LH05501200	COVER-ADU-FRT-SUB-L_B	1	1/P	
19	C0-15008000	PSR11TD1-A	1	1/P	
20	6LK42526000	COV-ADU-RTN-L-H38X	1	1/PP	
21	6LK42527000	PUSH-COV-SNSR-H38X	2	1/P	
22	6LH07446000	GUIDE-ADU-RTN	1	1/PP	
24	X0-02247000	S/TPP/FHEXM-3X8-NI	5	10/P	
25	6LK42528000	SPG-C-GUIDE-RTN-H38X	2	1/P	
28	6LH05502200	COVER-LEV-OPEN-ADU_B	1	1/PP	
29	6LH05509200	LEVER-OPEN-ADU-H38X	1	1/P	
31	6LH05416000	LEVER-LOCK-ADU-FU	1	1/P	
32	6LH05427000	LEVER-LOCK-ADU-FL	1	1/P	
33	6LH05413000	LEVER-LOCK-ADU-RU	2	1/P	
34	6LH05421000	SHAFT-LOCK-LEV-ADU-UP	1	1/P	
35	6LH05496000	SHAFT-LOCK-LEV-ADU-LOW	1	1/P	
36	6LH05531000	SPG-E-15X1R4X44R7	1	1/P	
37	6LE50521000	BUSH-8X12X5R5F-NU4	2	5/P	
38	41306265000	STOP RING	2	1/P	
39	X0-00968000	RR/E-7-SS	2	10/P	
40	6LH05511000	SCREW-M3X8-3.2-P	1	5/P	
41	6LA08933000	SCREW-CON-DEV-V	2	10/P	
42	6LA37669000	SCREW-LOCK-ARM	2	5/P	
43	X0-02230000	S/FHEXM-M3X6-NI	7	10/P	
44	X0-02074000	S/TPS/BID-4X8-ZU3	4	10/P	
45	6LH04434000	ASYS-BRKT-BRUSH	1	1/C	
47	6LK39454000	HRNS-FEXSN-H380	1	1/P	
48	6LK42588000	BRKT-ADU-SNSR-K11-H38X	1	1/P	
51	F0-00270000	UAMS-05L-0-46	1	10/P	
52	F0-01243000	LWS-1211Z	1	5/P	
53	6LK42529000	PIN-IDLE-ADU-H38X	4	10/P	
54	6LA08937000	SCREW-BKT-DEV	2	10/P	
55	6LH05403100	GUIDE-RGST-RIGHT-L_S	1	N/A***	
56	6LK42525000	BRKT-RTN-SNSR-H38X	1	1/P	
57	4400802080	BUSH-8	2	5/P	
58	X0-02135000	S/PAN/SWWP-M3X14-NI	1	10/P	
59	6LH07453000	ROLL-FUS-GUIDE	4	1/P	
60	6LK41923000	ASYS-GUIDE-TRANS-M	1	N/A***	
62	6LA03977000	BUSH-F6-GCB	2	5/P	
63	6LK41526000	ASYB-ROLLER-IDLE-H38X	1	1/P	
64	6LH04519000	SPG-E-COVER-IDLE-F43X	1	1/P	
65	6LH04521000	LVR-IDLE-F43X	2	1/P	
66	X0-00966000	RR/E-5-SS	2	10/P	

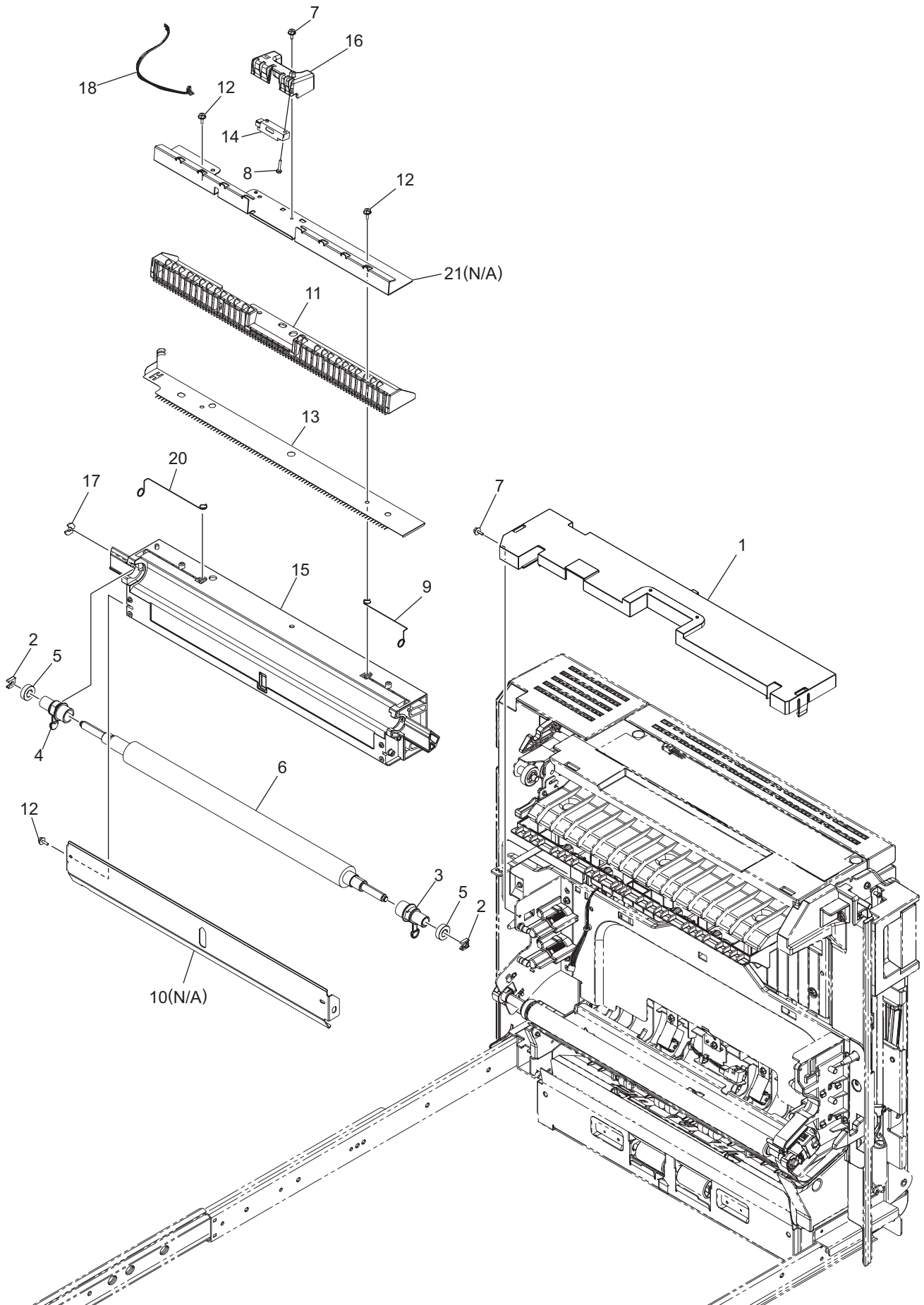
ITEM No.	PART No.	PART NAME	Q'TY / PAGE	Q'TY / PACK	REMARKS
1	6LH17871000	ASYS-BKT-PIN-F	1	1/P	
2	6LH17884000	PLATE-EX-DRV	1	1/P	
3	6LK43922000	RLR-BR-L1-H38X	1	1/KP	
4	6LK43923000	RLR-BR-L2-H38X	1	1/KP	
5	6LK43924000	RLR-BR-L3-H38X	1	1/KP	
6	6LH17839000	BRKT-SENS-M	1	1/P	
7	6LK73160000	SNSR-FED-RVS-H380	2	1/C	
8	F0-02296000	ES-0505-2	6	5/P	
9	6LH17831000	BRKT-BR-ML-SW	1	1/P	
10	F0-01250000	MSB-1207	8	5/P	
11	6LH17858000	GEAR-10S19-06C	1	1/P	
12	6LH17859000	GEAR-10S23-06C	1	1/P	
13	6LH17939000	MYLAR-BL	1	1/P	
14	6LH05401000	BLT.SY-S2M-300-4	1	1/P	
15	6LH05429000	PULLY-S2M30-6D	2	1/P	
16	F0-02297000	696ZZNR-SB-M-GV22	6	1/P	
17	6LH17973000	MG-CATCH-255	2	1/P	
18	F0-00018000	OCB-500	1	10/P	
19	F0-00671000	EDS-0607M	3	5/P	
20	X0-02419000	S/TPS/FHEXM/R-3X6-ZU3	19	10/P	
21	X0-00964000	RR/E-3-SS	2	10/P	
22	X0-00966000	RR/E-5-SS	6	10/P	
23	6LH17964000	HLDR-BR-ENT-L	1	1/P	
24	6LH17913000	SHAFT-BR-ENT-L	2	1/P	
25	6LE23952000	ROLL-EXIT-L-380	4	1/P	
26	6LH17914000	SPL-BR-ENT-L	2	1/P	
27	X0-02247000	S/TPP/FHEXM-3X8-NI	2	10/P	
28	6LH17820000	LEVER-BR-L	1	1/P	
29	6LH17821000	LEVER-BR-R	1	1/P	
30	6LH17822000	SHAFT-HANDLE-BR	1	1/P	
31	6LH17926100	LEV-HAND_G	1	1/P	
32	44201492000	BUSH-6-POM	3	5/P	
33	X0-02231000	S/FHEXM-M3X8-NI	4	10/P	
34	4407972860	STOP-RING-6-5	3	5/P	
35	6LH17870000	BKT-DRV-BR	1	1/P	
36	6LK41511000	MOTR.S-FEED-H38X	3	1/C	
37	F0-01811000	LWS-0711S-V0	2	5/P	
38	X0-02230000	S/FHEXM-M3X6-NI	6	10/P	
39	6LH17927100	ASYS-BKT-MOT-E_H38	1	1/P	
40	F0-01248000	ESC-0912	1	10/P	
41	X0-02420000	S/TPS/FHEXM/R-3X8-ZU3	2	10/P	
44	6LH17972000	SPG-C-10R6X1X31R8L	1	1/P	
45	6LK43901000	GEAR-10S19_PS2M30-6	1	1/P	
46	6LH17855000	BLT.SY-S2M-178-4	1	1/P	
47	6LH17965000	SPG-E-7R5XR7X25R3	1	1/P	
48	6LK73288000	HRNS-RLY-H380	1	1/P	
49	6LK39234000	HRNS-RLY-EXM-H380	1	1/P	
50	6LK31427000	HRNS-RLY1-FED1-340	1	1/P	
51	6LH08958000	HRNS-RLY1-SOL-430	1	1/P	
52	F0-01194000	UAMS-02WH-2	2	5/P	
53	6LK43905000	STAY-BR-ENT-L-H38X	1	N/A***	

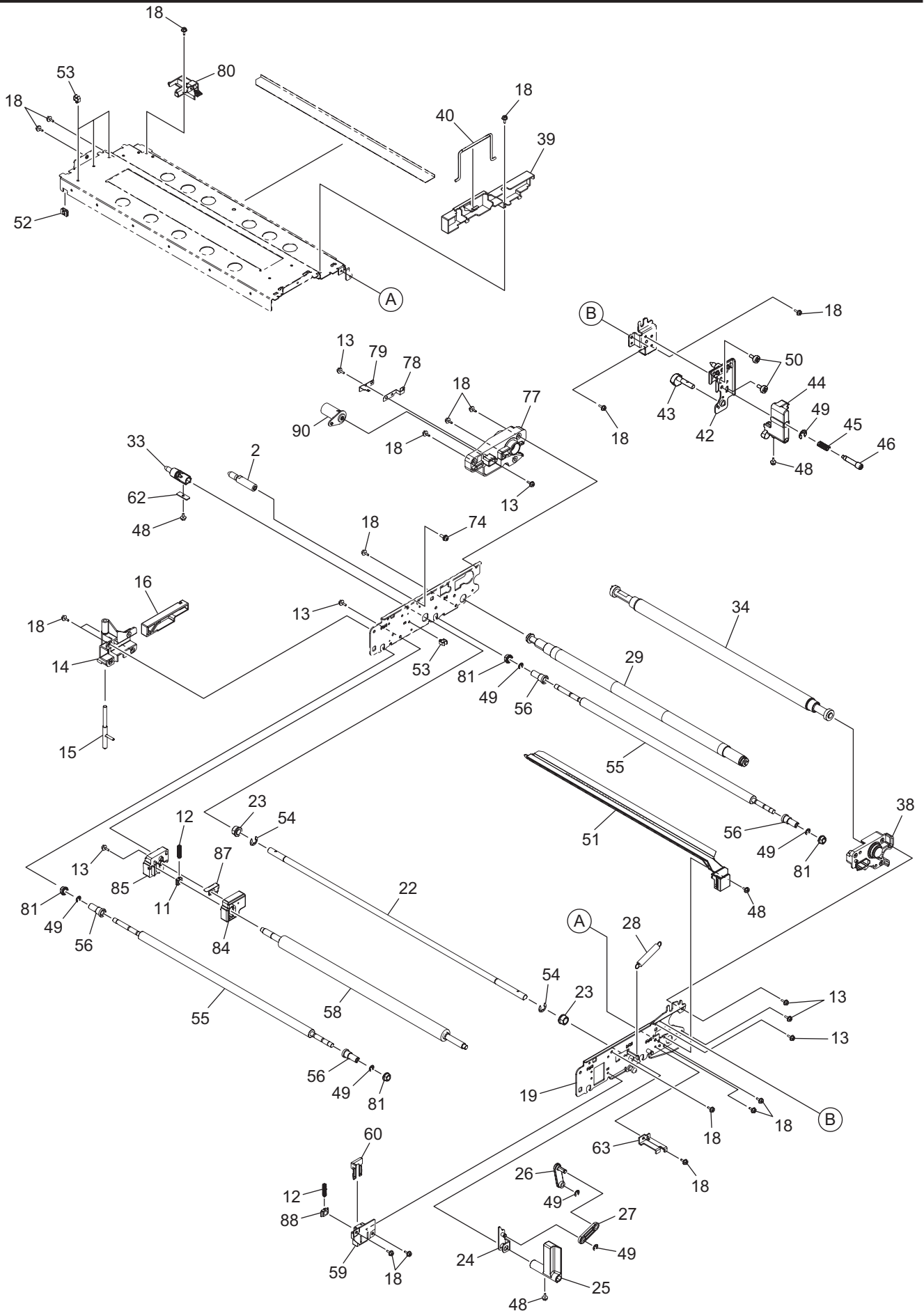




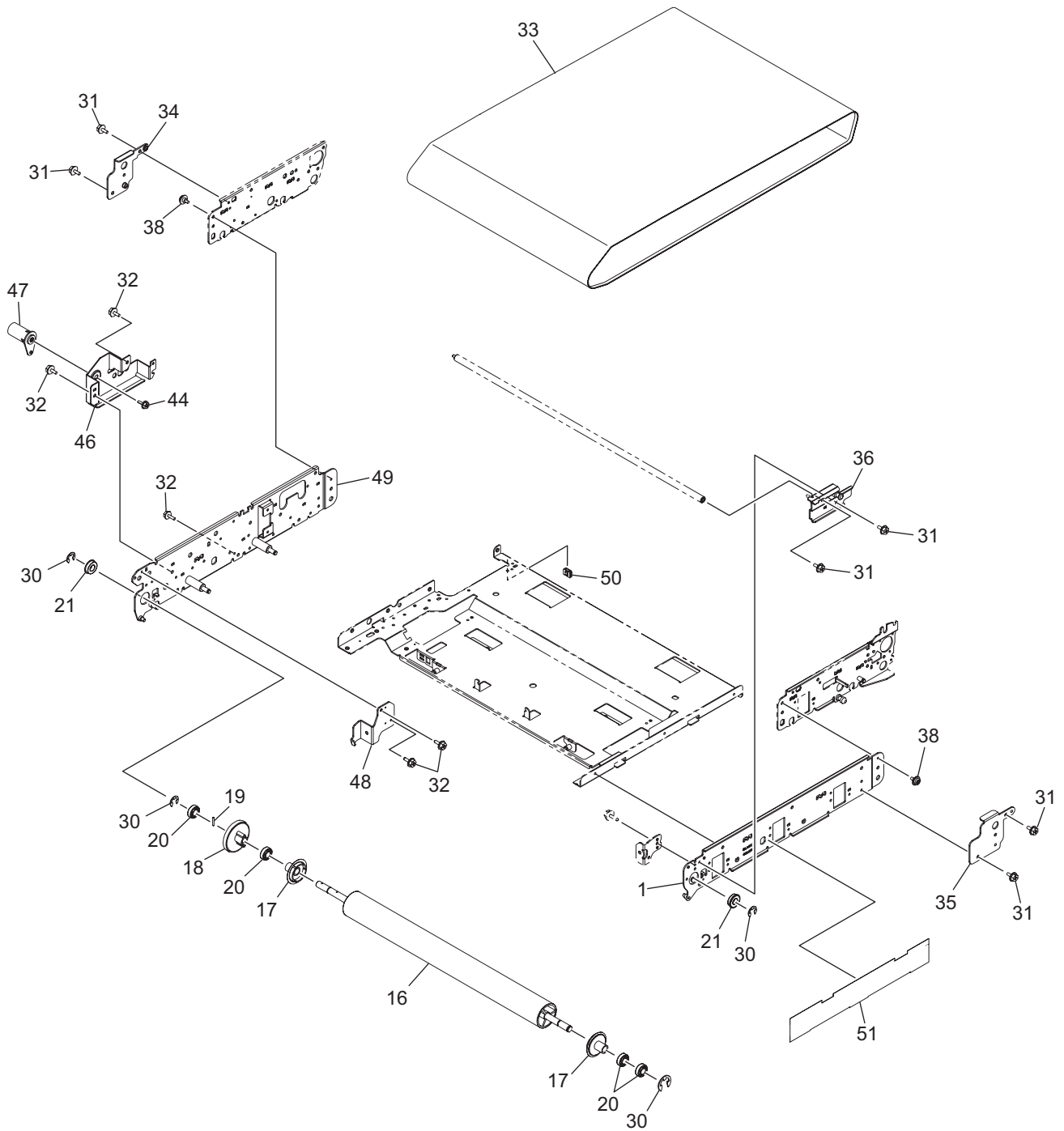


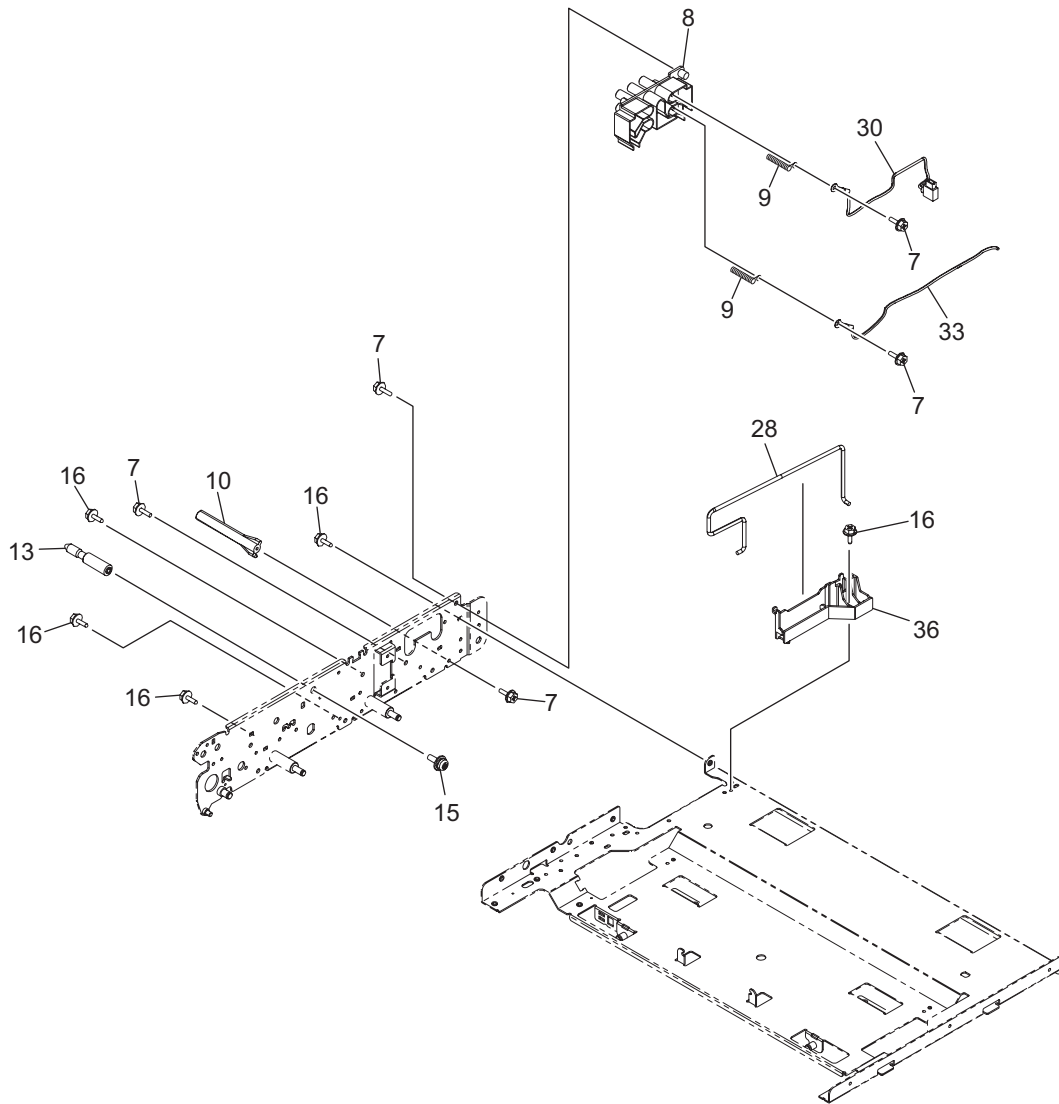
ITEM No.	PART No.	PART NAME	Q'TY / PAGE	Q'TY / PACK	REMARKS
1	6LH17800000	ASYS-BRKT-COV-UTRAY-F	1	1/P	
2	6LH17803000	ASYS-BRKT-COV-UTRAY-R	1	1/P	
3	6LH17809000	RAIL-BRIDGE-43X	1	1/P	
4	6LH17813000	STUD-RAIL	2	1/P	
5	6LA08935000	SCR-M3X6BISR-NI	9	10/P	
6	X0-00057000	S/PAN-M3X6-NI	2	10/P	
7	X0-02421000	S/TPS/FHEXM/R-4X8-ZU3	5	10/P	
8	6LH17928200	COVER-IN-BR-H38X	1	1/PP	
9	6LK40271000	PUSHER-SW-R_B-K13X	1	1/P	
10	X0-02247000	S/TPP/FHEXM-3X8-NI	22	10/P	
11	6LH17936000	BRKT-GID-RF-BR-V	1	1/P	
12	6LK41941000	ASYB-ROLL-IDL-BR-H38X	6	1/P	
14	X0-02419000	S/TPS/FHEXM/R-3X6-ZU3	13	10/P	
15	6LH17896000	PLATE-F-GUIDE-L	1	1/P	
16	6LH17895100	LEVER-LK_GG	1	1/P	
17	6LH17898000	SPA-LOCK-080	1	5/P	
18	6LJ10915000	WIRE-GUIDE-L	1	1/P	
19	6LE08847000	SHAFT-LEVER-390	1	1/P	
20	X0-00964000	RR/E-3-SS	2	10/P	
21	6LH17988000	ASYS-SPL-GUIDE-LOW	2	1/C	
22	6LE41127000	SCREW-M3-4-1.4	3	5/P	
23	6LH17906100	GUIDE-U-BR_SH	1	1/PP	
24	6LH17904000	BRKT-SENS-BR-U-R	1	1/P	
25	C0-15007000	PS119ED1	1	1/C	
26	F0-01250000	MSB-1207	2	5/P	
27	X0-02135000	S/PAN/SWHP-M3X14-NI	1	10/P	
28	6LH17937000	STOPPER-GUIDE-U	1	1/P	
29	6LH17908000	PLATE-MG-CATCH	2	1/P	
30	6LK43956000	LBL-O-GUIDE-U-BR-H38X	1	1/P	
33	44201801000	STOP-RING-6-1.5	2	5/P	
35	6LK43959000	LBL-O-BRIDGE-H38X_2	1	1/KP	
37	6LE08831000	LBL-W-HOT-STAY-390	1	5/P	
38	X0-02594000	S/TPD3/FHEXM-3X10-ZU3	1	10/P	
39	6LH17984000	ASYS-DUCT-FAN-BR-FRT	1	1/C	
40	X0-02066000	S/TPS/PAN-4X16-ZU3	2	10/P	
41	6LH17923000	GUIDE-BR-ENT2	1	1/PP	
42	6LA05697000	MYLAR-GUIDE-M95	2	1/KP	
43	6LA05696000	MYLAR-GUIDE-M39	2	1/P	
45	6LH09308000	HRNS-RLY1-RVS1-430	1	1/P	
46	6LJ10914100	GUIDE-LOW-BR_SH	1	N/A***	
47 A	6LK43018000	LBL-HOT-BRG-H38X	1	1/KP	NAD,MJD,ASD,AUD,ARD,TWD
47 B	6LK43021000	LBL-HOT-BRG-H38XC	1	1/KP	CND

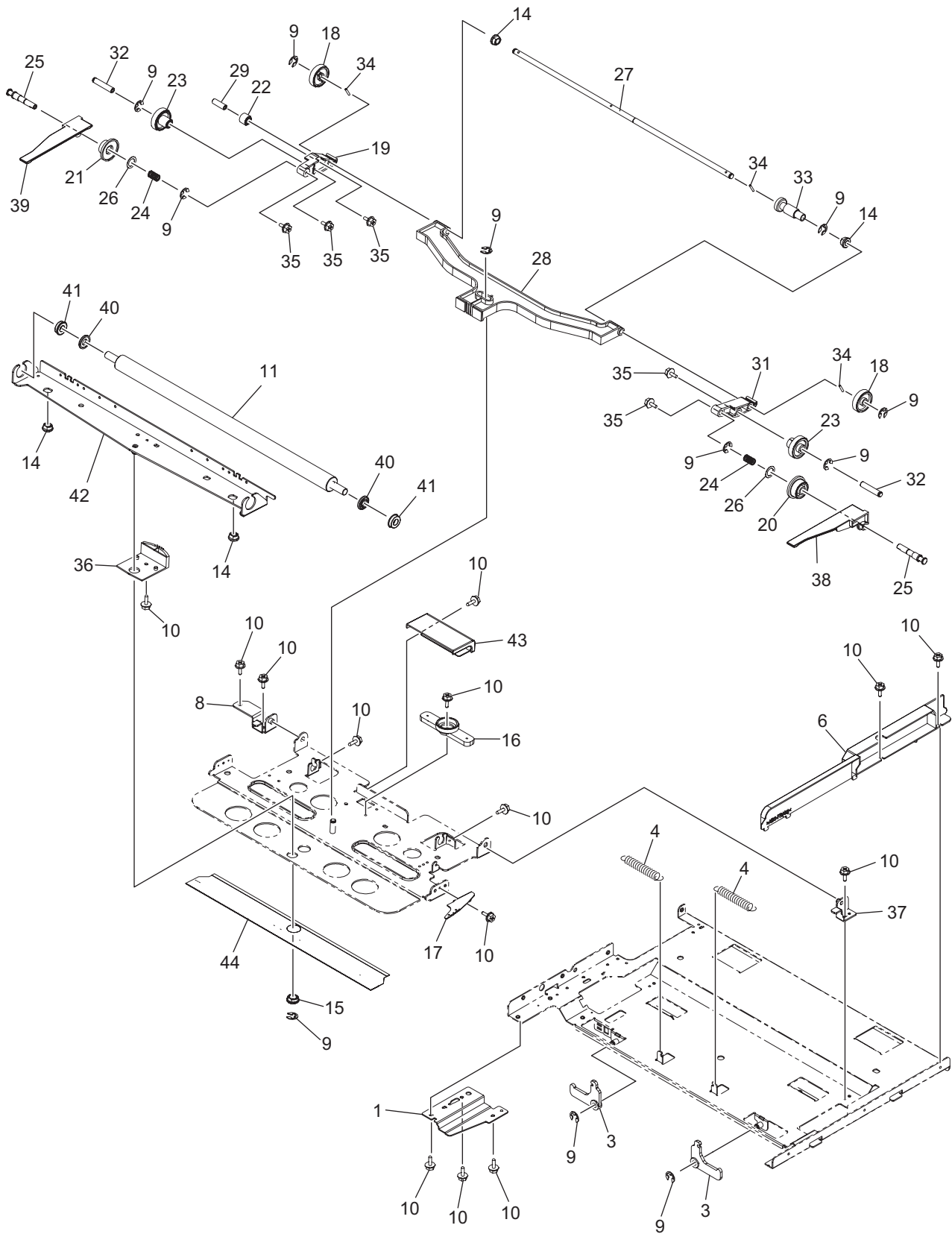




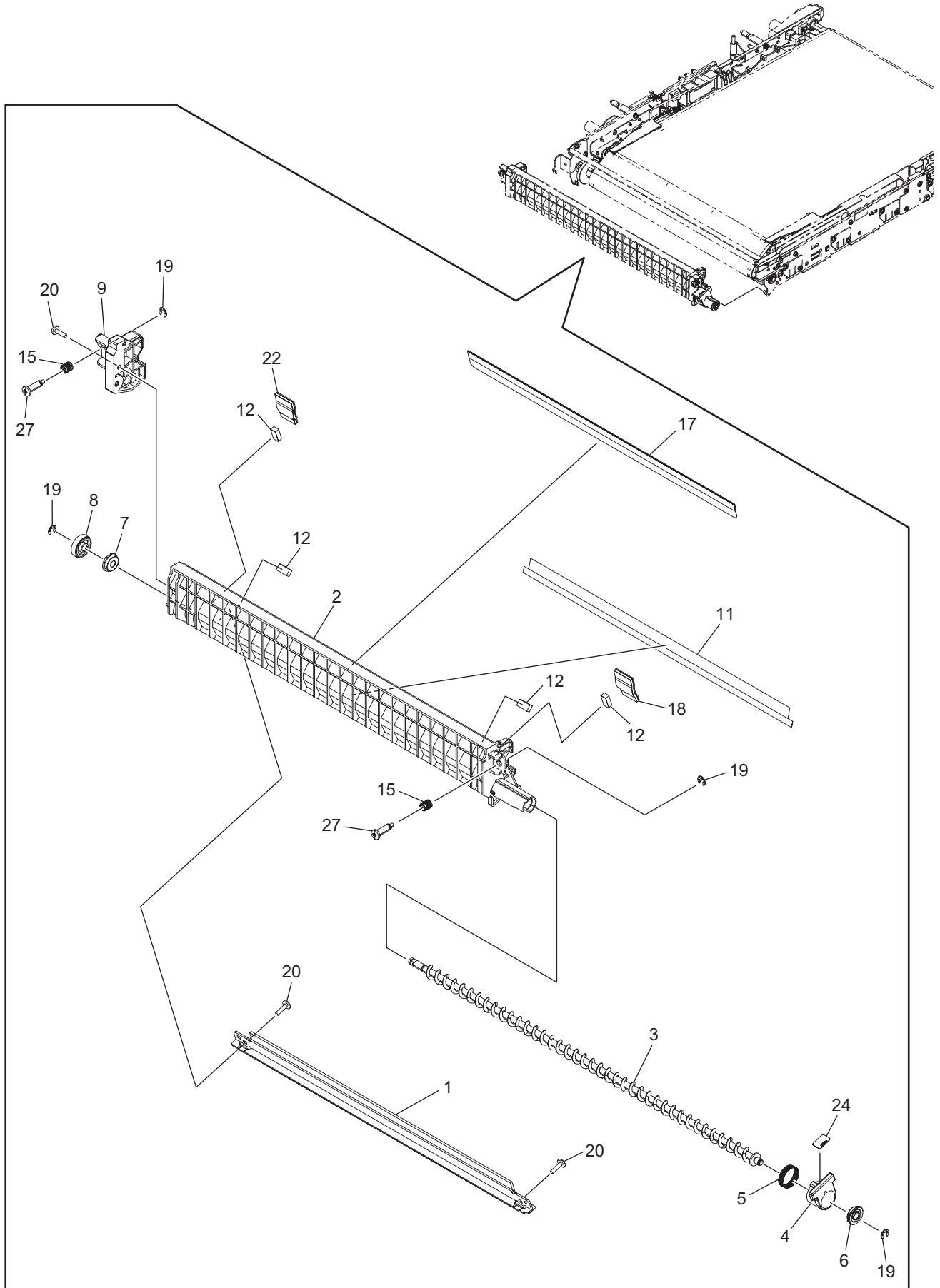
ITEM No.	PART No.	PART NAME	Q'TY / PAGE	Q'TY / PACK	REMARKS
2	6LH04100000	STUD-TBU-R-M4	1	1/P	
11	4406537280	HLDR-TR-ROLL	1	1/P	
12	6LH03865000	SPG-C-TR1-TBU	2	1/P	
13	X0-02247000	S/TPP/FHEXM-3X8-NI	7	10/P	
14	6LH03712100	HOLDER-LOCK-LVR_S	1	1/P	
15	6LJ07164000	ASYS-PIN-STOP	1	1/P	
16	6LH03715000	LINK-STOP-TBU	1	1/P	
18	X0-02420000	S/TPS/FHEXM/R-3X8-ZU3	18	10/P	
19	6LK41126000	ASYS-FRAME-F-TBU-H38X	1	1/P	
22	6LH03836000	SHAFT-LEVER-TBU-F43X	1	1/P	
23	4400802080	BUSH-8	2	5/P	
24	6LH03734000	ASYS-BRKT-LINK-H-F43X	1	1/P	
25	6LH03953200	LEVER-TBU-H38X	1	1/P	
26	6LH03866000	BRKT-LINK-F-F43X	1	1/P	
27	6LH03714000	PLATE-LINK-H-F43X	1	1/P	
28	6LH03801000	SPG-E-PLATE-TBU-FIX	1	1/P	
29	6LK41173000	ASYS-RLR-RIGID-SLD-H38X	1	1/KP	
33	6LH03742000	LINK-TBU-LOCK	1	1/P	
34	6LK41144000	ASYS-RLR-TR2-TBU-H38X	1	1/C	
38	6LK41103000	HLDR-RLR-DRV-TBU-F-H38X	1	1/P	
39	6LK41108000	COVER-FR-UP-TBU-H38X	1	1/P	
40	6LK41154000	LVR-TBU-H38X	1	1/P	
42	6LJ07166000	ASYB-PLATE-TBU-UD	1	1/P	
43	6LH03950000	CAM-TBU-UD	1	1/P	
44	6LH03896200	LEVER-SF-TBU-H38X	1	1/P	
45	6LH03894000	SPG-C-TBU-LIFT	1	5/P	
46	6LH03892000	SCREW-BRKT-TBU-UD	1	1/P	
48	X0-02230000	S/FHEXM-M3X6-NI	4	10/P	
49	X0-00965000	RR/E-4-SS	7	10/P	
50	4406329300	SCREW-DRM-GAP	2	10/P	
51	6LK41146000	ASYS-CLN-RLR-TBU-H38X	1	1/KP	
52	F0-02296000	ES-0505-2	1	5/P	
53	F0-01048000	UAMS-05-0	4	5/P	
54	X0-00968000	RR/E-7-SS	2	10/P	
55	6LH03799000	RLR-SNS-TBU-F43X	2	1/P	
56	6LH03726000	COLAR-RLR-LIFT	4	1/P	
58	6LJ07150000	RLR-TR1-TBU-H130	1	1/C	
59	6LH03718000	CASE-TERM-TR1-F	1	1/P	
60	6LH03719000	COVER-TERM-TR1-F	1	1/P	
62	6LH04012000	PLATE-LINK-TBU-LOCK	1	1/P	
63	6LH04013000	BRKT-LEVER-STOPPER	1	1/P	
74	X0-02363000	S/PAN/SWWS-M4X10-NI	1	10/P	
77	6LK41105000	HLDR-RLR-DRV-TBU-R-H38X	1	1/P	
78	6LK41106000	PLATE-TR2-TBU-H38X	1	1/C	
79	6LJ07115000	PLATE-TR2-TBU2-H130	1	1/P	
80	6LK41101000	GUIDE-CLN-TR2-TBU-H38X	1	1/P	
81	6LH53768000	BUSH-6-NU4	4	1/P	
84	6LK30994000	COVER-TERM-TR1-R	1	1/P	
85	6LH03887000	CASE-TERM-TR1-R	1	1/P	
87	6LH03817000	PLATE-TR1	1	1/P	
88	6LJ07165000	BUSH-TR1-TBU	1	1/P	
90	6LJ07123100	COLLAR-STAND-TBU-L-H130_S	1	1/P	

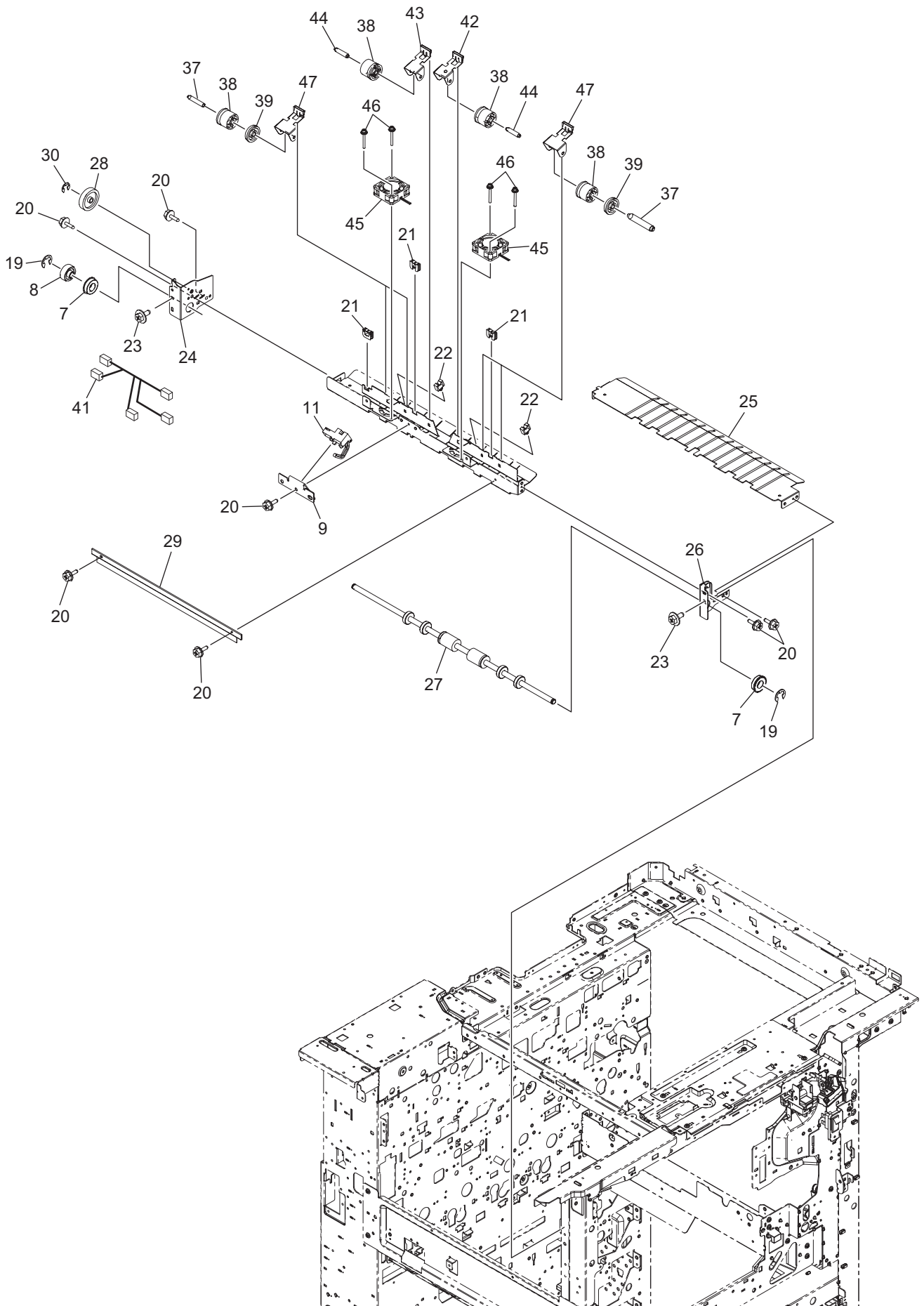


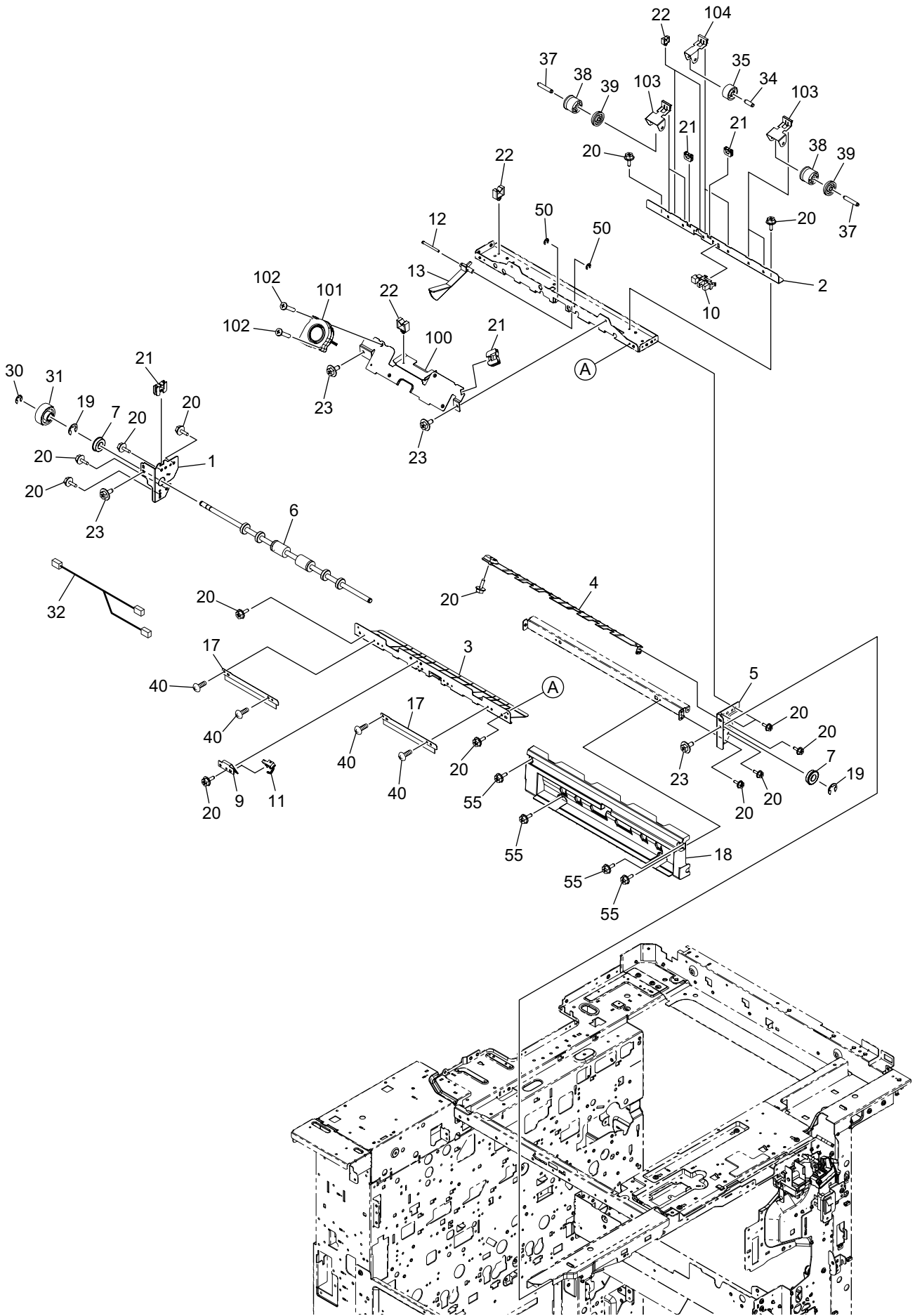


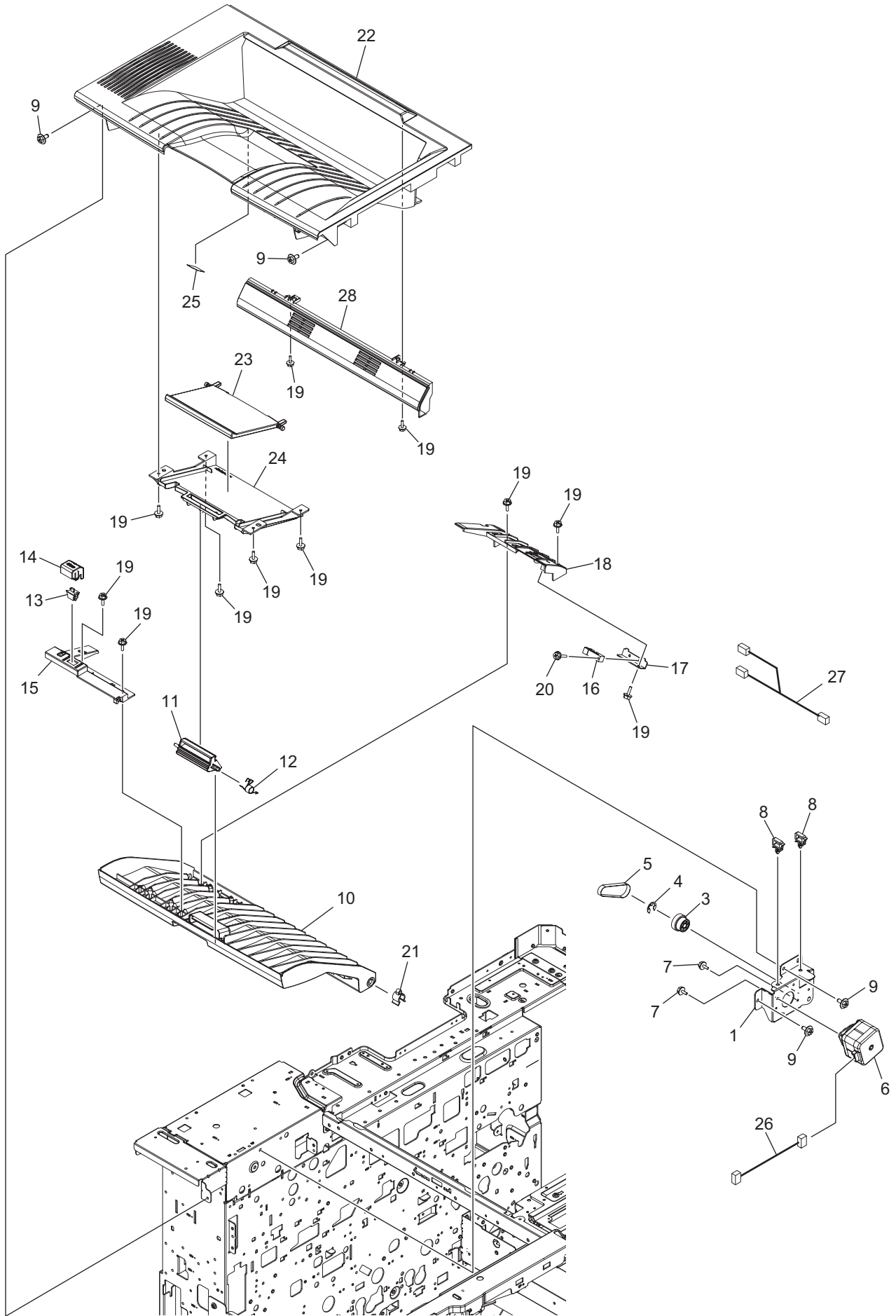


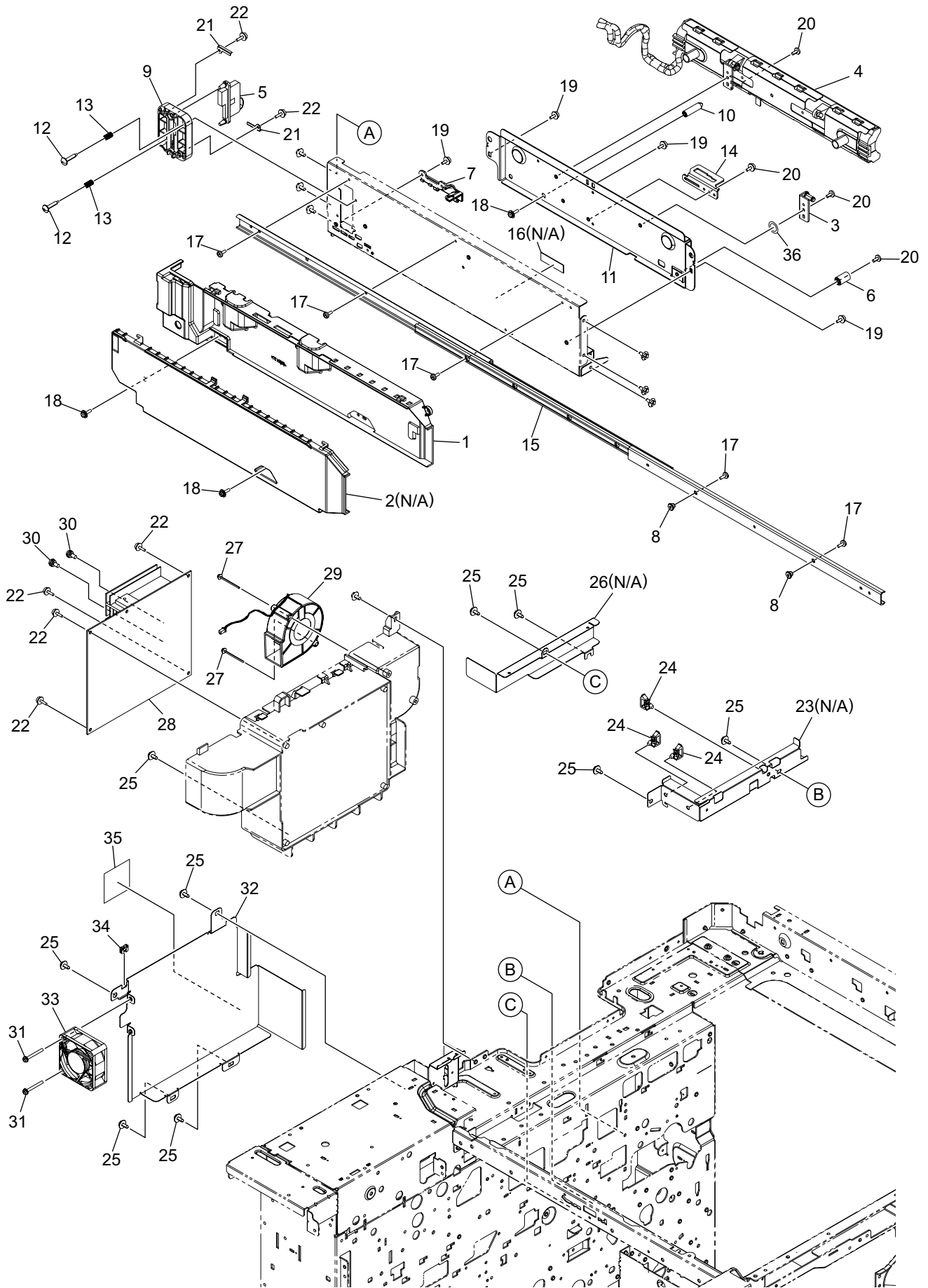
ITEM No.	PART No.	PART NAME	Q'TY / PAGE	Q'TY / PACK	REMARKS
1	6LH04104000	PLATE-STAY-YMC	1	1/P	
3	6LH03725000	ARM-TENSION	2	1/P	
4	6LK41168000	SPG-E-STRG-H38X	2	1/P	
6	6LH03921100	COVER-FL-UP-TBU_S	1	1/PP	
8	6LH03944000	ASYS-BRKT-HINGE-R	1	1/P	
9	X0-00965000	RR/E-4-SS	11	10/P	
10	X0-02420000	S/TPS/FHEXM/R-3X8-ZU3	14	10/P	
11	6LJ07178000	RLR-STRNG-AL-H130	1	1/KP	
14	44201492000	BUSH-6-POM	4	5/P	
15	6LE50521000	BUSH-8X12X5R5F-NU4	1	5/P	
16	6LH03937000	GEAR-05H50-WORM	1	1/P	
17	6LH03857000	BRKT-SCALE	1	1/P	
18	6LH03832000	GEAR-DRIVE-SHAFT	2	1/P	
19	6LH03856000	ARM-R	1	1/P	
20	6LH03915000	GEAR-ROL-GUIDE-F	1	1/P	
21	6LH03882000	GEAR-ROL-GUIDE-R	1	1/P	
22	6LH03861000	GEAR-RVRS	1	1/P	
23	6LH03831000	GEAR-IDLE-GUIDE	2	1/P	
24	6LH03986000	SPG-GEAR-STRNG-3N	2	5/P	
25	6LH03911000	STUD-GEAR-GUIDE	2	1/P	
26	6LA78908000	WASHER-6R2X9R5XR25-PL	2	5/P	
27	6LH04091000	SFT-DRV-STEERING	1	1/P	
28	6LH03939100	SLIDER-STNG_S	1	1/P	
29	6LH03863000	STUD-IDLE-ARM	1	1/P	
31	6LH03855000	ARM-F	1	1/P	
32	6LH03864000	STUD-ROL-GUIDE	2	1/P	
33	6LH03829000	WORM-STEERING	1	1/P	
34	X0-01526000	P/PRL/AH7-2X12-SS	3	10/P	
35	X0-02230000	S/FHEXM-M3X6-NI	5	10/P	
36	6LH03936000	GEAR-10S80-STERING	1	1/P	
37	6LH03877000	ASYS-BRKT-HINGE-F	1	1/P	
38	6LH03913000	HLDR-BELT-F	1	1/P	
39	6LH03862000	HLDR-BELT-R	1	1/P	
40	6LH04045000	COLLAR-18	2	5/P	
41	F0-02241000	LNR-1680KKRP0P25LY727	2	1/P	
42	6LH03942000	ASYS-BRKT-ROL-STRNG	1	1/P	
43	6LH04074100	COVER-WORM-STNG_S	1	1/P	
44	6LJ07175000	FELT-CLN-DRVRLR-TBU	1	1/KP	



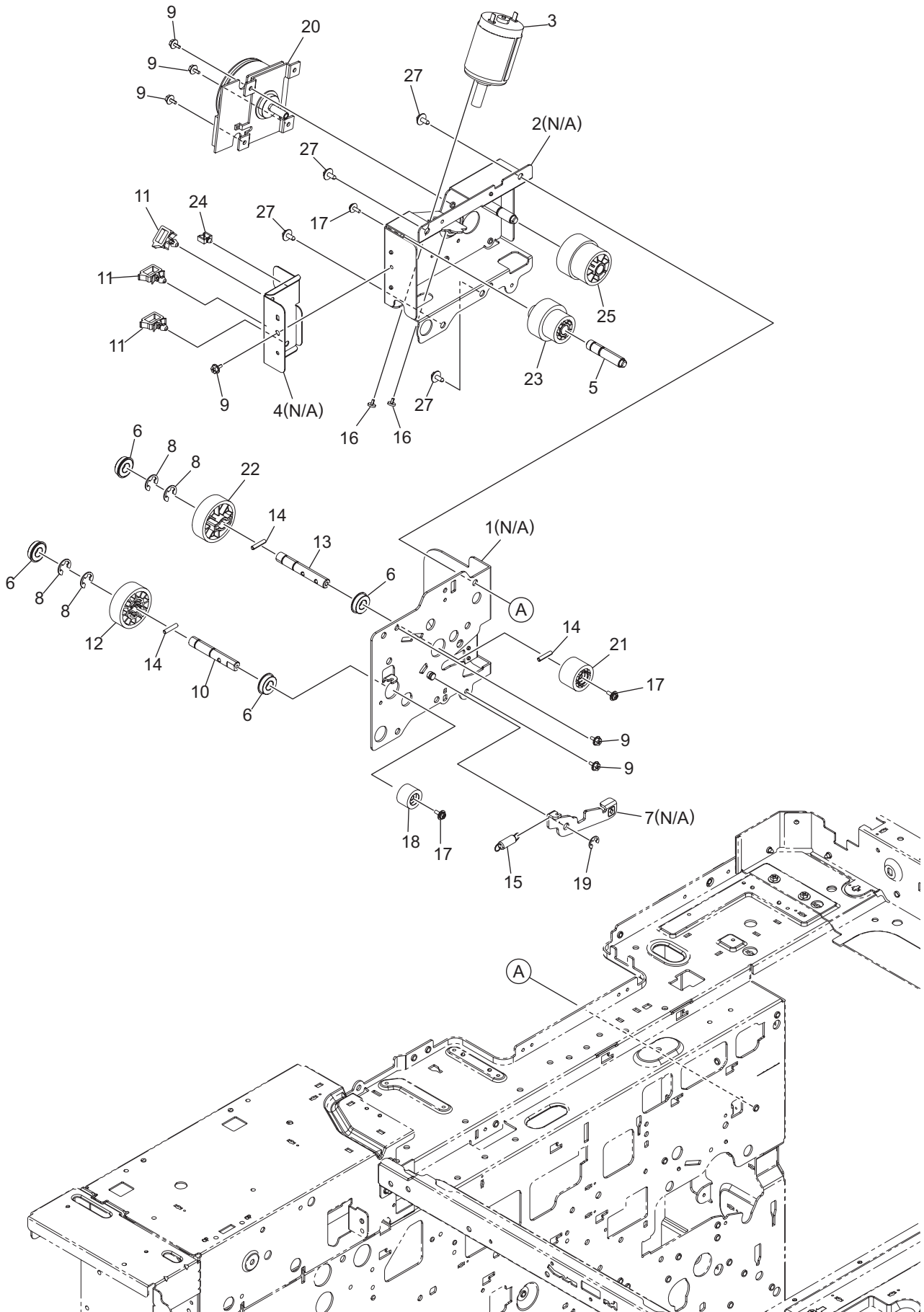


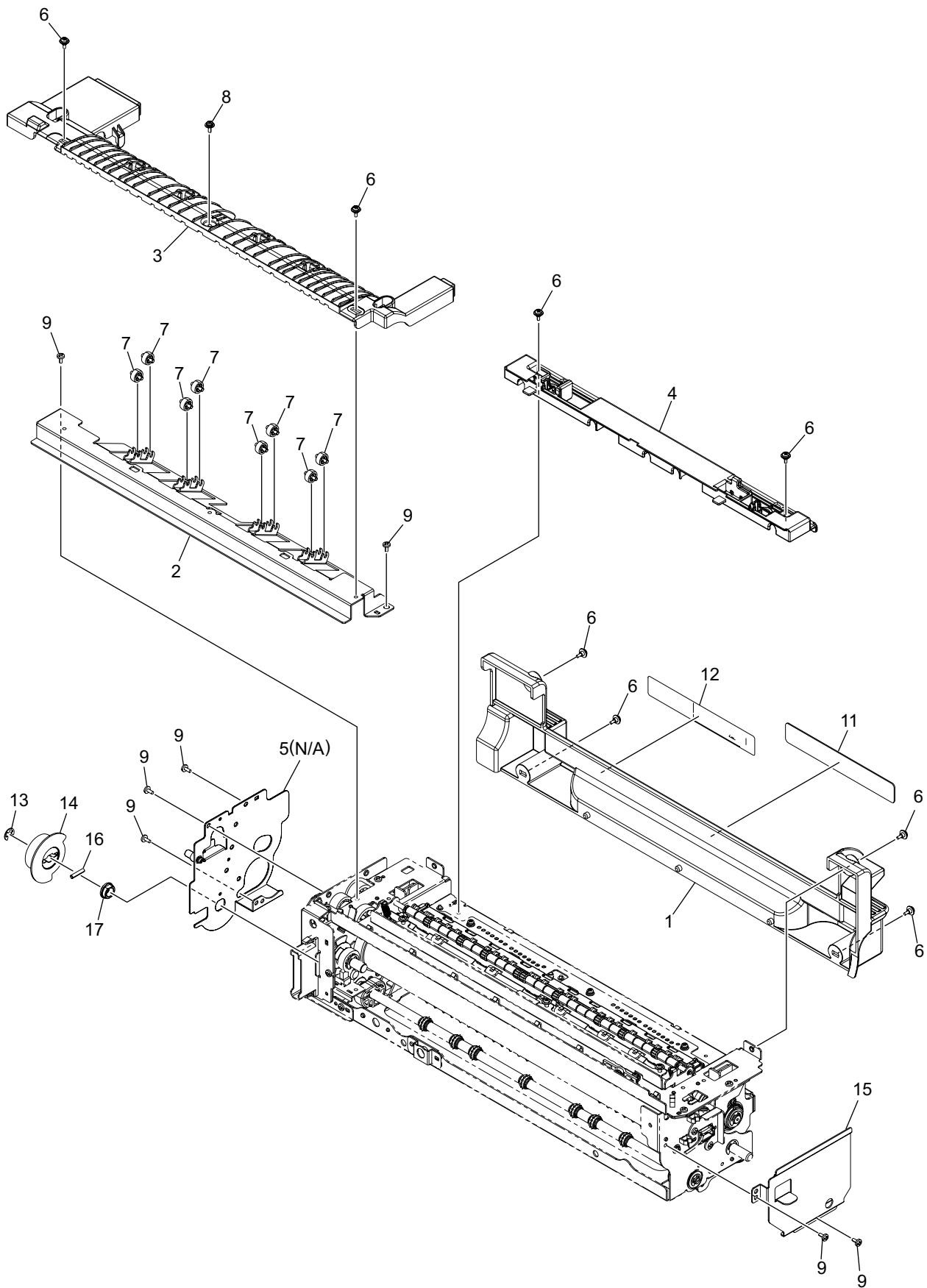


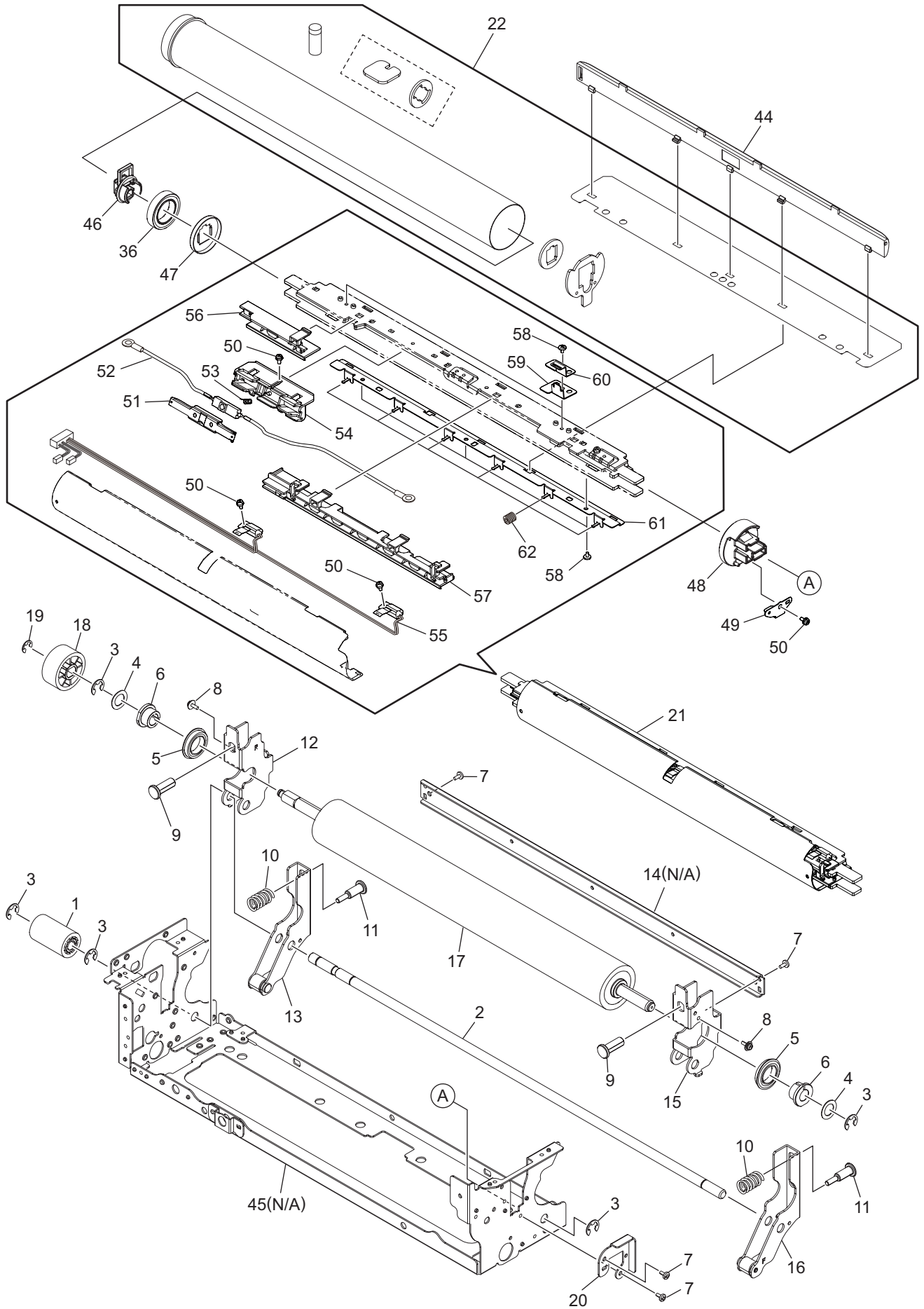




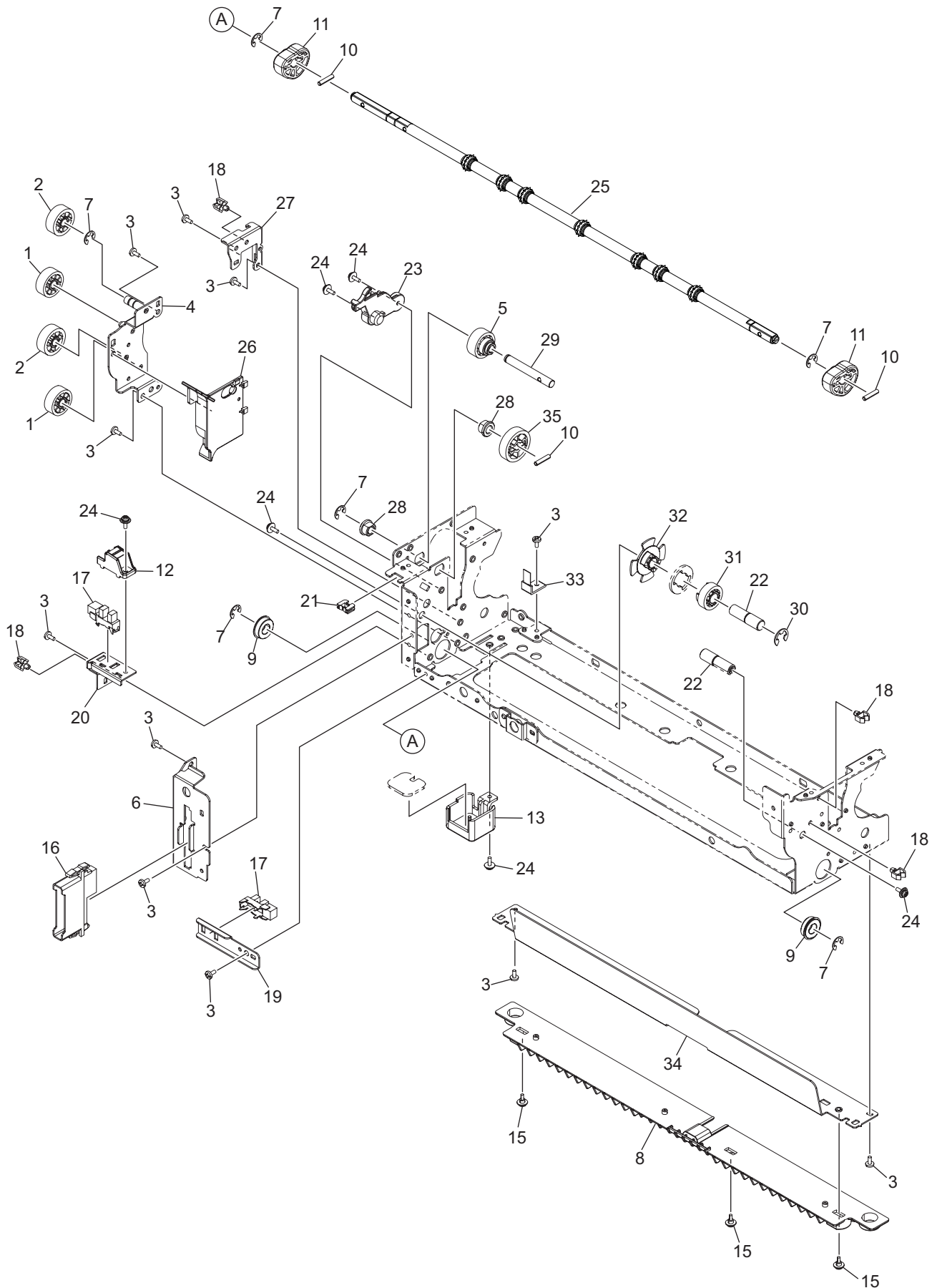
ITEM No.	PART No.	PART NAME	Q'TY / PAGE	Q'TY / PACK	REMARKS
1	6LK42583000	ASYS-DUCT-STAY-FUS-H38X	1	1/PP	NAD,eS6518A-TWD MJD,ASD,AUD,CND,ARD,eS7518A-TWD
2	6LH01520300	DUCT-STAY-FUS-L-H38XM	1	N/A***	
3	6LJ58828000	ASYS-STAY-IHUNIT-H21X	1	1/P	
4 A	6LJ58857400	ASYB-IHCOIL-H21X-H100S	1	1/C	
4 B	6LJ58857500	ASYB-IHCOIL-H21X-H200S	1	1/C	
5	6LL27016000	HRNS-LGC-FUS-K130	1	1/P	
6	6LJ58759000	SPG-C-PUSH-FUS-F-H21Y	1	1/P	
7	6LK42488000	COVER-STAY-HNS-H38X	1	1/P	
8	6LH17813000	STUD-RAIL	2	1/P	
9	6LK42487000	HLDR-W-H38X	1	1/P	
10	6LK42489000	STUD-STAY-FUS-H38X	1	1/P	
11	6LK42495000	BRKT-STAY-IH-H38X	1	1/PP	
12	4406326040	SCREW-D4-18-M3	2	10/P	
13	6LA14468000	SPC068-080-160	2	5/P	
14	6LK42612000	SUPPT-COIL-IH-H38X-ADJ	1	1/P	
15	6LH17809000	RAIL-BRIDGE-43X	1	1/P	
16	6LK41373000	SHEET-FUSER-SNSR-H380	1	N/A***	
17	X0-00057000	S/PAN-M3X6-NI	5	10/P	
18	X0-00094000	S/PAN/SWWP-M3X10-NI	3	10/P	
19	X0-02230000	S/FHEXM-M3X6-NI	4	10/P	
20	X0-00430000	S/BID-M3X6-NI	4	10/P	
21	6LK42609000	BRKT-FUS-DRW-H38X	2	1/P	
22	X0-02247000	S/TPP/FHEXM-3X8-NI	6	10/P	
23	6LK42532000	GUIDE-HRNS-IH-H38X	1	N/A***	
24	F0-01810000	LWS-0511S-V0	3	5/P	
25	X0-02421000	S/TPS/FHEXM/R-4X8-ZU3	9	10/P	MJD,ASD,AUD,CND,ARD,eS7518A-TWD NAD
26	6LK42533000	SHIELD-HRNS-IH-H38X	1	N/A***	
27	X0-02484000	S/PAN/SWWP-M3X35-NI	2	10/P	
28 A	6LL27107200	ASYB-IH-K130E	1	1/SB	
28 B	6LL27107100	ASYB-IH-K130U	1	1/SB	
28 C	6LL27107000	ASYB-IH-K130J	1	1/SB	
29	6LH09500000	FAN-P7530-430M	1	1/D	
30	6LH55300000	USUITA-SPSEMS-4X8-6	2	5/P	
31	X0-02089000	S/PAN/SWWS-M4X30-NI	2	5/P	
32	6LK42531000	PLT-SHIELD-IH-H38X	1	1/P	
33	6LK48236000	FAN-6025-065-H373	1	1/D	
34	F0-02296000	ES-0505-2	1	5/P	
35	6LK40243000	SHEET-PLT-SHIELD-IH-H38X	1	1/S	
36	6LH07587000	WSHR-FUS-ST	1	5/P	





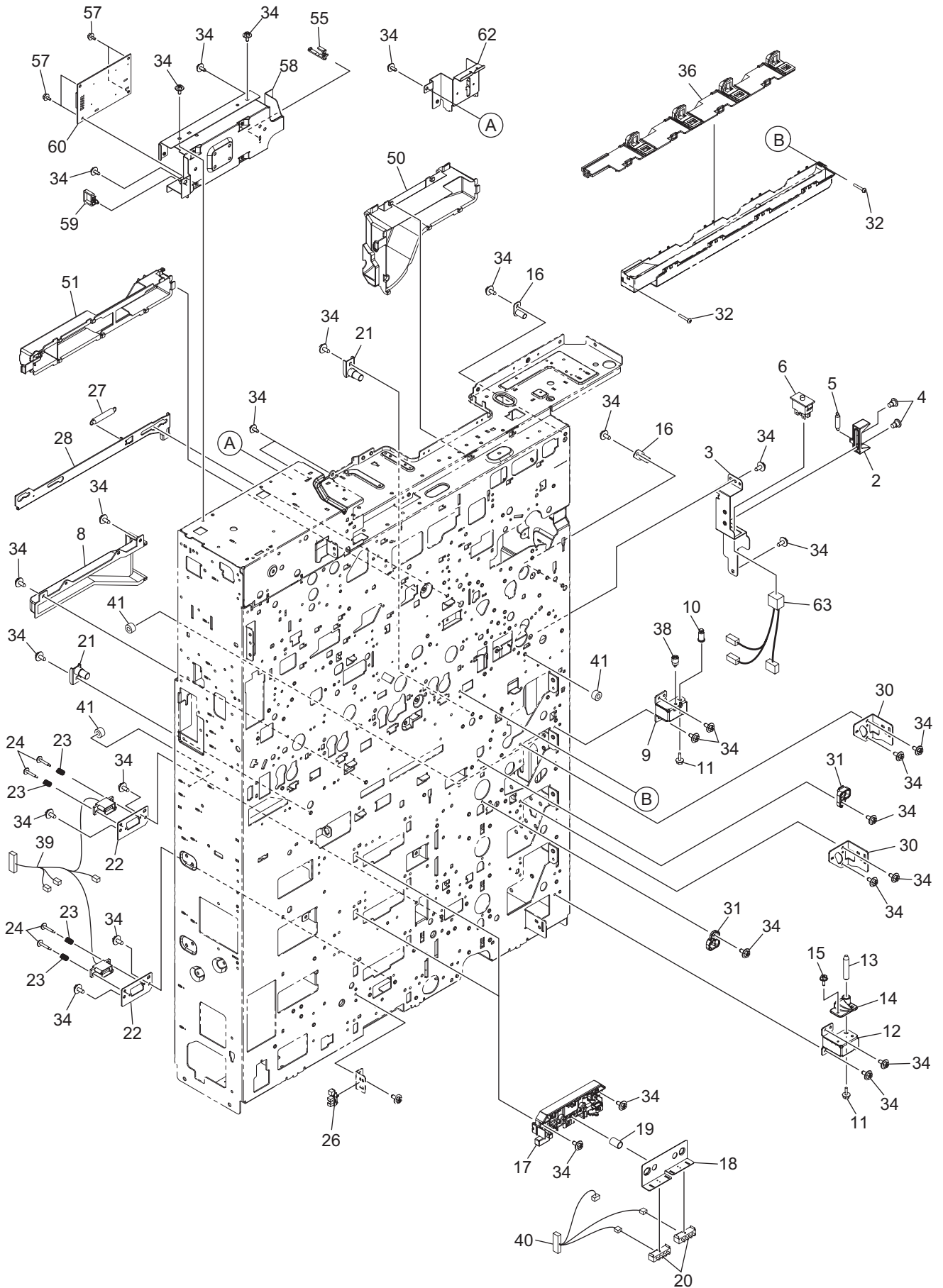


ITEM No.	PART No.	PART NAME	Q'TY / PAGE	Q'TY / PACK	REMARKS
1	6LK42409000	GEAR-10H21-IDL-PR-H38X	1	1/P	
2	6LK42410000	SHAFT-FUS-8-H38X	1	1/P	
3	X0-00968000	RR/E-7-SS	5	10/P	
4	6LE25970000	WASHER-FUSER	2	5/P	
5	6LJ58988000	6802ZZNRS1C4-GPL226-GV22	2	1/P	
6	6LH07393000	BUSH-FUS-MR	2	1/P	
7	X0-00430000	S/BID-M3X6-NI	4	10/P	
8	X0-00077000	S/PAN/SWWP-M3X8-NI	2	10/P	
9	6LK42593000	SHAFT-FUS-SPG-S-H38X	2	1/P	
10	6LK42590000	SPG-C-PR-330-H38X	2	1/P	
11	6LK42592000	SCREW-M4X10-7-ZU3	2	5/P	
12	6LK42438000	ARM-FUS-R-H38X	1	1/P	
13	6LK42440000	ASYS-PUSHER-ARM-R-H38X	1	1/P	
14	6LK42437000	STAY-PR-H38X	1	N/A***	
15	6LK42444000	ARM-FUS-F-H38X	1	1/P	
16	6LK42566000	ASYS-PUSHER-ARM-F-H38X	1	1/P	
17	6LK43647000	PR-FC556-FU	1	1/S	
18	6LK42678000	GEAR-10H32-PR-H38X	1	1/P	
19	X0-00966000	RR/E-5-SS	1	10/P	
20	6LK42422000	BRKT-BELT-F-H38X	1	1/P	
21	6LK42699000	BELT-HLDUNIT-FC556	1	1/S	
22 A	6LK42668000	ASY-FUSER-BELT-FC556	1	1/S	Except CND
22 B	6LK42669000	ASY-FUSER-BELT-FC556-C	1	1/S	CND
36	6LK42559000	6804ZZS1C4-GPL226-GV22	1	1/P	
44	6LK42589000	PAD-BLT-R60-H4-H38X	1	1/KP	
45	6LK42545000	ASYS-FRM-FUSER-H38X	1	N/A***	
46	6LK42478000	BUSH-BLT-R-H38X	1	1/P	
47	6LK42481000	WASHER-BLT-H38X	1	1/P	
48	6LK42627000	ASYS-BUSH-BLT-F-H38X	1	1/P	
49	6LK42625000	BRKT-BLT-F-H38X	1	1/P	
50	X0-00059000	S/PAN/SWWS-M3X6-NI	4	10/P	
51	6LK42695000	HLD-THRMST-U-K130	1	1/P	
52	6LK39446000	THRMST-HTR-H380	1	1/C	
53	6LK52255000	SPG-C-THRMST	1	1/P	
54	6LK42696000	HLD-THRM-H38X	1	1/P	
55	6LK73139000	THMS-HTR-H380	1	1/KP	
56	6LK42483000	GUIDE-HRNS-BLT-S-H38X	1	1/C	
57	6LK42482000	GUIDE-HRNS-BLT-L-H38X	1	1/C	
58	X0-00426000	S/BID-M3X4-NI	5	10/P	
59	6LK42472000	PLT-STOPPER-SHILD-H38X	2	1/P	
60	6LK42485000	PLT-STOPPER-SHIELD-U-H38X	2	1/P	
61	6LK42476000	PLT-HLDR-PAD-H38X	1	1/KP	
62	6LK42479000	SPG-C-PLT-TMM-H38X	6	1/P	

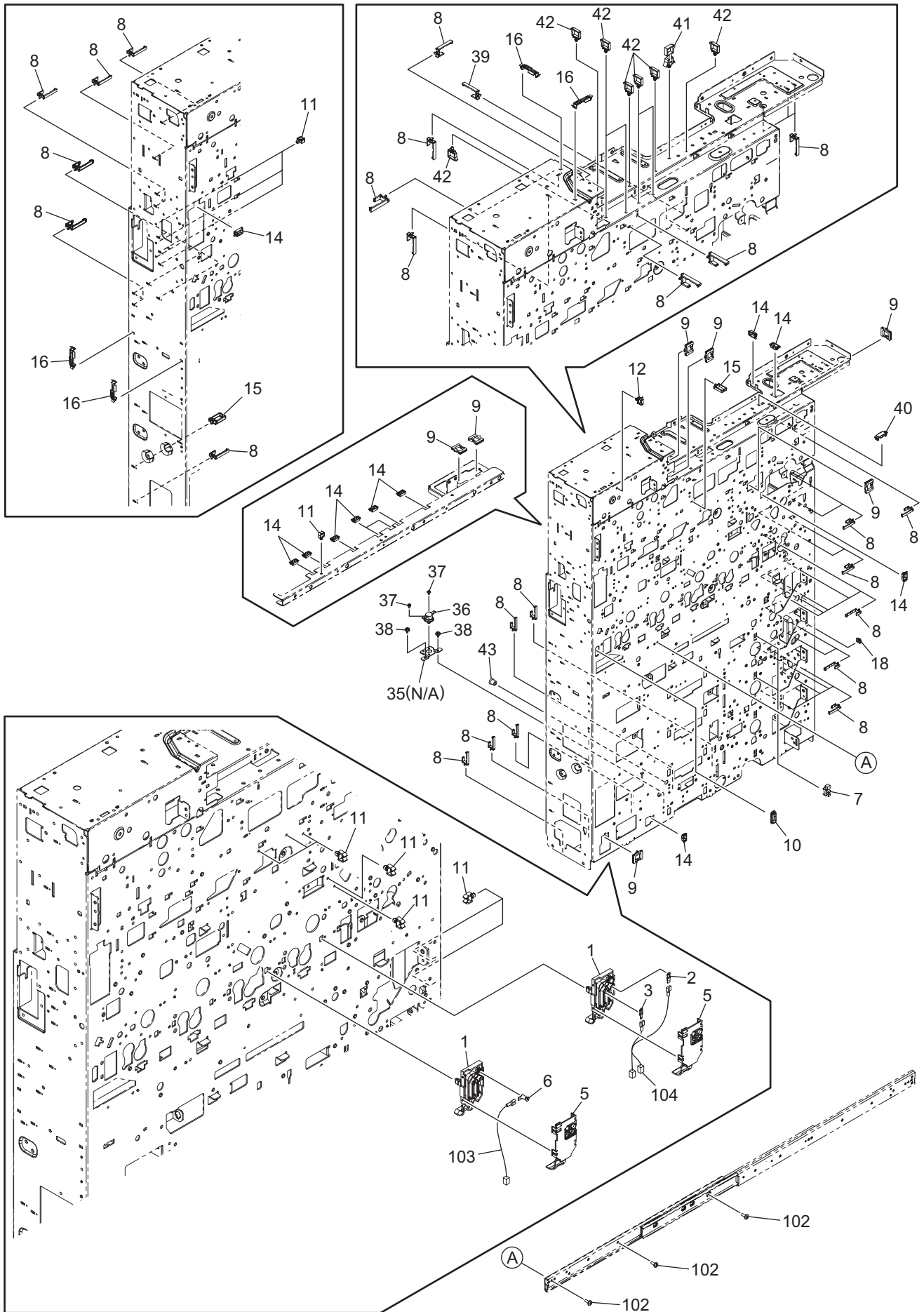


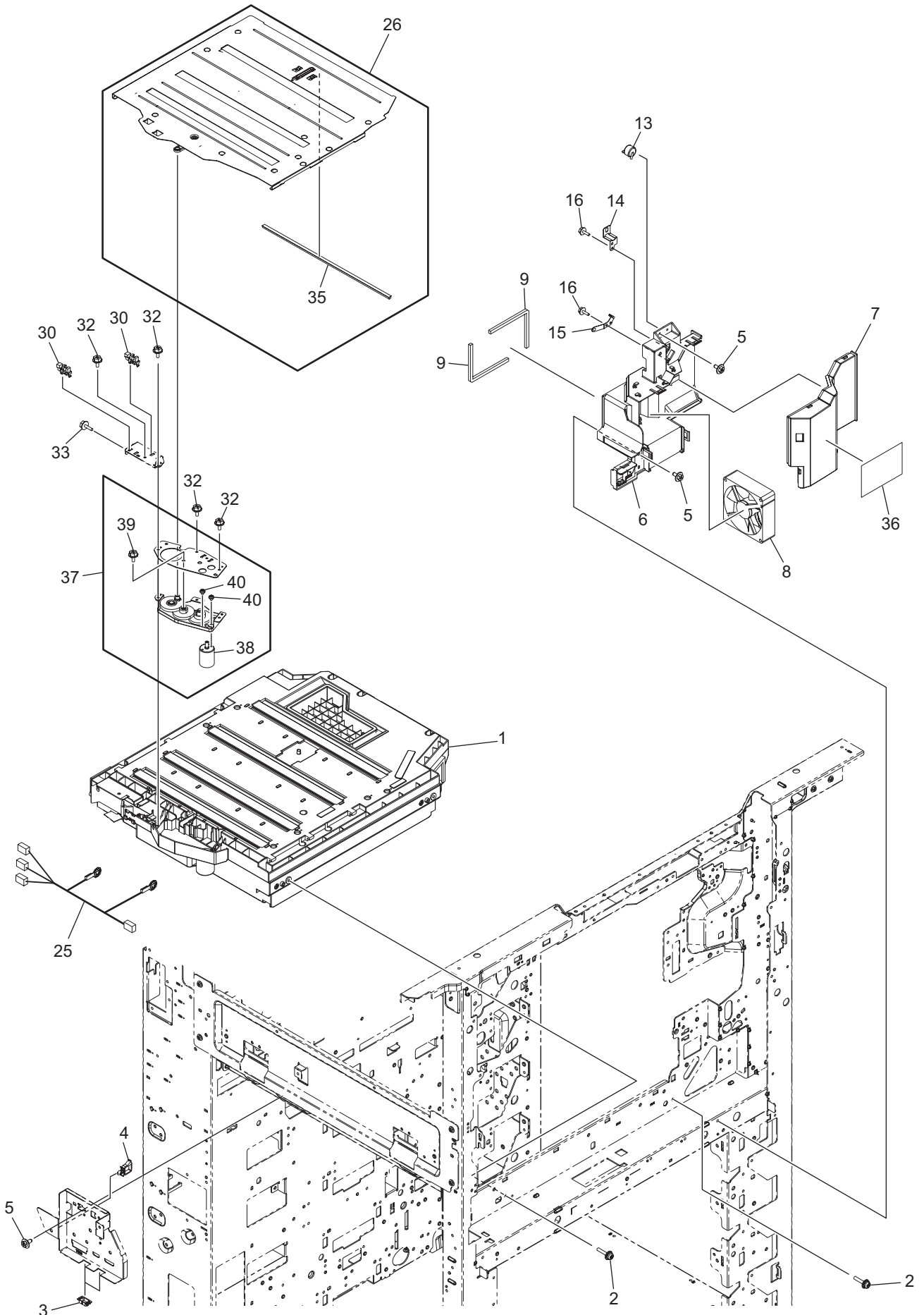
ITEM No.	PART No.	PART NAME	Q'TY / PAGE	Q'TY / PACK	REMARKS
1	6LK39033000	ASYS-FRAME-FRT-H38X	1	N/A***	
2	44204394000	SCREW20*D23	2	10/P	
3	6LH03823100	ANG-TBU-LEFT_S	1	1/P	
4	E0-01853000	CS1A-B2CA	2	1/D	
5	E0-15604000	DE2L-BALGY	1	1/D	
6	F0-02296000	ES-0505-2	1	5/P	
7	6LK39422000	HRNS-FRTSW-H380	1	1/P	
8	6LH01471000	ASYS-DUCT-EPU-FRT	1	1/PP	
9	X0-02421000	S/TPS/FHEXM/R-4X8-ZU3	39	10/P	
10	6LH05482000	ASYS-BRKT-POS-MID-F	1	1/P	
11	6LA02823000	SCREW-RAIL-TRU	2	5/P	
12	6LH01135000	SPG-E-6R5XR5X28R	1	1/P	
13	6LH01129100	LVR-DOOR-SWMN	1	1/P	
14	6LH01169000	ASYS-BKT-LVR-DOOR	1	1/P	
15	X0-00965000	RR/E-4-SS	1	10/P	
16	6LH01128100	GUIDE-SW-DOOR-430_S	1	1/P	
17	6LH01131000	ASYS-BKT-DOOR-SW	1	1/P	
18	E0-14600000	FA1L-AA23	1	1/D	
19	F0-00036000	RLWS3TV0	4	5/P	
20	44200854000	STUD-DOOR-SW	1	5/P	
21	E0-14534000	CF-LA-2KZ2-1C	1	1/C	
22	6LK39004000	BRKT-SW-H38X	1	1/PP	
23	F0-01248000	ESC-0912	1	10/P	
24	F0-00047000	EDS-1717U	1	10/P	
25	X0-02577000	S/BID-M4X8-ZU3	2	10/P	
26	F0-01462000	LBWS-0206S-V0	3	1/P	
27	F0-00370000	OCB-375	1	5/P	
28	6LK42103000	HOLDER-LOCK-CST-H38X	2	1/P	
29	6LK40725000	ASYB-DUCT-WTNR-VT	1	1/C	
30	X0-00968000	RR/E-7-SS	1	10/P	
31	6LK41343000	HOLDER-ROL-PUSH-H380	1	1/P	
32	6LK41350000	SPL-LEVER-TRU-H38X	1	1/P	
33	6LK41345000	SHAFT-ROLL-TRU-PUSH	1	1/P	
34	X0-00964000	RR/E-3-SS	3	10/P	
35	6LK41346000	SHAFT-SPC-GUIDE	1	1/P	
36	6LK41344000	ROL-PUSH_UP	1	1/P	
37	6LK41349000	LEVER-PUSH-TRU-F	1	1/P	
38	6LE62403000	SPC-PUSH-RGST	1	1/P	
39	X0-02235000	S/FHEXM-M4X8-NI	5	10/P	
40	6LK41356000	STUD-TRU-LEVER	1	1/P	
41	F0-00270000	UAMS-05L-0-46	1	10/P	
42	6LH05751000	SPE096-100-0282	1	1/P	
43	X0-02231000	S/FHEXM-M3X8-NI	1	10/P	
44	6LA04494000	STUD-LOCK-CST	1	5/P	
45	6LA04493000	HOOK-LOCK-CST	1	1/P	
46	6LA04492000	HOLDER-LOCK-CST	1	1/P	
47	6LH02990000	STOP-EPU-LFT	1	1/P	
48	6LH02370200	COVER_LED_FUS-H38XMN	1	1/P	
52	6LH05428000	STUD-LOCK-ADU-FL	1	1/P	
53	6LH05423000	STUD-LOCK-ADU	1	1/P	
54	6LK41365000	HLDR-GID-RGST-F-H380	1	1/P	
55	6LK41357000	PLATE-ADU-FRT	1	1/P	
56	6LH04488000	BRKT-CAM-TR2-F	1	1/P	
57	6LH02991000	STOP-EPU-RGT	1	1/P	
58	6LH02326000	SUPPORT-PLT-HNG-CV-R	1	1/P	
59	6LH01417100	DUCT-EPU-F-EXT-S_S	1	1/P	
60	X0-00966000	RR/E-5-SS	1	10/P	
61	6LK42496000	BRKT-FUS-LEV-F-H38X	1	1/P	
62	6LK42500000	SPG-E-LEV-H38X	1	1/P	
63	6LK42497000	ASYS-BRKT-FUS-F-H38X	1	1/P	
64	6LH07987000	ASYS-DUCT-LSU-IN	1	1/PP	
65	6LH04069100	LIFT-TBU-H38X	1	1/P	
66	F0-00032000	PLWS-1-46B	2	5/P	

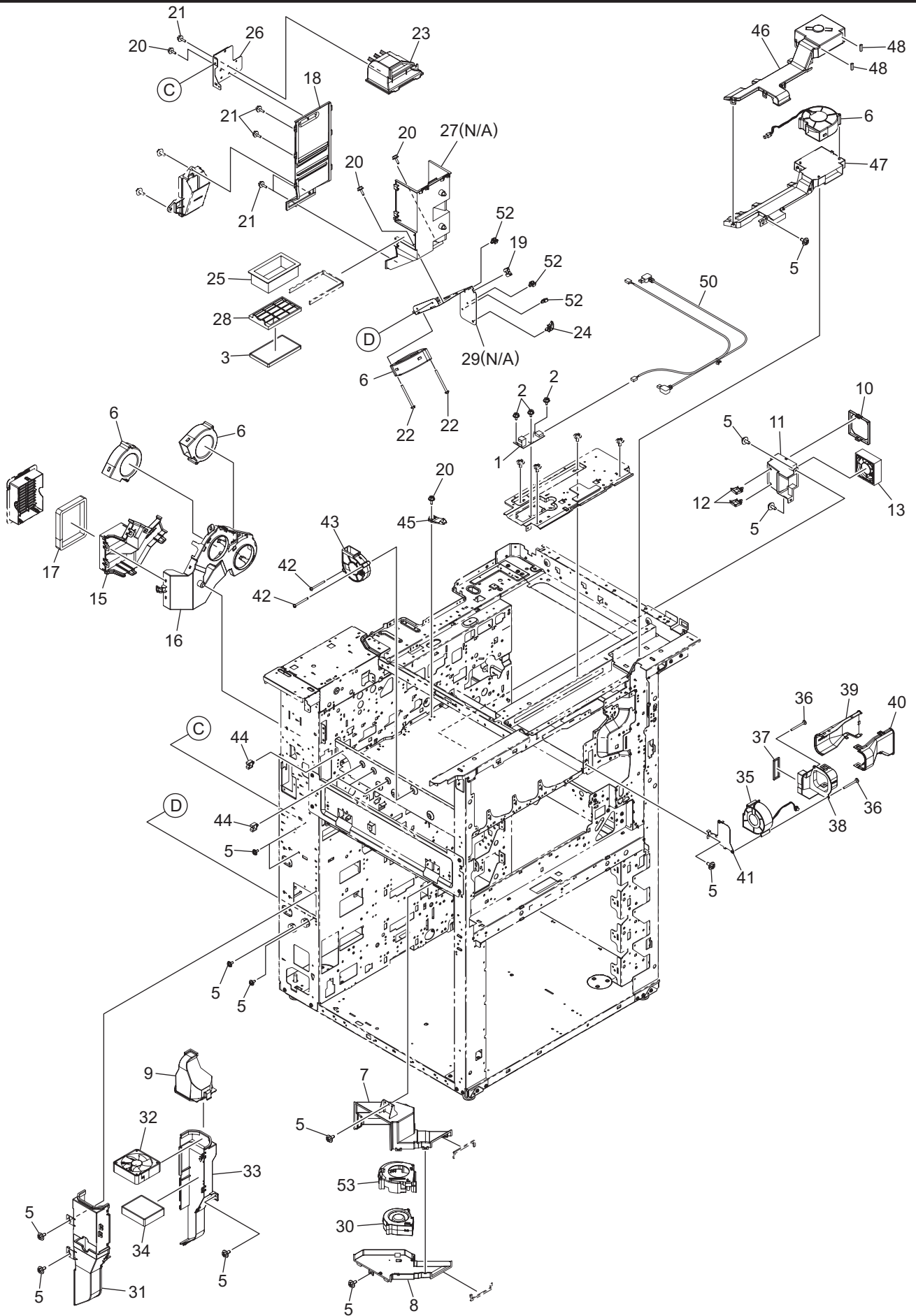
ITEM No.	PART No.	PART NAME	Q'TY / PAGE	Q'TY / PACK	REMARKS
1	6LH02635100	BRKT-DRAWER-CNTR-CLNR_S	1	1/P	
11	C0-17839000	LG2A14BL1	1	1/C	
14	6LH03820000	ASYS-BRKT-TBU-FIX	1	1/P	
15	6LH03730000	COVER-TERM-KCMY	1	1/P	
16	6LH03731000	CASE-TERM-KCMY	1	1/P	
17	6LH03732000	PLATE-TERM-TBU	2	1/P	
19	X0-02247000	S/TPP/FHEXM-3X8-NI	2	10/P	
21	6LA08938000	SCREW-SOCKET	2	10/P	
22	6LH17816100	BRKT-CONH38	1	1/D	
23	6LA08950000	SPC074-070-0145	2	5/P	
24	4406326040	SCREW-D4-18-M3	2	10/P	
25	F0-01248000	ESC-0912	1	10/P	
26	6LH04489000	BRKT-CAM-TR2-R	1	1/P	
27	6LH04564000	HLDR-GID-RGST-R-430	1	1/P	
28	6LK42680000	BRKT-SLD-R-H38X-B	1	1/P	
31	6LH04747000	ASYS-BRKT-POS-MID-R-FAN	1	1/P	
32	X0-02421000	S/TPS/FHEXM/R-4X8-ZU3	19	10/P	
33	6LH04778000	ASYS-FRAME-DRIVE-EXIT-F-N	1	1/C	
35	6LK43902000	GEAR-10S25_PS2M28-6	1	1/P	
36	6LH04600000	IDLER-DRIVE-EXIT	1	1/P	
37	6LA79005000	GEAR-10S022-06-DRV	1	1/P	
38	6LA04720000	PLY/T-S2M-28-08	2	1/P	
39	6LH04598000	GEAR-10S25-8-OWR	2	1/P	
40	6LH04597000	GEAR-10S25-8-DRV	2	1/P	
41	6LH04590000	SHAFT-DRIVE-EXIT-1	2	1/P	
42	6LH04591000	SHAFT-DRIVE-EXIT-2	1	1/P	
43	X0-01526000	P/PRL/AH7-2X12-SS	4	10/P	
44	X0-00968000	RR/E-7-SS	8	10/P	
45	X0-00966000	RR/E-5-SS	2	10/P	
46	X0-00965000	RR/E-4-SS	1	10/P	
47	6LH04592000	BLT_SY-S2M-316-6	1	1/P	
48	F0-02240000	LNR-1680KKRP0P25LY551	6	1/P	
49	6LH04608000	FRAME-DRIVE-EXIT-R	1	1/P	
50	X0-02420000	S/TPS/FHEXM/R-3X8-ZU3	3	10/P	
51	F0-01811000	LWS-0711S-V0	1	5/P	
63	6LK41123000	BRKT-GUIDE-TBU	1	1/P	
69	6LH04772000	MYLAR-DRIVE-EXIT	1	1/P	
71	F0-01460000	RWS-2T V0	1	1/P	
72	6LH03729100	COV-HRNS-TERM-TBU_S	1	1/P	
73	6LK39331000	HRNS-ERS-H385	1	1/P	
75	X0-02235000	S/FHEXM-M4X8-NI	1	10/P	
76	6LK41356000	STUD-TRU-LEVER	1	1/P	
77	6LK72955000	HRNS-CRGIC-H385	1	1/P	
78	X0-02557000	S/BID-M2.6X3-NI	2	10/P	
79	6LH03520000	ASYS-MOTRD-KTNR-430	1	1/C	
80	6LH03599000	SPG-C-GEAR-DRV-TNR-430	1	1/P	
81	6LH03616000	GEAR-5H46-6-COUPPL-K	1	1/P	
82	6LK40902000	ASYS-TNRDRV-H38X	1	1/P	
84	6LK40941000	GUIDE-TNRSP-H38X	1	1/P	
85	6LK40964100	ASYB-PACK-CTIF-K140	1	1/S	
86	6LA80090000	S/TPP/BID-3*8-NI	1	5/P	
87	6LK40956000	HLDR-TNRDRV-H38X	1	1/PP	
88	6LK41348000	LEVER-PUSH-TRU-R	1	1/P	
89	6LK41343000	HOLDER-ROL-PUSH-H380	1	1/P	
90	6LK41346000	SHAFT-SPC-GUIDE	1	1/P	
91	6LK41345000	SHAFT-ROLL-TRU-PUSH	1	1/P	
92	6LK41350000	SPL-LEVER-TRU-H38X	1	1/P	
93	6LK41344000	ROL-PUSH_UP	1	1/P	
94	6LE62403000	SPC-PUSH-RGST	1	1/P	
95	X0-00964000	RR/E-3-SS	3	10/P	
96	F0-01812000	LWS-1211S-V0	1	5/P	
102	6LJ07131000	ASYS-BRKT-TBU-FIX-H130	1	1/P	
106	6LK73019000	HRNS-HVPS-TR-H385	1	1/P	



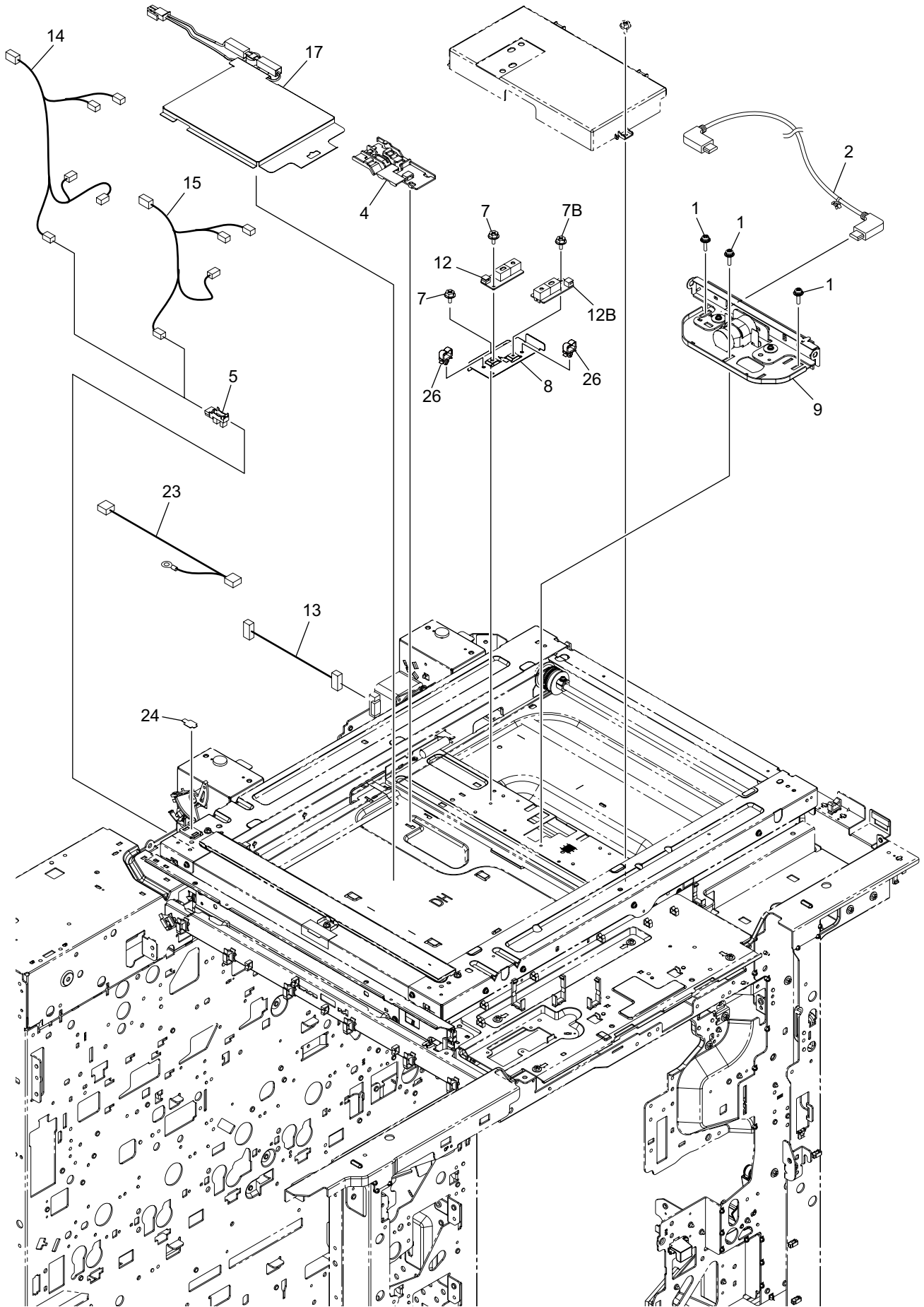
ITEM No.	PART No.	PART NAME	Q'TY / PAGE	Q'TY / PACK	REMARKS
2	6LH01124100	SLIDE-FUS-INTR_S	1	1/P	
3	6LK39007000	BRKT-FUS-SW-INTER-H38X	1	1/P	
4	6LA02823000	SCREW-RAIL-TRU	2	5/P	
5	6LE22836000	SPG-E-6R5XR45X31R9	1	1/P	
6	E0-08442000	FA1L-AA22	1	1/D	
8	6LH01477000	ASYS-DUCT-LSU-RER	1	1/PP	
9	6LH04515000	BRKT-COV-HINGE-FRM-R-U	1	1/P	
10	6LH04514000	STUD-COV-HINGE-FRM-R-U	1	1/P	
11	X0-02231000	S/FHEXM-M3X8-NI	2	10/P	
12	6LH04518000	BRKT-COV-HINGE-FRM-R-L	1	1/P	
13	6LH04516000	STUD-COV-HINGE-FRM-R-L	1	1/P	
14	6LH04517000	GUIDE-SLOPE-L	1	1/P	
15	X0-02420000	S/TPS/FHEXM/R-3X8-ZU3	1	10/P	
16	6LH05488000	ASYS-BRKT-POS-ADU	2	1/P	
17	6LH05731100	HOLDER-SENSOR-CST-F43X_S	2	1/P	
18	6LJ08005000	BRKT-SENSOR-CST-F43X	2	1/P	
19	6LH05738000	SPG-C-8R9XR9X11R6	2	1/P	
20	E0-14485000	PS-42C02-F NS	4	1/C	
21	6LH07980000	ASYS-BRKT-LSU-STUD	2	1/P	
22	6LH05908000	BRKT-DRW-TANDEM	2	1/P	
23	6LH05996000	SPG-DRAWER-TANDEM	4	1/P	
24	4406326040	SCREW-D4-18-M3	4	10/P	
26	C0-17839000	LG2A14BL1	1	1/C	
27	6LH03801000	SPG-E-PLATE-TBU-FIX	1	1/P	
28	6LJ07129000	PLATE-TBU-FIX-H130	1	1/P	
30	6LH05705000	BRKT-HOLD-RAIL	2	1/P	
31	6LH05736000	HOLDER-CST-POS	2	1/P	
32	X0-02067000	S/TPS/PAN-4X20-ZU3	2	10/P	
34	X0-02421000	S/TPS/FHEXM/R-4X8-ZU3	33	10/P	
36	6LJ06305000	ASYS-DUCT-OZ-TNR-UPR	1	1/PP	
38	6LA39980000	SCREW-SCAN-LFT	1	1/P	
39	6LK39426000	HRNS-PFC-TLCF-H380	1	1/P	
40	6LH09004000	HRNS-PSIZE-430	2	1/P	
41	6LE25210000	CUSH-FRM-SCREW-380	3	1/P	
50	6LK39504000	DUCT-FUSER-RER-H38X	1	1/PP	
51	6LK39507000	DUCT-TONER-RER-H38X	1	1/PP	
55	F0-00036000	RLWS3TV0	1	5/P	
57	X0-02230000	S/FHEXM-M3X6-NI	4	10/P	
58	6LK39021000	BRKT-DRV-H38X	1	1/PP	
59	F0-01813000	LWS-1316S-V0	1	5/P	
60	6LL27065000	PWA-K-DRV-130	1	1/SB	
62	6LK39085000	BRKT-DSDF-CBL-H38X	1	1/P	
63	6LK39313000	HRNS-LVPS-IH-H380	1	1/P	

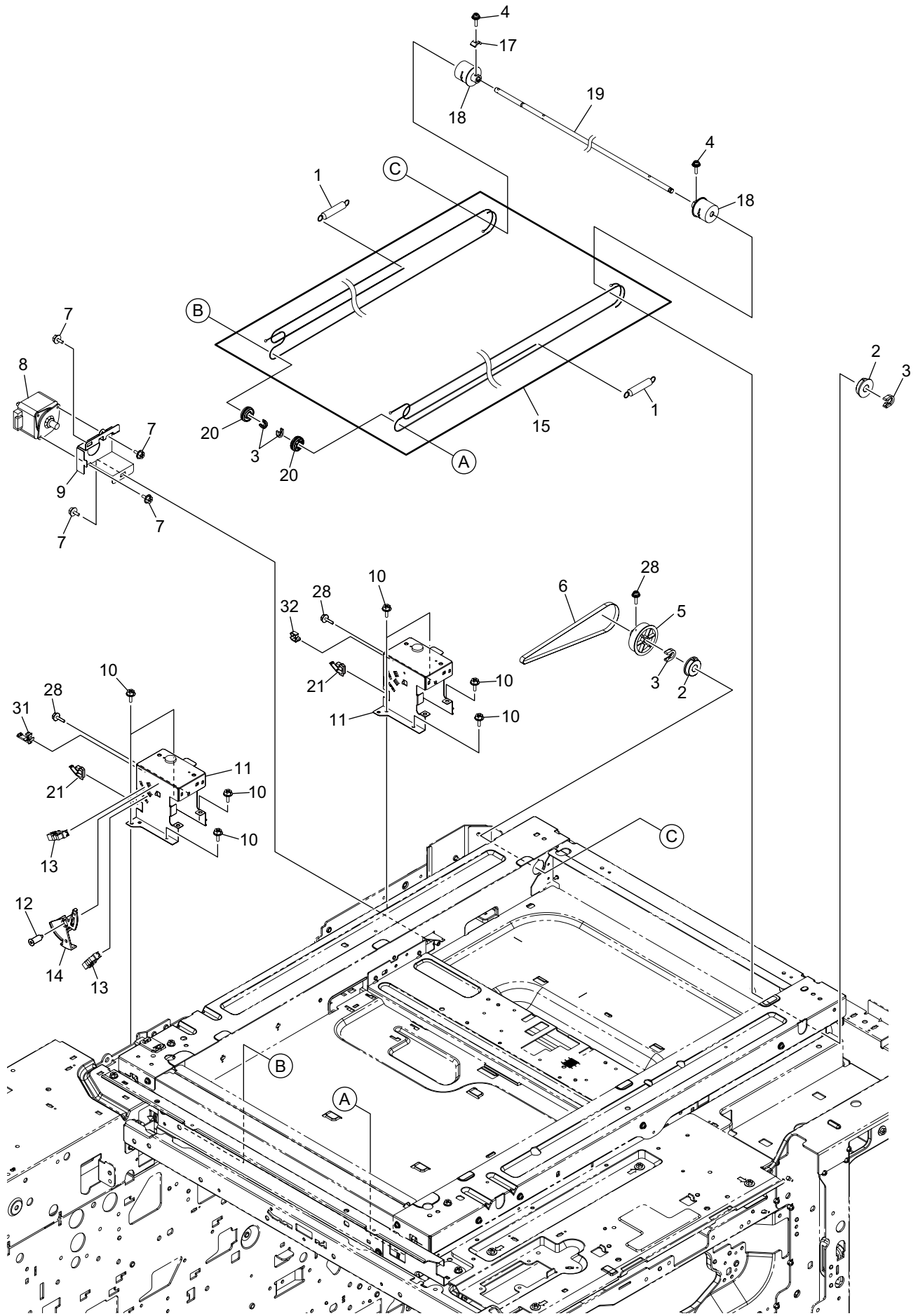


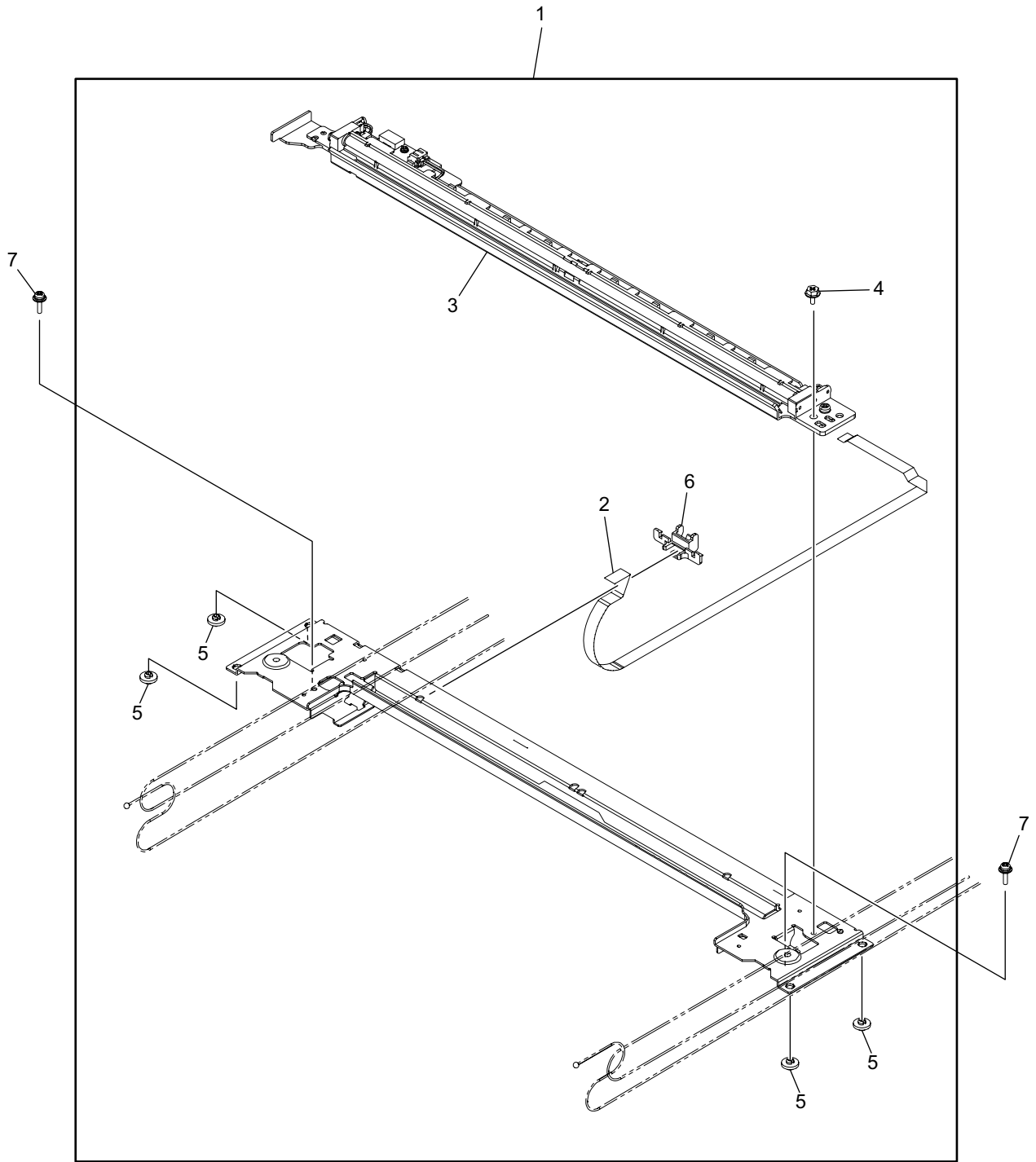


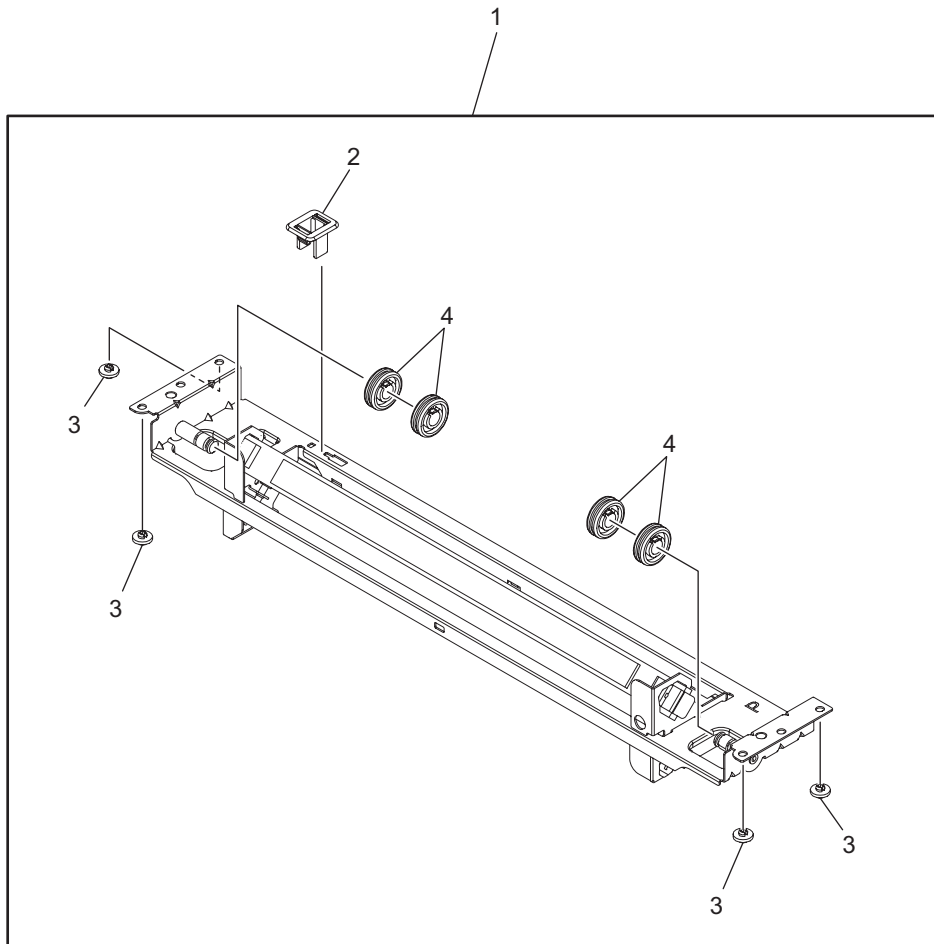


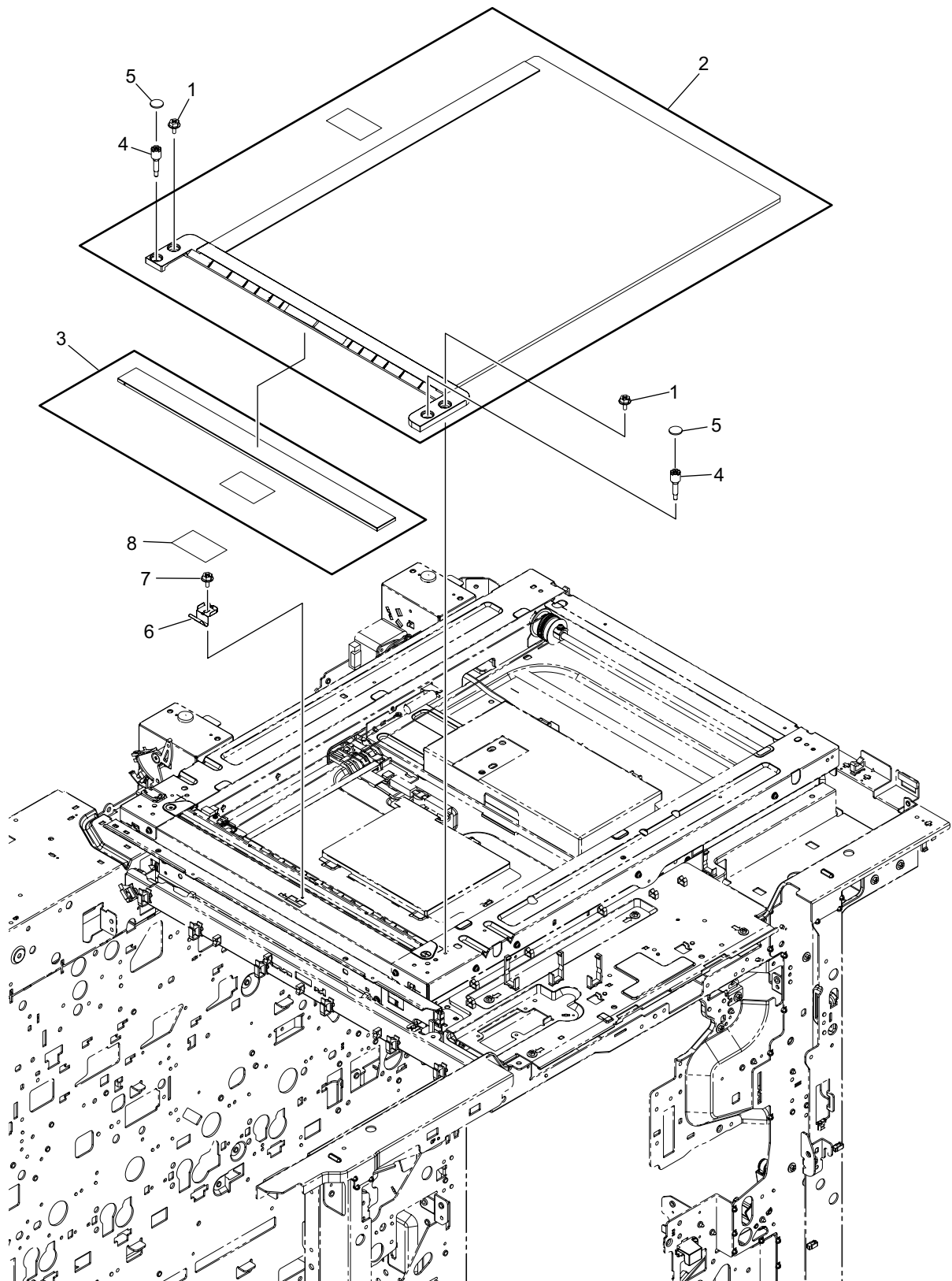
ITEM No.	PART No.	PART NAME	Q'TY / PAGE	Q'TY / PACK	REMARKS
1	6LK45354000	PWA-H-USB-370	1	1/SB	
2	X0-02419000	S/TPS/FHEXM/R-3X6-ZU3	3	10/P	
3	6LH01481000	FLTR-OZ-TNR-430_TR	1	1/C	
5	X0-02421000	S/TPS/FHEXM/R-4X8-ZU3	13	10/P	
6	6LE09187000	FAND-DEV-390	4	1/D	
7	6LH01415100	DUCT-EPU-F-ENT-U_S	1	1/PP	
8	6LH01416100	DUCT-EPU-F-ENT-L_S	1	1/P	
9	6LH01466000	ASYS-DUCT-OZ-UPR	1	1/PP	
10	6LH01413100	DUCT-LSU-R-COV_S	1	1/P	
11	6LH01412100	DUCT-LSU-R-FAN_S	1	1/P	
12	F0-01813000	LWS-1316S-V0	2	5/P	
13	6LK39533000	ASYS-FAN-6025-105-H38X	1	1/D	
15	6LK39509000	DUCT-BRDG-RER-FAN-CO-H38X	1	1/PP	
16	6LK39508000	DUCT-BRDG-RER-FAN-H38X	1	1/PP	
17	6LK39544000	SEAL-DUCT-BRG-FAN-CO-H38X	1	1/KP	
18	6LH01465000	ASYS-COVER-FLTR-TNR	1	1/PP	
19	F0-02296000	ES-0505-2	1	5/P	
20	X0-02420000	S/TPS/FHEXM/R-3X8-ZU3	4	10/P	
21	X0-02247000	S/TPP/FHEXM-3X8-NI	5	10/P	
22	X0-02507000	S/TPS/PAN-4X40-ZU3	2	10/P	
23	6LH01467000	ASYS-DUCT-TNR-UPR	1	1/PP	
24	F0-01811000	LWS-0711S-V0	1	5/P	
25	6LJ06311000	FLTR-TONER-130-TYB	1	1/C	
26	6LH01407000	BRKT-CASE-FIL-SUB	1	1/P	
27	6LK39519000	CASE-FLTR-TONER-H38X	1	N/A***	
28	6LH01492100	HLDR-FLTR-OZ-TNR_S	1	1/P	
29	6LK39516100	BRKT-CASE-FLTR-TNR-H385	1	N/A***	
30	6LK48235000	FAN-7530-170-H370	1	1/D	
31	6LK30985000	ASYS-DUCT-OZ-LWR-LFT	1	1/PP	
32	6LK39531000	ASYS-FAN-8025-090-H38X	1	1/D	
33	6LH01463000	ASYS-DUCT-OZ-LWR-RGT	1	1/PP	
34	6LH01479000	FLTR-OZ-430_TR	1	1/C	
35	6LK39555000	FAN-D-TRU-H24X-A	1	1/D	
36	X0-00461000	S/BID-M4X35-NI	2	10/P	
37	6LH01500000	SEAL-DUCT-FRT-TNR	1	1/KP	
38	6LH01498200	DUCT-FRT-TNR-FAN-HLD_JB	1	1/PP	
39	6LH01496200	DUCT-FRT-TNR-BA_JB	1	1/PP	
40	6LH01497200	DUCT-FRT-TNR-CPL_JB	1	1/PP	
41	6LH01499000	PLATE-DUCT-FRT-TNR	1	1/P	
42	X0-02114000	S/TPS/PAN-4X32-ZU3	2	10/P	
43	6LH09565000	FAN-P7525-430	1	1/D	
44	F0-01250000	MSB-1207	4	5/P	
45	6LK40906000	HOOK-TNRCRTG-H38X	1	1/P	
46	6LK39513000	DUCT-BRDG-FRT-FAN-CO-H38X	1	1/PP	
47	6LK39512000	DUCT-BRDG-FRT-FAN-H38X	1	1/C	
48	6LH67727000	DAMPER-MIRR-H32X	2	1/P	
50	6LL27103000	ASYB-HRNS-USB-K130	1	1/P	
52	F0-00269000	UAMS-05L-0	3	5/P	
53	6LK39514000	ADAPT-FAN-75-93-H38X	1	1/D	

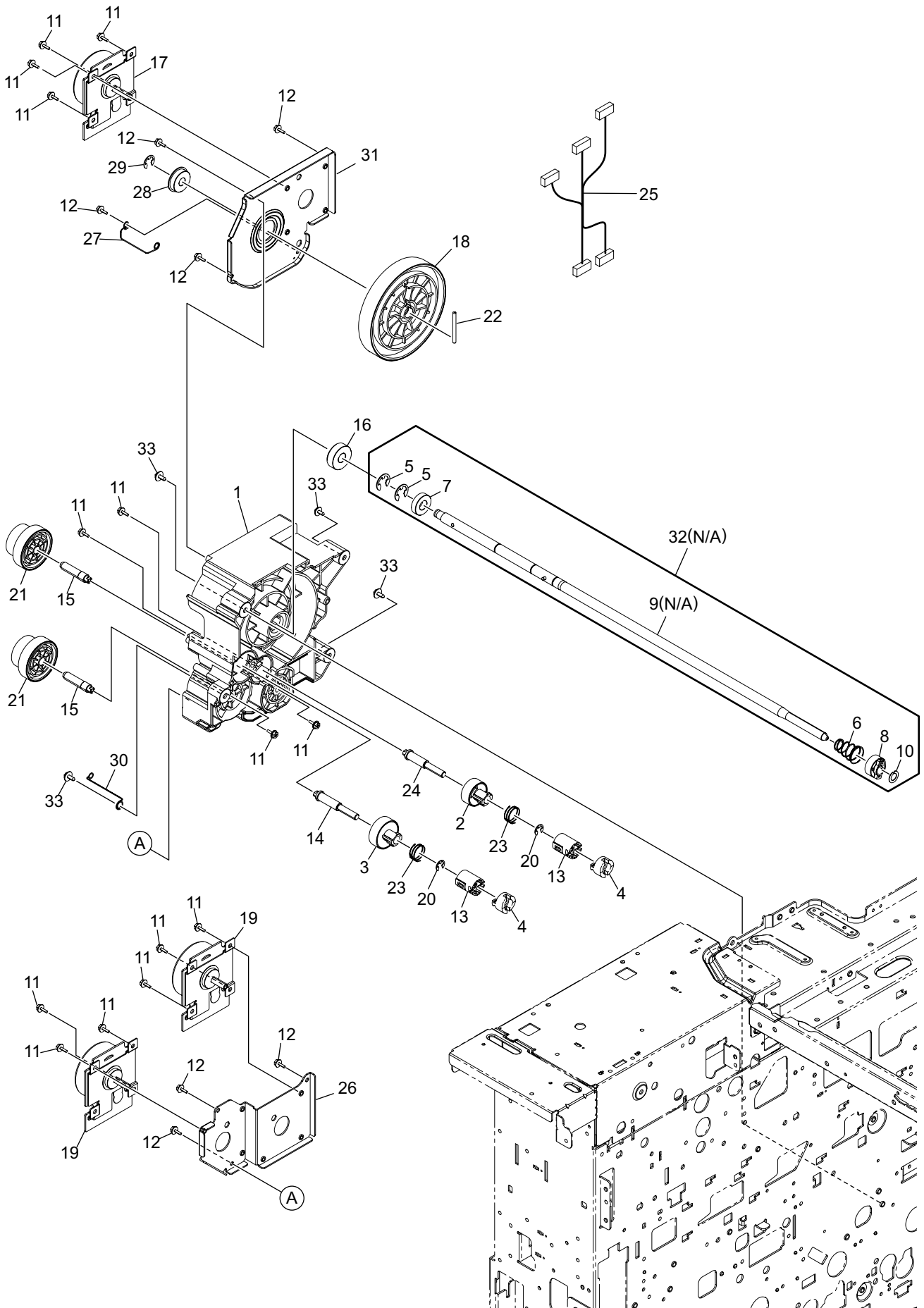


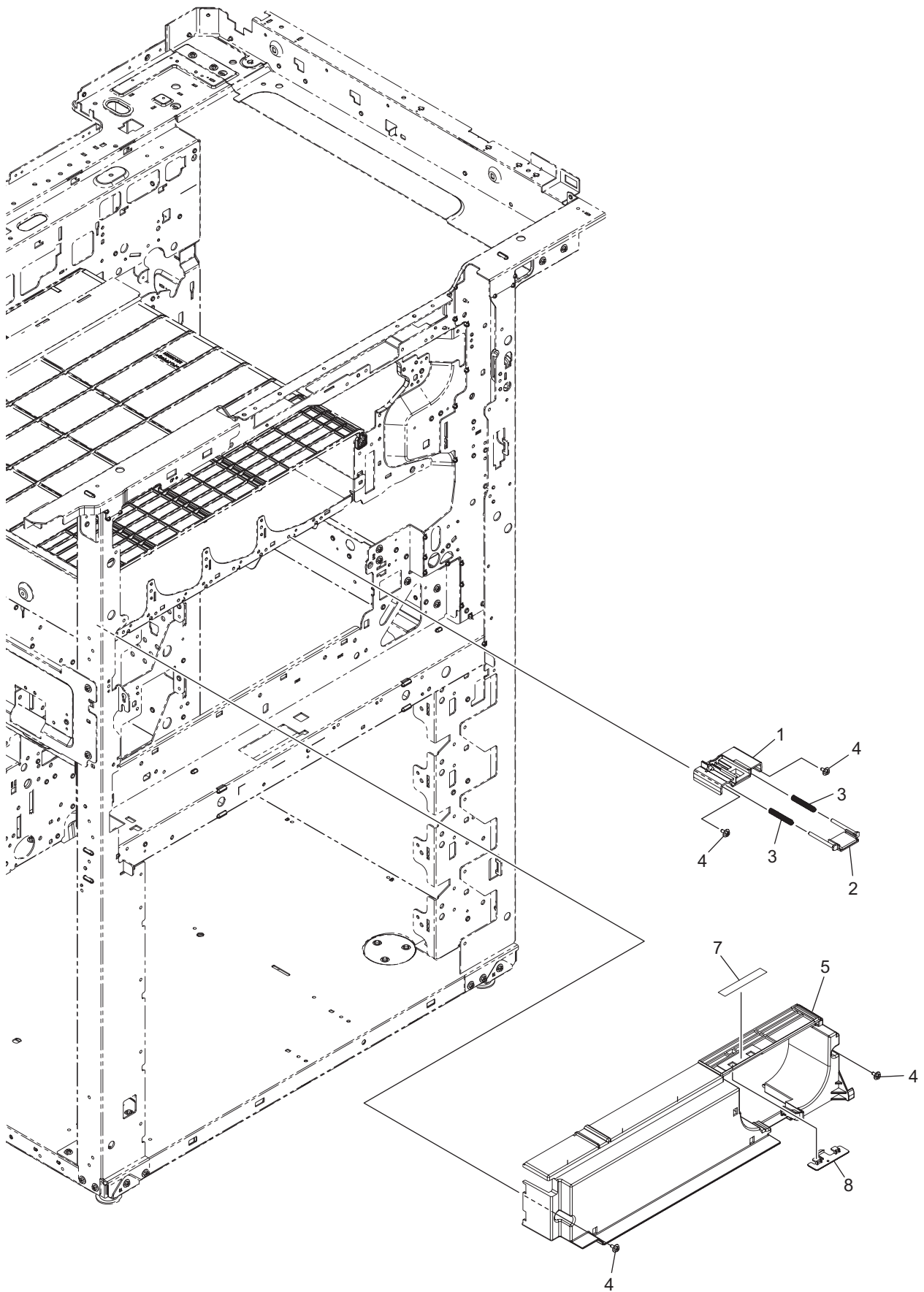


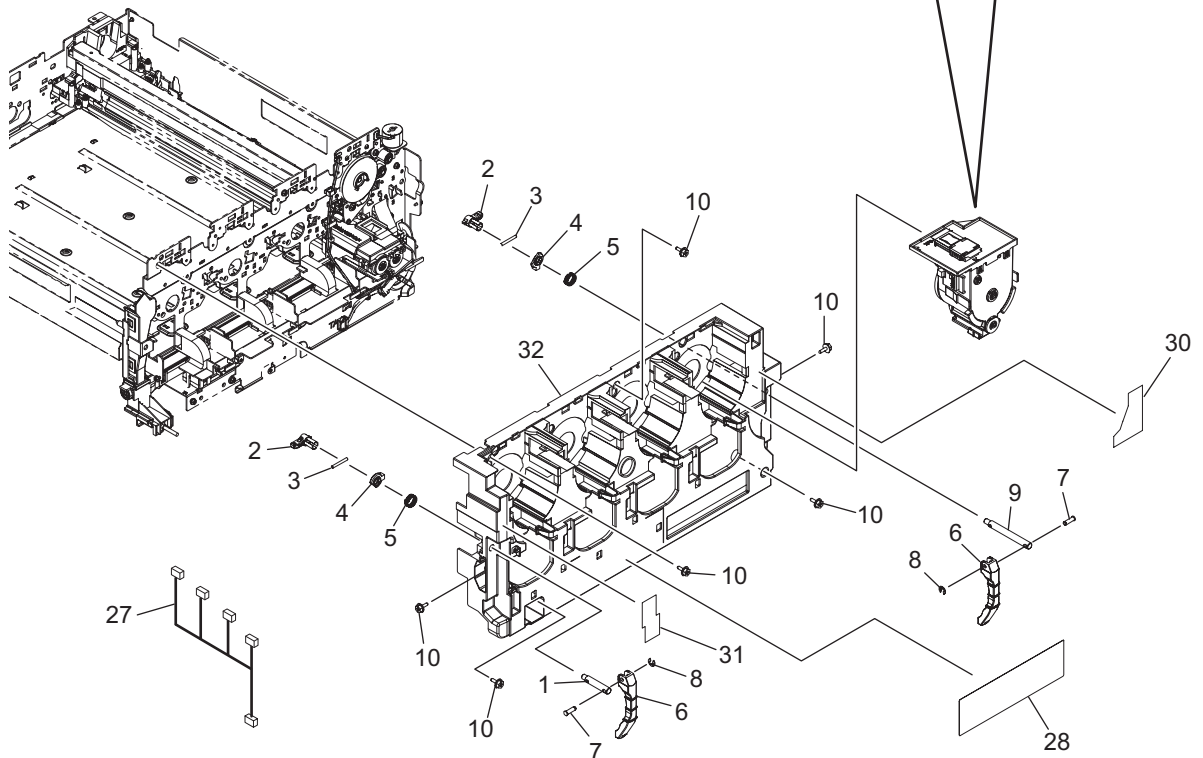
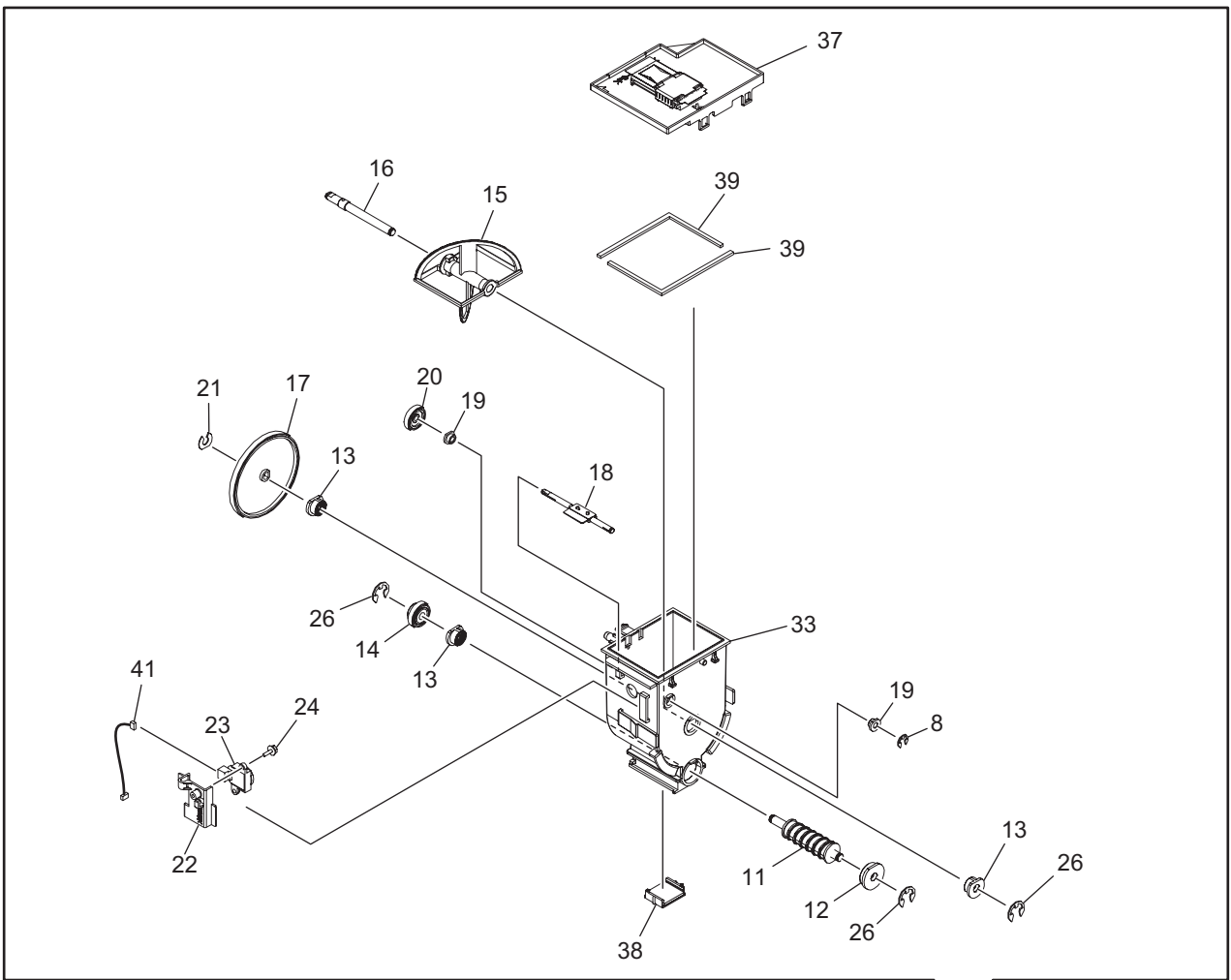




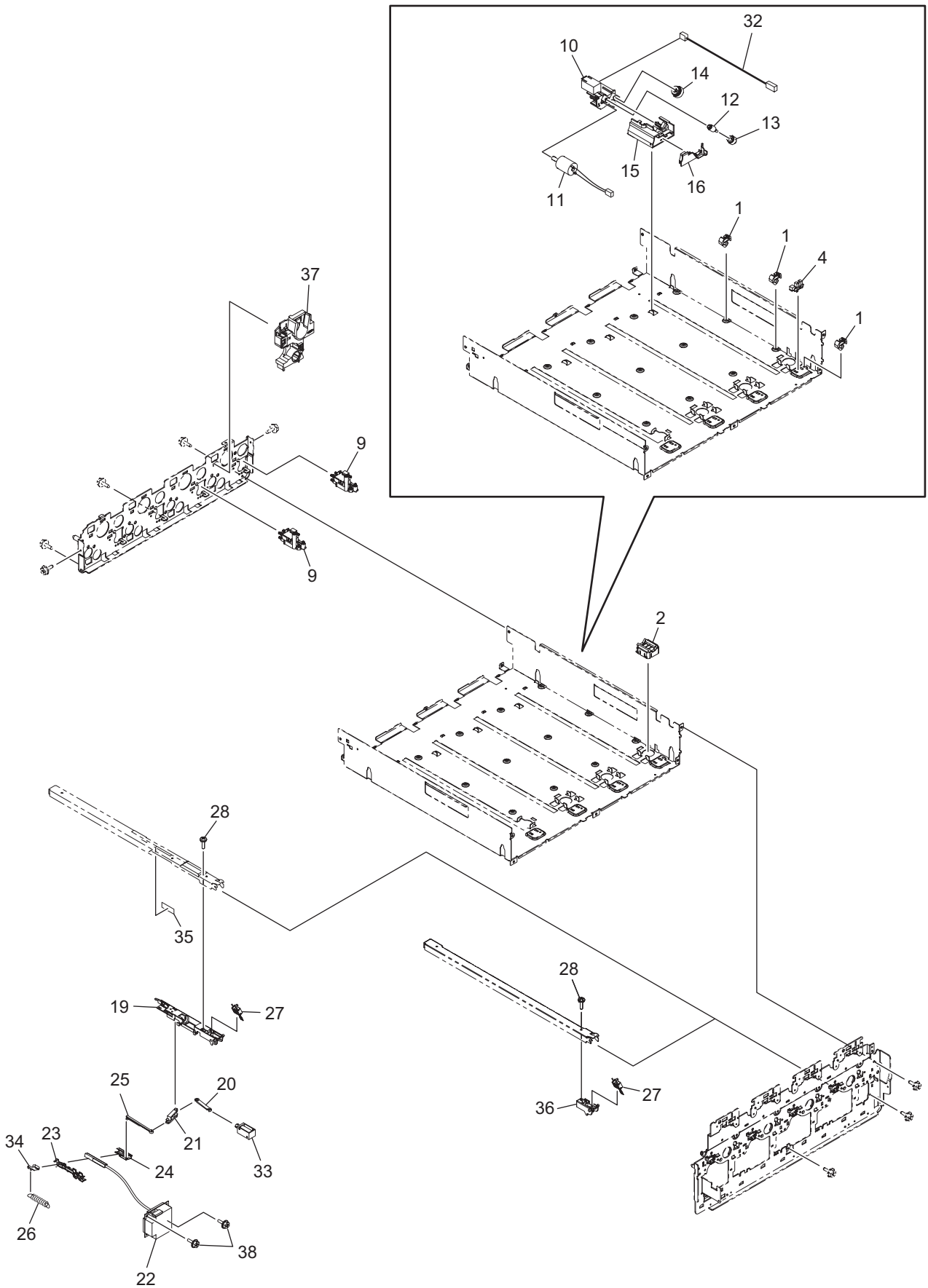


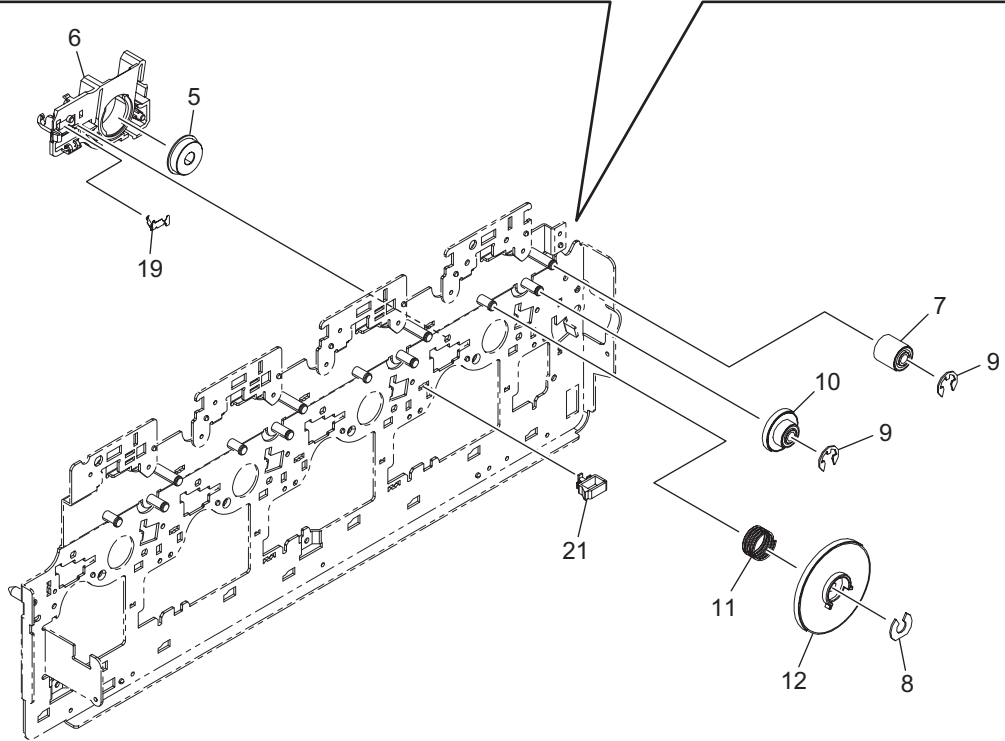
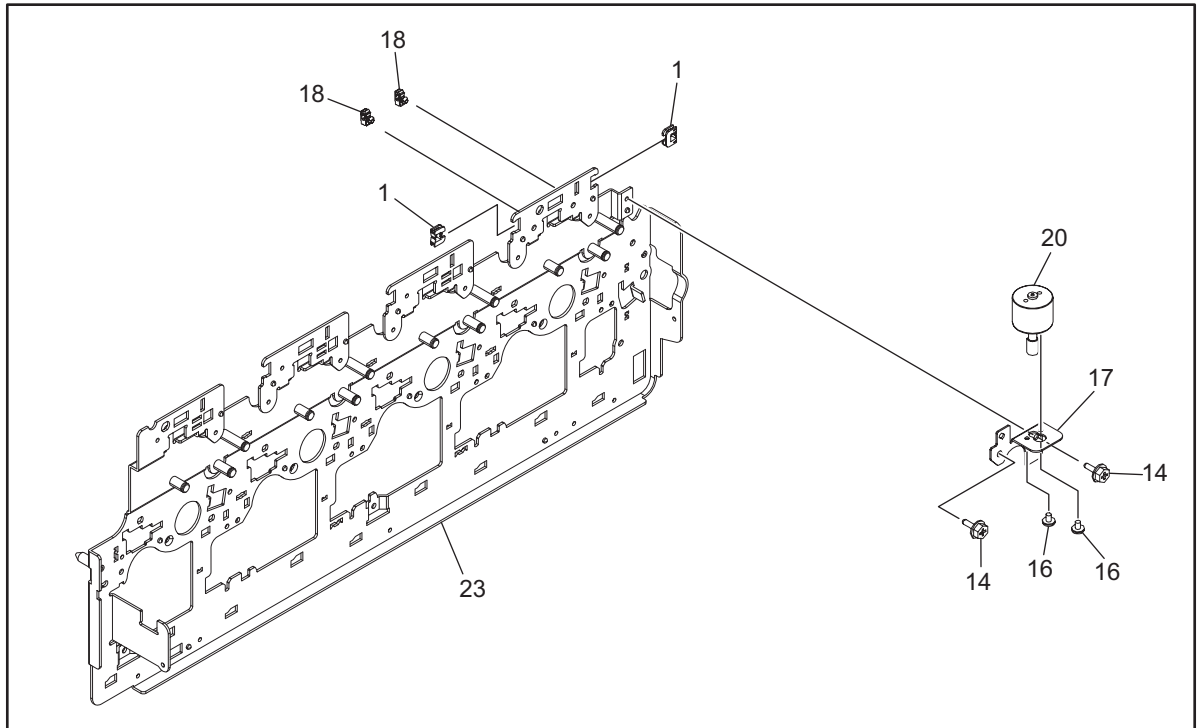


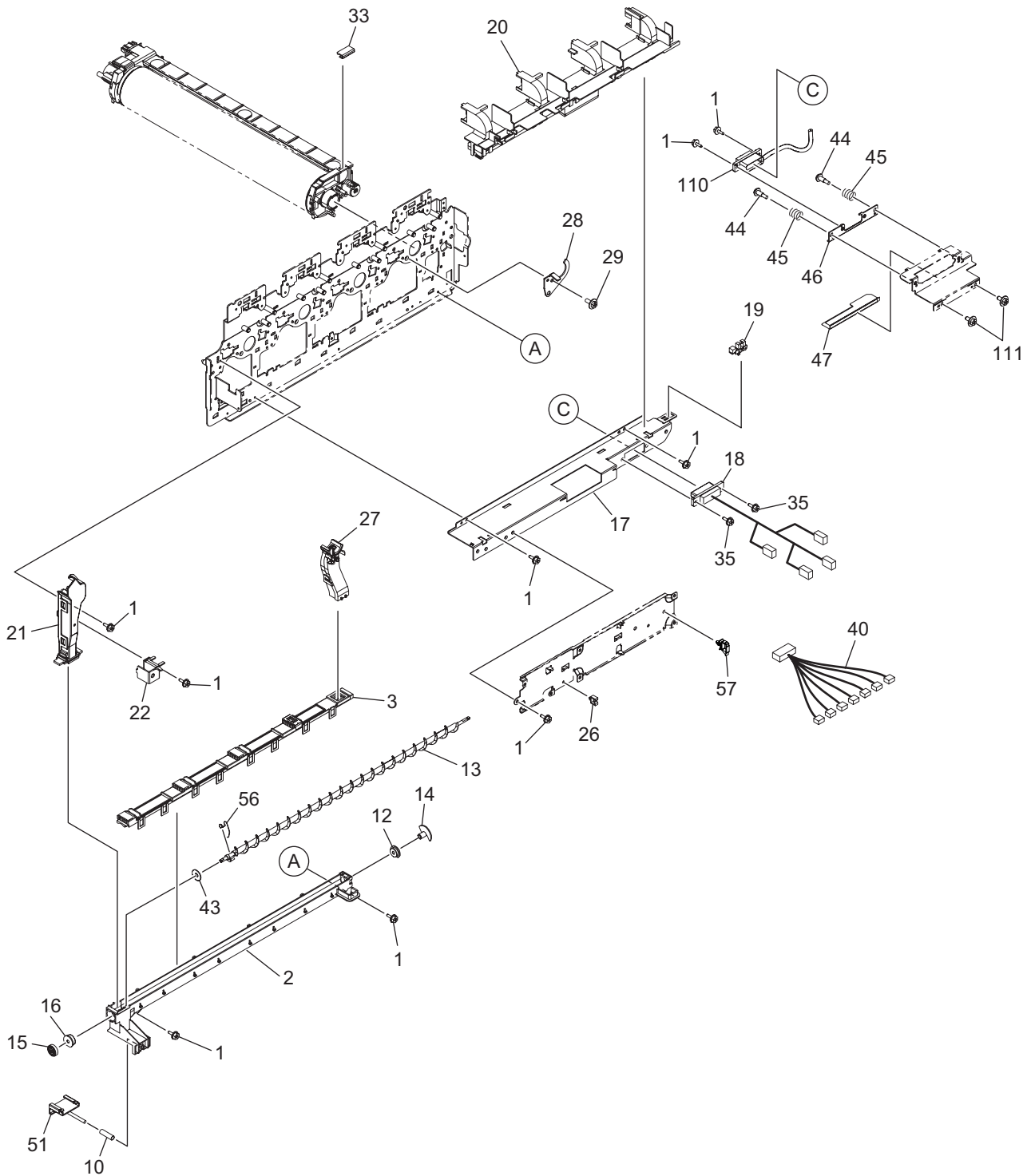




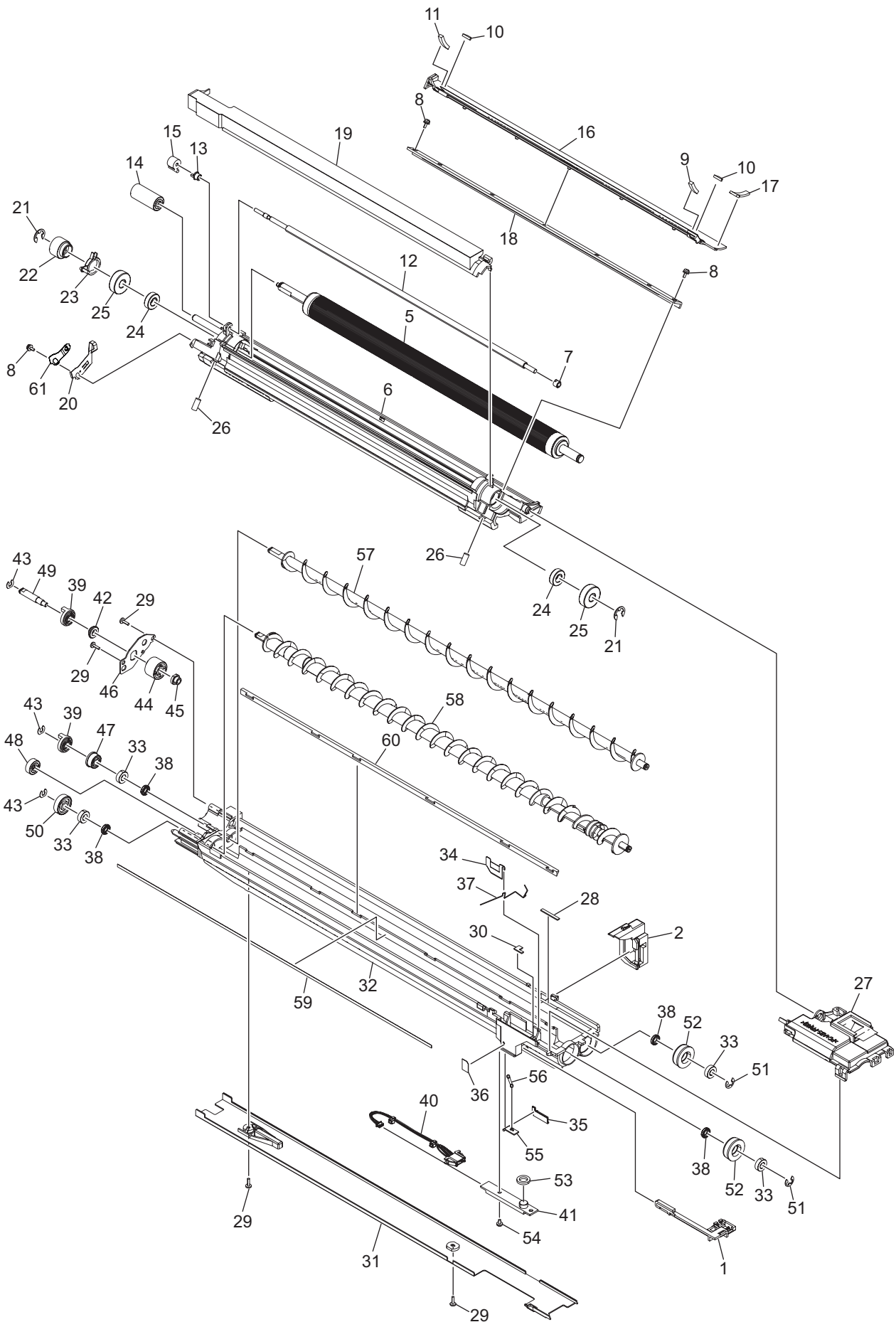
ITEM No.	PART No.	PART NAME	Q'TY / PAGE	Q'TY / PACK	REMARKS
1	6LH02827000	SHAFT-LOCK-TRAY-EPU-LFT	1	1/P	
2	6LH02620000	LOCK-TRAY-EPU	2	1/C	
3	X0-02380000	P/PRL/AH7-3X25-SS	2	10/P	
4	6LK40656000	STOP-LOCK-TRAY-EPU	2	1/P	
5	6LH02825000	SPG-LOCK-TRAY-EPU	2	1/P	
6	6LJ06747200	LEVER-TRAY-EPU_C	2	1/P	
7	6LH02839000	SHAFT-LVR-EPU-TRAY	2	1/P	
8	X0-00964000	RR/E-3-SS	3	10/P	
9	6LH02826000	SHAFT-LOCK-TRAY-EPU-RGT	1	1/P	
10	X0-02420000	S/TPS/FHEXM/R-3X8-ZU3	6	10/P	
11	6LJ06903000	AUGER-SUB-HOPPER	1	1/P	
12	6LK40602000	ASYS-BUSH-6X18X6-P	1	1/P	
13	6LK40603000	ASYS-BUSH-6X12X7-P	3	1/P	
14	6LH03411000	GEAR-8S23-6-ONEWAY	1	1/P	
15	6LJ06902100	PADDLE-SH-H130_S	1	1/D	
16	6LJ06906000	ASYS-SHAFT-PADDLE-SH-H130	1	1/P	
17	6LH03454000	GEAR-08S84-6-SUB-H	1	1/P	
18	6LK40628000	ASYS-PDL-SENS-H38X	1	1/P	
19	6LA02920000	BUSH-0410-05F-M	2	5/P	
20	6LH03414000	GEAR-8S22-4	1	1/P	
21	6LH03574000	RRG-4-P	1	1/P	
22	6LH02693100	HLDR-SNSR-TNR_S	1	1/P	
23	C0-10817000	TSP15D10C-01	1	1/C	
24	X0-02247000	S/TPP/FHEXM-3X8-NI	1	10/P	
26	X0-00966000	RR/E-5-SS	3	10/P	
27	6LK39339000	HRNS-EPU-HPTN-H385	1	1/P	
28	6LK40634000	LBL-EPU_TBU-H38X	1	1/KP	
30	6LH14763000	LBL-EPU-LEVER-R	1	1/P	
31	6LH14764000	LBL-EPU-LEVER-L	1	1/P	
32	6LH02696200	COVER-EPU38X	1	1/PP	
33	6LK40701000	CASE-SUBHOP-H385	1	1/PP	
37	6LH03567300	ASYS-COV-SUB-HOPPER-K	1	1/P	
38	6LH03510000	ASYS-SHUT-SH-430	1	1/P	
39	6LH03585000	SEAL-SUB-HOPPER	2	1/KP	
41	6LH08991000	HRNS-MCK-HPTN-430	1	1/P	



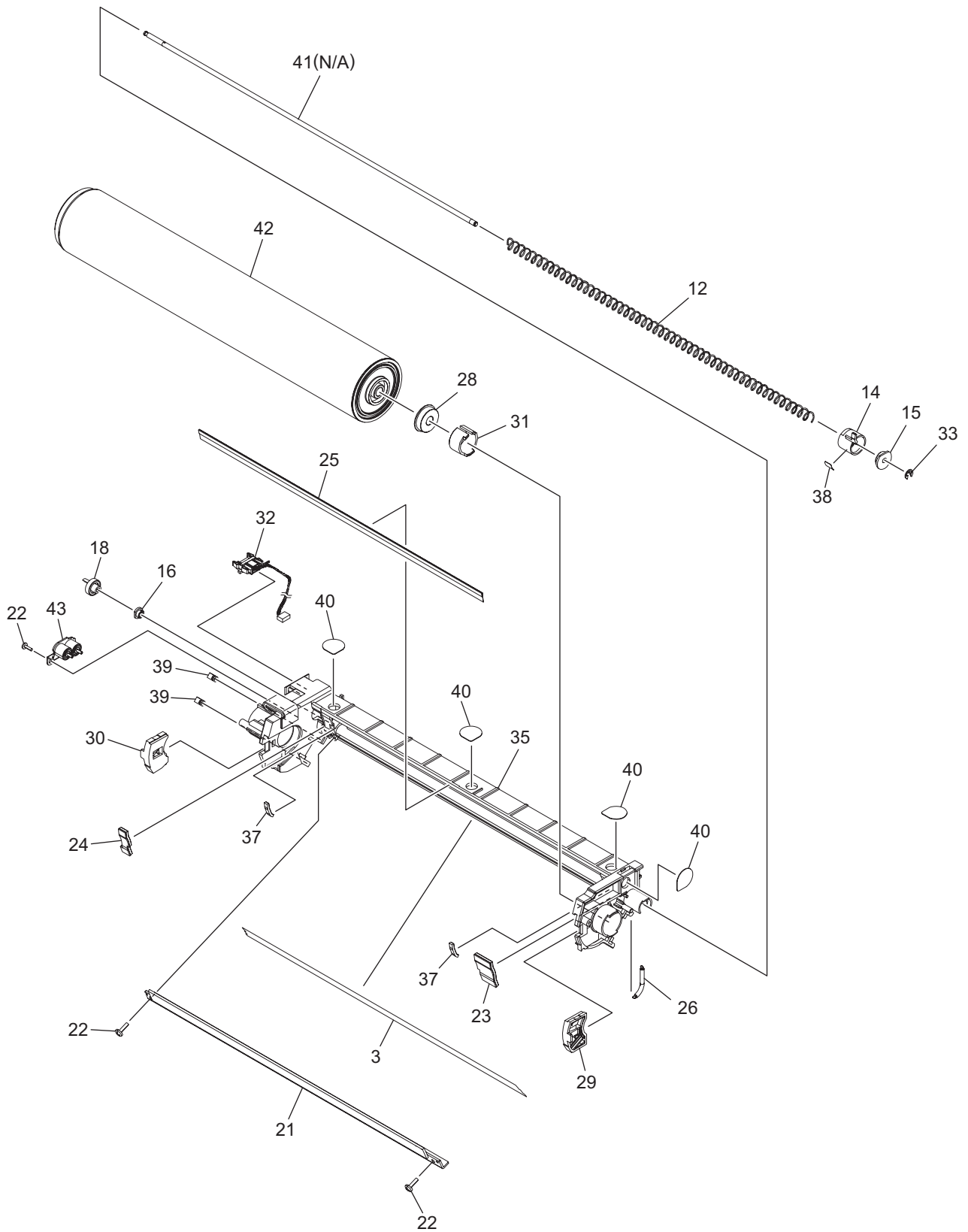


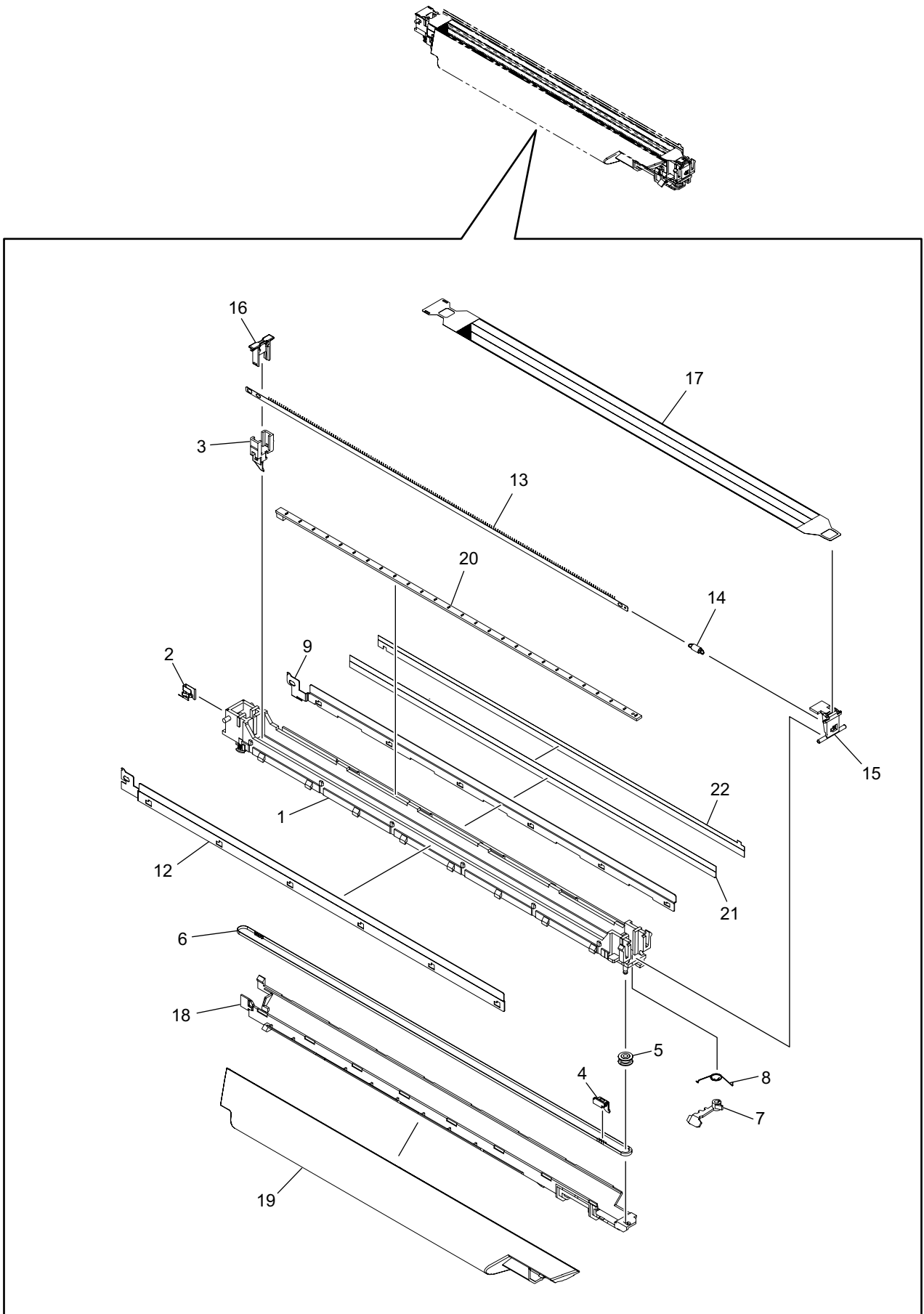


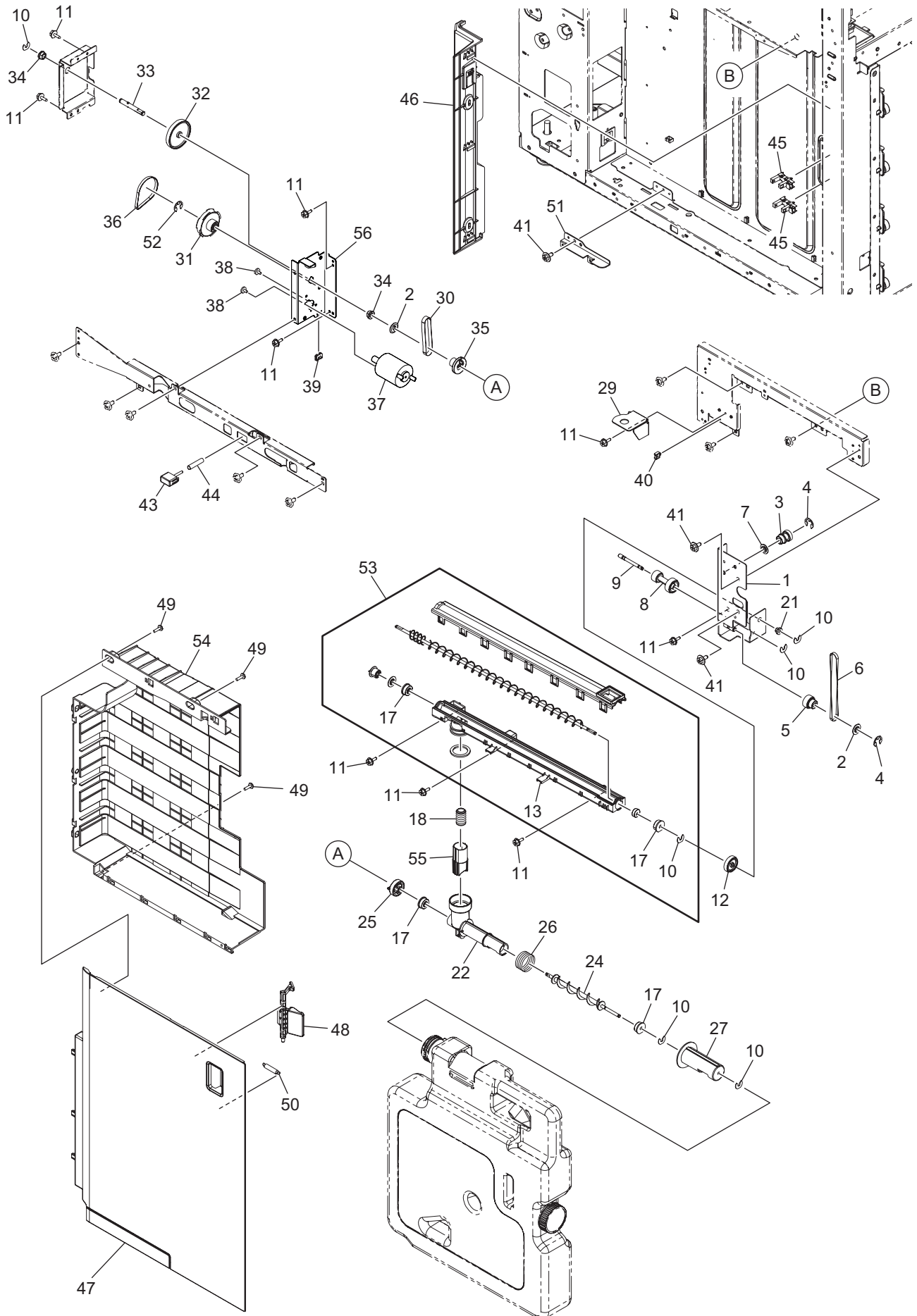
ITEM No.	PART No.	PART NAME	Q'TY / PAGE	Q'TY / PACK	REMARKS
1	X0-02420000	S/TPS/FHEXM/R-3X8-ZU3	9	10/P	
2	6LH03620000	ASYS-CASE-DUCT-WTNR-FRT	1	1/PP	
3	6LH03621100	ASYS-DUCT-WTNR-FRT-H385	1	1/PP	
10	6LH03559000	SPG-WASTE-SHUT-EPU	1	1/P	
12	6LE42524000	BUSH-4-CLN-TBU-F	1	5/P	
13	6LK40649100	AUGER-WASTE-TNR_S	1	1/KP	
14	6LH03420000	SHIELD-PLT-WTNR-AUG	1	1/P	
15	6LH03431000	GEAR-8S18-6-AUG-FRT	1	1/P	
16	6LK40734000	ASYS-BUSH-WTNR-H38X	1	1/P	
17	6LH02700200	BRKT-CNTR-EPU-TRY385	1	1/PP	
18 A	6LK39343000	HRNS-EPU-H385	1	1/P	eS5518A/6518A/7518A
18 B	6LK39436000	HRNS-EPU-H388	1	1/P	eS8518A
19	C0-17839000	LG2A14BL1	1	1/C	
20	6LH02752100	ASYB-DUCT-DEV-EPUTRAY-385	1	1/PP	
21	6LK40584000	ASYB-DUCT-CLN-TBU-H38X	1	1/PP	
22	6LH02631000	BRKT-LOCK-TRAY-EPU-LFT	1	1/P	
26 C	F0-01250000	MSB-1207	1	5/P	eS8518A
27	6LK40556000	ASYB-DUCT-W_TNR-CLNR-DRUM	1	1/D	
28	6LH02668000	RTNR-DEV-FRT	1	1/P	
29	X0-02235000	S/FHEXM-M4X8-NI	1	10/P	
33	6LH02616000	PIECE-COLOR-K	1	5/P	
35	X0-02231000	S/FHEXM-M3X8-NI	2	10/P	
40 A	6LK73375000	HRNS-KPU-H380	1	1/P	eS5518A/6518A/7518A
40 B	6LK39428000	HRNS-KPU-H382	1	1/P	eS8518A
43	6LK40611000	WASHER-41X106X05-P	1	5/P	
44	6LE06667000	SCREW-M3-D4-7-ZU3	2	5/P	
45	6LH02970000	SPG-DRW-EPU-MAIN	2	1/P	
46	6LK40703000	PLATE-DRW-EPU-MAIN-H385	1	1/P	
47	6LH02971000	SHEET-BRKT-DRW-MAIN	1	1/C	
51	6LH03466100	SHUT-WTNR-EPU_S	1	1/P	
56	6LK40718000	SPG-WTNR-F-EPU-H38X	1	1/P	
57	F0-01811000	LWS-0711S-V0	1	5/P	
110	6LL27080000	HRNS-LGC-EPUPOS-K140	1	1/P	
111	X0-02421000	S/TPS/FHEXM/R-4X8-ZU3	2	10/P	



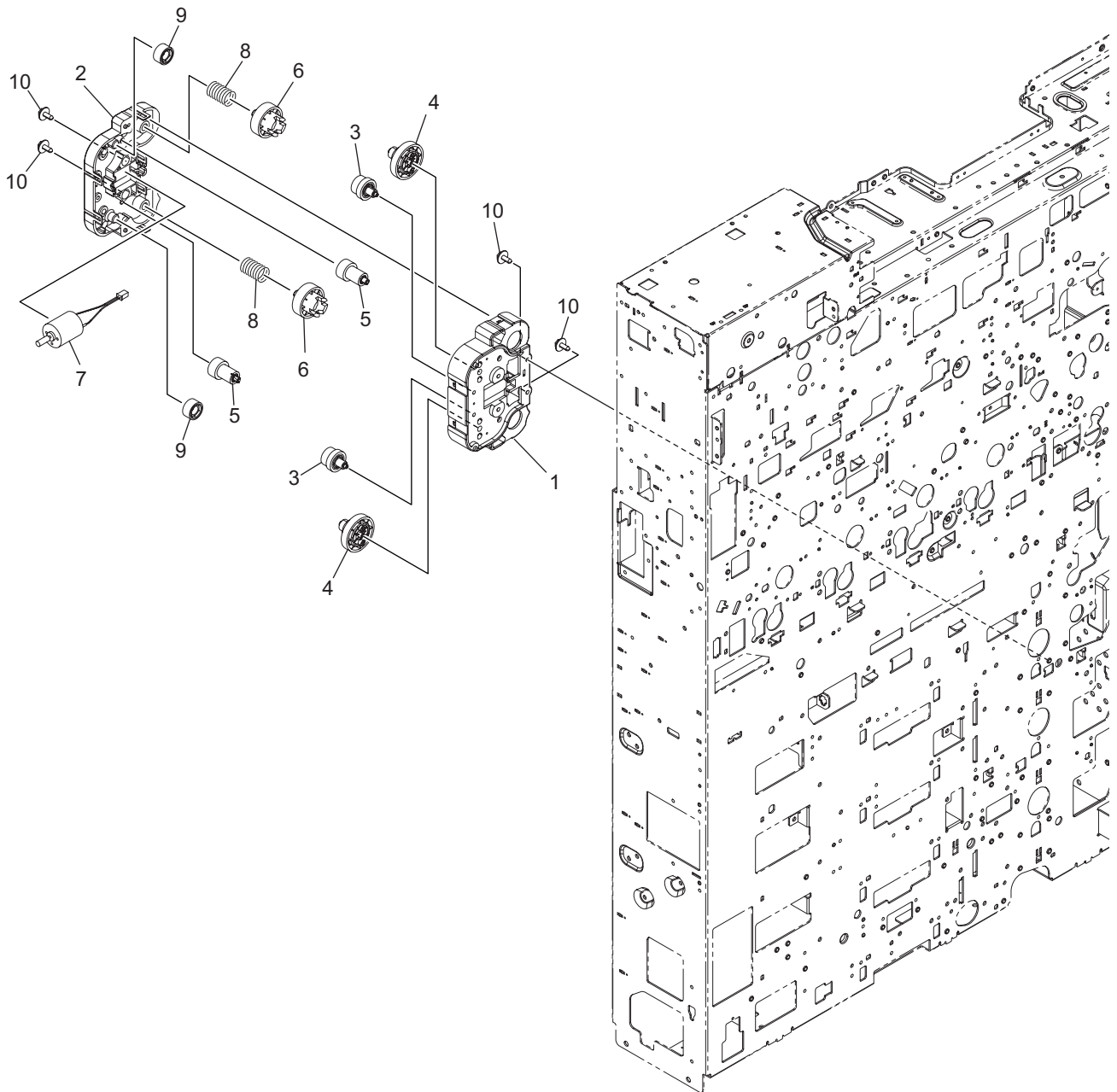
ITEM No.	PART No.	PART NAME	Q'TY / PAGE	Q'TY / PACK	REMARKS
1	6LK40625000	ASYS-CNTR-ATC-H38X	1	1/P	
2	6LK40541000	ASYB-DUCT-DOC-FRT-H38X	1	1/D	
5	6LJ06700000	RLR-MAGT-H13X	1	1/KP	
6	6LK40519000	ASYS-HLDR-MG-SEAL-H38X	1	1/D	
7	6LH02904000	BUSH-RE-FRT	1	5/P	
8	X0-00059000	S/PAN/SWWS-M3X6-NI	3	10/P	
9	6LH02905000	SEAL-MG-SIDE-FRT	1	5/P	
10	6LH02800000	SEAL-HLDR-DOC-SIDE	2	1/P	
11	6LH02797000	SEAL-MG-SIDE	1	1/P	
12	6LH02766000	ROLLER-RE-430	1	1/P	
13	6LA81752000	BUSH-RE-ROL-R	1	1/P	
14	6LH02680000	ASYS-GEAR-MG-430	1	1/P	
15	6LH02715000	CLUCH-RE-430	1	1/D	
16	6LK40593200	ASYS-SHILD-DOC380	1	1/PP	
17	6LH02887000	SEAL-DUCT-DOC-FRT-2	1	1/P	
18	6LH02651000	ASYS-DOCTR-430	1	1/P	
19	6LH02745000	ASYS-COV-MG	1	1/C	
20	6LK40586000	ADJSTR-MAGT	1	1/P	
21	X0-00968000	RR/E-7-SS	2	10/P	
22	6LH02656000	GEAR-04H43-8-MG	1	1/P	
23	6LH02662000	LINK-MG-RE	1	1/P	
24	F0-01868000	6882RSSH44M	2	1/P	
25	F0-01862000	608ZZM2SH44M	2	1/P	
26	6LH02765000	SPG-MG-DRM	2	1/P	
27	6LK40601100	ASYS-COVER-DEV-K130	1	1/P	
28	6LK40582000	SEAL-CASE-DEV-SR4	1	1/P	
29	6LA80090000	S/TPP/BID-3*8-NI	4	5/P	
30	6LK40527000	SEAL-CASE-DEV-SR3	1	1/P	
31	6LK40525000	COVER-DV-UNDR-H38X	1	1/P	
32	6LK40524100	ASYS-CASE-DEV-H380_K	1	1/PP	
33	F0-01959000	L1260 2RS-SH44M-GV22	4	1/P	
34	6LK40588000	SHEET-ADJUST-SR-C	1	1/P	
35	6LH02944000	ASYS-FLANG-SHUT-DEV	1	1/P	
36	6LH02935000	SHEET-SHUT-SHAFT	1	1/P	
37	6LH02928000	SCRAPR-SR	1	1/C	
38	4401949290	SEAL-VC6-10-2.5	4	1/P	
39	6LH01767000	COUPL-DRV-DEV	2	1/P	
40	6LK39318000	HRNS-ATC-H380	1	1/P	
41	6LK45855000	SNSR-ATC-H373	1	1/C	
42	44201994000	BUSH-6-3.7-GCB	1	5/P	
43	6LH03574000	RRG-4-P	3	1/P	
44	6LH02660000	GEAR-04H43-6-MG	1	1/P	
45	6LA34029000	BUSH-4X7X6F-POM	1	5/P	
46	6LK40521000	BRKT-GEAR-DEV-H38X	1	1/P	
47	6LH02657000	GEAR-04H30-6-MIX	1	1/P	
48	6LH02679000	ASYS-GEAR-MIX-430	1	1/P	
49	6LH02767000	SHAFT-IDL-DEV	1	1/P	
50	6LH02658000	GEAR-04H43-6-MIX	1	1/P	
51	X0-00965000	RR/E-4-SS	2	10/P	
52	6LH02655000	BUSH-DEV-FRT-430	2	1/P	
53	6LA29904000	SEAL-ATC-BLK	1	5/P	
54	X0-02113000	S/PAN-M3X4-NI	1	10/P	
55	6LH02984000	SHUT-DEV	1	1/P	
56	6LH02770000	SPG-SHUT-DEV	1	1/P	
57	6LK40697000	MIXER-RGT-H38X	1	1/KP	
58	6LK40698000	ASYS-MIXER-LFT-K130	1	1/KP	
59	6LK40632000	SHEET-SPACER-DEV	1	1/KP	
60	6LK40630000	SPACER-DEV	1	1/KP	
61	6LK40651000	SPG-F-RLR-DEV-H38X	1	1/P	

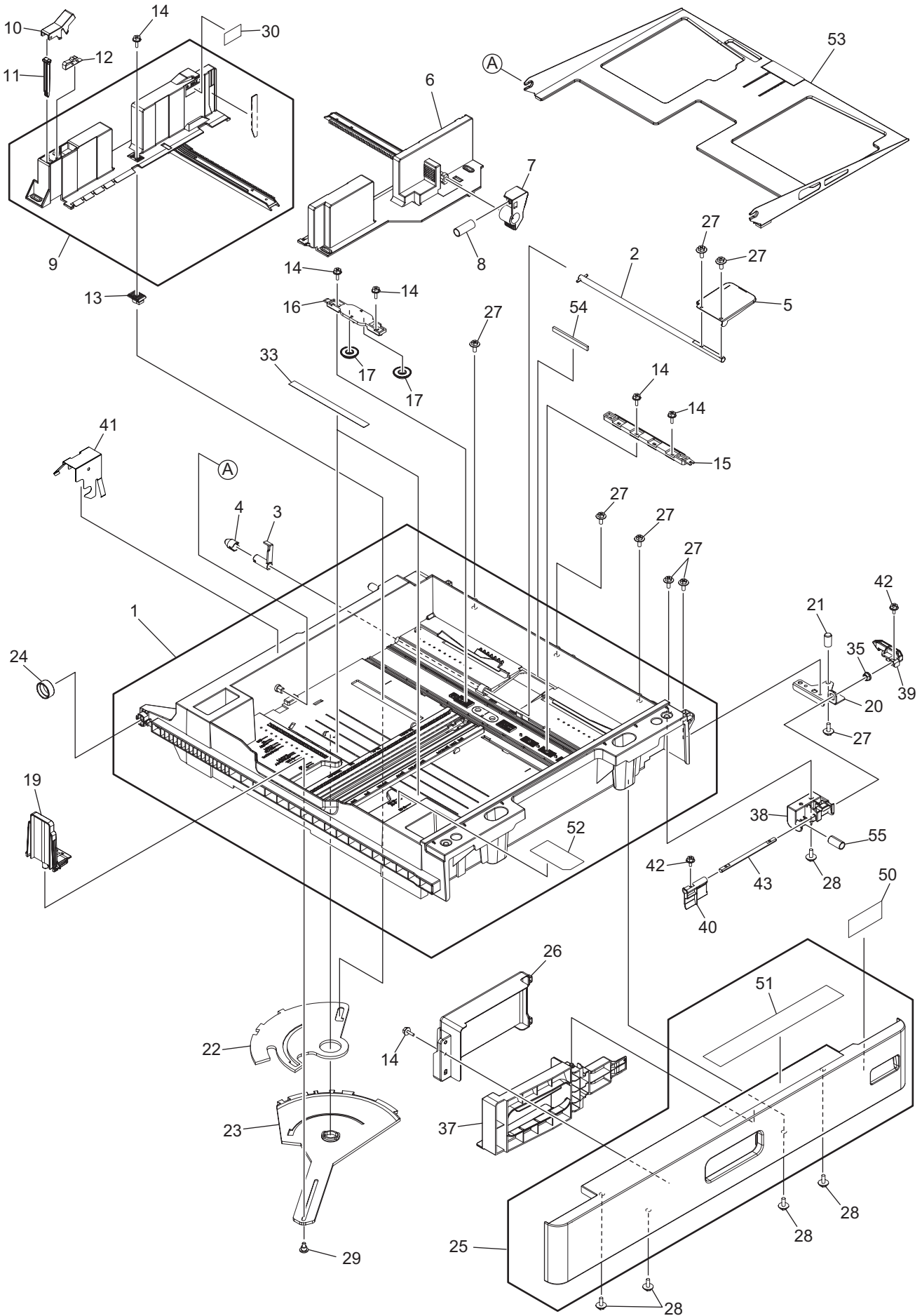




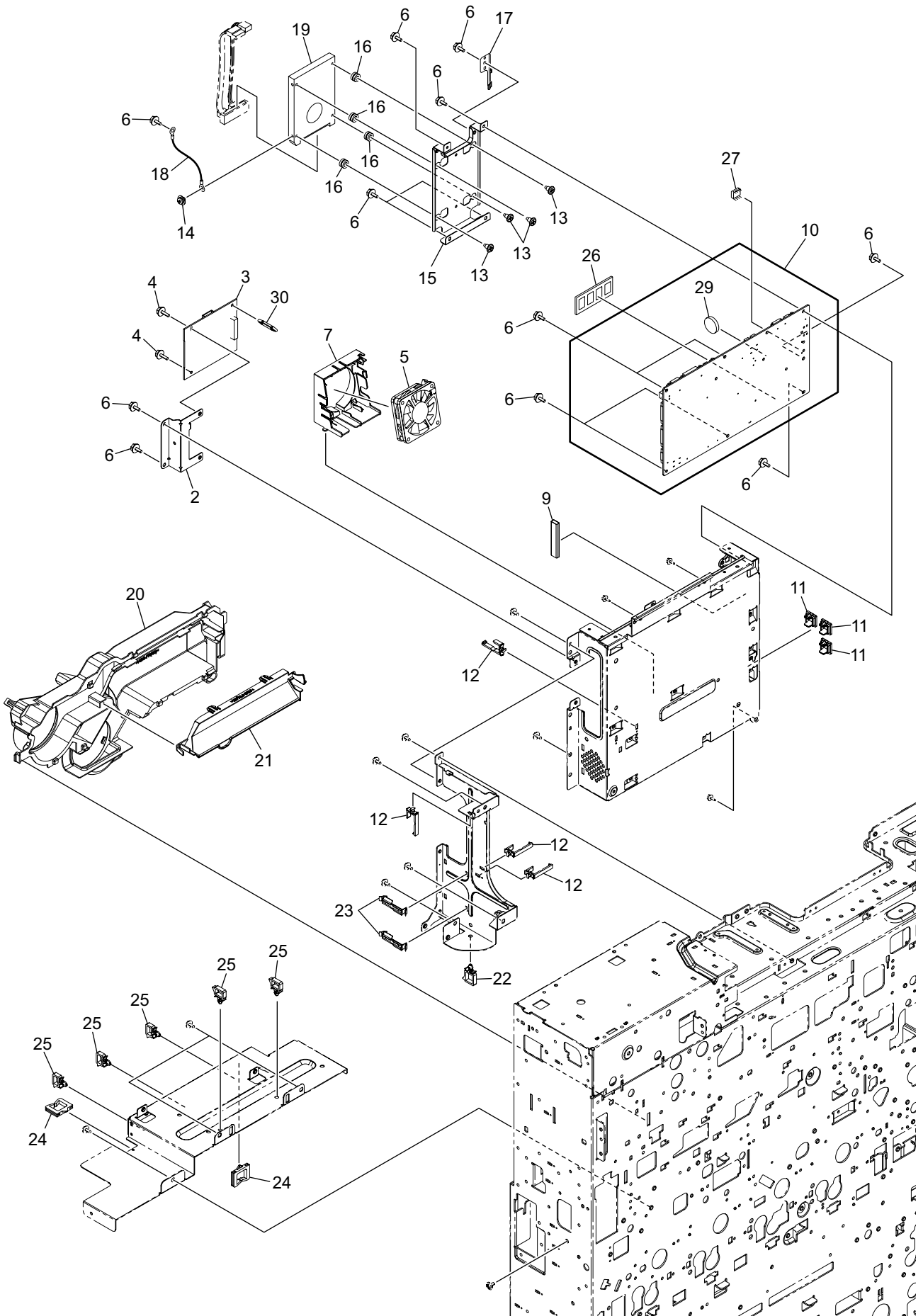


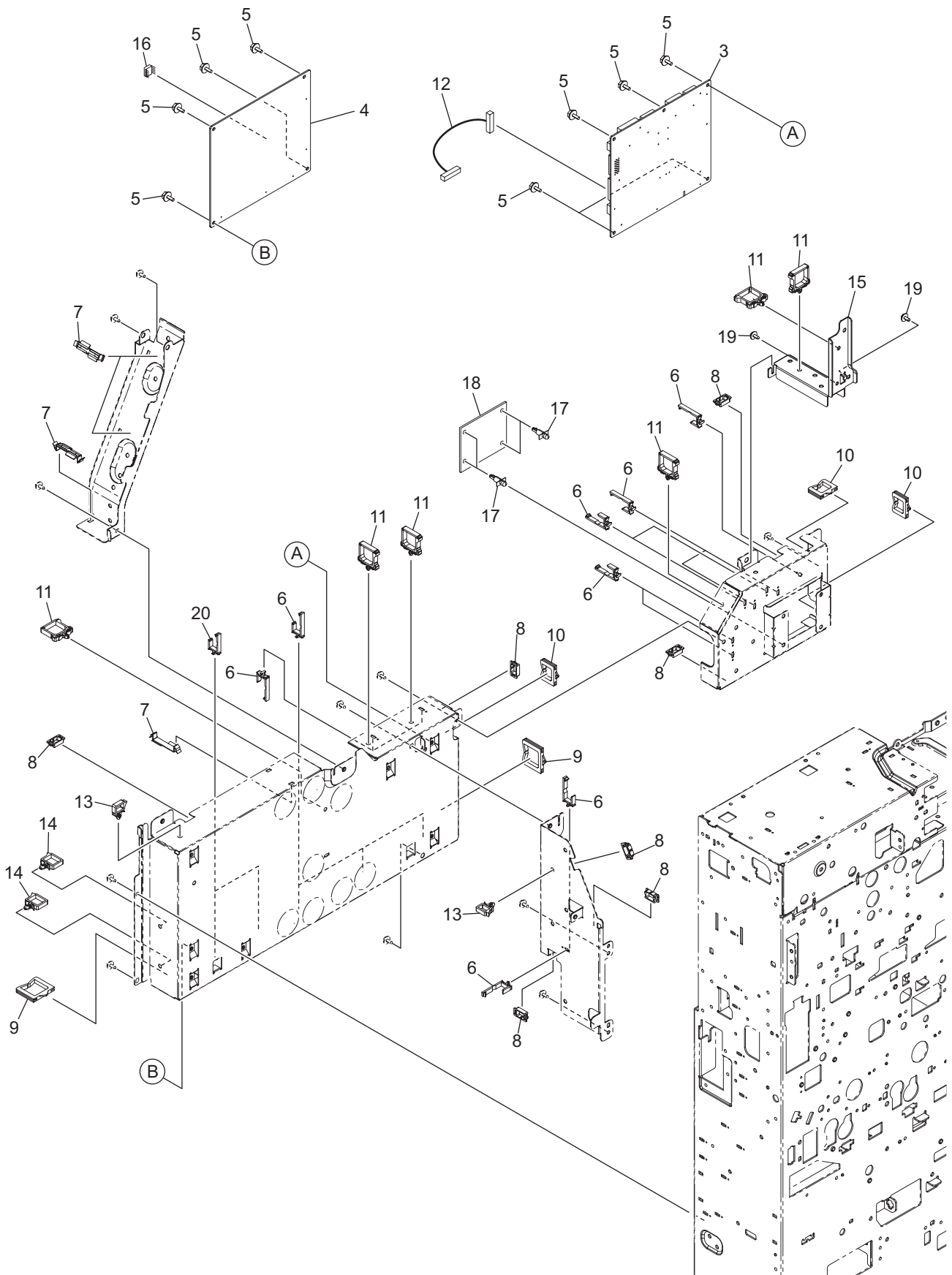
ITEM No.	PART No.	PART NAME	Q'TY / PAGE	Q'TY / PACK	REMARKS
1	6LH03488000	ASYS-BRKT-DRV-WTNR-F	1	1/P	
2	6LH03437000	FLANG-DRV-WTNR	2	1/P	
3	6LH03432000	GEAR-8S18_S2M20-6-DRV-FRT	1	1/P	
4	X0-00966000	RR/E-5-SS	2	10/P	
5	6LH03461000	GEAR-8S21-PSM20-6	1	1/P	
6	6LJ06913000	BLT-SY-S2M-250-4	1	1/P	
7	6LH03473000	FLNG-FRT-DRV	1	1/P	
8	6LH03435000	GEAR-8S24_8S18-5	1	1/P	
9	6LH03542000	SHAFT-DRV-WTNR-F-GEAR	1	1/P	
10	6LH02816000	RRG-3-P	6	1/P	
11	X0-02420000	S/TPS/FHEXM/R-3X8-ZU3	9	10/P	
12	6LH03436000	GEAR-8S28-4-AUGER	1	1/P	
13	6LK40730000	CASE-DUCT-WTNR-DPTH_S	1	1/PP	
17	6LK40734000	ASYS-BUSH-WTNR-H38X	4	1/P	
18	6LK40727000	SPG-C-WTNR-SWG2-H38X	1	1/P	
21	6LA34029000	BUSH-4X7X6F-POM	1	5/P	
22	6LH03421100	DUCT-WTNR-TRN_H	1	1/P	
24	6LH03430000	AUGER-DUCT-TURN	1	1/KP	
25	6LH03426000	COUPL-DRV-WTNR-1	1	1/P	
26	6LH03546000	SPG-C-DUCT-FINAL	1	1/P	
27	6LH03422100	SHUT-DUCT-TURN_S	1	1/P	
29	6LH03427000	STAY-HINGE-WTNR-TOP	1	1/P	
30	6LH03530000	BLT_SY-S2M-148-6	1	1/P	
31	6LH03602000	GEAR-5S25-P2GT60-6-IDLE	1	1/P	
32	6LH03503000	GEAR-5S86-6-WTNR-DRV	1	1/P	
33	6LH03580000	ASYS-SHAFT-WTNR-DRV	1	1/P	
34	6LH03605000	BUSH-6-POM-B	2	1/P	
35	6LH03439000	PULLY-S2M20-6_CPL-WTNR2	1	1/P	
36	6LH03603000	BLT-SY-138-2GT-4	1	1/P	
37	6LK41380000	MOTRD-UTNR-K13X	1	1/C	
38	X0-00426000	S/BID-M3X4-NI	2	10/P	
39	F0-02296000	ES-0505-2	1	5/P	
40	F0-01250000	MSB-1207	1	5/P	
41	X0-02421000	S/TPS/FHEXM/R-4X8-ZU3	3	10/P	
43	6LH03474000	OPENR-COV-WTNR	1	1/P	
44	6LH03552000	SPG-C-OPENR-WTNR	1	1/P	
45	C0-21564000	LG285L2-R2	2	1/C	
46	6LH03482200	GUIDE-BOX-WTNR_B	1	1/PP	
47	6LH03650000	ASYS-COVER-WTNR-38XS	1	1/PP	
48	6LH03467200	HOOK-COV-WTNR_B	1	1/P	
49	6LA80090000	S/TPP/BID-3*8-NI	3	5/P	
50	6LH03610000	SPG-HOOK-COV-WTNR	1	1/P	
51	6LH03429000	PLATE-HINGE-WTNR-BTM	1	1/P	
52	X0-00968000	RR/E-7-SS	1	10/P	
53	6LK40732200	ASYB-DUCT-WTNR-DPTH_K	1	1/D	
54	6LH03462200	SUPT-BOX-WTNR_B	1	1/PP	
55	6LK40714000	DUCT-TURN-WTB-H38X	1	1/P	
56	6LK41375000	ASYS-STAY-WTNR-MOTR	1	1/P	

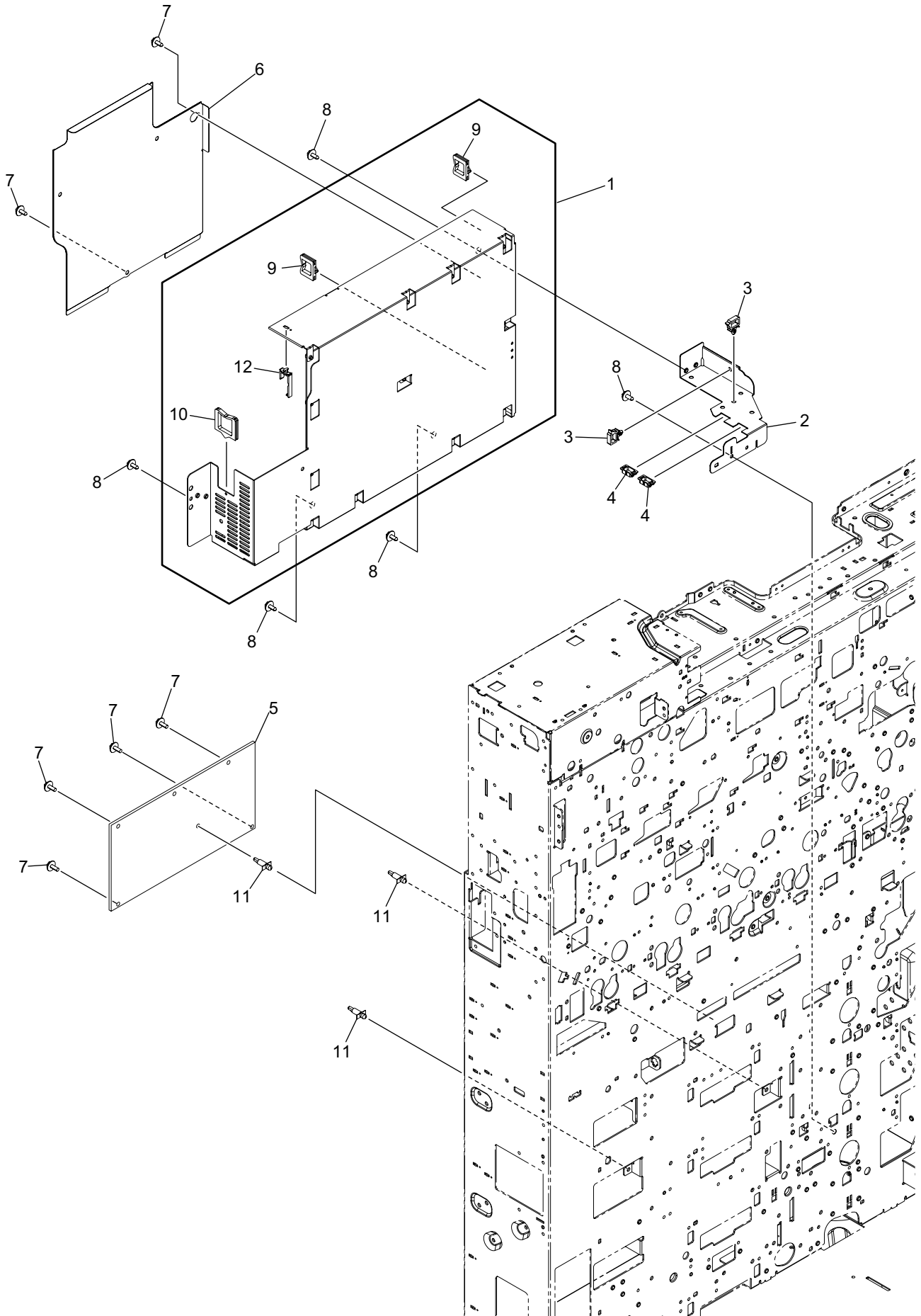


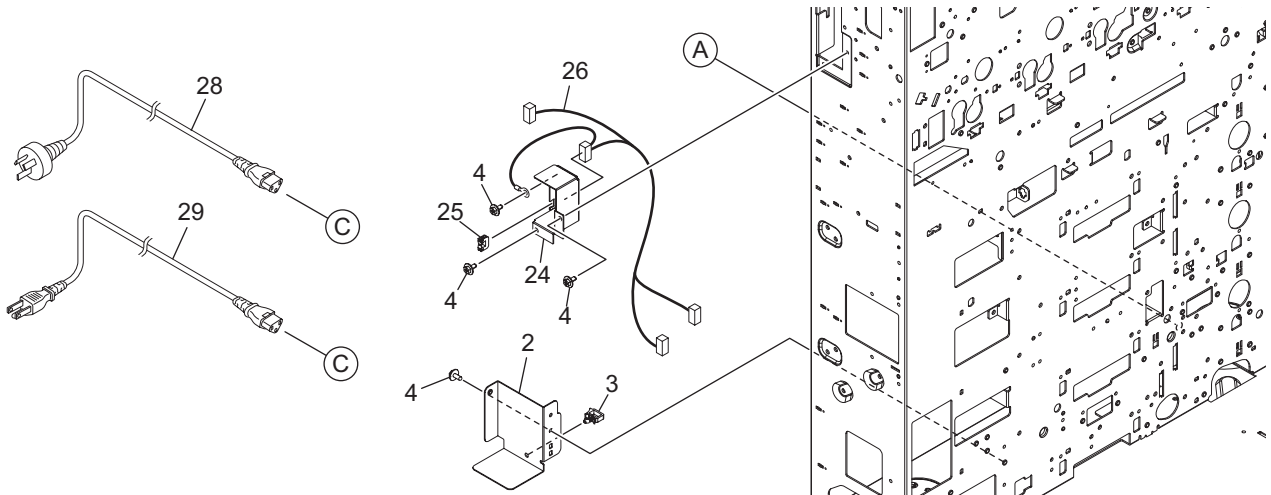
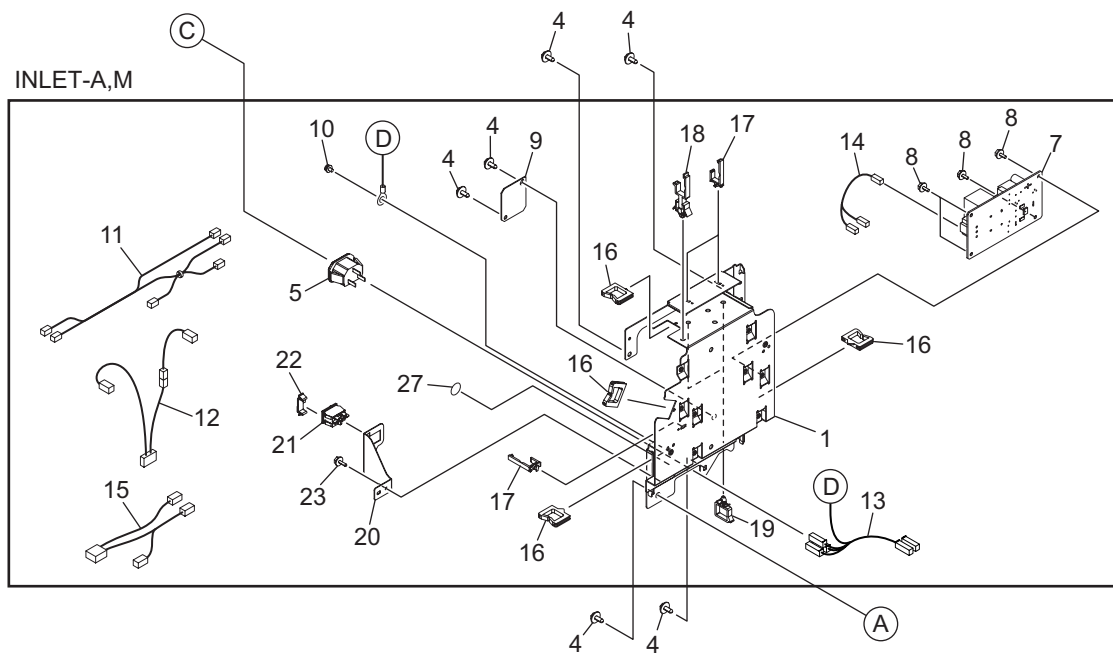
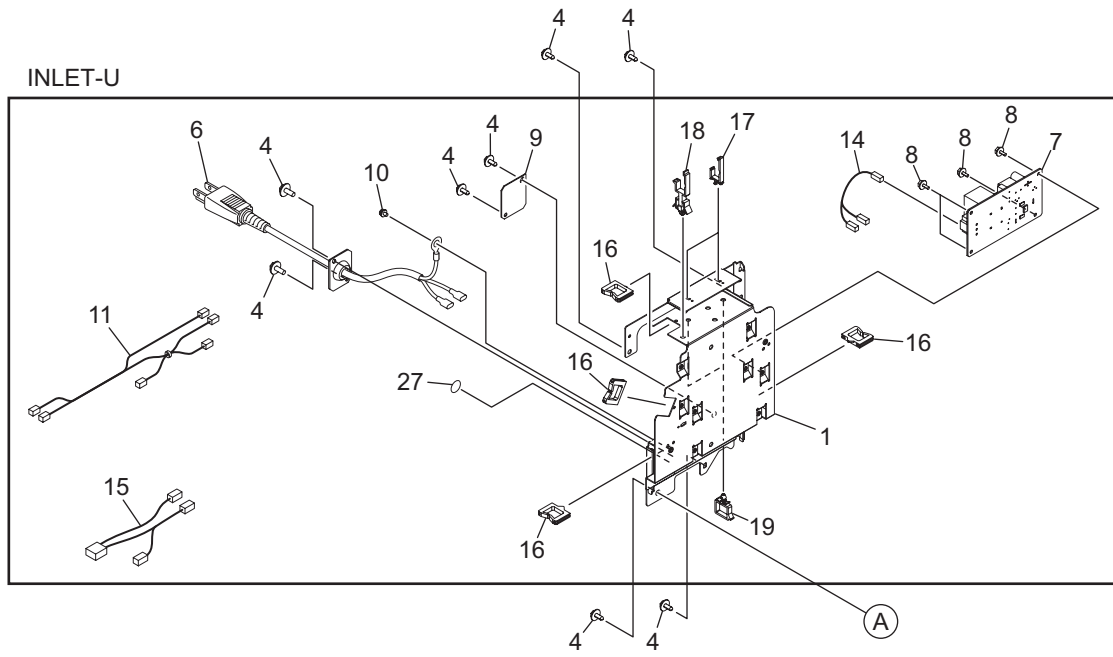


ITEM No.	PART No.	PART NAME	Q'TY / PAGE	Q'TY / PACK	REMARKS
1 A	6LK30957100	ASYS-CASSETTE-H38X	1	1/PP	NAD,MJD,ASD,AUD,CND,ARD,eS7518A-TWD eS6518A-TWD
1 B	6LK30957200	ASYS-CASSETTE-H38XT	1	1/PP	
2	6LH05735000	ASYS-SFT-ELV-CST-F43X	1	1/P	
3	6LH05745100	LEVER-SENSOR-F43X_S	1	1/P	
4	6LA14466000	CAP-LEVER-SENS	1	1/P	
5	6LH05746000	ASYS-LEVER-ELV-CST-F43X	1	1/P	
6	6LH05719300	ASYS-WALL-SIDE-F-CST-BK4	1	1/KP	
7	6LH05704100	LVR-ADJUST-WALL_G	1	1/P	
8	6LA56695000	SPC-LVR-WALL-F	1	1/P	
9	6LJ08001300	ASYS-WALL-SIDE-R-CST-BK4	1	1/KP	
10	6LA29058100	LEVER-LOCK-WALL-RER_G	1	1/P	
11	6LH05748000	LOCK-WALL-R	1	1/P	
12	41305546000	SPL-LOCK-WALL-R	1	1/P	
13	6LH05752000	GUIDE-FOOT	1	1/P	
14	X0-02247000	S/TPP/FHEXM-3X8-NI	6	10/P	
15	6LH05703100	WALL-STOP_S	1	1/KP	
16	6LH05702100	HOLD-CASSET-PIN_S	1	1/P	
17	6LE53717000	GEAR-10S18-8-TRAY	2	1/P	
19	6LH05700100	WALL-END-CST-F43X_G	1	1/P	
20	6LK42104000	PLATE-LATCH-H38X	1	1/P	
21	6LA04487000	STUD-CST-POS	1	5/P	
22	6LH05721100	PUSHER-SIDE-CST-F43X_S	1	1/P	
23	6LK51260000	PUSHER-END-CST-F43X	1	1/PP	
24	6LH05717000	ROLLER-LEFT-R-BP	1	1/P	
25	6LK42113000	ASYS-COVER-CST-H38X	1	1/PP	
26	6LK42101000	COVER-HNDL-CST-H38X	1	1/P	
27	X0-02235000	S/FHEXM-M4X8-NI	8	10/P	
28	X0-02251000	S/TPP/FHEXM-4X8-NI	5	10/P	
29	6LH05511000	SCREW-M3X8-3.2-P	1	5/P	
30	6LJ75240000	LBL-CST-MAX_PP	1	1/P	
33	6LH05740000	MYLAR-CST-SIDE-WALL	2	1/KP	
35	44201492000	BUSH-6-POM	1	5/P	
37	6LK42109000	HNDL-CST-H38X	1	1/P	
38	6LK42107000	HOLDER-LEVER-SUB-H38X	1	1/P	
39	6LK42105000	LEVER-CST-H38X	1	1/P	
40	6LK42106000	LEVER-CST-SUB-H38X	1	1/P	
41	6LK42108000	PLATE-CST-EARTH-H38X	1	1/C	
42	X0-02230000	S/FHEXM-M3X6-NI	2	10/P	
43	6LK42111000	SHAFT-LATCH-CST-H38X	1	1/P	
50 B	6LK51245000	SIZE-CST-37X-A4	3	1/KP	
50 D	6LK51245100	SIZE-CST-37X-LT	3	1/KP	NAD CND
50 E	6LK51245200	SIZE-CST-37X-K	3	1/KP	
51	6LK42116000	LBL_O-GUIDE-CST-H38X	1	1/KP	
52	6LK42115000	LBL_PAPER-SIZE-SRA3-H38X	1	1/KP	
53	6LJ08011100	ASYS-TRAY-CST-K13X	1	1/PP	
54	6LH05744000	CUSH-CST-BTM	1	1/KP	
55	6LK42117000	SPC-LEVER-CST-H38X_N	1	1/P	

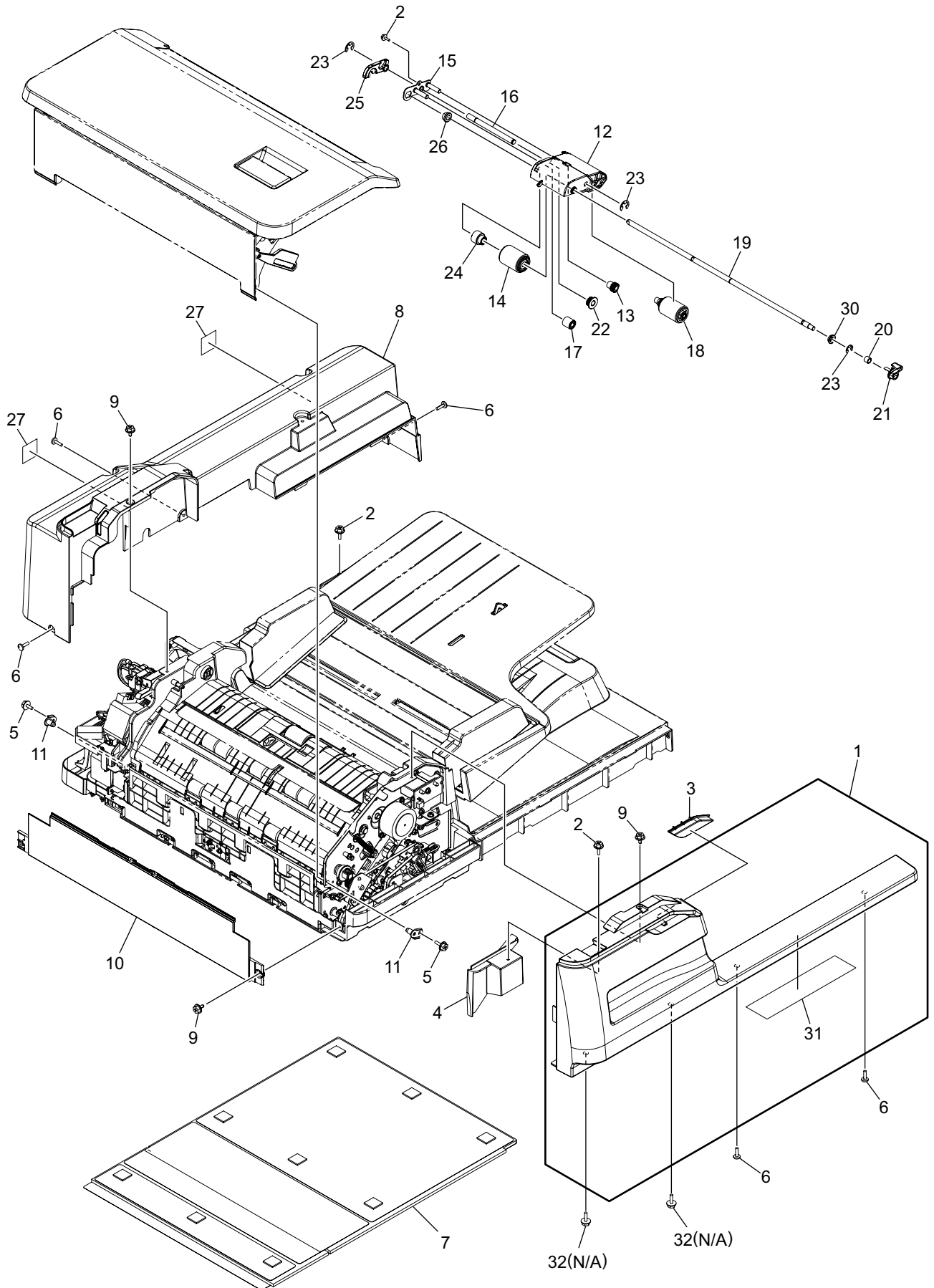


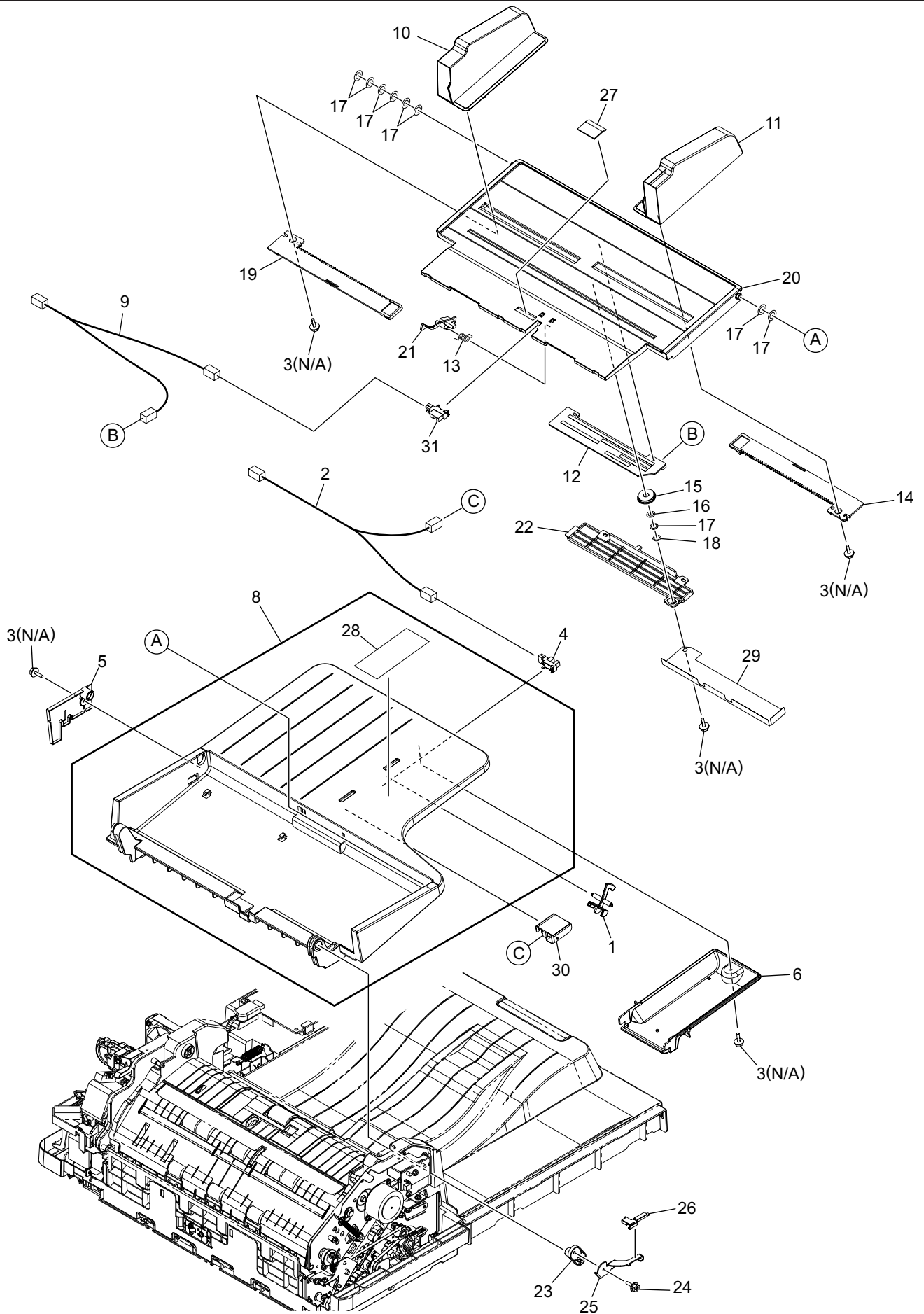




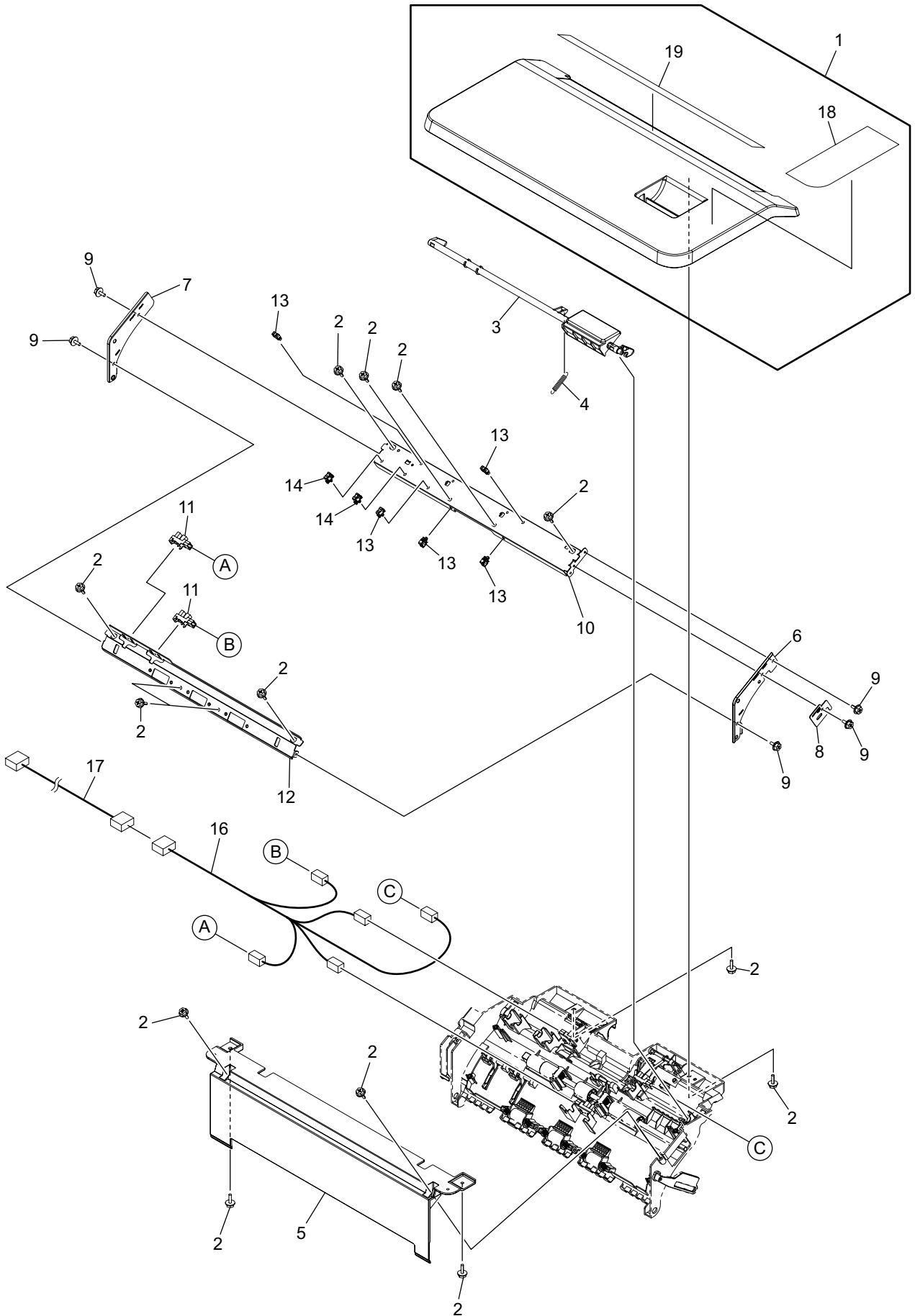


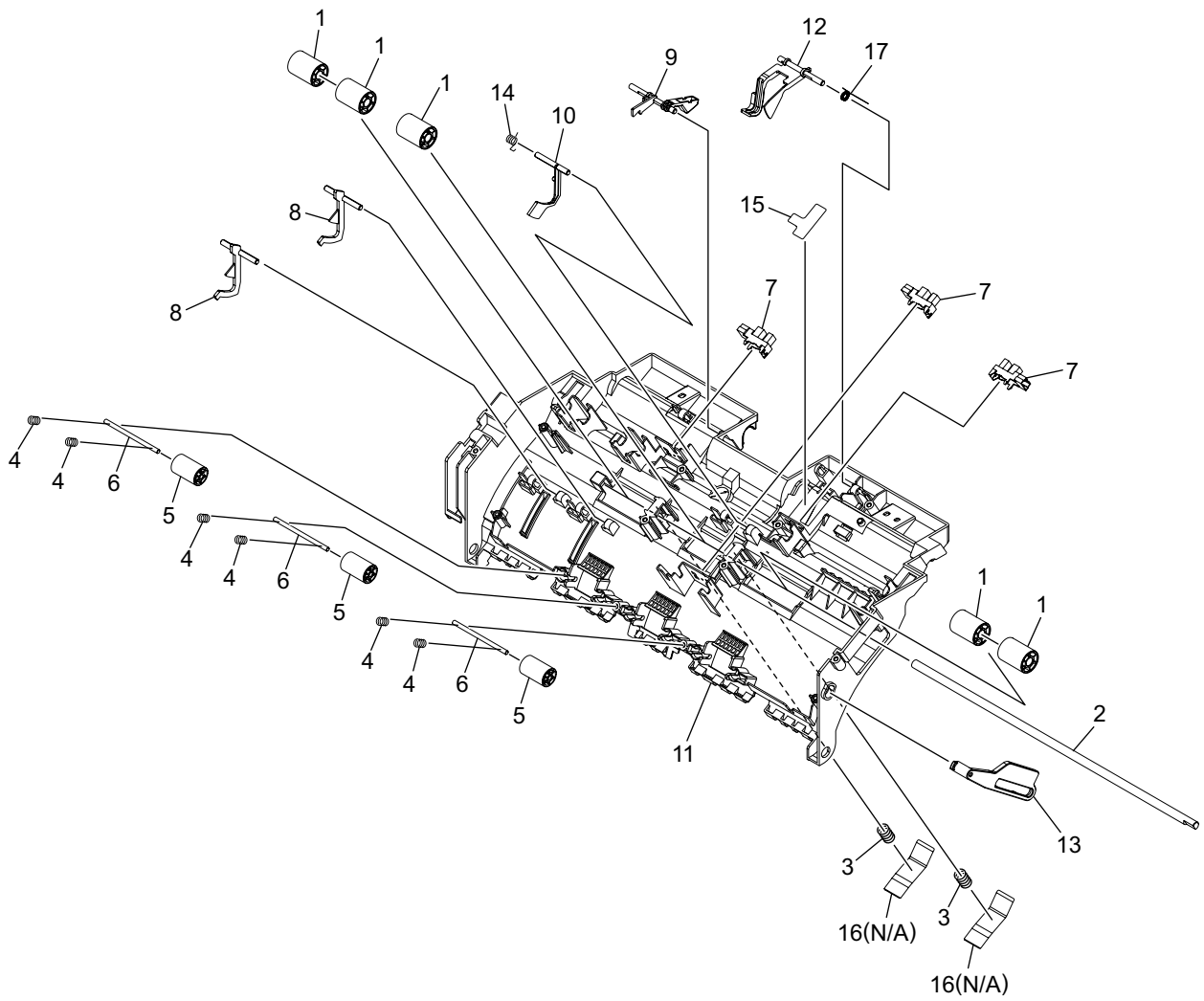
ITEM No.	PART No.	PART NAME	Q'TY / PAGE	Q'TY / PACK	REMARKS
1	6LK39024000	BRKT-INLET-DUMP-FIL-H38X	1	1/P	
2	6LH01106000	BRKT-HOLD-LVPS	1	1/P	
3	F0-01811000	LWS-0711S-V0	1	5/P	
4 A	X0-02421000	S/TPS/FHEXM/R-4X8-ZU3	10	10/P	MJD,ASD,AUD,CND,ARD,TWD
4 B	X0-02421000	S/TPS/FHEXM/R-4X8-ZU3	12	10/P	NAD
5 A	E0-12842000	AC-P10CF34	1	1/P	MJD,ASD,AUD,CND,ARD,TWD
6 B	6LK72944000	ASYS-P-CABLE-UC-H380	1	1/P	NAD
7	6LL27037200	ASYB-FIL-K130-ACC	1	1/SB	
8	X0-02230000	S/FHEXM-M3X6-NI	4	10/P	
9	6LH01161000	BRKT-BLIND-IH	1	1/P	
10	X0-02093000	S/PAN/SWWS-M4X6-NI	1	10/P	
11 A	6LK72942000	HRNS-LVPS-MAINSW1-H380	1	1/P	NAD,MJD
11 B	6LK72943000	HRNS-LVPS-MAINSW1-H380C	1	1/P	ASD,AUD,ARD,TWD
11 C	6LL27123000	HRNS-LVPS-MAINSW1-K130C	1	1/P	CND
12 B	6LK72951000	HRNS-DAMP-ACC-H380	1	1/P	ASD,AUD,CND,ARD,TWD
13 A	6LK72946000	HRNS-INLET-AC-H380	1	1/P	MJD,ASD,AUD,CND,ARD,TWD
14 A	6LK72952000	HRNS-FIL-LVPS-H380	1	1/P	NAD,MJD
14 B	6LK73361000	HRNS-FIL-LVPS-H380J	1	1/P	ASD,AUD,CND,ARD,TWD
15	6LK39429000	HRNS-LVPS-IH2-H380	1	1/P	
16	F0-00047000	EDS-1717U	4	10/P	
17 A	F0-00036000	RLWS3TV0	2	5/P	NAD,MJD
17 B	F0-00036000	RLWS3TV0	3	5/P	ASD,AUD,CND,ARD,TWD
18	F0-02289000	RSPC-325P	1	5/P	
19	F0-01813000	LWS-1316S-V0	2	5/P	
20 A	6LK44760000	BRKT-DUMPH-SW-H373	1	1/P	ASD,AUD,ARD,TWD
21 A	E0-11767000	AJ76101BF	1	1/P	ASD,AUD,ARD,TWD
22 A	F0-01451000	RFC-16V0	1	1/P	ASD,AUD,ARD,TWD
23 A	X0-02420000	S/TPS/FHEXM/R-3X8-ZU3	1	10/P	ASD,AUD,ARD,TWD
24	6LK39070000	BRKT-FIN-CBL-CONP	1	1/P	
25	F0-02296000	ES-0505-2	1	5/P	
26	6LL27025000	HRNS-LGC-FIN-K130	1	1/P	
27	6LK31393000	MARK-EARTH-VDE	1	5/P	
28 A	6LJ62295000	CABLE-P-INLET-EUR-C-S	1	1/P	MJD
28 B	6LJ62294000	CABLE-P-INLET-AU-C-S	1	1/P	AUD
28 C	6LJ61965000	CABLE-P-INLET-AR-C	1	1/P	ARD
28 D	6LJ62297000	CABLE-P-INLET-CCC-C-S	1	1/P	CND
29 A	6LJ62293000	CABLE-P-INLET-UK-C-S	1	1/P	ASD
29 B	6LE95826000	CABLE-P-INLET-TWD	1	1/P	eS6518A-TWD
29 C	6LK73252000	CABLE-P-INLET-TWD-10A	1	1/P	eS7518A-TWD

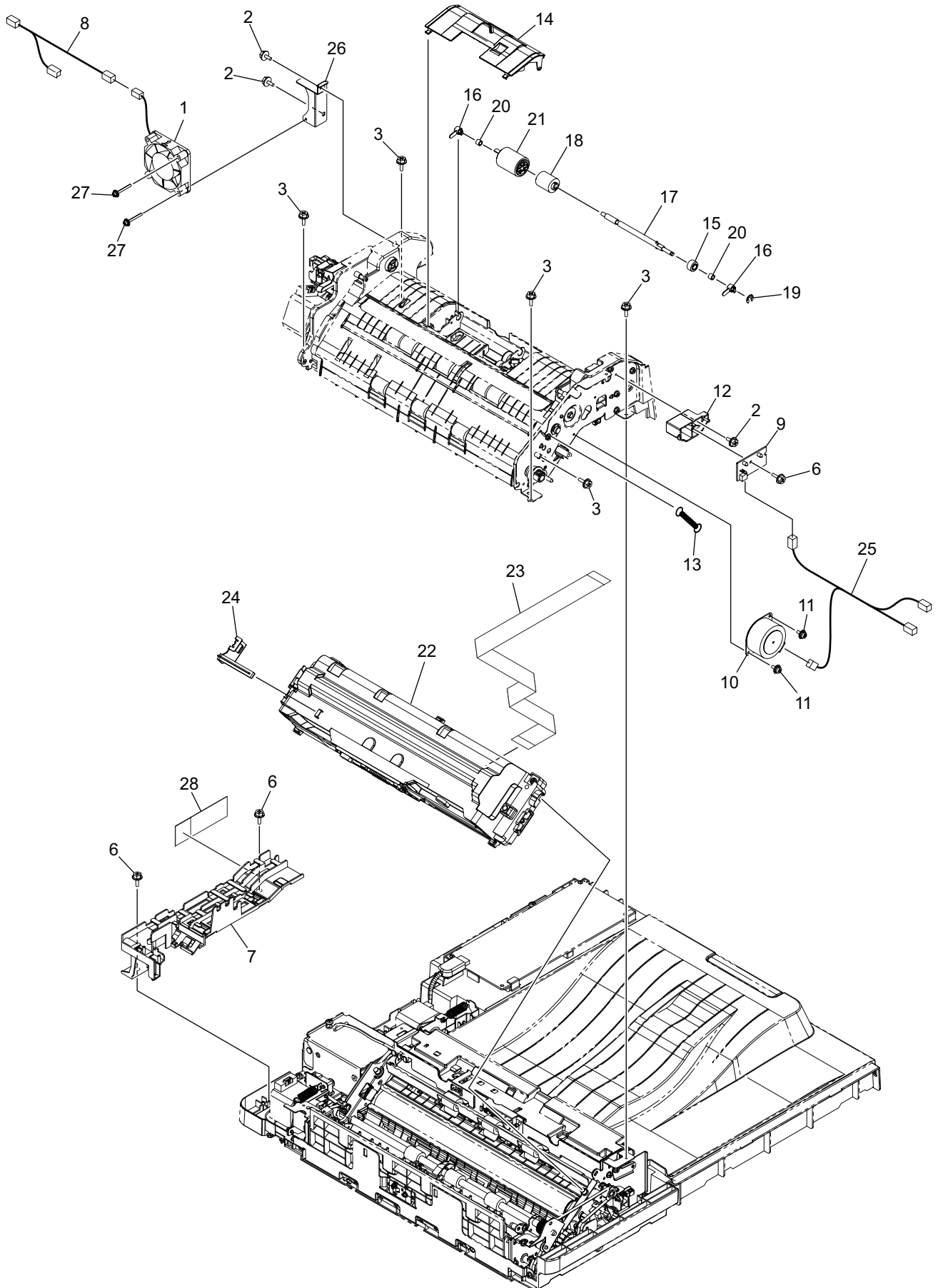


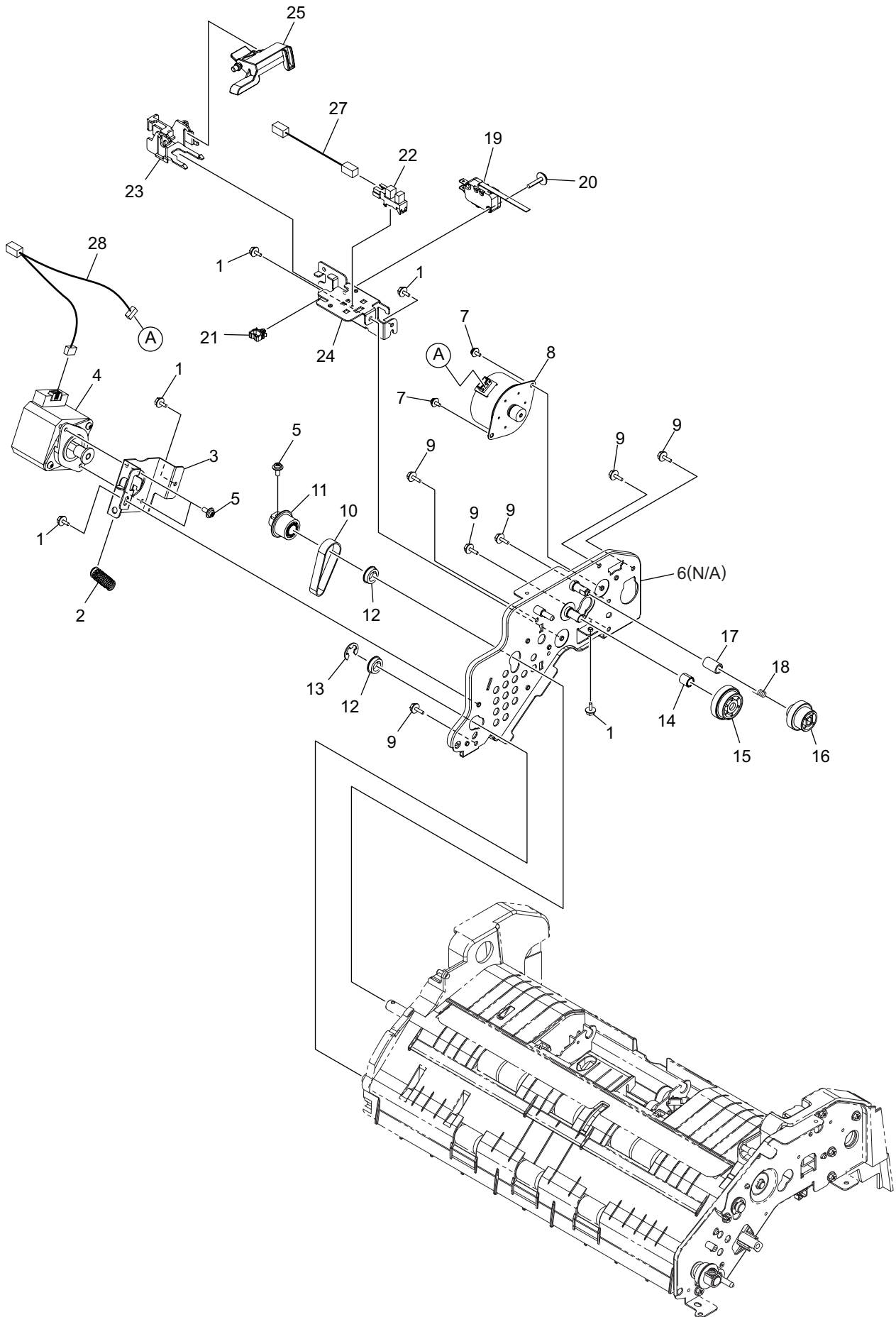


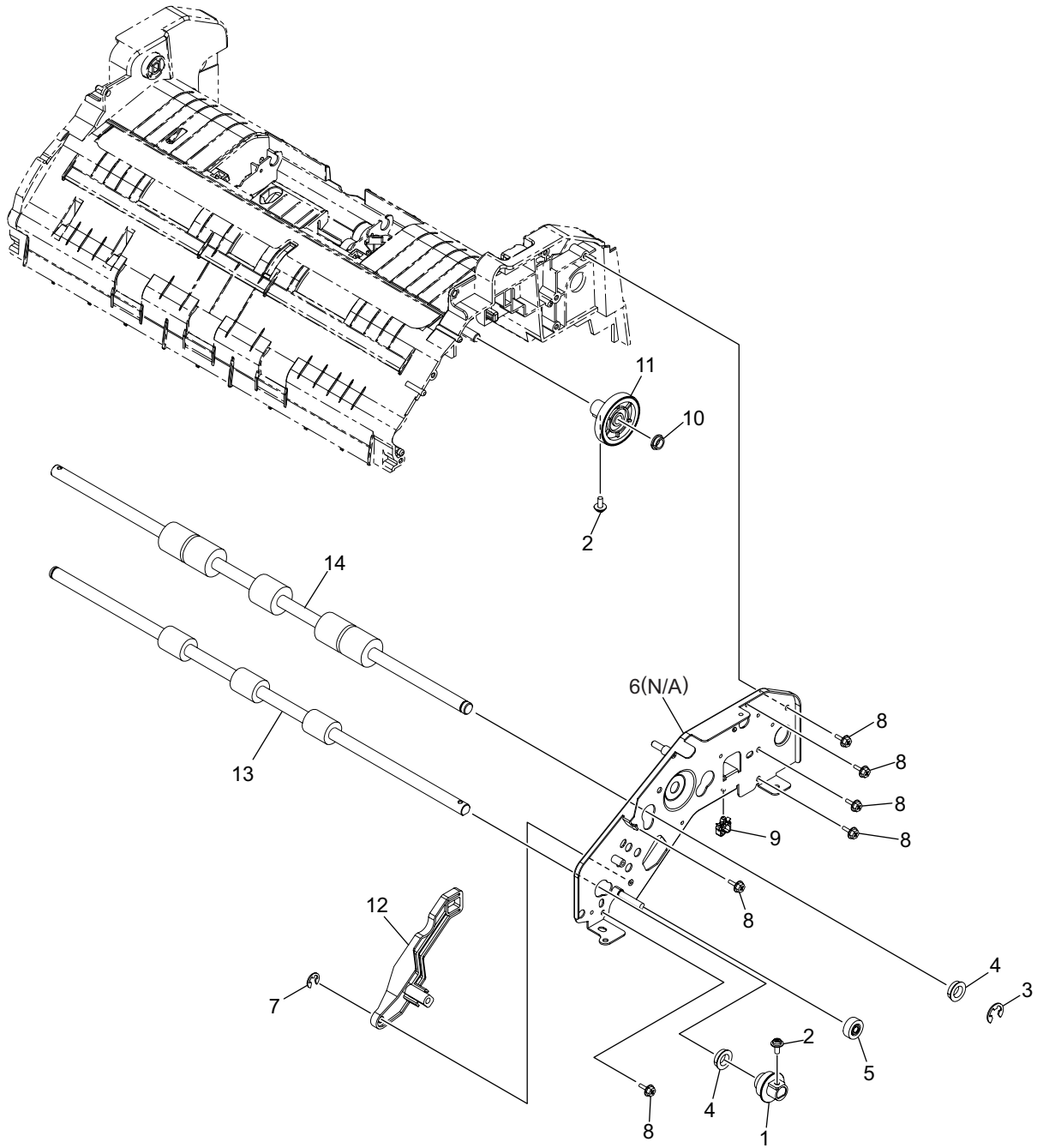
ITEM No.	PART No.	PART NAME	Q'TY / PAGE	Q'TY / PACK	REMARKS
1	6LE50461F00	ACT-SENSOR-TRAY-S_JB	1	1/P	
2	6LK53739000	HRNS-DSDF-TLENGH-H616	1	1/P	
3	X0-02687000	S/TPS/FHEXM/R-3X6-ZB3	5	N/A***	
4	C0-20495000	LG2A24BL1	2	1/C	
5	6LK54123000	HLDR-TRAY-EV	1	1/P	
6	6LK54124000	COV-TRAY-SENS-DSDF	1	1/PP	
8 A	6LK54285100	ASYS-TRAY-ORG-DSDF-C	1	1/PP	CND
8 B	6LK54285000	ASYS-TRAY-ORG-DSDF	1	1/PP	Except for CND
9	6LK53738000	HRNS-DSDF-TRAY-H616	1	1/P	
10	6LK56727000	ASYS-SIDE-GID-R-DSDF	1	1/PP	
11	6LK56726000	ASYS-SIDE-GID-F-DSDF	1	1/PP	
12	6LK53708000	PWA-H-TRAY-616	1	1/SB	
13	6LK56557000	SPG-T-ACT-SNS-EMPTY-R18	1	1/P	
14	6LK54249000	ASYS-RACK-TRAY-F	1	1/PP	
15	4407726480	PINION-18-395	1	1/P	
16	4400974200	WASHER-W-6-10	1	10/P	
17	F0-01324000	STW-FT60 T0.25	9	5/P	
18	6LA78907000	WASHER-6R2X9R5XR13-PL	1	5/P	
19	6LK54132000	RACK-TRAY-PC-DSDF	1	1/P	
20	6LK56582000	ASYS-TRY-EV-DSDF	1	1/PP	
21	6LK54129000	ACT-SNS-EMPTY	1	1/P	
22	6LK54135000	COVER-PWA-TRAY-DSDF	1	1/P	
23	6LK54064000	HOLDER-DH	1	1/P	
24	X0-02231000	S/FHEXM-M3X8-NI	1	10/P	
25	6LK54368000	BRKT-TRY-ORG	1	1/P	
26	6LK54369000	COV-BRKT-TRY	1	1/P	
27	6LK54388000	SHEET-PICKUP	1	1/P	
28 A	6LJ67549200	LABEL-CAUTION-3031C	1	1/KP	CND
28 B	6LJ67409300	LABEL-CAUTION-H616	1	1/P	Except for CND
29	6LK56660000	SHEET-TRAY-EV	1	1/KP	
30	6LK54047000	ASYB-SNS-TRAY-L2	1	1/P	
31	6LK56794000	ASYS-SNS-EMPTY	1	1/C	

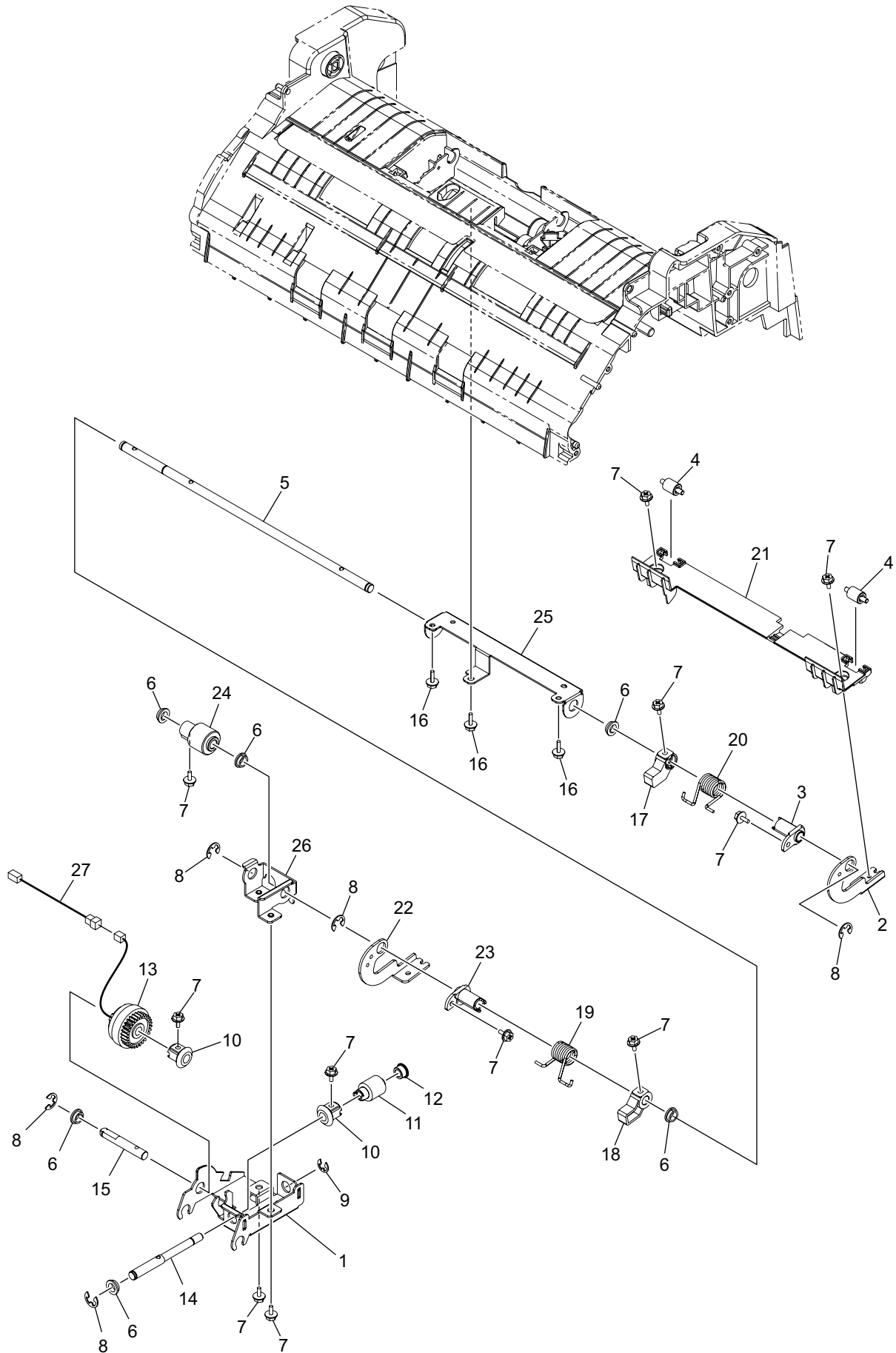


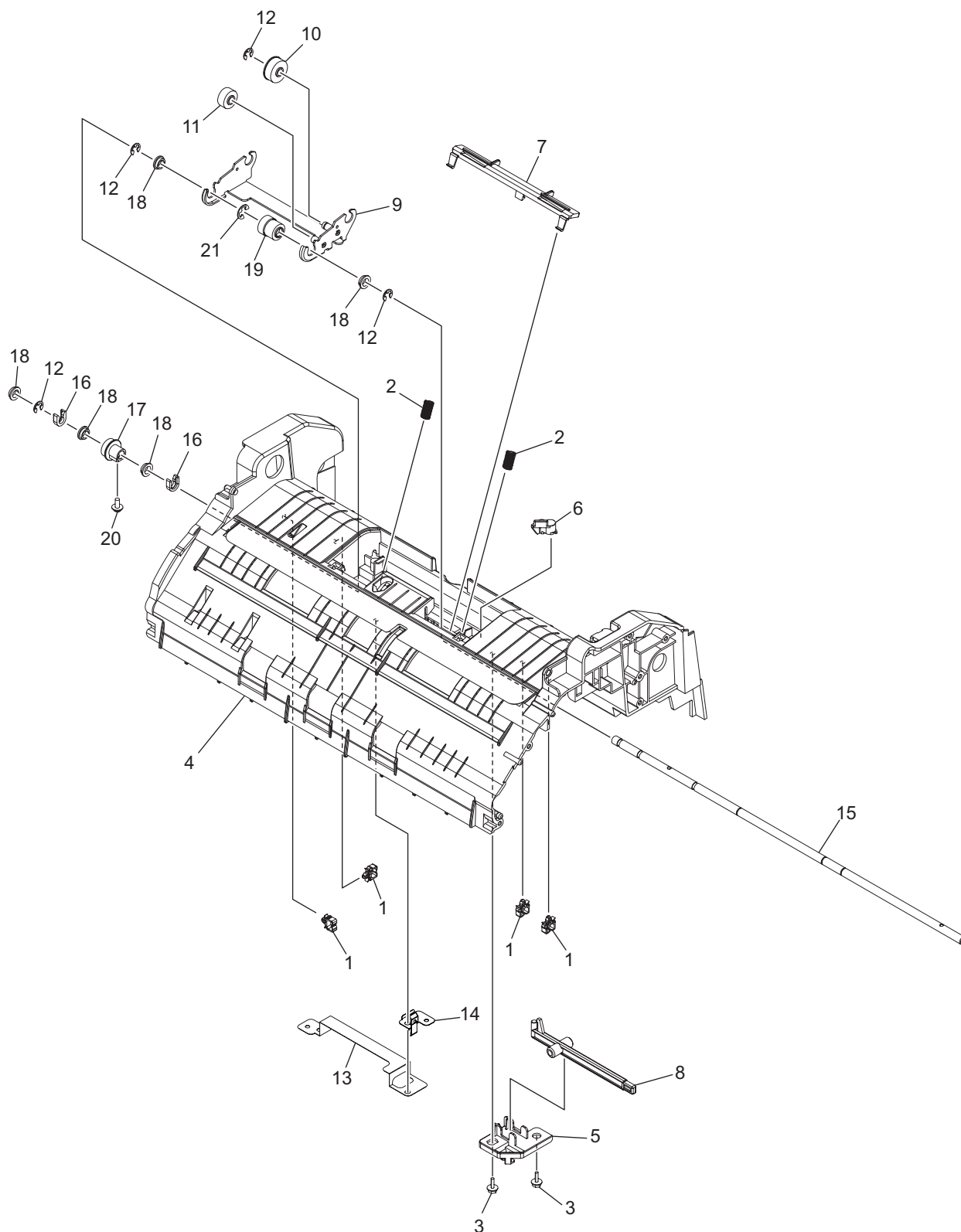


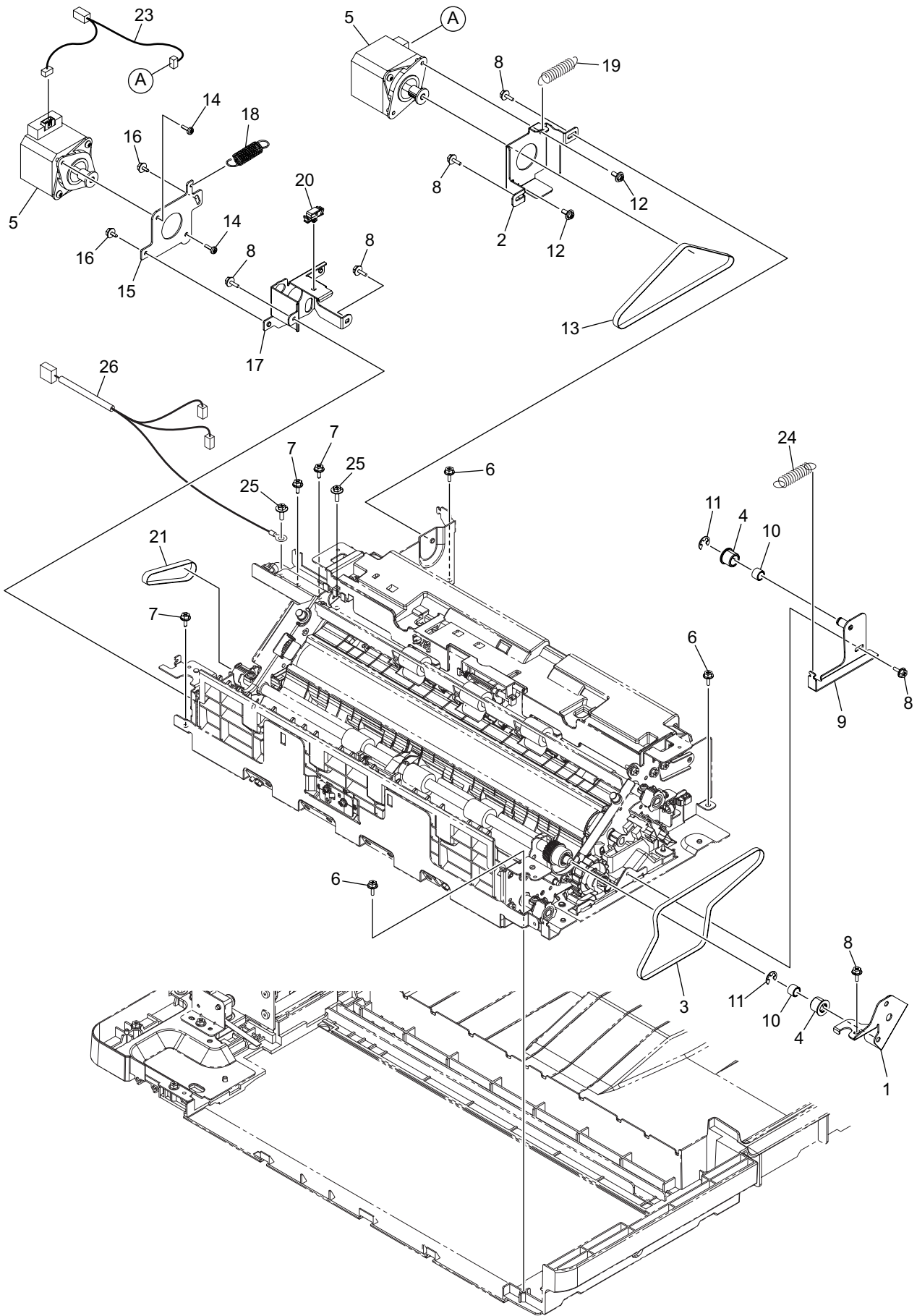


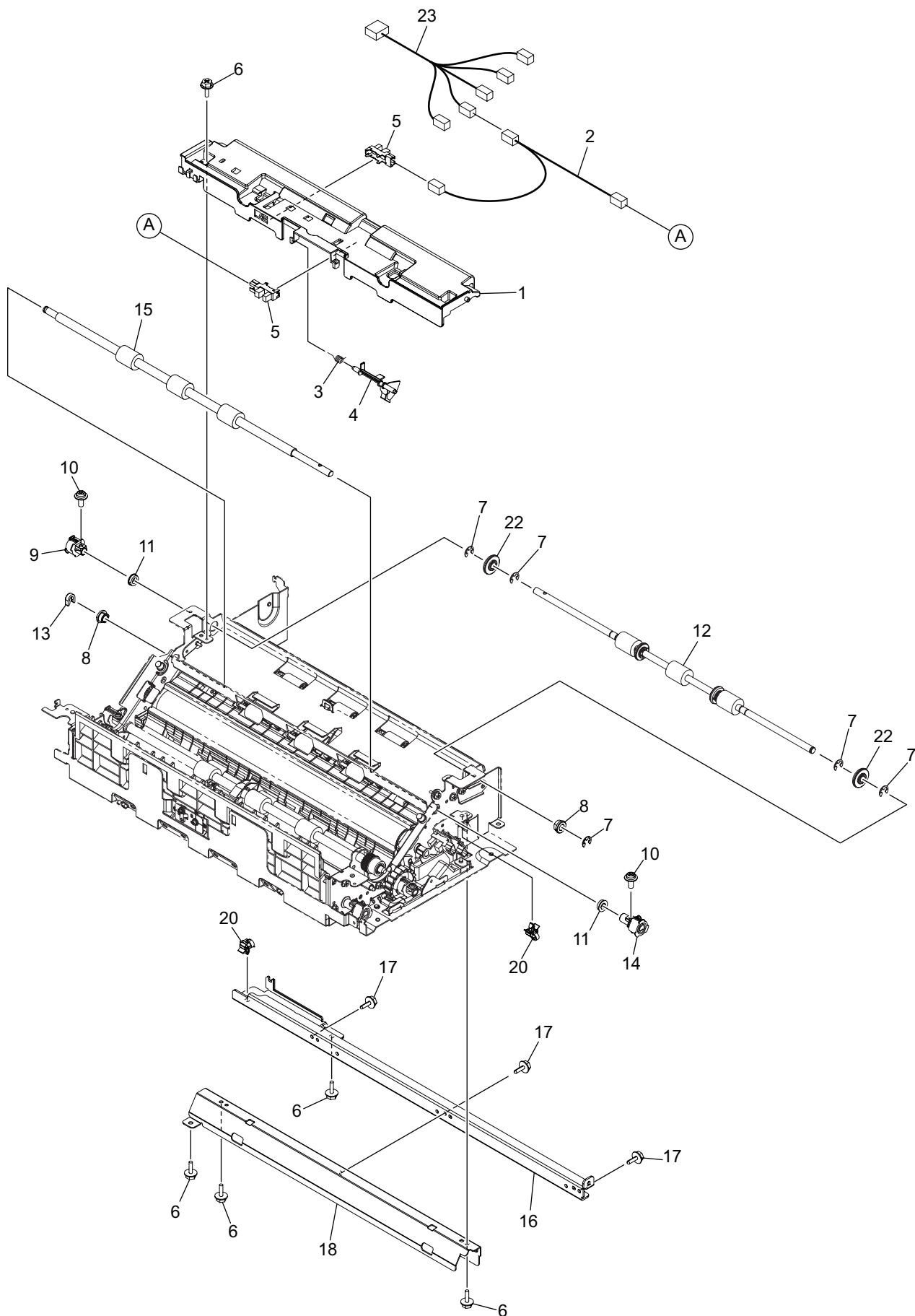


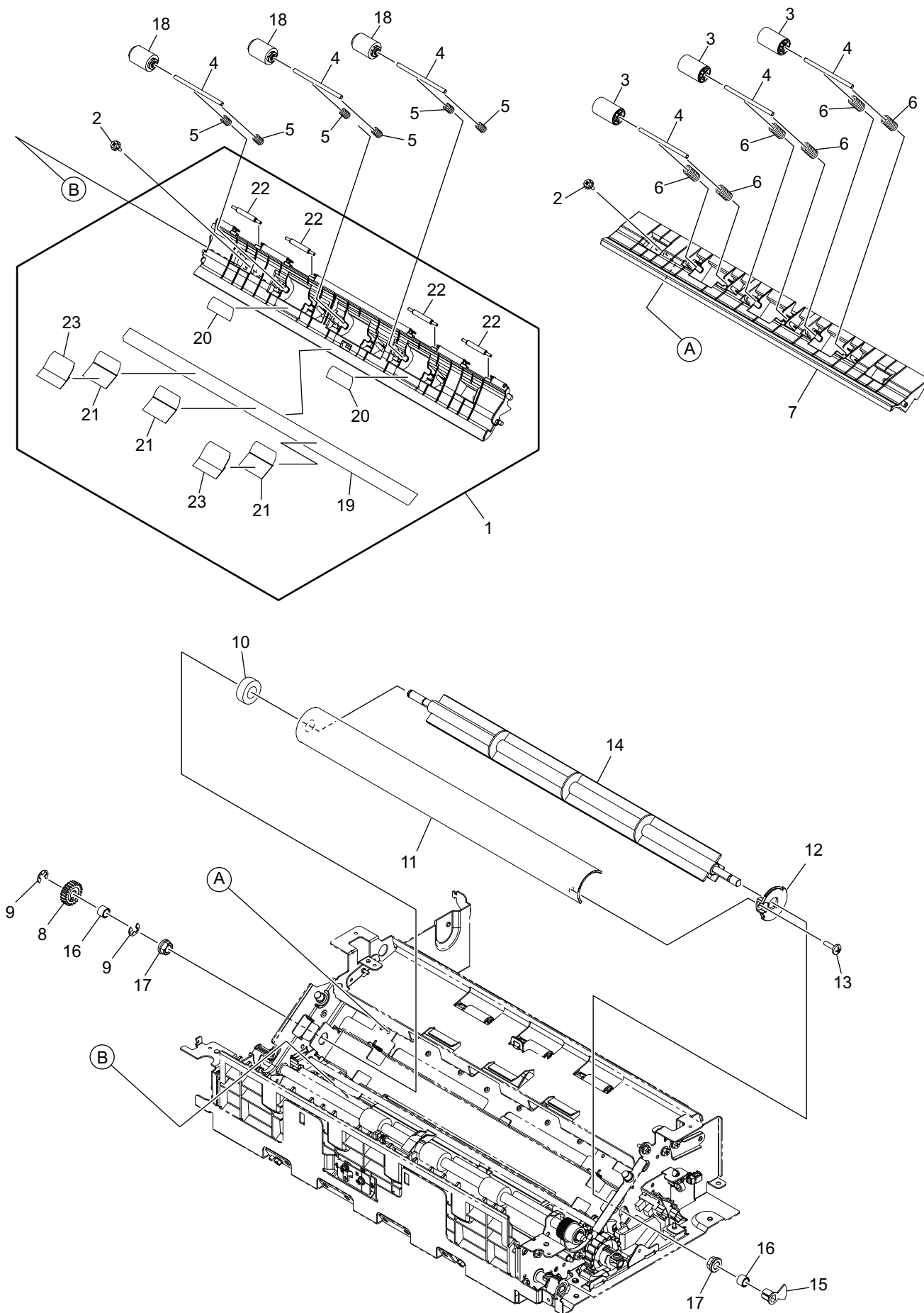


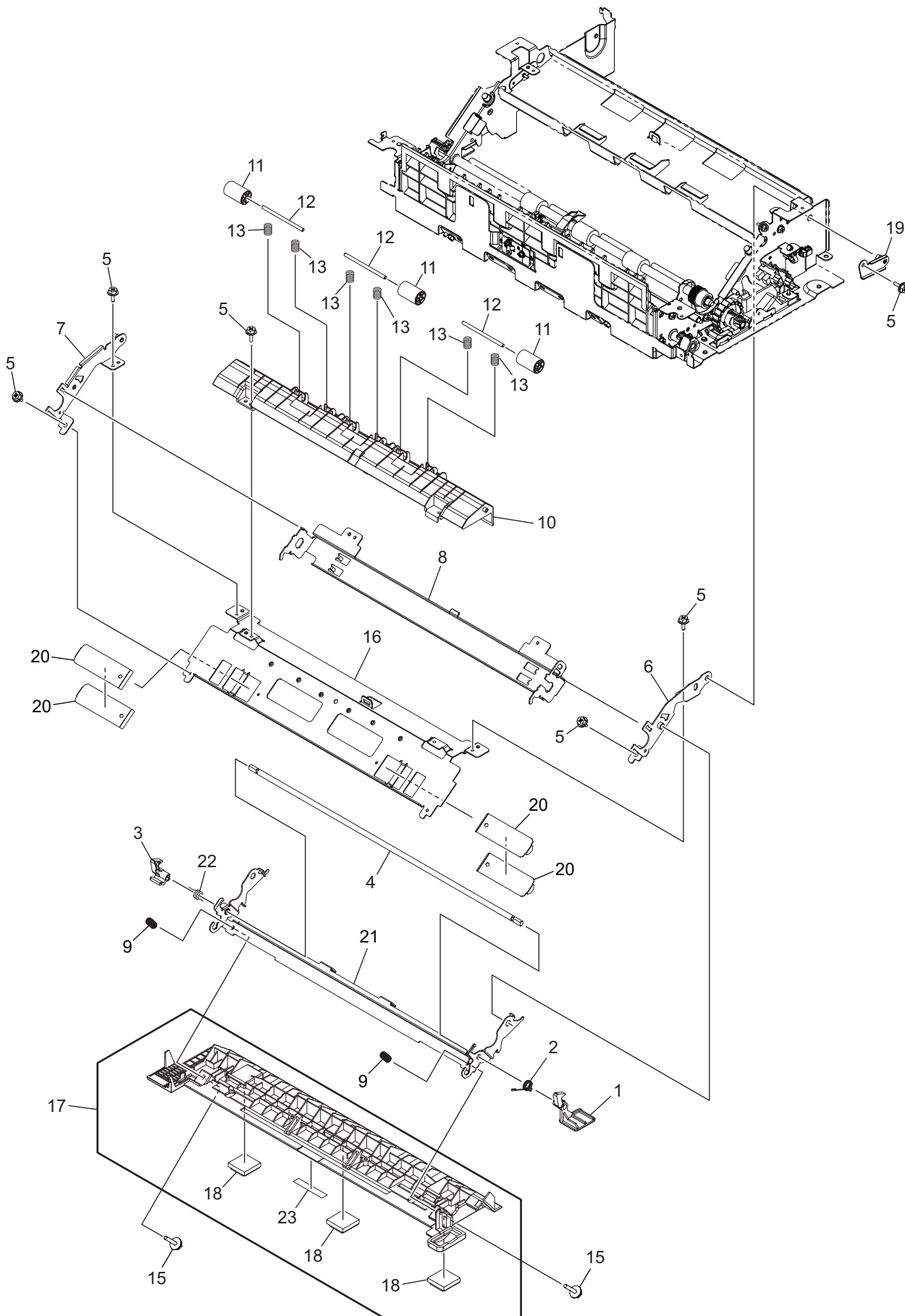


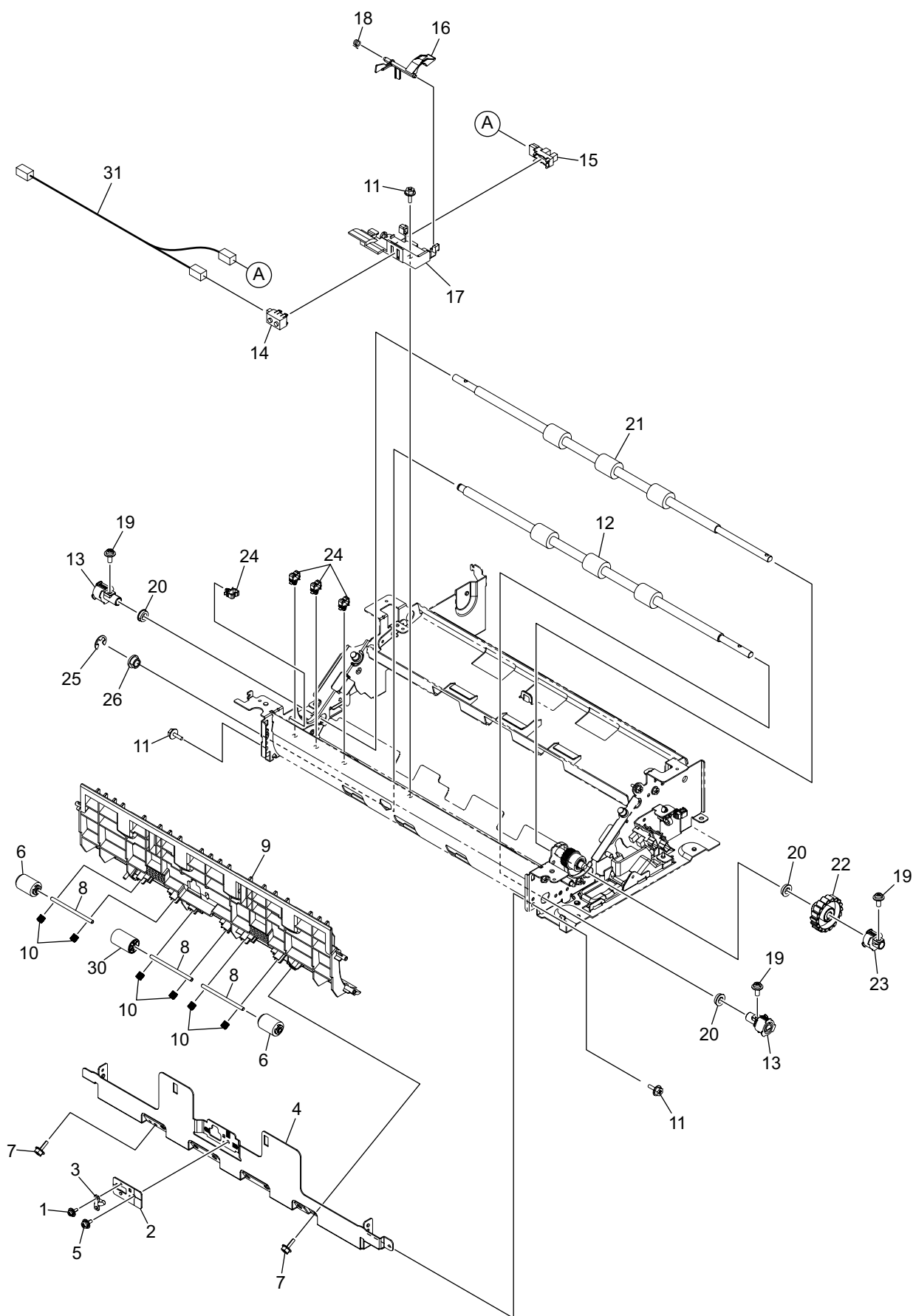


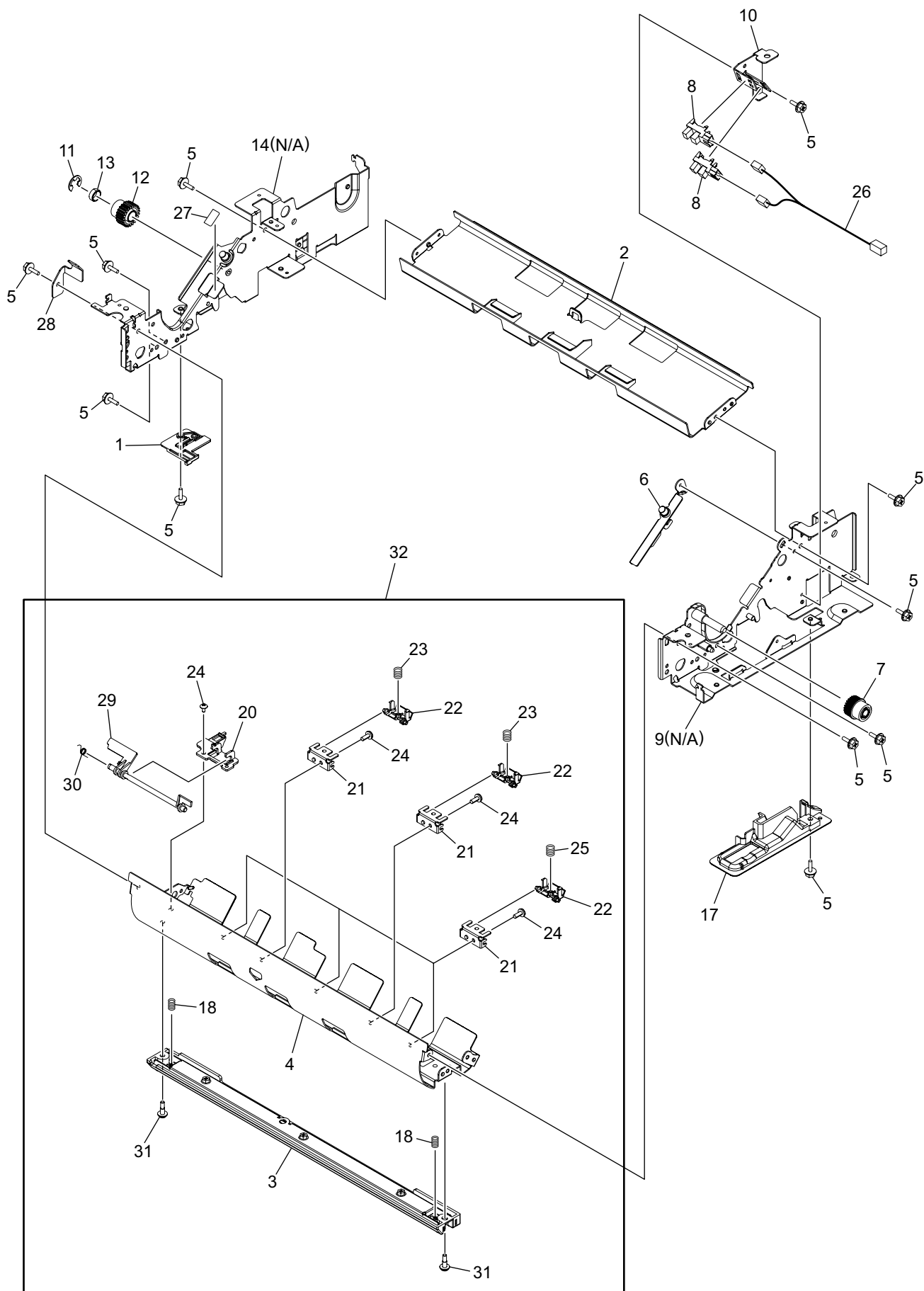


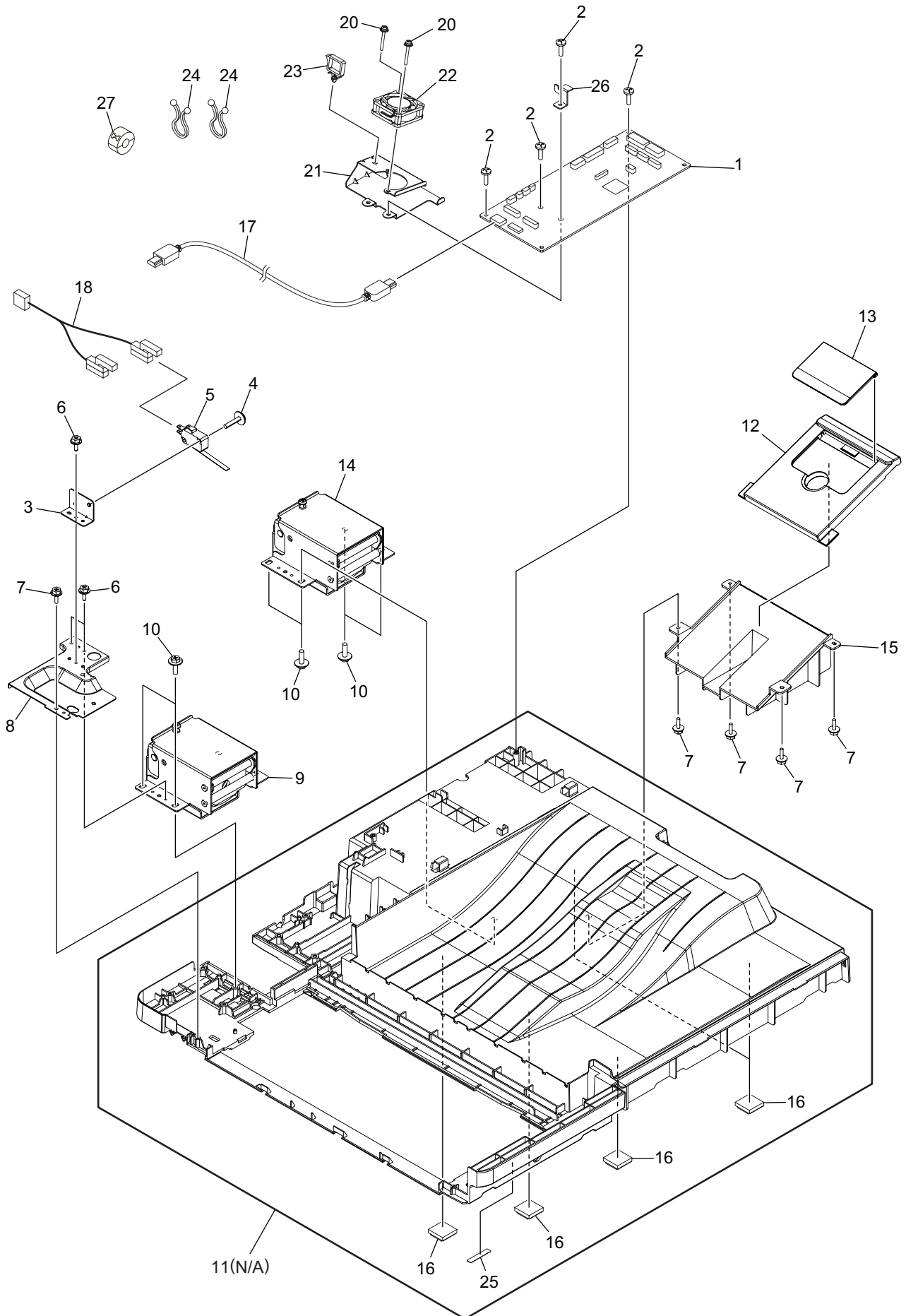


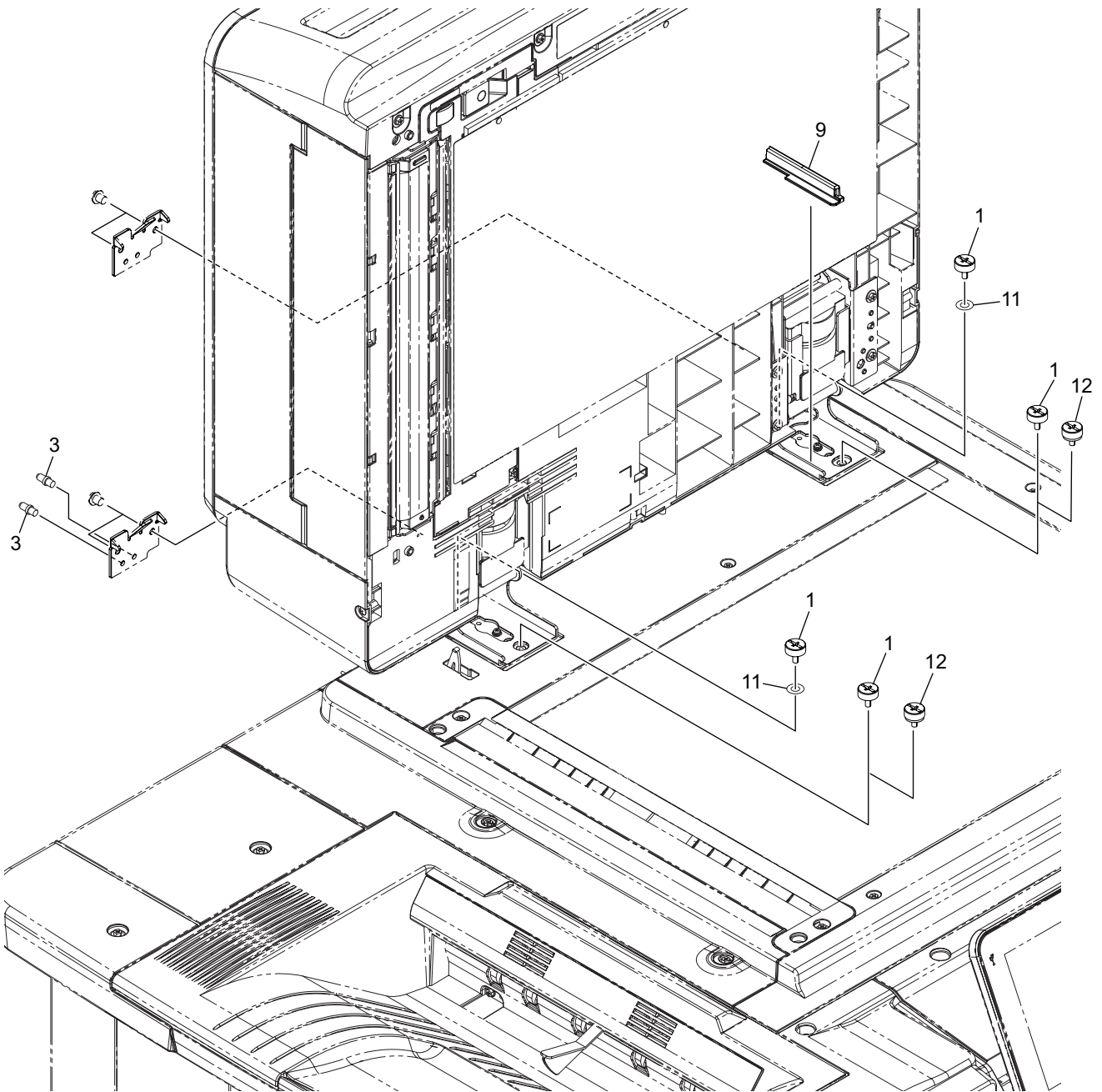


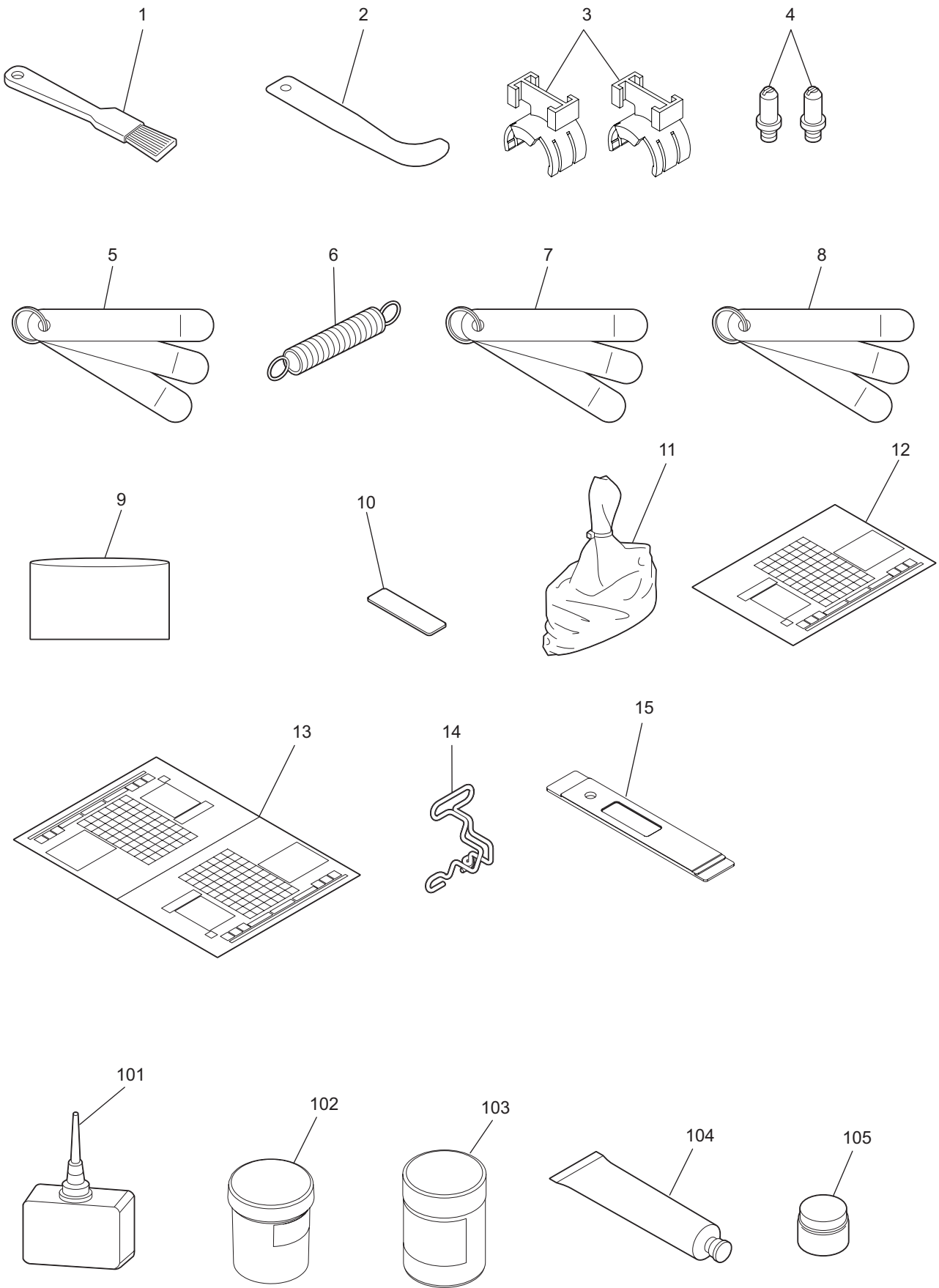


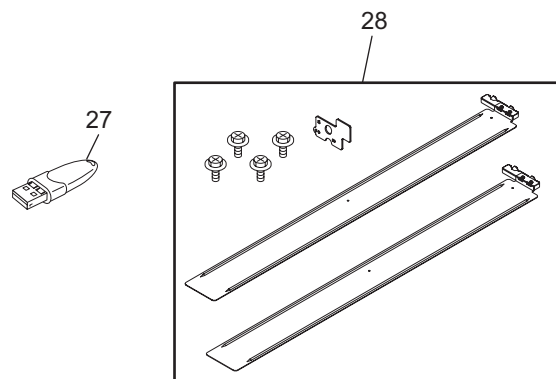
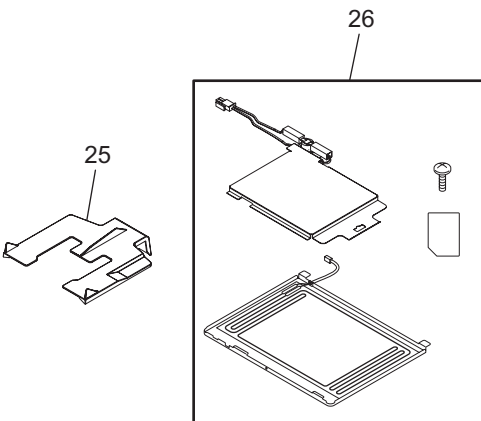
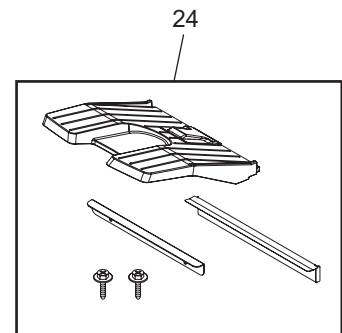
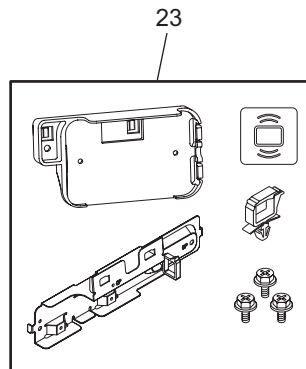
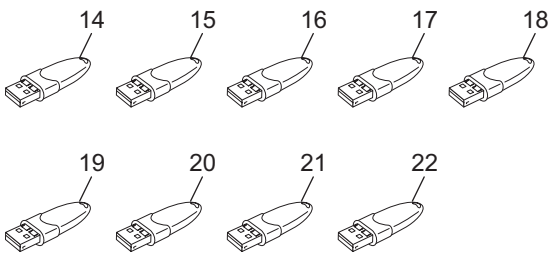
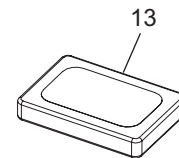
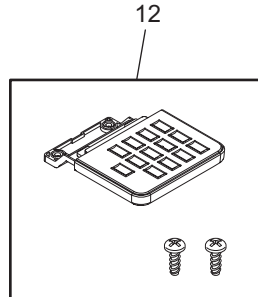
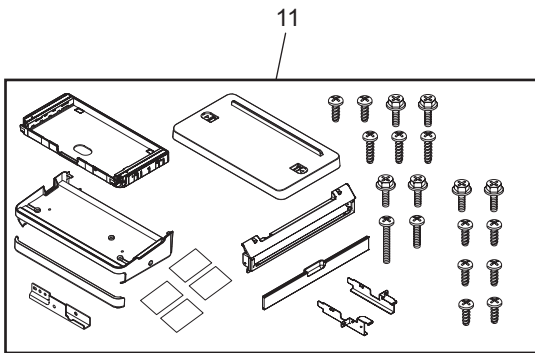
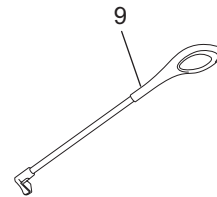
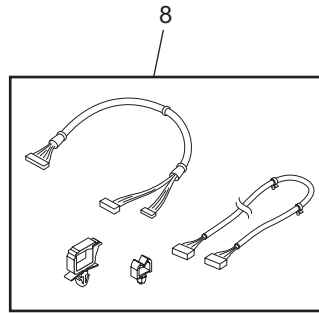
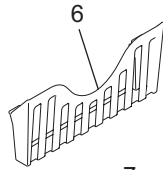
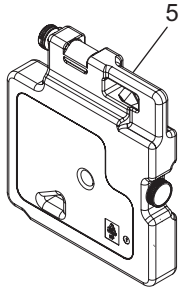
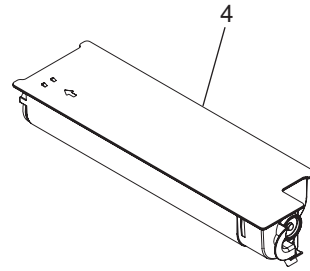
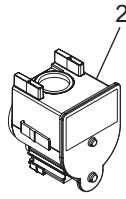
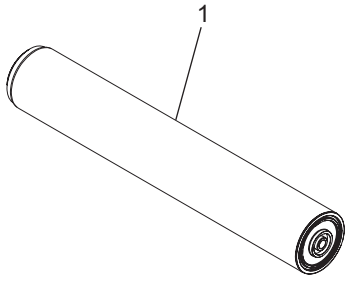






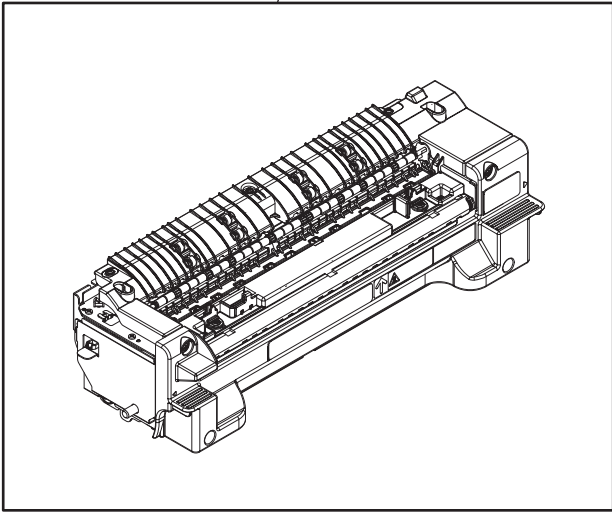




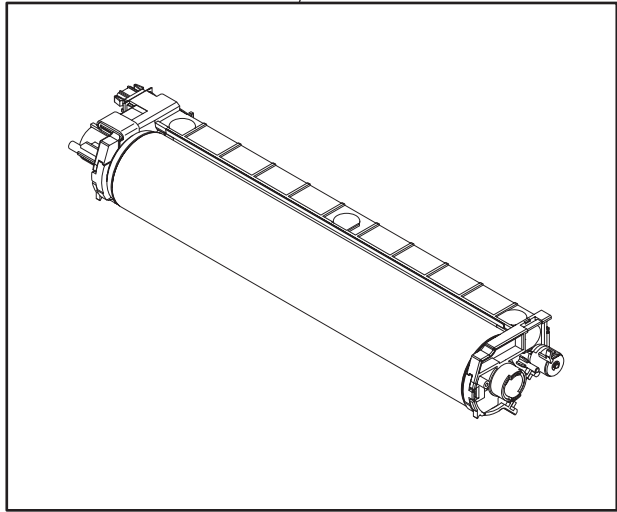


ITEM No.	PART No.	PART NAME	Q'TY / PAGE	Q'TY / PACK	REMARKS
1	6LK40607000	OD-FC556	1	1/S	DRUM
2	6LK43607300	D-FC556-K	1	1/S	DEVELOPER (Black)
4 A	6AK00000366	PS-ZT6518U(1)	1	SUPPLY	BLACK TONER :NAD,ARD
4 B	6AK00000378	PS-ZT6518E(1)	1	SUPPLY	BLACK TONER :MJD
4 C	6AG00008444	PS-ZT6518C(1)	1	SUPPLY	BLACK TONER :CND
4 D	6AG00008445	PS-ZT6518P(1)	1	SUPPLY	BLACK TONER :AUD,ASD
4 E	6AG00008448	PS-ZT6518T(1)	1	SUPPLY	BLACK TONER :TWD
5 A	6AG00002330	PS-TBFC55	1	SUPPLY	TONER BAG :Except MJD and CND
5 B	6AG00002332	PS-TBFC55E	1	SUPPLY	TONER BAG :MJD
5 C	6AG00002331	PS-TBFC55C	1	SUPPLY	TONER BAG :CND
6 A	6AR00001025	KK-5008	1	SUPPLY	Manual Pocket (All except CND)
6 B	6AR00001026	KK-5008C	1	SUPPLY	Manual Pocket (CND)
7 A	6AG00007054	GN-4020	1	SUPPLY	Wireless LAN/Bluetooth Module (All except ARD and CND)
7 B	6AG00007055	GN-4020C	1	SUPPLY	Wireless LAN/Bluetooth Module (CND)
8	6A000001699	GQ-1280	1	SUPPLY	Harness kit for coin controller
9	6A000001733	KK-2560	1	SUPPLY	Accessible Arm
11 A	6AH00000946	GR-1330	1	SUPPLY	Accessory Tray (All except CND)
11 B	6AH00000947	GR-1330C	1	SUPPLY	Accessory Tray (CND)
12 A	6AG00008435	GR-1340	1	SUPPLY	Panel Ten Key Option (All except CND)
12 B	6AG00008436	GR-1340C	1	SUPPLY	Panel Ten Key Option (CND)
13	6AG00006088	GE-1230	1	SUPPLY	FIPS HDD option (All except CND)
14	6A000001051	GP-1070	1	SUPPLY	Data Overwrite enabler (All except NAD,NAC,ARD)
15	6A000001055	GS-1010	1	SUPPLY	Meta scan enabler
16	6A000001057	GS-1020	1	SUPPLY	External interface enabler (TWD)
17	6A000001053	GP-1080	1	SUPPLY	IPSec enabler (All except CND)
18	6A000001309	GS-1007	1	SUPPLY	Unicode Font Enabler
19	6A000001700	GS-1080	1	SUPPLY	Embedded OCR Enabler (for 1 license)
20	6A000001711	GS-1085	1	SUPPLY	Embedded OCR Enabler (for 5 licenses)
21	6A000001715	GS-1090	1	SUPPLY	Multi Station Print Enabler (for 1 license)
22	6A000001704	GS-1095	1	SUPPLY	Multi Station Print Enabler (for 5 licenses)
23 A	6AG00008429	GR-1320	1	SUPPLY	Card Reader Holder (All except CND)
23 B	6AG00008430	GR-1320C	1	SUPPLY	Card Reader Holder (CND)
24 A	6AG00007567	KA-6551-ET	1	SUPPLY	Side Exit Tray (All except CND)
24 B	6AG00007568	KA-6551-ETC	1	SUPPLY	Side Exit Tray (CND)
25	6LE21762100	COV-SUB-TRAY-H38X	1	1/PP	
26	6AG00008645	MF-7516CE	1	SUPPLY	Damp heater (CND)
27 A	6A000001757	GB-2050	1	SUPPLY	Monotype Font enabler (CND,TWD)
27 B	6B000000909	GB-2050L	1	SUPPLY	License version for Monotype font enabler (All except CND,TWD)
28	6AH00000245	KN-1103	1	SUPPLY	Finsher Guide Rail

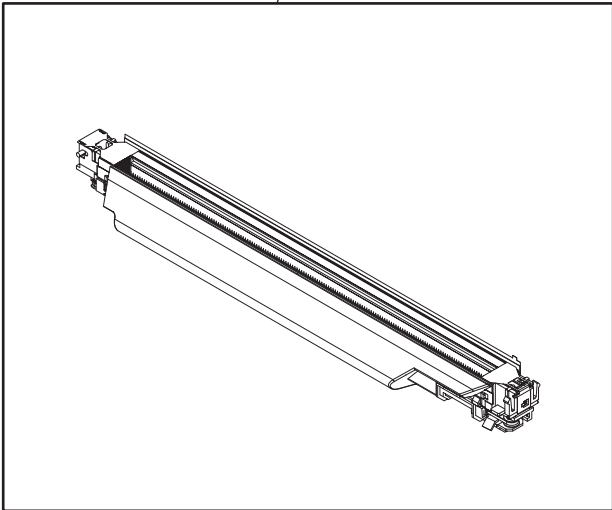
1



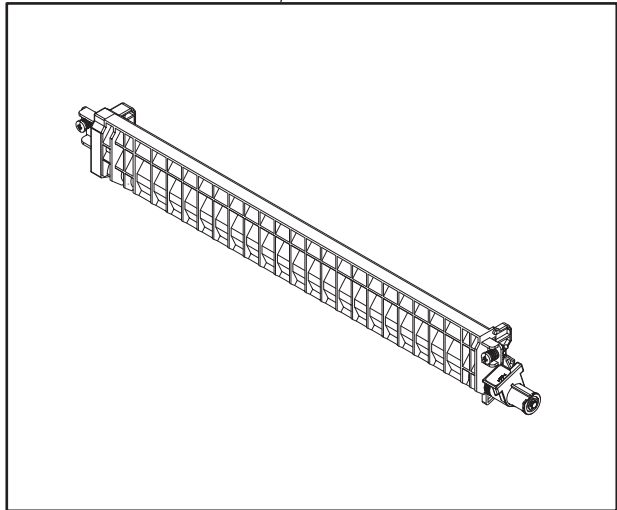
2



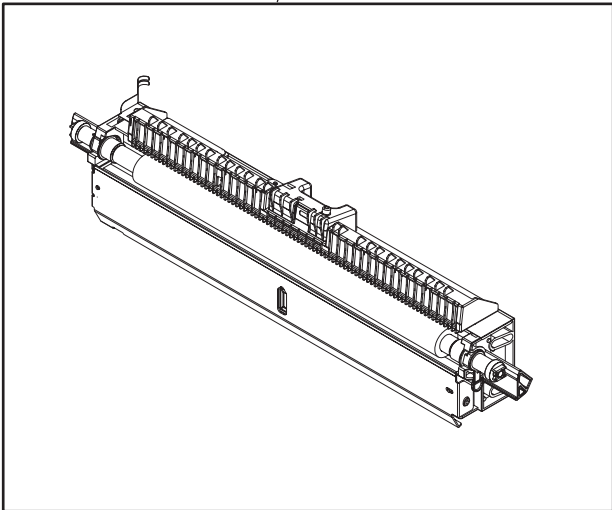
3



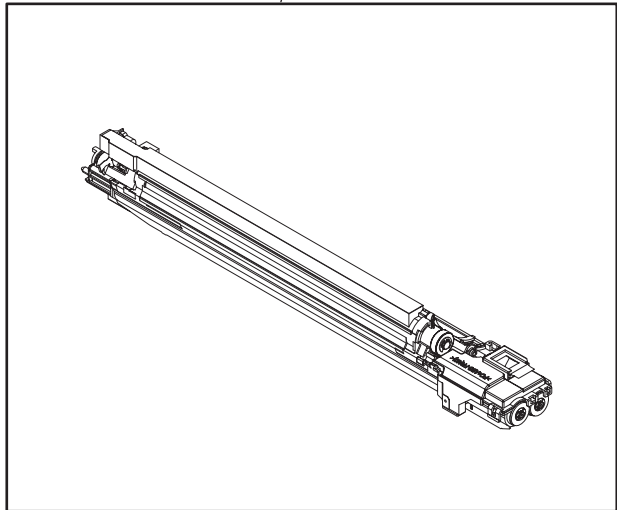
4

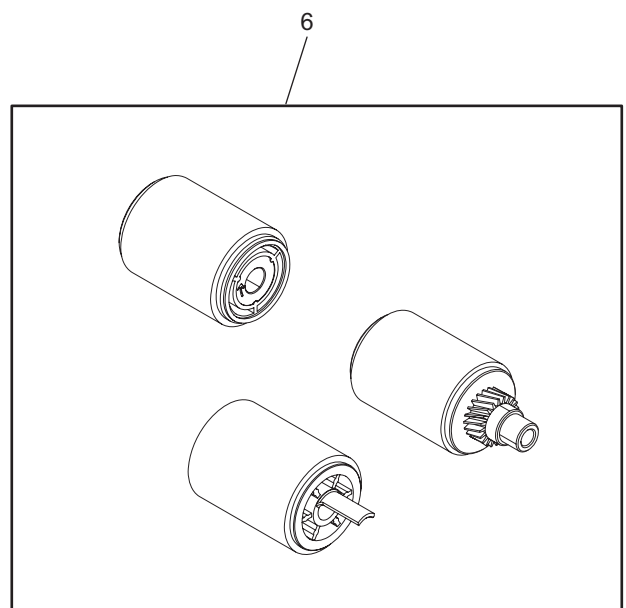
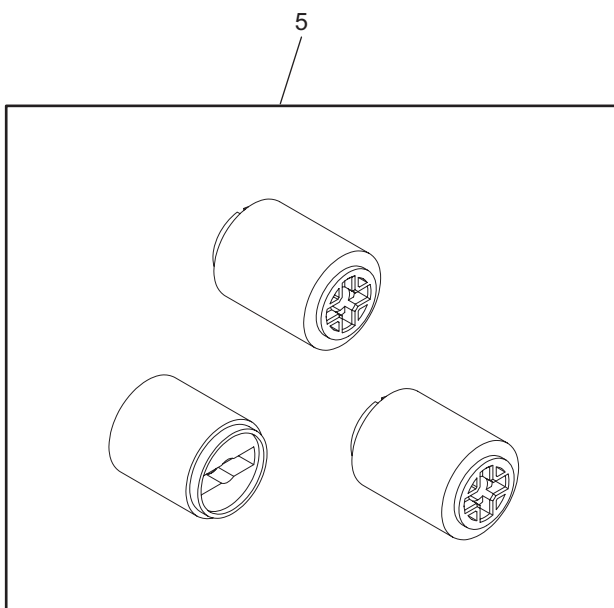
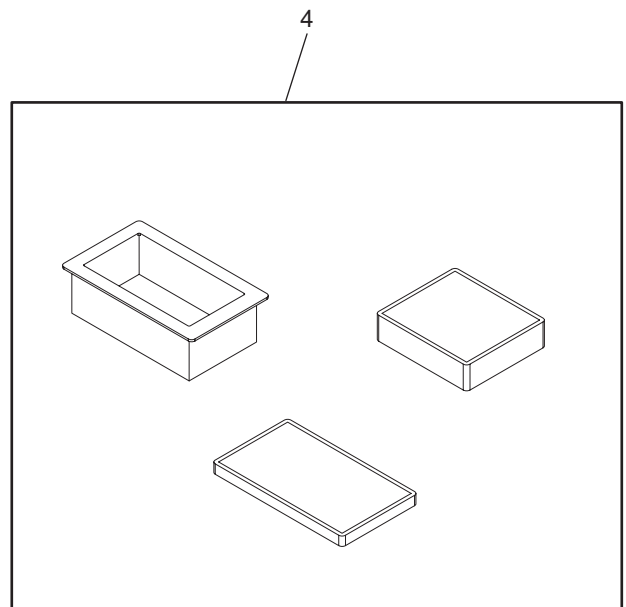
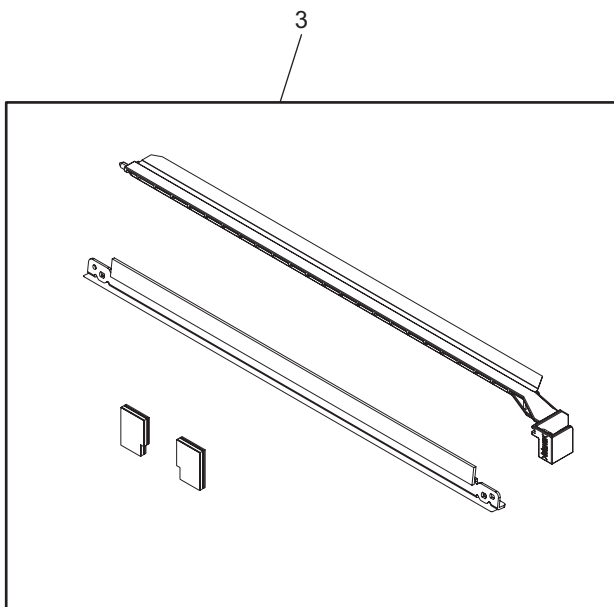
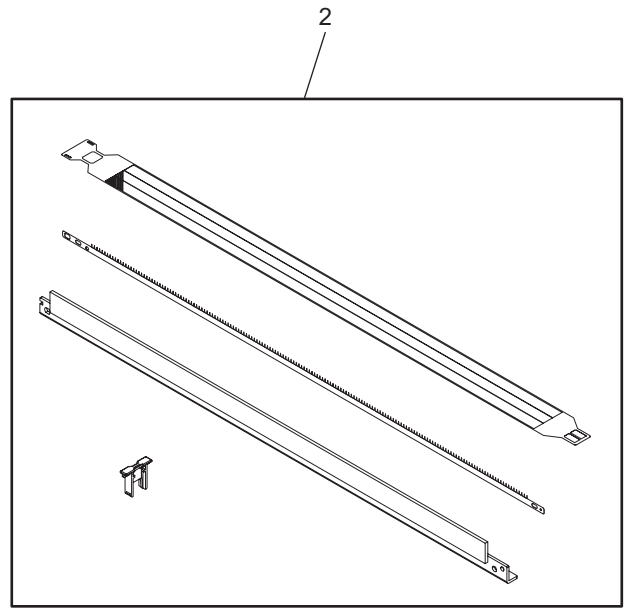
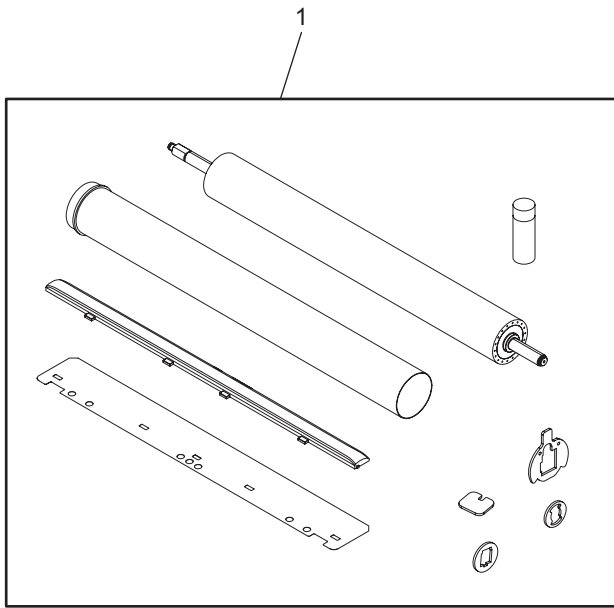


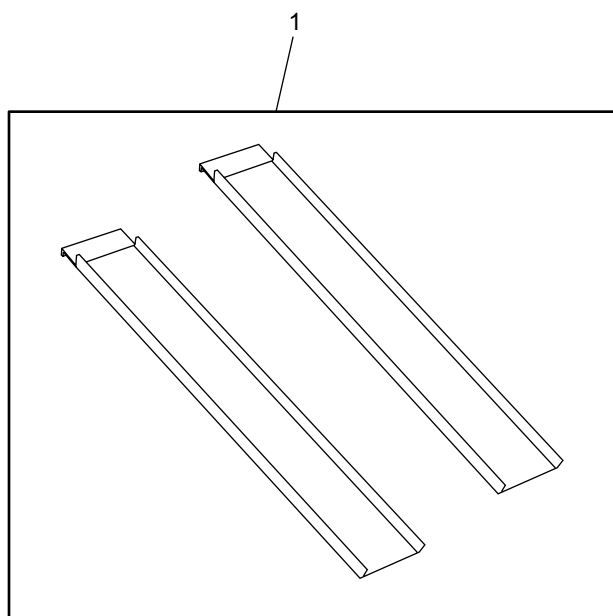
5



6







TOSHIBA

TOSHIBA TEC CORPORATION

1-11-1, OSAKI, SHINAGAWA-KU, TOKYO, 141-8562, JAPAN