

TOSHIBA

SERVICE PARTS LIST

MULTIFUNCTIONAL DIGITAL SYSTEMS

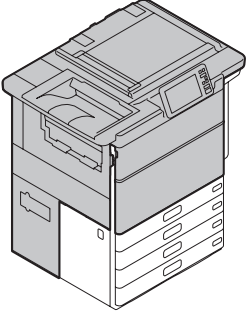
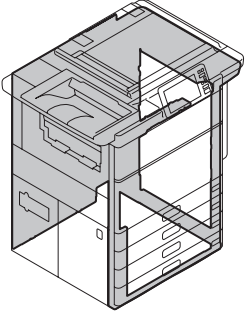
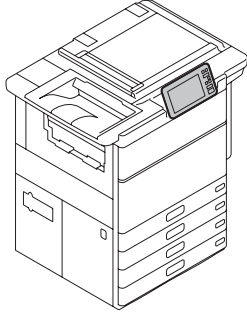
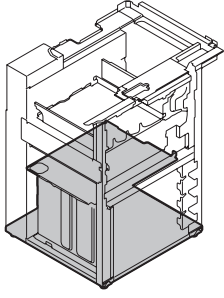
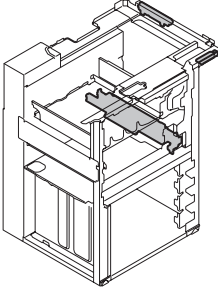
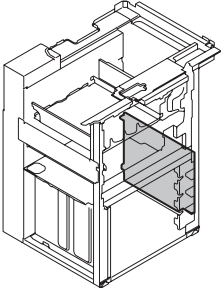
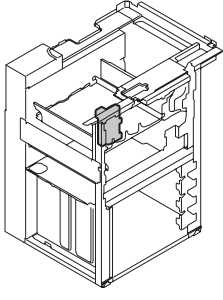
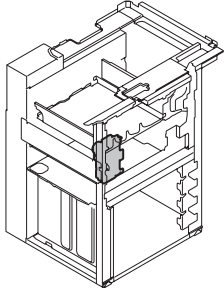
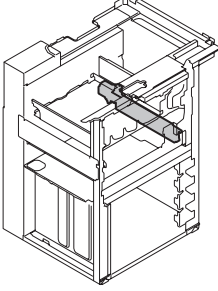
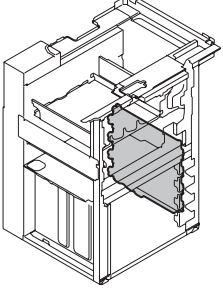
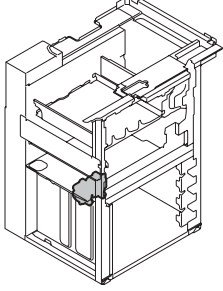
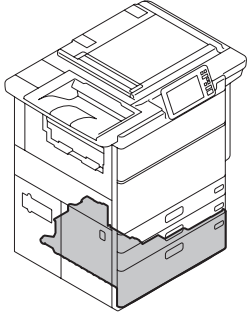
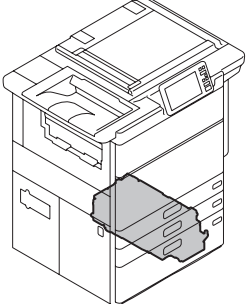
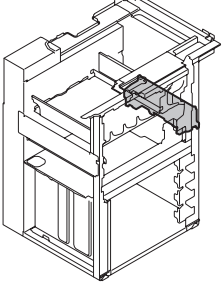
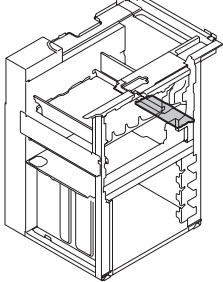
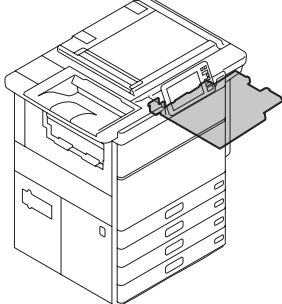
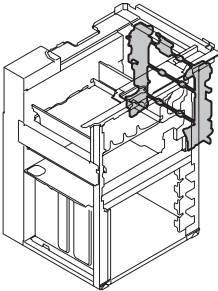
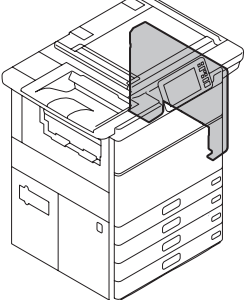
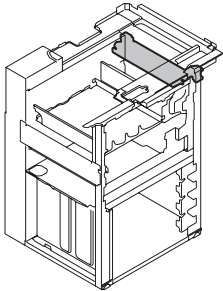
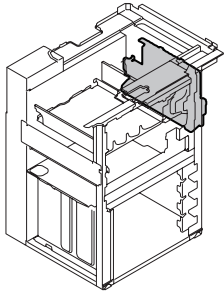
**e-STUDIO05516AC/6516AC/
7516AC**

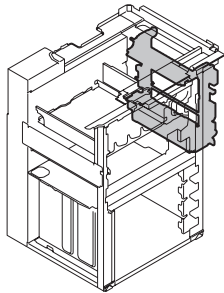
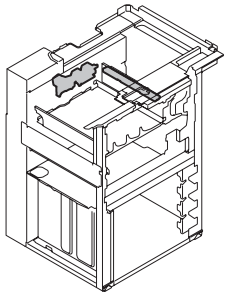
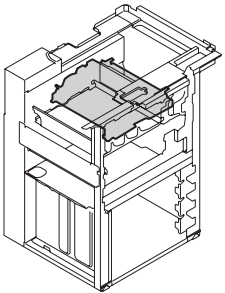
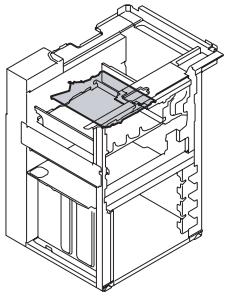
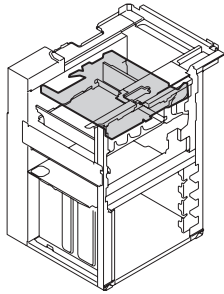
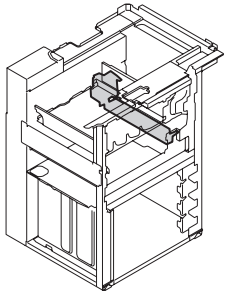
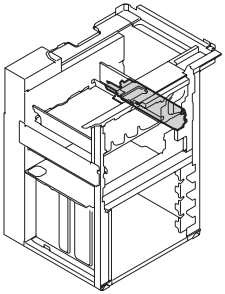
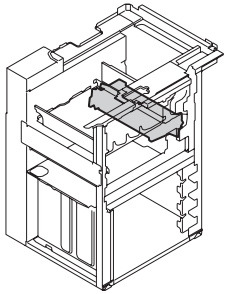
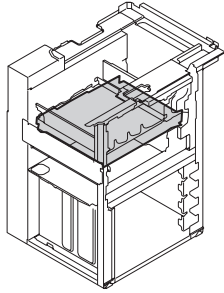
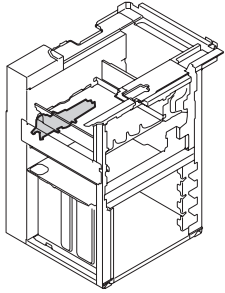
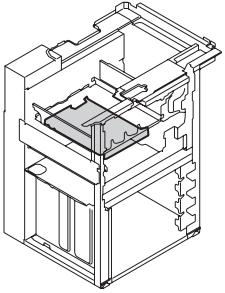
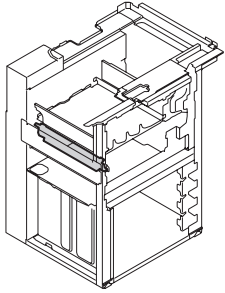
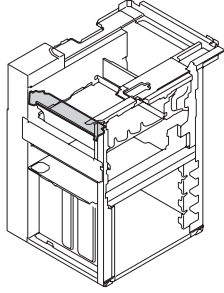
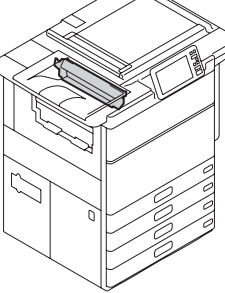
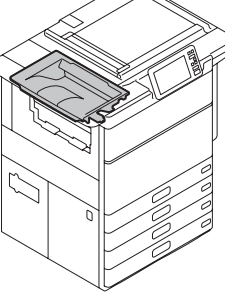
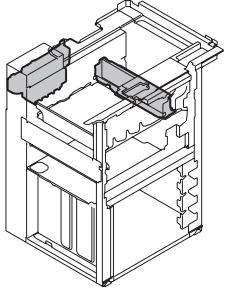
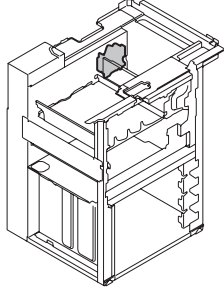
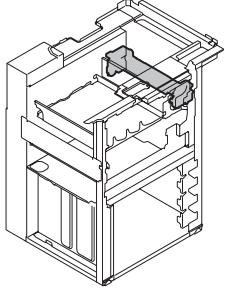
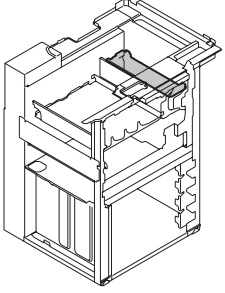
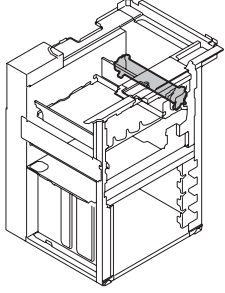
© 2018 TOSHIBA TEC CORPORATION All rights reserved

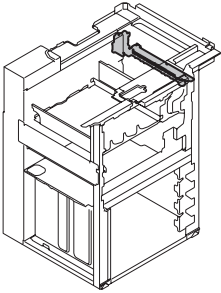
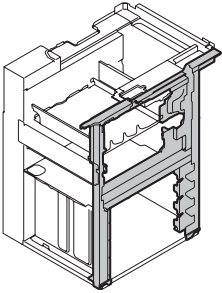
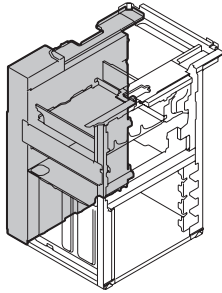
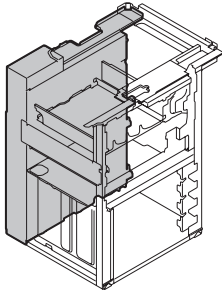
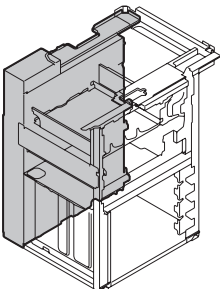
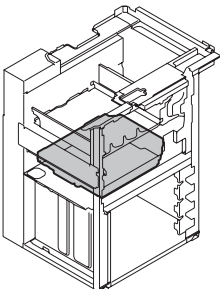
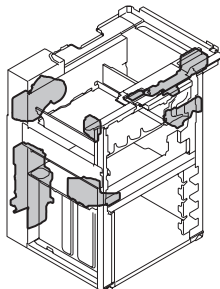
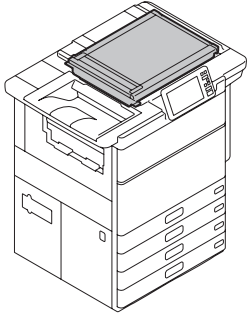
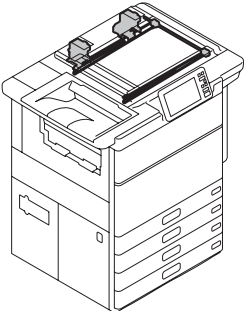
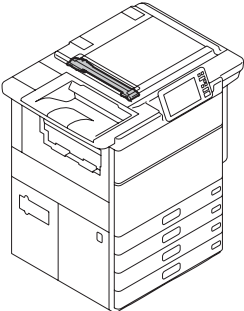
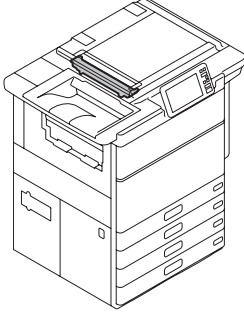
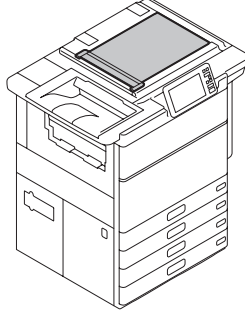
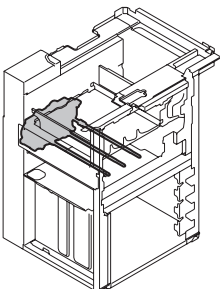
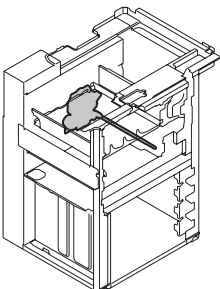
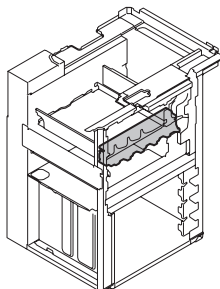
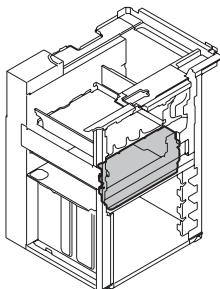
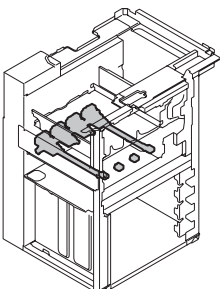
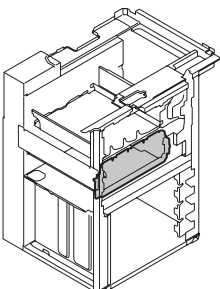
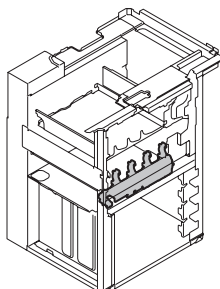
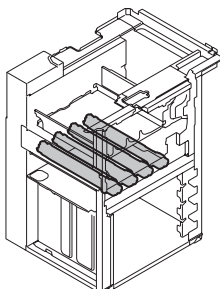
Under the copyright laws, this manual cannot be reproduced in any form without prior written permission of TOSHIBA TEC CORPORATION. No patent liability is assumed, however, with respect to the use of the information contained herein.

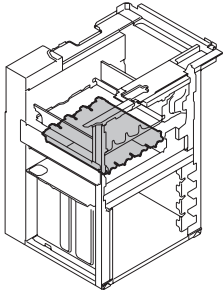
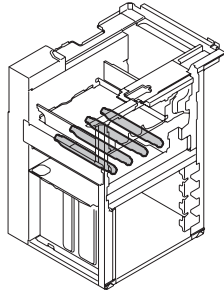
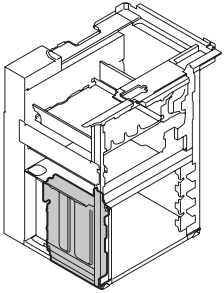
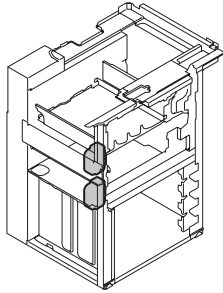
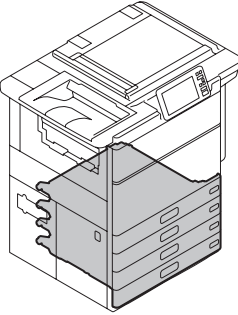
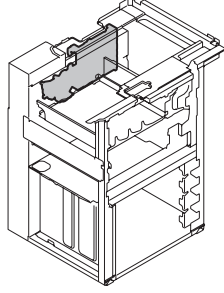
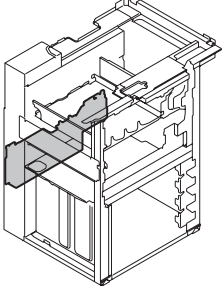
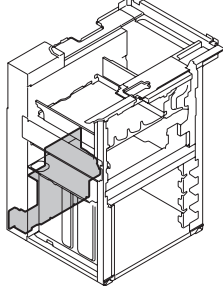
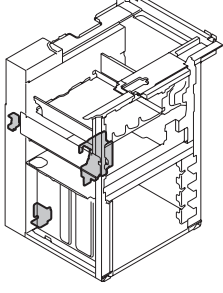
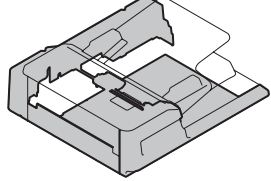
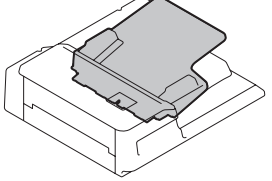
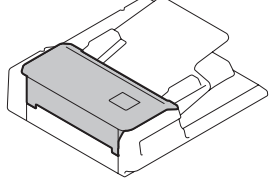
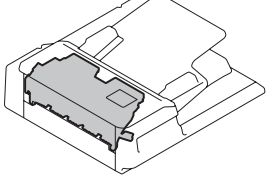
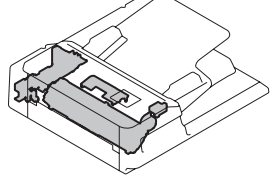
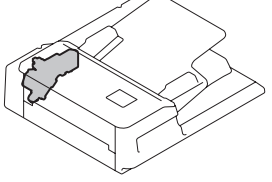
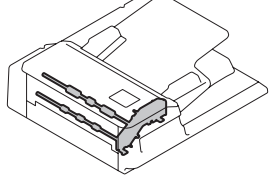
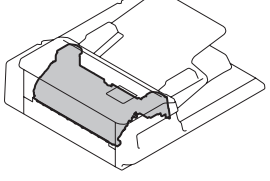
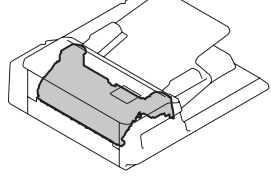
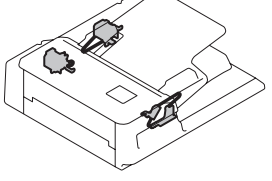
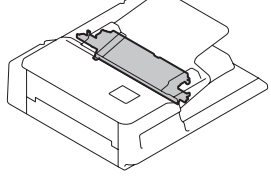
CONTENTS

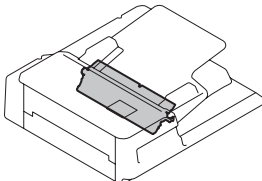
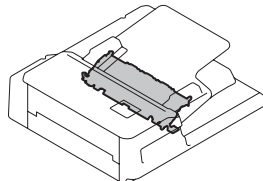
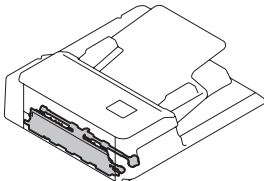
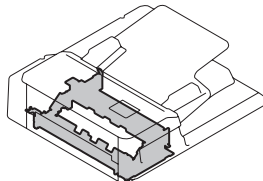
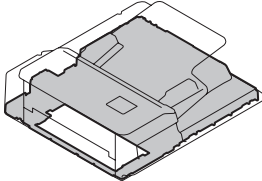
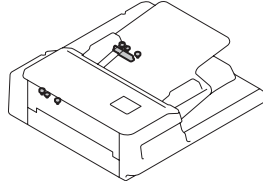
COVER-1-ASM	1	DUCT-ASM	49
COVER-2-ASM	2	OPTICAL-FRAME-ASM	50
CONTROL-PANEL-ASM	3	OPTICAL-DRIVE-ASM.....	51
LOWER-FRAME-ASM	5	CRG-1-ASM	52
UPPER-FRAME-ASM	6	CRG-2-ASM	53
FEED-COVER-ASM.....	7	GLASS-ASY	54
FEED-DRIVE-1-ASM	8	C-DRIVE-ASM	55
FEED-DRIVE-2-ASM	9	K-DRIVE-ASM.....	56
FEED-RGST-ASM.....	10	TONER-ASM.....	57
FEED-ASM.....	11	EPU-COVER-ASM.....	58
TANDEM-LCF-DRIVE-ASM	12	EPU-TRAY-1-ASM	59
TANDEM-LCF-1-ASM	13	EPU-TRAY-2-ASM	60
TANDEM-LCF-2-ASM	14	EPU-TRAY-3-ASM	61
MANUAL-FEED-DRIVE-1-ASM	15	DEVELOPER-ASM	62
MANUAL-FEED-DRIVE-2-ASM	16	CLEANER-ASM	63
MANUAL-TRAY-ASM	17	CHARGER-ASM	64
ADU-DRIVE-ASM	18	EPU-TONER-AUGER-ASM	65
ADU-COVER-ASM.....	19	DRAWER-DRIVE-ASM	66
ADU-MID-ASM.....	20	DRAWER-ASM	67
ADU-GUIDE-1-ASM.....	21	SYS-ASM	68
ADU-GUIDE-2-ASM.....	22	LGC-ASM.....	69
BRIDGE-1-ASM	23	PS-HVT-ASM	70
BRIDGE-2-ASM	24	ELECTRIC-ASM	71
BRIDGE-3-ASM	25	DSDF-COVER-ASY	81
BRIDGE-4-ASM	26	DSDF-TRAY-ASY.....	82
TRANSFER-ROLLER-DRIVE-ASM	28	DSDF-TOP_FEED-1-ASY.....	83
TRANSFER-ROLLER-ASM	29	DSDF-TOP_FEED-2-ASY.....	84
TRANSFER-BELT-1	30	DSDF-OPTICAL-ASY.....	85
TRANSFER-BELT-2	31	DSDF-MIDDLE_FEED-DRIVE-ASY.....	86
TRANSFER-BELT-3	32	DSDF-MIDDLE_FEED-1-ASY.....	87
TRANSFER-BELT-4	33	DSDF-MIDDLE_FEED-2-ASY.....	88
TRANSFER-BELT-CLEANER.....	34	DSDF-MIDDLE_FEED-3-ASY.....	89
EXIT-1-ASM	35	DSDF-BOTTOM_FEED-DRIVE-ASY....	90
EXIT-2-ASM	36	DSDF-BOTTOM_FEED-1-ASY.....	91
EXIT-3-ASM	37	DSDF-BOTTOM_FEED-2-ASY.....	92
FUSER-AROUND-ASM	38	DSDF-BOTTOM_FEED-3-ASY.....	93
FUSER-DRIVE-ASM.....	39	DSDF-BOTTOM_FEED-4-ASY.....	94
FUSER-COV-FRAME-ASM	40	DSDF-BOTTOM_FRAME-ASY	95
FUSER-GUIDE-ASM	41	DSDF-BASE-TRAY-ASY	96
FUSER-PR-ASM.....	42	DSDF-INST_ASY	97
FUSER-HR-ASM.....	43	JIGS & GREASE.....	201
FRONT-FRAME-ASM	44	SUPPLIES.....	202
REAR-FRAME-1-ASM	45	REPLACE UNIT	203
REAR-FRAME-2-ASM	46	PM-KIT	204
REAR-FRAME-3-ASM	47	SERVICE.....	205
LSU-ASM	48		

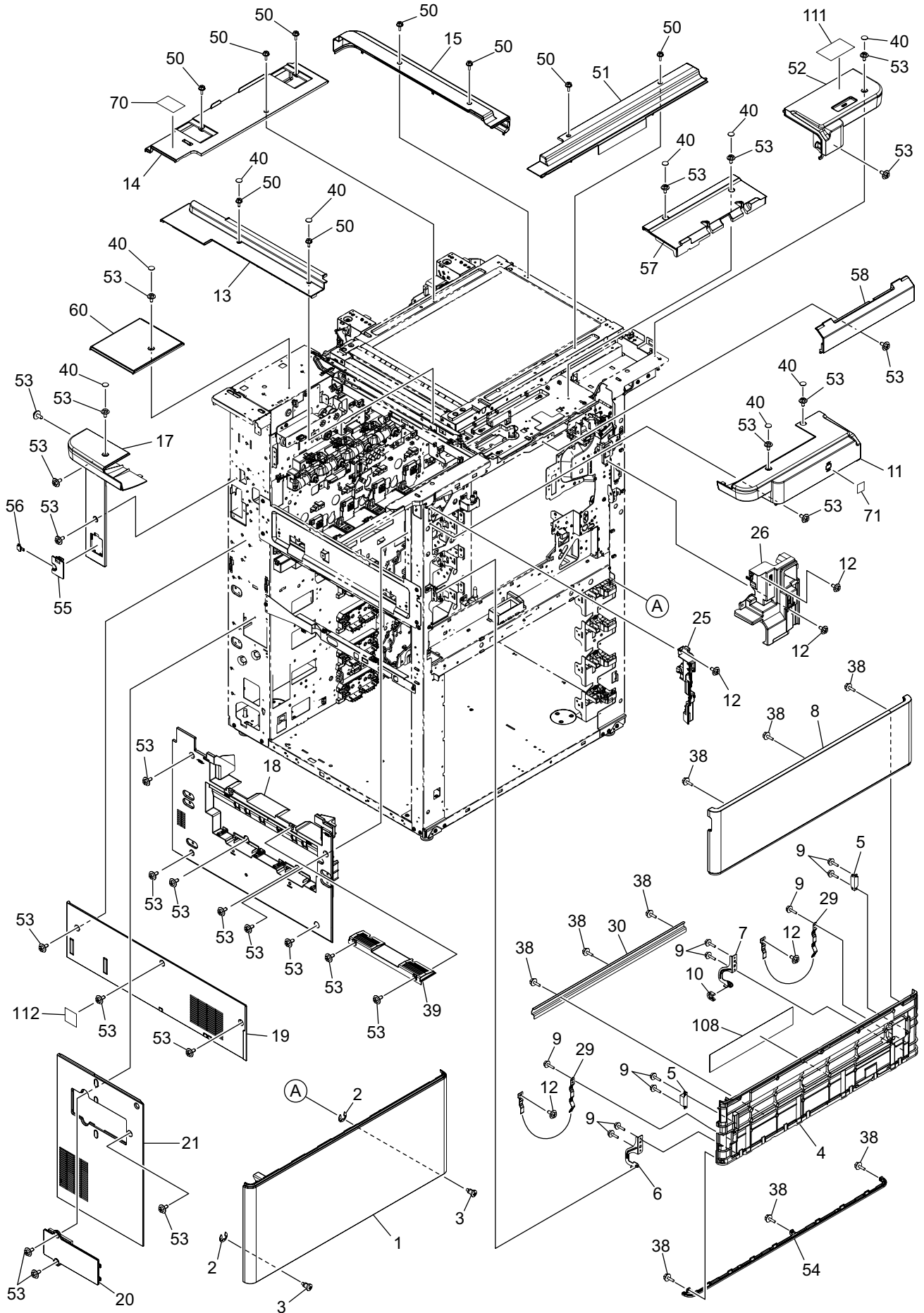
<p>1. COVER-1-ASY</p> 	<p>2. COVER-2-ASY</p> 	<p>3. CONTROL-PANEL-ASY</p> 	<p>5. LOWER-FRAME-ASM</p> 
<p>6. UPPER-FRAME-ASM</p> 	<p>7. FEED-COVER-ASM</p> 	<p>8. FEED-DRIVE-1-ASM</p> 	<p>9. FEED-DRIVE-2-ASM</p> 
<p>10. FEED-RGST-ASM</p> 	<p>11. FEED-ASM</p> 	<p>12. TANDEM-LCF-DRIVE-ASM</p> 	<p>13. TANDEM-LCF-1-ASM</p> 
<p>14. TANDEM-LCF-2-ASM.</p> 	<p>15. MANUAL-FEED-DRIVE-1-ASM</p> 	<p>16. MANUAL-FEED-DRIVE-2-ASM</p> 	<p>17. MANUAL-TRAY-ASM</p> 
<p>18. ADU-DRIVE-ASM</p> 	<p>19. ADU-COVER-ASM</p> 	<p>20. ADU-MID-ASM</p> 	<p>21. ADU-GUIDE-1-ASM</p> 

<p>22. ADU-GUIDE-2-ASM</p> 	<p>23. BRIDGE-1-ASM</p> 	<p>24. BRIDGE-2-ASM</p> 	<p>25. BRIDGE-3-ASM</p> 
<p>26. BRIDGE-4-ASM</p> 	<p>28. TRANSFER-ROLLER-DRIVE-ASM</p> 	<p>29. TRANSFER-ROLLER-ASM</p> 	<p>30. TRANSFER-BELT-1</p> 
<p>31. TRANSFER-BELT-2</p> 	<p>32. TRANSFER-BELT-3</p> 	<p>33. TRANSFER-BELT-4</p> 	<p>34. TRANSFER-BELT-CLEANER</p> 
<p>35. EXIT-1-ASM</p> 	<p>36. EXIT-2-ASM</p> 	<p>37. EXIT-3-ASM</p> 	<p>38. FUSER-AROUND-ASM</p> 
<p>39. FUSER-DRIVE-ASM</p> 	<p>40. FUSER-COV-FRAME-ASM</p> 	<p>41. FUSER-GUIDE-ASM</p> 	<p>42. FUSER-PR-ASM</p> 

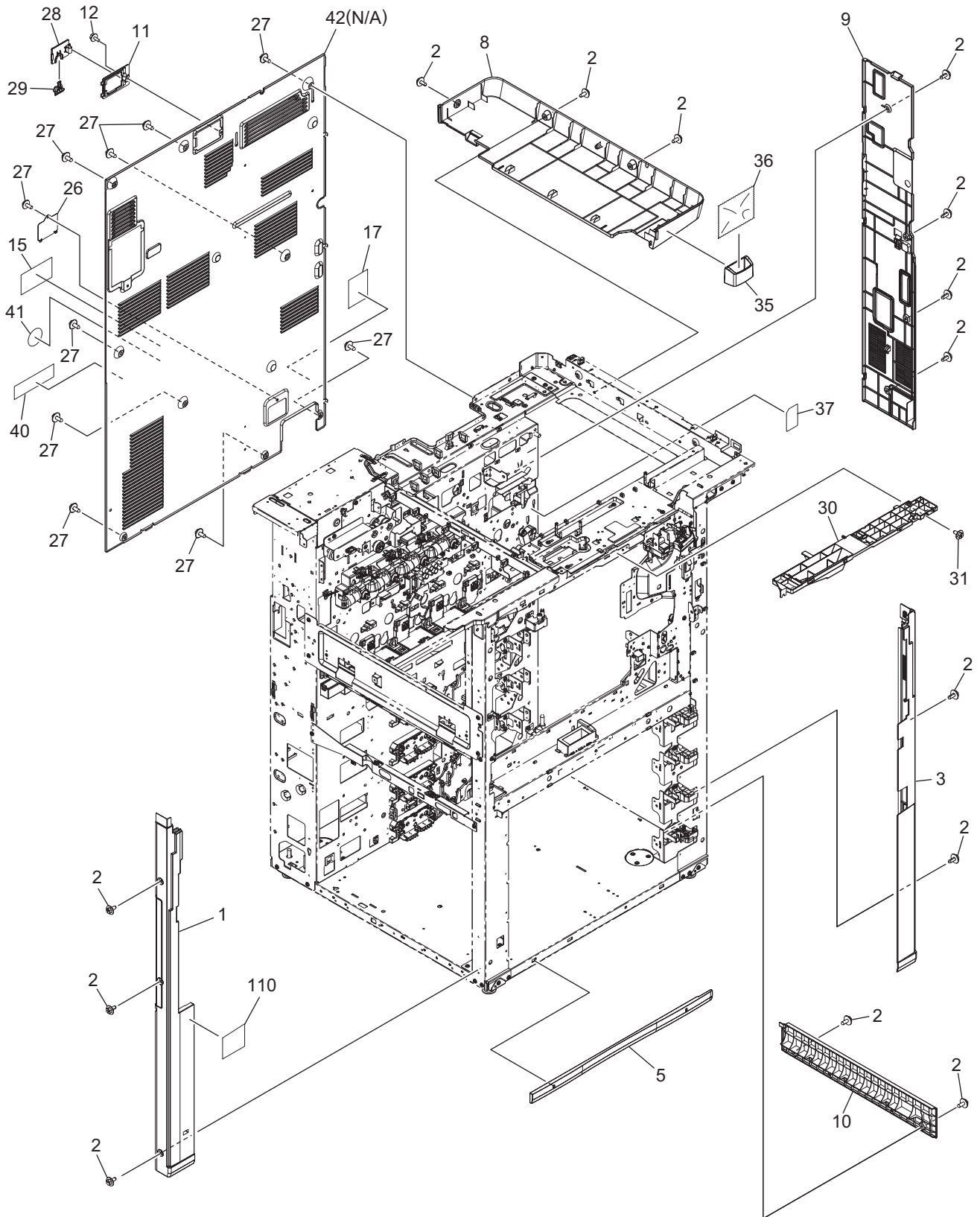
<p>43. FUSER-HR-ASM</p> 	<p>44. FRONT-FRAME-ASM</p> 	<p>45. REAR-FRAME-1-ASM</p> 	<p>46. REAR-FRAME-2-ASM</p> 
<p>47. REAR-FRAME-3-ASM</p> 	<p>48. LSU-ASM</p> 	<p>49. DUCT-ASM</p> 	<p>50. OPTICAL-FRAME-ASM</p> 
<p>51. OPTICAL-DRIVE-ASM</p> 	<p>52. CRG-1-ASM</p> 	<p>53. CRG-2-ASM</p> 	<p>54. GLASS-ASY</p> 
<p>55. C-DRIVE-ASM</p> 	<p>56. K-DRIVE-ASM</p> 	<p>57. TONER-ASM</p> 	<p>58. EPU-COVER-ASM</p> 
<p>59. EPU-TRAY-1-ASM</p> 	<p>60. EPU-TRAY-2-ASM</p> 	<p>61. EPU-TRAY-3-ASM</p> 	<p>62. DEVELOPER-ASM</p> 

<p>63. CLEANER-ASM</p> 	<p>64. CHARGER-ASM</p> 	<p>65. EPU-TONNER-AUGER-ASM</p> 	<p>66. DRAWER-DRIVE-ASM</p> 
<p>67. DRAWER-ASM</p> 	<p>68. SYS-ASM</p> 	<p>69. LGC-ASM</p> 	<p>70. PS-HVT-ASM</p> 
<p>71. ELECTRIC-ASM</p> 	<p>81. DSDf-COVER-ASY</p> 	<p>82. DSDf-TRAY-ASY</p> 	<p>83. DSDf-TOP_FEED-1-ASY</p> 
<p>84. DSDf-TOP_FEED-2-ASY</p> 	<p>85. DSDf-OPTICAL-ASY</p> 	<p>86. DSDf-MIDDLE_FEED-DRIVE-ASY</p> 	<p>87. DSDf-MIDDLE_FEED-1-ASY</p> 
<p>88. DSDf-MIDDLE_FEED-2-ASY</p> 	<p>89. DSDf-MIDDLE_FEED-3-ASY</p> 	<p>90. DSDf-BOTTOM_FEED-DRIVE-ASY</p> 	<p>91. DSDf-BOTTOM_FEED-1-ASY</p> 

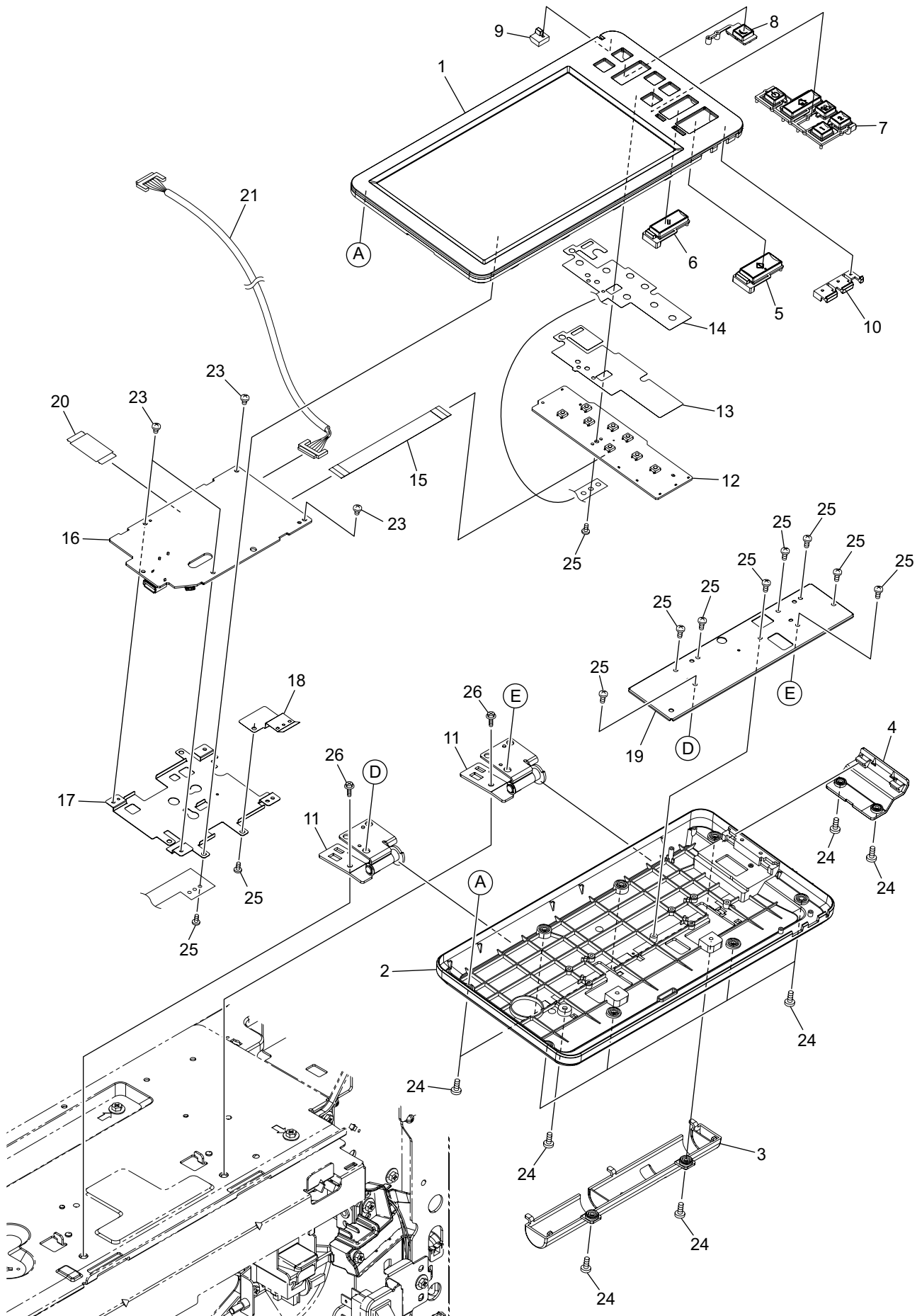
<p>92. DSDF-BOTTOM_FEED-2-ASY</p> 	<p>93. DSDF-BOTTOM_FEED-3-ASY</p> 	<p>94. DSDF-BOTTOM_FEED-4-ASY</p> 	<p>95. DSDF-BOTTOM_FRAME-ASY</p> 
<p>96. DSDF-BASE-TRAY-ASY</p> 	<p>97. DSDF-INST_ASY</p> 		



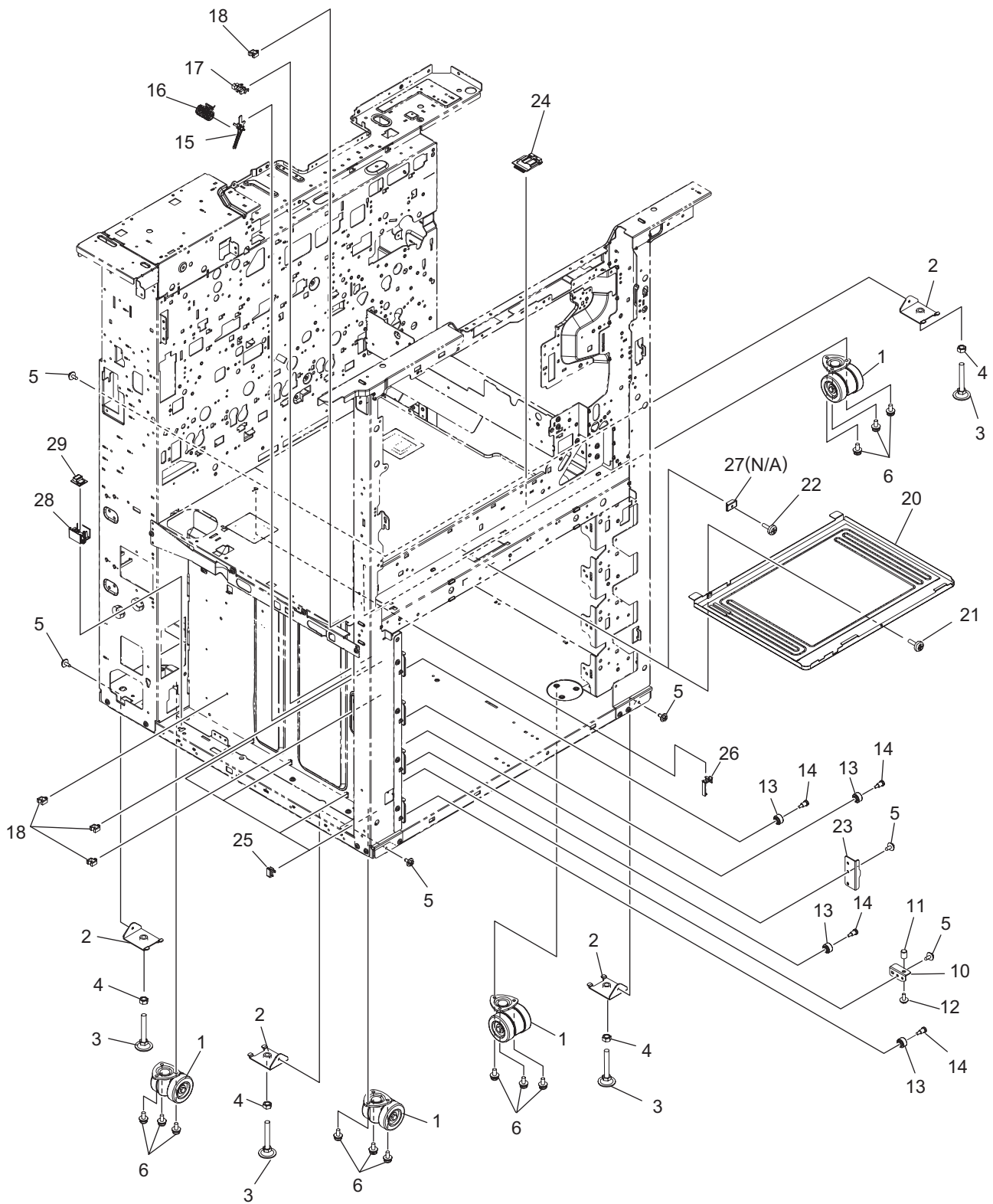
ITEM No.	PART No.	PART NAME	Q'TY / PAGE	Q'TY / PACK	REMARKS
1	6LK40221000	COVER-FRONT-EPU-H38X	1	1/PP	
2	X0-00965000	RR/E-4-SS	2	10/P	
3	6LA65682000	SCREW-CLNR-DEV	2	10/P	
4	6LK40222100	COVER-FRT-TNR-BASE-K13X	1	1/PP	
5	F0-01564000	CA-0168C	2	5/P	
6	6LH02316100	ASYS-HNG-L_38X	1	1/P	
7	6LH02315100	ASYS-HNG-R_38X	1	1/P	
8	6LK40262000	ASYS-COV-FRT-TNR-TSB	1	1/PP	
9	X0-02248000	S/TPP/FHEXM-3X10-NI	10	10/P	
10	4407972860	STOP-RING-6-5	1	5/P	
11 A	6LK40263000	ASYS-COV-FRT-L-5516AC	1	1/PP	eS5516AC
11 B	6LK40263100	ASYS-COV-FRT-L-6516AC	1	1/PP	eS6516AC
11 C	6LK40263200	ASYS-COV-FRT-L-7516AC	1	1/PP	eS7516AC
12	X0-02421000	S/TPS/FHEXM/R-4X8-ZU3	5	10/P	
13	6LK40217000	COV-TP-LFT-SCAN-H38X	1	1/PP	
14	6LK40218000	COV-TP-RER-SCAN-H38X	1	1/PP	
15	6LK42905000	ASYS-COV-TP-RGT-SCAN-H380	1	1/PP	
17	6LK40219000	COVER-LEFT-REAR-H38X	1	1/PP	
18	6LH02408300	COVER-LFT-EXIT-H38X	1	1/PP	
19	6LH02411300	COVER-LFT-LSU-H38X	1	1/PP	
20	6LH02357100	ASYS-COVER-FLT-H38X	1	1/PP	
21	6LH02407300	COVER-DUCT-H38X	1	1/PP	
25	6LH02354400	COVER_INNER_L-K13X	1	1/PP	
26	6LK40206100	COVER_INNER_R-K13X	1	1/PP	
29	6LH02317000	BAND-CV-FRT-TNR	2	1/P	
30	6LK40234000	PLATE-COVER-FRT-TNR	1	1/PP	
38	X0-02247000	S/TPP/FHEXM-3X8-NI	9	10/P	
39	6LH02381300	COVER-LFT-EX-UPR-H38EF	1	1/PP	
40	6LK40237000	LID-SCREW-H38X	9	5/P	
50	X0-02672000	S/FHEXM-M3X8-ZB3	9	10/P	
51	6LK40215000	COV-TP-FRT-SCAN-H38X	1	1/PP	
52	6LK40255000	COV-TP-FRT-R-K13X	1	1/PP	
53	X0-02678000	S/TPS/FHEXM/R-4X8-ZB3	27	10/P	
54	6LK40205100	FRONT-DMHS	1	1/PP	
55	6LK48728000	COVER-DF-CNT-H373	1	1/P	
56	6LK48727000	COVER-DF-SUB-H373	1	1/P	
57	6LK40257000	COVER-TP-FRT-M-K13X	1	1/PP	
58	6LK40256000	COV-TP-UNDER-K13X	1	1/PP	
60	6LK40204000	COVER-LEFT-REAR-TOP-H38X	1	1/PP	
70	6LK56550000	LBL-CLEANING	1	1/KP	
71	6LK56621000	LBL-IDGATE-MARK-KP2007	1	1/P	Exclusively supplied as the service part
108	6LK43019000	SHEET-INST-TONER-H380	1	1/KP	
111 A	6LK43015000	LBL-PROHIBIT-E-H38X	1	1/KP	MJD,MJC,ASD,AUD,ARD
111 B	6LK43014000	LBL-PROHIBIT-U-H38X	1	1/KP	NAD,NAC
111 C	6LK54440000	LBL-PROHIBIT-C-H37X	1	1/KP	CND
112	6LH08323100	LBL-MASK-COV-SCN-H38X	1	1/P	



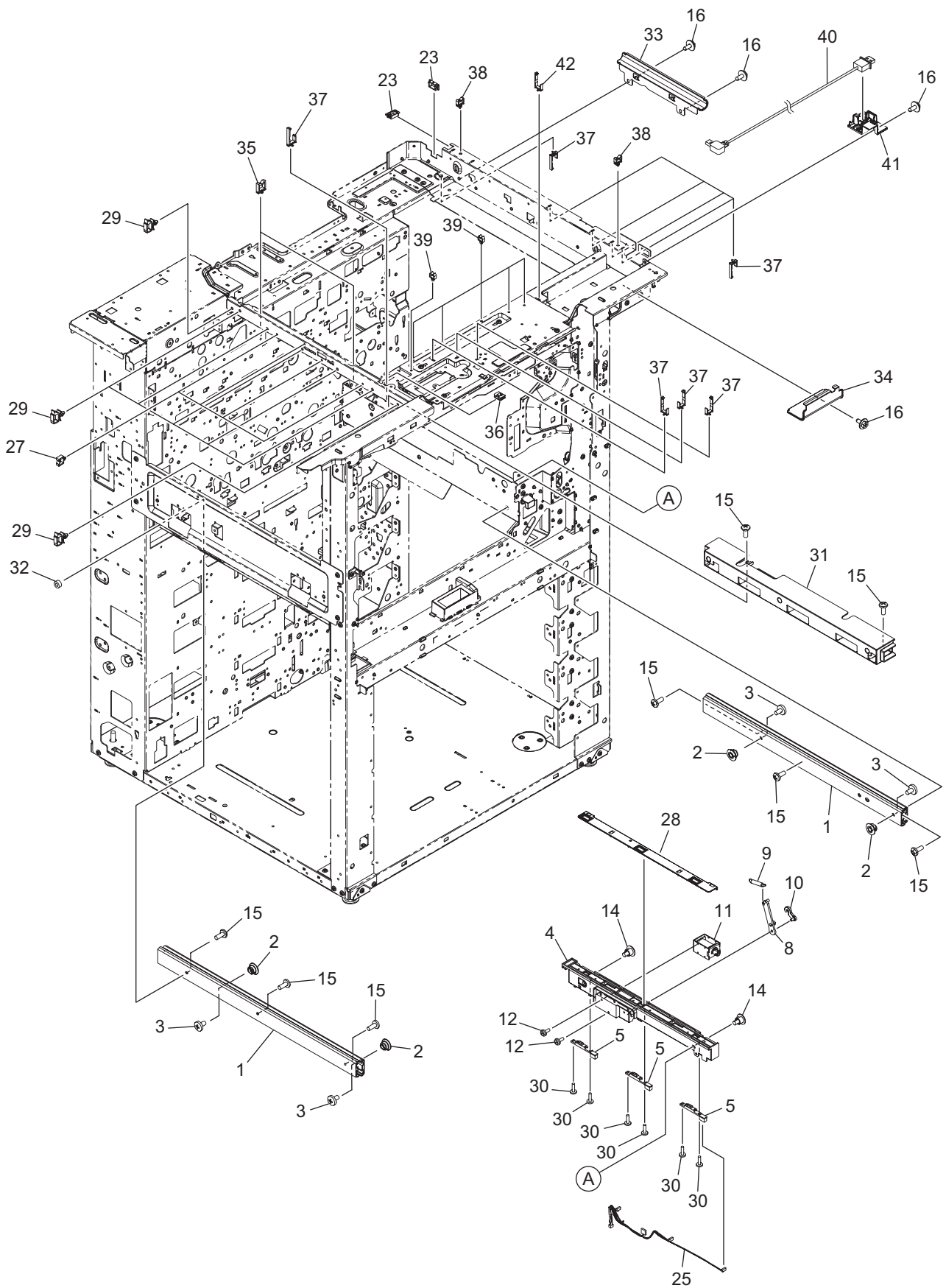
ITEM No.	PART No.	PART NAME	Q'TY / PAGE	Q'TY / PACK	REMARKS
1	6LK40208000	COVER-FRT-CNR-L-H38X	1	1/PP	
2	X0-02678000	S/TPS/FHEXM/R-4X8-ZB3	14	10/P	
3	6LK40209000	COVER-FRT-CNR-R-H38X	1	1/PP	
5	6LJ06606400	COVER-FRT-SKIRT-H38X	1	1/PP	
8	6LK40202000	COVER-SCAN-UNDER-H38X	1	1/PP	
9	6LK40214100	COVER-RGT-RER-K13X	1	1/PP	
10	6LH02308400	COVER-LCF-RAIL-H38EF	1	1/PP	
11	6LK40223000	COVER-INNER-DSDF	1	1/P	
12	X0-02671000	S/FHEXM-M3X6-ZB3	1	10/P	
15 A	6LA47529000	LBL-LASER	1	1/KP	NAD,NAC,MJD,MJC,ASD,AUD,ARD
15 B	6LA56226000	LBL-LASER-C	1	5/KP	CND
17 A	44204604000	LBL-SERVICE-45	1	5/P	NAD,NAC,ASD,AUD,ARD
17 B	6LK54463000	LBL-SERVICE-CABLE-N	1	1/KP	MJD,MJC
17 C	6LA56227000	LBL-SERVICE-45C	1	5/KP	CND
26	6LE06344000	BLIND-KEY-CTR-390	1	1/P	
27	X0-02235000	S/FHEXM-M4X8-NI	10	10/P	
28	6LK48728000	COVER-DF-CNT-H373	1	1/P	
29	6LK48727000	COVER-DF-SUB-H373	1	1/P	
30	6LK40207000	COVER-TOP-INNER-H38X	1	1/PP	
31	X0-02421000	S/TPS/FHEXM/R-4X8-ZU3	1	10/P	
35	6LK40251000	ASYS-CLOTH-SCN-SB	1	1/P	
36	6LK39084000	CLOTH-SCN-T	1	1/P	
37	6LK42118000	LBL-TBU-CAUTION-H38X	1	1/KP	
40 A	6LJ68281000	LBL-NAD-FCC-NEW	1	1/P	NAD,NAC
41 B	6LE48967000	LABEL-ECO-CND	1	5/P	CND
42	6LK40203000	COVER-REAR-H38X-W	1	N/A***	
110 A	6LK43038000	LBL-CAUTION-DAMP-HTR-BK	1	1/KP	ASD,AUD,ARD



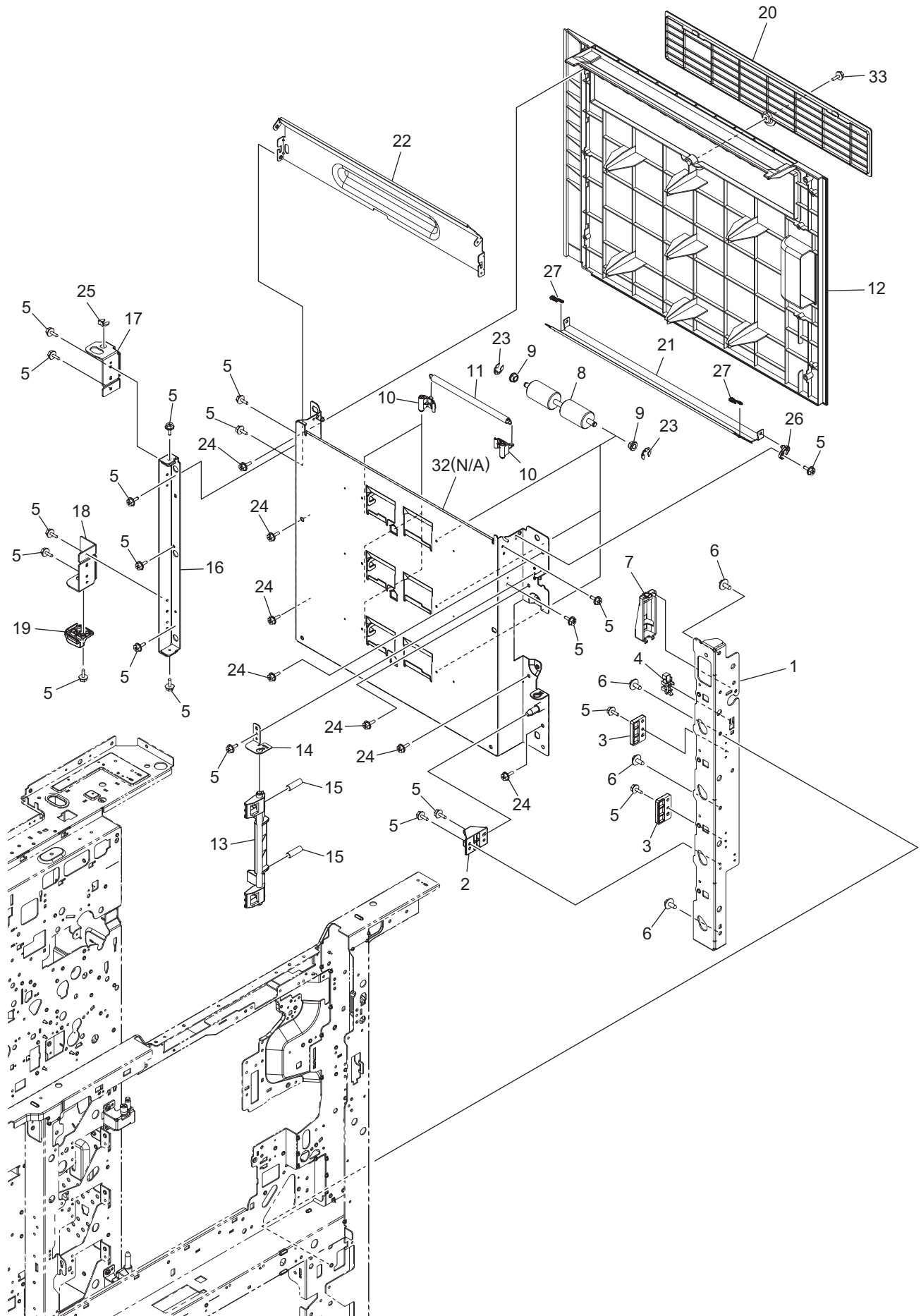
ITEM No.	PART No.	PART NAME	Q'TY / PAGE	Q'TY / PACK	REMARKS
1 A	6LK48609000	CONPANE-LCD-K1XX-SVP-W	1	1/C	NAD,NAC,MJD,MJC,ARD ASD,AUD CND
1 B	6LK48609100	CONPANE-LCD-K1XX-SVP-A	1	1/C	
1 C	6LK48609300	CONPANE-LCD-K1XX-SVP-C	1	1/C	
2	6LK39943000	COVER-CONPANE-LWR-K130	1	1/PP	
3	6LK39942000	COVER-HINGE-K130	1	1/PP	
4	6LK48603000	COVER-SIDE-K1XX	1	1/P	
5	6LK48607000	KEY-START-K1XX	1	1/P	
6	6LK48606000	KEY-RESET-K1XX	1	1/P	
7	6LK48604000	KEY-FUNCTION-K1XX	1	1/P	
8	6LK48605000	KEY-ENERGY-K1XX	1	1/P	
9	6LK48570000	LID-POWER-K1XX	1	1/P	
10	6LK48571000	LID-LED-K1XX	1	1/P	
11	6LK39928000	ASYS-HINGE-K130	2	1/P	
12	6LK48595000	PWA-SW-K1XX	1	1/SB	
13	6LK48601000	FILM-SW-K1XX	1	1/P	
14	6LK48602000	FILM-SW-K1XX-2	1	1/P	
15	6LK39947000	HRNS-KEY-K130	1	1/P	
16	6LK39932000	PWA-LCD-K130	1	1/SB	
17	6LK48573000	SHIELD-PCB-K1XX	1	1/P	
18	6LK48574000	EARTH-SPRING-K1XX	1	1/P	
19	6LK39941000	BASE-BRACKET-K130	1	1/P	
20	6LK48598000	HRNS-KEY-K1XX-1	1	1/P	
21	6LK39931000	CABLE-LCD-K130	1	1/P	
23	6LK48594000	SCREW-M3X4	4	5/P	
24	6LK48593000	SCREW-M3X8	13	5/P	
25	6LK48592000	SCREW-M3X6	11	5/P	
26	X0-02421000	S/TPS/FHEXM/R-4X8-ZU3	2	10/P	



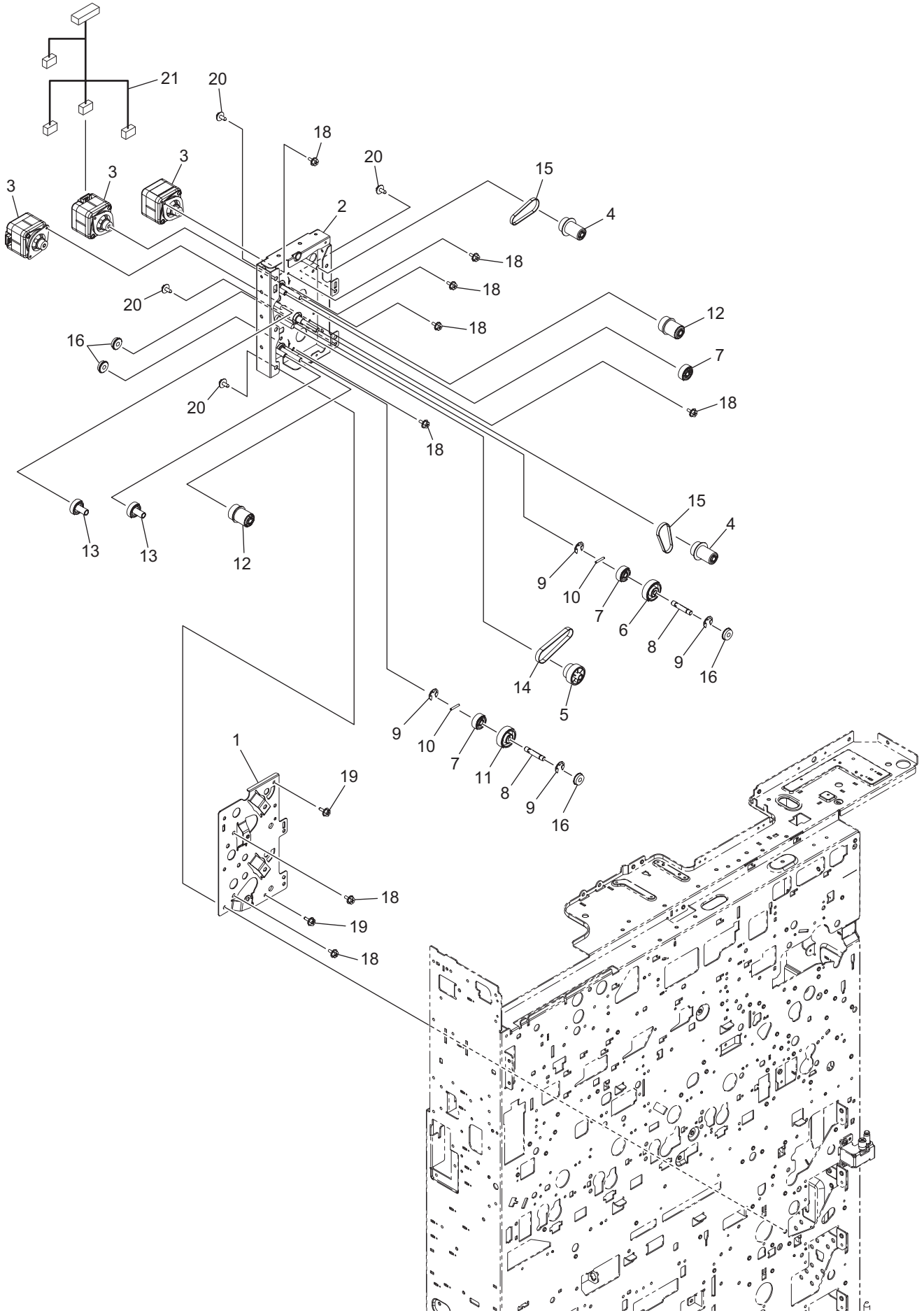
ITEM No.	PART No.	PART NAME	Q'TY / PAGE	Q'TY / PACK	REMARKS
1	6LK54798000	CASTER-D50-W52.5-H60	4	1/D	
2	6LE06312100	ASYS-BRKT-ADJ-H38X	4	1/P	
3	6LJ06112000	FOOT-ADJST-13X	4	1/D	
4	X0-00864000	N/HEX/1-M8-SS	4	10/P	
5	X0-02421000	S/TPS/FHEXM/R-4X8-ZU3	6	10/P	
6	X0-02481000	S/PAN/SWWP-M5X10-NI	12	10/P	
10 A	6LH06001000	PLT-LATCH-L	1	1/P	NAD,MJD,ASD,AUD,CND,ARD
11 A	6LH06000000	STUD-LATCH-1	1	1/P	NAD,MJD,ASD,AUD,CND,ARD
12 A	X0-02235000	S/FHEXM-M4X8-NI	1	10/P	NAD,MJD,ASD,AUD,CND,ARD
13 A	6LH05709000	ROLL-LEFT-F-CST-F43X	4	1/P	NAC,MJC
13 B	6LH05709000	ROLL-LEFT-F-CST-F43X	3	1/P	NAD,MJD,ASD,AUD,CND,ARD
14 A	6LH05710000	SCREW-ROLL-CST-F43X	4	5/P	NAC,MJC
14 B	6LH05710000	SCREW-ROLL-CST-F43X	3	5/P	NAD,MJD,ASD,AUD,CND,ARD
15	6LH03469100	ACTR-SNSR-WTNR-BOX_S	1	1/P	
16	6LJ06916000	SPG-T-ACT-WTNR-BOX-H13X	1	1/P	
17	C0-17839000	LG2A14BL1	1	1/C	
18	F0-01250000	MSB-1207	4	5/P	
20 A	6LH00840200	ASYS-DHTR-DRUM-5520-E	1	1/C	ASD,AUD,ARD
21 A	6LE25946000	SCREW-FUS-3X8-S	1	10/P	ASD,AUD,ARD
22 A	X0-02230000	S/FHEXM-M3X6-NI	1	10/P	NAD,NAC,MJD,MJC,CND
23 A	6LH06050000	BRKT-STOP-TNDM-FRSD	1	1/P	NAD,MJD,ASD,AUD,CND,ARD
24	6LH07983000	GUIDE-LSU-430	1	1/P	
25	F0-01496000	RLMC-01TV0	4	5/P	
26	F0-00367000	RLWS-1TV0	1	10/P	
27 A	6LH02375100	COVER-PLT-MID_S	1	N/A***	NAD,NAC,MJD,MJC,CND
28	6LK39515000	HLDR-SNSR-TMP-HMD-H38X	1	1/P	
29	D0-32012000	CHS-CGC5-28	1	1/P	



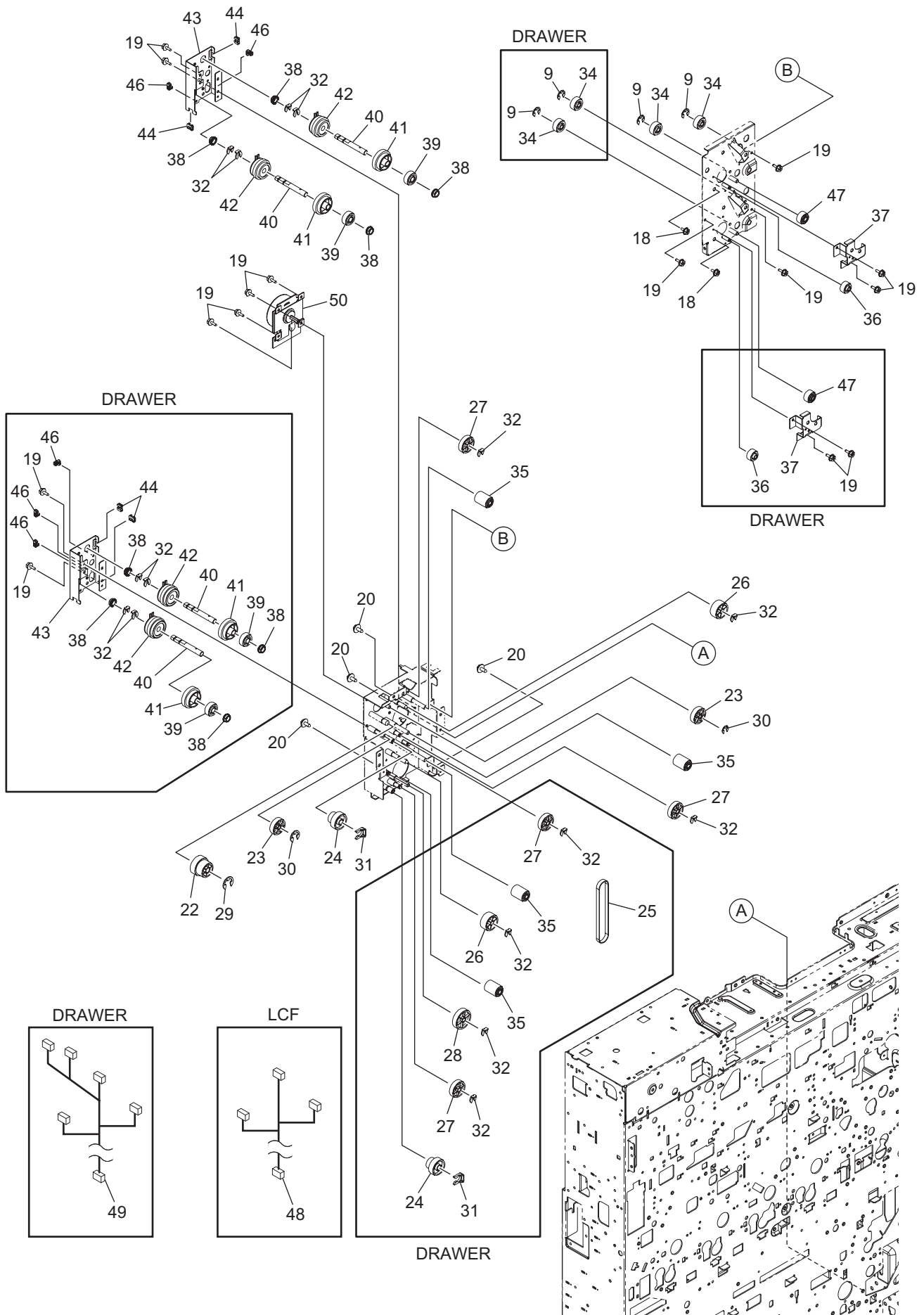
ITEM No.	PART No.	PART NAME	Q'TY / PAGE	Q'TY / PACK	REMARKS
1	6LK40729000	RAIL-TRU-H13X	2	1/D	
2	6LH02834000	STUD-RAIL	4	1/P	
3	X0-01285000	S/BID-M4X6-NC	4	10/P	
4	6LK41109000	CASE-IMG-POS-H38X	1	1/PP	
5	6LK46377000	SNSR-POS-CTD-H370	3	1/D	
8	6LH03748100	LINK-IMG-POS-SNS-2_S	1	1/P	
9	6LK41113000	SPG-E-IMG-SHUTTER-H38X	1	1/P	
10	6LK41112000	LINK-SOL-IMG-H38X	1	1/P	
11	6LE22859000	SND-TDS-10A-380	1	1/D	
12	X0-02256000	S/PAN-M3X6-ZU3	2	10/P	
14	6LA37669000	SCREW-LOCK-ARM	2	5/P	
15	X0-02074000	S/TPS/BID-4X8-ZU3	8	10/P	
16	X0-02421000	S/TPS/FHEXM/R-4X8-ZU3	4	10/P	
23	F0-01248000	ESC-0912	2	10/P	
25	6LK39233000	HRNS-POS-H380	1	1/P	
27	F0-01250000	MSB-1207	4	5/P	
28	6LK41110000	SHUT-IMG-SNS-H38X	1	1/KP	
29	F0-01811000	LWS-0711S-V0	7	5/P	
30	6LA80090000	S/TPP/BID-3*8-NI	6	5/P	
31	6LH01100100	DUCT-HRNS-EPU_S	1	1/P	
32	6LE25210000	CUSH-FRM-SCREW-380	1	1/P	
33	6LK39077000	BRKT-SHIELD-SCAN-RGT-H38X	1	1/P	
34	6LK39078000	BRKT-SHIELD-FRT-H38X	1	1/P	
35	F0-01460000	RWS-2T V0	2	1/P	
36	F0-02296000	ES-0505-2	1	5/P	
37	F0-00036000	RLWS3TV0	9	5/P	
38	F0-00337000	WS-1U	2	5/P	
39	F0-00269000	UAMS-05L-0	6	5/P	
40	6LJ81655200	HRNS-CABLE-USB-H380FC	1	1/P	
41	6LK39028000	HOLDER-USB-H38X	1	1/P	
42	F0-00367000	RLWS-1TV0	1	10/P	



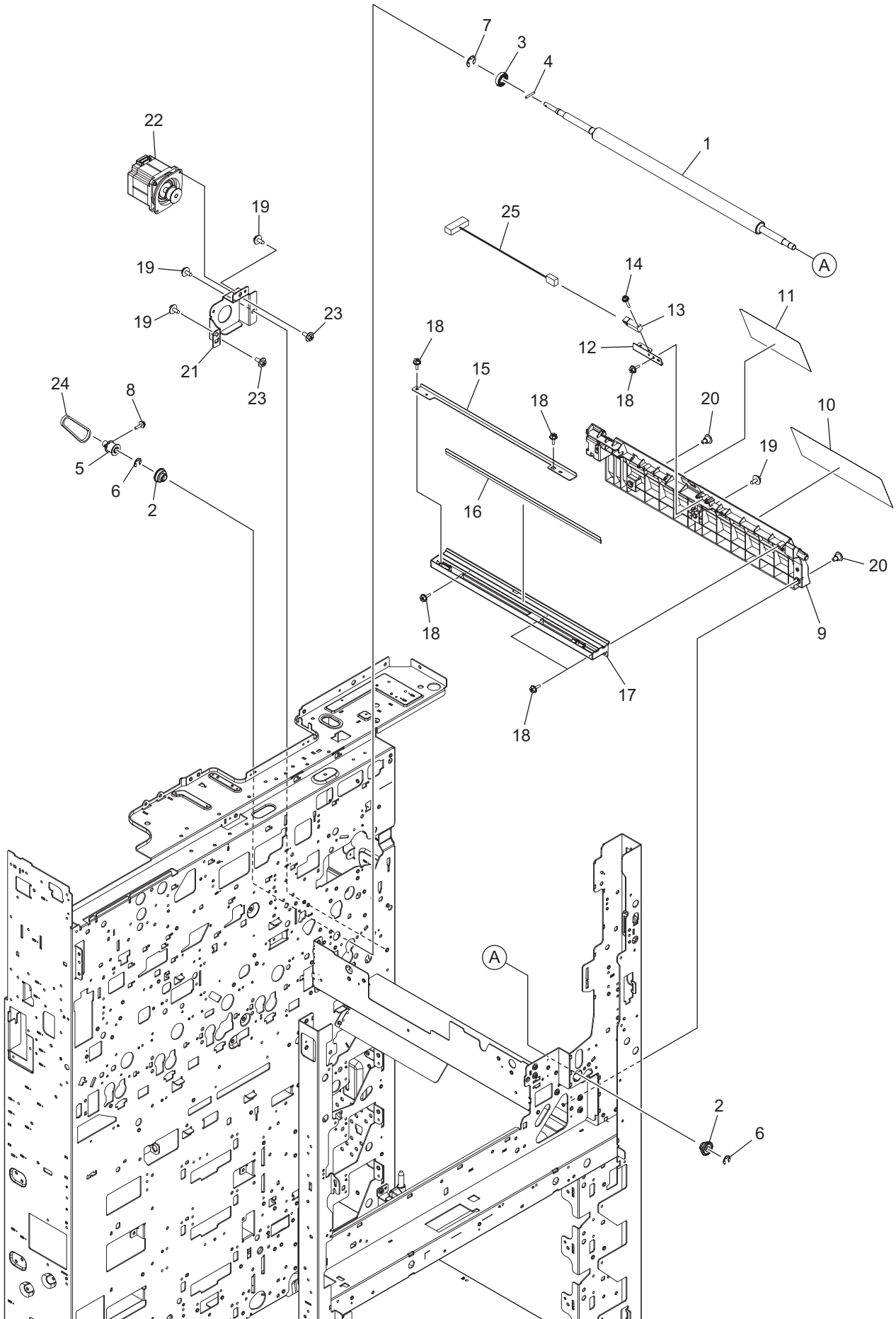
ITEM No.	PART No.	PART NAME	Q'TY / PAGE	Q'TY / PACK	REMARKS
1	6LH04504000	BRKT-POS-FS-UNIT-F	1	1/P	
2	6LH04509000	GUIDE-STUD-POS-F43X	1	1/P	
3	6LH04508000	HOOK-COVER-LOCK-F43X	2	1/P	
4	C0-17839000	LG2A14BL1	1	1/C	
5	X0-02420000	S/TPS/FHEXM/R-3X8-ZU3	20	10/P	
6	X0-02421000	S/TPS/FHEXM/R-4X8-ZU3	4	10/P	
7	6LH04510100	COVER-OPEN-SENS_S	1	1/P	
8 A	6LK41526000	ASYB-ROLLER-IDLE-H38X	3	1/P	NAC,MJC
8 B	6LK41526000	ASYB-ROLLER-IDLE-H38X	2	1/P	NAD,MJD,ASD,AUD,CND,ARD
9 A	6LA03977000	BUSH-F6-GCB	6	5/P	NAC,MJC
9 B	6LA03977000	BUSH-F6-GCB	4	5/P	NAD,MJD,ASD,AUD,CND,ARD
10 A	6LH04521000	LVR-IDLE-F43X	6	1/P	NAC,MJC
10 B	6LH04521000	LVR-IDLE-F43X	4	1/P	NAD,MJD,ASD,AUD,CND,ARD
11 A	6LH04519000	SPG-E-COVER-IDLE-F43X	3	1/P	NAC,MJC
11 B	6LH04519000	SPG-E-COVER-IDLE-F43X	2	1/P	NAD,MJD,ASD,AUD,CND,ARD
12	6LH04506300	COVER-FEED-LOW-F430-H38X	1	1/PP	
13	6LE03133200	HNDL-HOOK-EXIT-T_B	1	1/PP	
14	6LH04527000	BRKT-LATCH-FIXATION	1	1/P	
15	6LH04520000	SPG-C-7R2XR7X22R1	2	1/P	
16	6LH04526000	BRKT-STAY-HINGE	1	1/P	
17	6LH04528000	BRKT-COVER-HINGE-U-U-F43X	1	1/P	
18	6LH04534000	BRKT-COVER-HINGE-U-L-F43X	1	1/P	
19	6LH04533000	GUIDE-SLOPE-U	1	1/P	
20	6LH04524300	COVER-FEED-LOW-SUB-F430-B	1	1/PP	
21	6LH04744000	GUIDE-OLCF-UPPER	1	1/P	
22	6LH04523000	GUIDE-OLCF-LOW	1	1/P	
23 A	X0-00966000	RR/E-5-SS	6	10/P	NAC,MJC
23 B	X0-00966000	RR/E-5-SS	4	10/P	NAD,MJD,ASD,AUD,CND,ARD
24	X0-02247000	S/TPP/FHEXM-3X8-NI	7	10/P	
25	44201801000	STOP-RING-6-1.5	1	5/P	
26	6LE05756000	HLDR-GUIDE-FS	1	1/P	
27	6LH04743000	GUIDE-LIFT-OLCF-UPPER	2	1/P	
32 A	6LH04529200	ASYS-GUIDE-PAPER-LOW-H38X	1	N/A***	NAC,MJC
32 B	6LH04529300	ASYS-GUIDE-PAPER-LOW-H38T	1	N/A***	NAD,MJD,ASD,AUD,CND,ARD
33	X0-02683000	S/TPP/FHEXM-3X8-ZB3	1	5/P	



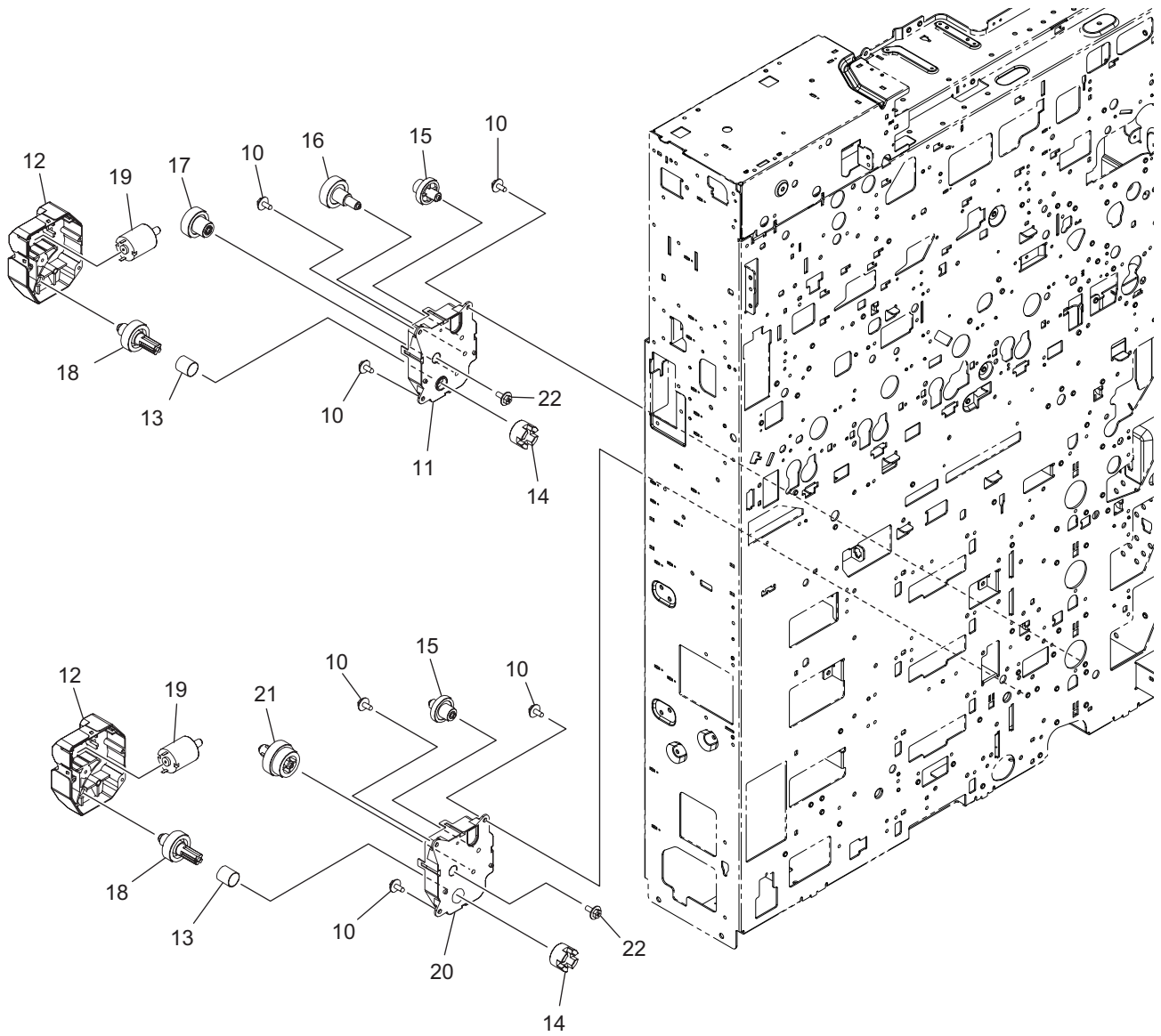
ITEM No.	PART No.	PART NAME	Q'TY / PAGE	Q'TY / PACK	REMARKS
1	6LH04555000	BRKT-DRV-FEED-FRT-430	1	1/P	
2	6LH04548100	ASYS-BRKT-DRV-FEED-R_H38	1	1/PP	
3	6LK41511000	MOTR.S-FEED-H38X	3	1/C	
4	6LK41504000	GEAR-10S017_PS2M32-6_8	2	1/P	
5	6LK41505000	GEAR-10S027_PS2M32-6	1	1/P	
6	6LH04538000	GEAR-10S027-06-RB	1	1/P	
7	6LH04540000	GEAR-10S019-06	3	1/P	
8	6LH04539000	STUD-DRV-FEED-4	2	1/P	
9	X0-00966000	RR/E-5-SS	4	10/P	
10	X0-01526000	P/PRL/AH7-2X12-SS	2	10/P	
11	6LH04541000	GEAR-10S027-06-LW	1	1/P	
12	6LH04537000	GEAR-10S019_10S017	2	1/P	
13	6LH04588000	GEAR-10S019-06-B	2	1/P	
14	6LH05177000	BLT-SY-S2M-148-6	1	1/P	
15	6LH05408000	BLT.SY-S2M-118-5	2	1/P	
16	F0-02297000	696ZZNR-SB-M-GV22	4	1/P	
18	X0-02230000	S/FHEXM-M3X6-NI	8	10/P	
19	X0-02420000	S/TPS/FHEXM/R-3X8-ZU3	2	10/P	
20	X0-02421000	S/TPS/FHEXM/R-4X8-ZU3	4	10/P	
21	6LK73049000	HRNS-PFC-STMT-H380JC	1	1/P	

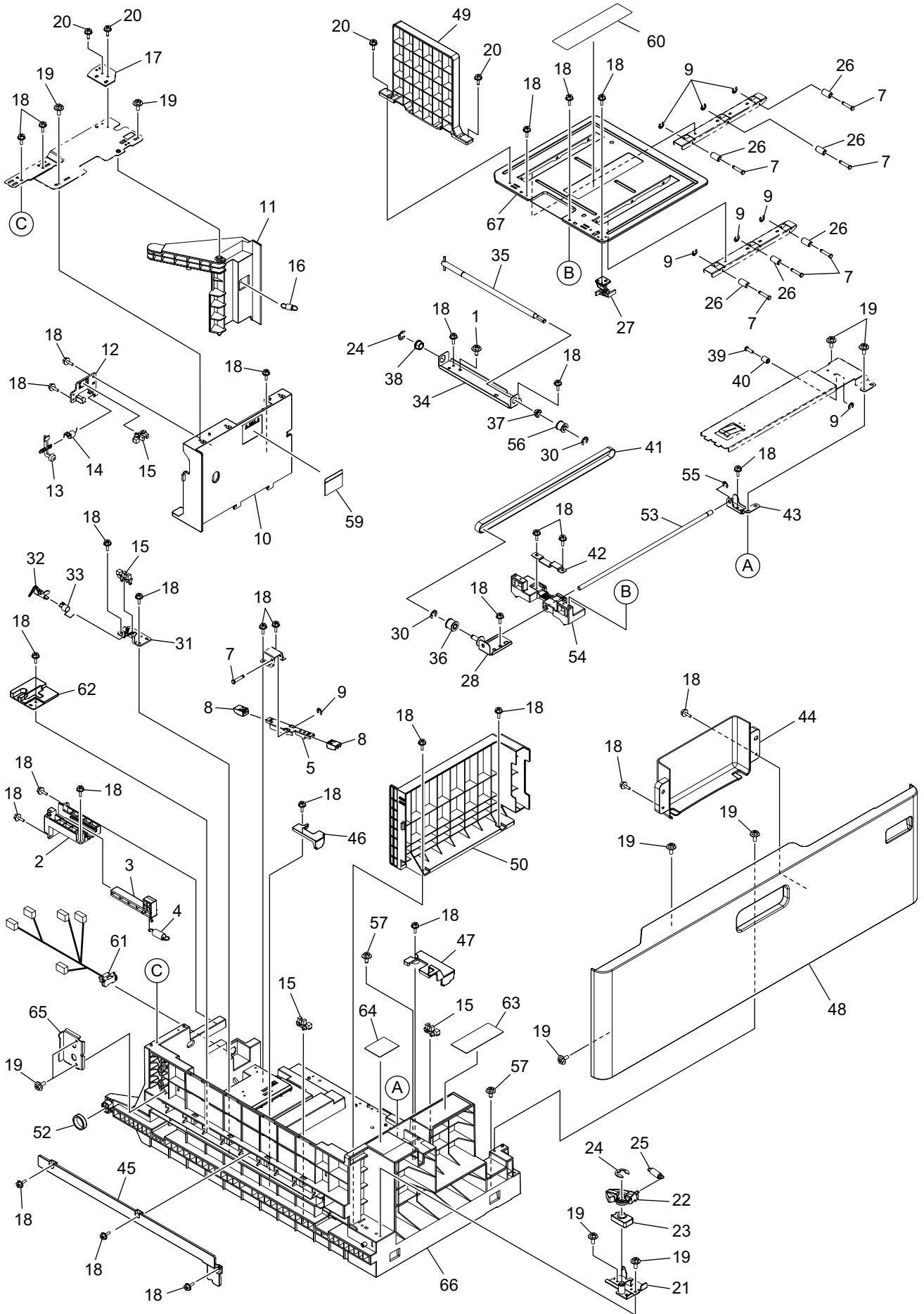


ITEM No.	PART No.	PART NAME	Q'TY / PAGE	Q'TY / PACK	REMARKS
9 A	X0-00966000	RR/E-5-SS	2	10/P	NAD,MJD,ASD,AUD,CND,ARD
9 B	X0-00966000	RR/E-5-SS	4	10/P	NAC,MJC
18	X0-02230000	S/FHEXM-M3X6-NI	2	10/P	
19 A	X0-02420000	S/TPS/FHEXM/R-3X8-ZU3	11	10/P	NAD,MJD,ASD,AUD,CND,ARD
19 B	X0-02420000	S/TPS/FHEXM/R-3X8-ZU3	15	10/P	NAC,MJC
20	X0-02421000	S/TPS/FHEXM/R-4X8-ZU3	4	10/P	
22	6LH04687000	GEAR-05H57_05S50-08	1	1/P	
23	6LH04686000	GEAR-05S53-05	2	1/P	
24 A	6LH04682000	GEAR-05S54_S3M20-08	1	1/P	NAD,MJD,ASD,AUD,CND,ARD
24 B	6LH04682000	GEAR-05S54_S3M20-08	2	1/P	NAC,MJC
25 B	6LH04685000	BLT.SY-S3M-255-6	1	1/P	NAC,MJC
26 A	6LH04684000	GEAR-05S54-06	1	1/P	NAD,MJD,ASD,AUD,CND,ARD
26 B	6LH04684000	GEAR-05S54-06	2	1/P	NAC,MJC
27 A	6LH04503000	GEAR-05S55-06	2	1/P	NAD,MJD,ASD,AUD,CND,ARD
27 B	6LH04503000	GEAR-05S55-06	4	1/P	NAC,MJC
28 B	6LH04683000	GEAR-05S65-06	1	1/P	NAC,MJC
29	X0-00968000	RR/E-7-SS	1	10/P	
30	X0-00965000	RR/E-4-SS	2	10/P	
31 A	41306265000	STOP RING	1	1/P	NAD,MJD,ASD,AUD,CND,ARD
31 B	41306265000	STOP RING	2	1/P	NAC,MJC
32 A	44201801000	STOP-RING-6-1.5	7	5/P	NAD,MJD,ASD,AUD,CND,ARD
32 B	44201801000	STOP-RING-6-1.5	15	5/P	NAC,MJC
34 A	6LH04694000	GEAR-10S19-06	2	1/P	NAD,MJD,ASD,AUD,CND,ARD
34 B	6LH04694000	GEAR-10S19-06	4	1/P	NAC,MJC
35 A	6LH04670000	GEAR-10S17-06-262	2	1/P	NAD,MJD,ASD,AUD,CND,ARD
35 B	6LH04670000	GEAR-10S17-06-262	4	1/P	NAC,MJC
36 A	6LH04676000	GEAR-10S16-05	1	1/P	NAD,MJD,ASD,AUD,CND,ARD
36 B	6LH04676000	GEAR-10S16-05	2	1/P	NAC,MJC
37 A	6LH04671000	PLATE-GEAR	1	1/P	NAD,MJD,ASD,AUD,CND,ARD
37 B	6LH04671000	PLATE-GEAR	2	1/P	NAC,MJC
38 A	6LA65697000	BUSH-8X12X5R5F	4	5/P	NAD,MJD,ASD,AUD,CND,ARD
38 B	6LA65697000	BUSH-8X12X5R5F	8	5/P	NAC,MJC
39 A	6LH04700000	GEAR-10S20-08	2	1/P	NAD,MJD,ASD,AUD,CND,ARD
39 B	6LH04700000	GEAR-10S20-08	4	1/P	NAC,MJC
40 A	6LK30925000	ASYS-SHAFT-DRV-H34X	2	1/P	NAD,MJD,ASD,AUD,CND,ARD
40 B	6LK30925000	ASYS-SHAFT-DRV-H34X	4	1/P	NAC,MJC
41 A	6LE24357000	GEAR-05S56-08	2	1/P	NAD,MJD,ASD,AUD,CND,ARD
41 B	6LE24357000	GEAR-05S56-08	4	1/P	NAC,MJC
42 A	6LH73808000	CLUTCH-50T2-G28-8	2	1/D	NAD,MJD,ASD,AUD,CND,ARD
42 B	6LH73808000	CLUTCH-50T2-G28-8	4	1/D	NAC,MJC
43 A	6LK30926000	BRKT-CL	2	1/P	NAC,MJC
43 B	6LK30926000	BRKT-CL	1	1/P	NAD,MJD,ASD,AUD,CND,ARD
44 A	F0-02296000	ES-0505-2	4	5/P	NAC,MJC
44 B	F0-02296000	ES-0505-2	2	5/P	NAD,MJD,ASD,AUD,CND,ARD
46 A	F0-01462000	LBWS-0206S-V0	2	1/P	NAD,MJD,ASD,AUD,CND,ARD
46 B	F0-01462000	LBWS-0206S-V0	5	1/P	NAC,MJC
47 A	6LH04675000	GEAR-10S17-06-139	1	1/P	NAD,MJD,ASD,AUD,CND,ARD
47 B	6LH04675000	GEAR-10S17-06-139	2	1/P	NAC,MJC
48 A	6LK39247000	HRNS-PFC-FDTM-H380	1	1/P	NAD,MJD,ASD,AUD,CND,ARD
49 B	6LK39246000	HRNS-PFC-FD34-H380	1	1/P	NAC,MJC
50	6LK52212000	MOTR_D-DRIVE-05R20-22	1	1/C	

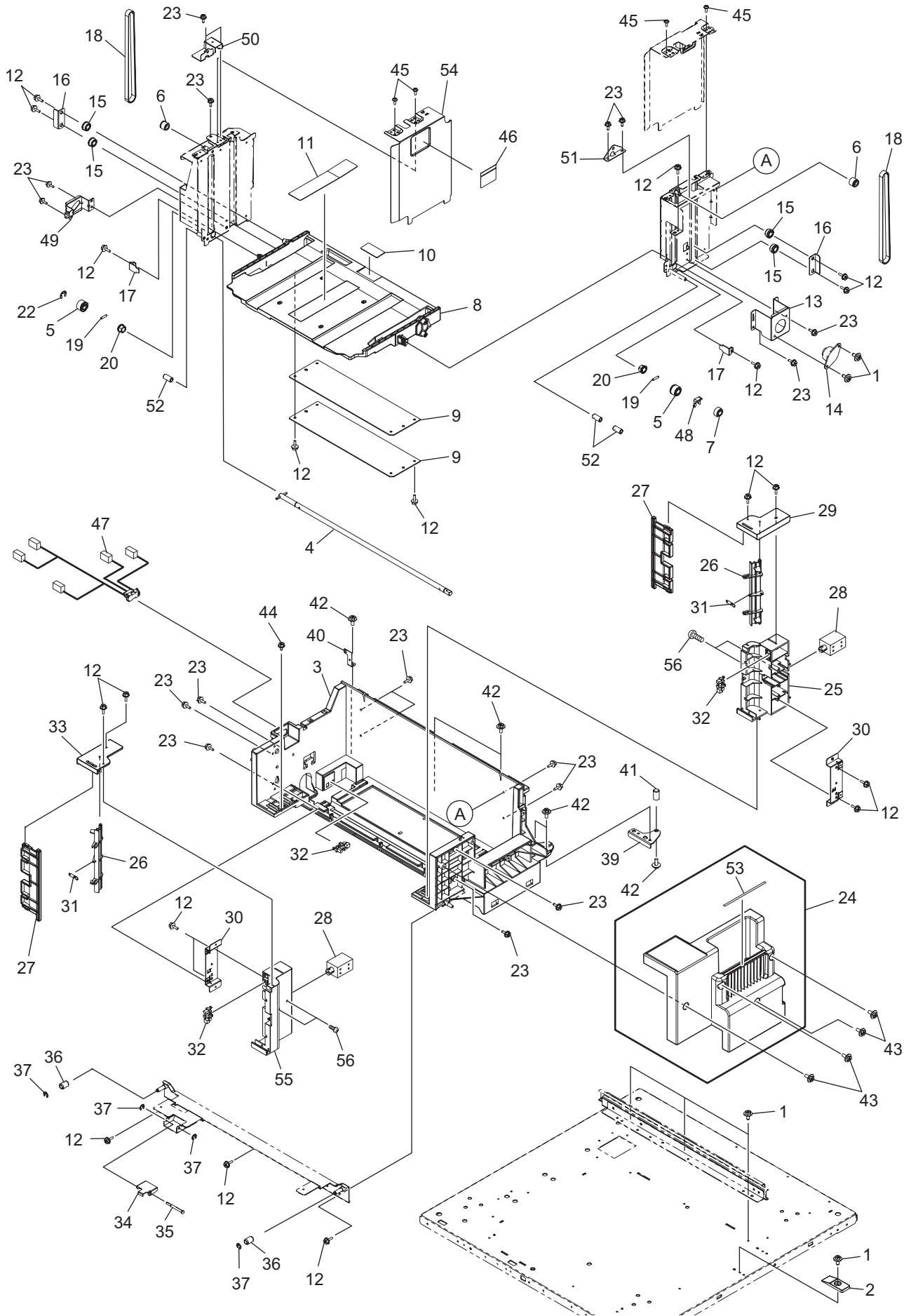


ITEM No.	PART No.	PART NAME	Q'TY / PAGE	Q'TY / PACK	REMARKS
1	6LH04610000	LEVER-FEED-UNIT	1	1/P	
2	6LH04613000	ASYS-BRKT-LEVER-SPT	1	1/P	
3	6LH04616000	LEVER-SPT-ROL-430	1	1/P	
4	6LH04617000	BRKT-SUP-ROL-SPT	1	1/P	
5	6LH04631000	ASYS-FRM-FS-R-430	1	1/P	
6	6LH04618000	BRKT-SUP-ROL-FEED	1	1/P	
7	C0-17839000	LG2A14BL1	3	1/C	
9	6LH04635000	SHAFT-ROL-FEED-430	1	1/P	
10	6LH04629000	GEAR-08S24-6L	1	1/P	
11	6LH53768000	BUSH-6-NU4	2	1/P	
12	6LH04621000	ASYS-ARM-PICK-430	1	1/C	
13	6LH04742000	GEAR-08S23-6	1	1/P	
14	6LH04638000	GEAR-08S20-6	1	1/P	
15	6LH04625000	ASYS-SHAFT-ROL-SPT-430	1	1/P	
16	6LA03977000	BUSH-F6-GCB	2	5/P	
17	X0-00979000	P/PRL/AH7-2X8-SS	1	10/P	
18	4407906230	GEAR-08-30	1	1/P	
19	6LE05774000	K-GEAR-08S022-LW-390	1	1/P	
20	6LH04612000	GEAR-10S20-6	1	1/P	
21	6LA03873000	SPE-P/U-110	1	5/P	
22	6LK41550000	ROLLER-FS-TR-H38X	1	1/KP	
23	F0-02297000	696ZZNR-SB-M-GV22	2	1/P	
24	6LH04717100	GUIDE-FS-U-H38X	1	1/PP	
25	6LK41502000	BRKT-GUIDE-FEED-H38X	1	1/P	
28	6LK41508000	GUIDE-FS-OPEN-H38X	1	1/C	
31	6LH04740000	GEAR-08S23-6-CUP	1	1/P	
32	6LH04741000	GEAR-08S24-6-CUP	1	1/P	
34	6LK41540000	TL-SEP-ROL-Y-45-N2	1	1/P	
35 A	6LA04042000	ASYS-ROL-SPT	1	1/P	Except T-LCF
35 B	6LK41558000	ASYS-ROL-SPT-H38X	1	1/P	T-LCF
36 A	6LA04047100	ASYS-ROL-FEED_W	2	1/P	4-drawer model
36 B	6LA04047100	ASYS-ROL-FEED_W	1	1/P	1st and 2nd drawers in the T-LCF model
37	4407972860	STOP-RING-6-5	3	5/P	
38	6LA03887000	SPE090-090-0531	1	5/P	
39	6LH04663000	BRKT-HOLD-SPE-430	1	1/P	
40	6LH04745000	SPG-E-7XR6X82-ROL-SPT	1	1/P	
41	6LH04636000	GEAR-10S20-6L	1	1/P	
42	6LH04653000	ASYS-BRKT-SNSR-SPT	1	1/P	
43	F0-02296000	ES-0505-2	3	5/P	
44	6LH04652000	LEVER-FS-SNSR-SPT	1	1/P	
45	C0-15009000	PS124TD1-B	2	1/C	
46	6LH04657000	BRKT-SNSR-TR	1	1/P	
47	X0-02127000	S/TPP/PAN-3X16-NI	1	10/P	
48	6LH04749000	SPG-E-LEV-SNSR-SPT	1	1/P	
49	X0-02135000	S/PAN/SWWP-M3X14-NI	1	10/P	
50	F0-01462000	LBWS-0206S-V0	4	1/P	
51	F0-01194000	UAMS-02WH-2	1	5/P	
52	6LK41543000	COVER-FEED-UNIT-RER_S	1	1/P	
53	6LH04711100	ACT-SW-EMPTY-430_S	1	1/D	
54	6LA03877000	SHEET-DUMP-EMP	1	5/P	
55	6LJ07621100	ASYS-GUIDE-FEED-ENT-H38X	1	1/PP	
56	X0-02420000	S/TPS/FHEXM/R-3X8-ZU3	24	10/P	
57	X0-00966000	RR/E-5-SS	10	10/P	
58	X0-00964000	RR/E-3-SS	3	10/P	
59	X0-02421000	S/TPS/FHEXM/R-4X8-ZU3	2	10/P	
60	6LK73046000	HRNS-CSTMJ-H380	1	1/P	
61 A	6LK73226000	HRNS-TLCFMJ-H380	1	1/P	NAD,MJD,ASD,AUD,CND,ARD
62 A	6LA15257000	SOL-PICK-340	1	1/D	NAD,MJD,ASD,AUD,CND,ARD
63 A	6LA03740000	LEVER-P/U-SND	1	1/P	NAD,MJD,ASD,AUD,CND,ARD
64 A	X0-02113000	S/PAN-M3X4-NI	2	10/P	NAD,MJD,ASD,AUD,CND,ARD
65	6LE06731000	CLUTCH-6-LB-390	1	1/P	
66	6LJ08112000	DAMPER-BP-LCF	1	1/P	
70	6LK41503000	COVER-HRNS-FS-H38X	1	1/P	

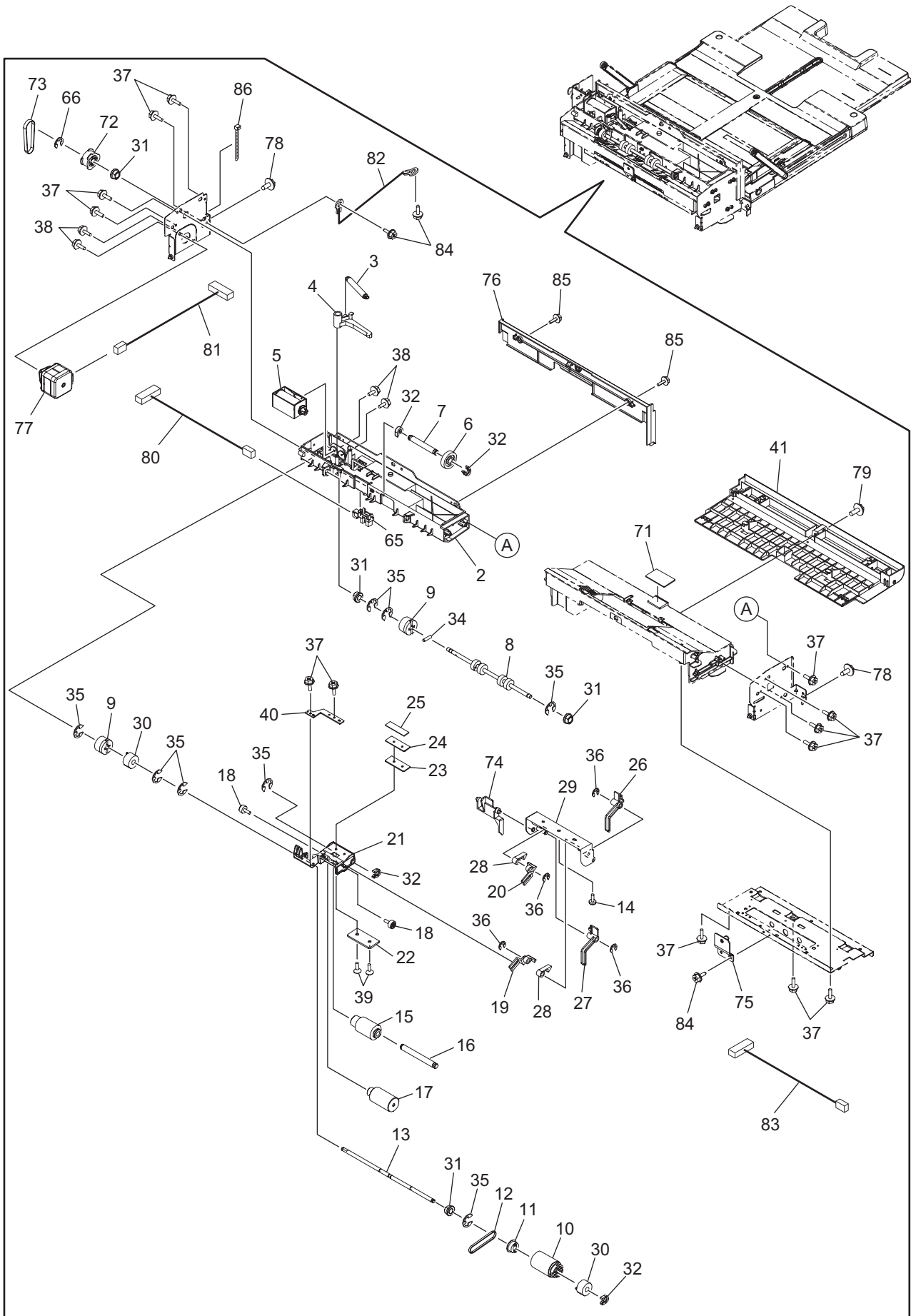




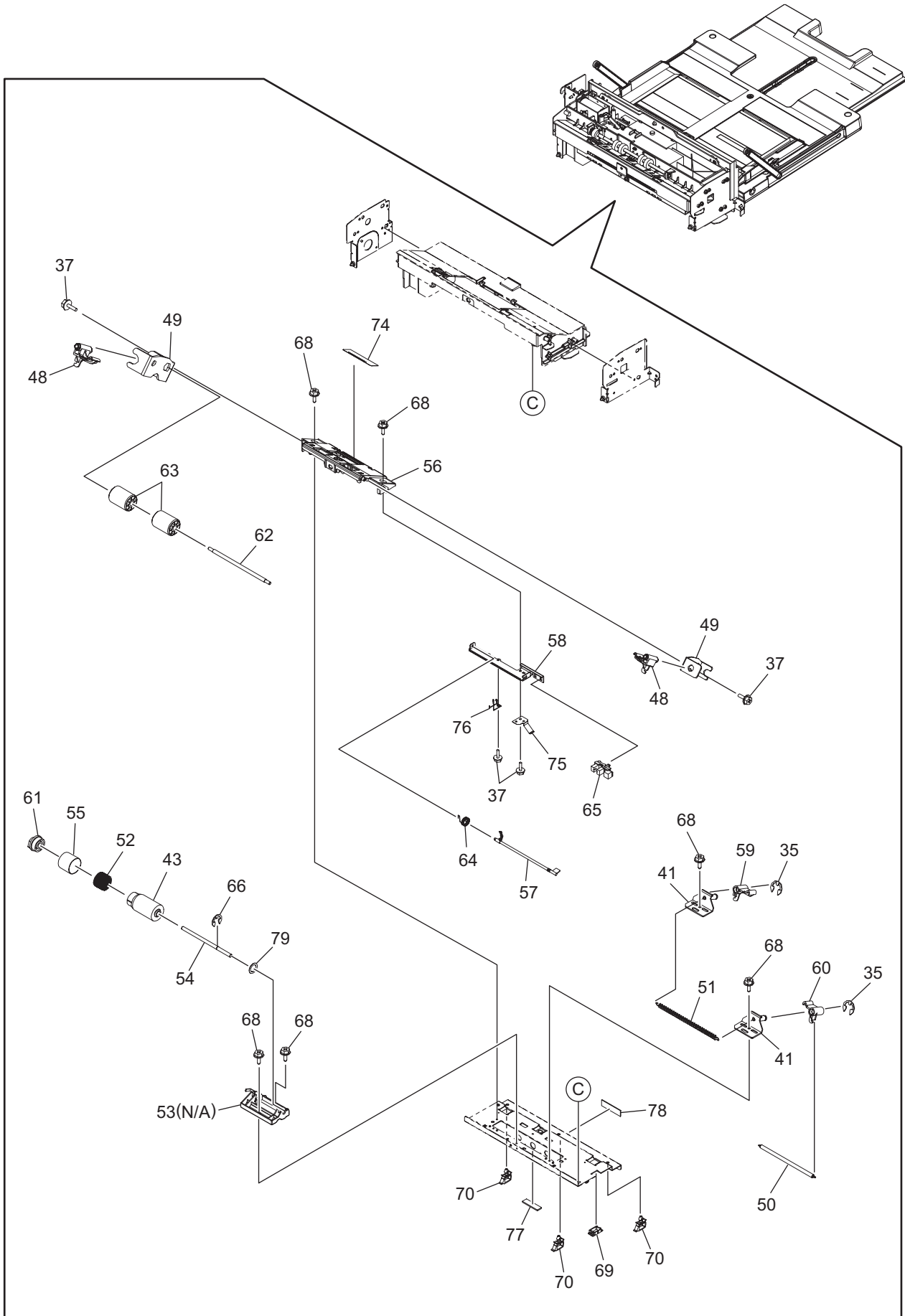
ITEM No.	PART No.	PART NAME	Q'TY / PAGE	Q'TY / PACK	REMARKS
1	X0-02590000	S/TPD3/FHEXM-4X10-ZU3	1	10/P	
2	6LH05938100	STOP-HOLD_S	1	1/P	
3	6LH05937100	LINK-STOP-SHFT_S	1	1/P	
4	6LH05926000	SPG-PISTON-TANDEM	1	1/P	
5	6LH05971000	BRKT-STP-TRAY2	1	1/P	
7	6LK42303000	SHAFT-ROLL-LCF-H38X	7	1/P	
8	6LH05970000	COV-CST-COUP-TNDM	2	1/P	
9	X0-00964000	RR/E-3-SS	8	10/P	
10	6LH05973100	GUIDE-SIDE-TRAY2-R_S	1	1/PP	
11	6LK42325000	STOPPER-TRAY2-R-2	1	1/P	
12	6LH05964100	BASE-SNS-2_S	1	1/P	
13	6LH05962100	SENSOR-ACTR-3_S	1	1/D	
14	6LH06008000	SPRING-ACT-EMPTY2	1	1/P	
15	C0-17839000	LG2A14BL1	4	1/C	
16	6LH05925000	SPG-SHUT-TANDEM-2	1	1/P	
17	6LH06040000	PLT-ATC-A	1	1/P	
18	X0-02247000	S/TPP/FHEXM-3X8-NI	31	10/P	
19	X0-02251000	S/TPP/FHEXM-4X8-NI	11	10/P	
20	X0-02420000	S/TPS/FHEXM/R-3X8-ZU3	4	10/P	
21	6LH06014000	ASYS-PLT-LATCH-2	1	1/P	
22	6LH06017000	BLOCK-LATCH-LINK	1	1/P	
23	6LH06013000	BLOCK-LATCH-HOLD	1	1/P	
24	X0-00968000	RR/E-7-SS	2	10/P	
25	6LH05732000	SPE087-090-0269	1	1/P	
26	6LH05933000	ROLL-TRAY	6	1/P	
27	6LH06006100	ACTR-MOVE-SNSR_S	1	1/P	
28	6LH05934000	ASYS-PLY-HOLD	1	1/P	
30	X0-00965000	RR/E-4-SS	2	10/P	
31	6LH05931100	BASE-SNS-EMPY_S	1	1/P	
32	6LH06074000	ACT-SENS-EMPTY-TDM	1	1/D	
33	6LH06060000	SPG-ACT-EMPTY	1	5/P	
34	6LH05912000	BRKT-PLY-HOLD	1	1/P	
35	6LH06018000	ASYS-TRAY2-DRIVE	1	1/P	
36	6LK42321000	PLY-DRIVE-2	1	1/P	
37	6LH53768000	BUSH-6-NU4	1	1/P	
38	4400802080	BUSH-8	1	5/P	
39	6LH06027000	SFT-BELT-ADL	1	1/P	
40	6LH06026000	RLR-BELT-ADL	1	5/P	
41	6LH06037000	BELT-3GT-600-9-B50N17	1	1/P	
42	6LH06032000	BRKT-BELT-HOLD	1	1/P	
43	6LH05909000	BRKT-HOLD-ST	1	1/P	
44	6LH02302600	COVER-HNDL-CST-B	1	1/P	
45	6LH06041100	COVER-SIDE-HRNS_S	1	1/KP	
46	6LH06007100	COVER-SNSR-H_S	1	1/P	
47	6LH05985100	COVER-SNSR-R_S	1	1/P	
48	6LK42301000	COVER-TANDEM-LCF-H38X	1	1/PP	
49	6LH05905300	GUIDE-END-BK4	1	1/PP	
50	6LK42324000	GUIDE-SIDE-TRAY2-F-K13X	1	1/PP	
52	6LH05717000	ROLLER-LEFT-R-BP	1	1/P	
53	6LH06009000	SFT-GUIDE	1	1/P	
54	6LH05936100	TRAY-BASE_S	1	1/P	
55	X0-00966000	RR/E-5-SS	1	10/P	
56	6LK42322000	PLY-DRIVE-1	1	1/P	
57	X0-02421000	S/TPS/FHEXM/R-4X8-ZU3	2	10/P	
59	6LK42316000	LBL-P-LIMIT-TLCF-H38X	1	1/P	
60	6LK42313000	LBL-PSET-TRAY-L-TLCF	1	1/KP	
61	6LJ09827000	HRNS-TLCF2-130	1	1/P	
62	6LJ08107100	COVER-ENPTY-SNS_S	1	1/P	
63	6LK42311000	LBL-P-SET-TLCF-H38X	1	1/KP	
64	6LK42312000	LBL-CST2-SET-TLCF-H38X	1	1/P	
65	6LH06051000	BRKT-STOP-TNDM-CST2	1	1/P	
66	6LH05914300	CST-TRAY2-TANDEM-BK4	1	1/PP	
67	6LK42302000	TRAY-MOVE-H38X	1	1/PP	



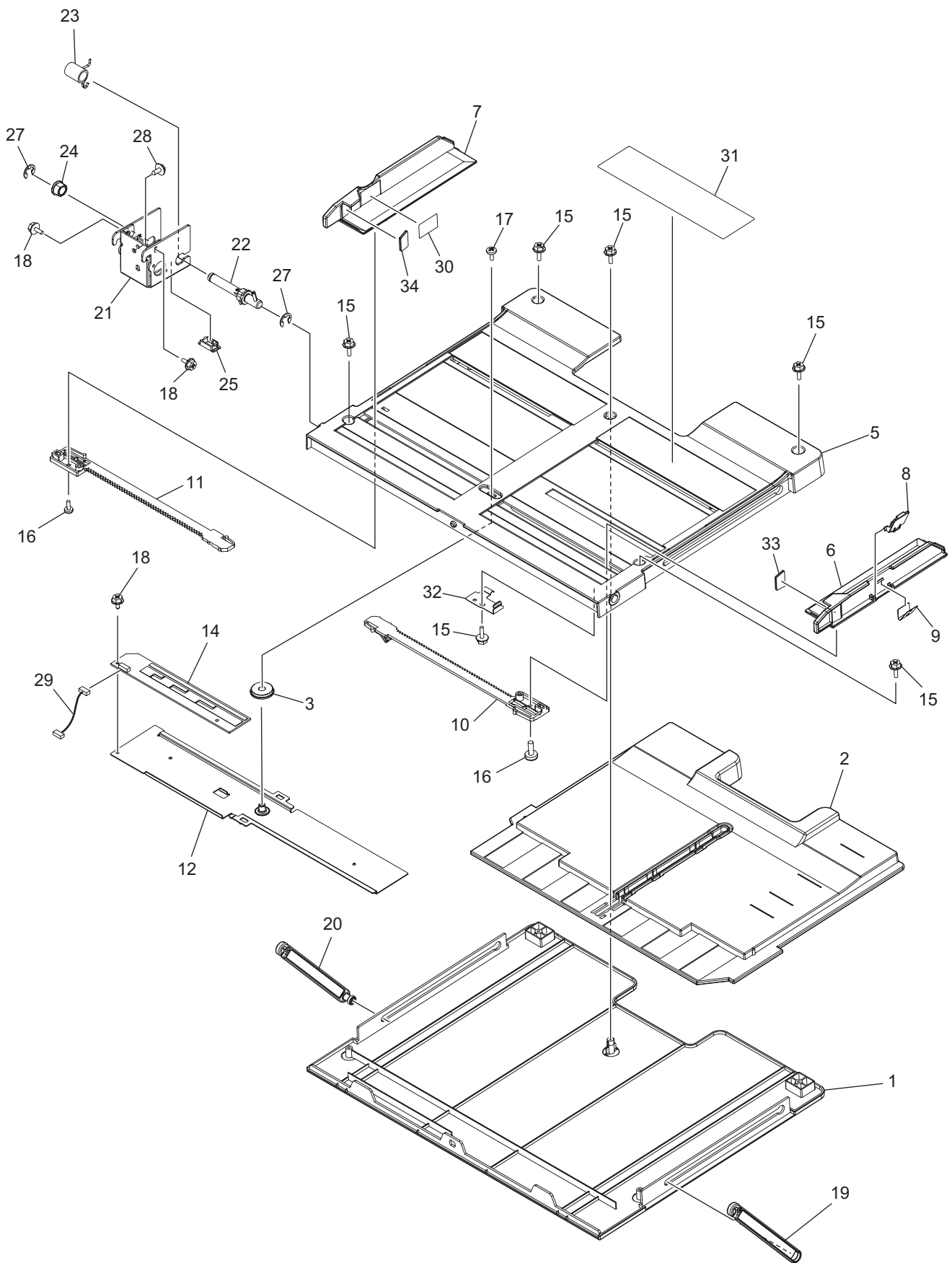
ITEM No.	PART No.	PART NAME	Q'TY / PAGE	Q'TY / PACK	REMARKS
1	X0-02421000	S/TPS/FHEXM/R-4X8-ZU3	6	10/P	
2	6LH05940000	STP-BASE-TANDEM	1	1/P	
3	6LH05916300	CST-TRAY1-TANDEM-BP-BK4	1	1/C	
4	6LH05981000	ASYS-SFT-TRAY-BP-TDM	1	1/P	
5	6LH05901000	PULLY-BP-TDM2-Z18	2	1/P	
6	6LH05900000	PULLY-BP-TDM1-Z14	2	1/P	
7	6LH05903000	GEAR-DUMP-Z14	1	1/P	
8	6LH05913300	TRAY1-T-LCF-BK4	1	1/PP	
9	6LA93713000	PLT-BALANCER	2	1/P	
10	6LK42323000	PAD-TRAY	1	1/P	
11	6LK42314000	LBL-PSET-TRAY-R-TLCF	1	1/KP	
12	X0-02247000	S/TPP/FHEXM-3X8-NI	20	10/P	
13	6LH05941000	BRKT-DAMP-BP	1	1/P	
14	6LE03901000	OIL-DAMPER-390	1	1/P	
15	6LH05904000	ROLLER-BP-TDM	4	1/P	
16	6LH05906000	BRKT-GUIDE-BP	2	1/P	
17	6LJ08109000	BRKT-LU-BELT-BP	2	1/P	
18	6LH06044000	BELT-3GT-402-8-B50N17	2	1/P	
19	X0-01535000	P/PRL/AH7-3X12-SS	2	5/P	
20	6LA65698000	BUSH-8X12X8F	2	5/P	
22	X0-00968000	RR/E-7-SS	1	10/P	
23	X0-02420000	S/TPS/FHEXM/R-3X8-ZU3	18	10/P	
24	6LK42309000	ASYB-INN-COV-TLCF-H38X	1	1/PP	
25	6LH06071100	HLDR-SHUT-F_S	1	1/D	
26	6LH05951100	JOINT-SHUT-TNDM_S	2	1/P	
27	6LH05952100	PLT-SHUTTER-TNDM_S	2	1/P	
28	6LL27027000	SOL-END-K130	2	1/D	
29	6LH06069100	PLATE-SHUT-F_S	1	1/P	
30	6LH05949000	BRKT-HOLD-SHUT	2	1/P	
31	6LH06020000	SPG-SHUT-TANDEM	2	1/P	
32	C0-17839000	LG2A14BL1	3	1/C	
33	6LH06070100	PLATE-SHUT-R_S	1	1/P	
34	6LH06064000	BRKT-STP-TANDEM	1	1/P	
35	6LH06021000	SFT-STP-TANDEM	1	1/P	
36	6LH05958000	RLR-RAIL-CENTER	2	1/P	
37	X0-00964000	RR/E-3-SS	4	10/P	
39	6LH05718000	PLATE-LATCH	1	1/P	
40	6LH06030000	PLT-SPG-SE-R	1	1/P	
41	6LA04487000	STUD-CST-POS	1	5/P	
42	X0-02235000	S/FHEXM-M4X8-NI	6	10/P	
43	X0-02251000	S/TPP/FHEXM-4X8-NI	4	10/P	
44	X0-02419000	S/TPS/FHEXM/R-3X6-ZU3	1	10/P	
45	X0-02069000	S/TPS/BID-3X6-ZU3	4	10/P	
46	6LK42316000	LBL-P-LIMIT-TLCF-H38X	1	1/P	
47	6LL27039000	HRNS-TLCF1-K130	1	1/P	
48	41306265000	STOP RING	1	1/P	
49	6LH06054000	BRKT-HOLD-IDLER-R	1	1/P	
50	6LH06057000	BRKT-SUPPORT-R	1	1/P	
51	6LH06058000	BRKT-SUPPORT-F	1	1/P	
52	6LH06059000	RLR-BELT-IDLER-2	3	1/P	
53	6LK42315000	LBL-COV-R-TLCF-H38X	1	1/KP	
54	6LH06022000	FENCE-TRAY1-R	1	1/P	
55	6LH06072100	HLDR-SHUT-R_S	1	1/PP	
56	X0-00057000	S/PAN-M3X6-NI	4	10/P	



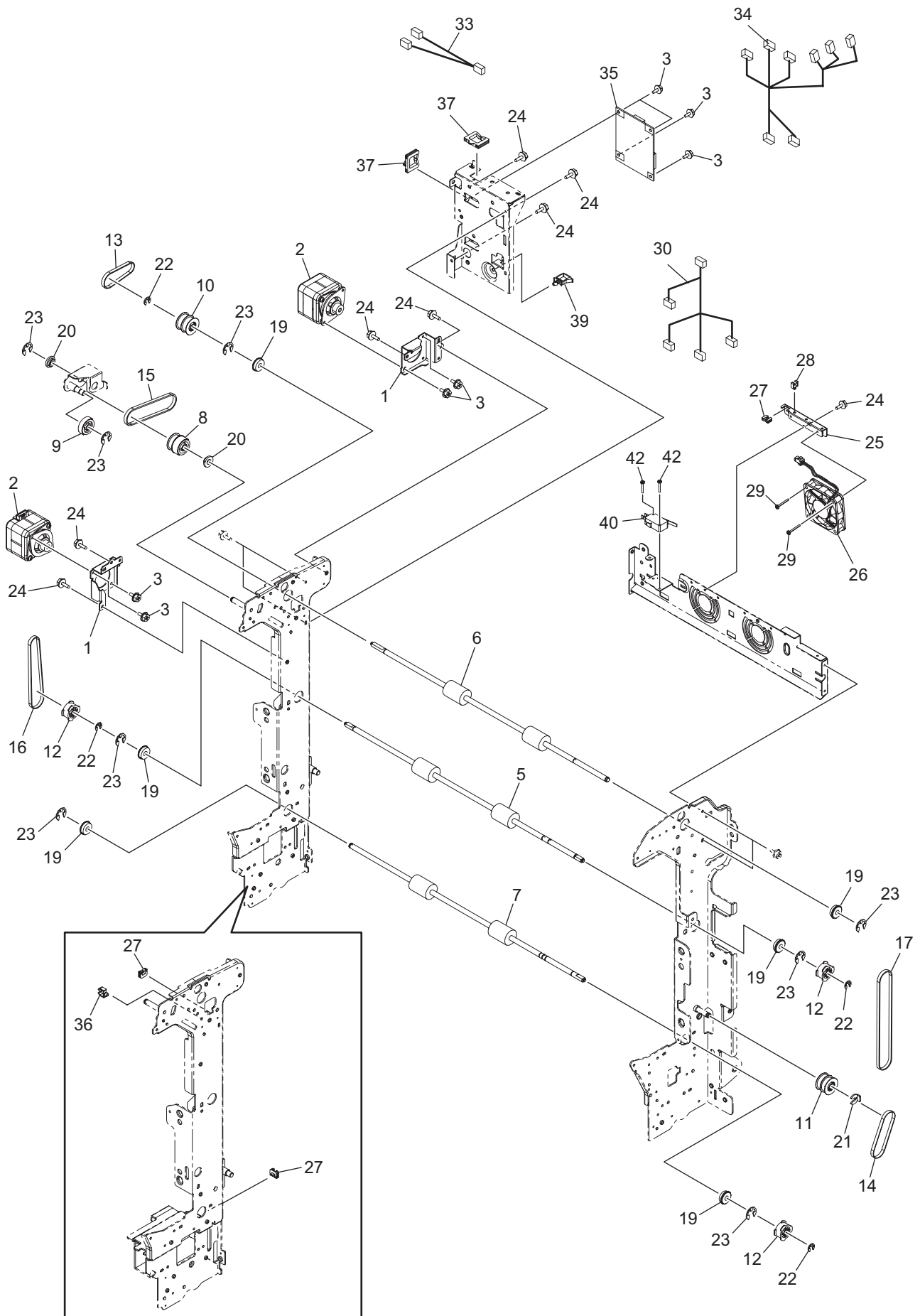
ITEM No.	PART No.	PART NAME	Q'TY / PAGE	Q'TY / PACK	REMARKS
2	6LK30913000	ASYS-GUIDE-BYP-U-H34X	1	1/C	
3	6LA28769000	SPG-E-6R5XR7X28R5L	1	1/P	
4	6LA28767000	LEVER-PICK	1	1/P	
5	6LA15259000	SOL-SFB-340	1	1/D	
6	44201789000	GEAR-06S-032-06	1	1/P	
7	6LE40439000	STUD-G032-BYPS	1	1/P	
8	6LK41701000	ROLLER-TR-BYPASS-H38X	1	1/KP	
9	6LA28811000	GEAR-06S-027-06	2	1/P	
10	44218389000	K-RLR-FEED-SFB	1	1/P	
11	4401966400	PLY/T-2GT020-06	1	1/P	
12	6LA28835000	BLT-SY-138-2GT-2.8	1	1/P	
13	6LH05145000	SFT-ROLL-FEED-BYP	1	1/P	
14	X0-00595000	S/TPP/PAN-3X6-NI	1	10/P	
15	44218398000	K-ROLL-PICK-BYP	1	1/P	
16	6LE40436000	SFT-ROL-PIC-BYP-350	1	1/P	
17	6LE40412000	WEIGHT-PICK-BYP-T	1	1/P	
18	6LE40407000	SCREW-WEIGHT-3*6	2	5/P	
19	6LJ07623000	LEVER-STOPPER-F	1	1/P	
20	6LJ07624000	LEVER-STOPPER-R	1	1/P	
21	6LK41720000	ARM-PICK-H13X	1	1/P	
22	6LA28832000	WEIGHT-PICK-BYP-LOW	1	1/P	
23	6LA28833000	WEIGHT-PICK-BYP-MID	1	1/P	
24	6LA28834000	WEIGHT-PICK-BYP-UP	1	1/P	
25	6LA28758000	CUSHION-PAD	1	5/P	
26	6LA28821000	STPR-BYP-F-350	1	1/P	
27	6LA28822000	STPR-BYP-R-350	1	1/P	
28	4401965270	ARM-STOPPER	2	5/P	
29	6LH31603000	ASYS-BRKT-STOPPER	1	1/P	
30	4406584800	CLUTCH-6-08L2	2	1/P	
31	6LH53768000	BUSH-6-NU4	4	1/P	
32	4407972860	STOP-RING-6-5	4	5/P	
34	X0-00979000	P/PRL/AH7-2X8-SS	1	10/P	
35	X0-00966000	RR/E-5-SS	8	10/P	
36	X0-00964000	RR/E-3-SS	4	10/P	
37	X0-02247000	S/TPP/FHEXM-3X8-NI	13	10/P	
38	X0-02230000	S/FHEXM-M3X6-NI	4	10/P	
39	X0-02011000	S/CTS-M3X8-NI	2	10/P	
40	6LA28819000	PLATE-ARM-PICK	1	1/P	
41	6LH05187400	COVER-SFB-L-H38X	1	1/PP	
65	C0-17839000	LG2A14BL1	1	1/C	
66	X0-00965000	RR/E-4-SS	1	10/P	
71	4400901130	PAD-BRAKE	1	5/P	
72	6LH05429000	PULLY-S2M30-6D	1	1/P	
73	6LH05177000	BLT-SY-S2M-148-6	1	1/P	
74	6LA28768000	ACTR-EMP-SW-BYP	1	1/P	
75	6LH05159000	ASYS-BRKT-SFB-EXIT-43X	1	1/P	
76	6LH05151400	COVER-SFB-H38X	1	1/PP	
77	6LK41511000	MOTR.S-FEED-H38X	1	1/C	
78	X0-02421000	S/TPS/FHEXM/R-4X8-ZU3	2	10/P	
79	X0-02676000	S/TPP/FHEXM-4X8-ZB3	1	10/P	
80	6LH08890000	HRNS-SFBSW-430	1	1/P	
81 A	6LL27076000	HRNS-SFBM-K130JC	1	1/P	Except for eS7516AC MJC eS7516AC MJC
81 B	6LL27077000	HRNS-SFBM-K130HF	1	1/P	
82	6LH08893000	HRNS-SFBFG-430	1	1/P	
83 A	6LL27078000	HRNS-SFBFED-K130	1	1/P	Except for eS7516AC MJC
83 B	6LL27079000	HRNS-SFBFED-K130HF	1	1/P	eS7516AC MJC
84	X0-02419000	S/TPS/FHEXM/R-3X6-ZU3	3	10/P	
85	X0-02683000	S/TPP/FHEXM-3X8-ZB3	2	5/P	
86	F0-01012000	T18R	1	5/P	



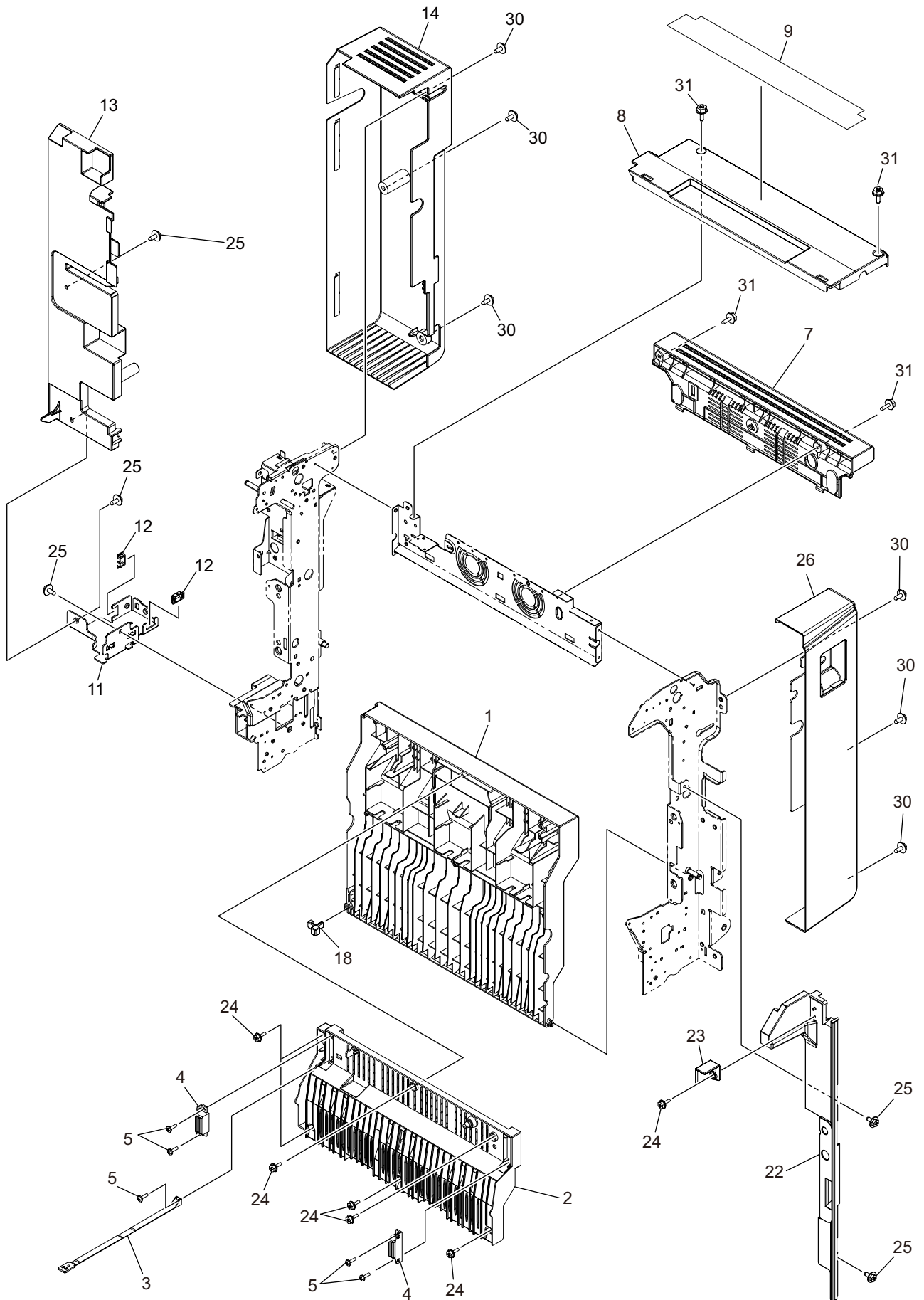
ITEM No.	PART No.	PART NAME	Q'TY / PAGE	Q'TY / PACK	REMARKS
35	X0-00966000	RR/E-5-SS	2	10/P	
37	X0-02247000	S/TPP/FHEXM-3X8-NI	4	10/P	
41	6LA28857000	ASYS-BRKT-LVR-SPT	2	1/P	
43	6LA28899000	ASYS-ROLL-SPT-L30	1	1/P	
48	6LH04521000	LVR-IDLE-F43X	2	1/P	
49	6LH05135000	BRKT-FRAME-AD	2	1/P	
50	6LK41727000	SPG-E-6XR55X85R5-SPT	1	1/P	
51	6LA82827000	SPG-E-6R7XR7X79R55	1	1/P	
52	6LA28865000	SPR-1.0-15.65-13L	1	1/P	
53	6LK41733100	HOLDER-ROL-SPT-BYP_SH	1	1/D	
54	6LE40437000	SHAFT-ROL-SPT	1	1/P	
55	6LA28861000	COVER-SPE-ARBOR-17	1	1/P	
56	6LJ07625200	CASE-BYPASS-RLR_B	1	1/PP	
57	6LE40422000	ACTUATOR-BYP	1	1/P	
58	6LK41726000	BRKT-ACT-BYP-43X	1	1/P	
59	6LA28922000	LEVER-SPT-R	1	1/P	
60	6LA28921000	LEVER-SPT-F	1	1/P	
61	6LA28863000	ARBOR-SPT-BYP	1	1/P	
62	6LJ07626000	SFT-BYPASS-TR-L2	1	1/P	
63	6LH05137000	IDLER-TR1	2	1/P	
64	6LA28960000	SPG-T-SNSR-LOW-T	1	1/P	
65	C0-17839000	LG2A14BL1	1	1/C	
66	X0-00965000	RR/E-4-SS	1	10/P	
68	X0-02419000	S/TPS/FHEXM/R-3X6-ZU3	6	10/P	
69	F0-01248000	ESC-0912	1	10/P	
70	F0-01811000	LWS-0711S-V0	3	5/P	
74	6LH05227000	MYLAR-BYP-FEED	1	1/KP	
75	6LK41716000	SPG-F-EARTH-SNSR-H38X	1	1/P	
76	6LK41725000	SPG-T-EARTH-BYP-IDL-N	1	1/P	
77	6LK41728000	CUSH-COV-SFB-H38X	1	1/P	
78	6LA28758000	CUSHION-PAD	1	5/P	
79	6LA78908000	WASHER-6R2X9R5XR25-PL	1	5/P	



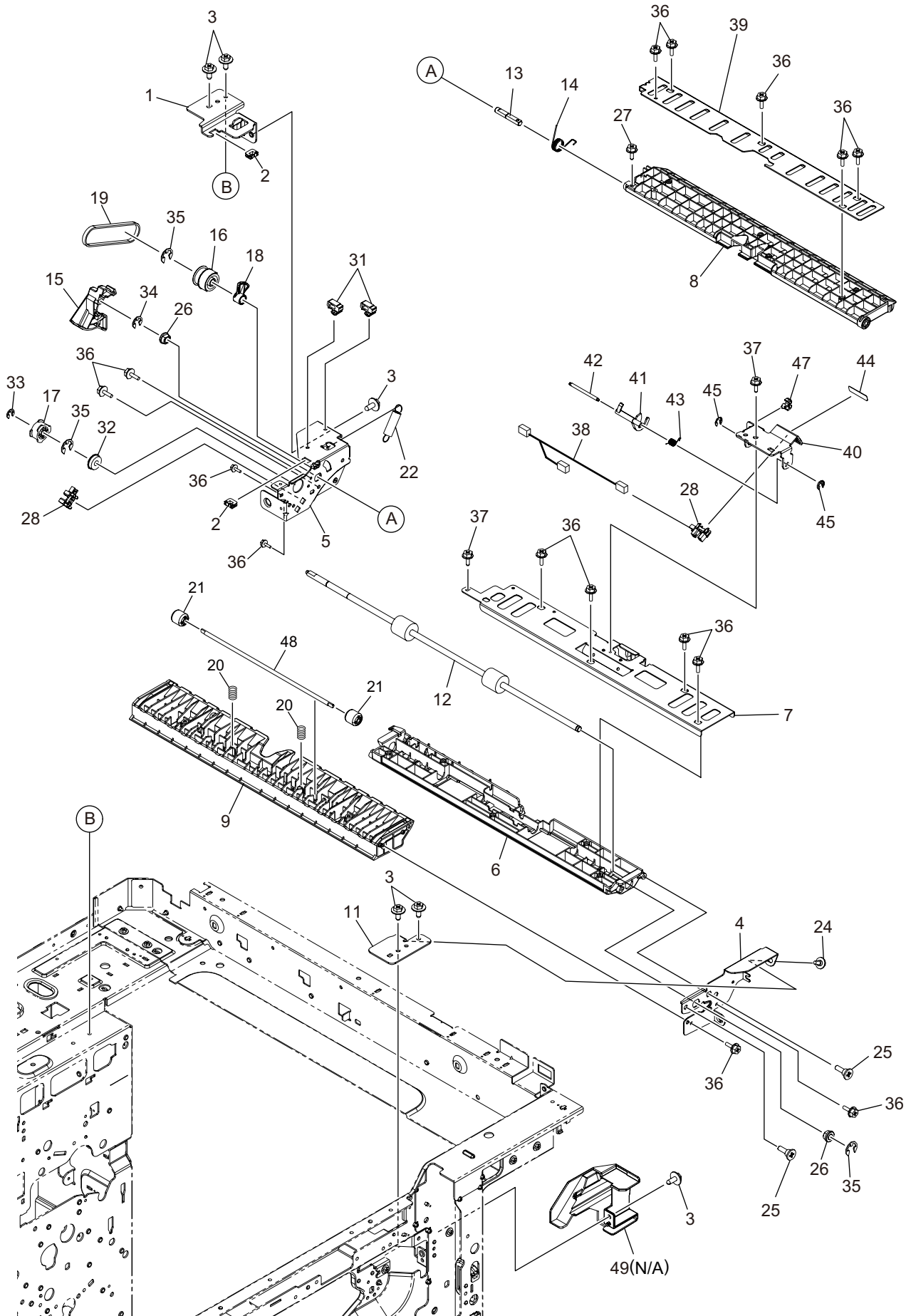
ITEM No.	PART No.	PART NAME	Q'TY / PAGE	Q'TY / PACK	REMARKS
1	6LH05173200	TRAY-BYPASS-L_S_B	1	1/PP	
2	6LH05215200	TRAY-BYP-M-H38X	1	1/PP	
3	4407726480	PINION-18-395	1	1/P	
5	6LJ07801200	TRAY-BYPASS-UP_H38	1	1/PP	
6	6LH05172200	GUIDE-TRAY-FRT-H38X	1	1/P	
7	6LE21244600	GUIDE-TRAY-RER-H38X	1	1/P	
8	6LA29006700	LEVER-GUIDE-S_GG	1	1/P	
9	6LA29007000	SPG-GUIDE-F	1	1/P	
10	6LE21265000	ASYS-RACK-BYPASS-380	1	1/C	
11	6LE21245000	RACK-BYPASS-380	1	1/KP	
12	6LE21247000	ASYS-PLATE-PINION-380	1	1/D	
14	6LK73344000	PWA-H-SFB-380	1	1/SB	
15	X0-02683000	S/TPP/FHEXM-3X8-ZB3	6	5/P	
16	X0-00595000	S/TPP/PAN-3X6-NI	2	10/P	
17	X0-02629000	S/BID-M3X6-ZB3	1	10/P	
18	X0-02419000	S/TPS/FHEXM/R-3X6-ZU3	3	10/P	
19	6LH05188100	ARM-TRAY-SFB-F_B	1	1/P	
20	6LH05191100	ARM-TRAY-SFB-R_B	1	1/P	
21	6LK41738000	BRKT-TRAY-BYP-R	1	1/P	
22	6LH05180000	ASYS-SFT-TRAY-BYP-43X	1	1/P	
23	6LH05155000	SPA-TRAY-SFB-43X	1	1/P	
24	4400802080	BUSH-8	1	5/P	
25	F0-01248000	ESC-0912	1	10/P	
27	X0-00968000	RR/E-7-SS	2	10/P	
28	X0-02421000	S/TPS/FHEXM/R-4X8-ZU3	1	10/P	
29 A	6LL27081000	HRNS-SFBSIZE-K130	1	1/P	Except for eS7516AC MJC eS7516AC MJC
29 B	6LL27082000	HRNS-SFBSIZE-K130HF	1	1/P	
30	6LK41707000	LBL-HIGH-TRAY-H38X	1	1/P	
31 A	6LK41710000	LBL-SFB-TRAY-EC-H38X	1	1/KP	MJD,MJC,ASD,AUD,CND,ARD NAD,NAC
31 B	6LK41709000	LBL-SFB-TRAY-U-H38X	1	1/KP	
32	6LH05162000	SPL-TRAY-43X	1	1/P	
33	6LK41735000	BRUSH-SIDE-WALL-F-N	1	1/P	
34	6LK41736000	BRUSH-SIDE-WALL-R-N	1	1/P	



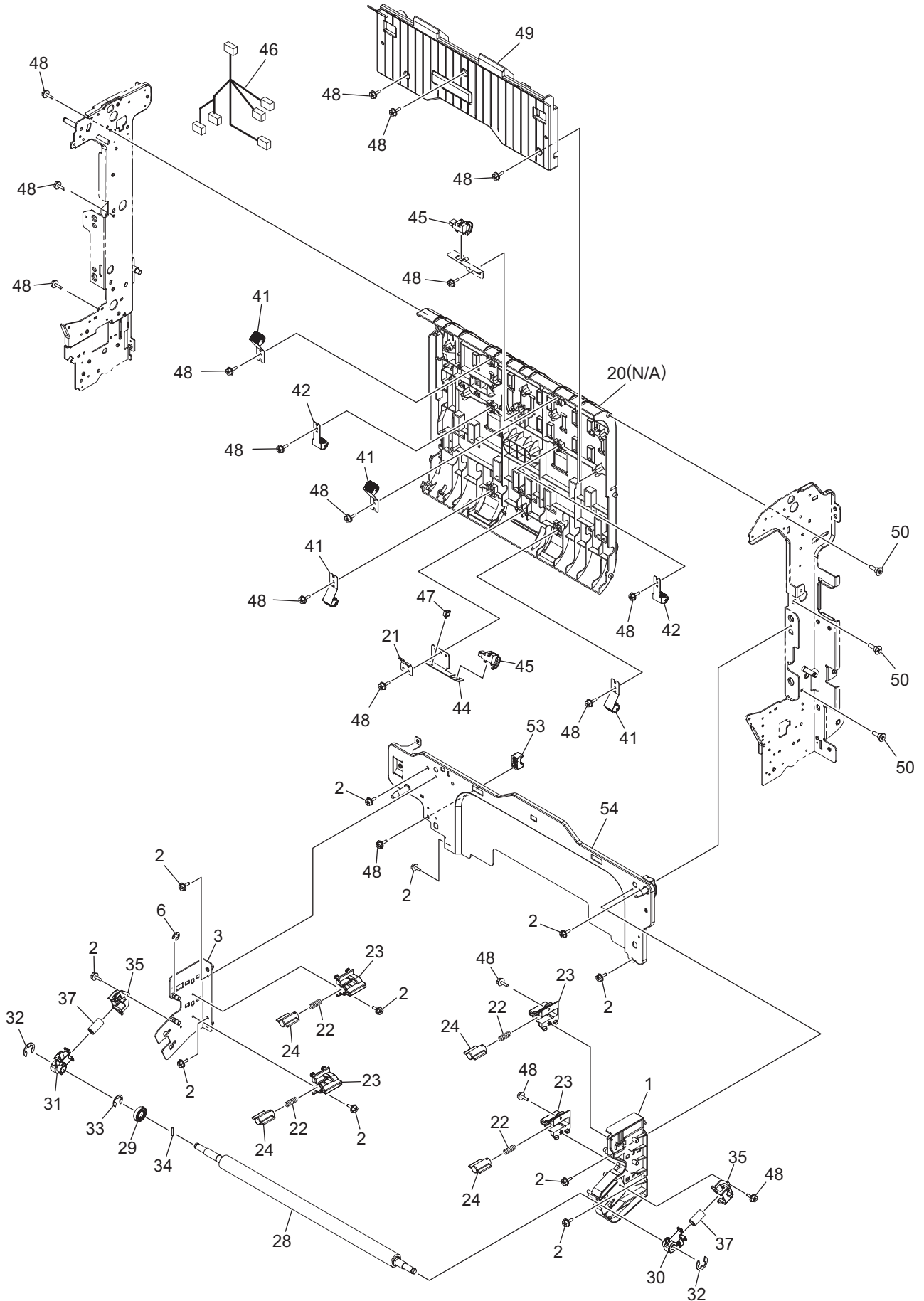
ITEM No.	PART No.	PART NAME	Q'TY / PAGE	Q'TY / PACK	REMARKS
1	6LH05435000	BRKT-MOTOR-ADU	2	1/P	
2	6LK41511000	MOTR.S-FEED-H38X	2	1/C	
3	X0-02230000	S/FHEXM-M3X6-NI	8	10/P	
5	6LK41909000	RLR-ADU-MID-H38X	1	1/KP	
6	6LK41908000	RLR-ADU-UP-H38X	1	1/KP	
7	6LK41910000	RLR-ADU-LOW-H38X	1	1/KP	
8	6LH05409000	GEAR-10S20_PS2M30-6	1	1/P	
9	6LH05402000	GEAR-10S20-6	1	1/P	
10	6LH05410000	PULLY-S2M30-6D-DBL	1	1/P	
11	6LH05417000	PULLY-S2M30-6-DBL	1	1/P	
12	6LH05429000	PULLY-S2M30-6D	3	1/P	
13	6LH05408000	BLT.SY-S2M-118-5	1	1/P	
14	6LH05418000	BLT.SY-S2M-142-4	1	1/P	
15	6LH05420000	BLT.SY-S2M-186-4	1	1/P	
16	6LH05430000	BLT.SY-S2M-224-4	1	1/P	
17	6LH05401000	BLT.SY-S2M-300-4	1	1/P	
19	F0-02297000	696ZZNR-SB-M-GV22	6	1/P	
20	6LA29859000	BUSH-6X10X4F-POM	2	5/P	
21	44201801000	STOP-RING-6-1.5	1	5/P	
22	X0-00964000	RR/E-3-SS	4	10/P	
23	X0-00966000	RR/E-5-SS	8	10/P	
24	X0-02420000	S/TPS/FHEXM/R-3X8-ZU3	8	10/P	
25	6LH05510000	BRKT-FAN-ADU	1	1/P	
26	6LK30992000	FAN-6015-090-H340	1	1/D	
27	F0-02296000	ES-0505-2	3	5/P	
28	F0-01250000	MSB-1207	1	5/P	
29	X0-02061000	S/TPS/PAN-3X20-ZU3	2	10/P	
30	6LK39235000	HRNS-ADU-SFB-H380	1	1/P	
33	6LK73050000	HRNS-ADUM-H380JC	1	1/P	
34	6LK39236000	HRNS-ADU-SNR1-H380	1	1/P	
35	6LL27069000	PWA-K-ADU-130	1	1/SB	
36	F0-00033000	UAMS-07-0	1	10/P	
37	F0-00047000	EDS-1717U	2	10/P	
39	F0-01243000	LWS-1211Z	1	5/P	
40	E0-12019000	V-152-1C25	1	1/C	
42	X0-02060000	S/TPS/PAN-3X16-ZU3	2	10/P	



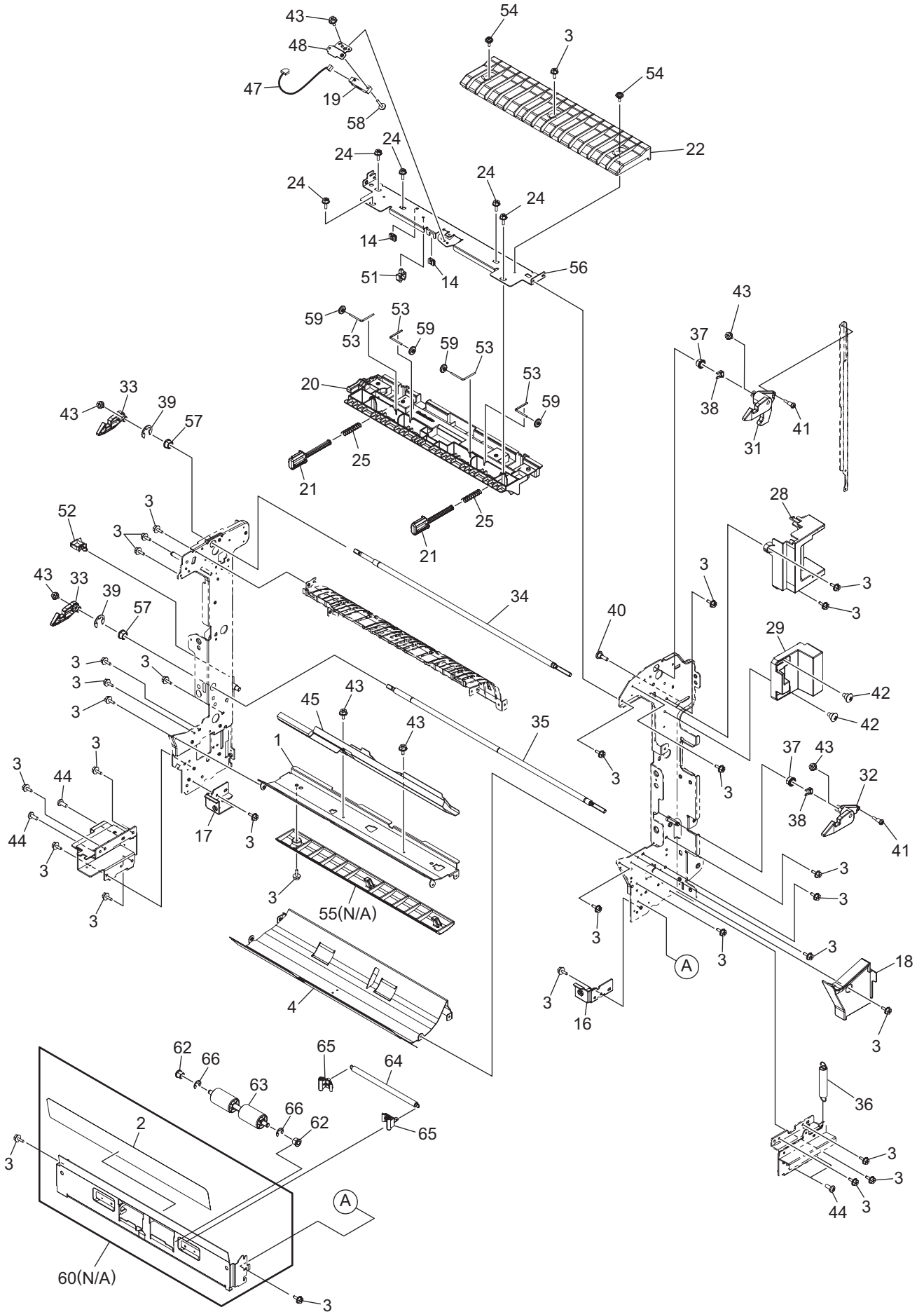
ITEM No.	PART No.	PART NAME	Q'TY / PAGE	Q'TY / PACK	REMARKS
1	6LH05530300	COVER-ADU-RIGHT-430-B	1	1/PP	
2	6LH05432300	GUIDE-ADU-RIGHT-UP_MN2	1	1/PP	
3	6LH05522000	STOPPER-STRING-430	1	1/KP	
4	F0-01394000	CA-0131B	2	1/P	
5	X0-01989000	S/TPP/BID-3X8-NI	5	10/P	
7	6LH05529200	COVER-ADU-U-SUB-430-BN	1	1/PP	
8 A	6LK41928000	ASYS-COVER-ADU-UP-H38X	1	1/PP	NAD,NAC,MJD,MJC,ASD,AUD,ARD
8 B	6LK41928100	ASYS-COVER-ADU-UP-H38XC	1	1/PP	CND
9 A	6LK41933000	LBL-ADU-UPPER-H38X	1	1/KP	NAD,NAC,MJD,MJC,ASD,AUD,ARD
9 B	6LK41934000	LBL-ADU-UPPER-C-H38X	1	1/KP	CND
11	6LK41942000	BRKT-TR2-T_BOX	1	1/P	
12	F0-01248000	ESC-0912	2	10/P	
13	6LK41325000	COV-IN-R-H38X	1	1/PP	
14	6LK41326000	COVER-ADU-RER-H38X	1	1/PP	
18	44201629000	STOPPER-COV-FED	1	1/P	
22	6LH05546300	COVER-ADU-FRT-SUB-380_M	1	1/PP	
23	6LK40272000	PUSHER-COV-ADU-SW-K13X	1	1/P	
24	X0-02247000	S/TPP/FHEXM-3X8-NI	7	10/P	
25	X0-02421000	S/TPS/FHEXM/R-4X8-ZU3	5	10/P	
26	6LH05500400	COVER-ADU-FRT-H38X	1	1/PP	
30	X0-02678000	S/TPS/FHEXM/R-4X8-ZB3	6	10/P	
31	X0-02681000	S/TPD3/FHEXM/R-3X8-ZB3	4	10/P	



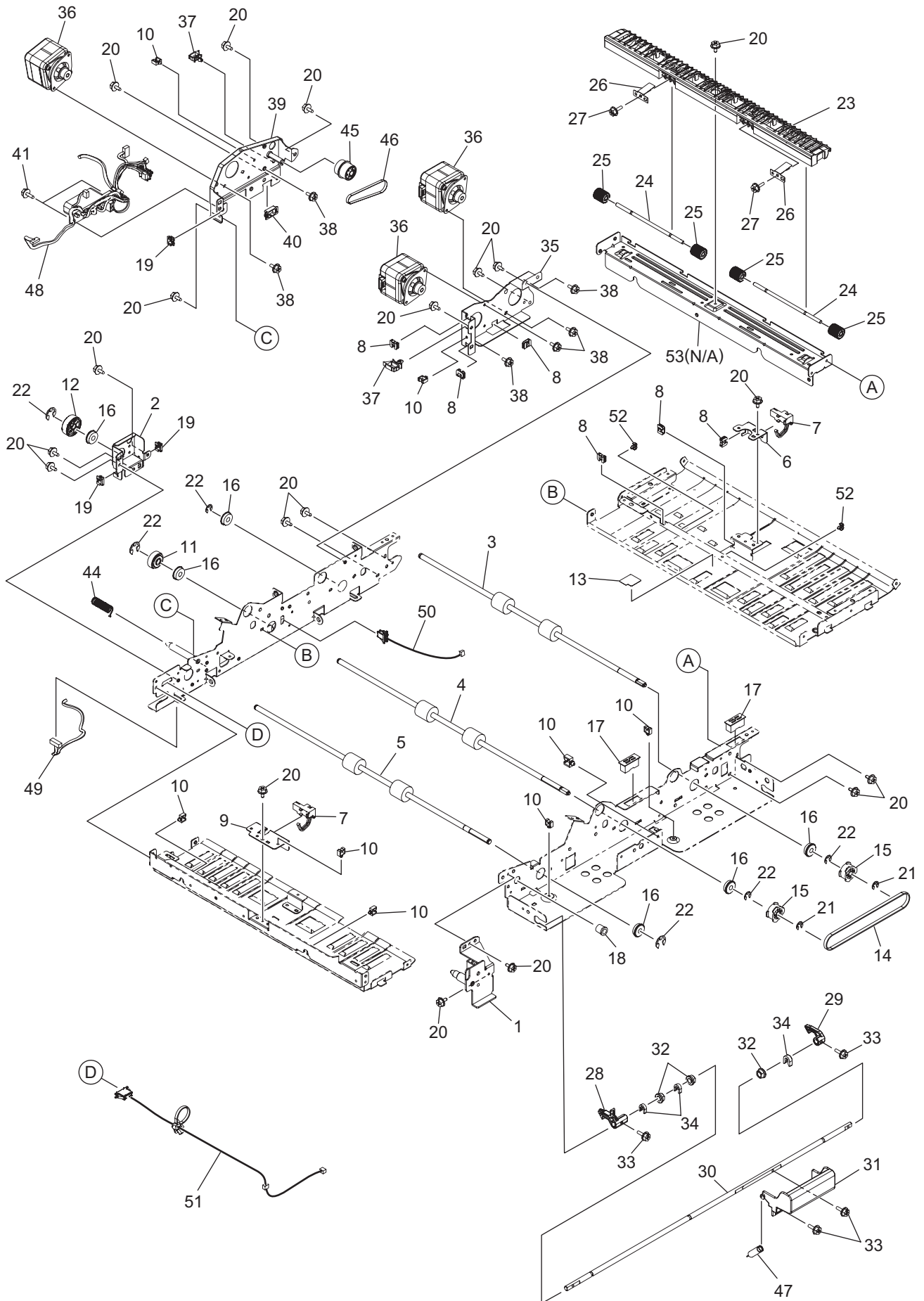
ITEM No.	PART No.	PART NAME	Q'TY / PAGE	Q'TY / PACK	REMARKS
1	6LH05494000	BRKT-HOLD-MID-R	1	1/P	
2	F0-02296000	ES-0505-2	2	5/P	
3	X0-02421000	S/TPS/FHEXM/R-4X8-ZU3	6	10/P	
4	6LH05527000	ASYS-FRM-MID-GID-F	1	1/P	
5	6LJ07901000	ASYS-FRM-MID-GID-RN	1	1/P	
6	6LH05456000	GUIDE-MID-JCT-U	1	1/PP	
7	6LH05493000	STAY-GUIDE-MID-JCT	1	1/P	
8	6LK41935100	GUIDE-SEPT-JCT_SH	1	1/PP	
9	6LK41905000	GUIDE-EXIT-M-H38X	1	1/PP	
11	6LH05481000	BRKT-HOLD-MID-F	1	1/P	
12	6LK41911000	RLR-ADU-LFT-UP-H38X	1	1/KP	
13	6LH05459000	SHAFT-SEPT-GUIDE-R	1	1/P	
14	6LH05473000	SPG-GUIDE-JCT	1	1/P	
15	6LJ07909000	CRANK-MOV-GUIDE	1	1/P	
16	6LH05409000	GEAR-10S20_PS2M30-6	1	1/P	
17	6LH05429000	PULLY-S2M30-6D	1	1/P	
18	6LH05455000	CARR-GEAR-MID	1	1/P	
19	6LH05420000	BLT.SY-S2M-186-4	1	1/P	
20	6LK41921000	SPC-ROL-IDLE-ADU-MID	2	1/P	
21	44203198000	ROLL-EXIT-L-320	2	1/P	
22	6LH05508000	SPG-E-9R1XR7X26R08	1	1/P	
24	6LE41127000	SCREW-M3-4-1.4	1	5/P	
25	6LH05511000	SCREW-M3X8-3.2-P	2	5/P	
26	6LH53768000	BUSH-6-NU4	2	1/P	
27	X0-02230000	S/FHEXM-M3X6-NI	1	10/P	
28	C0-20495000	LG2A24BL1	2	1/C	
31	F0-01462000	LBWS-0206S-V0	2	1/P	
32	F0-02297000	696ZZNR-SB-M-GV22	1	1/P	
33	X0-00964000	RR/E-3-SS	1	10/P	
34	X0-00965000	RR/E-4-SS	1	10/P	
35	X0-00966000	RR/E-5-SS	3	10/P	
36	X0-02247000	S/TPP/FHEXM-3X8-NI	15	10/P	
37	X0-02069000	S/TPS/BID-3X6-ZU3	2	10/P	
38	6LJ09271000	HRNS-MIDSN-130	1	1/P	
39	6LH05526000	BRKT-SUPPORT-JCT-GUIDE	1	1/P	
40	6LJ07902000	BRKT-SNSR-ADU-MID-N	1	1/P	
41	6LJ07908000	ACTR-SNSR-ADU-MID	1	1/C	
42	6LH05539000	PIN-SNSR-ADU-MID	1	1/P	
43	6LH05538000	SPG-SNSR-ADU-MID	1	1/P	
44	6LJ08725000	SHEET-SNSR-LG248	1	5/P	
45	X0-00963000	RR/E-2-SS	2	10/P	
47	F0-01194000	UAMS-02WH-2	1	5/P	
48	6LK41917000	SHAFT-IDLE-ADU-MID-H38X	1	1/P	
49	6LK40273000	COV-LVR-DOOR-K13X	1	N/A***	



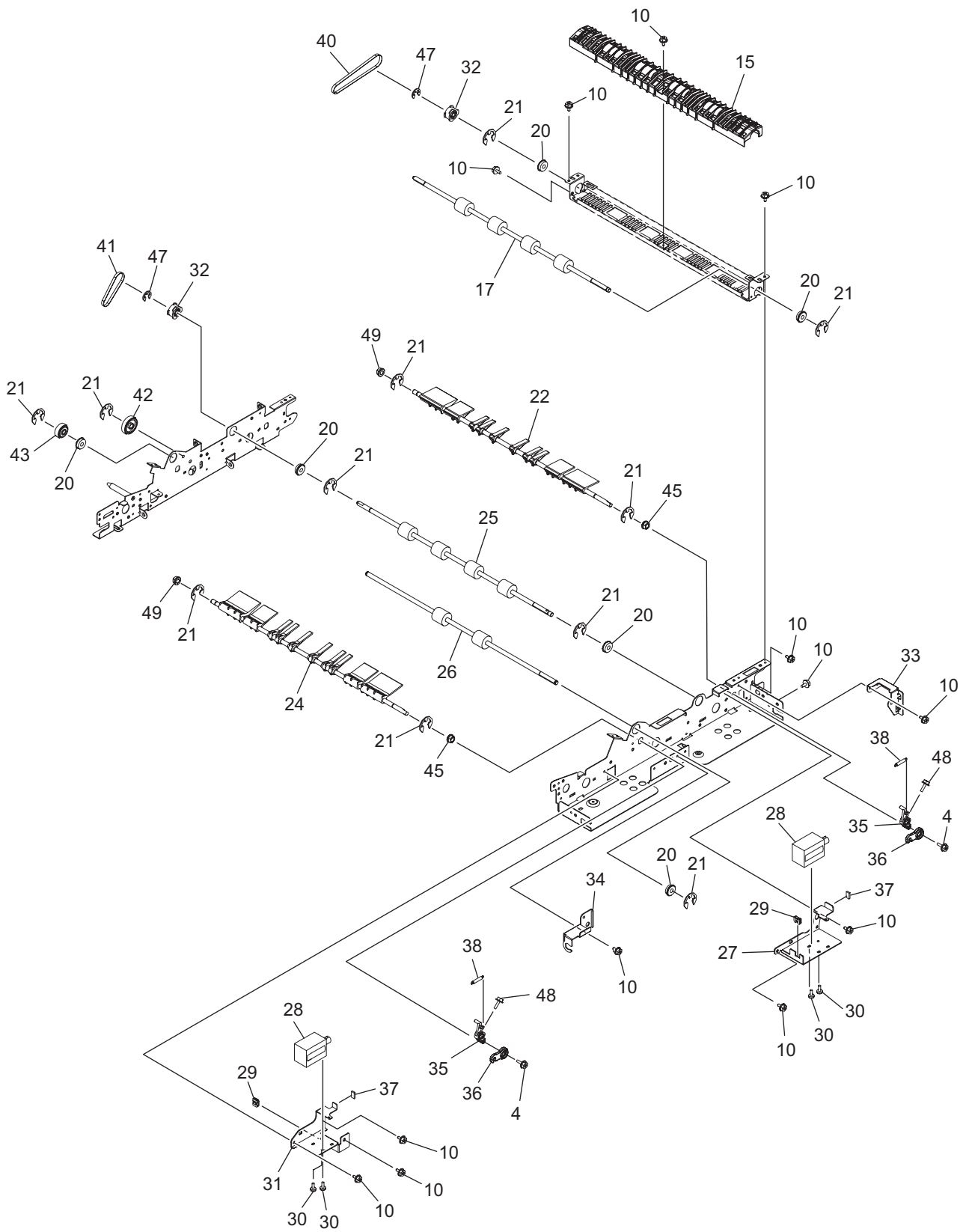
ITEM No.	PART No.	PART NAME	Q'TY / PAGE	Q'TY / PACK	REMARKS
1	6LK41336000	FRAME-TRU-F-H38X	1	1/PP	
2	X0-02420000	S/TPS/FHEXM/R-3X8-ZU3	11	10/P	
3	6LK41337000	ASYS-FRAME-TRU-R-H380	1	1/P	
6	X0-00965000	RR/E-4-SS	1	10/P	
20	6LH05438200	GUIDE-ADU-IN_MN	1	N/A***	
21	6LK41716000	SPG-F-EARTH-SNSR-H38X	1	1/P	
22	6LJ75224000	SPG-PAD-CST-H24X	4	1/P	
23	6LK41352000	HOLDER-SPC-TR2-H38X	4	1/P	
24	6LK41353000	PUSHER-TRU-H38X	4	1/P	
28	6LK41915000	ROLLER-RGST-R-H38X	1	1/KP	
29	6LJ07612000	GEAR-RGST-H130	1	1/P	
30	6LH04733000	ASYB-BUSH-ROL-RGST-F	1	1/C	
31	6LK41931000	ASYB-BUSH-ROL-RGST-R-H38X	1	1/C	
32	X0-00968000	RR/E-7-SS	2	10/P	
33	X0-00970000	RR/E-9-SS	1	10/P	
34	X0-01165000	P/PRL/AH7-2X14-SS	1	10/P	
35	6LE24244000	HOLDER-RGST-SPE	2	1/P	
37	6LH04535000	SPG-C-11R1X1X48R5	2	5/P	
41	6LK41940000	ASYB-IDL-ADU-SIDE-H38X	4	1/P	
42	6LK41941000	ASYB-ROLL-IDL-BR-H38X	2	1/P	
44	6LH05440000	BRKT-SNSR-ADU-LOW	1	1/P	
45	6LE09239000	SNSR-FED-390	2	1/P	
46	6LK39237000	HRNS-ADU-SNR2-H380	1	1/P	
47	F0-01250000	MSB-1207	1	5/P	
48	X0-02247000	S/TPP/FHEXM-3X8-NI	18	10/P	
49	6LK41930100	COVER-HRNS-ADU-H38X	1	1/PP	
50	6LH05511000	SCREW-M3X8-3.2-P	3	5/P	
53	6LH04421000	HOLDER-SFT-LOCK-ADU-L	1	1/P	
54	6LK41331000	ASYS-FRAME-TRU-H380	1	1/P	



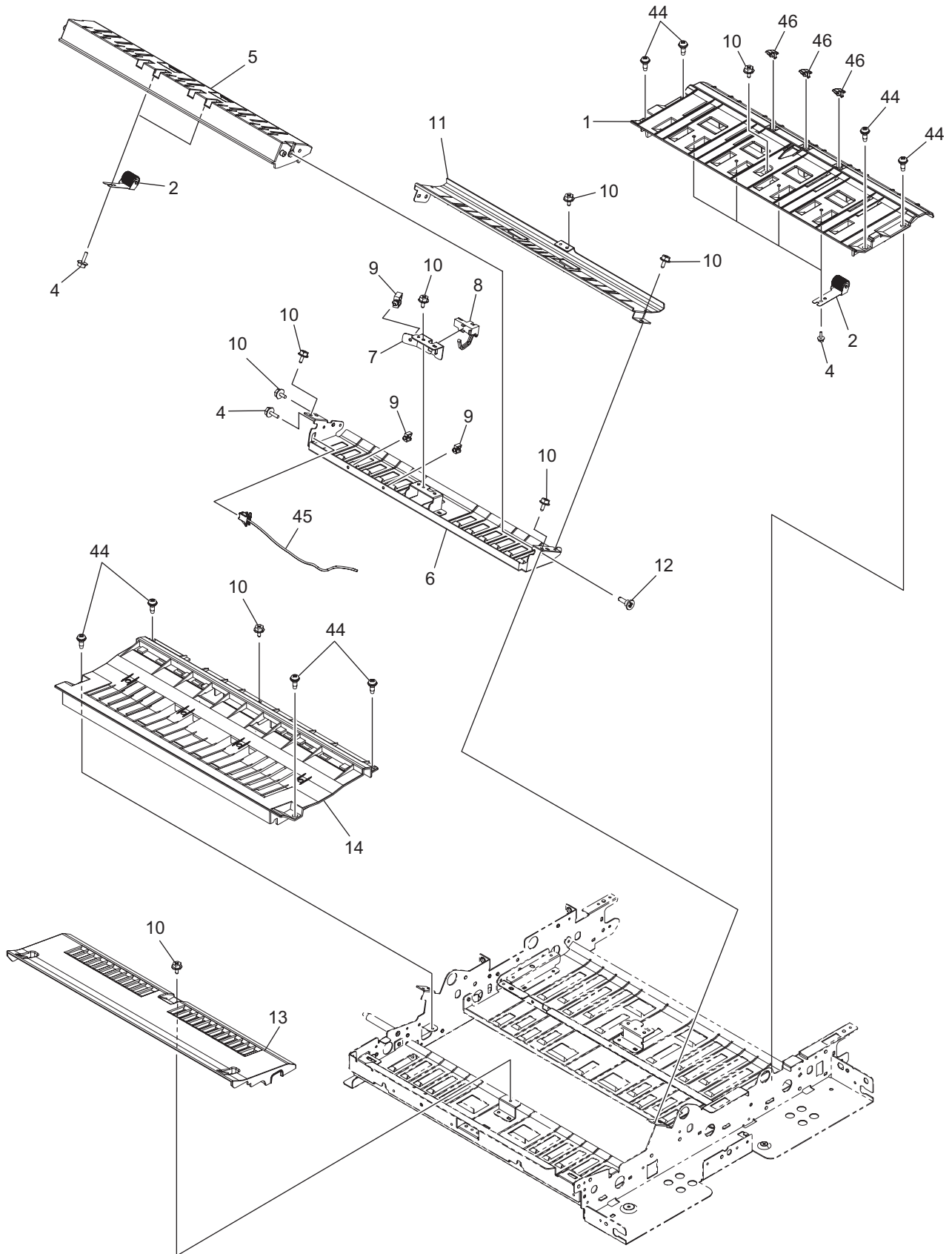
ITEM No.	PART No.	PART NAME	Q'TY / PAGE	Q'TY / PACK	REMARKS
1	6LH05404100	ASYS-GUIDE-RGST-R-H38X	1	1/PP	
2	6LH05203000	MYLAR-GUIDE-TRANS	1	1/KP	
3	X0-02420000	S/TPS/FHEXM/R-3X8-ZU3	31	10/P	
4	6LH05441100	ASYS-GUIDE-ADU-LOWH38	1	1/KP	
14	F0-02296000	ES-0505-2	2	5/P	
16	6LH05164000	BRKT-ADU-L-F	1	1/P	
17	6LH05165000	BRKT-ADU-L-R	1	1/P	
18	6LH05501200	COVER-ADU-FRT-SUB-L_B	1	1/P	
19	C0-15008000	PSR11TD1-A	1	1/P	
20	6LK42526000	COV-ADU-RTN-L-H38X	1	1/PP	
21	6LK42527000	PUSH-COV-SNSR-H38X	2	1/P	
22	6LH07446000	GUIDE-ADU-RTN	1	1/PP	
24	X0-02247000	S/TPP/FHEXM-3X8-NI	5	10/P	
25	6LK42528000	SPG-C-GUIDE-RTN-H38X	2	1/P	
28	6LH05502200	COVER-LEV-OPEN-ADU_B	1	1/PP	
29	6LH05509200	LEVER-OPEN-ADU-H38X	1	1/P	
31	6LH05416000	LEVER-LOCK-ADU-FU	1	1/P	
32	6LH05427000	LEVER-LOCK-ADU-FL	1	1/P	
33	6LH05413000	LEVER-LOCK-ADU-RU	2	1/P	
34	6LH05421000	SHAFT-LOCK-LEV-ADU-UP	1	1/P	
35	6LH05496000	SHAFT-LOCK-LEV-ADU-LOW	1	1/P	
36	6LH05531000	SPG-E-15X1R4X44R7	1	1/P	
37	6LE50521000	BUSH-8X12X5R5F-NU4	2	5/P	
38	41306265000	STOP RING	2	1/P	
39	X0-00968000	RR/E-7-SS	2	10/P	
40	6LH05511000	SCREW-M3X8-3.2-P	1	5/P	
41	6LA08933000	SCREW-CON-DEV-V	2	10/P	
42	6LA37669000	SCREW-LOCK-ARM	2	5/P	
43	X0-02230000	S/FHEXM-M3X6-NI	7	10/P	
44	X0-02074000	S/TPS/BID-4X8-ZU3	4	10/P	
45	6LH04434000	ASYS-BRKT-BRUSH	1	1/C	
47	6LK39454000	HRNS-FEXSN-H380	1	1/P	
48	6LK42588000	BRKT-ADU-SNSR-K11-H38X	1	1/P	
51	F0-00270000	UAMS-05L-0-46	1	10/P	
52	F0-01243000	LWS-1211Z	1	5/P	
53	6LK42529000	PIN-IDLE-ADU-H38X	4	10/P	
54	6LA08937000	SCREW-BKT-DEV	2	10/P	
55	6LH05403100	GUIDE-RGST-RIGHT-L_S	1	N/A***	
56	6LK42525000	BRKT-RTN-SNSR-H38X	1	1/P	
57	4400802080	BUSH-8	2	5/P	
58	X0-02135000	S/PAN/SWWP-M3X14-NI	1	10/P	
59	6LH07453000	ROLL-FUS-GUIDE	4	1/P	
60	6LK41923000	ASYS-GUIDE-TRANS-M	1	N/A***	
62	6LA03977000	BUSH-F6-GCB	2	5/P	
63	6LK41526000	ASYB-ROLLER-IDLE-H38X	1	1/P	
64	6LH04519000	SPG-E-COVER-IDLE-F43X	1	1/P	
65	6LH04521000	LVR-IDLE-F43X	2	1/P	
66	X0-00966000	RR/E-5-SS	2	10/P	



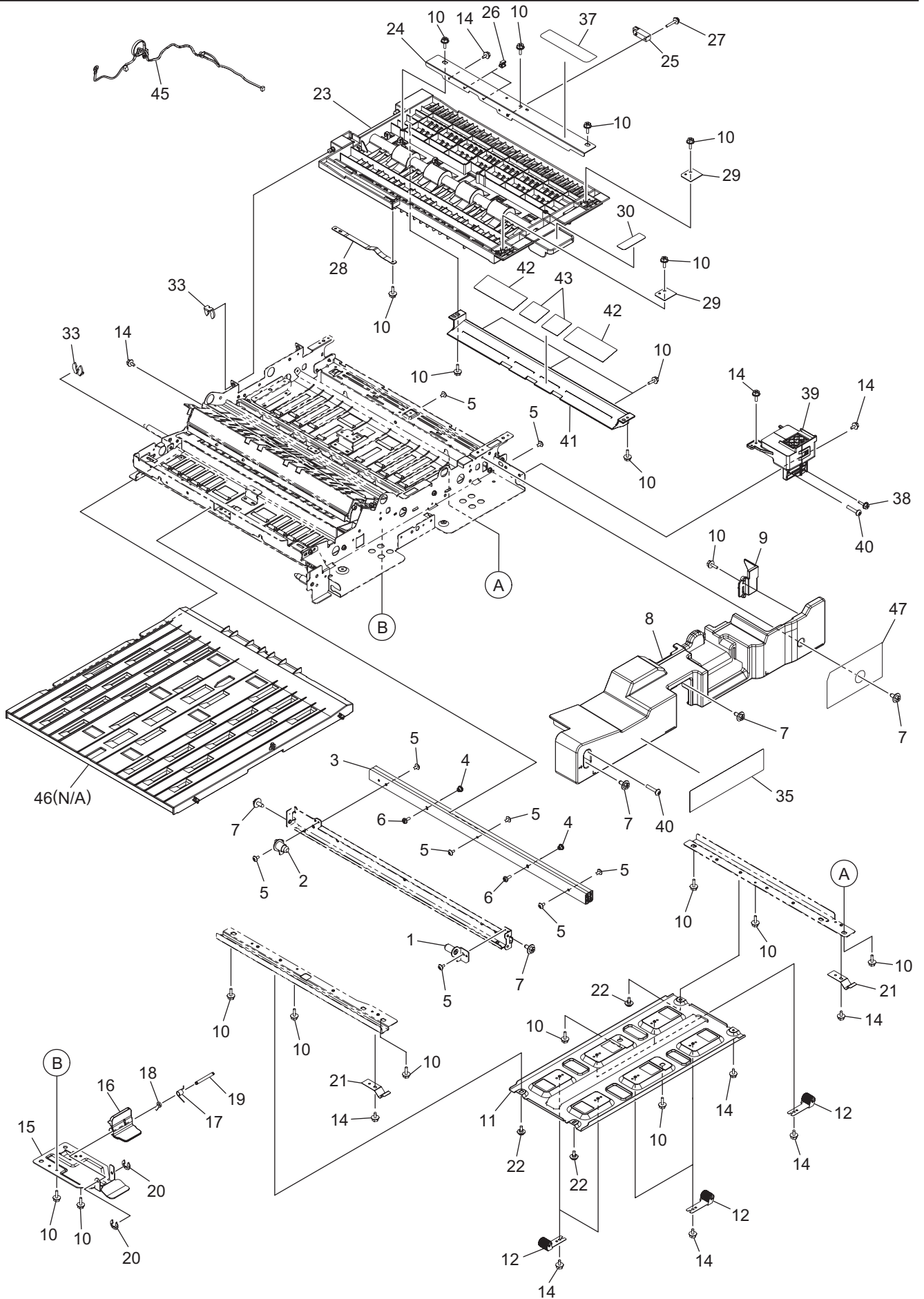
ITEM No.	PART No.	PART NAME	Q'TY / PAGE	Q'TY / PACK	REMARKS
1	6LH17871000	ASYS-BKT-PIN-F	1	1/P	
2	6LH17884000	PLATE-EX-DRV	1	1/P	
3	6LK43922000	RLR-BR-L1-H38X	1	1/KP	
4	6LK43923000	RLR-BR-L2-H38X	1	1/KP	
5	6LK43924000	RLR-BR-L3-H38X	1	1/KP	
6	6LH17839000	BRKT-SENS-M	1	1/P	
7	6LK73160000	SNSR-FED-RVS-H380	2	1/C	
8	F0-02296000	ES-0505-2	6	5/P	
9	6LH17831000	BRKT-BR-ML-SW	1	1/P	
10	F0-01250000	MSB-1207	8	5/P	
11	6LH17858000	GEAR-10S19-06C	1	1/P	
12	6LH17859000	GEAR-10S23-06C	1	1/P	
13	6LH17939000	MYLAR-BL	1	1/P	
14	6LH05401000	BLT.SY-S2M-300-4	1	1/P	
15	6LH05429000	PULLY-S2M30-6D	2	1/P	
16	F0-02297000	696ZZNR-SB-M-GV22	6	1/P	
17	6LH17973000	MG-CATCH-255	2	1/P	
18	F0-00018000	OCB-500	1	10/P	
19	F0-00671000	EDS-0607M	3	5/P	
20	X0-02419000	S/TPS/FHEXM/R-3X6-ZU3	19	10/P	
21	X0-00964000	RR/E-3-SS	2	10/P	
22	X0-00966000	RR/E-5-SS	6	10/P	
23	6LH17964000	HLDR-BR-ENT-L	1	1/P	
24	6LH17913000	SHAFT-BR-ENT-L	2	1/P	
25	6LE23952000	ROLL-EXIT-L-380	4	1/P	
26	6LH17914000	SPL-BR-ENT-L	2	1/P	
27	X0-02247000	S/TPP/FHEXM-3X8-NI	2	10/P	
28	6LH17820000	LEVER-BR-L	1	1/P	
29	6LH17821000	LEVER-BR-R	1	1/P	
30	6LH17822000	SHAFT-HANDLE-BR	1	1/P	
31	6LH17926100	LEV-HAND_G	1	1/P	
32	44201492000	BUSH-6-POM	3	5/P	
33	X0-02231000	S/FHEXM-M3X8-NI	4	10/P	
34	4407972860	STOP-RING-6-5	3	5/P	
35	6LH17870000	BKT-DRV-BR	1	1/P	
36	6LK41511000	MOTR.S-FEED-H38X	3	1/C	
37	F0-01811000	LWS-0711S-V0	2	5/P	
38	X0-02230000	S/FHEXM-M3X6-NI	6	10/P	
39	6LH17927100	ASYS-BKT-MOT-E_H38	1	1/P	
40	F0-01248000	ESC-0912	1	10/P	
41	X0-02420000	S/TPS/FHEXM/R-3X8-ZU3	2	10/P	
44	6LH17972000	SPG-C-10R6X1X31R8L	1	1/P	
45	6LK43901000	GEAR-10S19_PS2M30-6	1	1/P	
46	6LH17855000	BLT.SY-S2M-178-4	1	1/P	
47	6LH17965000	SPG-E-7R5XR7X25R3	1	1/P	
48	6LK73288000	HRNS-RLY-H380	1	1/P	
49	6LK39234000	HRNS-RLY-EXM-H380	1	1/P	
50	6LK31427000	HRNS-RLY1-FED1-340	1	1/P	
51	6LH08958000	HRNS-RLY1-SOL-430	1	1/P	
52	F0-01194000	UAMS-02WH-2	2	5/P	
53	6LK43905000	STAY-BR-ENT-L-H38X	1	N/A***	



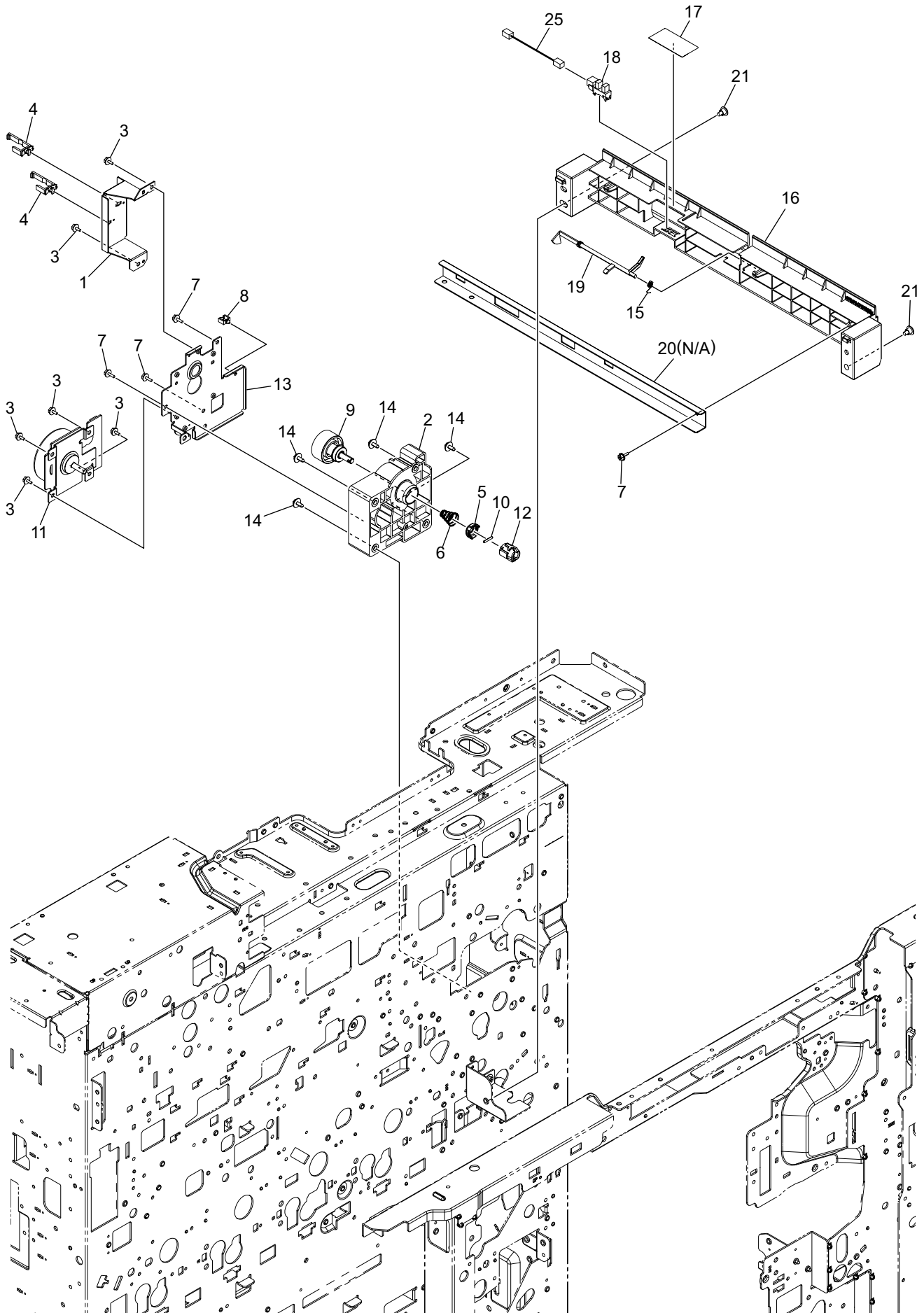
ITEM No.	PART No.	PART NAME	Q'TY / PAGE	Q'TY / PACK	REMARKS
4	X0-02247000	S/TPP/FHEXM-3X8-NI	2	10/P	
10	X0-02419000	S/TPS/FHEXM/R-3X6-ZU3	13	10/P	
15	6LK43962000	GUIDE-BR-ENT-U	1	1/D	
17	6LK43921000	RLR-BR-ENT-H38X	1	1/KP	
20	F0-02297000	696ZZNR-SB-M-GV22	6	1/P	
21	X0-00966000	RR/E-5-SS	11	10/P	
22	6LH17824000	GATE-BR-1	1	1/KP	
24	6LH17827000	GATE-BR-2	1	1/KP	
25	6LK43925000	RLR-BR-REV-H38X	1	1/KP	
26	6LK43926000	RLR-BR-EXU-H38X	1	1/KP	
27	6LK43915000	BRKT-SOL-1	1	1/P	
28	6LE09192000	SOL-GATE-390	2	1/D	
29	F0-02296000	ES-0505-2	2	5/P	
30	X0-00057000	S/PAN-M3X6-NI	4	10/P	
31	6LH17826000	BRKT-SOL-2	1	1/P	
32	6LH05429000	PULLY-S2M30-6D	2	1/P	
33	6LH17874000	BRKT-F-R	1	1/P	
34	6LH17818000	BRKT-LEVER-BR	1	1/P	
35	6LH17925000	ARM-GATE-BR	2	1/P	
36	6LH17995000	LINK-BR-SOL-430	2	1/P	
37	6LK43930000	CUSHION-SOL-GATE-H38X	2	1/P	
38	6LA05704000	SPE-050-030-139	2	5/P	
40	6LH17856000	BLT.SY-S2M-212-4	1	1/P	
41	6LJ10913000	BLT.SY-S2M-130-4	1	1/P	
42	6LH17860000	GEAR-10S25-06	1	1/P	
43	6LH17858000	GEAR-10S19-06C	1	1/P	
45	6LH53768000	BUSH-6-NU4	2	1/P	
47	X0-00964000	RR/E-3-SS	2	10/P	
48	X0-02231000	S/FHEXM-M3X8-NI	2	10/P	
49	44201492000	BUSH-6-POM	2	5/P	



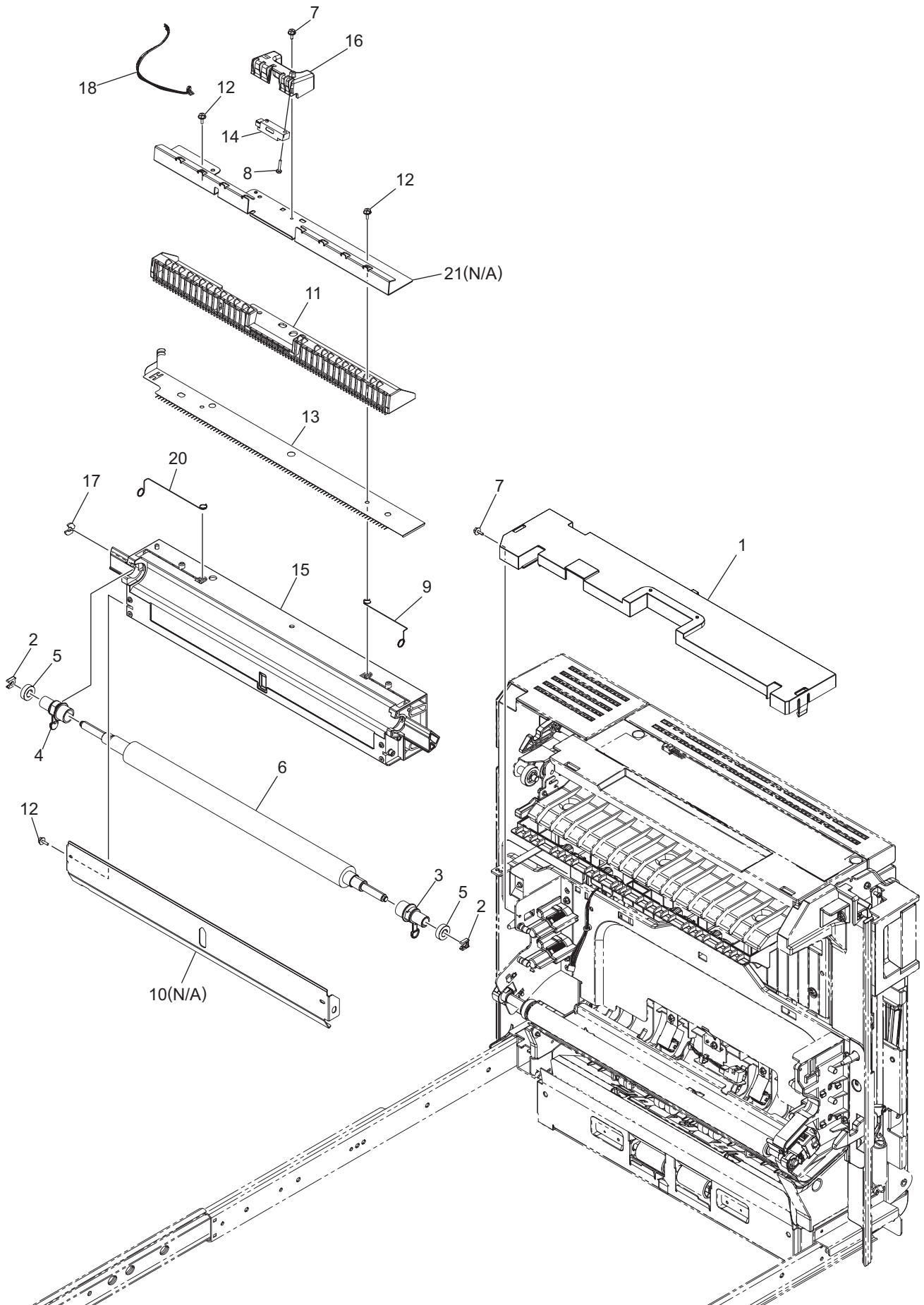
ITEM No.	PART No.	PART NAME	Q'TY / PAGE	Q'TY / PACK	REMARKS
1	6LH17842100	GUIDE-M-BR-R_SH	1	1/PP	
2	6LK41941000	ASYB-ROLL-IDL-BR-H38X	6	1/P	
4	X0-02247000	S/TPP/FHEXM-3X8-NI	7	10/P	
5	6LH17851100	GUIDE-M-EX_S	1	1/PP	
6	6LH17846000	ASYS-PLT-GUIDE-EX	1	1/P	
7	6LH17849000	BRKT-SENS-BR-EX	1	1/P	
8	6LK73160000	SNSR-FED-RVS-H380	1	1/C	
9	F0-01250000	MSB-1207	3	5/P	
10	X0-02419000	S/TPS/FHEXM/R-3X6-ZU3	9	10/P	
11	6LH17850000	GUIDE-EXIT-U	1	1/PP	
12	6LH05511000	SCREW-M3X8-3.2-P	1	5/P	
13	6LJ10900100	GUIDE-M-BR-L_S	1	1/P	
14	6LH17980100	ASYS-GUIDE-M-BR-C_SH	1	1/PP	
44	6LA36276000	SCREW-M3-FUS-C	8	5/P	
45	6LH08960000	HRNS-RLY1-RVS2-430	1	1/P	
46	6LK43961000	GUIDE-M-BR-SUB-N	3	1/P	



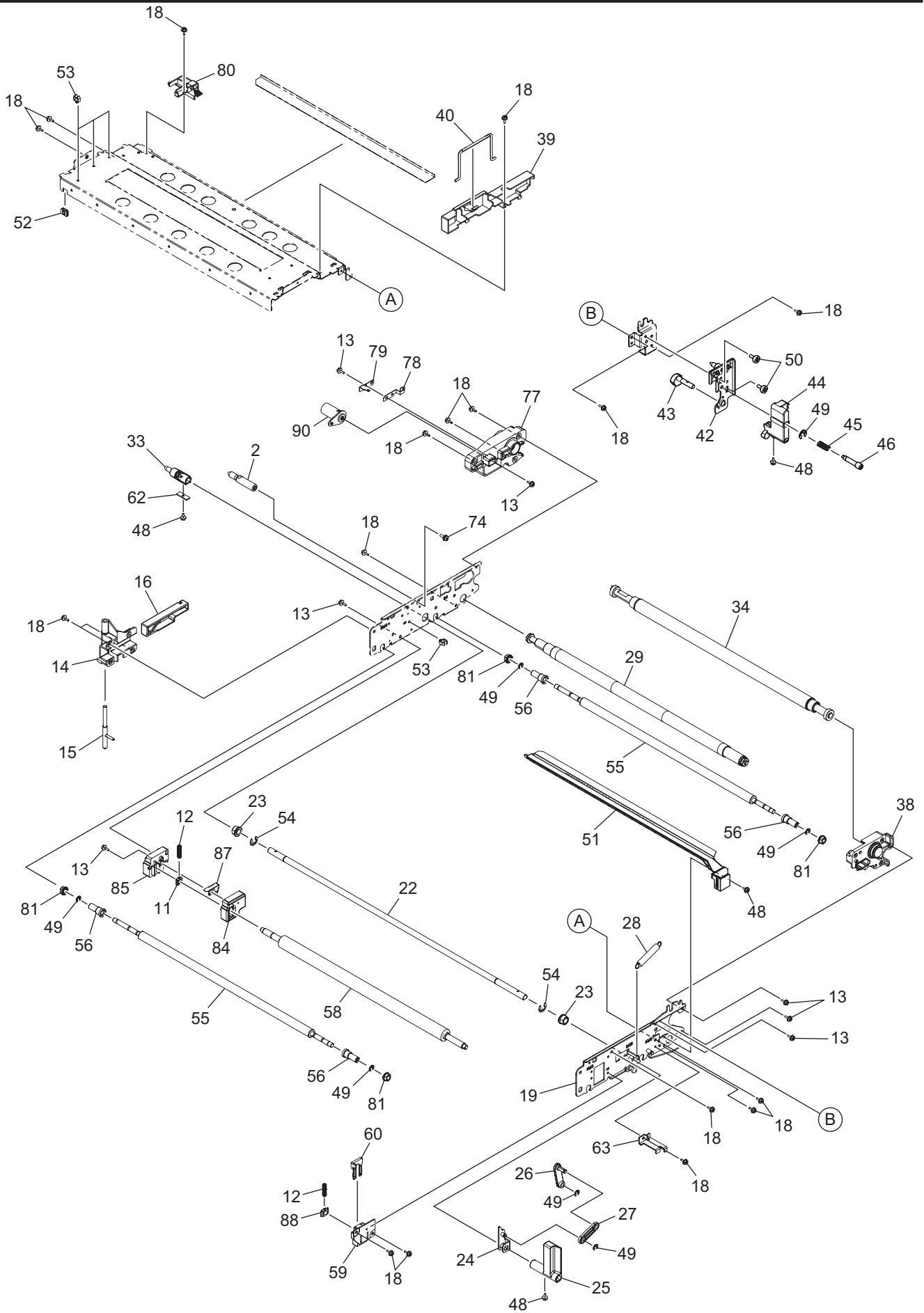
ITEM No.	PART No.	PART NAME	Q'TY / PAGE	Q'TY / PACK	REMARKS
1	6LH17800000	ASYS-BRKT-COV-UTRAY-F	1	1/P	
2	6LH17803000	ASYS-BRKT-COV-UTRAY-R	1	1/P	
3	6LH17809000	RAIL-BRIDGE-43X	1	1/P	
4	6LH17813000	STUD-RAIL	2	1/P	
5	6LA08935000	SCR-M3X6BISR-NI	9	10/P	
6	X0-00057000	S/PAN-M3X6-NI	2	10/P	
7	X0-02421000	S/TPS/FHEXM/R-4X8-ZU3	5	10/P	
8	6LH17928200	COVER-IN-BR-H38X	1	1/PP	
9	6LK40271000	PUSHER-SW-R_B-K13X	1	1/P	
10	X0-02247000	S/TPP/FHEXM-3X8-NI	22	10/P	
11	6LH17936000	BRKT-GID-RF-BR-V	1	1/P	
12	6LK41941000	ASYB-ROLL-IDL-BR-H38X	6	1/P	
14	X0-02419000	S/TPS/FHEXM/R-3X6-ZU3	13	10/P	
15	6LH17896000	PLATE-F-GUIDE-L	1	1/P	
16	6LH17895100	LEVER-LK_GG	1	1/P	
17	6LH17898000	SPA-LOCK-080	1	5/P	
18	6LJ10915000	WIRE-GUIDE-L	1	1/P	
19	6LE08847000	SHAFT-LEVER-390	1	1/P	
20	X0-00964000	RR/E-3-SS	2	10/P	
21	6LH17988000	ASYS-SPL-GUIDE-LOW	2	1/C	
22	6LE41127000	SCREW-M3-4-1.4	3	5/P	
23	6LH17906100	GUIDE-U-BR_SH	1	1/PP	
24	6LH17904000	BRKT-SENS-BR-U-R	1	1/P	
25	C0-15007000	PS119ED1	1	1/C	
26	F0-01250000	MSB-1207	2	5/P	
27	X0-02135000	S/PAN/SWWP-M3X14-NI	1	10/P	
28	6LH17937000	STOPPER-GUIDE-U	1	1/P	
29	6LH17908000	PLATE-MG-CATCH	2	1/P	
30	6LK43956000	LBL-O-GUIDE-U-BR-H38X	1	1/P	
33	44201801000	STOP-RING-6-1.5	2	5/P	
35	6LK43955000	LBL-O-BRIDGE-H38X	1	1/KP	
37	6LE08831000	LBL-W-HOT-STAY-390	1	5/P	
38	X0-02594000	S/TPD3/FHEXM-3X10-ZU3	1	10/P	
39	6LH17984000	ASYS-DUCT-FAN-BR-FRT	1	1/C	
40	X0-02066000	S/TPS/PAN-4X16-ZU3	2	10/P	
41	6LH17923000	GUIDE-BR-ENT2	1	1/PP	
42	6LA05697000	MYLAR-GUIDE-M95	2	1/KP	
43	6LA05696000	MYLAR-GUIDE-M39	2	1/P	
45	6LH09308000	HRNS-RLY1-RVS1-430	1	1/P	
46	6LJ10914100	GUIDE-LOW-BR_SH	1	N/A***	
47 A	6LK43018000	LBL-HOT-BRG-H38X	1	1/KP	NAD,NAC,MJD,MJC,ASD,AUD,ARD
47 B	6LK43021000	LBL-HOT-BRG-H38XC	1	1/KP	CND



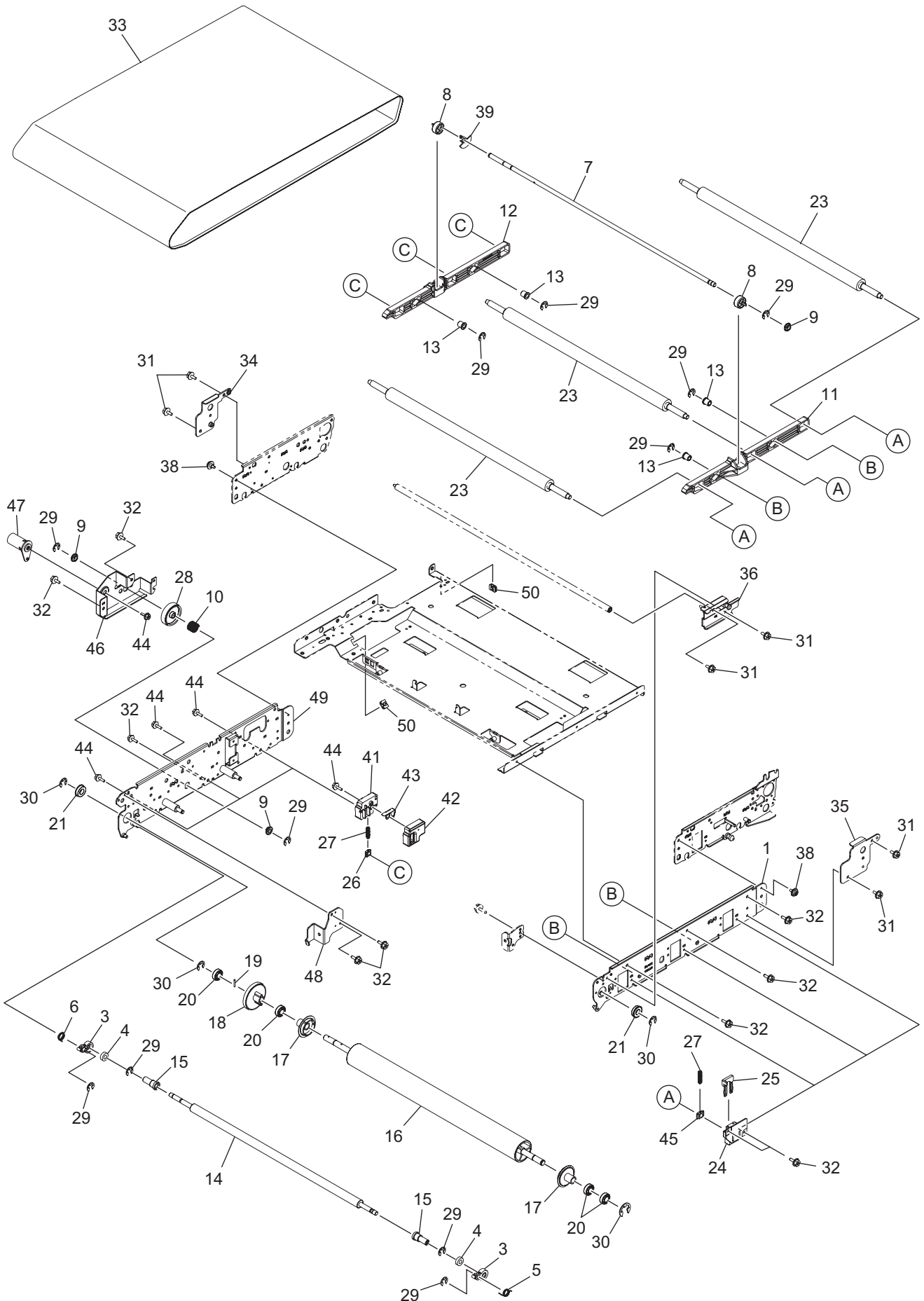
ITEM No.	PART No.	PART NAME	Q'TY / PAGE	Q'TY / PACK	REMARKS
1	6LK39742000	BRKT-HRNS-DRV-TBU-H38X	1	1/P	
2	6LK39700000	FRAME-DRV-TBU-H38X	1	1/P	
3	X0-02230000	S/FHEXM-M3X6-NI	6	10/P	
4	F0-00036000	RLWS3TV0	2	5/P	
5	6LK39704000	CAP-DRV-TBU-H38X	1	1/P	
6	6LK39740000	SPG-DRIVE-TBU-H38X	1	1/P	
7	X0-02247000	S/TPP/FHEXM-3X8-NI	4	10/P	
8	F0-01250000	MSB-1207	1	5/P	
9	6LK39720000	ASYS-SHAFT-DRV-TBU	1	1/P	
10	X0-01526000	P/PRL/AH7-2X12-SS	1	10/P	
11	6LK39746000	MOTR_D-DRIVE-03L20-22	1	1/C	
12	6LK39703000	COUPLE-DRV-TBU-H38X	1	1/P	
13	6LK39701000	BRKT-MOTR-DRV-TBU-H38X	1	1/P	
14	X0-02421000	S/TPS/FHEXM/R-4X8-ZU3	4	10/P	
15	6LE24277000	SPG-ACT-380	1	1/P	
16	6LK41378000	GUIDE-MID-L-H380-N	1	1/D	
17	6LK41316000	SHEET-GUIDE	1	1/P	
18	C0-17839000	LG2A14BL1	1	1/C	
19	6LK41314000	ACTR-GUIDE-MID-L-H38X	1	1/P	
20	6LK41322000	STAY-MID-L-H380	1	N/A***	
21	6LA37669000	SCREW-LOCK-ARM	2	5/P	
25	6LK39248000	HRNS-TBJAM-H380	1	1/P	



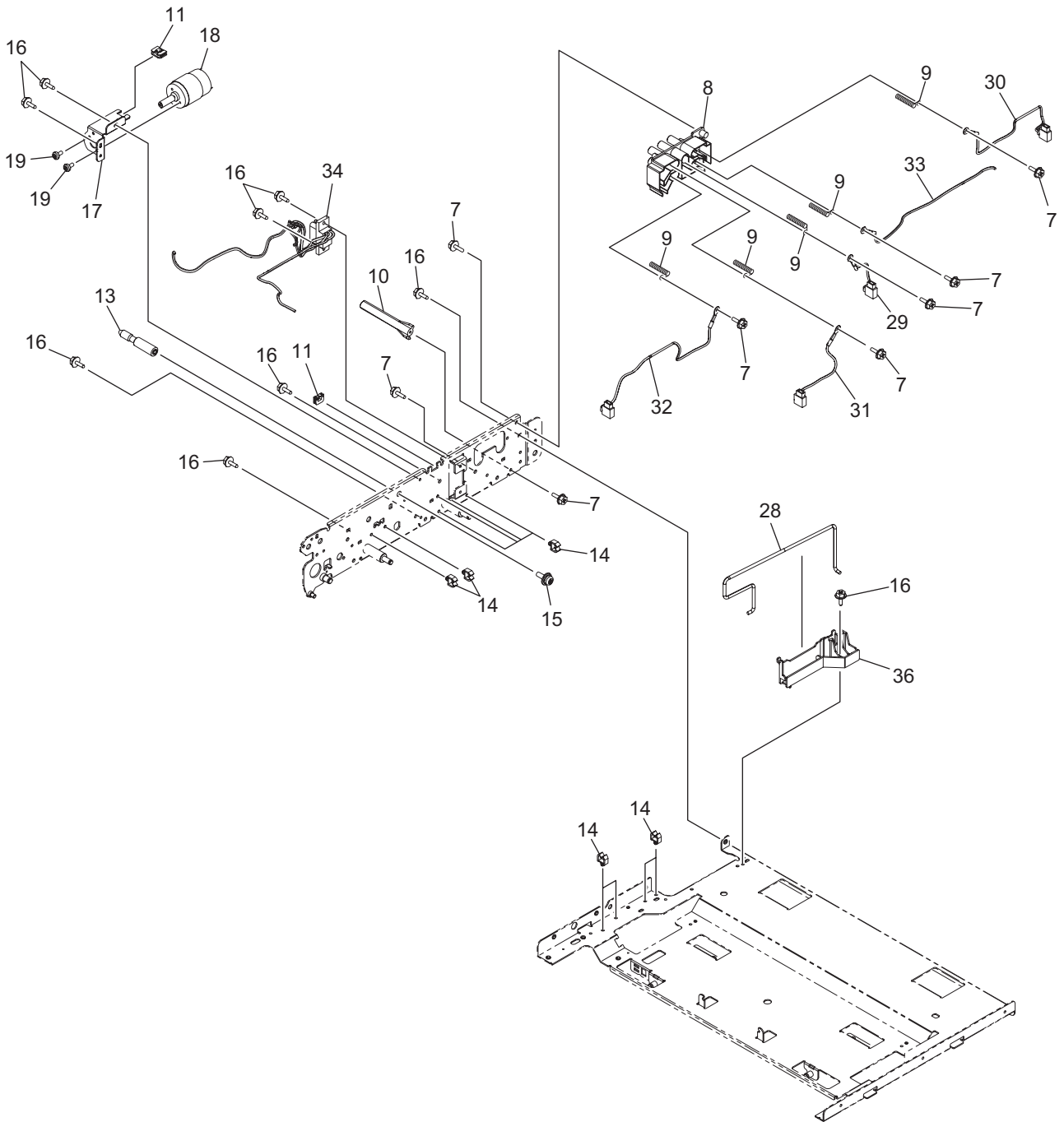
ITEM No.	PART No.	PART NAME	Q'TY / PAGE	Q'TY / PACK	REMARKS
1	6LK41358000	COVER-TRU-H38X	1	1/PP	
2	4408358930	STOP-RING-6-4	2	5/P	
3	6LK41312000	ASYS-BUSH-TR2-ROL-F-H380	1	1/P	
4	6LK41313000	ASYS-BUSH-TR2-ROL-R-H380	1	1/P	
5	F0-01550000	DDL-1680HHRP0P25LY349	2	1/P	
6	6LK41317000	CR-FC556TR2	1	1/S	
7	X0-02420000	S/TPS/FHEXM/R-3X8-ZU3	2	10/P	
8	X0-02034000	S/TPP/PAN-3X12-NI	1	10/P	
9	6LK41306000	SPC-GND-TR2-FRONT	1	1/P	
10	6LK41308000	GUIDE-MID-R-H380	1	N/A***	
11	6LJ07430000	GUIDE-TRU-430	1	1/PP	
12	X0-02247000	S/TPP/FHEXM-3X8-NI	3	10/P	
13	6LK41305000	PLT-EARTH-TR2-H380	1	1/P	
14	C0-15008000	PSR11TD1-A	1	1/P	
15	6LK41301000	HOLDER-ROL-TR2-H38X	1	1/C	
16	6LH04343000	HLDR-SNSR-GUIDE-TR2	1	1/P	
17	44201801000	STOP-RING-6-1.5	1	5/P	
18	6LH08997000	HRNS-TR2SN-430	1	1/P	
20	6LK41307000	SPC-GND-TR2-REAR	1	1/P	
21	6LH04303000	PLATE-GUIDE-TRU-430	1	N/A***	



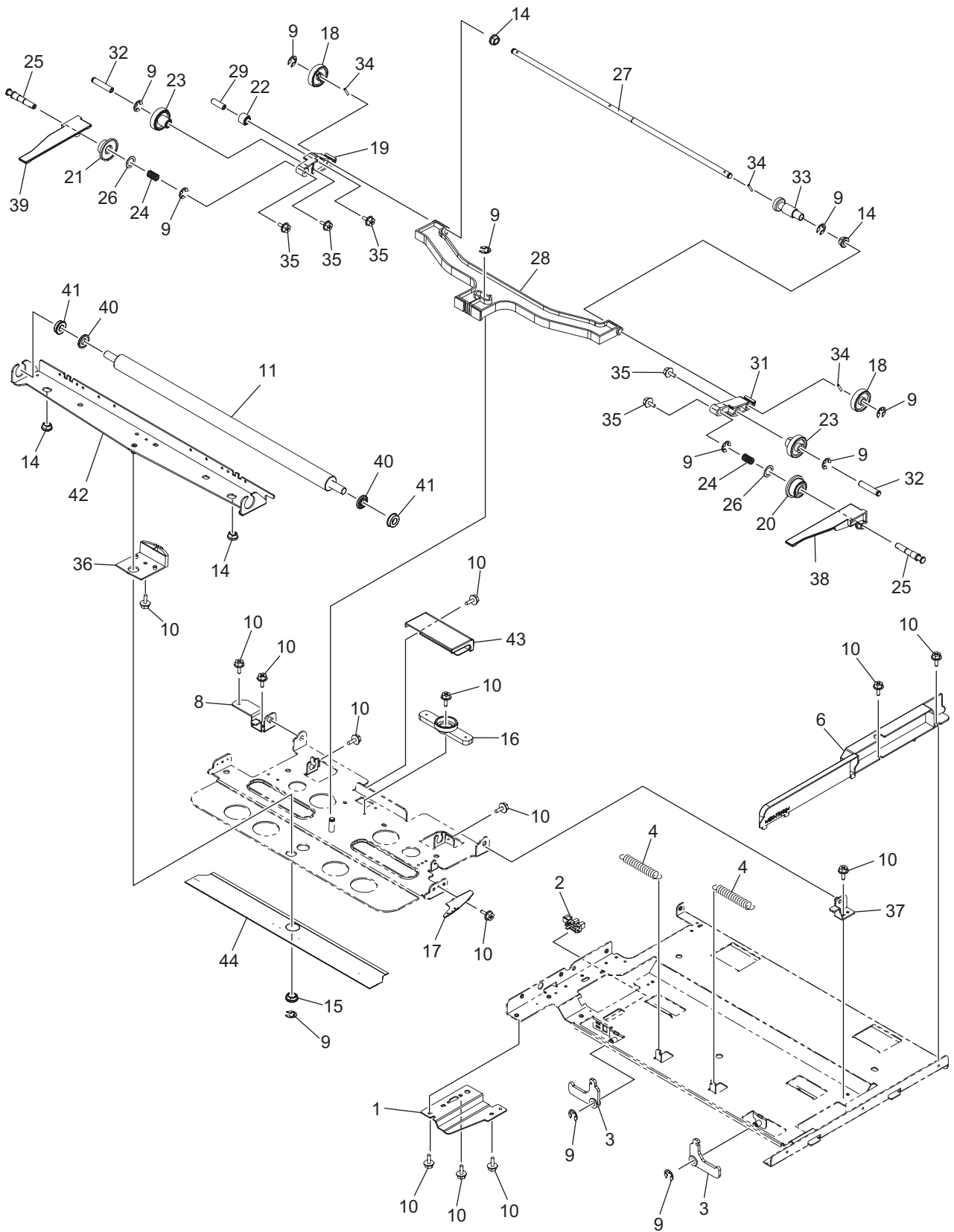
ITEM No.	PART No.	PART NAME	Q'TY / PAGE	Q'TY / PACK	REMARKS
2	6LH04100000	STUD-TBU-R-M4	1	1/P	
11	4406537280	HLDR-TR-ROLL	1	1/P	
12	6LH03865000	SPG-C-TR1-TBU	2	1/P	
13	X0-02247000	S/TPP/FHEXM-3X8-NI	7	10/P	
14	6LH03712100	HOLDER-LOCK-LVR_S	1	1/P	
15	6LJ07164000	ASYS-PIN-STOP	1	1/P	
16	6LH03715000	LINK-STOP-TBU	1	1/P	
18	X0-02420000	S/TPS/FHEXM/R-3X8-ZU3	18	10/P	
19	6LK41126000	ASYS-FRAME-F-TBU-H38X	1	1/P	
22	6LH03836000	SHAFT-LEVER-TBU-F43X	1	1/P	
23	4400802080	BUSH-8	2	5/P	
24	6LH03734000	ASYS-BRKT-LINK-H-F43X	1	1/P	
25	6LH03953200	LEVER-TBU-H38X	1	1/P	
26	6LH03866000	BRKT-LINK-F-F43X	1	1/P	
27	6LH03714000	PLATE-LINK-H-F43X	1	1/P	
28	6LH03801000	SPG-E-PLATE-TBU-FIX	1	1/P	
29	6LK41173000	ASYS-RLR-RIGID-SLD-H38X	1	1/KP	
33	6LH03742000	LINK-TBU-LOCK	1	1/P	
34	6LK41144000	ASYS-RLR-TR2-TBU-H38X	1	1/C	
38	6LK41103000	HLDR-RLR-DRV-TBU-F-H38X	1	1/P	
39	6LK41108000	COVER-FR-UP-TBU-H38X	1	1/P	
40	6LK41154000	LVR-TBU-H38X	1	1/P	
42	6LJ07166000	ASYB-PLATE-TBU-UD	1	1/P	
43	6LH03950000	CAM-TBU-UD	1	1/P	
44	6LH03896200	LEVER-SF-TBU-H38X	1	1/P	
45	6LH03894000	SPG-C-TBU-LIFT	1	5/P	
46	6LH03892000	SCREW-BRKT-TBU-UD	1	1/P	
48	X0-02230000	S/FHEXM-M3X6-NI	4	10/P	
49	X0-00965000	RR/E-4-SS	7	10/P	
50	4406329300	SCREW-DRM-GAP	2	10/P	
51	6LK41146000	ASYS-CLN-RLR-TBU-H38X	1	1/KP	
52	F0-02296000	ES-0505-2	1	5/P	
53	F0-01048000	UAMS-05-0	4	5/P	
54	X0-00968000	RR/E-7-SS	2	10/P	
55	6LH03799000	RLR-SNS-TBU-F43X	2	1/P	
56	6LH03726000	COLAR-RLR-LIFT	4	1/P	
58	6LJ07150000	RLR-TR1-TBU-H130	1	1/C	
59	6LH03718000	CASE-TERM-TR1-F	1	1/P	
60	6LH03719000	COVER-TERM-TR1-F	1	1/P	
62	6LH04012000	PLATE-LINK-TBU-LOCK	1	1/P	
63	6LH04013000	BRKT-LEVER-STOPPER	1	1/P	
74	X0-02363000	S/PAN/SWWS-M4X10-NI	1	10/P	
77	6LK41105000	HLDR-RLR-DRV-TBU-R-H38X	1	1/P	
78	6LK41106000	PLATE-TR2-TBU-H38X	1	1/C	
79	6LJ07115000	PLATE-TR2-TBU2-H130	1	1/P	
80	6LK41101000	GUIDE-CLN-TR2-TBU-H38X	1	1/P	
81	6LH53768000	BUSH-6-NU4	4	1/P	
84	6LK30994000	COVER-TERM-TR1-R	1	1/P	
85	6LH03887000	CASE-TERM-TR1-R	1	1/P	
87	6LH03817000	PLATE-TR1	1	1/P	
88	6LJ07165000	BUSH-TR1-TBU	1	1/P	
90	6LJ07123100	COLLAR-STAND-TBU-L-H130_S	1	1/P	



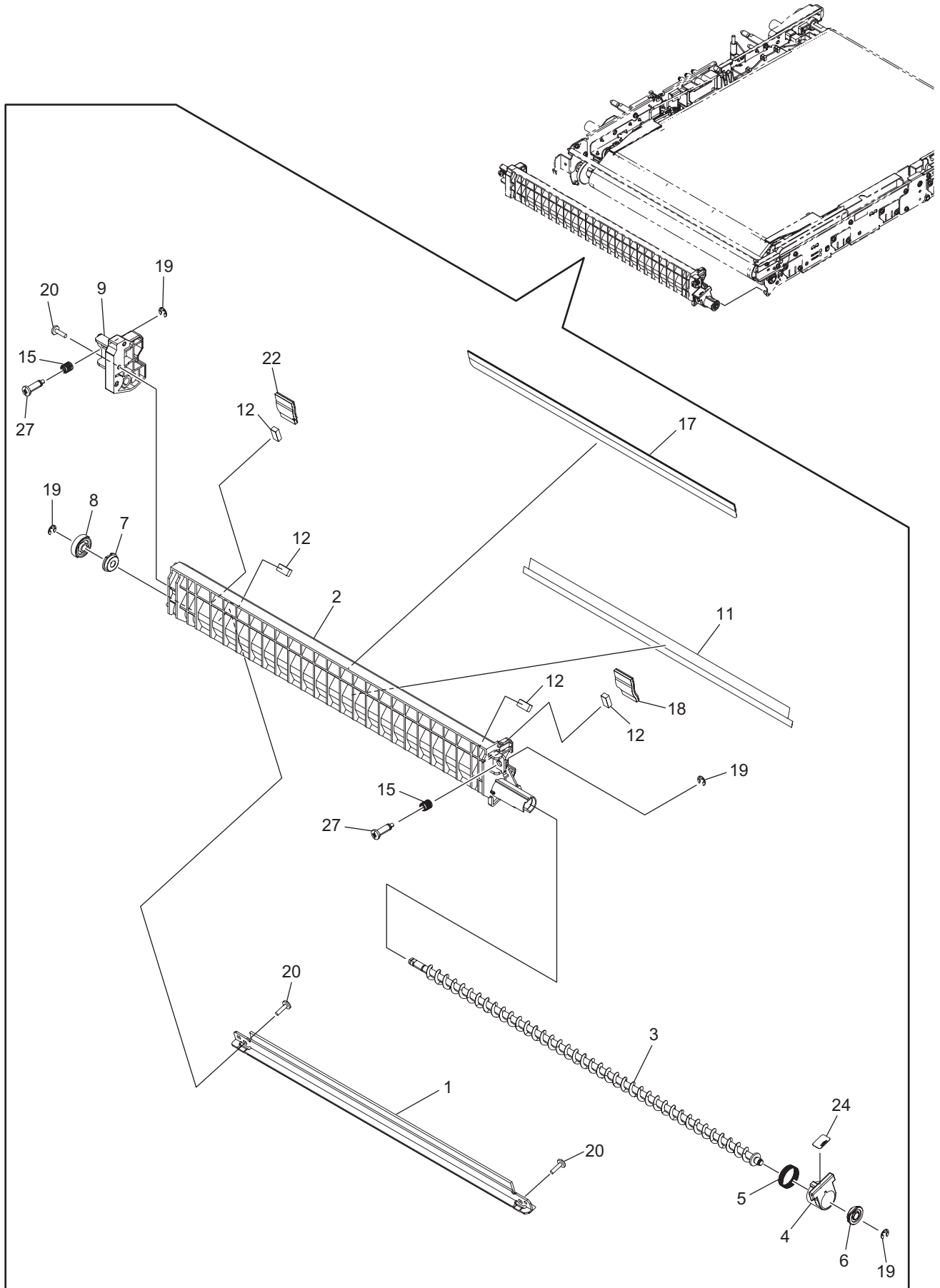
ITEM No.	PART No.	PART NAME	Q'TY / PAGE	Q'TY / PACK	REMARKS
1	6LK41114000	ASYS-FRM-TBU-F-LFT-H13X	1	1/PP	
3	6LE28281000	HLDR-BRG-TNS	2	1/P	
4	F0-01967000	L-1260ZZRPOP25LY551	2	1/P	
5	6LE28472000	SPG-T-LIFT-TNS-F	1	1/P	
6	6LE28473000	SPG-T-LIFT-TNS-R	1	1/P	
7	6LH03800000	SHAFT-LIFT-TBU-F43X	1	1/P	
8	6LH03710000	CAM-LINK-TBU-F43X	2	1/P	
9	4401966470	BUSH-6-3.7	3	5/P	
10	6LH03869000	SPG-C-TR-TBU	1	5/P	
11	6LH03796000	LINK-F-F43X	1	1/P	
12	6LH03797000	LINK-R-F43X	1	1/P	
13	6LH03709000	BUSH-LINK-TBU	4	5/P	
14	6LH04098000	RLR-LIFT-TBU-F43X	1	1/KP	
15	6LH03726000	COLAR-RLR-LIFT	2	1/P	
16	6LJ07179000	RLR-CLN-TBU-H130	1	1/KP	
17	6LH03842000	GUIDE-RIB-DRV	2	1/P	
18	6LH03720000	GEAR-CLN-TBU	1	1/P	
19	X0-01526000	P/PRL/AH7-2X12-SS	1	10/P	
20	6LH03727000	COL-CLN-TBU-POS	4	1/P	
21	F0-02241000	LNR-1680KRP0P25LY727	2	1/P	
23	6LJ07150000	RLR-TR1-TBU-H130	3	1/C	
24	6LH03718000	CASE-TERM-TR1-F	3	1/P	
25	6LH03719000	COVER-TERM-TR1-F	3	1/P	
26	4406537280	HLDR-TR-ROLL	3	1/P	
27	6LH03865000	SPG-C-TR1-TBU	6	1/P	
28	6LH03835000	GEAR-5H64-6	1	1/P	
29	X0-00965000	RR/E-4-SS	11	10/P	
30	X0-00968000	RR/E-7-SS	4	10/P	
31	X0-02230000	S/FHEXM-M3X6-NI	6	10/P	
32	X0-02420000	S/TPS/FHEXM/R-3X8-ZU3	13	10/P	
33	6LH03981000	BELT-TBU-G-F43X	1	1/C	
34	6LH03795000	FRAME-TBU-HING-R	1	1/P	
35	6LH03826000	FRAME-TBU-HING-F	1	1/P	
36	6LJ07162000	ASYS-BRKT-TBU-F-LEFT	1	1/P	
38	6LA08932000	SCREW-ACTR-TRU	2	10/P	
39	6LH03702100	ACTR-LIFT-TBU-F43X_S	1	1/P	
41	6LH03887000	CASE-TERM-TR1-R	3	1/P	
42	6LK30994000	COVER-TERM-TR1-R	3	1/P	
43	6LH03817000	PLATE-TR1	3	1/P	
44	X0-02247000	S/TPP/FHEXM-3X8-NI	7	10/P	
45	6LJ07165000	BUSH-TR1-TBU	3	1/P	
46	6LK41120000	BRKT-TBU-SWITCH-MOT	1	1/P	
47	6LJ07123100	COLLAR-STAND-TBU-L-H130_S	1	1/P	
48	6LK41125000	BRKT-TBU-CLN-R	1	1/P	
49	6LK41117100	ASYS-FRM-TBU-R-LFT-H38X	1	1/PP	
50	F0-02296000	ES-0505-2	2	5/P	



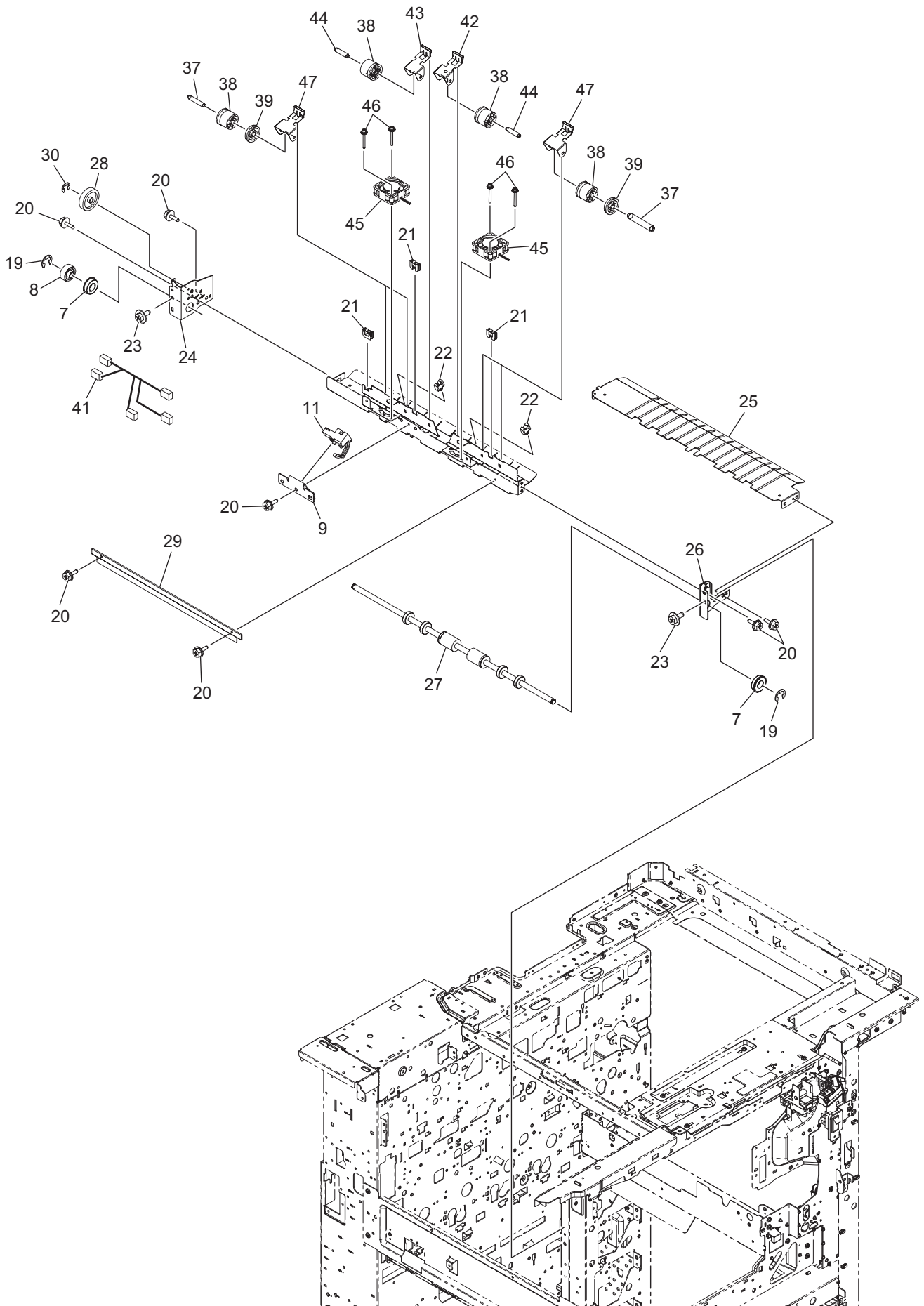
ITEM No.	PART No.	PART NAME	Q'TY / PAGE	Q'TY / PACK	REMARKS
7	X0-02247000	S/TPP/FHEXM-3X8-NI	8	10/P	
8	6LH03723000	TERM-KCMY-TRU	1	1/P	
9	6LH03827000	SPG-TERM-HVT-PIN	5	1/P	
10	6LJ07103100	COLLAR-STAND-TBU-H130_S	1	1/P	
11	F0-02296000	ES-0505-2	2	5/P	
13	6LH04100000	STUD-TBU-R-M4	1	1/P	
14	F0-01048000	UAMS-05-0	10	5/P	
15	X0-02363000	S/PAN/SWWS-M4X10-NI	1	10/P	
16	X0-02420000	S/TPS/FHEXM/R-3X8-ZU3	9	10/P	
17	6LH03708000	BRKT-MOT-LIFT-F43X	1	1/P	
18	6LH03992000	ASYS-TBUSETM-430	1	1/C	
19	X0-01670000	S/PAN-M2.6X4-NC	2	10/P	
28	6LK41156000	LVR-LEFT-TBU-H38X	1	1/P	
29	6LH09158000	HRNS-TBUHV-C-430	1	1/P	
30	6LH09157000	HRNS-TBUHV-K-430	1	1/P	
31	6LH09159000	HRNS-TBUHV-M-430	1	1/P	
32	6LH09160000	HRNS-TBUHV-Y-430	1	1/P	
33	6LK39309000	HRNS-TBUHV-TR2-H380	1	1/P	
34	6LK39333000	HRNS-TBU-H380	1	1/P	
36	6LJ07127100	COVER-RL-HANDLE-TBU_S	1	1/P	



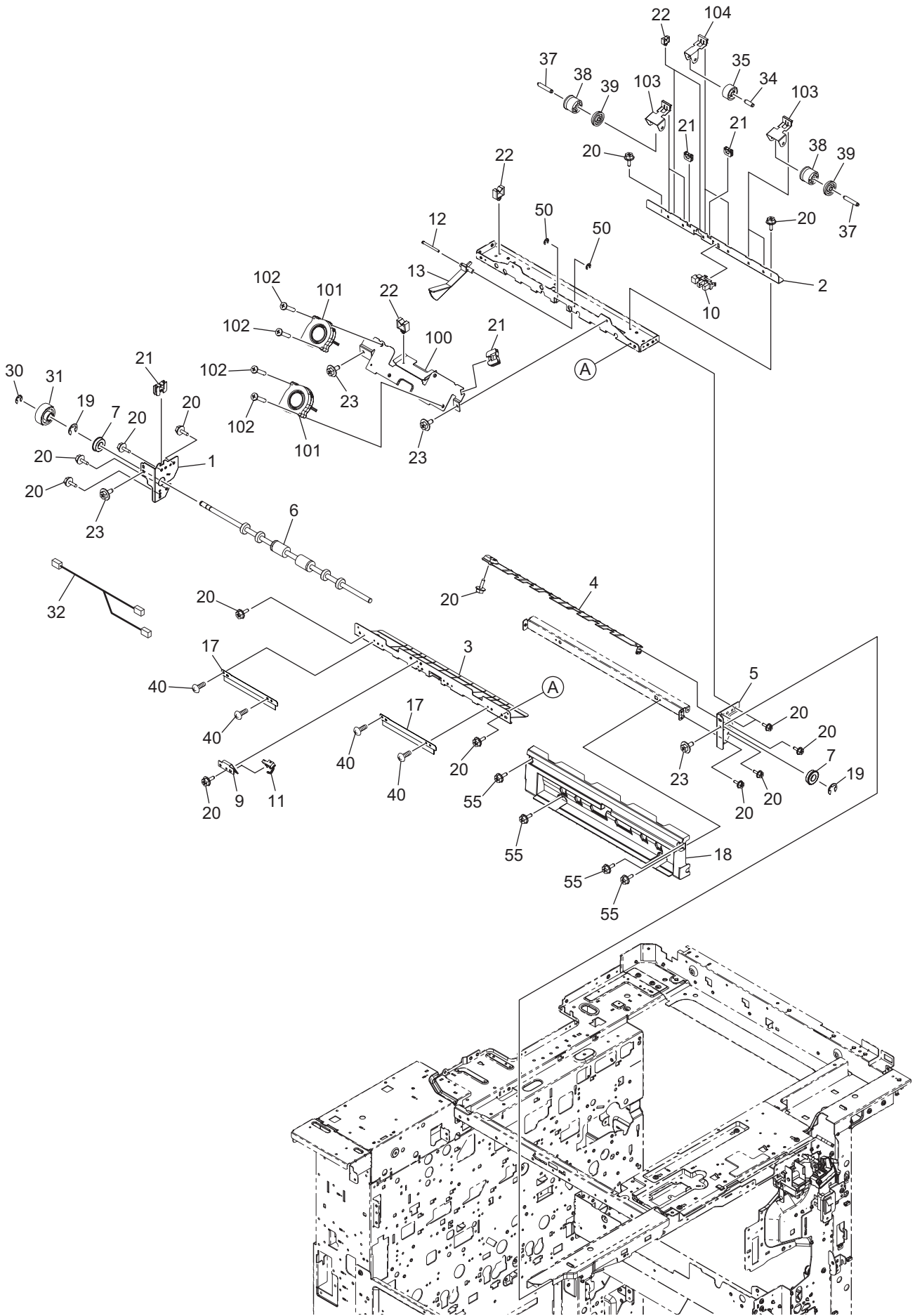
ITEM No.	PART No.	PART NAME	Q'TY / PAGE	Q'TY / PACK	REMARKS
1	6LH04104000	PLATE-STAY-YMC	1	1/P	
2	C0-17839000	LG2A14BL1	1	1/C	
3	6LH03725000	ARM-TENSION	2	1/P	
4	6LK41168000	SPG-E-STRG-H38X	2	1/P	
6	6LH03921100	COVER-FL-UP-TBU_S	1	1/PP	
8	6LH03944000	ASYS-BRKT-HINGE-R	1	1/P	
9	X0-00965000	RR/E-4-SS	11	10/P	
10	X0-02420000	S/TPS/FHEXM/R-3X8-ZU3	14	10/P	
11	6LJ07178000	RLR-STRNG-AL-H130	1	1/KP	
14	44201492000	BUSH-6-POM	4	5/P	
15	6LE50521000	BUSH-8X12X5R5F-NU4	1	5/P	
16	6LH03937000	GEAR-05H50-WORM	1	1/P	
17	6LH03857000	BRKT-SCALE	1	1/P	
18	6LH03832000	GEAR-DRIVE-SHAFT	2	1/P	
19	6LH03856000	ARM-R	1	1/P	
20	6LH03915000	GEAR-ROL-GUIDE-F	1	1/P	
21	6LH03882000	GEAR-ROL-GUIDE-R	1	1/P	
22	6LH03861000	GEAR-RVRS	1	1/P	
23	6LH03831000	GEAR-IDLE-GUIDE	2	1/P	
24	6LH03986000	SPG-GEAR-STRNG-3N	2	5/P	
25	6LH03911000	STUD-GEAR-GUIDE	2	1/P	
26	6LA78908000	WASHER-6R2X9R5XR25-PL	2	5/P	
27	6LH04091000	SFT-DRV-STEERING	1	1/P	
28	6LH03939100	SLIDER-STNG_S	1	1/P	
29	6LH03863000	STUD-IDLE-ARM	1	1/P	
31	6LH03855000	ARM-F	1	1/P	
32	6LH03864000	STUD-ROL-GUIDE	2	1/P	
33	6LH03829000	WORM-STEERING	1	1/P	
34	X0-01526000	P/PRL/AH7-2X12-SS	3	10/P	
35	X0-02230000	S/FHEXM-M3X6-NI	5	10/P	
36	6LH03936000	GEAR-10S80-STERING	1	1/P	
37	6LH03877000	ASYS-BRKT-HINGE-F	1	1/P	
38	6LH03913000	HLDR-BELT-F	1	1/P	
39	6LH03862000	HLDR-BELT-R	1	1/P	
40	6LH04045000	COLLAR-18	2	5/P	
41	F0-02241000	LNR-1680KKRP0P25LY727	2	1/P	
42	6LH03942000	ASYS-BRKT-ROL-STRNG	1	1/P	
43	6LH04074100	COVER-WORM-STNG_S	1	1/P	
44	6LJ07175000	FELT-CLN-DRVRLR-TBU	1	1/KP	



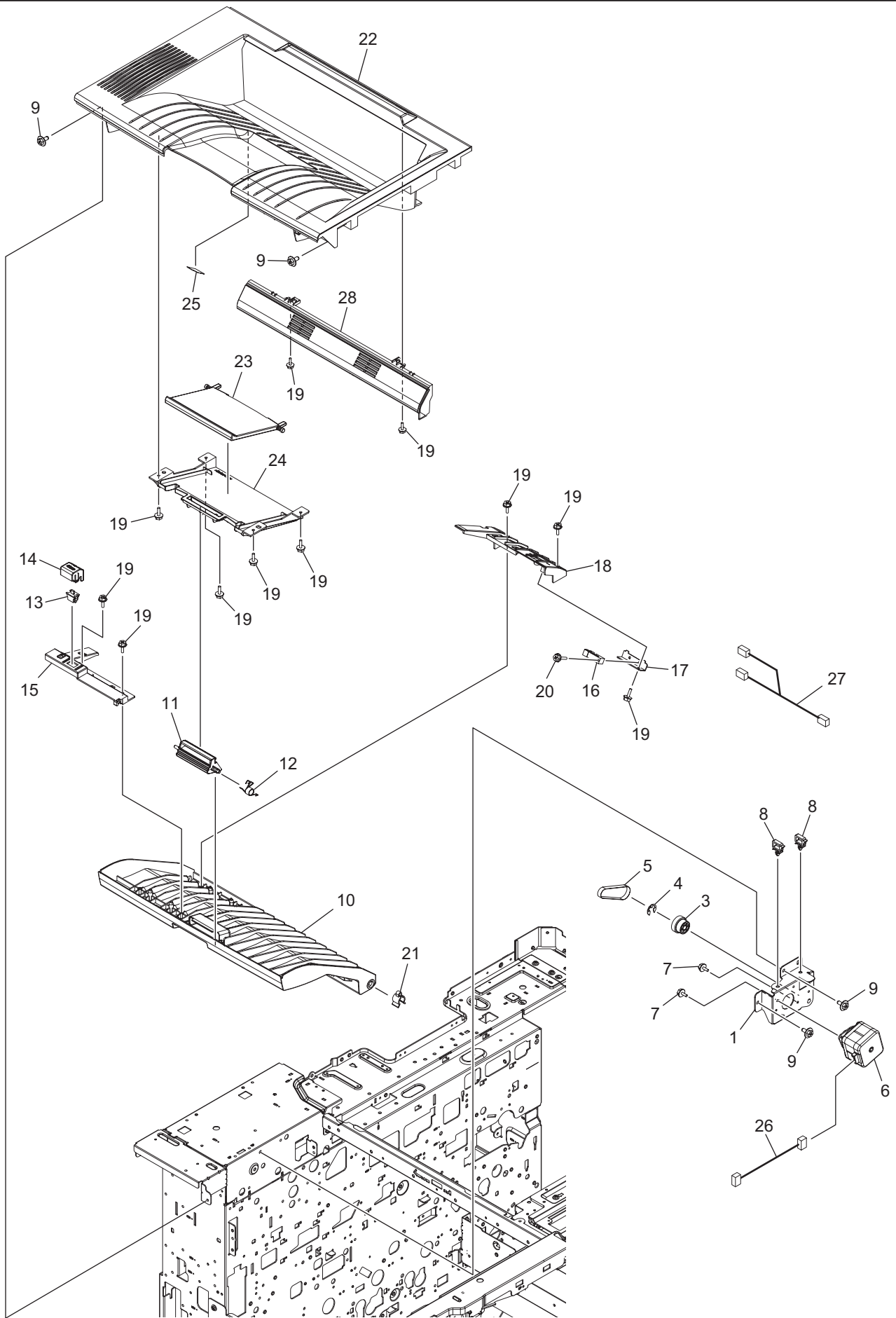
ITEM No.	PART No.	PART NAME	Q'TY / PAGE	Q'TY / PACK	REMARKS
1	6LK41162000	BL-FC556-TBU	1	1/S	
2	6LK41121000	FRAME-CLN-TBU-H38X	1	1/PP	
3	6LH03930000	AUG-CLN-TBU-M	1	1/KP	
4	6LH03780100	SHUT-AUG-CLN-TBU_S	1	1/P	
5	6LH03785000	SPG-CLN-TBU-SHUT	1	1/P	
6	6LH03925000	BUSH-06X18X4R4F-M-F	1	1/P	
7	6LH03929000	BUSH-06X18X4R4F-M-R	1	1/P	
8	6LH03773000	GEAR-AUGER-CLN-TBU	1	1/P	
9	6LK41122000	FRAME-CLN-TBU-R-H38X	1	1/P	
11	6LK41139000	SHEET-CLN-TBU-BLADE	1	1/KP	
12	6LK41137000	SEAL-CLN-TBU-BACK	4	5/P	
15	6LK41171000	SPG-C-CLN-TBU-N	2	1/P	
17	6LK41138000	SHEET-RECOVERY-TBU	1	1/KP	
18	6LK41181000	SEAL-CLN-TBU-F-H38X	1	1/P	
19	X0-00965000	RR/E-4-SS	4	10/P	
20	6LA80090000	S/TTP/BID-3*8-NI	3	5/P	
22	6LK41180000	SEAL-CLN-TBU-R-H38X	1	1/P	
24	6LK41160000	LBL-SHUT-CLN-TBU-H38X	1	1/P	
27	6LK41131000	SCREW-M4-CLN	2	5/P	



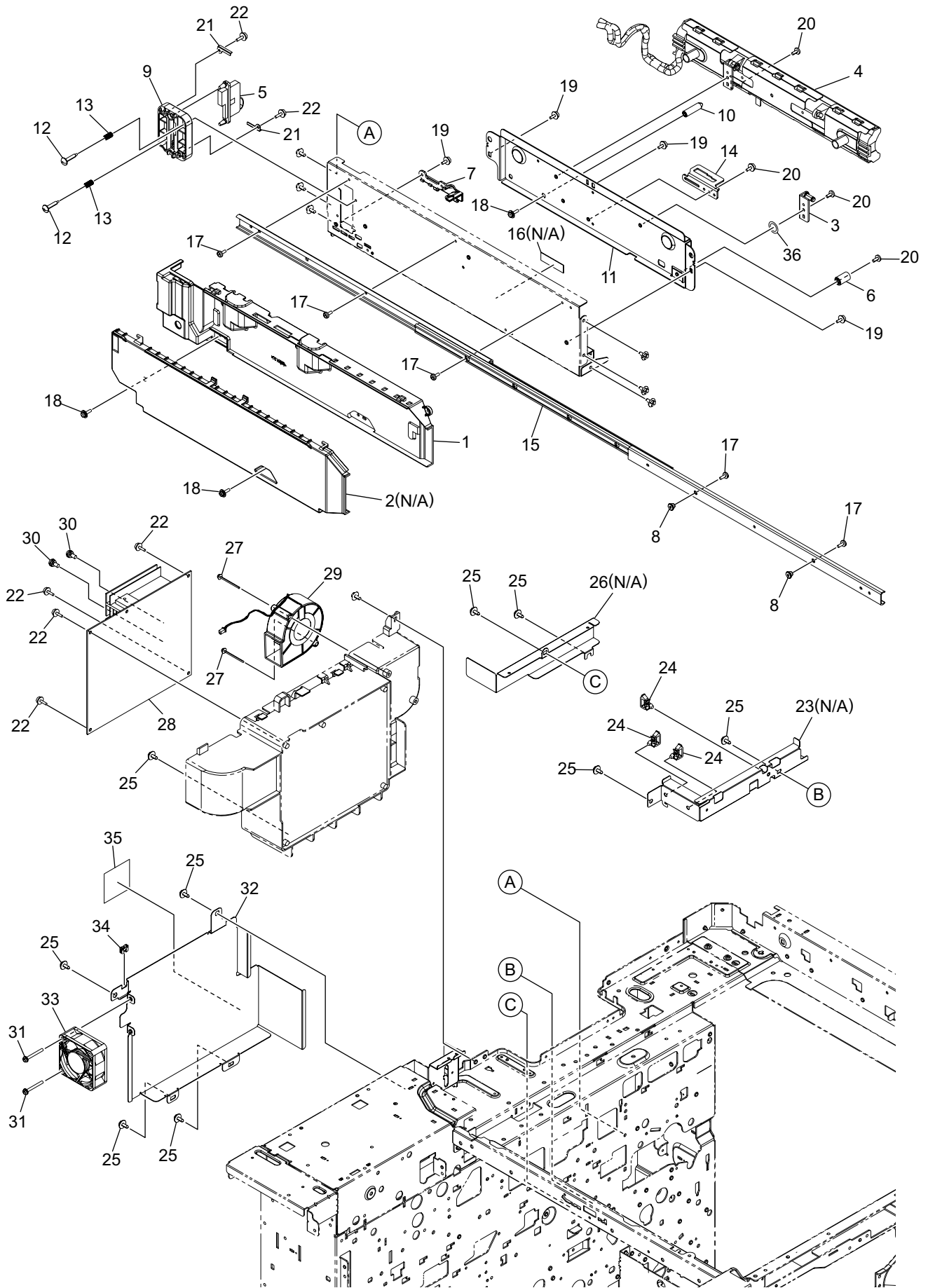
ITEM No.	PART No.	PART NAME	Q'TY / PAGE	Q'TY / PACK	REMARKS
7	F0-02240000	LNR-1680KKRP0P25LY551	2	1/P	
8	6LH04596000	GEAR-10S23-8-OWL	1	1/P	
9	6LH04752000	BRKT-EXIT-SW	1	1/P	
11	6LK73160000	SNSR-FED-RVS-H380	1	1/C	
19	X0-00968000	RR/E-7-SS	2	10/P	
20	X0-02420000	S/TPS/FHEXM/R-3X8-ZU3	7	10/P	
21	F0-01250000	MSB-1207	3	5/P	
22	F0-02296000	ES-0505-2	2	5/P	
23	X0-02421000	S/TPS/FHEXM/R-4X8-ZU3	2	10/P	
24	6LH04573000	ASYS-FRAME-ROL-EX-L-R	1	1/P	
25	6LH04603000	GUIDE-EXIT-LOW-L	1	1/P	
26	6LH04574000	FRAME-ROL-EX-L-F	1	1/P	
27	6LK43928000	ROLLER-EXIT-L-H38X	1	1/KP	
28	44201746000	GEAR-10S033-06	1	1/P	
29	6LK43937000	BRUSH-SUS-E-H38X	1	1/KP	
30	X0-00966000	RR/E-5-SS	1	10/P	
37	6LH04759000	PIN-ROL-EXT	4	1/P	
38	6LH04760000	ROL-EXIT	6	1/P	
39	6LH04761000	ROL-EXIT-SUB	4	1/P	
41	6LK73045000	HRNS-EXTSN-H380	1	1/P	
42	6LH04763000	SPL-EXIT-LC1	1	1/C	
43	6LH04764000	SPL-EXIT-LC2	1	1/C	
44	6LH04758000	PIN-ROL-EXT-LC	2	1/P	
45	6LK30991000	FAN-4015-155-H340	2	1/C	
46	X0-00130000	S/PAN/SWWP-M3X20-NI	4	10/P	
47	6LH04762000	SPL-EXIT	4	1/C	



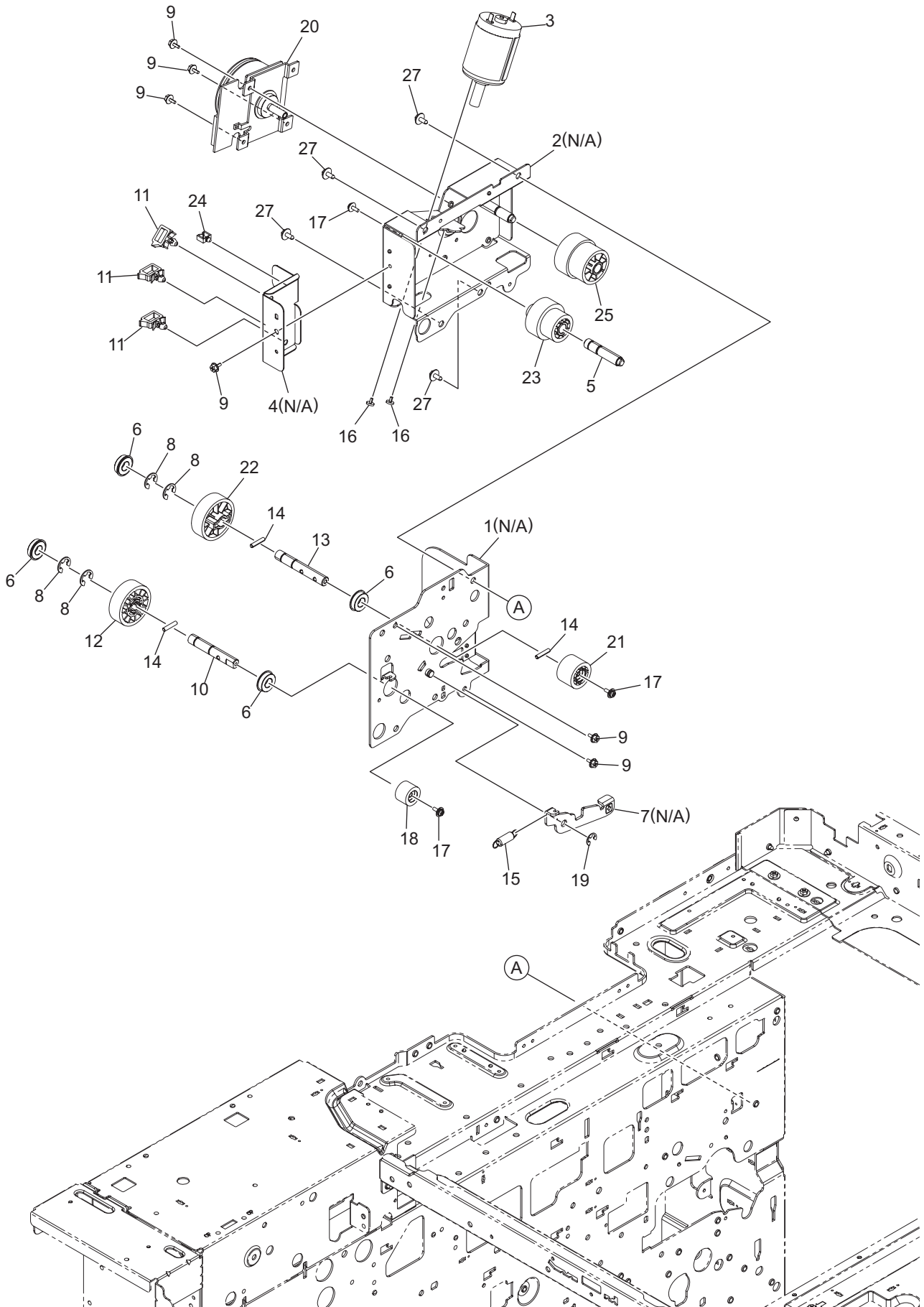
ITEM No.	PART No.	PART NAME	Q'TY / PAGE	Q'TY / PACK	REMARKS
1	6LH04777000	FRAME-ROL-EX-U-R-N	1	1/P	
2	6LK43964000	BRKT-EXIT-IDLE-H130	1	1/P	
3	6LJ07633000	GUIDE-EXIT-UP-U-H340	1	1/P	
4	6LJ07606000	GUIDE-EXIT-UP-L-H130	1	1/P	
5	6LH04558000	FRAME-ROL-EX-U-F	1	1/P	
6	6LK43927000	ROLLER-EXIT-U-H38X	1	1/KP	
7	F0-02240000	LNR-1680KKRP0P25LY551	2	1/P	
9	6LJ07602000	BRKT-EXIT-SW-H130	1	1/P	
10	C0-20495000	LG2A24BL1	1	1/C	
11	6LK73160000	SNSR-FED-RVS-H380	1	1/C	
12	6LK43929000	PIN-ACTR-EXIT-H38X	1	1/P	
13	6LH04570000	ACT-FULL-EXIT-UP	1	1/P	
17	6LK43966000	BRUSH-SUS-EXIT-H38X	2	1/KP	
18	6LH04773400	COVER-EXIT-H38X	1	1/PP	
19	X0-00968000	RR/E-7-SS	2	10/P	
20	X0-02420000	S/TPS/FHEXM/R-3X8-ZU3	15	10/P	
21	F0-02296000	ES-0505-2	4	5/P	
22	F0-01250000	MSB-1207	4	5/P	
23	X0-02421000	S/TPS/FHEXM/R-4X8-ZU3	4	10/P	
30	X0-00966000	RR/E-5-SS	1	10/P	
31	6LH04753000	GEAR-10S23-8-D	1	1/P	
32	6LH08902000	HRNS-UEXTSN-430	1	1/P	
34	4408447860	PIN	2	1/P	
35	6LH04754000	ROL-EXIT-C	2	1/P	
37	6LH04759000	PIN-ROL-EXT	4	1/P	
38	6LH04760000	ROL-EXIT	4	1/P	
39	6LH04761000	ROL-EXIT-SUB	4	1/P	
40	6LA08935000	SCR-M3X6BISR-NI	4	10/P	
50	X0-00963000	RR/E-2-SS	2	10/P	
55	X0-02681000	S/TPD3/FHEXM/R-3X8-ZB3	4	10/P	
100	6LH01568000	ASYS-BRKT-FAN-EX-TRAY-U	1	1/P	
101	6LK30993000	FAN-5015-085-H340	2	1/D	
102	X0-00458000	S/BID-M4X20-NI	4	10/P	
103	6LH04762000	SPL-EXIT	4	1/C	
104	6LH76209000	SPL-EXIT-R-MD3-H32X	2	1/P	



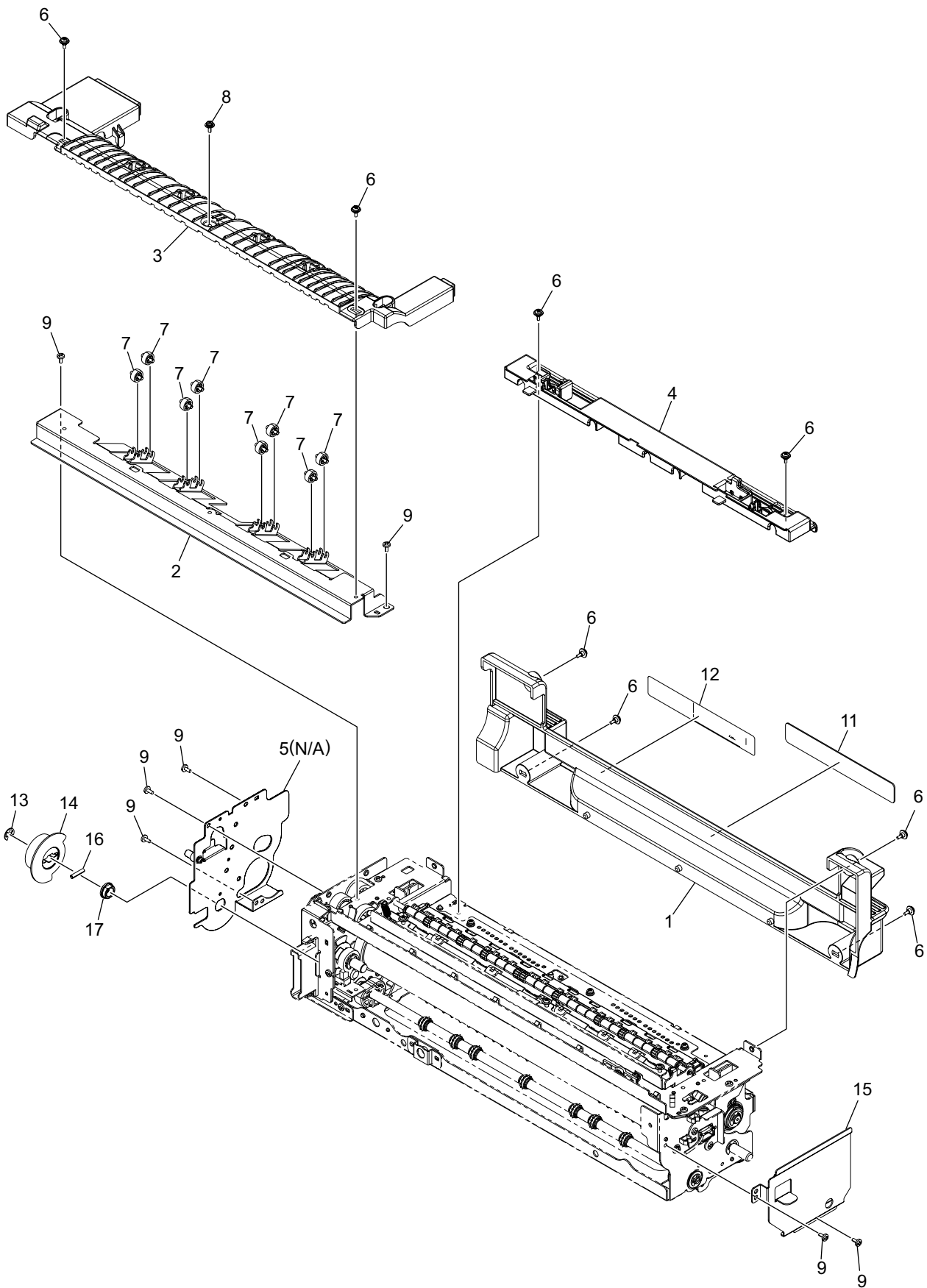
ITEM No.	PART No.	PART NAME	Q'TY / PAGE	Q'TY / PACK	REMARKS
1	6LH04578000	ASYS-BRKT-MOT-EXIT	1	1/P	
3	6LK43903000	GEAR-10S23_PS2M30-6	1	1/P	
4	X0-00966000	RR/E-5-SS	1	10/P	
5	6LH04593000	BLT_SY-S2M-140-6	1	1/P	
6	6LK41511000	MOTR.S-FEED-H38X	1	1/C	
7	X0-02230000	S/FHEXM-M3X6-NI	2	10/P	
8	F0-01811000	LWS-0711S-V0	2	5/P	
9	X0-02421000	S/TPS/FHEXM/R-4X8-ZU3	4	10/P	
10	6LH02332600	TRAY-LEFT-LOW-H38X	1	1/PP	
11	6LH02330400	LEVER-COV-TRAY-H38X	1	1/P	
12	6LH02349000	SPG-COV-OPEN-08	1	1/P	
13	E0-01853000	CS1A-B2CA	1	1/D	
14	6LH02394100	COVER-SW-OPEN-COV-RVS_S	1	1/P	
15	6LH02396100	HOLDER-SW-COV-RVS_S	1	1/P	
16	C0-15007000	PS119ED1	1	1/C	
17	6LH02348000	BRKT-SW-PS119ED1	1	1/P	
18	6LH02337100	COVER-SNSR-TRAY_S	1	1/PP	
19	X0-02247000	S/TPP/FHEXM-3X8-NI	11	10/P	
20	X0-02135000	S/PAN/SWWP-M3X14-NI	1	10/P	
21	6LH02359000	CLIP-TRAY-LOW	1	5/P	
22	6LH02409400	TRAY-LEFT-BUILTIN-H38X	1	1/PP	
23	6LH02333400	TRAY-SUB-H38X	1	1/PP	
24	6LH02335100	HOLDER-TRAY-LEFT_S	1	1/PP	
25	6LH17939000	MYLAR-BL	1	1/P	
26	6LK73053000	HRNS-DRV-RT2M-H380JC	1	1/P	
27	6LK73038000	HRNS-EXTCV-H380	1	1/P	
28	6LH02387500	COVER-TRAY-FAN-H38XS	1	1/PP	



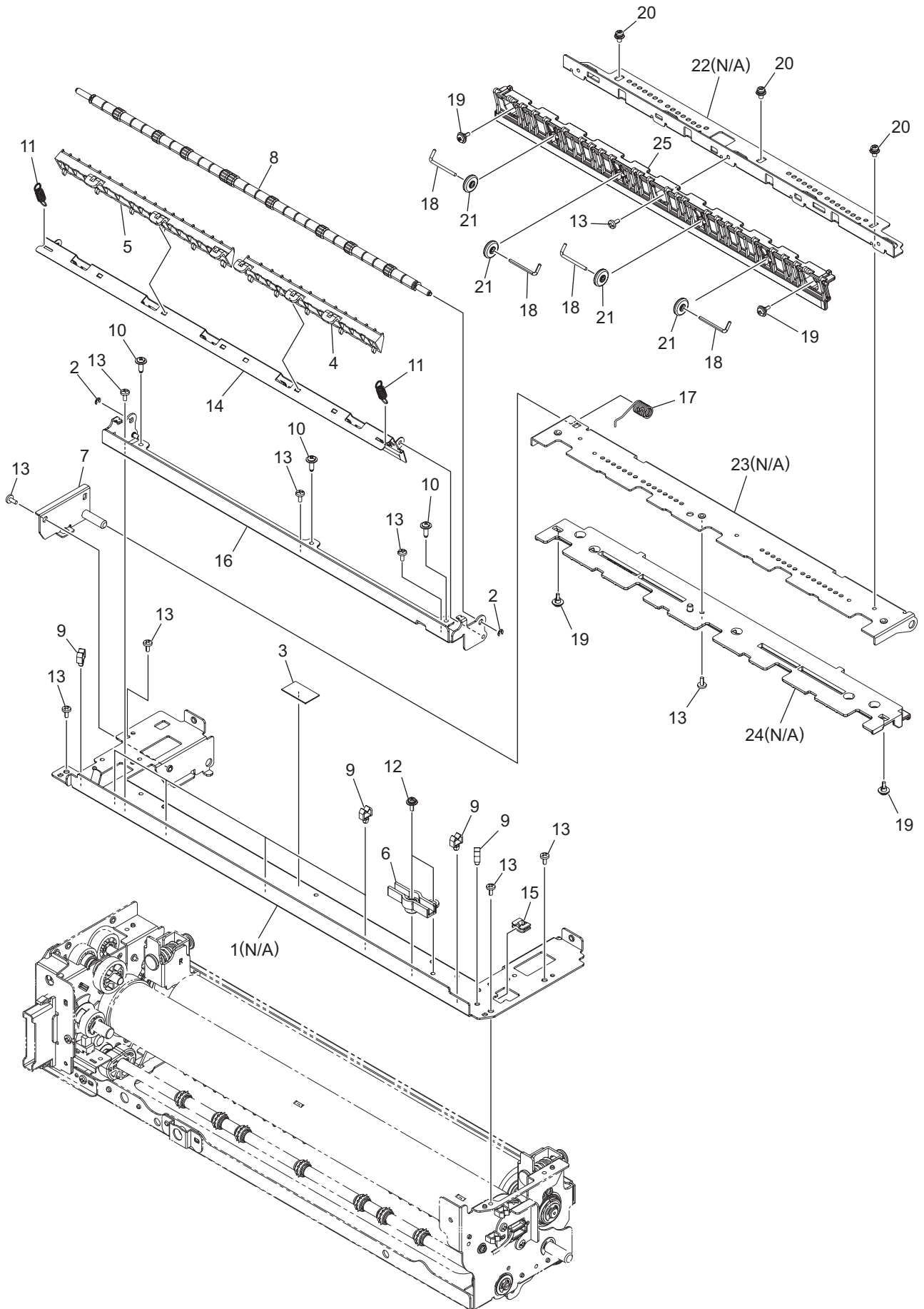
ITEM No.	PART No.	PART NAME	Q'TY / PAGE	Q'TY / PACK	REMARKS
1	6LK42583000	ASYS-DUCT-STAY-FUS-H38X	1	1/PP	NAD,NAC MJD,MJC,ASD,AUD,CND,ARD
2	6LH01520300	DUCT-STAY-FUS-L-H38XM	1	N/A***	
3	6LJ58828000	ASYS-STAY-IHUNIT-H21X	1	1/P	
4 A	6LJ58857400	ASYB-IHCOIL-H21X-H100S	1	1/C	
4 B	6LJ58857500	ASYB-IHCOIL-H21X-H200S	1	1/C	
5	6LL27016000	HRNS-LGC-FUS-K130	1	1/P	
6	6LJ58759000	SPG-C-PUSH-FUS-F-H21Y	1	1/P	
7	6LK42488000	COVER-STAY-HNS-H38X	1	1/P	
8	6LH17813000	STUD-RAIL	2	1/P	
9	6LK42487000	HLDR-W-H38X	1	1/P	
10	6LK42489000	STUD-STAY-FUS-H38X	1	1/P	
11	6LK42495000	BRKT-STAY-IH-H38X	1	1/PP	
12	4406326040	SCREW-D4-18-M3	2	10/P	
13	6LA14468000	SPC068-080-160	2	5/P	
14	6LK42612000	SUPPT-COIL-IH-H38X-ADJ	1	1/P	
15	6LH17809000	RAIL-BRIDGE-43X	1	1/P	
16	6LK41373000	SHEET-FUSER-SNSR-H380	1	N/A***	
17	X0-00057000	S/PAN-M3X6-NI	5	10/P	
18	X0-00094000	S/PAN/SWWP-M3X10-NI	3	10/P	
19	X0-02230000	S/FHEXM-M3X6-NI	4	10/P	
20	X0-00430000	S/BID-M3X6-NI	4	10/P	
21	6LK42609000	BRKT-FUS-DRW-H38X	2	1/P	
22	X0-02247000	S/TPP/FHEXM-3X8-NI	6	10/P	
23	6LK42532000	GUIDE-HRNS-IH-H38X	1	N/A***	
24	F0-01810000	LWS-0511S-V0	3	5/P	
25	X0-02421000	S/TPS/FHEXM/R-4X8-ZU3	9	10/P	MJD,MJC,ASD,AUD,CND,ARD NAD,NAC
26	6LK42533000	SHIELD-HRNS-IH-H38X	1	N/A***	
27	X0-02484000	S/PAN/SWWP-M3X35-NI	2	10/P	
28 A	6LL27107200	ASYB-IH-K130E	1	1/SB	
28 B	6LL27107100	ASYB-IH-K130U	1	1/SB	
29	6LH09500000	FAN-P7530-430M	1	1/D	
30	6LH55300000	USUITA-SPSEMS-4X8-6	2	5/P	
31	X0-02089000	S/PAN/SWWS-M4X30-NI	2	5/P	
32	6LK42531000	PLT-SHIELD-IH-H38X	1	1/P	
33	6LK48236000	FAN-6025-065-H373	1	1/D	
34	F0-02296000	ES-0505-2	1	5/P	
35	6LK40243000	SHEET-PLT-SHIELD-IH-H38X	1	1/S	
36	6LH07587000	WSHR-FUS-ST	1	5/P	



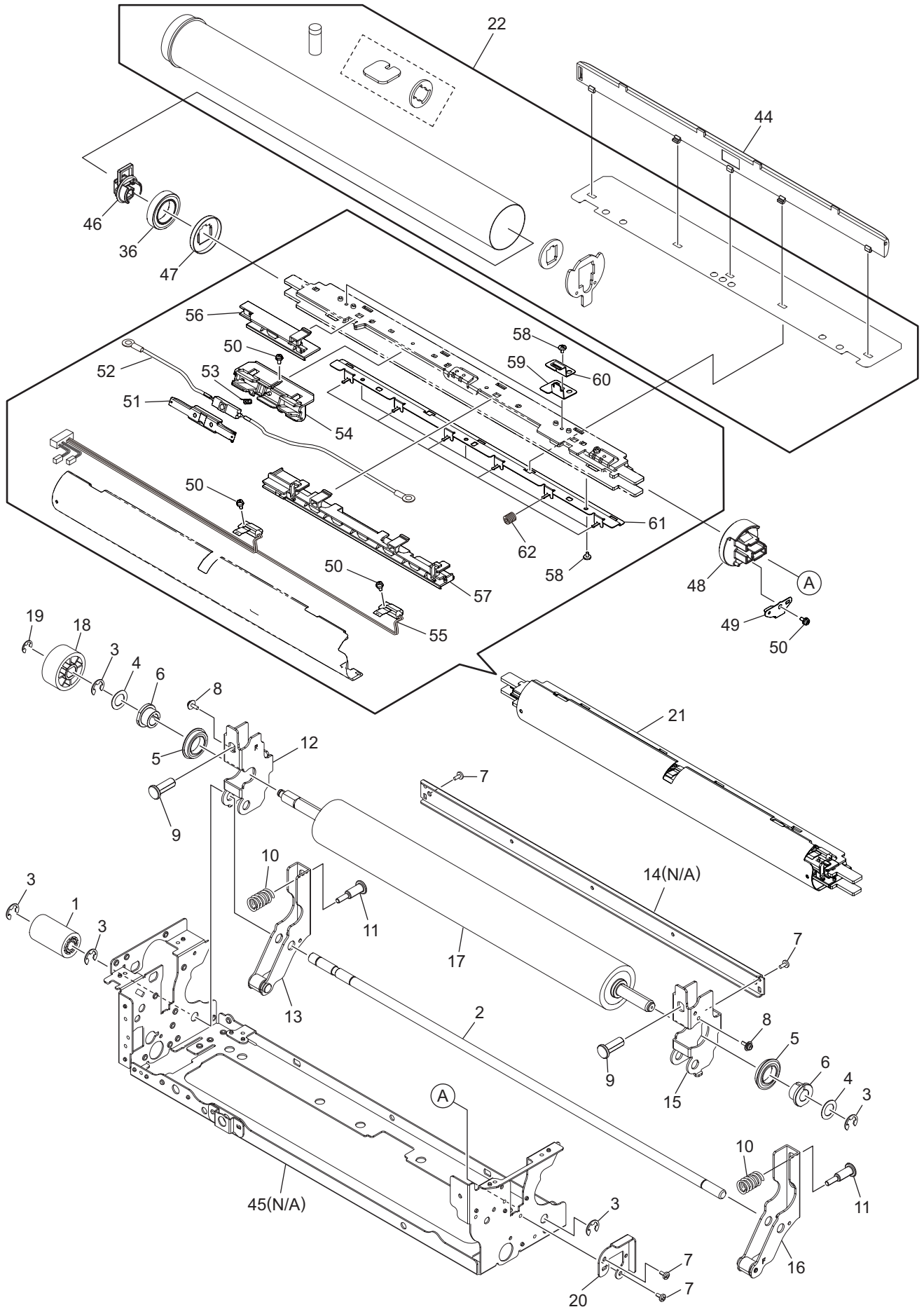
ITEM No.	PART No.	PART NAME	Q'TY / PAGE	Q'TY / PACK	REMARKS
1	6LK42513000	ASYS-BRKT-DRV-BASE-H38X	1	N/A***	
2	6LK42510000	ASYS-BRKT-DRV-MOT-H38X	1	N/A***	
3	6LK52372000	ASYS-FUSSETM-H373	1	1/D	
4	6LK42504000	BRKT-COV-FUS-MOT-H38X	1	N/A***	
5	6LK42551000	STUD-DRV-FUS-SCR-H38X	1	1/P	
6	F0-02241000	LNR-1680KKRP0P25LY727	4	1/P	
7	6LK42508000	BRKT-FUS-LEV-R-H38X	1	N/A***	
8	X0-00968000	RR/E-7-SS	4	10/P	
9	X0-02230000	S/FHEXM-M3X6-NI	6	10/P	
10	6LK42505000	SHAFT-DRV-FUS-CAM-H38X	1	1/P	
11	F0-01811000	LWS-0711S-V0	3	5/P	
12	6LK42515000	GEAR-10H34-RIKAN-H38X	1	1/P	
13	6LK42506000	SHAFT-DRV-FUS-H38X	1	1/P	
14	X0-01169000	P/PRL/AH7-3X14-SS	3	10/P	
15	6LK42500000	SPG-E-LEV-H38X	1	1/P	
16	X0-00426000	S/BID-M3X4-NI	2	10/P	
17	6LK42626000	SCREW-M3X8-PAS	3	5/P	
18	6LK42606000	GEAR-10S17-8-H38X-KY	1	1/P	
19	X0-00966000	RR/E-5-SS	1	10/P	
20	6LK50207000	MOTR_D-DRIVE-05L20-39	1	1/SB	
21	6LK42507000	GEAR-10H22-8-H38X	1	1/P	
22	6LK42502000	GEAR-08H44-8-H38X	1	1/P	
23	6LK42501000	GEAR-10H23-8H40-8-H38X	1	1/P	
24	F0-01250000	MSB-1207	1	5/P	
25	6LK42503000	GEAR-05H65-08H36-8-H38X	1	1/P	
27	X0-02421000	S/TPS/FHEXM/R-4X8-ZU3	4	10/P	



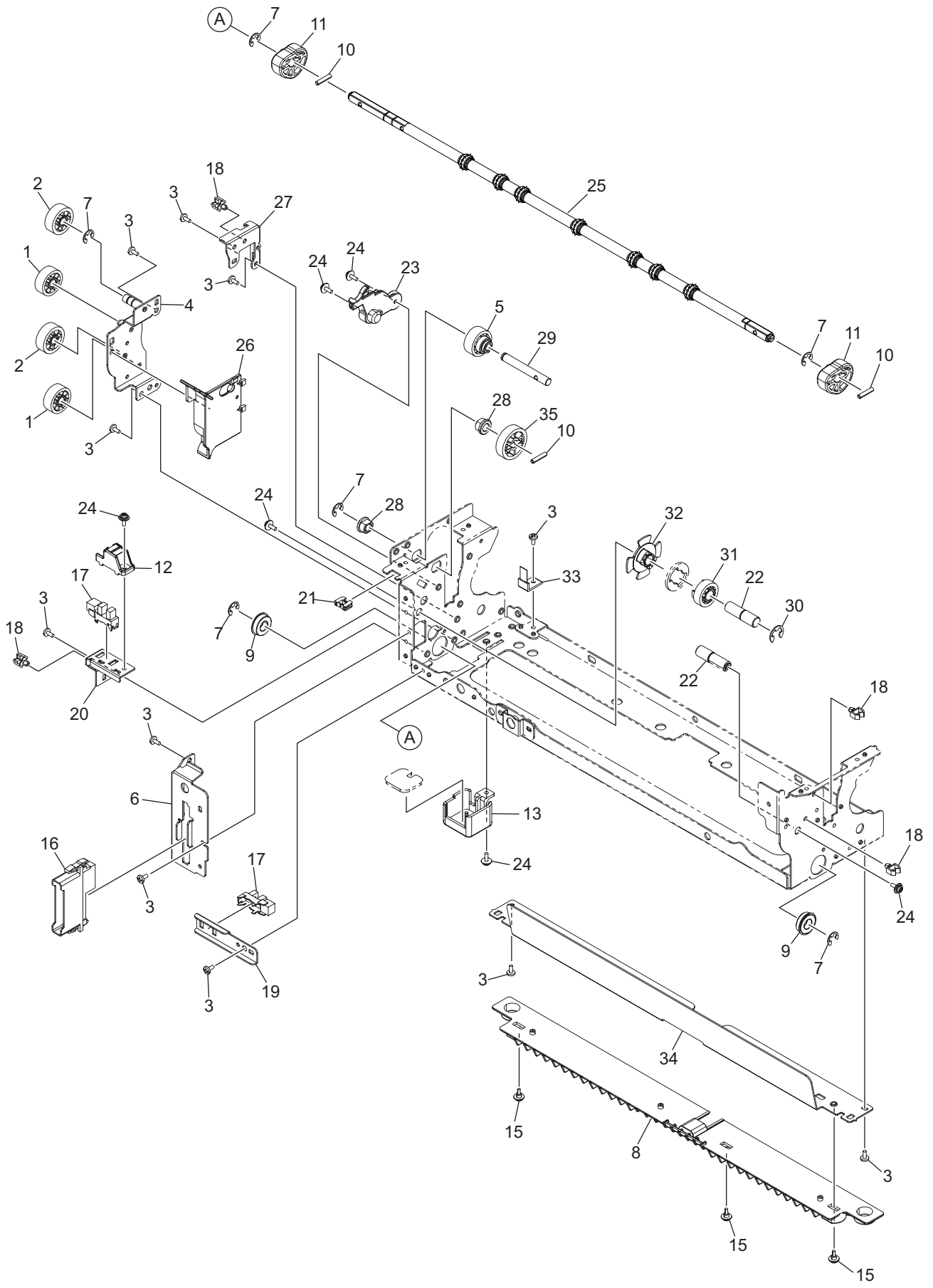
ITEM No.	PART No.	PART NAME	Q'TY / PAGE	Q'TY / PACK	REMARKS
1	6LK42682000	COV-FUS-FRONT-H38X	1	1/PP	
2	6LK42451000	BRKT-FUS-GUIDE-WEL-H38X	1	1/C	
3	6LK42450000	COVER-FUS-GUIDE-WEL-H38X	1	1/PP	
4	6LK42584000	ASYS-COVER-ADJ-H38X	1	1/PP	
5	6LK42679000	COV-FUS-R-H38X-B	1	N/A***	
6	6LH36359000	SCREW-M3-D4X2.3	8	10/P	
7	6LE25931000	ROLL-FUS-GUIDE	8	1/P	
8	X0-00077000	S/PAN/SWWP-M3X8-NI	1	10/P	
9	X0-00430000	S/BID-M3X6-NI	7	10/P	
11	6LK42594000	LBL-FUSER-OPEN-H38X	1	1/KP	
12 A	6LK52029000	LBL-HOT-COV-UPR-K	1	1/KP	NAD,NAC,MJD,MJC,ASD,AUD,ARD CND
12 B	6LK52031000	LBL-HOT-COV-UPR-K-CND	1	1/KP	
13	X0-00966000	RR/E-5-SS	1	10/P	
14	6LK42605000	GEAR-10S32-CAM-H38X-KY	1	1/P	
15	6LK42413000	COV-FUS-F-H38X	1	1/P	
16	X0-01169000	P/PRL/AH7-3X14-SS	1	10/P	
17	6LE50521000	BUSH-8X12X5R5F-NU4	1	5/P	



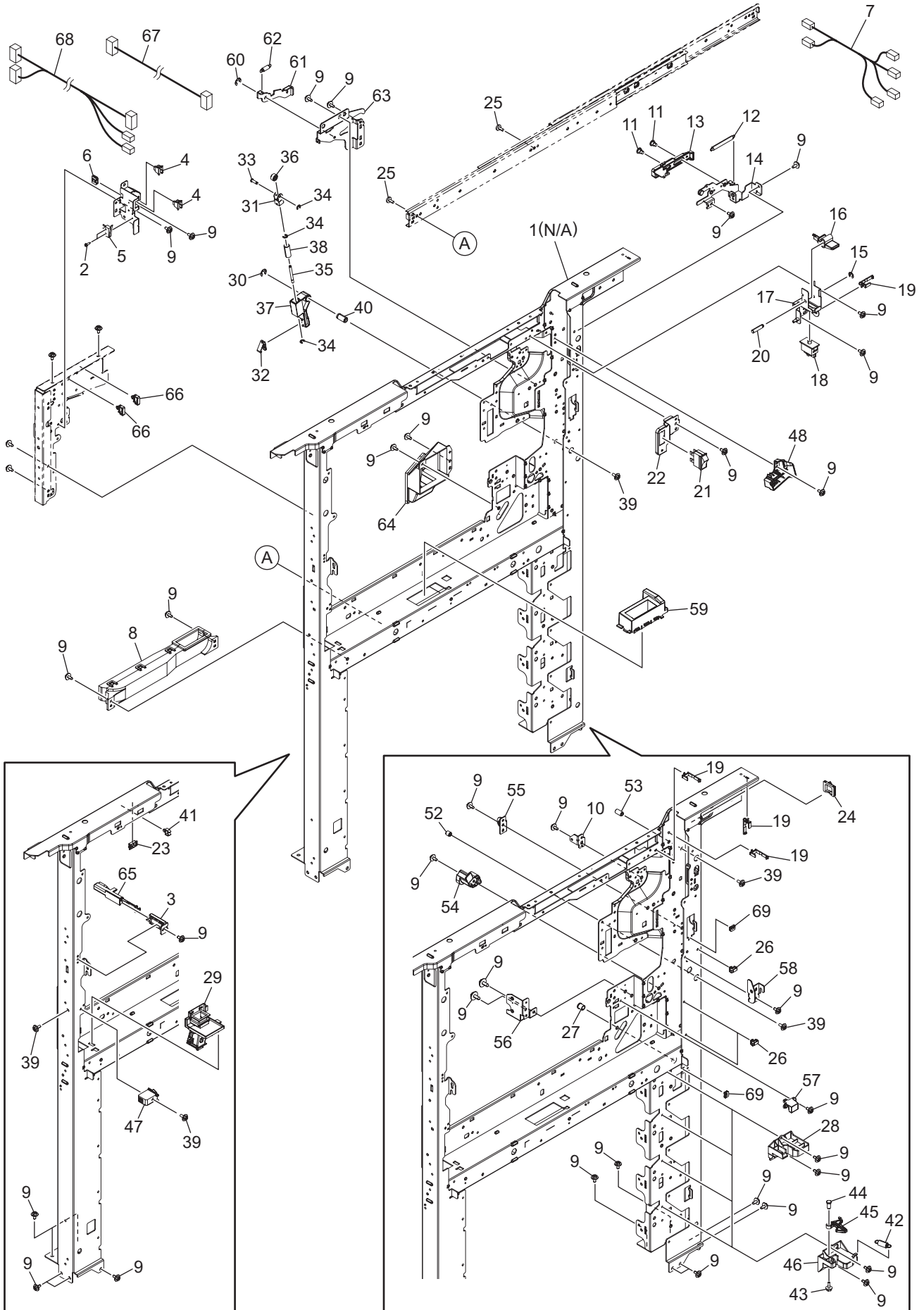
ITEM No.	PART No.	PART NAME	Q'TY / PAGE	Q'TY / PACK	REMARKS
1	6LK42464000	ASYS-STAY-FUS-EXIT-H38X	1	N/A***	
2	X0-00963000	RR/E-2-SS	2	10/P	
3	6LK42611000	SHEET-FUSER-SNSR-H38X	1	1/P	
4	6LK52299000	GUIDE-SCRIP-H373-F	1	1/P	
5	6LK52298000	GUIDE-SCRIP-H373-R	1	1/P	
6	6LK42445000	ASYS-HLDR-FUS-F-H38X	1	1/P	
7	6LK42447000	ASYS-BRKT-GUIDE-R-H38X	1	1/P	
8	6LK42569000	ASYB-ROLL-EXIT-FUS-H38X	1	1/KP	
9	F0-00270000	UAMS-05L-0-46	7	10/P	
10	6LK52314000	S/FPAN/R-M3X10-ZB3-APSLOK	3	5/P	
11	6LK52315000	SPG-E-SCRIP-AJ-H373	2	1/P	
12	X0-00077000	S/PAN/SWWP-M3X8-NI	2	10/P	
13	X0-00430000	S/BID-M3X6-NI	10	10/P	
14	6LK42546000	ASYS-SCRAPER-10-45-H38X	1	1/PP	
15	F0-01844000	ES-0505-2-46	1	5/P	
16	6LK42453000	ASYS-BRKT-SCRIP-H38X-AJ	1	1/PP	
17	6LK42524000	SPG-T-GUIDE-EXIT-RTN-GCH	1	1/P	
18	6LK42522000	PIN-IDLE-FUS-H38X	4	1/P	
19	6LH36359000	SCREW-M3-D4X2.3	4	10/P	
20	6LE43405000	S/PAN/SWWP-M3X6-ZU3-B	3	10/P	
21	6LH07453000	ROLL-FUS-GUIDE	4	1/P	
22	6LK42550000	BRKT-ADJ-SCRIP-H38X	1	N/A***	
23	6LK42560000	BRKT-BASE-ADJ-H38X	1	N/A***	
24	6LK42556000	COVER-BASE-H38X	1	N/A***	
25	6LK42548000	ASYS-GUIDE-PR-SEP-H38X	1	1/PP	



ITEM No.	PART No.	PART NAME	Q'TY / PAGE	Q'TY / PACK	REMARKS
1	6LK42409000	GEAR-10H21-IDL-PR-H38X	1	1/P	
2	6LK42410000	SHAFT-FUS-8-H38X	1	1/P	
3	X0-00968000	RR/E-7-SS	5	10/P	
4	6LE25970000	WASHER-FUSER	2	5/P	
5	6LJ58988000	6802ZZNRS1C4-GPL226-GV22	2	1/P	
6	6LH07393000	BUSH-FUS-MR	2	1/P	
7	X0-00430000	S/BID-M3X6-NI	4	10/P	
8	X0-00077000	S/PAN/SWWP-M3X8-NI	2	10/P	
9	6LK42593000	SHAFT-FUS-SPG-S-H38X	2	1/P	
10	6LK42590000	SPG-C-PR-330-H38X	2	1/P	
11	6LK42592000	SCREW-M4X10-7-ZU3	2	5/P	
12	6LK42438000	ARM-FUS-R-H38X	1	1/P	
13	6LK42440000	ASYS-PUSHER-ARM-R-H38X	1	1/P	
14	6LK42437000	STAY-PR-H38X	1	N/A***	
15	6LK42444000	ARM-FUS-F-H38X	1	1/P	
16	6LK42566000	ASYS-PUSHER-ARM-F-H38X	1	1/P	
17	6LK43647000	PR-FC556-FU	1	1/S	
18	6LK42678000	GEAR-10H32-PR-H38X	1	1/P	
19	X0-00966000	RR/E-5-SS	1	10/P	
20	6LK42422000	BRKT-BELT-F-H38X	1	1/P	
21	6LK42699000	BELT-HLDUNIT-FC556	1	1/S	
22 A	6LK42668000	ASY-FUSER-BELT-FC556	1	1/S	Except for CND CND
22 B	6LK42669000	ASY-FUSER-BELT-FC556-C	1	1/S	
36	6LK42559000	6804ZZS1C4-GPL226-GV22	1	1/P	
44	6LK42589000	PAD-BLT-R60-H4-H38X	1	1/KP	
45	6LK42545000	ASYS-FRM-FUSER-H38X	1	N/A***	
46	6LK42478000	BUSH-BLT-R-H38X	1	1/P	
47	6LK42481000	WASHER-BLT-H38X	1	1/P	
48	6LK42627000	ASYS-BUSH-BLT-F-H38X	1	1/P	
49	6LK42625000	BRKT-BLT-F-H38X	1	1/P	
50	X0-00059000	S/PAN/SWWS-M3X6-NI	4	10/P	
51	6LK42695000	HLD-THRMST-U-K130	1	1/P	
52	6LK39446000	THRMST-HTR-H380	1	1/C	
53	6LK52255000	SPG-C-THRMST	1	1/P	
54	6LK42696000	HLD-THRM-H38X	1	1/P	
55	6LK73139000	THMS-HTR-H380	1	1/KP	
56	6LK42483000	GUIDE-HRNS-BLT-S-H38X	1	1/C	
57	6LK42482000	GUIDE-HRNS-BLT-L-H38X	1	1/C	
58	X0-00426000	S/BID-M3X4-NI	5	10/P	
59	6LK42472000	PLT-STOPPER-SHILD-H38X	2	1/P	
60	6LK42485000	PLT-STOPPER-SHIELD-U-H38X	2	1/P	
61	6LK42476000	PLT-HLDR-PAD-H38X	1	1/KP	
62	6LK42479000	SPG-C-PLT-TMM-H38X	6	1/P	

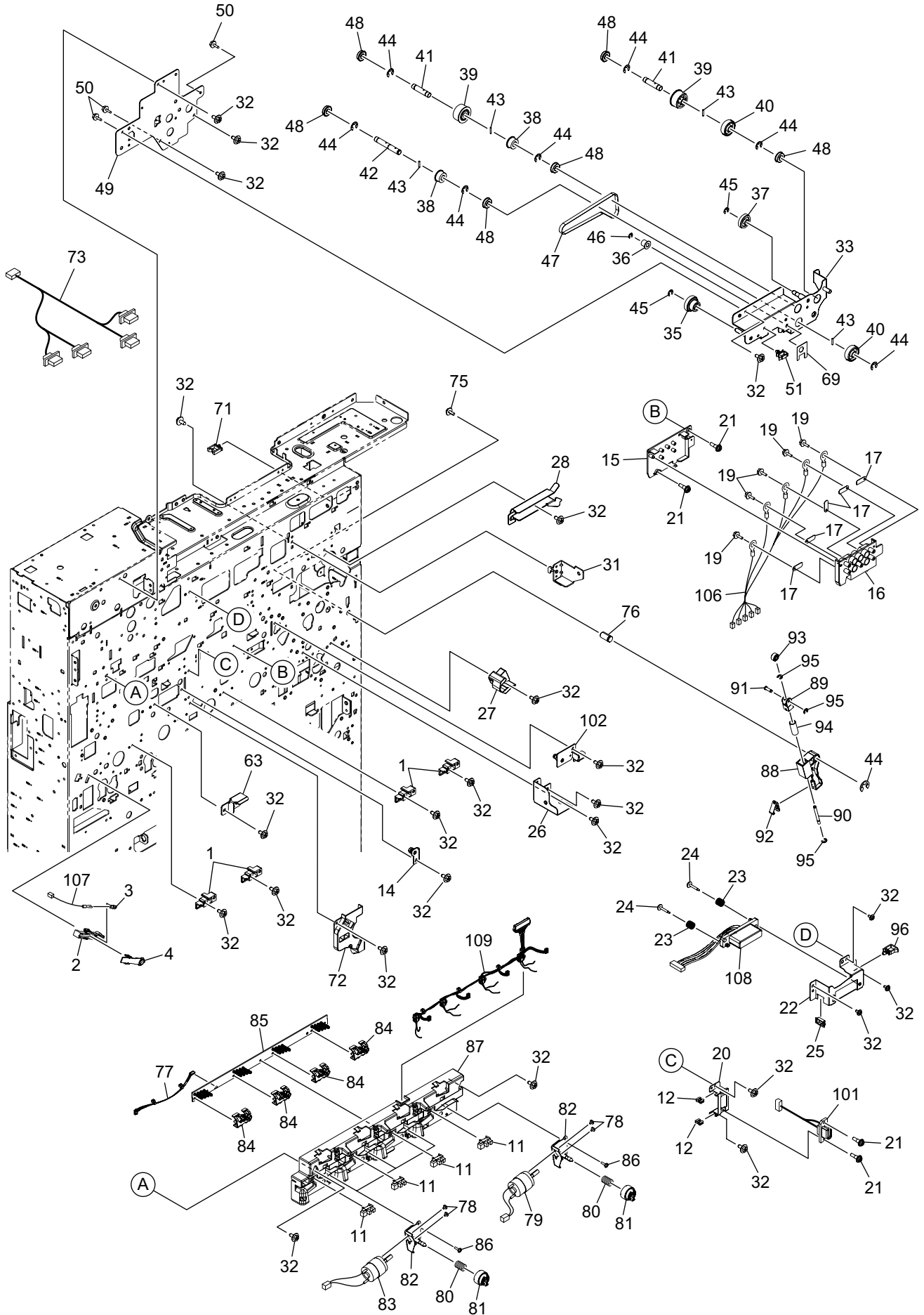


ITEM No.	PART No.	PART NAME	Q'TY / PAGE	Q'TY / PACK	REMARKS
1	6LK42462000	GEAR-10H20-R-H38X	2	1/P	
2	6LK42463000	GEAR-10H21-L-H38X	2	1/P	
3	X0-00430000	S/BID-M3X6-NI	11	10/P	
4	6LK42467000	ASYS-BRKT-DRV-G4-H38X	1	1/P	
5	6LK42614000	ASYS-GR-10H20-OWC-H38X	1	1/P	
6	6LK42414000	BRKT-DRW-W-H38X	1	1/P	
7	X0-00966000	RR/E-5-SS	6	10/P	
8	6LK42418000	GUIDE-ENT-PR-H38X	1	1/PP	
9	F0-02241000	LNR-1680KKRP0P25LY727	2	1/P	
10	X0-01169000	P/PRL/AH7-3X14-SS	3	10/P	
11	6LK42552000	CAM-FUS-H38X	2	1/P	
12	6LK42428000	COVER-SNSR-H38X	1	1/P	
13	6LK42620000	COVER-FUS-RL-H38X	1	1/P	
15	6LH36359000	SCREW-M3-D4X2.3	3	10/P	
16	6LK39203000	HRNS-FUS-H380	1	1/P	
17	C0-17839000	LG2A14BL1	2	1/C	
18	F0-00270000	UAMS-05L-0-46	4	10/P	
19	6LK42421000	BRKT-SNSR-R-RIKAN-H38X	1	1/P	
20	6LK42427000	BRKT-FUS-SNSR-H38X	1	1/P	
21	F0-01844000	ES-0505-2-46	1	5/P	
22	6LK42411000	STUD-SNSR-H38X	2	1/P	
23	6LK42424000	ASYS-HLDR-FUS-R-H38X	1	1/P	
24	X0-00077000	S/PAN/SWWP-M3X8-NI	6	10/P	
25	6LK42610000	ASYB-FUS-CAM-H38X	1	1/KP	
26	6LK42430000	COV-HNS-R-H38X	1	1/P	
27	6LK42434000	BRKT-BELT-R-H38X	1	1/P	
28	6LH68707000	BUSH-6	2	1/P	
29	6LK42419000	STUD-BELT-R-H38X	1	1/P	
30	X0-00968000	RR/E-7-SS	1	10/P	
31	6LK42426000	GEAR-10S20-SNSR-H38X	1	1/P	
32	6LK42429000	ACT-SNSR-H38X	1	1/P	
33	6LJ02533000	BRUSH-FUSER-H14X	1	1/C	
34	6LK42417000	PLT-ENT-H38X	1	1/PP	
35	6LK42408000	GEAR-10S26-BELT-H38X	1	1/P	



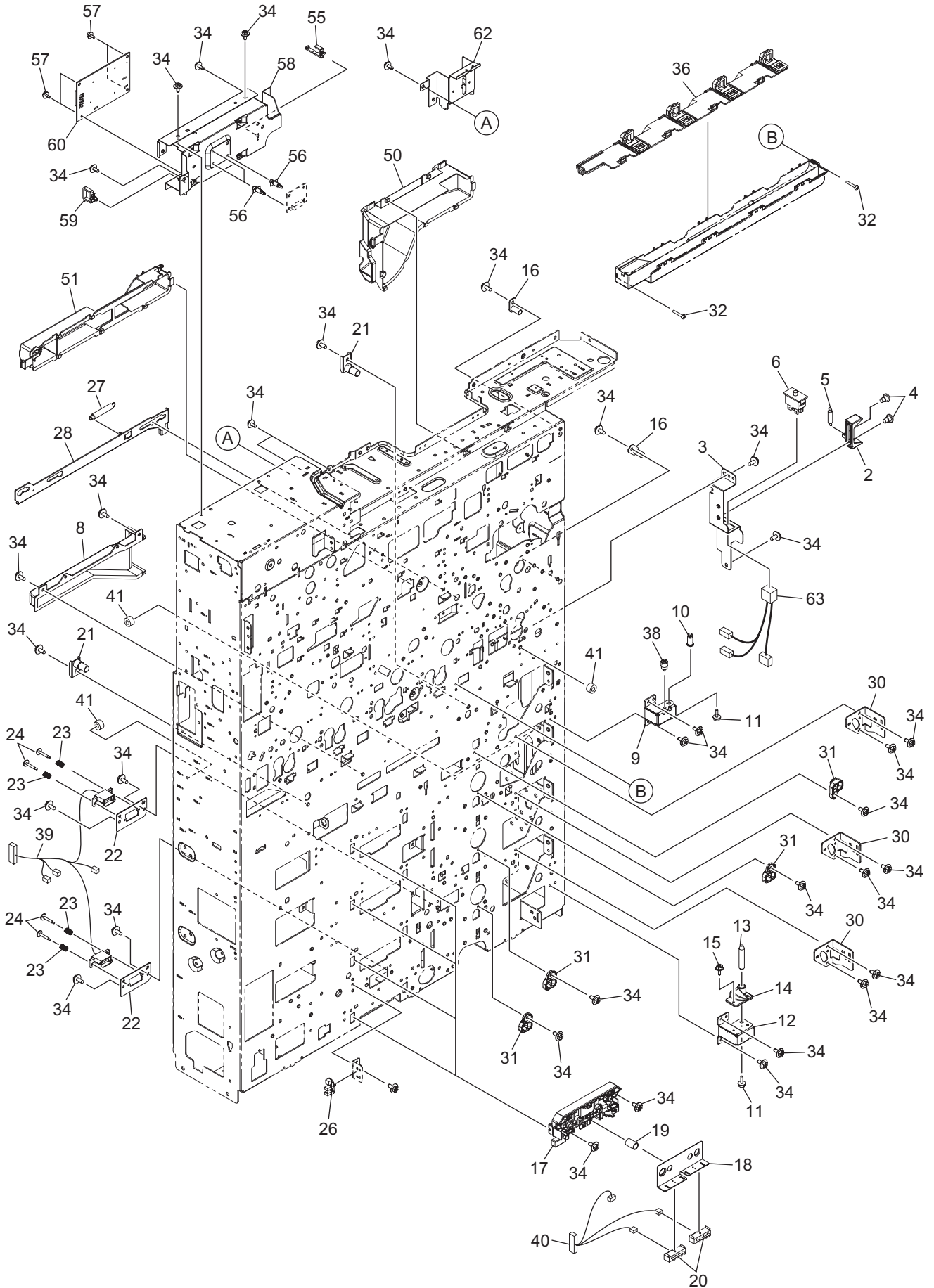
ITEM No.	PART No.	PART NAME	Q'TY / PAGE	Q'TY / PACK	REMARKS
1	6LK39033000	ASYS-FRAME-FRT-H38X	1	N/A***	
2	44204394000	SCREW20*D23	2	10/P	
3	6LH03823100	ANG-TBU-LEFT_S	1	1/P	
4	E0-01853000	CS1A-B2CA	2	1/D	
5	E0-15604000	DE2L-BALGY	1	1/D	
6	F0-02296000	ES-0505-2	1	5/P	
7	6LK39422000	HRNS-FRTSW-H380	1	1/P	
8	6LH01471000	ASYS-DUCT-EPU-FRT	1	1/PP	
9 A	X0-02421000	S/TPS/FHEXM/R-4X8-ZU3	41	10/P	NAC,MJC
9 B	X0-02421000	S/TPS/FHEXM/R-4X8-ZU3	39	10/P	NAD,MJD,ASD,AUD,CND,ARD
10	6LH05482000	ASYS-BRKT-POS-MID-F	1	1/P	
11	6LA02823000	SCREW-RAIL-TRU	2	5/P	
12	6LH01135000	SPG-E-6R5XR5X28R	1	1/P	
13	6LH01129100	LVR-DOOR-SWMN	1	1/P	
14	6LH01169000	ASYS-BKT-LVR-DOOR	1	1/P	
15	X0-00965000	RR/E-4-SS	1	10/P	
16	6LH01128100	GUIDE-SW-DOOR-430_S	1	1/P	
17	6LH01131000	ASYS-BKT-DOOR-SW	1	1/P	
18	E0-14600000	FA1L-AA23	1	1/D	
19	F0-00036000	RLWS3TV0	4	5/P	
20	44200854000	STUD-DOOR-SW	1	5/P	
21	E0-14534000	CF-LA-2KZ2-1C	1	1/C	
22	6LK39004000	BRKT-SW-H38X	1	1/PP	
23	F0-01248000	ESC-0912	1	10/P	
24	F0-00047000	EDS-1717U	1	10/P	
25	X0-02577000	S/BID-M4X8-ZU3	2	10/P	
26	F0-01462000	LBWS-0206S-V0	3	1/P	
27	F0-00370000	OCB-375	1	5/P	
28 A	6LK42103000	HOLDER-LOCK-CST-H38X	4	1/P	NAC,MJC
28 B	6LK42103000	HOLDER-LOCK-CST-H38X	2	1/P	NAD,MJD,ASD,AUD,CND,ARD
29	6LK40725000	ASYB-DUCT-WTNR-VT	1	1/C	
30	X0-00968000	RR/E-7-SS	1	10/P	
31	6LK41343000	HOLDER-ROL-PUSH-H380	1	1/P	
32	6LK41350000	SPL-LEVER-TRU-H38X	1	1/P	
33	6LK41345000	SHAFT-ROLL-TRU-PUSH	1	1/P	
34	X0-00964000	RR/E-3-SS	3	10/P	
35	6LK41346000	SHAFT-SPC-GUIDE	1	1/P	
36	6LK41344000	ROL-PUSH_UP	1	1/P	
37	6LK41349000	LEVER-PUSH-TRU-F	1	1/P	
38	6LE62403000	SPC-PUSH-RGST	1	1/P	
39	X0-02235000	S/FHEXM-M4X8-NI	5	10/P	
40	6LK41356000	STUD-TRU-LEVER	1	1/P	
41	F0-00270000	UAMS-05L-0-46	1	10/P	
42 B	6LH05751000	SPE096-100-0282	1	1/P	NAD,MJD,ASD,AUD,CND,ARD
43 B	X0-02231000	S/FHEXM-M3X8-NI	1	10/P	NAD,MJD,ASD,AUD,CND,ARD
44 B	6LA04494000	STUD-LOCK-CST	1	5/P	NAD,MJD,ASD,AUD,CND,ARD
45 B	6LA04493000	HOOK-LOCK-CST	1	1/P	NAD,MJD,ASD,AUD,CND,ARD
46 B	6LA04492000	HOLDER-LOCK-CST	1	1/P	NAD,MJD,ASD,AUD,CND,ARD
47	6LH02990000	STOP-EPU-LFT	1	1/P	
48	6LH02370200	COVER_LED_FUS-H38XMN	1	1/P	
52	6LH05428000	STUD-LOCK-ADU-FL	1	1/P	
53	6LH05423000	STUD-LOCK-ADU	1	1/P	
54	6LK41365000	HLDR-GID-RGST-F-H380	1	1/P	
55	6LK41357000	PLATE-ADU-FRT	1	1/P	
56	6LH04488000	BRKT-CAM-TR2-F	1	1/P	
57	6LH02991000	STOP-EPU-RGT	1	1/P	
58	6LH02326000	SUPPORT-PLT-HNG-CV-R	1	1/P	
59	6LH01417100	DUCT-EPU-F-EXT-S_S	1	1/P	
60	X0-00966000	RR/E-5-SS	1	10/P	
61	6LK42496000	BRKT-FUS-LEV-F-H38X	1	1/P	
62	6LK42500000	SPG-E-LEV-H38X	1	1/P	
63	6LK42497000	ASYS-BRKT-FUS-F-H38X	1	1/P	
64	6LH07987000	ASYS-DUCT-LSU-IN	1	1/PP	

ITEM No.	PART No.	PART NAME	Q'TY / PAGE	Q'TY / PACK	REMARKS
65	6LH04069100	LIFT-TBU-H38X	1	1/P	
66	F0-00032000	PLWS-1-46B	2	5/P	
67	6LH09006000	HRNS-SIDE-430	1	1/P	
68	6LK73070000	HRNS-MAINSW-H380	1	1/P	
69	F0-00120000	ES-0505	2	5/P	

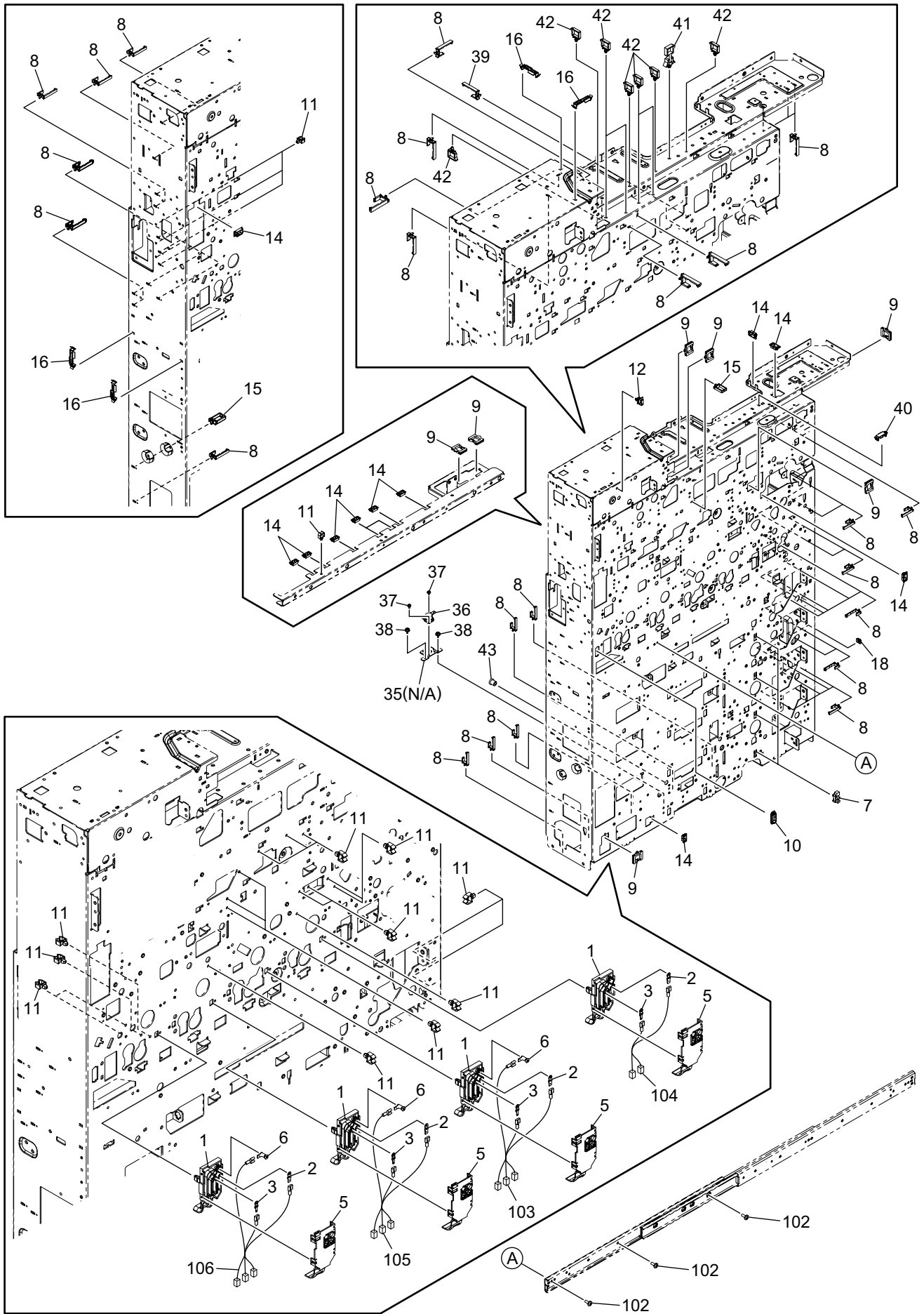


ITEM No.	PART No.	PART NAME	Q'TY / PAGE	Q'TY / PACK	REMARKS
1	6LH02635100	BRKT-DRAWER-CNTR-CLNR_S	4	1/P	
2	6LH02671000	TERM-HVT-EPU-Y	1	1/P	
3	6LH02637000	PLATE-TERM-HVT-EPU-187-S	1	1/P	
4	6LH02672000	COVER-TERM-HVT-EPU-Y	1	1/P	
11	C0-17839000	LG2A14BL1	4	1/C	
12	F0-02296000	ES-0505-2	2	5/P	
14	6LH03820000	ASYS-BRKT-TBU-FIX	1	1/P	
15	6LH03730000	COVER-TERM-KCMY	1	1/P	
16	6LH03731000	CASE-TERM-KCMY	1	1/P	
17	6LH03732000	PLATE-TERM-TBU	5	1/P	
19	X0-02247000	S/TPP/FHEXM-3X8-NI	5	10/P	
20	6LH03728000	BRKT-TERM-AMP-DRW	1	1/P	
21	6LA08938000	SCREW-SOCKET	4	10/P	
22	6LH17816100	BRKT-CONH38	1	1/D	
23	6LA08950000	SPC074-070-0145	2	5/P	
24	4406326040	SCREW-D4-18-M3	2	10/P	
25	F0-01248000	ESC-0912	1	10/P	
26	6LH04489000	BRKT-CAM-TR2-R	1	1/P	
27	6LH04564000	HLDR-GID-RGST-R-430	1	1/P	
28	6LK42680000	BRKT-SLD-R-H38X-B	1	1/P	
31	6LH04747000	ASYS-BRKT-POS-MID-R-FAN	1	1/P	
32	X0-02421000	S/TPS/FHEXM/R-4X8-ZU3	24	10/P	
33	6LH04778000	ASYS-FRAME-DRIVE-EXIT-F-N	1	1/C	
35	6LK43902000	GEAR-10S25_PS2M28-6	1	1/P	
36	6LH04600000	IDLER-DRIVE-EXIT	1	1/P	
37	6LA79005000	GEAR-10S022-06-DRV	1	1/P	
38	6LA04720000	PLY/T-S2M-28-08	2	1/P	
39	6LH04598000	GEAR-10S25-8-OWR	2	1/P	
40	6LH04597000	GEAR-10S25-8-DRV	2	1/P	
41	6LH04590000	SHAFT-DRIVE-EXIT-1	2	1/P	
42	6LH04591000	SHAFT-DRIVE-EXIT-2	1	1/P	
43	X0-01526000	P/PRL/AH7-2X12-SS	4	10/P	
44	X0-00968000	RR/E-7-SS	8	10/P	
45	X0-00966000	RR/E-5-SS	2	10/P	
46	X0-00965000	RR/E-4-SS	1	10/P	
47	6LH04592000	BLT_SY-S2M-316-6	1	1/P	
48	F0-02240000	LNR-1680KKRP0P25LY551	6	1/P	
49	6LH04608000	FRAME-DRIVE-EXIT-R	1	1/P	
50	X0-02420000	S/TPS/FHEXM/R-3X8-ZU3	3	10/P	
51	F0-01811000	LWS-0711S-V0	1	5/P	
63	6LK41123000	BRKT-GUIDE-TBU	1	1/P	
69	6LH04772000	MYLAR-DRIVE-EXIT	1	1/P	
71	F0-01460000	RWS-2T V0	1	1/P	
72	6LH03729100	COV-HRNS-TERM-TBU_S	1	1/P	
73	6LK39417000	HRNS-ERS-H380	1	1/P	
75	X0-02235000	S/FHEXM-M4X8-NI	1	10/P	
76	6LK41356000	STUD-TRU-LEVER	1	1/P	
77	6LK72954000	HRNS-CRGIC-H380	1	1/P	
78	X0-02557000	S/BID-M2.6X3-NI	8	10/P	
79	6LH03520000	ASYS-MOTRD-KTNR-430	1	1/C	
80	6LH03599000	SPG-C-GEAR-DRV-TNR-430	4	1/P	
81	6LH03616000	GEAR-5H46-6-COUP-L-K	4	1/P	
82	6LK40902000	ASYS-TNRDRV-H38X	4	1/P	
83	6LJ76845000	MOTRD-TNR-H24X	3	1/D	
84	6LK40941000	GUIDE-TNRSP-H38X	4	1/P	
85	6LK40964000	ASYB-PACK-CTIF-K130	1	1/S	
86	6LA80090000	S/TPP/BID-3*8-NI	4	5/P	
87	6LK40956000	HLDR-TNRDRV-H38X	1	1/PP	
88	6LK41348000	LEVER-PUSH-TRU-R	1	1/P	
89	6LK41343000	HOLDER-ROL-PUSH-H380	1	1/P	
90	6LK41346000	SHAFT-SPC-GUIDE	1	1/P	
91	6LK41345000	SHAFT-ROLL-TRU-PUSH	1	1/P	
92	6LK41350000	SPL-LEVER-TRU-H38X	1	1/P	

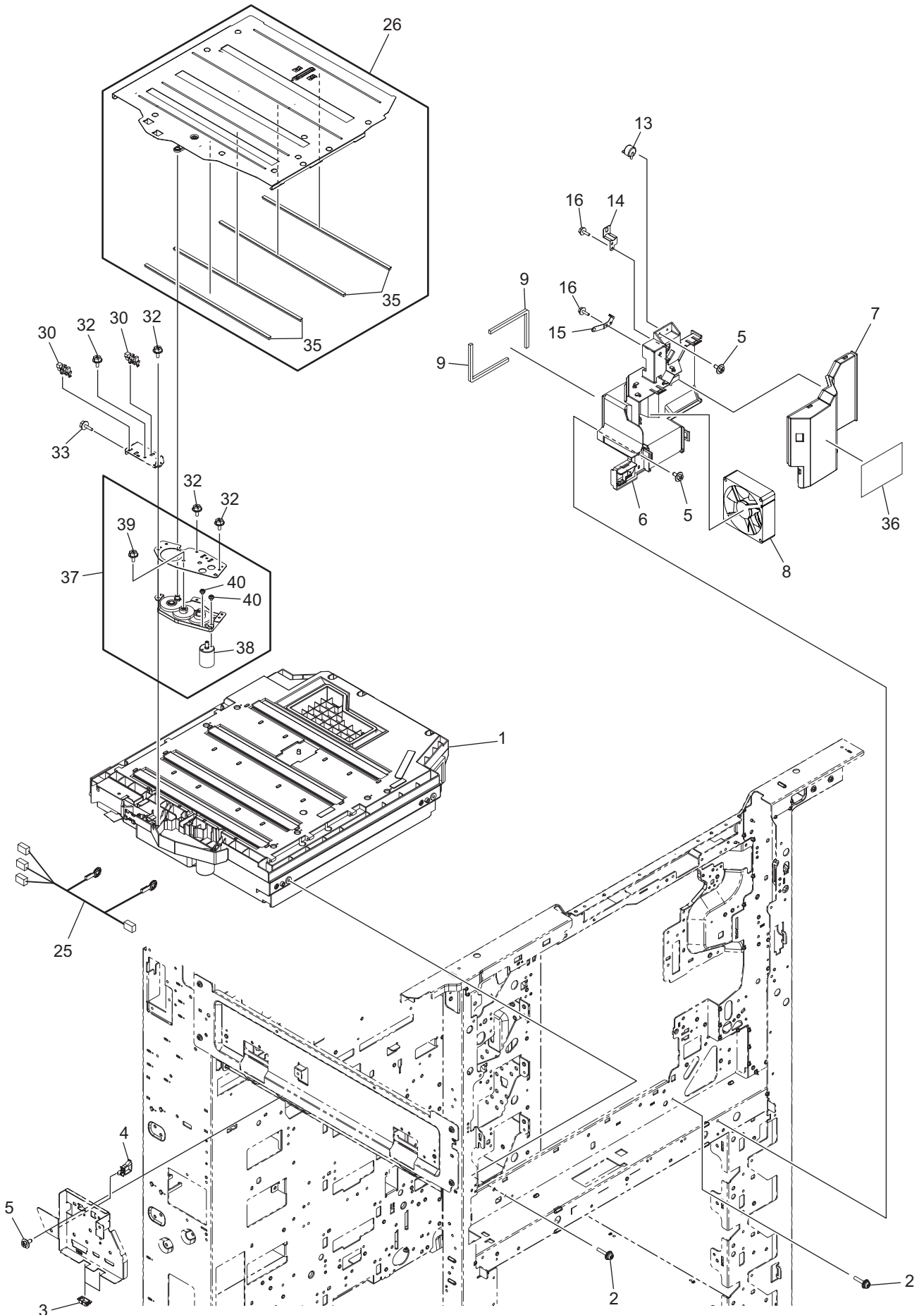
ITEM No.	PART No.	PART NAME	Q'TY / PAGE	Q'TY / PACK	REMARKS
93	6LK41344000	ROL-PUSH_UP	1	1/P	
94	6LE62403000	SPC-PUSH-RGST	1	1/P	
95	X0-00964000	RR/E-3-SS	3	10/P	
96	F0-01812000	LWS-1211S-V0	1	5/P	
101	6LK39310000	HRNS-TBURF-H380	1	1/P	
102	6LJ07131000	ASYS-BRKT-TBU-FIX-H130	1	1/P	
106	6LK73018000	HRNS-HVPS-TR-H380	1	1/P	
107	6LK73017000	HRNS-HVPS-YPUDEV-H380	1	1/P	
108	6LK39311000	HRNS-DRV-RLY-H380	1	1/P	
109	6LK39415000	HRNS-TNRD-H380	1	1/P	



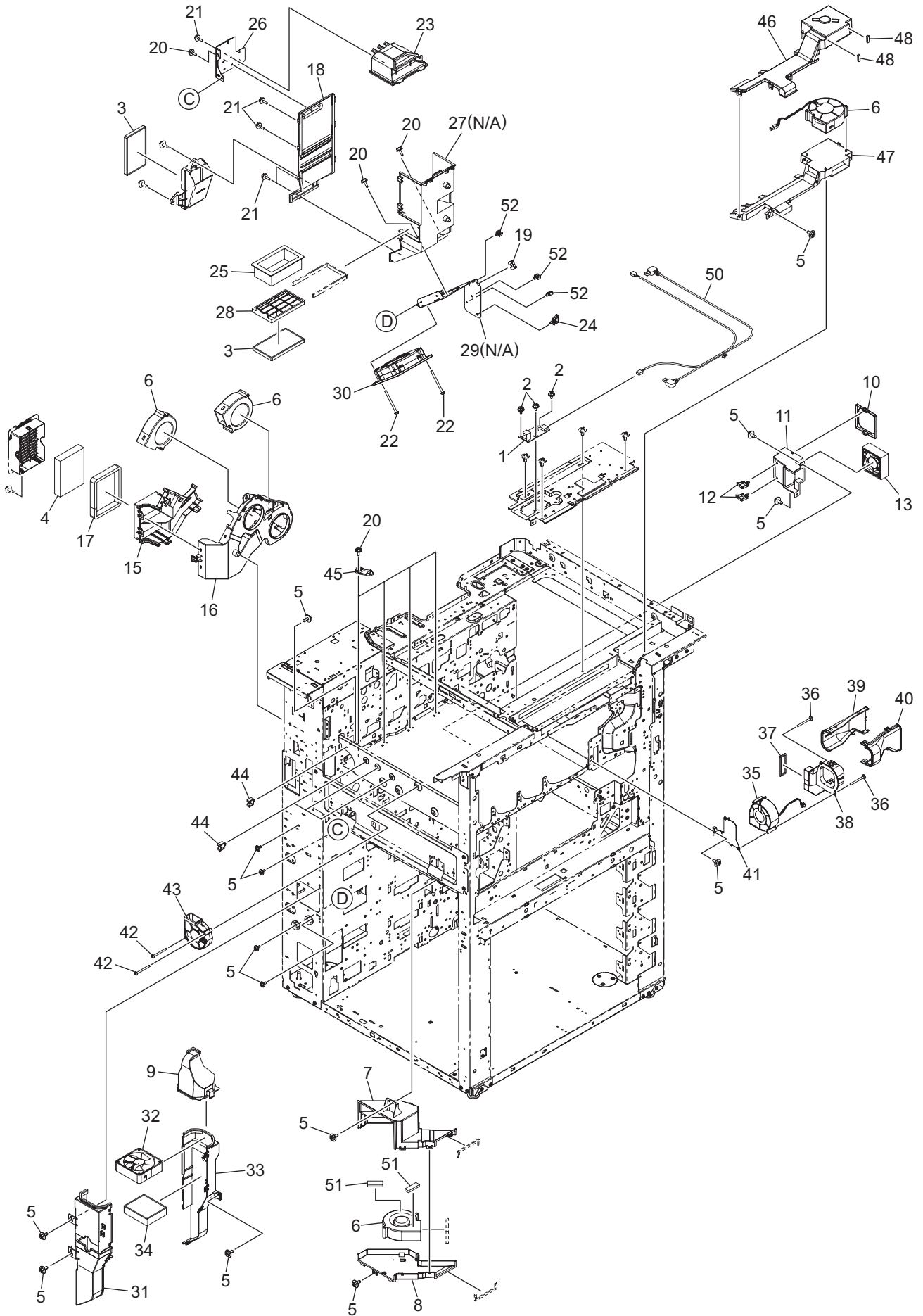
ITEM No.	PART No.	PART NAME	Q'TY / PAGE	Q'TY / PACK	REMARKS
2	6LH01124100	SLIDE-FUS-INTR_S	1	1/P	
3	6LK39007000	BRKT-FUS-SW-INTER-H38X	1	1/P	
4	6LA02823000	SCREW-RAIL-TRU	2	5/P	
5	6LE22836000	SPG-E-6R5XR45X31R9	1	1/P	
6	E0-08442000	FA1L-AA22	1	1/D	
8	6LH01477000	ASYS-DUCT-LSU-RER	1	1/PP	
9	6LH04515000	BRKT-COV-HINGE-FRM-R-U	1	1/P	
10	6LH04514000	STUD-COV-HINGE-FRM-R-U	1	1/P	
11	X0-02231000	S/FHEXM-M3X8-NI	2	10/P	
12	6LH04518000	BRKT-COV-HINGE-FRM-R-L	1	1/P	
13	6LH04516000	STUD-COV-HINGE-FRM-R-L	1	1/P	
14	6LH04517000	GUIDE-SLOPE-L	1	1/P	
15	X0-02420000	S/TPS/FHEXM/R-3X8-ZU3	1	10/P	
16	6LH05488000	ASYS-BRKT-POS-ADU	2	1/P	
17 A	6LH05731100	HOLDER-SENSOR-CST-F43X_S	4	1/P	NAC,MJC
17 B	6LH05731100	HOLDER-SENSOR-CST-F43X_S	2	1/P	NAD,MJD,ASD,AUD,CND,ARD
18 A	6LJ08005000	BRKT-SENSOR-CST-F43X	4	1/P	NAC,MJC
18 B	6LJ08005000	BRKT-SENSOR-CST-F43X	2	1/P	NAD,MJD,ASD,AUD,CND,ARD
19 A	6LH05738000	SPG-C-8R9XR9X11R6	4	1/P	NAC,MJC
19 B	6LH05738000	SPG-C-8R9XR9X11R6	2	1/P	NAD,MJD,ASD,AUD,CND,ARD
20 A	E0-14485000	PS-42C02-F NS	8	1/C	NAC,MJC
20 B	E0-14485000	PS-42C02-F NS	4	1/C	NAD,MJD,ASD,AUD,CND,ARD
21	6LH07980000	ASYS-BRKT-LSU-STUD	2	1/P	
22 A	6LH05908000	BRKT-DRW-TANDEM	2	1/P	NAD,MJD,ASD,AUD,CND,ARD
23 A	6LH05996000	SPG-DRAWER-TANDEM	4	1/P	NAD,MJD,ASD,AUD,CND,ARD
24 A	4406326040	SCREW-D4-18-M3	4	10/P	NAD,MJD,ASD,AUD,CND,ARD
26 A	C0-17839000	LG2A14BL1	1	1/C	NAD,MJD,ASD,AUD,CND,ARD
27	6LH03801000	SPG-E-PLATE-TBU-FIX	1	1/P	
28	6LJ07129000	PLATE-TBU-FIX-H130	1	1/P	
30 A	6LH05705000	BRKT-HOLD-RAIL	3	1/P	NAC,MJC
30 B	6LH05705000	BRKT-HOLD-RAIL	2	1/P	NAD,MJD,ASD,AUD,CND,ARD
31 A	6LH05736000	HOLDER-CST-POS	4	1/P	NAC,MJC
31 B	6LH05736000	HOLDER-CST-POS	2	1/P	NAD,MJD,ASD,AUD,CND,ARD
32	X0-02067000	S/TPS/PAN-4X20-ZU3	2	10/P	
34 A	X0-02421000	S/TPS/FHEXM/R-4X8-ZU3	41	10/P	NAC,MJC
34 B	X0-02421000	S/TPS/FHEXM/R-4X8-ZU3	37	10/P	NAD,MJD,ASD,AUD,CND,ARD
36	6LJ06305000	ASYS-DUCT-OZ-TNR-UPR	1	1/PP	
38	6LA39980000	SCREW-SCAN-LFT	1	1/P	
39 A	6LK39426000	HRNS-PFC-TLFC-H380	1	1/P	NAD,MJD,ASD,AUD,CND,ARD
40 A	6LH09004000	HRNS-PSIZE-430	4	1/P	NAD,MJD,ASD,AUD,CND,ARD
40 B	6LH09004000	HRNS-PSIZE-430	2	1/P	NAC,MJC
41	6LE25210000	CUSH-FRM-SCREW-380	3	1/P	
50	6LK39504000	DUCT-FUSER-RER-H38X	1	1/PP	
51	6LK39507000	DUCT-TONER-RER-H38X	1	1/PP	
55	F0-00036000	RLWS3TV0	1	5/P	
56	F0-00342000	SPLSN-6U	3	5/P	
57	X0-02230000	S/FHEXM-M3X6-NI	4	10/P	
58	6LK39021000	BRKT-DRV-H38X	1	1/PP	
59	F0-01813000	LWS-1316S-V0	1	5/P	
60	6LL27065000	PWA-K-DRV-130	1	1/SB	
62	6LK39085000	BRKT-DSDF-CBL-H38X	1	1/P	
63	6LK39313000	HRNS-LVPS-IH-H380	1	1/P	



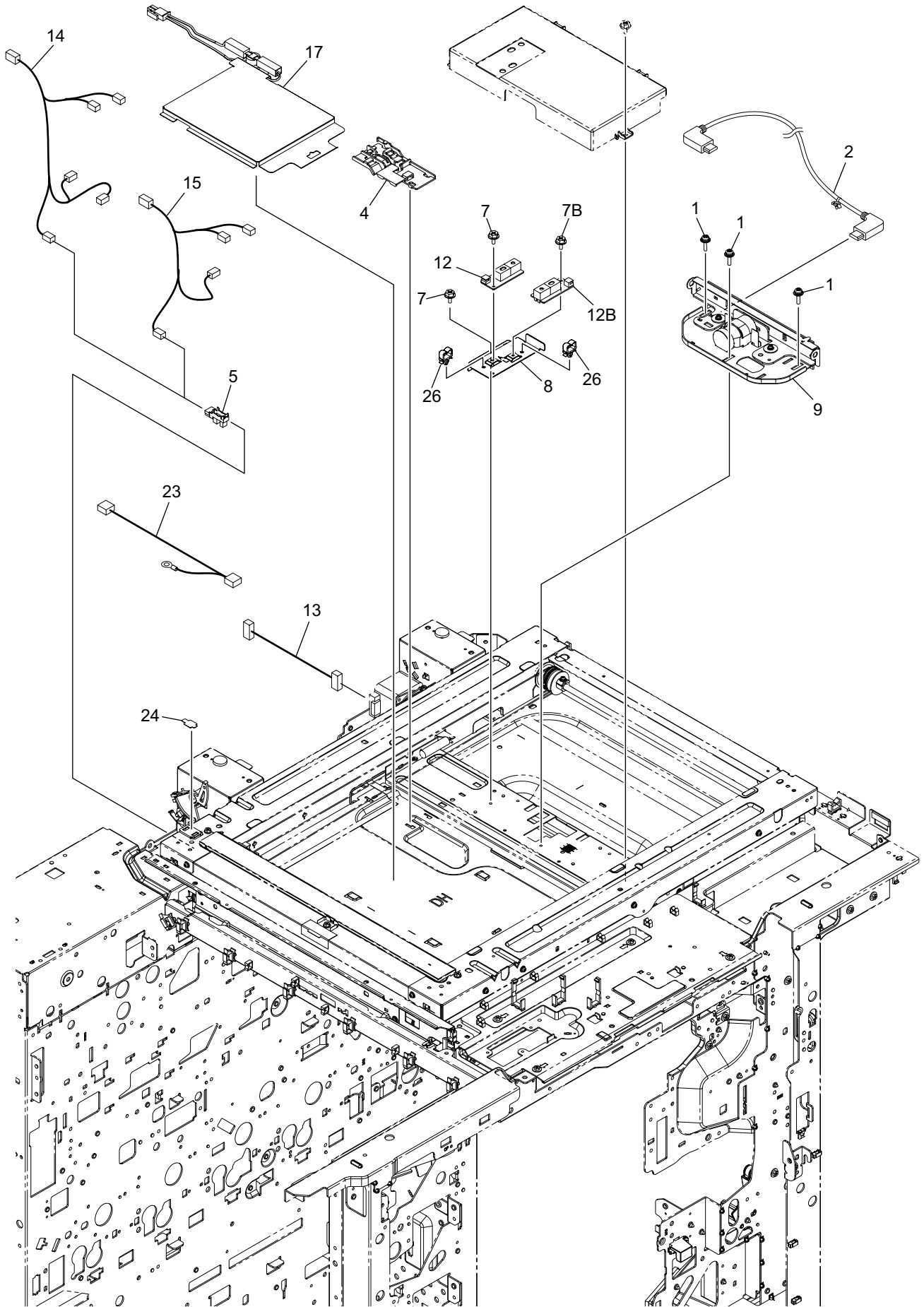
ITEM No.	PART No.	PART NAME	Q'TY / PAGE	Q'TY / PACK	REMARKS
1	6LH02638000	TERM-HVT-EPU	4	1/P	
2	6LH02637000	PLATE-TERM-HVT-EPU-187-S	4	1/P	
3	6LH02918000	PLATE-TERM-HVT-EPU-110-S	4	5/P	
5	6LH02636000	COV-TERM-HVT-EPU	4	1/P	
6	6LH02641000	PLATE-TERM-HVT-EPU-187-D	3	1/P	
7 A	C0-17839000	LG2A14BL1	2	1/C	NAD,MJD,ASD,AUD,CND,ARD NAC,MJC
7 B	C0-17839000	LG2A14BL1	4	1/C	
8	F0-00036000	RLWS3TV0	46	5/P	
9	F0-00047000	EDS-1717U	7	10/P	
10	F0-00199000	TSB-1909N	1	1/P	
11	F0-00269000	UAMS-05L-0	22	5/P	
12	F0-01811000	LWS-0711S-V0	1	5/P	
14	F0-01248000	ESC-0912	12	10/P	
15	F0-01263000	RWS-3T V0	2	5/P	
16	F0-01418000	RFC-33V0	4	1/P	
18	F0-02296000	ES-0505-2	1	5/P	
35	6LJ52372000	BRKT-SNSR-HTR-H21X	1	N/A***	
36 A	6LK45759000	THRMST-DAMP-H373	1	1/D	ASD,AUD,CND,ARD
37 A	X0-02113000	S/PAN-M3X4-NI	2	10/P	ASD,AUD,CND,ARD
38 A	X0-02419000	S/TPS/FHEXM/R-3X6-ZU3	2	10/P	ASD,AUD,CND,ARD
39	F0-00367000	RLWS-1TV0	2	10/P	
40	F0-01451000	RFC-16V0	1	1/P	
41	F0-02289000	RSPC-325P	1	5/P	
42	F0-01813000	LWS-1316S-V0	9	5/P	
43 A	F0-00370000	OCB-375	1	5/P	NAD,MJD,ASD,AUD,CND,ARD
102	X0-02074000	S/TPS/BID-4X8-ZU3	3	10/P	
103	6LK44003000	HRNS-HVPS-CPU-H380	1	1/P	
104	6LK44005000	HRNS-HVPS-KPU-H380	1	1/P	
105	6LK44002000	HRNS-HVPS-MPU-H380	1	1/P	
106	6LK39499000	HRNS-HVPS-YPU-H380	1	1/P	



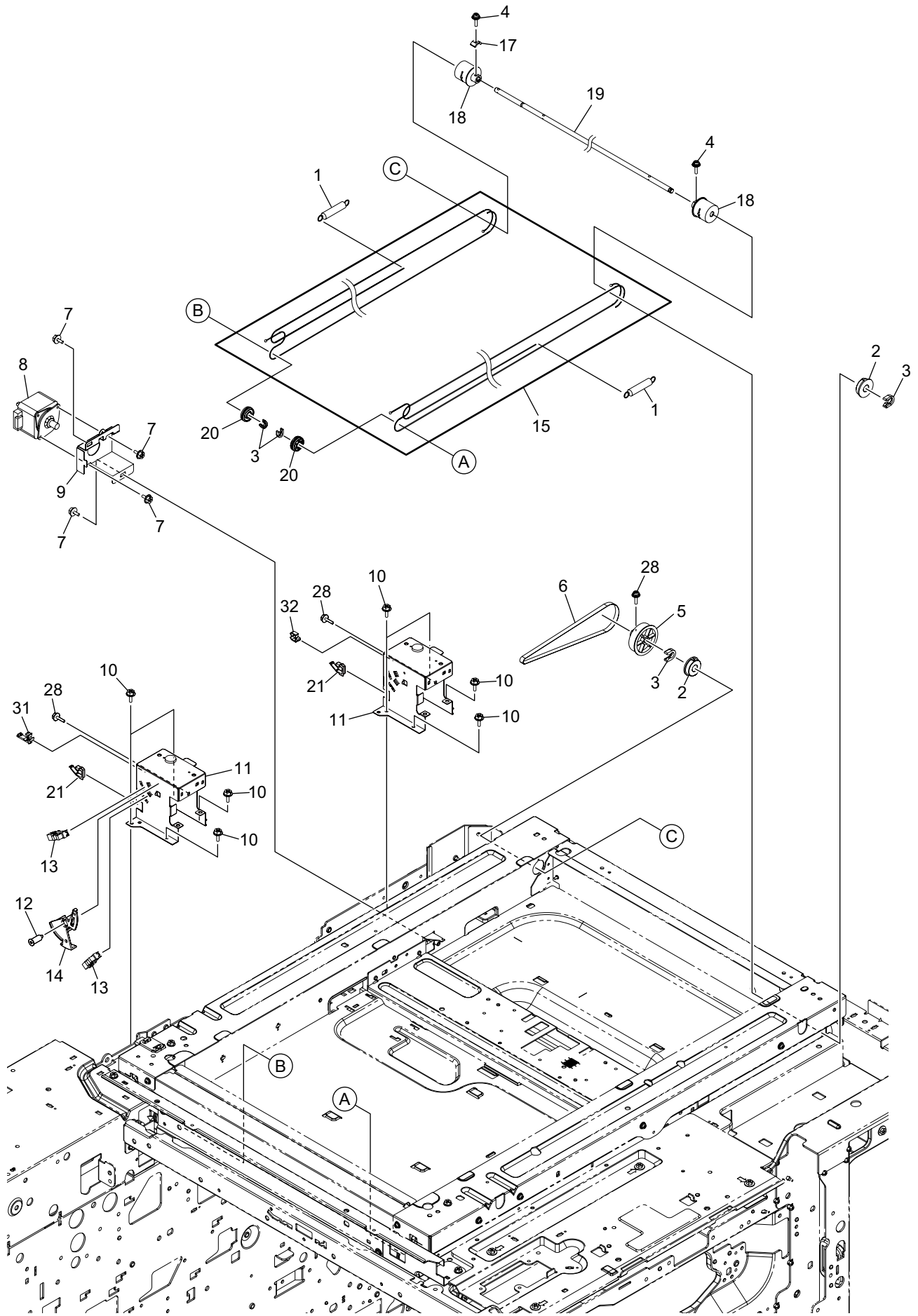
ITEM No.	PART No.	PART NAME	Q'TY / PAGE	Q'TY / PACK	REMARKS
1 A	6LK42746000	LSU-UNIT-H381	1	1/S	eS5516AC/6516AC eS7516AC
1 B	6LK42747000	LSU-UNIT-H382	1	1/S	
2	X0-00198000	S/PAN/SWWP-M4X16-N1	2	10/P	
3	F0-01248000	ESC-0912	2	10/P	
4	F0-01243000	LWS-1211Z	1	5/P	
5	X0-02421000	S/TPS/FHEXM/R-4X8-ZU3	3	10/P	
6	6LH07937100	DUCT-LSU-430-IN_S	1	1/PP	
7	6LH07936100	DUCT-LSU-430-OUT_S	1	1/P	
8	6LJ74676000	FAN-D-8025-H24X	1	1/D	
9	6LH08004000	SEAL-LSU-DUCT-INR	2	5/KP	
13	6LE09175000	K-VARIST-390	1	1/D	
14	6LA37612000	SPG-F-RGST-R	1	1/P	
15	6LA37613000	SPG-F-RGST-L	1	1/P	
16	X0-02247000	S/TPP/FHEXM-3X8-NI	2	10/P	
25	6LH08878000	HRNS-SHT-430	1	1/P	
26	6LH17057000	SHUTTER-UNIT-430	1	1/S	
30	C0-17839000	LG2A14BL1	2	1/C	
32	X0-02248000	S/TPP/FHEXM-3X10-NI	4	10/P	
33	X0-02420000	S/TPS/FHEXM/R-3X8-ZU3	1	10/P	
35	6LH08037000	BRUSH-GLASS-SHUT-NYL6	4	1/KP	
36	4406550190	LBL-HVT-BIT	1	5/P	
37	6LH07996000	ASYB-SHUTTER-DRV	1	1/C	
38	6LH07973000	ASYS-MOTR-D-STR-430	1	1/D	
39	X0-02230000	S/FHEXM-M3X6-NI	1	10/P	
40	X0-02112000	S/PAN-M3X3-NI	2	10/P	



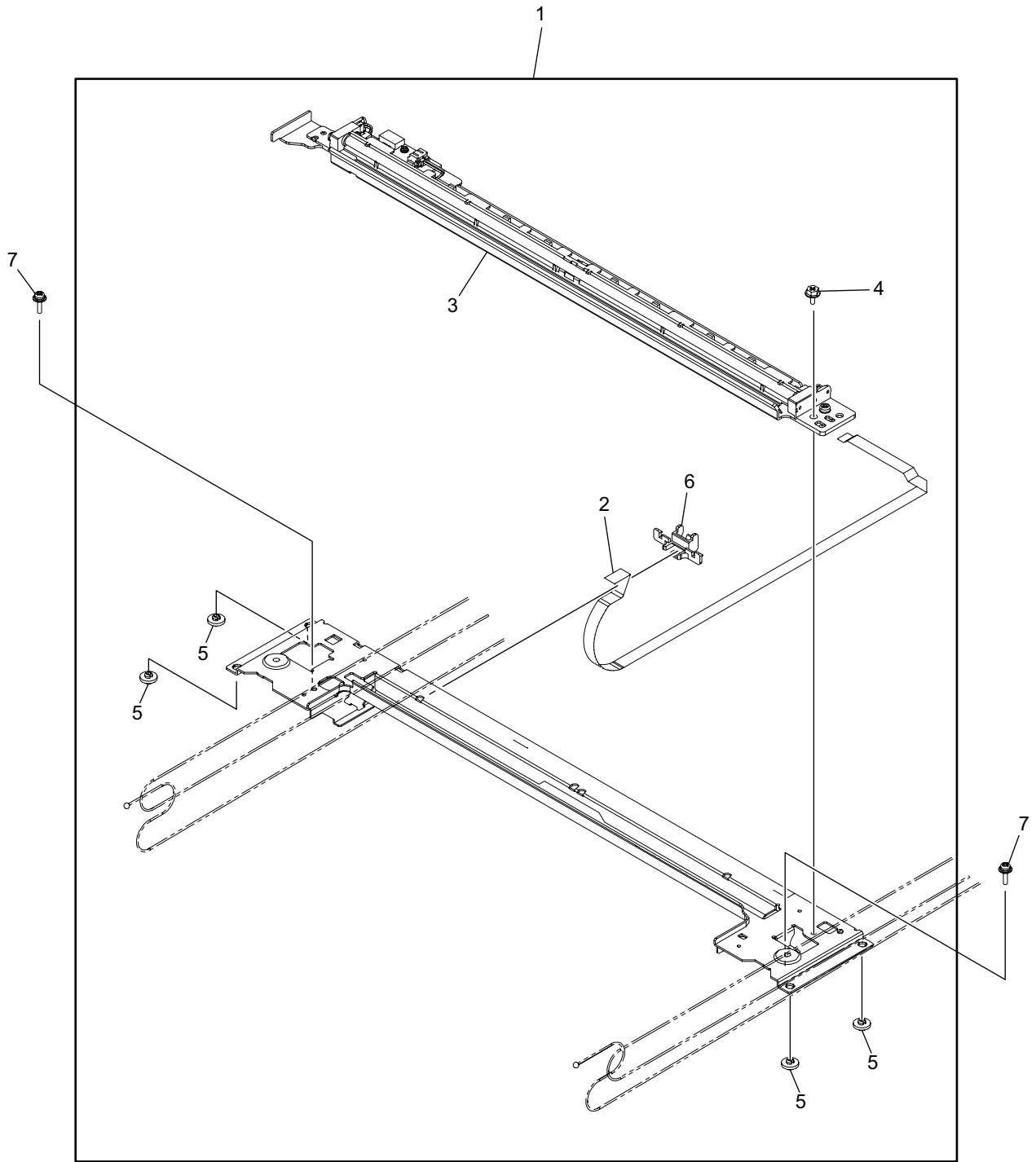
ITEM No.	PART No.	PART NAME	Q'TY / PAGE	Q'TY / PACK	REMARKS
1	6LK45354000	PWA-H-USB-370	1	1/SB	
2	X0-02419000	S/TPS/FHEXM/R-3X6-ZU3	3	10/P	
3	6LH01481000	FLTR-OZ-TNR-430_TR	2	1/C	
4	6LK39553000	FILTER-VOC-H38X-TA	1	1/P	
5	X0-02421000	S/TPS/FHEXM/R-4X8-ZU3	14	10/P	
6	6LE09187000	FAND-DEV-390	4	1/D	
7	6LH01415100	DUCT-EPU-F-ENT-U_S	1	1/PP	
8	6LH01416100	DUCT-EPU-F-ENT-L_S	1	1/P	
9	6LH01466000	ASYS-DUCT-OZ-UPR	1	1/PP	
10	6LH01413100	DUCT-LSU-R-COV_S	1	1/P	
11	6LH01412100	DUCT-LSU-R-FAN_S	1	1/P	
12	F0-01813000	LWS-1316S-V0	2	5/P	
13	6LK39533000	ASYS-FAN-6025-105-H38X	1	1/D	
15	6LK39509000	DUCT-BRDG-RER-FAN-CO-H38X	1	1/PP	
16	6LK39508000	DUCT-BRDG-RER-FAN-H38X	1	1/PP	
17	6LK39544000	SEAL-DUCT-BRG-FAN-CO-H38X	1	1/KP	
18	6LH01465000	ASYS-COVER-FLTR-TNR	1	1/PP	
19	F0-02296000	ES-0505-2	1	5/P	
20	X0-02420000	S/TPS/FHEXM/R-3X8-ZU3	7	10/P	
21	X0-02247000	S/TPP/FHEXM-3X8-NI	5	10/P	
22	X0-02507000	S/TPS/PAN-4X40-ZU3	2	10/P	
23	6LH01467000	ASYS-DUCT-TNR-UPR	1	1/PP	
24	F0-01811000	LWS-0711S-V0	1	5/P	
25	6LJ06311000	FLTR-TONER-130-TYB	1	1/C	
26	6LH01407000	BRKT-CASE-FIL-SUB	1	1/P	
27	6LK39519000	CASE-FLTR-TONER-H38X	1	N/A***	
28	6LH01492100	HLDR-FLTR-OZ-TNR_S	1	1/P	
29	6LK39516000	BRKT-CASE-FLTR-TNR-H380	1	N/A***	
30	6LK39503000	FAN-12032-190-H380	1	1/D	
31	6LK30985000	ASYS-DUCT-OZ-LWR-LFT	1	1/PP	
32	6LK39531000	ASYS-FAN-8025-090-H38X	1	1/D	
33	6LH01463000	ASYS-DUCT-OZ-LWR-RGT	1	1/PP	
34	6LH01479000	FLTR-OZ-430_TR	1	1/C	
35	6LK39555000	FAN-D-TRU-H24X-A	1	1/D	
36	X0-00461000	S/BID-M4X35-NI	2	10/P	
37	6LH01500000	SEAL-DUCT-FRT-TNR	1	1/KP	
38	6LH01498200	DUCT-FRT-TNR-FAN-HLD_JB	1	1/PP	
39	6LH01496200	DUCT-FRT-TNR-BA_JB	1	1/PP	
40	6LH01497200	DUCT-FRT-TNR-CPL_JB	1	1/PP	
41	6LH01499000	PLATE-DUCT-FRT-TNR	1	1/P	
42	X0-02114000	S/TPS/PAN-4X32-ZU3	2	10/P	
43	6LH09565000	FAN-P7525-430	1	1/D	
44	F0-01250000	MSB-1207	4	5/P	
45	6LK40906000	HOOK-TNRCRTG-H38X	4	1/P	
46	6LK39513000	DUCT-BRDG-FRT-FAN-CO-H38X	1	1/PP	
47	6LK39512000	DUCT-BRDG-FRT-FAN-H38X	1	1/C	
48	6LH67727000	DAMPER-MIRR-H32X	2	1/P	
50	6LL27103000	ASYB-HRNS-USB-K130	1	1/P	
51	6LK48241000	SEAL-COVER-ADU-TOP-H373	2	1/P	
52	F0-00269000	UAMS-05L-0	3	5/P	



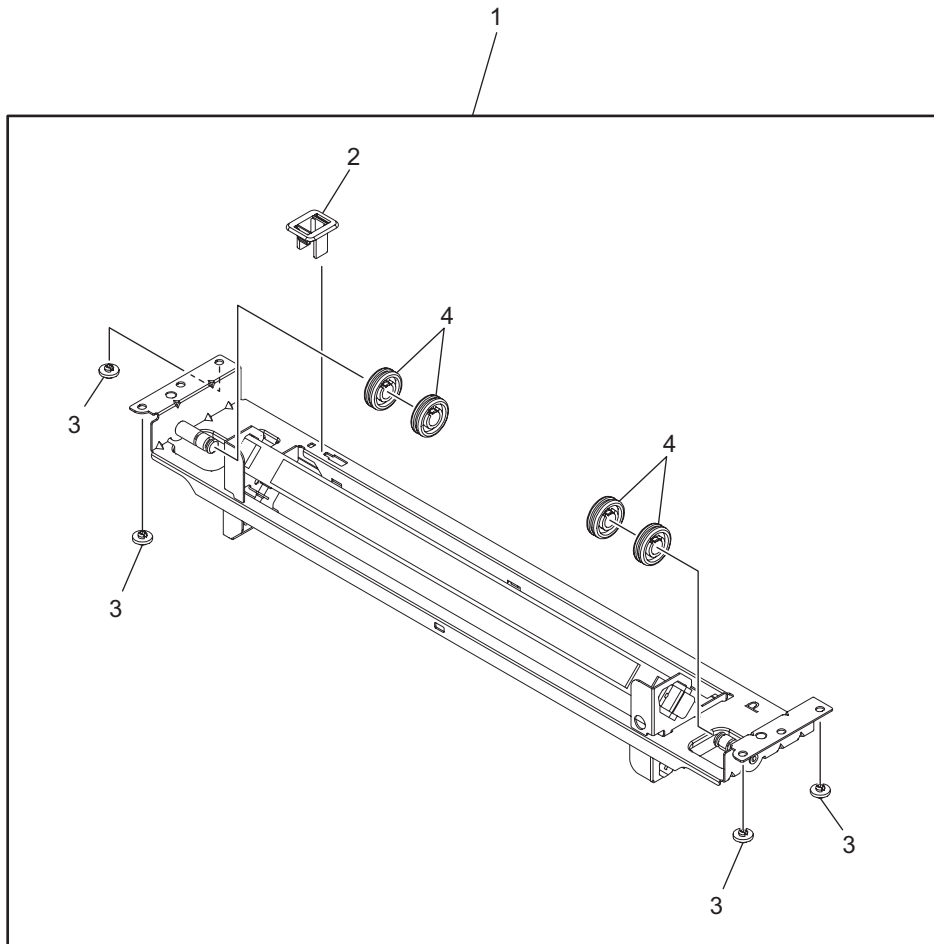
ITEM No.	PART No.	PART NAME	Q'TY / PAGE	Q'TY / PACK	REMARKS
1	X0-00077000	S/PAN/SWVP-M3X8-NI	3	10/P	
2	6LK83554000	HRNS-SCN-SYS-K130A	1	1/P	
4	6LK53203000	GUIDE-HRNS-SCAN-H370	1	1/C	
5	C0-20495000	LG2A24BL1	1	1/C	
7 A	X0-02230000	S/FHEXM-M3X6-NI	2	10/P	NAD,NAC,ARD
7 B	X0-02230000	S/FHEXM-M3X6-NI	3	10/P	MJD,MJC,ASD,AUD,CND
8	6LK53320000	BRKT-APS-H370	1	1/P	
9	6LK53304200	LENS-K1XX	1	1/S	
12 A	6LE63995000	SNSR-PS181EL1-S42	1	1/C	MJD,MJC,ASD,AUD,CND,ARD
12 B	6LE63995000	SNSR-PS181EL1-S42	2	1/C	NAD,NAC
13	6LK39268000	HRNS-SCN-MOT-H380	1	1/P	
14 A	6LJ61098000	HRNS-SCN-SNSR-212	1	1/P	NAD,NAC
15 A	6LJ61116000	HRNS-SCN-SNSR-A-212	1	1/P	MJD,MJC,ASD,AUD,CND,ARD
17 A	6LK53317100	ASYS-D_H-SCAN-H370-E	1	1/D	ASD,AUD,ARD
23	6LK39256000	HRNS-SCN-ADF-H380	1	1/P	
24	6LJ59840000	MYLAR-HP-SNSR-H21Y	1	5/P	
26 A	F0-01453000	RMS-1V0	2	5/P	NAD,NAC



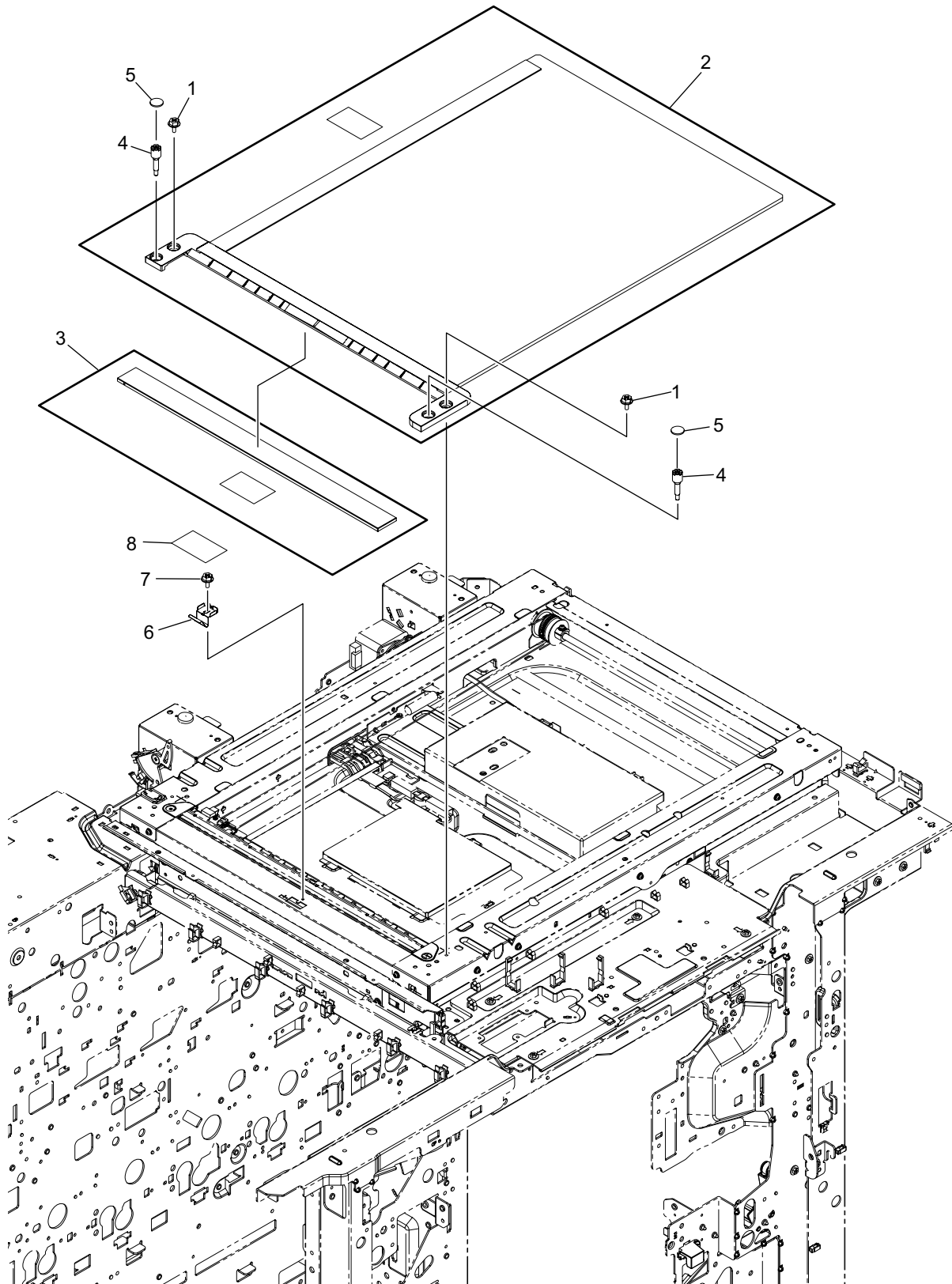
ITEM No.	PART No.	PART NAME	Q'TY / PAGE	Q'TY / PACK	REMARKS
1	6LJ15115000	SPE-WIRE-TNS-H16X-SUS	2	1/P	
2	6LJ59746000	BUSH-061505	2	1/P	
3	4407972860	STOP-RING-6-5	4	5/P	
4	X0-00094000	S/PAN/SWWP-M3X10-NI	2	10/P	
5	6LK53291000	PULLEY-SCAN-H21X	1	1/P	
6	6LJ59906000	BLT_SY-S1.5M-378-6	1	1/P	
7	X0-02230000	S/FHEXM-M3X6-NI	4	10/P	
8	6LK45488000	MOTR_S-SCN-37X	1	1/D	
9	6LK53269000	BRKT-MOT-SCAN-H370	1	1/P	
10	X0-02419000	S/TPS/FHEXM/R-3X6-ZU3	8	10/P	
11	6LK42908000	ASYS-BRKT-DF-K130	2	1/C	
12	6LK53327000	SCREW-PLATEN-LVR-H373	1	1/P	
13	C0-20495000	LG2A24BL1	2	1/C	
14	6LK53326000	LVR-OPEN-SNS-H373	1	1/P	
15 A	6LK53308000	WIRE-SCN-KIT-H373	1	1/S	Set part (Front wire & Rear wire), Except CND
15 B	6LJ59941000	WIRE-SCN-KIT-H373C	1	1/S	Set part (Front wire & Rear wire), CND
17	6LJ59727000	HOLD-PLY-SCR	1	1/P	
18	6LK53309000	PLY-WIRE-SCAN-H21X	2	1/P	
19	6LJ59728000	SHAFT-DRV-SCAN-H21X	1	1/P	
20	6LE46342000	PLY-19-410	2	1/P	
21	F0-02367000	TELS-1011	2	1/P	
28	X0-00077000	S/PAN/SWWP-M3X8-NI	3	10/P	
31	F0-02293000	BLBWS-0206S-V0	1	5/P	
32	F0-00033000	UAMS-07-0	1	10/P	

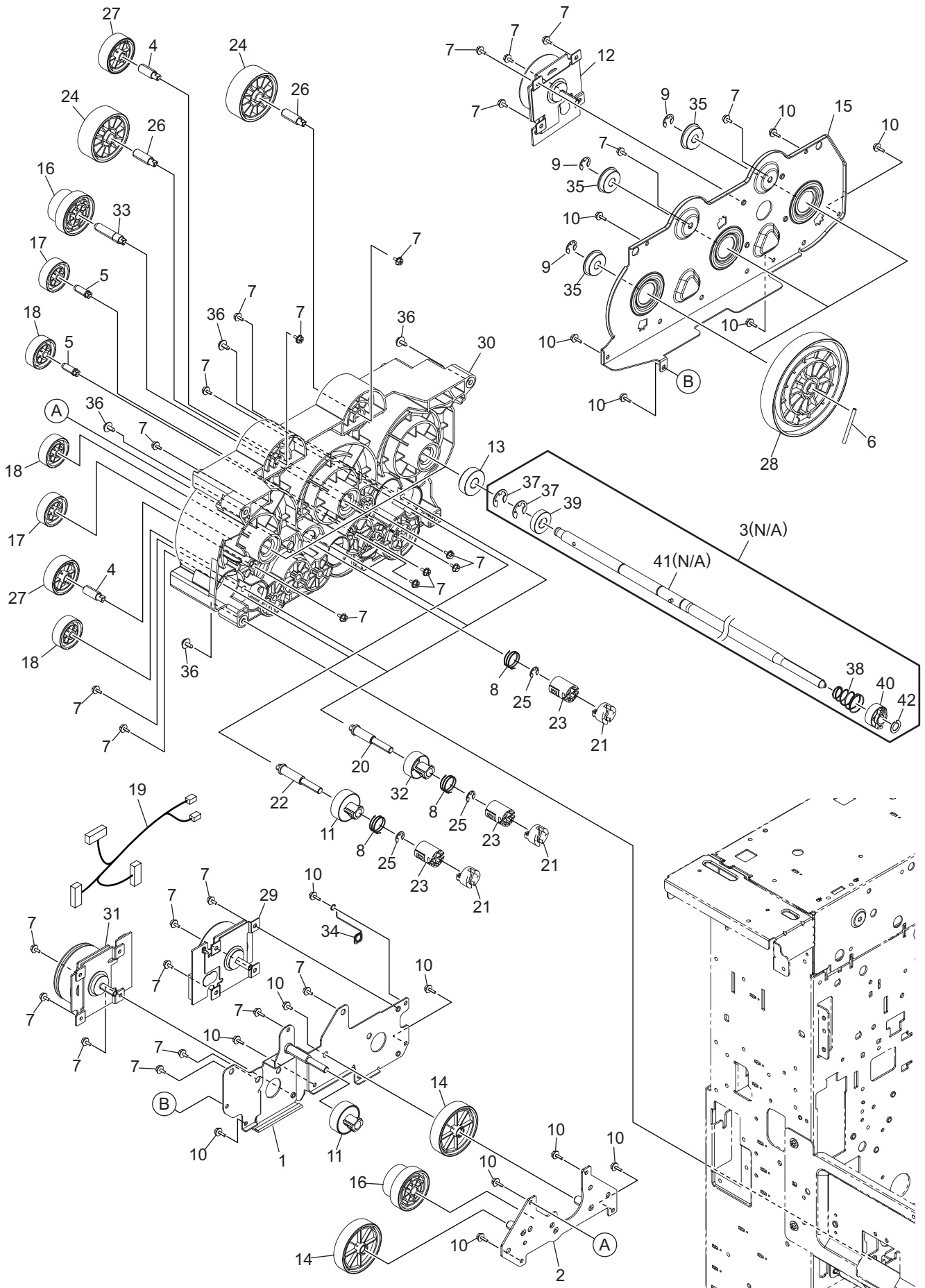


ITEM No.	PART No.	PART NAME	Q'TY / PAGE	Q'TY / PACK	REMARKS
1	6LK53302300	CRG1-K130	1	1/S	
2	6LK39257000	HRNS-SCN-LED-H380	1	1/C	
3	6LK45490000	LAMP-SCN-LED-H37X	1	1/C	
4	X0-02113000	S/PAN-M3X4-NI	1	10/P	
5	6LJ59748000	FOOT-CRG-H21X	4	1/P	
6	6LK53219000	HLDR-HRNS-CRG1-H370	1	1/P	
7	X0-00077000	S/PAN/SWWP-M3X8-NI	2	10/P	

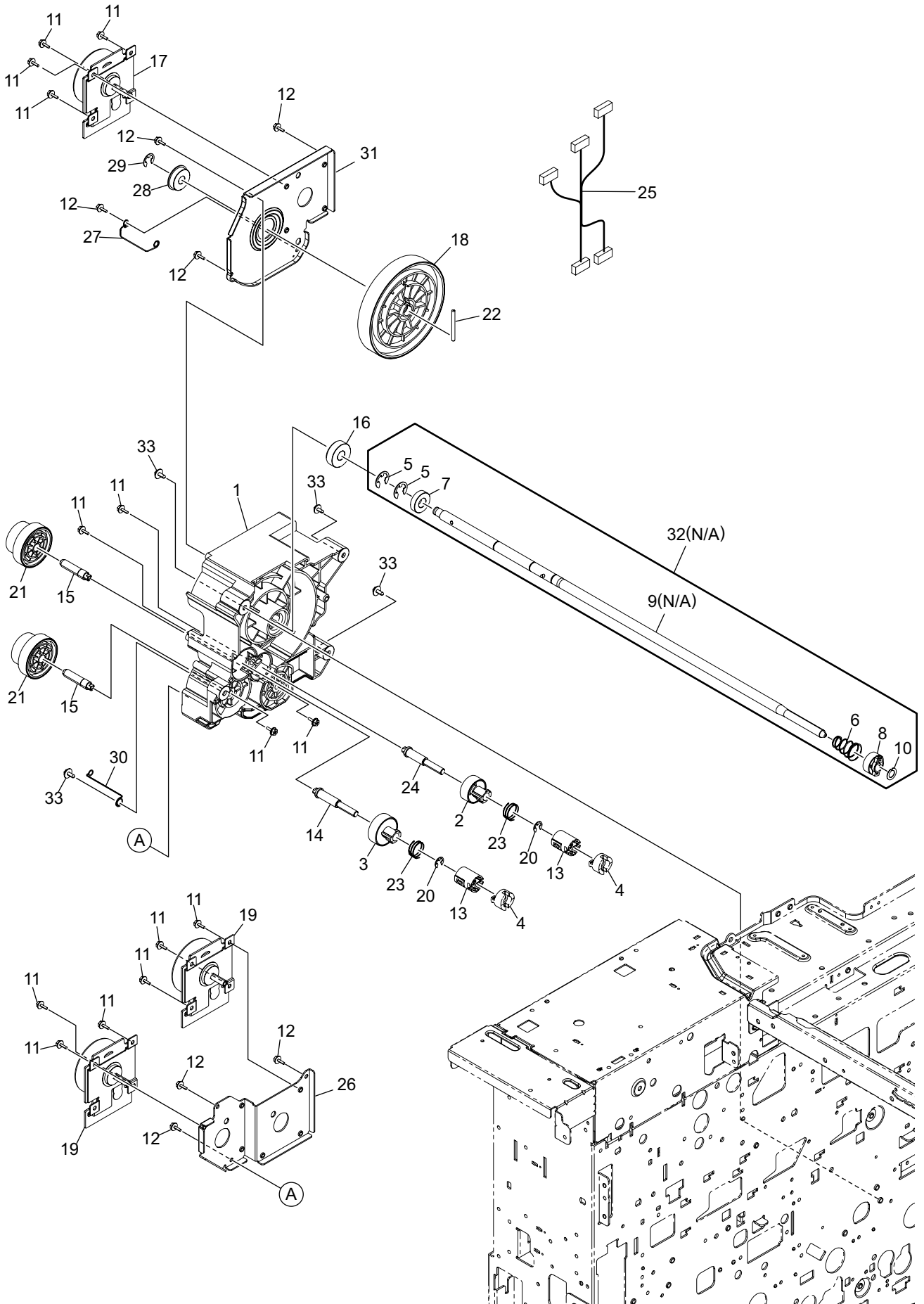


ITEM No.	PART No.	PART NAME	Q'TY / PAGE	Q'TY / PACK	REMARKS
1	6LK53300000	CRG2-H373	1	1/S	
2	6LK53214000	HLDR-HRNS-CRG2-H370	1	1/P	
3	6LJ59748000	FOOT-CRG-H21X	4	1/P	
4	6LJ59707000	PLY-19-H21X	4	1/P	

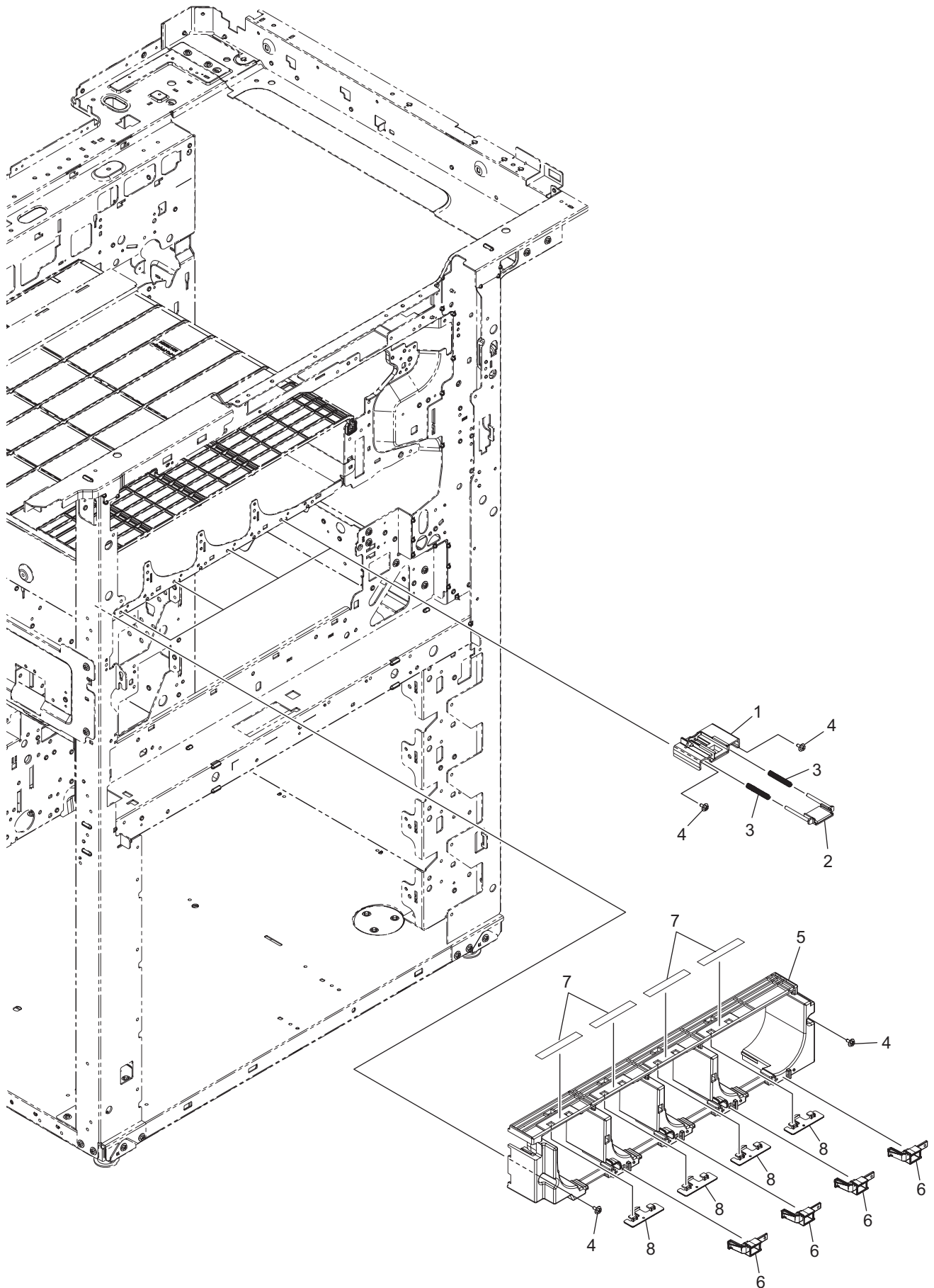




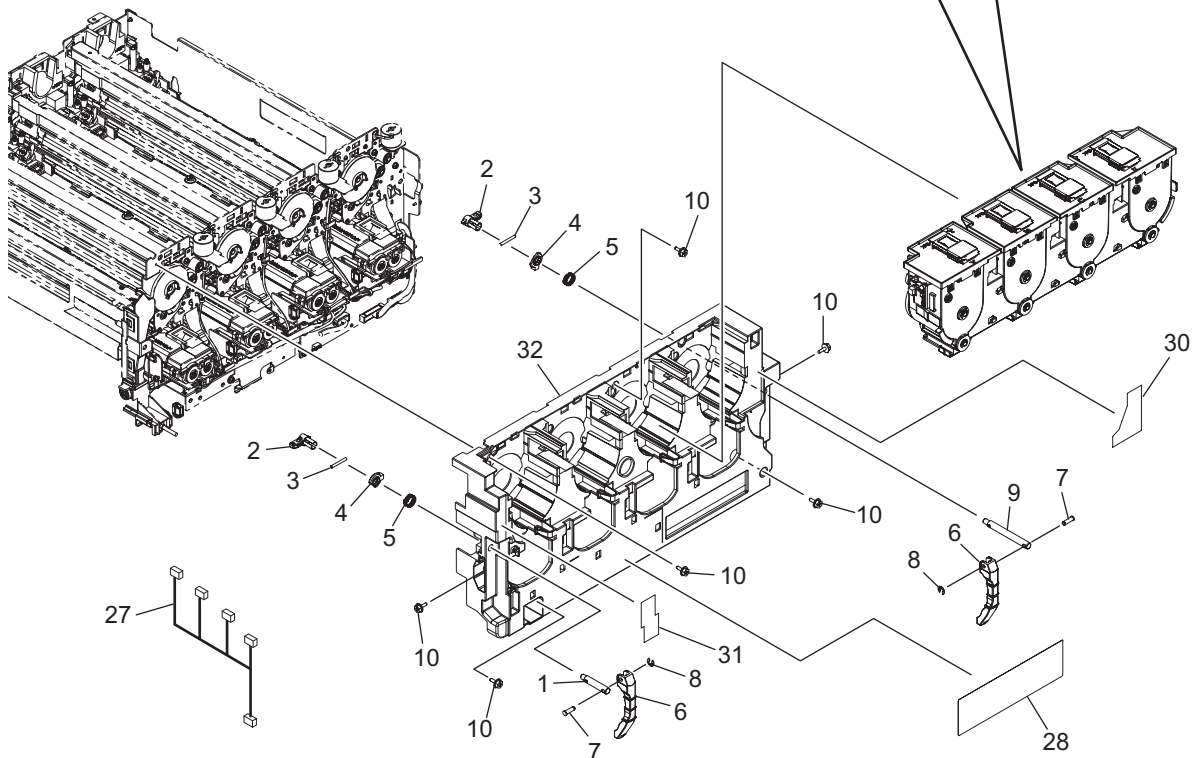
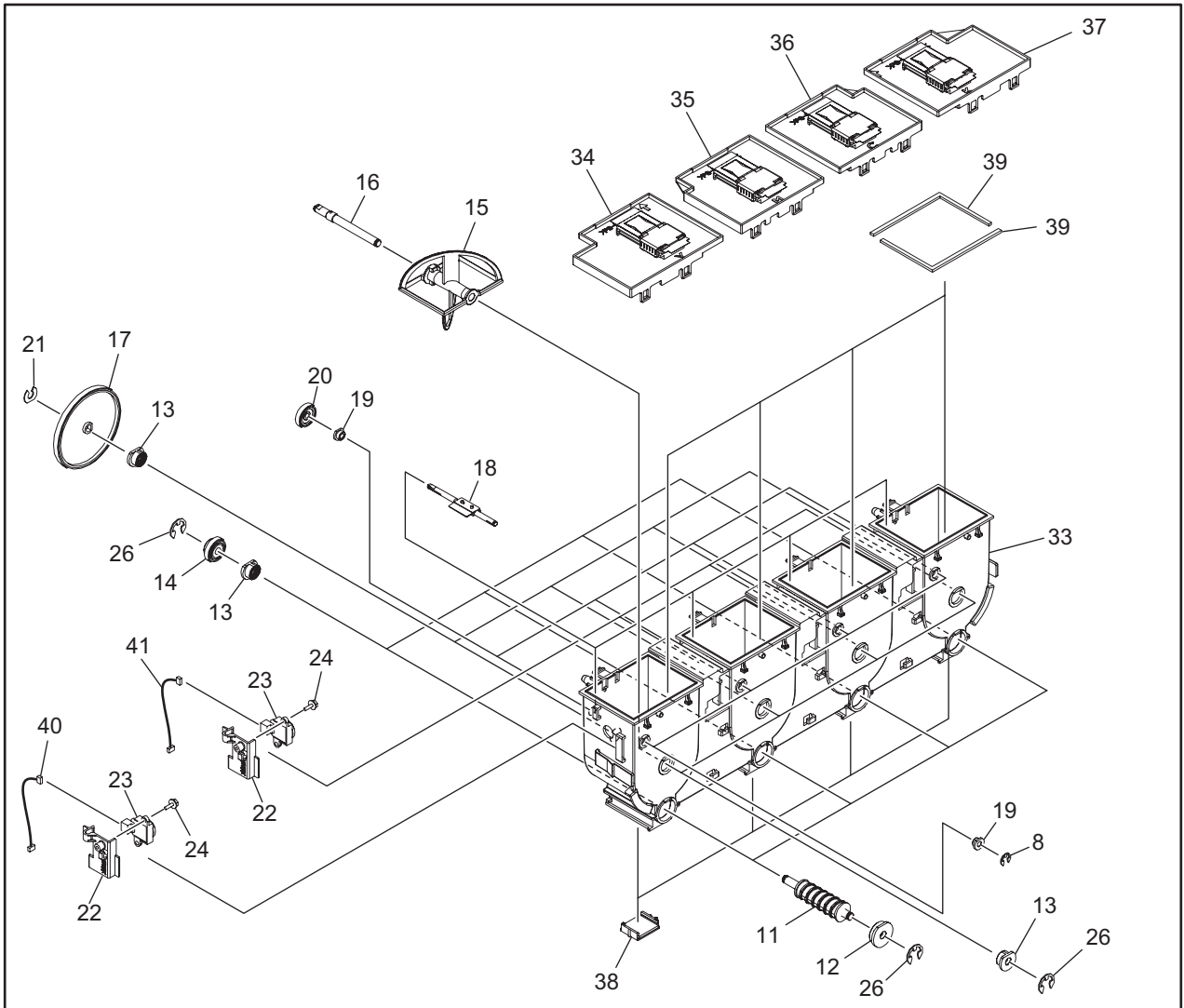
ITEM No.	PART No.	PART NAME	Q'TY / PAGE	Q'TY / PACK	REMARKS
1	6LK39722000	ASYS-BRKT-DRV-C-DEV-H38X	1	1/C	
2	6LK39721000	ASYS-PLATE-DRV-MIX-H38X	1	1/PP	
3	6LK39749000	ASYB-SHAFT-DRUM-H38X	3	N/A***	
4	6LK39734000	STUD-DRV-DEV-1	2	1/P	
5	6LK39735000	STUD-DRV-MIX-2	2	1/P	
6	X0-02379000	P/PRL/AH7-3X35-SS	3	10/P	
7	X0-02230000	S/FHEXM-M3X6-NI	28	10/P	
8	6LK39760000	SPG-C-DEV-DRIVE	6	5/P	
9	X0-00968000	RR/E-7-SS	3	10/P	
10	X0-02247000	S/TPP/FHEXM-3X8-NI	15	10/P	
11	6LH03958000	GEAR-5H54-8-CUP-DEV-A	3	1/P	
12	6LK39747000	MOTR_D-DRIVE-04R20-22	1	1/C	
13	F0-02099000	6000ZZ-DF30ELC-GV22	3	1/P	
14	6LK39717000	GEAR-05H97-8	2	1/P	
15	6LK39714000	BRKT-MOTR-C-DRUM-H38X	1	1/PP	
16	6LK39707000	GEAR-05H58_05H78-8	2	1/P	
17	6LH01747000	GEAR-5H58-DEV	2	1/P	
18	6LH01756000	GEAR-5H57-DEV	3	1/P	
19	6LL27013000	HRNS-LGC-CDRM-K130	1	1/P	
20	6LK39733000	STUD-COUPLE-MIX-H38X	3	1/P	
21	6LK39755000	CPL-DEV-DRV-F	6	1/P	
22	6LK39732000	STUD-COUPLE-DEV-CY-H38X	2	1/P	
23	6LK39756000	CPL-DEV-DRV-R	6	1/P	
24	6LH01701000	GEAR-4H118-8-DRUM	2	1/P	
25	X0-00966000	RR/E-5-SS	6	10/P	
26	6LK39736000	STUD-GEAR-IDLE-DRUM	2	1/P	
27	6LK39716000	GEAR-05H67-8	2	1/P	
28	6LH01700000	GEAR-04H236-DRUM	3	1/P	
29	6LK52212000	MOTR_D-DRIVE-05R20-22	1	1/C	
30	6LK39713000	FRAME-DRV-C-MAIN-H38X	1	1/PP	
31	6LK39748000	MOTR_D-DRIVE-05R20-39	1	1/C	
32	6LK39706000	GEAR-5H45-8-CUP-MIX-H38X	3	1/P	
33	6LK39728000	STUD-DRV-MIX-1	1	1/P	
34	6LK39752000	SPG-GND-DRV-C-H380	1	1/P	
35	F0-02174000	608ZZPNR-DF30ELC-GV22	3	1/P	
36	X0-02421000	S/TPS/FHEXM/R-4X8-ZU3	4	10/P	
37	X0-00970000	RR/E-9-SS	6	10/P	
38	6LK39757000	SPG-C-CPL-DRUM-H38X	3	1/P	
39	F0-01854000	R-2210KKSD21MTRP0P13LY551	3	1/P	
40	6LK39710000	CPL-DRV-DRUM-H38X	3	1/P	
41	6LK39750000	ASYS-SHAFT-DRUM-H38X	3	N/A***	
42	6LK39751000	RRG-7R7-P	3	1/P	



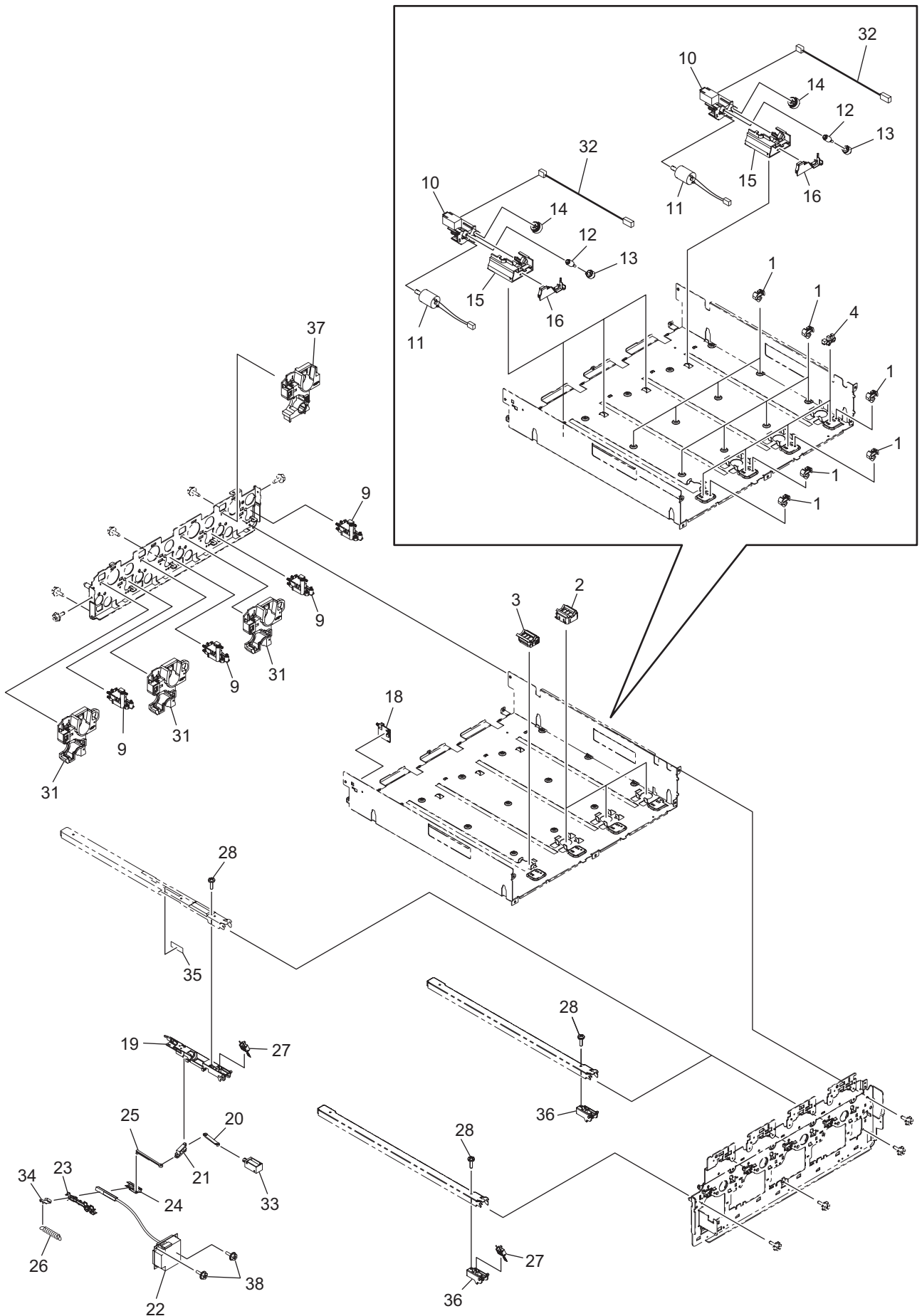
ITEM No.	PART No.	PART NAME	Q'TY / PAGE	Q'TY / PACK	REMARKS
1	6LK39705000	FRAME-DRV-K-MAIN-H38X	1	1/PP	
2	6LK39706000	GEAR-5H45-8-CUP-MIX-H38X	1	1/P	
3	6LH03958000	GEAR-5H54-8-CUP-DEV-A	1	1/P	
4	6LK39755000	CPL-DEV-DRV-F	2	1/P	
5	X0-00970000	RR/E-9-SS	2	10/P	
6	6LK39757000	SPG-C-CPL-DRUM-H38X	1	1/P	
7	F0-01854000	R-2210KKSD21MTRPOP13LY551	1	1/P	
8	6LK39710000	CPL-DRV-DRUM-H38X	1	1/P	
9	6LK39750000	ASYS-SHAFT-DRUM-H38X	1	N/A***	
10	6LK39751000	RRG-7R7-P	1	1/P	
11	X0-02231000	S/FHEXM-M3X8-NI	14	10/P	
12	X0-02247000	S/TPP/FHEXM-3X8-NI	7	10/P	
13	6LK39756000	CPL-DEV-DRV-R	2	1/P	
14	6LK39732000	STUD-COUPLE-DEV-CY-H38X	1	1/P	
15	6LK39728000	STUD-DRV-MIX-1	2	1/P	
16	F0-02099000	6000ZZ-DF30ELC-GV22	1	1/P	
17	6LK39747000	MOTR_D-DRIVE-04R20-22	1	1/C	
18	6LH01700000	GEAR-04H236-DRUM	1	1/P	
19	6LK52212000	MOTR_D-DRIVE-05R20-22	2	1/C	
20	X0-00966000	RR/E-5-SS	2	10/P	
21	6LK39707000	GEAR-05H58_05H78-8	2	1/P	
22	X0-02379000	P/PRL/AH7-3X35-SS	1	10/P	
23	6LK39760000	SPG-C-DEV-DRIVE	2	5/P	
24	6LK39733000	STUD-COUPLE-MIX-H38X	1	1/P	
25	6LL27011000	HRNS-LGC-KDRM-K130	1	1/P	
26	6LK39709000	BRKT-MOTR-K-DEV-H38X	1	1/P	
27	6LK39754000	SPG-GND-DRV-K-U2D-H380	1	1/P	
28	F0-02174000	608ZZPNR-DF30ELC-GV22	1	1/P	
29	X0-00968000	RR/E-7-SS	1	10/P	
30	6LK39753000	SPG-GND-DRV-K-H380	1	1/P	
31	6LK39708000	BRKT-MOTR-K-DRUM-H38X	1	1/P	
32	6LK39749000	ASYB-SHAFT-DRUM-H38X	1	N/A***	
33	X0-02421000	S/TPS/FHEXM/R-4X8-ZU3	4	10/P	



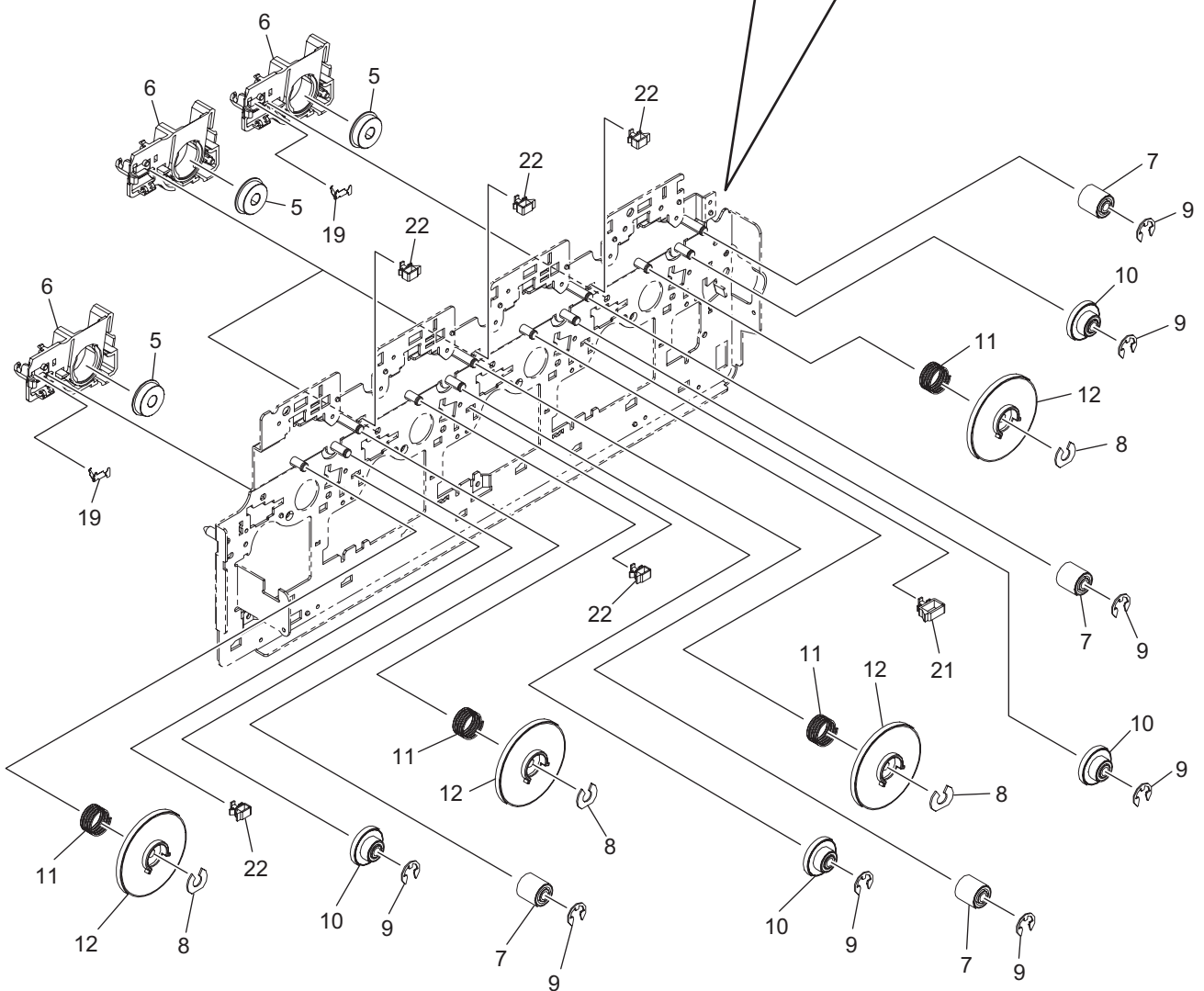
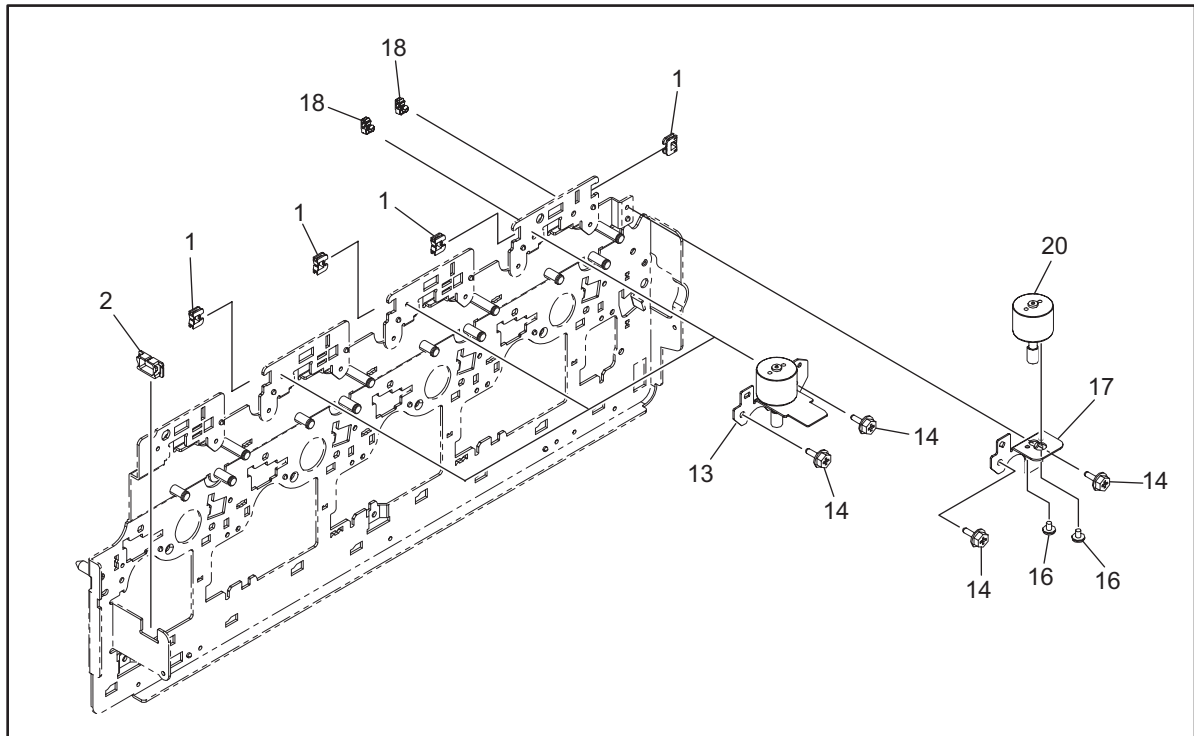
ITEM No.	PART No.	PART NAME	Q'TY / PAGE	Q'TY / PACK	REMARKS
1	6LH03444100	DUCT-TONR_S	1	1/P	
2	6LH03512000	ASYS-SHUT-TONER-H	1	1/D	
3	6LH03519000	SPG-DUCT-TONER-H	2	1/P	
4	X0-02421000	S/TPS/FHEXM/R-4X8-ZU3	10	10/P	
5	6LH03484200	COV-GUIDE-TC-H380	1	1/PP	
6	6LH03455000	HOOK-COV-GUIDE-TC	4	1/P	
7	6LJ06910000	SHEET-STOP-KEY	4	1/KP	
8 A	6LH03456S00	KEY-VERSION-DETECT-XJ_S	4	1/P	CND
8 B	6LH03456V00	KEY-VERSION-DETECT-2P_S	4	1/C	MJD,MJC
8 C	6LH03456P00	KEY-VERSION-DETECT-XU_S	4	1/C	ASD,AUD
8 D	6LH03456J00	KEY-VERSION-DETECT-J_S	4	1/C	NAD,NAC,ARD



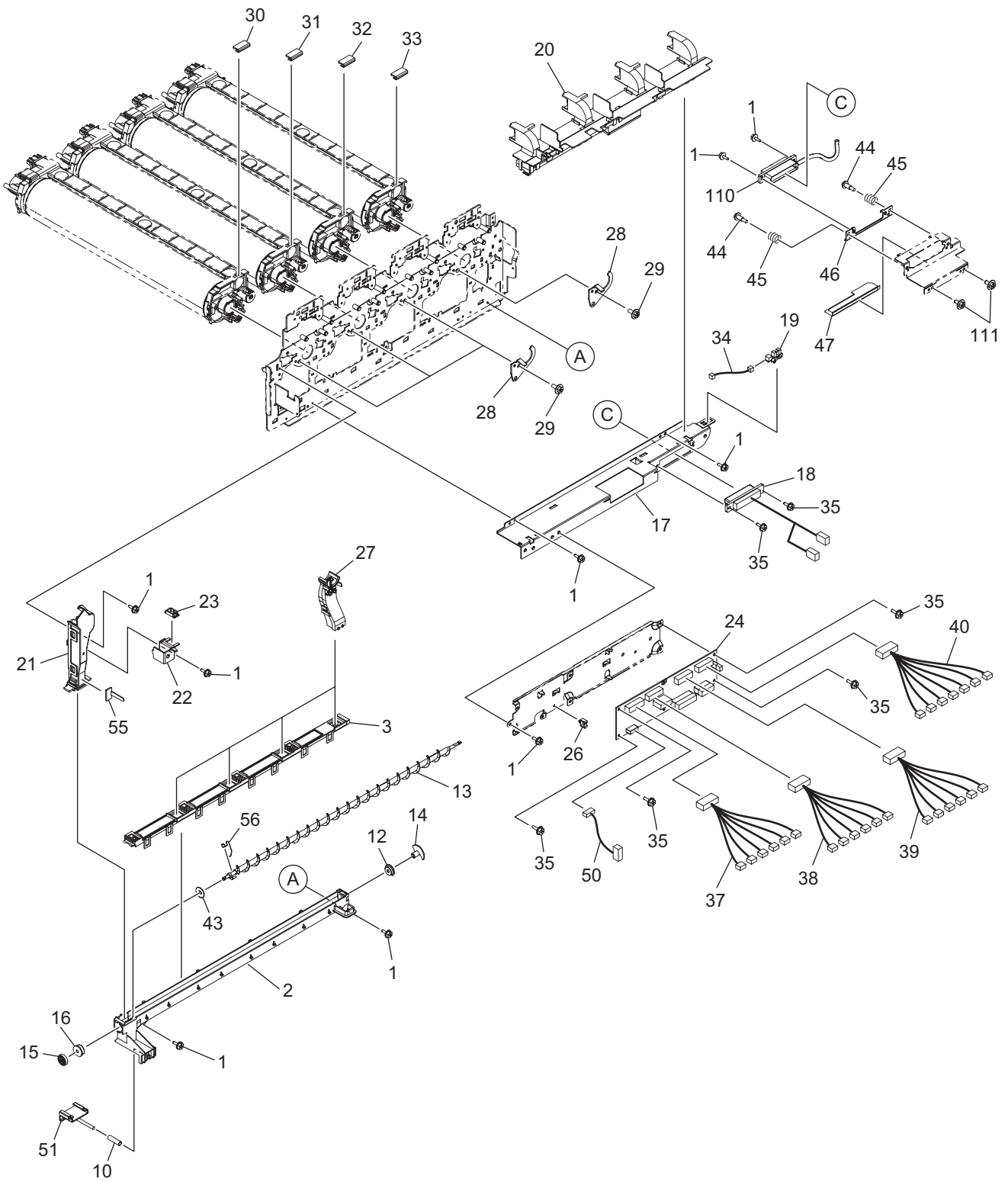
ITEM No.	PART No.	PART NAME	Q'TY / PAGE	Q'TY / PACK	REMARKS
1	6LH02827000	SHAFT-LOCK-TRAY-EPU-LFT	1	1/P	
2	6LH02620000	LOCK-TRAY-EPU	2	1/C	
3	X0-02380000	P/PRL/AH7-3X25-SS	2	10/P	
4	6LK40656000	STOP-LOCK-TRAY-EPU	2	1/P	
5	6LH02825000	SPG-LOCK-TRAY-EPU	2	1/P	
6	6LJ06747200	LEVER-TRAY-EPU_C	2	1/P	
7	6LH02839000	SHAFT-LVR-EPU-TRAY	2	1/P	
8	X0-00964000	RR/E-3-SS	6	10/P	
9	6LH02826000	SHAFT-LOCK-TRAY-EPU-RGT	1	1/P	
10	X0-02420000	S/TPS/FHEXM/R-3X8-ZU3	6	10/P	
11	6LJ06903000	AUGER-SUB-HOPPER	4	1/P	
12	6LK40602000	ASYS-BUSH-6X18X6-P	4	1/P	
13	6LK40603000	ASYS-BUSH-6X12X7-P	12	1/P	
14	6LH03411000	GEAR-8S23-6-ONEWAY	4	1/P	
15	6LJ06902100	PADDLE-SH-H130_S	4	1/D	
16	6LJ06906000	ASYS-SHAFT-PADDLE-SH-H130	4	1/P	
17	6LH03454000	GEAR-08S84-6-SUB-H	4	1/P	
18	6LK40628000	ASYS-PDL-SENS-H38X	4	1/P	
19	6LA02920000	BUSH-0410-05F-M	8	5/P	
20	6LH03414000	GEAR-8S22-4	4	1/P	
21	6LH03574000	RRG-4-P	4	1/P	
22	6LH02693100	HLDR-SNSR-TNR_S	4	1/P	
23	C0-10817000	TSP15D10C-01	4	1/C	
24	X0-02247000	S/TPP/FHEXM-3X8-NI	4	10/P	
26	X0-00966000	RR/E-5-SS	12	10/P	
27	6LH09014000	HRNS-EPU-HPTN-430	1	1/P	
28	6LK40634000	LBL-EPU_TBU-H38X	1	1/KP	
30	6LH14763000	LBL-EPU-LEVER-R	1	1/P	
31	6LH14764000	LBL-EPU-LEVER-L	1	1/P	
32	6LH02696200	COVER-EPU38X	1	1/PP	
33	6LH02692100	CASE-SUB-HOPPER-MAIN_S	1	1/PP	
34	6LH03567000	ASYS-COV-SUB-HOPPER-Y	1	1/P	Y
35	6LH03567100	ASYS-COV-SUB-HOPPER-M	1	1/P	M
36	6LH03567200	ASYS-COV-SUB-HOPPER-C	1	1/P	C
37	6LH03567300	ASYS-COV-SUB-HOPPER-K	1	1/P	K
38	6LH03510000	ASYS-SHUT-SH-430	4	1/P	
39	6LH03585000	SEAL-SUB-HOPPER	8	1/KP	
40	6LH08990000	HRNS-Y-HPTN-430	1	1/P	
41	6LH08991000	HRNS-MCK-HPTN-430	3	1/P	



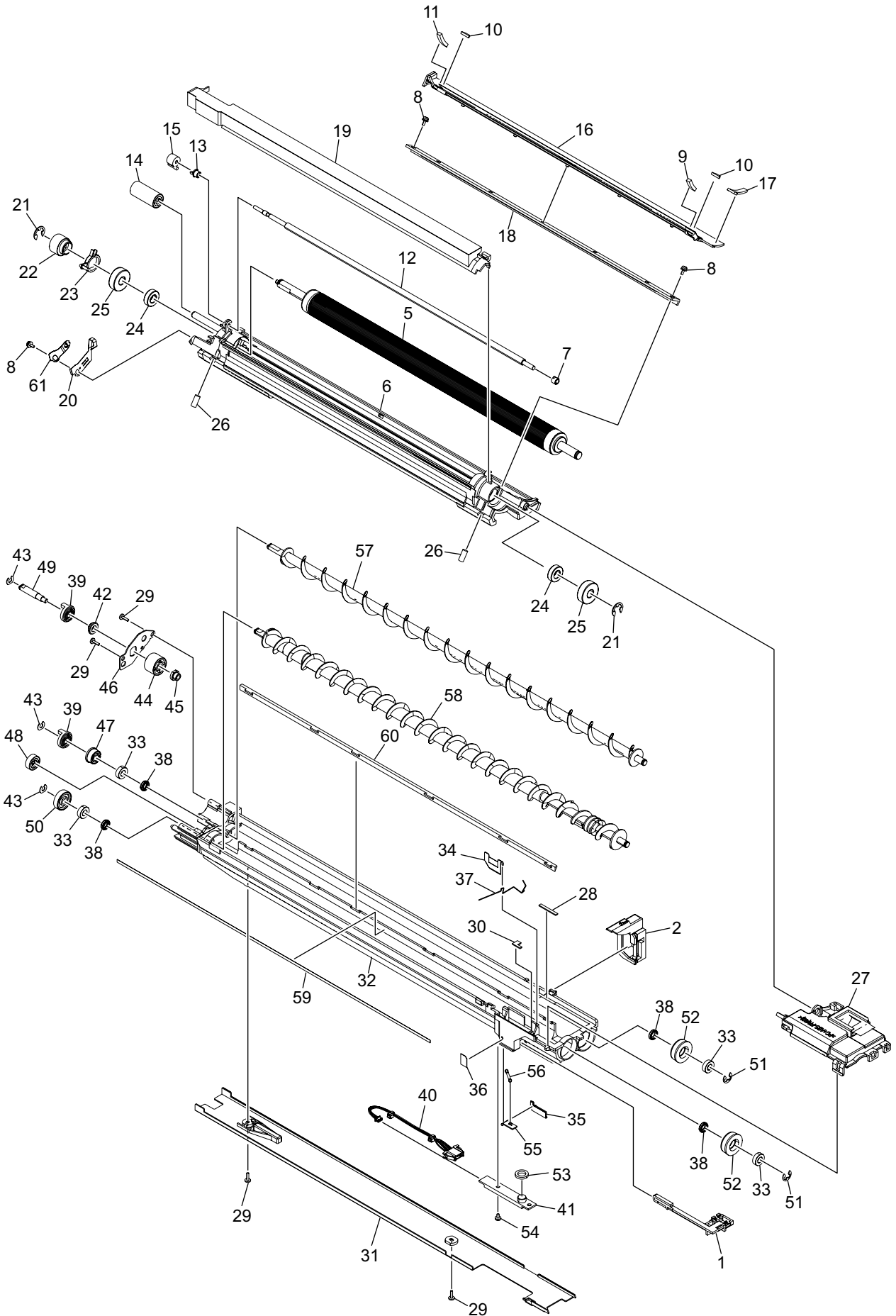
ITEM No.	PART No.	PART NAME	Q'TY / PAGE	Q'TY / PACK	REMARKS
1	F0-01046000	UAMS-02WL-0	12	5/P	
2	6LK39537000	ASYB-FAN-OZN-MCK-H38X	3	1/C	
3	6LK39538000	ASYB-FAN-OZN-Y-H38X	1	1/C	
4	C0-17839000	LG2A14BL1	4	1/C	
9	6LJ06738000	ASYB-TERM-HVT-CH	4	1/P	
10	6LH02622000	BRKT-DRIVE-CLNR-CHGR-2	4	1/D	
11	6LK30908000	MOTR_D-CHGR-CLNR-H34X	4	1/D	
12	6LH02675000	GEAR-IDLER-DRIVE-CLNR-CHG	4	1/P	
13	6LH02837000	GEAR-IDLER-DRIVE-CLNR-C-2	4	1/P	
14	6LH02690000	GEAR-DRIVE-CLNR-CHGR	4	1/P	
15 A	6LJ06721100	DUCT-OZONE-CLNR-CHGR-G_S	4	1/P	eS5516AC/6516AC
15 B	6LJ06721100	DUCT-OZONE-CLNR-CHGR-G_S	3	1/P	eS7516AC except MJC
15 C	6LH02685100	DUCT-OZONE-CLNR-CHGR_S	1	1/P	eS7516AC MJC
16	6LK40647100	COV-DUCT-OZONE-CLNR-CHGRS	4	1/P	
18	6LJ06739000	ASYB-TERM-HVT-CH-Y	1	1/P	
19 A	6LH02709000	HLDR-SNSR-V0	1	1/P	eS7516AC
20 A	6LH02711000	LINK-SOL-SNSR-V0	1	1/P	eS7516AC
21 A	6LH02712000	LEVER-SHUT-SNSR-V0	1	1/P	eS7516AC
22 A	6LK73227000	SNSR-V0-380	1	1/C	eS7516AC
23 A	6LH02708000	BRKT-SNSR-V0	1	1/P	eS7516AC
24 A	6LH02710000	SHUT-SNSR-V0	1	1/D	eS7516AC
25 A	6LH02707000	LINK-SHUT-SNSR-V0	1	1/P	eS7516AC
26 A	6LH02929000	SPG-E-SHUT-SNSR-V0	1	5/P	eS7516AC
27 A	6LE29945000	THMS-DRM-380	2	1/C	eS7516AC
27 B	6LE29945000	THMS-DRM-380	1	1/C	eS5516AC/6516AC
28	6LA80090000	S/TPP/BID-3*8-NI	3	5/P	
31	6LK40543100	ASYS-GUIDE-CLNR-D-RER-C	3	1/D	
32	6LH08986000	HRNS-CLNMT-430	4	1/P	
33 A	6LA34003000	SOL_IQ	1	1/D	eS7516AC
34 A	6LK40657000	PLATE-CONDUCT-SNSR-V0	1	1/P	eS7516AC
35 A	6LH02983000	SHEET-STAY-V0	1	1/P	eS7516AC
36 A	6LJ06724100	HLDR-STAY-EPU-H130_S	2	1/P	eS5516AC/6516AC
36 B	6LJ06724100	HLDR-STAY-EPU-H130_S	1	1/P	eS7516AC
37	6LK40543000	ASYS-GUIDE-CLNR-D-RER-K	1	1/D	
38 A	X0-02231000	S/FHEXM-M3X8-NI	2	10/P	eS7516AC



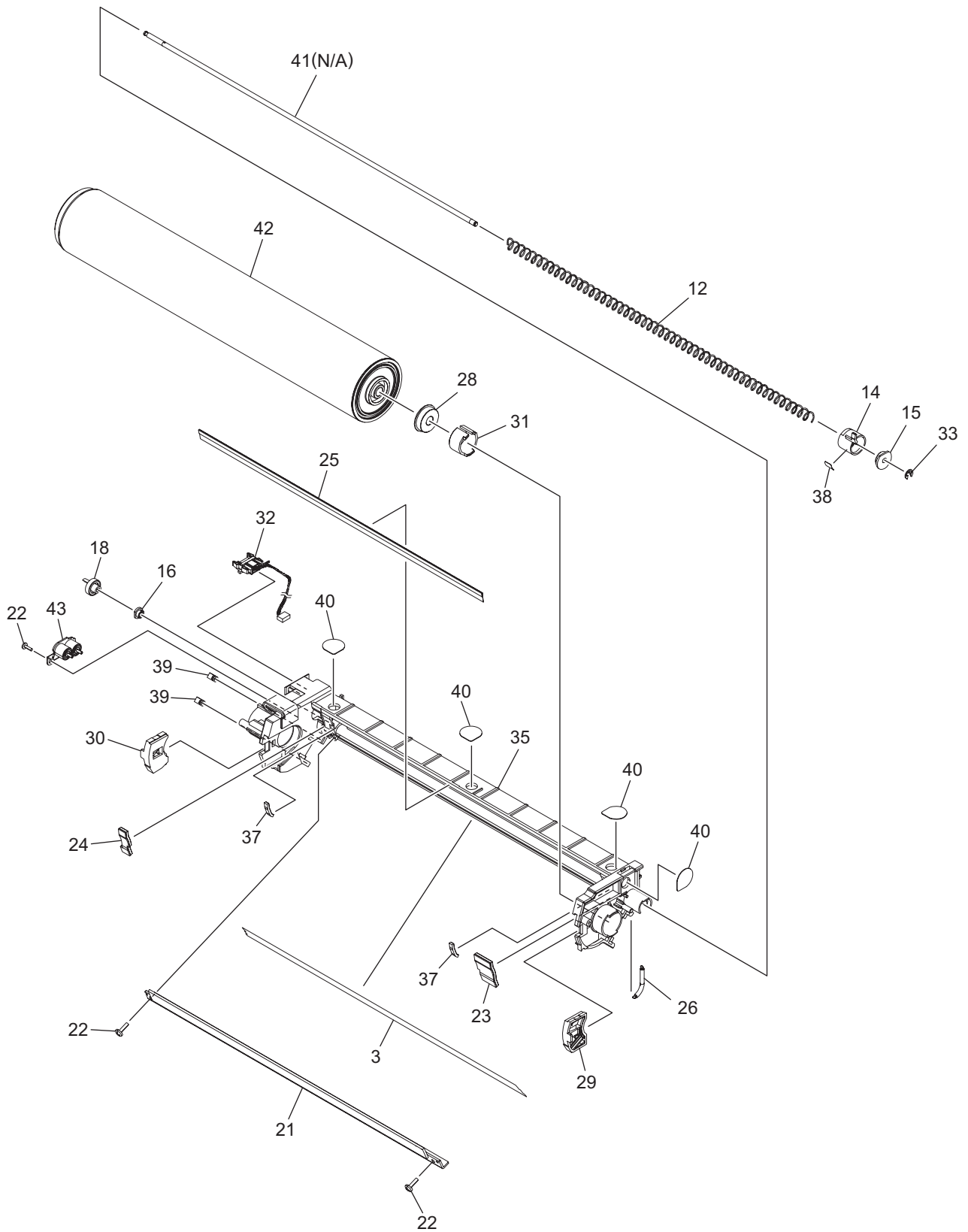
ITEM No.	PART No.	PART NAME	Q'TY / PAGE	Q'TY / PACK	REMARKS
1	F0-02296000	ES-0505-2	4	5/P	
2	F0-01248000	ESC-0912	1	10/P	
5	F0-02174000	608ZZPNR-DF30ELC-GV22	4	1/P	
6	6LH02629000	GUIDE-CLNR-DRUM-FRT	4	1/P	
7	6LH03601000	GEAR-5S28-6	4	1/P	
8	6LH03574000	RRG-4-P	4	1/P	
9	X0-00966000	RR/E-5-SS	8	10/P	
10	6LH03412000	GEAR-5H52_6S25-6	4	1/P	
11	6LH03573000	SPG-GEAR-DRV-SB	4	5/P	
12	6LH03452000	GEAR-06S100-6-SUB-H-D	4	1/P	
13	6LH03571000	ASYB-MOTOR-SUB-HOPPER-A	3	1/C	
14	X0-02420000	S/TPS/FHEXM/R-3X8-ZU3	8	10/P	
16	X0-02557000	S/BID-M2.6X3-NI	2	10/P	
17	6LH02695000	BRKT-MOTRD-SUB-HOPPER-B	1	1/P	
18	F0-01462000	LBWS-0206S-V0	2	1/P	
19	6LH02933000	SPG-F-GND-STAY-V0	2	1/P	
20	6LH09058000	MOTRD-SUBH-430	1	1/C	
21	F0-01459000	RLWT-2V0	1	5/P	
22	F0-01643000	RLWT-0.5V0	5	5/P	



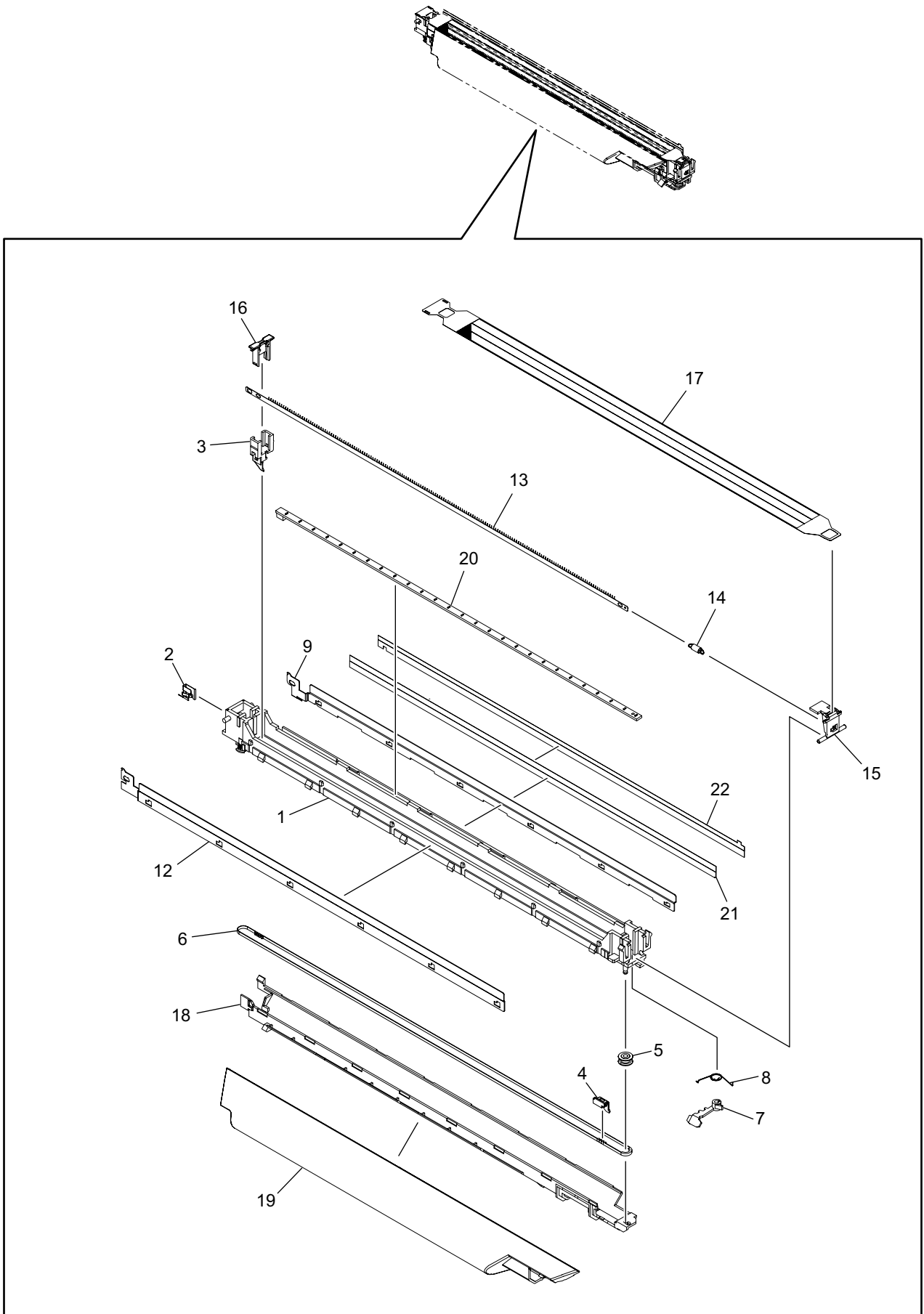
ITEM No.	PART No.	PART NAME	Q'TY / PAGE	Q'TY / PACK	REMARKS
1	X0-02420000	S/TPS/FHEXM/R-3X8-ZU3	9	10/P	
2	6LH03620000	ASYS-CASE-DUCT-WTNR-FRT	1	1/PP	
3	6LH03621000	ASYS-DUCT-WTNR-FRT	1	1/PP	
10	6LH03559000	SPG-WASTE-SHUT-EPU	1	1/P	
12	6LE42524000	BUSH-4-CLN-TBU-F	1	5/P	
13	6LK40649100	AUGER-WASTE-TNR_S	1	1/KP	
14	6LH03420000	SHIELD-PLT-WTNR-AUG	1	1/P	
15	6LH03431000	GEAR-8S18-6-AUG-FRT	1	1/P	
16	6LK40734000	ASYS-BUSH-WTNR-H38X	1	1/P	
17	6LH02700100	BRKT-CNTR-EPU-TRY380	1	1/PP	
18	6LH08913000	ASY-HRNS-EPU-430	1	1/P	
19	C0-17839000	LG2A14BL1	1	1/C	
20	6LH02752200	ASYB-DUCT-DEV-EPUTRAY-380	1	1/PP	
21	6LK40584000	ASYB-DUCT-CLN-TBU-H38X	1	1/PP	
22	6LH02631000	BRKT-LOCK-TRAY-EPU-LFT	1	1/P	
23	F0-01248000	ESC-0912	1	10/P	
24	6LK73271000	PWA-H-EPU-380	1	1/SB	
26 C	F0-01250000	MSB-1207	1	5/P	eS7516AC
27	6LK40556000	ASYB-DUCT-W_TNR-CLNR-DRUM	4	1/D	
28	6LH02668000	RTNR-DEV-FRT	4	1/P	
29	X0-02235000	S/FHEXM-M4X8-NI	4	10/P	
30	6LH02616300	PIECE-COLOR-Y	1	5/P	
31	6LH02616200	PIECE-COLOR-M	1	5/P	
32	6LH02616100	PIECE-COLOR-C	1	5/P	
33	6LH02616000	PIECE-COLOR-K	1	5/P	
34	6LK39264000	HRNS-EPOGS-H380	1	1/P	
35	X0-02231000	S/FHEXM-M3X8-NI	6	10/P	
37	6LK39259000	HRNS-YPU-H380	1	1/P	
38	6LK39258000	HRNS-MPU-H380	1	1/P	
39	6LK39254000	HRNS-CPU-H380	1	1/P	
40 A	6LK39428000	HRNS-KPU-H382	1	1/P	eS7516AC
40 B	6LK73375000	HRNS-KPU-H380	1	1/P	eS5516AC/6516AC
43	6LK40611000	WASHER-41X106X05-P	1	5/P	
44	6LE06667000	SCREW-M3-D4-7-ZU3	2	5/P	
45	6LH02970000	SPG-DRW-EPU-MAIN	2	1/P	
46	6LH02969000	PLATE-DRW-EPU-MAIN	1	1/P	
47	6LH02971000	SHEET-BRKT-DRW-MAIN	1	1/C	
50	6LK39265000	HRNS-EPU-V0-H382	1	1/P	
51	6LH03466100	SHUT-WTNR-EPU_S	1	1/P	
55	F0-00136000	K-103G	1	5/P	
56	6LK40718000	SPG-WTNR-F-EPU-H38X	1	1/P	
110	6LL27014000	HRNS-LGC-EPU-K130	1	1/P	
111	X0-02421000	S/TPS/FHEXM/R-4X8-ZU3	2	10/P	



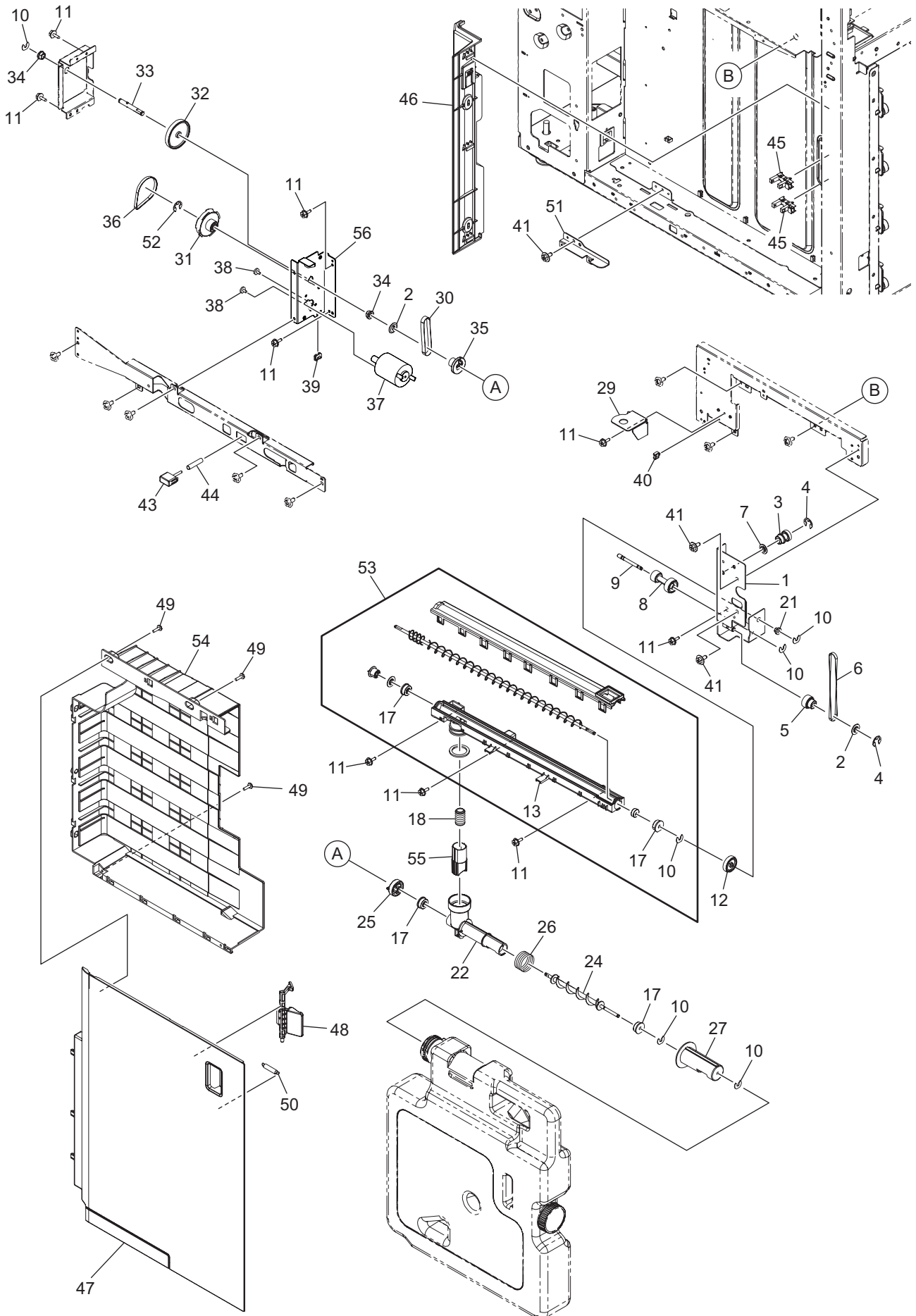
ITEM No.	PART No.	PART NAME	Q'TY / PAGE	Q'TY / PACK	REMARKS
1	6LK40625000	ASYS-CNTR-ATC-H38X	1	1/P	
2	6LK40541000	ASYB-DUCT-DOC-FRT-H38X	1	1/D	
5	6LJ06700000	RLR-MAGT-H13X	1	1/KP	
6	6LK40519000	ASYS-HLDR-MG-SEAL-H38X	1	1/D	
7	6LH02904000	BUSH-RE-FRT	1	5/P	
8	X0-00059000	S/PAN/SWWS-M3X6-NI	3	10/P	
9	6LH02905000	SEAL-MG-SIDE-FRT	1	5/P	
10	6LH02800000	SEAL-HLDR-DOC-SIDE	2	1/P	
11	6LH02797000	SEAL-MG-SIDE	1	1/P	
12	6LH02766000	ROLLER-RE-430	1	1/P	
13	6LA81752000	BUSH-RE-ROL-R	1	1/P	
14	6LH02680000	ASYS-GEAR-MG-430	1	1/P	
15	6LH02715000	CLUCH-RE-430	1	1/D	
16	6LK40593200	ASYS-SHILD-DOC380	1	1/PP	
17	6LH02887000	SEAL-DUCT-DOC-FRT-2	1	1/P	
18	6LH02651000	ASYS-DOCTR-430	1	1/P	
19	6LH02745000	ASYS-COV-MG	1	1/C	
20	6LK40586000	ADJSTR-MAGT	1	1/P	
21	X0-00968000	RR/E-7-SS	2	10/P	
22	6LH02656000	GEAR-04H43-8-MG	1	1/P	
23	6LH02662000	LINK-MG-RE	1	1/P	
24	F0-01868000	6882RSSH44M	2	1/P	
25	F0-01862000	608ZZM2SH44M	2	1/P	
26	6LH02765000	SPG-MG-DRM	2	1/P	
27	6LK40601100	ASYS-COVER-DEV-K130	1	1/P	
28	6LK40582000	SEAL-CASE-DEV-SR4	1	1/P	
29	6LA80090000	S/TPP/BID-3*8-NI	4	5/P	
30	6LK40527000	SEAL-CASE-DEV-SR3	1	1/P	
31	6LK40525000	COVER-DV-UNDR-H38X	1	1/P	
32 A	6LK40524200	ASYS-CASE-DEV-H380_C	1	1/D	Yellow,Magenta,Cyan
32 B	6LK40524100	ASYS-CASE-DEV-H380_K	1	1/PP	Black
33	F0-01959000	L1260 2RS-SH44M-GV22	4	1/P	
34	6LK40588000	SHEET-ADJUST-SR-C	1	1/P	
35	6LH02944000	ASYS-FLANG-SHUT-DEV	1	1/P	
36	6LH02935000	SHEET-SHUT-SHAFT	1	1/P	
37	6LH02928000	SCRAPR-SR	1	1/C	
38	4401949290	SEAL-VC6-10-2.5	4	1/P	
39	6LH01767000	COUPL-DRV-DEV	2	1/P	
40	6LK39318000	HRNS-ATC-H380	1	1/P	
41	6LK45855000	SNSR-ATC-H373	1	1/C	
42	44201994000	BUSH-6-3.7-GCB	1	5/P	
43	6LH03574000	RRG-4-P	3	1/P	
44	6LH02660000	GEAR-04H43-6-MG	1	1/P	
45	6LA34029000	BUSH-4X7X6F-POM	1	5/P	
46	6LK40521000	BRKT-GEAR-DEV-H38X	1	1/P	
47	6LH02657000	GEAR-04H30-6-MIX	1	1/P	
48	6LH02679000	ASYS-GEAR-MIX-430	1	1/P	
49	6LH02767000	SHAFT-IDL-DEV	1	1/P	
50	6LH02658000	GEAR-04H43-6-MIX	1	1/P	
51	X0-00965000	RR/E-4-SS	2	10/P	
52	6LH02655000	BUSH-DEV-FRT-430	2	1/P	
53	6LA29904000	SEAL-ATC-BLK	1	5/P	
54	X0-02113000	S/PAN-M3X4-NI	1	10/P	
55	6LH02984000	SHUT-DEV	1	1/P	
56	6LH02770000	SPG-SHUT-DEV	1	1/P	
57	6LK40697000	MIXER-RGT-H38X	1	1/KP	
58	6LK40698000	ASYS-MIXER-LFT-K130	1	1/KP	
59	6LK40632000	SHEET-SPACER-DEV	1	1/KP	
60	6LK40630000	SPACER-DEV	1	1/KP	
61	6LK40651000	SPG-F-RLR-DEV-H38X	1	1/P	



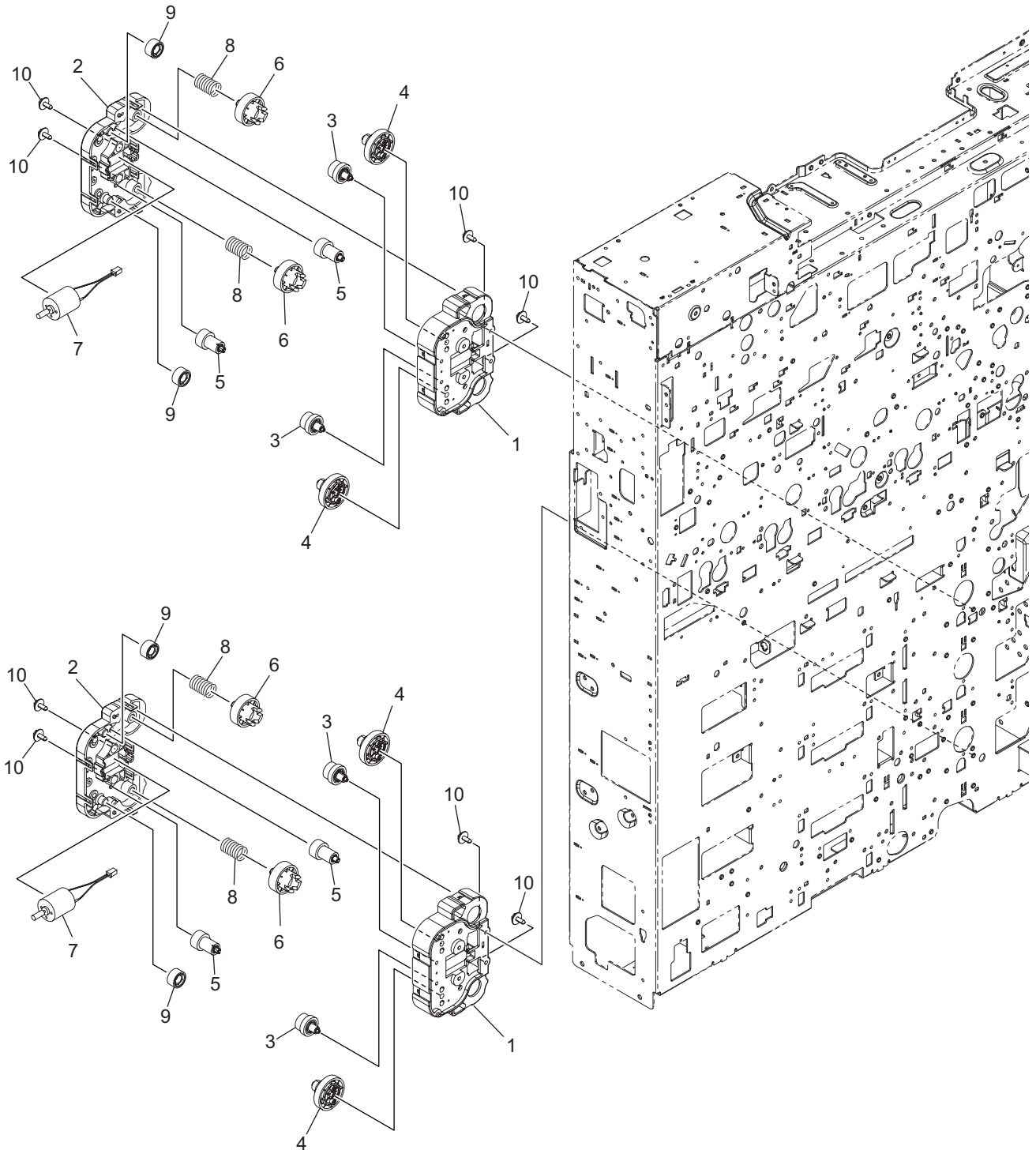
ITEM No.	PART No.	PART NAME	Q'TY / PAGE	Q'TY / PACK	REMARKS
3	6LK40505000	SHEET-BLADE-DRUM-BCK-H38X	1	1/KP	
12	6LK40596000	SPG-AUGER-CLN-DRUM	1	1/P	
14	6LH02960000	SHUT-AUGER-CLNR-DRUM	1	1/P	
15	6LE42524000	BUSH-4-CLN-TBU-F	1	5/P	
16	6LA02920000	BUSH-0410-05F-M	1	5/P	
18	6LK40512000	GEAR-06S24	1	1/P	
21	6LK40608000	BL-FC556D	1	1/S	
22	6LA80090000	S/TPP/BID-3*8-NI	3	5/P	
23	6LK40664000	SEAL-BLADE-SIDE-FRT-H38X	1	1/P	
24	6LK40663000	SEAL-BLADE-SIDE-RER-H38X	1	1/P	
25	6LK30938000	BLADE-REC-DRUM-H34X	1	1/KP	
26	6LH02822000	SPG-E-SHUT-NOZZLE	1	1/P	
28	F0-02174000	608ZZPNR-DF30ELC-GV22	1	1/P	
29	6LH02955000	RTNR-DR-SL-FRT	1	1/P	
30	6LH02950000	RTNR-DR-SL-RER	1	1/P	
31	6LH02854100	COLAR-CLNR-DRUM-FRT_S	1	1/P	
32	6LH08908000	HRNS-EPERS-430	1	1/P	
33	X0-00964000	RR/E-3-SS	1	10/P	
35	6LK40502000	ASYS-CASE-CLNR-DRUM-H38X	1	1/C	
37	6LK40631000	SEAL-BLADE-BACK-H38X	2	1/P	
38	6LH02908000	LBL-PSTN-DRUM-SHUT	1	1/P	
39	6LH02939000	SHEET-ADJUST-CHARGR	2	1/P	
40	6LH02975000	FLTR-CASE-CLNR	4	1/P	
41	6LK40597000	SHAFT-AUGER-CLNR-DRUM	1	N/A***	
42	6LK40607000	OD-FC556	1	1/S	
43	6LK40510000	ASYS-GEAR-DRV-AUGER	1	1/P	



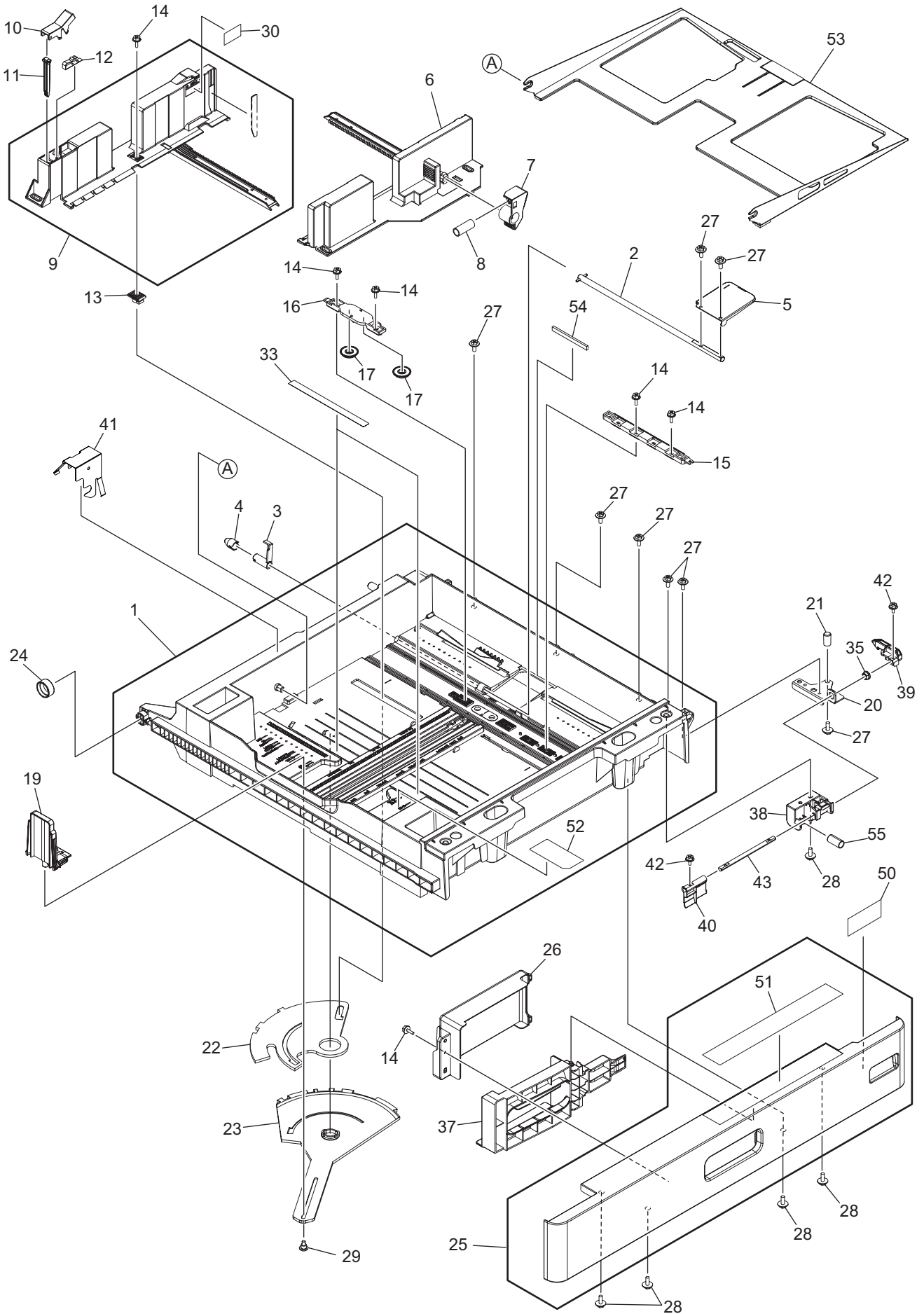
ITEM No.	PART No.	PART NAME	Q'TY / PAGE	Q'TY / PACK	REMARKS
1	6LK40676000	ASYS-CASE-CHARGR-MAIN-430	1	1/D	
2	6LH02619000	SPG-F-BIAS-MAIN-CHGR	1	1/P	
3	6LK40677000	BRKT-HLDR-CLNR-CH	1	1/P	
4	6LK40679000	SLIDE-PSN-CLNR-CHGR	1	5/P	
5	4401763590	PULLEY-3-6-10	1	1/P	
6	6LH02828000	BLT_SY-2GT-760-2	1	1/P	
7	6LK40678000	LEVER-PSN-CLNR-CHGR	1	1/P	
8	6LH02923000	SPG-T-ACTR-CHARGR-430	1	1/P	
9	6LH02609000	PLATE-CHARGR-MAIN-RGT	1	1/KP	
12	6LH02610000	PLATE-CHARGR-MAIN-LFT	1	1/KP	
13	6LK40587000	PIN-ARRAY-CHARGR-MAIN-38X	1	1/KP	
14	6LH02811000	SPG-E-GRID	1	1/P	
15 A	6LK76116000	LEVER-CHARGR-MAIN-G	1	1/P	eS5516AC/6516AC
15 B	6LK76116000	LEVER-CHARGR-MAIN-G	1	1/P	eS7516AC FC
15 C	6LK40639000	LEVER-CHARGR-MAIN	1	1/P	eS7516AC B&W
16	6LH02739000	ASYS-HLDR-CLNR-CH	1	1/P	
17 A	6LJ06722000	GRID-CHARGR-MAIN-G	1	1/KP	eS5516AC/6516AC
17 B	6LJ06722000	GRID-CHARGR-MAIN-G	1	1/KP	eS7516AC FC
17 C	6LH02725000	GRID-CHARGR-MAIN-430	1	1/KP	eS7516AC B&W
18 A	6LK40673100	DUCT-CHARGR-MAIN-G_S	1	1/PP	eS5516AC/6516AC
18 B	6LK40673100	DUCT-CHARGR-MAIN-G_S	1	1/PP	eS7516AC FC
18 C	6LK40674100	DUCT-CHARGR-MAIN_S	1	1/PP	eS7516AC B&W
19	6LH02724100	DUCT-CHARGR-OZN-RER_S	1	1/P	
20	6LK73285000	LAMP-ERASE-H380	1	1/C	
21	6LJ06779000	SHEET-SHADE-CHARGR	1	1/KP	
22	6LH02813000	SHEET-CHARGR-OZN	1	1/KP	



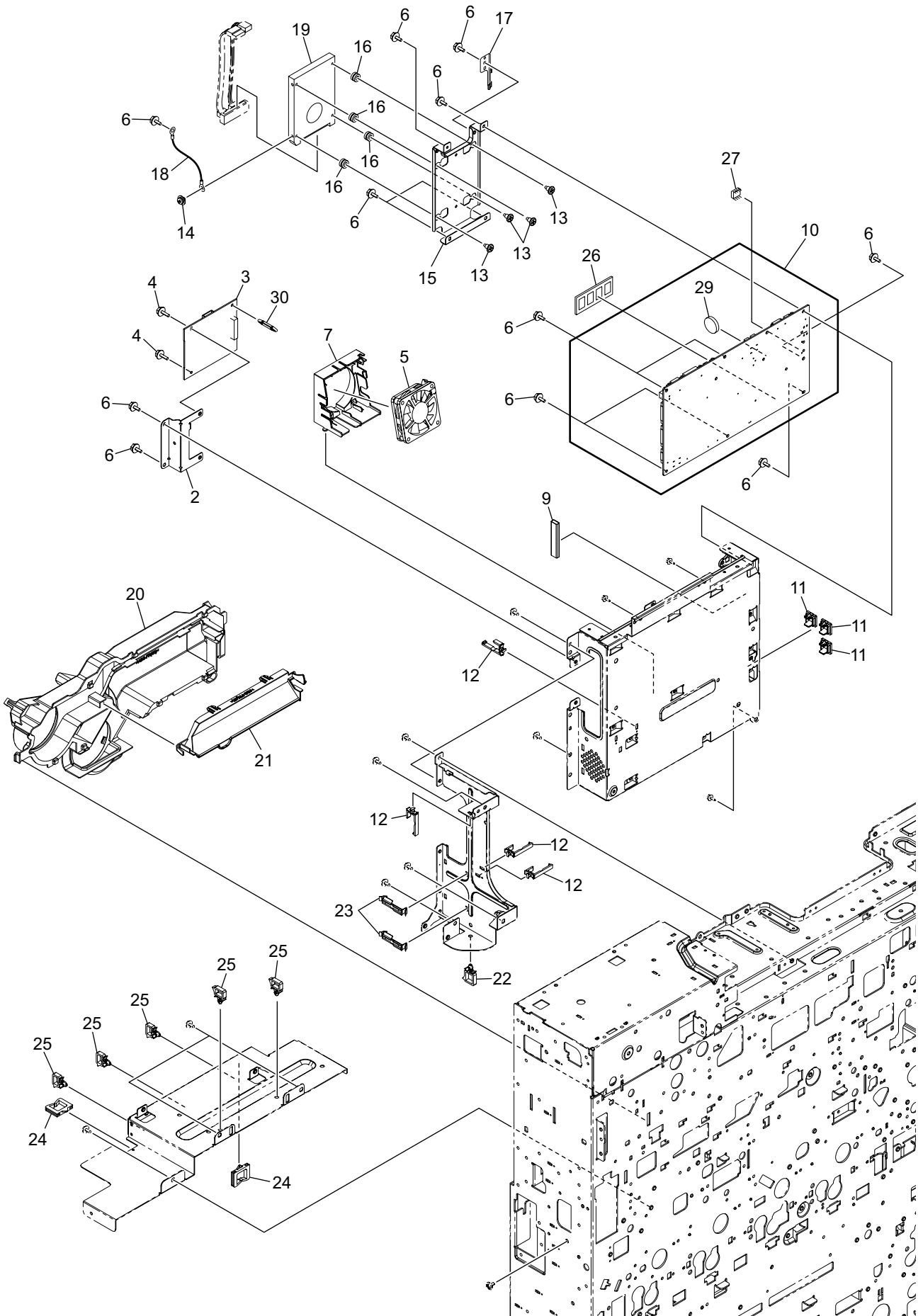
ITEM No.	PART No.	PART NAME	Q'TY / PAGE	Q'TY / PACK	REMARKS
1	6LH03488000	ASYS-BRKT-DRV-WTNR-F	1	1/P	
2	6LH03437000	FLANG-DRV-WTNR	2	1/P	
3	6LH03432000	GEAR-8S18_S2M20-6-DRV-FRT	1	1/P	
4	X0-00966000	RR/E-5-SS	2	10/P	
5	6LH03461000	GEAR-8S21-PSM20-6	1	1/P	
6	6LJ06913000	BLT-SY-S2M-250-4	1	1/P	
7	6LH03473000	FLNG-FRT-DRV	1	1/P	
8	6LH03435000	GEAR-8S24_8S18-5	1	1/P	
9	6LH03542000	SHAFT-DRV-WTNR-F-GEAR	1	1/P	
10	6LH02816000	RRG-3-P	6	1/P	
11	X0-02420000	S/TPS/FHEXM/R-3X8-ZU3	9	10/P	
12	6LH03436000	GEAR-8S28-4-AUGER	1	1/P	
13	6LK40730000	CASE-DUCT-WTNR-DPTH_S	1	1/PP	
17	6LK40734000	ASYS-BUSH-WTNR-H38X	4	1/P	
18	6LK40727000	SPG-C-WTNR-SWG2-H38X	1	1/P	
21	6LA34029000	BUSH-4X7X6F-POM	1	5/P	
22	6LH03421100	DUCT-WTNR-TRN_H	1	1/P	
24	6LH03430000	AUGER-DUCT-TURN	1	1/KP	
25	6LH03426000	COUPL-DRV-WTNR-1	1	1/P	
26	6LH03546000	SPG-C-DUCT-FINAL	1	1/P	
27	6LH03422100	SHUT-DUCT-TURN_S	1	1/P	
29	6LH03427000	STAY-HINGE-WTNR-TOP	1	1/P	
30	6LH03530000	BLT_SY-S2M-148-6	1	1/P	
31	6LH03602000	GEAR-5S25-P2GT60-6-IDLE	1	1/P	
32	6LH03503000	GEAR-5S86-6-WTNR-DRV	1	1/P	
33	6LH03580000	ASYS-SHAFT-WTNR-DRV	1	1/P	
34	6LH03605000	BUSH-6-POM-B	2	1/P	
35	6LH03439000	PULLY-S2M20-6_CPL-WTNR2	1	1/P	
36	6LH03603000	BLT-SY-138-2GT-4	1	1/P	
37	6LK41380000	MOTRD-UTNR-K13X	1	1/C	
38	X0-00426000	S/BID-M3X4-NI	2	10/P	
39	F0-02296000	ES-0505-2	1	5/P	
40	F0-01250000	MSB-1207	1	5/P	
41	X0-02421000	S/TPS/FHEXM/R-4X8-ZU3	3	10/P	
43	6LH03474000	OPENR-COV-WTNR	1	1/P	
44	6LH03552000	SPG-C-OPENR-WTNR	1	1/P	
45	C0-21564000	LG285L2-R2	2	1/C	
46	6LH03482200	GUIDE-BOX-WTNR_B	1	1/PP	
47	6LH03650000	ASYS-COVER-WTNR-38XS	1	1/PP	
48	6LH03467200	HOOK-COV-WTNR_B	1	1/P	
49	6LA80090000	S/TPP/BID-3*8-NI	3	5/P	
50	6LH03610000	SPG-HOOK-COV-WTNR	1	1/P	
51	6LH03429000	PLATE-HINGE-WTNR-BTM	1	1/P	
52	X0-00968000	RR/E-7-SS	1	10/P	
53	6LK40732200	ASYB-DUCT-WTNR-DPTH_K	1	1/D	
54	6LH03462200	SUPT-BOX-WTNR_B	1	1/PP	
55	6LK40714000	DUCT-TURN-WTB-H38X	1	1/P	
56	6LK41375000	ASYS-STAY-WTNR-MOTR	1	1/P	



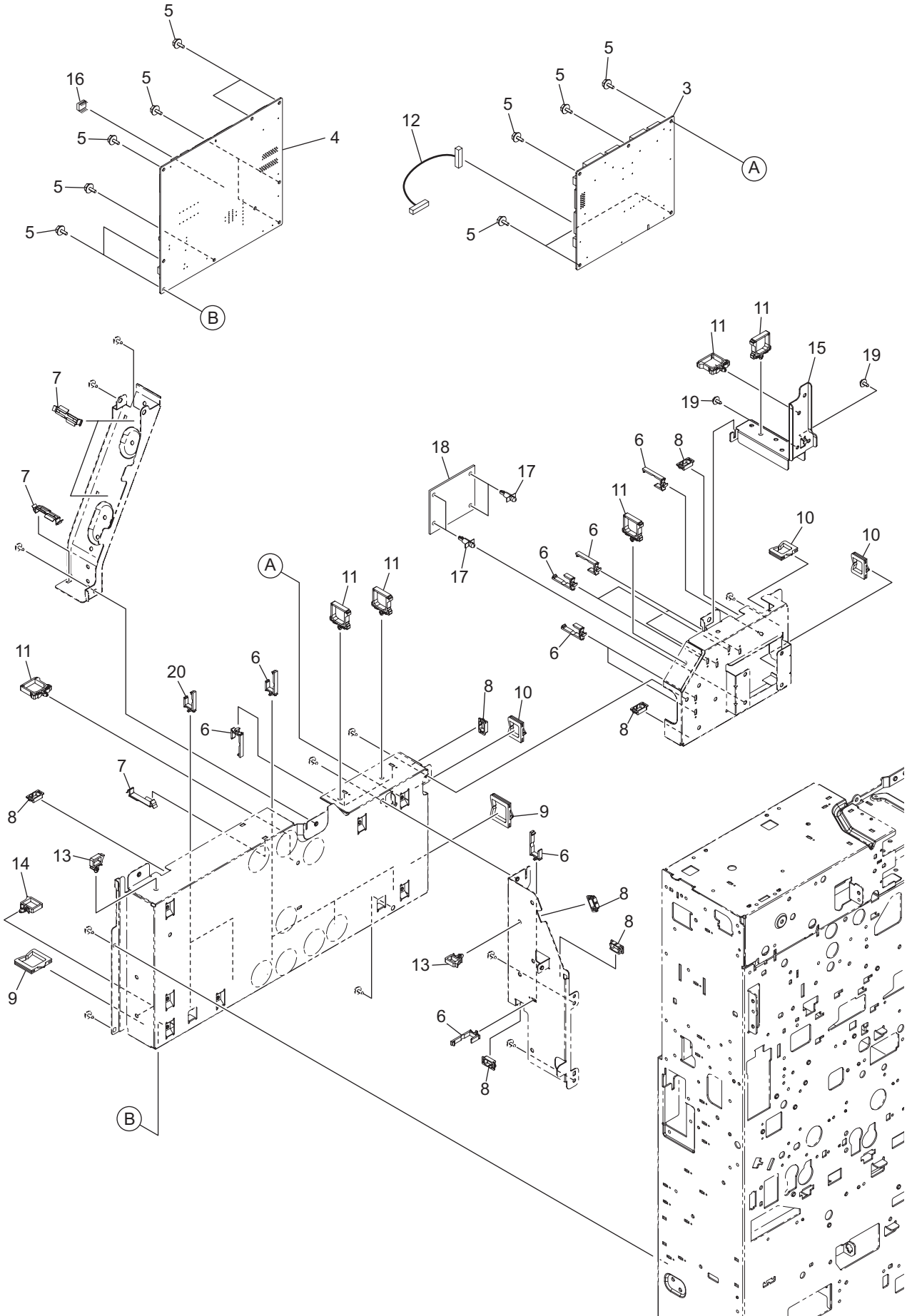
ITEM No.	PART No.	PART NAME	Q'TY / PAGE	Q'TY / PACK	REMARKS
1 A	6LH05729100	CASE-DRV-TRY-LOW-430_S	2	1/P	NAC,MJC
1 B	6LH05729100	CASE-DRV-TRY-LOW-430_S	1	1/P	NAD,MJD,ASD,AUD,CND,ARD
2 A	6LH05730100	CASE-DRV-TRY-UP-430_S	2	1/C	NAC,MJC
2 B	6LH05730100	CASE-DRV-TRY-UP-430_S	1	1/C	NAD,MJD,ASD,AUD,CND,ARD
3 A	6LA04324000	G05H-45/G05S-15	4	1/P	NAC,MJC
3 B	6LA04324000	G05H-45/G05S-15	2	1/P	NAD,MJD,ASD,AUD,CND,ARD
4 A	6LA04323000	G06S-13/G05S-80	4	1/C	NAC,MJC
4 B	6LA04323000	G06S-13/G05S-80	2	1/C	NAD,MJD,ASD,AUD,CND,ARD
5 A	6LH05706000	GEAR-8S26_8S18-6	4	1/P	NAC,MJC
5 B	6LH05706000	GEAR-8S26_8S18-6	2	1/P	NAD,MJD,ASD,AUD,CND,ARD
6 A	6LH05715000	GEAR-8S45-8_CPG	4	1/P	NAC,MJC
6 B	6LH05715000	GEAR-8S45-8_CPG	2	1/P	NAD,MJD,ASD,AUD,CND,ARD
7 A	6LJ56929000	MOTR.D-TRAY-CST-S	2	1/D	NAC,MJC
7 B	6LJ56929000	MOTR.D-TRAY-CST-S	1	1/D	NAD,MJD,ASD,AUD,CND,ARD
8 A	4401966050	SPC172-100-3400	4	1/P	NAC,MJC
8 B	4401966050	SPC172-100-3400	2	1/P	NAD,MJD,ASD,AUD,CND,ARD
9 A	6LH05707000	GEAR-8S25-10	4	1/P	NAC,MJC
9 B	6LH05707000	GEAR-8S25-10	2	1/P	NAD,MJD,ASD,AUD,CND,ARD
10 A	X0-02421000	S/TPS/FHEXM/R-4X8-ZU3	8	10/P	NAC,MJC
10 B	X0-02421000	S/TPS/FHEXM/R-4X8-ZU3	4	10/P	NAD,MJD,ASD,AUD,CND,ARD



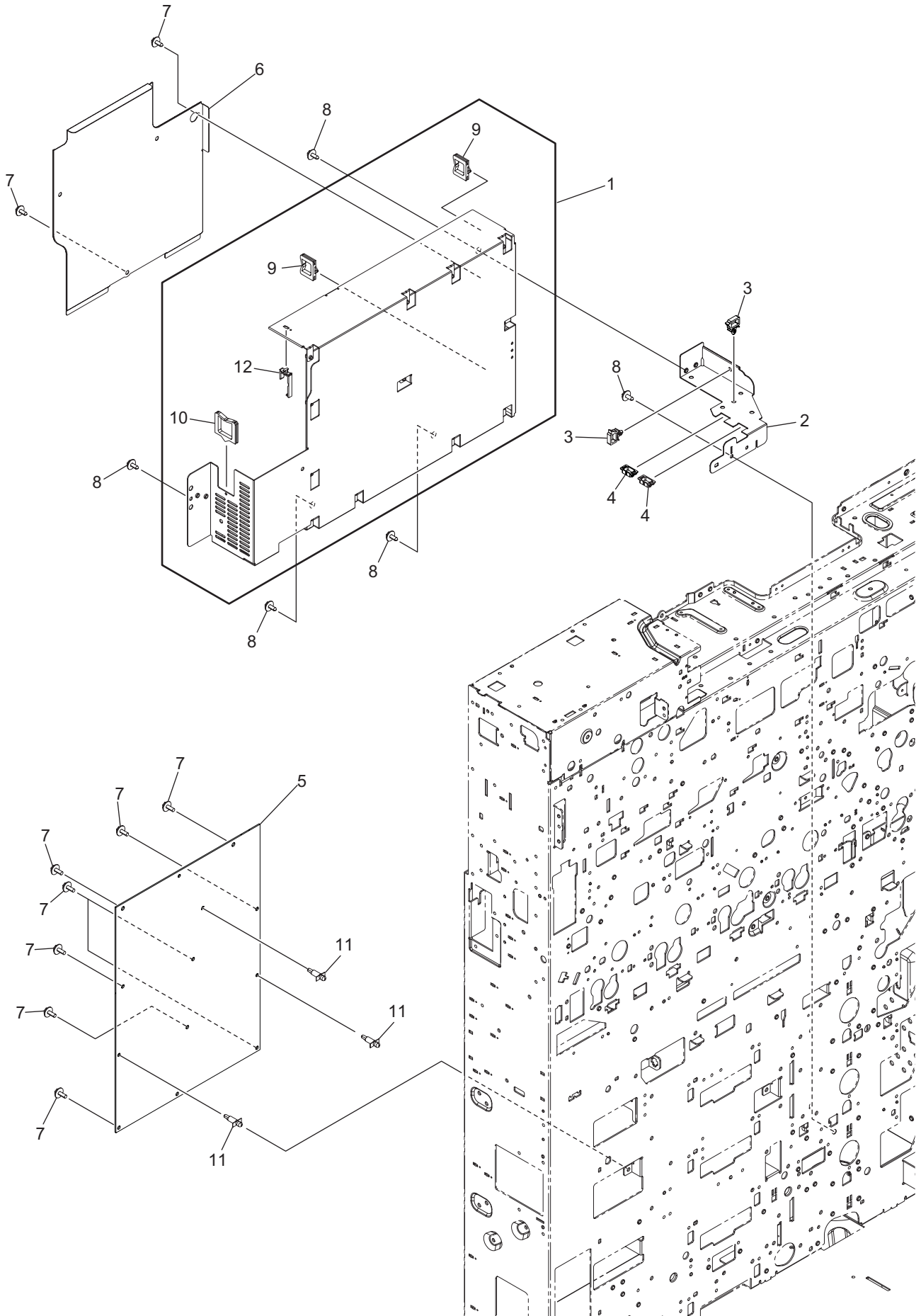
ITEM No.	PART No.	PART NAME	Q'TY / PAGE	Q'TY / PACK	REMARKS
1	6LK30957100	ASYS-CASSETTE-H38X	1	1/PP	
2	6LH05735000	ASYS-SFT-ELV-CST-F43X	1	1/P	
3	6LH05745100	LEVER-SENSOR-F43X_S	1	1/P	
4	6LA14466000	CAP-LEVER-SENS	1	1/P	
5	6LH05746000	ASYS-LEVER-ELV-CST-F43X	1	1/P	
6	6LH05719300	ASYS-WALL-SIDE-F-CST-BK4	1	1/KP	
7	6LH05704100	LVR-ADJUST-WALL_G	1	1/P	
8	6LA56695000	SPC-LVR-WALL-F	1	1/P	
9	6LJ08001300	ASYS-WALL-SIDE-R-CST-BK4	1	1/KP	
10	6LA29058100	LEVER-LOCK-WALL-RER_G	1	1/P	
11	6LH05748000	LOCK-WALL-R	1	1/P	
12	41305546000	SPL-LOCK-WALL-R	1	1/P	
13	6LH05752000	GUIDE-FOOT	1	1/P	
14	X0-02247000	S/TPP/FHEXM-3X8-NI	6	10/P	
15	6LH05703100	WALL-STOP_S	1	1/KP	
16	6LH05702100	HOLD-CASSET-PIN_S	1	1/P	
17	6LE53717000	GEAR-10S18-8-TRAY	2	1/P	
19	6LH05700100	WALL-END-CST-F43X_G	1	1/P	
20	6LK42104000	PLATE-LATCH-H38X	1	1/P	
21	6LA04487000	STUD-CST-POS	1	5/P	
22	6LH05721100	PUSHER-SIDE-CST-F43X_S	1	1/P	
23	6LK51260000	PUSHER-END-CST-F43X	1	1/PP	
24	6LH05717000	ROLLER-LEFT-R-BP	1	1/P	
25	6LK42113000	ASYS-COVER-CST-H38X	1	1/PP	
26	6LK42101000	COVER-HNDL-CST-H38X	1	1/P	
27	X0-02235000	S/FHEXM-M4X8-NI	8	10/P	
28	X0-02251000	S/TPP/FHEXM-4X8-NI	5	10/P	
29	6LH05511000	SCREW-M3X8-3.2-P	1	5/P	
30	6LJ75240000	LBL-CST-MAX_PP	1	1/P	
33	6LH05740000	MYLAR-CST-SIDE-WALL	2	1/KP	
35	44201492000	BUSH-6-POM	1	5/P	
37	6LK42109000	HNDL-CST-H38X	1	1/P	
38	6LK42107000	HOLDER-LEVER-SUB-H38X	1	1/P	
39	6LK42105000	LEVER-CST-H38X	1	1/P	
40	6LK42106000	LEVER-CST-SUB-H38X	1	1/P	
41	6LK42108000	PLATE-CST-EARTH-H38X	1	1/C	
42	X0-02230000	S/FHEXM-M3X6-NI	2	10/P	
43	6LK42111000	SHAFT-LATCH-CST-H38X	1	1/P	
50 A	6LK51245000	SIZE-CST-37X-A4	4	1/KP	MJC
50 B	6LK51245000	SIZE-CST-37X-A4	3	1/KP	MJD,ASD,AUD,ARD
50 C	6LK51245100	SIZE-CST-37X-LT	4	1/KP	NAC
50 D	6LK51245100	SIZE-CST-37X-LT	3	1/KP	NAD
50 E	6LK51245200	SIZE-CST-37X-K	3	1/KP	CND
51	6LK42116000	LBL_O-GUIDE-CST-H38X	1	1/KP	
52	6LK42115000	LBL_PAPER-SIZE-SRA3-H38X	1	1/KP	
53	6LJ08011100	ASYS-TRAY-CST-K13X	1	1/PP	
54	6LH05744000	CUSH-CST-BTM	1	1/KP	
55	6LK42117000	SPC-LEVER-CST-H38X_N	1	1/P	

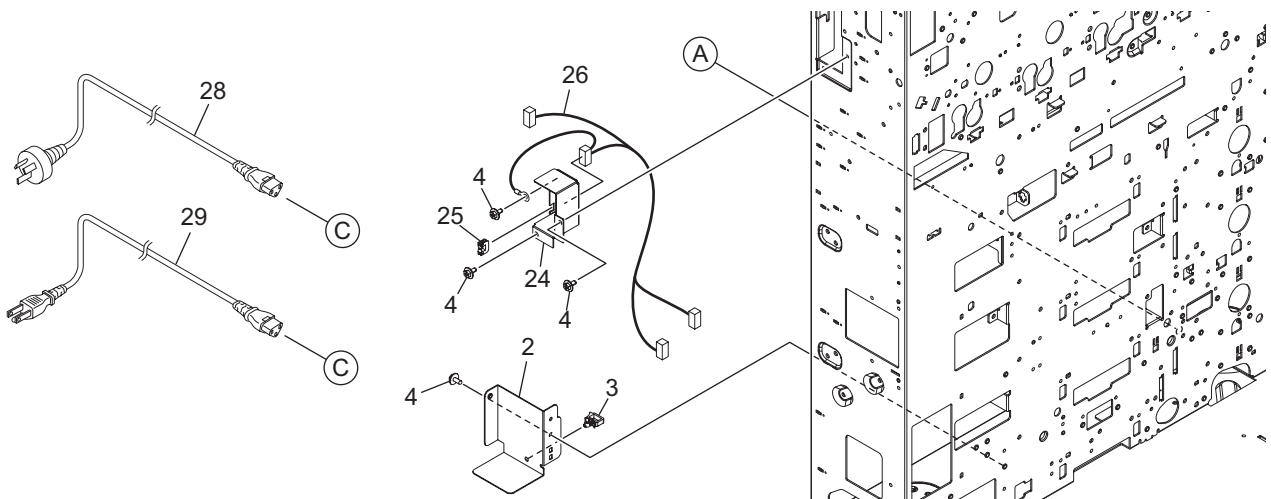
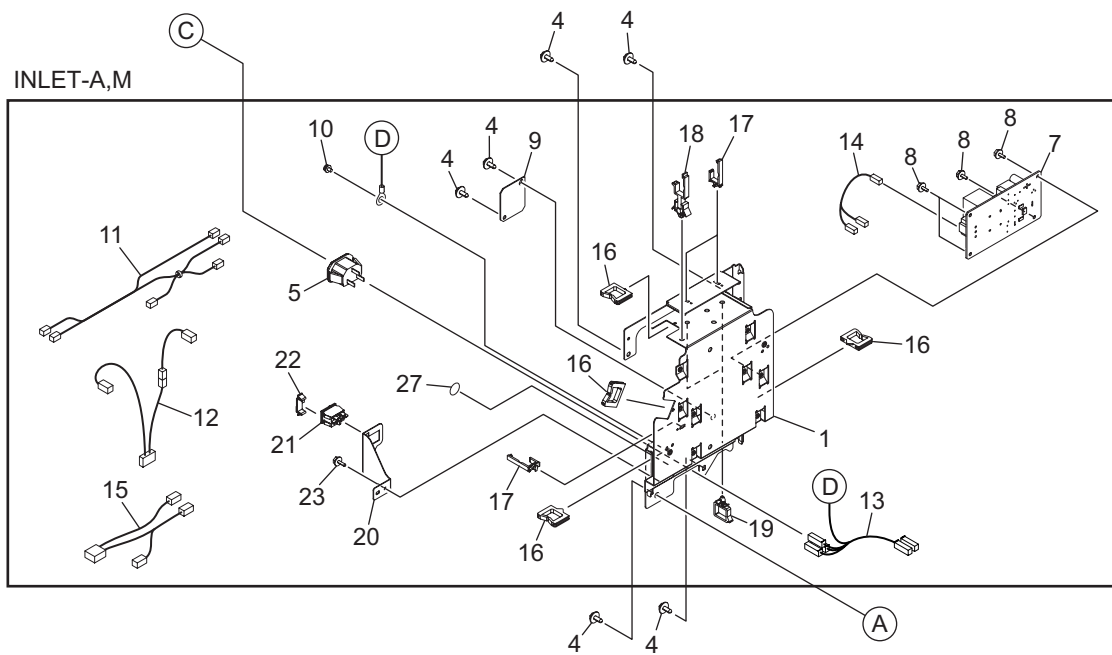
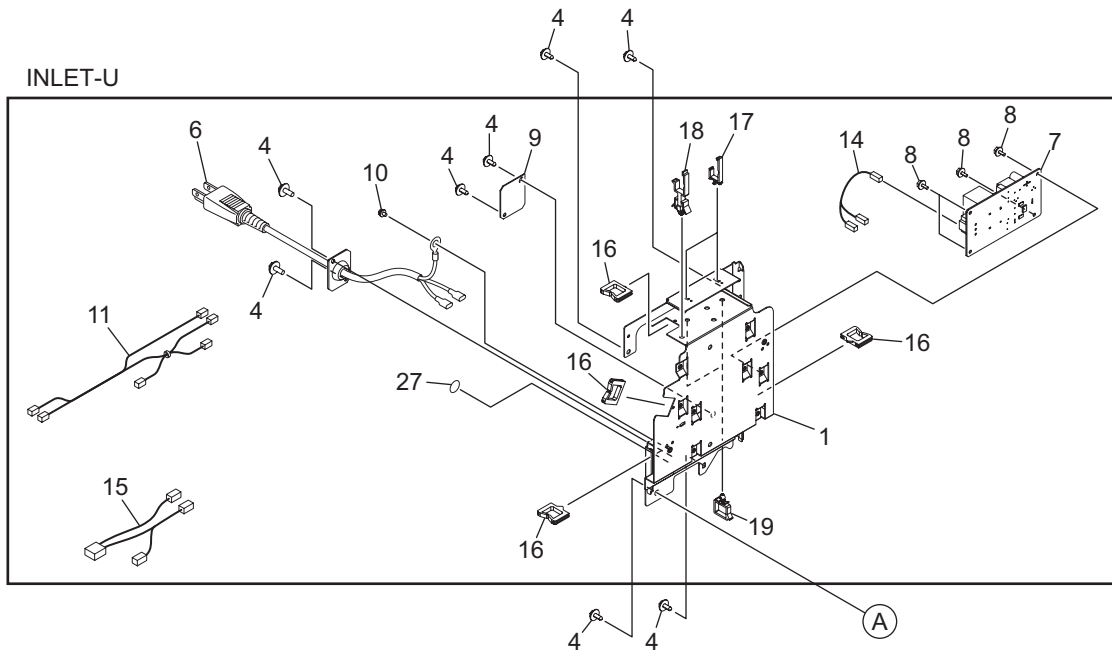


ITEM No.	PART No.	PART NAME	Q'TY / PAGE	Q'TY / PACK	REMARKS
2	6LK44718000	BRKT-PWA-DSDF-H370	1	1/P	
3	6LK45614000	PWA-H-DSIF-370	1	1/SB	
4	X0-02231000	S/FHEXM-M3X8-NI	2	10/P	
5	6LJ53202000	FAN_D-SYS-6015-H21X	1	1/D	
6	X0-02230000	S/FHEXM-M3X6-NI	14	10/P	
7	6LJ53224000	DUCT-SYS-FAN-H21X	1	1/P	
9	6LK39079000	GSKT-5-10-50-H38X	1	1/P	
10	6LL27128000	ASYB-PWA-SYS-K130S	1	1/SB	
11	6LK48745000	COVER-MODULAR-B	3	1/P	
12	F0-00036000	RLWS3TV0	4	5/P	
13	6LH53114000	SCREW-HDD-CASE_M3	4	5/P	
14	6LK56627000	SCREW-3X3-HDD	1	5/P	
15	6LK44716000	BRKT-HDD-H370	1	1/P	
16	6LK44874000	INSULATOR-HDD-BNS-20	4	1/P	
17	6LK44717000	SPG-F-SYS-H370	1	1/P	
18	6LK45548000	HRNS-HDDFG-H370	1	1/P	
19 A	G0-00728000	MQ01ABF032	1	1/C	CND
19 B	G0-00732000	MQ01ABU032W	1	1/C	Except for CND
20	6LK39505000	DUCT-BRIDGE-RER-H38X	1	1/PP	
21	6LK39506000	DUCT-BRIDGE-RER-SUB-H38X	1	1/PP	
22	F0-01812000	LWS-1211S-V0	1	5/P	
23	F0-01418000	RFC-33V0	2	1/P	
24	F0-00047000	EDS-1717U	2	10/P	
25	F0-01811000	LWS-0711S-V0	5	5/P	
26	C0-22294000	SMD3L-S4G28KB-16K	1	1/C	
27	C0-20581000	MR45V200ARAZAARL	1	1/C	
29	6LE90510G00	LI-BAT-CR-2032	1	1/S	
30	F0-02281000	WPCS-18SV0-3.5	1	5/P	

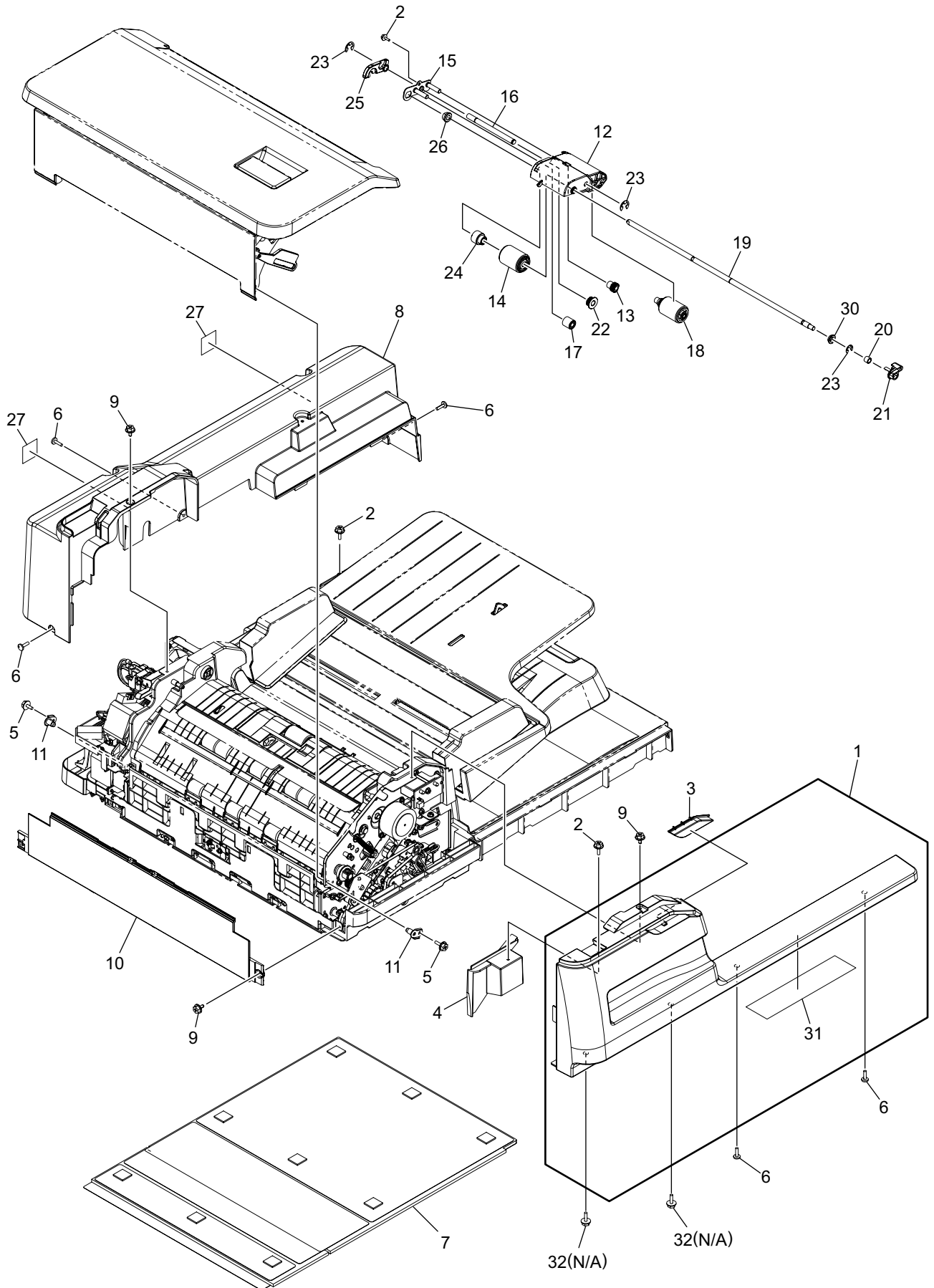


ITEM No.	PART No.	PART NAME	Q'TY / PAGE	Q'TY / PACK	REMARKS
3	6LL27135000	ASYB-PFC-K130S	1	1/SB	
4 A	6LL27131000	ASYB-LGC-K130S	1	1/SB	eS5516AC
4 B	6LL27131100	ASYB-LGC-K131S	1	1/SB	eS6516AC
4 C	6LL27131200	ASYB-LGC-K132S	1	1/SB	eS7516AC
5	X0-02230000	S/FHEXM-M3X6-NI	13	10/P	
6	F0-00036000	RLWS3TV0	14	5/P	
7	F0-01418000	RFC-33V0	4	1/P	
8	F0-01248000	ESC-0912	7	10/P	
9	F0-00034000	EDS-2323U	2	5/P	
10	F0-00047000	EDS-1717U	3	10/P	
11	F0-01629000	RLWC-6SV0	6	5/P	
12	6LL27021000	HRNS-LGC-PFC-K130	1	1/P	
13	F0-01811000	LWS-0711S-V0	2	5/P	
14	F0-01813000	LWS-1316S-V0	1	5/P	
15	6LH01137100	BRKT-HRNS-TRUSH	1	1/P	
16	C0-18775000	BR24T256-W	1	1/C	
17 A	F0-00342000	SPLSN-6U	4	5/P	ASD,AUD,CND,ARD
18 A	6LK73067000	ASYB-PWA-DAMP	1	1/SB	ASD,AUD,CND,ARD
19	X0-02421000	S/TPS/FHEXM/R-4X8-ZU3	2	10/P	
20	F0-00367000	RLWS-1TV0	2	10/P	

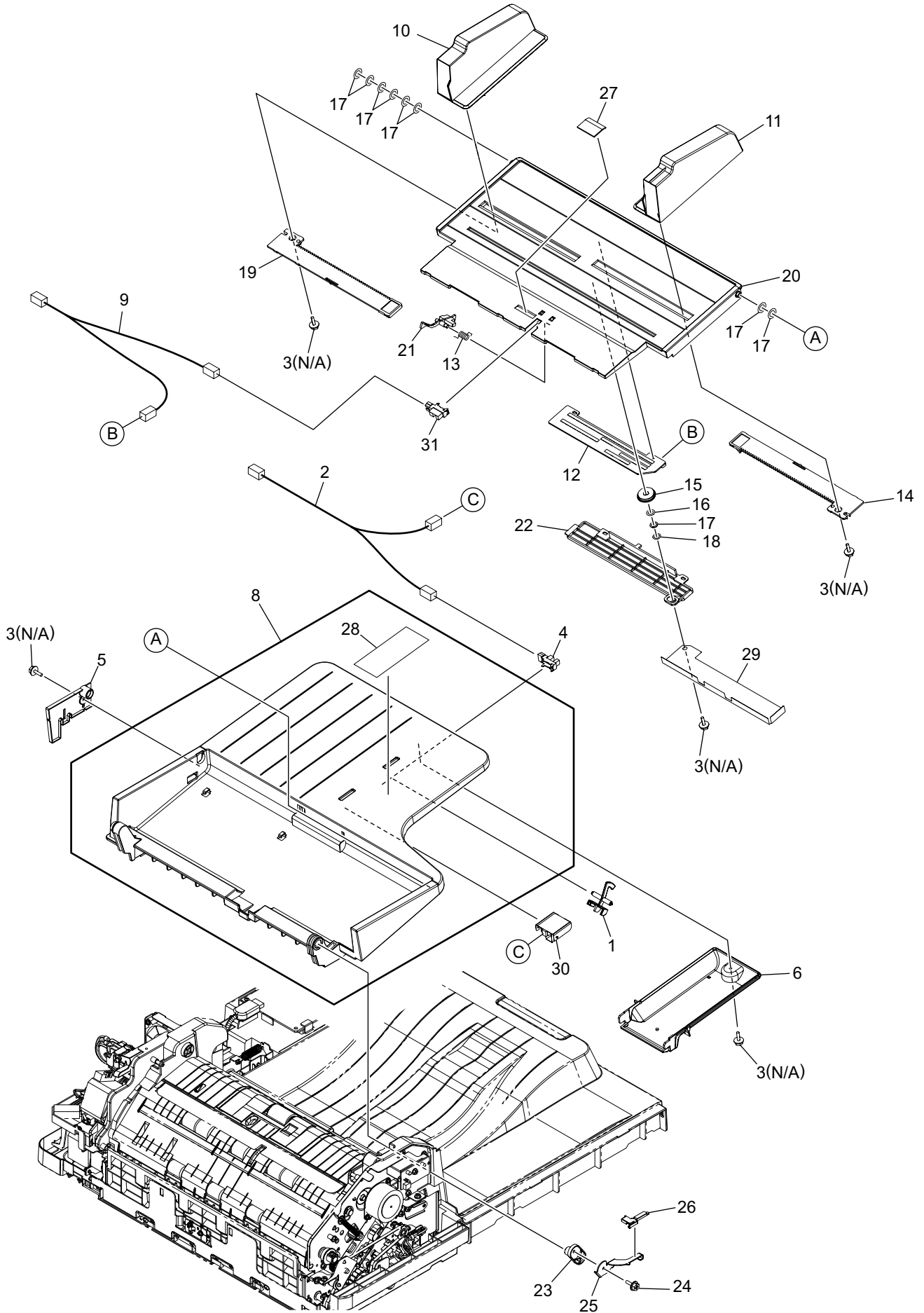




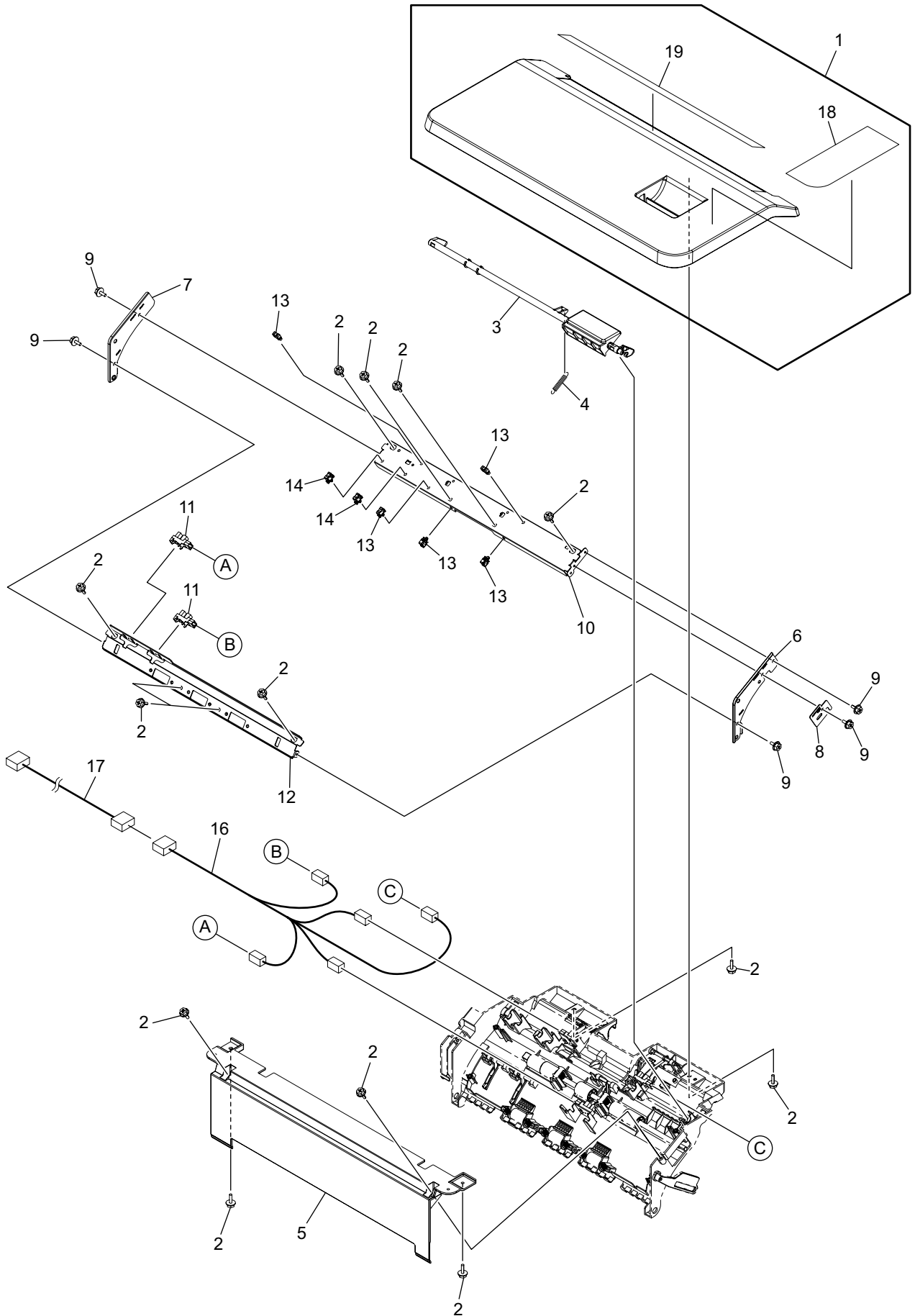
ITEM No.	PART No.	PART NAME	Q'TY / PAGE	Q'TY / PACK	REMARKS
1	6LK39024000	BRKT-INLET-DUMP-FIL-H38X	1	1/P	
2	6LH01106000	BRKT-HOLD-LVPS	1	1/P	
3	F0-01811000	LWS-0711S-V0	1	5/P	
4 A	X0-02421000	S/TPS/FHEXM/R-4X8-ZU3	10	10/P	MJD,MJC,ASD,AUD,CND,ARD
4 B	X0-02421000	S/TPS/FHEXM/R-4X8-ZU3	12	10/P	NAD,NAC
5 A	E0-12842000	AC-P10CF34	1	1/P	MJD,MJC,ASD,AUD,CND,ARD
6 B	6LK72944000	ASYS-P-CABLE-UC-H380	1	1/P	NAD,NAC
7	6LL27037200	ASYB-FIL-K130-ACC	1	1/SB	
8	X0-02230000	S/FHEXM-M3X6-NI	4	10/P	
9	6LH01161000	BRKT-BLIND-IH	1	1/P	
10	X0-02093000	S/PAN/SWWS-M4X6-NI	1	10/P	
11 A	6LK72942000	HRNS-LVPS-MAINSW1-H380	1	1/P	NAD,NAC,MJD,MJC
11 B	6LK72943000	HRNS-LVPS-MAINSW1-H380C	1	1/P	ASD,AUD,ARD
11 C	6LL27123000	HRNS-LVPS-MAINSW1-K130C	1	1/P	CND
12 B	6LK72951000	HRNS-DAMP-ACC-H380	1	1/P	ASD,AUD,CND,ARD
13 A	6LK72946000	HRNS-INLET-AC-H380	1	1/P	MJD,MJC,ASD,AUD,CND,ARD
14 A	6LK72952000	HRNS-FIL-LVPS-H380	1	1/P	NAD,NAC,MJD,MJC
14 B	6LK73361000	HRNS-FIL-LVPS-H380J	1	1/P	ASD,AUD,CND,ARD
15	6LK39429000	HRNS-LVPS-IH2-H380	1	1/P	
16	F0-00047000	EDS-1717U	4	10/P	
17 A	F0-00036000	RLWS3TV0	2	5/P	NAD,NAC,MJD,MJC
17 B	F0-00036000	RLWS3TV0	3	5/P	ASD,AUD,CND,ARD
18	F0-02289000	RSPC-325P	1	5/P	
19	F0-01813000	LWS-1316S-V0	2	5/P	
20 A	6LK44760000	BRKT-DUMPH-SW-H373	1	1/P	ASD,AUD,ARD
21 A	E0-11767000	AJ76101BF	1	1/P	ASD,AUD,ARD
22 A	F0-01451000	RFC-16V0	1	1/P	ASD,AUD,ARD
23 A	X0-02420000	S/TPS/FHEXM/R-3X8-ZU3	1	10/P	ASD,AUD,ARD
24	6LK39070000	BRKT-FIN-CBL-CONP	1	1/P	
25	F0-02296000	ES-0505-2	1	5/P	
26	6LL27025000	HRNS-LGC-FIN-K130	1	1/P	
27	6LK31393000	MARK-EARTH-VDE	1	5/P	
28 A	6LJ62295000	CABLE-P-INLET-EUR-C-S	1	1/P	MJD,MJC
28 B	6LJ62294000	CABLE-P-INLET-AU-C-S	1	1/P	AUD
28 C	6LJ61965000	CABLE-P-INLET-AR-C	1	1/P	ARD
28 D	6LJ62297000	CABLE-P-INLET-CCC-C-S	1	1/P	CND
29 A	6LJ62293000	CABLE-P-INLET-UK-C-S	1	1/P	ASD



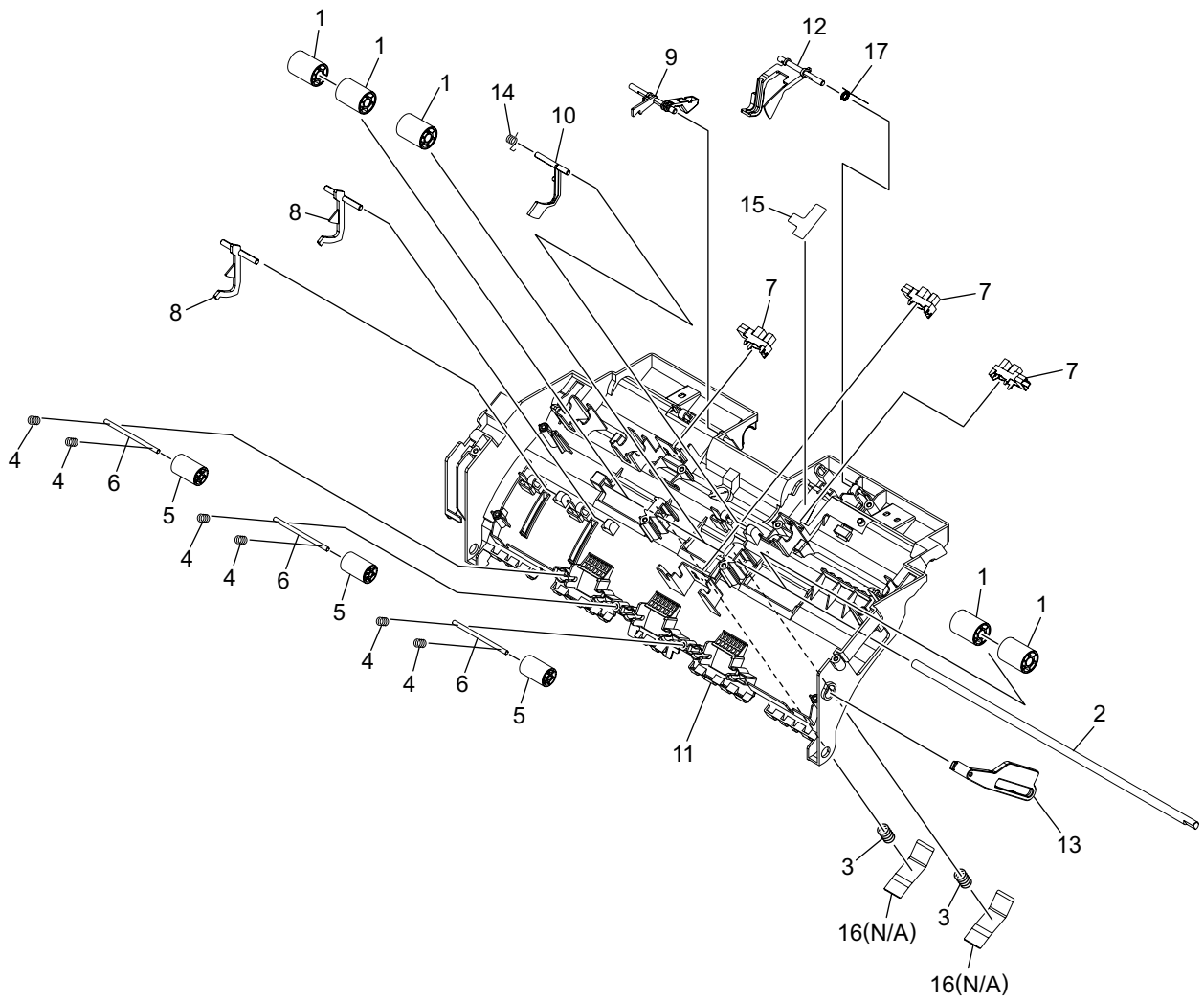
ITEM No.	PART No.	PART NAME	Q'TY / PAGE	Q'TY / PACK	REMARKS
1	6LK54371000	ASYS-COV-FRONT-DSDF	1	1/PP	
2	X0-02247000	S/TPP/FHEXM-3X8-NI	3	10/P	
3	6LK54136000	LENS-LED-DSDF	1	1/P	
4	6LK54222000	COVER-FRONT-SPRT	1	1/PP	
5	X0-02675000	S/TPP/BID-3X8-ZB3	2	5/P	
6	X0-01989000	S/TPP/BID-3X8-NI	5	10/P	
7	6LK56651000	ASYS-SHEET-PLTN-DSDF_JW	1	1/KP	
8	6LK54286100	ASYS-COV-REAR-DSDF2	1	1/PP	
9	X0-02419000	S/TPS/FHEXM/R-3X6-ZU3	3	10/P	
10	6LK56665000	ASYS-COVER-LEFT-B	1	1/PP	
11	6LK54083000	ASYS-SITEN	2	1/P	
12	6LK53968000	HOLDER-PICKUP	1	1/P	
13	6LK54070000	GEAR-5H20-5	1	1/P	
14	6LK54191000	ASYS-ROL-FEED	1	1/P	
15	6LK54100000	ASYS-PICKUP	1	1/P	
16	6LK54055000	SFT-PICKUP	1	1/P	
17	6LK54287000	GEAR-5H22-5	1	1/P	
18	6LK54190000	ASYS-ROL-PICKUP	1	1/P	
19	6LK54054000	SFT-FEED	1	1/P	
20	6LK54306000	BUSH-S5-6	1	1/P	
21	6LK53969000	LEVER-FEED	1	1/P	
22	6LK54069000	GEAR-5H20-6	1	1/P	
23	X0-00966000	RR/E-5-SS	3	10/P	
24	6LK54265000	ASYS-PULLY-FEED	1	1/P	
25	6LK54062000	STOPPER-FEED-ROL	1	1/P	
26	4407734980	BUSH-6-GCB	1	5/P	
27	6LK54279000	LBL_W-COV-JB	2	1/P	
30	6LA65696000	BUSH-6X12X4R8F	1	5/P	
31	6LK56552000	LBL-JAM-DF	1	1/KP	
32	X0-02687000	S/TPS/FHEXM/R-3X6-ZB3	2	N/A***	



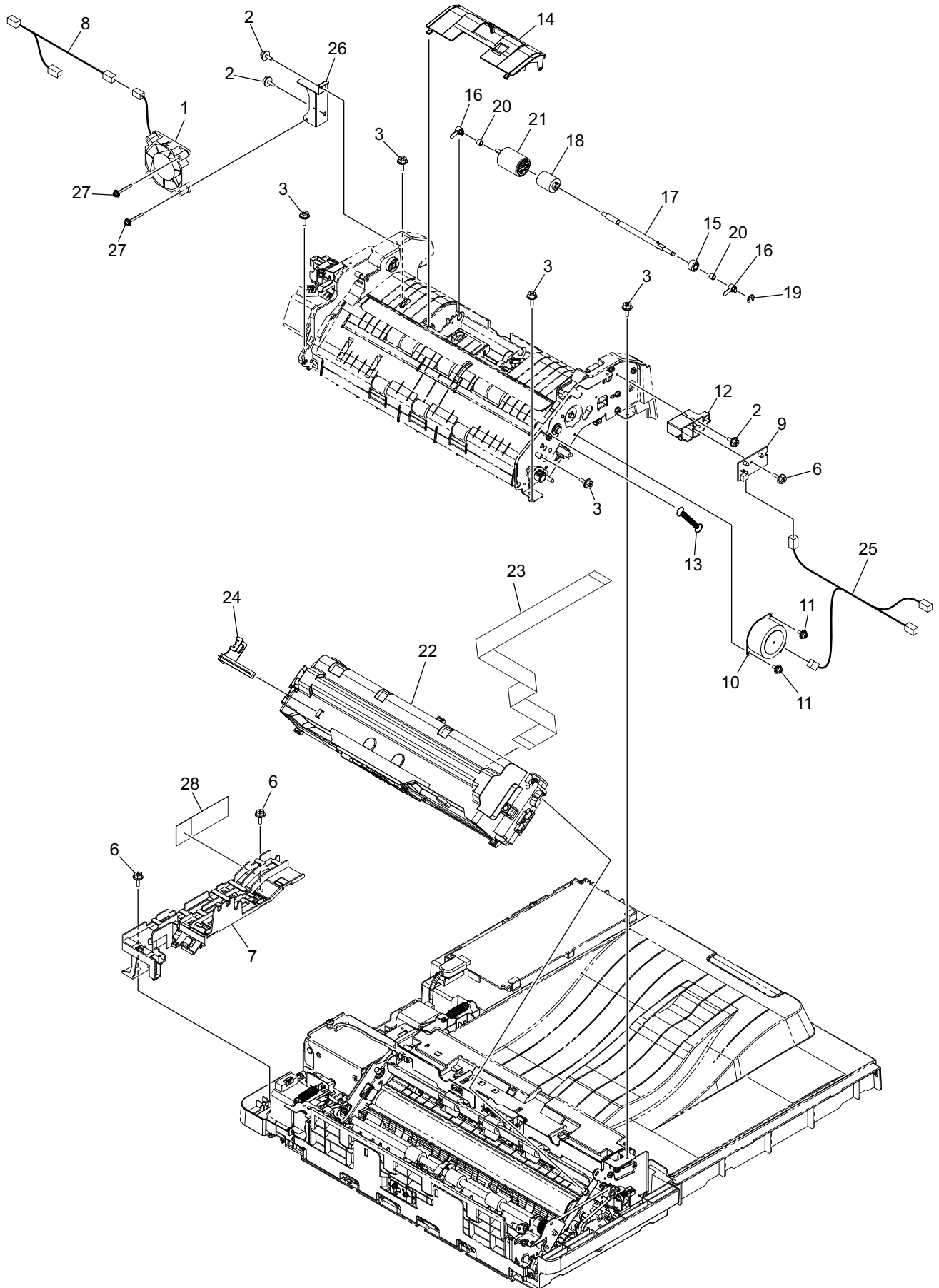
ITEM No.	PART No.	PART NAME	Q'TY / PAGE	Q'TY / PACK	REMARKS
1	6LE50461F00	ACT-SENSOR-TRAY-S_JB	1	1/P	
2	6LK53739000	HRNS-DSDF-TLENGH-H616	1	1/P	
3	X0-02687000	S/TPS/FHEXM/R-3X6-ZB3	5	N/A***	
4	C0-20495000	LG2A24BL1	2	1/C	
5	6LK54123000	HLDR-TRAY-EV	1	1/P	
6	6LK54124000	COV-TRAY-SENS-DSDF	1	1/PP	
8 A	6LK54285100	ASYS-TRAY-ORG-DSDF-C	1	1/PP	CND
8 B	6LK54285000	ASYS-TRAY-ORG-DSDF	1	1/PP	Except for CND
9	6LK53738000	HRNS-DSDF-TRAY-H616	1	1/P	
10	6LK56727000	ASYS-SIDE-GID-R-DSDF	1	1/PP	
11	6LK56726000	ASYS-SIDE-GID-F-DSDF	1	1/PP	
12	6LK53708000	PWA-H-TRAY-616	1	1/SB	
13	6LK56557000	SPG-T-ACT-SNS-EMPTY-R18	1	1/P	
14	6LK54249000	ASYS-RACK-TRAY-F	1	1/PP	
15	4407726480	PINION-18-395	1	1/P	
16	4400974200	WASHER-W-6-10	1	10/P	
17	F0-01324000	STW-FT60 T0.25	9	5/P	
18	6LA78907000	WASHER-6R2X9R5XR13-PL	1	5/P	
19	6LK54132000	RACK-TRAY-PC-DSDF	1	1/P	
20	6LK56582000	ASYS-TRY-EV-DSDF	1	1/PP	
21	6LK54129000	ACT-SNS-EMPTY	1	1/P	
22	6LK54135000	COVER-PWA-TRAY-DSDF	1	1/P	
23	6LK54064000	HOLDER-DH	1	1/P	
24	X0-02231000	S/FHEXM-M3X8-NI	1	10/P	
25	6LK54368000	BRKT-TRY-ORG	1	1/P	
26	6LK54369000	COV-BRKT-TRY	1	1/P	
27	6LK54388000	SHEET-PICKUP	1	1/P	
28 A	6LJ67549200	LABEL-CAUTION-3031C	1	1/KP	CND
28 B	6LJ67409300	LABEL-CAUTION-H616	1	1/P	Except for CND
29	6LK56660000	SHEET-TRAY-EV	1	1/KP	
30	6LK54047000	ASYB-SNS-TRAY-L2	1	1/P	
31	6LK56794000	ASYS-SNS-EMPTY	1	1/C	

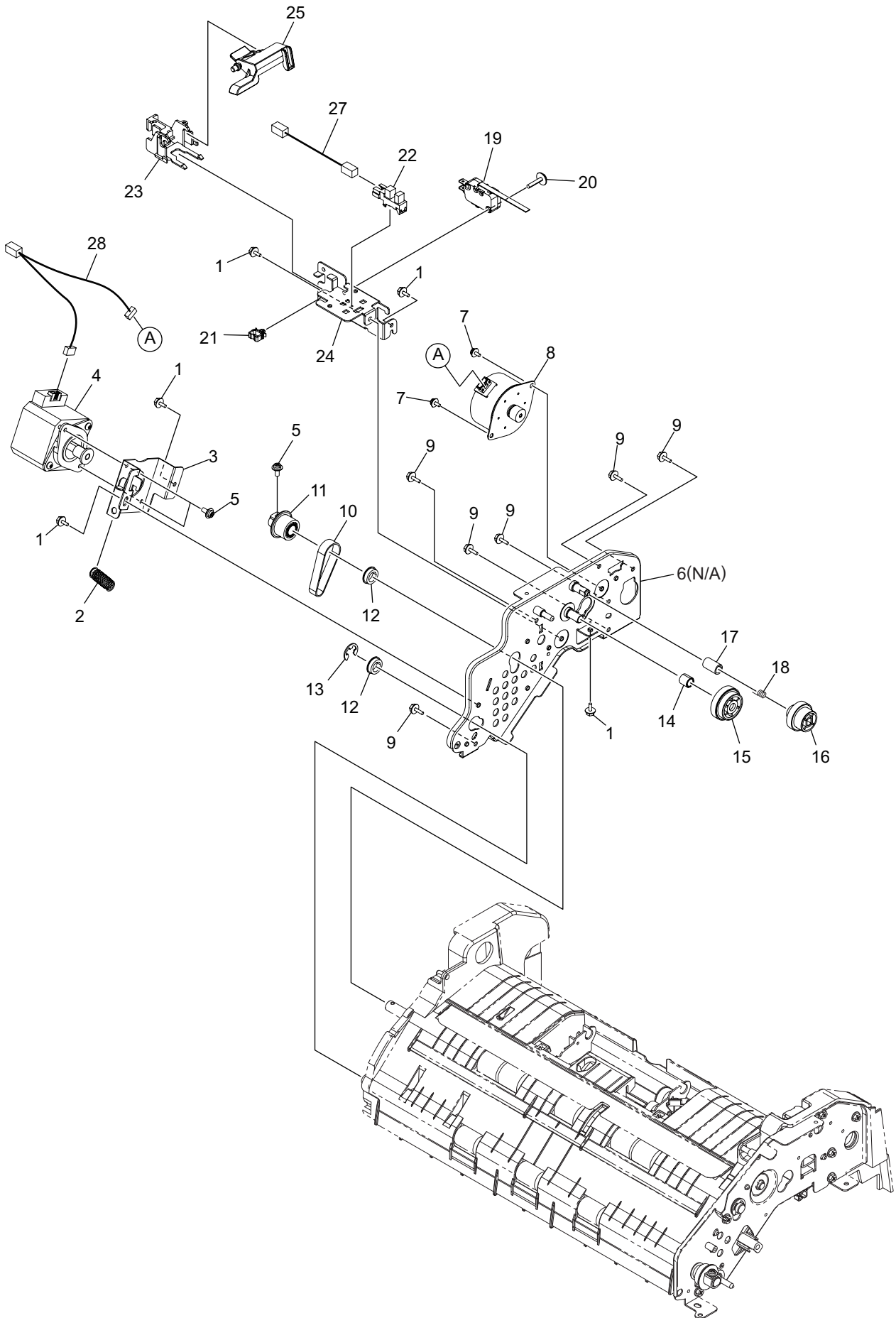


ITEM No.	PART No.	PART NAME	Q'TY / PAGE	Q'TY / PACK	REMARKS
1 A	6LK54370000	ASYS-COV-TOP-DSDF	1	1/PP	Except for CND CND
1 B	6LK54370100	ASYS-COV-TOP-DSDF-C	1	1/PP	
2	X0-02247000	S/TPP/FHEXM-3X8-NI	14	10/P	
3	6LK54008000	LEVER-TOP	1	1/P	
4	6LK56626000	SPG-E-5R5XR75X24R9	1	1/P	
5	6LK54139000	COV-LEFT-U-DSDF	1	1/PP	
6	6LK53925000	BRKT-TOP-F	1	1/P	
7	6LK53927000	BRKT-TOP-R	1	1/P	
8	6LK53928000	BRKT-REGI-ADJUST	1	1/P	
9	X0-02230000	S/FHEXM-M3X6-NI	5	10/P	
10	6LK54361000	ASYS-STAY-REGIST	1	1/P	
11	C0-20495000	LG2A24BL1	2	1/C	
12	6LK56663000	STAY-READ1-MD	1	1/P	
13	F0-01453000	RMS-1V0	5	5/P	
14	F0-01673000	RMS-2V0	2	5/P	
16	6LK53725000	HRNS-DSDF-TOP2-H616	1	1/P	Except for CND CND
17	6LK53724000	HRNS-DSDF-TOP1-H616	1	1/P	
18 A	6LK54276000	LABEL-CLN-H616	1	1/KP	
18 B	6LK54328000	LABEL-CLN-C-H616	1	1/KP	
19	6LK54275000	LABEL-SIZE-616	1	1/KP	

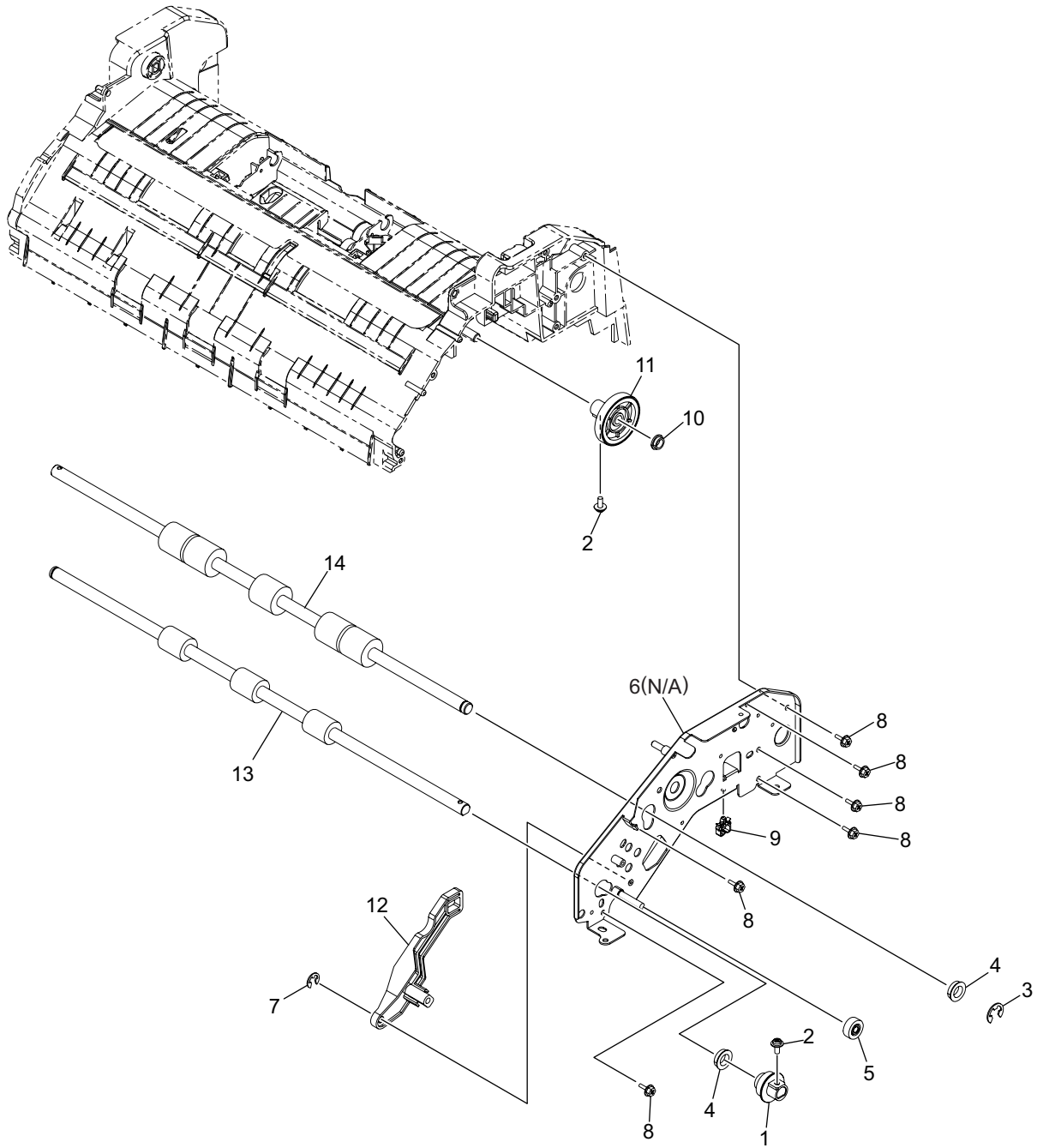


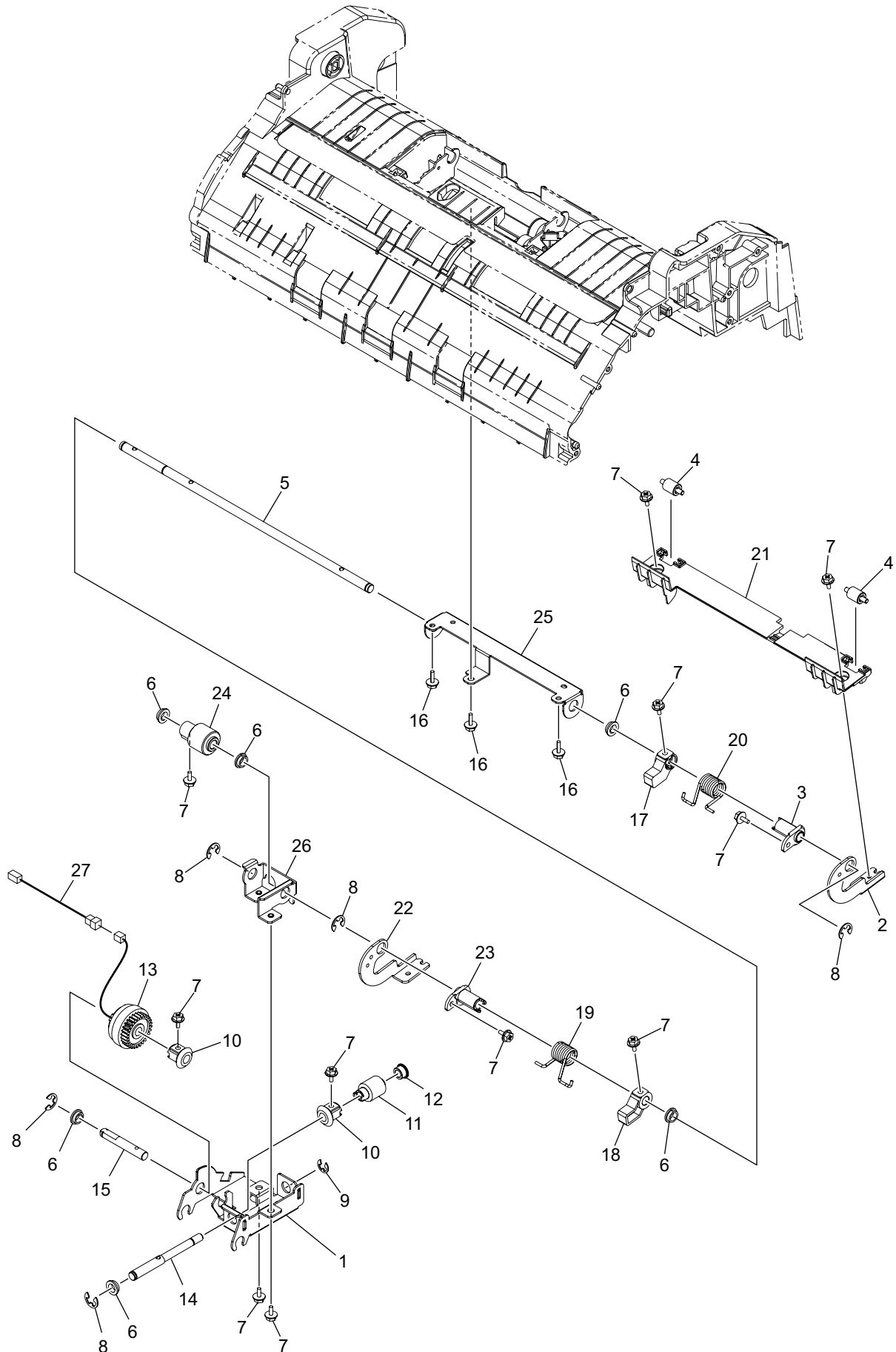
ITEM No.	PART No.	PART NAME	Q'TY / PAGE	Q'TY / PACK	REMARKS
1	6LK53962000	PINCH-ROL-REGI	5	1/P	
2	6LK54052000	SFT-REGIST	1	1/P	
3	6LK54022000	SPG-C-7R4X19R8R	2	1/P	
4	6LK56539000	SPG-C-5X12R-3R5N	6	1/P	
5	6LK53963000	PINCH-ROL	3	1/P	
6	6LK54053000	SFT-PINCH	3	1/P	
7	C0-20495000	LG2A24BL1	3	1/C	
8	6LK53965000	ACTUATOR-SIZE	2	1/P	
9	6LK54063000	ACTUATOR-PICKUP	1	1/P	
10	6LK53964000	ACTUATOR-REGI	1	1/P	
11	6LK56708000	FRAME-TOP2	1	1/PP	
12	6LK53966000	ACTUATOR-FEED	1	1/P	
13	6LK53984000	STOPPER-TOP	1	1/P	
14	6LK54272000	SPG-T-4R5XR2X100L	1	1/P	
15	6LK56540000	MYLAR-ACT-S	1	1/P	
16	6LK56543000	SHEET-RGST-U	2	1/P	
17	6LK54021000	SPG-T-4R25X1R9L	1	1/P	



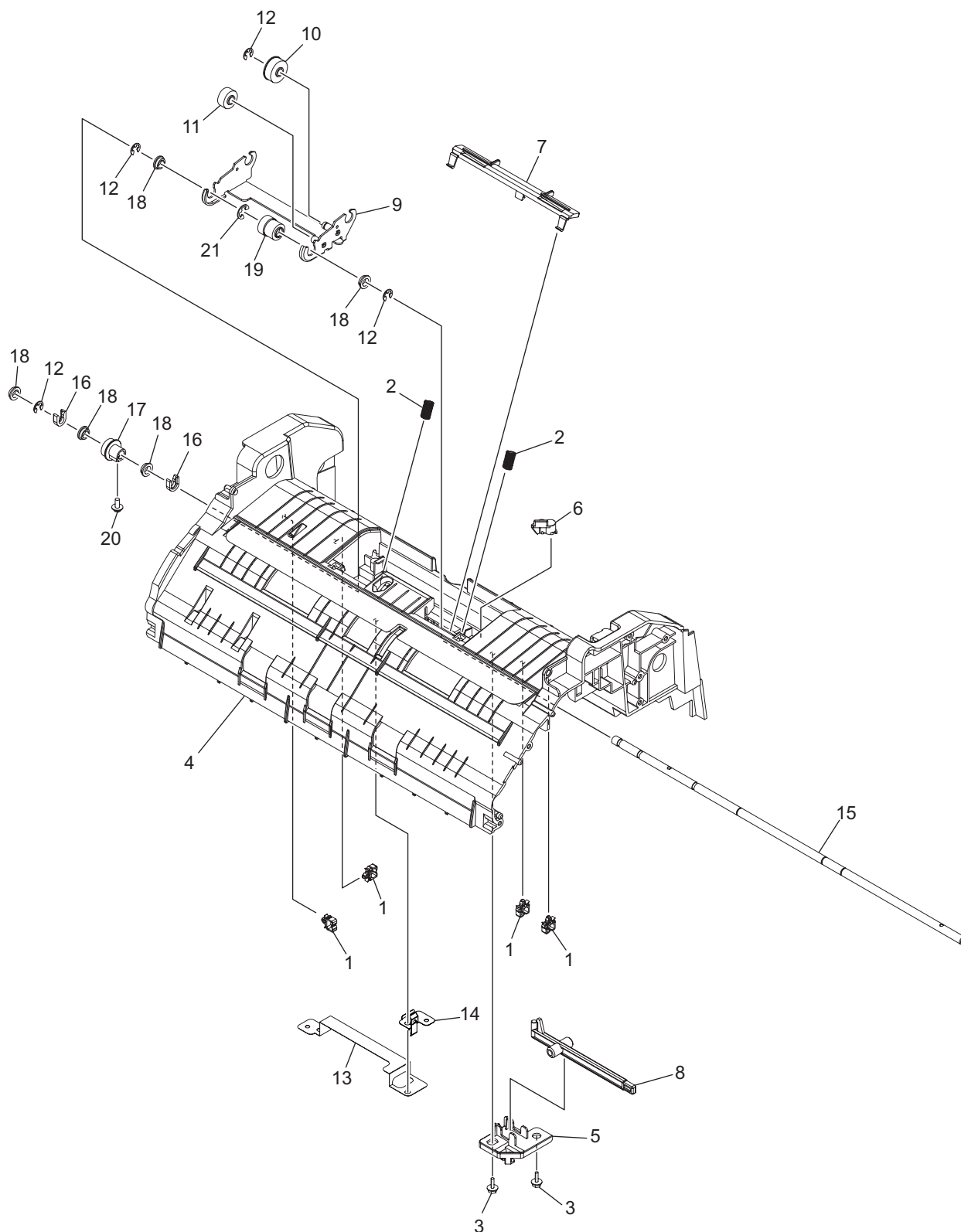


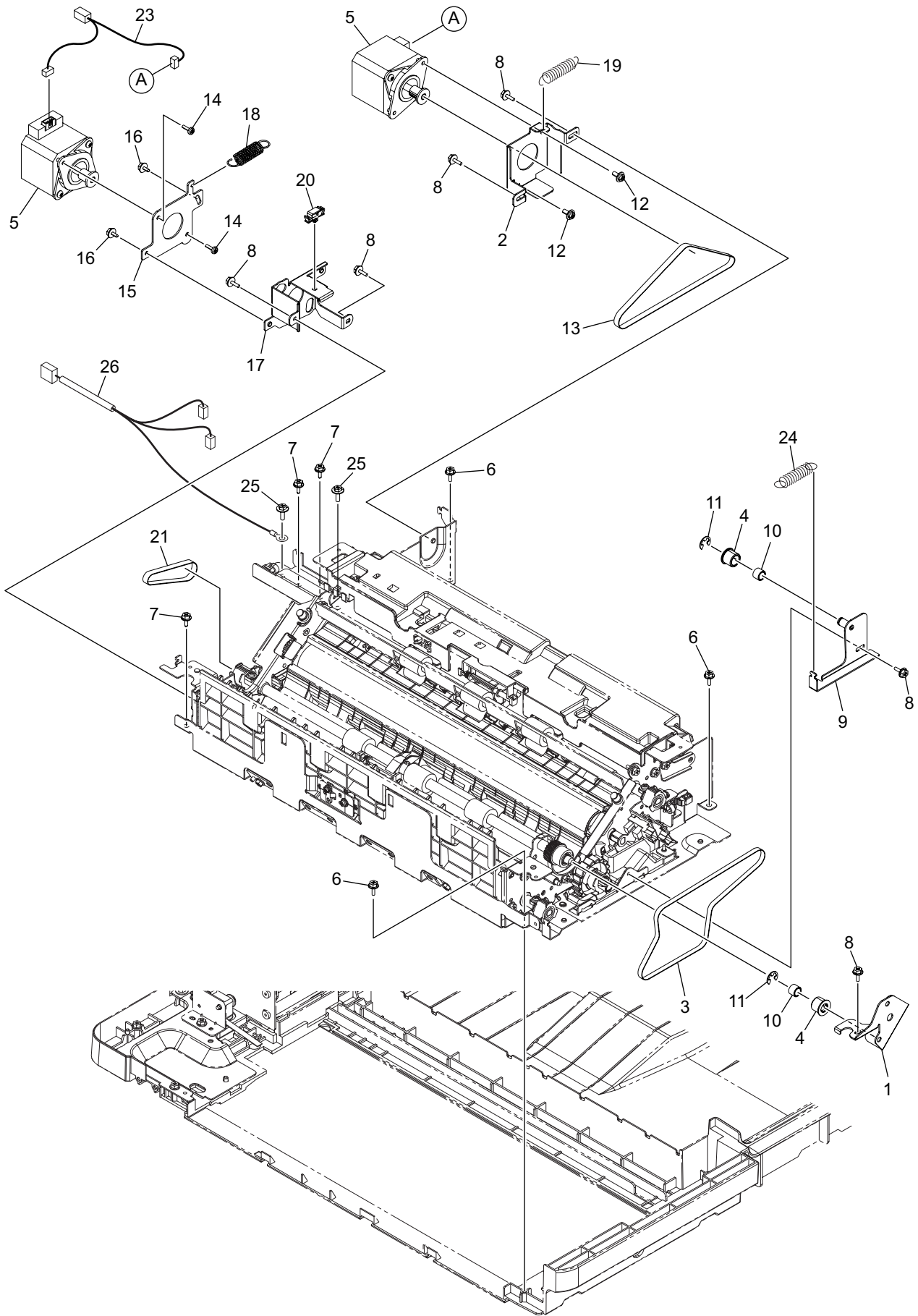
ITEM No.	PART No.	PART NAME	Q'TY / PAGE	Q'TY / PACK	REMARKS
1	X0-02230000	S/FHEXM-M3X6-NI	5	10/P	
2	6LK54289000	SPG-E-7R8XR8X25R6	1	1/P	
3	6LK53933000	BRKT-REGI-MOTOR	1	1/P	
4	6LK53723000	MOTRS-DSDF-READ-H616	1	1/C	
5	X0-00077000	S/PAN/SWWP-M3X8-NI	3	10/P	
6	6LK54071000	ASYS-REAR-MID	1	N/A***	
7	X0-00060000	S/PAN/SWWP-M3X6-NI	2	10/P	
8	6LK53722000	MOTRS-DSDF-FEED-H616	1	1/C	
9	X0-02247000	S/TPP/FHEXM-3X8-NI	6	10/P	
10	6LK54170000	BELT-103R5-1R5GT-6	1	1/P	
11	6LK53917000	PULLEY-1R5GT36-8	1	1/P	
12	F0-02187000	DDLDF-1280ZZHPOP25LY551	2	1/P	
13	X0-00968000	RR/E-7-SS	1	10/P	
14	6LK54267000	B-S6-7	1	1/P	
15	6LK53905000	GEAR-6H41-H34-6	1	1/P	
16	6LK53904000	GEAR-6H35-8	1	1/P	
17	6LK54307000	BUSH-S6-13	1	1/P	
18	6LK54024000	SPG-C-3X4R3R	1	1/P	
19	E0-14527000	D3V-163-1C25(10E)	1	1/C	
20	X0-01615000	S/TPS/FPAN-3X14-NC	1	10/P	
21	F0-01453000	RMS-1V0	1	5/P	
22	C0-20495000	LG2A24BL1	1	1/C	
23	6LK53985000	HOLDER-ACTUATOR	1	1/P	
24	6LK53940000	BRKT-SWITCH	1	1/P	
25	6LK53986000	ACTUATOR-COVER-TOP	1	1/P	
27	6LK53734000	HRNS-DSDF-COVU-H616	1	1/P	
28	6LK53726000	HRNS-DSDF-MOT1-H616	1	1/P	

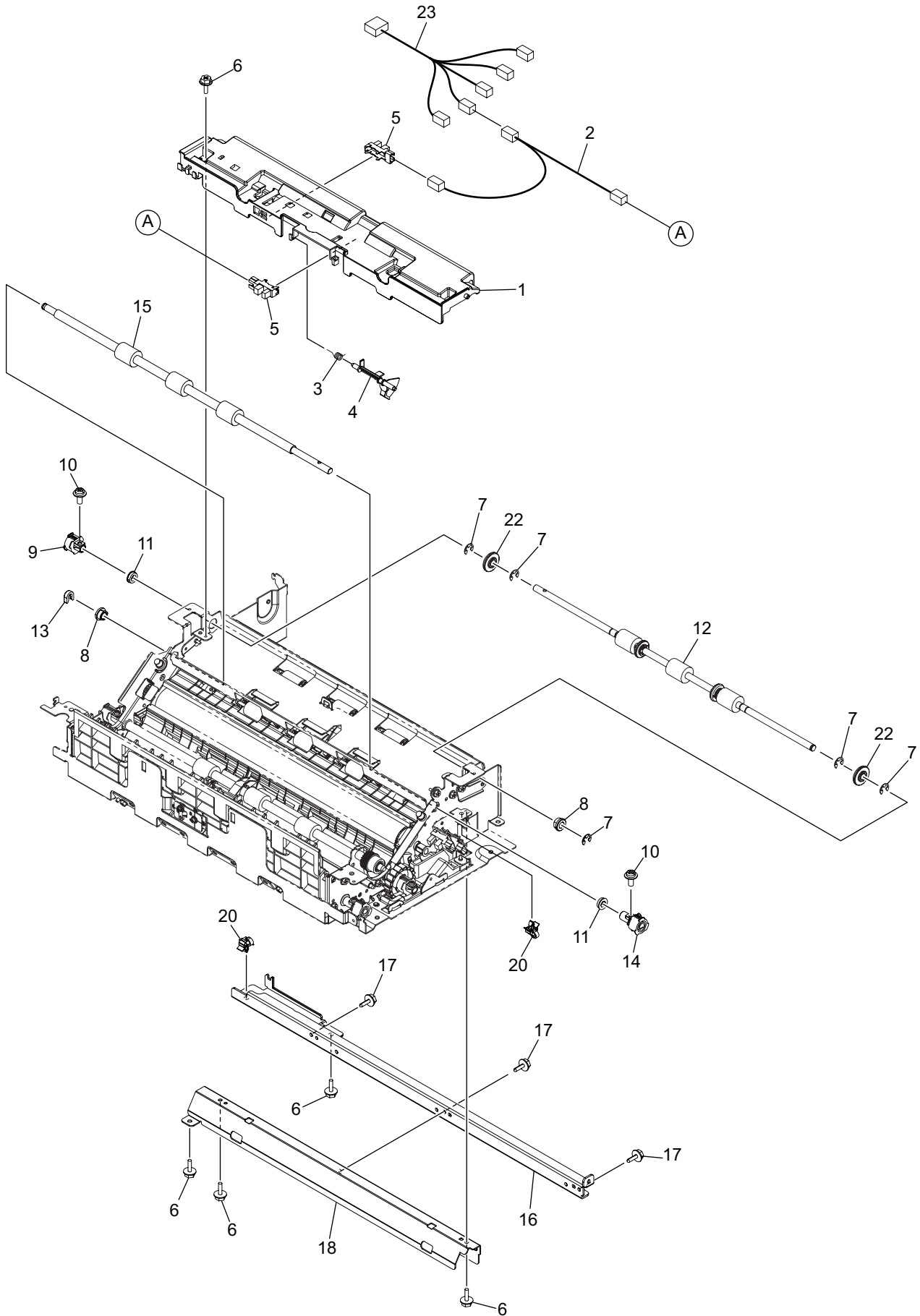


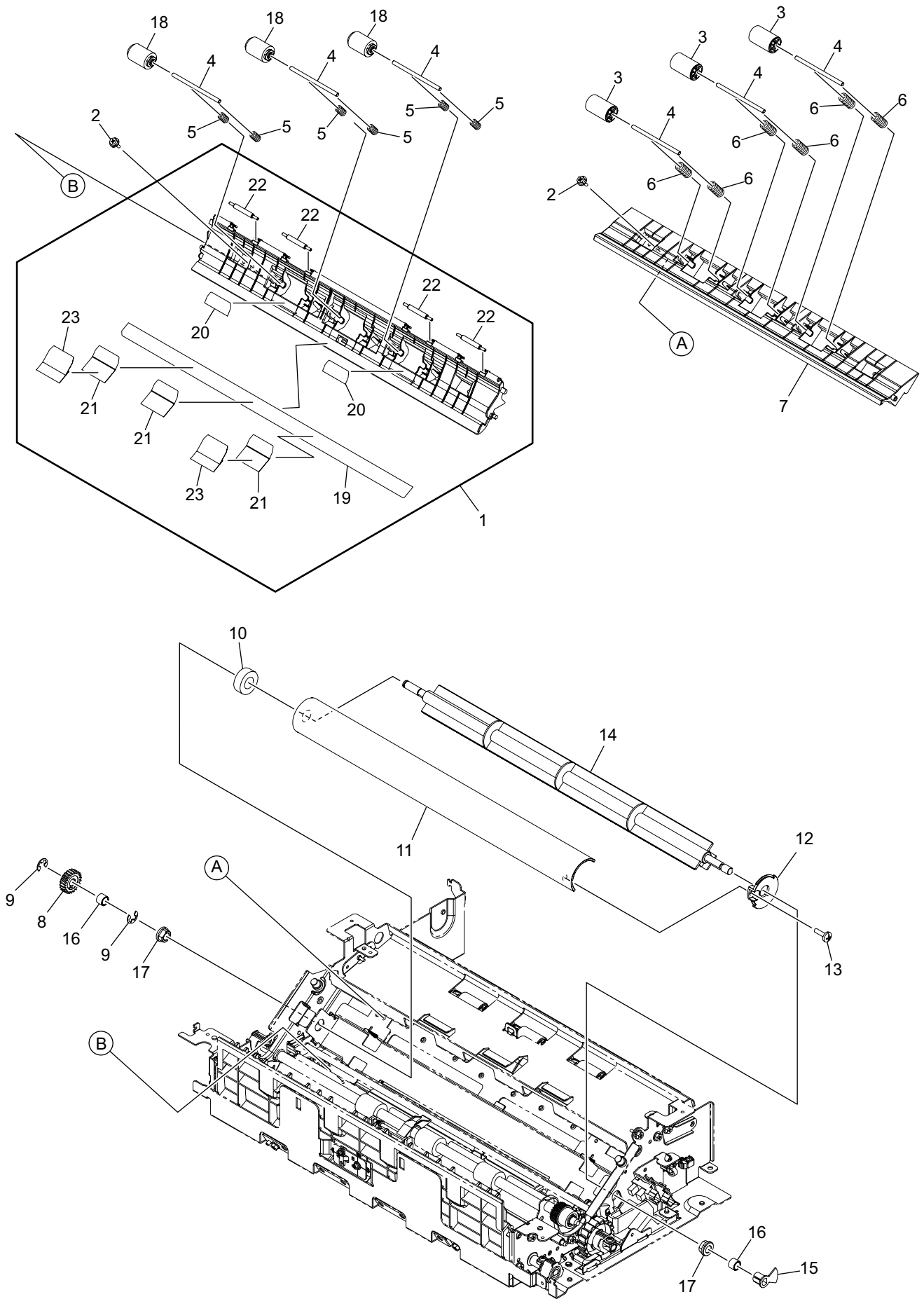


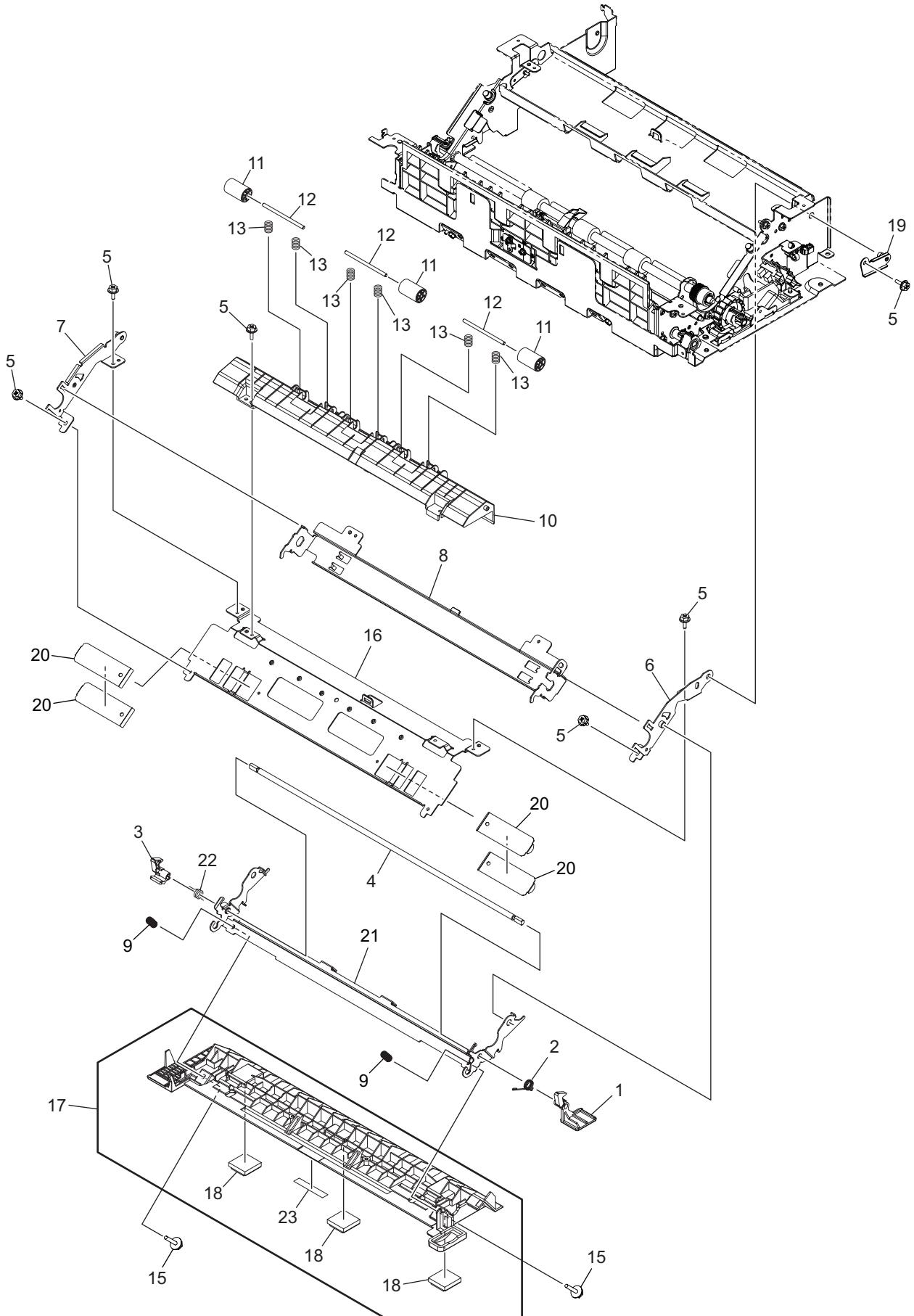
ITEM No.	PART No.	PART NAME	Q'TY / PAGE	Q'TY / PACK	REMARKS
1	6LK53974000	ASYS-ELEVATOR-BOX	1	1/P	
2	6LK53937000	BRKT-ELEVATOR-F	1	1/P	
3	6LK53981000	HOLDER-ARM-2F	1	1/P	
4	6LK53972000	ROL-ELEVATOR	2	1/P	
5	6LK54058000	SFT-ELEVATOR	1	1/P	
6	6LK54304000	BUSH-F6-3	6	1/P	
7	X0-02230000	S/FHEXM-M3X6-NI	11	10/P	
8	X0-00966000	RR/E-5-SS	5	10/P	
9	X0-00965000	RR/E-4-SS	1	10/P	
10	6LK53915000	GEAR-8B17-6	2	1/P	
11	6LK53916000	WORM-10-11	1	1/P	
12	6LK54194000	B-F5-4	1	1/P	
13	6LK54193000	CLUTCH-G28-08-28R5F	1	1/D	
14	6LK54060000	SFT-WORM	1	1/P	
15	6LK54059000	SFT-CLUTCH	1	1/P	
16	X0-02247000	S/TPP/FHEXM-3X8-NI	3	10/P	
17	6LK53979000	HOLDER-ARM-1F	1	1/P	
18	6LK53980000	HOLDER-ARM-1R	1	1/P	
19	6LK54037000	SPG-T-9R4X13R75R	1	1/P	
20	6LK54036000	SPG-T-9R4X13R75L	1	1/P	
21	6LK53973000	COVER-ELEVATOR	1	1/PP	
22	6LK53938000	BRKT-ELEVATOR-R	1	1/P	
23	6LK53982000	HOLDER-ARM-2R	1	1/P	
24	6LK53914000	WORM-WHEEL-14	1	1/P	
25	6LK53936000	STAY-ELEVATOR	1	1/P	
26	6LK54041000	BRKT-WHEEL-BOX	1	1/P	
27	6LK53735000	HRNS-DSDF-CLT-H616	1	1/P	

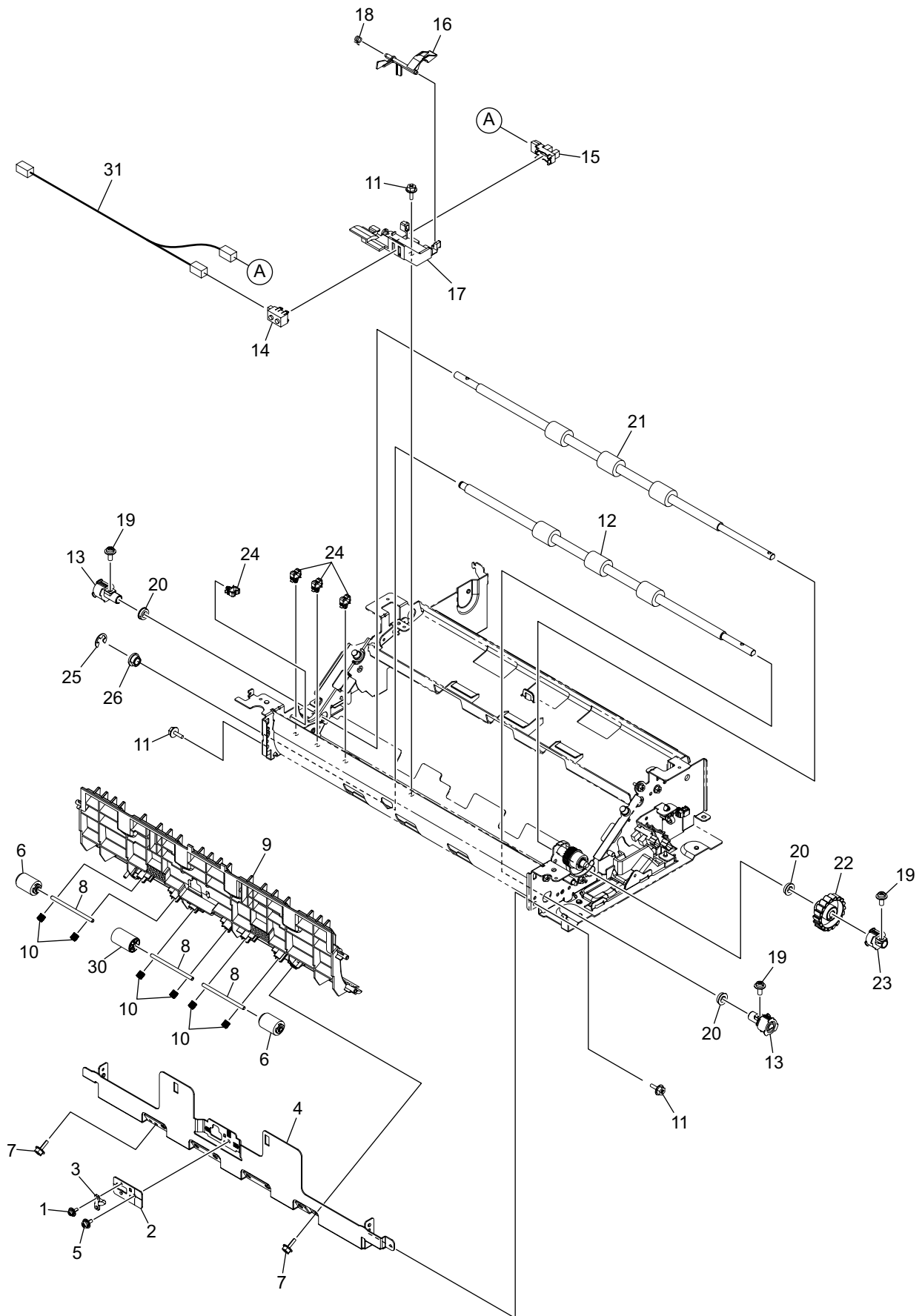


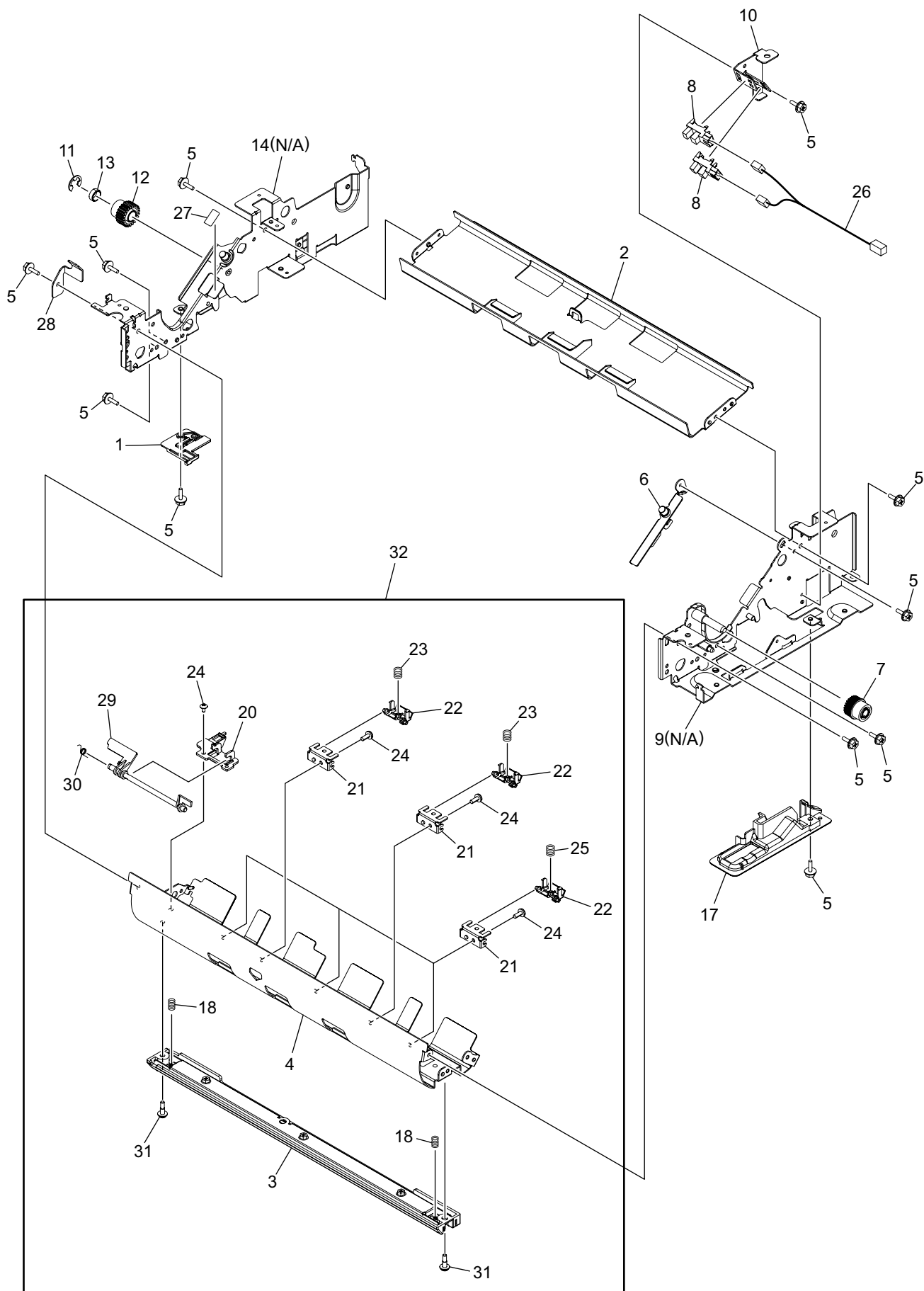


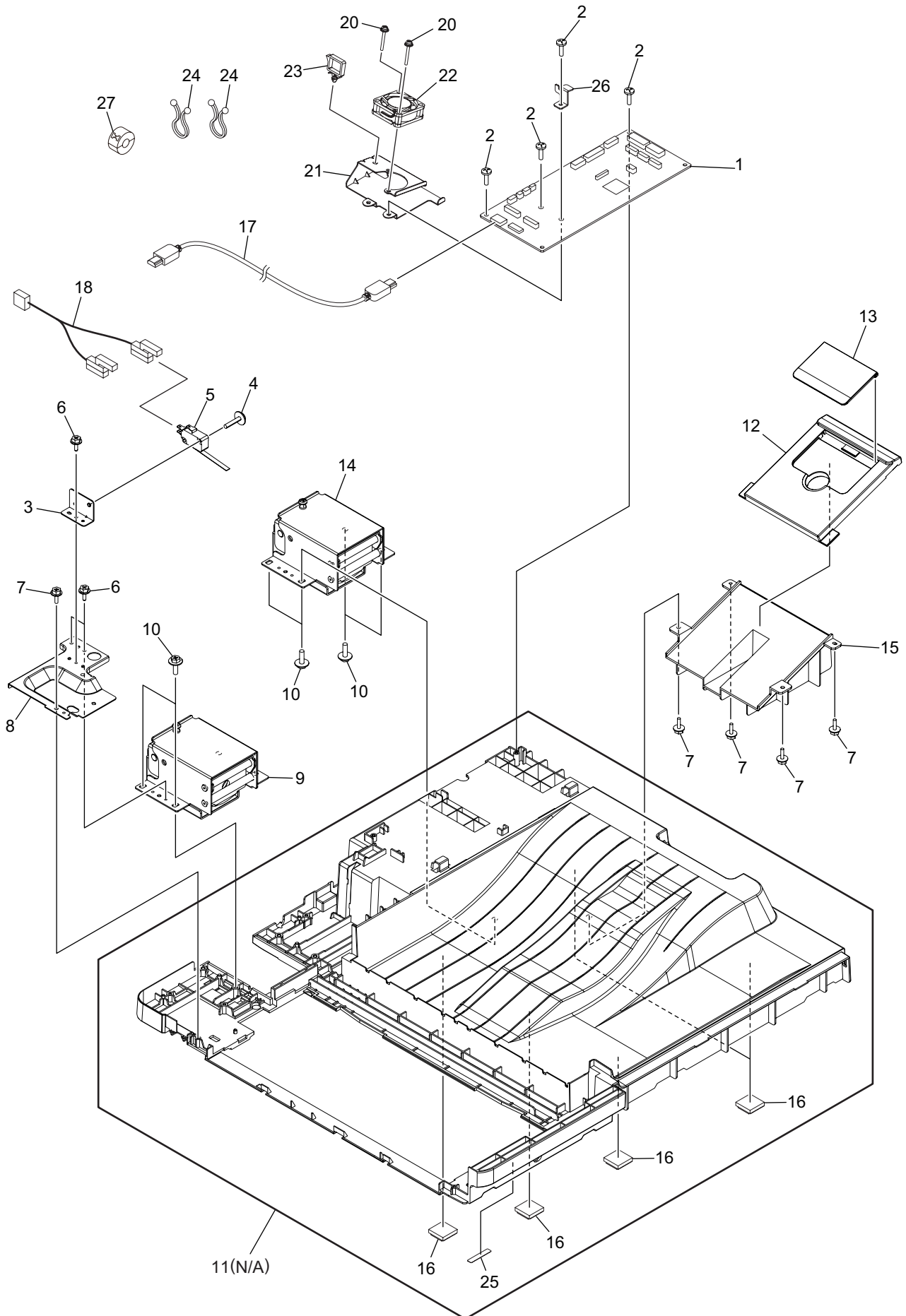


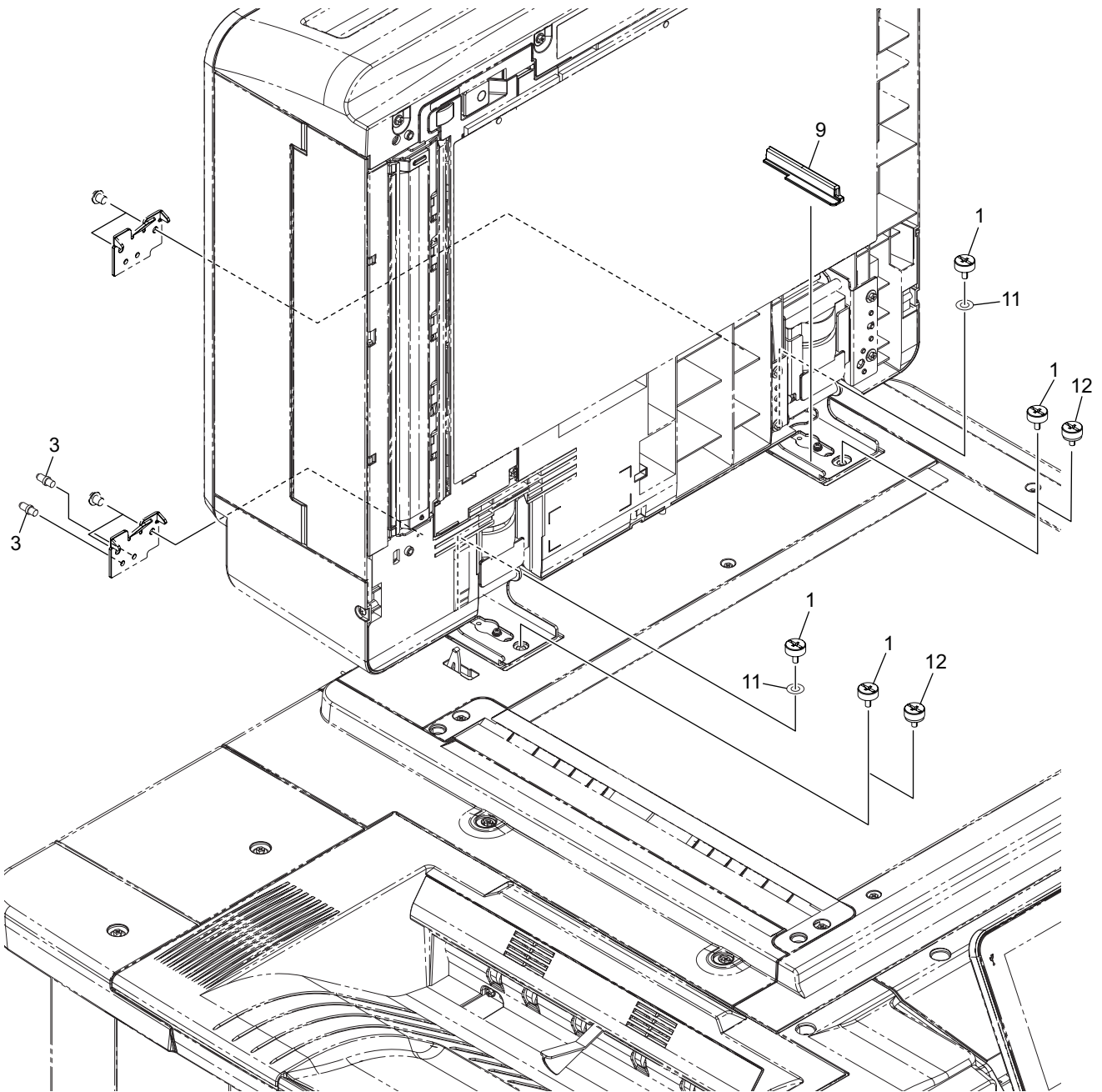


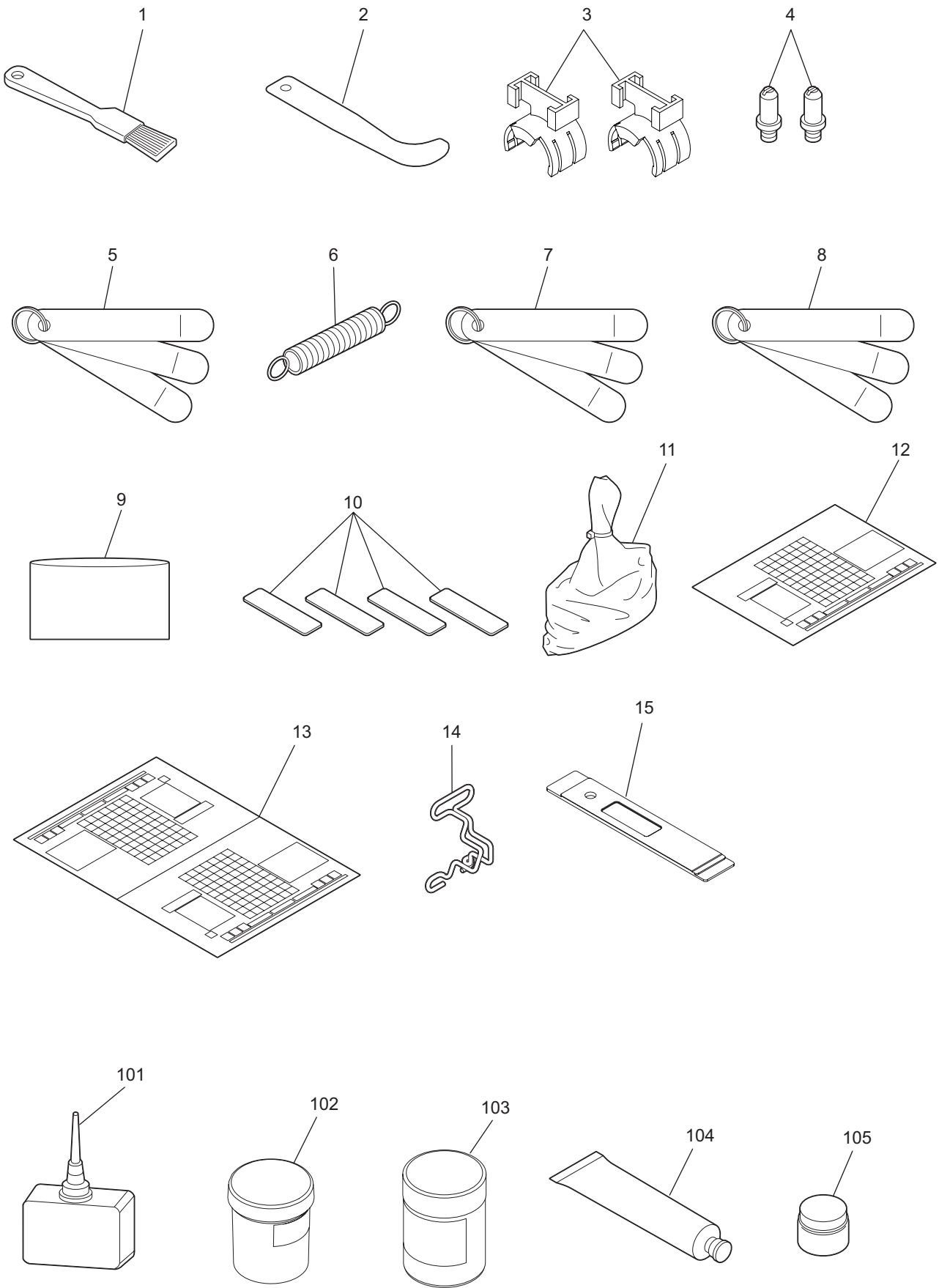


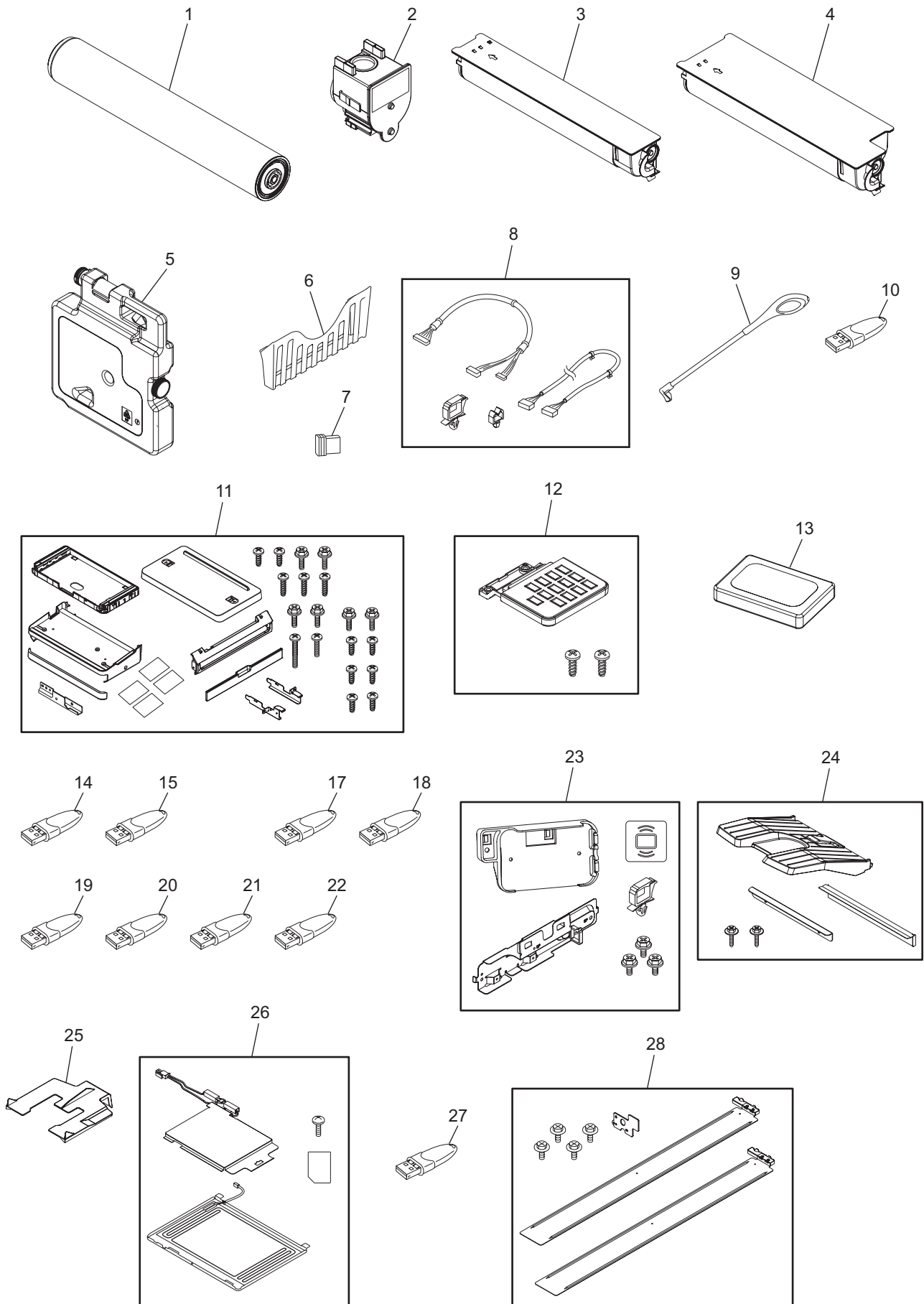






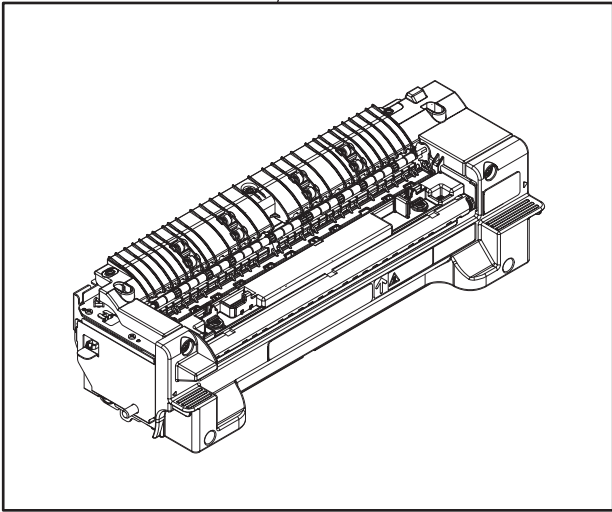




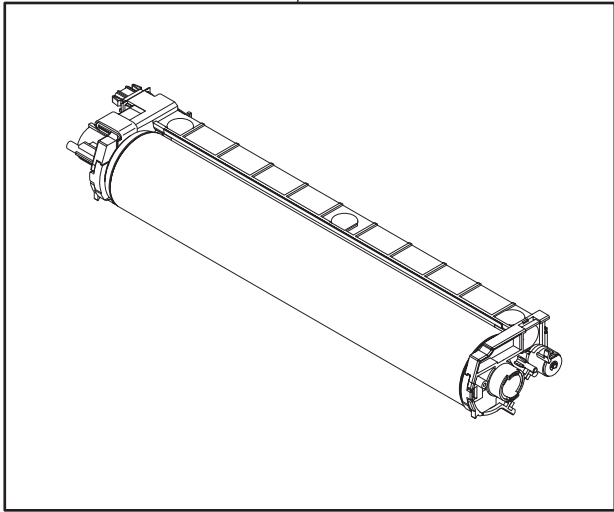


ITEM No.	PART No.	PART NAME	Q'TY / PAGE	Q'TY / PACK	REMARKS
1	6LK40607000	OD-FC556	1	1/S	DRUM
2 A	6LK43607300	D-FC556-K	1	1/S	DEVELOPER (Black)
2 B	6LK43607000	D-FC556-Y	1	1/S	DEVELOPER (Yellow)
2 C	6LK43607100	D-FC556-M	1	1/S	DEVELOPER (Magenta)
2 D	6LK43607200	D-FC556-C	1	1/S	DEVELOPER (Cyan)
3 A	6AK0000393	PS-ZTFC616UY(1)	1	SUPPLY	COLOR TONER(Yellow) :NAD,NAC,ARD
3 B	6AK0000379	PS-ZTFC616EY(1)	1	SUPPLY	COLOR TONER(Yellow) :MJD,MJC
3 C	6AG00008461	PS-ZTFC616CY(1)	1	SUPPLY	COLOR TONER(Yellow) :CND
3 D	6AG00008486	PS-ZTFC616PY(1)	1	SUPPLY	COLOR TONER(Yellow) :AUD,ASD
3 E	6AK0000390	PS-ZTFC616UM(1)	1	SUPPLY	COLOR TONER(Magenta) :NAD,NAC,ARD
3 F	6AK0000375	PS-ZTFC616EM(1)	1	SUPPLY	COLOR TONER(Magenta) :MJD,MJC
3 G	6AG00008458	PS-ZTFC616CM(1)	1	SUPPLY	COLOR TONER(Magenta) :CND
3 H	6AG00008483	PS-ZTFC616PM(1)	1	SUPPLY	COLOR TONER(Magenta) :AUD,ASD
3 I	6AK0000384	PS-ZTFC616UC(1)	1	SUPPLY	COLOR TONER(Cyan) :NAD,NAC,ARD
3 J	6AK0000369	PS-ZTFC616EC(1)	1	SUPPLY	COLOR TONER(Cyan) :MJD,MJC
3 K	6AG00008451	PS-ZTFC616CC(1)	1	SUPPLY	COLOR TONER(Cyan) :CND
3 L	6AG00008477	PS-ZTFC616PC(1)	1	SUPPLY	COLOR TONER(Cyan) :AUD,ASD
4 A	6AK0000387	PS-ZTFC616UK(1)	1	SUPPLY	BLACK TONER :NAD,NAC,ARD
4 B	6AK0000372	PS-ZTFC616EK(1)	1	SUPPLY	BLACK TONER :MJD,MJC
4 C	6AG00008455	PS-ZTFC616CK(1)	1	SUPPLY	BLACK TONER :CND
4 D	6AG00008480	PS-ZTFC616PK(1)	1	SUPPLY	BLACK TONER :AUD,ASD
5 A	6AG00002330	PS-TBFC55	1	SUPPLY	TONER BAG :Except MJD,MJC,CND
5 B	6AG00002332	PS-TBFC55E	1	SUPPLY	TONER BAG :MJD,MJC
5 C	6AG00002331	PS-TBFC55C	1	SUPPLY	TONER BAG :CND
6 A	6AR00001025	KK-5008	1	SUPPLY	Manual Pocket (All except CND)
6 B	6AR00001026	KK-5008C	1	SUPPLY	Manual Pocket (CND)
7 A	6AG00007054	GN-4020	1	SUPPLY	Wireless LAN/Bluetooth Module (All except ARD and CND)
7 B	6AG00007055	GN-4020C	1	SUPPLY	Wireless LAN/Bluetooth Module (CND)
8	6A000001699	GQ-1280	1	SUPPLY	Harness kit for coin controller
9	6A000001733	KK-2560	1	SUPPLY	Accessible Arm
10	6A000001353	GP-1190A	1	SUPPLY	Hardcopy Security Kit
11 A	6AH00000946	GR-1330	1	SUPPLY	Accessory Tray (All except CND)
11 B	6AH00000947	GR-1330C	1	SUPPLY	Accessory Tray (CND)
12 A	6AG00008435	GR-1340	1	SUPPLY	Panel Ten Key Option (All except CND)
12 B	6AG00008436	GR-1340C	1	SUPPLY	Panel Ten Key Option (CND)
13	6AG00006088	GE-1230	1	SUPPLY	FIPS HDD option (All except CND)
14	6A000001051	GP-1070	1	SUPPLY	Data Overwrite enabler (All except NAD,NAC,ARD)
15	6A000001055	GS-1010	1	SUPPLY	Meta scan enabler
17	6A000001053	GP-1080	1	SUPPLY	IPSec enabler (All except CND)
18	6A000001309	GS-1007	1	SUPPLY	Unicode Font Enabler
19	6A000001700	GS-1080	1	SUPPLY	Embedded OCR Enabler (for 1 license)
20	6A000001711	GS-1085	1	SUPPLY	Embedded OCR Enabler (for 5 licenses)
21	6A000001715	GS-1090	1	SUPPLY	Multi Station Print Enabler (for 1 license)
22	6A000001704	GS-1095	1	SUPPLY	Multi Station Print Enabler (for 5 licenses)
23 A	6AG00008429	GR-1320	1	SUPPLY	Card Reader Holder (All except CND)
23 B	6AG00008430	GR-1320C	1	SUPPLY	Card Reader Holder (CND)
24 A	6AG00007567	KA-6551-ET	1	SUPPLY	Side Exit Tray (All except CND)
24 B	6AG00007568	KA-6551-ETC	1	SUPPLY	Side Exit Tray (CND)
25	6LE21762100	COV-SUB-TRAY-H38X	1	1/PP	
26	6AG00008645	MF-7516CE	1	SUPPLY	Damp heater (CND)
27 A	6A000001757	GB-2050	1	SUPPLY	Monotype Font enabler (CND)
27 B	6B000000909	GB-2050L	1	SUPPLY	License version for Monotype font enabler (All except CND)
28	6AH00000245	KN-1103	1	SUPPLY	Finsher Guide Rail

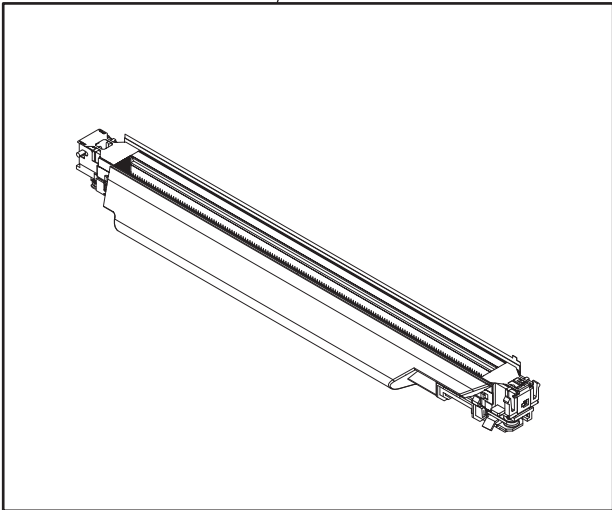
1



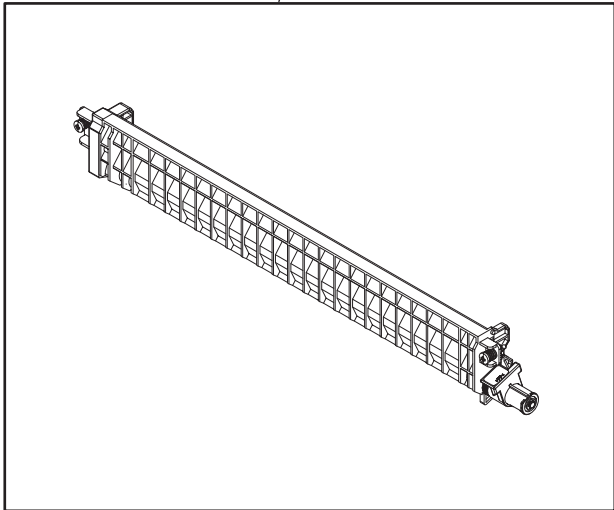
2



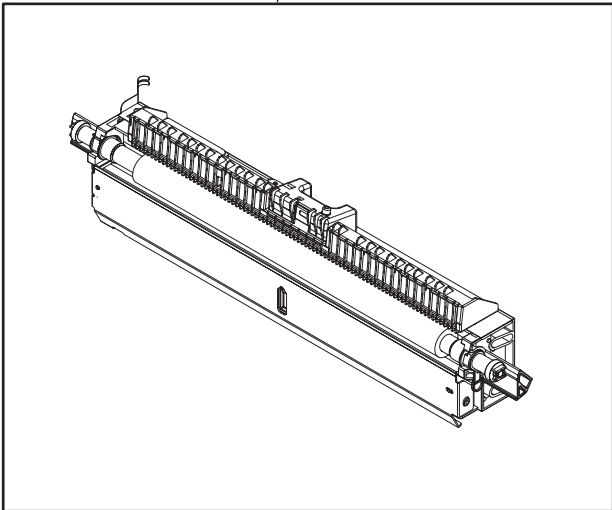
3



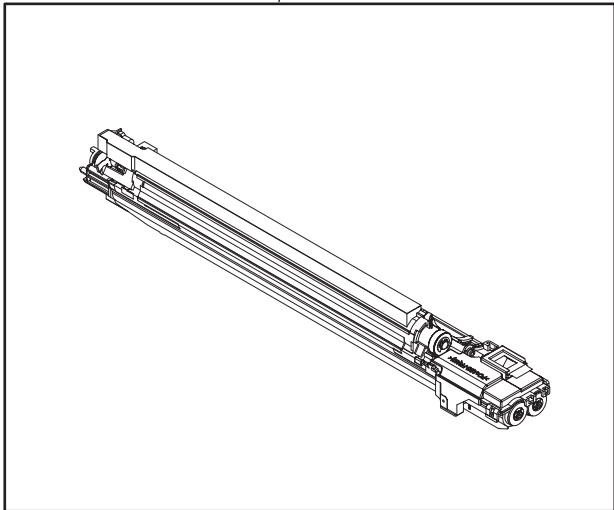
4



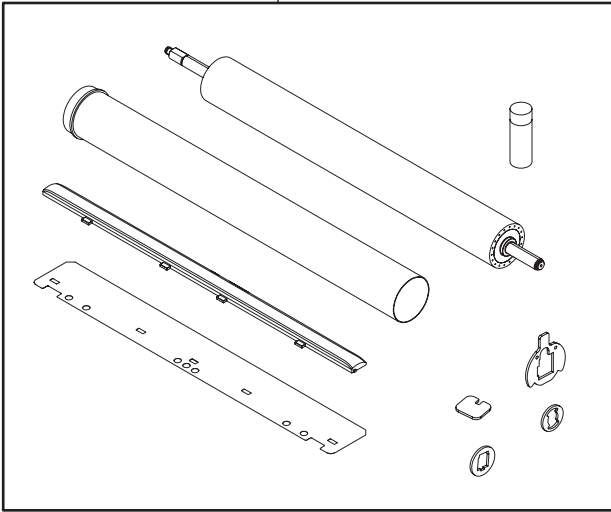
5



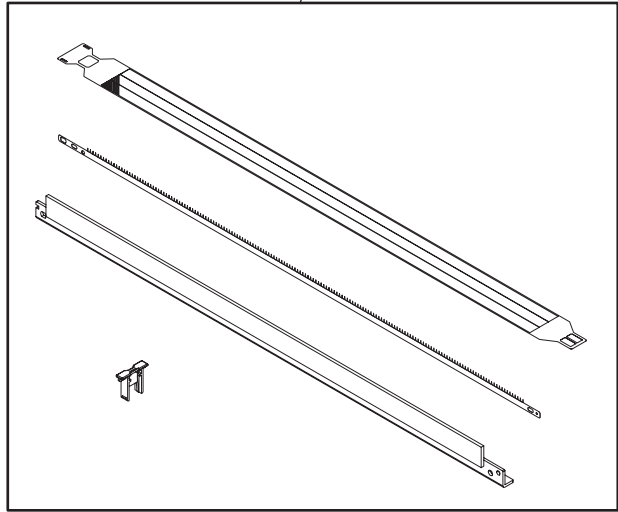
6



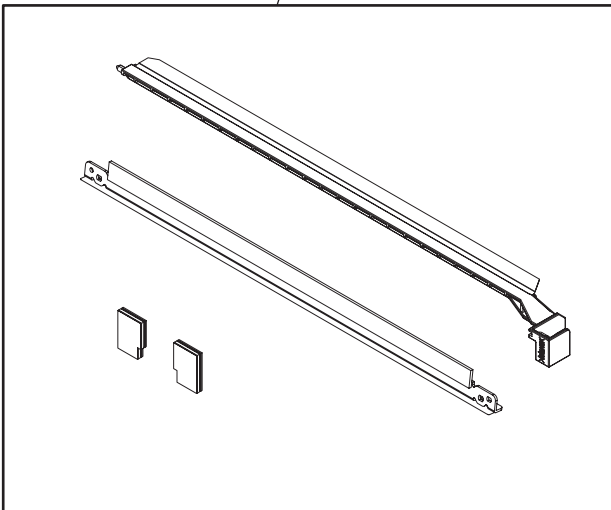
1



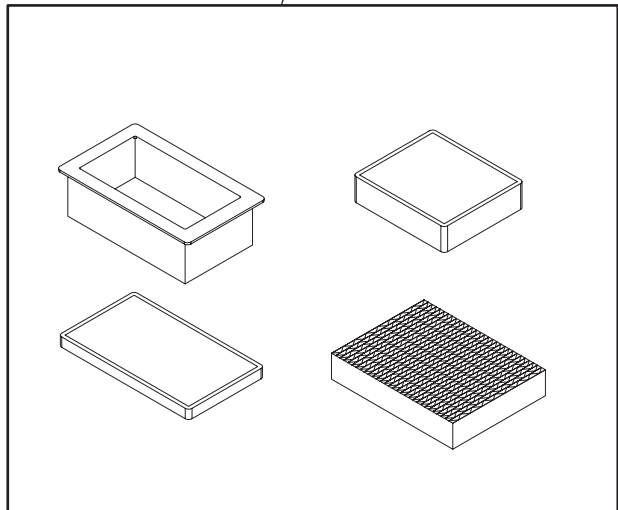
2



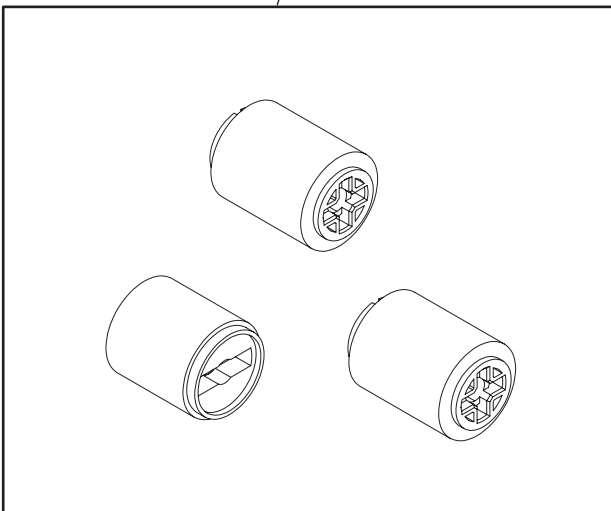
3



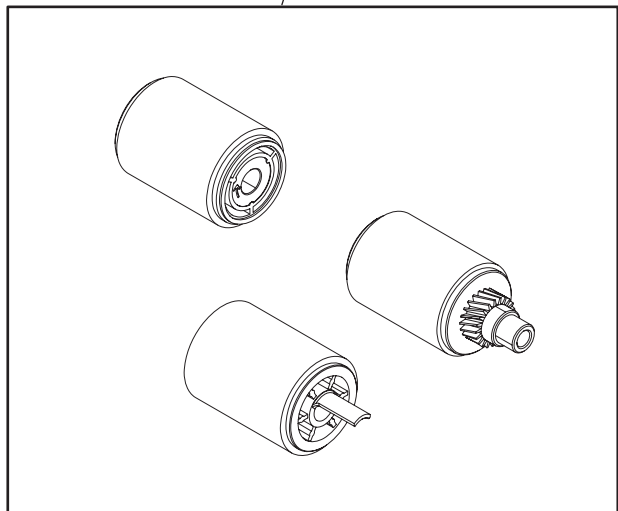
4

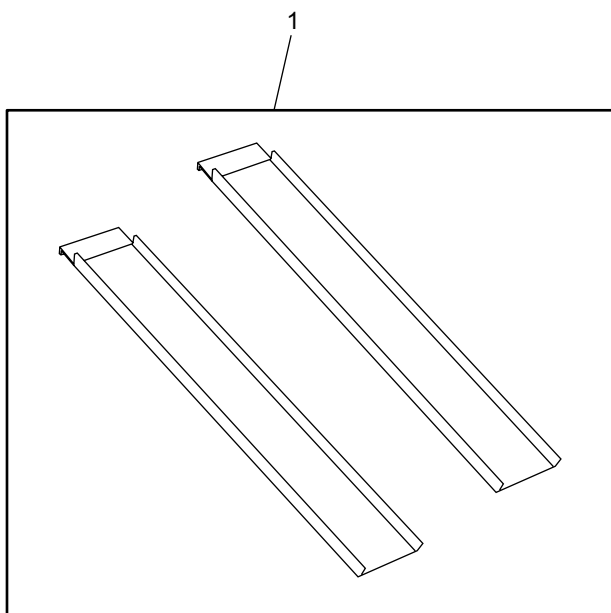


5



6





TOSHIBA

TOSHIBA TEC CORPORATION

1-11-1, OSAKI, SHINAGAWA-KU, TOKYO, 141-8562, JAPAN