

TOSHIBA

SERVICE PARTS LIST

MULTIFUNCTIONAL DIGITAL SYSTEMS

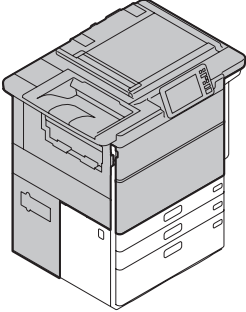
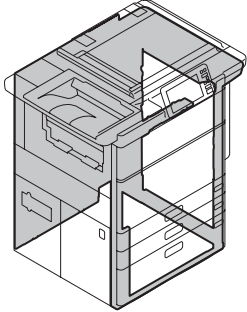
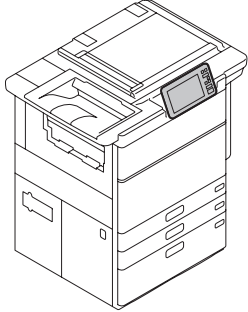
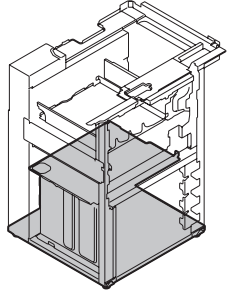
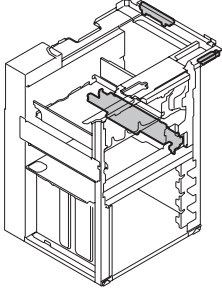
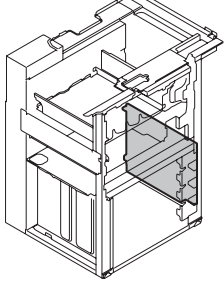
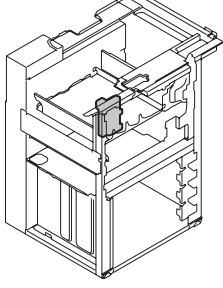
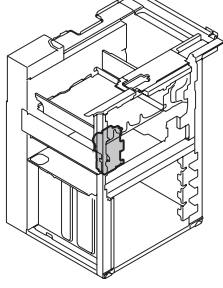
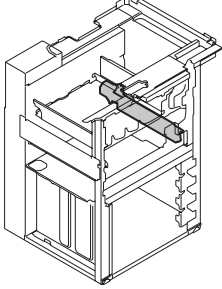
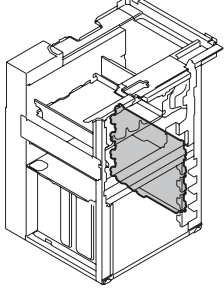
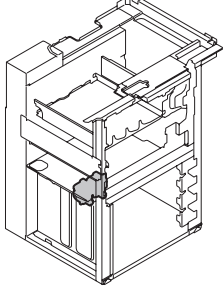
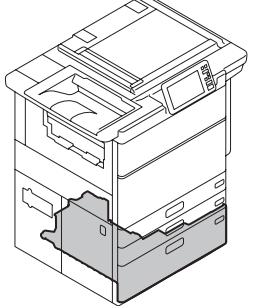
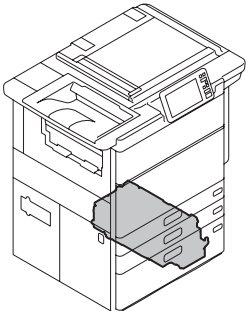
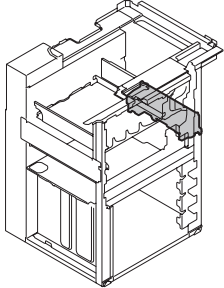
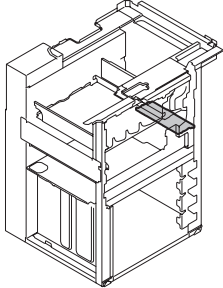
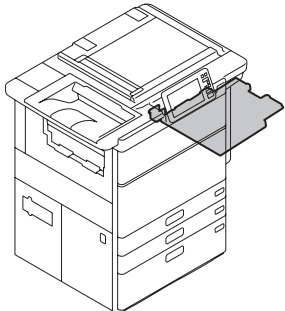
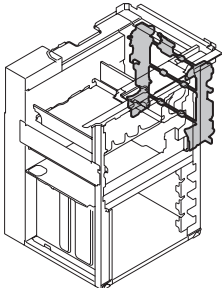
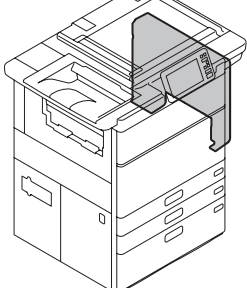
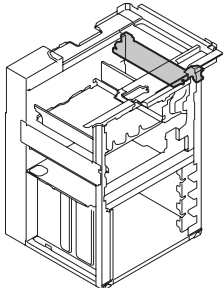
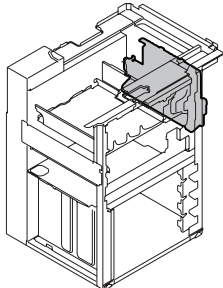
**e-STUDIO05508A/6508A/
7508A/8508A**

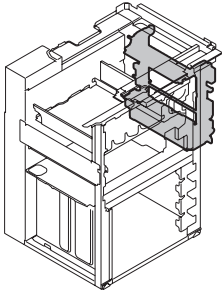
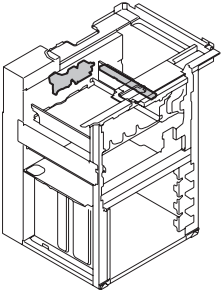
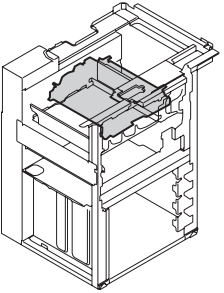
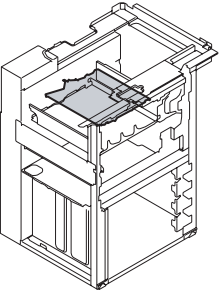
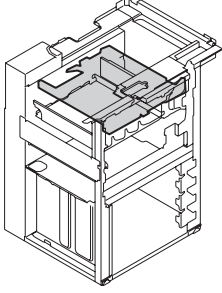
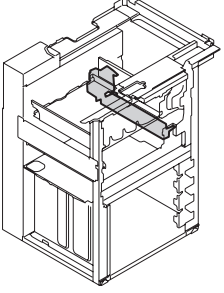
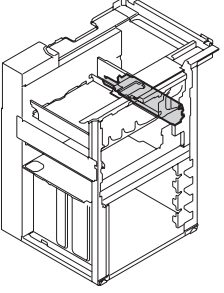
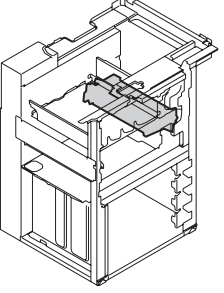
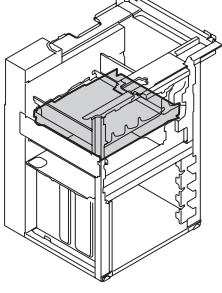
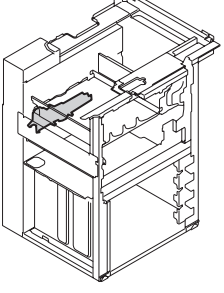
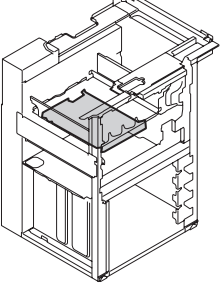
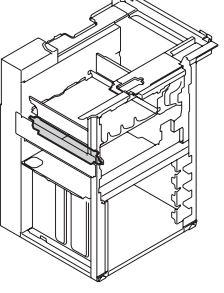
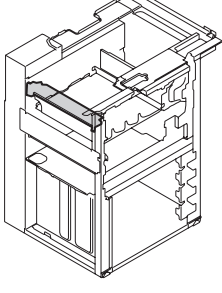
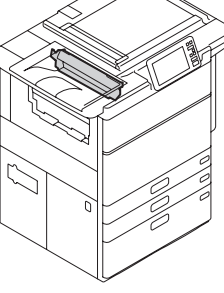
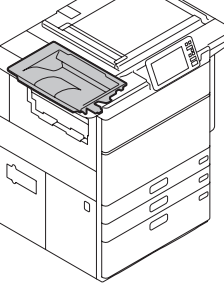
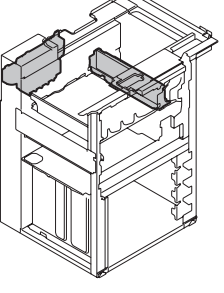
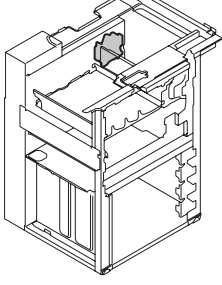
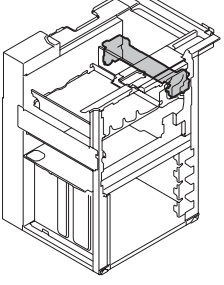
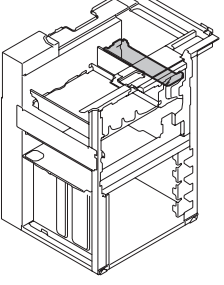
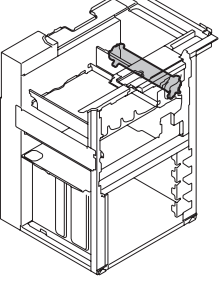
© 2016 TOSHIBA TEC CORPORATION All rights reserved

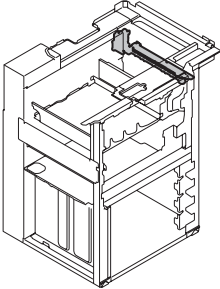
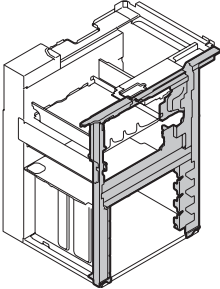
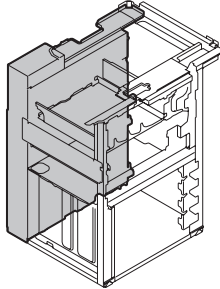
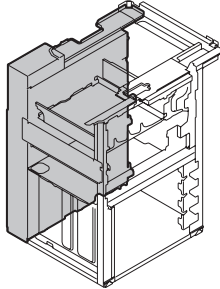
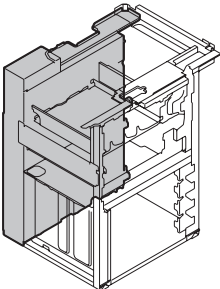
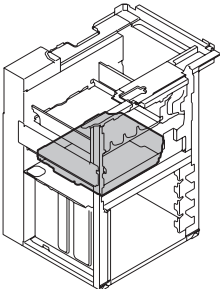
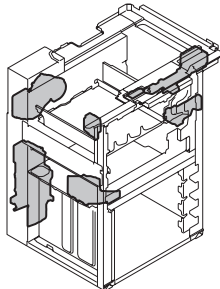
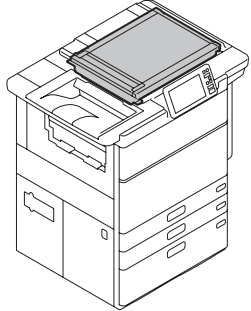
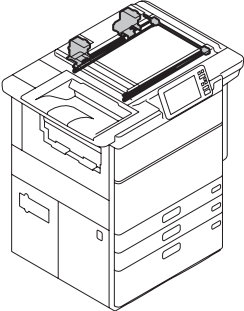
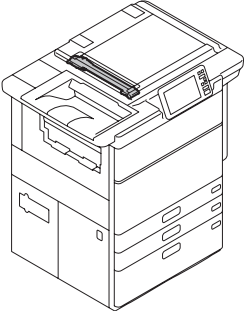
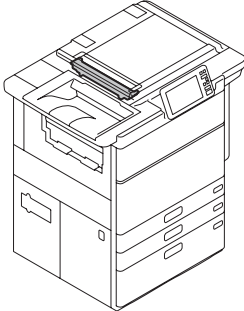
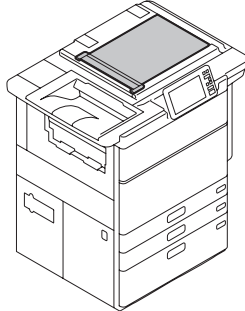
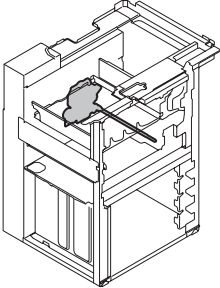
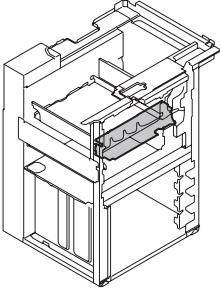
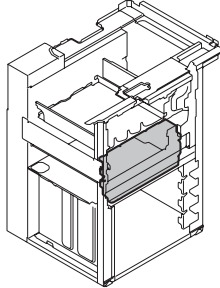
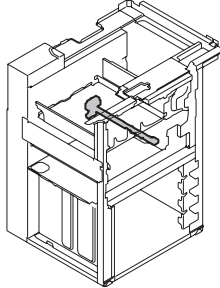
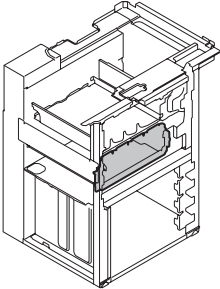
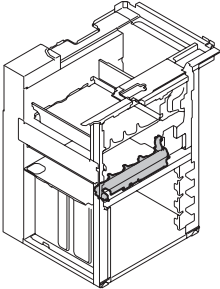
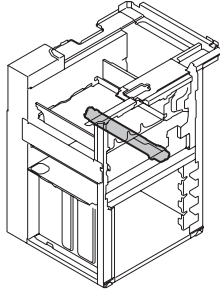
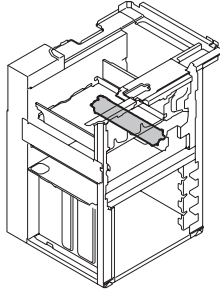
Under the copyright laws, this manual cannot be reproduced in any form without prior written permission of TOSHIBA TEC CORPORATION. No patent liability is assumed, however, with respect to the use of the information contained herein.

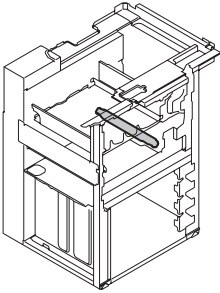
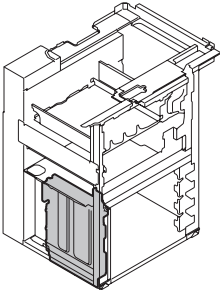
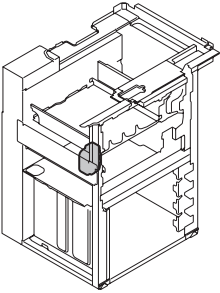
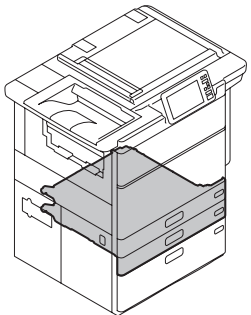
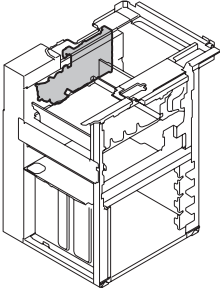
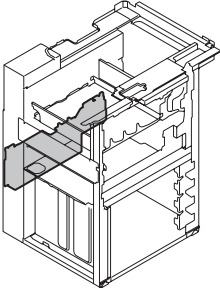
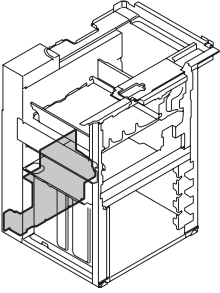
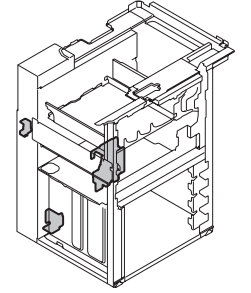
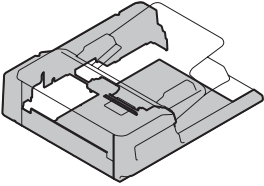
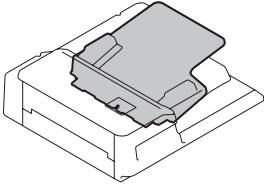
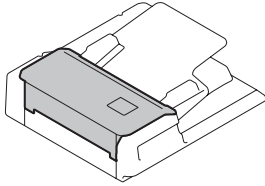
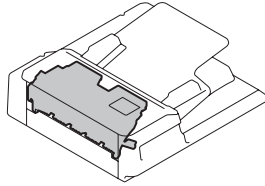
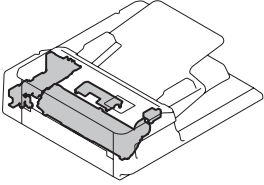
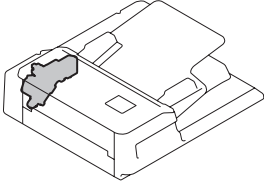
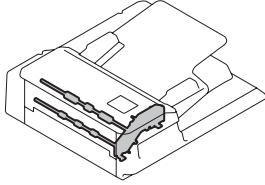
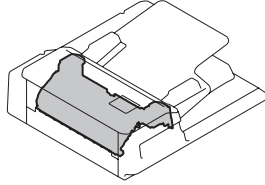
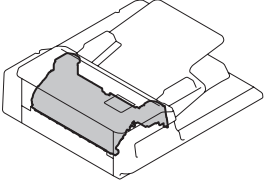
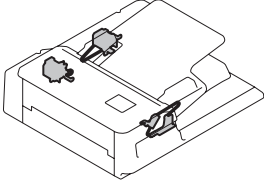
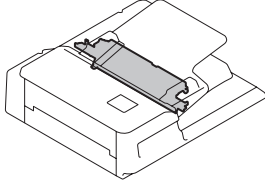
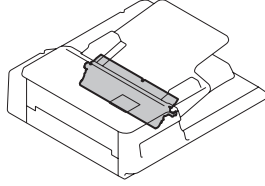
CONTENTS

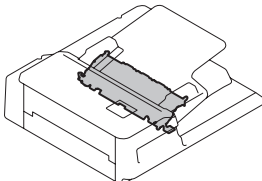
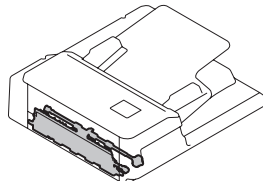
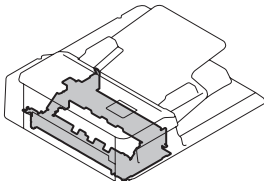
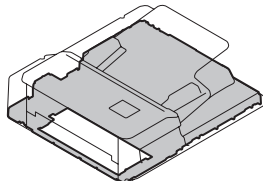
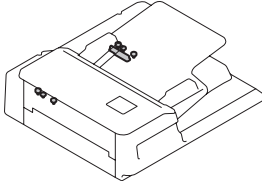
COVER-1-ASM	1	LSU-ASM	48
COVER-2-ASM	2	DUCT-ASM	49
CONTROL-PANEL-ASM	3	OPTICAL-FRAME-ASM	50
LOWER-FRAME-ASM	5	OPTICAL-DRIVE-ASM.....	51
UPPER-FRAME-ASM	6	CRG-1-ASM	52
FEED-COVER-ASM.....	7	CRG-2-ASM	53
FEED-DRIVE-1-ASM	8	GLASS-ASY	54
FEED-DRIVE-2-ASM	9	K-DRIVE-ASM.....	56
FEED-RGST-ASM.....	10	TONER-ASM.....	57
FEED-ASM.....	11	EPU-COVER-ASM.....	58
TANDEM-LCF-DRIVE-ASM	12	EPU-TRAY-1-ASM	59
TANDEM-LCF-1-ASM	13	EPU-TRAY-2-ASM	60
TANDEM-LCF-2-ASM	14	EPU-TRAY-3-ASM	61
MANUAL-FEED-DRIVE-1-ASM	15	DEVELOPER-ASM	62
MANUAL-FEED-DRIVE-2-ASM	16	CLEANER-ASM	63
MANUAL-TRAY-ASM	17	CHARGER-ASM	64
ADU-DRIVE-ASM	18	EPU-TONER-AUGER-ASM	65
ADU-COVER-ASM.....	19	DRAWER-DRIVE-ASM	66
ADU-MID-ASM.....	20	DRAWER-ASM	67
ADU-GUIDE-1-ASM.....	21	SYS-ASM	68
ADU-GUIDE-2-ASM.....	22	LGC-ASM.....	69
BRIDGE-1-ASM	23	PS-HVT-ASM	70
BRIDGE-2-ASM	24	ELECTRIC-ASM	71
BRIDGE-3-ASM	25	DSDF-COVER-ASY	81
BRIDGE-4-ASM	26	DSDF-TRAY-ASY.....	82
TRANSFER-ROLLER-DRIVE-ASM.....	28	DSDF-TOP_FEED-1-ASY.....	83
TRANSFER-ROLLER-ASM	29	DSDF-TOP_FEED-2-ASY.....	84
TRANSFER-BELT-1	30	DSDF-OPTICAL-ASY.....	85
TRANSFER-BELT-2	31	DSDF-MIDDLE_FEED-DRIVE-ASY.....	86
TRANSFER-BELT-3.....	32	DSDF-MIDDLE_FEED-1-ASY.....	87
TRANSFER-BELT-4	33	DSDF-MIDDLE_FEED-2-ASY.....	88
TRANSFER-BELT-CLEANER.....	34	DSDF-MIDDLE_FEED-3-ASY.....	89
EXIT-1-ASM	35	DSDF-BOTTOM_FEED-DRIVE-ASY....	90
EXIT-2-ASM	36	DSDF-BOTTOM_FEED-1-ASY.....	91
EXIT-3-ASM	37	DSDF-BOTTOM_FEED-2-ASY.....	92
FUSER-AROUND-ASM	38	DSDF-BOTTOM_FEED-3-ASY.....	93
FUSER-DRIVE-ASM.....	39	DSDF-BOTTOM_FEED-4-ASY.....	94
FUSER-COV-FRAME-ASM	40	DSDF-BOTTOM_FRAME-ASY	95
FUSER-GUIDE-ASM	41	DSDF-BASE-TRAY-ASY	96
FUSER-PR-ASM.....	42	DSDF-INST_ASY	97
FUSER-HR-ASM.....	43	JIGS & GREASE.....	201
FRONT-FRAME-ASM	44	SUPPLIES.....	202
REAR-FRAME-1-ASM	45	REPLACE UNIT	203
REAR-FRAME-2-ASM	46	PM-KIT	204
REAR-FRAME-3-ASM	47		

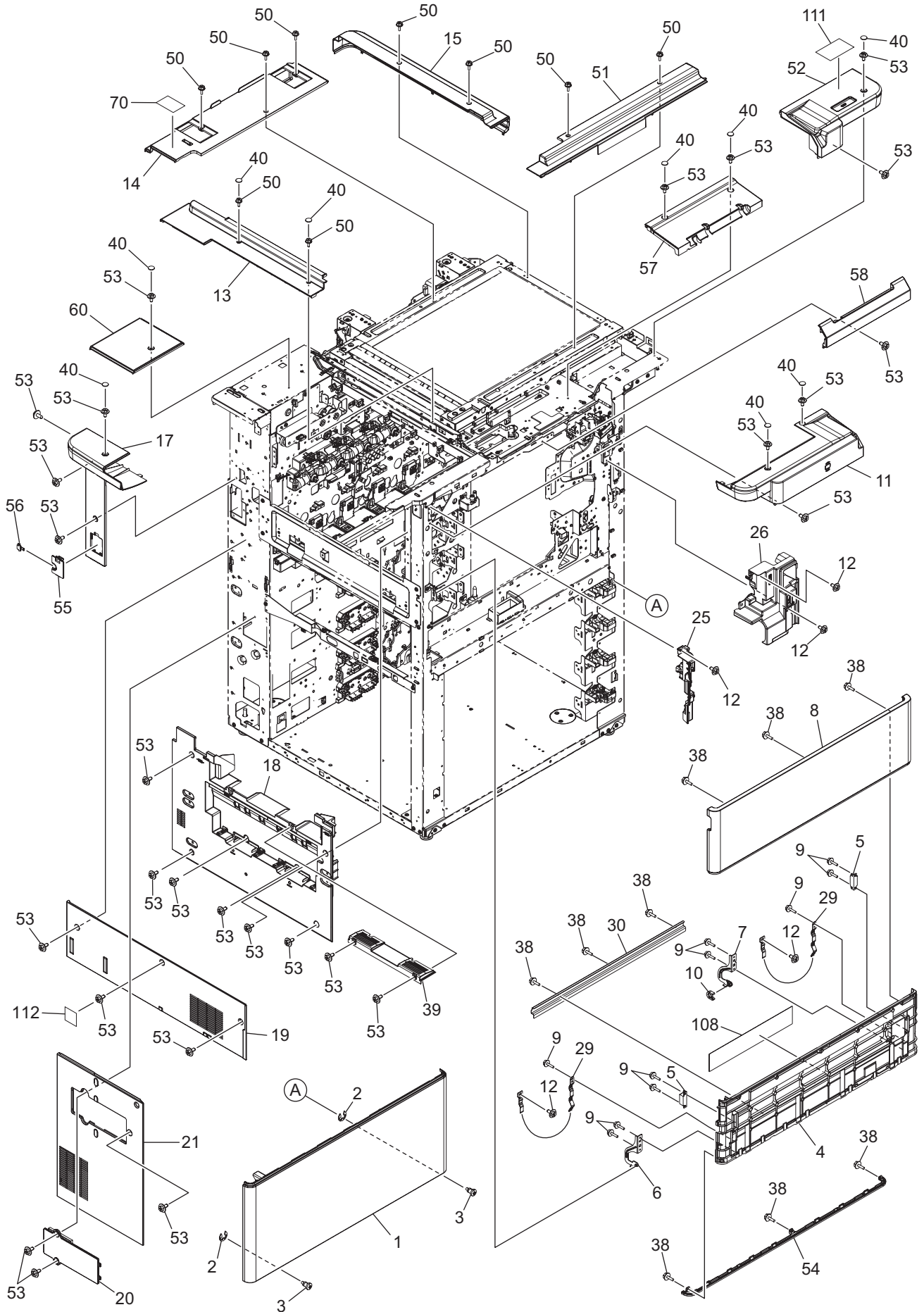
<p>1. COVER-1-ASY</p> 	<p>2. COVER-2-ASY</p> 	<p>3. CONTROL-PANEL-ASY</p> 	<p>5. LOWER-FRAME-ASM</p> 
<p>6. UPPER-FRAME-ASM</p> 	<p>7. FEED-COVER-ASM</p> 	<p>8. FEED-DRIVE-1-ASM</p> 	<p>9. FEED-DRIVE-2-ASM</p> 
<p>10. FEED-RGST-ASM</p> 	<p>11. FEED-ASM</p> 	<p>12. TANDEM-LCF-DRIVE-ASM</p> 	<p>13. TANDEM-LCF-1-ASM</p> 
<p>14. TANDEM-LCF-2-ASM.</p> 	<p>15. MANUAL-FEED-DRIVE-1-ASM</p> 	<p>16. MANUAL-FEED-DRIVE-2-ASM</p> 	<p>17. MANUAL-TRAY-ASM</p> 
<p>18. ADU-DRIVE-ASM</p> 	<p>19. ADU-COVER-ASM</p> 	<p>20. ADU-MID-ASM</p> 	<p>21. ADU-GUIDE-1-ASM</p> 

<p>22. ADU-GUIDE-2-ASM</p> 	<p>23. BRIDGE-1-ASM</p> 	<p>24. BRIDGE-2-ASM</p> 	<p>25. BRIDGE-3-ASM</p> 
<p>26. BRIDGE-4-ASM</p> 	<p>28. TRANSFER-ROLLER-DRIVE-ASM</p> 	<p>29. TRANSFER-ROLLER-ASM</p> 	<p>30. TRANSFER-BELT-1</p> 
<p>31. TRANSFER-BELT-2</p> 	<p>32. TRANSFER-BELT-3</p> 	<p>33. TRANSFER-BELT-4</p> 	<p>34. TRANSFER-BELT-CLEANER</p> 
<p>35. EXIT-1-ASM</p> 	<p>36. EXIT-2-ASM</p> 	<p>37. EXIT-3-ASM</p> 	<p>38. FUSER-AROUND-ASM</p> 
<p>39. FUSER-DRIVE-ASM</p> 	<p>40. FUSER-COV-FRAME-ASM</p> 	<p>41. FUSER-GUIDE-ASM</p> 	<p>42. FUSER-PR-ASM</p> 

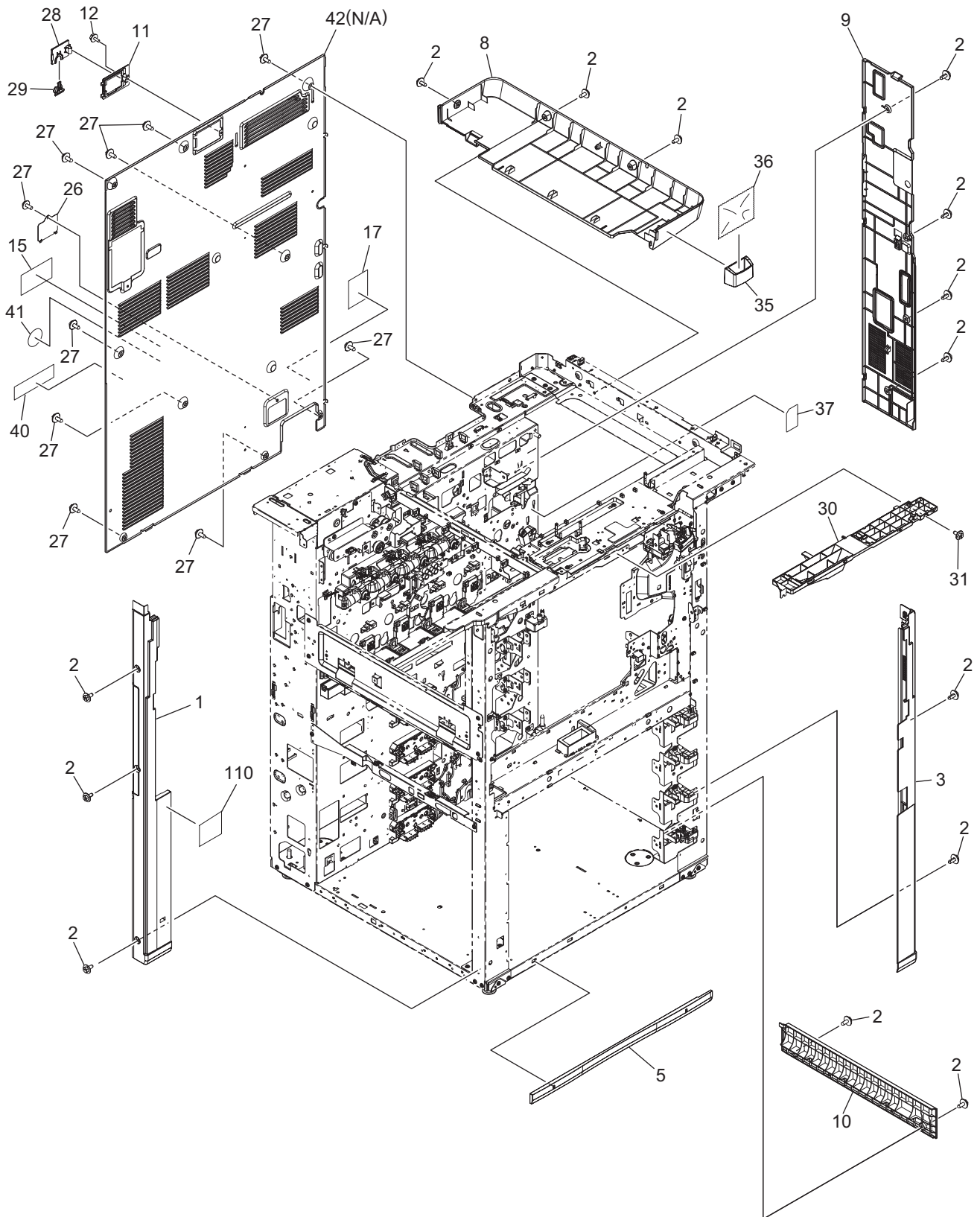
<p>43. FUSER-HR-ASM</p> 	<p>44. FRONT-FRAME-ASM</p> 	<p>45. REAR-FRAME-1-ASM</p> 	<p>46. REAR-FRAME-2-ASM</p> 
<p>47. REAR-FRAME-3-ASM</p> 	<p>48. LSU-ASM</p> 	<p>49. DUCT-ASM</p> 	<p>50. OPTICAL-FRAME-ASM</p> 
<p>51. OPTICAL-DRIVE-ASM</p> 	<p>52. CRG-1-ASM</p> 	<p>53. CRG-2-ASM</p> 	<p>54. GLASS-ASY</p> 
<p>56. K-DRIVE-ASM</p> 	<p>57. TONER-ASM</p> 	<p>58. EPU-COVER-ASM</p> 	<p>59. EPU-TRAY-1-ASM</p> 
<p>60. EPU-TRAY-2-ASM</p> 	<p>61. EPU-TRAY-3-ASM</p> 	<p>62. DEVELOPER-ASM</p> 	<p>63. CLEANER-ASM</p> 

<p>64. CHARGER-ASM</p> 	<p>65. EPU-TONNER-AUGER-ASM</p> 	<p>66. DRAWER-DRIVE-ASM</p> 	<p>67. DRAWER-ASM</p> 
<p>68. SYS-ASM</p> 	<p>69. LGC-ASM</p> 	<p>70. PS-HVT-ASM</p> 	<p>71. ELECTRIC-ASM</p> 
<p>81. DSDF-COVER-ASY</p> 	<p>82. DSDF-TRAY-ASY</p> 	<p>83. DSDF-TOP_FEED-1-ASY</p> 	<p>84. DSDF-TOP_FEED-2-ASY</p> 
<p>85. DSDF-OPTICAL-ASY</p> 	<p>86. DSDF-MIDDLE_FEED-DRIVE-ASY</p> 	<p>87. DSDF-MIDDLE_FEED-1-ASY</p> 	<p>88. DSDF-MIDDLE_FEED-2-ASY</p> 
<p>89. DSDF-MIDDLE_FEED-3-ASY</p> 	<p>90. DSDF-BOTTOM_FEED-DRIVE-ASY</p> 	<p>91. DSDF-BOTTOM_FEED-1-ASY</p> 	<p>92. DSDF-BOTTOM_FEED-2-ASY</p> 

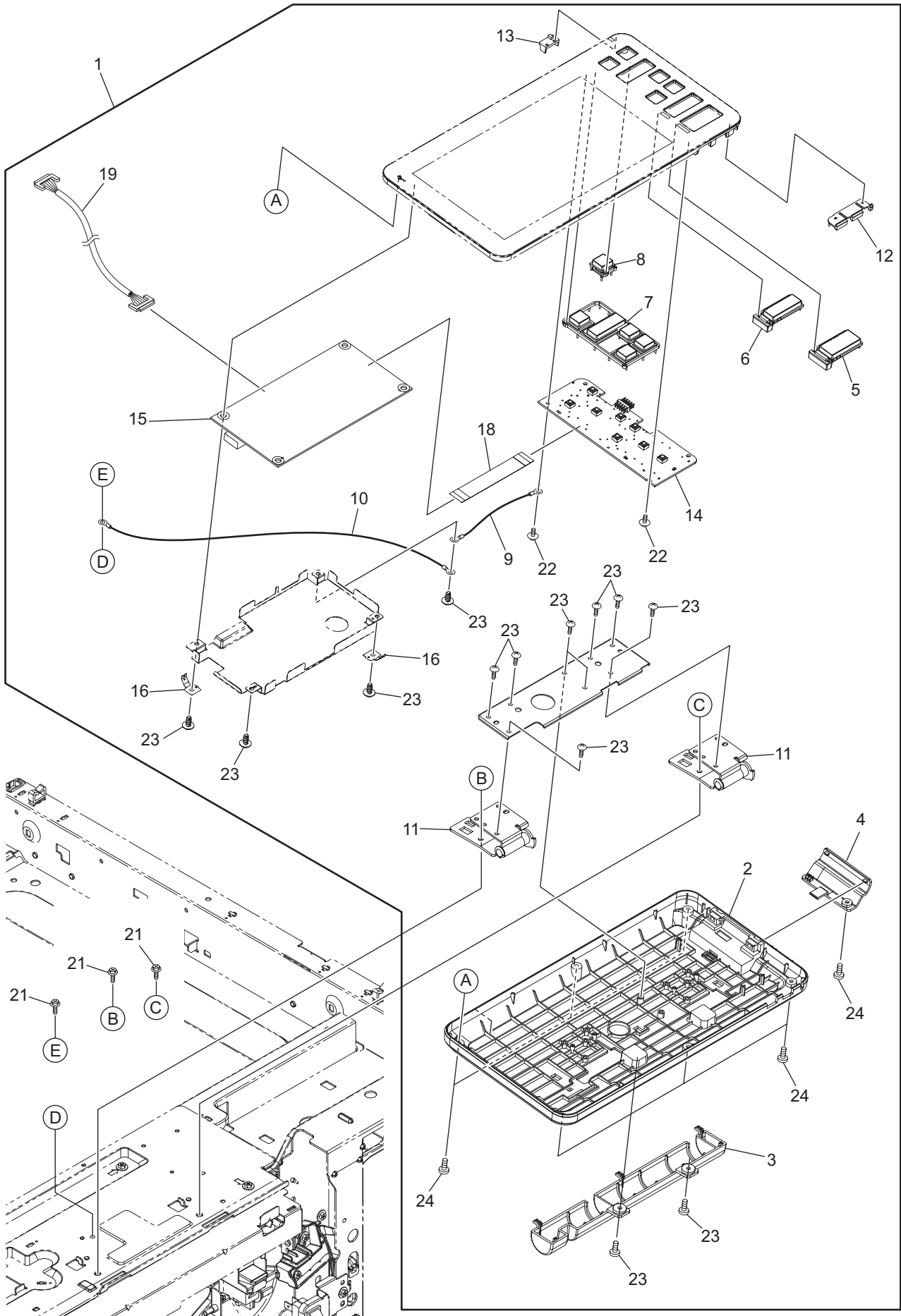
<p>93. DSDF-BOTTOM_FEED-3-ASY</p> 	<p>94. DSDF-BOTTOM_FEED-4-ASY</p> 	<p>95. DSDF-BOTTOM_FRAME-ASY</p> 	<p>96. DSDF-BASE-TRAY-ASY</p> 
<p>97. DSDF-INST_ASY</p> 			

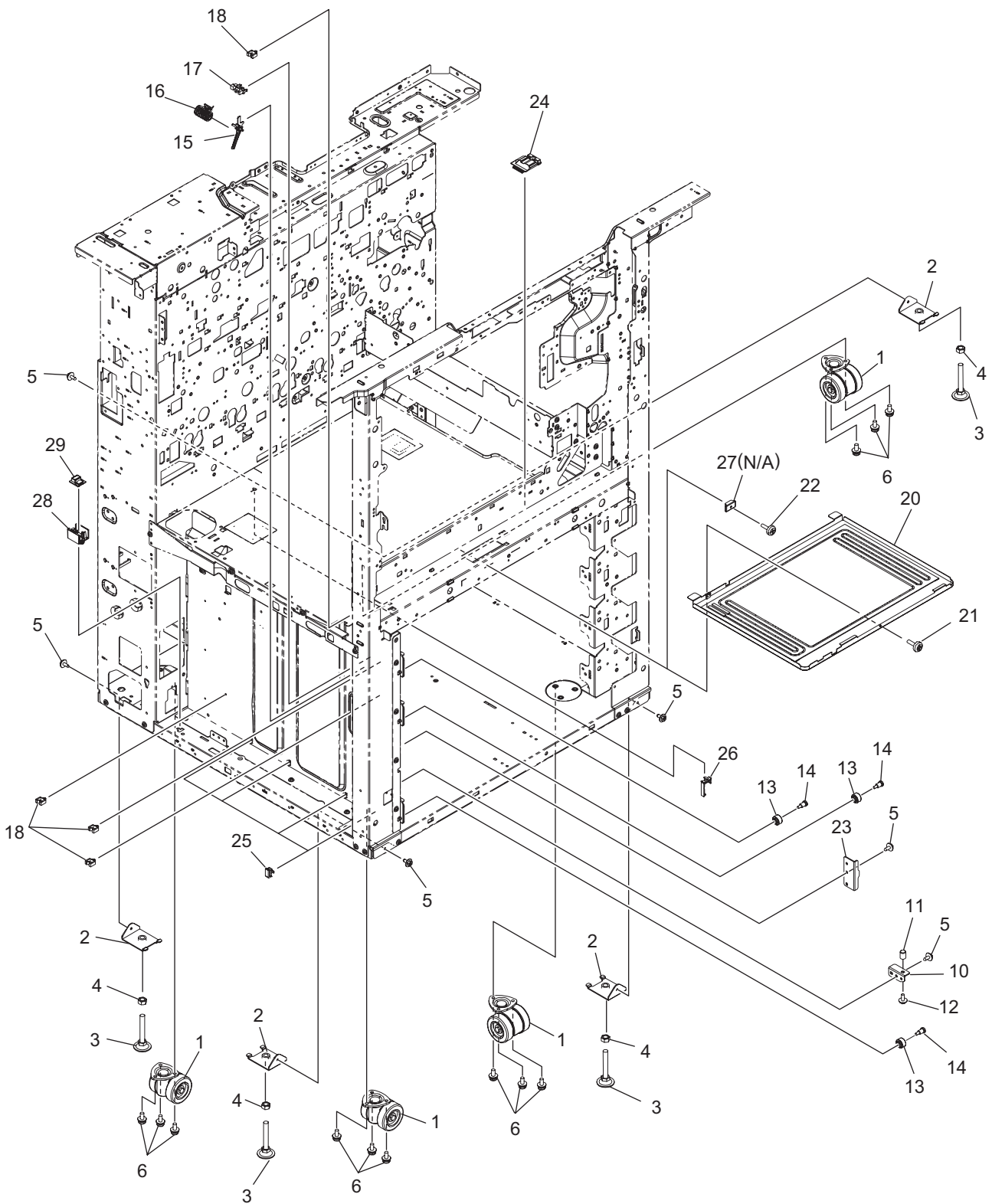


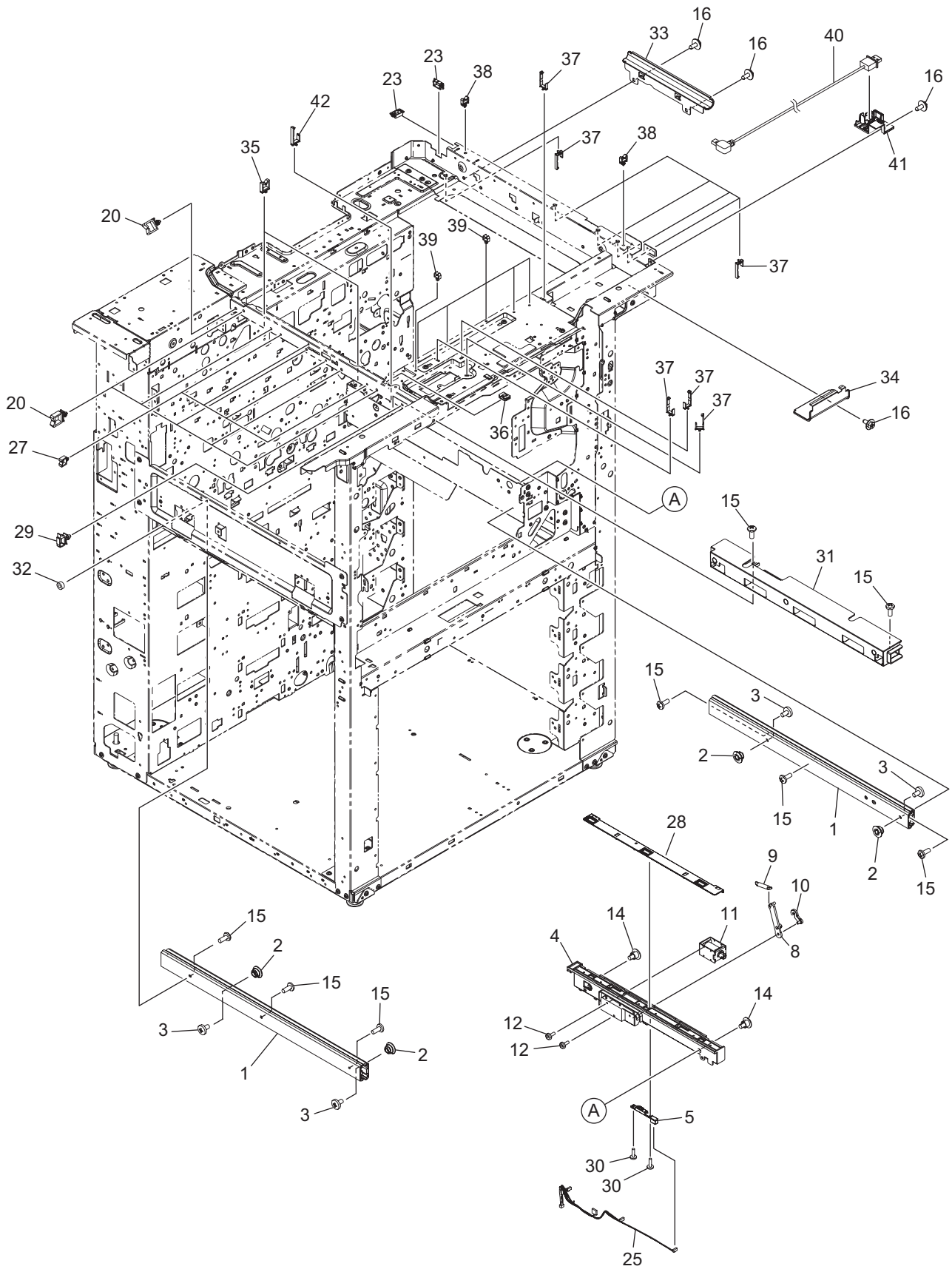
ITEM No.	PART No.	PART NAME	Q'TY / PAGE	Q'TY / PACK	REMARKS
1	6LK40221000	COVER-FRONT-EPU-H38X	1	1/PP	
2	X0-00965000	RR/E-4-SS	2	10/P	
3	6LA65682000	SCREW-CLNR-DEV	2	10/P	
4	6LK40222000	COVER-FRT-TNR-BASE-H38X	1	1/PP	
5	F0-01564000	CA-0168C	2	5/P	
6	6LH02316100	ASYS-HNG-L_38X	1	1/P	
7	6LH02315100	ASYS-HNG-R_38X	1	1/P	
8 A	6LK40229300	ASYS-COV-DECO-5508A	1	1/PP	eS5508A
8 B	6LK40229400	ASYS-COV-DECO-6508A	1	1/PP	eS6508A
8 C	6LK40229500	ASYS-COV-DECO-7508A	1	1/PP	eS7508A
8 D	6LK40229600	ASYS-COV-DECO-8508A	1	1/PP	eS8508A
9	X0-02248000	S/TPP/FHEXM-3X10-NI	10	10/P	
10	4407972860	STOP-RING-6-5	1	5/P	
11	6LK40230000	ASYS-COV-TP-FRT-L-H38X	1	1/PP	
12	X0-02421000	S/TPS/FHEXM/R-4X8-ZU3	5	10/P	
13	6LK40217000	COV-TP-LFT-SCAN-H38X	1	1/PP	
14	6LK40218000	COV-TP-RER-SCAN-H38X	1	1/PP	
15	6LK42905000	ASYS-COV-TP-RGT-SCAN-H380	1	1/PP	
17	6LK40219000	COVER-LEFT-REAR-H38X	1	1/PP	
18	6LH02408300	COVER-LFT-EXIT-H38X	1	1/PP	
19	6LH02411300	COVER-LFT-LSU-H38X	1	1/PP	
20	6LH02357100	ASYS-COVER-FLT-H38X	1	1/PP	
21	6LH02407300	COVER-DUCT-H38X	1	1/PP	
25	6LH02354300	COVER_INNER_L-H38EF	1	1/PP	
26	6LK40206000	COVER_INNER_R-38X	1	1/PP	
29	6LH02317000	BAND-CV-FRT-TNR	2	1/P	
30	6LK40234000	PLATE-COVER-FRT-TNR	1	1/P	
38	X0-02247000	S/TPP/FHEXM-3X8-NI	9	10/P	
39	6LH02381300	COVER-LFT-EX-UPR-H38EF	1	1/PP	
40	6LK40237000	LID-SCREW-H38X	9	5/P	
50	X0-02672000	S/FHEXM-M3X8-ZB3	9	10/P	
51	6LK40215000	COV-TP-FRT-SCAN-H38X	1	1/PP	
52	6LK40211000	COV-TP-FRT-R-H38X	1	1/PP	
53	X0-02678000	S/TPS/FHEXM/R-4X8-ZB3	27	10/P	
54	6LK40205000	FRONT-DM	1	1/PP	
55	6LK48728000	COVER-DF-CNT-H373	1	1/P	
56	6LK48727000	COVER-DF-SUB-H373	1	1/P	
57	6LK40213000	COVER-TP-FRT-M-H38X	1	1/PP	
58	6LK40212000	COV-TP-UNDER-H38X	1	1/PP	
60	6LK40204000	COVER-LEFT-REAR-TOP-H38X	1	1/PP	
70	6LK56550000	LBL-CLEANING	1	1/KP	
108	6LK43019100	SHEET-INST-TONER-H385	1	1/KP	
111 A	6LK43015000	LBL-PROHIBIT-E-H38X	1	1/KP	MJD,ASD,AUD,ARD
111 B	6LK43014000	LBL-PROHIBIT-U-H38X	1	1/KP	NAD
111 C	6LK54440000	LBL-PROHIBIT-C-H37X	1	1/KP	CND
112	6LH08323100	LBL-MASK-COV-SCN-H38X	1	1/P	



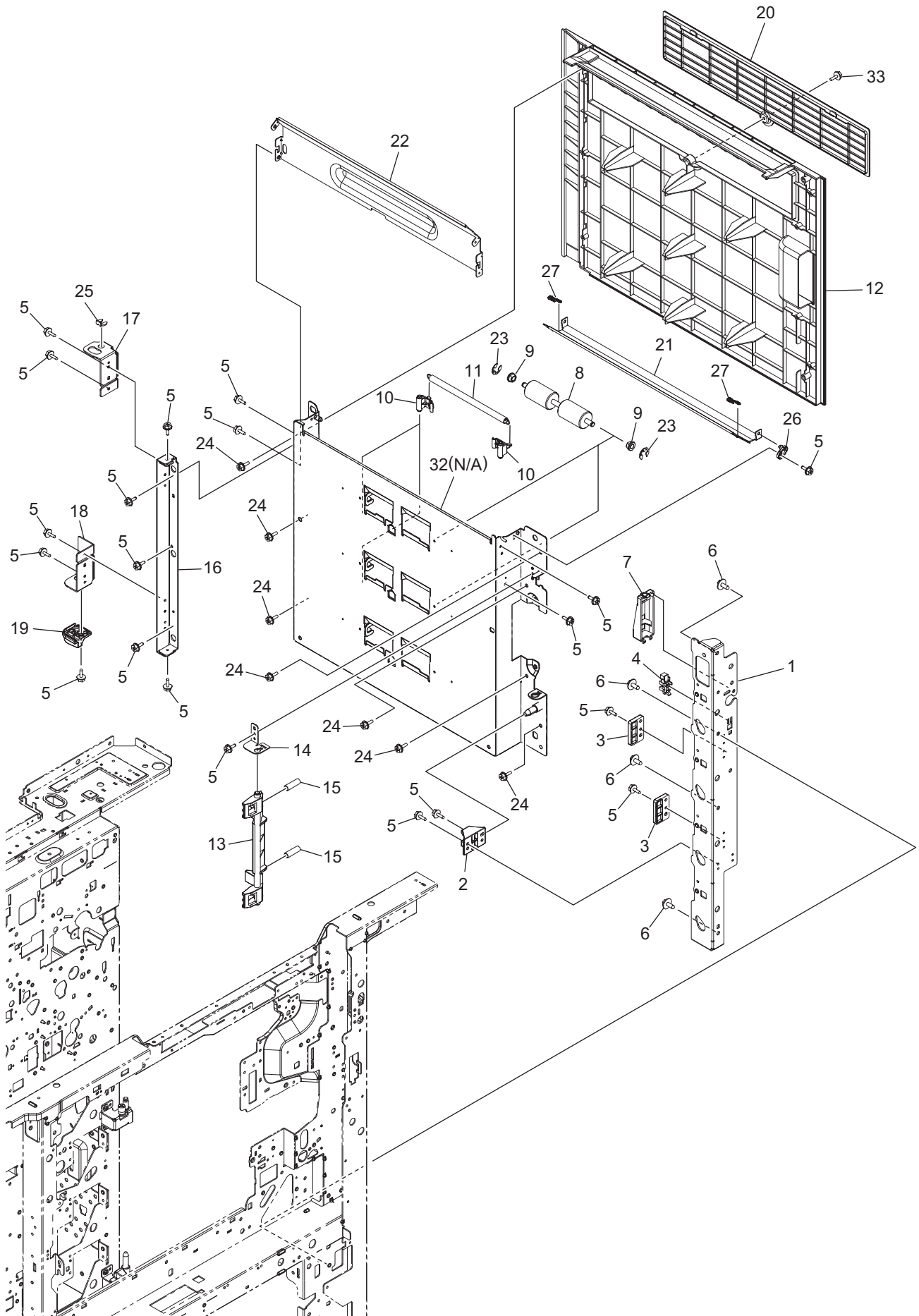
ITEM No.	PART No.	PART NAME	Q'TY / PAGE	Q'TY / PACK	REMARKS
1	6LK40208000	COVER-FRT-CNR-L-H38X	1	1/PP	
2	X0-02678000	S/TPS/FHEXM/R-4X8-ZB3	14	10/P	
3	6LK40209000	COVER-FRT-CNR-R-H38X	1	1/PP	
5	6LJ06606400	COVER-FRT-SKIRT-H38X	1	1/PP	
8	6LK40202000	COVER-SCAN-UNDER-H38X	1	1/PP	
9	6LK40214000	COVER-RGT-RER-H38X	1	1/PP	
10	6LH02308400	COVER-LCF-RAIL-H38EF	1	1/PP	
11	6LK40223000	COVER-INNER-DSDF	1	1/PP	
12	X0-02671000	S/FHEXM-M3X6-ZB3	1	10/P	
15 A	6LA47529000	LBL-LASER	1	1/KP	NAD,MJD,ASD,AUD,ARD
15 B	6LA56226000	LBL-LASER-C	1	5/KP	CND
17 A	44204604000	LBL-SERVICE-45	1	5/P	NAD,ASD,AUD,ARD
17 B	6LK54463000	LBL-SERVICE-CABLE-N	1	1/KP	MJD
17 C	6LA56227000	LBL-SERVICE-45C	1	5/KP	CND
26	6LE06344000	BLIND-KEY-CTR-390	1	1/P	
27	X0-02235000	S/FHEXM-M4X8-NI	10	10/P	
28	6LK48728000	COVER-DF-CNT-H373	1	1/P	
29	6LK48727000	COVER-DF-SUB-H373	1	1/P	
30	6LK40207000	COVER-TOP-INNER-H38X	1	1/PP	
31	X0-02421000	S/TPS/FHEXM/R-4X8-ZU3	1	10/P	
35	6LH73643100	ASYS-CLOTH-SCN-SB	1	1/P	
36	6LK39084000	CLOTH-SCN-T	1	1/P	
37	6LK42118000	LBL-TBU-CAUTION-H38X	1	1/KP	
40 A	6LJ68281000	LBL-NAD-FCC-NEW	1	1/P	NAD
41 B	6LE48967000	LABEL-ECO-CND	1	5/P	CND
42	6LK40203000	COVER-REAR-H38X-W	1	N/A***	
110 A	6LK43038000	LBL-CAUTION-DAMP-HTR-BK	1	1/KP	ASD,AUD,CND,ARD

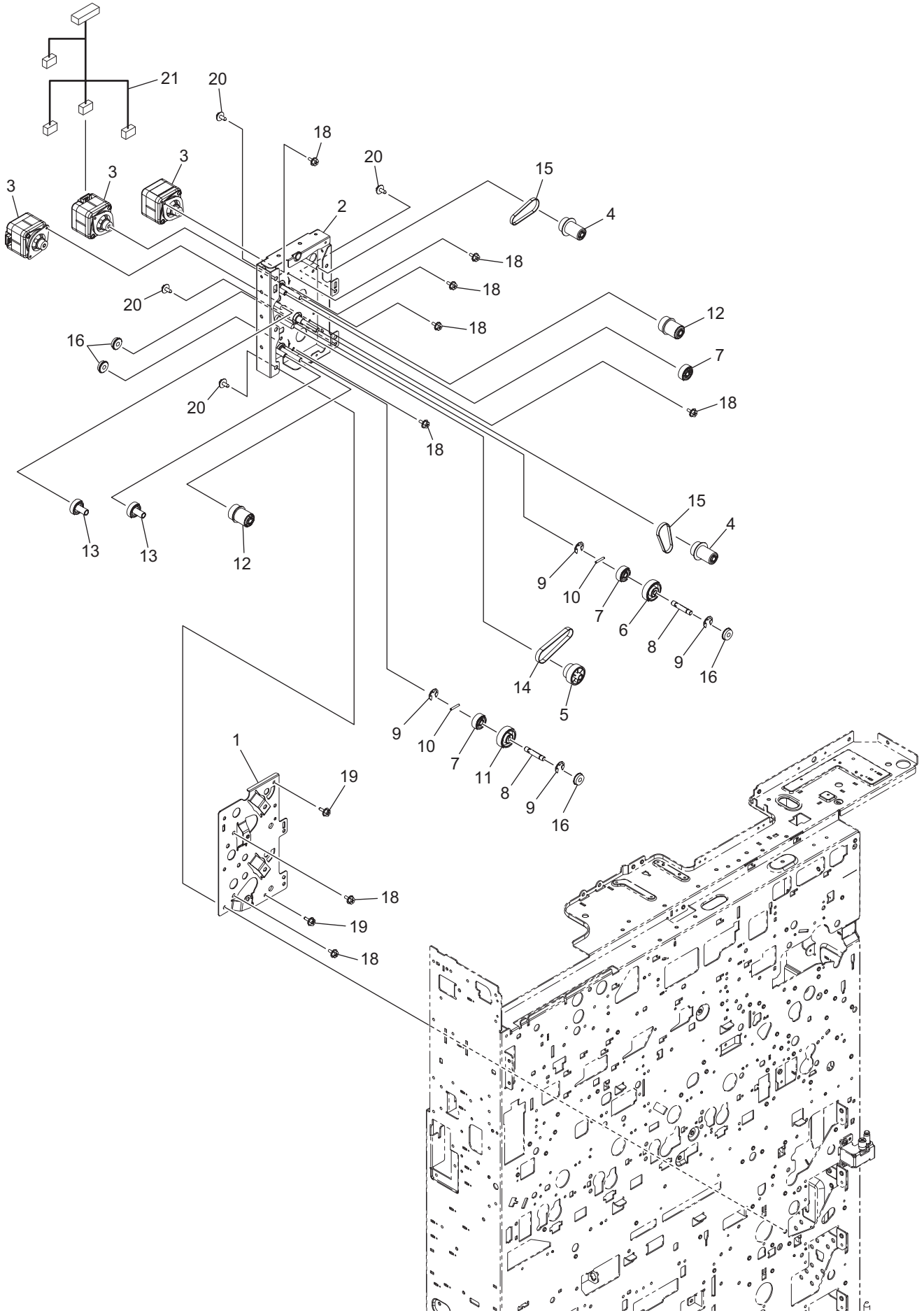


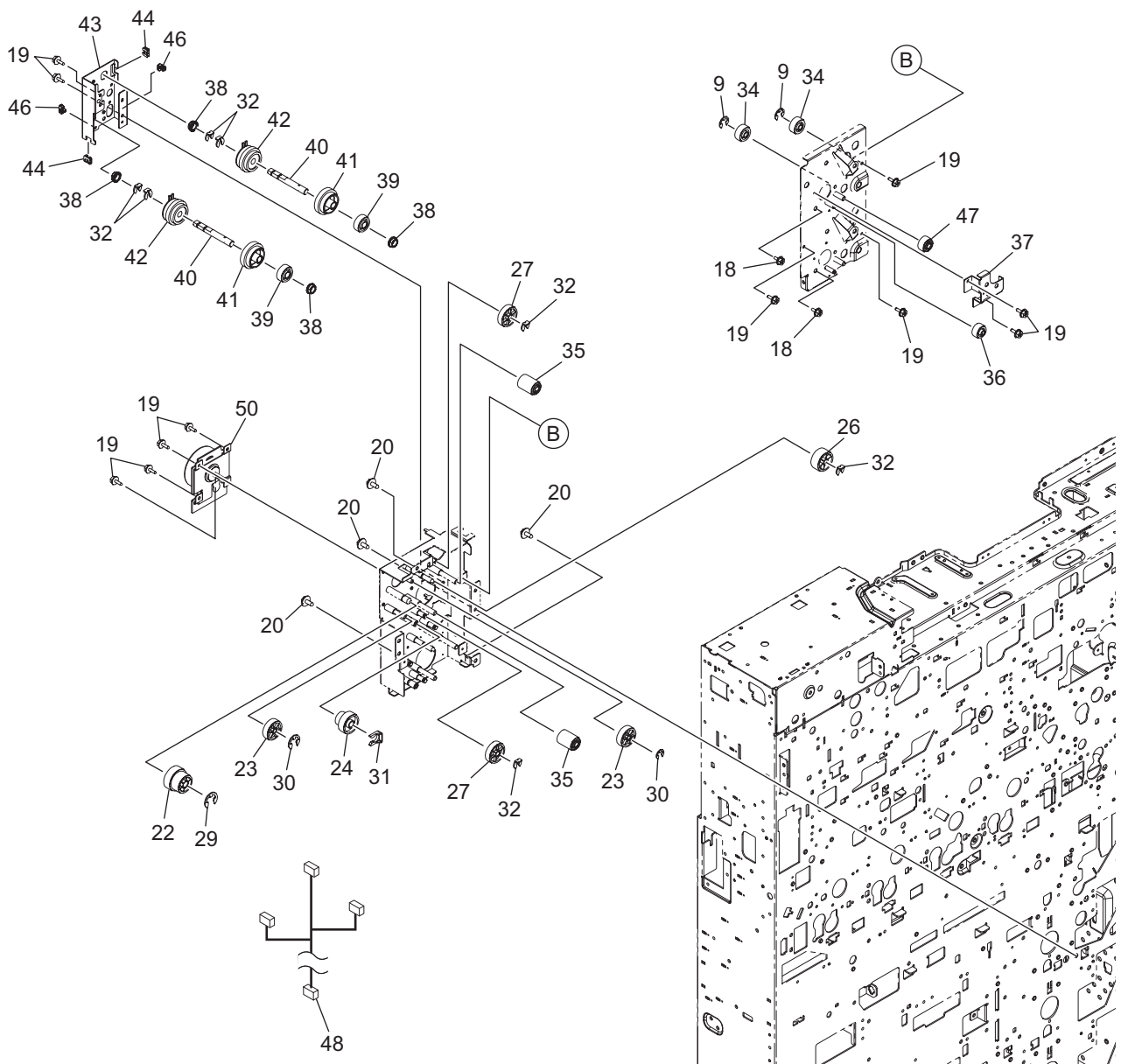


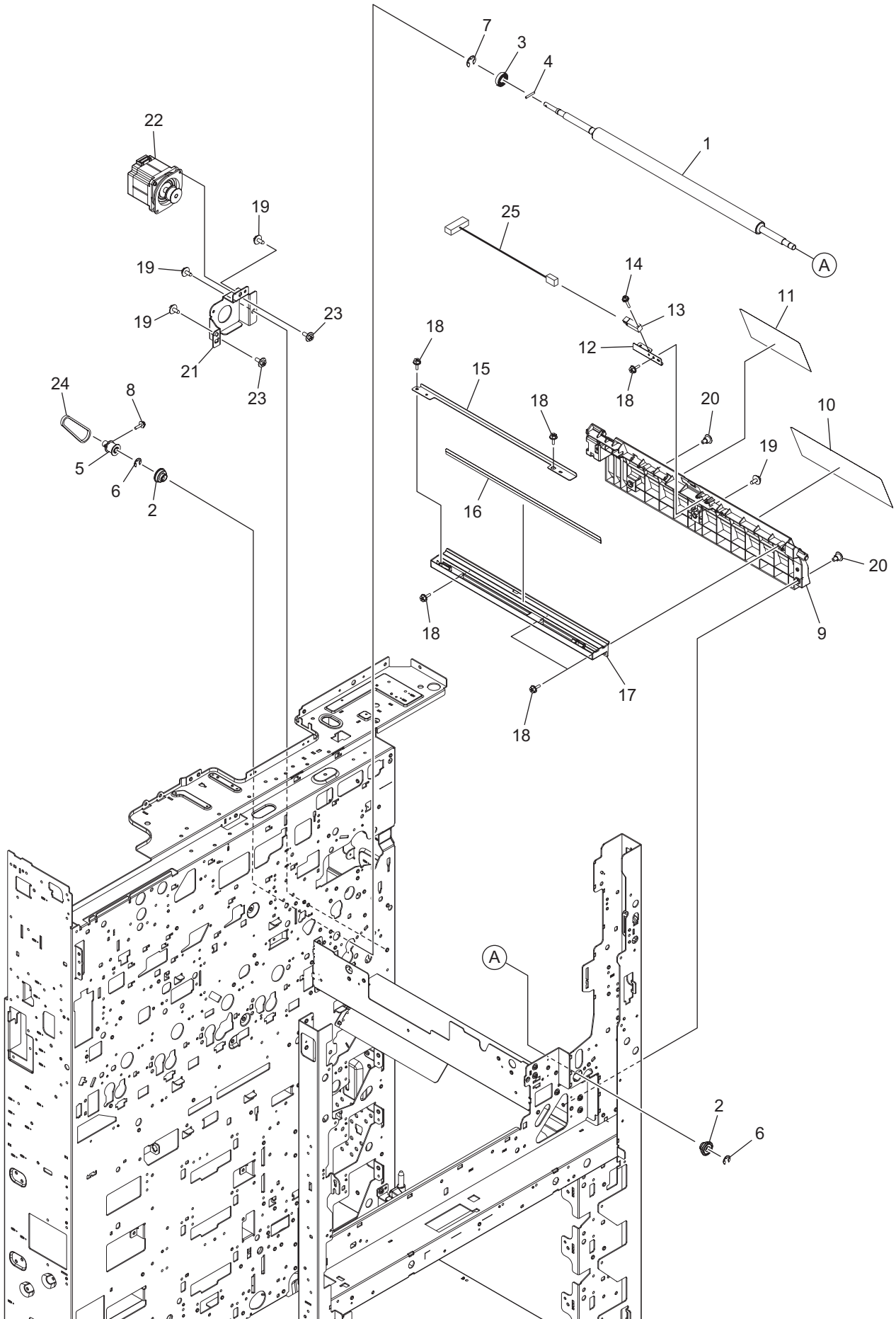


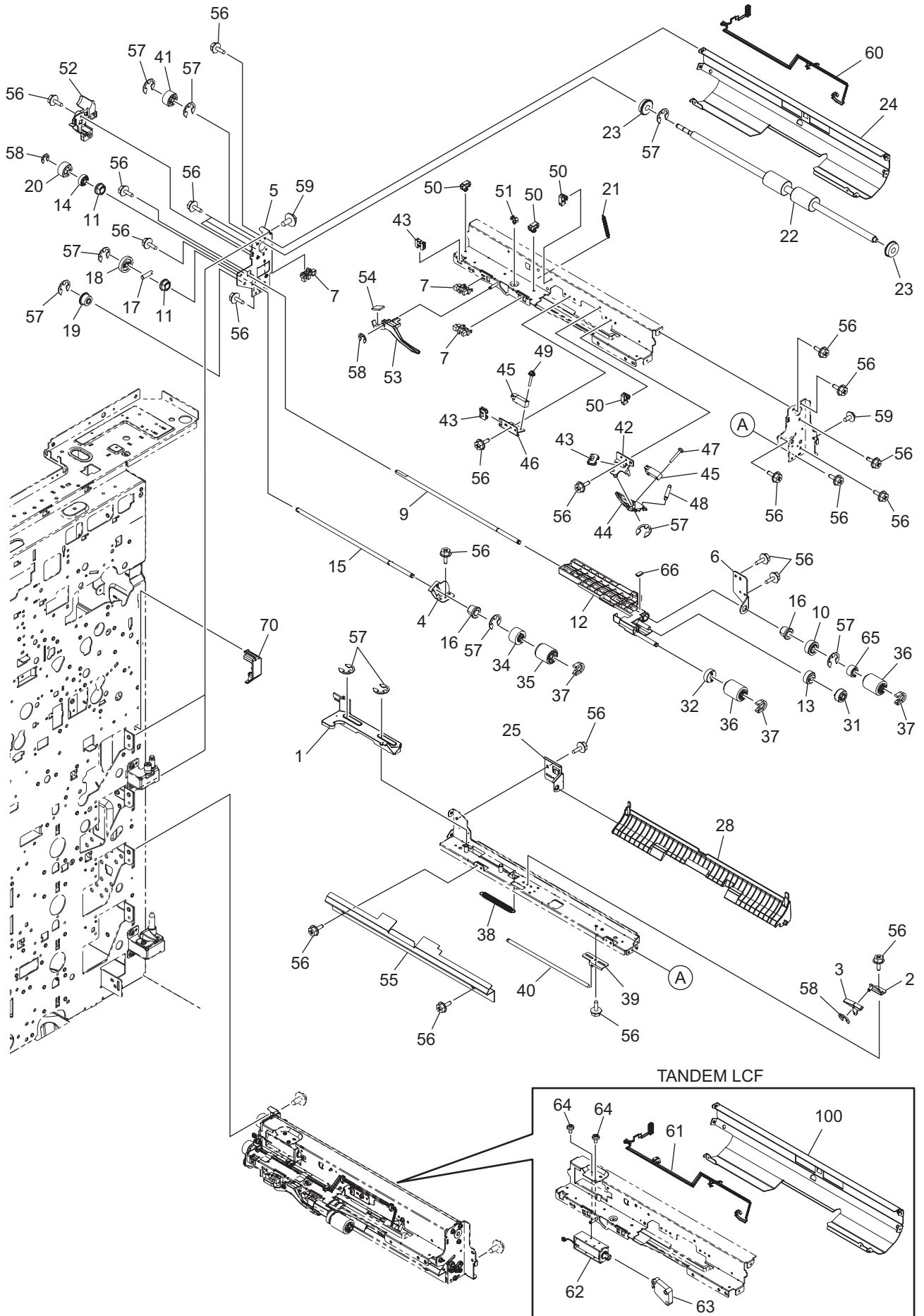
ITEM No.	PART No.	PART NAME	Q'TY / PAGE	Q'TY / PACK	REMARKS
1	6LJ06114000	RAIL-TRU-H13X	2	1/PP	
2	6LH02834000	STUD-RAIL	4	1/P	
3	X0-01285000	S/BID-M4X6-NC	4	10/P	
4	6LK41109000	CASE-IMG-POS-H38X	1	1/PP	
5	6LJ60494000	SNSR-POS-CTD-210	1	1/C	
8	6LH03748000	LINK-IMG-POS-SNS-2	1	1/P	
9	6LK41113000	SPG-E-IMG-SHUTTER-H38X	1	1/P	
10	6LK41112000	LINK-SOL-IMG-H38X	1	1/P	
11	6LE22859000	SND-TDS-10A-380	1	1/D	
12	X0-02256000	S/PAN-M3X6-ZU3	2	10/P	
14	6LA37669000	SCREW-LOCK-ARM	2	5/P	
15	X0-02074000	S/TPS/BID-4X8-ZU3	8	10/P	
16	X0-02421000	S/TPS/FHEXM/R-4X8-ZU3	4	10/P	
20	F0-00338000	WS-2U	6	5/P	
23	F0-01248000	ESC-0912	2	10/P	
25 A	6LK39279000	HRNS-POS-H385	1	1/P	Except for eS8508A MJD eS8508A MJD
25 B	6LK72962000	HRNS-POS-H385HF	1	1/P	
27	F0-01250000	MSB-1207	4	5/P	
28	6LK41110000	SHUT-IMG-SNS-H38X	1	1/KP	
29	F0-00736000	LWS-0711Z	1	5/P	
30	6LA80090000	S/TPP/BID-3*8-NI	2	5/P	
31	6LH01100100	DUCT-HRNS-EPU_S	1	1/P	
32	6LE25210000	CUSH-FRM-SCREW-380	1	1/P	
33	6LK39077000	BRKT-SHIELD-SCAN-RGT-H38X	1	1/P	
34	6LK39078000	BRKT-SHIELD-FRT-H38X	1	1/P	
35	F0-01460000	RWS-2T V0	2	1/P	
36	F0-00120000	ES-0505	1	5/P	
37	F0-00036000	RLWS3TV0	9	5/P	
38	F0-00337000	WS-1U	2	5/P	
39	F0-00269000	UAMS-05L-0	6	5/P	
40	6LJ81655200	HRNS-CABLE-USB-H380FC	1	1/P	
41	6LK39028000	HOLDER-USB-H38X	1	1/P	
42	F0-00367000	RLWS-1TV0	1	10/P	



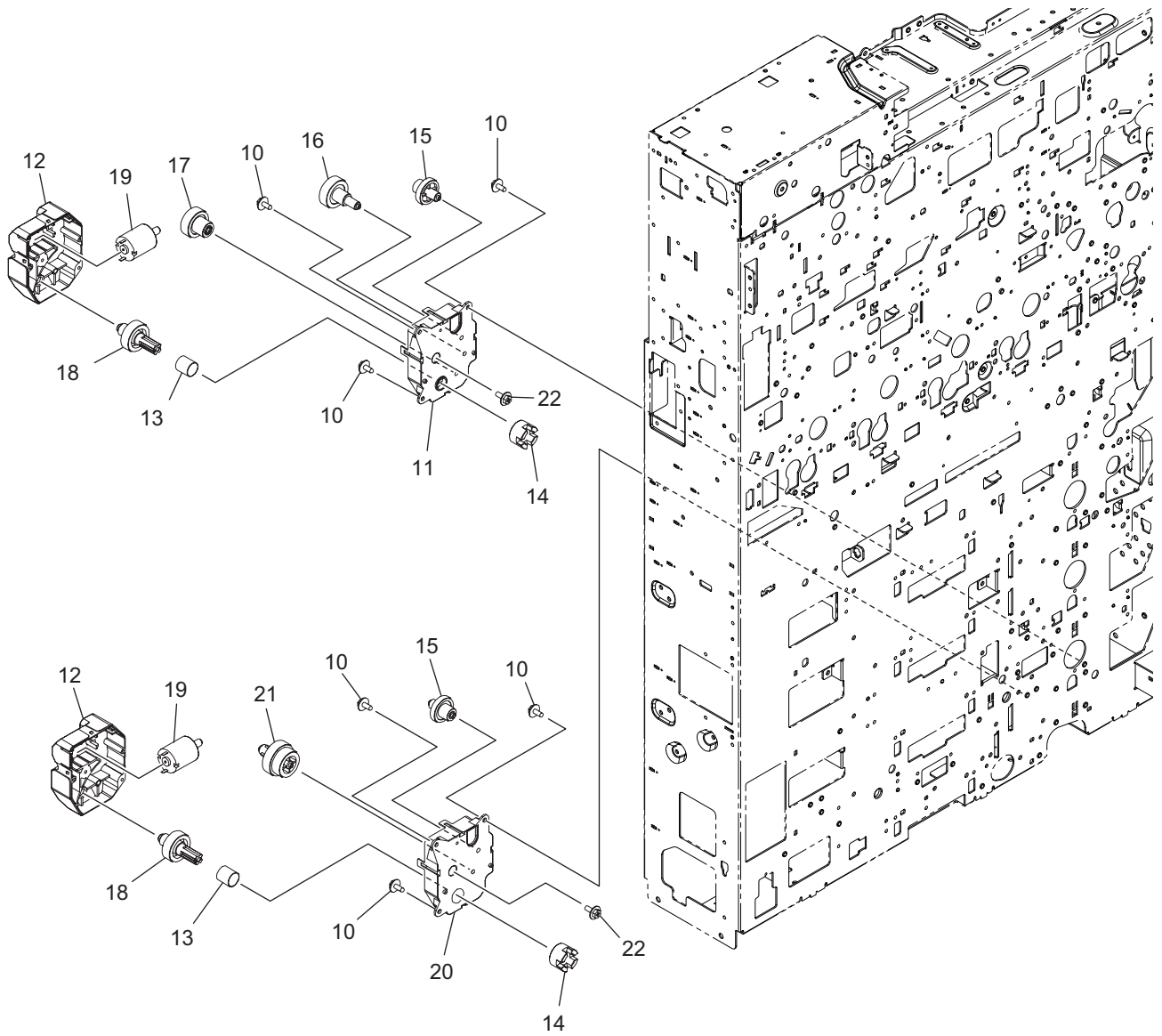


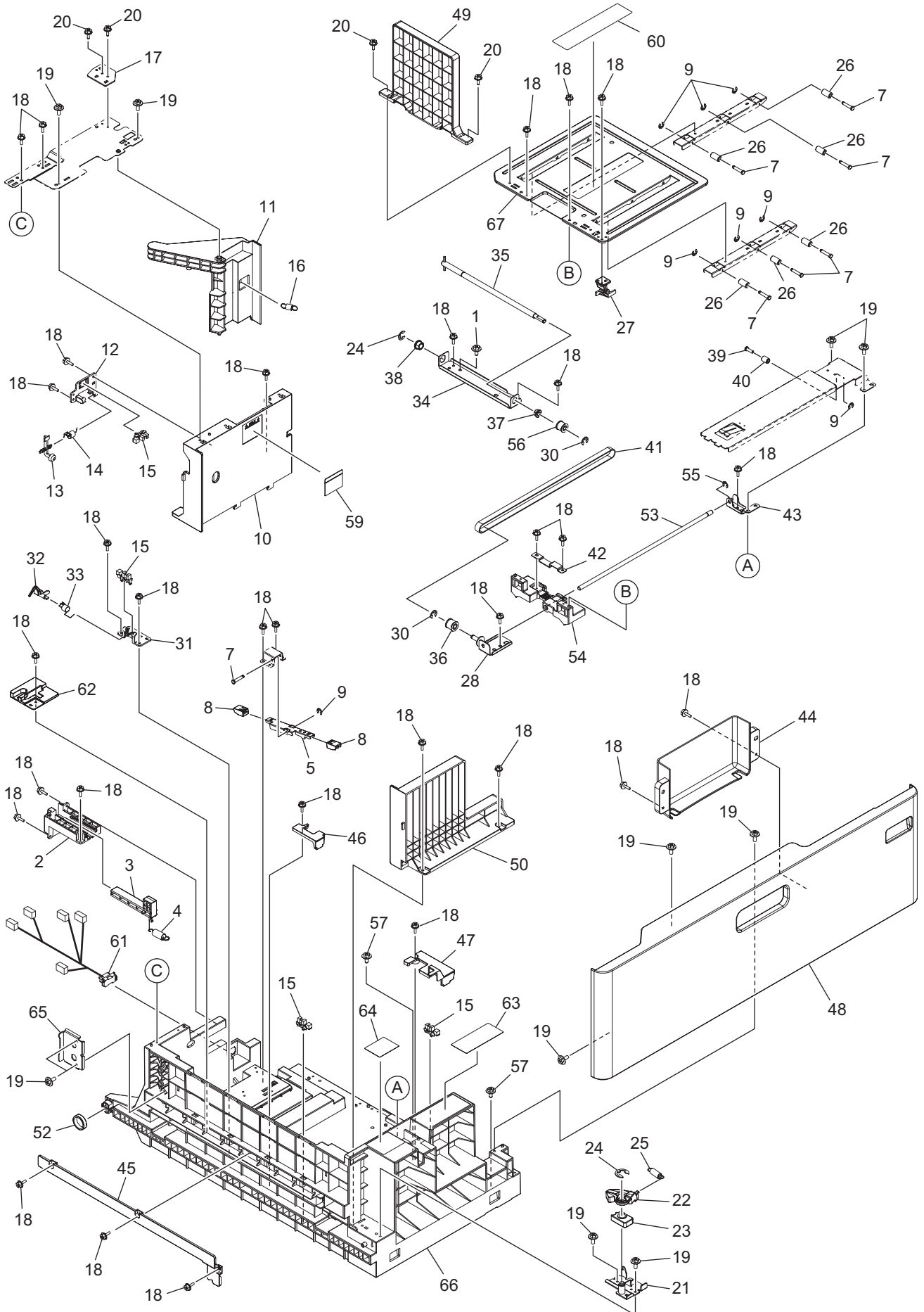




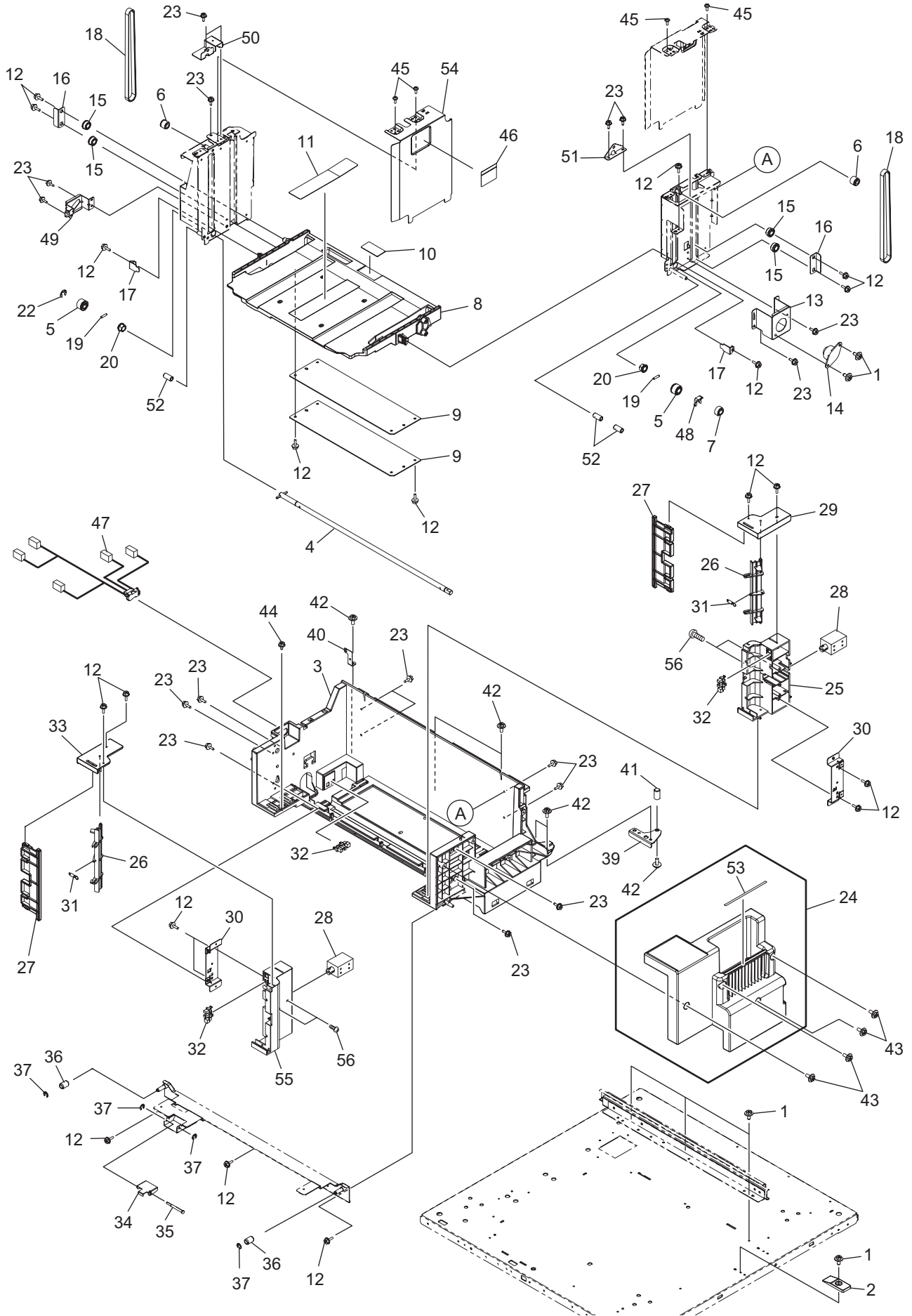


ITEM No.	PART No.	PART NAME	Q'TY / PAGE	Q'TY / PACK	REMARKS
1	6LH04610000	LEVER-FEED-UNIT	1	1/P	
2	6LH04613000	ASYS-BRKT-LEVER-SPT	1	1/P	
3	6LH04616000	LEVER-SPT-ROL-430	1	1/P	
4	6LH04617000	BRKT-SUP-ROL-SPT	1	1/P	
5	6LH04631000	ASYS-FRM-FS-R-430	1	1/P	
6	6LH04618000	BRKT-SUP-ROL-FEED	1	1/P	
7	C0-17839000	LG2A14BL1	3	1/C	
9	6LH04635000	SHAFT-ROL-FEED-430	1	1/P	
10	6LH04629000	GEAR-08S24-6L	1	1/P	
11	6LH53768000	BUSH-6-NU4	2	1/P	
12	6LH04621000	ASYS-ARM-PICK-430	1	1/C	
13	6LH04742000	GEAR-08S23-6	1	1/P	
14	6LH04638000	GEAR-08S20-6	1	1/P	
15	6LH04625000	ASYS-SHAFT-ROL-SPT-430	1	1/P	
16	6LA03977000	BUSH-F6-GCB	2	5/P	
17	X0-00979000	P/PRL/AH7-2X8-SS	1	10/P	
18	4407906230	GEAR-08-30	1	1/P	
19	6LE05774000	K-GEAR-08S022-LW-390	1	1/P	
20	6LH04612000	GEAR-10S20-6	1	1/P	
21	6LA03873000	SPE-P/U-110	1	5/P	
22	6LK41550000	ROLLER-FS-TR-H38X	1	1/KP	
23	F0-02297000	696ZZNR-SB-M-GV22	2	1/P	
24	6LH04717100	GUIDE-FS-U-H38X	1	1/D	
25	6LK41502000	BRKT-GUIDE-FEED-H38X	1	1/P	
28	6LK41508000	GUIDE-FS-OPEN-H38X	1	1/P	
31	6LH04740000	GEAR-08S23-6-CUP	1	1/P	
32	6LH04741000	GEAR-08S24-6-CUP	1	1/P	
34	6LK41540000	TL-SEP-ROL-Y-45-N2	1	1/P	
35	6LA04042000	ASYS-ROL-SPT	1	1/P	
36	6LA04047100	ASYS-ROL-FEED_W	2	1/P	
37	4407972860	STOP-RING-6-5	3	5/P	
38	6LA03887000	SPE090-090-0531	1	5/P	
39	6LH04663000	BRKT-HOLD-SPE-430	1	1/P	
40	6LH04745000	SPG-E-7XR6X82-ROL-SPT	1	1/P	
41	6LH04636000	GEAR-10S20-6L	1	1/P	
42	6LH04653000	ASYS-BRKT-SNSR-SPT	1	1/P	
43	F0-00120000	ES-0505	3	5/P	
44	6LH04652000	LEVER-FS-SNSR-SPT	1	1/P	
45	C0-15009000	PS124TD1-B	2	1/C	
46	6LH04657000	BRKT-SNSR-TR	1	1/P	
47	X0-02127000	S/TPP/PAN-3X16-NI	1	10/P	
48	6LH04749000	SPG-E-LEV-SNSR-SPT	1	1/P	
49	X0-02135000	S/PAN/SWWP-M3X14-NI	1	10/P	
50	F0-01462000	LBWS-0206S-V0	4	1/P	
51	F0-01194000	UAMS-02WH-2	1	5/P	
52	6LK41543000	COVER-FEED-UNIT-RER_S	1	1/P	
53	6LH04711100	ACT-SW-EMPTY-430_S	1	1/D	
54	6LA03877000	SHEET-DUMP-EMP	1	5/P	
55	6LJ07621100	ASYS-GUIDE-FEED-ENT-H38X	1	1/PP	
56	X0-02420000	S/TPS/FHEXM/R-3X8-ZU3	24	10/P	
57	X0-00966000	RR/E-5-SS	10	10/P	
58	X0-00964000	RR/E-3-SS	3	10/P	
59	X0-02421000	S/TPS/FHEXM/R-4X8-ZU3	2	10/P	
60	6LK73046000	HRNS-CSTMJ-H380	1	1/P	
61	6LK73047000	HRNS-TLCFMJ-H380	1	1/P	
62	6LA15257000	SOL-PICK-340	1	1/D	
63	6LA03740000	LEVER-P/U-SND	1	1/P	
64	X0-02113000	S/PAN-M3X4-NI	1	10/P	
65	6LE06731000	CLUTCH-6-LB-390	1	1/P	
66	6LJ08112000	DAMPER-BP-LCF	1	1/P	
70	6LK41503000	COVER-HRNS-FS-H38X	1	1/P	
100	6LH04646100	GUIDE-FS-UT-H38X	1	1/D	

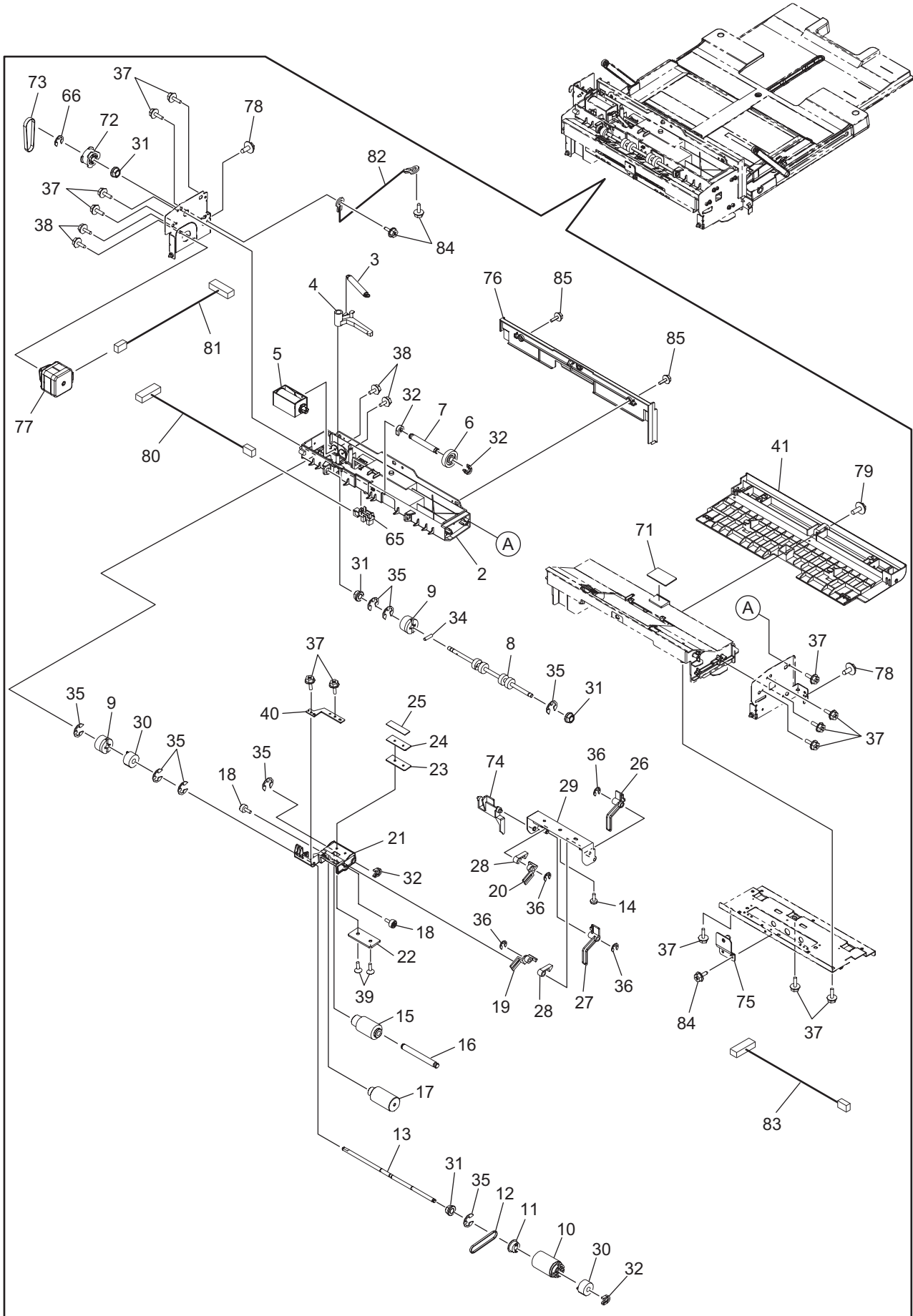




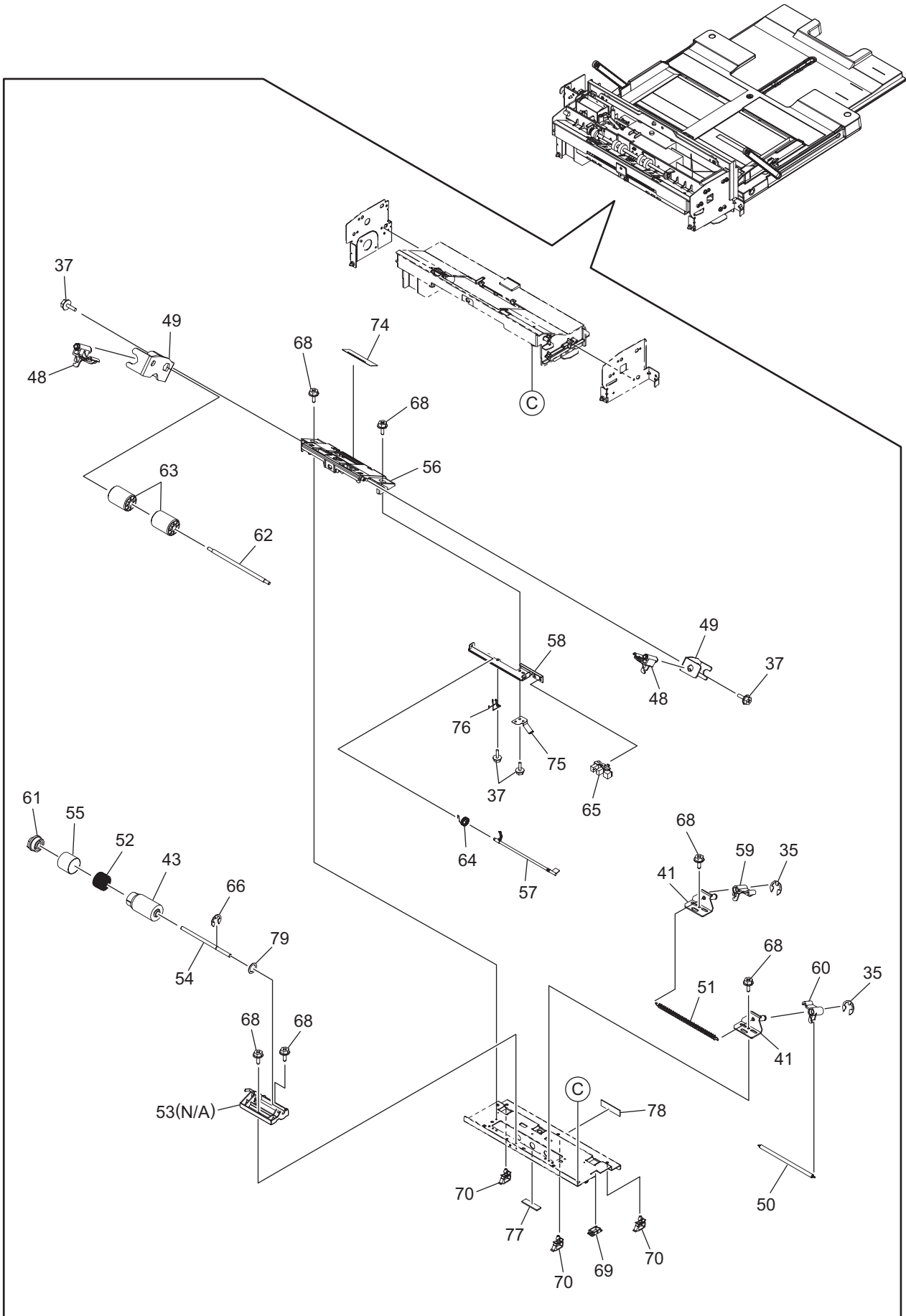
ITEM No.	PART No.	PART NAME	Q'TY / PAGE	Q'TY / PACK	REMARKS
1	X0-02590000	S/TPD3/FHEXM-4X10-ZU3	1	10/P	
2	6LH05938000	STOP-HOLD	1	1/P	
3	6LH05937000	LINK-STOP-SHAFT	1	1/P	
4	6LH05926000	SPG-PISTON-TANDEM	1	1/P	
5	6LH05971000	BRKT-STP-TRAY2	1	1/P	
7	6LK42303000	SHAFT-ROLL-LCF-H38X	7	1/P	
8	6LH05970000	COV-CST-COUP-TNDM	2	1/P	
9	X0-00964000	RR/E-3-SS	8	10/P	
10	6LH05973100	GUIDE-SIDE-TRAY2-R_S	1	1/PP	
11	6LH05965000	STOPPER-TRAY2-R-2	1	1/P	
12	6LH05964000	BASE-SNS-2	1	1/P	
13	6LH05962000	SENSOR-ACTR-3	1	1/D	
14	6LH06008000	SPRING-ACT-EMPTY2	1	1/P	
15	C0-17839000	LG2A14BL1	4	1/C	
16	6LH05925000	SPG-SHUT-TANDEM-2	1	1/P	
17	6LH06040000	PLT-ATC-A	1	1/P	
18	X0-02247000	S/TPP/FHEXM-3X8-NI	31	10/P	
19	X0-02251000	S/TPP/FHEXM-4X8-NI	11	10/P	
20	X0-02420000	S/TPS/FHEXM/R-3X8-ZU3	4	10/P	
21	6LH06014000	ASYS-PLT-LATCH-2	1	1/P	
22	6LH06017000	BLOCK-LATCH-LINK	1	1/P	
23	6LH06013000	BLOCK-LATCH-HOLD	1	1/P	
24	X0-00968000	RR/E-7-SS	2	10/P	
25	6LH05732000	SPE087-090-0269	1	1/P	
26	6LH05933000	ROLL-TRAY	6	1/P	
27	6LH06006000	ACTR-MOVE-SNSR	1	1/P	
28	6LH05934000	ASYS-PLY-HOLD	1	1/P	
30	X0-00965000	RR/E-4-SS	2	10/P	
31	6LH05931000	BASE-SNS-EMPTY	1	1/P	
32	6LH06074000	ACT-SENS-EMPTY-TDM	1	1/D	
33	6LH06060000	SPG-ACT-EMPTY	1	5/P	
34	6LH05912000	BRKT-PLY-HOLD	1	1/P	
35	6LH06018000	ASYS-TRAY2-DRIVE	1	1/P	
36	6LA93800000	PLY-DRIVE-2	1	1/P	
37	6LH53768000	BUSH-6-NU4	1	1/P	
38	4400802080	BUSH-8	1	5/P	
39	6LH06027000	SFT-BELT-ADL	1	1/P	
40	6LH06026000	RLR-BELT-ADL	1	5/P	
41	6LH06037000	BELT-3GT-600-9-B50N17	1	1/P	
42	6LH06032000	BRKT-BELT-HOLD	1	1/P	
43	6LH05909000	BRKT-HOLD-ST	1	1/P	
44	6LH02302600	COVER-HNDL-CST-B	1	1/P	
45	6LH06041000	COVER-SIDE-HRNS	1	1/KP	
46	6LH06007000	COVER-SNSR-H	1	1/P	
47	6LH05985000	COVER-SNSR-R	1	1/P	
48	6LK42301000	COVER-TANDEM-LCF-H38X	1	1/PP	
49	6LH05905300	GUIDE-END-BK4	1	1/PP	
50	6LH05960300	GUIDE-SIDE-TRAY2-F-BK4	1	1/PP	
52	6LH05717000	ROLLER-LEFT-R-BP	1	1/P	
53	6LH06009000	SFT-GUIDE	1	1/P	
54	6LH05936000	TRAY-BASE	1	1/PP	
55	X0-00966000	RR/E-5-SS	1	10/P	
56	6LA93799000	PLY-DRIVE-1	1	1/P	
57	X0-02421000	S/TPS/FHEXM/R-4X8-ZU3	2	10/P	
59	6LK42316000	LBL-P-LIMIT-TLCF-H38X	1	1/P	
60	6LK42313000	LBL-PSET-TRAY-L-TLCF	1	1/KP	
61	6LJ09827000	HRNS-TLCF2-130	1	1/P	
62	6LJ08107000	COVER-ENPTY-SNS	1	1/P	
63	6LK42311000	LBL-P-SET-TLCF-H38X	1	1/KP	
64	6LK42312000	LBL-CST2-SET-TLCF-H38X	1	1/P	
65	6LH06051000	BRKT-STOP-TNDM-CST2	1	1/P	
66	6LH05914300	CST-TRAY2-TANDEM-BK4	1	1/PP	
67	6LK42302000	TRAY-MOVE-H38X	1	1/PP	



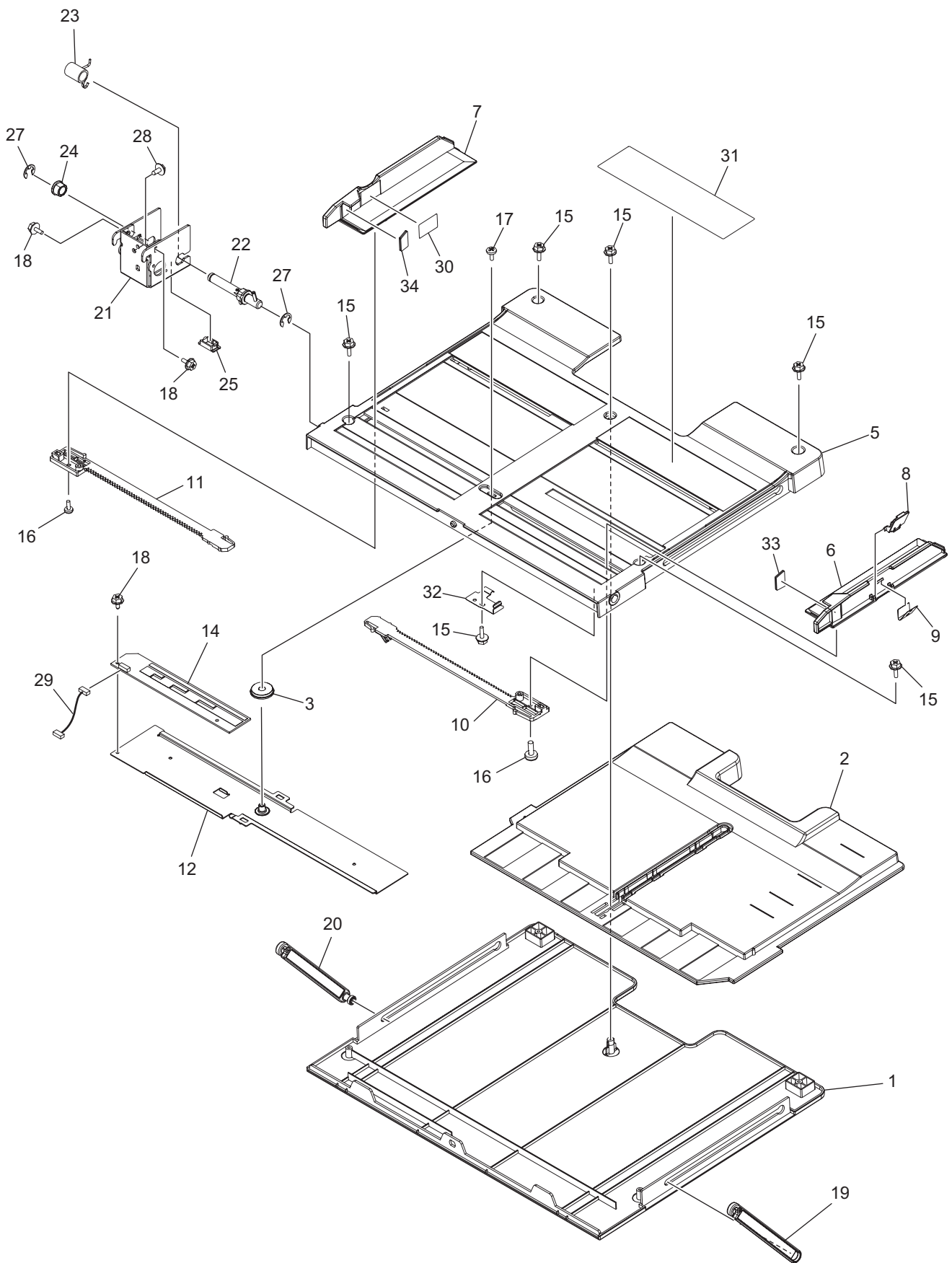
ITEM No.	PART No.	PART NAME	Q'TY / PAGE	Q'TY / PACK	REMARKS
1	X0-02421000	S/TPS/FHEXM/R-4X8-ZU3	6	10/P	
2	6LH05940000	STP-BASE-TANDEM	1	1/P	
3	6LH05916300	CST-TRAY1-TANDEM-BP-BK4	1	1/C	
4	6LH05981000	ASYS-SFT-TRAY-BP-TDM	1	1/P	
5	6LH05901000	PULLY-BP-TDM2-Z18	2	1/P	
6	6LH05900000	PULLY-BP-TDM1-Z14	2	1/P	
7	6LH05903000	GEAR-DUMP-Z14	1	1/P	
8	6LH05913300	TRAY1-T-LCF-BK4	1	1/PP	
9	6LA93713000	PLT-BALANCER	2	1/P	
10	6LA04847000	PAD-TRAY	1	1/P	
11	6LK42314000	LBL-PSET-TRAY-R-TLCF	1	1/KP	
12	X0-02247000	S/TPP/FHEXM-3X8-NI	20	10/P	
13	6LH05941000	BRKT-DAMP-BP	1	1/P	
14	6LE03901000	OIL-DAMPER-390	1	1/P	
15	6LH05904000	ROLLER-BP-TDM	4	1/P	
16	6LH05906000	BRKT-GUIDE-BP	2	1/P	
17	6LJ08109000	BRKT-LU-BELT-BP	2	1/P	
18	6LH06044000	BELT-3GT-402-8-B50N17	2	1/P	
19	X0-01535000	P/PRL/AH7-3X12-SS	2	5/P	
20	6LA65698000	BUSH-8X12X8F	2	5/P	
22	X0-00968000	RR/E-7-SS	1	10/P	
23	X0-02420000	S/TPS/FHEXM/R-3X8-ZU3	18	10/P	
24	6LK42309000	ASYB-INN-COV-TLCF-H38X	1	1/PP	
25	6LH06071100	HLDR-SHUT-F_S	1	1/D	
26	6LH05951100	JOINT-SHUT-TNDM_S	2	1/P	
27	6LH05952000	PLT-SHUTTER-TANDEM	2	1/P	
28	6LA15258000	SOL-END-340	2	1/D	
29	6LH06069000	PLATE-SHUT-F	1	1/P	
30	6LH05949000	BRKT-HOLD-SHUT	2	1/P	
31	6LH06020000	SPG-SHUT-TANDEM	2	1/P	
32	C0-17839000	LG2A14BL1	3	1/C	
33	6LH06070000	PLATE-SHUT-R	1	1/P	
34	6LH06064000	BRKT-STP-TANDEM	1	1/P	
35	6LH06021000	SFT-STP-TANDEM	1	1/P	
36	6LH05958000	RLR-RAIL-CENTER	2	1/P	
37	X0-00964000	RR/E-3-SS	4	10/P	
39	6LH05718000	PLATE-LATCH	1	1/P	
40	6LH06030000	PLT-SPG-SE-R	1	1/P	
41	6LA04487000	STUD-CST-POS	1	5/P	
42	X0-02235000	S/FHEXM-M4X8-NI	6	10/P	
43	X0-02251000	S/TPP/FHEXM-4X8-NI	4	10/P	
44	X0-02419000	S/TPS/FHEXM/R-3X6-ZU3	1	10/P	
45	X0-02069000	S/TPS/BID-3X6-ZU3	4	10/P	
46	6LK42316000	LBL-P-LIMIT-TLCF-H38X	1	1/P	
47	6LJ09826000	HRNS-TLCF1-130	1	1/P	
48	41306265000	STOP RING	1	1/P	
49	6LH06054000	BRKT-HOLD-IDLER-R	1	1/P	
50	6LH06057000	BRKT-SUPPORT-R	1	1/P	
51	6LH06058000	BRKT-SUPPORT-F	1	1/P	
52	6LH06059000	RLR-BELT-IDLER-2	3	1/P	
53	6LK42315000	LBL-COV-R-TLCF-H38X	1	1/KP	
54	6LH06022000	FENCE-TRAY1-R	1	1/P	
55	6LH06072000	HLDR-SHUT-R	1	1/PP	
56	X0-00057000	S/PAN-M3X6-NI	4	10/P	



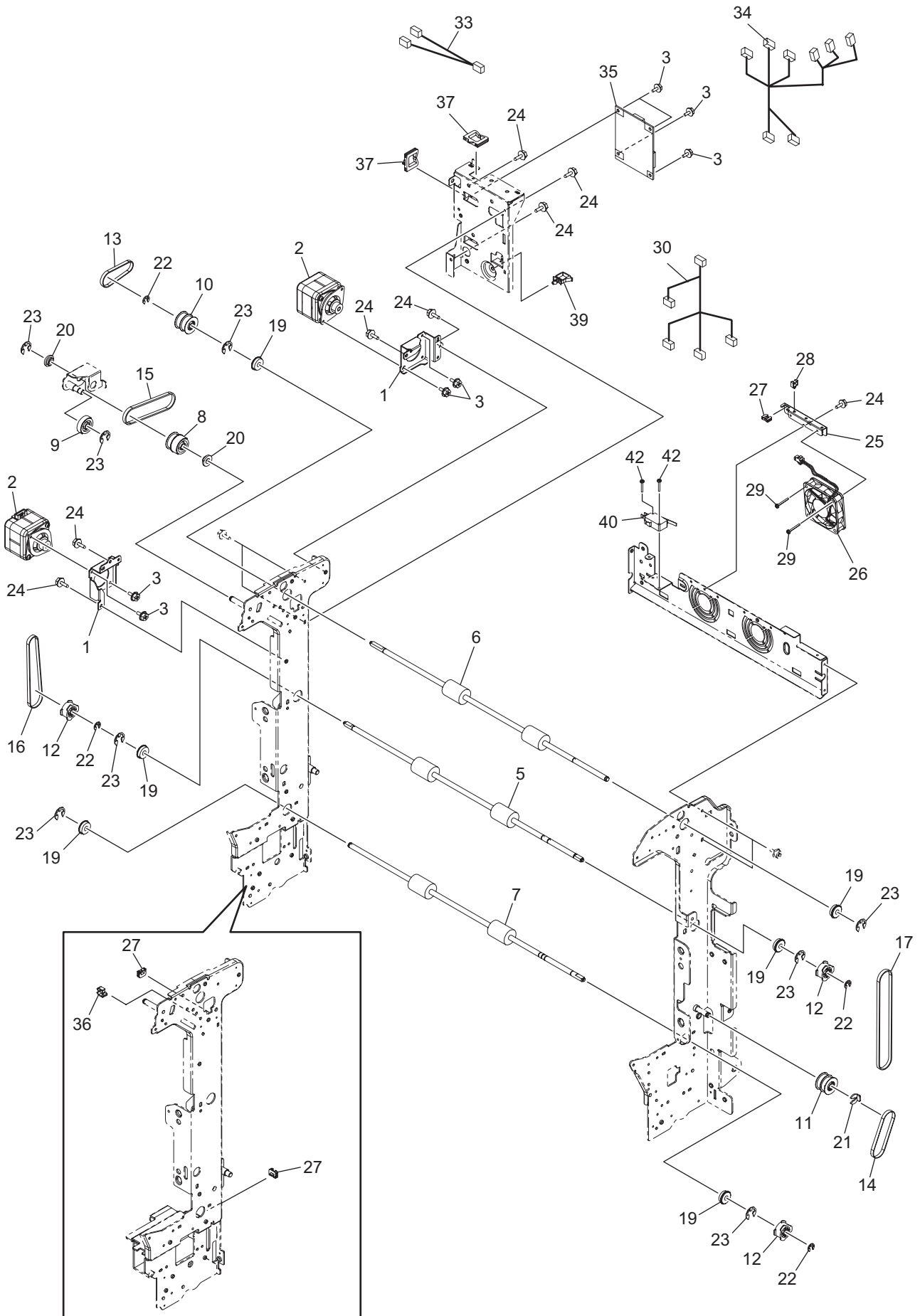
ITEM No.	PART No.	PART NAME	Q'TY / PAGE	Q'TY / PACK	REMARKS
2	6LK30913000	ASYS-GUIDE-BYP-U-H34X	1	1/C	
3	6LA28769000	SPG-E-6R5XR7X28R5L	1	1/P	
4	6LA28767000	LEVER-PICK	1	1/P	
5	6LA15259000	SOL-SFB-340	1	1/D	
6	44201789000	GEAR-06S-032-06	1	1/P	
7	6LE40439000	STUD-G032-BYPS	1	1/P	
8	6LK41701000	ROLLER-TR-BYPASS-H38X	1	1/KP	
9	6LA28811000	GEAR-06S-027-06	2	1/P	
10	44218389000	K-RLR-FEED-SFB	1	1/P	
11	4401966400	PLY/T-2GT020-06	1	1/P	
12	6LA28835000	BLT-SY-138-2GT-2.8	1	1/P	
13	6LH05145000	SFT-ROLL-FEED-BYP	1	1/P	
14	X0-00595000	S/TPP/PAN-3X6-NI	1	10/P	
15	44218398000	K-ROLL-PICK-BYP	1	1/P	
16	6LE40436000	SFT-ROL-PIC-BYP-350	1	1/P	
17	6LE40412000	WEIGHT-PICK-BYP-T	1	1/P	
18	6LE40407000	SCREW-WEIGHT-3*6	2	5/P	
19	6LJ07623000	LEVER-STOPPER-F	1	1/P	
20	6LJ07624000	LEVER-STOPPER-R	1	1/P	
21	6LK41720000	ARM-PICK-H13X	1	1/P	
22	6LA28832000	WEIGHT-PICK-BYP-LOW	1	1/P	
23	6LA28833000	WEIGHT-PICK-BYP-MID	1	1/P	
24	6LA28834000	WEIGHT-PICK-BYP-UP	1	1/P	
25	6LA28758000	CUSHION-PAD	1	5/P	
26	6LA28821000	STPR-BYP-F-350	1	1/P	
27	6LA28822000	STPR-BYP-R-350	1	1/P	
28	4401965270	ARM-STOPPER	2	5/P	
29	6LH31603000	ASYS-BRKT-STOPPER	1	1/P	
30	4406584800	CLUTCH-6-08L2	2	1/P	
31	6LH53768000	BUSH-6-NU4	4	1/P	
32	4407972860	STOP-RING-6-5	4	5/P	
34	X0-00979000	P/PRL/AH7-2X8-SS	1	10/P	
35	X0-00966000	RR/E-5-SS	8	10/P	
36	X0-00964000	RR/E-3-SS	4	10/P	
37	X0-02247000	S/TPP/FHEXM-3X8-NI	13	10/P	
38	X0-02230000	S/FHEXM-M3X6-NI	4	10/P	
39	X0-02011000	S/CTS-M3X8-NI	2	10/P	
40	6LA28819000	PLATE-ARM-PICK	1	1/P	
41	6LH05187400	COVER-SFB-L-H38X	1	1/PP	
65	C0-17839000	LG2A14BL1	1	1/C	
66	X0-00965000	RR/E-4-SS	1	10/P	
71	4400901130	PAD-BRAKE	1	5/P	
72	6LH05429000	PULLY-S2M30-6D	1	1/P	
73	6LH05177000	BLT-SY-S2M-148-6	1	1/P	
74	6LA28768000	ACTR-EMP-SW-BYP	1	1/P	
75	6LH05159000	ASYS-BRKT-SFB-EXIT-43X	1	1/P	
76	6LH05151400	COVER-SFB-H38X	1	1/PP	
77	6LK41511000	MOTR.S-FEED-H38X	1	1/C	
78	X0-02421000	S/TPS/FHEXM/R-4X8-ZU3	2	10/P	
79	X0-02676000	S/TPP/FHEXM-4X8-ZB3	1	10/P	
80 A	6LH08890000	HRNS-SFBSW-430	1	1/P	Except for eS7506AC MJC
80 B	6LK72992000	HRNS-SFBSW-H380HF	1	1/P	eS7506AC MJC
81 A	6LK73051000	HRNS-SFBM-H380JC	1	1/P	Except for eS7506AC MJC
81 B	6LK72993000	HRNS-SFBM-H380HF	1	1/P	eS7506AC MJC
82 A	6LH08893000	HRNS-SFBFG-430	1	1/P	Except for eS7506AC MJC
82 B	6LK72998000	HRNS-SFBFG-H380HF	1	1/P	eS7506AC MJC
83 A	6LH08891000	HRNS-SBFED-430	1	1/P	Except for eS7506AC MJC
83 B	6LK72999000	HRNS-SBFED-H380HF	1	1/P	eS7506AC MJC
84	X0-02419000	S/TPS/FHEXM/R-3X6-ZU3	3	10/P	
85	X0-02683000	S/TPP/FHEXM-3X8-ZB3	2	5/P	



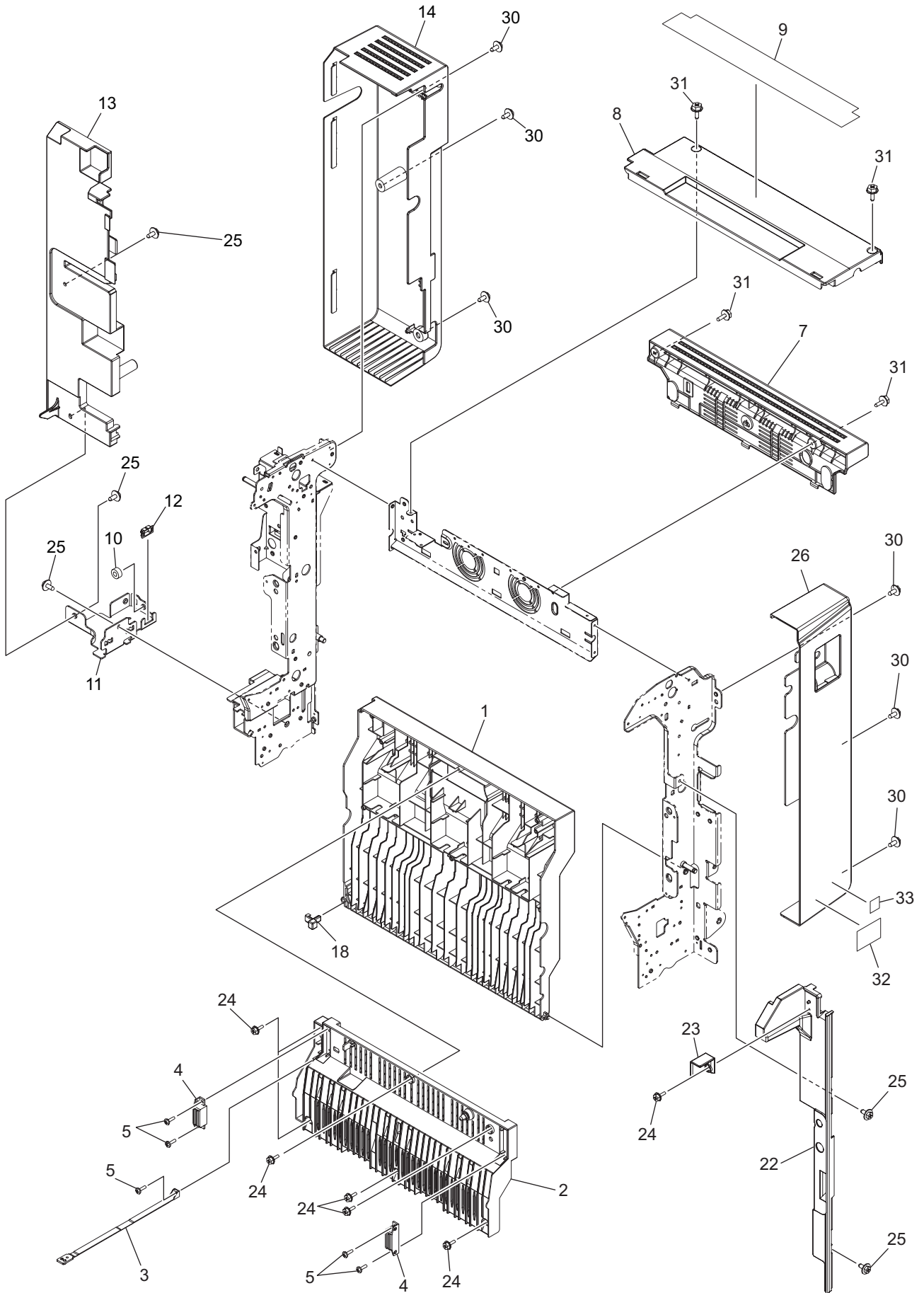
ITEM No.	PART No.	PART NAME	Q'TY / PAGE	Q'TY / PACK	REMARKS
35	X0-00966000	RR/E-5-SS	2	10/P	
37	X0-02247000	S/TPP/FHEXM-3X8-NI	4	10/P	
41	6LA28857000	ASYS-BRKT-LVR-SPT	2	1/P	
43	6LA28899000	ASYS-ROLL-SPT-L30	1	1/P	
48	6LH04521000	LVR-IDLE-F43X	2	1/P	
49	6LH05135000	BRKT-FRAME-AD	2	1/P	
50	6LK41727000	SPG-E-6XR55X85R5-SPT	1	1/P	
51	6LA82827000	SPG-E-6R7XR7X79R55	1	1/P	
52	6LA28865000	SPR-1.0-15.65-13L	1	1/P	
53	6LK41733100	HOLDER-ROL-SPT-BYP_SH	1	1/D	
54	6LE40437000	SHAFT-ROL-SPT	1	1/P	
55	6LA28861000	COVER-SPE-ARBOR-17	1	1/P	
56	6LJ07625200	CASE-BYPASS-RLR_B	1	1/P	
57	6LE40422000	ACTUATOR-BYP	1	1/P	
58	6LK41726000	BRKT-ACT-BYP-43X	1	1/P	
59	6LA28922000	LEVER-SPT-R	1	1/P	
60	6LA28921000	LEVER-SPT-F	1	1/P	
61	6LA28863000	ARBOR-SPT-BYP	1	1/P	
62	6LJ07626000	SFT-BYPASS-TR-L2	1	1/P	
63	6LH05137000	IDLER-TR1	2	1/P	
64	6LA28960000	SPG-T-SNSR-LOW-T	1	1/P	
65	C0-17839000	LG2A14BL1	1	1/C	
66	X0-00965000	RR/E-4-SS	1	10/P	
68	X0-02419000	S/TPS/FHEXM/R-3X6-ZU3	6	10/P	
69	F0-01248000	ESC-0912	1	10/P	
70	F0-01811000	LWS-0711S-V0	3	5/P	
74	6LH05227000	MYLAR-BYP-FEED	1	1/KP	
75	6LK41716000	SPG-F-EARTH-SNSR-H38X	1	1/P	
76	6LK41725000	SPG-T-EARTH-BYP-IDL-N	1	1/P	
77	6LK41728000	CUSH-COV-SFB-H38X	1	1/P	
78	6LA28758000	CUSHION-PAD	1	5/P	
79	6LA78908000	WASHER-6R2X9R5XR25-PL	1	5/P	



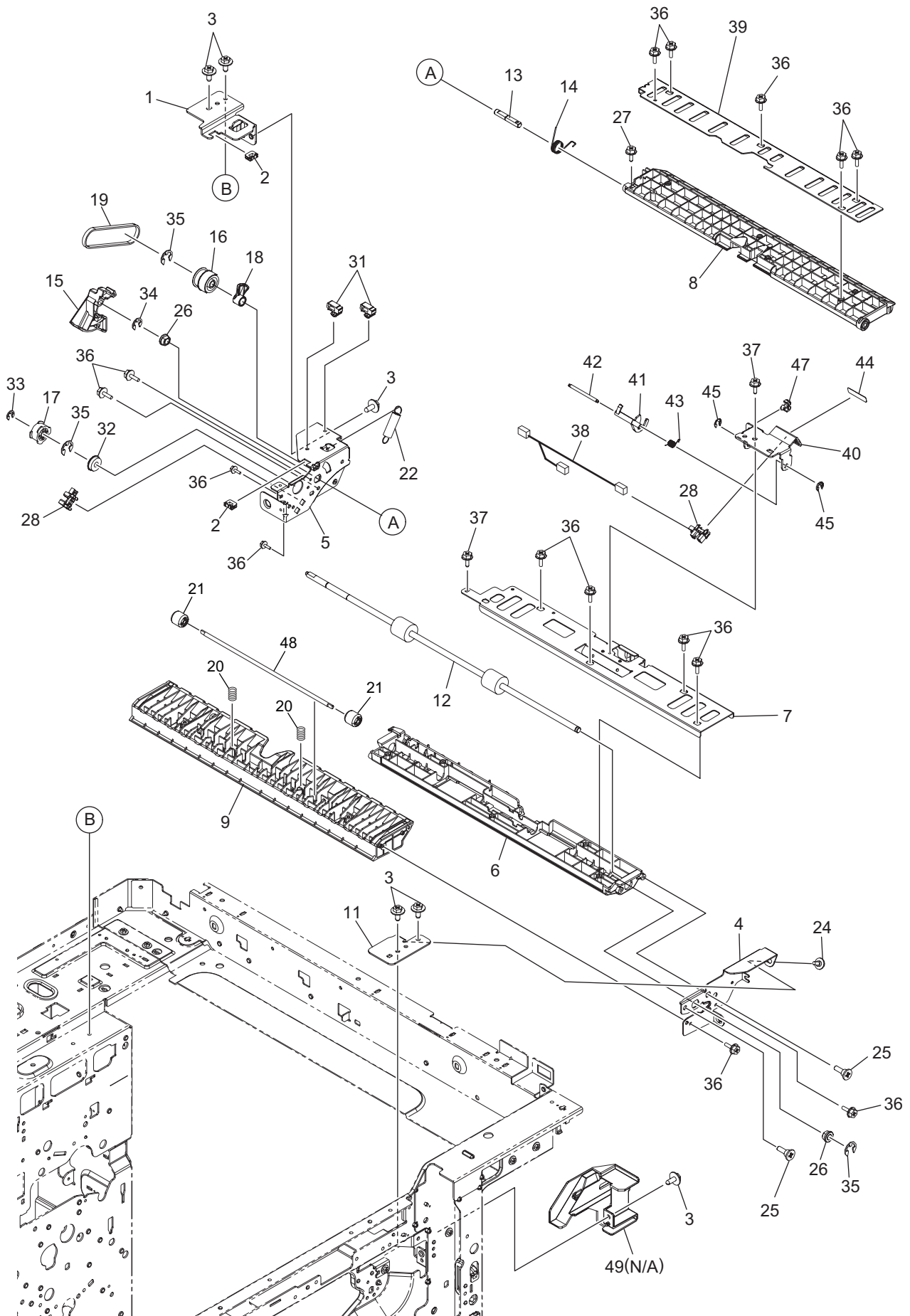
ITEM No.	PART No.	PART NAME	Q'TY / PAGE	Q'TY / PACK	REMARKS
1	6LH05173200	TRAY-BYPASS-L_S_B	1	1/PP	
2	6LH05215200	TRAY-BYP-M-H38X	1	1/PP	
3	4407726480	PINION-18-395	1	1/P	
5	6LJ07801200	TRAY-BYPASS-UP_H38	1	1/PP	
6	6LH05172200	GUIDE-TRAY-FRT-H38X	1	1/P	
7	6LE21244600	GUIDE-TRAY-RER-H38X	1	1/P	
8	6LA29006000	LEVER-GUIDE-F	1	1/P	
9	6LA29007000	SPG-GUIDE-F	1	1/P	
10	6LE21265000	ASYS-RACK-BYPASS-380	1	1/C	
11	6LE21245000	RACK-BYPASS-380	1	1/D	
12	6LE21247000	ASYS-PLATE-PINION-380	1	1/D	
14	6LK39471000	PWA-H-SFB-380	1	1/C	
15	X0-02683000	S/TPP/FHEXM-3X8-ZB3	6	5/P	
16	X0-00595000	S/TPP/PAN-3X6-NI	2	10/P	
17	X0-02629000	S/BID-M3X6-ZB3	1	10/P	
18	X0-02419000	S/TPS/FHEXM/R-3X6-ZU3	3	10/P	
19	6LH05188100	ARM-TRAY-SFB-F_B	1	1/P	
20	6LH05191100	ARM-TRAY-SFB-R_B	1	1/P	
21	6LH05133000	BRKT-TRAY-BYP-R	1	1/P	
22	6LH05180000	ASYS-SFT-TRAY-BYP-43X	1	1/P	
23	6LH05155000	SPA-TRAY-SFB-43X	1	1/P	
24	4400802080	BUSH-8	1	5/P	
25	F0-01248000	ESC-0912	1	10/P	
27	X0-00968000	RR/E-7-SS	2	10/P	
28	X0-02421000	S/TPS/FHEXM/R-4X8-ZU3	1	10/P	
29 A	6LH08887000	HRNS-SFBSIZE-430	1	1/P	Except for eS7506AC MJC eS7506AC MJC
29 B	6LK73000000	HRNS-SFBSIZE-H380HF	1	1/P	
30	6LK41707000	LBL-HIGH-TRAY-H38X	1	1/P	MJD,ASD,AUD,CND,ARD NAD
31 A	6LK41710000	LBL-SFB-TRAY-EC-H38X	1	1/KP	
31 B	6LK41709000	LBL-SFB-TRAY-U-H38X	1	1/KP	
32	6LH05162000	SPL-TRAY-43X	1	1/P	
33	6LK41723000	BRUSH-SIDE-WALL-F	1	1/P	
34	6LK41724000	BRUSH-SIDE-WALL-R	1	1/P	



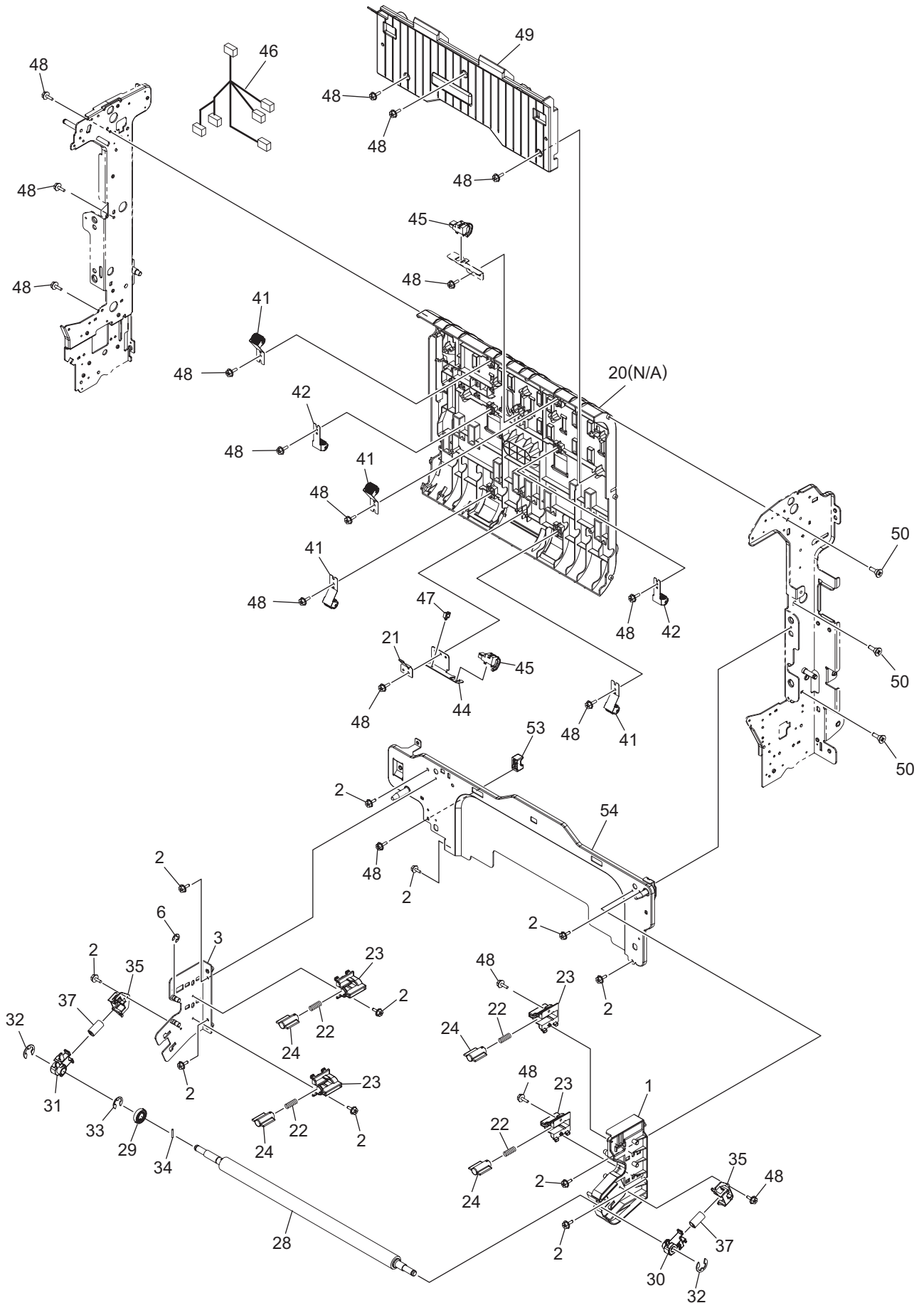
ITEM No.	PART No.	PART NAME	Q'TY / PAGE	Q'TY / PACK	REMARKS
1	6LH05435000	BRKT-MOTOR-ADU	2	1/P	
2	6LK41511000	MOTR.S-FEED-H38X	2	1/C	
3	X0-02230000	S/FHEXM-M3X6-NI	8	10/P	
5	6LK41909000	RLR-ADU-MID-H38X	1	1/KP	
6	6LK41908000	RLR-ADU-UP-H38X	1	1/KP	
7	6LK41910000	RLR-ADU-LOW-H38X	1	1/KP	
8	6LH05409000	GEAR-10S20_PS2M30-6	1	1/P	
9	6LH05402000	GEAR-10S20-6	1	1/P	
10	6LH05410000	PULLY-S2M30-6D-DBL	1	1/P	
11	6LH05417000	PULLY-S2M30-6-DBL	1	1/P	
12	6LH05429000	PULLY-S2M30-6D	3	1/P	
13	6LH05408000	BLT.SY-S2M-118-5	1	1/P	
14	6LH05418000	BLT.SY-S2M-142-4	1	1/P	
15	6LH05420000	BLT.SY-S2M-186-4	1	1/P	
16	6LH05430000	BLT.SY-S2M-224-4	1	1/P	
17	6LH05401000	BLT.SY-S2M-300-4	1	1/P	
19	F0-02297000	696ZZNR-SB-M-GV22	6	1/P	
20	6LA29859000	BUSH-6X10X4F-POM	2	5/P	
21	44201801000	STOP-RING-6-1.5	1	5/P	
22	X0-00964000	RR/E-3-SS	4	10/P	
23	X0-00966000	RR/E-5-SS	8	10/P	
24	X0-02420000	S/TPS/FHEXM/R-3X8-ZU3	8	10/P	
25	6LH05510000	BRKT-FAN-ADU	1	1/P	
26	6LK30992000	FAN-6015-090-H340	1	1/D	
27	F0-00120000	ES-0505	3	5/P	
28	F0-01250000	MSB-1207	1	5/P	
29	X0-02061000	S/TPS/PAN-3X20-ZU3	2	10/P	
30 A	6LK39235000	HRNS-ADU-SFB-H380	1	1/P	Except for eS7506AC MJC
30 B	6LK72986000	HRNS-ADU-SFB-H380HF	1	1/P	eS7506AC MJC
33 A	6LK73050000	HRNS-ADUM-H380JC	1	1/P	Except for eS7506AC MJC
33 B	6LK72987000	HRNS-ADUM-H380HF	1	1/P	eS7506AC MJC
34 A	6LK39236000	HRNS-ADU-SNR1-H380	1	1/P	Except for eS7506AC MJC
34 B	6LK72988000	HRNS-ADU-SNR1-H380HF	1	1/P	eS7506AC MJC
35	6LK73083000	PWA-H-ADU-380	1	1/SB	
36	F0-00033000	UAMS-07-0	1	10/P	
37	F0-00047000	EDS-1717U	2	10/P	
39	F0-01243000	LWS-1211Z	1	5/P	
40	E0-12019000	V-152-1C25	1	1/C	
42	X0-02060000	S/TPS/PAN-3X16-ZU3	2	10/P	



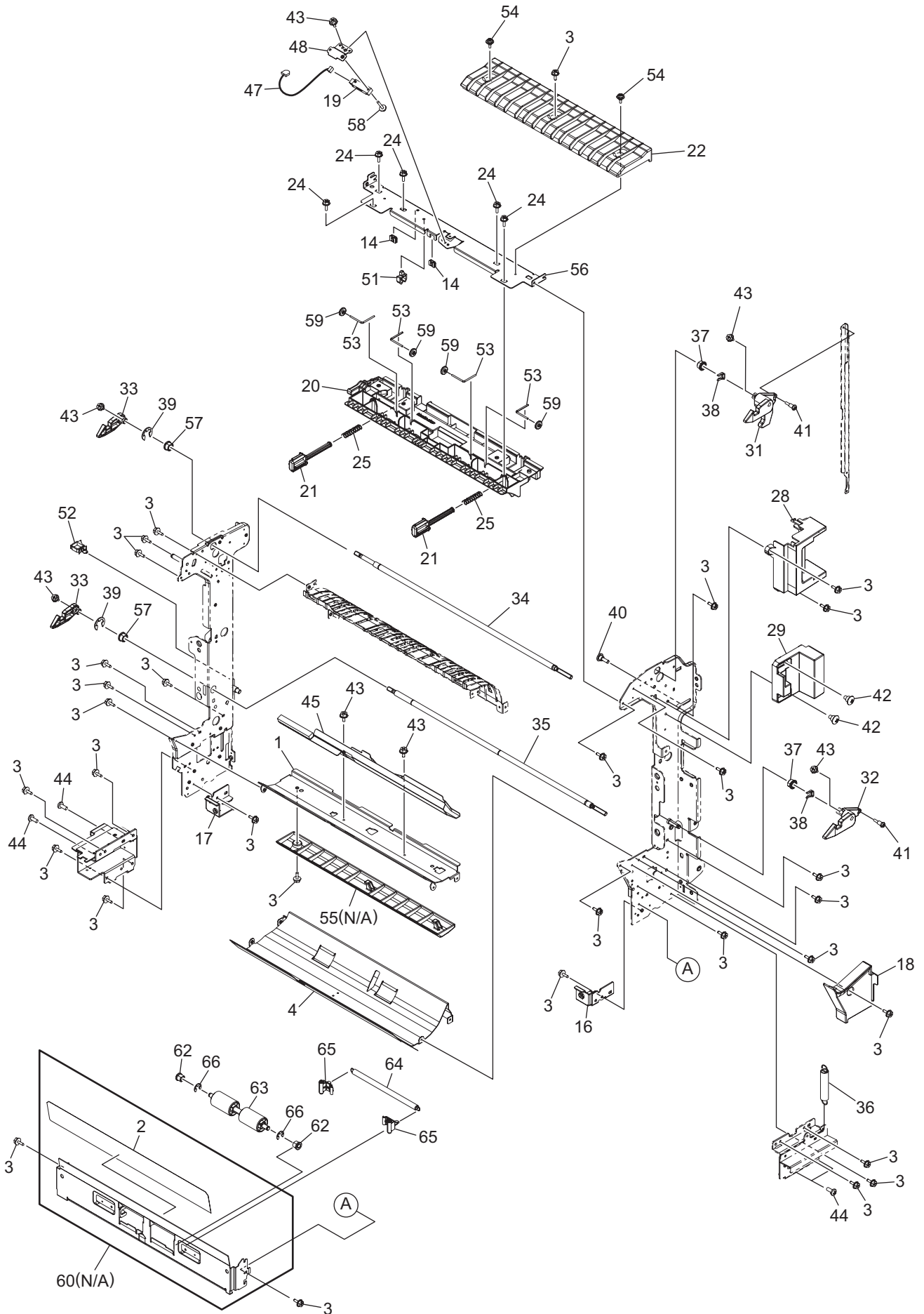
ITEM No.	PART No.	PART NAME	Q'TY / PAGE	Q'TY / PACK	REMARKS
1	6LH05530300	COVER-ADU-RIGHT-430-B	1	1/PP	
2	6LH05432200	GUIDE-ADU-RIGHT-UP_MN	1	1/PP	
3	6LH05522000	STOPPER-STRING-430	1	1/KP	
4	F0-01394000	CA-0131B	2	1/P	
5	X0-01989000	S/TPP/BID-3X8-NI	5	10/P	
7	6LH05529100	COVER-ADU-U-SUB-430-B	1	1/PP	
8 A	6LK41928000	ASYS-COVER-ADU-UP-H38X	1	1/PP	NAD,MJD,ASD,AUD,ARD
8 B	6LK41928100	ASYS-COVER-ADU-UP-H38XC	1	1/PP	CND
9 A	6LK41933000	LBL-ADU-UPPER-H38X	1	1/KP	NAD,MJD,ASD,AUD,ARD
9 B	6LK41934000	LBL-ADU-UPPER-C-H38X	1	1/KP	CND
10	6LE25210000	CUSH-FRM-SCREW-380	1	1/P	
11	6LH04460000	BRKT-TR2-T_BOX	1	1/P	
12	F0-01248000	ESC-0912	1	10/P	
13	6LK41325000	COV-IN-R-H38X	1	1/PP	
14	6LK41326000	COVER-ADU-RER-H38X	1	1/PP	
18	44201629000	STOPPER-COV-FED	1	1/P	
22	6LH05546300	COVER-ADU-FRT-SUB-380_M	1	1/PP	
23	6LH05507000	PUSHER-COVER-ADU-SW	1	1/P	
24	X0-02247000	S/TPP/FHEXM-3X8-NI	7	10/P	
25	X0-02421000	S/TPS/FHEXM/R-4X8-ZU3	5	10/P	
26	6LH05500400	COVER-ADU-FRT-H38X	1	1/PP	
30	X0-02678000	S/TPS/FHEXM/R-4X8-ZB3	6	10/P	
31	X0-02681000	S/TPD3/FHEXM/R-3X8-ZB3	4	10/P	
32	6LK54442000	LBL-E-BRIDGE-BK	1	1/P	
33 A	6LJ84150000	LBL-ENERGY-T-PP-16	1	5/P	NAD,MJD,ASD,AUD,ARD



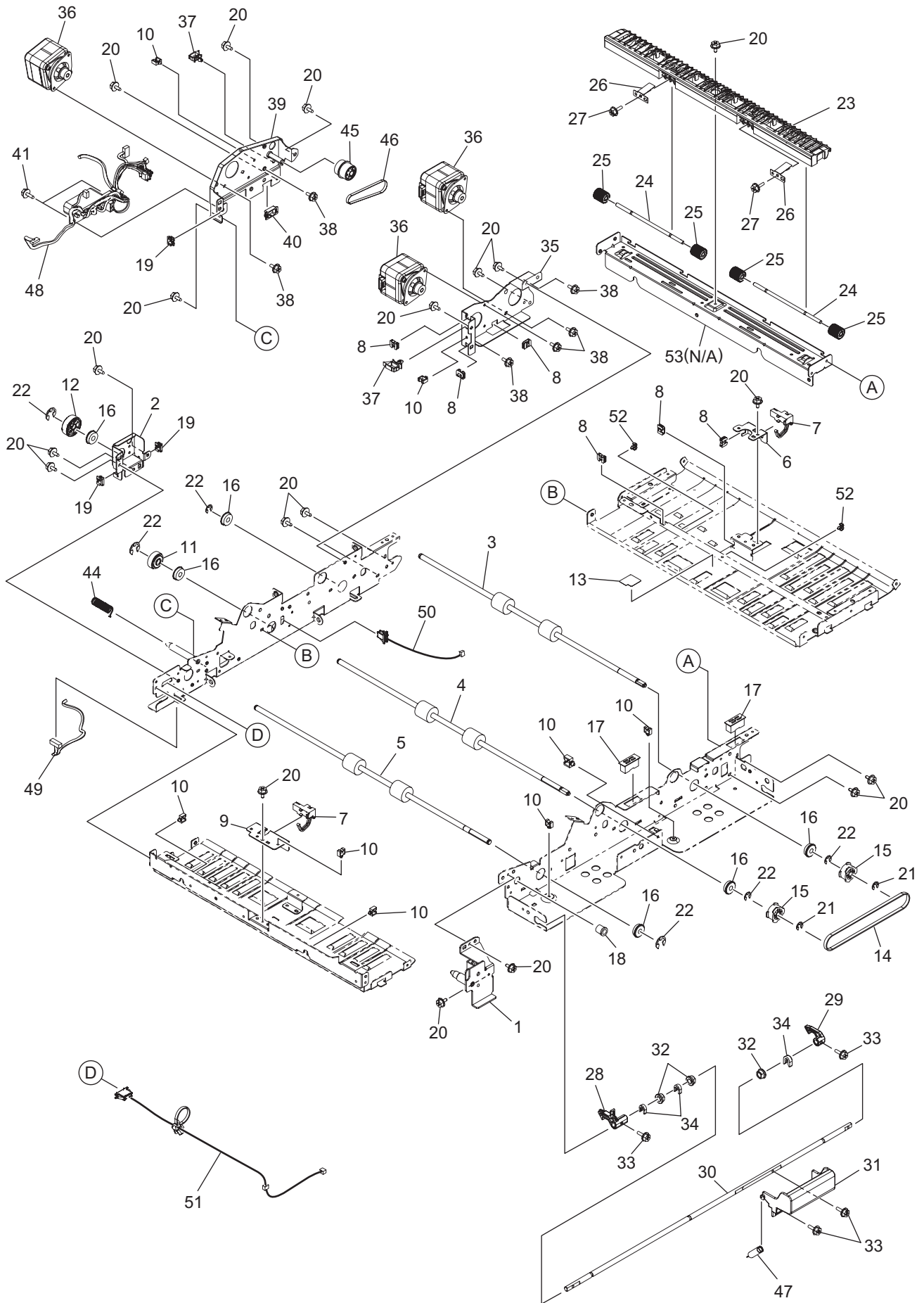
ITEM No.	PART No.	PART NAME	Q'TY / PAGE	Q'TY / PACK	REMARKS
1	6LH05494000	BRKT-HOLD-MID-R	1	1/P	
2	F0-00120000	ES-0505	2	5/P	
3	X0-02421000	S/TPS/FHEXM/R-4X8-ZU3	6	10/P	
4	6LH05527000	ASYS-FRM-MID-GID-F	1	1/P	
5	6LJ07901000	ASYS-FRM-MID-GID-RN	1	1/P	
6	6LH05456000	GUIDE-MID-JCT-U	1	1/PP	
7	6LH05493000	STAY-GUIDE-MID-JCT	1	1/P	
8	6LK41935100	GUIDE-SEPT-JCT_SH	1	1/PP	
9	6LK41905000	GUIDE-EXIT-M-H38X	1	1/PP	
11	6LH05481000	BRKT-HOLD-MID-F	1	1/P	
12	6LK41911000	RLR-ADU-LFT-UP-H38X	1	1/KP	
13	6LH05459000	SHAFT-SEPT-GUIDE-R	1	1/P	
14	6LH05473000	SPG-GUIDE-JCT	1	1/P	
15	6LJ07909000	CRANK-MOV-GUIDE	1	1/P	
16	6LH05409000	GEAR-10S20_PS2M30-6	1	1/P	
17	6LH05429000	PULLY-S2M30-6D	1	1/P	
18	6LH05455000	CARR-GEAR-MID	1	1/P	
19	6LH05420000	BLT.SY-S2M-186-4	1	1/P	
20	6LK41921000	SPC-ROL-IDLE-ADU-MID	2	1/C	
21	44203198000	ROLL-EXIT-L-320	2	1/P	
22	6LH05508000	SPG-E-9R1XR7X26R08	1	1/P	
24	6LE41127000	SCREW-M3-4-1.4	1	5/P	
25	6LH05511000	SCREW-M3X8-3.2-P	2	5/P	
26	6LH53768000	BUSH-6-NU4	2	1/P	
27	X0-02230000	S/FHEXM-M3X6-NI	1	10/P	
28	C0-20495000	LG2A24BL1	2	1/C	
31	F0-01462000	LBWS-0206S-V0	2	1/P	
32	F0-02297000	696ZZNR-SB-M-GV22	1	1/P	
33	X0-00964000	RR/E-3-SS	1	10/P	
34	X0-00965000	RR/E-4-SS	1	10/P	
35	X0-00966000	RR/E-5-SS	3	10/P	
36	X0-02247000	S/TPP/FHEXM-3X8-NI	15	10/P	
37	X0-02069000	S/TPS/BID-3X6-ZU3	2	10/P	
38	6LJ09271000	HRNS-MIDSN-130	1	1/P	
39	6LH05526000	BRKT-SUPPORT-JCT-GUIDE	1	1/P	
40	6LJ07902000	BRKT-SNSR-ADU-MID-N	1	1/P	
41	6LJ07908000	ACTR-SNSR-ADU-MID	1	1/C	
42	6LH05539000	PIN-SNSR-ADU-MID	1	1/P	
43	6LH05538000	SPG-SNSR-ADU-MID	1	1/P	
44	6LJ08725000	SHEET-SNSR-LG248	1	5/P	
45	X0-00963000	RR/E-2-SS	2	10/P	
47	F0-01194000	UAMS-02WH-2	1	5/P	
48	6LK41917000	SHAFT-IDLE-ADU-MID-H38X	1	1/P	
49	6LH01139300	CVR-LVR-DR_BM	1	N/A***	



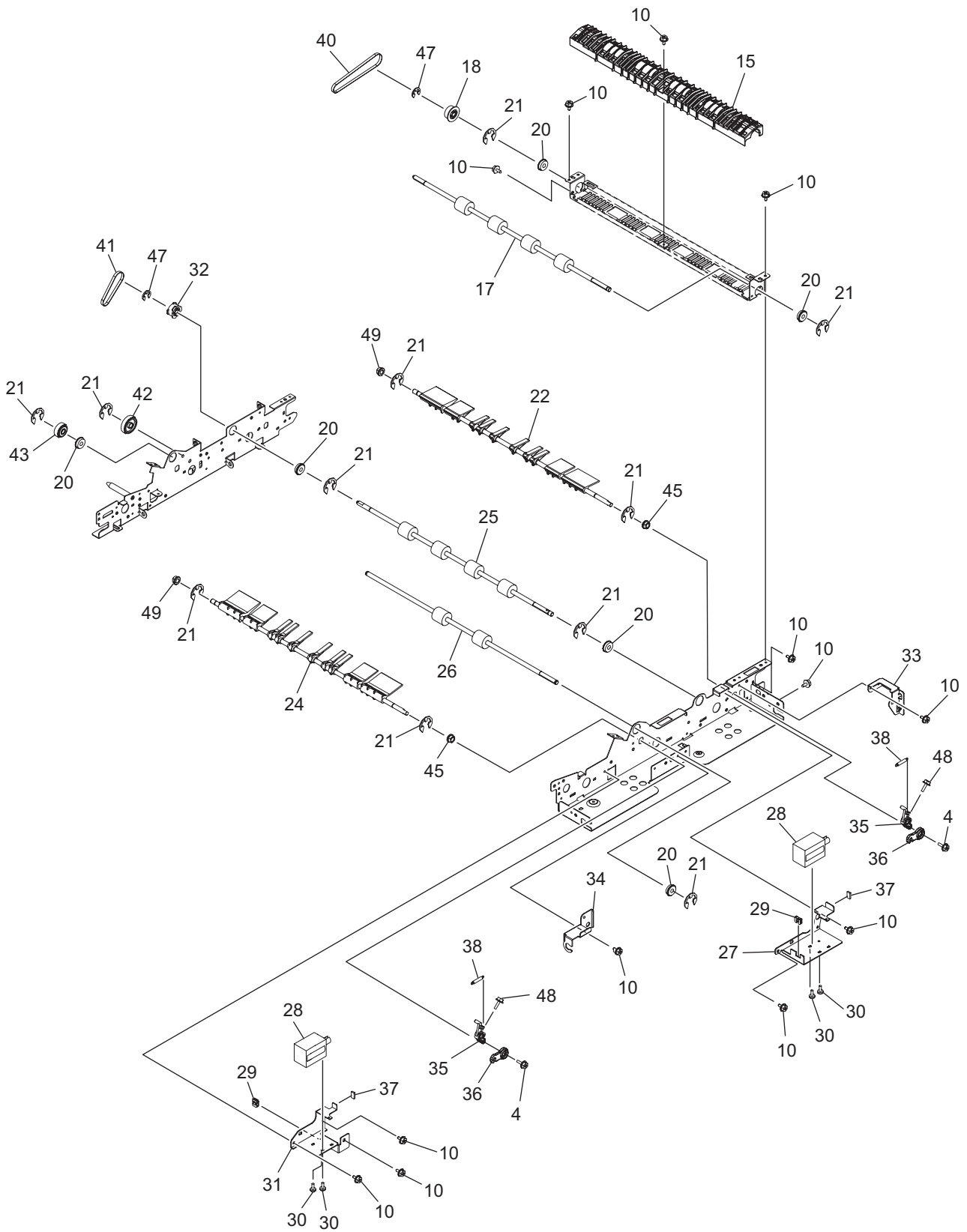
ITEM No.	PART No.	PART NAME	Q'TY / PAGE	Q'TY / PACK	REMARKS
1	6LK41336000	FRAME-TRU-F-H38X	1	1/P	
2	X0-02420000	S/TPS/FHEXM/R-3X8-ZU3	11	10/P	
3	6LK41337000	ASYS-FRAME-TRU-R-H380	1	1/P	
6	X0-00965000	RR/E-4-SS	1	10/P	
20	6LH05438200	GUIDE-ADU-IN_MN	1	N/A***	
21	6LK41716000	SPG-F-EARTH-SNSR-H38X	1	1/P	
22	6LJ75224000	SPG-PAD-CST-H24X	4	1/P	
23	6LK41352000	HOLDER-SPC-TR2-H38X	4	1/P	
24	6LK41353000	PUSHER-TRU-H38X	4	1/P	
28	6LK41915000	ROLLER-RGST-R-H38X	1	1/KP	
29	6LJ07612000	GEAR-RGST-H130	1	1/P	
30	6LH04733000	ASYB-BUSH-ROL-RGST-F	1	1/P	
31	6LK41931000	ASYB-BUSH-ROL-RGST-R-H38X	1	1/P	
32	X0-00968000	RR/E-7-SS	2	10/P	
33	X0-00970000	RR/E-9-SS	1	10/P	
34	X0-01165000	P/PRL/AH7-2X14-SS	1	10/P	
35	6LE24244000	HOLDER-RGST-SPE	2	1/P	
37	6LH04535000	SPG-C-11R1X1X48R5	2	5/P	
41	6LK41927000	ASYB-IDL-ADU-SIDE-H38X	4	1/P	
42	6LK43950000	ASYB-ROLL-IDL-BR-H38X	2	1/P	
44	6LH05440000	BRKT-SNSR-ADU-LOW	1	1/P	
45	6LE09239000	SNSR-FED-390	2	1/P	
46 A	6LK39237000	HRNS-ADU-SNR2-H380	1	1/P	Except for eS7506AC MJC eS7506AC MJC
46 B	6LK72989000	HRNS-ADU-SNR2-H380HF	1	1/P	
47	F0-01250000	MSB-1207	1	5/P	
48	X0-02247000	S/TPP/FHEXM-3X8-NI	18	10/P	
49	6LK41930100	COVER-HRNS-ADU-H38X	1	1/PP	
50	6LH05511000	SCREW-M3X8-3.2-P	3	5/P	
53	6LH04421000	HOLDER-SFT-LOCK-ADU-L	1	1/P	
54	6LK41331000	ASYS-FRAME-TRU-H380	1	1/P	



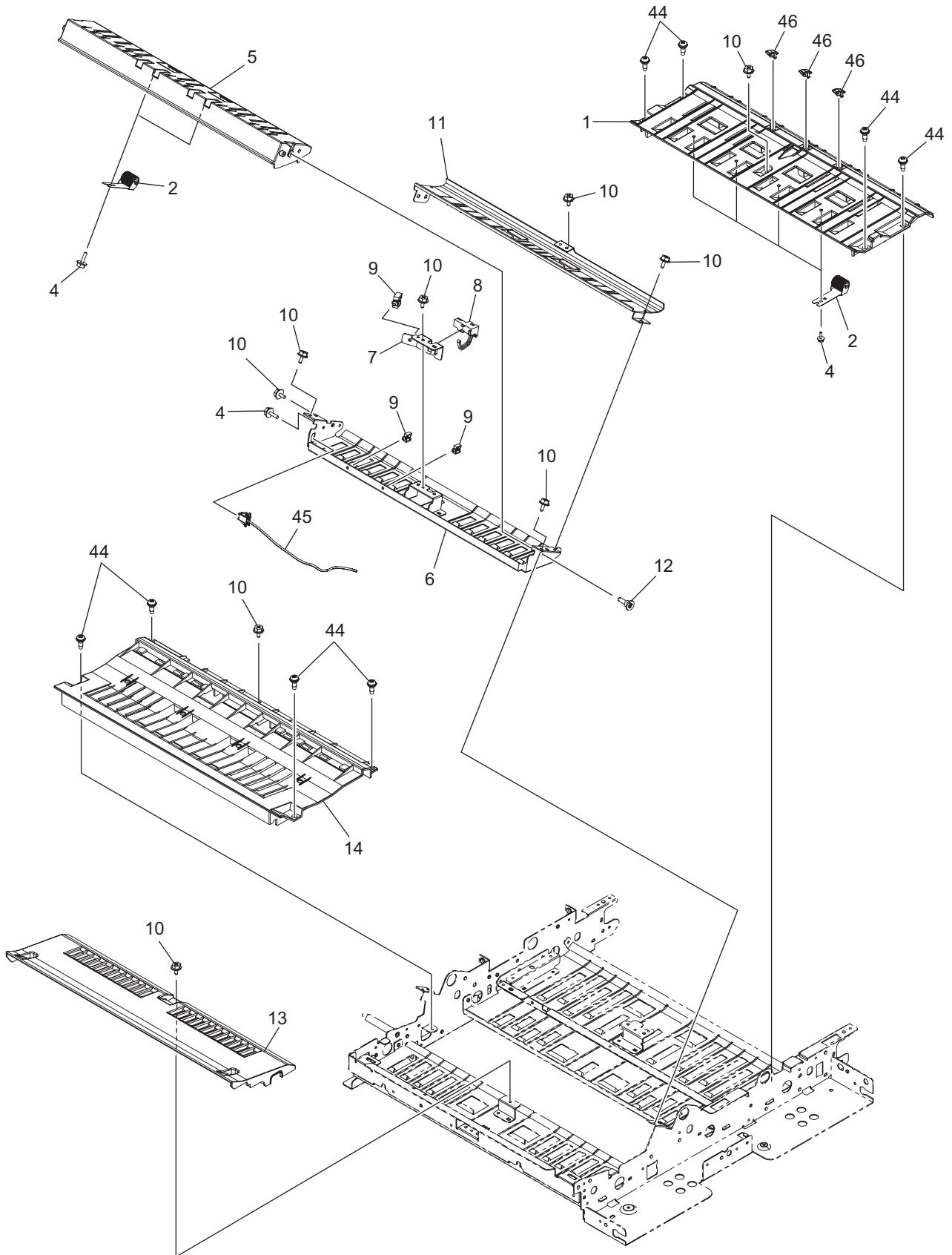
ITEM No.	PART No.	PART NAME	Q'TY / PAGE	Q'TY / PACK	REMARKS
1	6LH05404100	ASYS-GUIDE-RGST-R-H38X	1	1/KP	
2	6LH05203000	MYLAR-GUIDE-TRANS	1	1/KP	
3	X0-02420000	S/TPS/FHEXM/R-3X8-ZU3	31	10/P	
4	6LH05441100	ASYS-GUIDE-ADU-LOWH38	1	1/KP	
14	F0-00120000	ES-0505	2	5/P	
16	6LH05164000	BRKT-ADU-L-F	1	1/P	
17	6LH05165000	BRKT-ADU-L-R	1	1/P	
18	6LH05501200	COVER-ADU-FRT-SUB-L_B	1	1/P	
19	C0-15008000	PSR11TD1-A	1	1/P	
20	6LK42526000	COV-ADU-RTN-L-H38X	1	1/PP	
21	6LK42527000	PUSH-COV-SNSR-H38X	2	1/P	
22	6LH07446000	GUIDE-ADU-RTN	1	1/PP	
24	X0-02247000	S/TPP/FHEXM-3X8-NI	5	10/P	
25	6LK42528000	SPG-C-GUIDE-RTN-H38X	2	1/P	
28	6LH05502200	COVER-LEV-OPEN-ADU_B	1	1/P	
29	6LH05509200	LEVER-OPEN-ADU-H38X	1	1/P	
31	6LH05416000	LEVER-LOCK-ADU-FU	1	1/P	
32	6LH05427000	LEVER-LOCK-ADU-FL	1	1/P	
33	6LH05413000	LEVER-LOCK-ADU-RU	2	1/P	
34	6LH05421000	SHAFT-LOCK-LEV-ADU-UP	1	1/P	
35	6LH05496000	SHAFT-LOCK-LEV-ADU-LOW	1	1/P	
36	6LH05531000	SPG-E-15X1R4X44R7	1	1/P	
37	6LE50521000	BUSH-8X12X5R5F-NU4	2	5/P	
38	41306265000	STOP RING	2	1/P	
39	X0-00968000	RR/E-7-SS	2	10/P	
40	6LH05511000	SCREW-M3X8-3.2-P	1	5/P	
41	6LA08933000	SCREW-CON-DEV-V	2	10/P	
42	6LA37669000	SCREW-LOCK-ARM	2	5/P	
43	X0-02230000	S/FHEXM-M3X6-NI	7	10/P	
44	X0-02074000	S/TPS/BID-4X8-ZU3	4	10/P	
45	6LH04434000	ASYS-BRKT-BRUSH	1	1/C	
47 A	6LK39454000	HRNS-FEXSN-H380	1	1/P	Except for eS7506AC MJC eS7506AC MJC
47 B	6LK72990000	HRNS-FEXSN-H380HF	1	1/P	
48	6LK42588000	BRKT-ADU-SNSR-K11-H38X	1	1/P	
51	F0-00270000	UAMS-05L-0-46	1	10/P	
52	F0-01243000	LWS-1211Z	1	5/P	
53	6LK42529000	PIN-IDLE-ADU-H38X	4	10/P	
54	6LA08937000	SCREW-BKT-DEV	2	10/P	
55	6LH05403100	GUIDE-RGST-RIGHT-L_S	1	N/A***	
56	6LK42525000	BRKT-RTN-SNSR-H38X	1	1/P	
57	4400802080	BUSH-8	2	5/P	
58	X0-02135000	S/PAN/SWWP-M3X14-NI	1	10/P	
59	6LH07453000	ROLL-FUS-GUIDE	4	1/P	
60	6LK41923000	ASYS-GUIDE-TRANS-M	1	N/A***	
62	6LA03977000	BUSH-F6-GCB	2	5/P	
63	6LK41526000	ASYB-ROLLER-IDLE-H38X	1	1/P	
64	6LH04519000	SPG-E-COVER-IDLE-F43X	1	1/P	
65	6LH04521000	LVR-IDLE-F43X	2	1/P	
66	X0-00966000	RR/E-5-SS	2	10/P	



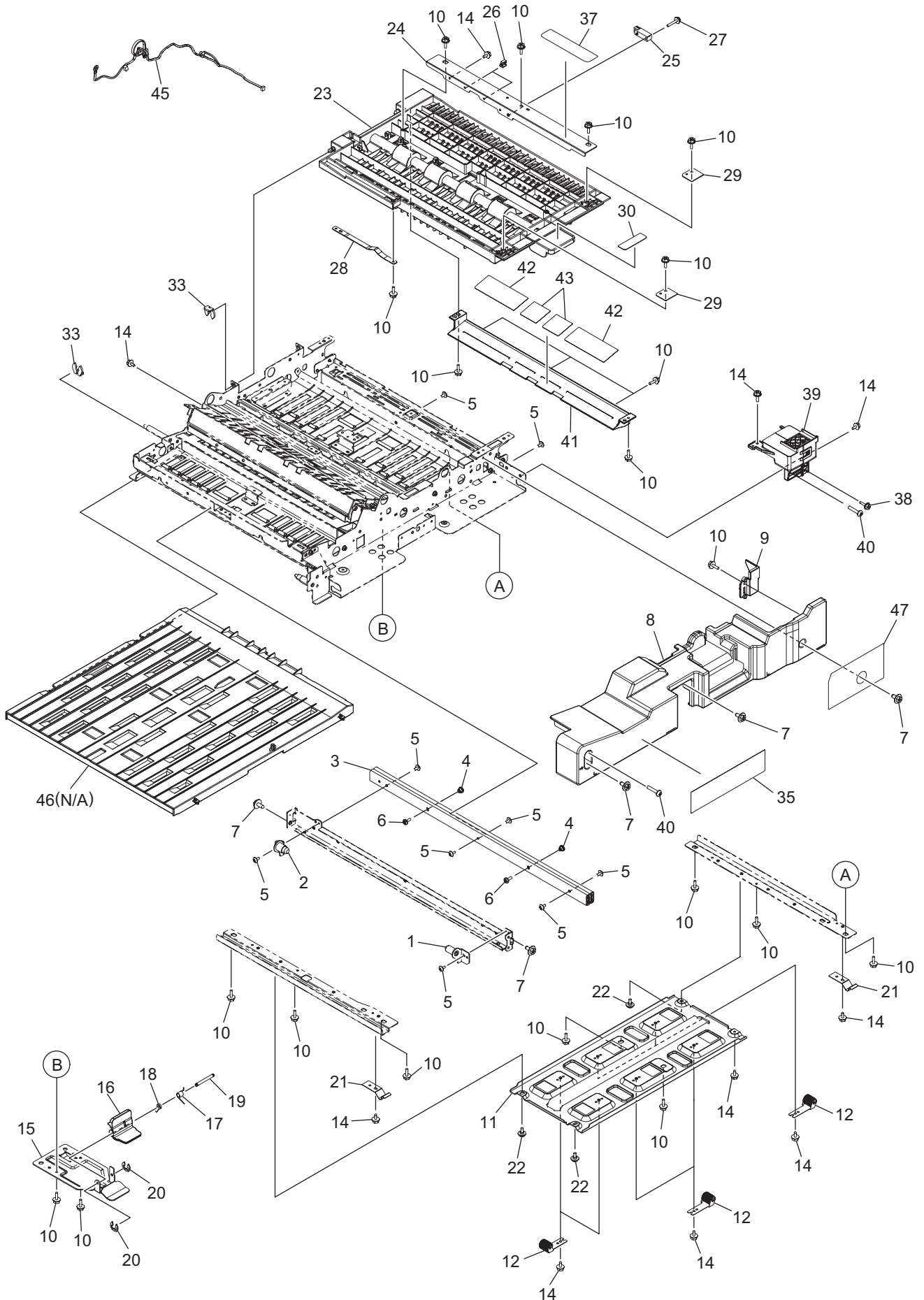
ITEM No.	PART No.	PART NAME	Q'TY / PAGE	Q'TY / PACK	REMARKS
1	6LH17871000	ASYS-BKT-PIN-F	1	1/P	
2	6LH17884000	PLATE-EX-DRV	1	1/P	
3	6LK43922000	RLR-BR-L1-H38X	1	1/KP	
4	6LK43923000	RLR-BR-L2-H38X	1	1/KP	
5	6LK43924000	RLR-BR-L3-H38X	1	1/KP	
6	6LH17839000	BRKT-SENS-M	1	1/P	
7	6LK73160000	SNSR-FED-RVS-H380	2	1/C	
8	F0-00120000	ES-0505	6	5/P	
9	6LH17831000	BRKT-BR-ML-SW	1	1/P	
10	F0-01250000	MSB-1207	8	5/P	
11	6LH17858000	GEAR-10S19-06C	1	1/P	
12	6LH17859000	GEAR-10S23-06C	1	1/P	
13	6LH17939000	MYLAR-BL	1	1/P	
14	6LH05401000	BLT.SY-S2M-300-4	1	1/P	
15	6LH05429000	PULLY-S2M30-6D	2	1/P	
16	F0-02297000	696ZZNR-SB-M-GV22	6	1/P	
17	6LH17973000	MG-CATCH-255	2	1/P	
18	F0-00018000	OCB-500	1	10/P	
19	F0-00671000	EDS-0607M	3	5/P	
20	X0-02419000	S/TPS/FHEXM/R-3X6-ZU3	19	10/P	
21	X0-00964000	RR/E-3-SS	2	10/P	
22	X0-00966000	RR/E-5-SS	6	10/P	
23	6LH17964000	HLDR-BR-ENT-L	1	1/P	
24	6LH17913000	SHAFT-BR-ENT-L	2	1/P	
25	6LE23952000	ROLL-EXIT-L-380	4	1/P	
26	6LH17914000	SPL-BR-ENT-L	2	1/P	
27	X0-02247000	S/TPP/FHEXM-3X8-NI	2	10/P	
28	6LH17820000	LEVER-BR-L	1	1/P	
29	6LH17821000	LEVER-BR-R	1	1/P	
30	6LH17822000	SHAFT-HANDLE-BR	1	1/P	
31	6LH17926100	LEV-HAND_G	1	1/P	
32	44201492000	BUSH-6-POM	3	5/P	
33	X0-02231000	S/FHEXM-M3X8-NI	4	10/P	
34	4407972860	STOP-RING-6-5	3	5/P	
35	6LH17870000	BKT-DRV-BR	1	1/P	
36	6LK41511000	MOTR.S-FEED-H38X	3	1/C	
37	F0-01811000	LWS-0711S-V0	2	5/P	
38	X0-02230000	S/FHEXM-M3X6-NI	6	10/P	
39	6LH17927100	ASYS-BKT-MOT-E_H38	1	1/P	
40	F0-01248000	ESC-0912	1	10/P	
41	X0-02420000	S/TPS/FHEXM/R-3X8-ZU3	2	10/P	
44	6LH17972000	SPG-C-10R6X1X31R8L	1	1/P	
45	6LK43901000	GEAR-10S19_PS2M30-6	1	1/P	
46	6LH17855000	BLT.SY-S2M-178-4	1	1/P	
47	6LH17965000	SPG-E-7R5XR7X25R3	1	1/P	
48 A	6LK73176000	HRNS-RLY-H380	1	1/P	Except for eS7506AC MJC
48 B	6LK73177000	HRNS-RLY-H380HF	1	1/P	eS7506AC MJC
49 A	6LK39234000	HRNS-RLY-EXM-H380	1	1/P	Except for eS7506AC MJC
49 B	6LK73005000	HRNS-RLY-EXM-H380HF	1	1/P	eS7506AC MJC
50 A	6LK31427000	HRNS-RLY1-FED1-340	1	1/P	Except for eS7506AC MJC
50 B	6LK73003000	HRNS-RLY1-FED1-H380HF	1	1/P	eS7506AC MJC
51 A	6LH08958000	HRNS-RLY1-SOL-430	1	1/P	Except for eS7506AC MJC
51 B	6LK73002000	HRNS-RLY1-SOL-H380HF	1	1/P	eS7506AC MJC
52	F0-01194000	UAMS-02WH-2	2	5/P	
53	6LK43905000	STAY-BR-ENT-L-H38X	1	N/A***	



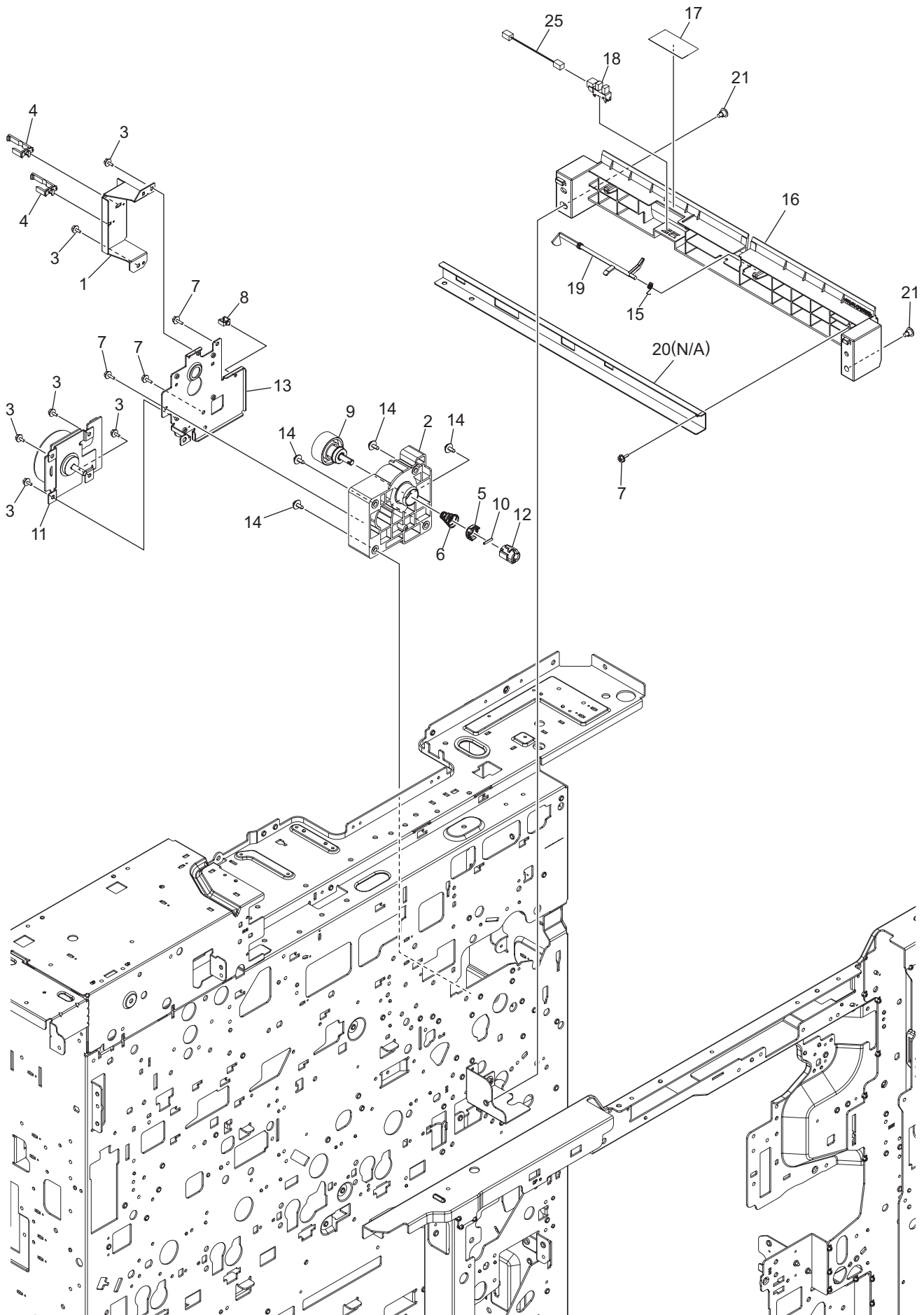
ITEM No.	PART No.	PART NAME	Q'TY / PAGE	Q'TY / PACK	REMARKS
4	X0-02247000	S/TPP/FHEXM-3X8-NI	2	10/P	
10	X0-02419000	S/TPS/FHEXM/R-3X6-ZU3	13	10/P	
15	6LK43962000	GUIDE-BR-ENT-U	1	1/D	
17	6LK43921000	RLR-BR-ENT-H38X	1	1/KP	
18	6LK43907000	PULLY-S2M30-6D-N	1	1/P	
20	F0-02297000	696ZZNR-SB-M-GV22	6	1/P	
21	X0-00966000	RR/E-5-SS	11	10/P	
22	6LH17824000	GATE-BR-1	1	1/KP	
24	6LH17827000	GATE-BR-2	1	1/KP	
25	6LK43925000	RLR-BR-REV-H38X	1	1/KP	
26	6LK43926000	RLR-BR-EXU-H38X	1	1/KP	
27	6LK43915000	BRKT-SOL-1	1	1/P	
28	6LE09192000	SOL-GATE-390	2	1/D	
29	F0-00120000	ES-0505	2	5/P	
30	X0-00057000	S/PAN-M3X6-NI	4	10/P	
31	6LH17826000	BRKT-SOL-2	1	1/P	
32	6LH05429000	PULLY-S2M30-6D	1	1/P	
33	6LH17874000	BRKT-F-R	1	1/P	
34	6LH17818000	BRKT-LEVER-BR	1	1/P	
35	6LH17925000	ARM-GATE-BR	2	1/P	
36	6LH17995000	LINK-BR-SOL-430	2	1/P	
37	6LK43930000	CUSHION-SOL-GATE-H38X	2	1/P	
38	6LA05704000	SPE-050-030-139	2	5/P	
40	6LH17856000	BLT.SY-S2M-212-4	1	1/P	
41	6LJ10913000	BLT.SY-S2M-130-4	1	1/P	
42	6LH17860000	GEAR-10S25-06	1	1/P	
43	6LH17858000	GEAR-10S19-06C	1	1/P	
45	6LH53768000	BUSH-6-NU4	2	1/P	
47	X0-00964000	RR/E-3-SS	2	10/P	
48	X0-02231000	S/FHEXM-M3X8-NI	2	10/P	
49	44201492000	BUSH-6-POM	2	5/P	



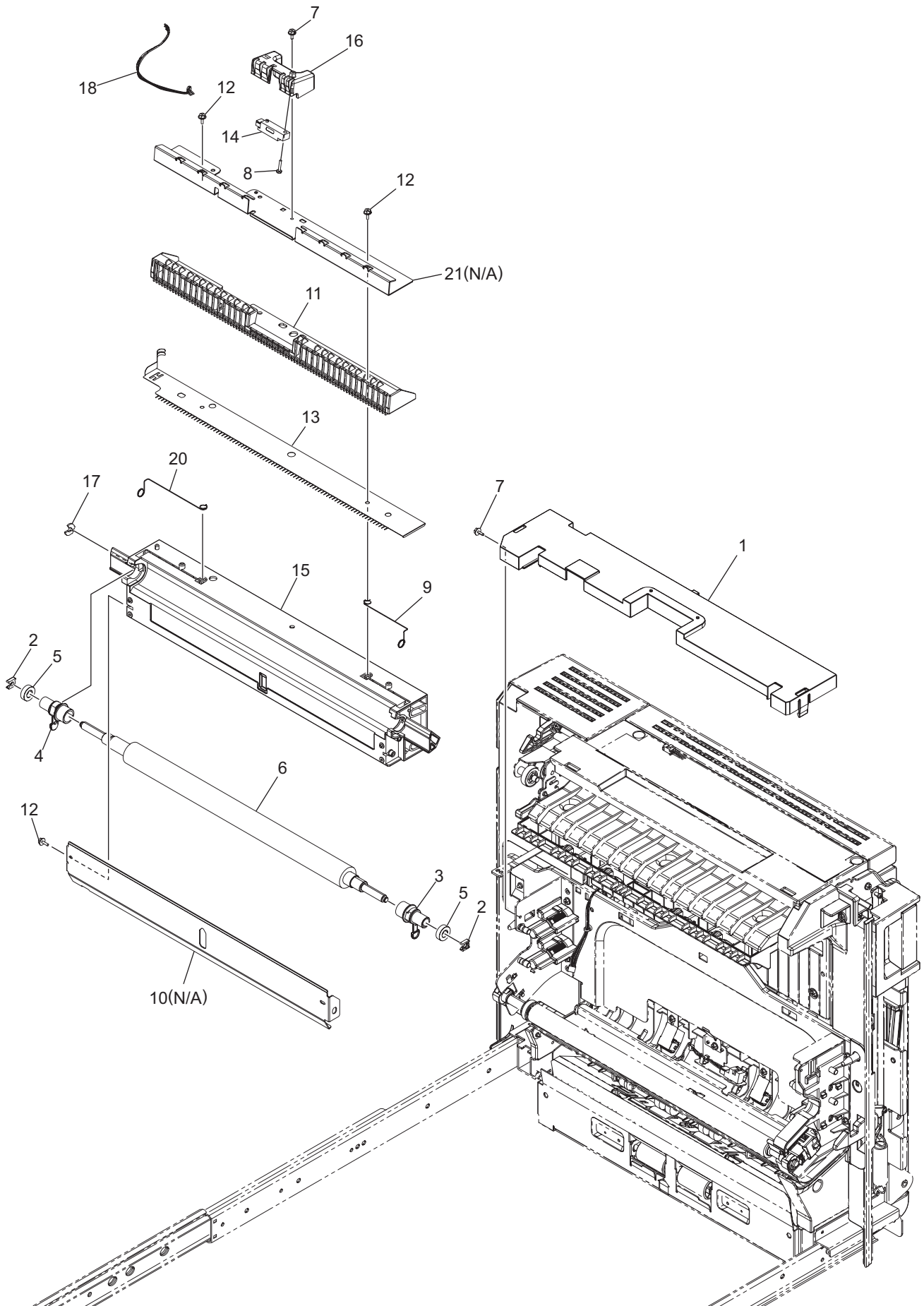
ITEM No.	PART No.	PART NAME	Q'TY / PAGE	Q'TY / PACK	REMARKS
1	6LH17842100	GUIDE-M-BR-R_SH	1	1/PP	
2	6LK43950000	ASYB-ROLL-IDL-BR-H38X	6	1/P	
4	X0-02247000	S/TPP/FHEXM-3X8-NI	7	10/P	
5	6LH17851000	GUIDE-M-EX	1	1/PP	
6	6LH17846000	ASYS-PLT-GUIDE-EX	1	1/P	
7	6LH17849000	BRKT-SENS-BR-EX	1	1/P	
8	6LK73160000	SNSR-FED-RVS-H380	1	1/C	
9	F0-01250000	MSB-1207	3	5/P	
10	X0-02419000	S/TPS/FHEXM/R-3X6-ZU3	9	10/P	
11	6LH17850000	GUIDE-EXIT-U	1	1/PP	
12	6LH05511000	SCREW-M3X8-3.2-P	1	5/P	
13	6LJ10900000	GUIDE-M-BR-L	1	1/P	
14	6LH17980100	ASYS-GUIDE-M-BR-C_SH	1	1/PP	
44	6LA36276000	SCREW-M3-FUS-C	8	5/P	
45 A	6LH08960000	HRNS-RLY1-RVS2-430	1	1/P	Except for eS7506AC MJC
45 B	6LK73004000	HRNS-RLY1-RVS2-H380HF	1	1/P	eS7506AC MJC
46	6LK43961000	GUIDE-M-BR-SUB-N	3	1/P	



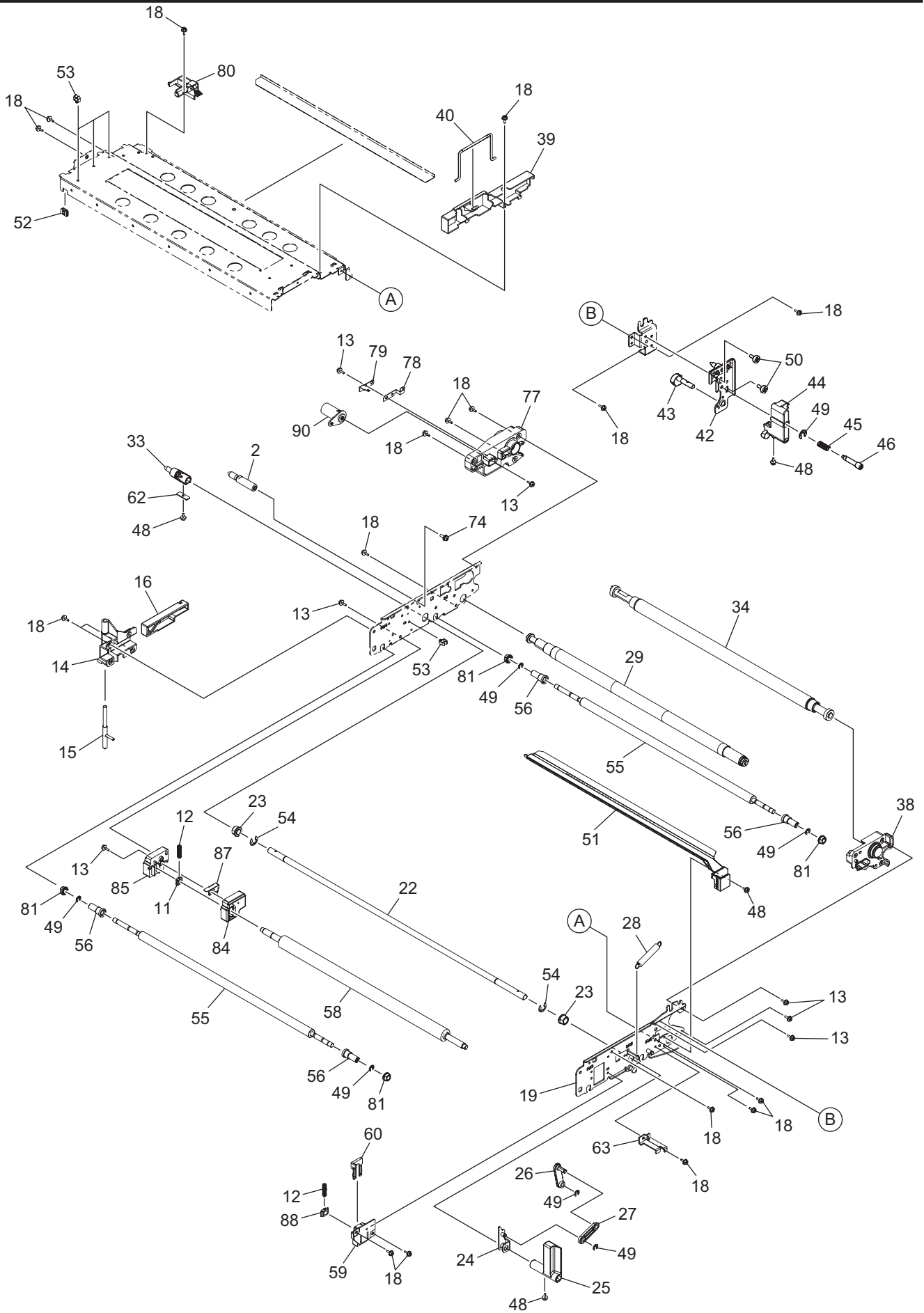
ITEM No.	PART No.	PART NAME	Q'TY / PAGE	Q'TY / PACK	REMARKS
1	6LH17800000	ASYS-BRKT-COV-UTRAY-F	1	1/P	
2	6LH17803000	ASYS-BRKT-COV-UTRAY-R	1	1/P	
3	6LH17809000	RAIL-BRIDGE-43X	1	1/P	
4	6LH17813000	STUD-RAIL	2	1/P	
5	6LA08935000	SCR-M3X6BISR-NI	9	10/P	
6	X0-00057000	S/PAN-M3X6-NI	2	10/P	
7	X0-02421000	S/TPS/FHEXM/R-4X8-ZU3	5	10/P	
8	6LH17928200	COVER-IN-BR-H38X	1	1/PP	
9	6LH17930100	PUSHER-SW-R_B	1	1/P	
10	X0-02247000	S/TPP/FHEXM-3X8-NI	22	10/P	
11	6LH17936000	BRKT-GID-RF-BR-V	1	1/P	
12	6LK43950000	ASYB-ROLL-IDL-BR-H38X	6	1/P	
14	X0-02419000	S/TPS/FHEXM/R-3X6-ZU3	13	10/P	
15	6LH17896000	PLATE-F-GUIDE-L	1	1/P	
16	6LH17895100	LEVER-LK_GG	1	1/P	
17	6LH17898000	SPA-LOCK-080	1	5/P	
18	6LJ10915000	WIRE-GUIDE-L	1	1/P	
19	6LE08847000	SHAFT-LEVER-390	1	1/P	
20	X0-00964000	RR/E-3-SS	2	10/P	
21	6LH17988000	ASYS-SPL-GUIDE-LOW	2	1/C	
22	6LE41127000	SCREW-M3-4-1.4	3	5/P	
23	6LH17906100	GUIDE-U-BR_SH	1	1/PP	
24	6LH17904000	BRKT-SENS-BR-U-R	1	1/P	
25	C0-15007000	PS119ED1	1	1/C	
26	F0-01250000	MSB-1207	2	5/P	
27	X0-02135000	S/PAN/SWVP-M3X14-NI	1	10/P	
28	6LH17937000	STOPPER-GUIDE-U	1	1/P	
29	6LH17908000	PLATE-MG-CATCH	2	1/P	
30	6LK43956000	LBL-O-GUIDE-U-BR-H38X	1	1/P	
33	44201801000	STOP-RING-6-1.5	2	5/P	
35	6LK43959000	LBL-O-BRIDGE-H38X_2	1	1/KP	
37	6LE08831000	LBL-W-HOT-STAY-390	1	5/P	
38	X0-02594000	S/TPD3/FHEXM-3X10-ZU3	1	10/P	
39	6LH17984000	ASYS-DUCT-FAN-BR-FRT	1	1/C	
40	X0-02066000	S/TPS/PAN-4X16-ZU3	2	10/P	
41	6LH17923000	GUIDE-BR-ENT2	1	1/PP	
42	6LA05697000	MYLAR-GUIDE-M95	2	1/KP	
43	6LA05696000	MYLAR-GUIDE-M39	2	1/P	
45 A	6LH09308000	HRNS-RLY1-RVS1-430	1	1/P	Except for eS7506AC MJC
45 B	6LK73006000	HRNS-RLY1-RVS1-H380HF	1	1/P	eS7506AC MJC
46	6LJ10914100	GUIDE-LOW-BR_SH	1	N/A***	
47 A	6LK43018000	LBL-HOT-BRG-H38X	1	1/KP	NAD,MJD,ASD,AUD,ARD
47 B	6LK43021000	LBL-HOT-BRG-H38XC	1	1/KP	CND



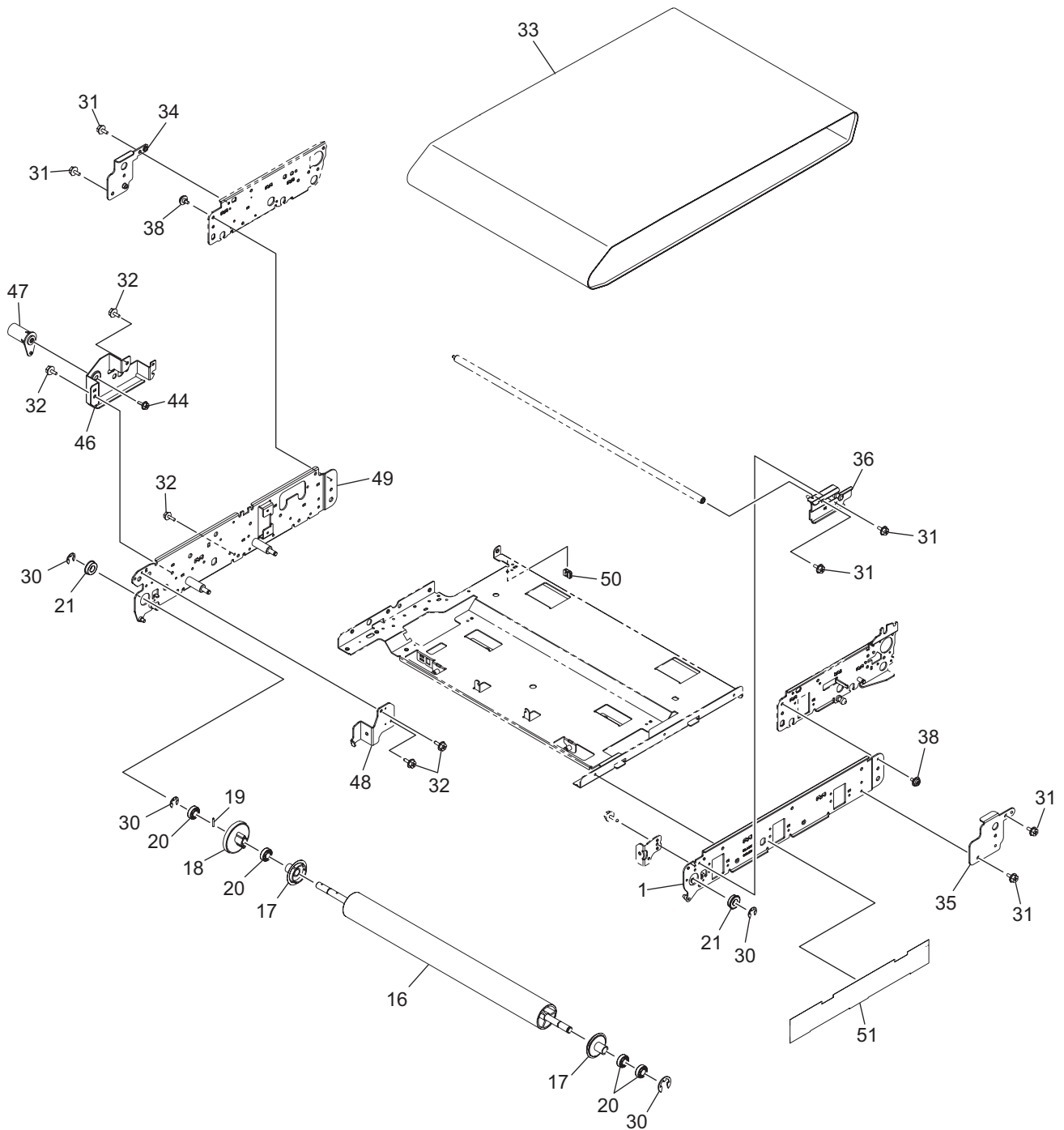
ITEM No.	PART No.	PART NAME	Q'TY / PAGE	Q'TY / PACK	REMARKS
1	6LK39742000	BRKT-HRNS-DRV-TBU-H38X	1	1/P	
2	6LK39700000	FRAME-DRV-TBU-H38X	1	1/P	
3	X0-02230000	S/FHEXM-M3X6-NI	6	10/P	
4	F0-00036000	RLWS3TV0	2	5/P	
5	6LK39704000	CAP-DRV-TBU-H38X	1	1/P	
6	6LK39740000	SPG-DRIVE-TBU-H38X	1	1/P	
7	X0-02247000	S/TPP/FHEXM-3X8-NI	4	10/P	
8	F0-01250000	MSB-1207	1	5/P	
9	6LK39720000	ASYS-SHAFT-DRV-TBU	1	1/P	
10	X0-01526000	P/PRL/AH7-2X12-SS	1	10/P	
11	6LK39746000	MOTR_D-DRIVE-03L20-22	1	1/C	
12	6LK39703000	COUPLE-DRV-TBU-H38X	1	1/P	
13	6LK39701000	BRKT-MOTR-DRV-TBU-H38X	1	1/P	
14	X0-02421000	S/TPS/FHEXM/R-4X8-ZU3	4	10/P	
15	6LE24277000	SPG-ACT-380	1	1/P	
16	6LK41321000	GUIDE-MID-L-H380	1	1/D	
17	6LK41316000	SHEET-GUIDE	1	1/P	
18	C0-17839000	LG2A14BL1	1	1/C	
19	6LK41314000	ACTR-GUIDE-MID-L-H38X	1	1/P	
20	6LK41322000	STAY-MID-L-H380	1	N/A***	
21	6LA37669000	SCREW-LOCK-ARM	2	5/P	
25 A	6LK39248000	HRNS-TBJAM-H380	1	1/P	Except for eS7506AC MJC
25 B	6LK72964000	HRNS-TBJAM-H380HF	1	1/P	eS7506AC MJC



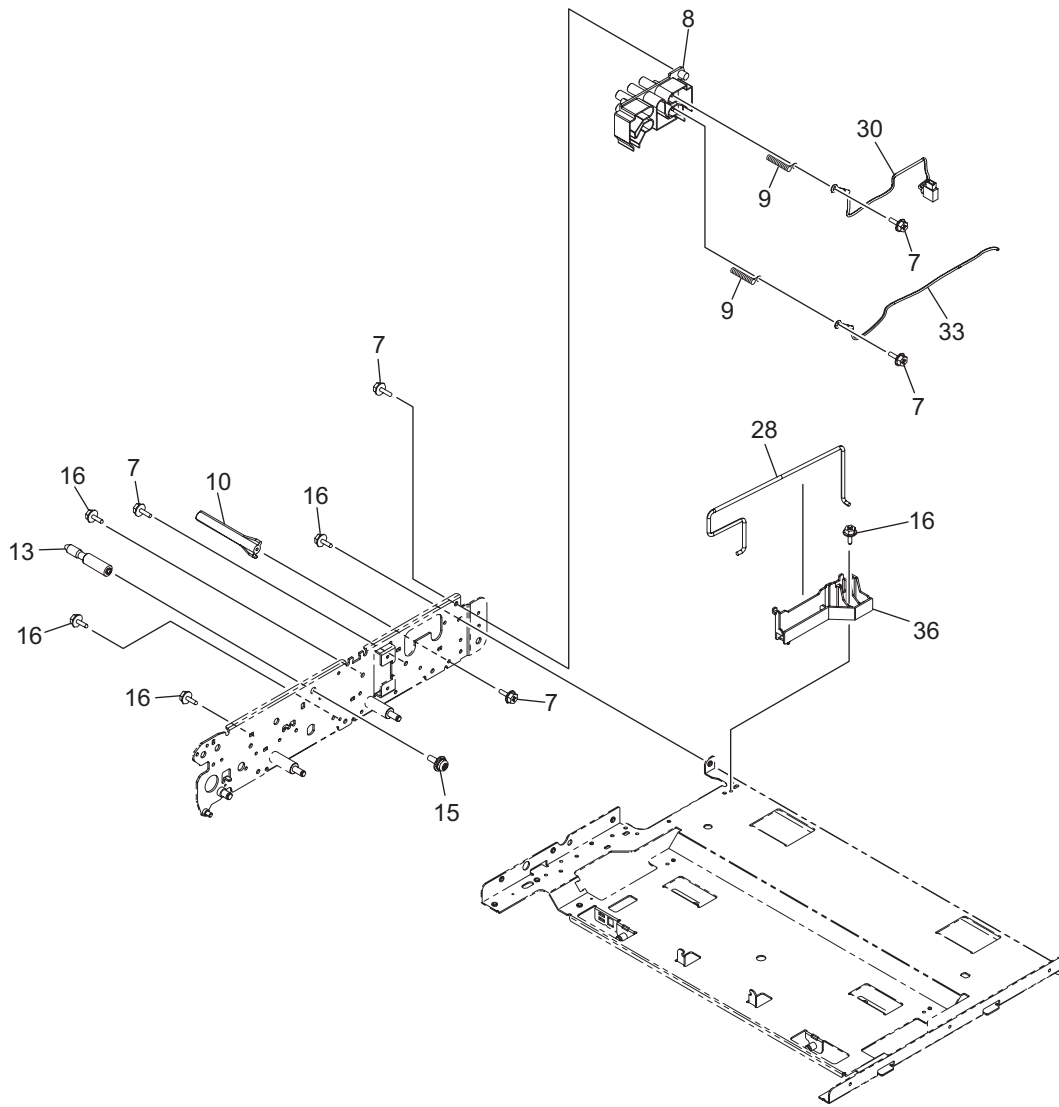
ITEM No.	PART No.	PART NAME	Q'TY / PAGE	Q'TY / PACK	REMARKS
1	6LK41358000	COVER-TRU-H38X	1	1/PP	
2	4408358930	STOP-RING-6-4	2	5/P	
3	6LK41312000	ASYS-BUSH-TR2-ROL-F-H380	1	1/P	
4	6LK41313000	ASYS-BUSH-TR2-ROL-R-H380	1	1/P	
5	F0-01550000	DDL-1680HHRP0P25LY349	2	1/P	
6	6LK41317000	CR-FC556TR2	1	1/S	
7	X0-02420000	S/TPS/FHEXM/R-3X8-ZU3	2	10/P	
8	X0-02034000	S/TPP/PAN-3X12-NI	1	10/P	
9	6LK41306000	SPC-GND-TR2-FRONT	1	1/P	
10	6LK41308000	GUIDE-MID-R-H380	1	N/A***	
11	6LJ07430000	GUIDE-TRU-430	1	1/PP	
12	X0-02247000	S/TPP/FHEXM-3X8-NI	3	10/P	
13	6LK41305000	PLT-EARTH-TR2-H380	1	1/P	
14	C0-15008000	PSR11TD1-A	1	1/P	
15	6LK41301000	HOLDER-ROL-TR2-H38X	1	1/C	
16	6LH04343000	HLDR-SNSR-GUIDE-TR2	1	1/P	
17	44201801000	STOP-RING-6-1.5	1	5/P	
18 A	6LH08997000	HRNS-TR2SN-430	1	1/P	Except for eS7506AC MJC eS7506AC MJC
18 B	6LK72991000	HRNS-TR2SN-H380HF	1	1/P	
20	6LK41307000	SPC-GND-TR2-REAR	1	1/P	
21	6LH04303000	PLATE-GUIDE-TRU-430	1	N/A***	



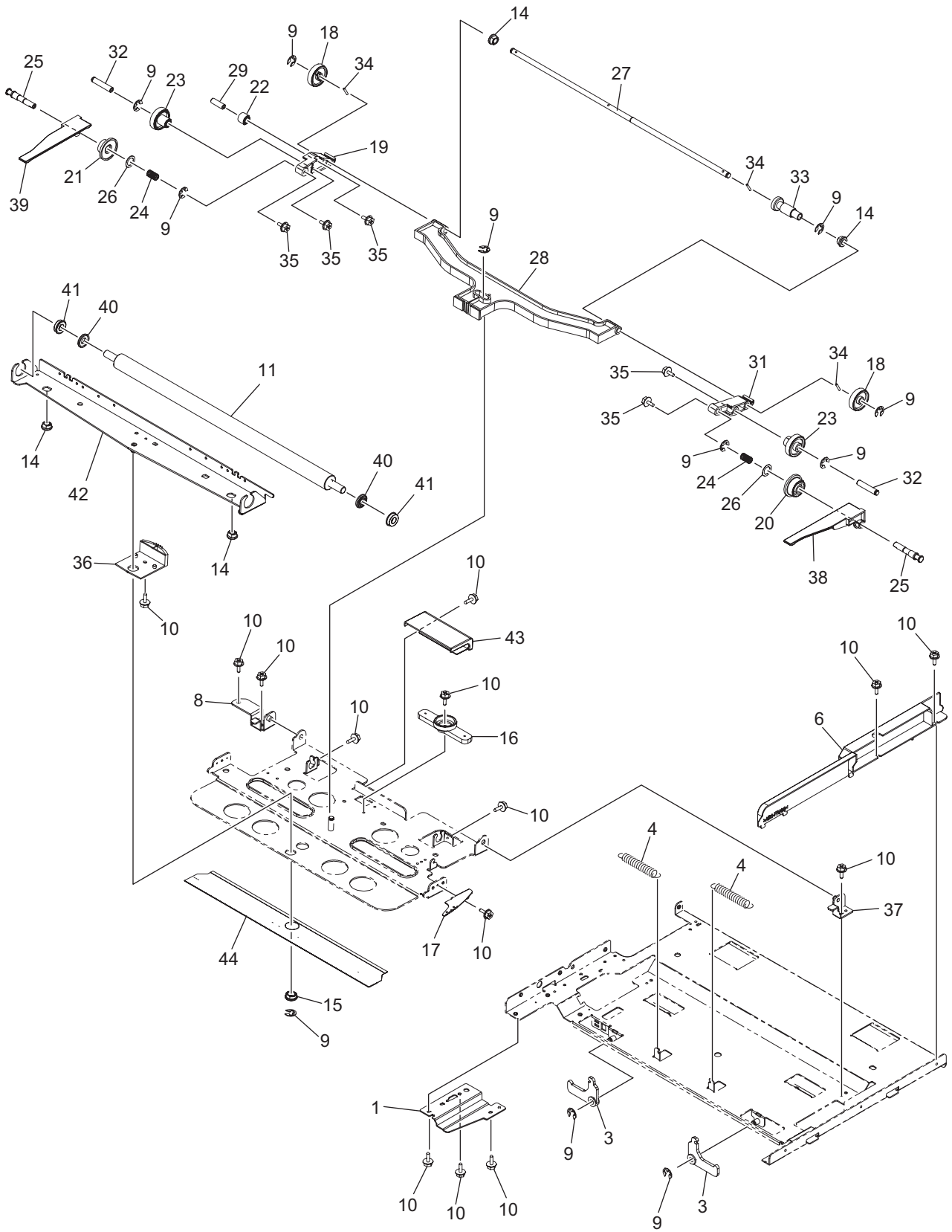
ITEM No.	PART No.	PART NAME	Q'TY / PAGE	Q'TY / PACK	REMARKS
2	6LH04100000	STUD-TBU-R-M4	1	1/P	
11	4406537280	HLDR-TR-ROLL	1	1/P	
12	6LH03865000	SPG-C-TR1-TBU	2	1/P	
13	X0-02247000	S/TPP/FHEXM-3X8-NI	7	10/P	
14	6LH03712100	HOLDER-LOCK-LVR_S	1	1/P	
15	6LJ07164000	ASYS-PIN-STOP	1	1/P	
16	6LH03715000	LINK-STOP-TBU	1	1/P	
18	X0-02420000	S/TPS/FHEXM/R-3X8-ZU3	18	10/P	
19	6LK41126000	ASYS-FRAME-F-TBU-H38X	1	1/P	
22	6LH03836000	SHAFT-LEVER-TBU-F43X	1	1/P	
23	4400802080	BUSH-8	2	5/P	
24	6LH03734000	ASYS-BRKT-LINK-H-F43X	1	1/P	
25	6LH03953200	LEVER-TBU-H38X	1	1/P	
26	6LH03866000	BRKT-LINK-F-F43X	1	1/P	
27	6LH03714000	PLATE-LINK-H-F43X	1	1/P	
28	6LH03801000	SPG-E-PLATE-TBU-FIX	1	1/P	
29	6LK41173000	ASYS-RLR-RIGID-SLD-H38X	1	1/KP	
33	6LH03742000	LINK-TBU-LOCK	1	1/P	
34	6LK41144000	ASYS-RLR-TR2-TBU-H38X	1	1/C	
38	6LK41103000	HLDR-RLR-DRV-TBU-F-H38X	1	1/P	
39	6LK41108000	COVER-FR-UP-TBU-H38X	1	1/P	
40	6LK41154000	LVR-TBU-H38X	1	1/P	
42	6LJ07166000	ASYB-PLATE-TBU-UD	1	1/P	
43	6LH03950000	CAM-TBU-UD	1	1/P	
44	6LH03896200	LEVER-SF-TBU-H38X	1	1/P	
45	6LH03894000	SPG-C-TBU-LIFT	1	5/P	
46	6LH03892000	SCREW-BRKT-TBU-UD	1	1/P	
48	X0-02230000	S/FHEXM-M3X6-NI	4	10/P	
49	X0-00965000	RR/E-4-SS	7	10/P	
50	4406329300	SCREW-DRM-GAP	2	10/P	
51	6LK41146000	ASYS-CLN-RLR-TBU-H38X	1	1/KP	
52	F0-00120000	ES-0505	1	5/P	
53	F0-01048000	UAMS-05-0	4	5/P	
54	X0-00968000	RR/E-7-SS	2	10/P	
55	6LH03799000	RLR-SNS-TBU-F43X	2	1/P	
56	6LH03726000	COLAR-RLR-LIFT	4	1/P	
58	6LJ07150000	RLR-TR1-TBU-H130	1	1/C	
59	6LH03718000	CASE-TERM-TR1-F	1	1/P	
60	6LH03719000	COVER-TERM-TR1-F	1	1/P	
62	6LH04012000	PLATE-LINK-TBU-LOCK	1	1/P	
63	6LH04013000	BRKT-LEVER-STOPPER	1	1/P	
74	X0-02363000	S/PAN/SWWS-M4X10-NI	1	10/P	
77	6LK41105000	HLDR-RLR-DRV-TBU-R-H38X	1	1/P	
78	6LK41106000	PLATE-TR2-TBU-H38X	1	1/C	
79	6LJ07115000	PLATE-TR2-TBU2-H130	1	1/P	
80	6LK41101000	GUIDE-CLN-TR2-TBU-H38X	1	1/P	
81	6LH53768000	BUSH-6-NU4	4	1/P	
84	6LK30994000	COVER-TERM-TR1-R	1	1/P	
85	6LH03887000	CASE-TERM-TR1-R	1	1/P	
87	6LH03817000	PLATE-TR1	1	1/P	
88	6LJ07165000	BUSH-TR1-TBU	1	1/P	
90	6LJ07123000	COLLAR-STAND-TBU-L-H130	1	1/P	



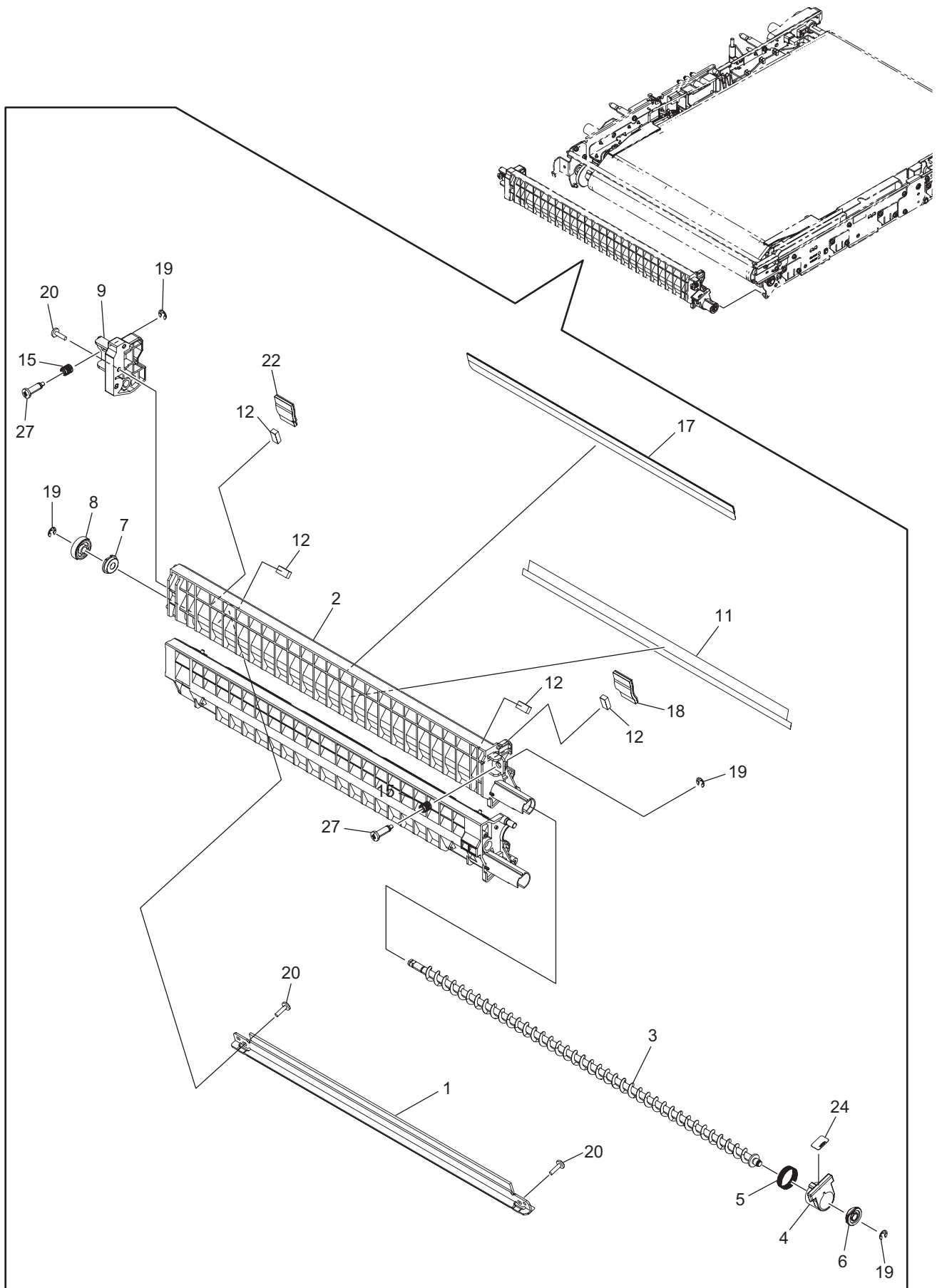
ITEM No.	PART No.	PART NAME	Q'TY / PAGE	Q'TY / PACK	REMARKS
1	6LK41114100	ASYS-FRM-TBU-F-LFT-H385	1	1/P	
16	6LJ07179000	RLR-CLN-TBU-H130	1	1/KP	
17	6LH03842000	GUIDE-RIB-DRV	2	1/P	
18	6LH03720000	GEAR-CLN-TBU	1	1/P	
19	X0-01526000	P/PRL/AH7-2X12-SS	1	10/P	
20	6LH03727000	COL-CLN-TBU-POS	4	1/P	
21	F0-02241000	LNR-1680KKRP0P25LY727	2	1/P	
30	X0-00968000	RR/E-7-SS	4	10/P	
31	X0-02230000	S/FHEXM-M3X6-NI	6	10/P	
32	X0-02420000	S/TPS/FHEXM/R-3X8-ZU3	5	10/P	
33	6LH03981000	BELT-TBU-G-F43X	1	1/C	
34	6LH03795000	FRAME-TBU-HING-R	1	1/P	
35	6LH03826000	FRAME-TBU-HING-F	1	1/P	
36	6LJ07162000	ASYS-BRKT-TBU-F-LEFT	1	1/P	
38	6LA08932000	SCREW-ACTR-TRU	2	10/P	
44	X0-02247000	S/TPP/FHEXM-3X8-NI	1	10/P	
46	6LK41120000	BRKT-TBU-SWITCH-MOT	1	1/P	
47	6LJ07123000	COLLAR-STAND-TBU-L-H130	1	1/P	
48	6LK41125000	BRKT-TBU-CLN-R	1	1/P	
49	6LK41117200	ASYS-FRM-TBU-R-LFT-H385	1	1/C	
50	F0-00120000	ES-0505	1	5/P	
51	6LK41161000	SHEET-TBU-F-H385	1	1/KP	



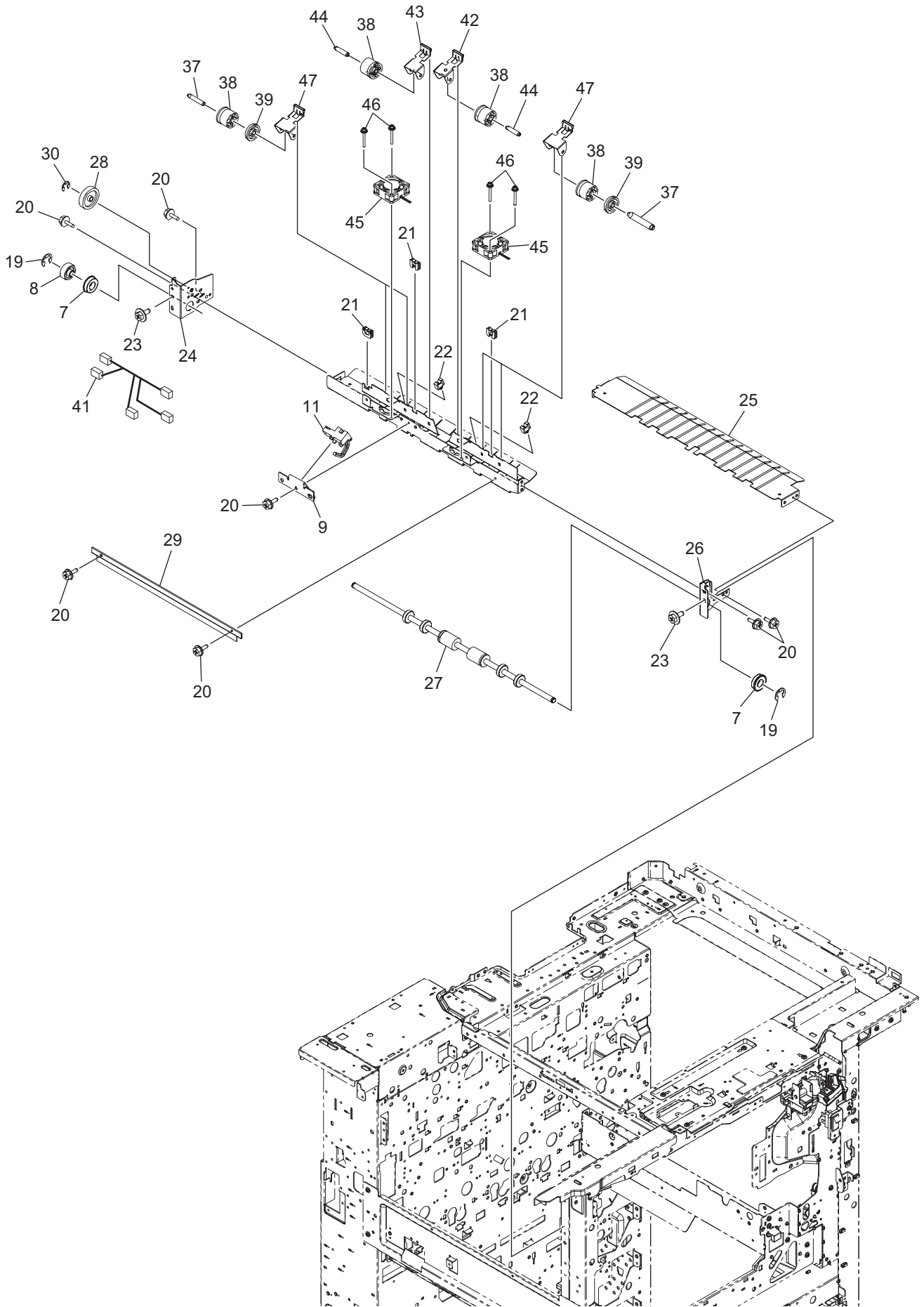
ITEM No.	PART No.	PART NAME	Q'TY / PAGE	Q'TY / PACK	REMARKS
7	X0-02247000	S/TPP/FHEXM-3X8-NI	5	10/P	
8	6LH03723000	TERM-KCMY-TRU	1	1/P	
9	6LH03827000	SPG-TERM-HVT-PIN	2	1/P	
10	6LJ07103000	COLLAR-STAND-TBU-H130	1	1/P	
13	6LH04100000	STUD-TBU-R-M4	1	1/P	
15	X0-02363000	S/PAN/SWWS-M4X10-NI	1	10/P	
16	X0-02420000	S/TPS/FHEXM/R-3X8-ZU3	5	10/P	
28	6LK41156000	LVR-LEFT-TBU-H38X	1	1/P	
30 A	6LH09157000	HRNS-TBUHV-K-430	1	1/P	Except for eS7506AC MJC
30 B	6LK72980000	HRNS-TBUHV-K-H380HF	1	1/P	eS7506AC MJC
33 A	6LK39309000	HRNS-TBUHV-TR2-H380	1	1/P	Except for eS7506AC MJC
33 B	6LK72984000	HRNS-TBUHV-TR2-H380HF	1	1/P	eS7506AC MJC
36	6LJ07127000	COVER-RL-HANDLE-TBU	1	1/P	



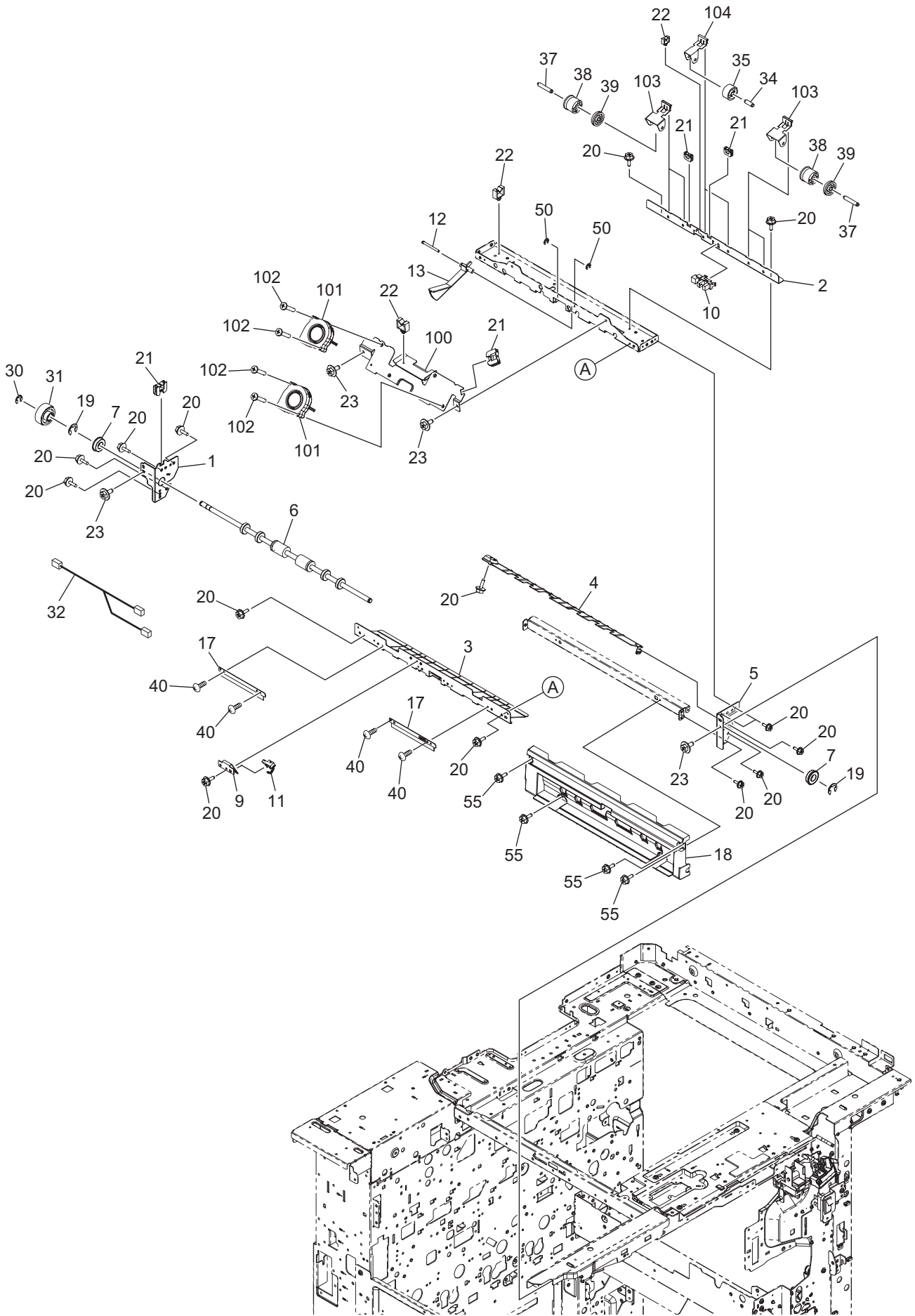
ITEM No.	PART No.	PART NAME	Q'TY / PAGE	Q'TY / PACK	REMARKS
1	6LH04104000	PLATE-STAY-YMC	1	1/P	
3	6LH03725000	ARM-TENSION	2	1/P	
4	6LK41168000	SPG-E-STRG-H38X	2	1/P	
6	6LH03921000	COVER-FL-UP-TBU	1	1/PP	
8	6LH03944000	ASYS-BRKT-HINGE-R	1	1/P	
9	X0-00965000	RR/E-4-SS	11	10/P	
10	X0-02420000	S/TPS/FHEXM/R-3X8-ZU3	14	10/P	
11	6LJ07178000	RLR-STRNG-AL-H130	1	1/KP	
14	44201492000	BUSH-6-POM	4	5/P	
15	6LE50521000	BUSH-8X12X5R5F-NU4	1	5/P	
16	6LH03937000	GEAR-05H50-WORM	1	1/P	
17	6LH03857000	BRKT-SCALE	1	1/P	
18	6LH03832000	GEAR-DRIVE-SHAFT	2	1/P	
19	6LH03856000	ARM-R	1	1/P	
20	6LH03915000	GEAR-ROL-GUIDE-F	1	1/P	
21	6LH03882000	GEAR-ROL-GUIDE-R	1	1/P	
22	6LH03861000	GEAR-RVRS	1	1/P	
23	6LH03831000	GEAR-IDLE-GUIDE	2	1/P	
24	6LH03986000	SPG-GEAR-STRNG-3N	2	5/P	
25	6LH03911000	STUD-GEAR-GUIDE	2	1/P	
26	6LA78908000	WASHER-6R2X9R5XR25-PL	2	5/P	
27	6LH04091000	SFT-DRV-STEERING	1	1/P	
28	6LH03939000	SLIDER-STRNG	1	1/P	
29	6LH03863000	STUD-IDLE-ARM	1	1/P	
31	6LH03855000	ARM-F	1	1/P	
32	6LH03864000	STUD-ROL-GUIDE	2	1/P	
33	6LH03829000	WORM-STEERING	1	1/P	
34	X0-01526000	P/PRL/AH7-2X12-SS	3	10/P	
35	X0-02230000	S/FHEXM-M3X6-NI	5	10/P	
36	6LH03936000	GEAR-10S80-STERING	1	1/P	
37	6LH03877000	ASYS-BRKT-HINGE-F	1	1/P	
38	6LH03913000	HLDR-BELT-F	1	1/P	
39	6LH03862000	HLDR-BELT-R	1	1/P	
40	6LH04045000	COLLAR-18	2	5/P	
41	F0-02241000	LNR-1680KKRP0P25LY727	2	1/P	
42	6LH03942000	ASYS-BRKT-ROL-STRNG	1	1/P	
43	6LH04074000	COVER-WORM-STRNG	1	1/P	
44	6LJ07175000	FELT-CLN-DRVRLR-TBU	1	1/KP	



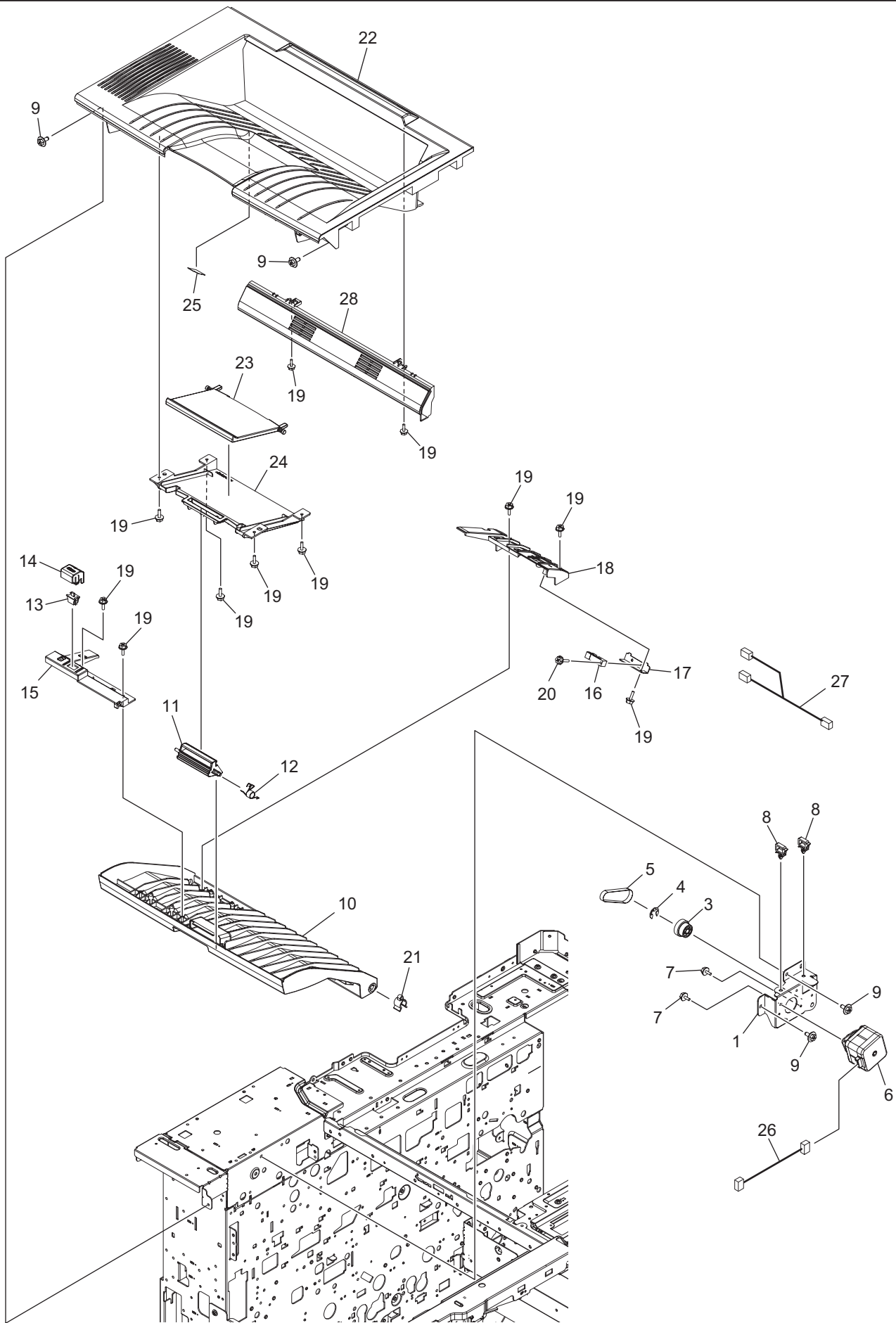
ITEM No.	PART No.	PART NAME	Q'TY / PAGE	Q'TY / PACK	REMARKS
1	6LK41162000	BL-FC556-TBU	1	1/S	
2	6LK41121000	FRAME-CLN-TBU-H38X	1	1/PP	
3	6LH03930000	AUG-CLN-TBU-M	1	1/KP	
4	6LH03780000	SHUT-AUG-CLN-TBU	1	1/P	
5	6LH03785000	SPG-CLN-TBU-SHUT	1	1/P	
6	6LH03925000	BUSH-06X18X4R4F-M-F	1	1/P	
7	6LH03929000	BUSH-06X18X4R4F-M-R	1	1/P	
8	6LH03773000	GEAR-AUGER-CLN-TBU	1	1/P	
9	6LK41122000	FRAME-CLN-TBU-R-H38X	1	1/P	
11	6LK41139000	SHEET-CLN-TBU-BLADE	1	1/KP	
12	6LK41137000	SEAL-CLN-TBU-BACK	4	5/P	
15	6LK41171000	SPG-C-CLN-TBU-N	2	1/P	
17	6LK41138000	SHEET-RECOVERY-TBU	1	1/C	
18	6LK41135000	SEAL-CLN-TBU-F-H38X	1	1/P	
19	X0-00965000	RR/E-4-SS	4	10/P	
20	6LA80090000	S/TPP/BID-3*8-NI	3	5/P	
22	6LK41136000	SEAL-CLN-TBU-R-H38X	1	1/P	
24	6LK41160000	LBL-SHUT-CLN-TBU-H38X	1	5/P	
27	6LK41131000	SCREW-M4-CLN	2	5/P	



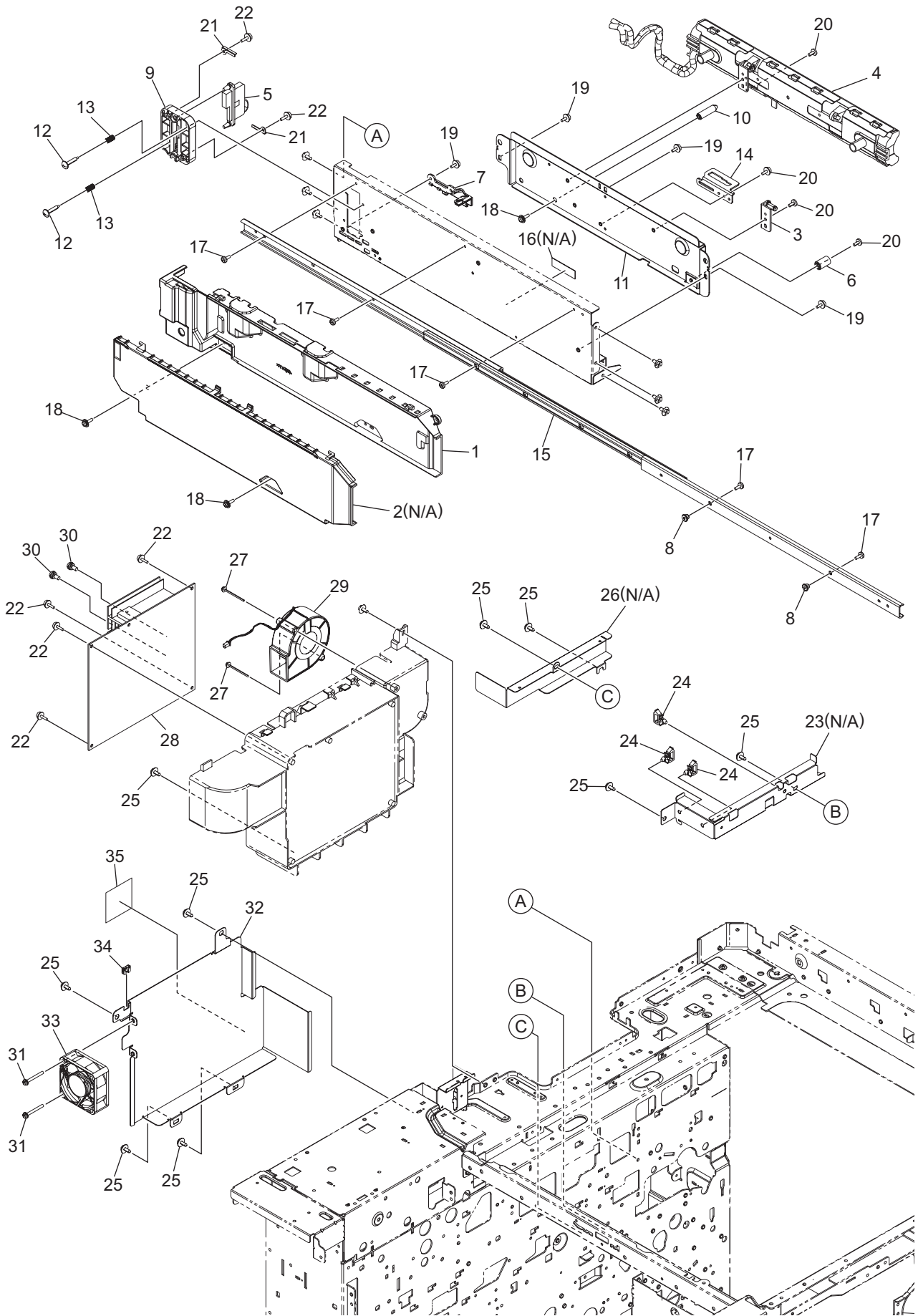
ITEM No.	PART No.	PART NAME	Q'TY / PAGE	Q'TY / PACK	REMARKS
7	F0-02240000	LNR-1680KKRP0P25LY551	2	1/P	
8	6LH04596000	GEAR-10S23-8-OWL	1	1/P	
9	6LH04752000	BRKT-EXIT-SW	1	1/P	
11	6LK73160000	SNSR-FED-RVS-H380	1	1/C	
19	X0-00968000	RR/E-7-SS	2	10/P	
20	X0-02420000	S/TPS/FHEXM/R-3X8-ZU3	7	10/P	
21	F0-01250000	MSB-1207	3	5/P	
22	F0-00120000	ES-0505	2	5/P	
23	X0-02421000	S/TPS/FHEXM/R-4X8-ZU3	2	10/P	
24	6LH04573000	ASYS-FRAME-ROL-EX-L-R	1	1/P	
25	6LH04603000	GUIDE-EXIT-LOW-L	1	1/P	
26	6LH04574000	FRAME-ROL-EX-L-F	1	1/P	
27	6LK43928000	ROLLER-EXIT-L-H38X	1	1/KP	
28	44201746000	GEAR-10S033-06	1	1/P	
29	6LH04774000	BRUSH-SUS-E-43X	1	1/KP	
30	X0-00966000	RR/E-5-SS	1	10/P	
37	6LH04759000	PIN-ROL-EXT	4	1/P	
38	6LH04760000	ROL-EXIT	6	1/P	
39	6LH04761000	ROL-EXIT-SUB	4	1/P	
41 A	6LK73045000	HRNS-EXTSN-H380	1	1/P	Except for eS7506AC MJC
41 B	6LK72985000	HRNS-EXTSN-H380HF	1	1/P	eS7506AC MJC
42	6LH04763000	SPL-EXIT-LC1	1	1/C	
43	6LH04764000	SPL-EXIT-LC2	1	1/C	
44	6LH04758000	PIN-ROL-EXT-LC	2	1/P	
45	6LK30991000	FAN-4015-155-H340	2	1/C	
46	X0-00130000	S/PAN/SWWP-M3X20-NI	4	10/P	
47	6LH04762000	SPL-EXIT	4	1/C	



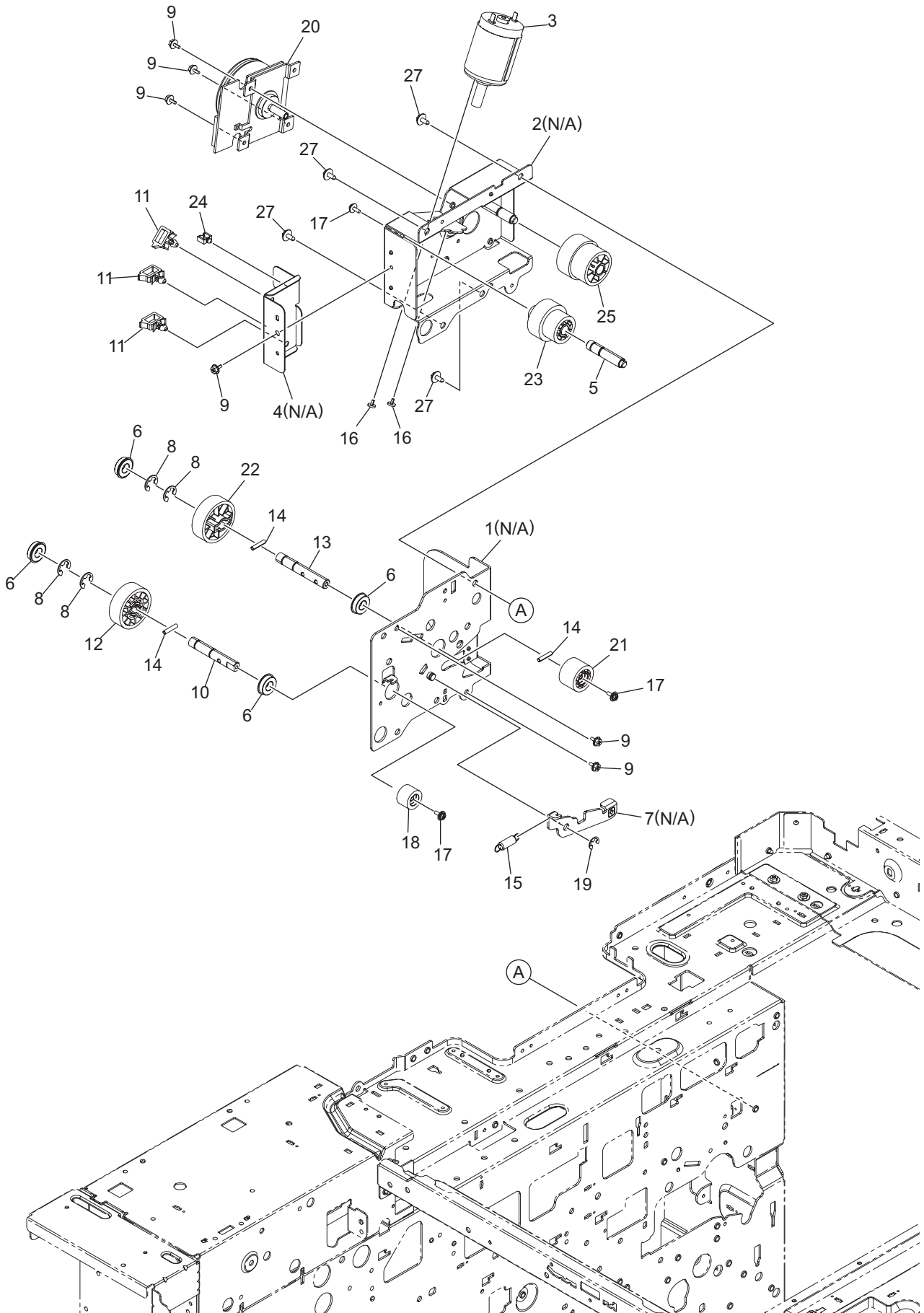
ITEM No.	PART No.	PART NAME	Q'TY / PAGE	Q'TY / PACK	REMARKS
1	6LH04777000	FRAME-ROL-EX-U-R-N	1	1/P	
2	6LJ07604000	BRKT-EXIT-IDLE-H130	1	1/P	
3	6LJ07633000	GUIDE-EXIT-UP-U-H340	1	1/P	
4	6LJ07606000	GUIDE-EXIT-UP-L-H130	1	1/P	
5	6LH04558000	FRAME-ROL-EX-U-F	1	1/P	
6	6LK43927000	ROLLER-EXIT-U-H38X	1	1/KP	
7	F0-02240000	LNR-1680KKRP0P25LY551	2	1/P	
9	6LJ07602000	BRKT-EXIT-SW-H130	1	1/P	
10	C0-20495000	LG2A24BL1	1	1/C	
11	6LK73160000	SNSR-FED-RVS-H380	1	1/C	
12	6LK43929000	PIN-ACTR-EXIT-H38X	1	1/P	
13	6LH04570000	ACT-FULL-EXIT-UP	1	1/P	
17	6LJ07607000	BRUSH-SUS-EXIT-H130	2	1/KP	
18	6LH04773400	COVER-EXIT-H38X	1	1/PP	
19	X0-00968000	RR/E-7-SS	2	10/P	
20	X0-02420000	S/TPS/FHEXM/R-3X8-ZU3	15	10/P	
21	F0-00120000	ES-0505	4	5/P	
22	F0-01250000	MSB-1207	3	5/P	
23	X0-02421000	S/TPS/FHEXM/R-4X8-ZU3	4	10/P	
30	X0-00966000	RR/E-5-SS	1	10/P	
31	6LH04753000	GEAR-10S23-8-D	1	1/P	
32 A	6LH08902000	HRNS-UEXTSN-430	1	1/P	Except for eS7506AC MJC eS7506AC MJC
32 B	6LK72971000	HRNS-UEXTSN-H380HF	1	1/P	
34	4408447860	PIN	2	1/P	
35	6LH04754000	ROL-EXIT-C	2	1/P	
37	6LH04759000	PIN-ROL-EXT	4	1/P	
38	6LH04760000	ROL-EXIT	4	1/P	
39	6LH04761000	ROL-EXIT-SUB	4	1/P	
40	6LA08935000	SCR-M3X6BISR-NI	4	10/P	
50	X0-00963000	RR/E-2-SS	2	10/P	
55	X0-02681000	S/TPD3/FHEXM/R-3X8-ZB3	4	10/P	
100	6LH01568000	ASYS-BRKT-FAN-EX-TRAY-U	1	1/P	
101	6LK30993000	FAN-5015-085-H340	2	1/D	
102	X0-00458000	S/BID-M4X20-NI	4	10/P	
103	6LH04762000	SPL-EXIT	4	1/C	
104	6LE05750000	SPL-EXIT-R-MD3-390	2	1/P	



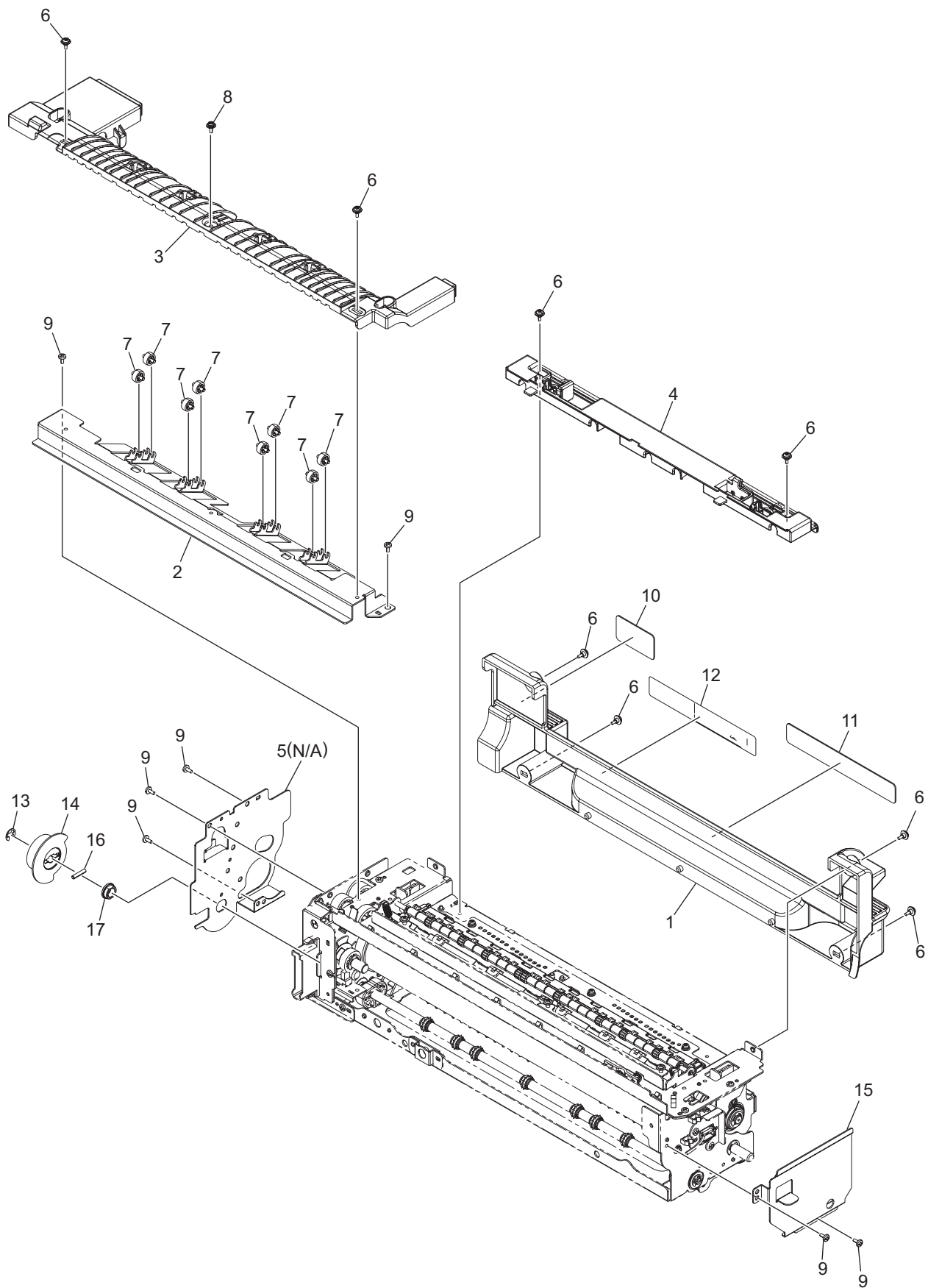
ITEM No.	PART No.	PART NAME	Q'TY / PAGE	Q'TY / PACK	REMARKS
1	6LH04578000	ASYS-BRKT-MOT-EXIT	1	1/P	
3	6LK43903000	GEAR-10S23_PS2M30-6	1	1/P	
4	X0-00966000	RR/E-5-SS	1	10/P	
5	6LH04593000	BLT_SY-S2M-140-6	1	1/P	
6	6LK41511000	MOTR.S-FEED-H38X	1	1/C	
7	X0-02230000	S/FHEXM-M3X6-NI	2	10/P	
8	F0-01811000	LWS-0711S-V0	2	5/P	
9	X0-02421000	S/TPS/FHEXM/R-4X8-ZU3	4	10/P	
10	6LH02332600	TRAY-LEFT-LOW-H38X	1	1/PP	
11	6LH02330400	LEVER-COV-TRAY-H38X	1	1/P	
12	6LH02349000	SPG-COV-OPEN-08	1	1/P	
13	E0-01853000	CS1A-B2CA	1	1/D	
14	6LH02394000	COVER-SW-OPEN-COV-RVS	1	1/P	
15	6LH02396000	HOLDER-SW-COV-RVS	1	1/P	
16	C0-15007000	PS119ED1	1	1/C	
17	6LH02348000	BRKT-SW-PS119ED1	1	1/P	
18	6LH02337000	COVER-SNSR-TRAY	1	1/PP	
19	X0-02247000	S/TPP/FHEXM-3X8-NI	11	10/P	
20	X0-02135000	S/PAN/SWWP-M3X14-NI	1	10/P	
21	6LH02359000	CLIP-TRAY-LOW	1	5/P	
22	6LH02409400	TRAY-LEFT-BUILTIN-H38X	1	1/PP	
23	6LH02333400	TRAY-SUB-H38X	1	1/PP	
24	6LH02335100	HOLDER-TRAY-LEFT_S	1	1/PP	
25	6LH17939000	MYLAR-BL	1	1/P	
26	6LK73053000	HRNS-DRV-RT2M-H380JC	1	1/P	
27 A	6LK73038000	HRNS-EXTCV-H380	1	1/P	Except for eS7506AC MJC eS7506AC MJC
27 B	6LK72970000	HRNS-EXTCV-H380HF	1	1/P	
28	6LH02387500	COVER-TRAY-FAN-H38XS	1	1/PP	



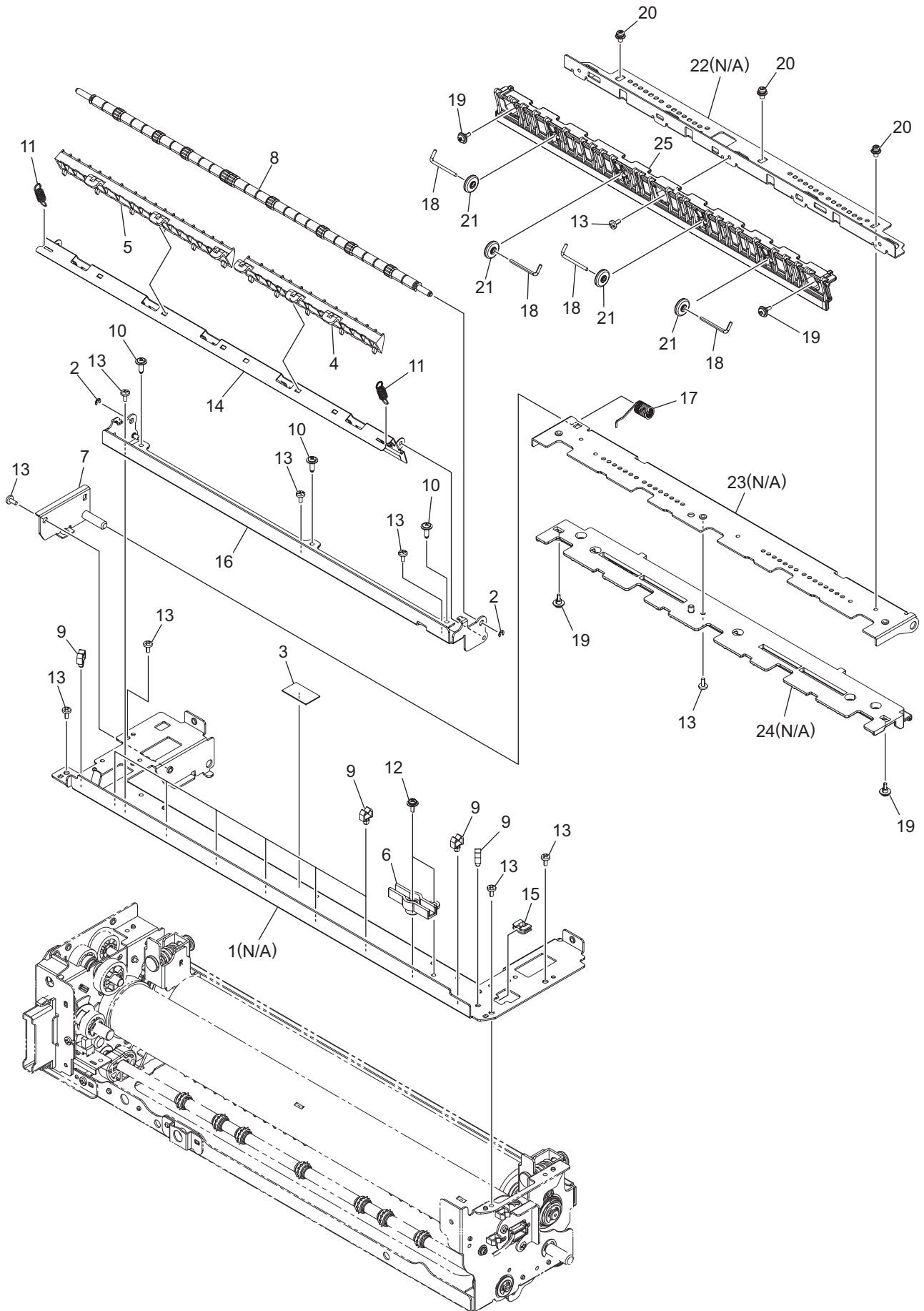
ITEM No.	PART No.	PART NAME	Q'TY / PAGE	Q'TY / PACK	REMARKS
1	6LK42583000	ASYS-DUCT-STAY-FUS-H38X	1	1/PP	NAD MJD,ASD,AUD,CND,ARD
2	6LH01520300	DUCT-STAY-FUS-L-H38XM	1	N/A***	
3	6LJ58828000	ASYS-STAY-IHUNIT-H21X	1	1/P	
4 A	6LJ58857400	ASYB-IHCOIL-H21X-H100S	1	1/C	
4 B	6LJ58857500	ASYB-IHCOIL-H21X-H200S	1	1/C	
5	6LK39312000	HRNS-LGC-FUS-H380	1	1/P	
6	6LJ58759000	SPG-C-PUSH-FUS-F-H21Y	1	1/P	
7	6LK42488000	COVER-STAY-HNS-H38X	1	1/P	
8	6LH17813000	STUD-RAIL	2	1/P	
9	6LK42487000	HLDR-W-H38X	1	1/P	
10	6LK42489000	STUD-STAY-FUS-H38X	1	1/P	
11	6LK42495000	BRKT-STAY-IH-H38X	1	1/P	
12	4406326040	SCREW-D4-18-M3	2	10/P	
13	6LA14468000	SPC068-080-160	2	5/P	
14	6LK42612000	SUPPT-COIL-IH-H38X-ADJ	1	1/P	
15	6LH17809000	RAIL-BRIDGE-43X	1	1/P	
16	6LK41373000	SHEET-FUSER-SNSR-H380	1	N/A***	
17	X0-00057000	S/PAN-M3X6-NI	5	10/P	
18	X0-00094000	S/PAN/SWWP-M3X10-NI	3	10/P	
19	X0-02230000	S/FHEXM-M3X6-NI	4	10/P	
20	X0-00430000	S/BID-M3X6-NI	4	10/P	
21	6LK42609000	BRKT-FUS-DRW-H38X	2	1/P	
22	X0-02247000	S/TPP/FHEXM-3X8-NI	6	10/P	
23	6LK42532000	GUIDE-HRNS-IH-H38X	1	N/A***	
24	F0-01810000	LWS-0511S-V0	3	5/P	
25	X0-02421000	S/TPS/FHEXM/R-4X8-ZU3	9	10/P	MJD,ASD,AUD,CND,ARD NAD
26	6LK42533000	SHIELD-HRNS-IH-H38X	1	N/A***	
27	X0-02484000	S/PAN/SWWP-M3X35-NI	2	10/P	
28 A	6LK39397200	ASYB-IH-H380E	1	1/SB	
28 B	6LK39397100	ASYB-IH-H380U	1	1/SB	
29	6LH09500000	FAN-P7530-430M	1	1/D	
30	6LH55300000	USUITA-SPSEMS-4X8-6	2	5/P	
31	X0-02089000	S/PAN/SWWS-M4X30-NI	2	5/P	
32	6LK42531000	PLT-SHIELD-IH-H38X	1	1/P	
33	6LK48236000	FAN-6025-065-H373	1	1/D	
34	F0-02296000	ES-0505-2	1	5/P	
35	6LK40243000	SHEET-PLT-SHIELD-IH-H38X	1	1/S	



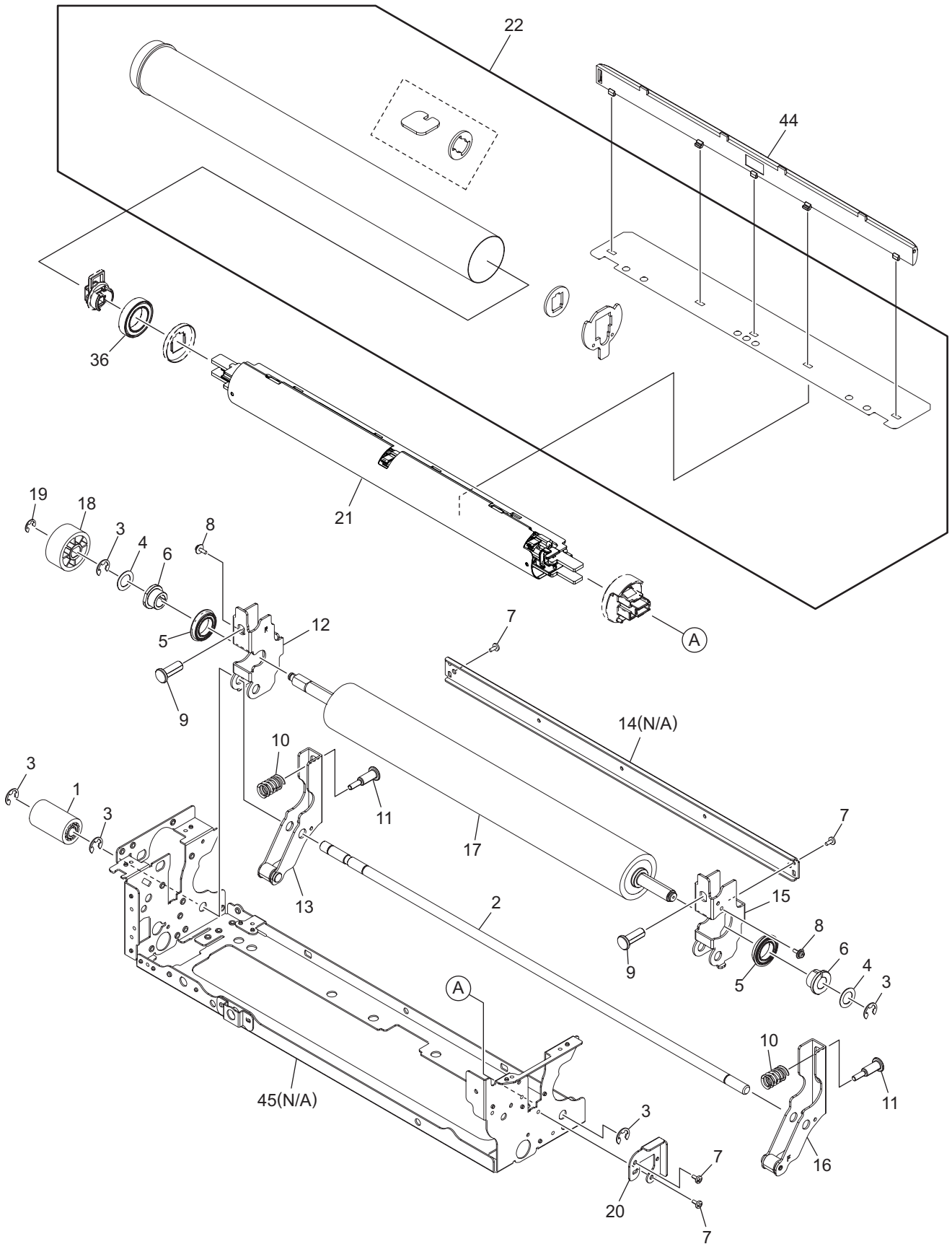
ITEM No.	PART No.	PART NAME	Q'TY / PAGE	Q'TY / PACK	REMARKS
1	6LK42513000	ASYS-BRKT-DRV-BASE-H38X	1	N/A***	
2	6LK42510000	ASYS-BRKT-DRV-MOT-H38X	1	N/A***	
3	6LJ59219000	ASYS-FUSSETM-H21Y	1	1/D	
4	6LK42504000	BRKT-COV-FUS-MOT-H38X	1	N/A***	
5	6LK42551000	STUD-DRV-FUS-SCR-H38X	1	1/P	
6	F0-02241000	LNR-1680KKRP0P25LY727	4	1/P	
7	6LK42508000	BRKT-FUS-LEV-R-H38X	1	N/A***	
8	X0-00968000	RR/E-7-SS	4	10/P	
9	X0-02230000	S/FHEXM-M3X6-NI	6	10/P	
10	6LK42505000	SHAFT-DRV-FUS-CAM-H38X	1	1/P	
11	F0-01811000	LWS-0711S-V0	3	5/P	
12	6LK42515000	GEAR-10H34-RIKAN-H38X	1	1/P	
13	6LK42506000	SHAFT-DRV-FUS-H38X	1	1/P	
14	X0-01169000	P/PRL/AH7-3X14-SS	3	10/P	
15	6LK42500000	SPG-E-LEV-H38X	1	1/P	
16	X0-00426000	S/BID-M3X4-NI	2	10/P	
17	6LK42626000	SCREW-M3X8-PAS	3	5/P	
18	6LK42606000	GEAR-10S17-8-H38X-KY	1	1/P	
19	X0-00966000	RR/E-5-SS	1	10/P	
20	6LK50207000	MOTR_D-DRIVE-05L20-39	1	1/SB	
21	6LK42507000	GEAR-10H22-8-H38X	1	1/P	
22	6LK42502000	GEAR-08H44-8-H38X	1	1/P	
23	6LK42501000	GEAR-10H23-8H40-8-H38X	1	1/P	
24	F0-01250000	MSB-1207	1	5/P	
25	6LK42503000	GEAR-05H65-08H36-8-H38X	1	1/P	
27	X0-02421000	S/TPS/FHEXM/R-4X8-ZU3	4	10/P	



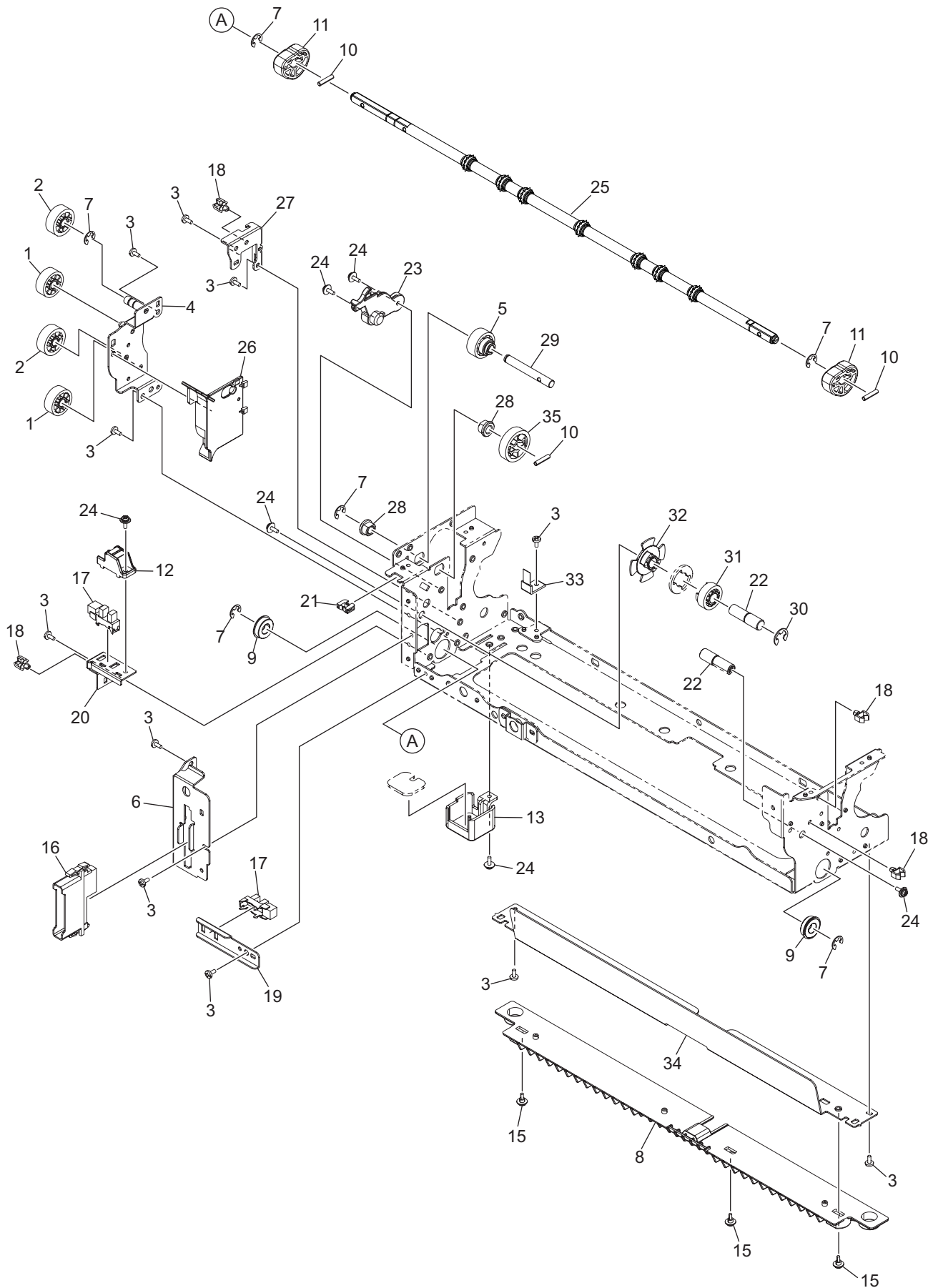
ITEM No.	PART No.	PART NAME	Q'TY / PAGE	Q'TY / PACK	REMARKS
1	6LK42412000	COV-FUS-FRONT-H38X	1	1/C	
2	6LK42451000	BRKT-FUS-GUIDE-WEL-H38X	1	1/C	
3	6LK42450000	COVER-FUS-GUIDE-WEL-H38X	1	1/PP	
4	6LK42584000	ASYS-COVER-ADJ-H38X	1	1/PP	
5	6LK42407000	COV-FUS-R-H38X	1	N/A***	
6	6LH36359000	SCREW-M3-D4X2.3	8	10/P	
7	6LH07588000	ROLL-FUS-GUIDE	8	1/P	
8	X0-00077000	S/PAN/SWVP-M3X8-NI	1	10/P	
9	X0-00430000	S/BID-M3X6-NI	7	10/P	
10	6LK42595000	LBL-FUSER-WEIGHT-H38X	1	1/P	
11	6LK42594000	LBL-FUSER-OPEN-H38X	1	1/KP	
12 A	6LK52029000	LBL-HOT-COV-UPR-K	1	1/KP	NAD,MJD,ASD,AUD,ARD CND
12 B	6LK52031000	LBL-HOT-COV-UPR-K-CND	1	1/KP	
13	X0-00966000	RR/E-5-SS	1	10/P	
14	6LK42534000	GEAR-10S32-CAM-M2-H38X	1	1/P	
15	6LK42413000	COV-FUS-F-H38X	1	1/P	
16	X0-01169000	P/PRL/AH7-3X14-SS	1	10/P	
17	6LE50521000	BUSH-8X12X5R5F-NU4	1	5/P	



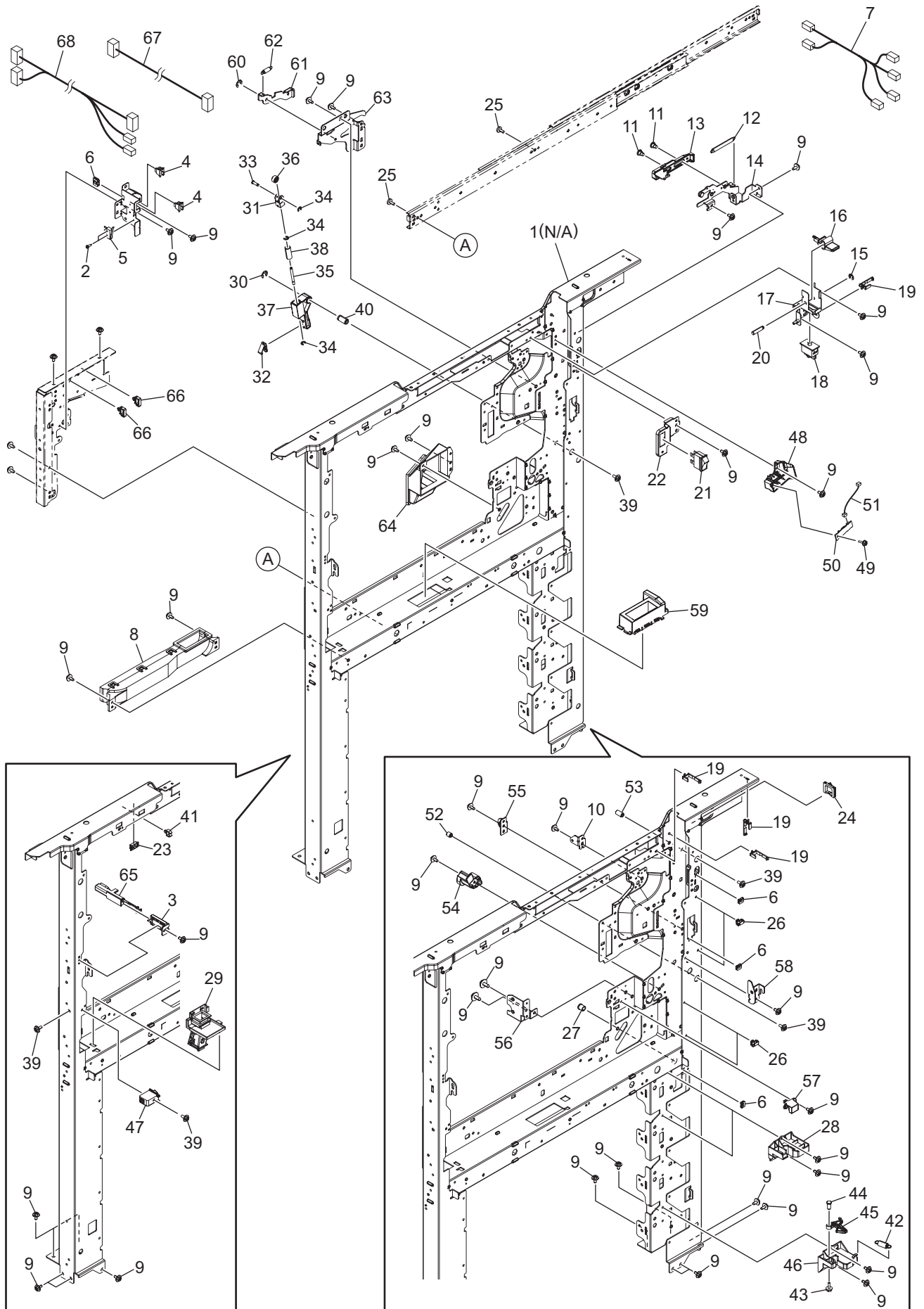
ITEM No.	PART No.	PART NAME	Q'TY / PAGE	Q'TY / PACK	REMARKS
1	6LK42464000	ASYS-STAY-FUS-EXIT-H38X	1	N/A***	
2	X0-00963000	RR/E-2-SS	2	10/P	
3	6LK42611000	SHEET-FUSER-SNSR-H38X	1	1/P	
4	6LK52299000	GUIDE-SCRIP-H373-F	1	1/KP	
5	6LK52298000	GUIDE-SCRIP-H373-R	1	1/KP	
6	6LK42445000	ASYS-HLDR-FUS-F-H38X	1	1/P	
7	6LK42447000	ASYS-BRKT-GUIDE-R-H38X	1	1/P	
8	6LK42569000	ASYB-ROLL-EXIT-FUS-H38X	1	1/KP	
9	F0-00270000	UAMS-05L-0-46	9	10/P	
10	6LK52314000	S/FPAN/R-M3X10-ZB3-APSLOK	3	5/P	
11	6LK52315000	SPG-E-SCRIP-AJ-H373	2	1/P	
12	X0-00077000	S/PAN/SWWP-M3X8-NI	2	10/P	
13	X0-00430000	S/BID-M3X6-NI	10	10/P	
14	6LK42546000	ASYS-SCRAPER-10-45-H38X	1	1/PP	
15	F0-01844000	ES-0505-2-46	1	5/P	
16	6LK42453000	ASYS-BRKT-SCRIP-H38X-AJ	1	1/PP	
17	6LK42524000	SPG-T-GUIDE-EXIT-RTN-GCH	1	1/P	
18	6LK42522000	PIN-IDLE-FUS-H38X	4	1/P	
19	6LH36359000	SCREW-M3-D4X2.3	4	10/P	
20	6LE43405000	S/PAN/SWWP-M3X6-ZU3-B	3	10/P	
21	6LH07453000	ROLL-FUS-GUIDE	4	1/P	
22	6LK42550000	BRKT-ADJ-SCRIP-H38X	1	N/A***	
23	6LK42560000	BRKT-BASE-ADJ-H38X	1	N/A***	
24	6LK42556000	COVER-BASE-H38X	1	N/A***	
25	6LK42548000	ASYS-GUIDE-PR-SEP-H38X	1	1/PP	



ITEM No.	PART No.	PART NAME	Q'TY / PAGE	Q'TY / PACK	REMARKS
1	6LK42409000	GEAR-10H21-IDL-PR-H38X	1	1/P	
2	6LK42410000	SHAFT-FUS-8-H38X	1	1/P	
3	X0-00968000	RR/E-7-SS	5	10/P	
4	6LE25970000	WASHER-FUSER	2	5/P	
5	6LJ58988000	6802ZZNRS1C4-GPL226-GV22	2	1/P	
6	6LH07393000	BUSH-FUS-MR	2	1/P	
7	X0-00430000	S/BID-M3X6-NI	4	10/P	
8	X0-00077000	S/PAN/SWWP-M3X8-NI	2	10/P	
9	6LK42593000	SHAFT-FUS-SPG-S-H38X	2	1/P	
10	6LK42590000	SPG-C-PR-330-H38X	2	1/P	
11	6LK42592000	SCREW-M4X10-7-ZU3	2	5/P	
12	6LK42438000	ARM-FUS-R-H38X	1	1/P	
13	6LK42440000	ASYS-PUSHER-ARM-R-H38X	1	1/P	
14	6LK42437000	STAY-PR-H38X	1	N/A***	
15	6LK42444000	ARM-FUS-F-H38X	1	1/P	
16	6LK42566000	ASYS-PUSHER-ARM-F-H38X	1	1/P	
17	6LK43647000	PR-FC556-FU	1	1/S	
18	6LK42436000	GEAR-10H32-PR-H38X	1	1/P	
19	X0-00966000	RR/E-5-SS	1	10/P	
20	6LK42422000	BRKT-BELT-F-H38X	1	1/P	
21	6LK43645000	BELT-HLDUNIT-FC556	1	1/S	
22	6LK43654000	ASY-FUSER-BELT-FC556	1	1/S	
36	6LK42559000	6804ZZS1C4-GPL226-GV22	1	1/P	
44	6LK42589000	PAD-BLT-R60-H4-H38X	1	1/KP	
45	6LK42545000	ASYS-FRM-FUSER-H38X	1	N/A***	

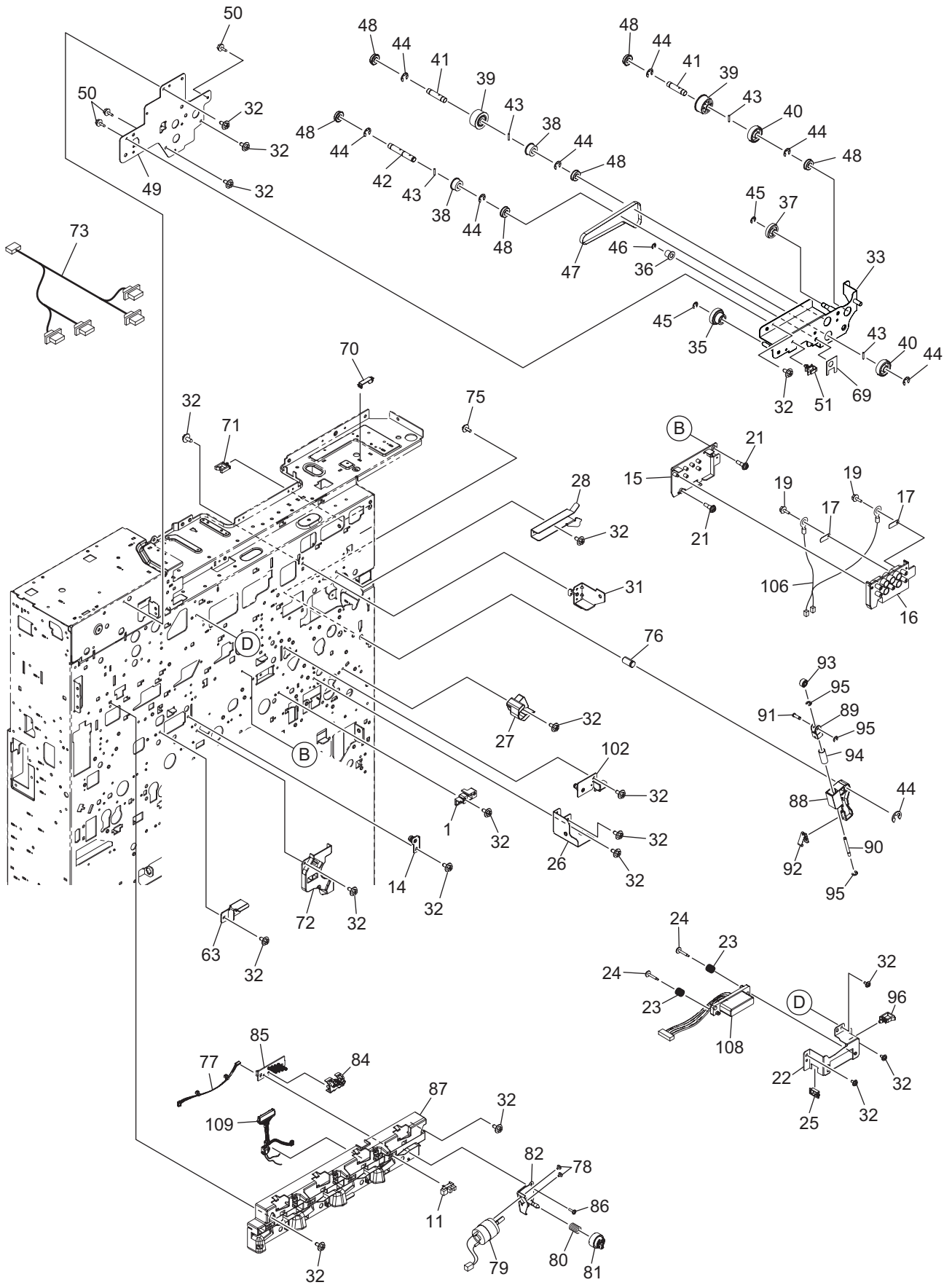


ITEM No.	PART No.	PART NAME	Q'TY / PAGE	Q'TY / PACK	REMARKS
1	6LK42462000	GEAR-10H20-R-H38X	2	1/P	
2	6LK42463000	GEAR-10H21-L-H38X	2	1/P	
3	X0-00430000	S/BID-M3X6-NI	11	10/P	
4	6LK42467000	ASYS-BRKT-DRV-G4-H38X	1	1/P	
5	6LK42614000	ASYS-GR-10H20-OWC-H38X	1	1/P	
6	6LK42414000	BRKT-DRW-W-H38X	1	1/P	
7	X0-00966000	RR/E-5-SS	6	10/P	
8	6LK42418000	GUIDE-ENT-PR-H38X	1	1/PP	
9	F0-02241000	LNR-1680KKRP0P25LY727	2	1/P	
10	X0-01169000	P/PRL/AH7-3X14-SS	3	10/P	
11	6LK42552000	CAM-FUS-H38X	2	1/P	
12	6LK42428000	COVER-SNSR-H38X	1	1/P	
13	6LK42620000	COVER-FUS-RL-H38X	1	1/P	
15	6LH36359000	SCREW-M3-D4X2.3	3	10/P	
16	6LK39203000	HRNS-FUS-H380	1	1/P	
17	C0-17839000	LG2A14BL1	2	1/C	
18	F0-00270000	UAMS-05L-0-46	4	10/P	
19	6LK42421000	BRKT-SNSR-R-RIKAN-H38X	1	1/P	
20	6LK42427000	BRKT-FUS-SNSR-H38X	1	1/P	
21	F0-01844000	ES-0505-2-46	1	5/P	
22	6LK42411000	STUD-SNSR-H38X	2	1/P	
23	6LK42424000	ASYS-HLDR-FUS-R-H38X	1	1/P	
24	X0-00077000	S/PAN/SWWP-M3X8-NI	6	10/P	
25	6LK42610000	ASYB-FUS-CAM-H38X	1	1/P	
26	6LK42430000	COV-HNS-R-H38X	1	1/P	
27	6LK42434000	BRKT-BELT-R-H38X	1	1/P	
28	6LH68707000	BUSH-6	2	1/P	
29	6LK42419000	STUD-BELT-R-H38X	1	1/P	
30	X0-00968000	RR/E-7-SS	1	10/P	
31	6LK42426000	GEAR-10S20-SNSR-H38X	1	1/P	
32	6LK42429000	ACT-SNSR-H38X	1	1/P	
33	6LJ02533000	BRUSH-FUSER-H14X	1	1/C	
34	6LK42417000	PLT-ENT-H38X	1	1/P	
35	6LK42408000	GEAR-10S26-BELT-H38X	1	1/P	



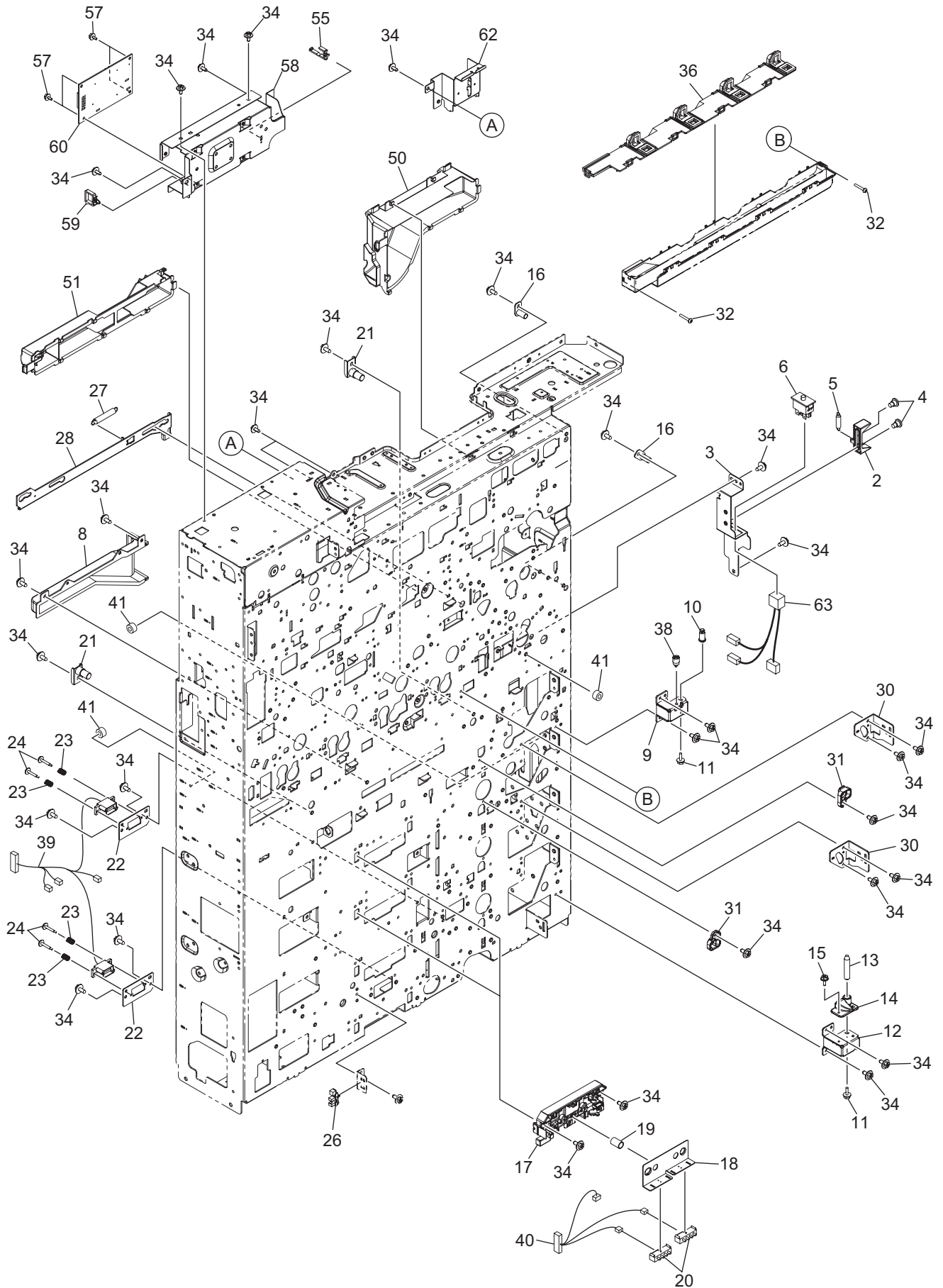
ITEM No.	PART No.	PART NAME	Q'TY / PAGE	Q'TY / PACK	REMARKS
1	6LK39033000	ASYS-FRAME-FRT-H38X	1	N/A***	
2	44204394000	SCREW20*D23	2	10/P	
3	6LH03823000	ANG-TBU-LEFT	1	1/P	
4	E0-01853000	CS1A-B2CA	2	1/D	
5	E0-15604000	DE2L-BALGY	1	1/D	
6	F0-00120000	ES-0505	4	5/P	
7 A	6LK39422000	HRNS-FRTSW-H380	1	1/P	Except for eS7506AC MJC eS7506AC MJC
7 B	6LK72967000	HRNS-FRTSW-H380HF	1	1/P	
8	6LH01471000	ASYS-DUCT-EPU-FRT	1	1/PP	
9	X0-02421000	S/TPS/FHEXM/R-4X8-ZU3	39	10/P	
10	6LH05482000	ASYS-BRKT-POS-MID-F	1	1/P	
11	6LA02823000	SCREW-RAIL-TRU	2	5/P	
12	6LH01135000	SPG-E-6R5XR5X28R	1	1/P	
13	6LH01129100	LVR-DOOR-SWMN	1	1/P	
14	6LH01169000	ASYS-BKT-LVR-DOOR	1	1/P	
15	X0-00965000	RR/E-4-SS	1	10/P	
16	6LH01128000	GUIDE-SW-DOOR-430	1	1/P	
17	6LH01131000	ASYS-BKT-DOOR-SW	1	1/P	
18	E0-14600000	FA1L-AA23	1	1/D	
19	F0-00036000	RLWS3TV0	4	5/P	
20	44200854000	STUD-DOOR-SW	1	5/P	
21	E0-14534000	CF-LA-2KZ2-1C	1	1/C	
22	6LK39004000	BRKT-SW-H38X	1	1/PP	
23	F0-01248000	ESC-0912	1	10/P	
24	F0-00047000	EDS-1717U	1	10/P	
25	X0-02577000	S/BID-M4X8-ZU3	2	10/P	
26	F0-01462000	LBWS-0206S-V0	4	1/P	
27	F0-00370000	OCB-375	1	5/P	
28	6LK42103000	HOLDER-LOCK-CST-H38X	2	1/P	
29	6LK40725000	ASYB-DUCT-WTNR-VT	1	1/C	
30	X0-00968000	RR/E-7-SS	1	10/P	
31	6LK41343000	HOLDER-ROL-PUSH-H380	1	1/P	
32	6LK41350000	SPL-LEVER-TRU-H38X	1	1/P	
33	6LK41345000	SHAFT-ROLL-TRU-PUSH	1	1/P	
34	X0-00964000	RR/E-3-SS	3	10/P	
35	6LK41346000	SHAFT-SPC-GUIDE	1	1/P	
36	6LK41344000	ROL-PUSH_UP	1	1/P	
37	6LK41349000	LEVER-PUSH-TRU-F	1	1/P	
38	6LE62403000	SPC-PUSH-RGST	1	1/P	
39	X0-02235000	S/FHEXM-M4X8-NI	5	10/P	
40	6LK41356000	STUD-TRU-LEVER	1	1/P	
41	F0-00270000	UAMS-05L-0-46	1	10/P	
42	6LH05751000	SPE096-100-0282	1	1/P	
43	X0-02231000	S/FHEXM-M3X8-NI	1	10/P	
44	6LA04494000	STUD-LOCK-CST	1	5/P	
45	6LA04493000	HOOK-LOCK-CST	1	1/P	
46	6LA04492000	HOLDER-LOCK-CST	1	1/P	
47	6LH02990000	STOP-EPU-LFT	1	1/P	
48	6LH02370200	COVER_LED_FUS-H38XMN	1	1/P	
49	X0-02248000	S/TPP/FHEXM-3X10-NI	1	10/P	
50	6LH09302000	PWA-F-LED-430	1	1/C	
51 A	6LK73048000	HRNS-LED-H380	1	1/P	Except for eS7506AC MJC eS7506AC MJC
51 B	6LK72966000	HRNS-LED-H380HF	1	1/P	
52	6LH05428000	STUD-LOCK-ADU-FL	1	1/P	
53	6LH05423000	STUD-LOCK-ADU	1	1/P	
54	6LK41365000	HLDR-GID-RGST-F-H380	1	1/P	
55	6LK41357000	PLATE-ADU-FRT	1	1/P	
56	6LH04488000	BRKT-CAM-TR2-F	1	1/P	
57	6LH02991000	STOP-EPU-RGT	1	1/P	
58	6LH02326000	SUPPORT-PLT-HNG-CV-R	1	1/P	
59	6LH01417000	DUCT-EPU-F-EXT-S	1	1/P	
60	X0-00966000	RR/E-5-SS	1	10/P	
61	6LK42496000	BRKT-FUS-LEV-F-H38X	1	1/P	

ITEM No.	PART No.	PART NAME	Q'TY / PAGE	Q'TY / PACK	REMARKS
62	6LK42500000	SPG-E-LEV-H38X	1	1/P	
63	6LK42497000	ASYS-BRKT-FUS-F-H38X	1	1/P	
64	6LH07987000	ASYS-DUCT-LSU-IN	1	1/PP	
65	6LH04069100	LIFT-TBU-H38X	1	1/P	
66	F0-00032000	PLWS-1-46B	2	5/P	
67 A	6LH09006000	HRNS-SIDE-430	1	1/P	Except for eS7506AC MJC eS7506AC MJC
67 B	6LK72965000	HRNS-SIDE-H380HF	1	1/P	
68	6LK73070000	HRNS-MAINSW-H380	1	1/P	

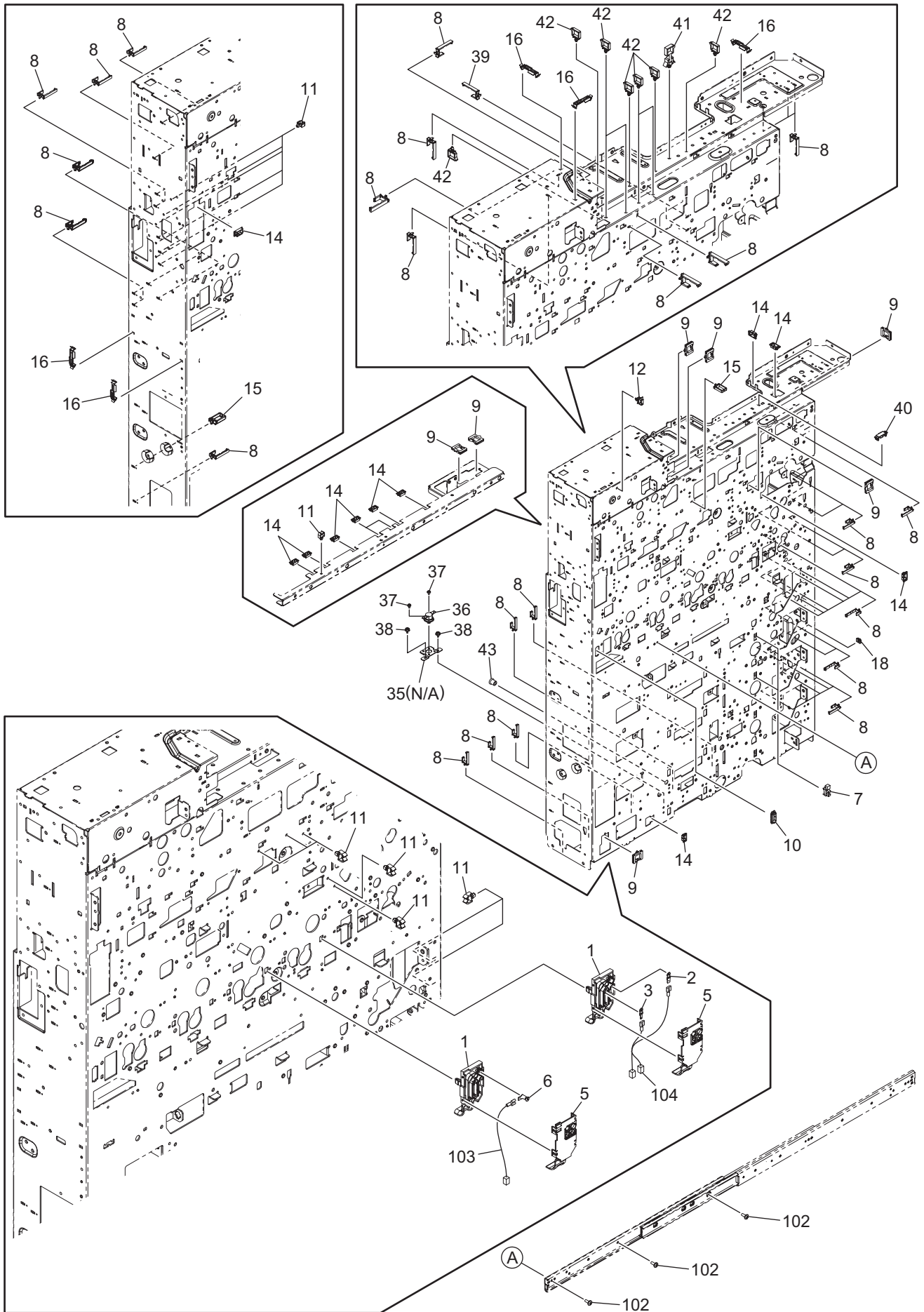


ITEM No.	PART No.	PART NAME	Q'TY / PAGE	Q'TY / PACK	REMARKS
1	6LH02635000	BRKT-DRAWER-CNTR-CLNR	1	1/P	
11	C0-17839000	LG2A14BL1	1	1/C	
14	6LH03820000	ASYS-BRKT-TBU-FIX	1	1/P	
15	6LH03730000	COVER-TERM-KCMY	1	1/P	
16	6LH03731000	CASE-TERM-KCMY	1	1/P	
17	6LH03732000	PLATE-TERM-TBU	2	1/P	
19	X0-02247000	S/TPP/FHEXM-3X8-NI	2	10/P	
21	6LA08938000	SCREW-SOCKET	2	10/P	
22	6LH17816100	BRKT-CONH38	1	1/P	
23	6LA08950000	SPC074-070-0145	2	5/P	
24	4406326040	SCREW-D4-18-M3	2	10/P	
25	F0-01248000	ESC-0912	1	10/P	
26	6LH04489000	BRKT-CAM-TR2-R	1	1/P	
27	6LH04564000	HLDR-GID-RGST-R-430	1	1/P	
28	6LK42509000	BRKT-SLD-R-H38X	1	1/P	
31	6LH04747000	ASYS-BRKT-POS-MID-R-FAN	1	1/P	
32	X0-02421000	S/TPS/FHEXM/R-4X8-ZU3	19	10/P	
33	6LH04778000	ASYS-FRAME-DRIVE-EXIT-F-N	1	1/C	
35	6LK43902000	GEAR-10S25_PS2M28-6	1	1/P	
36	6LH04600000	IDLER-DRIVE-EXIT	1	1/P	
37	6LA79005000	GEAR-10S022-06-DRV	1	1/P	
38	6LA04720000	PLY/T-S2M-28-08	2	1/P	
39	6LH04598000	GEAR-10S25-8-OWR	2	1/P	
40	6LH04597000	GEAR-10S25-8-DRV	2	1/P	
41	6LH04590000	SHAFT-DRIVE-EXIT-1	2	1/P	
42	6LH04591000	SHAFT-DRIVE-EXIT-2	1	1/P	
43	X0-01526000	P/PRL/AH7-2X12-SS	4	10/P	
44	X0-00968000	RR/E-7-SS	8	10/P	
45	X0-00966000	RR/E-5-SS	2	10/P	
46	X0-00965000	RR/E-4-SS	1	10/P	
47	6LH04592000	BLT_SY-S2M-316-6	1	1/P	
48	F0-02240000	LNR-1680KKRP0P25LY551	6	1/P	
49	6LH04608000	FRAME-DRIVE-EXIT-R	1	1/P	
50	X0-02420000	S/TPS/FHEXM/R-3X8-ZU3	3	10/P	
51	F0-01811000	LWS-0711S-V0	1	5/P	
63	6LK41123000	BRKT-GUIDE-TBU	1	1/P	
69	6LH04772000	MYLAR-DRIVE-EXIT	1	1/P	
70	F0-02112000	RFC-21V0	1	5/P	
71	F0-01460000	RWS-2T V0	1	1/P	
72	6LH03729000	COV-HRNS-TERM-TBU	1	1/P	
73	6LK39331000	HRNS-ERS-H385	1	1/P	
75	X0-02235000	S/FHEXM-M4X8-NI	1	10/P	
76	6LK41356000	STUD-TRU-LEVER	1	1/P	
77 A	6LK72955000	HRNS-CRGIC-H385	1	1/P	Except for eS8508A MJD eS8508A MJD
77 B	6LK72960000	HRNS-CRGIC-H385HF	1	1/P	
78	X0-02557000	S/BID-M2.6X3-NI	2	10/P	
79	6LH03520000	ASYS-MOTRD-KTNR-430	1	1/C	
80	6LH03599000	SPG-C-GEAR-DRV-TNR-430	1	1/P	
81	6LH03616000	GEAR-5H46-6-COUP-L-K	1	1/P	
82	6LK40902000	ASYS-TNRDRV-H38X	1	1/P	
84	6LK40941000	GUIDE-TNRSP-H38X	1	1/P	
85	6LK44046100	ASYB-PACK-CTIF-H385	1	1/S	
86	6LA80090000	S/TPP/BID-3*8-NI	1	5/P	
87	6LK40905000	HLDR-TNRDRV-H38X	1	1/P	
88	6LK41348000	LEVER-PUSH-TRU-R	1	1/P	
89	6LK41343000	HOLDER-ROL-PUSH-H380	1	1/P	
90	6LK41346000	SHAFT-SPC-GUIDE	1	1/P	
91	6LK41345000	SHAFT-ROLL-TRU-PUSH	1	1/P	
92	6LK41350000	SPL-LEVER-TRU-H38X	1	1/P	
93	6LK41344000	ROL-PUSH_UP	1	1/P	
94	6LE62403000	SPC-PUSH-RGST	1	1/P	
95	X0-00964000	RR/E-3-SS	3	10/P	
96	F0-01812000	LWS-1211S-V0	1	5/P	

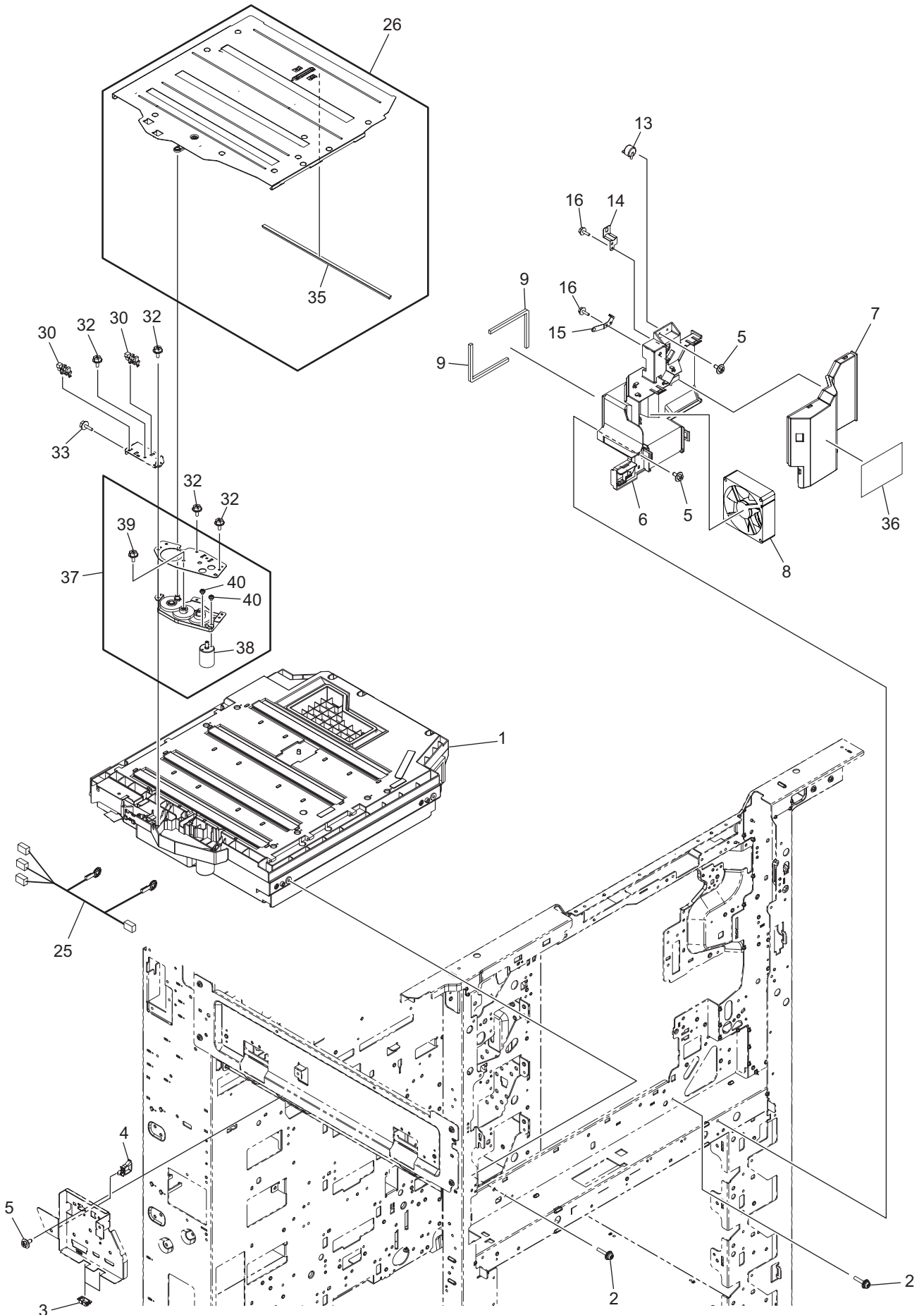
ITEM No.	PART No.	PART NAME	Q'TY / PAGE	Q'TY / PACK	REMARKS
102	6LJ07131000	ASYS-BRKT-TBU-FIX-H130	1	1/P	
106 A	6LK73019000	HRNS-HVPS-TR-H385	1	1/P	Except for eS7506AC MJC
106 B	6LK72979000	HRNS-HVPS-TR-H385HF	1	1/P	eS7506AC MJC
108	6LK39311000	HRNS-DRV-RLY-H380	1	1/P	
109	6LK39288000	HRNS-TNRD-H385	1	1/P	



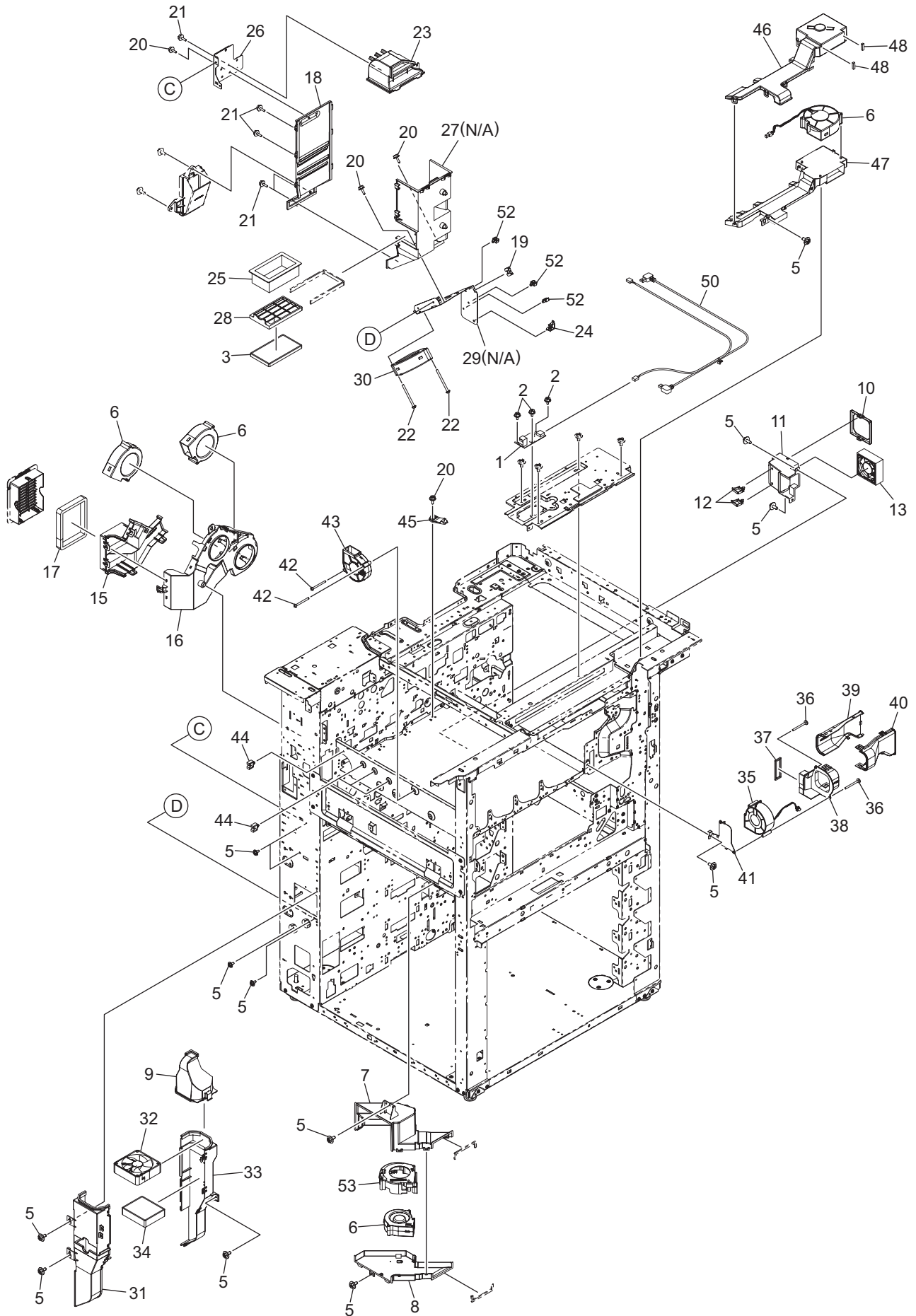
ITEM No.	PART No.	PART NAME	Q'TY / PAGE	Q'TY / PACK	REMARKS
2	6LH01124000	SLIDE-FUS-INTER	1	1/P	
3	6LK39007000	BRKT-FUS-SW-INTER-H38X	1	1/P	
4	6LA02823000	SCREW-RAIL-TRU	2	5/P	
5	6LE22836000	SPG-E-6R5XR45X31R9	1	1/P	
6	E0-08442000	FA1L-AA22	1	1/D	
8	6LH01477000	ASYS-DUCT-LSU-RER	1	1/PP	
9	6LH04515000	BRKT-COV-HINGE-FRM-R-U	1	1/P	
10	6LH04514000	STUD-COV-HINGE-FRM-R-U	1	1/P	
11	X0-02231000	S/FHEXM-M3X8-NI	2	10/P	
12	6LH04518000	BRKT-COV-HINGE-FRM-R-L	1	1/P	
13	6LH04516000	STUD-COV-HINGE-FRM-R-L	1	1/P	
14	6LH04517000	GUIDE-SLOPE-L	1	1/P	
15	X0-02420000	S/TPS/FHEXM/R-3X8-ZU3	1	10/P	
16	6LH05488000	ASYS-BRKT-POS-ADU	2	1/P	
17	6LH05731000	HOLDER-SENSOR-CST-F43X	2	1/P	
18	6LJ08005000	BRKT-SENSOR-CST-F43X	2	1/P	
19	6LH05738000	SPG-C-8R9XR9X11R6	2	1/P	
20	E0-14485000	PS-42C02-F NS	4	1/C	
21	6LH07980000	ASYS-BRKT-LSU-STUD	2	1/P	
22	6LH05908000	BRKT-DRW-TANDEM	2	1/P	
23	6LH05996000	SPG-DRAWER-TANDEM	4	1/P	
24	4406326040	SCREW-D4-18-M3	4	10/P	
26	C0-17839000	LG2A14BL1	1	1/C	
27	6LH03801000	SPG-E-PLATE-TBU-FIX	1	1/P	
28	6LJ07129000	PLATE-TBU-FIX-H130	1	1/P	
30	6LH05705000	BRKT-HOLD-RAIL	2	1/P	
31	6LH05736000	HOLDER-CST-POS	2	1/P	
32	X0-02067000	S/TPS/PAN-4X20-ZU3	2	10/P	
34	X0-02421000	S/TPS/FHEXM/R-4X8-ZU3	33	10/P	
36	6LJ06305000	ASYS-DUCT-OZ-TNR-UPR	1	1/PP	
38	6LA39980000	SCREW-SCAN-LFT	1	1/P	
39	6LK39426000	HRNS-PFC-TLCF-H380	1	1/P	
40 A	6LH09004000	HRNS-PSIZE-430	1	1/P	Except for eS7506AC MJC eS7506AC MJC
40 B	6LK72968000	HRNS-PSIZE-H380HF	1	1/P	
41	6LE25210000	CUSH-FRM-SCREW-380	3	1/P	
50	6LK39504000	DUCT-FUSER-RER-H38X	1	1/PP	
51	6LK39507000	DUCT-TONER-RER-H38X	1	1/PP	
55	F0-00036000	RLWS3TV0	1	5/P	
57	X0-02230000	S/FHEXM-M3X6-NI	4	10/P	
58	6LK39021000	BRKT-DRV-H38X	1	1/P	
59	F0-01813000	LWS-1316S-V0	1	5/P	
60	6LK73072000	PWA-H-DRV-380	1	1/SB	
62	6LK39029000	BRKT-DSDF-CBL-H38X	1	1/PP	
63	6LK39313000	HRNS-LVPS-IH-H380	1	1/P	



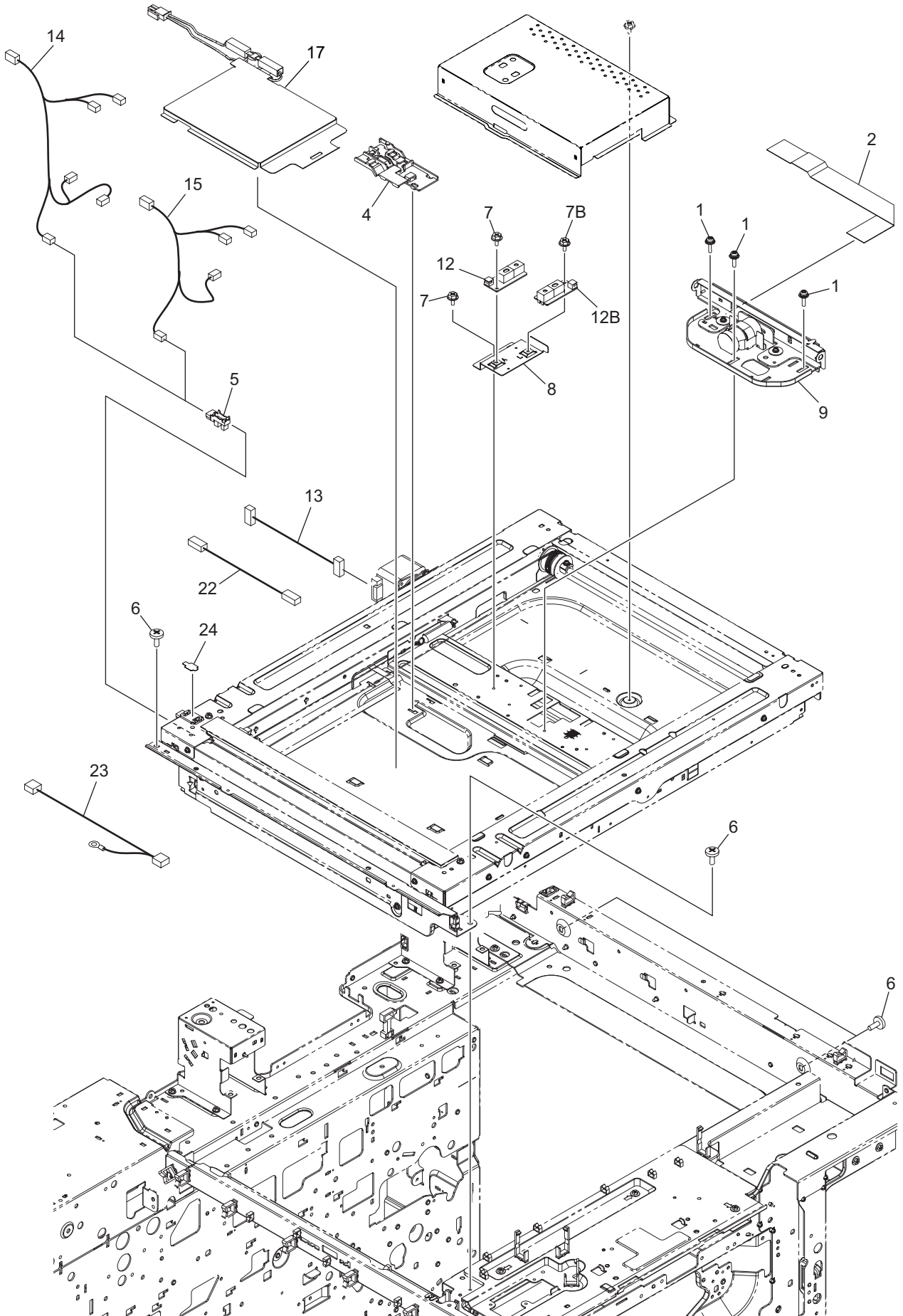
ITEM No.	PART No.	PART NAME	Q'TY / PAGE	Q'TY / PACK	REMARKS
1	6LH02638000	TERM-HVT-EPU	2	1/P	
2	6LH02637000	PLATE-TERM-HVT-EPU-187-S	1	1/P	
3	6LH02918000	PLATE-TERM-HVT-EPU-110-S	1	5/P	
5	6LH02636000	COV-TERM-HVT-EPU	2	1/P	
6	6LH02641000	PLATE-TERM-HVT-EPU-187-D	1	1/P	
7	C0-17839000	LG2A14BL1	2	1/C	
8	F0-00036000	RLWS3TV0	47	5/P	
9	F0-00047000	EDS-1717U	7	10/P	
10	F0-00199000	TSB-1909N	1	1/P	
11	F0-00269000	UAMS-05L-0	13	5/P	
12	F0-01811000	LWS-0711S-V0	1	5/P	
14	F0-01248000	ESC-0912	12	10/P	
15	F0-01263000	RWS-3T V0	2	5/P	
16	F0-01418000	RFC-33V0	5	1/P	
18	F0-00120000	ES-0505	1	5/P	
35	6LJ52372000	BRKT-SNSR-HTR-H21X	1	N/A***	
36	6LK45759000	THRMST-DAMP-H373	1	1/D	
37	X0-02113000	S/PAN-M3X4-NI	2	10/P	
38	X0-02419000	S/TPS/FHEXM/R-3X6-ZU3	2	10/P	
39	F0-00367000	RLWS-1TV0	2	10/P	
40	F0-01451000	RFC-16V0	1	1/P	
41	F0-02289000	RSPC-325P	1	5/P	
42	F0-01813000	LWS-1316S-V0	9	5/P	
43	F0-00370000	OCB-375	1	5/P	
102	X0-02074000	S/TPS/BID-4X8-ZU3	3	10/P	
103 A	6LK44004000	HRNS-HVPS-KPUDEV-H385	1	1/P	Except for eS7506AC MJC
103 B	6LK72976000	HRNS-HVPS-KPUDEV-H385HF	1	1/P	eS7506AC MJC
104 A	6LK44005000	HRNS-HVPS-KPU-H380	1	1/P	Except for eS7506AC MJC
104 B	6LK72977000	HRNS-HVPS-KPU-H380HF	1	1/P	eS7506AC MJC

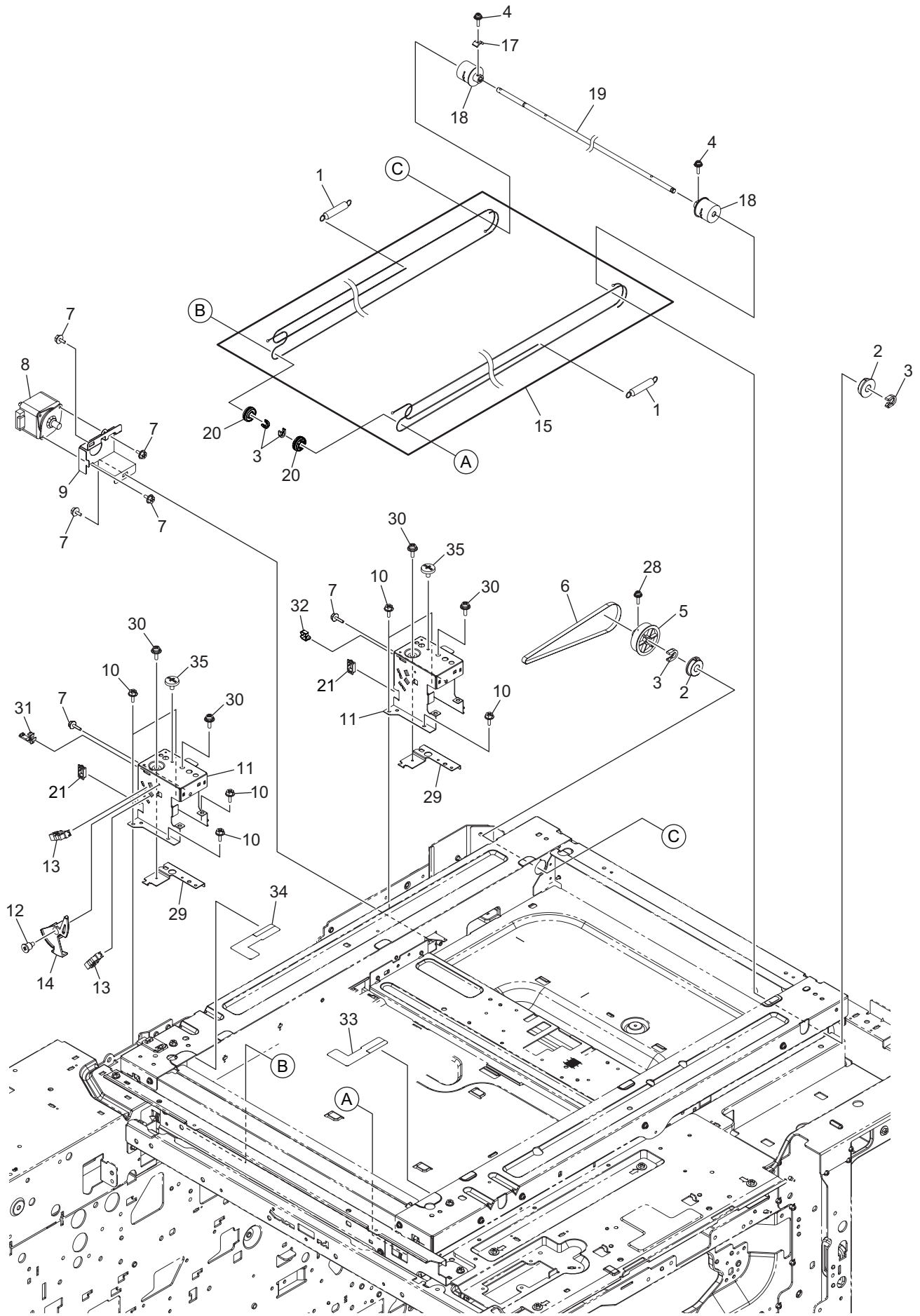


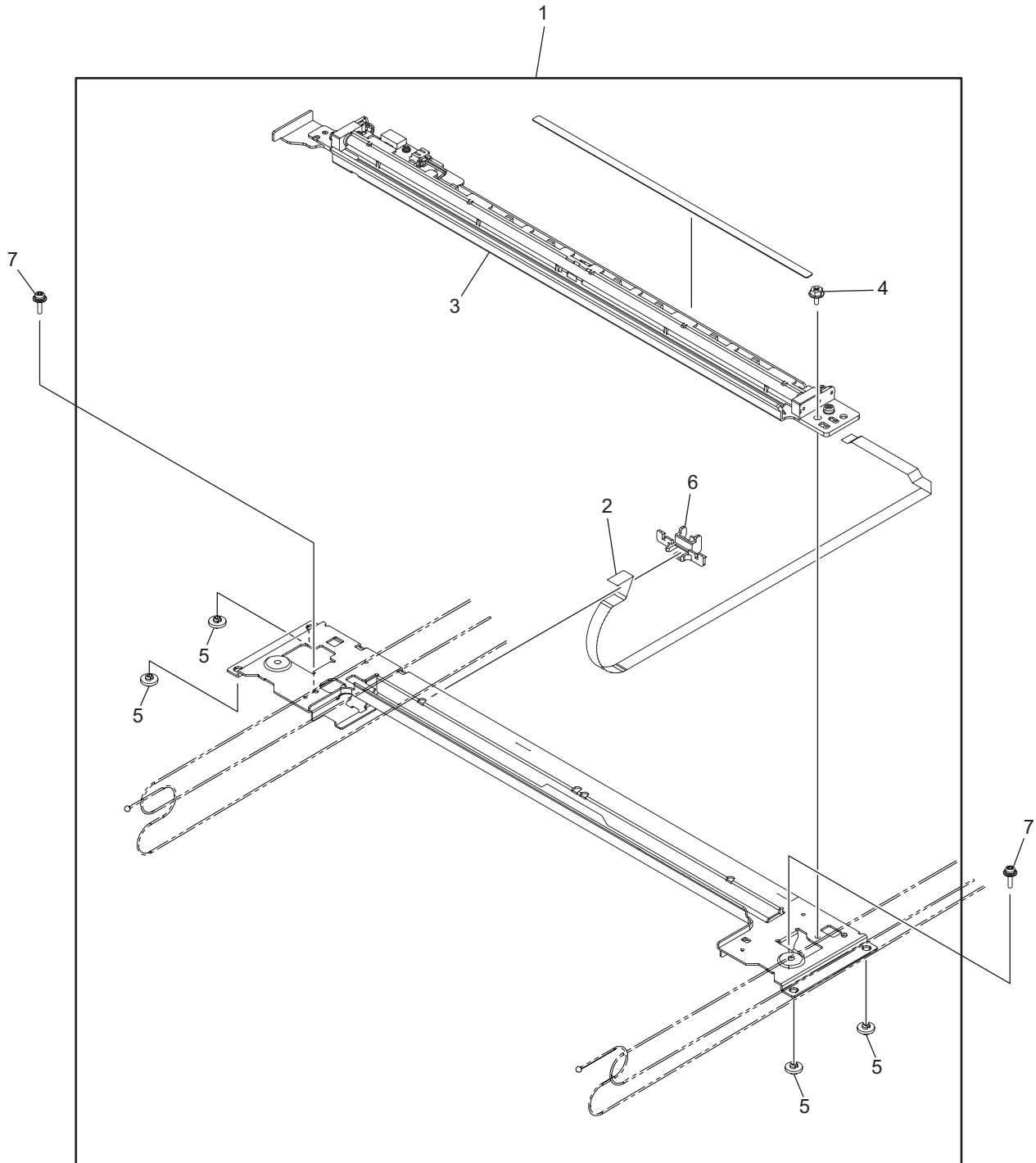
ITEM No.	PART No.	PART NAME	Q'TY / PAGE	Q'TY / PACK	REMARKS
1	6LK42748000	LSU-UNIT-H385	1	1/S	
2	X0-00198000	S/PAN/SWWP-M4X16-N1	2	10/P	
3	F0-01248000	ESC-0912	2	10/P	
4	F0-01243000	LWS-1211Z	1	5/P	
5	X0-02421000	S/TPS/FHEXM/R-4X8-ZU3	3	10/P	
6	6LH07937000	DUCT-LSU-430-IN	1	1/PP	
7	6LH07936100	DUCT-LSU-430-OUT_S	1	1/P	
8	6LJ74676000	FAN-D-8025-H24X	1	1/D	
9	6LH08004000	SEAL-LSU-DUCT-INR	2	5/KP	
13	6LE09175000	K-VARIST-390	1	1/D	
14	6LA37612000	SPG-F-RGST-R	1	1/P	
15	6LA37613000	SPG-F-RGST-L	1	1/P	
16	X0-02247000	S/TPP/FHEXM-3X8-NI	2	10/P	
25	6LH08878000	HRNS-SHT-430	1	1/P	
26	6LH17057100	SHUTTER-UNIT-385	1	1/S	
30	C0-17839000	LG2A14BL1	2	1/C	
32	X0-02248000	S/TPP/FHEXM-3X10-NI	4	10/P	
33	X0-02420000	S/TPS/FHEXM/R-3X8-ZU3	1	10/P	
35	6LH08037000	BRUSH-GLASS-SHUT-NYL6	1	1/KP	
36	4406550190	LBL-HVT-BIT	1	5/P	
37	6LH07996000	ASYB-SHUTTER-DRV	1	1/C	
38	6LH07973000	ASYS-MOTR-D-STR-430	1	1/D	
39	X0-02230000	S/FHEXM-M3X6-NI	1	10/P	
40	X0-02112000	S/PAN-M3X3-NI	2	10/P	

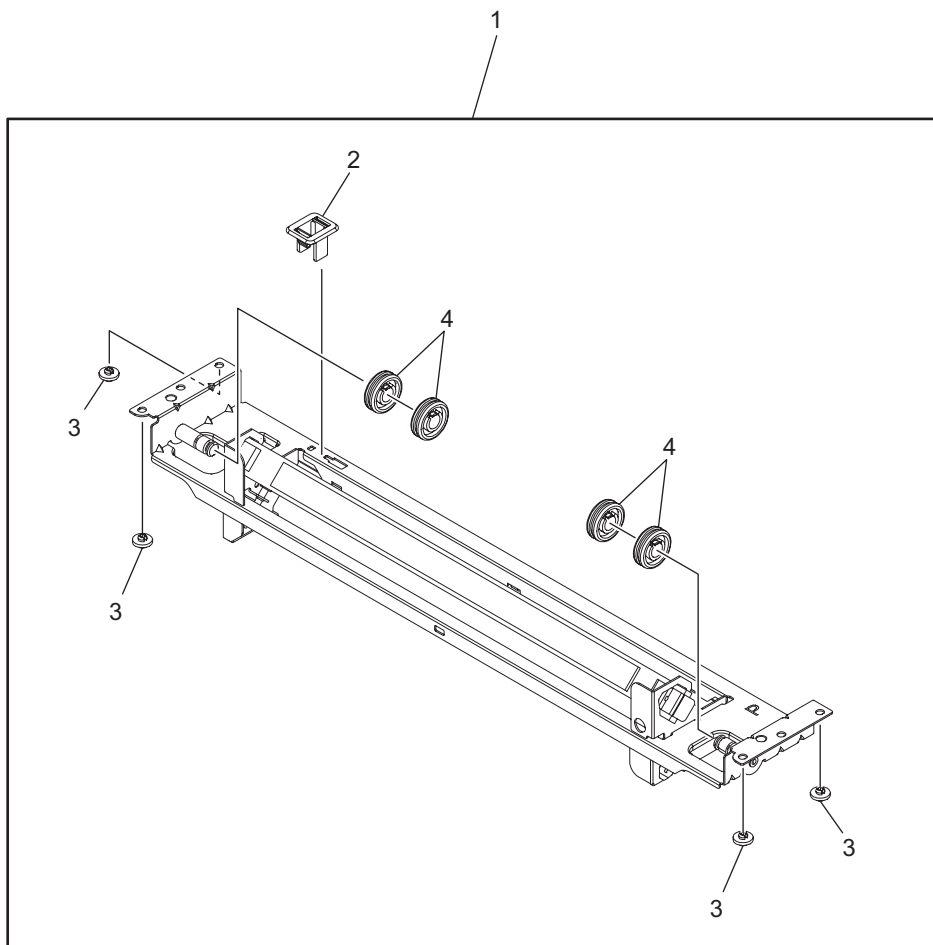


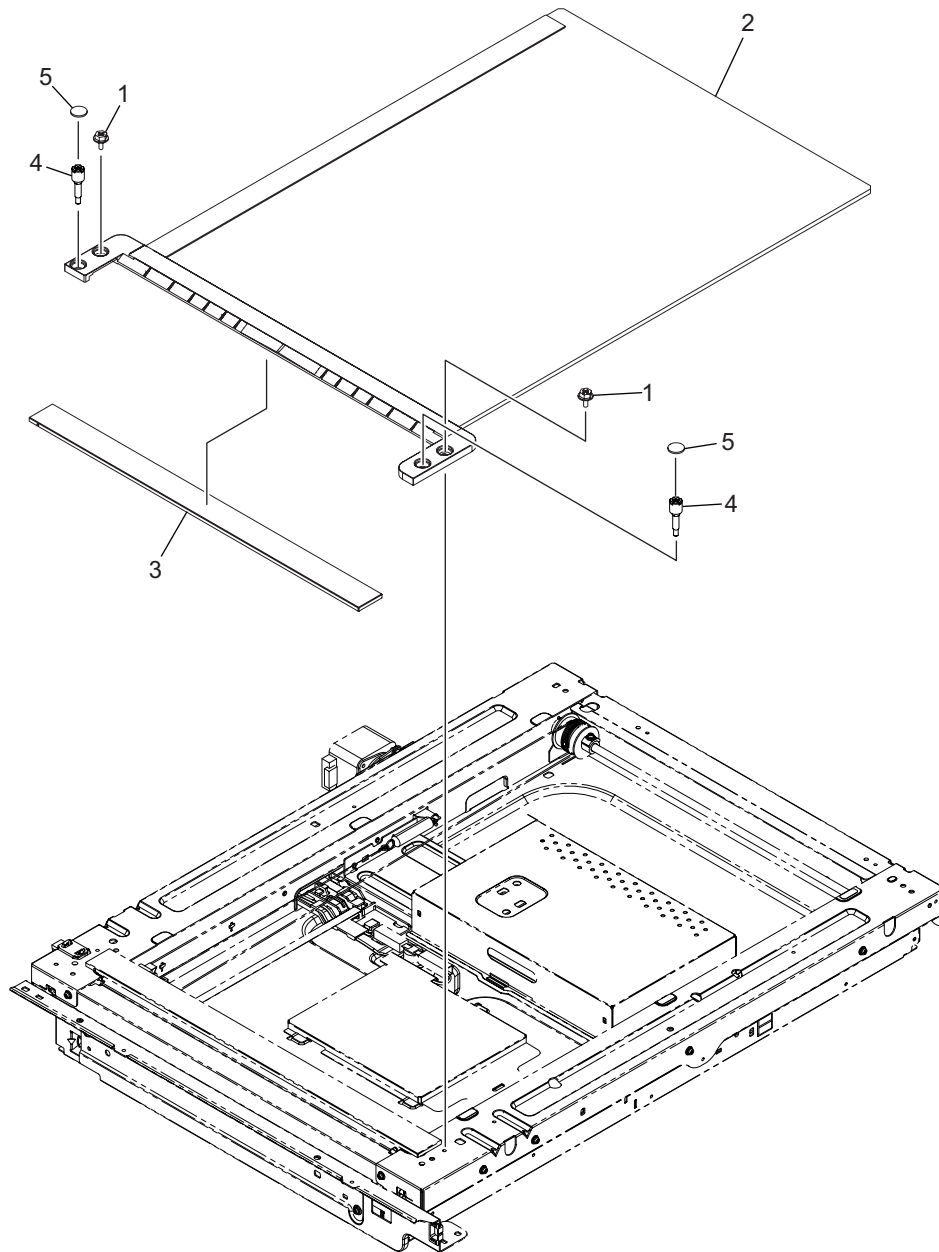
ITEM No.	PART No.	PART NAME	Q'TY / PAGE	Q'TY / PACK	REMARKS
1	6LK45354000	PWA-H-USB-370	1	1/SB	
2	X0-02419000	S/TPS/FHEXM/R-3X6-ZU3	3	10/P	
3	6LH01481000	FLTR-OZ-TNR-430_TR	1	1/C	
5	X0-02421000	S/TPS/FHEXM/R-4X8-ZU3	13	10/P	
6	6LE09187000	FAND-DEV-390	4	1/D	
7	6LH01415000	DUCT-EPU-F-ENT-U	1	1/PP	
8	6LH01416000	DUCT-EPU-F-ENT-L	1	1/P	
9	6LH01466000	ASYS-DUCT-OZ-UPR	1	1/PP	
10	6LH01413000	DUCT-LSU-R-COV	1	1/P	
11	6LH01412000	DUCT-LSU-R-FAN	1	1/P	
12	F0-01813000	LWS-1316S-V0	2	5/P	
13	6LK39533000	ASYS-FAN-6025-105-H38X	1	1/D	
15	6LK39509000	DUCT-BRDG-RER-FAN-CO-H38X	1	1/PP	
16	6LK39508000	DUCT-BRDG-RER-FAN-H38X	1	1/PP	
17	6LK39544000	SEAL-DUCT-BRG-FAN-CO-H38X	1	1/KP	
18	6LH01465000	ASYS-COVER-FLTR-TNR	1	1/PP	
19	F0-00120000	ES-0505	1	5/P	
20	X0-02420000	S/TPS/FHEXM/R-3X8-ZU3	4	10/P	
21	X0-02247000	S/TPP/FHEXM-3X8-NI	5	10/P	
22	X0-02507000	S/TPS/PAN-4X40-ZU3	2	10/P	
23	6LH01467000	ASYS-DUCT-TNR-UPR	1	1/PP	
24	F0-01811000	LWS-0711S-V0	1	5/P	
25	6LJ06311000	FLTR-TONER-130-TYB	1	1/C	
26	6LH01407000	BRKT-CASE-FIL-SUB	1	1/P	
27	6LK39519000	CASE-FLTR-TONER-H38X	1	N/A***	
28	6LH01492000	HLDR-FLTR-OZ-TNR	1	1/P	
29	6LK39516100	BRKT-CASE-FLTR-TNR-H385	1	N/A***	
30	6LK48235000	FAN-7530-170-H370	1	1/D	
31	6LK30985000	ASYS-DUCT-OZ-LWR-LFT	1	1/PP	
32	6LK39531000	ASYS-FAN-8025-090-H38X	1	1/D	
33	6LH01463000	ASYS-DUCT-OZ-LWR-RGT	1	1/PP	
34	6LH01479000	FLTR-OZ-430_TR	1	1/C	
35	6LJ80227000	FAN-D-TRU-H24X	1	1/D	
36	X0-00461000	S/BID-M4X35-NI	2	10/P	
37	6LH01500000	SEAL-DUCT-FRT-TNR	1	1/KP	
38	6LH01498200	DUCT-FRT-TNR-FAN-HLD_JB	1	1/PP	
39	6LH01496200	DUCT-FRT-TNR-BA_JB	1	1/PP	
40	6LH01497200	DUCT-FRT-TNR-CPL_JB	1	1/PP	
41	6LH01499000	PLATE-DUCT-FRT-TNR	1	1/P	
42	X0-02114000	S/TPS/PAN-4X32-ZU3	2	10/P	
43	6LH09565000	FAN-P7525-430	1	1/D	
44	F0-01250000	MSB-1207	4	5/P	
45	6LK40906000	HOOK-TNRCRTG-H38X	1	1/P	
46	6LK39513000	DUCT-BRDG-FRT-FAN-CO-H38X	1	1/PP	
47	6LK39512000	DUCT-BRDG-FRT-FAN-H38X	1	1/C	
48	6LH67727000	DAMPER-MIRR-H32X	2	1/P	
50	6LK73058000	ASYB-HRNS-USB-H380	1	1/P	
52	F0-00269000	UAMS-05L-0	3	5/P	
53	6LK39514000	ADAPT-FAN-75-93-H38X	1	1/D	

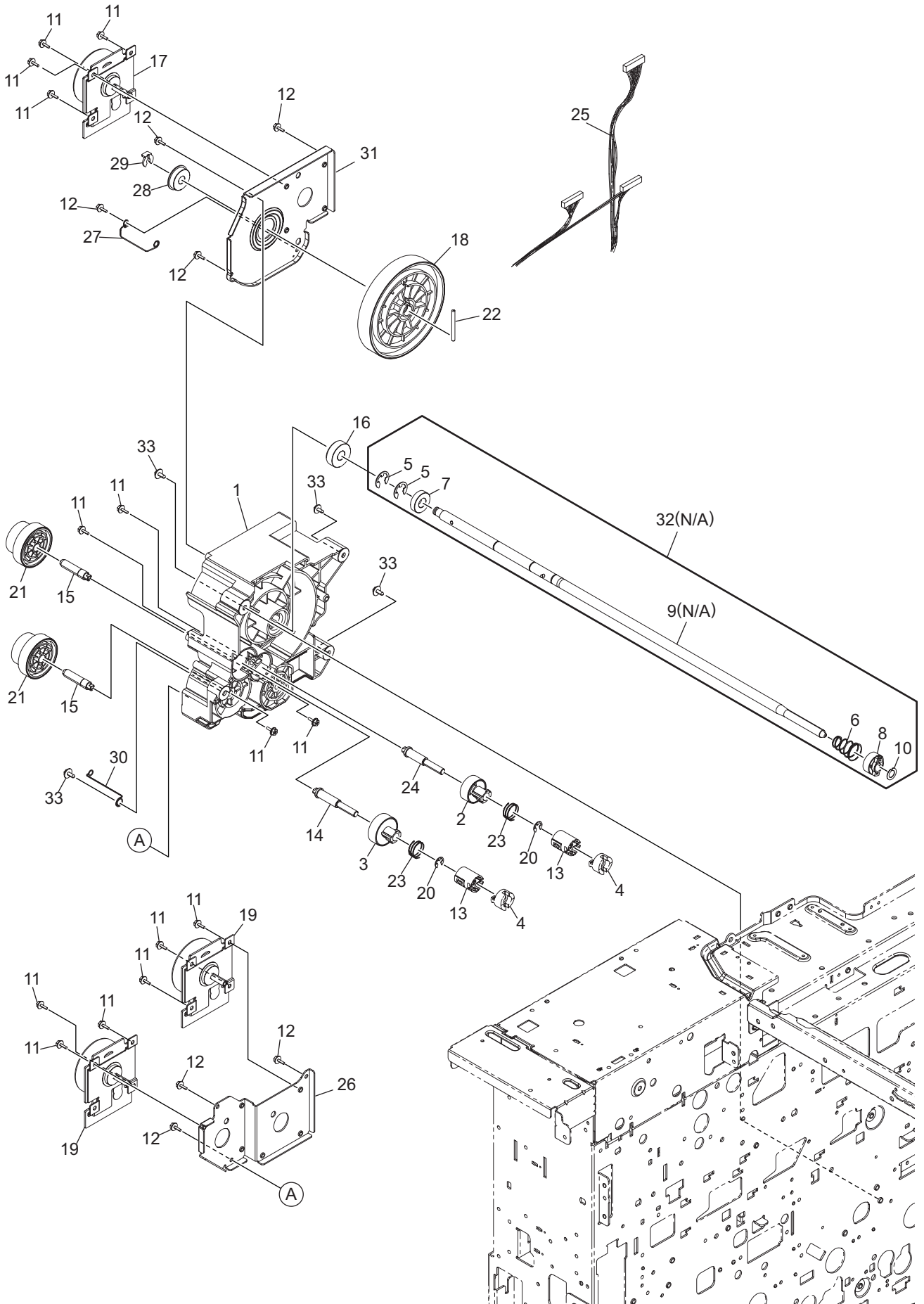




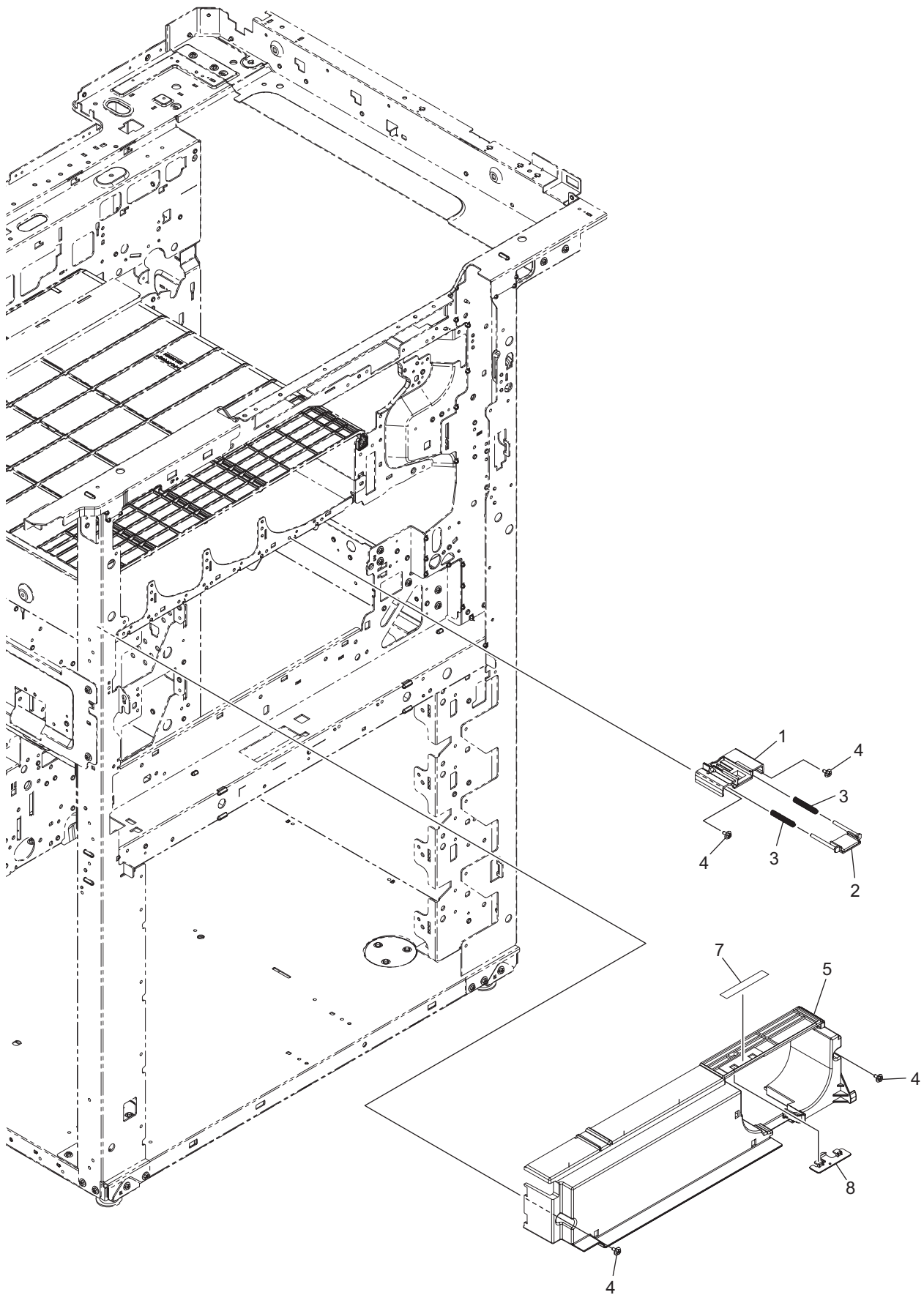




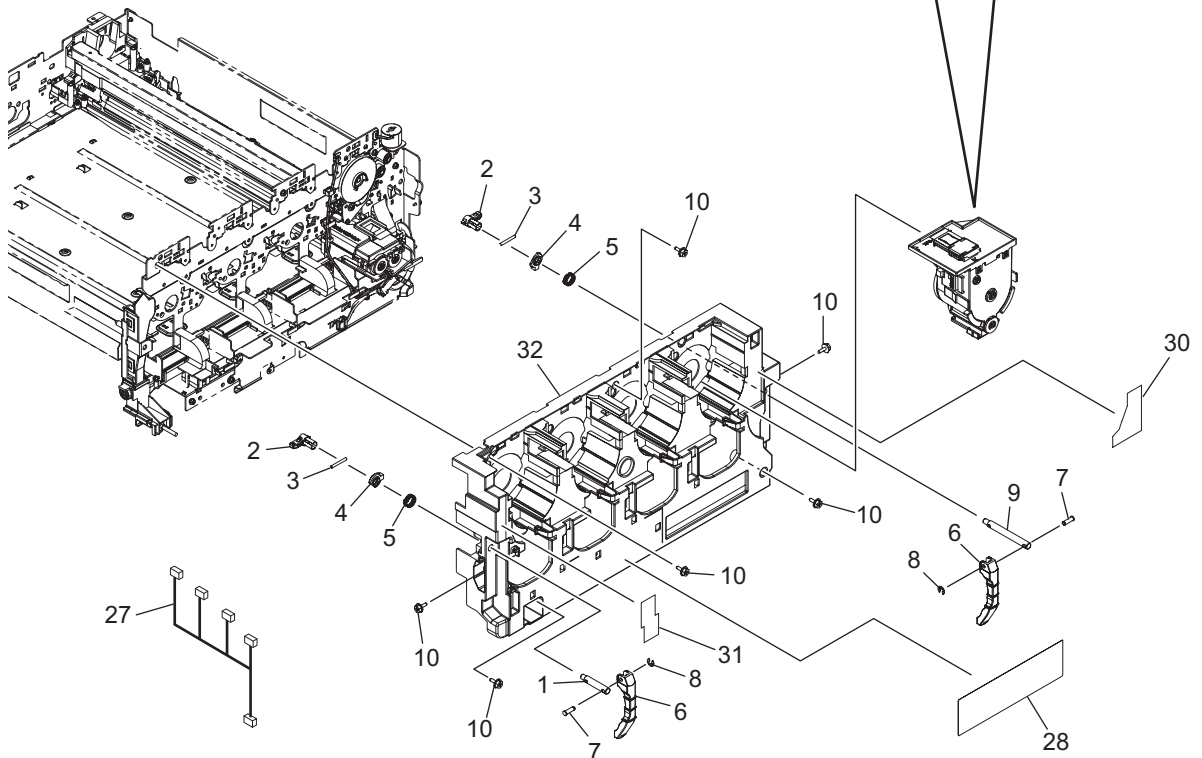
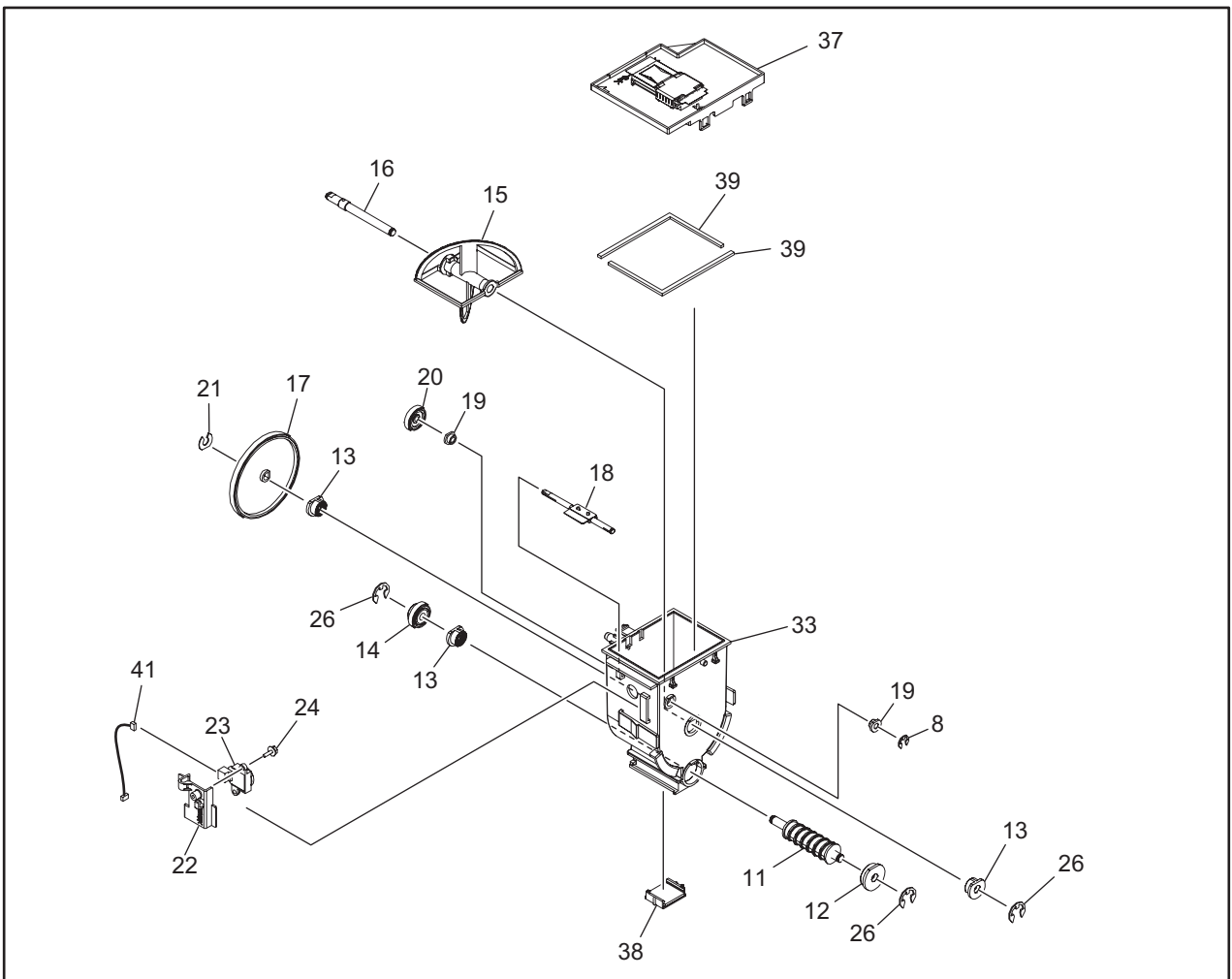




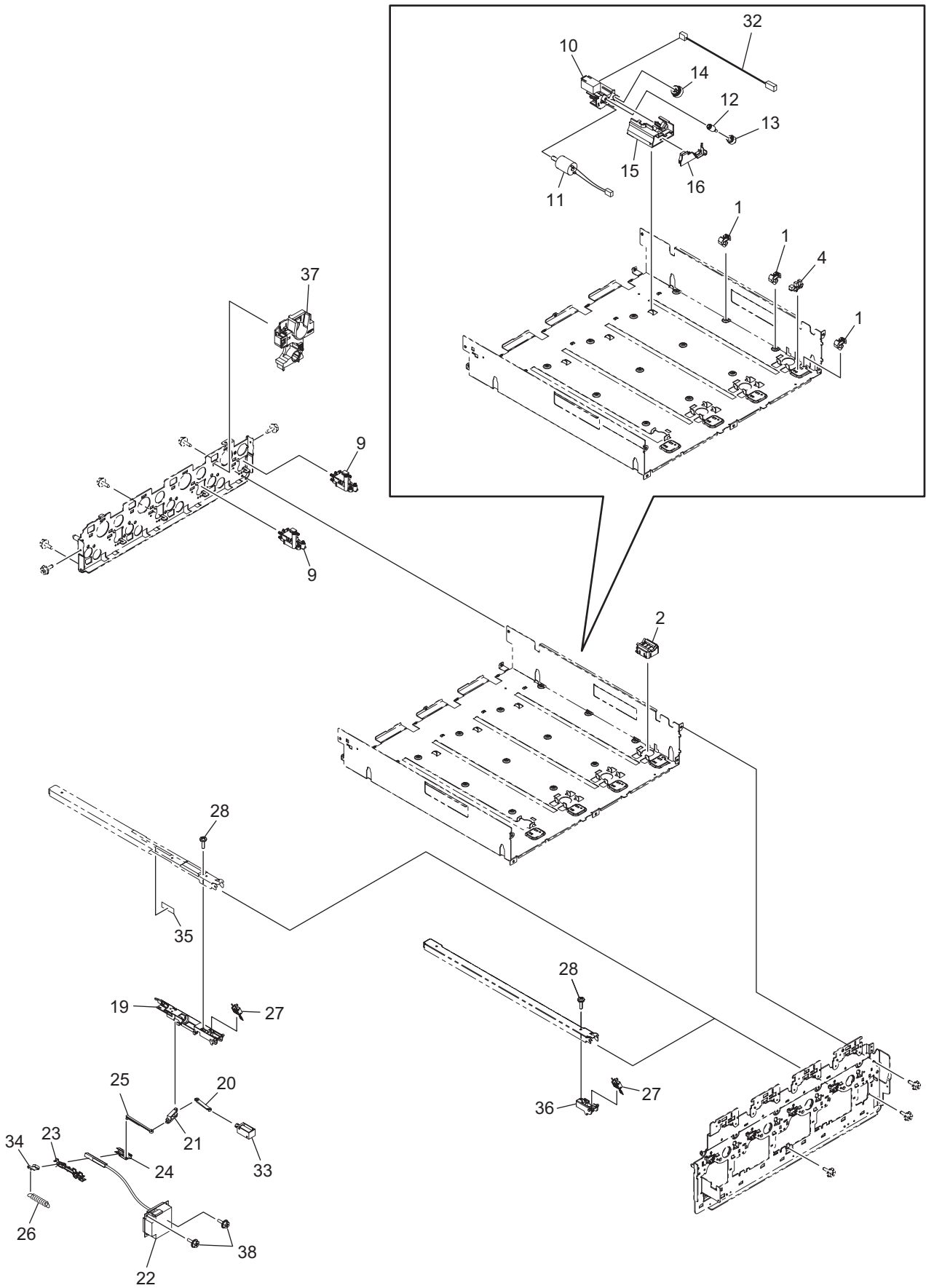
ITEM No.	PART No.	PART NAME	Q'TY / PAGE	Q'TY / PACK	REMARKS
1	6LK39705000	FRAME-DRV-K-MAIN-H38X	1	1/P	
2	6LK39706000	GEAR-5H45-8-CUP-MIX-H38X	1	1/P	
3	6LH03958000	GEAR-5H54-8-CUP-DEV-A	1	1/P	
4	6LK39755000	CPL-DEV-DRV-F	2	1/P	
5	X0-00970000	RR/E-9-SS	2	10/P	
6	6LK39757000	SPG-C-CPL-DRUM-H38X	1	1/P	
7	F0-01854000	R-2210KKSD21MTRPOP13LY551	1	1/P	
8	6LK39710000	CPL-DRV-DRUM-H38X	1	1/P	
9	6LK39750000	ASYS-SHAFT-DRUM-H38X	1	N/A***	
10	6LK39751000	RRG-7R7-P	1	1/P	
11	X0-02231000	S/FHEXM-M3X8-NI	14	10/P	
12	X0-02247000	S/TPP/FHEXM-3X8-NI	7	10/P	
13	6LK39756000	CPL-DEV-DRV-R	2	1/P	
14	6LK39732000	STUD-COUPLE-DEV-CY-H38X	1	1/P	
15	6LK39728000	STUD-DRV-MIX-1	2	1/P	
16	F0-02099000	6000ZZ-DF30ELC-GV22	1	1/P	
17	6LK39747000	MOTR_D-DRIVE-04R20-22	1	1/C	
18	6LH01700000	GEAR-04H236-DRUM	1	1/P	
19	6LK52212000	MOTR_D-DRIVE-05R20-22	2	1/C	
20	X0-00966000	RR/E-5-SS	2	10/P	
21	6LK39707000	GEAR-05H58_05H78-8	2	1/P	
22	X0-02379000	P/PRL/AH7-3X35-SS	1	10/P	
23	6LH01788000	SPG-C-DEV-DRV	2	5/P	
24	6LK39733000	STUD-COUPLE-MIX-H38X	1	1/P	
25	6LK39334000	HRNS-LGC-KDRM-H385	1	1/P	
26	6LK39709000	BRKT-MOTR-K-DEV-H38X	1	1/P	
27	6LK39754000	SPG-GND-DRV-K-U2D-H380	1	1/P	
28	F0-02174000	608ZZPNR-DF30ELC-GV22	1	1/P	
29	44201801000	STOP-RING-6-1.5	1	5/P	
30	6LK39753000	SPG-GND-DRV-K-H380	1	1/P	
31	6LK39708000	BRKT-MOTR-K-DRUM-H38X	1	1/P	
32	6LK39749000	ASYB-SHAFT-DRUM-H38X	1	N/A***	
33	X0-02421000	S/TPS/FHEXM/R-4X8-ZU3	4	10/P	



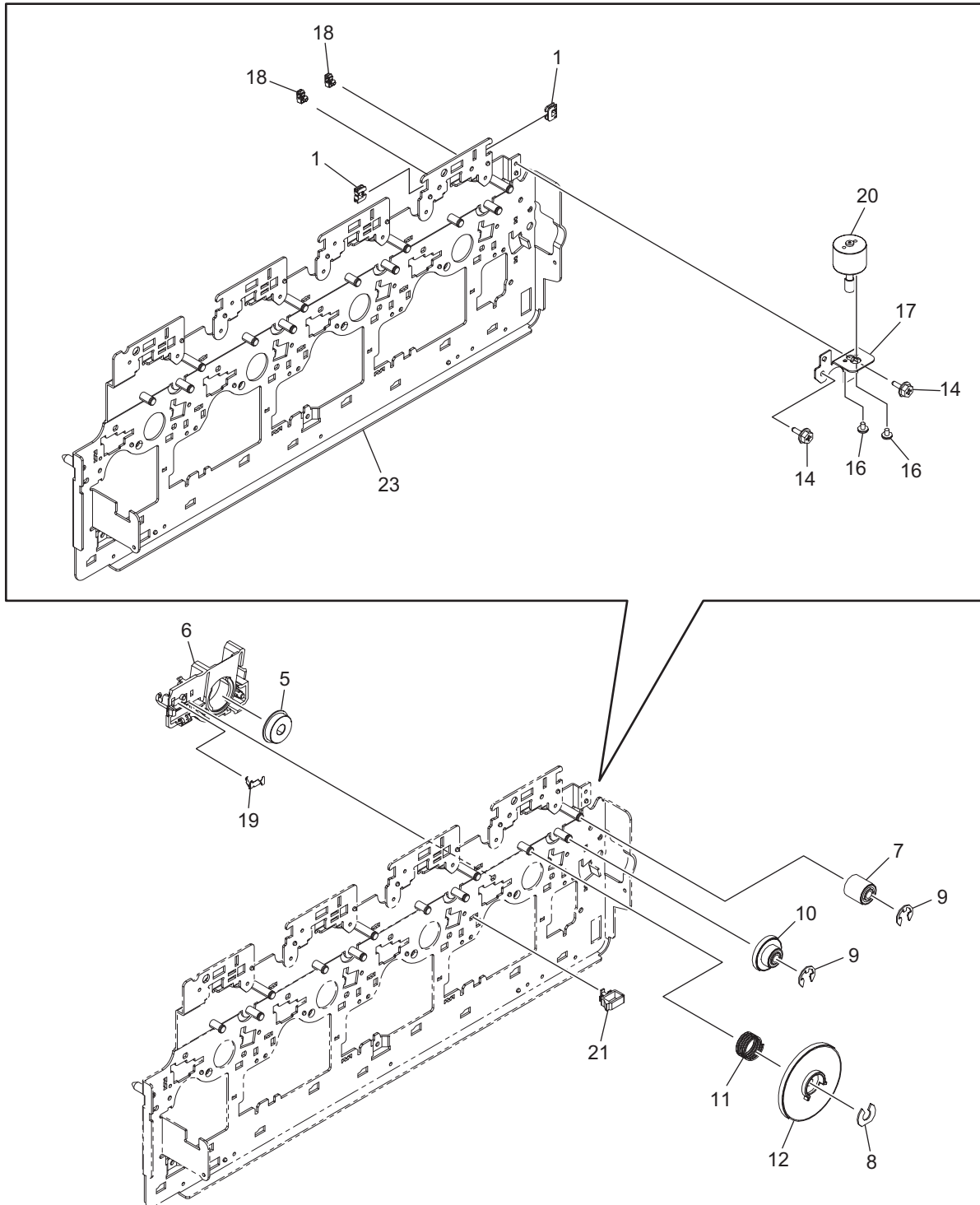
ITEM No.	PART No.	PART NAME	Q'TY / PAGE	Q'TY / PACK	REMARKS
1	6LH03444000	DUCT-TONER	1	1/P	
2	6LH03512000	ASYS-SHUT-TONER-H	1	1/D	
3	6LH03519000	SPG-DUCT-TONER-H	2	1/P	
4	X0-02421000	S/TPS/FHEXM/R-4X8-ZU3	4	10/P	
5	6LK40913000	COV-GUIDE-TC-H385	1	1/PP	
7	6LJ06910000	SHEET-STOP-KEY	1	1/KP	
8 A	6LH03456V00	KEY-VERSION-DETECT-2P_S	1	1/C	NAD,ARD
8 B	6LH03456U00	KEY-VERSION-DETECT-2U_S	1	1/C	CND
8 C	6LH03456J00	KEY-VERSION-DETECT-J_S	1	1/C	MJD
8 D	6LH03456N00	KEY-VERSION-DETECT-XE_S	1	1/C	ASD,AUD



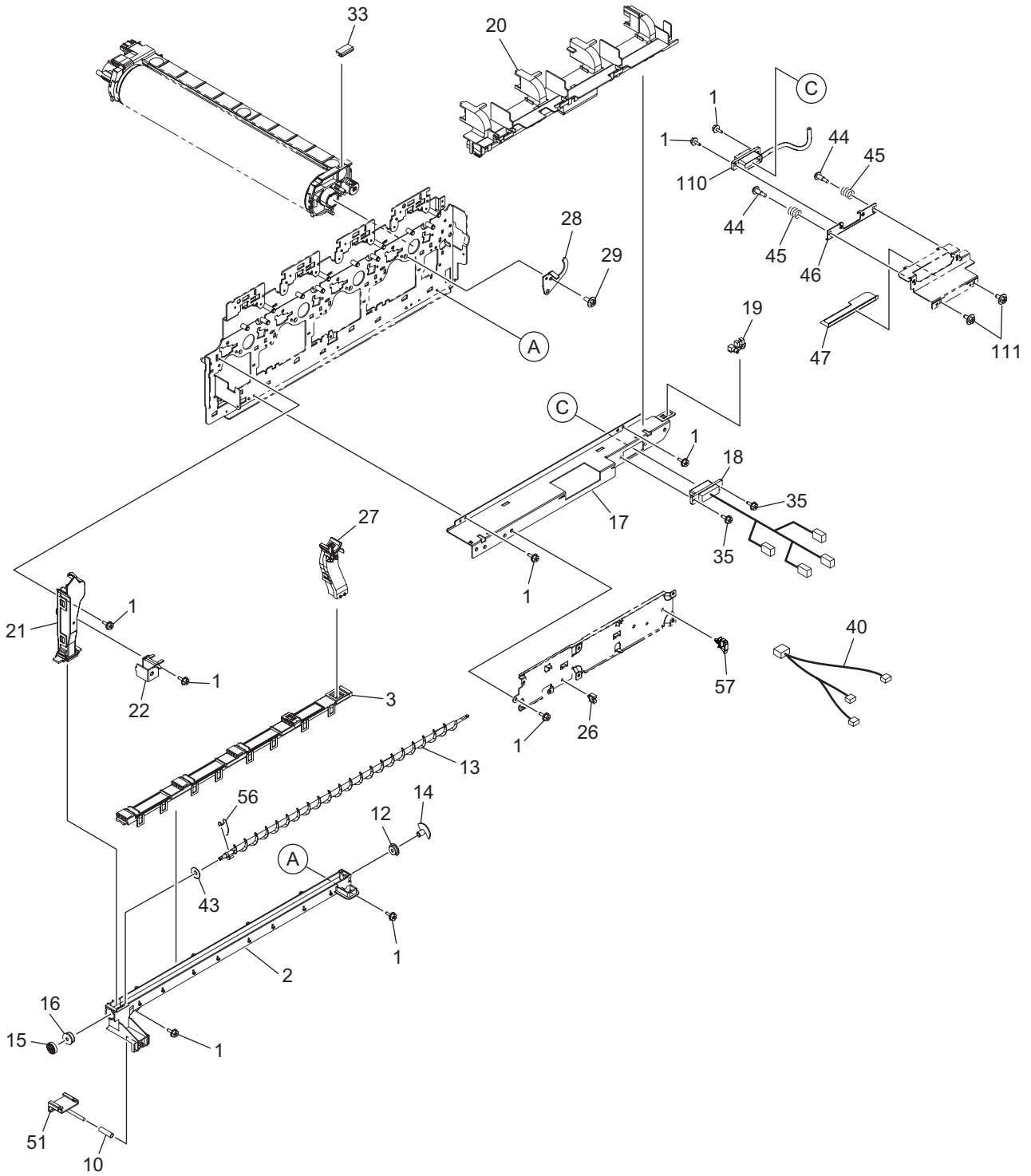
ITEM No.	PART No.	PART NAME	Q'TY / PAGE	Q'TY / PACK	REMARKS
1	6LH02827000	SHAFT-LOCK-TRAY-EPU-LFT	1	1/P	
2	6LH02620000	LOCK-TRAY-EPU	2	1/C	
3	X0-02380000	P/PRL/AH7-3X25-SS	2	10/P	
4	6LH02621000	STOP-LOCK-TRAY-EPU	2	1/P	
5	6LH02825000	SPG-LOCK-TRAY-EPU	2	1/P	
6	6LJ06747200	LEVER-TRAY-EPU_C	2	1/P	
7	6LH02839000	SHAFT-LVR-EPU-TRAY	2	1/P	
8	X0-00964000	RR/E-3-SS	3	10/P	
9	6LH02826000	SHAFT-LOCK-TRAY-EPU-RGT	1	1/P	
10	X0-02420000	S/TPS/FHEXM/R-3X8-ZU3	6	10/P	
11	6LJ06903000	AUGER-SUB-HOPPER	1	1/P	
12	6LK40602000	ASYS-BUSH-6X18X6-P	1	1/P	
13	4406527560	K-BUSH-MIXER-R	3	1/P	
14	6LH03411000	GEAR-8S23-6-ONEWAY	1	1/P	
15	6LJ06902000	PADDLE-SH-H130	1	1/D	
16	6LJ06906000	ASYS-SHAFT-PADDLE-SH-H130	1	1/P	
17	6LH03454000	GEAR-08S84-6-SUB-H	1	1/P	
18	6LK40628000	ASYS-PDL-SENS-H38X	1	1/P	
19	6LA02920000	BUSH-0410-05F-M	2	5/P	
20	6LH03414000	GEAR-8S22-4	1	1/P	
21	6LH03574000	RRG-4-P	1	1/P	
22	6LH02693000	HLDR-SNSR-TONER	1	1/P	
23	C0-10817000	TSP15D10C-01	1	1/C	
24	X0-02247000	S/TPP/FHEXM-3X8-NI	1	10/P	
26	X0-00966000	RR/E-5-SS	3	10/P	
27 A	6LK39339000	HRNS-EPU-HPTN-H385	1	1/P	Except for eS7506AC MJC eS7506AC MJC
27 B	6LK73012000	HRNS-EPU-HPTN-H385HF	1	1/P	
28	6LK40634000	LBL-EPU_TBU-H38X	1	1/KP	
30	6LH14763000	LBL-EPU-LEVER-R	1	1/P	
31	6LH14764000	LBL-EPU-LEVER-L	1	1/P	
32	6LH02696200	COVER-EPU38X	1	1/PP	K
33	6LK40701000	CASE-SUBHOP-H385	1	1/PP	
37	6LH03567300	ASYS-COV-SUB-HOPPER-K	1	1/P	
38	6LH03510000	ASYS-SHUT-SH-430	1	1/P	
39	6LH03585000	SEAL-SUB-HOPPER	2	1/KP	
41 A	6LH08991000	HRNS-MCK-HPTN-430	1	1/P	Except for eS7506AC MJC eS7506AC MJC
41 B	6LK73014000	HRNS-MCK-HPTN-H380HF	1	1/P	



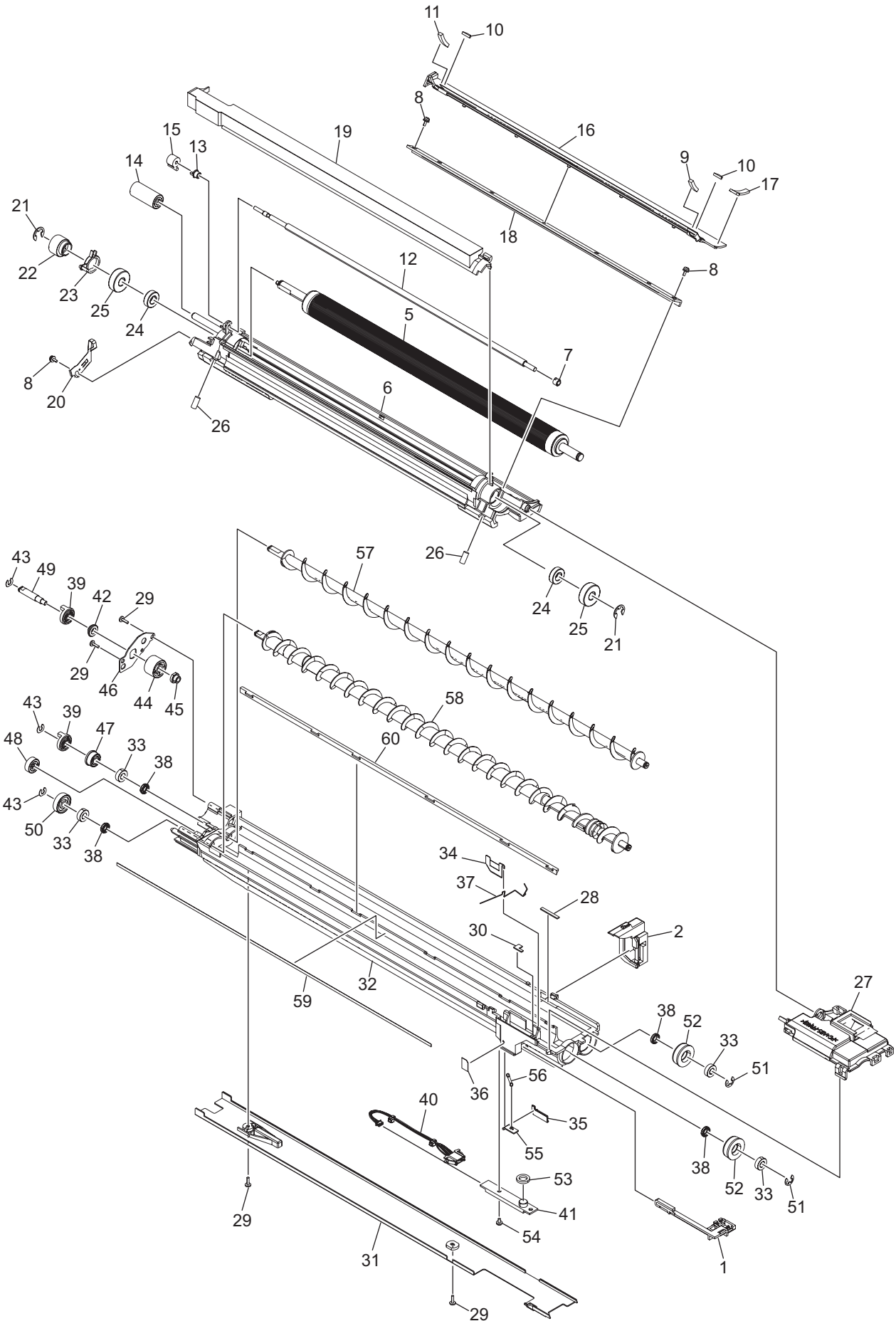
ITEM No.	PART No.	PART NAME	Q'TY / PAGE	Q'TY / PACK	REMARKS
1	F0-01046000	UAMS-02WL-0	3	5/P	
2	6LK39537000	ASYB-FAN-OZN-MCK-H38X	1	1/C	
4	C0-17839000	LG2A14BL1	1	1/C	
9	6LJ06738000	ASYB-TERM-HVT-CH	2	1/P	
10	6LH02622000	BRKT-DRIVE-CLNR-CHGR-2	1	1/D	
11	6LK30908000	MOTR_D-CHGR-CLNR-H34X	1	1/D	
12	6LH02675000	GEAR-IDLER-DRIVE-CLNR-CHG	1	1/P	
13	6LH02837000	GEAR-IDLER-DRIVE-CLNR-C-2	1	1/P	
14	6LH02690000	GEAR-DRIVE-CLNR-CHGR	1	1/P	
15 A	6LJ06721000	DUCT-OZONE-CLNR-CHGR-G	1	1/P	eS5508A/6508A/7508A
15 C	6LH02685100	DUCT-OZONE-CLNR-CHGR_S	1	1/P	eS8508A
16	6LK40647100	COV-DUCT-OZONE-CLNR-CHGRS	1	1/P	
19 A	6LH02709000	HLDR-SNSR-V0	1	1/P	eS8508A
20 A	6LH02711000	LINK-SOL-SNSR-V0	1	1/P	eS8508A
21 A	6LH02712000	LEVER-SHUT-SNSR-V0	1	1/P	eS8508A
22 A	6LK39402000	SNSR-V0-380	1	1/C	eS8508A
23 A	6LH02708000	BRKT-SNSR-V0	1	1/P	eS8508A
24 A	6LH02710000	SHUT-SNSR-V0	1	1/D	eS8508A
25 A	6LH02707000	LINK-SHUT-SNSR-V0	1	1/P	eS8508A
26 A	6LH02929000	SPG-E-SHUT-SNSR-V0	1	5/P	eS8508A
27	6LE29945000	THMS-DRM-380	1	1/C	
28	6LA80090000	S/TPP/BID-3*8-NI	1	5/P	
32 A	6LH08986000	HRNS-CLNMT-430	1	1/P	eS8508A MJC
32 B	6LK73007000	HRNS-CLNMT-H380HF	1	1/P	Except for eS8508A MJC
33 A	6LA34003000	SOL_IQ	1	1/D	eS8508A
34 A	6LH02930000	PLATE-CONDUCT-SNSR-V0	1	1/D	eS8508A
35 A	6LH02983000	SHEET-STAY-V0	1	1/P	eS8508A
36	6LJ06724000	HLDR-STAY-EPU-H130	1	1/P	
37	6LK40543000	ASYS-GUIDE-CLNR-D-RER-K	1	1/D	
38	X0-02231000	S/FHEXM-M3X8-NI	2	10/P	



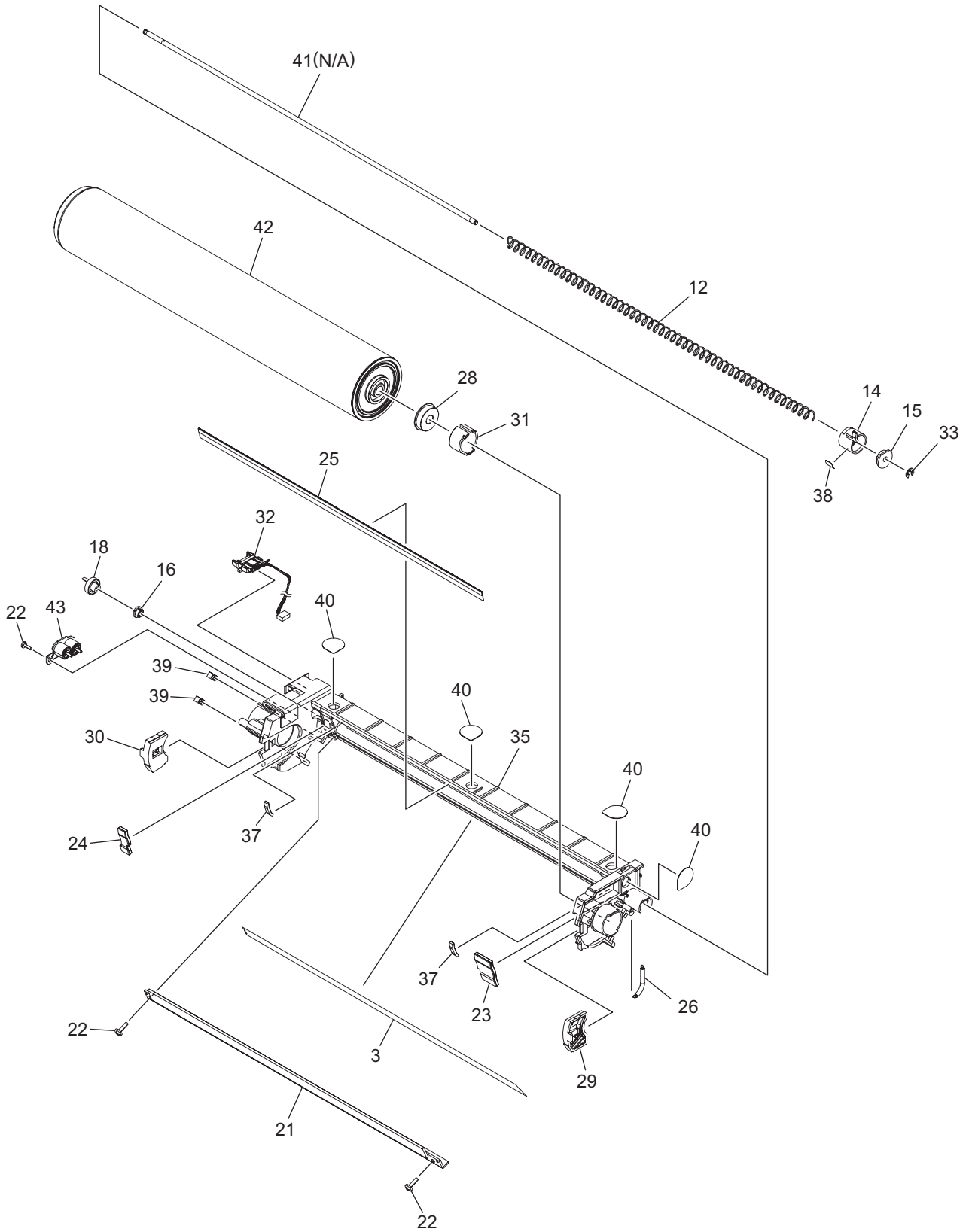
ITEM No.	PART No.	PART NAME	Q'TY / PAGE	Q'TY / PACK	REMARKS
1	F0-00120000	ES-0505	2	5/P	
5	F0-02174000	608ZZPNR-DF30ELC-GV22	1	1/P	
6	6LH02629000	GUIDE-CLNR-DRUM-FRT	1	1/P	
7	6LH03601000	GEAR-5S28-6	1	1/P	
8	6LH03574000	RRG-4-P	1	1/P	
9	X0-00966000	RR/E-5-SS	2	10/P	
10	6LH03412000	GEAR-5H52_6S25-6	1	1/P	
11	6LH03573000	SPG-GEAR-DRV-SB	1	5/P	
12	6LH03452000	GEAR-06S100-6-SUB-H-D	1	1/P	
14	X0-02420000	S/TPS/FHEXM/R-3X8-ZU3	2	10/P	
16	X0-02557000	S/BID-M2.6X3-NI	2	10/P	
17	6LH02695000	BRKT-MOTRD-SUB-HOPPER-B	1	1/P	
18	F0-01462000	LBWS-0206S-V0	2	1/P	
19	6LH02933000	SPG-F-GND-STAY-V0	1	1/P	
20	6LH09058000	MOTRD-SUBH-430	1	1/C	
21	F0-01459000	RLWT-2V0	1	5/P	
23	6LH02645100	ASYS-PLATE-RTNR-EPU-F_385	1	1/P	



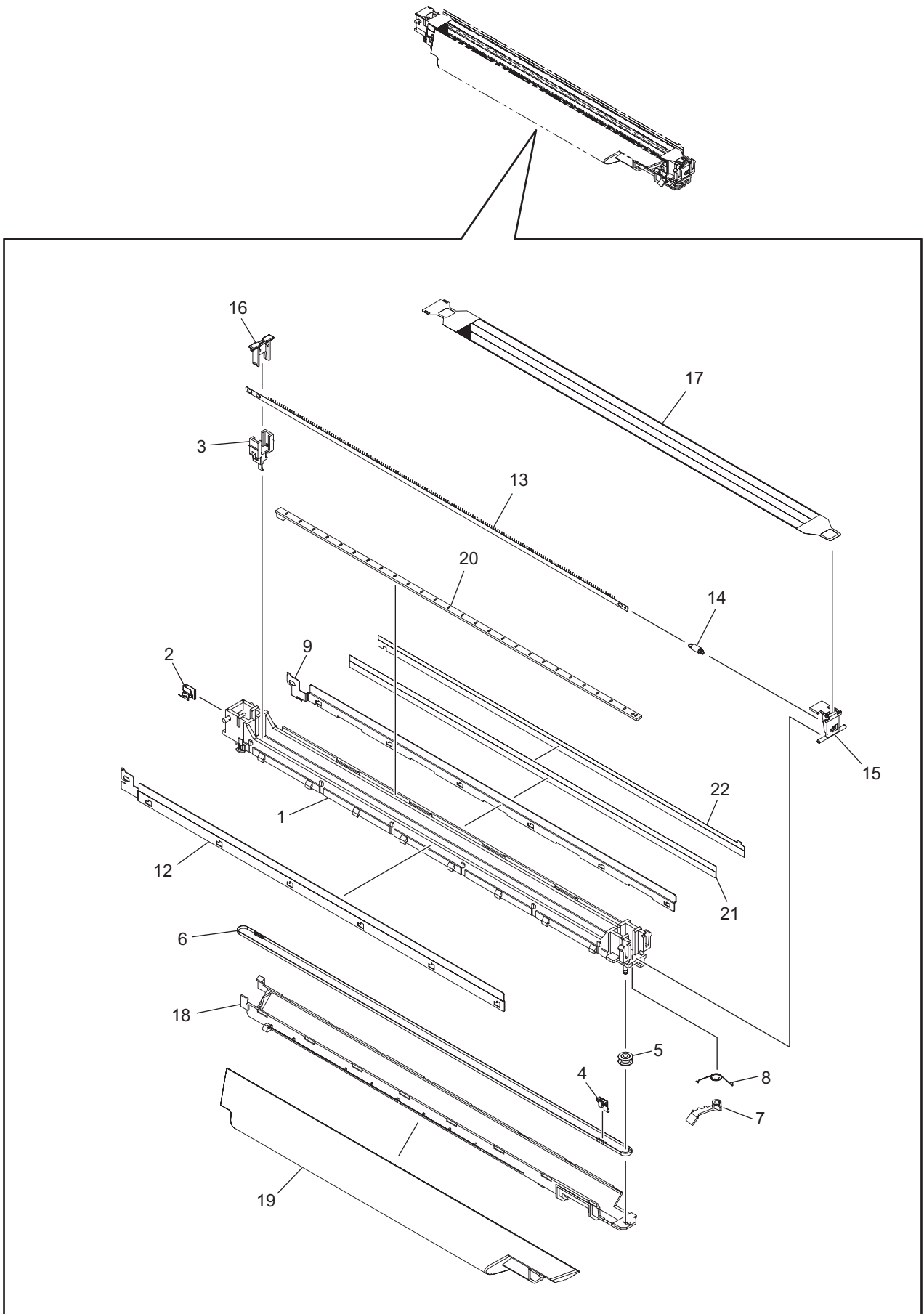
ITEM No.	PART No.	PART NAME	Q'TY / PAGE	Q'TY / PACK	REMARKS
1	X0-02420000	S/TPS/FHEXM/R-3X8-ZU3	9	10/P	
2	6LH03620000	ASYS-CASE-DUCT-WTNR-FRT	1	1/PP	
3	6LH03621100	ASYS-DUCT-WTNR-FRT-H385	1	1/PP	
10	6LH03559000	SPG-WASTE-SHUT-EPU	1	1/P	
12	6LE42524000	BUSH-4-CLN-TBU-F	1	5/P	
13	6LK40649100	AUGER-WASTE-TNR_S	1	1/KP	
14	6LH03420000	SHIELD-PLT-WTNR-AUG	1	1/P	
15	6LH03431000	GEAR-8S18-6-AUG-FRT	1	1/P	
16	6LH03489000	ASYS-BUSH-4-WTNR	1	1/P	
17	6LH02700200	BRKT-CNTR-EPU-TRY385	1	1/P	
18 A	6LK39343000	HRNS-EPU-H385	1	1/P	eS5508A/6508A/7508A
18 B	6LK39436000	HRNS-EPU-H388	1	1/P	eS8508A
19	C0-17839000	LG2A14BL1	1	1/C	
20	6LH02752100	ASYB-DUCT-DEV-EPUTRAY-385	1	1/PP	
21	6LK40584000	ASYB-DUCT-CLN-TBU-H38X	1	1/PP	
22	6LH02631000	BRKT-LOCK-TRAY-EPU-LFT	1	1/P	
26 C	F0-01250000	MSB-1207	1	5/P	eS8508A
27	6LK40556000	ASYB-DUCT-W_TNR-CLNR-DRUM	1	1/D	
28	6LH02668000	RTNR-DEV-FRT	1	1/P	
29	X0-02235000	S/FHEXM-M4X8-NI	1	10/P	
33	6LH02616000	PIECE-COLOR-K	1	5/P	
35	X0-02231000	S/FHEXM-M3X8-NI	2	10/P	
40 A	6LK39428000	HRNS-KPU-H382	1	1/P	eS8508A NAD,ASD,AUD,ARD,CND
40 B	6LK39253000	HRNS-KPU-H380	1	1/P	eS5508A/6508A/7508A
40 C	6LK73010000	HRNS-KPU-H382HF	1	1/P	eS8508A MJD
43	6LK40611000	WASHER-41X106X05-P	1	5/P	
44	6LE06667000	SCREW-M3-D4-7-ZU3	2	5/P	
45	6LH02970000	SPG-DRW-EPU-MAIN	2	1/P	
46	6LK40703000	PLATE-DRW-EPU-MAIN-H385	1	1/P	
47	6LH02971000	SHEET-BRKT-DRW-MAIN	1	1/C	
51	6LH03466100	SHUT-WTNR-EPU_S	1	1/P	
56	6LK40718000	SPG-WTNR-F-EPU-H38X	1	1/P	
57	F0-00736000	LWS-0711Z	1	5/P	
110	6LK39297000	HRNS-LGC-EPU-H385	1	1/P	
111	X0-02421000	S/TPS/FHEXM/R-4X8-ZU3	2	10/P	



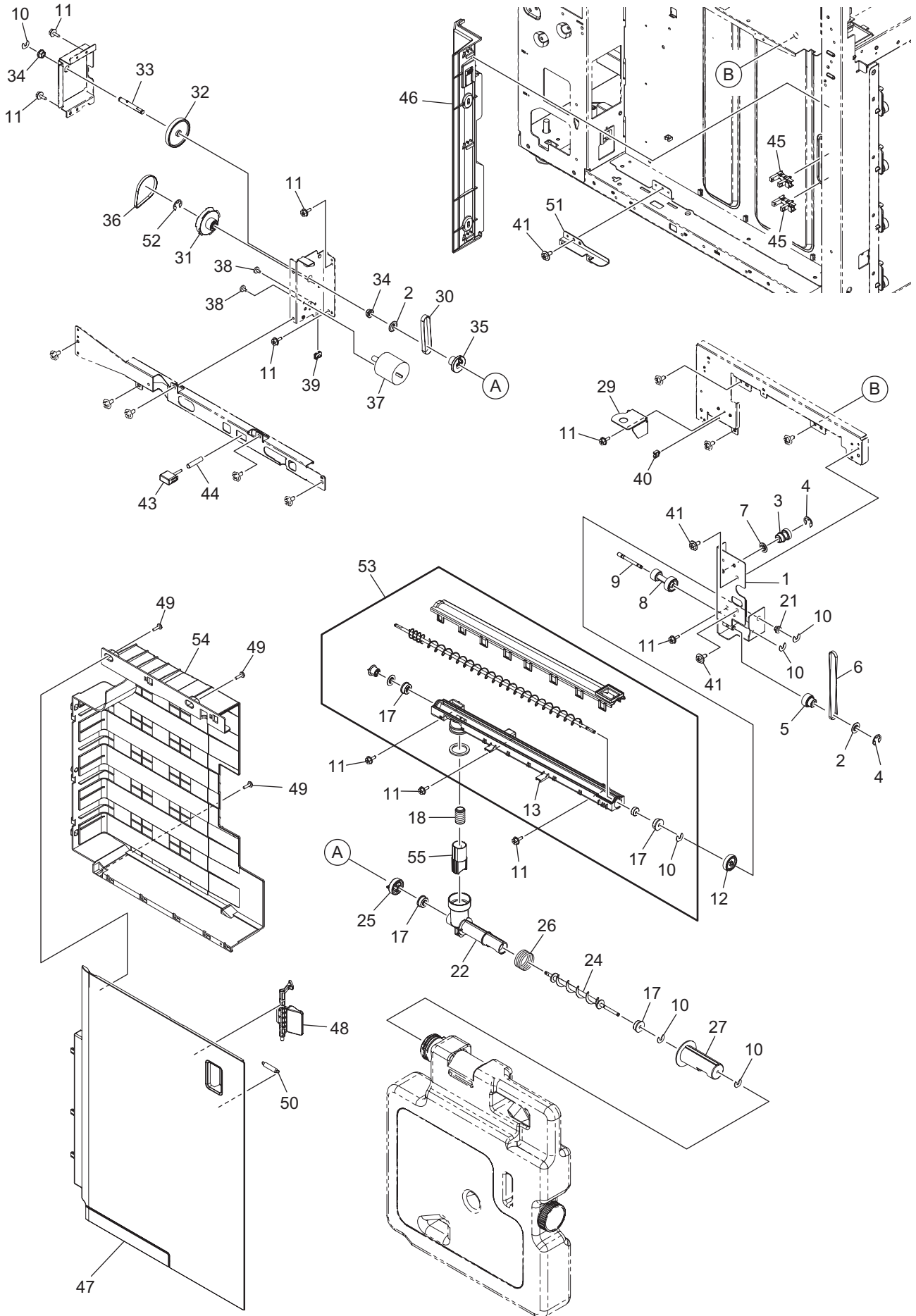
ITEM No.	PART No.	PART NAME	Q'TY / PAGE	Q'TY / PACK	REMARKS
1	6LK40625000	ASYS-CNTR-ATC-H38X	1	1/P	
2	6LK40541000	ASYB-DUCT-DOC-FRT-H38X	1	1/D	
5	6LJ06700000	RLR-MAGT-H13X	1	1/KP	
6	6LK40519000	ASYS-HLDR-MG-SEAL-H38X	1	1/D	
7	6LH02904000	BUSH-RE-FRT	1	5/P	
8	X0-00059000	S/PAN/SWWS-M3X6-NI	3	10/P	
9	6LH02905000	SEAL-MG-SIDE-FRT	1	5/P	
10	6LH02800000	SEAL-HLDR-DOC-SIDE	2	1/P	
11	6LH02797000	SEAL-MG-SIDE	1	1/P	
12	6LH02766000	ROLLER-RE-430	1	1/P	
13	6LA81752000	BUSH-RE-ROL-R	1	1/P	
14	6LH02680000	ASYS-GEAR-MG-430	1	1/P	
15	6LH02715000	CLUCH-RE-430	1	1/D	
16	6LK40593200	ASYS-SHILD-DOC380	1	1/PP	
17	6LH02887000	SEAL-DUCT-DOC-FRT-2	1	1/P	
18	6LH02651000	ASYS-DOCTR-430	1	1/P	
19	6LH02745000	ASYS-COV-MG	1	1/C	
20	6LK40586000	ADJSTR-MAGT	1	1/P	
21	X0-00968000	RR/E-7-SS	2	10/P	
22	6LH02656000	GEAR-04H43-8-MG	1	1/P	
23	6LH02662000	LINK-MG-RE	1	1/P	
24	F0-01868000	6882RSSH44M	2	1/P	
25	F0-01862000	608ZZM2SH44M	2	1/P	
26	6LH02765000	SPG-MG-DRM	2	1/P	
27	6LK40601000	ASYS-COVER-DEV-H130	1	1/PP	
28	6LK40582000	SEAL-CASE-DEV-SR4	1	1/P	
29	6LA80090000	S/TPP/BID-3*8-NI	4	5/P	
30	6LK40527000	SEAL-CASE-DEV-SR3	1	1/P	
31	6LK40525000	COVER-DV-UNDR-H38X	1	1/P	
32	6LK40524100	ASYS-CASE-DEV-H380_K	1	1/D	
33	F0-01959000	L1260 2RS-SH44M-GV22	4	1/P	
34	6LK40588000	SHEET-ADJUST-SR-C	1	1/P	
35	6LH02944000	ASYS-FLANG-SHUT-DEV	1	1/P	
36	6LH02935000	SHEET-SHUT-SHAFT	1	1/P	
37	6LK40522000	WIRE-SCRAPR-DEV-H38X	1	1/P	
38	4401949290	SEAL-VC6-10-2.5	4	1/P	
39	6LH01767000	COUPL-DRV-DEV	2	1/P	
40	6LK39318000	HRNS-ATC-H380	1	1/P	
41	6LK45855000	SNSR-ATC-H373	1	1/C	
42	44201994000	BUSH-6-3.7-GCB	1	5/P	
43	6LH03574000	RRG-4-P	3	1/P	
44	6LH02660000	GEAR-04H43-6-MG	1	1/P	
45	6LA34029000	BUSH-4X7X6F-POM	1	5/P	
46	6LK40521000	BRKT-GEAR-DEV-H38X	1	1/P	
47	6LH02657000	GEAR-04H30-6-MIX	1	1/P	
48	6LH02679000	ASYS-GEAR-MIX-430	1	1/P	
49	6LH02767000	SHAFT-IDL-DEV	1	1/P	
50	6LH02658000	GEAR-04H43-6-MIX	1	1/P	
51	X0-00966000	RR/E-5-SS	2	10/P	
52	6LH02655000	BUSH-DEV-FRT-430	2	1/P	
53	6LA29904000	SEAL-ATC-BLK	1	5/P	
54	X0-02113000	S/PAN-M3X4-NI	1	10/P	
55	6LH02984000	SHUT-DEV	1	1/P	
56	6LH02770000	SPG-SHUT-DEV	1	1/P	
57	6LK40589000	MIXER-RGT-H38X	1	1/KP	
58	6LK40550000	ASYS-MIXER-LFT-H38X	1	1/D	
59	6LK40632000	SHEET-SPACER-DEV	1	1/KP	
60	6LK40630000	SPACER-DEV	1	1/KP	



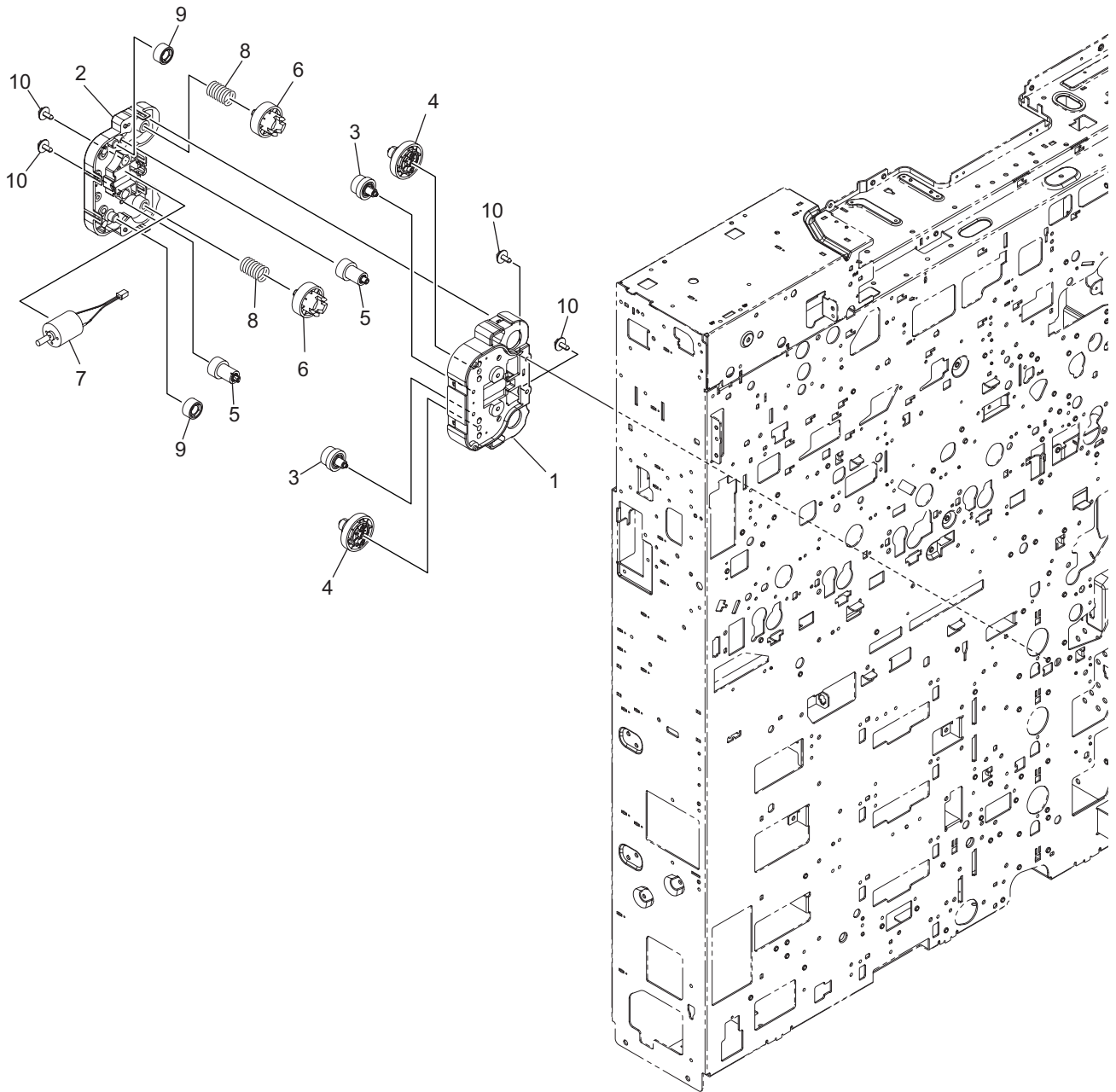
ITEM No.	PART No.	PART NAME	Q'TY / PAGE	Q'TY / PACK	REMARKS
3	6LK40505000	SHEET-BLADE-DRUM-BCK-H38X	1	1/KP	
12	6LK40596000	SPG-AUGER-CLN-DRUM	1	1/P	
14	6LH02960000	SHUT-AUGER-CLNR-DRUM	1	1/P	
15	6LE42524000	BUSH-4-CLN-TBU-F	1	5/P	
16	6LA02920000	BUSH-0410-05F-M	1	5/P	
18	6LK40512000	GEAR-06S24	1	1/P	
21	6LK40608000	BL-FC556D	1	1/S	
22	6LA80090000	S/TTP/BID-3*8-NI	3	5/P	
23	6LK40504000	SEAL-BLADE-SIDE-FRT-H38X	1	1/P	
24	6LK40503000	SEAL-BLADE-SIDE-RER-H38X	1	1/P	
25	6LK30938000	BLADE-REC-DRUM-H34X	1	1/KP	
26	6LH02822000	SPG-E-SHUT-NOZZLE	1	1/P	
28	F0-02174000	608ZZPNR-DF30ELC-GV22	1	1/P	
29	6LH02955000	RTNR-DR-SL-FRT	1	1/P	
30	6LH02950000	RTNR-DR-SL-RER	1	1/P	
31	6LH02854000	COLAR-CLNR-DRUM-FRT	1	1/P	
32	6LH08908000	HRNS-EPERS-430	1	1/P	
33	X0-00964000	RR/E-3-SS	1	10/P	
35	6LK40502000	ASYS-CASE-CLNR-DRUM-H38X	1	1/C	
37	6LK40631000	SEAL-BLADE-BACK-H38X	2	1/P	
38	6LH02908000	LBL-PSTN-DRUM-SHUT	1	1/P	
39	6LH02939000	SHEET-ADJUST-CHARGR	2	1/P	
40	6LH02975000	FLTR-CASE-CLNR	4	1/P	
41	6LK40597000	SHAFT-AUGER-CLNR-DRUM	1	N/A***	
42	6LK40607000	OD-FC556	1	1/S	
43	6LK40510000	ASYS-GEAR-DRV-AUGER	1	1/P	



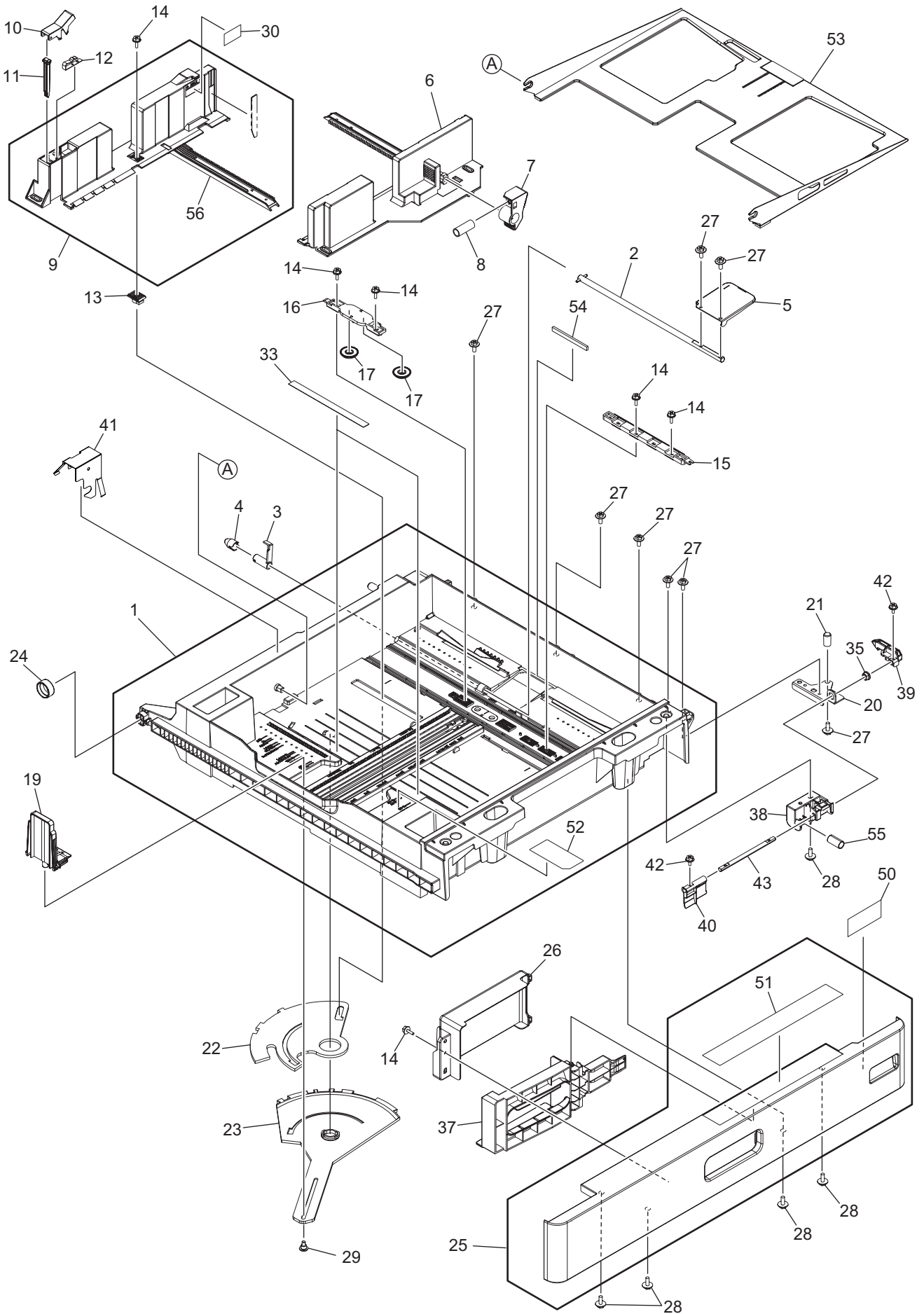
ITEM No.	PART No.	PART NAME	Q'TY / PAGE	Q'TY / PACK	REMARKS
1	6LH02844000	ASYS-CASE-CHARGR-MAIN-430	1	1/D	
2	6LH02619000	SPG-F-BIAS-MAIN-CHGR	1	1/P	
3	6LH02606000	BRKT-HLDR-CLNR-CH	1	1/P	
4	6LH02676000	SLIDE-PSN-CLNR-CHGR	1	5/P	
5	4401763590	PULLEY-3-6-10	1	1/P	
6	6LH02828000	BLT_SY-2GT-760-2	1	1/P	
7	6LH02607000	LEVER-PSN-CLNR-CHGR	1	1/P	
8	6LH02923000	SPG-T-ACTR-CHARGR-430	1	1/P	
9	6LH02609000	PLATE-CHARGR-MAIN-RGT	1	1/KP	
12	6LH02610000	PLATE-CHARGR-MAIN-LFT	1	1/KP	
13	6LK40587000	PIN-ARRAY-CHARGR-MAIN-38X	1	1/KP	
14	6LH02811000	SPG-E-GRID	1	1/P	
15 B	6LK40640000	LEVER-CHARGR-MAIN-G	1	1/P	eS5508A/6508A/7508A
15 C	6LK40639000	LEVER-CHARGR-MAIN	1	1/P	eS8508A
16	6LH02739000	ASYS-HLDR-CLNR-CH	1	1/P	
17 B	6LJ06722000	GRID-CHARGR-MAIN-G	1	1/KP	eS5508A/6508A/7508A
17 C	6LH02725000	GRID-CHARGR-MAIN-430	1	1/KP	eS8508A
18 B	6LJ06720100	DUCT-CHARGR-MAIN-G_S	1	1/PP	eS5508A/6508A/7508A
18 C	6LH02683000	DUCT-CHARGR-MAIN	1	1/PP	eS8508A
19	6LH02724000	DUCT-CHARGR-OZN-RER	1	1/P	
20	6LJ09293000	LAMP-ERASE-130	1	1/C	
21	6LJ06779000	SHEET-SHADE-CHARGR	1	1/KP	
22	6LH02813000	SHEET-CHARGR-OZN	1	1/KP	



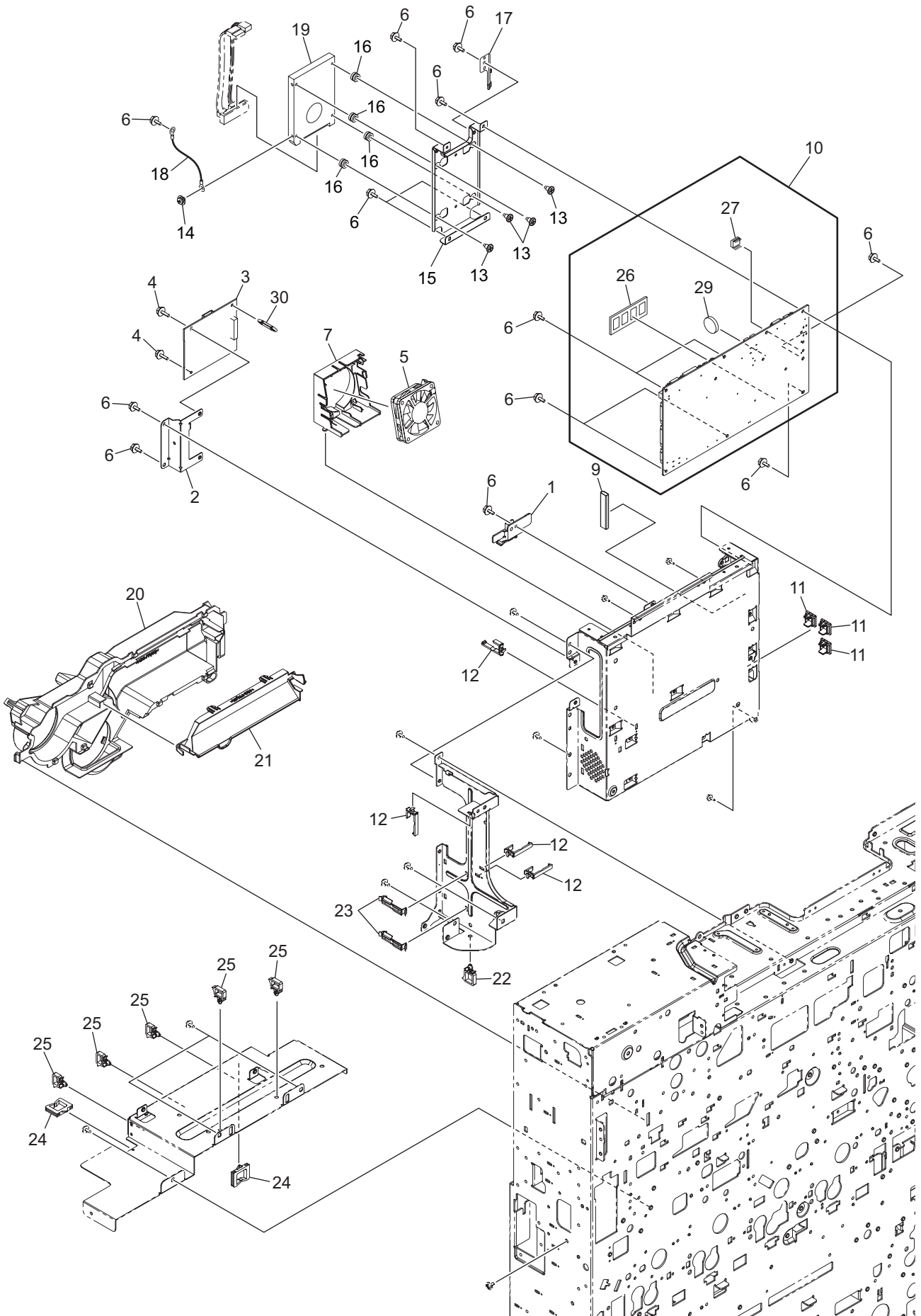
ITEM No.	PART No.	PART NAME	Q'TY / PAGE	Q'TY / PACK	REMARKS
1	6LH03488000	ASYS-BRKT-DRV-WTNR-F	1	1/P	
2	6LH03437000	FLANG-DRV-WTNR	2	1/P	
3	6LH03432000	GEAR-8S18_S2M20-6-DRV-FRT	1	1/P	
4	X0-00966000	RR/E-5-SS	2	10/P	
5	6LH03461000	GEAR-8S21-PSM20-6	1	1/P	
6	6LJ06913000	BLT-SY-S2M-250-4	1	1/P	
7	6LH03473000	FLNG-FRT-DRV	1	1/P	
8	6LH03435000	GEAR-8S24_8S18-5	1	1/P	
9	6LH03542000	SHAFT-DRV-WTNR-F-GEAR	1	1/P	
10	6LH02816000	RRG-3-P	6	1/P	
11	X0-02420000	S/TPS/FHEXM/R-3X8-ZU3	9	10/P	
12	6LH03436000	GEAR-8S28-4-AUGER	1	1/P	
13	6LK40707000	CASE-DUCT-WTNR-DPTH_S	1	1/PP	
17	6LH03489000	ASYS-BUSH-4-WTNR	4	1/P	
18	6LK40722000	SPG-C-WTNR-SWG-H38X	1	1/P	
21	6LA34029000	BUSH-4X7X6F-POM	1	5/P	
22	6LH03421100	DUCT-WTNR-TRN_H	1	1/P	
24	6LH03430000	AUGER-DUCT-TURN	1	1/KP	
25	6LH03426000	COUPL-DRV-WTNR-1	1	1/P	
26	6LH03546000	SPG-C-DUCT-FINAL	1	1/P	
27	6LH03422000	SHUT-DUCT-TURN	1	1/P	
29	6LH03427000	STAY-HINGE-WTNR-TOP	1	1/P	
30	6LH03530000	BLT_SY-S2M-148-6	1	1/P	
31	6LH03602000	GEAR-5S25-P2GT60-6-IDLE	1	1/P	
32	6LH03503000	GEAR-5S86-6-WTNR-DRV	1	1/P	
33	6LH03580000	ASYS-SHAFT-WTNR-DRV	1	1/P	
34	6LH03605000	BUSH-6-POM-B	2	1/P	
35	6LH03439000	PULLY-S2M20-6_CPL-WTNR2	1	1/P	
36	6LH03603000	BLT-SY-138-2GT-4	1	1/P	
37	6LH09431000	MOTRD-UTNR-430	1	1/C	
38	X0-00426000	S/BID-M3X4-NI	2	10/P	
39	F0-00120000	ES-0505	1	5/P	
40	F0-01250000	MSB-1207	1	5/P	
41	X0-02421000	S/TPS/FHEXM/R-4X8-ZU3	3	10/P	
43	6LH03474000	OPENR-COV-WTNR	1	1/P	
44	6LH03552000	SPG-C-OPENR-WTNR	1	1/P	
45	C0-21564000	LG285L2-R2	2	1/C	
46	6LH03482200	GUIDE-BOX-WTNR_B	1	1/D	
47	6LH03650000	ASYS-COVER-WTNR-38XS	1	1/D	
48	6LH03467200	HOOK-COV-WTNR_B	1	1/P	
49	6LA80090000	S/TPP/BID-3*8-NI	3	5/P	
50	6LH03610000	SPG-HOOK-COV-WTNR	1	1/P	
51	6LH03429000	PLATE-HINGE-WTNR-BTM	1	1/P	
52	X0-00968000	RR/E-7-SS	1	10/P	
53	6LH03534100	ASYB-DUCT-WTNR-DPTH_H	1	1/D	
54	6LH03462200	SUPT-BOX-WTNR_B	1	1/P	
55	6LK40714000	DUCT-TURN-WTB-H38X	1	1/P	



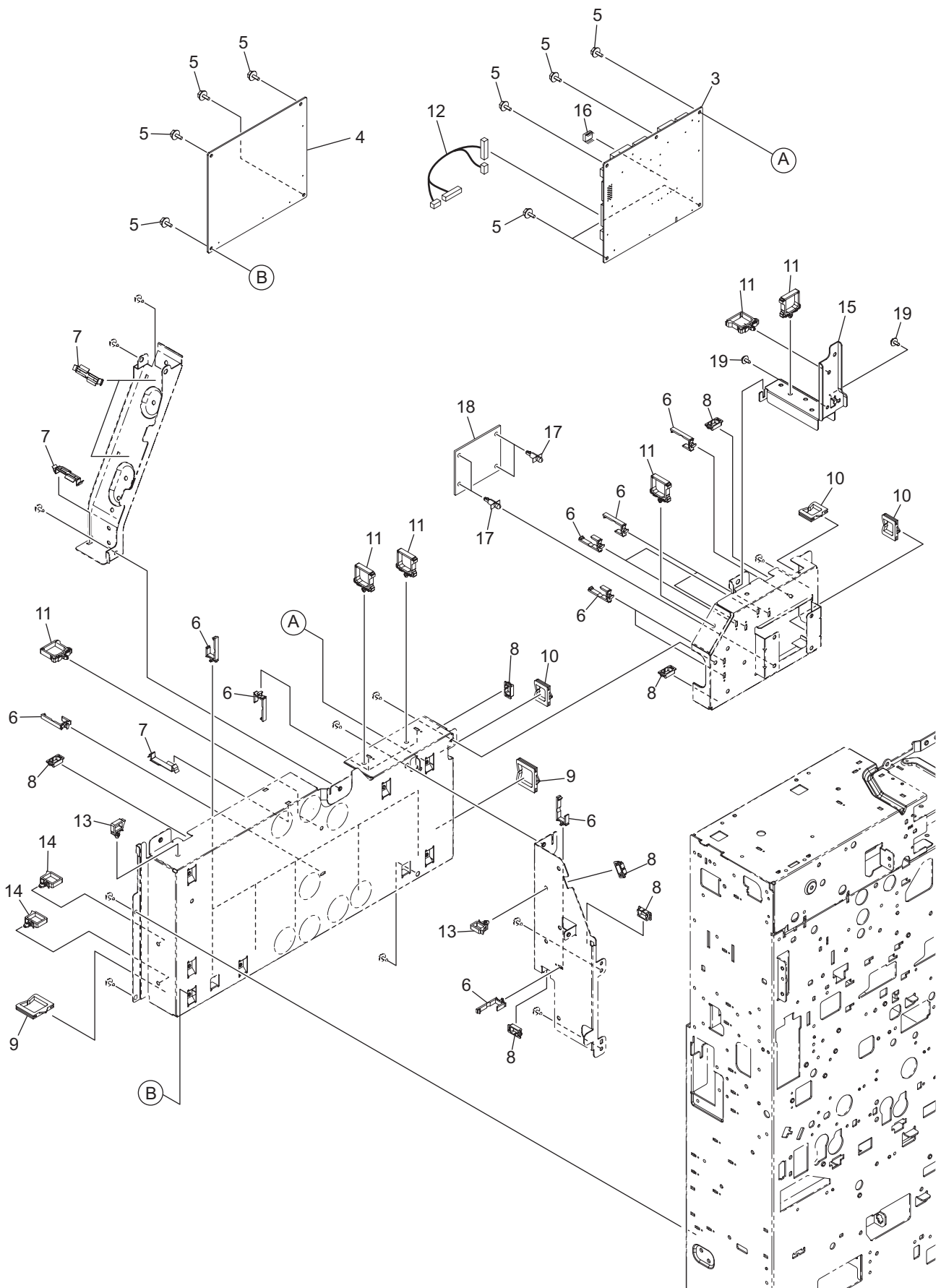
ITEM No.	PART No.	PART NAME	Q'TY / PAGE	Q'TY / PACK	REMARKS
1	6LH05729100	CASE-DRV-TRY-LOW-430_S	1	1/P	
2	6LH05730100	CASE-DRV-TRY-UP-430_S	1	1/C	
3	6LA04324000	G05H-45/G05S-15	2	1/P	
4	6LA04323000	G06S-13/G05S-80	2	1/C	
5	6LH05706000	GEAR-8S26_8S18-6	2	1/P	
6	6LH05715000	GEAR-8S45-8_CPG	2	1/P	
7	6LJ56929000	MOTR.D-TRAY-CST-S	1	1/D	
8	4401966050	SPC172-100-3400	2	1/P	
9	6LH05707000	GEAR-8S25-10	2	1/P	
10	X0-02421000	S/TPS/FHEXM/R-4X8-ZU3	4	10/P	



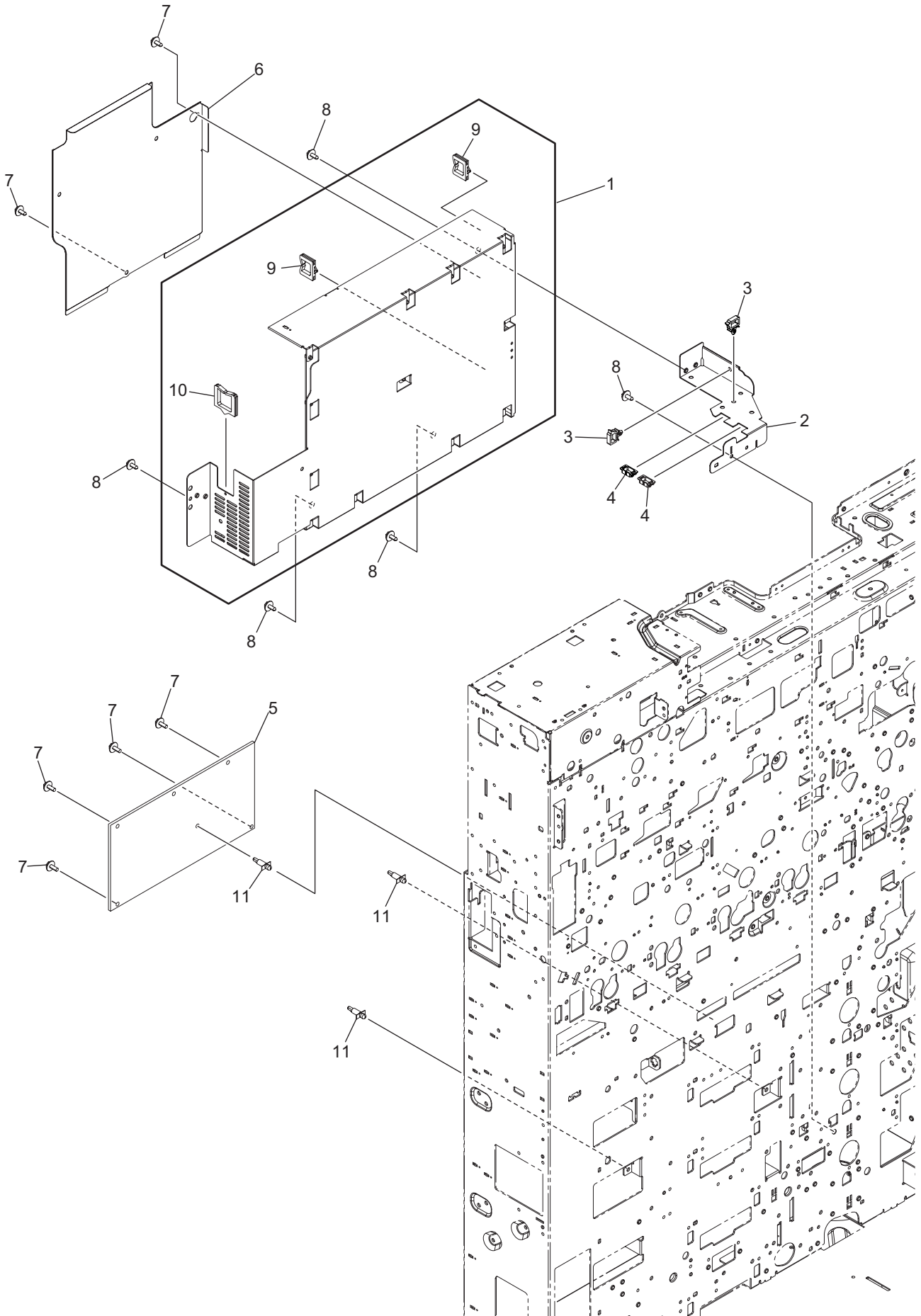
ITEM No.	PART No.	PART NAME	Q'TY / PAGE	Q'TY / PACK	REMARKS
1	6LK30957100	ASYS-CASSETTE-H38X	1	1/PP	
2	6LH05735000	ASYS-SFT-ELV-CST-F43X	1	1/P	
3	6LH05745000	LEVER-SENSOR-F43X	1	1/P	
4	6LA14466000	CAP-LEVER-SENS	1	1/P	
5	6LH05746000	ASYS-LEVER-ELV-CST-F43X	1	1/P	
6	6LH05719300	ASYS-WALL-SIDE-F-CST-BK4	1	1/KP	
7	6LH05704100	LVR-ADJUST-WALL_G	1	1/P	
8	6LA56695000	SPC-LVR-WALL-F	1	1/P	
9	6LJ08001300	ASYS-WALL-SIDE-R-CST-BK4	1	1/KP	
10	6LA29058100	LEVER-LOCK-WALL-RER_G	1	1/P	
11	6LH05748000	LOCK-WALL-R	1	1/P	
12	41305546000	SPL-LOCK-WALL-R	1	1/P	
13	6LH05752000	GUIDE-FOOT	1	1/P	
14	X0-02247000	S/TPP/FHEXM-3X8-NI	6	10/P	
15	6LH05703000	WALL-STOP	1	1/KP	
16	6LH05702000	HOLD-CASSET-PINION	1	1/P	
17	6LE53717000	GEAR-10S18-8-TRAY	2	1/P	
19	6LH05700100	WALL-END-CST-F43X_G	1	1/D	
20	6LK42104000	PLATE-LATCH-H38X	1	1/P	
21	6LA04487000	STUD-CST-POS	1	5/P	
22	6LH05721000	PUSHER-SIDE-CST-F43X	1	1/P	
23	6LK51260000	PUSHER-END-CST-F43X	1	1/PP	
24	6LH05717000	ROLLER-LEFT-R-BP	1	1/P	
25	6LK42113000	ASYS-COVER-CST-H38X	1	1/PP	
26	6LK42101000	COVER-HNDL-CST-H38X	1	1/P	
27	X0-02235000	S/FHEXM-M4X8-NI	8	10/P	
28	X0-02251000	S/TPP/FHEXM-4X8-NI	5	10/P	
29	6LH05511000	SCREW-M3X8-3.2-P	1	5/P	
30	6LJ75240000	LBL-CST-MAX_PP	1	1/P	
33	6LH05740000	MYLAR-CST-SIDE-WALL	2	1/KP	
35	44201492000	BUSH-6-POM	1	5/P	
37	6LK42109000	HNDL-CST-H38X	1	1/P	
38	6LK42107000	HOLDER-LEVER-SUB-H38X	1	1/P	
39	6LK42105000	LEVER-CST-H38X	1	1/P	
40	6LK42106000	LEVER-CST-SUB-H38X	1	1/P	
41	6LK42108000	PLATE-CST-EARTH-H38X	1	1/P	
42	X0-02230000	S/FHEXM-M3X6-NI	2	10/P	
43	6LK42111000	SHAFT-LATCH-CST-H38X	1	1/P	
50 B	6LK51245000	SIZE-CST-37X-A4	3	1/KP	MJD,ASD,AUD,ARD
50 D	6LK51245100	SIZE-CST-37X-LT	3	1/KP	NAD
50 E	6LK51245200	SIZE-CST-37X-K	3	1/KP	CND
51	6LK42116000	LBL_O-GUIDE-CST-H38X	1	1/KP	
52	6LK42115000	LBL_PAPER-SIZE-SRA3-H38X	1	1/KP	
53	6LJ08011000	ASYS-TRAY-CST-F43X	1	1/PP	
54	6LH05744000	CUSH-CST-BTM	1	1/KP	
55	6LK42117000	SPC-LEVER-CST-H38X_N	1	1/P	
56	6LJ08004300	WALL-SIDE-R-CST-F43X-BK4	1	1/D	



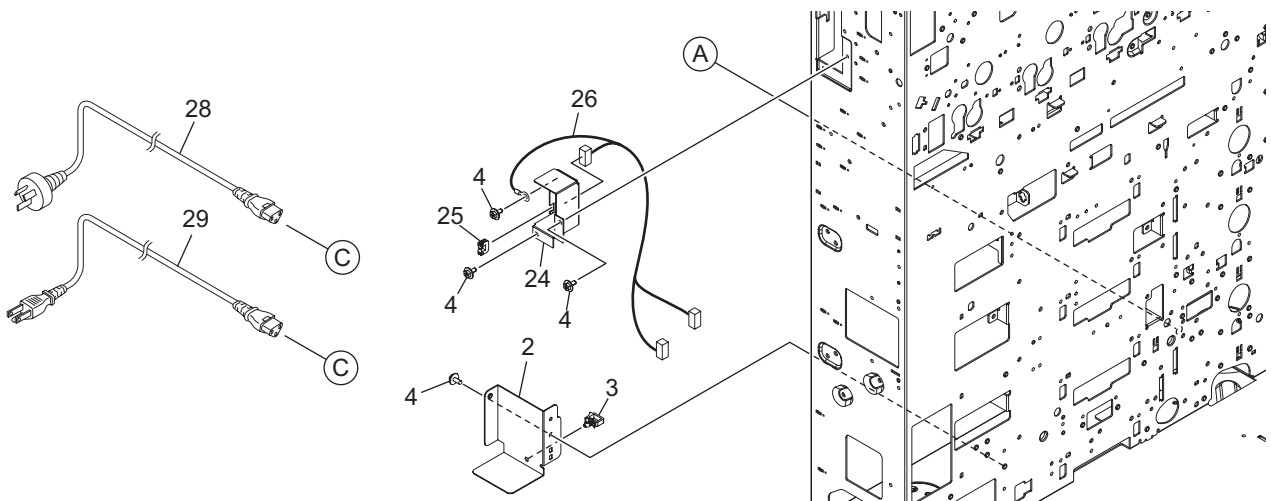
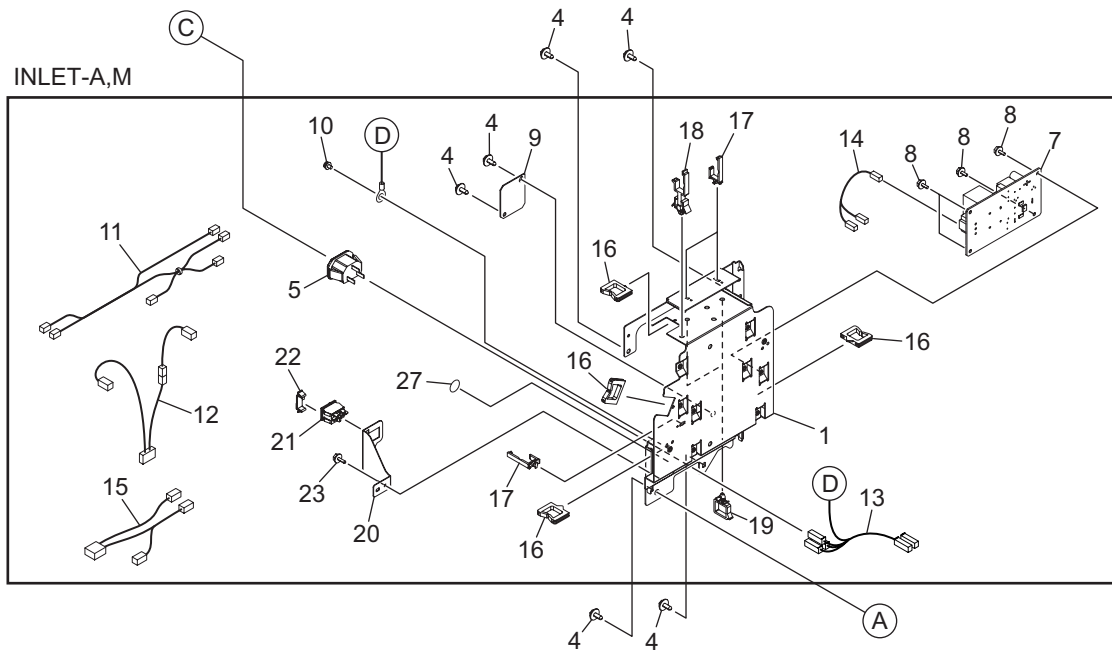
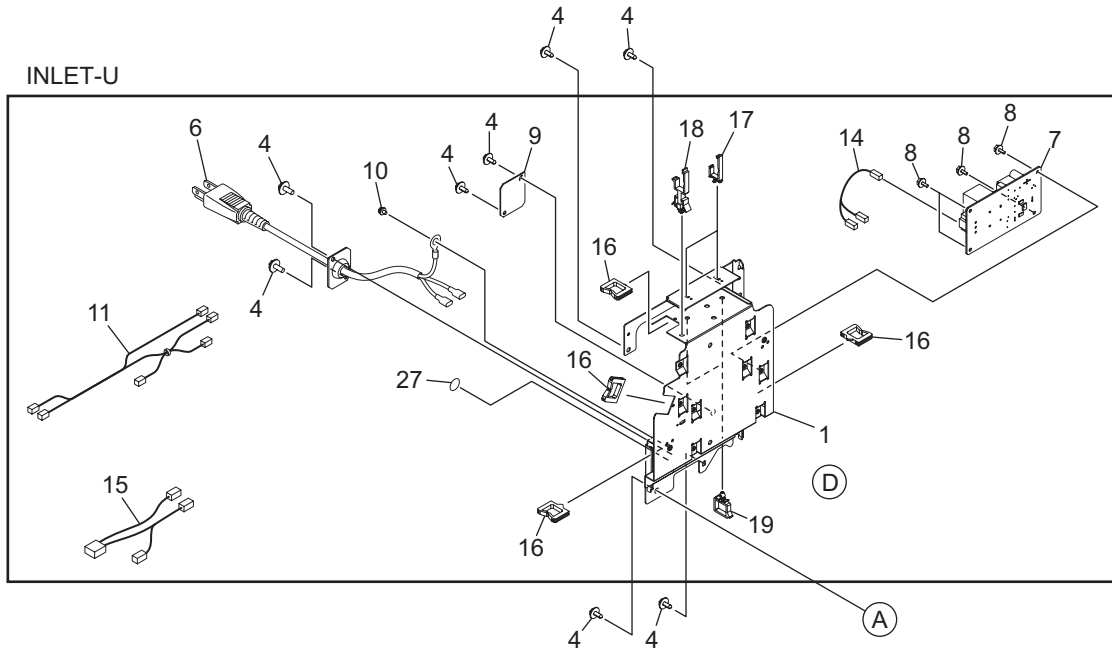
ITEM No.	PART No.	PART NAME	Q'TY / PAGE	Q'TY / PACK	REMARKS
1	6LK53290000	HLDR-HRNS-SYS-H370	1	1/P	
2	6LK44718000	BRKT-PWA-DSDF-H370	1	1/P	
3	6LK45614000	PWA-H-DSIF-370	1	1/SB	
4	X0-02231000	S/FHEXM-M3X8-NI	2	10/P	
5	6LJ53202000	FAN_D-SYS-6015-H21X	1	1/D	
6	X0-02230000	S/FHEXM-M3X6-NI	15	10/P	
7	6LJ53224000	DUCT-SYS-FAN-H21X	1	1/P	
9	6LK39079000	GSKT-5-10-50-H38X	1	1/P	
10 A	6LK73159000	ASYB-PWA-SYS-H385S	1	1/SB	NAD,MJD,ASD,AUD,ARD
10 B	6LK73159100	ASYB-PWA-SYS-H385CS	1	1/SB	eS5508A CND
10 C	6LK73159200	ASYB-PWA-SYS-H386CS	1	1/SB	eS6508A CND
10 D	6LK73159300	ASYB-PWA-SYS-H387CS	1	1/SB	eS7508A CND
10 E	6LK73159400	ASYB-PWA-SYS-H388CS	1	1/SB	eS8508A CND
11	6LK48745000	COVER-MODULAR-B	3	1/P	
12	F0-00036000	RLWS3TV0	4	5/P	
13	6LH53114000	SCREW-HDD-CASE_M3	4	5/P	
14	X0-02386000	S/PAN/SWWP-M3X4-NI	1	10/P	
15	6LK44716000	BRKT-HDD-H370	1	1/P	
16	F0-01939000	VB-1006-95T	4	1/P	
17	6LK44717000	SPG-F-SYS-H370	1	1/P	
18	6LK45548000	HRNS-HDDFG-H370	1	1/P	
19 A	G0-00728000	MQ01ABF032	1	1/C	CND
19 B	G0-00732000	MQ01ABU032W	1	1/C	MJD,ASD,AUD,ARD
19 C	G0-00733000	MQ01ABU032BW	1	1/C	NAD
20	6LK39505000	DUCT-BRIDGE-RER-H38X	1	1/P	
21	6LK39506000	DUCT-BRIDGE-RER-SUB-H38X	1	1/P	
22	F0-01812000	LWS-1211S-V0	1	5/P	
23	F0-01418000	RFC-33V0	2	1/P	
24	F0-00047000	EDS-1717U	2	10/P	
25	F0-01811000	LWS-0711S-V0	5	5/P	
26	C0-20835000	M471B5173EB0-YK0	1	1/C	
27	C0-20385000	MB85RS2MTPH-G-JNE1	1	1/C	
29	6LE90510G00	LI-BAT-CR-2032	1	1/S	
30	F0-02281000	WPCS-18SV0-3.5	1	5/P	



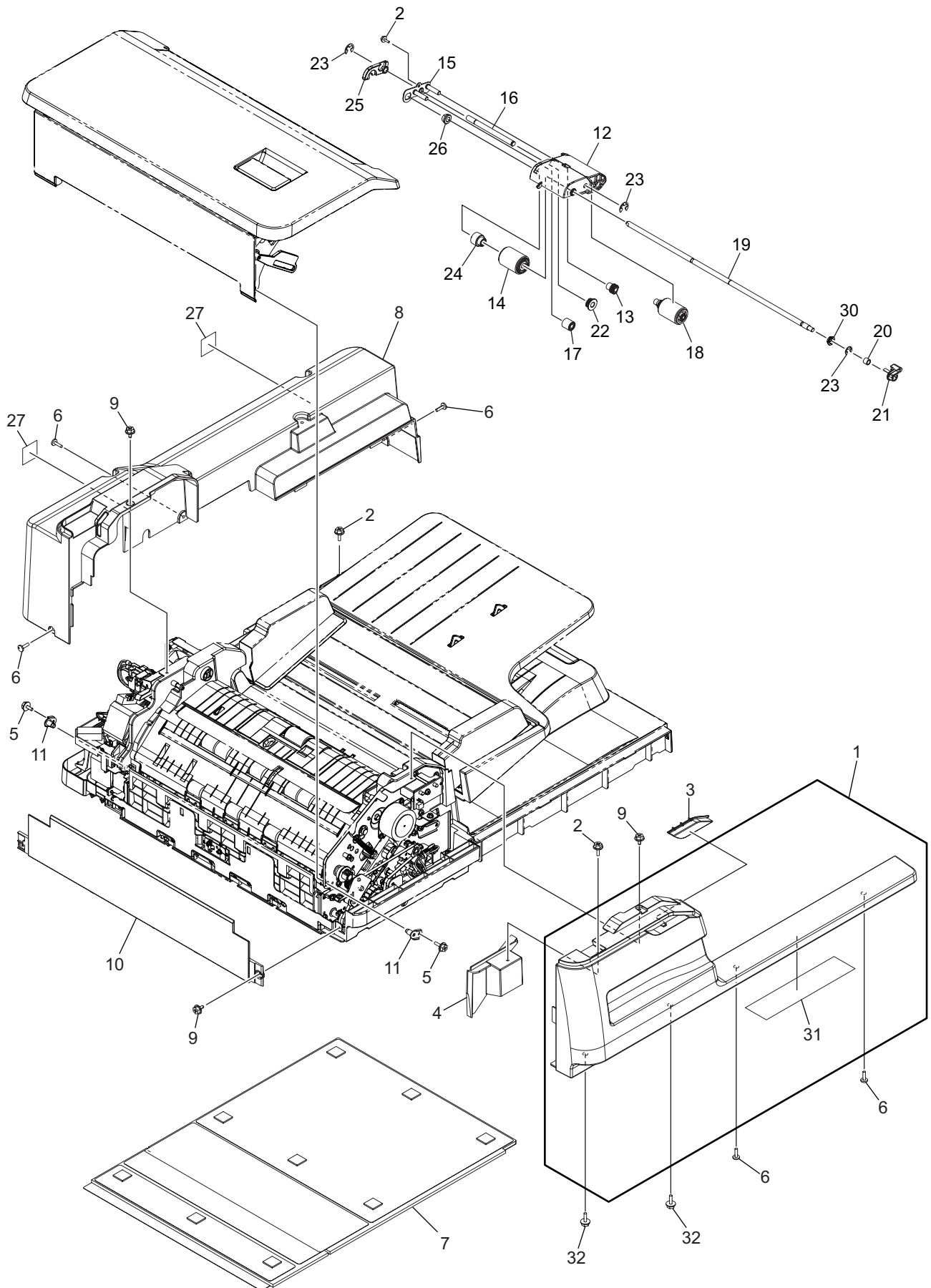
ITEM No.	PART No.	PART NAME	Q'TY / PAGE	Q'TY / PACK	REMARKS
3	6LK73183100	ASYB-PFC-H385S	1	1/SB	
4 A	6LK73181000	ASYB-LGC-H385S	1	1/SB	eS5508A
4 B	6LK73181100	ASYB-LGC-H386S	1	1/SB	eS6508A
4 C	6LK73181200	ASYB-LGC-H387S	1	1/SB	eS7508A
4 D	6LK73182000	ASYB-LGC-H388S	1	1/SB	eS8508A
5	X0-02230000	S/FHEXM-M3X6-NI	9	10/P	
6	F0-00036000	RLWS3TV0	17	5/P	
7	F0-01418000	RFC-33V0	4	1/P	
8	F0-01248000	ESC-0912	7	10/P	
9	F0-00034000	EDS-2323U	2	5/P	
10	F0-00047000	EDS-1717U	3	10/P	
11	F0-01629000	RLWC-6SV0	6	5/P	
12	6LK73034000	HRNS-LGC-PFC-H385	1	1/P	
13	F0-01811000	LWS-0711S-V0	2	5/P	
14	F0-01813000	LWS-1316S-V0	2	5/P	
15	6LH01137100	BRKT-HRNS-TRUSH	1	1/P	
16	C0-18775000	BR24T256-W	1	1/C	
17 A	F0-00342000	SPLSN-6U	4	5/P	ASD,AUD,CND,ARD
18 A	6LK73067000	ASYB-PWA-DAMP	1	1/SB	ASD,AUD,CND,ARD
19	X0-02421000	S/TPS/FHEXM/R-4X8-ZU3	2	10/P	



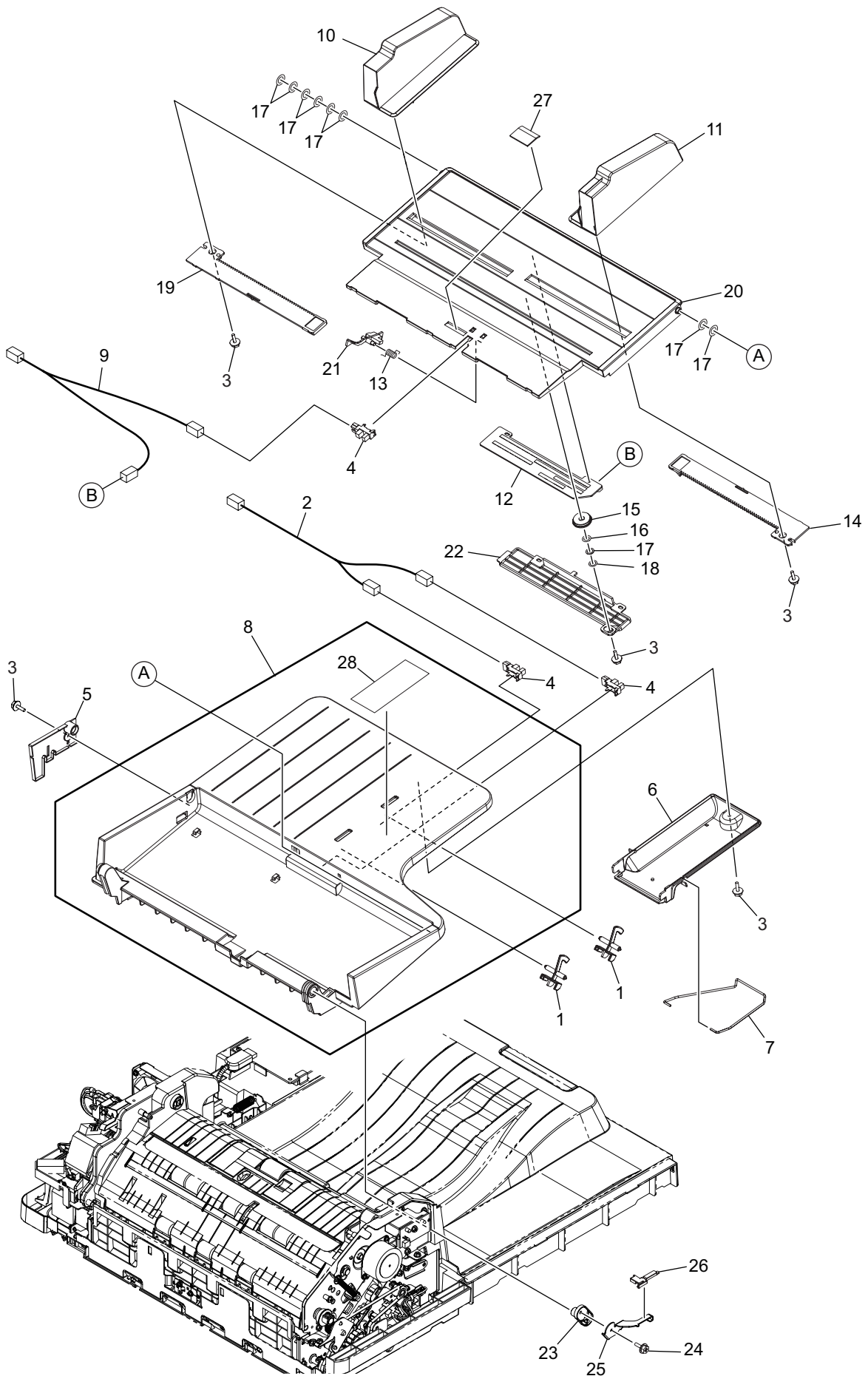
ITEM No.	PART No.	PART NAME	Q'TY / PAGE	Q'TY / PACK	REMARKS
1	6LK39083000	ASYB-LVPS-H38X	1	1/C	
2	6LK39020000	BRKT-HOLD-INLV-H38X	1	1/P	
3	F0-01811000	LWS-0711S-V0	2	5/P	
4	F0-01248000	ESC-0912	2	10/P	
5	6LK73150000	PS-HVT-H385	1	1/C	
6	6LK39080000	COVER-LVPS-H38X	1	1/P	
7	X0-02235000	S/FHEXM-M4X8-NI	6	10/P	
8	X0-02421000	S/TPS/FHEXM/R-4X8-ZU3	5	10/P	
9	F0-00047000	EDS-1717U	2	10/P	
10	F0-00034000	EDS-2323U	1	5/P	
11	F0-00343000	SPLSN-8U	3	5/P	



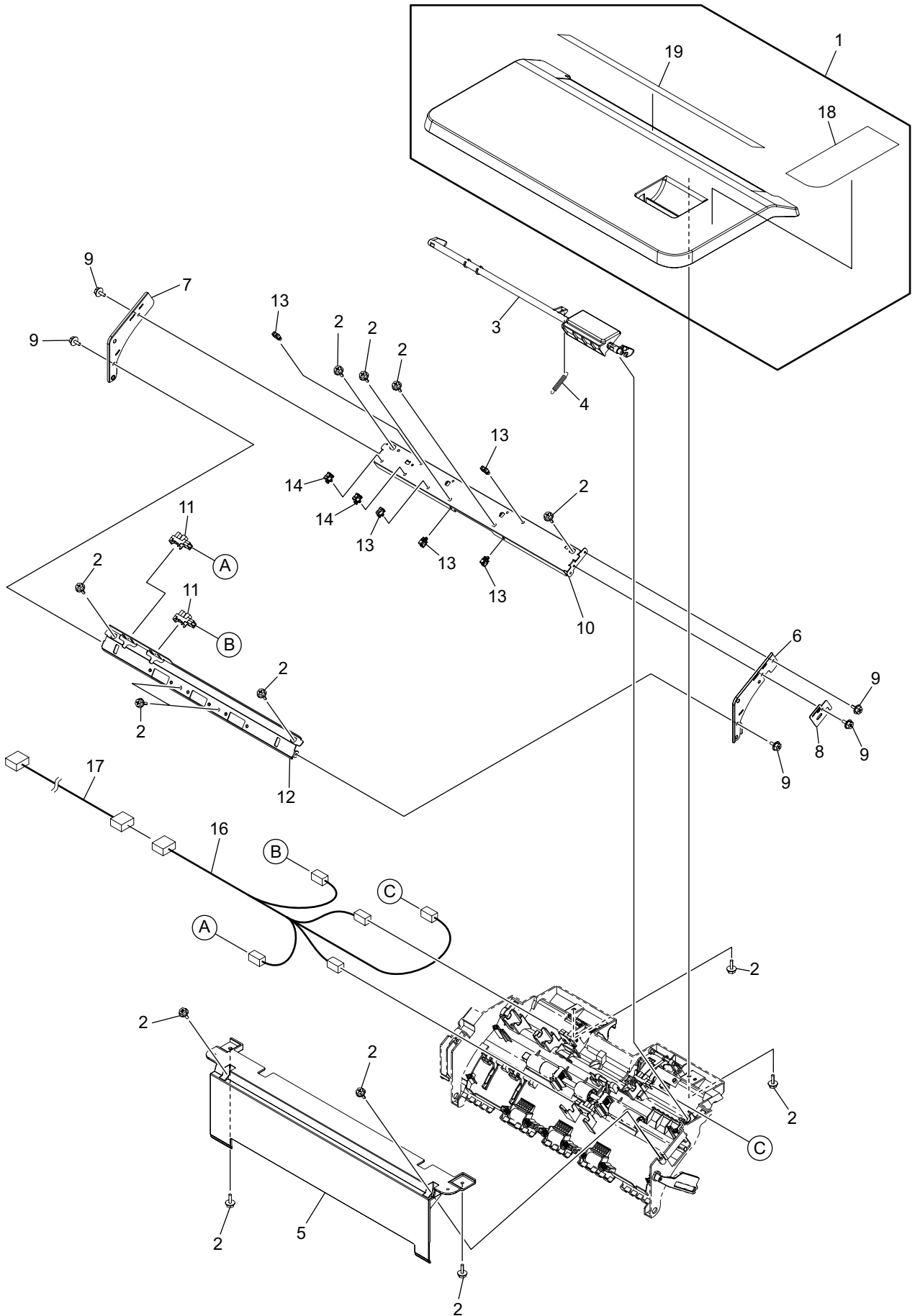
ITEM No.	PART No.	PART NAME	Q'TY / PAGE	Q'TY / PACK	REMARKS
1	6LK39024000	BRKT-INLET-DUMP-FIL-H38X	1	1/P	
2	6LH01106000	BRKT-HOLD-LVPS	1	1/P	
3	F0-01811000	LWS-0711S-V0	1	5/P	
4 A	X0-02421000	S/TPS/FHEXM/R-4X8-ZU3	10	10/P	NAD
4 B	X0-02421000	S/TPS/FHEXM/R-4X8-ZU3	12	10/P	MJD,ASD,AUD,CND,ARD
5 A	E0-12842000	AC-P10CF34	1	1/P	MJD,ASD,AUD,CND,ARD
6 B	6LK72944000	ASYS-P-CABLE-UC-H380	1	1/P	NAD
7	6LK73044100	ASYB-FIL-H38X-ACC	1	1/SB	
8	X0-02230000	S/FHEXM-M3X6-NI	4	10/P	
9	6LH01161000	BRKT-BLIND-IH	1	1/P	
10	X0-02093000	S/PAN/SWWS-M4X6-NI	1	10/P	
11 A	6LK72942000	HRNS-LVPS-MAINSW1-H380	1	1/P	NAD,MJD
11 B	6LK72943000	HRNS-LVPS-MAINSW1-H380C	1	1/P	ASD,AUD,CND,ARD
12 B	6LK72951000	HRNS-DAMP-ACC-H380	1	1/P	ASD,AUD,CND,ARD
13 A	6LK72946000	HRNS-INLET-AC-H380	1	1/P	MJD,ASD,AUD,CND,ARD
14	6LK72952000	HRNS-FIL-LVPS-H380	1	1/P	
15	6LK39429000	HRNS-LVPS-IH2-H380	1	1/P	
16	F0-00047000	EDS-1717U	4	10/P	
17 A	F0-00036000	RLWS3TV0	2	5/P	NAD,MJD
17 B	F0-00036000	RLWS3TV0	3	5/P	ASD,AUD,CND,ARD
18	F0-02289000	RSPC-325P	1	5/P	
19	F0-01813000	LWS-1316S-V0	2	5/P	
20 A	6LK44760000	BRKT-DUMPH-SW-H373	1	1/P	ASD,AUD,CND,ARD
21 A	E0-11767000	AJ76101BF	1	1/P	ASD,AUD,CND,ARD
22 A	F0-01451000	RFC-16V0	1	1/P	ASD,AUD,CND,ARD
23 A	X0-02420000	S/TPS/FHEXM/R-3X8-ZU3	1	10/P	ASD,AUD,CND,ARD
24	6LK39070000	BRKT-FIN-CBL-CONP	1	1/P	
25	F0-00120000	ES-0505	1	5/P	
26	6LK39303000	HRNS-LGC-FIN-H380	1	1/P	
27	6LK31393000	MARK-EARTH-VDE	1	5/P	
28 A	6LJ61960000	CABLE-P-INLET-EUR-C	1	1/P	MJD
28 B	6LJ61963000	CABLE-P-INLET-AU-C	1	1/P	AUD
28 C	6LJ61965000	CABLE-P-INLET-AR-C	1	1/P	ARD
28 D	6LJ61969000	CABLE-P-INLET-CCC-C	1	1/P	CND
29 A	6LJ61967000	CABLE-P-INLET-UK-C	1	1/P	ASD



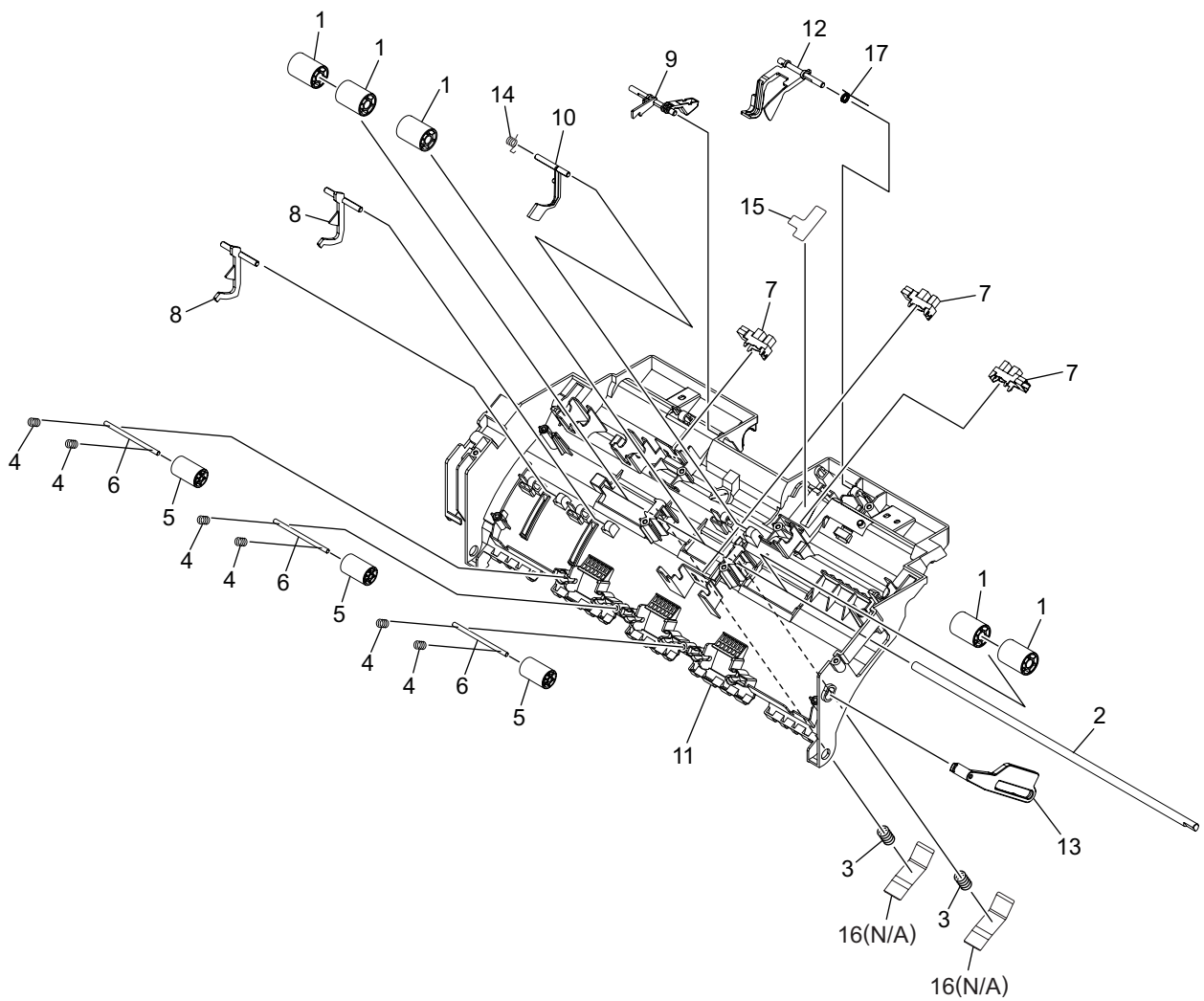
ITEM No.	PART No.	PART NAME	Q'TY / PAGE	Q'TY / PACK	REMARKS
1	6LK54371000	ASYS-COV-FRONT-DSDF	1	1/PP	
2	X0-02247000	S/TPP/FHEXM-3X8-NI	3	10/P	
3	6LK54136000	LENS-LED-DSDF	1	1/P	
4	6LK54222000	COVER-FRONT-SPRT	1	1/PP	
5	X0-02675000	S/TPP/BID-3X8-ZB3	2	5/P	
6	X0-01989000	S/TPP/BID-3X8-NI	5	10/P	
7	6LK56601000	ASYS-SHEET-PLTN-DSDF	1	1/KP	
8	6LK54286000	ASYS-COV-REAR-DSDF	1	1/PP	
9	X0-02419000	S/TPS/FHEXM/R-3X6-ZU3	3	10/P	
10	6LK54324000	ASYS-COVER-LEFT-B	1	1/PP	
11	6LK54083000	ASYS-SITEN	2	1/P	
12	6LK53968000	HOLDER-PICKUP	1	1/P	
13	6LK54070000	GEAR-5H20-5	1	1/P	
14	6LK54191000	ASYS-ROL-FEED	1	1/P	
15	6LK54100000	ASYS-PICKUP	1	1/P	
16	6LK54055000	SFT-PICKUP	1	1/P	
17	6LK54287000	GEAR-5H22-5	1	1/P	
18	6LK54190000	ASYS-ROL-PICKUP	1	1/P	
19	6LK54054000	SFT-FEED	1	1/P	
20	6LK54306000	BUSH-S5-6	1	1/P	
21	6LK53969000	LEVER-FEED	1	1/P	
22	6LK54069000	GEAR-5H20-6	1	1/P	
23	X0-00966000	RR/E-5-SS	3	10/P	
24	6LK54265000	ASYS-PULLY-FEED	1	1/P	
25	6LK54062000	STOPPER-FEED-ROL	1	1/P	
26	4407734980	BUSH-6-GCB	1	5/P	
27	6LK54279000	LBL_W-COV-JB	2	1/P	
30	6LA65696000	BUSH-6X12X4R8F	1	5/P	
31	6LK56552000	LBL-JAM-DF	1	1/KP	
32	X0-02680000	S/TPD3/FHEXM/R-3X6-ZB3	2		



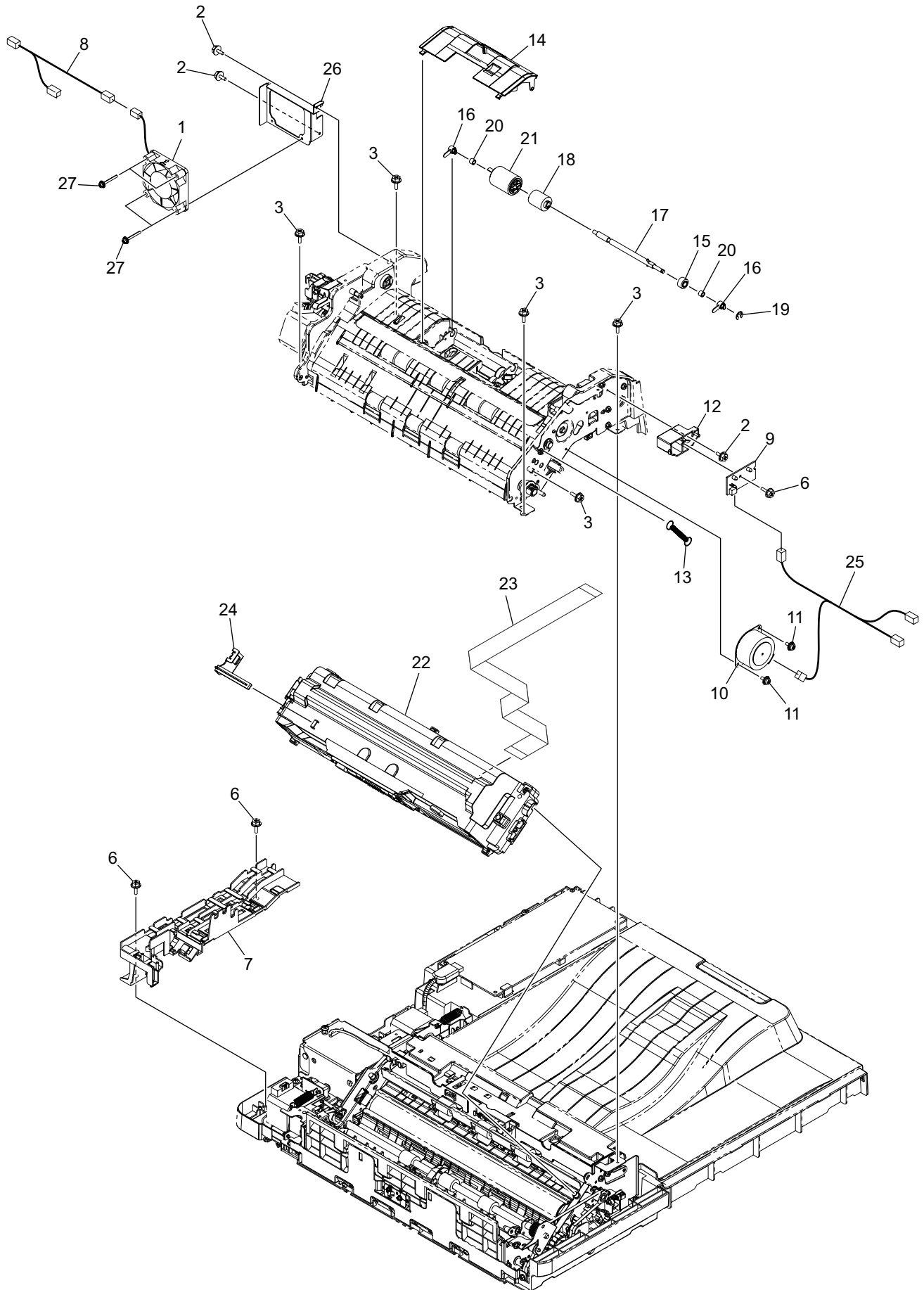
ITEM No.	PART No.	PART NAME	Q'TY / PAGE	Q'TY / PACK	REMARKS
1	6LE50461F00	ACT-SENSOR-TRAY-S_JB	2	1/P	
2	6LK53739000	HRNS-DSDF-TLENGH-H616	1	1/P	
3	X0-02680000	S/TPD3/FHEXM/R-3X6-ZB3	5		
4	C0-20495000	LG2A24BL1	3	1/C	
5	6LK54123000	HLDR-TRAY-EV	1	1/P	
6	6LK54124000	COV-TRAY-SENS-DSDF	1	1/PP	
7	6LK54315000	STOPPER-EXIT-DSDF-2	1	1/P	
8 A	6LK54285100	ASYS-TRAY-ORG-DSDF-C	1	1/PP	CND
8 B	6LK54285000	ASYS-TRAY-ORG-DSDF	1	1/PP	Except for CND
9	6LK53738000	HRNS-DSDF-TRAY-H616	1	1/P	
10	6LK54187000	ASYS-SIDE-GID-R-DSDF	1	1/PP	
11	6LK54159000	ASYS-SIDE-GID-F-DSDF	1	1/PP	
12	6LK53708000	PWA-H-TRAY-616	1	1/SB	
13	6LK56557000	SPG-T-ACT-SNS-EMPTY-R18	1	1/P	
14	6LK54249000	ASYS-RACK-TRAY-F	1	1/P	
15	4407726480	PINION-18-395	1	1/P	
16	4400974200	WASHER-W-6-10	1	10/P	
17	F0-01324000	STW-FT60 T0.25	9	5/P	
18	6LA78907000	WASHER-6R2X9R5XR13-PL	1	5/P	
19	6LK54132000	RACK-TRAY-PC-DSDF	1	1/P	
20	6LK56582000	ASYS-TRY-EV-DSDF	1	1/PP	
21	6LK54129000	ACT-SNS-EMPTY	1	1/P	
22	6LK54135000	COVER-PWA-TRAY-DSDF	1	1/P	
23	6LK54064000	HOLDER-DH	1	1/P	
24	X0-02231000	S/FHEXM-M3X8-NI	1	10/P	
25	6LK54368000	BRKT-TRY-ORG	1	1/P	
26	6LK54369000	COV-BRKT-TRY	1	1/P	
27	6LK54388000	SHEET-PICKUP	1	1/P	
28 A	6LJ67549200	LABEL-CAUTION-3031C	1	1/KP	CND
28 B	6LJ67409300	LABEL-CAUTION-H616	1	1/P	Except for CND



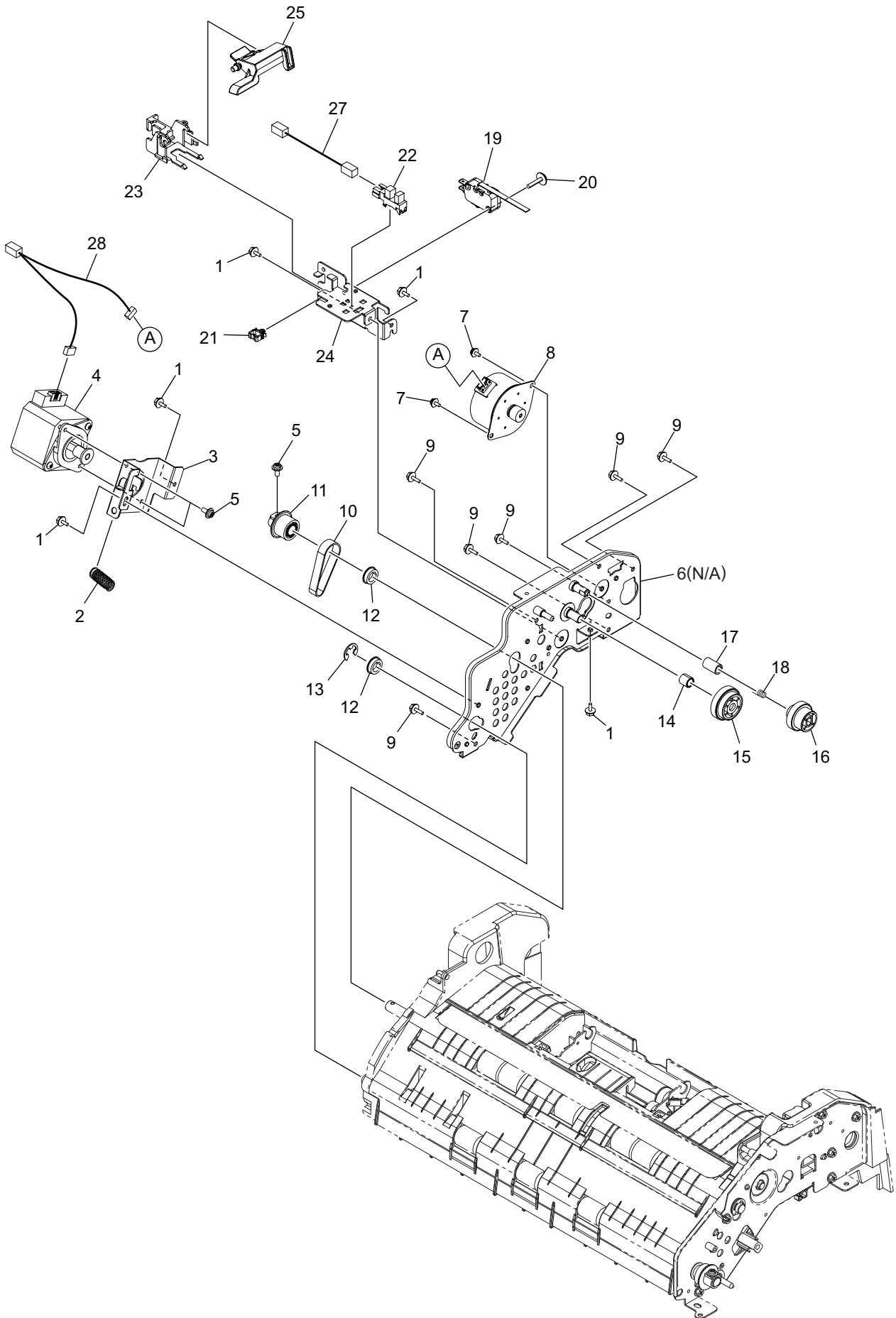
ITEM No.	PART No.	PART NAME	Q'TY / PAGE	Q'TY / PACK	REMARKS
1 A	6LK54370000	ASYS-COV-TOP-DSDF	1	1/PP	Except for CND CND
1 B	6LK54370100	ASYS-COV-TOP-DSDF-C	1	1/PP	
2	X0-02247000	S/TPP/FHEXM-3X8-NI	14	10/P	
3	6LK54008000	LEVER-TOP	1	1/KP	
4	6LK54755000	SPG-E-5R5XR75X24R9	1	1/P	
5	6LK54139000	COV-LEFT-U-DSDF	1	1/PP	
6	6LK53925000	BRKT-TOP-F	1	1/P	
7	6LK53927000	BRKT-TOP-R	1	1/P	
8	6LK53928000	BRKT-REGI-ADJUST	1	1/P	
9	X0-02230000	S/FHEXM-M3X6-NI	5	10/P	
10	6LK54361000	ASYS-STAY-REGIST	1	1/P	
11	C0-20495000	LG2A24BL1	2	1/C	
12	6LK53926000	STAY-READ1	1	1/P	
13	F0-01453000	RMS-1V0	5	5/P	
14	F0-01673000	RMS-2V0	2	5/P	
16	6LK53725000	HRNS-DSDF-TOP2-H616	1	1/P	
17	6LK53724000	HRNS-DSDF-TOP1-H616	1	1/P	
18 A	6LK54276000	LABEL-CLN-H616	1	1/KP	Except for CND CND
18 B	6LK54328000	LABEL-CLN-C-H616	1	1/KP	
19	6LK54275000	LABEL-SIZE-616	1	1/PP	



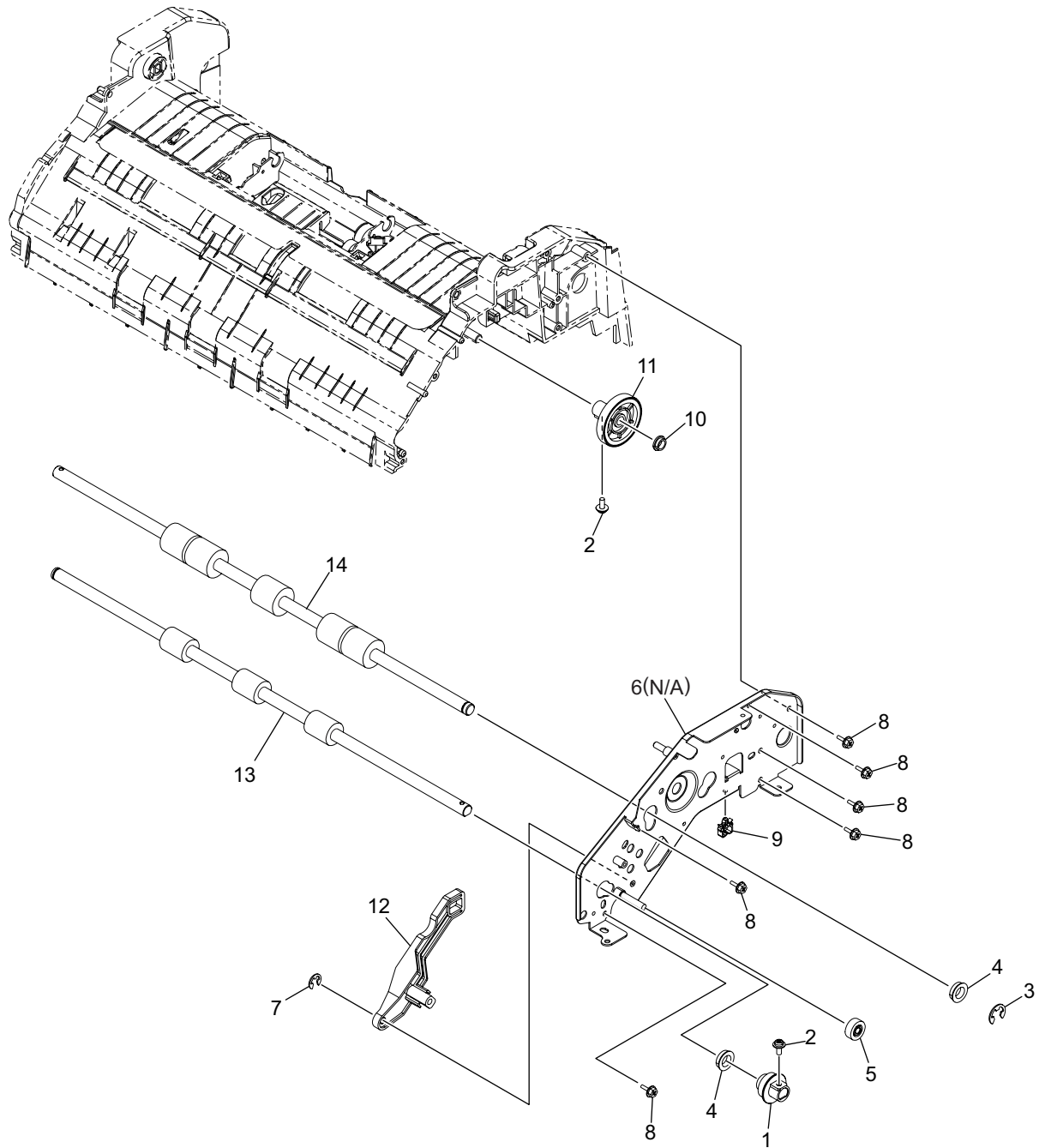
ITEM No.	PART No.	PART NAME	Q'TY / PAGE	Q'TY / PACK	REMARKS
1	6LK53962000	PINCH-ROL-REGI	5	1/P	
2	6LK54052000	SFT-REGIST	1	1/P	
3	6LK54022000	SPG-C-7R4X19R8R	2	1/P	
4	6LK56539000	SPG-C-5X12R-3R5N	6	1/P	
5	6LK53963000	PINCH-ROL	3	1/P	
6	6LK54053000	SFT-PINCH	3	1/P	
7	C0-20495000	LG2A24BL1	3	1/C	
8	6LK53965000	ACTUATOR-SIZE	2	1/P	
9	6LK54063000	ACTUATOR-PICKUP	1	1/P	
10	6LK53964000	ACTUATOR-REGI	1	1/P	
11	6LK53967000	FRAME-TOP	1	1/P	
12	6LK53966000	ACTUATOR-FEED	1	1/P	
13	6LK53984000	STOPPER-TOP	1	1/P	
14	6LK54272000	SPG-T-4R5XR2X100L	1	1/P	
15	6LK56540000	MYLAR-ACT-S	1	1/P	
16	6LK56543000	SHEET-RGST-U	2	1/P	
17	6LK54021000	SPG-T-4R25X1R9L	1	1/P	



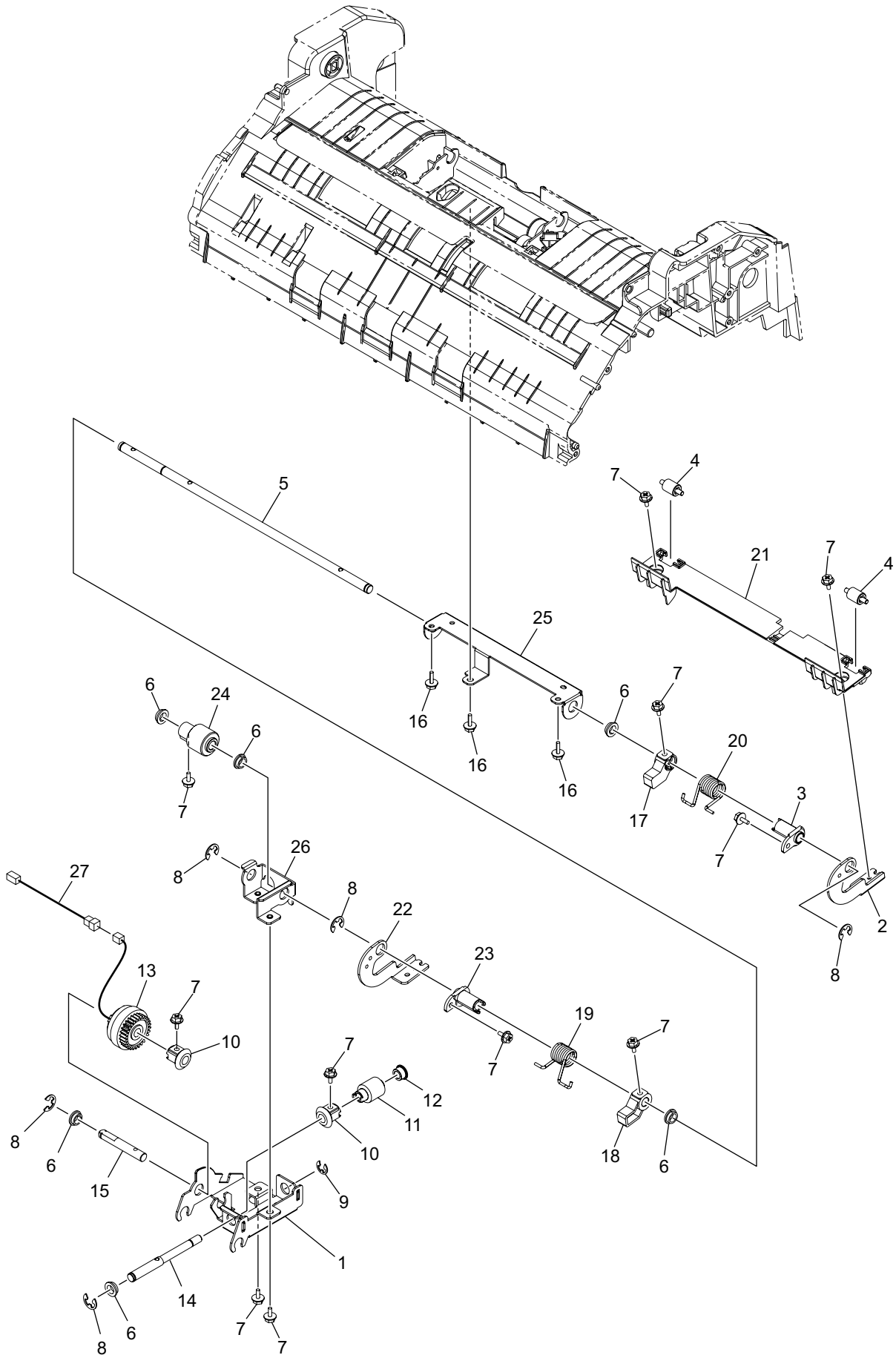
ITEM No.	PART No.	PART NAME	Q'TY / PAGE	Q'TY / PACK	REMARKS
1	6LJ67260000	FAND-6015-H576	1	1/D	
2	X0-02230000	S/FHEXM-M3X6-NI	3	10/P	
3	X0-02231000	S/FHEXM-M3X8-NI	5	10/P	
6	X0-02247000	S/TPP/FHEXM-3X8-NI	3	10/P	
7	6LK53978000	HOLDER-CABLE2	1	1/P	
8	6LK53765000	HRNS-DSDF-FAN2-H616	1	1/P	
9	6LJ67242000	PWA-H-LED-H546	1	1/C	
10	6LK53722000	MOTRS-DSDF-FEED-H616	1	1/C	
11	X0-00060000	S/PAN/SWWP-M3X6-NI	2	10/P	
12	6LK54137000	HLDR-PWA-LED-DSDF	1	1/P	
13	6LK54038000	SPG-E-4R3X46R95R	1	1/P	
14	6LK54227000	ASYS-COVER-RETARD	1	1/C	
15	6LK53913000	GEAR-6H17-6-D	1	1/P	
16	6LK53971000	LEVER-RETARD	2	1/P	
17	6LK54113000	ASYS-SFT-RETARD	1	1/P	
18	6LK54188000	TL-SEP-ROL-55	1	1/D	
19	X0-00964000	RR/E-3-SS	1	10/P	
20	6LK54305000	BUSH-S4-5	2	1/P	
21	6LK54189000	ASYS-ROL-RETARD	1	1/P	
22	6LK54147000	CCD-MODULE-H616	1	1/C	
23	6LK53717000	HRNS-CCDR-DLG-616	1	1/P	
24	6LK54067000	HOLDER-FFC	1	1/P	
25	6LK53736000	HRNS-DSDF-MID-H616	1	1/P	
26	6LK54102000	BRKT-60FAN	1	1/P	
27	X0-00130000	S/PAN/SWWP-M3X20-NI	4	10/P	



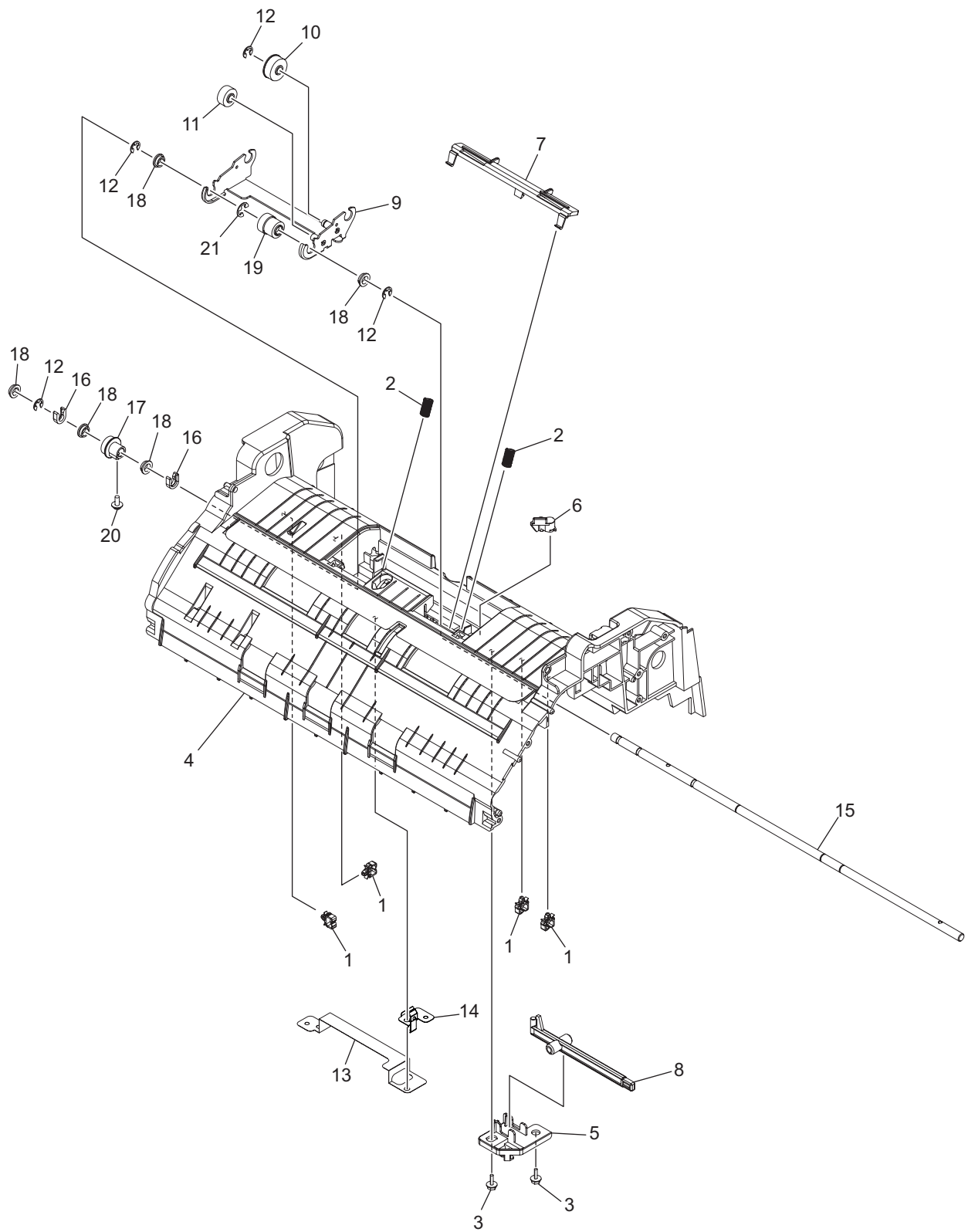
ITEM No.	PART No.	PART NAME	Q'TY / PAGE	Q'TY / PACK	REMARKS
1	X0-02230000	S/FHEXM-M3X6-NI	5	10/P	
2	6LK54289000	SPG-E-7R8XR8X25R6	1	1/P	
3	6LK53933000	BRKT-REGI-MOTOR	1	1/P	
4	6LK53723000	MOTRS-DSDF-READ-H616	1	1/C	
5	X0-00077000	S/PAN/SWWP-M3X8-NI	3	10/P	
6	6LK54071000	ASYS-REAR-MID	1	N/A***	
7	X0-00060000	S/PAN/SWWP-M3X6-NI	2	10/P	
8	6LK53722000	MOTRS-DSDF-FEED-H616	1	1/C	
9	X0-02247000	S/TPP/FHEXM-3X8-NI	6	10/P	
10	6LK54170000	BELT-103R5-1R5GT-6	1	1/P	
11	6LK53917000	PULLEY-1R5GT36-8	1	1/P	
12	F0-02187000	DDLDF-1280ZZHP0P25LY551	2	1/P	
13	X0-00968000	RR/E-7-SS	1	10/P	
14	6LK54267000	B-S6-7	1	1/P	
15	6LK53905000	GEAR-6H41-H34-6	1	1/P	
16	6LK53904000	GEAR-6H35-8	1	1/P	
17	6LK54307000	BUSH-S6-13	1	1/P	
18	6LK54024000	SPG-C-3X4R3R	1	1/P	
19	E0-14527000	D3V-163-1C25(10E)	1	1/C	
20	X0-01615000	S/TPS/FPAN-3X14-NC	1	10/P	
21	F0-01453000	RMS-1V0	1	5/P	
22	C0-20495000	LG2A24BL1	1	1/C	
23	6LK53985000	HOLDER-ACTUATOR	1	1/P	
24	6LK53940000	BRKT-SWITCH	1	1/P	
25	6LK53986000	ACTUATOR-COVER-TOP	1	1/P	
27	6LK53734000	HRNS-DSDF-COVU-H616	1	1/P	
28	6LK53726000	HRNS-DSDF-MOT1-H616	1	1/P	



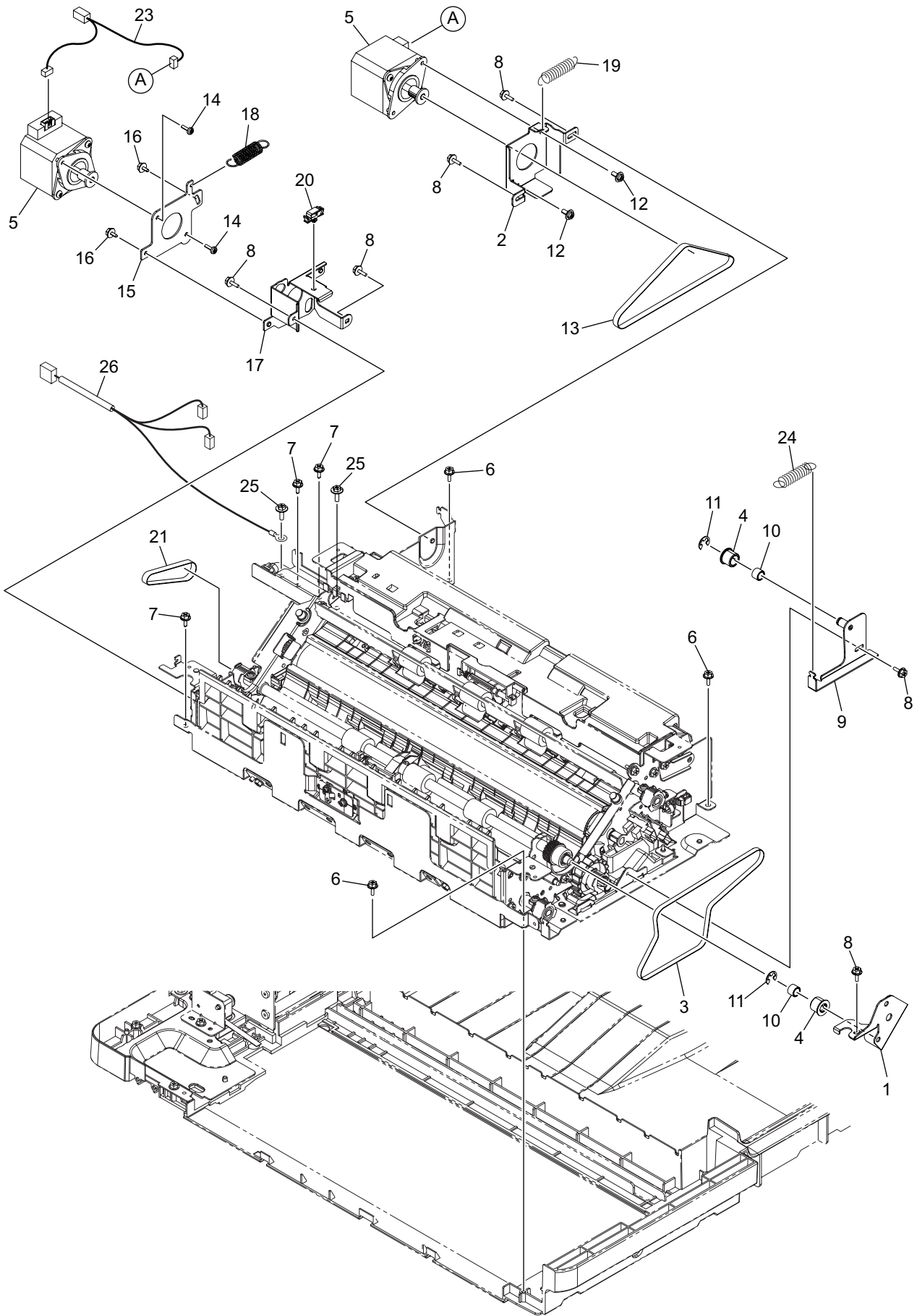
ITEM No.	PART No.	PART NAME	Q'TY / PAGE	Q'TY / PACK	REMARKS
1	6LK53907000	GEAR-6H25-6	1	1/P	
2	X0-00077000	S/PAN/SWWP-M3X8-NI	2	10/P	
3	X0-00968000	RR/E-7-SS	1	10/P	
4	F0-02187000	DDL-F-1280ZZHP0P25LY551	2	1/P	
5	6LK53906000	GEAR-6H19-4	1	1/P	
6	6LK54075000	ASYS-FRONT-MID	1	N/A***	
7	X0-00964000	RR/E-3-SS	1	10/P	
8	X0-02247000	S/TPP/FHEXM-3X8-NI	6	10/P	
9	F0-01453000	RMS-1V0	1	5/P	
10	6LK54304000	BUSH-F6-3	1	1/P	
11	6LK53909000	GEAR-6H53-6	1	1/P	
12	6LK53987000	ARM-LINK1	1	1/P	
13	6LK54014000	ROL-READ1	1	1/P	
14	6LK54013000	ROL-REGIST	1	1/P	



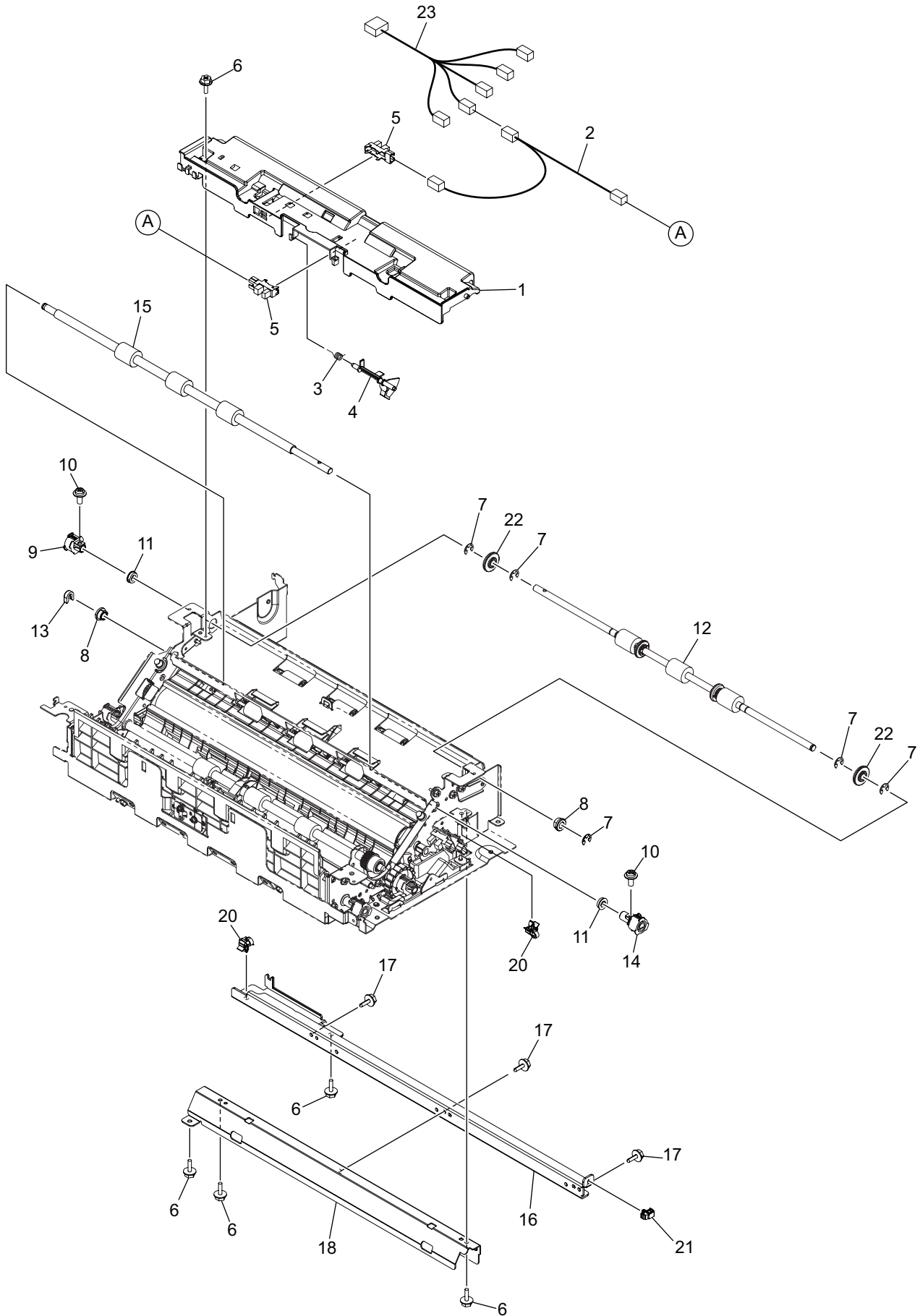
ITEM No.	PART No.	PART NAME	Q'TY / PAGE	Q'TY / PACK	REMARKS
1	6LK53974000	ASYS-ELEVATOR-BOX	1	1/P	
2	6LK53937000	BRKT-ELEVATOR-F	1	1/P	
3	6LK53981000	HOLDER-ARM-2F	1	1/P	
4	6LK53972000	ROL-ELEVATOR	2	1/P	
5	6LK54058000	SFT-ELEVATOR	1	1/P	
6	6LK54304000	BUSH-F6-3	6	1/P	
7	X0-02230000	S/FHEXM-M3X6-NI	11	10/P	
8	X0-00966000	RR/E-5-SS	5	10/P	
9	X0-00965000	RR/E-4-SS	1	10/P	
10	6LK53915000	GEAR-8B17-6	2	1/P	
11	6LK53916000	WORM-10-11	1	1/P	
12	6LK54194000	B-F5-4	1	1/P	
13	6LK54193000	CLUTCH-G28-08-28R5F	1	1/D	
14	6LK54060000	SFT-WORM	1	1/P	
15	6LK54059000	SFT-CLUTCH	1	1/P	
16	X0-02247000	S/TPP/FHEXM-3X8-NI	3	10/P	
17	6LK53979000	HOLDER-ARM-1F	1	1/P	
18	6LK53980000	HOLDER-ARM-1R	1	1/P	
19	6LK54037000	SPG-T-9R4X13R75R	1	1/P	
20	6LK54036000	SPG-T-9R4X13R75L	1	1/P	
21	6LK53973000	COVER-ELEVATOR	1	1/PP	
22	6LK53938000	BRKT-ELEVATOR-R	1	1/P	
23	6LK53982000	HOLDER-ARM-2R	1	1/P	
24	6LK53914000	WORM-WHEEL-14	1	1/P	
25	6LK53936000	STAY-ELEVATOR	1	1/P	
26	6LK54041000	BRKT-WHEEL-BOX	1	1/P	
27	6LK53735000	HRNS-DSDF-CLT-H616	1	1/P	



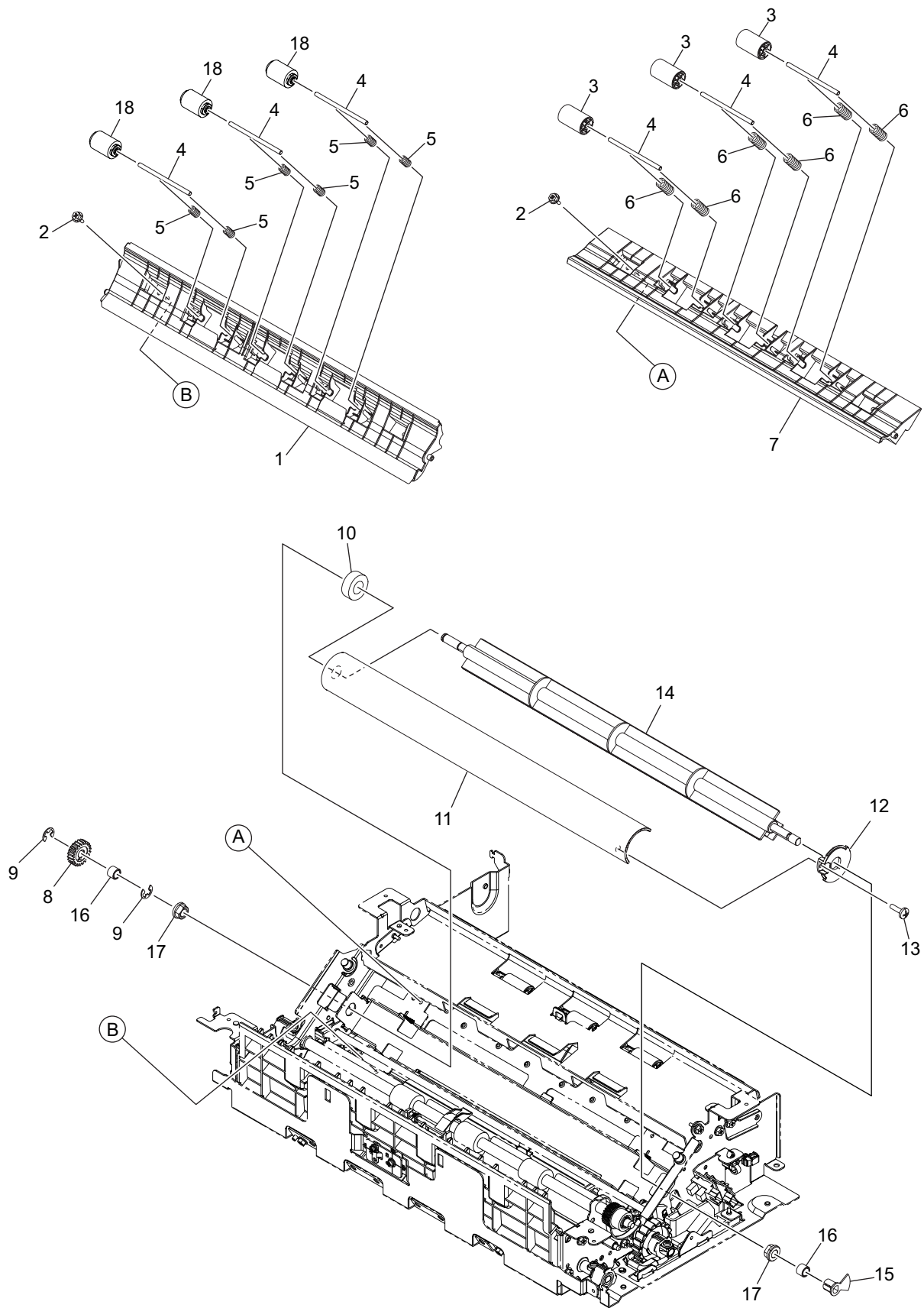
ITEM No.	PART No.	PART NAME	Q'TY / PAGE	Q'TY / PACK	REMARKS
1	F0-01453000	RMS-1V0	4	5/P	
2	6LK56568000	SPG-C-5R8X16R6R-1R35	2	1/P	
3	X0-02247000	S/TPP/FHEXM-3X8-NI	2	10/P	
4	6LK54228000	ASYS-FRAME-MIDDLE	1	1/P	
5	6LK53989000	COVER-LINK	1	1/P	
6	6LK53990000	ARM-LINK3	1	1/P	
7	6LK53983000	ADJUST-PLATE	1	1/P	
8	6LK53988000	ARM-LINK2	1	1/P	
9	6LK54080000	ASYS-RETARD	1	1/P	
10	6LK53912000	GEAR-6H25-5	1	1/P	
11	6LK53911000	GEAR-6H20-5	1	1/P	
12	X0-00965000	RR/E-4-SS	4	10/P	
13	6LK53945000	BRKT-EARTH-MID	1	1/P	
14	6LK54356000	ASYS-SPG-F-RETARD	1	1/P	
15	6LK54056000	SFT-DRIVE-RETARD	1	1/P	
16	4407972860	STOP-RING-6-5	2	5/P	
17	6LK53908000	GEAR-8S15-6	1	1/P	
18	6LK54304000	BUSH-F6-3	5	1/P	
19	6LK54292000	ASYS-GEAR-6H18-6-OW	1	1/P	
20	X0-00077000	S/PAN/SWVP-M3X8-NI	1	10/P	
21	X0-00966000	RR/E-5-SS	1	10/P	



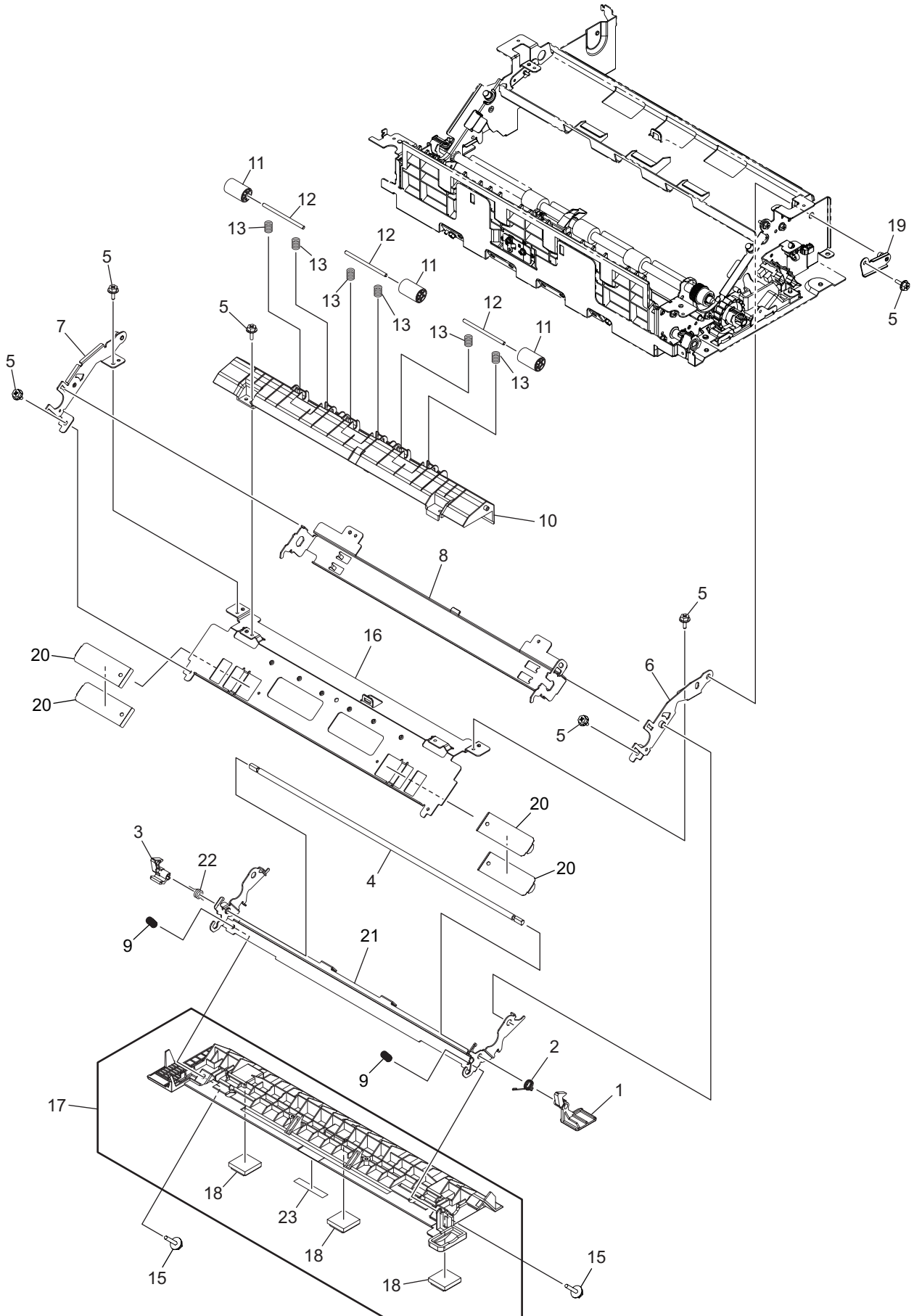
ITEM No.	PART No.	PART NAME	Q'TY / PAGE	Q'TY / PACK	REMARKS
1	6LK54294000	BRKT-STUD-FIX	1	1/P	
2	6LK53950000	BRKT-MOTOR-EJECT	1	1/P	
3	6LK54299000	BELT-339-1R5GT-4	1	1/P	
4	6LK53992000	IDOLER-PULLY	2	1/P	
5	6LK53723000	MOTRS-DSDF-READ-H616	2	1/C	
6	X0-02247000	S/TPP/FHEXM-3X8-NI	3	10/P	
7	X0-02420000	S/TPS/FHEXM/R-3X8-ZU3	3	10/P	
8	X0-02231000	S/FHEXM-M3X8-NI	6	10/P	
9	6LK54094000	ASYS-TENSION	1	1/P	
10	6LK54308000	BUSH-S6-6	2	1/P	
11	X0-00966000	RR/E-5-SS	2	10/P	
12	X0-00077000	S/PAN/SWWP-M3X8-NI	2	10/P	
13	6LK54172000	BELT-279-1R5GT-5	1	1/P	
14	X0-00074000	S/PAN-M3X8-NI	2	10/P	
15	6LK54295000	PLT-MTR-READ	1	1/P	
16	X0-02419000	S/TPS/FHEXM/R-3X6-ZU3	2	10/P	
17	6LK54296000	BRKT-MTR-READ-N	1	1/P	
18	6LK54319000	SPG-E-8R9XR9X27R3	1	1/P	
19	6LK54026000	SPG-E-8R2X23R5R	1	1/P	
20	F0-01933000	RLMS-1V0	1	5/P	
21	6LK54302000	BELT-124R5-1R5GT-5	1	1/P	
23	6LK53727000	HRNS-DSDF-MOT2-H616	1	1/P	
24	6LK54366000	SPE-BELT-TENS-F-56	1	1/P	
25	X0-02252000	S/TPP/FHEXM-4X10-NI	2	10/P	
26	6LK53730000	HRNS-DSDF-SCIF-H616	1	1/P	



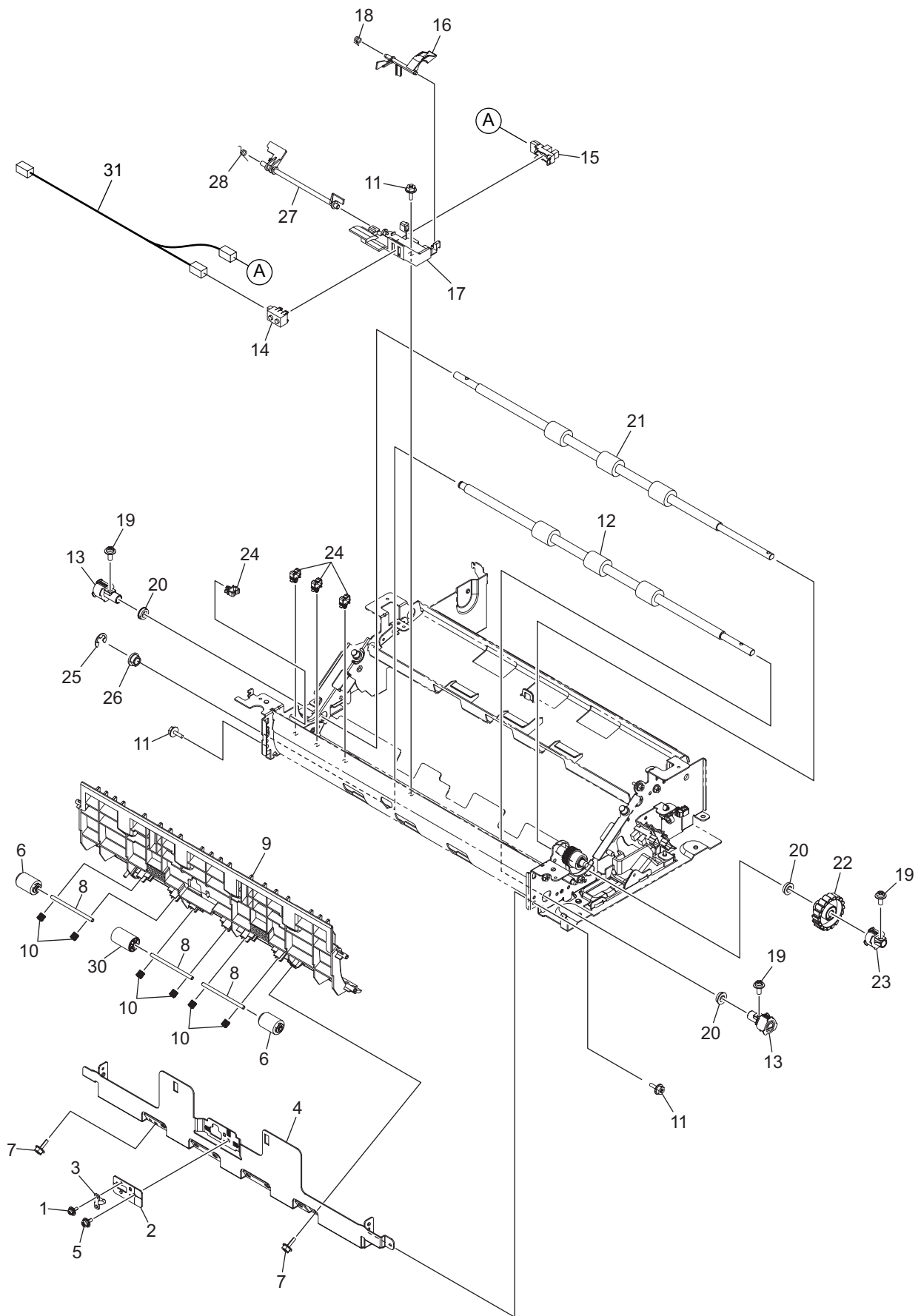
ITEM No.	PART No.	PART NAME	Q'TY / PAGE	Q'TY / PACK	REMARKS
1	6LK53995000	COVER-ELEVATOR-UN	1	1/PP	
2	6LK53731000	HRNS-DSDF-EXIT-H616	1	1/P	
3	6LK54029000	SPG-T-4R5X3R6R	1	1/P	
4	6LK53993000	ACTUATOR-EJECT	1	1/P	
5	C0-20495000	LG2A24BL1	2	1/C	
6	X0-02231000	S/FHEXM-M3X8-NI	5	10/P	
7	X0-00966000	RR/E-5-SS	5	10/P	
8	4407734980	BUSH-6-GCB	2	5/P	
9	6LK53921000	PULLEY-1R5GT32-6-S	1	1/P	
10	X0-00077000	S/PAN/SWVP-M3X8-NI	2	10/P	
11	F0-02170000	LF-1060ZZHP0P25LY551	2	1/P	
12	6LK54018000	ROL-EJECT	1	1/P	
13	4407972860	STOP-RING-6-5	1	5/P	
14	6LK53918000	PULLEY-1R5GT32-6-L	1	1/P	
15	6LK54017000	ROL-READ4	1	1/P	
16	6LK54353000	STAY-HINGE1-2	1	1/P	
17	X0-02420000	S/TPS/FHEXM/R-3X8-ZU3	3	10/P	
18	6LK53951000	STAY-HINGE2	1	1/P	
20	F0-02234000	RST-130V0	2	5/P	
21	F0-02285000	RPMS-1.5V0G	1	5/P	
22	6LK54386000	COLLAR-RLR-EJECT	2	1/P	
23	6LK53728000	HRNS-DSDF-BTM-H616	1	1/P	



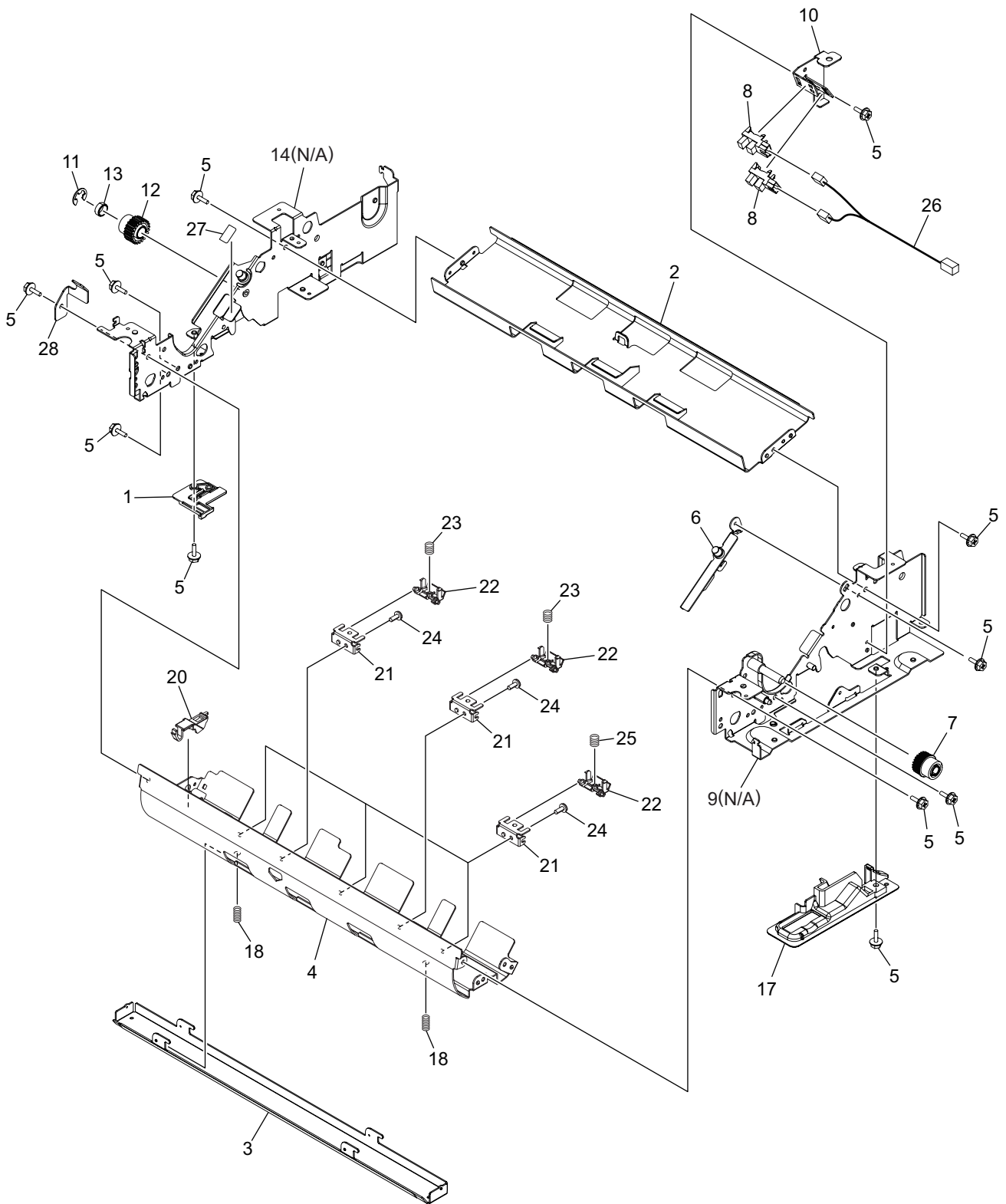
ITEM No.	PART No.	PART NAME	Q'TY / PAGE	Q'TY / PACK	REMARKS
1	6LK54230000	ASYS-GUIDE-READ3	1	1/PP	
2	X0-02231000	S/FHEXM-M3X8-NI	2	10/P	
3	6LK53963000	PINCH-ROL	3	1/P	
4	6LK54053000	SFT-PINCH	6	1/P	
5	6LK54031000	SPG-C-4R8X11R5R	6	1/P	
6	6LK54032000	SPG-C-6R5X27R	6	1/P	
7	6LK54004000	GUIDE-READ4	1	1/PP	
8	6LK54251000	ASYS-GEAR-ROL-SDH-OW	1	1/P	
9	X0-00966000	RR/E-5-SS	2	10/P	
10	6LK54303000	CUSH-ROL-SDH-DSDF	1	1/P	
11	6LK54364000	ASYS-GUIDE-ROL-PLTN	1	1/KP	
12	6LK54155000	FLANGE-G-ROL-PLTN	1	1/P	
13	X0-01989000	S/TTP/BID-3X8-NI	1	10/P	
14	6LK54238000	ASYS-ROL-SDH-DSDF	1	1/P	
15	6LK54006000	ACTUATOR-WHITE-ROL	1	1/P	
16	6LK54308000	BUSH-S6-6	2	1/P	
17	4407734980	BUSH-6-GCB	2	5/P	
18	6LK54192000	ASYS-ROL-PINCH	3	1/P	



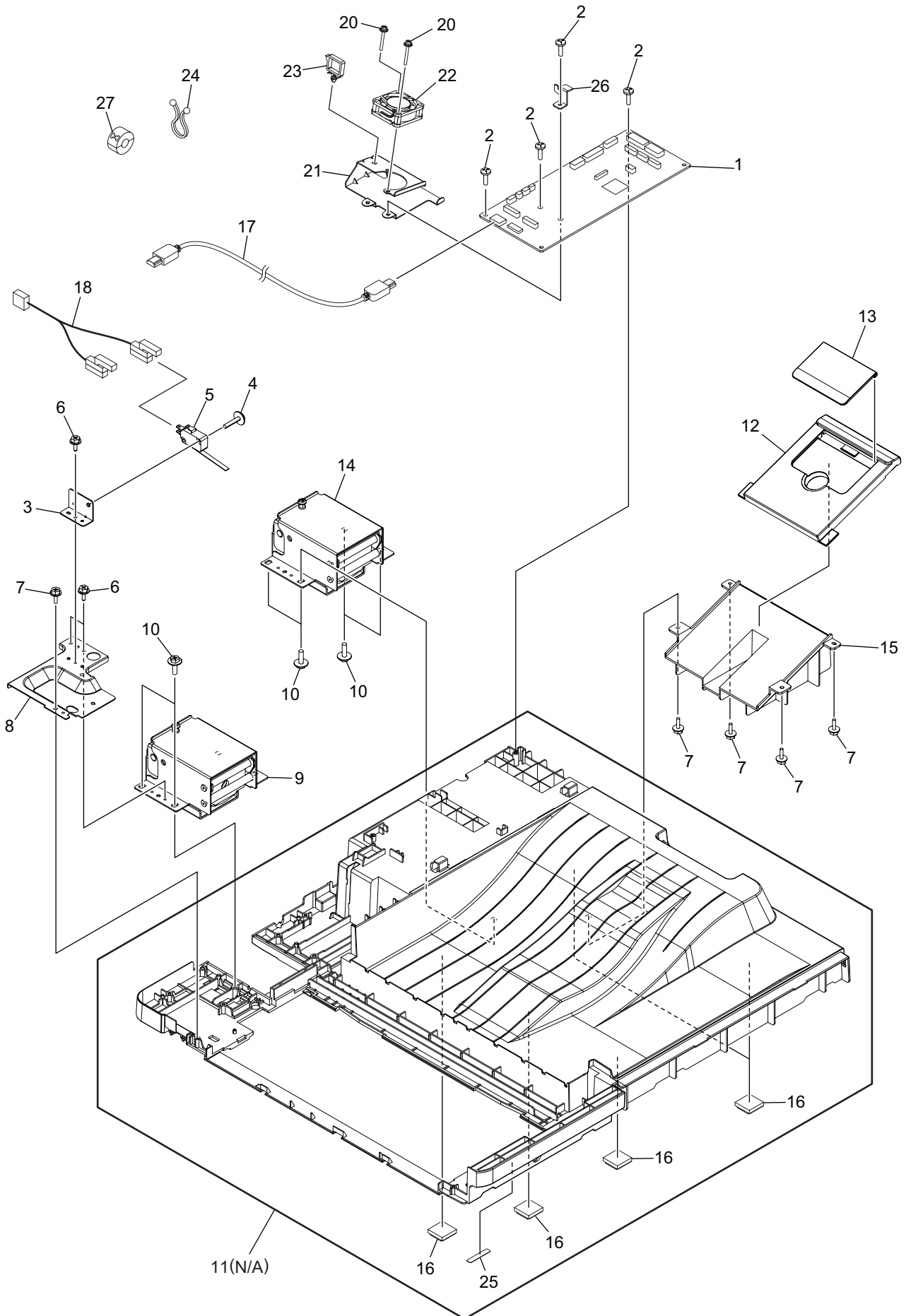
ITEM No.	PART No.	PART NAME	Q'TY / PAGE	Q'TY / PACK	REMARKS
1	6LK54001000	LOCK-EJECT-F	1	1/P	
2	6LK54030000	SPG-T-8X4R	1	1/P	
3	6LK54002000	LOCK-EJECT-R	1	1/P	
4	6LK54345000	SFT-LOCK2	1	1/P	
5	X0-02230000	S/FHEXM-M3X6-NI	6	10/P	
6	6LK54344000	ASYS-FRONT-EJECT	1	1/P	
7	6LK54096000	ASYS-REAR-EJECT	1	1/P	
8	6LK53956000	STAY-WHITE-ROL	1	1/P	
9	6LK54352000	SPG-EJECT-READ3	2	1/P	
10	6LK54005000	GUIDE-EJECT	1	1/PP	
11	6LK53963000	PINCH-ROL	3	1/P	
12	6LK54053000	SFT-PINCH	3	1/P	
13	6LK56538000	SPG-C-6R5X18R-1R4N	6	1/P	
15	X0-02233000	S/FHEXM-M3X12-NI	2	5/P	
16	6LK53955000	STAY-EJECT	1	1/P	
17	6LK54221000	ASYS-COVER-EJECT	1	1/PP	
18	6LE49999000	ASYS-TAPE-MAGIC	3	1/P	
19	6LK54098000	ASYS-SHITEN-EJECT	1	1/P	
20	6LK54340000	SPL-PLT-EJECT	4	1/P	
21	6LK54342000	STAY-GUIDE-READ3	1	1/P	
22	6LK54759000	SPG-T-LOCK-LEV-R	1	1/P	
23	6LK56555000	LBL_O-JAM-COVER	1	1/P	



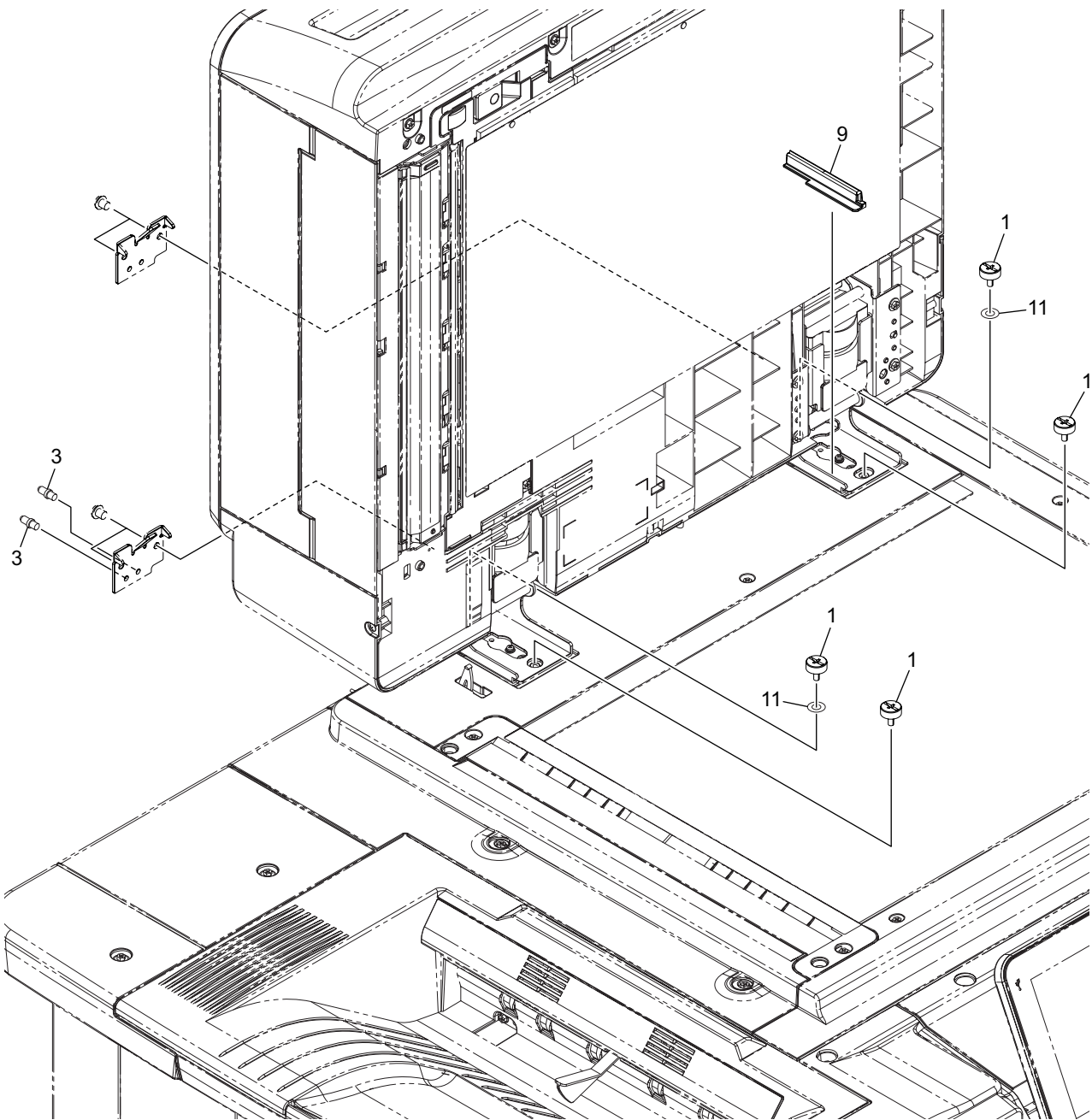
ITEM No.	PART No.	PART NAME	Q'TY / PAGE	Q'TY / PACK	REMARKS
1	X0-02103000	S/PAN/SWWP-M2.6X6-NI	1	10/P	
2	6LK53943000	BRKT-PRISM	1	1/P	
3	C0-14573000	E-800244	1	1/C	
4	6LK53954000	STAY-BOTTOM-UN	1	1/P	
5	X0-00060000	S/PAN/SWWP-M3X6-NI	1	10/P	
6	6LK54192000	ASYS-ROL-PINCH	2	1/P	
7	X0-02247000	S/TPP/FHEXM-3X8-NI	2	10/P	
8	6LK54053000	SFT-PINCH	3	1/P	
9	6LK54229000	ASYS-GUIDE-BOTTOM	1	1/PP	
10	6LK54020000	SPG-C-5X12R	6	1/P	
11	X0-02231000	S/FHEXM-M3X8-NI	3	10/P	
12	6LK54015000	ROL-READ2	1	1/P	
13	6LK53918000	PULLEY-1R5GT32-6-L	2	1/P	
14	C0-14572000	EON-5041-701	1	1/C	
15	C0-20495000	LG2A24BL1	1	1/C	
16	6LK53997000	ACTUATOR-TIP-BACK	1	1/P	
17	6LK53996000	HOLDER-SENSOR-TIP	1	1/P	
18	6LK54322000	SPG-ACTUATOR-TIP-BACK	1	1/P	
19	X0-00077000	S/PAN/SWWP-M3X8-NI	3	10/P	
20	F0-02170000	LF-1060ZZHP0P25LY551	3	1/P	
21	6LK54016000	ROL-READ3	1	1/P	
22	6LK54257000	ASYS-DIAL	1	1/P	
23	6LK53921000	PULLEY-1R5GT32-6-S	1	1/P	
24	F0-01453000	RMS-1V0	4	5/P	
25	X0-00966000	RR/E-5-SS	1	10/P	
26	4407734980	BUSH-6-GCB	1	5/P	
27	6LK54338000	LEVER-ACT-READ-IN	1	1/KP	
28	6LK54346000	SPG-LEVER-ACT-READ-IN	1	1/P	
30	6LK53963000	PINCH-ROL	1	1/P	
31	6LK53732000	HRNS-DSDF-READ-H616	1	1/P	

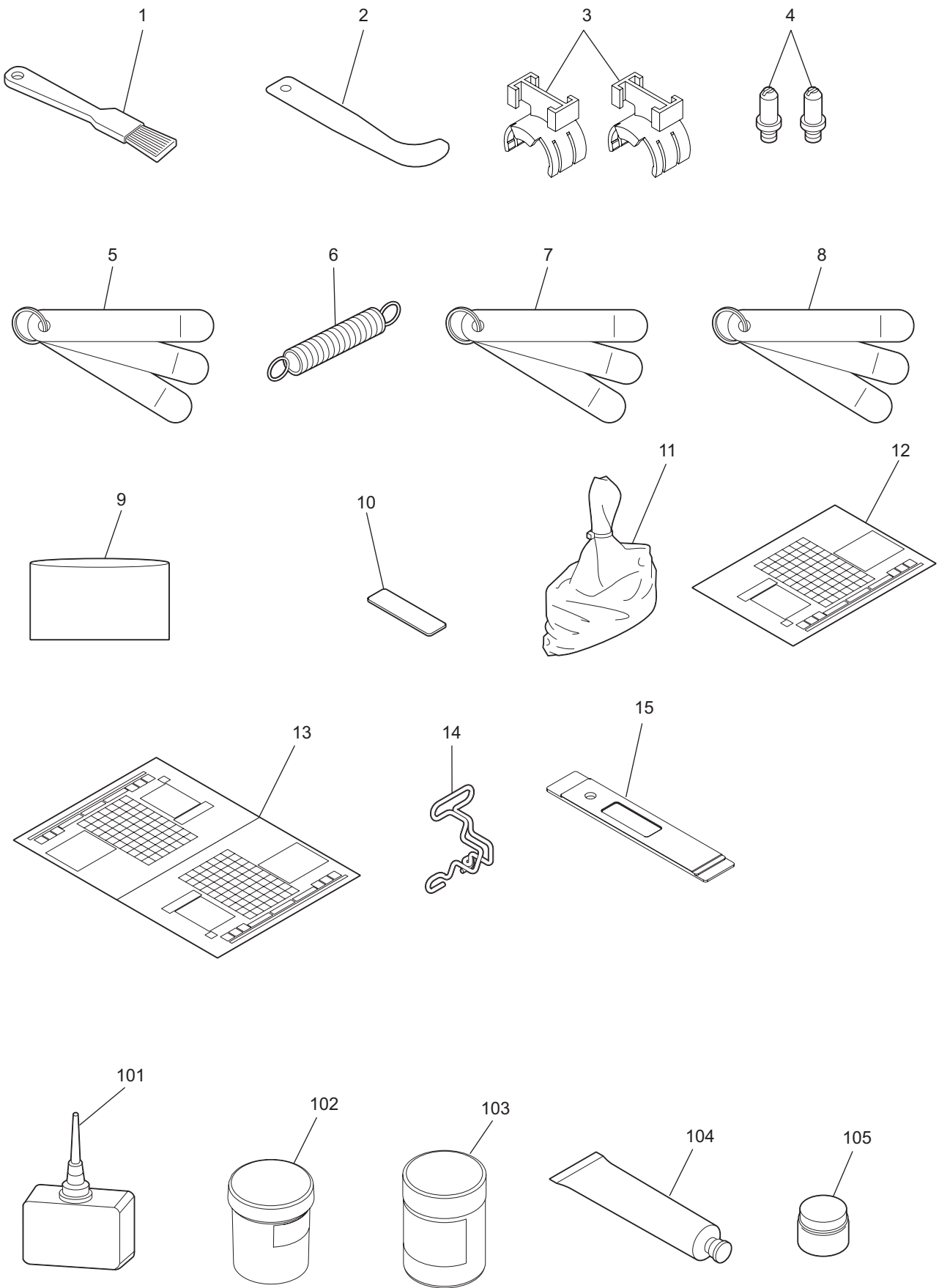


ITEM No.	PART No.	PART NAME	Q'TY / PAGE	Q'TY / PACK	REMARKS
1	6LK53999000	COVER-INTERLOCK	1	1/P	
2	6LK54256000	ASYS-GUIDE-EJECT-U	1	1/PP	
3	6LK56561000	GUIDE-WHITE	1	1/KP	
4	6LK56548000	ASYS-GUIDE-BOTTOM	1	1/D	
5	X0-02231000	S/FHEXM-M3X8-NI	11	10/P	
6	6LK54085000	ASYS-MODULE	1	1/P	
7	6LK53920000	GEAR-6H25_P1R5GT32-6	1	1/P	
8	C0-20495000	LG2A24BL1	2	1/C	
9	6LK54087000	ASYS-FRONT-BOTTOM	1	N/A***	
10	6LK54065000	BRKT-SNS-EJECT	1	1/P	
11	X0-00968000	RR/E-7-SS	1	10/P	
12	6LK53919000	GEAR-8S23_P1R5GT32-6	1	1/P	
13	4401761190	BUSH-0804-GCB	1	1/P	
14	6LK54090000	ASYS-REAR-BOTTOM	1	N/A***	
17	6LK53998000	COVER-DIAL	1	1/P	
18	6LK54028000	SPG-C-4R8X15R5R	2	1/P	
20	6LK54351000	COVER-LEVER-ACT-READ-IN	1	1/P	
21	6LK54349000	GID-PUSH-READ-HOLDER	5	1/P	
22	6LK54348000	GID-PUSH-READ-OUT-GA	5	1/P	
23	6LK54350000	SPG-GID-PUSH_GA	2	1/P	
24	X0-00057000	S/PAN-M3X6-NI	5	10/P	
25	6LK54387000	SPG-GID-PUSH-C	3	1/P	
26	6LK53733000	HRNS-DSDF-COVL-H616	1	1/P	
27	6LK56551000	LBL-ARROW	1	1/P	
28	6LK54027000	BRKT-CCD-STOP	1	1/P	

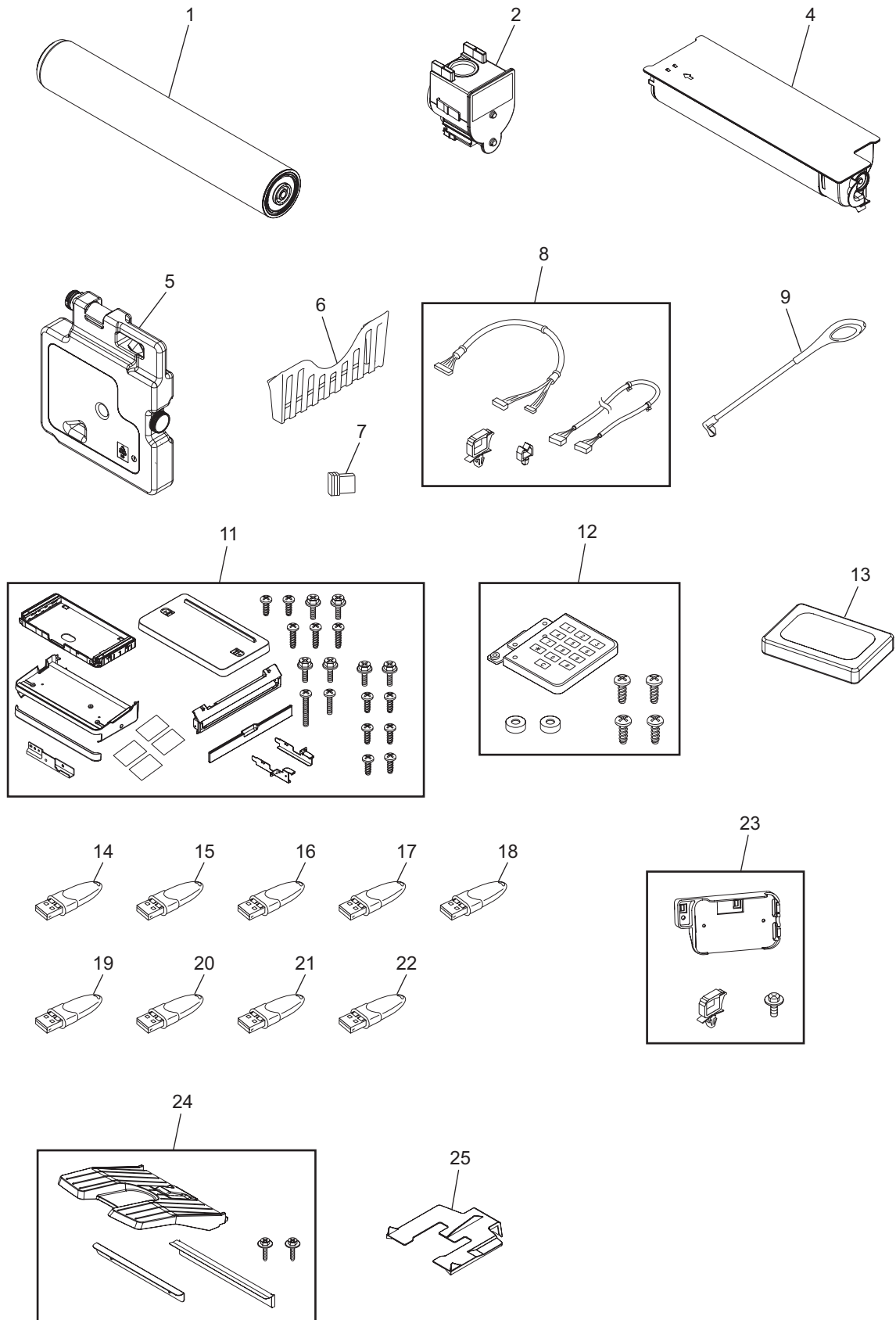


ITEM No.	PART No.	PART NAME	Q'TY / PAGE	Q'TY / PACK	REMARKS
1	6LK53786000	ASYB-DLG-H616S	1	1/SB	
2	X0-01989000	S/TPP/BID-3X8-NI	4	10/P	
3	6LK54290000	BRKT-L-INTERLOCK	1	1/P	
4	X0-01615000	S/TPS/FPAN-3X14-NC	1	10/P	
5	E0-14527000	D3V-163-1C25(10E)	1	1/C	
6	X0-02420000	S/TPS/FHEXM/R-3X8-ZU3	3	10/P	
7	X0-02247000	S/TPP/FHEXM-3X8-NI	5	10/P	
8	6LK53953000	BRKT-HINGE-L	1	1/P	
9	6LK56618000	ASYS-HINGE-L-W	1	1/C	
10	X0-02252000	S/TPP/FHEXM-4X10-NI	6	10/P	
11	6LK54220000	ASYS-BASE-EXIT-DSDF	1	N/A***	
12	6LK54143000	TRAY-SUB-EXIT-OUT-DSDF	1	1/PP	
13	6LK54144000	TRAY-SUB-EXIT-IN-S	1	1/PP	
14	6LK56617000	ASYS-HINGE-R-W	1	1/C	
15	6LK54239000	ASYS-TRAY-SUB-EXIT-DSDF	1	1/PP	
16	6LE49999000	ASYS-TAPE-MAGIC	5	1/P	
17	6LK53718000	HRNS-DLG-DSIF-616	1	1/P	
18	6LK53729000	HRNS-DSDF-INTLK-H616	1	1/P	
20	X0-00130000	S/PAN/SWWP-M3X20-NI	2	10/P	
21	6LK54359000	BRKT-FAN-R2	1	1/P	
22	6LK30991000	FAN-4015-155-H340	1	1/C	
23	F0-01813000	LWS-1316S-V0	1	5/P	
24	F0-02301000	OLS-150BK	1	5/P	
25	6LK54277000	LABEL-DIAL-616	1	1/P	
26	6LK56533000	BRKT-FAN-CRNK	1	1/P	
27	D0-24959000	FT-152613N	1	1/P	



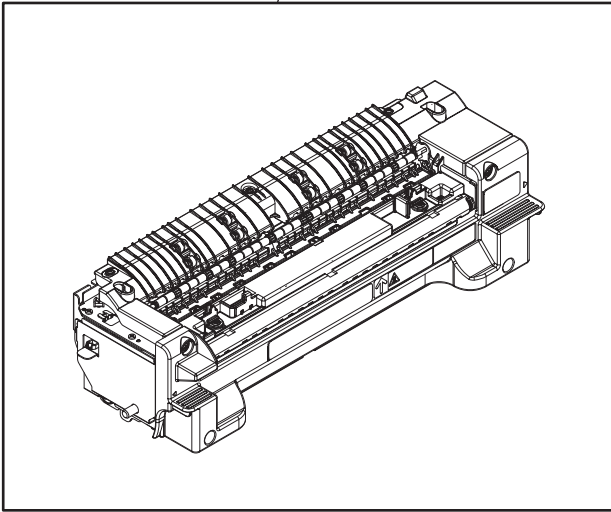


ITEM No.	PART No.	PART NAME	Q'TY / PAGE	Q'TY / PACK	REMARKS
1	4407915710	BRUSH-33	1	1/P	
2	6LH02876000	JIG-CLNR-DOCTOR	1	1/P	
3	6LJ59898000	HOLDER-WIRE-PLY-H21X	2	1/P	
4	6LE50499000	SFT-PA-PIN-R	2	1/P	
5	6LE23720000	ASYB-JIG-GAP-DOC-SL-380	1	1/P	
6	44202661000	SPE-MOT-TNS	1	1/P	
7	6LA48402000	ASY-JIG-DOC-350	1	1/P	
8	6LJ58791000	ASYB-JIG-GAP-SCRIP	1	1/P	
9	4408600920	BAG-DRUM	1	5/P	
10	6LJ06917000	PLATE-TONER-SEAL	4	4/P	
11	6LJ18300000	P-POWDER-PPT001	1	1/P	
12 A	6LE50524000	CHART-COLOR-A4	1	1/KP	
12 B	6LE50525000	CHART-COLOR-LT	1	1/KP	
13 A	6LH17283000	CHART-COLOR-A3	1	1/KP	
13 B	6LH17284000	CHART-COLOR-LD	1	1/KP	
14	6LK56560000	JIG-DSDP-STOPPER	1	1/C	
15	6LK42613000	JIG-FU-SEP-H38X	1	1/P	
101 A	4842512170	OIL-LAUNA40-100	1	1/P	
101 B	6LH17289000	ASYB-LAUNA40-TSB E	1	1/P	
102	6LE36904000	MOLYKOTE EM-30L_100G	1	1/P	
103	6LA00019000	GREASE-HP300-S	1	1/P	
104	41303711000	ASM-PG-ALV2	1	1/P	
105	41303710000	ASM-PG-GE334C-S	1	1/P	

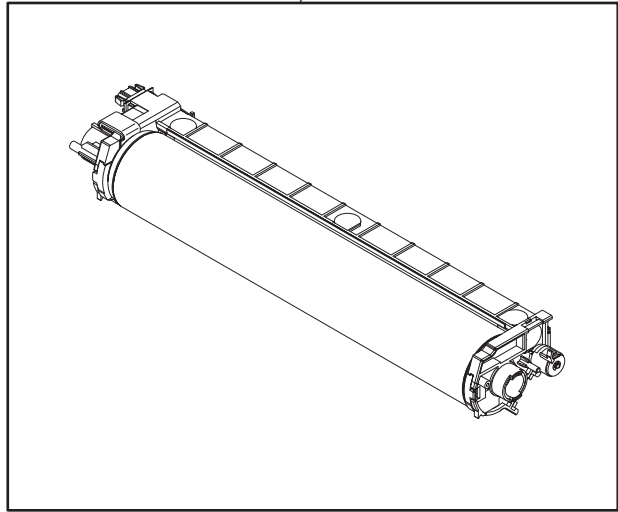


ITEM No.	PART No.	PART NAME	Q'TY / PAGE	Q'TY / PACK	REMARKS
1	6LK40607000	OD-FC556	1	1/S	
4 A	6AK00000346	PS-ZT5508U(1)	1	SUPPLY	BLACK TONER :NAD,ARD,CND
4 B	6AK00000342	PS-ZT5508E(1)	1	SUPPLY	BLACK TONER :MJD
4 C	6AG00007600	PS-ZT5508C(1)	1	SUPPLY	BLACK TONER :CND
4 D	6AG00007609	PS-ZT5508P(1)	1	SUPPLY	BLACK TONER :AUD,ASD
4 E	6AG00007614	PS-ZT5508T(1)	1	SUPPLY	BLACK TONER :TWD
5 A	6AG00002330	PS-TBFC55	1	SUPPLY	TONER BAG :Except MJD & CND
5 B	6AG00002332	PS-TBFC55E	1	SUPPLY	TONER BAG :MJD
5 C	6AG00002331	PS-TBFC55C	1	SUPPLY	TONER BAG :CND
6	6AR00001025	KK-5008	1	SUPPLY	Manual Pocket (All except CND)
7 A	6AG00007054	GN-4020	1	SUPPLY	Wireless LAN Module (All except CND)
7 B	6AG00007055	GN-4020C	1	SUPPLY	Wireless LAN Module (CND)
8	6A000001699	GQ-1280	1	SUPPLY	Harness kit for coin controller
9	6A000001733	KK-2560	1	SUPPLY	Accessible Arm
11 A	6AH00000919	GR-1250	1	SUPPLY	Accessory Tray (All except CND)
11 B	6AH00000920	GR-1250C	1	SUPPLY	Accessory Tray (CND)
12 A	6AR00000993	GR-1260	1	SUPPLY	Panel Ten Key Option (All except CND)
12 B	6AG00007800	GR-1260C	1	SUPPLY	Panel Ten Key Option (CND)
13	6AG00006088	GE-1230	1	SUPPLY	FIPS HDD option (All except NAD/CND)
14	6A000001051	GP-1070	1	SUPPLY	Data Overwrite enabler (All except NAD/NAC)
15	6A000001055	GS-1010	1	SUPPLY	Meta scan enabler
16	6A000001057	GS-1020	1	SUPPLY	External interface enabler (ASD/ARD)
17	6A000001053	GP-1080	1	SUPPLY	IPSec enabler (All except CND)
18	6A000001309	GS-1007	1	SUPPLY	Unicode Font Enabler
19	6A000001700	GS-1080	1	SUPPLY	Embedded OCR Enabler
20	6A000001711	GS-1085	1	SUPPLY	Embedded OCR Enabler (All except ASD)
21	6A000001715	GS-1090	1	SUPPLY	Multi Station Print Enabler
22	6A000001704	GS-1095	1	SUPPLY	Multi Station Print Enabler (All except ASD)
23	6AG00007776	GR-1290C	1	SUPPLY	Card Reader Holder (CND)
24	6AG00007567	KA-6551-ET	1	SUPPLY	Side Exit Tray
25	6LE21762100	COV-SUB-TRAY-H38X	1	1/PP	

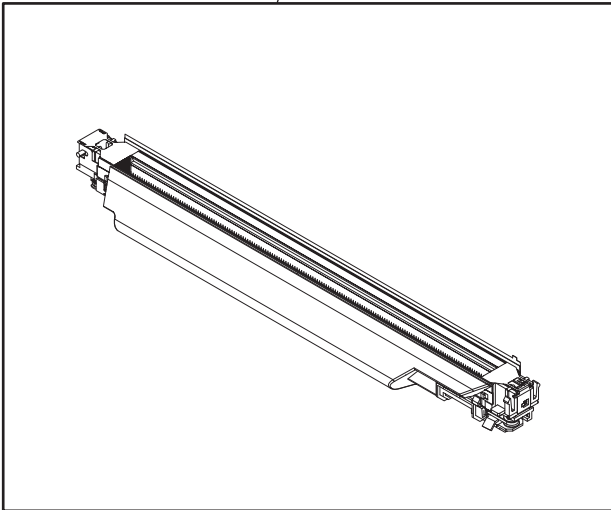
1



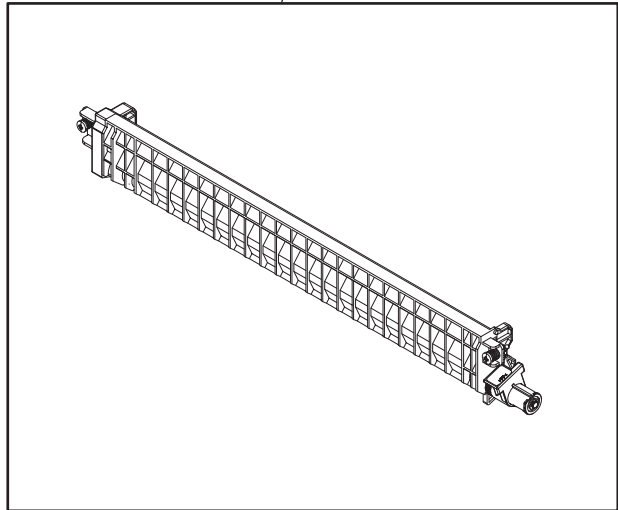
2



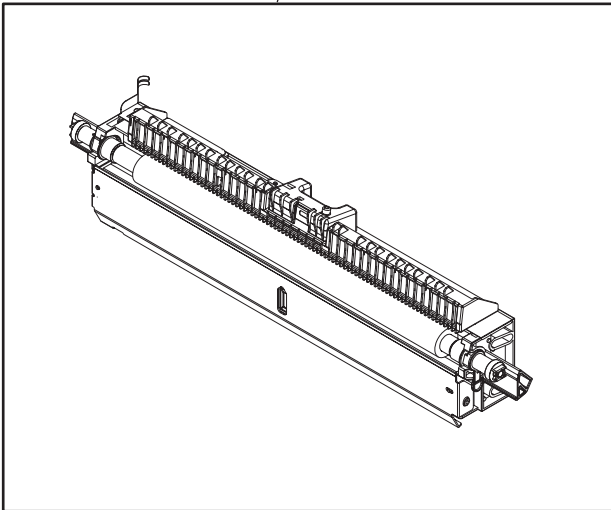
3



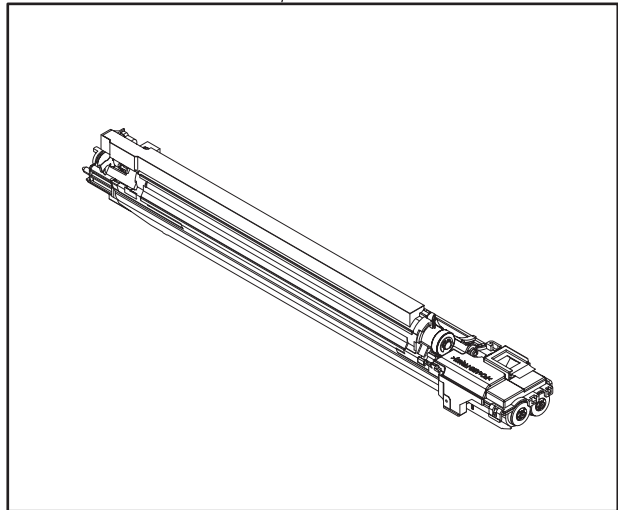
4



5

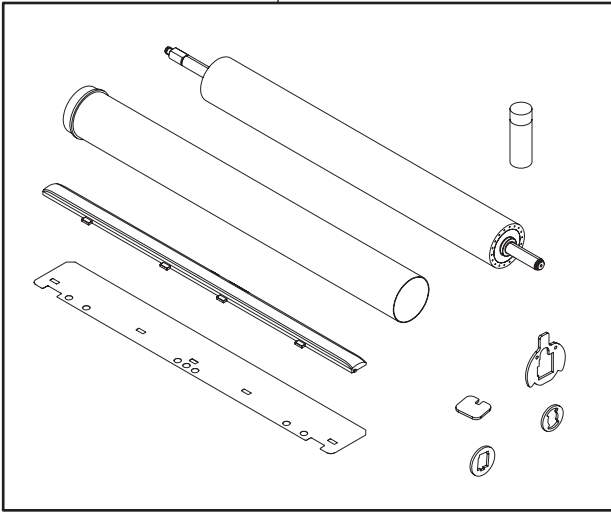


6

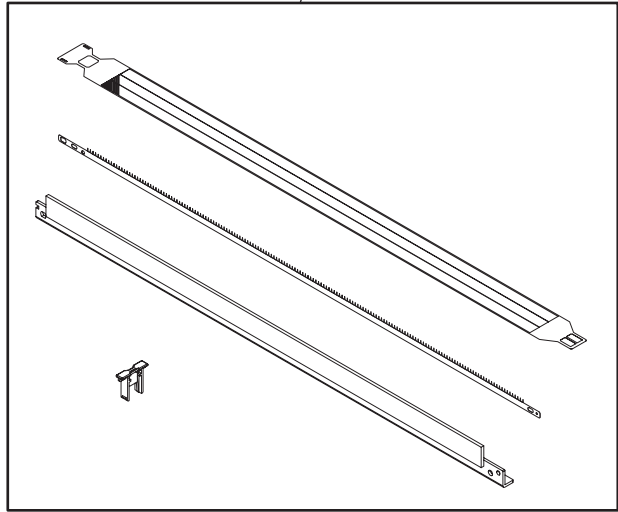


ITEM No.	PART No.	PART NAME	Q'TY / PAGE	Q'TY / PACK	REMARKS
1	6LK43649000	FUSER-FC556	1	1/S	eS5508A/6508A/7508A eS8508A
2	6LK40615000	CLN-DRUM-FC556	1	1/S	
3 A	6LK40616000	MAIN-CH-FC556-G	1	1/S	
3 B	6LK40616000	MAIN-CH-FC556-G	1	1/S	
4	6LK41164000	TR-BLT-CLN-FC556	1	1/S	
5	6LK41318000	TR2-UNIT-FC556	1	1/S	
6	6LK40614000	DEVE-UNIT-FC556-K	1	1/S	

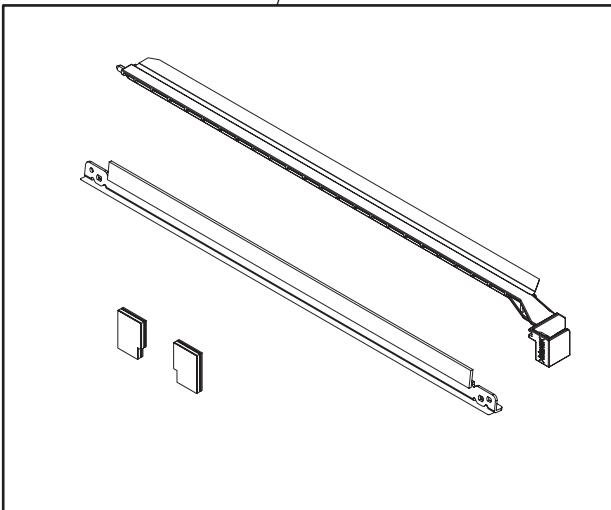
1



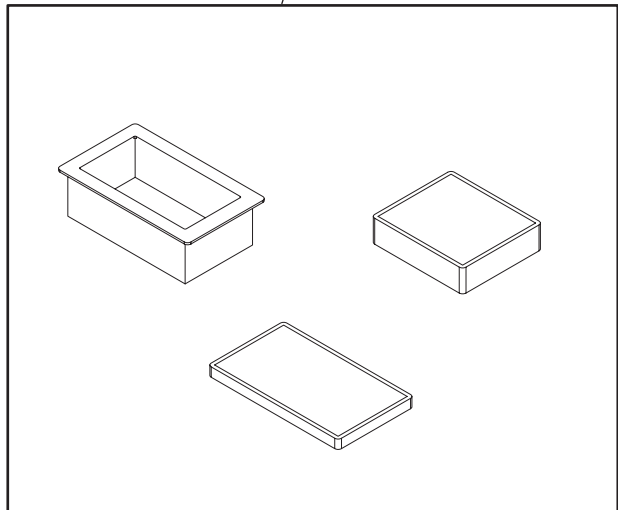
2



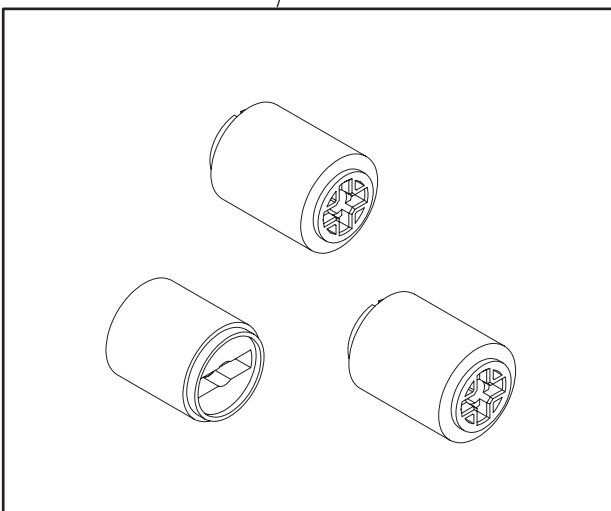
3



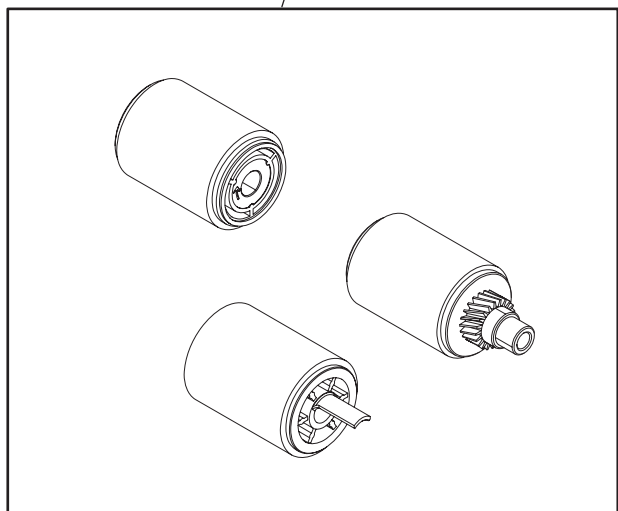
4



5



6



ITEM No.	PART No.	PART NAME	Q'TY / PAGE	Q'TY / PACK	REMARKS
1	6LK43648000	FR-KIT-FC556-FU	1	1/S	
2 A	6LK40618000	EPU-KIT-FC556-G	1	1/S	eS5508A/6508A/7508A eS8508A
2 B	6LK40619000	EPU-KIT-FC556-S	1	1/S	
3	6LK41165000	TBU-KIT-FC556	1	1/S	
4	6LJ10677000	FLTR-KIT-FC65	1	1/S	
5	6LK41561000	ROL-KIT-FC75	1	1/S	
6	6LK54293000	KIT-ROL-DSDF	1	1/S	

TOSHIBA

TOSHIBA TEC CORPORATION

1-11-1, OSAKI, SHINAGAWA-KU, TOKYO, 141-8562, JAPAN