

**TOSHIBA**

# **SERVICE PARTS LIST**

**MULTIFUNCTIONAL DIGITAL SYSTEMS**

**e-STUDIO477s/527s**

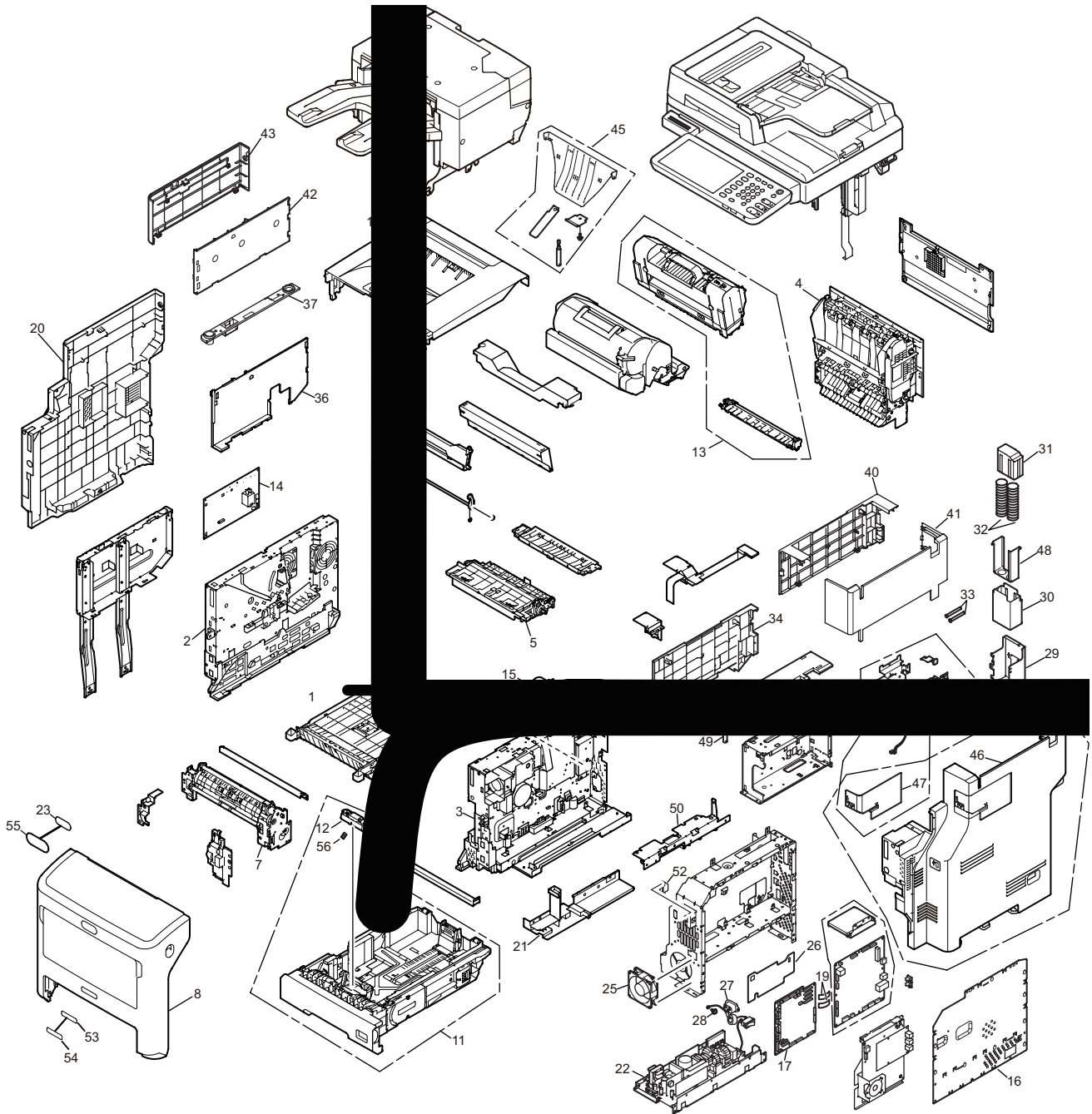
© 2013 TOSHIBA TEC CORPORATION All rights reserved

Under the copyright laws, this manual cannot be reproduced in any form without prior written permission of TOSHIBA TEC CORPORATION. No patent liability is assumed, however, with respect to the use of the information contained herein.

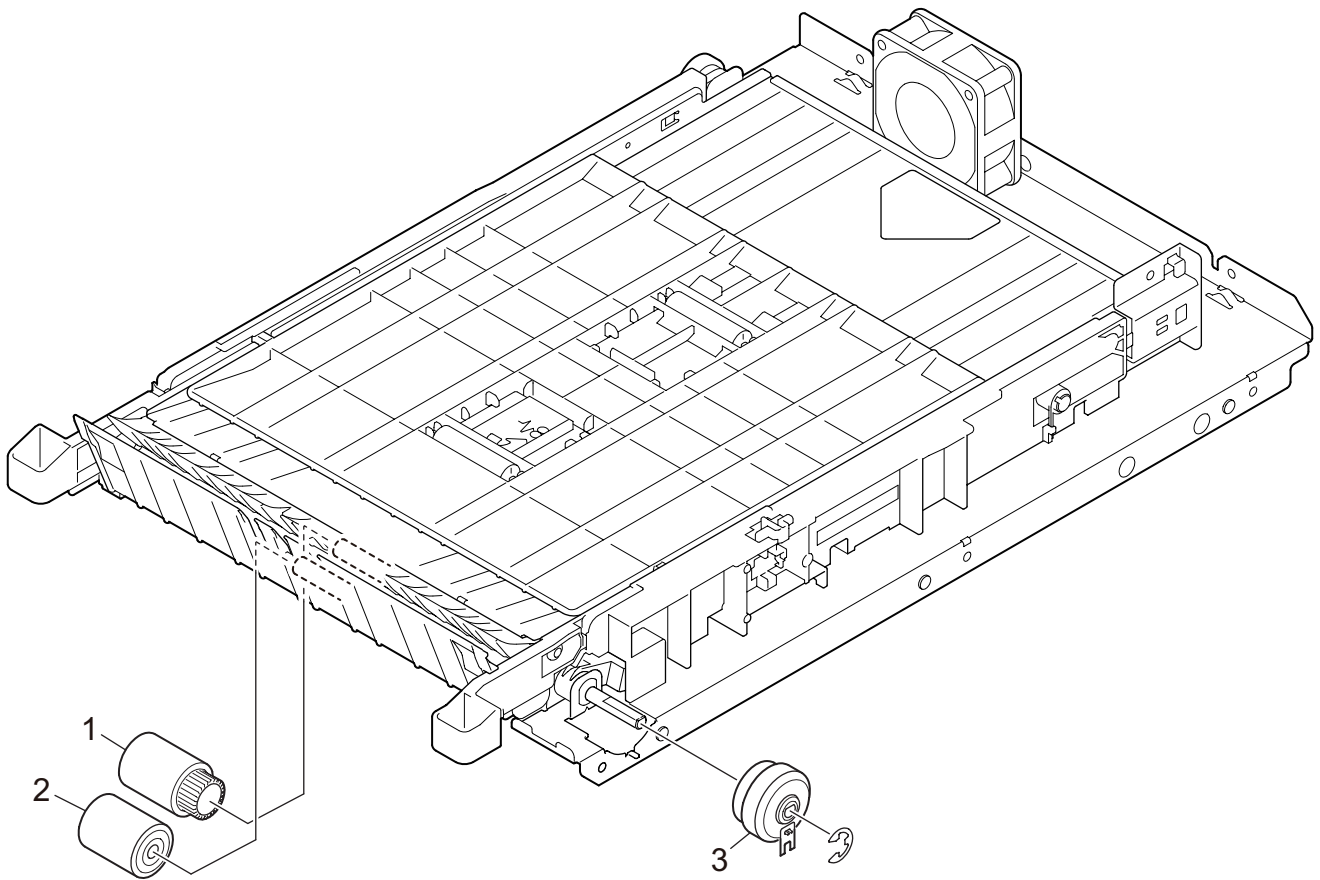
# CONTENTS

MFP-NIP.....	1
Plate-Assy-Base.....	2
Plate-Assy-Side(L) .....	3
Plate-Assy-Side(R).....	4
Cover-Assy-Front .....	5
Cover-Assy.-ST(Tall) .....	6
Scanner-Unit .....	7
ADF-Unit .....	8
ADF-Assy .....	9
Cover-Assy-Top-ADF .....	10
Guide-Assy-Retard.....	11
Flatbed-Unit.....	12
CONTROL-PANEL .....	13
Frame-Assy-FB .....	14
SYS_HDD .....	15
DOWNLOAD JIGS .....	50



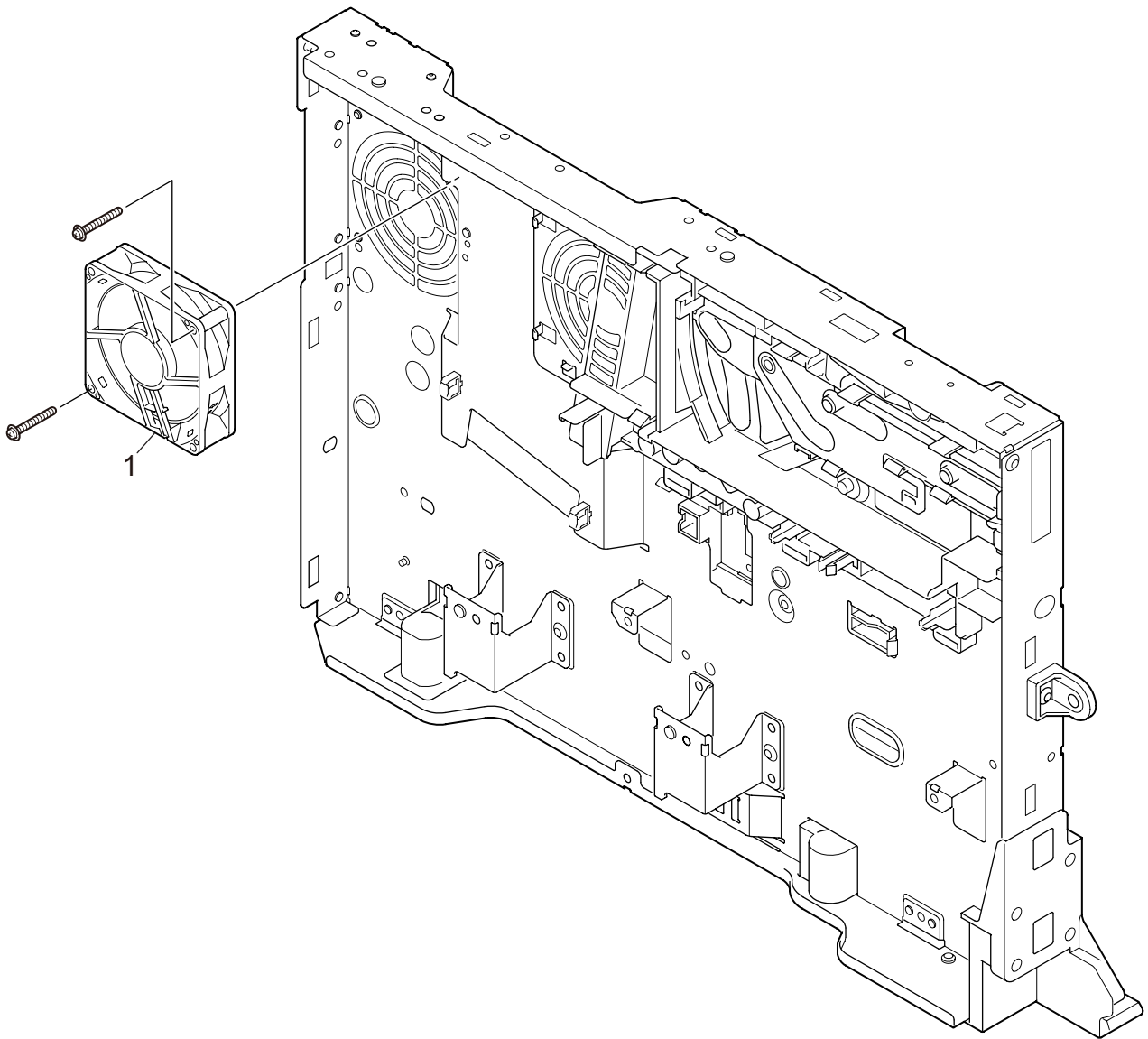


ITEM No.	PART No.	PART NAME	Q'TY / PAGE	Q'TY / PACK	REMARKS
1	ST45372802	Plate-Assy-Base(FN)	1	1/C	
2	ST45373402	Plate-Assy-Side(L-FN)	1	1/PP	
3	ST45373502	Plate-Assy-Side(R-FN)	1	1/PP	
4	ST45375121	Eject-Assy	1	1/C	
5	ST45379002	TR-Assy-Front(FN)	1	1/PP	
7	ST45377801	Feeder-Assy-Regist	1	1/C	
8	ST45376521	Cover-Assy-Front	1	1/C	
9	ST45378402	Holder-Assy-Head(FN)	1	1/P	
10	ST45388021	Cover Assy.-ST(Tall)	1	1/C	
11	ST45373001	Cassette-Assy	1	1/P	
12	ST43895001	Frame-Assy-Retard	1	1/P	
13 A	6LK20901000	FUSER-TR-UNIT-4710-120	1	1/S	120V
13 B	6LK20902000	FUSER-TR-UNIT-4710-230	1	1/S	230V
14	ST45098901	OR-Board-99H	1	1/SB	
15	ST45371201	Motor-DC(F)	1	1/C	
16	ST45038401	Plate-Shield(Board)	1	1/P	
17 A	ST45296211	Board-Maintenance_MFP_8PU_L_TTEC(NAD)	1	1/SB	e-STUDIO477S_NAD(47PPM)
17 B	ST45296212	Board-Maintenance_MFP_8PU_H_TTEC(NAD)	1	1/SB	e-STUDIO527S_NAD(52PPM)
17 C	ST45296213	Board-Maintenance_MFP_8PU_L_TTEC(ARD)	1	1/SB	e-STUDIO477S_ARD(47PPM)
17 D	ST45296214	Board-Maintenance_MFP_8PU_H_TTEC(ARD)	1	1/SB	e-STUDIO527S_ARD(52PPM)
17 E	ST45296215	Board-Maintenance_MFP_8PU_L_TTEC(AUD)	1	1/SB	e-STUDIO477S_AUD(47PPM)
17 F	ST45296216	Board-Maintenance_MFP_8PU_H_TTEC(AUD)	1	1/SB	e-STUDIO527S_AUD(52PPM)
17 G	ST45296217	Board-Maintenance_MFP_8PU_L_TTEC(MJD)	1	1/SB	e-STUDIO477S_MJD(47PPM)
17 H	ST45296218	Board-Maintenance_MFP_8PU_H_TTEC(MJD)	1	1/SB	e-STUDIO527S_MJD(52PPM)
19	2381103P0001	FFC34-50-0.5-003AU	1	1/P	
20	ST45329201	Cover-Side(L)	1	1/PP	
21	ST45404901	Guide-Cable(POW)	1	1/PP	
22	ST45271601	Power-Assy-FX757	1	1/SB	Power Unit (LOW Voltage)
23	ST43912908	Plate-Logo	1	1/P	No print
24	6A000001473	MJ-1039	1	SUPPLY	
25	ST45163401	Motor-Fan(80)	1	1/C	Power FAN
26	ST45036701	Film-Board(Guard)	1	1/KP	
27	ST45271401	CONN Cord-JST3P-INLET(FX757)	1	1/P	AC Inlet
28	ST44267408	Screw-PLWB4	1	1/P	AC Inlet Screw
29	ST45037501	Plate-Hinge(FB)	1	1/P	
30	ST45037601	Sleeve-Hinge(FB)	1	1/P	
31	ST45037701	Slider-Hinge(FB)	1	1/P	
32	ST45037801	Spring-Hinge(FB)	2	1/P	
33	ST45038201	Shaft-Guide(Hinge)	2	1/P	
34	ST45328901	Cover-Side(R-inner)	1	1/P	
35	ST45063701	Cover-Side-(R-Top)	1	1/PP	
36	ST45329101	Cover-Side(L-Inner)	1	1/P	
37	ST45064401	Cover-Side(L-Top)	1	1/PP	
40	ST45063601	Cover-Side(R-Inner-EX)	1	1/P	
41	ST45064001	Cover-Side(R-EX)	1	1/PP	
42	ST45064301	Cover-Side(L-Inner-EX)	1	1/P	
43	ST45064801	Cover-Side(L-EX)	1	1/PP	
45	6A000001594	KK-1003	1	SUPPLY	with Film-Guide
46	ST45329001	Cover-Side(R)	1	1/PP	
47	ST45064102	Cover-Stapler	1	1/PP	with Stapler Model
48	ST45508001	Film-Slider(FB)	1	1/P	
49	ST45484501	Soft-Absorber	1	1/P	
50	ST45328801	Plate-Support(Stay)	1	1/P	
52	ST45084101	CONN Cord-USB(FX757)	1	1/P	
53	ST43954025	Plate-Name	1	1/P	No print
54 A	ST44817015	Plate-Name_TTEC_eSTD471S	1	1/P	e-STUDIO477S
54 B	ST44817016	Plate-Name_TTEC_eSTD527s	1	1/P	e-STUDIO527S
55	ST44817101	Plate-Logo_TTEC	1	1/P	
56	ST43963101	Spring-Retard	1	1/P	

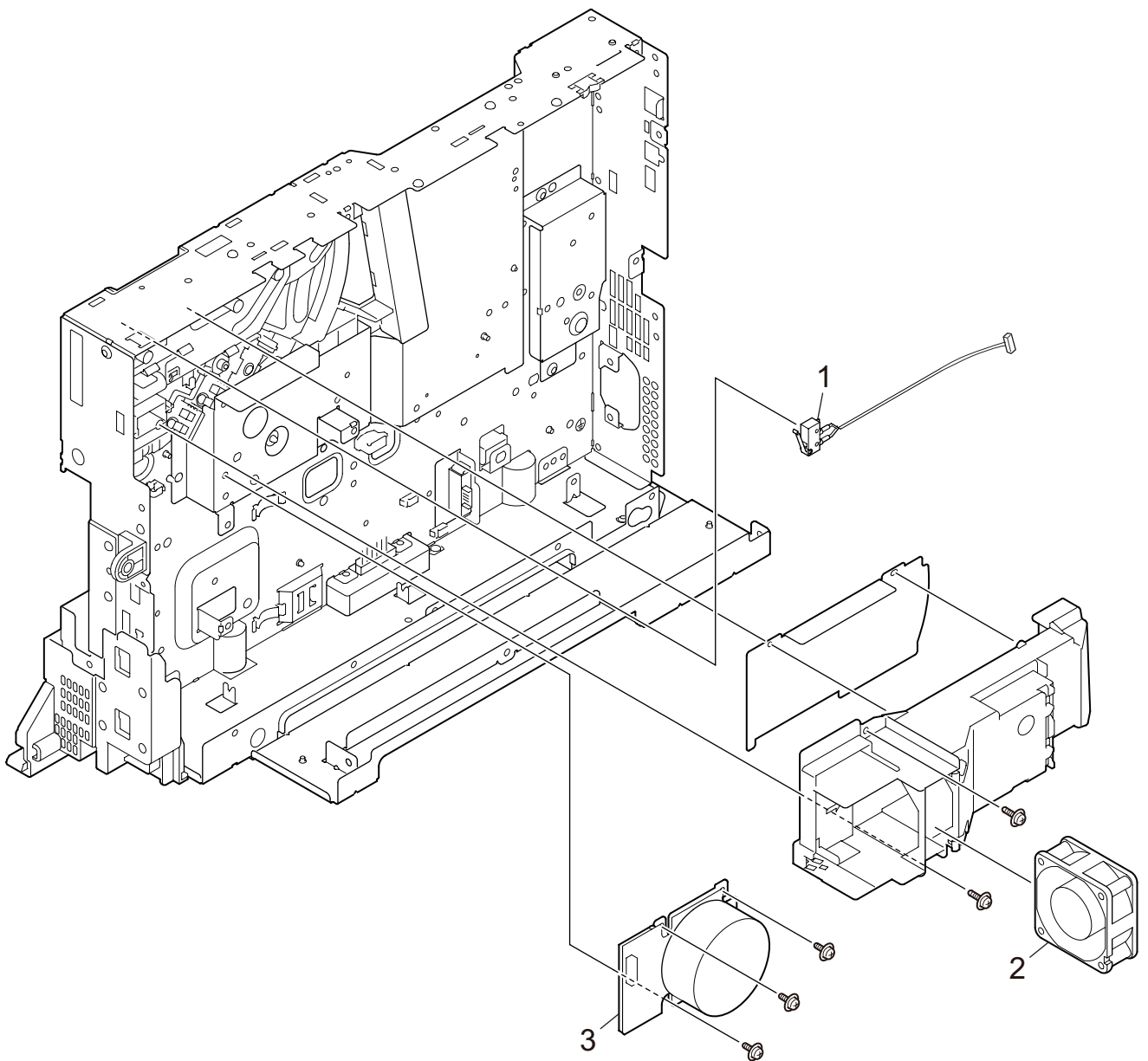




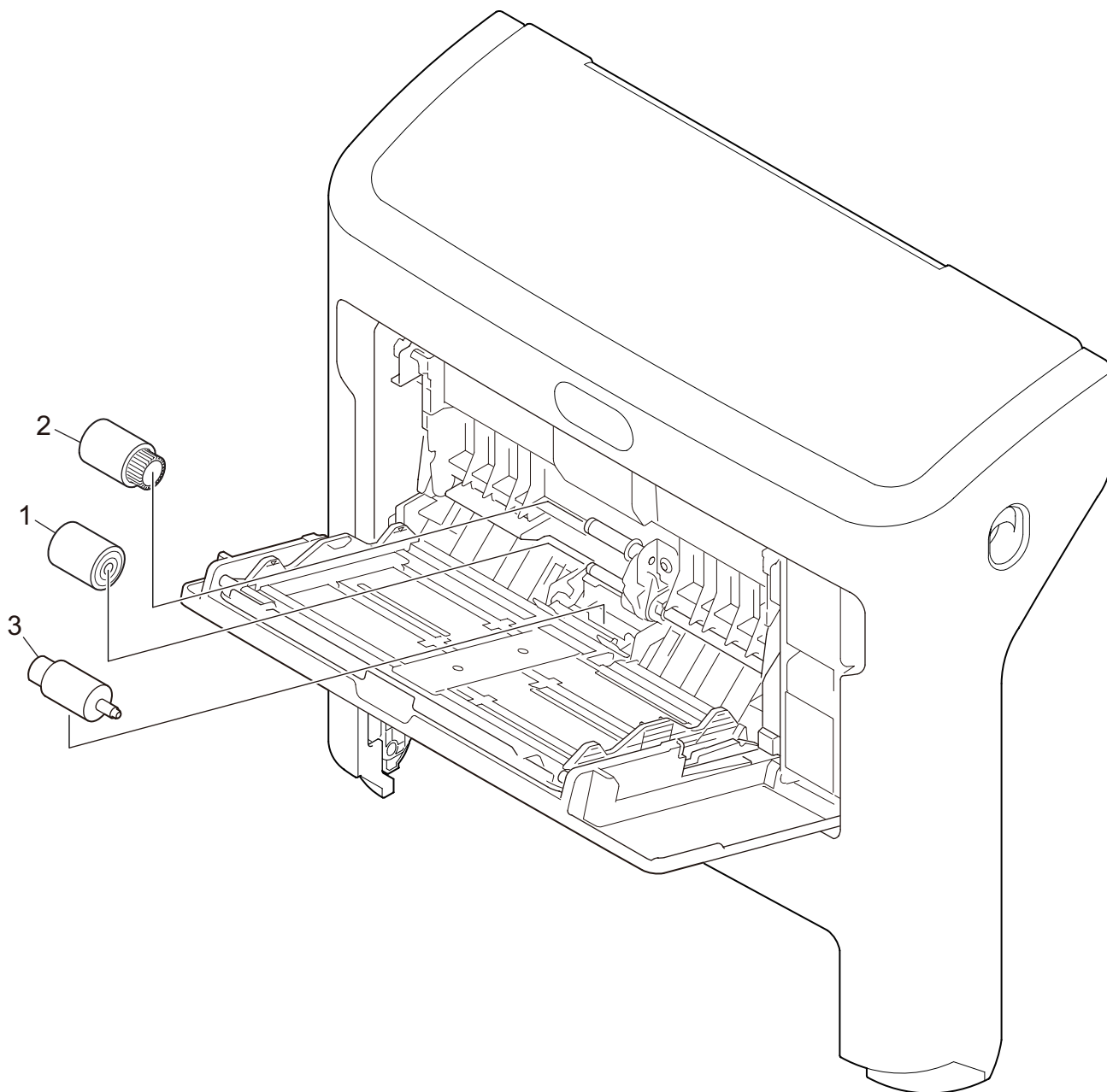




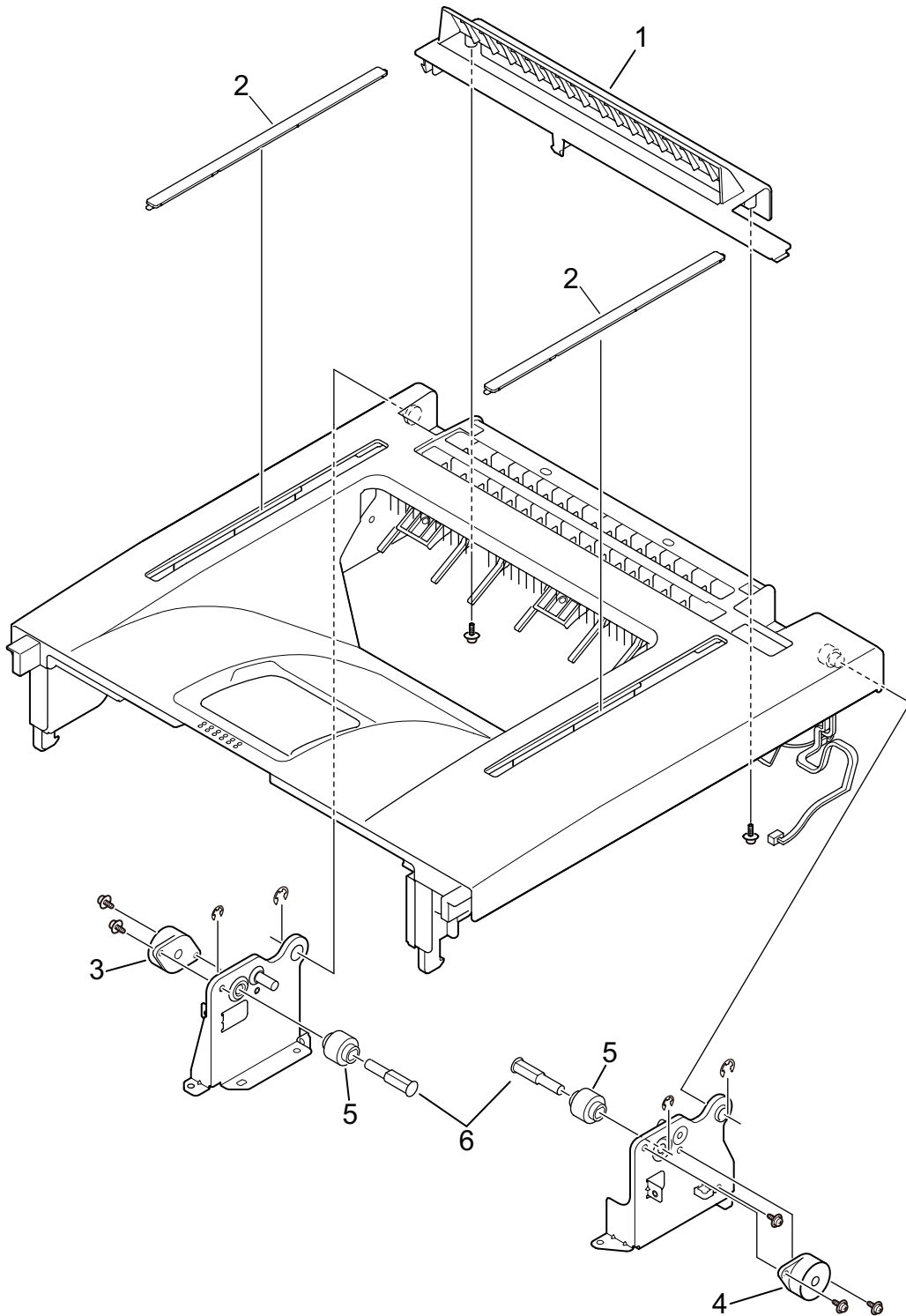
ITEM No.	PART No.	PART NAME	Q'TY / PAGE	Q'TY / PACK	REMARKS
1	2702071P0001	U80T24MUA7-53J10	1	1/C	



ITEM No.	PART No.	PART NAME	Q'TY / PAGE	Q'TY / PACK	REMARKS
1	ST45358701	CONN Cord-JST3P-SW	1	1/P	
2	ST45488201	Motor-Fan(60)	1	1/C	
3	ST45363001	Motor-DC-ID	1	1/C	

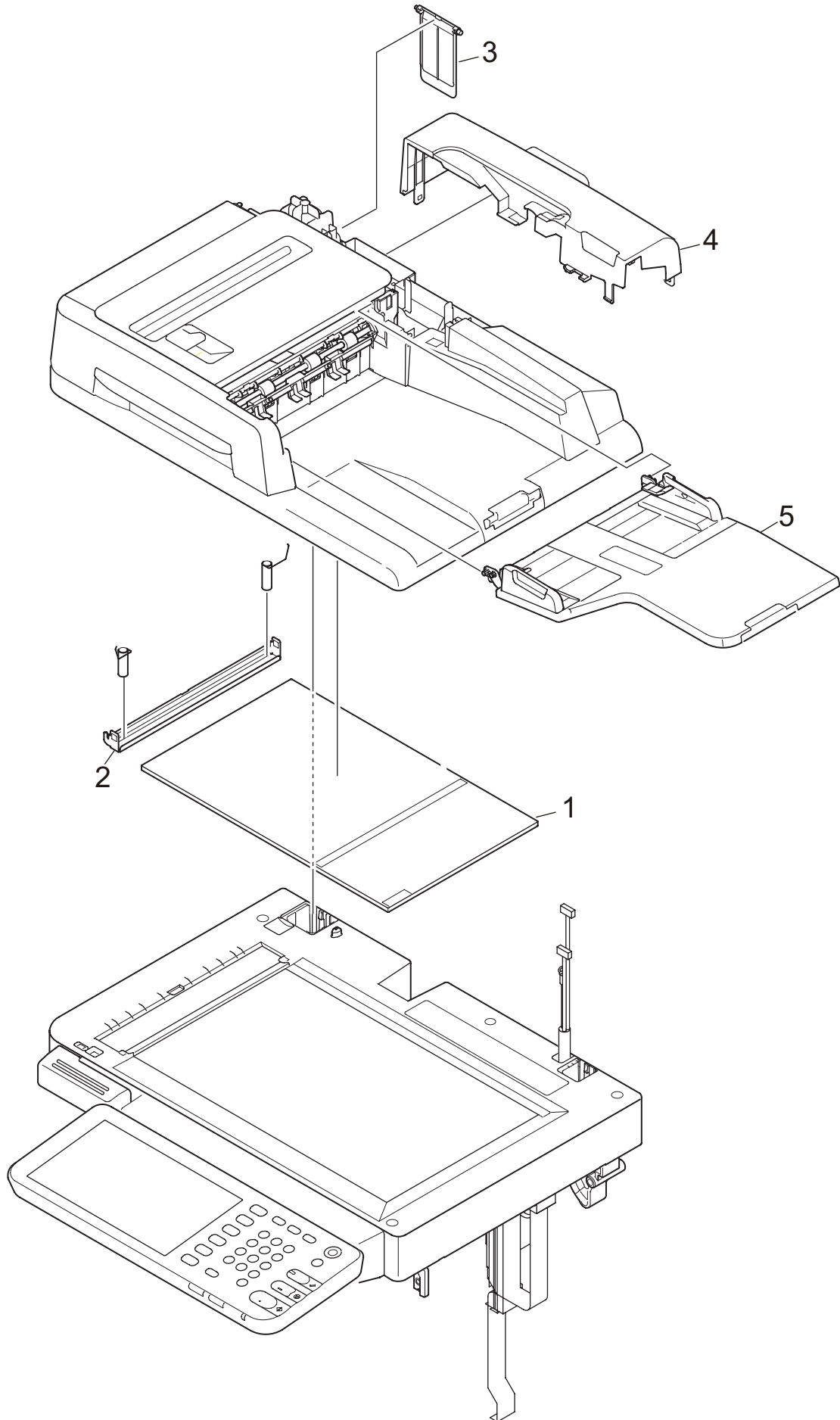


ITEM No.	PART No.	PART NAME	Q'TY / PAGE	Q'TY / PACK	REMARKS
1	ST44750301	Roller-Feed-NOW	1	1/P	
2	ST42699401	Roller-Pick-Up	1	1/KP	
3	ST44732301	Roller Assy.-Retard	1	1/P	

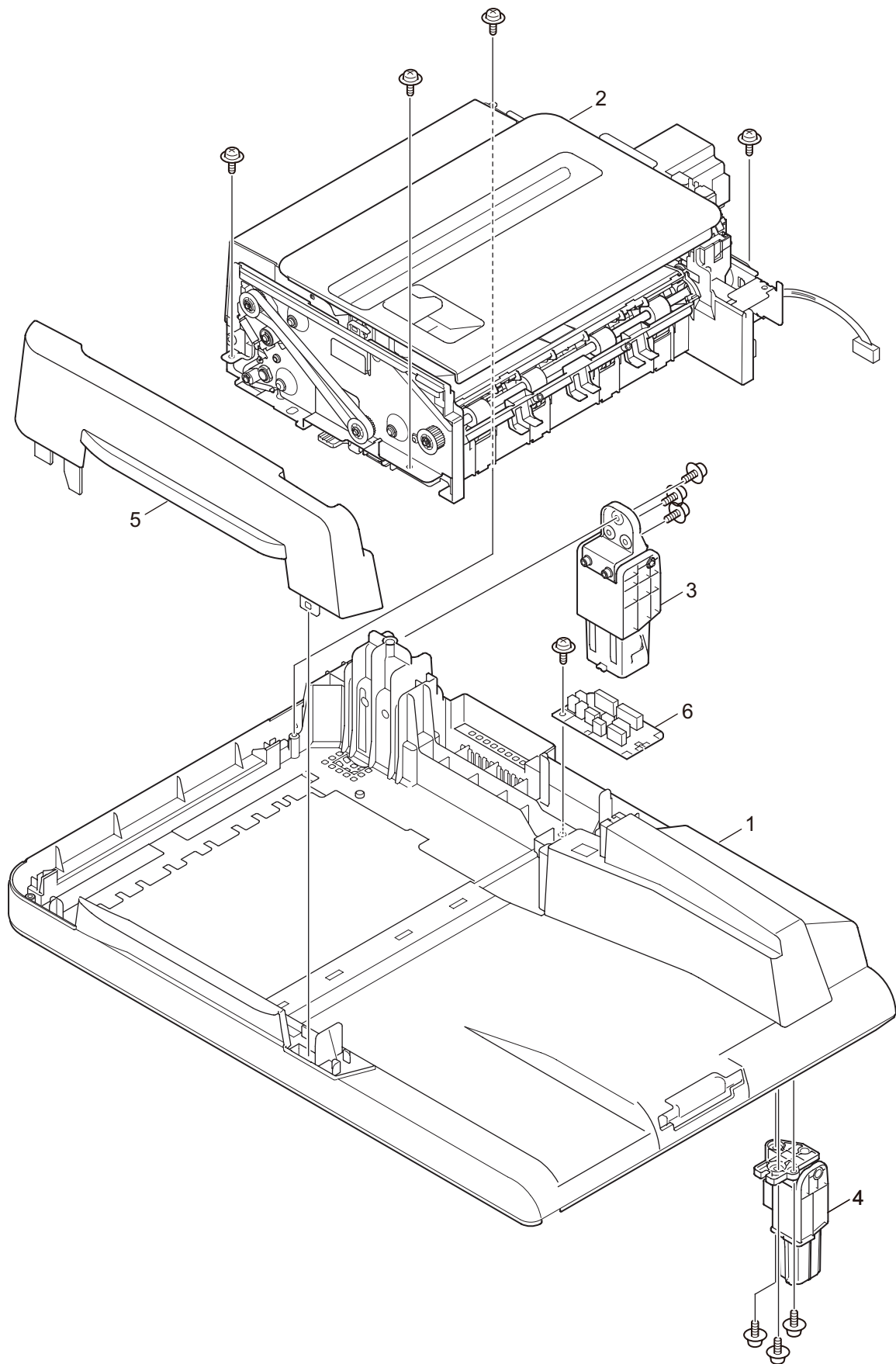




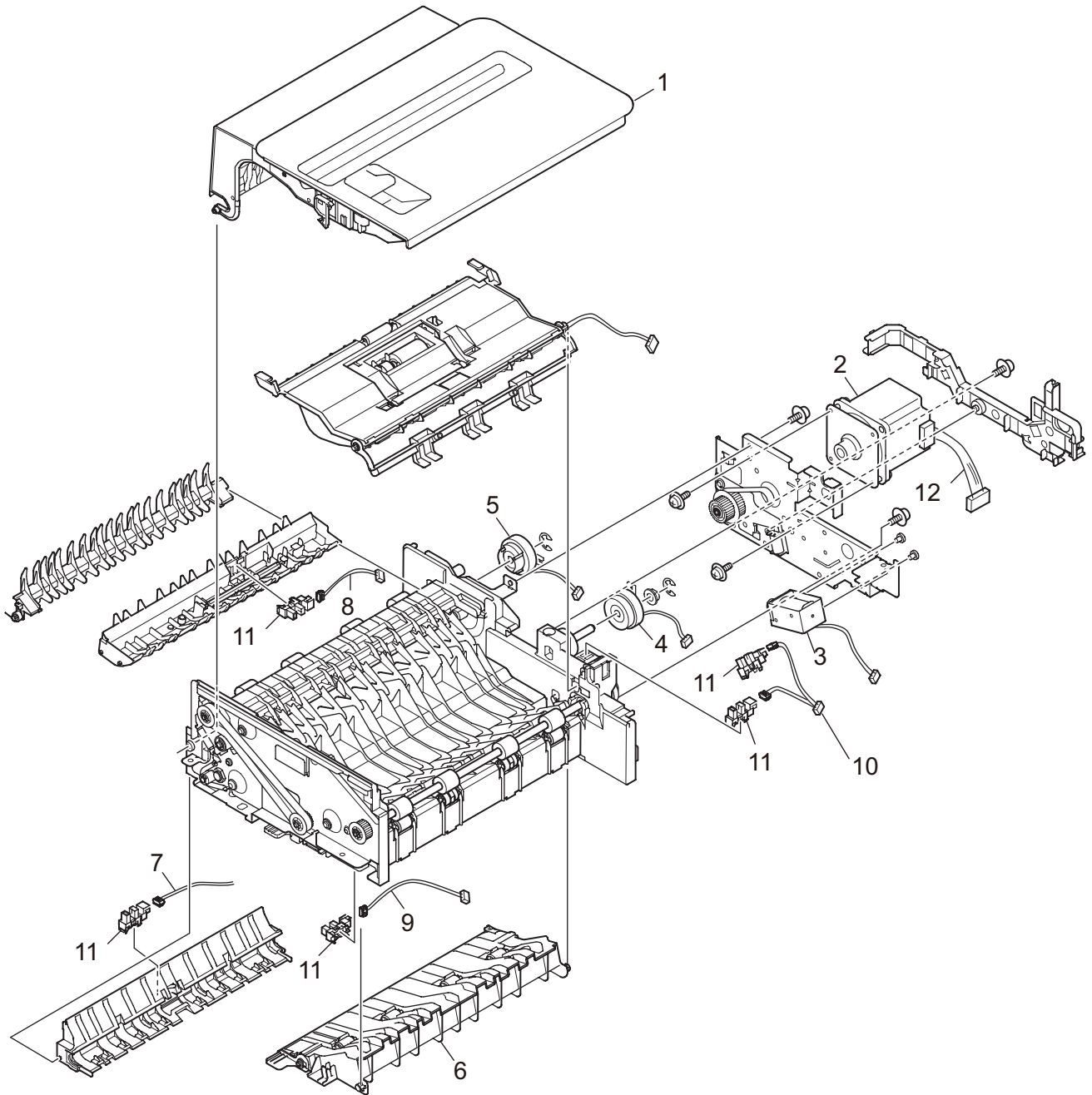




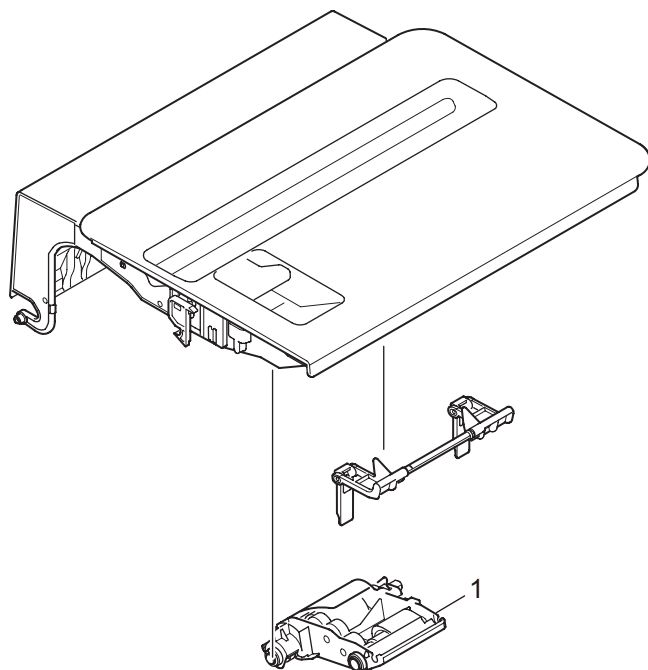
ITEM No.	PART No.	PART NAME	Q'TY / PAGE	Q'TY / PACK	REMARKS
1	ST45055001	Sheet-Document	1	1/KP	
2	ST45489401	Plate Assy.-(P.H)	1	1/P	
3	ST44540201	Cover-Flap	1	1/P	
4	ST45055401	Cover-ADF(Rear)	1	1/PP	
5	ST45062503	Tray-Assy-Document	1	1/PP	





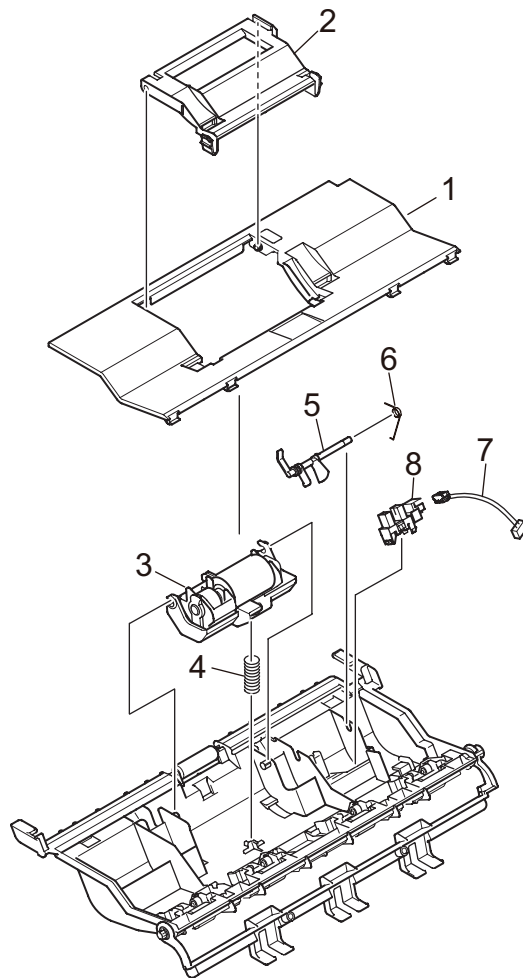


ITEM No.	PART No.	PART NAME	Q'TY / PAGE	Q'TY / PACK	REMARKS
1	ST45059201	Cover-Assy-Top-ADF	1	1/PP	
2	ST45631101	Motor-ADF	1	1/C	ADF-Motor
3	ST42058303	Solenoid	1	1/C	ADF-Sol
4	ST44261406	Clutch-3.5	1	1/D	ADF-Hop-CL
5	ST44716101	Clutch-Hop-Op	1	1/D	ADF-Reg-CL
6	ST45060301	Guide-Assy-Exit-Lower	1	1/PP	
7	ST45078201	CONN Cord-AMP3P-AMP3P	1	1/P	Set SNS
8	ST45078101	CONN Cord-AMP3P-JST3P	1	1/P	ADF-Rev SNS
9	ST45078102	CONN Cord-AMP3P-JST3P	1	1/P	ADF-Scan SNS
10	ST45078001	CONN Cord-AMP3P-AMP3P-AMP6P	1	1/P	Cover Open SNS
11	6520414M0001	LG248BL1	1	1/C	SNS
12	ST45077901	CONN Cord-JST6P-AMP4P	1	1/P	Motor-Cable

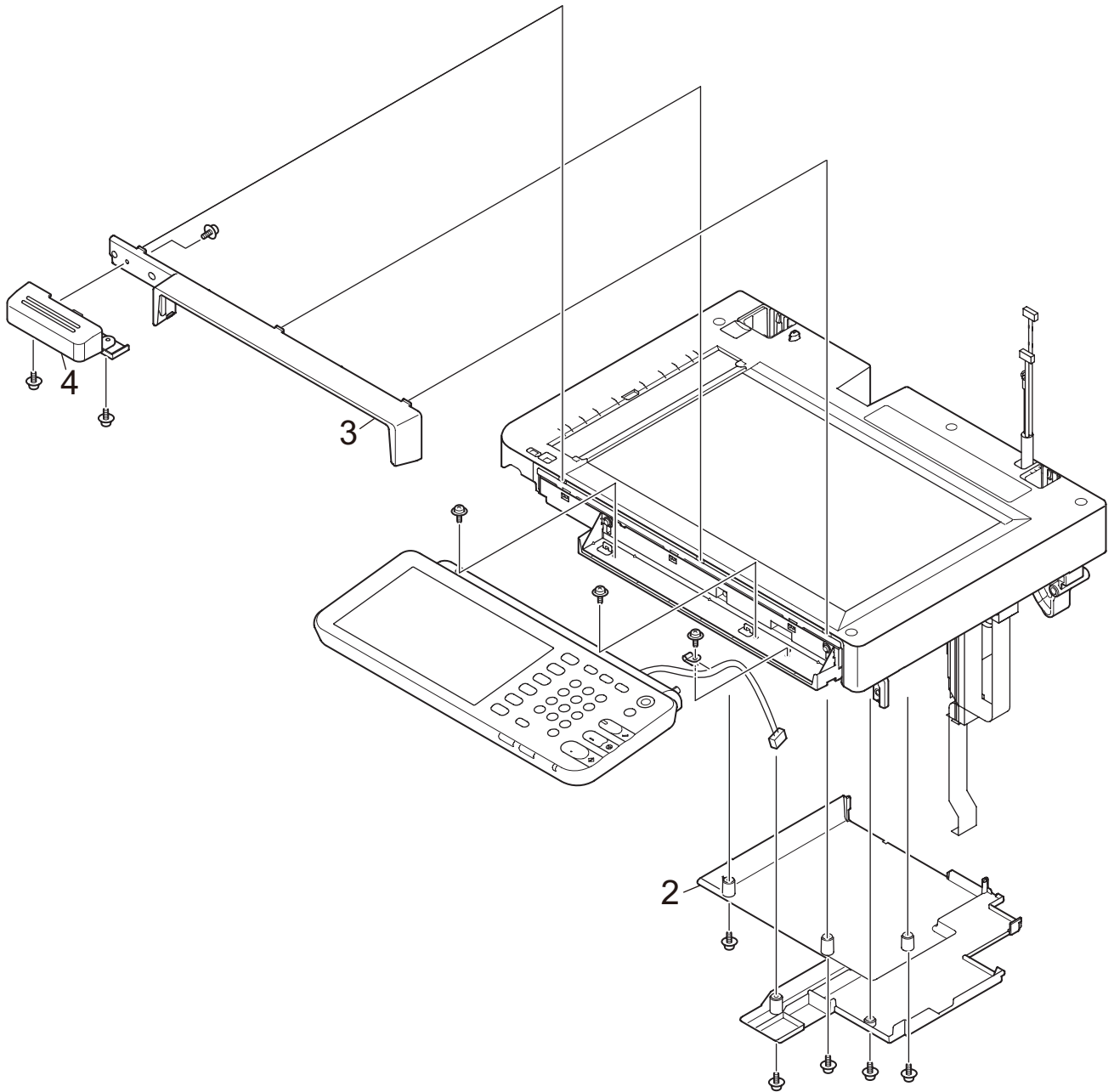


ITEM No.	PART No.	PART NAME	Q'TY / PAGE	Q'TY / PACK	REMARKS
1	ST45059801	Frame-Assy-Hopping-ADF	1	1/P	

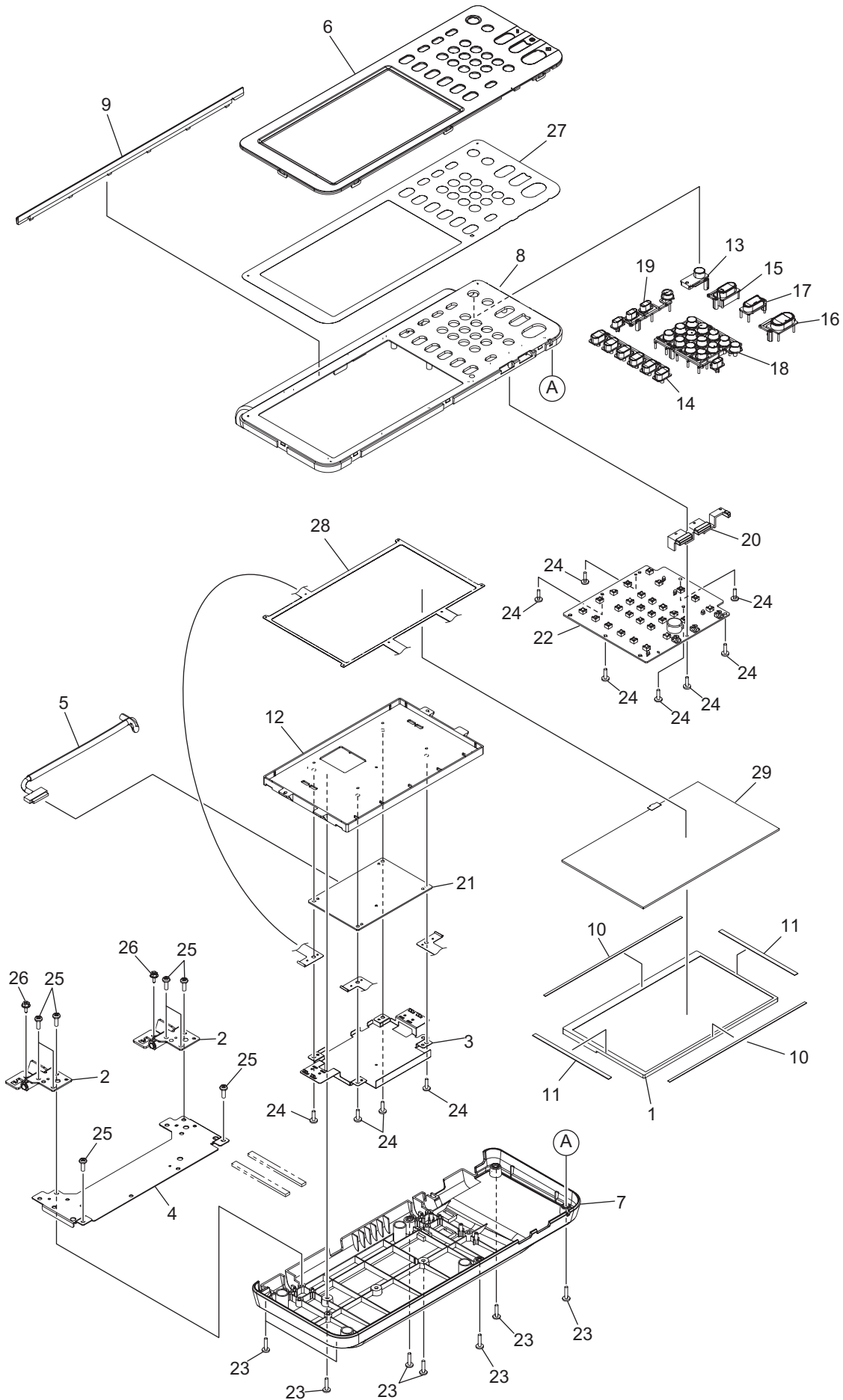




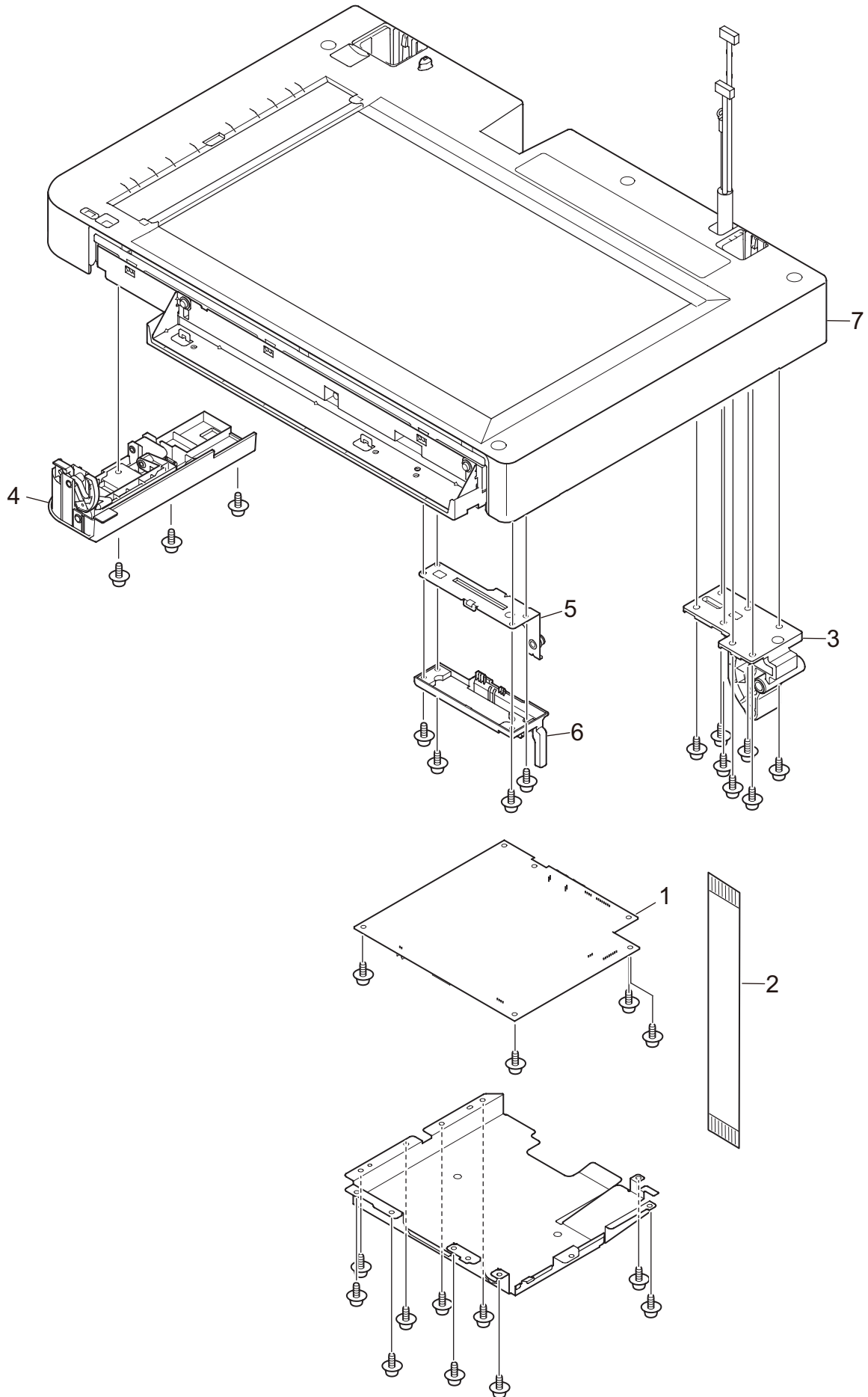
ITEM No.	PART No.	PART NAME	Q'TY / PAGE	Q'TY / PACK	REMARKS
1	ST45056401	Guide-Retard(Sub)	1	1/PP	
2	ST45045701	Cover-Retard(ADF)	1	1/P	
3	ST45060101	Frame-Assy-Retard	1	1/P	
4	ST45046301	Spring-Retard	1	1/P	
5	ST45045801	Lever-Hopping	1	1/P	
6	ST45045901	Spring-Hopping	1	1/P	ADF-Hop SNS SNS
7	ST45078301	CONN Cord-AMP3P-JST4P	1	1/P	
8	6520414M0001	LG248BL1	1	1/C	





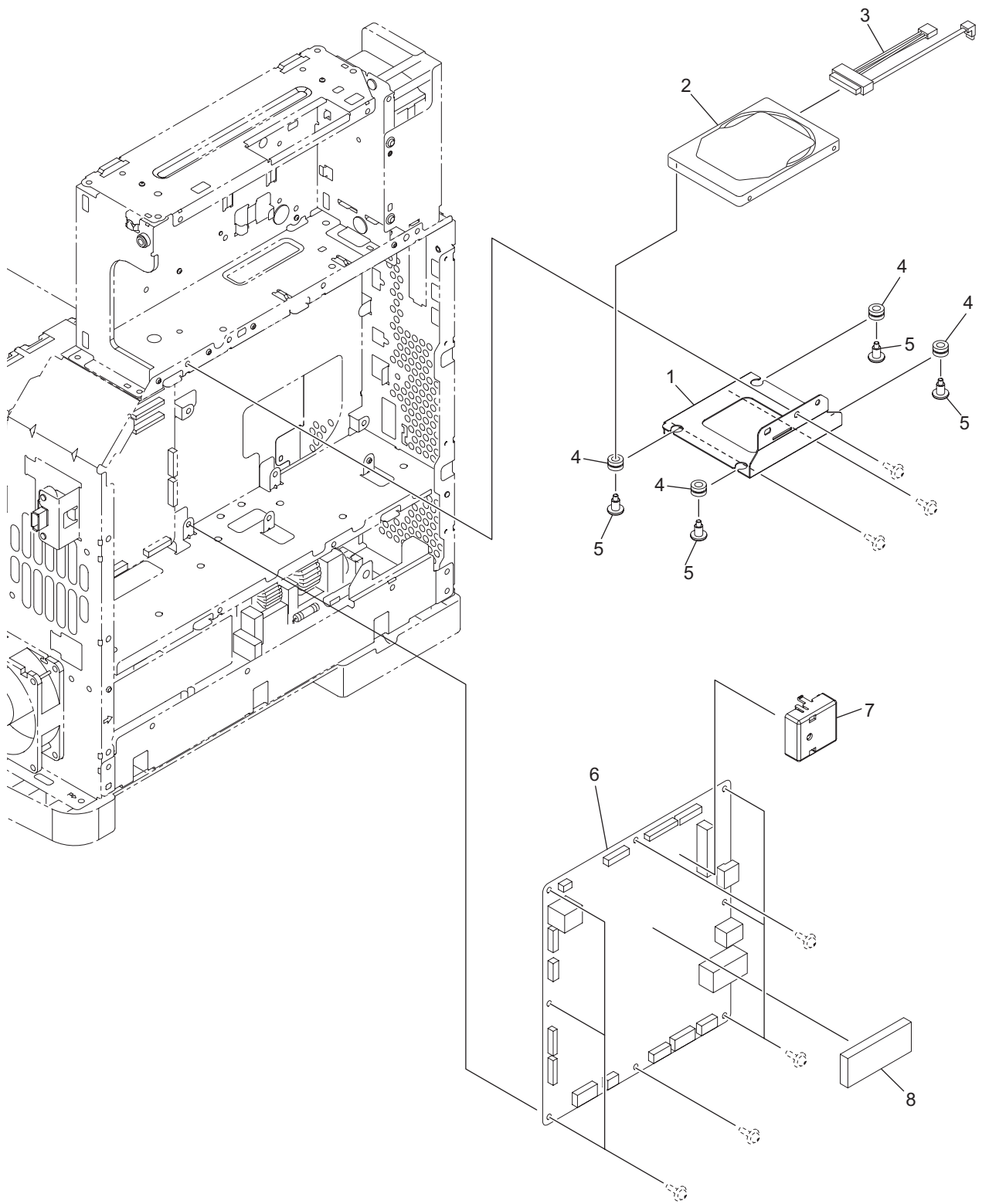


ITEM No.	PART No.	PART NAME	Q'TY / PAGE	Q'TY / PACK	REMARKS
1	6LJ53405000	ASYS-DSP-LCD-H21X	1	1/PP	
2	6LJ53433000	ASYS-HINGE-H21X	2	1/P	
3	6LJ53406000	ASYS-SHIELD-PLATE	1	1/P	
4	6LJ53412000	BRACKET-BASE	1	1/P	
5	6LK07801000	CABLE-CONPANE-H280	1	1/P	
6	6LJ53416000	COV-CONP-CLEAR-H21X	1	1/PP	
7	6LK07802000	COVER-CONPANE-LWR-H280	1	1/PP	
8	6LJ53414000	COVER-CONPANE-UPR-H21X	1	1/PP	
9	6LK07803000	COVER-UPR-RIM-H280	1	1/PP	
10	6LJ53451000	CUSHION-LCD-L-H21X	2	1/P	
11	6LJ53452000	CUSHION-LCD-S-H21X	2	1/P	
12	6LJ53411000	HOLDER-LCD-H21X	1	1/PP	
13	6LJ53419000	KEY-ENERGY-H21X	1	1/C	
14	6LJ53424000	KEY-FUNCTION	1	1/C	
15	6LJ53420000	KEY-RESET-H21X-U	1	1/C	
16	6LJ53428000	KEY-START	1	1/C	
17	6LJ53429000	KEY-STOP	1	1/C	
18	6LJ53425000	KEY-TEN-H21X	1	1/C	
19	6LJ53423000	KEY-USER-FUNC-H21X	1	1/C	
20	6LJ53418000	LID-LED-H21X	1	1/P	
21	6LJ53430000	PWA-DISP-H21X	1	1/SB	
22	6LJ53431000	PWA-KEY-H21X	1	1/SB	
23	X0-02596000	S/TPP/BID-3X10-NI	8	10/P	
24	X0-01989000	S/TPP/BID-3X8-NI	11	10/P	
26	X0-02420000	S/TPS/FHEXM/R-3X8-ZU3	2	10/P	
27	6LJ53417000	SHEET-PANEL-H21X-U	1	1/P	
28	6LJ53402000	SHIELD-LCD-AL	1	1/KP	
29	6LJ53410000	TOUCHPANEL-FC	1	1/C	

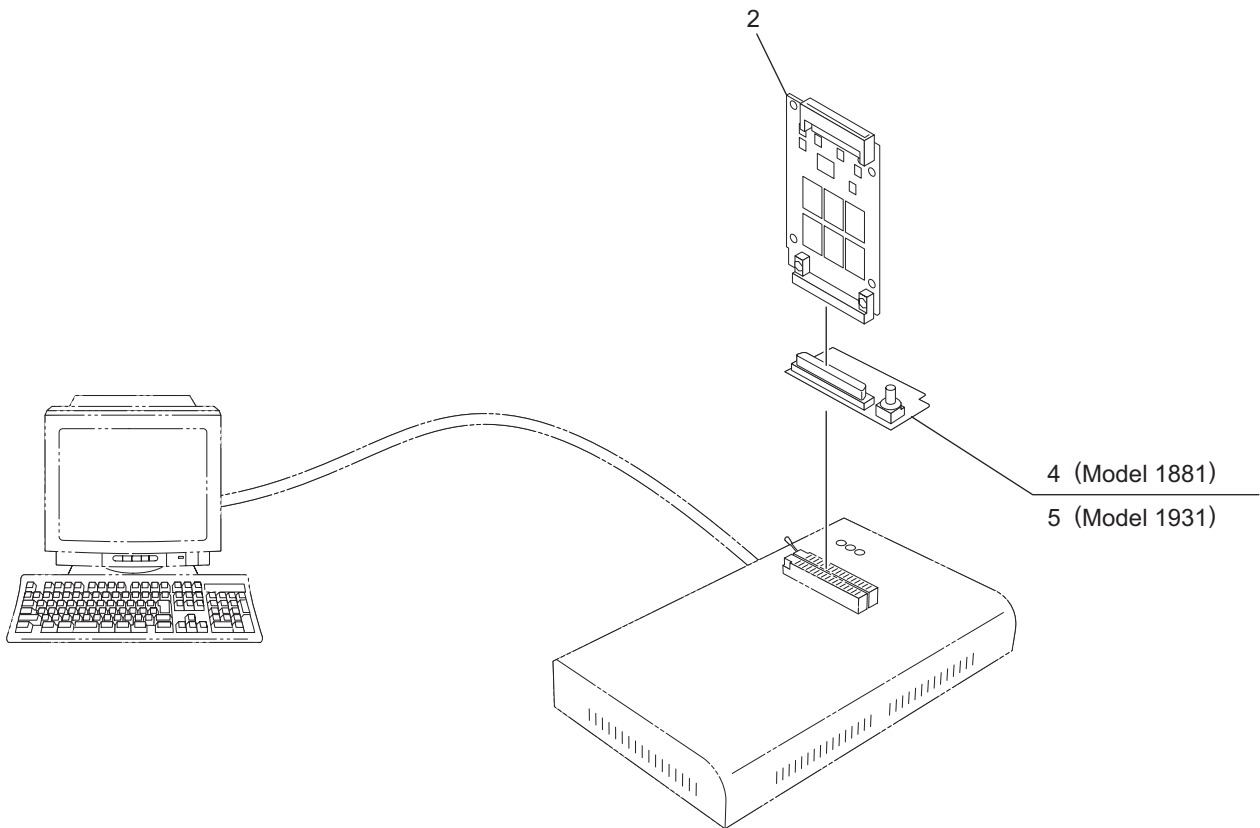
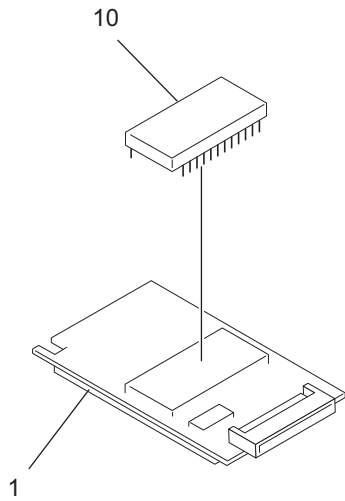


ITEM No.	PART No.	PART NAME	Q'TY / PAGE	Q'TY / PACK	REMARKS
1	ST45169401	OR-Board-7SU	1	1/SB	
2	2381112P0022	20706FWR1.0-24-520	1	1/P	
3	ST45053601	Cam-Hinge(FB)	1	1/P	
4	ST45061403	Cover Assy.-LF	1	1/PP	
5	ST44525001	Plate-Hinge-L(Caulking)	1	1/P	
6	ST44525301	Cover-Hinge(L)	1	1/P	
7	ST45484602	Flatbed(maintenance kit_TTEC)	1	1/C	













**TOSHIBA**

**TOSHIBA TEC CORPORATION**

1-11-1, OSAKI, SHINAGAWA-KU, TOKYO, 141-8562, JAPAN