

TOSHIBA

SERVICE PARTS LIST

MULTIFUNCTIONAL DIGITAL SYSTEMS

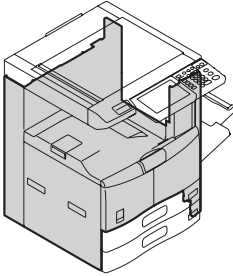
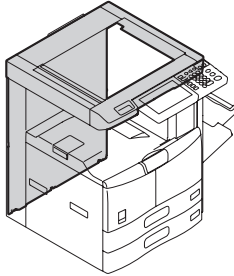
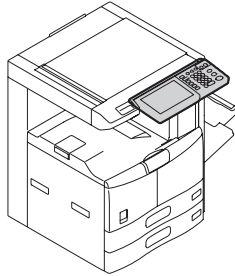
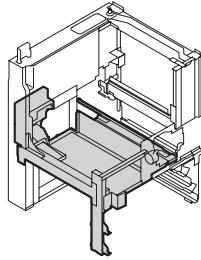
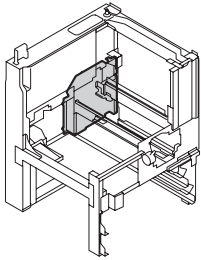
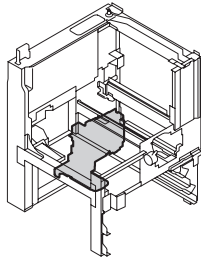
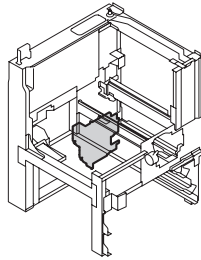
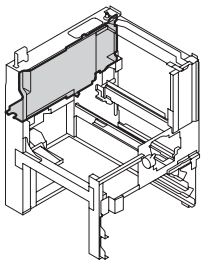
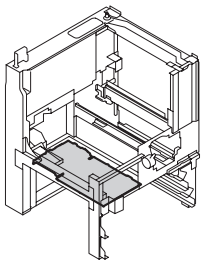
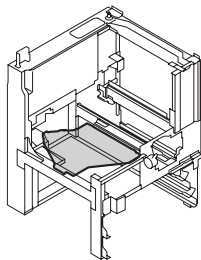
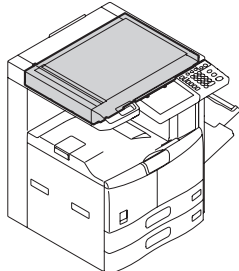
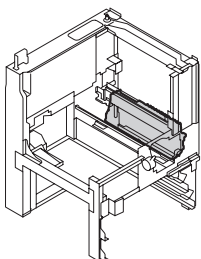
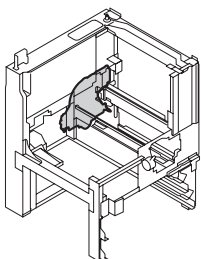
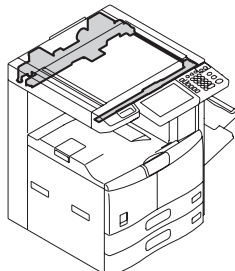
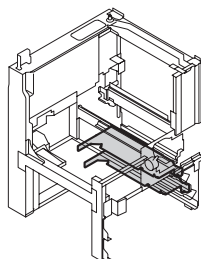
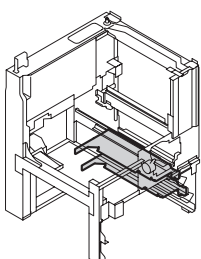
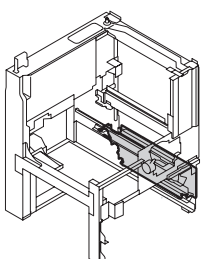
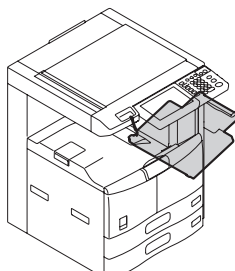
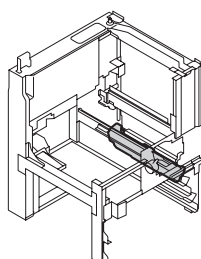
 e-STUDIO306LP

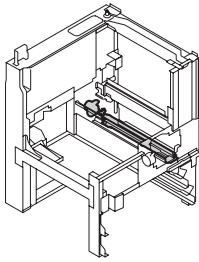
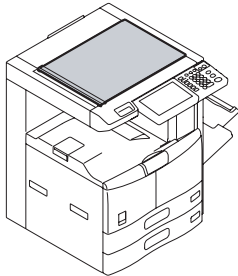
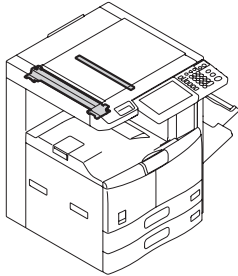
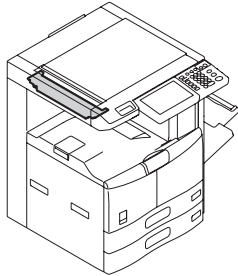
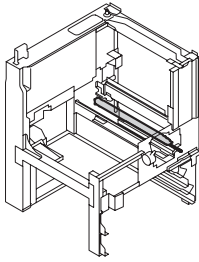
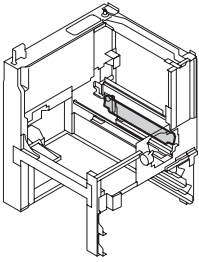
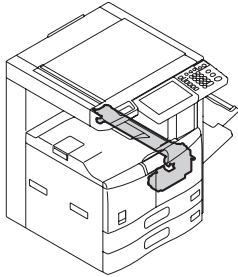
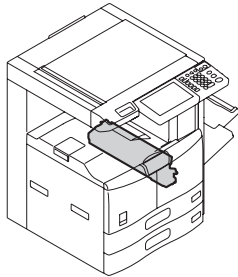
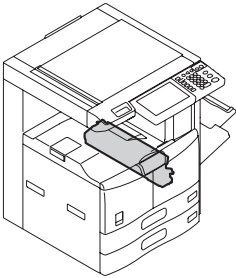
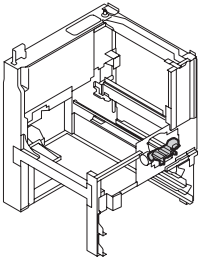
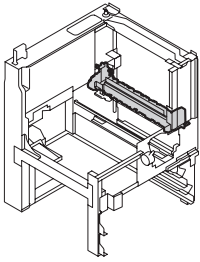
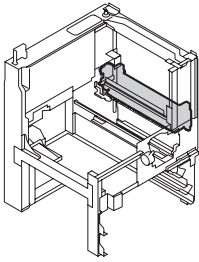
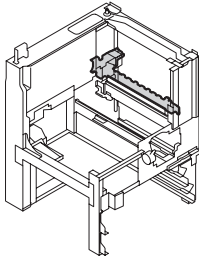
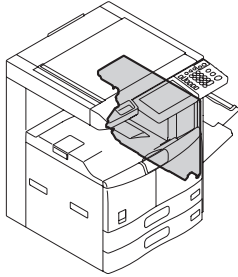
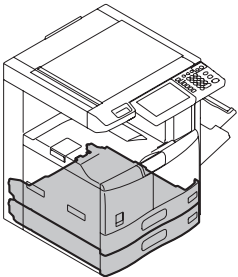
© 2013 TOSHIBA TEC CORPORATION All rights reserved

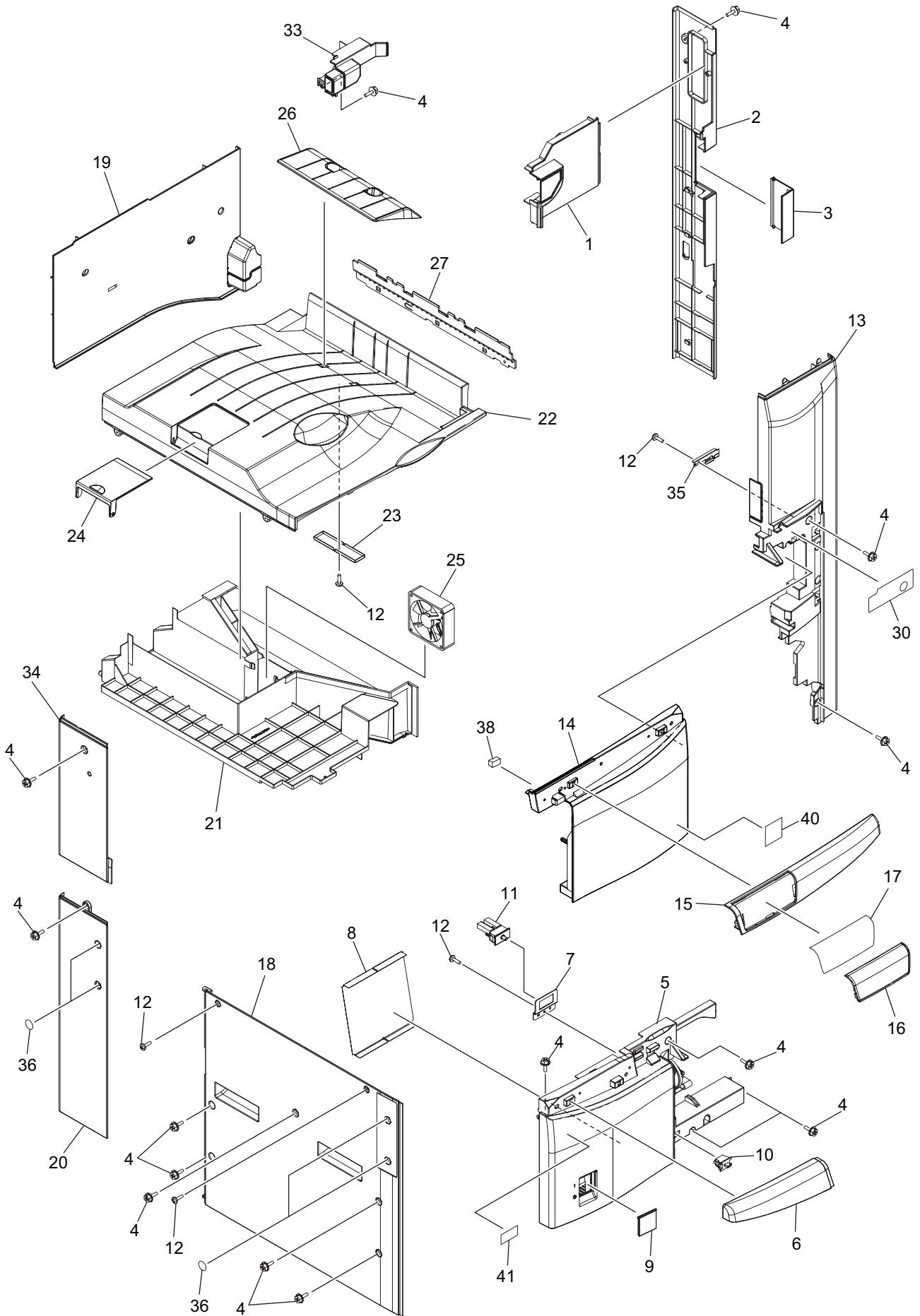
Under the copyright laws, this manual cannot be reproduced in any form without prior written permission of TOSHIBA TEC CORPORATION. No patent liability is assumed, however, with respect to the use of the information contained herein.

CONTENTS

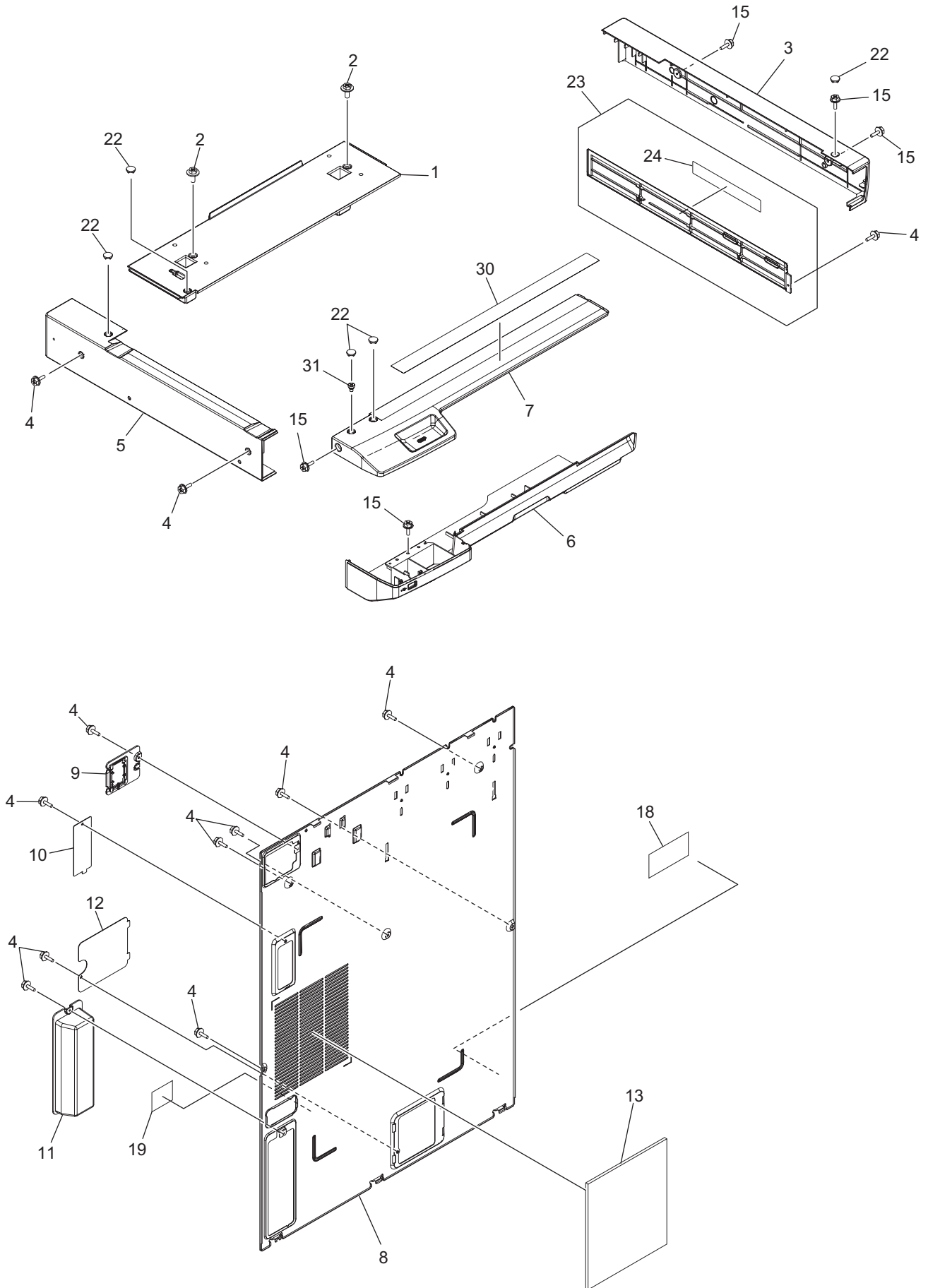
COVER-1-ASY	1
COVER-2-ASY	2
CONTROL-PANEL-ASY	3
BASE-FRAME-ASY	4
FRONT-FRAME-ASY	5
REAR-FRAME-1-ASY	6
REAR-FRAME-2-ASY	7
REAR-FRAME-3-ASY	8
CASE-SYS-LGC-ASY	9
ELECTRIC-ASY	10
LASER-OPTICAL-UNIT-ASY	11
OPTICAL-FRAME-ASY	12
SIDE-DUCT-ASY	13
MAIN-DRIVE-ASY	14
OPTICAL-DRIVE-ASY	15
FEEDER-1-ASY	16
FEEDER-2-ASY	17
FEEDER-3-ASY	18
BYPASS-ASY	19
BYPASS-FEEDER-ASY	20
ALIGNING-ASY	21
PLATEN-ASY	22
CRG-1-ASY	23
CRG-2-ASY	24
MAIN-CHARGER-ASY	25
TRANSPORT-CHARGER-ASY	26
CLEANER-ASY	27
DEVELOPER-ASY-1	28
DEVELOPER-ASY-2	29
RECYCLE-ASY	30
FUSER-ASY-1	31
FUSER-ASY-2	32
EXIT-ASY	33
ADU-ASY	35
DRAWER-ASY	36
JIGS & GREASE	101
DOWNLOAD JIGS	102
SUPPLIES	103
REPLACE UNIT	104
PM-KIT	105

<p>1. COVER-1-ASY</p> 	<p>2. COVER-2-ASY</p> 	<p>3. CONTROL-PANEL-ASY</p> 	<p>4. BASE-FRAME-ASY</p> 
<p>5. FRONT-FRAME-ASY</p> 	<p>6. REAR-FRAME-1-ASY</p> 	<p>7. REAR-FRAME-2-ASY</p> 	<p>8. REAR-FRAME-3-ASY</p> 
<p>9. CASE-SYS-LGC-ASY</p> 	<p>10. ELECTRIC-ASY</p> 	<p>11. LASER-OPTICAL-UNIT-ASY</p> 	<p>12. OPTICAL-FRAME-ASY</p> 
<p>13. SIDE-DUCT-ASY</p> 	<p>14. MAIN-DRIVE-ASY</p> 	<p>15. OPTICAL-DRIVE-ASY</p> 	<p>16. FEEDER-1-ASY</p> 
<p>17. FEEDER-2-ASY</p> 	<p>18. FEEDER-3-ASY</p> 	<p>19. BYPASS-ASY</p> 	<p>20. BYPASS-FEEDER-ASY</p> 

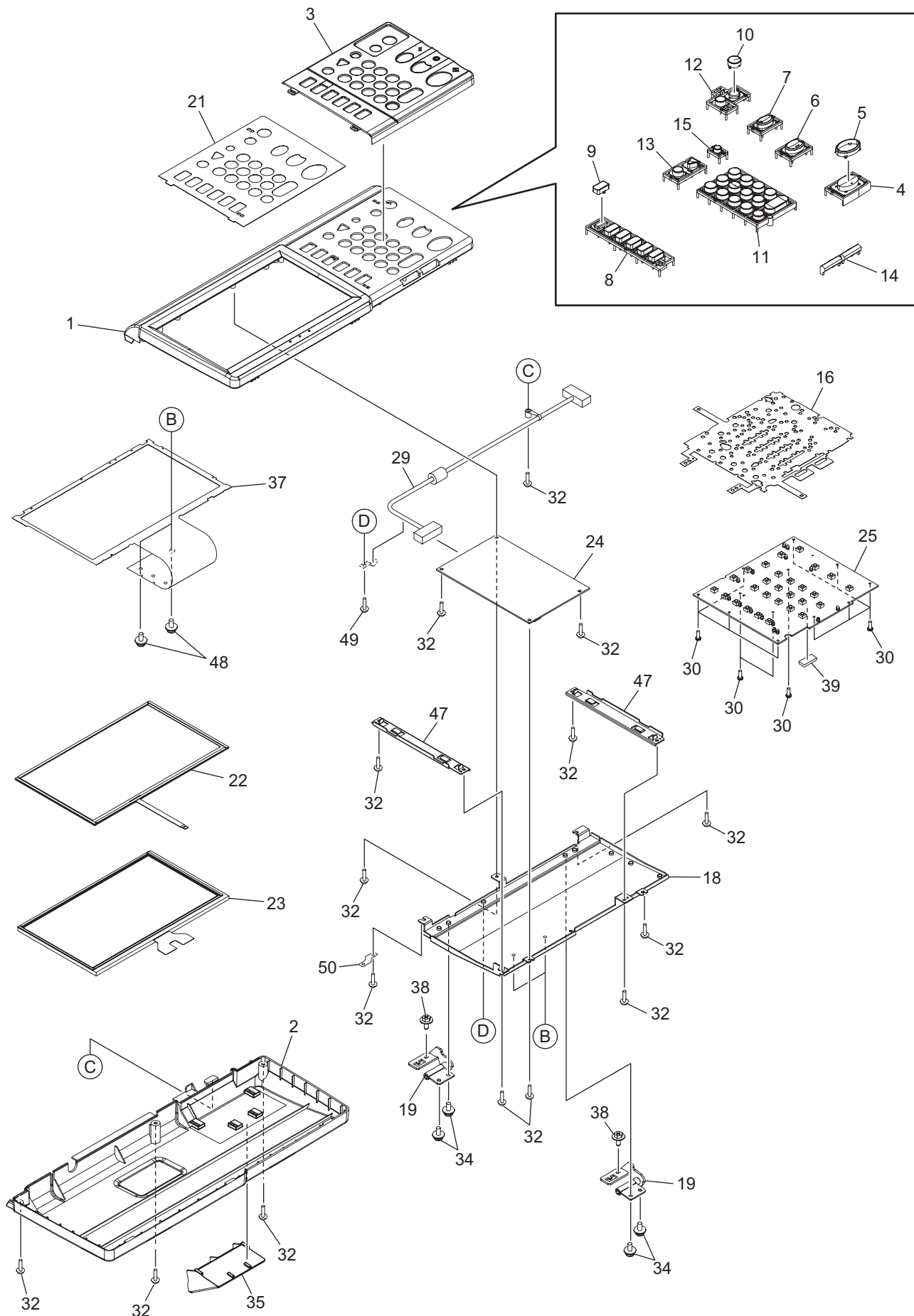
<p>21. ALIGNING-ASY</p> 	<p>22. PLATEN-ASY</p> 	<p>23. CRG-1-ASY</p> 	<p>24. CRG-2-ASY</p> 
<p>25. MAIN-CHARGER-ASY</p> 	<p>26. TRANSPORT-CHARGER-ASY</p> 	<p>27. CLEANER-ASY</p> 	<p>28. DEVELOPER-ASY-1</p> 
<p>29. DEVELOPER-ASY-2</p> 	<p>30. RECYCLE-ASY</p> 	<p>31. FUSER-ASY-1</p> 	<p>32. FUSER-ASY-2</p> 
<p>33. EXIT-ASY</p> 	<p>35. ADU-ASY</p> 	<p>36. DRAWER-ASY</p> 	



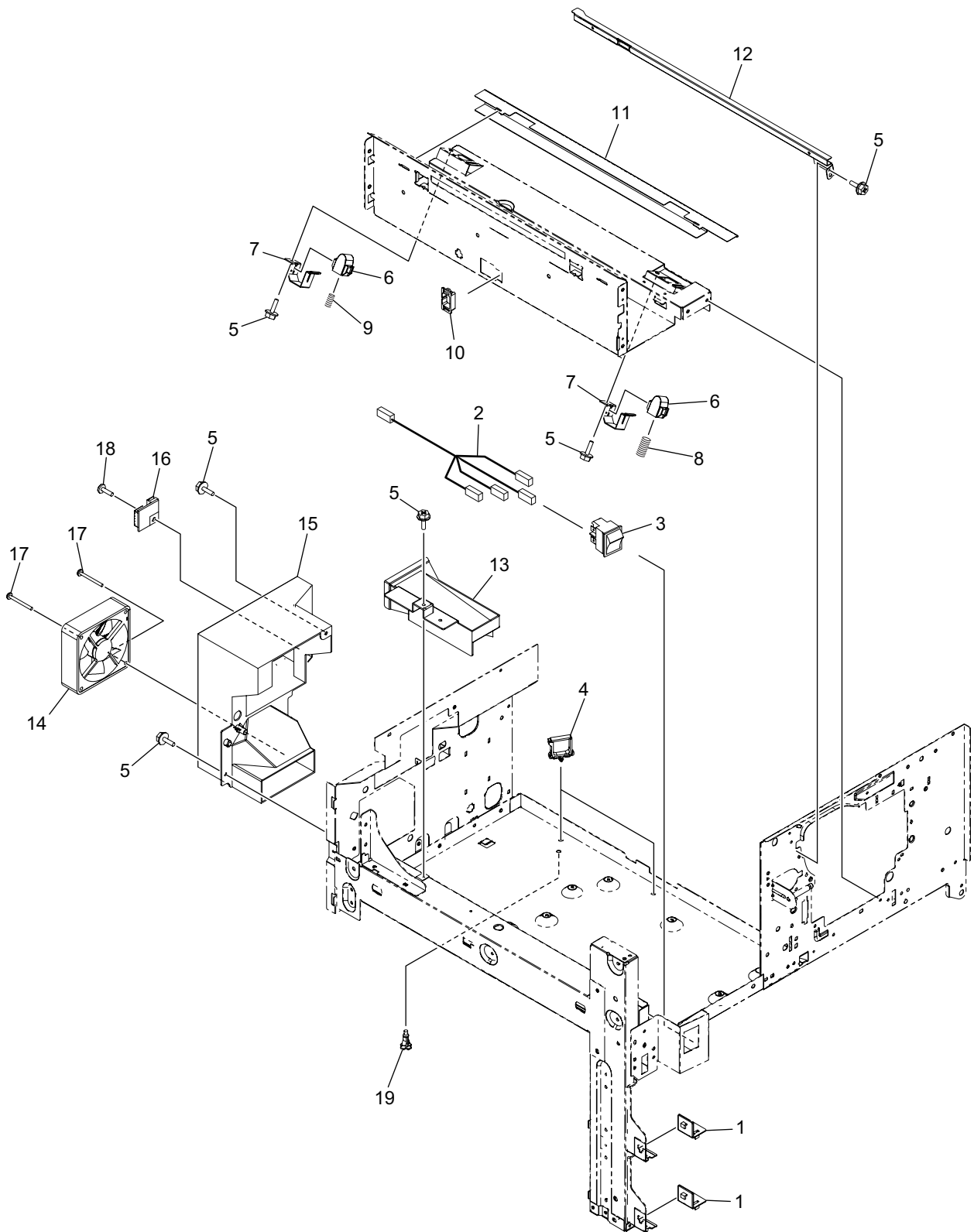
ITEM No.	PART No.	PART NAME	Q'TY / PAGE	Q'TY / PACK	REMARKS
1	6LJ30300000	COV-TRAY-BACK2-H20X	1	1/PP	
2	6LH52473100	COVER-RIGHT-R_FW	1	1/PP	
3	6LH52424200	ACCESS-COVER-FUSER-N_FW	1	1/P	
4	X0-02593000	S/TPD3/FHEXM-3X8-ZU3	15	10/P	
5	6LH52455200	COVER-FRONT-L-ECO	1	1/PP	
6	6LH52403200	EMBLEM-L-ECO	1	1/PP	
7	6LH52421100	BRKT-INT-SW-F-COV2	1	1/P	
8	6LH52435000	MYLAR-COV-F-L	1	1/KP	
9	6LH60026000	LID-SW	1	1/P	
10	E0-01853000	CS1A-B2CA	1	1/D	
11	E0-14600000	FA1L-AA23	1	1/D	
12	6LA80090000	S/TPP/BID-3*8-NI	5	5/P	
13	6LH52476200	COVER-RIGHT-F-ECO	1	1/PP	
14	6LJ30305000	ASYS-COV-FRT-H20X-NAD	1	1/PP	
15	6LH52404200	EMBLEM-R-ECO	1	1/PP	
16	6LH52407000	EMBLEM-C	1	1/P	
17	6LJ34700000	SHEET-EMBLEM-306LP	1	1/KP	
18	6LH52409100	COVER-LEFT-N	1	1/PP	
19	6LH52406300	COVER-TRAY-BACK-ECO	1	1/PP	
20	6LJ12101100	COVER-LEFT-R-L-T_FW	1	1/PP	
21	6LH54761100	ASYS-DUCT-FAN-PU-16X	1	1/PP	
22	6LH52400400	COVER-TRAY-ECO	1	1/PP	
23	6LA80729000	BRKT-TRAY-INNER	1	1/P	
24	6LH52423300	COVER-STOP-PAPER-470-ECO	1	1/P	
25	6LH54660000	ASYS-FAN-8025-47X	1	1/D	
26	6LH52438200	TRAY-OCT-ECO	1	1/PP	
27	6LJ30301000	COV-TRAY-FUS-H20X	1	1/PP	
30	6LH59916000	LBL-CAU-LASER	1	1/KP	
33	6LH52466100	COV-TRAY-BACK2-16X-U_FW	1	1/P	
34	6LJ12100100	COVER-LEFT-R-U-16XFW	1	1/PP	
35	6LH52477000	BRKT-COV-FRONT	1	1/P	
36	6LA29578000	LBL-MASK-FW	4	10/KP	
38	6LJ12109000	CUSSION-COVER-F-R	1	1/P	
40	6LH88546000	LBL-ENERGY-T-PP	1	5/P	
41	6LH45830000	LBL-E-BRIDGE2	1	1/P	



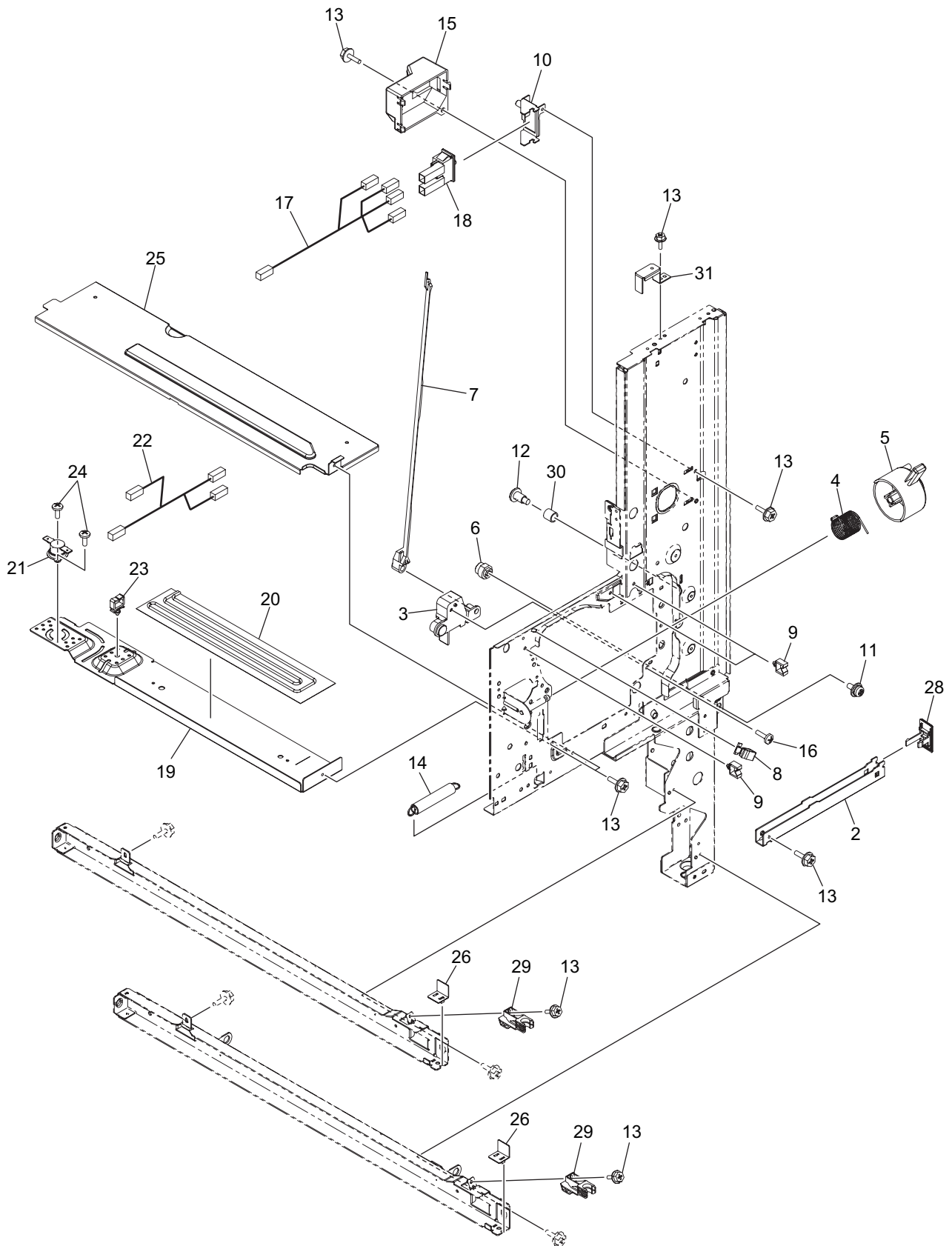
ITEM No.	PART No.	PART NAME	Q'TY / PAGE	Q'TY / PACK	REMARKS
1	6LH52483200	COVER-TOP-RER-470-N_FW	1	1/PP	
2	X0-02589000	S/TPD3/FHEXM-4X8-ZU3	2	10/P	
3	6LH52480100	COVER-TOP-RGT-470-N_FW	1	1/PP	
4	X0-02593000	S/TPD3/FHEXM-3X8-ZU3	12	10/P	
5	6LH52413200	COVER-TOP-LFT-470-N_FW	1	1/PP	
6	6LH52484300	COVER-TOP-FRT-L-470-EX_FW	1	1/PP	
7	6LH52482200	COVER-TOP-FRT-U-470-N_FW	1	1/PP	
8	6LH52418000	COVER-REAR	1	1/PP	
9	6LH52428200	COVER-CN-OPT-470-N_FW	1	1/P	
10	6LH52429000	COVER-REAR-DWNLD	1	1/P	
11	6LH52422300	COVER-REAR-FAX-N_FW	1	1/P	
12	6LH52427000	COVER-REAR-SUB	1	1/P	
13	6LH54675000	FILTER-COV-REAR	1	1/KP	
15	X0-02230000	S/FHEXM-M3X6-NI	5	10/P	
18	6LA47529000	LBL-LASER	1	1/KP	
19	44204604000	LBL-SERVICE-45	1	5/P	
22	6LH56607100	LID-SCREW-470FW	5	5/P	
23	6LH52479200	ASYS-COV-TOP-RGT-FW	1	1/PP	
24	6LA47633000	LBL-HOT-350-2	1	1/KP	
30 A	6LJ34708000	LBL-PROHIBIT-E-H20X	1	1/KP	ASD,AUD,MJD
30 B	6LJ34706000	LBL-PROHIBIT-U-H20X	1	1/KP	NAD
31	6LH08357000	SCREW-DF-EMI	1	1/P	



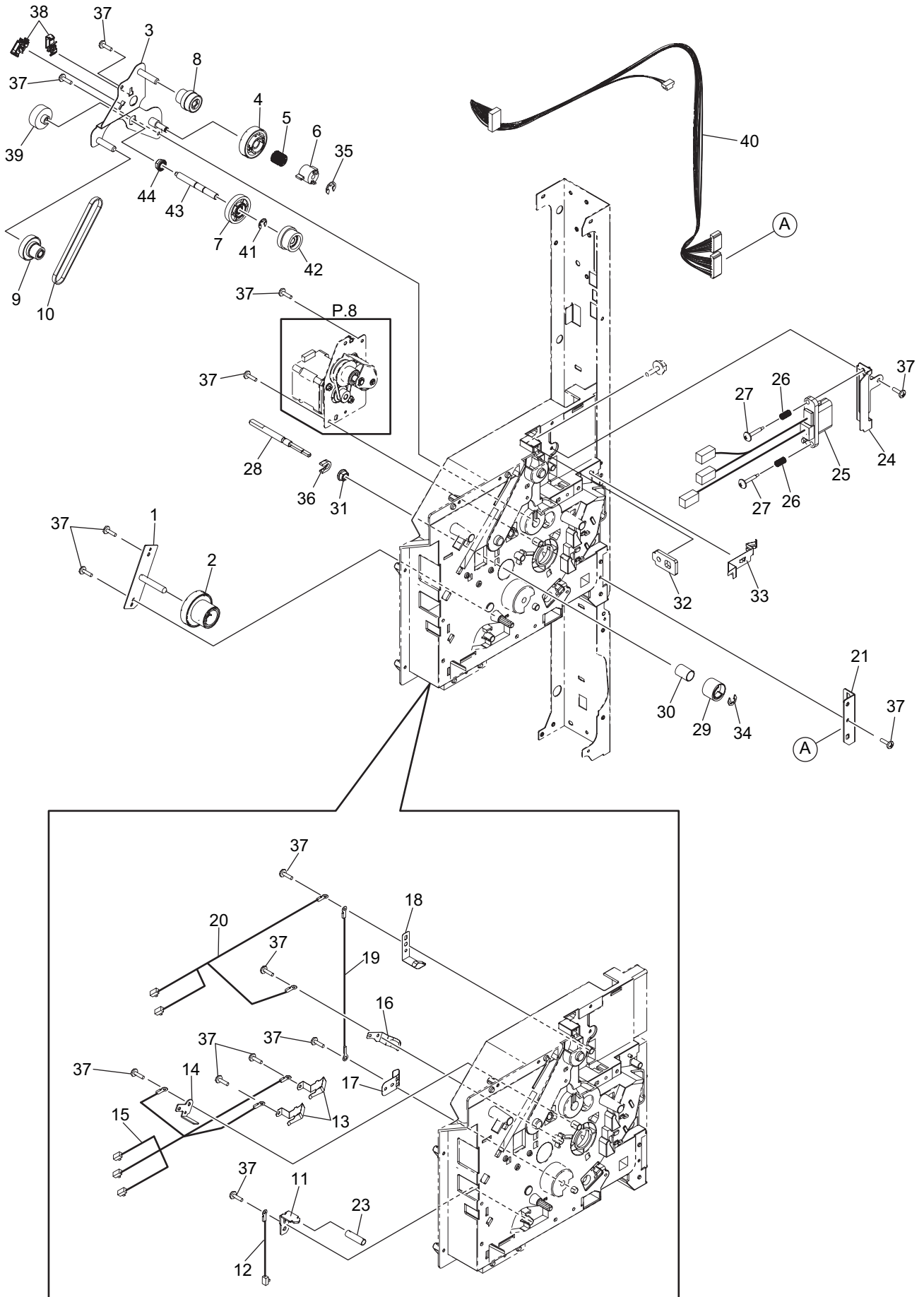
ITEM No.	PART No.	PART NAME	Q'TY / PAGE	Q'TY / PACK	REMARKS
1	6LH52220200	COVER-CONPANE-UPR-ECO	1	1/PP	
2	6LH52202300	COVER-CONPANE-LWR-470-ECO	1	1/PP	
3	6LH37305000	COV-CONP-CLEAR-45X	1	1/PP	
4	6LH02005000	KEY-START	1	1/C	
5	6LH02006000	KEY-START-RING	1	1/D	
6	6LH02007000	KEY-STOP	1	1/C	
7	6LH02008100	KEY-RESET-U	1	1/C	
8	6LH02009000	KEY-FUNCTION	1	1/C	
9	6LH02010000	KEY-MENU	1	1/P	
10	6LH02011000	KEY-POWER	1	1/P	
11	6LH37308000	KEY-TEN-45X	1	1/C	
12	6LH37306100	KEY-ENERGY-H20X	1	1/P	
13	6LH37307000	KEY-USER-FUNC-45X	1	1/C	
14	6LH37309000	LID-LED-45X	1	1/P	
15	6LH02012000	KEY-COUNT	1	1/C	
16	6LH37310000	MYLAR-SHIELD-45X	1	1/KP	
18	6LJ11907000	SHIELD-CONPANE-H16X-T	1	1/KP	
19	6LH52207000	ASYS-HINGE-470	2	1/P	
21	6LH37331000	SHEET-PANEL-45X-U	1	1/KP	
22	6LH52240000	ASYS-PNL-TOUCH-H16X-3.5	1	1/C	
23	6LH33285000	ASYS-DSP-LCD-H16XS	1	1/C	
24	6LH69061000	PWA-H-DSP-H19X	1	1/SB	
25	6LH52236000	PWA-H-KEY-H16X	1	1/SB	
29	6LJ35240000	HRNS-SYS-DSP-H20X	1	1/P	
30	X0-02094000	S/TPB/BID-2X6-NI	12	10/P	
32	X0-02095000	S/TPP/BRZ-3X10-NI	15	10/P	
34	X0-02217000	S/PAN/SWWP-M4X8-ZU3	4	10/P	
35	6LH52201000	STOPPER-OPE-47X	1	1/P	
37	6LH69056000	MYLAR-SHIELD-LCD-H19X	1	1/KP	
38	X0-02593000	S/TPD3/FHEXM-3X8-ZU3	2	10/P	
39	6LH37330000	SPACER	1	1/P	
47	6LJ02910000	ASYS-BRKT-LCD-H14X	2	1/P	
48	X0-00077000	S/PAN/SWWP-M3X8-NI	2	10/P	
49	X0-02093000	S/PAN/SWWS-M4X6-NI	1	10/P	
50	6LJ11905000	MYLAR-FG-16XT	1	1/P	



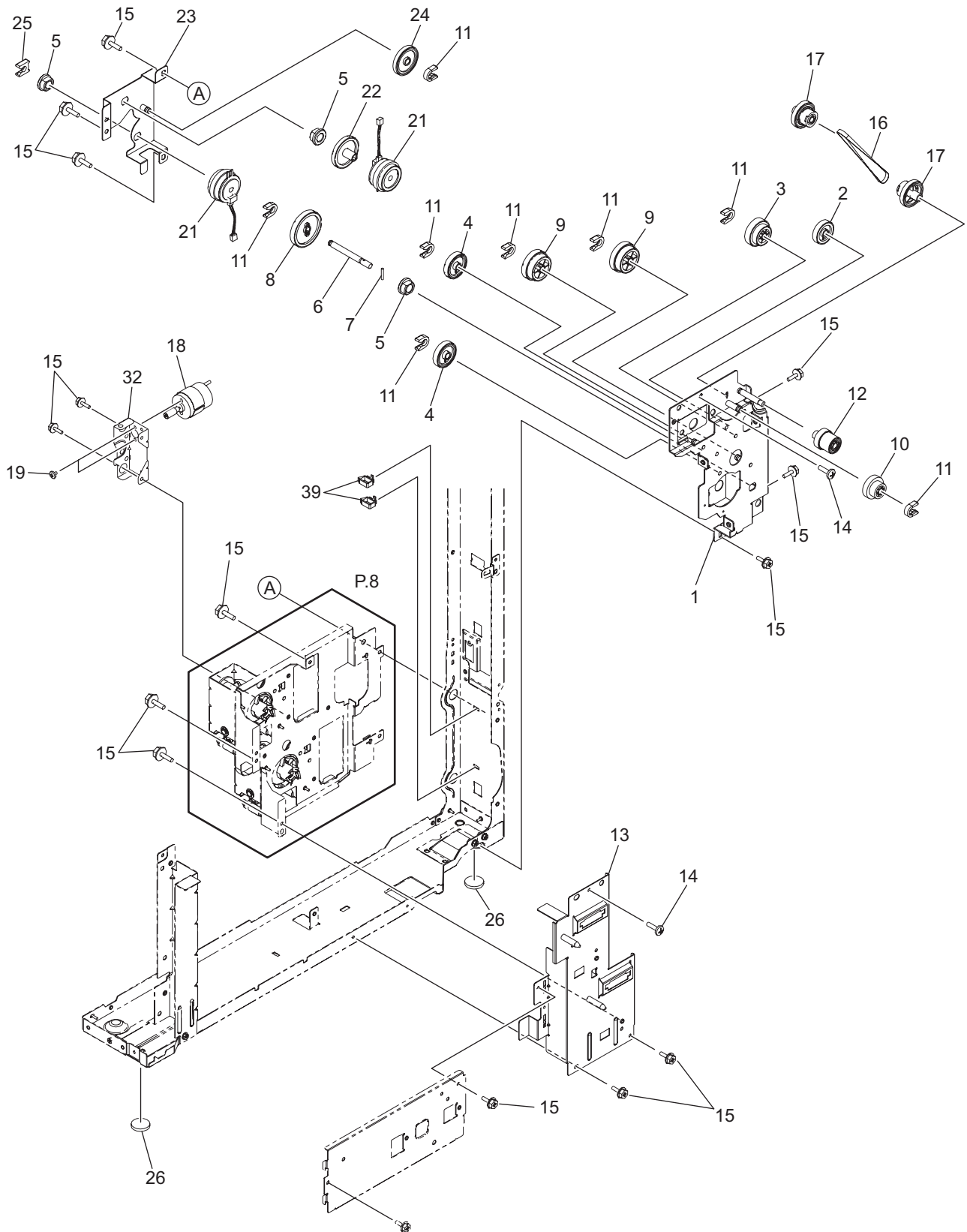
ITEM No.	PART No.	PART NAME	Q'TY / PAGE	Q'TY / PACK	REMARKS
1	6LH51627000	SLIDER-CST	2	1/P	
2	6LH61303000	HRNS-MAIN-SW-471	1	1/P	
3	E0-08497000	AJ8W200WWF	1	1/D	
4	F0-01629000	RLWC-6SV0	2	5/P	
5	X0-02593000	S/TPD3/FHEXM-3X8-ZU3	6	10/P	
6	6LH24160000	PUSHER-DEV	2	1/P	
7	6LE57972000	BRKT-HOLD-SP-280	2	1/P	
8	6LA82106000	SPC-PUSH-DEV-F	1	1/P	
9	6LA82107000	SPC-PUSH-DEV-R	1	1/P	
10	F0-01248000	ESC-0912	1	10/P	
11	6LH54642000	WALL-SIDE-DEV	1	1/P	
12	6LH54677000	RAIL-TNR-L-47X	1	1/P	
13	6LH54701000	DUCT-LVPS	1	1/P	
14	6LH54660000	ASYS-FAN-8025-47X	1	1/D	
15	6LH54637000	DUCT-FAN-REAR	1	1/PP	
16	D0-32012000	CHS-CGC5-28	1	1/P	
17	X0-02597000	S/TPP/PAN-4X35-ZU3	2	10/P	
18	6LA80090000	S/TPP/BID-3*8-NI	1	5/P	
19	F0-01942000	CS-14S0	1	N/A***	



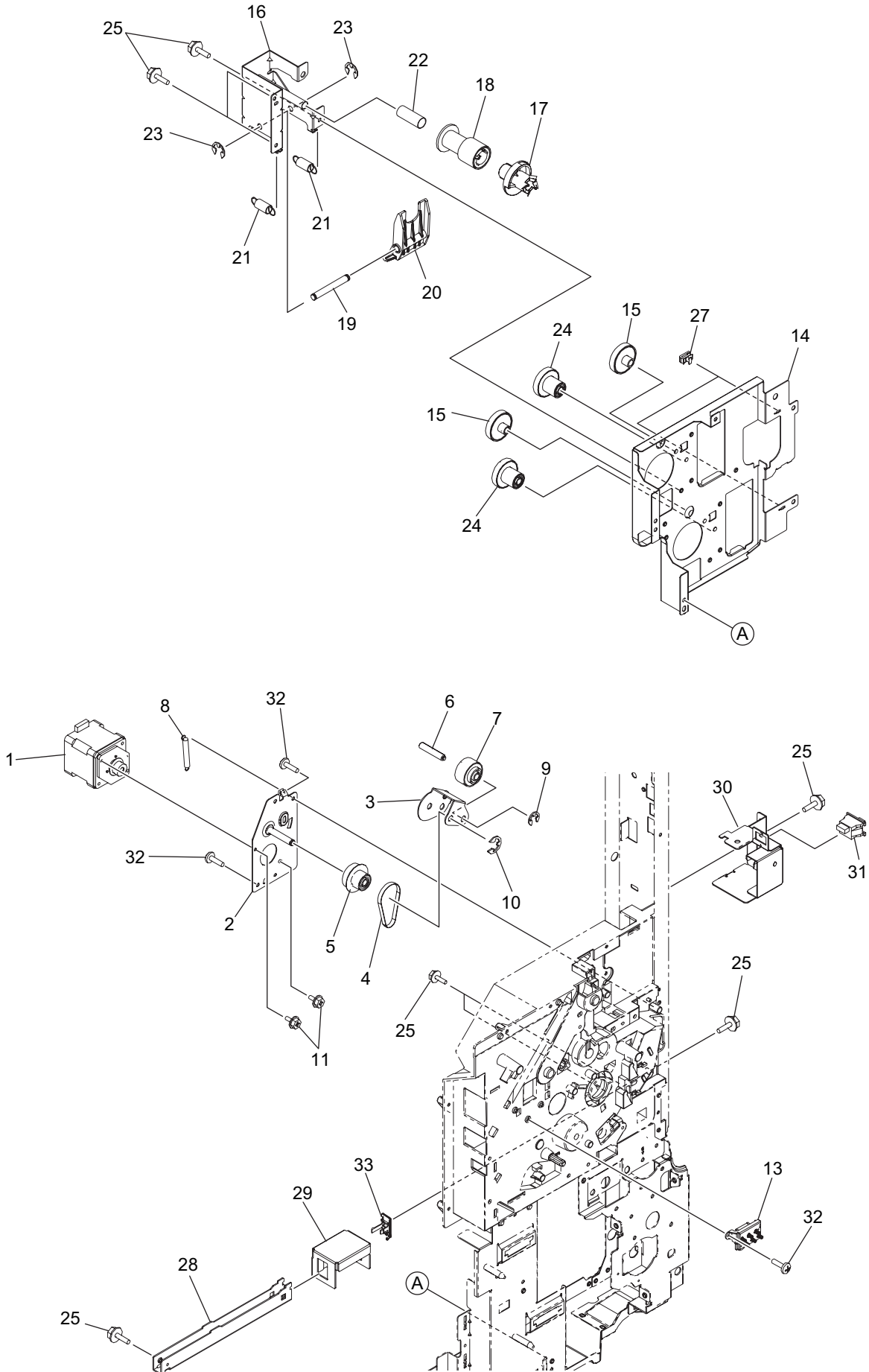
ITEM No.	PART No.	PART NAME	Q'TY / PAGE	Q'TY / PACK	REMARKS
2	6LH54652000	HANDLE	1	1/P	
3	6LH57332000	BUSH-RGST-F470	1	1/P	
4	6LH54643000	SPG-LEVER-TNR-C	1	1/P	
5	6LH54641100	LEVER-TNR-C-16X	1	1/P	
6	6LH54646000	STUD-HINGE-ADU-F	1	1/P	
7	6LH54755000	STOPPER-ADU-47X-S	1	1/KP	
8	F0-01643000	RLWT-0.5V0	1	5/P	
9	F0-01250000	MSB-1207	3	5/P	
10	6LJ31501000	ASYS-BRKT-INT-SW-H20X	1	1/P	
11	X0-02217000	S/PAN/SWWP-M4X8-ZU3	1	10/P	
12	6LA67469000	SCREW-SCAN-DF	1	5/P	
13 A	X0-02593000	S/TPD3/FHEXM-3X8-ZU3	7	10/P	NAD,MJD
13 B	X0-02593000	S/TPD3/FHEXM-3X8-ZU3	8	10/P	ASD,AUD
14	6LH54679000	SPG-ADU-STOPPER-L	1	1/P	
15	6LJ31503000	COVER-INT-SW-H20X	1	1/P	
16	6LA80090000	S/TPP/BID-3*8-NI	1	5/P	
17	6LH61470000	HRNS-INTERLOCK-471	1	1/P	
18	E0-12105000	AGX106F	1	1/D	
19	6LH54692000	BRKT-DHTR-DRUM-470	1	1/P	
20 A	6LE64030000	HEATER-D-DRM-280E	1	1/C	ASD,AUD
21 A	6LE09486000	THRMST-CS-7L	1	1/D	ASD,AUD
22 A	6LH61369000	HRNS-D/H-DRM-471	1	1/P	ASD,AUD
23 A	F0-00024000	LWS-1U	1	5/P	ASD,AUD
24 A	X0-02069000	S/TPS/BID-3X6-ZU3	2	10/P	ASD,AUD
25	6LH54655000	COVER-DHTR	1	1/P	
26	6LH51627000	SLIDER-CST	2	1/P	
28	6LH52420200	COVER-HANDLE-F-N_FW	1	1/D	
29	6LH51628000	CATCH-CST-F47X	2	1/P	
30	6LH51247000	CLR-ADU	1	1/P	
31	6LH54749000	BRKT-CONP-HRNS	1	1/P	



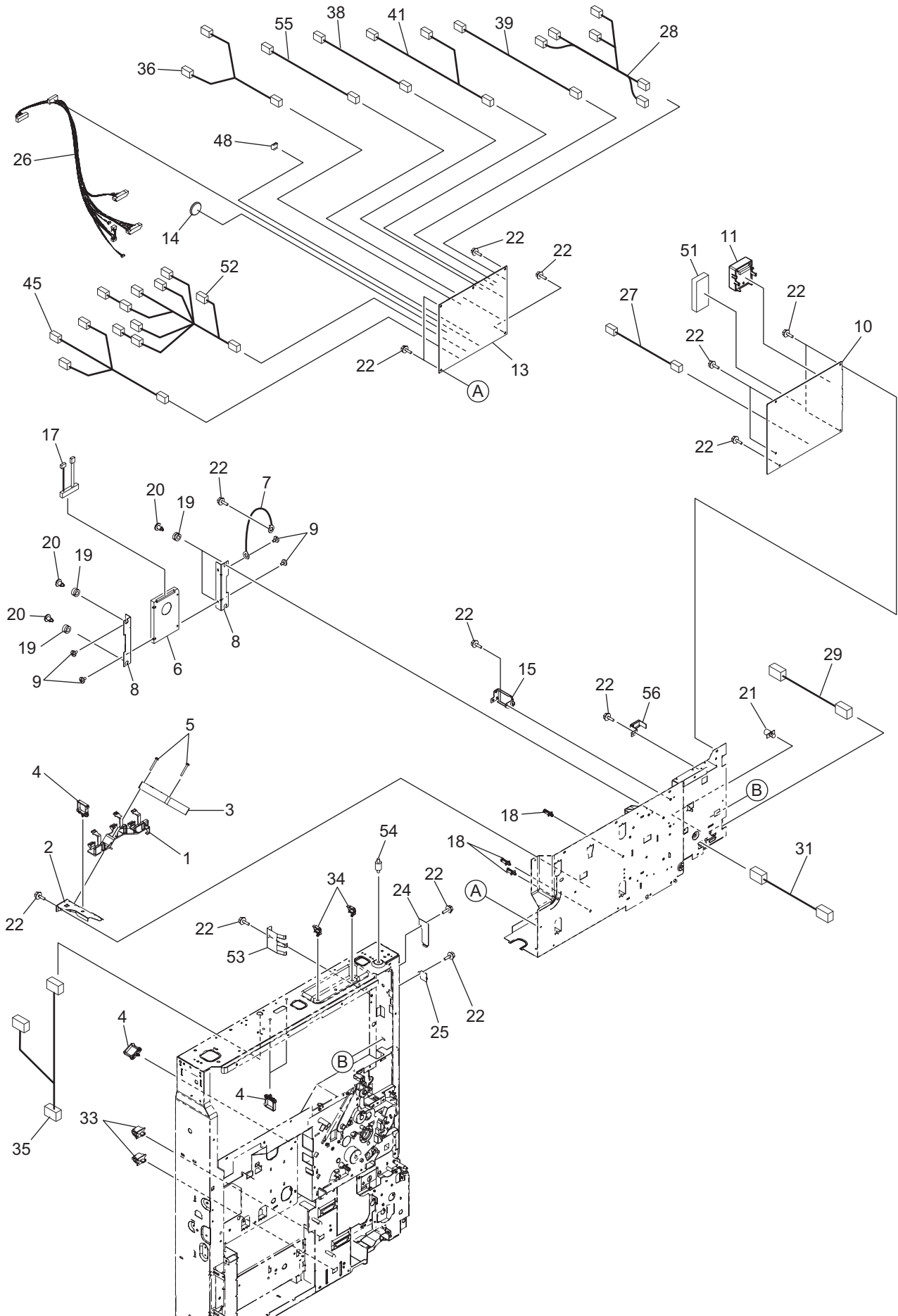
ITEM No.	PART No.	PART NAME	Q'TY / PAGE	Q'TY / PACK	REMARKS
1	6LE56635000	ASYS-PLATE-DRIVE-DEV	1	1/P	
2	6LH53715000	GEAR-8H43_10S22-6	1	1/P	
3	6LJ31515000	ASYS-BRKT-FUS-CLN	1	1/P	
4	6LA82294000	GEAR-10H29-6-CLN	1	1/P	
5	6LE85352000	SPG-DRV-CLN	1	5/P	
6	6LA82296000	CPG-DRV-CLN	1	1/P	
7	6LJ31518000	GEAR-10H29-6	1	1/P	
8	6LH53712000	GEAR-10S17_PS2M24-6	1	1/P	
9	6LH53713000	GEAR-10H23_PS2M22-6	1	1/P	
10	6LH54366000	BLT-SY-S2M-208-4	1	1/P	
11	6LA82004000	PLT-TERM-DEV	1	1/P	
12	6LH61350000	HRNS-HVPS3-471	1	1/P	
13	6LH57331000	PLT-TRU	2	1/D	
14	6LA85009000	SPL-CH-M	1	1/P	
15	6LH61348000	HRNS-HVPS1-471	1	1/P	
16	6LE86050000	SPL-GRID	1	1/P	
17	6LE56606000	SPL-BIAS-RGST	1	1/C	
18	6LH54639000	PLATE-FUS	1	1/D	
19	6LH61351000	HRNS-GB-FUSER-471	1	1/P	
20	6LH61349000	HRNS-HVPS2-471	1	1/P	
21	6LH54669000	BRKT-CN-FRM	1	1/P	
23	6LH53466000	SPC-TERM-DEV	1	1/P	
24	6LJ31510000	BRKT-STAY-FUS-DRW-H20X	1	1/P	
25	6LJ33912000	HRNS-ACIN1-200	1	1/P	
26	6LA14468000	SPC068-080-160	2	5/P	
27	4406326040	SCREW-D4-18-M3	2	10/P	
28	6LH53763000	SHAFT-DRV-TNR-470	1	1/P	
29 A	6LH57004100	CPG-TC-470-D	1	1/P	ASD,AUD
29 B	6LH57004300	CPG-TC-470-E	1	1/P	MJD
29 C	6LH57004200	CPG-TC-470-U	1	1/P	NAD
30	6LE56611000	SPG-DRV-TN-280	1	1/P	
31	44201492000	BUSH-6-POM	1	5/P	
32	6LH53778000	PLT-EXIT-FRM-MAIN	1	1/P	
33	6LH53779000	PLATE-FUSER-GND	1	1/P	
34	X0-00974000	RR/E-2.5-SS	1	10/P	
35	X0-00965000	RR/E-4-SS	1	10/P	
36	4407972860	STOP-RING-6-5	1	5/P	
37	6LA80090000	S/TPP/BID-3*8-NI	15	5/P	
38	F0-02171000	RLSC-1.5V0	2	N/A***	
39	6LJ31519000	GEAR-10H22	1	1/P	
40	6LJ33915000	HRNS-LGC-ADU-200HF	1	1/P	
41	X0-00966000	RR/E-5-SS	1	10/P	
42	6LJ32004000	ASYS-GEAR-10H20-CL-H20X	1	1/P	
43	6LJ31870000	SHAFT-GEAR-AA-CL	1	1/P	
44	6LH53768000	BUSH-6-NU4	1	1/P	



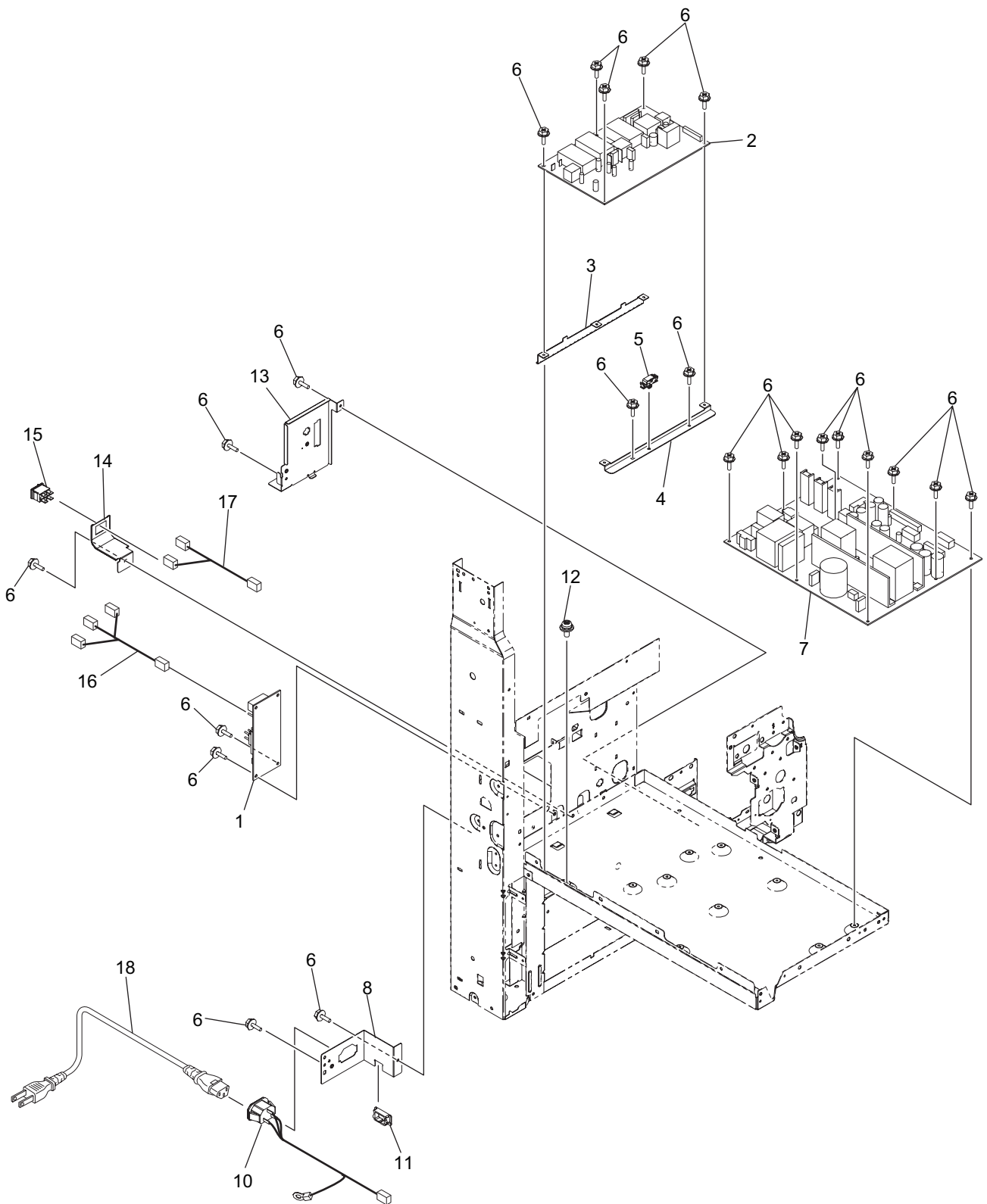
ITEM No.	PART No.	PART NAME	Q'TY / PAGE	Q'TY / PACK	REMARKS
1	6LJ13714000	ASYS-FRAME-FEED-R-H16X	1	1/P	
2	6LH53721000	GEAR-10S24-6	1	1/P	
3	6LH53759000	GEAR-10S28_10S21-6	1	1/P	
4	6LH53720000	GEAR-10S27-6-FEED	2	1/P	
5	6LH53768000	BUSH-6-NU4	3	1/P	
6	6LH53788000	SHAFT-CL-DRV	1	1/P	
7	X0-01009000	P/SPW/AW-2X10-SS	1	10/P	
8	6LH53724000	GEAR-10S39-6	1	1/P	
9	6LH53719000	GEAR-10S31_10S27-6	2	1/P	
10	6LH53717000	GEAR-10S25_10S19-6	1	1/P	
11	4407972860	STOP-RING-6-5	8	5/P	
12	6LH53718000	GEAR-10S20_10S17-6	1	1/P	
13	6LH54619000	ASYS-FRAME-FEED-RL	1	1/P	
14	6LA80090000	S/TPP/BID-3*8-NI	2	5/P	
15	X0-02593000	S/TPD3/FHEXM-3X8-ZU3	14	10/P	
16	6LH54362000	BLT-SY-S2M-250-4	1	1/P	
17	6LH53716000	GEAR-10S28_PS2M28-6	2	1/P	
18	6LH53764000	ASYS-MOTRD-TNR-470	1	1/C	
19	X0-02557000	S/BID-M2.6X3-NI	2	10/P	
21	6LH53742000	CLUTCH-50R-G28-6	2	1/D	
22	6LH53722000	GEAR-10S34-6	1	1/P	
23	6LH53729000	ASYS-PLT-FEED-DRV	1	1/P	
24	6LH53723000	GEAR-10S31-6	1	1/P	
25	4408358930	STOP-RING-6-4	1	5/P	
26	6LH54676000	FOOT-FRM-BASE	2	5/P	
32	6LH58040000	BRKT-MOT-TRAYUP-PFP	1	1/P	
39	F0-01459000	RLWT-2V0	2	5/P	



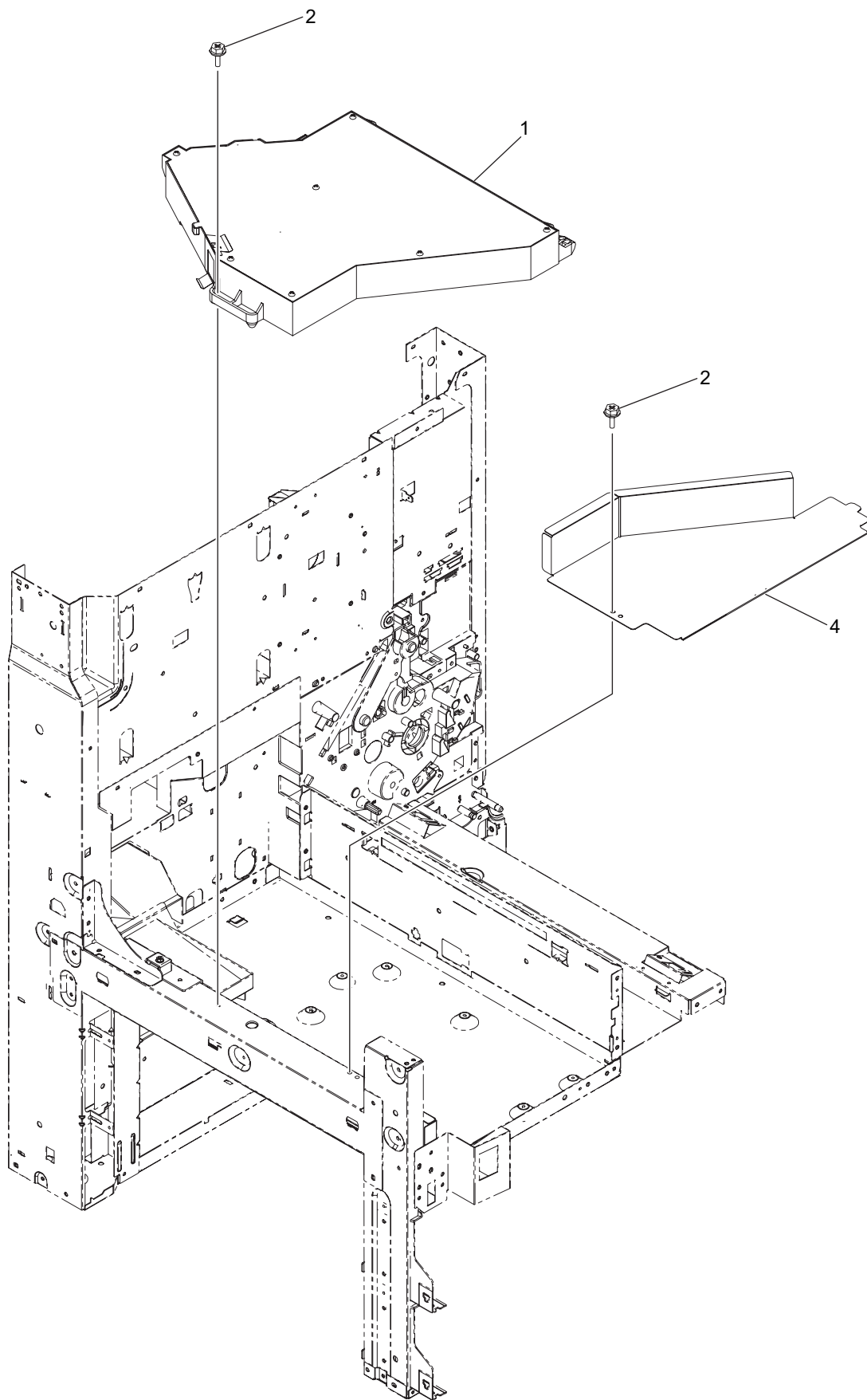
ITEM No.	PART No.	PART NAME	Q'TY / PAGE	Q'TY / PACK	REMARKS
1	6LH51236000	ASYS-MOTR-S-ADU-47X	1	1/C	
2	6LH51213000	ASYS-BRKT-MOT-ADU-473	1	1/P	
3	6LH51234000	BRKT-GEAR-JOINT	1	1/P	
4	6LH54361000	BLT_SY-S2M-120-4	1	1/P	
5	6LA78772000	GEAR-10S15-PS2M39-6	1	1/P	
6	6LH51235000	SFT-ADU-GEAR-47X	1	1/P	
7	6LH51233000	GEAR-10S23-6	1	1/P	
8	6LE56610000	SPG-TENS-ROL-280	1	1/P	
9	X0-00964000	RR/E-3-SS	1	10/P	
10	X0-00965000	RR/E-4-SS	1	10/P	
11	X0-02230000	S/FHEXM-M3X6-NI	2	10/P	
13	6LE58079000	ASY-HOLD-SP-TNR	1	1/C	
14	6LH53790000	ASYS-PLATE-DRIVE	1	1/P	
15	6LH54301000	GEAR-IDLE-TRAYUP	2	1/P	
16	6LH54315000	ASYS-BRKT-CPG-GEAR	1	1/P	
17	6LH54348000	ASYS-CPG-DRV-CST	1	1/P	
18	6LH54332000	ASYS-GEAR-DRV-CST	1	1/P	
19	6LH54316000	SHAFT-DRV-TRAYUP	1	1/P	
20	6LH54346000	LVR-CST-TRAYUP	1	1/P	
21	6LH54325000	SPRING-TRAYUP-L	2	1/P	
22	6LH54327000	SPRING-TRAYUP-U	1	1/P	
23	X0-00966000	RR/E-5-SS	2	10/P	
24	6LH54302000	GEAR-DRV-TRAYUP	2	1/P	
25	X0-02593000	S/TPD3/FHEXM-3X8-ZU3	8	10/P	
27	F0-01496000	RLMC-01TV0	2	5/P	
28	6LH54652000	HANDLE	1	1/P	
29	6LH54654000	BRKT-HANDLE	1	1/P	
30	6LJ31505000	ASYS-COV-SW-R-H20X	1	1/C	
31	E0-01853000	CS1A-B2CA	1	1/D	
32	6LA80090000	S/TPP/BID-3*8-NI	3	5/P	
33	6LH52420200	COVER-HANDLE-F-N_FW	1	1/D	



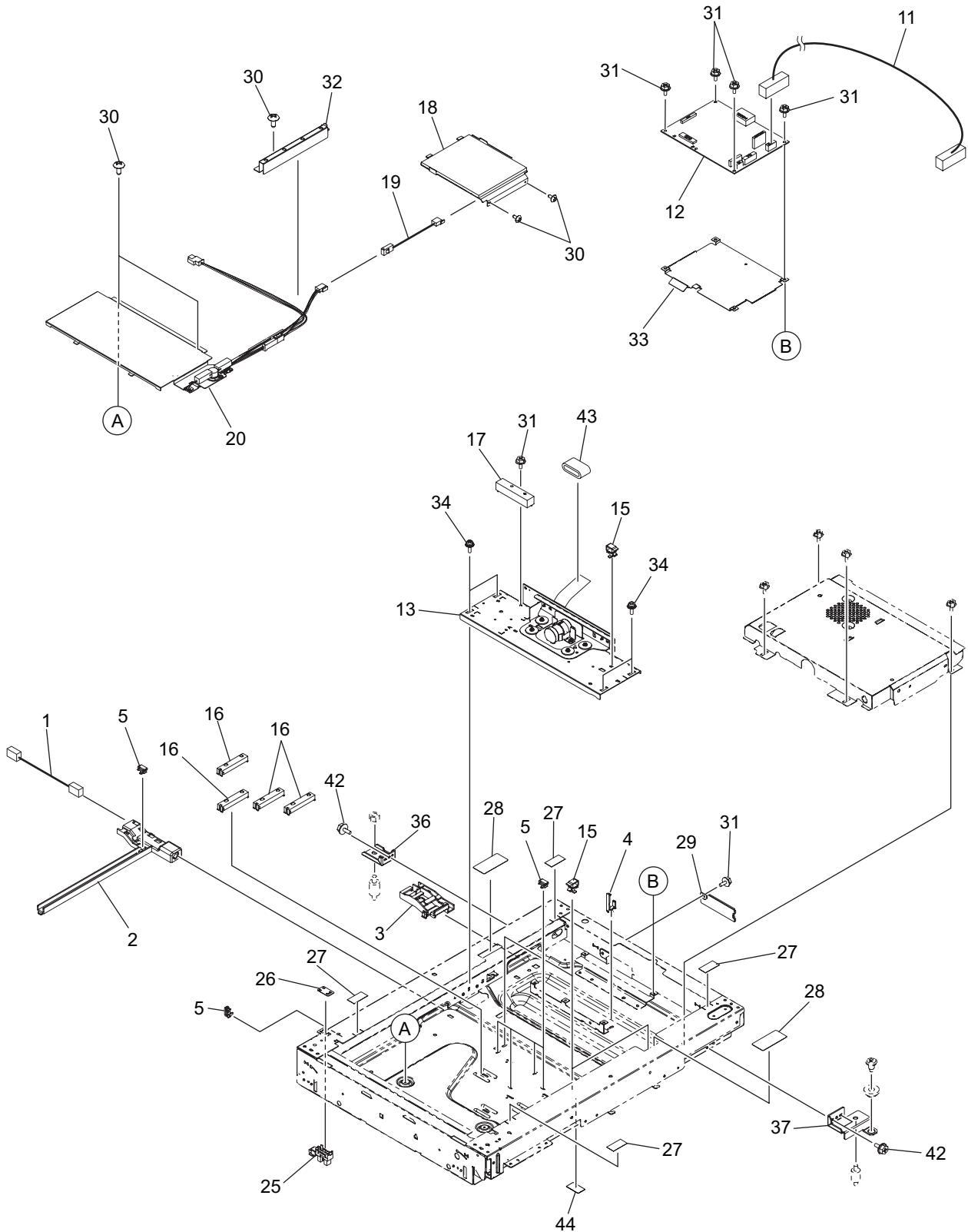
ITEM No.	PART No.	PART NAME	Q'TY / PAGE	Q'TY / PACK	REMARKS
1	6LH53107000	HOLDER-FAN-SYS	1	1/C	
2	6LH53109000	BRKT-FAN	1	1/P	
3	6LH53139000	ASYS-FAN-SYS-EX	1	1/P	
4	F0-01629000	RLWC-6SV0	4	5/P	
5	X0-02068000	S/TPS/PAN-4X25-ZU3	2	10/P	
6	G0-00677000	MK1661GSYG	1	1/C	
7	6LE78184000	HRNS-HDDFG-364	1	1/P	
8	6LJ12507000	BRKT-HDD-16X	2	1/P	
9	X0-00426000	S/BID-M3X4-NI	4	10/P	
10	6LJ33321000	ASYB-PWA-SYS-201S	1	1/SB	
11	6LH09585000	ASYB-SRAM-430S	1	1/C	
13	6LJ33322000	ASYB-PWA-LGC-201S	1	1/SB	
14	6LE90510000	LI-BAT-CR-2450	1	1/S	
15	6LH53106000	BRKT-SYS-IMG-BT	1	1/P	
17	6LH61468000	HRNS-HDD-471	1	1/P	
18	F0-01553000	CBT-10S0	3	5/P	
19	F0-01939000	VB-1006-95T	4	1/P	
20	6LH53114000	SCREW-HDD-CASE_M3	4	5/P	
21	F0-01948000	CS-6S0	1	N/A***	
22	X0-02593000	S/TPD3/FHEXM-3X8-ZU3	16	10/P	
24	6LA34629000	COV-CNCT-DWN	1	1/P	
25	6LA64243000	COVER-USB-SYS	1	1/P	
26	6LH61432000	HRNS-LGC-CST-OP-471HF	1	1/P	
27	6LH61465000	HRNS-LGC-SYS-471HF	1	1/P	
28	6LJ33914000	HRNS-MAIN-MOT-200HF	1	1/P	
29	6LJ33923000	HRNS-MOT-EXIT-200	1	1/P	
31	6LJ33925000	HRNS-SIDE-SW-200	1	1/P	
33	E0-01853000	CS1A-B2CA	2	1/D	
34	F0-01811000	LWS-0711S-V0	2	5/P	
35	6LH61368000	HRNS-D/H-471	1	1/P	
36	6LH61405000	HRNS-LGC-PS-SIG-471HF	1	1/P	
38	6LH61412000	HRNS-LGC-EXIT-L-471HF	1	1/P	
39	6LJ33922000	HRNS-LGC-MOT-200HF	1	1/P	
41	6LH61407000	HRNS-LGC-FRT-471HF	1	1/P	
45	6LH61414000	HRNS-LGC-FAN-471HF	1	1/P	
48	C0-14497000	BR24L64-W	1	1/S	EEPROM(IC29)
51	C0-17502000	M470T2864FB3-CF7	1	1/C	
52	6LJ18864000	ASYB-HRNS-LGC-FEED-162	1	1/P	
53	6LJ13753000	SPG-FG-USB-16X	1	1/P	
54	6LJ09009000	INSULATOR-H13X	1	1/P	
55	6LH61416000	HRNS-ADU-MOT-471HF	1	1/P	
56	6LH54749000	BRKT-CONP-HRNS	1	1/P	



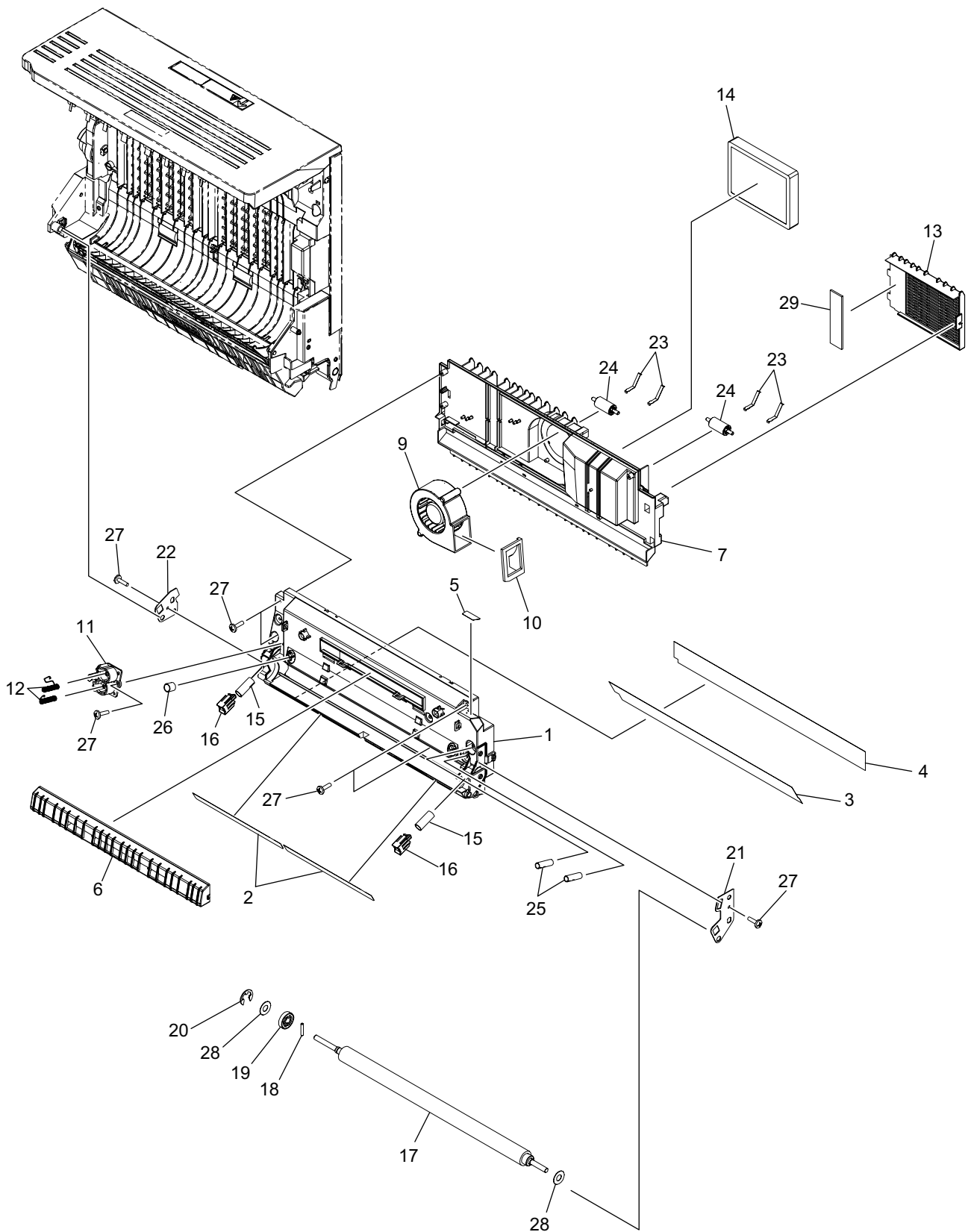
ITEM No.	PART No.	PART NAME	Q'TY / PAGE	Q'TY / PACK	REMARKS
1	6LA88759000	PWA-F-FUS-371	1	1/C	
2	6LH64715000	PS-HVT-471	1	1/C	
3	6LH53110000	BRKT-HVPS-R	1	1/P	
4	6LH53102000	BRKT-HVPS	1	1/P	
5	F0-01933000	RLMS-1V0	1	5/P	
6	X0-02593000	S/TPD3/FHEXM-3X8-ZU3	23	10/P	
7	6LH62512700	ASYS-PSU-F470-EHEX	1	1/C	
8	6LH53111100	BRKT-INLET-D	1	1/P	
10	6LH61302000	HRNS-INLET-471	1	1/P	
11	F0-01248000	ESC-0912	1	10/P	
12	6LH55300000	USUITA-SPSEMS-4X8-6	1	5/P	
13	6LH53113000	BRKT-FAX-KIT	1	1/P	
14	6LJ13762000	BRKT-DHTR-SW	1	1/P	
15	E0-13968000	AJ76201BF	1	5/D	
16	6LH61367000	HRNS-FUS-471-J	1	1/P	
17	6LH61366000	HRNS-FUS2-471-J	1	1/P	
18 A	6LE95823000	CABLE-P-INLET-AU	1	1/P	AUD
18 B	6LE95822000	CABLE-P-INLET-EUR	1	1/P	MJD
18 C	6LH40421000	CABLE-P-INLET-UK	1	1/P	ASD
18 D	6LJ49716000	CABLE-P-INLET-US-15A	1	1/P	NAD



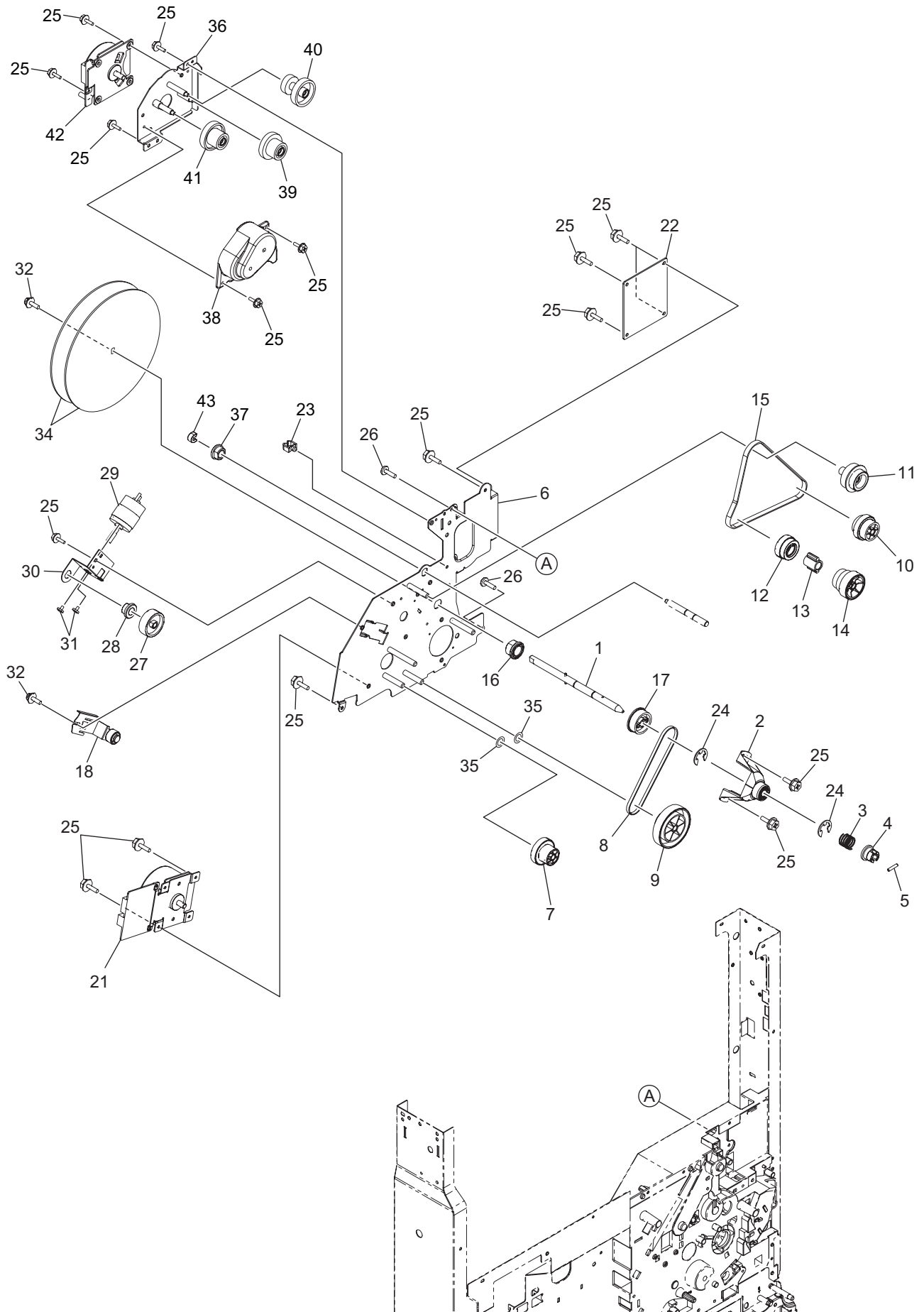
ITEM No.	PART No.	PART NAME	Q'TY / PAGE	Q'TY / PACK	REMARKS
1	6LH55529000	LSU-UNIT-F470	1	1/S	
2	X0-02593000	S/TPD3/FHEXM-3X8-ZU3	2	10/P	
4	6LH52472000	COVER-CAPACITOR	1	1/D	



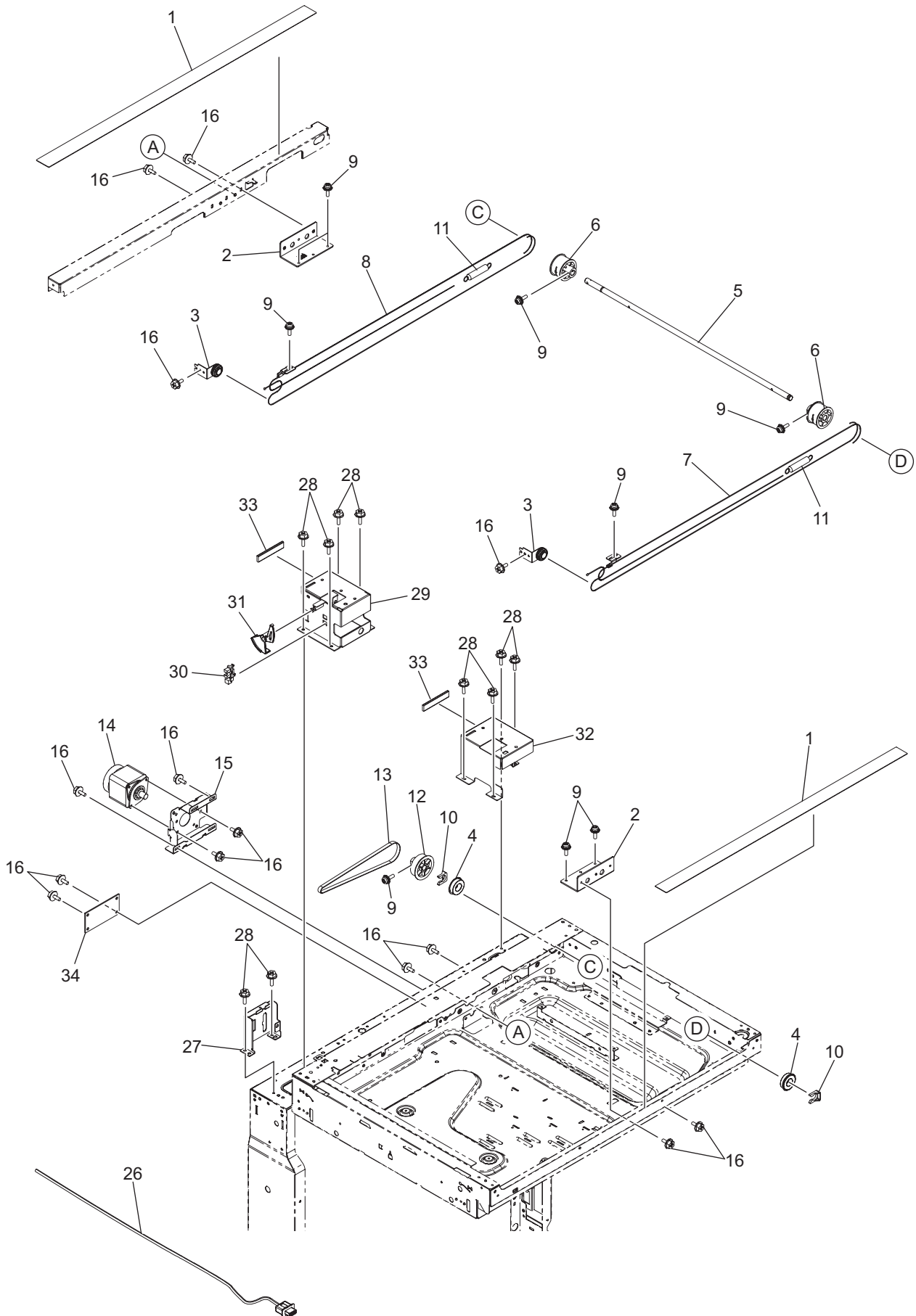
ITEM No.	PART No.	PART NAME	Q'TY / PAGE	Q'TY / PACK	REMARKS
1	6LH61430000	HRNS-SCN-DH-RLY-470	1	1/P	
2	6LH56518100	GUIDE-HNS-LMP-470MN	1	1/P	
3	6LH56540000	GUIDE-HNS-SLG-470	1	1/P	
4	F0-00036000	RLWS3TV0	1	5/P	
5	F0-01496000	RLMC-01TV0	6	5/P	
11	6LH61382000	HRNS-SCN-MOT-470	1	1/P	
12	6LJ19031000	ASYB-PWA-SLG-160S	1	1/SB	
13	6LJ15142000	LENS-UNIT-H16X	1	1/S	
15 A	F0-01643000	RLWT-0.5V0	3	5/P	NAD,MJD
15 B	F0-01643000	RLWT-0.5V0	4	5/P	ASD,AUD
16 A	6LH08819000	SNSR-PS-182EL1	3	1/C	NAD
16 B	6LH08819000	SNSR-PS-182EL1	4	1/C	ASD,AUD,MJD
17	6LE09478000	SNSR-PS-TY1CH56	1	1/C	
18 A	6LA86523000	ASY-D_H-SCAN-R-E-371	1	1/C	ASD,AUD
19 A	6LH61474000	HRNS-SCN-DH-CVR-470X	1	1/P	ASD,AUD
20 A	6LH56588200	ASYS-D_H-SCAN-L-470-E	1	1/C	ASD,AUD
25	C0-17839000	LG2A14BL1	1	1/C	
26	6LA29902000	COVER-SNSR-LIFT	1	1/P	
27	44202810000	CUSH-GLASS	4	5/P	
28	6LA39969000	MYLAR-STAY-GLASS-FRT	2	1/KP	
29	6LH56550000	LID-DOWNLOAD-470	1	1/P	
30 A	6LA08935000	SCR-M3X6BISR-NI	5	10/P	NAD,ASD,AUD,MJD
31	X0-02230000	S/FHEXM-M3X6-NI	6	10/P	
32 A	6LH56578000	BRKT-D_H-SCAN-470	1	1/P	ASD,AUD
33	6LH56609000	BRKT-SLG-EMI-470	1	1/P	
34	X0-00077000	S/PAN/SWWP-M3X8-NI	4	10/P	
36	6LH56562000	BRKT-DMP-SCAN-RER-470	1	1/P	
37	6LJ15118000	BRKT-DMP-SCN-FR-H16X	1	1/P	
42	X0-02230000	S/FHEXM-M3X6-NI	2	10/P	
43	6LH64675000	FPC-31-12-WD-TAPE	1	1/P	
44 A	6LA39908000	MYLAR-BASE-SCAN	1	5/KP	NAD



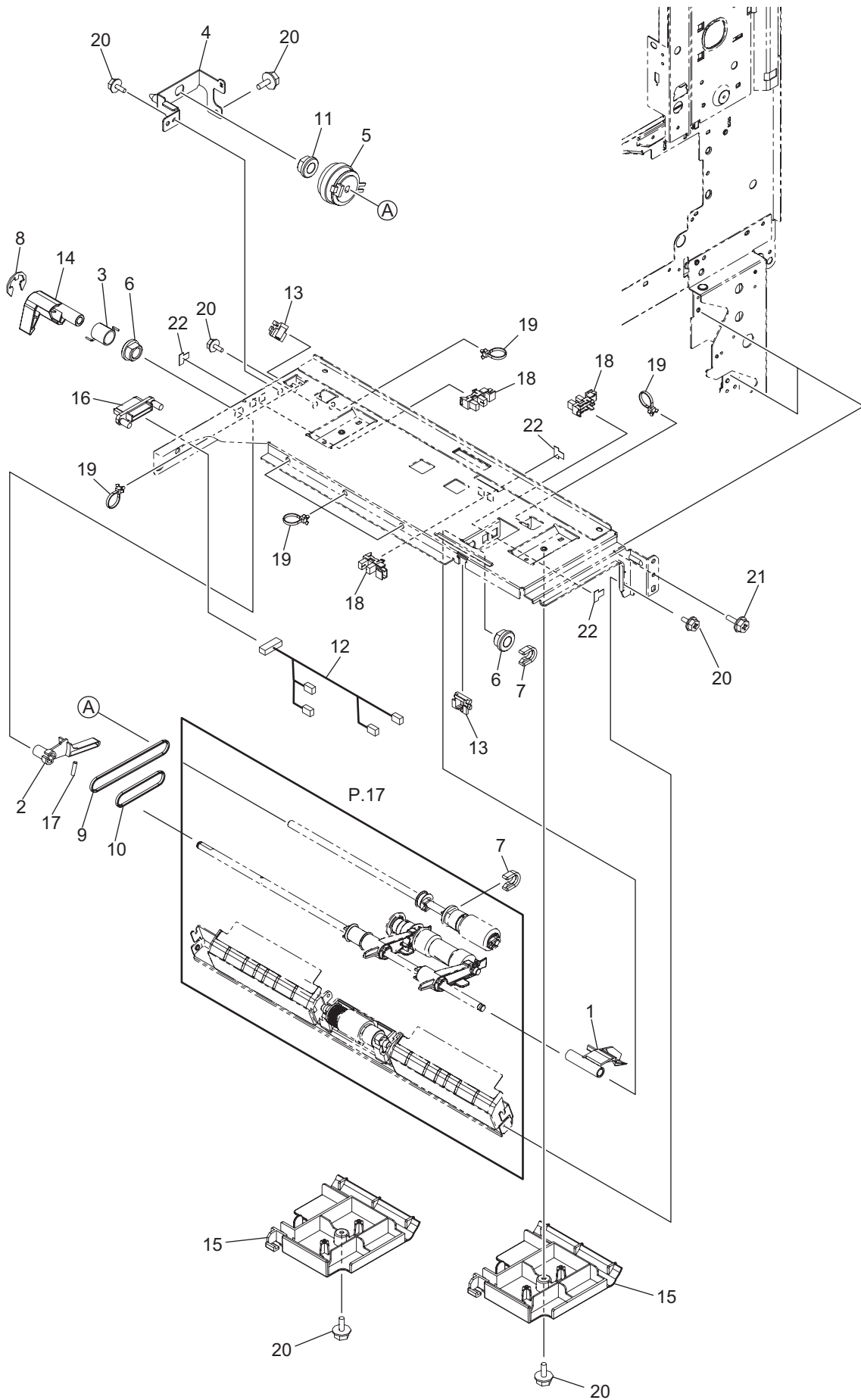
ITEM No.	PART No.	PART NAME	Q'TY / PAGE	Q'TY / PACK	REMARKS
1	6LJ15601000	CASE-DUCT-16X	1	1/PP	
2	6LH57320000	MYLAR-RGST-R	2	1/KP	
3	6LH57319000	MYLAR-SCLP-RGST	1	1/KP	
4	6LH57318000	MYLAR-COV-SIDE	1	1/KP	
5	6LJ18018000	LBL-HANDL-TRU-H16X	1	1/KP	
6	6LH57336000	COVER-DUCT-470	1	1/PP	
7	6LJ15600000	DUCT-INNER-16X	1	1/PP	
9	6LA88500000	FAN-D-P7530	1	1/D	
10	6LH57323000	SEAL-FAN	1	1/KP	
11	6LH57315000	TERM-CH-TR-470	1	1/P	
12	6LH57321000	SPRING-TRU-R	2	1/P	
13	6LJ15602000	COV-FILTER-16X	1	1/P	
14	6LJ15609000	FILTER-OZONE-H160	1	1/C	
15	6LE62403000	SPC-PUSH-RGST	2	1/P	
16	6LH56317000	PUSH-RGST-470-V	2	1/P	
17	6LH56302000	ROLLER-RGST-47X	1	1/KP	
18	X0-01526000	P/PRL/AH7-2X12-SS	1	10/P	
19	6LA85880000	GEAR-10S020-08	1	1/P	
20	X0-00968000	RR/E-7-SS	1	10/P	
21	6LH57313000	BRKT-TRU-F	1	1/P	
22	6LH57314000	BRKT-TRU-R	1	1/P	
23	6LH51237000	SPL-ADU-IDLE-LOW	4	1/C	
24	41316101000	ROLL-TRANS-IDLE	2	1/P	
25	6LH57322000	SPRING-TRU-F	2	1/P	
26	6LH57335000	SPRING-TRU-C	1	5/P	
27	6LA80090000	S/TPP/BID-3*8-NI	7	5/P	
28	6LJ14900000	WSHR-82X19-048	2	5/P	
29	6LJ15604000	SEAL-COV-FILTER-16X	1	1/P	



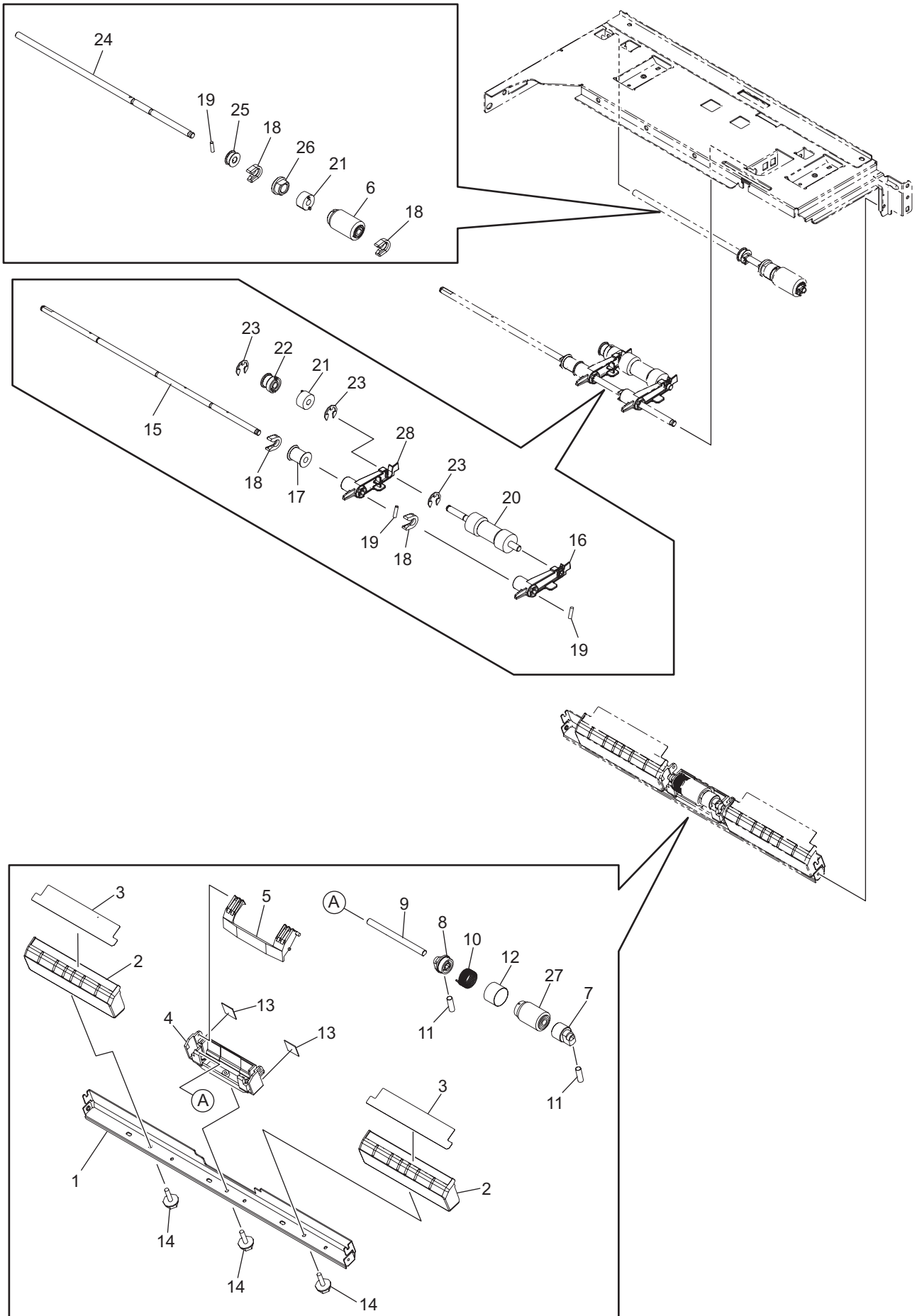
ITEM No.	PART No.	PART NAME	Q'TY / PAGE	Q'TY / PACK	REMARKS
1	6LH53785000	SHAFT-DRUM-471	1	1/P	
2	6LH53741000	ASYS-BUSH-DRUM-470	1	1/P	
3	6LA79504000	SPG-C-173	1	5/P	
4	41314022000	CPG-DRUM-AW5	1	1/P	
5	X0-00980000	P/PRL/AH7-2X10-SS	1	10/P	
6	6LJ30909000	ASYS-PLATE-DRV-H20X	1	1/P	
7	6LH53791000	GEAR-5H58-4H48-6	1	1/P	
8	6LH54362000	BLT-SY-S2M-250-4	1	1/P	
9	6LH53792000	GEAR-4H118-PS2M30-6-L	1	1/P	
10	6LH53704000	GEAR-10S28_10S20_PS2M38-6	1	1/P	
11	6LH53705000	GEAR-10H22_PS2M49-6	1	1/P	
12	6LH53739000	ASYS-GEAR-5H50-6-COUP	1	1/P	
13	6LE56653000	COUPL-GR-P-JOINT-280	1	1/P	
14	6LH53737000	ASYS-GEAR-8H37_PS2M30-6-L	1	1/P	
15	6LH54363000	BLT-SY-S2M-372-6	1	1/P	
16	6LH23442000	BUSH-8X12X8F-NU4	1	5/P	
17	6LH53709000	PLY-S2M44-8	1	1/P	
18	6LH53796000	ASYS-BRKT-TENS-47X	1	1/P	
21	6LH53700000	MOTR_D-MAIN-471	1	1/C	
22	6LH62883000	PWA-F-MOT-470	1	1/SB	
23	F0-01048000	UAMS-05-0	1	5/P	
24	X0-00968000	RR/E-7-SS	2	10/P	
25	X0-02593000	S/TPD3/FHEXM-3X8-ZU3	17	10/P	
26	6LA80090000	S/TPP/BID-3*8-NI	2	5/P	
27	6LE56633000	GEAR-5H60L-6-WORM-TNR	1	1/P	
28	44201492000	BUSH-6-POM	1	5/P	
29	6LH53764000	ASYS-MOTRD-TNR-470	1	1/C	
30	6LH53761000	BRKT-DRV-TNR-470	1	1/P	
31	X0-02557000	S/BID-M2.6X3-NI	2	10/P	
32	X0-00077000	S/PAN/SWWP-M3X8-NI	2	10/P	
34	6LH53784000	FLYWHL-DRUM-47X	2	1/P	
35	6LA78908000	WASHER-6R2X9R5XR25-PL	2	5/P	
36	6LJ30904000	ASYS-BRKT-FUS-MOTOR	1	1/P	
37	6LH53768000	BUSH-6-NU4	1	1/P	
38	6LJ30903000	COVER-GEAR-H20X	1	1/P	
39	6LJ30900000	GEAR-10H30_10H20	1	1/P	
40	6LJ30901000	GEAR-10H31_10H21	1	1/P	
41	6LJ30902000	GEAR-5H64_10H19	1	1/P	
42	6LJ59218000	MOTR_D-FUS-H21X	1	1/SB	
43	4401953270	STOP-RING-4	1	5/P	



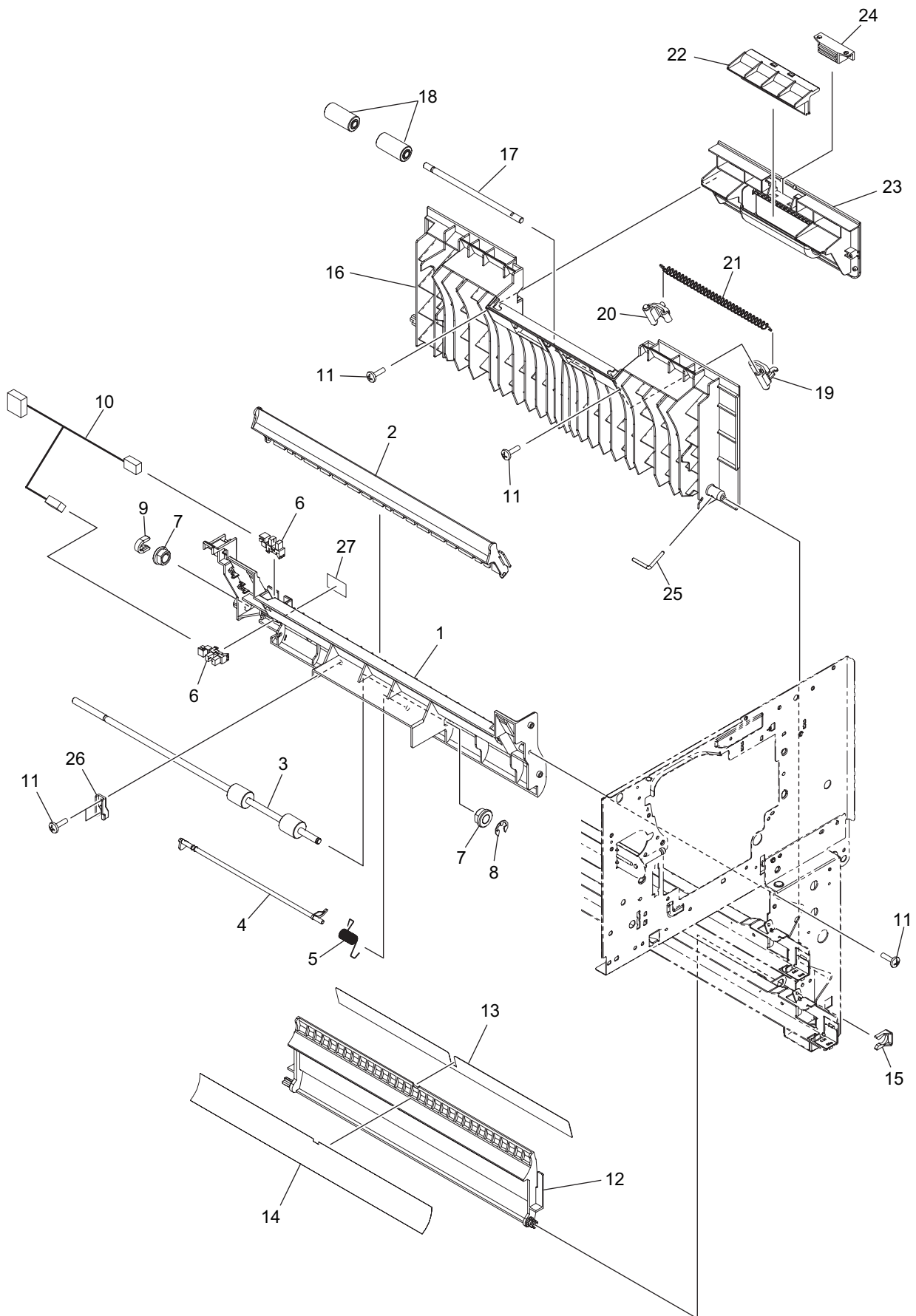
ITEM No.	PART No.	PART NAME	Q'TY / PAGE	Q'TY / PACK	REMARKS
1	6LH56538000	SHEET-CRG-470	2	1/KP	
2	6LH56544000	BRKT-ADJ-BASE-LENS-470	2	1/P	
3	6LH56523000	ASYS-BRKT-PLY-F-470	2	1/P	
4	F0-01390000	LNR-1680HHRP0P15LY13	2	1/P	
5	6LH56546000	SHAFT-DRV-SCAN-470	1	1/P	
6	6LH08243000	PLY-WIRE-SCAN-430	2	1/P	
7	6LJ15119000	ASYS-WIR_RP-SCAN-FRT-470	1	1/P	
8	6LJ15120000	ASYS-WIR_RP-SCAN-RER-470	1	1/P	
9	X0-00077000	S/PAN/SWWP-M3X8-NI	9	10/P	
10	41306265000	STOP RING	2	1/P	
11	6LJ15115000	SPE-WIRE-TNS-H16X-SUS	2	1/P	
12	6LH56541000	PULLEY-SCAN-470	1	1/P	
13	6LH56547000	BELT-DRV-SCAN-S1.5M-390	1	1/P	
14	6LJ18697000	MOTR_S-SCN-160	1	1/C	
15	6LH56532000	BRKT-MOT-SCAN-470	1	1/P	
16	X0-02230000	S/FHEXM-M3X6-NI	14	10/P	
26	6LH61445000	HRNS-CABLE-USB-471	1	1/P	
27	6LH56568100	BRKT-CN-OPT-470-L	1	1/P	
28	X0-02593000	S/TPD3/FHEXM-3X8-ZU3	10	10/P	
29	6LH56567000	ASYS-BRKT-DF-LFT-470	1	1/P	
30	C0-17839000	LG2A14BL1	1	1/C	
31	6LH56564000	LVR-OPEN-SNS-470	1	1/P	
32	6LH56508000	BRKT-DF-R-470	1	1/P	
33	6LH56613000	GSKT-3-10-50	2	1/P	
34	6LJ19081000	PWA-H-SCNRLY-160	1	1/C	



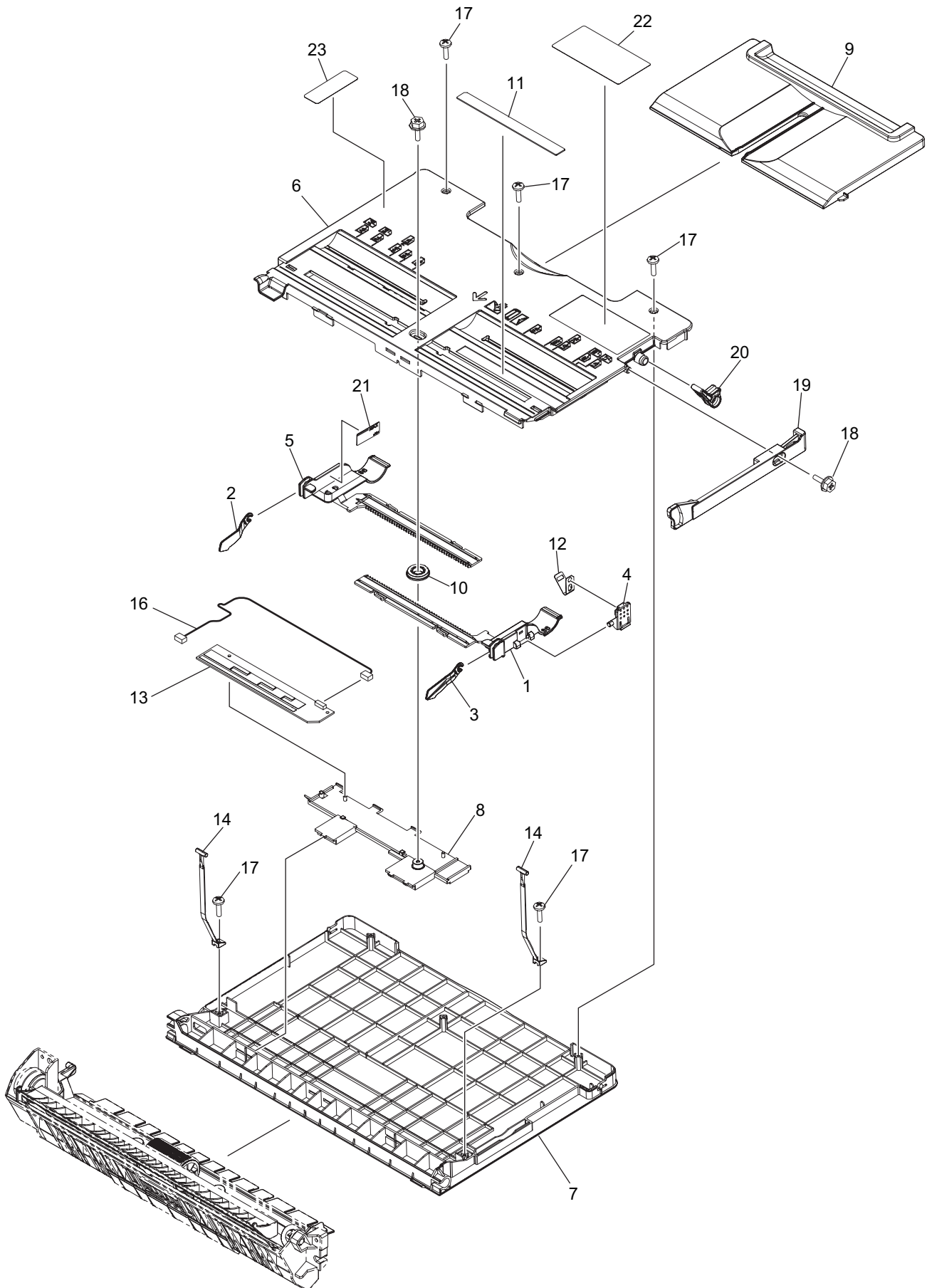
ITEM No.	PART No.	PART NAME	Q'TY / PAGE	Q'TY / PACK	REMARKS
1	6LH54303000	ACTR-EMPTY-MAX-PPR	1	1/P	
2	6LH54351000	ARM-FEED-UNIT-F47X-N	1	1/P	
3	41305501000	SPR-LVR-PICK	1	1/P	
4	6LH54328000	ASYS-BRKT-CLT-F47X	1	1/P	
5	6LH51224000	CLUTCH-50C-G28-6	1	1/D	
6	44201492000	BUSH-6-POM	2	5/P	
7	4407972860	STOP-RING-6-5	2	5/P	
8	X0-00966000	RR/E-5-SS	1	10/P	
9	41306504000	BLT/T-194-2GT-2	1	1/P	
10	41306502000	BLT/T-124-2GT-2	1	1/P	
11	6LH53768000	BUSH-6-NU4	1	1/P	
12	6LH61420000	HRNS-FEED-UNIT-471HF	1	1/P	
13	F0-00671000	EDS-0607M	2	5/P	
14	6LH54353000	LVR-CPG-GEAR_N	1	1/P	
15	6LH54308000	GUIDE-P-FEED-F47X	2	1/P	
16	E0-12621000	14R-RIZ-K4GG-FJ(LF)(SN)	1	5/P	
17	X0-00979000	P/PRL/AH7-2X8-SS	1	10/P	
18	C0-17839000	LG2A14BL1	3	1/C	
19	F0-01012000	T18R	6	5/P	
20	X0-02592000	S/TPD3/FHEXM-3X6-ZU3	6	10/P	
21	X0-02593000	S/TPD3/FHEXM-3X8-ZU3	1	10/P	
22	6LA85910000	MYLAR-SUPPORT-SNS	3	5/P	



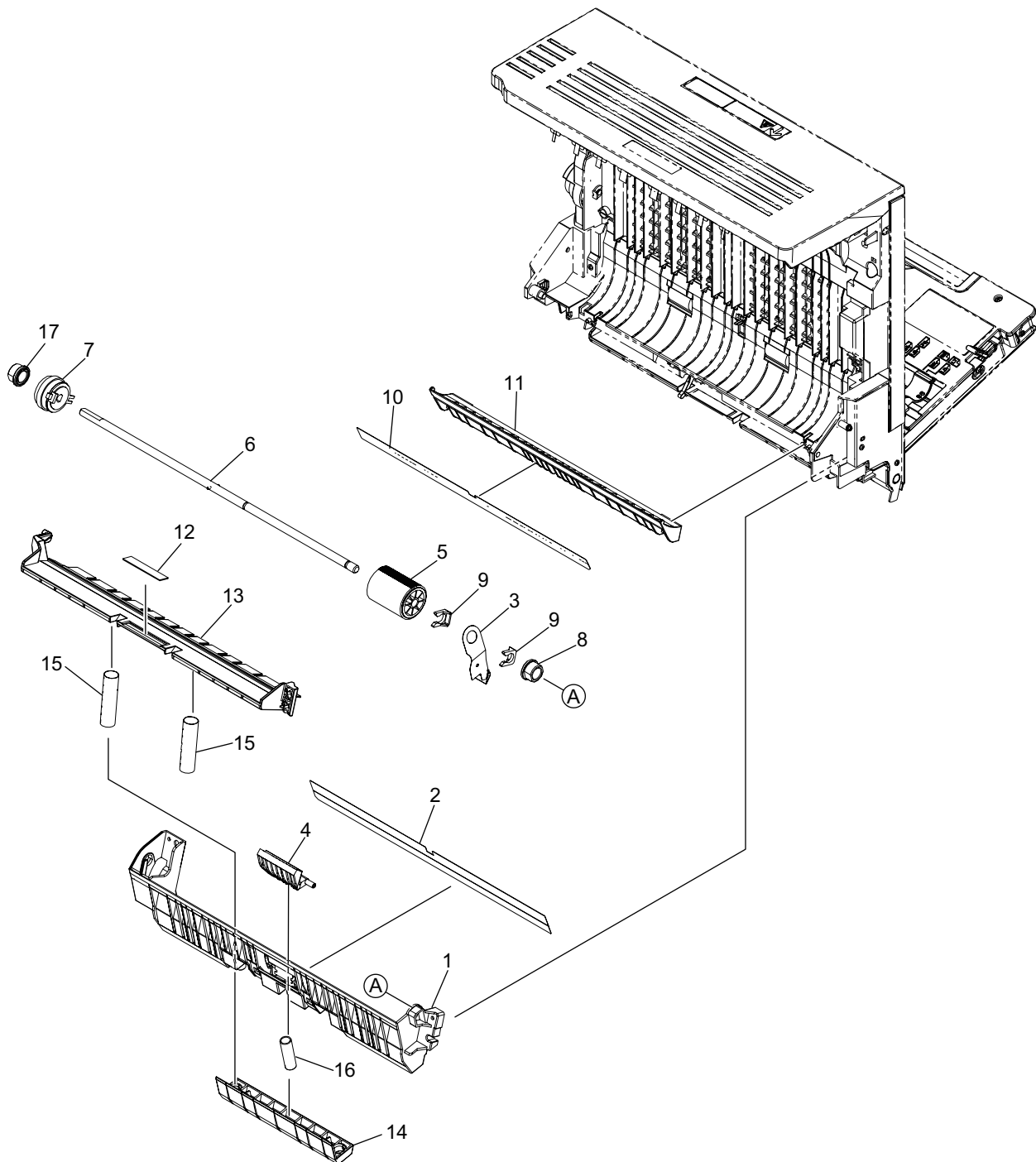
ITEM No.	PART No.	PART NAME	Q'TY / PAGE	Q'TY / PACK	REMARKS
1	6LH54321000	STAY-ROL-SEP-F47X	1	1/P	
2	6LH54304000	GUIDE-P-SEP-F47X	2	1/P	
3	6LH54324000	MYLAR-GUIDE-P-SEP-F47X	2	1/KP	
4	44201805000	HLDR-SEP-ROL-DM	1	1/P	
5	44201810000	LEV-ROL-SEP-DM	1	1/P	
6	6LE69833000	K-ROLL-FEED	1	1/P	
7	41306279000	ARBOR-SPT-F	1	1/P	
8	41306278000	ARBOR-SPT-R	1	1/P	
9	41304506000	SFT-SEP-AT	1	1/P	
10	44201817000	SPR-1.0-15.60RF	1	5/P	
11	6LA47909000	SPC055-045-01525	2	5/P	
12	44201773000	COV-SPE/ARBOR	1	1/P	
13	41319491000	CHIP-HLDR-SEP	2	1/P	
14	X0-02247000	S/TPP/FHEXM-3X8-NI	3	10/P	
15	6LH54352000	SFT-DRV-PICK-F47X	1	1/P	
16	6LH54349000	ARM-RLR-PICK-F47X-F	1	1/P	
17	41306002000	PLY/T-PICK-20	1	1/P	
18	4407972860	STOP-RING-6-5	4	5/P	
19	X0-00979000	P/PRL/AH7-2X8-SS	3	10/P	
20	6LE77312000	ROLLER-PICK-N	1	1/P	
21	6LE69842000	CLUTCH-6-L	2	1/P	
22	41306275000	PLY/T-20-2GT	1	1/P	
23	X0-00966000	RR/E-5-SS	3	10/P	
24	6LH54329000	SFT-ROL-FEED-F47X	1	1/P	
25	41306274000	PLY/T-20-ROL-2G	1	1/P	
26	44201492000	BUSH-6-POM	1	5/P	
27	6LH46302000	ASYS-ROLL-SPT	1	1/P	
28	6LH54350000	ARM-RLR-PICK-F47X-R	1	1/P	



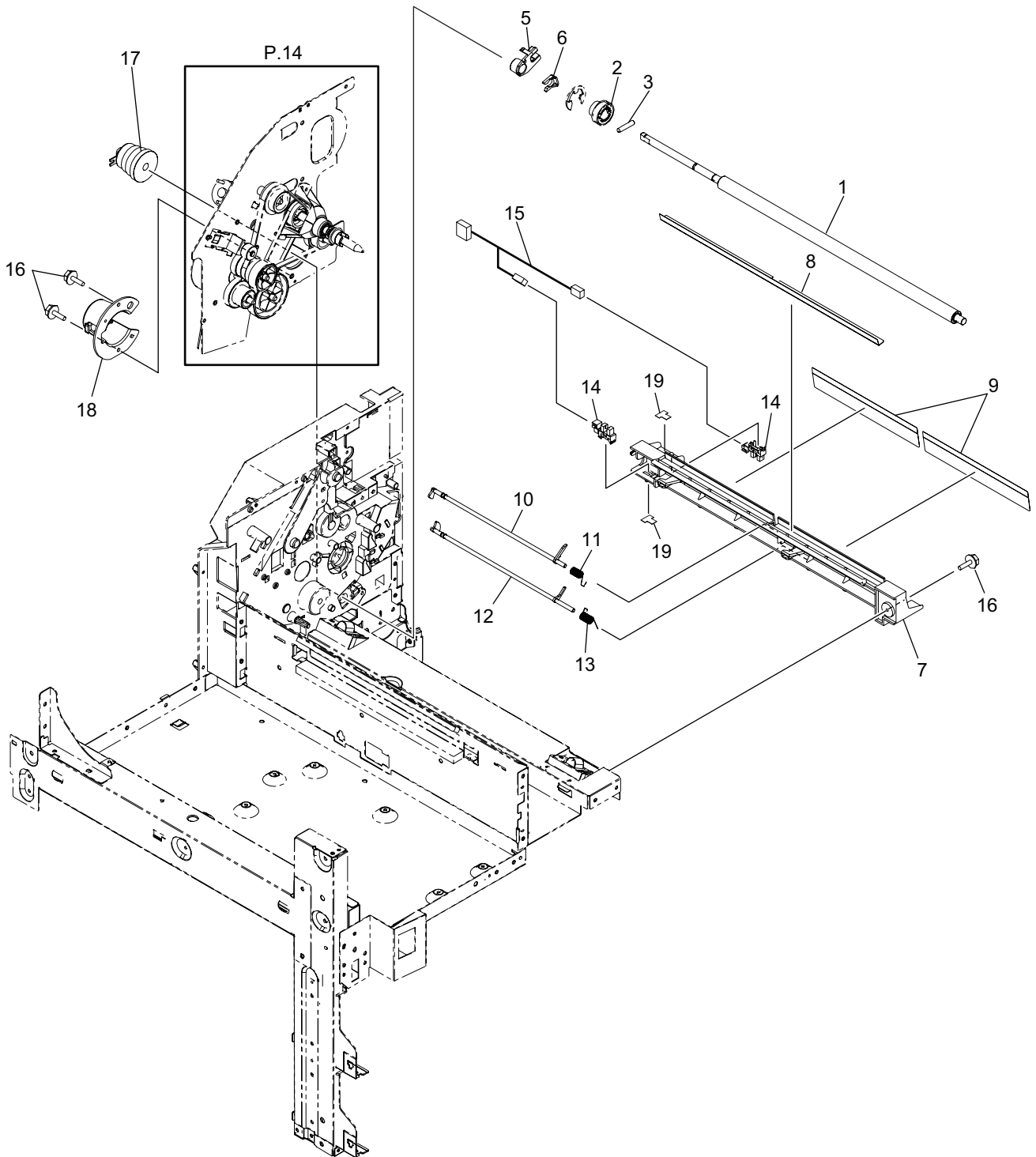
ITEM No.	PART No.	PART NAME	Q'TY / PAGE	Q'TY / PACK	REMARKS
1	6LH56121000	GUIDE-FEEDER-L-470	1	1/PP	
2	6LH56101000	GUIDE-OP-U	1	1/PP	
3	6LH56105000	ROL-FEEDER-F47X	1	1/P	
4	6LH56104000	ACT-FEED-470	1	1/P	
5	6LH56106000	SPG-ACT-RGST-U	1	1/P	
6	C0-17839000	LG2A14BL1	2	1/C	
7	44201492000	BUSH-6-POM	2	5/P	
8	X0-00966000	RR/E-5-SS	1	10/P	
9	4407972860	STOP-RING-6-5	1	5/P	
10	6LH61419000	HRNS-FEED-SW2-471HF	1	1/P	
11	6LA80090000	S/TPP/BID-3*8-NI	5	5/P	
12	6LH56103000	GUIDE-OPEN-L-470	1	1/PP	
13	6LH56108000	MYLAR-GUIDE-P_PATH	1	1/KP	
14	6LH56109000	MYLAR-OPEN-L	1	1/KP	
15	41306265000	STOP RING	1	1/P	
16	6LH56122000	ASYS-COV-GID-LOW	1	1/PP	
17	6LA85835000	SHAFT-RELAY-IDL	1	1/P	
18	6LA85834000	ROL-RELAY-FEED-IDL	2	1/P	
19	6LH56117000	LVR-SEP-RELAY-F-F47X	1	1/P	
20	6LA88318000	LVR-SEP-RELAY-R-371	1	1/P	
21	6LH56116000	SPG-P-PATH	1	1/P	
22	6LH56111100	CVR-HDL-U-N	1	1/P	
23	6LH56110100	CVR-GUIDE-L-HDL-N	1	1/P	
24	F0-01393000	CA-0124B	1	1/P	
25	6LA60573000	PIN-COVER-FRT	1	1/P	
26	6LH56119000	HOLDER-ROL-FEEDER	1	1/P	
27	6LJ14700000	MYLAR-SNSR-GUIDE-FEEDR-L	1	1/P	



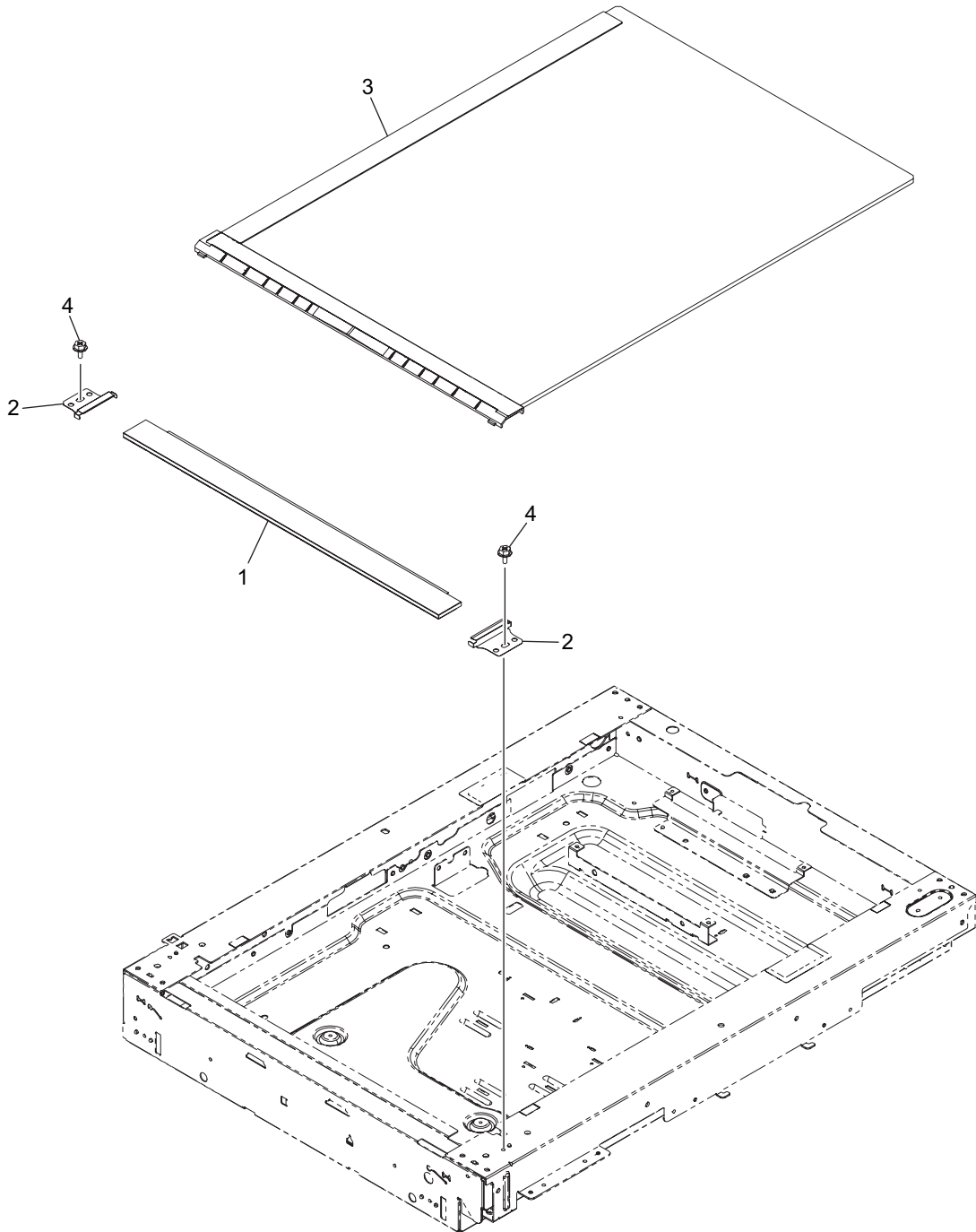
ITEM No.	PART No.	PART NAME	Q'TY / PAGE	Q'TY / PACK	REMARKS
1	6LH51406000	GUIDE-TRAY-SFB-F	1	1/KP	
2	6LH51409000	GUIDE-SUB-R	1	1/P	
3	6LH51410000	GUIDE-SUB-F	1	1/P	
4	6LH51411100	LVR-GUIDE-SFB-16X	1	1/P	
5	6LH51451000	ASYS-GUIDE-TRAY-SFB	1	1/C	
6	6LH51457300	TRAY-SFB-U-H20X	1	1/PP	
7	6LH51458000	TRAY-SFB-L	1	1/PP	
8	6LH51408000	HOLDER-PWA-SFB	1	1/PP	
9	6LH51404000	TRAY-SFB-SUB	1	1/PP	
10	6LE53504000	GEAR-10S18-6-BYP-TRAY	1	1/P	
11	6LH51450000	SHEET-GUIDE-PAD-F-T05	1	1/KP	
12	6LH51415000	SPL-LVR-SFB	1	1/D	
13	6LE29825000	PWA-F-SFB-380	1	1/C	
14	6LH51439000	STOPPER-TRAY-BYP	2	1/P	
16	6LH61345000	HRNS-SFB-TRAY-471	1	1/P	
17	6LA80090000	S/TPP/BID-3*8-NI	5	5/P	
18	X0-02247000	S/TPP/FHEXM-3X8-NI	2	10/P	
19	6LH51416000	LINK-P-TRAY	1	1/P	
20	6LH51417100	LVR-P-TRAY-16X	1	1/P	
21	6LJ29122000	LBL-HIGH-TRAY-H20X	1	1/P	
22	6LJ29124000	LBL-INFO-SFB-H20X	1	1/P	
23	6LJ29123000	LBL-O-EXP-PAPER-H20X	1	1/P	



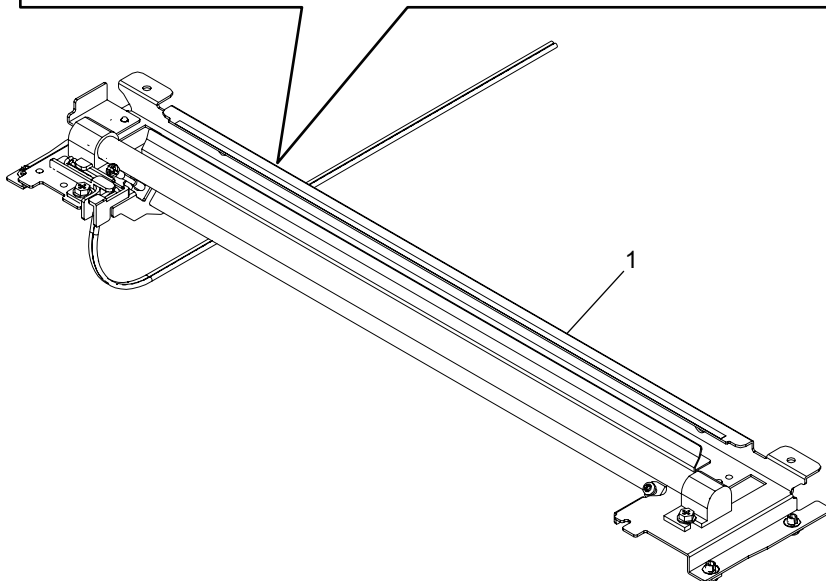
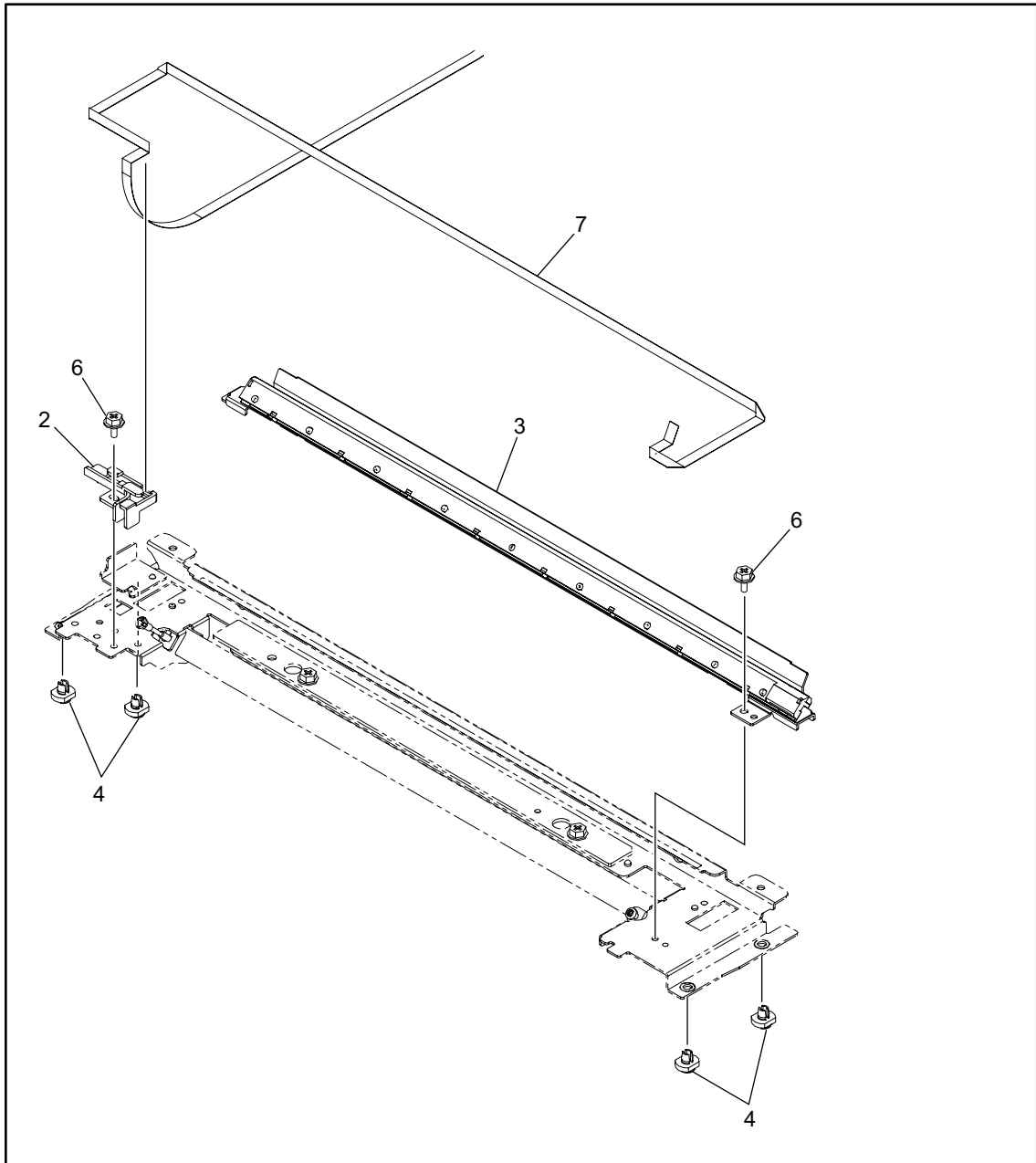
ITEM No.	PART No.	PART NAME	Q'TY / PAGE	Q'TY / PACK	REMARKS
1	6LH51421000	GUIDE-SFB	1	1/PP	
2	6LH51432000	SHEET-GUIDE-SFB	1	1/KP	
3	6LH51428000	PLT-EARTH-SFB	1	1/D	
4	6LH51459000	ASYS-PAD-BYP-47X-N	1	1/P	
5	6LH51412000	ASYS-ROL-BYP	1	1/P	
6	6LH51443000	ASYS-SFT-ROL-SFB	1	1/P	
7	6LH51414000	CLUTCH-50C-G28-8	1	1/D	
8	6LH23442000	BUSH-8X12X8F-NU4	1	5/P	
9	41306265000	STOP RING	2	1/P	
10	6LH56307000	SHEET-RGST-UP	1	1/KP	
11	6LH51206000	GUIDE-RGST-UP	1	1/PP	
12	6LH51420000	PAD-SEP-TRAY	1	5/P	
13	6LH51401000	PRESS-TRAY-BYP	1	1/PP	
14	6LH51433000	HOLDER-SPG	1	1/P	
15	6LH51425000	SPC-TRAY-SFB	2	1/P	
16	6LH51422000	SPC-HOL-PAD-SFB	1	1/P	
17	4400802080	BUSH-8	1	5/P	



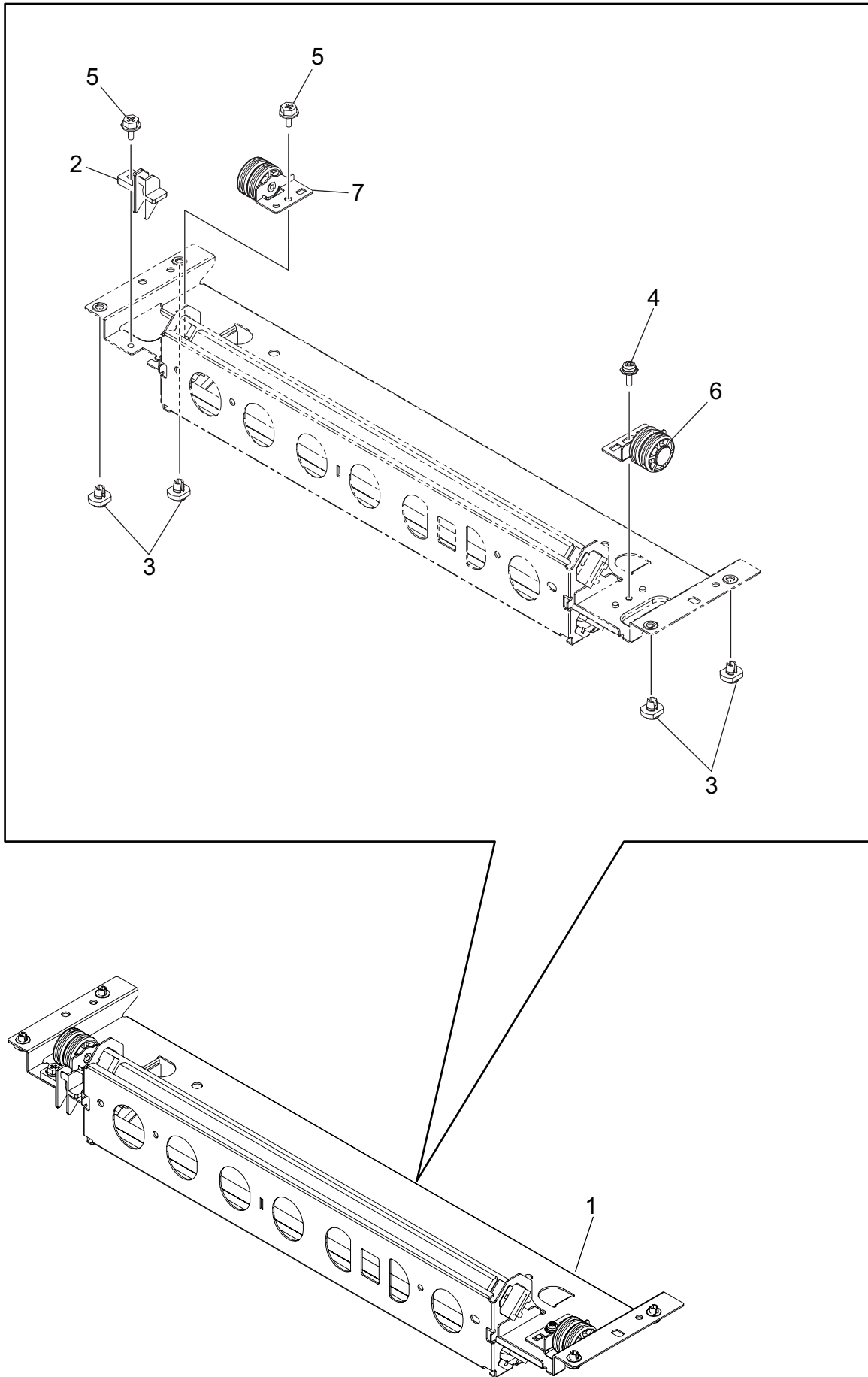
ITEM No.	PART No.	PART NAME	Q'TY / PAGE	Q'TY / PACK	REMARKS
1	6LH56303000	ROLLER-RGST-DRV-47X	1	1/KP	
2	6LE57208000	GEAR-10S015-08	1	1/P	
3	X0-00980000	P/PRL/AH7-2X10-SS	1	10/P	
5	6LE57224000	GUIDE-BUSH-RGST-R	1	1/P	
6	41306265000	STOP RING	1	1/P	
7	6LH56300000	GUIDE-RGST-L-470	1	1/PP	
8	6LH56309000	MYLAR-RGST-L-47X	1	1/KP	
9	6LH56308000	MYLAR-RGST-47X	2	1/KP	
10	6LH56304000	ACTR-RGST-U-47X	1	1/P	
11	6LH56106000	SPG-ACT-RGST-U	1	1/P	
12	6LH56305000	ACTR-RGST-L-47X	1	1/P	
13	6LH56306000	SPG-ACT-RGST-L	1	1/P	
14	C0-17839000	LG2A14BL1	2	1/C	
15	6LH61418000	HRNS-FEED-SW1-471HF	1	1/P	
16	X0-02593000	S/TPD3/FHEXM-3X8-ZU3	3	10/P	
17	6LE57210000	CLUTCH-G33-08D-30A	1	1/D	
18	6LH53711000	HLDR-RGST-SHAFT	1	1/P	
19	6LA85910000	MYLAR-SUPPORT-SNS	2	5/P	



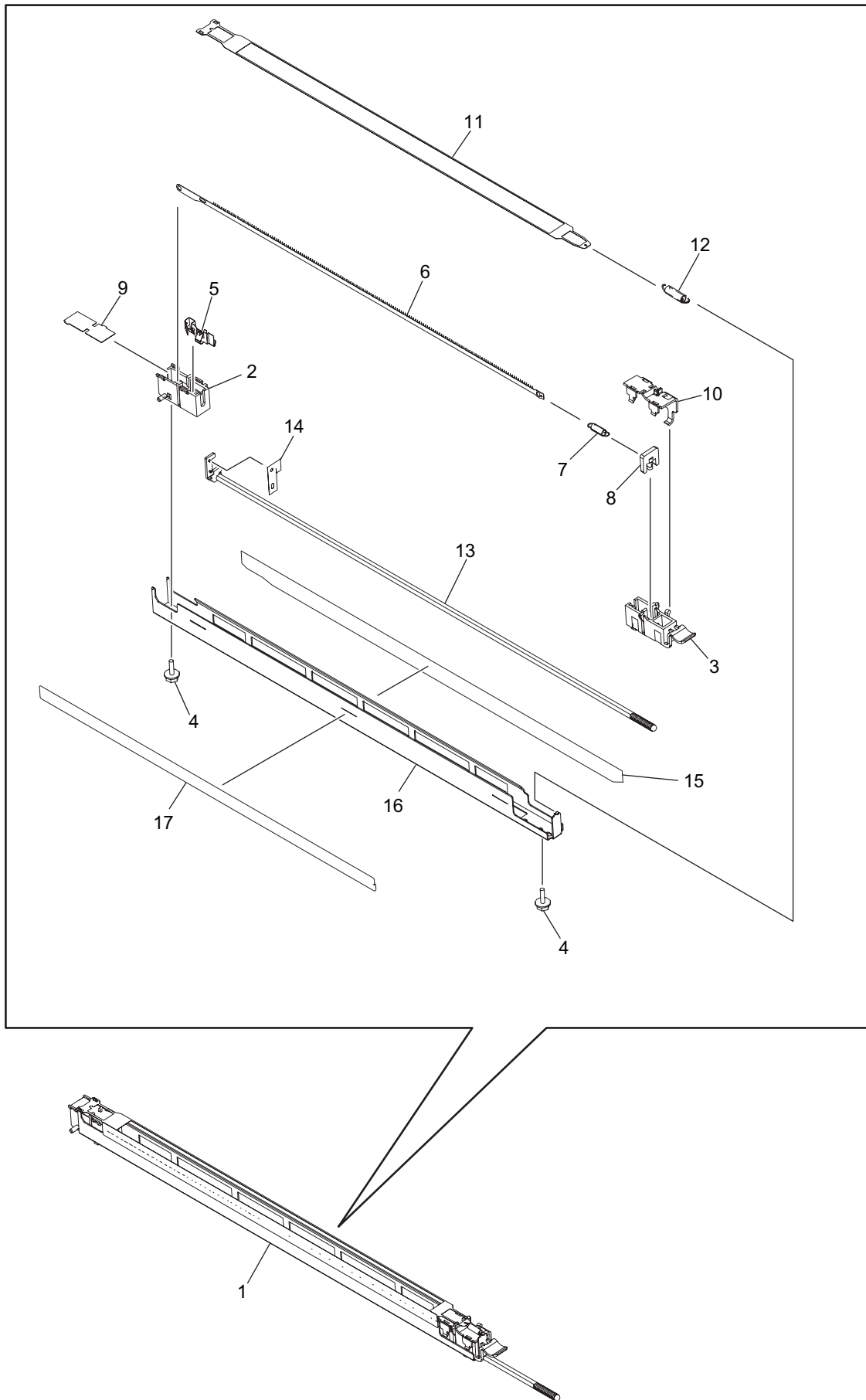
ITEM No.	PART No.	PART NAME	Q'TY / PAGE	Q'TY / PACK	REMARKS
1	6LH56625000	ASYS-GLASS-ADF-470-KLF	1	1/C	NAD ASD,AUD,MJD
2	6LJ15114000	SPL-GLASS-ADF-304	2	1/P	
3 A	6LH56602500	ASYS-GLASS-470-ECO_L	1	1/C	
3 B	6LH56602400	ASYS-GLASS-470-ECO_A	1	1/C	
4	X0-02230000	S/FHEXM-M3X6-NI	2	10/P	



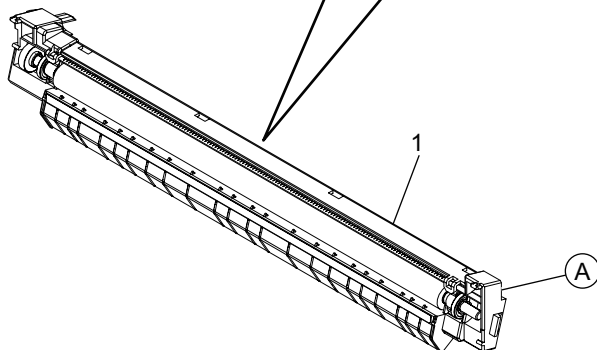
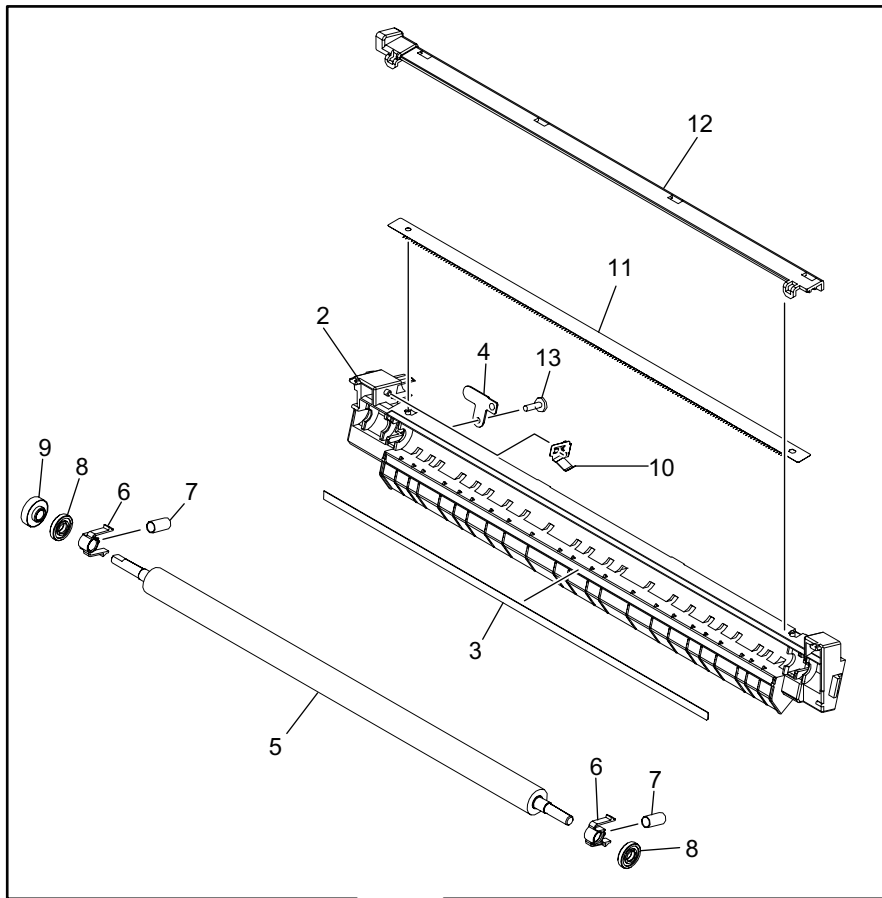
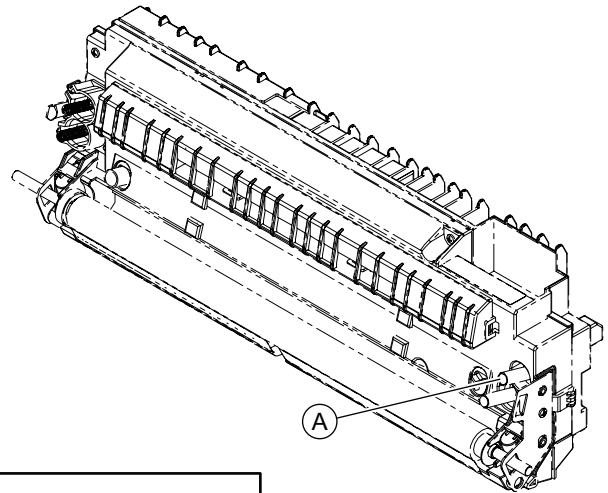
ITEM No.	PART No.	PART NAME	Q'TY / PAGE	Q'TY / PACK	REMARKS
1	6LJ15168100	CARRIGE-1-H160S	1	1/S	
2	6LH56683000	HLDR-WH-CRG1-H16X_N	1	1/P	
3	6LJ18968000	LAMP-SCN-LED-160	1	1/PP	
4	6LE46323000	FOOT-CRG-410	4	5/P	
6	X0-02230000	S/FHEXM-M3X6-NI	2	10/P	
7	6LJ18967000	HRNS-SCN-LED-160	1	1/P	



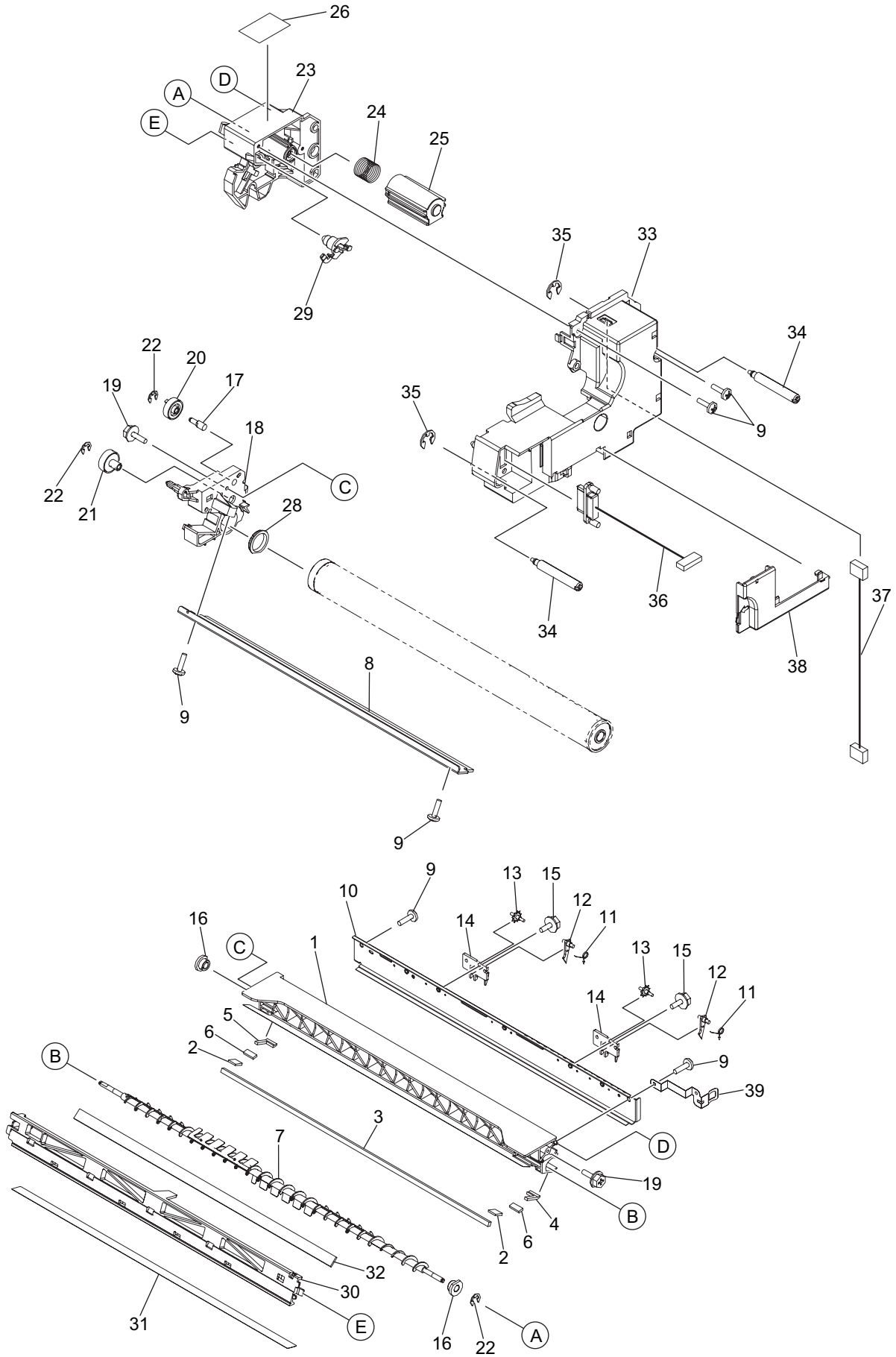
ITEM No.	PART No.	PART NAME	Q'TY / PAGE	Q'TY / PACK	REMARKS
1	6LJ15170000	CARRIGE-2-H160S	1	1/S	
2	6LH56685000	GUIDE-WH-CRG2-H16X_N	1	1/P	
3	6LE46323000	FOOT-CRG-410	4	5/P	
4	X0-00077000	S/PAN/SWWP-M3X8-NI	1	10/P	
5	X0-02230000	S/FHEXM-M3X6-NI	2	10/P	
6	6LH56526000	ASYS-PLY-CRG2F-470	1	1/P	
7	6LH56527000	ASYS-PLY-CRG2R-470	1	1/P	



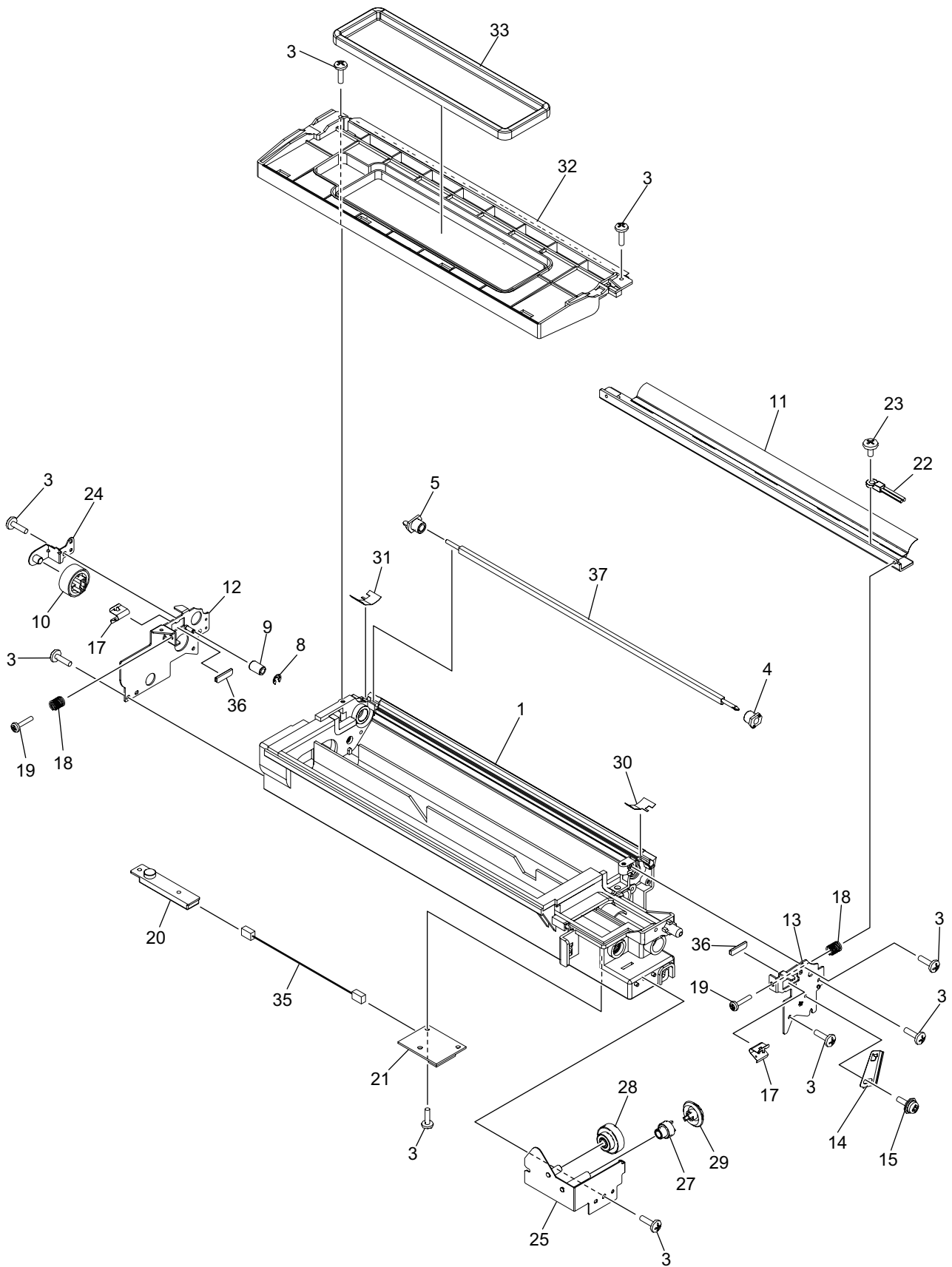
ITEM No.	PART No.	PART NAME	Q'TY / PAGE	Q'TY / PACK	REMARKS
1	6LH5580000	ASYB-CH-M-471	1	1/C	
2	6LA84915000	TERM-CH-M-R	1	1/P	
3	6LA84910000	TERM-CH-M-F	1	1/P	
4	X0-02247000	S/TPP/FHEXM-3X8-NI	2	10/P	
5	6LA84922000	SPL-CH-M-R	1	1/P	
6	6LH25001000	CH-M	1	1/KP	
7	6LA84935000	SPRING-TENS-CH	1	5/P	
8	4401764730	HANGER-WIRE-TR	1	1/P	
9	6LH29501000	LID-CH-M-R	1	1/P	
10	6LA84944100	LID-CH-M-F_16X	1	1/P	
11	6LA84930000	GRID-CH-M-371	1	1/KP	
12	6LA84950000	SPE-GR	1	5/P	
13	6LA84938100	ROD-CLN-CH-G	1	1/D	
14	6LA84941000	MYLAR-CLN-CH	1	5/P	
15	6LH55807000	MYLAR-WALL-CH	1	1/KP	
16	6LH55801000	CASE-CH-M-470	1	1/P	
17	6LA84957000	MYLAR-LED	1	1/KP	



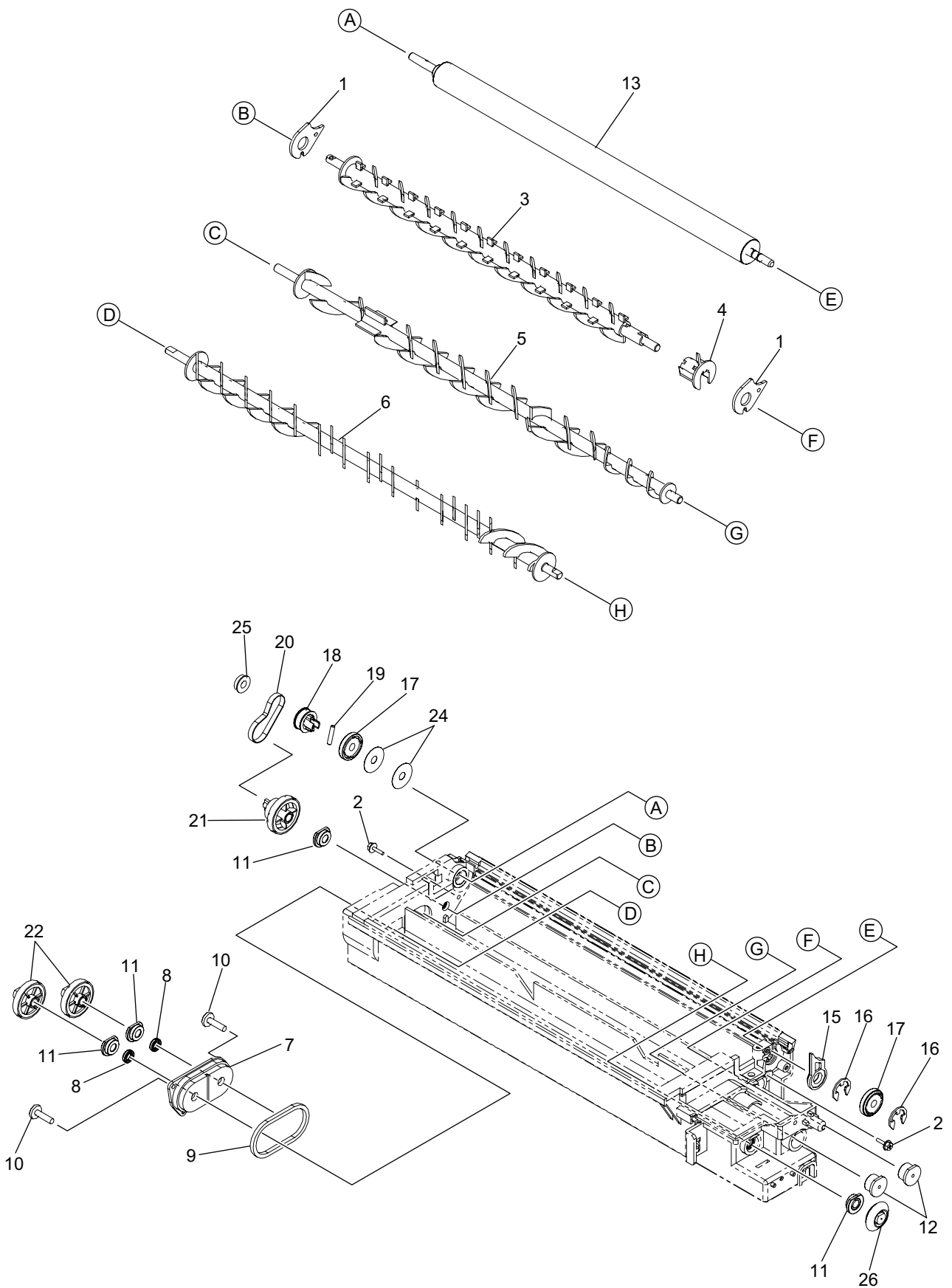
ITEM No.	PART No.	PART NAME	Q'TY / PAGE	Q'TY / PACK	REMARKS
1	6LH57303000	ASYB-CH-TR-470	1	1/C	
2	6LH57300000	GUIDE-TRU-470	1	1/PP	
3	6LH57327000	SHEET-TRU-GUIDE	1	1/KP	
4	6LH57329000	PLATE-TRU	1	1/P	
5	6LH58423000	CR-4530TR	1	1/S	
6	6LH57304000	BUSH-ROL-TRU	2	1/P	
7	6LH57330000	SPC-TERM-TRU	2	5/P	
8	6LH57334000	ROLL-GUIDE-TRU	2	1/P	
9	6LH57311000	GEAR-ROL-TRU	1	1/P	
10	6LH57316000	SPL-NEEDLE	1	1/P	
11	6LH57309000	ELCTRD-CHARGR	1	1/KP	
12	6LH57317000	COVER-NEEDLE	1	1/P	
13	6LA80090000	S/TPP/BID-3*8-NI	1	5/P	



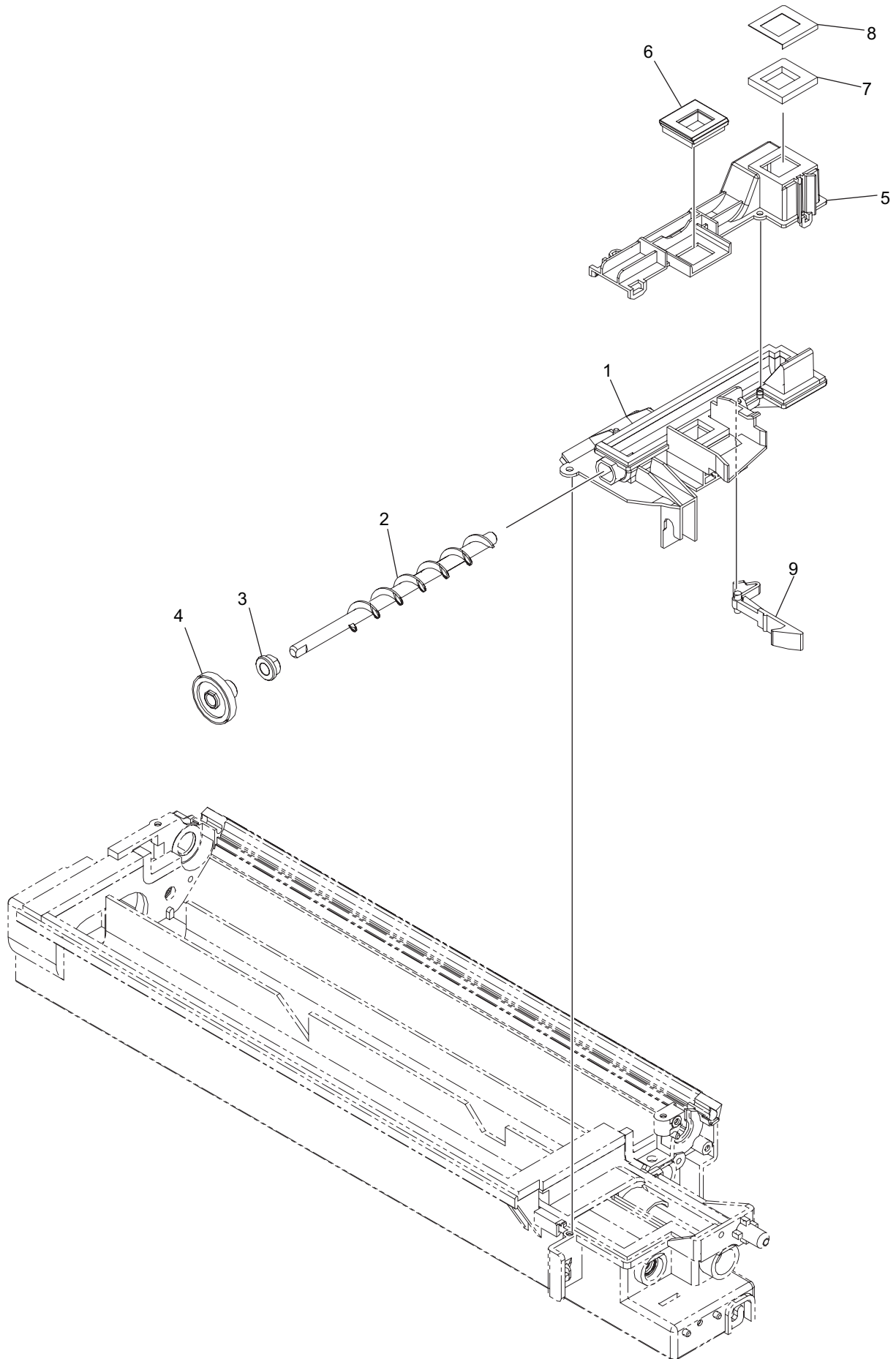
ITEM No.	PART No.	PART NAME	Q'TY / PAGE	Q'TY / PACK	REMARKS
1	6LH51919000	ASYS-FRAME-CLN-C-470	1	1/C	
2	6LA79547000	SEAL-BLADE-SIDE	2	1/P	
3	6LA79531000	SEAL-CLN-C	1	1/KP	
4	6LA79546000	SEAL-CLN-F	1	1/P	
5	6LA79586000	SEAL-CLN-R	1	5/P	
6	6LA79534000	SEAL-SIDE-REC	2	1/P	
7	6LH51918000	ASYS-AUGER-CLN-470	1	1/KP	
8	6LA27845000	BL-2320D	1	1/S	
9	6LA80090000	S/TPP/BID-3*8-NI	6	5/P	
10	6LE54020000	BLADE-REC	1	1/C	
11	41305536000	SPD-SCRPR-DRUM	2	1/P	
12	6LA79618000	SCRAPER-371	2	3/P	
13	41306325000	WHEEL-CLN-8	2	1/P	
14	6LA79615000	HOLDER-SCRAPER	2	1/P	
15	X0-02230000	S/FHEXM-M3X6-NI	2	10/P	
16	6LA02920000	BUSH-0410-05F-M	2	5/P	
17	6LA79554000	STUD-GEAR-CLN	1	1/P	
18	6LH51913000	FRAME-CLN-R	1	1/P	
19	X0-02247000	S/TPP/FHEXM-3X8-NI	2	10/P	
20	6LA79606000	GEAR-10S17-4	1	1/P	
21	6LA79605000	GEAR-10S18-4	1	1/P	
22	X0-00974000	RR/E-2.5-SS	3	10/P	
23	6LH51907000	ASYS-FRAME-CLN-F	1	1/PP	
24	6LA79612000	SPC-NZL-CLN	1	1/P	
25	6LA79609000	SHUTTER-CLN	1	1/P	
26	6LH88031000	LBL-HNDL-CLNR	1	5/P	
28	41306135000	BUSH-1821*03-M	1	1/P	
29	6LH51906000	PIN-DRUM-470	1	1/P	
30	6LH23220000	HLDR-LED	1	1/PP	
31	6LH29503000	MYLAR-HLDR-LED	1	1/KP	
32	6LH27027000	PWA-F-DLE-280V	1	1/C	
33	6LH51901000	COV-PU-F-471	1	1/P	
34	6LE56120000	SCREW-PU-F	2	1/P	
35	X0-00965000	RR/E-4-SS	2	10/P	
36	6LH61384000	HRNS-EPU-471	1	1/P	
37	6LH61353000	HRNS-DLE2-471	1	1/P	
38	6LH51909000	COVER-CNCT-PU	1	1/P	
39	6LH51922000	SPL-EARTH-BLADE-REC	1	1/P	



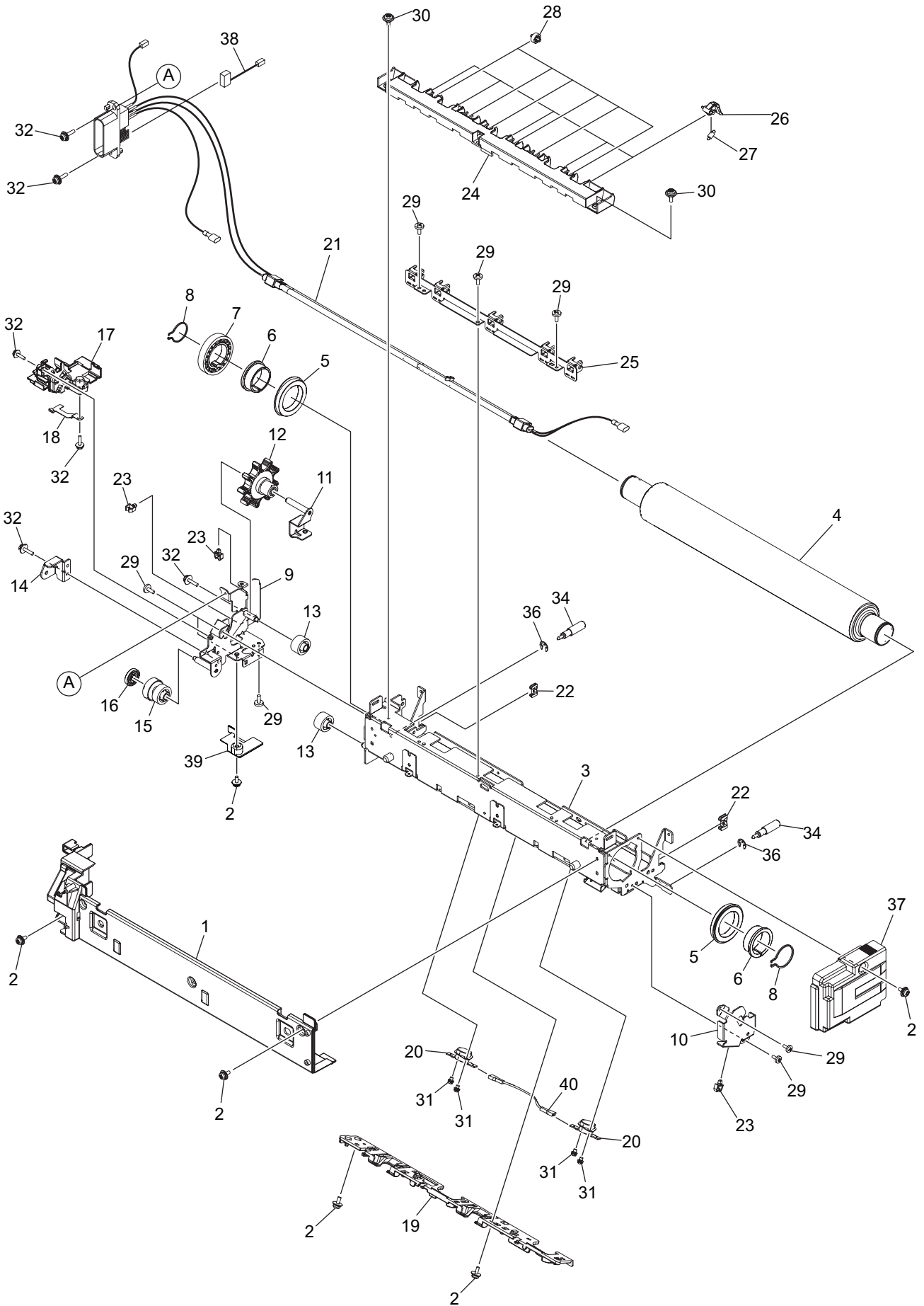
ITEM No.	PART No.	PART NAME	Q'TY / PAGE	Q'TY / PACK	REMARKS
1	6LH53425000	ASYS-CASING-DEV	1	1/PP	
3	6LA80090000	S/TPP/BID-3*8-NI	9	5/P	
4	6LH53441000	BUSH-RE-ROL-F	1	1/P	
5	6LH53410000	BUSH-RE-ROL-R	1	1/P	
8	X0-00963000	RR/E-2-SS	1	10/P	
9	6LH53470000	COLLER-DEV-TENS-470	1	1/P	
10	6LH53454000	GEAR-10S23-6	1	1/P	
11	6LH53408000	ASYS-DOCTOR-470	1	1/KP	
12	6LH53463000	ASYS-BKT-DEV-R-471	1	1/P	
13	6LH53411000	BRKT-DEV-F-470	1	1/P	
14	6LH53455000	ADJUSTER-MG-470	1	1/P	
15	X0-00077000	S/PAN/SWWP-M3X8-NI	1	10/P	
17	6LH53468000	SPL-DOCTOR	2	1/P	
18	4400672520	SPC060-065-0130	2	1/P	
19	6LA81610000	SCREW-DOCTOR-371	2	10/P	
20	6LE63990000	SNR-ATC-280	1	1/D	
21	6LH60411000	ASYB-EPU-470	1	1/SB	
22	6LE78194000	THMS-DRM-364	1	1/P	
23	X0-01725000	S/BID-M3X5-BSNI	1	10/P	
24	6LH53430000	ASYS-DRV-DEV-473	1	1/P	
25	6LH53422000	ASYS-DRV-RECY-470	1	1/P	
27	6LA81888000	GEAR-8S15-6	1	1/P	
28	6LE55980000	GEAR-8S29_8S18-6	1	1/P	
29	6LA81881000	GEAR-10B22-6-CUP	1	1/P	
30	6LH53447000	SHEET-SIDE-DEV-F	1	1/P	
31	6LH53448000	SHEET-SIDE-DEV-R	1	1/P	
32	6LH53406000	ASYS-COV-DEV-470	1	1/PP	
33	6LA81700000	COVER-DEV-BTL-371	1	1/P	
35	6LH61340000	HRNS-ATS-471	1	1/P	
36	6LH53467000	MYLAR-DOC-SLIDE	2	5/P	
37	6LH53440000	WALL-JOINT	1	1/P	



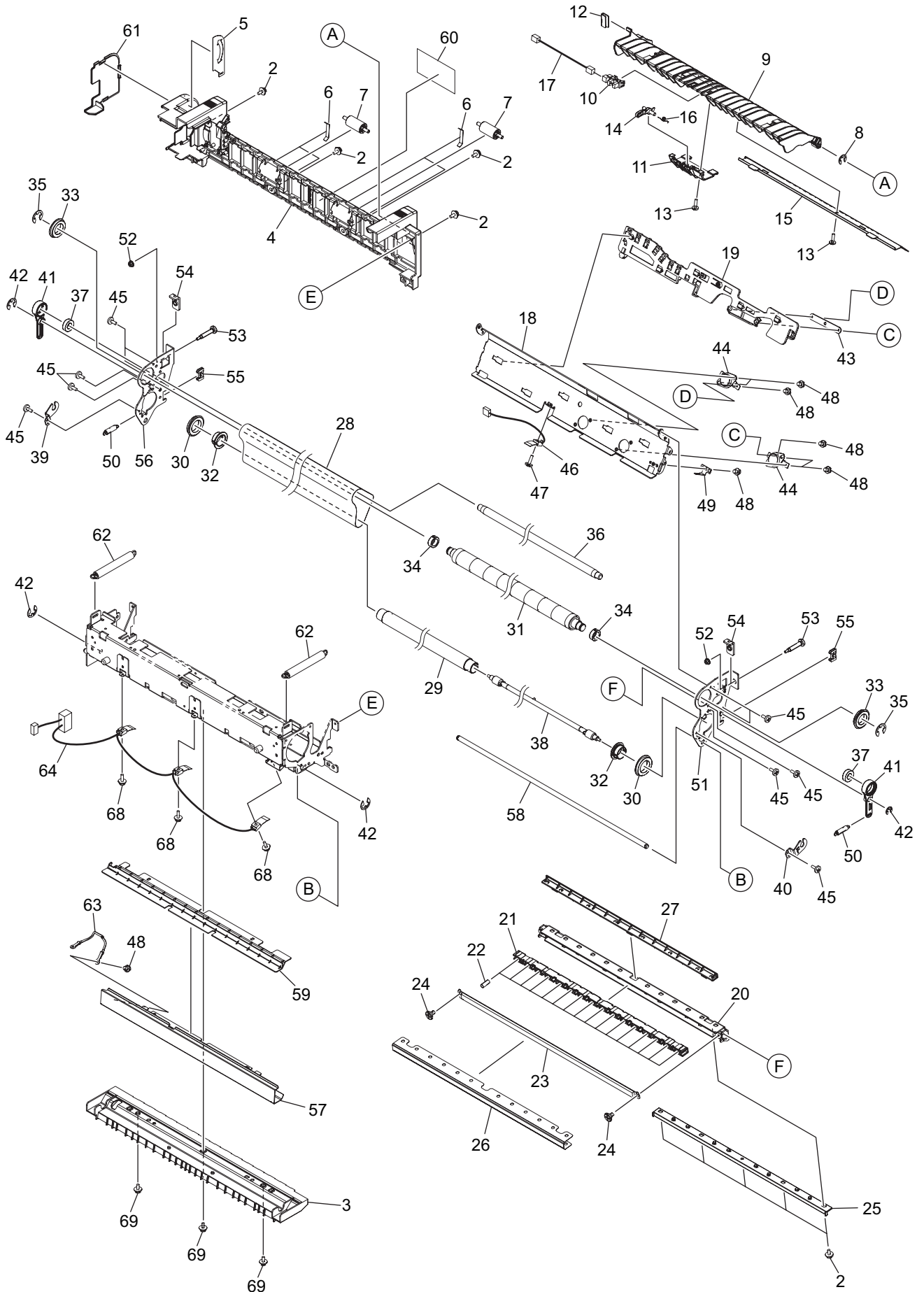
ITEM No.	PART No.	PART NAME	Q'TY / PAGE	Q'TY / PACK	REMARKS
1	6LA81632000	PLATE-SIDE	2	1/P	
2	X0-02232000	S/FHEXM-M3X10-NI	2	10/P	
3	6LA81635000	MIXER-1-371	1	1/C	
4	6LA81636000	SPACER-MIX	1	1/P	
5	6LH23230000	ASYS-MIXER-2-284	1	1/KP	
6	6LH23233000	MIXER-3-284	1	1/C	
7	6LE55966000	BUSH-DEV-R-280	1	1/P	
8	4401949290	SEAL-VC6-10-2.5	2	1/P	
9	6LE55967000	SEAL-BUSH-DEV-R	1	1/P	
10	6LA80090000	S/TPP/BID-3*8-NI	2	5/P	
11	6LH23441000	BUSH-6X12X4R8F-NU4	4	5/P	
12	6LA81645000	ASYS-BUSH-0613-07	2	1/P	
13	6LH53412000	ROLLER-MG-470	1	1/KP	
15	6LH53414000	BUSH-DEV-470	1	1/P	
16	X0-00965000	RR/E-4-SS	2	10/P	
17	6LJ12600000	ROLL-GUIDE-H16X	2	1/P	
18	6LH53413000	PULLY-2GT22-6	1	1/P	
19	X0-00980000	P/PRL/AH7-2X10-SS	1	10/P	
20	6LH53427000	BLT-T-2GT-88-40	1	1/P	
21	6LH53435000	GEAR-10S27_P2GT18-6	1	1/P	
22	6LH53426000	GEAR-10S27-6	2	1/P	
24	6LH53471000	POLYSLIDER-DEV-R	2	5/P	
25	F0-01946000	F126ZZ-SH44M-GV22	1	1/P	
26	6LA81685000	GEAR-10B22-6	1	1/P	



ITEM No.	PART No.	PART NAME	Q'TY / PAGE	Q'TY / PACK	REMARKS
1	6LH53404000	ASYS-COV-NOZLE-470	1	1/P	
2	6LH53417000	AUGER-RECY-470	1	1/P	
3	44201492000	BUSH-6-POM	1	5/P	
4	6LA81936000	GEAR-8S22-6	1	1/P	
5	6LH53458000	COVER-RECY-470	1	1/P	
6	6LH53420000	ASYS-TNR-IN-470	1	1/P	
7	6LA81953000	SEAL-RECY-CLN	1	1/P	
8	6LA81952000	MYLAR-RECY-CLN	1	1/P	
9	6LA81707000	STOPPER-LID-371	1	1/P	

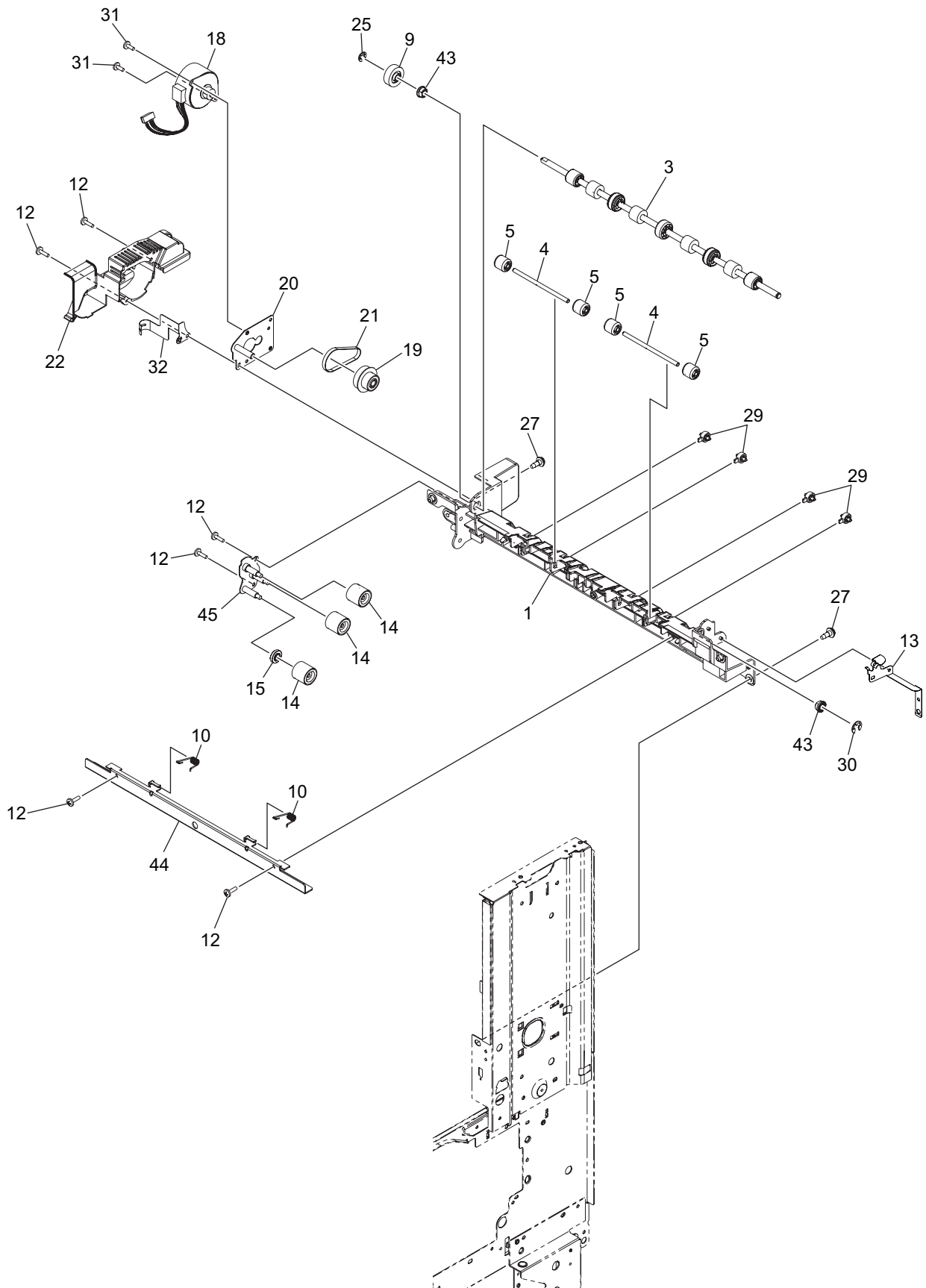


ITEM No.	PART No.	PART NAME	Q'TY / PAGE	Q'TY / PACK	REMARKS
1	6LJ31896000	COV-FUS-HR-H20X	1	1/PP	
2	X0-00060000	S/PAN/SWWP-M3X6-NI	6	10/P	
3	6LJ32005000	ASYS-FRAME-RLHT-H20X-SEP2	1	1/P	
4	6LJ35440000	HR-3030-U	1	1/S	
5	6LJ31994000	6806ZZS1C44B	2	1/P	
6	6LJ31805000	COLLAR-HR-H20X	2	1/P	
7	6LJ31921000	GEAR-10H43-26-HR-H20X	1	1/P	
8	6LJ31957000	RING-C-26	2	1/P	
9	6LJ32025000	ASYS-HR-DRV-H20X	1	1/P	
10	6LJ31934000	BRKT-HR-LAMP-FRT-H20X	1	1/P	
11	6LJ31909000	ASYS-BRKT-HANDL-H20X	1	1/P	
12	6LJ31918000	HANDL-FUSER-H20X	1	1/P	
13	6LJ31781000	GEAR-10H18-6-HR-H20X	2	1/P	
14	6LJ31780000	BRKT-HR-IDLE-H20X	1	1/P	
15	6LJ31782000	GEAR-10H21_10H20-6-H20X	1	1/P	
16	6LH24605000	ROL-IDLE-FUS-284	1	1/P	
17	6LJ31950000	ASYS-GUIDE-HRNS-RER-H20X	1	1/P	
18	6LJ31938000	PLATE-BIAS-GUIDE-ENT-H20X	1	1/P	
19	6LJ32027000	GUIDE-HRNS-HR-H20X	1	1/PP	
20	6LJ32028000	THRMST-HTR-H20X	2	1/D	
21 A	6LJ32021000	LAMP-HR-DUAL-H20X-115	1	1/C	NAD ASD,AUD,MJD
21 B	6LJ31970000	LAMP-HR-DUAL-H20X-230	1	1/C	
22	F0-01845000	ES-0510-46	2	1/P	
23	F0-00270000	UAMS-05L-0-46	3	10/P	
24	6LJ31992000	COVER-UPR-HR-FUS-H20X	1	1/PP	
25	6LJ31929000	BRKT-SCRAPR-FUSER-H20X	1	1/P	
26	6LJ58059000	SCRAPER-HR-H210	5	2/P	
27	6LH36375000	SPG-E-SCRPF-450	5	1/P	
28	6LE25931000	ROLL-FUS-GUIDE	6	1/P	
29	X0-00430000	S/BID-M3X6-NI	8	10/P	
30	6LA08937000	SCREW-BKT-DEV	2	10/P	
31	6LH55301000	USUITA-SEMS-3X5-6	4	5/P	
32	X0-00094000	S/PAN/SWWP-M3X10-NI	6	10/P	
34	6LJ31891000	SCREW-FUS-H20X	2	1/P	
36	X0-00965000	RR/E-4-SS	2	10/P	
37	6LJ31913000	COVER-FUSER-FRT-H20X	1	1/P	
38	6LJ33917000	HRNS-FUS-DRW-200	1	1/P	
39	6LJ32017000	COVER-BIAS-PLATE	1	1/P	
40	6LJ33919000	HRNS-FUS-HTR-TH-200	1	1/P	

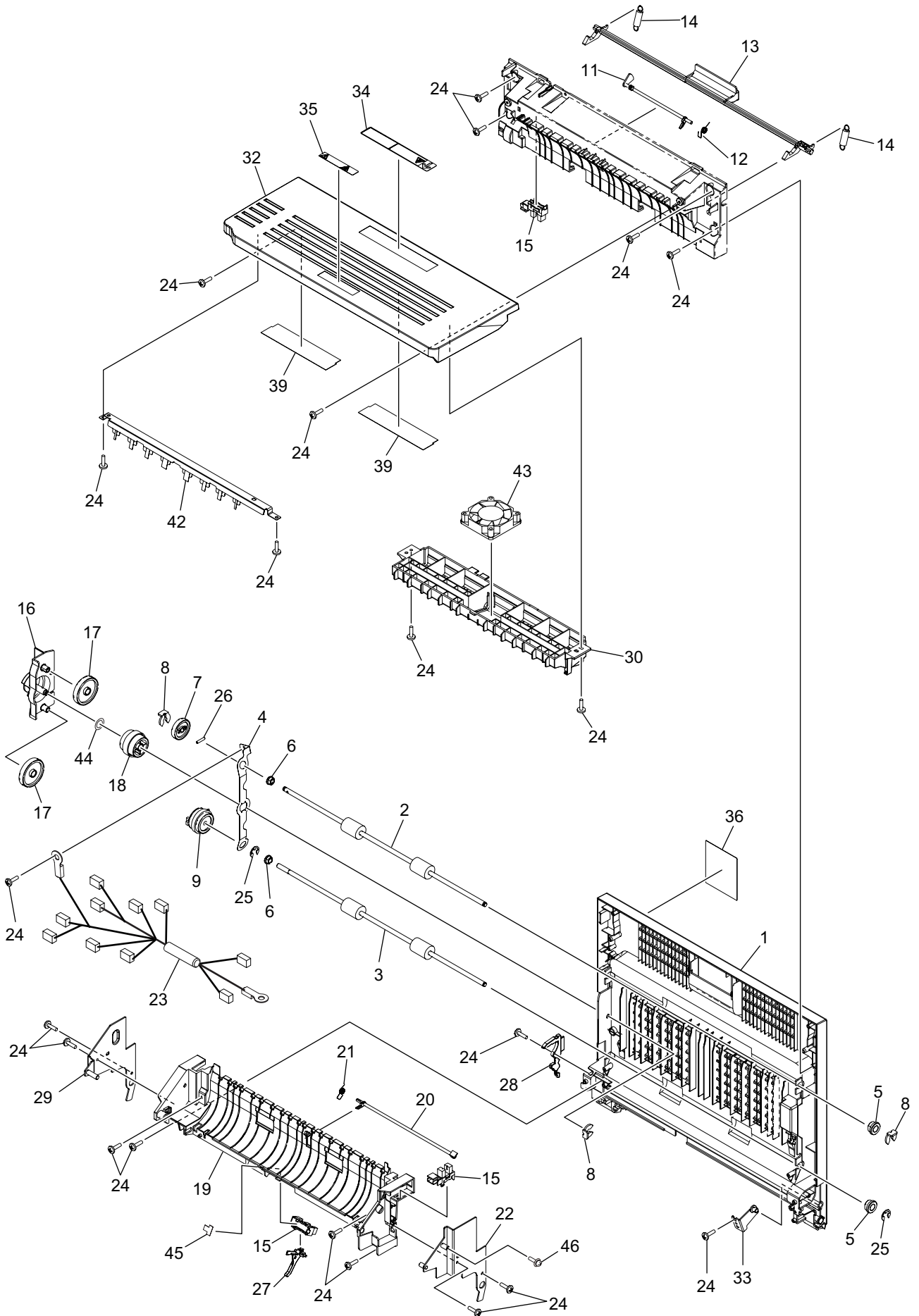


ITEM No.	PART No.	PART NAME	Q'TY / PAGE	Q'TY / PACK	REMARKS
2	X0-00060000	S/PAN/SWWP-M3X6-NI	9	10/P	
3	6LJ31915000	COVER-GUIDE-IN-FUS-H20X	1	1/PP	
4	6LJ31943000	ASYS-COVER-PRS-FUS-H20X	1	1/C	
5	6LJ31980000	LBL-O-HANDL-JAM-H20X	1	1/P	
6	6LH55245000	PLT-SP-IDLE-47X	4	1/D	
7	41316101000	ROLL-TRANS-IDLE	2	1/P	
8	X0-00965000	RR/E-4-SS	1	10/P	
9	6LJ31910000	GUIDE-OPN-FUS-H20X	1	1/PP	
10	C0-15712000	LG248D2	1	1/D	
11	6LJ31899000	COVER-SNSR-EXIT-FUS-H20X	1	1/P	
12	6LJ31763000	SHEET-GUIDE-OPN-FUS-H20X	1	1/KP	
13	6LA80090000	S/TPP/BID-3*8-NI	2	5/P	
14	6LJ31924000	ACTR-EXIT-FUS-H20X	1	1/P	
15	6LJ31927000	BRKT-GUIDE-OPN-FUS-H20X	1	1/P	
16	6LJ32032000	SPG-T-ACTR-S-H20X	1	5/P	
17	6LJ33918000	HRNS-EXIT-SW-200	1	1/P	
18	6LJ31941000	FRAME-PRS-C-H20X	1	1/P	
19	6LJ31900000	GUIDE-HRNS-PRS-H20X	1	1/PP	
20	6LJ31911000	ASYS-FRAME-PAD-H20X	1	1/P	
21	6LJ31914000	HLDR-SPG-PAD-H20X	1	1/KP	
22	6LJ31990000	SPG-C-PAD-H20X	16	1/P	
23	6LJ31958000	ASYS-PAD-H20X	1	1/KP	
24	6LJ31965000	SCREW-PR-PAD-H20X	2	1/P	
25	6LJ31919000	PLATE-SEAT-LOW-H20X	1	1/P	
26	6LJ31959000	SHEET-PAD-H20X	1	1/KP	
27	6LJ31917000	PLATE-SEAT-UP-H20X	1	1/PP	
28	6LJ35442000	BT-3030-FU	1	1/S	
29	6LJ32030000	RLR-BELT-HEAT-S-H20X-CRW	1	1/KP	
30	6LJ31995000	6803ZZNRS1C4KZ	2	1/P	
31	6LJ35441000	HR-3030-L	1	1/S	
32	6LJ31923000	STOPPER-BUSH-BELT-H20X	2	1/P	
33	F0-01976000	6802ZZNRS1C4KZ	2	1/P	
34	6LJ31925000	BUSH-RLR-PRS-H20X	2	1/P	
35	X0-00970000	RR/E-9-SS	2	10/P	
36	6LJ31963000	RLR-TENSION-H20X	1	1/KP	
37	F0-01973000	L-1680HHRP0P25LY551	2	5/P	
38 A	6LJ32022000	LAMP-PR-H20X-115	1	1/C	NAD ASD,AUD,MJD
38 B	6LJ31972000	LAMP-PR-H20X-230	1	1/C	
39	6LJ31937000	BRKT-LAMP-PRS-RER-H20X	1	1/P	
40	6LJ31939000	BRKT-LAMP-PRS-FRT-H20X	1	1/P	
41	6LJ31926000	ARM-TENSION-BELT-H20X	2	1/P	
42	X0-00966000	RR/E-5-SS	4	10/P	
43	6LJ31935000	PLATE-THRMST-PRS-H20X	1	1/P	
44	6LJ32029000	THRMST-PRS-H20X	2	1/D	
45	X0-00430000	S/BID-M3X6-NI	10	10/P	
46	6LJ33712000	THMS-PRS-H200	1	1/C	
47	X0-00434000	S/BID-M3X8-NI	1	10/P	
48	6LH55301000	USUITA-SEMS-3X5-6	8	5/P	
49	6LJ31940000	PLT-BELT-EARTH-H20X	1	1/P	
50	6LJ32020000	SPG-TENSION-BELT-14-H20X	2	1/P	
51	6LJ31946000	ASYS-ARM-PRS-FRT-H20X	1	1/P	
52	6LJ02527000	NUT-FUS-PR-LEFT-H14X	2	5/P	
53	6LJ31964000	SCREW-PRS-SPG-H20X	2	1/P	
54	6LJ31936000	BRKT-SPG-TENSION-H20X	2	1/P	
55	F0-01845000	ES-0510-46	2	1/P	
56	6LJ31945000	ASYS-ARM-PRS-RER-H20X	1	1/P	
57	6LJ31904000	GUIDE-FUS-H20X	1	1/PP	
58	6LJ31843000	SHAFT-FUSER-PRS-6-H20X	1	1/P	
59	6LJ31916000	SPACER-GUIDE-IN-H20X	1	1/PP	
60	6LH55288000	LBL-W-HOT-47X-UE	1	1/P	
61	6LJ31920000	COVER-FUSER-RER-H20X	1	1/P	
62	6LJ31993000	SPG-FUS-H20X-100	2	1/P	
63	6LJ33920000	HRNS-BELT-HV-200	1	1/P	

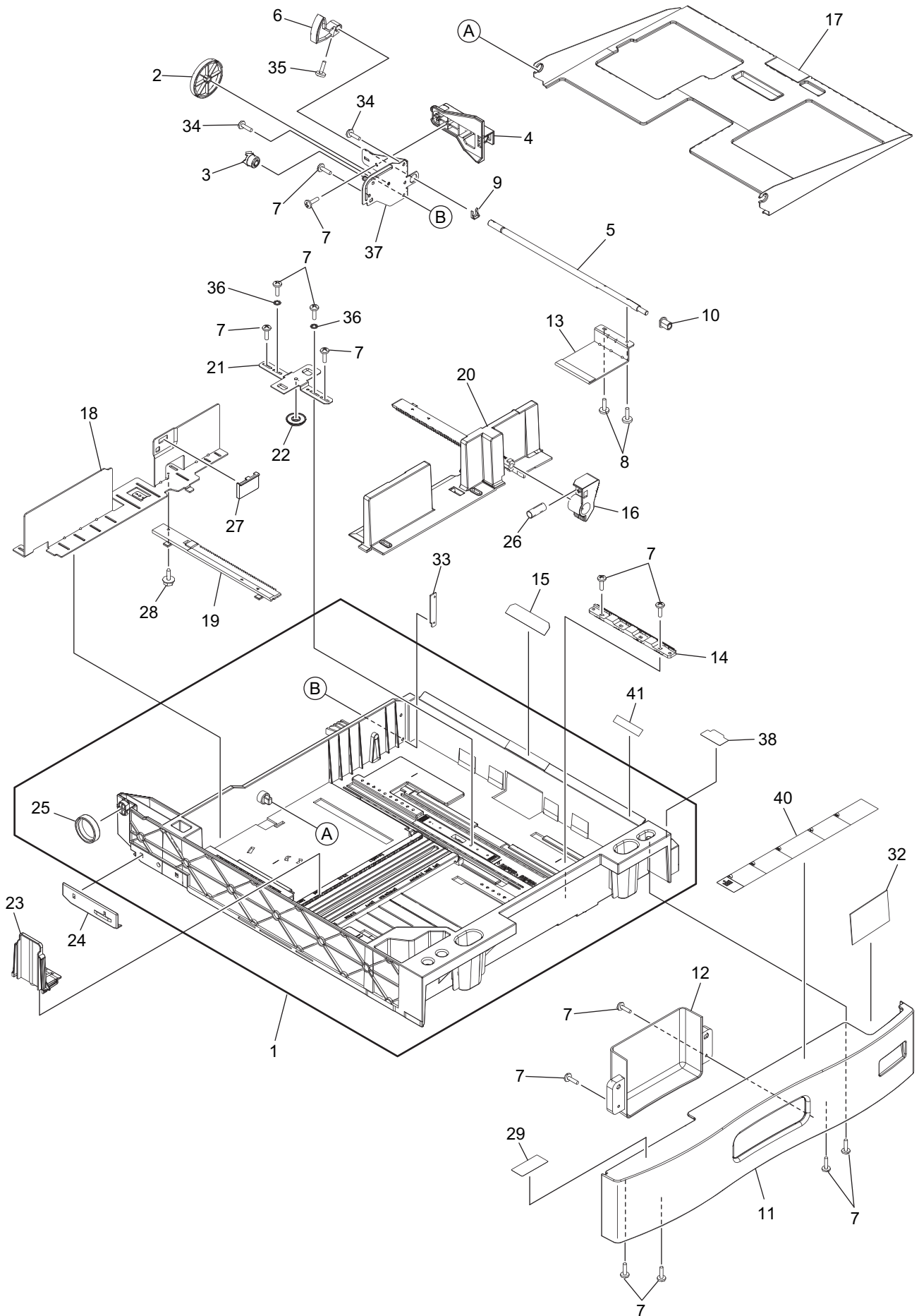
ITEM No.	PART No.	PART NAME	Q'TY / PAGE	Q'TY / PACK	REMARKS
64 68 69	6LJ33711000 X0-00094000 X0-00077000	THMS-HTR-H200 S/PAN/SWWP-M3X10-NI S/PAN/SWWP-M3X8-NI	1 3 3	1/C 10/P 10/P	



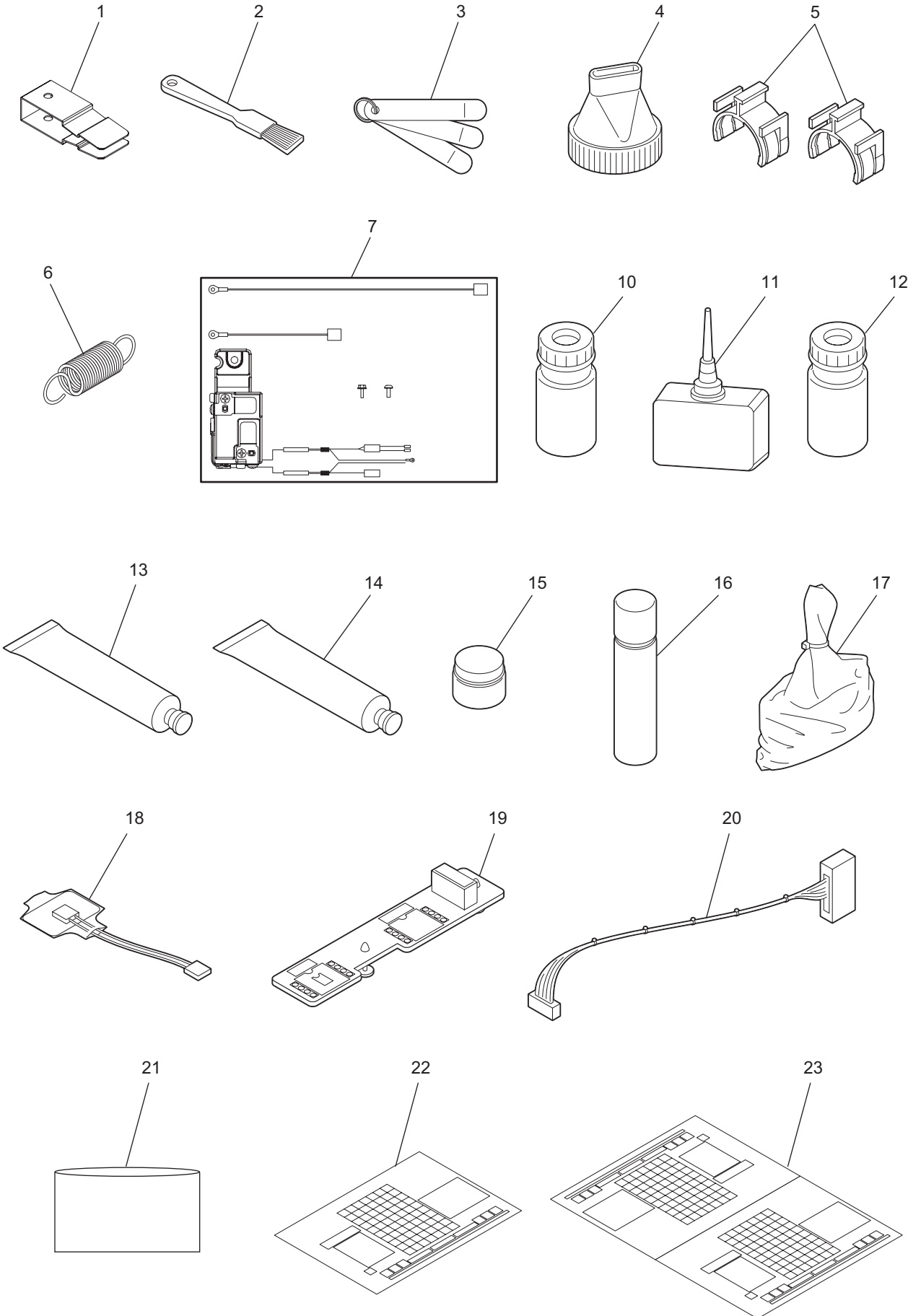
ITEM No.	PART No.	PART NAME	Q'TY / PAGE	Q'TY / PACK	REMARKS
1	6LJ31108000	GUIDE-EXIT-H20X	1	1/PP	
3	6LJ31124000	ASYB-ROLL-EXIT-H20X	1	1/KP	
4	6LE58600000	SFT-EXIT-IDLE-280	2	1/P	
5	44203198000	ROLL-EXIT-L-320	4	1/P	
9	44202975000	GEAR-EXIT-U	1	1/P	
10	6LJ31123000	SPG-T-EXIT-H20X	2	1/P	
12	6LA80090000	S/TPP/BID-3*8-NI	6	5/P	
13	6LJ31132000	SPL-T-EARTH-EXIT-IN-H20X	1	1/P	
14	6LJ31115000	GEAR-10S27-6	3	1/P	
15	6LJ31112000	ROL-IDL-EXIT-H20X	1	1/P	
18	6LA82692000	ASYS-MOTR-S-EXIT-371	1	1/C	
19	6LH54013000	GEAR-10S16_PS2M40-6-S	1	1/P	
20	6LH54012000	ASYS-BRKT-MOT-EXIT-471	1	1/P	
21	6LH54367000	BLT_SY-S2M-128-4	1	1/P	
22	6LJ31122000	DUCT-EXIT-MOT-H20X	1	1/C	
25	X0-00964000	RR/E-3-SS	1	10/P	
27	6LA36276000	SCREW-M3-FUS-C	2	5/P	
29	6LE58505000	ROLL-GUIDE-EXIT-280	4	1/P	
30	X0-00966000	RR/E-5-SS	1	10/P	
31	X0-02069000	S/TPS/BID-3X6-ZU3	2	10/P	
32	6LJ31113000	PLT-EARTH-EXIT-H20X	1	1/C	
43	6LH53768000	BUSH-6-NU4	2	1/P	
44	6LJ31111000	PLT-RNF-EXIT-H20X	1	1/P	
45	6LJ31121000	ASYS-BRKT-EXIT-OP	1	1/P	



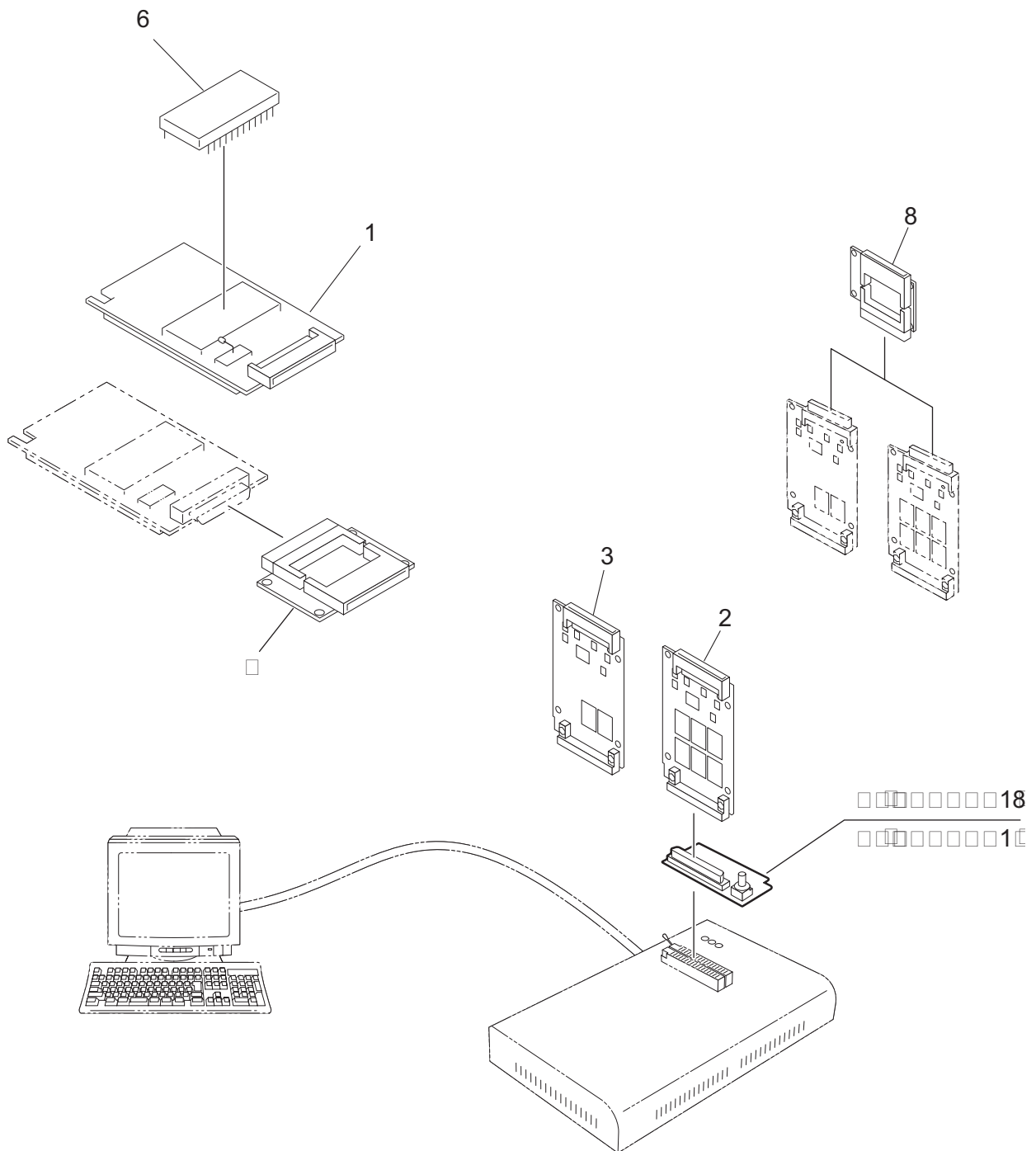
ITEM No.	PART No.	PART NAME	Q'TY / PAGE	Q'TY / PACK	REMARKS
1	6LH51200200	COVER-SIDE-47X-D	1	1/PP	
2	6LH51225000	ROLL-TRANS-ADU-U	1	1/KP	
3	6LH51226000	ROLL-TRANS-ADU-L	1	1/KP	
4	6LH51208000	PLT-EARTH-ADU-47X	1	1/C	
5	44201492000	BUSH-6-POM	2	5/P	
6	6LH53768000	BUSH-6-NU4	2	1/P	
7	6LA83114000	GEAR-10S028-06	1	1/P	
8	44201801000	STOP-RING-6-1.5	3	5/P	
9	6LH51224000	CLUTCH-50C-G28-6	1	1/D	
11	6LH51209000	ACTR-ADU-U-47X	1	1/P	
12	6LH51230000	SPG-T-ACT-ADU-1	1	5/P	
13	6LH51248100	LEVER-OPEN-47XMN	1	1/KP	
14	6LH51228000	SPG-C-COV-SIDE	2	1/P	
15	C0-17839000	LG2A14BL1	3	1/C	
16	6LH51232000	ASYS-COV-ADU-GEAR	1	1/P	
17	6LH51211000	GEAR-10S39-08	2	1/P	
18	6LH51210000	GEAR-10S28-6-D	1	1/P	
19	6LH51205000	FRAME-ADU-LOW-47X	1	1/PP	
20	6LH51215000	ACTR-ADU-L-47X	1	1/P	
21	6LH51229000	SPG-T-ACT-ADU-2	1	5/P	
22	6LH51217000	ASYS-HINGE-ADU-F	1	1/P	
23	6LJ33916000	HRNS-ADU-UNIT-200	1	1/P	
24	6LA80090000	S/TTP/BID-3*8-NI	21	5/P	
25	X0-00966000	RR/E-5-SS	2	10/P	
26	X0-00980000	P/PRL/AH7-2X10-SS	1	10/P	
27	6LH51413000	ACTR-P-EMP-SFB	1	1/P	
28	6LH51231000	COVER-HRNS-ADU	1	1/P	
29	6LH51216000	ASYS-HINGE-ADU-R	1	1/P	
30	6LJ31933000	GID-COV-EX-FAN-H20X	1	1/PP	
32	6LJ31930000	COVER-EXIT-FAN-H20X	1	1/PP	
33	6LH51438000	ASYS-BRKT-PT	1	1/P	
34	6LA75470000	LBL-HOT-COV	1	1/KP	
35	6LA82504000	LBL- W-HOT-EXIT371	1	5/KP	
36	6LH60035000	LBL-O-PLACE-COV-47X	1	1/P	
39	6LJ31966000	SHEET-GID-COV-EX-FAN	2	1/KP	
42	6LJ29112000	ASYS-STAY-ERS-H20X	1	1/P	
43	6LE09967000	FAND-6015-39X	1	1/D	
44	6LJ11202000	WAS-STWFT8050	1	1/P	
45	6LA85910000	MYLAR-SUPPORT-SNS	1	5/P	
46	X0-00060000	S/PAN/SWWP-M3X6-NI	1	10/P	



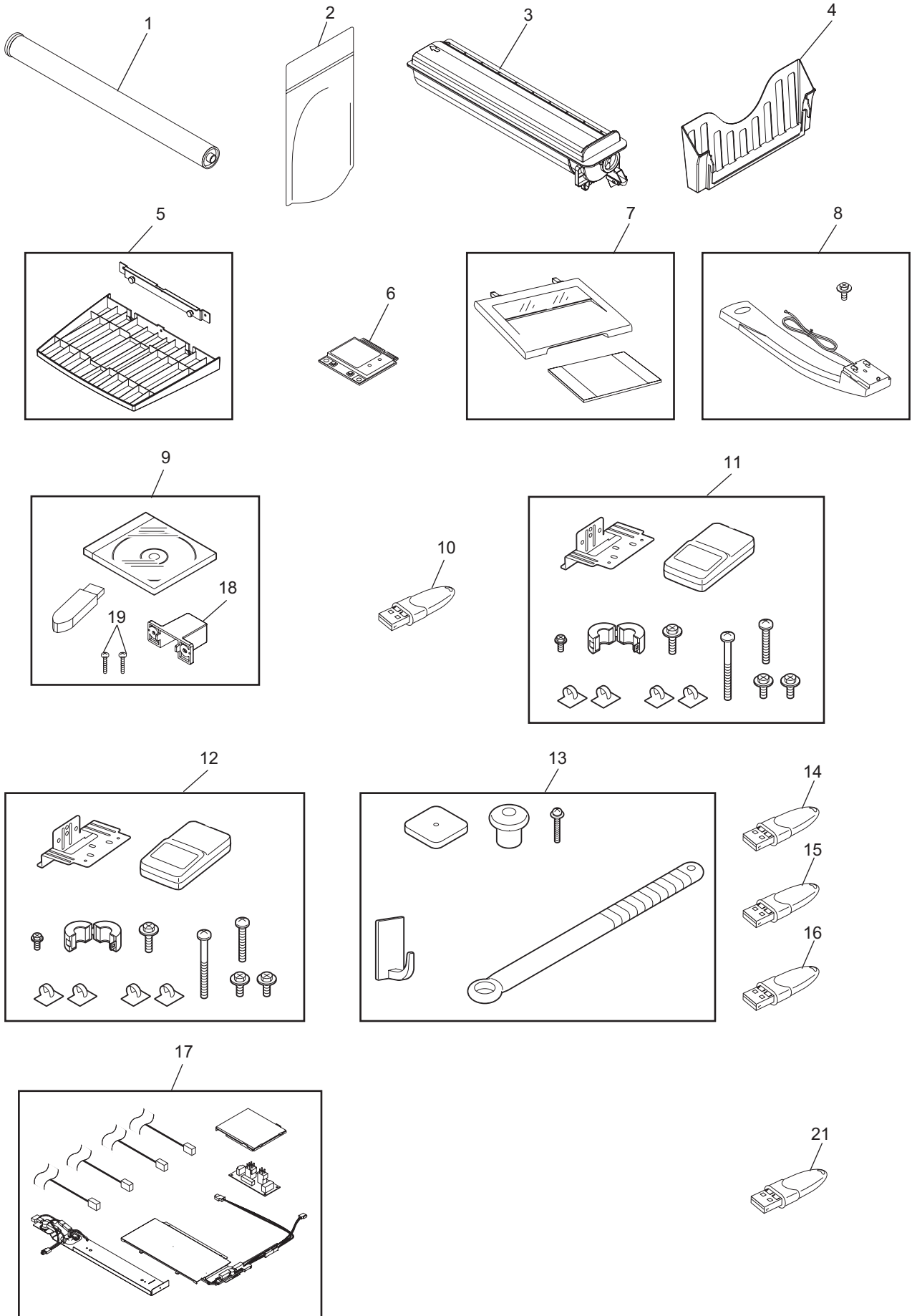
ITEM No.	PART No.	PART NAME	Q'TY / PAGE	Q'TY / PACK	REMARKS
1 A	6LH51654000	ASYB-CST-ROL-F47X_SR-A3	1	1/PP	Lower drawer
1 B	6LH51652000	ASYB-CST-ROL-F47X_LD-A3	1	1/PP	Upper drawer
2	6LH51606000	GEAR-DRV-TRAYUP	1	1/P	
3	6LH51605000	CPG-TRAY-UP	1	1/P	
4	6LH51625000	GUIDE-CST-RR	1	1/P	
5	6LJ11608000	SHAFT-LIFT-TRAY	1	1/P	
6	6LJ11607000	GEAR-DRV-TRAYUP-SHAFT	1	1/P	
7	6LA80090000	S/TPP/BID-3*8-NI	14	5/P	
8	X0-00434000	S/BID-M3X8-NI	2	10/P	
9	41306265000	STOP RING	1	1/P	
10	6LH51626000	BUSH-SFT-F47X	1	1/P	
11	6LH51611300	COVER-CST-F-470-EX	1	1/PP	
12	6LH51608400	COVER-HNDL-CST-ECO	1	1/P	
13	6LH51629000	LVR-LIFT-TRAY	1	1/P	
14	6LH51621000	WALL-STOP-F47X	1	1/P	
15	41307599000	SHEET-CST	1	1/KP	
16	6LH05704100	LVR-ADJUST-WALL_G	1	1/P	
17	6LH51640000	ASYS-TRAY-CST-F47X	1	1/PP	
18	6LH51619000	WALL-PLT-SIDE-R-CST	1	1/P	
19	6LH51609000	RACK-CST-R	1	1/P	
20	6LH51655000	WALL-SIDE-F-CST-F47X-U	1	1/KP	
21	6LH51614000	ASYS-PL-PININON-TRY	1	1/P	
22	6LE53717000	GEAR-10S18-8-TRAY	1	1/P	
23	6LH51610100	WALL-END-CST-H16X	1	1/P	
24	6LH51618000	GUIDE-RAIL-CST-L	1	1/P	
25	6LH51620000	RLR-RAIL-CST-L-F47X	1	1/P	
26	6LA56695000	SPC-LVR-WALL-F	1	1/P	
27	6LH51635100	CST-S-GUIDE-ECO	1	1/P	
28	X0-02420000	S/TPS/FHEXM/R-3X8-ZU3	1	10/P	
29	6LJ18019000	LBL_O-LD_H16X	1	1/P	
32 A	6LJ11606000	SIZE-CST-160-A4	1	1/P	ASD,AUD,MJD
32 B	6LJ11606100	SIZE-CST-160-LT	1	1/P	NAD
33	6LH51649000	ASYS-PLT-CUSH-CST	1	1/P	
34	X0-02135000	S/PAN/SWWP-M3X14-NI	2	10/P	
35	X0-02363000	S/PAN/SWWS-M4X10-NI	1	10/P	
36	X0-02116000	W/TH/A-3-SS	2	10/P	
37	6LH51612000	ASYS-FRM-DRV-CST	1	1/P	
38	6LH51657000	MYLAR-CST-BOSS	1	5/P	
40	6LJ29705000	LBL-INFO-CST-H20X	1	1/KP	
41	6LJ29704000	LBL-O-MAX-CST-H20X	1	1/P	



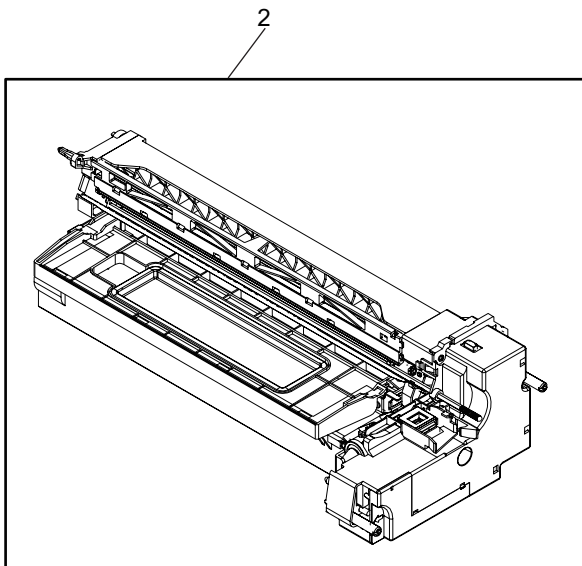
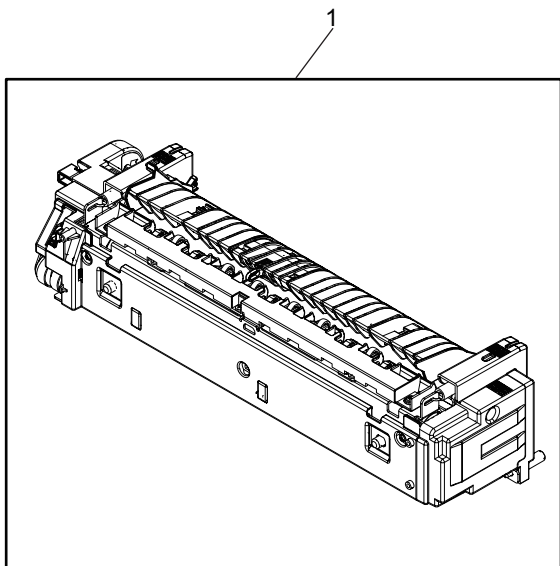
ITEM No.	PART No.	PART NAME	Q'TY / PAGE	Q'TY / PACK	REMARKS
1	4407915730	JIG-SW-F-COV	1	1/P	
2	4407915710	BRUSH-33	1	1/P	
3	4402048100	ASM-JIG-DOC-180	1	1/P	
4	4407914000	NOZZLE-BOTTLE	1	1/P	
5	6LA01757000	HOLDER-WIRE-SCAN	2	1/P	
6	44202661000	SPE-MOT-TNS	1	1/P	
7	6LH53488000	PU-TOOL-F47X	1	1/C	
10	4407933080	ASM-SILICONE-1M	1	1/P	
11	4842512170	OIL-LAUNA40-100	1	1/P	
12	6LA00019000	GREASE-HP300-S	1	1/P	
13	41303711000	ASM-PG-ALV2	1	1/P	
14	6LE36904000	MOLYKOTE_EM-30L_100G	1	1/P	
15	41303710000	ASM-PG-GE334C-S	1	1/P	
16	4408327820	K-BTL-SILICON-S	1	1/P	
17	4407015430	P-POWDER-PPT001	1	1/P	
18	6LH60423000	ASYB-SFUSE-470	1	1/C	
19	6LH60425000	ASYB-EPUADP-470	1	1/C	
20	6LH61449000	HRNS-EPUADP-471	1	1/P	
21	4408600920	BAG-DRUM	1	5/P	
22	6LE50524000	CHART-COLOR-A4	1	1/KP	
23	6LH17283000	CHART-COLOR-A3	1	1/KP	



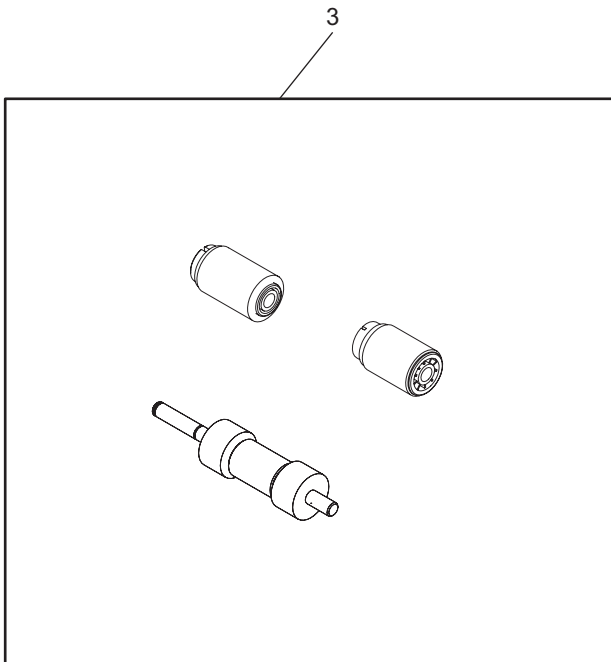
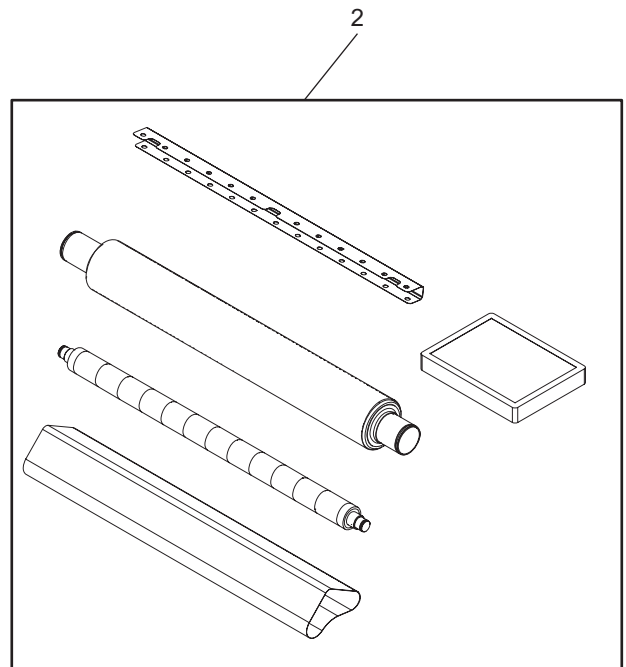
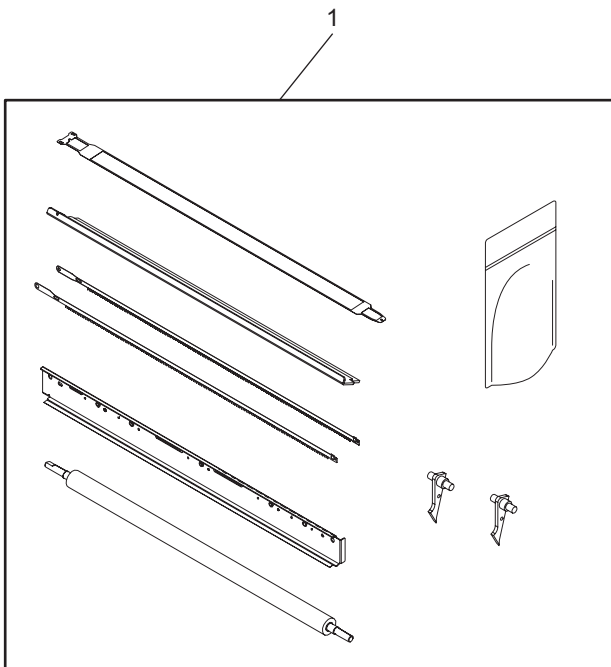
ITEM No.	PART No.	PART NAME	Q'TY / PAGE	Q'TY / PACK	REMARKS
1	6LH70381000	K-PWA-DLM-320F	1	1/C	
2	6LH09938000	PWA-DWNLD-JIG2F	1	1/C	
3	6LH09937000	PWA-DWNLD-JIG1F	1	1/C	
4	6LA41996000	PWA-DL-ADP-350-1881	1	1/S	
5	6LA41997000	PWA-DL-ADP-350-1931	1	1/C	For Model 1931
6	C0-04530000	M27C4001-10F1	1	1/S	
7	6LH09942000	PWA-DWNLD-RELAY-34F	1	1/C	
8	6LH09940000	PWA-DWNLD-RELAY-50F	1	1/C	



ITEM No.	PART No.	PART NAME	Q'TY / PAGE	Q'TY / PACK	REMARKS
1 A	6LH58311000	OD-4530	1	1/S	All w/o CND
1 B	6LH58311100	OD-4530C	1	1/S	CND
2	6LJ35439000	D-3030	1	1/S	
3 A	6AG00005385	PS-ZT3030E(1)	1	SUPPLY	Europe
3 B	6AG00005391	PS-ZT3030D(1)	1	SUPPLY	Australia,Asia
3 C	6AG00005394	PS-ZT3030U(1)	1	SUPPLY	North America
4	6AG00001893	KK-1660	1	SUPPLY	
5	6AR00000755	KK-4550	1	SUPPLY	
6	6A000001221	GN-1060	1	SUPPLY	
7	6AG00001102	KA-1640PC	1	SUPPLY	
8	6A000000459	GN-3010	1	SUPPLY	
9 A	6AG00003965	GM-1230	1	SUPPLY	Printer kit for eS256
9 B	6AG00003975	GM-2250	1	SUPPLY	Printer/Scanner kit for eS256
9 C	6AG00003995	GM-4230	1	SUPPLY	Scanner kit for eS256
10	6A000001051	GP-1070	1	SUPPLY	
11	6A000000878	KP-2004	1	SUPPLY	
12	6A000000925	KP-2005	1	SUPPLY	Mifare Card Reader
13	6A000001164	KK-2550	1	SUPPLY	
14	6A000001055	GS-1010	1	SUPPLY	
15	6A000001057	GS-1020	1	SUPPLY	
16	6A000001053	GP-1080	1	SUPPLY	
17 A	6AG00002780	MF-4550U	1	SUPPLY	NAD
17 B	6AG00002776	MF-4550E	1	SUPPLY	MJD
18	6LA60648000	COVER-ENABLER	1	1/P	
19	X0-01922000	S/TPP/BID-4X8-NI	1	10/P	
21	6A000001309	GS-1007	1	SUPPLY	



ITEM No.	PART No.	PART NAME	Q'TY / PAGE	Q'TY / PACK	REMARKS
1 A 1 B 2	6LJ32033000 6LJ32033200 6LH53491000	FUSER-3030-115 FUSER-3030-220 PU-3000	1 1 1	1/S 1/S 1/S	NAD ASD,AUD,MJD



ITEM No.	PART No.	PART NAME	Q'TY / PAGE	Q'TY / PACK	REMARKS
1 2 3	6LH59158000 6LJ32037000 6LH34608000	DEV-KIT-3030 FR-KIT-3030 PM-KIT-ROLLER	1 1 1	1/S 1/S 1/P	

TOSHIBA

TOSHIBA TEC CORPORATION

1-11-1, OSAKI, SHINAGAWA-KU, TOKYO, 141-8562, JAPAN