

**Setup
Installation
Instalación**

**Installazione
Instalação
Installatie**

**Asennus
Installasjon
Instalacja**

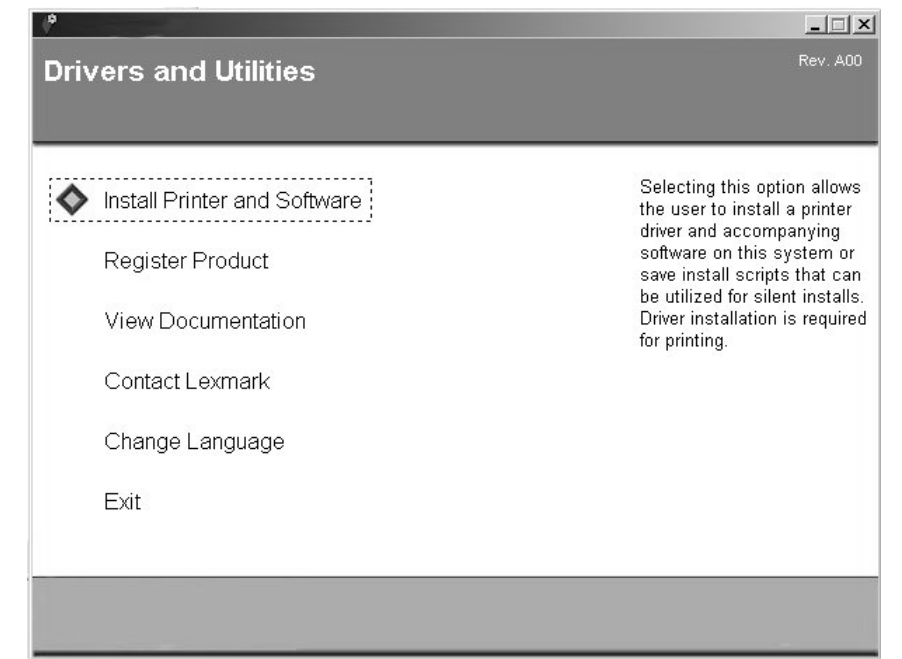
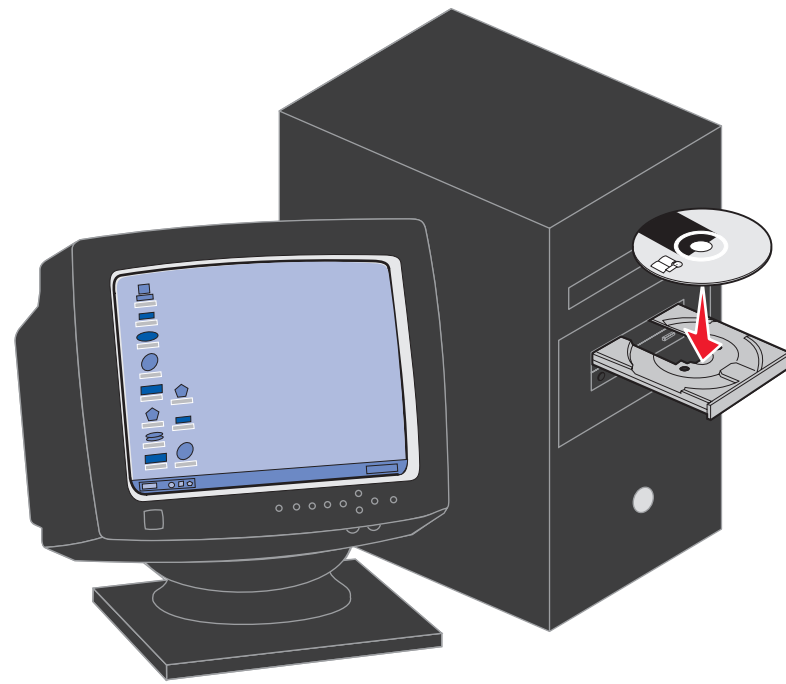
**Руководство
по установке**

**設置
安裝**

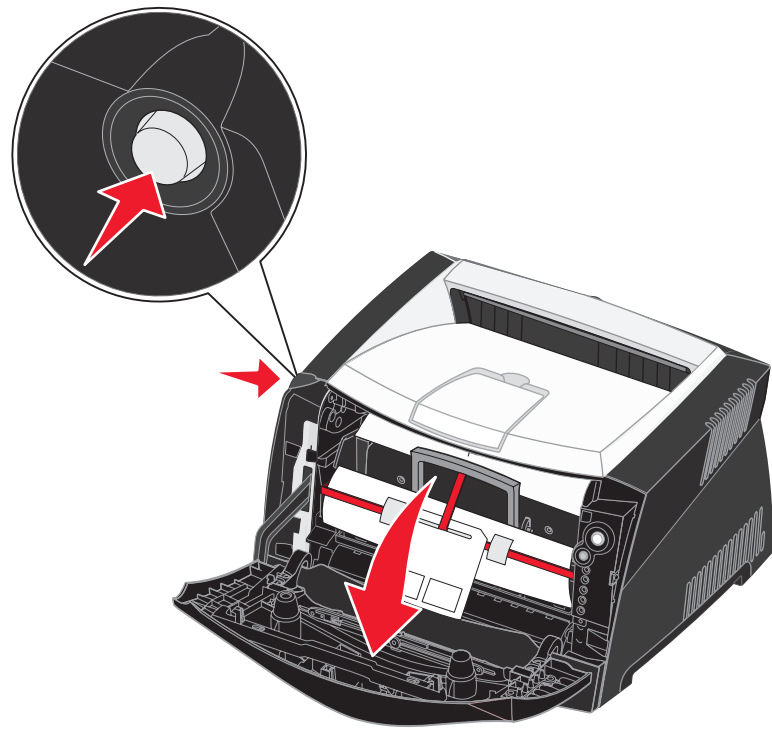
1



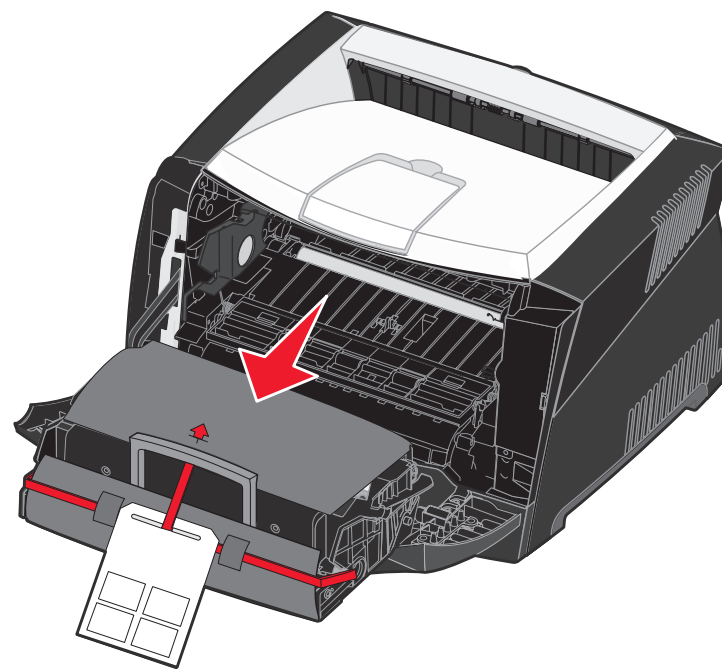
2



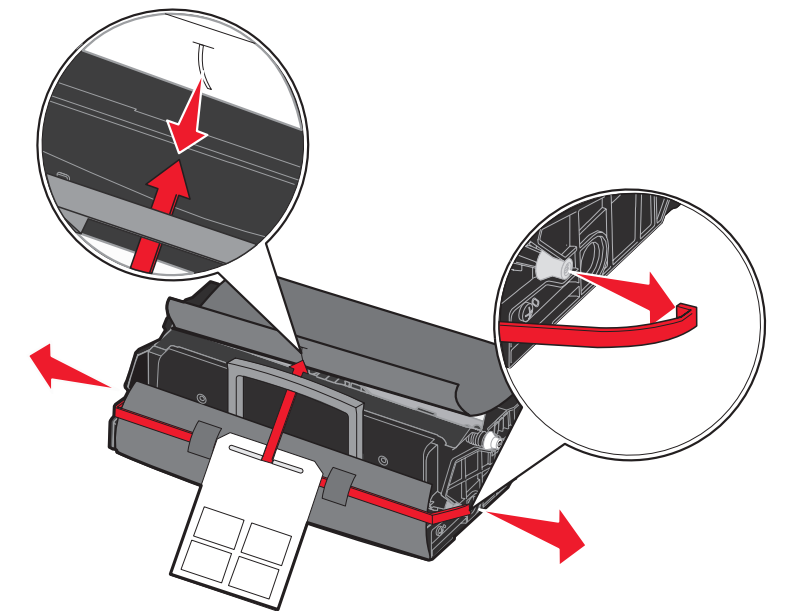
3



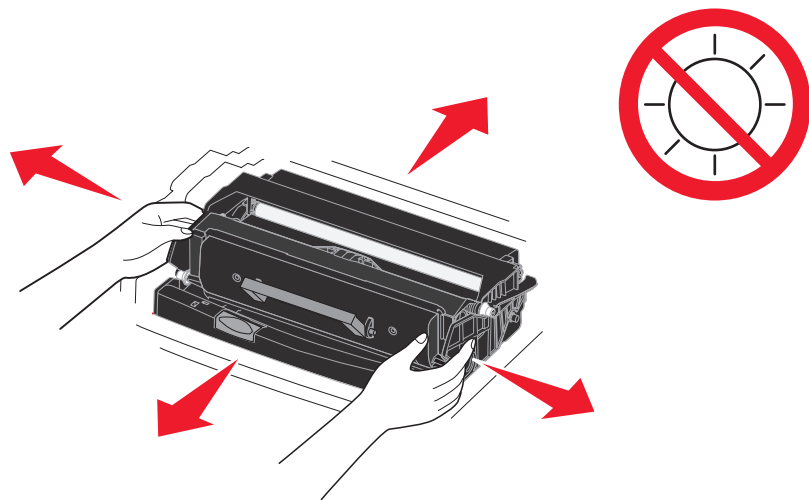
4



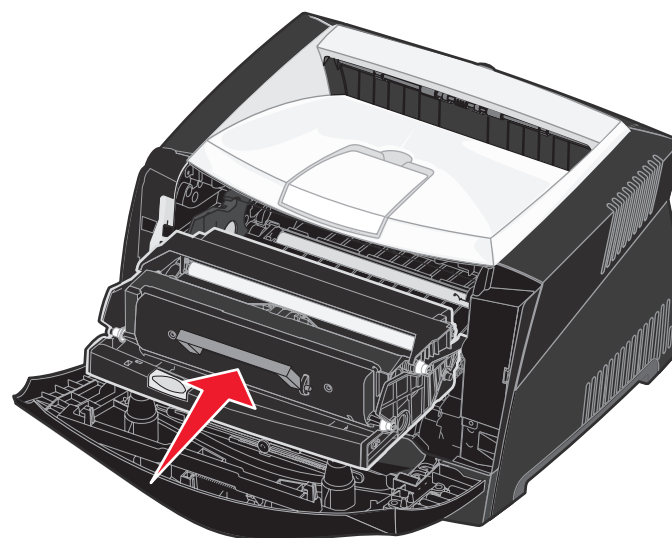
5



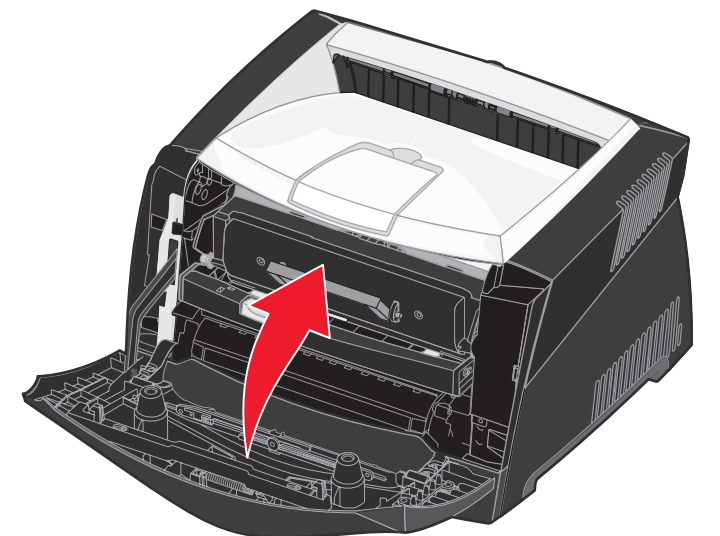
6



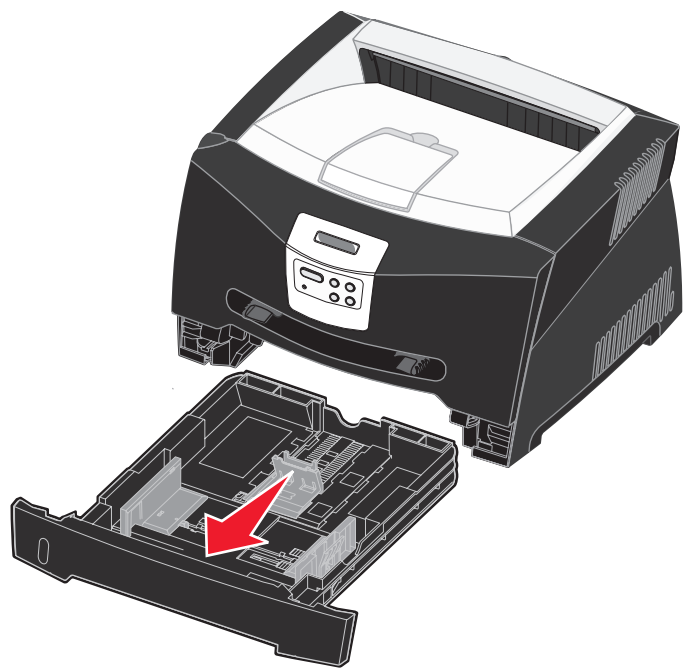
7



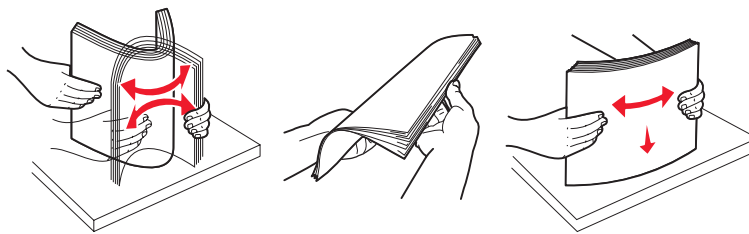
8



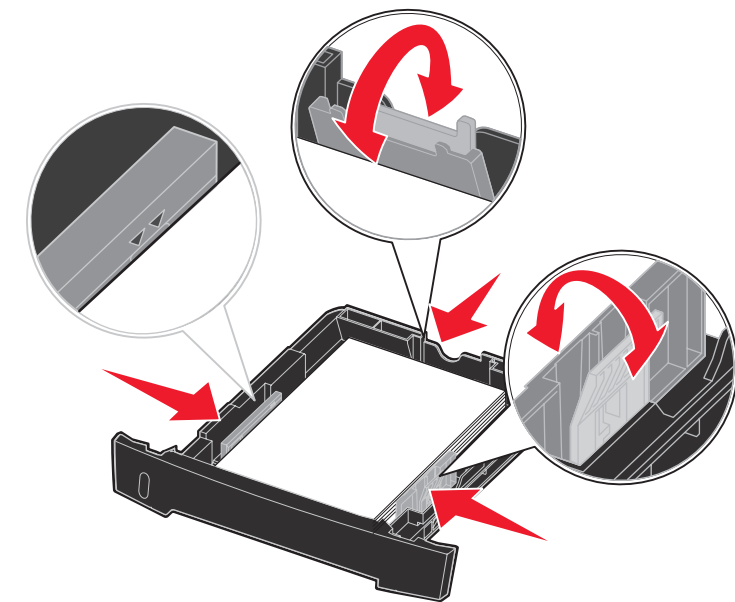
9



10



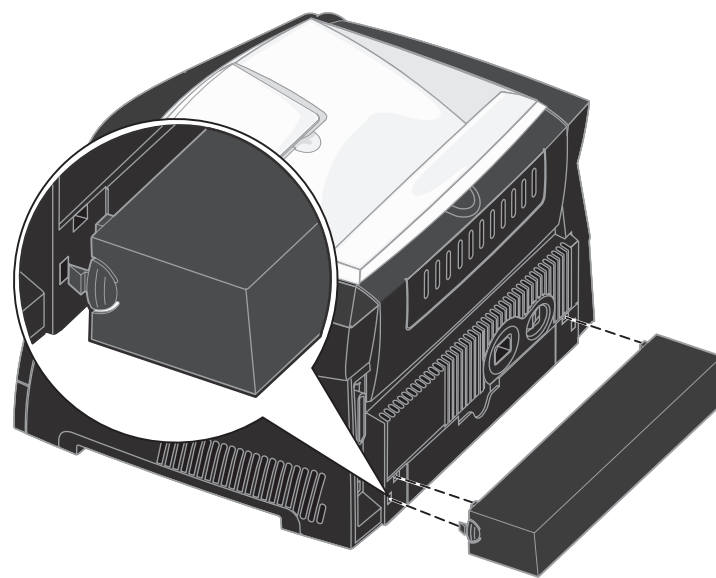
11



12



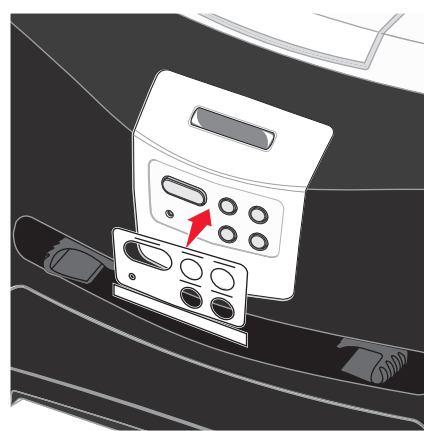
13



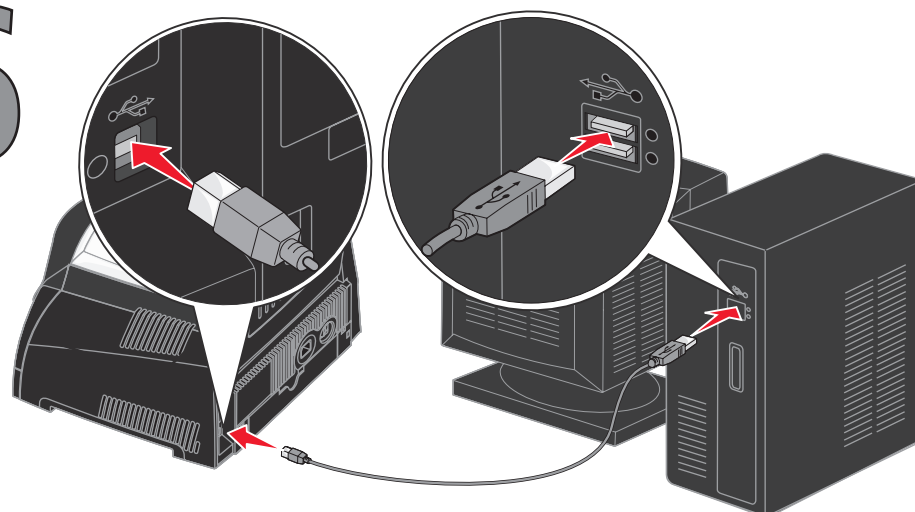
14



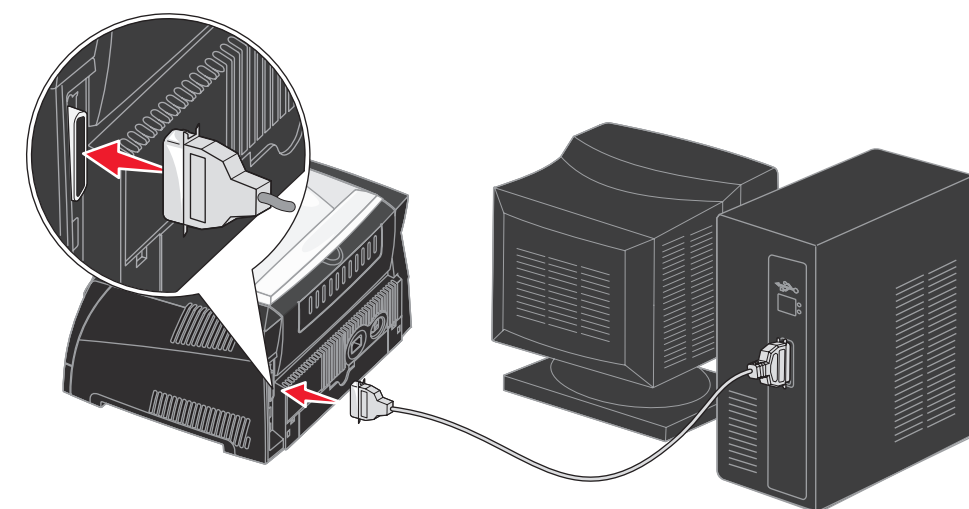
15



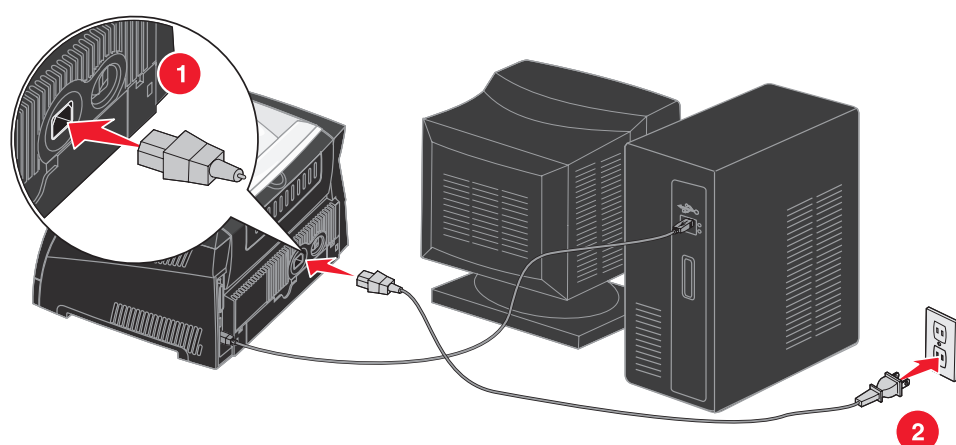
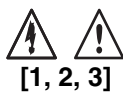
16



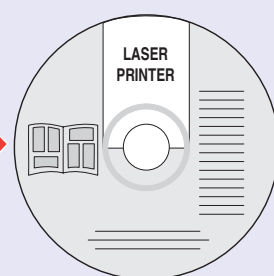
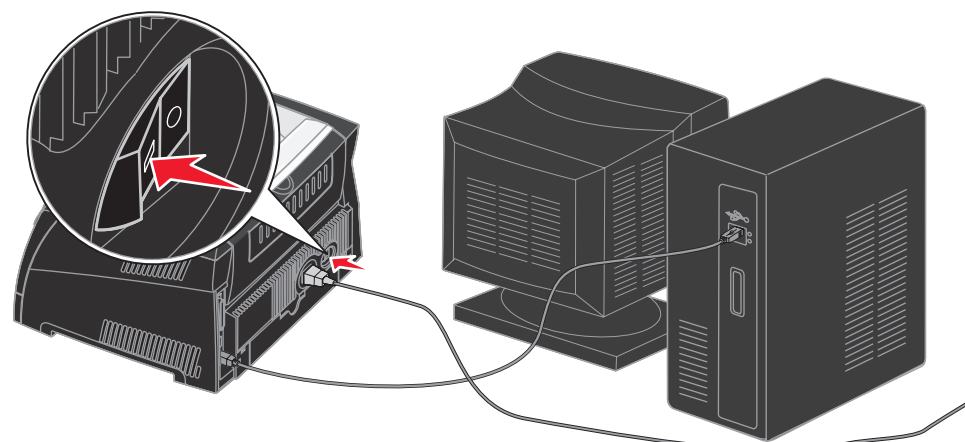
or
ou
o
eller
of
tai
lub
или
或



17



18



Federal Communications Commission (FCC) information
This device complies with the limits for a Class B device in Part 15 of the FCC rules. Refer to the publications CD for more compliance information.

Setup
Installation
Instalación

Installazione
Instalação
Installatie

Aseennus
Installasjon
Instalacja

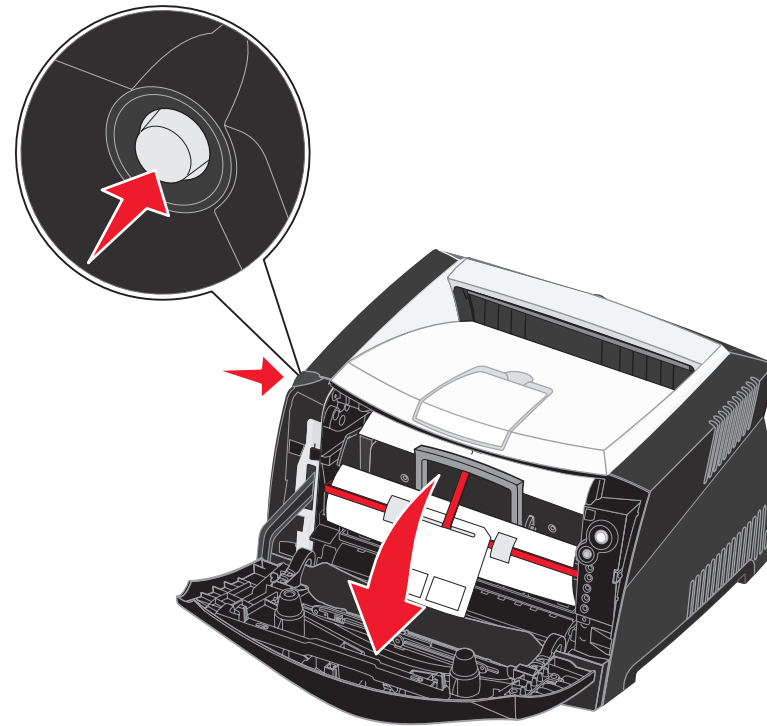
Руководство
по установке

設置
安裝

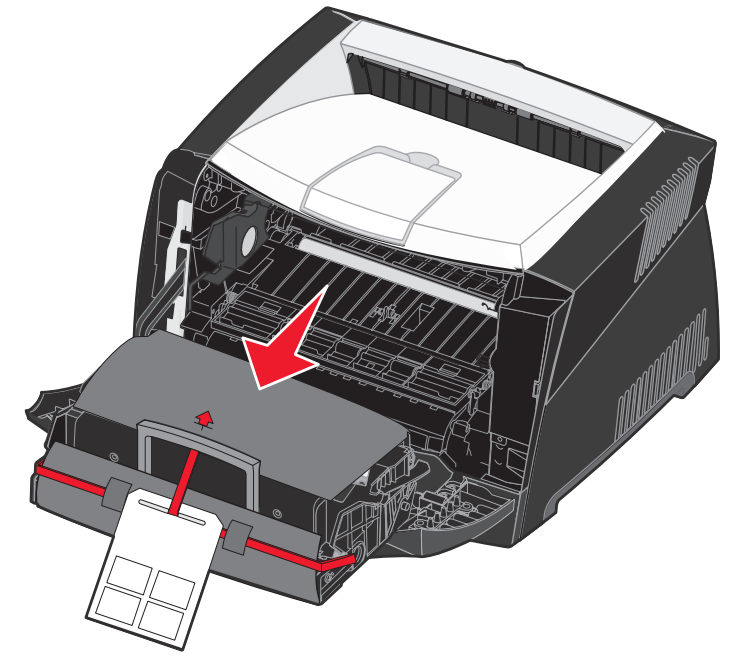
1



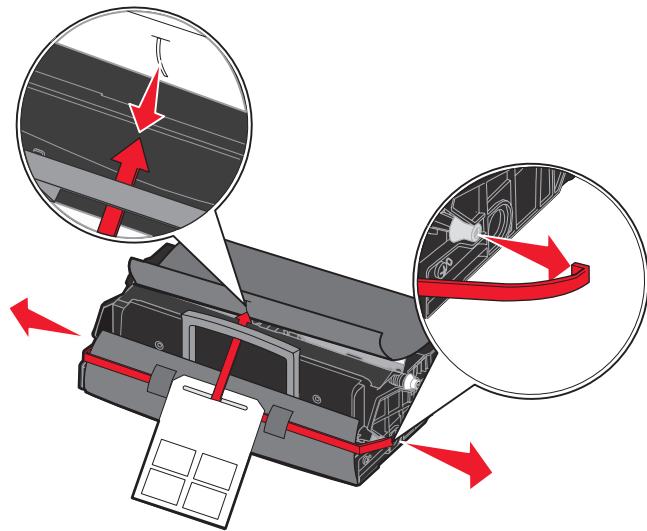
2



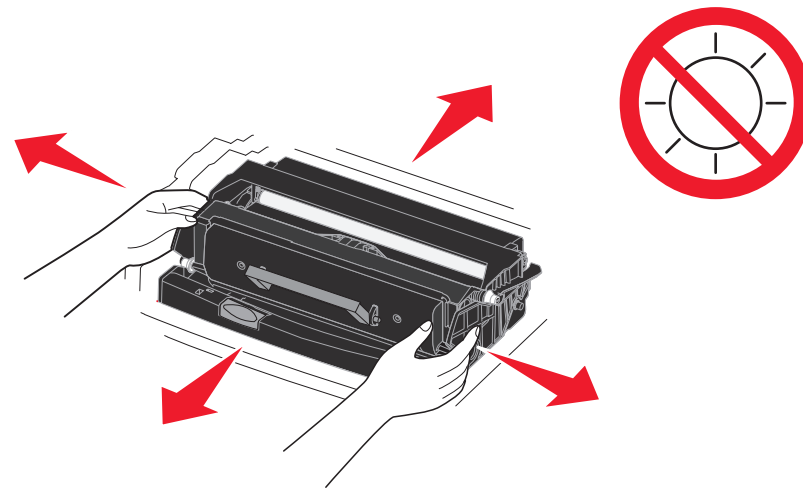
3



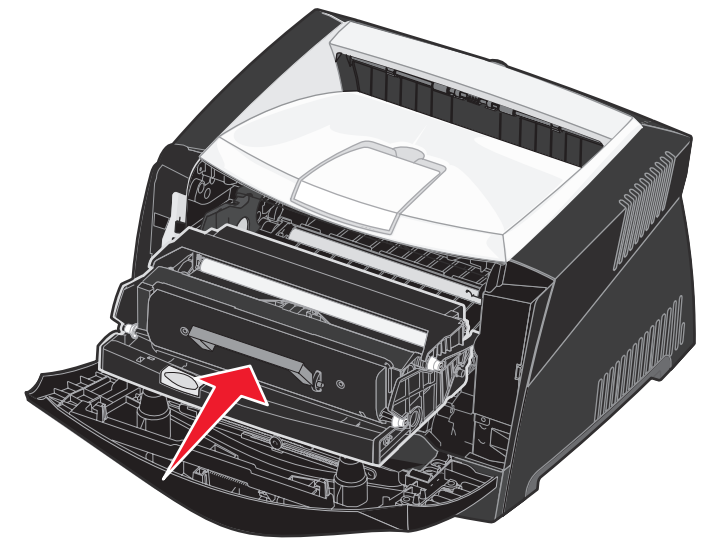
4



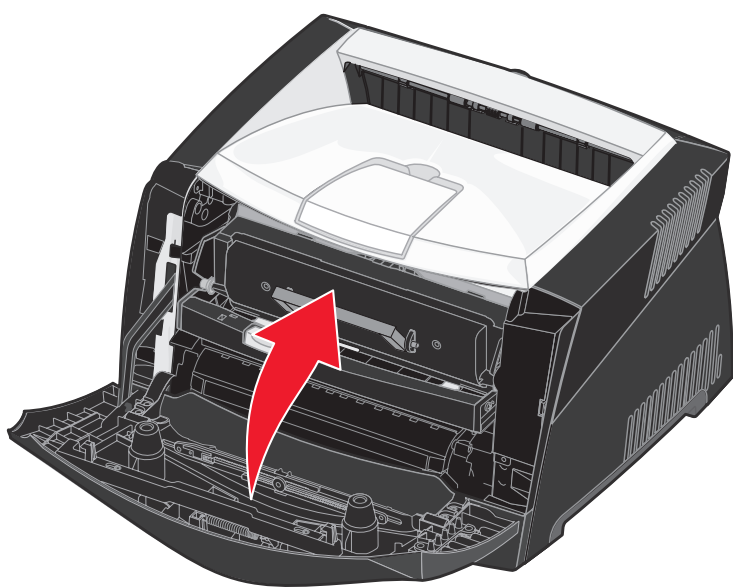
5



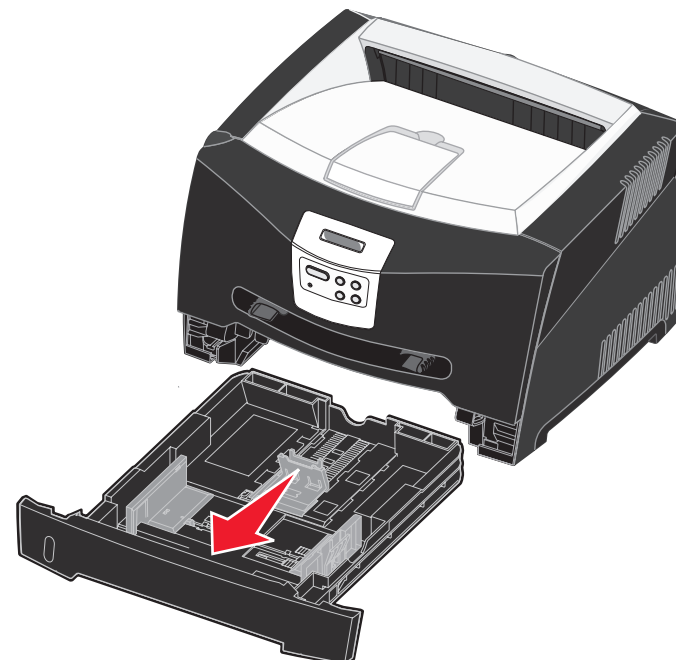
6



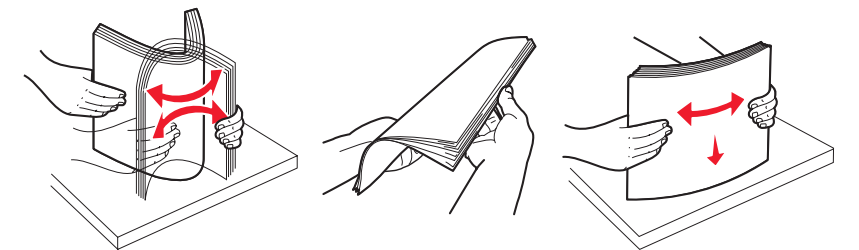
7



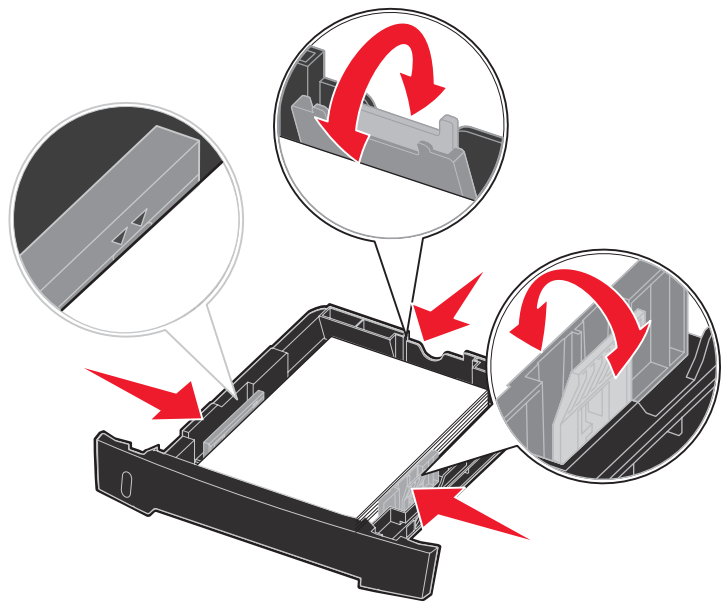
8



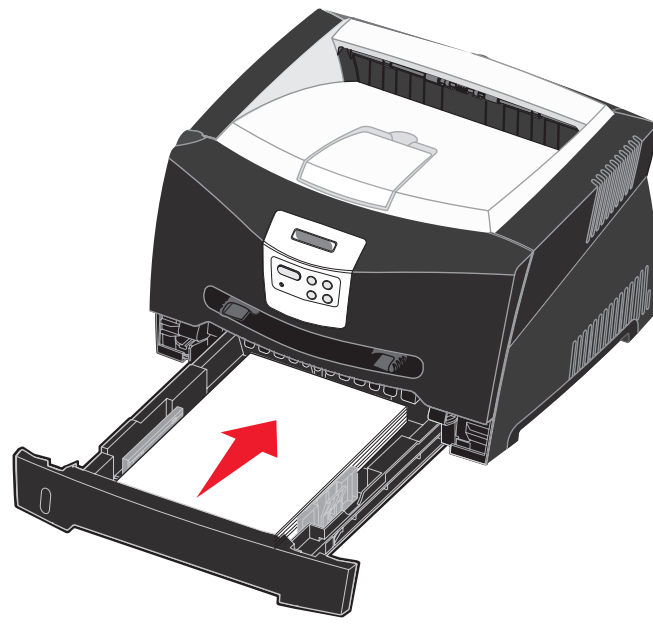
9



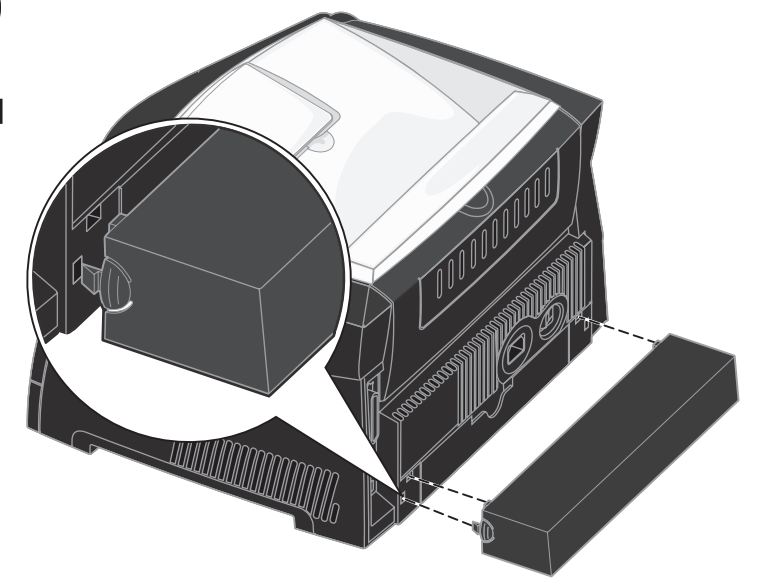
10



11



12

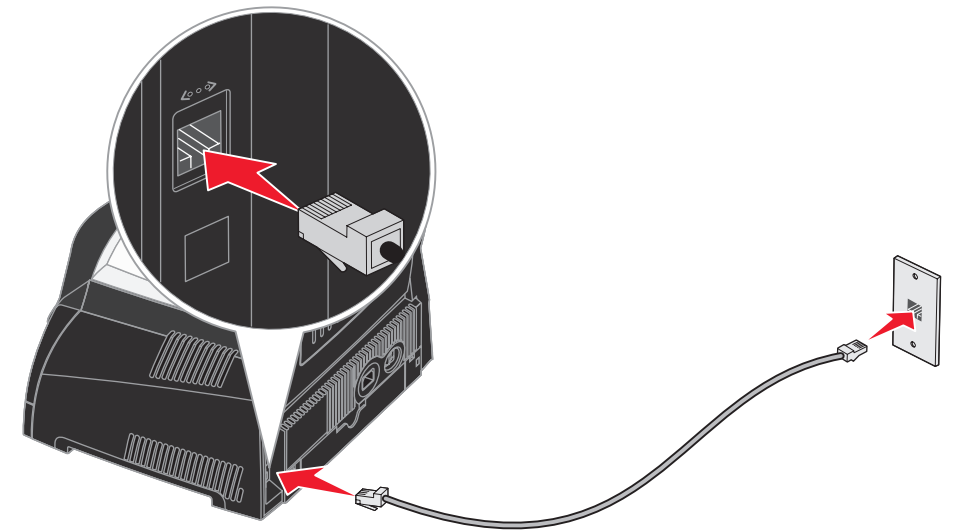


13



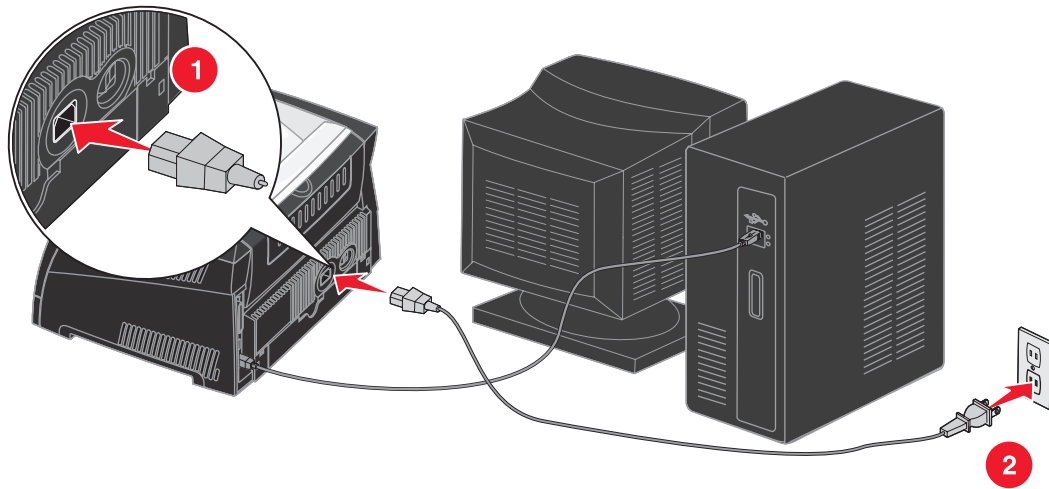
14

⚠ [2]

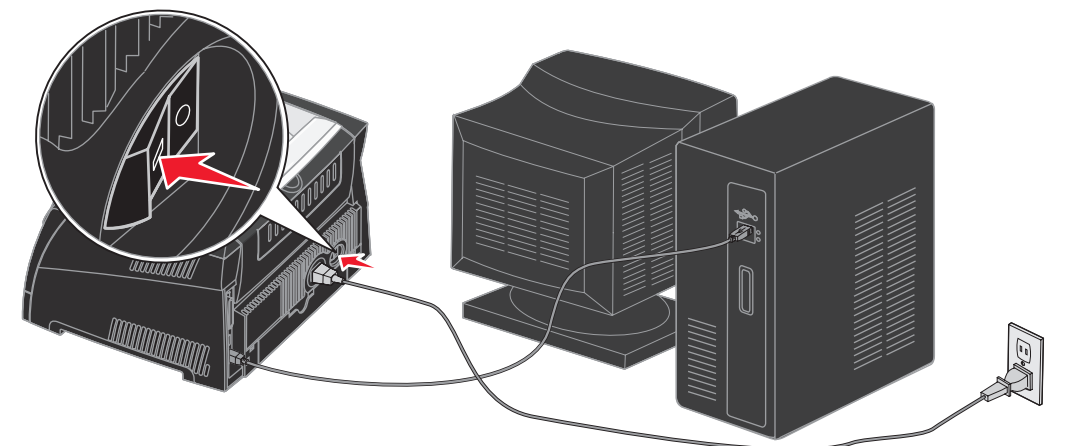


15

⚠ ⚠ [1, 2, 3]



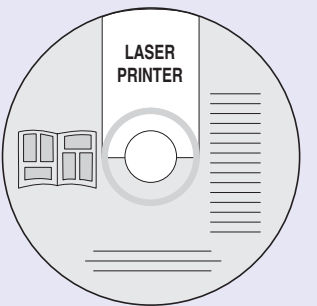
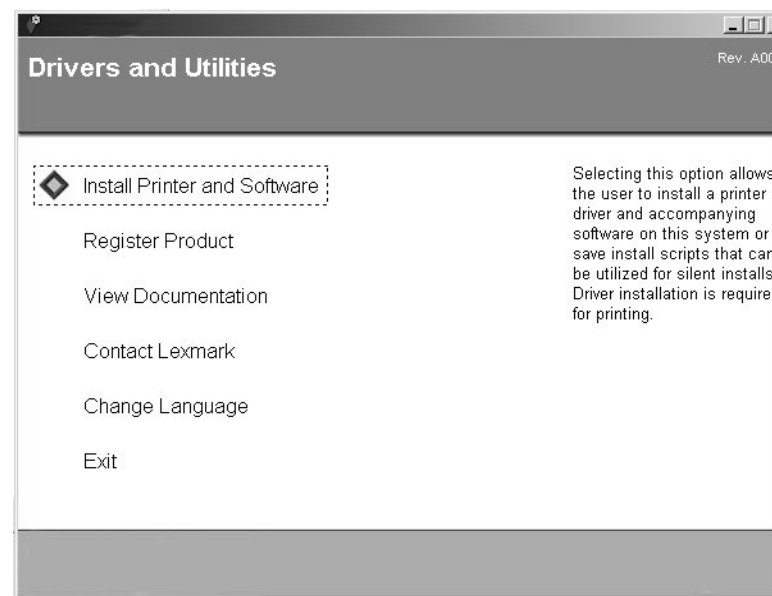
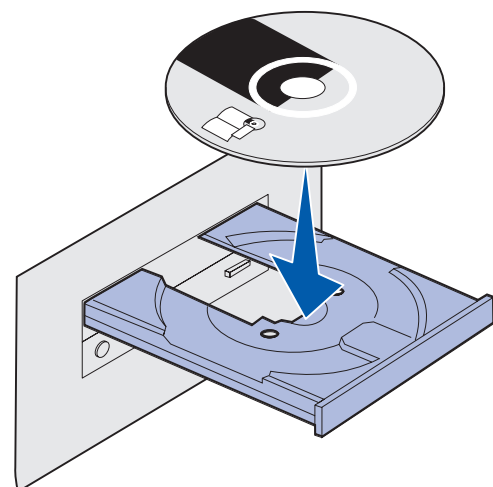
16



17



18



Federal Communications Commission (FCC) information

This device complies with the limits for a Class B device in Part 15 of the FCC rules. Refer to the publications CD for more compliance information.