

**TOSHIBA**

# **SERVICE PARTS LIST**

**MULTIFUNCTIONAL DIGITAL COLOR SYSTEMS**

** e-STUDIO287cs/347cs/407cs**

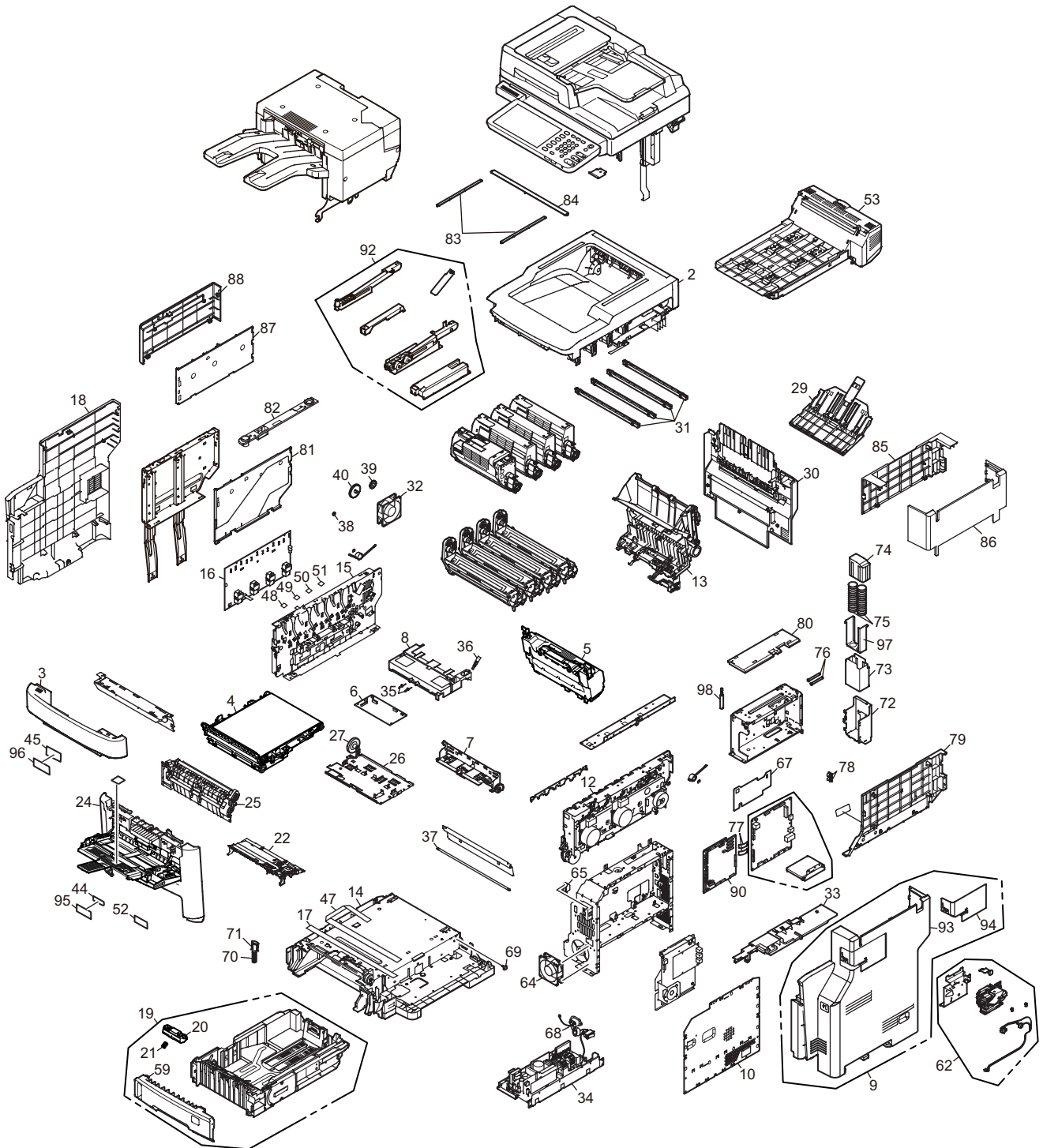
© 2013 TOSHIBA TEC CORPORATION All rights reserved

Under the copyright laws, this manual cannot be reproduced in any form without prior written permission of TOSHIBA TEC CORPORATION. No patent liability is assumed, however, with respect to the use of the information contained herein.

# CONTENTS

MFPUnit .....	1
Cover-Assy-Top.....	2
Frame-Assy-Top.....	3
Cover-Assy-Front .....	4
Feeder-Assy-Regist .....	5
Plate-Assy-Side-R.....	6
Plate-Assy-Side-L.....	7
Plate-Assy-Base.....	8
Eject-Assy .....	9
Scanner-Unit .....	10
ADF-Unit .....	11
ADF-Assy .....	12
Cover-Assy-Top-ADF .....	13
Guide-Retard-A .....	14
Flatbed-Unit.....	15
CONTROL-PANEL .....	16
Frame-Assy-FB .....	17
SYS_HDD .....	18
DOWNLOAD JIGS .....	50



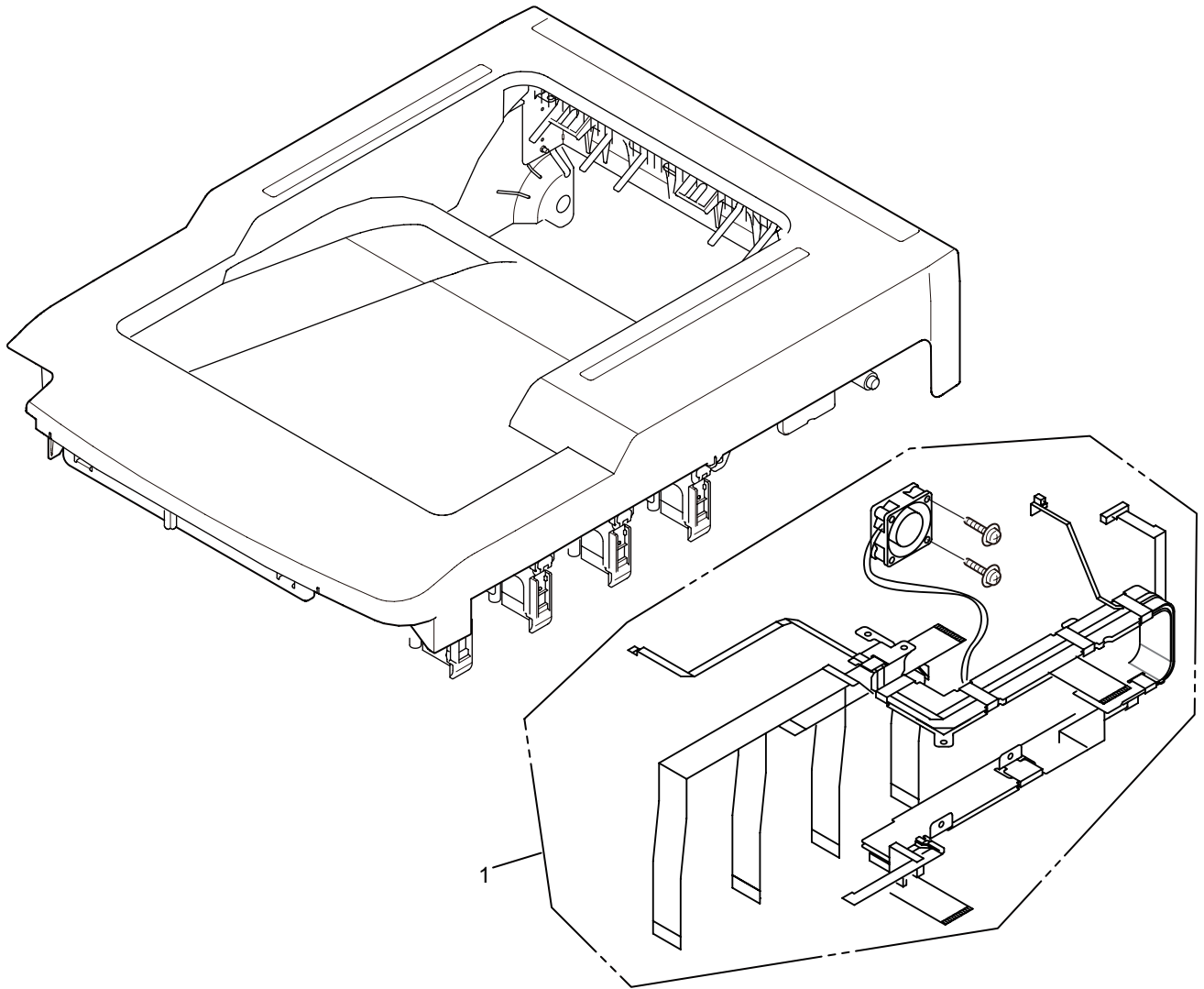


ITEM No.	PART No.	PART NAME	Q'TY / PAGE	Q'TY / PACK	REMARKS
2	ST45270022	Cover-Assy.-Top-FX757-Fin	1	1/C	with Finisher cable
3	ST45269921	Frame Assy.-Top(Front)-TTEC	1	1/PP	
4	6LK12907000	TR-BLT-UNIT-FC34	1	1/S	Pack in box
5 A	6LK12908100	FUSER-UNIT-FC34-120	1	1/S	(120V) Pack in box
5 B	6LK12908200	FUSER-UNIT-FC34-230	1	1/S	(230V) Pack in box
6	ST44614101	OR-IBY	1	1/SB	Board-IBY
7	ST43917501	Sensor Assy.-Color-Regist	1	1/C	
8	ST42066901	Cover-Driver	1	1/PP	
9	ST45271501	Cover-Side-R-Assy	1	1/PP	without Stapler Model
10	ST45038401	Plate-Shield-Board	1	1/P	
12	ST44259102	Plate Assy.-Side R-FX757	1	1/C	
13	ST45268921	Eject-Assy.-FX757(TTEC)	1	1/C	
14	ST45268401	Plate Assy.-Base	1	1/C	
15	ST43074904	Plate Assy.-Side L(PX755/7)	1	1/C	
16	ST43770701	PWR unit-DCDC	1	1/SB	High Voltage
17	ST43393802	CONN-High Voltage(Bend)	1	1/P	
18	ST45064501	Cover-Side(L)	1	1/PP	
19	ST43894903	Cassette-Assy-PX757	1	1/C	
20	ST43895001	Frame-Assy-Retard	1	1/P	
21	ST43963101	Spring-Retard	1	1/P	
22	ST44259903	Cover Assy.-Hopping-FX757	1	1/PP	
24	ST44263601	Cover Assy.-Front-PX757	1	1/C	
25	ST44261901	Feeder-Assy.-Regist	1	1/C	
26	ST42062102	Plate-Driver(PU)(Caulking)	1	1/P	
27	ST43076101	Gear-Idle-Belt-Z20Z93	1	1/P	
29	ST43078704	Cover Assy.-FaceUP	1	1/PP	
30	ST45277901	Cover-Sub Assy.-Rear	1	1/PP	
31	ST45272301	LED Head Unit-51TRC	4	1/C	600dpi(20pin)
32	ST43289101	OR-Motor-FAN(80)	1	1/C	FUSER
33	ST45136201	Guide-Cable-(Pow)	1	1/PP	
34	ST45271601	PWR Assy-FX757	1	1/SB	Power Unit (LOW Voltage)
35	ST42067001	Spring-BeltFuse	2	1/P	
36	ST42605201	Thermistor-Belt	1	1/D	
37	ST44555801	Shaft-Liftup	1	1/P	
38	ST42060701	Bush	1	1/P	
39	ST43075201	Gear-LiftupL-Z32	1	1/P	
40	ST43075501	Gear-LiftUpLinkL-Z56	1	1/P	
44	ST43954025	Plate-name	1	1/P	No Print
45	ST43912908	Plate-Logo	1	1/P	No Print
47	ST43348902	CONN-Cord-FlexyDP(Bend)	1	1/P	PU-PRY
48	ST43281101	Label-Color K	1	1/P	
49	ST43281102	Label-Color Y	1	1/P	
50	ST43281103	Label-Color M	1	1/P	
51	ST43281104	Label-Color C	1	1/P	
52	ST44263101	Label-ES/HD/CZ	1	1/P	
53	ST44274404	Unit-Duplex-FX755	1	1/C	
59	ST43894701	Cover-Assy-CS-PX741	1	1/PP	
64	ST45163401	Motor-FAN(80)	1	1/C	Power FAN
65	ST45084101	CONN Cord-USB(FX757)	1	1/P	USB Cable
67	ST45036701	Film-Board-Guard	1	1/KP	
68	ST45271401	CONN-Cord-JST3P-INLET(FX757)	1	1/P	AC Inlet
69	ST44267408	Screw PLWB4	1	1/P	AC Inlet Screw
70	ST43735001	Spring Pickup	1	1/P	
71	ST40367101	Bracket-Spring(Sub)	1	1/P	
72	ST45037501	Plate-Hinge(FB)	1	1/P	
73	ST45037601	Sleeve-Hinge(FB)	1	1/P	
74	ST45037701	Slider-Hinge(FB)	1	1/P	
75	ST45037801	Spring-Hinge(FB)	2	1/P	
76	ST45038201	Shaft-Guide(Hinge)	2	1/P	
77	2381103P0001	FFC34-50-0.5-003AU	2	1/P	
78	ST45064901	Cover-Connector-FAX	1	1/P	
79	ST45063501	Cover-Side(R-Inner)	1	1/P	
80	ST45063701	Cover-Side(R-Top)	1	1/PP	

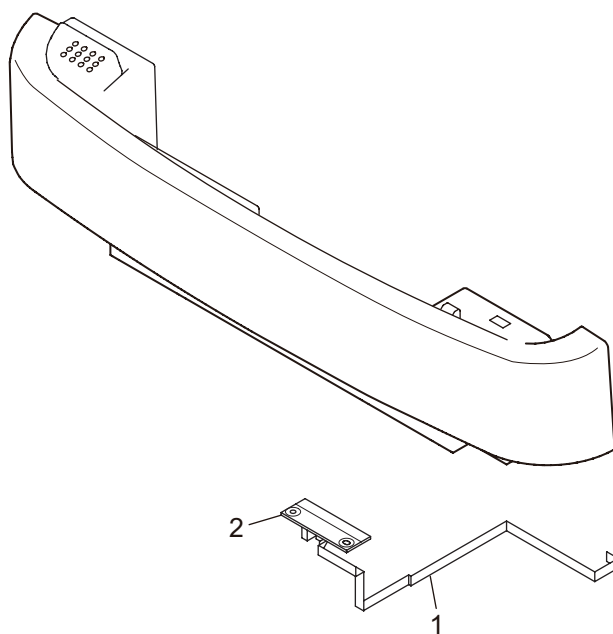




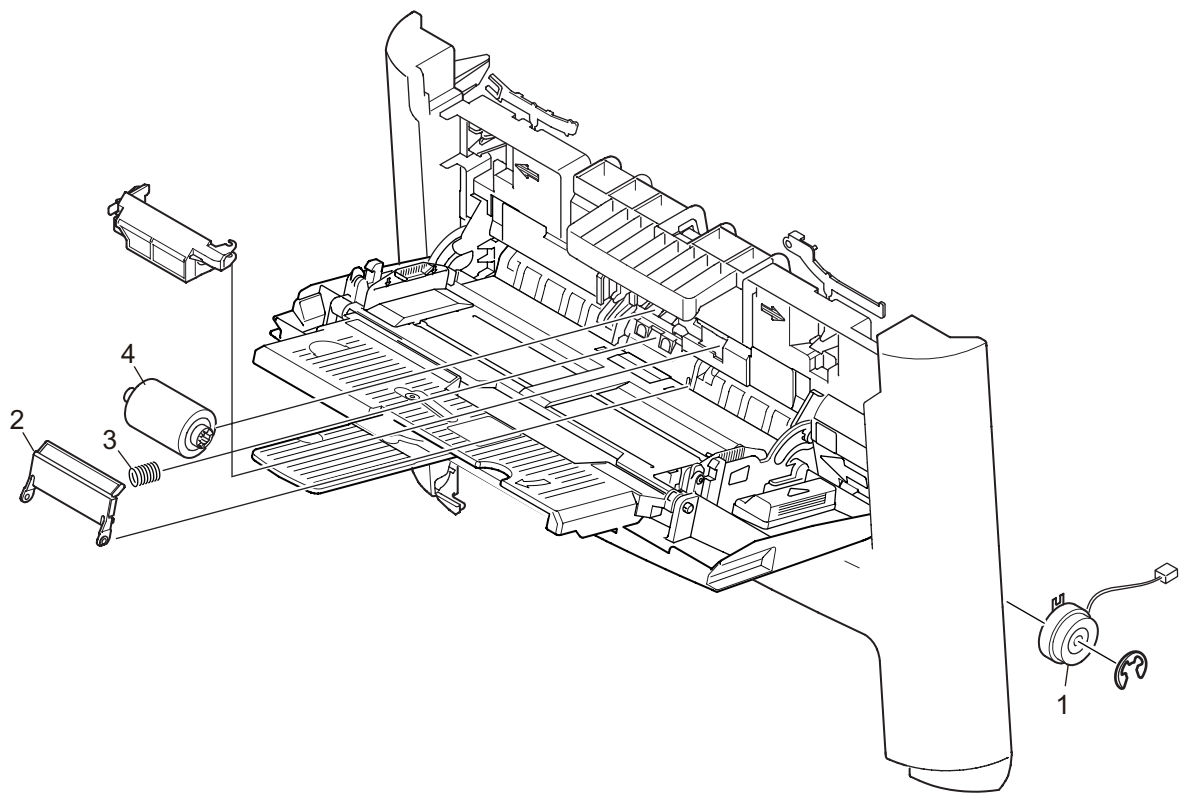




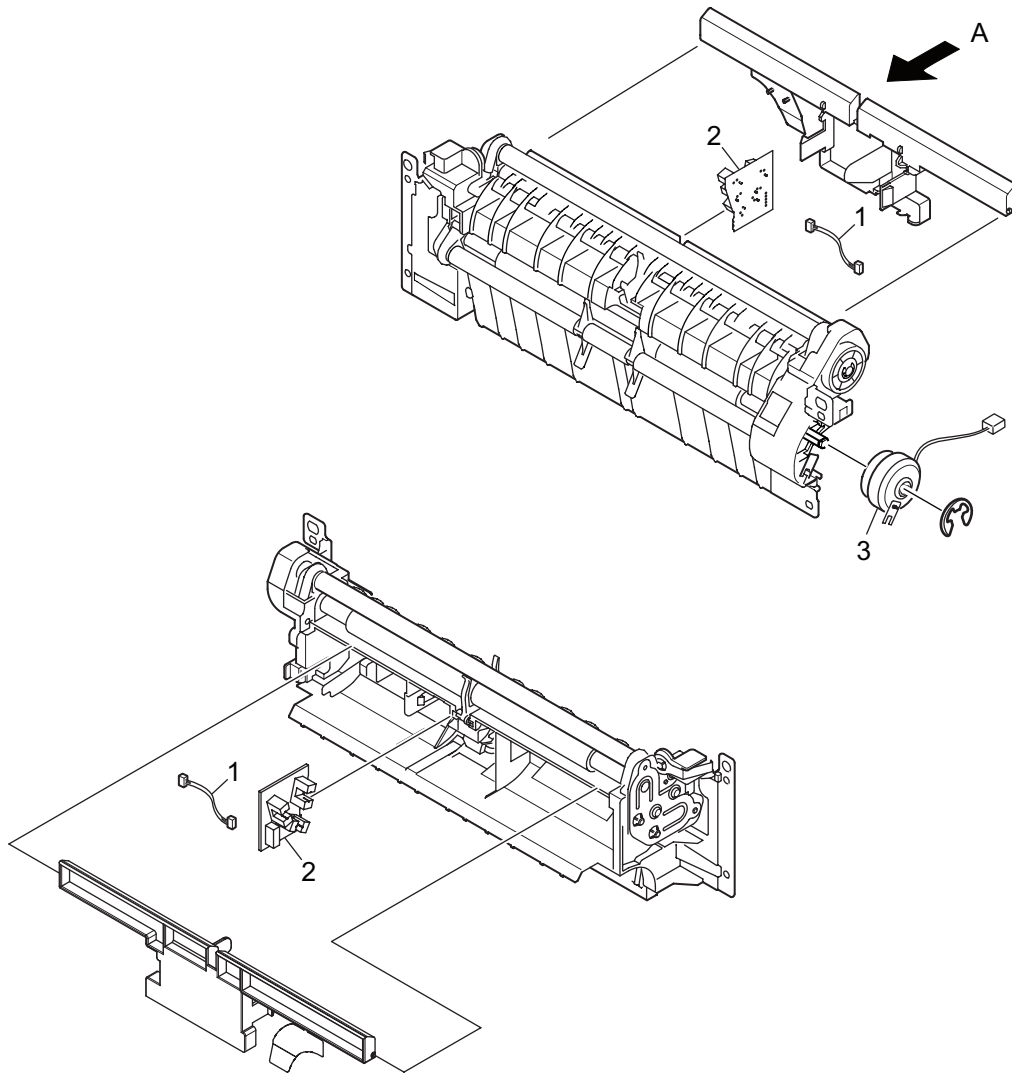








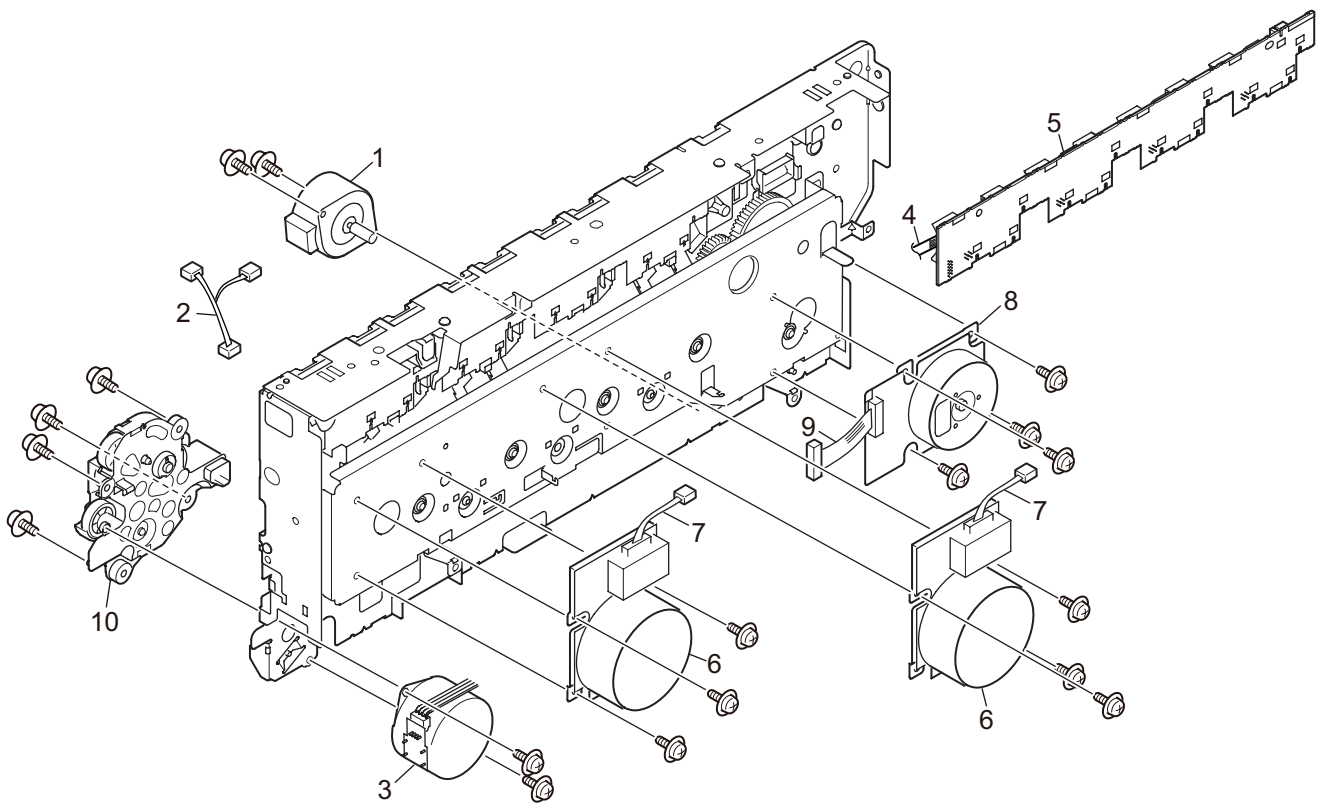




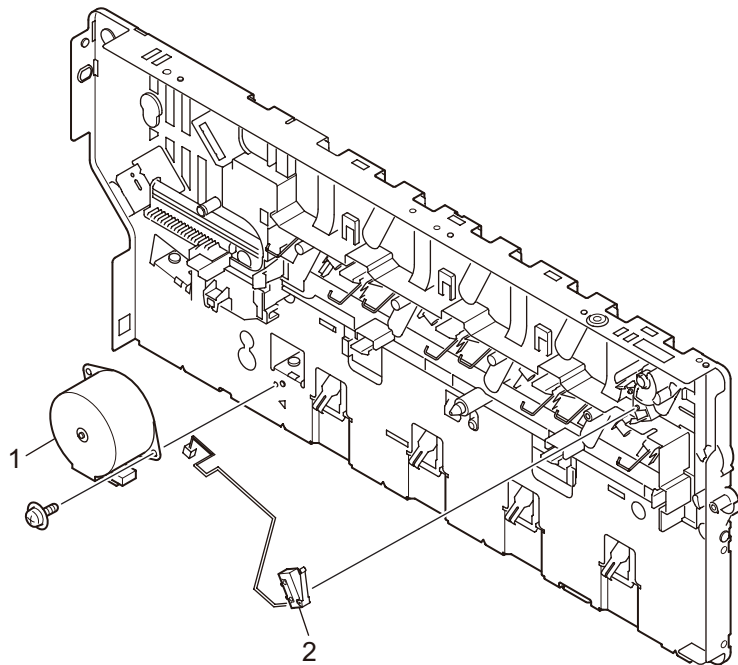
View on Arrow A



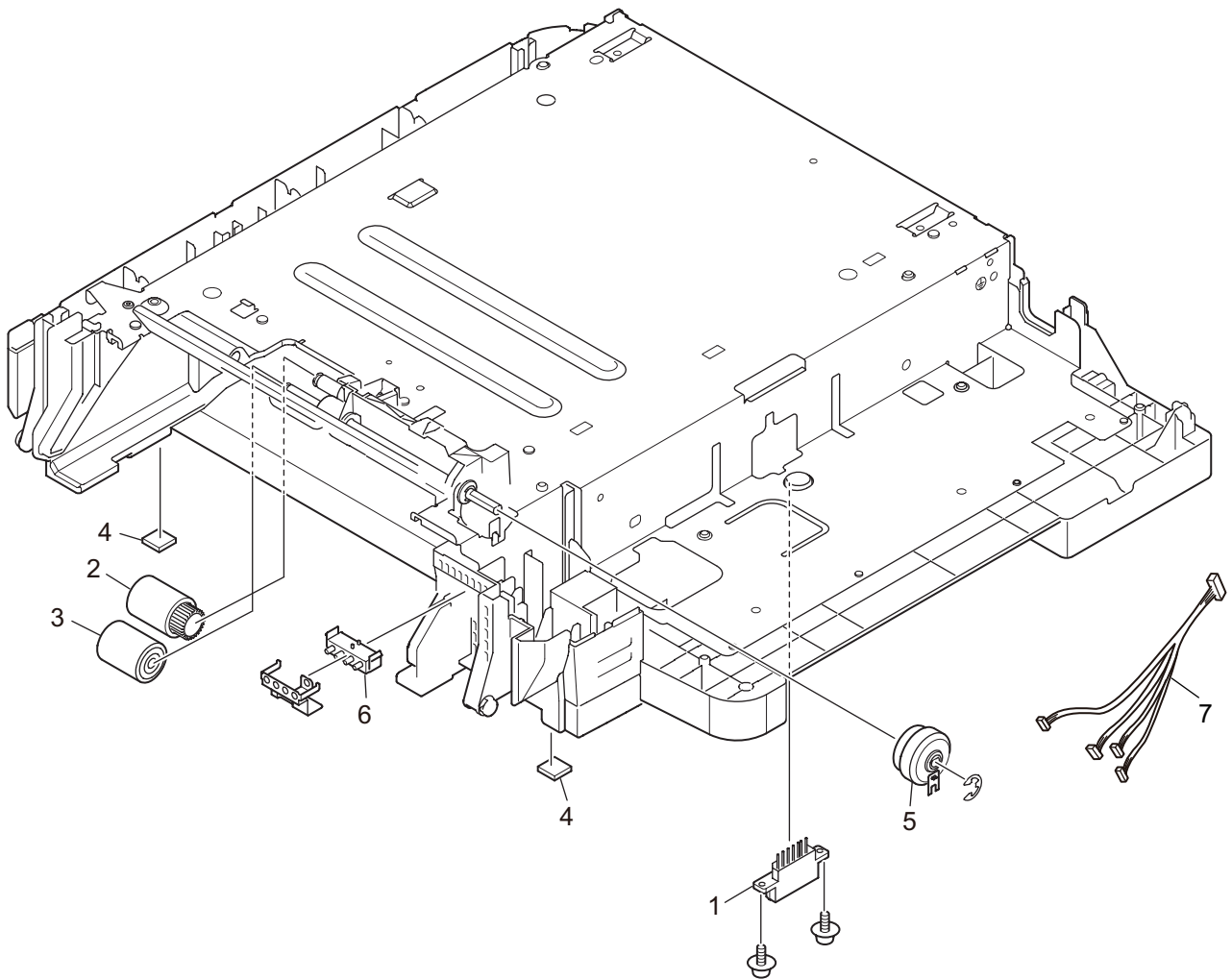




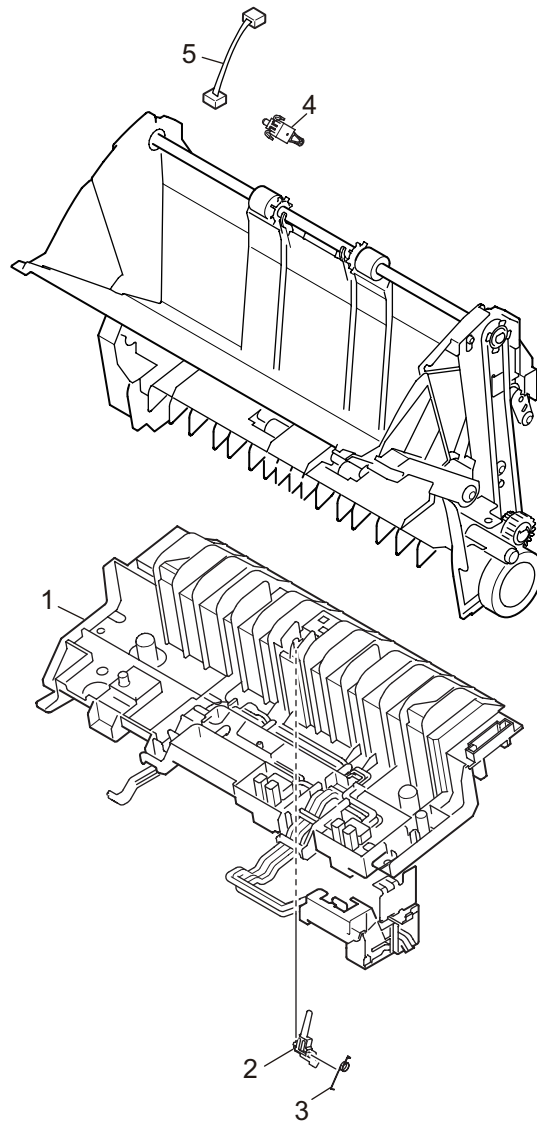






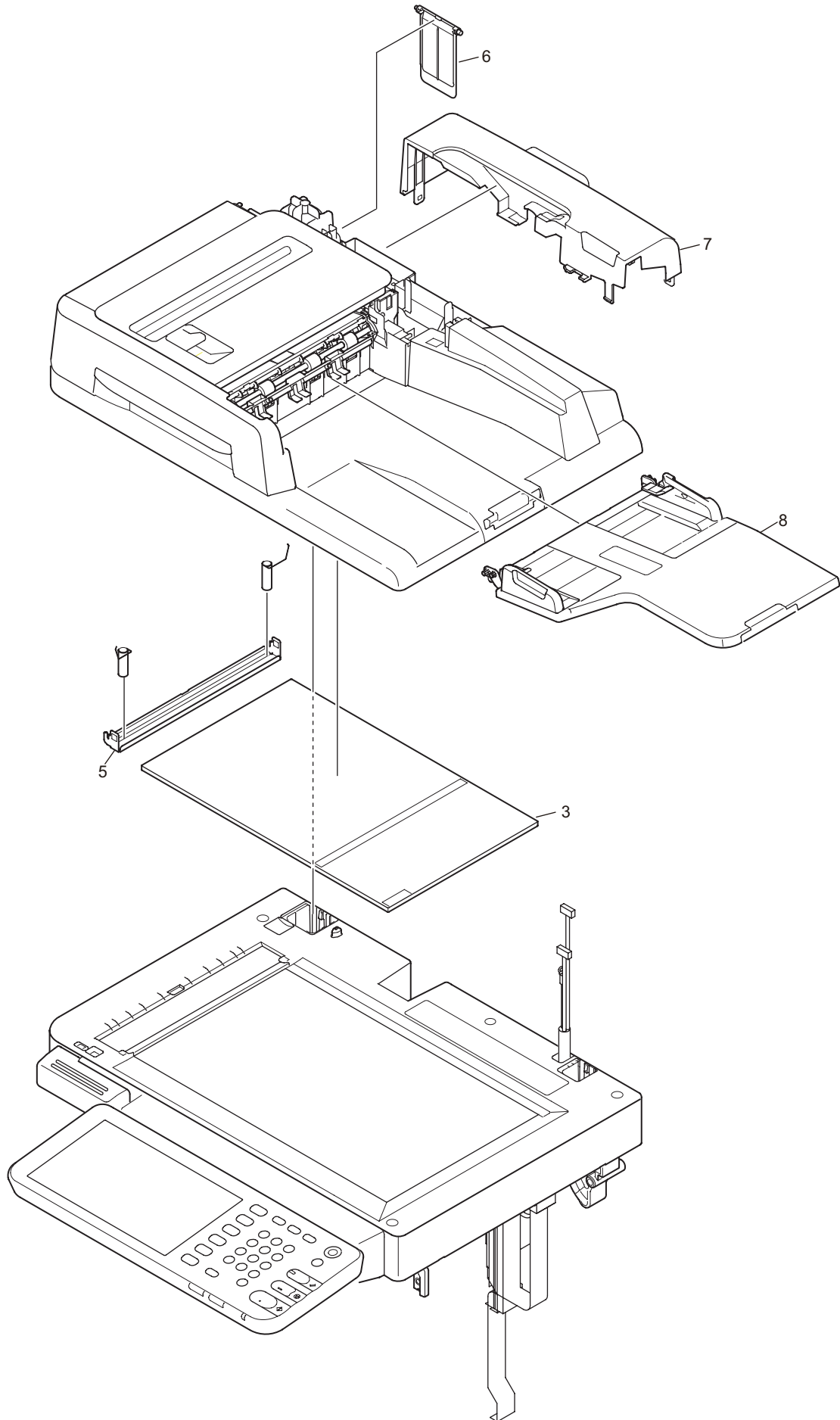




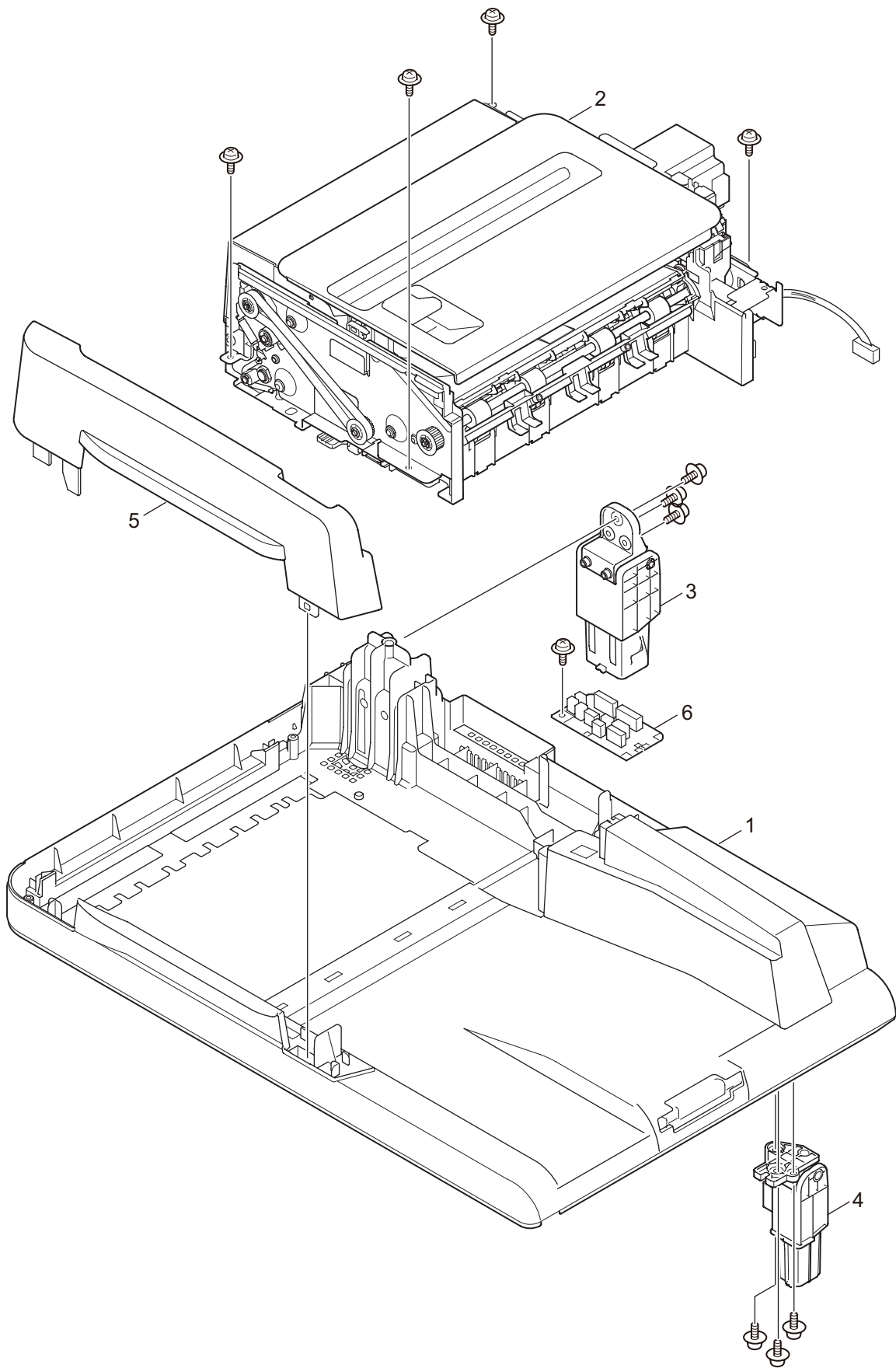




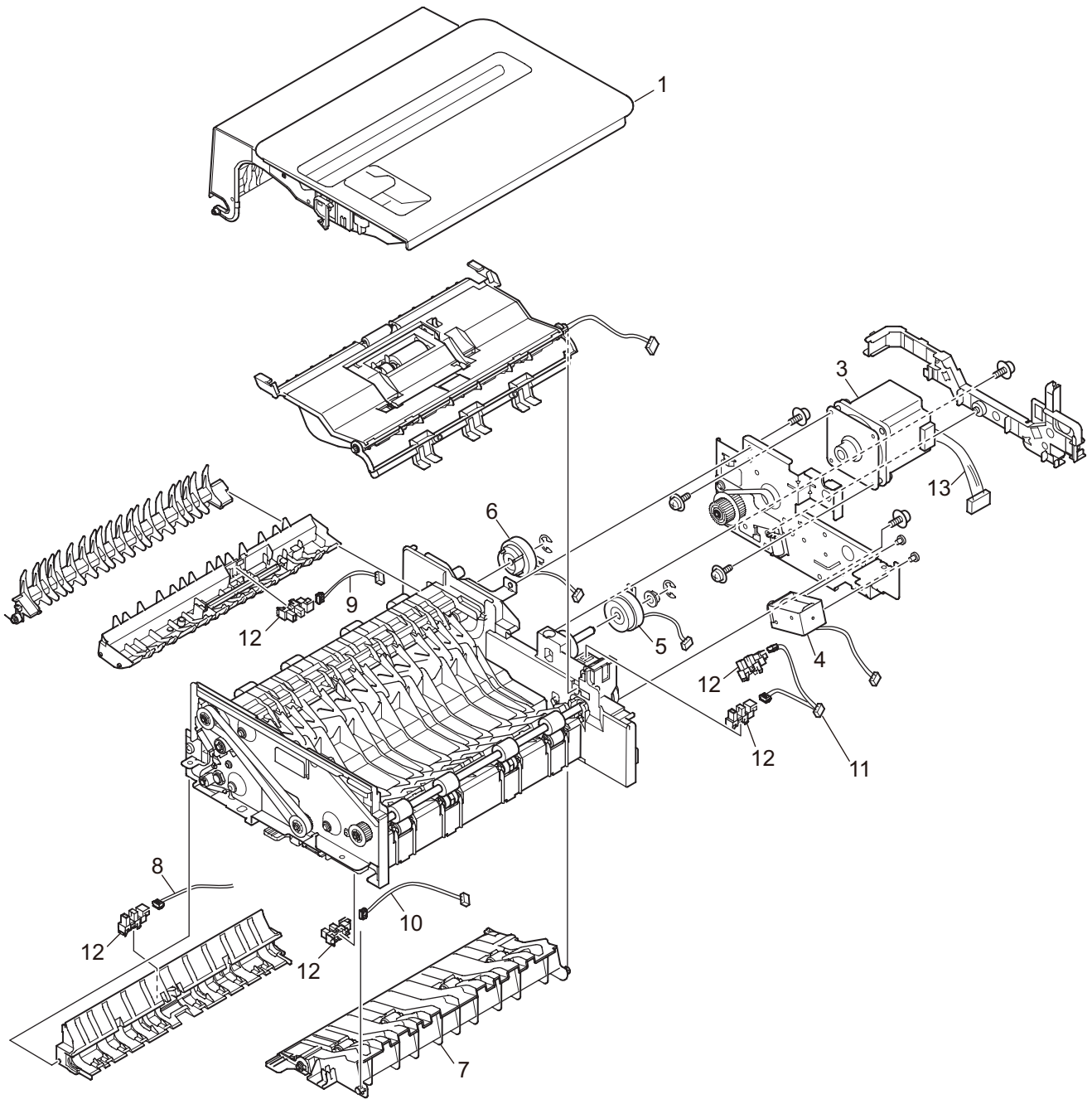




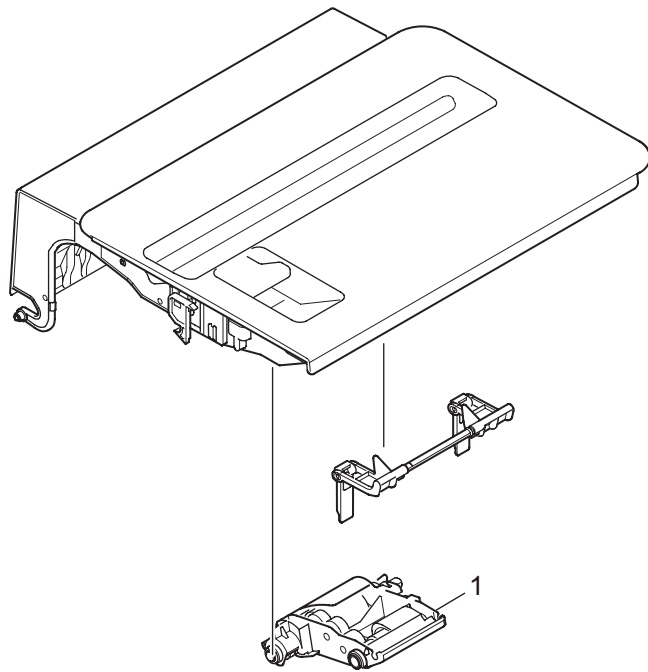






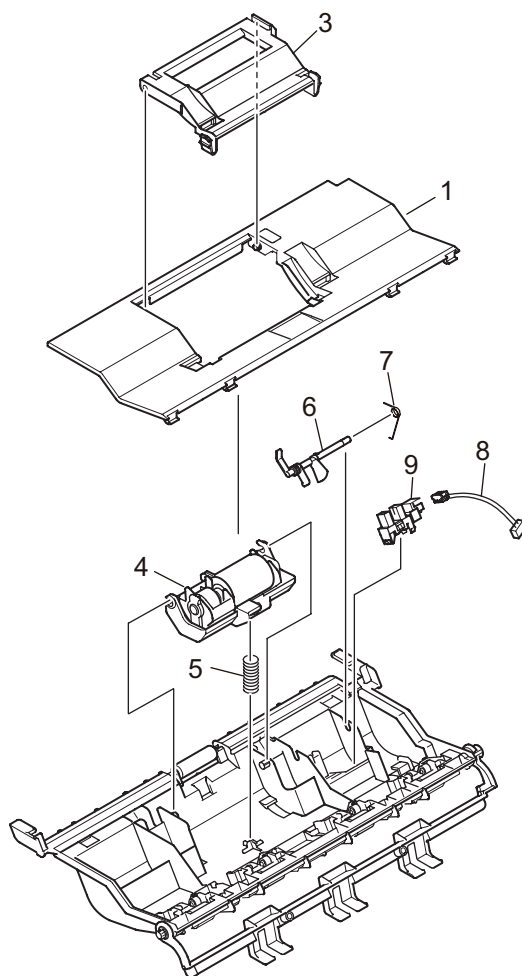




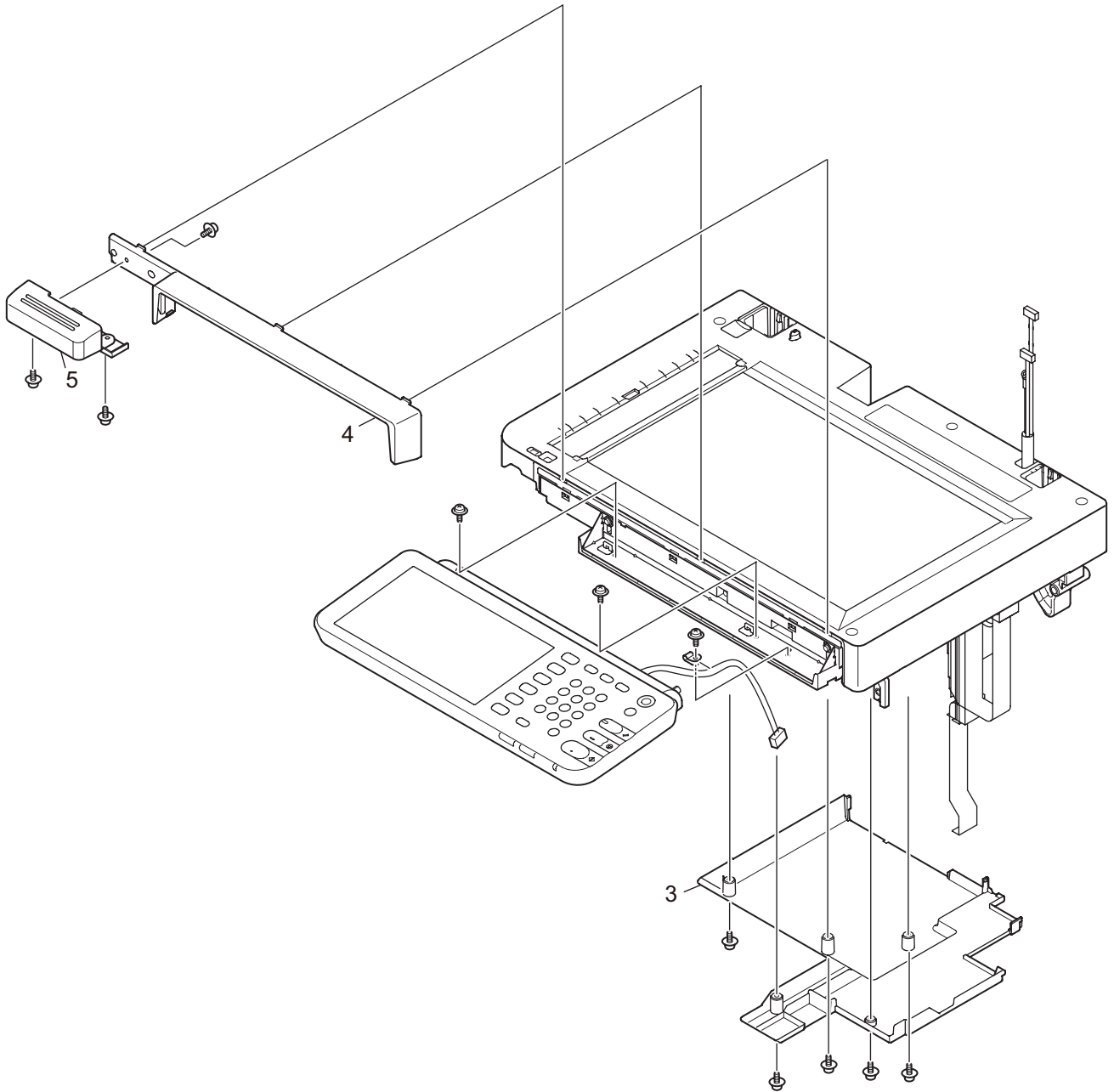




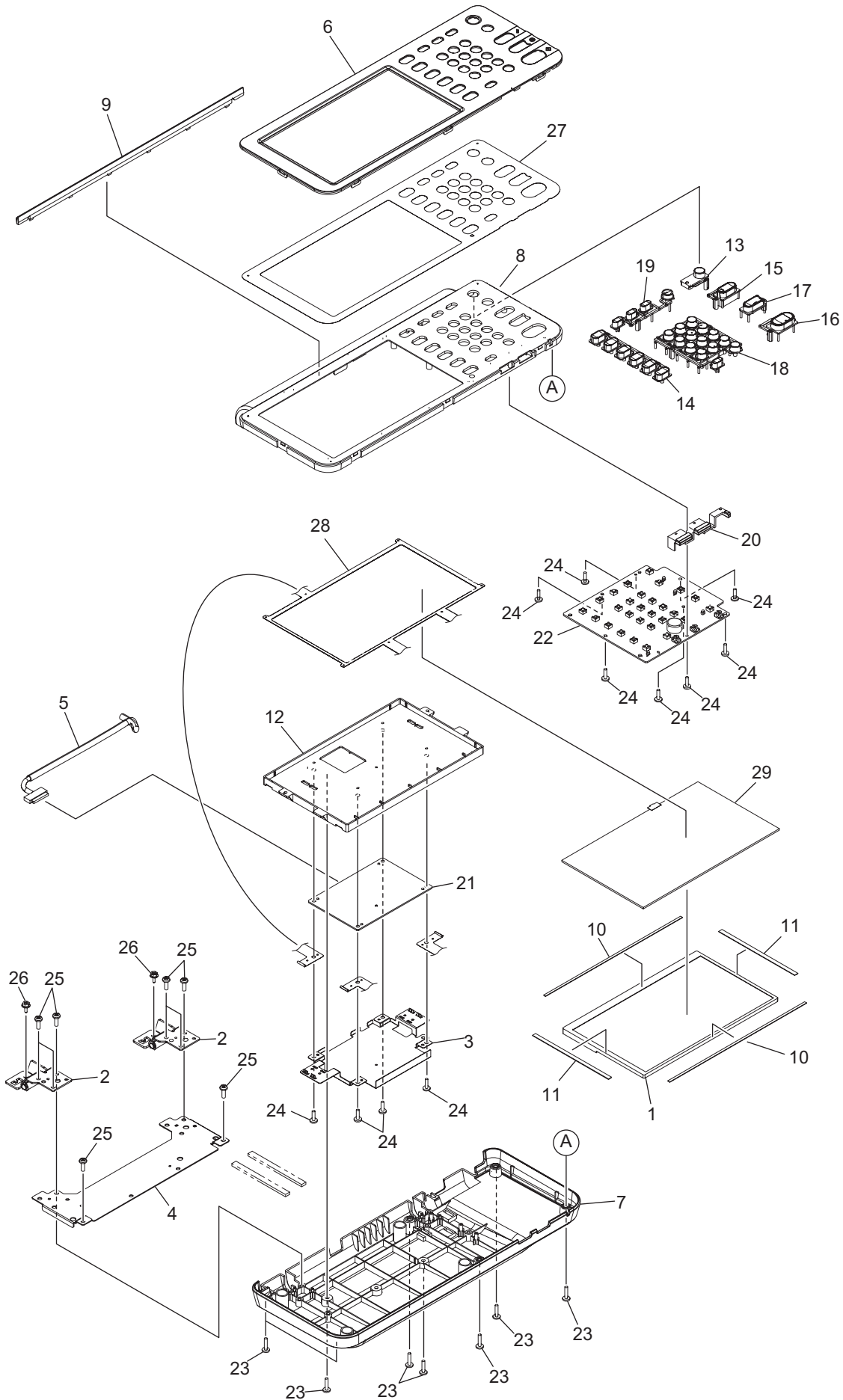




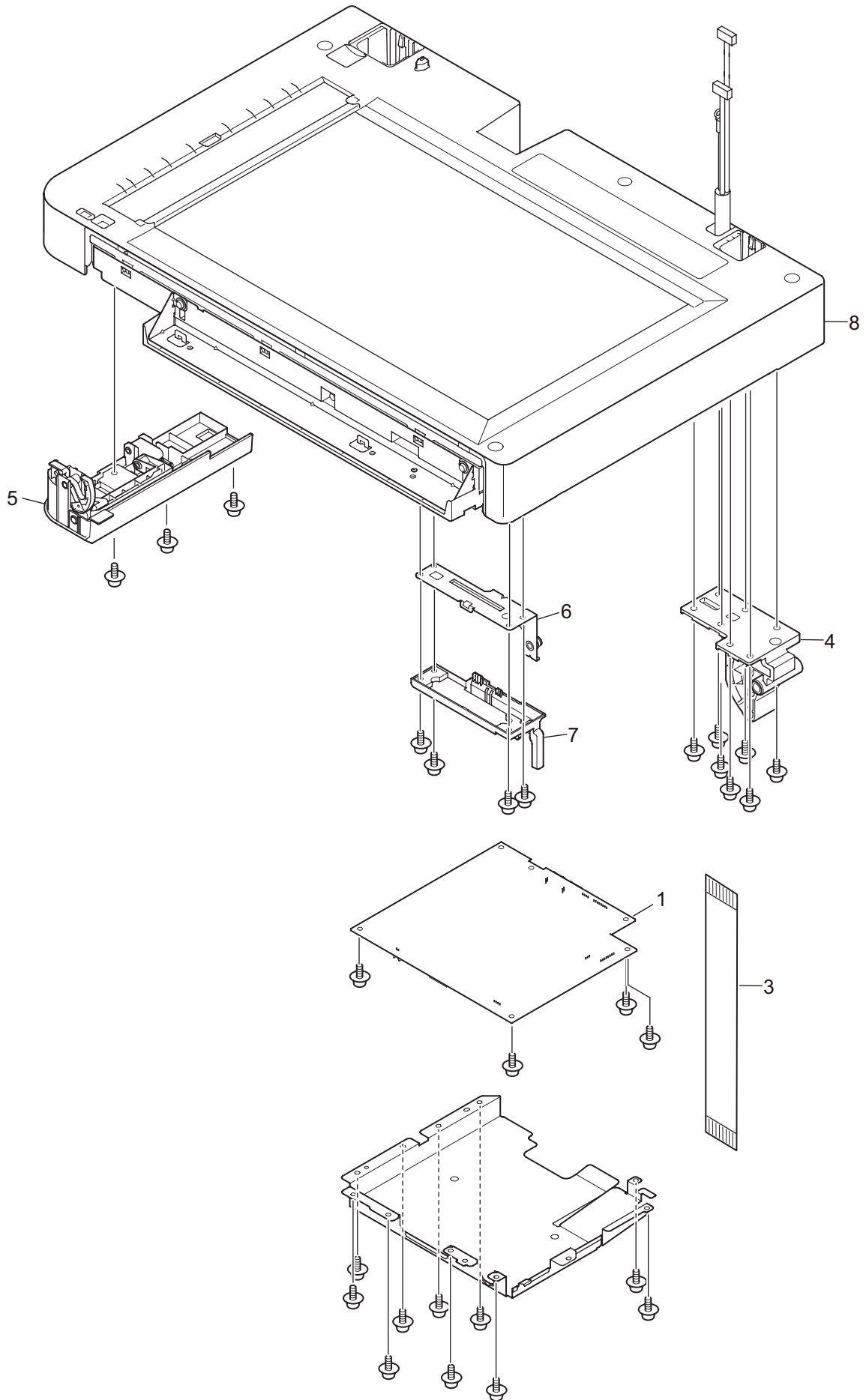






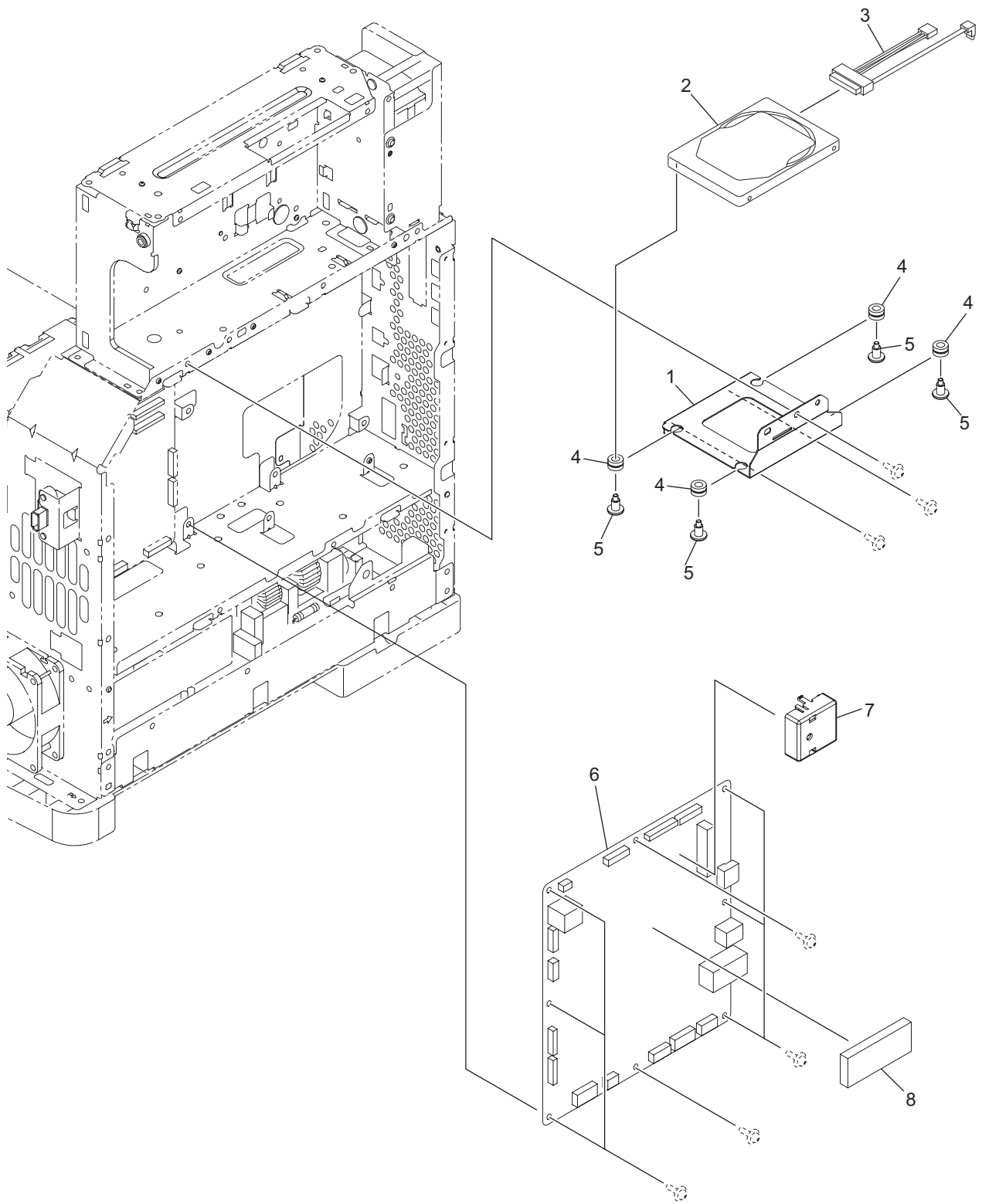




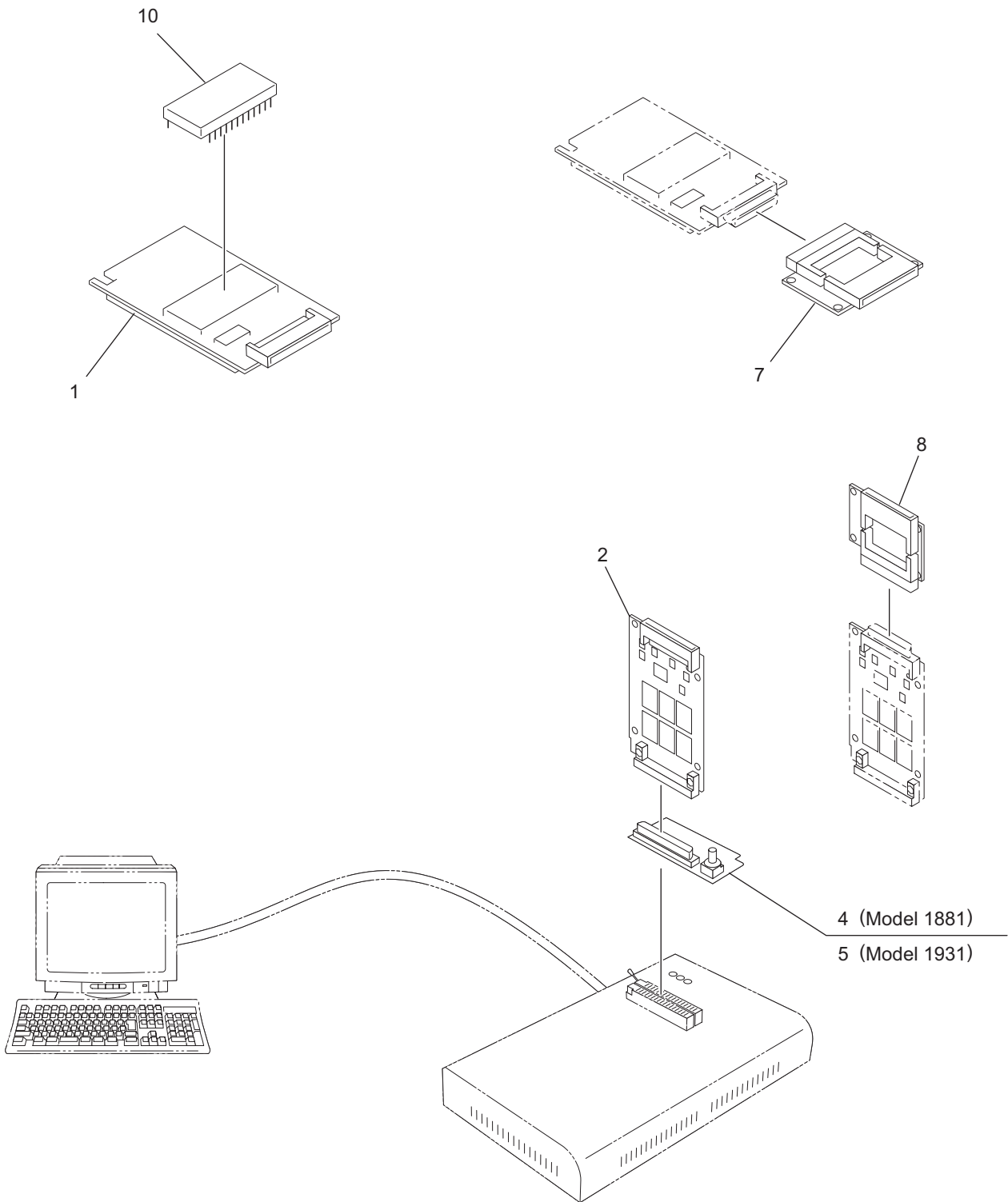
















**TOSHIBA**

**TOSHIBA TEC CORPORATION**

1-11-1, OHSAKI, SHINAGAWA-KU, TOKYO, JAPAN