

TOSHIBA

SERVICE PARTS LIST

MULTIFUNCTIONAL DIGITAL COLOR SYSTEMS

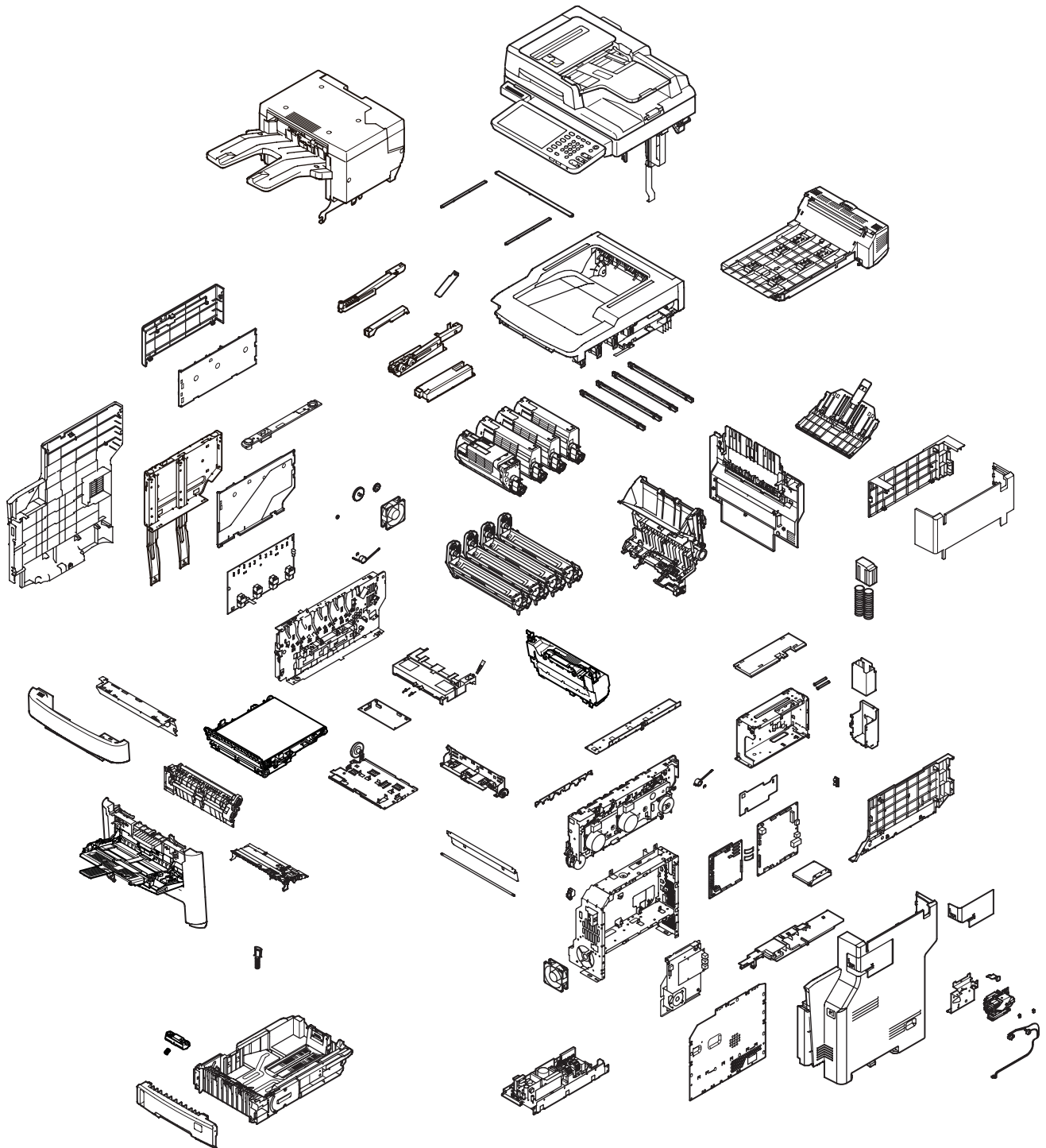
 e-STUDIO287cs/347cs/407cs

© 2013 TOSHIBA TEC CORPORATION All rights reserved

Under the copyright laws, this manual cannot be reproduced in any form without prior written permission of TOSHIBA TEC CORPORATION. No patent liability is assumed, however, with respect to the use of the information contained herein.

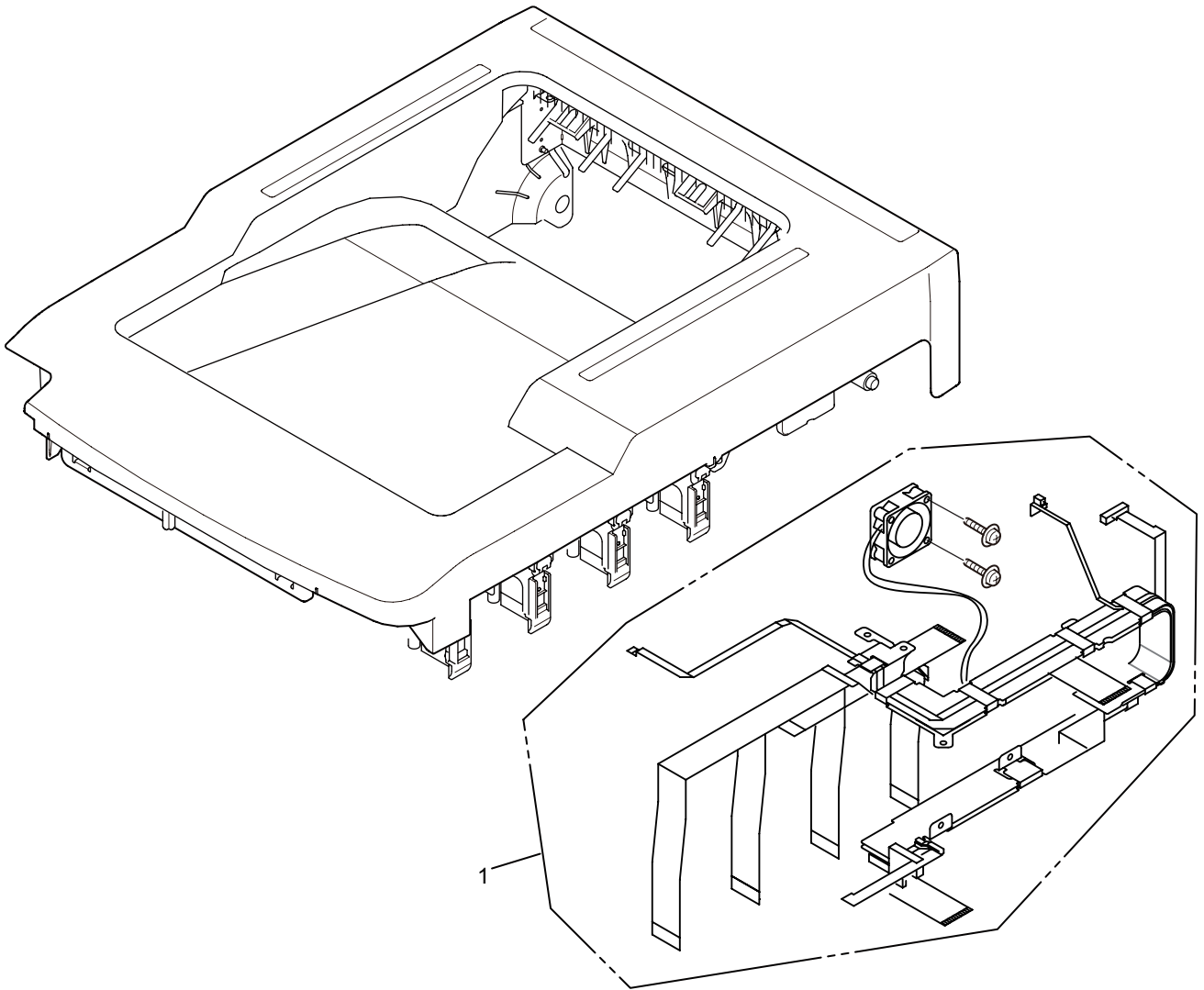
CONTENTS

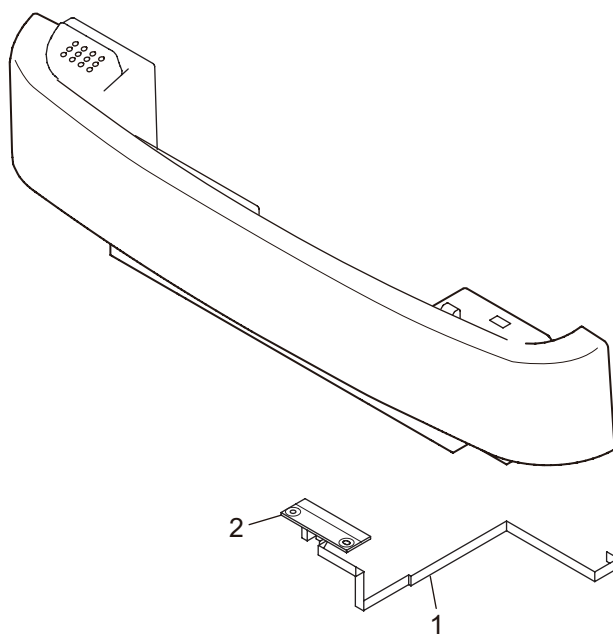
MFPUnit	1
Cover-Assy-Top.....	2
Frame-Assy-Top.....	3
Cover-Assy-Front	4
Feeder-Assy-Regist	5
Plate-Assy-Side-R.....	6
Plate-Assy-Side-L.....	7
Plate-Assy-Base.....	8
Eject-Assy	9
Scanner-Unit	10
ADF-Unit	11
ADF-Assy	12
Cover-Assy-Top-ADF	13
Guide-Retard-A	14
Flatbed-Unit.....	15
CONTROL-PANEL	16
Frame-Assy-FB	17
SYS_HDD	18
DOWNLOAD JIGS	50

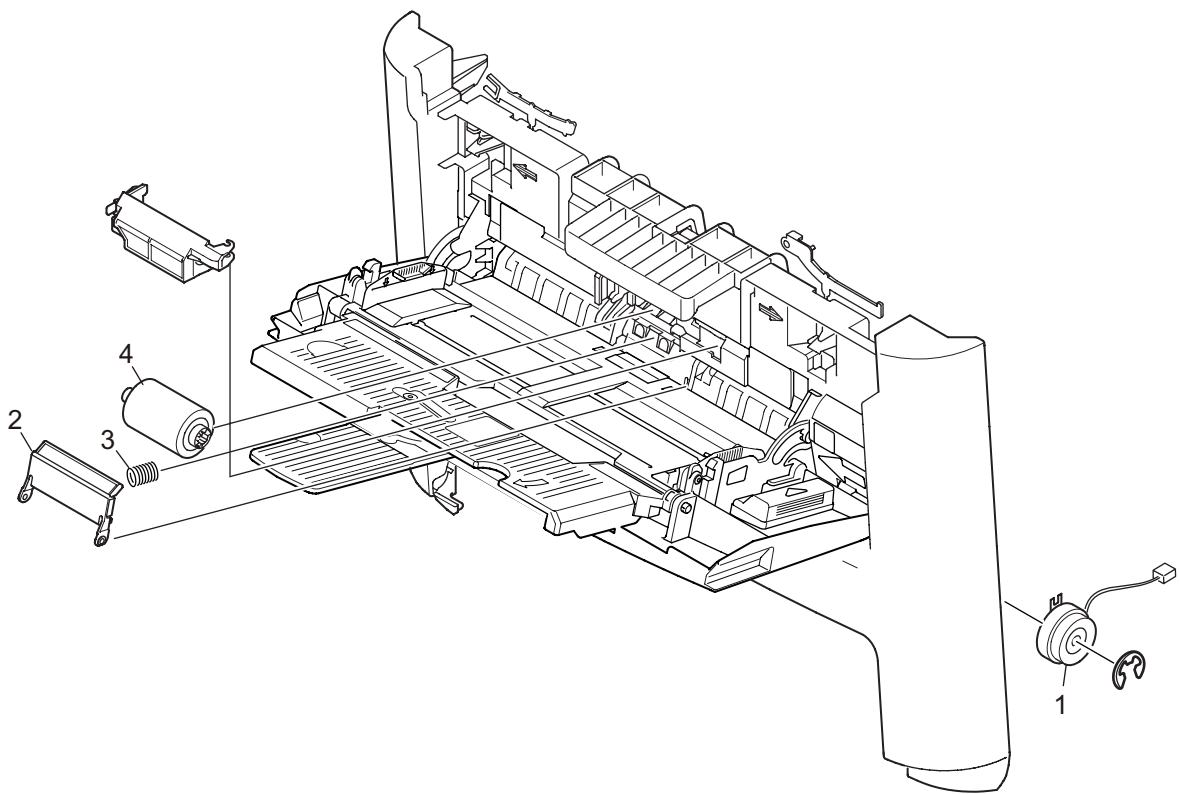


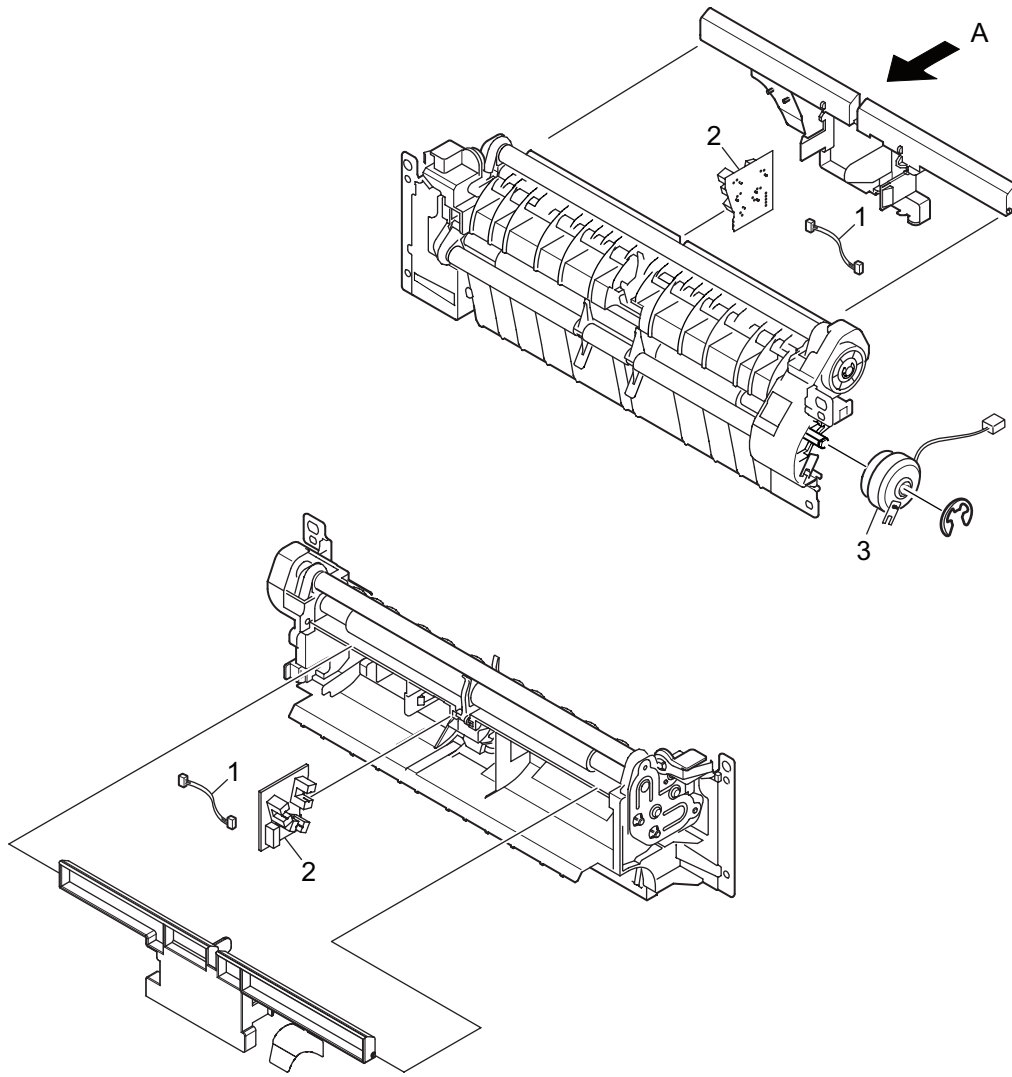
ITEM No.	PART No.	PART NAME	Q'TY / PAGE	Q'TY / PACK	REMARKS
2	ST45270022	Cover-Assy.-Top-FX757-Fin	1	1/C	with Finisher cable
3	ST45269921	Frame Assy.-Top(Front)-TTEC	1	1/PP	
4	6LK12907000	TR-BLT-UNIT-FC34	1	1/S	Pack in box
5 A	6LK12908100	FUSER-UNIT-FC34-120	1	1/S	(120V) Pack in box
5 B	6LK12908200	FUSER-UNIT-FC34-230	1	1/S	(230V) Pack in box
6	ST44614101	OR-IBY	1	1/SB	Board-IBY
7	ST43917501	Sensor Assy.-Color-Regist	1	1/C	
8	ST42066901	Cover-Driver	1	1/PP	
9	ST45271501	Cover-Side-R-Assy	1	1/PP	without Stapler Model
10	ST45038401	Plate-Shield-Board	1	1/P	
12	ST44259102	Plate Assy.-Side R-FX757	1	1/C	
13	ST45268921	Eject-Assy.-FX757(TTEC)	1	1/C	
14	ST45268401	Plate Assy.-Base	1	1/C	
15	ST43074904	Plate Assy.-Side L(PX755/7)	1	1/C	
16	ST43770701	PWR unit-DCDC	1	1/SB	High Voltage
17	ST43393802	CONN-High Voltage(Bend)	1	1/P	
18	ST45064501	Cover-Side(L)	1	1/PP	
19	ST43894903	Cassette-Assy-PX757	1	1/C	
20	ST43895001	Frame-Assy-Retard	1	1/P	
21	ST43963101	Spring-Retard	1	1/P	
22	ST44259903	Cover Assy.-Hopping-FX757	1	1/PP	
24	ST44263601	Cover Assy.-Front-PX757	1	1/C	
25	ST44261901	Feeder-Assy.-Regist	1	1/C	
26	ST42062102	Plate-Driver(PU)(Caulking)	1	1/P	
27	ST43076101	Gear-Idle-Belt-Z20Z93	1	1/P	
29	ST43078704	Cover Assy.-FaceUP	1	1/PP	
30	ST45277901	Cover-Sub Assy.-Rear	1	1/PP	
31	ST45272301	LED Head Unit-51TRC	4	1/C	600dpi(20pin)
32	ST43289101	OR-Motor-FAN(80)	1	1/C	FUSER
33	ST45136201	Guide-Cable-(Pow)	1	1/PP	
34	ST45271601	PWR Assy-FX757	1	1/SB	Power Unit (LOW Voltage)
35	ST42067001	Spring-BeltFuse	2	1/P	
36	ST42605201	Thermistor-Belt	1	1/D	
37	ST44555801	Shaft-Liftup	1	1/P	
38	ST42060701	Bush	1	1/P	
39	ST43075201	Gear-LiftupL-Z32	1	1/P	
40	ST43075501	Gear-LiftUpLinkL-Z56	1	1/P	
44	ST43954025	Plate-name	1	1/P	No Print
45	ST43912908	Plate-Logo	1	1/P	No Print
47	ST43348902	CONN-Cord-FlexyDP(Bend)	1	1/P	PU-PRY
48	ST43281101	Label-Color K	1	1/P	
49	ST43281102	Label-Color Y	1	1/P	
50	ST43281103	Label-Color M	1	1/P	
51	ST43281104	Label-Color C	1	1/P	
52	ST44263101	Label-ES/HD/CZ	1	1/P	
53	ST44274404	Unit-Duplex-FX755	1	1/C	
59	ST43894701	Cover-Assy-CS-PX741	1	1/PP	
64	ST45163401	Motor-FAN(80)	1	1/C	Power FAN
65	ST45084101	CONN Cord-USB(FX757)	1	1/P	USB Cable
67	ST45036701	Film-Board-Guard	1	1/KP	
68	ST45271401	CONN-Cord-JST3P-INLET(FX757)	1	1/P	AC Inlet
69	ST44267408	Screw PLWB4	1	1/P	AC Inlet Screw
70	ST43735001	Spring Pickup	1	1/P	
71	ST40367101	Bracket-Spring(Sub)	1	1/P	
72	ST45037501	Plate-Hinge(FB)	1	1/P	
73	ST45037601	Sleeve-Hinge(FB)	1	1/P	
74	ST45037701	Slider-Hinge(FB)	1	1/P	
75	ST45037801	Spring-Hinge(FB)	2	1/P	
76	ST45038201	Shaft-Guide(Hinge)	2	1/P	
77	2381103P0001	FFC34-50-0.5-003AU	2	1/P	
78	ST45064901	Cover-Connector-FAX	1	1/P	
79	ST45063501	Cover-Side(R-Inner)	1	1/P	
80	ST45063701	Cover-Side(R-Top)	1	1/PP	

ITEM No.	PART No.	PART NAME	Q'TY / PAGE	Q'TY / PACK	REMARKS
81	ST45064201	Cover-Side(L-Inner)	1	1/P	
82	ST45064401	Cover-Side(L-Top)	1	1/PP	
83	ST45113021	Cover-Top-Sub-S(TTEC)	2	1/PP	
84	ST45112921	Cover-Top-Sub-B(TTEC)	1	1/PP	
85	ST45063601	Cover-Side(R-Inner-EX)	1	1/P	Tall Model
86	ST45064001	Cover-Side(R-EX)	1	1/PP	Tall Model
87	ST45064301	Cover-Side(L-Inner-EX)	1	1/P	Tall Model
88	ST45064801	Cover-Side(L-EX)	1	1/PP	Tall Model
90 A	ST45167413	Board-Maintenance_MFP_7PU_L_TEC(NAD)	1	1/SB	Board PU for FC-287CSNAD
90 B	ST45167414	Board-Maintenance_MFP_7PU_M_TEC(NAD)	1	1/SB	Board PU for FC-347CSNAD
90 C	ST45167415	Board-Maintenance_MFP_7PU_H_TEC(NAD)	1	1/SB	Board PU for FC-407CSNAD
90 D	ST45167416	Board-Maintenance_MFP_7PU_L_TEC(ARD)	1	1/SB	Board PU for FC-287CSARD
90 E	ST45167417	Board-Maintenance_MFP_7PU_M_TEC(ARD)	1	1/SB	Board PU for FC-347CSARD
90 F	ST45167418	Board-Maintenance_MFP_7PU_H_TEC(ARD)	1	1/SB	Board PU for FC-407CSARD
90 G	ST45167419	Board-Maintenance_MFP_7PU_M_TEC(AUD)	1	1/SB	Board PU for FC-347CSAUD
90 H	ST45167420	Board-Maintenance_MFP_7PU_H_TEC(AUD)	1	1/SB	Board PU for FC-407CSAUD
90 I	ST45167421	Board-Maintenance_MFP_7PU_L_TEC(MJD)	1	1/SB	Board PU for FC-287CSMJD
90 J	ST45167422	Board-Maintenance_MFP_7PU_M_TEC(MJD)	1	1/SB	Board PU for FC-347CSMJD
90 K	ST45167423	Board-Maintenance_MFP_7PU_H_TEC(MJD)	1	1/SB	Board PU for FC-407CSMJD
90 L	ST45167424	Board-Maintenance_MFP_7PU_M_TEC(JPD)	1	1/SB	Board PU for FC-347CSJPD
90 M	ST45167425	Board-Maintenance_MFP_7PU_H_TEC(JPD)	1	1/SB	Board PU for FC-407CSJPD
92	ST45447601	Finisher-Damper-Kit	1	1/C	with Film-Guide
93	ST45063801	Cover-Side-R	1	1/PP	with Stapler Model
94	ST45064102	Cover-Stapler	1	1/PP	with Stapler Model
95 A	ST44817017	Plate-name_eSTD287CS	1	1/P	
95 B	ST44817018	Plate-name_eSTD347CS	1	1/P	
95 C	ST44817019	Plate-name_eSTD407CS	1	1/P	
96	ST43912906	Plate-Logo	1	1/P	
97	ST45508001	Film-Slider(FB)	1	1/P	
98	ST45484501	Soft-Absorber	1	1/P	

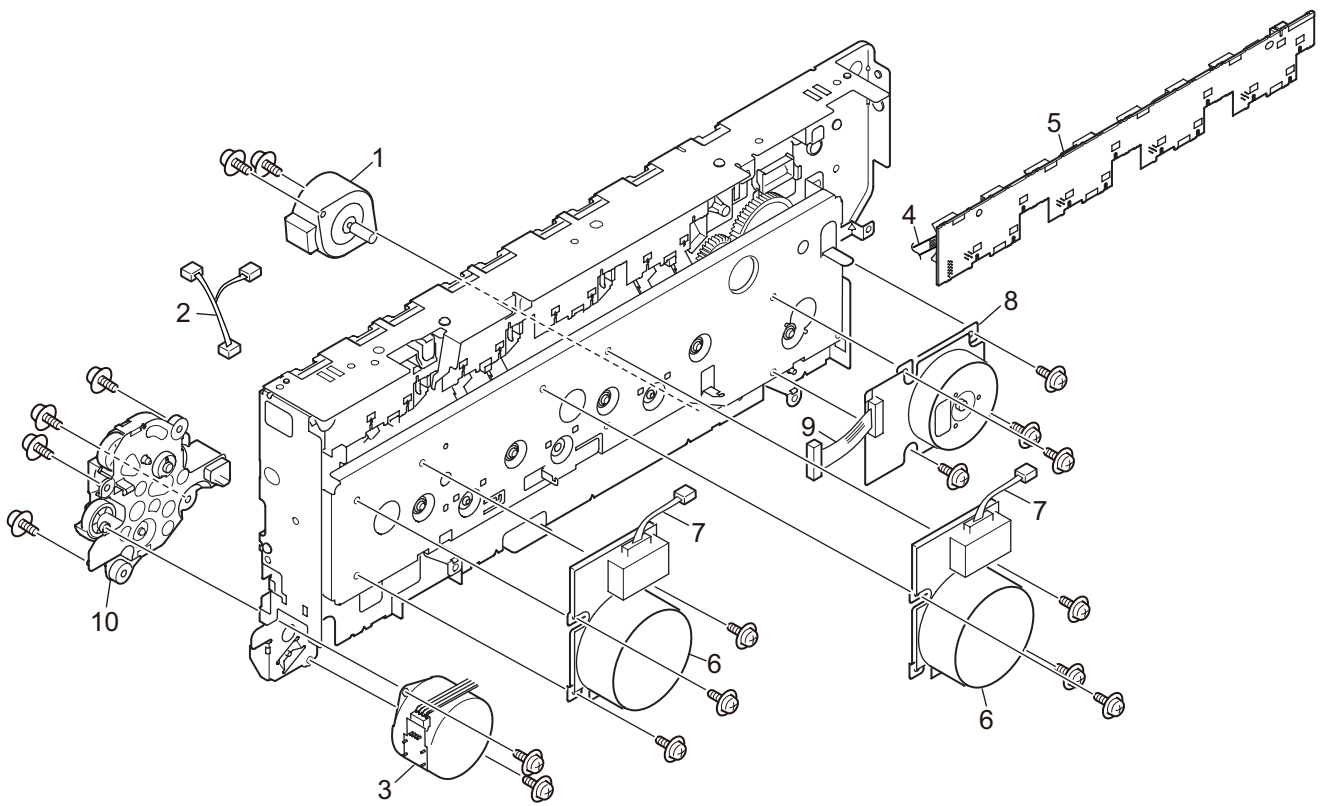


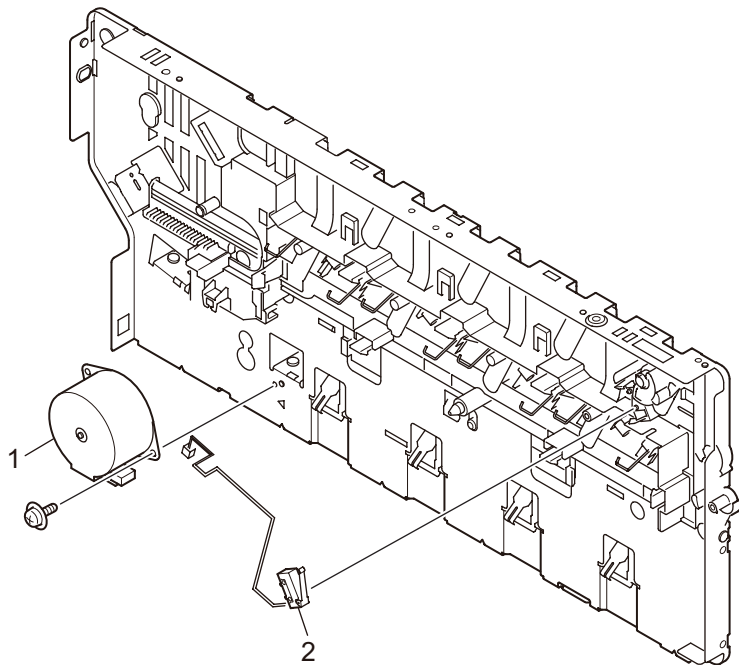


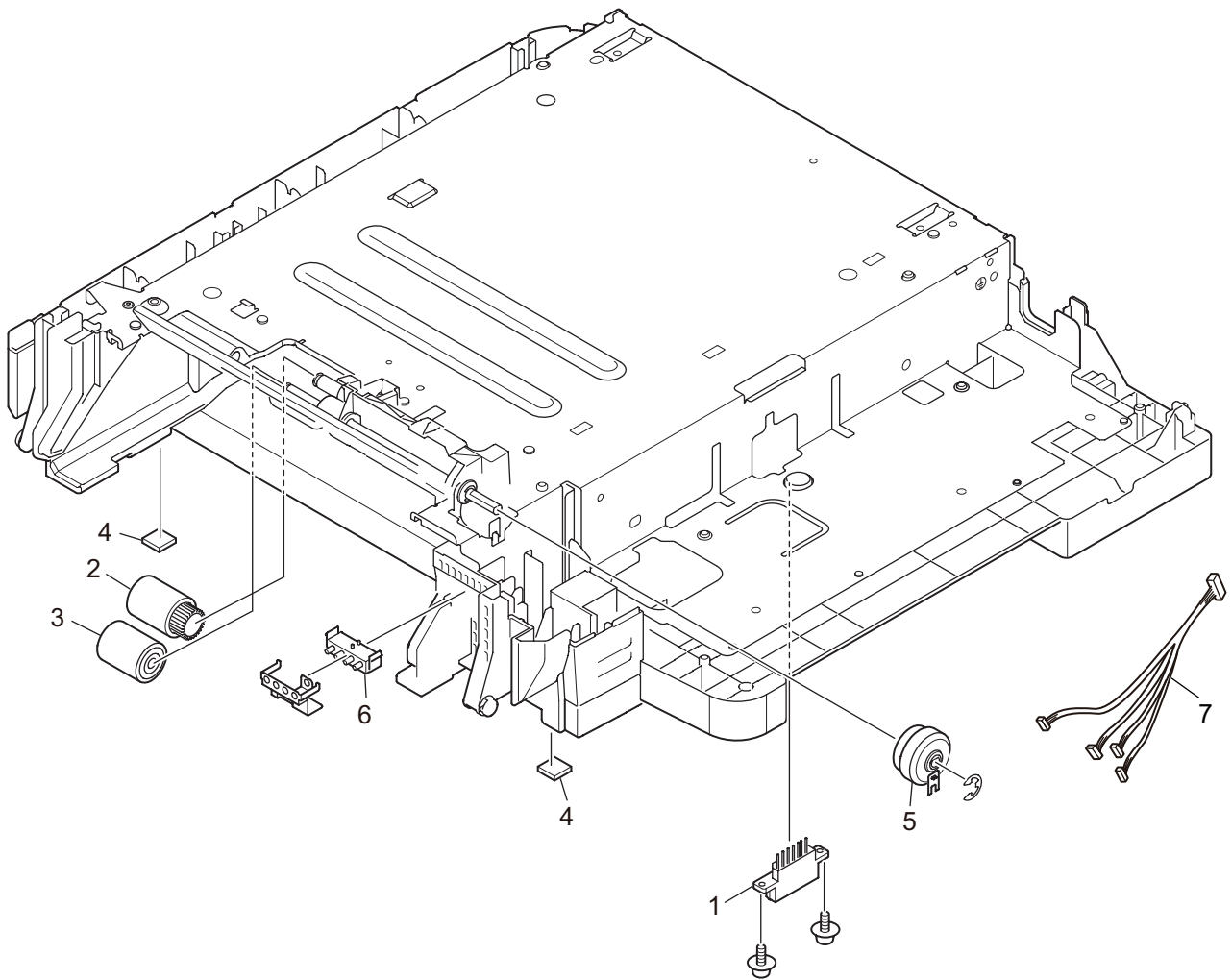


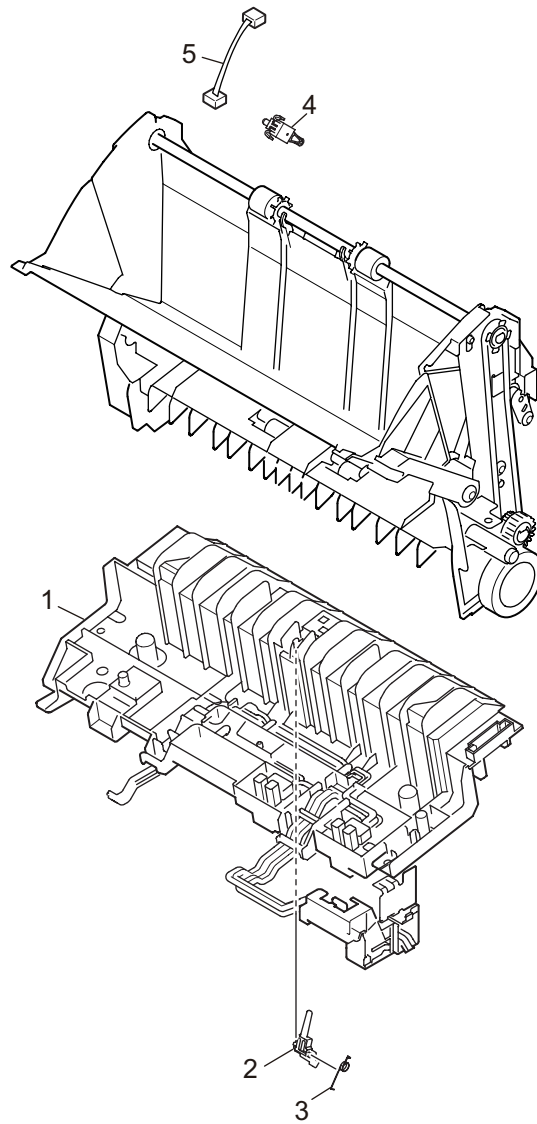


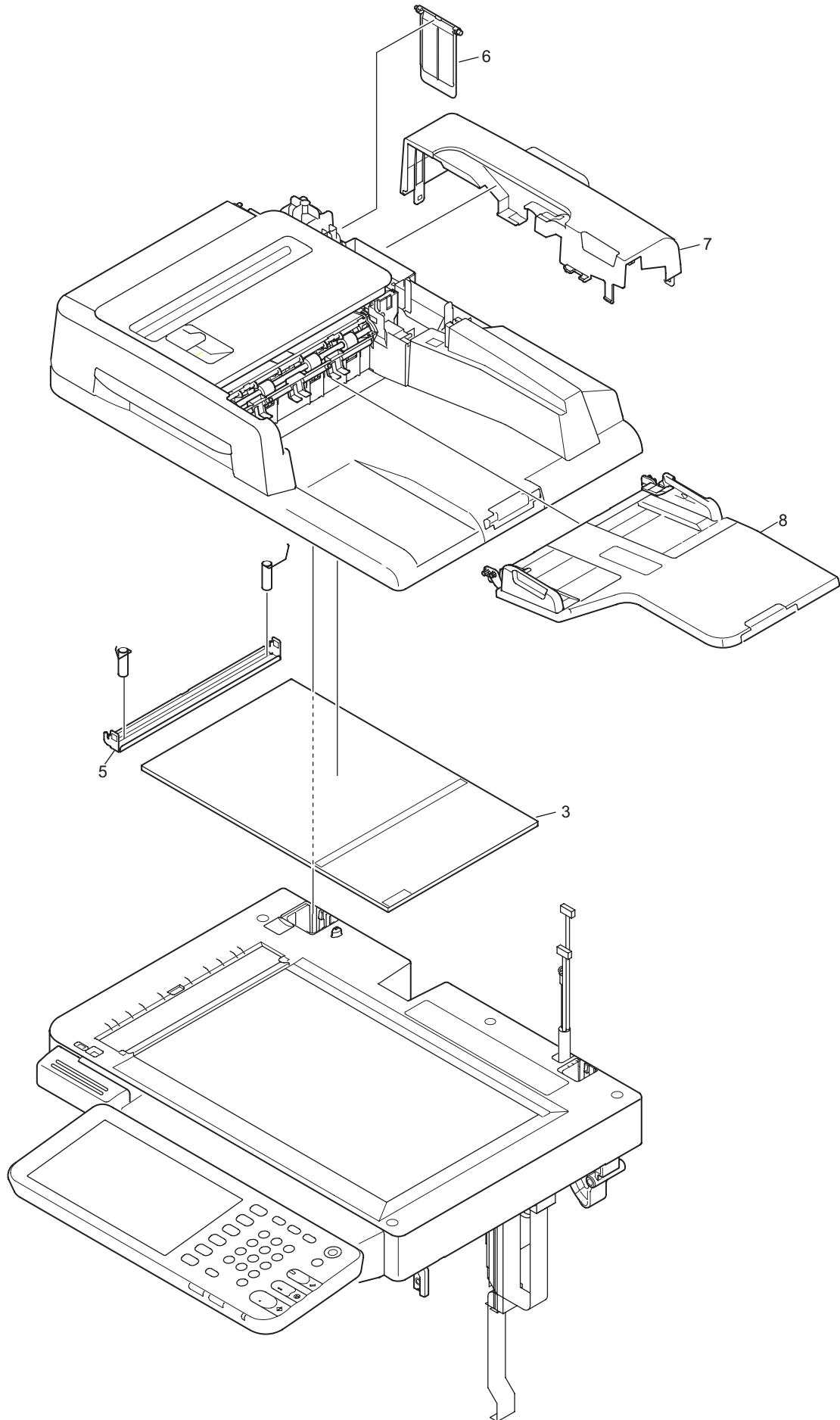
View on Arrow A

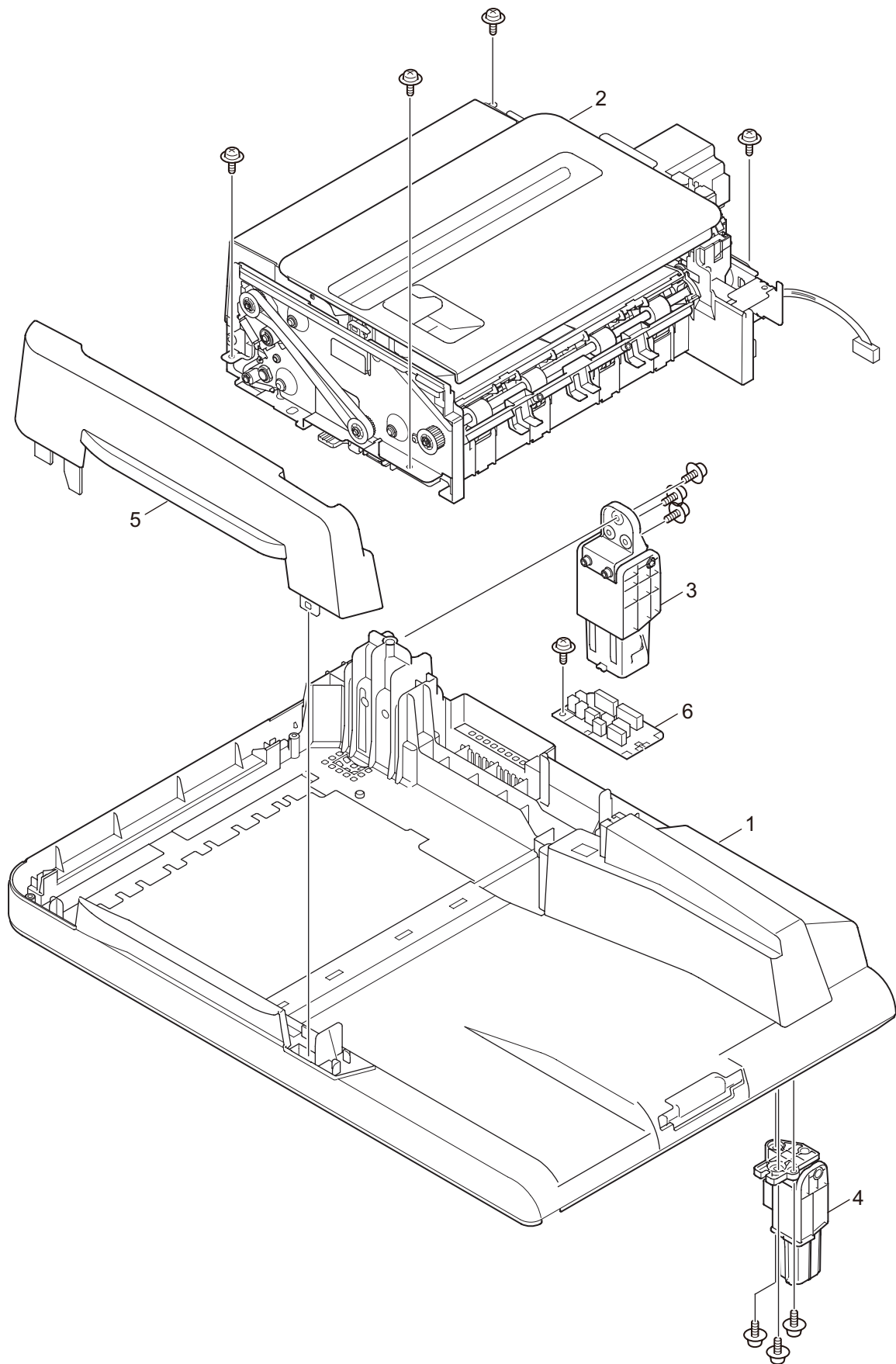


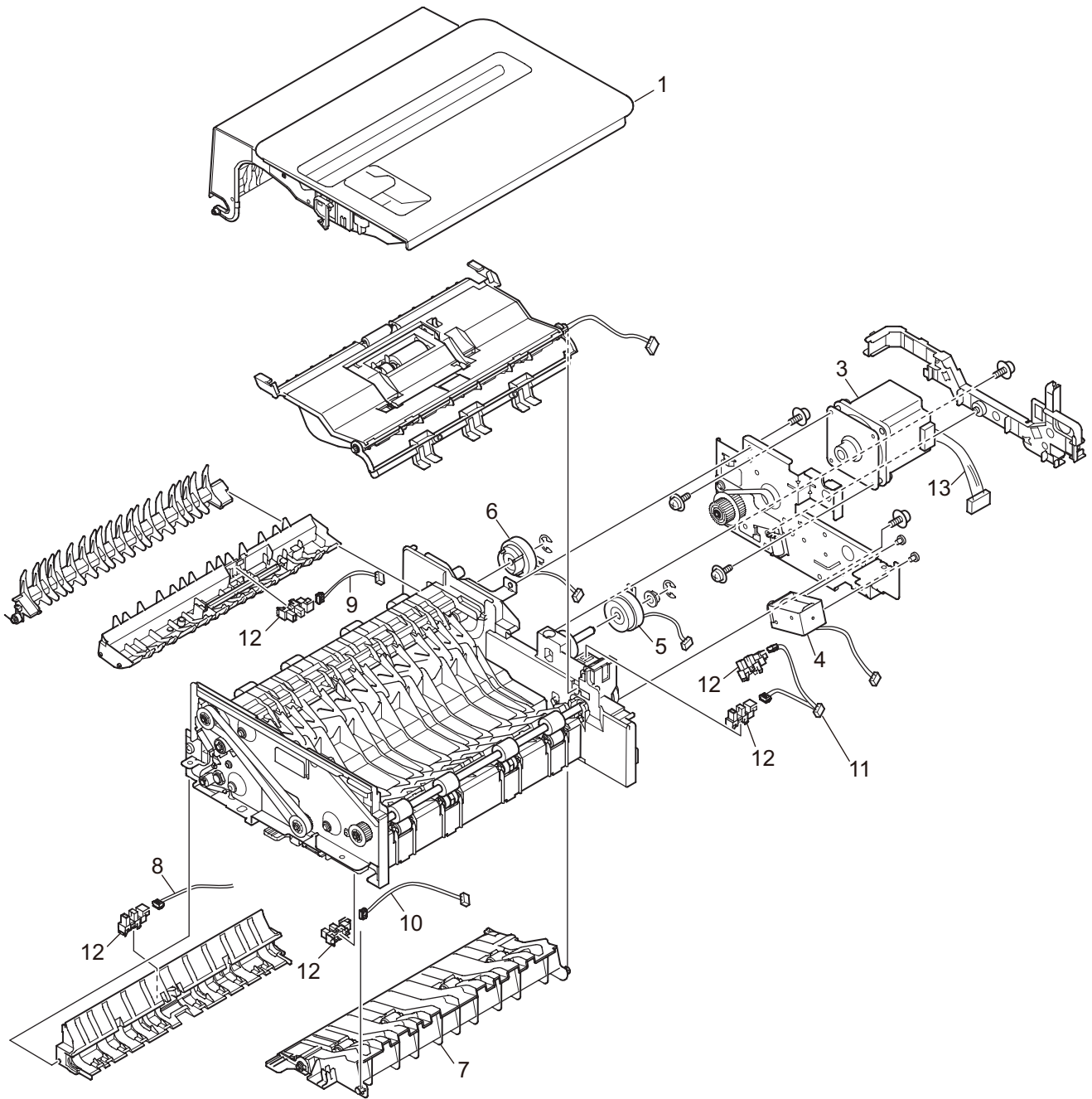


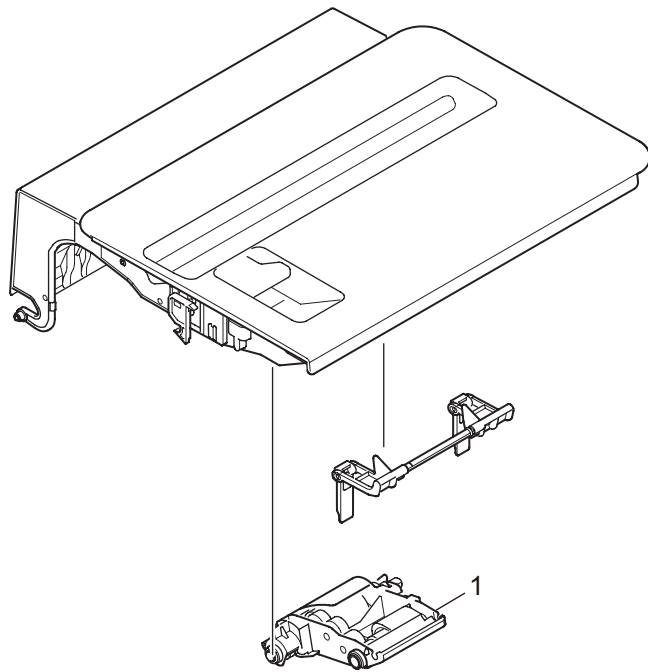


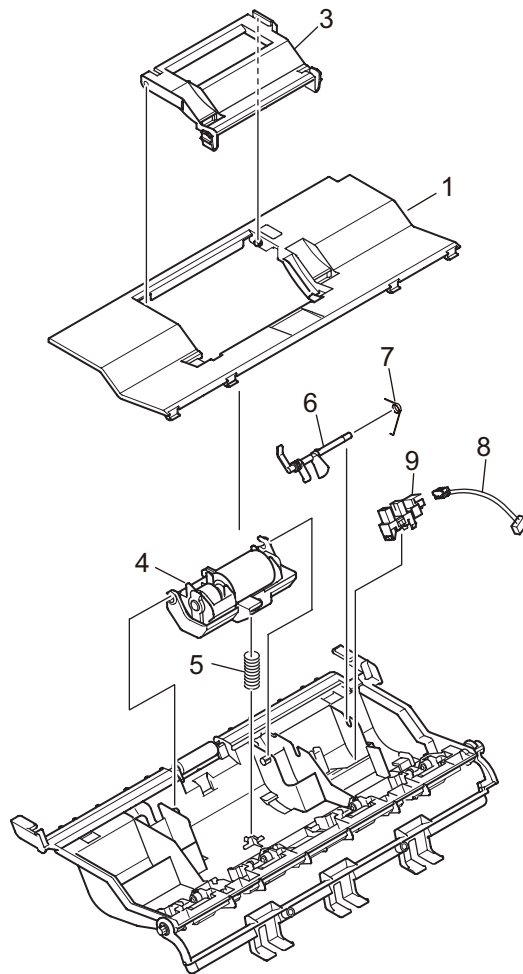


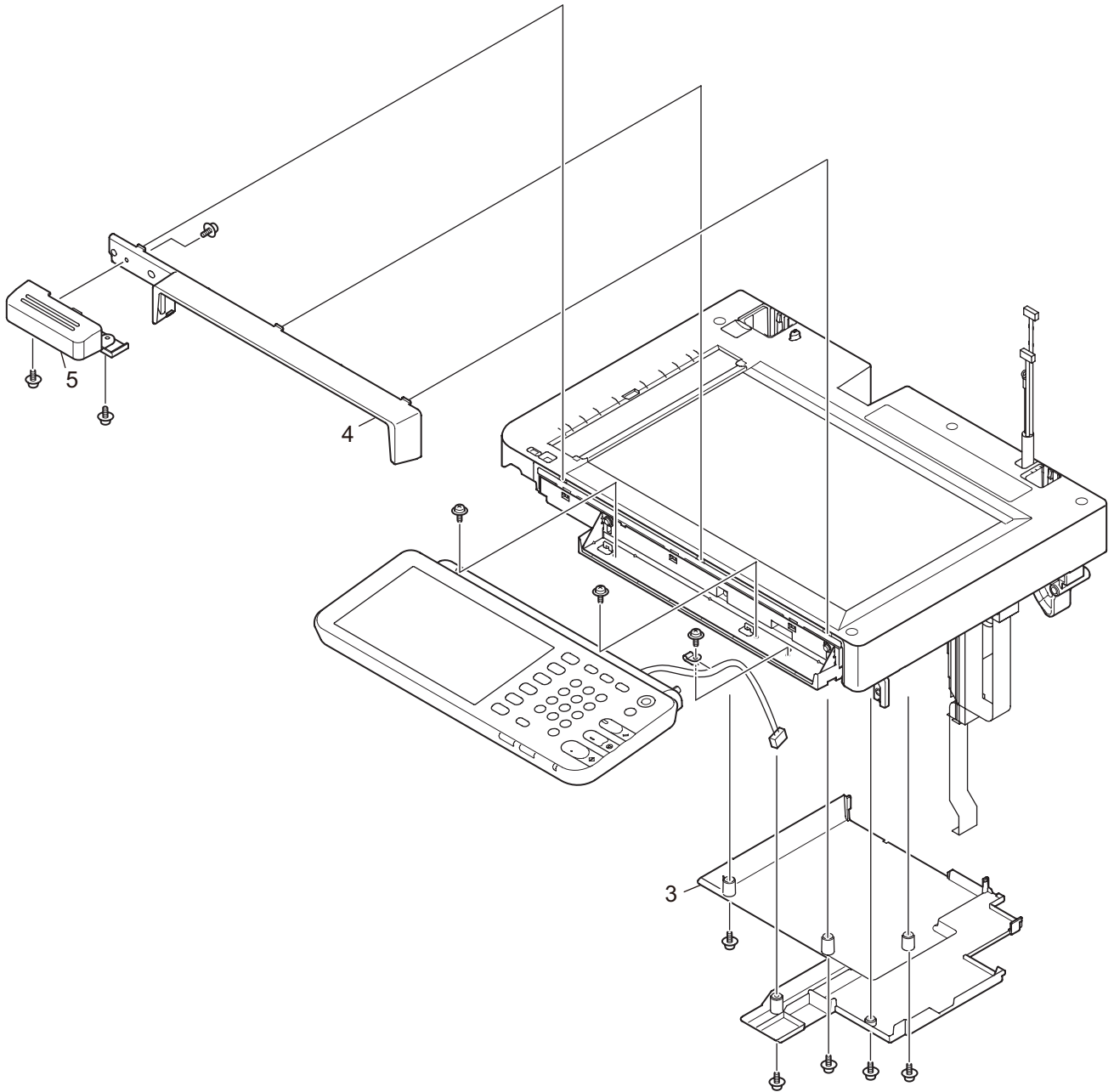


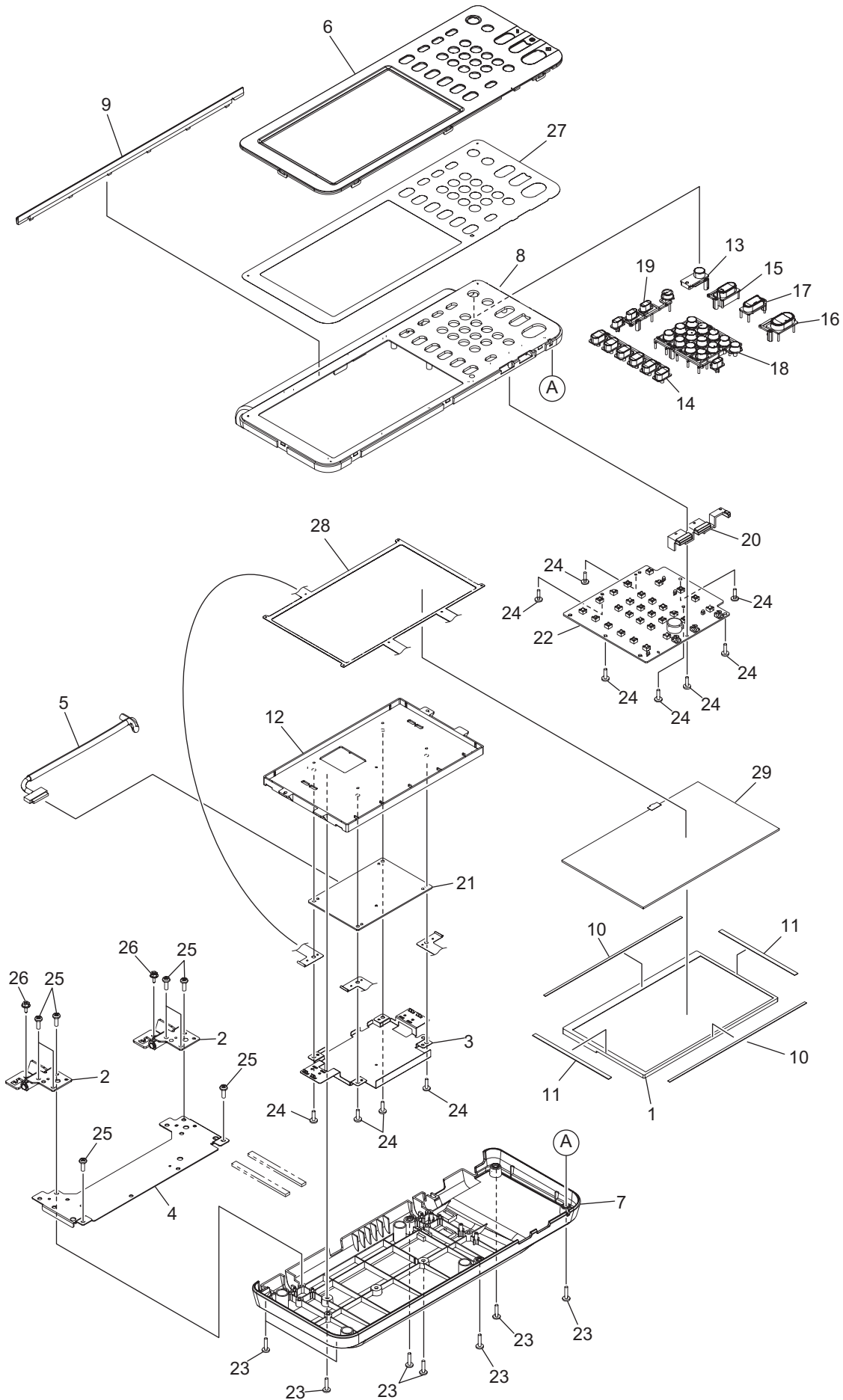


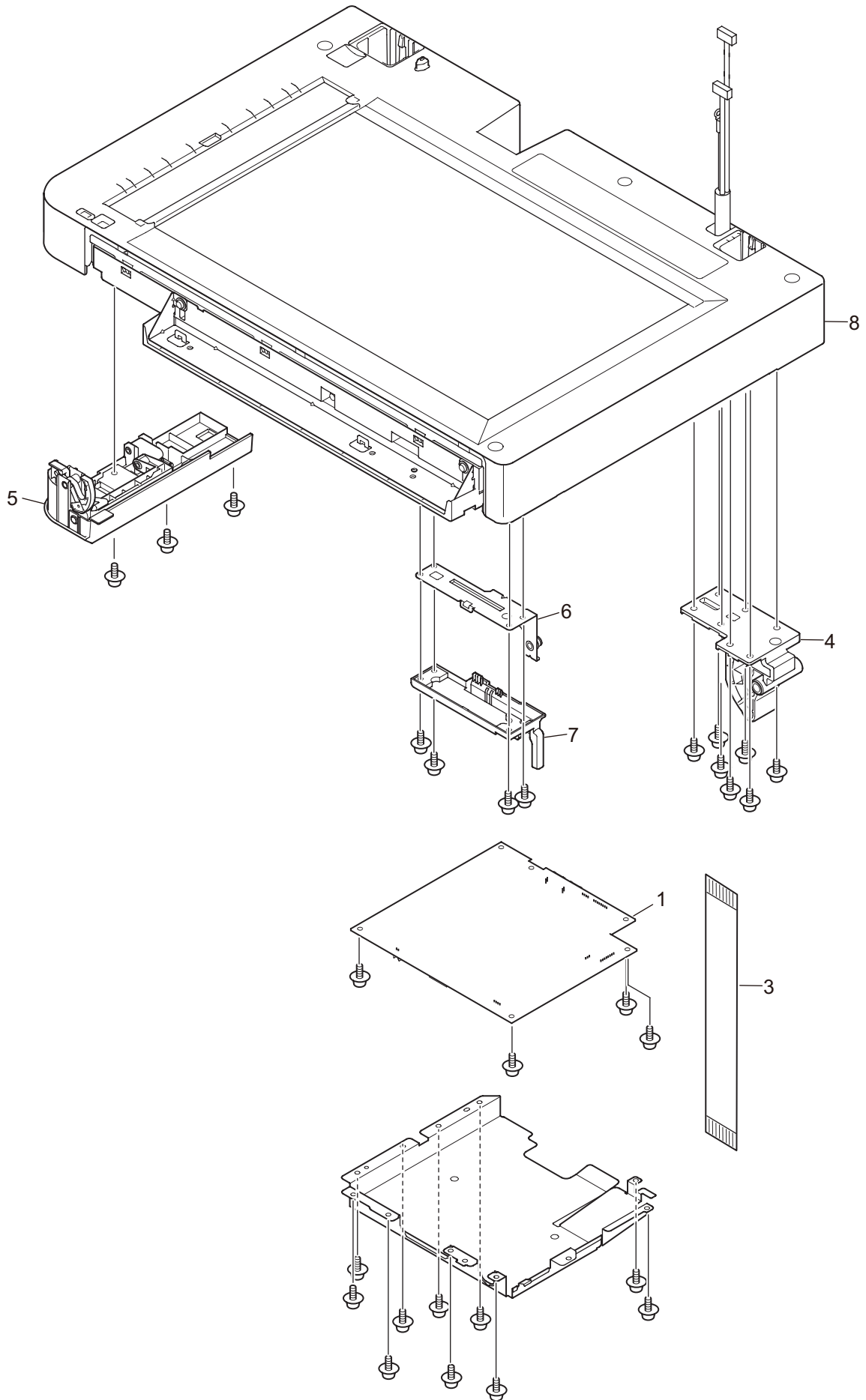


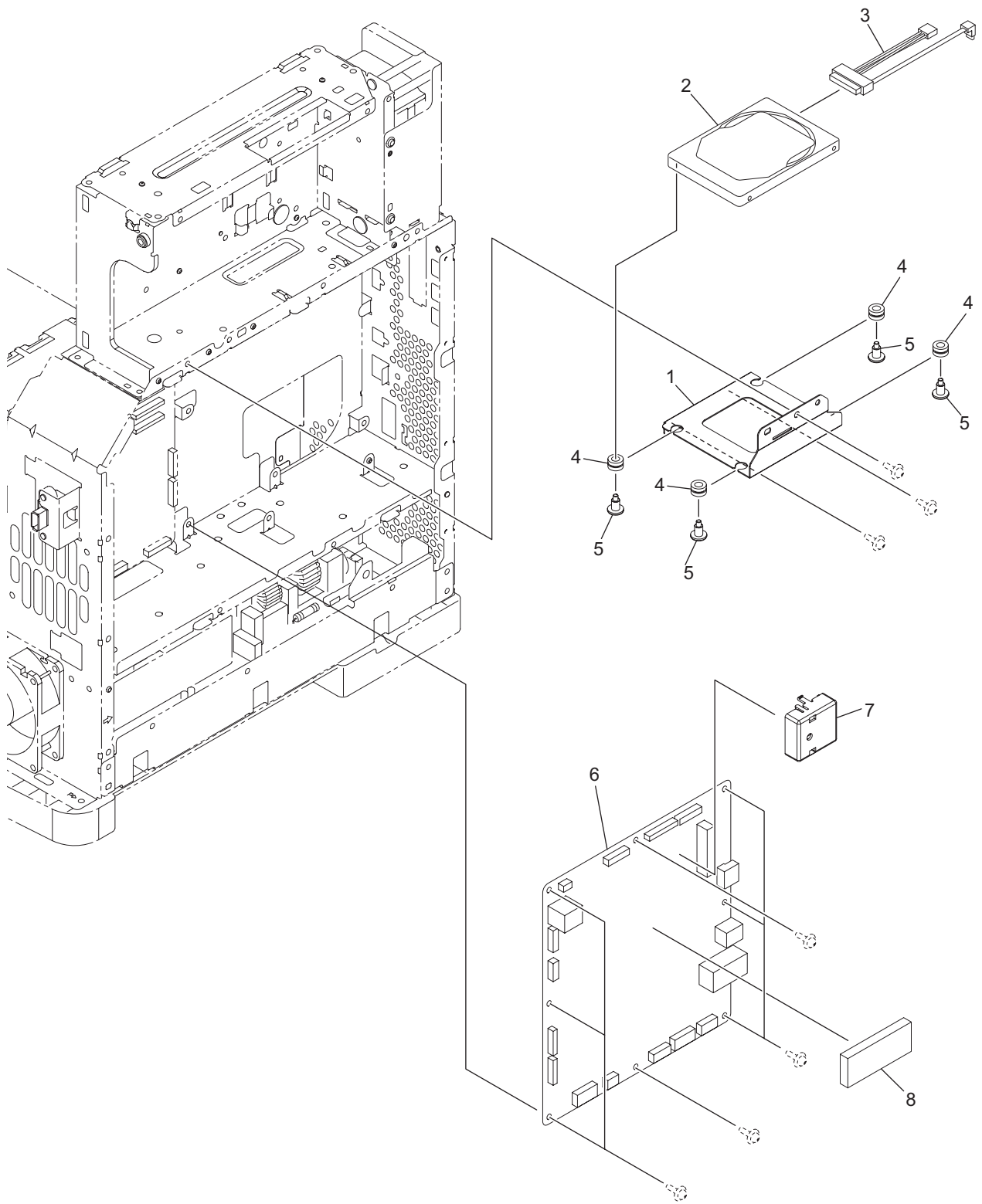


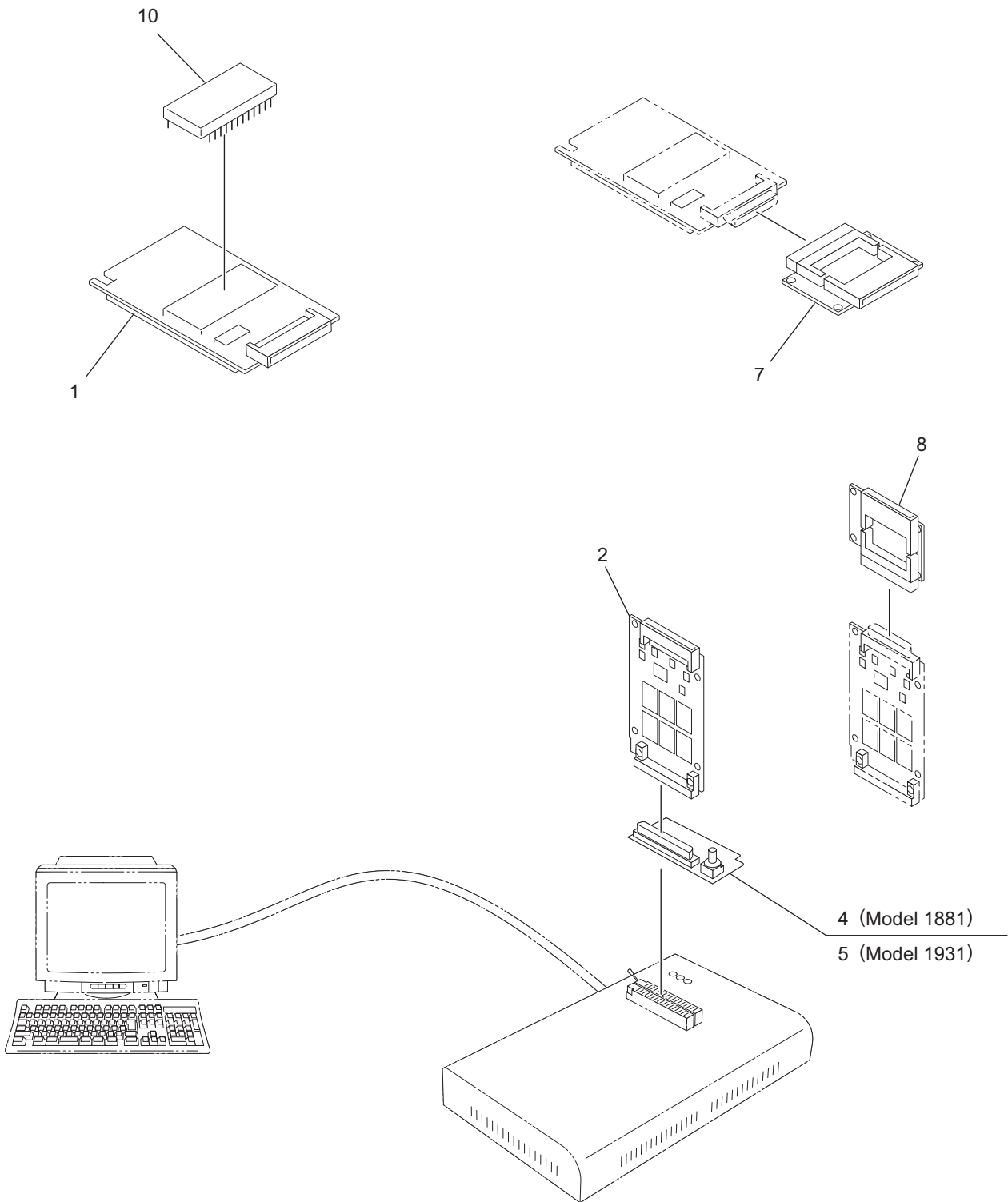












TOSHIBA

TOSHIBA TEC CORPORATION

1-11-1, OHSAKI, SHINAGAWA-KU, TOKYO, JAPAN