

TOSHIBA
Leading Innovation >>>

SERVICE PARTS LIST

MULTIFUNCTIONAL DIGITAL SYSTEMS

e-STUDIO2820c/2830c/3520c/3530c/4520c

P

© 2008 TOSHIBA TEC CORPORATION All rights reserved

Under the copyright laws, this manual cannot be reproduced in any form without prior written permission of TOSHIBA TEC CORPORATION. No patent liability is assumed, however, with respect to the use of the information contained herein.

EXPLANATION OF SERVICE-PARTS LIST

1. HOW TO READ THE PARTS LIST

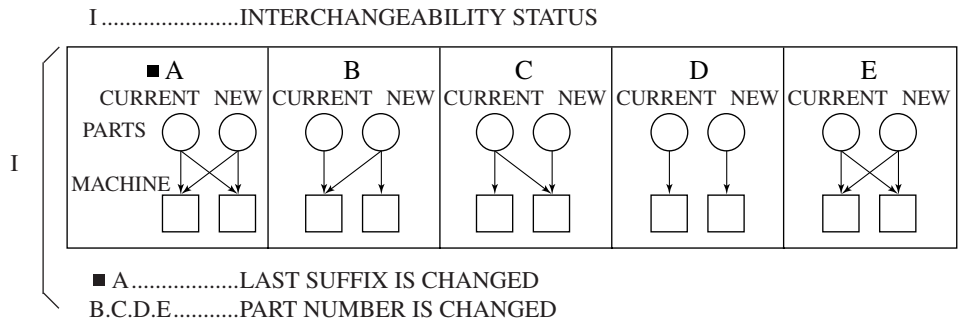
- (1) Number of pieces
The number of pieces in the list denotes total pieces used per unit. But the numbers in the list for PACKING MATERIAL and ACCESSORY denote total pieces used per machine.
- (2) One pack of screws in the list includes 50 pieces.
- (3) ABBREVIATED CODES

QTY/PAC

- QTY.....one piece
- PAC.....one pack
- 1/P.....one piece packed in polyethylene bag
- 1/S.....one piece packed in special pack
- 1/C.....one piece packed in carton box
- 1/PP.....one piece packed in paper and polyethylene bag
- 1/KP.....one piece packed in polyethylene bag with cardboard
- 1/D.....one piece packed in polyethylene-cushion bag
- 1/SB.....one piece packed in shielding bag
- N/A.....not available

P

- P.....PURPOSE
- A.....ADD
- B.....DELETE
- C.....CHANGE
- D.....QTY, CHANGE
- E.....MISENTRY
- F.....OMISSION



2. HOW TO PLACE ORDER FOR PARTS

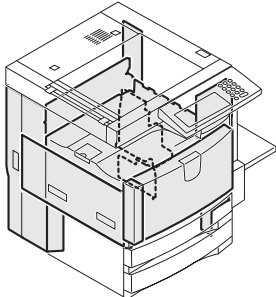
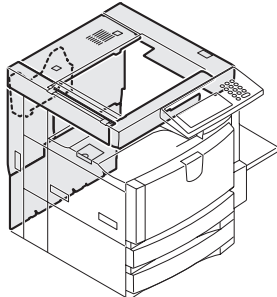
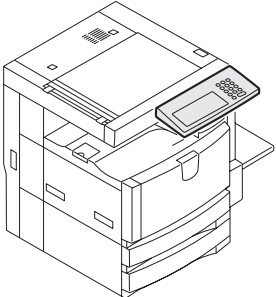
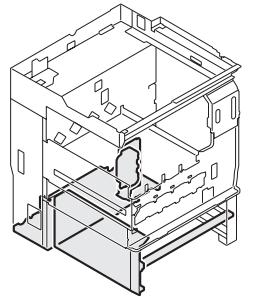
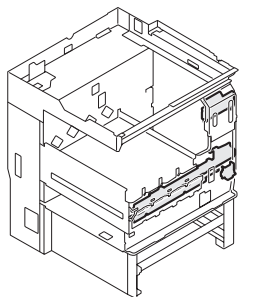
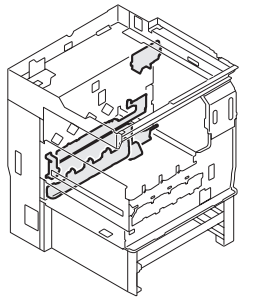
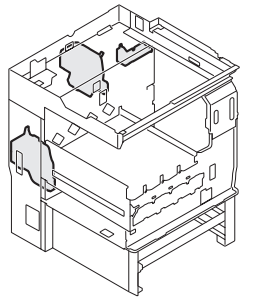
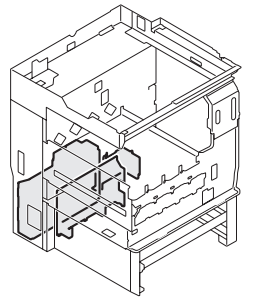
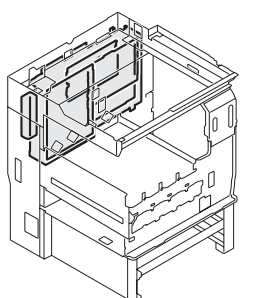
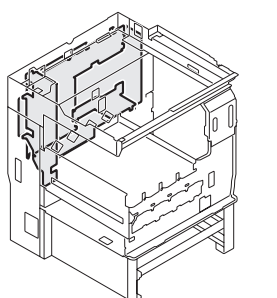
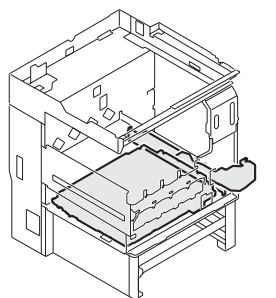
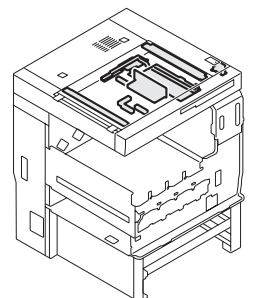
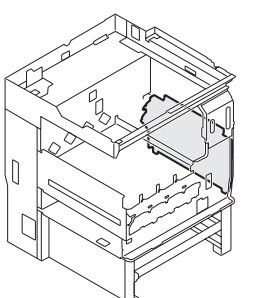
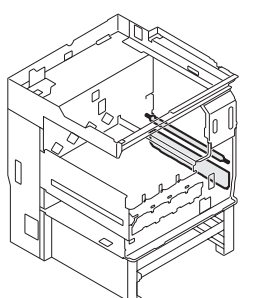
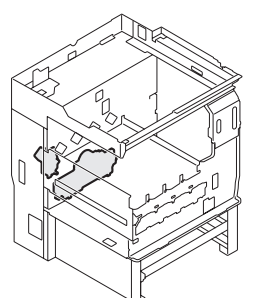
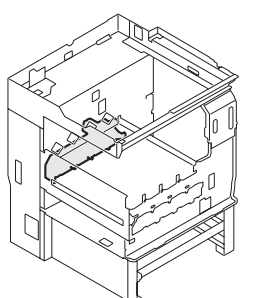
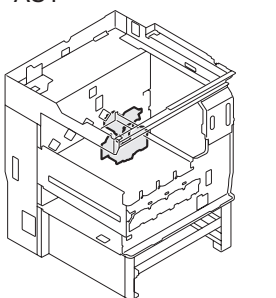
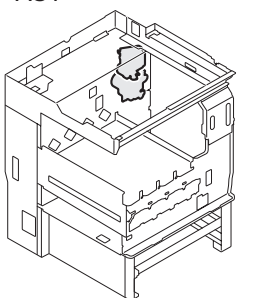
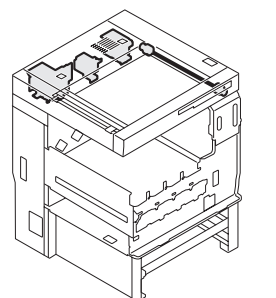
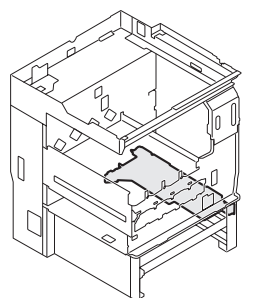
- (1) The parts handled as service parts are only those with their "QTY/PACK" column listed with a quantity other than "N/A***" or "SUPPLY".
Those parts with "N/A***" are listed only for the purpose of showing the mechanical construction, those listed with "SUPPLY" are handled only as a sales item, and therefore both types of parts are not supplied as service parts.
- (2) Orders for any parts which form a component of a semi-assembled unit are not acceptable.
Note: All the screws and nuts used are ISO standard.

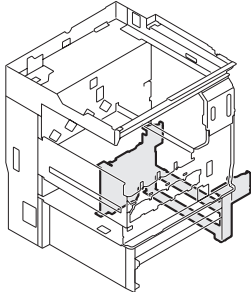
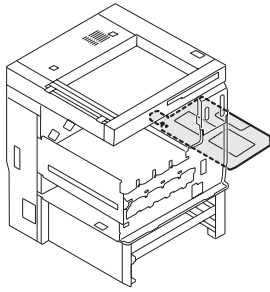
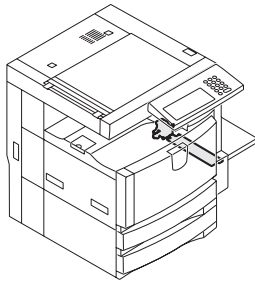
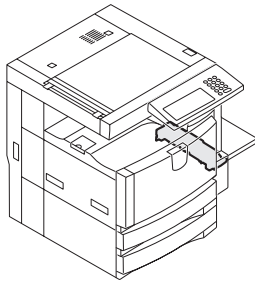
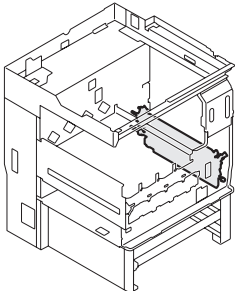
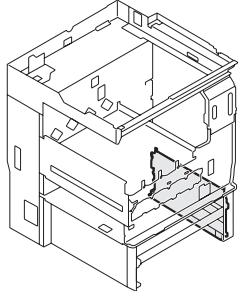
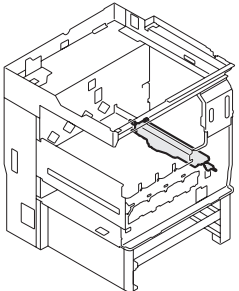
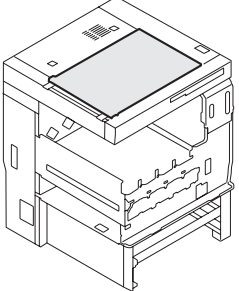
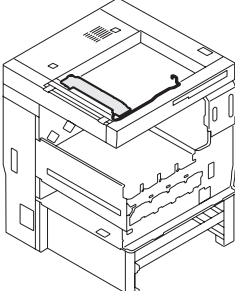
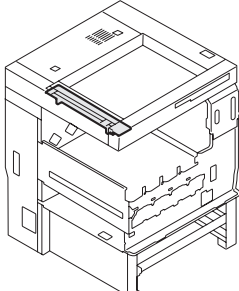
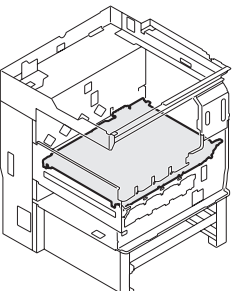
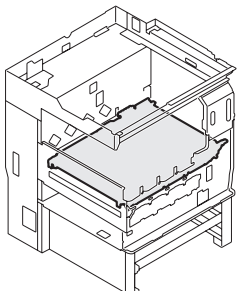
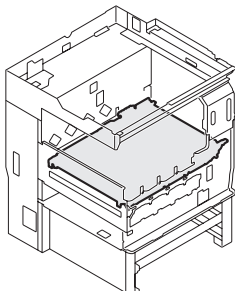
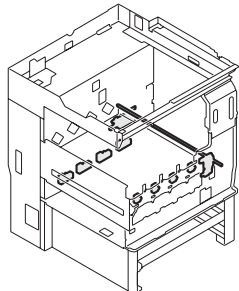
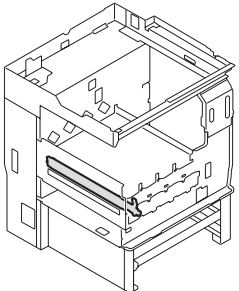
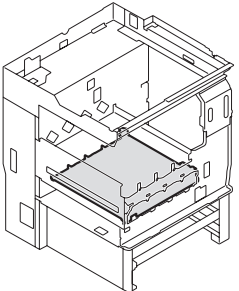
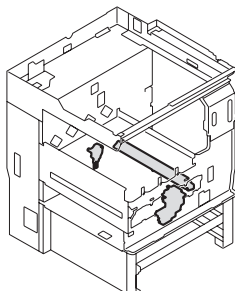
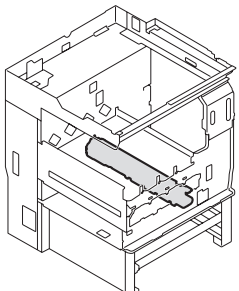
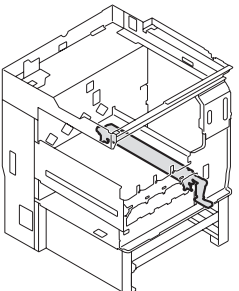
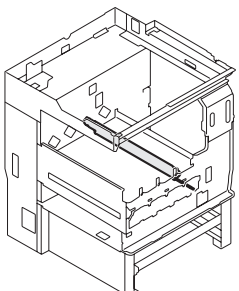
3. REGION

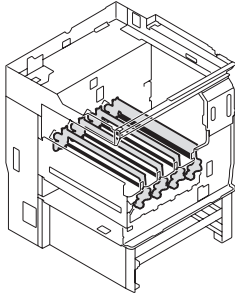
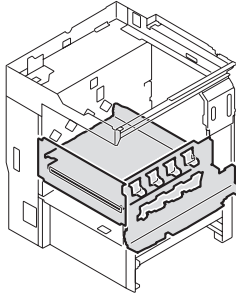
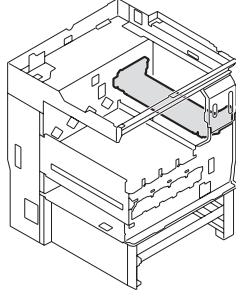
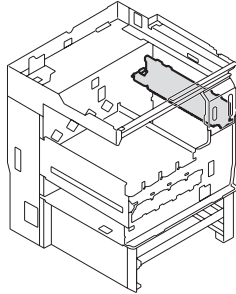
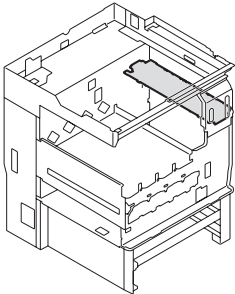
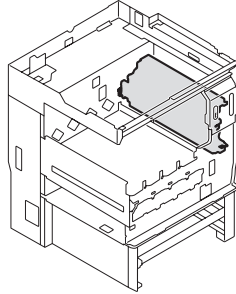
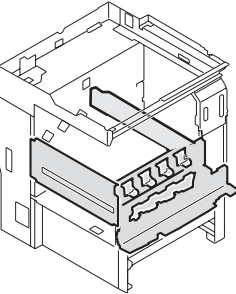
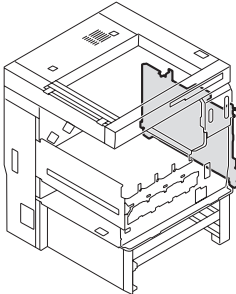
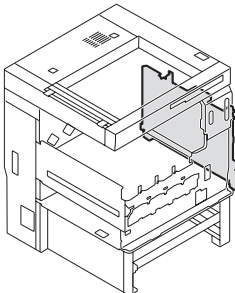
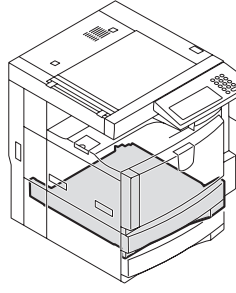
- NAD.....115V
50/60Hz, NORTH AMERICA, SOUTH AMERICA
- TWD.....110/220V
50/60Hz, TAIWAN
- SAD.....127V/60Hz, SAUDI ARABIA
- ASD.....220-240V
50/60Hz, ASIA, SOUTH AMERICA, etc.
- ASU.....220-240V
50/60Hz, ASIA, etc.
- AUD.....220-240V
50/60Hz, AUSTRALIA
- MJD.....220-240V
50/60Hz, EUROPE
- CND.....220-240V
50/60Hz, CHINA
- KRD.....220-240V
50/60Hz, KOREA

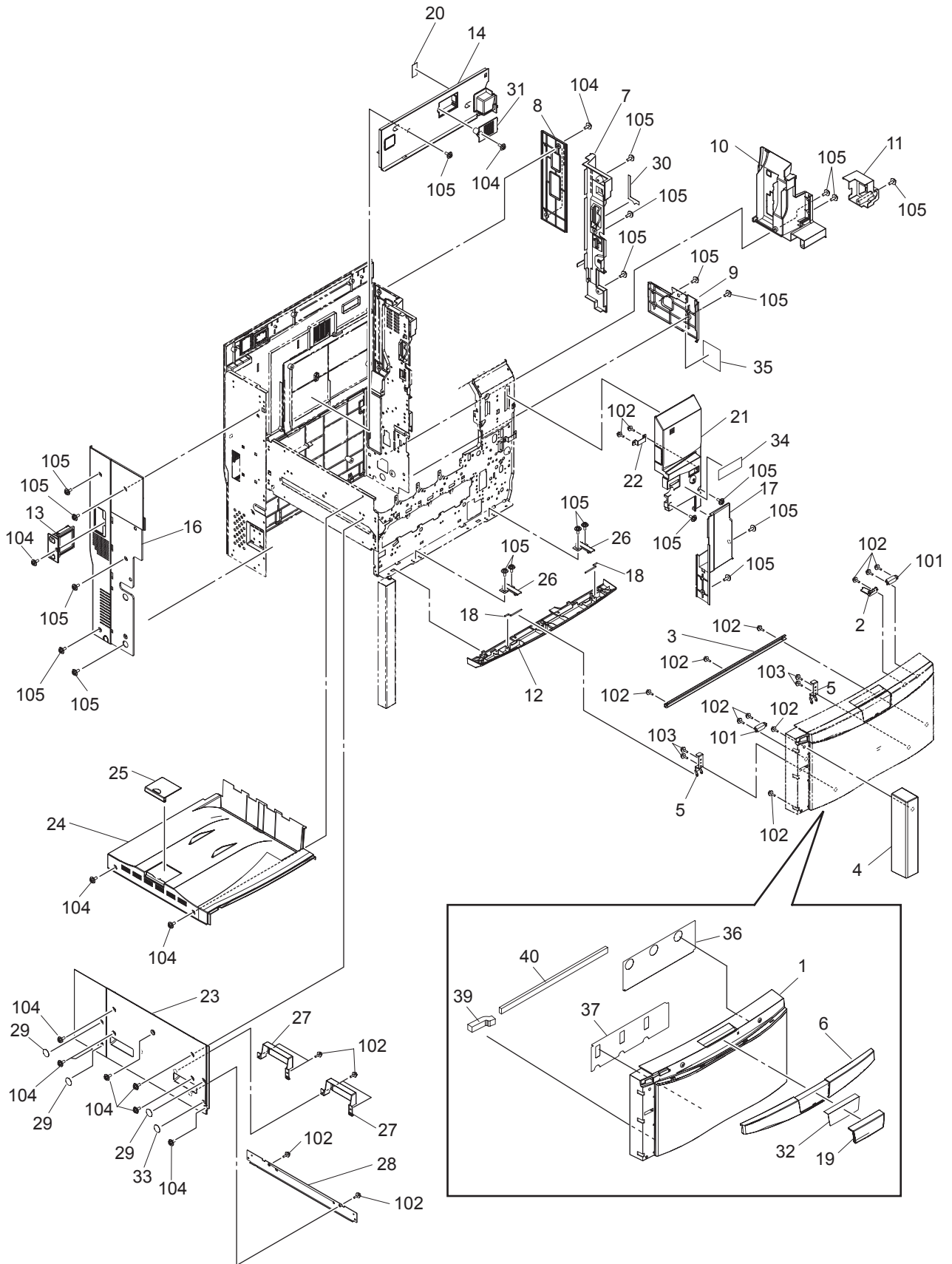
CONTENTS

COVER-1-ASY.....	1	MAIN-CHARGER-ASY.....	40
COVER-2-ASY.....	2	TONER-1-ASY.....	41
CONTROL-PANEL-ASY.....	3	TONER-2-ASY.....	42
BASE-FRAME-ASY.....	4	FUSER-1-ASY.....	43
FRONT-FRAME-ASY.....	5	FUSER-2-ASY.....	44
REAR-FRAME-ASY-1.....	6	FUSER-3-ASY.....	45
REAR-FRAME-ASY-2.....	7	FUSER SATY&GUIDE EXIT-ASY.....	46
POWER-SUPPLY-ASY.....	8	INNER-COVER-ASY.....	47
CASE-PCB-ASY.....	9	ADU-ASY-1.....	48
COV_STAY-PCB-ASY.....	10	ADU-ASY-2.....	49
LASER-OPTICAL-UNIT.....	11	DRAWER-ASY.....	50
OPTICAL-FRAME-ASY.....	12	JIGS & GREASE.....	101
TRU-UNIT-1.....	13	DOWNLOAD JIGS.....	102
TRU-UNIT-2.....	14	SUPPLIES.....	103
DEV_TBU-DRIVE-ASY.....	15	REPLACE UNIT.....	104
DRUM-DRIVE-ASY.....	16	PM-KIT.....	105
REGIST&TR1-DRIVE-ASY.....	17		
FUSER&EXIT-DRIVE-ASY.....	18		
OPTICAL-DRIVE-ASY.....	19		
FEEDER-1-ASY.....	20		
FEEDER-2-ASY.....	21		
BYPASS-ASY.....	22		
BYPASS-FEEDER-1-ASY.....	23		
BYPASS-FEEDER-2-ASY.....	24		
ALIGNING-ASY.....	25		
COV&GUIDE-FEED-ASY.....	26		
LIFT-TRU&SNR-POS-ASY.....	27		
PLATEN-ASY.....	28		
CRG-1-ASY.....	29		
CRG-2-ASY.....	30		
TRANSPORT-BELT-UNIT-1.....	31		
TRANSPORT-BELT-UNIT-2.....	32		
TRANSPORT-BELT-UNIT-3.....	33		
TRANSPORT-BELT-UNIT-4.....	34		
BELT-CLEAN-UNIT-ASY.....	35		
SHUTTER-ASY.....	36		
EPU-SUB-ASY.....	37		
DEVELOPER-ASY.....	38		
CLN-DRUM-ASY.....	39		

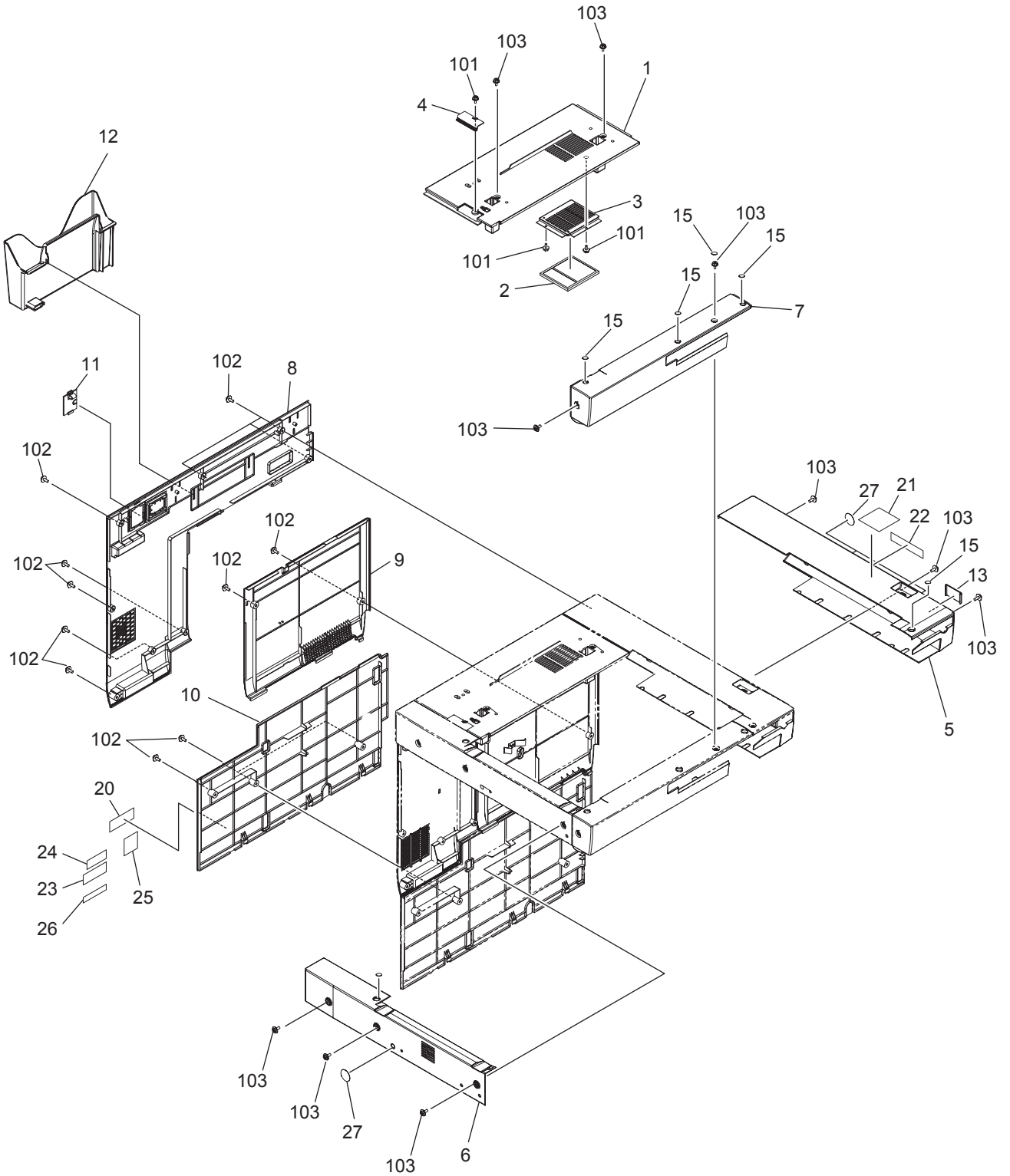
<p>1. COVER-1-ASY</p> 	<p>2. COVER-2-ASY</p> 	<p>3. CONTROL-PANEL-ASY</p> 	<p>4. BASE-FRAME-ASY</p> 
<p>5. FRONT-FRAME-ASY</p> 	<p>6. REAR-FRAME-ASY-1</p> 	<p>7. REAR-FRAME-ASY-2</p> 	<p>8. POWER-SUPPLY-ASY</p> 
<p>9. CASE-PCB-ASY</p> 	<p>10. COV_STAY-PCB-ASY</p> 	<p>11. LASER-OPTICAL-UNIT</p> 	<p>12. OPTICAL-FRAME-ASY</p> 
<p>13. TRU-UNIT-1</p> 	<p>14. TRU-UNIT-2</p> 	<p>15. DEV_TBU-DRIVE-ASY</p> 	<p>16. DRUM-DRIVE-ASY</p> 
<p>17. REGIST&TR1-DRIVE-ASY</p> 	<p>18. FUSER&EXIT-DRIVE-ASY</p> 	<p>19. OPTICAL-DRIVE-ASY</p> 	<p>20. FEEDER-1-ASY</p> 

<p>21. FEEDER-2-ASY</p> 	<p>22. BYPASS-ASY</p> 	<p>23. BYPASS-FEEDER-1-ASY</p> 	<p>24. BYPASS-FEEDER-2-ASY</p> 
<p>25. ALIGNING-ASY</p> 	<p>26. COV&GUIDE-FEED-ASY</p> 	<p>27. LIFT-TRU&SNR-POS-ASY</p> 	<p>28. PLATEN-ASY</p> 
<p>29. CRG-1-ASY</p> 	<p>30. CRG-2-ASY</p> 	<p>31. TRANSPORT-BELT-UNIT-1</p> 	<p>32. TRANSPORT-BELT-UNIT-2</p> 
<p>33. TRANSPORT-BELT-UNIT-3</p> 	<p>34. TRANSPORT-BELT-UNIT-4</p> 	<p>35. BELT-CLEAN-UNIT-ASY</p> 	<p>36. SHUTTER-ASY</p> 
<p>37. EPU-SUB-ASY</p> 	<p>38. DEVELOPER-ASY</p> 	<p>39. CLN-DRUM-ASY</p> 	<p>40. MAIN-CHARGER-ASY</p> 

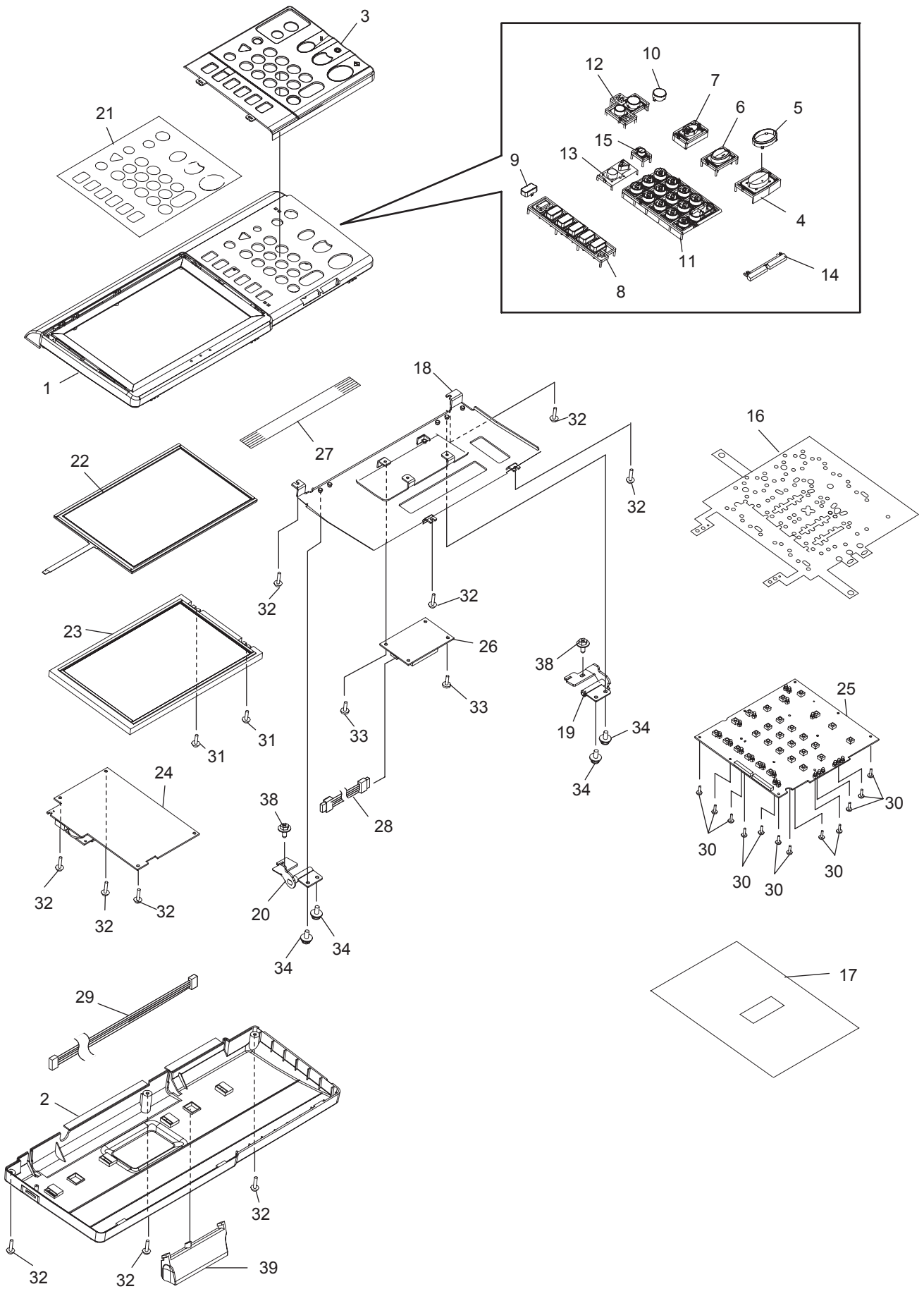
<p>41. TONER-1-ASY</p> 	<p>42. TONER-2-ASY</p> 	<p>43. FUSER-1-ASY</p> 	<p>44. FUSER-2-ASY</p> 
<p>45. FUSER-3-ASY</p> 	<p>46. FUSER SATY&GUIDE EXIT-ASY</p> 	<p>47. INNER-COVER-ASY</p> 	<p>48. ADU-ASY-1</p> 
<p>49. ADU-ASY-2</p> 	<p>50. DRAWER-ASY</p> 		



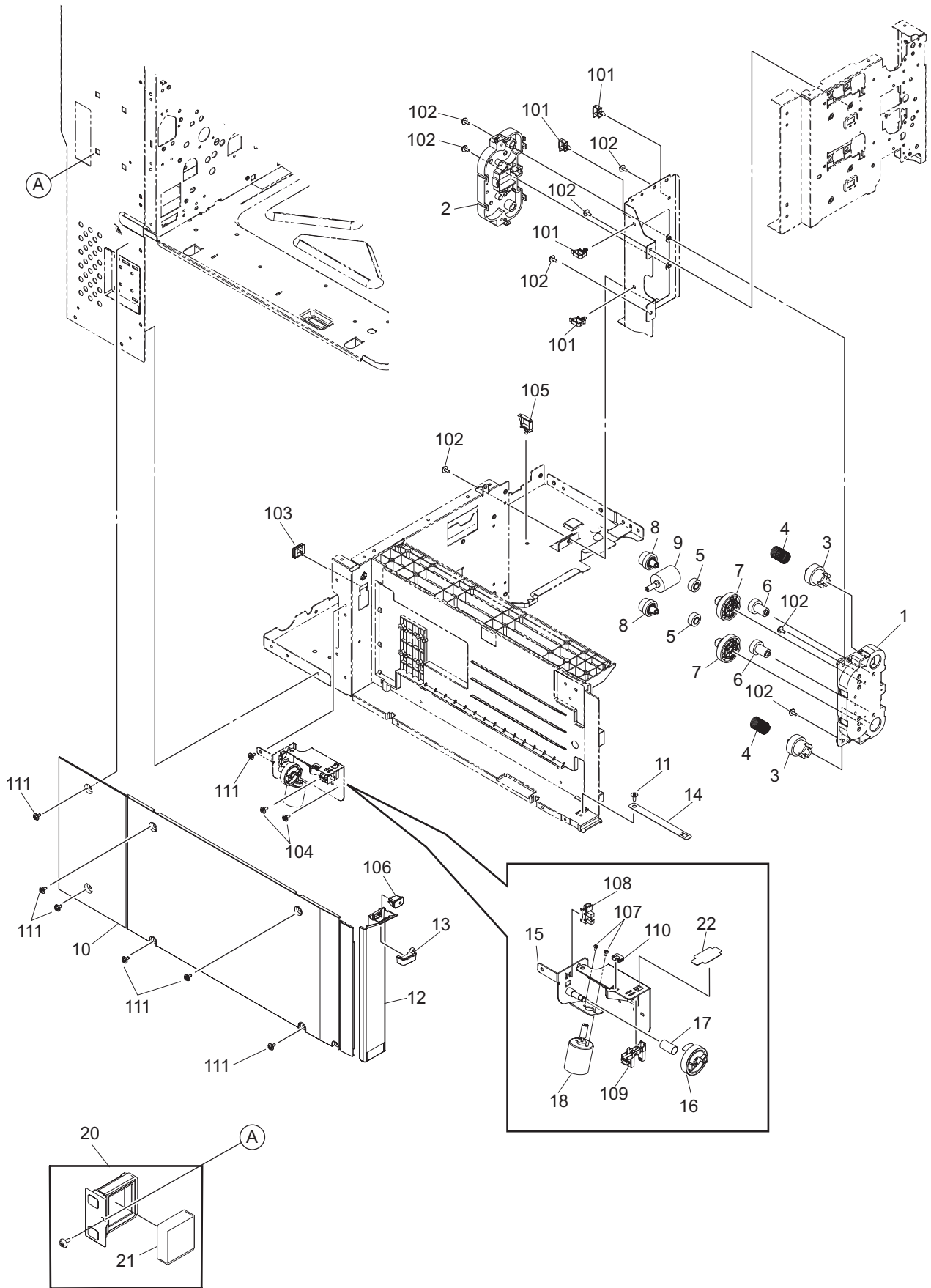
ITEM NO.	PARTS NO.	PARTS NAME	Q'TY / PAGE	Q'TY / PACK	PIR	BSI NO.	TO	T	FROM	SERIAL NO.	REMARKS	C
1	6LH32100000	COV-FRT-450-D		1/1/PP								
2	6LE22838000	PUSHER-SW-380		1/1/P								
3	6LE21715000	BRKT-COV-FRT		1/1/P								
4	6LH32103000	COV-FRT-LFT-SIDE-450-D		1/1/PP								
5	6LH32104000	BRKT-LEVER-450		2/1/P								
6	6LH32102000	COV-FRT-TOP-450		1/1/PP								
7	6LE21704000	COV-RGT-UPR-380D		1/1/PP								
8	6LH32111000	COV-RGT-SYS-450D		1/1/P								
9	6LE21709000	COV-RGT-LWR-380D		1/1/P								
10	6LE21703000	COV-HINGE-R-380D		1/1/PP								
11	6LE21708000	COV-BYPS-RER-380D		1/1/P								
12	6LH32121000	COV-FRT-LW-450D		1/1/PP								
13	6LH32914000	ASYB-CASE-FLTR-OZN-45X		1/1/PP								
14	6LH32128000	COV-TRAY-BCK-380D		1/1/PP								
16	6LH32124000	COV-LFT-RER-450D		1/1/PP								
17	6LE21700000	COV-HINGE-F-380D		1/1/P								
18	6LA29536000	PIN-HINGE		2/1/P								
19	6LH32101000	COV-EMBLEM-450		1/1/P								
20	6LE21763000	SHEET-COV-TRAY-BCK		1/1/P								
21	6LE21751000	ASYS-COV-FRM-FRT-380		1/1/PP								
22	6LE21710000	PLATE-MG		1/1/P								
23	6LE21759000	COV-LFT-380D		1/1/PP								
24	6LH32130000	ASYS-COV-TRAY-380		1/1/PP								
25	6LE21719000	COV-STOP-PAPER-380D		1/1/P								
26	6LE21725000	BRKT-ARM		2/1/P								
27	6LE21736000	COV-HANDLE-BACK-380D		2/1/P								
28	6LE21742000	BRKT-FIN-LFT		1/1/P								
29	6LA29555000	LBL-MASK-N.P.GRAY		3/10/KP								
30	6LE25955000	LBL-INST-3		1/5/P								
31	6LE21756000	COV-TRAY-BCK-OZ-380D		1/1/P								
32A	6LH32110000	SHEET-EMBLEM-450		1/1/D							e-STUDIO28 20c	
32B	6LH32110100	SHEET-EMBLEM-451		1/1/D							e-STUDIO28 30c	
32C	6LH32110200	SHEET-EMBLEM-452		1/1/D							e-STUDIO35 20c	
32D	6LH32110300	SHEET-EMBLEM-453		1/1/D							e-STUDIO35 30c	
32E	6LH32110400	SHEET-EMBLEM-454		1/1/D							e-STUDIO45 20c	
33	6LE27462000	LBL-MASK-N-P-GRAY-380		1/5/KP								
34	6LA47644000	LBL-CAU-LSR-350		1/1/KP								
35	44204604000	LBL-SERVICE-45		1/5/P								
36	6LH39270000	SHEET-INSTFRT-450		1/1/KP								
37	6LH39271000	SHEET-CLNFRT-450		1/1/KP								
101	FO-01564000	CA-0168C		2/5/P								
102	X0-02247000	S/TPP/FHEXM-3X8-NI		18/10/P								
103	X0-02249000	S/TPP/FHEXM-3X12-NI		4/10/P								
104	X0-02235000	S/FHEXM-M4X8-NI		12/10/P								
105	X0-02421000	S/TPS/FHEXM/R-4X8-ZU3		24/10/P								



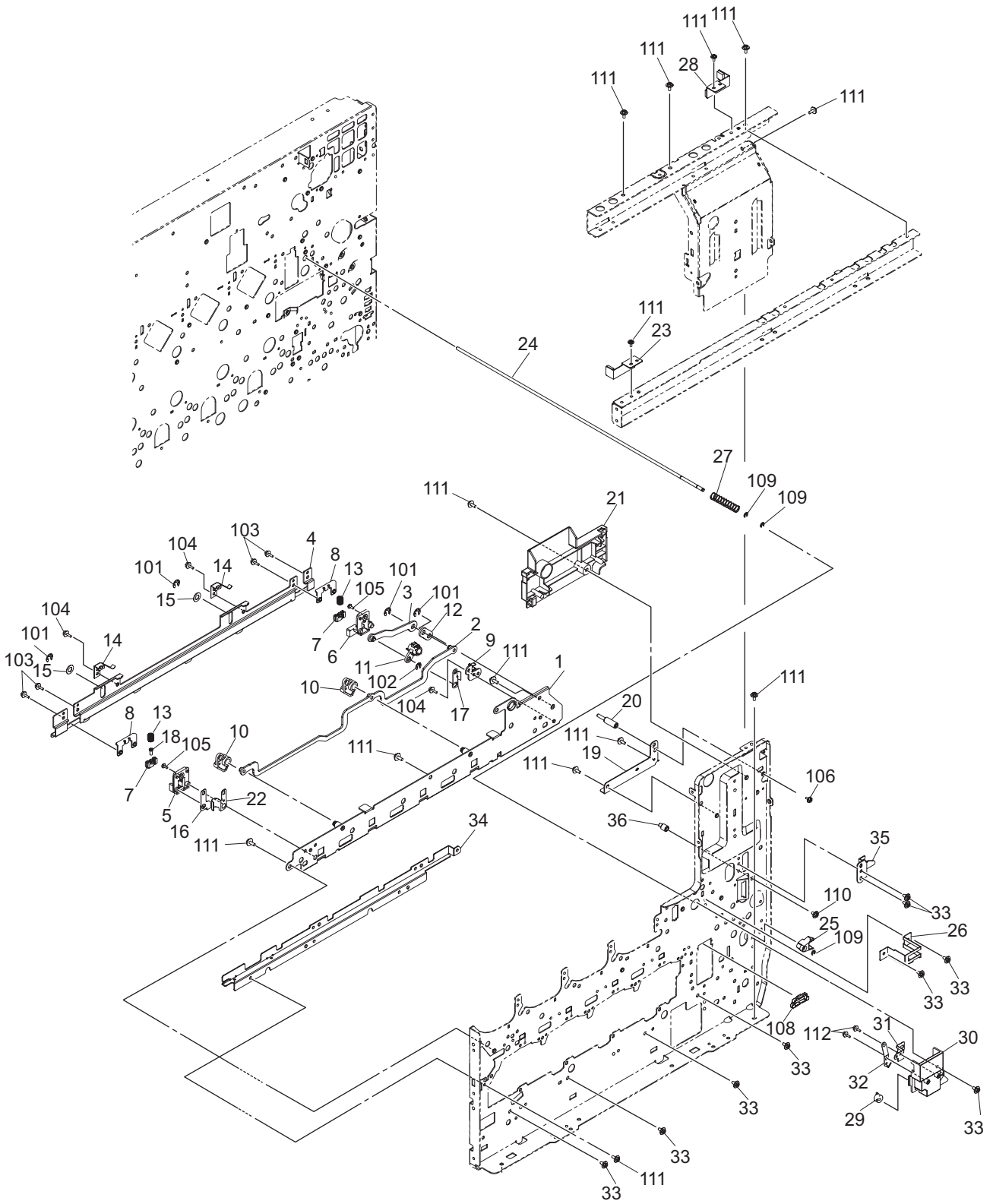
ITEM NO.	PARTS NO.	PARTS NAME	Q'TY / PAGE	Q'TY / PACK	PIR	BSI NO.	TO	T	FROM	SERIAL NO.	REMARKS	C
1	6LE21721000	COVER-TP-RER-380D		1/1/PP								
2	6LA29564000	FILTER-DUCT-RER-350		1/1/P								
3	6LA29563000	PLATE-TP-RER-FAN-350		1/1/P								
4	6LE40910000	COVER-GEL-RER		1/1/P								
5	6LH32117000	COVER-TP-RGT-F45X-D		1/1/PP								
6	6LH37821000	ASYS-COV-TP-LFT-450		1/1/PP								
7	6LE21724000	COVER-TP-FRT-380D		1/1/PP								
8	6LH32113000	COV-RER-TOP-450D		1/1/PP								
9	6LH32115000	COV-RER-MID-450D		1/1/PP								
10	6LE21727000	COV-RER-LWR-380D		1/1/PP								
11	6LE40929000	COVER-DF-CONECT		1/1/P								
12	6LE75819000	POCKET-MANUAL		1/1/P								
13	6LA29554000	LID-SW		1/1/P								
15	6LE27466000	LID-SCREW-380-15		6/1/P								
20	6LA47529000	LBL-LASER		1/1/KP								
21A	6LE35418000	LBL-PROHIBIT-U-380		1/1/KP							NAD, SAD	
21B	6LE35420000	LBL-PROHIBIT-E-380		1/1/KP							MJD, ASD, AU D, ASU, ARD	
22	6LA47633000	LBL-HOT-350-2		1/1/KP								
23A	4400740530	LABEL-FCC		1/10/KP							NAD	
24A	4400685400	LABEL-CHINA		1/5/P							ASD	
25A	4408860880	LABEL-CANADA-A		1/5/P							NAD	
26A	6LE90046000	LBL-MERCURY-US		1/1/KP							NAD	
27	6LE27461000	LBL-MASK-COV-SCN-380		3/1/P								
101	X0-02541000	S/TPP/BRZ-3X6-ZU3		3/10/P								
102	X0-02235000	S/FHEXM-M4X8-NI		13/10/P								
103	X0-02421000	S/TPS/FHEXM/R-4X8-ZU3		10/10/P								



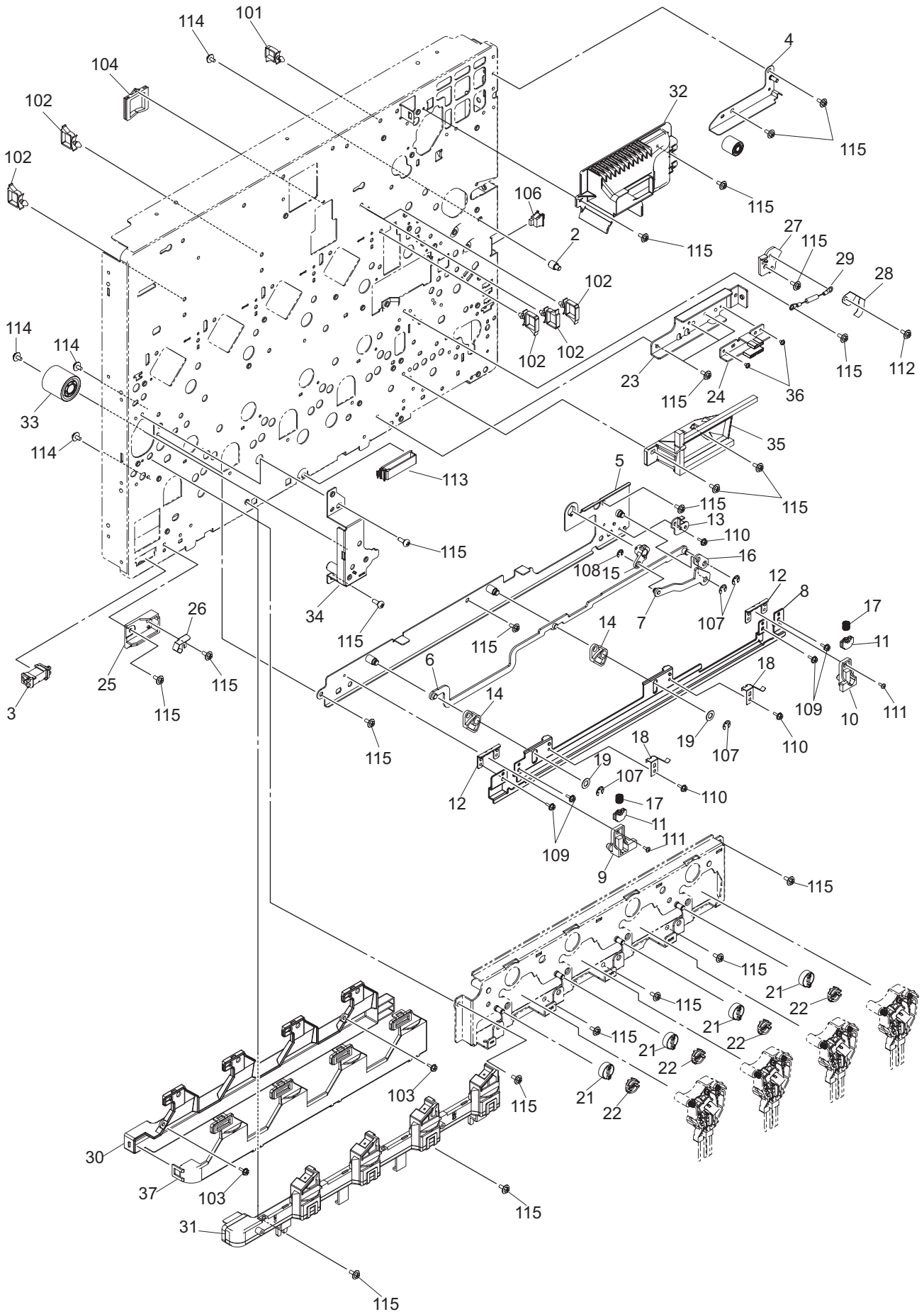
ITEM NO.	PARTS NO.	PARTS NAME	Q'TY / PAGE	Q'TY / PACK	PIR	BSI NO.	TO	T	FROM	SERIAL NO.	REMARKS	C
1	6LH37303100	COV-CONP-UPR-45XNP		1/1/PP								
2	6LH37304000	COV-CONP-LWR-45X		1/1/PP								
3	6LH37305000	COV-CONP-CLEAR-45X		1/1/PP								
4	6LH02005000	KEY-START		1/1/D								
5	6LH02006000	KEY-START-RING		1/1/D								
6	6LH02007000	KEY-STOP		1/1/D								
7	6LH02008100	KEY-RESET-U		1/1/D								
8	6LH02009000	KEY-FUNCTION		1/1/D								
9	6LH02010000	KEY-MENU		1/1/D								
10	6LH02011000	KEY-POWER		1/1/D								
11	6LH37308000	KEY-TEN-45X		1/1/C								
12	6LH37306000	KEY-ENERGY-45X		1/1/D								
13	6LH37307000	KEY-USER-FUNC-45X		1/1/D								
14	6LH37309000	LID-LED-45X		1/1/D								
15	6LH02012000	KEY-COUNT		1/1/D								
16	6LH37310000	MYLAR-SHIELD-45X		1/1/KP								
17	6LH37311000	SHIELD-SHEET-45X		1/1/KP								
18	6LH37312000	SHIELD-CONPANE-45X		1/1/KP								
19	6LH37313000	ASYS-HINGE-R-45X		1/1/P								
20	6LE26904000	ASYS-HINGE-L-380		1/1/P								
21	6LH37331000	SHEET-PANEL-45X-U		1/1/KP								
22	6LH37325000	ASYS-PNL-TOUCH-450		1/1/C								
23	6LH37326000	ASYS-DSP-LCD-450		1/1/C								
24	6LH39823000	PWA-F-DSP-450		1/1/SB								
25	6LH39824000	PWA-F-KEY-450		1/1/SB								
26	6LH39802000	INV-DSP-450		1/1/C								
27	6LH40016000	HRNS-LCD-DSP-450		1/1/P								
28	6LH39826000	HRNS-INV-DSP-450		1/1/P								
29	6LH39827000	HRNS-SYS-DSP-450		1/1/P								
30	X0-02094000	S/TPB/BID-2X6-NI		12/10/P								
31	X0-02096000	S/TPP/BRZ-3X8-NI		2/10/P								
32	X0-02095000	S/TPP/BRZ-3X10-NI		10/10/P								
33	X0-00434000	S/BID-M3X8-NI		2/10/P								
34	X0-02217000	S/PAN/SWWP-M4X8-ZU3		4/10/P								
38	X0-02421000	S/TPS/FHEXM/R-4X8-ZU3		2/10/P								
39	6LH37319000	STOPPER-OPE-45X		1/1/PP								



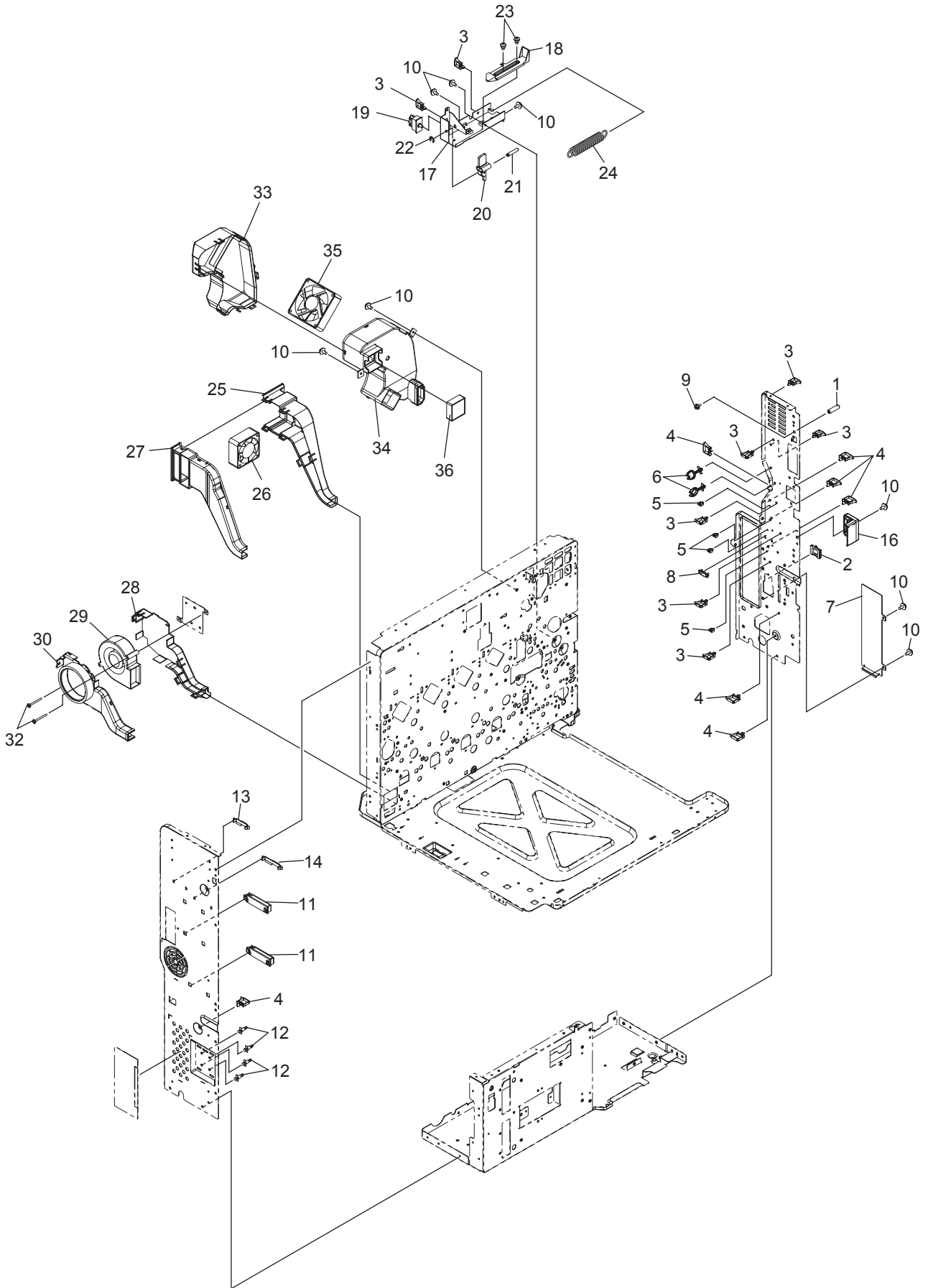
ITEM NO.	PARTS NO.	PARTS NAME	Q'TY / PAGE	Q'TY / PACK	PIR	BSI NO.	TO	T	FROM	SERIAL NO.	REMARKS	C
1	44201850000	CASE-DRV-TRY-F		1/1/D								
2	44201851000	CASE-DRV-TRY-R		1/1/C								
3	41306022000	CPG-LIFT-28		2/1/P								
4	4401966050	SPC172-100-3400		2/1/P								
5	41306025000	GER-TRAY-21		2/1/P								
6	41306024000	GER-TRAY-24-14		2/1/P								
7	44201853000	G06S-13-G05S-80		2/1/P								
8	44201854000	G05H-45/G05S-15		2/1/P								
9	6LE71176000	ASYS-MOTR-D-TRAY-210		1/1/D								
10	6LH32119000	COV-SIDE-BOX-450D		1/1/PP								
11	6LE26502000	S/TPP/FLT-4X8-NI		1/5/P								
12	6LH32123000	COV-WINR-FRT-DOOR-1		1/1/PP								
13	6LH32122000	COV-WINR-FRT-DOOR-2		1/1/P								
14	6LH32120000	STOPPER-COV-FRT-WINR		1/1/P								
15	6LH39161000	ASYS-STAY-DRV-BOX		1/1/P								
16	6LH39164000	GEAR-5H66-CPL		1/1/P								
17	6LH39165000	SPG-C-DRV-CPL-WINR		1/1/P								
18	6LH39804000	MOTRD-PDL-450		1/1/D								
20	6LH32914000	ASYB-CASE-FLTR-OZN-45X		1/1/PP								
21	6LH32948000	FLTR-OZN-45X-CBO-600M		1/1/C								
22	6LE28797000	SHEET-SNR-LG		1/5/P								
101	F0-00736000	LWS-0711Z		4/5/P								
102	X0-02243000	S/TPS/FHEXM-4X8-ZU3		8/10/P								
103	F0-00542000	LES-1010		1/5/P								
104	X0-02251000	S/TPP/FHEXM-4X8-NI		2/10/P								
105	F0-01245000	LWS-1316Z		1/5/P								
106	F0-01805000	CA0143-A01C		1/1/P								
107	X0-01670000	S/PAN-M2.6X4-NC		2/10/P								
108	C0-10813000	GP1A73ARJ00F		1/1/P								
109	C0-13512000	LG285L2-R		1/1/C								
110	F0-00120000	ES-0505		1/5/P								
111	X0-02421000	S/TPS/FHEXM/R-4X8-ZU3		7/10/P								



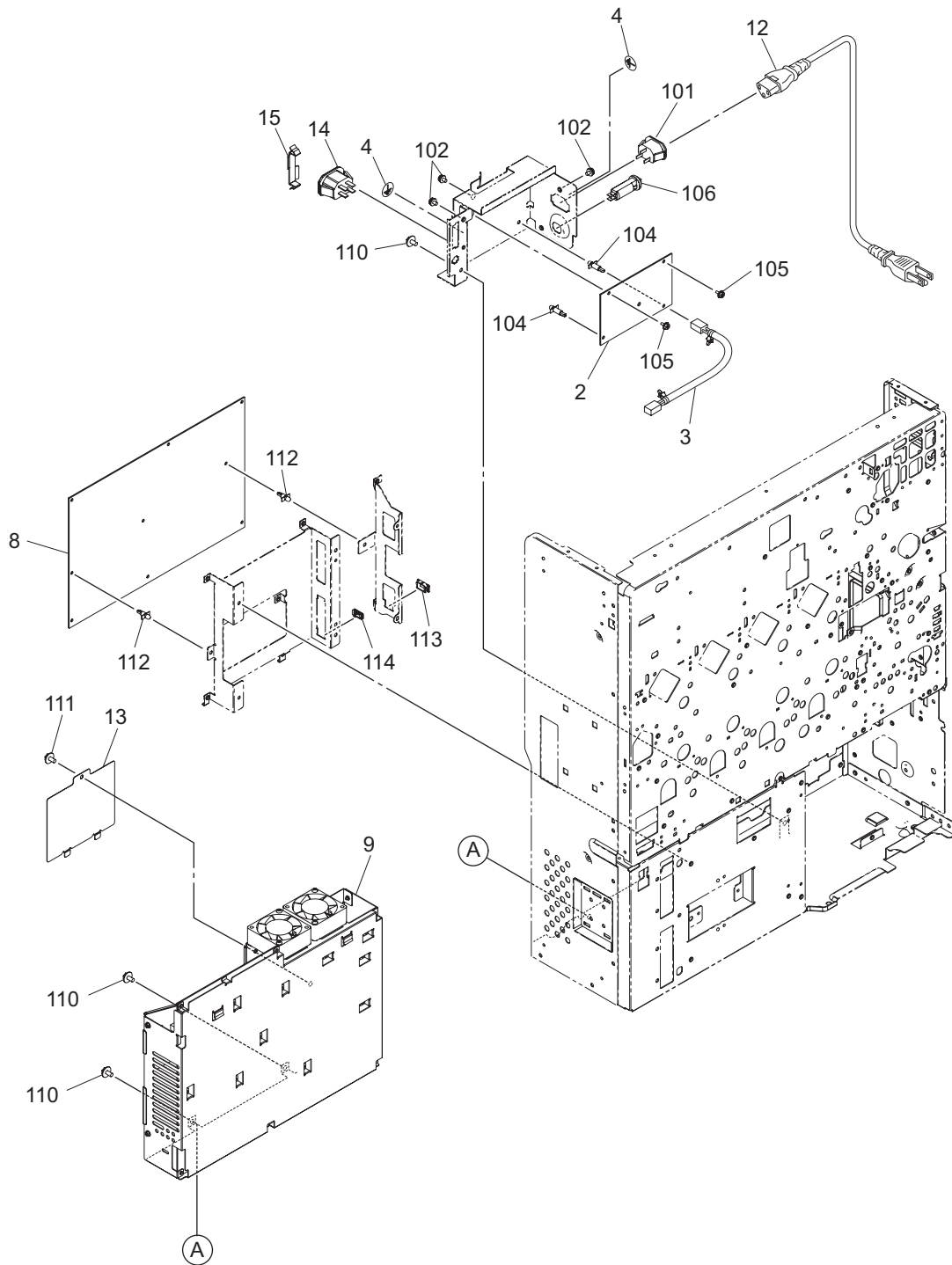
ITEM NO.	PARTS NO.	PARTS NAME	Q'TY / PAGE	Q'TY / PACK	PIR	BSI NO.	TO	T	FROM	SERIAL NO.	REMARKS	C
1	6LE28231000	ASYS-PLATE-CRU-F		1/1/P								
2	6LE28227000	ASYS-LINK-TBU-CRU-F		1/1/P								
3	6LE28225000	ASYS-LINK-LIFT-CRU-F		1/1/P								
4	6LE28313000	RAIL-GUIDE-TBU-F		1/1/P								
5	6LE28393000	HLDL-TBU-F-CL		1/1/P								
6	6LE28283000	HLDL-TBU-F-TR		1/1/P								
7	6LE28419000	HLDL-RAIL-TBU		2/1/P								
8	6LE28421000	BRKT-HLDL-TBU		2/1/P								
9	6LE28286000	HOLDER-GUIDE-MID-L-F		1/1/P								
10	6LE28250000	CAM-LIFT-TBU-F		2/1/P								
11	6LE28246000	CAM-LIFT-CRU-F		1/1/P								
12	6LE28294000	LINK-LIFT-PLATE-CRU		1/1/P								
13	6LE28420000	SPG-HLDL-RAIL-TBU		2/5/P								
14	6LE28338000	SPG-F-DPM-TBU-F		2/1/P								
15	6LE28372000	WSHR-6R2X12XR5-APS		2/5/P								
16	6LE28508000	SPG-F-FIX-TBU-CL		1/1/P								
17	6LE28340000	SPG-F-FIX-TBU		1/1/P								
18	6LE28392000	SCREW-TBU-F380-2		1/5/P								
19	6LE25897000	BRKT-SLIDE-F		1/1/P								
20	6LE23953000	STUD-LEVER-ADU-F		1/1/P								
21	6LE21701000	COV-FRM-TOP-BCK-380D		1/1/P								
22	6LE28509000	SPG-TBU-F-CLN		1/1/P								
23	6LE27437000	ASYS-BRKT-GEL-L-F-380		1/1/P								
24	6LE22822000	SHAFT-DOOR-SW		1/1/P								
25	6LH33241000	PUSHER-COVF-45X		1/1/P								
26	6LH33240000	BRKT-SWCOV-45X		1/1/P								
27	6LE22904000	SPG-C-5R75XR55X40		1/1/P								
28	6LE27439000	ASYS-BRKT-GEL-R-F-380		1/1/P								
29	6LA37732000	ASYS-ERZV10D821-350		1/1/D								
30	6LA37611000	HLDL-ERTH-RGST		1/1/P								
31	6LA37612000	SPG-F-RGST-R		1/1/P								
32	6LA37613000	SPG-F-RGST-L		1/1/P								
33	X0-02421000	S/TPS/FHEXM/R-4X8-ZU3		16/10/P								
34	6LE22527000	BRKT-BASE-SHUT-FRT		1/1/P								
35	6LE25890000	BRKT-FUS-FRM-F		1/1/P								
36	6LE29029000	STUD-HOOK-TRU		1/1/P								
101	X0-00966000	RR/E-5-SS		4/10/P								
102	X0-00965000	RR/E-4-SS		1/10/P								
103	X0-02231000	S/FHEXM-M3X8-NI		4/10/P								
104	X0-02056000	S/TSP/PAN-3X6-ZU3		3/10/P								
105	X0-02069000	S/TPS/BID-3X6-ZU3		2/10/P								
106	X0-02230000	S/FHEXM-M3X6-NI		1/10/P								
108	F0-01551000	TES-016NV		1/5/P								
109	X0-00964000	RR/E-3-SS		3/10/P								
110	X0-02234000	S/FHEXM-M4X6-NI		1/10/P								
111	X0-02243000	S/TPS/FHEXM-4X8-ZU3		15/10/P								
112	X0-02247000	S/TPP/FHEXM-3X8-NI		2/10/P								



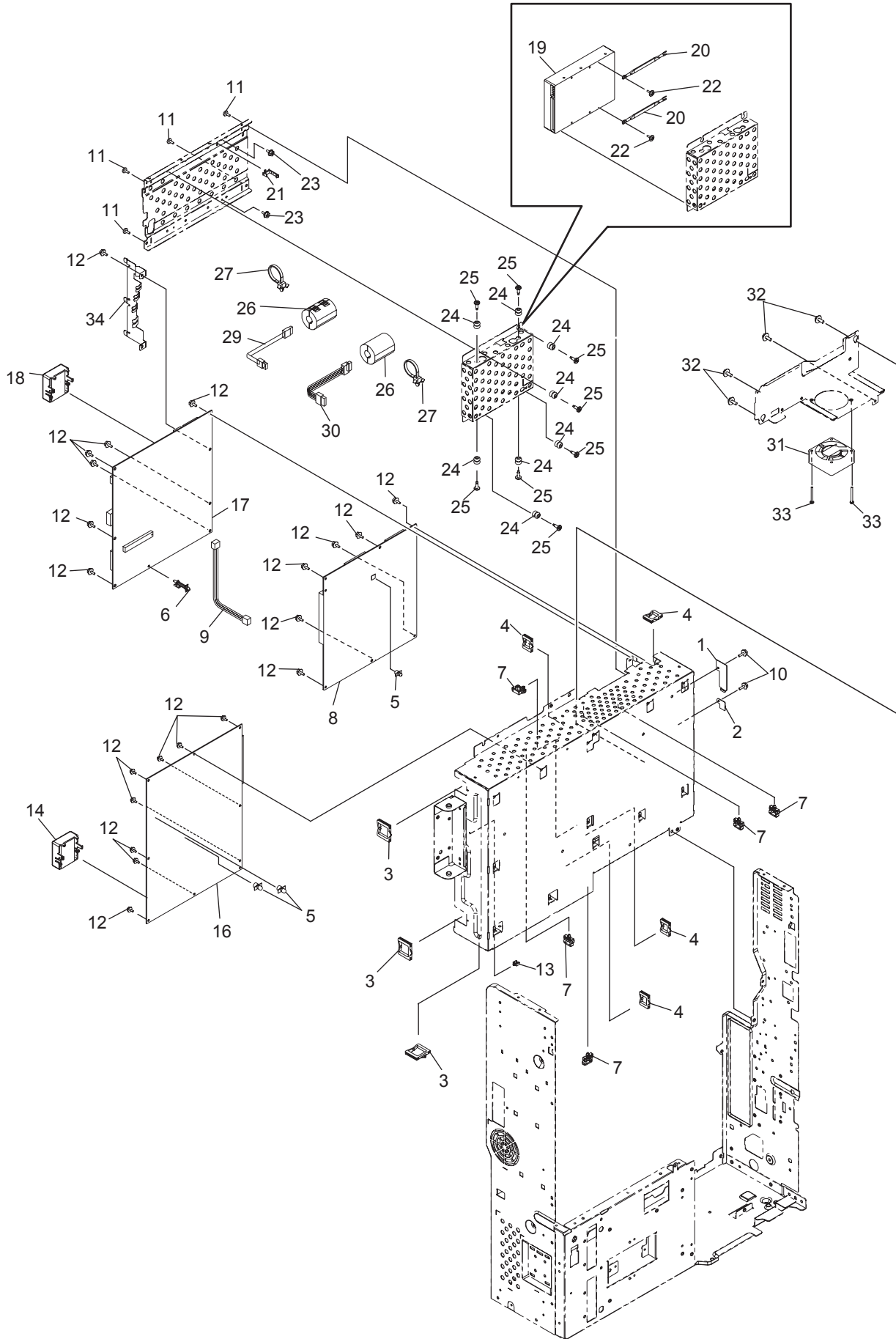
ITEM NO.	PARTS NO.	PARTS NAME	Q'TY / PAGE	Q'TY / PACK	PIR	BSI NO.	TO	T	FROM	SERIAL NO.	REMARKS	C
2	6LE29029000	STUD-HOOK-TRU		1/1/P								
3	E0-09967000	BU28P-TZW-S (LF)(SN)		1/1/P								
4	6LE25903000	ASYS-BKT-SLD-R		1/1/P								
5	6LE28232000	ASYS-PLATE-CRU-R		1/1/P								
6	6LE28228000	ASYS-LINK-TBU-R		1/1/P								
7	6LE28226000	ASYS-LINK-LIFT-CRU-R		1/1/P								
8	6LE28314000	RAIL-GUIDE-TBU-R		1/1/P								
9	6LE28284000	HLDR-TBU-R-CL		1/1/P								
10	6LE28285000	HLDR-TBU-R-TR		1/1/P								
11	6LE28419000	HLDR-RAIL-TBU		2/1/P								
12	6LE28421000	BRKT-HLDR-TBU		2/1/P								
13	6LE28287000	HOLDER-GUIDE-MID-L-R		1/1/P								
14	6LE28251000	CAM-LIFT-TBU-R		2/1/P								
15	6LE28248000	CAM-LIFT-CRU-R		1/1/P								
16	6LE28294000	LINK-LIFT-PLATE-CRU		1/1/P								
17	6LE28420000	SPG-HLDR-RAIL-TBU		2/5/P								
18	6LE28339000	SPG-F-DPM-TBU-R		2/1/P								
19	6LE28372000	WSHR-6R2X12XR5-APS		2/5/P								
21	6LE22200000	ASYS-GEAR-6H24-BRG-N		4/1/P								
22	6LE23715000	COUPL-DRIVE-DEV-MID		4/1/P								
23	6LE26518000	ASYS-BASE-LSU-RER-RGT		1/1/P								
24	6LE25243000	BRKT-REINF-FRM-R		1/1/P								
25	6LE26418000	BASE-LSU-RER-LFT		1/1/P								
26	6LE26419000	SPG-F-HLDR-LSU-LFT		1/1/P								
27	6LE29004000	TERM-GUIDE-MID		1/1/P								
28	6LE29003000	SPG-F-TERM-GUIDE		1/1/P								
29	6LE29002000	ASYS-RESIST-380		1/1/D								
30	6LH32933000	ASYS-DUCT-EPU-COOL-TOP		1/1/PP								
31	6LH32907000	ASYS-DUCT-OZN		1/1/PP								
32	6LE23922000	DUCT-EXIT-REAR		1/1/P								
33	6LE22159000	GEAR-4H66-10		1/1/P								
34	6LE22142000	ASYS-BRKT-DRV-TBU-FRT		1/1/P								
35	6LE22588000	ASYS-DUCT-LSU-REAR		1/1/P								
36	6LA37949000	S/PAN/WP-M3X5-NI		2/10/P								
37	6LH32912000	DUCT-EPU-COOL-BTM-F45X		1/1/D								
101	F0-01243000	LWS-1211Z		1/5/P								
102	F0-01245000	LWS-1316Z		5/5/P								
103	X0-02247000	S/TPP/FHEXM-3X8-NI		2/10/P								
104	F0-00034000	EDS-2323U		1/5/P								
106	E0-01853000	CS1A-B2CA		1/1/D								
107	X0-00966000	RR/E-5-SS		4/10/P								
108	X0-00965000	RR/E-4-SS		1/10/P								
109	X0-02231000	S/FHEXM-M3X8-NI		4/10/P								
110	X0-02056000	S/TSP/PAN-3X6-ZU3		3/10/P								
111	X0-02069000	S/TPS/BID-3X6-ZU3		2/10/P								
112	X0-02251000	S/TPP/FHEXM-4X8-NI		1/10/P								
113	F0-01556000	RFCC-525S		1/1/P								
114	X0-02234000	S/FHEXM-M4X6-NI		4/10/P								
115	X0-02243000	S/TPS/FHEXM-4X8-ZU3		2/3/10/P								
116	6LA65681000	SCREW-LINK-M4		2/10/P								



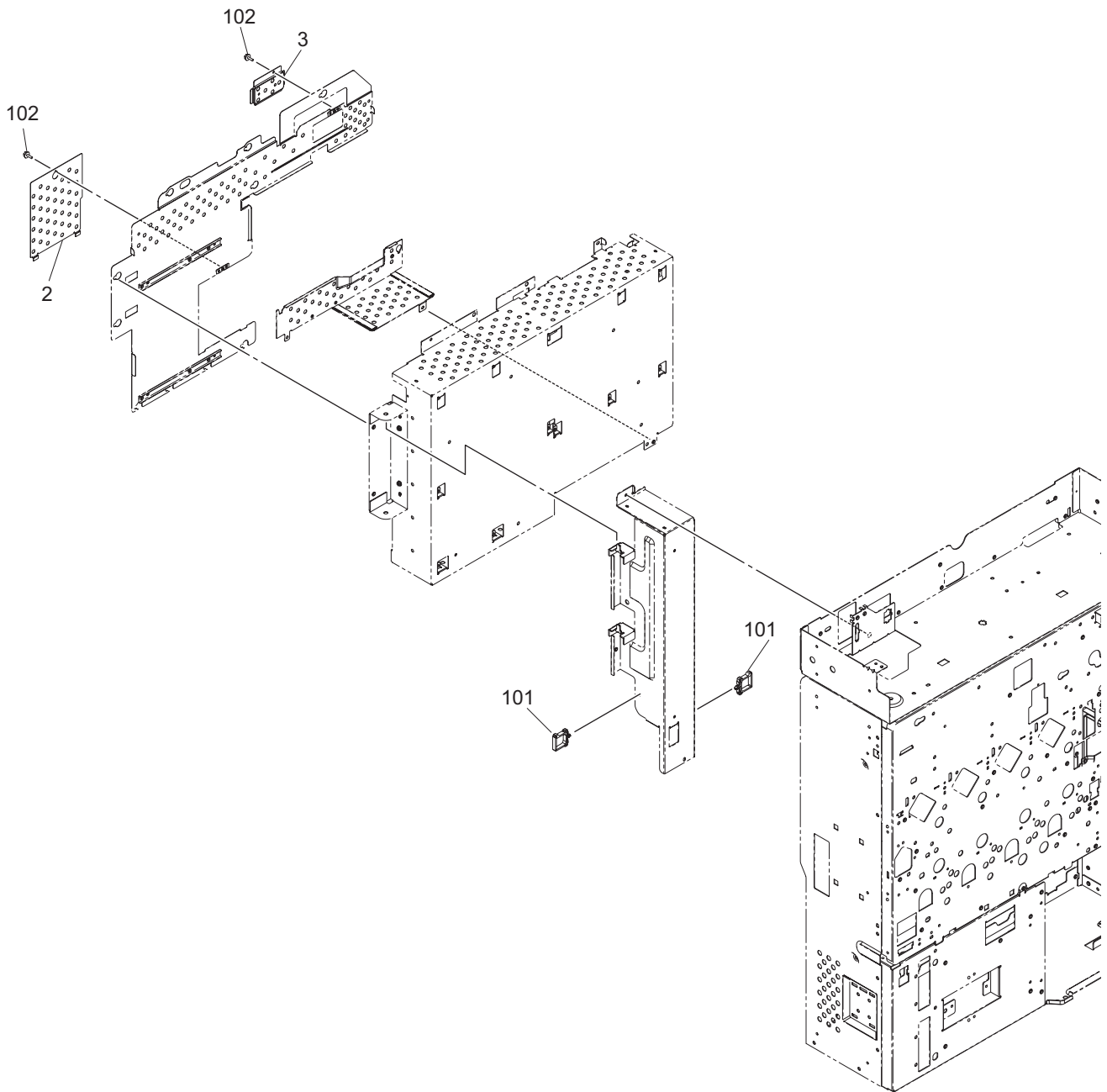
ITEM NO.	PARTS NO.	PARTS NAME	Q'TY / PAGE	Q'TY / PACK	P I R	B S I NO.	T O	T	F R O M	S E R I A L NO.	R E M A R K S	C
1	6LE21005000	STUD-ADU-380		1/1/P								
2	F0-00047000	EDS-1717U		1/10/P								
3	F0-01243000	LWS-1211Z		8/5/P								
4	F0-01245000	LWS-1316Z		7/5/P								
5	F0-01250000	MSB-1207		4/5/P								
6	F0-00505000	HL-18-0		2/5/P								
7	6LE22883000	PLATE-COVER-FAX		1/1/P								
8	F0-01451000	RFC-16V0		1/1/P								
9	X0-02230000	S/FHEXM-M3X6-NI		1/10/P								
10	X0-02421000	S/TPS/FHEXM/R-4X8-ZU3		10/10/P								
11	F0-01556000	RFCC-525S		2/1/P								
12	F0-00342000	SPLSN-6U		4/5/P								
13	F0-01418000	RFC-33V0		1/1/P								
14	F0-01858000	RFC-45V0		1/1/P								
16	6LE29018000	COVER-HNS-380D		1/1/P								
17	6LE22817000	BRKT-DOOR-SW-380		1/1/P								
18	6LE22823000	SLIDE-SW-ADU		1/1/P								
19	E0-08442000	FALL-AA22		1/1/D								
20	6LE22819000	GUIDE-SW-DOOR-380		1/1/P								
21	6LE22824000	STUD-DOOR-SW		1/1/P								
22	X0-00965000	RR/E-4-SS		1/10/P								
23	6LE06406000	SCREW-CH-M		2/10/P								
24	6LE22836000	SPG-E-6R5XR45X31R9		1/1/P								
25	6LH32920000	DUCT-OZN-FAN-B		1/1/PP								
26	6LH32921000	ASYS-DUCT-FAN-60		1/1/D								
27	6LH32941000	ASYS-DUCT-OZN-A		1/1/PP								
28	6LH32929000	ASYS-DUCT-EPU-COOL-B		1/1/PP								
29	6LE09187000	FAND-DEV-390		1/1/D								
30	6LH32926000	ASYS-DUCT-EPU-COOL-A		1/1/PP								
32	X0-00461000	S/BID-M4X35-NI		2/10/P								
33	6LE22508000	DUCT-TNR-EXIT-U		1/1/PP								
34	6LH36291000	ASYS-DUCT-TNR-EXIT-L		1/1/PP								
35	6LE22571000	ASYS-DUCT-FAN		1/1/D								
36	6LH32949000	FLTR-OZ-50-TNR-EX-450		1/1/C								



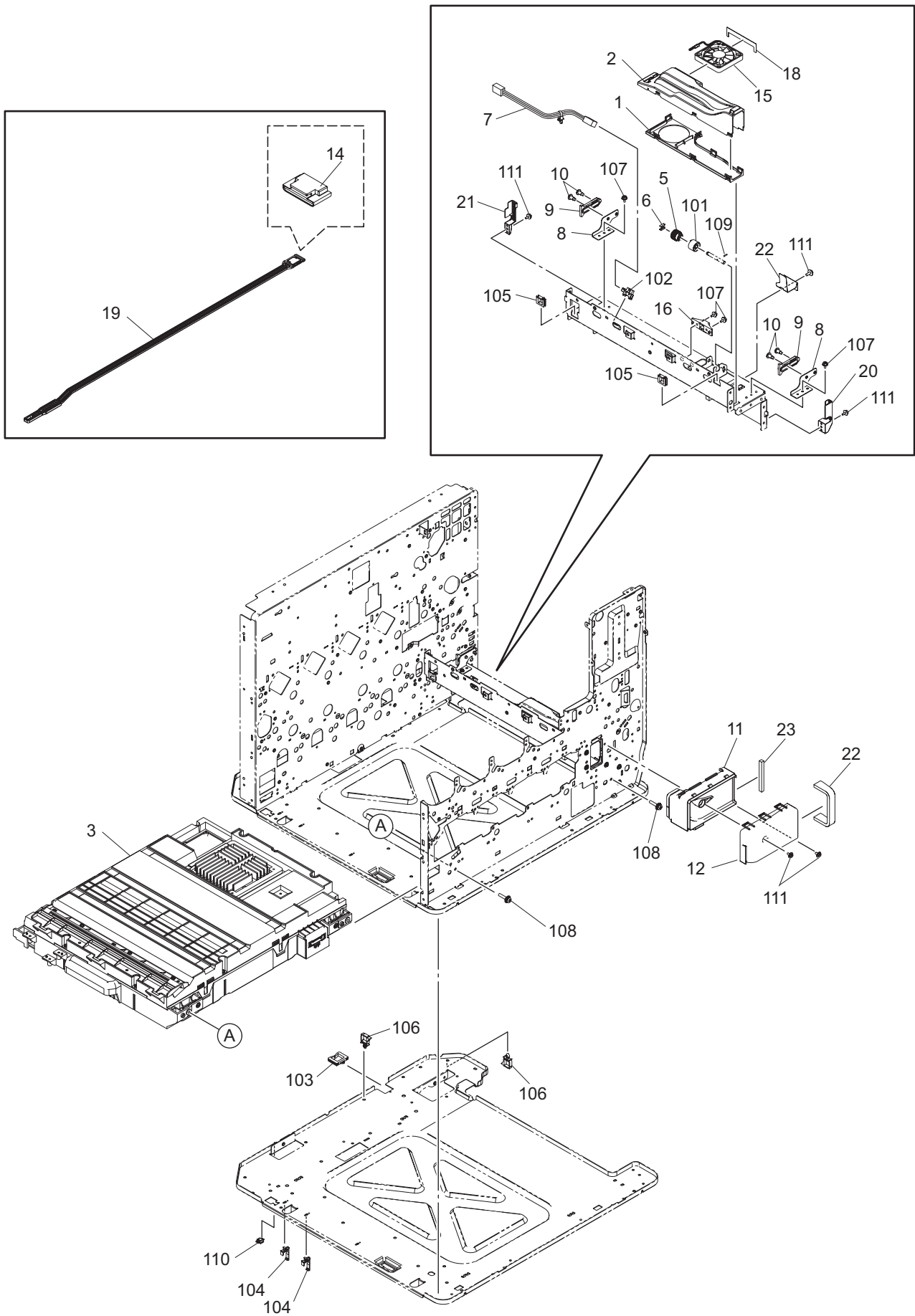
ITEM NO.	PARTS NO.	PARTS NAME	Q'TY / PAGE	Q'TY / PACK	PIR	BSI NO.	TO	T	FROM	SERIAL NO.	REMARKS	C
2A	6LH39819000	PWA-F-FIL-450-U		1/1/SB							NAD, SAD	
2B	6LH39819100	PWA-F-FIL-450-E		1/1/SB							MJD, ASD, AUD, ASU, ARD	
3	6LA41968000	HRNS-FIL-POW-350		1/1/P								
4	6LA91550000	MARK-EARTH-VDE-371		1/10/P								
8	6LH39912000	PS-HVT-450		1/1/C								
9A	6LH39979000	ASYB-PSU-F450UA		1/1/C							e-STUDIO28 20c/2830c/ 3520c/3530 c NAD, SAD	
9B	6LH39979200	ASYB-PSU-F450-EA		1/1/C							e-STUDIO28 20c/30c/35 20c/30c MJ D, ASD, AUD, ASU, ARD	
9C	6LH39979100	ASYB-PSU-F450-UB		1/1/C							e-STUDIO45 20c NAD, SA D	
9D	6LH39979300	ASYB-PUS-F450-EB		1/1/C							e-STUDIO45 20c MJD, AS D, AUD, ASU, ARD	
12A	6LA55883000	CABLE-P-INLET-US		1/1/P							NAD, SAD	
12B	6LE95790000	CABLE-P-INLET-EUR		1/1/P							MJD, ASD	
12C	6LE95791000	CABLE-P-INLET-AU		1/1/P							AUD	
12D	6LE87775000	CABLE-P-INLET-UK		1/1/P							ASU	
13	6LE22855000	PLATE-LVPS-CON-F380		1/1/P								
14	E0-11767000	AJ76101BF		1/1/P								
15	F0-01418000	RFC-33V0		1/1/P								
101	E0-06067000	NC-179-F6.35		1/1/P								
102	X0-02093000	S/PAN/SWWS-M4X6-NI		3/10/P								
104	F0-00343000	SPLSN-8U		2/5/P								
105	X0-02056000	S/TSP/PAN-3X6-ZU3		2/10/P								
106A	E0-08475000	NRW10-15A-Y-TK1419		1/1/D							NAD, SAD	
106B	E0-08474000	NRW10-10A-Y-TK1419		1/1/D							MJD, ASD, AU D, ASU, ARD	
110	X0-02421000	S/TPS/FHEXM/R-4X8-ZU3		3/10/P								
111	X0-02235000	S/FHEXM-M4X8-NI		1/10/P								
112	F0-00340000	SPLSN-4U		2/5/P								
113	F0-01248000	ESC-0912		1/10/P								
114	F0-01483000	LES-0510		1/1/P								



ITEM NO.	PARTS NO.	PARTS NAME	Q'TY / PAGE	Q'TY / PACK	P I R	B S I NO.	T O	T	F R O M	S E R I A L NO.	R E M A R K S	C
1	6LA34629000	COV-CNCT-DWN		1/1/P								
2	6LA34648000	COV-CNCT-USB-H		1/1/P								
3	F0-00034000	EDS-2323U		3/5/P								
4	F0-00047000	EDS-1717U		4/10/P								
5	F0-00331000	SPSN-4U		3/5/P								
6	F0-01756000	SHCBS-14		1/1/P								
7	F0-01609000	RLWC-2SV0		5/5/P								
8	6LH39833000	PWA-F-IMG-450		1/1/SB								
9	6LH39761000	HRNS-SYS-FAN-450		1/1/P								
10	X0-02239000	S/TPS/FHEXM-3X8-ZU3		2/10/P								
11	X0-00430000	S/BID-M3X6-NI		4/10/P								
12	X0-02230000	S/FHEXM-M3X6-NI		2/10/P								
13	F0-01250000	MSB-1207		1/5/P								
16A	6LH40026000	ASYB-PWA-LGC-450S		1/1/SB							e-STUDIO28 20c	
16B	6LH40026100	ASYB-PWA-LGC-451S		1/1/SB							e-STUDIO28 30c	
16C	6LH40026200	ASYB-PWA-LGC-452S		1/1/SB							e-STUDIO35 20c	
16D	6LH40026300	ASYB-PWA-LGC-453S		1/1/SB							e-STUDIO35 30c	
16E	6LH40026400	ASYB-PWA-LGC-454S		1/1/SB							e-STUDIO45 20c	
17	6LH39933000	ASYB-PWA-SYS-450S		1/1/SB								
19	G0-00496000	WD800JD-22LSA1		1/1/S								
20	E0-05933000	GST-100-RFM4		2/1/P								
21	F0-00367000	RLWS-1TV0		1/10/P								
22	6LE82485000	SCREW-#6-32X1/4		2/10/P								
23	X0-02056000	S/TSP/PAN-3X6-ZU3		2/10/P								
24	F0-01327000	HED-1111-ALS20ABK		8/1/P								
25	6LA56769000	SCREW-HDD-CASE		8/1/P								
26	D0-07098000	RFC-10		2/1/P								
27	F0-01437000	T30R		2/1/P								
29	6LH39875000	HRNS-SATA-SIG-450		1/1/P								
30	6LH39760000	HRNS-SATA-POW-450		1/1/P								
31	6LH08778000	FAN_D-SYS-6025-430		1/1/D								
32	X0-02235000	S/FHEXM-M4X8-NI		1/10/P								
33	X0-02114000	S/TPS/PAN-4X32-ZU3		1/10/P								
34	6LH33235000	SPG-F-SYS-EARTH		1/1/C								

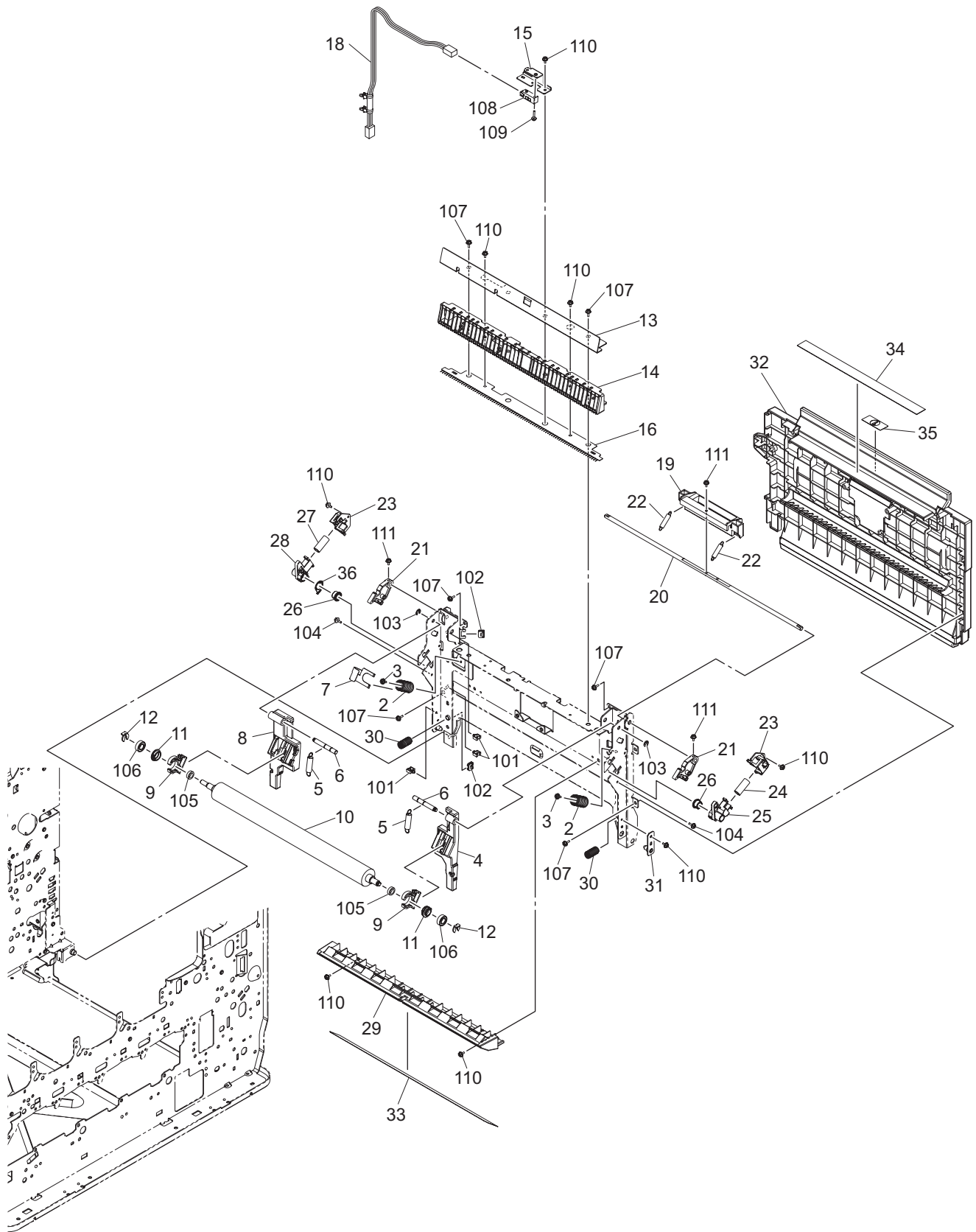


ITEM NO.	PARTS NO.	PARTS NAME	Q'TY / PAGE	Q'TY / PACK	P I R	B S I NO.	T O	T	F R O M	S E R I A L NO.	R E M A R K S	C
2	6LE22834000	COVER-DL-380		1/1/P								
3	6LE22835000	COVER-PIF-380		1/1/P								
101	F0-01629000	RLWC-6SV0		2/5/P								
102	X0-02239000	S/TPS/FHEXM-3X8-ZU3		2/10/P								

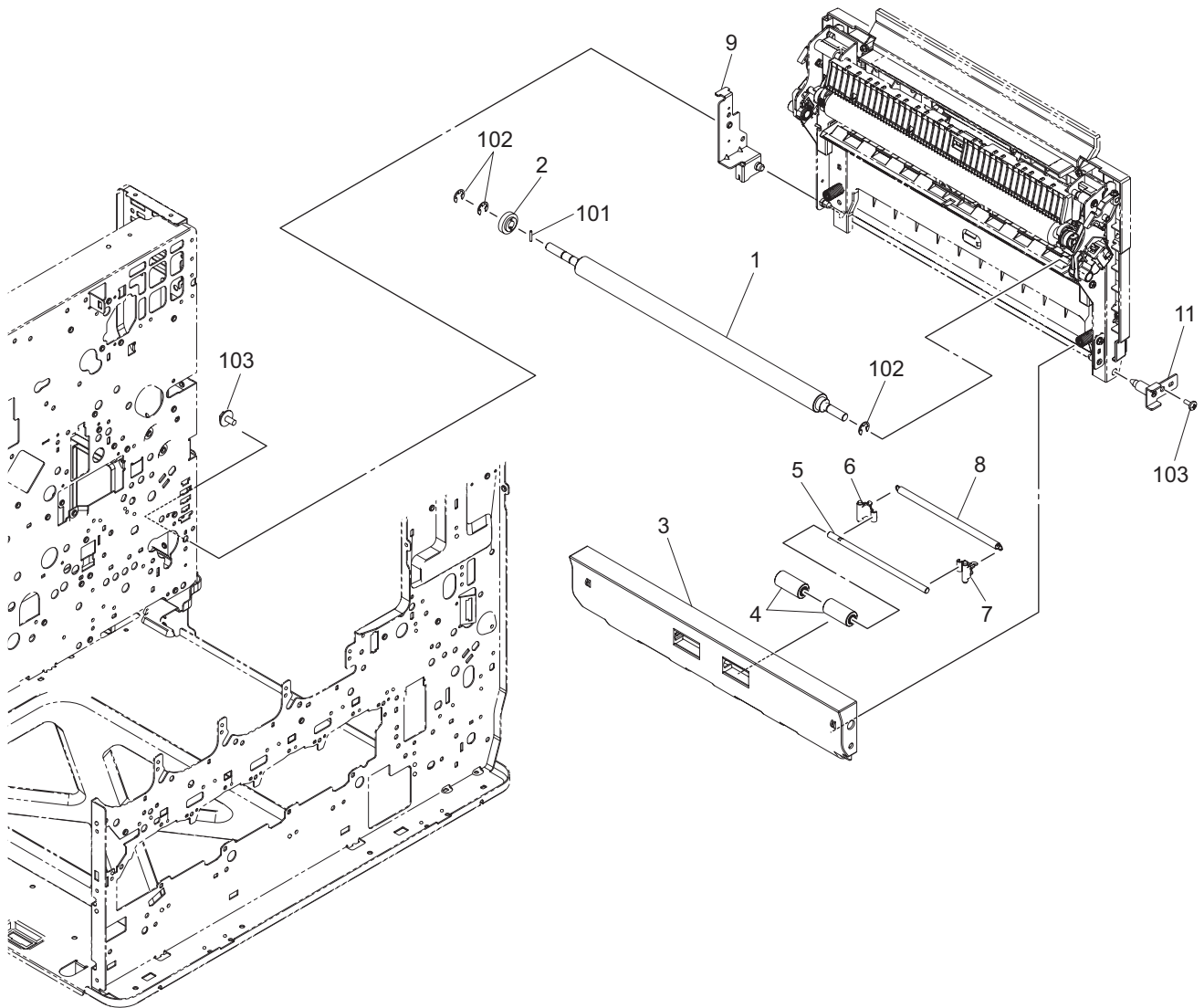


ITEM NO.	PARTS NO.	PARTS NAME	Q'TY / PAGE	Q'TY / PACK	PIR	BSI NO.	TO	T	FROM	SERIAL NO.	REMARKS	C
1	6LE22625000	DUCT-LSU-R-D-LWR		1/1/D								
2	6LE22626000	DUCT-LSU-R-D-UPR		1/1/D								
3A	6LH36823000	LASER-UNIT-450		1/1/S							e-STUDIO28 20c/2830c/ 3520c	
3B	6LH36823100	LASER-UNIT-453		1/1/S							e-STUDIO35 30c/4520c	
5	6LE29011000	GEAR-08S21-TRU-S		1/1/P								
6	4408358930	STOP-RING-6-4		1/5/P								
7	6LE29384000	HRNS-TRUPS-380		1/1/P								
8	6LE29013000	PLT-PUSH-TRU		2/1/P								
9	6LE29009000	PUSHER-TRU		2/1/P								
10	6LA67469000	SCREW-SCAN-DF		4/5/P								
11	6LE22646000	ASYS-DUCT-LSU-LWR		1/1/PP								
12	6LE22645000	DUCT-LSU-FN-UPR		1/1/P								
14	6LE26465000	ASYS-CLNR-GLASS		1/1/P								
15	6LE22631000	ASYS-FAN-LSU-380		1/1/D								
16	6LE24251000	HLDR-MID-ROLLER		1/1/P								
18	6LE26505000	SEAL-DUCT-LSU		1/1/KP								
19	6LE26482000	ASYB-CLNR-LSU		1/1/KP								
20	6LE24342000	COVER-SPG-CAM-F-380		1/1/P								
21	6LE24343000	COVER-SPG-CAM-R-380		1/1/P								
22	6LE29015000	SPG-DETENT-TRU		1/1/P								
23	6LE26535000	SEAL-DUCT-LSU-F-A		1/1/KP								
24	6LE26536000	SEAL-DUCT-LSU-F-B		1/1/KP								
101	F0-01560000	OILV6-500B		1/5/P								
102	C0-10813000	GP1A73ARJ00F		1/1/P								
103	F0-00047000	EDS-1717U		1/10/P								
104	F0-00367000	RLWS-1TV0		2/10/P								
105	F0-00542000	LES-1010		2/5/P								
106	F0-01243000	LWS-1211Z		2/5/P								
107	X0-02056000	S/TSP/PAN-3X6-ZU3		4/10/P								
108	X0-00198000	S/PAN/SWWP-M4X16-N1		2/10/P								
109	X0-00979000	P/PRL/AH7-2X8-SS		1/10/P								
110	F0-00671000	EDS-0607M		1/5/P								
111	X0-02421000	S/TPS/FHEXM/R-4X8-ZU3		5/10/P								

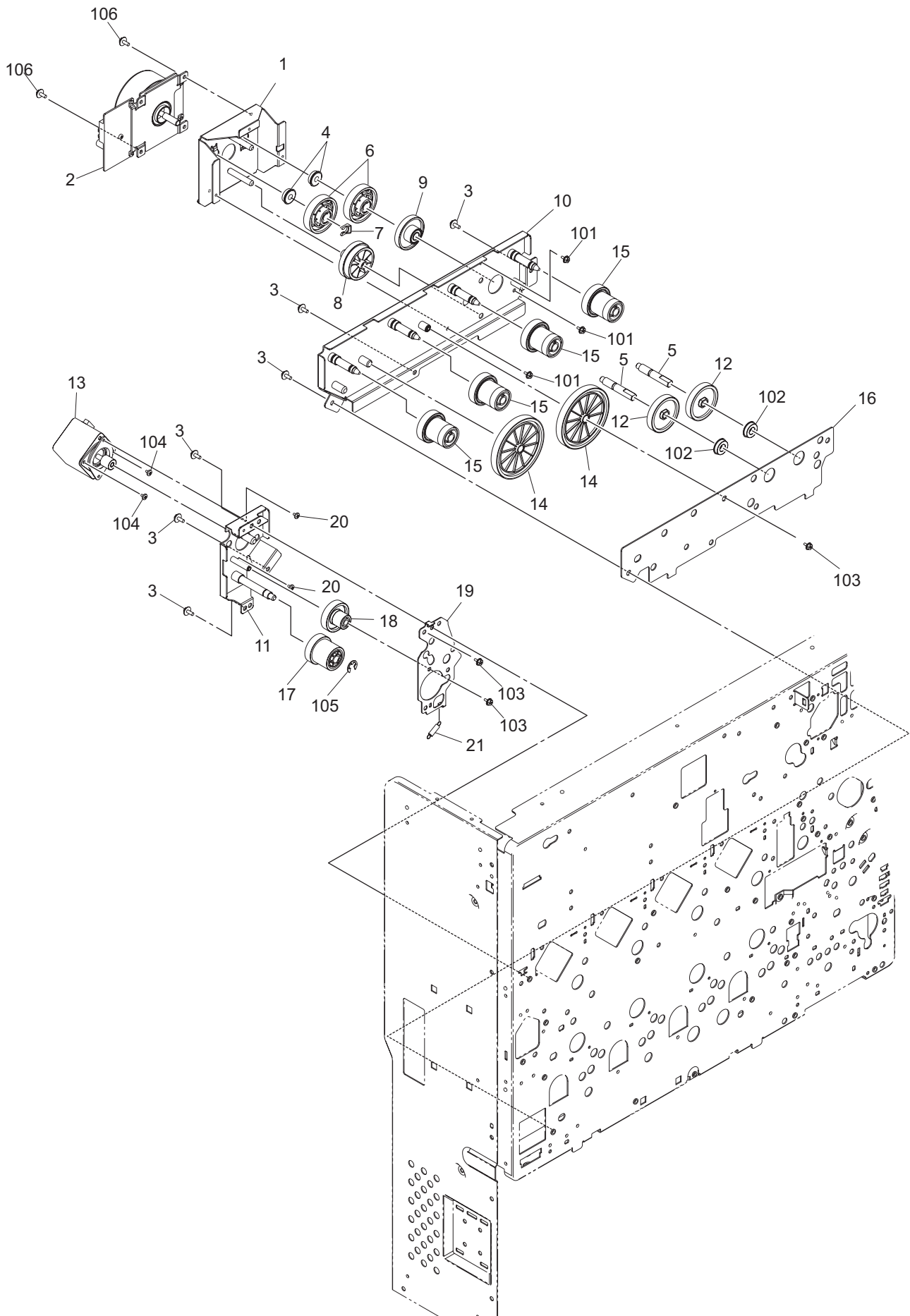
ITEM NO.	PARTS NO.	PARTS NAME	Q'TY / PAGE	Q'TY / PACK	PIR	BSI NO.	TO	T	FROM	SERIAL NO.	REMARKS	C
2	6LA39881000	LID-DOWNLOAD		1/1/P								
3	6LE27445000	COVER-FOOT-SCAN-380		1/1/P								
4	6LH39754000	HRNS-SCN-SYS-450		1/1/P								
7	6LH39892000	HRNS-SCN-SNSR-450		1/1/P								
8	6LH39750000	HRNS-SCN-PS-450		1/1/P								
9	6LE27449000	COVER-KEY		1/1/P								
10	6LH37860000	LENS-UNIT-450		1/1/S								
12A	6LE48550000	SNSR-PS-TW06		3/1/C							NAD	
12B	6LE48550000	SNSR-PS-TW06		4/1/C							MJD, ASD, AU D, ASU, SAD, ARD	
13	6LE09478000	SNSR-PS-TY1CH56		1/1/C								
14	6LA39926000	CUSH-STAY-TP-LFT		1/1/KP								
15	6LH33222000	HOLDER-USB-45X		1/1/P								
16	6LH39790000	CABLE-USB-450		1/1/P								
17	C0-10813000	GPLA73ARJ00F		1/1/P								
18	6LA39453000	COVER-HRNS-SLG		1/1/P								
19	6LE27450000	BRKT-FAN-RER-380		1/1/P								
20B	6LA39898000	BRKT-D_H-LENS		1/1/P							ASD, AUD, AS U, SAD, ARD	
21	6LA39908000	MYLAR-BASE-SCAN		4/5/KP								
22A	6LA86520000	ASY-D-H-SCAN-L-E-371		1/1/C							ASD, AUD, AS U, ARD	
22B	6LA86519000	ASY-D_H-SCAN-L-U-371		1/1/C							SAD	
23	6LA39866000	STAY-TP-RGT-SCAN		1/1/P								
24	6LE27446000	ASYS-BRKT-COV-REL-LR		1/1/P								
25	X0-02069000	S/TPS/BID-3X6-ZU3		26/10/P								
26	X0-02056000	S/TSP/PAN-3X6-ZU3		15/10/P								
28	E0-08497000	AJ8W200WWF		1/1/D								
29	6LA39673000	DUCT-SCAN-RER		1/1/P								
30	6LE09967000	FAND-6015-39X		1/1/D								
31	X0-02243000	S/TPS/FHEXM-4X8-ZU3		29/10/P								
32A	6LA86523000	ASY-D-H-SCAN-R-E-371		1/1/C							ASD, AUD, AS U, ARD	
32B	6LA86522000	ASY-D_H-SCAN-R-U-371		1/1/C							SAD	
33	6LA39675000	CUSH-DUCT-SCAN-RER		1/1/KP								
38	6LH09328000	ASY-SLG-430S		1/1/SB								
40	6LH37829000	LOCK-CRG-450		1/1/P								
45	6LA29902000	COVER-SNSR-LIFT		1/1/P								
101	F0-00034000	EDS-2323U		1/5/P								
102	X0-00077000	S/PAN/SWWP-M3X8-NI		5/10/P								
105	F0-01243000	LWS-1211Z		8/5/P								
106	F0-01629000	RLWC-6SV0		1/5/P								
107	F0-01179000	WWS-2U		3/5/P								
108	F0-00542000	LES-1010		1/5/P								
109	F0-00036000	RLWS3TV0		2/5/P								
110B	F0-00120000	ES-0505		2/5/P							ASD, AUD, AS U, SAD, ARD	
112	X0-02344000	S/TPP/PAN-3X20-NI		2/10/P								
113	X0-02421000	S/TPS/FHEXM/R-4X8-ZU3		1/10/P								
114	F0-00736000	LWS-0711Z		1/5/P								



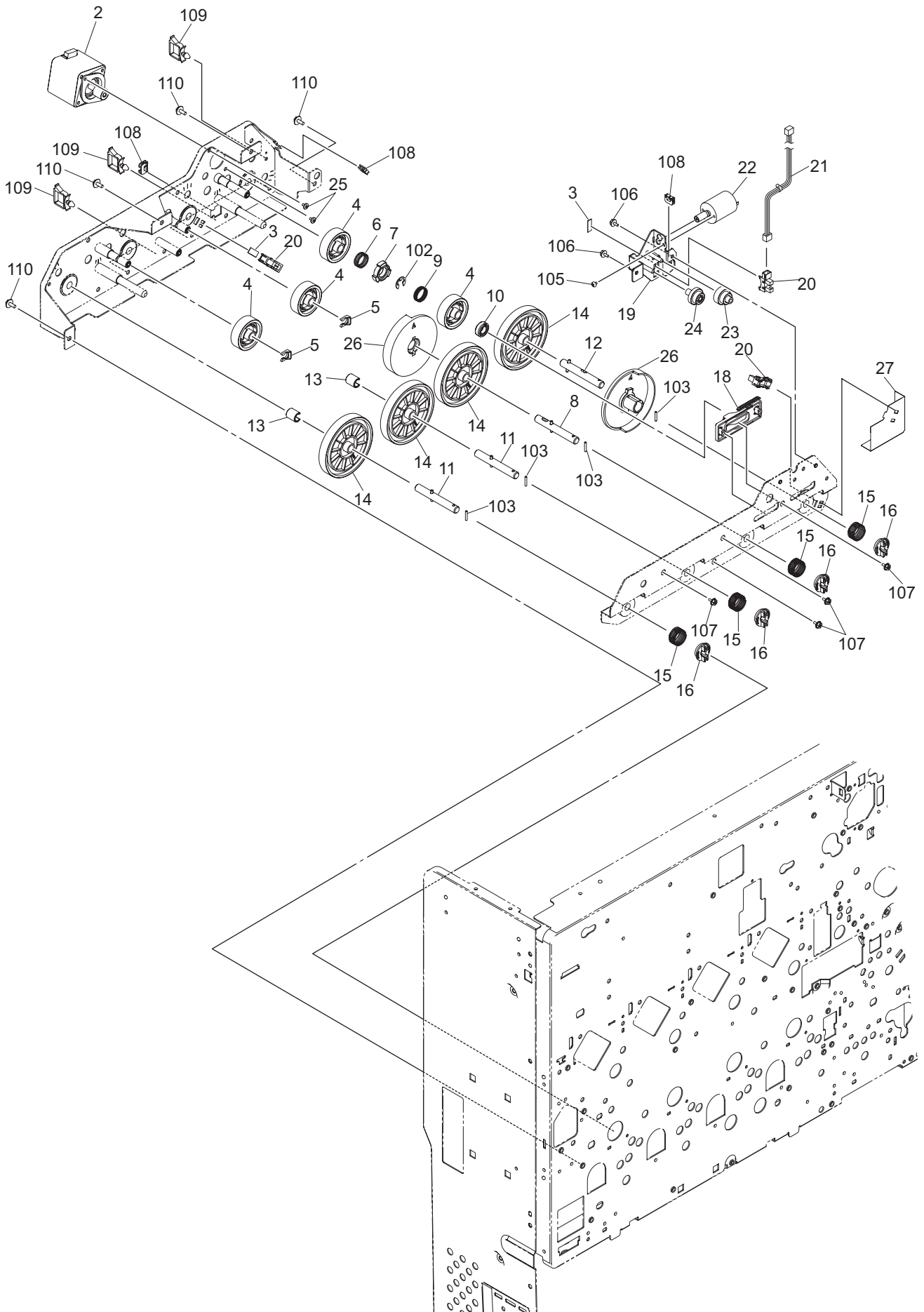
ITEM NO.	PARTS NO.	PARTS NAME	Q'TY / PAGE	Q'TY / PACK	PIR	BSI NO.	TO	T	FROM	SERIAL NO.	REMARKS	C
2	6LH39400000	SPG-C-16R5X1R4X56R2-TR2		21/P								
3	6LE46468000	SCREW-SPG-TR2		25/P								
4	6LH39403000	ARM-TRU-F		11/P								
5	6LE29059000	SPG-E-8XR8X30R6-TRU		21/P								
6	6LE29035000	STUD-PIVOT-TRU		21/P								
7	6LE29067000	SPG-F-ARM-R-TRU		11/P								
8	6LH39402000	ARM-TRU-R		11/P								
9	6LE29037000	HOLDER-ROL		21/P								
10	6LE95128000	CR-FC35TR2		11/S								
11	6LE29040000	BUSH-TRU-ROL		21/P								
12	44201801000	STOP-RING-6-1.5		25/P								
13	6LE29066000	PLATE-GUIDE-TRU		11/P								
14	6LE29065000	GUIDE-TRU-380		11/P								
15	6LE29060000	PLT-SNSR-TRU		11/P								
16	6LE29026000	PLT-EARTH-TRU		11/KP								
18	6LE29642000	HRNS-TRUFAN-380		11/P								
19	6LE29027000	LEVER-LOCK-TRU-380		11/P								
20	6LE29039000	SHAFT-HOOK-TRU		11/P								
21	6LE29038000	HOOK-TRU-380		21/P								
22	6LE29061000	SPG-E-6R1XR6X25R4-TRU		21/P								
23	6LE24244000	HOLDER-RGST-SPE		21/P								
24	6LE24299000	SPG-C-10R1X1X48R4		11/P								
25	6LE24272000	BUSH-ROL-RGST-F		11/P								
26	6LH23442000	BUSH-8X12X8F-NU4		25/P								
27	6LE24380000	SPG-C-10X1X52R7		11/P								
28	6LE24249000	BUSH-ROL-RGST-R		11/P								
29	6LE24301000	ASYS-GUIDE-RGST-R-380		11/PP								
30	6LE24330000	SPG-C-10R8X1X38R5		21/P								
31	6LE24376000	ASYS-BRKT-GUIDE-TR1		11/P								
32	6LE29014000	COVER-TRU-380D		11/PP								
33	6LE29001000	SHEET-GUIDE-ADU		11/KP								
34	6LE46435000	LBL-CAU-BLT-410		11/KP								
35	6LA36367000	LBL-FUS-1		15/P								
36	6LE24323000	SPL-EARTH-RGST-R		11/P								
101	F0-01250000	MSB-1207		35/P								
102	F0-00120000	ES-0505		25/P								
103	X0-00965000	RR/E-4-SS		210/P								
104	X0-02239000	S/TPS/FHEXM-3X8-ZU3		210/P								
105	F0-01158000	DDL-1280ZZ		21/P								
106	F0-01550000	DDL-1680HHRPOP25LY349		21/P								
107	X0-02247000	S/TPP/FHEXM-3X8-NI		610/P								
108	CO-12124000	PS119EL1		15/S								
109	X0-02135000	S/PAN/SWWP-M3X14-NI		110/P								
110	X0-02056000	S/TSP/PAN-3X6-ZU3		810/P								
111	X0-02230000	S/FHEXM-M3X6-NI		310/P								



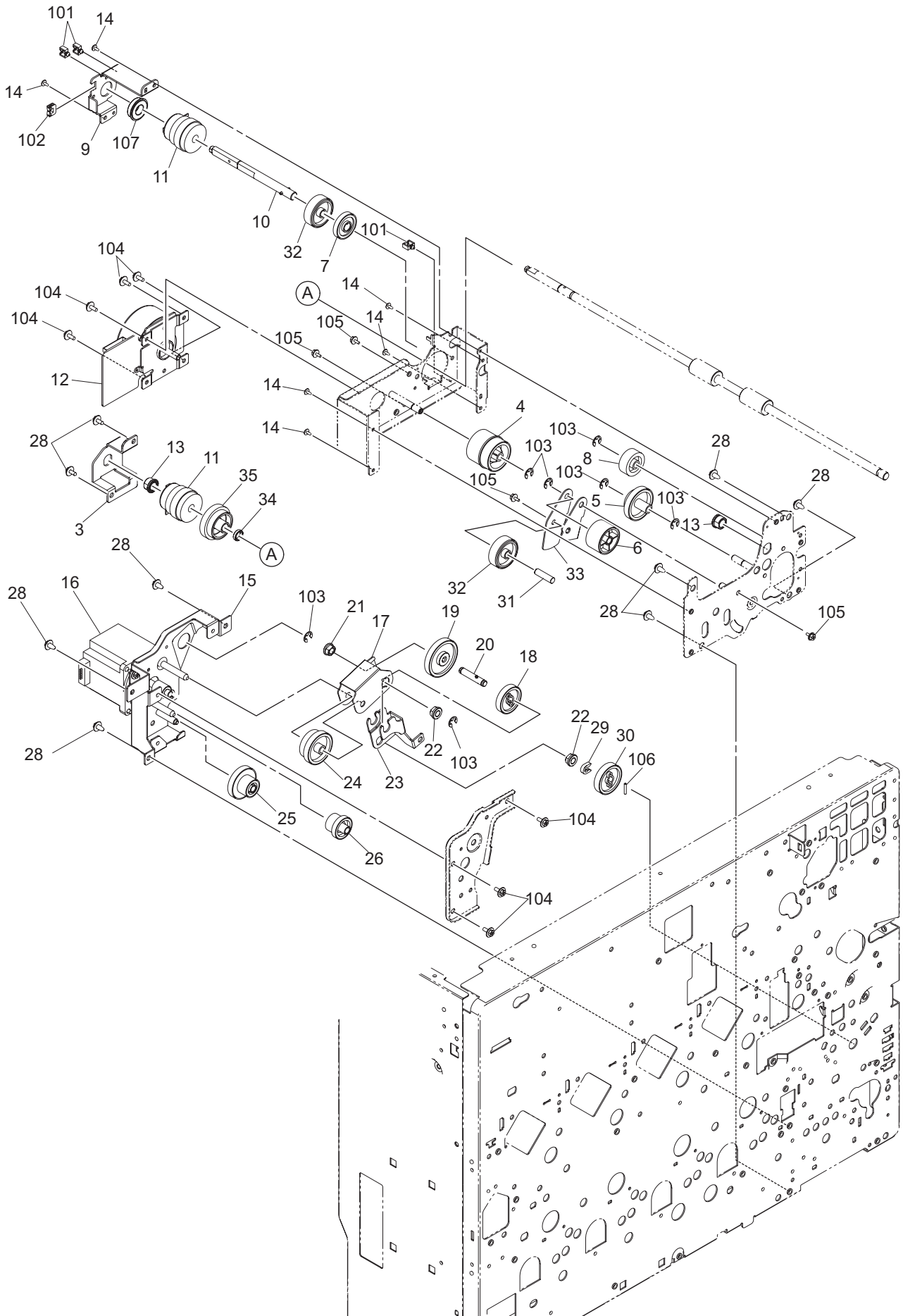
ITEM NO.	PARTS NO.	PARTS NAME	Q'TY / PAGE	Q'TY / PACK	P I R	B S I NO.	T O	T	F R O M	S E R I A L NO.	R E M A R K S	C
1	6LE24202000	ROLLER-RGST-R		1/1/KP								
2	4407547320	GEAR-0.8-25		1/1/P								
3	6LE24375000	GUIDE-IDLE-TR1		1/1/P								
4	6LA37628000	ROLLER-IDLA		2/1/P								
5	6LE24381000	SHAFT-IDLE-TR1		1/1/P								
6	6LA88317000	LVR-SEP-RELAY-F-371		1/1/P								
7	6LA88318000	LVR-SEP-RELAY-R-371		1/1/P								
8	6LE24329000	SPG-E-7XR9X107R15		1/1/P								
9	6LE29031000	ASYS-BRKT-TRU-R		1/1/P								
11	6LE29036000	ASYS-PLT-TRU-F		1/1/P								
101	X0-01526000	P/PRL/AH7-2X12-SS		1/10/P								
102	X0-00968000	RR/E-7-SS		3/10/P								
103	X0-02421000	S/TPS/FHEXM/R-4X8-ZU3		2/10/P								



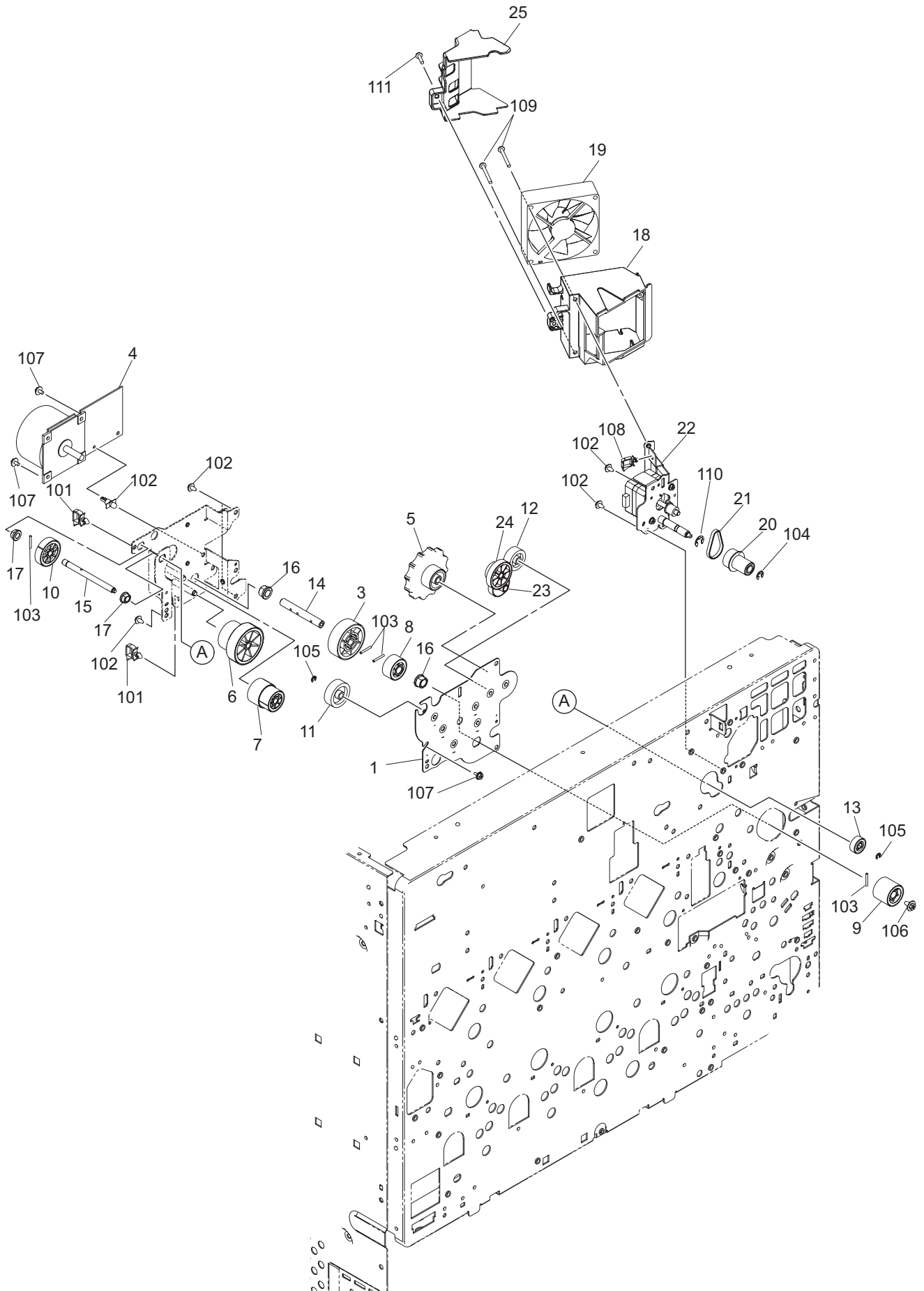
ITEM NO.	PARTS NO.	PARTS NAME	Q'TY / PAGE	Q'TY / PACK	P I R	B S I NO.	T O	T	F R O M	S E R I A L NO.	R E M A R K S	C
1	6LE22169000	ASYS-BRKT-MOTR-DEV		1/1/P								
2	6LE22172000	MOTR_D-DEV-380		1/1/C								
3	X0-02421000	S/TPS/FHEXM/R-4X8-ZU3		6/10/P								
4	F0-01482000	RNR-1560ZZRPOP24LY121		2/1/P								
5	6LE22158000	SHAFT-DRIVE-DEV		2/1/P								
6	6LE22161000	GEAR-5H77-8-ONEWAY		2/1/P								
7	41306265000	STOP RING		1/1/P								
8	6LE22162000	GEAR-5H77_5H70-6		1/1/P								
9	6LE22163000	GEAR-5H70-8-ONEWAY		1/1/P								
10	6LE22152000	ASYS-BRKT-DRIVE-DEV-RER		1/1/P								
11	6LE22145000	ASYS-BRKT-DRIVE-TBU-RER		1/1/P								
12	6LE22201000	GEAR-4H94-8N		2/1/P								
13	6LE22196000	MOTR_S-TBU-380		1/1/C								
14	6LE22202000	GEAR-4H164-8N		2/1/P								
15	6LE22203000	GEAR-4H78-6H36-8N		4/1/P								
16	6LE22151000	BRKT-DRIVE-DEV-FRT		1/1/P								
17	6LE22149000	GEAR-5H59-4H62-8		1/1/P								
18	6LE22190000	GEAR-5H62_5H29-8		1/1/P								
19	6LE22147000	PLATE-DRIVE-TBU		1/1/P								
20	6LE22138000	S/BID-M3X4-ZC3-RED		2/5/P								
21	6LE22148000	SPG-E-DRV-TBU		1/1/P								
101	X0-02056000	S/TSP/PAN-3X6-ZU3		3/10/P								
102	F0-01390000	LNR-1680HHRPOP15LY13		2/1/P								
103	X0-02230000	S/FHEXM-M3X6-NI		3/10/P								
104	X0-00426000	S/BID-M3X4-NI		2/10/P								
105	X0-00968000	RR/E-7-SS		1/10/P								
106	X0-02243000	S/TPS/FHEXM-4X8-ZU3		2/10/P								



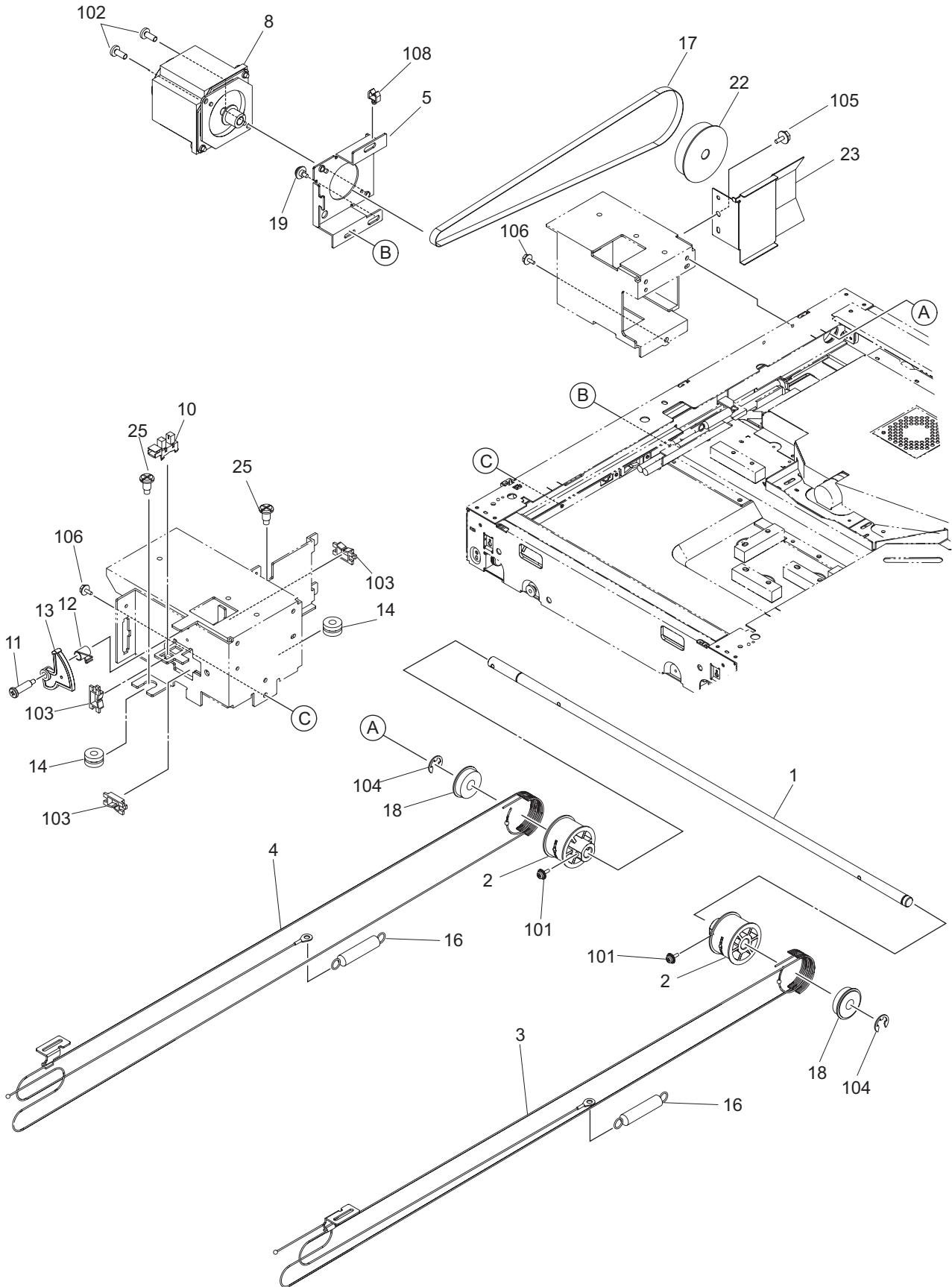
ITEM NO.	PARTS NO.	PARTS NAME	Q'TY / PAGE	Q'TY / PACK	PIR	BSI NO.	TO	T	FROM	SERIAL NO.	REMARKS	C
2	6LE22137000	MOTR_S-DRUM-380		1/1/C								
3	44201543000	MYLAR-SW-RGST-2		2/5/P								
4	6LE22115000	GEAR-5H66-8-IDLER-DRUM		4/1/P								
5	41306265000	STOP RING		2/1/P								
6	6LE22213000	SPG-C-IDL-RER-N		1/1/P								
7	6LE22121000	COUPL-IDL-DRUM		1/1/P								
8	6LH32507000	ASYS-SHAFT-DRV-DRUM-C-450		1/1/P								
9	6LE22128000	SPG-C-IDL-FRT		1/1/P								
10	6LE22107000	COLAR-IDL-DRUM		1/1/P								
11	6LE22139000	ASYS-SHAFT-DRIVE-DRUM-MC		2/1/P								
12	6LH32506000	ASYS-SHAFT-DRV-DRUM-K-450		1/1/P								
13	6LE22133000	COLAR-DRIVE-DRUM		2/1/P								
14	6LE22114000	GEAR-5H132-8-DRUM		4/1/P								
15	6LE22135000	SPG-C-DRIVE-DRUM		4/1/P								
16	6LE22209000	COUPL-DRIVE-DRUM-380		4/1/P								
18	6LE22211000	GUIDE-SEP-GEAR-IDL		1/1/P								
19	6LH32516000	ASYS-BRKT-MOTR-SEP-IDL		1/1/P								
20	C0-10813000	GP1A73ARJ00F		3/1/P								
21	6LE29389000	HRNS-SNS-DRM-380		1/1/P								
22		ASYS-MOTRD-SW-DRV-450		1/1/C								
23	6LE22124000	GEAR-5H35_5S25-6		1/1/P								
24	6LE22125000	GEAR-5S35_5S25-6		1/1/P								
25	6LE22138000	S/BID-M3X4-ZC3-RED		2/5/P								
26	6LH32508000	DISK-DRIVE-DRUM		2/1/P								
27	6LH32520000	MYLAR-COV-SNSR		1/1/C								
102	X0-00968000	RR/E-7-SS		1/10/P								
103	X0-01526000	P/PRL/AH7-2X12-SS		4/10/P								
105	X0-02112000	S/PAN-M3X3-NI		1/10/P								
106	X0-02056000	S/TSP/PAN-3X6-ZU3		2/10/P								
107	X0-02230000	S/FHEXM-M3X6-NI		4/10/P								
108	F0-00120000	ES-0505		3/5/P								
109	F0-01245000	LWS-1316Z		6/5/P								
110	X0-02421000	S/TPS/FHEXM/R-4X8-ZU3		4/10/P								



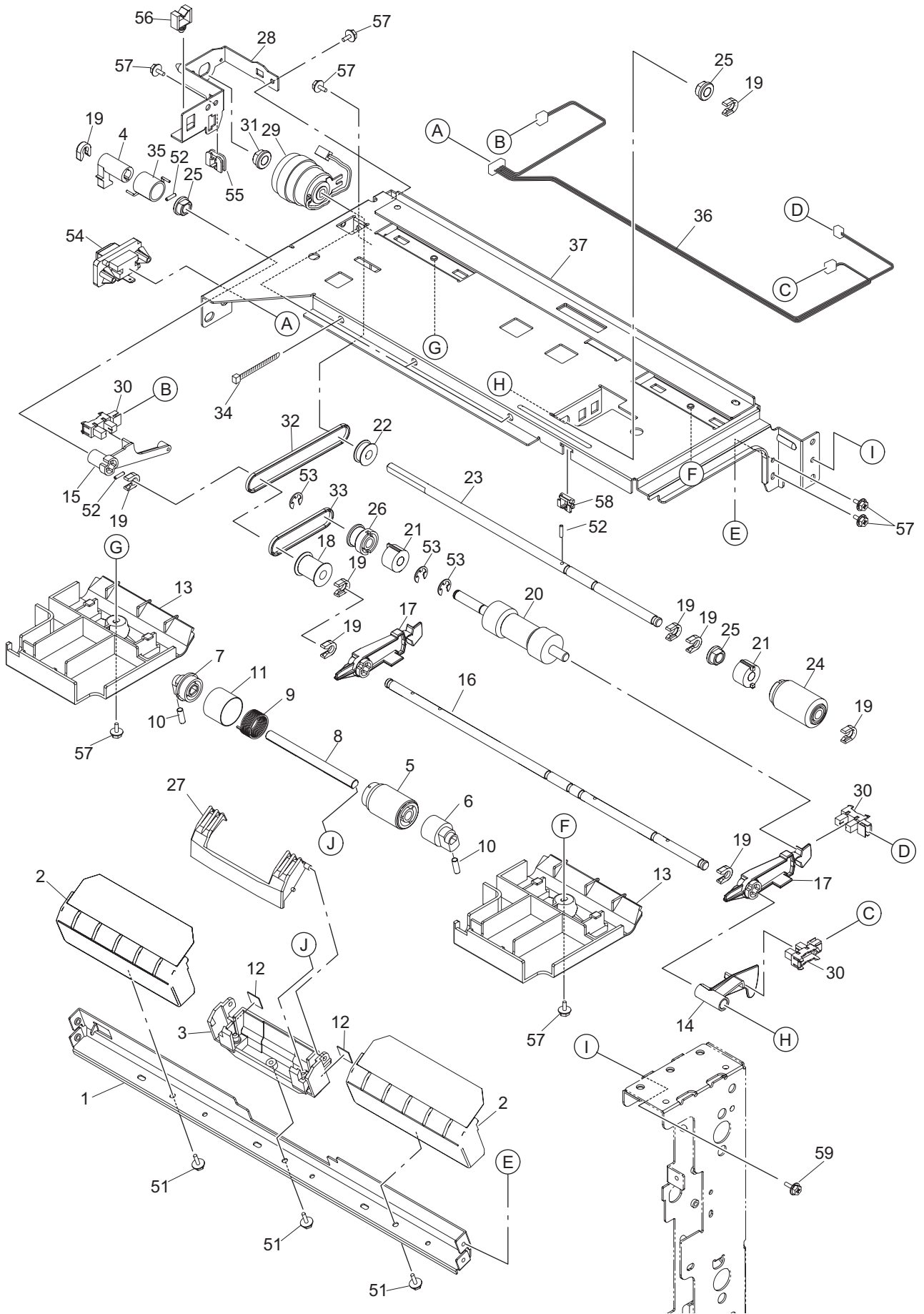
ITEM NO.	PARTS NO.	PARTS NAME	Q'TY / PAGE	Q'TY / PACK	P I R	B S I NO.	T O	T	F R O M	S E R I A L NO.	R E M A R K S	C
3	6LE24349000	BRKT-DRV-TR1-CL-L		1/1/P								
4	6LE22174000	GEAR-05S60-05H60-06		1/1/P								
5	6LE22168000	GEAR-05S40-05S64-06		1/1/P								
6	6LE22173000	GEAR-05S54-06		1/1/P								
7	6LE24365000	GEAR-05S50-8N		1/1/P								
8	6LE24367000	GEAR-05S46-6N		1/1/P								
9	6LE24355000	BRKT-DRV-TR1-CL		1/1/P								
10	6LE24358000	ASYS-SHAFT-DRV-TR1-CLT		1/1/P								
11	6LE40813000	CLUTCH-G28-08D-30A		2/1/D								
12	6LH09053000	MOTRD-FEED-430		1/1/C								
13	6LH23442000	BUSH-8X12X8F-NU4		2/5/P								
14	6LA08935000	SCR-M3X6BISR-NI		6/10/P								
16	6LE29083000	ASYB-MOTOR-RGST		1/1/C								
17	6LE29048000	PLT-ARM-RGST		1/1/P								
18	6LE29091000	GEAR-4H68-6		1/1/P								
19	6LE29090000	GEAR-4H94-CLT		1/1/P								
20	6LE29079000	ASYS-SHAFT-DRV-RGST		1/1/P								
21	4407734980	BUSH-6-GCB		1/5/P								
22	44201492000	BUSH-6-POM		2/5/P								
23	6LE29094000	PLT-ARM-RGST-DRV		1/1/P								
24	6LE29089000	GEAR-8S40-4H68-6		1/1/P								
25	6LE29052000	GEAR-10S17_10S31-6		1/1/P								
26	6LE29051000	GEAR-10S16_8S27-6		1/1/P								
28	X0-02421000	S/TPS/FHEXM/R-4X8-ZU3		9/10/P								
29	4407972860	STOP-RING-6-5		1/5/P								
30	6LE29092000	GEAR-4H72-6		1/1/P								
31	6LE24255000	STUD-PLANET-GEAR		1/1/P								
32	6LE24357000	GEAR-05S56-08		2/1/P								
33	6LE24239000	BRKT-PLANET-GEAR		1/1/P								
34	6LE24356000	COLLAR-ROLL-MID-380		1/5/P								
35	6LE22175000	GEAR-10S29-05S58-06		1/1/P								
101	F0-01250000	MSB-1207		4/5/P								
102	F0-00120000	ES-0505		1/5/P								
103	X0-00966000	RR/E-5-SS		7/10/P								
104	X0-02243000	S/TPS/FHEXM-4X8-ZU3		7/10/P								
105	X0-02230000	S/FHEXM-M3X6-NI		4/10/P								
106	X0-01526000	P/PRL/AH7-2X12-SS		1/10/P								
107	F0-01390000	LNR-1680HHRP0P15LY13		1/1/P								



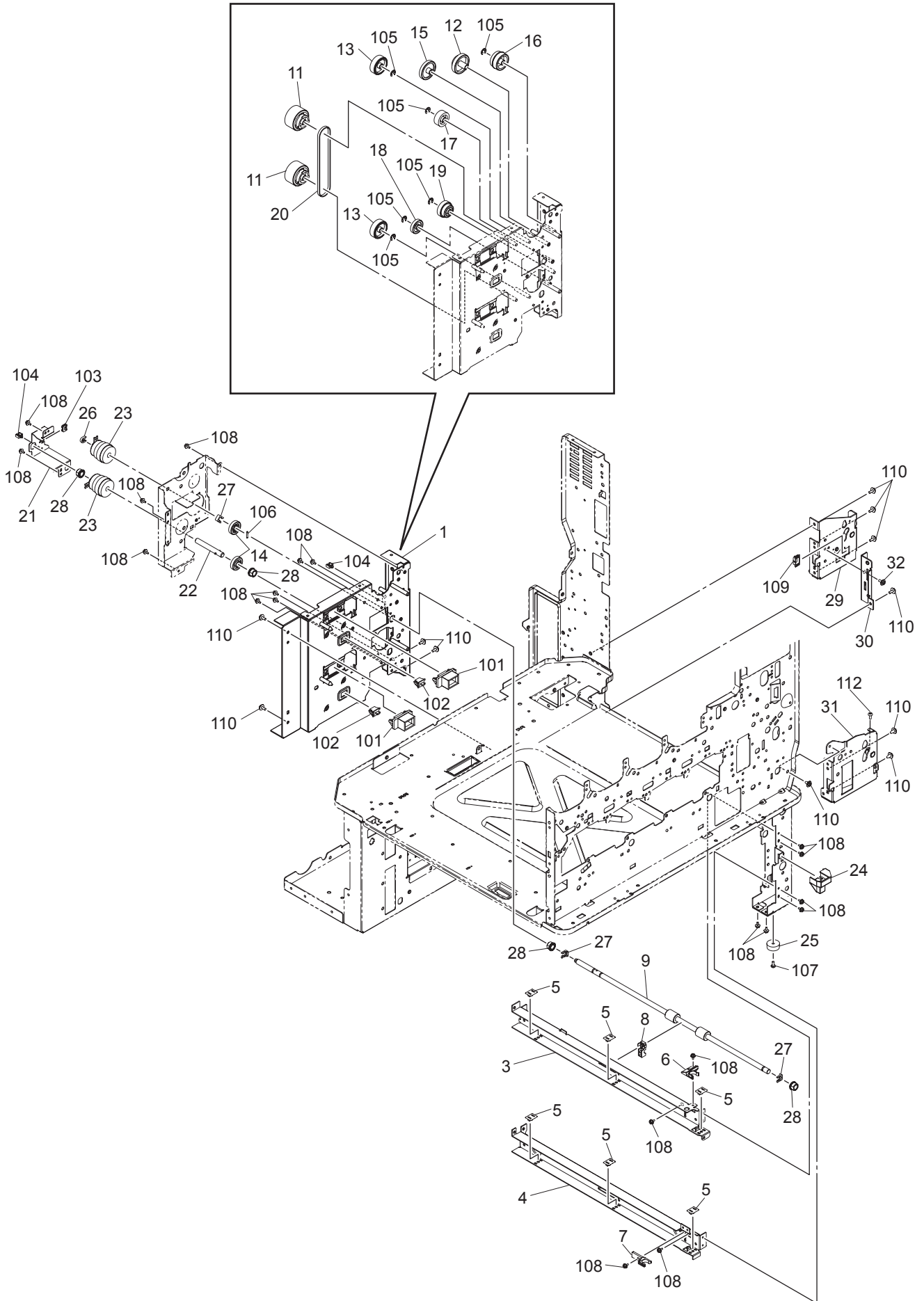
ITEM NO.	PARTS NO.	PARTS NAME	Q'TY / PAGE	Q'TY / PACK	PIR	BSI NO.	TO	T	FROM	SERIAL NO.	REMARKS	C
1	6LH36287000	ASYS-BKT-FUS-DR-F45X		1/1/P								
3	6LE25996000	GEAR-10S40-REV		1/1/P								
4	6LH36234000	MOTR_D-FUSER-450		1/1/C								
5	6LE25933000	GEAR-FUS-HAND		1/1/P								
6	6LE25907000	GR-10S30-10S42		1/1/P								
7	6LE25909000	GR-10S23-05H50		1/1/P								
8	6LE25995000	GEAR-10S23-REV		1/1/P								
9	6LE25926000	GEAR-10S23-21		1/1/P								
10	6LE25908000	GEAR-10S29		1/1/P								
11	44201361000	GEAR-10S027-06		1/1/P								
12	44201367000	GEAR-10S023-06		1/1/P								
13	6LA32521000	GEAR-10S016-06-BCL		1/1/P								
14	6LE25994000	SFT-FUS-DRV-REV		1/1/P								
15	6LE25842000	SHAFT-FUS-MOT		1/1/P								
16	6LH23442000	BUSH-8X12X8F-NU4		2/5/P								
17	44201492000	BUSH-6-POM		2/5/P								
18	6LH36339000	DUCT-EXIT-FAN		1/1/P								
19	6LE22868000	FAN-F380-80		1/1/D								
20	6LE23942000	GEAR-10S15_PS2M37		1/1/P								
21	6LE23936000	BLT_SY-40S2M-098		1/1/P								
22	6LH36333000	ASYB-BRKT-MOTR-EXIT		1/1/C								
23	6LH36289000	GEAR-10S25-6		1/1/P								
24	6LH36290000	GEAR-10S32_10S19-6		1/1/P								
25	6LH36342000	COV-DUCT-EXIT-FAN		1/1/D								
101	FO-00736000	LWS-0711Z		2/5/P								
102	X0-02421000	S/TPS/FHEXM/R-4X8-ZU3		5/10/P								
103	X0-01533000	P/PRL/AH7-2X16-SS		4/10/P								
104	X0-00966000	RR/E-5-SS		2/10/P								
105	X0-00964000	RR/E-3-SS		2/10/P								
106	X0-02217000	S/PAN/SWWP-M4X8-ZU3		1/10/P								
107	X0-02056000	S/TSP/PAN-3X6-ZU3		3/10/P								
108	FO-01243000	LWS-1211Z		1/5/P								
109	X0-02114000	S/TPS/PAN-4X32-ZU3		2/10/P								
110	X0-00968000	RR/E-7-SS		1/10/P								
111	X0-02251000	S/TPP/FHEXM-4X8-NI		1/10/P								



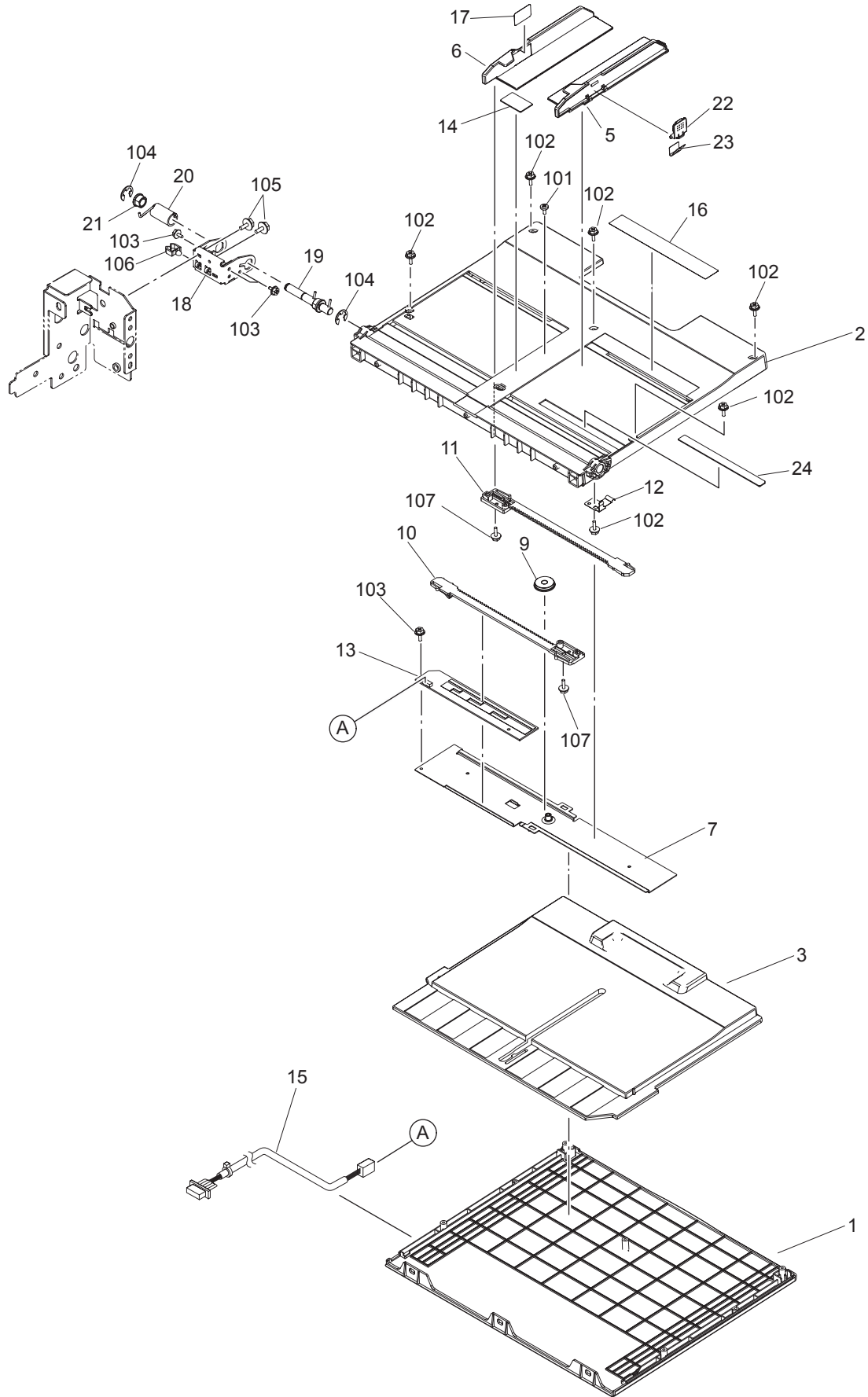
ITEM NO.	PARTS NO.	PARTS NAME	Q'TY / PAGE	Q'TY / PACK	P I R	B S I NO.	T O	T	F R O M	S E R I A L NO.	R E M A R K S	C
1	6LA39397000	SHAFT-DRV-SCAN		1/1/P								
2	6LA01742000	PLY-WIRE-SCAN		2/1/P								
3	6LA39410000	ASYS-WIR_RP-SCAN-FRT		1/1/P								
4	6LA39430000	ASYS-WIR_RP-SCAN-RER		1/1/P								
5	6LE46348000	BRKT-MOTR-SCAN-410		1/1/P								
8	6LH39762000	MOTR_S-SCN-450		1/1/C								
10	C0-10813000	GP1A73ARJ00F		1/1/P								
11	6LA67393000	SHAFT-OPN-SNS		1/1/P								
12	44202846000	SPR-OPEN-SNS		1/1/P								
13	44202845000	LVR-OPEN-SNS		1/1/P								
16	44202660000	SPE-WIRE-TENS		2/1/P								
17	6LH37816000	BLT_SY-555-STS1.5-6		1/1/P								
18	F0-01360000	608ZZNRA2		2/1/P								
19	6LA08932000	SCREW-ACTR-TRU		1/10/P								
22	6LH37814000	PULLEY-SCAN-450		1/1/P								
23	6LA39784000	COVER-PILLEY		1/1/P								
101	X0-00077000	S/PAN/SWWP-M3X8-NI		2/10/P								
102	X0-02074000	S/TPS/BID-4X8-ZU3		2/10/P								
103	F0-01248000	ESC-0912		3/10/P								
104	X0-00968000	RR/E-7-SS		2/10/P								
106	X0-02056000	S/TSP/PAN-3X6-ZU3		2/10/P								
108	F0-00044000	UAMS-05-2		1/5/P								



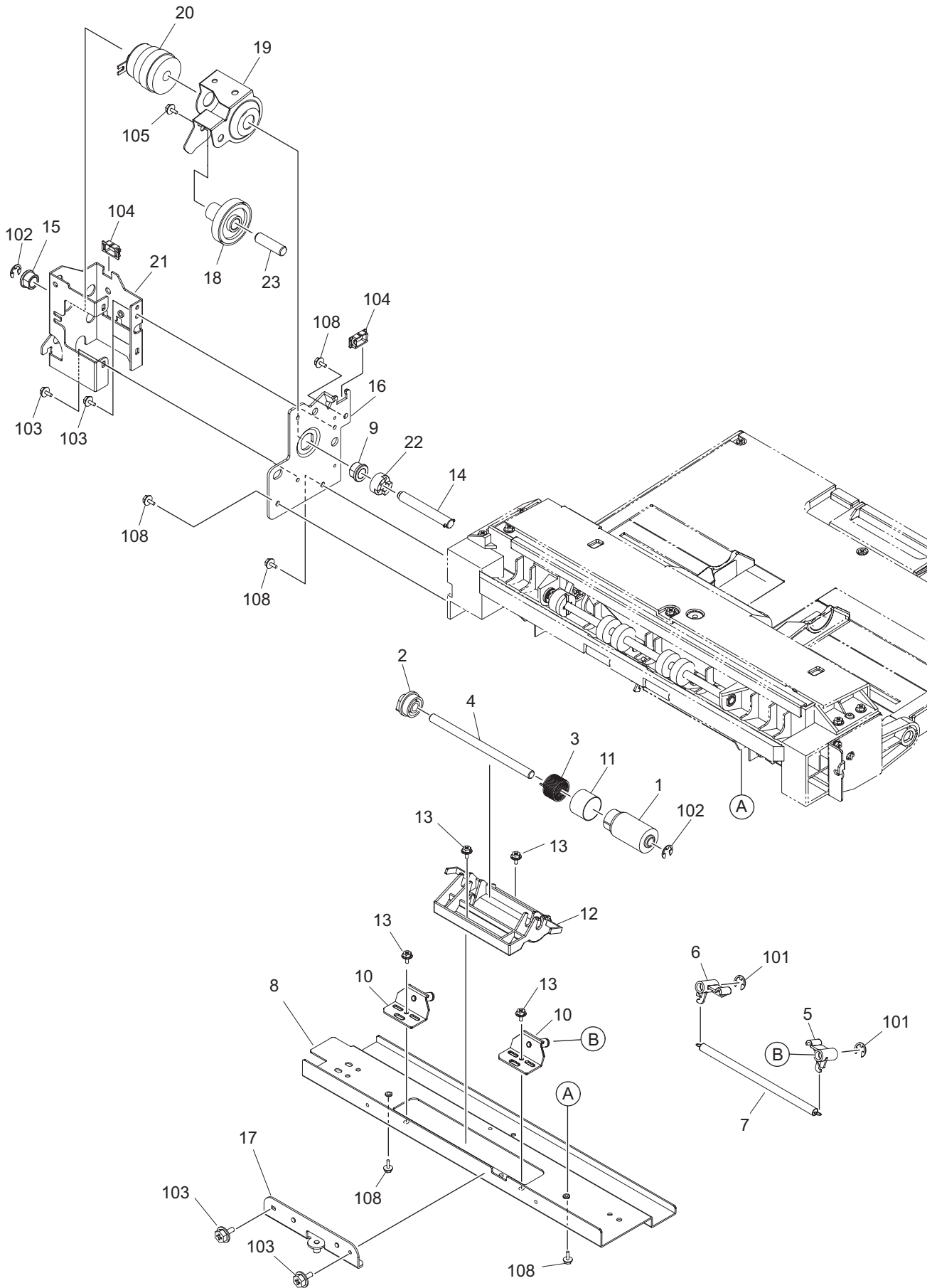
ITEM NO.	PARTS NO.	PARTS NAME	Q'TY / PAGE	Q'TY / PACK	P I R	B S I NO.	T O	T	F R O M	S E R I A L NO.	R E M A R K S	C
1	6LA47898000	BRKT-ROL-SEP		1/1/P								
2	6LA66947000	ASYS-GUIDE-P-SEP		2/1/KP								
3	44201805000	HLD-SEP-ROL-DM		1/1/P								
4	6LA47910000	LEVER-RLR-PICK		1/1/P								
5	41304047100	K-ROLL-SPT		1/1/P								
6	4401964360	ARBOR-SPT-F		1/1/P								
7	4401964270	ARBOR-SPT-R		1/1/P								
8	41304506000	SFT-SEP-AT		1/1/P								
9	44201817000	SPR-1.0-15.6ORF		1/5/P								
10	6LA47909000	SPC055-045-01525		2/5/P								
11	44201773000	COV-SPE/ARBOR		1/1/P								
12	41319491000	CHIP-HLDR-SEP		2/1/P								
13	6LA47908000	GUIDE-P-FEED		2/1/P								
14	41306012000	ACTR-EMPTY-PPR		1/1/P								
15	41318603000	ARM-FEED-UNIT		1/1/P								
16	41318604000	SFT-DRV-PICK		1/1/P								
17	6LE24295000	ARM-RLR-PICK-380		2/1/P								
18	41306002000	PLY/T-PICK-20		1/1/P								
19	4407972860	STOP-RING-6-5		9/5/P								
20	41306719000	ROLLER-PICK-AT		1/1/KP								
21	6LE69842000	CLUTCH-6-L		2/1/P								
22	4402231780	PLY-20-2M		1/1/P								
23	6LE24306000	SHAFT-ROL-FEED-380		1/1/P								
24	6LE69833000	K-ROLL-FEED		1/1/P								
25	44201492000	BUSH-6-POM		3/5/P								
26	41306274000	PLY/T-20-ROL-2G		1/1/P								
27	44201810000	LEV-ROL-SEP-DM		1/1/P								
28	6LE24258000	ASYS-BRKT-CLT-380		1/1/P								
29	6LE27035000	CLUTCH-G28-06D-30AK		1/1/D								
30	C0-10813000	GP1A73ARJ00F		3/1/P								
31	4407734980	BUSH-6-GCB		1/5/P								
32	41306504000	BLT/T-194-2GT-2		1/1/P								
33	41306502000	BLT/T-124-2GT-2		1/1/P								
34	F0-01012000	T18R		4/5/P								
35	41305501000	SPR-LVR-PICK		1/1/P								
36	6LE29399000	HRNS-PFP-FED-380		1/1/P								
37	6LA47892000	ASYS-BRKT-FEED-UNIT		1/1/PP								
51	X0-02247000	S/TPP/FHEXM-3X8-NI		3/10/P								
52	X0-00979000	P/PRL/AH7-2X8-SS		3/10/P								
53	X0-00966000	RR/E-5-SS		3/10/P								
54	E0-08732000	54702-1219		1/5/P								
55	F0-00120000	ES-0505		1/5/P								
56	F0-01250000	MSB-1207		1/5/P								
57	X0-02056000	S/TSP/PAN-3X6-ZU3		8/10/P								
58	F0-00671000	EDS-0607M		1/5/P								
59	X0-02239000	S/TPS/FHEXM-3X8-ZU3		1/10/P								



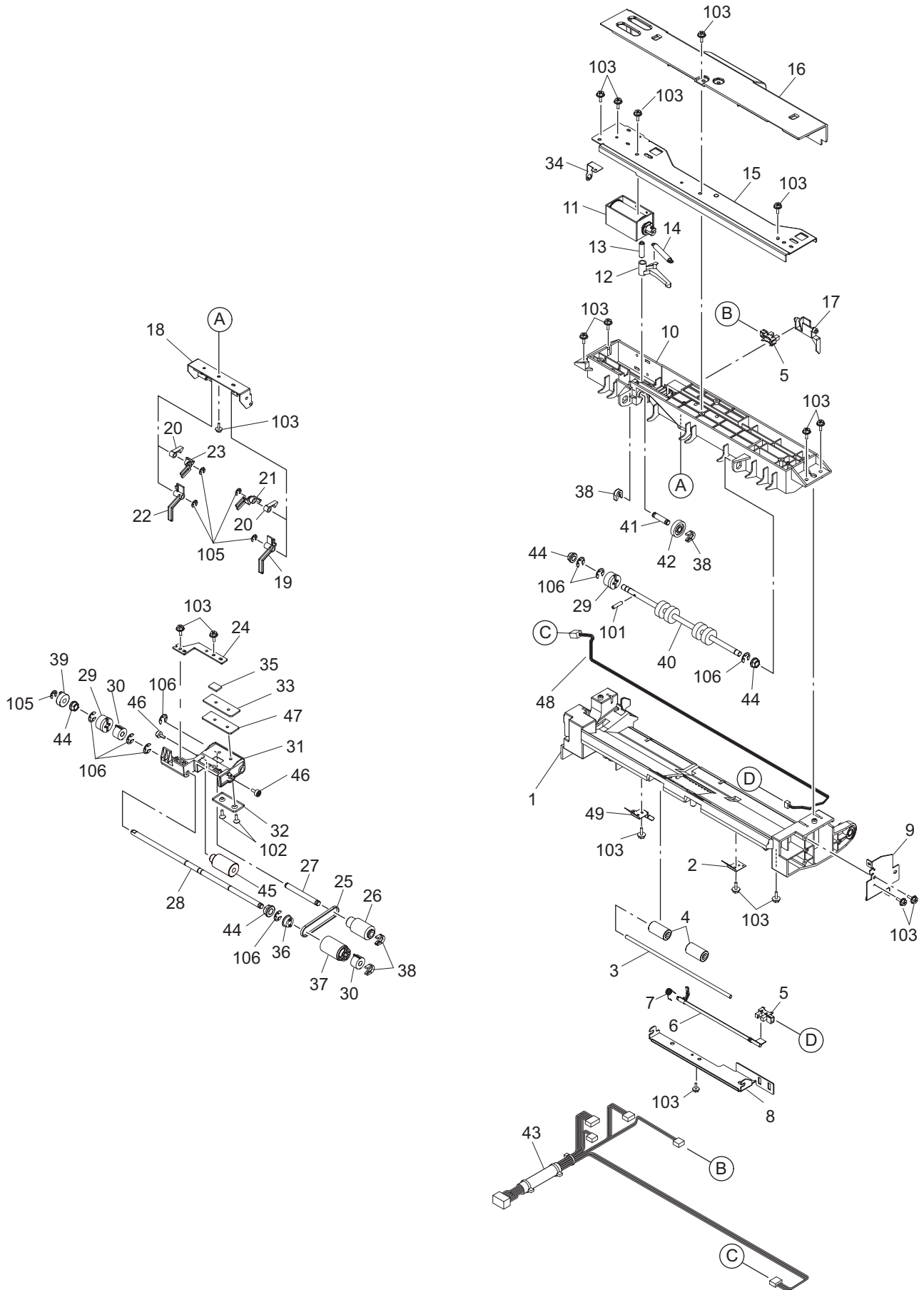
ITEM NO.	PARTS NO.	PARTS NAME	Q'TY / PAGE	Q'TY / PACK	P I R	B S I NO.	T O	T	F R O M	S E R I A L NO.	R E M A R K S	C
1	6LE24223000	ASYS-FRM-FEEDER-R		1/1/P								
3	6LE24209000	RAIL-CST-RGT-380		1/1/P								
4	6LA64841000	RAIL-CSSTT-RGT		1/1/P								
5	41306007000	SLIDER-CST		6/1/P								
6	6LE24257000	CATCH-CST-380		1/1/P								
7	44201601000	CATCH-CST-320		1/1/P								
8	44201613000	BUSH-ROL-FEEDER		1/1/P								
9	6LE24203000	ROLLER-FEEDER-380		1/1/KP								
11	6LE24242000	GEAR-10S35_P3GT25-6		2/1/P								
12	6LE24243000	GEAR-10S20_10S32-6		1/1/P								
13	6LE24254000	GEAR-10S29-6		2/1/P								
14	6LE24265000	GEAR-10S21-8		2/1/P								
15	6LE24266000	GEAR-10S31-6		1/1/P								
16	6LE24292000	GEAR-10S25_10S27-6		1/1/P								
17	44201367000	GEAR-10S023-06		1/1/P								
18	6LA41184000	GEAR-10S22-6-TR2		1/1/P								
19	6LA64833000	GEAR-10S20_10S25-6		1/1/P								
20	6LA04271000	BLT/T-297-3GT-4		1/1/P								
21	6LE24263000	BRKT-DRV-FEEDER-CL		1/1/P								
22	6LE24285000	ASYS-SHAFT-DRV-TR1-CL		1/1/P								
23	6LE40813000	CLUTCH-G28-08D-30A		2/1/D								
24	6LE24268000	COVER-RAIL-CST		1/1/P								
25	41306501000	FOOT-MAIN-AT		1/1/P								
26	4407972860	STOP-RING-6-5		1/5/P								
27	41306265000	STOP RING		3/1/P								
28	6LH23442000	BUSH-8X12X8F-NU4		4/5/P								
29	6LH31404000	ASYS-BRKT-ADU-R-450		1/1/P								
30	6LE21204000	BRKT-HOLD-BYP-R		1/1/P								
31	6LE21216000	ASYS-BRKT-ADU-FRT		1/1/P								
101	E0-08733000	55533-1219		2/5/P								
102	E0-01853000	CS1A-B2CA		2/1/D								
103	F0-00120000	ES-0505		1/5/P								
104	F0-01250000	MSB-1207		2/5/P								
105	X0-00966000	RR/E-5-SS		6/10/P								
106	X0-01526000	P/PRL/AH7-2X12-SS		1/10/P								
107	X0-02074000	S/TPS/BID-4X8-ZU3		1/10/P								
108	X0-02056000	S/TSP/PAN-3X6-ZU3		20/10/P								
109	F0-01248000	ESC-0912		1/10/P								
110	X0-02421000	S/TPS/FHEXM/R-4X8-ZU3		11/10/P								
111	X0-02243000	S/TPS/FHEXM-4X8-ZU3		1/10/P								
112	X0-02070000	S/TPS/BID-3X8-ZU3		1/10/P								



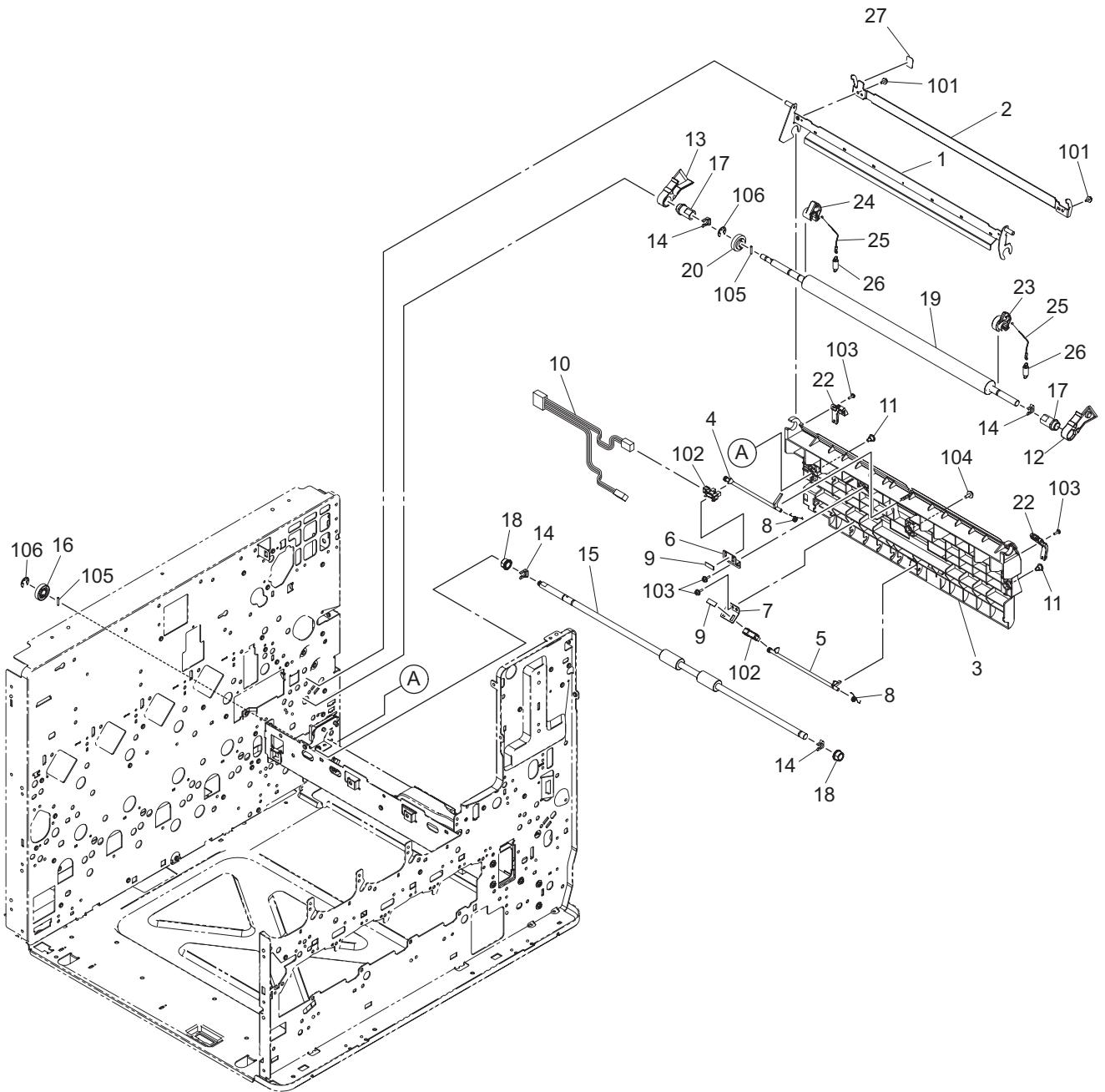
ITEM NO.	PARTS NO.	PARTS NAME	Q'TY / PAGE	Q'TY / PACK	PIR	BSI NO.	TO	T	FROM	SERIAL NO.	REMARKS	C
1	6LE21264000	TRAY-BYP-LOW-380		1/1/PP								
2	6LE21263000	TRAY-BYP-UP-380		1/1/PP								
3	6LE21241000	TRAY-BYP-M-380		1/1/PP								
5	6LE21243000	GUIDE-TRAY-FRT-380		1/1/D								
6	6LE21244000	GUIDE-TRAY-RER-380		1/1/D								
7	6LE21247000	ASYS-PLATE-PINION-380		1/1/D								
9	4407726480	PINION-18-395		1/1/P								
10	6LE21265000	ASYS-RACK-BYPASS-380		1/1/C								
11	6LE21245000	RACK-BYPASS-380		1/1/D								
12	6LE21242000	SPL-PLATE-PINION		1/1/P								
13	6LE29825000	PWA-F-SFB-380		1/1/C								
14	4400901130	PAD-BRAKE		1/5/P								
15	6LA71350000	HRNS-SFB-SIZE-360		1/1/P								
16A	6LA29000000	LBL-TRAY-U-350		1/1/KP							NAD	
16B	6LA29003000	LBL-TRAY-E-350		1/1/KP							MJD, ASD, AU D, ASU, SAD, ARD	
17	6LA29002000	LBL-HIGH-TRAY-350		1/5/KP								
18	6LE21229000	ASYS-BRKT-BYP-R-380		1/1/P								
19	6LE21232000	ASYS-SFT-TRAY-BYPS-R		1/1/P								
20	6LA28948000	SPA-HINGE-BYPASS		1/1/P								
21	4400802080	BUSH-8		1/5/P								
22	6LA29006000	LEVER-GUIDE-F		1/1/P								
23	6LA29007000	SPG-GUIDE-F		1/1/P								
24	6LE21250000	SHEET-PAD-GUIDE-F-380		1/1/KP								
101	X0-00430000	S/BID-M3X6-NI		1/10/P								
102	X0-02247000	S/TPP/FHEXM-3X8-NI		6/10/P								
103	X0-02419000	S/TPS/FHEXM/R-3X6-ZU3		4/10/P								
104	X0-00968000	RR/E-7-SS		2/10/P								
105	X0-02420000	S/TPS/FHEXM/R-3X8-ZU3		2/10/P								
106	F0-00033000	UAMS-07-0		1/10/P								
107	X0-00595000	S/TPP/PAN-3X6-NI		2/10/P								



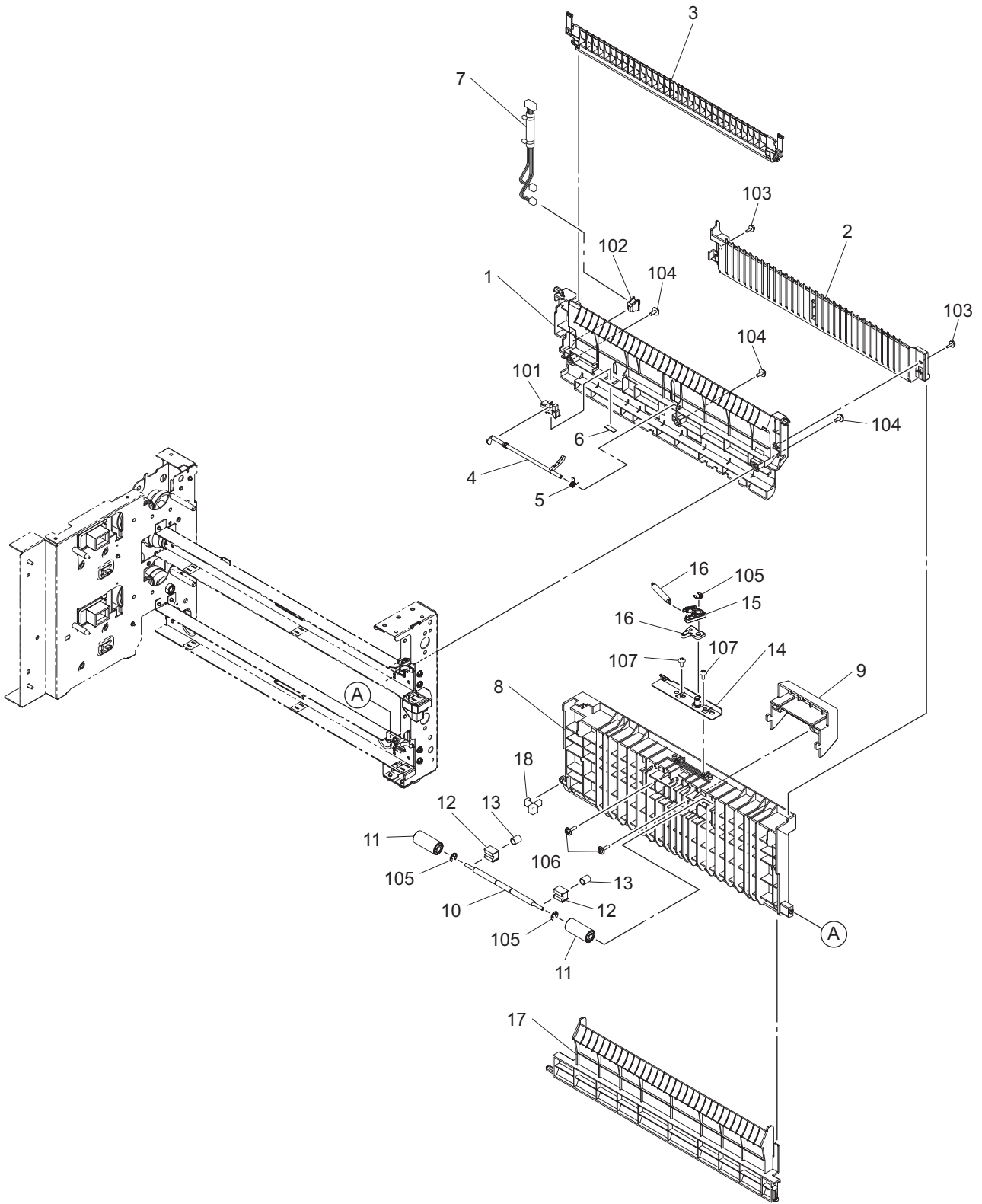
ITEM NO.	PARTS NO.	PARTS NAME	Q'TY / PAGE	Q'TY / PACK	P I R	B S I NO.	T O	T	F R O M	S E R I A L NO.	R E M A R K S	C
1	6LA28899000	ASYS-ROLL-SPT-L30		1/1/P								
2	6LA28863000	ARBOR-SPT-BYP		1/1/P								
3	6LA28865000	SPR-1.0-15.65-13L		1/1/P								
4	6LE40437000	SHAFT-ROL-SPT		1/1/P								
5	6LA28921000	LEVER-SPT-F		1/1/P								
6	6LA28922000	LEVER-SPT-R		1/1/P								
7	6LA28840000	SPG-E-6XR6X91R7R		1/1/P								
8	6LE21222000	STAY-SPT-BYP-350		1/1/P								
9	6LH23442000	BUSH-8X12X8F-NU4		1/5/P								
10	6LA28857000	ASYS-BRKT-LVR-SPT		2/1/P								
11	6LA28861000	COVER-SPE-ARBOR-17		1/1/P								
12	6LA28862000	HOLDER-ROL-SPT-BYP		1/1/D								
13	6LA08935000	SCR-M3X6BISR-NI		4/10/P								
14	6LE21236000	ASYS-SHAFT-DRV-BYP		1/1/P								
15	6LH23442000	BUSH-8X12X8F-NU4		1/5/P								
16	6LE21213000	PLATE-DRIVE-BYP		1/1/P								
17	6LE24310000	ASYS-PLATE-BYP-F380		1/1/P								
18	6LE21215000	GEAR-10S23-6		1/1/P								
19	6LE21210000	BRKT-DRV-BYP-F380		1/1/P								
20	6LE40813000	CLUTCH-G28-08D-30A		1/1/D								
21	6LE21235000	BRKT-DRIVE-BYP-RER		1/1/P								
22	6LA28915000	CPG-DRV-BYP-350		1/1/P								
23	6LE21209000	STUD-DRV-BYP-F380		1/1/P								
101	X0-00966000	RR/E-5-SS		6/10/P								
102	X0-00965000	RR/E-4-SS		1/10/P								
103	X0-02420000	S/TPS/FHEXM/R-3X8-ZU3		3/10/P								
104	F0-00120000	ES-0505		2/5/P								
105	X0-02230000	S/FHEXM-M3X6-NI		1/10/P								
108	X0-02247000	S/TPP/FHEXM-3X8-NI		3/10/P								



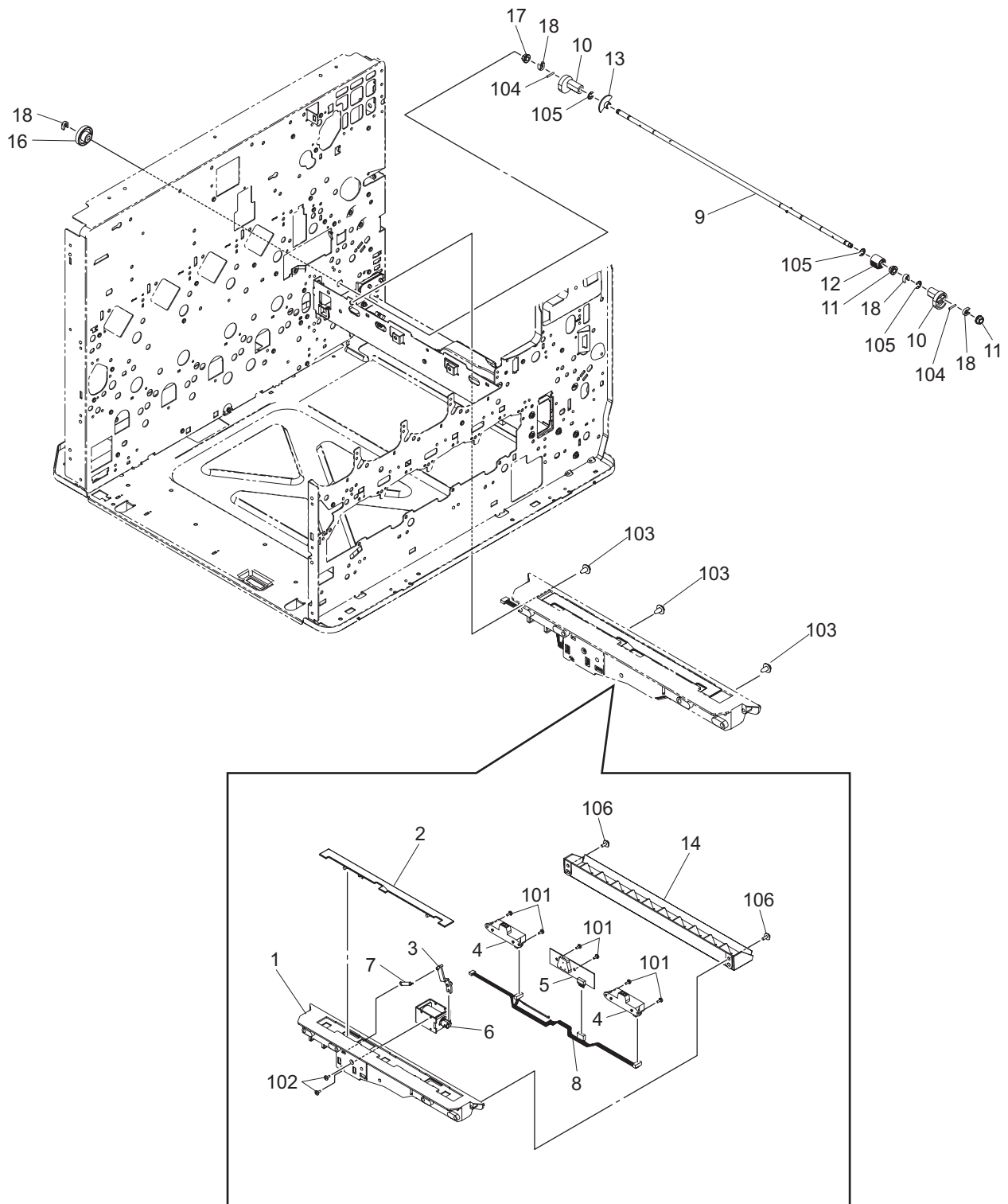
ITEM NO.	PARTS NO.	PARTS NAME	Q'TY / PAGE	Q'TY / PACK	P I R	B S I NO.	T O	T	F R O M	S E R I A L NO.	R E M A R K S	C
1	6LE21223000	ASYS-FRM-BYPASS-380		1/1/PP								
2	6LE21254000	SPL-IDLR-TR-BYPS-N		1/1/P								
3	6LA28966000	SHAFT-IDLR-TR-BYPS		1/1/P								
4	6LE40416000	IDLER-TR-BYPASS-K		2/1/P								
5	C0-10813000	GP1A73ARJ00F		2/1/P								
6	6LE40422000	ACTUATOR-BYP		1/1/P								
7	6LA28960000	SPG-T-SNSR-LOW-T		1/1/P								
8	6LA28952000	BRKT-ACT-BYP		1/1/P								
9	6LE21225000	ASYS-BRKT-FRM-BYPS-FRT		1/1/P								
10	6LE40440000	GUIDE-BYPASS-U		1/1/PP								
11	6LA15259000	SOL-SFB-340		1/1/D								
12	6LA28767000	LEVER-PICK		1/1/P								
13	6LE40435000	STUD-LVR-PIC-BP		1/1/P								
14	6LA28769000	SPG-E-6R5XR7X28R5L		1/1/P								
15	6LA28827000	STAY-BYPASS-U		1/1/P								
16	6LE40442000	ASYS-COVER-BYPASS-U		1/1/PP								
17	6LA28768000	ACTR-EMP-SW-BYP		1/1/P								
18	6LA28823000	ASYS-BRKT-STOPPER		1/1/P								
19	6LA28821000	STPR-BYP-F-350		1/1/P								
20	4401965270	ARM-STOPPER		2/5/P								
21	4401965250	LEVER-STOPPER-F		1/1/P								
22	6LA28822000	STPR-BYP-R-350		1/1/P								
23	4401965260	LEVER-STOPPER-R		1/1/P								
24	6LA28819000	PLATE-ARM-PICK		1/1/P								
25	6LA28835000	BLT-SY-138-2GT-2.8		1/1/P								
26	44218398000	K-ROLL-PICK-BYP		1/1/P								
27	6LE40436000	SFT-ROL-PIC-BYP-350		1/1/P								
28	6LA28807000	SHAFT-ROL-FEED-BYPS		1/1/P								
29	6LA28811000	GEAR-06S-027-06		2/1/P								
30	6LE69842000	CLUTCH-6-L		2/1/P								
31	6LA28756000	ARM-PICK-350		1/1/P								
32	6LA28832000	WEIGHT-PICK-BYP-LOW		1/1/P								
33	6LA28834000	WEIGHT-PICK-BYP-UP		1/1/P								
34	6LA28817000	SPL-ROL-FEED-BYP		1/1/P								
35	6LA28758000	CUSHION-PAD		1/5/P								
36	4401966400	PLY/T-2GT020-06		1/1/P								
37	44218389000	K-RLR-FEED-SFB		1/1/P								
38	4407972860	STOP-RING-6-5		4/5/P								
39	6LA28812000	CPG-DRVN-BYP-350		1/1/P								
40	6LE40425000	ROLLER-TR-BYPASS-18.5		1/1/KP								
41	6LE40439000	STUD-G032-BYPS		1/1/P								
42	44201789000	GEAR-06S-032-06		1/1/P								
43	6LE29398000	HRNS-SFB-380		1/1/P								
44	4407734980	BUSH-6-GCB		4/5/P								
45	6LE40407000	SCREW-WEIGHT-3*6		2/5/P								
46	6LE40412000	WEIGHT-PICK-BYP-T		1/1/P								
47	6LA28833000	WEIGHT-PICK-BYP-MID		1/1/P								
48	6LA71421000	HRNS-SFB-PIS-360		1/1/P								
49	6LE21252000	SPL-IDLR-TR-BYP-R		1/1/C								
101	X0-00979000	P/PRL/AH7-2X8-SS		1/10/P								
102	X0-02011000	S/CTS-M3X8-NI		2/10/P								
103	X0-02247000	S/TPP/FHEXM-3X8-NI		18/10/P								
105	X0-00964000	RR/E-3-SS		5/10/P								
106	X0-00966000	RR/E-5-SS		8/10/P								



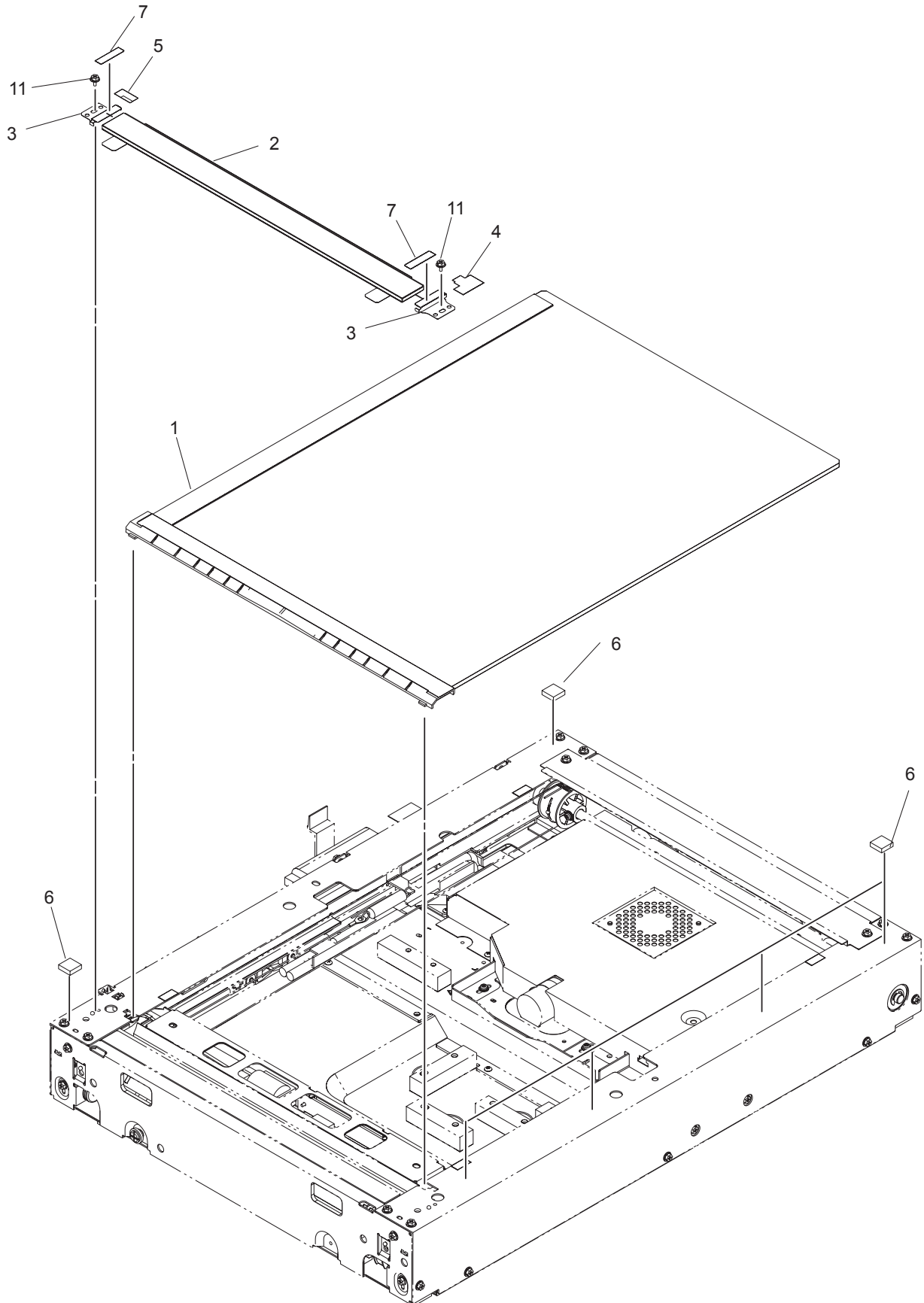
ITEM NO.	PARTS NO.	PARTS NAME	Q'TY / PAGE	Q'TY / PACK	PIR	BSI NO.	TO	T	FROM	SERIAL NO.	REMARKS	C
1	6LE29087000	ASYS-GUIDE-L		1/1/PP								
2	6LE29006000	GUIDE-MID-R		1/1/P								
3	6LE24275000	ASYS-GUIDE-RGST-L-380		1/1/PP								
4	6LE24231000	ACTR-RGST-380		1/1/P								
5	6LE24229000	ACTR-MID-380		1/1/P								
6	6LA37626000	HLDL-REG-SENSOR		1/1/P								
7	6LE24232000	BRKT-SENS-MID		1/1/P								
8	6LE24277000	SPG-ACT-380		2/1/C								
9	44201543000	MYLAR-SW-RGST-2		2/5/P								
10	6LE29386000	HRNS-FEED1-380		1/1/P								
11	6LA37669000	SCREW-LOCK-ARM		2/5/P								
12	6LE24326000	HLDL-ROL-RGST-F-AL		1/1/P								
13	6LE24327000	HLDL-ROL-RGST-R-AL		1/1/P								
14	41306265000	STOP RING		4/1/P								
15	6LE24374000	RLR-MID-380		1/1/KP								
16	6LE24366000	GEAR-05S40-8N		1/1/P								
17	6LE24328000	BUSH-ROL-RGST-L		2/5/P								
18	6LH23442000	BUSH-8X12X8F-NU4		2/5/P								
19	6LE24201000	ROLLER-RGST-L		1/1/KP								
20	4407547320	GEAR-0.8-25		1/1/P								
21	6LE24337000	GUIDE-RAIL-WIRE-F		1/1/P								
22	6LE24338000	GUIDE-RAIL-WIRE-R		1/1/P								
23	6LE24335000	CAM-RGST-STOP-F		1/1/P								
24	6LE24336000	CAM-RGST-STOP-R		1/1/P								
25	6LE24339000	WIRE-CAM-RGST		2/1/P								
26	6LE24340000	SPG-E-CAM-RGST		2/1/P								
27	6LE29099000	LBL-GUIDE-MID		1/1/P								
101	X0-02056000	S/TSP/PAN-3X6-ZU3		2/10/P								
102	C0-10813000	GP1A73ARJ00F		2/1/P								
103	X0-01989000	S/TPP/BID-3X8-NI		4/10/P								
104	X0-02243000	S/TPS/FHEXM-4X8-ZU3		1/10/P								
105	X0-01526000	P/PRL/AH7-2X12-SS		2/10/P								
106	X0-00968000	RR/E-7-SS		2/10/P								



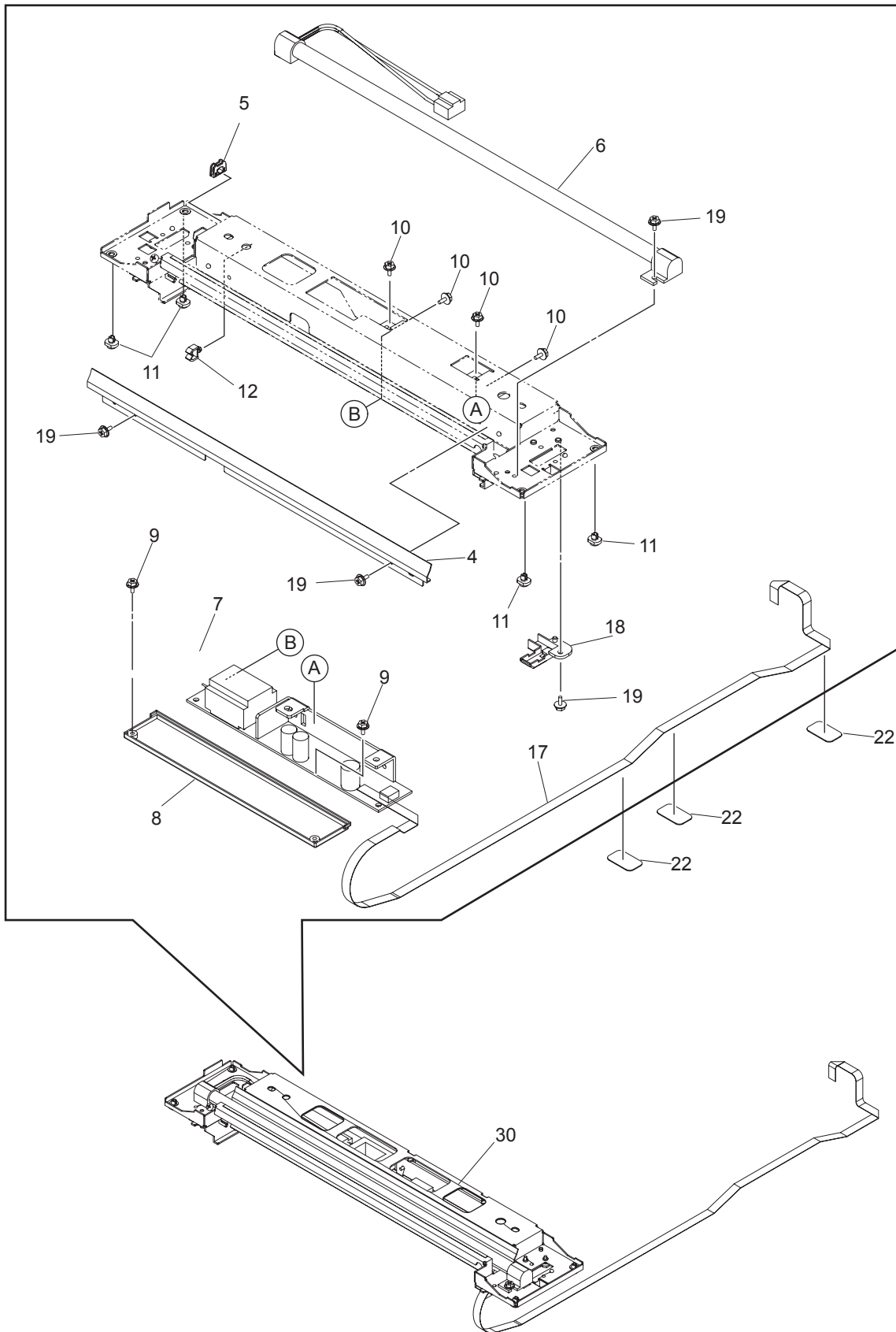
ITEM NO.	PARTS NO.	PARTS NAME	Q'TY / PAGE	Q'TY / PACK	P I R	B S I NO.	T O	T	F R O M	S E R I A L NO.	R E M A R K S	C
1	6LE24317000	ASYS-GUIDE-FEEDER-LEFT		1/1/PP								
2	6LE24204000	GUIDE-FEEDER-RIGHT-UP		1/1/P								
3	6LE24206000	GUIDE-FEED-BYPASS		1/1/PP								
4	6LE24230000	ACTR-SNSR-FED-LOW		1/1/P								
5	6LA37703000	SPG-T-SNSR-LOW-350		1/1/P								
6	44201543000	MYLAR-SW-RGST-2		1/5/P								
7	6LE29400000	HRNS-FEED2-380		1/1/P								
8	6LE24321000	GUIDE-COV-FED-L		1/1/PP								
9	6LE46201000	KNOB-COVER-FEED		1/1/P								
10	6LE46205000	SHAFT-FEED-LOW-350		1/1/P								
11	6LA37628000	ROLLER-IDLA		2/1/P								
12	44201623000	BUSH-FEED-IDL		2/5/P								
13	6LA66976000	SPG-C-8R2XR9X15R5		2/5/P								
14	6LE24307000	ASYS-BASE-HOOK-F380		1/1/P								
15	6LA60469000	HOOK-AK		1/1/P								
16	6LE24341000	SPG-E-COVER-FEED		1/1/P								
17	44201627000	GUIDE-OPEN-L		1/1/PP								
18	44201629000	STOPPER-COV-FED		1/1/P								
19	6LE24332000	GUIDE-HOOK-COVER-FEED		1/1/P								
101	C0-10813000	GP1A73ARJ00F		1/1/P								
102	E0-01853000	CS1A-B2CA		1/1/D								
103	X0-02247000	S/TPP/FHEXM-3X8-NI		2/10/P								
104	X0-02421000	S/TPS/FHEXM/R-4X8-ZU3		3/10/P								
105	X0-00966000	RR/E-5-SS		3/10/P								
106	X0-02253000	S/TPP/FHEXM-4X12-NI		2/10/P								
107	X0-02092000	S/TPP/BRZ-4X8-NI		2/10/P								



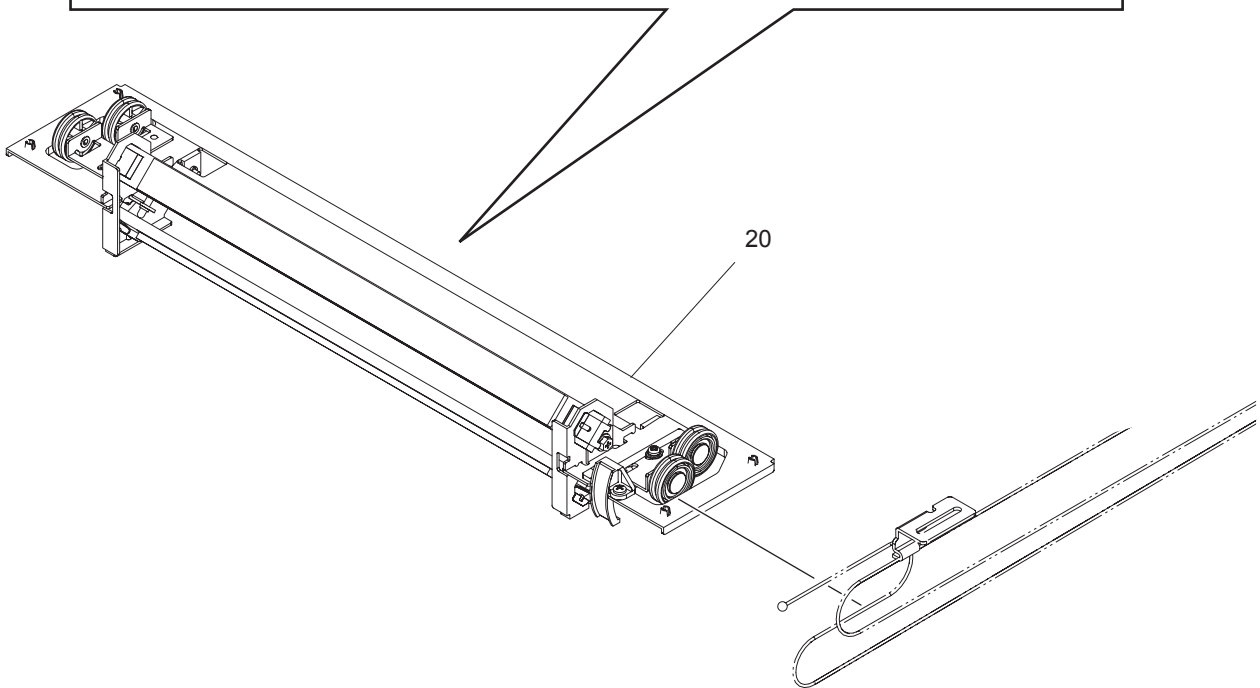
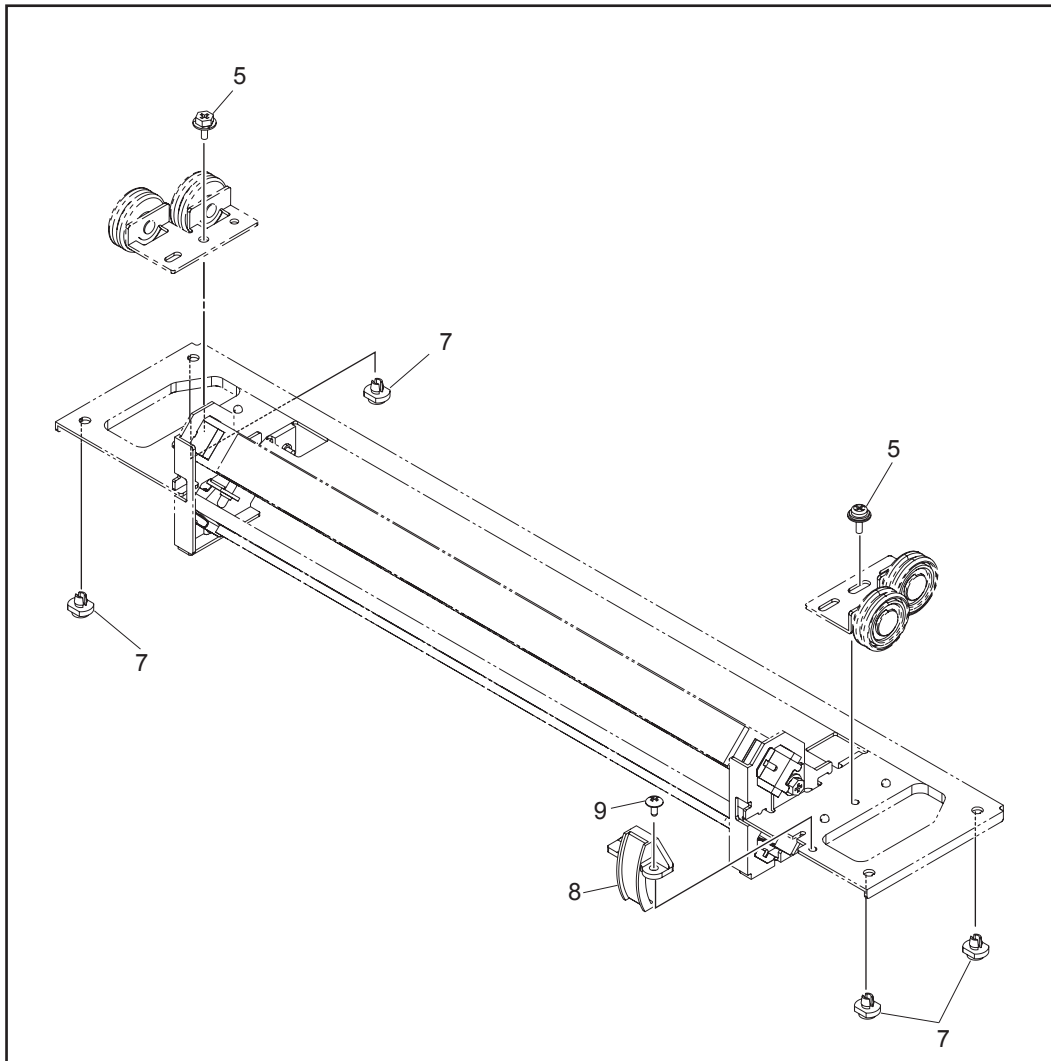
ITEM NO.	PARTS NO.	PARTS NAME	Q'TY / PAGE	Q'TY / PACK	P I R	B S I NO.	T O	T	F R O M	S E R I A L NO.	R E M A R K S	C
1	6LE22854000	ASYS-SNR-BASE-IMG-POS		1/1/PP								
2	6LE22805000	SHUT-PL-IMG-POS		1/1/KP								
3	6LE22804000	LINK-IMG-POS		1/1/P								
4	6LE29453000	SNSR-POS-380		2/1/C								
5	6LE29754000	SNSR-CTD-380		1/1/D								
6	6LE22859000	SND-TDS-10A-380		1/1/D								
7	6LE22846000	SPG-E-4R5XR3X20R8		1/1/P								
8	6LE29383000	HRNS-CTD-380		1/1/P								
9	6LE29082000	ASYS-SHAFT-CAM-TRU		1/1/P								
10	6LE29010000	CAM-TRU		2/1/P								
11	44201492000	BUSH-6-POM		2/5/P								
12	6LE46431000	GEAR-08S21-TR2-S2		1/1/P								
13	6LE29012000	ACTR-CAM-TRU		1/1/P								
14	6LE24324000	ASYS-HLDR-P-POWDER-L		1/1/PP								
16	6LE29057000	GEAR-10S26-CLT		1/1/P								
17	4407734980	BUSH-6-GCB		1/5/P								
18	4407972860	STOP-RING-6-5		4/5/P								
101	X0-02256000	S/PAN-M3X6-ZU3		6/10/P								
102	X0-00430000	S/BID-M3X6-NI		2/10/P								
103	X0-02421000	S/TPS/FHEXM/R-4X8-ZU3		3/10/P								
104	X0-00990000	P/PRL/BH7-2X14-SS		2/10/P								
105	X0-00966000	RR/E-5-SS		3/10/P								
106	X0-02251000	S/TPP/FHEXM-4X8-NI		2/10/P								



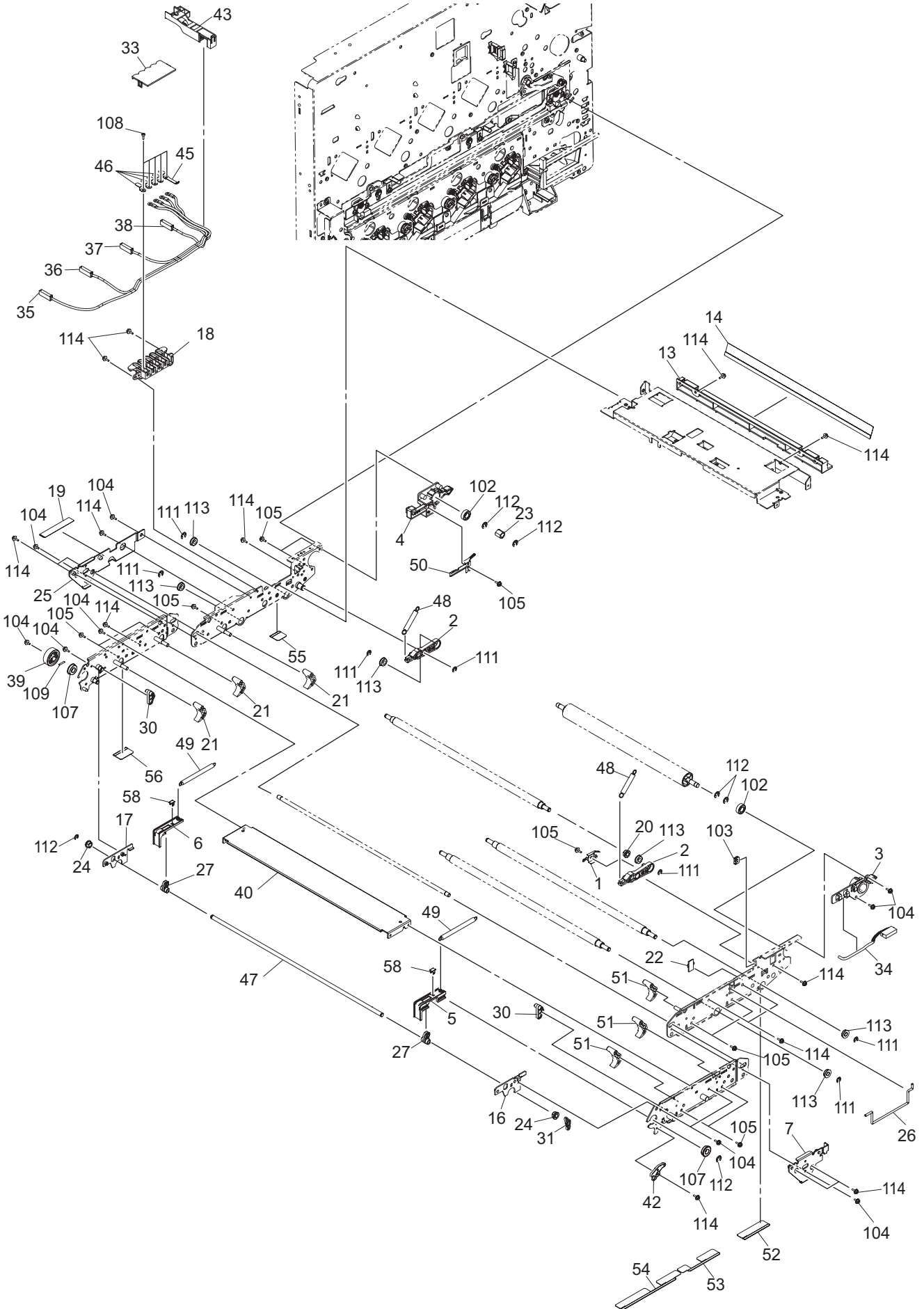
ITEM NO.	PARTS NO.	PARTS NAME	Q'TY / PAGE	Q'TY / PACK	P I R	B S I NO.	T O	T	F R O M	S E R I A L NO.	R E M A R K S	C
1A	6LE27406000	ASYS-GLASS-380A		11/S							MJD, ASD, AU D, ASU, SAD, ARD	
1B	6LE27406100	ASYS-GLASS-380L		11/S							NAD	
2	6LA39804000	ASYS-GLASS-ADF-350		11/C								
3	6LA39841000	SPL-GLASS-ADF		21/P								
4	6LA39843000	MYLAR-TAPE-FRT		15/KP								
5	6LA39889000	SEAL-COLOR-TP-L-R2		11/KP								
6	6LA39375000	SHEET-GEL-13-4		65/P								
7	6LA39842000	MYLAR-SPL-GLASS-ADF		25/KP								
11	X0-02056000	S/TSP/PAN-3X6-ZU3		210/P								



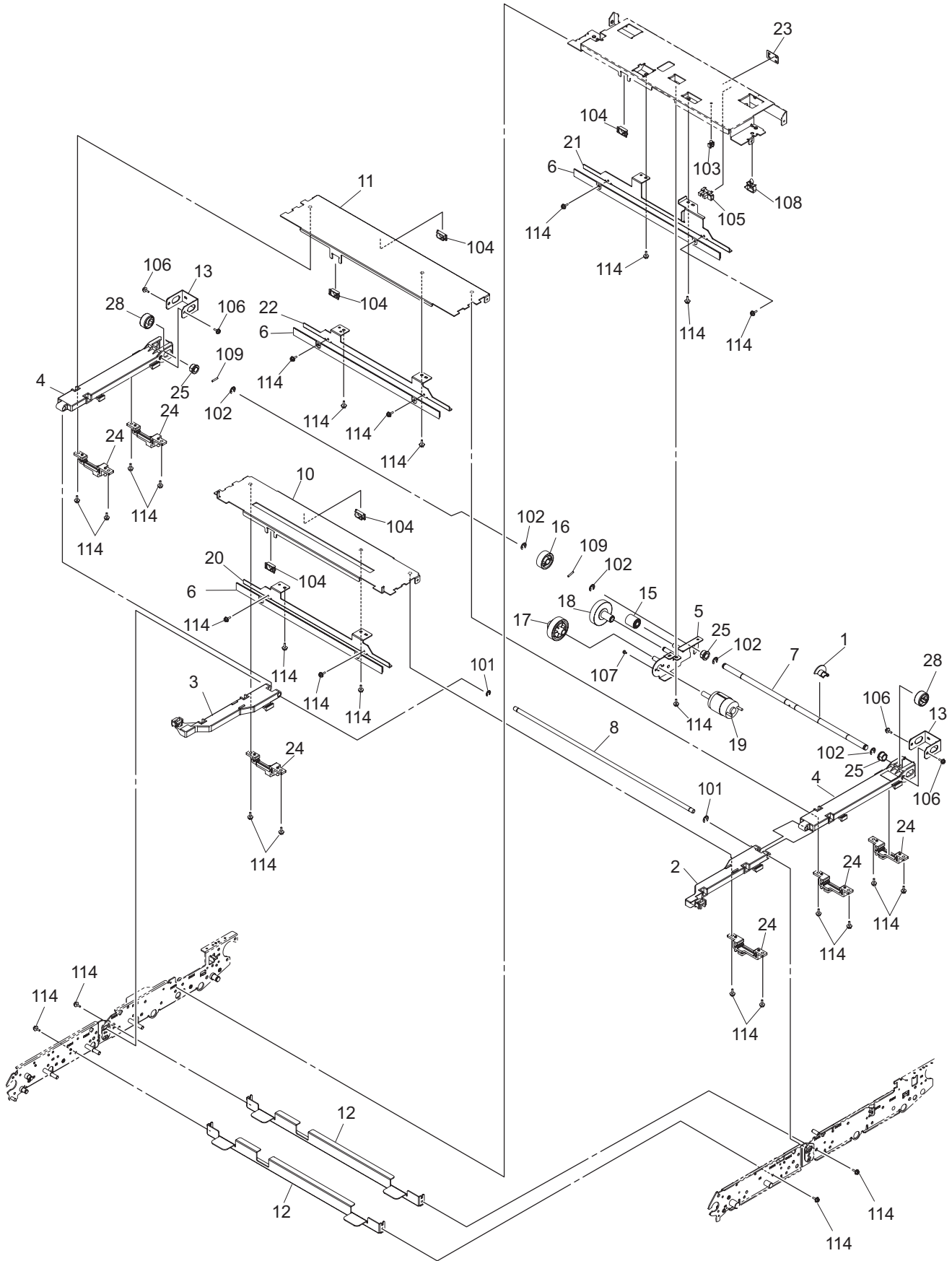
ITEM NO.	PARTS NO.	PARTS NAME	Q'TY / PAGE	Q'TY / PACK	PIR	BSI NO.	TO	T	FROM	SERIAL NO.	REMARKS	C
4	6LH08210000	REF-LAMP-430		1/1/C								
5	F0-00120000	ES-0505		1/5/P								
6	6LH39789000	LAMP-EXPO-450		1/1/C								
7	6LH39788000	INV-EXPO-450		1/1/C								
8	6LA39548000	COVER-INV		1/1/P								
9	X0-02541000	S/TPP/BRZ-3X6-ZU3		2/10/P								
10	X0-02230000	S/FHEXM-M3X6-NI		4/10/P								
11	6LE46323000	FOOT-CRG-410		4/5/P								
12	F0-00044000	UAMS-05-2		1/5/P								
17	6LH39808000	HRNS-SCN-INV-450		1/1/C								
18	6LA39572000	GUIDE-HRNS-CRG1		1/1/P								
19	X0-02056000	S/TSP/PAN-3X6-ZU3		4/10/P								
22	6LA39577000	MYLAR-HRNS-INV		3/1/P								
30	6LH37858000	CARRIGE-1-450		1/1/S								



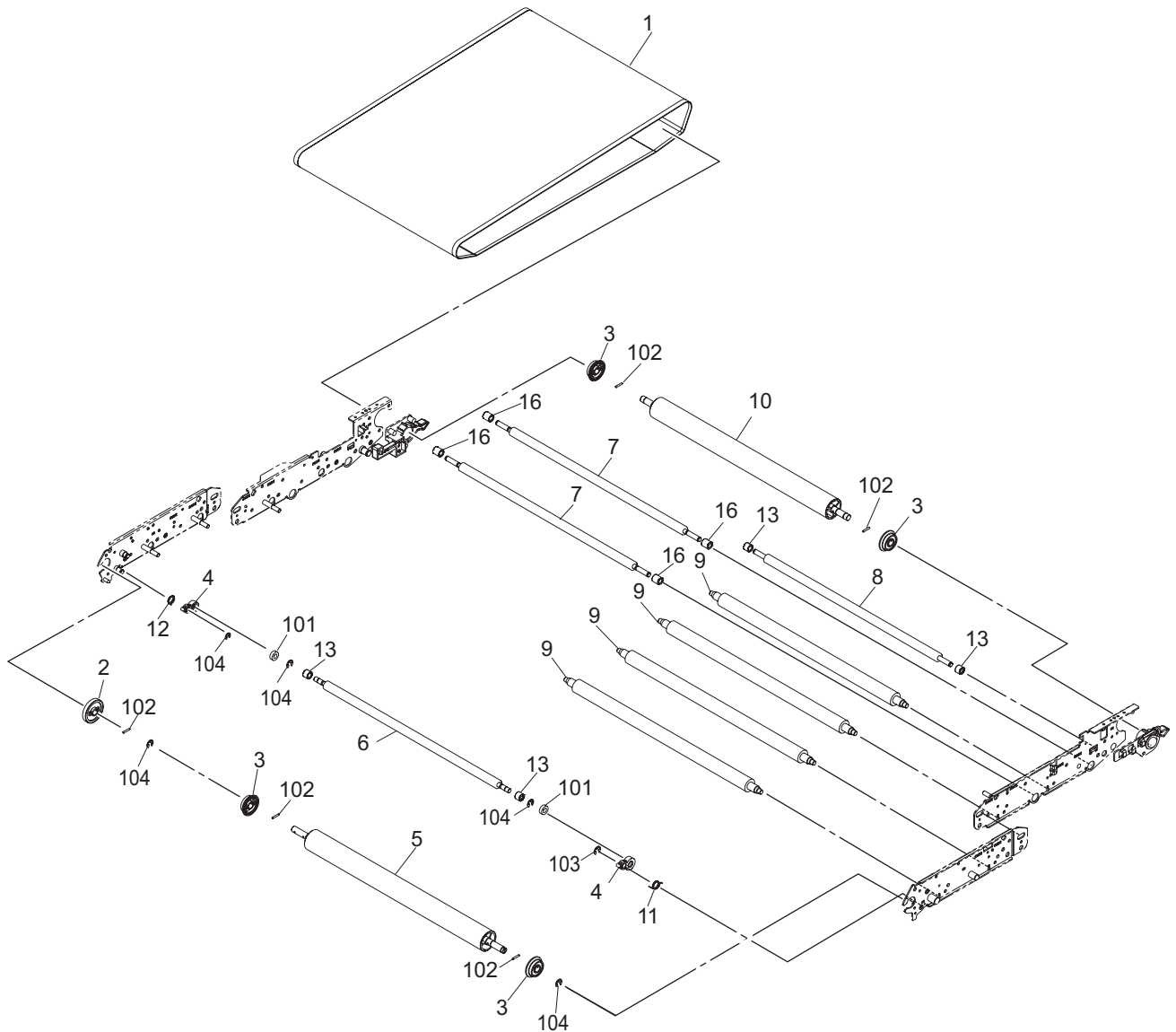
ITEM NO.	PARTS NO.	PARTS NAME	Q'TY / PAGE	Q'TY / PACK	P I R	B S I NO.	T O	T	F R O M	S E R I A L NO.	R E M A R K S	C
5	X0-00077000	S/PAN/SWWP-M3X8-NI		1/10/P								
7	6LE46323000	FOOT-CRG-410		4/5/P								
8	44202692000	GUIDE-WH-CRG2		1/1/P								
9	X0-02069000	S/TPS/BID-3X6-ZU3		1/10/P								
20	6LH37859000	CARRIGE-2-450		1/1/S								



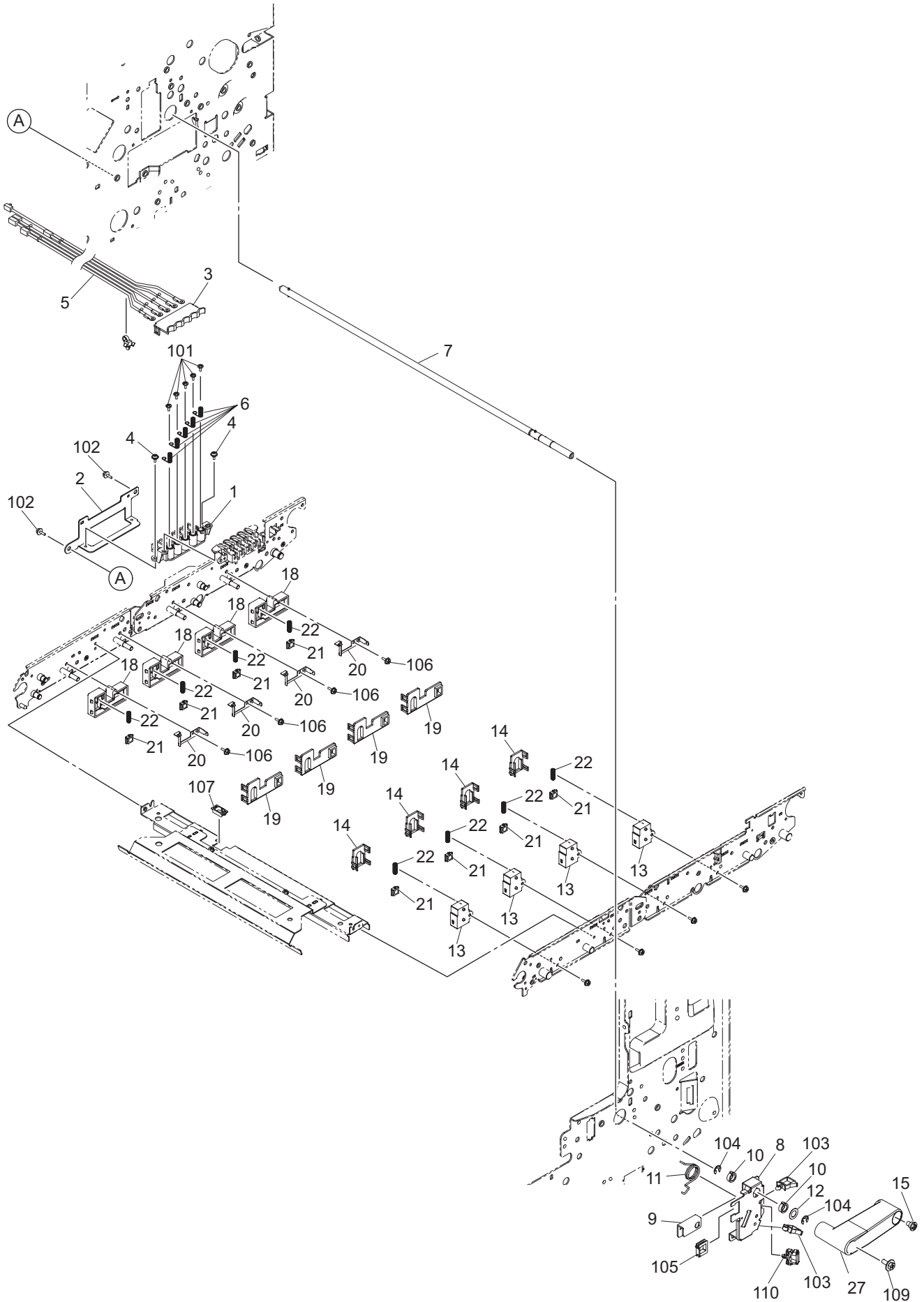
ITEM NO.	PARTS NO.	PARTS NAME	Q'TY / PAGE	Q'TY / PACK	P I R	B S I NO.	T O	T	F R O M	S E R I A L NO.	R E M A R K S	C
1	6LH38610000	SPG-TBU-TNS-GND		1/1/P								
2	6LE28204000	ARM-TENSION-MOLD		2/1/P								
3	6LH38601000	HLDL-BRG-F-450		1/1/P								
4	6LH38600000	HLDL-BRG-R-450		1/1/P								
5	6LE28288000	HOOK-CLN-TBU-F		1/1/P								
6	6LE28289000	HOOK-CLN-TBU-R		1/1/P								
7	6LE28222000	ASYS-FRAME-HINGE		1/1/P								
13	6LH38623000	HLDL-PAD-CLN-TR2-N		1/1/P								
14	6LH38622000	MYLAR-CLN-TR2-WP-450		1/1/KP								
16	6LE28229000	ASYS-PLATE-CLN-F		1/1/P								
17	6LE28230000	ASYS-PLATE-CLN-R		1/1/P								
18	6LE28236000	BASE-TERMINAL-TBU		1/1/P								
19	6LE28431000	LBL-HANDL-TBU		1/5/P								
20	4408309990	BUSH-0604-GCB		1/5/P								
21	6LE28442000	LVR-LIFT-TR1-R		3/1/P								
22	4407685930	HOLDER-WH		1/5/P								
23	6LE28475000	BUSH-TR2-TBU		1/5/P								
24	44201492000	BUSH-6-POM		2/5/P								
25	6LE28432000	ASYS-FRAME-TBU-HINGE-R		1/1/P								
26	6LE28487000	LVR-TBU-F380		1/1/P								
27	6LE28245000	CAM-LIFT-CLN-TBU		2/1/P								
30	6LE28252000	CAM-LIFT-TNS		2/1/P								
31	6LE28253000	CAM-SIDE-PLATE-CLN		1/1/P								
33	6LE28258000	COVER-TERMINAL-TBU		1/1/P								
34	6LH40050000	HRNS-TBU-450		1/1/P								
35	6LE29418000	HRNS-TBUHV-C-380		1/1/P								
36	6LE29419000	HRNS-TBUHV-K-380		1/1/P								
37	6LE29417000	HRNS-TBUHV-M-380		1/1/P								
38	6LE29416000	HRNS-TBUHV-Y-380		1/1/P								
39	6LE22160000	GEAR-DRV-TBU-M04		1/1/P								
40	6LE28481000	PLATE-TBU-CL		1/1/P								
42	6LE28276000	GUIDE-STUD-CLN-TBU		1/1/P								
43	6LE28277000	GUIDE-WH-TR		1/1/P								
45	6LE28307000	PLATE-TERM-TBU-TR2		1/1/P								
46	6LE28308000	PLATE-TERMINAL-TBU		4/1/P								
47	6LE28325000	SHAFT-CAM-LVR-CLN		1/1/P								
48	6LE28531000	SPG-E-TNS-9N		2/1/P								
49	6LE28478000	SPG-E-CLN-TBU		2/1/P								
50	6LE28343000	SPG-F-TR2		1/1/P								
51	6LE28301000	LVR-LIFT-TR1		3/1/P								
52	6LE28414000	MYLAR-TBU-F380-F-1		1/1/P								
53	6LE28415000	MYLAR-TBU-F380-F-2		1/1/P								
54	6LE28416000	MYLAR-TBU-F380-F-3		1/1/KP								
55	6LE28418000	MYLAR-TBU-F380-R-1		1/5/P								
56	6LE28417000	MYLAR-TBU-F380-R-2		1/5/P								
58	6LE28486000	SPG-F-HOOK-STOP		2/1/P								
102	F0-01159000	DDL-1680HH		2/5/P								
103	F0-00120000	ES-0505		1/5/P								
104	X0-02230000	S/FHEXM-M3X6-NI		10/10/P								
105	X0-02247000	S/TPP/FHEXM-3X8-NI		10/10/P								
107	F0-01390000	LNR-1680HHRPOP15LY13		2/1/P								
108	X0-00602000	S/TPP/PAN-3X8-NI		5/10/P								
109	X0-01526000	P/PRL/AH7-2X12-SS		1/10/P								
111	X0-00965000	RR/E-4-SS		7/10/P								
112	X0-00966000	RR/E-5-SS		6/10/P								
113	F0-01707000	DDL-1260ZZRPOP25LY349		6/1/P								
114	X0-02239000	S/TPS/FHEXM-3X8-ZU3		14/10/P								



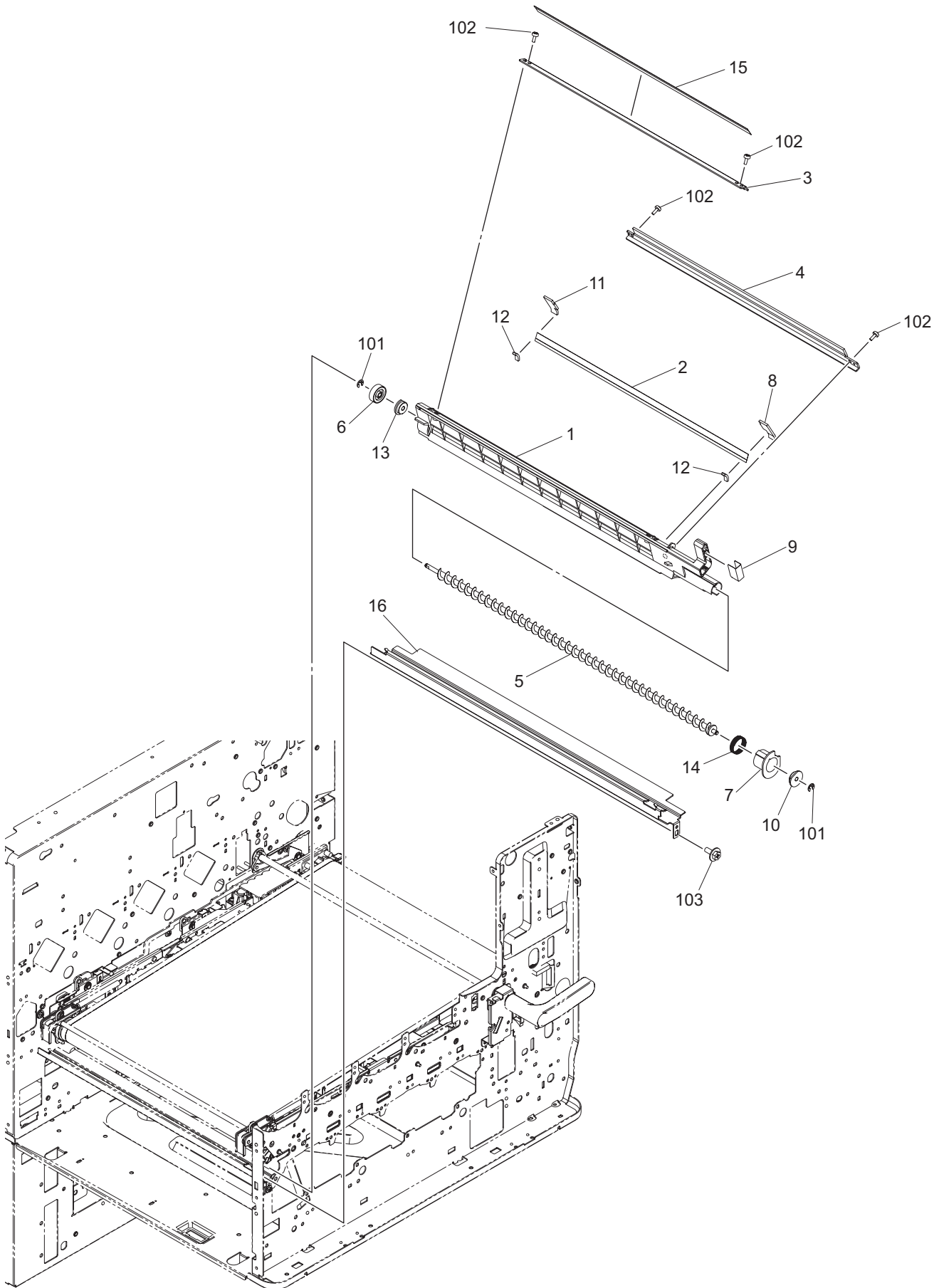
ITEM NO.	PARTS NO.	PARTS NAME	Q'TY / PAGE	Q'TY / PACK	P I R	B S I NO.	T O	T	F R O M	S E R I A L NO.	R E M A R K S	C
1	6LE28396000	ACTR-CAM-LIFT-EXN		1/1/P								
2	6LE28378000	LINK-YMC-F-CL		1/1/P								
3	6LE28377000	LINK-YMC-R-CL		1/1/P								
4	6LE28298000	LINK-YMC-F-EX		2/1/P								
5	6LE28219000	ASYS-BRKT-LIFT		1/1/P								
6	6LE28409000	ASYS-BRUSH-TBU-F380		3/1/KP								
7	6LE28327000	SHAFT-LIFT-TBU		1/1/P								
8	6LE28328000	SHAFT-LINK-TBU		1/1/P								
10	6LE28462000	ASYS-STAY-TBU-H-CL		1/1/P								
11	6LE28463000	ASYS-STAY-TBU-H-TR		1/1/P								
12	6LE28495000	STAY-TBU-V		2/1/P								
13	6LE28444000	BRKT-LINK-YMC-EX		2/1/P								
15	6LE28267000	GEAR-5H28-6		1/1/P								
16	6LE28268000	GEAR-5H47-8		1/1/P								
17	6LE28269000	GEAR-5H64_5H19-6		1/1/P								
18	6LE28270000	GEAR-5H71_5H18-6		1/1/P								
19	6LH38615000	ASYS-MOTRD-TBU-LIFT-450		1/1/C								
20	6LE28406000	BRKT-BRUSH-TBU-CL		1/1/P								
21	6LE28397000	BRKT-BRUSH-TBU-DRV		1/1/P								
22	6LE28398000	BRKT-BRUSH-TBU-TR		1/1/P								
23	6LA29902000	COVER-SNSR-LIFT		1/1/P								
24	6LE28274000	GUIDE-LINK-TBU		6/1/P								
25	4400802080	BUSH-8		3/5/P								
28	6LE28394000	CAM-LIFT-EX-FN		2/1/P								
101	X0-00965000	RR/E-4-SS		2/10/P								
102	X0-00966000	RR/E-5-SS		5/10/P								
103	F0-00044000	UAMS-05-2		1/5/P								
104	F0-01248000	ESC-0912		5/10/P								
105	C0-10813000	GP1A73ARJ00F		1/1/P								
106	X0-02247000	S/TPP/FHEXM-3X8-NI		4/10/P								
107	X0-01670000	S/PAN-M2.6X4-NC		2/10/P								
108	F0-00736000	LWS-0711Z		1/5/P								
109	X0-01526000	P/PRL/AH7-2X12-SS		2/10/P								
114	X0-02239000	S/TPS/FHEXM-3X8-ZU3		29/10/P								



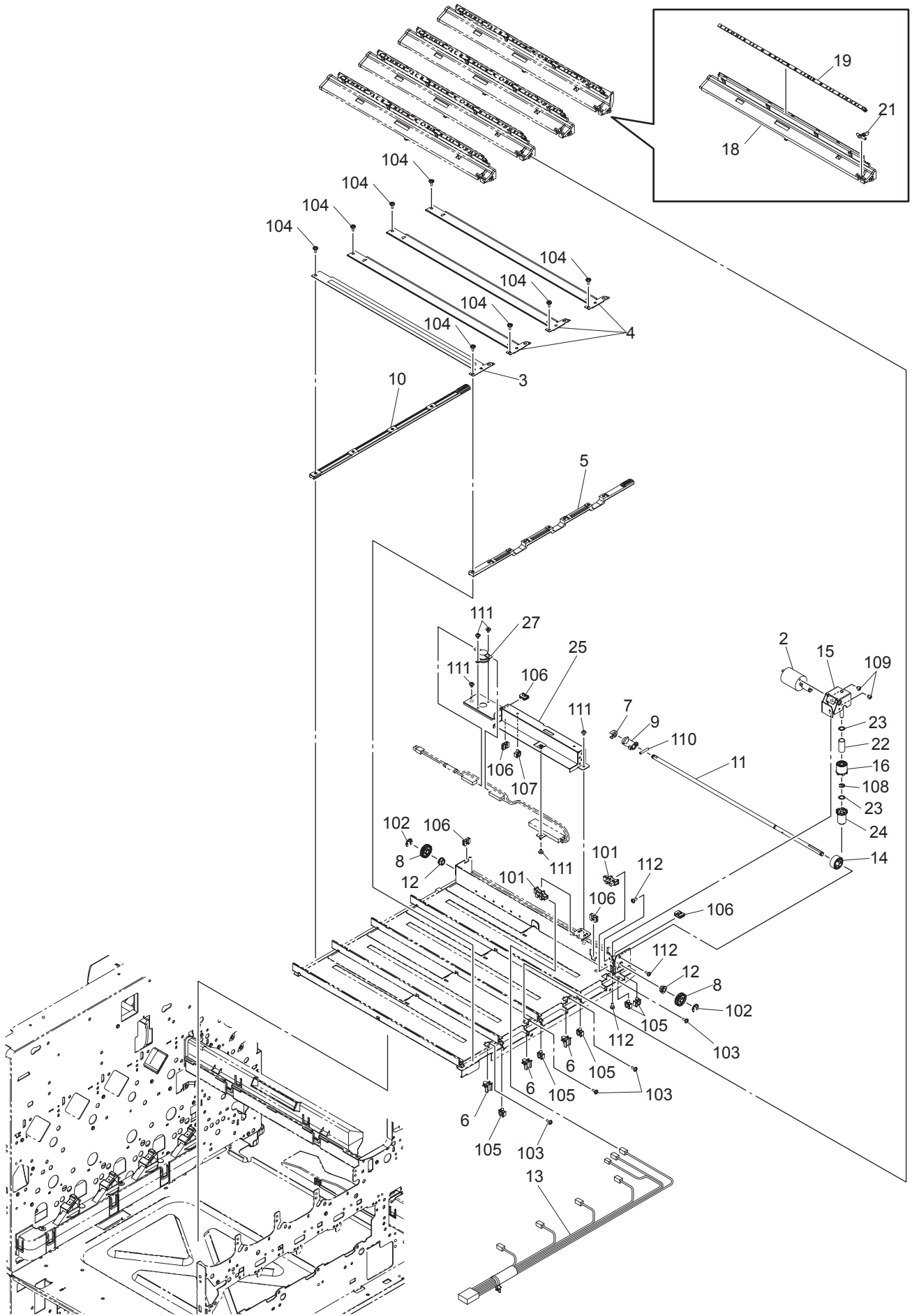
ITEM NO.	PARTS NO.	PARTS NAME	Q'TY / PAGE	Q'TY / PACK	P	I	R	B S I NO.	T O	T	F R O M	S E R I A L NO.	R E M A R K S	C
1	6LH38612000	BELT-TBU-F450		1/1/C										
2	6LE28271000	GEAR-CLN-DRV-RLR		1/1/P										
3	6LE28513000	GUIDE-RIB-YF20		4/1/P										
4	6LE28281000	HLDL-BRG-TNS		2/1/P										
5	6LH38621000	RLR-DRV-TBU-EPDM-450		1/1/C										
6	6LE28519000	RLR-LIFT-TBU-N		1/1/KP										
7	6LE28518000	RLR-SNS-TBU-N		2/1/KP										
8	6LH38611000	RLR-TNS-TBU-NA		1/1/KP										
9	6LE28319000	RLR-TR1-TBU		4/1/C										
10	6LH38608000	ASYS-RLR-TR2-TBU-FCOAT		1/1/KP										
11	6LE28472000	SPG-T-LIFT-TNS-F		1/1/P										
12	6LE28473000	SPG-T-LIFT-TNS-R		1/1/P										
13	6LE28537000	COLAR-RLR-TBU-12-N		4/1/P										
16	6LE28538000	COLAR-RLR-TBU-12L-N		4/1/P										
101	F0-01371000	DDL-1260ZZHP0P25LY13		2/1/P										
102	X0-01526000	P/PRL/AH7-2X12-SS		5/10/P										
103	X0-00965000	RR/E-4-SS		1/10/P										
104	X0-00966000	RR/E-5-SS		5/10/P										



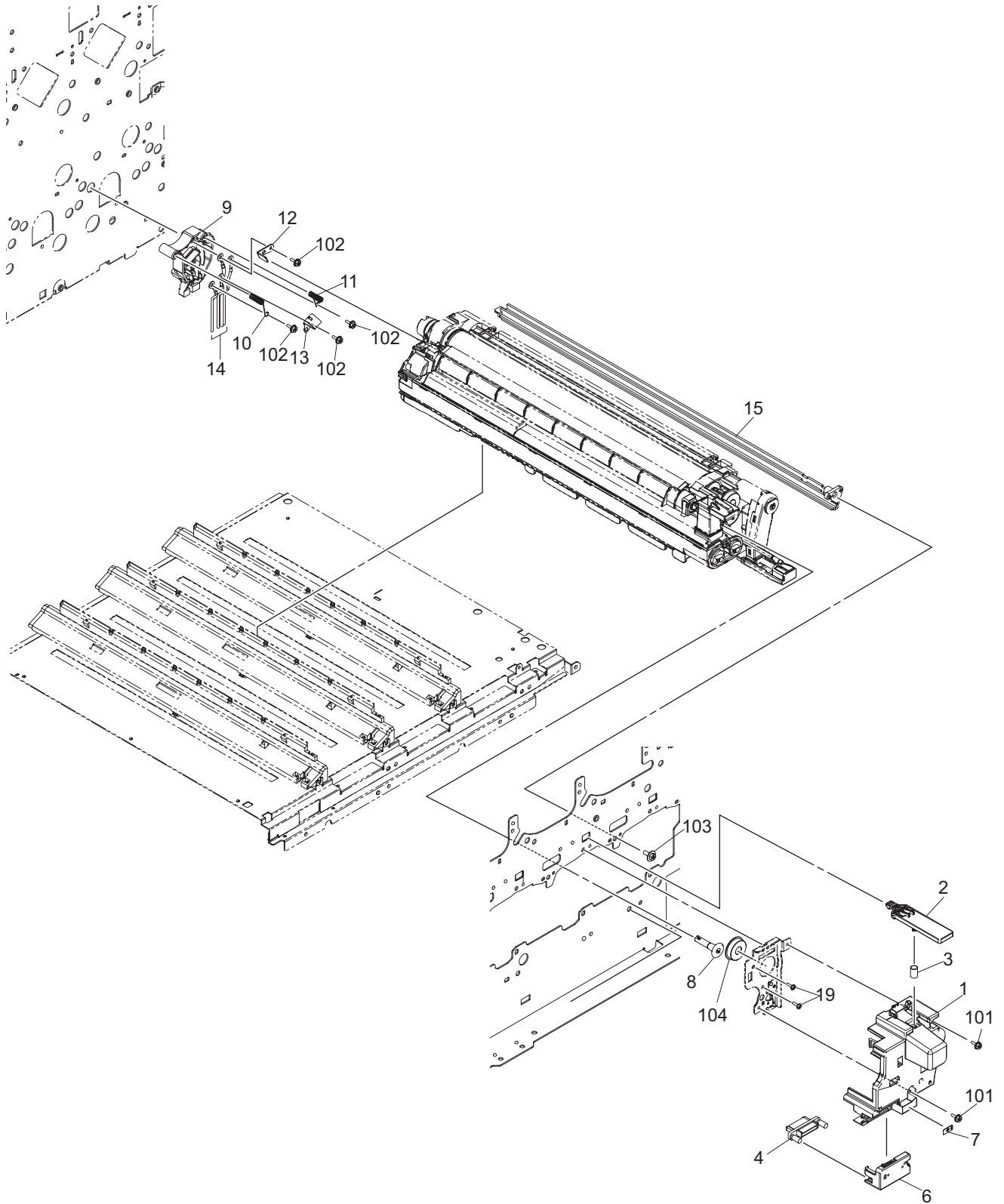
ITEM NO.	PARTS NO.	PARTS NAME	Q'TY / PAGE	Q'TY / PACK	PIR	BSI NO.	TO	T	FROM	SERIAL NO.	REMARKS	C
1	6LE28235000	BASE-SOCKET-TBU		1/1/P								
2	6LE28243000	BRKT-SOCKET-TBU		1/1/P								
3	6LE28257000	COVER-SOCKET-TBU		1/1/P								
4	6LA08937000	SCREW-BKT-DEV		2/10/P								
5	6LH39745000	HRNS-HVPS-TBU-450		1/1/P								
6	6LE28332000	SPG-BIAS-TBU		5/1/P								
7	6LE28233000	ASYS-SHAFT-LIFT-CRU		1/1/P								
8	6LE28239000	BRKT-CLICK-CRU		1/1/P								
9	6LE28385000	BRKT-CLICK-SHAFT-VA		1/1/P								
10	6LE28256000	COLAR-CLICK		2/5/P								
11	6LE28427000	SPG-T-CLICK		1/1/P								
12	4407010320	WASHER-8*14*03		1/10/P								
13	6LE28502000	CASE-TERMINAL-TR1-FN		4/1/P								
14	6LE28500000	COVER-TERMINAL-TR1-FN		4/1/P								
15	6LE28464000	SCREW-LVR-CRU		1/5/P								
18	6LE28501000	CASE-TERMINAL-TR1-RN		4/1/P								
19	6LE28499000	COVER-TERMINAL-TR1-RN		4/1/P								
20	6LE28310000	PLATE-TR1		4/1/P								
21	4406537280	HLDL-TR-ROLL		8/1/P								
22	6LE28334000	SPG-C-TR1		8/1/P								
27	6LE28460000	HANDL-LIFT-TBU-CRU		1/1/P								
101	X0-01414000	S/TPP/BID-3X6-NC		5/10/P								
102	X0-02421000	S/TPS/FHEXM/R-4X8-ZU3		2/10/P								
103	F0-01243000	LWS-1211Z		2/5/P								
104	X0-00966000	RR/E-5-SS		2/10/P								
105	F0-00542000	LES-1010		1/5/P								
106	X0-02247000	S/TPP/FHEXM-3X8-NI		4/10/P								
107	F0-01248000	ESC-0912		1/10/P								
109	X0-02217000	S/PAN/SWVP-M4X8-ZU3		1/10/P								
110	F0-01609000	RLWC-2SV0		1/5/P								



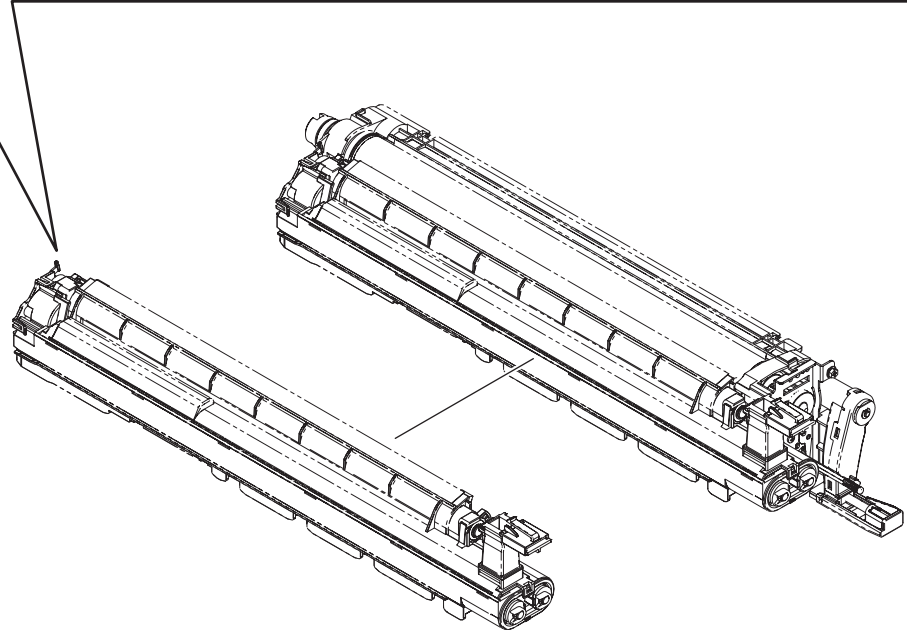
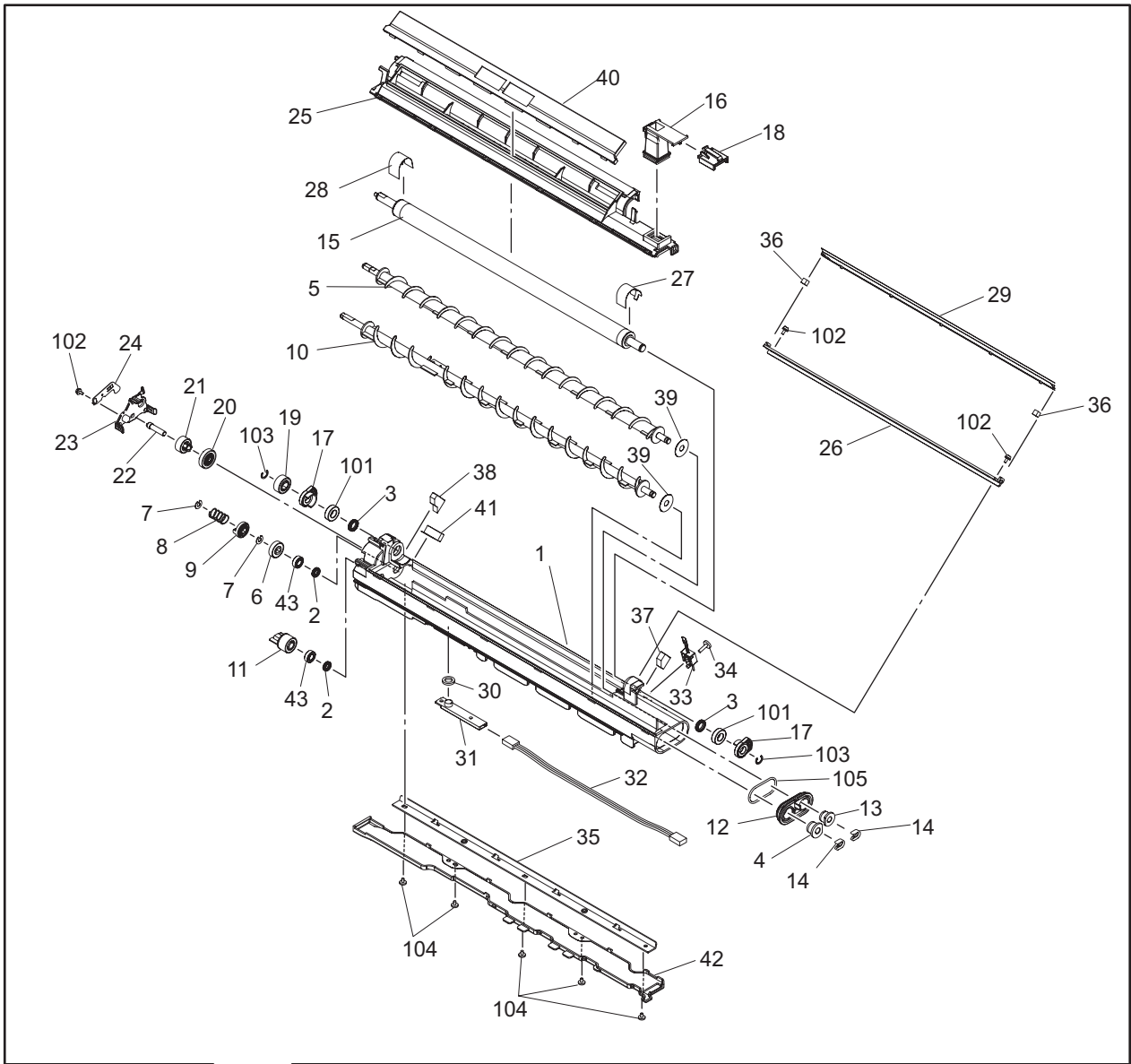
ITEM NO.	PARTS NO.	PARTS NAME	Q'TY / PAGE	Q'TY / PACK	P I R	B S I NO.	T O	T	F R O M	S E R I A L NO.	R E M A R K S	C
1	6LE28373000	FRAME-CLN-TBU-F380		1/1/PP								
2	6LE28329000	SHEET-AUGER-TBU		1/1/KP								
3	6LE28434000	PLATE-CLN-TBU		1/1/P								
4	6LE94755000	BL-FC35TR		1/1/S								
5	6LE28234000	AUGER-CLN-TBU		1/1/PP								
6	6LE28272000	GEAR-CLN-TBU		1/1/P								
7	6LE28331000	SHUTTER-EXIT-CLN-TBU		1/1/P								
8	6LE28321000	SEAL-BLADE-CLN-TBU-F		1/5/P								
9	6LE28430000	LBL-HANDLE-CLN-TBU		1/5/KP								
10	6LE28376000	BUSH-0418-05F-M		1/5/P								
11	6LE28322000	SEAL-BLADE-CLN-TBU-R		1/5/P								
12	6LE28323000	SEAL-SIDE-BLADE-TBU		2/1/P								
13	6LE42524000	BUSH-4-CLN-TBU-F		1/5/P								
14	6LE28333000	SPG-C-SHUTTER-EXIT		1/5/P								
15	6LE28330000	SHEET-REC-TBU		1/1/KP								
16	6LE28312000	RAIL-CLN-TBU-U		1/1/P								
101	X0-00964000	RR/E-3-SS		2/10/P								
102	X0-00595000	S/TPP/PAN-3X6-NI		4/10/P								
103	X0-02421000	S/TPS/FHEXM/R-4X8-ZU3		1/10/P								



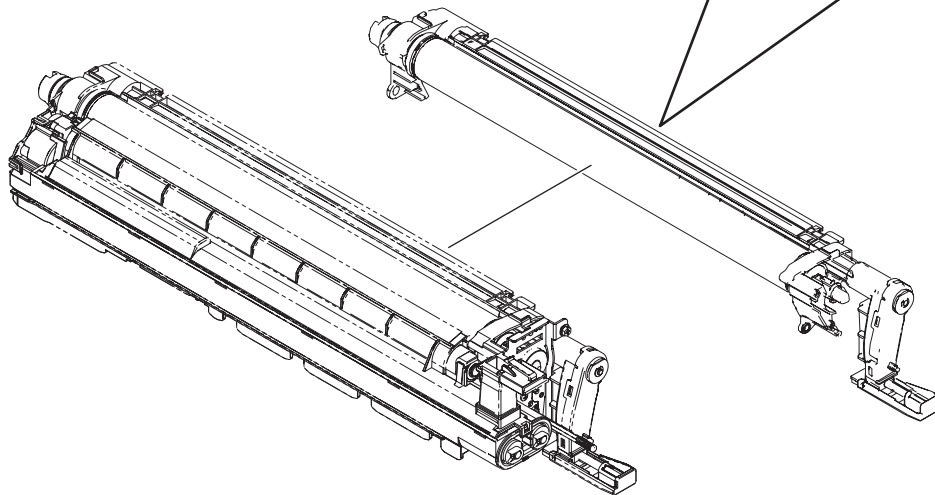
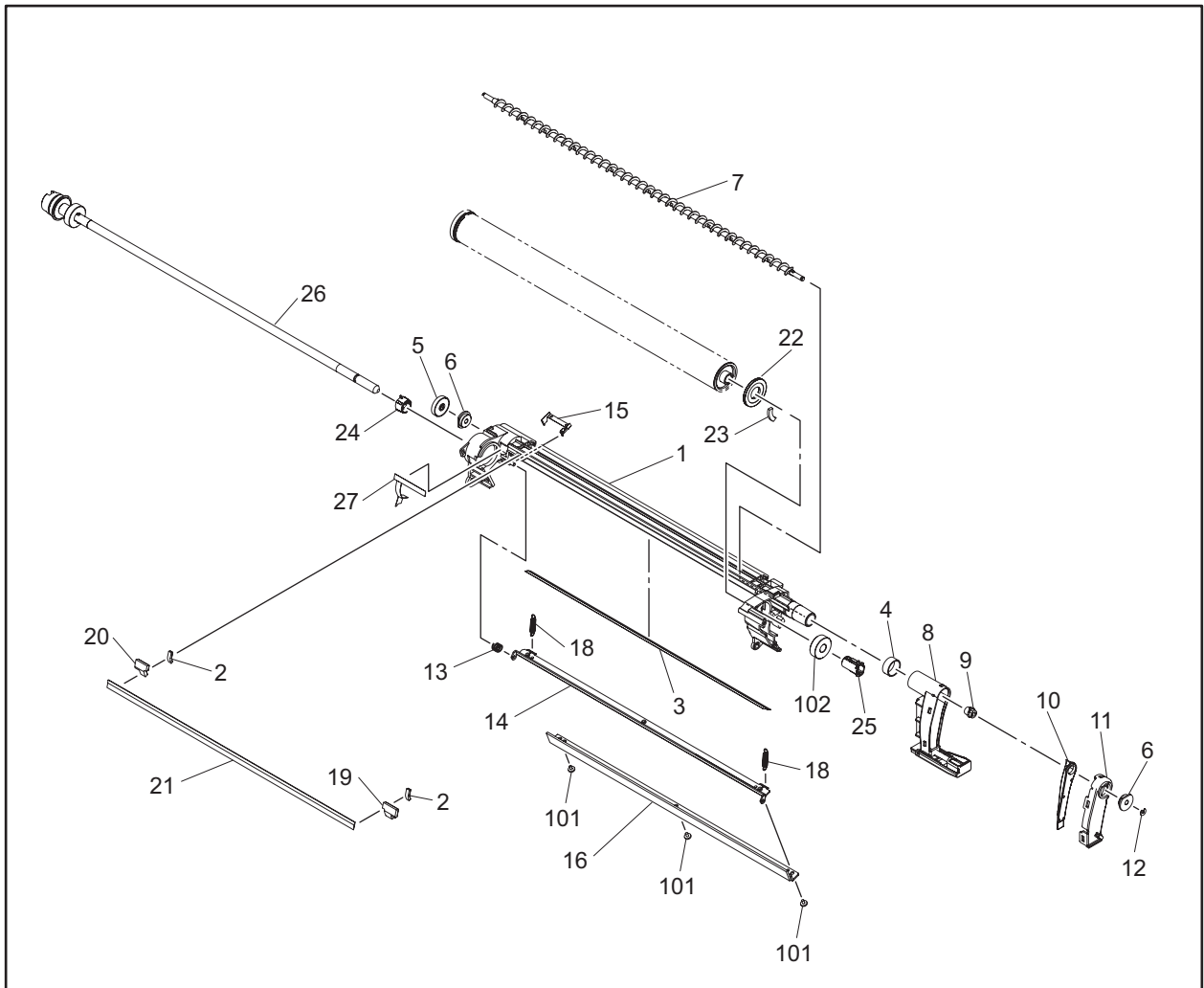
ITEM NO.	PARTS NO.	PARTS NAME	Q'TY / PAGE	Q'TY / PACK	PIR	BSI NO.	TO	T	FROM	SERIAL NO.	REMARKS	C
2	6LE22603000	ASYS-MOTR-SHUT-380		1/1/D								
3	6LH32902000	PLATE-SHUT-TNR-Y-45X		1/1/KP								
4	6LH32901000	PLATE-SHUT-TNR-45X		3/1/KP								
5	6LH32903000	RACK-SHUT-FRT-45X		1/1/KP								
6	6LE22861000	GUIDE-HARNES		3/1/P								
7	4407972860	STOP-RING-6-5		1/5/P								
8	6LE22530000	GEAR-SHUT-FRT		2/1/P								
9	6LE22610000	ACTR-SHUT-C		1/1/P								
10	6LH32904000	RACK-SHUT-RER-45X		1/1/KP								
11	6LE22534000	SHAFT-SHUTTER		1/1/P								
12	44201492000	BUSH-6-POM		2/5/P								
13	6LH39793000	HRNS-LSHTU-450		1/1/P								
14	6LE22596000	GEAR-IDLER-08H17		1/1/P								
15	6LE22655000	ASYS-PL-MOTR-SHUT-D-2		1/1/P								
16	6LE22611000	GEAR-IDLER-08H18-U-A		1/1/P								
18	6LE22554000	DUCT-OZN-CHA		1/1/PP								
19	6LH39940000	LAMP-ERASE-450		1/1/S								
21	6LE22563000	ACTR-CHARGR-MAIN		1/1/P								
22	6LE22614000	SPG-SHUT-D-160		1/1/P								
23	6LA78907000	WASHER-6R2X9R5XR13-PL		2/5/P								
24	6LE22612000	GEAR-IDLER-08H9-L-A		1/1/P								
25A	6LE22881000	BRKT-DH-380		1/1/P							ASD, AUD, AS U, SAD, ARD	
27A	6LE71198000	THRMST-CS-7SA		1/1/C							ASD, AUD, AS U, SAD, ARD	
101	C0-10813000	GP1A73ARJ00F		2/1/P								
102	X0-00966000	RR/E-5-SS		2/10/P								
103	X0-02069000	S/TPS/BID-3X6-ZU3		4/10/P								
104	X0-01414000	S/TPP/BID-3X6-NC		8/10/P								
105	F0-00044000	UAMS-05-2		5/5/P								
106A	F0-00120000	ES-0505		3/5/P							NAD, MJD	
106B	F0-00120000	ES-0505		5/5/P							ASD, AUD, AS U, SAD, ARD	
107A	F0-01640000	UAMS-05SN 142SH BLK		1/5/P							ASD, AUD, AS U, SAD, ARD	
108	X0-00965000	RR/E-4-SS		1/10/P								
109	X0-02112000	S/PAN-M3X3-NI		2/10/P								
110	X0-01526000	P/PRL/AH7-2X12-SS		1/10/P								
111A	X0-00426000	S/BID-M3X4-NI		5/10/P							ASD, AUD, AS U, SAD, ARD	
112	X0-00430000	S/BID-M3X6-NI		3/10/P								



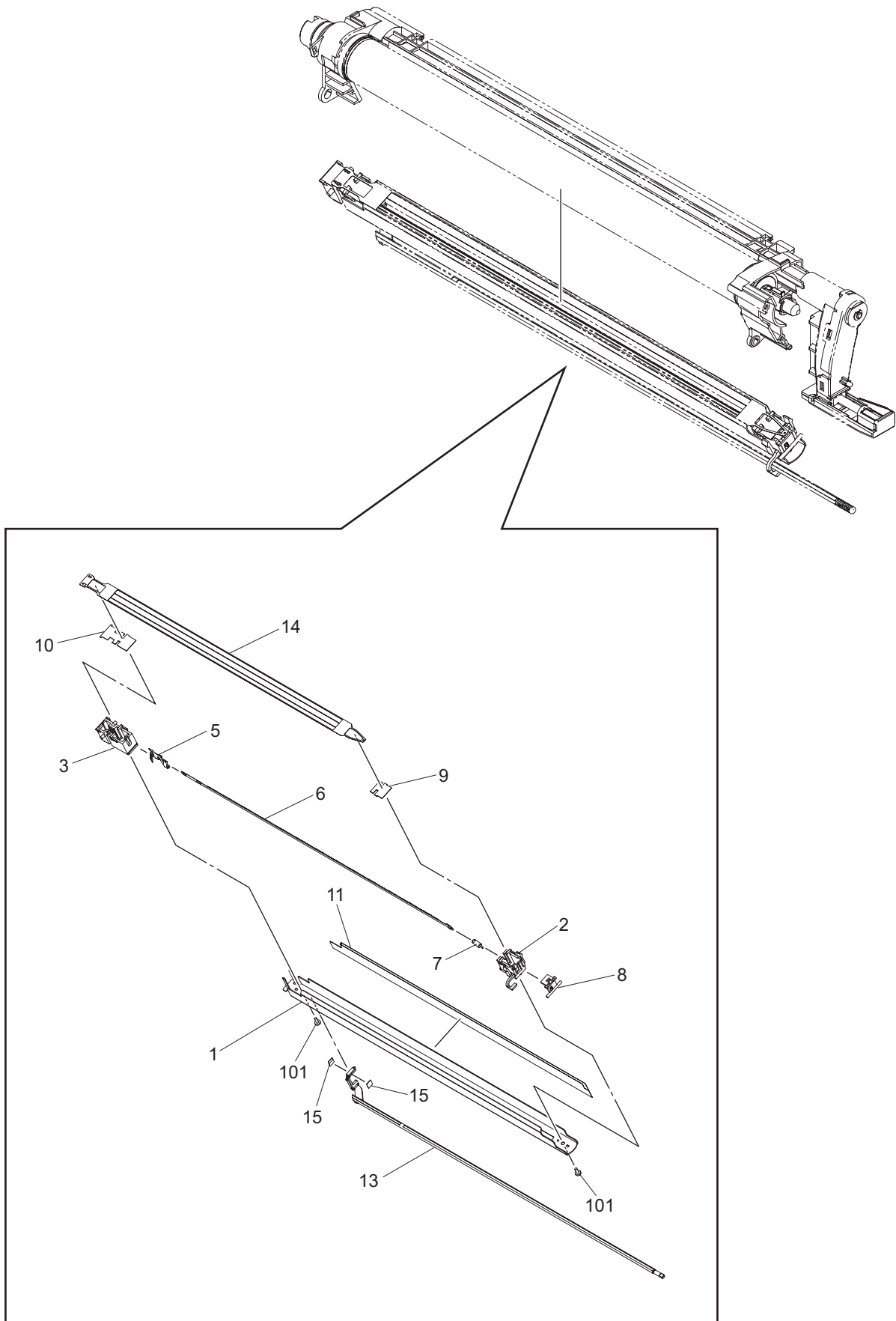
ITEM NO.	PARTS NO.	PARTS NAME	Q'TY / PAGE	Q'TY / PACK	PIR	BSI NO.	TO	T	FROM	SERIAL NO.	REMARKS	C
1A	6LH33530000	COVER-EPU-45X-K		1/1/P							K	
1B	6LH33529000	COVER-EPU-45X-Y		1/1/P							Y	
1C	6LH33530200	COVER-EPU-45X-M		1/1/P							M	
1D	6LH33530100	COVER-EPU-45X-C		1/1/P							C	
2	6LE23173000	HANDLE-EPU-LOCK		1/1/P								
3	6LE23174000	SPG-C-HANDLE-LOCK		1/1/P								
4A	6LH39908000	HRNS-MCEPU-450		1/1/P							M,C	
4B	6LH39907000	HRNS-YKEPU-450		1/1/P							Y,K	
6	6LE23172000	COVER-CNCT-EPU		1/1/P								
7	6LE23205000	LBL-PSN-LSU-CLN		1/5/P								
8	6LE23566000	HANDL-CHARGR-CLNR-380		1/1/P								
9	6LE23703000	TERM-HVT-EPU-380		1/1/P								
10	6LE23706000	SPG-C-BIAS-DEV-380		1/1/P								
11	6LE23714000	SPG-C-BIAS-BLADE-380		1/1/P								
12	6LE23704000	PLATE-BIAS-CHARGR-380		1/1/P								
13	6LE23705000	SPG-F-BIAS-GRID-380		1/1/P								
14A	6LE29415000	HRNS-HVPS-KPU-380		1/1/P							K	
14B	6LE29412000	HRNS-HVPS-YPS-380		1/1/P							Y	
14C	6LE29413000	HRNS-HVPS-MPU-380		1/1/P							M	
14D	6LE29414000	HRNS-HVPS-CPU-380		1/1/P							C	
15	6LE23707000	STAY-EPU-UPR-380		1/1/KP								
19	6LA80090000	S/TPP/BID-3*8-NI		2/5/P								
101	X0-02231000	S/FHEXM-M3X8-NI		2/10/P								
102	X0-02247000	S/TPP/FHEXM-3X8-NI		4/10/P								
103	X0-02251000	S/TPP/FHEXM-4X8-NI		1/10/P								
104	F0-01388000	608ZZNR2KS		1/1/P								



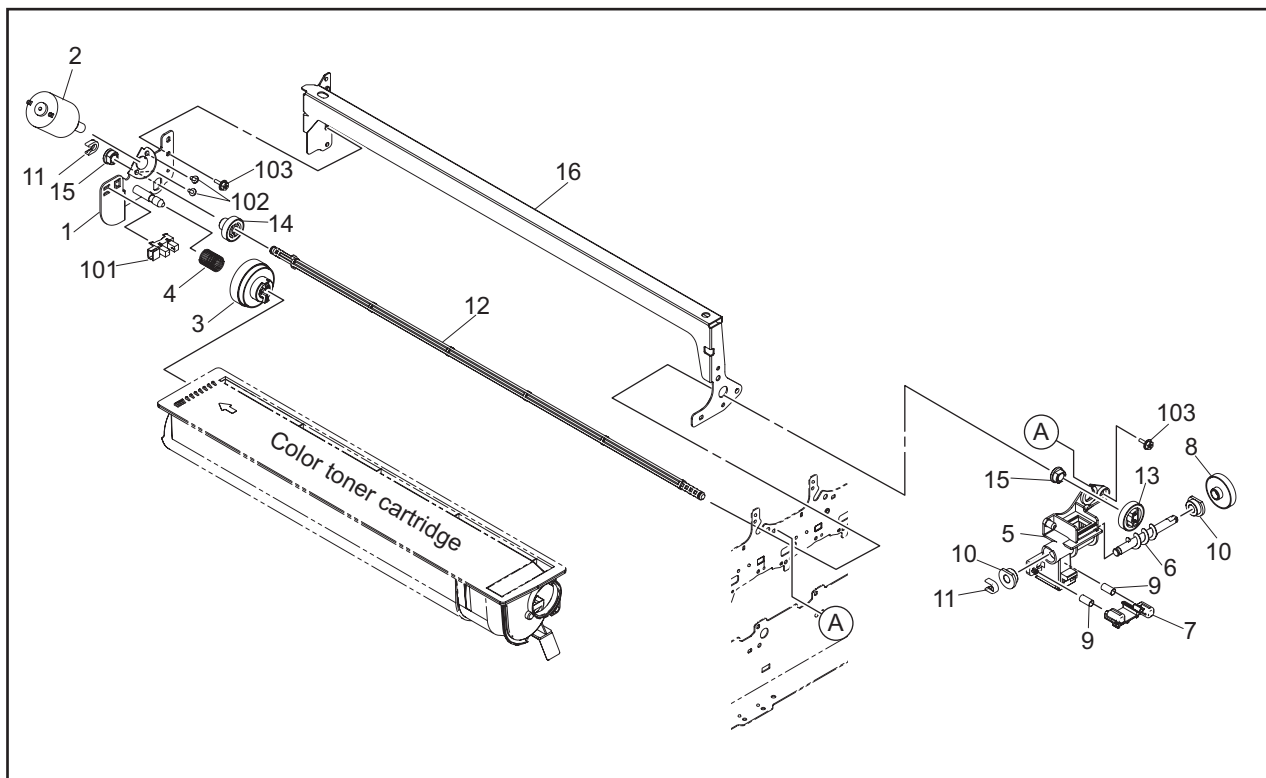
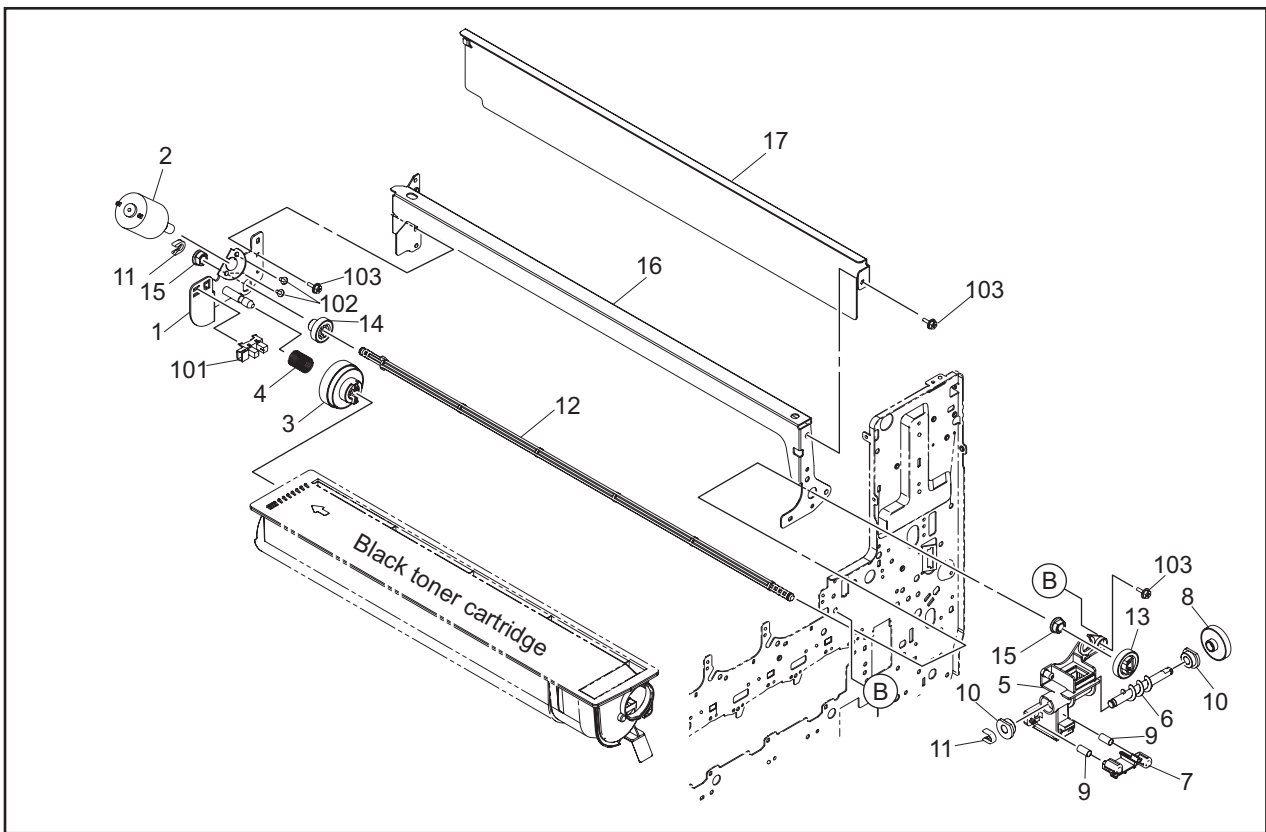
ITEM NO.	PARTS NO.	PARTS NAME	Q'TY / PAGE	Q'TY / PACK	PIR	BSI NO.	TO	T	FROM	SERIAL NO.	REMARKS	C
1	6LH33543000	ASYS-CASE-DEV-SEAL-F45X		1/1/PP								
2	4401949290	SEAL-VC6-10-2.5		2/1/P								
3	4406333150	SEAL-VC8-12-2.5		2/1/P								
4	6LH33531000	ASYS-BUSH-6X12-10F		2/1/P								
5	6LE23152000	MIXER-1-380-25		1/1/P								
6	6LE23185000	GEAR-8H18-DEV		1/1/P								
7	4406527980	WAS-POLY-4		2/10/P								
8	6LE23186000	SPG-C-CPG-DEV		1/1/P								
9	6LE23184000	CPG-DRV-DEV		1/1/P								
10	6LH33552000	ASYS-MIXER-2-F45X		1/1/PP								
11	6LE23155000	GEAR-8H18-6-R		1/1/P								
12	6LE23135000	HLD-DR-BUSH-DEV-F		1/1/P								
13	6LA30779000	BUSH-SEAL-6-M		2/1/P								
14	4407972860	STOP-RING-6-5		2/5/P								
15	6LH33554000	RLR-MAGT-F45X		1/1/KP								
16	6LE23611000	ASYS-SEAL-DUCT-DEV		1/1/P								
17	6LE23156000	RLR-GUIDE-DEV-035		2/1/P								
18	6LE23610000	ASYS-SEAL-SHUT-DEV		1/1/P								
19	6LE23157000	GEAR-8H19-8-L		1/1/P								
20	6LE23190000	ASYS-GEAR-8H22-5-L-BR		1/1/P								
21	6LE23191000	ASYS-GEAR-8H17-5-R-BR		1/1/P								
22	6LE23161000	STUD-GEAR-DEV		1/1/P								
23	6LE23239000	ASYS-HLDR-GEAR-DEV		1/1/P								
24	6LE23162000	ADJSTR-MG-2		1/1/P								
25	6LH33561000	ASYS-COVER-DEV-F45X		1/1/PP								
26	6LH33548000	ASYS-DOCTOR-F45X		1/1/KP								
27	6LE23163000	SEAL-MG-SIDE-F		1/1/P								
28	6LE23164000	SEAL-MG-SIDE-R		1/1/P								
29	6LE23605000	ASYS-HLDR-SHIELD-DEV		1/1/C								
30	6LA29904000	SEAL-ATC-BLK		1/5/P								
31	6LE29460000	SNSR-ATC-380		1/1/C								
32	6LE29394000	HRNS-ATS-380		1/1/P								
33A	6LE29461000	THMS-DRM-380		1/1/C							Y,K	
35	6LH33523000	PLATE-DEV-COOLER		1/1/P								
36	6LE23212000	SEAL-MG-DOC-L		2/5/P								
37	6LE23218000	SEAL-DOC-SIDE-F		1/5/P								
38	6LE23219000	SEAL-DOC-SIDE-R		1/5/P								
39	6LE23233000	SEAL-MIXER-380		2/5/P								
40	6LH33564000	ASYS-DUCT-DEV-COV		1/1/P								
41	6LH33574000	ASYS-SEAL-DOC-SIDE-R		2/1/P								
42	6LH33524000	DUCT-DEV-COOLER		1/1/PP								
101	F0-01206000	L-1680DDRPOP25LY13		2/1/P								
102	X0-01973000	S/PAN/SWWS-M3X6-BS		3/10/P								
103	F0-01499000	S5103-31 3BC		2/10/P								
104	X0-00426000	S/BID-M3X4-NI		5/10/P								
105	F0-01642000	CO0525A		1/5/P								



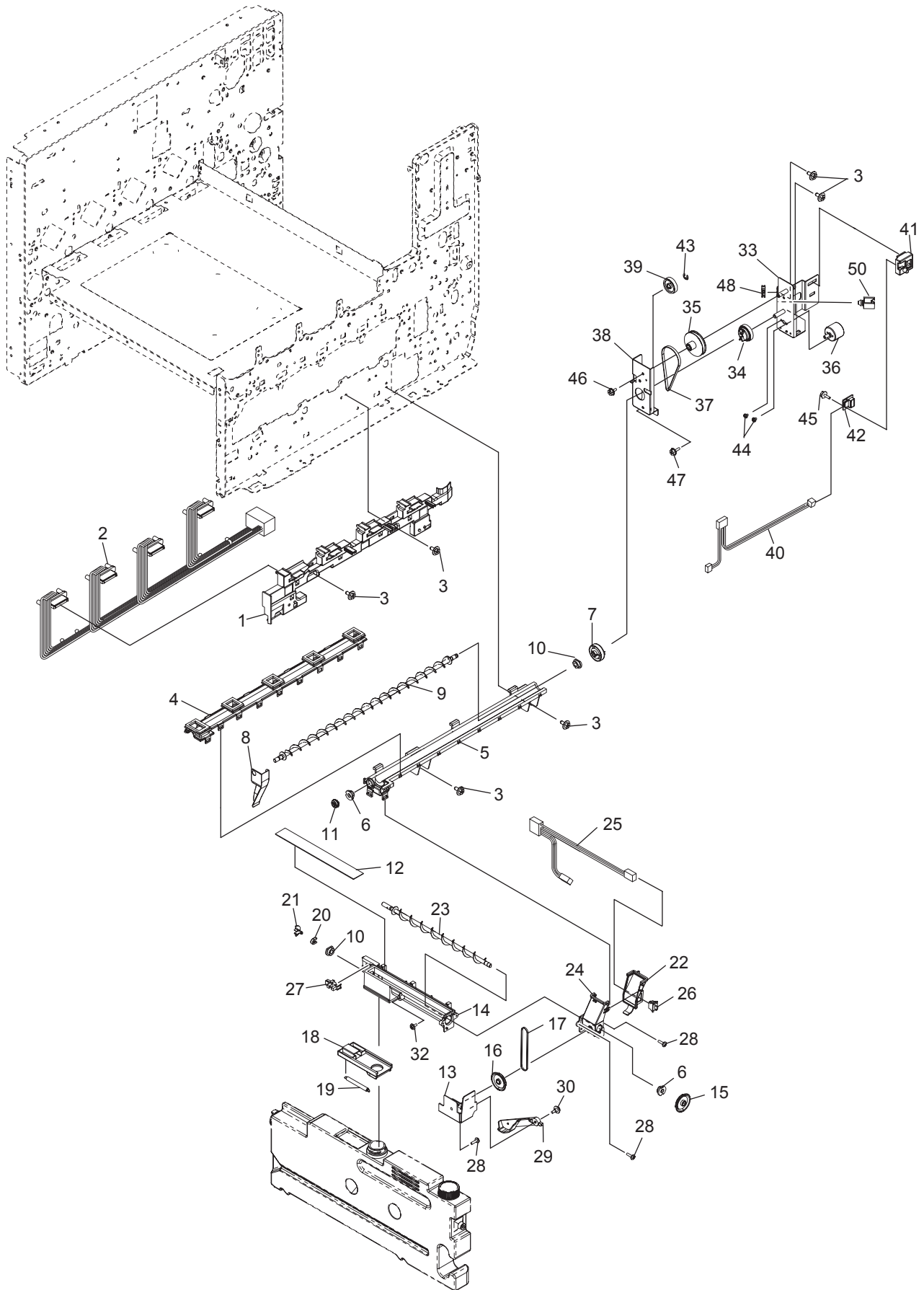
ITEM NO.	PARTS NO.	PARTS NAME	Q'TY / PAGE	Q'TY / PACK	PIR	BSI NO.	TO	T	FROM	SERIAL NO.	REMARKS	C
1	6LE23236000	CASE-CLNR-DRUM-380		1/1/PP								
2	6LE23117000	SEAL-BLADE-BCK		2/5/P								
3	6LE23114000	SHEET-CASE-CLNR-AUGER		1/1/KP								
4	6LE23131000	SEAL-WASTE-TNR		1/5/P								
5	6LE23107000	GEAR-8S23-4-AUGER		1/1/P								
6	6LE42524000	BUSH-4-CLN-TBU-F		2/5/P								
7	6LE23106000	AUGER-CLNR-DRUM-380		1/1/KP								
8	6LE23613000	ASYB-WASTE-TNR-DUCT		1/1/P								
9	6LE23181000	CAM-WASTE-DUCT		1/1/P								
10	6LE23180000	CLNR-WASTE-DUCT		1/1/P								
11	6LE23612000	ASYS-DUCT-WASTE-TNR-F		1/1/P								
12	6LE23123000	RRG-2R65X7XR5-PS		1/5/P								
13	6LE23112000	SPG-C-BIAS-BLADE-DRUM		1/5/P								
14	6LE23109000	HLDL-BLADE-DRUM-380		1/1/P								
15	6LE23237000	SPG-F-BIAS-BLADE-DRUM		1/1/P								
16	6LE98146000	BL-FC28D		1/1/S								
18	6LE23110000	SPG-E-3R9XR4X13-BLADE		2/1/P								
19	6LE23115000	SEAL-BLADE-SIDE-F		1/1/P								
20	6LE23116000	SEAL-BLADE-SIDE-R		1/1/P								
21	6LE23210000	BLADE-REC-DRUM-380-C		1/1/KP								
22	6LE23228000	SEAL-DRUM-F		1/1/KP								
23	6LE23229000	SEAL-DRUM-F-S		1/5/P								
24	6LE23220000	SLEEVE-DRUM-SHAFT		1/1/P								
25	6LE23121000	RINR-DRUM-SHAFT		1/1/P								
26	6LE23625000	ASYB-SHAFT-DRUM		1/1/P								
27	6LE23235000	TAPE-CONDUCT		1/5/KP								
101	X0-00426000	S/BID-M3X4-NI		3/10/P								
102	F0-01370000	608ZZM2MTLY13		1/1/P								



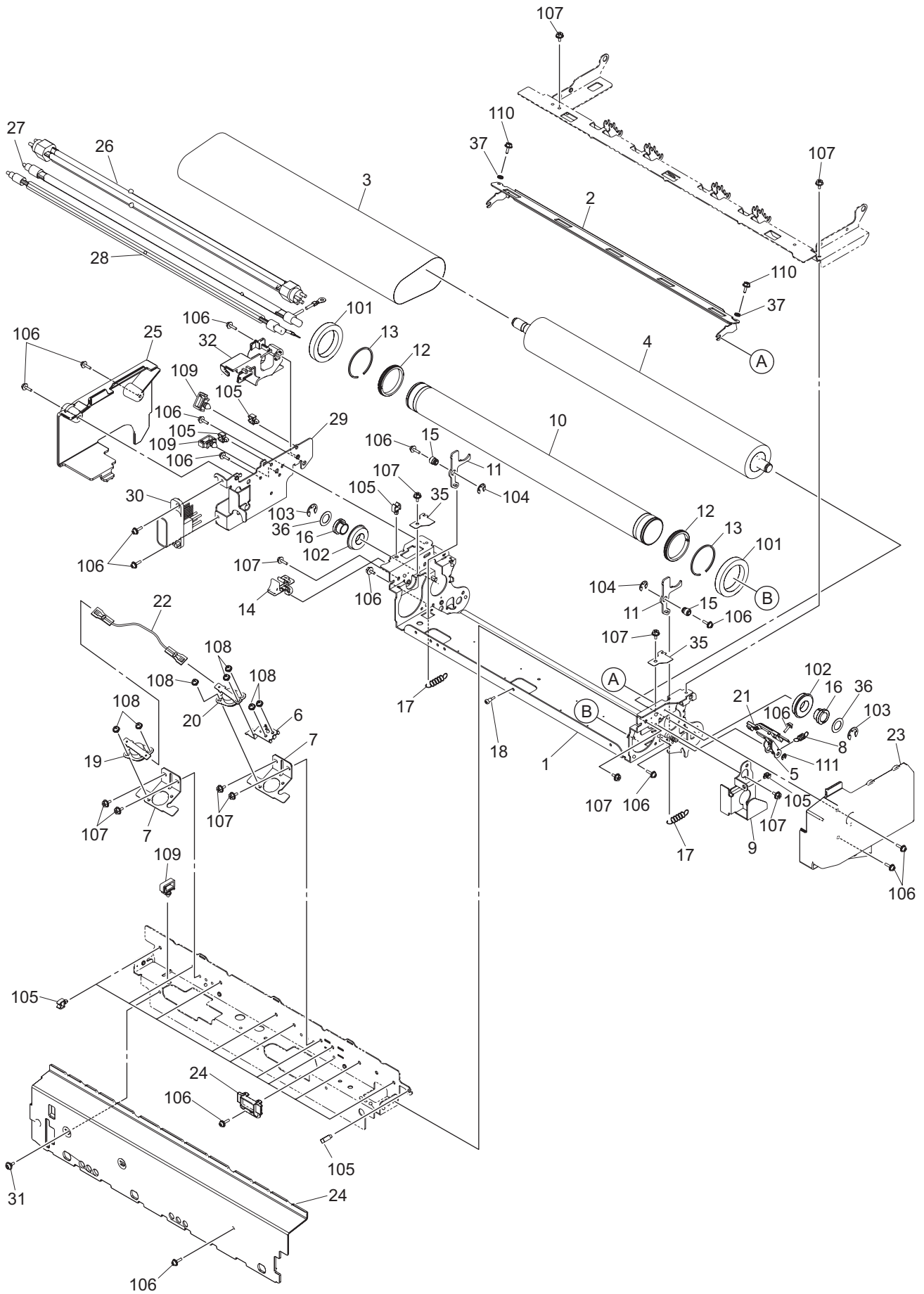
ITEM NO.	PARTS NO.	PARTS NAME	Q'TY / PAGE	Q'TY / PACK	P I R	B S I NO.	T O	T	F R O M	S E R I A L NO.	R E M A R K S	C
1	6LE23550000	CASE-CHARGR-MAIN-380		1/1/C								
2	6LE23551000	TERM-CHARGR-MAIN-FRT		1/1/P								
3	6LE23626000	TERM-CHARGR-MAIN-RER		1/1/P								
5	6LE23627000	SPG-F-CHARGR-EPU-RER		1/1/P								
6	6LE23554000	ELCTRD-CHARGR-MAIN-380		1/1/KP								
7	6LE23557000	SPG-E-4XR5X11R2-CHARGR		1/5/P								
8	6LE23553000	SEESAW-GRID-ELCTRD		1/1/P								
9	6LE23559000	LID-CHARGR-MAIN-FRT		1/5/P								
10	6LE23560000	LID-CHARGR-MAIN-RER		1/5/P								
11	6LE23558000	SHEET-ERASE-CHARGR		1/1/KP								
13	6LE23567000	ROD-CHARGR-CLNR-380		1/1/P								
14	6LE23555000	GRID-CHARGR-MAIN-380		1/1/KP								
15	6LE23564000	FILM-CLNR-CHARGR-380		2/1/P								
101	X0-00595000	S/TPP/PAN-3X6-NI		2/10/P								



ITEM NO.	PARTS NO.	PARTS NAME	Q'TY / PAGE	Q'TY / PACK	PIR	BSI NO.	TO	T	FROM	SERIAL NO.	REMARKS	C
1	6LE28722000	ASYS-TNRBKT-F380		1/1/P								
2	6LE28826000	ASYS-TNRMTR-380S		1/1/C								
3A	6LH39253000	GEAR-5H68_8S39-6-F45X-E		1/1/P							MJD	
3B	6LH39253200	GEAR-5H68_8S39-6-F45X-D		1/1/P							ASD,AUD,AS U,SAD NAD,ARD	
3C	6LH39253100	GEAR-5H68_8S39-6-F45X-U		1/1/P								
4	6LE28706000	SPG-C-11R8XR8X20R-F380		1/1/P								
5	6LH39250000	ASYS-PIPE-F45X		1/1/PP								
6	6LE28707000	AUGER-TNRPATH-F380		1/1/P								
7	6LE28736000	SHUT-DUCT-TONER-CR		1/1/P								
8	6LE28713000	GEAR-8H22-6-D		1/1/P								
9	6LE28738000	SPG-C-SHUT-TNR-CR		2/1/P								
10	44204339000	BUSH-0612*06F-M		2/5/P								
11	4407972860	STOP-RING-6-5		2/5/P								
12	6LE28734000	SHAFT-DRIVE-F380		1/1/P								
13	6LE28824000	GEAR-8H18-6-D		1/1/P								
14	6LE28795000	GEAR-8S21-6		1/1/P								
15	44201492000	BUSH-6-POM		2/5/P								
16	6LE28716000	STAY-TNR-F380		1/1/P								
17	6LH39102000	ASYS-PLATE-KTNR-45X		1/1/KP								
101	CO-10813000	GP1A73ARJ00F		1/1/P								
102	X0-02557000	S/BID-M2.6X3-NI		2/10/P								
103	X0-02239000	S/TPS/FHEXM-3X8-ZU3		3/10/P								

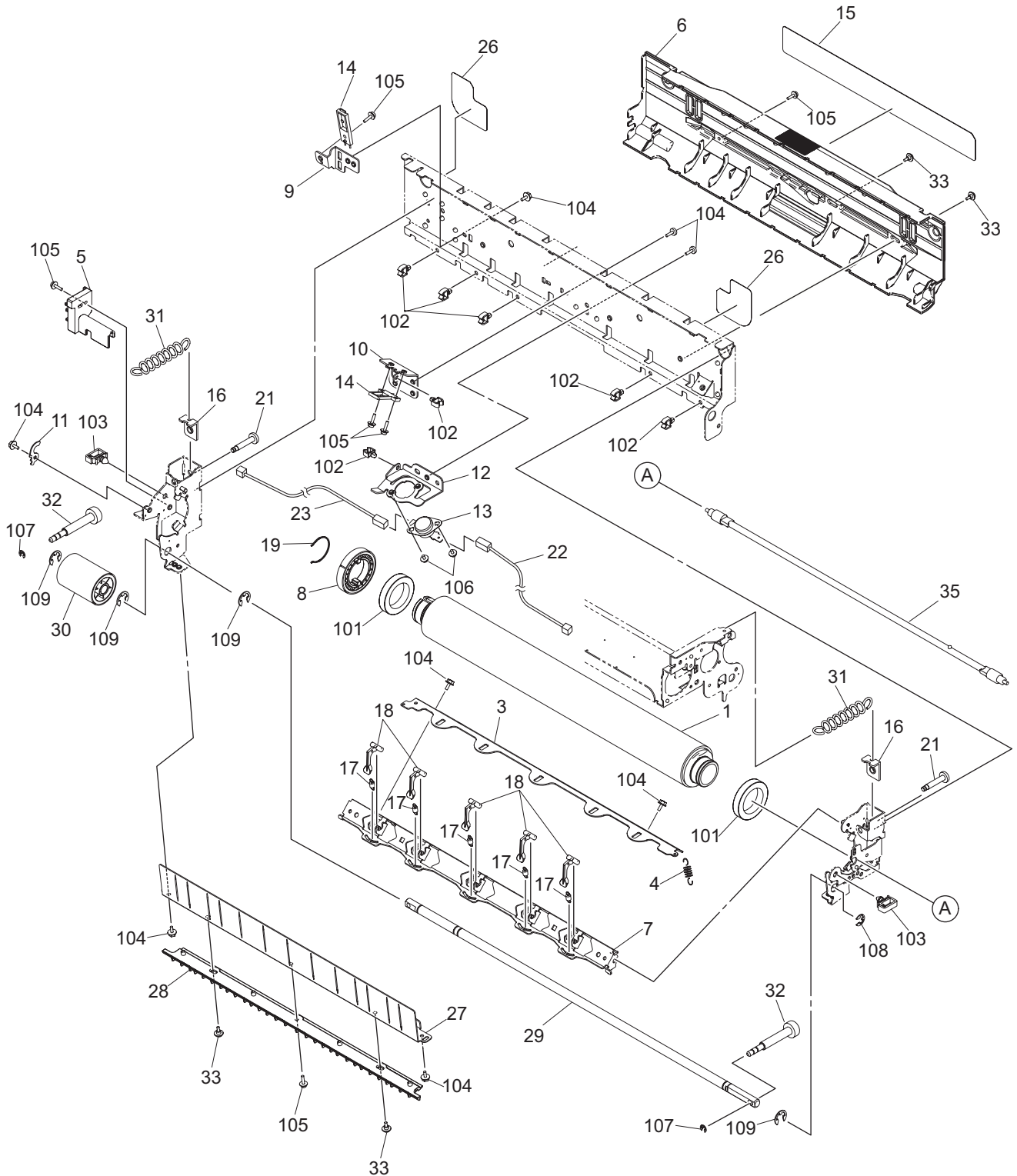


ITEM NO.	PARTS NO.	PARTS NAME	Q'TY / PAGE	Q'TY / PACK	PIR	BSI NO.	TO	T	FROM	SERIAL NO.	REMARKS	C
1	6LH39105000	COVER-INNR-DRW-45X		1/1/P								
2	6LH39710000	HRNS-EPU-450		1/1/P								
3	X0-02421000	S/TPS/FHEXM/R-4X8-ZU3		6/10/P								
4	6LH39112000	ASYS-CASE-DUCT-TOP		1/1/PP								
5	6LH39118000	CASE-DUCT-AUG-WINR		1/1/PP								
6	6LH04280000	ASYS-BUSH-6X12X6F-M		2/1/P								
7	6LH39119000	COUPL-AUG-WINR		1/1/P								
8	6LH39120000	CLNR-WINR-DUCT-2		1/1/P								
9	6LH39111000	AUGER-WINR-FRT		1/1/PP								
10	44204339000	BUSH-0612*06F-M		2/5/P								
11	6LH39128000	PULLY-2GT19-6		1/1/P								
12	6LH39215000	ASYS-LID-WINR		1/1/P								
13	6LH39201000	ASYS-GEAR-PLT		1/1/P								
14	6LH39205000	ASYS-WPIPE-45X		1/1/PP								
15	6LH39212000	GEAR-10S33-6D		1/1/P								
16	6LH39213000	GEAR-10S33-P2GT19-6		1/1/P								
17	6LH39214000	BLT_SY-176-2GT-2		1/1/P								
18	6LH39125000	ASYS-SHUT-WINR		1/1/P								
19	6LH39123000	SPG-E-SHUT-WINR		1/1/P								
20	4407972860	STOP-RING-6-5		1/5/P								
21	6LE28832000	ACTR-U-PADL-SNR		1/1/P								
22	6LH39211000	LID-DUCT-F45X		1/1/P								
23	6LH39209000	AUGER-WINR-F45X		1/1/PP								
24	6LH39210000	DUCT-VT-F45X		1/1/P								
25	6LH39798000	HRNS-AUGLCK-450		1/1/P								
26	E0-01853000	CS1A-B2CA		1/1/D								
27	C0-10813000	GP1A73ARJ00F		1/1/P								
28	X0-01989000	S/TPP/BID-3X8-NI		3/10/P								
29	6LH39217000	ACTR-COV-OPEN		1/1/P								
30	6LA08937000	SCREW-BKT-DEV		1/10/P								
32	X0-02251000	S/TPP/FHEXM-4X8-NI		1/10/P								
33	6LH39221000	ASYS-BRKT-DRV-WINR		1/1/P								
34	6LH39233000	GEAR-5H49-CPL		1/1/P								
35	6LH39231000	GEAR-5H21_P2GT60-6		1/1/P								
36	6LH39805000	MOTRD-AUG-450CW		1/1/D								
37	6LH39234000	BLT_SY-202-2GT-4		1/1/P								
38	6LH39225000	ASYS-BRKT-DRV-WINR-SUB		1/1/P								
39	6LH39232000	GEAR-5H47-6		1/1/P								
40	6LH39797000	HRNS-AUGMTR-450		1/1/P								
41	6LH39237000	HLDLDR-SENS-THERM		1/1/P								
42	D0-27874000	CHS-CSC-20		1/1/P								
43	X0-00966000	RR/E-5-SS		1/10/P								
44	X0-02270000	S/PAN-M2.6X2.5-NI		2/10/P								
45	X0-02247000	S/TPP/FHEXM-3X8-NI		1/10/P								
46	X0-02230000	S/FHEXM-M3X6-NI		1/10/P								
47	X0-02239000	S/TPS/FHEXM-3X8-ZU3		1/10/P								
48	F0-00120000	ES-0505		1/5/P								
50	F0-01250000	MSB-1207		1/5/P								

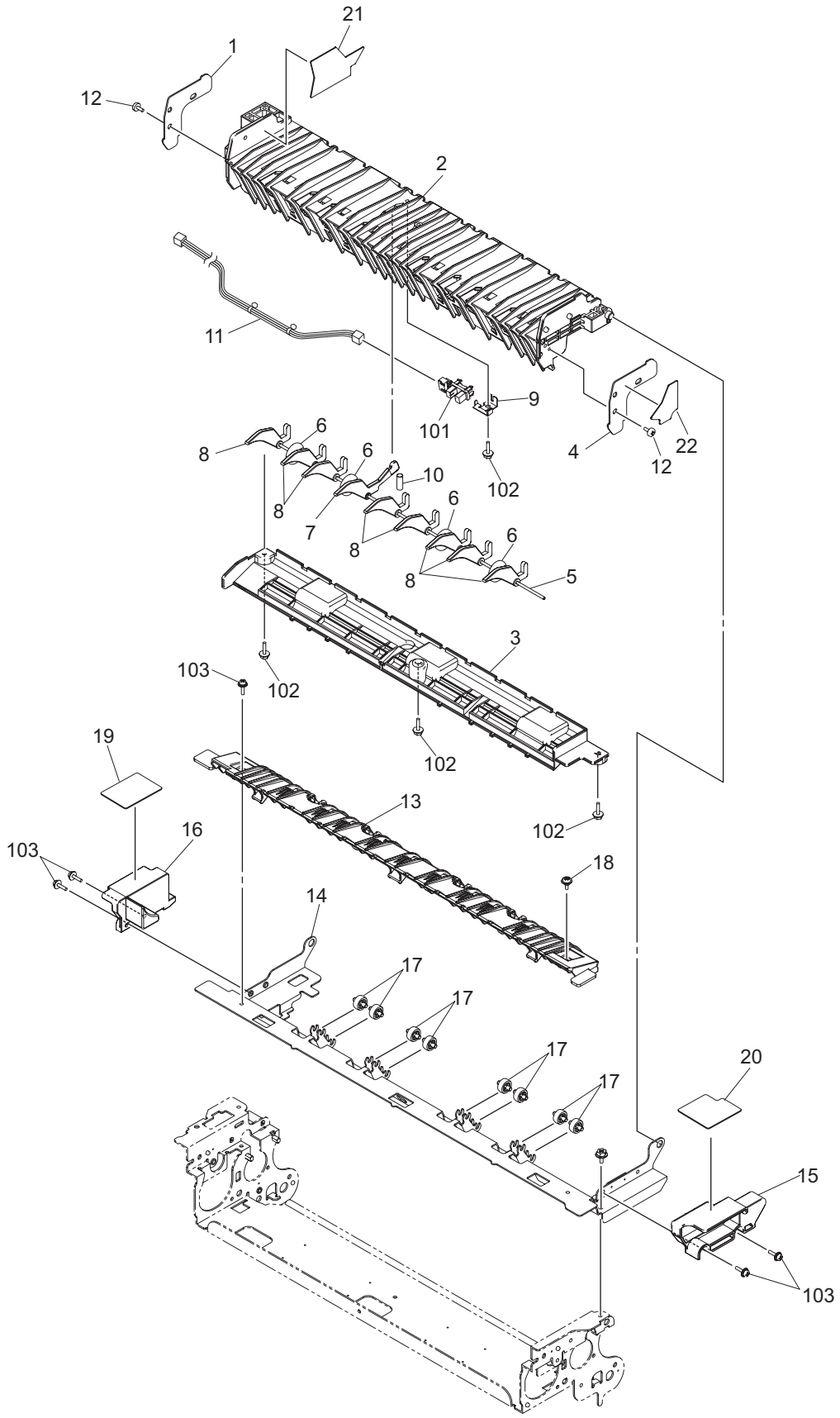


ITEM NO.	PARTS NO.	PARTS NAME	Q'TY / PAGE	Q'TY / PACK	PIR	BSI NO.	TO	T	FROM	SERIAL NO.	REMARKS	C
1	6LH36283000	ASYS-FRM-FUS-450		1/1/PP								
2	6LH36336000	ASYS-SEP-AJ6-7A		1/1/P								
3	6LE94751000	BT-FC35-FU		1/1/S								
4	6LE98369000	FR-FC28-U		1/1/S								
5	6LH36299000	BRKT-FUS-SEN-IN-45X		1/1/P								
6	6LH36229000	BRKT-THRM-LAMP-454		1/1/P								
7	6LE25887000	BRKT-HR-TMS		2/1/P								
8	6LH36262000	SPG-E-FUS-SEN-45X		1/1/P								
9	6LH36201000	BRKT-LAMP-F-454T		1/1/P								
10	6LE25800000	ROLL-HT		1/1/C								
11	6LE25809000	BRKT-TEN-SP		2/1/P								
12	6LE25801000	COLLAR-HR-T1		2/1/P								
13	6LE25846000	CRR-HR-CLR-K2		2/1/P								
14	6LH36308000	COV-HNS-R-45X		1/1/P								
15	6LE25834000	STUD-TEN-SP		2/1/P								
16	6LE25822000	BUSH-FUS-FR		2/1/P								
17	6LE25853000	SPG-E-FUS-HR		2/1/P								
18	6LA08933000	SCREW-CON-DEV-V		1/10/P								
19	6LE29439000	THRMST-HTR1-380		1/1/C								
20	6LE29440000	THRMST-HTR2-380		1/1/C								
21	6LH39783000	THMS-FUS-BELT-E-450		1/1/C								
22	6LE29346000	HRNS-FUS-HTR-C-380		1/1/P								
23	6LH36316000	COVER-FUS-F-FC		1/1/P								
24	6LH36315000	COVER-FUS-B-FC		1/1/P								
25	6LH36317000	COVER-FUS-R-FC		1/1/P								
26A	6LH36249000	LAMP-TRIPLE-115-454		1/1/C							e-STUDIO45 20c NAD,SA D	
26B	6LH36250000	LAMP-TRIPLE-230-454		1/1/C							e-STUDIO45 20c MJD,AS D,AUD,ASU, ARD	
27A	6LE25860000	LAMP-C-115-K2		1/1/C							e-STUDIO28 20c/2830c/ 3520c/3530 c NAD,SAD	
27B	6LE25863000	LAMP-C-230-K2		1/1/C							e-STUDIO28 20c/30c/35 20c/30c MJ D,ASD,AUD, ASU,ARD	
28A	6LE25861000	LAMP-S-115-K2		1/1/C							e-STUDIO28 20c/2830c/ 3520c/3530 c NAD,SAD	
28B	6LE25864000	LAMP-S-230-K2		1/1/C							e-STUDIO28 20c/30c/35 20c/30c MJ D,ASD,AUD, ASU,ARD	
29	6LH36202000	BRKT-LAMP-R-454T		1/1/P								
30A	6LH39776000	HRNS-DRW1-AC-450		1/1/P							e-STUDIO28 20c/2830c/ 3520c/3530 c NAD,SAD	
30B	6LH39777000	HRNS-DRW1B-AC-450		1/1/P							e-STUDIO28 20c/30c/35 20c/30c MJ D,ASD,AUD, ASU,ARD	
30C	6LH39706000	HRNS-DRW2-AC-450		1/1/P							e-STUDIO45 20c NAD,SA D	
30D	6LH39801000	HRNS-DRW2B-AC-450		1/1/P							e-STUDIO45 20c MJD,AS D,AUD,ASU, ARD	
31	6LA08937000	SCREW-BKT-DEV		1/10/P								
32	6LH36314000	COV-FUS-HNS-R-FC		1/1/P								

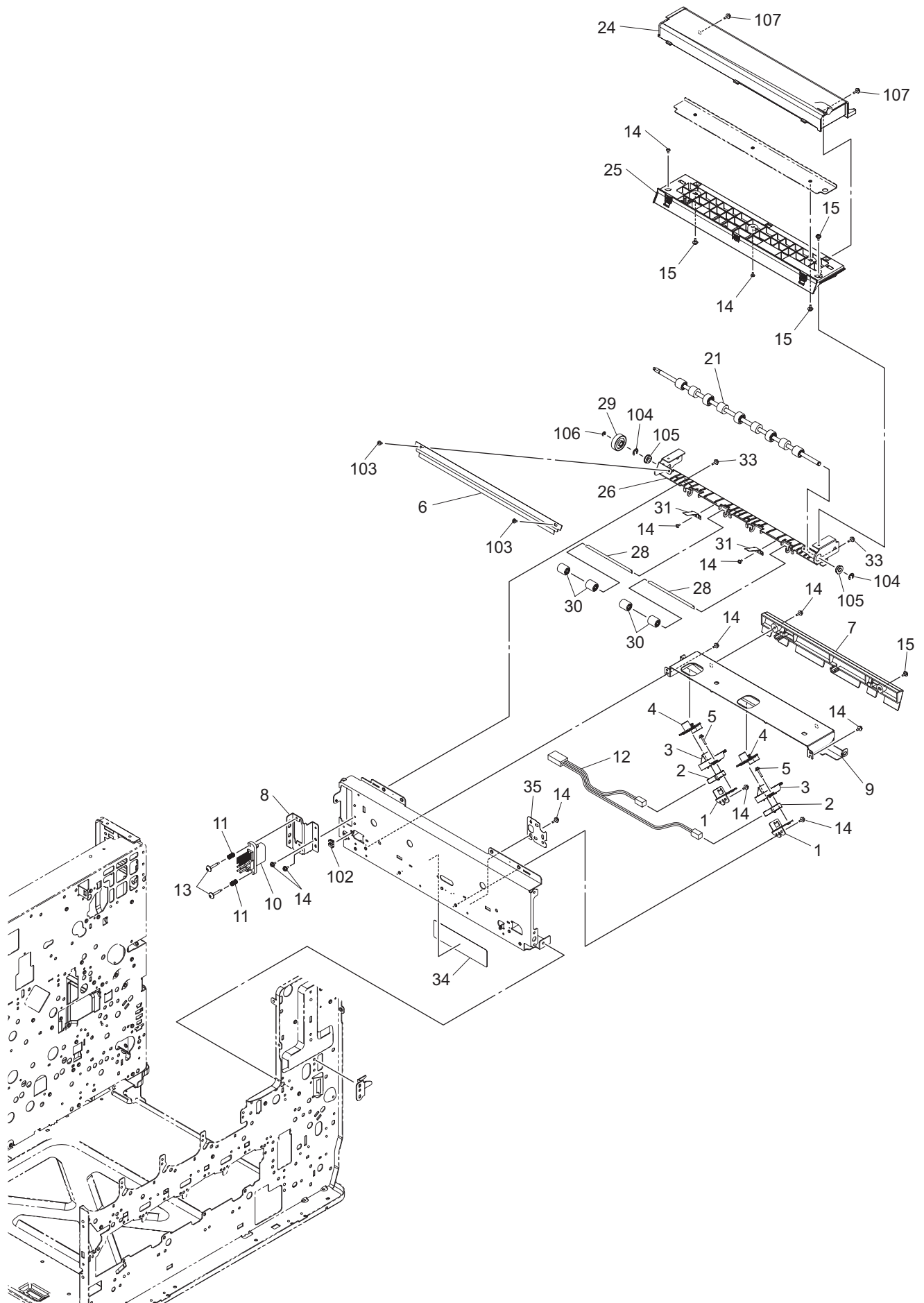
ITEM NO.	PARTS NO.	PARTS NAME	Q'TY / PAGE	Q'TY / PACK	P I R	B S I NO.	T O	T	F R O M	S E R I A L NO.	R E M A R K S	C
34	6LH36341000	COVER-HRNS-B		1/1/P								
35	6LE25964000	SPL-ADJ-SEP		2/1/P								
36	6LE25970000	WASHER-FUSER		2/5/P								
37	6LE25967000	SPG-C-SEP-ADJ		2/5/P								
101	F0-01362000	6806ZZS1C4KZ		2/1/P								
102	F0-01552000	6901ZZNSRS1C4KZ		2/1/P								
103	X0-00968000	RR/E-7-SS		2/10/P								
104	X0-00966000	RR/E-5-SS		2/10/P								
105	F0-00270000	UAMS-05L-0-46		15/10/P								
106	X0-00094000	S/PAN/SWWP-M3X10-NI		15/10/P								
107	X0-02230000	S/FHEXM-M3X6-NI		12/10/P								
108	X0-00050000	S/PAN/SWWP-M3X5-NI		7/10/P								
109	F0-00032000	PLWS-1-46B		3/5/P								
110	X0-02420000	S/TPS/FHEXM/R-3X8-ZU3		2/10/P								
111	X0-00964000	RR/E-3-SS		1/10/P								



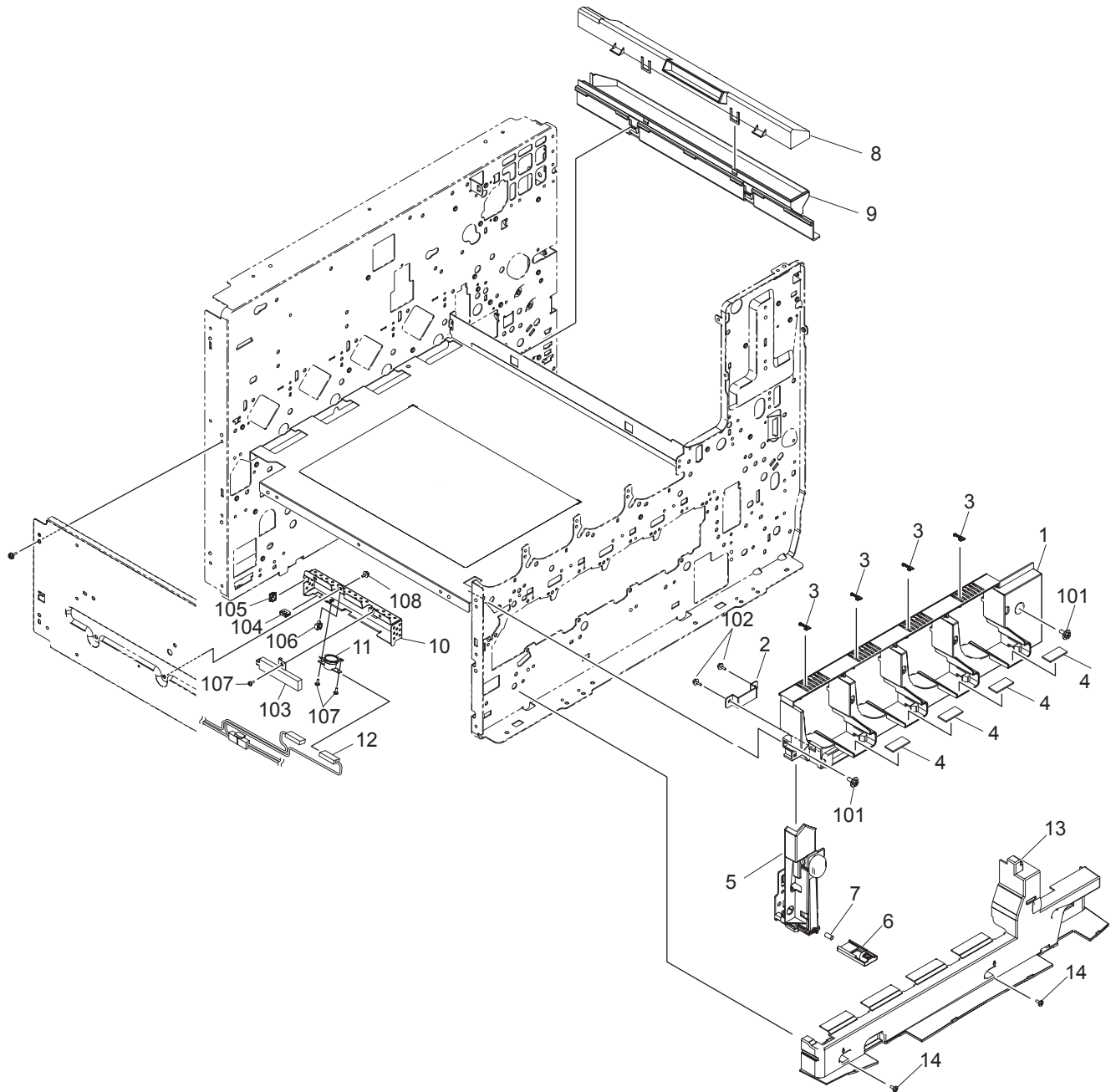
ITEM NO.	PARTS NO.	PARTS NAME	Q'TY / PAGE	Q'TY / PACK	PIR	BSI NO.	TO	T	FROM	SERIAL NO.	REMARKS	C
1	6LE98368000	HR-FC28-L		11/S								
3	6LH36233000	COV-PR-SCR-450		11/P								
4	6LH36230000	SPG-E-FUS-SCR-45X		11/P								
5	6LH36320000	COVER-PR-HNS-R-FC		11/P								
6	6LH36319000	COVER-PR-450M-FC		11/PP								
7	6LH36213000	BRKT-SCR-PR-450		11/P								
8	6LE25927000	GEAR-10S040-FUS		11/P								
9	6LH36242000	BRKT-PR-THM-450-E		11/P								
10	6LE25891000	BRKT-PR-SEN-NI		11/P								
11	6LE25885000	BRKT-LAMP-HLD		11/P								
12	6LE25883000	BRKT-PR-ELEC-K2		11/P								
13	6LE29433000	THRMST-PRS-380		11/C								
14A	6LH39784000	THMS-PRS-450		11/C							e-STUDIO28 20c/2830c/ 3520c/3530 c	
14B	6LH39785000	THMS-PRS-454		11/C							e-STUDIO45 20c	
15	6LH36303000	LBL-HOT-45X		11/KP								
16	6LH36222000	BRKT-PR-SPR-450		21/P								
17	6LE25949000	SPG-E-SCR-PR-F380		51/C								
18	6LA36256000	SCRAPR-FUS-350		55/P								
19	44217749000	SPR-PRESS-BRG		15/P								
21	6LE25871000	SCREW-PR-SPR		25/P								
22	6LE29349000	HRNS-FUS-PRS-F-380		11/P								
23	6LE29348000	HRNS-FUS-PRS-R-380		11/P								
26	6LH36305000	SHEET-COV-PR		21/P								
27	6LH36279000	GUIDE-ENT-PR-450-V		11/P								
28	6LH36322000	GUIDE-ENT-FUS-FC		11/KP								
29	6LE25810000	SHAFT-FUS-8		11/P								
30	6LE25912000	GEAR-10S-29-2		11/P								
31	6LE25852000	SPG-E-FUS-PR		21/P								
32	6LH36301000	SCREW-SFT-8-V		21/P								
33	6LA08937000	SCREW-BKT-DEV		410/P								
34	6LE06670000	BRUSH-FUSER		11/C								
35A	6LH36259000	LAMP-PR-115-45X		11/C							NAD, SAD	
35B	6LH36257000	LAMP-PR-230-45X		11/C							MJD, ASD, AU D, ASU, ARD	
101	F0-01361000	6805ZZS1C4KZ		21/P								
102	F0-00270000	UAMS-05L-0-46		810/P								
103	F0-00032000	PLWS-1-46B		45/P								
104	X0-02230000	S/FHEXM-M3X6-NI		810/P								
105	X0-00094000	S/PAN/SWWP-M3X10-NI		810/P								
106	X0-00050000	S/PAN/SWWP-M3X5-NI		210/P								
107	X0-00964000	RR/E-3-SS		210/P								
108	X0-00966000	RR/E-5-SS		110/P								
109	X0-00968000	RR/E-7-SS		410/P								



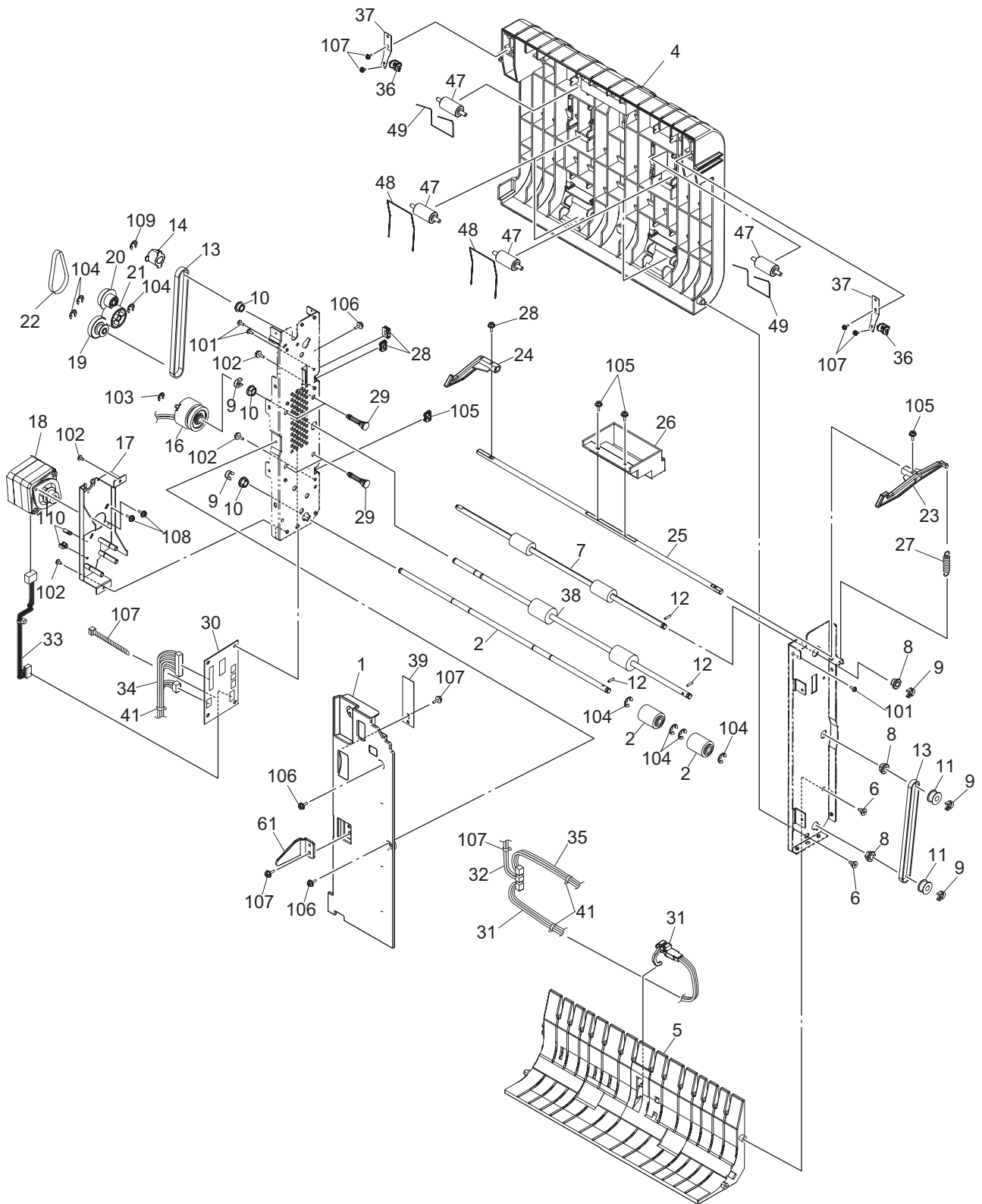
ITEM NO.	PARTS NO.	PARTS NAME	Q'TY / PAGE	Q'TY / PACK	PIR	BSI NO.	TO	T	FROM	SERIAL NO.	REMARKS	C
1	6LE23910000	STOP-GUIDE-RTN-R		1/1/P								
2	6LH36323000	GUIDE-EXIT-RTN-FC		1/1/PP								
3	6LH36318000	COVER-GUIDE-RTN-L-FC		1/1/KP								
4	6LE23912000	STOP-GUIDE-RTN-F		1/1/P								
5	6LE23907000	SHAFT-GATE		1/1/P								
6	6LE23928000	ROLL-GUIDE-RTN		4/1/P								
7	6LA36327000	GATE-FUSER-SEN		1/1/P								
8	44202991000	GATE-FUSER		8/1/P								
9	6LE23908000	SPG-L-ACT-SEN		1/1/P								
10	6LA36353000	SPG-C-4R46XR15X17R3		1/5/P								
11	6LE29350000	HRNS-EXITSW-380		1/1/P								
12	6LE25982000	SCREW-FUS-3X6P-380		2/5/P								
13	6LH36324000	GUIDE-EXIT-U-FC		1/1/PP								
14	6LH36226000	ASYS-BRKT-FUS-CLN		1/1/P								
15	6LE25929000	COV-HAND-FUS-F		1/1/P								
16	6LE25930000	COV-HAND-FUS-R		1/1/P								
17	6LE25931000	ROLL-FUS-GUIDE		8/1/P								
18	6LA08937000	SCREW-BKT-DEV		1/10/P								
19	6LE25950000	SHEET-FUS-R		1/5/P								
20	6LE25953000	SHEET-FUS-F		1/5/P								
21	6LE25954000	SHEET-FUS-OPEN		1/1/P								
22	6LE25971000	SHEET-FUS-OPEN-F		1/1/P								
101	C0-10814000	TLP1255(C8)		1/5/C								
102	X0-02248000	S/TPP/FHEXM-3X10-NI		4/10/P								
103	X0-00094000	S/PAN/SWWP-M3X10-NI		5/10/P								



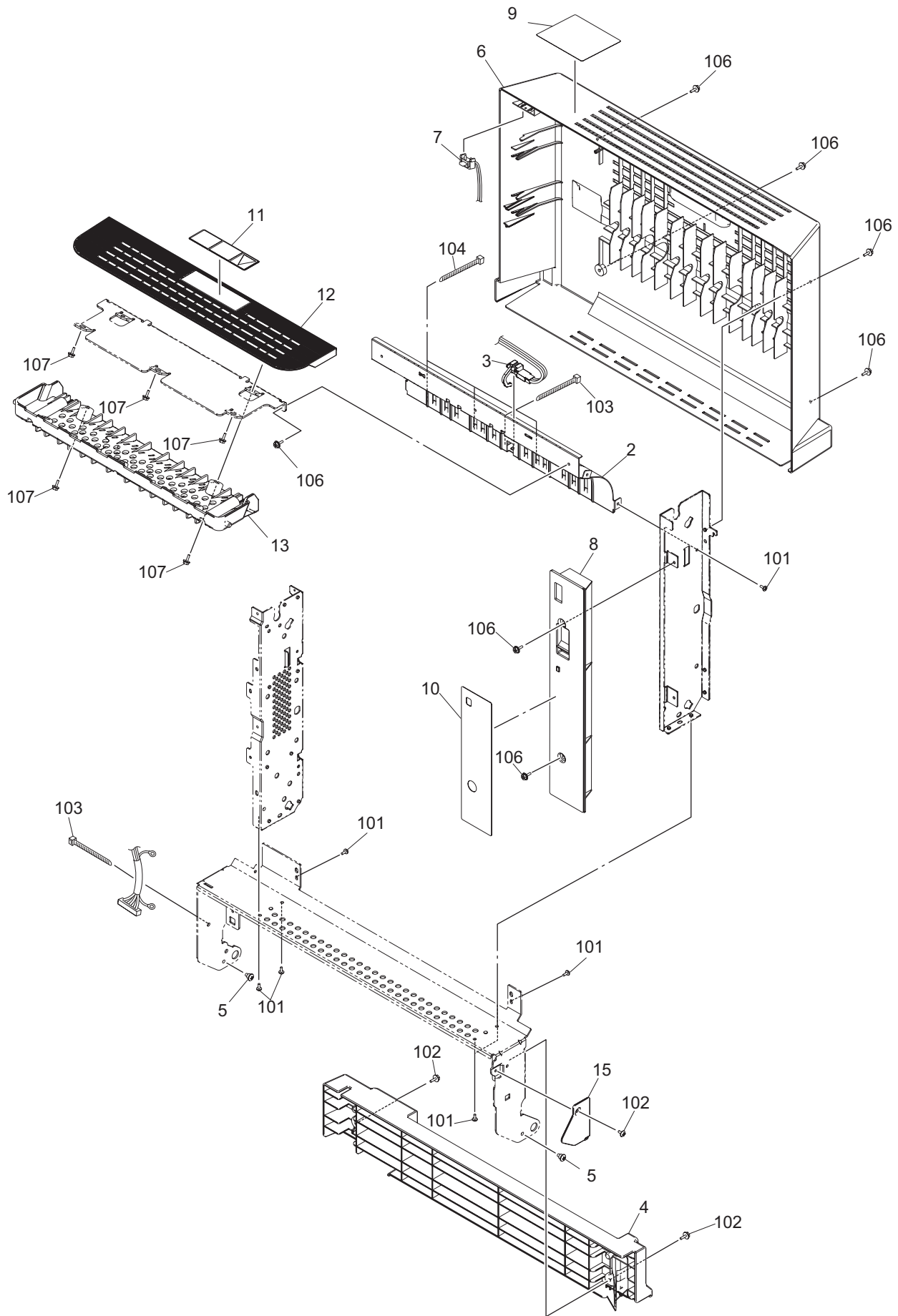
ITEM NO.	PARTS NO.	PARTS NAME	Q'TY / PAGE	Q'TY / PACK	P I R	B S I NO.	T O	T	F R O M	S E R I A L NO.	R E M A R K S	C
1	6LE25874000	BRKT-SEN-FUS		1/1/P								
2	6LH36313000	BASE-SEN-FC		1/1/P								
3	6LH36327000	HLDER-SEN-FC		1/1/P								
4	6LE29449000	SNR-THRMO-380		1/1/C								
5	X0-02135000	S/PAN/SWWP-M3X14-NI		1/10/P								
6	6LE23956000	BRUSH-EXIT-380		1/1/KP								
7	6LH36326000	GUIDE-STAY-FUS-FC		1/1/P								
8A	6LH36253000	BRKT-STAY-DRW-450		1/1/P							e-S2820c/30c/3520c/30c MJD,ASD,AUD,ASU,SAD,ARD	
8B	6LH36203000	BRKT-STAY-DRW-454		1/1/P							e-STUDIO4520c NAD,MJD,ASD,AUD,ASU,SAD,ARD	
9	6LH36296000	STAY-DUCT-FUS		1/1/P								
10	6LH39728000	HRNS-LVPS-FSR2-450		1/1/P								
11	6LA14468000	SPC068-080-160		2/5/P								
12	6LH40055000	HRNS-THM-450		1/1/P								
13	4406326040	SCREW-D4-18-M3		2/10/P								
14	6LA08935000	SCR-M3X6BISR-NI		12/10/P								
15	6LA08937000	SCREW-BKT-DEV		4/10/P								
21	6LE23919000	ASYS-ROLL-EXIT-U		1/1/KP								
24	6LE23921000	DUCT-EXIT-COVER		1/1/P								
25	6LH36321000	DUCT-EXIT-BASE-FC		1/1/PP								
26	6LE23924000	GUIDE-EXIT		1/1/P								
28	6LE23925000	SHAFT-EXIT-L		2/1/P								
29	6LE23943000	GEAR-10S24-EXIT		1/1/P								
30	6LE23952000	ROLL-EXIT-L-380		4/1/P								
31	6LE23957000	SPL-EXIT-ROLL-K		2/1/P								
33	X0-02421000	S/TPS/FHEXM/R-4X8-ZU3		2/10/P								
34	6LE45619000	LBL-HOT-410		1/1/KP								
35	6LH36304000	BRKT-FUS-VOLT-06		1/1/P								
102	F0-00120000	ES-0505		1/5/P								
103	X0-00430000	S/BID-M3X6-NI		2/10/P								
104	X0-00966000	RR/E-5-SS		2/10/P								
105	F0-00781000	LF-1260ZZ		2/1/P								
106	X0-00964000	RR/E-3-SS		1/10/P								
107	X0-02247000	S/TPP/FHEXM-3X8-NI		1/10/P								



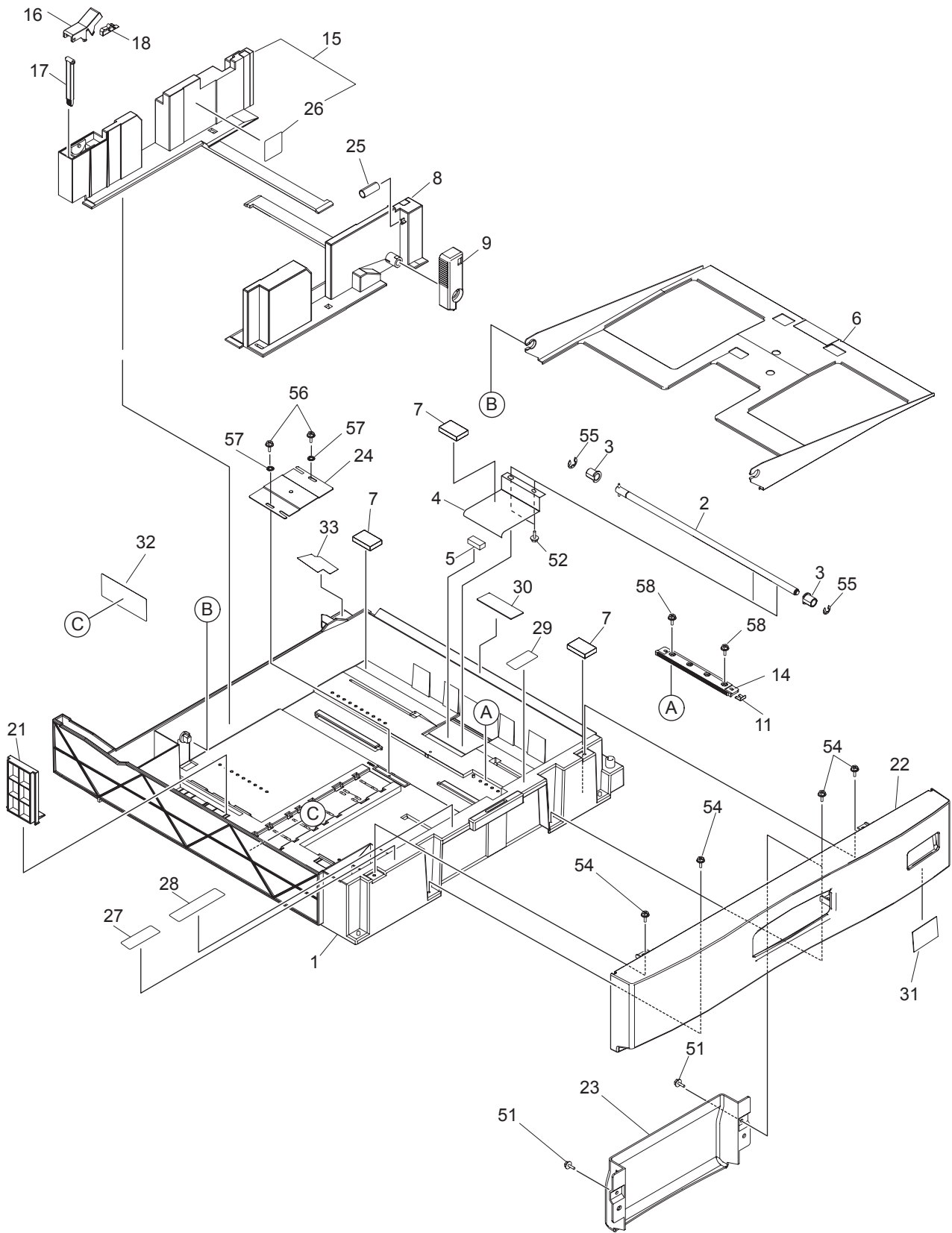
ITEM NO.	PARTS NO.	PARTS NAME	Q'TY / PAGE	Q'TY / PACK	P I R	B S I NO.	T O	T	F R O M	S E R I A L NO.	R E M A R K S	C
1	6LE28719000	COVER-INFRT-380D		11/PP								
2	6LE21710000	PLATE-MG		11/P								
3	6LE28727000	KEY-EUDJ-F380		41/P								
4	6LE28816000	SEAL-COVIN-380		41/P								
5	6LH39241000	ASYS-DUCT-TBU-F45X		11/PP								
6	6LE28754000	ASYS-SHUT-UTNR		11/P								
7	6LE28738000	SPG-C-SHUT-TNR-CR		11/P								
8	6LH32938000	DUCT-TNR-UPR-450		11/D								
9	6LH32939000	DUCT-TNR-LWR-450		11/PP								
10A	6LE22882000	BRKT-DH-EXIT-380		11/P							ASD, AUD, AS U, SAD, ARD	
11A	6LE71198000	THRMST-CS-7SA		11/C							ASD, AUD, AS U, SAD, ARD	
12A	6LH39868000	HRNS-DHT-EXIT-450		11/P							ASD, AUD, AS U, SAD, ARD	
13	6LH39101000	COVER-INNR-BLIND-F45X		11/PP								
14	X0-01922000	S/TPP/BID-4X8-NI		210/P								
101	X0-02421000	S/TPS/FHEXM/R-4X8-ZU3		210/P								
102	X0-02247000	S/TPP/FHEXM-3X8-NI		210/P								
103A	E0-10981000	HF05N442		11/D							ASD, AUD, AS U, ARD	
103B	E0-10980000	HF05N132		11/D							SAD	
104A	F0-00120000	ES-0505		15/P							NAD, MJD, AS D, AUD, ASU, SAD, ARD	
104B	F0-00120000	ES-0505		25/P							NAD, MJD, AS D, AUD, ASU, SAD, ARD	
105A	F0-00671000	EDS-0607M		15/P							ASD, AUD, AS U, SAD, ARD	
106A	F0-01640000	UAMS-05SN 142SH BLK		15/P							ASD, AUD, AS U, SAD, ARD	
107A	X0-02069000	S/TPS/BID-3X6-ZU3		310/P							ASD, AUD, AS U, SAD, ARD	
108A	X0-02056000	S/TSP/PAN-3X6-ZU3		110/P							ASD, AUD, AS U, SAD, ARD	



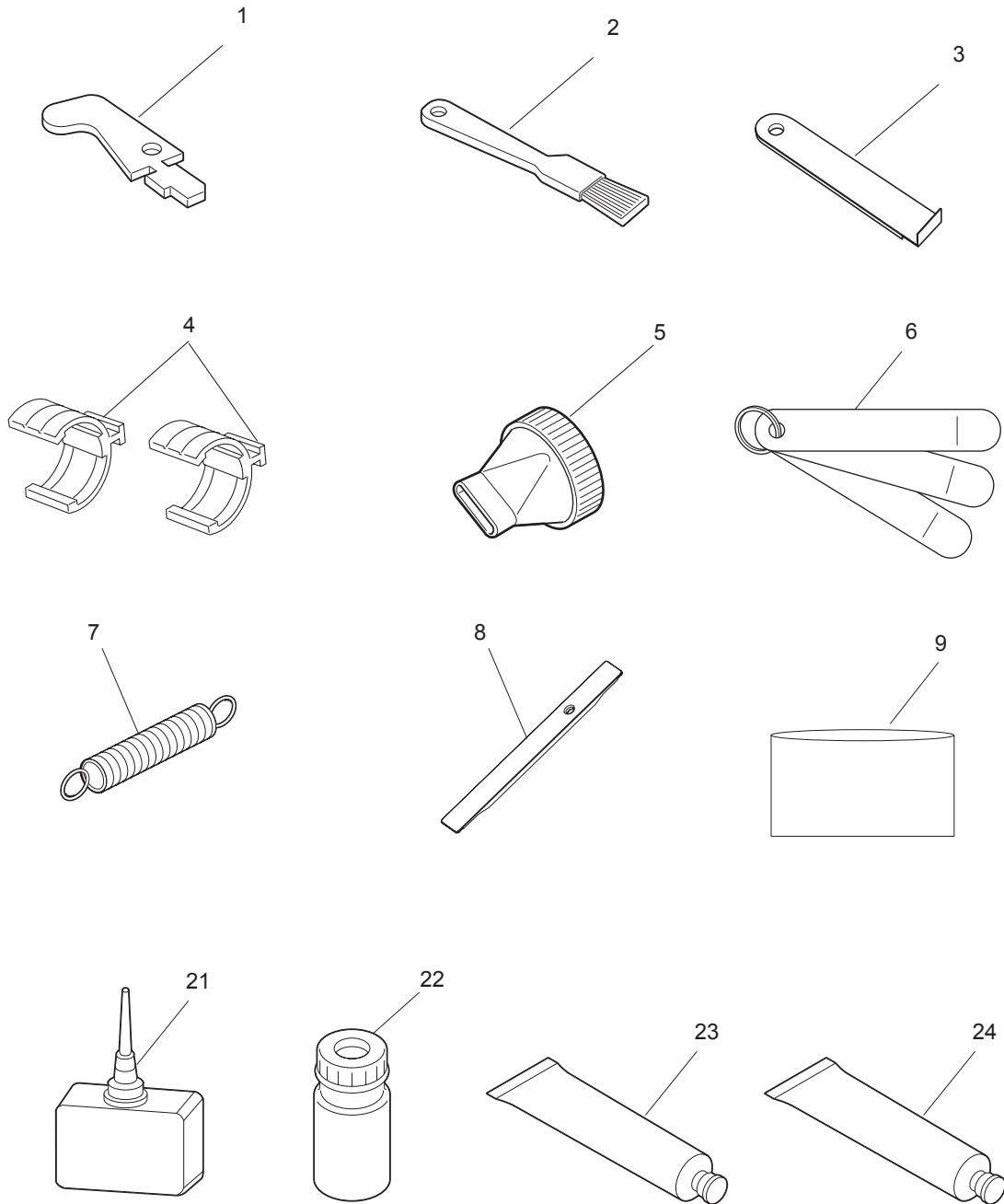
ITEM NO.	PARTS NO.	PARTS NAME	Q'TY / PAGE	Q'TY / PACK	PIR	BSI NO.	TO	T	FROM	SERIAL NO.	REMARKS	C
1	6LE21008000	COV-IN-R-380		11/PP								
2	6LE40307000	SFT-TR-L-20		11/P								
3	6LE40306000	ROL-TR-CLT-ADU-DK		21/P								
4	6LE40309100	GUIDE-P-IN-DK-B1		11/PP								
5	6LE40313000	GUIDE-PAPER-L32D		11/P								
6	6LA28608000	SCREW-CASET		25/P								
7	6LE40304000	ROLL-TR-U-16		11/KP								
8	4407734980	BUSH-6-GCB		35/P								
9	4407972860	STOP-RING-6-5		65/P								
10	44201492000	BUSH-6-POM		35/P								
11	41317051000	PLY/T-2GT020-6F		21/P								
12	X0-00979000	P/PRL/AH7-2X8-SS		310/P								
13	6LE40312000	BLT/T-286-2GT-5		11/P								
14	6LE40308000	PLY/T-2GT016-6F		11/P								
15	6LA78706000	BLT/T-258-2GT-5		11/P								
16	6LA78512000	CLUTCH-G28-06D-35E		11/D								
17	6LE21015000	ASYS-BKT-MOT-ADU-380		11/P								
18	6LA78482000	AYSY-MOTR-S-ADU-371		11/C								
19	6LA78452000	GEAR-10S28-P2GT20-6		11/P								
20	6LA78772000	GEAR-10S15-PS2M39-6		11/P								
21	6LA78496000	GEAR-10S28-06		11/P								
22	6LA78447000	BLT-SY-S2M-120-4		11/P								
23	41316054000	LEVER-LATCH-F		11/P								
24	44203255000	LEVER-LATCH-R32		11/P								
25	6LA28625000	SHAFT-OPEN-350		11/P								
26	6LE40317000	LEVER-OPEN-ADU		11/P								
27	41316064000	SPE-068-070-241		11/P								
28	F0-00120000	ES-0505		35/P								
29	F0-00221000	KGLS-24RTV0		45/P								
30	6LE47128000	PWA-F-ADU-410		11/C								
31	6LA71342000	HRNS-ADU-FED-L-360		11/P								
32	6LA89451000	HRNS-ADU-CVSW-371		11/P								
33	6LA89448000	HRNS-ADU-MOT-371		11/P								
34	6LH39915000	HRNS-ADU-450		11/P								
35	6LE48050000	HRNS-ADU-FED-U-410		11/P								
36	6LE21012000	SPCR-SPL-GUIDE-380		21/P								
37	6LE21017000	SPL-GUIDE-IN-380		21/P								
38	6LA78672000	ROLL-TRANS-C-371		11/KP								
39	44203240000	SPL-ADU-320		11/P								
47	6LA78742000	ROLL-TRANS-IDLE-371		61/P								
48	41316103000	SPR-IDLE		41/C								
49	6LE40310000	SPR-IDLE-U		21/D								
61	6LE21007000	PLATE-PUSH-INT		11/P								
101	X0-02056000	S/TSP/PAN-3X6-ZU3		510/P								
102	6LA08935000	SCR-M3X6BISR-NI		410/P								
103	X0-00965000	RR/E-4-SS		110/P								
104	X0-00966000	RR/E-5-SS		810/P								
105	X0-02231000	S/FHEXM-M3X8-NI		410/P								
106	X0-02239000	S/TPS/FHEXM-3X8-ZU3		810/P								
107	F0-01012000	T18R		25/P								
108	X0-02230000	S/FHEXM-M3X6-NI		410/P								
109	X0-00964000	RR/E-3-SS		110/P								
110	F0-01250000	MSB-1207		25/P								



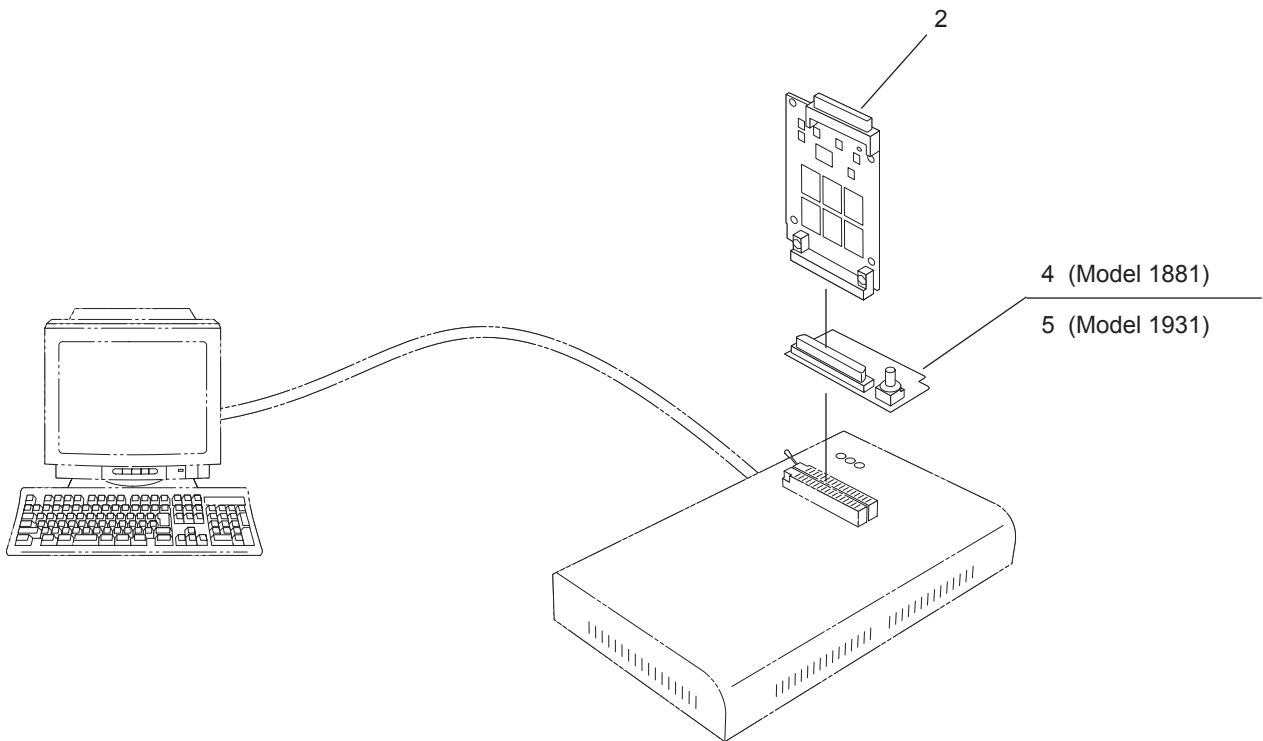
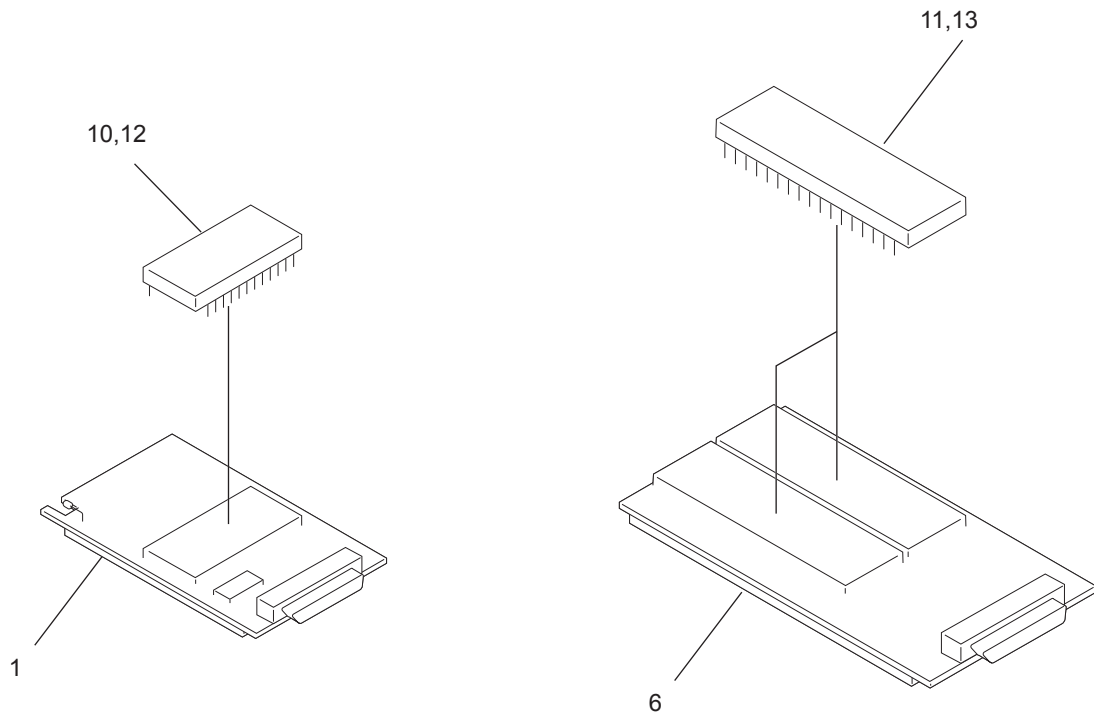
ITEM NO.	PARTS NO.	PARTS NAME	Q'TY / PAGE	Q'TY / PACK	PIR	B S I NO.	T O	T	F R O M	S E R I A L NO.	R E M A R K S	C
2	6LE21023000	GUIDE-P-U-380		1/1/PP								
3	6LE09239000	SNSR-FED-390		2/1/P								
4	6LE21004000	COVER-ADU-UND-380D		1/1/PP								
5	6LE06406000	SCREW-CH-M		2/10/P								
6	6LE21013000	CASE-ADU-380		1/1/PP								
7	4402859600	SP-CS3A-B2BA		1/1/D								
8	6LE21021000	COVER-IN-F-380		1/1/P								
9	6LA28607000	LBL-O-PLACE-COV		1/1/KP								
10	6LE25956000	LBL-INST-ADU		1/1/KP								
11	6LE45619000	LBL-HOT-410		1/1/KP								
12	6LH34302000	COVER-GUIDE-RTN		1/1/PP								
13	6LH36325000	GUIDE-RTN-U-FC		1/1/PP								
14	6LH34301000	ASYS-COVER-SHLD-45X		1/1/PP								
15	6LE21019000	COVER-BRKT-ADU-380		1/1/P								
101	X0-02056000	S/TSP/PAN-3X6-ZU3		6/10/P								
102	6LA08935000	SCR-M3X6BISR-NI		3/10/P								
103	FO-01012000	T18R		2/5/P								
104	FO-00260000	SG-130		1/5/P								
106	X0-02239000	S/TPS/FHEXM-3X8-ZU3		7/10/P								
107	X0-02247000	S/TPP/FHEXM-3X8-NI		5/10/P								



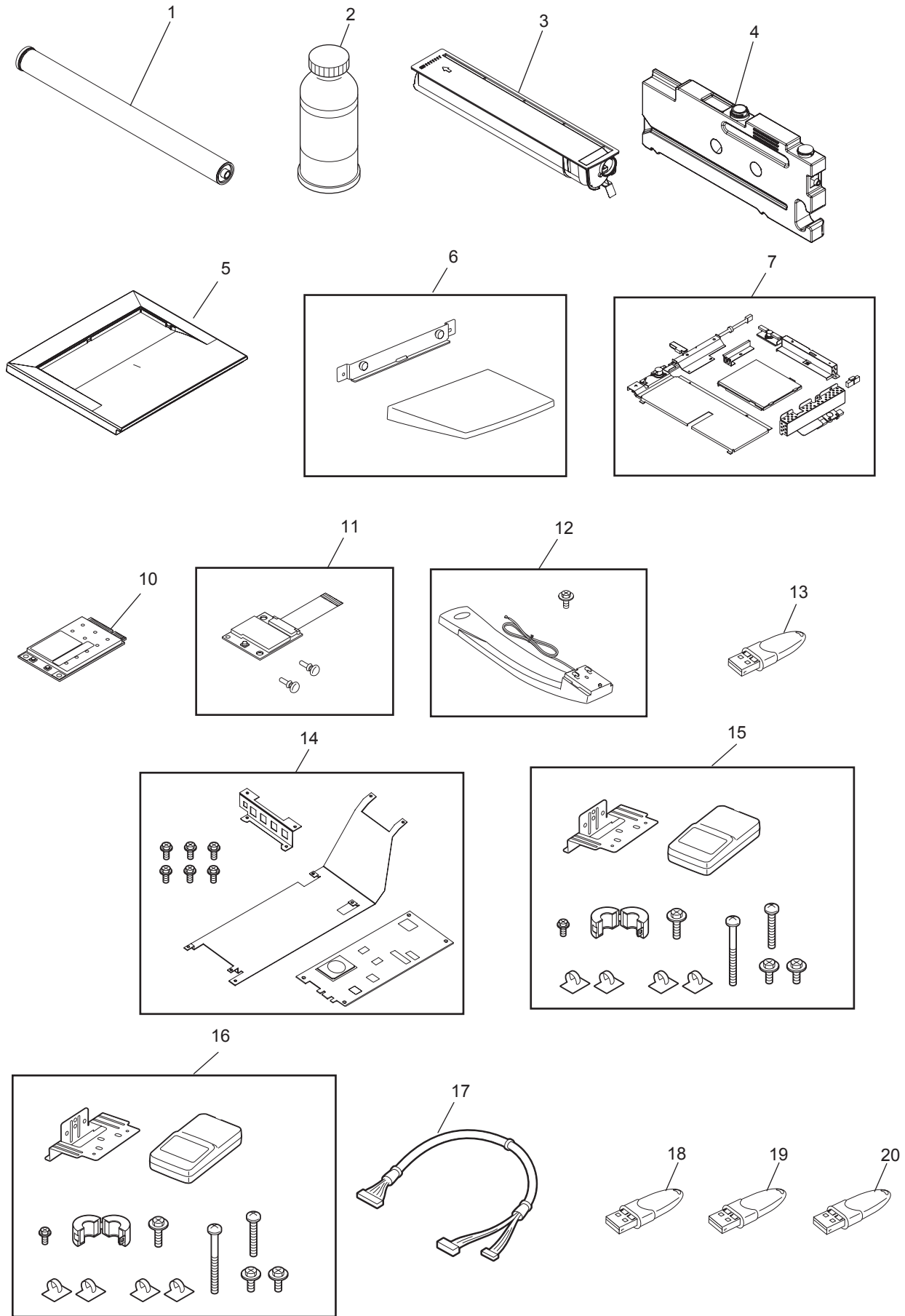
ITEM NO.	PARTS NO.	PARTS NAME	Q'TY / PAGE	Q'TY / PACK	P I R	B S I NO.	T O	T	F R O M	S E R I A L NO.	R E M A R K S	C
1	6LA56960000	CASE-CST		1/1/PP								
2	41304004000	K-SFT-LIFT-TRAY		1/1/P								
3	41306028000	BUSH-SFT-LIFT		2/5/P								
4	6LA60307000	LEVER-LIFT-TRAY		1/1/P								
5	41306614000	CUSH-LVR-LIFT		1/5/P								
6	6LA56688000	ASY-TRAY-CST-AT/DM		1/1/PP								
7	41306517000	CUSH-TRAY-CST		1/1/P								
8	6LA56692200	WALL-SIDE-F-AT/DM		1/1/PP								
9	6LA56693200	LVR-ADJUST-WALL		1/1/P								
11	6LA56707000	SPACER-RACK-CST		1/1/P								
14	6LA56706200	PLATE-RACK-CST		1/1/P								
15	6LA56703200	K-WALL-SIDE-R		1/1/PP								
16	6LA29058000	LEVER-LOCK-WALL-RER		1/1/P								
17	41306260000	LOCK-WALL-R		1/1/P								
18	41305546000	SPL-LOCK-WALL-R		1/1/P								
21	6LA29061000	WALL-CSSTT-END		1/1/P								
22	6LH32105000	COV-CSSTT-450-D		1/1/PP								
23	6LH32106000	COV-CSSTT-HNDL-450		1/1/PP								
24	6LA56961000	ASYS-PL-PINION-TRY		1/1/P								
25	6LA56695000	SPC-LVR-WALL-F		1/1/P								
26	41307701000	LBL/O-P-MAX		1/5/KP								
27	6LE40703000	LBL_O-PAPER-2		1/1/KP								
28	6LE40701000	LBL_O-GUIDE-2		1/1/KP								
29	6LH31902000	LBL_O-GUIDE-COMP-450		1/1/P								
30	41307599000	SHEET-CST		1/1/KP								
31A	6LH31900100	SIZE-CST-450-LT		1/1/KP							NAD	
31B	6LH31900000	SIZE-CST-450-A4		1/1/KP							MJD,ASD,AU D	
32	6LE40700000	LBL_O-LD-2		1/1/KP								
33	6LA60306000	MYLAR-CST-BK		1/1/KP								
51	X0-02541000	S/TPP/BRZ-3X6-ZU3		2/10/P								
52	X0-00434000	S/BID-M3X8-NI		2/10/P								
54	X0-02247000	S/TPP/FHEXM-3X8-NI		9/10/P								
55	X0-00968000	RR/E-7-SS		2/10/P								
56	X0-01989000	S/TPP/BID-3X8-NI		2/10/P								
57	X0-02116000	W/TH/A-3-SS		2/10/P								
58	X0-01414000	S/TPP/BID-3X6-NC		2/10/P								



ITEM NO.	PARTS NO.	PARTS NAME	Q'TY / PAGE	Q'TY / PACK	P I R	B S I NO.	T O	T	F R O M	S E R I A L NO.	R E M A R K S	C
1	4407915730	JIG-SW-F-COV		1/1/P								
2	4407915710	BRUSH-33		1/1/P								
3	4406552140	JIG-CLEAN-DOC		1/1/P								
4	6LA01757000	HOLDER-WIRE-SCAN		2/1/P								
5	4407914000	NOZZLE-BOTTLE		1/1/P								
6	6LE23720000	ASYB-JIG-GAP-DOC-SL-380		1/1/P								
7	44202661000	SPE-MOT-INS		1/1/P								
8	6LE25969000	JIG-FUS-SEP		1/1/P								
9	4408600920	BAG-DRUM		1/5/P								
21	4842512170	OIL-LAUNA40-100		1/1/P							LAUNA40 10 0cc	
22A	41303709000	ASM-PG-HP300-S		1/1/D							White grea se 100g	
22B	6LA00019000	GREASE-HP300-S		1/1/P							White grea se 10g	
23	41303711000	ASM-PG-ALV2		1/1/P							Alvania No .2	
24	6LE36904000	MOLYKOTE_EM-30L_100G		1/1/P								

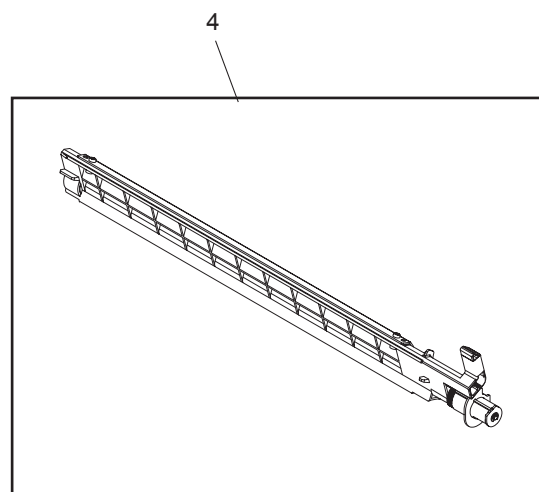
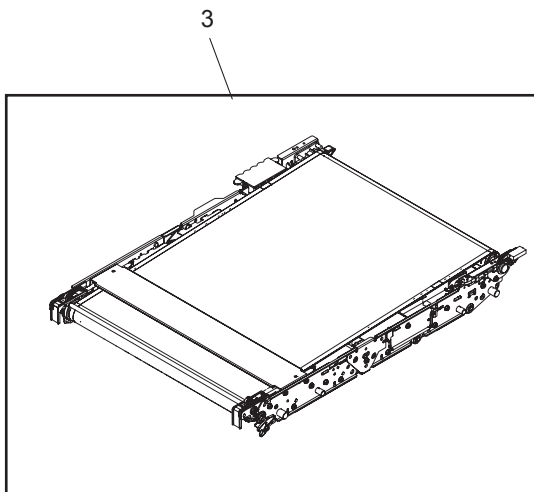
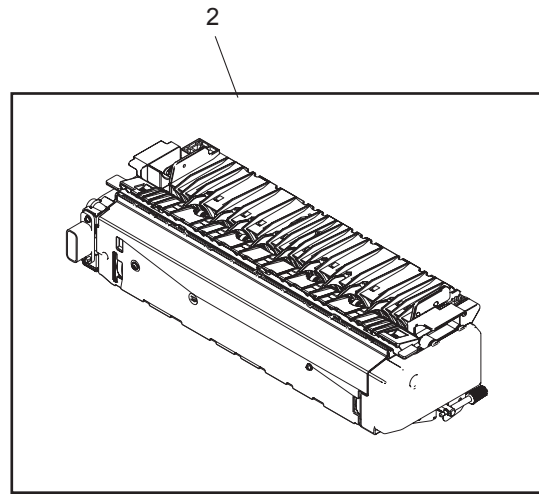
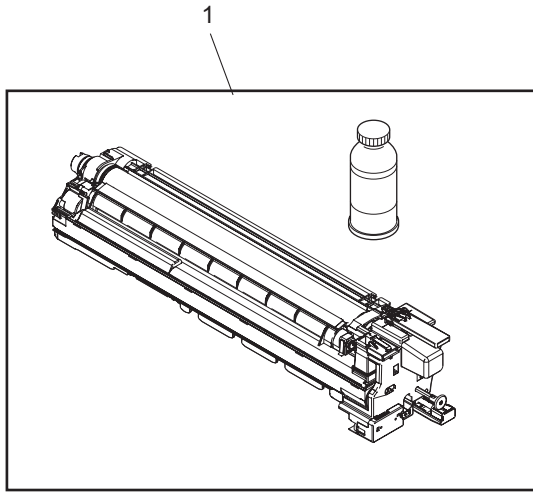


ITEM NO.	PARTS NO.	PARTS NAME	Q'TY / PAGE	Q'TY / PACK	P I R	B S I NO.	T O	T	F R O M	S E R I A L NO.	R E M A R K S	C
1	44205829000	K-PWA-DLM-320		11/C							For LGC, S LG	
2	6LA41995000	PWA-DWNLD-350-JIG2		11/SB							For SYS, L GC, SLG (4 8MB)	
4	6LA41996000	PWA-DL-ADP-350-1881		11/S							For Model 1881	
5	6LA41997000	PWA-DL-ADP-350-1931		11/C							For Model 1931	
6	44205828000	K-PWA-DLS-320		11/C							For SLG	
10	C0-04530000	M27C4001-10F1		11/S								
11	C0-05769000	M27C160-100F1		11/S								

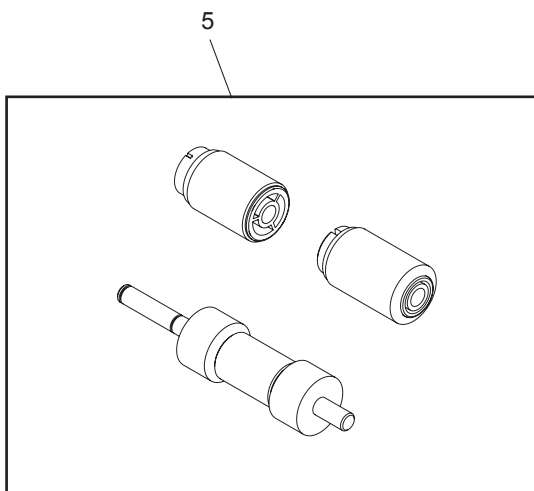
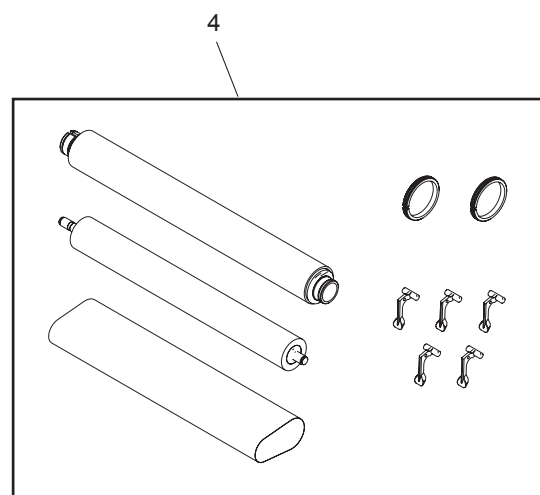
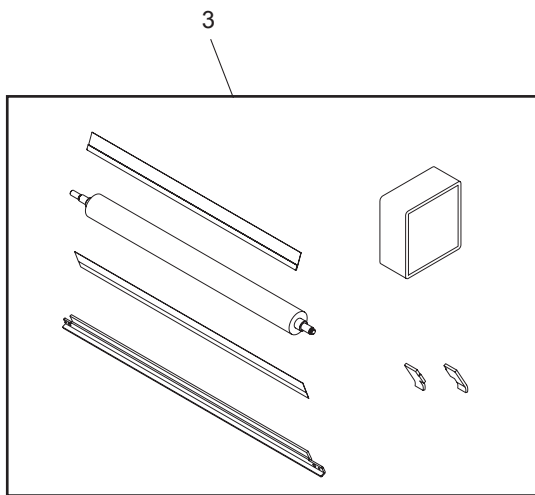
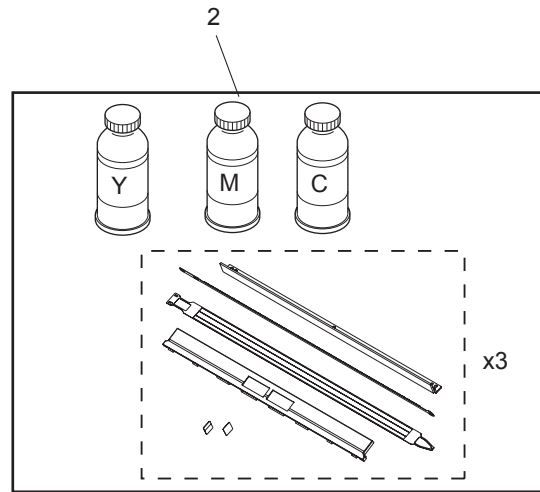
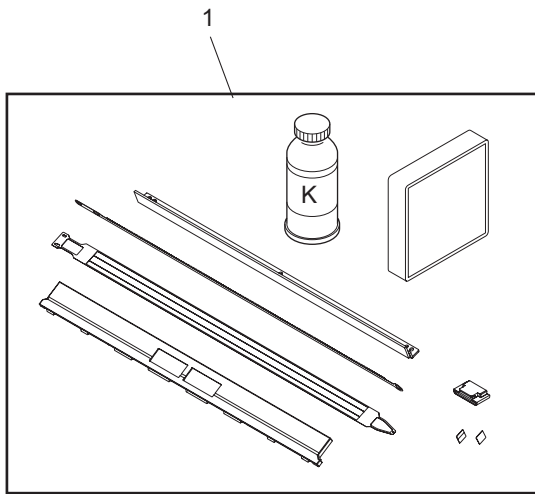


ITEM NO.	PARTS NO.	PARTS NAME	Q'TY / PAGE	Q'TY / PACK	PIR	BSI NO.	TO	T	FROM	SERIAL NO.	REMARKS	C
1	6LE20127000	OD-FC35		1/S							Drum	
2A	6LE98164300	D-FC28-K		1/S							DEVELOPER (K)	
2B	6LE98164000	D-FC28-Y		1/S							DEVELOPER (Y)	
2C	6LE98164100	D-FC28-M		1/S							DEVELOPER (M)	
2D	6LE98164200	D-FC28-C		1/S							DEVELOPER (C)	
3A	6AK00000087	PS-ZTFC28K(1)		SUPPLY							Toner (K) for TABS/TCL	
3B	6AK00000081	PS-ZTFC28EK(1)		SUPPLY							Toner (K) for EUROPE	
3C	6AG00002106	PS-ZTFC28DK(1)		SUPPLY							Toner (K) for TAP, TSP, Latin (TABS)	
3D	6AG00002125	PS-ZTFC28CK(1)		SUPPLY							Toner (K) for China	
3E	6AG00002122	PS-ZTFC28Y(1)		SUPPLY							Toner (Y) for TABS/TCL,	
3F	6AG00002112	PS-ZTFC28EY(1)		SUPPLY							Toner (Y) for EUROPE	
3G	6AG00002110	PS-ZTFC28DY(1)		SUPPLY							Toner (Y) for TAP, TSP, Latin (TABS)	
3H	6AG00002127	PS-ZTFC28CY(1)		SUPPLY							Toner (Y) for China	
3I	6AK00000089	PS-ZTFC28M(1)		SUPPLY							Toner (M) for TABS/TCL,	
3J	6AK00000084	PS-ZTFC28EM(1)		SUPPLY							Toner (M) for EUROPE	
3K	6AG00002108	PS-ZTFC28DM(1)		SUPPLY							Toner (M) for TAP, TSP, Latin (TABS)	
3L	6AG00002126	PS-ZTFC28CM(1)		SUPPLY							Toner (M) for China	
3M	6AK00000083	PS-ZTFC28C(1)		SUPPLY							Toner (C) for TABS/TCL,	
3N	6AK00000079	PS-ZTFC28EC(1)		SUPPLY							Toner (C) for EUROPE	
3O	6AG00002128	PS-ZTFC28DC(1)		SUPPLY							Toner (C) for TAP, TSP, Latin (TABS)	
3P	6AG00002124	PS-ZTFC28CC(1)		SUPPLY							Toner (C) for China	
4A	6AG00002037	PS-TBFC28		SUPPLY							for TABS, TCL, TAP, TSP, Asia, Latin (TABS)	
4B	6AG00002039	PS-TBFC28E		SUPPLY							for EUROPE	
4C	6AG00002038	PS-TBFC28C		SUPPLY							for China	
5A	6AG00000825	KA-3511PC		SUPPLY							Except for China	
5B	6AG00001376	KA-3511PC-C		SUPPLY							China	
6A	6AR00000615	KK-3511		SUPPLY							Except for China	
6B	6AR00000616	KK-3511-C		SUPPLY							China	
7A	6AG00001654	MF-3500CU		SUPPLY							TABS/TCL	

ITEM NO.	PARTS NO.	PARTS NAME	Q'TY / PAGE	Q'TY / PACK	P I R	B S I NO.	T O	T	F R O M	S E R I A L NO.	R E M A R K S	C
7B	6AG00001652	MF-3500CE		1	SUPPLY						Europe	
10A	6A000000981	GN-1050		1	SUPPLY						Wireless LAN adapter (All except China)	
10B	6A000001050	GN-1050C		1	SUPPLY						Wireless LAN adapter (China)	
11	6A000000766	GN-2010		1	SUPPLY						Bluetooth Module	
12	6A000000459	GN-3010		1	SUPPLY						Antenna	
13	6A000001051	GP-1070		1	SUPPLY						Data Overwrite kit	
14	6A000001048	GE-1170		1	SUPPLY						Image Acceleration Board	
15	6A000000878	KP-2004		1	SUPPLY						HID card reader	
16	6A000000925	KP-2005		1	SUPPLY						Mifare card reader	
17	6A000000880	GQ-1110		1	SUPPLY						Harness kit for coin controller	
18	6A000001055	GS-1010		1	SUPPLY						Scan Connector kit	
19	6A000001057	GS-1020		1	SUPPLY						External interface kit	
20	6A000001053	GP-1080		1	SUPPLY						IPSec kit (except China)	



ITEM NO.	PARTS NO.	PARTS NAME	Q'TY / PAGE	Q'TY / PACK	P I R	B S I NO.	T O	T	F R O M	S E R I A L NO.	R E M A R K S	C
1A	6LH49403000	EPU-FC28-K		11/S							PROCESS UNIT (K)	
1B	6LH49403100	EPU-FC28-Y		11/S							PROCESS UNIT (Y)	
1C	6LH49403200	EPU-FC28-M		11/S							PROCESS UNIT (M)	
1D	6LH49403300	EPU-FC28-C		11/S							PROCESS UNIT (C)	
2A	6LH49400000	FUSER-FC28-115		11/S							e-STUDIO2820c/2830c/3520c/3530c NAD,SAD	
2B	6LH49400100	FUSER-FC28-220		11/S							e-S2820c/30c/3520c/30c MJD,ASD,AUD,ASU,SAD,ARD	
2C	6LH49401000	FUSER-FC45-115		11/S							e-STUDIO4520c NAD,SAD	
2D	6LH49401100	FUSER-FC45-220		11/S							e-STUDIO4520c MJD,ASD,AUD,ASU,ARD	
3	6LH49407000	TR-BLT-FC28		11/S							TRANSFER BELT UNIT	
4	6LE39013000	TR-BLT-CLN-FC35		11/S							TRANSFER BELT CLEANING UNIT	



ITEM NO.	PARTS NO.	PARTS NAME	Q'TY / PAGE	Q'TY / PACK	P I R	B S I NO.	T O	T	F R O M	S E R I A L NO.	R E M A R K S	C
1	6LH49404000	DEV-KIT-FC28K		1/1/S								
2	6LH49405000	DEV-KIT-FC28CLR		1/1/S								
3	6LH49406000	TBU-KIT-FC28		1/1/S								
4	6LH49408000	FR-KIT-FC28		1/1/S								
5	41303640000	ROL-KIT-16CST		1/1/P								

TOSHIBA

TOSHIBA TEC CORPORATION

2-17-2, HIGASHIGOTANDA, SHINAGAWA-KU, TOKYO, 141-8664, JAPAN

WWW.SERVICE-MANUAL.NET