

TOSHIBA

SERVICE PARTS LIST

MULTIFUNCTIONAL DIGITAL SYSTEMS

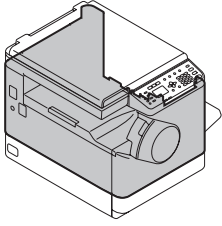
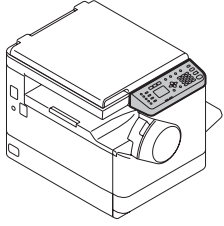
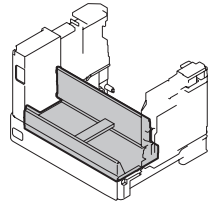
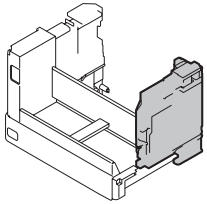
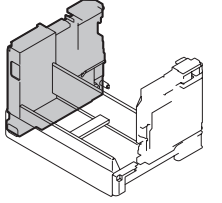
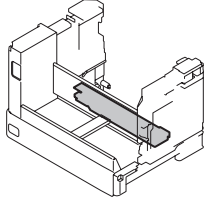
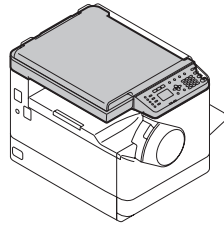
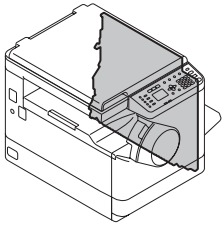
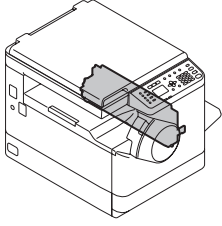
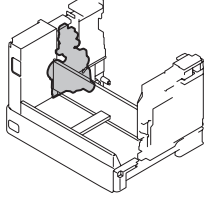
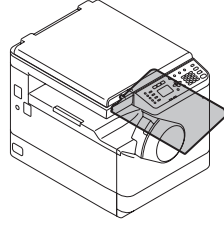
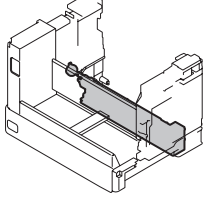
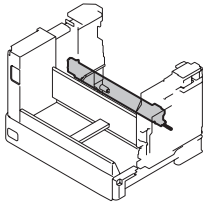
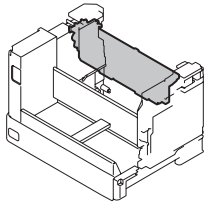
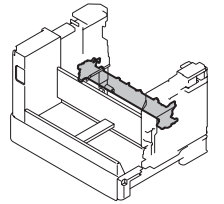
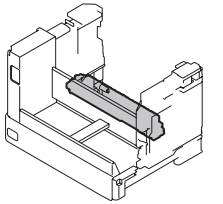
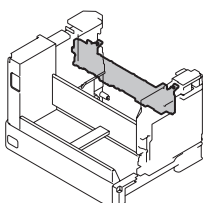
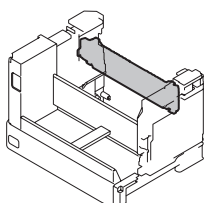
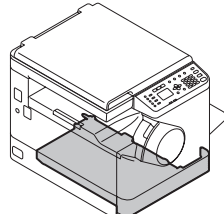
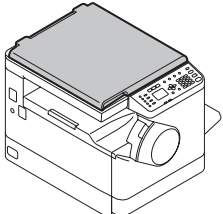
 e-STUDIO 2802A/2802AM/2802AF

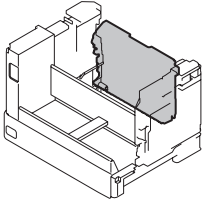
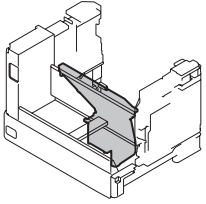
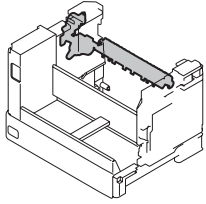
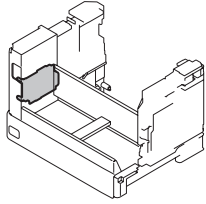
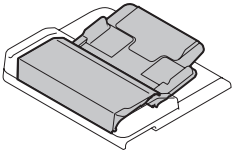
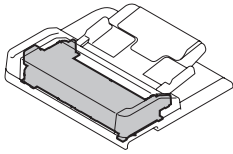
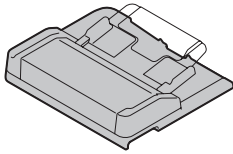
© 2015 TOSHIBA TEC CORPORATION All rights reserved

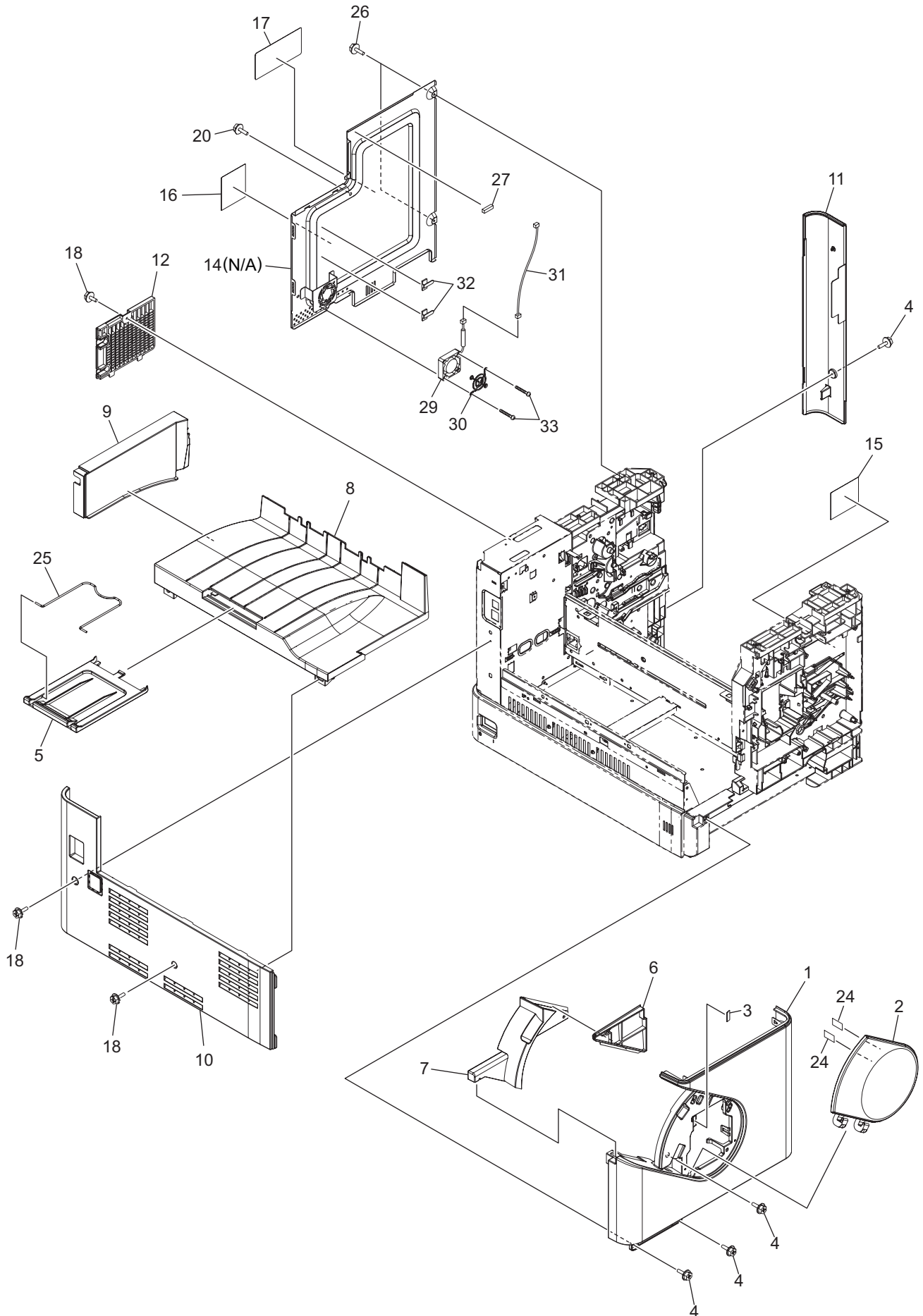
Under the copyright laws, this manual cannot be reproduced in any form without prior written permission of TOSHIBA TEC CORPORATION. No patent liability is assumed, however, with respect to the use of the information contained herein.

CONTENTS

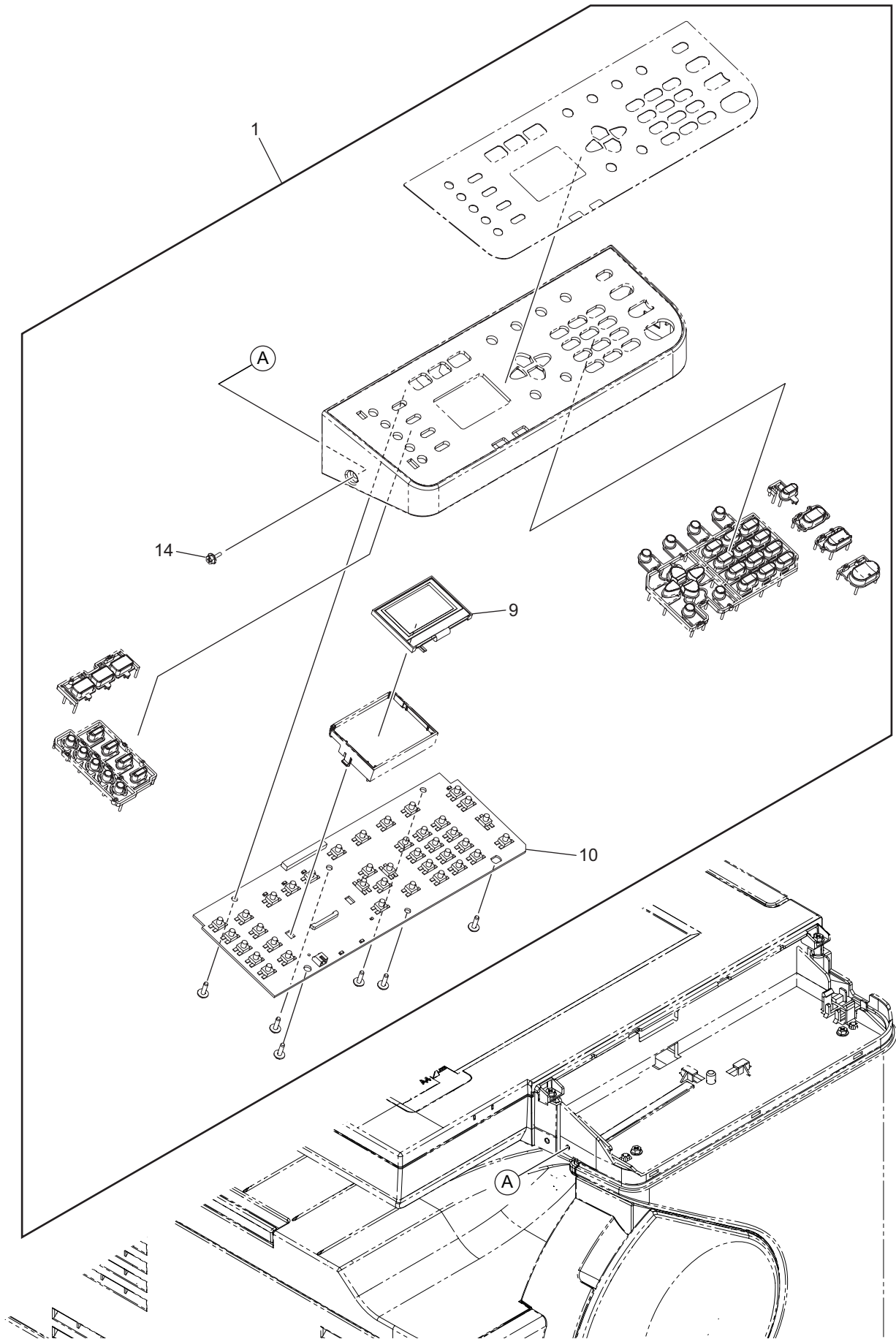
COVER-ASY	1
CONTROL-PANEL-ASY.....	2
BASE-FRAME-ASY.....	3
FRONT-FRAME-ASY.....	4
REAR-FRAME-ASY	5
STAY-ASY	6
OPTICAL-ASY.....	7
ADU-1-ASY	8
ADU-2-ASY	9
MAIN-DRIVE-ASY.....	10
BYPASS-ASY.....	11
GUIDE-ASY.....	12
MAIN-CHARGER-ASY.....	13
EXIT-ASY	14
CLEANER-ASM	15
DEVELOPER-ASY.....	16
FUSER-1-ASY.....	17
FUSER-2-ASY.....	18
DRAWER-ASY	19
PLATEN-ASY	20
ADU-GUIDE-ASY.....	21
DUCT-ASY	22
ADU-DRIVE-ASY	23
FAX-ASY	24
ADF-1-ASY.....	25
ADF-2-ASY.....	26
ADF-1-ASY.....	27
JIGS & GREASE.....	101
SUPPLIES.....	102
REPLACE UNIT	103
PM-KIT	104
FR-KIT.....	105

<p>1. COVER-ASY</p> 	<p>2. CONTROL-PANEL-ASY</p> 	<p>3. BASE-FRAME-ASY</p> 	<p>4. FRONT-FRAME-ASY</p> 
<p>5. REAR-FRAME-ASY</p> 	<p>6. STAY-ASY</p> 	<p>7. OPTICAL-ASY</p> 	<p>8. ADU-1-ASY</p> 
<p>9. ADU-2-ASY</p> 	<p>10. MAIN-DRIVE-ASY</p> 	<p>11. BYPASS-ASY</p> 	<p>12. GUIDE-ASY</p> 
<p>13. MAIN-CHARGER-ASY</p> 	<p>14. EXIT-ASY</p> 	<p>15. CLEANER-ASM</p> 	<p>16. DEVELOPER-ASY</p> 
<p>17. FUSER-1-ASY</p> 	<p>18. FUSER-2-ASY</p> 	<p>19. DRAWER-ASY</p> 	<p>20. PLATEN-ASY</p> 

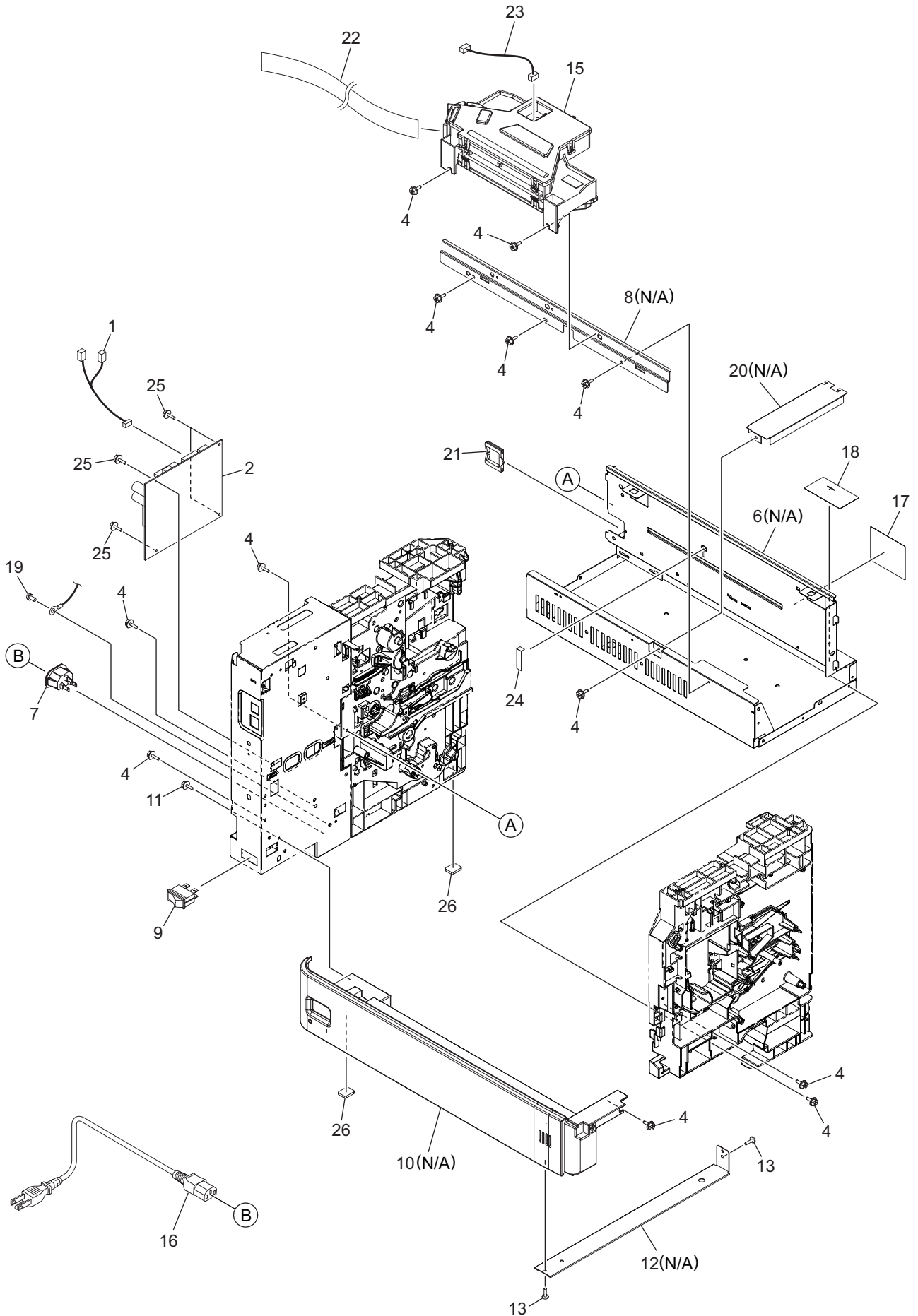
<p>21. ADU-GUIDE-ASY</p> 	<p>22. DUCT-ASY</p> 	<p>23. ADU-DRIVE-ASY</p> 	<p>24. FAX-ASY</p> 
<p>25. ADF-1-ASY</p> 	<p>26. ADF-2-ASY</p> 	<p>27. ADF-3-ASY</p> 	



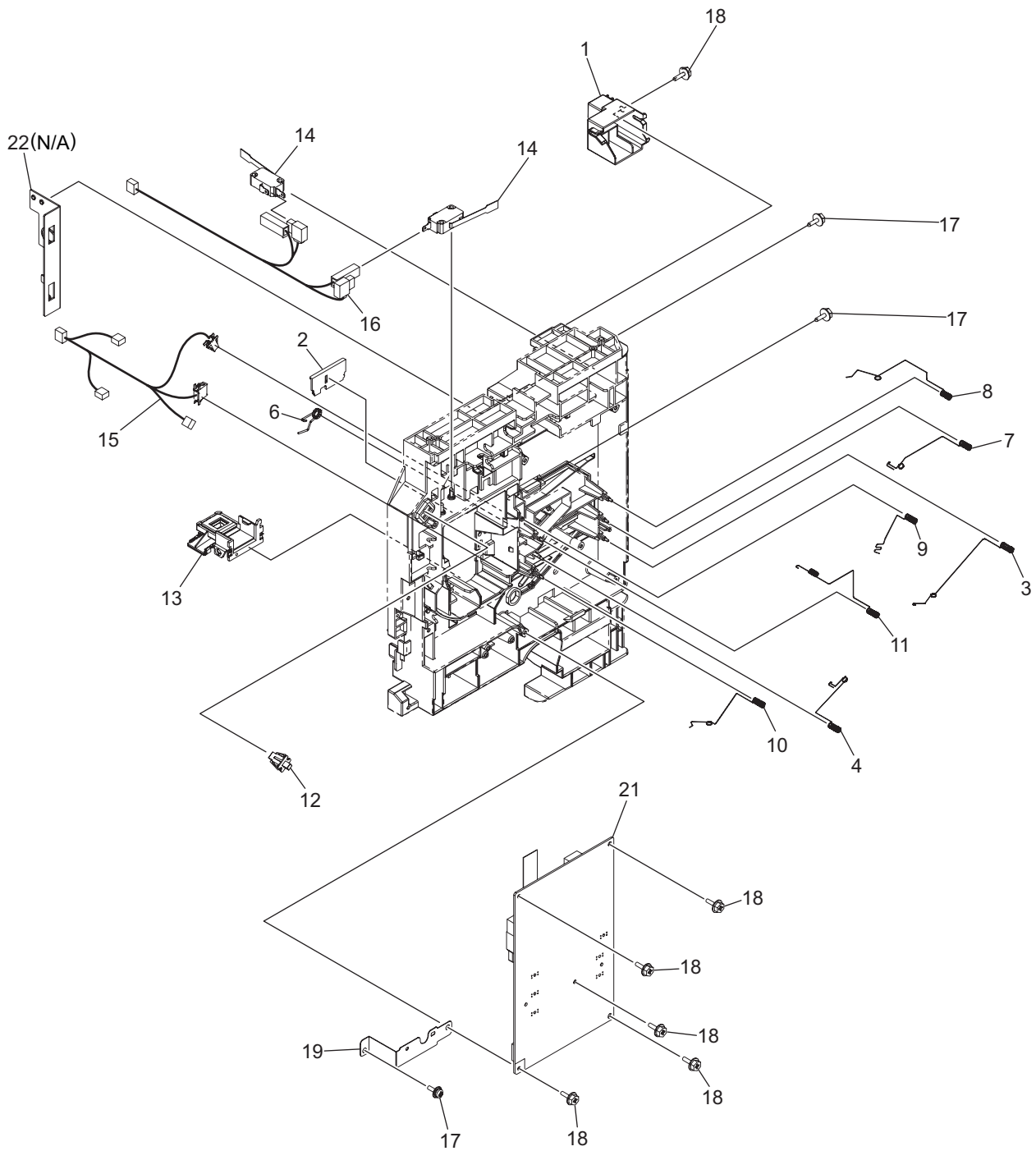
ITEM No.	PART No.	PART NAME	Q'TY / PAGE	Q'TY / PACK	REMARKS
1 A	6LJ76062800	ASYS-COV-FRT-ML_G	1	1/PP	eS2802A
1 B	6LJ76062500	ASYS-COV-FRT-4IN_G	1	1/PP	eS2802AF
1 C	6LJ76062200	ASYS-COV-FRT-3IN_G	1	1/PP	eS2802AM
2	6LJ76044300	ASYS-COV-TNR-H39GC	1	1/PP	
3	6LJ80009000	LBL_O-TNR-CARTG	1	5/P	
4	X0-02247000	S/TPP/FHEXM-3X8-NI	4	10/P	
5	6LJ76068000	COV-TRAY-SUB-H39-GC	1	1/PP	
6	6LJ76006100	COV-IN-FRONT-BACK-PH_GC	1	1/PP	
7	6LJ76005600	COV-IN-FRONT-PH25S-H39GC	1	1/PP	
8	6LJ76004600	COV-TRY-PH25-H39GC	1	1/PP	
9	6LJ76008200	COV-TRY-R-PH25S-GC	1	1/PP	
10 A	6LJ76039B00	COV-LEFT-U-PH25S-H39GC4	1	1/PP	eS2802AF
10 B	6LJ76039800	COV-LEFT-U-PH25S-H39XGC	1	1/PP	eS2802AM
10 C	6LJ76047200	ASYS-COV-LEFT-U-PHS-GC	1	1/PP	eS2802A
11	6LJ76003200	COV-RIGHT-PH25-GC	1	1/PP	
12 A	6LJ76056100	COVER-REAR-SUB-H390	1	1/PP	eS2802A
12 B	6LJ76056200	COVER-REAR-SUB-H390H	1	1/PP	eS2802AM/2802AF
14	6LJ76064000	ASYS-COV-REAR-H394	1	N/A***	
15 A	6LJ83461000	LBL-CAU-LASER	1	1/P	NAD,ASD,ARD,AUD,MJD
15 B	6LJ83375000	LBL-CAU-LASER-CND	1	1/P	CND
16 A	44204604000	LBL-SERVICE-45	1	5/P	NAD,ASD,ARD,AUD,MJD
16 B	6LA56227000	LBL-SERVICE-45C	1	5/KP	CND
17 A	6LA47529000	LBL-LASER	1	1/KP	NAD,ASD,ARD,AUD,MJD
17 B	6LA56226000	LBL-LASER-C	1	5/KP	CND
18	X0-02420000	S/TPS/FHEXM/R-3X8-ZU3	3	10/P	
20	X0-02589000	S/TPD3/FHEXM-4X8-ZU3	1	10/P	
24	6LJ76045000	SHEET-COV-TNR-H24X	2	1/P	
25	6LJ76069000	TRAY-SUB-SUP-H39X	1	1/PP	
26	X0-00434000	S/BID-M3X8-NI	2	10/P	
27	6LJ76077000	SEAL-COV-REAR-H394	1	1/P	
29	6LH39818000	FAND-4010-1604KL-450	1	1/D	
30	6LJ76071000	GUARD-FAN-H390	1	1/P	
31	6LJ81991000	HRNS-PSFAN-H390	1	1/P	
32	F0-00136000	K-103G	2	5/P	
33	X0-02668000	S/TPD3/FHEXM-3X15-ZU3	2	5/P	



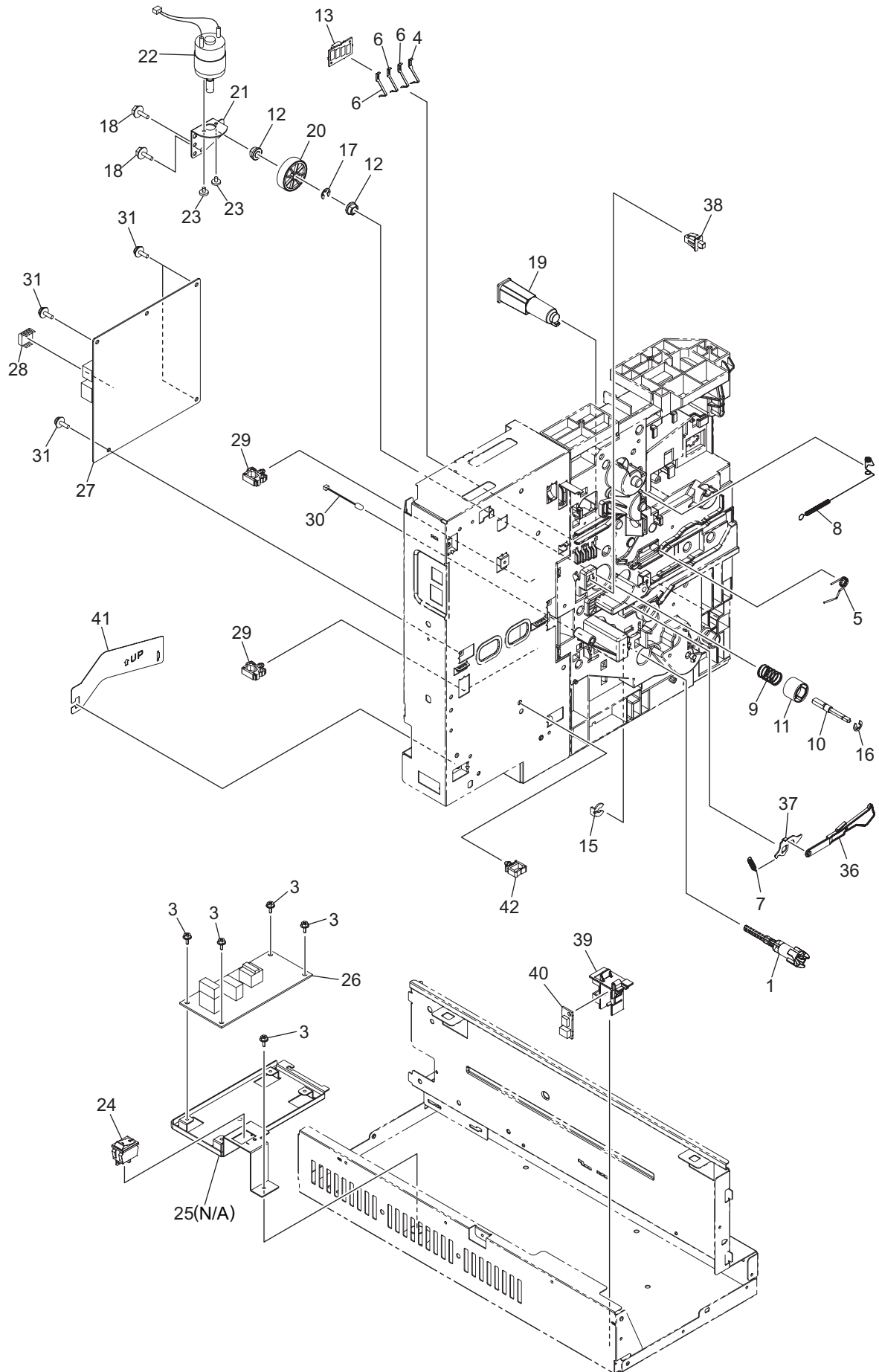
ITEM No.	PART No.	PART NAME	Q'TY / PAGE	Q'TY / PACK	REMARKS
1 A	6LJ81671000	ASYB-CONPANE-2802AM-NAD	1	1/C	eS2802AM NAD,ARD,MJD
1 B	6LJ81671100	ASYB-CONPANE-2802AM-CND	1	1/C	eS2802A/2802AM CND
1 C	6LJ81671200	ASYB-CONPANE-2802AM-ASD	1	1/C	eS2802A/2802AM ASD
1 D	6LJ81669000	ASYB-CONPANE-2802AF-NAD	1	1/C	eS2802AF NAD,ARD,AUD,MJD
1 E	6LJ81669100	ASYB-CONPANE-2802AF-CND	1	1/C	eS2802AF CND
1 F	6LJ81669200	ASYB-CONPANE-2802AF-ASD	1	1/C	eS2802AF ASD
9	6LJ83210000	LCD-MODULE-240	1	1/C	
10 A	6LJ83211000	PWA-H-PNL-240	1	1/S	eS2802A
10 B	6LJ82005000	PWA-H-PNL-246	1	1/SB	eS2802AM
10 C	6LJ82006000	PWA-H-PNL-400	1	1/SB	eS2802AF
14	X0-02247000	S/TTP/FHEXM-3X8-NI	1	10/P	



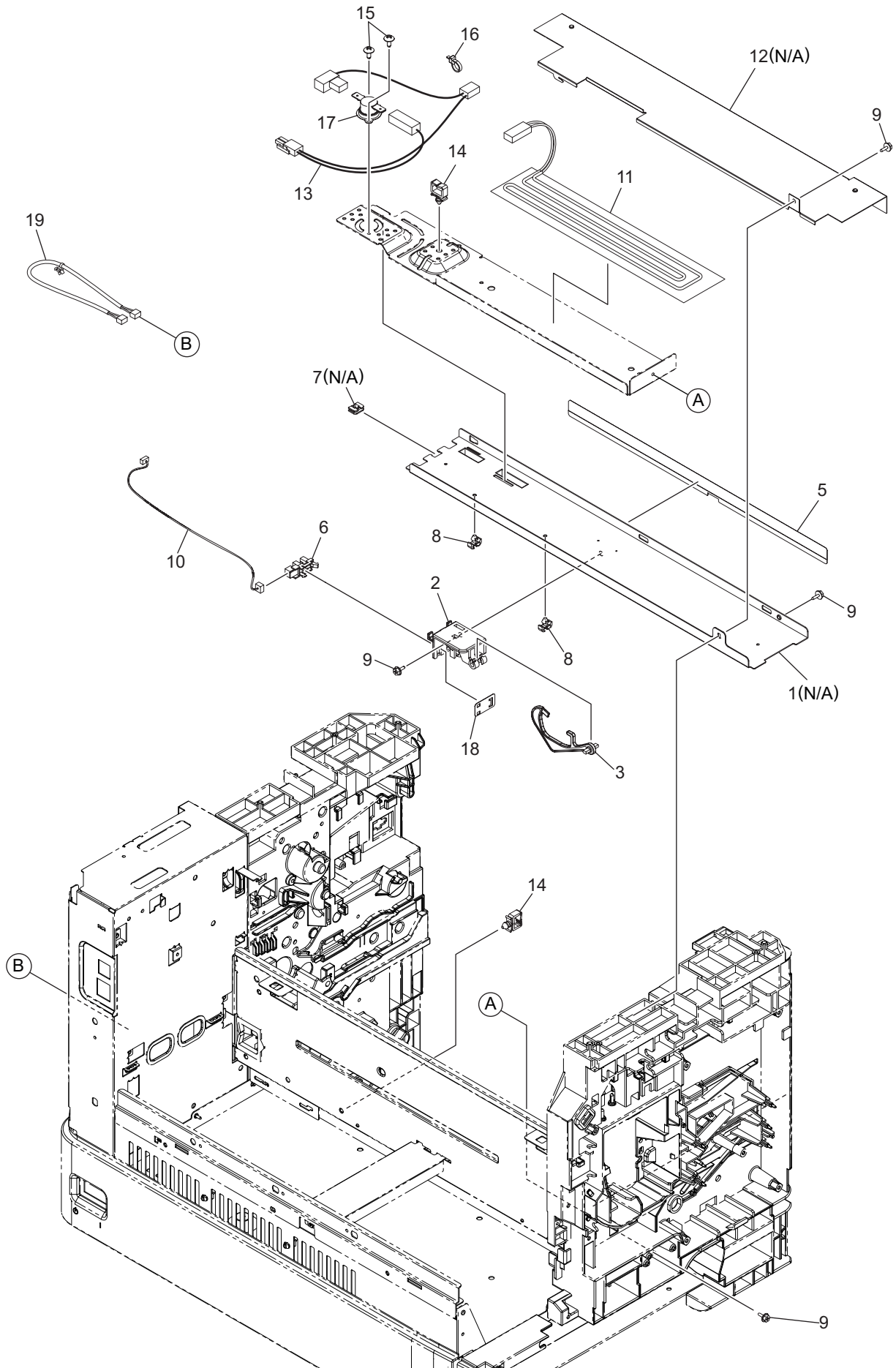
ITEM No.	PART No.	PART NAME	Q'TY / PAGE	Q'TY / PACK	REMARKS
1 A	6LJ81652000	HRNS-ACIN1-H390J	1	1/P	NAD
1 B	6LJ81651000	HRNS-ACIN1-H390E	1	1/P	CND,ASD,ARD,AUD,MJD
2 A	6LJ81646000	PS-ACC-H390EU	1	1/SB	CND,ASD,ARD,AUD,MJD
2 B	6LJ81645000	PS-ACC-H390JU	1	1/SB	NAD
4	X0-02420000	S/TPS/FHEXM/R-3X8-ZU3	12	10/P	
6	6LJ77842000	BKT-STY-H39X	1	N/A***	
7 A	6LJ81964000	HRNS-INLET-DH-H394	1	1/P	ASD,ARD,AUD
7 B	6LJ81963000	HRNS-INLET-H394	1	1/P	NAD,CND,MJD
8	6LJ77748000	BKT-STY-LSU-H241	1	N/A***	
9	E0-14534000	CF-LA-2KZ2-1C	1	1/C	
10	6LJ77705500	COV-LFT-H24X-H39XGC	1	N/A***	
11	X0-02247000	S/TPP/FHEXM-3X8-NI	1	10/P	
12	6LJ77877000	STAY-F-LOW-H394	1	N/A***	
13	X0-01989000	S/TPP/BID-3X8-NI	2	10/P	
15	6LJ78341000	LSU-2809	1	1/S	
16 A	6LE95824000	CABLE-P-INLET-AR	1	1/P	ARD
16 B	6LJ83118000	CABLE-P-INLET-CCC	1	1/P	CND
16 C	6LE95822000	CABLE-P-INLET-EUR	1	1/P	MJD
16 D	6LJ60950000	CABLE-P-INLET-NAD-15A	1	1/P	NAD
16 E	6LK31407000	CABLE-P-INLET-AU	1	1/P	AUD
17 A	6LJ83461000	LBL-CAU-LASER	1	1/P	NAD,ASD,ARD,AUD,MJD
17 B	6LJ83375000	LBL-CAU-LASER-CND	1	1/P	CND
18	6LJ76557000	SHEET-BARR-TONER	1	1/P	
19	6LH55300000	USUITA-SPSEMS-4X8-6	1	5/P	
20	6LJ77863000	BRKT-LSU-SUPPORT	1	N/A***	
21	F0-00034000	EDS-2323U	1	5/P	
22	6LJ81859000	HRNS-LDR-240	1	1/P	
23	6LJ81819000	HRNS-POL-240	1	1/P	
24	6LJ77814000	SHEET-BRKT-STY	1	1/P	
25	X0-00077000	S/PAN/SWWP-M3X8-NI	4	10/P	
26	6LJ77875000	FOOT-FRAME-CR	2	1/P	



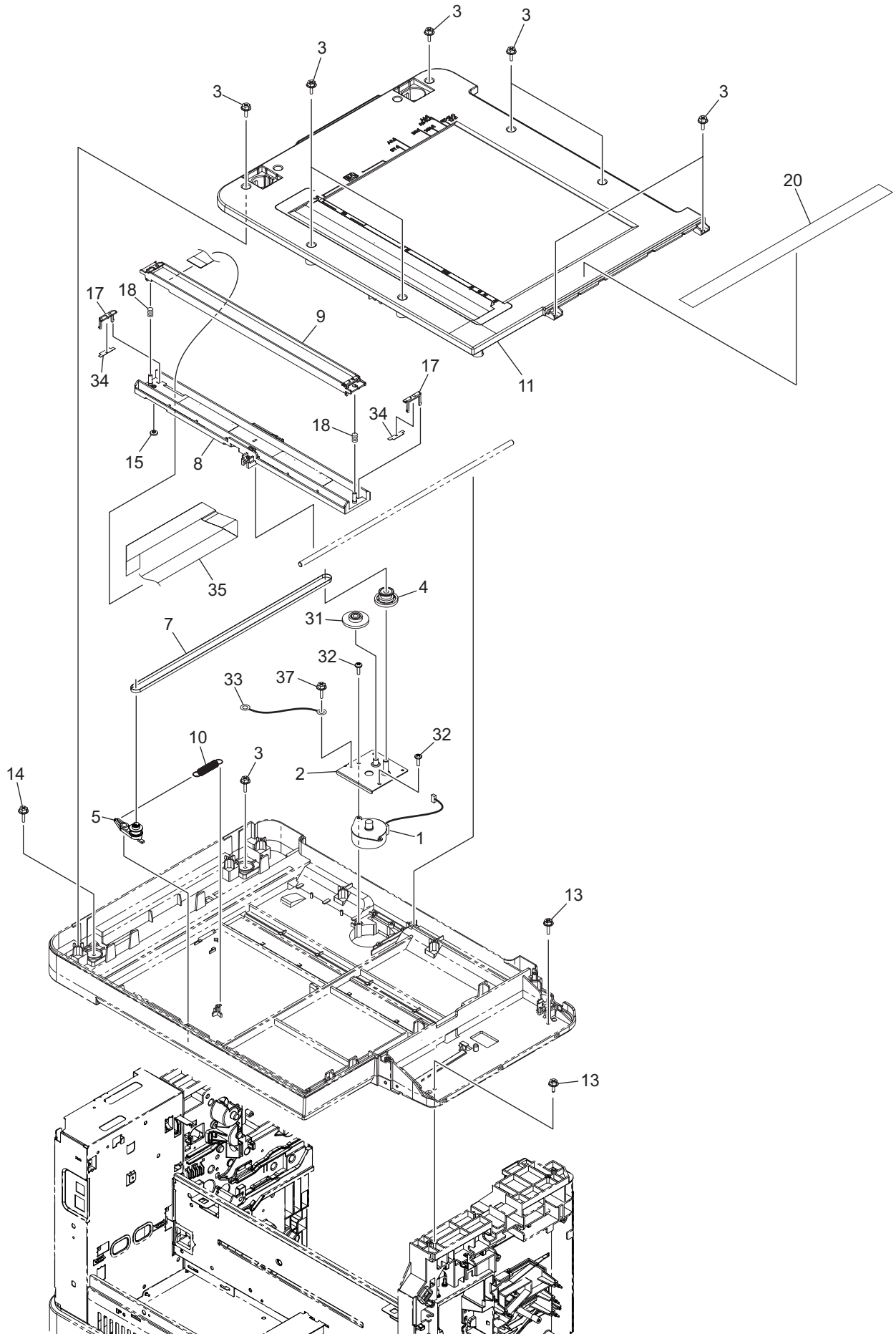
ITEM No.	PART No.	PART NAME	Q'TY / PAGE	Q'TY / PACK	REMARKS
1	6LJ77709000	COV-SW-OPEN-RIGHT-H24X	1	1/P	
2	6LJ80008200	PLATE-KEY-MODEL-ID-PH2	1	1/P	
3	6LJ77408000	SPG-BIAS-RGST	1	1/P	
4	6LJ80210000	SPG-BIAS-SEP-H24X	1	1/P	
6	6LJ77821000	SPG-LOCK-DRUM-F	1	1/P	
7	6LJ80209000	SPG-BIAS-TR-H24X	1	1/P	
8	6LJ78020000	SPG-BIAS-FUS-H24X	1	1/P	
9	6LJ78611000	SPG-BIAS-CH-H24X	1	1/P	
10	6LJ76524000	SPG-BIAS-DEV	1	1/P	
11	6LJ78612000	SPG-BIAS-GRID-H24X	1	1/P	
12	E0-14613000	PS-12C02-F NS	1	1/P	
13	6LJ76549000	ASYS-HLDR-TNR-CARTG	1	1/P	
14	6LJ83112000	SW-INTERLOCK-H240	2	1/C	
15	6LJ81661000	HRNS-MAIN-PU-H390	1	1/P	
16	6LJ81654000	HRNS-INTERLOCK-H394	1	1/P	
17	X0-02420000	S/TPS/FHEXM/R-3X8-ZU3	3	10/P	
18	X0-02247000	S/TPP/FHEXM-3X8-NI	6	10/P	
19	6LJ77712000	PLT-EARTH-F-H24X	1	1/P	
21	6LJ81640000	PS-HVT-H390	1	1/SB	
22	6LJ77708000	BRKT-FUS-F-H24X	1	N/A***	



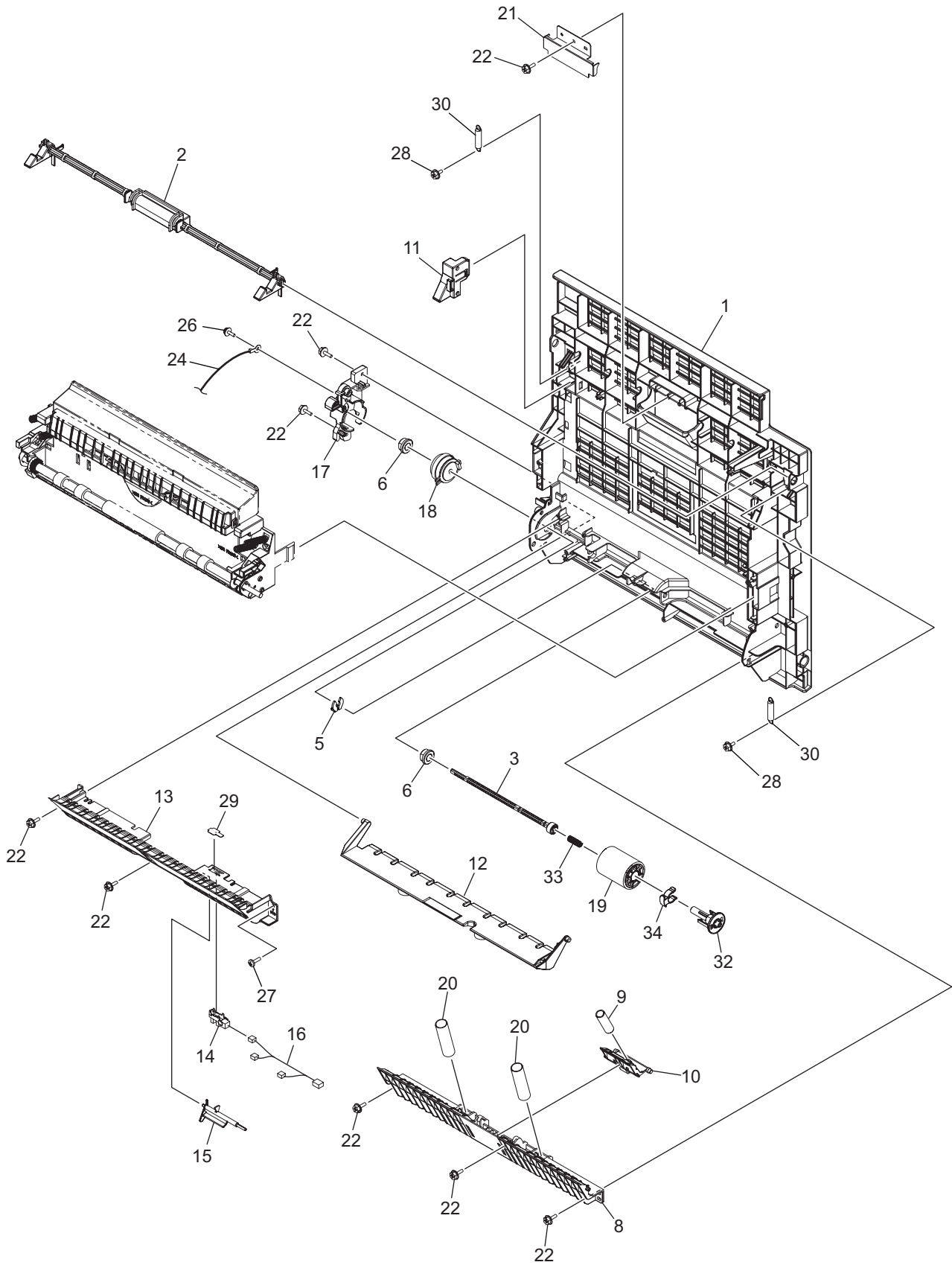
ITEM No.	PART No.	PART NAME	Q'TY / PAGE	Q'TY / PACK	REMARKS
1	6LJ56336000	COUPL-CST-H21X_L	1	1/P	
3	X0-02420000	S/TPS/FHEXM/R-3X8-ZU3	5	10/P	
4	6LJ54890000	SPG-F-TNRIC-H21X-G	1	1/P	
5	6LJ75519000	SPG-LOCK-DRUM-R	1	1/P	
6	6LJ54889000	SPG-F-TNRIC-H21X	3	1/P	
7	6LJ76582000	SPG-LOCK-DEV	1	1/P	
8	6LJ78021000	SPG-EARTH-FUS-H24X	1	1/P	
9	6LJ76826000	SPG-C-DRV-TNR-H24X	1	1/P	
10	6LJ76822000	STUD-TNRDRV-H24X	1	1/P	
11 A	6LH57004100	CPG-TC-470-D	1	1/P	ASD,AUD
11 B	6LH57004400	CPG-TC-470-C	1	1/P	CND
11 C	6LH57004300	CPG-TC-470-E	1	1/P	MJD
11 E	6LH57004200	CPG-TC-470-U	1	1/P	NAD,ARD
12	44201492000	BUSH-6-POM	2	5/P	
13	6LJ81247000	PWA-H-CTIF-H390	1	1/C	
15	44201801000	STOP-RING-6-1.5	1	5/P	
16	X0-00964000	RR/E-3-SS	1	10/P	
17	X0-00966000	RR/E-5-SS	1	10/P	
18	X0-02247000	S/TPP/FHEXM-3X8-NI	2	10/P	
19	6LJ77730000	BOS-CENTER-COV-ADU-H24X	1	1/P	
20	6LJ76817000	GEAR-05H60-DRV-TNR-H24X	1	1/P	
21	6LJ76821000	BRKT-DRV-TNR-H24X	1	1/P	
22	6LJ76845000	MOTRD-TNR-H24X	1	1/D	
23	X0-02557000	S/BID-M2.6X3-NI	2	10/P	
24 A	E0-11767000	AJ76101BF	1	1/P	ASD,ARD,AUD
25 A	6LJ77769000	BRKT-BOARD-DHTR-H24X	1	N/A***	ASD,ARD,AUD
26 A	6LJ81220000	PWA-H-FUS-240	1	1/C	ASD,ARD,AUD
27 A	6LJ82041500	PWA-H-MAIN-H394	1	1/SB	eS2802AM
27 B	6LJ82041600	PWA-H-MAIN-H395	1	1/SB	eS2802AF
27 C	6LJ82041700	PWA-H-MAIN-H396	1	1/SB	eS2802A
28	C0-18692000	W25Q80BVD AIG	1	1/S	
29	F0-01609000	RLWC-2SV0	2	5/P	
30	6LJ81611000	THMS-DRM-240	1	1/P	
31	X0-00077000	S/PAN/SWWP-M3X8-NI	4	10/P	
36	6LJ76581000	LEVER-LOCK-DEV	1	1/P	
37	6LJ76580000	PLATE-LOCK-DEV	1	1/P	
38	E0-14613000	PS-12C02-F NS	1	1/P	
39	6LJ77860000	HLD-SEN-TMP-H39X	1	1/P	
40	D0-38885000	HSU-08F9C1A	1	1/P	
41	6LJ77872000	SHEET-LVPS-H394	1	1/P	
42	F0-00024000	LWS-1U	1	5/P	



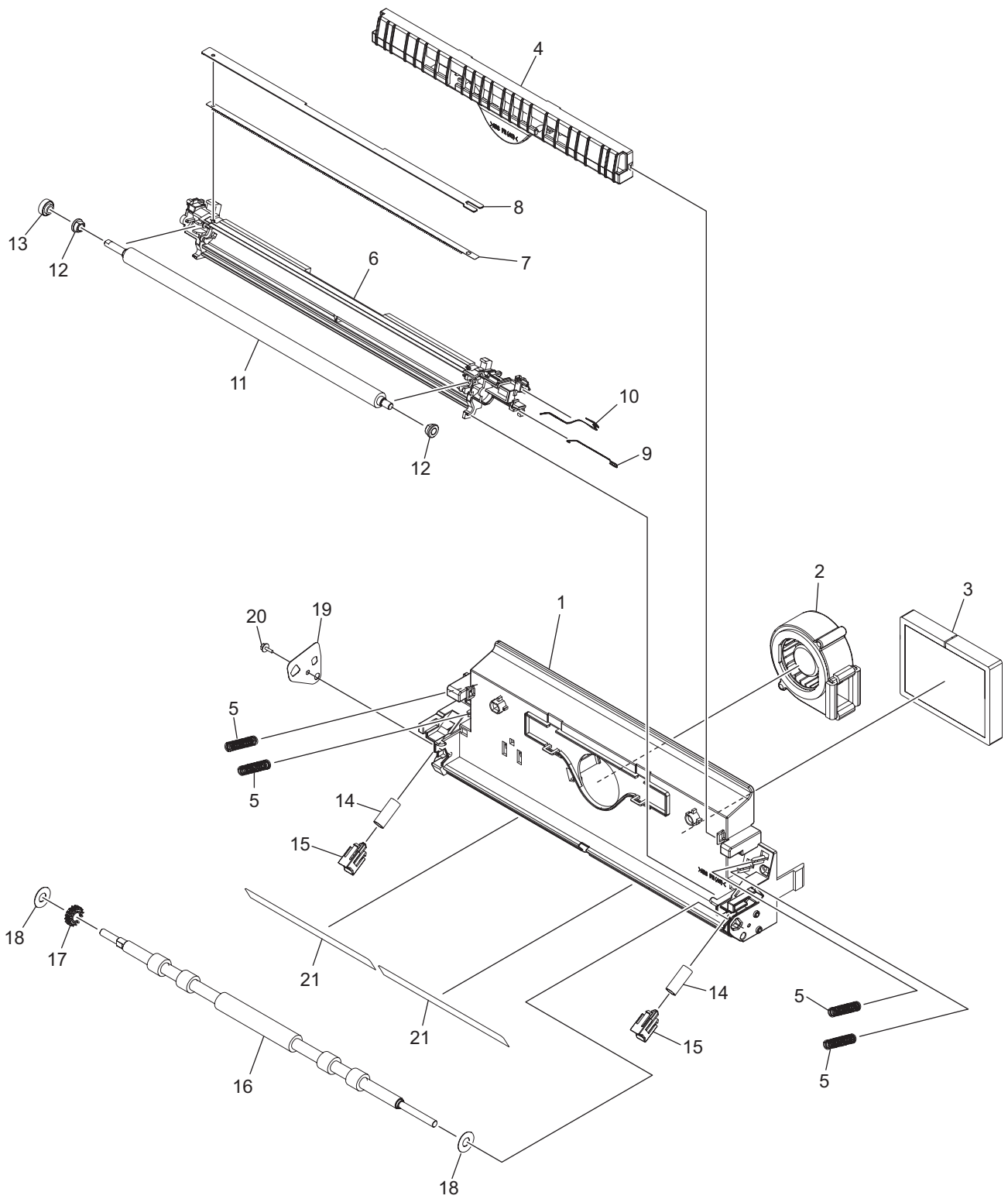
ITEM No.	PART No.	PART NAME	Q'TY / PAGE	Q'TY / PACK	REMARKS
1	6LJ77857000	ASYS-BRKT-ACTR-EMPTY-H39X	1	N/A***	
2	6LJ77422100	BRKT-SNSR-H24X	1	1/P	
3	6LE53709000	ACTR-SNSR-280	1	1/P	
5	6LJ77739000	SCRAPER-RGST-H24X	1	1/KP	
6	C0-17839000	LG2A14BL1	1	1/C	
7	F0-02279000	LES-0503	1	N/A***	
8	F0-01046000	UAMS-02WL-0	2	5/P	
9 A	X0-02420000	S/TPS/FHEXM/R-3X8-ZU3	4	10/P	ASD,ARD,AUD
9 B	X0-02420000	S/TPS/FHEXM/R-3X8-ZU3	2	10/P	NAD,CND,MJD
10	6LJ81853000	HRNS-CST-EMP-240	1	1/P	
11 A	6LE64030000	HEATER-D-DRM-280E	1	1/C	ASD,ARD,AUD
12 A	6LJ77743000	COV-DHTR-H24X	1	N/A***	ASD,ARD,AUD
13 A	6LJ81875000	HRNS-DHT-240	1	1/P	ASD,ARD,AUD
14 A	F0-00024000	LWS-1U	2	5/P	ASD,ARD,AUD
15 A	6LA08935000	SCR-M3X6BISR-NI	2	10/P	ASD,ARD,AUD
16 A	F0-01012000	T18R	1	5/P	ASD,ARD,AUD
17 A	6LE09486000	THRMST-CS-7L	1	1/D	ASD,ARD,AUD
18	6LJ77420000	SHEET-SUP-SNS	1	1/P	
19 A	6LJ81658000	HRNS-MAIN-DHSW-H394	1	1/P	ASD,ARD,AUD



ITEM No.	PART No.	PART NAME	Q'TY / PAGE	Q'TY / PACK	REMARKS
1	6LJ79732000	MOTR_S-SCN-240	1	1/C	
2	6LJ79811000	ASYS-BKT-MOT-SCN-PH25-N	1	1/P	
3	X0-02247000	S/TPP/FHEXM-3X8-NI	9	10/P	
4	6LJ79816000	PLY-DRV-SCAN-PH25	1	1/P	
5	6LJ79807000	ASYS-ARM-TENS-BELT	1	1/P	
7	6LJ79714000	BELT-DRV-CIS-PH25	1	1/P	
8	6LJ79788200	ASYB-CASE-CIS-PH25	1	1/PP	
9	6LJ77883000	ASYS-SNSR-CISM-H390	1	1/C	
10	6LJ79709000	SPRING-TENS-PH25	1	1/P	
11 A	6LJ79799100	ASYS-SCAN-U-PH25-CND	1	1/S	CND
11 B	6LJ79799200	ASYS-SCAN-U-PH25-OTH2	1	1/S	NAD,ASD,ARD,AUD,MJD
13	X0-02248000	S/TPP/FHEXM-3X10-NI	2	10/P	
14	X0-02420000	S/TPS/FHEXM/R-3X8-ZU3	1	10/P	
15	6LJ59748000	FOOT-CRG-H21X	1	1/P	
17	6LJ79703000	SLIDER-CIS-PH25	2	1/P	
18	6LJ79764000	SPG-C-5XR65X10R1	2	1/P	
20 A	6LJ82613000	LBL-PROHIBIT-C-H24X	1	1/P	CND
20 B	6LJ82612000	LBL-PROHIBIT-E-H24X	1	1/KP	ASD,ARD,AUD,MJD
20 C	6LJ82610000	LBL-PROHIBIT-U-H24X	1	1/P	NAD
31	6LJ79817000	GEAR-5S32 5S64-6	1	1/P	
32	6LA80090000	S/TPP/BID-3*8-NI	2	5/P	
33	6LJ81936000	HRNS-SCN-MOT-GND-240	1	1/P	
34	6LJ79771000	MYLAR-CIS-01	2	1/P	
35	6LJ81972000	HRNS-MAIN-PNL-H394	1	1/P	
37	X0-02419000	S/TPS/FHEXM/R-3X6-ZU3	1	10/P	



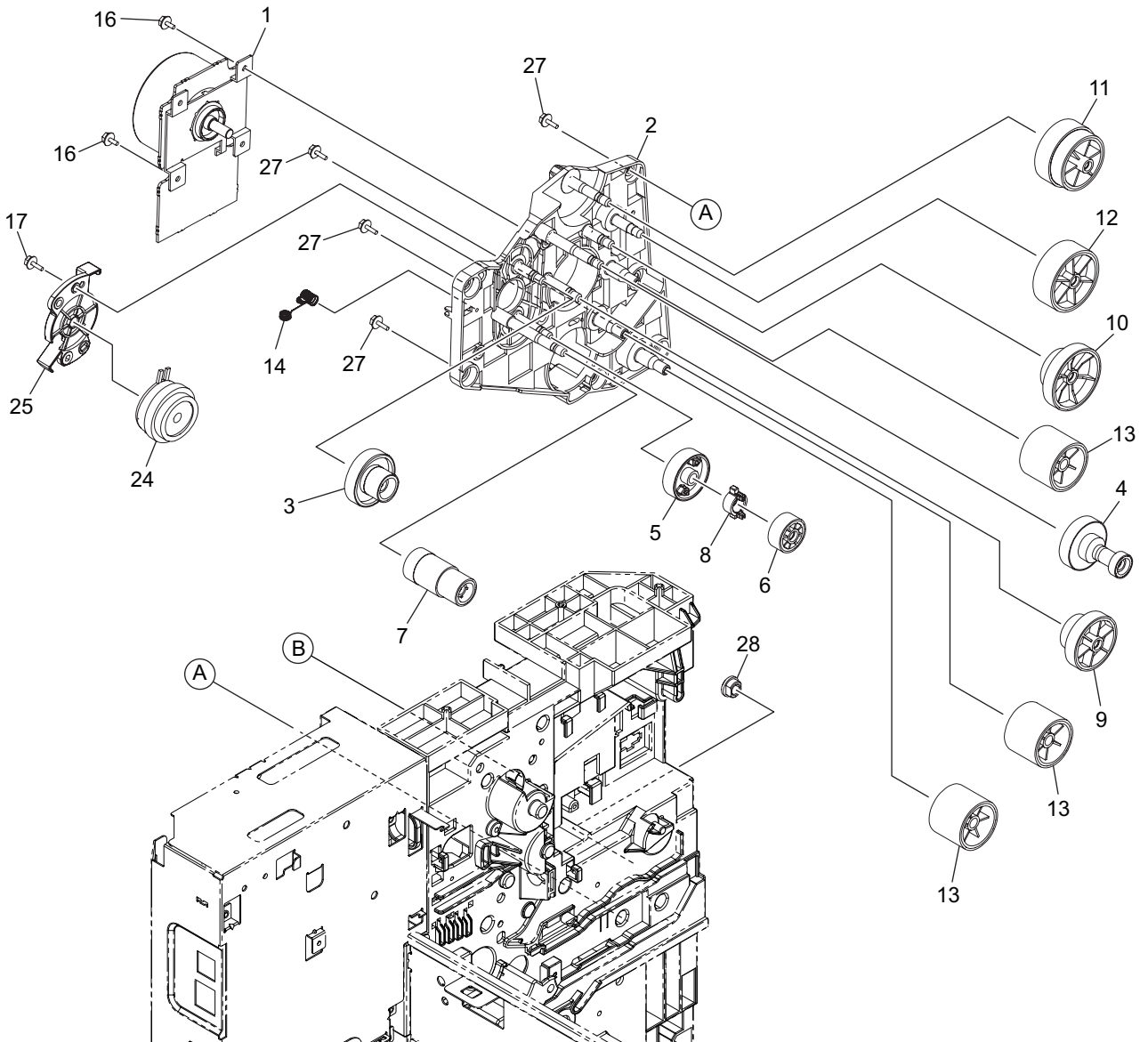
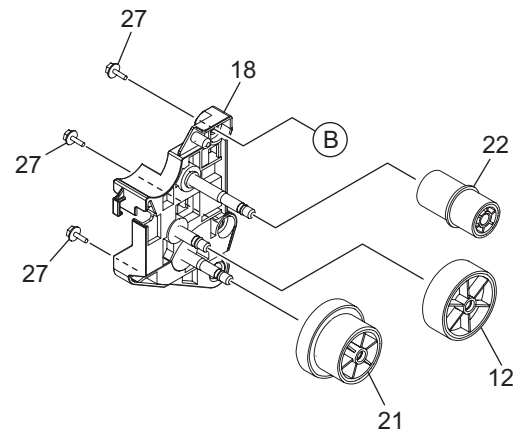
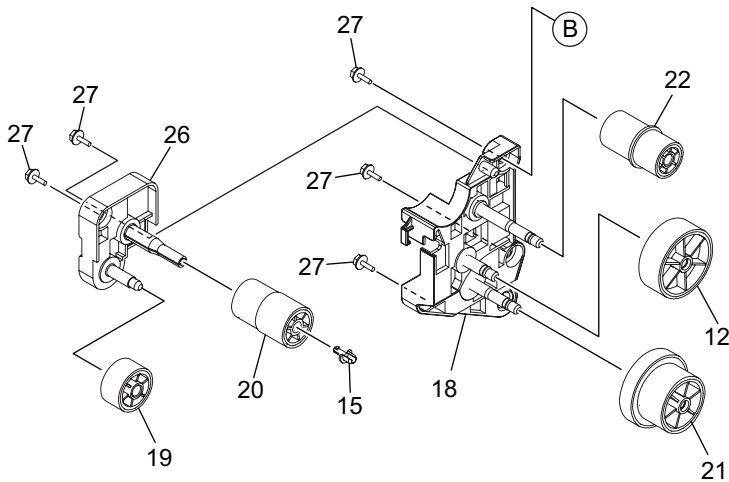
ITEM No.	PART No.	PART NAME	Q'TY / PAGE	Q'TY / PACK	REMARKS
1	6LJ74688000	ASYS-COV-SIDE-ADU-H394	1	1/PP	
2	6LJ74601000	LEV-OPEN-COV-SID-H24X	1	1/PP	
3	6LJ74975000	SHAFT-ROL-SFB-H24X_N6	1	1/P	
5	44201801000	STOP-RING-6-1.5	1	5/P	
6	44201492000	BUSH-6-POM	2	5/P	
8	6LJ74902000	GUIDE-FEED-SFB-H24X	1	1/PP	
9	6LJ74922000	SPC-PAD-SFB-H24X	1	1/P	
10	6LJ74999000	ASYS-PAD-SFB-H394-S	1	1/P	
11 A	6LJ74617000	PUSHER-FUSER-H24X	1	1/P	eS2802A
12	6LJ74929000	ASYS-TRAY-FED-SFB-H24X	1	1/PP	
13	6LJ74990000	ASYS-GID-FED-RU-H24X	1	1/PP	
14	C0-17839000	LG2A14BL1	1	1/C	
15	6LJ74905000	ACTR-EMP-SFB-H24X	1	1/P	
16	6LJ81813000	HRNS-SFB-240	1	1/P	
17	6LJ74921000	HLD-DRV-SFB-H24X	1	1/P	
18	6LH51224000	CLUTCH-50C-G28-6	1	1/D	
19	6LJ74979000	ASYS-ROL-F32-NS	1	1/P	
20	6LJ74956000	SPC-TRAY-SFB-H24X	2	1/P	
21	6LJ74618000	BRKT-COV-SIDE-H24X	1	1/P	
22	X0-02247000	S/TPP/FHEXM-3X8-NI	8	10/P	
24	6LJ81890000	HRNS-SFB-GND-240	1	1/P	
26	X0-00077000	S/PAN/SWWP-M3X8-NI	1	10/P	
27	6LA80090000	S/TPP/BID-3*8-NI	1	5/P	
28	X0-02246000	S/TPP/FHEXM-3X6-NI	2	10/P	
29	6LJ74950000	SHEET-SENS-SFB	1	5/P	
30	6LJ74655000	SPG-LVR-COV-SID-H24X	2	1/P	
32	6LJ74972000	COLAR-ROLL-SFB-H24X	1	1/P	
33	6LJ74982000	SPC-ROL-SFB-H394	1	1/P	
34	6LJ57127100	STOPPER-ROL-SFB-H390	1	1/P	



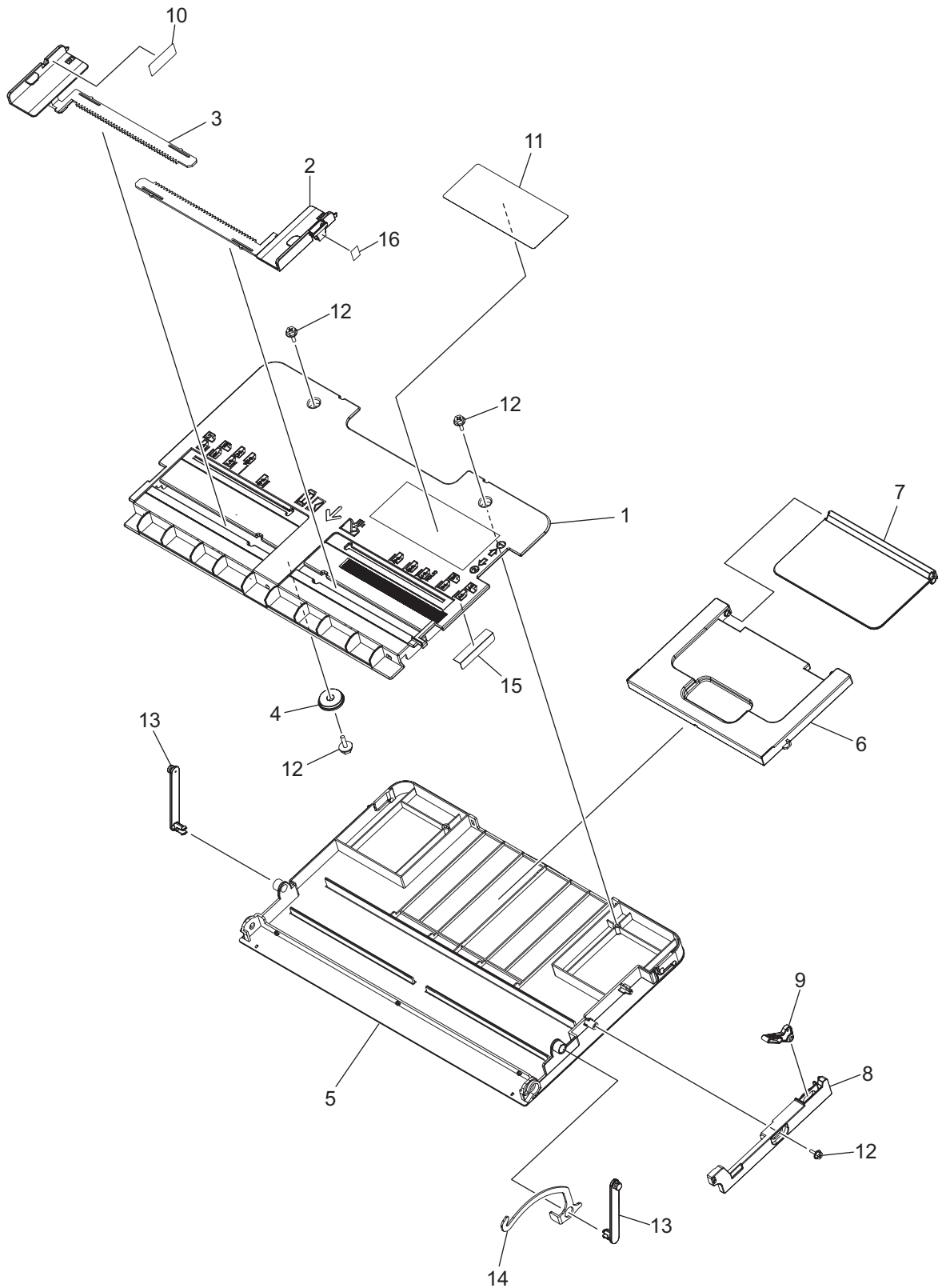
ITEM No.	PART No.	PART NAME	Q'TY / PAGE	Q'TY / PACK	REMARKS
1	6LJ80201000	CASE-DUCT-R-H24X	1	1/PP	NAD,CND,ASD,ARD,AUD MJD
2	6LJ80220000	ASYS-FAN-DUCT-H24X	1	1/D	
3 A	6LJ80213000	FILTER-OZONE-H24X	1	1/C	
3 B	6LJ15609000	FILTER-OZONE-H160	1	1/C	
4	6LJ80202200	COVER-DUCT-R-H39X	1	1/P	
5	6LJ80211000	SPG-PUSH-TR-H24X	4	1/P	
6	6LJ80225000	CASE-RLR-TR-H24X	1	1/PP	
7	6LJ80224000	CH-SEP-H24X	1	1/KP	
8	6LJ80223000	SHEET-CH-SEP-30-H24X	1	1/KP	
9	6LJ80207000	SPG-RLR-TRU-H24X	1	1/P	
10	6LJ80208000	SPG-CH-SEP-H24X	1	1/P	
11	6LJ83407000	CR-2505-TR	1	1/S	
12	44201492000	BUSH-6-POM	2	5/P	
13	6LJ80205000	GEAR-RLR-TR-H24X	1	1/P	
14	6LE62403000	SPC-PUSH-RGST	2	1/P	
15	6LH56317000	PUSH-RGST-470-V	2	1/P	
16	6LJ79503000	ROLLER-RGST-R-H24X	1	1/KP	
17	6LJ79504000	GEAR-10S16-8	1	1/P	
18	6LJ14900000	WSHR-82X19-048	2	5/P	
19	6LJ77407000	PLATE-RGST-H24X	1	1/P	
20	X0-02247000	S/TTP/FHEXM-3X8-NI	1	10/P	
21	6LJ77410000	SHEET-RGST-R	2	1/KP	

e-STUDIO2802A

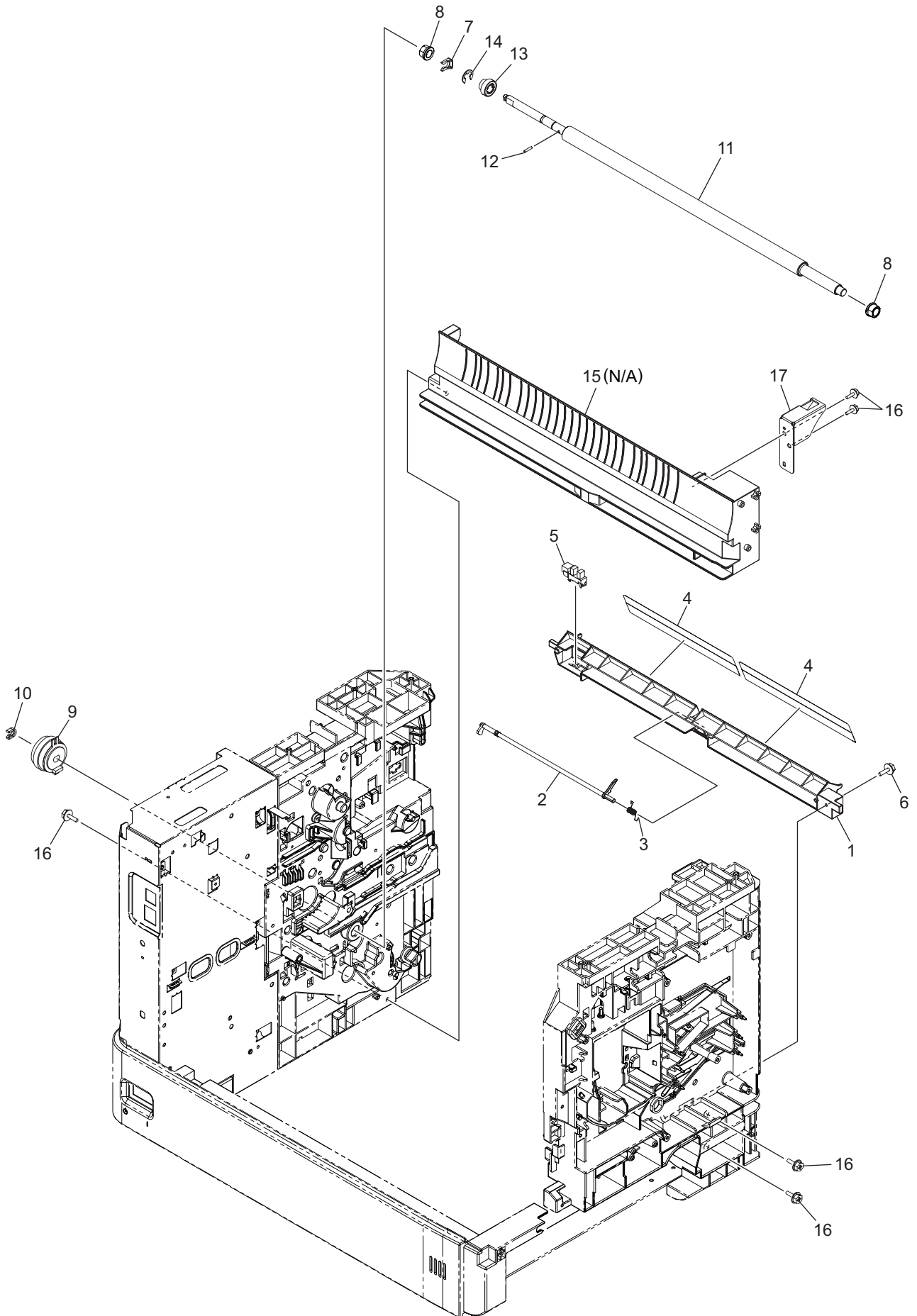
e-STUDIO2802AM/2802AF



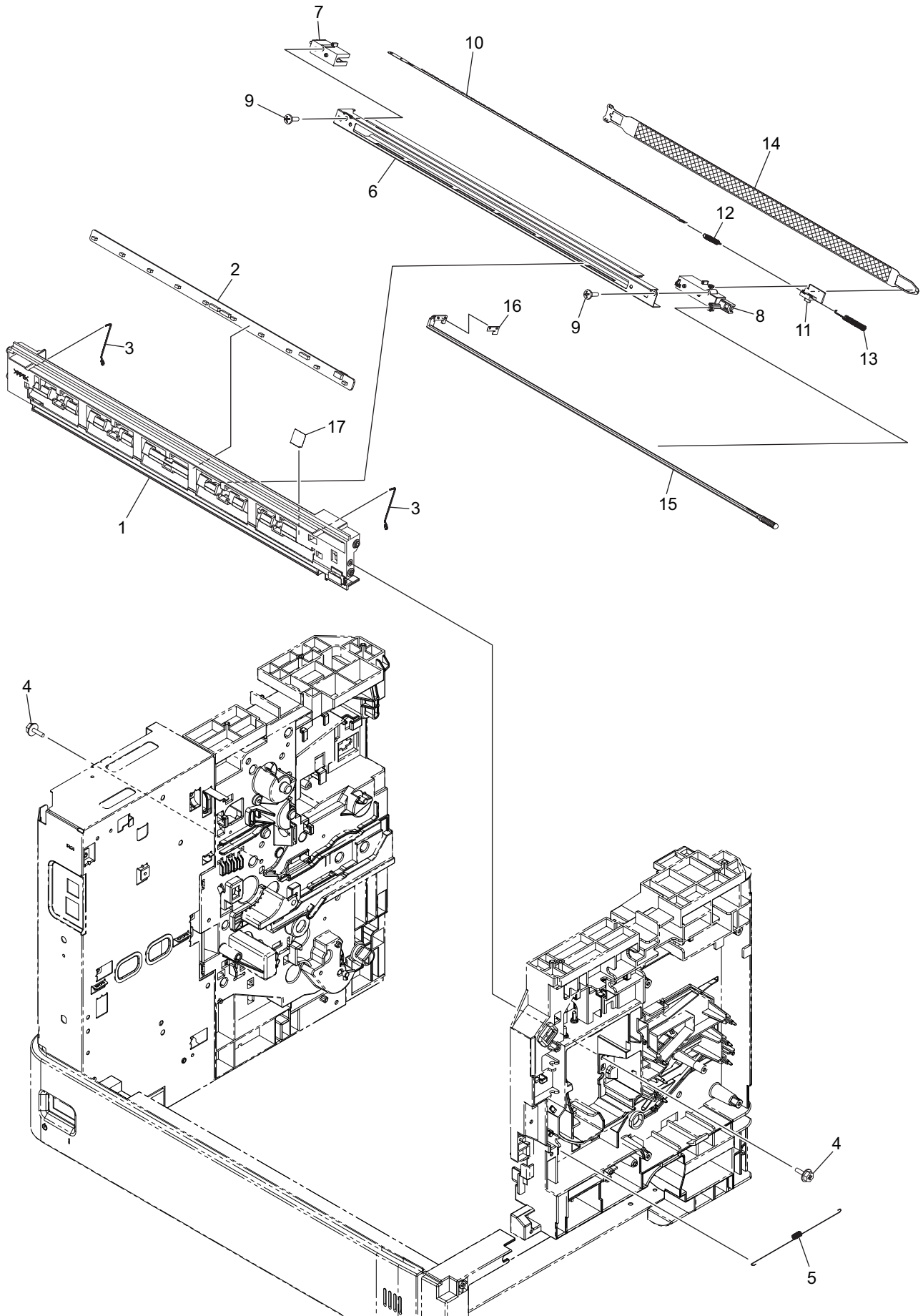
ITEM No.	PART No.	PART NAME	Q'TY / PAGE	Q'TY / PACK	REMARKS
1	6LJ76800000	MOTR_D-MAIN-DRIVE-H24X	1	1/SB	
2	6LJ76873000	ASYS-COV-DRV-LWR-H24X	1	1/C	
3	6LJ76801000	GEAR-05H61-05H32	1	1/P	
4	6LJ76804000	GEAR-05H57-05H28	1	1/P	
5	6LJ76802000	GEAR-05H54	1	1/P	
6	6LJ76803000	GEAR-08S26	1	1/P	
7	6LJ76893000	GEAR-08S24-08S21	1	1/P	
8	6LJ76818000	COUPL-GR-P-JOINT-H24X	1	1/P	
9	6LJ76813000	GEAR-08S42-10S21	1	1/P	
10	6LJ76806000	GEAR-08S48-10S22	1	1/P	
11	6LJ76811000	GEAR-10S34-10S37	1	1/P	
12	6LJ76809000	GEAR-10S38	2	1/P	
13	6LJ76875000	GEAR-10S30	3	1/P	
14	6LJ76832000	SPG-GROUND-MAIN-MOT-H24X	1	1/P	
15 A	6LJ76844000	STOP-RING-GEAR-H24X	1	1/P	eS2802A
16	X0-02231000	S/FHEXM-M3X8-NI	2	10/P	
17	X0-02247000	S/TPP/FHEXM-3X8-NI	1	10/P	
18	6LJ76852100	ASYS-COV-DRV-UPPER-H39X	1	1/C	
19 A	6LJ76807000	GEAR-10S24	1	1/P	eS2802A
20 A	6LJ76814000	GEAR-10S19-10S22	1	1/P	eS2802A
21	6LJ76810000	GEAR-10S40-10S31	1	1/P	
22	6LJ76871000	GEAR-10S20-DRV-FUS-H24X	1	1/P	
24	6LH51224000	CLUTCH-50C-G28-6	1	1/D	eS2505
25	6LJ76815000	COVER-CLT-CST-H24X	1	1/P	
26 A	6LJ76849000	COVER-MAIN-DRV-EXIT-H241	1	1/P	eS2802A
27 A	X0-02248000	S/TPP/FHEXM-3X10-NI	9	10/P	eS2802A
27 B	X0-02248000	S/TPP/FHEXM-3X10-NI	7	10/P	eS2802AM/2802AF
28	44201492000	BUSH-6-POM	1	5/P	



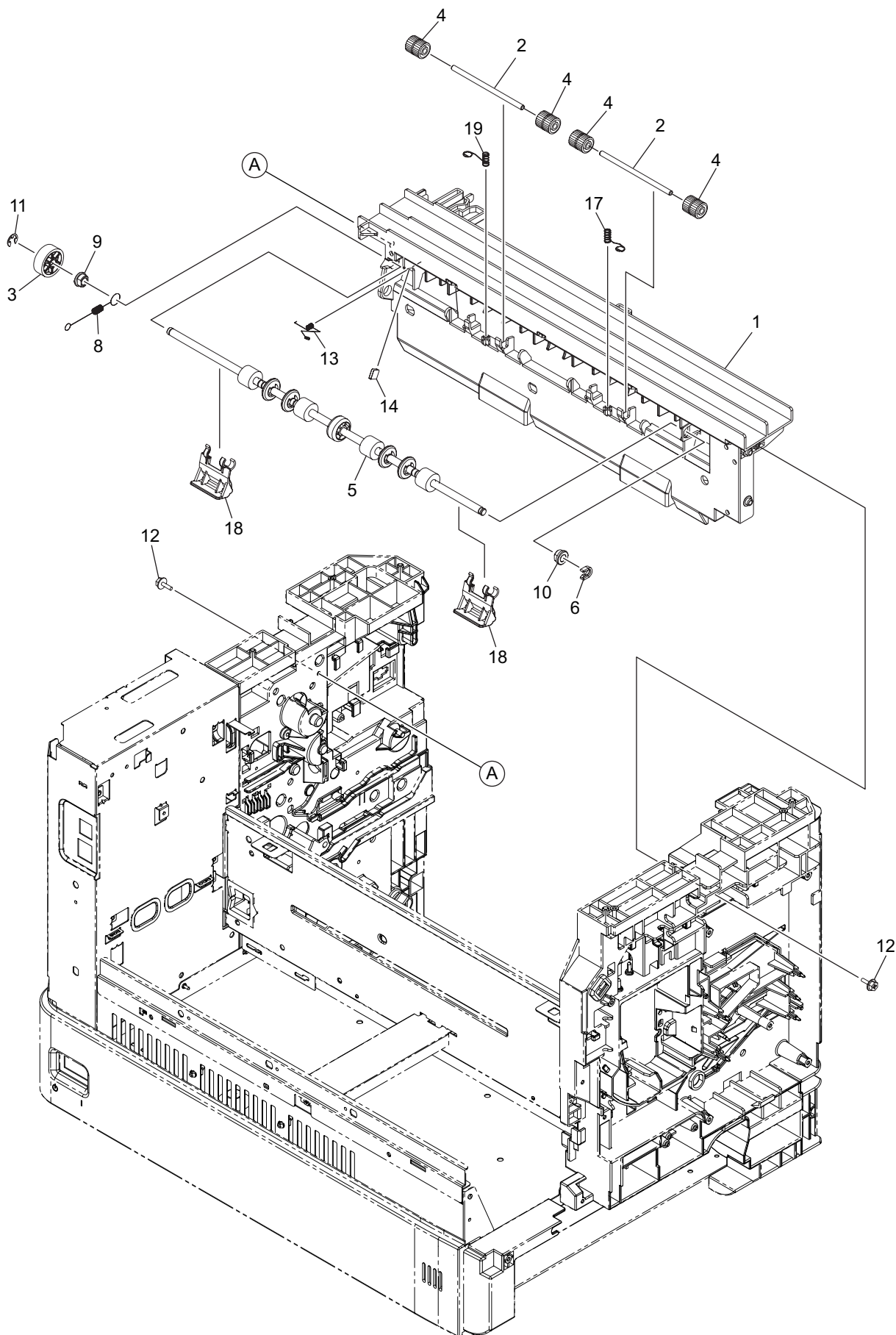
ITEM No.	PART No.	PART NAME	Q'TY / PAGE	Q'TY / PACK	REMARKS
1	6LJ74915100	TRAY-SFB-U-H24X-HIPS	1	1/PP	
2	6LJ74911000	GUIDE-TRAY-SFB-F	1	1/D	
3	6LJ74912000	GUIDE-TRAY-SFB-R	1	1/D	
4	4407726480	PINION-18-395	1	1/P	
5	6LJ74916100	TRAY-SFB-L-H24X-HIPS	1	1/PP	
6	6LJ74913000	TRAY-SFB-SUB-S	1	1/PP	
7	6LJ74914000	TRAY-SFB-SUB-T	1	1/PP	
8	6LJ74909000	LINK-TRAY-SFB-H24X	1	1/P	
9	6LJ57004000	LEVER-TRAY-SFB-H21X-L	1	1/P	
10	6LJ74947000	LBL-HIGH-TRAY-H24X	1	1/P	
11	6LJ74925000	SHEET-INFO-SFB-H24X	1	1/KP	
12	X0-02247000	S/TPP/FHEXM-3X8-NI	4	10/P	
13	6LJ74910000	ARM-TRAY-SFB-H24X	2	1/P	
14	6LJ74953000	PLT-ARM-SFB-H24X	1	1/P	
15	6LJ74952000	SHEET-HOLD-LINK	1	1/P	
16	6LJ80009000	LBL_O-TNR-CARTG	1	5/P	



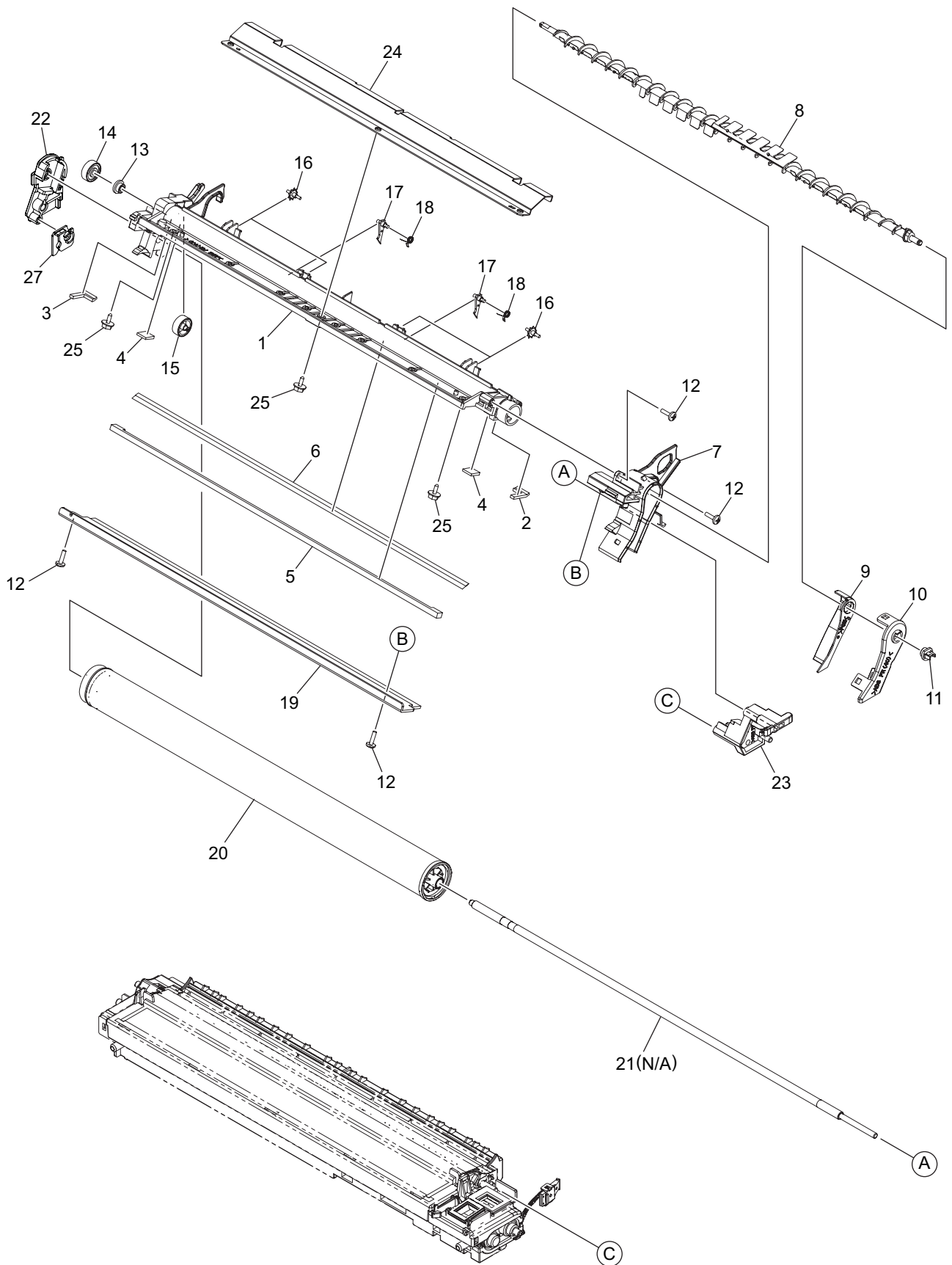
ITEM No.	PART No.	PART NAME	Q'TY / PAGE	Q'TY / PACK	REMARKS
1	6LJ77415000	GUIDE-RGST-L-H24X	1	1/PP	
2	6LJ77416000	ACTR-RGST-H24X	1	1/P	
3	6LH56106000	SPG-ACT-RGST-U	1	1/P	
4	6LJ77404000	SHEET-RGST-H24X	2	1/KP	
5	C0-17839000	LG2A14BL1	1	1/C	
6	X0-02420000	S/TPS/FHEXM/R-3X8-ZU3	1	10/P	
7	41306265000	STOP RING	1	1/P	
8	4400802080	BUSH-8	2	5/P	
9	6LH51414000	CLUTCH-50C-G28-8	1	1/D	
10	4407972860	STOP-RING-6-5	1	5/P	
11	6LJ79509000	ROLLER-RGST-L-H24X	1	1/KP	
12	X0-00980000	P/PRL/AH7-2X10-SS	1	10/P	
13	6LE57208000	GEAR-10S015-08	1	1/P	
14	X0-00968000	RR/E-7-SS	1	10/P	
15	6LJ77423000	GUIDE-RAIL-H24X_HIPS	1	N/A***	
16	X0-02247000	S/TPP/FHEXM-3X8-NI	5	10/P	
17	6LJ77413000	BRKT-ARM-SFB-H24X	1	1/P	



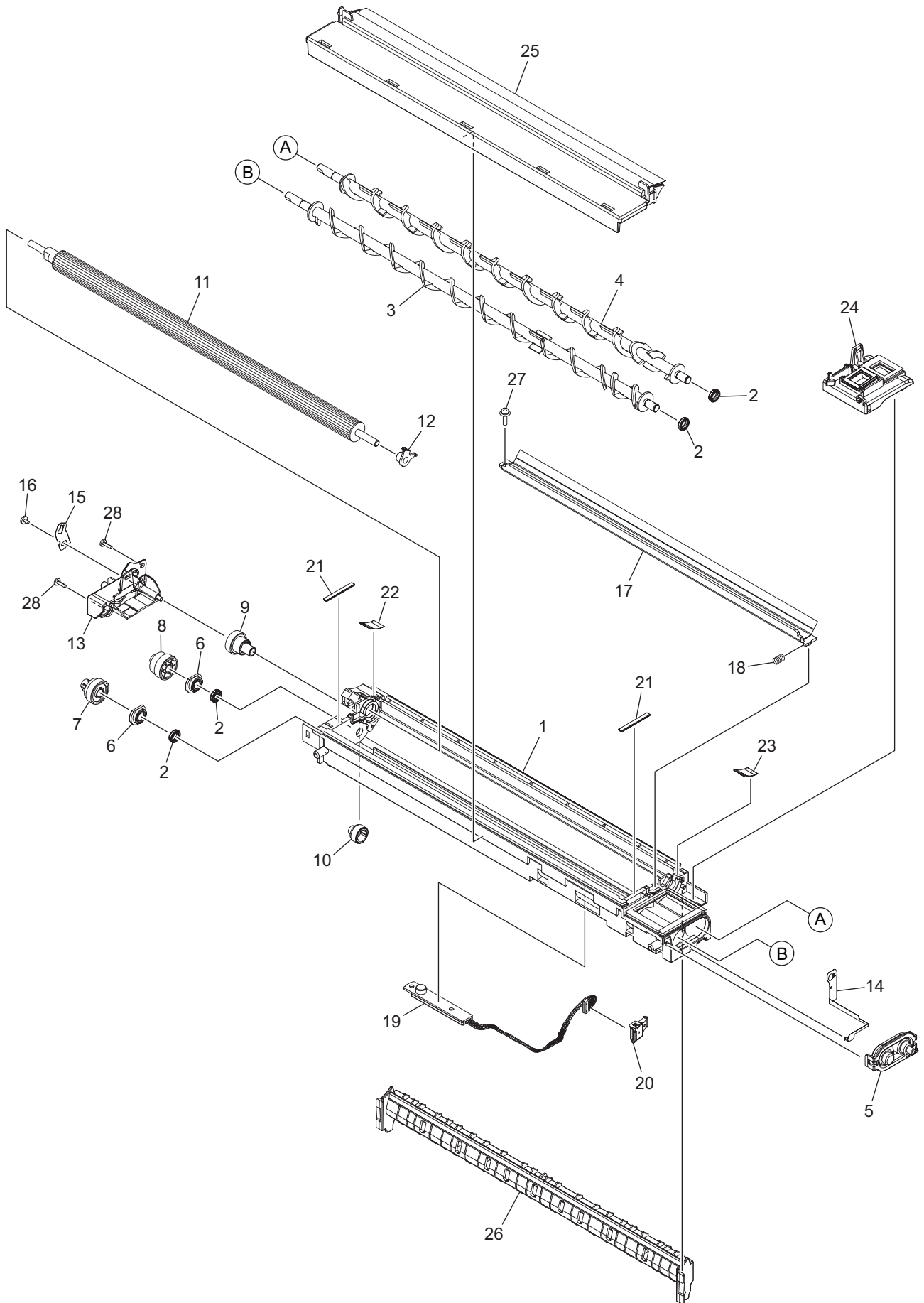
ITEM No.	PART No.	PART NAME	Q'TY / PAGE	Q'TY / PACK	REMARKS
1	6LJ78614000	HLDR-CH-M-H24X	1	1/PP	
2	6LH27027000	PWA-F-DLE-280V	1	1/C	
3	6LJ78609000	SPG-PUSH-CH-H24X	2	1/P	
4	X0-02247000	S/TPP/FHEXM-3X8-NI	2	10/P	
5	6LJ75520000	SPG-FRAME-DRUM	1	1/P	
6	6LJ78624000	ASYS-CASE-CH-M-05	1	1/C	
7	6LJ78603000	TERM-CH-M-R-H24X	1	1/P	
8	6LJ78602000	TERM-CH-M-F-H24X	1	1/P	
9	6LA80090000	S/TPP/BID-3*8-NI	2	5/P	
10	6LJ78626000	CH-M-H24X-NEW	1	1/KP	
11	6LJ78605000	LEVER-GRID-CH-H24X	1	1/P	
12	6LJ78613000	SPG-CH-M-H24X	1	1/P	
13	6LJ78610000	SPG-LEVER-CH-H24X	1	1/P	
14	6LJ78604000	GRID-CH-M-H24X	1	1/KP	
15	6LJ78606000	ROD-CLN-CH-H24X	1	1/KP	
16	6LJ78607000	MYLAR-CLN-CH-H24X	1	1/P	
17	6LJ78620000	MYLAR-HLDR-CH-M-H24X	1	1/P	



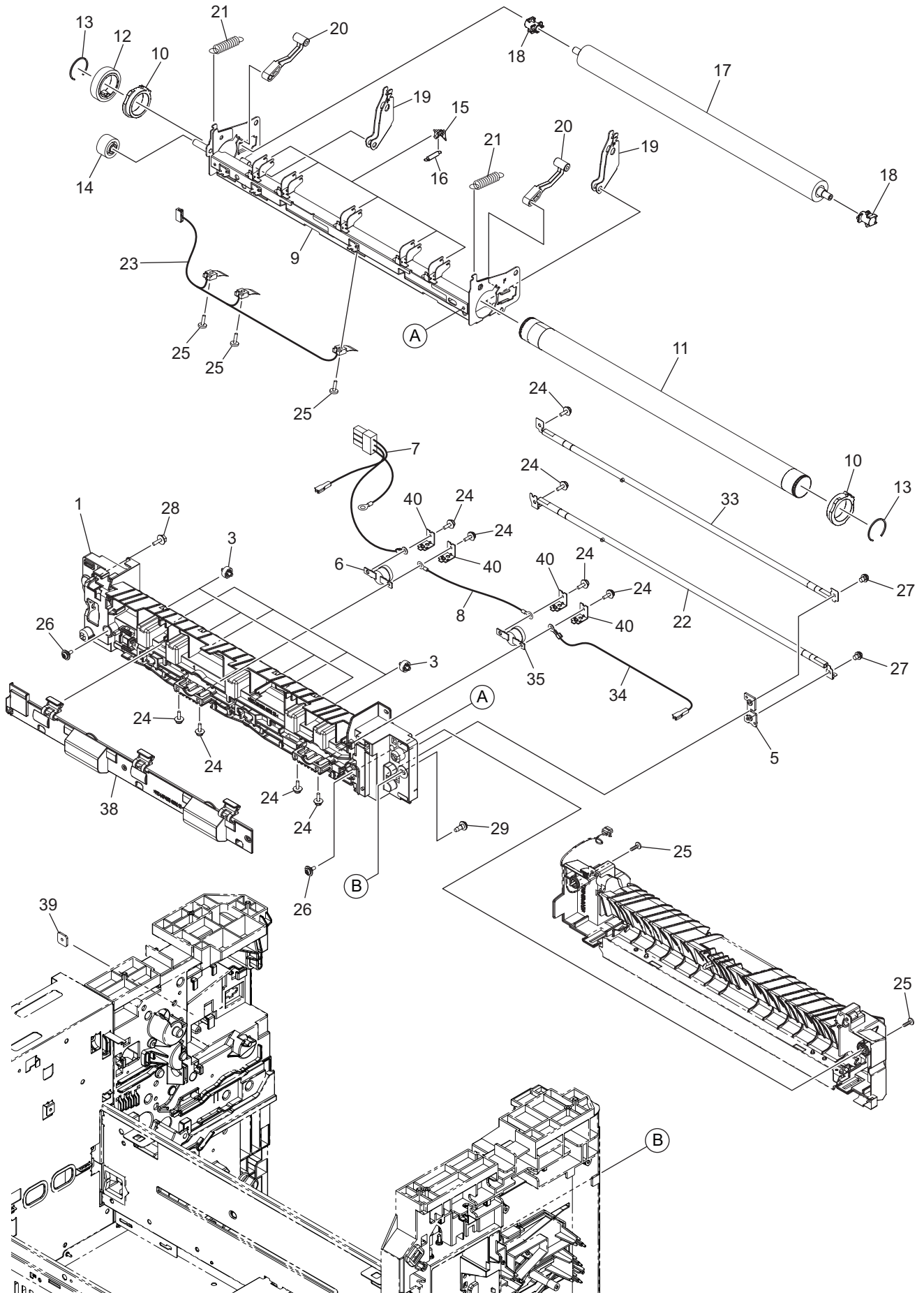
ITEM No.	PART No.	PART NAME	Q'TY / PAGE	Q'TY / PACK	REMARKS
1	6LJ77737000	COV-EXIT-U-H24X	1	1/PP	
2	6LJ31137000	SFT-EXIT-IDLE-280-S	2	1/P	
3	6LJ77100000	GEAR-10S26-RLR-EXIT	1	1/P	
4	6LJ02514000	RLR-EXIT-L-EX	4	1/P	
5	6LH23930000	ROLLER-EXIT-280	1	1/KP	
6	4407972860	STOP-RING-6-5	1	5/P	
8	6LJ77101000	SPG-EXIT-FUS-H24X	1	1/P	
9	6LJ55543000	BUSH-6-BCF-050	1	1/P	
10	44201492000	BUSH-6-POM	1	5/P	
11	X0-00966000	RR/E-5-SS	1	10/P	
12	X0-02247000	S/TPP/FHEXM-3X8-NI	2	10/P	
13	6LJ77104000	SPG-EARTH-EXIT-BRS-H24X	1	1/P	
14 A	6LJ77107000	MYLAR-EXIT-H241	1	1/P	eS2802A
17	6LJ77112000	SPG-EXIT-F-H39X	1	1/P	
18	6LJ48304000	LVR-EXIT-PAPER-N	2	1/P	
19	6LJ77113000	SPG-EXIT-R-H39X	1	1/P	



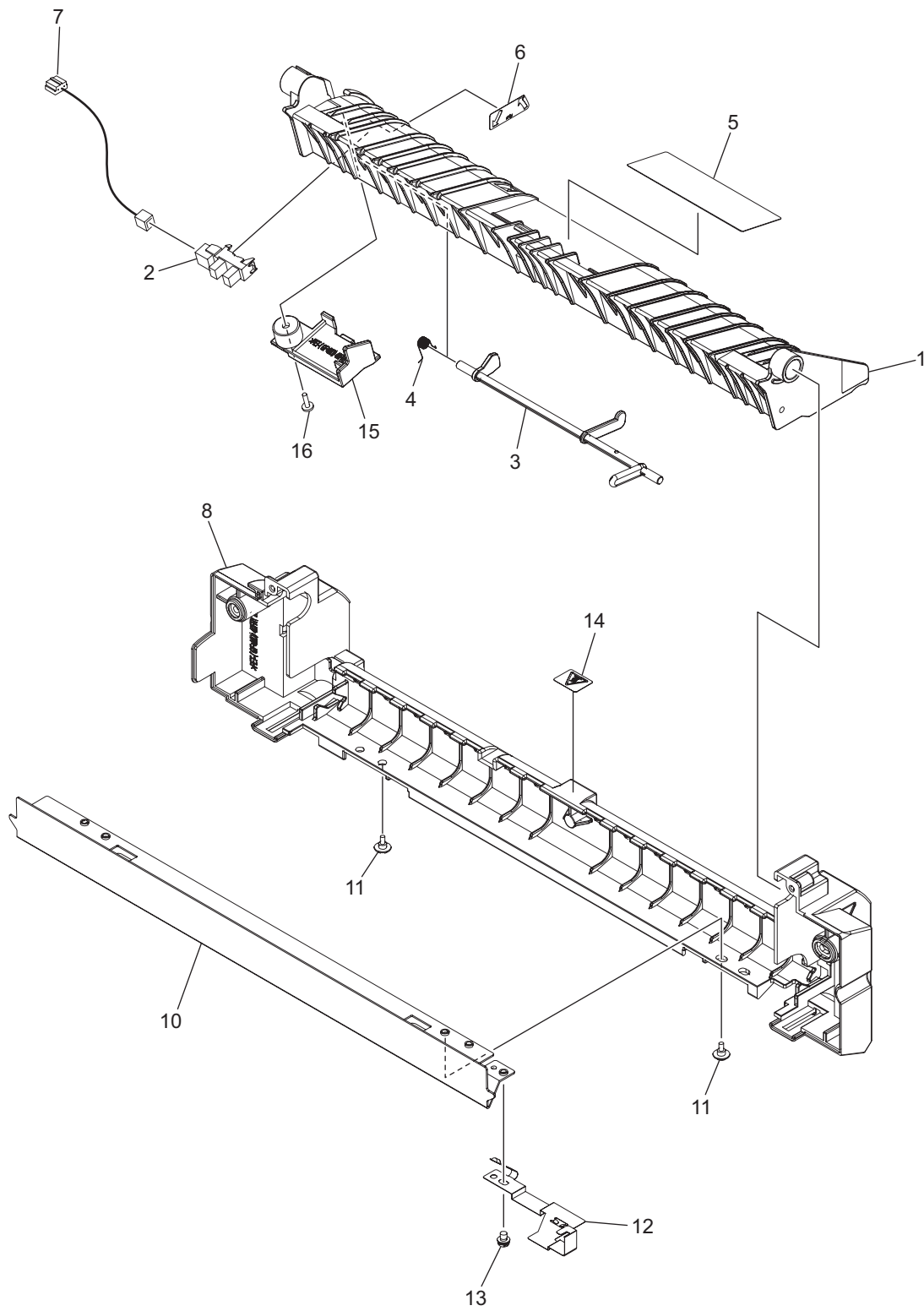
ITEM No.	PART No.	PART NAME	Q'TY / PAGE	Q'TY / PACK	REMARKS
1	6LJ75500000	FRAME-CLN-CR-H24X	1	1/PP	
2	6LJ75532000	SEAL-CLN-FRT-P	1	5/P	
3	6LJ75533000	SEAL-CLN-RER-P	1	5/P	
4	6LA79547000	SEAL-BLADE-SIDE	2	1/P	
5	6LJ75521000	SEAL-CLN-C-H24X	1	1/KP	
6	6LJ75534000	SHEET-BLADE-REC-H24X	1	1/KP	
7	6LJ75502000	FRAME-CLN-F-H24X	1	1/P	
8	6LJ75529000	ASYS-AUGER-CLN	1	1/C	
9	6LJ75540000	PLATE-DRV-TNR	1	1/P	
10	6LJ75511000	COVER-RCYCL-H24X	1	1/P	
11	6LJ75506000	BUSH-AUGER-F-H24X	1	1/P	
12	6LA80090000	S/TPP/BID-3*8-NI	4	5/P	
13	6LJ75536000	BUSH-4-671	1	5/P	
14	6LJ75516000	GEAR-AUG	1	1/P	
15	6LJ75517000	GEAR-AUG-IDLE	1	1/P	
16	41306325000	WHEEL-CLN-8	4	1/P	
17	6LA79618000	SCRAPER-371	2	3/P	
18	6LJ75525000	SPA-SCRPR-DRUM-H24X	2	1/P	
19	6LA27845000	BL-2320D	1	1/S	
20	6LJ83358000	OD-2505	1	1/S	
21	6LJ75515000	SFT-DRUM-H24X	1	N/A***	
22	6LJ75514000	HLDR-JOINT-R-H24X	1	1/P	
23	6LJ75513000	HLDR-JOINT-F-H24X	1	1/P	
24	6LJ75531000	BRKT-CLN	1	1/P	
25	X0-02419000	S/TPS/FHEXM/R-3X6-ZU3	3	10/P	
27	6LJ76568000	RF_MB-JOINT-DEV	1	1/P	



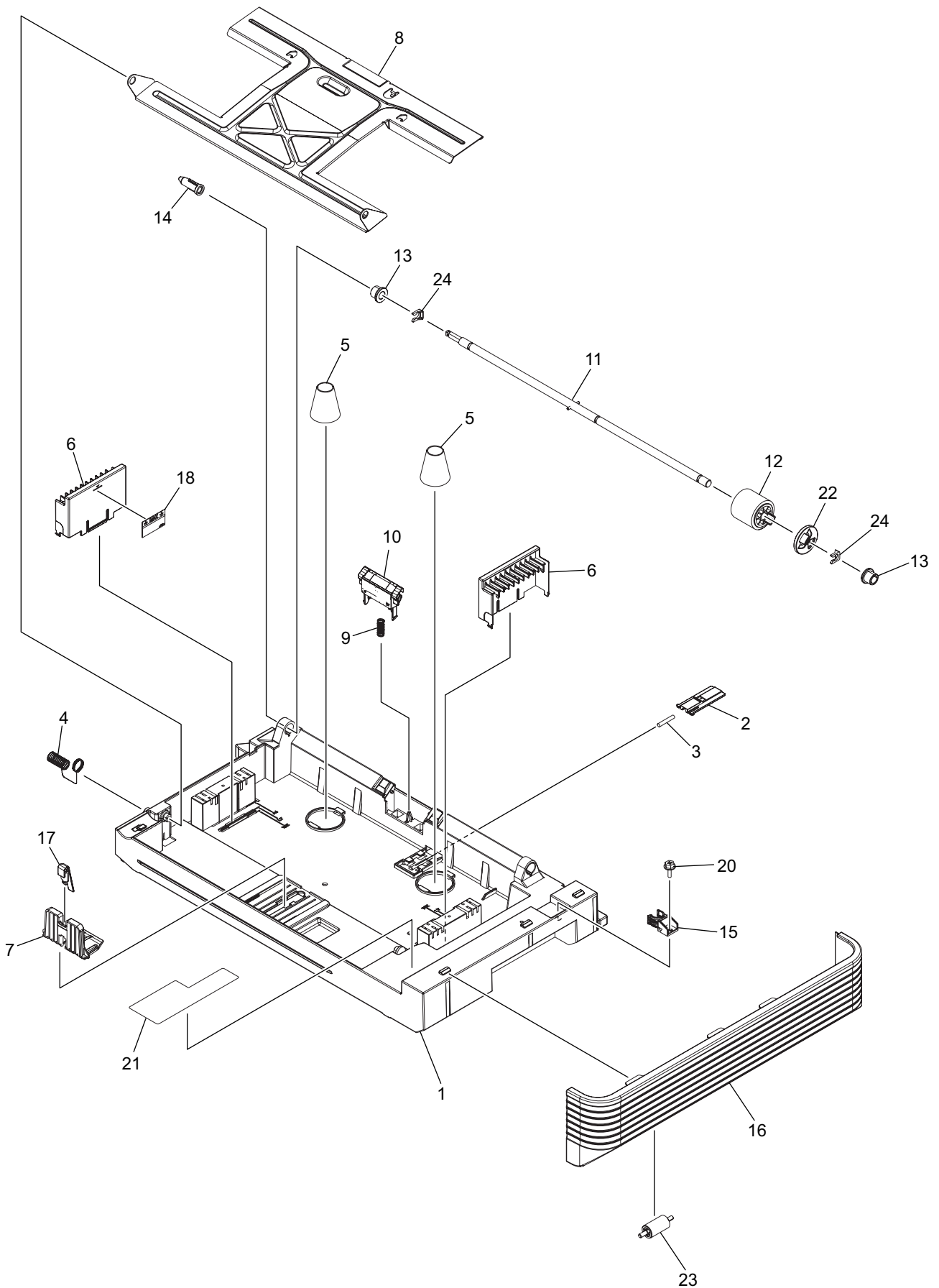
ITEM No.	PART No.	PART NAME	Q'TY / PAGE	Q'TY / PACK	REMARKS
1	6LJ76595000	ASYS-CASE-DEV-H39X	1	1/PP	
2	4401949290	SEAL-VC6-10-2.5	4	1/P	
3	6LJ76546000	ASYS-MIXER-2-24X	1	1/C	
4	6LJ76503000	MIXER-1-24X	1	1/C	
5	6LJ76509000	BUSH-DEV-FRT-24X	1	1/P	
6	6LH23441000	BUSH-6X12X4R8F-NU4	2	5/P	
7	6LJ76585000	GEAR-MIXER-1	1	1/P	
8	6LJ76586000	GEAR-MIXER-2	1	1/P	
9	6LJ76587000	GEAR-DEV-IDLER	1	1/P	
10	6LJ76515000	GEAR-RLR-MAGT	1	1/P	
11	6LJ76500000	RLR-MAGT-24X	1	1/KP	
12	6LJ76584000	BUSH-MG-FRT-H39X	1	1/P	
13	6LJ76594000	ASYS-HLDR-GEAR-H39X	1	1/P	
14	6LJ76523000	SPG-F-BIAS-DEV	1	1/P	
15	6LJ76552000	ADJSTR-MAGT	1	1/P	
16	X0-00426000	S/BID-M3X4-NI	1	10/P	
17	6LJ76598000	ASYS-DOCTOR-DEV-H39X	1	1/KP	
18	6LJ76555000	SPG-C-5XR6X12R5	1	1/P	
19	6LJ83116000	SNSR-ATC-240	1	1/P	
20	6LJ76551000	HLDR-CNTR-ATC	1	1/P	
21	6LJ76536000	SEAL-CASE-DEV-DOC	2	5/P	
22	6LJ76541000	SHEET-MAGT-SIDE-RER	1	5/P	
23	6LJ76540000	SHEET-MAGT-SIDE-FRT	1	5/P	
24	6LJ76548000	ASYS-COVER-DEV-FRT	1	1/P	
25	6LJ76600000	ASYS-COVER-DEV-MAN-H39X	1	1/P	
26	6LJ76604000	GUIDE-TRANS-F	1	1/PP	
27	X0-00059000	S/PAN/SWWS-M3X6-NI	1	10/P	
28	6LA80090000	S/TPP/BID-3X8-NI	2	5/P	



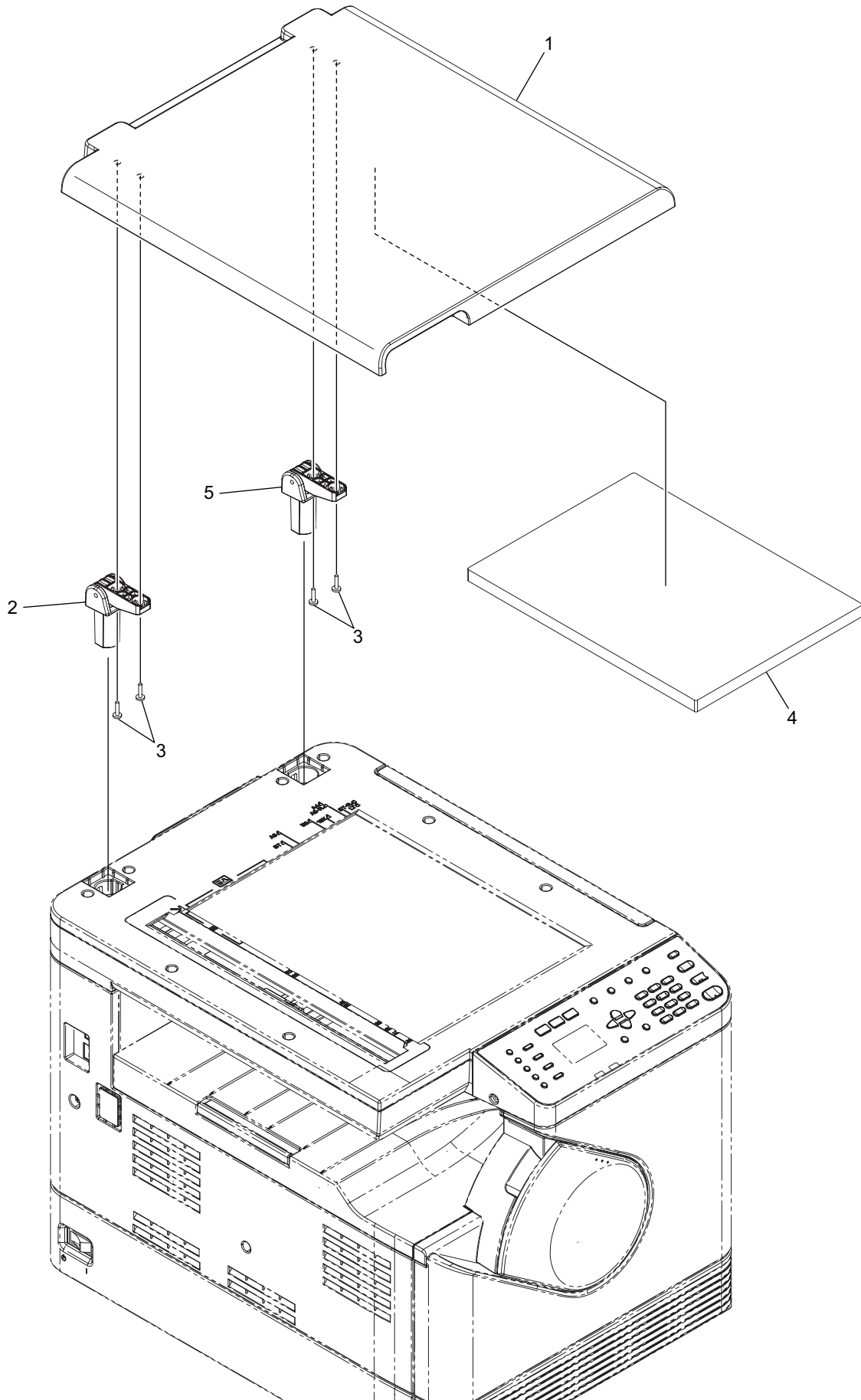
ITEM No.	PART No.	PART NAME	Q'TY / PAGE	Q'TY / PACK	REMARKS
1	6LJ78066000	ASYS-FRM-FUS-H39X	1	1/C	
3	6LE25931000	ROLL-FUS-GUIDE	8	1/P	
5	6LJ78039000	PLT-NUT-LMP-H241	1	1/P	
6	6LH27402000	THRMST-HTR-284	1	1/D	
7	6LJ81836000	HRNS-ACIN2-241	1	1/P	
8	6LJ81960000	HRNS-THRMST-CS-H390	1	1/P	
9	6LJ78068000	ASYS-HLD-ROLL-H39X	1	1/C	
10	6LJ78009000	BUSH-FUS-HR-H24X	2	1/P	
11	6LJ78084000	HR-2505-U	1	1/S	
12	6LJ78008000	GEAR-FUS-HR	1	1/P	
13	6LJ78010000	RING-C-H24X	2	1/P	
14	6LJ78064000	GEAR-10S20-6	1	1/P	
15	6LE58405000	SCRAPER-282	5	5/P	
16	6LA84096000	SPE-SCR-HR-371	5	1/P	
17	6LJ78088000	HR-2809-L	1	1/S	
18	6LJ78040000	BUSH-PRS-0-H24X	2	1/P	
19	6LJ78091000	ARM-PRS-H24X-F	2	1/P	
20	6LJ78092100	LVR-P-REL-24X	2	1/P	
21	6LJ78030000	SPE-PR-H24X	2	1/P	
22 A	6LJ78024200	LAMP-HTR-C-H24X-230	1	1/C	CND,ASD,ARD,AUD,MJD
22 B	6LJ78024100	LAMP-HTR-C-H24X-120	1	1/C	NAD
23	6LJ81641000	THMS-HTR-H390	1	1/P	
24	X0-00077000	S/PAN/SWWP-M3X8-NI	10	10/P	
25	X0-00434000	S/BID-M3X8-NI	5	10/P	
26	6LJ14028000	SCREW-SPEAKER-16X	2	1/P	
27	6LH55301000	USUITA-SEMS-3X5-6	2	5/P	
28	X0-00094000	S/PAN/SWWP-M3X10-NI	1	10/P	
29	6LA36276000	SCREW-M3-FUS-C	1	5/P	
33 A	6LJ78023100	LAMP-HTR-S-H24X-120	1	1/C	NAD
33 B	6LJ78023200	LAMP-HTR-S-H24X-230	1	1/C	CND,ASD,ARD,AUD,MJD
34	6LJ81838000	HRNS-THRMST-SL-241	1	1/P	
35	6LH64642000	THRMST-HTR-S-470	1	1/D	
38	6LJ78075000	COVER-FUS-BACK-H39X	1	1/PP	
39	6LE58564000	PLT-NUT-FUS-280	1	5/P	
40	6LJ78073000	BRKT-ADJ-THMOS-H39X	4	1/P	



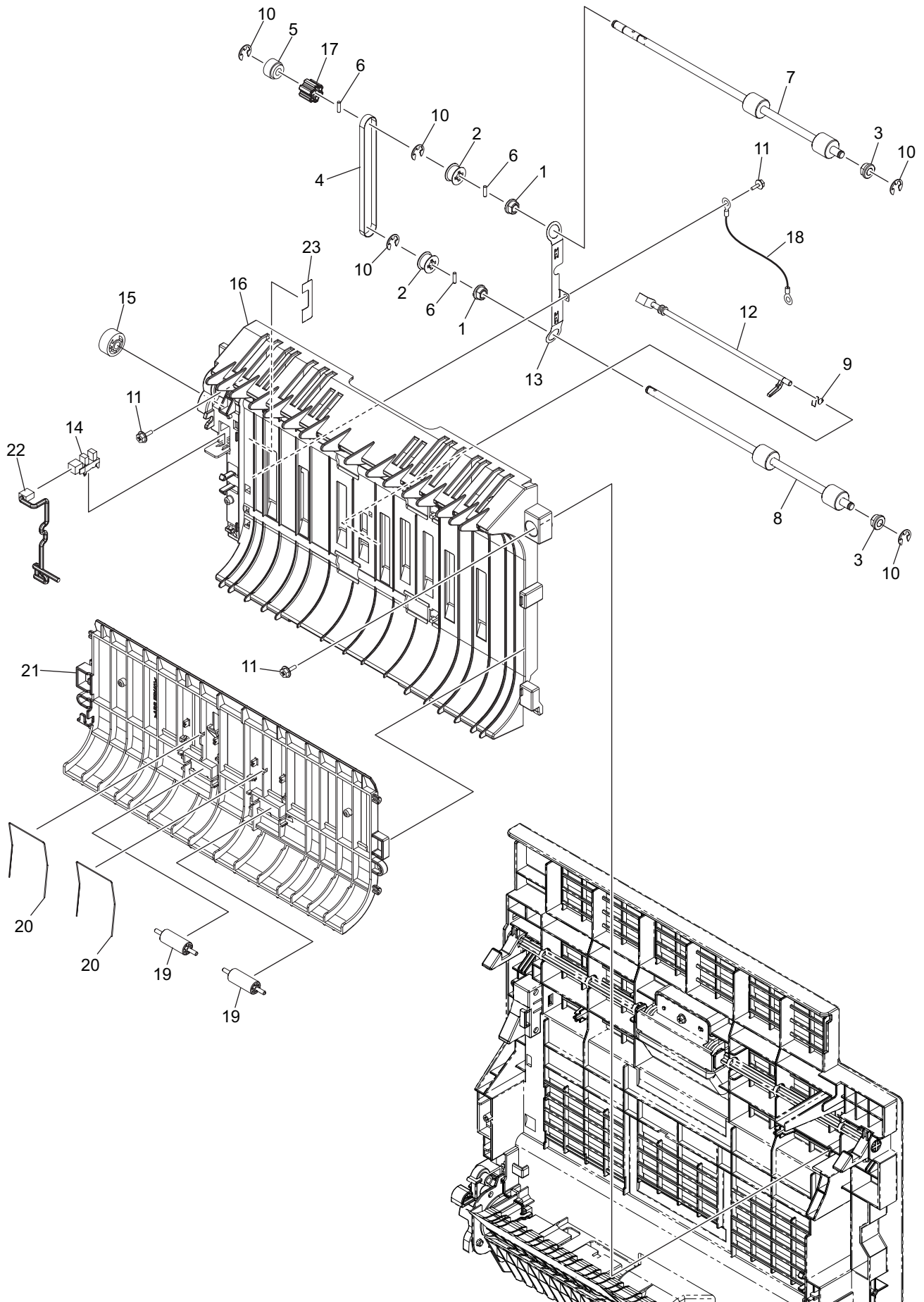
ITEM No.	PART No.	PART NAME	Q'TY / PAGE	Q'TY / PACK	REMARKS
1	6LJ78036100	GUIDE-FUS-H39X	1	1/PP	
2	C0-17839000	LG2A14BL1	1	1/C	
3	6LJ78000000	ACTR-EXIT-H24H	1	1/KP	
4	6LE58862000	SPG-T-ACT-EXIT-282	1	1/P	
5	6LJ78063000	LBL-W-HOT-H24X	1	1/KP	
6	6LJ78031000	LBL-FUS-OPE-H24X	1	5/P	
7	6LJ81809000	HRNS-EXIT-240	1	1/P	
8	6LJ78090000	COVER-FUS-PR-H24X	1	1/PP	
10	6LJ78004000	GUIDE-ENT-FUS-H24X	1	1/P	
11	6LJ14028000	SCREW-SPEAKER-16X	2	1/P	
12	6LJ78003000	PLT-BIAS-H24X	1	1/P	
13	6LH55301000	USUITA-SEMS-3X5-6	1	5/P	
14	41307995000	LBL/W-FUSER	1	5/KP	
15	6LJ78043000	COVER-FUS-SEN-H24X	1	1/P	
16	6LA80090000	S/TPP/BID-3*8-NI	1	5/P	



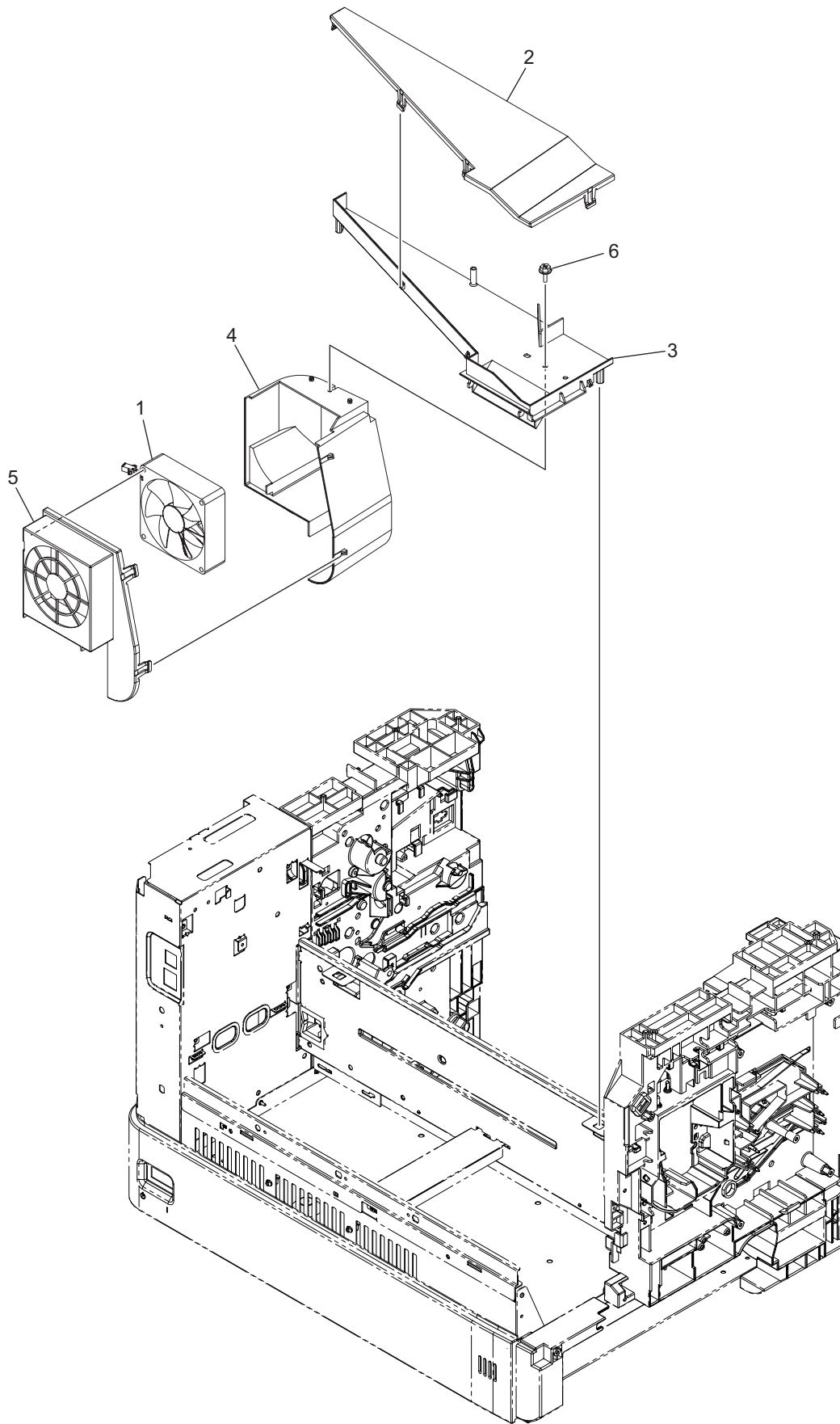
ITEM No.	PART No.	PART NAME	Q'TY / PAGE	Q'TY / PACK	REMARKS
1	6LJ75210000	CASE-CST-H24X	1	1/PP	
2	6LJ46939000	STOP-PLATE-CST-4	1	1/P	
3	6LE53730000	SPG-LATCH-TRAY	1	1/P	
4	6LJ75221000	GND-COIL-CST	1	1/P	
5	6LJ75222000	SPG-CSSTT-H24X	2	1/P	
6	6LJ75220000	SIDE-GUIDE-H24X	2	1/C	
7	6LJ56812000	WALL-CST-END-H21X	1	1/P	
8	6LJ75273000	ASYS-PLATE-CSSTT-G	1	1/P	
9	6LJ75224000	SPG-PAD-CST-H24X	1	1/P	
10	6LJ75285000	ASYS-PAD-CST-H394-2	1	1/P	
11	6LJ75254000	ASYS-SHAFT-CST-H394	1	1/P	
12	6LJ75249000	ASYS-ROL-F32	1	1/P	
13	6LJ75251000	BUSH-8X12-POM	2	1/P	
14	6LJ56859000	BUSH-DRV-CST-H21X_L	1	1/P	
15	6LJ75225000	CATCH-CST-24X	1	1/P	
16	6LJ75211200	COVER-CST-H24X_G	1	1/PP	
17	6LJ46922000	SPG-T-END-WALL	1	1/P	
18	6LJ75240000	LBL-CST-MAX_PP	1	1/P	
20	X0-02247000	S/TPP/FHEXM-3X8-NI	1	10/P	
21	6LJ75230000	LBL-OPE-CST-H240	1	1/KP	
22	6LJ75260000	GUIDE-ROL-CST-P2	1	1/P	
23	41316101000	ROLL-TRANS-IDLE	1	1/P	
24	41306265000	STOP-RING-8	2	1/P	



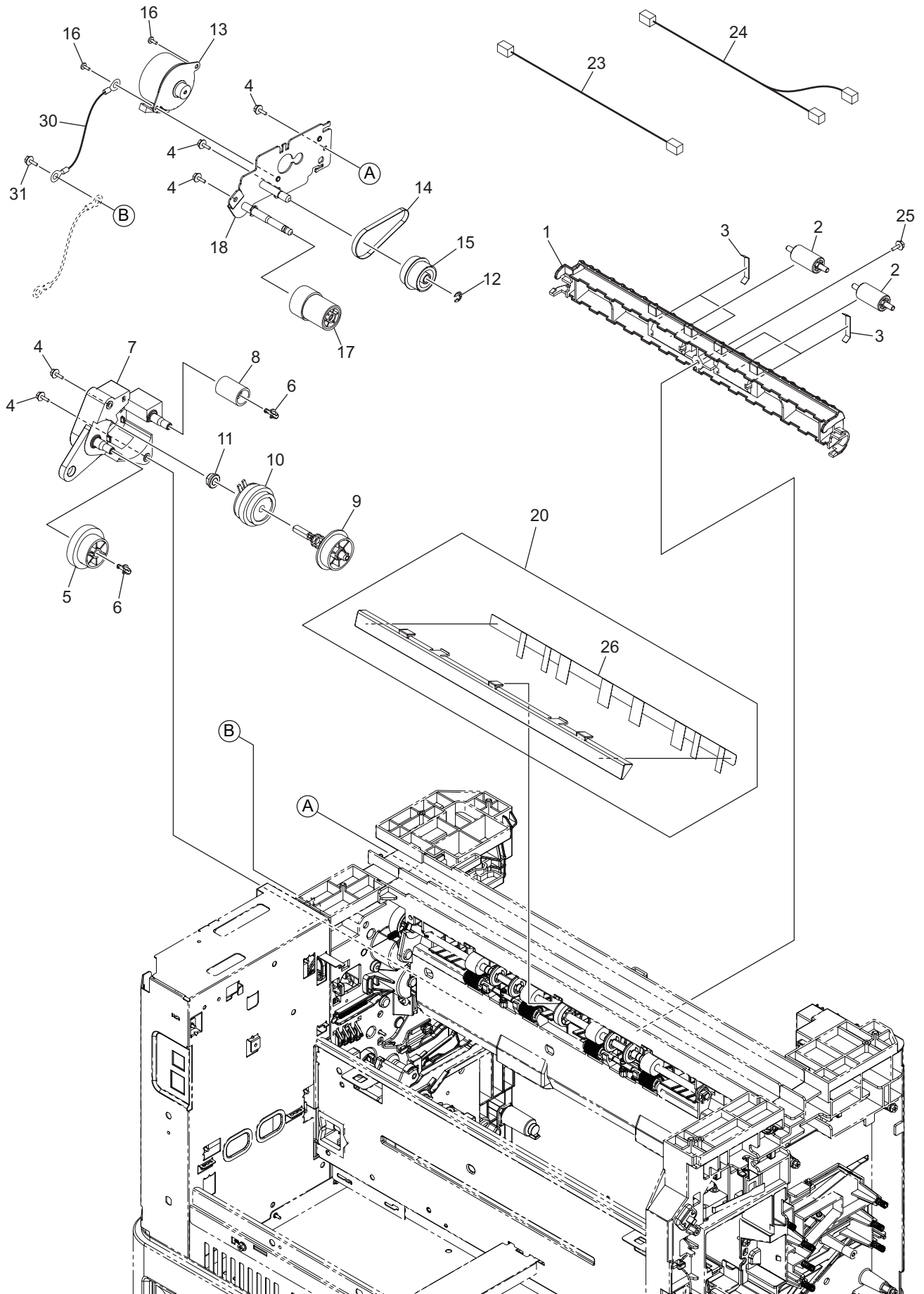
ITEM No.	PART No.	PART NAME	Q'TY / PAGE	Q'TY / PACK	REMARKS
1 A	6LJ78705100	COVER-PLATEN-PH_HB	1	1/PP	eS2802A
2 A	6LJ78706000	HINGE-PLATEN-PH	1	1/C	eS2802A
3 A	X0-02091000	S/TTP/BID-4X14-NI	4	10/P	eS2802A
4 A	6LJ78704000	SHEET-PLATEN-PH	1	1/KP	eS2802A
5 A	6LJ78801000	HINGE-PLATEN-PH-SL	1	1/P	eS2802A



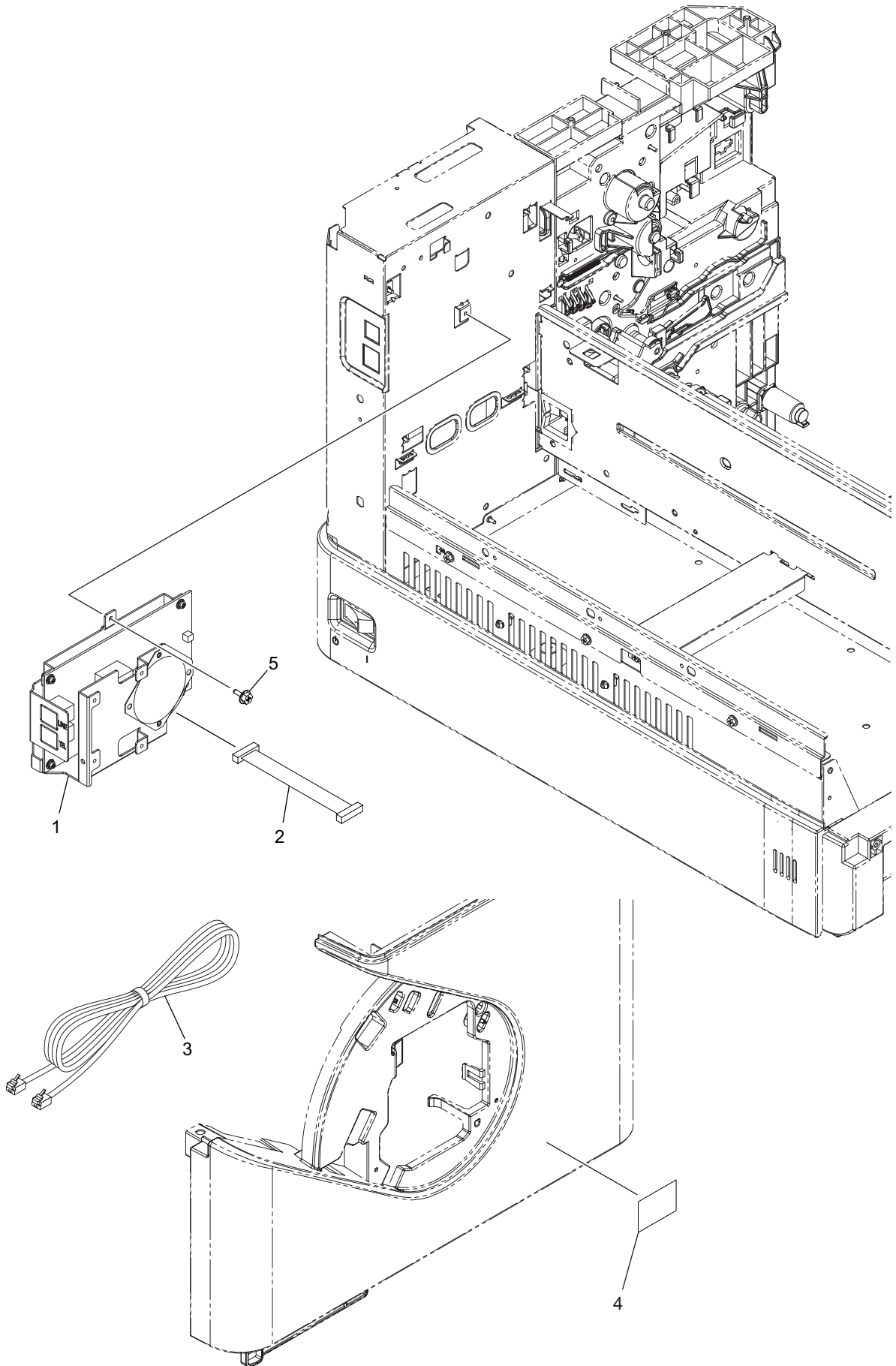
ITEM No.	PART No.	PART NAME	Q'TY / PAGE	Q'TY / PACK	REMARKS
1 A	4407734980	BUSH-6-GCB	2	5/P	eS2802AM/2802AF
2 A	41317051000	PLY/T-2GT020-6F	2	1/P	eS2802AM/2802AF
3 A	44201492000	BUSH-6-POM	2	5/P	eS2802AM/2802AF
4 A	6LJ74675000	BLT-T-2GT-240-3	1	1/P	eS2802AM/2802AF
5 A	41316032000	GEAR-08S18-06CL	1	1/P	eS2802AM/2802AF
6 A	X0-00979000	P/PRL/AH7-2X8-SS	3	10/P	eS2802AM/2802AF
7 A	6LJ74627000	ROLL-TRANS-U-H241	1	1/KP	eS2802AM/2802AF
8 A	6LJ74626000	ROLL-TRANS-L-H241	1	1/KP	eS2802AM/2802AF
9 A	6LJ74625000	SPG-ACT-ADU-H24X	1	1/P	eS2802AM/2802AF
10 A	X0-00966000	RR/E-5-SS	5	10/P	eS2802AM/2802AF
11 A	X0-02247000	S/TPP/FHEXM-3X8-NI	3	10/P	eS2802AM/2802AF
12 A	6LJ74629000	ACTR-ADU-H241	1	1/KP	eS2802AM/2802AF
13 A	6LJ74637000	PLT-EARTH-ADU-H241	1	1/C	eS2802AM/2802AF
14 A	C0-17839000	LG2A14BL1	1	1/C	eS2802AM/2802AF
15 A	6LJ74636000	GEAR-08S25-6-H241	1	1/P	eS2802AM/2802AF
16 A	6LJ74641200	ASYS-GUIDE-PAPER-OUT-240M	1	1/PP	eS2802AM/2802AF
17 A	6LJ74645000	KNOB-ADU-H24X	1	1/P	eS2802AM/2802AF
18 A	6LJ81883000	HRNS-ADU-GND-241	1	1/P	eS2802AM/2802AF
19 A	6LJ74634000	ROLL-TRANS-IDLE-H241	2	1/P	eS2802AM/2802AF
20 A	41316103000	SPR-IDLE	2	1/C	eS2802AM/2802AF
21 A	6LJ74631000	GUIDE-PAPER-IN-L-H241	1	1/PP	eS2802AM/2802AF
22 A	6LJ81849000	HRNS-ADU-246	1	1/P	eS2802AM/2802AF
23 A	6LJ74669000	MYLAR-HOLD-SW	1	1/P	eS2802AM/2802AF



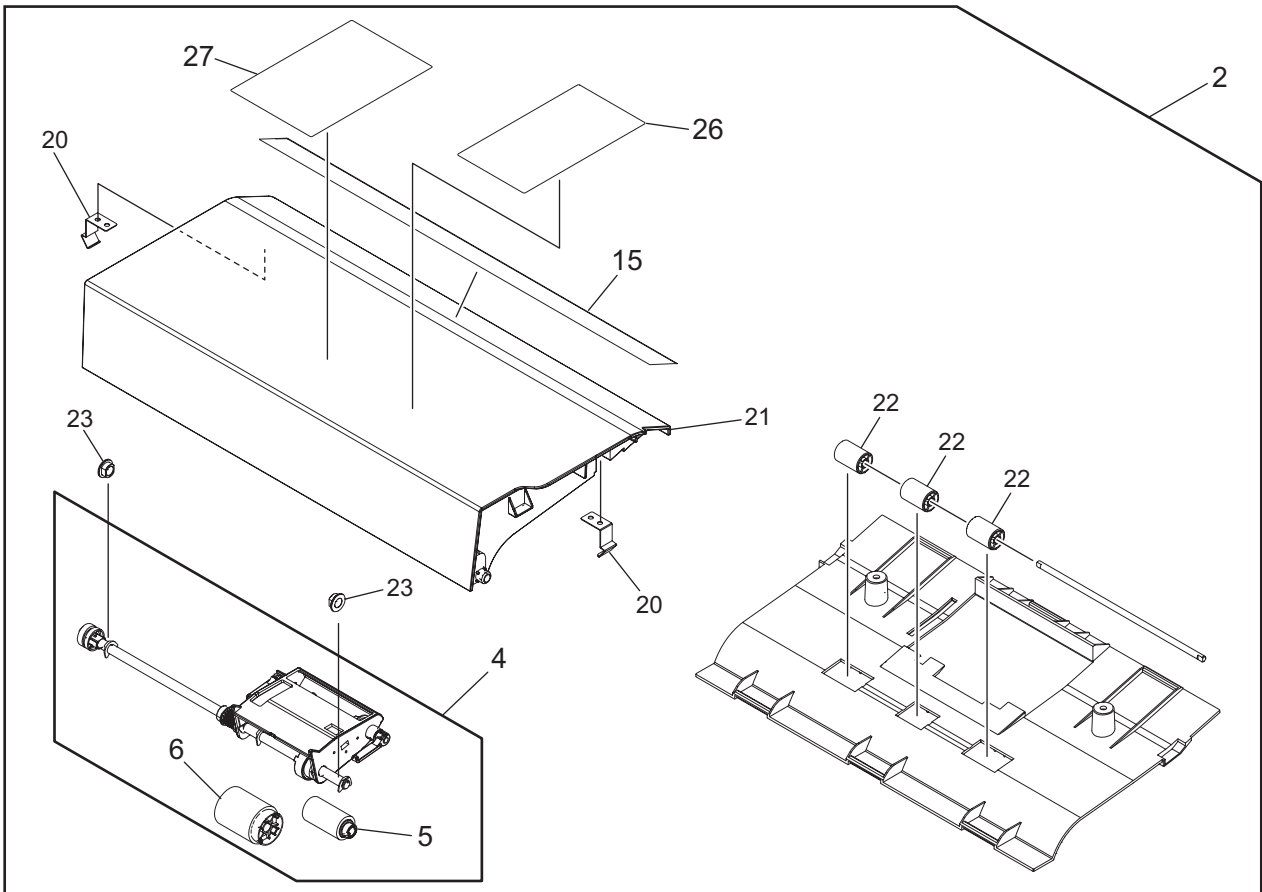
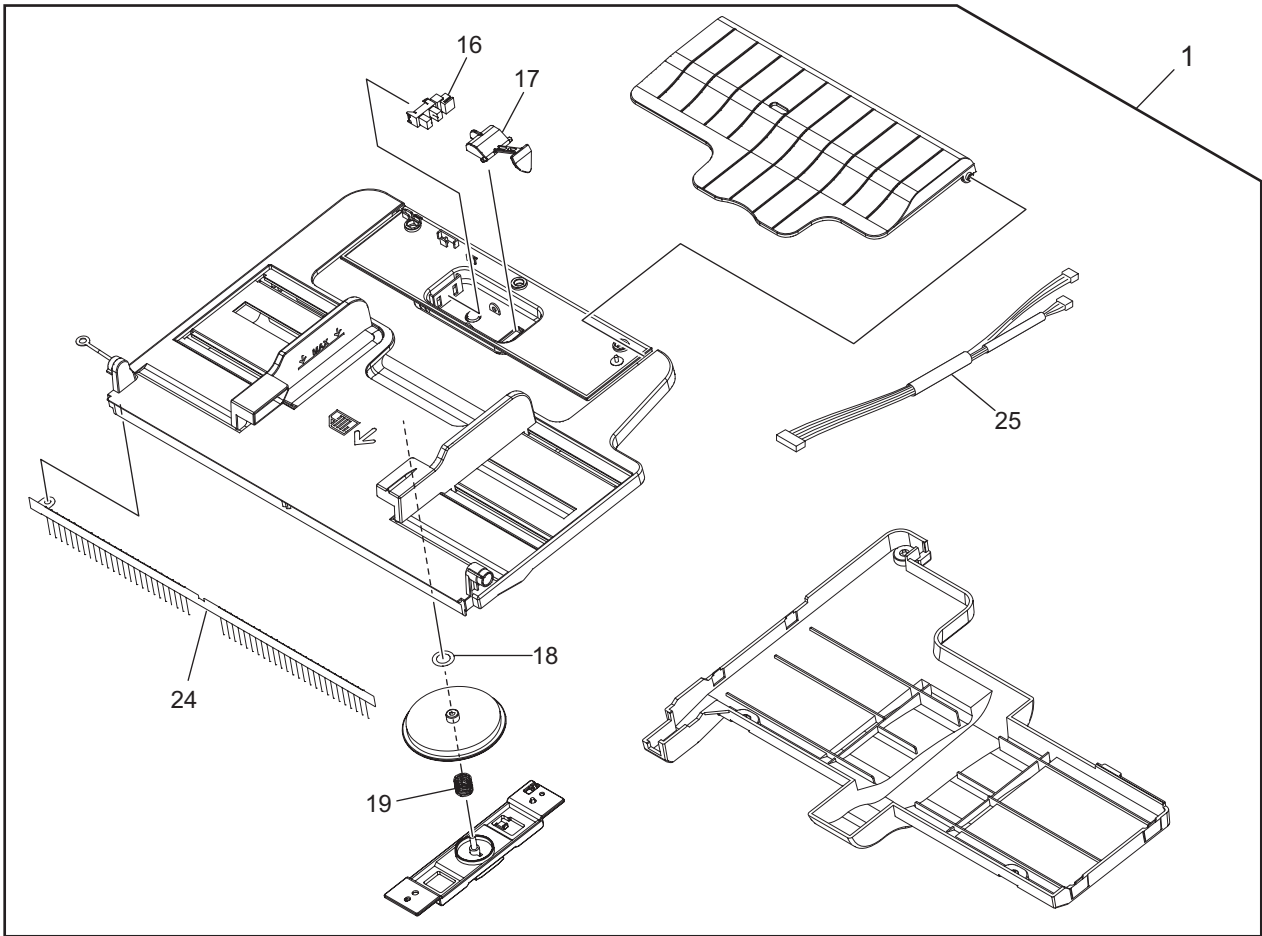
ITEM No.	PART No.	PART NAME	Q'TY / PAGE	Q'TY / PACK	REMARKS
1 A	6LJ74676000	FAN-D-8025-H24X	1	1/D	eS2802AM/2802AF
2 A	6LJ77765100	DUCT-LVPS_S	1	1/P	eS2802AM/2802AF
3 A	6LJ77764100	DUCT-TNR_S	1	1/P	eS2802AM/2802AF
4 A	6LJ77763100	LID-DUCT-TNR_S	1	1/P	eS2802AM/2802AF
5 A	6LJ77766100	HOLDER-FAN_S	1	1/P	eS2802AM/2802AF
6 A	X0-02247000	S/TPP/FHEXM-3X8-NI	1	10/P	eS2802AM/2802AF



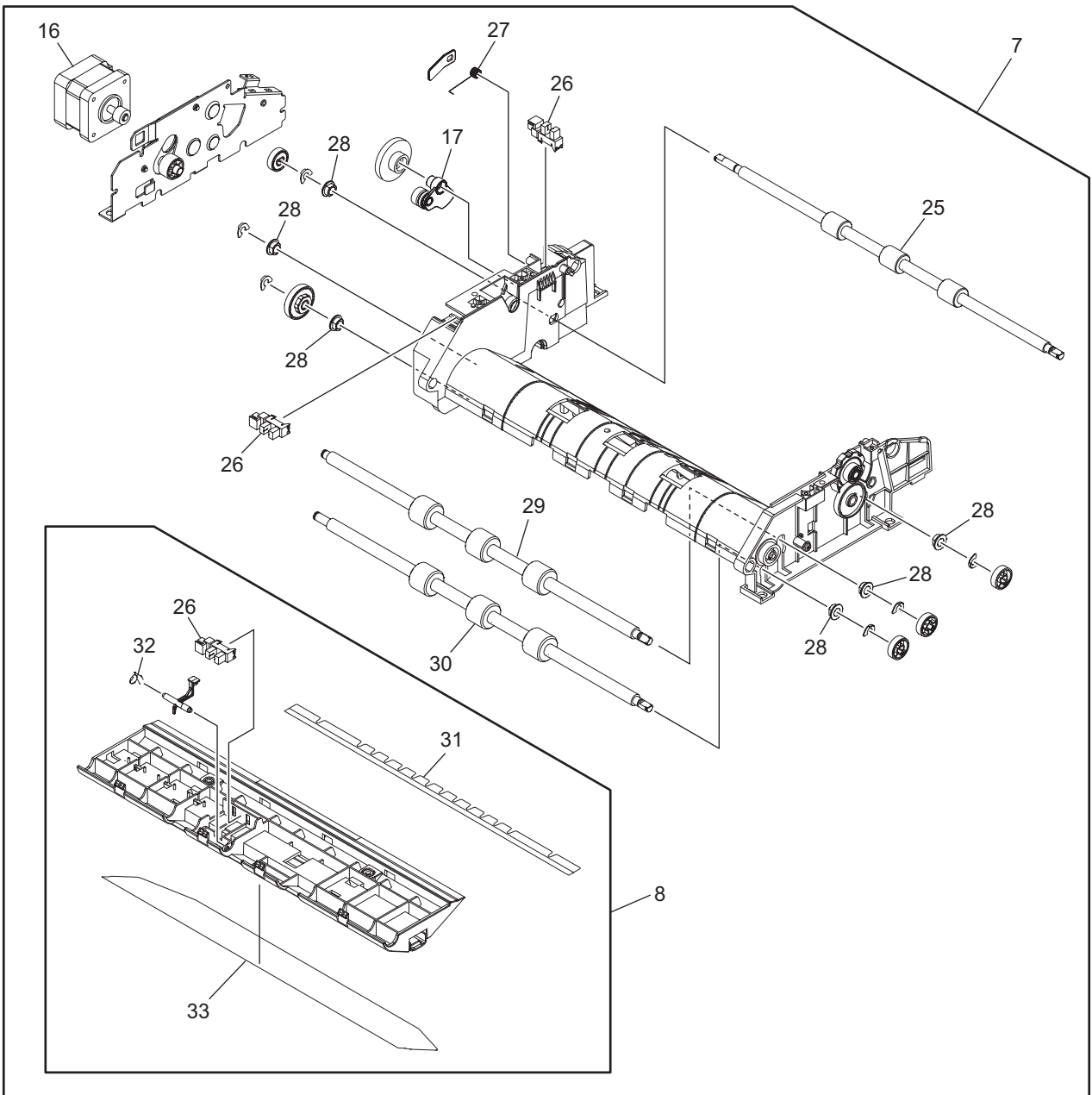
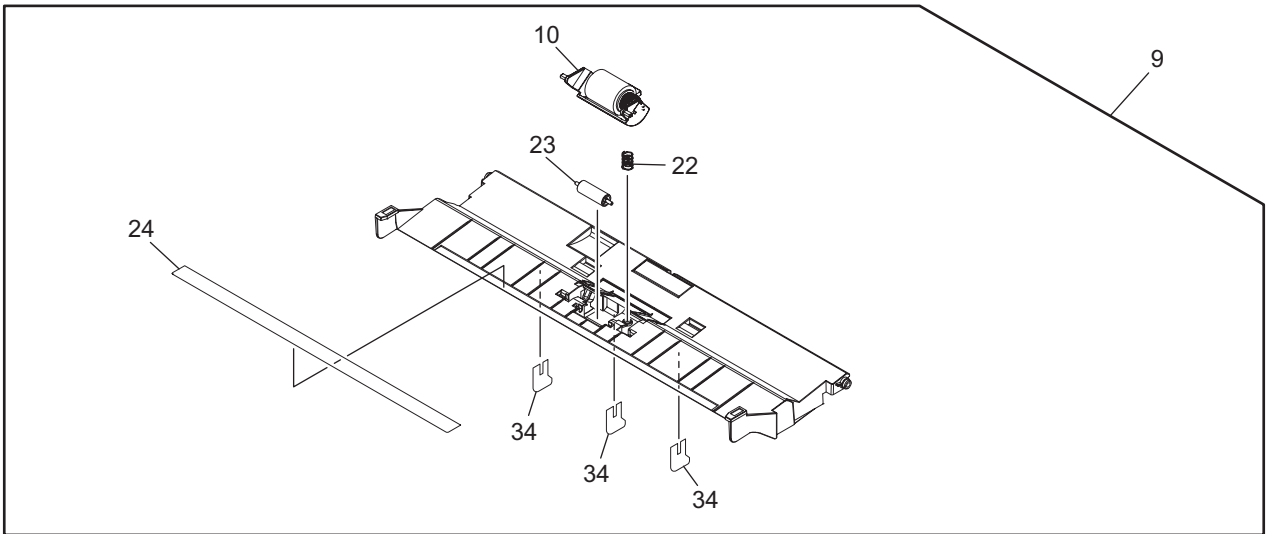
ITEM No.	PART No.	PART NAME	Q'TY / PAGE	Q'TY / PACK	REMARKS
1 A	6LJ78038000	GUIDE-FUS-ADU-H241	1	1/PP	eS2802AM/2802AF
2 A	41316101000	ROLL-TRANS-IDLE	2	1/P	eS2802AM/2802AF
3 A	6LH55245000	PLT-SP-IDLE-47X	4	1/D	eS2802AM/2802AF
4 A	X0-02247000	S/TPP/FHEXM-3X8-NI	5	10/P	eS2802AM/2802AF
5 A	6LJ74621000	GEAR-10S26-10S36-6-H24X	1	1/P	eS2802AM/2802AF
6 A	6LJ76844000	STOP-RING-GEAR-H24X	2	1/P	eS2802AM/2802AF
7 A	6LJ74616000	COVER-DRIVE-ADU-H24X	1	1/D	eS2802AM/2802AF
8 A	6LJ74622000	GEAR-08S20-6-H24X	1	1/P	eS2802AM/2802AF
9 A	6LJ74623000	GEAR-08S36-6-H24X	1	1/P	eS2802AM/2802AF
10 A	6LH51224000	CLUTCH-50C-G28-6	1	1/D	eS2802AM/2802AF
11 A	44201492000	BUSH-6-POM	1	5/P	eS2802AM/2802AF
12 A	X0-00965000	RR/E-4-SS	1	10/P	eS2802AM/2802AF
13 A	6LJ57816000	MOTR_S-EXIT-L-H21X	1	1/D	eS2802AM/2802AF
14 A	6LJ57810000	BLT_SY-S2M-144-4	1	1/P	eS2802AM/2802AF
15 A	6LJ76831000	GEAR-10S21_PS2M40-6-S	1	1/P	eS2802AM/2802AF
16 A	X0-02069000	S/TPS/BID-3X6-ZU3	2	10/P	eS2802AM/2802AF
17 A	6LJ76827000	GEAR-10S25-10S22	1	1/P	eS2802AM/2802AF
18 A	6LJ76885000	ASYB-BRKT-DRV-EXIT-H24X	1	1/C	eS2802AM/2802AF
20 A	6LJ77106000	ASYS-GUIDE-EXIT-ELEC	1	1/KP	eS2802AM/2802AF
23 A	6LJ81809000	HRNS-EXIT-240	1	1/P	eS2802AM/2802AF
24 A	6LJ81988000	HRNS-MAIN-ADU-H394	1	1/P	eS2802AM/2802AF
25 A	6LA80090000	S/TPP/BID-3*8-NI	1	5/P	eS2802AM/2802AF
26 A	6LJ77105000	BRUSH-EXIT-H24X	1	1/KP	eS2802AM/2802AF
30 A	6LJ81925000	HRNS-ADU-GND-246	1	1/P	eS2802AM/2802AF



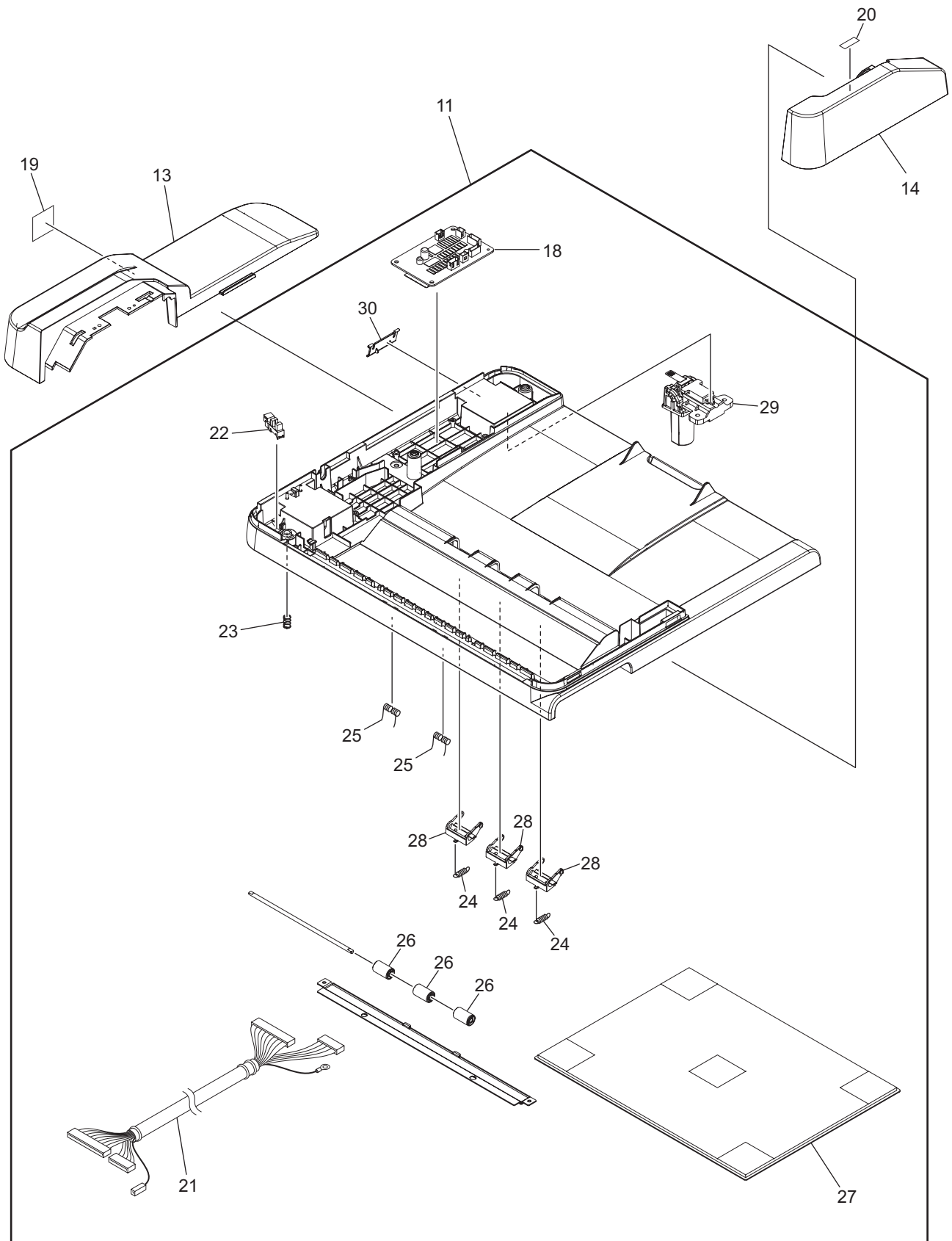
ITEM No.	PART No.	PART NAME	Q'TY / PAGE	Q'TY / PACK	REMARKS
1 A	6LJ82329000	ASY-FAX-637-OTD	1	1/C	eS2802AF
2 A	6LJ82327000	HRNS-FAX-CTL-637	1	1/P	eS2802AF
3 A	6LJ81922000	HRNS-TEL-LINE-400	1	1/P	eS2802AF
4 A	4406392020	LBL-SUPER-G3	1	5/KP	eS2802AF
5 A	X0-02420000	S/TPS/FHEXM/R-3X8-ZU3	2	10/P	eS2802AF



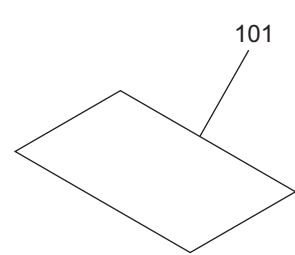
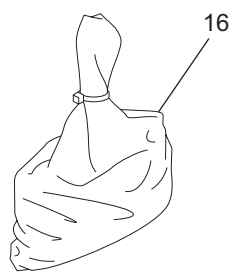
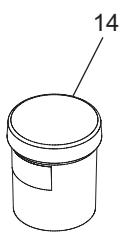
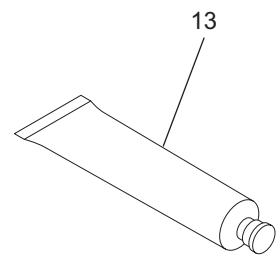
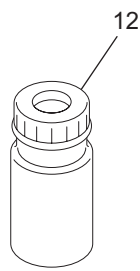
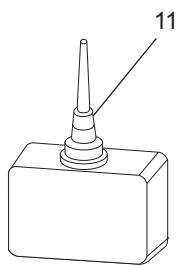
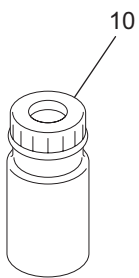
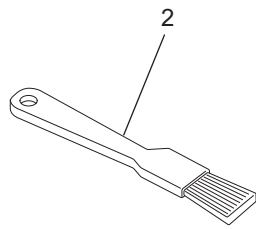
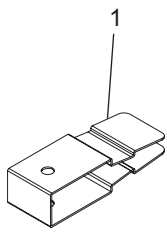
ITEM No.	PART No.	PART NAME	Q'TY / PAGE	Q'TY / PACK	REMARKS
1 A	6LJ80739000	TRAY_DOC_ASSY_P2	1	1/PP	eS2802AM/2802AF
2 A	6LJ80741000	COVER_ADF_ASSY_P2	1	1/C	eS2802AM/2802AF
4 A	6LJ80609000	ROLLER_PICK_UP_ASSY	1	1/D	eS2802AM/2802AF
5 A	6LJ80576000	PICK_UP_ROLLER_ASSY	1	1/P	eS2802AM/2802AF
6 A	6LJ80575000	ADF_ROLLER_ASSY	1	1/P	eS2802AM/2802AF
15 A	6LJ80650000	LABEL_INDEX	1	1/KP	eS2802AM/2802AF
16 A	6LJ80675000	PHOTOINTERRUPTER	1	1/P	eS2802AM/2802AF
17 A	6LJ80730000	ARM_LENGTH_SENSOR-B	1	1/P	eS2802AM/2802AF
18 A	6LJ80677000	WASHER_TRAY	1	1/P	eS2802AM/2802AF
19 A	6LJ80685000	SPRING_TRAY	1	1/P	eS2802AM/2802AF
20 A	6LJ80678000	CLIP_HANDEL	2	1/P	eS2802AM/2802AF
21 A	6LJ80521000	COVER_ADF	1	1/PP	eS2802AM/2802AF
22 A	6LJ80688000	ROLLER_FREE_PICK_UP	3	1/P	eS2802AM/2802AF
23 A	6LJ80673000	BUSH_COPPER_D6	2	1/P	eS2802AM/2802AF
24 A	6LJ80697000	BRUSH_NEUTRALIZING	1	1/KP	eS2802AM/2802AF
25 A	6LJ80674000	RADF_7_PAPER_SNSR_VR_HRNS	1	1/P	eS2802AM/2802AF
26 A	6LJ80707000	LABEL_ADJ_TRAY	1	1/KP	eS2802AM/2802AF
27 A	6LJ80735000	LABEL_CLEANING	1	1/KP	eS2802AM/2802AF



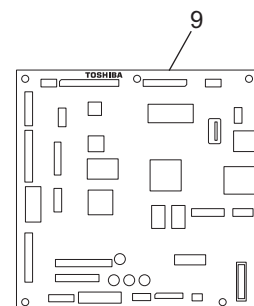
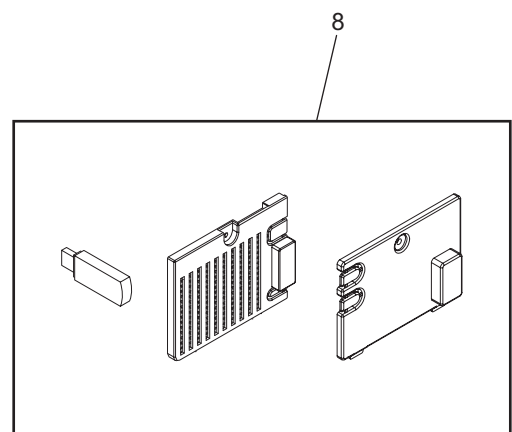
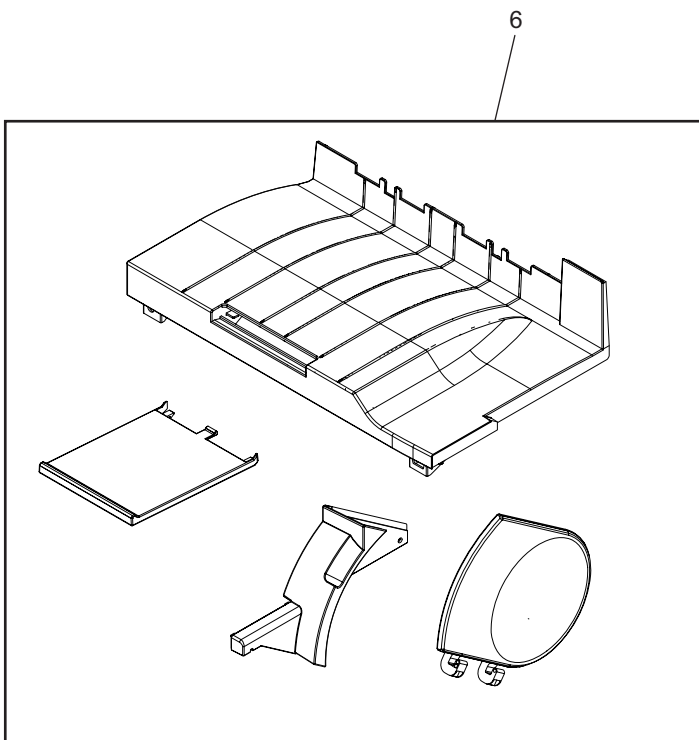
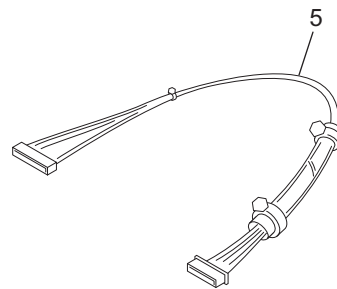
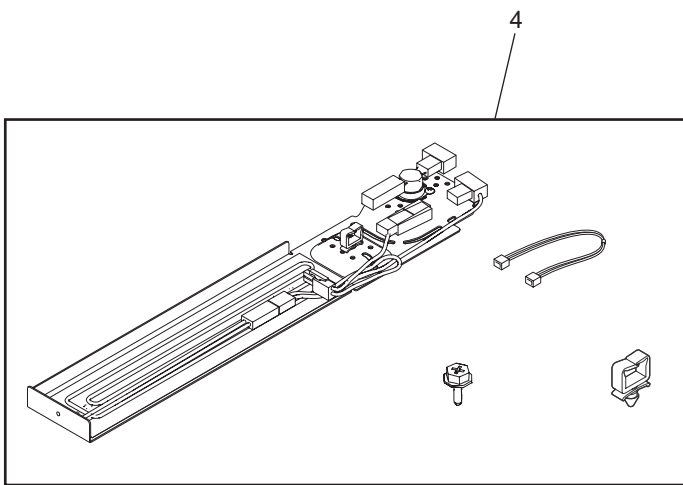
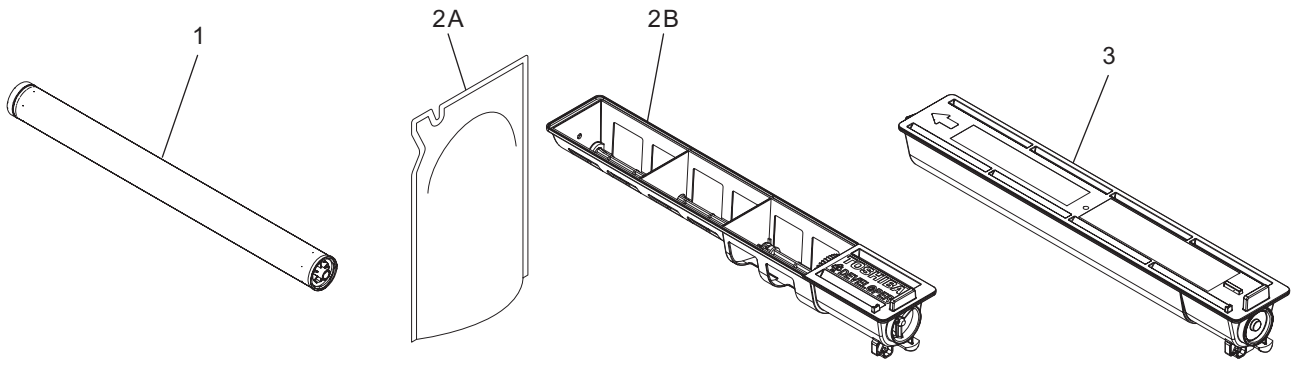
ITEM No.	PART No.	PART NAME	Q'TY / PAGE	Q'TY / PACK	REMARKS
7 A	6LJ80664000	FRAME_ADF_ASSY_P	1	1/C	eS2802AM/2802AF
8 A	6LJ80614000	FRAME_LOWER_ASSY_P	1	1/C	eS2802AM/2802AF
9 A	6LJ80745000	GUIDE_ADF_ASSY	1	1/C	eS2802AM/2802AF
10 A	6LJ80668000	SP_PAD_ASSY	1	1/D	eS2802AM/2802AF
16 A	6LJ80611000	STEPPING_MOTOR	1	1/C	eS2802AM/2802AF
17 A	6LJ80613000	ARM_START_ASSY	1	1/P	eS2802AM/2802AF
22 A	6LJ80681000	SPRING_SP_PAD	1	1/P	eS2802AM/2802AF
23 A	6LJ80676000	FREE_ROLLER	1	1/P	eS2802AM/2802AF
24 A	6LJ80695000	MYLAR_GUIDE_BASE	1	1/KP	eS2802AM/2802AF
25 A	6LJ80692000	ROLLER_EJ_D8	1	1/KP	eS2802AM/2802AF
26 A	6LJ80675000	PHOTOINTERRUPTER	3	1/P	eS2802AM/2802AF
27 A	6LJ80680000	SPRING_ARM	1	1/P	eS2802AM/2802AF
28 A	6LJ80673000	BUSH_COPPER_D6	6	1/P	eS2802AM/2802AF
29 A	6LJ80690000	ROLLER_PF1_D9	1	1/KP	eS2802AM/2802AF
30 A	6LJ80691000	ROLLER_PF2_D9	1	1/KP	eS2802AM/2802AF
31 A	6LJ80693000	SHEET_SWITCH	1	1/KP	eS2802AM/2802AF
32 A	6LJ80679000	SPRING_DP_SENSOR	1	1/P	eS2802AM/2802AF
33 A	6LJ80694000	SHEET_READING	1	1/KP	eS2802AM/2802AF
34 A	6LJ80737000	SHEET_GUIDE_E	3	1/P	eS2802AM/2802AF



ITEM No.	PART No.	PART NAME	Q'TY / PAGE	Q'TY / PACK	REMARKS
11 A	6LJ80746000	COVER_SDH_ASSY_P2	1	1/C	eS2802AM/2802AF
13 A	6LJ80731000	COVER_REAR-2	1	1/PP	eS2802AM/2802AF
14 A	6LJ80519000	COVER_FRONT	1	1/PP	eS2802AM/2802AF
18 A	6LJ80738000	MOTOR_DRIVER_BOARD2	1	1/SB	eS2802AM/2802AF
19 A	6LJ80580000	LABEL-CAU-ADF	1	1/P	eS2802AM/2802AF
20 A	6LJ80648000	LABEL_AROW	1	1/P	eS2802AM/2802AF
21 A	6LJ80727000	HRNS-IF_MOTOR	1	1/P	eS2802AM/2802AF
22 A	6LJ80675000	PHOTOINTERRUPTER	1	1/P	eS2802AM/2802AF
23 A	6LJ80684000	SPRING_SENSOR_SDH	1	1/P	eS2802AM/2802AF
24 A	6LJ80683000	SPRING_EXIT	3	1/P	eS2802AM/2802AF
25 A	6LJ80682000	SPRING_PF2	2	1/P	eS2802AM/2802AF
26 A	6LJ80689000	ROLLER_FREE_SDH	3	1/P	eS2802AM/2802AF
27 A	6LJ80696000	PLATE_WHITE_A4	1	1/KP	eS2802AM/2802AF
28 A	6LJ80712000	BASE_EXIT	3	1/P	eS2802AM/2802AF
29 A	6LJ80706000	ADJUST_HINGE_R_ASSY	1	1/C	eS2802AM/2802AF
30 A	6LJ80589000	COVER_CLOAK	1	1/P	eS2802AM/2802AF

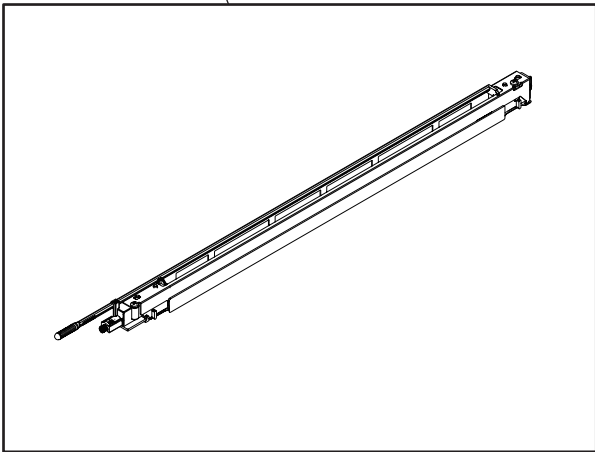


ITEM No.	PART No.	PART NAME	Q'TY / PAGE	Q'TY / PACK	REMARKS
1	6LE6550000	KEY-PLATE-280	1	1/P	
2	4407915710	BRUSH-33	1	1/P	
10	4407933080	ASM-SILICONE-1M	1	1/P	Silicon Oil
11	4842512170	OIL-LAUNA40-100	1	1/P	LAUNA40 100cc
12	6LA00019000	GREASE-HP300-S	1	1/P	White grease 10g
13	41303711000	ASM-PG-ALV2	1	1/P	Alvania No.2
14	6LE36904000	MOLYKOTE_EM-30L_100G	1	1/P	White grease
15	41303710000	ASM-PG-GE334C-S	1	1/P	
16	6LJ18300000	P-POWDER-PPT001	1	1/P	
101 A	4408687160	CHART-15-1-A4	1	10/KP	A4 series
101 B	4408687180	CHART-15-1-LT	1	10/KP	LT series

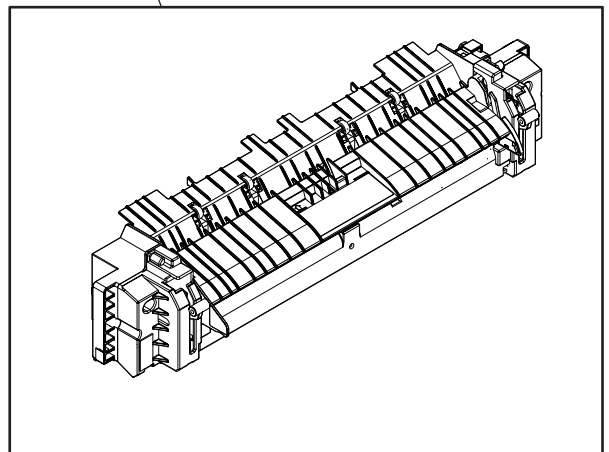


ITEM No.	PART No.	PART NAME	Q'TY / PAGE	Q'TY / PACK	REMARKS
1	6LJ83358000	OD-2505	1	1/S	
2 A	6LJ83445000	D-2505	1	1/S	Pouch type
2 B	6LJ84210000	D-2309	1	1/S	Cartridge type
3 A	6AG00006405	PS-ZT2802E(1)	1	SUPPLY	MJD
3 B	6AG00006415	PS-ZT2802U(1)	1	SUPPLY	NAD,ARD
3 C	6AG00006408	PS-ZT2802P(1)	1	SUPPLY	ASD,AUD
3 D	6AG00006411	PS-ZT2802PS(1)	1	SUPPLY	ASD
3 E	6AG00006401	PS-ZT2802C(1)	1	SUPPLY	CND
3 F	6AG00006422	PS-ZT2802CS(1)	1	SUPPLY	Excpet CND
3 G	6AG00006419	PS-ZT2802C(12)	1	SUPPLY	CND (12 set per box)
3 H	6AG00006402	PS-ZT2802CS(12)	1	SUPPLY	Excpet CND (12 set per box)
3 I	6AG00007246	PS-ZT2309TS(1)	1	SUPPLY	TWD
4 A	6AG00007727	MF-2505U	1	SUPPLY	NAD
4 B	6AG00007726	MF-2505E	1	SUPPLY	MJD,CND
5	6A000001575	GQ-1131	1	SUPPLY	
6 A	6AG00005087	KK-2505	1	SUPPLY	Excpet CND
6 B	6AG00005088	KK-2505C	1	SUPPLY	CND
8 A	6AG00006750	GN-1080	1	SUPPLY	Excpet CND
8 B	6AG00006751	GN-1080C	1	SUPPLY	CND
9	6AG00007747	GA-1340P	1	SUPPLY	Only Tender use

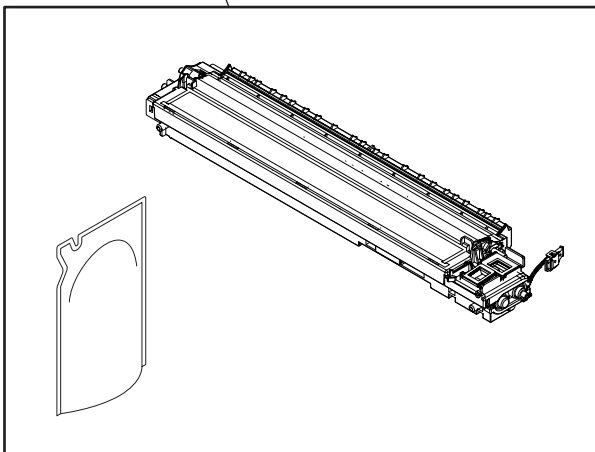
1



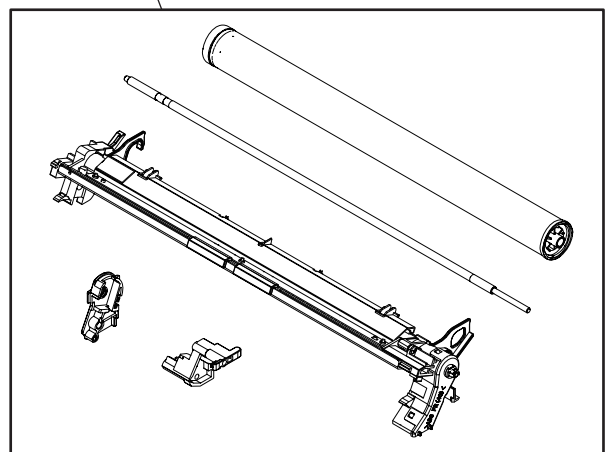
2



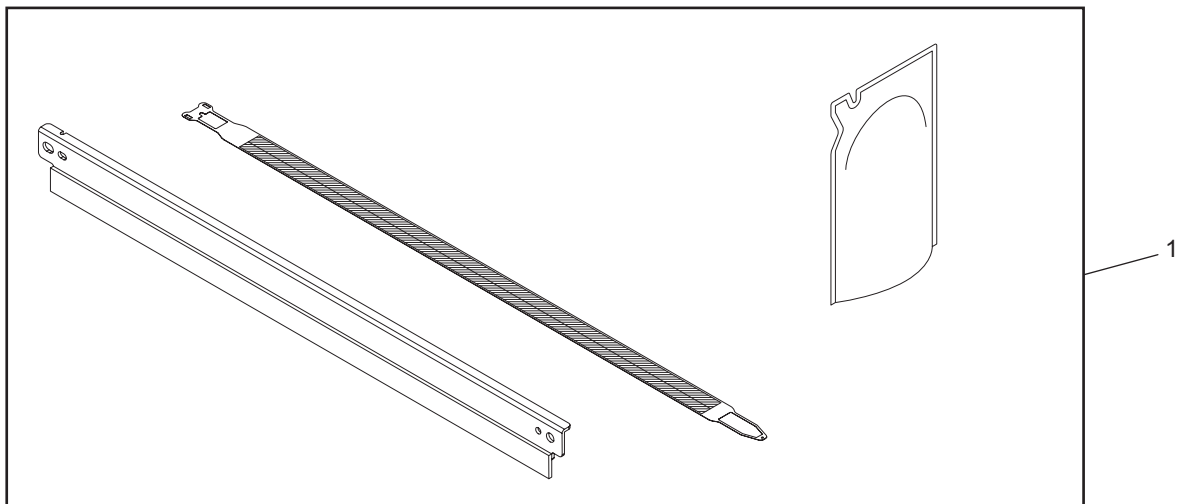
3

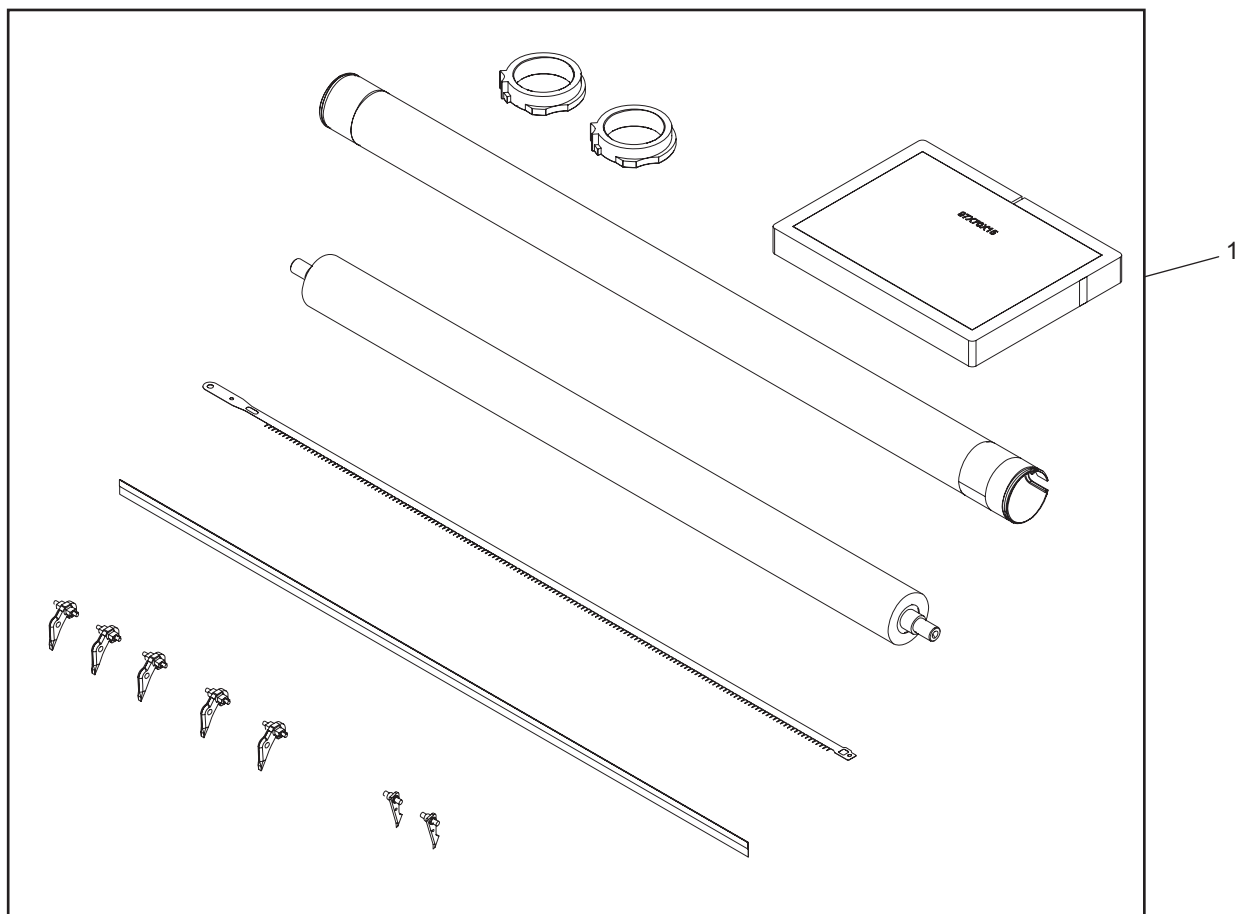


4



ITEM No.	PART No.	PART NAME	Q'TY / PAGE	Q'TY / PACK	REMARKS
1	6LJ78627000	MAIN-CH-2505-N	1	1/S	NAD CND,ASD,ARD,AUD,MJD
2 A	6LJ78089100	FUSER-2809-120	1	1/S	
2 B	6LJ78089200	FUSER-2809-230	1	1/S	
3	6LJ76601000	DEV-UNIT-2809	1	1/S	
4	6LJ75530000	CLN-DRUM-2505	1	1/S	





ITEM No.	PART No.	PART NAME	Q'TY / PAGE	Q'TY / PACK	REMARKS
1	6LJ84183000	FR_R-KIT-2809	1	1/S	

TOSHIBA

TOSHIBA TEC CORPORATION

1-11-1, OSAKI, SHINAGAWA-KU, TOKYO, 141-8562, JAPAN