

**TOSHIBA**

# **SERVICE PARTS LIST**

**MULTIFUNCTIONAL DIGITAL SYSTEMS**

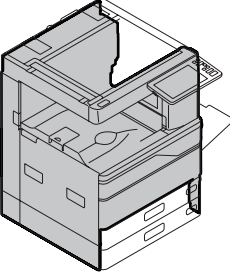
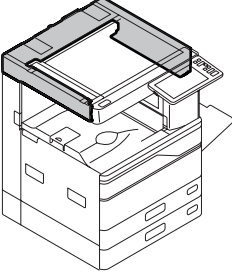
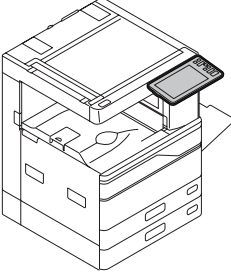
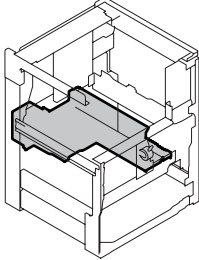
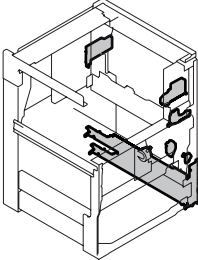
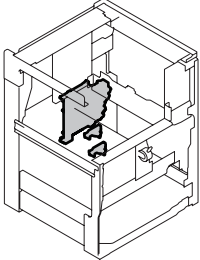
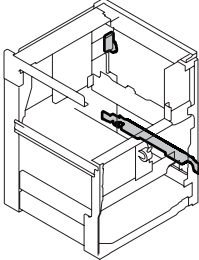
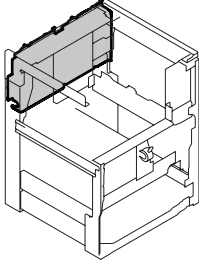
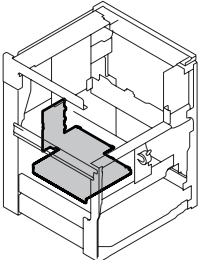
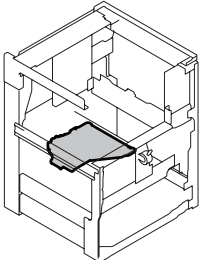
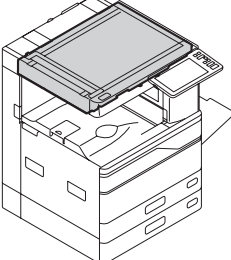
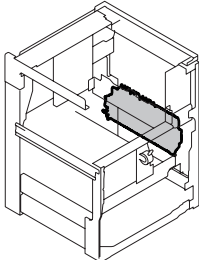
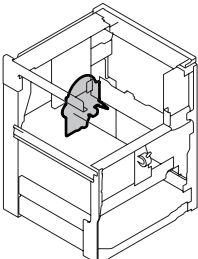
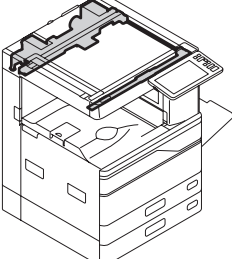
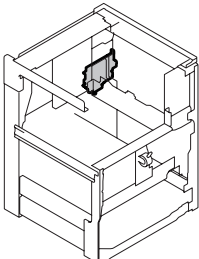
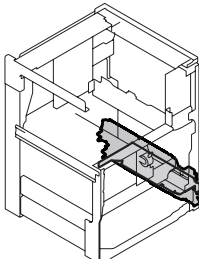

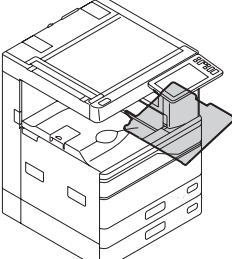
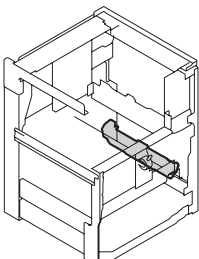
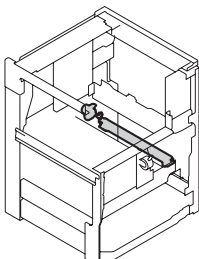
**e-STUDIO02528A/3028A/  
3528A/4528A**

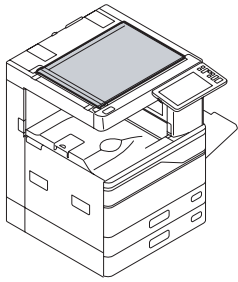
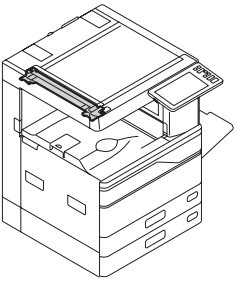
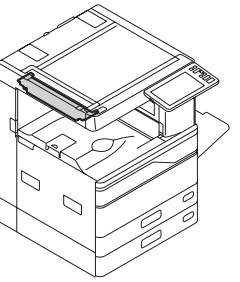
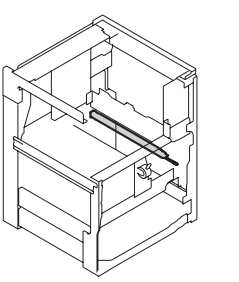
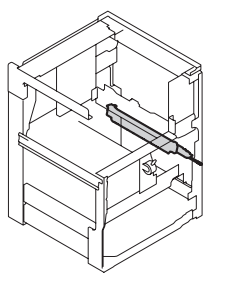
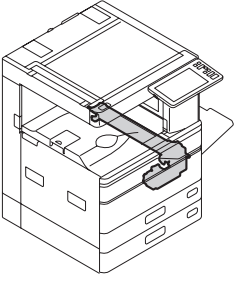
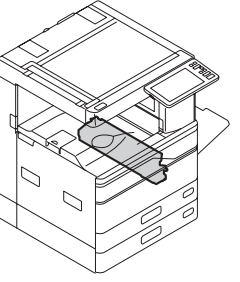
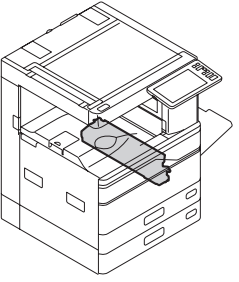
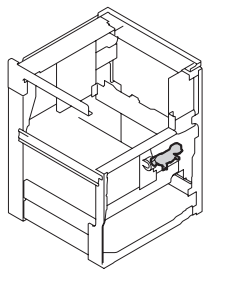
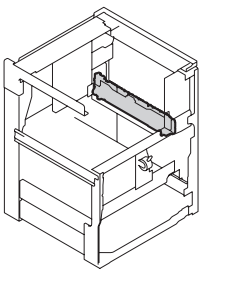
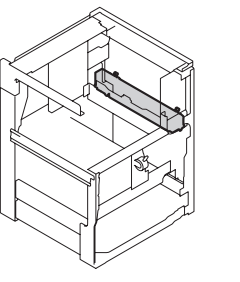
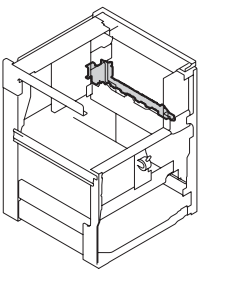
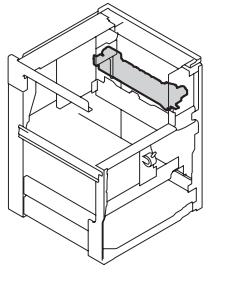
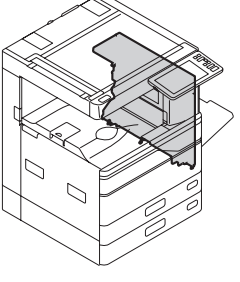
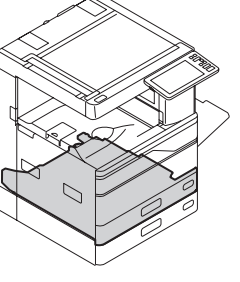
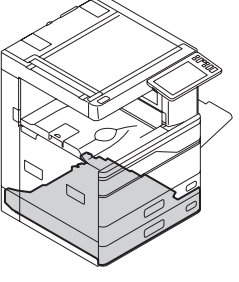
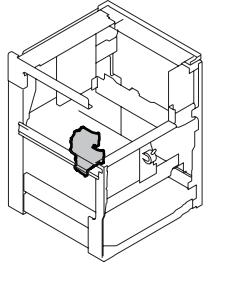
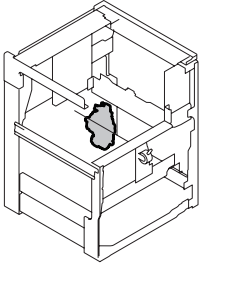
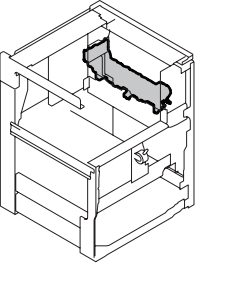
© 2022 Toshiba Tec Corporation All rights reserved

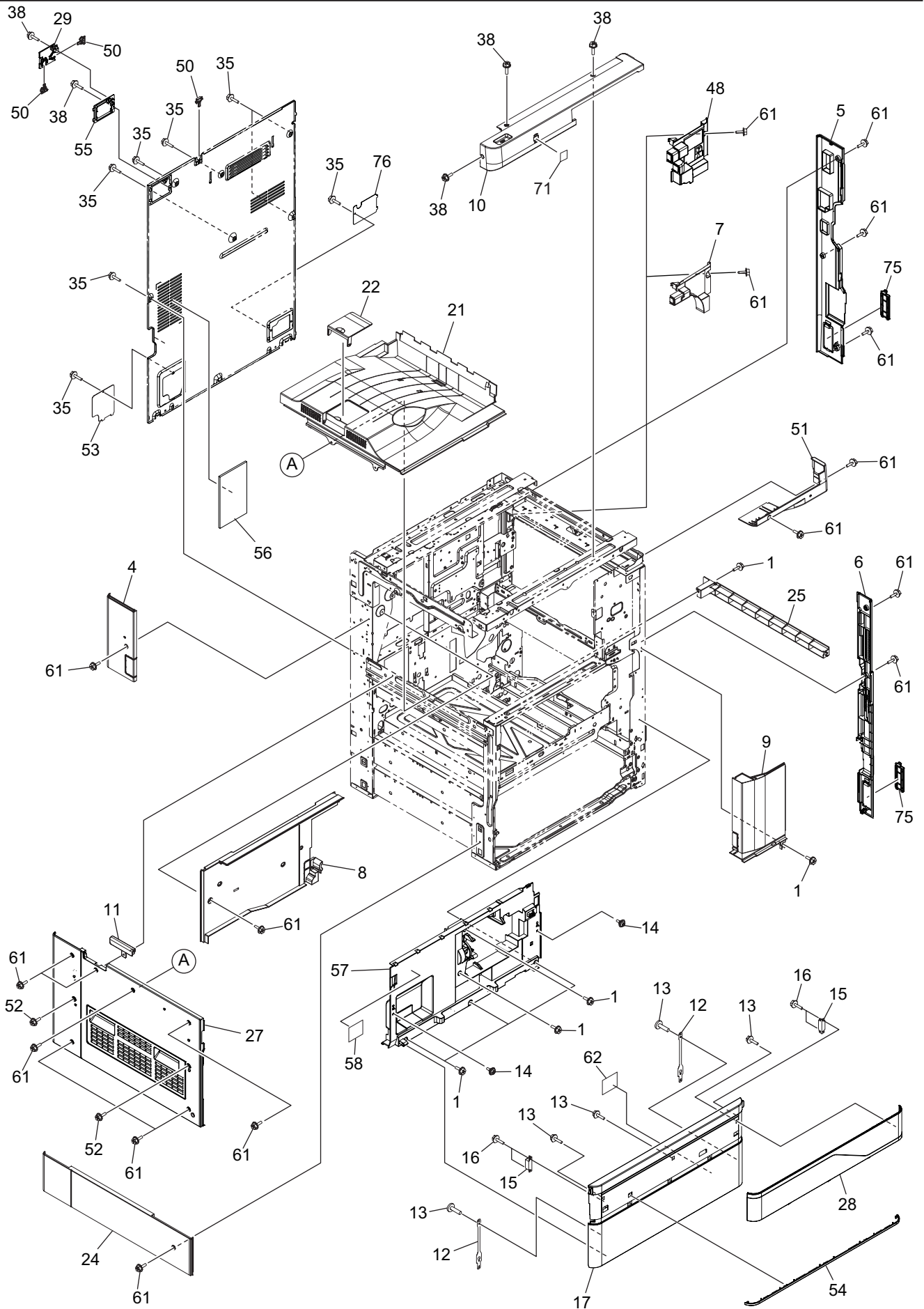
Under the copyright laws, this manual cannot be reproduced in any form without prior written permission of Toshiba Tec Corporation. No patent liability is assumed, however, with respect to the use of the information contained herein.

# CONTENTS

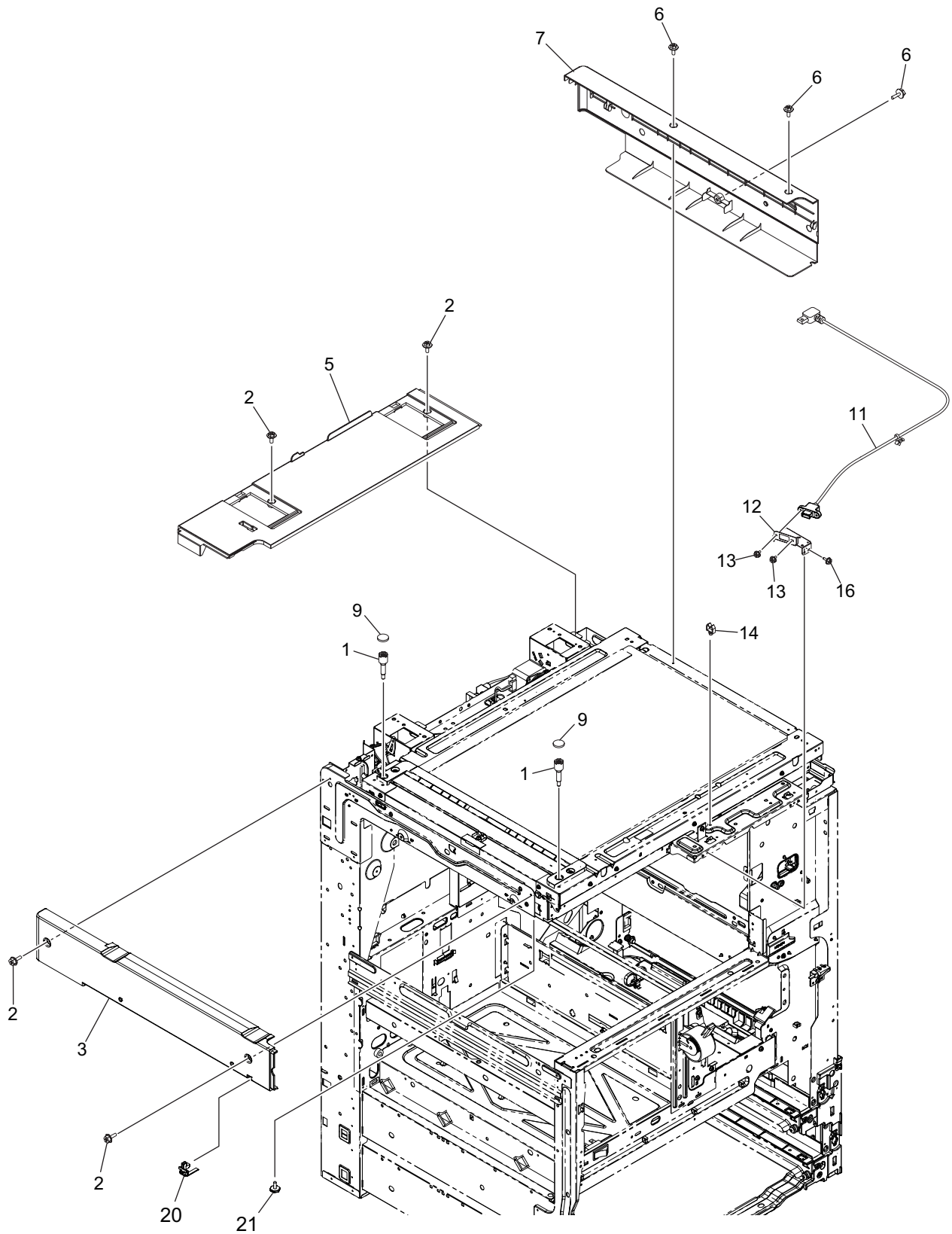
COVER-1-ASY .....	1	JIGS & GREASE .....	101
COVER-2-ASY .....	2	SUPPLIES .....	102
CONTROL-PANEL-ASY .....	3	REPLACE UNIT .....	103
BASE-FRAME-ASY .....	4	PM-KIT .....	104
FRONT-FRAME-ASY .....	5		
REAR-FRAME-1-ASY .....	6		
REAR-FRAME-2-ASY .....	7		
CASE-SYS-LGC-ASY .....	8		
ELECTRIC-ASY .....	9		
LASER-OPTICAL-UNIT-ASY .....	10		
OPTICAL-FRAME-ASY .....	11		
SIDE-DUCT-ASY .....	12		
MAIN-DRIVE-ASY .....	13		
OPTICAL-DRIVE .....	14		
DRIVE-FUSER-ASY .....	15		
FEEDER-ASY .....	16		
BYPASS-ASY .....	18		
BYPASS-FEEDER-ASY .....	19		
GUIDE-RGST-ASY .....	20		
GLASS-ASY .....	21		
CRG-1-ASY .....	22		
CRG-2-ASY .....	23		
MAIN-CHARGER-ASY .....	24		
TRANSPORT-CHARGER-ASY .....	25		
CLEANER-ASY .....	26		
DEVELOPER-ASY-1 .....	27		
DEVELOPER-ASY-2 .....	28		
RECYCLE-ASY .....	29		
FUSER-ASY-1 .....	30		
FUSER-ASY-2 .....	31		
FUSER-ASY-3 .....	32		
ADU-1-ASY .....	33		
ADU-2-ASY .....	34		
DRAWER-ASY-1 .....	35		
DRAWER-ASY-2 .....	36		
TRAYUP-MOT-ASY .....	37		
FEEDER-DRIVE-ASY .....	38		
EXIT-ASY .....	39		

<p>1. COVER-1-ASY</p> 	<p>2. COVER-2-ASY</p> 	<p>3. CONTROL-PANEL-ASY</p> 	<p>4. BASE-FRAME-ASY</p> 
<p>5. FRONT-FRAME-ASY</p> 	<p>6. REAR-FRAME-1-ASY</p> 	<p>7. REAR-FRAME-2-ASY</p> 	<p>8. CASE-SYS-LGC-ASY</p> 
<p>9. ELECTRIC-ASY</p> 	<p>10. LASER-OPTICAL-UNIT-ASY</p> 	<p>11. OPTICAL-FRAME-ASY</p> 	<p>12. SIDE-DUCT-ASY</p> 
<p>13. MAIN-DRIVE-ASY</p> 	<p>14. OPTICAL-DRIVE</p> 	<p>15. DRIVE-FUSER-ASY</p> 	<p>16. FEEDER-ASY</p> 
<p>17. BYPASS-ASY</p> 	<p>18. BYPASS-FEEDER-ASY</p> 	<p>19. BYPASS-FEEDER-ASY</p> 	<p>20. GUIDE-RGST-ASY</p> 

<p>21. GLASS-ASY</p> 	<p>22. CRG-1-ASY</p> 	<p>23. CRG-2-ASY</p> 	<p>24. MAIN-CHARGER-ASY</p> 
<p>25. TRANSPORT-CHARGER-ASY</p> 	<p>26. CLEANER-ASY</p> 	<p>27. DEVELOPER-ASY-1</p> 	<p>28. DEVELOPER-ASY-2</p> 
<p>29. RECYCLE-ASY</p> 	<p>30. FUSER-ASY-1</p> 	<p>31. FUSER-ASY-2</p> 	<p>32. FUSER-ASY-3</p> 
<p>33. ADU-1-ASY</p> 	<p>34. ADU-2-ASY</p> 	<p>35. DRAWER-ASY-1</p> 	<p>36. DRAWER-ASY-2</p> 
<p>37. TRAYUP-MOT-ASY</p> 	<p>38. FEEDER-DRIVE-ASY</p> 	<p>39. EXIT-ASY</p> 	

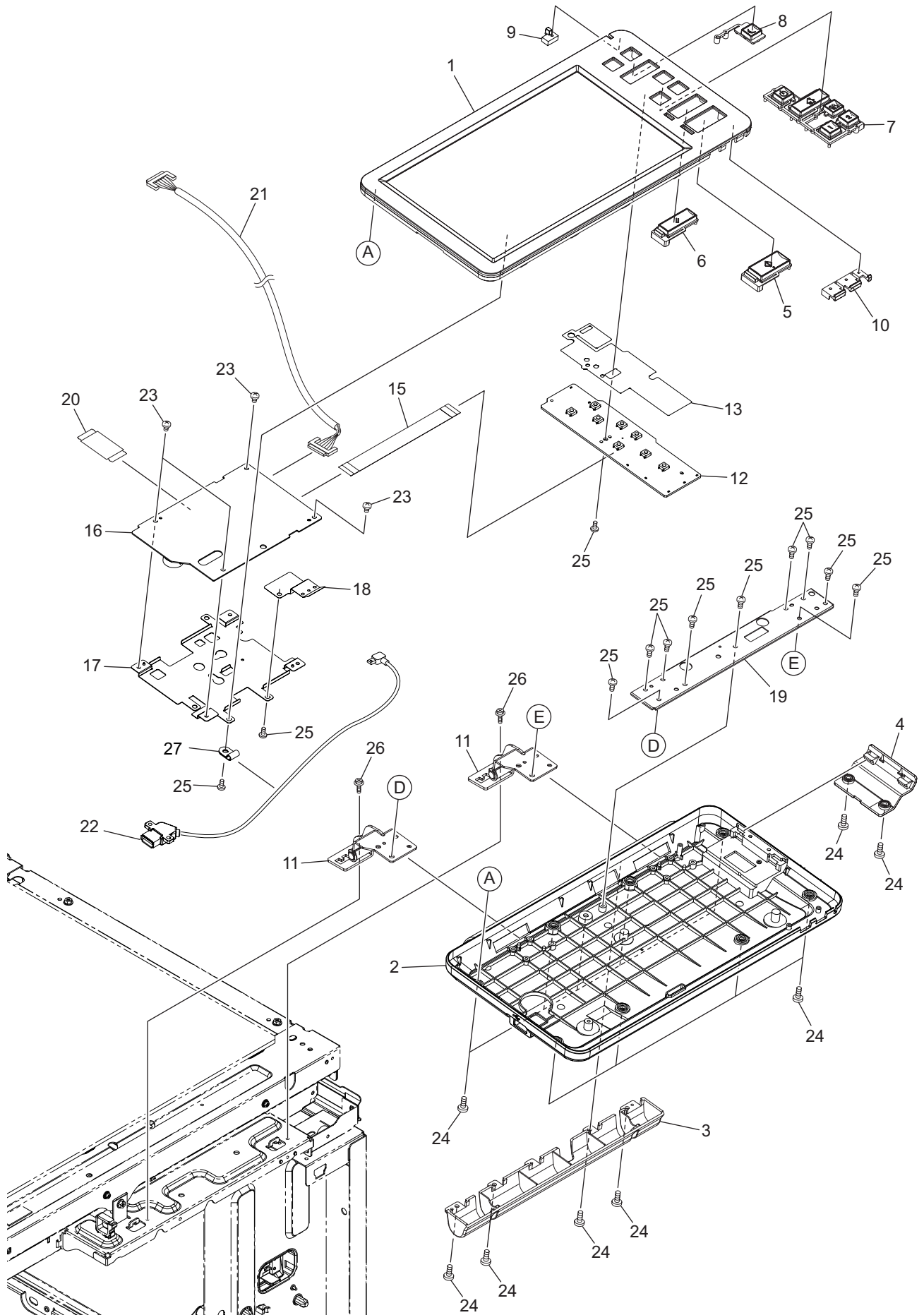


ITEM No.	PART No.	PART NAME	Q'TY / PAGE	Q'TY / PACK	REMARKS
1	X0-02420000	S/TPS/FHEXM/R-3X8-ZU3	7	10/P	
4	6LK48707000	COVER-LEFT-REAR-H370	1	1/PP	
5	6LL33506000	COVER-RIGHT-REAR-K17X	1	1/PP	
6	6LL33507000	COVER-FRT-PILLAR-R-K17X	1	1/PP	
7 B	6LL43139000	ASYS-COV-FUS-R-K163	1	1/PP	eS3528A/4528A
8 A	6LJ53707600	COVER-TRAY-BACK-H370	1	1/PP	eS2528A/3028A
8 B	6LJ53707700	COVER-TRAY-BACK-H373	1	1/PP	eS3528A/4528A
9	6LK48705000	COVER-FRT-PILLAR-H370	1	1/PP	
10 A	6LL33508000	ASYS-COV-TP-FRT-2528	1	1/PP	eS2528A
10 B	6LL33508100	ASYS-COV-TP-FRT-3028	1	1/PP	eS3028A
10 C	6LL33508200	ASYS-COV-TP-FRT-3528	1	1/PP	eS3528A Except CNS
10 D	6LL33508300	ASYS-COV-TP-FRT-4528	1	1/PP	eS4528A Except CNS
10 E	6LL33508400	ASYS-COV-TP-FRT-3528CS	1	1/PP	eS3528A CNS
10 F	6LL33508500	ASYS-COV-TP-FRT-4528CS	1	1/PP	eS4528A CNS
11	6LK48711000	COVER-LEFT-2-H370	1	1/P	
12	6LK66504000	BAND-COVER-FRT-H41X	2	1/P	
13	X0-01989000	S/TTP/BID-3X8-NI	5	10/P	
14	6LA08937000	SCREW-BKT-DEV	2	10/P	
15	F0-01394000	CA-0131B	2	1/P	
16	X0-02248000	S/TTP/FHEXM-3X10-NI	4	10/P	
17	6LL43108100	COVER-FRONT-K17X	1	1/PP	
21	6LL43104000	COVER-TRAY-K16X	1	1/PP	
22	6LH52423700	COVER-STOP-PAPER-470-N_B	1	1/P	
24	6LJ69439200	COVER-LEFT-PFU_B	1	1/PP	
25	6LJ69442200	COVER-R-LOW-PFU_B	1	1/PP	
27	6LL43124000	ASYB-COVER-LEFT-K160	1	1/PP	
28	6LL43125000	ASYS-COVER-DECO-K16X	1	1/PP	
29	6LL43143000	COVER-DF_FIN-CNT-K160	1	1/P	
35	X0-02230000	S/FHEXM-M3X6-NI	8	10/P	
38	X0-02672000	S/FHEXM-M3X8-ZB3	5	10/P	
48 A	6LK48737400	ASYS-COV-FUS-R-K160	1	1/PP	eS2528A/3028A
50	6LK48727000	COVER-DF-SUB-H373	3	1/P	
51	6LK48736000	COV-FRT-PILLAR-U	1	1/PP	
52	X0-02678000	S/TPS/FHEXM/R-4X8-ZB3	2	10/P	
53	6LJ69458000	LID-REAR-PFU	1	1/P	
54	6LK48766200	COVER-RIM-HS	1	1/PP	
55	6LL43142000	COVER-INR-DF_FIN-K160	1	1/P	
56	6LK66516000	FILTER-COV-REAR-H41X	1	1/KP	
57	6LK91908300	COVER-INNER-F-H41X-R3	1	1/PP	
58 A	6LJ83461000	LBL-CAU-LASER	1	1/P	Except CND
58 B	6LJ83375000	LBL-CAU-LASER-CND	1	1/P	CND
61	X0-02681000	S/TPD3/FHEXM/R-3X8-ZB3	17	10/P	
62	4406550190	LBL-HVT-BIT	1	5/P	
71	6LK56621000	LBL-IDGATE-MARK-KP2007	1	1/P	
75	6LL43110000	COV-SUB-EX-LCF-K163	2	1/P	
76	6LL40136000	COVER-REAR-LCF-K163	1	1/P	

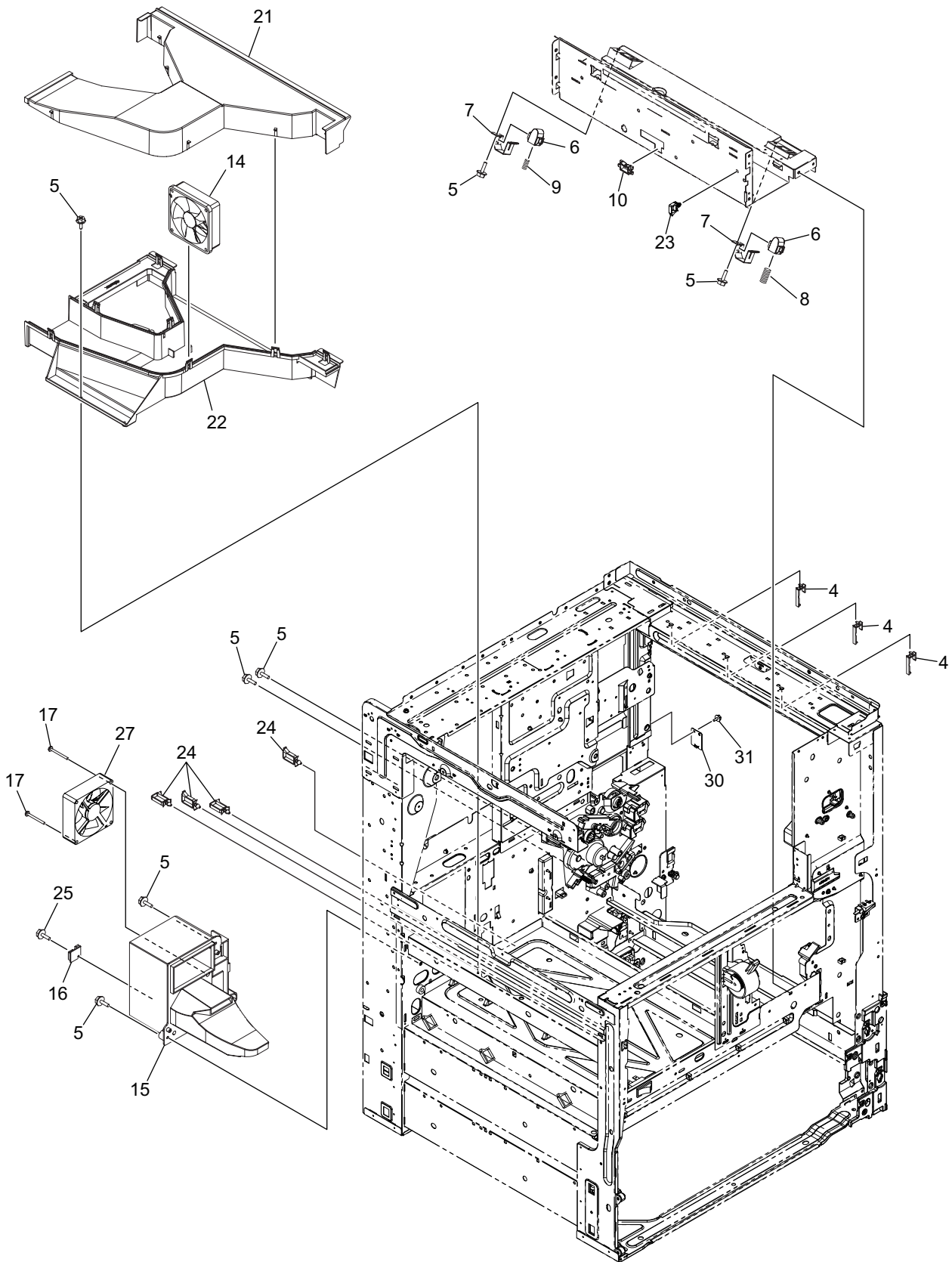




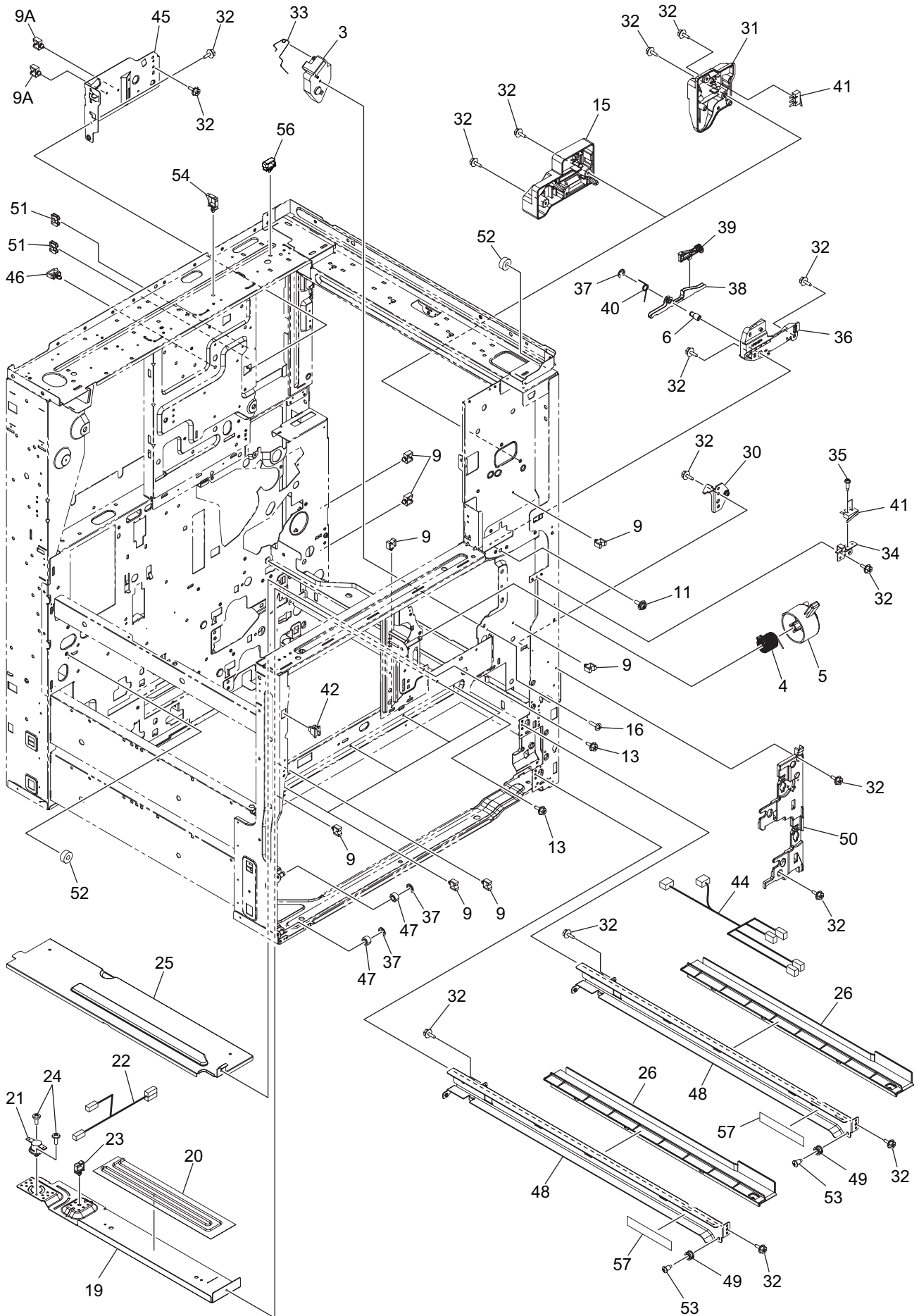




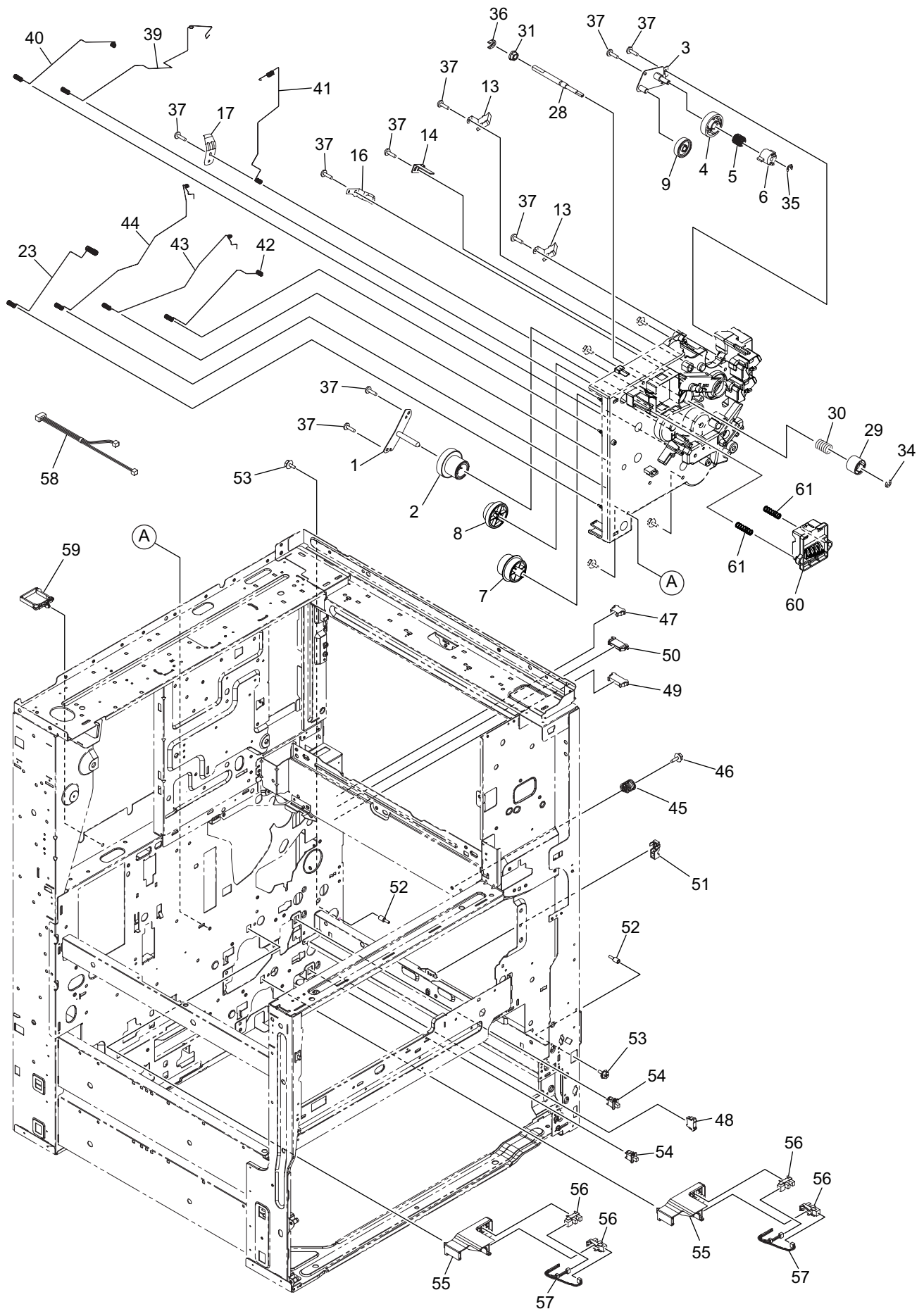






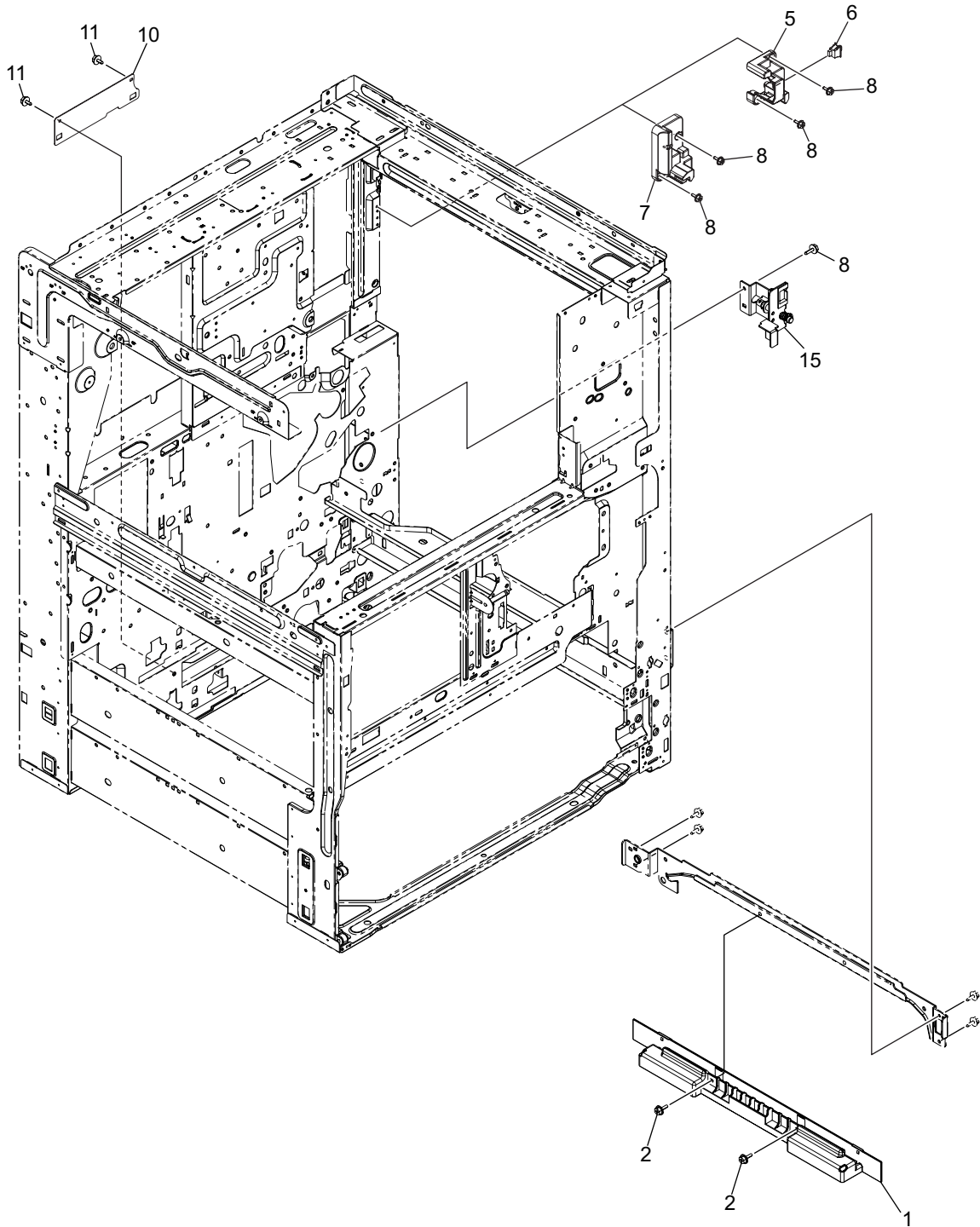


ITEM No.	PART No.	PART NAME	Q'TY / PAGE	Q'TY / PACK	REMARKS
3	6LK68900000	BUSH-RGST-BIAS-H41X	1	1/P	
4	6LH54643000	SPG-LEVER-TNR-C	1	1/P	
5	6LH54641100	LEVER-TNR-C-16X	1	1/P	
6	6LJ58190100	STUD-LVR-LOCK-F-PBF2	1	1/P	
9 A	F0-01250000	MSB-1207	13	5/P	eS3528A/4528A
9 B	F0-01250000	MSB-1207	11	5/P	eS2528A/3028A
11	X0-00077000	S/PAN/SWWP-M3X8-NI	1	10/P	
13	X0-02593000	S/TPD3/FHEXM-3X8-ZU3	2	10/P	
15 A	6LJ52395300	HOLD-ADU-HOOK-F-K160	1	1/P	eS2528A/3028A
16	6LA80090000	S/TPP/BID-3*8-NI	1	5/P	
19 B	6LH54692000	BRKT-DHTR-DRUM-470	1	1/P	ASD
20 A	6LE64030000	HEATER-D-DRM-280E	1	1/KP	ASD
21 B	6LE09486000	THRMST-CS-7L	1	1/D	ASD
22 B	6LL39627000	HRNS-D/H-DRM-17X	1	1/P	ASD
23 B	F0-00024000	LWS-1U	1	5/P	ASD
24 B	X0-02069000	S/TPS/BID-3X6-ZU3	2	10/P	ASD
25	6LH54655000	COVER-DHTR	1	1/P	
26	6LK50704000	RAIL-FEED-UNIT-L-H373	2	1/PP	
30	6LJ57337300	ASYB-HINGE-F2	1	1/P	
31 A	6LJ52415300	HOLD-ADU-HOOK-F-K163	1	1/P	eS3528A/4528A
32	X0-02420000	S/TPS/FHEXM/R-3X8-ZU3	16	10/P	
33	6LK68903000	SPG-BIAS-TR-F	1	1/P	
34	6LK67842000	BRKT-INTERLOCK-SW-H41X	1	1/P	
35	44204394000	SCREW20*D23	2	10/P	
36	6LK67830000	GUIDE-RAIL-FUS-F-H41X	1	1/P	
37	X0-00966000	RR/E-5-SS	3	10/P	
38	6LJ58004000	LVR-FUSER-LOCK-2	1	1/P	
39	6LJ58011200	COVER-LVR-LOCK_G	1	1/P	
40	6LK67831000	SPG-LOCK-FUS-F	1	1/P	
41	E0-16835000	MQS-54AS-5L2-F	2	1/C	
42	E0-16446000	SW1AG-550	1	1/D	
44	6LL39417000	HRNS-LVPS-INLCGW-K17X	1	1/P	
45	6LK67819000	BEAM-FUS-DRV-F-H41X	1	1/P	
46	F0-01811000	LWS-0711S-V0	1	5/P	
47	6LJ69393000	ROLL-RAIL-CST-H21X-2	2	1/P	
48	6LJ66740200	RAIL-CST-RIGHT-K163	2	1/PP	
49	6LJ69392000	ROLL-RAIL-CST-H21X-1	2	1/P	
50	6LJ53749200	COV-FRT-PILLAR-CST-K16X	1	1/P	
51	F0-02296000	ES-0505-2	2	5/P	
52	6LE25210000	CUSH-FRM-SCREW-380	2	1/P	
53	6LJ56973000	SCREW-ROLL-CST-H21X	2	1/P	
54	F0-01243000	LWS-1211Z	1	5/P	
56	F0-01947000	RLWC-1SV0	1	5/P	
57	6LL45671000	MYLAR-CST-RAIL-K163	2	1/P	

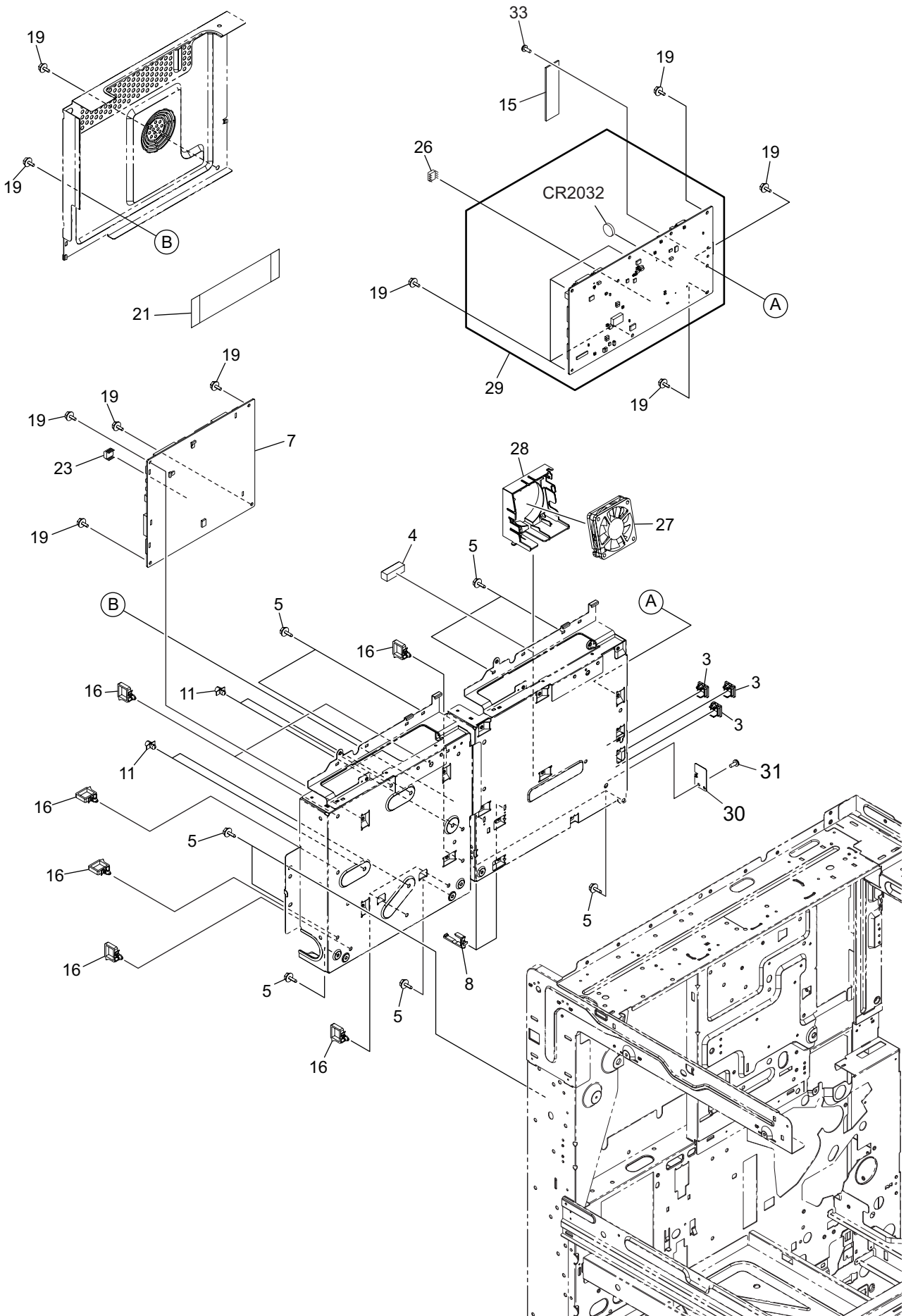




ITEM No.	PART No.	PART NAME	Q'TY / PAGE	Q'TY / PACK	REMARKS
1	6LK67213100	ASYS-PLT-DRV-DEV2	1	1/P	
2	6LH53715000	GEAR-8H43_10S22-6	1	1/P	
3	6LK67210100	ASYS-BRKT-DRV-CLN2	1	1/P	
4	6LA82294000	GEAR-10H29-6-CLN	1	1/P	
5	6LE85352000	SPG-DRV-CLN	1	5/P	
6	6LA82296000	CPG-DRV-CLN	1	1/P	
7	6LK67216000	GEAR-10S29_8H31-6	1	1/P	
8	6LK67215000	GEAR-10S23_10S33-6	1	1/P	
9	6LK67209000	GEAR-10H23-6	1	1/P	
13	6LH57331000	PLT-TRU	2	1/D	
14	6LK67218000	PLT-CH-M	1	1/P	
16	6LE86050000	SPL-GRID	1	1/P	
17	6LE56606000	SPL-BIAS-RGST	1	1/C	
23	6LK67240000	SPG-TERM-DEV	1	1/P	
28	6LH53763000	SHAFT-DRV-TNR-470	1	1/P	
29	6LH57004300	CPG-TC-470-E	1	1/P	
30	6LE56611000	SPG-DRV-TN-280	1	1/P	
31	44201492000	BUSH-6-POM	1	5/P	
34	X0-00974000	RR/E-2.5-SS	1	10/P	
35	X0-00965000	RR/E-4-SS	1	10/P	
36	4407972860	STOP-RING-6-5	1	5/P	
37	6LA80090000	S/TPP/BID-3*8-NI	9	5/P	
39	6LK67237000	SPG-CH-M	1	1/P	
40	6LK67241000	SPG-BIAS-FUS	1	1/P	
41	6LK67239000	SPG-BIAS-RGST	1	1/P	
42	6LK67238000	SPG-GRID	1	1/P	
43	6LK67260000	SPG-BIAS-TR	1	1/P	
44	6LK67261000	SPG-BIAS-TR2	1	1/P	
45	6LK67858000	SPG-E-FUS-PUSH	1	1/P	
46	X0-02420000	S/TPS/FHEXM/R-3X8-ZU3	1	10/P	
47	E0-10445000	BU04P-TZ-S (LF)(SN)	1	5/P	
48	E0-10095000	BU05P-TZ-S (LF)(SN)	1	5/P	
49	E0-10450000	BU13P-TZ-S (LF)(SN)	1	5/P	
50	E0-09932000	BU14P-TZ-S (LF)(SN)	1	5/P	
51	6LJ56357000	BUSH-ROL-6	1	1/P	
52	6LJ56378100	STUD-HOOK-COV-H21Y-N-PBF2	2	1/P	
53	X0-02230000	S/FHEXM-M3X6-NI	2	10/P	
54	E0-16446000	SW1AG-550	2	1/D	
55	6LJ56265200	HOLDER-SNSR-FS-K16X	2	1/P	
56	C0-20495000	LG2A24BL1	4	1/C	
57	6LK45350000	HRNS-PFP-EMP-H373	2	1/P	
58	6LL39563000	HRNS-LGC-TNRM-K17X	1	1/P	
59	F0-02226000	RLWC-7SV0	1	5/P	
60	6LL36403000	ASYB-HLDR-CTIF-K17X	1	1/C	
61	6LL36402000	SPG-PUSH-CTIF	2	1/P	



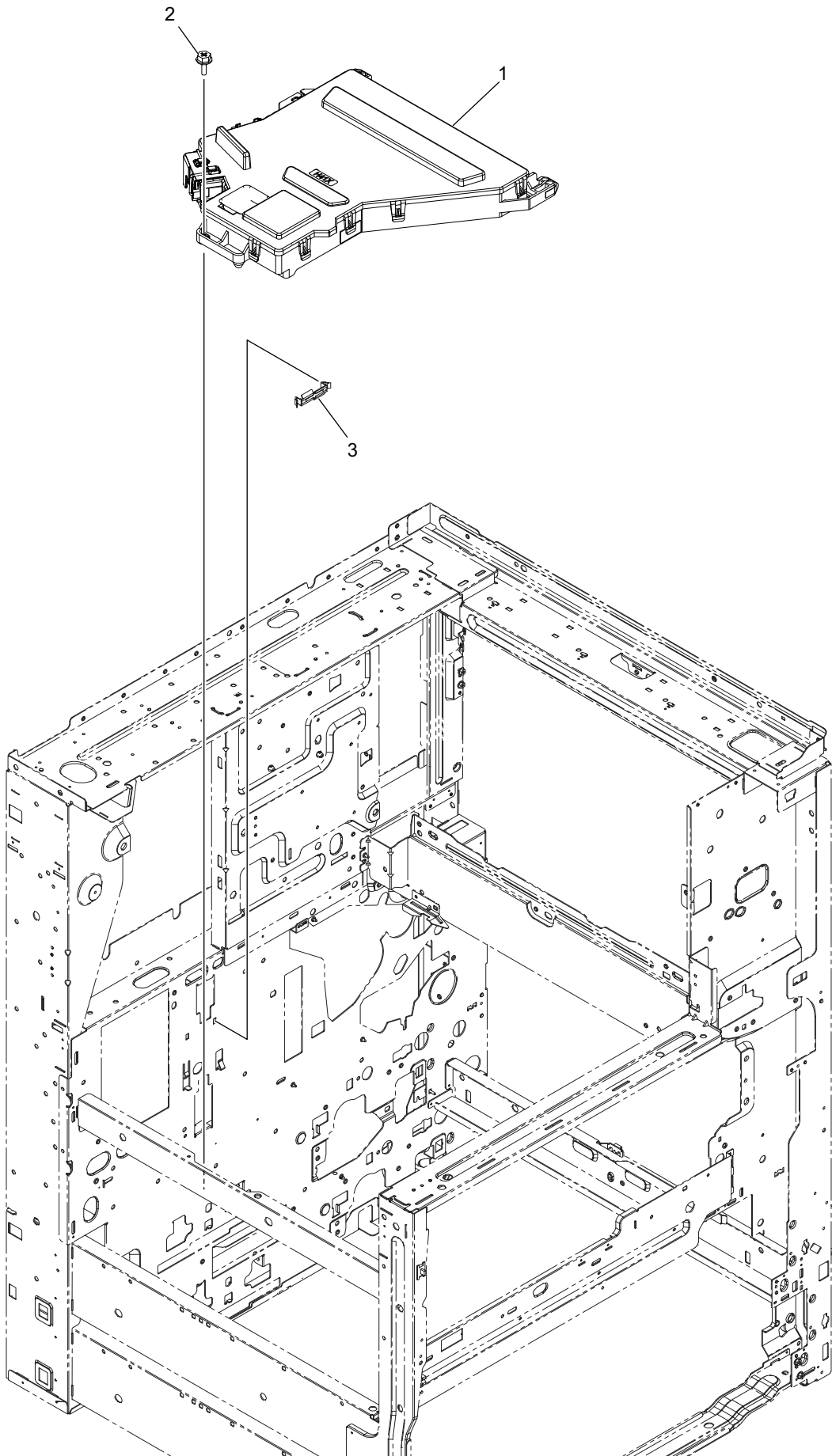






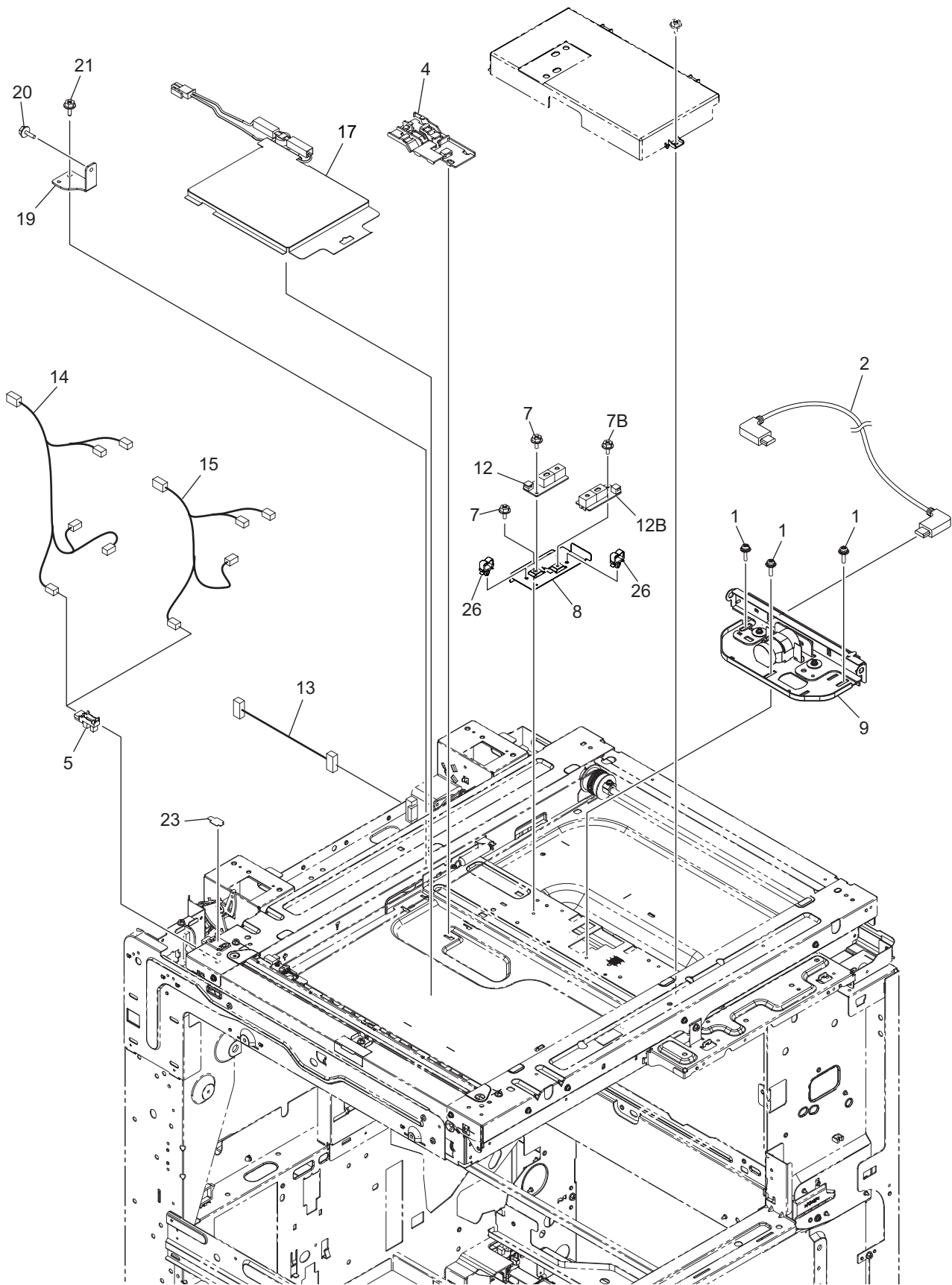




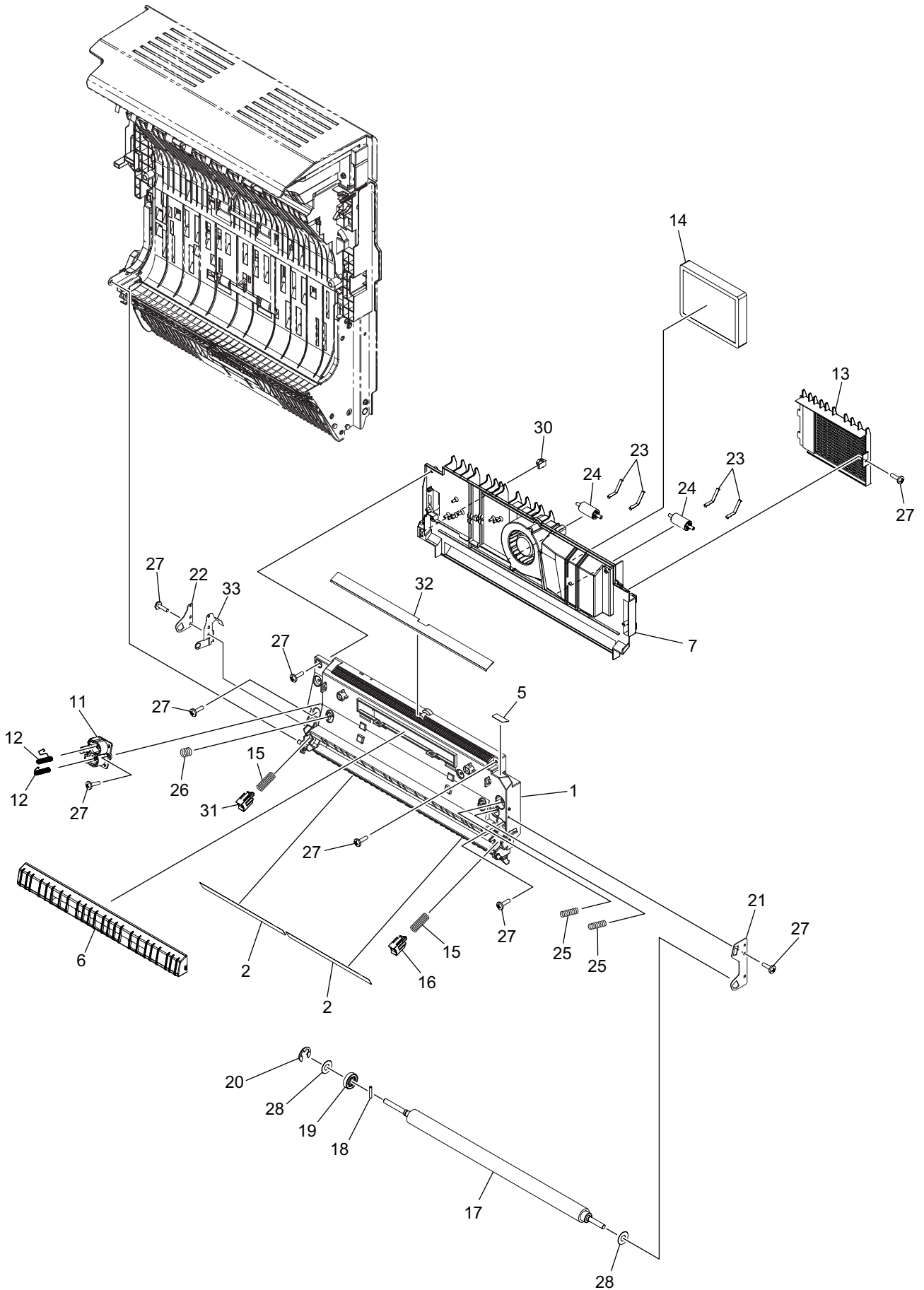




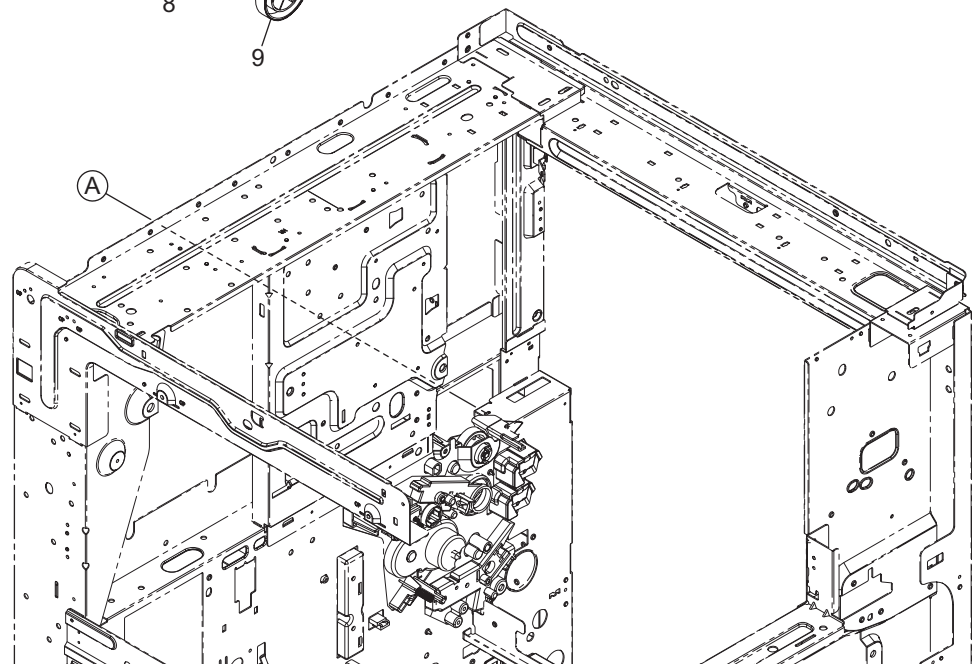
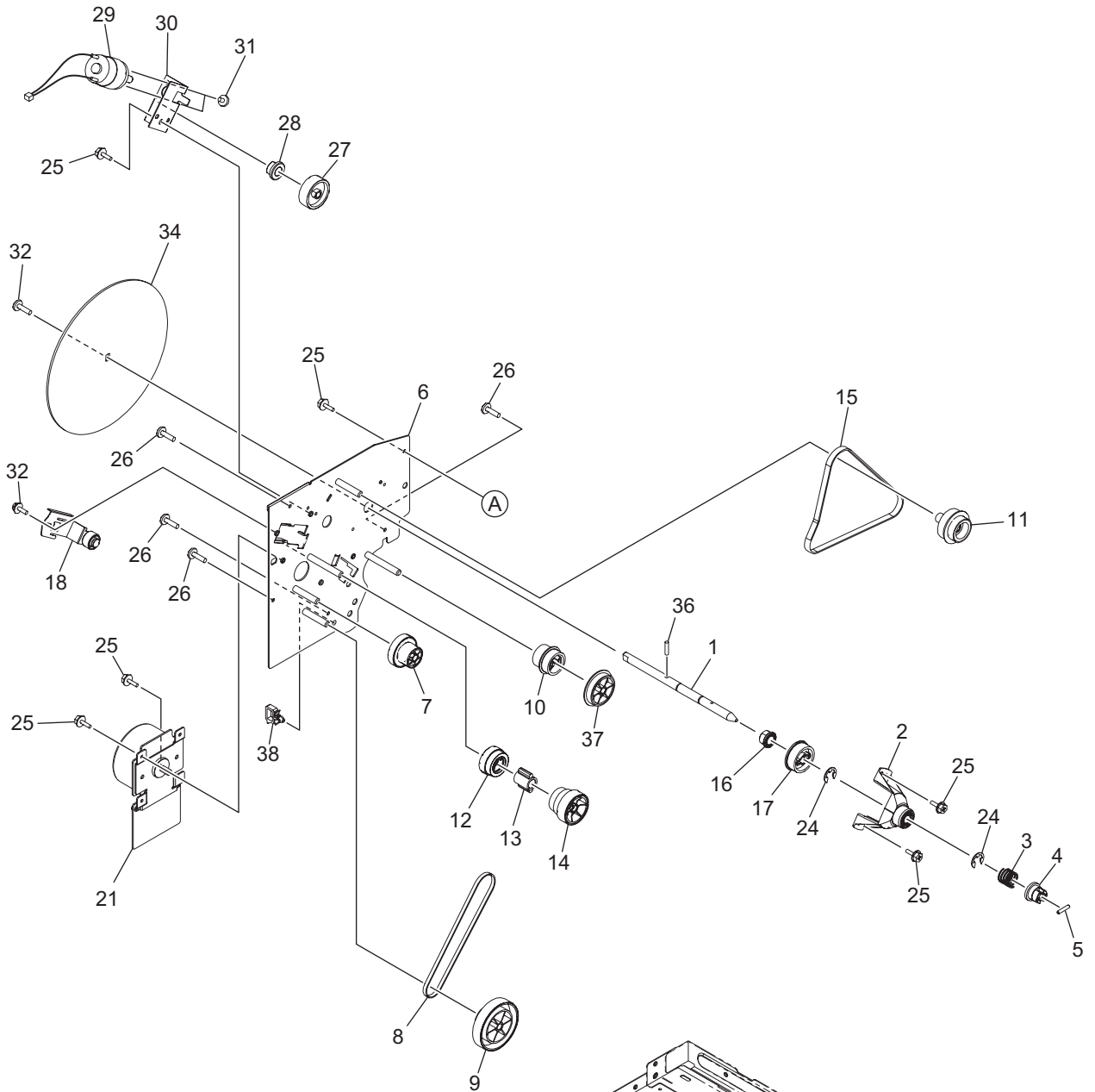










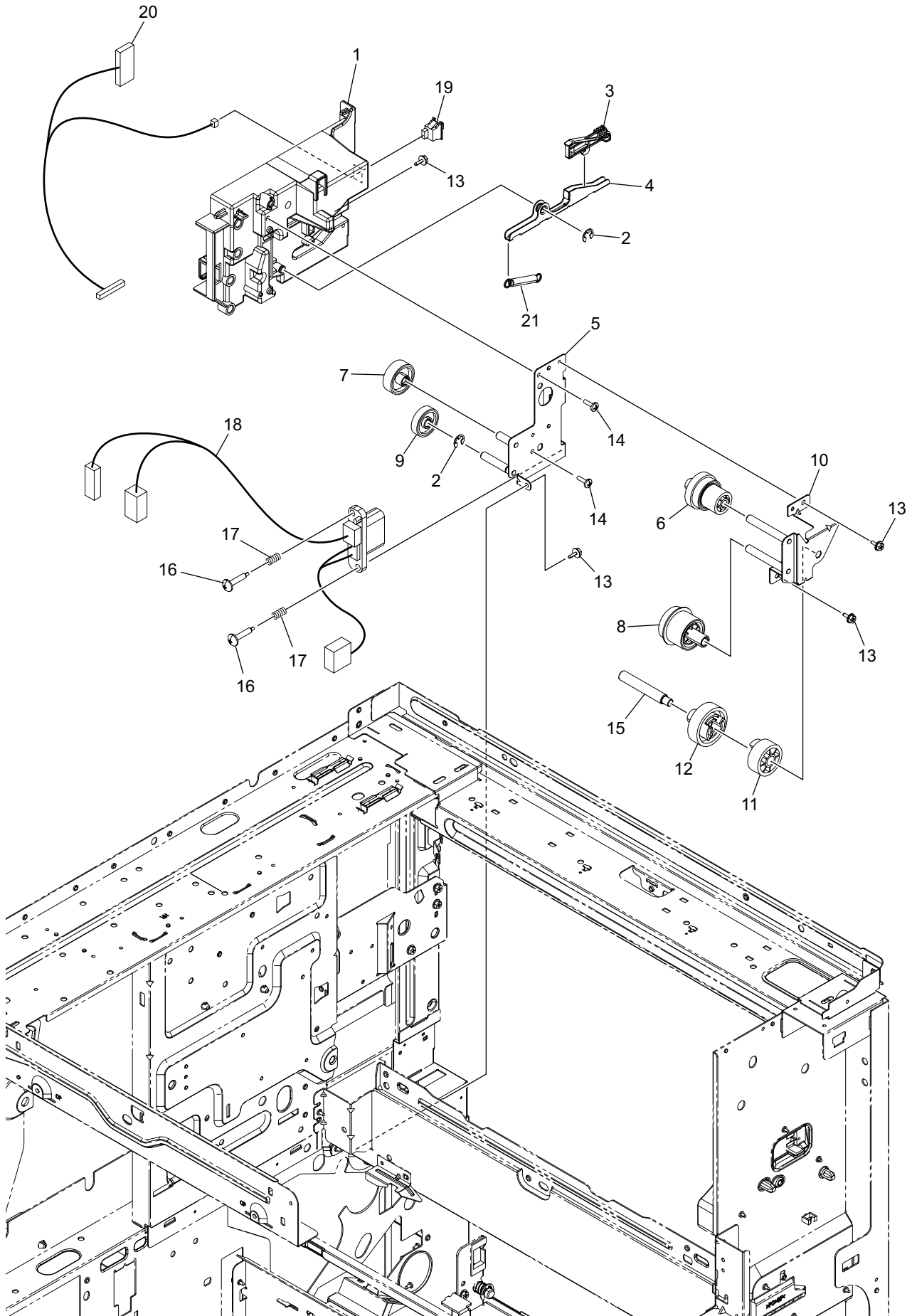


ITEM No.	PART No.	PART NAME	Q'TY / PAGE	Q'TY / PACK	REMARKS
1	6LK67248000	SHAFT-DRUM-H41X	1	1/P	
2	6LH53741000	ASYS-BUSH-DRUM-470	1	1/P	
3	6LA79504000	SPG-C-173	1	5/P	
4	41314022000	CPG-DRUM-AW5	1	1/P	
5	X0-00980000	P/PRL/AH7-2X10-SS	1	10/P	
6	6LK67205100	ASYS-PLATE-DRV-H41X_2	1	1/PP	
7	6LH53791000	GEAR-5H58-4H48-6	1	1/P	
8 A	6LK67242000	BLT-SY-S2M-306-4	1	1/P	eS2528A/3028A
8 B	6LK67243000	BLT-SY-S2M-314-4	1	1/P	eS3528A/4528A
9 A	6LH53792000	GEAR-4H118-PS2M30-6-L	1	1/P	eS2528A/3028A
9 B	6LH53793000	GEAR-4H118-PS2M38-6-H	1	1/P	eS3528A/4528A
10	6LK67207000	GEAR-10S20_PS2M38-6-CPL	1	1/P	
11	6LH53705000	GEAR-10H22_PS2M49-6	1	1/P	
12	6LH53739000	ASYS-GEAR-5H50-6-COUPPL	1	1/P	
13	6LE56653000	COUPPL-GR-P-JOINT-280	1	1/P	
14 A	6LH53737000	ASYS-GEAR-8H37_PS2M30-6-L	1	1/P	eS2528A/3028A
14 B	6LH53738000	ASYS-GEAR-8H37_PS2M38-6-H	1	1/P	eS3528A/4528A
15 A	6LK67244000	BLT-SY-S2M-354-6	1	1/P	eS2528A/3028A
15 B	6LK67245000	BLT-SY-S2M-360-6	1	1/P	eS3528A/4528A
16	6LJ18124000	BUSH-8X12X8F-BCF-050	1	5/P	
17	6LH53709000	PLY-S2M44-8	1	1/P	
18	6LH53796100	ASYS-BRKT-TENS-47X_2	1	1/P	
21 A	6LH53700000	MOTR_D-MAIN-471	1	1/C	eS2528A/3028A
21 B	6LK67252000	MOTR_D-MAIN-H413	1	1/C	eS3528A/4528A
24	X0-00968000	RR/E-7-SS	2	10/P	
25	X0-02420000	S/TPS/FHEXM/R-3X8-ZU3	6	10/P	
26	6LA80090000	S/TPP/BID-3*8-NI	4	5/P	
27	6LE56633000	GEAR-5H60L-6-WORM-TNR	1	1/P	
28	44201492000	BUSH-6-POM	1	5/P	
29	6LJ76845000	MOTRD-TNR-H24X	1	1/D	
30	6LH53761000	BRKT-DRV-TNR-470	1	1/P	
31	X0-02557000	S/BID-M2.6X3-NI	2	10/P	
32	X0-00077000	S/PAN/SWWP-M3X8-NI	2	10/P	
34	6LK67253000	FLYWHL-DRUM-47X	1	1/P	
36	X0-02425000	P/PRL/BH8-2.5X14-SS	1	5/P	
37	6LK67208000	GEAR-10S32-6-CPL	1	1/P	
38	F0-01947000	RLWC-1SV0	1	5/P	

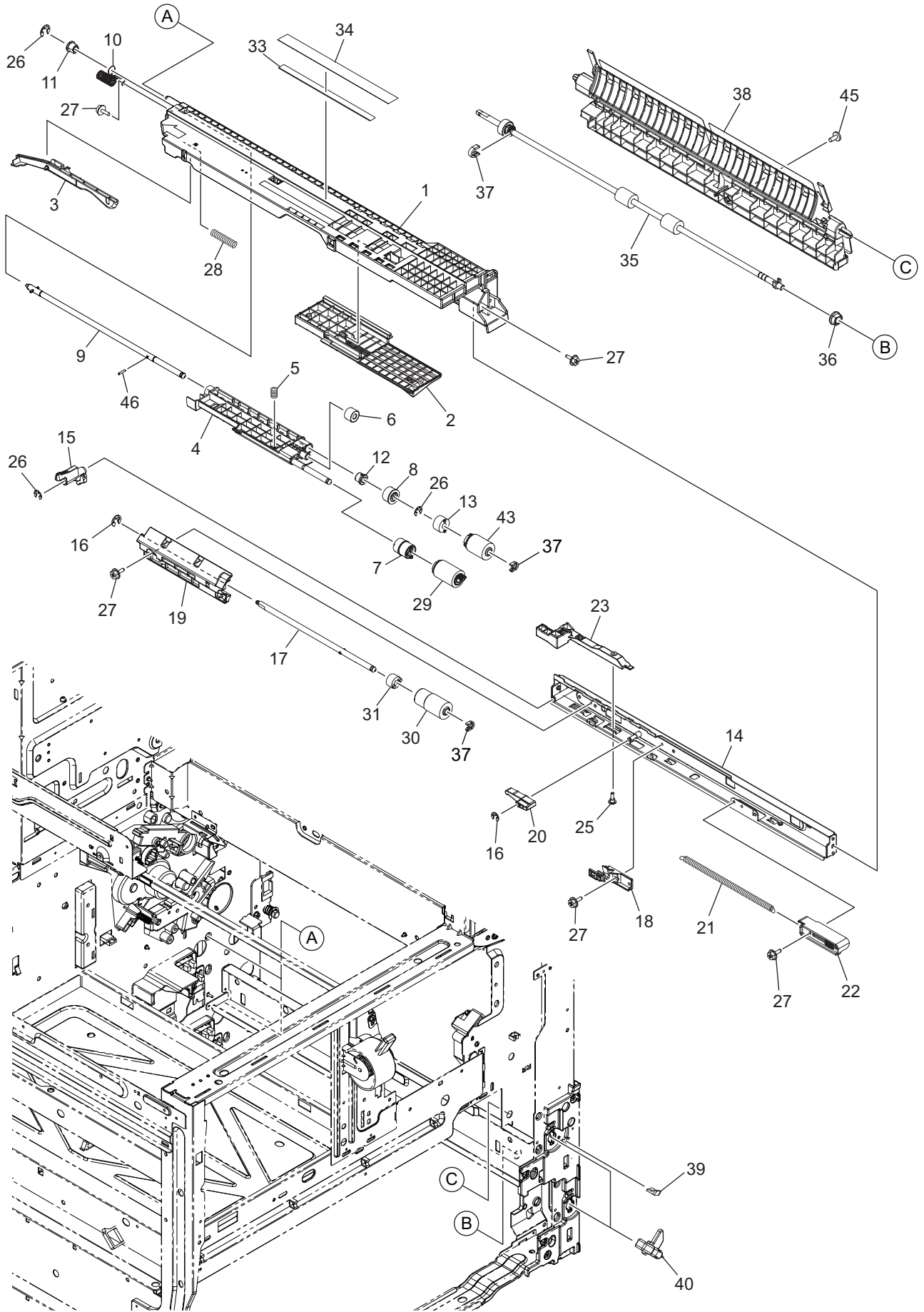




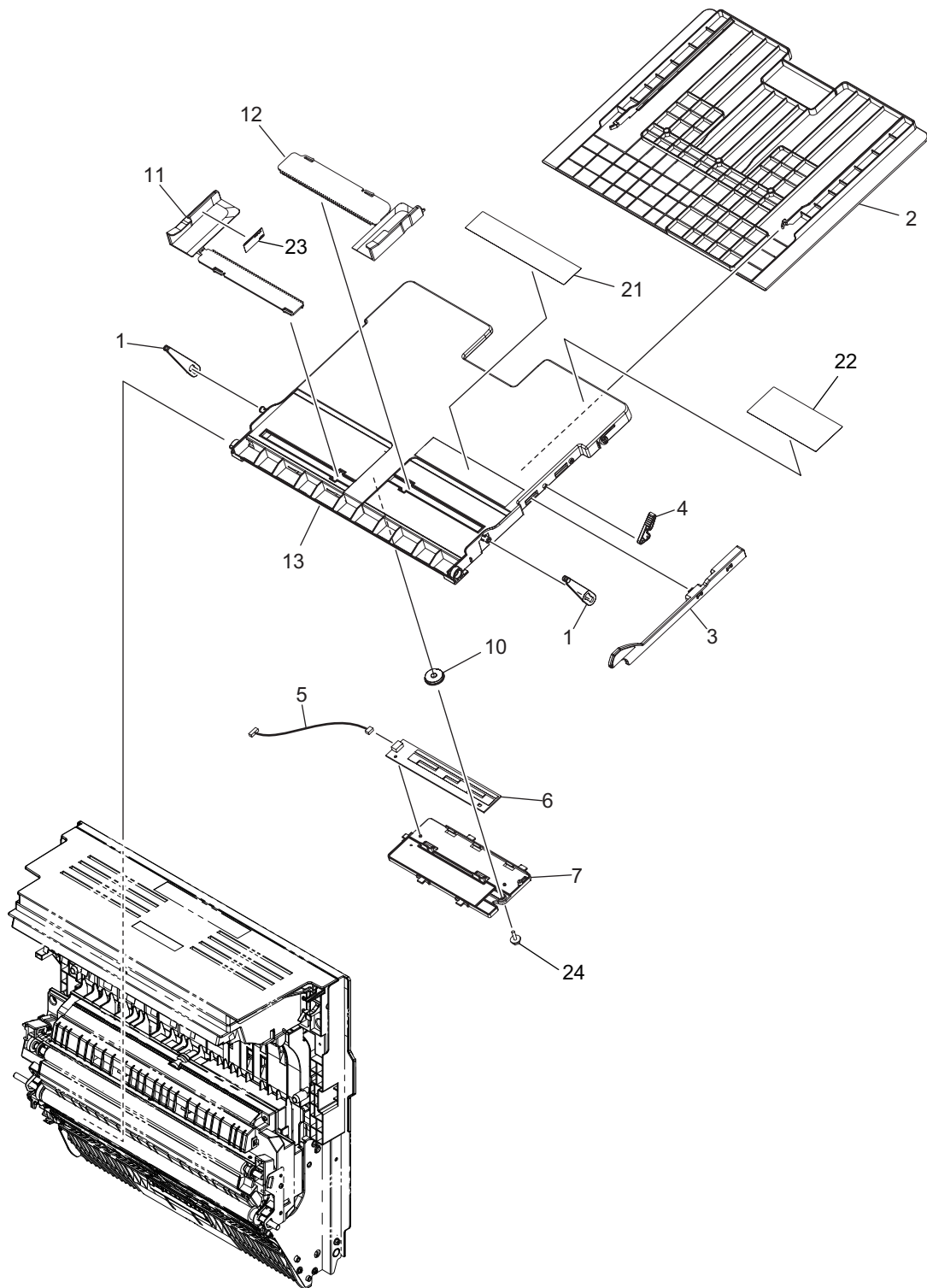




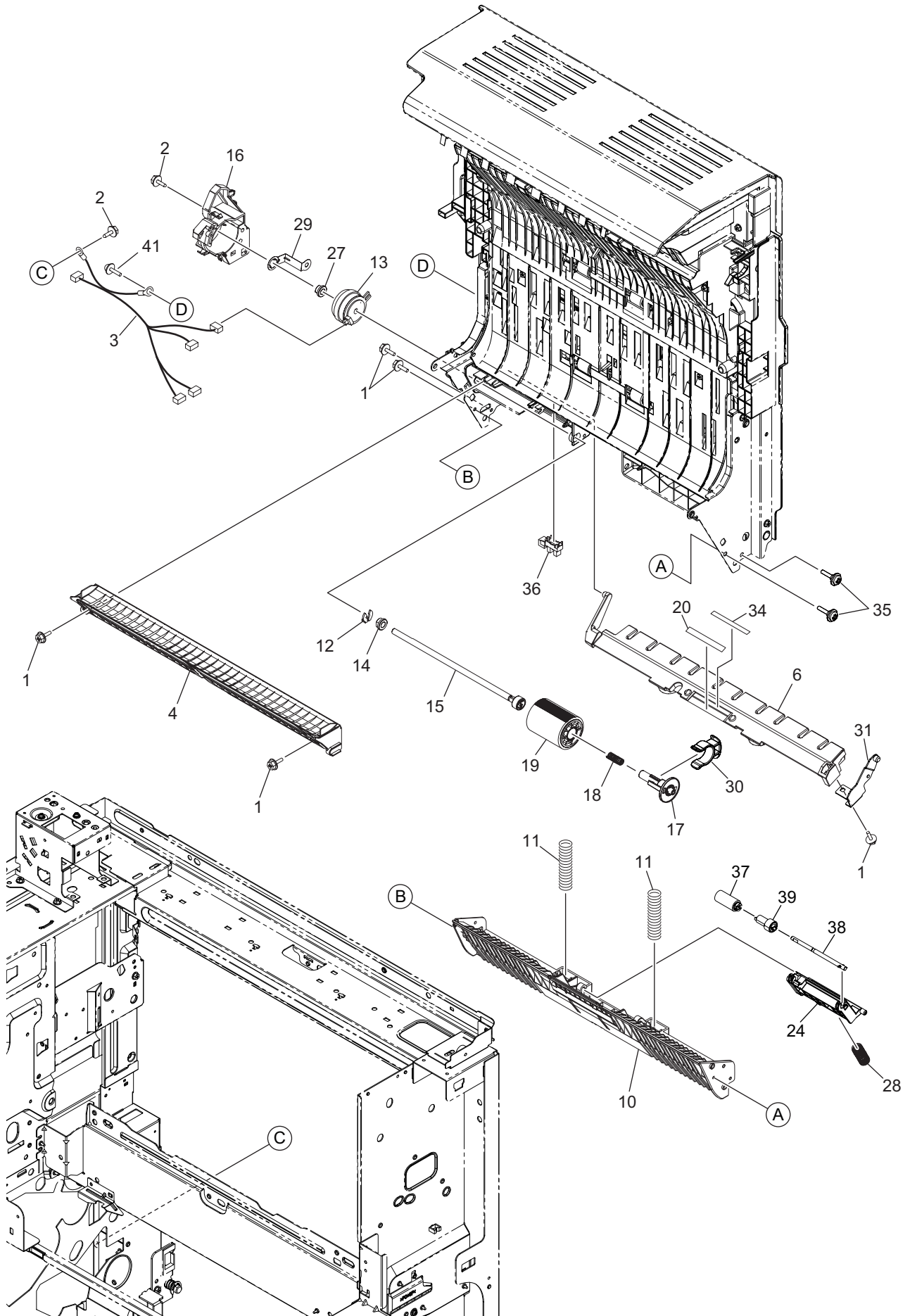






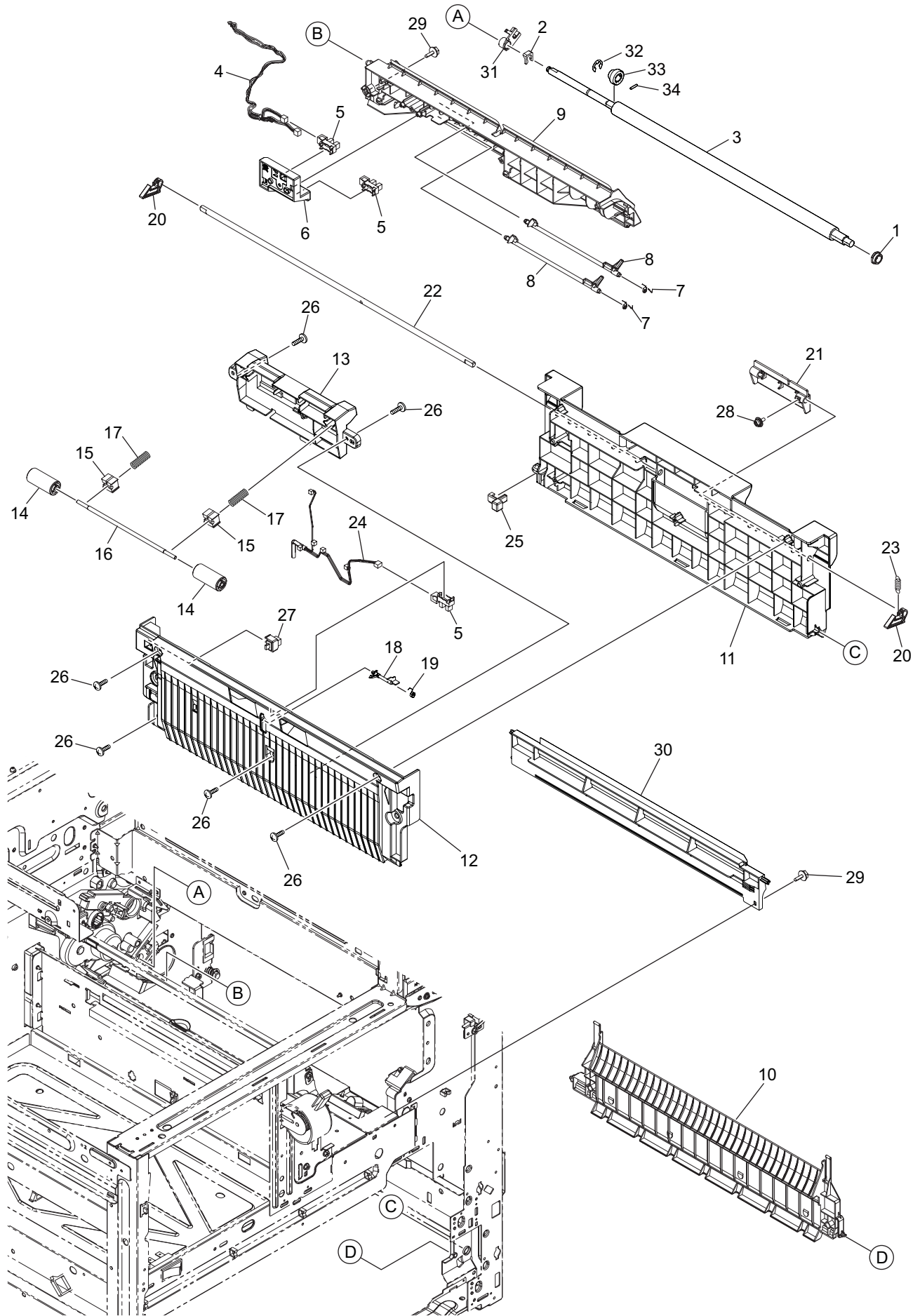




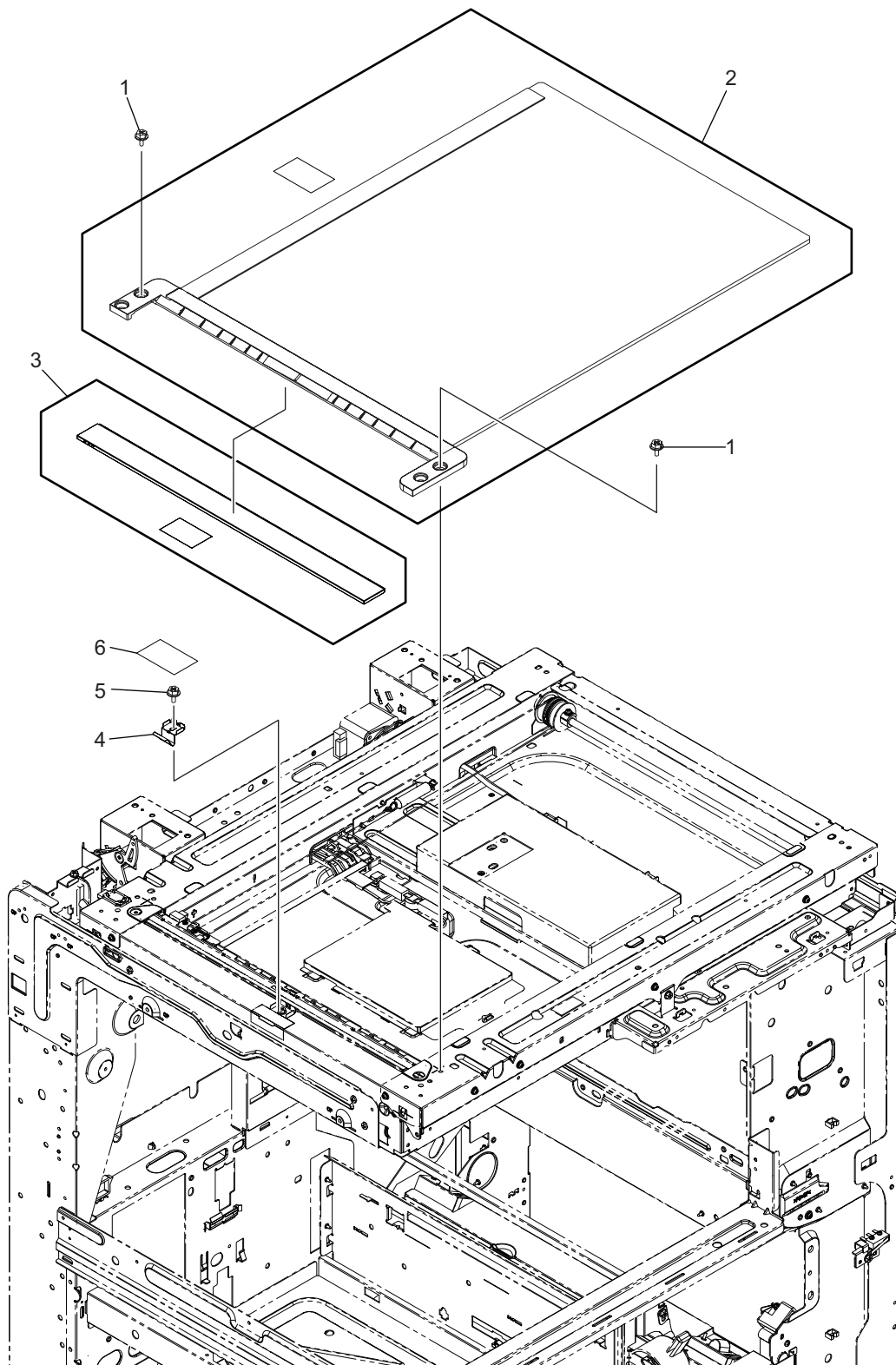




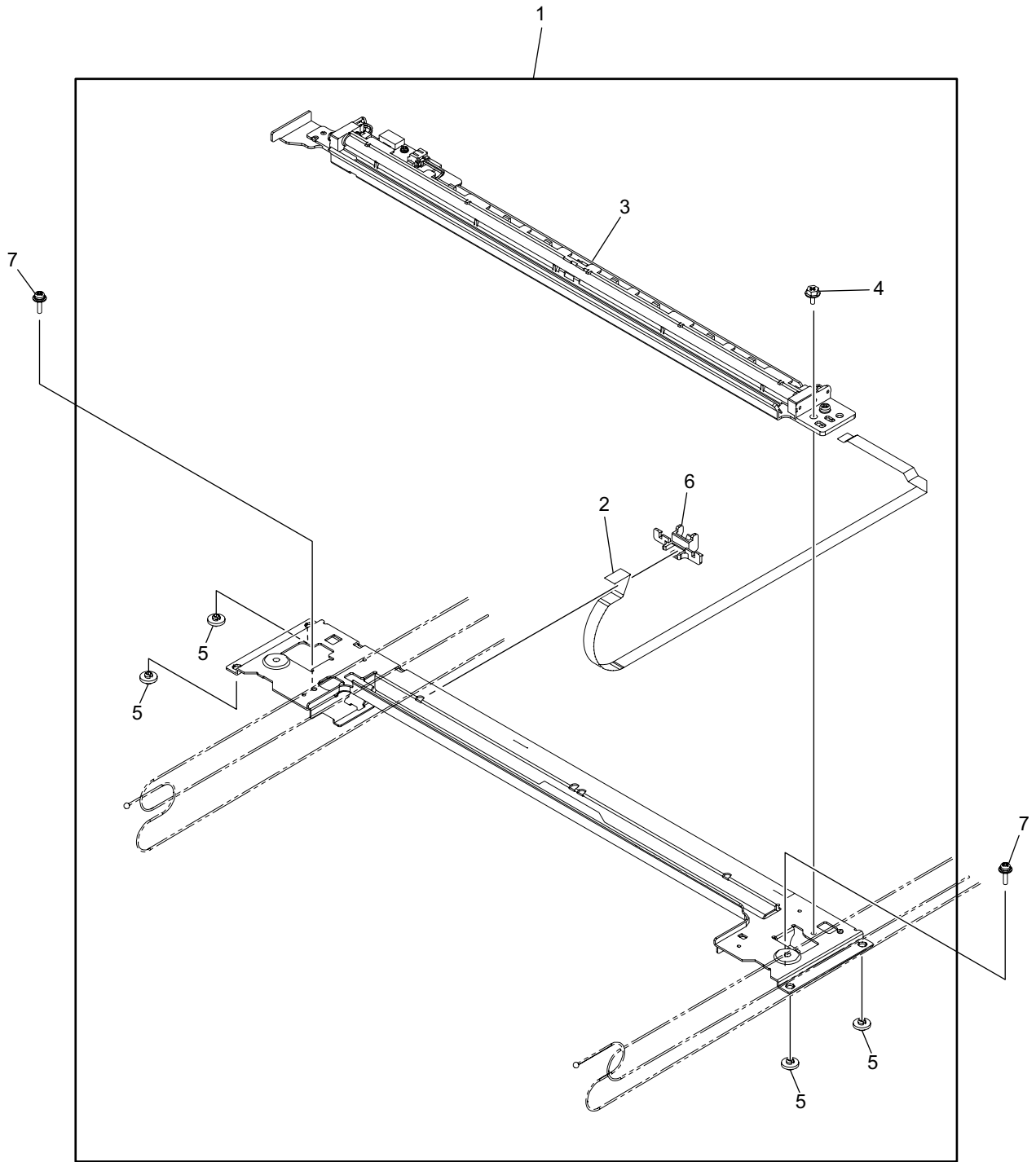




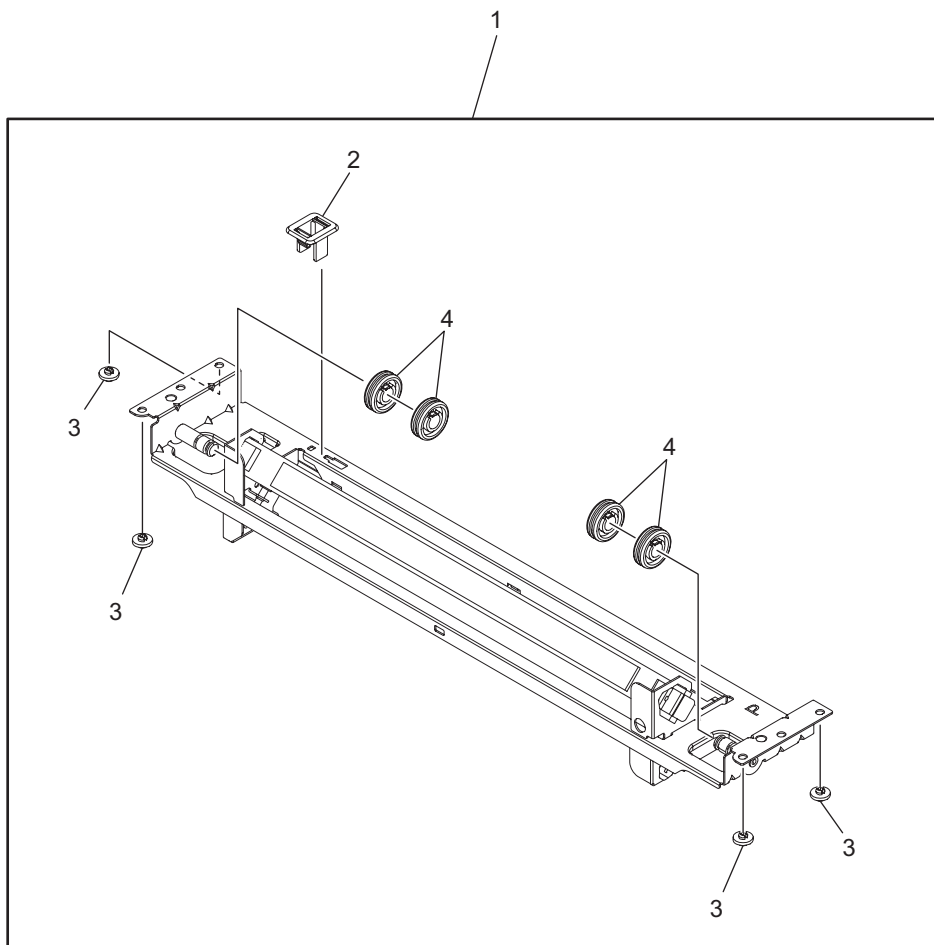






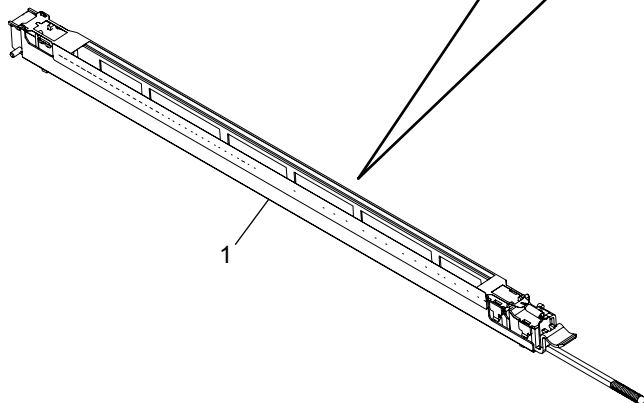
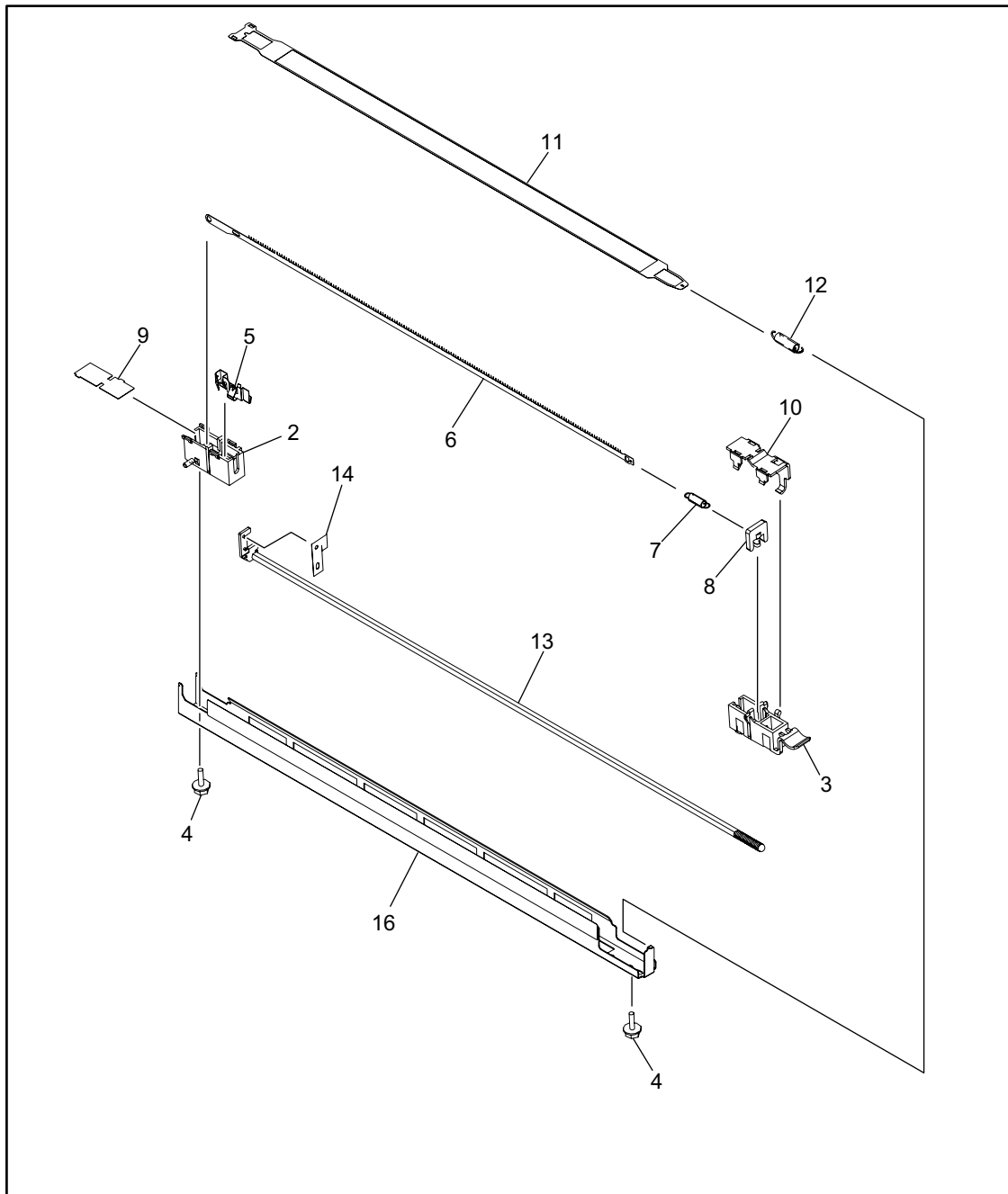




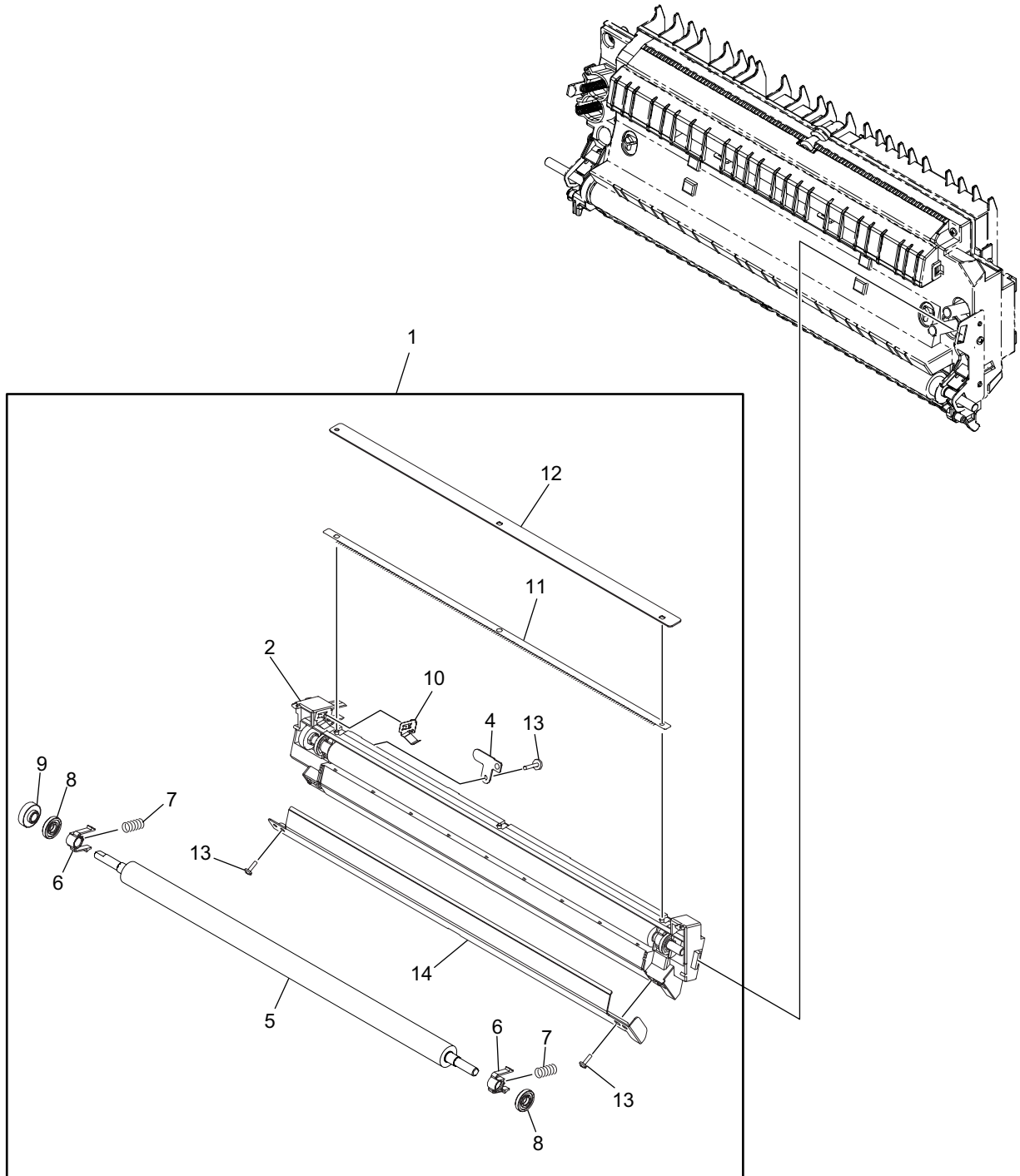




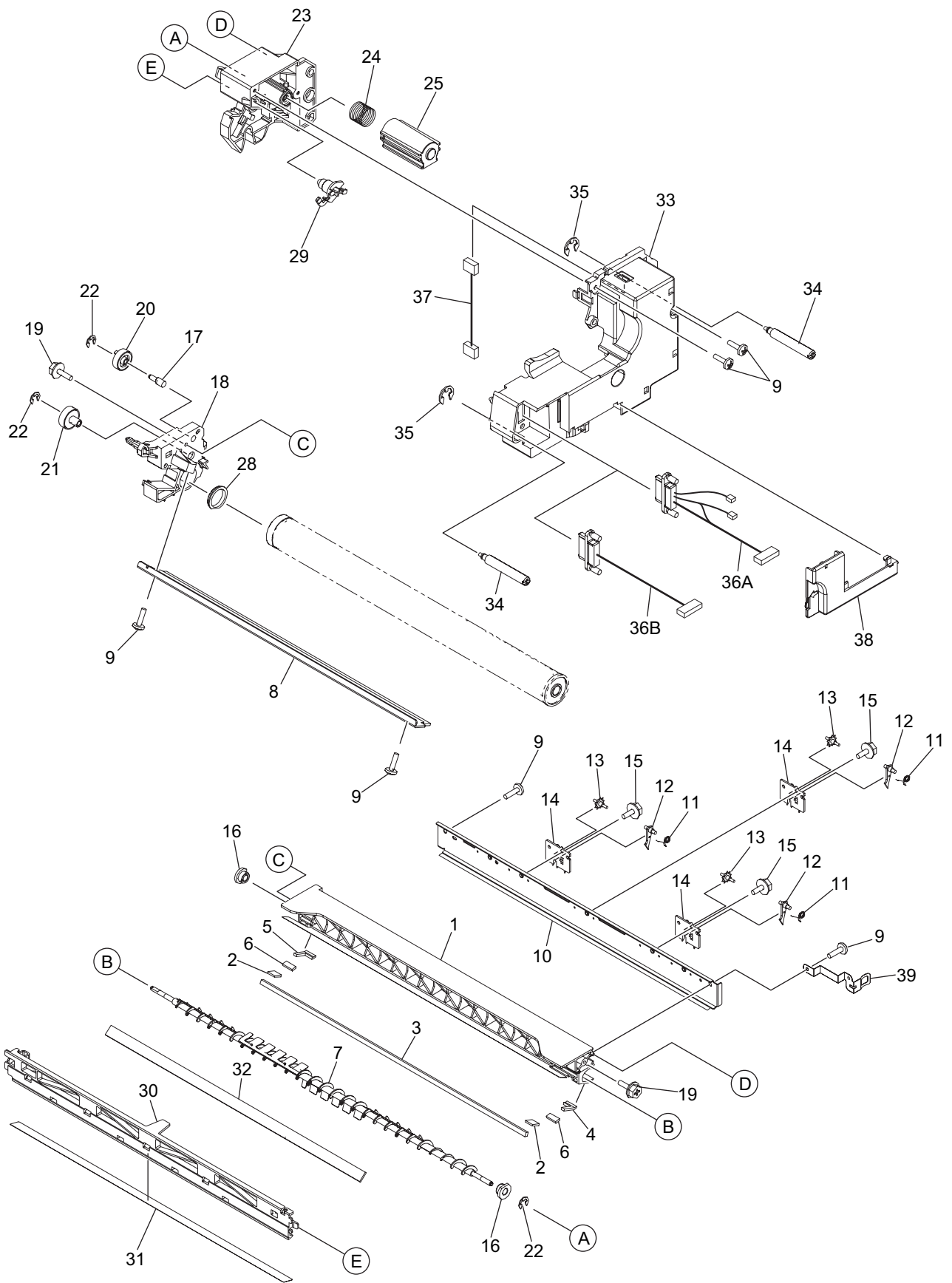




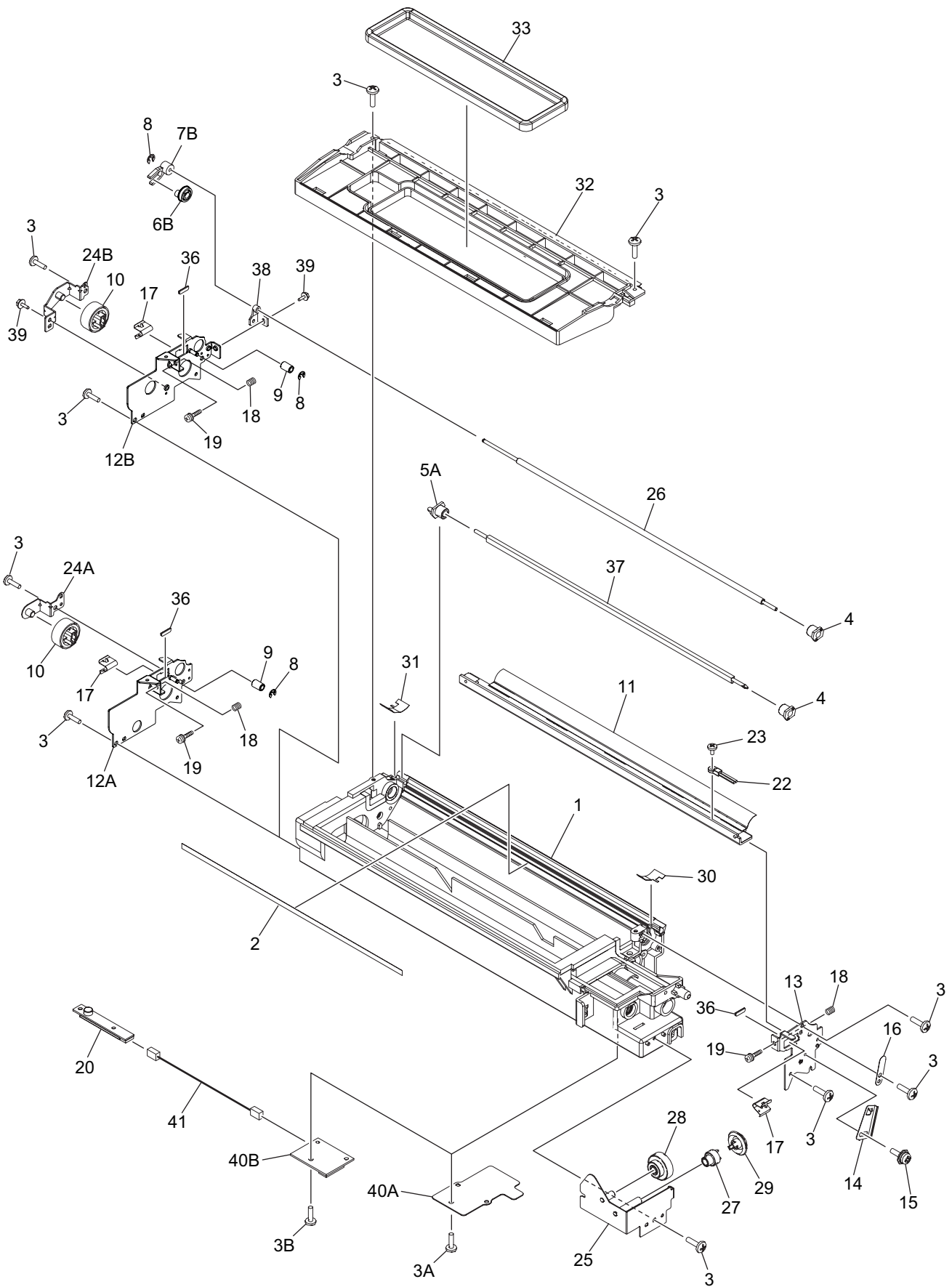






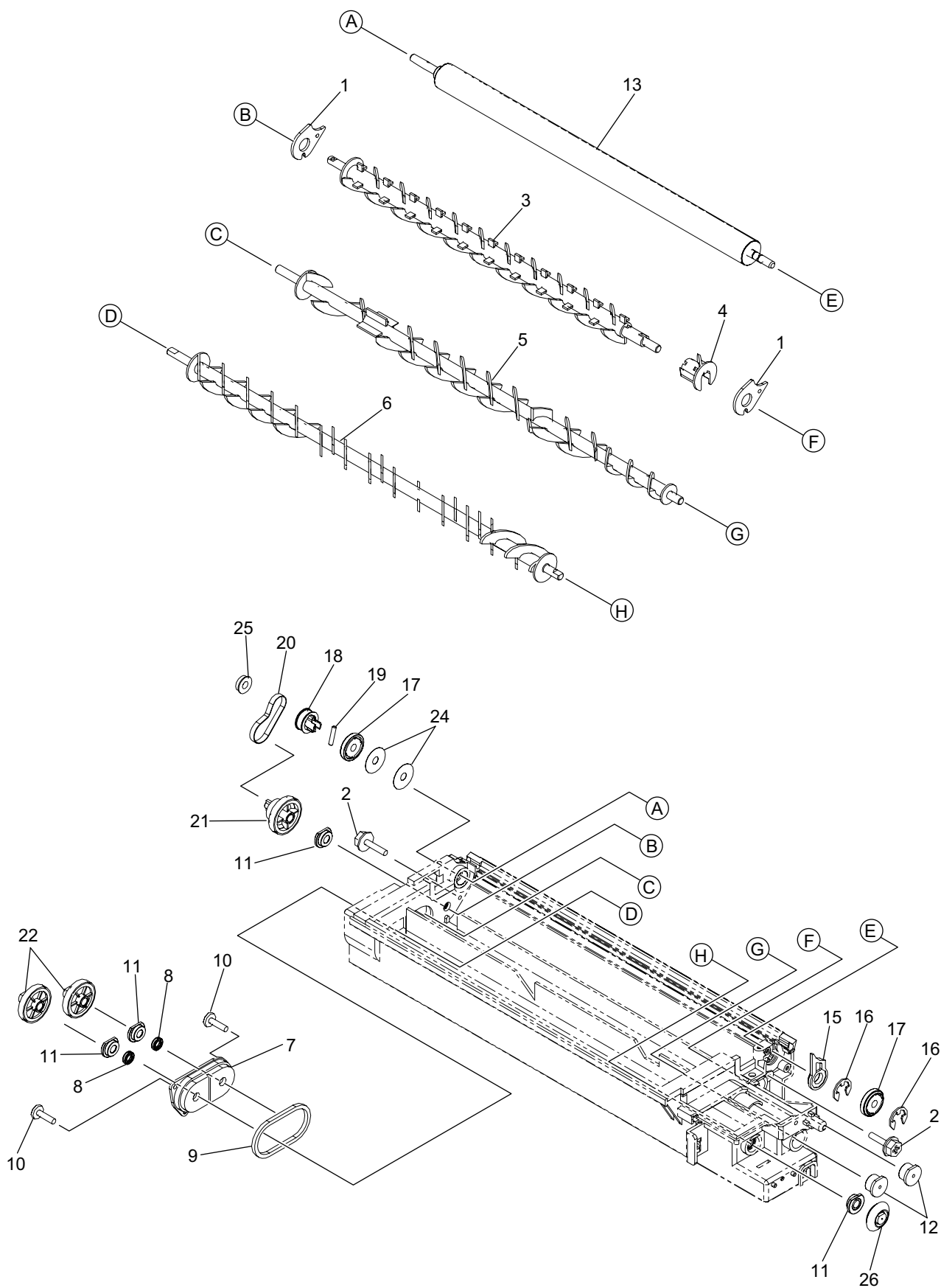


ITEM No.	PART No.	PART NAME	Q'TY / PAGE	Q'TY / PACK	REMARKS
1	6LH51919100	ASYS-FRAME-CLN-C-410	1	1/C	
2	6LA79547000	SEAL-BLADE-SIDE	2	1/P	
3	6LA79531000	SEAL-CLN-C	1	1/KP	
4	6LA79546000	SEAL-CLN-F	1	1/P	
5	6LA79586000	SEAL-CLN-R	1	5/P	
6	6LA79534000	SEAL-SIDE-REC	2	1/P	
7	6LH51918000	ASYS-AUGER-CLN-470	1	1/C	
8	6LA27845000	BL-2320D	1	1/S	
9	6LA80090000	S/TPP/BID-3X8-NI	6	5/P	
10	6LE54020000	BLADE-REC	1	1/C	
11	6LJ75525000	SPA-SCRPR-DRUM-H24X	3	1/P	
12	6LA79618000	SCRAPER-371	3	3/P	
13	41306325000	WHEEL-CLN-8	3	1/P	
14	6LK67100000	HOLDER-SCRAPER-H41X	3	1/P	
15	X0-02230000	S/FHEXM-M3X6-NI	3	10/P	
16	6LA02920000	BUSH-0410-05F-M	2	5/P	
17	6LA79554000	STUD-GEAR-CLN	1	1/P	
18	6LH51913000	FRAME-CLN-R	1	1/P	
19	X0-02247000	S/TPP/FHEXM-3X8-NI	2	10/P	
20	6LA79606000	GEAR-10S17-4	1	1/P	
21	6LA79605000	GEAR-10S18-4	1	1/P	
22	X0-00974000	RR/E-2.5-SS	3	10/P	
23	6LH51907000	ASYS-FRAME-CLN-F	1	1/C	
24	6LA79612000	SPC-NZL-CLN	1	1/P	
25	6LA79609000	SHUTTER-CLN	1	1/P	
28	41306135000	BUSH-1821*03-M	1	1/P	
29	6LH51906000	PIN-DRUM-470	1	1/P	
30	6LH23220100	HLDR-LED_S	1	1/PP	
31	6LH29503000	MYLAR-HLDR-LED	1	1/KP	
32 A	6LH27027000	PWA-F-DLE-280V	1	1/C	eS2528A/3028A
32 B	6LH62813000	PWA-F-DLE-473	1	1/C	eS3528A/4528A
33 A	6LH51901200	COV-PU-F-471_S	1	1/PP	eS2528A/3028A
33 B	6LH51901300	COV-PU-F-473_S	1	1/P	eS3528A/4528A
34	6LE56160100	SCREW-PU-F-PBF2	2	1/P	
35	X0-00965000	RR/E-4-SS	2	10/P	
36 A	6LK97824000	HRNS-DEVUNIT-K120	1	1/P	
36 B	6LH61384000	HRNS-EPU-471	1	1/P	For SVP
37 A	6LK97825000	HRNS-DLE2-K120	1	1/P	eS2528A/3028A
37 B	6LK97826000	HRNS-DLE2-K123	1	1/P	eS3528A/4528A
38	6LH51909000	COVER-CNCT-PU	1	1/P	
39	6LH51922000	SPL-EARTH-BLADE-REC	1	1/P	

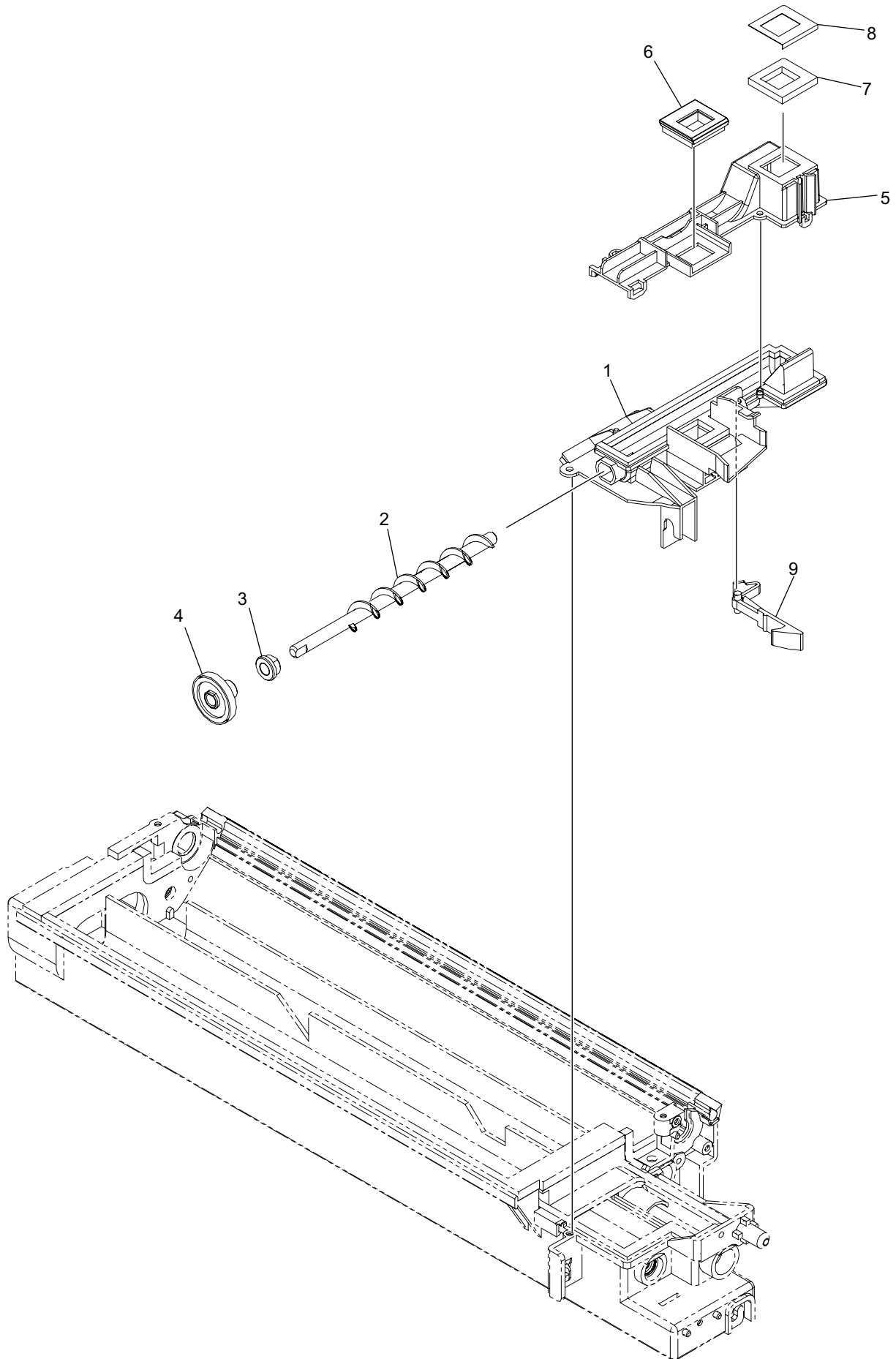




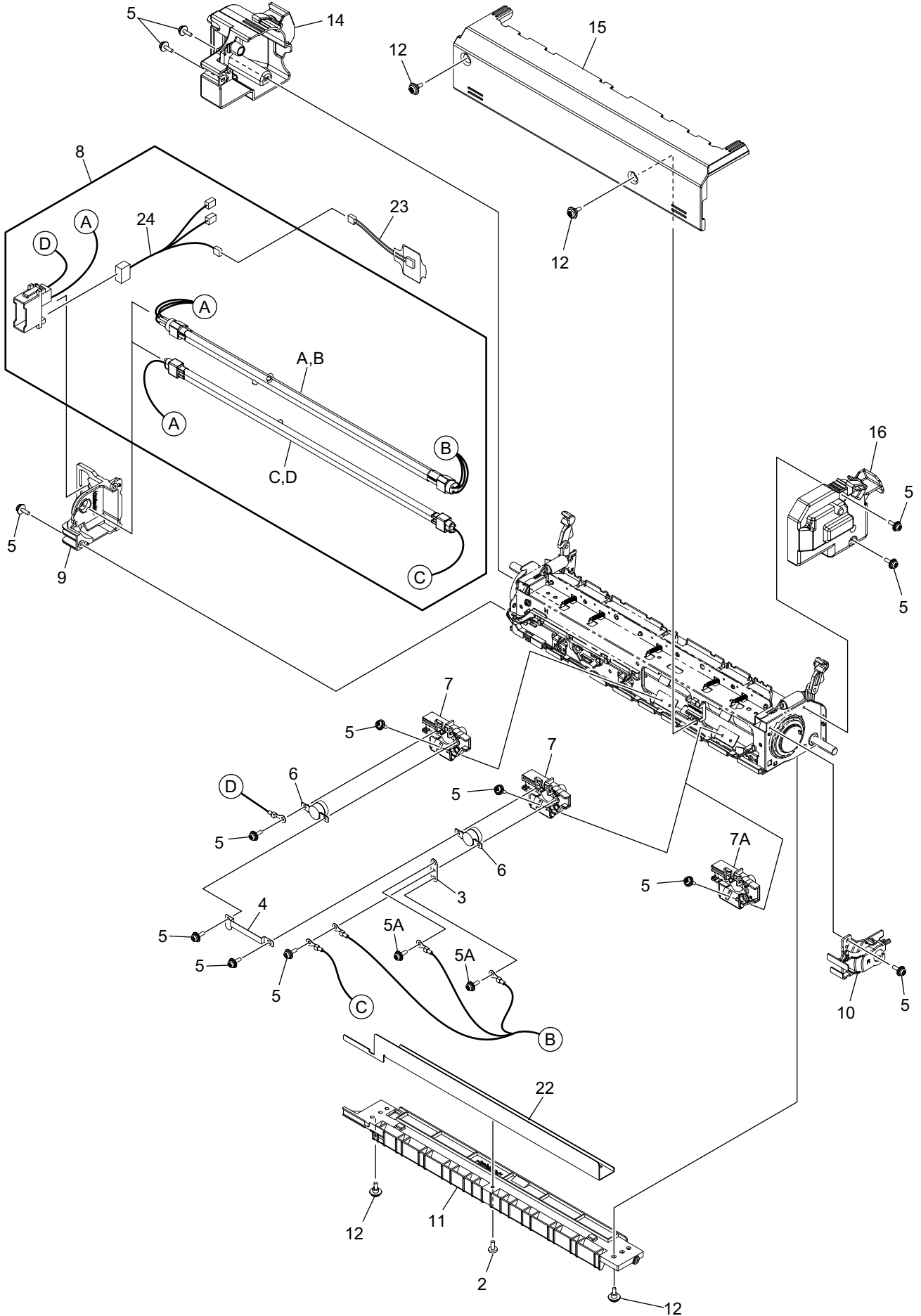
ITEM No.	PART No.	PART NAME	Q'TY / PAGE	Q'TY / PACK	REMARKS
1 A	6LH53425200	ASYS-CASING-DEV-K120	1	1/PP	eS2528A/3028A
1 B	6LH53425300	ASYS-CASING-DEV-K123	1	1/PP	eS3528A/4528A
2 B	6LH53445000	BLADE-RE-ROL	1	1/KP	eS3528A/4528A
3	6LA80090000	S/TPP/BID-3*8-NI	9	5/P	
4	6LH53441000	BUSH-RE-ROL-F	1	1/P	
5 A	6LK24700000	BUSH-RE-ROL-R	1	1/P	eS2528A/3028A
6 B	6LA81769000	CAM-RE-ROL	1	1/P	eS3528A/4528A
7 B	6LH53424000	DRV-RE-ROL	1	1/P	eS3528A/4528A
8 A	X0-00963000	RR/E-2-SS	1	10/P	eS2528A/3028A
8 B	X0-00963000	RR/E-2-SS	2	10/P	eS3528A/4528A
9	6LH53470000	COLLER-DEV-TENS-470	1	1/P	
10	6LH53454000	GEAR-10S23-6	1	1/P	
11	6LH53408000	ASYS-DOCTOR-470	1	1/KP	
12 A	6LH53464200	ASYS-BKT-DEV-R-415PBF	1	1/P	eS3528A/4528A
12 B	6LH53463100	ASYS-BKT-DEV-R-471_2	1	1/P	eS2528A/3028A
13	6LH53411000	BRKT-DEV-F-470	1	1/P	
14	6LH53455000	ADJUSTER-MG-470	1	1/P	
15	X0-00077000	S/PAN/SWWP-M3X8-NI	1	10/P	
16 B	6LH53421000	PLATE-RE-ROL	1	1/P	eS3528A/4528A
17	6LH53468000	SPL-DOCTOR	2	1/P	
18	6LK92501000	SPG-C-DOC-K12X	2	1/P	
19	6LK92502000	SCREW-DOCTOR-K12X	2	10/P	
20	6LK97823000	SNSR-ATC-K120	1	1/C	
22	6LK30552000	THMS-DRM-330	1	1/PP	
23	X0-01725000	S/BID-M3X5-BSNI	1	10/P	
24 A	6LH53430100	ASYS-DRV-DEV-473_2	1	1/P	eS2528A/3028A
24 B	6LK67106100	ASYS-DRV-DEV-H41X2	1	1/P	eS3528A/4528A
25	6LH53422100	ASYS-DRV-RECY-470_2	2	1/P	
26 B	6LH53419000	ROLLER-RE-5	1	1/P	eS3528A/4528A
27	6LA81888000	GEAR-8S15-6	1	1/P	
28	6LE55980000	GEAR-8S29_8S18-6	1	1/P	
29	6LA81881000	GEAR-10B22-6-CUP	1	1/P	
30	6LK67117000	SHEET-SIDE-DEV-F_N	1	1/P	
31	6LK67118000	SHEET-SIDE-DEV-R_N	1	1/P	
32	6LH53406000	ASYS-COV-DEV-470	1	1/C	
33	6LA81700000	COVER-DEV-BTL-371	1	1/P	
36	6LH53467000	MYLAR-DOC-SLIDE	2	5/P	
37 A	6LH53440100	WALL-JNT_S	1	1/P	eS2528A/3028A
38 B	6LK67112000	BUSH-HOLED-ROLLER-RE	1	1/P	eS3528A/4528A
39 B	X0-02420000	S/TPS/FHEXM/R-3X8-ZU3	2	10/P	eS3528A/4528A
40 A	6LK92500000	PLATE-HLDR-HRNS-DEV	1	1/P	
40 B	6LH60411100	ASYB-EPU-H410	1	1/SB	For SVP
41 B	6LH61340000	HRNS-ATS-471	1	1/P	For SVP



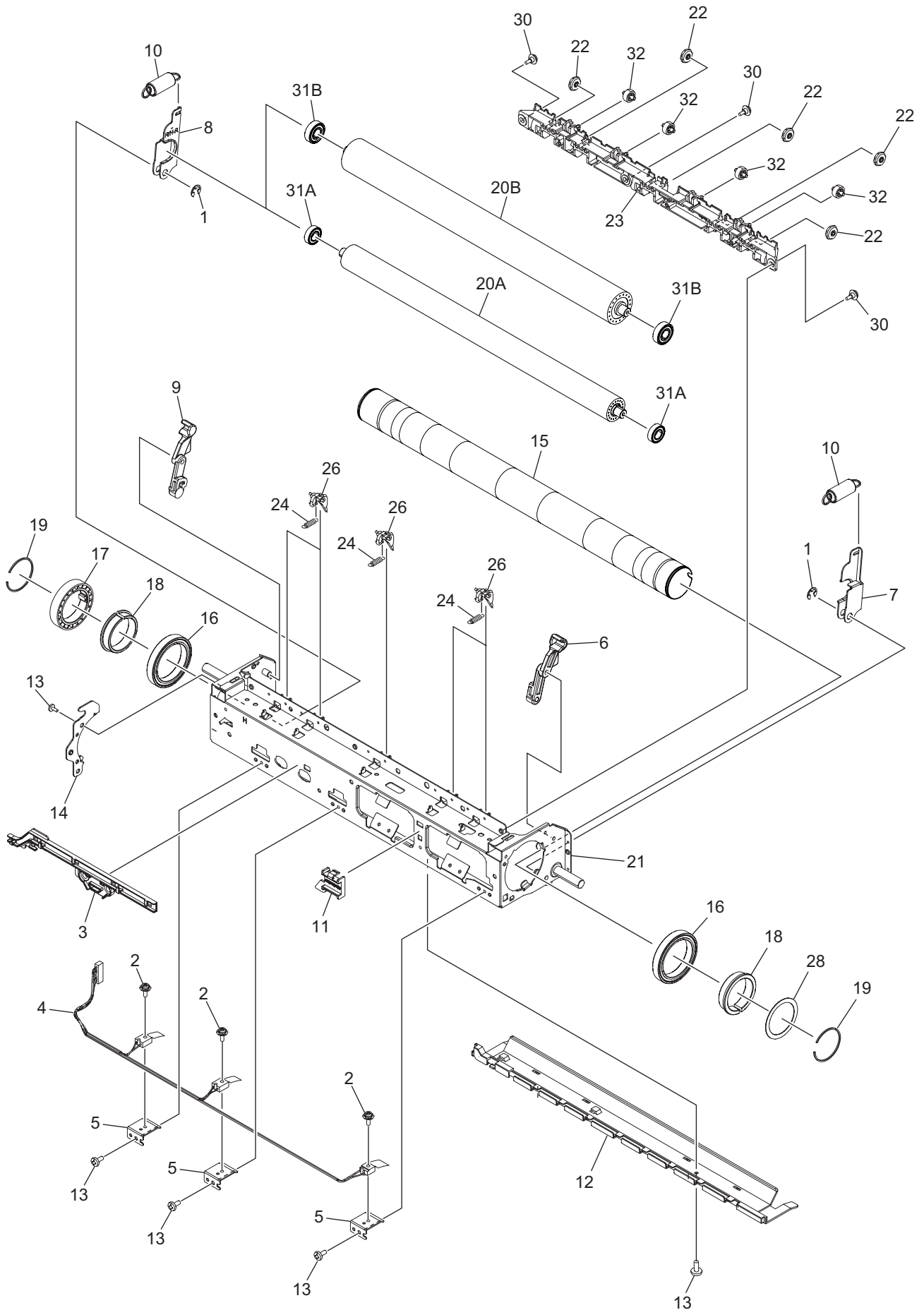






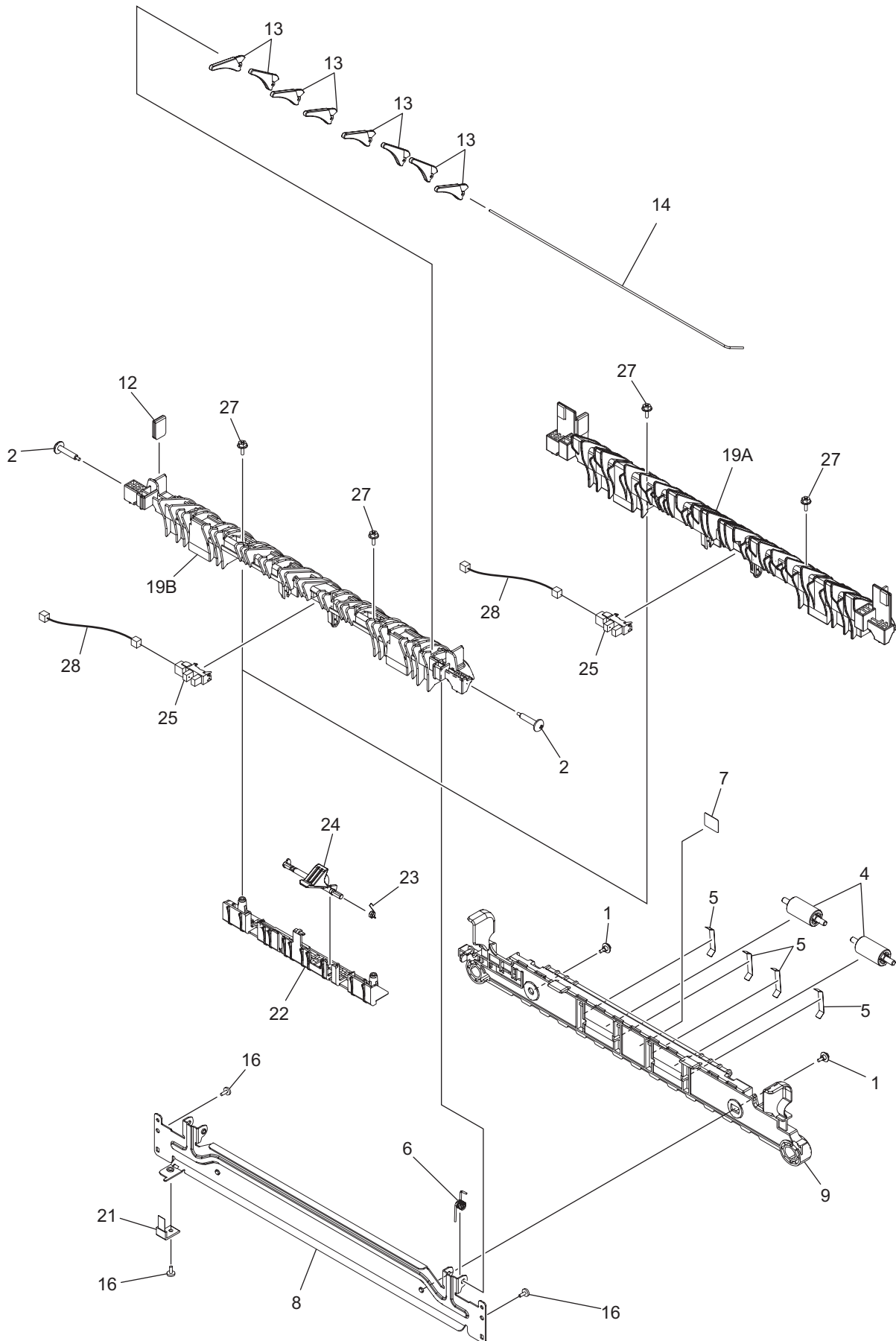




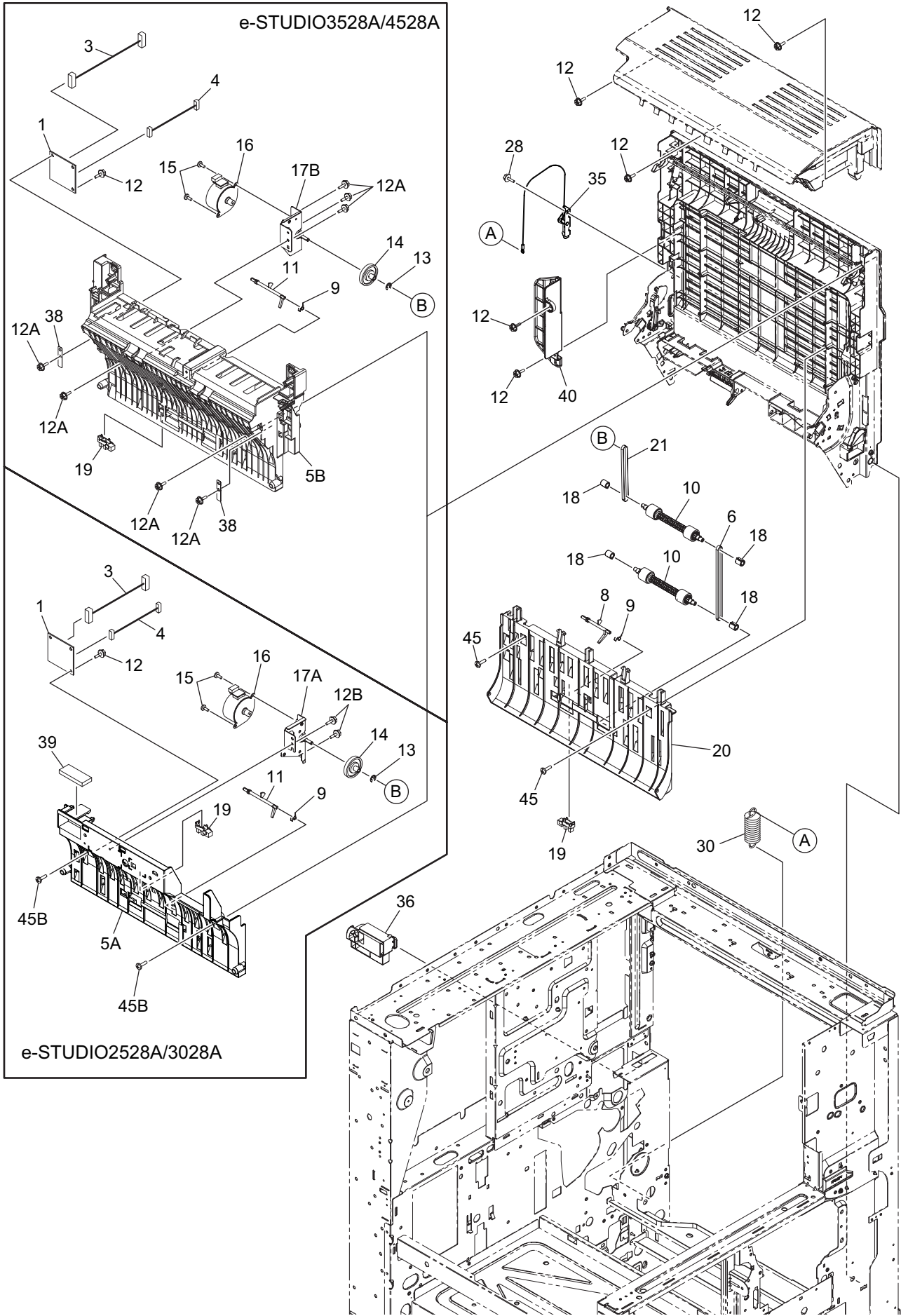




ITEM No.	PART No.	PART NAME	Q'TY / PAGE	Q'TY / PACK	REMARKS
1	X0-00966000	RR/E-5-SS	2	10/P	
2	X0-00077000	S/PAN/SWWP-M3X8-NI	3	10/P	
3	6LJ58045000	GUIDE-HRNS-AC	1	1/P	
4	6LK72411000	THMS-HTR-H413	1	1/KP	
5	6LK68005000	BRKT-THMS-H41X	3	1/P	
6	6LJ58063000	LVR-PR-H210-F2	1	1/P	
7 A	6LK68006000	ARM-PR-F-H410	1	1/P	eS2528A/3028A
7 B	6LK68046000	ARM-PR-F-H415	1	1/P	eS3528A/4528A
8 A	6LK68007000	ARM-PR-R-H410	1	1/P	eS2528A/3028A
8 B	6LK68047000	ARM-PR-R-H415	1	1/P	eS3528A/4528A
9	6LJ58042000	LVR-PR-H210-R	1	1/P	
10 A	6LK68048000	SPG-E-PR-H410-105N	2	1/P	eS2528A/3028A
10 B	6LK68049000	SPG-E-PR-H415-120N	2	1/P	eS3528A/4528A
11	6LJ58067000	GUIDE-PLT-THMST	1	1/P	
12	6LK68011000	GUIDE-HRNS-THMS-H41X	1	1/PP	
13	X0-00430000	S/BID-M3X6-NI	5	10/P	
14	6LK68004000	BRKT-FUSER-POS-R-H41X	1	1/P	
15	6LK72107000	HR-5008A-U	1	1/S	
16	6LK68071000	6807ZZC4-GPL226	2	1/P	
17	6LJ58001000	GEAR-HR-H210	1	1/P	
18	6LJ58020000	BUSH-HR-H210	2	1/P	
19	6LH24640000	CRR-HT/RLR	2	1/P	
20 A	6LK72102000	HR-3008A-L	1	1/S	eS2528A/3028A
20 B	6LK72101000	HR-5008A-L	1	1/S	eS3528A/4528A
21 A	6LK68000200	ASYS-FRAME-HR-H410_2	1	1/C	eS2528A/3028A
21 B	6LK68000300	ASYS-FRAME-HR-H415_2	1	1/C	eS3528A/4528A
22	6LK52393000	ROLL-FUS-GUIDE-D125-S	5	1/P	
23	6LK68074000	GUIDE-SCRAPER-K17X	1	1/PP	
24	6LK68054000	SPE-SCR-HR-H41X	5	1/P	
26	6LE58405000	SCRAPER-282	5	5/P	
28	6LJ58112000	WASHER-HR	1	1/P	
30	6LH36359000	SCREW-M3-D4X2.3	3	10/P	
31 A	6LK68028000	L-1680KKRPOP58LY500	2	1/P	eS2528A/3028A
31 B	6LJ58117000	R-1980KKRPOP58LY13	2	1/P	eS3528A/4528A
32	6LE25931000	ROLL-FUS-GUIDE	4	1/P	

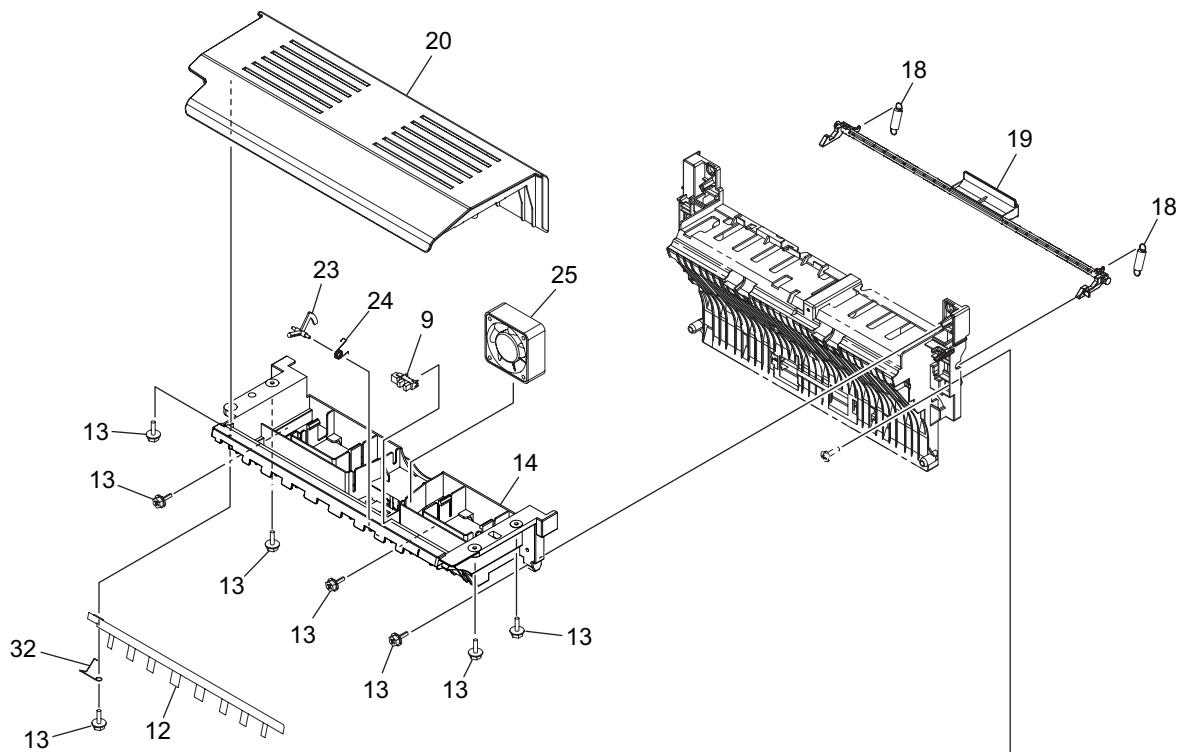




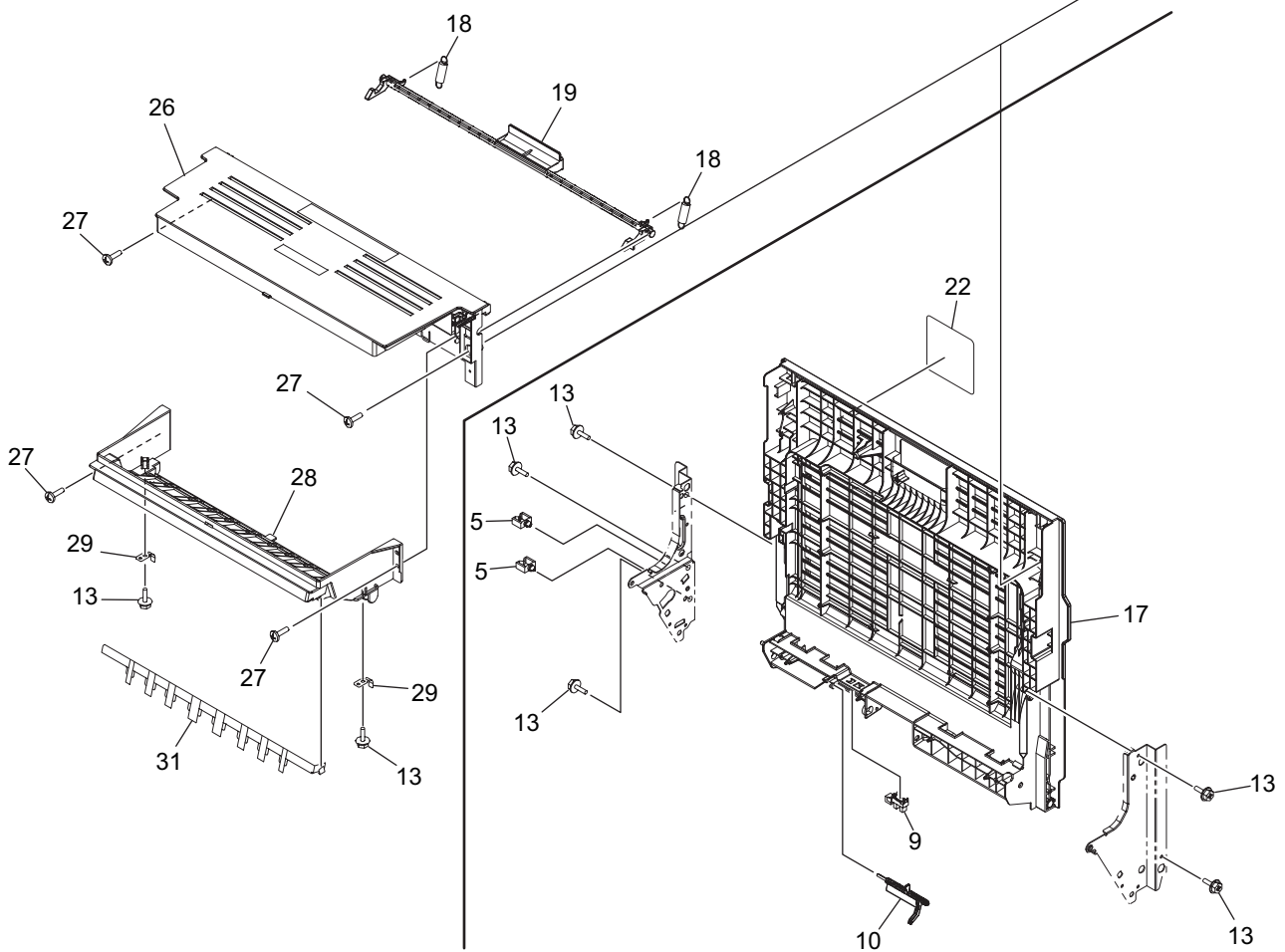


ITEM No.	PART No.	PART NAME	Q'TY / PAGE	Q'TY / PACK	REMARKS
1	6LL40821000	PWA-K-ADU-160	1	1/SB	
3 A	6LK72428000	HRNS-ADU-UNIT-H410	1	1/P	eS2528A/3028A
3 B	6LK72429000	HRNS-ADU-UNIT-H413	1	1/P	eS3528A/4528A
4	6LK45417000	HRNS-ADU-MOT-H373	1	1/P	
5 A	6LJ57317100	GUIDE-ADU-U-K160	1	1/PP	eS2528A/3028A
5 B	6LJ57394300	GUIDE-ADU-U-K17X	1	1/PP	eS3528A/4528A
6	6LJ57400000	BLT.SY-S2M-264-4	1	1/P	
8	6LJ57322000	ACTR-ADU-L-H21X	1	1/P	
9	6LJ57327000	SPG-ACT-ADU-H21X	2	1/P	
10	6LK51624000	ASYS-ROL-ADU-H21Y_N	2	1/KP	
11	6LJ57323000	ACTR-ADU-U-H21X	1	1/P	
12 A	X0-02247000	S/TPP/FHEXM-3X8-NI	13	10/P	eS3528A/4528A
12 B	X0-02247000	S/TPP/FHEXM-3X8-NI	8	10/P	eS2528A/3028A
13	X0-00964000	RR/E-3-SS	1	10/P	
14	6LJ57321000	GEAR-08S40_S2M012-7	1	1/P	
15	X0-02069000	S/TPS/BID-3X6-ZU3	2	10/P	
16	6LJ57330000	ASYS-MOTR-S-ADU-H21X	1	1/D	
17 A	6LJ57324100	ASYS-BKT-MOT2	1	1/P	eS2528A/3028A
17 B	6LJ57377100	ASYS-BRKT-DRV-ADU-H21Y2	1	1/P	eS3528A/4528A
18	6LJ57387100	BUSH-ADU-POMSW	4	1/P	
19	C0-20495000	LG2A24BL1	2	1/C	
20	6LJ57316200	GUIDE-ADU-L-K163	1	1/PP	
21	6LJ57399000	BLT.SY-S2M-200-4	1	1/P	
28	X0-02420000	S/TPS/FHEXM/R-3X8-ZU3	1	10/P	
30	6LJ57406000	SPG-ADU-WIRE	1	1/P	
35	6LJ57382000	ASYB-BRKT-HOLD-WIRE-H21Y	1	1/P	
36	6LJ57371000	HOLDER-WIRE-ADU-H21Y	1	1/P	
38 B	6LJ57379000	SPG-F-GUIDE-EXIT-H21Y	2	1/P	eS3528A/4528A
39 A	6LJ57368000	DAMP-ADU-INNER	1	1/P	eS2528A/3028A
40	6LK66801000	COVER-ADU-R-H41X	1	1/P	
45 A	6LA80090000	S/TPP/BID-3X8-NI	2	5/P	
45 B	6LA80090000	S/TPP/BID-3X8-NI	4	5/P	

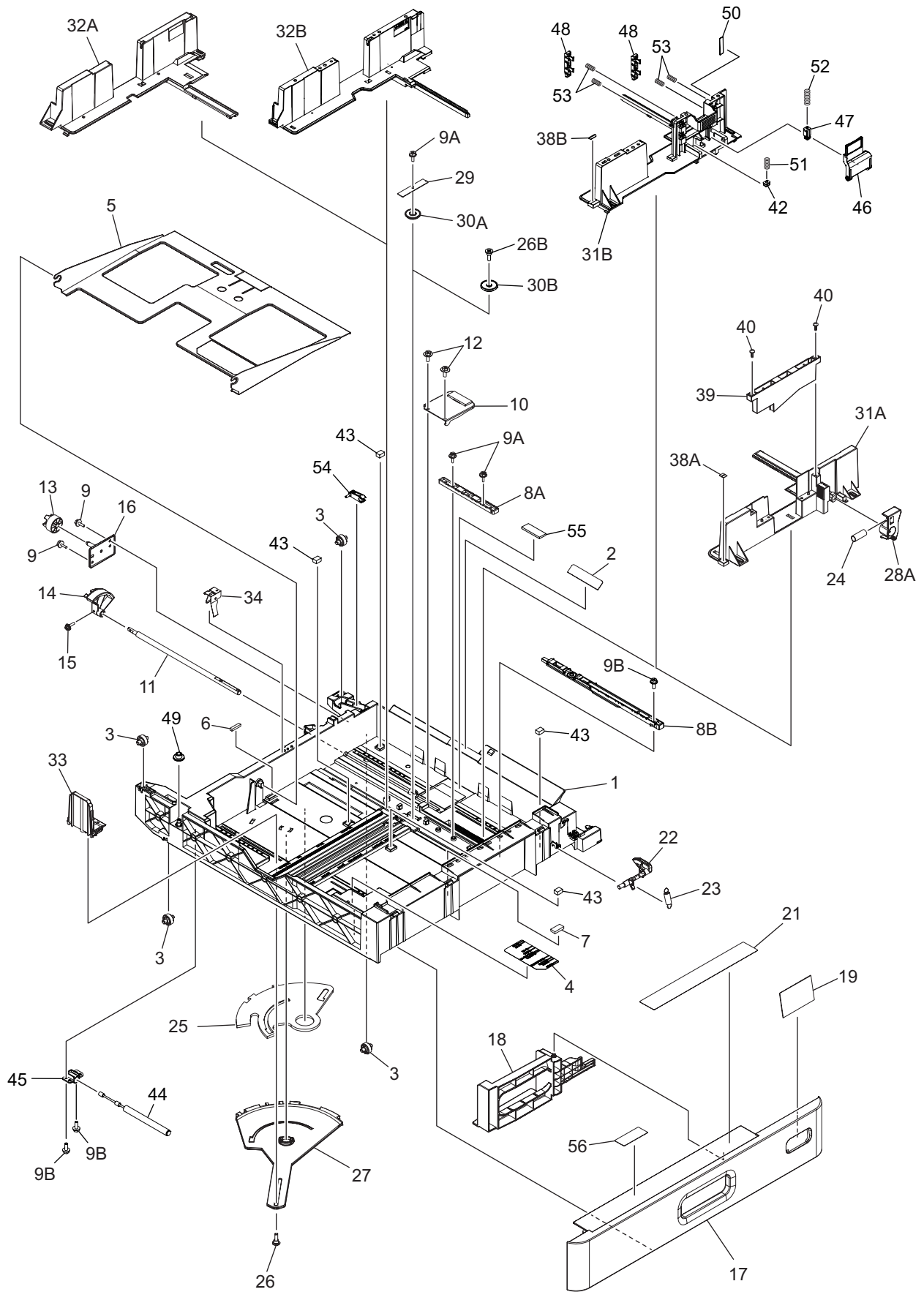
e-STUDIO3528A/4528A



e-STUDIO2528A/3028A



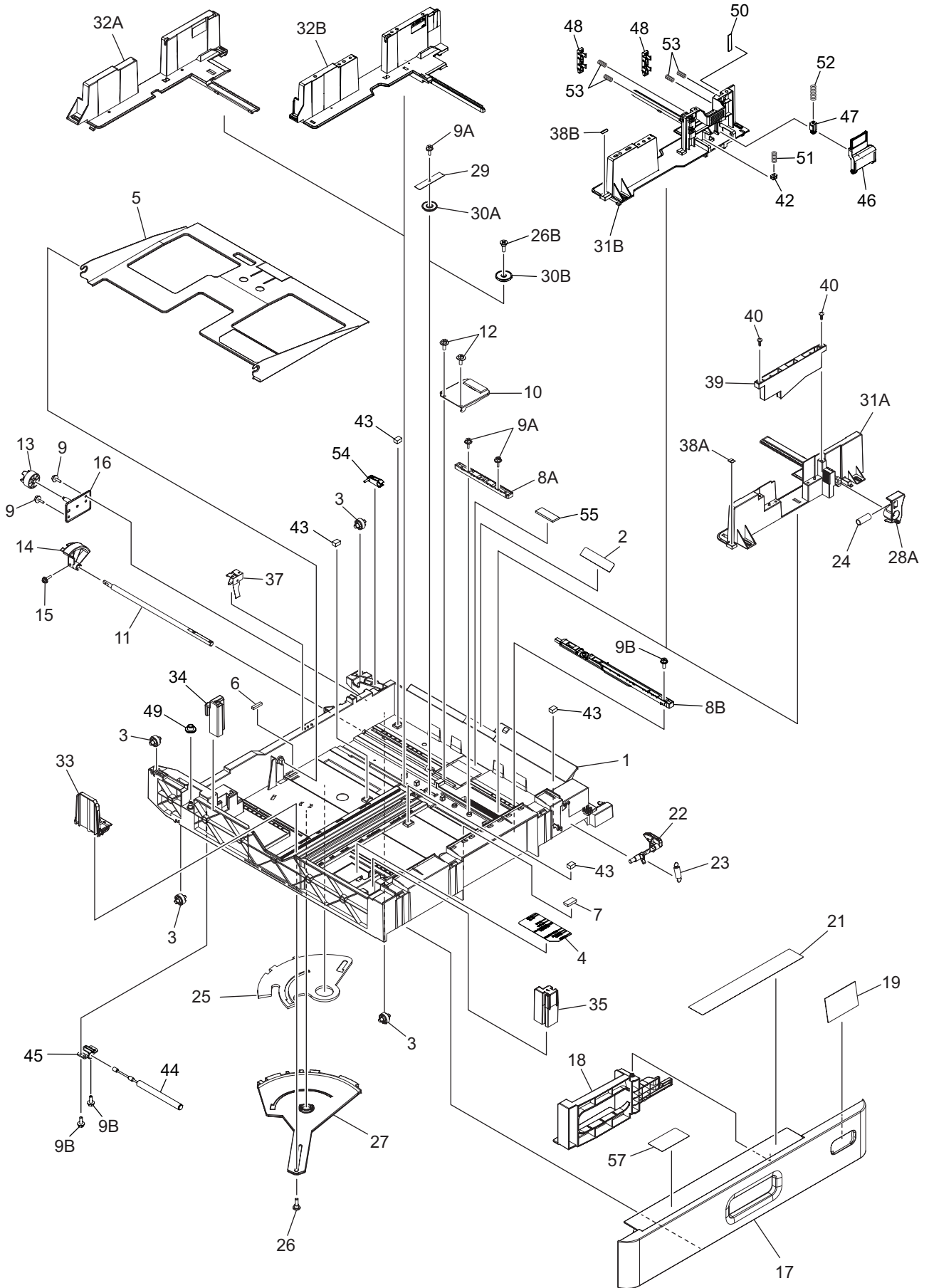






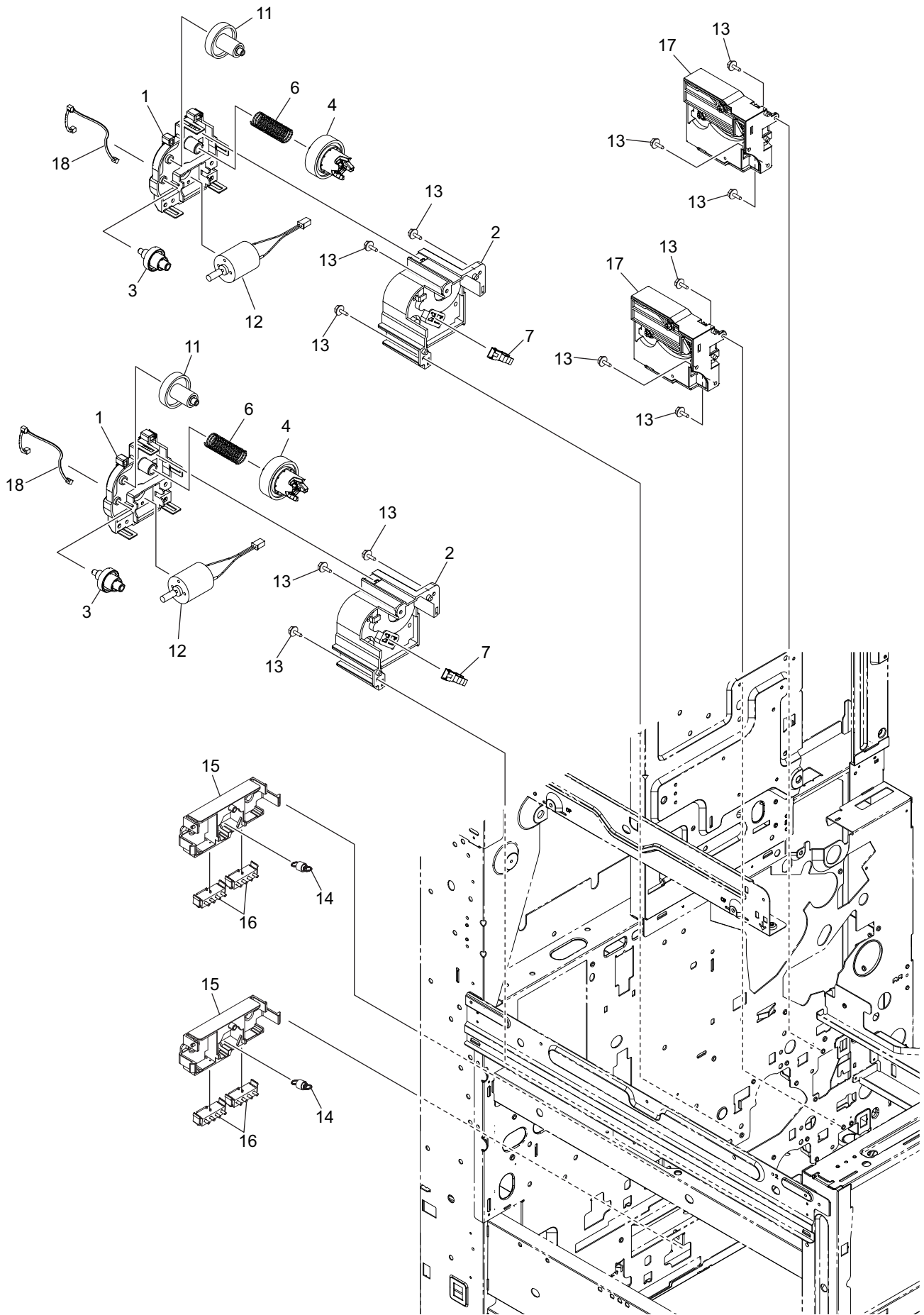
ITEM No.	PART No.	PART NAME	Q'TY / PAGE	Q'TY / PACK	REMARKS
1 A	6LK51265000	CST-H21X-U-A3	1	1/PP	eS2528A/3028A
1 B	6LL45604000	CST-K163-A3	1	1/PP	eS3528A/4528A
2	6LJ66823000	SHEET-CST-H21X	1	1/P	
3	6LJ56845000	ROLL-CST-H21X	4	1/P	
4 A	6LK51281000	LBL_P-SIZE-LDA3-H373	1	1/P	eS2528A/3028A
4 B	6LL45652000	LBL_P-SIZE-LDA3-K163	1	1/KP	eS3528A/4528A
5	6LL45633000	ASYS-TRAY-CST-H-K163	1	1/PP	
6 A	6LH51643000	CHSH-CST-F47X	1	1/P	eS2528A/3028A
7 B	6LH05741000	CUSH-CST-S	1	1/P	eS2528A/3028A
8 A	6LJ56815100	WALL-STOP-H21X_S	1	1/P	eS2528A/3028A
8 B	6LL45605000	HLDR-ADJUST-GUIDE-K163	1	1/PP	eS3528A/4528A
9 A	X0-02247000	S/TPP/FHEXM-3X8-NI	5	10/P	eS2528A/3028A
9 B	X0-02247000	S/TPP/FHEXM-3X8-NI	5	10/P	eS3528A/4528A
10	6LH05746000	ASYS-LEVER-ELV-CST-F43X	1	1/P	
11	6LJ56910000	SHAFT-ELV-CST-H21X	1	1/P	
12	X0-02235000	S/FHEXM-M4X8-NI	2	10/P	
13	6LJ56847100	CPG-TRAY-UP-H37X	1	1/P	
14	6LJ56832100	GEAR-DRV-TRAYUP-SFT-H37X	1	1/P	
15	X0-00094000	S/PAN/SWWP-M3X10-NI	1	10/P	
16	6LL45678000	ASYS-PLATE-DRV-CST-K16X	1	1/P	
17 A	6LK51218000	COVER-CST-H373	1	1/PP	eS2528A/3028A
17 B	6LK51218100	COVER-CST-K163A3	1	1/PP	eS3528A/4528A
18	6LJ56838200	HNDL-CST-H370	1	1/PP	
19 A	6LK51245000	SIZE-CST-37X-A4	1	1/KP	Except NAD
19 B	6LK51245100	SIZE-CST-37X-LT	1	1/KP	NAD
21 A	6LK51278000	LBL_O-GUIDE-CST-H373	1	1/KP	eS2528A/3028A
21 B	6LL45639000	LBL_O-GUIDE-CST-K163	1	1/KP	eS3528A/4528A
22 A	6LJ56924000	LVR-CST1-H-H21X_E_SHAFT	1	1/P	eS2528A/3028A
22 B	6LL45650000	LVR-CST1-K163	1	1/P	eS3528A/4528A
23 A	6LJ56839000	SPG-E-8R9XR9X29R5	1	1/P	eS2528A/3028A
23 B	6LL45637000	SPG-E-CST-HOOK-K163	1	1/P	eS3528A/4528A
24	6LA56695000	SPC-LVR-WALL-F	1	1/P	eS2528A/3028A
25	6LH05721100	PUSHER-SIDE-CST-F43X_S	1	1/P	
26 A	6LH05511000	SCREW-M3X8-3.2-P	1	5/P	eS2528A/3028A
26 B	6LH05511000	SCREW-M3X8-3.2-P	2	5/P	eS3528A/4528A
27	6LK51261000	PUSHER-END-CST-H21X	1	1/PP	
28 A	6LJ56802100	LEVER-LOCK-WALL-H21X_S	1	1/P	eS2528A/3028A
29 A	6LK51241000	PLT-WALL-GEAR-H370	1	1/P	eS2528A/3028A
30 A	6LE53717000	GEAR-10S18-8-TRAY	1	1/P	eS2528A/3028A
30 B	6LL08533000	GEAR-10S18-8-SIDE-GID	1	1/P	eS3528A/4528A
31 A	6LK51277000	SLIDE-WALL-F-H21X-H-70	1	1/KP	eS2528A/3028A
31 B	6LL45600000	SLIDE-WALL-F-K163	1	1/KP	eS3528A/4528A
32 A	6LJ56872000	ASYS-SLIDE-WALL-R-H21X-H	1	1/PP	eS2528A/3028A
32 B	6LL45630000	ASYS-SLIDE-WALL-R-K163	1	1/PP	eS3528A/4528A
33	6LJ56827100	WALL-END-CST-H-H21X_S	1	1/P	
34	6LK51269000	SPG-F-TRAY-CST-H21Y	1	1/C	
38 A	6LJ56953000	LBL_P-SIZE-REF-H21X	1	1/P	eS2528A/3028A
38 B	6LL08518000	LBL-P-SIZE-REF-H44X	1	1/P	eS3528A/4528A
39	6LK51276000	SUPPT-SLIDE-WALL-F-H373	1	1/P	eS2528A/3028A
40	X0-01989000	S/TPP/BID-3X8-NI	2	10/P	eS2528A/3028A
42 A	6LL08536000	CLICK-PIN	1	1/P	eS3528A/4528A
43 B	6LL08517000	CUSH-CST-TRAY	4	1/P	eS3528A/4528A
44 B	6LL45638000	DUMPER-CST-K163	1	1/D	eS3528A/4528A
45 B	6LL45607000	HOLDER-DUMPER	1	1/P	eS3528A/4528A
46 B	6LL08537000	LEVER-SIDE-GUIDE	1	1/P	eS3528A/4528A
47 B	6LL08538000	LOCK-RACK	1	1/P	eS3528A/4528A
48 B	6LL08535000	PUSH-BAR	2	1/P	eS3528A/4528A
49 B	6LL45608000	ROLL-CST-SIDE-H21X	1	1/P	eS3528A/4528A
50 B	6LL45606000	SHEET-SIDE-GUIDE-K163	1	1/P	eS3528A/4528A
51 B	6LL08520000	SPG-C-CLICK-PIN	1	1/P	eS3528A/4528A
52 B	6LL08521000	SPG-C-LOCK-LACK	1	1/P	eS3528A/4528A
53 B	6LL08519000	SPG-C-PUSH-BAR	4	1/P	eS3528A/4528A
54 B	6LL45634000	ASYB-ARM-SWING-PIN	1	1/P	eS3528A/4528A



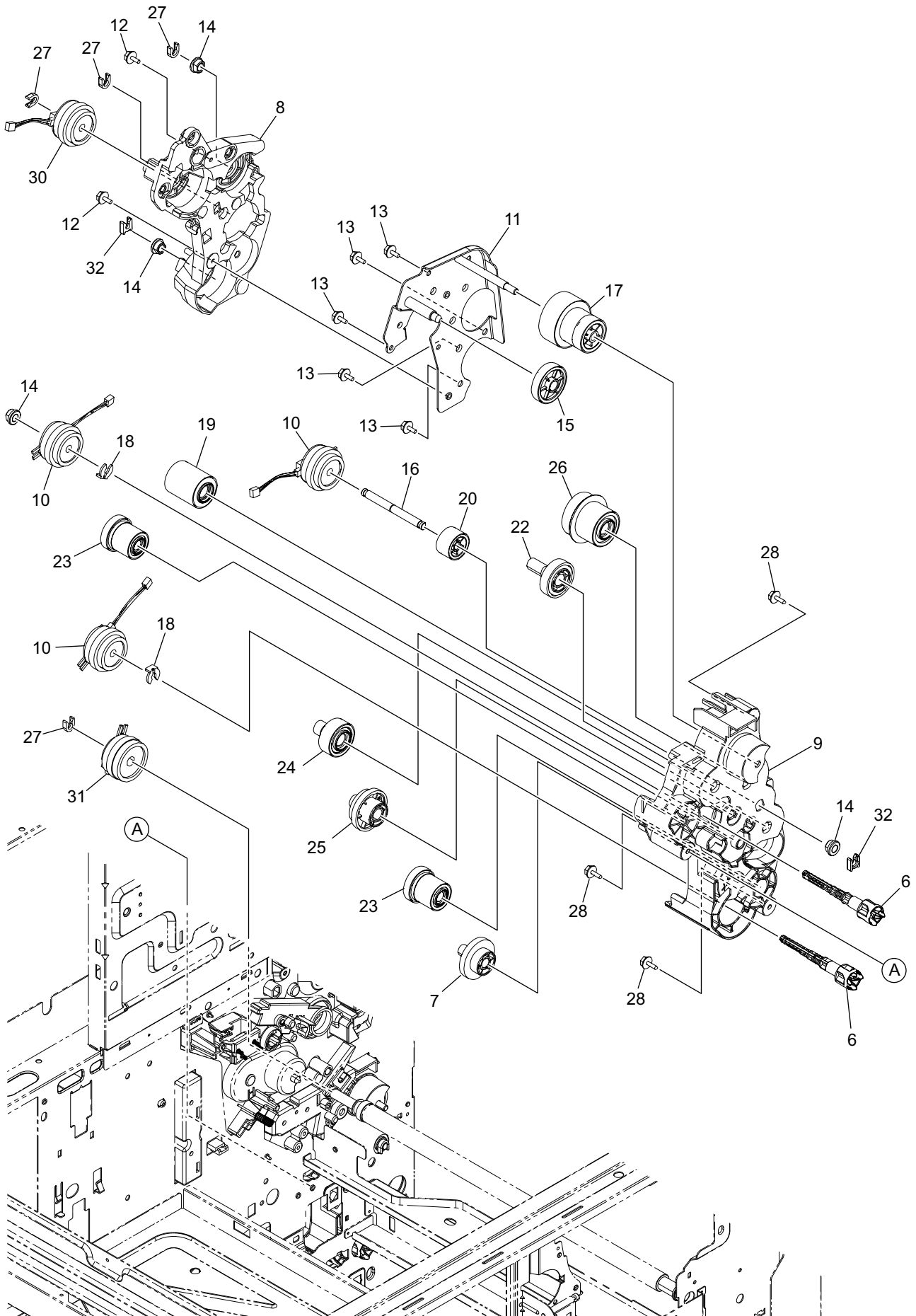


ITEM No.	PART No.	PART NAME	Q'TY / PAGE	Q'TY / PACK	REMARKS
1 A	6LK51266000	CST-H21X-SR	1	1/PP	eS2528A/3028A
1 B	6LL45601000	CST-K163-SRA3	1	1/PP	eS3528A/4528A
2	6LJ66823000	SHEET-CST-H21X	1	1/P	
3	6LJ56845000	ROLL-CST-H21X	4	1/P	
4 A	6LK51281000	LBL_P-SIZE-LDA3-H373	1	1/P	eS2528A/3028A
4 B	6LL45652000	LBL_P-SIZE-LDA3-K163	1	1/KP	eS3528A/4528A
5	6LL45633000	ASYS-TRAY-CST-H-K163	1	1/PP	
6 A	6LH51643000	CHSH-CST-F47X	1	1/P	eS2528A/3028A
7 B	6LH05741000	CUSH-CST-S	1	1/P	eS2528A/3028A
8 A	6LJ56815100	WALL-STOP-H21X_S	1	1/P	eS2528A/3028A
8 B	6LL45605000	HLDR-ADJUST-GUIDE-K163	1	1/PP	eS3528A/4528A
9 A	X0-02247000	S/TPP/FHEXM-3X8-NI	5	10/P	eS2528A/3028A
9 B	X0-02247000	S/TPP/FHEXM-3X8-NI	5	10/P	eS3528A/4528A
10	6LH05746000	ASYS-LEVER-ELV-CST-F43X	1	1/P	
11	6LJ56910000	SHAFT-ELV-CST-H21X	1	1/P	
12	X0-02235000	S/FHEXM-M4X8-NI	2	10/P	
13	6LJ56847100	CPG-TRAY-UP-H37X	1	1/P	
14	6LJ56832100	GEAR-DRV-TRAYUP-SFT-H37X	1	1/P	
15	X0-00094000	S/PAN/SWWP-M3X10-NI	1	10/P	
16	6LL45678000	ASYS-PLATE-DRV-CST-K16X	1	1/P	
17	6LL45603000	COVER-CST-K163	1	1/PP	
18	6LJ56838200	HNDL-CST-H370	1	1/PP	
19 A	6LK51245000	SIZE-CST-37X-A4	1	1/KP	Except NAD
19 B	6LK51245100	SIZE-CST-37X-LT	1	1/KP	NAD
21 A	6LK51278000	LBL_O-GUIDE-CST-H373	1	1/KP	eS2528A/3028A
21 B	6LL45639000	LBL_O-GUIDE-CST-K163	1	1/KP	eS3528A/4528A
22 A	6LJ56925000	LVR-CST2-H-H21X_E_SHAFT	1	1/P	eS2528A/3028A
22 B	6LL45651000	LVR-CST2-K163	1	1/P	eS3528A/4528A
23 A	6LJ56839000	SPG-E-8R9XR9X29R5	1	1/P	eS2528A/3028A
23 B	6LL45637000	SPG-E-CST-HOOK-K163	1	1/P	eS3528A/4528A
24	6LA56695000	SPC-LVR-WALL-F	1	1/P	eS2528A/3028A
25	6LH05721100	PUSHER-SIDE-CST-F43X_S	1	1/P	
26 A	6LH05511000	SCREW-M3X8-3.2-P	1	5/P	eS2528A/3028A
26 B	6LH05511000	SCREW-M3X8-3.2-P	2	5/P	eS3528A/4528A
27	6LK51260000	PUSHER-END-CST-F43X	1	1/PP	
28	6LJ56802100	LEVER-LOCK-WALL-H21X_S	1	1/P	eS2528A/3028A
29	6LK51241000	PLT-WALL-GEAR-H370	1	1/P	eS2528A/3028A
30 A	6LE53717000	GEAR-10S18-8-TRAY	1	1/P	eS2528A/3028A
30 B	6LL08533000	GEAR-10S18-8-SIDE-GID	1	1/P	eS3528A/4528A
31 A	6LK51277000	SLIDE-WALL-F-H21X-H-70	1	1/KP	eS2528A/3028A
31 B	6LL45600000	SLIDE-WALL-F-K163	1	1/KP	eS3528A/4528A
32 A	6LJ56872000	ASYS-SLIDE-WALL-R-H21X-H	1	1/PP	eS2528A/3028A
32 B	6LL45630000	ASYS-SLIDE-WALL-R-K163	1	1/PP	eS3528A/4528A
33	6LJ56827100	WALL-END-CST-H-H21X_S	1	1/P	
34	6LJ56834100	WALL-LONGPAPER-R-H-H21X_S	1	1/P	
35	6LJ56833100	WALL-LONGPAPER-F-H-H21X_S	1	1/P	
37	6LK51269000	SPG-F-TRAY-CST-H21Y	1	1/C	
38 A	6LJ56953000	LBL_P-SIZE-REF-H21X	1	1/P	eS2528A/3028A
38 B	6LL08518000	LBL-P-SIZE-REF-H44X	1	1/P	eS3528A/4528A
39	6LK51276000	SUPPT-SLIDE-WALL-F-H373	1	1/P	eS2528A/3028A
40	X0-01989000	S/TPP/BID-3X8-NI	2	10/P	eS2528A/3028A
42 A	6LL08536000	CLICK-PIN	1	1/P	eS3528A/4528A
43 B	6LL08517000	CUSH-CST-TRAY	4	1/P	eS3528A/4528A
44 B	6LL45638000	DUMPER-CST-K163	1	1/D	eS3528A/4528A
45 B	6LL45607000	HOLDER-DUMPER	1	1/P	eS3528A/4528A
46 B	6LL08537000	LEVER-SIDE-GUIDE	1	1/P	eS3528A/4528A
47 B	6LL08538000	LOCK-RACK	1	1/P	eS3528A/4528A
48 B	6LL08535000	PUSH-BAR	2	1/P	eS3528A/4528A
49 B	6LL45608000	ROLL-CST-SIDE-H21X	1	1/P	eS3528A/4528A
50 B	6LL45606000	SHEET-SIDE-GUIDE-K163	1	1/P	eS3528A/4528A
51 B	6LL08520000	SPG-C-CLICK-PIN	1	1/P	eS3528A/4528A
52 B	6LL08521000	SPG-C-LOCK-LACK	1	1/P	eS3528A/4528A
53 B	6LL08519000	SPG-C-PUSH-BAR	4	1/P	eS3528A/4528A





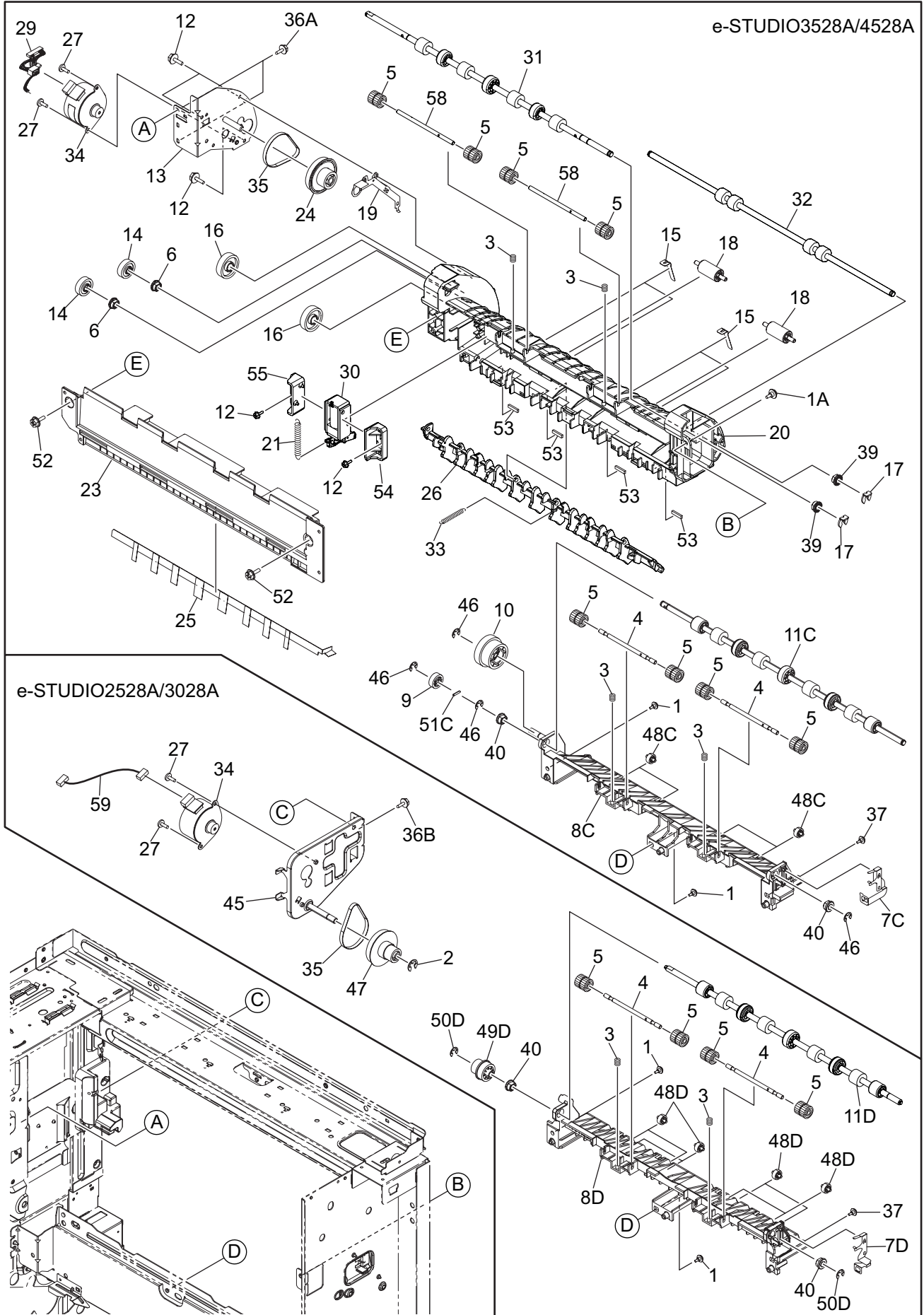








e-STUDIO3528A/4528A

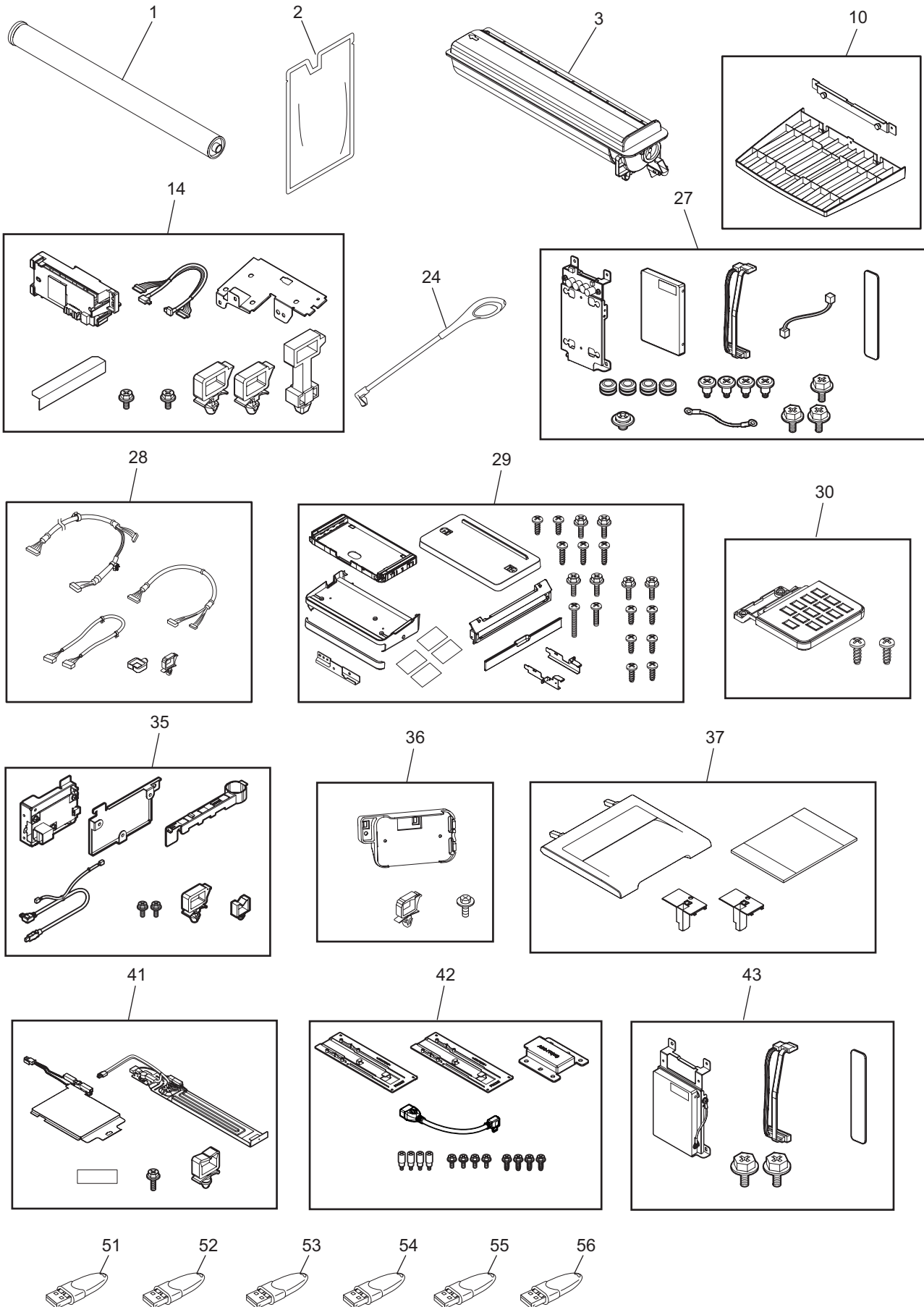


e-STUDIO2528A/3028A

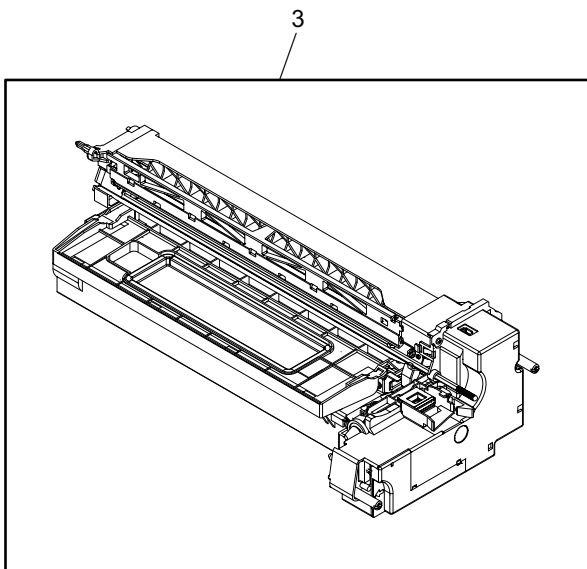
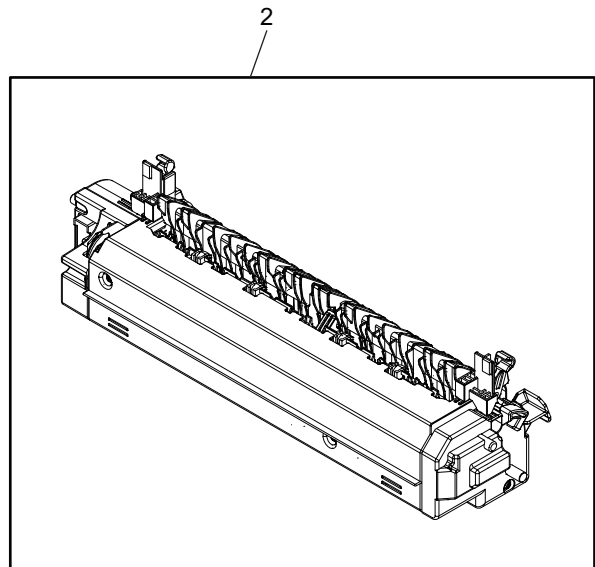
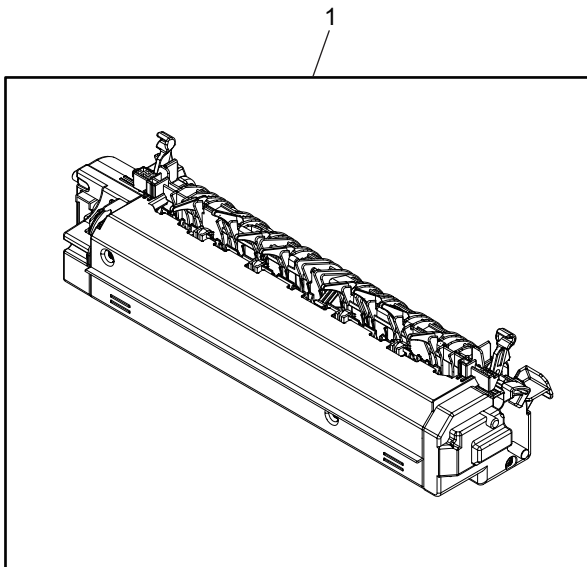
ITEM No.	PART No.	PART NAME	Q'TY / PAGE	Q'TY / PACK	REMARKS
1 A	6LA08937000	SCREW-BKT-DEV	3	10/P	eS3528A/4528A
1 B	6LA08937000	SCREW-BKT-DEV	2	10/P	eS2528A/3028A
2 B	X0-00965000	RR/E-4-SS	1	10/P	eS2528A/3028A
3 A	6LJ57614000	SPG-C-ROLL-EXIT-H21Y	4	1/P	eS3528A/4528A
3 B	6LJ57614000	SPG-C-ROLL-EXIT-H21Y	2	1/P	eS2528A/3028A
4	6LJ57801000	SHAFT-ROLL-EXIT-L	2	1/P	
5 A	6LK52391000	RLR-EXIT-L-EX	8	1/P	eS3528A/4528A
5 B	6LK52391000	RLR-EXIT-L-EX	4	1/P	eS2528A/3028A
6 A	6LJ55543000	BUSH-6-BCF-050	2	1/P	eS3528A/4528A
7 C	6LK52351000	SPG-F-GND-EXIT-H373	1	1/C	eS3528A/4528A
7 D	6LK52037000	SPG-F-GND-EXIT-H370	1	1/C	eS2528A/3028A
8 C	6LK67402100	ASYS-GUIDE-EXIT-L-H415_2	1	1/PP	eS3528A/4528A
8 D	6LK67415000	ASYS-GUIDE-EXIT-L-H410	1	1/PP	eS2528A/3028A
9 C	6LJ69307000	GEAR-10S16-6	1	1/P	eS3528A/4528A
10 C	6LK67406000	GEAR-10S34-10S29	1	1/P	eS3528A/4528A
11 C	6LK67418000	ASYB-ROLL-EXIT-H415_N	1	1/KP	eS3528A/4528A
11 D	6LK67421000	ASYB-ROLL-EXIT-H370_N	1	1/KP	eS2528A/3028A
12 A	X0-02247000	S/TPP/FHEXM-3X8-NI	5	10/P	eS3528A/4528A
13 A	6LJ57647100	ASYS-BRKT-DRV-EXIT-U-K11X	1	1/P	eS3528A/4528A
14 A	6LL46313000	GEAR-10S20-06	2	1/P	eS3528A/4528A
15 A	6LJ57610000	SPG-F-ROL-REV-H21Y	4	1/P	eS3528A/4528A
16 A	6LH54009000	GEAR-10S27-08	2	1/P	eS3528A/4528A
17 A	44201801000	STOP-RING-6-1.5	2	5/P	eS3528A/4528A
18 A	41316101000	ROLL-TRANS-IDLE	2	1/P	eS3528A/4528A
19 A	6LJ57635100	SPG-F-GND-EXIT-UPR-H373	1	1/C	eS3528A/4528A
20 A	6LK51942200	GUIDE-EXIT-UPR-H373_S	1	1/PP	eS3528A/4528A
21 A	6LK51917000	SPG-E-ARM-GATE-85-H373	1	1/P	eS3528A/4528A
23 A	6LJ57616100	COV-EXIT-UPR-H373	1	1/PP	eS3528A/4528A
24 A	6LJ57609000	GEAR-10S20_PS2M60-6-H21Y	1	1/P	eS3528A/4528A
25 A	6LJ57617000	BRUSH-EXIT-L-H21Y	1	1/KP	eS3528A/4528A
26 A	6LK51626100	GATE-ADU-H373_S	1	1/PP	eS3528A/4528A
27	X0-02069000	S/TPS/BID-3X6-ZU3	2	10/P	
29 A	6LJ61030000	HRNS-EXTMOT-212	1	1/P	eS3528A/4528A
30 A	6LK51919000	ASYS-SOL-07B-H410_2	1	1/C	eS3528A/4528A
31 A	6LL46316000	ASYB-ROLL-EXIT-U-K16X	1	1/KP	eS3528A/4528A
32 A	6LL46315000	ROLL-TRANS-UPR-K16X	1	1/KP	eS3528A/4528A
33 A	6LK51916000	SPG-E-GATE-EXIT-70-H373	1	1/P	eS3528A/4528A
34	6LJ57816000	MOTR_S-EXIT-L-H21X	1	1/D	
35	6LJ58949000	BLT_SY-S2M-144-4	1	1/P	
36 A	X0-02420000	S/TPS/FHEXM/R-3X8-ZU3	2	10/P	eS3528A/4528A
36 B	X0-02420000	S/TPS/FHEXM/R-3X8-ZU3	1	10/P	eS2528A/3028A
37	6LA36749000	ASYS-SCREW-LSU-NI	1	5/P	
39 A	44201492000	BUSH-6-POM	2	5/P	eS3528A/4528A
40	4407734980	BUSH-6-GCB	2	5/P	
45 B	6LJ57804100	ASYS-BRKT-MOTR-EXIT2	1	1/P	eS2528A/3028A
46 C	X0-00966000	RR/E-5-SS	4	10/P	eS3528A/4528A
47 B	6LJ57807000	GEAR-10S16_PS2M60-6	1	1/P	eS2528A/3028A
48 C	6LK52392000	ROLL-FUS-GUIDE-D11-S	4	1/P	eS3528A/4528A
48 D	6LK52392000	ROLL-FUS-GUIDE-D11-S	8	1/P	eS2528A/3028A
49 D	6LJ57803000	GEAR-10S20-10S16-6	1	1/P	eS2528A/3028A
50 D	X0-00964000	RR/E-3-SS	2	10/P	eS2528A/3028A
51 C	X0-00980000	P/PRL/AH7-2X10-SS	1	10/P	eS3528A/4528A
52 A	X0-02683000	S/TPP/FHEXM-3X8-ZB3	2	5/P	eS3528A/4528A
53 A	6LK51918000	DAMP-GATE-H373	4	5/P	eS3528A/4528A
54 A	6LK51912000	PART-BRKT-F-2	1	1/P	eS3528A/4528A
55 A	6LK51913000	PART-BRKT-R-2	1	1/P	eS3528A/4528A
58 A	6LK51938000	SHAFT-ROL-EXIT-L-N	2	1/P	eS3528A/4528A
59 B	6LK72419000	HRNS-LGC-EXTM-H410	1	1/P	eS2528A/3028A





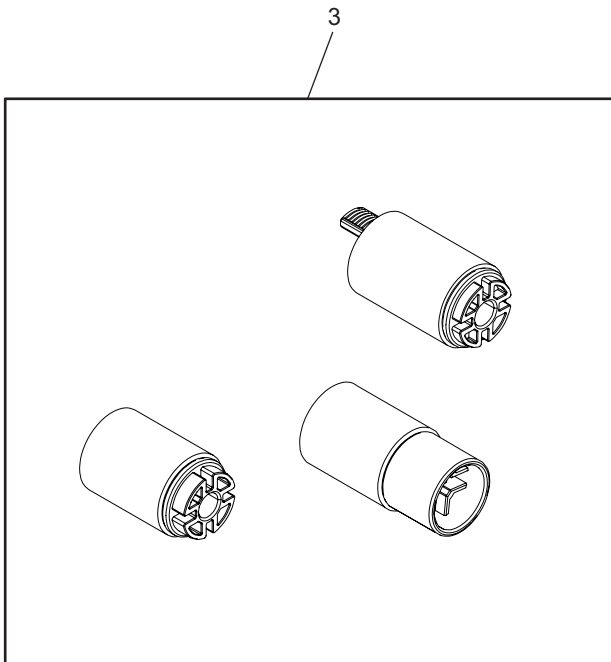
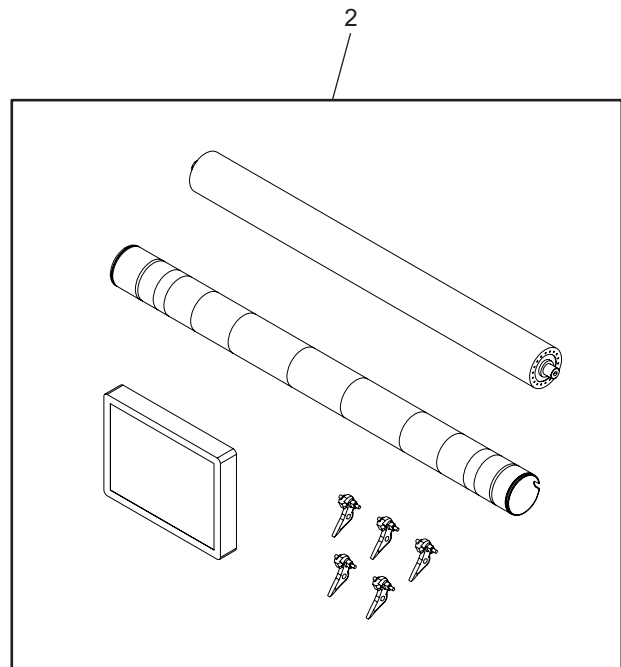
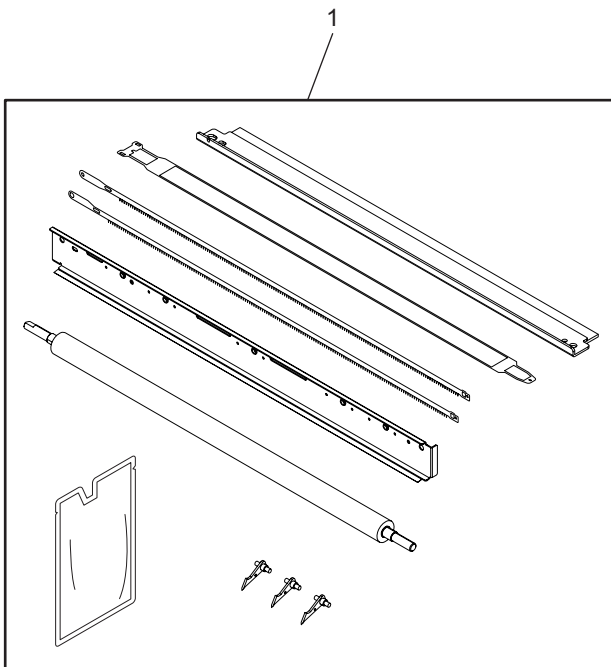


ITEM No.	PART No.	PART NAME	Q'TY / PAGE	Q'TY / PACK	REMARKS
1	6LL33301000	OD-3028	1	1/S	
2	6LL37515000	D-3028	1	1/S	
3 A	6AK00000428	PS-ZT3028U(1)	1	SUPPLY	TONER(K) for NAD,ARD
3 B	6AJ00000228	PS-ZT3028E(1)	1	SUPPLY	TONER(K) for MJD
3 C	6AG00009865	PS-ZT3028P(1)	1	SUPPLY	TONER(K) for AUD,ASD
3 D	6AG00009859	PS-ZT3028C(1)	1	SUPPLY	TONER(K) for CND
3 E	6AG00009860	PS-ZT3028C(8)	1	SUPPLY	TONER(K) for CND
3 F	6AG00009861	PS-ZT3028CM(1)	1	SUPPLY	TONER(K) for CND
3 G	6AG00009862	PS-ZT3028CM(8)	1	SUPPLY	TONER(K) for CND
10 A	6AR00000925	KK-5005	1	SUPPLY	Work Tray (All except CND)
10 B	6AR00000926	KK-5005C	1	SUPPLY	Work Tray (CND)
14 A	6AG00010090	GN-4030-A3	1	SUPPLY	Wireless LAN/Bluetooth Module (All except ARD,CND)
14 B	6AG00010092	GN-4030C-A3	1	SUPPLY	Wireless LAN/Bluetooth Module (CND)
24	6A000001733	KK-2560	1	SUPPLY	Accessible Arm
27 A	6AG00009805	GE-1260	1	SUPPLY	FIPS HDD Option (All except CND)
27 B	6AG00009806	GE-1270	1	SUPPLY	HDD without Security option (CND)
28	6A000001787	GQ-1280-N	1	SUPPLY	Harness kit for coin controller
29 A	6AH00000946	GR-1330	1	SUPPLY	Accessory Tray (All except CND)
29 B	6AH00000947	GR-1330C	1	SUPPLY	Accessory Tray (CND)
30 A	6AG00008435	GR-1340	1	SUPPLY	Panel Ten Key Option (All except CND)
30 B	6AG00008436	GR-1340C	1	SUPPLY	Panel Ten Key Option (CND)
35 A	6AG00009809	GR-1420	1	SUPPLY	USB Hub Option (All except CND)
35 B	6AG00009810	GR-1420C	1	SUPPLY	USB Hub Option (CND)
36 A	6AG00008429	GR-1320	1	SUPPLY	Card Reader Holder (All except CND)
36 B	6AG00008430	GR-1320C	1	SUPPLY	Card Reader Holder (CND)
37 A	6AG00006726	KA-5005PC	1	SUPPLY	Platen Cover (All except CND)
37 B	6AG00006727	KA-5005PCC	1	SUPPLY	Platen Cover (CND)
41 A	6AG00010223	MF-4528D	1	SUPPLY	Damp Heater (ARD,AUD)
41 B	6AG00010224	MF-4528DC	1	SUPPLY	Damp Heater (CND)
42 A	6AG00009811	GR-1430	1	SUPPLY	2nd NIC holder (All except CND)
42 B	6AG00009812	GR-1430C	1	SUPPLY	2nd NIC holder (CND)
43 A	6AG00009807	GE-1280	1	SUPPLY	Security SSD option (All except CND)
43 B	6AG00009808	GE-1290	1	SUPPLY	SSD without Security option (CND)
51	6A000001784	GS-1100	1	SUPPLY	IP Fax Enabler (ASD(HK),CND)
52	6A000001055	GS-1010	1	SUPPLY	Meta scan enabler (ASD(HK),CND)
53	6A000001053	GP-1080	1	SUPPLY	IPSec Enabler (ASD(HK))
54	6A000001309	GS-1007	1	SUPPLY	Multi Station print (ASD(HK),CND)
55	6A000001715	GS-1090	1	SUPPLY	Multi Station print (ASD(HK),CND)
56	6A000001803	GS-1009	1	SUPPLY	Image Log Enabler (CND)











**TOSHIBA**

**Toshiba Tec Corporation**

1-11-1, OSAKI, SHINAGAWA-KU, TOKYO, 141-8562, JAPAN