

TOSHIBA

SERVICE PARTS LIST

MULTIFUNCTIONAL DIGITAL SYSTEMS

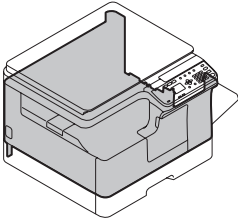
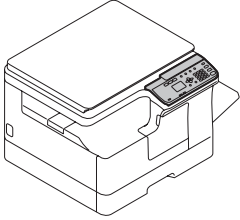
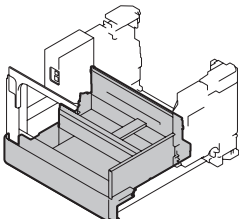
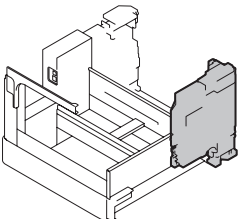
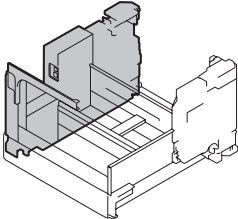
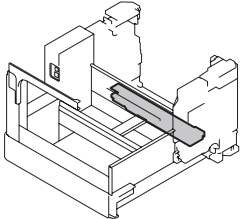
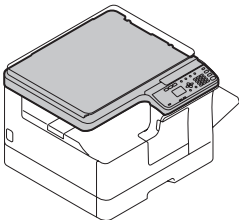
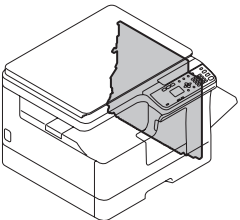
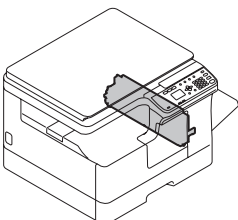
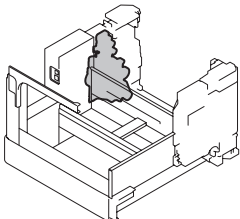
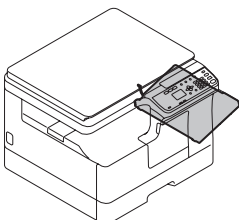
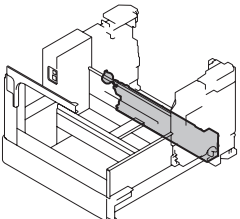
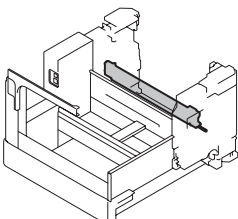
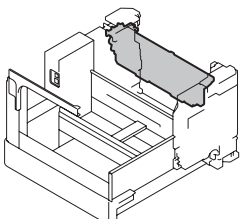
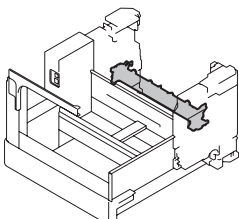
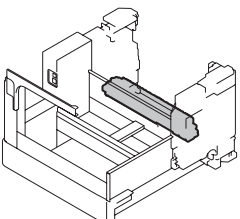
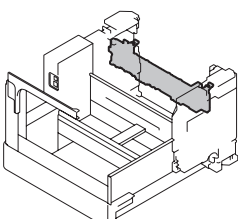
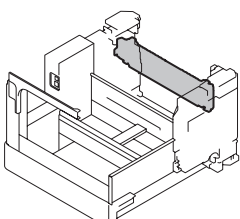
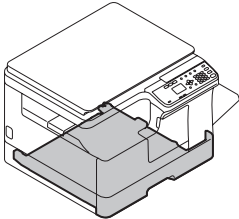
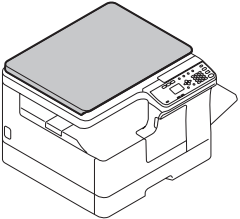
**e-STUDIO2523A/2523AD
/2323AM/2823AM
/2329A/2829A**

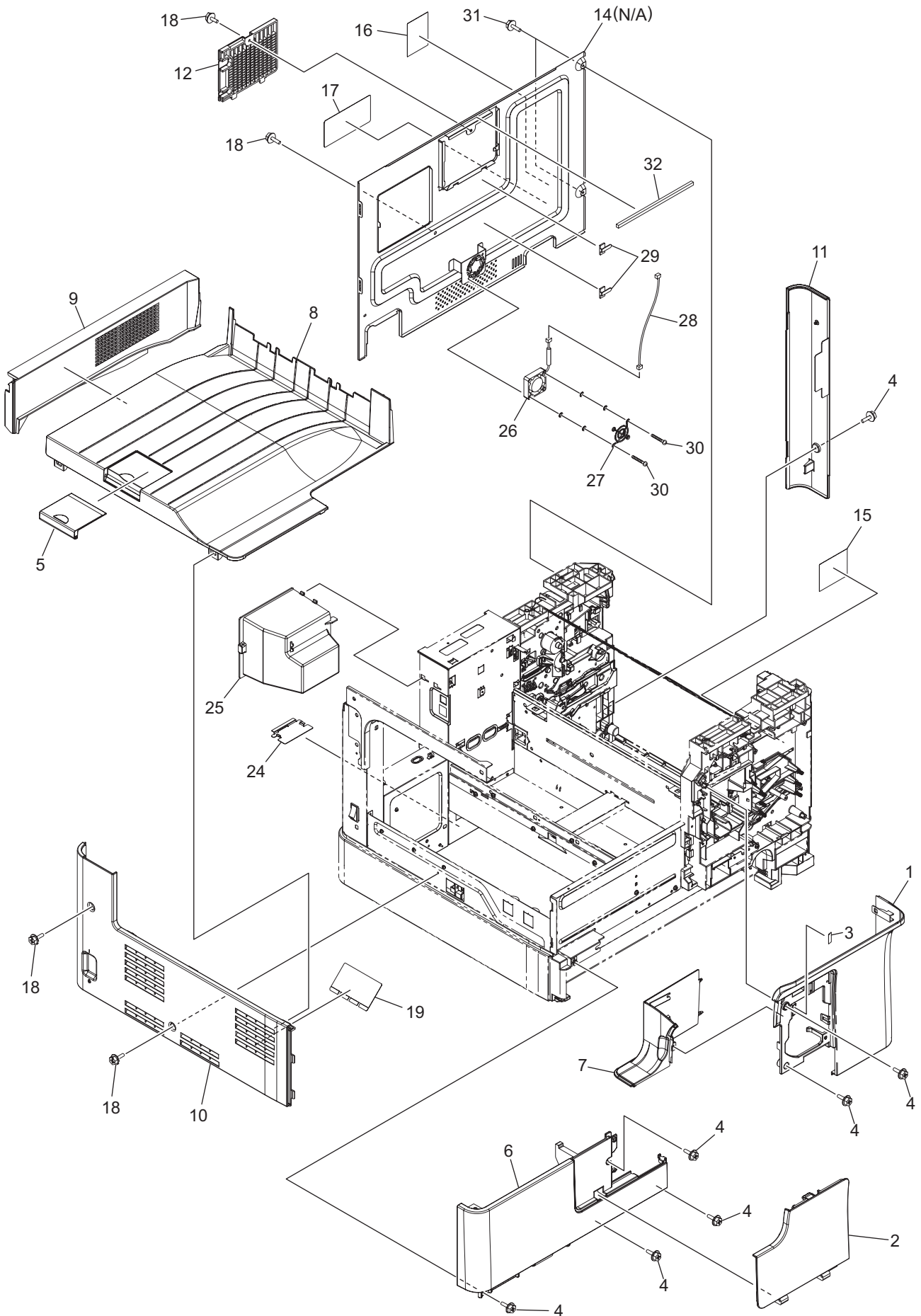
© 2019 Toshiba Tec Corporation All rights reserved

Under the copyright laws, this manual cannot be reproduced in any form without prior written permission of Toshiba Tec Corporation. No patent liability is assumed, however, with respect to the use of the information contained herein.

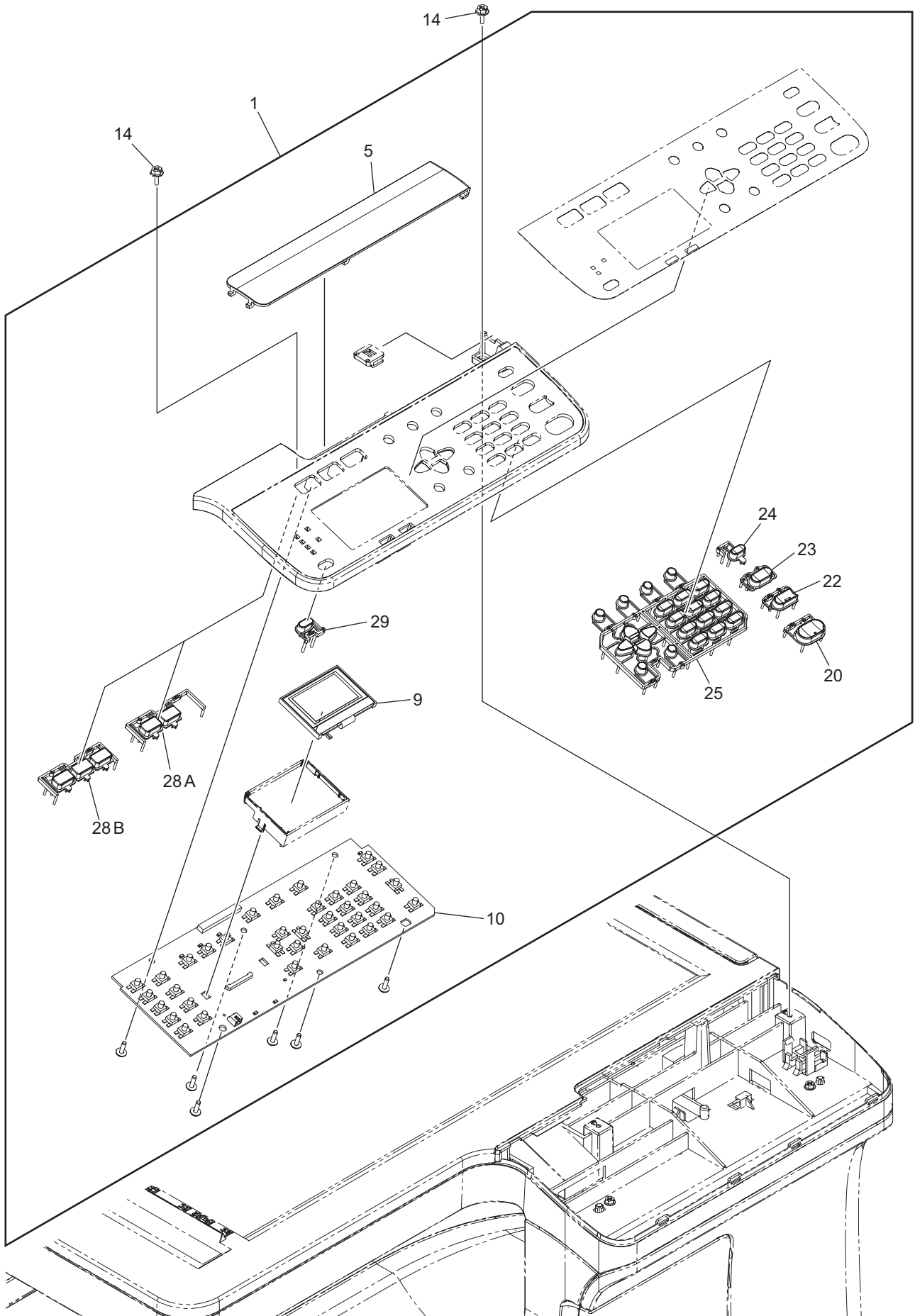
CONTENTS

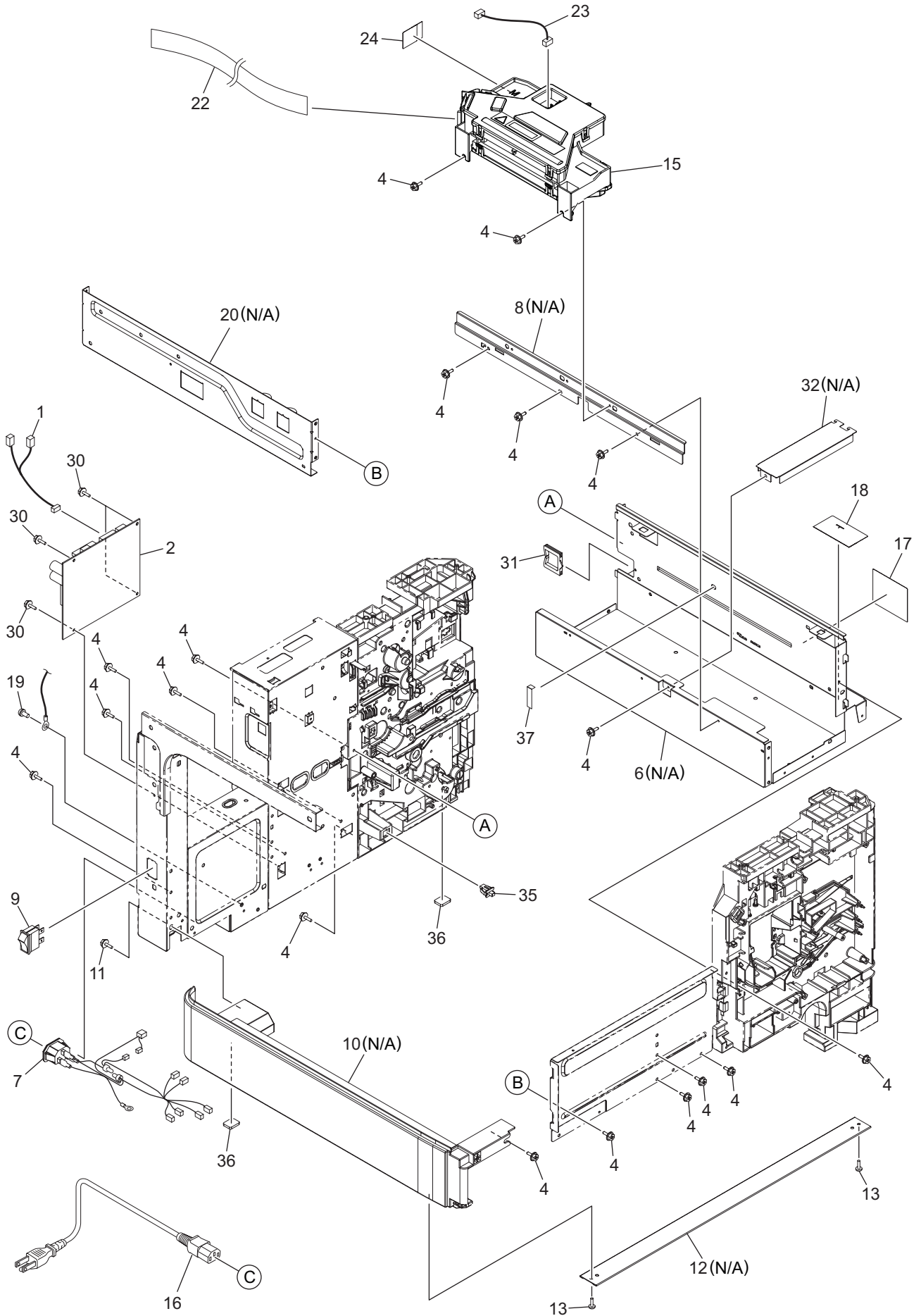
COVER-ASY	1
CONTROL-PANEL-ASY.....	2
BASE-FRAME-ASY.....	3
FRONT-FRAME-ASY.....	4
REAR-FRAME-ASY	5
STAY-ASY	6
OPTICAL-ASY.....	7
ADU-1-ASY	8
ADU-2-ASY	9
MAIN-DRIVE-ASY.....	10
BYPASS-ASY.....	11
GUIDE-ASY.....	12
MAIN-CHARGER-ASY.....	13
EXIT-ASY	14
CLEANER-ASM	15
DEVELOPER-ASY.....	16
FUSER-1-ASY.....	17
FUSER-2-ASY.....	18
DRAWER-ASY	19
PLATEN-ASY	20
ADU-GUIDE-ASY.....	21
DUCT-ASY	22
ADU-DRIVE-ASY	23
JIGS & GREASE.....	101
SUPPLIES.....	102
REPLACE UNIT	103
PM-KIT	104
REFRESH-KIT	105

<p>1. COVER-ASY</p> 	<p>2. CONTROL-PANEL-ASY</p> 	<p>3. BASE-FRAME-ASY</p> 	<p>4. FRONT-FRAME-ASY</p> 
<p>5. REAR-FRAME-ASY</p> 	<p>6. STAY-ASY</p> 	<p>7. OPTICAL-ASY</p> 	<p>8. ADU-1-ASY</p> 
<p>9. ADU-2-ASY</p> 	<p>10. MAIN-DRIVE-ASY</p> 	<p>11. BYPASS-ASY</p> 	<p>12. GUIDE-ASY</p> 
<p>13. MAIN-CHARGER-ASY</p> 	<p>14. EXIT-ASY</p> 	<p>15. CLEANER-ASM</p> 	<p>16. DEVELOPER-ASY</p> 
<p>17. FUSER-1-ASY</p> 	<p>18. FUSER-2-ASY</p> 	<p>19. DRAWER-ASY</p> 	<p>20. PLATEN-ASY</p> 

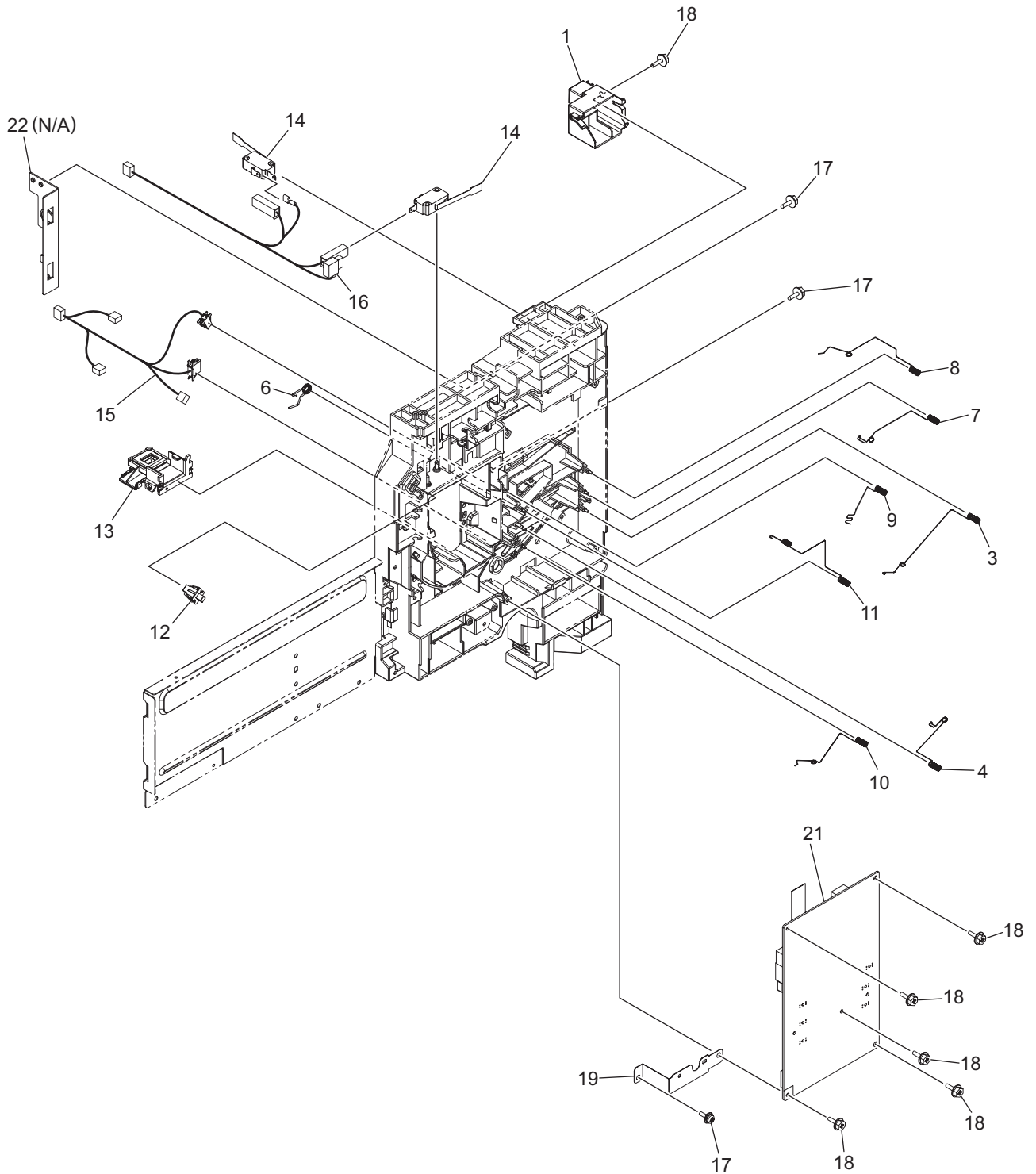


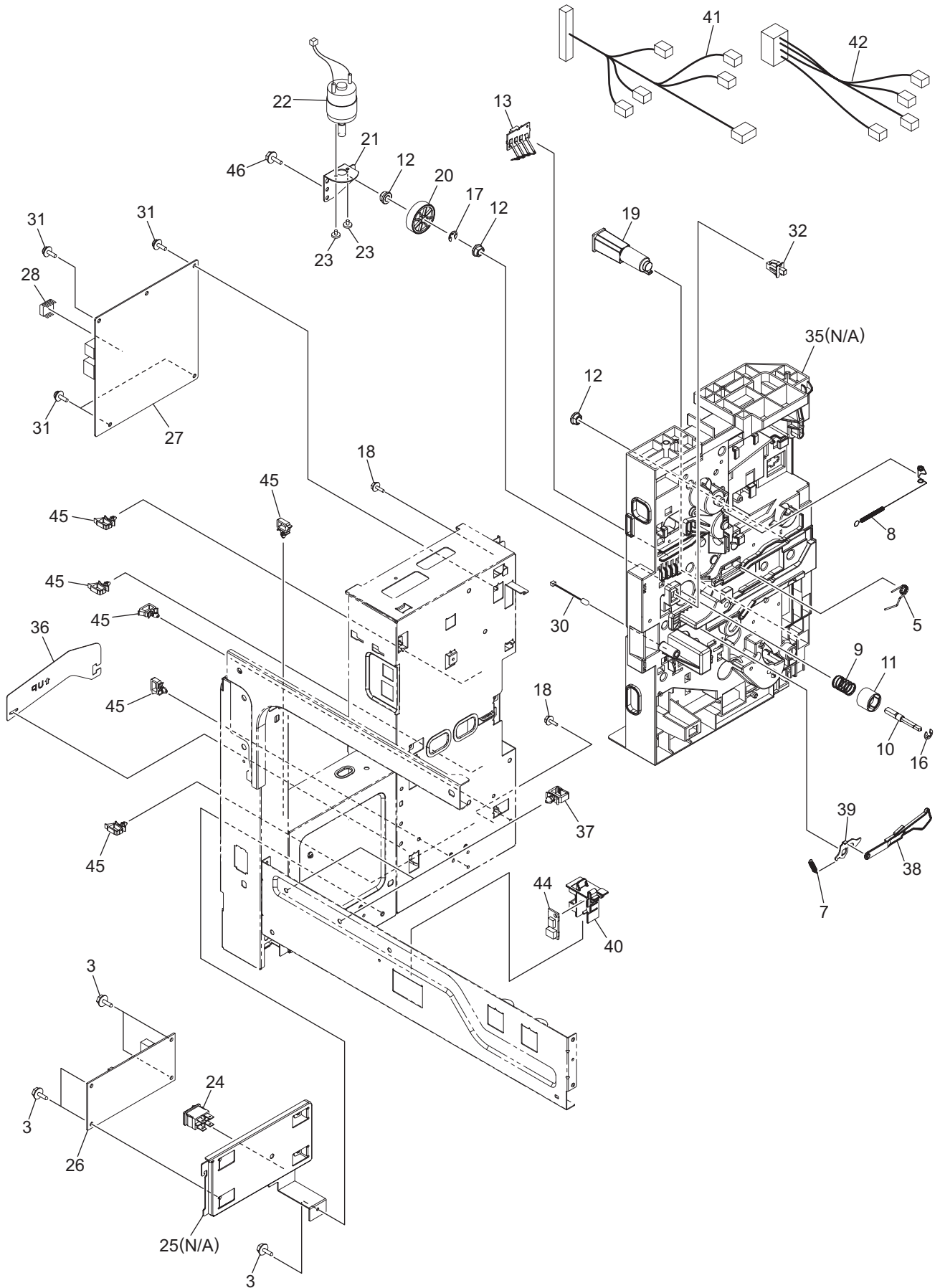
ITEM No.	PART No.	PART NAME	Q'TY / PAGE	Q'TY / PACK	REMARKS
1	6LJ76024W00	ASYS-COV-FRT-R-K15X_G	1	1/PP	
2	6LJ76014200	COV-FRT-TNR-H241-GC	1	1/PP	
3	6LJ80009000	LBL_O-TNR-CARTG	1	5/P	
4	X0-02247000	S/TPP/FHEXM-3X8-NI	7	10/P	
5	6LE21719700	COV-STOP-PAPER-H390	1	1/PP	
6 A	6LL20852200	ASYS-COV-FRT-L-K151_G	1	1/PP	eS2523A
6 B	6LL20852500	ASYS-COV-FRT-L-K152_G	1	1/PP	eS2323AM
6 C	6LL20852800	ASYS-COV-FRT-L-K153_G	1	1/PP	eS2823AM
6 D	6LL20852B00	ASYS-COV-FRT-L-K154_G	1	1/PP	eS2329A
6 E	6LL20852E00	ASYS-COV-FRT-L-K155_G	1	1/PP	eS2829A
6 F	6LL20852H00	ASYS-COV-FRT-L-K158_G	1	1/PP	eS2523AD
7	6LJ76016600	COV-PILLAR-H241-H39GC	1	1/PP	
8	6LJ76019600	COVER-TRAY-H39GC	1	1/PP	
9	6LJ76018500	COV-TRAY-BACK-H241-K15GC	1	1/PP	
10	6LJ76017800	COV-LEFT-U-H241-H39XGC	1	1/PP	
11	6LJ76003200	COV-RIGHT-PH25-GC	1	1/PP	
12	6LJ76056100	COVER-REAR-SUB-H390	1	1/PP	
14	6LJ76065000		1	N/A***	
15 A	6LJ83461000	LBL-CAU-LASER	1	1/P	NAD,ASD,ARD,AUD,MJD
15 B	6LJ83375000	LBL-CAU-LASER-CND	1	1/P	CND
15 C	6LJ83460000	LBL-CAU-LASER-TWD	1	1/P	TWD
16 A	44204604000	LBL-SERVICE-45	1	5/P	NAD,ASD,ARD,AUD,MJD
16 B	6LA56227000	LBL-SERVICE-45C	1	5/KP	CND
16 C	6LA48504000	LBL-SERVICE-45-TWD	1	5/KP	TWD
17 A	6LA47529000	LBL-LASER	1	1/KP	NAD,ASD,ARD,AUD,MJD
17 B	6LA56226000	LBL-LASER-C	1	5/KP	CND
17 C	6LA48505000	LBL-LASER-TWD	1	5/KP	TWD
18	X0-02420000	S/TPS/FHEXM/R-3X8-ZU3	4	10/P	
19 A	6LJ76033000	SHEET-SHADE-COV-LFT-H241	1	1/P	eS2523A, eS2323AM:MJD
24	6LJ77862000	COV-FRAME-REAR-OP	1	1/P	
25	6LJ76060000	COVER-FAX-OP	1	1/PP	
26 A	6LH39818000	FAND-4010-1604KL-450	1	1/D	NAD,TWD
27 A	6LJ76071000	GUARD-FAN-H390	1	1/P	NAD,TWD
28 A	6LJ81991000	HRNS-PSFAN-H390	1	1/P	NAD,TWD
29 A	F0-00136000	K-103G	2	5/P	NAD,TWD
30 A	X0-02669000	S/TPS/FPAN-3X21-ZU3	2	5/P	NAD,TWD
31	X0-02231000	S/FHEXM-M3X8-NI	2	10/P	
32 A	6LJ76073000	SEAL-COV-REAR-H390	1	1/P	Except TWD



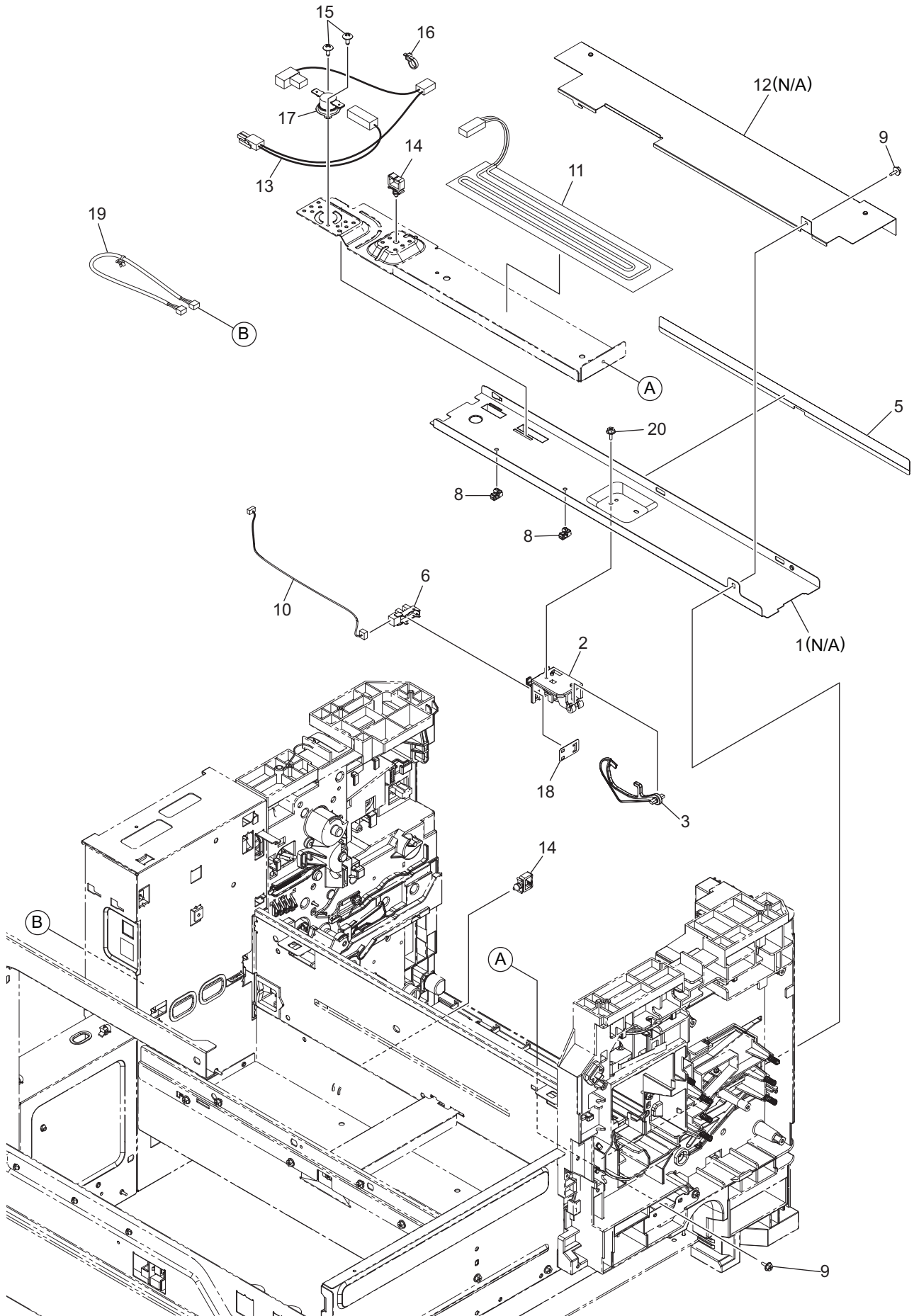


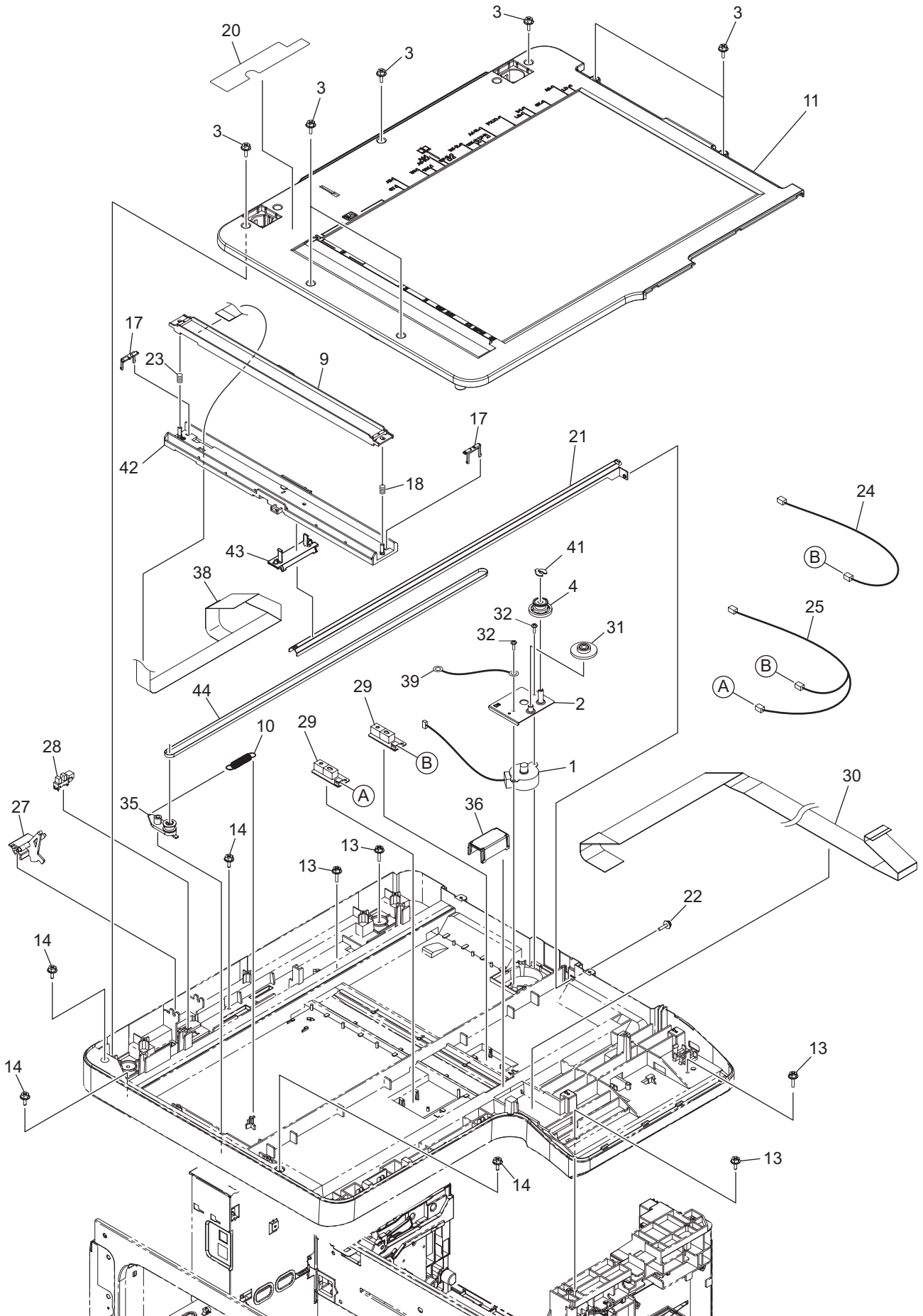
ITEM No.	PART No.	PART NAME	Q'TY / PAGE	Q'TY / PACK	REMARKS
1 A	6LJ81651000	HRNS-ACIN1-H390E	1	1/P	eS2523A/2523AD/2323AM/2823AM:CND,ASD,MJD,ARD
1 B	6LJ81998000	HRNS-ACIN1-H392J	1	1/P	eS2329A/2829A:NAD,TWD
1 C	6LJ81997000	HRNS-ACIN1-H392E	1	1/P	eS2329A/2829A:ASD,ARD,AUD,MJD,CND
1 D	6LJ81652000	HRNS-ACIN1-H390J	1	1/P	eS2823AM:NAD
2 A	6LL23851000	PS-ACC-K154ECN	1	1/SB	eS2523A/2523AD:CND,ASD
2 B	6LL23857000	PS-ACC-K154ECN-ES	1	1/SB	eS23/28AM:CND,MJD,ARD, 23/28A:ASD,ARD,AUD,MJD ,CND
2 C	6LL23853000	PS-ACC-K154JU-ES	1	1/SB	NAD,TWD
4 A	X0-02420000	S/TPS/FHEXM/R-3X8-ZU3	18	10/P	CND
4 B	X0-02420000	S/TPS/FHEXM/R-3X8-ZU3	17	10/P	NAD,ASD,ARD,AUD,MJD
6	6LJ77859000		1	N/A***	
7 A	6LJ81966000	HRNS-INLET-DH-H390	1	1/P	ASD,ARD,AUD,TWD
7 B	6LJ81965000	HRNS-INLET-H390	1	1/P	CND,MJD,NAD
8	6LJ77748000		1	N/A***	
9	E0-14534000	CF-LA-2KZ2-1C	1	1/C	
10	6LJ77747200		1	N/A***	
11	X0-02247000	S/TPP/FHEXM-3X8-NI	1	10/P	
12	6LJ77874000		1	N/A***	
13	X0-01989000	S/TPP/BID-3X8-NI	2	10/P	
15	6LJ78341000	LSU-2809	1	1/S	
16 A	6LJ62295000	CABLE-P-INLET-EUR-C-S	1	1/P	MJD
16 B	6LJ62293000	CABLE-P-INLET-UK-C-S	1	1/P	ASD
16 C	6LJ62296000	CABLE-P-INLET-NAD-15A-C-S	1	1/P	NAD
16 D	6LJ62294000	CABLE-P-INLET-AU-C-S	1	1/P	AUD
16 E	6LE95824000	CABLE-P-INLET-AR	1	1/P	ARD
16 F	6LJ81743000	CABLE-P-INLET-CCC-C-S	1	1/P	CND
16 G	6LE95826000	CABLE-P-INLET-TWD	1	1/P	TWD
17 A	6LJ83461000	LBL-CAU-LASER	1	1/P	NAD,ASD,ARD,AUD,MJD
17 B	6LJ83375000	LBL-CAU-LASER-CND	1	1/P	CND
17 C	6LJ83460000	LBL-CAU-LASER-TWD	1	1/P	TWD
18	6LJ76557000	SHEET-BARR-TONER	1	1/P	
19	6LH55300000	USUITA-SPSEMS-4X8-6	1	5/P	
20	6LJ77840000		1	N/A***	
22	6LJ81859000	HRNS-LDR-240	1	1/P	
23	6LJ81819000	HRNS-POL-240	1	1/P	
24	6LJ76034000	SHEET-SHADE-LSU	1	1/P	
30	X0-00077000	S/PAN/SWWP-M3X8-NI	4	10/P	
31	F0-00034000	EDS-2323U	1	5/P	
32	6LJ77863000		1	N/A***	
35	E0-14613000	PS-12C02-F NS	1	1/P	
36	6LJ77886000	FOOT-FRAME-CR	2	1/P	
37	6LJ77814000	SHEET-BRKT-STY	1	1/P	



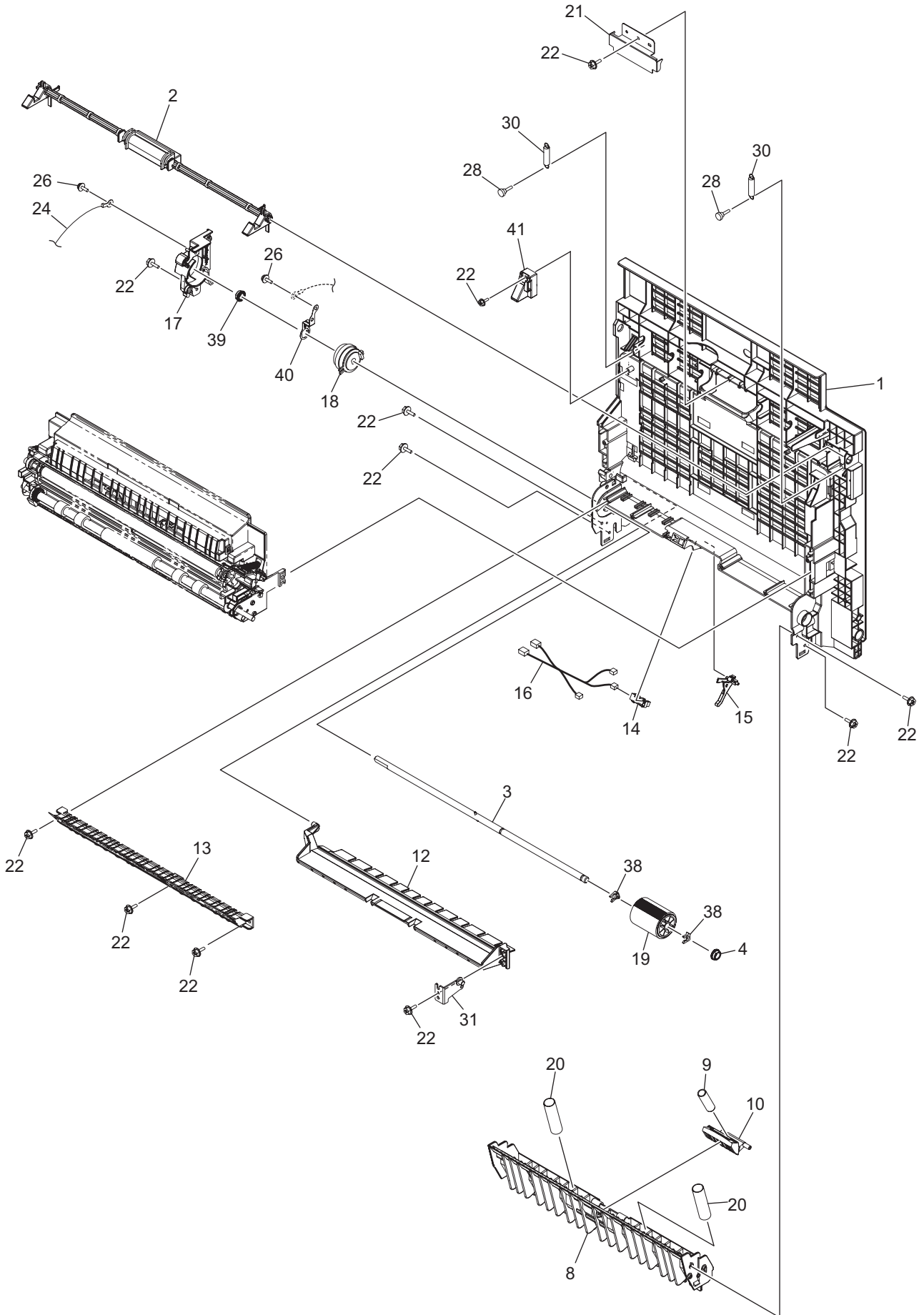


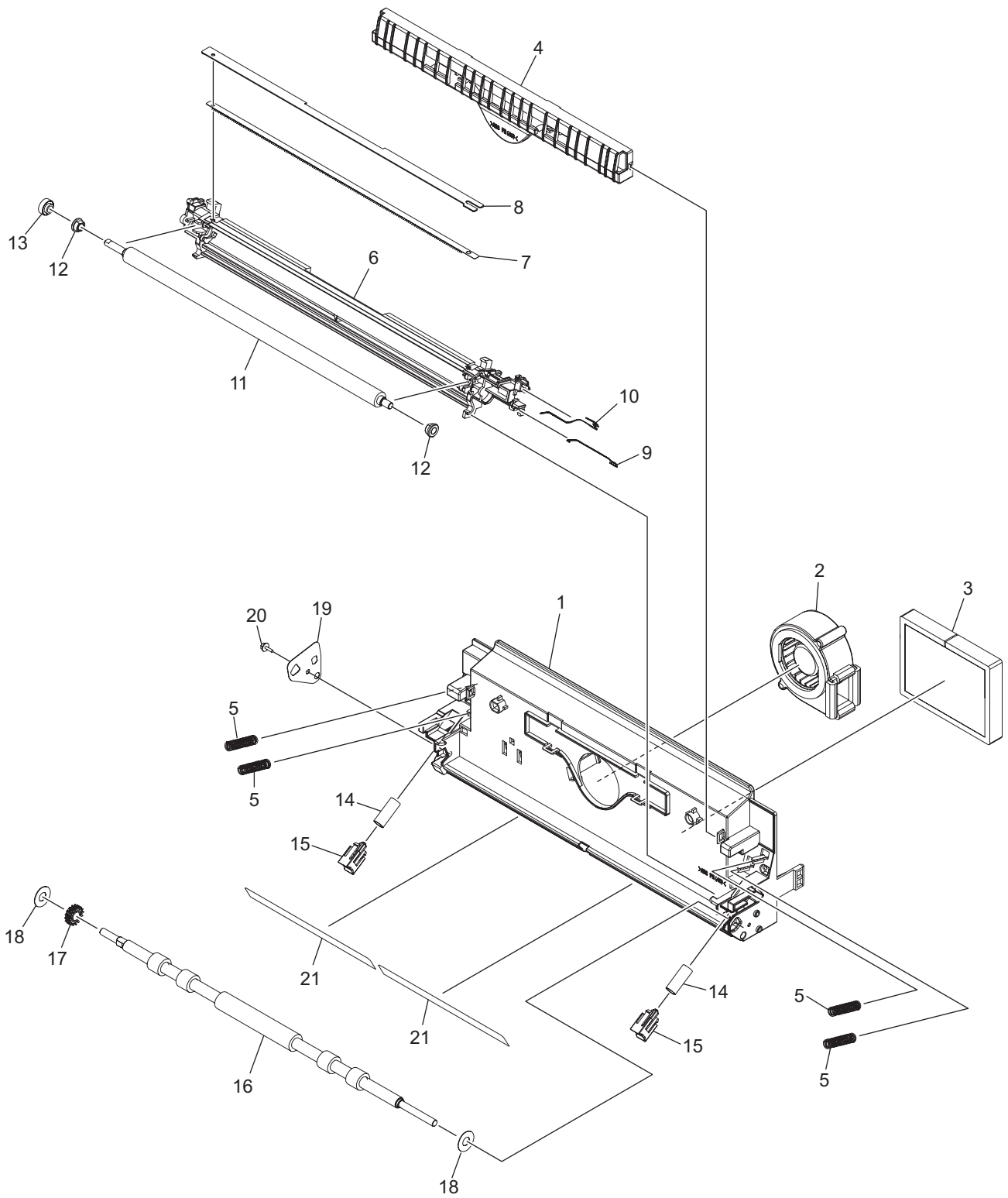
ITEM No.	PART No.	PART NAME	Q'TY / PAGE	Q'TY / PACK	REMARKS
3 A	X0-02420000	S/TPS/FHEXM/R-3X8-ZU3	5	10/P	ASD,ARD,ASD,AUD,TWD
5	6LJ75519000	SPG-LOCK-DRUM-R	1	1/P	
7	6LJ76582000	SPG-LOCK-DEV	1	1/P	
8	6LJ78021000	SPG-EARTH-FUS-H24X	1	1/P	
9	6LJ76826000	SPG-C-DRV-TNR-H24X	1	1/P	
10	6LJ76822000	STUD-TNRDRV-H24X	1	1/P	
11 A	6LH57004100	CPG-TC-470-D	1	1/P	ASD,AUD
11 B	6LH57004400	CPG-TC-470-C	1	1/P	CND
11 C	6LH57004300	CPG-TC-470-E	1	1/P	MJD
11 D	6LH57004200	CPG-TC-470-U	1	1/P	NAD,ARD,TWD
12	44201492000	BUSH-6-POM	3	5/P	
13	6LJ82091100	PWA-H-CTIF-H390S	1	1/C	
16	X0-00964000	RR/E-3-SS	1	10/P	
17	X0-00966000	RR/E-5-SS	1	10/P	
18	X0-02247000	S/TPP/FHEXM-3X8-NI	2	10/P	
19	6LJ77756000	BOS-CENTER-COV-ADU-H241	1	1/P	
20	6LJ76817000	GEAR-05H60-DRV-TNR-H24X	1	1/P	
21	6LJ76821000	BRKT-DRV-TNR-H24X	1	1/P	
22	6LJ76845000	MOTRD-TNR-H24X	1	1/D	
23	X0-02557000	S/BID-M2.6X3-NI	2	10/P	
24 A	E0-11767000	AJ76101BF	1	1/P	ASD,ARD,AUD,TWD
25	6LJ77769000		1	N/A***	
26 A	6LJ81220000	PWA-H-FUS-240	1	1/C	ASD,ARD,AUD,TWD
27 A	6LL23465000	PWA-K-MAIN-151	1	1/SB	eS2523A
27 B	6LL23465100	PWA-K-MAIN-152	1	1/SB	eS2323AM
27 C	6LL23465200	PWA-K-MAIN-153	1	1/SB	eS2823AM
27 D	6LL23476000	PWA-K-MAIN-154	1	1/SB	eS2329A:ASD,ARD,AUD,MJD
27 E	6LL23476100	PWA-K-MAIN-154NA	1	1/SB	eS2329A:NAD
27 F	6LL23476300	PWA-K-MAIN-155	1	1/SB	eS2829A:CND,ASD,ARD,MJD,TWD
27 G	6LL23476400	PWA-K-MAIN-155NA	1	1/SB	eS2829A:NAD
27 H	6LL23465300	PWA-K-MAIN-158	1	1/SB	eS2523AD
28	C0-20465000	EN25Q40A-104QIP	1	1/C	
30	6LJ81611000	THMS-DRM-240	1	1/P	
31	X0-00077000	S/PAN/SWWP-M3X8-NI	4	10/P	
32	E0-14613000	PS-12C02-F NS	1	1/P	
35	6LJ77887200		1	N/A***	
36	6LJ77871000	SHEET-LVPS-H390	1	1/P	
37	F0-00024000	LWS-1U	2	5/P	
38	6LJ76581000	LEVER-LOCK-DEV	1	1/P	
39	6LJ76580000	PLATE-LOCK-DEV	1	1/P	
40	6LJ77860000	HLD-SEN-TMP-H39X	1	1/P	
41 A	6LJ81650000	HRNS-MAIN-FEED-H390	1	1/P	eS2329A/2829A:NAD,ASD,ARD,AUD,MJD,CND
41 B	6LJ81712000	HRNS-MAIN-FEED-H390TW	1	1/P	eS2829A:TWD
42 A	6LJ81994000	HRNS-TEMP2-H390	1	1/P	eS2523A/2523AD/2323AM/2329A
42 B	6LJ81993000	HRNS-TEMP-H390	1	1/P	eS2823AM/2829A
44	D0-38885000	HSU-08F9C1A	1	1/C	
45	F0-01811000	LWS-0711S-V0	6	5/P	
46	X0-02231000	S/FHEXM-M3X8-NI	1	10/P	

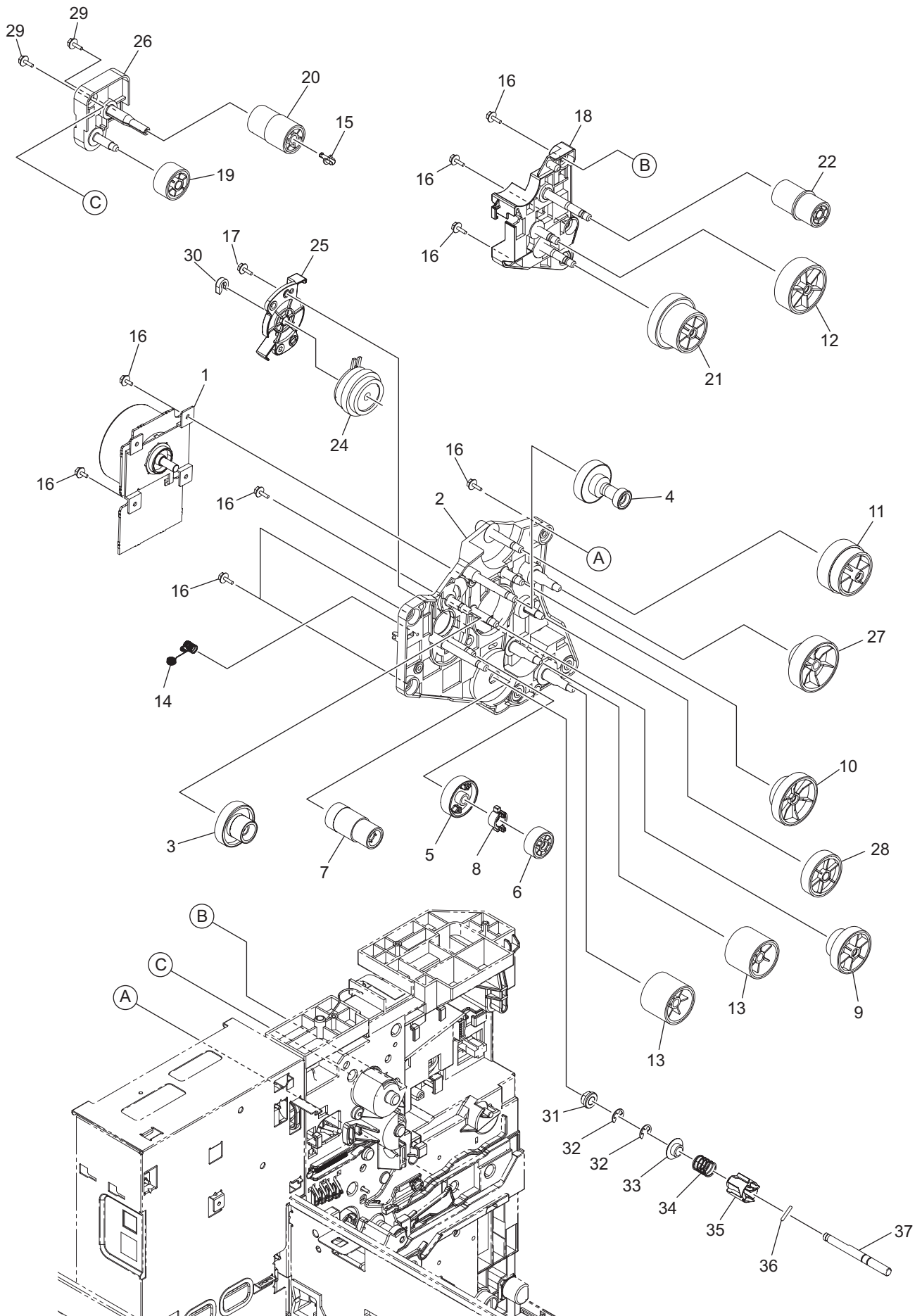




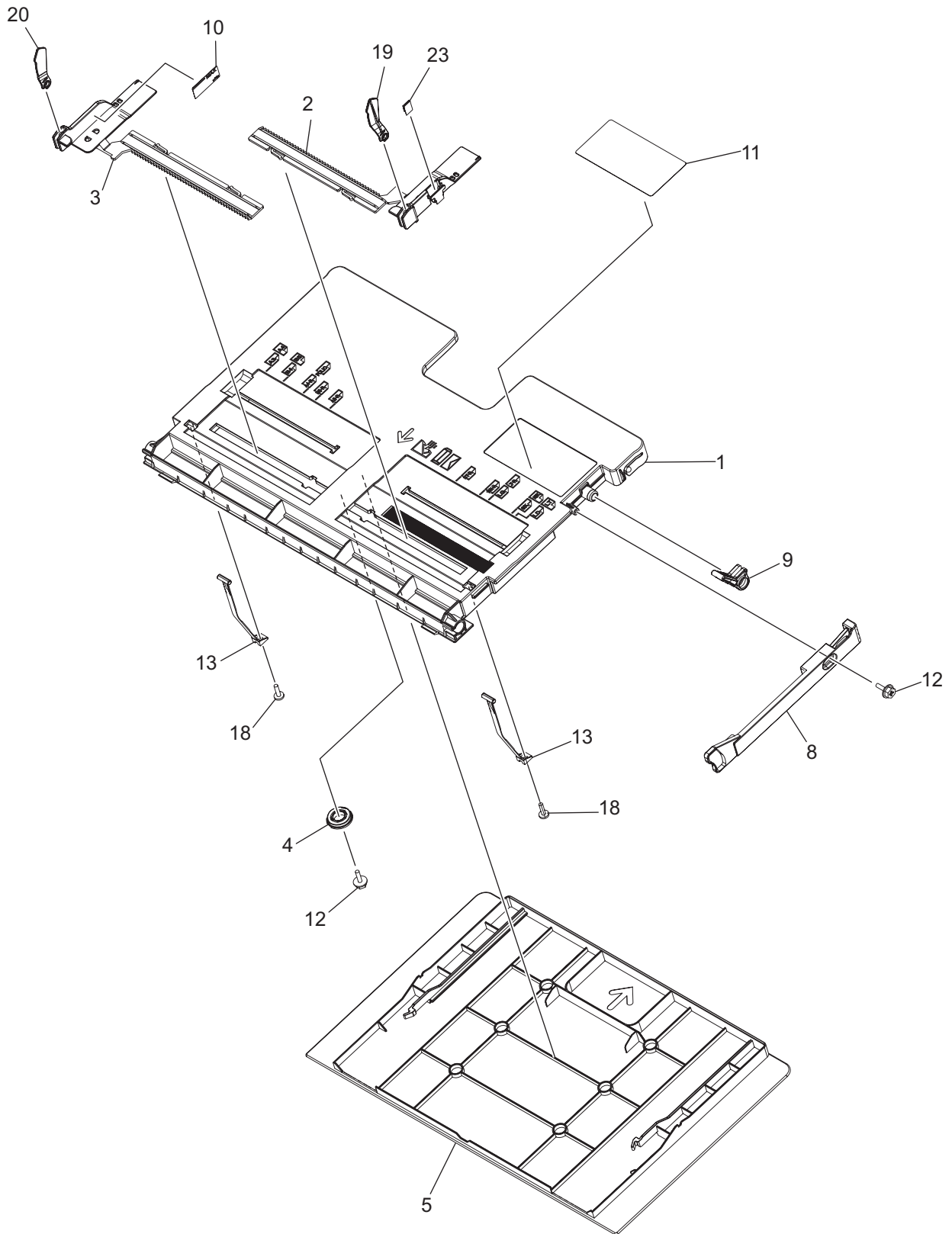
ITEM No.	PART No.	PART NAME	Q'TY / PAGE	Q'TY / PACK	REMARKS
1	6LL25113000	MOTR_S-SCN-K15X-N	1	1/C	
2	6LJ79836100	ASYS-BKT-MOT-SCN-DR-3	1	1/P	
3	X0-02247000	S/TPP/FHEXM-3X8-NI	7	10/P	
4	6LJ79816000	PLY-DRV-SCAN-PH25	1	1/P	
9	6LJ79876000	ASYS-SNSR-CISM-K15X	1	1/C	
10	6LJ79709000	SPRING-TENS-PH25	1	1/P	
11 A	6LJ79858400	TOPCOVER-DR-3H	1	1/S	eS2329A/2829A
11 B	6LJ79858500	TOPCOVER-DR-3L	1	1/S	eS2523A/2523AD/2323AM/2823AM
13	X0-02248000	S/TPP/FHEXM-3X10-NI	4	10/P	
14	X0-02420000	S/TPS/FHEXM/R-3X8-ZU3	4	10/P	
17	6LJ79703000	SLIDER-CIS-PH25	2	1/P	
18	6LJ79792000	SPG-C-DRA-FRNT-BLK	1	1/P	
20 A	6LL25497000	LBL-PROHIBIT-C-K151	1	1/P	CND
20 B	6LL25496000	LBL-PROHIBIT-E-K151	1	1/KP	ASD,ARD,AUD,MJD
20 C	6LL25494000	LBL-PROHIBIT-U-K151	1	1/KP	NAD,TWD
21	6LJ79772000	GUIDE-RAIL-SCAN-DR	1	1/PP	
22	6LE43405000	S/PAN/SWWP-M3X6-ZU3-B	1	10/P	
23	6LJ79791000	SPG-C-DRA-REA-RED	1	1/P	
24 A	6LJ81974000	HRNS-SCN-APS-A-H392	1	1/P	eS2329A/2829A:ASD,ARD,AUD,MJD,CND,TWD
25 B	6LJ81975000	HRNS-SCN-APS-LT-H392	1	1/P	eS2329A/2829A:NAD
27 A	6LJ79745100	LEVER-PLTN-SW-DR_S	1	1/P	eS2329A/2829A
28 A	C0-17839000	LG2A14BL1	1	1/C	eS2329A/2829A
29 A	6LE63995000	SNSR-PS181EL1-S42	1	1/C	eS2329A/2829A:ASD,ARD,AUD,MJD,CND,TWD
29 B	6LE63995000	SNSR-PS181EL1-S42	2	1/C	eS2329A/2829A:NAD
30	6LJ81973000	HRNS-MAIN-PNL-H390	1	1/C	
31	6LJ79817000	GEAR-5S32_5S64-6	1	1/P	
32	6LA80090000	S/TPP/BID-3*8-NI	2	5/P	
35	6LJ79837000	ASYS-ARM-TENS-BELT-H390	1	1/P	
36	6LJ79830000	COVER-HRNS-COMP-H390	1	1/P	
38	6LJ81753000	HRNS-SCN-CISM-K151	1	1/C	
39 A	6LJ81937000	HRNS-SCN-MOT-GND-241	1	1/P	eS2329A, 2829A:NAD,CND,ASD,ARD,MJD
41	6LH06812000	STOP-RING-3	1	5/P	
42	6LJ79834000	CASE-CIS-PH25	1	1/PP	
43	6LJ79773100	GUIDE-SLIDE-CIS-DR3	1	1/P	
44	6LJ79744000	BELT-DRV-CIS-DR	1	1/P	

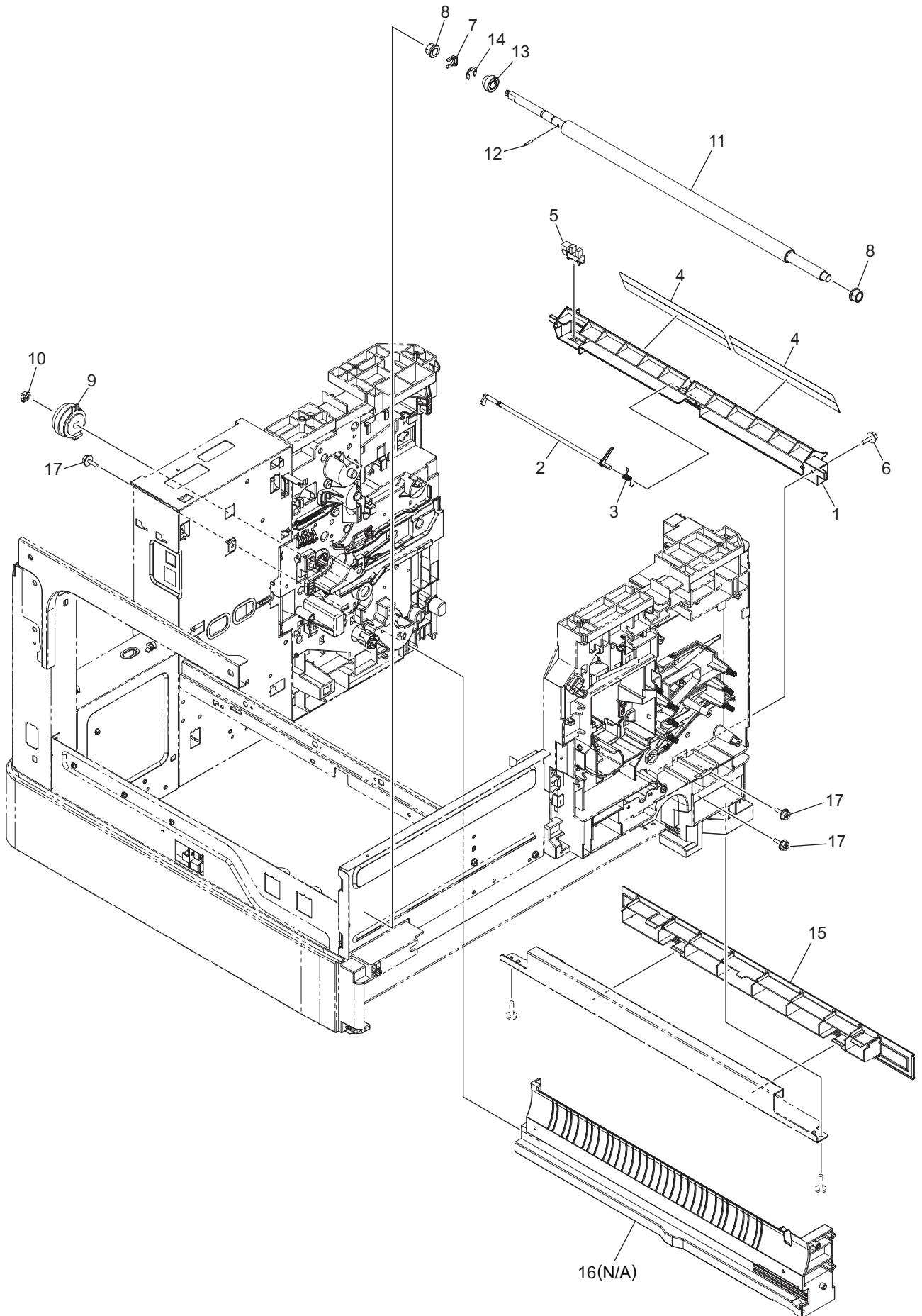


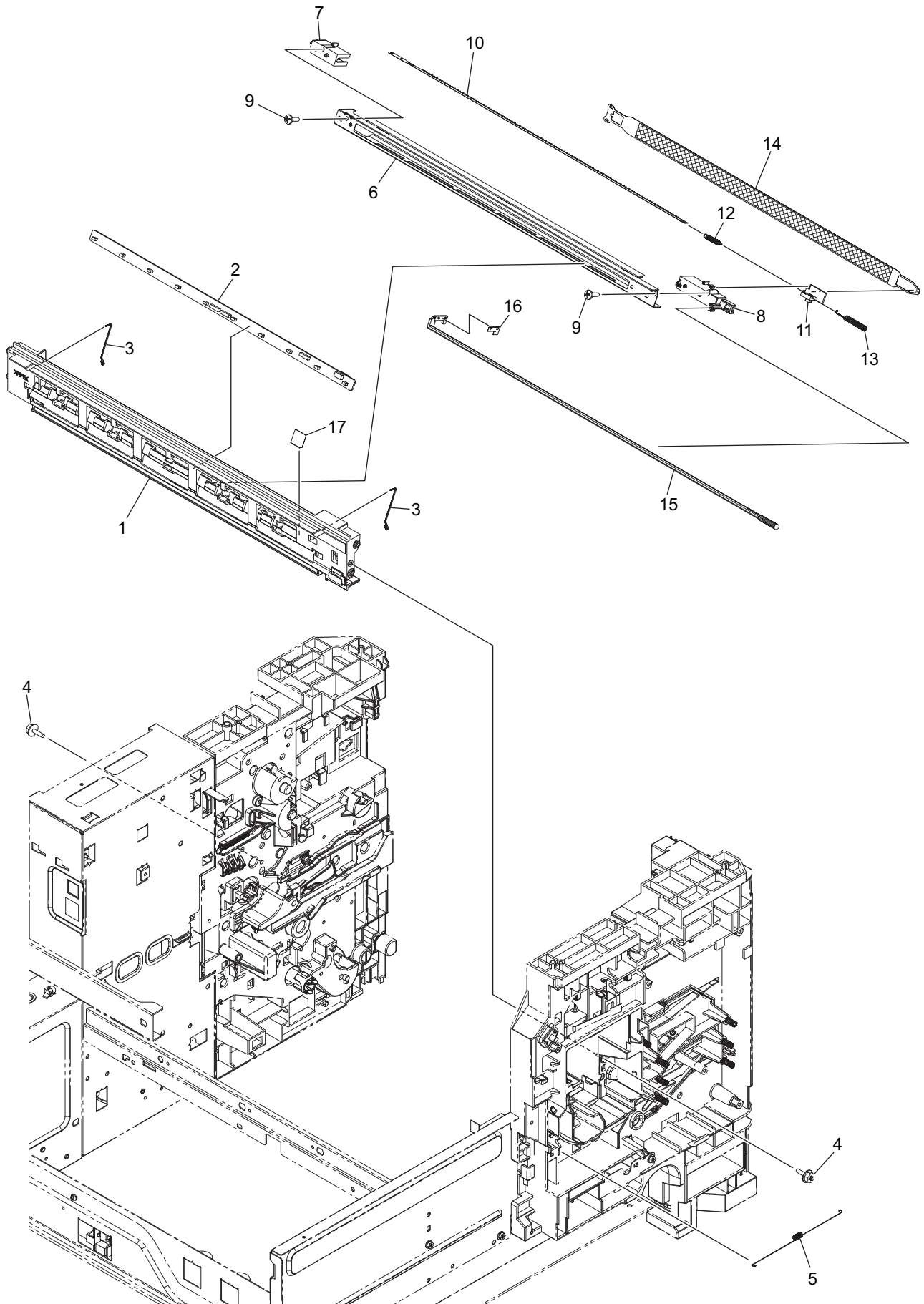


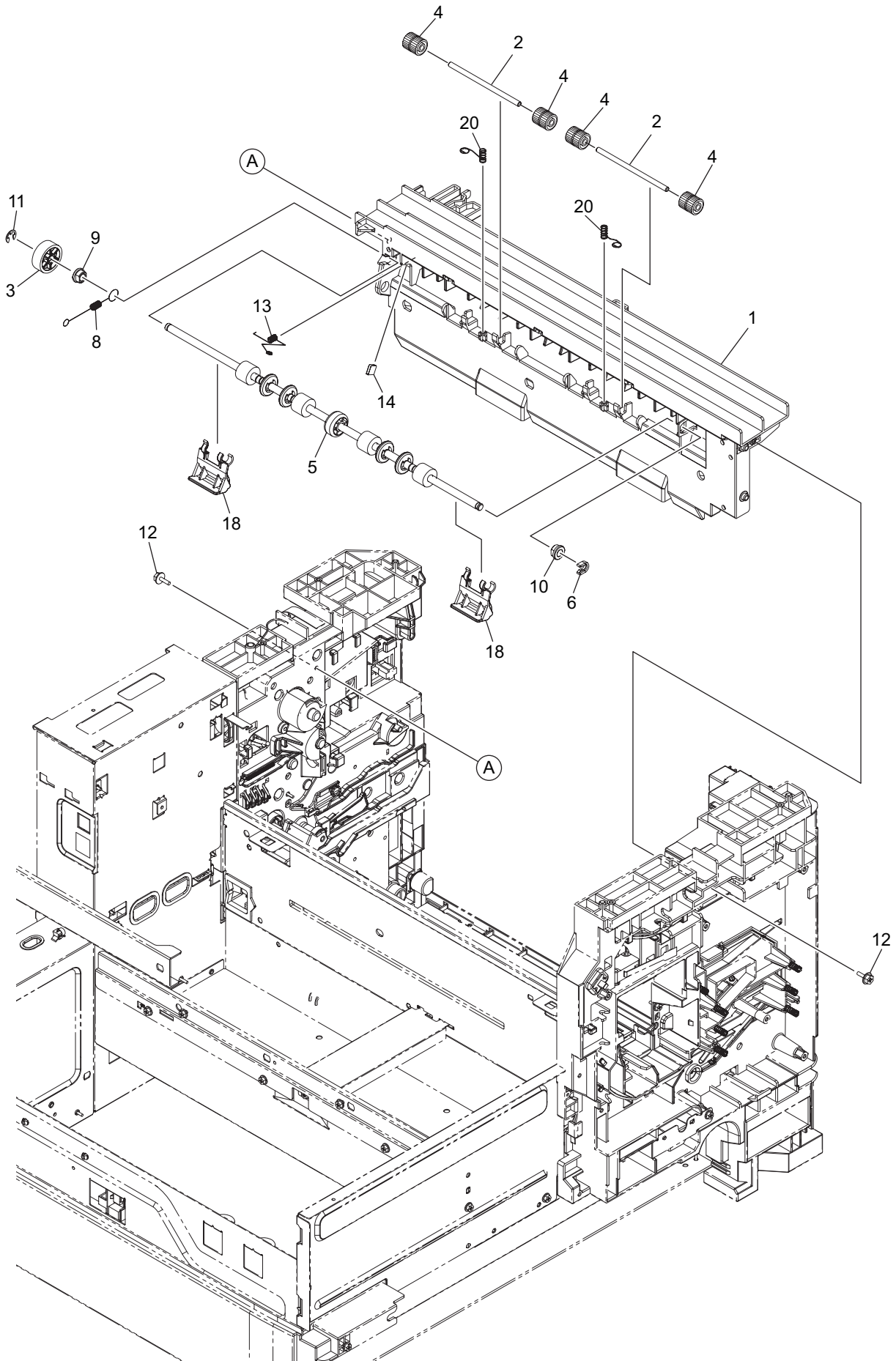


ITEM No.	PART No.	PART NAME	Q'TY / PAGE	Q'TY / PACK	REMARKS
1	6LJ76800000	MOTR_D-MAIN-DRIVE-H24X	1	1/SB	
2	6LJ76877100	ASYS-COV-DRV-LWR-H241_N	1	1/C	
3	6LJ76801000	GEAR-05H61-05H32	1	1/P	
4	6LJ76804000	GEAR-05H57-05H28	1	1/P	
5	6LJ76802000	GEAR-05H54	1	1/P	
6	6LJ76803000	GEAR-08S26	1	1/P	
7	6LJ76812000	GEAR-08S24-08S21	1	1/P	
8	6LJ76818000	COUPL-GR-P-JOINT-H24X	1	1/P	
9	6LJ76813000	GEAR-08S42-10S21	1	1/P	
10	6LJ76806000	GEAR-08S48-10S22	1	1/P	
11	6LJ76811000	GEAR-10S34-10S37	1	1/P	
12	6LJ76809000	GEAR-10S38	1	1/P	
13	6LJ76875000	GEAR-10S30	2	1/P	
14	6LJ76832000	SPG-GROUND-MAIN-MOT-H24X	1	1/P	
15 A	6LJ76844000	STOP-RING-GEAR-H24X	1	1/P	eS2523A, eS2323AM:MJD
16	X0-02231000	S/FHEXM-M3X8-NI	9	10/P	
17	X0-02247000	S/TPP/FHEXM-3X8-NI	1	10/P	
18	6LJ76852100	ASYS-COV-DRV-UPPER-H39X	1	1/C	
19 A	6LJ76807000	GEAR-10S24	1	1/P	eS2523A, eS2323AM:MJD
20 A	6LJ76814000	GEAR-10S19-10S22	1	1/P	eS2523A, eS2323AM:MJD
21	6LJ76810000	GEAR-10S40-10S31	1	1/P	
22	6LJ76871000	GEAR-10S20-DRV-FUS-H24X	1	1/P	
24	6LH51224000	CLUTCH-50C-G28-6	1	1/D	
25	6LJ76815000	COVER-CLT-CST-H24X	1	1/P	
26 A	6LJ76849000	COVER-MAIN-DRV-EXIT-H241	1	1/P	eS2523A, eS2323AM:MJD
27	6LJ76879000	GEAR-08S49-10S20	1	1/P	
28	6LJ76857000	GEAR-10S33	1	1/P	
29 A	X0-02248000	S/TPP/FHEXM-3X10-NI	2	10/P	eS2523A, eS2323AM:MJD
30	4407972860	STOP-RING-6-5	1	5/P	
31	4407734980	BUSH-6-GCB	1	5/P	
32	X0-00966000	RR/E-5-SS	2	10/P	
33	6LJ48211000	BUSH-06-16-G	1	1/P	
34	6LJ48213000	SPG-CPL-CHA-G	1	1/P	
35	6LJ48208000	CPL-CSSTT-CHA-G	1	1/P	
36	X0-01526000	P/PRL/AH7-2X12-SS	1	10/P	
37	6LL21300000	SHAFT-CPL-CST-DRV	1	1/P	

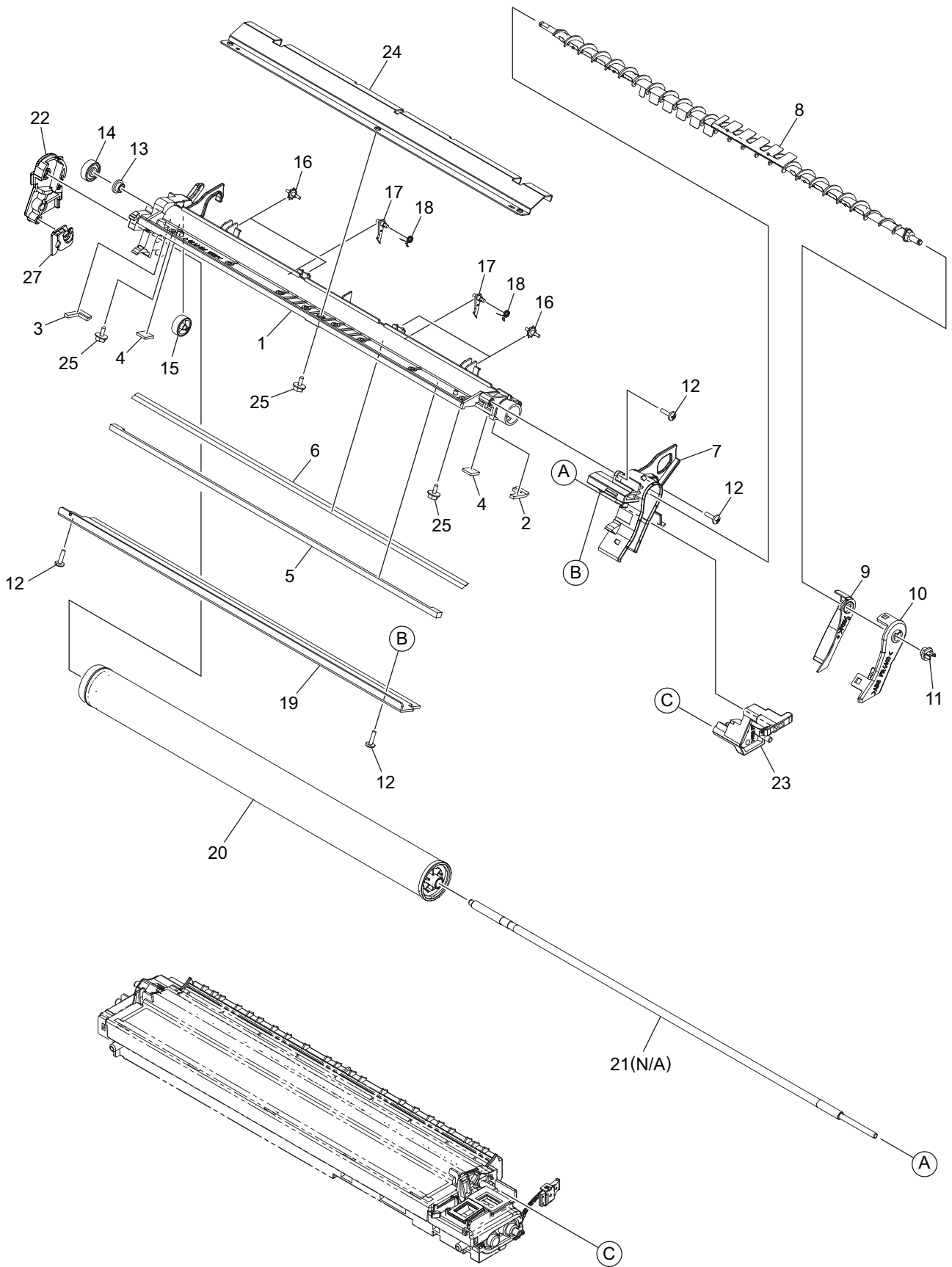




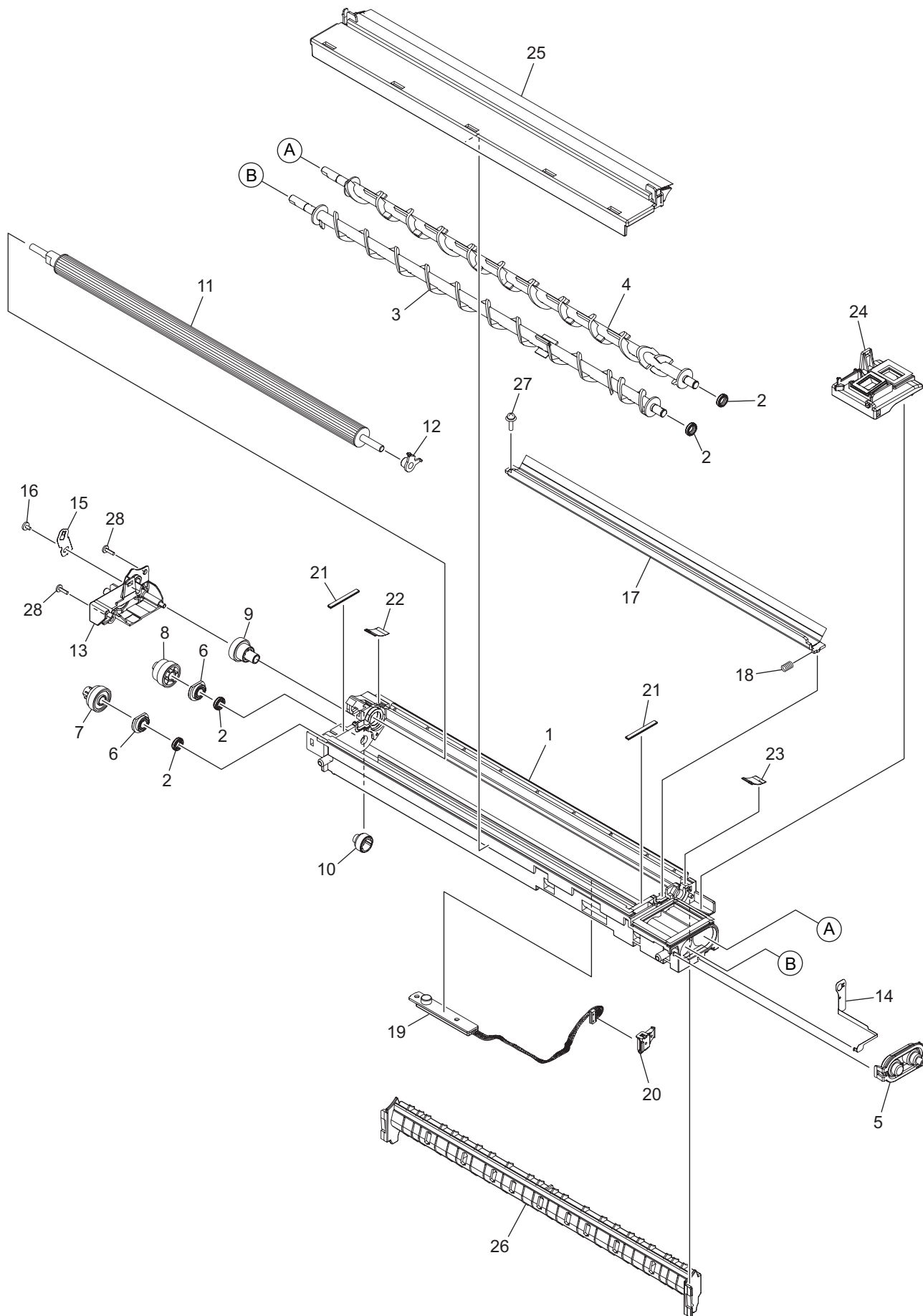




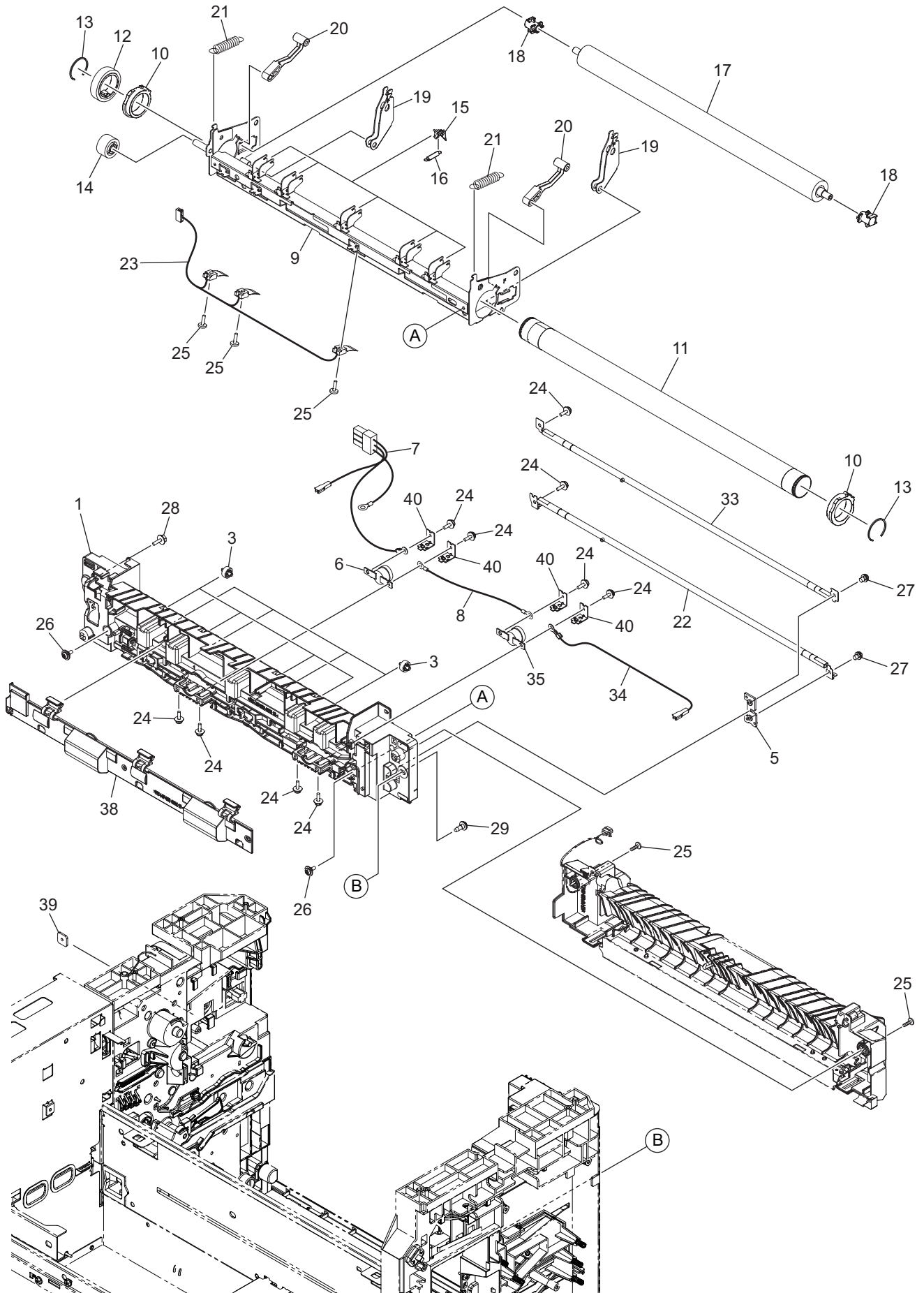
ITEM No.	PART No.	PART NAME	Q'TY / PAGE	Q'TY / PACK	REMARKS
1	6LJ77737100	COV-EXIT-U-H24X_N	1	1/PP	
2	6LJ31137000	SFT-EXIT-IDLE-280-S	2	1/P	
3	6LJ77100000	GEAR-10S26-RLR-EXIT	1	1/P	
4	6LK52391000	RLR-EXIT-L-EX	4	1/P	
5	6LH23930000	ROLLER-EXIT-280	1	1/KP	
6	4407972860	STOP-RING-6-5	1	5/P	
8	6LJ77101000	SPG-EXIT-FUS-H24X	1	1/P	
9	6LJ55543000	BUSH-6-BCF-050	1	1/P	
10	44201492000	BUSH-6-POM	1	5/P	
11	X0-00966000	RR/E-5-SS	1	10/P	
12	X0-02247000	S/TPP/FHEXM-3X8-NI	2	10/P	
13	6LJ77121000	SPG-EARTH-EXIT-BRS-H24X_N	1	1/P	eS2523A, eS2323AM:MJD
14 A	6LJ77107000	MYLAR-EXIT-H241	1	1/P	
18	6LJ48304000	LVR-EXIT-PAPER-N	2	1/P	
20	6LJ78123000	SPG-EXIT-H39X	2	1/P	



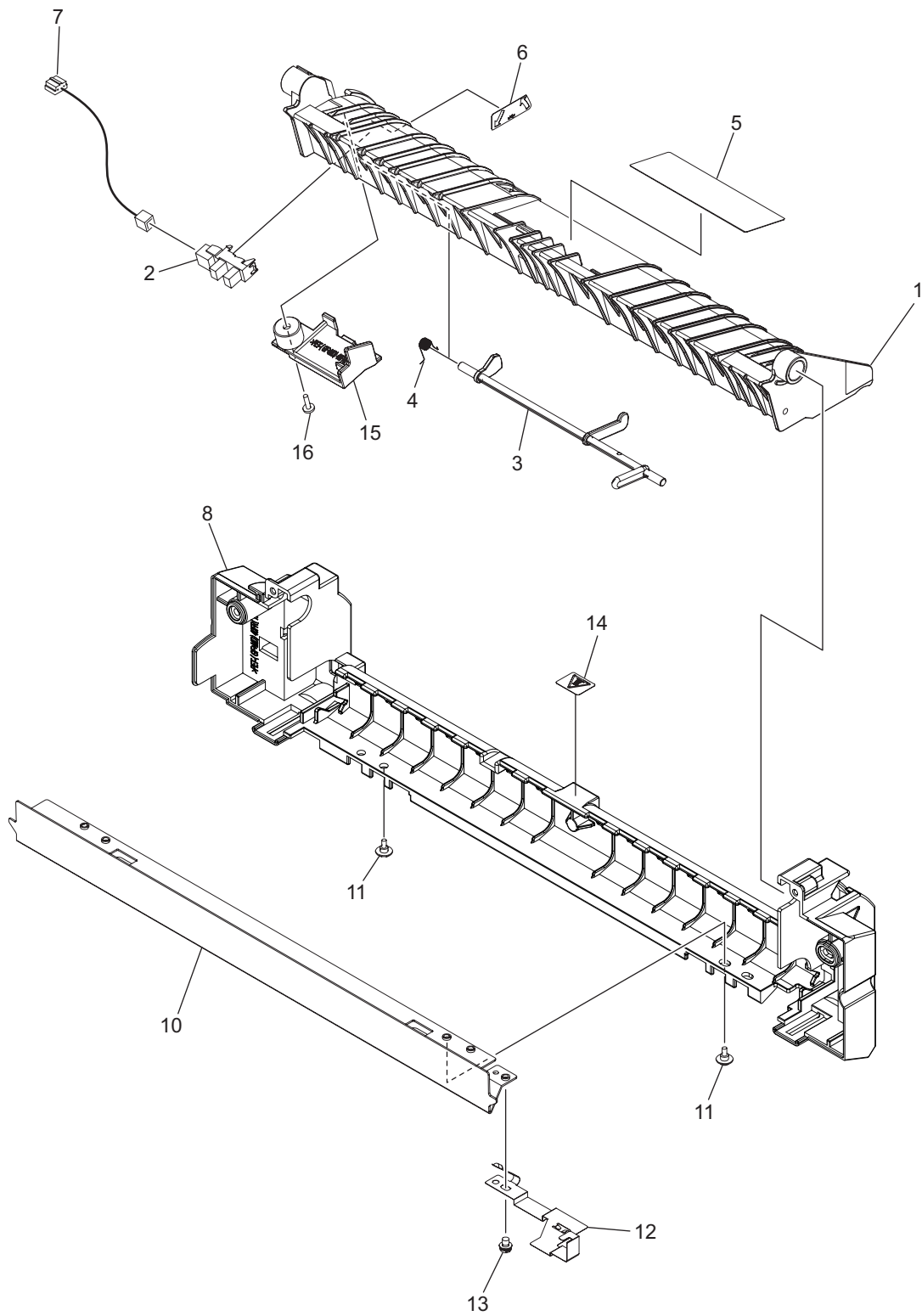
ITEM No.	PART No.	PART NAME	Q'TY / PAGE	Q'TY / PACK	REMARKS
1	6LJ7550000	FRAME-CLN-CR-H24X	1	1/PP	
2	6LJ75532000	SEAL-CLN-FRT-P	1	5/P	
3	6LJ75533000	SEAL-CLN-RER-P	1	5/P	
4	6LA79547000	SEAL-BLADE-SIDE	2	1/P	
5	6LJ75521000	SEAL-CLN-C-H24X	1	1/KP	
6	6LJ76609000	SHEET-BLADE-REC-H24X_N	1	1/KP	
7	6LJ75502000	FRAME-CLN-F-H24X	1	1/P	
8	6LJ75529000	ASYS-AUGER-CLN	1	1/C	
9	6LJ75540000	PLATE-DRV-TNR	1	1/P	
10	6LJ75511100	COVER-RCYCL-H24X_S	1	1/P	
11	6LJ75506000	BUSH-AUGER-F-H24X	1	1/P	
12	6LA80090000	S/TPP/BID-3*8-NI	4	5/P	
13	6LJ75536000	BUSH-4-671	1	5/P	
14	6LJ75516000	GEAR-AUG	1	1/P	
15	6LJ75517000	GEAR-AUG-IDLE	1	1/P	
16	41306325000	WHEEL-CLN-8	4	1/P	
17	6LA79618000	SCRAPER-371	2	3/P	
18	6LJ75525000	SPA-SCRPR-DRUM-H24X	2	1/P	
19	6LA27845000	BL-2320D	1	1/S	
20	6LJ83358000	OD-2505	1	1/S	
21	6LJ75515000		1	N/A***	
22	6LJ75514000	HLDR-JOINT-R-H24X	1	1/P	
23	6LJ75513000	HLDR-JOINT-F-H24X	1	1/P	
24	6LJ75531000	BRKT-CLN	1	1/P	
25	X0-02419000	S/TPS/FHEXM/R-3X6-ZU3	3	10/P	
27	6LJ76568000	RF_MB-JOINT-DEV	1	1/P	

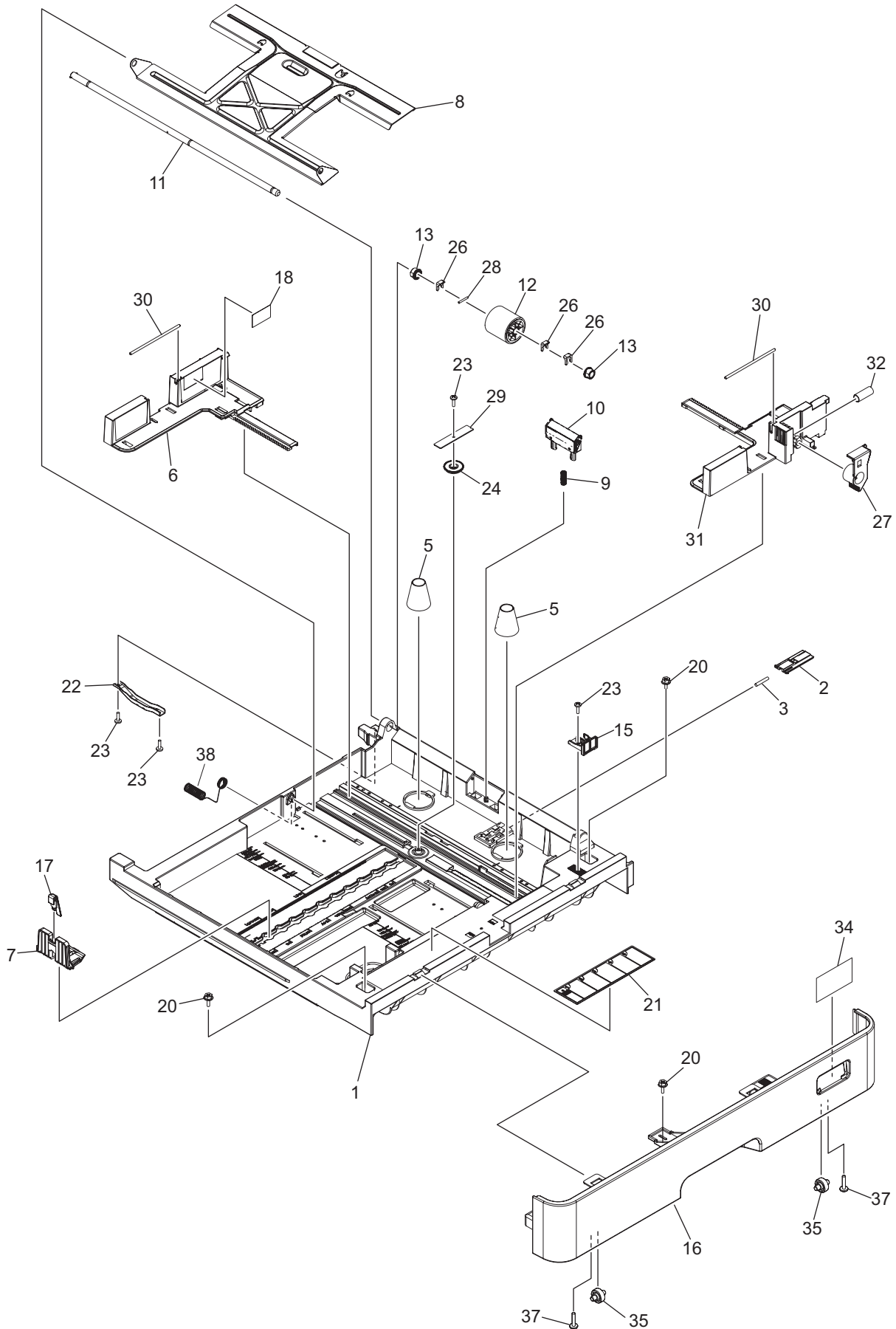


ITEM No.	PART No.	PART NAME	Q'TY / PAGE	Q'TY / PACK	REMARKS
1	6LJ76595000	ASYS-CASE-DEV-H39X	1	1/PP	
2	4401949290	SEAL-VC6-10-2.5	4	1/P	
3	6LJ76546000	ASYS-MIXER-2-24X	1	1/C	
4	6LJ76503000	MIXER-1-24X	1	1/C	
5	6LJ76509000	BUSH-DEV-FRT-24X	1	1/P	
6	6LH23441000	BUSH-6X12X4R8F-NU4	2	5/P	
7	6LJ76586000	GEAR-MIXER-2	1	1/P	
8	6LJ76585000	GEAR-MIXER-1	1	1/P	
9	6LJ76587000	GEAR-DEV-IDLER	1	1/P	
10	6LJ76515000	GEAR-RLR-MAGT	1	1/P	
11	6LJ76500000	RLR-MAGT-24X	1	1/KP	
12	6LJ76584000	BUSH-MG-FRT-H39X	1	1/P	
13	6LJ76594000	ASYS-HLDR-GEAR-H39X	1	1/P	
14	6LJ76523000	SPG-F-BIAS-DEV	1	1/P	
15	6LJ76552000	ADJSTR-MAGT	1	1/P	
16	X0-00426000	S/BID-M3X4-NI	1	10/P	
17	6LJ76598000	ASYS-DOCTOR-DEV-H39X	1	1/KP	
18	6LJ76555000	SPG-C-5XR6X12R5	1	1/P	
19	6LJ83116000	SNSR-ATC-240	1	1/P	
20	6LJ76551000	HLDR-CNTR-ATC	1	1/P	
21	6LJ76536000	SEAL-CASE-DEV-DOC	2	5/P	
22	6LJ76541000	SHEET-MAGT-SIDE-RER	1	5/P	
23	6LJ76540000	SHEET-MAGT-SIDE-FRT	1	5/P	
24	6LJ76548000	ASYS-COVER-DEV-FRT	1	1/P	
25	6LJ76600000	ASYS-COVER-DEV-MAN-H39X	1	1/P	
26	6LJ76604000	GUIDE-TRANS-F	1	1/PP	
27	X0-00059000	S/PAN/SWWS-M3X6-NI	1	10/P	
28	6LA80090000	S/TPP/BID-3*8-NI	2	5/P	

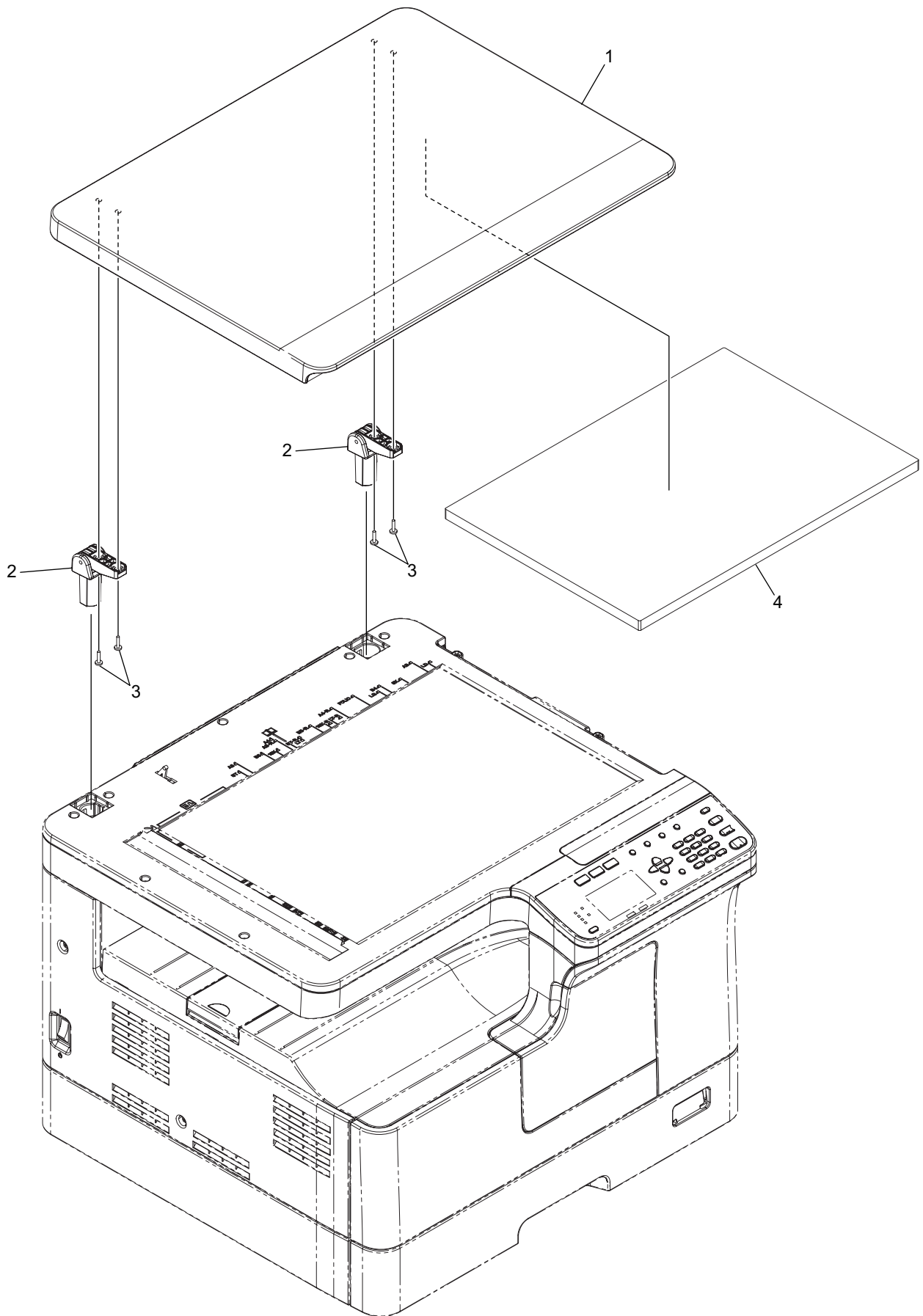


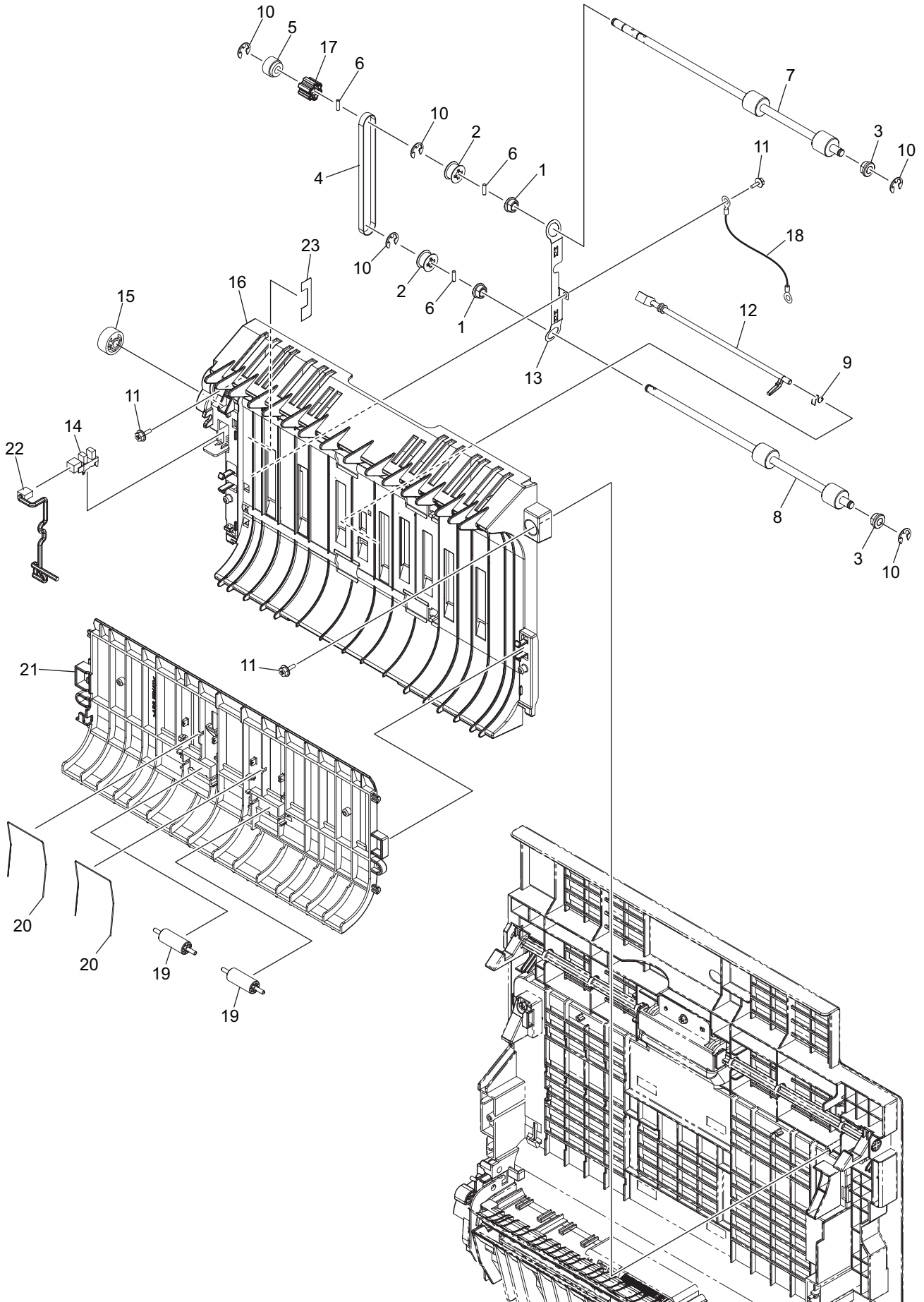
ITEM No.	PART No.	PART NAME	Q'TY / PAGE	Q'TY / PACK	REMARKS
1	6LJ78066000	ASYS-FRM-FUS-H39X	1	1/C	
3	6LK52392000	ROLL-FUS-GUIDE-D11-S	8	1/P	
5	6LJ78039000	PLT-NUT-LMP-H241	1	1/P	
6	6LH27402000	THRMST-HTR-284	1	1/D	
7	6LJ81836000	HRNS-ACIN2-241	1	1/P	
8	6LJ81960000	HRNS-THRMST-CS-H390	1	1/P	
9	6LJ78068000	ASYS-HLD-ROLL-H39X	1	1/C	
10	6LJ78009000	BUSH-FUS-HR-H24X	2	1/P	
11	6LJ78116000	HR-2505-U	1	1/S	
12	6LJ78008000	GEAR-FUS-HR	1	1/P	
13	6LJ78010000	RING-C-H24X	2	1/P	
14	6LJ78064000	GEAR-10S20-6	1	1/P	
15	6LE58405000	SCRAPER-282	5	5/P	
16	6LA84096000	SPE-SCR-HR-371	5	1/P	
17	6LJ78088000	HR-2809-L	1	1/S	
18	6LJ78040000	BUSH-PRS-0-H24X	2	1/P	
19	6LJ78091000	ARM-PRS-H24X-F	2	1/P	
20	6LJ78100100	LVR-P-REL-24X	2	1/P	
21	6LJ78030000	SPE-PR-H24X	2	1/P	
22 A	6LJ78024100	LAMP-HTR-C-H24X-120	1	1/C	NAD,TWD
22 B	6LJ78024200	LAMP-HTR-C-H24X-230	1	1/C	ASD,ARD,AUD,MJD,CND
23	6LJ81641000	THMS-HTR-H390	1	1/KP	
24	X0-00077000	S/PAN/SWWP-M3X8-NI	10	10/P	
25	X0-00434000	S/BID-M3X8-NI	5	10/P	
26	6LJ14028000	SCREW-SPEAKER-16X	2	1/P	
27	6LH55301000	USUITA-SEMS-3X5-6	2	5/P	
28	X0-00094000	S/PAN/SWWP-M3X10-NI	1	10/P	
29	6LA36276000	SCREW-M3-FUS-C	1	5/P	
33 A	6LJ78023100	LAMP-HTR-S-H24X-120	1	1/C	NAD,TWD
33 B	6LJ78023200	LAMP-HTR-S-H24X-230	1	1/C	ASD,ARD,AUD,MJD,CND
34	6LJ81838000	HRNS-THRMST-SL-241	1	1/P	
35	6LH64642000	THRMST-HTR-S-470	1	1/D	
38	6LJ78075000	COVER-FUS-BACK-H39X	1	1/PP	
39	6LE58564000	PLT-NUT-FUS-280	1	5/P	
40	6LJ78073000	BRKT-ADJ-THMOS-H39X	4	1/P	

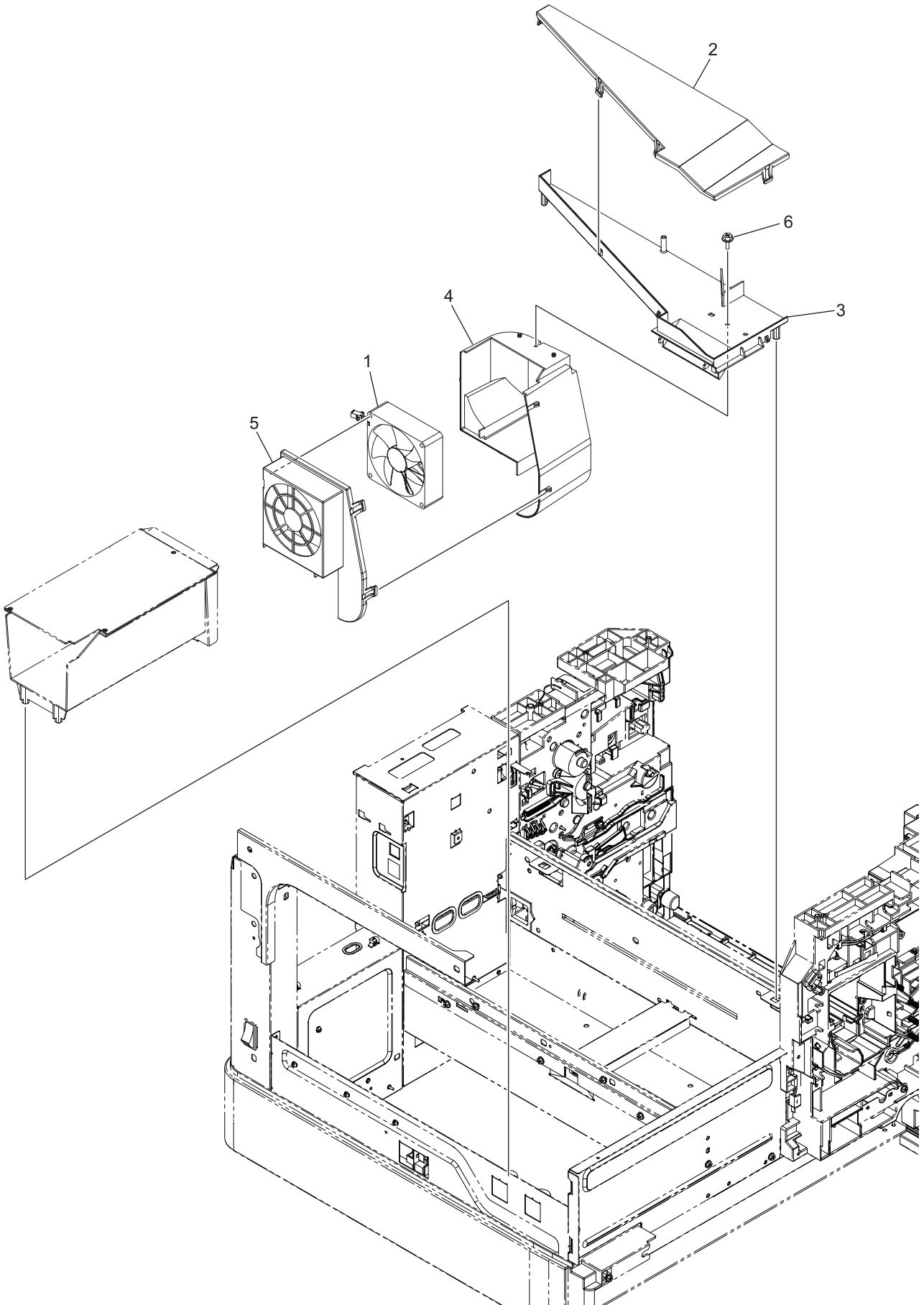




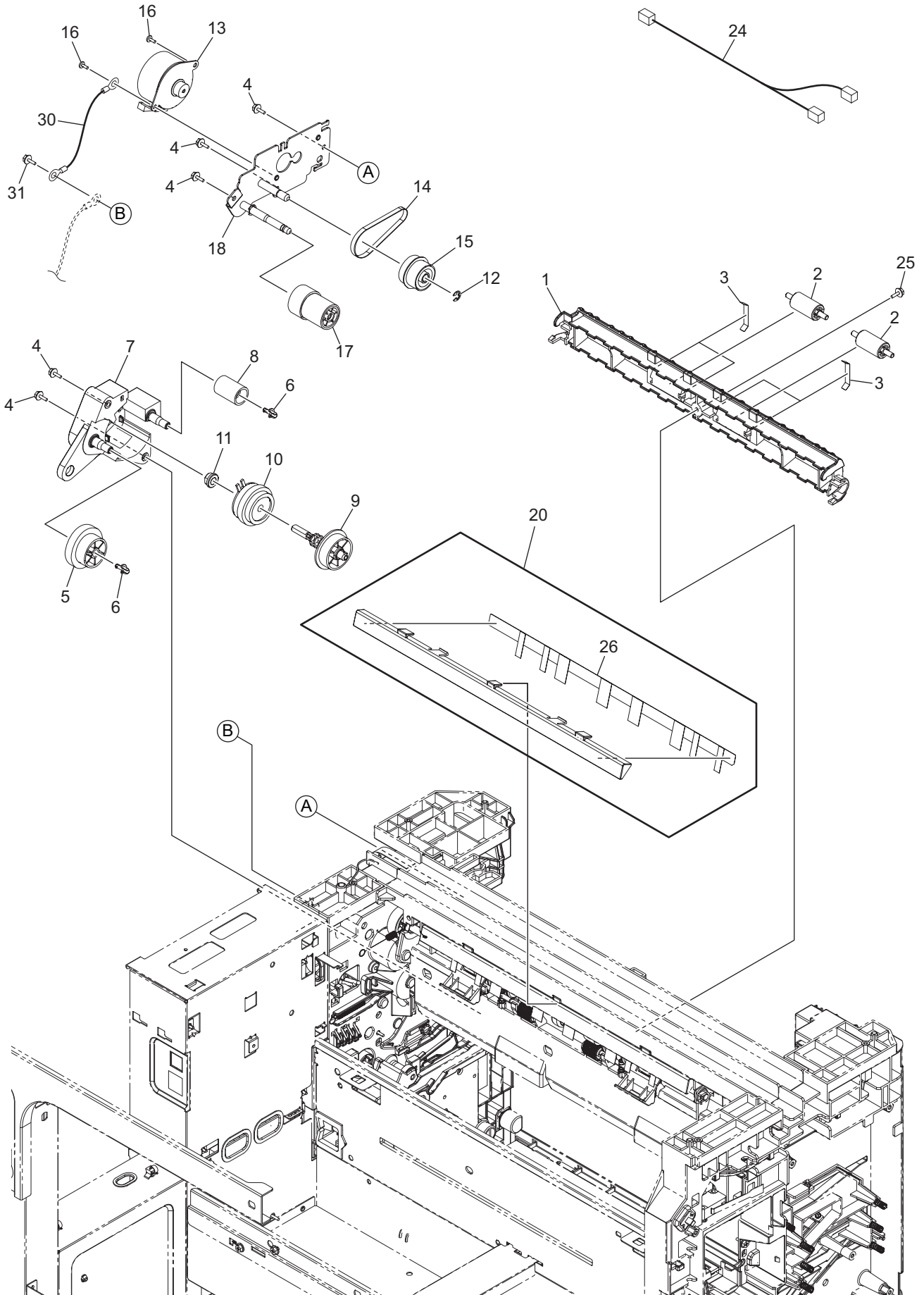
ITEM No.	PART No.	PART NAME	Q'TY / PAGE	Q'TY / PACK	REMARKS
1	6LJ75299000	TRAY-CST-H390	1	1/PP	
2	6LJ46939000	STOP-PLATE-CST-4	1	1/P	
3	6LE53730000	SPG-LATCH-TRAY	1	1/P	
5	6LE53732000	SPG-CSSTT-280	2	1/P	
6	6LJ46901000	SLIDE-WALL-R-G	1	1/KP	
7	6LJ46915300	WALL-CST-END-LE_4-G_S	1	1/P	
8	6LL20407000	ASYS-PLATE-CSSTT-DRPH	1	1/PP	
9	6LJ75287000	SPG-PAD-CHA-G	1	1/P	
10	6LJ75296000	ASYS-HOLD-PAD-G	1	1/P	
11	6LL20402000	ASYS-SHAFT-ROL-CST-K151	1	1/P	
12	6LL20403000	ASYS-ROL-CST-36-EPDM_N	1	1/P	
13	4400802080	BUSH-8	2	5/P	
15	6LJ75227000	CATCH-CST-H241	1	1/P	
16	6LJ76080200	COVER-CST-H241_G	1	1/PP	
17	6LJ46922000	SPG-T-END-WALL	1	1/P	
18	6LJ75240000	LBL-CST-MAX_PP	1	1/P	
20	X0-02247000	S/TPP/FHEXM-3X8-NI	3	10/P	
21	6LJ75236000	LBL-OPE-CST-DG	1	1/KP	
22	6LE53746000	BRKT-TRAY-280	1	1/P	
23	X0-01989000	S/TPP/BID-3X8-NI	4	10/P	
24	6LE53717000	GEAR-10S18-8-TRAY	1	1/P	
26	41306265000	STOP RING	3	1/P	
27	6LJ46916300	LEVER-LOCK-WALL-GG_S	1	1/P	
28	X0-01533000	P/PRL/AH7-2X16-SS	1	10/P	
29	6LJ46917000	PLT-WALL-GEAR-G	1	1/P	
30	6LJ75252000	SHAFT_STOPER_WALL_NI	2	1/P	
31	6LJ46902000	SLIDE-WALL-F-G	1	1/KP	
32	6LA56695000	SPC-LVR-WALL-F	1	1/P	
34 A	6LH31900000	SIZE-CST-450-A4	1	1/KP	ASD,ARD,AUD,MJD,TWD
34 B	6LH31900200	SIZE-CST-450-K	1	1/KP	CND
34 C	6LH31900100	SIZE-CST-450-LT	1	1/KP	NAD
35	6LJ56845000	ROLL-CST-H21X	2	1/P	
37	X0-02040000	S/TPP/FPAN-3X10-NI	2	10/P	
38	6LJ75300000	SPG-CST-GND	1	1/P	



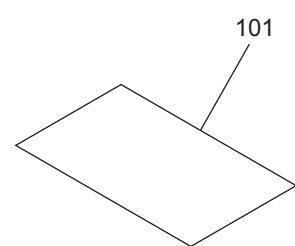
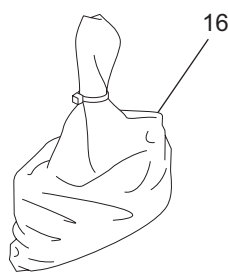
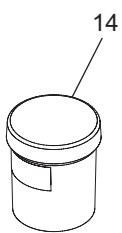
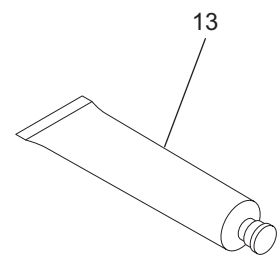
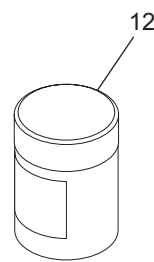
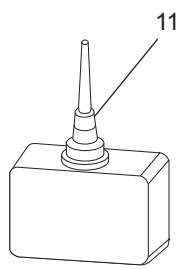
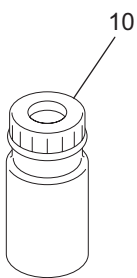
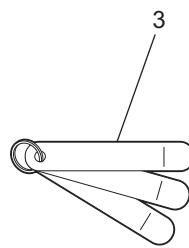
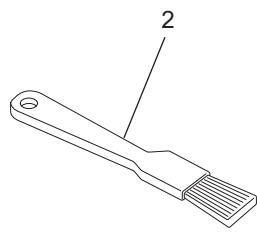
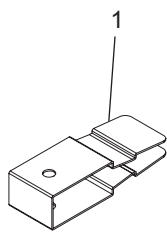




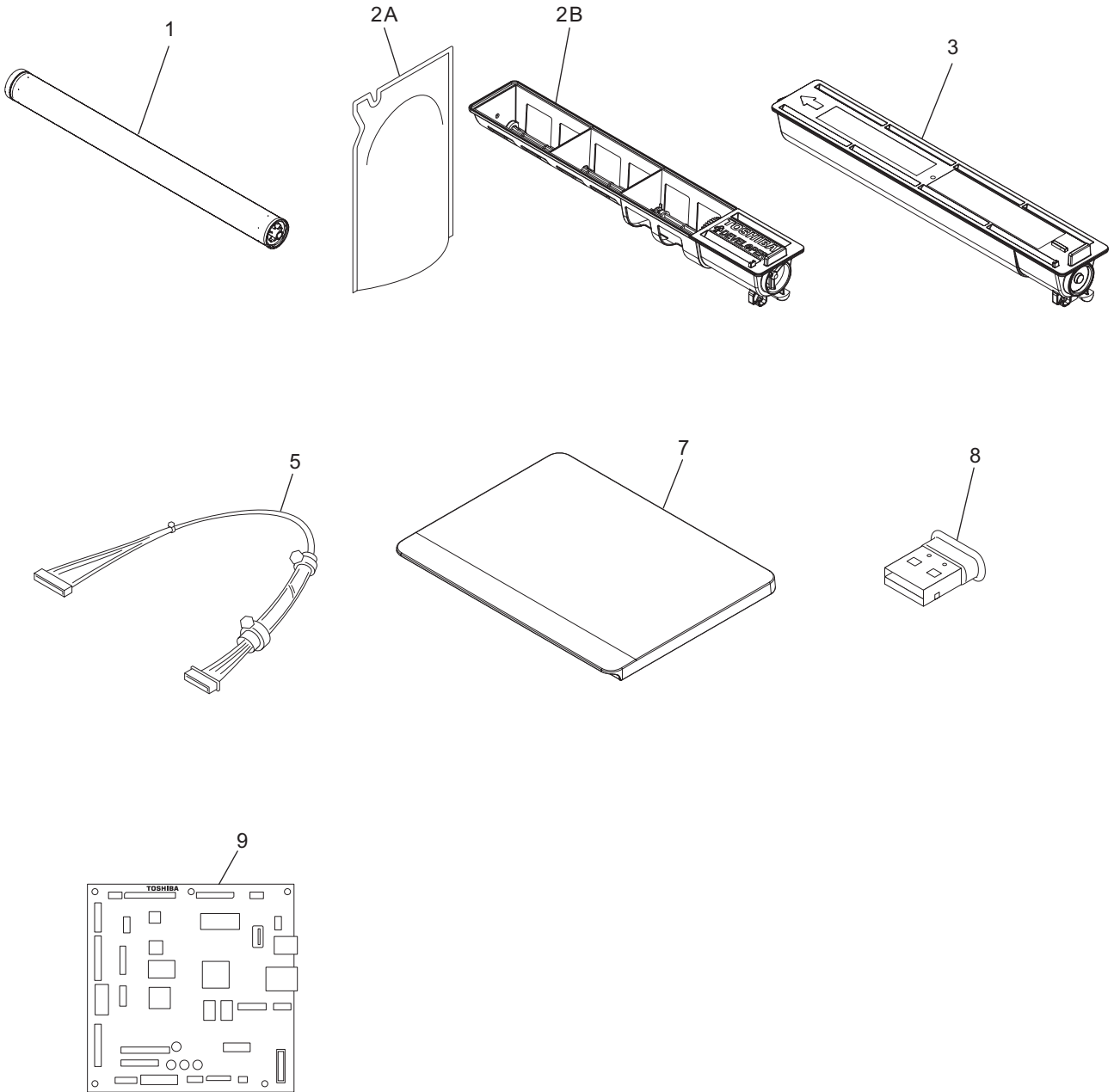
ITEM No.	PART No.	PART NAME	Q'TY / PAGE	Q'TY / PACK	REMARKS
1 A	6LJ74676000	FAN-D-8025-H24X	1	1/D	eS2523AD/2823AM/2329A/2829A, 2323AM:CND
2 A	6LJ77763100	LID-DUCT-TNR_S	1	1/P	eS2523AD/2823AM/2329A/2829A, 2323AM:CND
3 A	6LJ77764100	DUCT-TNR_S	1	1/P	eS2523AD/2823AM/2329A/2829A, 2323AM:CND
4 A	6LJ77765100	DUCT-LVPS_S	1	1/P	eS2523AD/2823AM/2329A/2829A, 2323AM:CND
5 A	6LJ77766100	HOLDER-FAN_S	1	1/P	eS2523AD/2823AM/2329A/2829A, 2323AM:CND
6 A	X0-02247000	S/TPP/FHEXM-3X8-NI	1	10/P	eS2523AD/2823AM/2329A/2829A, 2323AM:CND



ITEM No.	PART No.	PART NAME	Q'TY / PAGE	Q'TY / PACK	REMARKS
1 A	6LJ78038000	GUIDE-FUS-ADU-H241	1	1/PP	eS2523AD/2823AM/2329A/2829A, 2323AM:CND
2 A	41316101000	ROLL-TRANS-IDLE	2	1/P	eS2523AD/2823AM/2329A/2829A, 2323AM:CND
3 A	6LH55245000	PLT-SP-IDLE-47X	4	1/D	eS2523AD/2823AM/2329A/2829A, 2323AM:CND
4 A	X0-00077000	S/PAN/SWWP-M3X8-NI	5	10/P	eS2523AD/2823AM/2329A/2829A, 2323AM:CND
5 A	6LJ74621000	GEAR-10S26-10S36-6-H24X	1	1/P	eS2523AD/2823AM/2329A/2829A, 2323AM:CND
6 A	6LJ76844000	STOP-RING-GEAR-H24X	2	1/P	eS2523AD/2823AM/2329A/2829A, 2323AM:CND
7 A	6LJ74616000	COVER-DRIVE-ADU-H24X	1	1/D	eS2523AD/2823AM/2329A/2829A, 2323AM:CND
8 A	6LJ74622000	GEAR-08S20-6-H24X	1	1/P	eS2523AD/2823AM/2329A/2829A, 2323AM:CND
9 A	6LJ74623000	GEAR-08S36-6-H24X	1	1/P	eS2523AD/2823AM/2329A/2829A, 2323AM:CND
10 A	6LH51224000	CLUTCH-50C-G28-6	1	1/D	eS2523AD/2823AM/2329A/2829A, 2323AM:CND
11 A	44201492000	BUSH-6-POM	1	5/P	eS2523AD/2823AM/2329A/2829A, 2323AM:CND
12 A	X0-00965000	RR/E-4-SS	1	10/P	eS2523AD/2823AM/2329A/2829A, 2323AM:CND
13 A	6LJ57816000	MOTR_S-EXIT-L-H21X	1	1/D	eS2523AD/2823AM/2329A/2829A, 2323AM:CND
14 A	6LJ58949000	BLT_SY-S2M-144-4	1	1/P	eS2523AD/2823AM/2329A/2829A, 2323AM:CND
15 A	6LJ76831000	GEAR-10S21_PS2M40-6-S	1	1/P	eS2523AD/2823AM/2329A/2829A, 2323AM:CND
16 A	X0-02069000	S/TPS/BID-3X6-ZU3	2	10/P	eS2523AD/2823AM/2329A/2829A, 2323AM:CND
17 A	6LJ76827000	GEAR-10S25-10S22	1	1/P	eS2523AD/2823AM/2329A/2829A, 2323AM:CND
18 A	6LJ77118000	ASYB-BRKT-DRV-EXIT-H24X	1	1/C	eS2523AD/2823AM/2329A/2829A, 2323AM:CND
20 A	6LJ77106000	ASYS-GUIDE-EXIT-ELEC	1	1/KP	eS2523AD/2823AM/2329A/2829A, 2323AM:CND
24 A	6LJ81999000	HRNS-MAIN-ADU-H390	1	1/P	eS25AD/28AM/23A, 28A:Except TWD, 23AM:CND
24 B	6LJ81714000	HRNS-MAIN-ADU-H390TW	1	1/P	TWD
25 A	6LA80090000	S/TPP/BID-3*8-NI	1	5/P	eS2523AD/2823AM/2329A/2829A/2323AM:CND
26 A	6LJ77105000	BRUSH-EXIT-H24X	1	1/KP	eS2523AD/2823AM/2329A/2829A/2323AM:CND
30 A	6LJ81925000	HRNS-ADU-GND-246	1	1/P	eS25AD/28AM/23A, 28A:Except TWD, 23AM:CND
30 B	6LJ81722000	HRNS-ADU-GND-H390TW	1	1/P	TWD
31 A	X0-02593000	S/TPD3/FHEXM-3X8-ZU3	1	10/P	eS2523AD/2823AM/2329A/2829A, 2323AM:CND

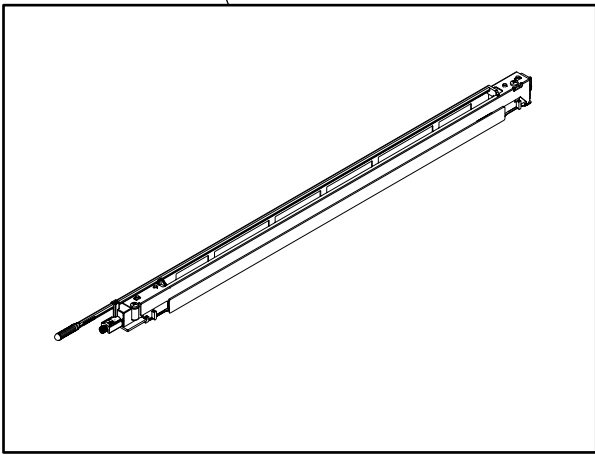


ITEM No.	PART No.	PART NAME	Q'TY / PAGE	Q'TY / PACK	REMARKS
1	6LE65500000	KEY-PLATE-280	1	1/P	
2	4407915710	BRUSH-33	1	1/P	
3	4402048100	ASM-JIG-DOC-180	1	1/P	
10	4407933080	ASM-SILICONE-1M	1	1/P	Silicon Oil LAUNA40 100cc
11	4842512170	OIL-LAUNA40-100	1	1/P	
12	6LA00019000	GREASE-HP300-S	1	1/P	White grease 10g Alvania No.2 White grease
13	41303711000	ASM-PG-ALV2	1	1/P	
14	6LE36904000	MOLYKOTE_EM-30L_100G	1	1/P	
15	41303710000	ASM-PG-GE334C-S	1	1/P	
16	6LJ18300000	P-POWDER-PPT001	1	1/P	
101 A	4408687160	CHART-15-1-A4	1	10/KP	A4 series
101 B	4408687180	CHART-15-1-LT	1	10/KP	LT series

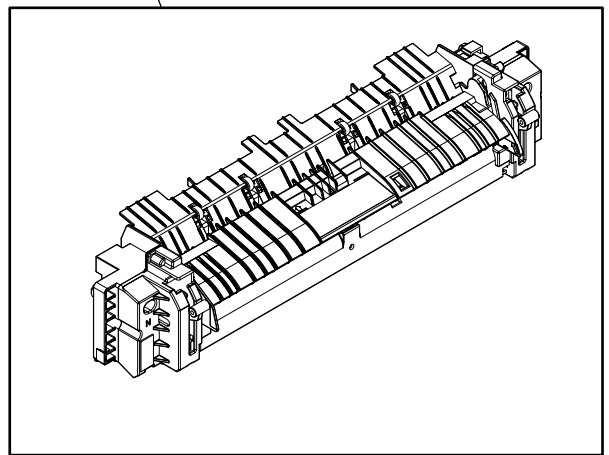


ITEM No.	PART No.	PART NAME	Q'TY / PAGE	Q'TY / PACK	REMARKS
1	6LJ83358000	OD-2505	1	1/S	
2 A	6LJ83445000	D-2505	1	1/S	Pouch type
2 B	6LJ84278000	D-2309	1	1/S	Cartridge type
3 A	6AJ00000218	PS-ZT2323E(1)	1	SUPPLY	MJD
3 B	6AG00008787	PS-ZT2323U(1)	1	SUPPLY	NAD,ARD
3 C	6AG00008771	PS-ZT2323P(1)	1	SUPPLY	ASD,AUD
3 D	6AG00008776	PS-ZT2323PS(1)	1	SUPPLY	ASD
3 E	6AG00008732	PS-ZT2323C(1)	1	SUPPLY	CND
3 F	6AG00008743	PS-ZT2323CS(1)	1	SUPPLY	CND
3 G	6AG00008738	PS-ZT2323C(12)	1	SUPPLY	CND (12 set per box)
3 H	6AG00008749	PS-ZT2323CS(12)	1	SUPPLY	CND (12 set per box)
3 I	6AG00008782	PS-ZT2323TS(1)	1	SUPPLY	TWD
5	6A000001575	GQ-1131	1	SUPPLY	
7 A	6AG00005057	KA-2507PC	1	SUPPLY	Excpet CND
7 B	6AG00005058	KA-2507PC-C	1	SUPPLY	CND
8 A	6AG00008722	GN-1160	1	SUPPLY	Excpet CND
8 B	6AG00008724	GN-1160C	1	SUPPLY	CND
9 A	6AG00008712	GA-1350L	1	SUPPLY	NAD,ARD,AUD,MJD,ASD for eS2329A
9 B	6AG00008704	GA-1350H	1	SUPPLY	NAD,ARD,MJD,ASD for eS2829A
9 C	6AG00008705	GA-1350HC	1	SUPPLY	CND,TWD for eS2829A

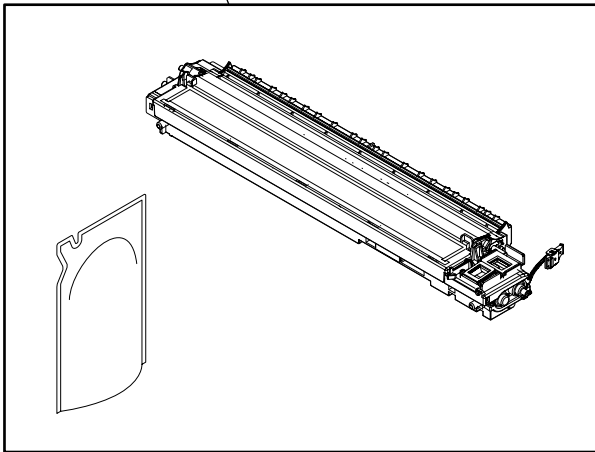
1



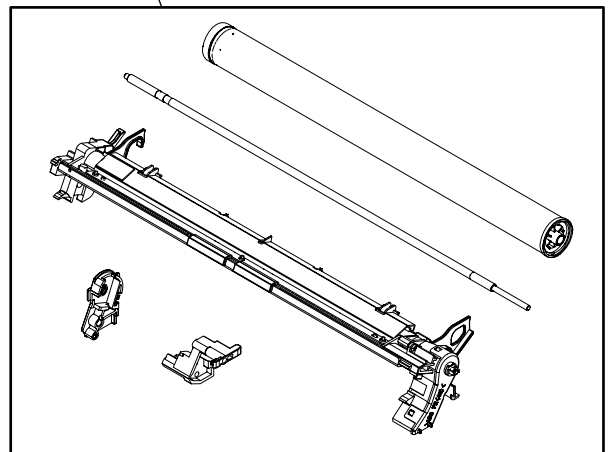
2



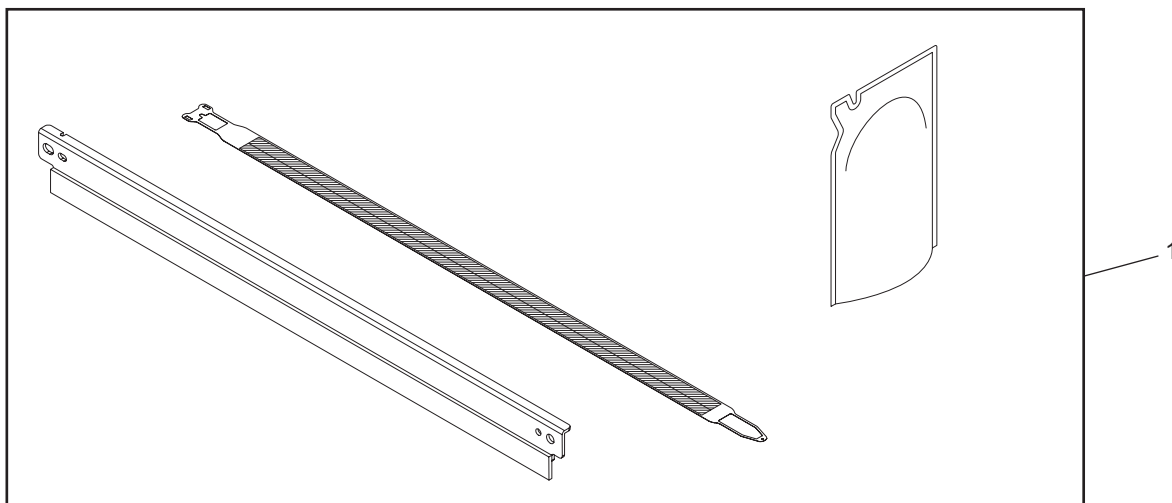
3



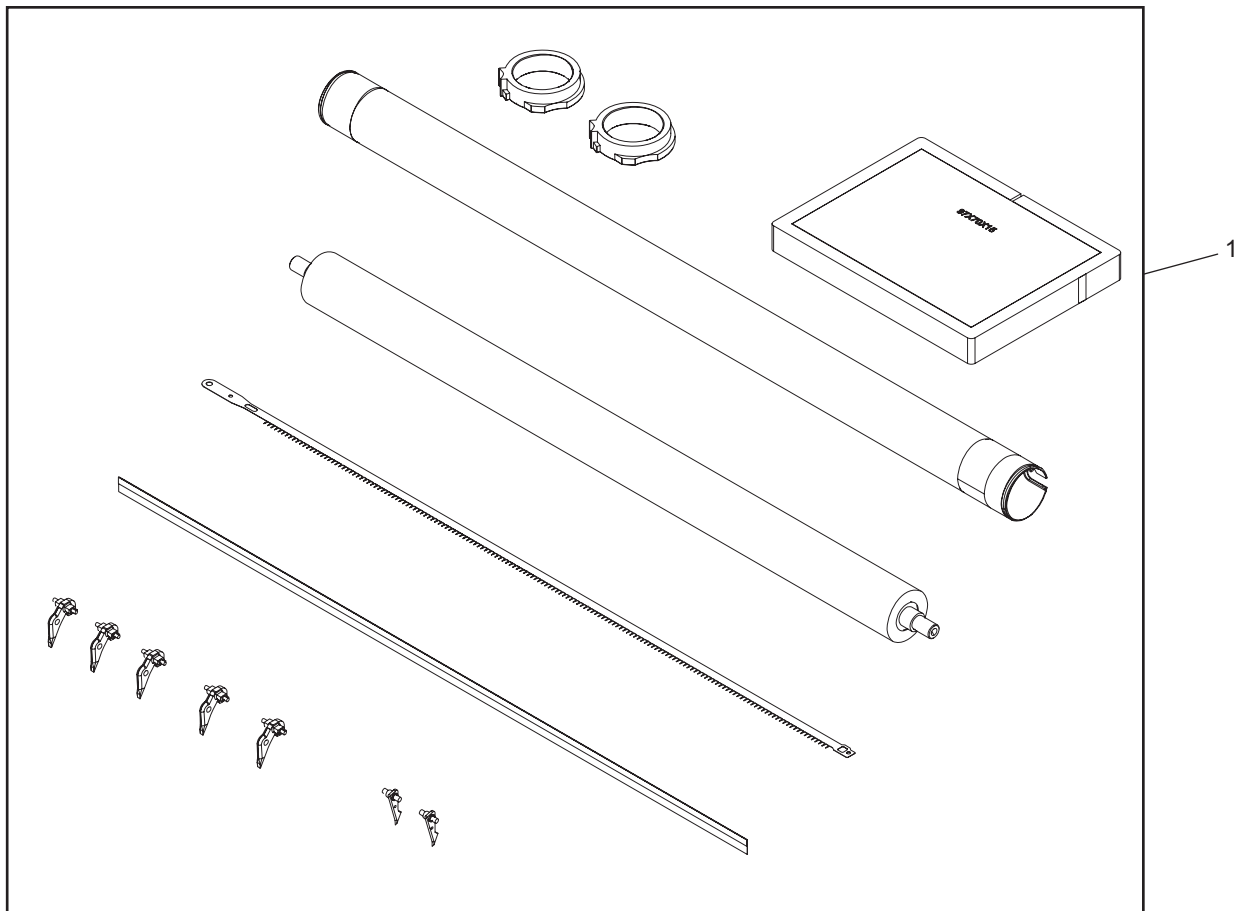
4



ITEM No.	PART No.	PART NAME	Q'TY / PAGE	Q'TY / PACK	REMARKS
1	6LJ78627000	MAIN-CH-2505-N	1	1/S	
2 A	6LJ78106100	FUSER-2809-120	1	1/S	NAD,TWD
2 B	6LJ78106000	FUSER-2809-230	1	1/S	CND,ASD,ARD,AUD,MJD
3	6LJ76601000	DEV-UNIT-2809	1	1/S	
4	6LJ75530000	CLN-DRUM-2505	1	1/S	



ITEM No.	PART No.	PART NAME	Q'TY / PAGE	Q'TY / PACK	REMARKS
1	6LJ83556000	DEV-KIT-2505-NEW	1	1/S	



ITEM No.	PART No.	PART NAME	Q'TY / PAGE	Q'TY / PACK	REMARKS
1	6LJ78113000	FR_R-KIT-2809	1	1/S	

TOSHIBA

Toshiba Tec Corporation

1-11-1, OSAKI, SHINAGAWA-KU, TOKYO, 141-8562, JAPAN