

TOSHIBA

SERVICE PARTS LIST

MULTIFUNCTIONAL DIGITAL SYSTEMS

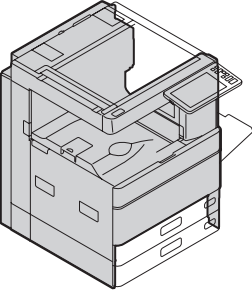
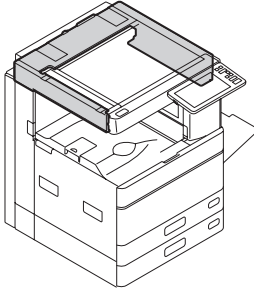
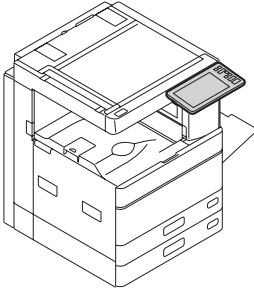
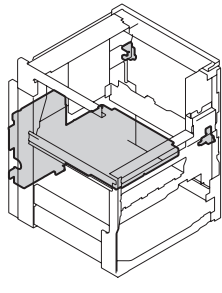
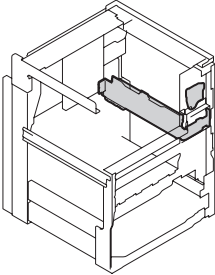
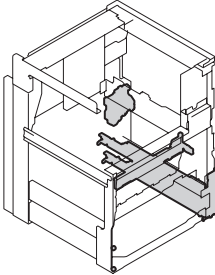
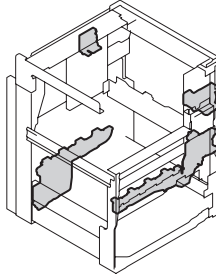
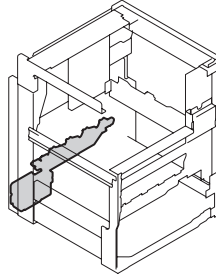
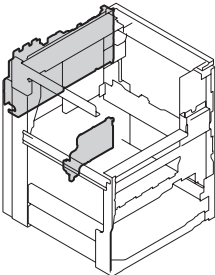
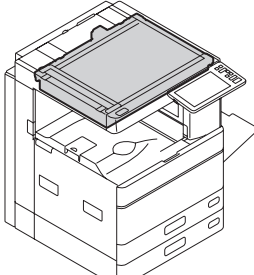
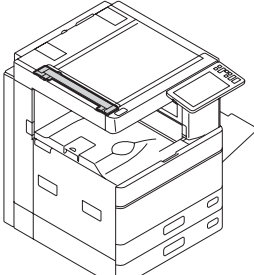
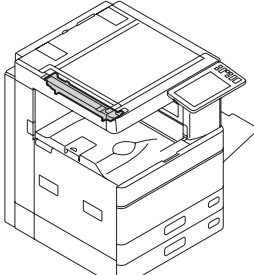
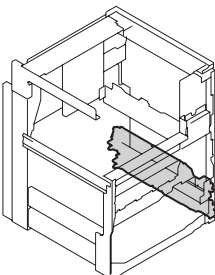
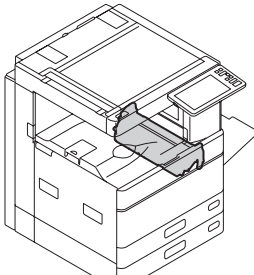
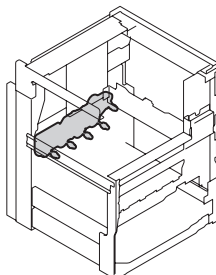
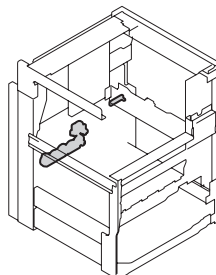
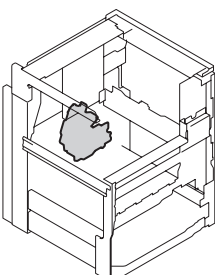
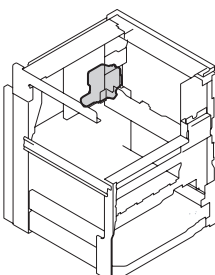
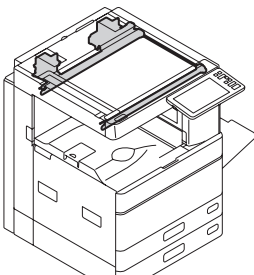
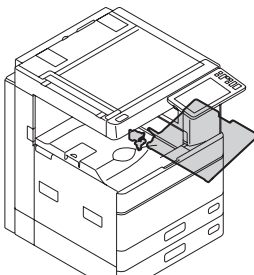
**e-STUDIO02515AC/
3015AC/3515AC/
4515AC/5015AC**

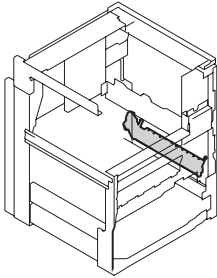
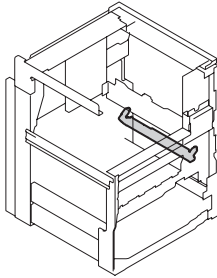
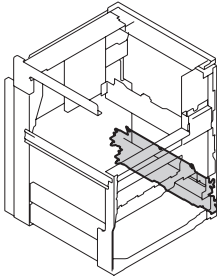
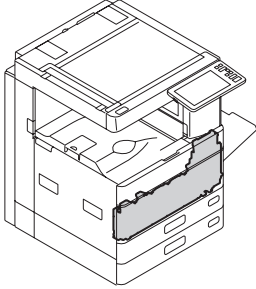
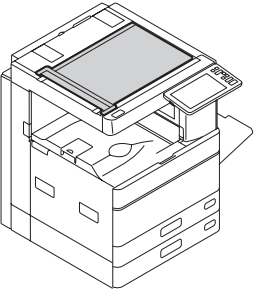
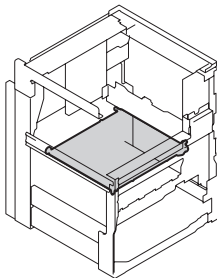
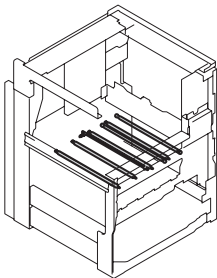
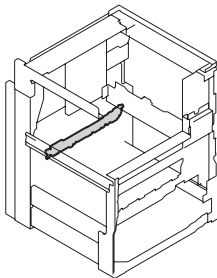
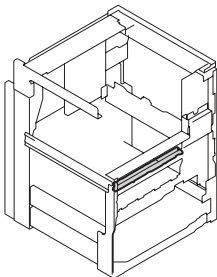
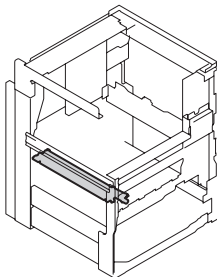
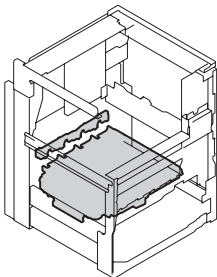
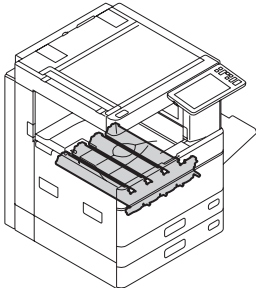
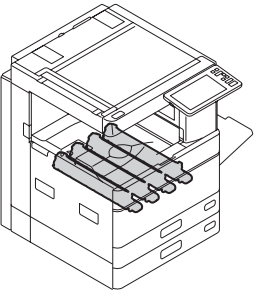
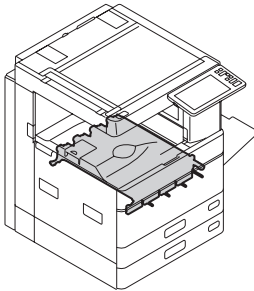
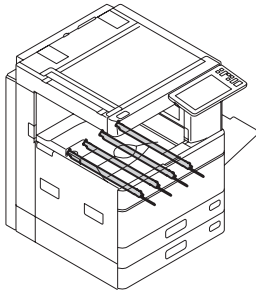
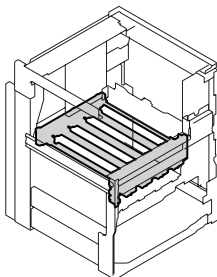
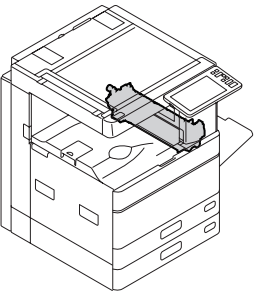
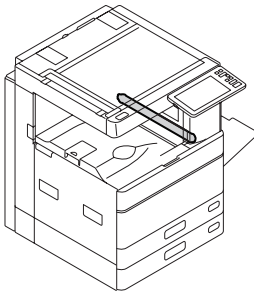
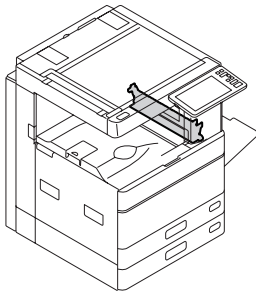
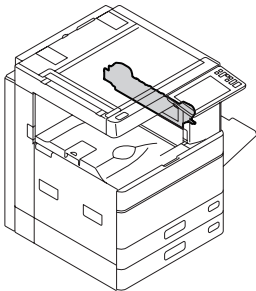
© 2018 TOSHIBA TEC CORPORATION All rights reserved

Under the copyright laws, this manual cannot be reproduced in any form without prior written permission of TOSHIBA TEC CORPORATION. No patent liability is assumed, however, with respect to the use of the information contained herein.

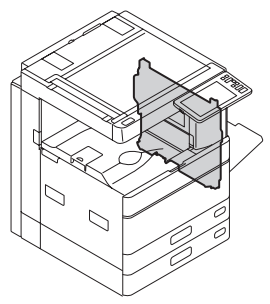
CONTENTS

COVER-1-ASY	1	ADU-1-ASY	41
COVER-2-ASY	2	ADU-2-ASY	42
CONTROL-PANEL-ASY.....	3	DRAWER-ASY-1	43
FRAME-1-ASY	4	DRAWER-ASY-2	44
FRAME-2-ASY	5	TRAYUP-MOT-ASY.....	45
FRAME-3-ASY	6	FEEDER-DRIVE-ASY	46
FRAME-4-ASY	7	JIGS & GREASE	101
ELECTRIC-ASY	8	SUPPLIES.....	102
CASE-SYS-LGC-ASY	9	REPLACE UNIT	103
OPTICAL-FRAME-ASY.....	10	PM-KIT	104
CRG-1-ASY.....	11		
CRG-2-ASY.....	12		
GUIDE-RGST-ASY.....	13		
TRU-ASY.....	14		
DRIVE-DRUM-1-ASY.....	15		
DRIVE-DRUM-2-ASY.....	16		
DEVELOPER-DRIVE-ASY	17		
DRIVE-FUSER-ASY.....	18		
OPTICAL-DRIVE.....	19		
BYPASS-ASY.....	20		
BYPASS-FEEDER-ASY	21		
RGST-GUIDE	22		
FEEDER-GUIDE-ASY	23		
DRIVE-WTNR-ASY	24		
GLASS-ASY.....	25		
TBU-ASY-1.....	26		
TBU-ASY-2.....	27		
TBU-ASY-3.....	28		
TBU-ASY-4	29		
TBU-ASY-5.....	30		
EPU-GUIDE-ASY	31		
DEVELOPER-ASY-1	32		
DEVELOPER-ASY-2	33		
CLEANER-ASY	34		
MAIN-CHARGER-ASY.....	35		
TNR-DRIVE-ASY	36		
FUSER-ASY-1.....	37		
FUSER-ASY-2.....	38		
FUSER-ASY-3.....	39		
EXIT-ASY	40		

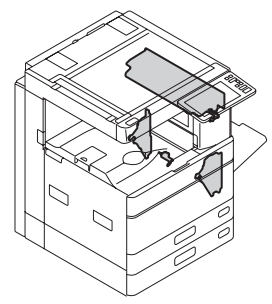
<p>1. COVER-1-ASY</p> 	<p>2. COVER-2-ASY</p> 	<p>3. CONTROL-PANEL-ASY</p> 	<p>4. FRAME-1-ASY</p> 
<p>5. FRAME-2-ASY</p> 	<p>6. FRAME-3-ASY</p> 	<p>7. FRAME-4-ASY</p> 	<p>8. ELECTRIC-ASY</p> 
<p>9. CASE-SYS-LGC-ASY</p> 	<p>10. OPTICAL-FRAME-ASY</p> 	<p>11. CRG-1-ASY</p> 	<p>12. CRG-2-ASY</p> 
<p>13. GUIDE-RGST-ASY.</p> 	<p>14. TRU-ASY</p> 	<p>15. DRIVE-DRUM-1-ASY</p> 	<p>16. DRIVE-DRUM-2-ASY</p> 
<p>17. DEVELOPER-DRIVE-ASY</p> 	<p>18. DRIVE-FUSER-ASY</p> 	<p>19. OPTICAL-DRIVE</p> 	<p>20. BYPASS-ASY</p> 

<p>21. BYPASS-FEEDER-ASY</p> 	<p>22. RGST-GUIDE</p> 	<p>23. FEEDER-GUIDE-ASY</p> 	<p>24. DRIVE-WTNR-ASY</p> 
<p>25. GLASS-ASY</p> 	<p>26. TBU-ASY-1</p> 	<p>27. TBU-ASY-2</p> 	<p>28. TBU-ASY-3</p> 
<p>29. TBU-ASY-4</p> 	<p>30. TBU-ASY-5</p> 	<p>31. EPU-GUIDE-ASY</p> 	<p>32. DEVELOPER-ASY-1</p> 
<p>33. DEVELOPER-ASY-2</p> 	<p>34. CLEANER-ASY</p> 	<p>35. MAIN-CHARGER-ASY</p> 	<p>36. TNR-DRIVE-ASY</p> 
<p>37. FUSER-ASY-1</p> 	<p>38. FUSER-ASY-2</p> 	<p>39. FUSER-ASY-3</p> 	<p>40. EXIT-L-ASY</p> 

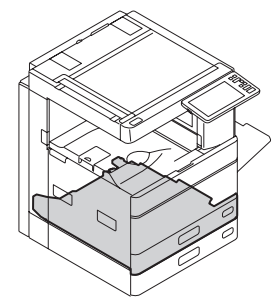
41. ADU-1-ASY



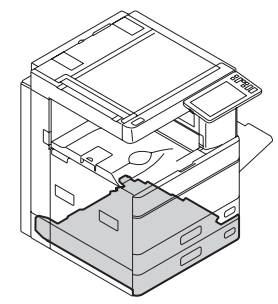
42. ADU-2-ASY



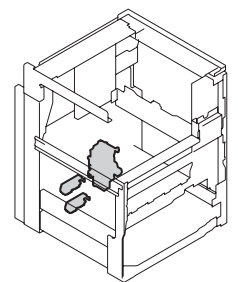
43. DRAWER-ASY-1



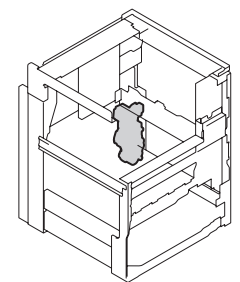
44. DRAWER-ASY-2

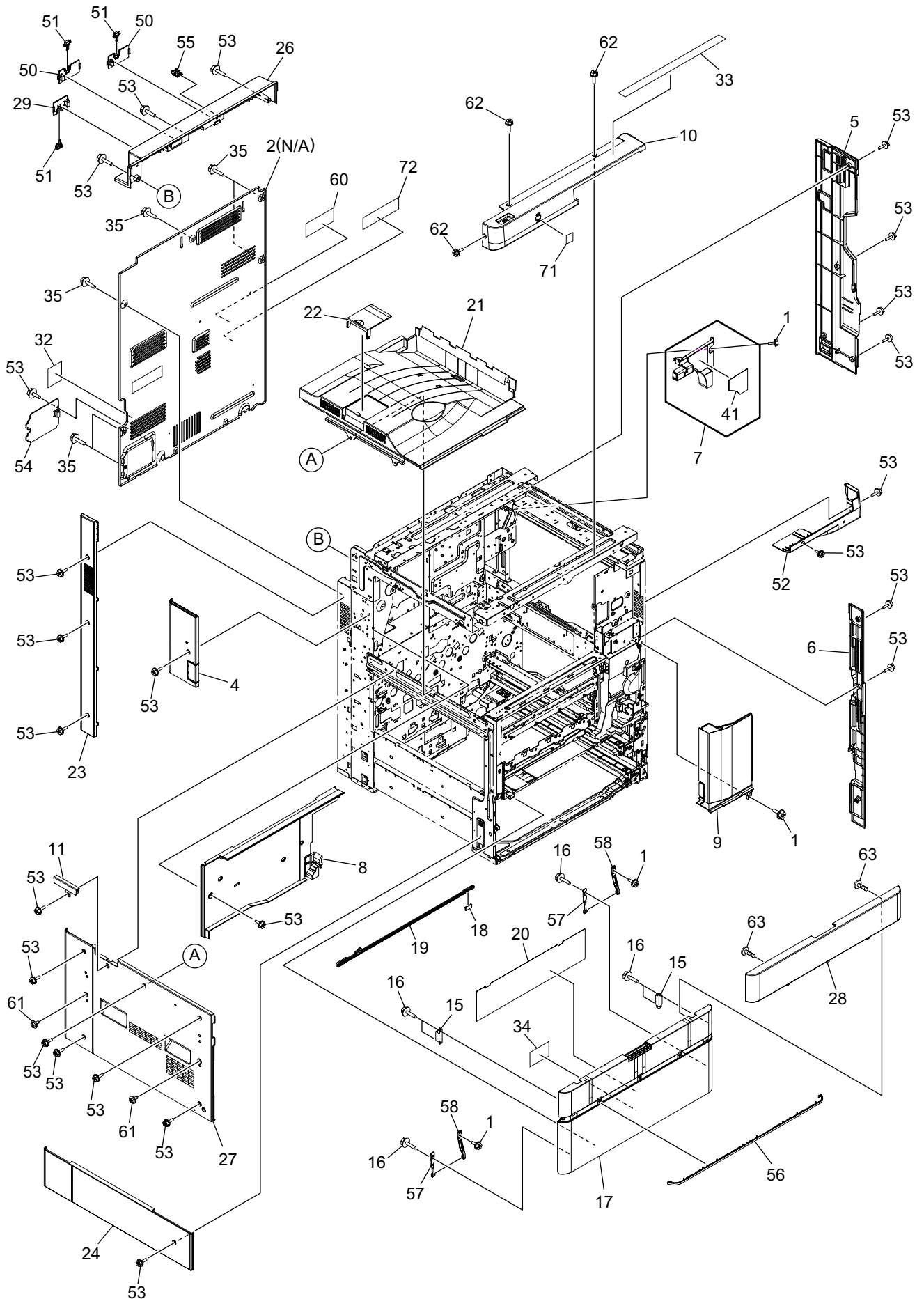


45. TRAYUP-MOT-ASY

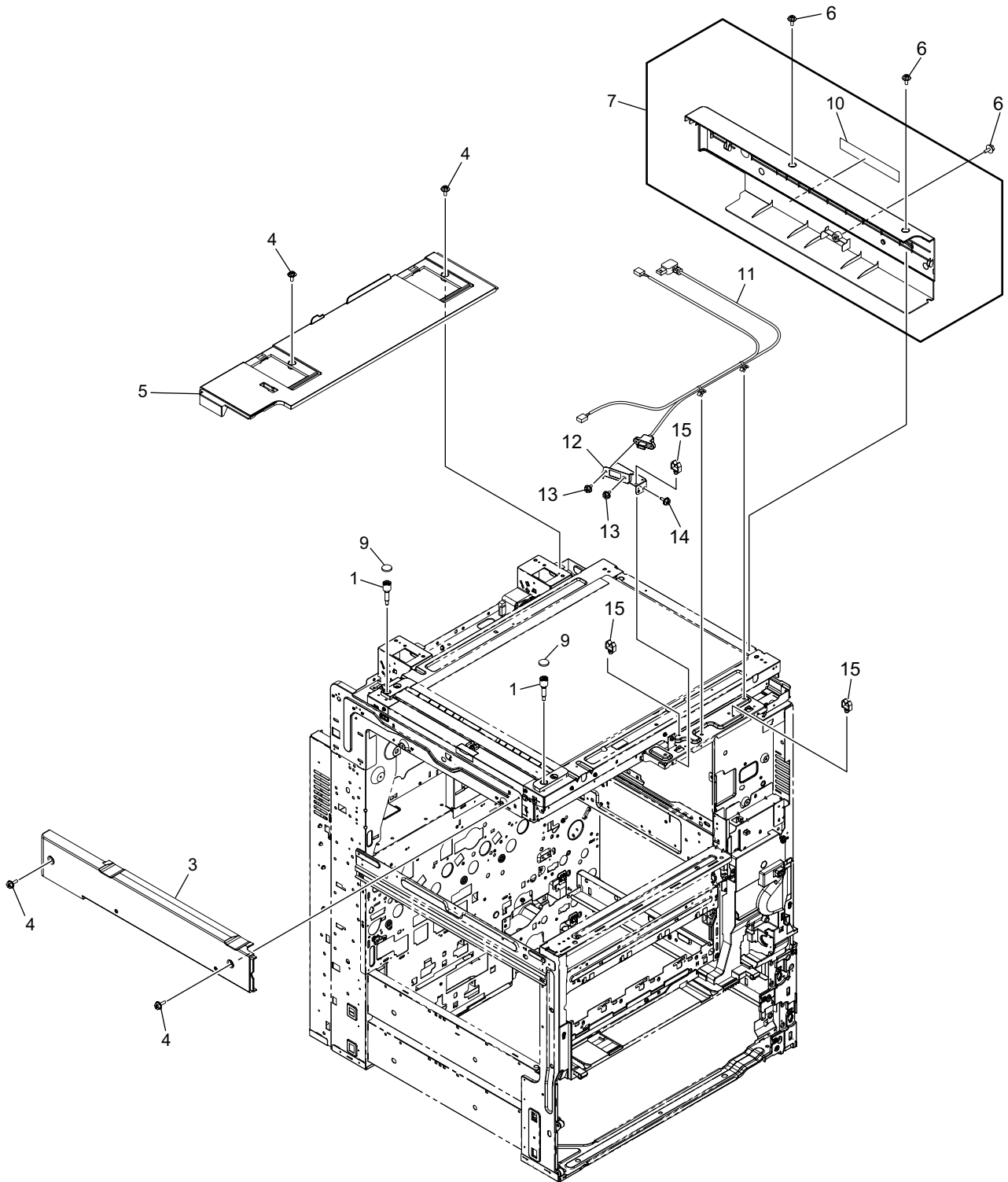


46. FEEDER-DRIVE-ASY

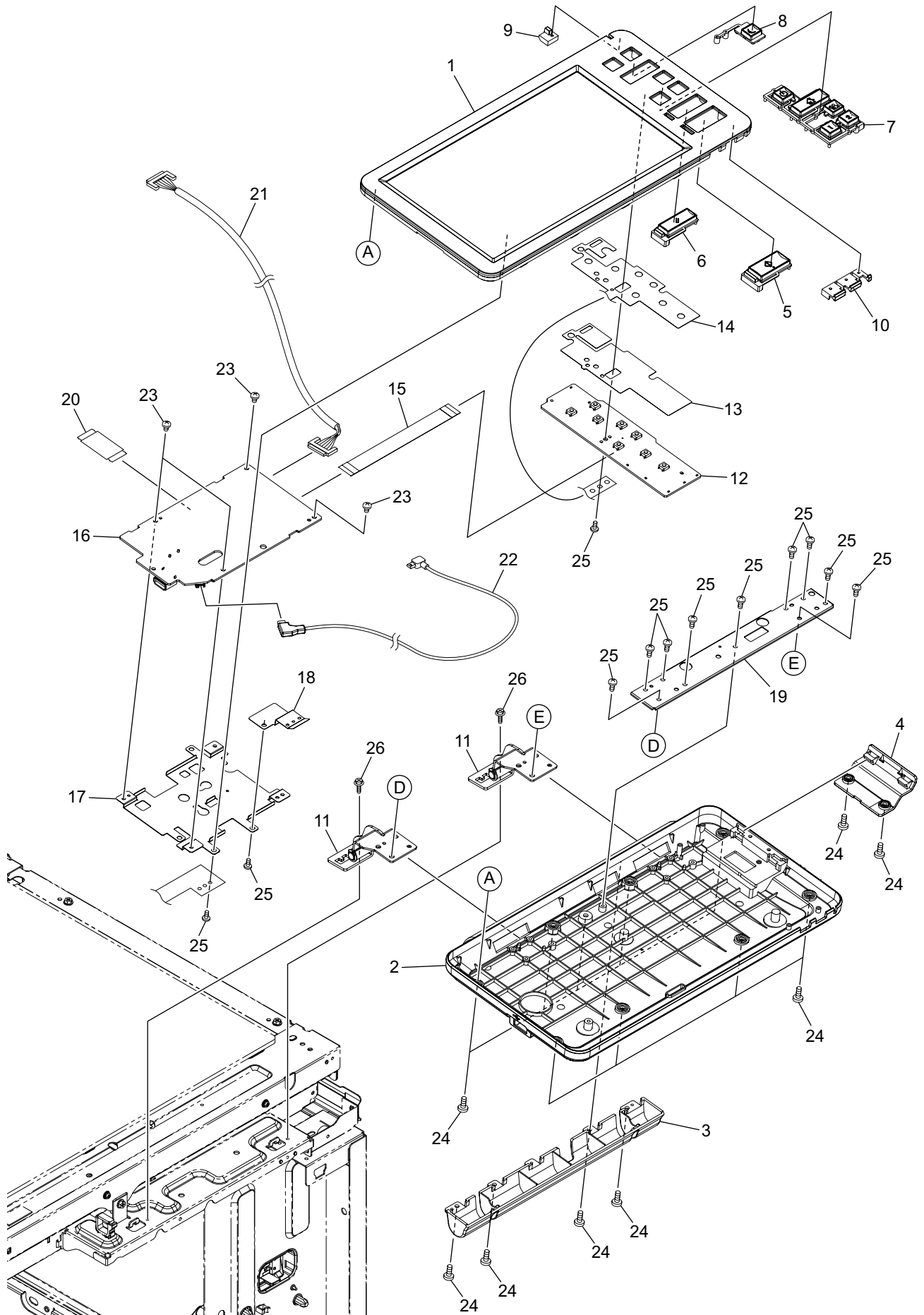




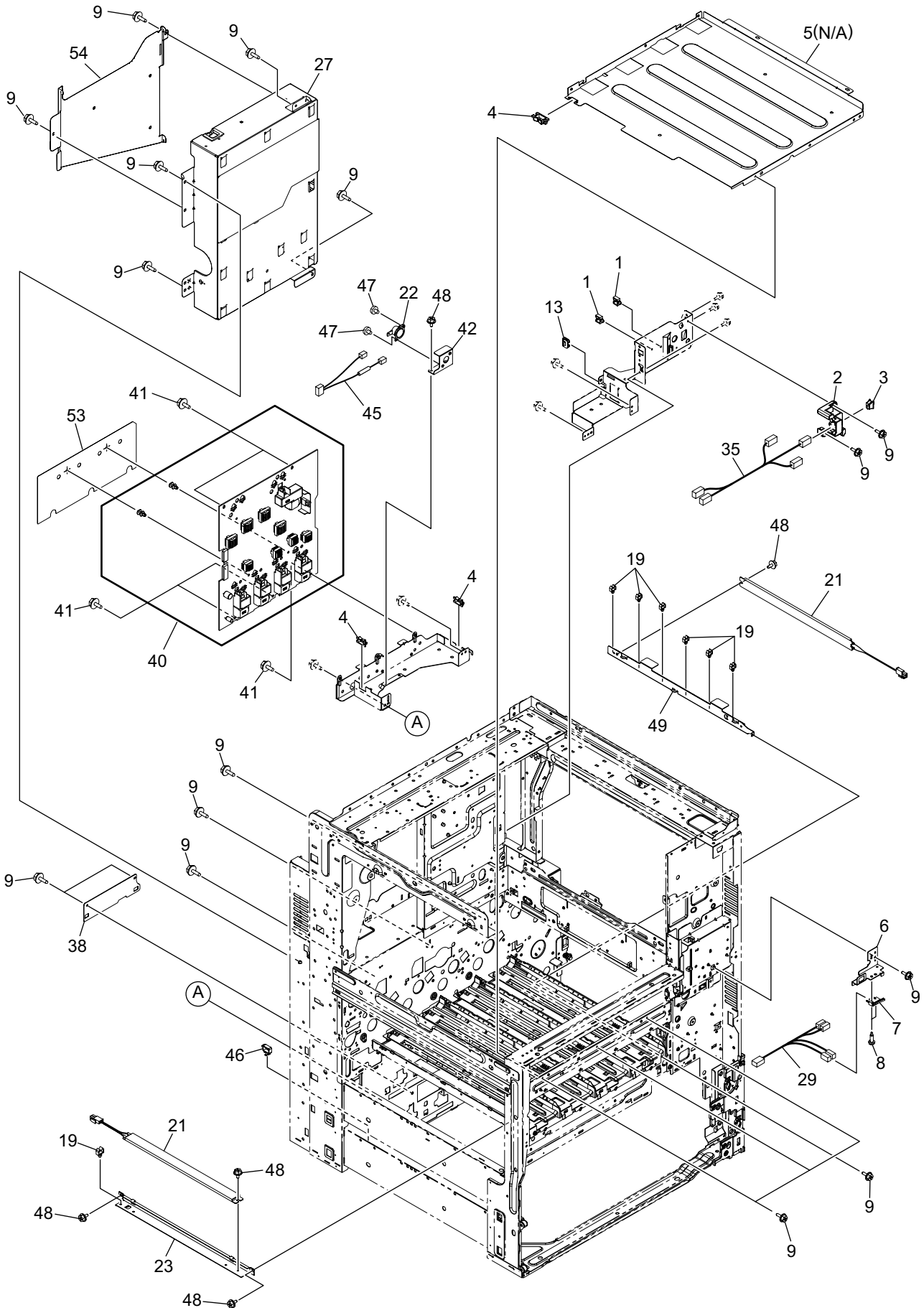
ITEM No.	PART No.	PART NAME	Q'TY / PAGE	Q'TY / PACK	REMARKS
1	X0-02420000	S/TPS/FHEXM/R-3X8-ZU3	4	10/P	
2	6LK48700000	COVER-REAR-H373	1	N/A***	
4	6LK48707000	COVER-LEFT-REAR-H370	1	1/PP	
5	6LK48709000	COVER-RIGHT-REAR-H373	1	1/PP	
6	6LK48708000	COVER-FRT-PILLAR-R-H373	1	1/PP	
7 A	6LK48747000	ASYS-COV-FUS-R-H373	1	1/PP	NAD,MJD,ASD,AUD,ARD,TWD
7 B	6LK48747100	ASYS-COV-FUS-R-H373_C	1	1/PP	CND
8	6LJ53707700	COVER-TRAY-BACK-H373	1	1/PP	
9	6LK48705000	COVER-FRT-PILLAR-H370	1	1/PP	
10 A	6LK48772300	ASYS-COV-TP-FRT-FC2515	1	1/PP	eS2515AC
10 B	6LK48772400	ASYS-COV-TP-FRT-FC3015	1	1/PP	eS3015AC
10 C	6LK48772500	ASYS-COV-TP-FRT-FC3515	1	1/PP	eS3515AC
10 D	6LK48772600	ASYS-COV-TP-FRT-FC4515	1	1/PP	eS4515AC
10 E	6LK48772700	ASYS-COV-TP-FRT-FC5015	1	1/PP	eS5015AC
11	6LK48711000	COVER-LEFT-2-H370	1	1/P	
15	F0-01394000	CA-0131B	2	1/P	
16	X0-02248000	S/TPP/FHEXM-3X10-NI	6	10/P	
17	6LK48701000	COVER-FRONT-H373	1	1/PP	
18	6LK49403000	ASYS-CLNLSU-H373	1	1/P	
19	6LK49407000	ROD-CLNLSU-H373	1	1/P	
20	6LK48759000	SHEET-GUIDANCE-H373	1	1/KP	
21	6LJ53764200	COVER-TRAY-H21X-H370_B	1	1/PP	
22	6LH52423700	COVER-STOP-PAPER-470-N_B	1	1/P	
23	6LJ53747100	COVER-LEFT-REAR2-H373	1	1/PP	
24	6LJ69439200	COVER-LEFT-PFU_B	1	1/PP	
26	6LK48710000	COVER-REAR-TOP-H373	1	1/PP	
27	6LK48706100	COVER-LEFT-H373	1	1/PP	
28	6LK48774000	ASYS-COV-DECO-TSB	1	1/PP	
29	6LK48728000	COVER-DF-CNT-H373	1	1/P	
32 A	44204604000	LBL-SERVICE-45	1	5/P	NAD,ASD,AUD,ARD
32 B	6LA56227000	LBL-SERVICE-45C	1	5/KP	CND
32 C	6LK54463000	LBL-SERVICE-CABLE-N	1	1/KP	MJD
32 D	6LA48504000	LBL-SERVICE-45-TWD	1	5/KP	TWD
33 A	6LK54440000	LBL-PROHIBIT-C-H37X	1	1/KP	CND
33 B	6LK54438000	LBL-PROHIBIT-E-H37X	1	1/KP	MJD,ASD,AUD,ARD
33 C	6LK54437000	LBL-PROHIBIT-U-H37X	1	1/KP	NAD
33 D	6LK54468000	LBL-PROHIBIT-T-H37X	1	1/KP	TWD
34	4406550190	LBL-HVT-BIT	1	5/P	
35	X0-02230000	S/FHEXM-M3X6-NI	6	10/P	
41 A	6LK52338000	LBL-HOT-H373	1	1/P	NAD,MJD,ASD,AUD,ARD,TWD
41 B	6LK52339000	LBL-HOT-H373-C	1	1/P	CND
50	6LK48731000	COVER-DSDf-CNT-H373	2	1/P	
51	6LK48727000	COVER-DF-SUB-H373	3	1/P	
52	6LK48736000	COV-FRT-PILLAR-U	1	1/PP	
53	X0-02681000	S/TPD3/FHEXM/R-3X8-ZB3	24	10/P	
54	6LK48716000	COVER-PFP-CNCT-H373	1	1/P	
55	6LK48724000	COVER-REAR-TOP-DSDf	1	1/P	
56	6LK48766200	COVER-RIM-HS	1	1/PP	
57	6LK48768000	LINK-FCOV-R-H373N	2	1/P	
58	6LK48712000	LINK-FCOV-U-H373	2	1/P	
60 A	6LA47529000	LBL-LASER	1	1/KP	NAD,MJD,ASD,AUD,ARD
60 B	6LA56226000	LBL-LASER-C	1	5/KP	CND
60 C	6LA48505000	LBL-LASER-TWD	1	5/KP	TWD
61	X0-02678000	S/TPS/FHEXM/R-4X8-ZB3	2	10/P	
62	X0-02672000	S/FHEXM-M3X8-ZB3	3	10/P	
63	X0-01989000	S/TPP/BID-3X8-NI	2	10/P	
71	6LK56621000	LBL-IDGATE-MARK-KP2007	1	1/P	Exclusively supplied as the service part
72	6LJ68281000	LBL-NAD-FCC-NEW	1	1/P	



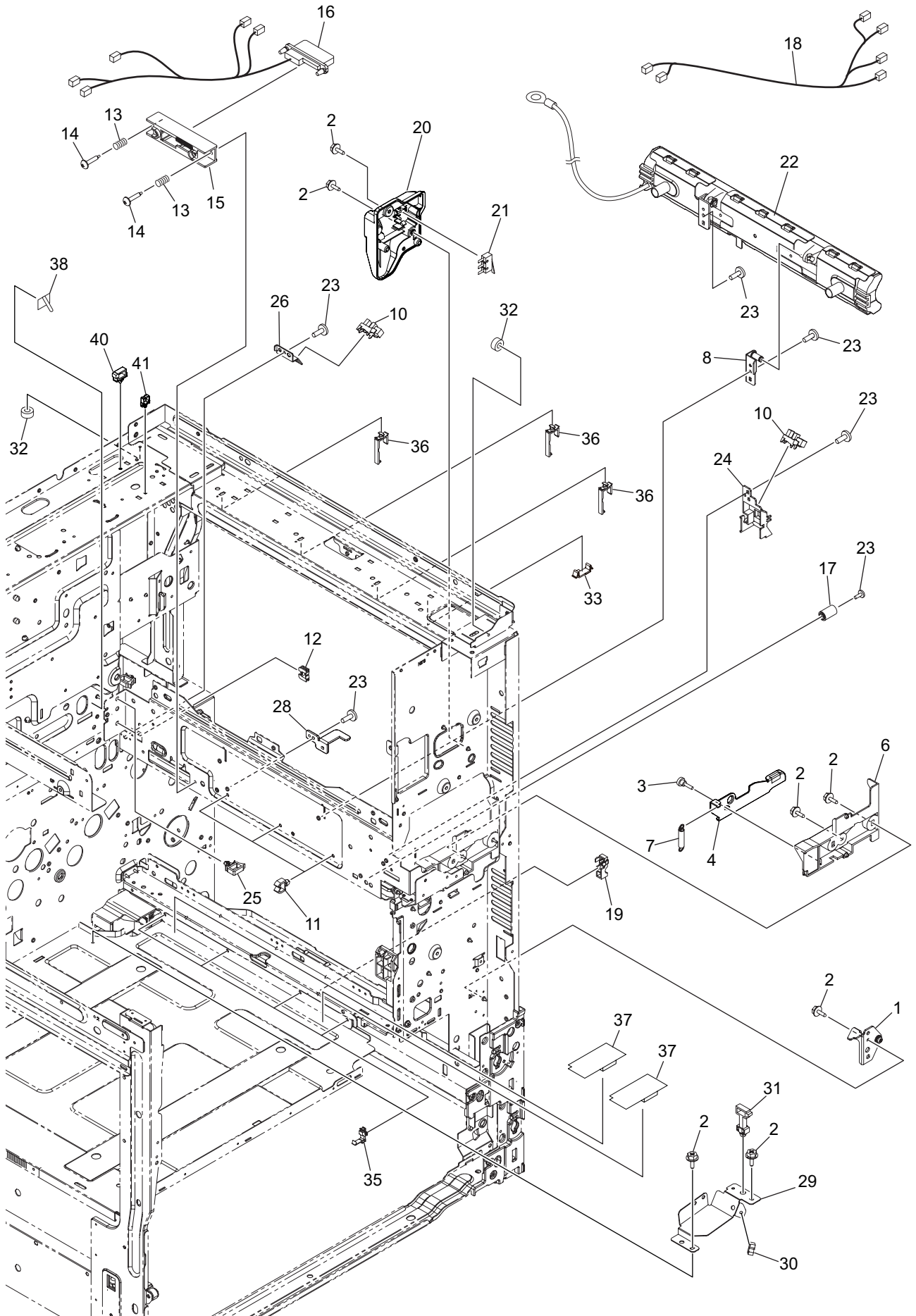
ITEM No.	PART No.	PART NAME	Q'TY / PAGE	Q'TY / PACK	REMARKS
1	6LJ59784000	LOCK-CRG-H21X	2	1/P	
3	6LK53234000	COVER-TP-LFT-H370	1	1/PP	
4	X0-02681000	S/TPD3/FHEXM/R-3X8-ZB3	4	10/P	
5	6LK53233000	COVER-TP-RER-H370	1	1/PP	
6	X0-02672000	S/FHEXM-M3X8-ZB3	3	10/P	
7 A	6LK53272000	ASYB-COV-TP-RGT-H373-STD	1	1/PP	NAD,MJD,ASD,AUD,ARD
7 B	6LK53272200	ASYB-COV-TP-RGT-H373-CND	1	1/PP	CND
7 C	6LK53272100	ASYB-COV-TP-RGT-H373-TWD	1	1/KP	TWD
9	6LH56607200	LID-SCREW-H370	2	5/P	
10 A	6LK52336000	LBL-HOT-COV-LOW-K	1	1/KP	NAD,MJD,ASD,AUD,ARD
10 C	6LK52340000	LBL-HOT-COV-LOW-K-CND	1	1/KP	CND
10 D	6LK52337000	LBL-HOT-COV-LOW-K-TWD	1	1/PP	TWD
11	6LK83491000	ASYB-HRNS-USB-K110	1	1/P	
12	6LK44871000	BRKT-USB-K110	1	1/P	
13	X0-02230000	S/FHEXM-M3X6-NI	2	10/P	
14	X0-02420000	S/TPS/FHEXM/R-3X8-ZU3	1	10/P	
15	F0-00033000	UAMS-07-0	3	10/P	



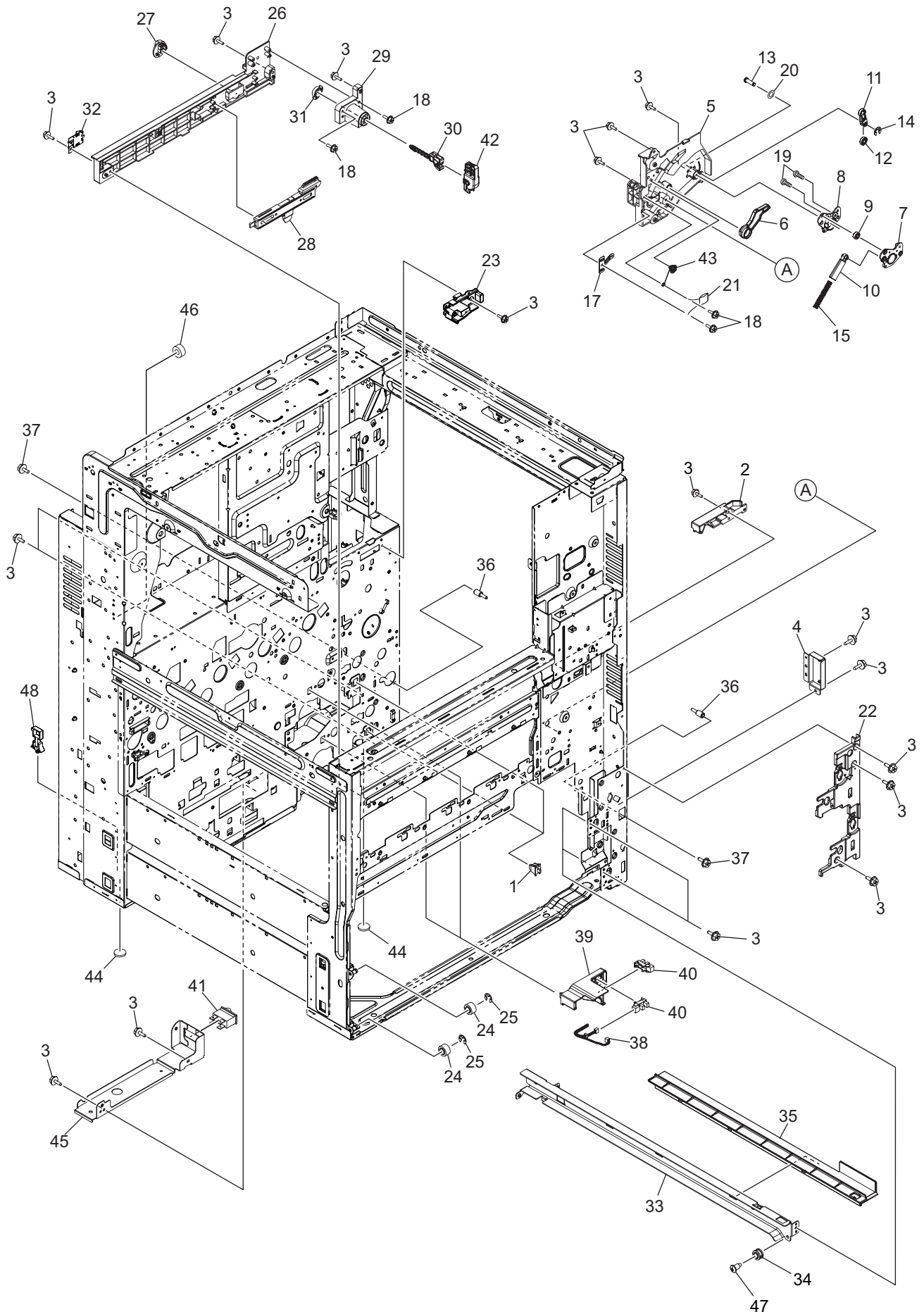
ITEM No.	PART No.	PART NAME	Q'TY / PAGE	Q'TY / PACK	REMARKS
1 A	6LK48609000	CONPANE-LCD-K1XX-SVP-W	1	1/C	NAD,MJD,ARD
1 B	6LK48609100	CONPANE-LCD-K1XX-SVP-A	1	1/C	ASD,AUD
1 C	6LK48609300	CONPANE-LCD-K1XX-SVP-C	1	1/C	CND
2	6LK48608000	COVER-CONPANE-LWR-K100	1	1/PP	
3	6LK48569000	COVER-HINGE-K100	1	1/PP	
4	6LK48603000	COVER-SIDE-K1XX	1	1/P	
5	6LK48607000	KEY-START-K1XX	1	1/P	
6	6LK48606000	KEY-RESET-K1XX	1	1/P	
7	6LK48604000	KEY-FUNCTION-K1XX	1	1/P	
8	6LK48605000	KEY-ENERGY-K1XX	1	1/P	
9	6LK48570000	LID-POWER-K1XX	1	1/P	
10	6LK48571000	LID-LED-K1XX	1	1/P	
11	6LK48576000	ASYS-HINGE-K100	2	1/P	
12	6LK48595000	PWA-SW-K1XX	1	1/SB	
13	6LK48601000	FILM-SW-K1XX	1	1/P	
14	6LK48602000	FILM-SW-K1XX-2	1	1/P	
15	6LK48597000	HRNS-KEY-K1XX-2	1	1/P	
16	6LK48596000	PWA-LCD-K1XX	1	1/SB	
17	6LK48573000	SHIELD-PCB-K1XX	1	1/P	
18	6LK48574000	EARTH-SPRING-K1XX	1	1/P	
19	6LK48575000	BASE-BRACKET-K100	1	1/P	
20	6LK48598000	HRNS-KEY-K1XX-1	1	1/P	
21	6LK48599000	CABLE-LCD-K1XX	1	1/P	
22	6LK48600000	USB-CABLE-K11X	1	1/P	
23	6LK48594000	SCREW-M3X4	4	5/P	
24	6LK48593000	SCREW-M3X8	15	5/P	
25	6LK48592000	SCREW-M3X6	12	5/P	
26	X0-02681000	S/TPD3/FHEXM/R-3X8-ZB3	2	10/P	



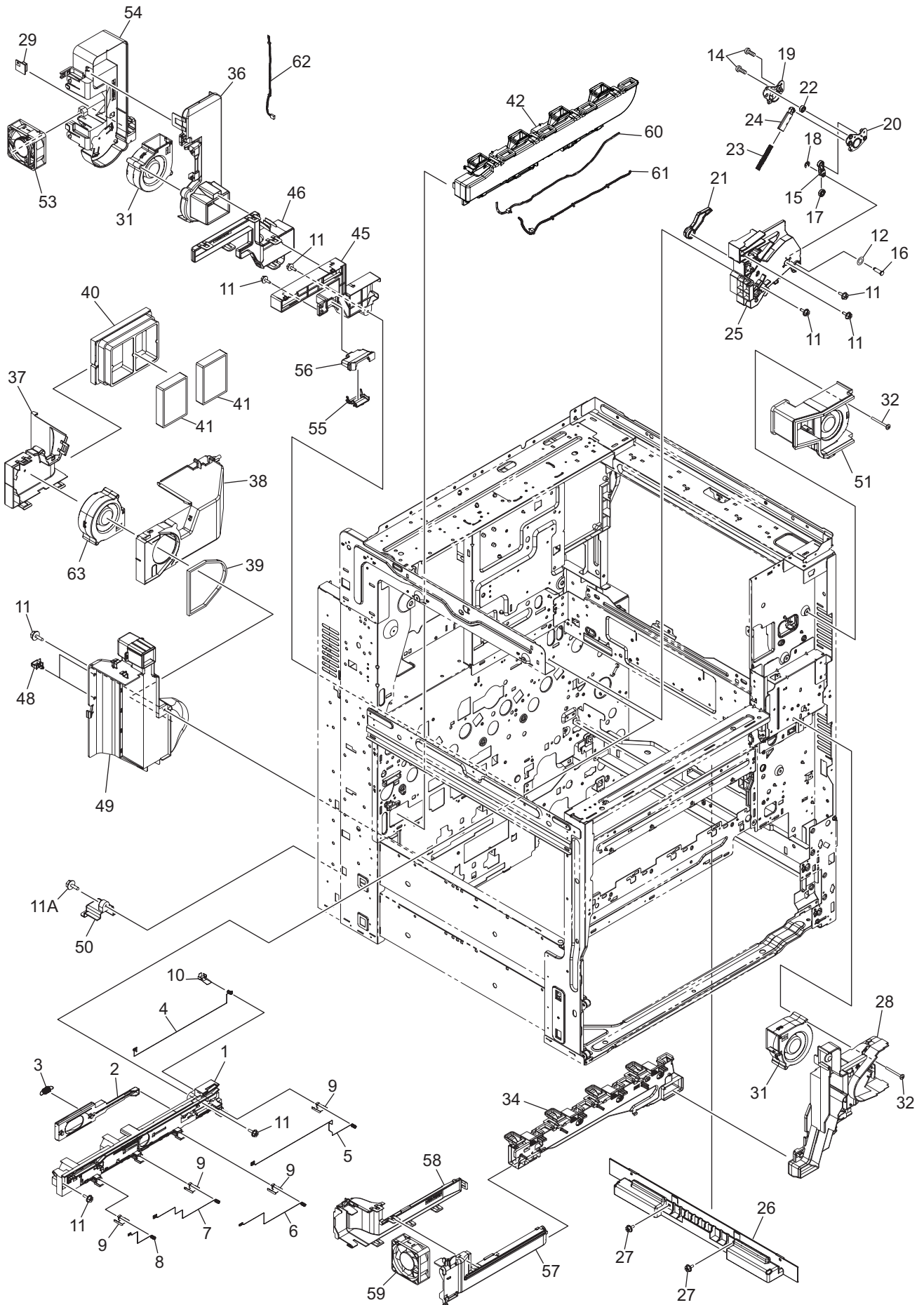
ITEM No.	PART No.	PART NAME	Q'TY / PAGE	Q'TY / PACK	REMARKS
1	F0-01250000	MSB-1207	2	5/P	
2	6LJ52416100	HOLD-ADU-HOOK-R-H373	1	1/P	
3	E0-01853000	CS1A-B2CA	1	1/D	
4 A	F0-01248000	ESC-0912	1	10/P	NAD,MJD
4 B	F0-01248000	ESC-0912	3	10/P	ASD,AUD,ARD,CND,TWD
5	6LJ52305100	STAY-TOP-H21Y	1	N/A***	
6	6LJ52414000	BRKT-INTERLOCK-SW-H21Y	1	1/P	
7	E0-15604000	DE2L-BALGY	1	1/D	
8	44204394000	SCREW20XD23	2	10/P	
9	X0-02420000	S/TPS/FHEXM/R-3X8-ZU3	18	10/P	
13	F0-02296000	ES-0505-2	1	5/P	
19 A	F0-00270000	UAMS-05L-0-46	7	10/P	ASD,AUD,ARD,CND,TWD
21 A	6LK49451200	HEATER-DRUM-PTC-E	2	1/C	ASD,AUD,ARD,CND
21 B	6LK49451100	HEATER-DRUM-PTC-U	2	1/D	TWD
22 A	6LK45759000	THRMST-DAMP-H373	1	1/D	ASD,AUD,ARD,CND,TWD
23 A	6LK49444000	BRKT-HEATR-L-H373	1	1/D	ASD,AUD,ARD,CND,TWD
27 A	6LK44876000	ASYB-PSU-K110-AB	1	1/SB	NAD,TWD
27 B	6LK44876100	ASYB-PSU-K110-PT	1	1/SB	MJD,ASD,AUD,ARD,CND
29 A	6LK45374000	HRNS-LVPS-MAINSW-H373J	1	1/P	ASD,AUD,ARD,CND,TWD
29 B	6LK45375000	HRNS-LVPS-MAINSW-H373C	1	1/P	NAD,MJD
35	6LK45453000	HRNS-LGC-RELAY-H373	1	1/P	
38	6LJ66759000	PLATE-BLIND-PFP	1	1/P	
40	6LK49456000	ASYB-PS-HVT-H373-STD	1	1/SB	
41	X0-02230000	S/FHEXM-M3X6-NI	5	10/P	
42 A	6LK49458000	BRKT-THRMST-DHTR-H373	1	1/P	ASD,AUD,ARD,CND,TWD
45 A	6LK45670000	HRNS-DAMP-THRMST-H373	1	1/P	ASD,AUD,ARD,CND,TWD
46	F0-01459000	RLWT-2V0	1	5/P	
47 A	X0-02112000	S/PAN-M3X3-NI	2	10/P	ASD,AUD,ARD,CND,TWD
48 A	X0-02419000	S/TPS/FHEXM/R-3X6-ZU3	2	10/P	NAD,MJD
48 B	X0-02419000	S/TPS/FHEXM/R-3X6-ZU3	5	10/P	ASD,AUD,ARD,CND,TWD
49 A	6LK49441000	BRKT-HEATR-R-H373	1	1/PP	ASD,AUD,ARD,CND,TWD
53	6LK44863000	SHEET-HVT-H373	1	1/KP	
54 A	6LK44856000	COVER-LVPS-H373	1	1/PP	NAD,MJD,ASD,AUD,ARD,CND



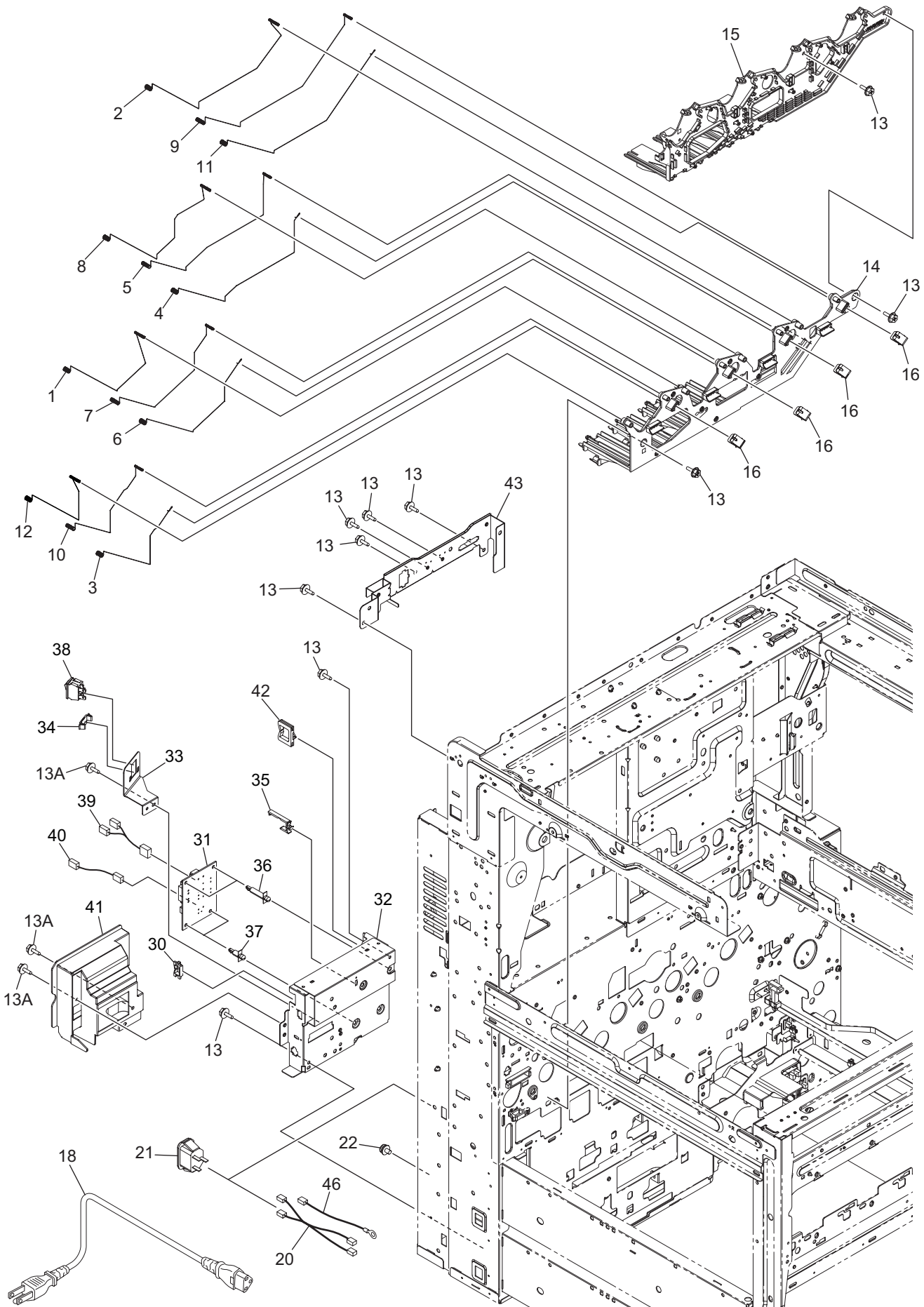
ITEM No.	PART No.	PART NAME	Q'TY / PAGE	Q'TY / PACK	REMARKS
1	6LJ57337100	ASYB-HINGE-F_B	1	1/P	
2	X0-02420000	S/TPS/FHEXM/R-3X8-ZU3	7	10/P	
3	6LA65683000	SCREW-HLDR-MG	1	10/P	
4	6LK52396000	LEVER-FUS-F-METAL-H37X	1	1/P	
6	6LJ58738000	GUIDE-FUS-F	1	1/PP	
7	6LJ58761000	SPG-E-LVR-LOCK-F-H21Y	1	1/P	
8	6LJ58828000	ASYS-STAY-IHUNIT-H21X	1	1/P	
10	C0-17839000	LG2A14BL1	2	1/C	
11	F0-00270000	UAMS-05L-0-46	3	10/P	
12	F0-02296000	ES-0505-2	1	5/P	
13	6LA14468000	SPC068-080-160	2	5/P	
14	4406326040	SCREW-D4-18-M3	2	10/P	
15	6LJ58705000	HLDR-DRW-FRM-L-H212	1	1/P	
16	6LK46274000	HRNS-LVPS-IH-H373	1	1/P	
17	6LJ58759000	SPG-C-PUSH-FUS-F-H21Y	1	1/P	
18	6LK45416000	HRNS-LGC-FUSER-H373	1	1/P	
19	6LJ56357000	BUSH-ROL-6	1	1/P	
20	6LJ52415200	HOLD-ADU-HOOK-F-K11X	1	1/P	
21	E0-15604000	DE2L-BALGY	1	1/D	
22 A	6LJ58857000	ASYB-IHCOIL-H21X-100	1	1/C	eS2515AC/3015AC/3515AC/TWD NAD,TWD
22 B	6LJ58857200	ASYB-IHCOIL-H21X-H100	1	1/C	eS4515AC/5015AC NAD,TWD
22 C	6LJ58857100	ASYB-IHCOIL-H21X-200	1	1/C	eS2515AC/3015AC/3515AC/CND MJD,ASD,AUD,ARD,CND
22 D	6LJ58857300	ASYB-IHCOIL-H21X-H200	1	1/C	eS4515AC/5015AC MJD,ASD,AUD,ARD,CND
23	X0-02069000	S/TPS/BID-3X6-ZU3	6	10/P	
24	6LK52281000	HLDR-SNSR-FUS-F-H373	1	1/P	
25	F0-01810000	LWS-0511S-V0	2	5/P	
26	6LK52300000	BRKT-SNSR-FUS-R-CAM-H373	1	1/P	
28	6LJ58852000	SUPPT-COIL-IH-H21Y	1	1/P	
29	6LK44740000	BRKT-GUIDE-HRNS-MID	1	1/P	
30	F0-01250000	MSB-1207	1	5/P	
31	F0-02287000	RSPC-125P	1	5/P	
32	6LE25210000	CUSH-FRM-SCREW-380	2	1/P	
33	F0-01451000	RFC-16V0	1	1/P	
35	F0-01933000	RLMS-1V0	4	5/P	
36	F0-00036000	RLWS3TV0	3	5/P	
37 A	6LK52837000	DAMP-LSU-K110	1	1/P	eS2515AC/3015AC/3515AC
37 B	6LK52837000	DAMP-LSU-K110	2	1/P	eS4515AC/5015AC
38	F0-00136000	K-103G	1	5/P	
40	F0-01947000	RLWC-1SV0	1	5/P	
41	F0-01673000	RMS-2V0	1	5/P	



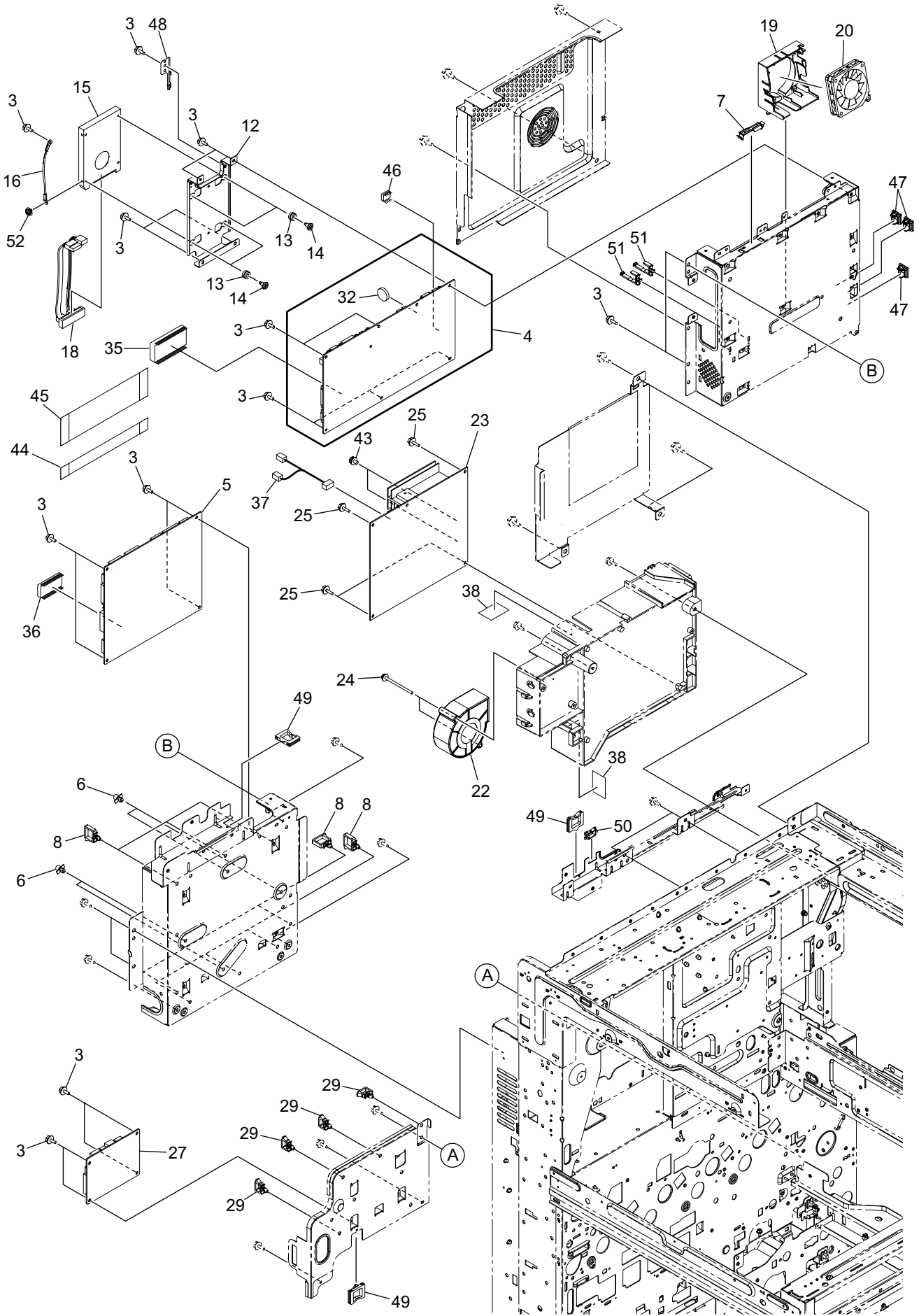
ITEM No.	PART No.	PART NAME	Q'TY / PAGE	Q'TY / PACK	REMARKS
1	E0-15050000	SW1AG-550	2	1/D	
2	6LJ55504200	GUIDE-RAIL-TBU-F_W	1	1/P	
3	X0-02420000	S/TPS/FHEXM/R-3X8-ZU3	19	10/P	
4	6LJ52439000	BRKT-BEAM-SFB-SUB	1	1/P	
5	6LK50604000	FRM-PUSH-TRU-F	1	1/PP	
6	6LJ55903000	PUSHER-TRU-WEISS	1	1/P	
7	6LJ55909000	LINK-PUSH-TRU-A	1	1/P	
8	6LJ55910000	LINK-PUSH-TRU-B	1	1/P	
9	6LJ55904000	COLLAR-TRU-PUSH-WEISS	1	1/P	
10	6LJ55900000	HLDR-SP-TRU	1	1/P	
11	6LJ55905000	ROD-HLDR-COLLAR	1	1/P	
12	6LJ55911000	COLLAR-LINK-ADU	1	1/P	
13	6LJ55968000	SHAFT-TRU-LOCK	1	1/P	
14	X0-00964000	RR/E-3-SS	1	10/P	
15	6LJ55934000	SPG-C-TR2-H21X	1	1/P	
17	6LJ55908100	SPG-F-RGST-GND_2	1	1/P	
18	X0-02247000	S/TPP/FHEXM-3X8-NI	4	10/P	
19	X0-00595000	S/TPP/PAN-3X6-NI	2	10/P	
20	6LJ55953000	WSHR-4R1X7XR25-APS	1	1/P	
21	D0-24198000	ERZV10D821	1	1/C	
22	6LJ53749100	COV-FRT-PILLAR-CST-H21Y_S	1	1/P	
23	6LJ55187100	ASYB-LVR-TBU-CPL_W	1	1/P	
24	6LJ69393000	ROLL-RAIL-CST-H21X-2	2	1/P	
25	X0-00966000	RR/E-5-SS	2	10/P	
26	6LJ55514000	RAIL-TBU-F-H21X	1	1/PP	
27	6LJ55587000	GEAR-LINK-TBU-RAIL	1	1/P	
28	6LJ55483100	SLIDER-LIFT-K_S	1	1/P	
29	6LJ55570100	BRKT-LEVER-TBU_S	1	1/P	
30	6LJ55564100	SHAFT-LIFT-H21Y_S	1	1/P	
31	6LJ55569000	GEAR-LINK-TBU-LVR	1	1/P	
32	6LJ55441000	SPG-F-PUSH-TBU-CL	1	1/P	
33	6LJ66740100	RAIL-CST-RIGHT-PFP1	2	1/PP	
34	6LJ69392000	ROLL-RAIL-CST-H21X-1	2	1/P	
35	6LK50704000	RAIL-FEED-UNIT-L-H373	2	1/PP	
36	6LJ56356000	STUD-HOOK-COV-H21Y-N	2	1/P	
37	X0-02230000	S/FHEXM-M3X6-NI	2	10/P	
38	6LK45350000	HRNS-PFP-EMP-H373	2	1/P	
39	6LJ56265100	HOLDER-SNSR-FS-21X_HS	2	1/P	
40	C0-17839000	LG2A14BL1	4	1/C	
41	E0-14534000	CF-LA-2KZ2-1C	1	1/C	
42	6LJ55565200	LEVER-TBULIFT-H370	1	1/P	
43	6LK50607000	SPG-GND-RGST-H370	1	1/P	
44	6LH54676000	FOOT-FRM-BASE	2	5/P	
45	6LK44724000	BRKT-MAIN-SW-H373	1	1/P	
46	6LE25210000	CUSH-FRM-SCREW-380	1	1/P	
47	6LJ56973000	SCREW-ROLL-CST-H21X	2	1/P	
48	F0-02289000	RSPC-325P	1	5/P	



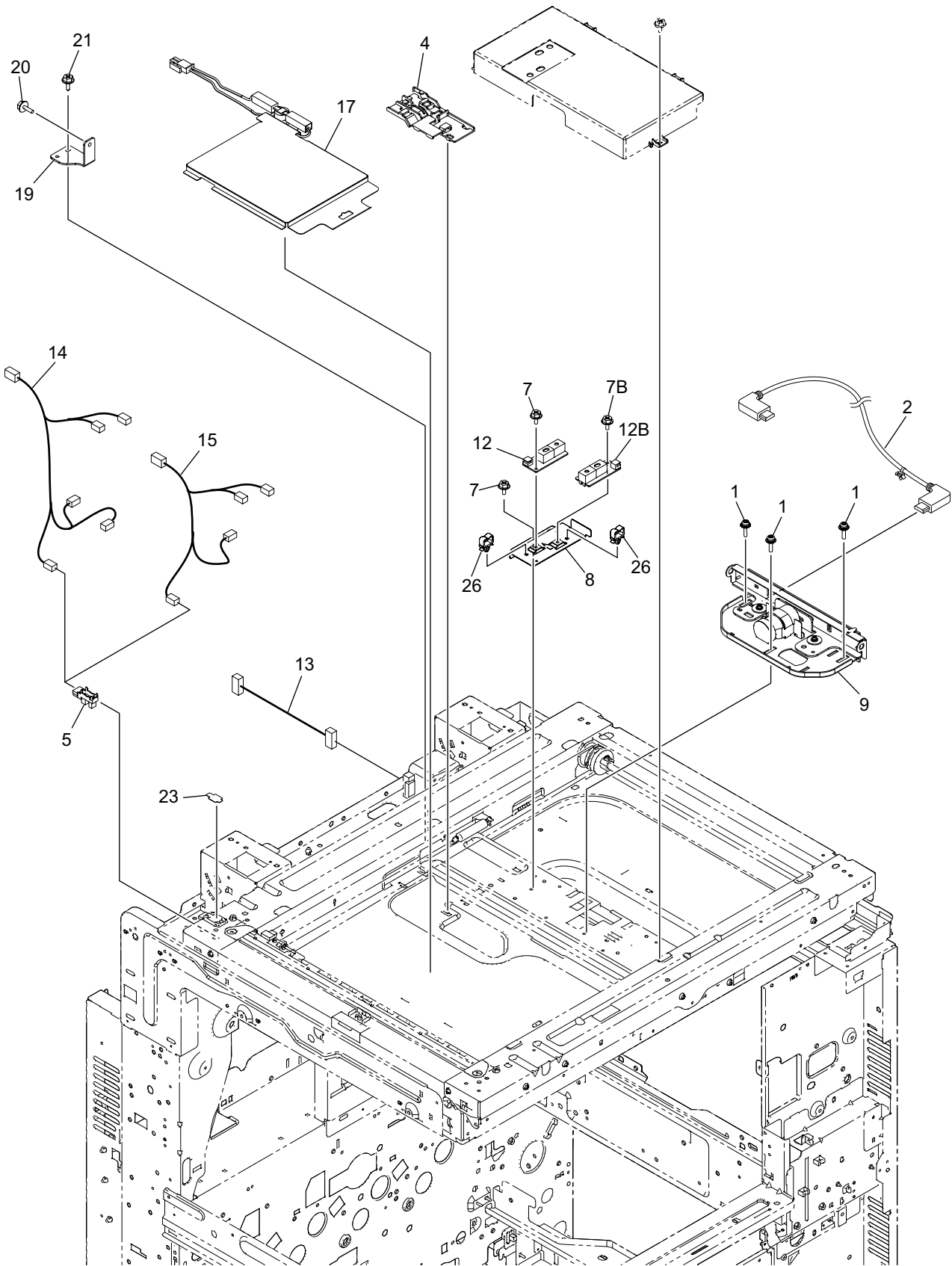
ITEM No.	PART No.	PART NAME	Q'TY / PAGE	Q'TY / PACK	REMARKS
1	6LJ55435000	RAIL-TBU-R-H21X	1	1/PP	
2	6LJ55422000	LINK-COUPLE-TR1	1	1/P	
3	6LJ55471000	SPG-E-COUPLE-TR1	1	1/P	
4	6LJ55461000	SPG-RAIL-HVT-TR2-H21X	1	1/P	
5	6LJ55460000	SPG-RAIL-HVT-K-H21X	1	1/P	
6	6LJ55459000	SPG-RAIL-HVT-C-H21X	1	1/P	
7	6LJ55458000	SPG-RAIL-HVT-M-H21X	1	1/P	
8	6LJ55457000	SPG-RAIL-HVT-Y-H21X	1	1/P	
9	6LJ55439000	SPG-F-BIAS-HV-H21X	4	1/P	
10	6LJ55440000	SPG-F-BIAS-HV-TR2	1	1/P	
11 A	X0-02420000	S/TPS/FHEXM/R-3X8-ZU3	9	10/P	ASD,AUD,ARD,CND,TWD
11 B	X0-02420000	S/TPS/FHEXM/R-3X8-ZU3	8	10/P	NAD,MJD
12	6LJ55953000	WSHR-4R1X7XR25-APS	1	1/P	
14	X0-00595000	S/TPP/PAN-3X6-NI	2	10/P	
15	6LJ55905000	ROD-HLDR-COLLAR	1	1/P	
16	6LJ55968000	SHAFT-TRU-LOCK	1	1/P	
17	6LJ55911000	COLLAR-LINK-ADU	1	1/P	
18	X0-00964000	RR/E-3-SS	1	10/P	
19	6LJ55910000	LINK-PUSH-TRU-B	1	1/P	
20	6LJ55909000	LINK-PUSH-TRU-A	1	1/P	
21	6LJ55903000	PUSHER-TRU-WEISS	1	1/P	
22	6LJ55904000	COLLAR-TRU-PUSH-WEISS	1	1/P	
23	6LJ55934000	SPG-C-TR2-H21X	1	1/P	
24	6LJ55900000	HLDR-SP-TRU	1	1/P	
25	6LJ55967000	FRM-PUSH-TRU-R	1	1/PP	
26	6LJ53736100	COVER-RIGHT-B_H370	1	1/PP	
27	X0-02593000	S/TPD3/FHEXM-3X8-ZU3	2	10/P	
28	6LJ53212200	DUCT-FRONT-FAN-H373	1	1/P	
29	D0-32012000	CHS-CGC5-28	1	1/P	
31	6LK48235000	FAN-7530-170-H370	2	1/D	
32	X0-00461000	S/BID-M4X35-NI	2	10/P	
34 A	6LK48219000	ASYS-DUCT-DEV-OZN-F-H373	1	1/PP	eS2515AC/3015AC/3515AC
34 B	6LK48219100	ASYS-DUCT-DEV-OZN-F-H376	1	1/P	eS4515AC/5015AC
36	6LK48200000	DUCT-DEV-FAN-F-H373	1	1/PP	
37	6LJ53213100	DUCT-OZN-FAN-R-H21Y_S	1	1/PP	
38	6LJ53217100	DUCT-OZN-FAN-F-H21Y_S	1	1/PP	
39	6LJ53155000	SEAL-DUCT-OZN-FAN-H21Y	1	1/KP	
40	6LK48224000	ASYS-HLD-OZN-FIL-H373	1	1/PP	
41	6LK48248000	FILTER-OZN-KCH-A08K	2	1/C	
42	6LK48232000	ASYS-DUCT-OZN-DEV-R-H373	1	1/P	
45	6LK48202000	DUCT-DEV-PASS-F-H373	1	1/C	
46	6LK48203000	DUCT-DEV-PASS-R-H373	1	1/C	
48	F0-01813000	LWS-1316S-V0	2	5/P	
49	6LJ53169000	ASYS-DUCT-OZN-R-PASS-H21Y	1	1/P	
50 A	6LJ52842000	COVER-BOTTOM-HOLE-H21Y	1	1/P	ASD,AUD,ARD,CND,TWD
51	6LK48230000	ASYB-EXIT-COOL-H373	1	1/C	
53	6LK48237000	FAN-6025-185-H373	1	1/D	
54	6LK48201000	DUCT-DEV-FAN-R-H373	1	1/PP	
55	6LK48207000	DUCT-LSU-PASS-L-H373	1	1/P	
56	6LK48206000	DUCT-LSU-PASS-U-H373	1	1/P	
57	6LK48204000	DUCT-LSU-FAN-F-H373	1	1/P	
58	6LK48205000	DUCT-LSU-FAN-R-H373	1	1/P	
59	6LK48236000	FAN-6025-065-H373	1	1/D	
60 A	6LK45380000	HRNS-DH3-H373	1	1/P	ASD,AUD,ARD,CND,TWD
61	6LK83533000	HRNS-LGC-FRONT-K110	1	1/P	
62	6LK45426000	HRNS-LGC-THMS-H373	1	1/P	
63	6LH09500000	FAN-P7530-430M	1	1/D	

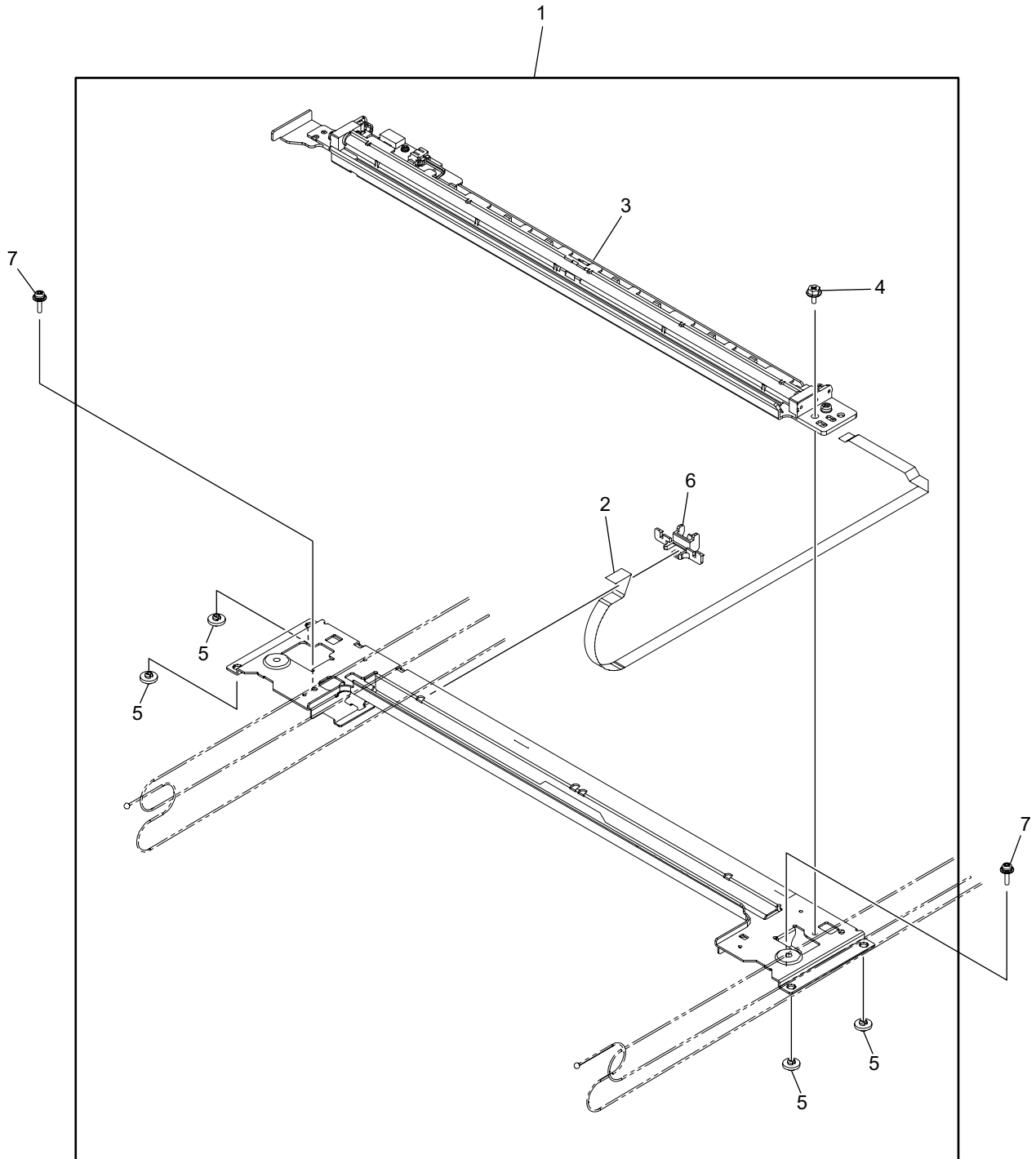


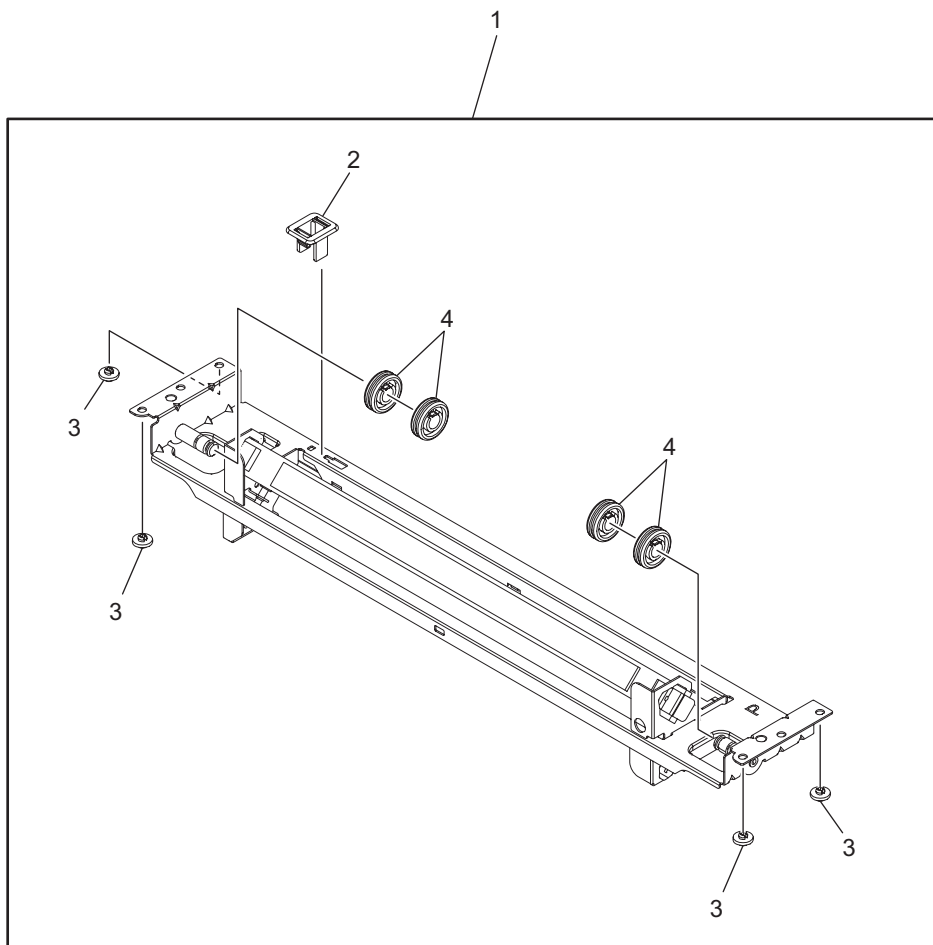
ITEM No.	PART No.	PART NAME	Q'TY / PAGE	Q'TY / PACK	REMARKS
1	6LK49426000	SPG-BIASDEV-H373-M	1	1/P	
2	6LK49428000	SPG-BIASDEV-H373-K	1	1/P	
3	6LK49475000	SPG-BIASGRID-H373-Y-2	1	1/P	
4	6LK49477000	SPG-BIASGRID-H373-C-2	1	1/P	
5	6LK49436000	SPG-BIASMAIN-H373-C	1	1/P	
6	6LK49476000	SPG-BIASGRID-H373-M-2	1	1/P	
7	6LK49435000	SPG-BIASMAIN-H373-M	1	1/P	
8	6LK49427000	SPG-BIASDEV-H373-C	1	1/P	
9	6LK49433000	SPG-BIASMAIN-H373-K	1	1/P	
10	6LK49434000	SPG-BIASMAIN-H373-Y	1	1/P	
11	6LK49478000	SPG-BIASGRID-H373-K-2	1	1/P	
12	6LK49425000	SPG-BIASDEV-H373-Y	1	1/P	
13 A	X0-02420000	S/TPS/FHEXM/R-3X8-ZU3	13	10/P	NAD,MJD
13 B	X0-02420000	S/TPS/FHEXM/R-3X8-ZU3	10	10/P	ASD,AUD,ARD,CND,TWD
14	6LK49423000	HLDR-HVEPU-H373	1	1/C	
15	6LK49424000	LID-HVEPU-H373	1	1/C	
16	6LK49489000	SPG-F-CASE-H21X	4	1/P	
18 A	6LJ61965000	CABLE-P-INLET-AR-C	1	1/P	ARD
18 B	6LJ62294000	CABLE-P-INLET-AU-C-S	1	1/P	AUD
18 C	6LJ62297000	CABLE-P-INLET-CCC-C-S	1	1/P	CND
18 D	6LJ62295000	CABLE-P-INLET-EUR-C-S	1	1/P	MJD
18 E	6LJ62296000	CABLE-P-INLET-NAD-15A-C-S	1	1/P	NAD
18 F	6LJ62293000	CABLE-P-INLET-UK-C-S	1	1/P	ASD
18 G	6LE95826000	CABLE-P-INLET-TWD	1	1/P	TWD
20	6LK45381000	HRNS-INLET-LVPS-H373	1	1/P	
21	E0-12842000	AC-P10CF34	1	1/P	
22	6LJ52428000	USUITA-SPSEMS-4X6-6	1	5/P	
30	F0-00045000	EDS-1	1	10/P	
31 A	6LK73067000	ASYB-PWA-DAMP	1	1/SB	ASD,AUD,ARD,CND,TWD
32	6LK44758000	BRKT-PFP-H373	1	1/P	
33 A	6LK44837000	BRKT-SW-DUMPH-H373-V	1	1/P	ASD,AUD,ARD,CND,TWD
34 A	F0-01451000	RFC-16V0	1	1/P	ASD,AUD,ARD,CND,TWD
35 A	F0-00036000	RLWS3TV0	1	5/P	ASD,AUD,ARD,CND,TWD
36 A	F0-00311000	SPLSN-14U	2	5/P	ASD,AUD,ARD,CND,TWD
37 A	F0-00342000	SPLSN-6U	2	5/P	ASD,AUD,ARD,CND,TWD
38 A	E0-11755000	AJ76102BF	1	1/P	ASD,AUD,ARD,CND,TWD
39 A	6LK45671000	HRNS-DAMP1-H373C	1	1/P	ASD,AUD,ARD,CND,TWD
40 A	6LK45589000	HRNS-DAMP-RLY-H373	1	1/P	ASD,AUD,ARD,CND,TWD
41 A	6LK48715000	COVER-INNER-PFP-H373	1	1/PP	NAD,MJD
42	F0-00047000	EDS-1717U	1	10/P	
43	6LK44710000	BRKT-DF-FIN-H373	1	1/D	
46	6LK45429000	HRNS-INLET-FG-H373	1	1/P	

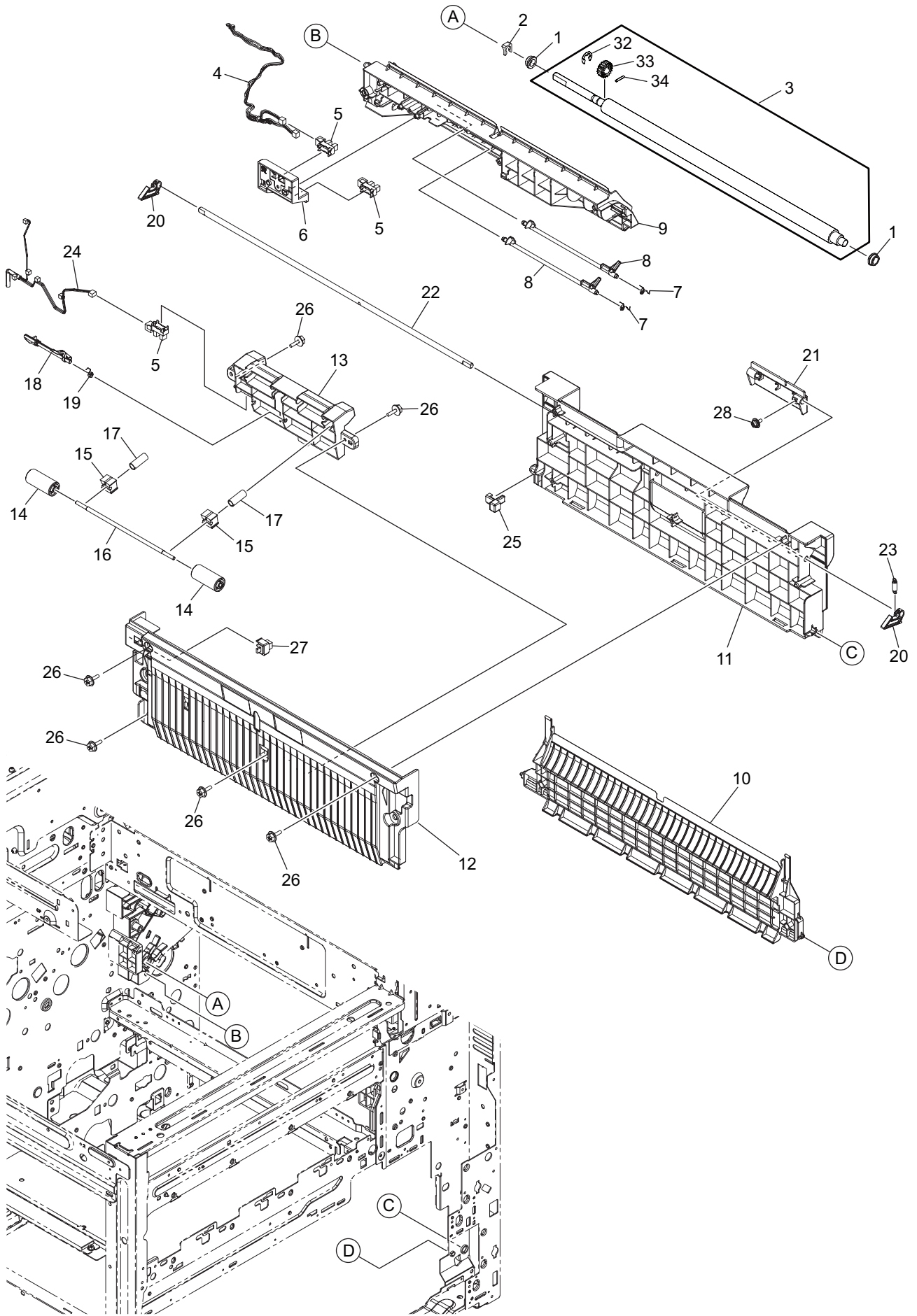


ITEM No.	PART No.	PART NAME	Q'TY / PAGE	Q'TY / PACK	REMARKS
3	X0-02230000	S/FHEXM-M3X6-NI	21	10/P	
4	6LK83614000	ASYB-PWA-SYS-K110S	1	1/SB	
5 A	6LK83611100	ASYB-LGC-K111S	1	1/SB	eS2515AC
5 B	6LK83611200	ASYB-LGC-K112S	1	1/SB	eS3015AC
5 C	6LK83611300	ASYB-LGC-K113S	1	1/SB	eS3515AC
5 D	6LK83612000	ASYB-LGC-K114S	1	1/SB	eS4515AC
5 E	6LK83612100	ASYB-LGC-K115S	1	1/SB	eS5015AC
6	F0-00331000	SPSN-4U	4	5/P	
7	F0-01418000	RFC-33V0	1	1/P	
8	F0-01813000	LWS-1316S-V0	8	5/P	
12	6LK44716000	BRKT-HDD-H370	1	1/P	
13	6LK44874000	INSULATOR-HDD-BNS-20	4	1/P	
14	6LH53114000	SCREW-HDD-CASE_M3	4	5/P	
15 A	G0-00732000	MQ01ABU032W	1	1/C	NAD,MJD,ASD,AUD,ARD,TWD
15 B	G0-00728000	MQ01ABF032	1	1/C	CND
16	6LK45548000	HRNS-HDDFG-H370	1	1/P	
18	6LK45529000	HRNS-HDD-H370	1	1/P	
19	6LJ53224000	DUCT-SYS-FAN-H21X	1	1/P	
20	6LJ53202000	FAN_D-SYS-6015-H21X	1	1/D	
22	6LH09500000	FAN-P7530-430M	1	1/D	
23 A	6LK83392200	ASYB-IH-K110E	1	1/SB	MJD,ASD,AUD,ARD,CND
23 B	6LK83601100	ASYB-IH-K110U	1	1/SB	NAD
23 C	6LK83601000	ASYB-IH-K110J	1	1/SB	TWD
24	X0-02484000	S/PAN/SWWP-M3X35-NI	2	10/P	
25	X0-02247000	S/TPP/FHEXM-3X8-NI	4	10/P	
27	6LK83387000	PWA-K-PFC-110	1	1/SB	
29	F0-01811000	LWS-0711S-V0	4	5/P	
32	6LE90510G00	LI-BAT-CR-2032	1	1/S	
35	C0-20835000	M471B5173EB0-YK0	1	1/C	
36	C0-18775000	BR24T256-W	1	1/C	
37	6LK83349000	HRNS-LGC-IH-K110	1	1/P	
38	6LJ58786000	SHEET-CASE-IH	2	1/P	
43	6LJ52428000	USUITA-SPSEMS-4X6-6	2	5/P	
44	6LK83340000	HRNS-LGC-SYS1-K100	1	1/P	
45	6LK83341000	HRNS-LGC-SYS2-K110	1	1/P	
46	6LK83615000	IC-F-RAM-SVP	1	1/S	
47	6LK48745000	COVER-MODULAR-B	3	1/P	
48	6LK44717000	SPG-F-SYS-H370	1	1/P	
49	F0-00047000	EDS-1717U	3	10/P	
50	F0-00045000	EDS-1	1	10/P	
51	F0-00036000	RLWS3TV0	2	5/P	
52	6LK56627000	SCREW-3X3-HDD	1	5/P	

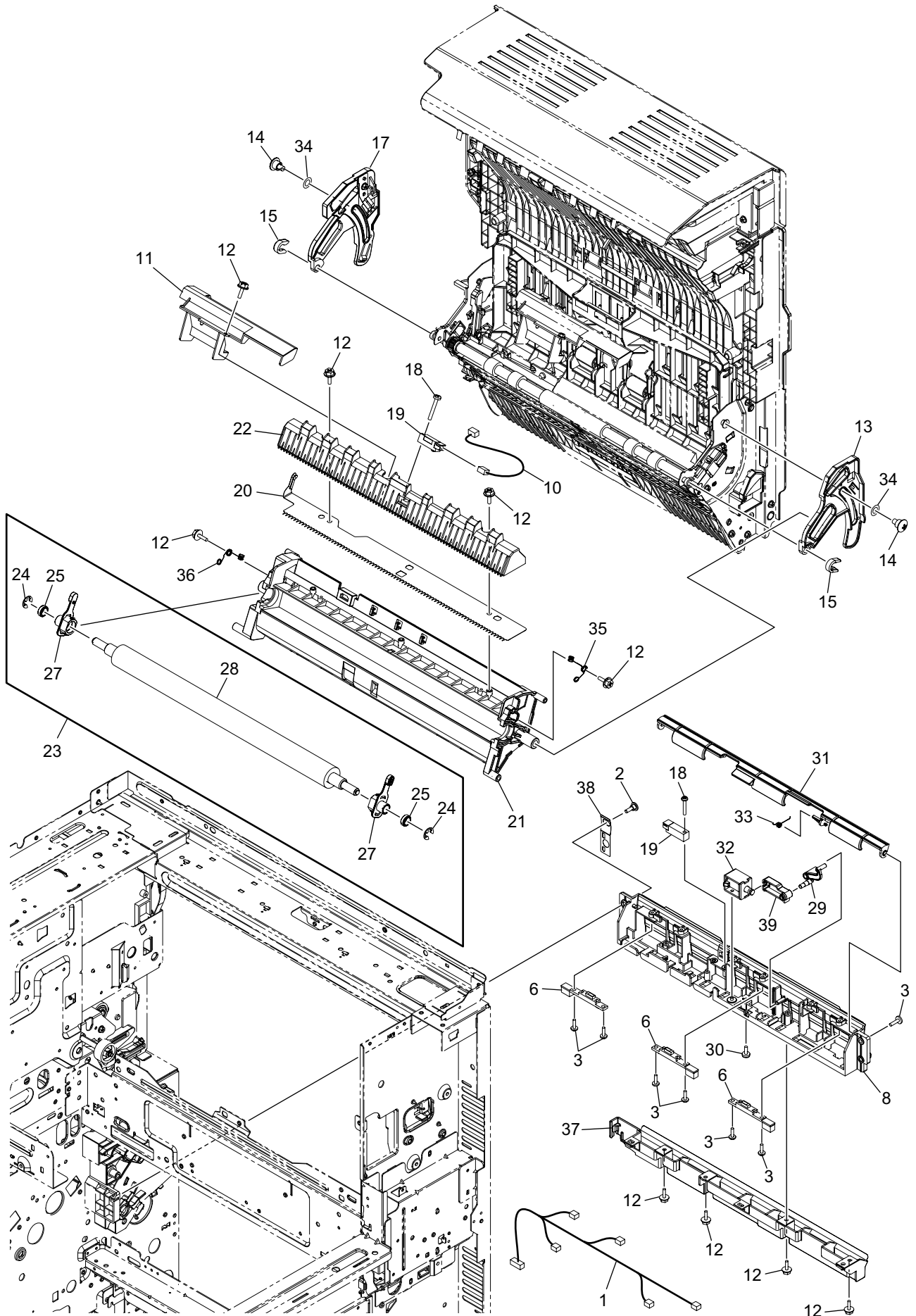




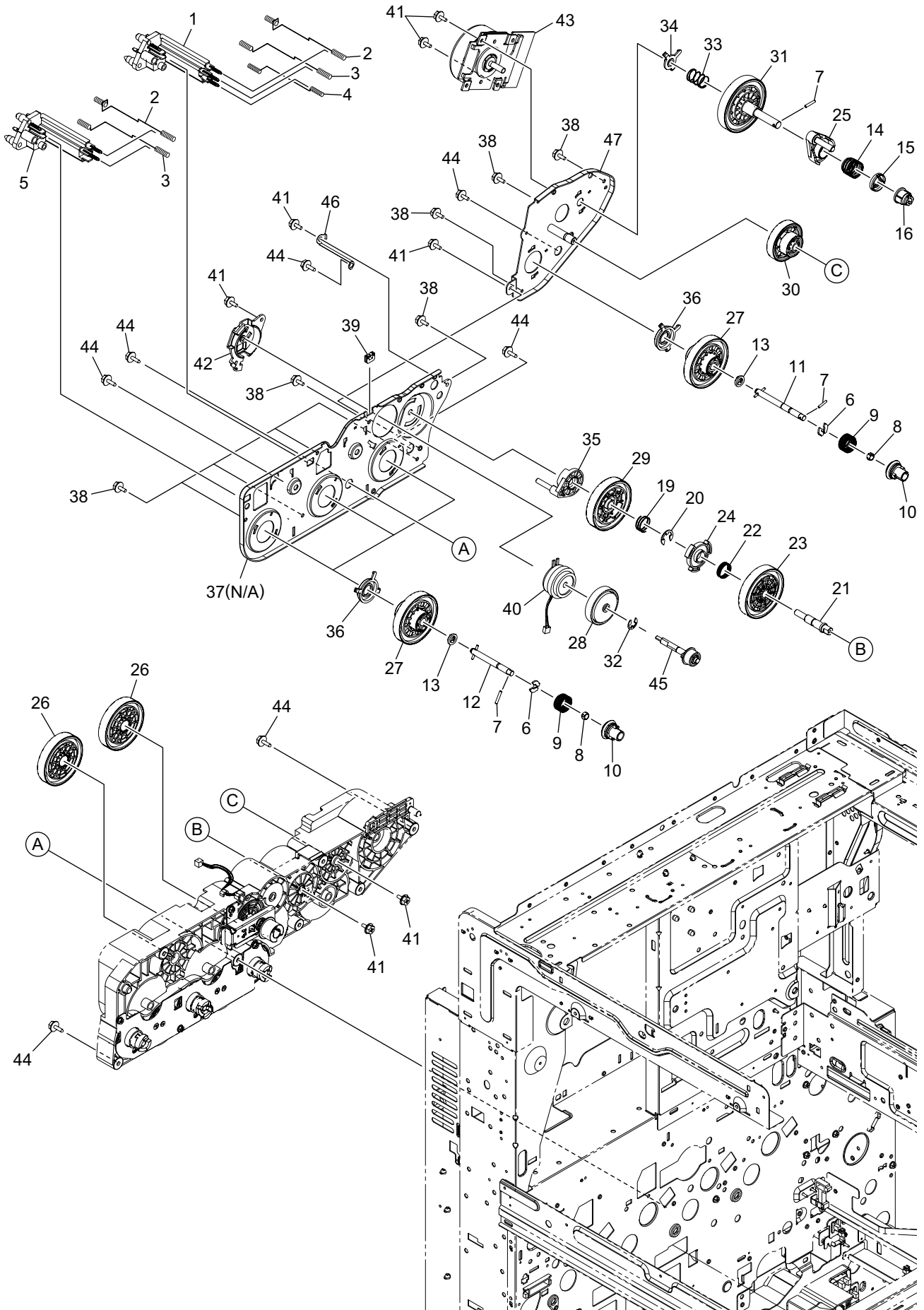




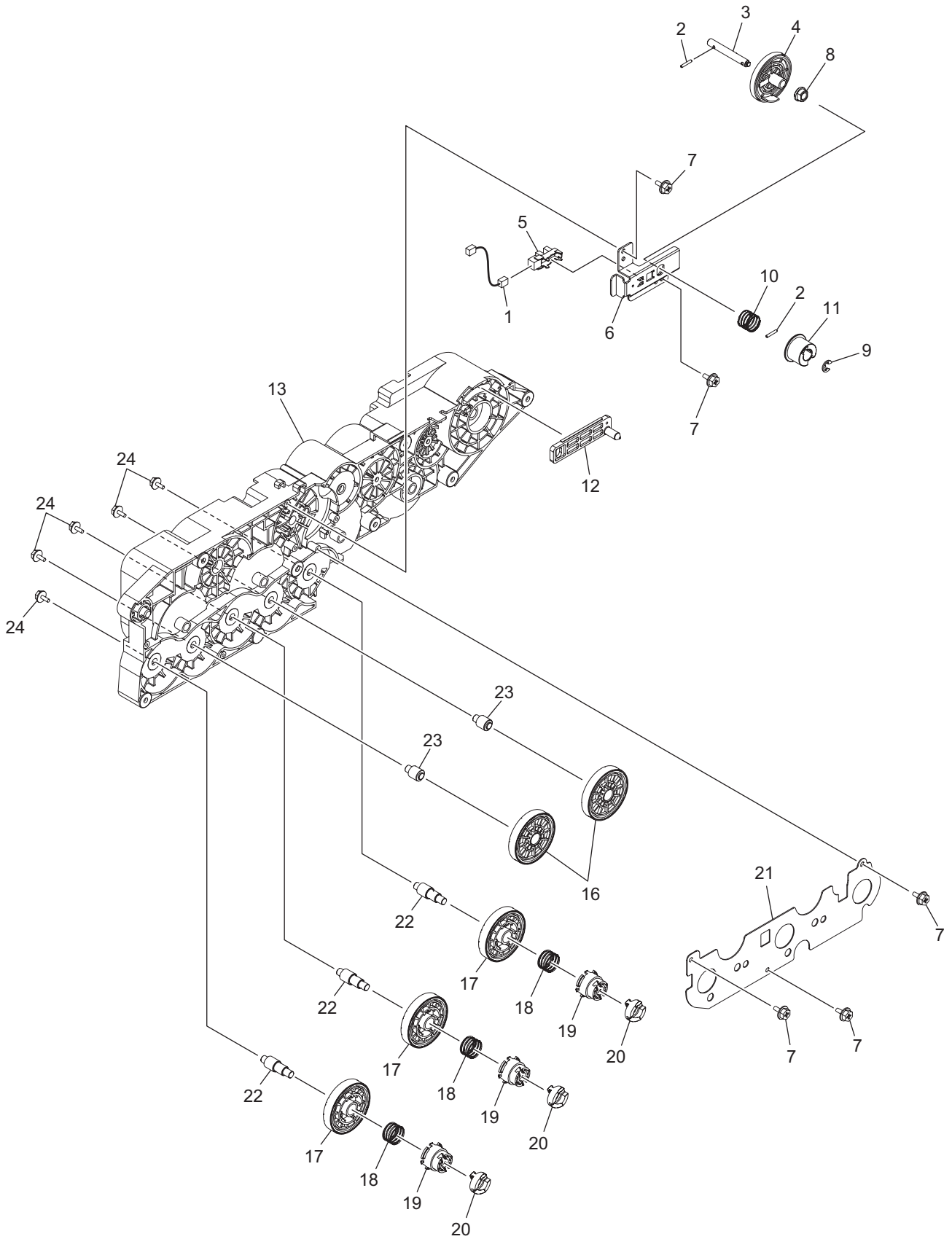
ITEM No.	PART No.	PART NAME	Q'TY / PAGE	Q'TY / PACK	REMARKS
1	6LJ56226100	BUSH-8X12-SW01	2	1/P	
2	41306265000	STOP-RING-8	1	1/P	
3	6LJ56368000	ASYB-ROLLER-RGST-L-H21Y	1	1/KP	
4	6LJ61020000	HRNS-SNR-212	1	1/P	
5	C0-17839000	LG2A14BL1	3	1/C	
6	6LJ56205100	HOLDER-SNSR-RGST-21X_LS	1	1/P	
7	6LJ56206000	SPG-ACT-FEED-H21X_L	2	1/P	
8	6LJ56200000	ACTR-FEED-H21X_L	2	1/KP	
9	6LJ56348100	ASYS-GUIDE-RGST-L-H370	1	1/PP	
10	6LK50701000	GUIDE-TRANS-OPEN-H373	1	1/C	
11	6LJ56303100	COVER-FEED-LOW-H373	1	1/PP	
12	6LK50756000	GUIDE-FEED-R-LOW-H373	1	1/PP	
13	6LJ56306100	HOLDER-ROL-IDL-TRNS-21Y_S	1	1/P	
14	6LH57916000	ROL-RELAY-IDL-PFP	2	1/P	
15	6LH34715000	BUSH-FEED-IDL	2	5/P	
16	6LK50736000	SHAFT-RELAY-IDL-H373	1	1/P	
17	6LK50735000	SPG-C-ROL-TRNS-H373	2	1/P	
18	6LH57921000	ACTR-LOIRE-PFP	1	1/D	
19	6LH57936000	SPG-T-SNSR-LOW-350	1	5/P	
20	6LH58005000	HOOK-COVER-PFP	2	1/P	
21	6LH57995200	KNOB-COVER-LOIRE-W2	1	1/P	
22	6LJ56309000	SHAFT-HOOK-COV-H21Y	1	1/P	
23	6LH58002000	SPG-E-4R9XR6X18R2-HOOK	1	1/P	
24	6LK45399000	HRNS-PFU-COV-H373	1	1/P	
25	44201629000	STOPPER-COV-FED	1	1/P	
26	X0-02247000	S/TPP/FHEXM-3X8-NI	6	10/P	
27	4402859600	SP-CS3A-B2BA	1	1/D	
28	X0-00060000	S/PAN/SWWP-M3X6-NI	1	10/P	
32	X0-00968000	RR/E-7-SS	1	10/P	
33	6LJ56290000	GEAR-8S19-8	1	1/P	
34	X0-01526000	P/PRL/AH7-2X12-SS	1	10/P	



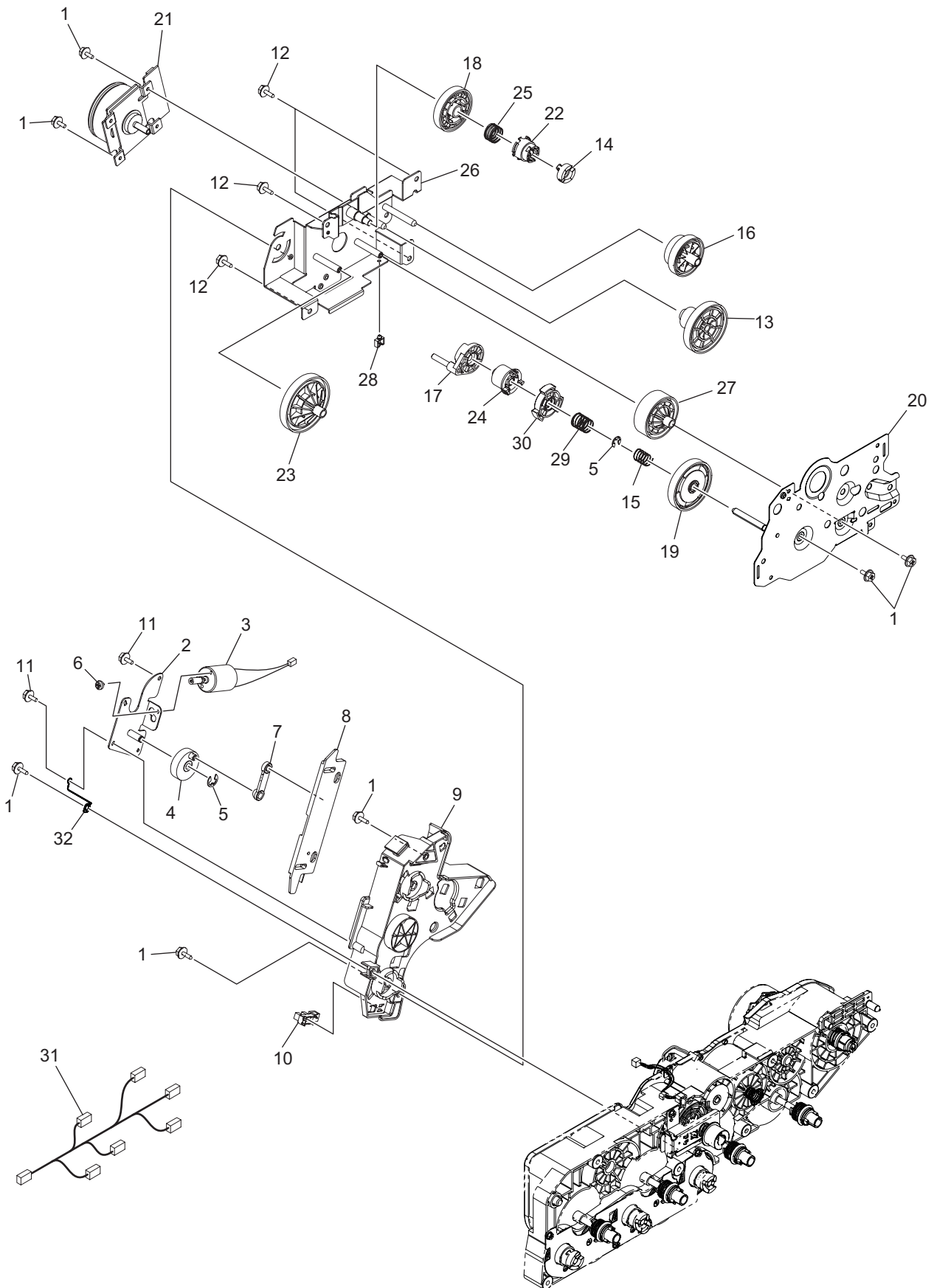
ITEM No.	PART No.	PART NAME	Q'TY / PAGE	Q'TY / PACK	REMARKS
1	6LK83365000	HRNS-PSNR-K110	1	1/P	
2	6LH05511000	SCREW-M3X8-3.2-P	1	5/P	
3	6LA80090000	S/TPP/BID-3X8-NI	7	5/P	
6	6LK46377000	SNSR-POS-CTD-H370	3	1/D	
8	6LK50632000	ASYS-CASE-GUIDE-IMG-K11X	1	1/PP	
10	6LK45474000	HRNS-TRU-H370	1	1/P	
11	6LJ55937100	COVER-HRNS-TRU_S	1	1/PP	
12	X0-02247000	S/TPP/FHEXM-3X8-NI	9	10/P	
13	6LK50613000	HLDR-TRU-F_S	1	1/P	
14	6LA37669000	SCREW-LOCK-ARM	2	5/P	
15	4407972860	STOP-RING-6-5	2	5/P	
17	6LK50615000	ASYB-HLDR-TRU-R	1	1/P	
18	X0-02127000	S/TPP/PAN-3X16-NI	2	10/P	
19	C0-15007000	PS119ED1	2	1/C	
20	6LJ55912000	PLT-EARTH-TRU-H21X	1	1/C	
21	6LK50628000	CASE-TRU-K100	1	1/PP	
22	6LJ55915100	GUIDE-TRU-H21X_S	1	1/PP	
23	6LK50609000	ASYB-ROL-TR2-H370	1	1/C	
24	X0-00965000	RR/E-4-SS	2	10/P	
25	6LJ55913000	RING-TRU-ROL	2	1/P	
27	6LK50600000	ASYS-BUSH-TRU-H373	2	1/P	
28	6LJ70397000	CR-FC30TR2	1	1/S	
29	6LK50623000	LINK-SHUT-IMG-K11X	1	1/P	
30	X0-00430000	S/BID-M3X6-NI	1	10/P	
31	6LK50621000	SHUT-IMG-K11X	1	1/KP	
32	6LJ55959000	SOL-06A-IMG-POS-2	1	1/C	
33	6LK50625000	SPG-T-SHUT-IMG-K11X	1	1/P	
34	6LA06340000	WAS-06-95-Z13-P	2	10/P	
35	6LK50605000	SPG-GND-TRU-F-H370	1	1/P	
36	6LK50606000	SPG-GND-TRU-R-H370	1	1/P	
37	6LK50633000	ASYS-HLDR-PAPER-DUST-K11X	1	1/P	
38	6LK50624000	SPG-PLATE-IMG-K11X	1	1/P	
39	6LK50622000	LINK-SOL-IMG-K11X	1	1/P	



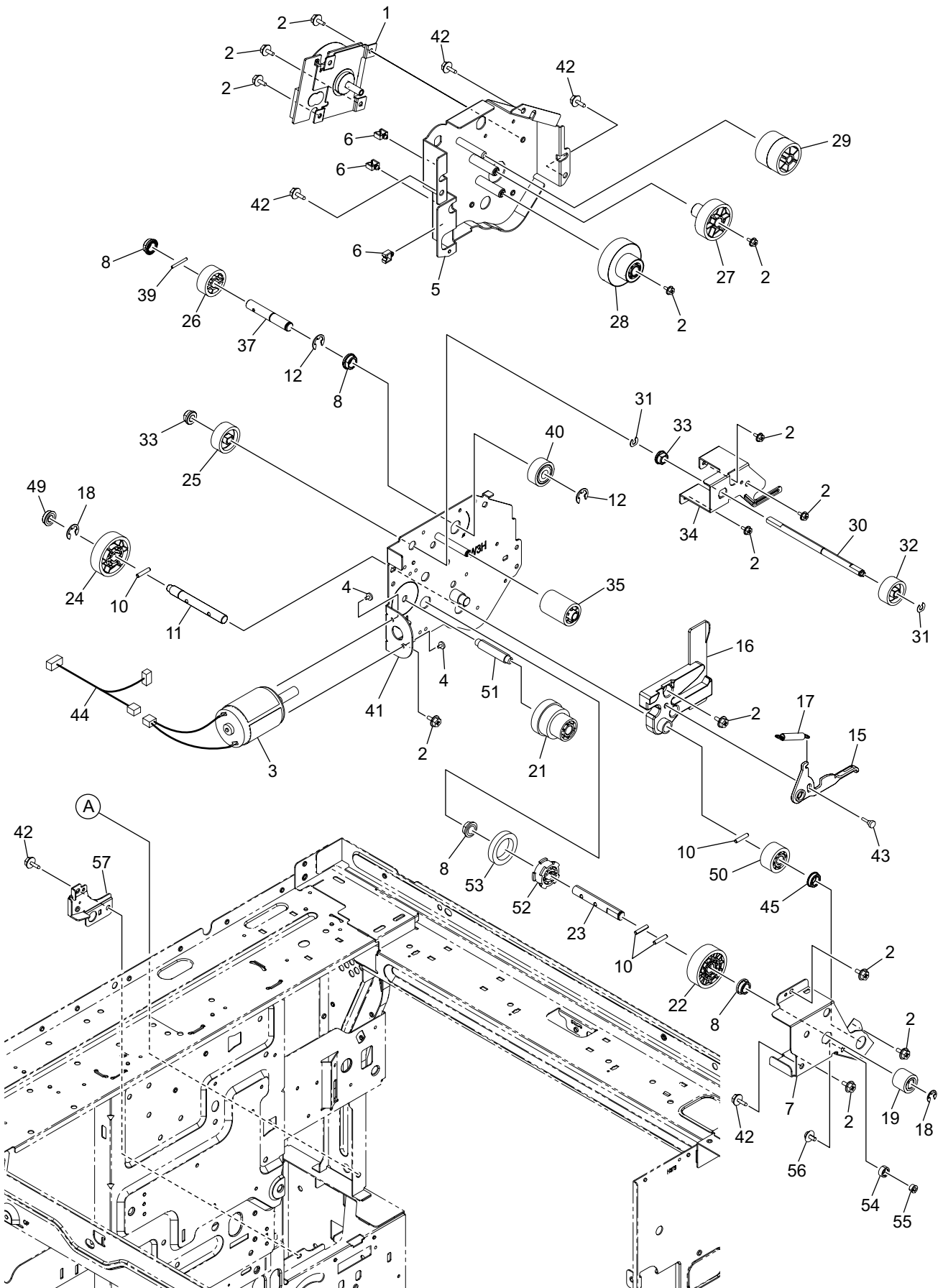
ITEM No.	PART No.	PART NAME	Q'TY / PAGE	Q'TY / PACK	REMARKS
1	6LK50405000	RAIL-WIRE-HV-TBU	1	1/C	
2	6LJ55462000	SPG-HVT-MK-H21X	2	1/P	
3	6LJ55463000	SPG-HVT-YC-H21X	2	1/P	
4	6LJ55464000	SPG-HVT-TR2-H21X	1	1/P	
5	6LK50404000	RAIL-WIRE-HV-TBU-YM	1	1/C	
6	44201801000	STOP-RING-6-1.5	4	5/P	
7	X0-01526000	P/PRL/AH7-2X12-SS	5	10/P	
8	6LJ55133000	CAP-SHAFT-DRUM	4	1/P	
9	6LJ55198000	SPG-C-DRIVE-DRUM	4	1/P	
10	6LJ55152000	COUPLE-DRUM-DRIVE	4	1/P	
11	6LJ55241000	ASYS-SHAFT-DRV-DRUM-K	1	1/P	
12	6LJ55242000	ASYS-SHAFT-DRV-DRUM-YMC	3	1/P	
13	6LJ55175000	CAP-SHAFT-DRUM-R	4	1/P	
14	6LJ55253000	SPG-C-DRIVE-TBU	1	1/P	
15	6LJ55141000	RING-DRIVE-TBU	1	1/P	
16	6LJ55244000	COUPLE-DRIVE-TBU	1	1/P	
19	6LJ55165000	SPG-C-DRUM-R	1	1/P	
20	X0-00968000	RR/E-7-SS	1	10/P	
21	6LJ55169000	SHAFT-RELAY-DRV-DRUM	1	1/P	
22	6LJ55166000	SPG-C-DRUM-F	1	1/P	
23	6LJ55102100	GEAR-04H132-C_W	1	1/P	
24	6LK77001000	COUPLE-IDLE-DRUM-DRIVE	1	1/P	
25	6LJ55138100	CAM-DRV-TBU_W	1	1/P	
26	6LJ55120100	GEAR-04H132-IDLE_W	2	1/P	
27	6LJ55110100	GEAR-04H132-DRUM_W	4	1/P	
28	6LJ55104100	GEAR-04H95-10S28W	1	1/P	
29	6LJ55103000	GEAR-04H132-K	1	1/P	
30	6LJ55209000	GEAR-5H65-4H57-H21Y	1	1/P	
31	6LJ55233000	ASYB-GEAR-DRV-TBU-H21Y	1	1/P	
32	X0-00966000	RR/E-5-SS	1	10/P	
33	6LJ55162000	SPG-C-DRV-TBU-R	1	1/P	
34	6LK50232000	BUSH-TBU-DRIVE-H21Y	1	1/P	
35	6LJ55121000	CRANK-PUSH	1	1/P	
36	6LJ55212000	BUSH-DRUM-DRIVE-H21Y	4	1/P	
37	6LJ55205000	PLT-DRV-DRUM-H21Y	1	N/A***	
38	X0-02246000	S/TPP/FHEXM-3X6-NI	9	10/P	
39	F0-02296000	ES-0505-2	1	5/P	
40	6LH53742000	CLUTCH-50R-G28-6	1	1/D	
41	X0-02230000	S/FHEXM-M3X6-NI	7	10/P	
42	6LK50202000	COVER-CLUCH-G28-H370	1	1/P	
43	6LK52212000	MOTR_D-DRIVE-05R20-22	1	1/C	
44	X0-02420000	S/TPS/FHEXM/R-3X8-ZU3	7	10/P	
45	6LK50212000	ASYB-SHAFT-DRV-TR1-H373	1	1/P	
46	6LJ55192000	SPG-F-GND-DRIVE-DRUM	1	1/P	
47	6LJ55202000	ASYS-DRUM-MOT-BRKT-H21Y	1	1/P	



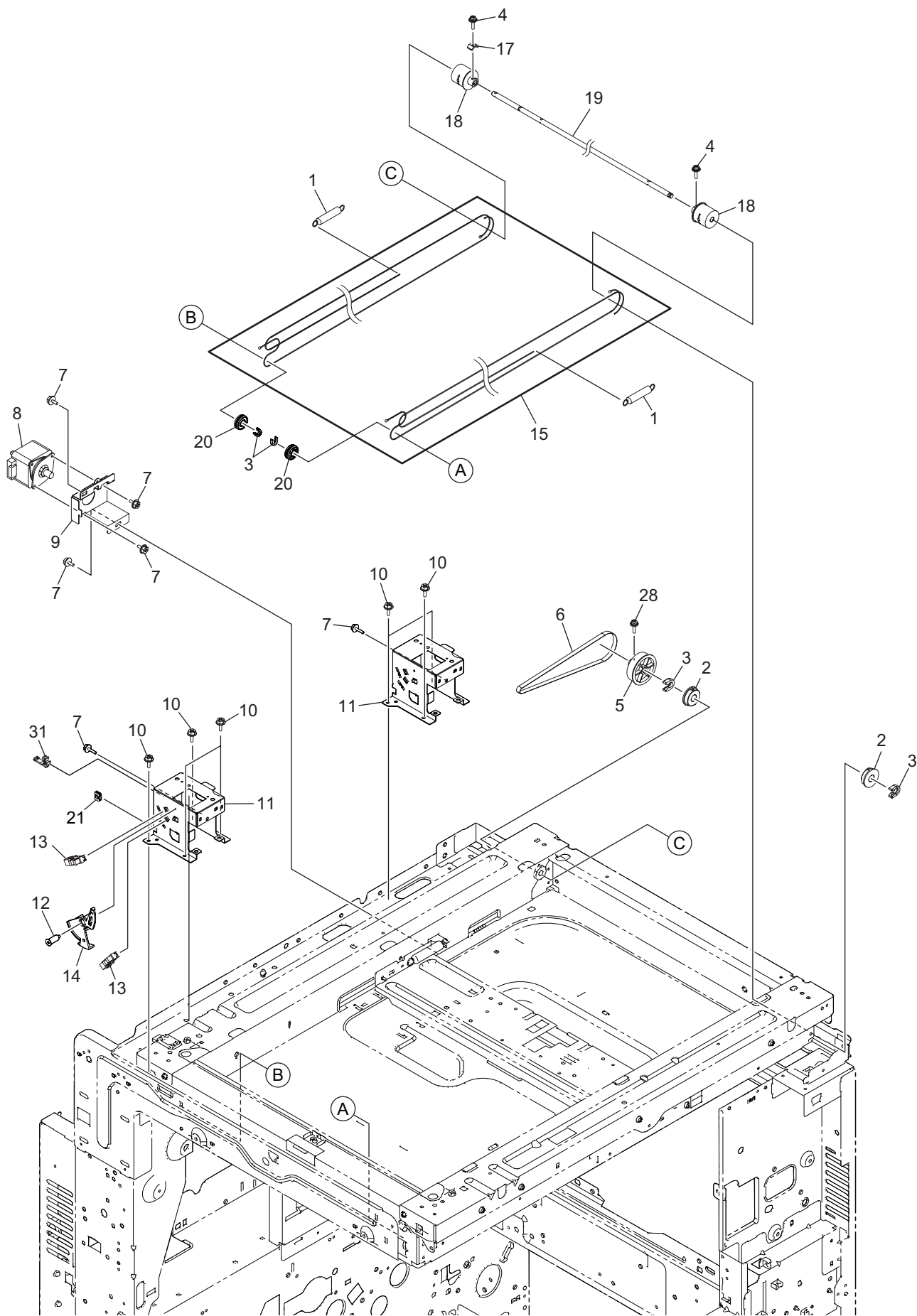
ITEM No.	PART No.	PART NAME	Q'TY / PAGE	Q'TY / PACK	REMARKS
1	6LK45392000	HRNS-TR1POS-H370	1	1/P	
2	X0-01526000	P/PRL/AH7-2X12-SS	2	10/P	
3	6LJ55132000	SHAFT-DRV-TR1-TBU-2	1	1/P	
4	6LJ55211000	GEAR-10S49-COUPLE-TBU	1	1/P	
5	C0-20495000	LG2A24BL1	1	1/C	
6	6LJ55206000	BRKT-DRIVE-TR1-H21Y	1	1/P	
7	X0-02246000	S/TPP/FHEXM-3X6-NI	5	10/P	
8	44201492000	BUSH-6-POM	1	5/P	
9	X0-00964000	RR/E-3-SS	1	10/P	
10	6LJ55197000	SPG-C-TR1-TBU	1	1/P	
11	6LJ55154000	COUPLE-SW-TBU-TR1	1	1/P	
12	6LJ55160100	LVR-COUPLE-DRV-TBU_S	1	1/P	
13	6LJ55201000	FRAME-DRV-DRUM-H21Y	1	1/PP	
16	6LJ55109100	GEAR-5H85-IDLE_W	2	1/P	
17	6LJ55108100	GEAR-5H85-CPL-DEV_W	3	1/P	
18	6LJ55167000	SPG-C-DEV-DRV-C	3	1/P	
19	6LJ55126100	COUPLE-DEV-DRIVE-R_W	3	1/P	
20	6LJ55226000	COUPLE-DEV-DRIVE-F-H21Y	3	1/P	
21	6LJ55129000	PLATE-DRIVE-DEV	1	1/P	
22	6LJ55223000	STUD-DRV-DEV-A-H21Y	3	1/P	
23	6LJ55224000	STUD-DRV-DEV-B-H21Y	2	1/P	
24	X0-02230000	S/FHEXM-M3X6-NI	5	10/P	



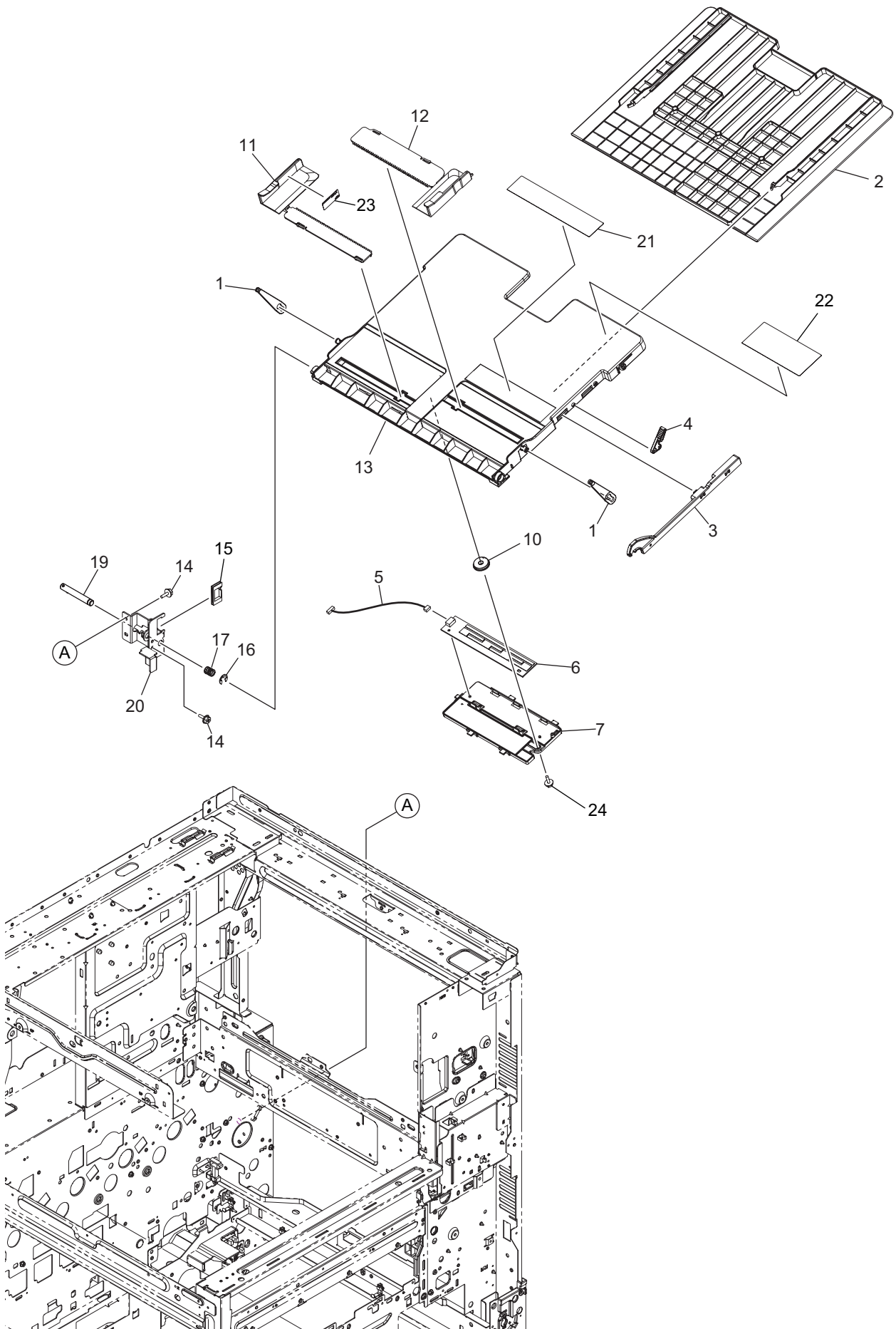
ITEM No.	PART No.	PART NAME	Q'TY / PAGE	Q'TY / PACK	REMARKS
1	X0-02230000	S/FHEXM-M3X6-NI	7	10/P	
2	6LJ55116000	ASYS-BRKT-CLANK	1	1/P	
3	6LJ55174000	MOTR_D-SWITCH-H21X	1	1/D	
4	6LJ55114000	GEAR-CRANK	1	1/P	
5	X0-00966000	RR/E-5-SS	2	10/P	
6	X0-02112000	S/PAN-M3X3-NI	1	10/P	
7	6LJ55122000	RELAY-CRANK	1	1/P	
8	6LJ55123100	PLATE-CRNK_S	1	1/P	
9	6LJ55115100	BASE-CRNK_S	1	1/PP	
10	C0-17839000	LG2A14BL1	1	1/C	
11	X0-02247000	S/TPP/FHEXM-3X8-NI	2	10/P	
12	X0-02420000	S/TPS/FHEXM/R-3X8-ZU3	4	10/P	
13	6LJ55229100	GEAR-05H42-05H98-H373	1	1/P	
14	6LJ55226000	COUPLE-DEV-DRIVE-F-H21Y	1	1/P	
15	6LJ55153000	SPG-DRV-CAM-DEV-F	1	1/P	
16	6LK50230000	GEAR-05H78-08H38-H373-3	1	1/P	
17	6LJ55121000	CRANK-PUSH	1	1/P	
18	6LJ55108100	GEAR-5H85-CPL-DEV_W	1	1/P	
19	6LJ55232100	GEAR-5H98-COUPLE-H373	1	1/P	
20	6LK50206000	ASYS-PLT-DEV-DRV-H21Y	1	1/D	
21	6LK50207000	MOTR_D-DRIVE-05L20-39	1	1/SB	
22	6LJ55126100	COUPLE-DEV-DRIVE-R_W	1	1/P	
23	6LK50229000	GEAR-5H112-DEV-H373-3	1	1/P	
24	6LJ55231100	GEAR-5H42-CAM-H373	1	1/P	
25	6LJ55167000	SPG-C-DEV-DRV-C	1	1/P	
26	6LK50228000	ASYS-FRM-DRV-DEV-H373	1	1/D	
27	6LK50231000	GEAR-5H85-KDEV-H373-3	1	1/P	
28	F0-01250000	MSB-1207	1	5/P	
29	6LJ55172000	SPG-DRV-CAM-DEV-R	1	1/P	
30	6LJ55225100	COUPLE-IDLE-DEV-DRV-H373	1	1/P	
31	6LK45430000	HRNS-LGC-FEED-H373	1	1/P	
32	6LJ55248000	COIL-GND-RELAY-DRV	1	1/P	



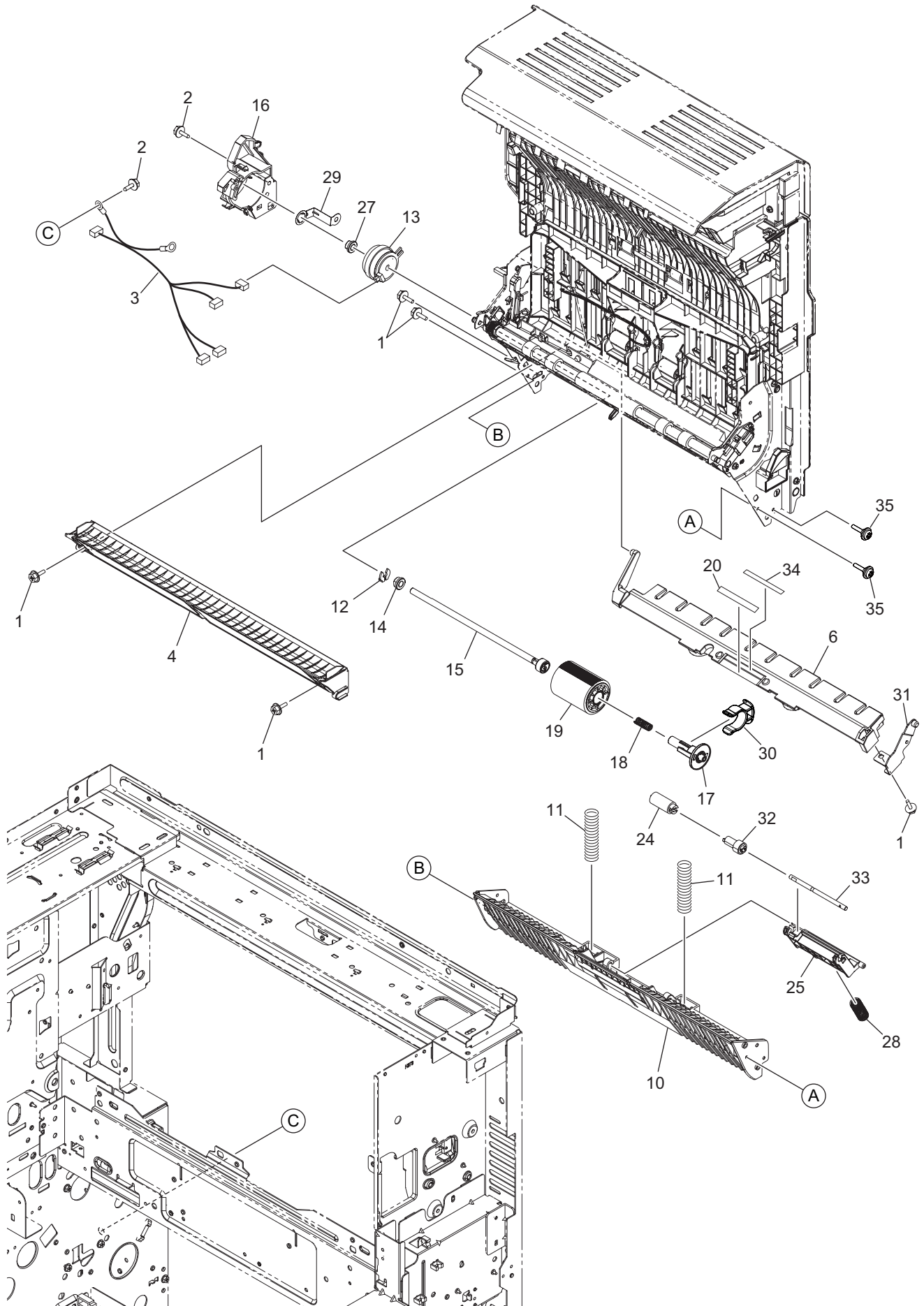
ITEM No.	PART No.	PART NAME	Q'TY / PAGE	Q'TY / PACK	REMARKS
1	6LJ59224000	MOTR_D-DRIVE-05L20-22	1	1/C	
2	X0-02230000	S/FHEXM-M3X6-NI	13	10/P	
3	6LK52372000	ASYS-FUSSETM-H373	1	1/D	
4	X0-00426000	S/BID-M3X4-NI	2	10/P	
5	6LJ59220000	ASYS-FRAME-DRV-FUS-K11X	1	1/P	
6	F0-01250000	MSB-1207	3	5/P	
7	6LK52204000	BRKT-DRV-FUS-PR-H373	1	1/P	
8	6LJ55544000	BUSH-8X12X5R5F-BCF-050	4	1/P	
10	X0-01169000	P/PRL/AH7-3X14-SS	4	10/P	
11	6LK52348000	SHAFT-DRV-FUS-PR-H373	1	1/P	
12	X0-00968000	RR/E-7-SS	2	10/P	
15	6LK52395000	LEVER-FUS-R-METAL-H37X	1	1/P	
16	6LJ58674100	GUIDE-FUS-RK11X	1	1/PP	
17	6LJ58760000	SPG-E-LVR-LOCK-R-H21Y	1	1/P	
18	X0-00966000	RR/E-5-SS	2	10/P	
19	6LK52341000	GEAR-10S17-8-H373	1	1/P	
21	6LK52364000	GEAR-05S42-08H35-8-H373-A	1	1/P	
22	6LK52202000	GEAR-05S76-8-H373	1	1/P	
23	6LK52273000	SHAFT-DRV-FUS-CAM-H373	1	1/P	
24	6LJ59228000	GEAR-08H44-8	1	1/P	
25	6LJ59225000	GEAR-10S25-6	1	1/P	
26	6LJ59226000	GEAR-10S25-8	1	1/P	
27	6LJ59227000	GEAR-08H40-8	1	1/P	
28	6LJ59230000	GEAR-05H74-08H24-8	1	1/P	
29	6LJ59229000	GEAR-08H35-10S30-6	1	1/P	
30	6LK52318000	SHAFT-DRV-FUS-EXIT-H373	1	1/P	
31	6LH03574000	RRG-4-P	2	1/P	
32	6LJ58673000	GEAR-10S23-EXIT	1	1/P	
33	44201492000	BUSH-6-POM	2	5/P	
34	6LJ58653000	BRKT-DRV-EXIT-H	1	1/P	
35	6LJ58669000	GEAR-10S21-6	1	1/P	
37	6LJ59232000	SHAFT-DRV-FUS-BLT-K11X	1	1/P	
39	X0-00981000	P/PRL/AH7-2X18-SS	1	10/P	
40	6LJ58667000	GEAR-10S23-8-OWR	1	1/P	
41	6LJ59221000	ASYS-FRM-DRV-FUS-K11X	1	1/P	
42	X0-02420000	S/TPS/FHEXM/R-3X8-ZU3	5	10/P	
43	6LA65683000	SCREW-HLDR-MG	1	10/P	
44	6LK83426000	HRNS-LGC-FSRMOT-K110	1	1/P	
45	F0-02187000	DDLF-1280ZZHP0P25LY551	1	1/P	
49	F0-01966000	F126ZZ-DF30ELC-GV22	1	1/P	
50	6LK52203000	GEAR-10H22-8-H373	1	1/P	
51	6LK52313000	SHAFT-DRV-FUS-CAM-IDL	1	1/P	
52	6LK52311000	COLAR-8X21X8-H373	1	1/P	
53	6LH07435000	BRAKE-CAM-PR	1	1/P	
54	6LK52344000	COLLAR-HLD-SFT-CAM	1	1/P	
55	6LK52343000	STUD-HLD-SFT-CAM	1	1/P	
56	X0-00060000	S/PAN/SWWP-M3X6-NI	1	10/P	
57	6LK52210000	BRKT-DRV-FUS-BASE-H373	1	1/P	



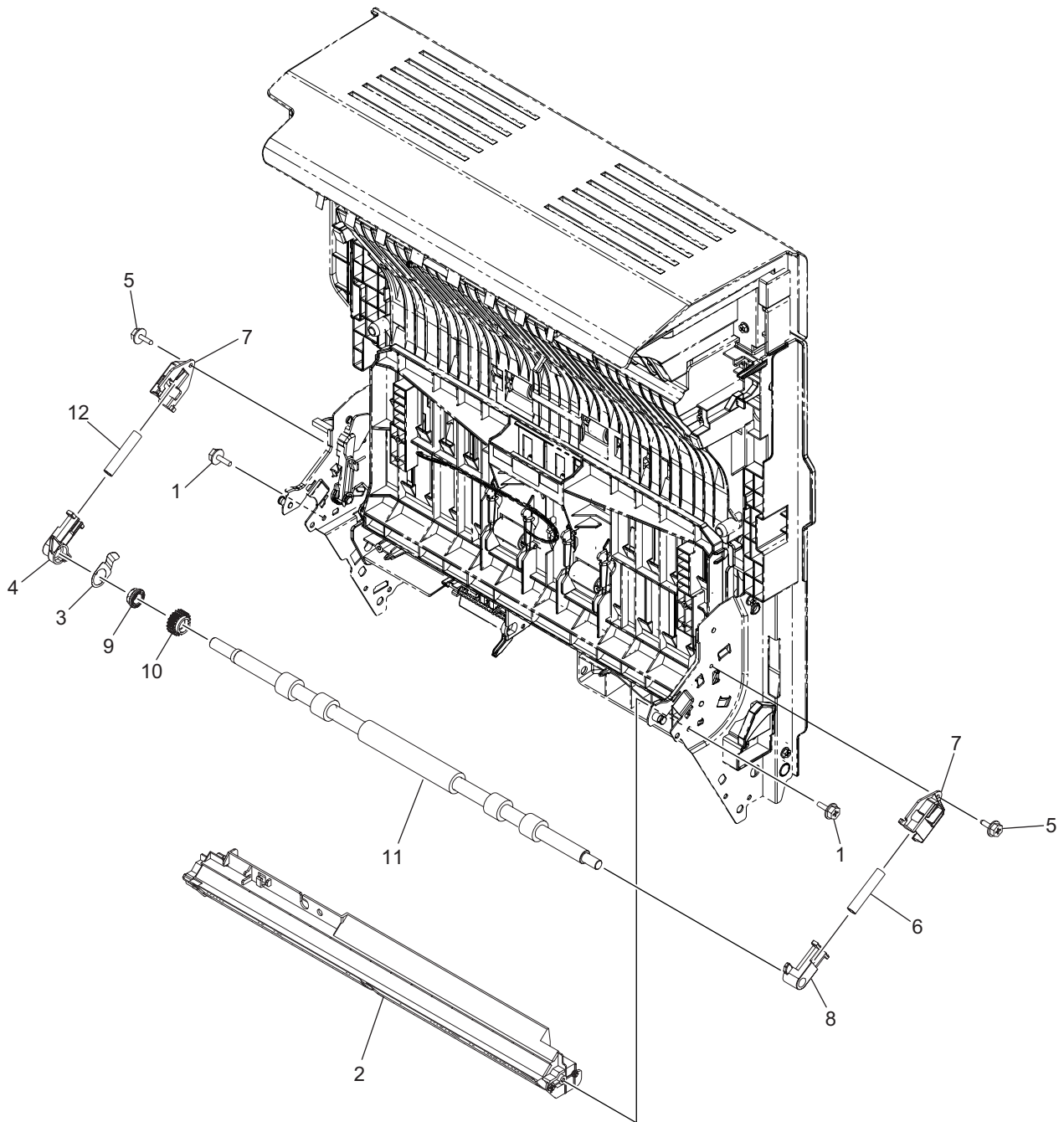
ITEM No.	PART No.	PART NAME	Q'TY / PAGE	Q'TY / PACK	REMARKS
1	6LJ15115000	SPE-WIRE-TNS-H16X-SUS	2	1/P	
2	6LJ59746000	BUSH-061505	2	1/P	
3	4407972860	STOP-RING-6-5	4	5/P	
4	X0-00094000	S/PAN/SWWP-M3X10-NI	2	10/P	
5	6LK53291000	PULLEY-SCAN-H21X	1	1/P	
6	6LJ59906000	BLT_SY-S1.5M-378-6	1	1/P	
7	X0-02230000	S/FHEXM-M3X6-NI	6	10/P	
8	6LK46174000	MOTR_S-SCN-37X-N	1	1/D	
9	6LK53269000	BRKT-MOT-SCAN-H370	1	1/P	
10	X0-02420000	S/TPS/FHEXM/R-3X8-ZU3	7	10/P	
11	6LK53332000	ASYS-BRKT-DF-K100	2	1/C	
12	6LK53327000	SCREW-PLATEN-LVR-H373	1	1/P	
13	C0-20495000	LG2A24BL1	2	1/C	
14	6LK53326000	LVR-OPEN-SNS-H373	1	1/P	
15 A	6LK53308000	WIRE-SCN-KIT-H373	1	1/S	NAD,MJD,ASD,AUD,ARD,TWD
15 B	6LJ59941000	WIRE-SCN-KIT-H373C	1	1/S	CND
17	6LJ59727000	HOLD-PLY-SCR	1	1/P	
18	6LK53309000	PLY-WIRE-SCAN-H21X	2	1/P	
19	6LJ59728000	SHAFT-DRV-SCAN-H21X	1	1/P	
20	6LE46342000	PLY-19-410	2	1/P	
21	F0-02296000	ES-0505-2	1	5/P	
28	X0-00077000	S/PAN/SWWP-M3X8-NI	1	10/P	
31	F0-02293000	BLBWS-0206S-V0	1	5/P	



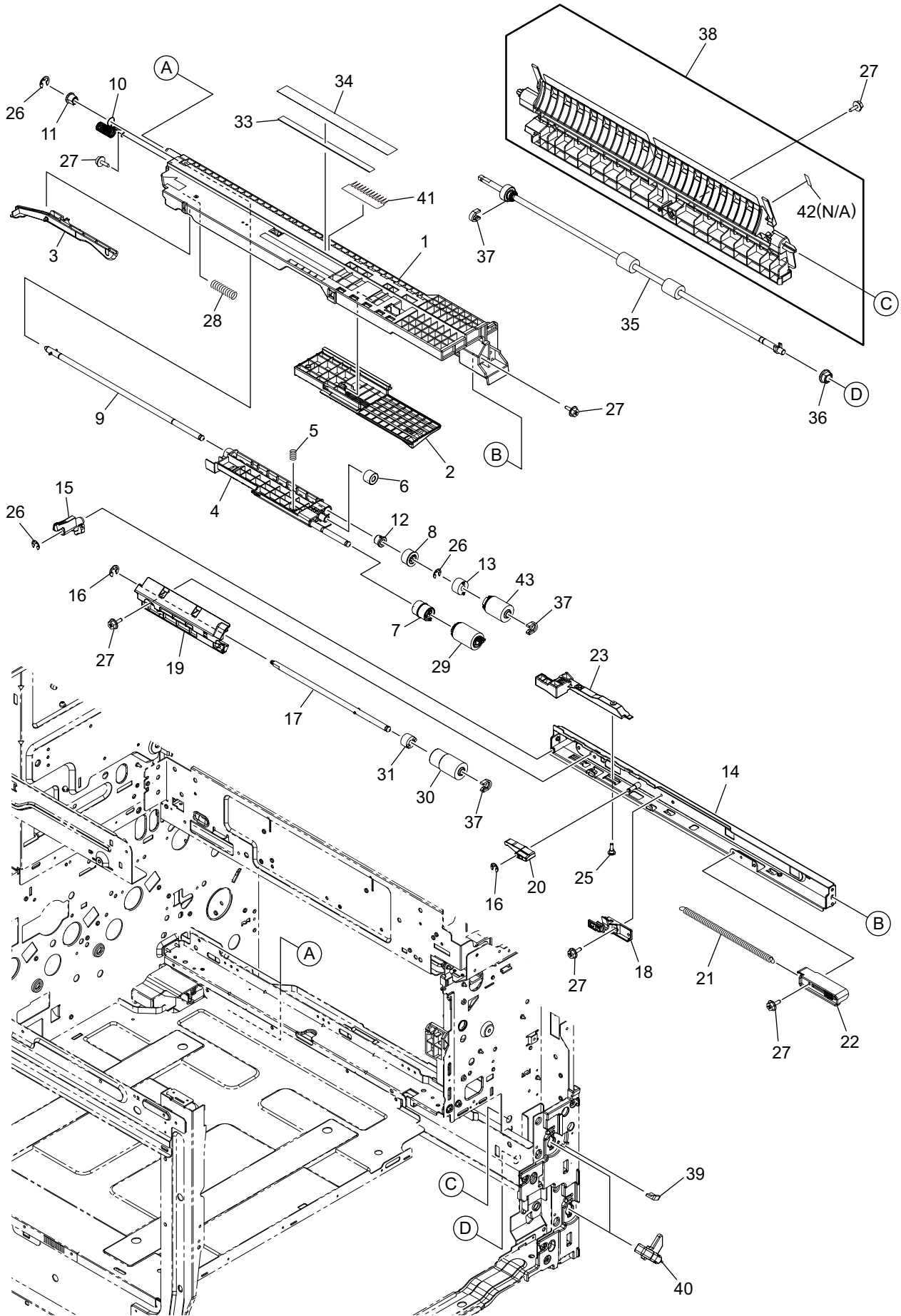
ITEM No.	PART No.	PART NAME	Q'TY / PAGE	Q'TY / PACK	REMARKS
1	6LK51401000	ARM-SFB-H373	2	1/P	
2	6LJ57001200	TRAY-LWR-SFB-H370	1	1/PP	
3	6LK51413000	LINK-TRAY-SFB-H373	1	1/P	
4	6LJ57004000	LEVER-TRAY-SFB-H21X-L	1	1/P	
5	6LJ60213000	HRNS-SFB-SIZE-210	1	1/P	
6	6LK46376000	PWA-H-SFB-370	1	1/SB	
7	6LJ57010200	HOLDER-PWA-SFB-H370	1	1/PP	
10	4407726480	PINION-18-395	1	1/P	
11	6LJ57012200	GUIDE-TRAY-SFB-R-H370	1	1/PP	
12	6LK51418000	ASYS-GUIDE-SFB-F-H370	1	1/PP	
13	6LJ57136200	TRAY-UPR-SFB-H370	1	1/PP	
14	X0-02593000	S/TPD3/FHEXM-3X8-ZU3	2	10/P	
15	6LK44840000	EDS-1710L-V0-BK	1	5/P	
16	X0-00968000	RR/E-7-SS	1	10/P	
17	6LK51609000	SPG-C-HINGE-COV-SIDE-H37X	1	1/P	
19	6LK51610000	ASYS-STUD-HINGE-ADU-H37X	1	1/P	
20	6LJ57307100	BRKT-HINGE-ADU-R_B	1	1/P	
21 A	6LK51431000	LBL-TRAY-C-H373	1	1/P	CND,TWD
21 B	6LK51430000	LBL-TRAY-E-H373	1	1/P	MJD,ASD,AUD,ARD
21 C	6LK51428000	LBL-TRAY-U-H373	1	1/KP	NAD
22	6LK51427000	LBL_O-GUIDE-SFB-H370	1	1/KP	
23	6LJ57073000	LBL-HIGH-TRAY-H21X	1	1/P	
24	X0-02247000	S/TPP/FHEXM-3X8-NI	1	10/P	



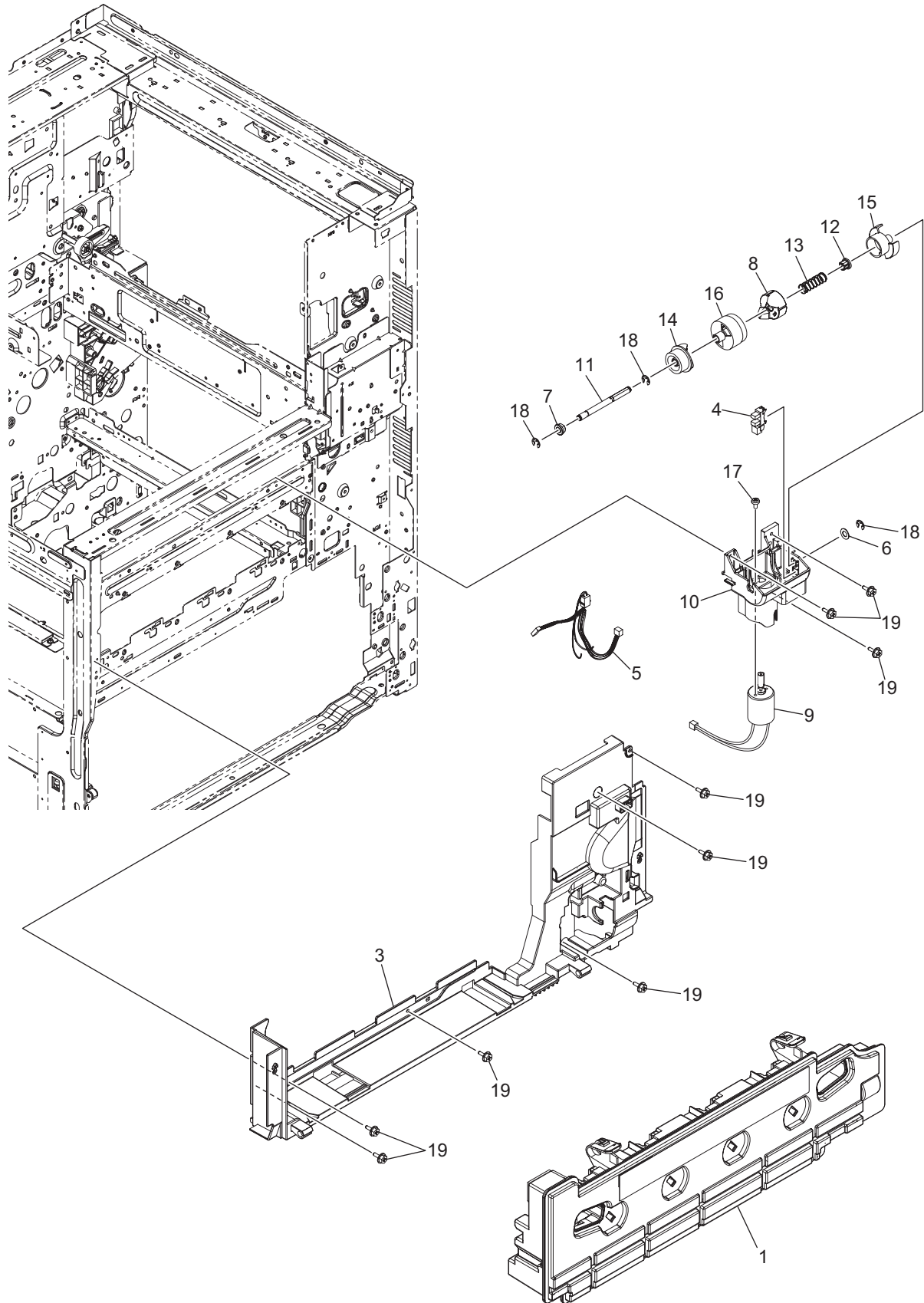
ITEM No.	PART No.	PART NAME	Q'TY / PAGE	Q'TY / PACK	REMARKS
1	X0-02247000	S/TPP/FHEXM-3X8-NI	5	10/P	
2	X0-02420000	S/TPS/FHEXM/R-3X8-ZU3	2	10/P	
3	6LJ61897000	HRNS-SFBTRU-212	1	1/P	
4	6LK50708000	ASYS-GID-FEED-RU-H370	1	1/PP	
6	6LK51426000	ASYS-TRAY-FEED-SFB-H373	1	1/PP	
10	6LK51400000	GUIDE-FEED-SFB-H373	1	1/PP	
11	6LK51420000	SPC-TRAY-SFB-H373	2	1/P	
12	44201801000	STOP-RING-6-1.5	1	5/P	
13	6LH51224000	CLUTCH-50C-G28-6	1	1/D	
14	44201492000	BUSH-6-POM	1	5/P	
15	6LJ57091000	SHAFT-ROL-SFB-H21Y	1	1/P	
16	6LJ57115100	HOLDER-DRIVE-SFB-H21X-L_S	1	1/D	
17	6LJ57007000	COLAR-ROLL-SFB-H21X	1	1/P	
18	6LJ57018000	SPC-ROL-SFB-H21X	1	1/P	
19	6LJ57026000	ASYS-ROL-SFB-H21X	1	1/P	
20	6LK51449000	SHEET-PLATE-SLIP-G-DOWN	1	5/P	
24	6LK51438000	ASYS-ROL-SPT-SFB-H373	1	1/P	
25	6LK51423200	ASYS-HLDR-SFB-H373N	1	1/P	
27	6LJ55543000	BUSH-6-BCF-050	1	1/P	
28	6LK51421000	SPC-SPT-SFB-H373	1	1/P	
29	6LJ57114000	SPG-F-SFB-EARTH-H21Y	1	1/C	
30	6LJ57127100	STOPPER-ROL-SFB-H390	1	1/P	
31	6LK51409000	ASYS-BRKT-TRAY-SFB-H373	1	1/P	
32	6LK51408000	TL-SPT-SFB-ORG-H373	1	1/D	
33	6LK51417000	ASYS-SHAFT-SPT-SFB-H373	1	1/P	
34	6LK51448000	SHEET-PLATE-SLIP-G-UP	1	5/P	
35	6LK51446000	SCREW-M3-D4X2	2	5/P	



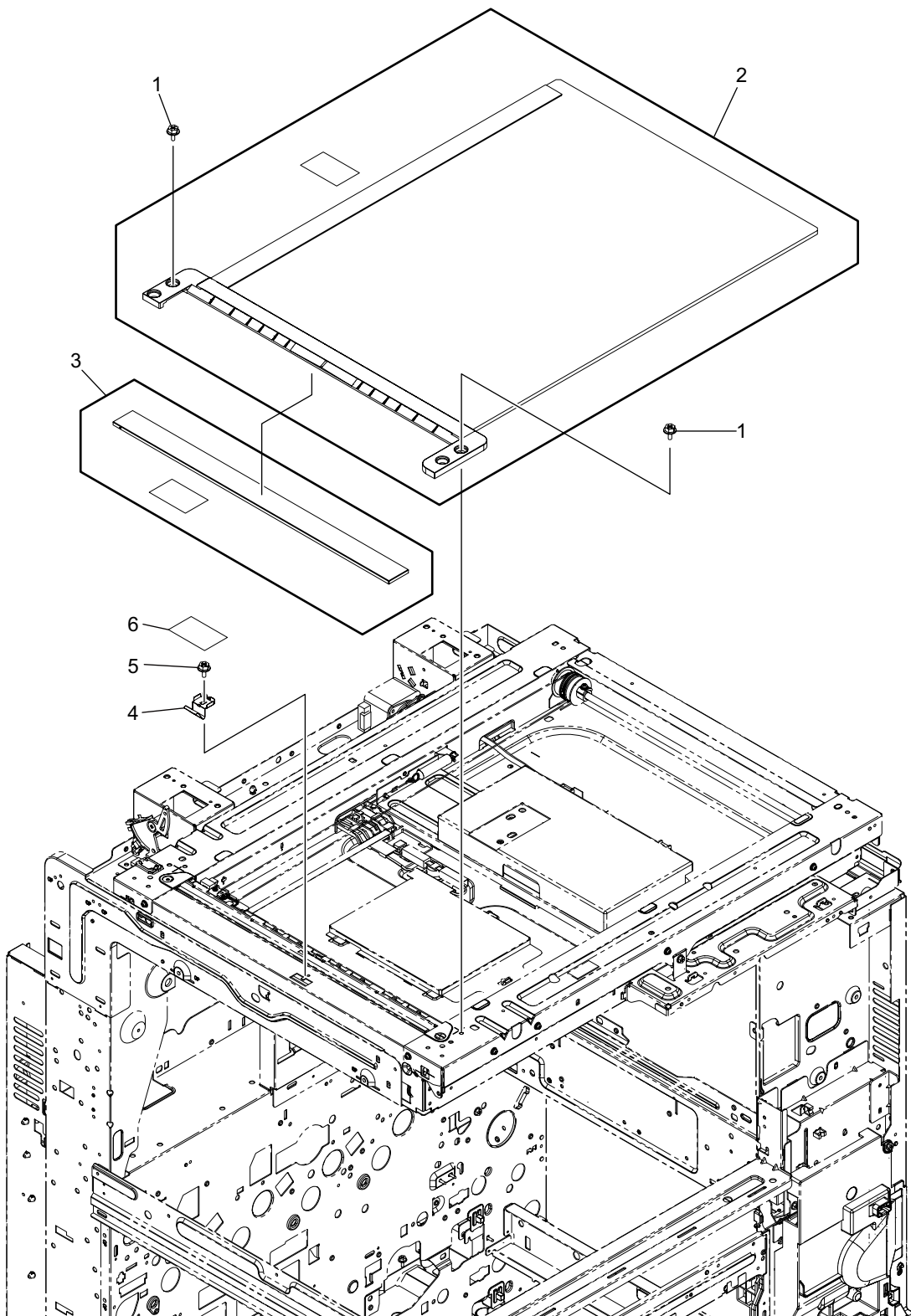
ITEM No.	PART No.	PART NAME	Q'TY / PAGE	Q'TY / PACK	REMARKS
1	X0-02247000	S/TPP/FHEXM-3X8-NI	2	10/P	
2	6LK50725000	ASYS-GUIDE-RGST-R-H370	1	1/C	
3	6LJ56234000	SPG-F-RGST-R-H21X_L	1	1/P	
4	6LJ56230000	BUSH-ROL-RGST-R-H21X	1	1/P	
5	X0-02420000	S/TPS/FHEXM/R-3X8-ZU3	2	10/P	
6	6LJ56293000	SPG-C-RGST-F-H21X	1	1/P	
7	6LJ56228000	HOLDER-RGST-SPE-H21X	2	1/P	
8	6LJ56229100	BUSH-ROL-RGST-F-H370	1	1/P	
9	6LA65697000	BUSH-8X12X5R5F	1	5/P	
10	6LJ56291000	GEAR-8S19-8_D10	1	1/P	
11	6LK50726000	ROLLER-RGST-R-H373	1	1/KP	
12	6LJ56294000	SPG-C-RGST-R-H21X	1	1/P	



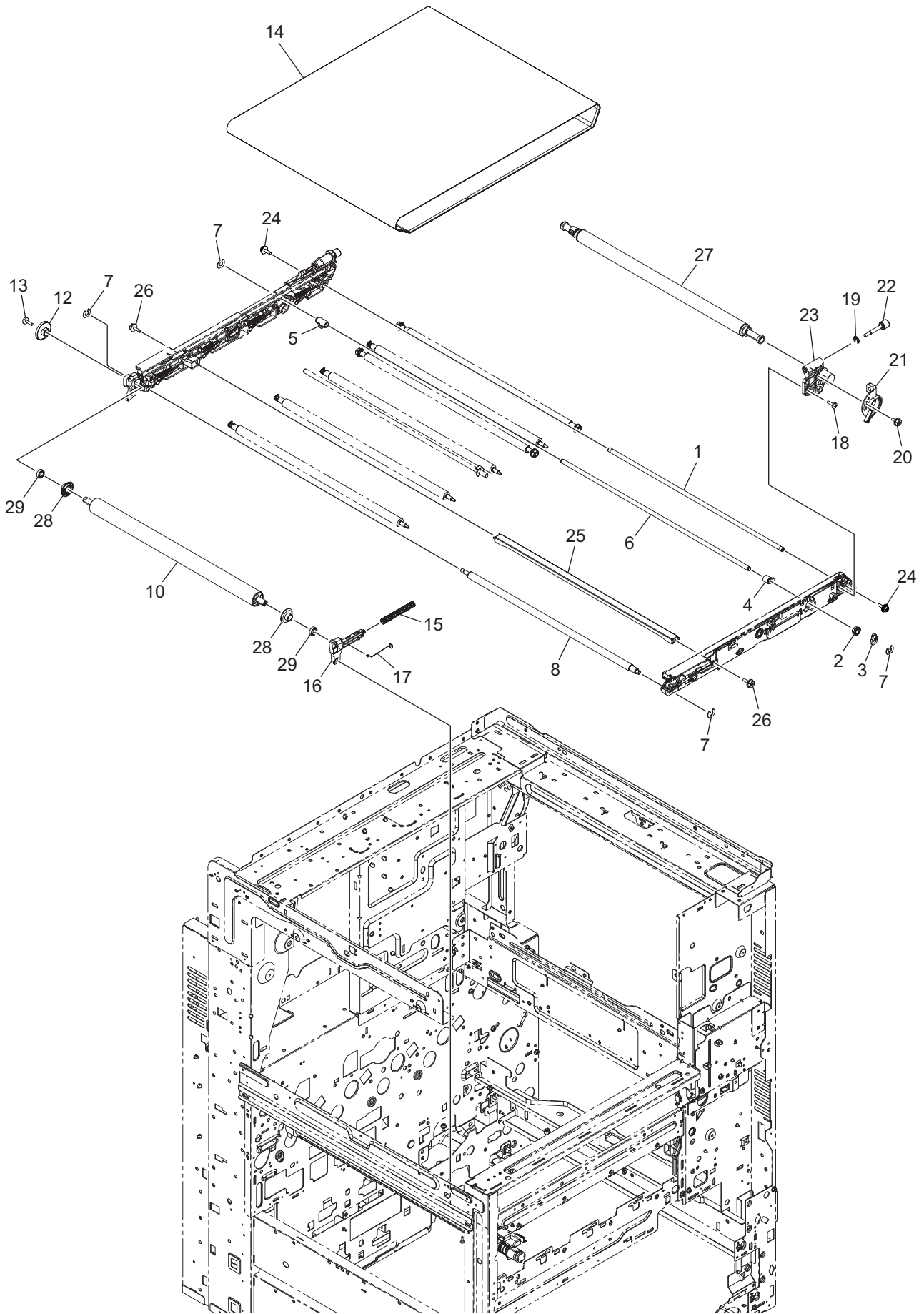
ITEM No.	PART No.	PART NAME	Q'TY / PAGE	Q'TY / PACK	REMARKS
1	6LK50760000	FRAME-FEED-H373	1	1/PP	
2	6LJ56263100	GUIDE-FEED-UP-F-21X_HS	1	1/PP	
3	6LJ56248100	ACTR-EMPTY-CST-2X_HS	1	1/P	
4	6LJ56275000	ARM-PICK-H21X_H	1	1/PP	
5	6LJ56359000	SPG-C-PU-H21Y	1	1/P	
6	6LJ56244000	GEAR-5S25-8	1	1/P	
7	6LJ56245000	GEAR-5S30-6	1	1/P	
8	6LJ56239000	ASYS-GEAR-5S30-6L	1	1/P	
9	6LJ56276000	ASYS-SFT-ROL-FEED-H21X_H	1	1/P	
10	6LJ56267000	SPG-EARTH-FEED-UNIT	1	1/P	
11	6LA03977000	BUSH-F6-GCB	1	5/P	
12	6LJ56246000	BUSH-6X10X9F-POM	1	1/P	
13	4406584800	CLUTCH-6-08L2	1	1/P	
14	6LK50706000	ASYS-STAY-FEED-H373	1	1/PP	
15	6LJ56250000	LEVER-PU-LINK-H21X_H	1	1/P	
16	X0-00964000	RR/E-3-SS	2	10/P	
17	6LJ56279000	ASYS-SHAFT-ROL-SPT-H21X_H	1	1/P	
18	6LJ56258000	GUIDE-SFT-SPT-H21X_H	1	1/P	
19	6LJ56264100	GUIDE-FEED-R-21X_HS	1	1/P	
20	6LJ56249000	ARM-SFT-SPT-H21X_H	1	1/P	
21	6LK51232000	SPG-E-SPT-H373	1	1/P	
22	6LJ56247100	HOLDER-SPE-SPT-21X_HS	1	1/P	
23	6LK50754000	SLIDER-SPT-H21X_H	1	1/P	
25	6LH05511000	SCREW-M3X8-3.2-P	1	5/P	
26	X0-00966000	RR/E-5-SS	3	10/P	
27	X0-02420000	S/TPS/FHEXM/R-3X8-ZU3	6	10/P	
28	6LK50747000	SPG-C-SLIDER-H370	1	1/P	
29	6LJ56242000	ASYS-ROLL-FEED-H21X_H	1	1/P	
30	6LK50742000	ASYS-ROLL-SPT-H373	1	1/P	
31	6LJ56289000	TL-SEP-ORG-400	1	1/P	
33	6LJ56296000	RUBBER-SPACE-FEED	1	1/P	
34	6LJ56295000	MYLAR-SPACE-FEED	1	1/P	
35	6LK50768000	ASYB-ROL-TRANS-K11X	1	1/KP	
36	44201492000	BUSH-6-POM	1	5/P	
37	4407972860	STOP-RING-6-5	3	5/P	
38	6LJ56340300	ASYB-GUIDE-FEED-L-H373	1	1/PP	
39	41306265000	STOP-RING-8	1	1/P	
40	6LJ56274100	LEVER-FEED-UNIT-21X_HS	2	1/P	
41	6LJ56369000	BRUSH-ERS-FEED-H21Y	1	1/KP	
42	6LJ54687000	LBL-HNDL-WTNR-21X	1	1/P	
43	6LK50739000	ASYS-ROLL-FEED-H373	1	1/P	



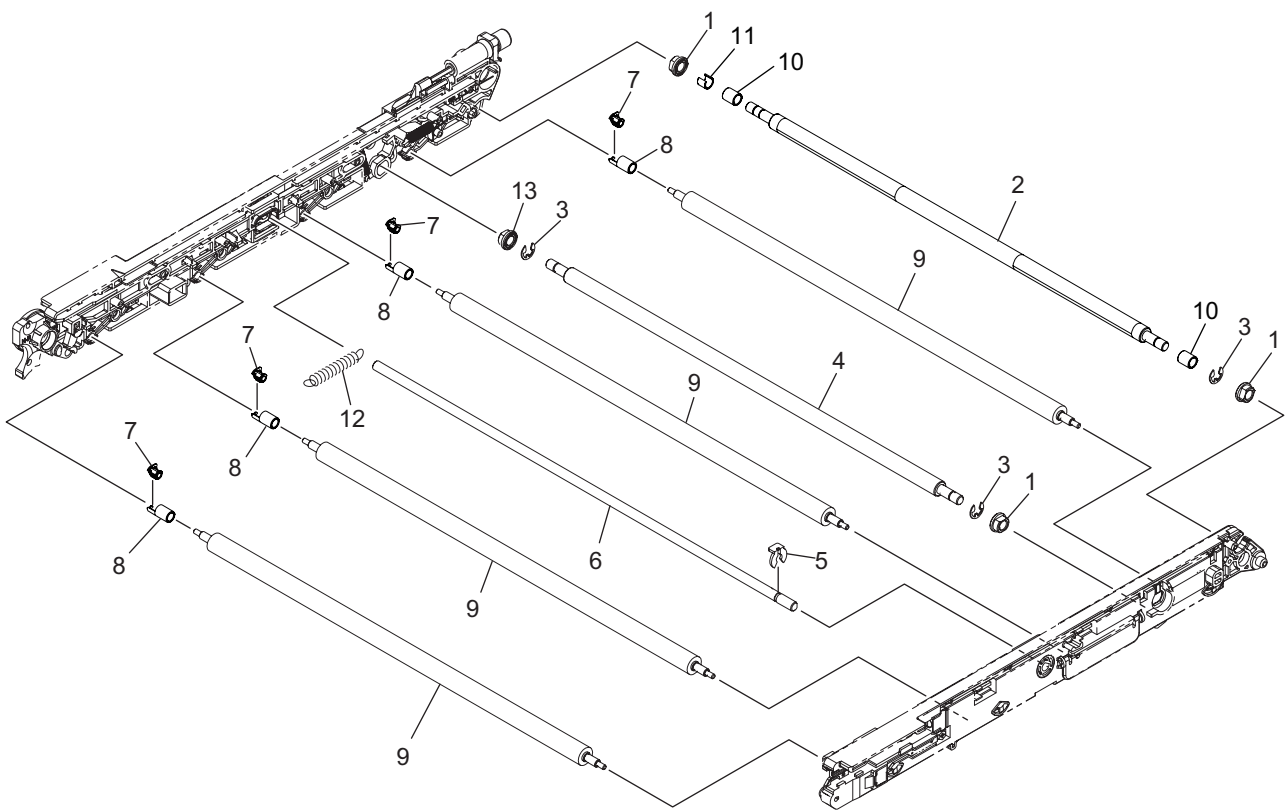
ITEM No.	PART No.	PART NAME	Q'TY / PAGE	Q'TY / PACK	REMARKS
1 A	6AG00007690	PS-TBFC505	1	SUPPLY	NAD,ASD,AUD,ARD,TWD
1 B	6AG00007695	PS-TBFC505E	1	SUPPLY	MJD
1 C	6AG00007691	PS-TBFC505C	1	SUPPLY	CND
3 A	6LJ54773500	ASYB-COVER-INNR-WTNR-110C	1	1/PP	CND
3 B	6LJ54773400	ASYB-COVER-INNR-WTNR-K110	1	1/PP	NAD,MJD,ASD,AUD,ARD
3 C	6LJ54773600	ASYB-COVER-INNR-WTNR-110T	1	1/PP	TWD
4	C0-17839000	LG2A14BL1	1	1/C	
5	6LJ60319000	HRNS-UTNR-210	1	1/P	
6	6LE28372000	WSHR-6R2X12XR5-APS	1	5/P	
7	44201492000	BUSH-6-POM	1	5/P	
8	6LJ54683000	COUPL-DRV-WTNR	1	1/P	
9	6LK49492000	MOTRD-PDL-WTNR-H370	1	1/C	
10	6LK49446000	HLDR-DRV-WTNR	1	1/P	
11	6LJ54640000	SHAFT-DRV-WTNR	1	1/P	
12	6LJ54636000	COLAR-DRV-WTNR	1	1/P	
13	6LJ54649000	SPG-C-10R7XR6X30R3R-WTNR	1	1/P	
14	6LJ54637000	GEAR-15S16-6-COUP-L-WTNR	1	1/P	
15	6LJ54638000	SLIT-DRV-WTNR	1	1/P	
16	6LJ54639000	GEAR-5H66-6-DRV-WTNR	1	1/P	
17	X0-01670000	S/PAN-M2.6X4-NC	1	10/P	
18	X0-00966000	RR/E-5-SS	3	10/P	
19	X0-02420000	S/TPS/FHEXM/R-3X8-ZU3	9	10/P	



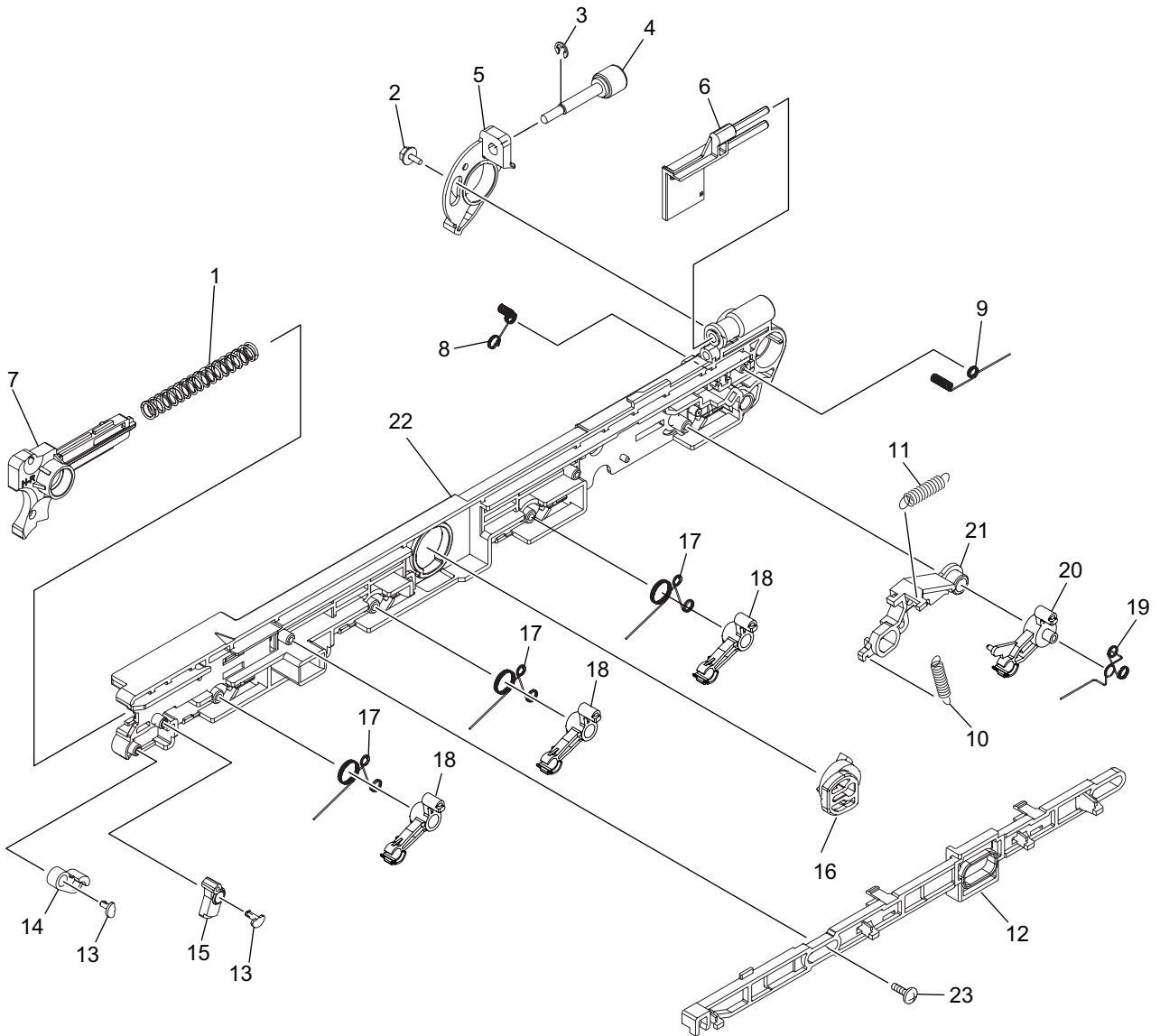
ITEM No.	PART No.	PART NAME	Q'TY / PAGE	Q'TY / PACK	REMARKS
1	X0-02671000	S/FHEXM-M3X6-ZB3	2	10/P	
2 A	6LK53359300	ASY-GLASS-KIT-K1XX-W3_A	1	1/S	MJD,ASD,AUD,ARD
2 B	6LK53359500	ASY-GLASS-KIT-K1XX-W3_K	1	1/S	CND,TWD
2 C	6LK53359400	ASY-GLASS-KIT-K1XX-W3_L	1	1/S	NAD
3	6LK53358000	ASY-GLASS-ADF-KIT-K1XX	1	1/C	
4	6LK53343000	SPL-GLS-DF-K1XX	1	1/P	
5	X0-02230000	S/FHEXM-M3X6-NI	1	10/P	
6	6LK53356000	MYLAR-BASE-SCAN-K1XX	1	1/P	



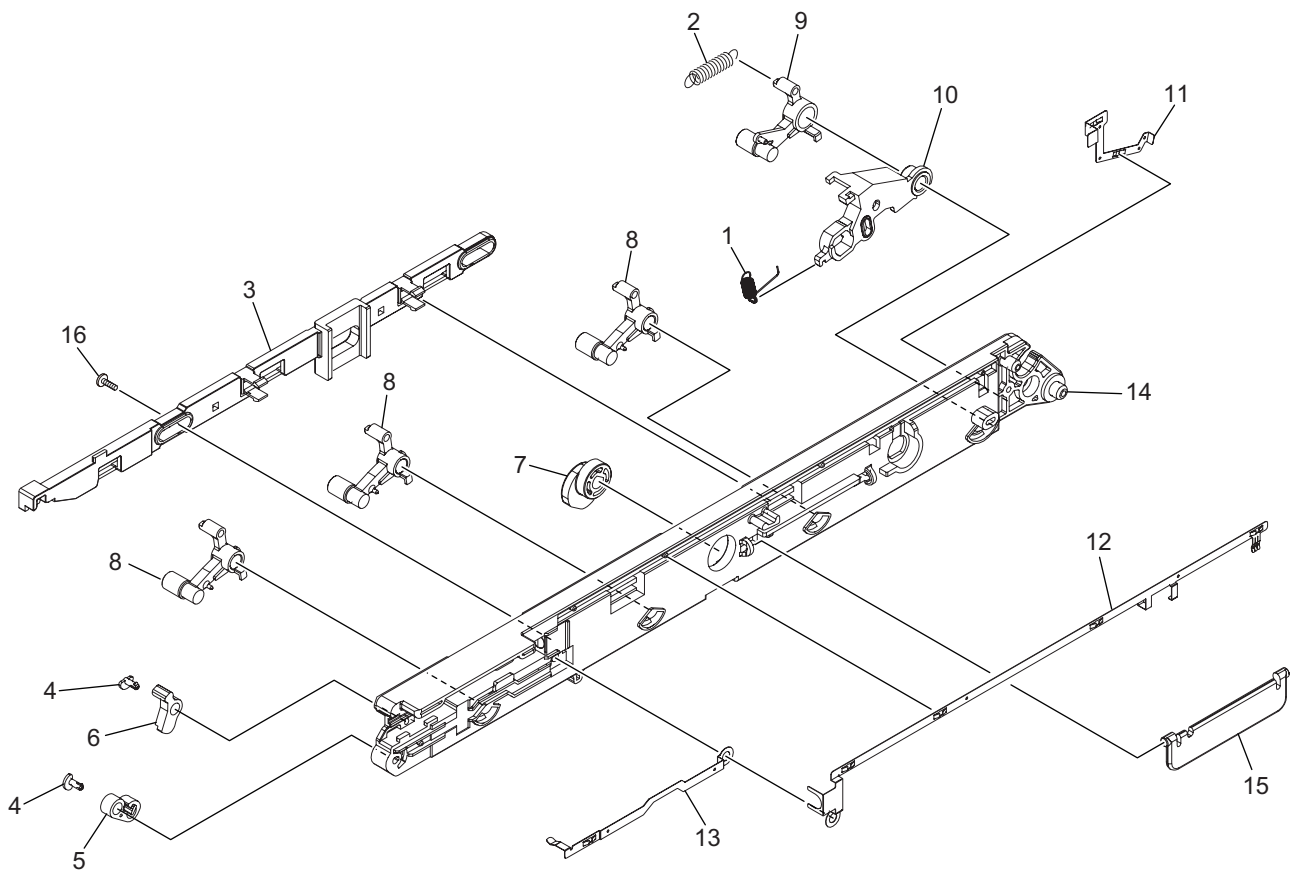
ITEM No.	PART No.	PART NAME	Q'TY / PAGE	Q'TY / PACK	REMARKS
1	6LJ55518000	SHAFT-STY-TBU	1	1/P	
2	4407734980	BUSH-6-GCB	1	5/P	
3	6LJ55588000	LIFT-ARM-TR1-K	1	1/P	
4	6LJ55578000	CAM-K-LIFT-F	1	1/P	
5	6LJ55489000	CAM-K-LIFT-R	1	1/P	
6	6LJ55494000	SHAFT-K-LIFT	1	1/P	
7	6LH03574000	RRG-4-P	4	1/P	
8	6LJ55433000	RLR-LIFT-TBU-H21X	1	1/KP	
10	6LK50415000	RLR-CLN-TBU-H370	1	1/C	
12	6LJ55430000	GEAR-S08-32-TBU	1	1/P	
13	X0-00434000	S/BID-M3X8-NI	1	10/P	
14	6LK50424000	BELT-TBU-H370	1	1/S	
15	6LJ55472000	SPG-C-TNS-TBU-20N	1	1/P	
16	6LJ55561100	HLDR-TNSF-H21Y_S	1	1/P	
17	6LJ55450000	WIRE-GND-CLN-TBU	1	1/P	
18	6LA80090000	S/TPP/BID-3X8-NI	1	5/P	
19	X0-00964000	RR/E-3-SS	1	10/P	
20	X0-02247000	S/TPP/FHEXM-3X8-NI	1	10/P	
21	6LK50419000	LOCK-TBU-F-H373	1	1/P	
22	6LJ55516000	SCREW-TBU-LOCK	1	1/P	
23	6LJ55550000	ASYS-HLDR-TR2-F	1	1/P	
24	X0-00077000	S/PAN/SWWP-M3X8-NI	2	10/P	
25	6LJ55438000	STAY-TBU-H21X	1	1/P	
26	X0-02231000	S/FHEXM-M3X8-NI	2	10/P	
27	6LK50407000	ASYS-RLR-TR2-TBU-H370	1	1/KP	
28	6LJ55428000	GUIDE-BELT-WEISS-CL	2	1/P	
29	F0-02166000	L-1280ZZHP0P25LY727	2	1/P	



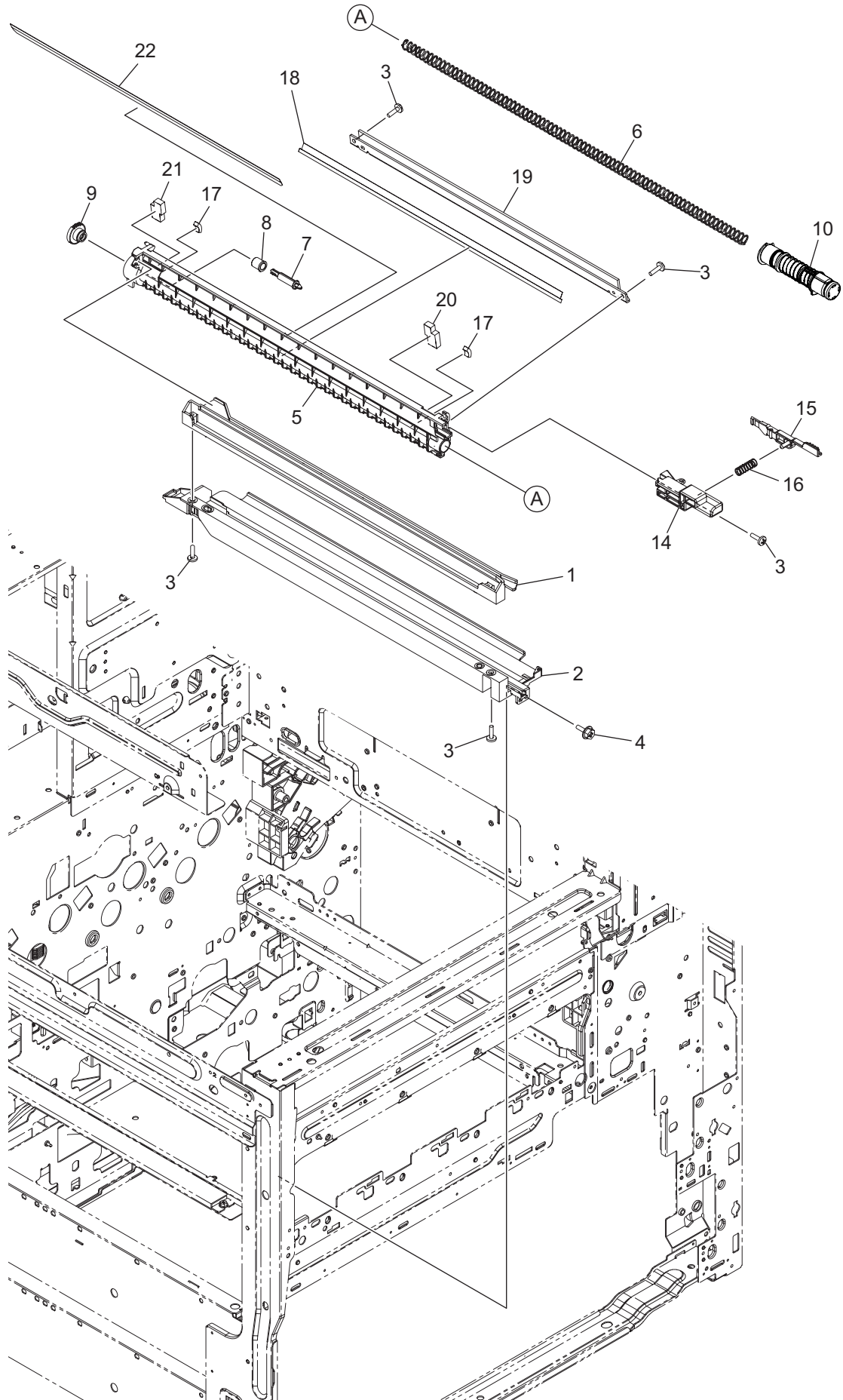
ITEM No.	PART No.	PART NAME	Q'TY / PAGE	Q'TY / PACK	REMARKS
1	4407734980	BUSH-6-GCB	3	5/P	
2	6LJ55589000	RLR-RIGID-TBU-H21X-TP04	1	1/KP	
3	X0-00966000	RR/E-5-SS	3	10/P	
4	6LJ55512000	RLR-KSET-TBU-H21X	1	1/P	
5	44201801000	STOP-RING-6-1.5	1	5/P	
6	6LJ55410000	SHAFT-LINK-TBU	1	1/P	
7	6LJ55553000	BUSH-EL-TR1-H21X	4	1/P	
8	6LJ55554000	BUSH-TR1-H21X	4	1/P	
9	6LJ70588000	CR-FC50TR1	4	1/S	
10	6LJ55536000	COLLAR-TBU-H21X	2	1/P	
11	6LJ55537000	COL-RIGID-TBU-H21X	1	1/P	
12	6LK50401000	SPG-E-LINK-TBU-H370	1	1/P	
13	44201492000	BUSH-6-POM	1	5/P	



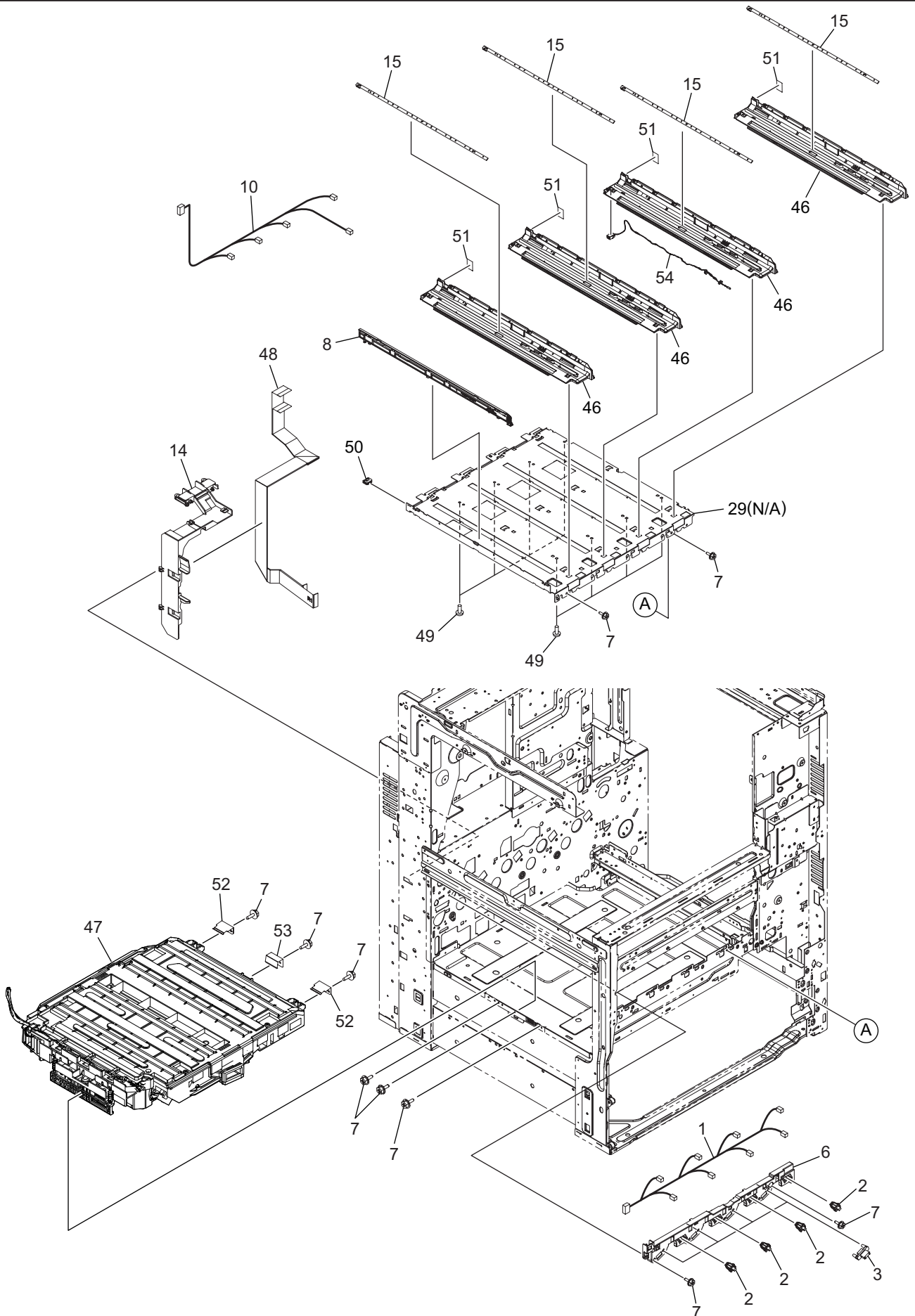
ITEM No.	PART No.	PART NAME	Q'TY / PAGE	Q'TY / PACK	REMARKS
1	6LJ55472000	SPG-C-TNS-TBU-20N	1	1/P	
2	X0-02246000	S/TPP/FHEXM-3X6-NI	1	10/P	
3	X0-00964000	RR/E-3-SS	1	10/P	
4	6LJ55516000	SCREW-TBU-LOCK	1	1/P	
5	6LJ55467100	LOCK-TBU-R_S	1	1/P	
6	6LJ55515100	LINK-LOCK-TBU_S	1	1/P	
7	6LJ55562100	HLDR-TNSR-H21Y_S	1	1/P	
8	6LJ55473000	SPG-T-HV-TR2-OUTSIDE	1	1/P	
9	6LK50418000	SPG-T-HV-TR2-INSIDE2	1	1/P	
10	6LJ55498000	SPG-E-K-LIFT-R	1	1/P	
11	6LJ55470000	SPG-E-TR1-TBU	1	1/P	
12	6LK50219000	LINK-TBU-R-H373	1	1/PP	
13	6LJ55513000	STOP-RING-LIFT	2	1/P	
14	6LJ55573000	HLDR-LIFT-TBU-R	1	1/P	
15	6LJ55591000	CAM-LIFT-R-H21X	1	1/P	
16	6LK50218000	COUPL-CAM-TBU-R-H373	1	1/P	
17	6LJ55475000	SPG-T-HV-TR1	3	1/P	
18	6LJ55556000	ARM-TR1-R	3	1/P	
19	6LJ55509000	SPG-T-HV-TR1-K	1	1/P	
20	6LJ55555000	ARM-TR1-K-R	1	1/P	
21	6LJ55492000	HLDR-ROL-K-R	1	1/P	
22	6LJ55594000	ASYS-FRAME-TBU-R-H21X	1	1/PP	
23	6LA80090000	S/TPP/BID-3X8-NI	1	5/P	



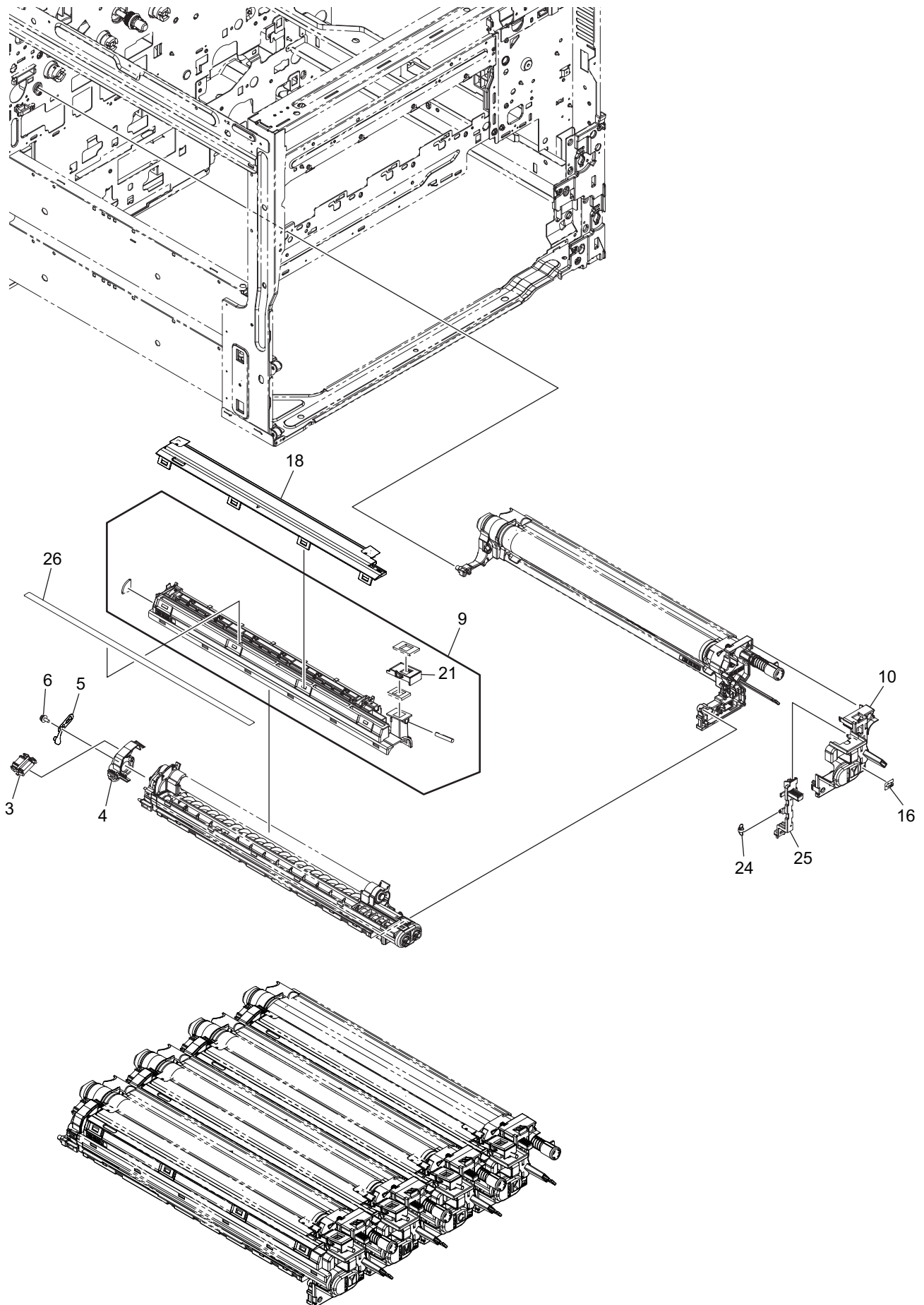
ITEM No.	PART No.	PART NAME	Q'TY / PAGE	Q'TY / PACK	REMARKS
1	6LJ55497000	SPG-E-K-LIFT-F	1	1/P	
2	6LJ55470000	SPG-E-TR1-TBU	1	1/P	
3	6LJ55437000	LINK-TBU-F-H21X	1	1/PP	
4	6LJ55513000	STOP-RING-LIFT	2	1/P	
5	6LJ55574000	HLDR-LIFT-TBU-F	1	1/P	
6	6LJ55590000	CAM-LIFT-F-H21X	1	1/P	
7	6LJ55411000	CAM-TR1-TBU-F	1	1/P	
8	6LJ55417000	ARM-TR1-F	3	1/P	
9	6LJ55500000	ARM-TR1-K-F	1	1/P	
10	6LJ55491000	HLDR-ROL-K-F	1	1/P	
11	6LJ55449000	SPG-F-GND-RIGID-TBU	1	1/P	
12	6LJ55447000	SPG-F-GND-K-TBU	1	1/PP	
13	6LJ55448000	SPG-F-GND-LIFT-TBU	1	1/P	
14	6LJ55592000	FRAME-TBU-F-H21X	1	1/PP	
15	6LJ55517100	HANDLE-TBU-F-H21X_S	1	1/P	
16	6LA80090000	S/TPP/BID-3X8-NI	1	5/P	



ITEM No.	PART No.	PART NAME	Q'TY / PAGE	Q'TY / PACK	REMARKS
1	6LJ55431100	GUIDE-CLN-TBU-UP_S	1	1/P	
2	6LK50403100	GUIDE-CLN-TBU-LOW_S	1	1/PP	
3	6LA80090000	S/TPP/BID-3X8-NI	5	5/P	
4	X0-02420000	S/TPS/FHEXM/R-3X8-ZU3	1	10/P	
5	6LJ55400000	FRAME-CLN-TBU-H21X	1	1/PP	
6	6LJ55415000	SP-AUGER-G10-P5-S1	1	1/P	
7	6LJ5552000	BUSH-JOINT-TBU-H21X	1	1/P	
8	6LJ55503000	BUSH-AUGER-TBUCLN	1	1/P	
9	6LJ55403000	GEAR-CLN-TBU-H21X	1	1/P	
10	6LJ55549000	ASYB-NOZZLE-CLNR-H21X	1	1/D	
14	6LJ55502100	HANDLE-TBCL_S	1	1/P	
15	6LJ55506100	HANDLE-LOCK-CLNGRY	1	1/P	
16	6LJ55507000	SPG-C-LOCK-TBUCLN	1	1/P	
17	6LJ55446000	SEAL-BLADE-BACK-TBU	2	1/P	
18	6LJ55442000	SHEET-AUGER-TBU-H21X	1	1/KP	
19	6LJ70396000	BL-FC30TR	1	1/S	
20	6LJ55444000	SEAL-SIDE-TBU-F	1	1/P	
21	6LJ55445000	SEAL-SIDE-TBU-R	1	1/P	
22	6LJ55443000	SHEET-REC-TBU-H21X	1	1/KP	

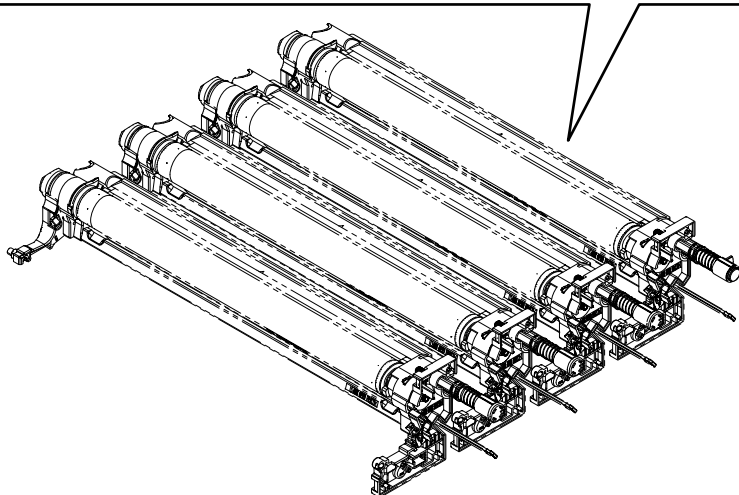
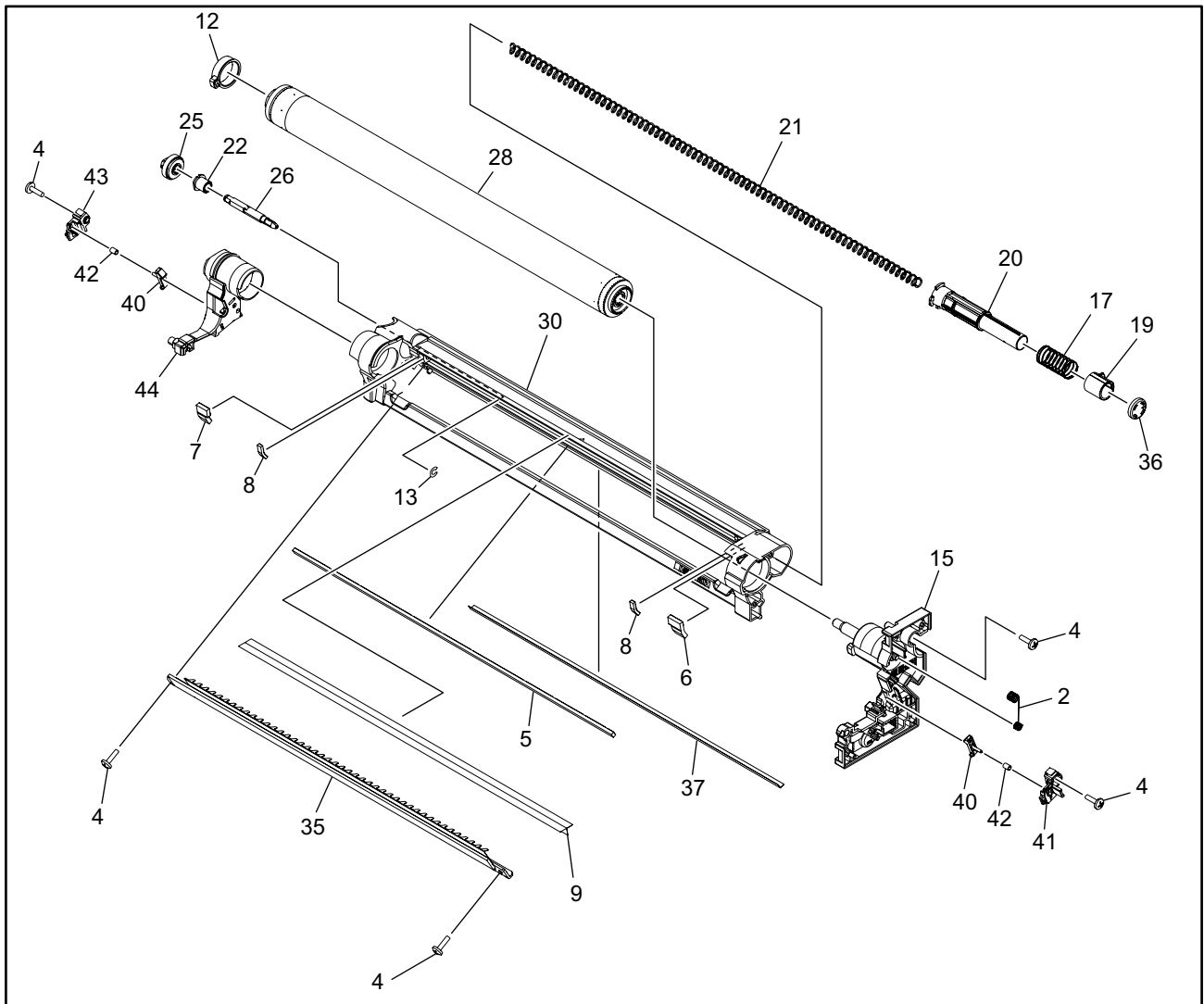


ITEM No.	PART No.	PART NAME	Q'TY / PAGE	Q'TY / PACK	REMARKS
1	6LK45349000	HRNS-LGC-ATDRM-H373	1	1/P	
2	E0-15050000	SW1AG-550	4	1/D	
3	E0-14465000	06R-RIZ-K4GG-FL (LF)(SN)	4	1/P	
6	6LK49401000	BASE-DRWEPU-H373	1	1/PP	
7	X0-02420000	S/TPS/FHEXM/R-3X8-ZU3	10	10/P	
8	6LK49411000	GUIDE-Y-H373	1	1/PP	
10	6LK46257000	HRNS-DLED-H373	1	1/P	
14	6LK52728000	GUIDE-HRNS-LSU-H373	1	1/PP	
15	6LK46108000	LAMP-ERASE-FS-H370	4	1/SB	
29	6LK49409000	ASYS-MID-H373	1	N/A***	
46	6LK49410000	GUIDE-EPU-H373	4	1/PP	
47 A	6LK52838000	LSU-UNIT-K110	1	1/S	eS2515AC/3015AC/3515AC
47 B	6LK52838100	LSU-UNIT-K114	1	1/S	eS4515AC/5015AC
48 A	6LK45754000	ASY-FFC-LDR-H373	1	1/C	eS2515AC/3015AC/3515AC
48 B	6LK45754100	ASY-FFC-LDR-H376	1	1/C	eS4515AC/5015AC
49	X0-00595000	S/TPP/PAN-3X6-NI	8	10/P	
50	F0-02296000	ES-0505-2	1	5/P	
51	6LK49449000	SHEET-LED-H373	4	1/P	
52	6LK52727000	SPG-F-LSU-RIGHT-H373	2	1/P	
53	6LK52726000	SPG-F-PUSH-LSU-RIGHT	1	1/P	
54	6LK49448000	THMS-DRM-H373	1	1/P	

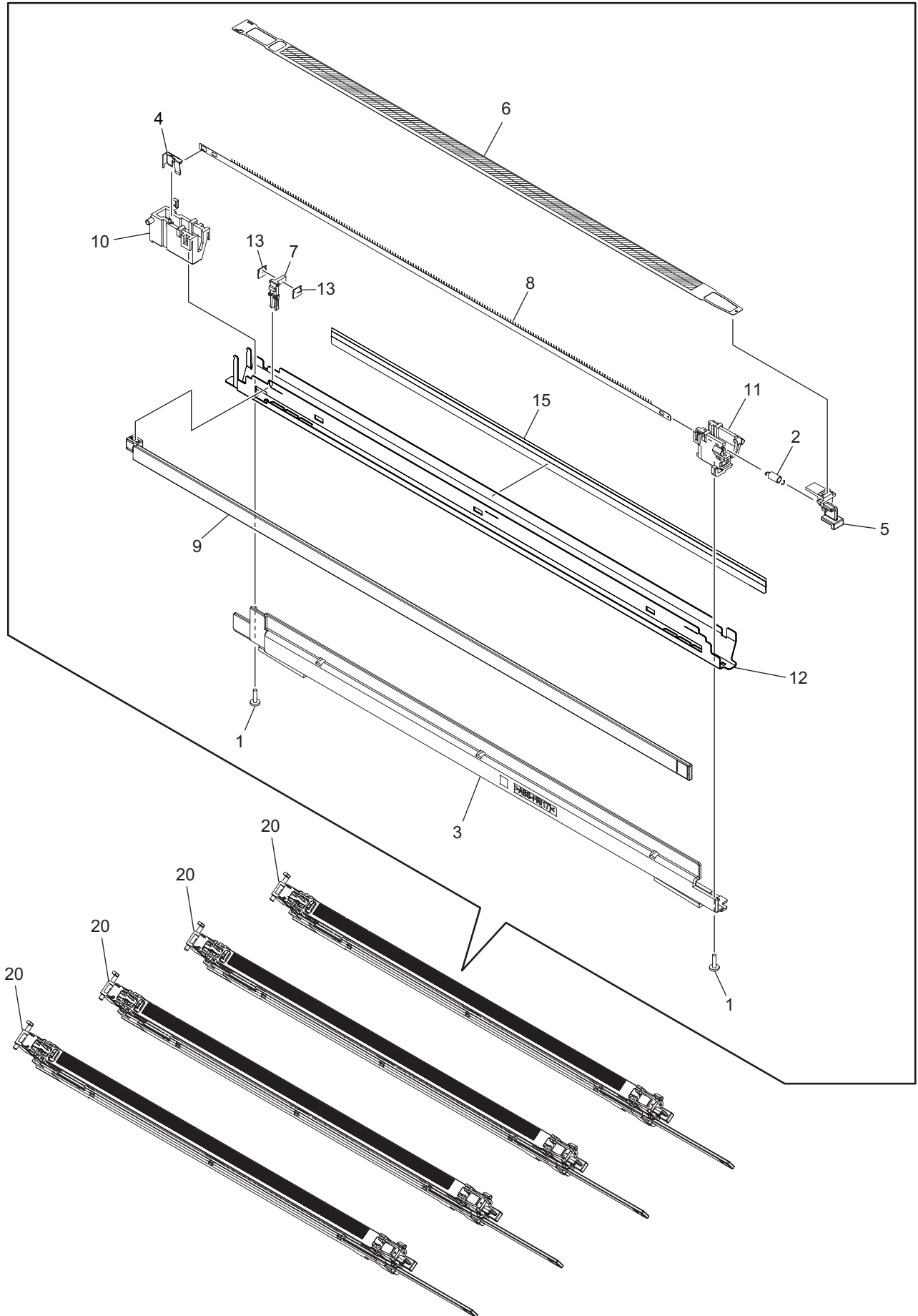


ITEM No.	PART No.	PART NAME	Q'TY / PAGE	Q'TY / PACK	REMARKS
3	6LJ61544000	ASYB-HRNS-ATTNR-210	1	1/P	
4	6LK49106000	HLDR-GEAR2-DEV-H373	1	1/P	
5	6LK49143000	ADJSTR-MG-K11X	1	1/P	
6	X0-00059000	S/PAN/SWWS-M3X6-NI	1	10/P	
9	6LK48962000	ASYB-COV-DEV-H373	1	1/PP	
10 A	6LK48945000	COV-FRT-EPU-H373Y	1	1/C	Yellow (eS2515AC/3015AC/3515AC)
10 B	6LK48945100	COV-FRT-EPU-H373M	1	1/C	Magenta (eS2515AC/3015AC/3515AC)
10 C	6LK48945200	COV-FRT-EPU-H373C	1	1/C	Cyan (eS2515AC/3015AC/3515AC)
10 D	6LK48945300	COV-FRT-EPU-H373K	1	1/C	Black (eS2515AC/3015AC/3515AC)
10 E	6LK48945400	COV-FRT-EPU-H376Y	1	1/C	Yellow (eS4515AC/5015AC)
10 F	6LK48945500	COV-FRT-EPU-H376M	1	1/C	Magenta (eS4515AC/5015AC)
10 G	6LK48945600	COV-FRT-EPU-H376C	1	1/C	Cyan (eS4515AC/5015AC)
10 H	6LK48945700	COV-FRT-EPU-H376K	1	1/C	Black (eS4515AC/5015AC)
16	6LK48990000	LBL-ARRW-PU-H373	1	1/P	
18	6LK48959200	ASYS-COV-CCL-K11X	1	1/PP	
21	6LK48915000	SHUT-TNR-DEV-UPR-H373	1	1/P	
24	6LK48989000	SPG-E-LOCK-EPU-H373	1	1/P	
25	6LK48932000	LOCK-COV-FRT-DEV-H373	1	1/P	
26	6LK48972000	SHEET-PRINST-DEV-H373	1	1/P	

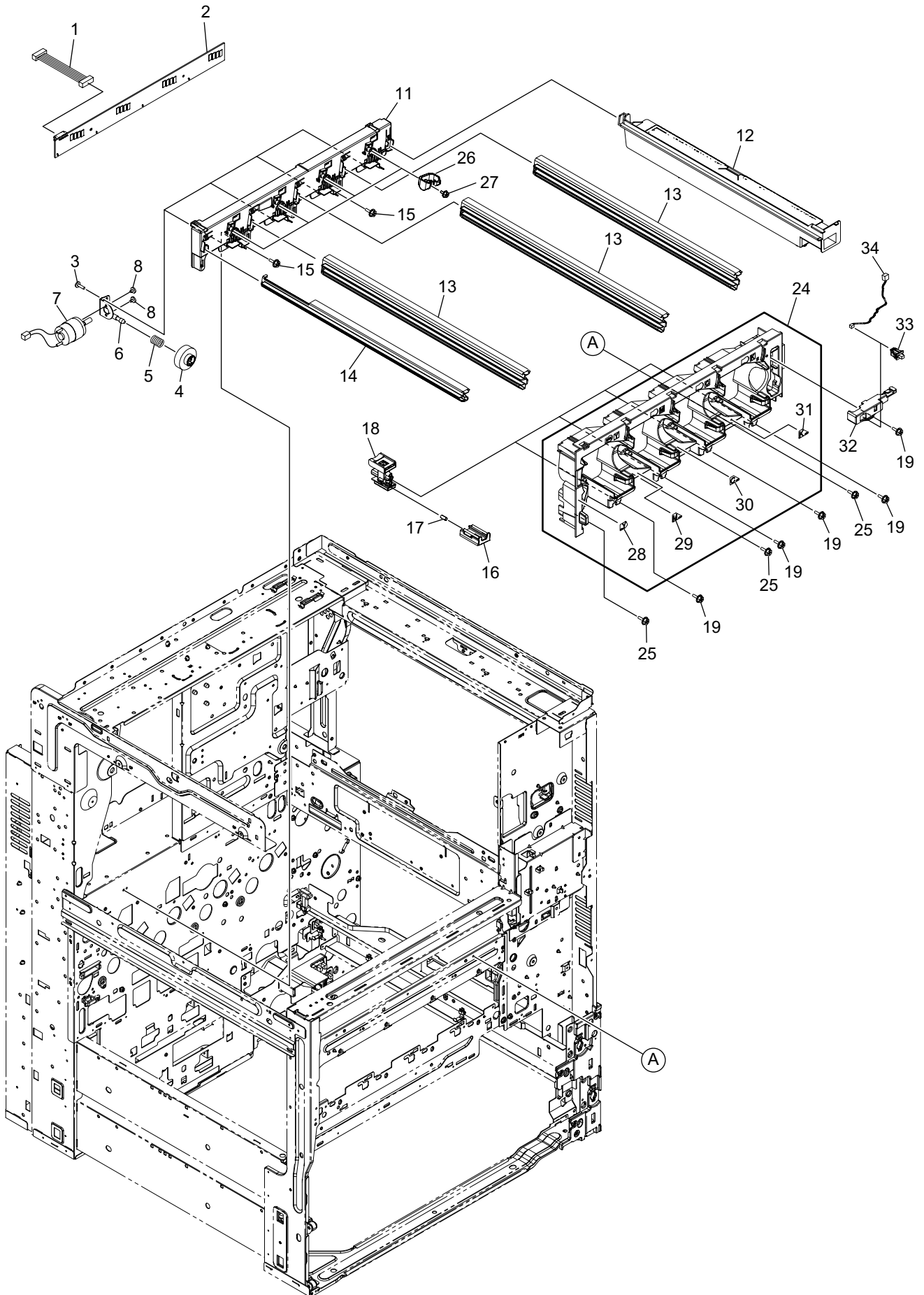
ITEM No.	PART No.	PART NAME	Q'TY / PAGE	Q'TY / PACK	REMARKS
1	6LA80090000	S/TPP/BID-3X8-NI	2	5/P	
2	6LK48961000	ASYS-DUCT-CL-DEV-H373	1	1/PP	
3	6LK48963100	ASYS-CASE-DEV-K11X	1	1/C	
4	6LK45855000	SNSR-ATC-H373	1	1/C	
5	6LA29904000	SEAL-ATC-BLK	1	5/P	
6	6LK48971000	SEAL-RLR-MAGT-SIDE-FRT3-U	1	1/P	
7	6LK48970000	SEAL-RLR-MAGT-SIDE-RER3-U	1	1/P	
9	6LK48964000	ASYS-SPRTR-DEV-H373	1	1/P	
10	4401949290	SEAL-VC6-10-2.5	4	1/P	
13	6LK48965000	STUD-GEAR-IDLE-H373	1	1/P	
15	F0-01868000	6882RSSH44M	2	1/P	
16	6LJ54055000	GEAR-04H-29-9-MIX-AGIR	1	1/P	
17	6LK48905000	GEAR-04H-29-9-MIX-AG-H373	1	1/P	
18 A	6LK48939000	ASYS-GEAR-IDLE-H376	1	1/P	eS4515AC/5015AC
18 B	6LK48908000	GEAR-04H-42-6-IDLE-H373	1	1/P	eS2515AC/3015AC/3515AC
19	6LJ54058000	GEAR-04H-35-8-RLR-MG	1	1/P	
20	F0-01499000	S5103-31 3BC	2	10/P	
22	6LK48960000	ASYS-HLDR-SHT-DRUM-H373	1	1/KP	
23	6LJ54202000	MIXER-DEV-SPLR	1	1/KP	
24	6LK48956000	ASYS-MIXR-DEV-AGIR-H373	1	1/KP	
25 A	F0-01959000	L1260 2RS-SH44M-GV22	2	1/P	eS4515AC/5015AC
25 B	6LJ54048000	BUSH-6X12X4-671	2	1/P	eS2515AC/3015AC/3515AC
27	4407972860	STOP-RING-6-5	2	5/P	
28	6LK48913000	SPC-GAP-RLR-MG-H373	1	1/P	
29	6LK49162000	RLR-MAGT-D16-100-K11X	1	1/KP	
31	6LJ54253100	BUSH-DEV-FRT-21X_S	1	1/P	
32	6LJ54144000	SEAL-BUSH-DEV-FRT-21X	1	1/P	
37	6LK49165000	ASYS-DOCTR-SEAL-K11X	1	1/KP	
38	6LK48968000	SEAL-RLR-MAGT-SIDE-FRT3	1	1/P	
39	6LK48969000	SEAL-RLR-MAGT-SIDE-RER3	1	1/P	
40	6LK49026000	SEAL-COV-DEV-FRT	1	1/P	
41	6LK48929000	SPG-F-DOC-PUSH-F-H373	1	1/P	
42	6LK48930000	SPG-F-DOC-PUSH-R-H373	1	1/P	
43 A	F0-01959000	L1260 2RS-SH44M-GV22	2	1/P	eS4515AC/5015AC
43 B	F0-01959000	L1260 2RS-SH44M-GV22	2	1/P	eS2515AC/3015AC/3515AC



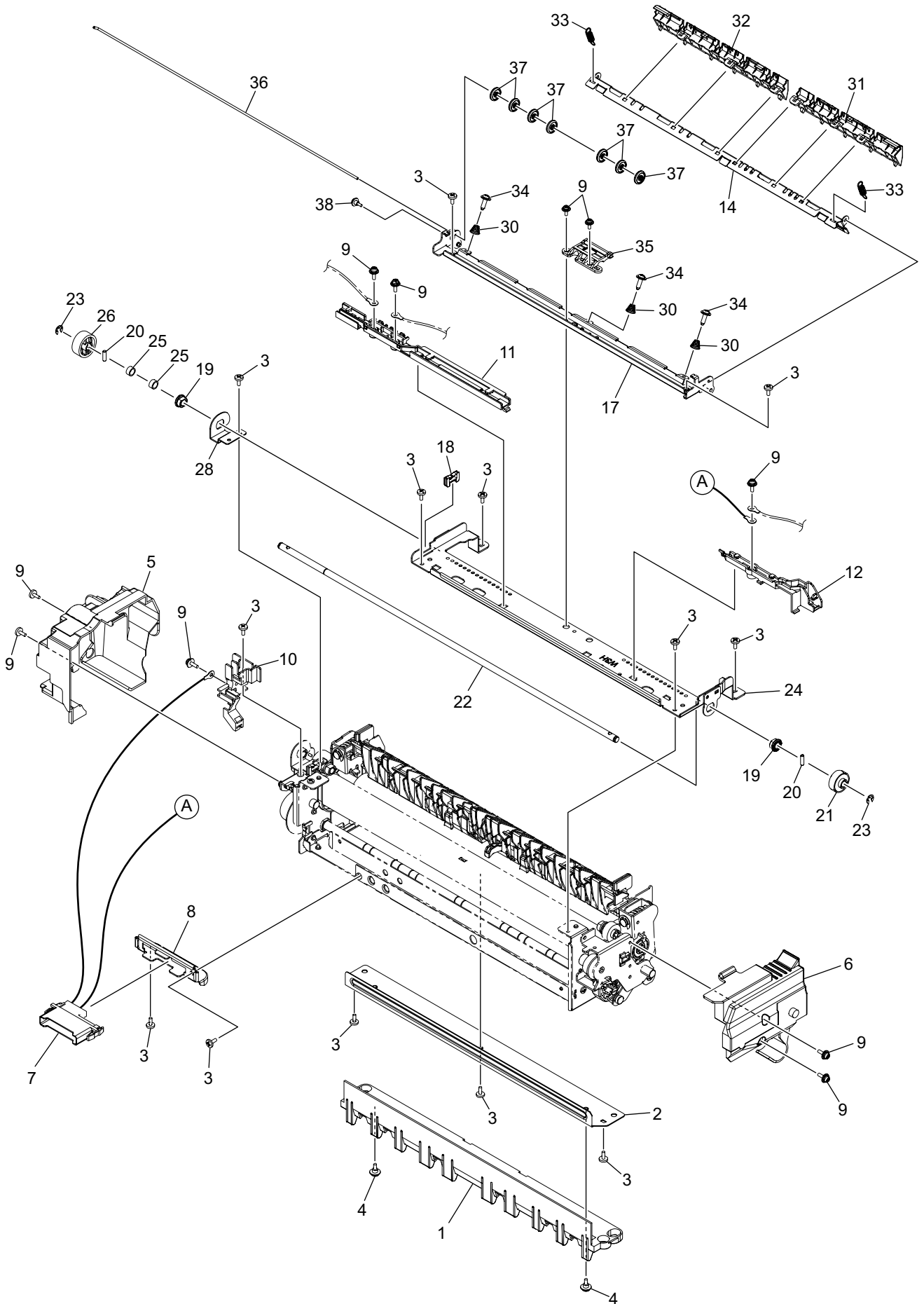
ITEM No.	PART No.	PART NAME	Q'TY / PAGE	Q'TY / PACK	REMARKS
2	6LK48985000	SPG-C-DR-EARTH-H373	1	1/P	
4	6LA80090000	S/TPP/BID-3X8-NI	5	5/P	
5	6LJ54033000	SEAL-CASE-CLNR-H21X	1	1/KP	
6	6LK49134000	SEAL-SIDE-FRT-H37X_F	1	5/P	
7	6LK49135000	SEAL-SIDE-RER-H37X_F	1	5/P	
8	6LJ54034000	SEAL-BLADE-BACK-H21X	2	5/P	
9	6LJ54029000	BLADE-REC-H21X	1	1/KP	
12	6LK49158000	BUSH-DRUM-RER-K11X	1	1/P	
13	6LJ54091000	RRG-4-P-N	1	1/P	
15 A	6LK49155100	RTNR-EPU-FRT-K11X-K	1	1/C	Black
15 B	6LK49155000	RTNR-EPU-FRT-K11X-YMC	1	1/C	Yellow,Magenta,Cyan
17	6LJ54040000	SPG-SHUT-CNLR-DRUM-H21X	1	1/P	
19	6LJ54015200	SHUT-NOZZLE-CLNR-H373	1	1/P	
20	6LJ54014100	NOZZLE-CLNR-AUGER-H21X_S	1	1/P	
21	6LJ54003000	SPG-AUGER-8-5_5-H21X	1	1/P	
22	6LJ54001000	BUSH-AUGER-RER-H21X	1	1/P	
25	6LK48923000	GEAR-6S30-6-AG-H370	1	1/P	
26	6LK48924000	HOLDER-DOG-H370	1	1/P	
28 A	6LJ70598000	OD-FC50	1	1/S	eS2515AC/3015AC/3515AC
28 B	6LK49015000	OD-FC505	1	1/S	eS4515AC/5015AC
30	6LK48916000	CASE-CLNR-DRUM-H373	1	1/PP	
35	6LK49077000	BL-FC200D	1	1/S	
36	6LJ54126100	CAP-NOZZLE-CLNR-D-H21X_S	1	1/P	
37	6LJ54146000	BLADE-CLN-H21X	1	1/KP	
40	6LK48941000	HOOK-DR-GAP-H373	2	1/P	
41	6LK48942000	HOLDR-HOOK-FRT-H373	1	1/P	
42	6LK48984000	SPG-C-DR-SL-H373	2	1/P	
43	6LK48943000	HOLDR-HOOK-RER-H373	1	1/P	
44	6LK48917000	RTNR-EPU-RER-H373	1	1/D	



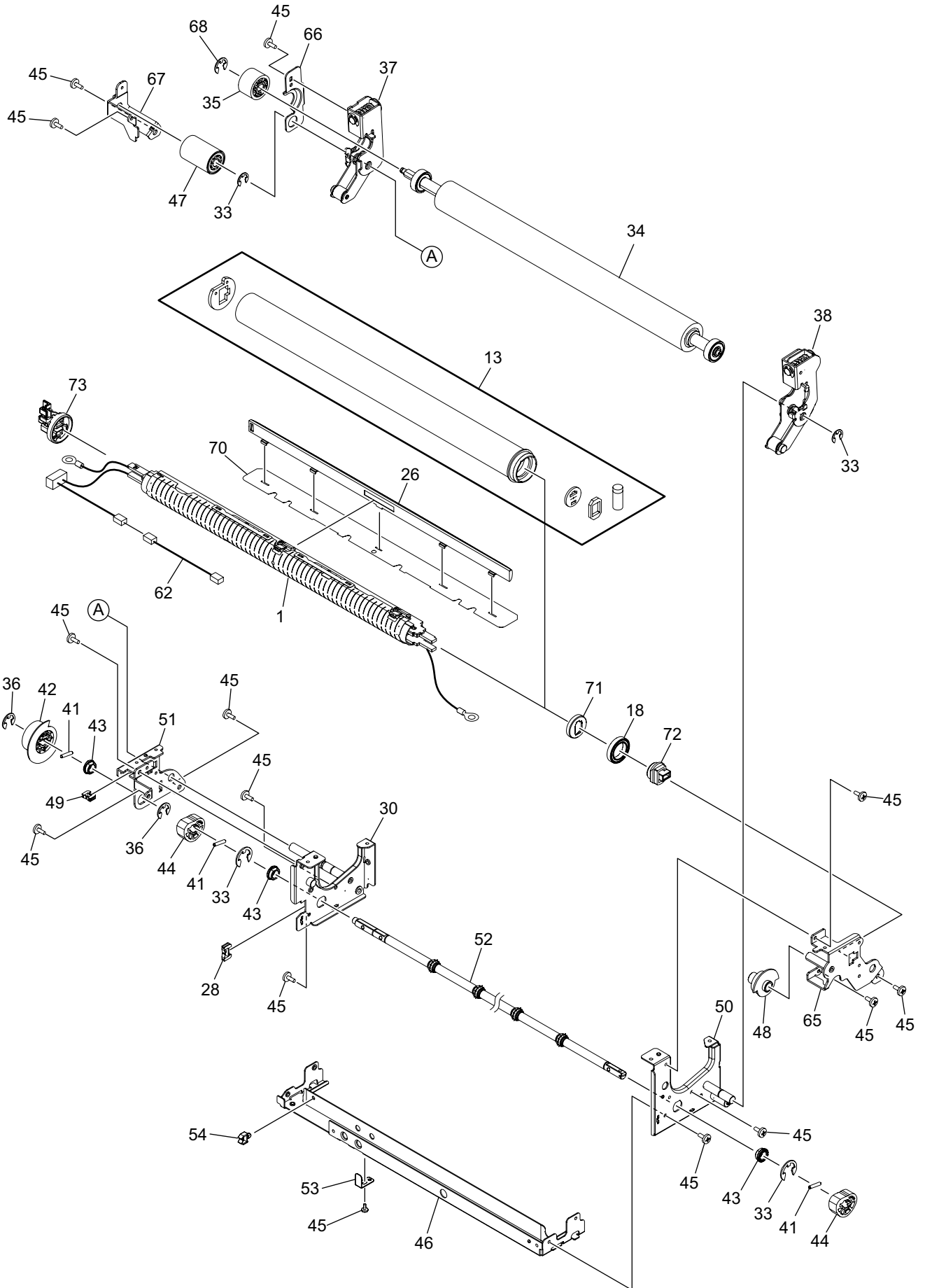
ITEM No.	PART No.	PART NAME	Q'TY / PAGE	Q'TY / PACK	REMARKS
1	6LA80090000	S/TPP/BID-3X8-NI	2	5/P	
2	6LE23557000	SPG-E-4XR5X11R2-CHARGR	1	5/P	
3	6LK48967000	ASYS-DUCT-CHARGR-H373	1	1/P	
4	6LJ54028000	SPG-F-BIAS-CHGR-H21X	1	1/P	
5 A	6LK48921100	LEVER-GRID-CHARGR-K_B	1	1/P	Black
5 B	6LK48920000	LEVER-GRID-CHARGR-YMC	1	1/P	Yellow,Magenta,Cyan
6 A	6LJ54180000	GRID-CHARGR-MAIN-H21Y	1	1/KP	Yellow,Magenta,Cyan
6 B	6LK48944000	GRID-CHGR-MAIN-H373-K	1	1/KP	Black
7	6LK48966000	ASYS-HLDR-CLNR-CH-H373	1	1/P	
8	6LK49126000	PIN-ARRAY-CHARGR-H37X	1	1/KP	
9	6LJ54009100	ROD-CHARGR-MAIN-H21X_S	1	1/P	
10	6LK49094200	TEARM-CHARGR-MAIN-R-H37X	1	1/P	
11	6LJ54019000	TEARM-CHARGR-MAIN-F-H21X	1	1/P	
12	6LJ54017000	CASE-CHARGR-MAIN-H21X	1	1/P	
13	6LK48987000	FILM-CLNR-CHARGR-H373	2	1/P	
15	6LJ54256000	SHEET-CHARGR-RGT-H21X-B	1	1/KP	
20 A	6LK49099200	ASYB-CHGR-MAIN-H373-YMC_N	3	1/C	Yellow,Magenta,Cyan
20 B	6LK49099300	ASYB-CHGR-MAIN-H373-K_N	1	1/C	Black



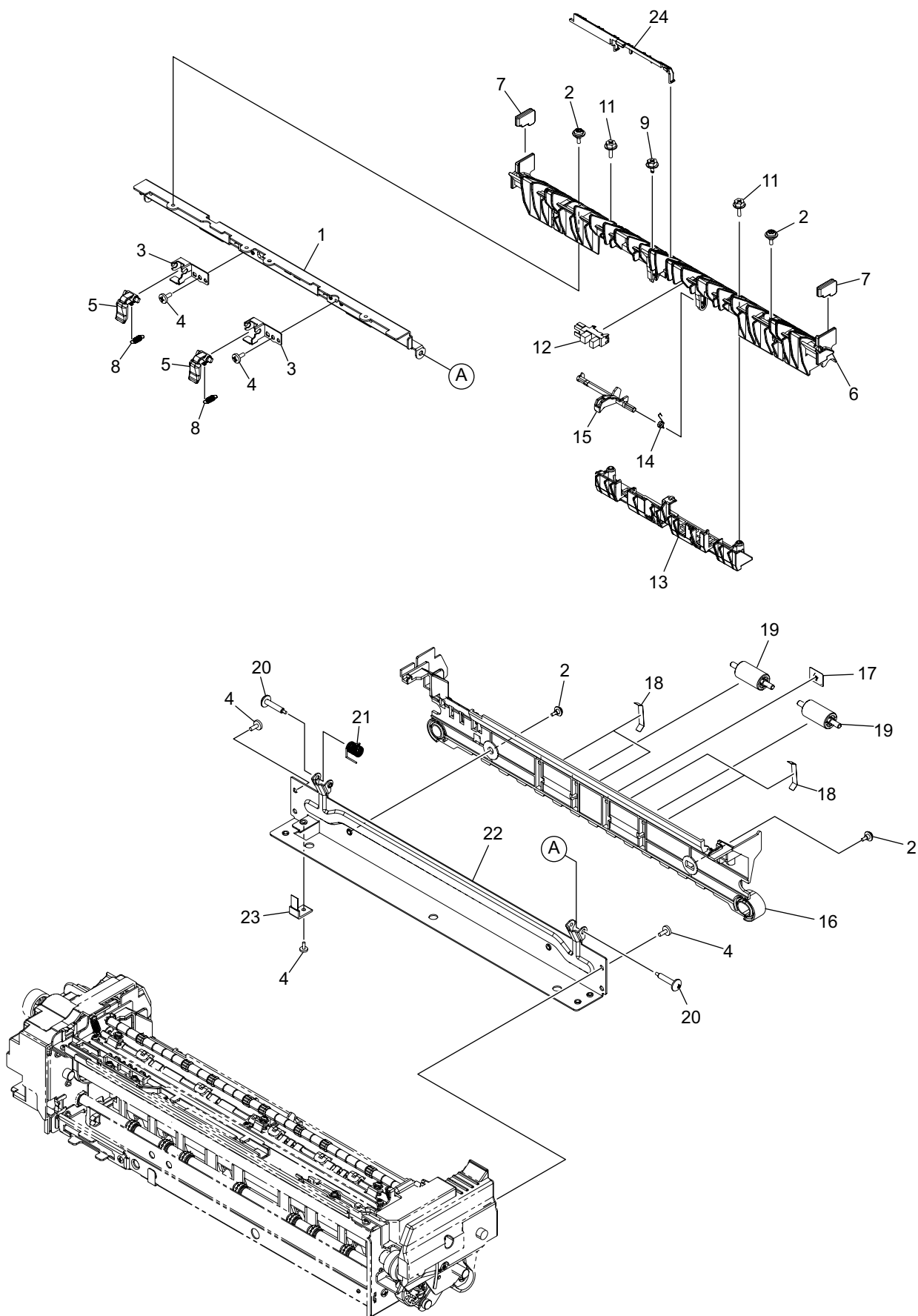
ITEM No.	PART No.	PART NAME	Q'TY / PAGE	Q'TY / PACK	REMARKS
1	6LK45412000	HRNS-LGC-TNRIC-H373	1	1/P	
2	6LK56073000	ASYB-PACK-CTIF-H370	1	1/S	
3	6LA80090000	S/TPP/BID-3X8-NI	4	5/P	
4 A	6LJ54816300	GEAR-5H68-6-H21X-J	4	1/P	ASD,AUD
4 C	6LJ54816000	GEAR-5H68-6-H21X-E	4	1/P	MJD,CND
4 D	6LJ54816100	GEAR-5H68-6-H21X-U	4	1/P	NAD,ARD
4 E	6LJ54816200	GEAR-5H68-6-H21X-D	4	1/P	TWD
5	6LH39254000	SPG-C-11R8XR8X24R	4	1/P	
6	6LJ54809000	ASYS-TNRBKT-H21X	4	1/P	
7	6LJ76845000	MOTRD-TNR-H24X	4	1/D	
8	X0-02557000	S/BID-M2.6X3-NI	8	10/P	
11	6LJ54897100	HLDR-TNRDRV-H370	1	1/PP	
12 A	6LJ53199000	ASYS-DUCT-STAY-FUS-H21Y	1	1/PP	eS2515AC/3015AC/3515AC
12 B	6LJ53199100	ASYS-DUCT-STAY-FUS-H21YH	1	1/P	eS4515AC/5015AC
13	6LJ54813100	STAY-TNR-H21X_S	3	1/P	
14	6LJ54812100	STAY-TNR-H21X-Y_S	1	1/P	
15	X0-02420000	S/TPS/FHEXM/R-3X8-ZU3	2	10/P	
16	6LK48925000	SHUT-TNR-H373	4	1/P	
17	6LJ54893000	SPG-C-SHUT-TONER-N1	4	1/P	
18	6LK49912000	ASYS-PIPE-H373	4	1/P	
19	X0-02247000	S/TPP/FHEXM-3X8-NI	5	10/P	
24	6LK49938200	ASYS-COVIN-K11X	1	1/PP	
25	X0-02231000	S/FHEXM-M3X8-NI	3	10/P	
26	6LK49920000	CATCH-TNR-H370	4	1/P	
27	X0-02246000	S/TPP/FHEXM-3X6-NI	4	10/P	
28	6LK49919100	LBL-TNR-H370-C	1	1/P	
29	6LK49919000	LBL-TNR-H370-M	1	1/P	
30	6LK49918000	LBL-TNR-H370-Y	1	1/P	
31	6LK49919200	LBL-TNR-H370-K	1	1/P	
32	6LK48729000	CASE-SNSR-FRONT-H370	1	1/P	
33	E0-15050000	SW1AG-550	1	1/D	
34	6LK45512000	HRNS-FRONTSW-H370	1	1/P	



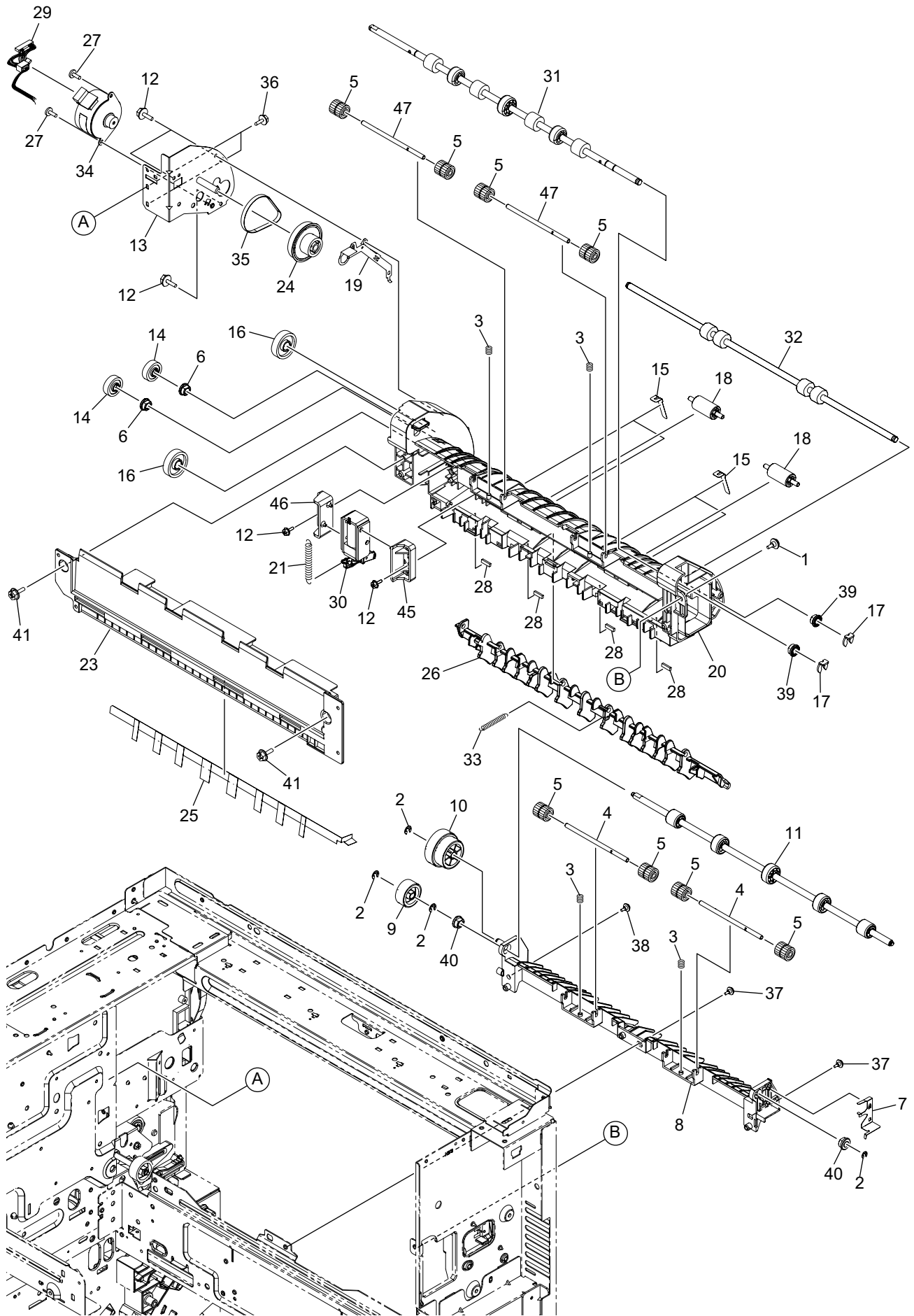
ITEM No.	PART No.	PART NAME	Q'TY / PAGE	Q'TY / PACK	REMARKS
1	6LJ58802000	GUIDE-ENT-PR-H212	1	1/PP	
2	6LJ58638000	PLT-ENT-PR-H212	1	1/P	
3	X0-00430000	S/BID-M3X6-NI	13	10/P	
4	6LH36359000	SCREW-M3-D4X2.3	2	10/P	
5	6LK52301100	COVER-FUS-R-H373A	1	1/D	
6	6LJ58636000	COVER-FUS-F-H21Y	1	1/P	
7	6LJ60965000	HRNS-FUS-212	1	1/P	
8	6LJ58873000	BRKT-DRW-FUS-H212	1	1/P	
9	X0-00077000	S/PAN/SWWP-M3X8-NI	10	10/P	
10	6LK52215000	ASYS-HLDR-HRNS-FUS-R-H373	1	1/P	
11	6LJ58765000	ASYS-HLDR-FUSE-INI	1	1/P	
12	6LJ58856000	ASYS-HLDR-HRNS-FUS-U-H212	1	1/C	
14	6LK52312000	ASYS-SCRAPER-H373-AJ	1	1/PP	
17	6LK52401000	ASYS-BRKT-SCR-P-AJ-K11X	1	1/P	
18	F0-01845000	ES-0510-46	1	1/P	
19	6LH68707000	BUSH-6	2	1/P	
20	X0-01535000	P/PRL/AH7-3X12-SS	2	5/P	
21	6LJ58866000	GEAR-BL-I4	1	1/P	
22	6LK52219000	SFT-BLT-D-H373	1	1/P	
23	X0-00965000	RR/E-4-SS	2	10/P	
24	6LJ58945100	ASYS-STAY-GUIDE-FUS-SCR2	1	1/PP	
25	6LH23444000	BUSH-GCB-6-4-NU4	2	1/P	
26	6LJ58701000	GEAR-BELT-F	1	1/P	
28	6LJ58631000	BRKT-GEAR-BELT-H212	1	1/P	
30	6LK52342000	SPG-SCREW-AJ	3	1/P	
31	6LK52397000	GUIDE-SCR-P-F-K11X	1	1/PP	
32	6LK52398000	GUIDE-SCR-P-R-K11X	1	1/PP	
33	6LK52315000	SPG-E-SCR-P-AJ-H373	2	1/P	
34	6LK52314000	S/FPAN/R-M3X10-ZB3-APSLOK	3	5/P	
35	6LK52400000	HOLD-SHAFT-FUS-EXIT-K11X	1	1/P	
36	6LK52402000	SHAFT-FUS-EXIT-K11X	1	1/P	
37	6LH07453000	ROLL-FUS-GUIDE	7	1/P	
38	6LK52416000	SCREW-M3-D4X3.2	1	5/P	



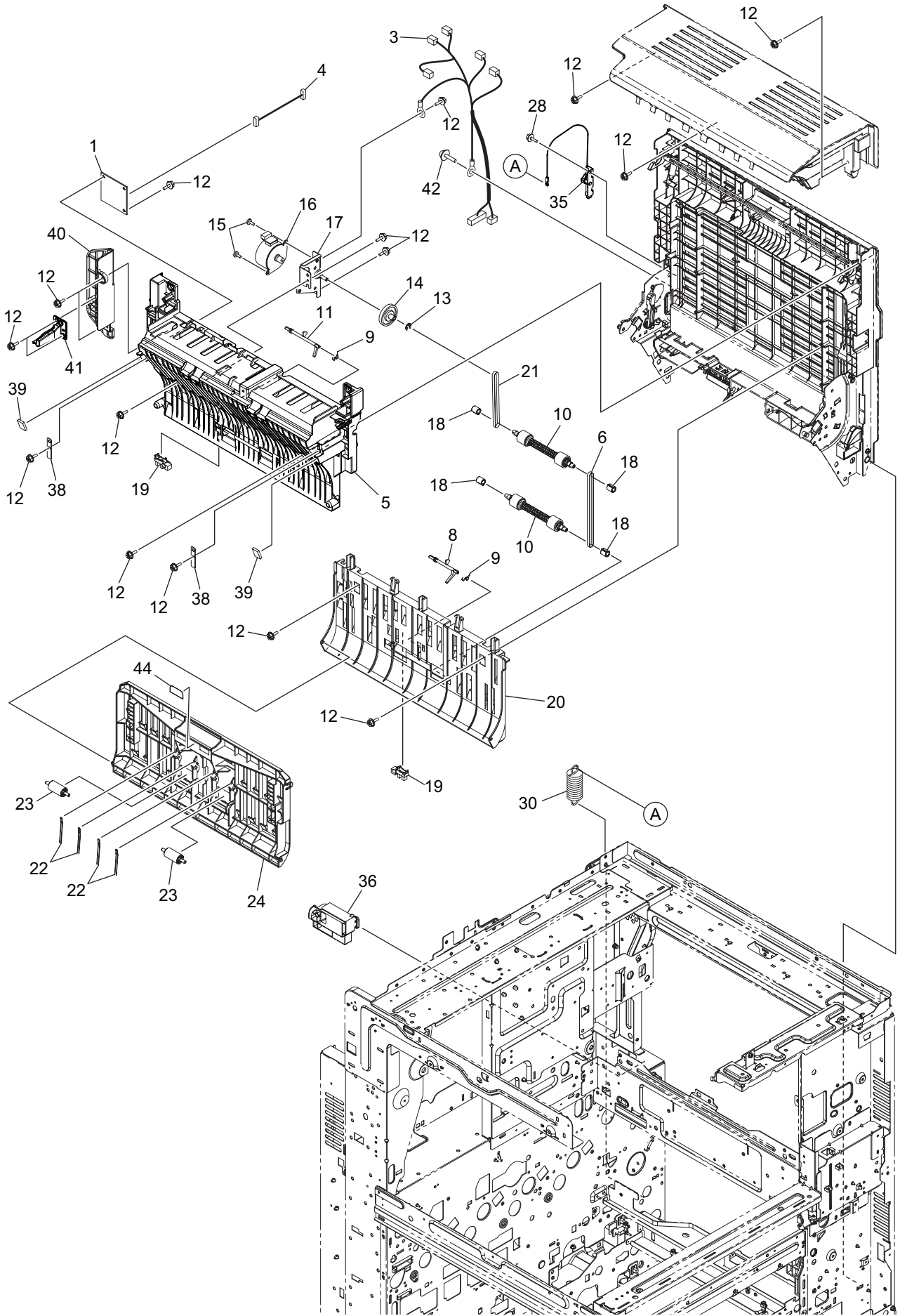
ITEM No.	PART No.	PART NAME	Q'TY / PAGE	Q'TY / PACK	REMARKS
1 A	6LK55470000	BELT-HLDUNIT-H373	1	1/S	eS2515AC/3015AC/3515AC
1 B	6LK55469000	BELT-HLDUNIT-H376	1	1/S	eS4515AC/5015AC
13 A	6LK55466000	BT-FC505	1	1/S	eS2515AC/3015AC/3515AC
13 B	6LK55467000	BT-FC505H	1	1/S	eS4515AC/5015AC
13 C	6LK55501000	BT-FC505-C	1	1/S	eS2515AC/3015AC/3515AC CND
13 D	6LK55502000	BT-FC505H-C	1	1/S	eS4515AC/5015AC CND
18	6LJ58989000	6803ZZS1C4-GPL226-GV22	1	1/P	
26 A	6LJ58890000	PAD-BELT-R60-H214	1	1/KP	eS2515AC/3015AC/3515AC
26 B	6LK52274000	PAD-BLT-R55-H376	1	1/KP	eS4515AC/5015AC
28	F0-01845000	ES-0510-46	1	1/P	
30	6LK52217000	ASYS-FRM-FUS-R-H373	1	1/D	
33	X0-00968000	RR/E-7-SS	4	10/P	
34	6LK55468000	PR-FC505	1	1/S	
35	6LK52302000	GEAR-10H24-PR-H373	1	1/P	
36	X0-00966000	RR/E-5-SS	2	10/P	
37 A	6LK52323200	ASYB-PUSHER-R-H373	1	1/P	eS2515AC/3015AC/3515AC
37 B	6LK52323000	ASYB-PUSHER-R-H376	1	1/P	eS4515AC/5015AC
38 A	6LK52324200	ASYB-PUSHER-F-H373	1	1/P	eS2515AC/3015AC/3515AC
38 B	6LK52324000	ASYB-PUSHER-F-H376	1	1/P	eS4515AC/5015AC
41	X0-01169000	P/PRL/AH7-3X14-SS	3	10/P	
42	6LK52214000	GEAR-10S30-CAM-8	1	1/P	
43	6LJ55544000	BUSH-8X12X5R5F-BCF-050	3	1/P	
44 A	6LJ58970000	CAM-FUS-HL-E	2	1/P	eS2515AC/3015AC/3515AC
44 B	6LJ58971000	CAM-FUS-HH-E	2	1/P	eS4515AC/5015AC
45	X0-00430000	S/BID-M3X6-NI	14	10/P	
46	6LJ58877100	FRAME-FUS-LOW2	1	1/PP	
47	6LK52200000	GEAR-10H21-IDL-PR-H373	1	1/P	
48	6LJ58809000	GEAR-SNSR-ROTATION	1	1/P	
49	F0-01844000	ES-0505-2-46	1	5/P	
50	6LJ58610000	ASYS-FRM-FUS-F	1	1/D	
51	6LK52222000	BRKT-HLD-BLT-R-H373	1	1/P	
52	6LK52409000	ASYB-SFT-CAM-FUS-K11X	1	1/KP	
53	6LJ58818000	BRKT-FUS-LOW	1	1/P	
54	F0-00270000	UAMS-05L-0-46	1	10/P	
62	6LJ61506000	HRNS-FUS-EXT-212	1	1/P	
65	6LJ58956100	ASYS-BRKT-HLD-BLT-FH373	1	1/P	
66	6LK52345000	BRKT-BRG-PR-R-H373	1	1/P	
67	6LK52213000	BRKT-HLD-GEAR-PR	1	1/P	
68	X0-00965000	RR/E-4-SS	1	10/P	
70	6LJ58874000	SHEET-PAD-BELT	1	1/KP	
71	6LK52253000	WASHER-BLT-F	1	1/P	
72	6LK52350000	BUSH-BLT-F	1	1/P	
73	6LK52349000	BUSH-BLT-R	1	1/P	



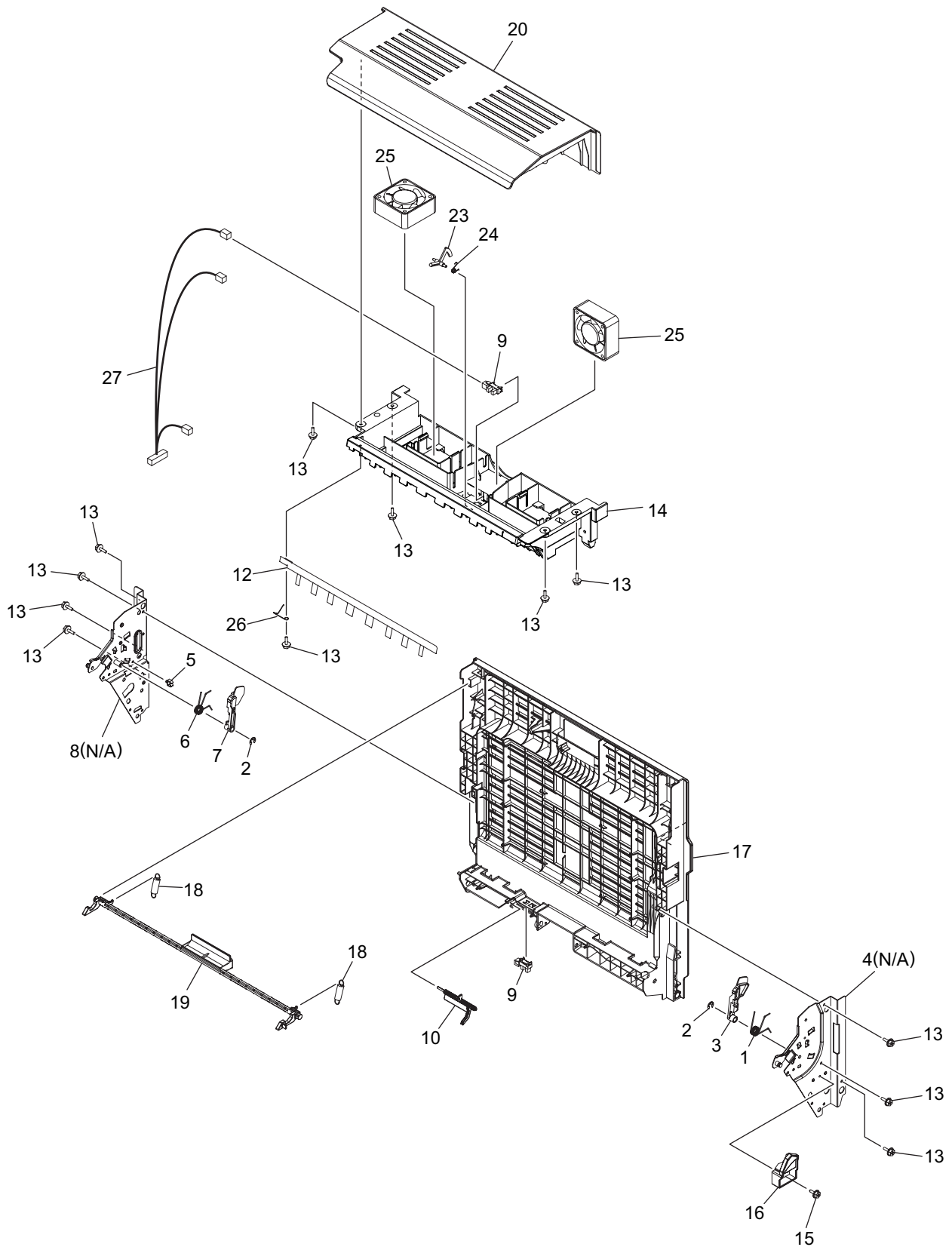
ITEM No.	PART No.	PART NAME	Q'TY / PAGE	Q'TY / PACK	REMARKS
1	6LK52237000	STAY-GUIDE-RTN-H373	1	1/PP	
2	6LH36359000	SCREW-M3-D4X2.3	4	10/P	
3	6LJ58640000	BRKT-PR-SCR-FUS-H212	2	1/P	
4	X0-00430000	S/BID-M3X6-NI	5	10/P	
5	6LJ58138000	SCRAPER-HR-H210-S	2	2/P	
6	6LK52238100	GUIDE-EXIT-RTN-K11X	1	1/PP	
7	6LJ58972000	SHEET-FUS-HANDLE-H21Y-2	2	5/P	
8	6LK52346000	SPG-E-SCR-P-PR-H373	2	1/P	
9	X0-02419000	S/TPS/FHEXM/R-3X6-ZU3	1	10/P	
11	X0-02247000	S/TPP/FHEXM-3X8-NI	2	10/P	
12	C0-20495000	LG2A24BL1	1	1/C	
13	6LJ58602000	COVER-SNSR-H212	1	1/P	
14	6LJ58795000	SPG-T-ACT-FUS-H212	1	1/P	
15	6LJ58733100	ACTR-EXIT-FUS-H373	1	1/P	
16	6LJ58633000	GUIDE-PR-ADU-H21Y	1	1/C	
17	41307995000	LBL/W-FUSER	1	5/KP	
18	6LH55245000	PLT-SP-IDLE-47X	4	1/D	
19	41316101000	ROLL-TRANS-IDLE	2	1/P	
20	4406326040	SCREW-D4-18-M3	2	10/P	
21	6LJ58794000	SPG-T-GUIDE-EXIT-RTN-R-1	1	1/P	
22	6LJ58643000	FRAME-FUS-RGT-H212	1	1/C	
23	6LJ02533000	BRUSH-FUSER-H14X	1	1/C	
24	6LJ58603000	COV-WH-GUIDE-RTN-H212	1	1/C	



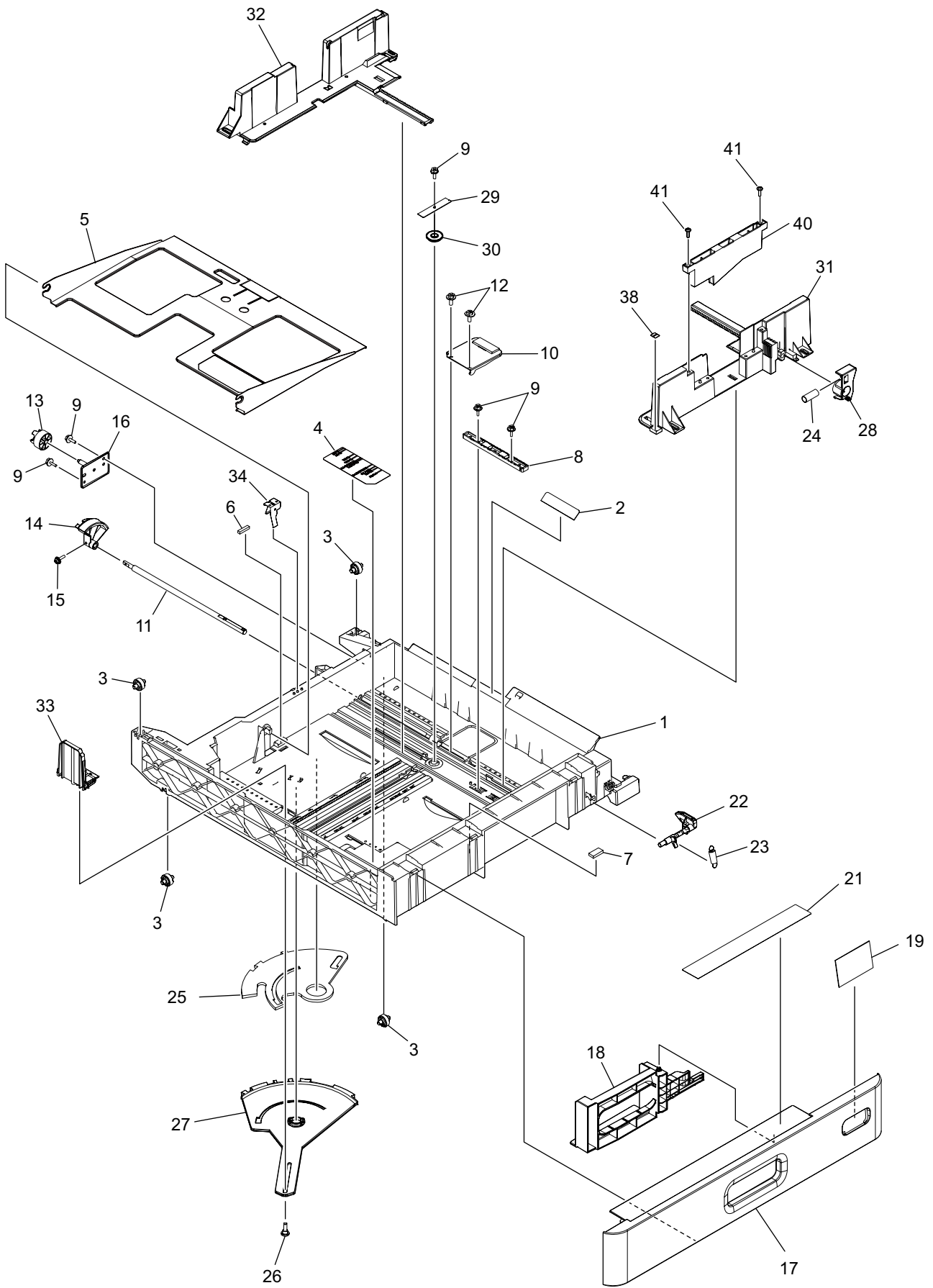
ITEM No.	PART No.	PART NAME	Q'TY / PAGE	Q'TY / PACK	REMARKS
1	6LA08937000	SCREW-BKT-DEV	1	10/P	
2	X0-00965000	RR/E-4-SS	4	10/P	
3	6LJ57614000	SPG-C-ROLL-EXIT-H21Y	4	1/P	
4	6LJ57801000	SHAFT-ROL-EXIT-L	2	1/P	
5	6LK52391000	RLR-EXIT-L-EX	8	1/P	
6	6LJ55543000	BUSH-6-BCF-050	2	1/P	
7	6LK52351000	SPG-F-GND-EXIT-H373	1	1/C	
8	6LJ58985000	ASYS-GUIDE-EXIT-H21Y	1	1/PP	
9	6LJ58673000	GEAR-10S23-EXIT	1	1/P	
10	6LJ58672000	GEAR-10S28-10S34-6	1	1/P	
11	6LK52354000	ASYB-ROLL-EXIT-LOW-H373	1	1/KP	
12	X0-02247000	S/TPP/FHEXM-3X8-NI	5	10/P	
13	6LJ57601100	ASYS-BRKT-DRV-EXIT-U-K11X	1	1/P	
14	6LH54006000	GEAR-10S20-06	2	1/P	
15	6LJ57610000	SPG-F-ROL-REV-H21Y	4	1/P	
16	6LH54009000	GEAR-10S27-08	2	1/P	
17	44201801000	STOP-RING-6-1.5	2	5/P	
18	41316101000	ROLL-TRANS-IDLE	2	1/P	
19	6LJ57635100	SPG-F-GND-EXIT-UPR-H373	1	1/C	
20	6LK51907200	GUIDE-EXIT-UPR-H373_S	1	1/PP	
21	6LK51917000	SPG-E-ARM-GATE-85-H373	1	1/P	
23	6LJ57616100	COV-EXIT-UPR-H373	1	1/PP	
24	6LJ57609000	GEAR-10S20_PS2M60-6-H21Y	1	1/P	
25	6LJ57617000	BRUSH-EXIT-L-H21Y	1	1/KP	
26	6LK51626100	GATE-ADU-H373_S	1	1/PP	
27	X0-02069000	S/TPS/BID-3X6-ZU3	2	10/P	
28	6LK51918000	DAMP-GATE-H373	4	5/P	
29	6LJ61030000	HRNS-EXTMOT-212	1	1/P	
30	6LK51919100	ASYS-SOL-07B-K11X	1	1/C	
31	6LK51935000	ASYB-ROLL-EXIT-U-K110	1	1/KP	
32	6LJ57633000	ROLL-TRANS-UPR-H21Y	1	1/KP	
33	6LK51916000	SPG-E-GATE-EXIT-70-H373	1	1/P	
34	6LJ57816000	MOTR_S-EXIT-L-H21X	1	1/D	
35	6LJ58949000	BLT_SY-S2M-144-4	1	1/P	
36	X0-02683000	S/TPP/FHEXM-3X8-ZB3	2	5/P	
37	6LA36749000	ASYS-SCREW-LSU-NI	2	5/P	
38	X0-02230000	S/FHEXM-M3X6-NI	1	10/P	
39	44201492000	BUSH-6-POM	2	5/P	
40	4407734980	BUSH-6-GCB	2	5/P	
41	X0-02420000	S/TPS/FHEXM/R-3X8-ZU3	2	10/P	
45	6LK51912000	PART-BRKT-F-2	1	1/P	
46	6LK51913000	PART-BRKT-R-2	1	1/P	
47	6LK51938000	SHAFT-ROL-EXIT-L-N	2	1/P	



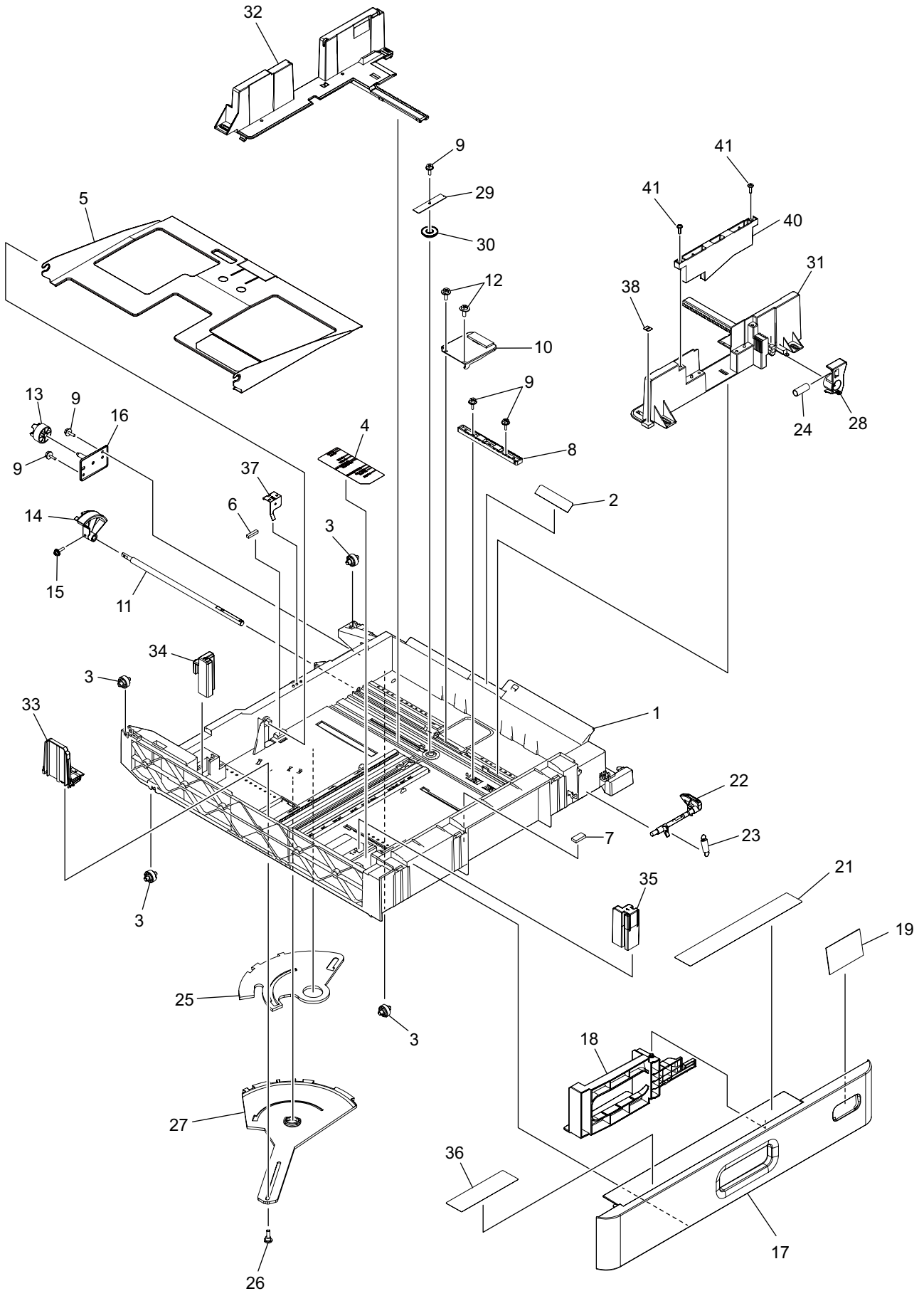
ITEM No.	PART No.	PART NAME	Q'TY / PAGE	Q'TY / PACK	REMARKS
1	6LK83329000	PWA-K-ADU-110	1	1/SB	eS2515AC/3015AC/3515AC eS4515AC/5015AC
3 A	6LK45977000	HRNS-ADU-H373	1	1/P	
3 B	6LK45978000	HRNS-ADU-H376	1	1/P	
4	6LK45417000	HRNS-ADU-MOT-H373	1	1/P	
5	6LJ57394000	GUIDE-ADU-U-H21Y	1	1/PP	
6	6LJ57400000	BLT.SY-S2M-264-4	1	1/P	
8	6LJ57322000	ACTR-ADU-L-H21X	1	1/P	
9	6LJ57327000	SPG-ACT-ADU-H21X	2	1/P	
10	6LJ57331100	ASYS-ROL-ADU-H21Y	2	1/KP	
11	6LJ57323000	ACTR-ADU-U-H21X	1	1/P	
12	X0-02247000	S/TPP/FHEXM-3X8-NI	17	10/P	
13	X0-00964000	RR/E-3-SS	1	10/P	
14	6LJ57321000	GEAR-08S40_S2M012-7	1	1/P	
15	X0-02069000	S/TPS/BID-3X6-ZU3	2	10/P	
16	6LJ57330000	ASYS-MOTR-S-ADU-H21X	1	1/D	
17	6LJ57377000	ASYS-BRKT-DRV-ADU-H21Y	1	1/P	
18	6LJ57387100	BUSH-ADU-POMSW	4	1/P	
19	C0-17839000	LG2A14BL1	2	1/C	
20	6LJ57316100	GUIDE-ADU-L-H21X_S	1	1/PP	
21	6LJ57399000	BLT.SY-S2M-200-4	1	1/P	
22	6LJ57315000	SPR-IDLE-ADU	4	1/P	
23	41316101000	ROLL-TRANS-IDLE	2	1/P	
24	6LJ57318100	GUIDE-OPEN-L_S	1	1/PP	
28	X0-02420000	S/TPS/FHEXM/R-3X8-ZU3	1	10/P	
30	6LJ57406000	SPG-ADU-WIRE	1	1/P	
35	6LJ57382000	ASYB-BRKT-HOLD-WIRE-H21Y	1	1/P	
36	6LJ57371000	HOLDER-WIRE-ADU-H21Y	1	1/P	
38	6LJ57379000	SPG-F-GUIDE-EXIT-H21Y	2	1/P	
39	6LK51909000	DAMP-SOL-GATE-H373	2	1/P	
40	6LJ57401100	COVER-ADU-R-H373	1	1/P	
41	6LJ58946000	SPACER-LOCK-R-H21Y	1	1/P	
42	X0-02040000	S/TPP/FPAN-3X10-NI	1	10/P	
44	6LJ54687000	LBL-HNDL-WTNR-21X	1	1/P	



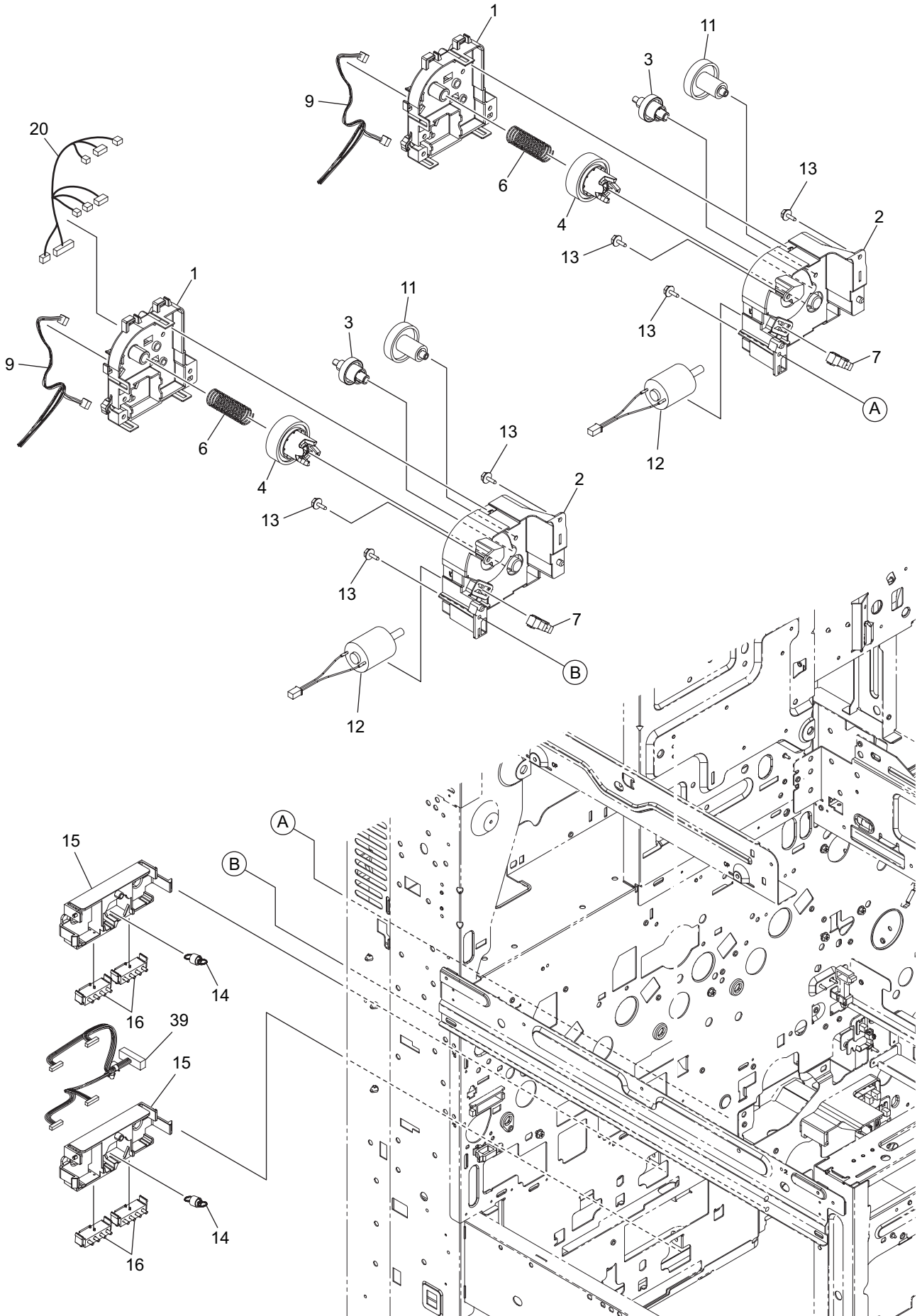
ITEM No.	PART No.	PART NAME	Q'TY / PAGE	Q'TY / PACK	REMARKS
1	6LJ55948000	SPG-T-TRU-RTN-F-2	1	1/P	
2	X0-00966000	RR/E-5-SS	2	10/P	
3	6LJ55928000	PUSHER-TRU-OPEN-F	1	1/P	
4	6LJ57407000	ASYS-FRM-ADU-F-H21X	1	N/A***	
5	F0-00044000	UAMS-05-2	1	5/P	
6	6LJ55949000	SPG-T-TRU-RTN-R-2	1	1/P	
7	6LJ55929000	PUSHER-TRU-OPEN-R	1	1/P	
8	6LJ57308000	ASYS-FRM-ADU-R-H21X	1	N/A***	
9	C0-17839000	LG2A14BL1	2	1/C	
10	6LJ57135100	ACTR-EMPTY-SFB-H373	1	1/P	
12	6LK50729000	BRUSH-EXIT-UPR-H373	1	1/KP	
13	X0-02247000	S/TPP/FHEXM-3X8-NI	12	10/P	
14	6LJ57392100	GUIDE-ADU-UPR-H373	1	1/PP	
15	X0-02420000	S/TPS/FHEXM/R-3X8-ZU3	1	10/P	
16	6LJ55901100	LOCK-CAM-TRU-F_S	1	1/P	
17	6LJ57381100	COVER-ADU-H21X-LB	1	1/PP	
18	6LH51228000	SPG-C-COV-SIDE	2	1/P	
19	6LJ57393100	LEVER-ADU-H370	1	1/PP	
20	6LK51614000	ASYS-COVER-ADU-TOP-H373	1	1/PP	
23	6LH54010000	ACTR-EXIT-UPR-473	1	1/P	
24	6LJ12930000	SPG-T-ACT-EXIT-UPR-16X	1	1/P	
25 A	6LK48229000	ASYS-FAN-6025-65-H373	1	1/D	eS2515AC/3015AC/3515AC
25 B	6LK48229000	ASYS-FAN-6025-65-H373	2	1/D	eS4515AC/5015AC
26	6LK50730000	SPG-GND-EX-UPR-H373	1	1/P	
27	6LK45979000	HRNS-ADU-SNR-H373	1	1/P	



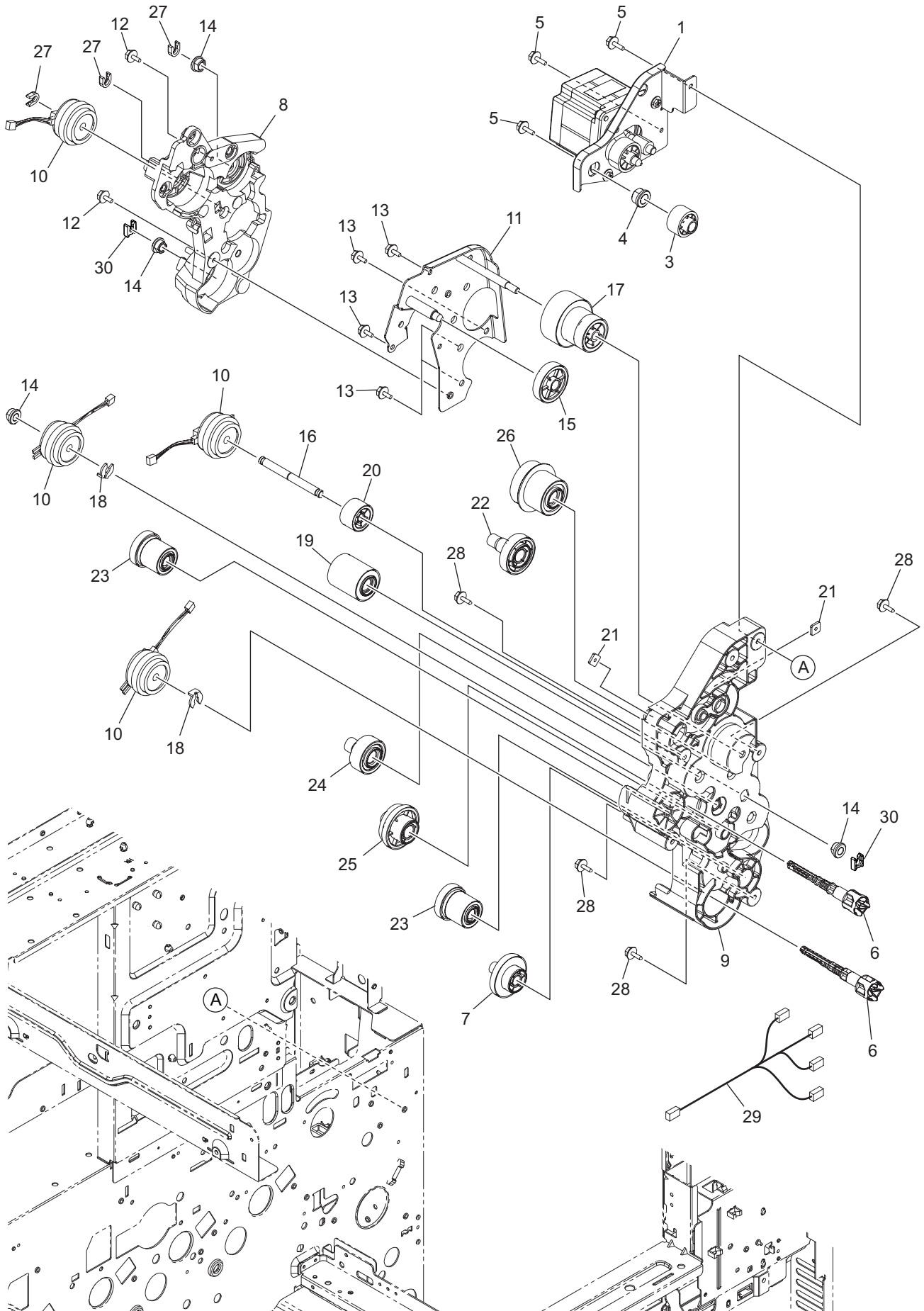
ITEM No.	PART No.	PART NAME	Q'TY / PAGE	Q'TY / PACK	REMARKS
1	6LK51265000	CST-H21X-U-A3	1	1/PP	
2	6LJ66823000	SHEET-CST-H21X	1	1/P	
3	6LJ56845000	ROLL-CST-H21X	4	1/P	
4	6LK51281000	LBL_P-SIZE-LDA3-H373	1	1/KP	
5	6LK51242100	ASYS-TRAY-CST-H-K11X	1	1/KP	
6	6LH51643000	CHSH-CST-F47X	1	1/P	
7	6LH05741000	CUSH-CST-S	1	1/P	
8	6LJ56815100	WALL-STOP-H21X_S	1	1/P	
9	X0-02247000	S/TPP/FHEXM-3X8-NI	5	10/P	
10	6LH05746000	ASYS-LEVER-ELV-CST-F43X	1	1/P	
11	6LJ56910000	SHAFT-ELV-CST-H21X	1	1/P	
12	X0-02235000	S/FHEXM-M4X8-NI	2	10/P	
13	6LJ56847100	CPG-TRAY-UP-H37X	1	1/P	
14	6LJ56832100	GEAR-DRV-TRAYUP-SFT-H37X	1	1/P	
15	X0-00094000	S/PAN/SWWP-M3X10-NI	1	10/P	
16	6LJ56851000	ASYS-PLATE-DRV-CST-H21X	1	1/P	
17	6LK51218000	COVER-CST-H373	1	1/PP	
18	6LJ56838200	HNDL-CST-H370	1	1/PP	
19 A	6LK51245000	SIZE-CST-37X-A4	1	1/KP	MJD,ASD,AUD,ARD,CND,TWD
19 B	6LK51245100	SIZE-CST-37X-LT	1	1/KP	NAD
21	6LK51278000	LBL_O-GUIDE-CST-H373	1	1/KP	
22	6LJ56924000	LVR-CST1-H-H21X_E_SHAFT	1	1/P	
23	6LJ56839000	SPG-E-8R9XR9X29R5	1	1/P	
24	6LA56695000	SPC-LVR-WALL-F	1	1/P	
25	6LH05721100	PUSHER-SIDE-CST-F43X_S	1	1/P	
26	6LH05511000	SCREW-M3X8-3.2-P	1	5/P	
27	6LK51261000	PUSHER-END-CST-H21X	1	1/P	
28	6LJ56802100	LEVER-LOCK-WALL-H21X_S	1	1/P	
29	6LK51241000	PLT-WALL-GEAR-H370	1	1/P	
30	6LE53717000	GEAR-10S18-8-TRAY	1	1/P	
31	6LK51277000	SLIDE-WALL-F-H21X-H-70	1	1/KP	
32	6LJ56872000	ASYS-SLIDE-WALL-R-H21X-H	1	1/PP	
33	6LJ56827100	WALL-END-CST-H-H21X_S	1	1/P	
34	6LK51269000	SPG-F-TRAY-CST-H21Y	1	1/C	
38	6LJ56953000	LBL_P-SIZE-REF-H21X	1	1/P	
40	6LK51276000	SUPPT-SLIDE-WALL-F-H373	1	1/KP	
41	X0-01989000	S/TPP/BID-3X8-NI	2	10/P	



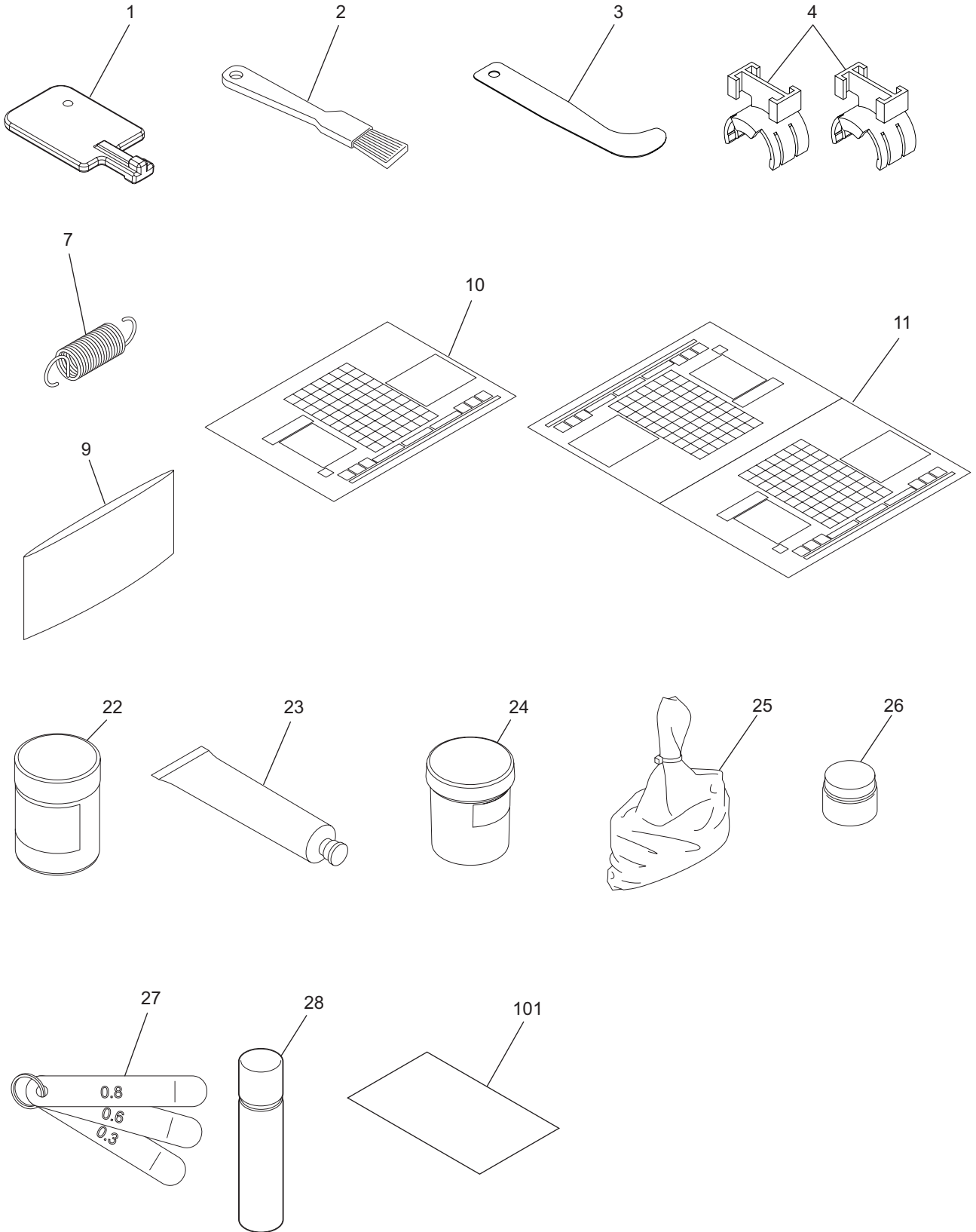
ITEM No.	PART No.	PART NAME	Q'TY / PAGE	Q'TY / PACK	REMARKS
1	6LK51266000	CST-H21X-SR	1	1/PP	
2	6LJ66823000	SHEET-CST-H21X	1	1/P	
3	6LJ56845000	ROLL-CST-H21X	4	1/P	
4	6LK51280000	LBL_P-SIZE-SRA3-H373	1	1/KP	
5	6LK51242100	ASYS-TRAY-CST-H-K11X	1	1/KP	
6	6LH51643000	CHSH-CST-F47X	1	1/P	
7	6LH05741000	CUSH-CST-S	1	1/P	
8	6LJ56815100	WALL-STOP-H21X_S	1	1/P	
9	X0-02247000	S/TPP/FHEXM-3X8-NI	5	10/P	
10	6LH05746000	ASYS-LEVER-ELV-CST-F43X	1	1/P	
11	6LJ56910000	SHAFT-ELV-CST-H21X	1	1/P	
12	X0-02235000	S/FHEXM-M4X8-NI	2	10/P	
13	6LJ56847100	CPG-TRAY-UP-H37X	1	1/P	
14	6LJ56832100	GEAR-DRV-TRAYUP-SFT-H37X	1	1/P	
15	X0-00094000	S/PAN/SWWP-M3X10-NI	1	10/P	
16	6LJ56851000	ASYS-PLATE-DRV-CST-H21X	1	1/P	
17	6LK51218000	COVER-CST-H373	1	1/PP	
18	6LJ56838200	HNDL-CST-H370	1	1/PP	
19 A	6LK51245000	SIZE-CST-37X-A4	1	1/KP	MJD,ASD,AUD,ARD,CND,TWD
19 B	6LK51245100	SIZE-CST-37X-LT	1	1/KP	NAD
21	6LK51278000	LBL_O-GUIDE-CST-H373	1	1/KP	
22	6LJ56925000	LVR-CST2-H-H21X_E_SHAFT	1	1/P	
23	6LJ56839000	SPG-E-8R9XR9X29R5	1	1/P	
24	6LA56695000	SPC-LVR-WALL-F	1	1/P	
25	6LH05721100	PUSHER-SIDE-CST-F43X_S	1	1/P	
26	6LH05511000	SCREW-M3X8-3.2-P	1	5/P	
27	6LK51260000	PUSHER-END-CST-F43X	1	1/PP	
28	6LJ56802100	LEVER-LOCK-WALL-H21X_S	1	1/P	
29	6LK51241000	PLT-WALL-GEAR-H370	1	1/P	
30	6LE53717000	GEAR-10S18-8-TRAY	1	1/P	
31	6LK51277000	SLIDE-WALL-F-H21X-H-70	1	1/KP	
32	6LJ56872000	ASYS-SLIDE-WALL-R-H21X-H	1	1/PP	
33	6LJ56827100	WALL-END-CST-H-H21X_S	1	1/P	
34	6LJ56834100	WALL-LONGPAPER-R-H-H21X_S	1	1/P	
35	6LJ56833100	WALL-LONGPAPER-F-H-H21X_S	1	1/P	
36	6LK51279000	LBL_O-GUIDE-SRA3-H373	1	1/P	
37	6LK51269000	SPG-F-TRAY-CST-H21Y	1	1/C	
38	6LJ56953000	LBL_P-SIZE-REF-H21X	1	1/P	
40	6LK51276000	SUPPT-SLIDE-WALL-F-H373	1	1/KP	
41	X0-01989000	S/TPP/BID-3X8-NI	2	10/P	



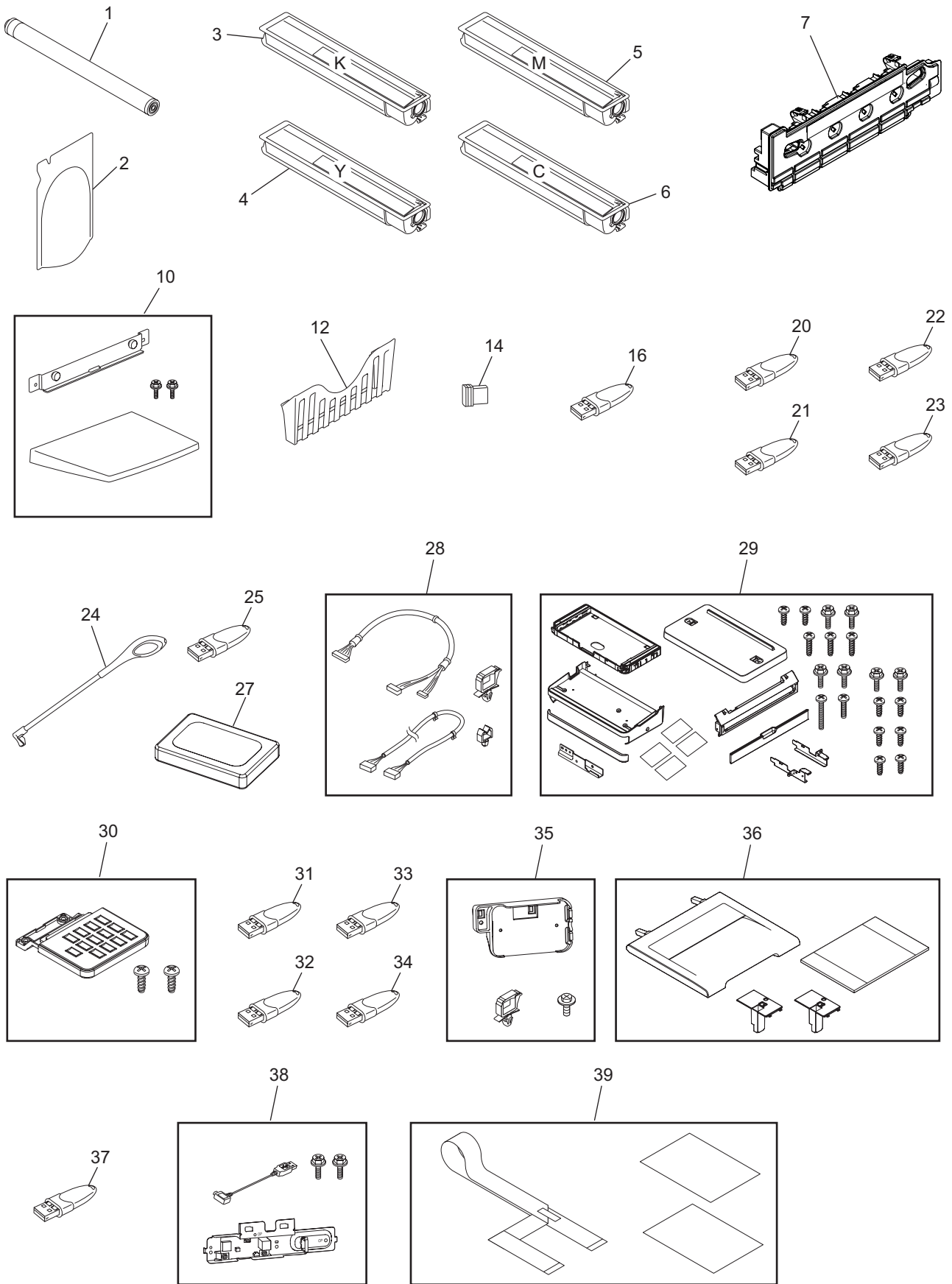
ITEM No.	PART No.	PART NAME	Q'TY / PAGE	Q'TY / PACK	REMARKS
1	6LK51201000	CASE-TRAYUP-GEAR-R-H373	2	1/C	
2	6LK51200000	CASE-TRAYUP-GEAR-F-H373	2	1/C	
3	6LK51202000	GEAR-5H45-5S18-5	2	1/P	
4	6LK51206000	GEAR-8S49-8	2	1/P	
6	6LK51231000	SPG-TRAYUP-CPG-H373	2	1/P	
7	C0-17839000	LG2A14BL1	2	1/C	
9	6LK45405000	HRNS-NEMPSN-H373	2	1/P	
11	6LK51205000	GEAR-8S18-5S67-6	2	1/P	
12	6LK51273000	MOTR.D-TRAY-CST-ONC	2	1/C	
13	X0-02420000	S/TPS/FHEXM/R-3X8-ZU3	6	10/P	
14	6LJ56887000	SPG-E-8R8XR9X19R9	2	1/P	
15	6LJ56818100	HOLDER-SNSR-CST-H21X_S	2	1/P	
16	E0-14485000	PS-42C02-F NS	4	1/C	
20	6LK45891000	HRNS-PFC-TRY-H373	1	1/P	
39	6LK46360000	HRNS-PFC-PLSW-H373	1	1/P	



ITEM No.	PART No.	PART NAME	Q'TY / PAGE	Q'TY / PACK	REMARKS
1	6LK50717000	ASYB-DRV-RGST-H373	1	1/C	
3	6LJ56315000	GEAR-8S27-8	1	1/P	
4	6LK50700000	BUSH-8-SW01	1	5/P	
5	X0-02231000	S/FHEXM-M3X8-NI	3	10/P	
6	6LJ56332000	COUPL-CST-H21Y	2	1/P	
7	6LJ56328000	GEAR-8H39	1	1/P	
8	6LJ56333200	HLDR-CL-FED-H41X	1	1/P	
9	6LJ56317100	CASE-DRV-FEED-H373	1	1/PP	
10	6LH53742000	CLUTCH-50R-G28-6	4	1/D	
11	6LJ56318000	ASYS-FRM-DRV-FED-H21Y	1	1/C	
12	X0-02230000	S/FHEXM-M3X6-NI	2	10/P	
13	X0-02246000	S/TPP/FHEXM-3X6-NI	5	10/P	
14	44201492000	BUSH-6-POM	4	5/P	
15	6LJ56326000	GEAR-8H35-8	1	1/P	
16	6LK50761000	SHAFT-DRV-CL-FED-H373	1	1/P	
17	6LJ56322000	GEAR-10S26_8H45-6	1	1/P	
18	44201801000	STOP-RING-6-1.5	2	5/P	
19	6LJ56316000	GEAR-8H29	1	1/P	
20	6LJ56330000	GEAR-8S26-6	1	1/P	
21	6LH55260000	PLT-NUT	2	5/P	
22	6LJ56329000	GEAR-8S37	1	1/P	
23	6LJ56325000	GEAR-10S26_8H25	2	1/P	
24	6LJ56327000	GEAR-8H31	1	1/P	
25	6LJ56375000	GEAR-10S29_8H40	1	1/P	
26	6LJ56323000	GEAR-10S33_8H33	1	1/P	
27	4407972860	STOP-RING-6-5	3	5/P	
28	X0-02420000	S/TPS/FHEXM/R-3X8-ZU3	4	10/P	
29	6LK45408000	HRNS-PFC-CLT-H373	1	1/P	
30	4408358930	STOP-RING-6-4	2	5/P	



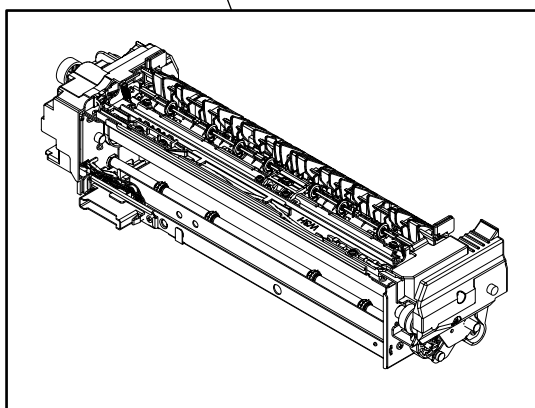
ITEM No.	PART No.	PART NAME	Q'TY / PAGE	Q'TY / PACK	REMARKS
1	6LJ71619000	JIG-SW-FCOV-H21X	1	1/P	
2	4407915710	BRUSH-33	1	1/P	
3	6LH02876000	JIG-CLNR-DOCTOR	1	1/P	
4	6LJ59898000	HOLDER-WIRE-PLY-H21X	2	1/P	
7	44202661000	SPE-MOT-TNS	1	1/P	
9	4408600920	BAG-DRUM	1	5/P	
10	6LE50524000	CHART-COLOR-A4	1	1/KP	
11	6LH17283000	CHART-COLOR-A3	1	1/KP	
22	6LA00019000	GREASE-HP300-S	1	1/P	
23	41303711000	ASM-PG-ALV2	1	1/P	
24	6LE36904000	MOLYKOTE_EM-30L_100G	1	1/P	
25	6LJ18300000	P-POWDER-PPT001	1	1/P	
26	41303710000	ASM-PG-GE334C-S	1	1/P	
27	6LJ58791000	ASYB-JIG-GAP-SCRIP	1	1/P	
28	4408327820	K-BTL-SILICON-S	1	1/P	
101 A	4408687160	CHART-15-1-A4	1	10/KP	A4 series
101 B	4408687180	CHART-15-1-LT	1	10/KP	LT series



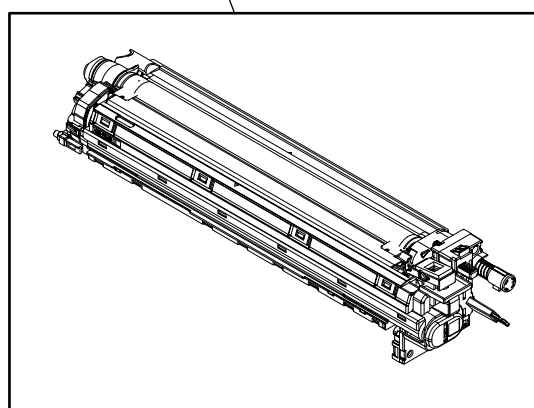
ITEM No.	PART No.	PART NAME	Q'TY / PAGE	Q'TY / PACK	REMARKS
1 A	6LJ70598000	OD-FC50	1	1/S	DRUM (Yellow,Magenta,Cyan)
1 B	6LK49015000	OD-FC505	1	1/S	DRUM (Black)
2 A	6LK49016300	D-FC505-K	1	1/S	DEVELOPER (K)
2 B	6LK49016000	D-FC505-Y	1	1/S	DEVELOPER (Y)
2 C	6LK49016100	D-FC505-M	1	1/S	DEVELOPER (M)
2 D	6LK49016200	D-FC505-C	1	1/S	DEVELOPER (C)
3 A	6AK0000399	PS-ZTFC415UK(1)	1	SUPPLY	TONER (K) for NAD,ARD,GSA
3 B	6AJ0000175	PS-ZTFC505EK(1)	1	SUPPLY	TONER (K) for MJD
3 C	6AG00008510	PS-ZTFC415PK(1)	1	SUPPLY	TONER (K) for AUD,ASD
3 D	6AG00008560	PS-ZTFC415CK(1)	1	SUPPLY	TONER (K) for CND
3 E	6AG00008563	PS-ZTFC415CKS(1)	1	SUPPLY	TONER (K) for CND
3 F	6AG00008533	PS-ZTFC415TK(1)	1	SUPPLY	TONER (K) for TWD
4 A	6AK0000405	PS-ZTFC415UY(1)	1	SUPPLY	TONER (Y) for NAD,ARD,GSA
4 B	6AJ0000182	PS-ZTFC415EY(1)	1	SUPPLY	TONER (Y) for MJD
4 C	6AG00008523	PS-ZTFC415PY(1)	1	SUPPLY	TONER (Y) for AUD,ASD
4 D	6AG00008573	PS-ZTFC415CY(1)	1	SUPPLY	TONER (Y) for CND
4 E	6AG00008576	PS-ZTFC415CYS(1)	1	SUPPLY	TONER (Y) for CND
4 F	6AG00008540	PS-ZTFC415TY(1)	1	SUPPLY	TONER (Y) for TWD
5 A	6AK0000402	PS-ZTFC415UM(1)	1	SUPPLY	TONER (M) for NAD,ARD,GSA
5 B	6AJ0000178	PS-ZTFC415EM(1)	1	SUPPLY	TONER (M) for MJD
5 C	6AG00008517	PS-ZTFC415PM(1)	1	SUPPLY	TONER (M) for AUD,ASD
5 D	6AG00008567	PS-ZTFC415CM(1)	1	SUPPLY	TONER (M) for CND
5 E	6AG00008570	PS-ZTFC415CMS(1)	1	SUPPLY	TONER (M) for CND
5 F	6AG00008536	PS-ZTFC415TM(1)	1	SUPPLY	TONER (M) for TWD
6 A	6AK0000396	PS-ZTFC415UC(1)	1	SUPPLY	TONER (C) for NAD,ARD,GSA
6 B	6AJ0000172	PS-ZTFC415EC(1)	1	SUPPLY	TONER (C) for MJD
6 C	6AG00008503	PS-ZTFC415PC(1)	1	SUPPLY	TONER (C) for AUD,ASD
6 D	6AG00008553	PS-ZTFC415CC(1)	1	SUPPLY	TONER (C) for CND
6 E	6AG00008557	PS-ZTFC415CCS(1)	1	SUPPLY	TONER (C) for CND
6 F	6AG00008530	PS-ZTFC415TC(1)	1	SUPPLY	TONER (C) for TWD
7 A	6AG00007690	PS-TBFC505	1	SUPPLY	for NAD,GSA,TCL,AUD,ASD,ARD,TWD
7 B	6AG00007695	PS-TBFC505E	1	SUPPLY	for MJD
7 C	6AG00007691	PS-TBFC505C	1	SUPPLY	for CND
10 A	6AR00000925	KK-5005	1	SUPPLY	Work Tray (All except CND)
10 B	6AR00000926	KK-5005C	1	SUPPLY	Work Tray (CND)
12 A	6AR00001025	KK-5008	1	SUPPLY	Manual Pocket (All except CND)
12 B	6AR00001026	KK-5008C	1	SUPPLY	Manual Pocket (CND)
14 A	6AG00007054	GN-4020	1	SUPPLY	Wireless LAN Module (All except ARD,CND,TWD)
14 B	6AG00007055	GN-4020C	1	SUPPLY	Wireless LAN Module (CND)
16	6A00001051	GP-1070	1	SUPPLY	Data Overwrite enabler (All except NAD,GSA,ARD)
20	6A00001055	GS-1010	1	SUPPLY) Meta scan enabler
21	6A00001057	GS-1020	1	SUPPLY	External interface enabler (TWD)
22	6A00001053	GP-1080	1	SUPPLY	IPSec enabler (All except CND)
23	6A00001309	GS-1007	1	SUPPLY	Unicode Font Enabler
24	6A00001733	KK-2560	1	SUPPLY	Accessible Arm
25	6A00001353	GP-1190A	1	SUPPLY	Hardcopy Security Printing
27	6AG00006088	GE-1230	1	SUPPLY	FIPS HDD option (All except GSA,CND)
28	6A00001699	GQ-1280	1	SUPPLY	Harness kit for coin controller
29 A	6AH00000946	GR-1330	1	SUPPLY	Accessory Tray (All except CND)
29 B	6AH00000947	GR-1330C	1	SUPPLY	Accessory Tray (CND)
30 A	6AG00008435	GR-1340	1	SUPPLY	Panel Ten Key Option (All except CND)
30 B	6AG00008436	GR-1340C	1	SUPPLY	Panel Ten Key Option (CND)
31	6A00001700	GS-1080	1	SUPPLY	Embedded OCR Enabler (for 1 license)
32	6A00001711	GS-1085	1	SUPPLY	Embedded OCR Enabler (for 5 licenses)
33	6A00001715	GS-1090	1	SUPPLY	Multi Station Print Enabler (for 1 license)
34	6A00001704	GS-1095	1	SUPPLY	Multi Station Print Enabler (for 5 licenses)
35 A	6AG00008429	GR-1320	1	SUPPLY	Card Reader Holder (All except CND)
35 B	6AG00008430	GR-1320C	1	SUPPLY	Card Reader Holder (CND)
36 A	6AG00006726	KA-5005PC	1	SUPPLY	Platen Cover (All except CND)
36 B	6AG00006727	KA-5005PCC	1	SUPPLY	Platen Cover (CND)
37 A	6A00001757	GB-2050	1	SUPPLY	Monotype Font enabler (CND,TWD)
37 B	6B00000909	GB-2050L	1	SUPPLY	License version for Monotype font enabler (All

ITEM No.	PART No.	PART NAME	Q'TY / PAGE	Q'TY / PACK	REMARKS
38 A	6AG00008441	GR-1310	1	SUPPLY	except CND,TWD)
38 B	6AG00008442	GR-1310C	1	SUPPLY	USB Hub Option (All except CND)
39	6A000001748	GR-1300TW	1	SUPPLY	USB Hub Option (CND)
					EMI kit (TWD)

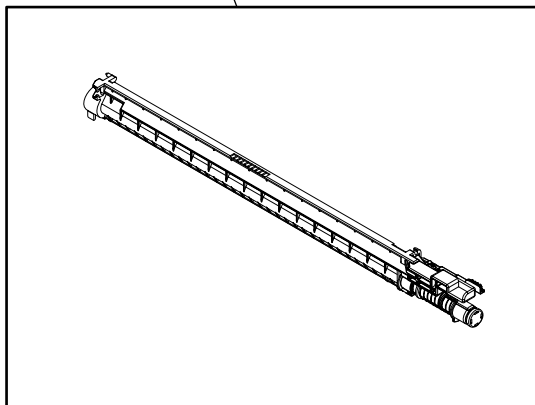
1



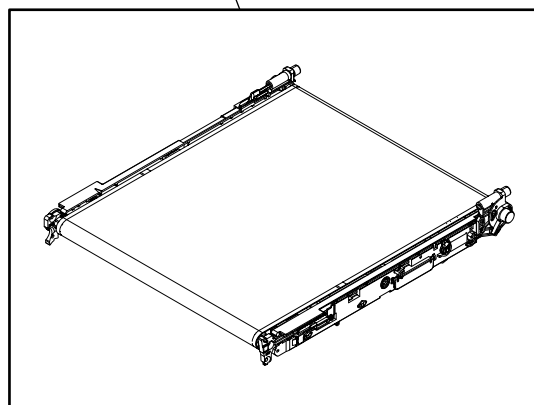
2



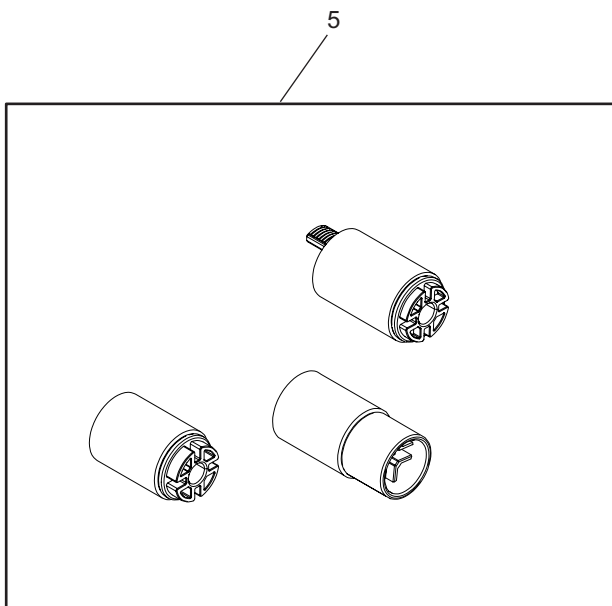
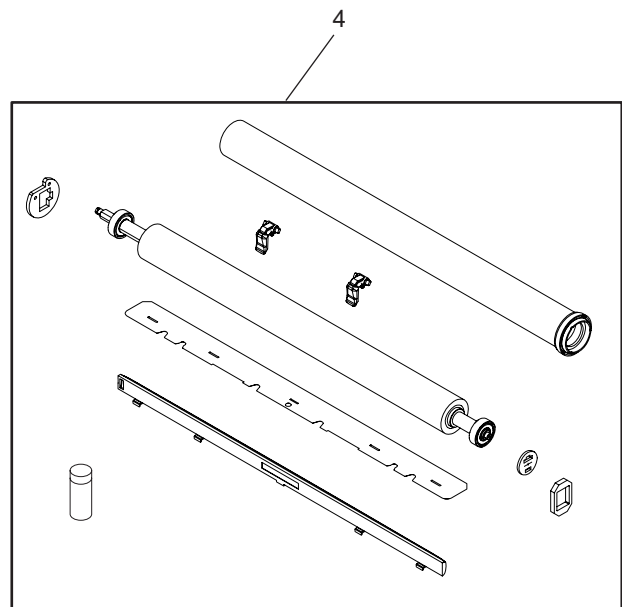
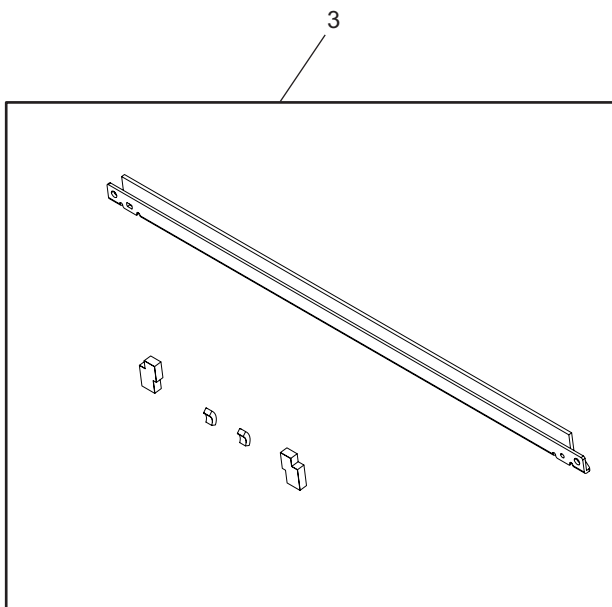
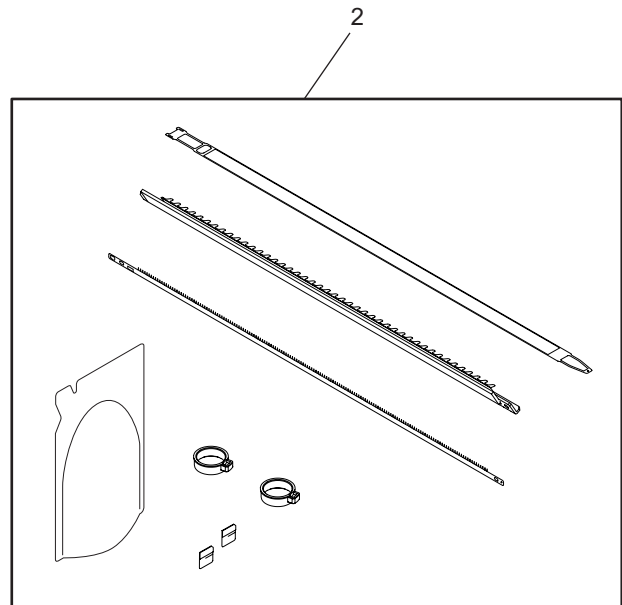
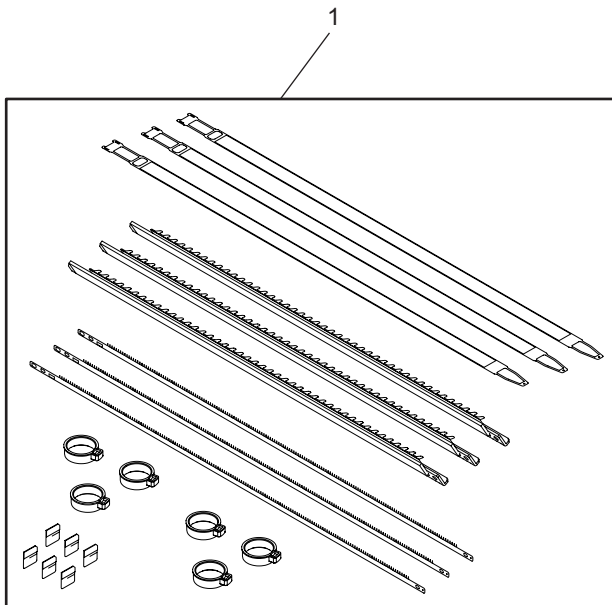
4



5



ITEM No.	PART No.	PART NAME	Q'TY / PAGE	Q'TY / PACK	REMARKS
1 A	6LK52417000	FUSER-K110	1	1/S	eS2515AC/3015AC/3515AC
1 B	6LK52418000	FUSER-K114	1	1/S	eS4515AC/5015AC
2 A	6LK49166400	EPU-K114K	1	1/S	eS2515AC/3015AC/3515AC Black
2 B	6LK49166500	EPU-K114C	1	1/S	eS2515AC/3015AC/3515AC Cyan
2 C	6LK49166600	EPU-K114M	1	1/S	eS2515AC/3015AC/3515AC Magenta
2 D	6LK49166700	EPU-K114Y	1	1/S	eS2515AC/3015AC/3515AC Yellow
2 E	6LK49166000	EPU-K110K	1	1/S	eS4515AC/5015AC Black
2 F	6LK49166100	EPU-K110C	1	1/S	eS4515AC/5015AC Cyan
2 G	6LK49166200	EPU-K110M	1	1/S	eS4515AC/5015AC Magenta
2 H	6LK49166300	EPU-K110Y	1	1/S	eS4515AC/5015AC Yellow
4	6LK55463000	TR-BLT_CLN-H370	1	1/S	
5	6LK50423000	TR-BLT-FC505	1	1/S	



ITEM No.	PART No.	PART NAME	Q'TY / PAGE	Q'TY / PACK	REMARKS
1	6LK49167000	EPU-KIT-FC505CLR	1	1/S	eS4515AC/5015AC (All except CND) eS2515AC/3015AC/3515AC (All except CND)
2	6LK49168000	DEV-KIT-FC505K	1	1/S	
3	6LJ70575000	TBU-KIT-FC50	1	1/S	
4 A	6LK55474000	FR-KIT-FC505H	1	1/S	
4 B	6LK55473000	FR-KIT-FC505	1	1/S	
4 C	6LK55503100	FR-KIT-FC505-HC	1	1/S	
4 D	6LK55503000	FR-KIT-FC505-C	1	1/S	eS4515AC/5015AC CND eS2515AC/3015AC/3515AC CND
5	6LK50755000	ROL-KIT-FC30-U	1	1/S	

TOSHIBA

TOSHIBA TEC CORPORATION

1-11-1, OSAKI, SHINAGAWA-KU, TOKYO, 141-8562, JAPAN