

**TOSHIBA**

# **SERVICE PARTS LIST**

**MULTIFUNCTIONAL DIGITAL COLOR SYSTEMS**

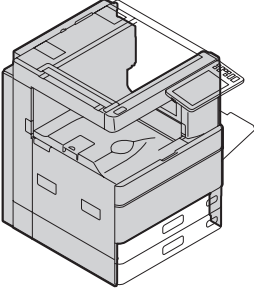
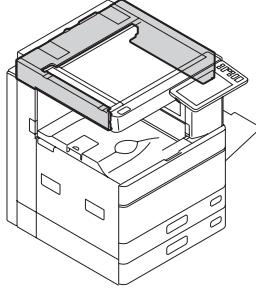
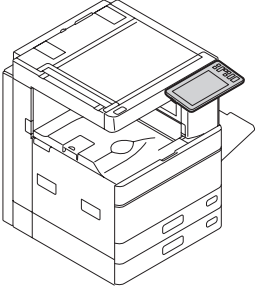
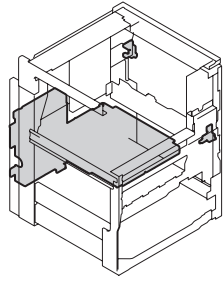
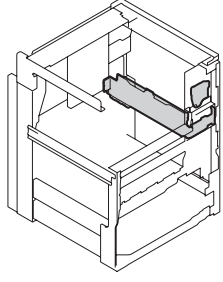
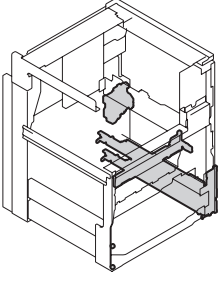
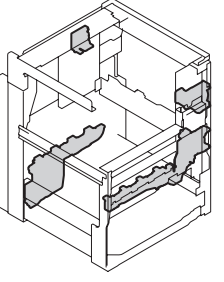
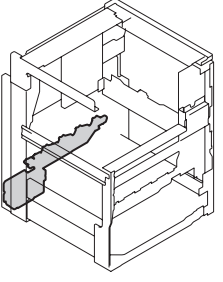
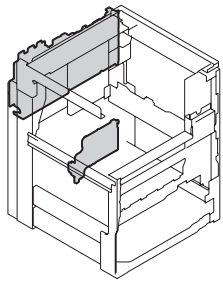
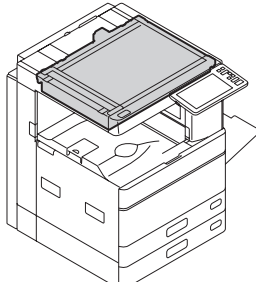
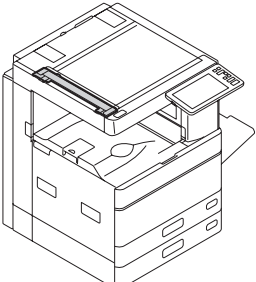
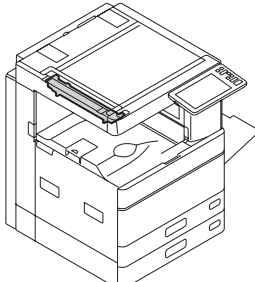
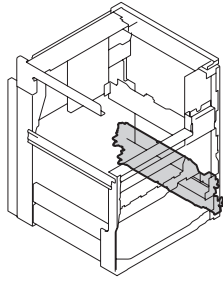
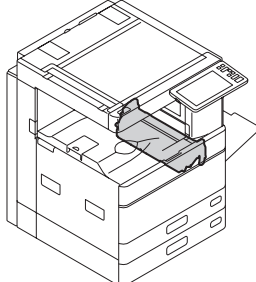
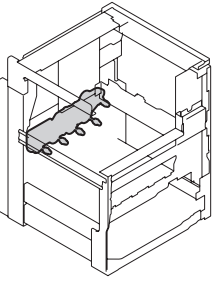
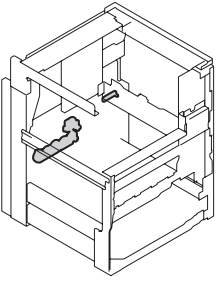
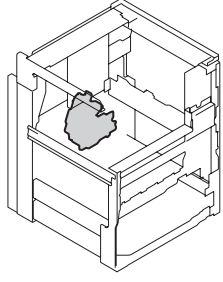
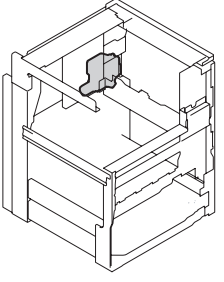
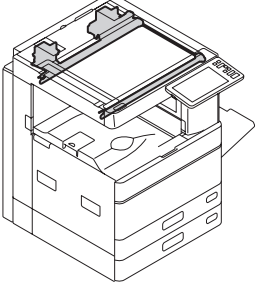
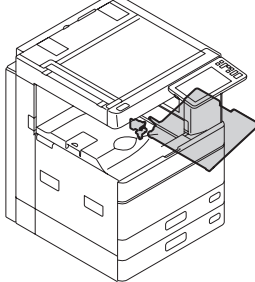
**e-STUDIO2505AC/3005AC/  
3505AC/4505AC/5005AC**

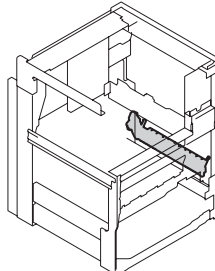
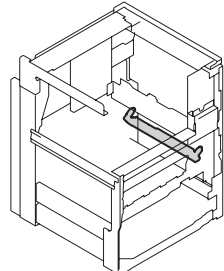
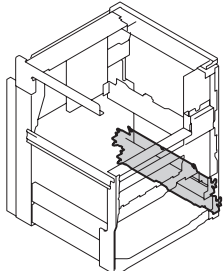
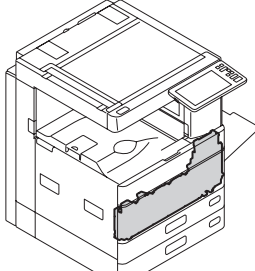
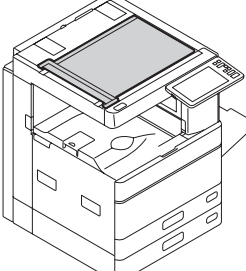
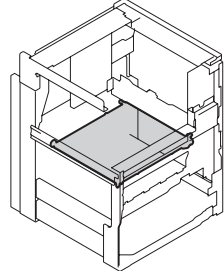
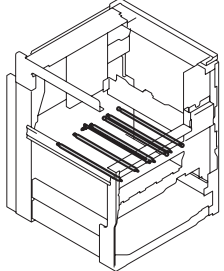
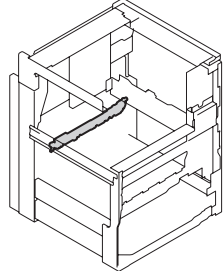
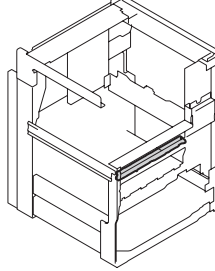
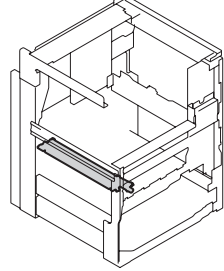
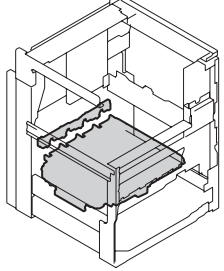
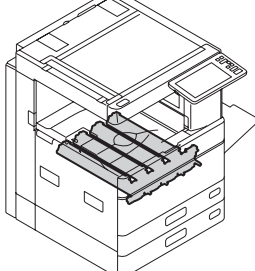
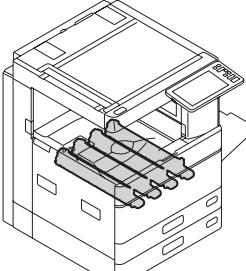
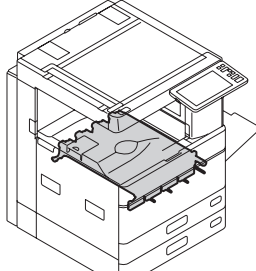
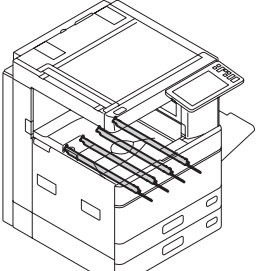
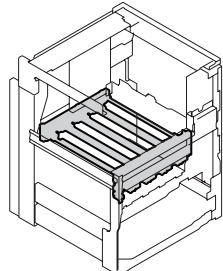
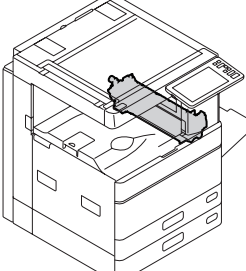
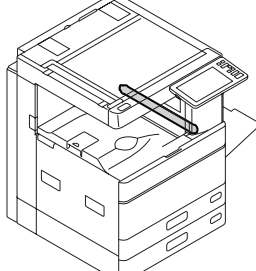
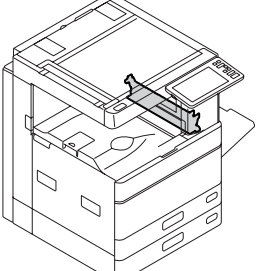
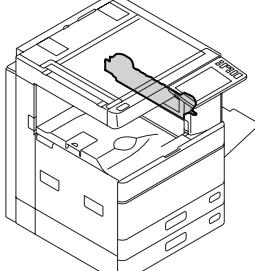
© 2016 TOSHIBA TEC CORPORATION All rights reserved

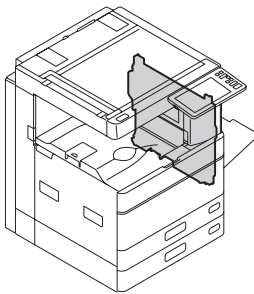
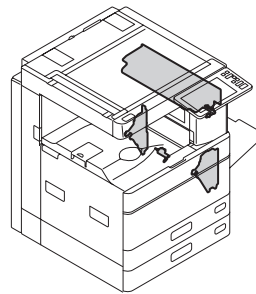
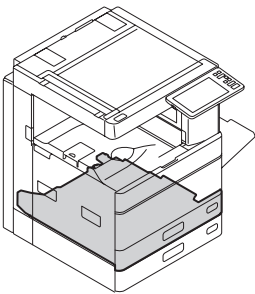
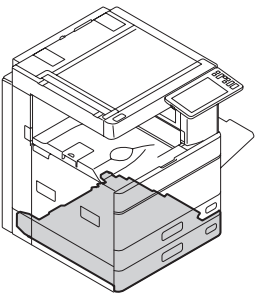
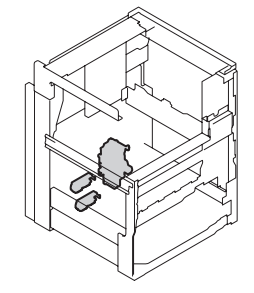
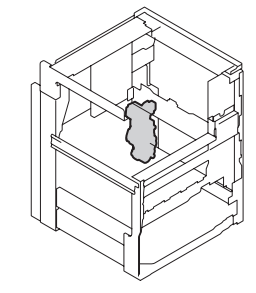
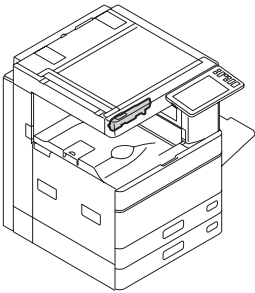
Under the copyright laws, this manual cannot be reproduced in any form without prior written permission of TOSHIBA TEC CORPORATION. No patent liability is assumed, however, with respect to the use of the information contained herein.

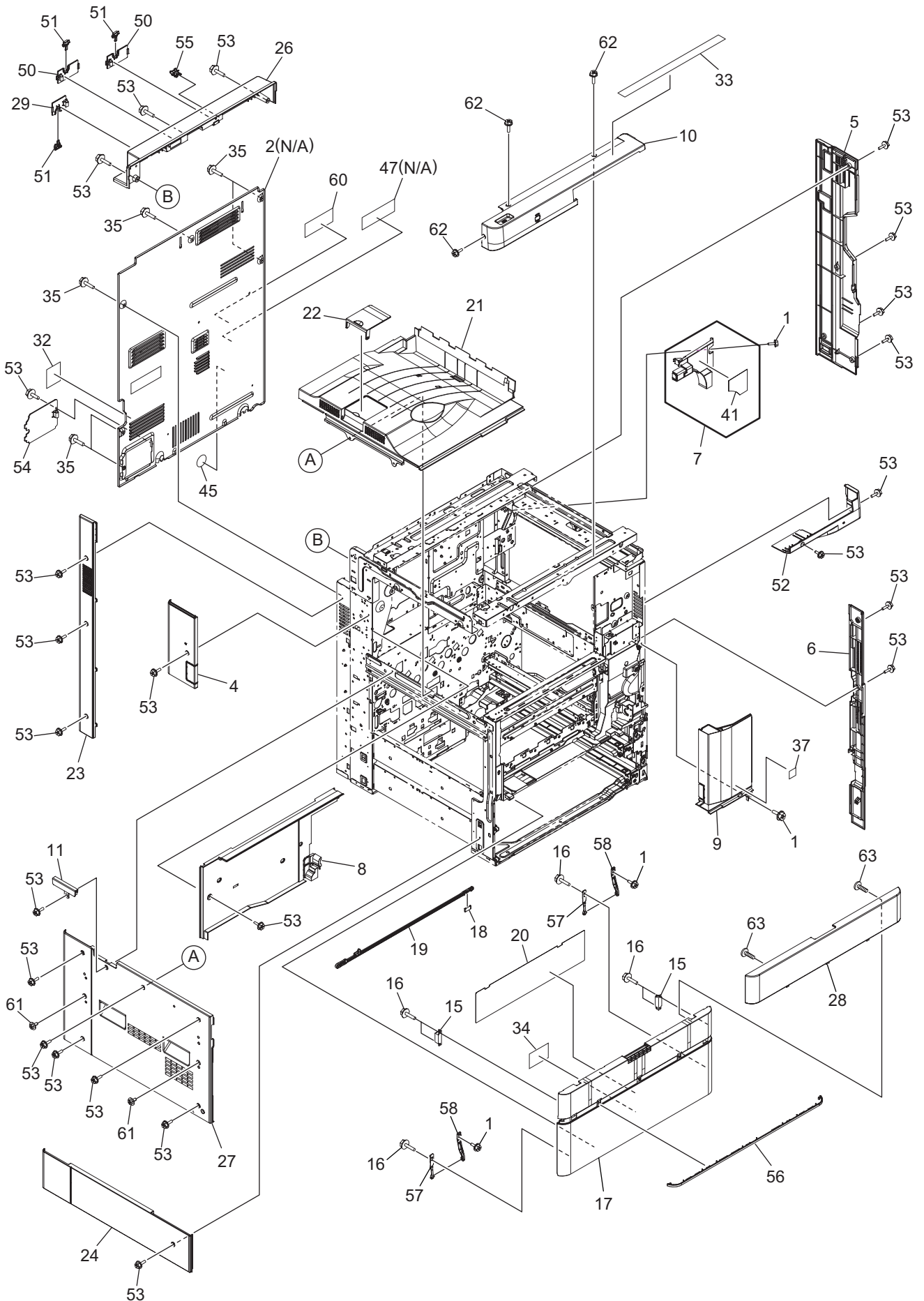
# CONTENTS

COVER-1-ASY .....	1	ADU-1-ASY .....	41
COVER-2-ASY .....	2	ADU-2-ASY .....	42
CONTROL-PANEL-ASY.....	3	DRAWER-ASY-1 .....	43
FRAME-1-ASY .....	4	DRAWER-ASY-2 .....	44
FRAME-2-ASY .....	5	TRAYUP-MOT-ASY.....	45
FRAME-3-ASY .....	6	FEEDER-DRIVE-ASY .....	46
FRAME-4-ASY .....	7	HUB-ASY .....	47
ELECTRIC-ASY .....	8	JIGS & GREASE.....	101
CASE-SYS-LGC-ASY .....	9	SUPPLIES.....	102
OPTICAL-FRAME-ASY.....	10	REPLACE UNIT .....	103
CRG-1-ASY.....	11	PM-KIT .....	104
CRG-2-ASY.....	12		
GUIDE-RGST-ASY.....	13		
TRU-ASY.....	14		
DRIVE-DRUM-1-ASY.....	15		
DRIVE-DRUM-2-ASY.....	16		
DEVELOPER-DRIVE-ASY.....	17		
DRIVE-FUSER-ASY.....	18		
OPTICAL-DRIVE.....	19		
BYPASS-ASY.....	20		
BYPASS-FEEDER-ASY.....	21		
RGST-GUIDE.....	22		
FEEDER-GUIDE-ASY.....	23		
DRIVE-WTNR-ASY.....	24		
GLASS-ASY.....	25		
TBU-ASY-1.....	26		
TBU-ASY-2.....	27		
TBU-ASY-3.....	28		
TBU-ASY-4.....	29		
TBU-ASY-5.....	30		
EPU-GUIDE-ASY.....	31		
DEVELOPER-ASY-1.....	32		
DEVELOPER-ASY-2.....	33		
CLEANER-ASY-1.....	34		
CLEANER-ASY-2.....	35		
TNR-DRIVE-ASY.....	36		
FUSER-ASY-1.....	37		
FUSER-ASY-2.....	38		
FUSER-ASY-3.....	39		
EXIT-ASY.....	40		

<p>1. COVER-1-ASY</p> 	<p>2. COVER-2-ASY</p> 	<p>3. CONTROL-PANEL-ASY</p> 	<p>4. FRAME-1-ASY</p> 
<p>5. FRAME-2-ASY</p> 	<p>6. FRAME-3-ASY</p> 	<p>7. FRAME-4-ASY</p> 	<p>8. ELECTRIC-ASY</p> 
<p>9. CASE-SYS-LGC-ASY</p> 	<p>10. OPTICAL-FRAME-ASY</p> 	<p>11. CRG-1-ASY</p> 	<p>12. CRG-2-ASY</p> 
<p>13. GUIDE-RGST-ASY.</p> 	<p>14. TRU-ASY</p> 	<p>15. DRIVE-DRUM-1-ASY</p> 	<p>16. DRIVE-DRUM-2-ASY</p> 
<p>17. DEVELOPER-DRIVE-ASY</p> 	<p>18. DRIVE-FUSER-ASY</p> 	<p>19. OPTICAL-DRIVE</p> 	<p>20. BYPASS-ASY</p> 

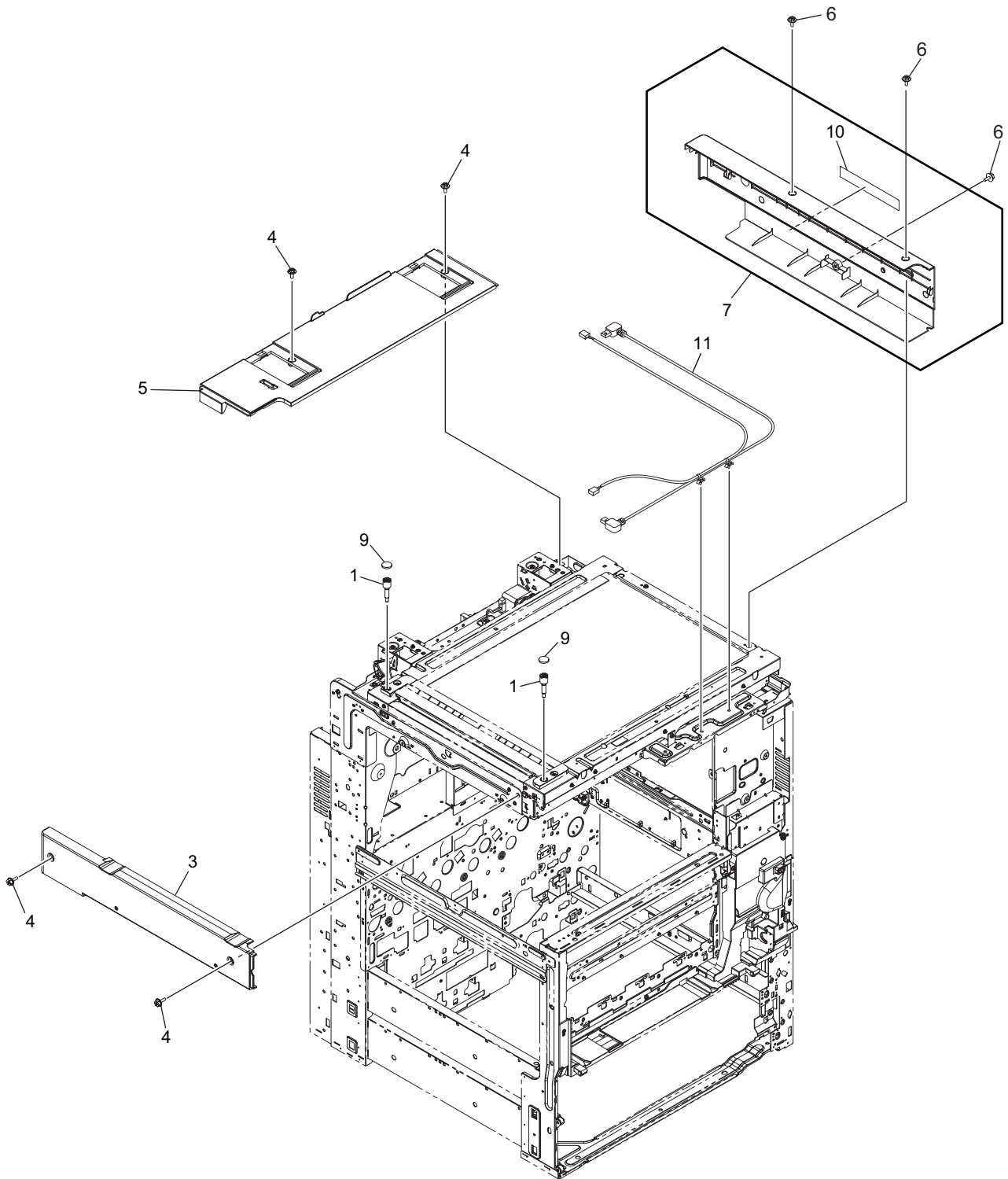
<p>21. BYPASS-FEEDER-ASY</p> 	<p>22. RGST-GUIDE</p> 	<p>23. FEEDER-GUIDE-ASY</p> 	<p>24. DRIVE-WTNR-ASY</p> 
<p>25. GLASS-ASY</p> 	<p>26. TBU-ASY-1</p> 	<p>27. TBU-ASY-2</p> 	<p>28. TBU-ASY-3</p> 
<p>29. TBU-ASY-4</p> 	<p>30. TBU-ASY-5</p> 	<p>31. EPU-GUIDE-ASY</p> 	<p>32. DEVELOPER-ASY-1</p> 
<p>33. DEVELOPER-ASY-2</p> 	<p>34. CLEANER-ASY-1</p> 	<p>35. CLEANER-ASY-2</p> 	<p>36. TNR-DRIVE-ASY</p> 
<p>37. FUSER-ASY-1</p> 	<p>38. FUSER-ASY-2</p> 	<p>39. FUSER-ASY-3</p> 	<p>40. EXIT-L-ASY</p> 

<p>41. ADU-1-ASY</p> 	<p>42. ADU-2-ASY</p> 	<p>43. DRAWER-ASY-1</p> 	<p>44. DRAWER-ASY-2</p> 
<p>45. TRAYUP-MOT-ASY</p> 	<p>46. FEEDER-DRIVE-ASY</p> 	<p>47. HUB-ASY</p> 	

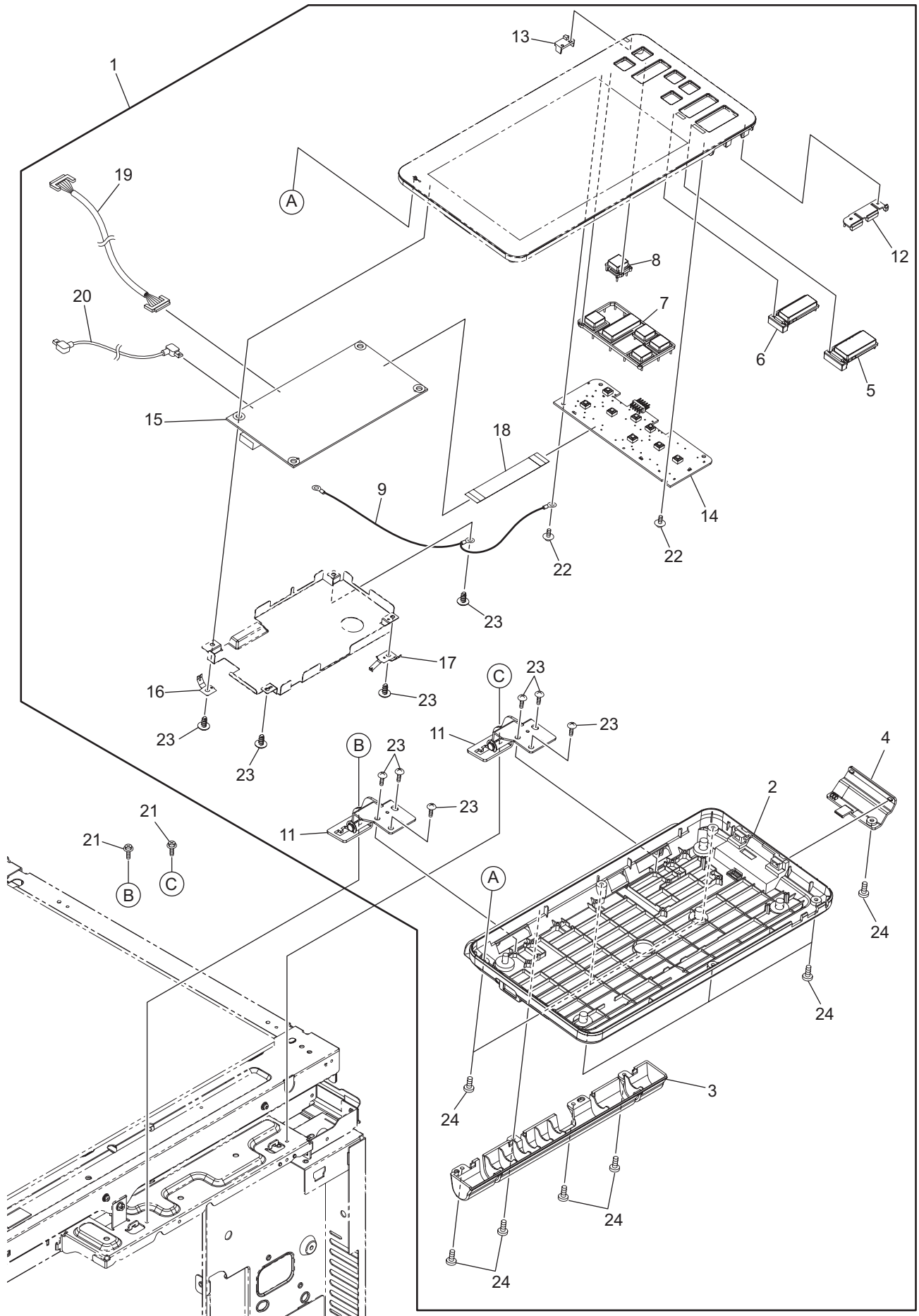


ITEM No.	PART No.	PART NAME	Q'TY / PAGE	Q'TY / PACK	REMARKS
1	X0-02420000	S/TPS/FHEXM/R-3X8-ZU3	4	10/P	
2	6LK48700000	COVER-REAR-H373	1	N/A***	
4	6LK48707000	COVER-LEFT-REAR-H370	1	1/PP	
5	6LK48709000	COVER-RIGHT-REAR-H373	1	1/PP	
6	6LK48708000	COVER-FRT-PILLAR-R-H373	1	1/PP	
7 A	6LK48747000	ASYS-COV-FUS-R-H373	1	1/PP	NAD,MJD,ASD,AUD,ARD
7 B	6LK48747100	ASYS-COV-FUS-R-H373_C	1	1/PP	CND
8	6LJ53707700	COVER-TRAY-BACK-H373	1	1/PP	
9	6LK48705000	COVER-FRT-PILLAR-H370	1	1/PP	
10	6LK48733000	ASYS-COV-TP-FRT-H370	1	1/PP	
11	6LK48711000	COVER-LEFT-2-H370	1	1/P	
15	F0-01394000	CA-0131B	2	1/P	
16	X0-02248000	S/TPP/FHEXM-3X10-NI	6	10/P	
17	6LK48701000	COVER-FRONT-H373	1	1/PP	
18	6LK49403000	ASYS-CLNLSU-H373	1	1/P	
19	6LK49407000	ROD-CLNLSU-H373	1	1/P	
20	6LK48759000	SHEET-GUIDANCE-H373	1	1/KP	
21	6LJ53764200	COVER-TRAY-H21X-H370_B	1	1/PP	
22	6LH52423700	COVER-STOP-PAPER-470-N_B	1	1/P	
23	6LJ53747100	COVER-LEFT-REAR2-H373	1	1/PP	
24	6LJ69439200	COVER-LEFT-PFU_B	1	1/PP	
26	6LK48710000	COVER-REAR-TOP-H373	1	1/PP	
27	6LK48706100	COVER-LEFT-H373	1	1/PP	
28 A	6LK48740200	ASYS-COV-DECO-FC2505	1	1/P	eS2505AC
28 B	6LK48740300	ASYS-COV-DECO-FC3005	1	1/P	eS3005AC
28 C	6LK48740400	ASYS-COV-DECO-FC3505	1	1/P	eS3505AC
28 D	6LK48740500	ASYS-COV-DECO-FC4505	1	1/P	eS4505AC
28 E	6LK48740600	ASYS-COV-DECO-FC5005	1	1/P	eS5005AC
29	6LK48728000	COVER-DF-CNT-H373	1	1/P	
32 A	44204604000	LBL-SERVICE-45	1	5/P	NAD,ASD,AUD,ARD
32 B	6LA56227000	LBL-SERVICE-45C	1	5/KP	CND
32 C	6LK54463000	LBL-SERVICE-CABLE-N	1	1/KP	MJD
33 A	6LK54440000	LBL-PROHIBIT-C-H37X	1	1/KP	CND
33 B	6LK54438000	LBL-PROHIBIT-E-H37X	1	1/KP	MJD,ASD,AUD,ARD
33 C	6LK54437000	LBL-PROHIBIT-U-H37X	1	1/KP	NAD
34	4406550190	LBL-HVT-BIT	1	5/P	
35	X0-02230000	S/FHEXM-M3X6-NI	6	10/P	
37	6LJ84150000	LBL-ENERGY-T-PP-16	1	5/P	
41 A	6LK52338000	LBL-HOT-H373	1	1/P	NAD,MJD,ASD,AUD,ARD
41 B	6LK52339000	LBL-HOT-H373-C	1	1/P	CND
45 A	6LE48967000	LABEL-ECO-CND	1	5/P	
47 A	6LJ68281000	LBL-NAD-FCC-NEW	1	1/P	
50	6LK48731000	COVER-DSD-F-CNT-H373	2	1/P	
51	6LK48727000	COVER-DF-SUB-H373	3	1/P	
52	6LK48736000	COV-FRT-PILLAR-U	1	1/PP	
53	X0-02681000	S/TPD3/FHEXM/R-3X8-ZB3	24	10/P	
54	6LK48716000	COVER-PFP-CNCT-H373	1	1/P	
55	6LK48724000	COVER-REAR-TOP-DSD-F	1	1/P	
56	6LK48703000	COVER-RIM-H370	1	1/PP	
57	6LK48713000	LINK-FCOV-R-H373	2	1/P	
58	6LK48712000	LINK-FCOV-U-H373	2	1/P	
60 A	6LA47529000	LBL-LASER	1	1/KP	NAD,MJD,ASD,AUD,ARD
60 B	6LA56226000	LBL-LASER-C	1	5/KP	CND
61	X0-02678000	S/TPS/FHEXM/R-4X8-ZB3	2	10/P	
62	X0-02672000	S/FHEXM-M3X8-ZB3	3	10/P	
63	X0-01989000	S/TPP/BID-3X8-NI	2	10/P	

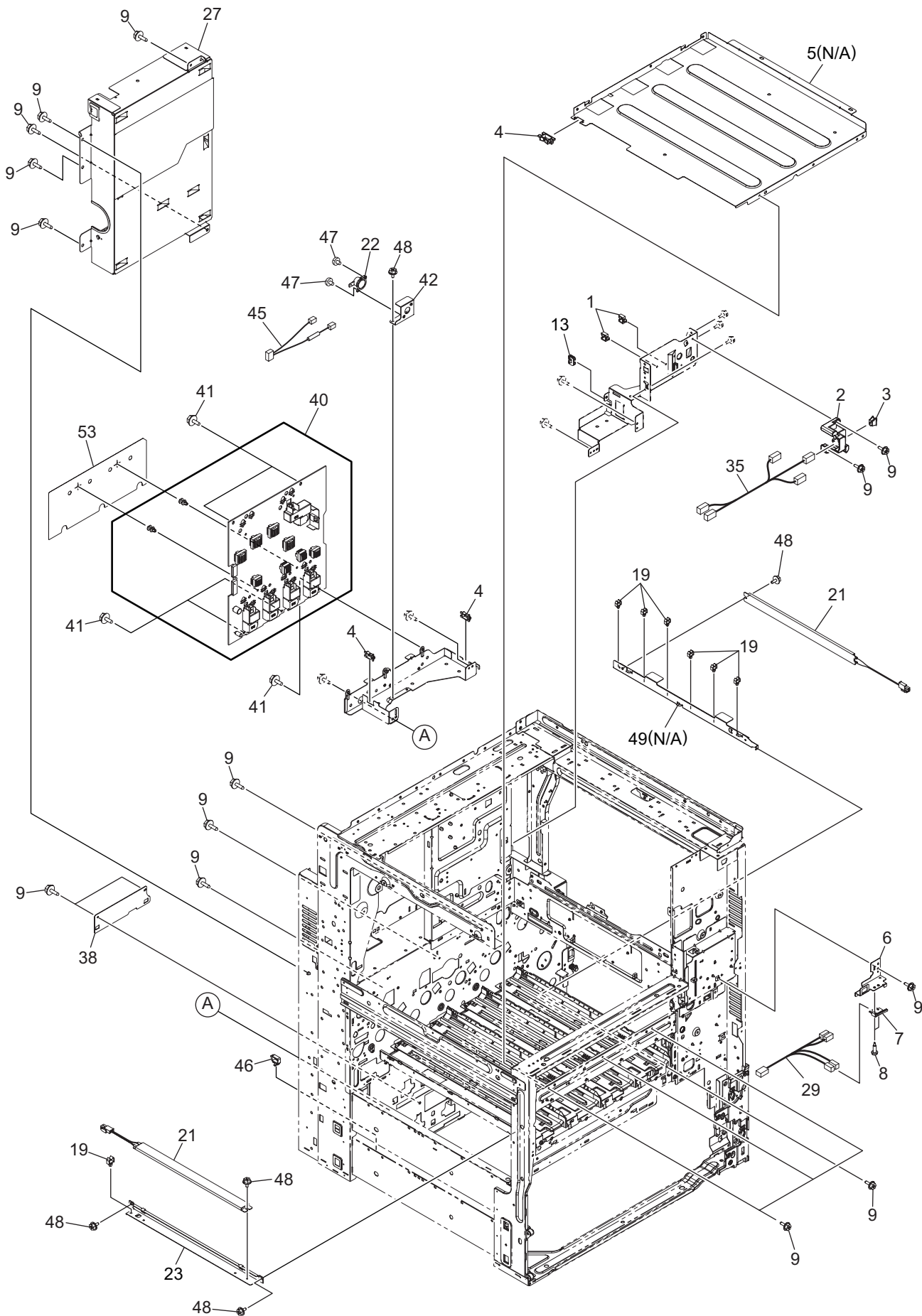




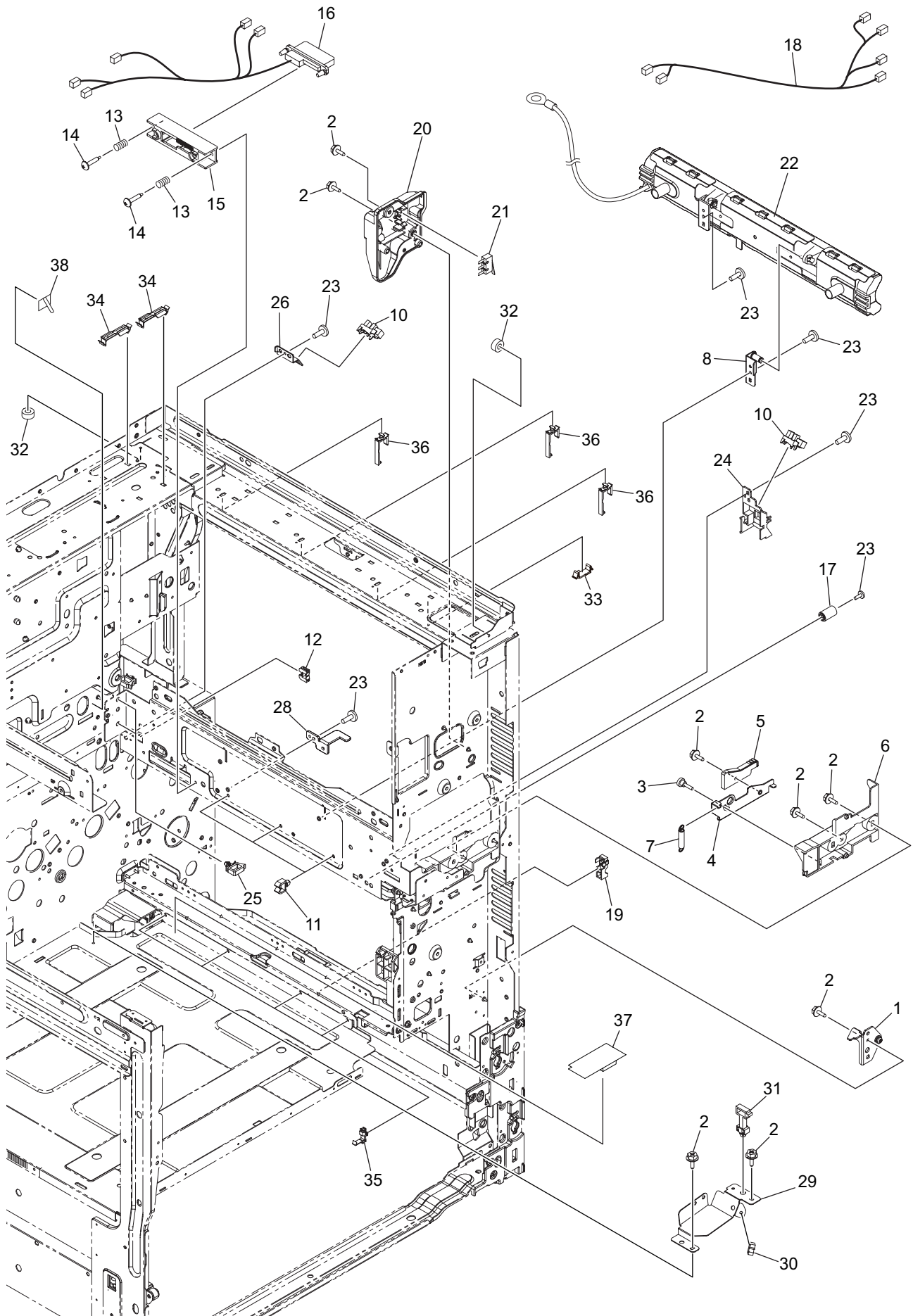
ITEM No.	PART No.	PART NAME	Q'TY / PAGE	Q'TY / PACK	REMARKS
1	6LJ59784000	LOCK-CRG-H21X	2	1/P	
3	6LK53234000	COVER-TP-LFT-H370	1	1/PP	
4	X0-02681000	S/TPD3/FHEXM/R-3X8-ZB3	4	10/P	
5	6LK53233000	COVER-TP-RER-H370	1	1/PP	
6	X0-02672000	S/FHEXM-M3X8-ZB3	3	10/P	
7 A	6LK53272000	ASYB-COV-TP-RGT-H373-STD	1	1/PP	NAD,MJD,ASD,AUD,ARD
7 B	6LK53272200	ASYB-COV-TP-RGT-H373-CND	1	1/PP	CND
9	6LH56607200	LID-SCREW-H370	2	5/P	
10 A	6LK52336000	LBL-HOT-COV-LOW-K	1	1/KP	NAD,MJD,ASD,AUD,ARD
10 C	6LK52340000	LBL-HOT-COV-LOW-K-CND	1	1/KP	CND
11	6LK45592000	ASYB-HRNS-USB-H370	1	1/P	



ITEM No.	PART No.	PART NAME	Q'TY / PAGE	Q'TY / PACK	REMARKS
1 A	6LK48549000	CONPANE-H370-SVP-W	1	1/S	NAD,MJD,ARD ASD,AUD CND
1 B	6LK48549100	CONPANE-H370-SVP-A	1	1/S	
1 C	6LK48549300	CONPANE-H370-SVP-C	1	1/S	
2	6LK48542000	COVER-CONPANE-LWR-H370	1	1/P	
3	6LK48511000	COVER-HINGE-H370	1	1/P	
4	6LK48512000	COVER-SIDE-H370	1	1/P	
5	6LK48506000	KEY-START-H370	1	1/C	
6	6LK48505000	KEY-RESET-H370	1	1/C	
7	6LK48503000	KEY-FUNCTION-H370	1	1/C	
8	6LK48504000	KEY-ENERGY-H370	1	1/C	
9	6LK48548000	HRNS-GND-H370	1	1/P	
11	6LK48535000	ASYS-HINGE-H370	2	1/P	
12	6LK48507000	LID-LED-H370	1	1/P	
13	6LK48513000	LID-POWER-H370	1	1/P	
14	6LK48533000	PWA-H-KEY-H370	1	1/SB	
15	6LK48534000	PWA-MAIN-H370	1	1/SB	
16	6LK48540000	SPRING-LCD-2-H370	1	1/P	
17	6LK39911000	SPRING-LCD-H370	1	1/P	
18	6LK48536000	HRNS-KEY-H370	1	1/P	
19	6LK48543000	CABLE-LCD-H370	1	1/P	
20	6LK48539000	USB-CABLE	1	1/P	
21	X0-02681000	S/TPD3/FHEXM/R-3X8-ZB3	2	10/P	
22	6LK48545000	SCREW_WASH_M3X8	2	5/P	
23	6LK48546000	SCREW_M3X6	10	5/P	
24	6LK48544000	SCREW_M3X8	11	5/P	

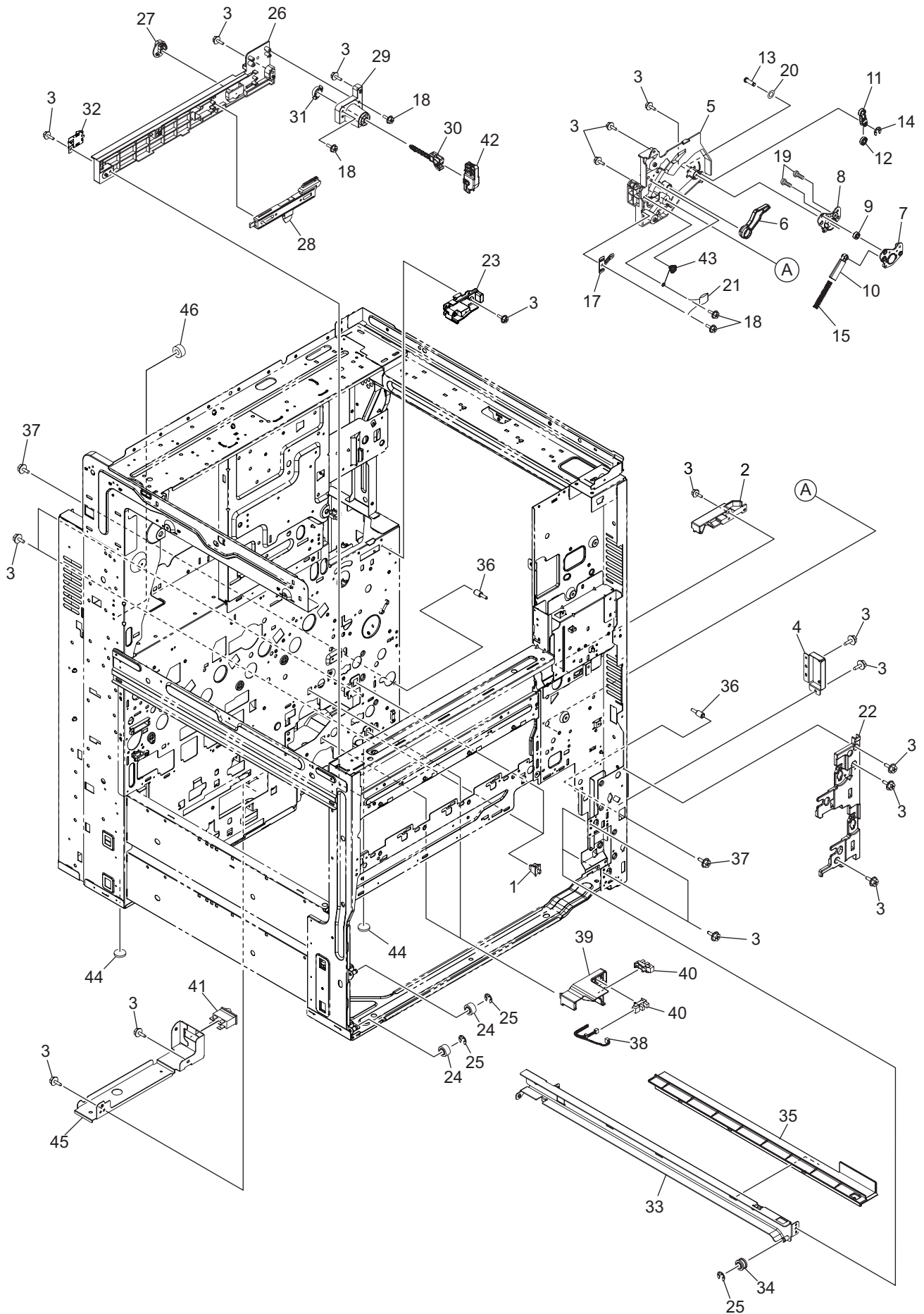


ITEM No.	PART No.	PART NAME	Q'TY / PAGE	Q'TY / PACK	REMARKS
1	F0-01250000	MSB-1207	2	5/P	
2	6LJ52416100	HOLD-ADU-HOOK-R-H373	1	1/P	
3	E0-01853000	CS1A-B2CA	1	1/D	
4	F0-01248000	ESC-0912	3	10/P	
5	6LJ52305100	STAY-TOP-H21Y	1	N/A***	
6	6LJ52414000	BRKT-INTERLOCK-SW-H21Y	1	1/P	
7	E0-15604000	DE2L-BALGY	1	1/D	
8	44204394000	SCREW20*D23	2	10/P	
9	X0-02420000	S/TPS/FHEXM/R-3X8-ZU3	17	10/P	
13	F0-02296000	ES-0505-2	1	5/P	
19 A	F0-00270000	UAMS-05L-0-46	7	10/P	ASD,AUD,ARD,CND
21 A	6LK49451200	HEATER-DRUM-PTC-E	2	1/C	
22 A	6LK45759000	THRMST-DAMP-H373	1	1/D	ASD,AUD,ARD,CND
23 A	6LK49444000	BRKT-HEATR-L-H373	1	1/P	
27	6LK44796000	ASYB-PSU-H373-AB	1	1/SB	
29 A	6LK45374000	HRNS-LVPS-MAINSW-H373J	1	1/P	ASD,AUD,ARD,CND
29 B	6LK45375000	HRNS-LVPS-MAINSW-H373C	1	1/P	NAD,MJD
35	6LK45453000	HRNS-LGC-RELAY-H373	1	1/P	
38	6LJ66759000	PLATE-BLIND-PFP	1	1/P	
40	6LK49456000	ASYB-PS-HVT-H373-STD	1	1/SB	
41	X0-02230000	S/FHEXM-M3X6-NI	5	10/P	
42	6LK49458000	BRKT-THRMST-DHTR-H373	1	1/P	
45	6LK45670000	HRNS-DAMP-THRMST-H373	1	1/P	
46	F0-01459000	RLWT-2V0	1	5/P	
47	X0-02112000	S/PAN-M3X3-NI	2	10/P	
48 A	X0-02419000	S/TPS/FHEXM/R-3X6-ZU3	4	10/P	
48 B	X0-02419000	S/TPS/FHEXM/R-3X6-ZU3	5	10/P	
49 B	6LK49441000	BRKT-HEATR-R-H373	1	N/A***	
53	6LK44863000	SHEET-HVT-H373	1	1/KP	

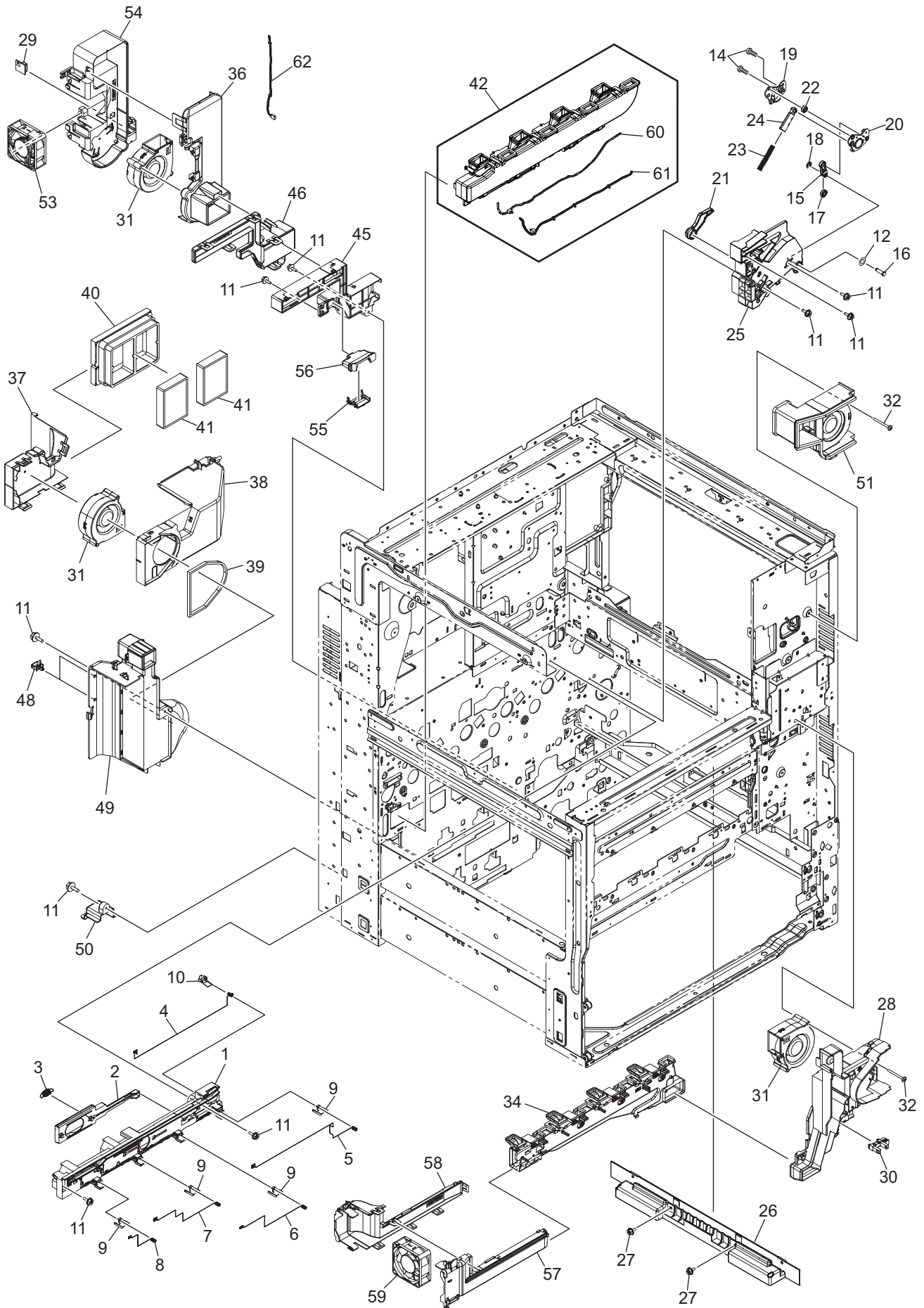


ITEM No.	PART No.	PART NAME	Q'TY / PAGE	Q'TY / PACK	REMARKS
1	6LJ57337000	ASYB-HINGE-F	1	1/P	
2	X0-02420000	S/TPS/FHEXM/R-3X8-ZU3	8	10/P	
3	6LA65683000	SCREW-HLDR-MG	1	10/P	
4	6LJ58744000	LEVER-FUS-F	1	1/P	
5	6LJ58745200	COVER-LVR-FUS-F_G	1	1/P	
6	6LJ58738000	GUIDE-FUS-F	1	1/PP	
7	6LJ58761000	SPG-E-LVR-LOCK-F-H21Y	1	1/P	
8	6LJ58828000	ASYS-STAY-IHUNIT-H21X	1	1/P	
10	C0-17839000	LG2A14BL1	2	1/C	
11	F0-00270000	UAMS-05L-0-46	3	10/P	
12	F0-02296000	ES-0505-2	1	5/P	
13	6LA14468000	SPC068-080-160	2	5/P	
14	4406326040	SCREW-D4-18-M3	2	10/P	
15	6LJ58705000	HLDR-DRW-FRM-L-H212	1	1/P	
16	6LK45457000	HRNS-LVPS-IH-H373	1	1/P	
17	6LJ58759000	SPG-C-PUSH-FUS-F-H21Y	1	1/P	
18	6LK45416000	HRNS-LGC-FUSER-H373	1	1/P	
19	6LJ56357000	BUSH-ROL-6	1	1/P	
20	6LJ52415100	HOLD-ADU-HOOK-F-H373	1	1/P	
21	E0-15604000	DE2L-BALGY	1	1/D	
22 A	6LJ58857000	ASYB-IHCOIL-H21X-100	1	1/C	eS2505AC/3005AC/3505AC NAD
22 B	6LJ58857200	ASYB-IHCOIL-H21X-H100	1	1/C	eS4505AC/5005AC NAD
22 C	6LJ58857100	ASYB-IHCOIL-H21X-200	1	1/C	eS2505AC/3005AC/3505AC MJD,ASD,AUD,ARD,CND
22 D	6LJ58857300	ASYB-IHCOIL-H21X-H200	1	1/C	eS4505AC/5005AC MJD,ASD,AUD,ARD,CND
23	X0-02069000	S/TPS/BID-3X6-ZU3	6	10/P	
24	6LK52281000	HLDR-SNSR-FUS-F-H373	1	1/P	
25	F0-01810000	LWS-0511S-V0	2	5/P	
26	6LK52300000	BRKT-SNSR-FUS-R-CAM-H373	1	1/P	
28	6LJ58852000	SUPPT-COIL-IH-H21Y	1	1/P	
29	6LK44740000	BRKT-GUIDE-HRNS-MID	1	1/P	
30	F0-01250000	MSB-1207	1	5/P	
31	F0-02287000	RSPC-125P	1	5/P	
32	6LE25210000	CUSH-FRM-SCREW-380	2	1/P	
33	F0-01451000	RFC-16V0	1	1/P	
34	F0-01418000	RFC-33V0	2	1/P	
35	F0-01933000	RLMS-1V0	4	5/P	
36	F0-00036000	RLWS3TV0	3	5/P	
37	6LK52782000	DAMP-LSU-H373	1	1/P	
38	F0-00136000	K-103G	1	5/P	

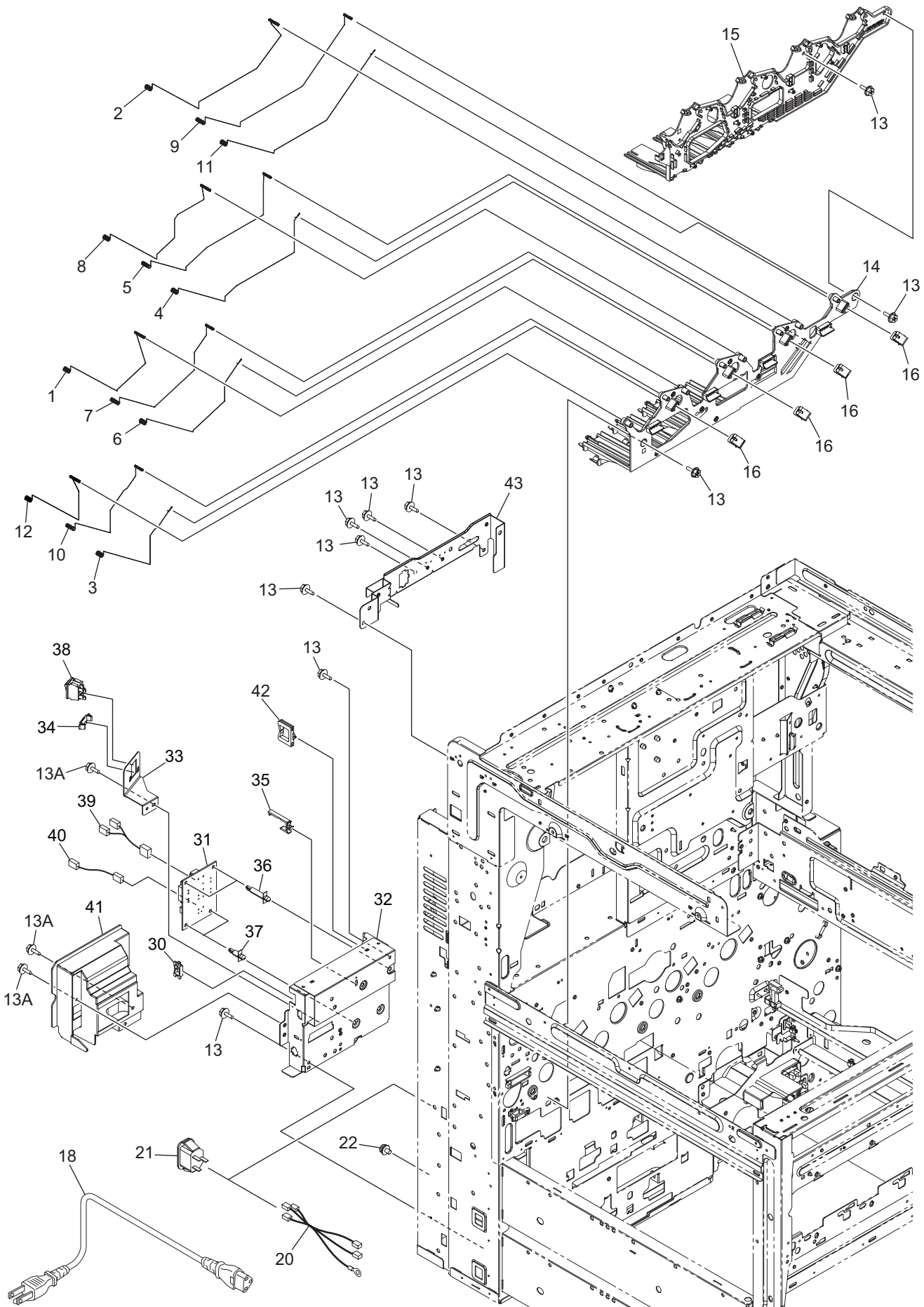




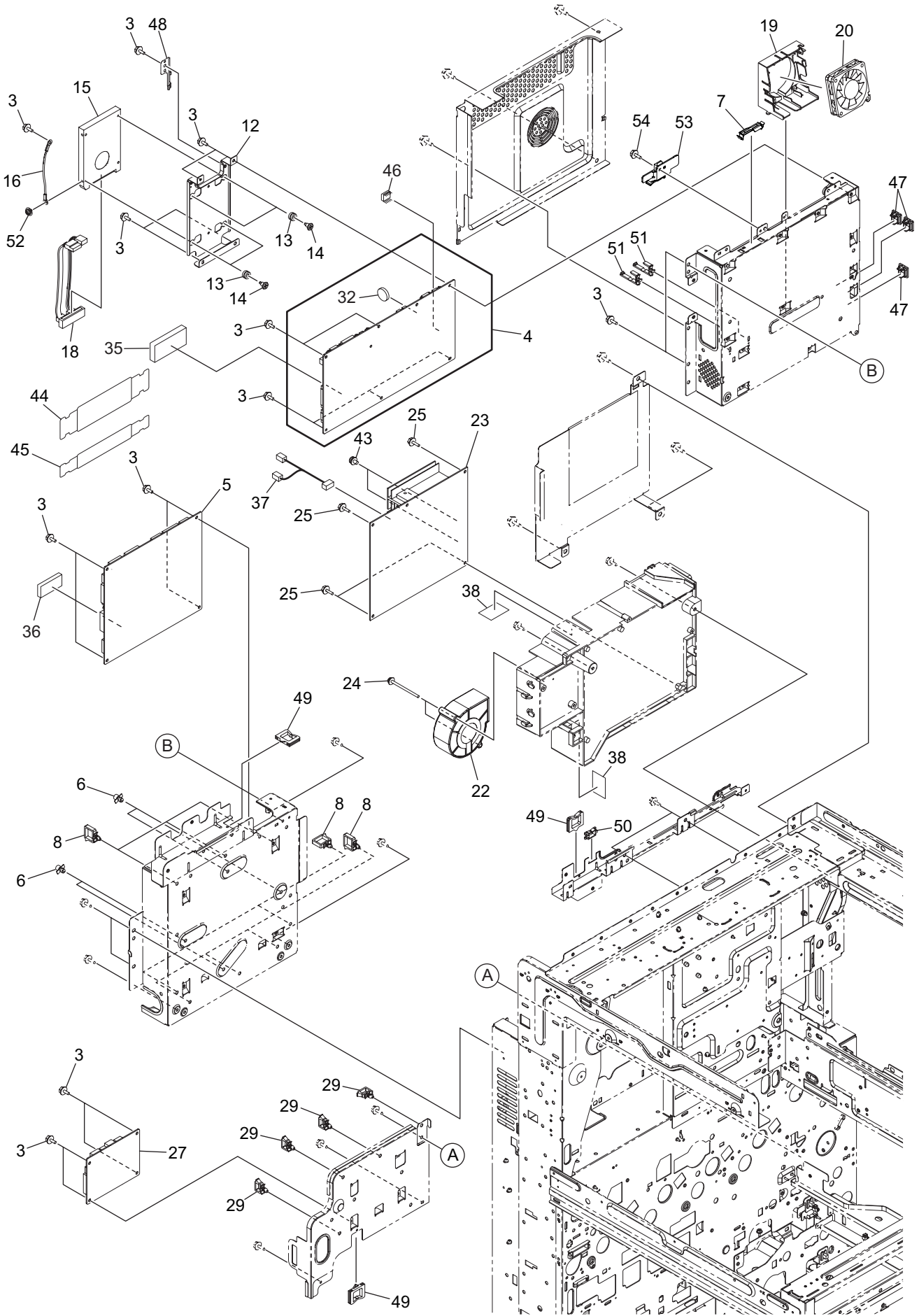
ITEM No.	PART No.	PART NAME	Q'TY / PAGE	Q'TY / PACK	REMARKS
1	E0-15050000	SW1AG-550	2	1/D	
2	6LJ55504200	GUIDE-RAIL-TBU-F_W	1	1/P	
3	X0-02420000	S/TPS/FHEXM/R-3X8-ZU3	19	10/P	
4	6LJ52439000	BRKT-BEAM-SFB-SUB	1	1/P	
5	6LK50604000	FRM-PUSH-TRU-F	1	1/PP	
6	6LJ55903000	PUSHER-TRU-WEISS	1	1/P	
7	6LJ55909000	LINK-PUSH-TRU-A	1	1/P	
8	6LJ55910000	LINK-PUSH-TRU-B	1	1/P	
9	6LJ55904000	COLLAR-TRU-PUSH-WEISS	1	1/P	
10	6LJ55900000	HLDR-SP-TRU	1	1/P	
11	6LJ55905000	ROD-HLDR-COLLAR	1	1/P	
12	6LJ55911000	COLLAR-LINK-ADU	1	1/P	
13	6LJ55968000	SHAFT-TRU-LOCK	1	1/P	
14	X0-00964000	RR/E-3-SS	1	10/P	
15	6LJ55934000	SPG-C-TR2-H21X	1	1/P	
17	6LJ55908100	SPG-F-RGST-GND_2	1	1/P	
18	X0-02247000	S/TPP/FHEXM-3X8-NI	4	10/P	
19	X0-00595000	S/TPP/PAN-3X6-NI	2	10/P	
20	6LJ55953000	WSHR-4R1X7XR25-APS	1	1/P	
21	D0-24198000	ERZV10D821	1	1/C	
22	6LJ53749000	COV-FRT-PILLAR-CST-H21Y	1	1/P	
23	6LJ55187100	ASYB-LVR-TBU-CPL_W	1	1/P	
24	6LJ69393000	ROLL-RAIL-CST-H21X-2	2	1/P	
25	X0-00966000	RR/E-5-SS	4	10/P	
26	6LJ55514000	RAIL-TBU-F-H21X	1	1/PP	
27	6LJ55587000	GEAR-LINK-TBU-RAIL	1	1/P	
28	6LJ55483000	SLIDER-LIFT-K	1	1/P	
29	6LJ55570100	BRKT-LEVER-TBU_S	1	1/P	
30	6LJ55564100	SHAFT-LIFT-H21Y_S	1	1/P	
31	6LJ55569000	GEAR-LINK-TBU-LVR	1	1/P	
32	6LJ55441000	SPG-F-PUSH-TBU-CL	1	1/P	
33	6LK50737000	ASYS-RAIL-CST-RIGHT-H373	1	1/PP	
34	6LJ69392000	ROLL-RAIL-CST-H21X-1	2	1/P	
35	6LK50704000	RAIL-FEED-UNIT-L-H373	2	1/PP	
36	6LJ56356000	STUD-HOOK-COV-H21Y-N	2	1/P	
37	X0-02230000	S/FHEXM-M3X6-NI	2	10/P	
38	6LK45350000	HRNS-PFP-EMP-H373	2	1/P	
39	6LJ56265000	HOLDER-SNSR-FS-H21X_H	2	1/P	
40	C0-17839000	LG2A14BL1	4	1/C	
41	E0-14534000	CF-LA-2KZ2-1C	1	1/C	
42	6LJ55565200	LEVER-TBULIFT-H370	1	1/P	
43	6LK50607000	SPG-GND-RGST-H370	1	1/P	
44	6LH54676000	FOOT-FRM-BASE	2	5/P	
45	6LK44724000	BRKT-MAIN-SW-H373	1	1/P	
46	6LE25210000	CUSH-FRM-SCREW-380	1	1/P	



ITEM No.	PART No.	PART NAME	Q'TY / PAGE	Q'TY / PACK	REMARKS
1	6LJ55435000	RAIL-TBU-R-H21X	1	1/PP	
2	6LJ55422000	LINK-COUPLE-TR1	1	1/P	
3	6LJ55471000	SPG-E-COUPLE-TR1	1	1/P	
4	6LJ55461000	SPG-RAIL-HVT-TR2-H21X	1	1/P	
5	6LJ55460000	SPG-RAIL-HVT-K-H21X	1	1/P	
6	6LJ55459000	SPG-RAIL-HVT-C-H21X	1	1/P	
7	6LJ55458000	SPG-RAIL-HVT-M-H21X	1	1/P	
8	6LJ55457000	SPG-RAIL-HVT-Y-H21X	1	1/P	
9	6LJ55439000	SPG-F-BIAS-HV-H21X	4	1/P	
10	6LJ55440000	SPG-F-BIAS-HV-TR2	1	1/P	
11 A	X0-02420000	S/TPS/FHEXM/R-3X8-ZU3	9	10/P	
11 B	X0-02420000	S/TPS/FHEXM/R-3X8-ZU3	8	10/P	
12	6LJ55953000	WSHR-4R1X7XR25-APS	1	1/P	
14	X0-00595000	S/TPP/PAN-3X6-NI	2	10/P	
15	6LJ55905000	ROD-HLDR-COLLAR	1	1/P	
16	6LJ55968000	SHAFT-TRU-LOCK	1	1/P	
17	6LJ55911000	COLLAR-LINK-ADU	1	1/P	
18	X0-00964000	RR/E-3-SS	1	10/P	
19	6LJ55910000	LINK-PUSH-TRU-B	1	1/P	
20	6LJ55909000	LINK-PUSH-TRU-A	1	1/P	
21	6LJ55903000	PUSHER-TRU-WEISS	1	1/P	
22	6LJ55904000	COLLAR-TRU-PUSH-WEISS	1	1/P	
23	6LJ55934000	SPG-C-TR2-H21X	1	1/P	
24	6LJ55900000	HLDR-SP-TRU	1	1/P	
25	6LJ55967000	FRM-PUSH-TRU-R	1	1/PP	
26	6LJ53736100	COVER-RIGHT-B_H370	1	1/PP	
27	X0-02593000	S/TPD3/FHEXM-3X8-ZU3	2	10/P	
28	6LJ53212200	DUCT-FRONT-FAN-H373	1	1/P	
29	D0-32012000	CHS-CGC5-28	1	1/P	
30	C0-13512000	LG285L2-R	1	1/C	
31	6LK48235000	FAN-7530-170-H370	3	1/D	
32	X0-00461000	S/BID-M4X35-NI	2	10/P	
34 A	6LK48219000	ASYS-DUCT-DEV-OZN-F-H373	1	1/PP	eS2505AC/3005AC/3505AC
34 B	6LK48219100	ASYS-DUCT-DEV-OZN-F-H376	1	1/P	eS4505AC/5005AC
36	6LK48200000	DUCT-DEV-FAN-F-H373	1	1/PP	
37	6LJ53213100	DUCT-OZN-FAN-R-H21Y_S	1	1/P	
38	6LJ53217100	DUCT-OZN-FAN-F-H21Y_S	1	1/P	
39	6LJ53155000	SEAL-DUCT-OZN-FAN-H21Y	1	1/KP	
40	6LK48224000	ASYS-HLD-OZN-FIL-H373	1	1/PP	
41	6LJ53151000	FILTER-OZN-SCA-713A	2	1/C	
42	6LK48232000	ASYS-DUCT-OZN-DEV-R-H373	1	1/P	
45	6LK48202000	DUCT-DEV-PASS-F-H373	1	1/C	
46	6LK48203000	DUCT-DEV-PASS-R-H373	1	1/C	
48	F0-01813000	LWS-1316S-V0	2	5/P	
49	6LJ53169000	ASYS-DUCT-OZN-R-PASS-H21Y	1	1/P	
50 A	6LJ52842000	COVER-BOTTOM-HOLE-H21Y	1	1/P	
51	6LK48230000	ASYB-EXIT-COOL-H373	1	1/C	
53	6LK48237000	FAN-6025-185-H373	1	1/D	
54	6LK48201000	DUCT-DEV-FAN-R-H373	1	1/PP	
55	6LK48207000	DUCT-LSU-PASS-L-H373	1	1/P	
56	6LK48206000	DUCT-LSU-PASS-U-H373	1	1/P	
57	6LK48204000	DUCT-LSU-FAN-F-H373	1	1/P	
58	6LK48205000	DUCT-LSU-FAN-R-H373	1	1/P	
59	6LK48236000	FAN-6025-065-H373	1	1/D	
60	6LK45380000	HRNS-DH3-H373	1	1/P	
61	6LK45777000	HRNS-LGC-FRONT-H373	1	1/P	
62	6LK45426000	HRNS-LGC-THMS-H373	1	1/P	

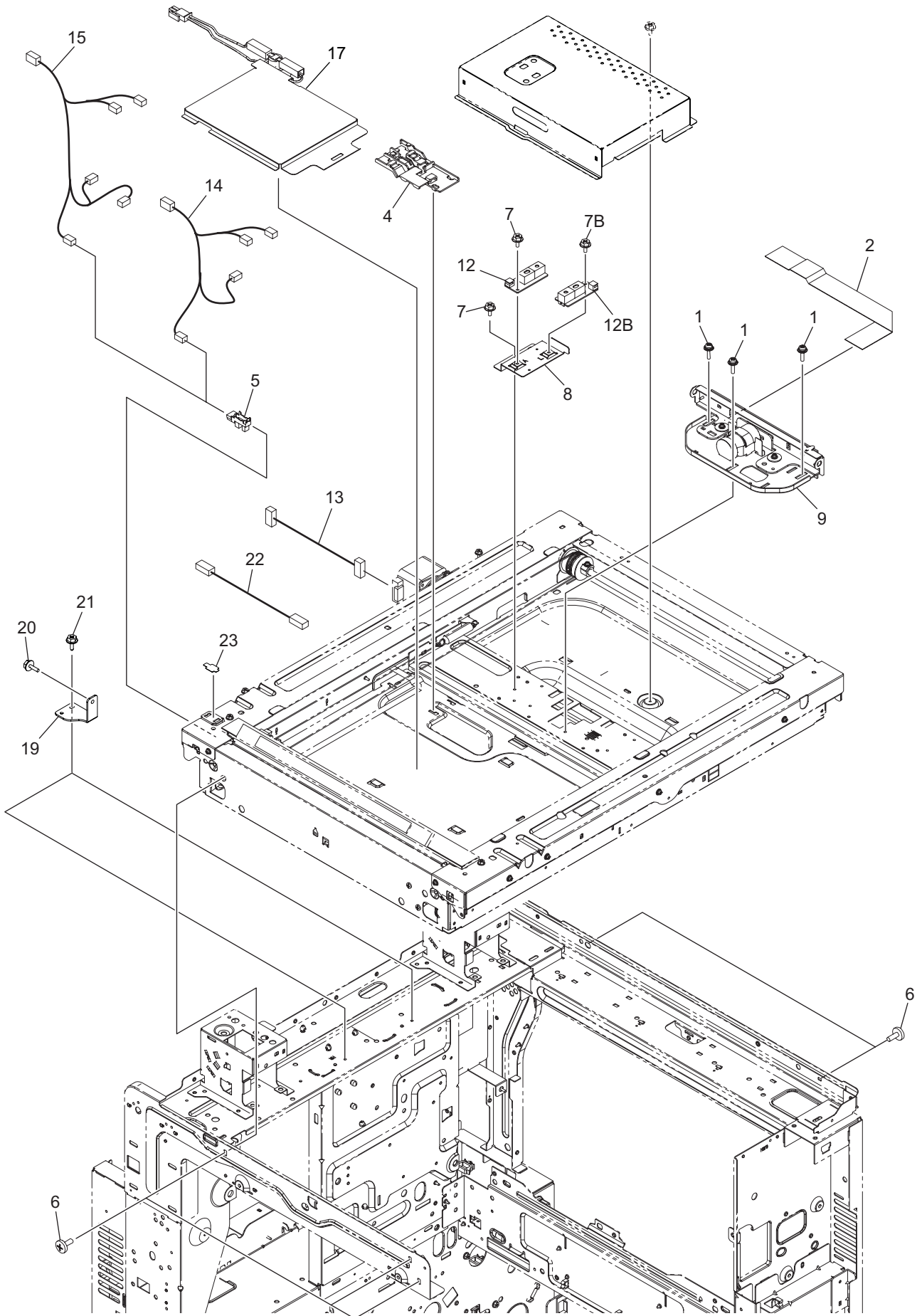


ITEM No.	PART No.	PART NAME	Q'TY / PAGE	Q'TY / PACK	REMARKS
1	6LK49426000	SPG-BIASDEV-H373-M	1	1/P	
2	6LK49428000	SPG-BIASDEV-H373-K	1	1/P	
3	6LK49475000	SPG-BIASGRID-H373-Y-2	1	1/P	
4	6LK49477000	SPG-BIASGRID-H373-C-2	1	1/P	
5	6LK49436000	SPG-BIASMAIN-H373-C	1	1/P	
6	6LK49476000	SPG-BIASGRID-H373-M-2	1	1/P	
7	6LK49435000	SPG-BIASMAIN-H373-M	1	1/P	
8	6LK49427000	SPG-BIASDEV-H373-C	1	1/P	
9	6LK49433000	SPG-BIASMAIN-H373-K	1	1/P	
10	6LK49434000	SPG-BIASMAIN-H373-Y	1	1/P	
11	6LK49478000	SPG-BIASGRID-H373-K-2	1	1/P	
12	6LK49425000	SPG-BIASDEV-H373-Y	1	1/P	
13 A	X0-02420000	S/TPS/FHEXM/R-3X8-ZU3	13	10/P	
13 B	X0-02420000	S/TPS/FHEXM/R-3X8-ZU3	10	10/P	
14	6LK49423000	HLDR-HVEPU-H373	1	1/C	
15	6LK49424000	LID-HVEPU-H373	1	1/C	
16	6LJ54604000	SPG-F-CASE-H21X	4	1/P	
18 A	6LJ61965000	CABLE-P-INLET-AR-C	1	1/P	ARD
18 B	6LJ61963000	CABLE-P-INLET-AU-C	1	1/P	AUD
18 C	6LJ61969000	CABLE-P-INLET-CCC-C	1	1/P	CND
18 D	6LJ61960000	CABLE-P-INLET-EUR-C	1	1/P	MJD
18 E	6LJ61971000	CABLE-P-INLET-NAD-15A-C	1	1/P	NAD
18 F	6LJ61967000	CABLE-P-INLET-UK-C	1	1/P	ASD
20 A	6LK45381000	HRNS-INLET-LVPS-H373	1	1/P	NAD,MJD,AUD,ASD,ARD,CND
20 B	6LK45429000	HRNS-INLET-FG-H373	1	1/P	
21	E0-12842000	AC-P10CF34	1	1/P	
22	6LJ52428000	USUITA-SPSEMS-4X6-6	1	5/P	
30	F0-01248000	ESC-0912	1	10/P	
31	6LK73067000	ASYB-PWA-DAMP	1	1/SB	
32	6LK44758000	BRKT-PFP-H373	1	1/P	
33 A	6LK44837000	BRKT-SW-DUMPH-H373-V	1	1/P	
34 A	F0-01451000	RFC-16V0	1	1/P	
35	F0-00036000	RLWS3TV0	1	5/P	
36	F0-00311000	SPLSN-14U	2	5/P	
37	F0-00342000	SPLSN-6U	2	5/P	
38 A	E0-11755000	AJ76102BF	1	1/P	
39 A	6LK45671000	HRNS-DAMP1-H373C	1	1/P	
40 A	6LK45589000	HRNS-DAMP-RLY-H373	1	1/P	
41 A	6LK48715000	COVER-INNER-PFP-H373	1	1/PP	
42	F0-00047000	EDS-1717U	1	10/P	
43	6LK44710000	BRKT-DF-FIN-H373	1	1/P	

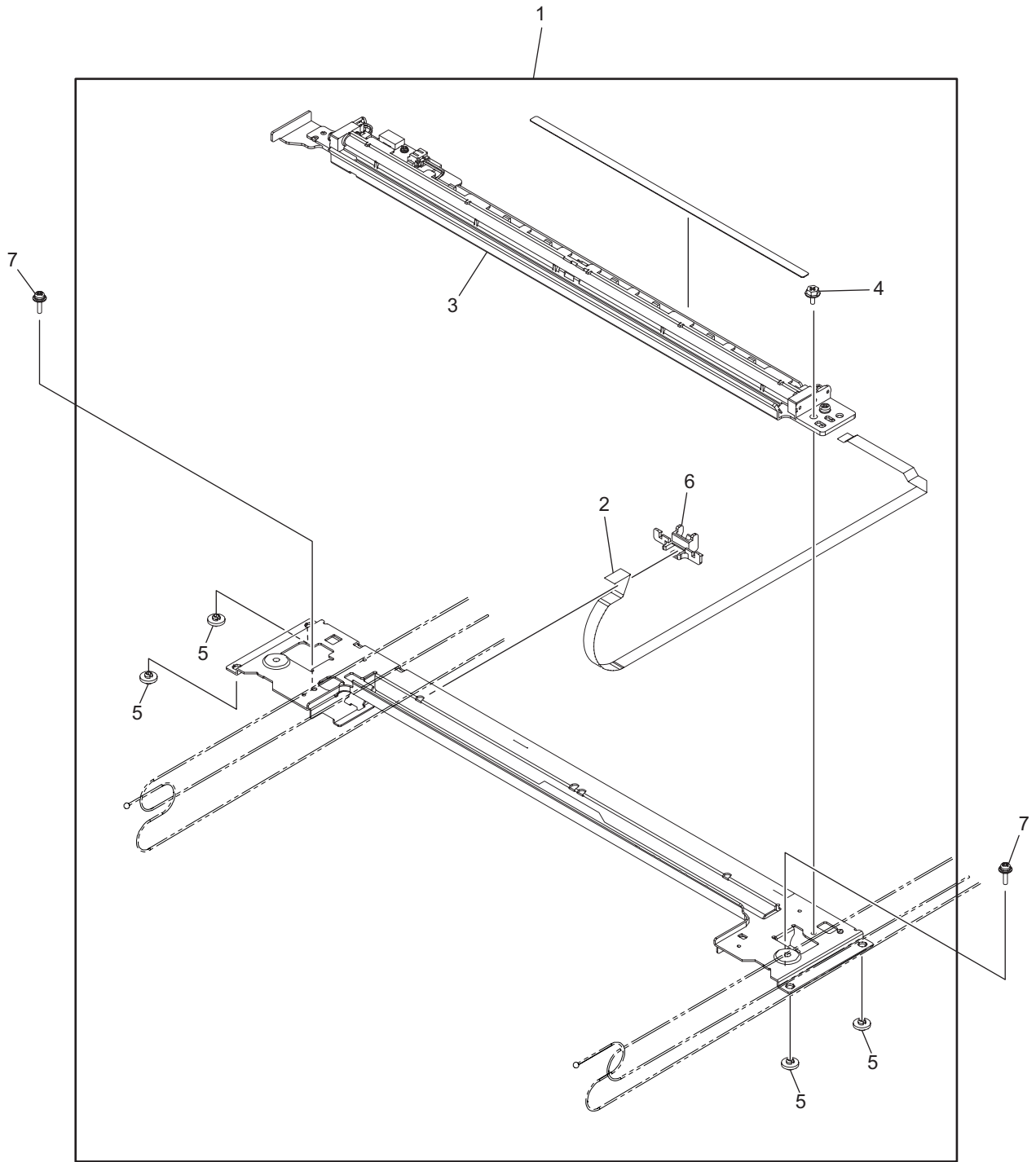


ITEM No.	PART No.	PART NAME	Q'TY / PAGE	Q'TY / PACK	REMARKS
3	X0-02230000	S/FHEXM-M3X6-NI	21	10/P	
4	6LK45974000	ASYB-PWA-SYS-H373S	1	1/SB	
5 A	6LK45990000	ASYB-LGC-H373S	1	1/SB	eS2505AC
5 B	6LK45990100	ASYB-LGC-H374S	1	1/SB	eS3005AC
5 C	6LK45990200	ASYB-LGC-H375S	1	1/SB	eS3505AC
5 D	6LK45991000	ASYB-LGC-H376S	1	1/SB	eS4505AC
5 E	6LK45991100	ASYB-LGC-H377S	1	1/SB	eS5005AC
6	F0-00331000	SPSN-4U	4	5/P	
7	F0-01418000	RFC-33V0	1	1/P	
8	F0-01813000	LWS-1316S-V0	8	5/P	
12	6LK44716000	BRKT-HDD-H370	1	1/P	
13	F0-01939000	VB-1006-95T	4	1/P	
14	6LH53114000	SCREW-HDD-CASE_M3	4	5/P	
15 A	G0-00732000	MQ01ABU032W	1	1/C	MJD,ASD,AUD,ARD
15 B	G0-00728000	MQ01ABF032	1	1/C	CND
15 C	G0-00733000	MQ01ABU032BW	1	1/C	NAD
16	6LK45548000	HRNS-HDDFG-H370	1	1/P	
18	6LK45529000	HRNS-HDD-H370	1	1/P	
19	6LJ53224000	DUCT-SYS-FAN-H21X	1	1/P	
20	6LJ53202000	FAN_D-SYS-6015-H21X	1	1/D	
22	6LH09500000	FAN-P7530-430M	1	1/D	
23 A	6LK45919200	ASYB-IH-H373E	1	1/SB	MJD,ASD,AUD,ARD,CND
23 B	6LK45919100	ASYB-IH-H373U	1	1/SB	NAD
24	X0-02484000	S/PAN/SWWP-M3X35-NI	2	10/P	
25	X0-02247000	S/TPP/FHEXM-3X8-NI	4	10/P	
27	6LK45742000	ASYB-PFC-H373	1	1/SB	
29	F0-01811000	LWS-0711S-V0	4	5/P	
32	6LE90510G00	LI-BAT-CR-2032	1	1/S	
35	C0-20835000	M471B5173EB0-YK0	1	1/C	
36	C0-18078000	BR24T128-W	1	1/C	
37	6LK45776000	HRNS-LGC-IH-H373	1	1/P	
38	6LJ58786000	SHEET-CASE-IH	2	1/P	
43	6LJ52428000	USUITA-SPSEMS-4X6-6	2	5/P	
44	6LK45583000	HRNS-LGC-SYS1-H370	1	1/P	
45	6LK45585000	HRNS-LGC-SYS2-H373	1	1/P	
46	C0-20581000	MR45V200ARAZAARL	1	1/C	
47	6LK48745000	COVER-MODULAR-B	3	1/P	
48	6LK44717000	SPG-F-SYS-H370	1	1/P	
49	F0-00047000	EDS-1717U	3	10/P	
50	F0-01248000	ESC-0912	1	10/P	
51	F0-00036000	RLWS3TV0	2	5/P	
52	X0-02386000	S/PAN/SWWP-M3X4-NI	1	10/P	
53	6LK53290000	HLDR-HRNS-SYS-H370	1	1/P	
54	X0-02420000	S/TPS/FHEXM/R-3X8-ZU3	1	10/P	

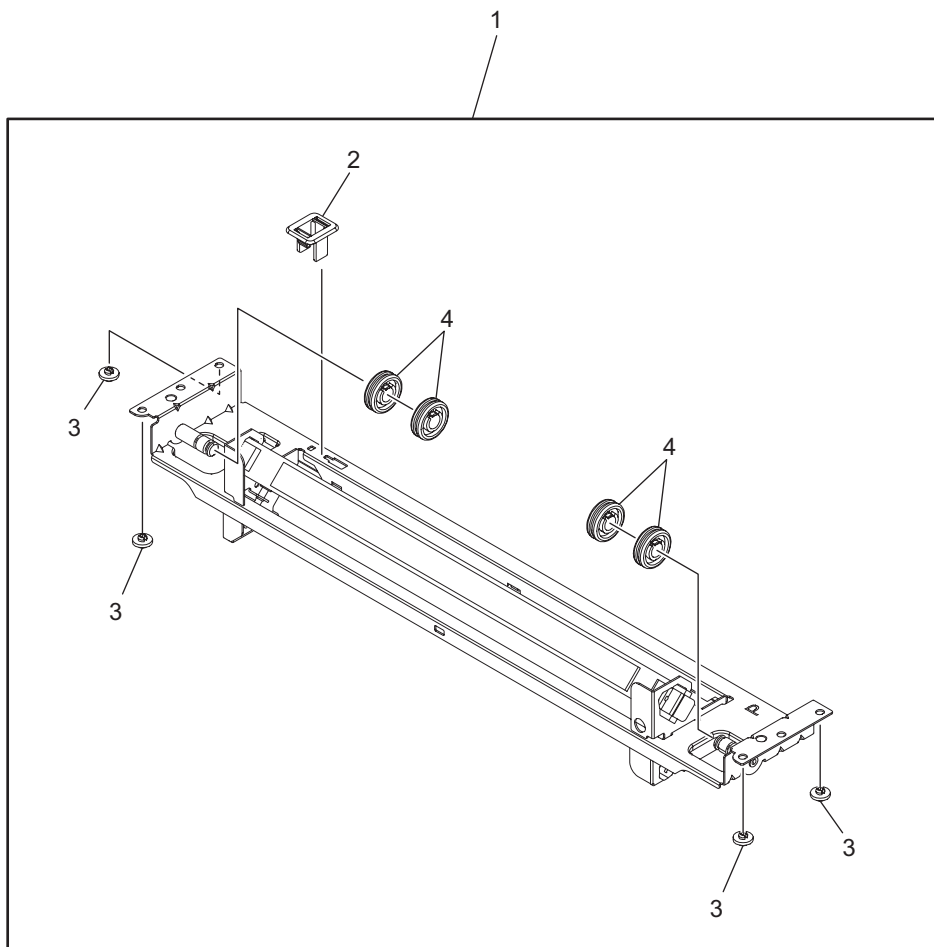




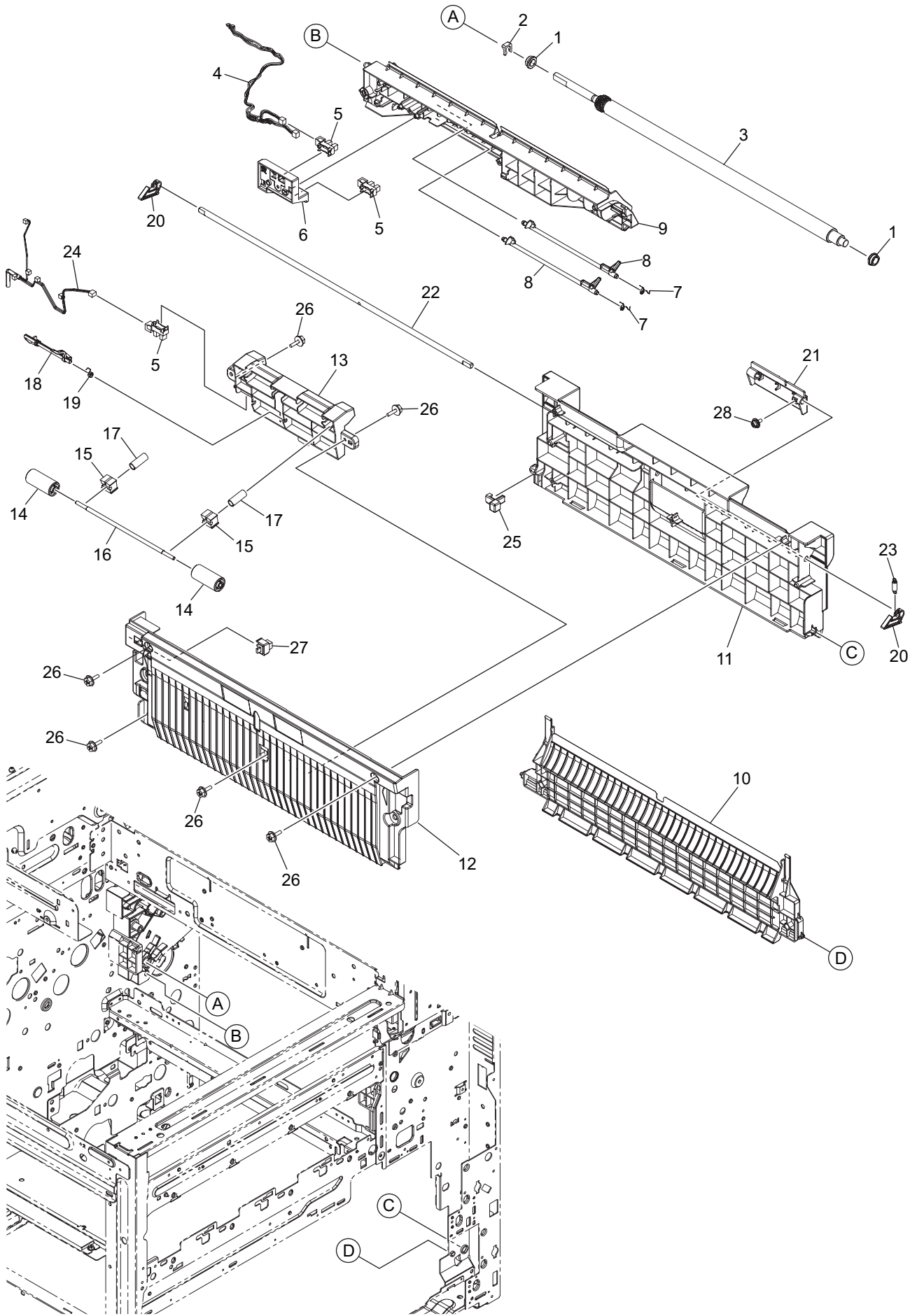
ITEM No.	PART No.	PART NAME	Q'TY / PAGE	Q'TY / PACK	REMARKS
1	X0-00077000	S/PAN/SWVP-M3X8-NI	3	10/P	
2	6LK45851000	HRNS-SCN-SYS-H373	1	1/P	
4	6LK53203000	GUIDE-HRNS-SCAN-H370	1	1/C	
5	C0-20495000	LG2A24BL1	1	1/C	
6	X0-00430000	S/BID-M3X6-NI	5	10/P	
7 A	X0-02230000	S/FHEXM-M3X6-NI	2	10/P	MJD,ASD,AUD,ARD,CND
7 B	X0-02230000	S/FHEXM-M3X6-NI	3	10/P	NAD
8	6LK53223000	BRKT-APS-H370	1	1/P	
9	6LK53304000	LENS-H373	1	1/S	
12 A	6LE63995000	SNSR-PS181EL1-S42	1	1/C	MJD,ASD,AUD,ARD,CND
12 B	6LE63995000	SNSR-PS181EL1-S42	2	1/C	NAD
13	6LJ60440000	HRNS-SCN-MOT-210	1	1/P	
14 A	6LK45836000	HRNS-SCN-SNSR-LT-H370	1	1/P	NAD
15 A	6LJ61116000	HRNS-SCN-SNSR-A-212	1	1/P	MJD,ASD,AUD,ARD,CND
17 A	6LK53263100	ASYS-D_H-SCAN-H370-E	1	1/D	ASD,AUD,ARD,CND
19	6LJ52385000	BRKT-CNT-SCAN-R-H21X	2	1/P	
20	X0-02231000	S/FHEXM-M3X8-NI	2	10/P	
21	X0-02420000	S/TPS/FHEXM/R-3X8-ZU3	2	10/P	
22	6LK45795000	HRNS-SCN-SNSRLY-H37X	1	1/P	
23	6LJ59840000	MYLAR-HP-SNSR-H21Y	1	5/P	



ITEM No.	PART No.	PART NAME	Q'TY / PAGE	Q'TY / PACK	REMARKS
1	6LK53302000	CRG1-H373	1	1/S	
2	6LK45425000	HRNS-SCN-LED-370	1	1/C	
3	6LK45490000	LAMP-SCN-LED-H37X	1	1/C	
4	X0-02113000	S/PAN-M3X4-NI	1	10/P	
5	6LJ59748000	FOOT-CRG-H21X	4	1/P	
6	6LK53219000	HLDR-HRNS-CRG1-H370	1	1/P	
7	X0-00077000	S/PAN/SWWP-M3X8-NI	2	10/P	

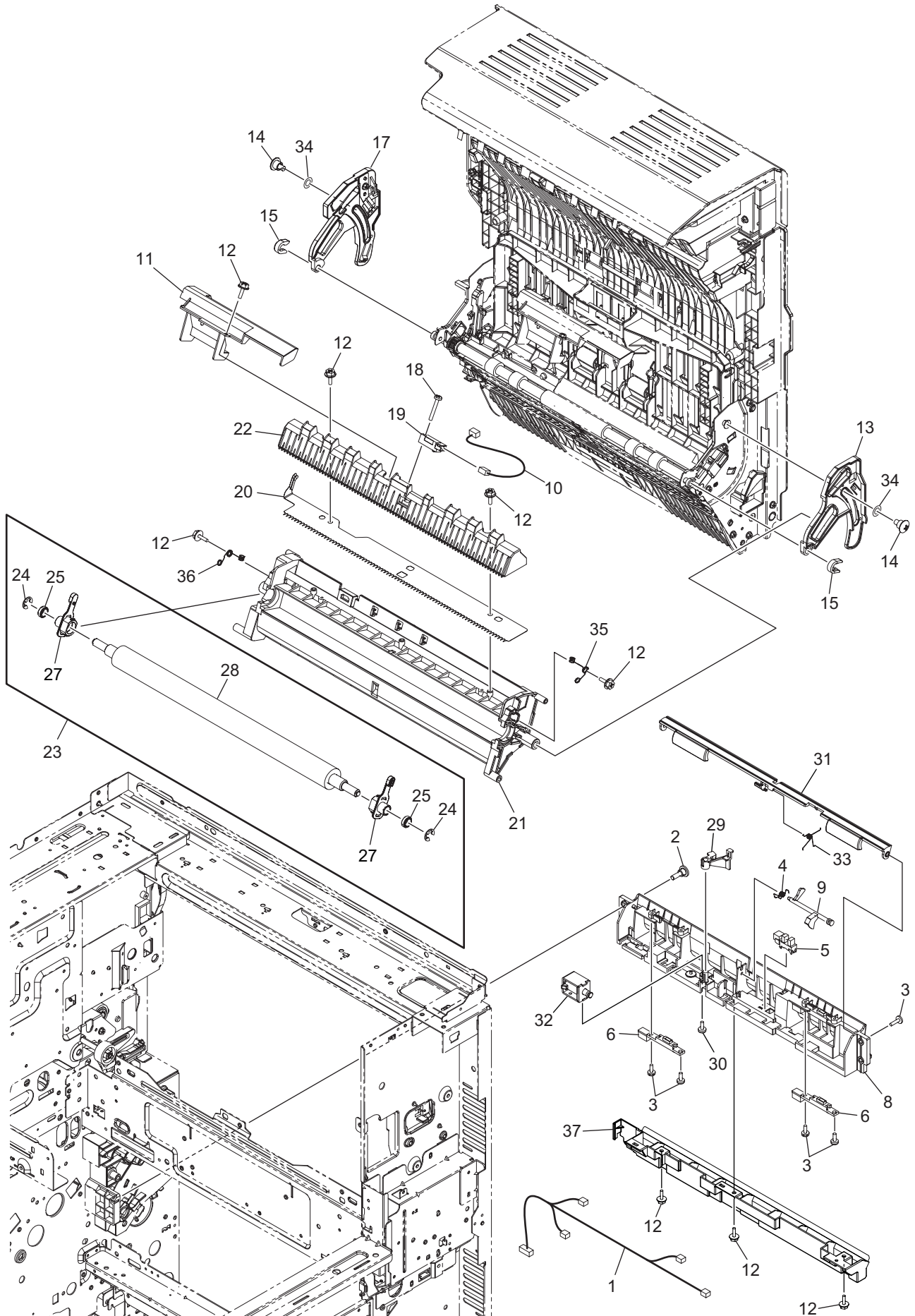


ITEM No.	PART No.	PART NAME	Q'TY / PAGE	Q'TY / PACK	REMARKS
1	6LK53300000	CRG2-H373	1	1/S	
2	6LK53214000	HLDR-HRNS-CRG2-H370	1	1/P	
3	6LJ59748000	FOOT-CRG-H21X	4	1/P	
4	6LJ59707000	PLY-19-H21X	4	1/P	

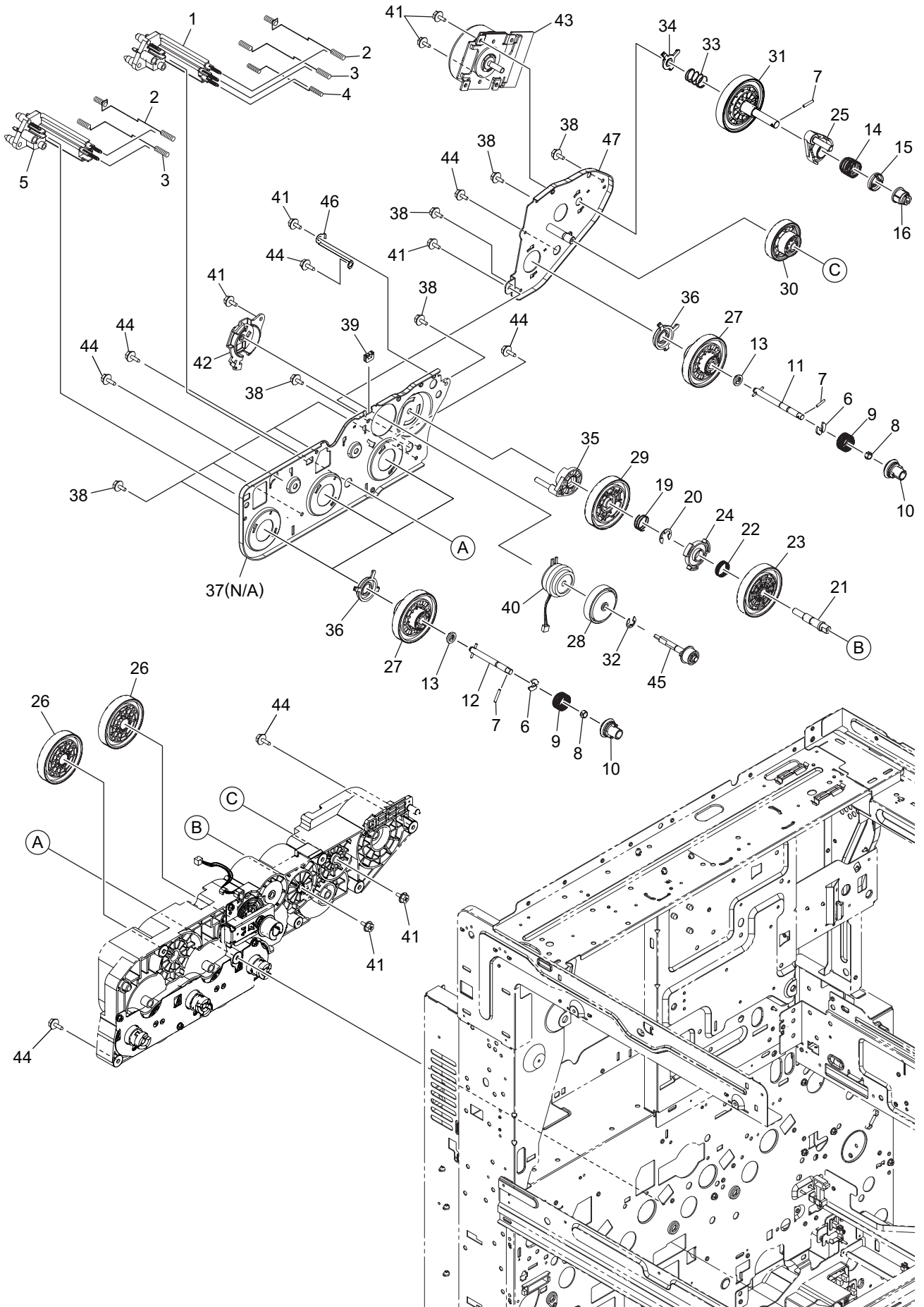


ITEM No.	PART No.	PART NAME	Q'TY / PAGE	Q'TY / PACK	REMARKS
1	6LJ56226100	BUSH-8X12-SW01	2	1/P	
2	41306265000	STOP RING	1	1/P	
3	6LJ56368000	ASYB-ROLLER-RGST-L-H21Y	1	1/KP	
4	6LJ61020000	HRNS-SNR-212	1	1/P	
5	C0-17839000	LG2A14BL1	3	1/C	
6	6LJ56205000	HOLDER-SNSR-RGST-H21X_L	1	1/P	
7	6LJ56200000	ACTR-FEED-H21X_L	2	1/KP	
8	6LJ56206000	SPG-ACT-FEED-H21X_L	2	1/P	
9	6LJ56348100	ASYS-GUIDE-RGST-L-H370	1	1/PP	
10	6LK50701000	GUIDE-TRANS-OPEN-H373	1	1/C	
11	6LJ56303100	COVER-FEED-LOW-H373	1	1/PP	
12	6LK50756000	GUIDE-FEED-R-LOW-H373	1	1/PP	
13	6LJ56306000	HOLDER-ROL-IDL-TRNS-H21Y	1	1/P	
14	6LH57916000	ROL-RELAY-IDL-PFP	2	1/P	
15	6LH34715000	BUSH-FEED-IDL	2	5/P	
16	6LK50736000	SHAFT-RELAY-IDL-H373	1	1/P	
17	6LK50735000	SPG-C-ROL-TRNS-H373	2	1/P	
18	6LH57921000	ACTR-LOIRE-PFP	1	1/D	
19	6LH57936000	SPG-T-SNSR-LOW-350	1	5/P	
20	6LH58005000	HOOK-COVER-PFP	2	1/P	
21	6LH57995200	KNOB-COVER-LOIRE-W2	1	1/P	
22	6LJ56309000	SHAFT-HOOK-COV-H21Y	1	1/P	
23	6LH58002000	SPG-E-4R9XR6X18R2-HOOK	1	1/P	
24	6LK45399000	HRNS-PFU-COV-H373	1	1/P	
25	44201629000	STOPPER-COV-FED	1	1/P	
26	X0-02247000	S/TPP/FHEXM-3X8-NI	6	10/P	
27	4402859600	SP-CS3A-B2BA	1	1/D	
28	X0-00060000	S/PAN/SWWP-M3X6-NI	1	10/P	

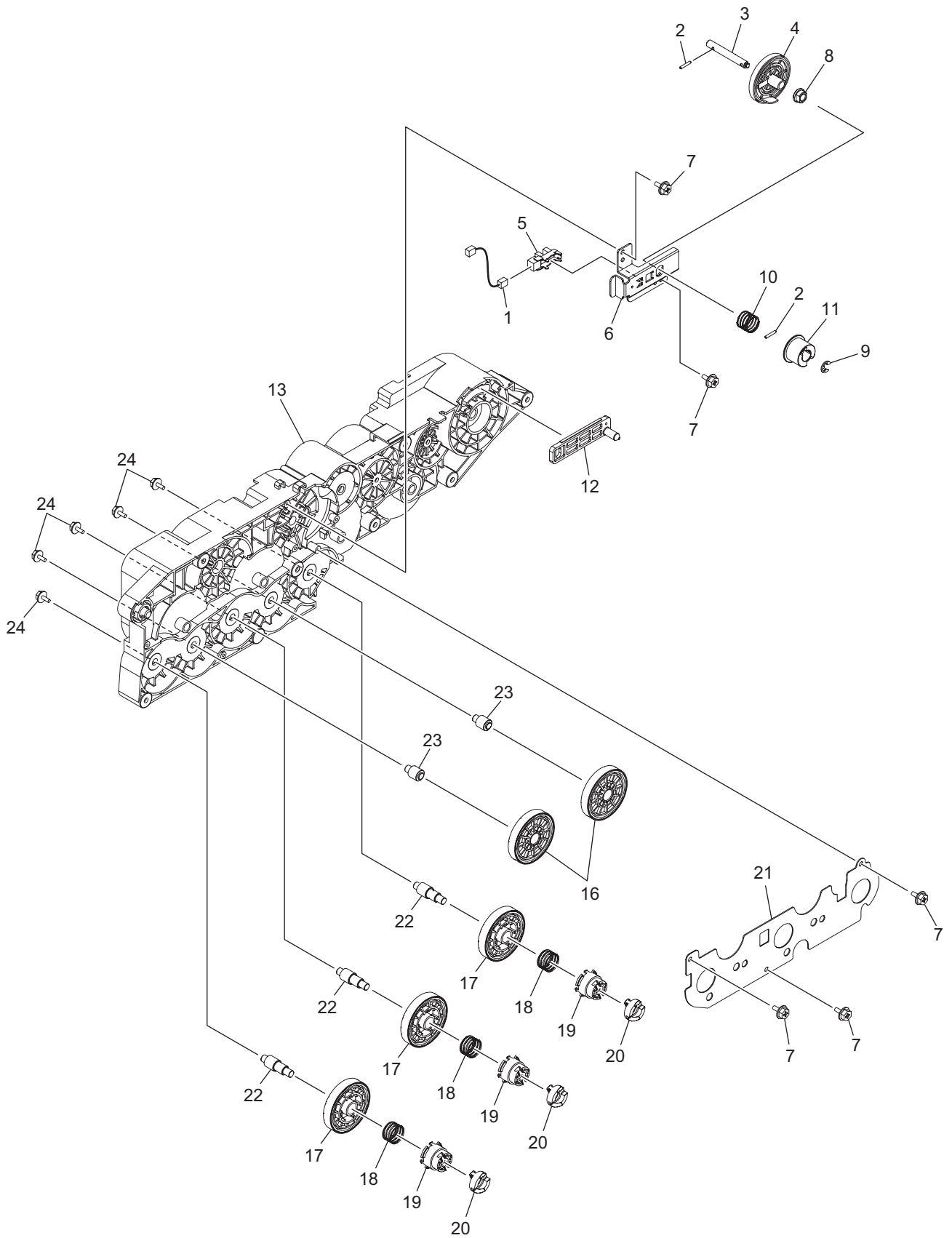




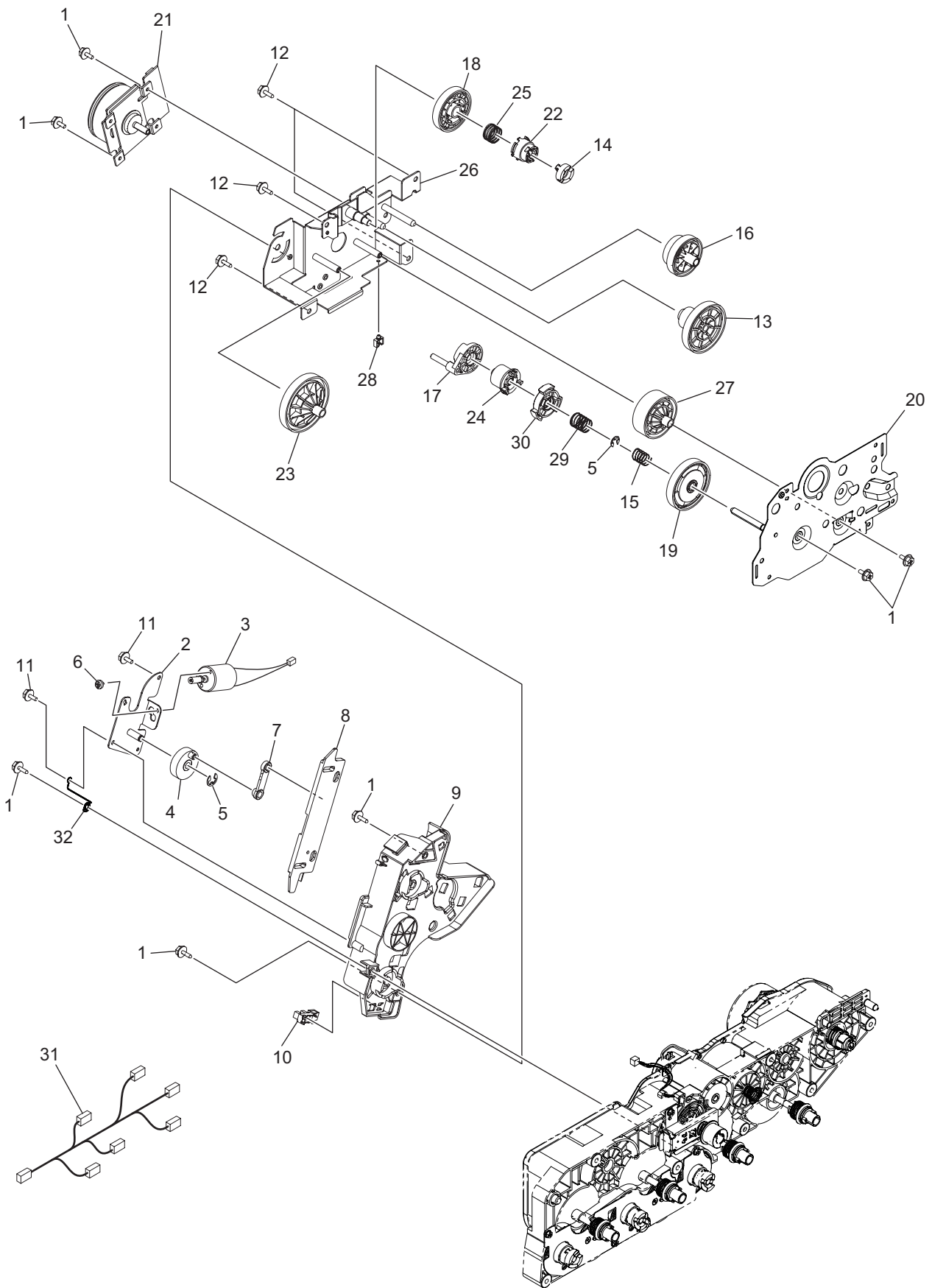
ITEM No.	PART No.	PART NAME	Q'TY / PAGE	Q'TY / PACK	REMARKS
1	6LK45383000	HRNS-PSNR-H370	1	1/P	
2	6LH05511000	SCREW-M3X8-3.2-P	1	5/P	
3	6LA80090000	S/TPP/BID-3*8-NI	5	5/P	
4	6LJ55926000	SPG-T-ACTR-IMG-POS	1	1/P	
5	C0-17839000	LG2A14BL1	1	1/C	
6	6LJ60494000	SNSR-POS-CTD-210	2	1/C	
8	6LJ55970000	ASYS-CASE-GUIDE-IMG-POS	1	1/PP	
9	6LK50603000	ACTR-GUIDE-IMG-POS-H370	1	1/P	
10	6LK45474000	HRNS-TRU-H370	1	1/P	
11	6LJ55937000	COVER-HRNS-TRU	1	1/P	
12	X0-02247000	S/TPP/FHEXM-3X8-NI	8	10/P	
13	6LK50613000	HLDR-TRU-F_S	1	1/P	
14	6LA37669000	SCREW-LOCK-ARM	2	5/P	
15	4407972860	STOP-RING-6-5	2	5/P	
17	6LK50615000	ASYB-HLDR-TRU-R	1	1/P	
18	X0-02127000	S/TPP/PAN-3X16-NI	1	10/P	
19	C0-15007000	PS119ED1	1	1/C	
20	6LJ55912000	PLT-EARTH-TRU-H21X	1	1/C	
21	6LK50602000	CASE-TRU-WEISS	1	1/PP	
22	6LJ55915000	GUIDE-TRU-H21X	1	1/PP	
23	6LK50609000	ASYB-ROL-TR2-H370	1	1/C	
24	X0-00965000	RR/E-4-SS	2	10/P	
25	6LJ55913000	RING-TRU-ROL	2	1/P	
27	6LK50600000	ASYS-BUSH-TRU-H373	2	1/P	
28	6LJ70397000	CR-FC30TR2	1	1/S	
29	6LJ55922000	LINK-SHUT-IMG-POS	1	1/P	
30	X0-02256000	S/PAN-M3X6-ZU3	1	10/P	
31	6LJ55972100	SHUT-IMG-POS_S	1	1/C	
32	6LJ55959000	SOL-06A-IMG-POS-2	1	1/C	
33	6LJ55925000	SPG-T-SHUT-IMG-POS	1	1/P	
34	6LA06340000	WAS-06-95-Z13-P	2	10/P	
35	6LK50605000	SPG-GND-TRU-F-H370	1	1/P	
36	6LK50606000	SPG-GND-TRU-R-H370	1	1/P	
37	6LK50619000	ASYS-HLDR-PAPER-DUST-H370	1	1/PP	



ITEM No.	PART No.	PART NAME	Q'TY / PAGE	Q'TY / PACK	REMARKS
1	6LK50405000	RAIL-WIRE-HV-TBU	1	1/P	
2	6LJ55462000	SPG-HVT-MK-H21X	2	1/P	
3	6LJ55463000	SPG-HVT-YC-H21X	2	1/P	
4	6LJ55464000	SPG-HVT-TR2-H21X	1	1/P	
5	6LK50404000	RAIL-WIRE-HV-TBU-YM	1	1/C	
6	44201801000	STOP-RING-6-1.5	4	5/P	
7	X0-01526000	P/PRL/AH7-2X12-SS	5	10/P	
8	6LJ55133000	CAP-SHAFT-DRUM	4	1/P	
9	6LJ55198000	SPG-C-DRIVE-DRUM	4	1/P	
10	6LJ55152000	COUPLE-DRUM-DRIVE	4	1/P	
11	6LJ55241000	ASYS-SHAFT-DRV-DRUM-K	1	1/P	
12	6LJ55242000	ASYS-SHAFT-DRV-DRUM-YMC	3	1/P	
13	6LJ55175000	CAP-SHAFT-DRUM-R	4	1/P	
14	6LJ55253000	SPG-C-DRIVE-TBU	1	1/P	
15	6LJ55141000	RING-DRIVE-TBU	1	1/P	
16	6LJ55244000	COUPLE-DRIVE-TBU	1	1/P	
19	6LJ55165000	SPG-C-DRUM-R	1	1/P	
20	X0-00968000	RR/E-7-SS	1	10/P	
21	6LJ55169000	SHAFT-RELAY-DRV-DRUM	1	1/P	
22	6LJ55166000	SPG-C-DRUM-F	1	1/P	
23	6LJ55102100	GEAR-04H132-C_W	1	1/P	
24	6LJ55127000	COUPLE-IDLE-DRUM-DRIVE	1	1/P	
25	6LJ55138100	CAM-DRV-TBU_W	1	1/P	
26	6LJ55120100	GEAR-04H132-IDLE_W	2	1/P	
27	6LJ55110100	GEAR-04H132-DRUM_W	4	1/P	
28	6LJ55104100	GEAR-04H95-10S28W	1	1/P	
29	6LJ55103000	GEAR-04H132-K	1	1/P	
30	6LJ55209000	GEAR-5H65-4H57-H21Y	1	1/P	
31	6LJ55233100	ASYB-GEAR-DRV-TBU-H373	1	1/P	
32	X0-00966000	RR/E-5-SS	1	10/P	
33	6LJ55162000	SPG-C-DRV-TBU-R	1	1/P	
34	6LJ55213000	BUSH-TBU-DRIVE-H21Y	1	1/P	
35	6LJ55121000	CRANK-PUSH	1	1/P	
36	6LJ55212000	BUSH-DRUM-DRIVE-H21Y	4	1/P	
37	6LJ55205000	PLT-DRV-DRUM-H21Y	1	N/A***	
38	X0-02246000	S/TPP/FHEXM-3X6-NI	9	10/P	
39	F0-02296000	ES-0505-2	1	5/P	
40	6LH53742000	CLUTCH-50R-G28-6	1	1/D	
41	X0-02230000	S/FHEXM-M3X6-NI	7	10/P	
42	6LK50202000	COVER-CLUCH-G28-H370	1	1/P	
43	6LK52212000	MOTR_D-DRIVE-05R20-22	1	1/C	
44	X0-02420000	S/TPS/FHEXM/R-3X8-ZU3	7	10/P	
45	6LK50212000	ASYB-SHAFT-DRV-TR1-H373	1	1/P	
46	6LJ55192000	SPG-F-GND-DRIVE-DRUM	1	1/P	
47	6LJ55202000	ASYS-DRUM-MOT-BRKT-H21Y	1	1/P	

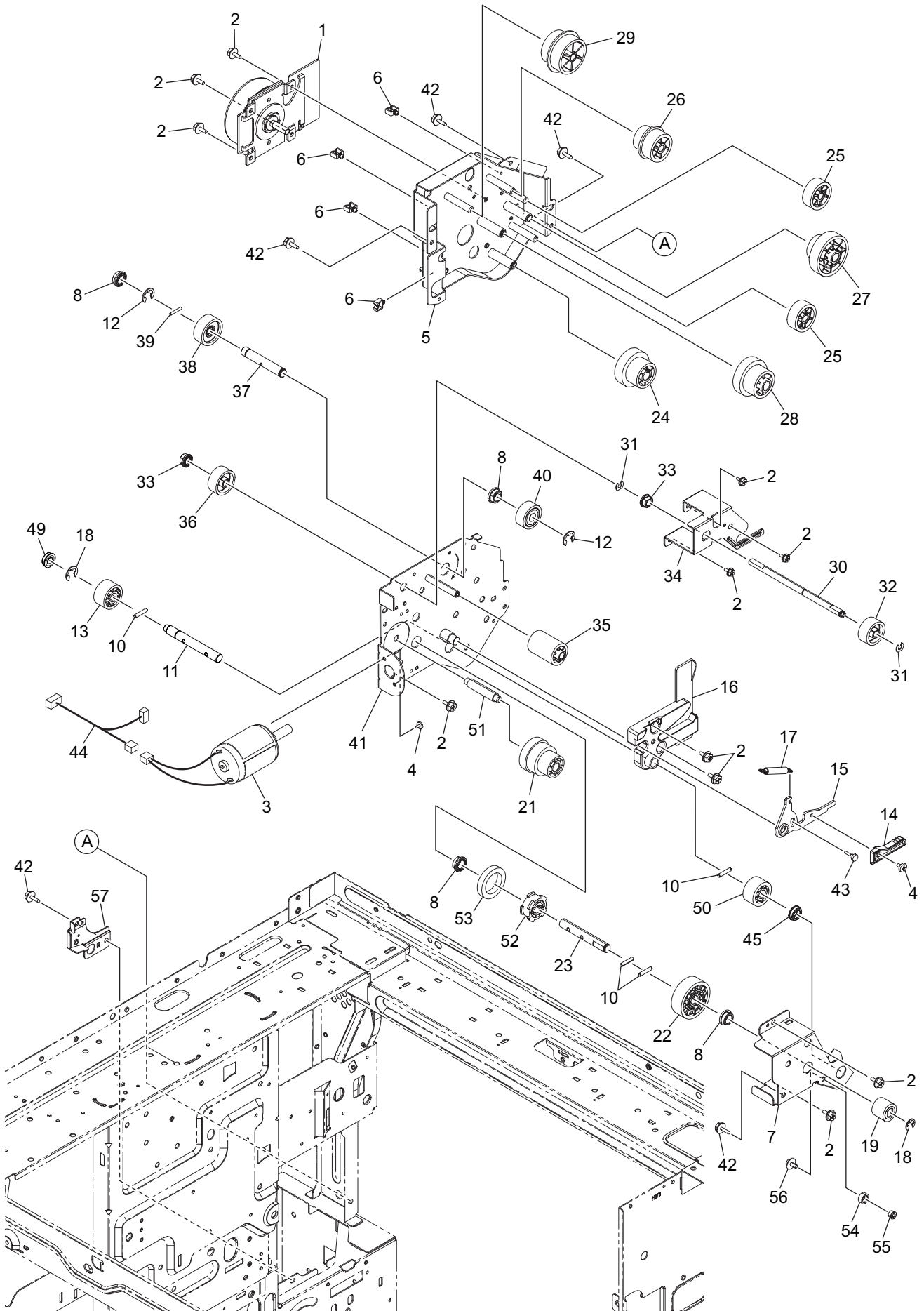


ITEM No.	PART No.	PART NAME	Q'TY / PAGE	Q'TY / PACK	REMARKS
1	6LK45392000	HRNS-TR1POS-H370	1	1/P	
2	X0-01526000	P/PRL/AH7-2X12-SS	2	10/P	
3	6LJ55132000	SHAFT-DRV-TR1-TBU-2	1	1/P	
4	6LJ55211000	GEAR-10S49-COUPLE-TBU	1	1/P	
5	C0-20495000	LG2A24BL1	1	1/C	
6	6LJ55206000	BRKT-DRIVE-TR1-H21Y	1	1/P	
7	X0-02246000	S/TPP/FHEXM-3X6-NI	5	10/P	
8	44201492000	BUSH-6-POM	1	5/P	
9	X0-00964000	RR/E-3-SS	1	10/P	
10	6LJ55197000	SPG-C-TR1-TBU	1	1/P	
11	6LJ55154000	COUPLE-SW-TBU-TR1	1	1/P	
12	6LJ55160000	LVR-COUPLE-DRV-TBU	1	1/P	
13	6LJ55201000	FRAME-DRV-DRUM-H21Y	1	1/PP	
16	6LJ55109100	GEAR-5H85-IDLE_W	2	1/P	
17	6LJ55108100	GEAR-5H85-CPL-DEV_W	3	1/P	
18	6LJ55167000	SPG-C-DEV-DRV-C	3	1/P	
19	6LJ55126100	COUPLE-DEV-DRIVE-R_W	3	1/P	
20	6LJ55226000	COUPLE-DEV-DRIVE-F-H21Y	3	1/P	
21	6LJ55129000	PLATE-DRIVE-DEV	1	1/P	
22	6LJ55223000	STUD-DRV-DEV-A-H21Y	3	1/P	
23	6LJ55224000	STUD-DRV-DEV-B-H21Y	2	1/P	
24	X0-02230000	S/FHEXM-M3X6-NI	5	10/P	

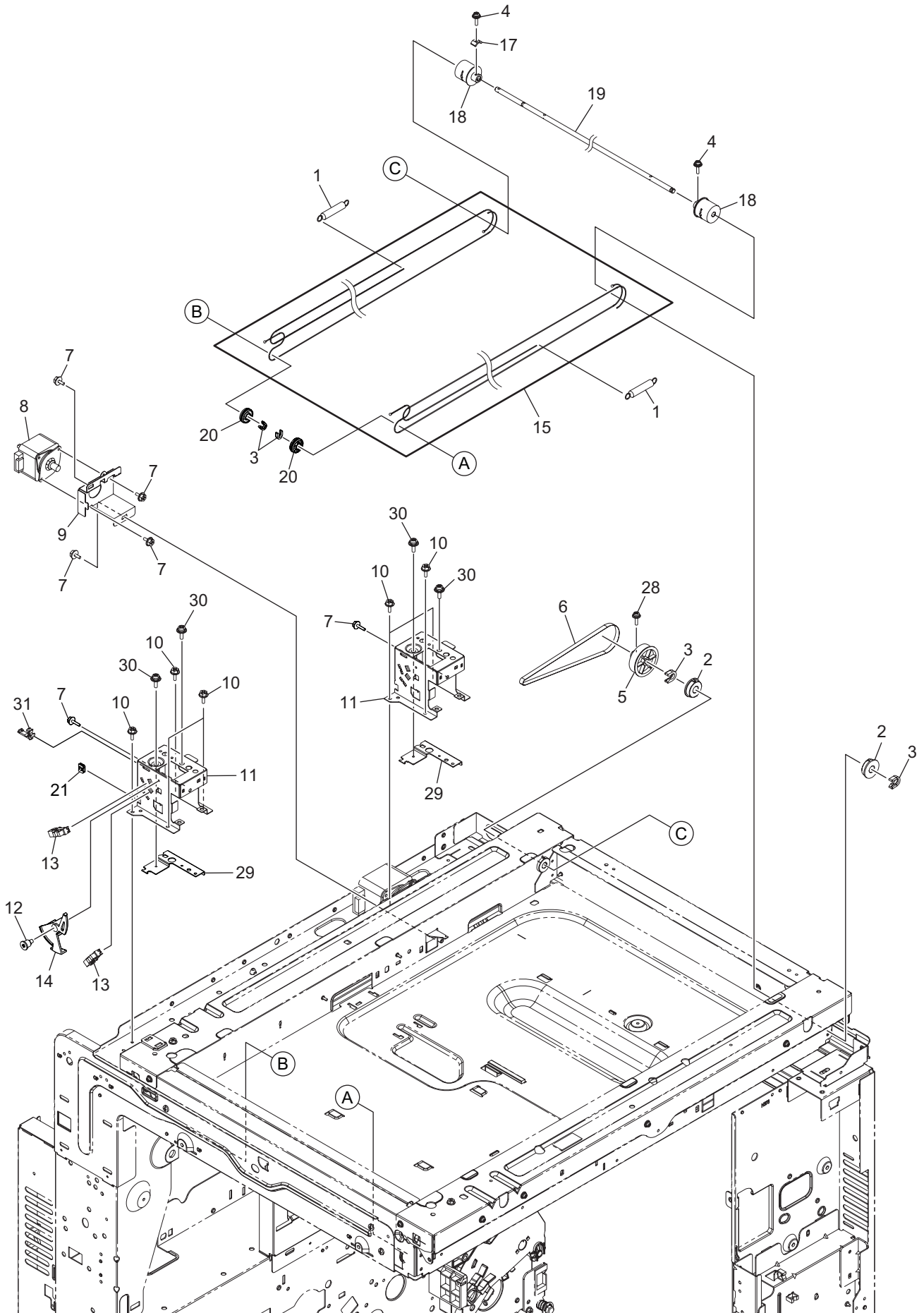


ITEM No.	PART No.	PART NAME	Q'TY / PAGE	Q'TY / PACK	REMARKS
1	X0-02230000	S/FHEXM-M3X6-NI	7	10/P	
2	6LJ55116000	ASYS-BRKT-CLANK	1	1/P	
3	6LJ55174000	MOTR_D-SWITCH-H21X	1	1/D	
4	6LJ55114000	GEAR-CRANK	1	1/P	
5	X0-00966000	RR/E-5-SS	2	10/P	
6	X0-02112000	S/PAN-M3X3-NI	1	10/P	
7	6LJ55122000	RELAY-CRANK	1	1/P	
8	6LJ55123000	PLATE-CRANK	1	1/P	
9	6LJ55115000	BASE-CRANK	1	1/PP	
10	C0-17839000	LG2A14BL1	1	1/C	
11	X0-02247000	S/TPP/FHEXM-3X8-NI	2	10/P	
12	X0-02420000	S/TPS/FHEXM/R-3X8-ZU3	4	10/P	
13	6LJ55229100	GEAR-05H42-05H98-H373	1	1/P	
14	6LJ55226000	COUPLE-DEV-DRIVE-F-H21Y	1	1/P	
15	6LJ55153000	SPG-DRV-CAM-DEV-F	1	1/P	
16	6LK50224000	GEAR-05H78-08H38-H373-2	1	1/P	
17	6LJ55121000	CRANK-PUSH	1	1/P	
18	6LJ55108100	GEAR-5H85-CPL-DEV_W	1	1/P	
19	6LJ55232100	GEAR-5H98-COUPLE-H373	1	1/P	
20	6LK50206000	ASYS-PLT-DEV-DRV-H21Y	1	1/D	
21	6LK50207000	MOTR_D-DRIVE-05L20-39	1	1/SB	
22	6LJ55126100	COUPLE-DEV-DRIVE-R_W	1	1/P	
23	6LK50223000	GEAR-5H112-DEV-H373-2	1	1/P	
24	6LJ55231100	GEAR-5H42-CAM-H373	1	1/P	
25	6LJ55167000	SPG-C-DEV-DRV-C	1	1/P	
26	6LK50228000	ASYS-FRM-DRV-DEV-H373	1	1/D	
27	6LK50225000	GEAR-5H85-KDEV-H373-2	1	1/P	
28	F0-01250000	MSB-1207	1	5/P	
29	6LJ55172000	SPG-DRV-CAM-DEV-R	1	1/P	
30	6LJ55225100	COUPLE-IDLE-DEV-DRV-H373	1	1/P	
31	6LK45430000	HRNS-LGC-FEED-H373	1	1/P	
32	6LJ55248000	COIL-GND-RELAY-DRV	1	1/P	

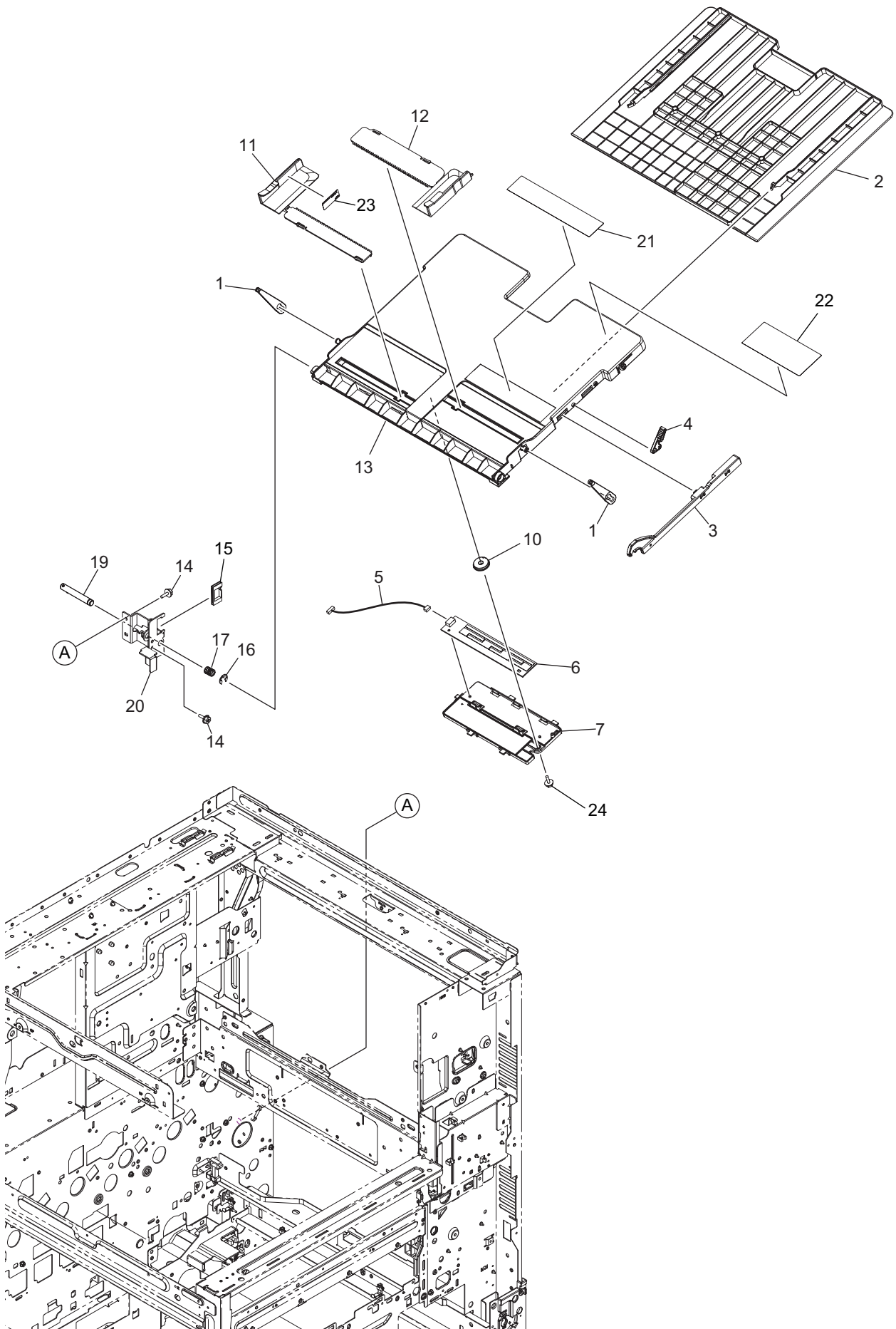




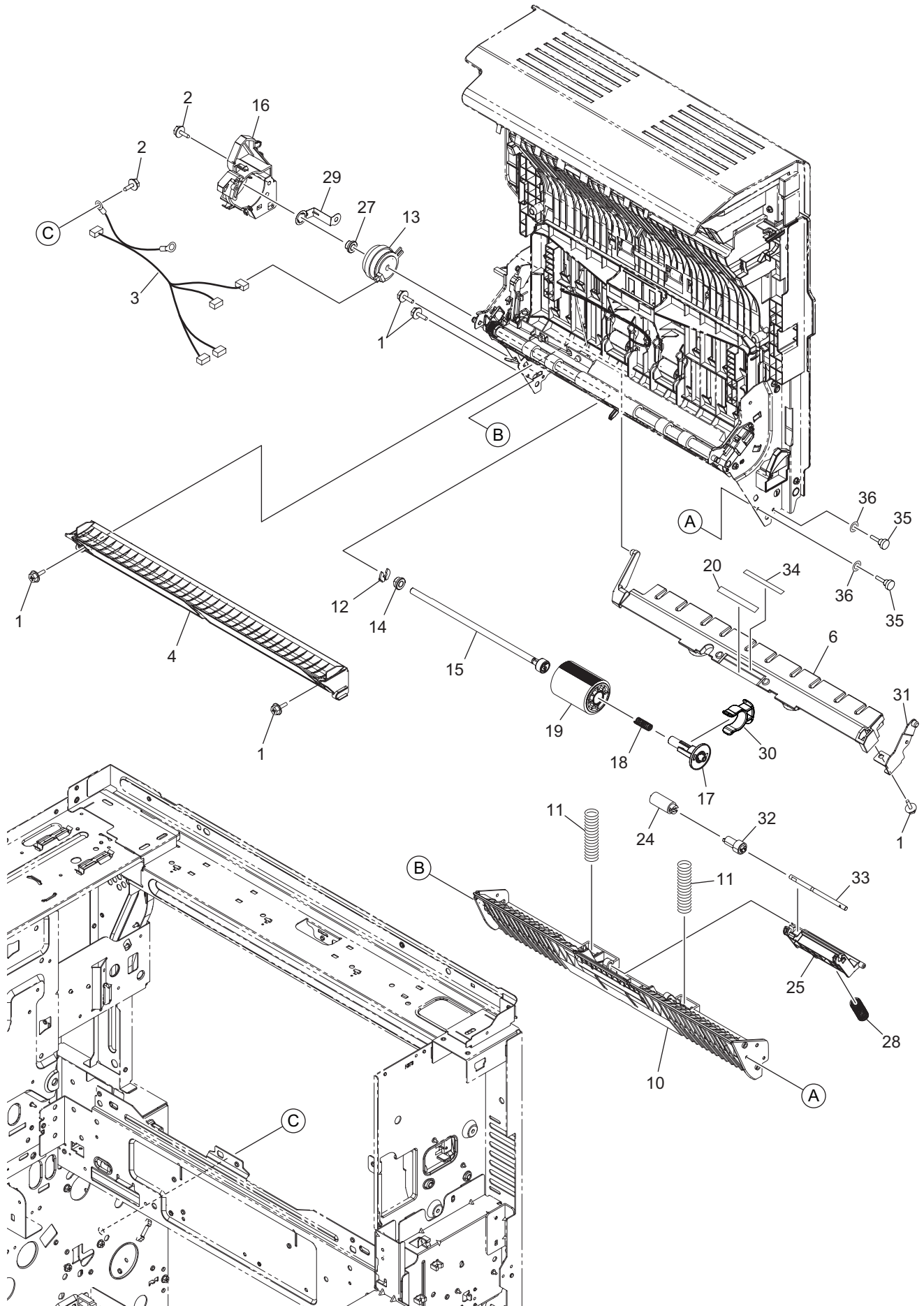
ITEM No.	PART No.	PART NAME	Q'TY / PAGE	Q'TY / PACK	REMARKS
1	6LK52212000	MOTR_D-DRIVE-05R20-22	1	1/C	
2	X0-02230000	S/FHEXM-M3X6-NI	11	10/P	
3	6LJ59219000	ASYS-FUSSETM-H21Y	1	1/D	
4	X0-00426000	S/BID-M3X4-NI	3	10/P	
5	6LK52207000	ASYS-FRAME-DRV-FUS-H	1	1/P	
6	F0-01250000	MSB-1207	4	5/P	
7	6LK52204000	BRKT-DRV-FUS-PR-H373	1	1/P	
8	6LJ55544000	BUSH-8X12X5R5F-BCF-050	4	1/P	
10	X0-01169000	P/PRL/AH7-3X14-SS	4	10/P	
11	6LK52348000	SHAFT-DRV-FUS-PR-H373	1	1/P	
12	X0-00968000	RR/E-7-SS	2	10/P	
13	6LJ58734000	GEAR-10H22-8	1	1/P	
14	6LJ58747200	COVER-LVR-FUS-R_G	1	1/P	
15	6LJ58746000	LEVER-FUS-R	1	1/P	
16	6LJ58674000	GUIDE-FUS-R	1	1/P	
17	6LJ58760000	SPG-E-LVR-LOCK-R-H21Y	1	1/P	
18	X0-00966000	RR/E-5-SS	2	10/P	
19	6LK52341000	GEAR-10S17-8-H373	1	1/P	
21	6LK52201000	GEAR-05S42-08H35-8-H373	1	1/P	
22	6LK52202000	GEAR-05S76-8-H373	1	1/P	
23	6LK52273000	SHAFT-DRV-FUS-CAM-H373	1	1/P	
24	6LJ58663000	GEAR-8H40-10H23-8	1	1/P	
25	6LJ58661000	GEAR-8H31-6	2	1/P	
26	6LJ58665000	GEAR-8H26-10S27-6	1	1/P	
27	6LJ58660000	GEAR-8H46-8H27-8	1	1/P	
28	6LJ58658000	GEAR-5H65-8H31-8	1	1/P	
29	6LJ58668000	GEAR-10S34-10S31-6	1	1/P	
30	6LK52318000	SHAFT-DRV-FUS-EXIT-H373	1	1/P	
31	6LH03574000	RRG-4-P	2	1/P	
32	6LJ58673000	GEAR-10S23-EXIT	1	1/P	
33	44201492000	BUSH-6-POM	2	5/P	
34	6LJ58653000	BRKT-DRV-EXIT-H	1	1/P	
35	6LJ58669000	GEAR-10S21-6	1	1/P	
36	6LJ58670000	GEAR-10S24-6	1	1/P	
37	6LJ58787000	SHAFT-DRV-FUS-BLT	1	1/P	
38	6LJ58666000	GEAR-10S26-6	1	1/P	
39	X0-01165000	P/PRL/AH7-2X14-SS	1	10/P	
40	6LJ58667000	GEAR-10S23-8-OWR	1	1/P	
41	6LK52208000	ASYS-FRM-DRV-FUS-B-H373	1	1/C	
42	X0-02420000	S/TPS/FHEXM/R-3X8-ZU3	5	10/P	
43	6LA65683000	SCREW-HLDR-MG	1	10/P	
44	6LK45414000	HRNS-LGC-FSRMOT-H373	1	1/P	
45	F0-02187000	DDL F-1280ZZHP0P25LY551	1	1/P	
49	F0-01966000	F126ZZ-DF30ELC-GV22	1	1/P	
50	6LK52203000	GEAR-10H22-8-H373	1	1/P	
51	6LK52313000	SHAFT-DRV-FUS-CAM-IDL	1	1/P	
52	6LK52311000	COLAR-8X21X8-H373	1	1/P	
53	6LH07435000	BRAKE-CAM-PR	1	1/P	
54	6LK52344000	COLLAR-HLD-SFT-CAM	1	1/P	
55	6LK52343000	STUD-HLD-SFT-CAM	1	1/P	
56	X0-00060000	S/PAN/SWWP-M3X6-NI	1	10/P	
57	6LK52210000	BRKT-DRV-FUS-BASE-H373	1	1/P	



ITEM No.	PART No.	PART NAME	Q'TY / PAGE	Q'TY / PACK	REMARKS
1	6LJ15115000	SPE-WIRE-TNS-H16X-SUS	2	1/P	
2	6LJ59746000	BUSH-061505	2	1/P	
3	4407972860	STOP-RING-6-5	4	5/P	
4	X0-00094000	S/PAN/SWWP-M3X10-NI	2	10/P	
5	6LK53291000	PULLEY-SCAN-H21X	1	1/C	
6	6LJ59906000	BLT_SY-S1.5M-378-6	1	1/P	
7	X0-02230000	S/FHEXM-M3X6-NI	6	10/P	
8	6LK45488000	MOTR_S-SCN-37X	1	1/D	
9	6LK53269000	BRKT-MOT-SCAN-H370	1	1/P	
10	X0-02420000	S/TPS/FHEXM/R-3X8-ZU3	7	10/P	
11	6LK53289000	ASYS-BRKT-DF-H373	2	1/P	
12	6LK53232000	SCREW-PLATEN-LVR-H370	1	1/P	
13	C0-20495000	LG2A24BL1	2	1/C	
14	6LJ59899100	LVR-OPEN-SNS-H21X_S	1	1/P	
15	6LK53308000	WIRE-SCN-KIT-H373	1	1/S	Set part (Front wire & Rear wire)
17	6LJ59727000	HOLD-PLY-SCR	1	1/P	
18	6LJ59873000	PLY-WIRE-SCAN-H21X	2	1/P	
19	6LJ59728000	SHAFT-DRV-SCAN-H21X	1	1/P	
20	6LJ59707000	PLY-19-H21X	2	1/P	
21	F0-02296000	ES-0505-2	1	5/P	
28	X0-00077000	S/PAN/SWWP-M3X8-NI	1	10/P	
29	6LK53258000	PLT-ADJT-BRKT-DF-H370	2	1/P	
30	6LA39660000	S/PAN/SWWP-M3X8-ZC3	4	10/P	
31	F0-02293000	BLBWS-0206S-V0	1	5/P	

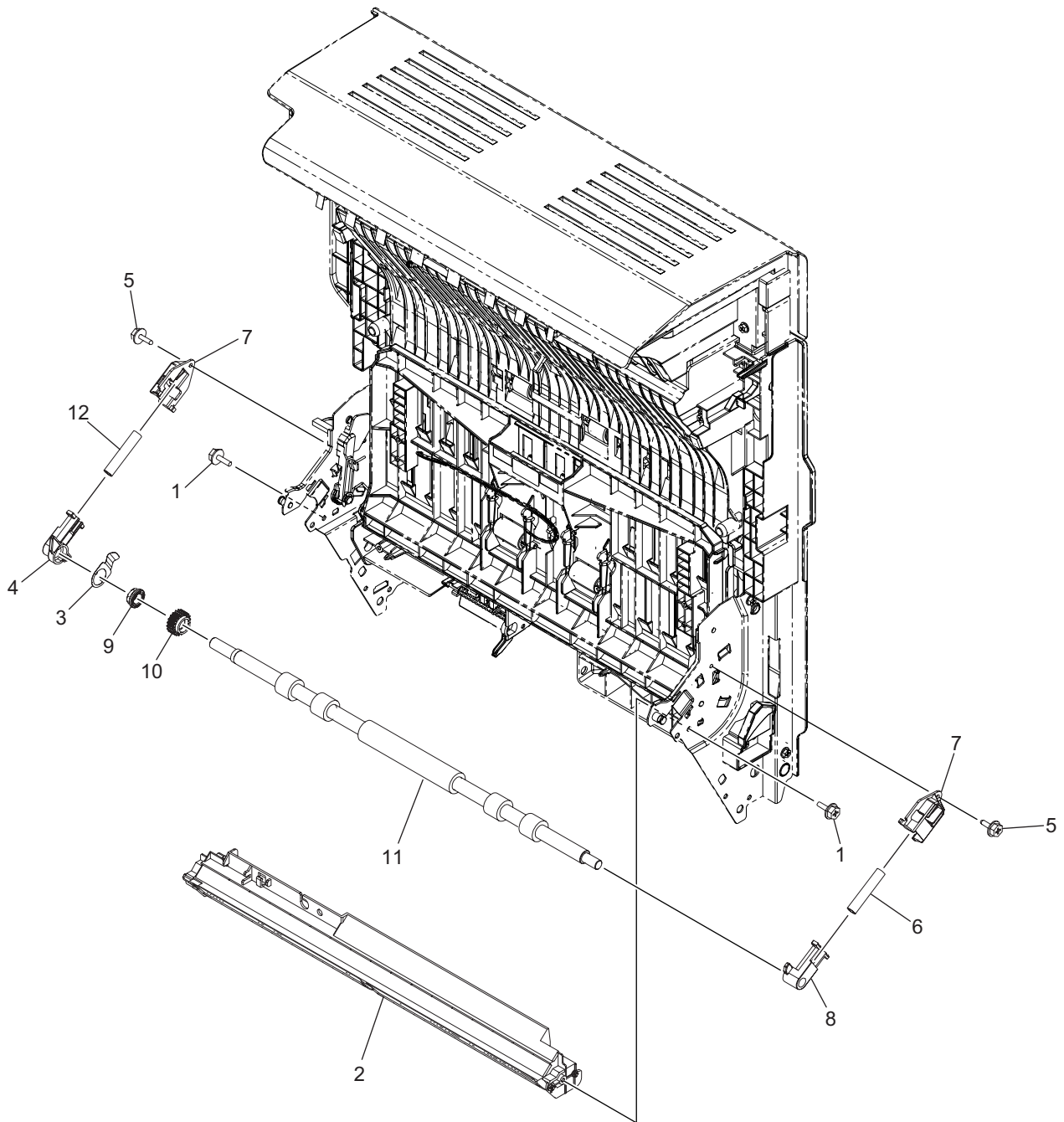


ITEM No.	PART No.	PART NAME	Q'TY / PAGE	Q'TY / PACK	REMARKS
1	6LK51401000	ARM-SFB-H373	2	1/P	
2	6LJ57001200	TRAY-LWR-SFB-H370	1	1/PP	
3	6LK51413000	LINK-TRAY-SFB-H373	1	1/P	
4	6LJ57004000	LEVER-TRAY-SFB-H21X-L	1	1/P	
5	6LJ60213000	HRNS-SFB-SIZE-210	1	1/P	
6	6LK45789000	PWA-H-SFB-370	1	1/SB	
7	6LJ57010200	HOLDER-PWA-SFB-H370	1	1/PP	
10	4407726480	PINION-18-395	1	1/P	
11	6LJ57012200	GUIDE-TRAY-SFB-R-H370	1	1/PP	
12	6LK51418000	ASYS-GUIDE-SFB-F-H370	1	1/PP	
13	6LJ57136200	TRAY-UPR-SFB-H370	1	1/PP	
14	X0-02593000	S/TPD3/FHEXM-3X8-ZU3	2	10/P	
15	6LK44840000	EDS-1710L-V0-BK	1	5/P	
16	X0-00968000	RR/E-7-SS	1	10/P	
17	6LK51609000	SPG-C-HINGE-COV-SIDE-H37X	1	1/P	
19	6LK51610000	ASYS-STUD-HINGE-ADU-H37X	1	1/P	
20	6LJ57307100	BRKT-HINGE-ADU-R_B	1	1/P	
21 A	6LK51431000	LBL-TRAY-C-H373	1	1/P	CND
21 B	6LK51430000	LBL-TRAY-E-H373	1	1/P	MJD,ASD,AUD,ARD
21 C	6LK51428000	LBL-TRAY-U-H373	1	1/P	NAD
22	6LK51427000	LBL_O-GUIDE-SFB-H370	1	1/KP	
23	6LJ57073000	LBL-HIGH-TRAY-H21X	1	1/P	
24	X0-02247000	S/TPP/FHEXM-3X8-NI	1	10/P	

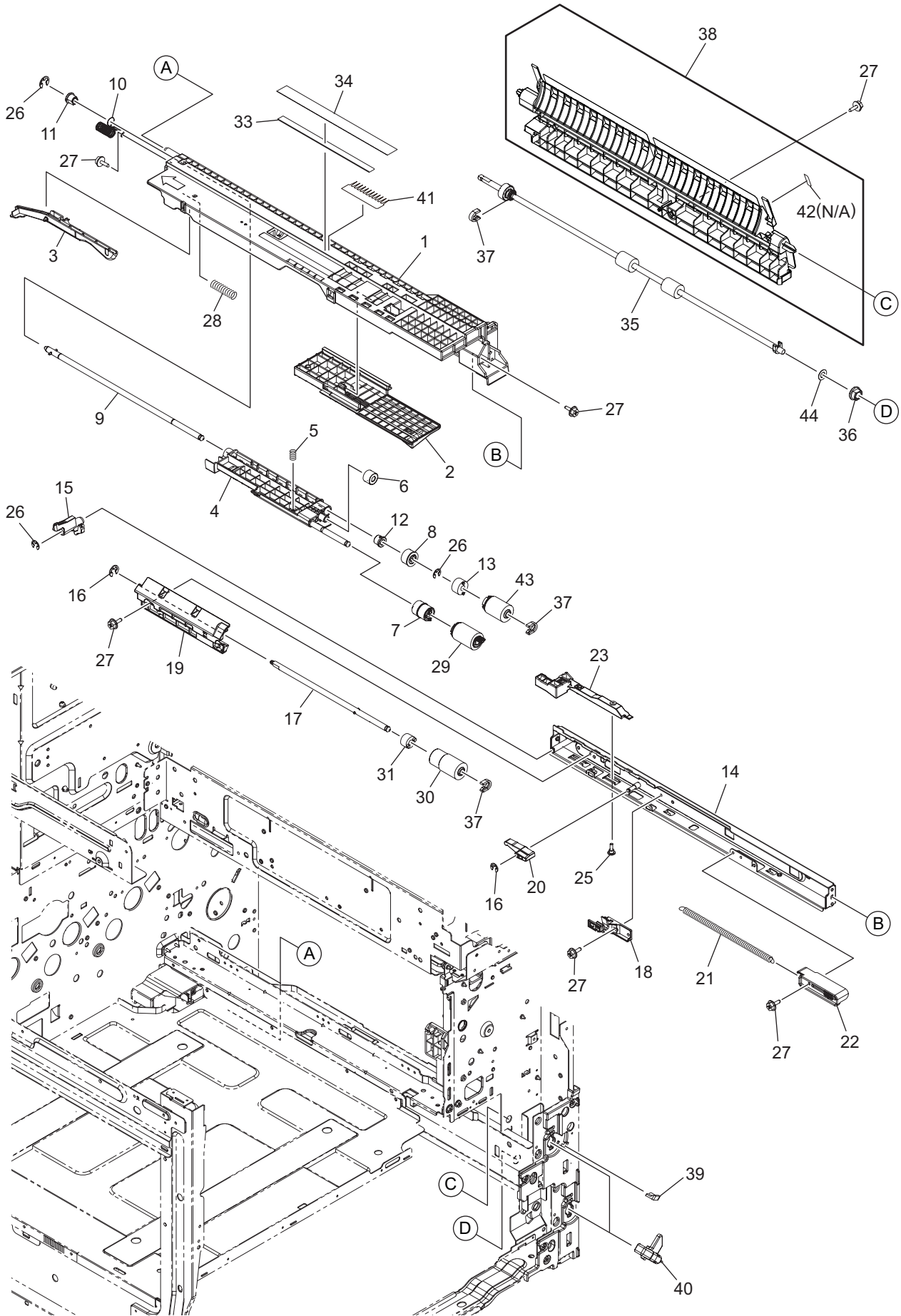


ITEM No.	PART No.	PART NAME	Q'TY / PAGE	Q'TY / PACK	REMARKS
1	X0-02247000	S/TPP/FHEXM-3X8-NI	5	10/P	
2	X0-02420000	S/TPS/FHEXM/R-3X8-ZU3	2	10/P	
3	6LJ61897000	HRNS-SFBTRU-212	1	1/P	
4	6LK50708000	ASYS-GID-FEED-RU-H370	1	1/PP	
6	6LK51426000	ASYS-TRAY-FEED-SFB-H373	1	1/PP	
10	6LK51400000	GUIDE-FEED-SFB-H373	1	1/PP	
11	6LK51420000	SPC-TRAY-SFB-H373	2	1/P	
12	44201801000	STOP-RING-6-1.5	1	5/P	
13	6LH51224000	CLUTCH-50C-G28-6	1	1/D	
14	44201492000	BUSH-6-POM	1	5/P	
15	6LJ57091000	SHAFT-ROL-SFB-H21Y	1	1/P	
16	6LJ57115100	HOLDER-DRIVE-SFB-H21X-L_S	1	1/D	
17	6LJ57007000	COLAR-ROLL-SFB-H21X	1	1/P	
18	6LJ57018000	SPC-ROL-SFB-H21X	1	1/P	
19	6LJ57026000	ASYS-ROL-SFB-H21X	1	1/P	
20	6LK51440000	SHEET-PLATE-SLIP-G-DOWN	1	5/P	
24	6LK51438000	ASYS-ROL-SPT-SFB-H373	1	1/P	
25	6LK51423000	ASYS-HLDR-SFB-H373	1	1/P	
27	6LJ55543000	BUSH-6-BCF-050	1	1/P	
28	6LK51421000	SPC-SPT-SFB-H373	1	1/P	
29	6LJ57114000	SPG-F-SFB-EARTH-H21Y	1	1/C	
30	6LJ57127100	STOPPER-ROL-SFB-H390	1	1/P	
31	6LK51409000	ASYS-BRKT-TRAY-SFB-H373	1	1/P	
32	6LK51408000	TL-SPT-SFB-ORG-H373	1	1/D	
33	6LK51417000	ASYS-SHAFT-SPT-SFB-H373	1	1/P	
34	6LK51439000	SHEET-PLATE-SLIP-G-UP	1	5/P	
35	6LA65683000	SCREW-HLDR-MG	2	10/P	
36	6LK51444000	WAS-4R1X6R5XR8-SFB-H370	2	1/P	

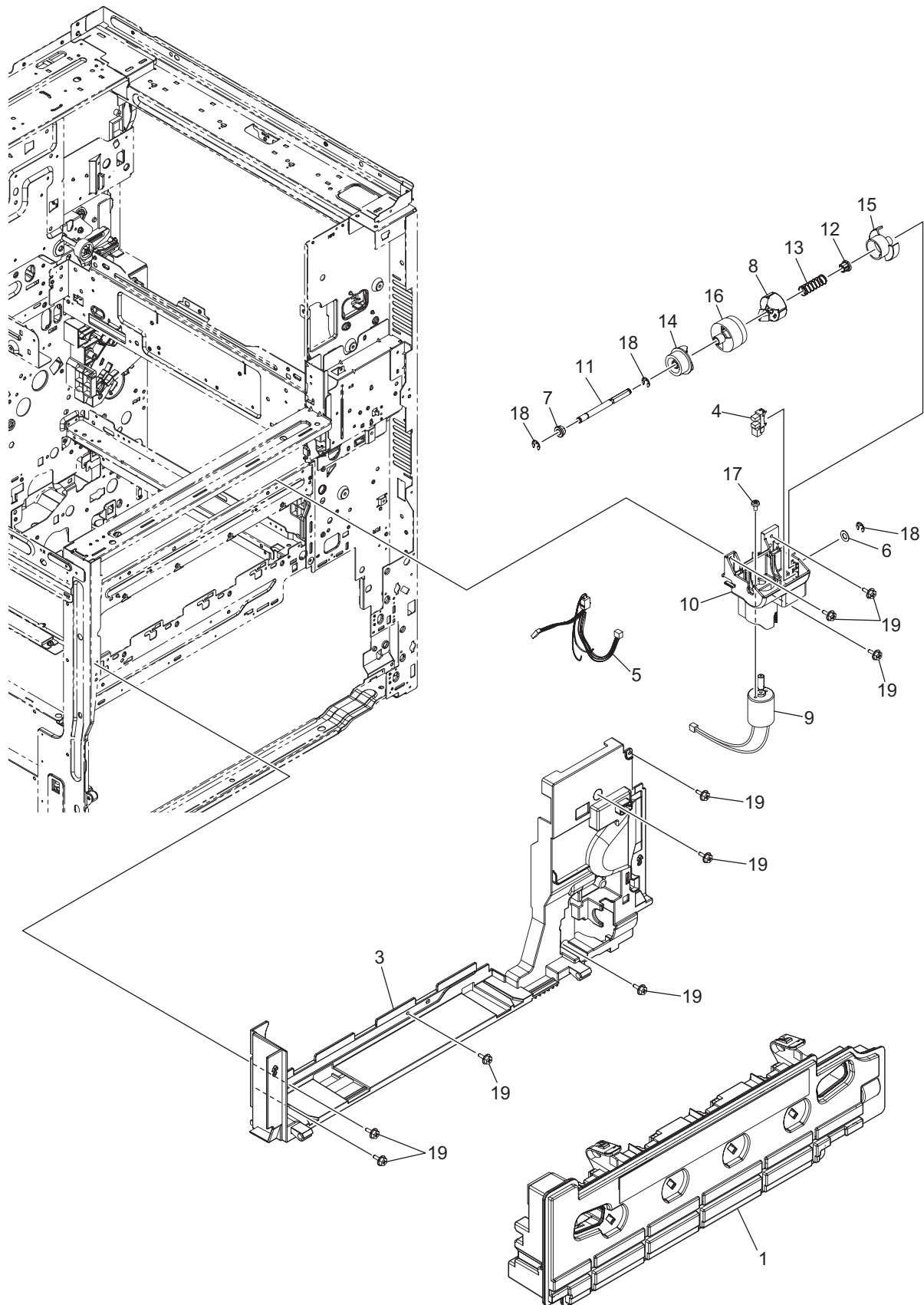




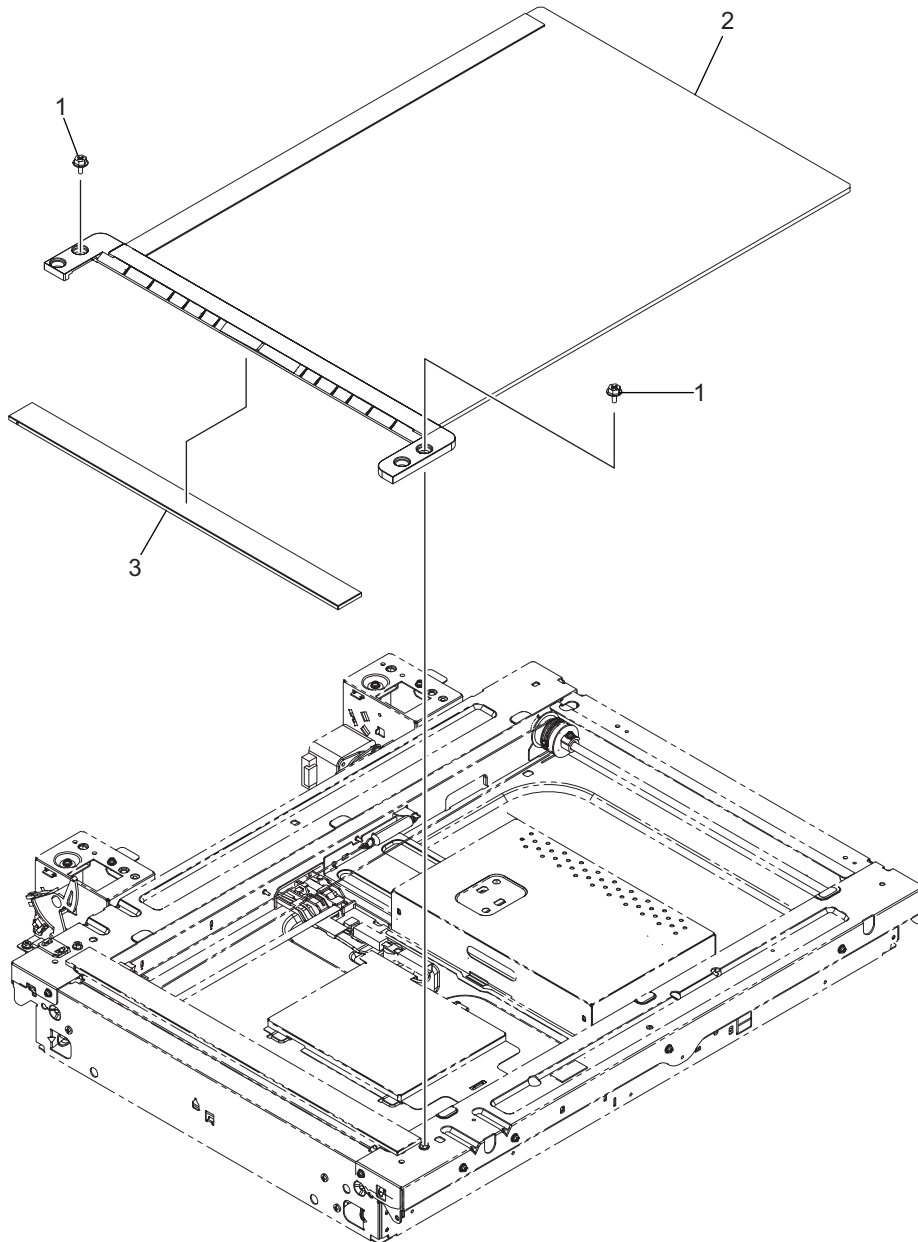
ITEM No.	PART No.	PART NAME	Q'TY / PAGE	Q'TY / PACK	REMARKS
1	X0-02247000	S/TPP/FHEXM-3X8-NI	2	10/P	
2	6LK50725000	ASYS-GUIDE-RGST-R-H370	1	1/C	
3	6LJ56234000	SPG-F-RGST-R-H21X_L	1	1/P	
4	6LJ56230000	BUSH-ROL-RGST-R-H21X	1	1/P	
5	X0-02420000	S/TPS/FHEXM/R-3X8-ZU3	2	10/P	
6	6LJ56293000	SPG-C-RGST-F-H21X	1	1/P	
7	6LJ56228000	HOLDER-RGST-SPE-H21X	2	1/P	
8	6LJ56229100	BUSH-ROL-RGST-F-H370	1	1/P	
9	6LA65697000	BUSH-8X12X5R5F	1	5/P	
10	6LJ56291000	GEAR-8S19-8_D10	1	1/P	
11	6LK50726000	ROLLER-RGST-R-H373	1	1/C	
12	6LJ56294000	SPG-C-RGST-R-H21X	1	1/P	



ITEM No.	PART No.	PART NAME	Q'TY / PAGE	Q'TY / PACK	REMARKS
1	6LK50705000	FRAME-FEED-H373	1	1/PP	
2	6LJ56263100	GUIDE-FEED-UP-F-21X_HS	1	1/PP	
3	6LJ56248100	ACTR-EMPTY-CST-2X_HS	1	1/P	
4	6LJ56275000	ARM-PICK-H21X_H	1	1/PP	
5	6LJ56359000	SPG-C-PU-H21Y	1	1/P	
6	6LJ56244000	GEAR-5S25-8	1	1/P	
7	6LJ56245000	GEAR-5S30-6	1	1/P	
8	6LJ56239000	ASYS-GEAR-5S30-6L	1	1/P	
9	6LJ56276000	ASYS-SFT-ROL-FEED-H21X_H	1	1/P	
10	6LJ56267000	SPG-EARTH-FEED-UNIT	1	1/P	
11	6LA03977000	BUSH-F6-GCB	1	5/P	
12	6LJ56246000	BUSH-6X10X9F-POM	1	1/P	
13	4406584800	CLUTCH-6-08L2	1	1/P	
14	6LK50706000	ASYS-STAY-FEED-H373	1	1/P	
15	6LJ56250000	LEVER-PU-LINK-H21X_H	1	1/P	
16	X0-00964000	RR/E-3-SS	2	10/P	
17	6LJ56279000	ASYS-SHAFT-ROL-SPT-H21X_H	1	1/P	
18	6LJ56258000	GUIDE-SFT-SPT-H21X_H	1	1/P	
19	6LJ56264100	GUIDE-FEED-R-21X_HS	1	1/P	
20	6LJ56249000	ARM-SFT-SPT-H21X_H	1	1/P	
21	6LK51232000	SPG-E-SPT-H373	1	1/P	
22	6LJ56247100	HOLDER-SPE-SPT-21X_HS	1	1/P	
23	6LK50754000	SLIDER-SPT-H21X_H	1	1/P	
25	6LH05511000	SCREW-M3X8-3.2-P	1	5/P	
26	X0-00966000	RR/E-5-SS	3	10/P	
27	X0-02420000	S/TPS/FHEXM/R-3X8-ZU3	6	10/P	
28	6LK50747000	SPG-C-SLIDER-H370	1	1/P	
29	6LJ56242000	ASYS-ROLL-FEED-H21X_H	1	1/P	
30	6LK50742000	ASYS-ROLL-SPT-H373	1	1/P	
31	6LJ56289000	TL-SEP-ORG-400	1	1/P	
33	6LJ56296000	RUBBER-SPACE-FEED	1	1/P	
34	6LJ56295000	MYLAR-SPACE-FEED	1	1/P	
35	6LJ56339000	ASYB-ROL-TRANS-H21Y	1	1/KP	
36	44201492000	BUSH-6-POM	1	5/P	
37	4407972860	STOP-RING-6-5	3	5/P	
38	6LJ56340100	ASYB-GUIDE-FEED-L-H373	1	1/PP	
39	41306265000	STOP RING	1	1/P	
40	6LJ56274100	LEVER-FEED-UNIT-21X_HS	2	1/P	
41	6LJ56369000	BRUSH-ERS-FEED-H21Y	1	1/KP	
42	6LJ54687000	LBL-HNDL-WTNR-21X	1	1/P	
43	6LK50739000	ASYS-ROLL-FEED-H373	1	1/P	
44	6LE28372000	WSHR-6R2X12XR5-APS	1	5/P	

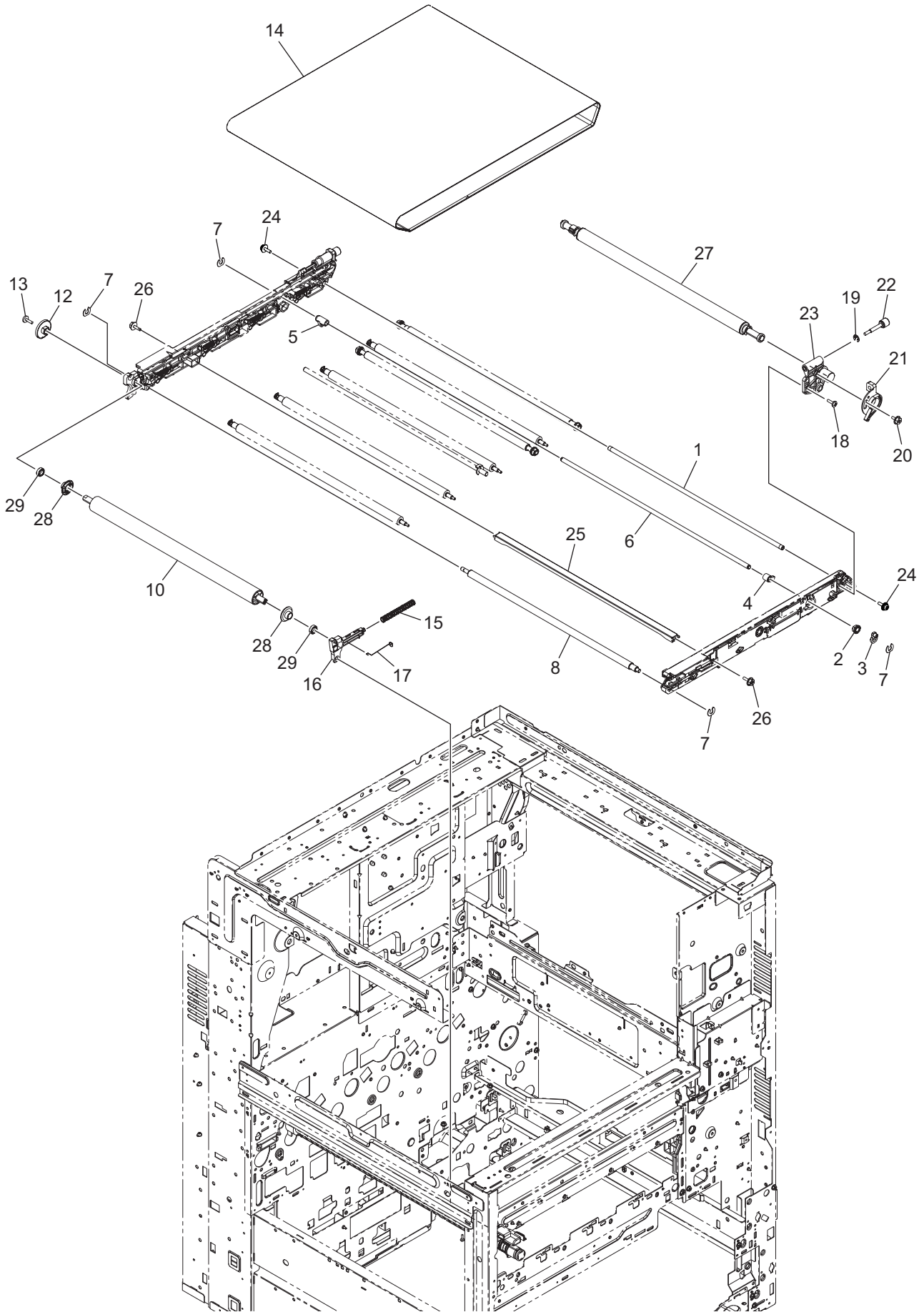


ITEM No.	PART No.	PART NAME	Q'TY / PAGE	Q'TY / PACK	REMARKS
1 A	6AG00007690	PS-TBFC505	1	SUPPLY	NAD,ASD,AUD,ARD
1 B	6AG00007695	PS-TBFC505E	1	SUPPLY	MJD
1 C	6AG00007691	PS-TBFC505C	1	SUPPLY	CND
3 A	6LJ54773200	ASYB-COVER-INNR-WTNR-373C	1	1/PP	CND
3 B	6LJ54773100	ASYB-COVER-INNR-WTNR-H373	1	1/PP	NAD,MJD,ASD,AUD,ARD
4	C0-17839000	LG2A14BL1	1	1/C	
5	6LJ60319000	HRNS-UTNR-210	1	1/P	
6	6LE28372000	WSHR-6R2X12XR5-APS	1	5/P	
7	44201492000	BUSH-6-POM	1	5/P	
8	6LJ54683000	COUPL-DRV-WTNR	1	1/P	
9	6LJ54694000	MOTRD-PDL-210	1	1/D	
10	6LK49446000	HLDR-DRV-WTNR	1	1/P	
11	6LJ54640000	SHAFT-DRV-WTNR	1	1/P	
12	6LJ54636000	COLAR-DRV-WTNR	1	1/P	
13	6LJ54649000	SPG-C-10R7XR6X30R3R-WTNR	1	1/P	
14	6LJ54637000	GEAR-15S16-6-COUPPL-WTNR	1	1/P	
15	6LJ54638000	SLIT-DRV-WTNR	1	1/P	
16	6LJ54639000	GEAR-5H66-6-DRV-WTNR	1	1/P	
17	X0-01670000	S/PAN-M2.6X4-NC	1	10/P	
18	X0-00966000	RR/E-5-SS	3	10/P	
19	X0-02420000	S/TPS/FHEXM/R-3X8-ZU3	9	10/P	

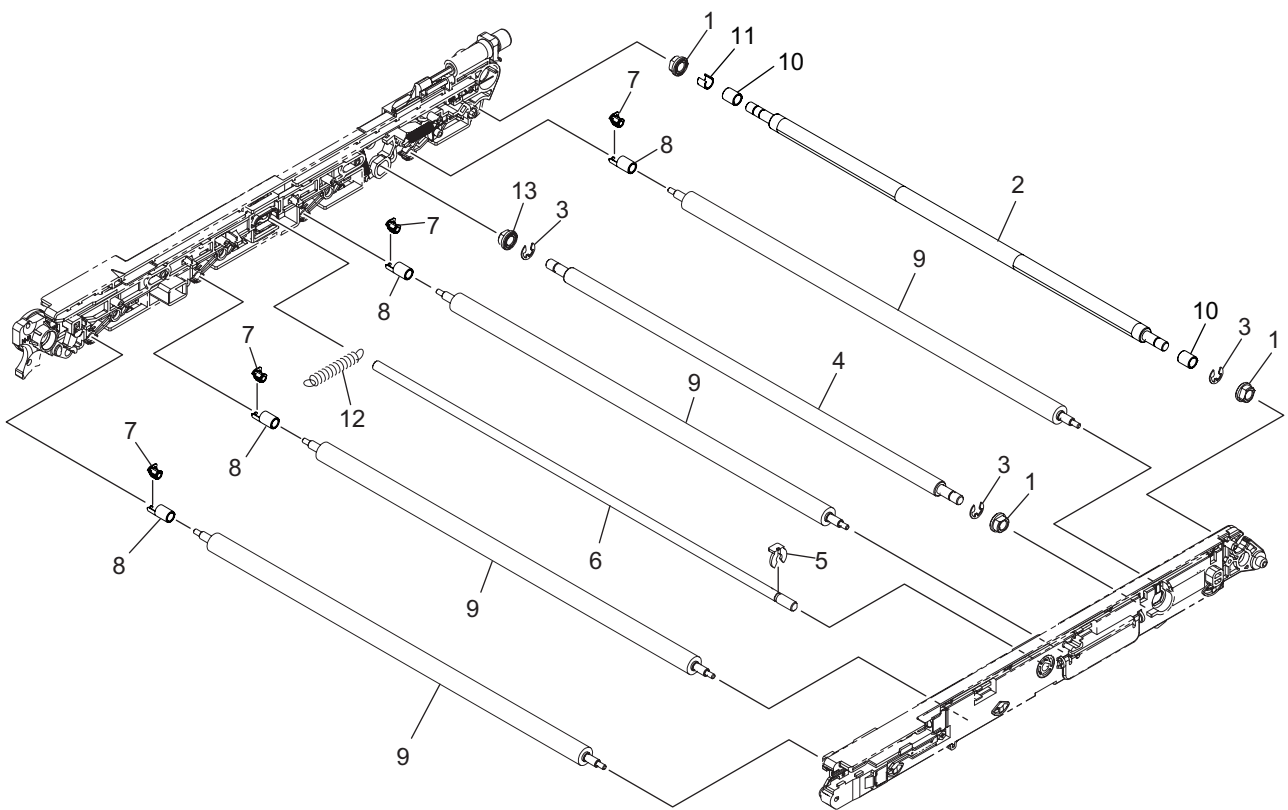


ITEM No.	PART No.	PART NAME	Q'TY / PAGE	Q'TY / PACK	REMARKS
1	X0-02230000	S/FHEXM-M3X6-NI	2	10/P	
2 A	6LK53250000	ASYS-GLASS-H370-A	1	1/C	MJD,ASD,AUD,ARD
2 B	6LK53250200	ASYS-GLASS-H370-K	1	1/C	CND
2 C	6LK53250100	ASYS-GLASS-H370-L	1	1/C	NAD
3	6LJ59765000	ASYS-GLASS-ADF-H21X	1	1/C	

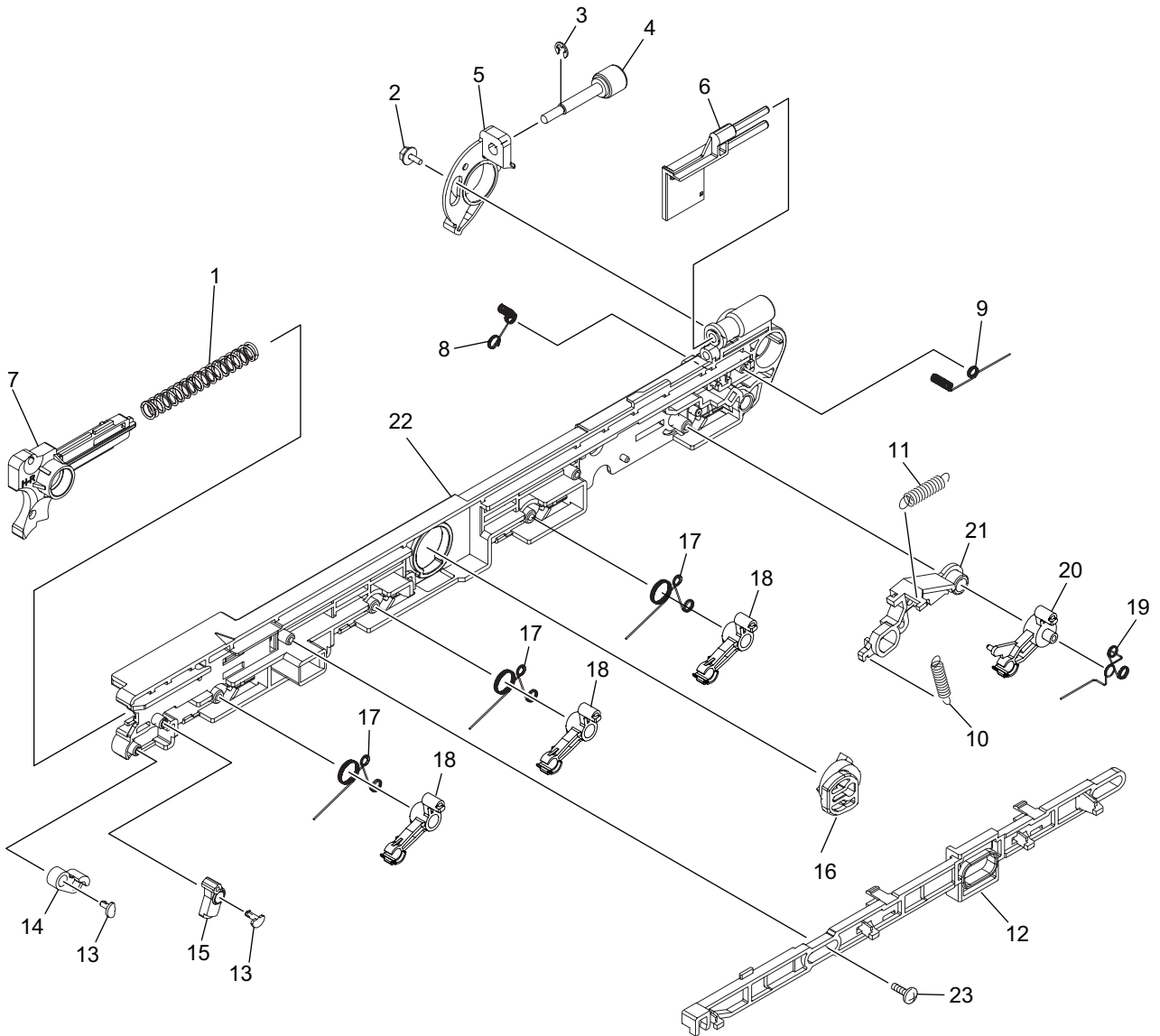




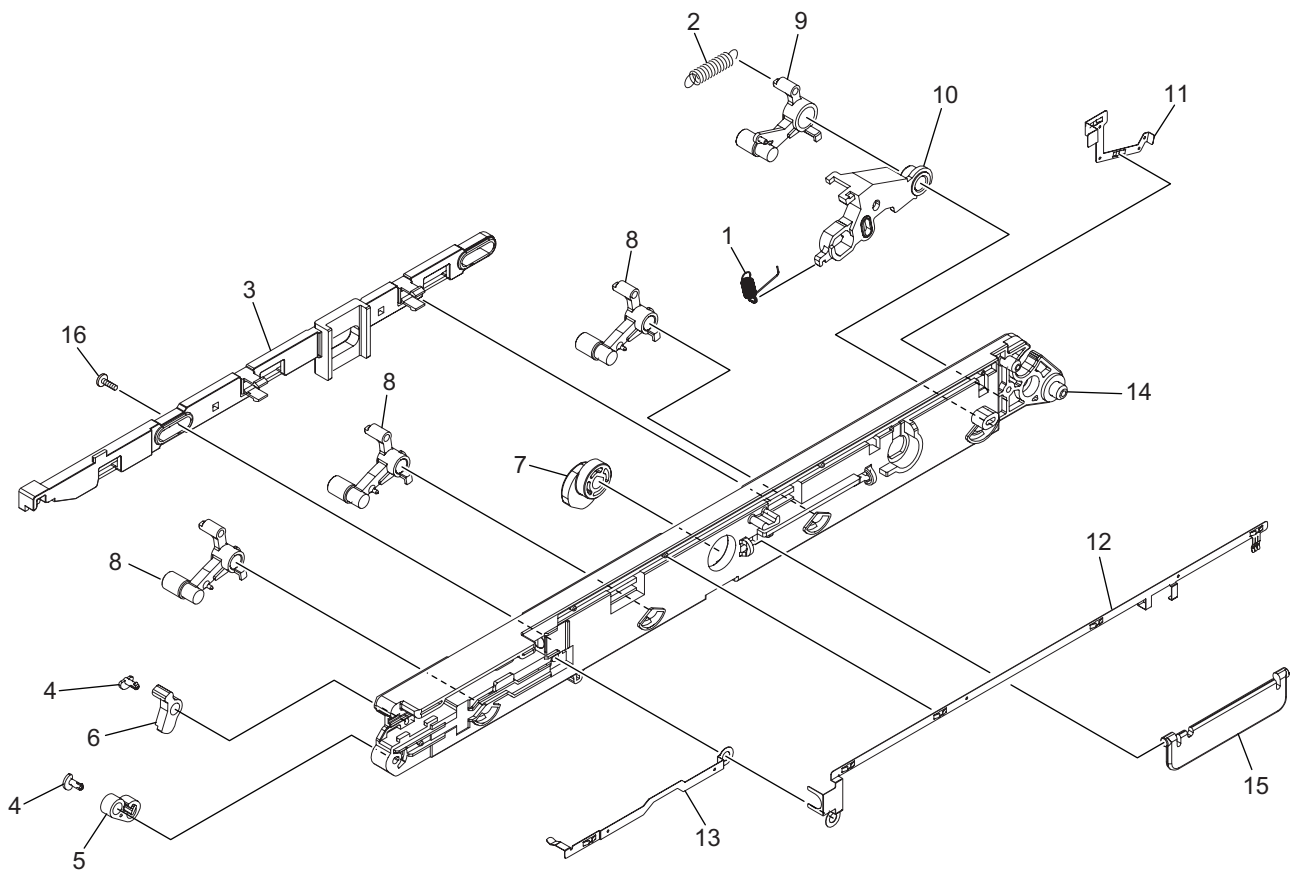




ITEM No.	PART No.	PART NAME	Q'TY / PAGE	Q'TY / PACK	REMARKS
1	4407734980	BUSH-6-GCB	3	5/P	
2	6LJ55589000	RLR-RIGID-TBU-H21X-TP04	1	1/KP	
3	X0-00966000	RR/E-5-SS	3	10/P	
4	6LJ55512000	RLR-KSET-TBU-H21X	1	1/P	
5	44201801000	STOP-RING-6-1.5	1	5/P	
6	6LJ55410000	SHAFT-LINK-TBU	1	1/P	
7	6LJ55553000	BUSH-EL-TR1-H21X	4	1/P	
8	6LJ55554000	BUSH-TR1-H21X	4	1/P	
9	6LJ70588000	CR-FC50TR1	4	1/S	
10	6LJ55536000	COLLAR-TBU-H21X	2	1/P	
11	6LJ55537000	COL-RIGID-TBU-H21X	1	1/P	
12	6LK50401000	SPG-E-LINK-TBU-H370	1	1/P	
13	44201492000	BUSH-6-POM	1	5/P	

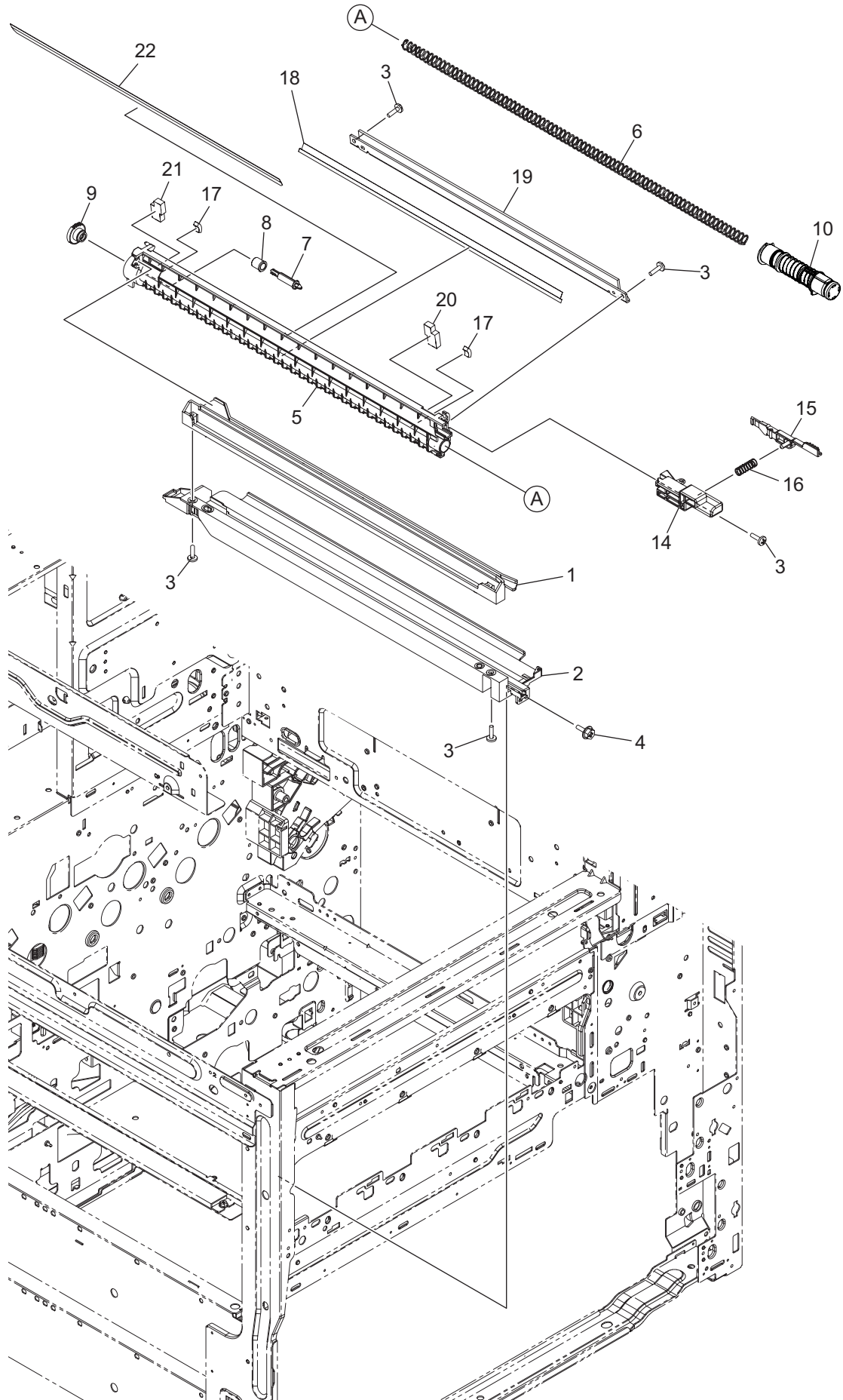


ITEM No.	PART No.	PART NAME	Q'TY / PAGE	Q'TY / PACK	REMARKS
1	6LJ55472000	SPG-C-TNS-TBU-20N	1	1/P	
2	X0-02246000	S/TPP/FHEXM-3X6-NI	1	10/P	
3	X0-00964000	RR/E-3-SS	1	10/P	
4	6LJ55516000	SCREW-TBU-LOCK	1	1/P	
5	6LJ55467100	LOCK-TBU-R_S	1	1/P	
6	6LJ55515100	LINK-LOCK-TBU_S	1	1/P	
7	6LJ55562100	HLDR-TNSR-H21Y_S	1	1/P	
8	6LJ55473000	SPG-T-HV-TR2-OUTSIDE	1	1/P	
9	6LK50418000	SPG-T-HV-TR2-INSIDE2	1	1/P	
10	6LJ55498000	SPG-E-K-LIFT-R	1	1/P	
11	6LJ55470000	SPG-E-TR1-TBU	1	1/P	
12	6LK50219000	LINK-TBU-R-H373	1	1/PP	
13	6LJ55513000	STOP-RING-LIFT	2	1/P	
14	6LJ55573000	HLDR-LIFT-TBU-R	1	1/P	
15	6LJ55591000	CAM-LIFT-R-H21X	1	1/P	
16	6LK50218000	COUPL-CAM-TBU-R-H373	1	1/P	
17	6LJ55475000	SPG-T-HV-TR1	3	1/P	
18	6LJ55556000	ARM-TR1-R	3	1/P	
19	6LJ55509000	SPG-T-HV-TR1-K	1	1/P	
20	6LJ55555000	ARM-TR1-K-R	1	1/P	
21	6LJ55492000	HLDR-ROL-K-R	1	1/P	
22	6LJ55594000	ASYS-FRAME-TBU-R-H21X	1	1/PP	
23	6LA80090000	S/TPP/BID-3*8-NI	1	5/P	

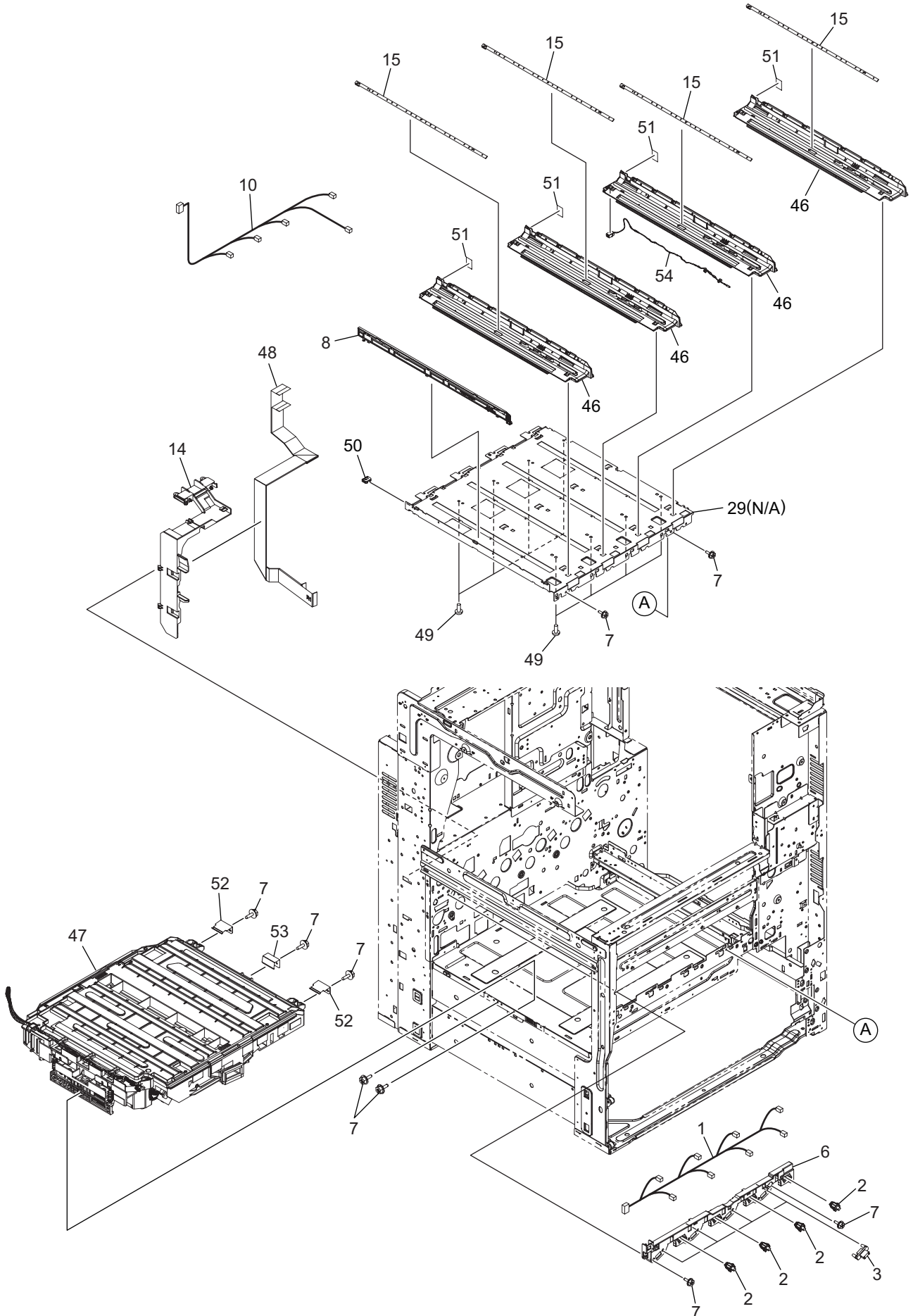




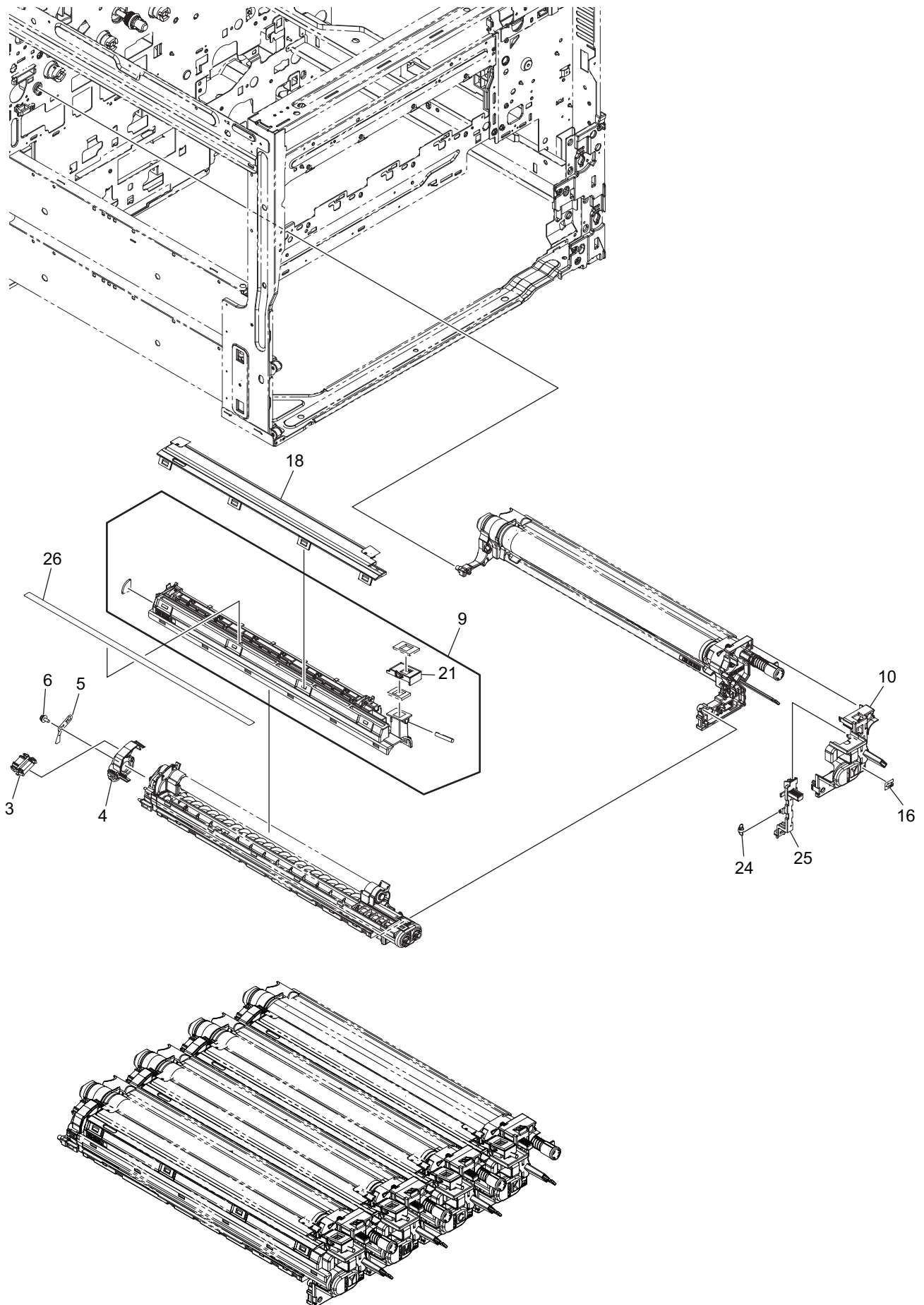




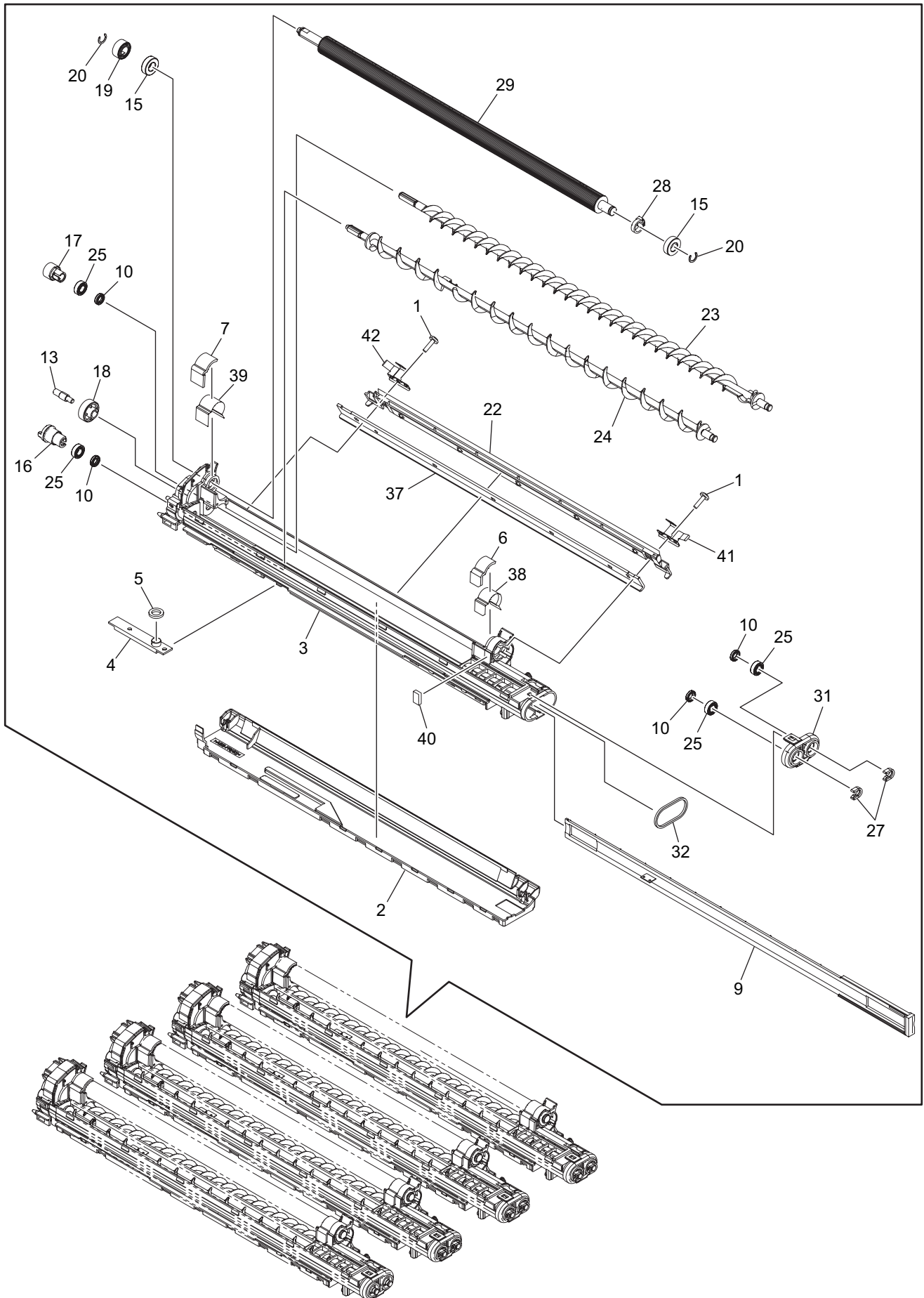
ITEM No.	PART No.	PART NAME	Q'TY / PAGE	Q'TY / PACK	REMARKS
1	6LJ55431000	GUIDE-CLN-TBU-UPPER	1	1/P	
2	6LK50403100	GUIDE-CLN-TBU-LOW_S	1	1/PP	
3	6LA80090000	S/TPP/BID-3*8-NI	5	5/P	
4	X0-02420000	S/TPS/FHEXM/R-3X8-ZU3	1	10/P	
5	6LJ55400000	FRAME-CLN-TBU-H21X	1	1/PP	
6	6LJ55415000	SP-AUGER-G10-P5-S1	1	1/P	
7	6LJ55552000	BUSH-JOINT-TBU-H21X	1	1/P	
8	6LJ55503000	BUSH-AUGER-TBUCLN	1	1/P	
9	6LJ55403000	GEAR-CLN-TBU-H21X	1	1/P	
10	6LJ55549000	ASYB-NOZZLE-CLNR-H21X	1	1/D	
14	6LJ55502000	HANDLE-TBUCLN	1	1/P	
15	6LJ55506100	HANDLE-LOCK-CLNGRY	1	1/P	
16	6LJ55507000	SPG-C-LOCK-TBUCLN	1	1/P	
17	6LJ55446000	SEAL-BLADE-BACK-TBU	2	1/P	
18	6LJ55442000	SHEET-AUGER-TBU-H21X	1	1/KP	
19	6LJ70396000	BL-FC30TR	1	1/S	
20	6LJ55444000	SEAL-SIDE-TBU-F	1	1/P	
21	6LJ55445000	SEAL-SIDE-TBU-R	1	1/P	
22	6LJ55443000	SHEET-REC-TBU-H21X	1	1/KP	



ITEM No.	PART No.	PART NAME	Q'TY / PAGE	Q'TY / PACK	REMARKS
1	6LK45349000	HRNS-LGC-ATDRM-H373	1	1/P	
2	E0-15050000	SW1AG-550	4	1/D	
3	E0-14465000	06R-RIZ-K4GG-FL (LF)(SN)	4	1/P	
6	6LK49401000	BASE-DRWEPU-H373	1	1/PP	
7	X0-02420000	S/TPS/FHEXM/R-3X8-ZU3	9	10/P	
8	6LK49411000	GUIDE-Y-H373	1	1/P	
10	6LK45667000	HRNS-DLED-H373	1	1/P	
14	6LK52728000	GUIDE-HRNS-LSU-H373	1	1/P	
15	6LJ62136000	LAMP-ERASE-FS-H212	4	1/C	
29	6LK49409000	ASYS-MID-H373	1	N/A***	
46	6LK49410000	GUIDE-EPU-H373	4	1/PP	
47 A	6LK52794000	LSU-UNIT-H373	1	1/S	eS2505AC/3005AC/3505AC
47 B	6LK52794100	LSU-UNIT-H376	1	1/S	eS4505AC/5005AC
48 A	6LK45754000	ASY-FFC-LDR-H373	1	1/C	eS2505AC/3005AC/3505AC
48 B	6LK45754100	ASY-FFC-LDR-H376	1	1/C	eS4505AC/5005AC
49	X0-00595000	S/TPP/PAN-3X6-NI	8	10/P	
50	F0-02296000	ES-0505-2	1	5/P	
51	6LK49449000	SHEET-LED-H373	4	1/P	
52	6LK52727000	SPG-F-LSU-RIGHT-H373	2	1/P	
53	6LK52726000	SPG-F-PUSH-LSU-RIGHT	1	1/P	
54	6LK49448000	THMS-DRM-H373	1	1/P	

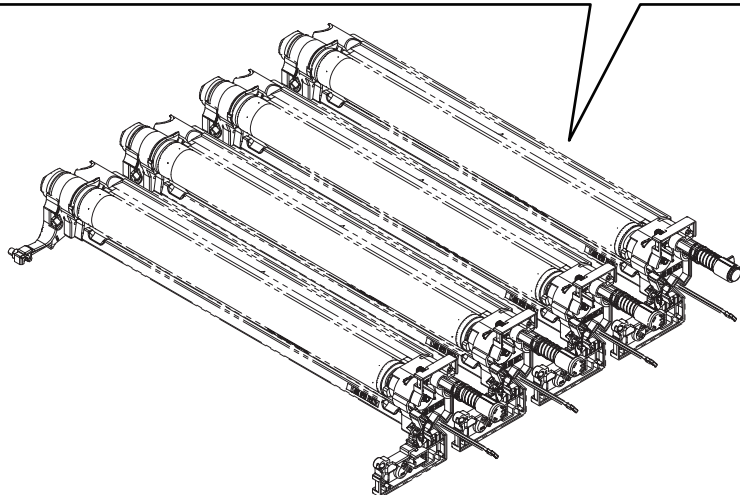
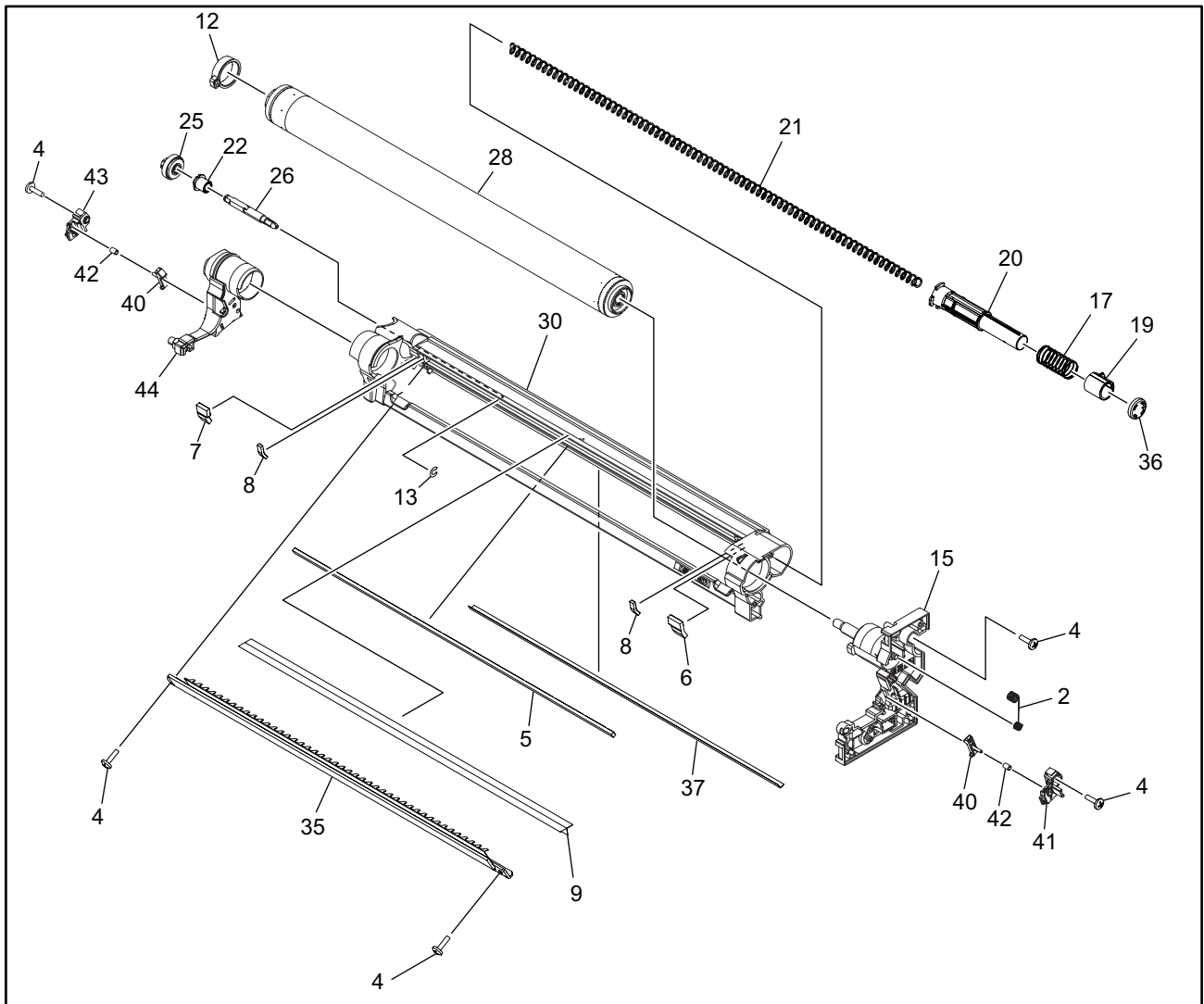


ITEM No.	PART No.	PART NAME	Q'TY / PAGE	Q'TY / PACK	REMARKS
3	6LJ61544000	ASYB-HRNS-ATTNR-210	1	1/P	
4	6LK48910000	HLDR-GEAR-DEV-H373	1	1/P	
5	6LK48928000	ADJSTR-MG-H373	1	1/P	
6	X0-00059000	S/PAN/SWWS-M3X6-NI	1	10/P	
9	6LK48962000	ASYB-COV-DEV-H373	1	1/PP	
10 A	6LK48945000	COV-FRT-EPU-H373Y	1	1/C	Yellow (eS2505AC/3005AC/3505AC)
10 B	6LK48945100	COV-FRT-EPU-H373M	1	1/C	Magenta (eS2505AC/3005AC/3505AC)
10 C	6LK48945200	COV-FRT-EPU-H373C	1	1/C	Cyan (eS2505AC/3005AC/3505AC)
10 D	6LK48945300	COV-FRT-EPU-H373K	1	1/C	Black (eS2505AC/3005AC/3505AC)
10 E	6LK48945400	COV-FRT-EPU-H376Y	1	1/C	Yellow (eS4505AC/5005AC)
10 F	6LK48945500	COV-FRT-EPU-H376M	1	1/C	Magenta (eS4505AC/5005AC)
10 G	6LK48945600	COV-FRT-EPU-H376C	1	1/C	Cyan (eS4505AC/5005AC)
10 H	6LK48945700	COV-FRT-EPU-H376K	1	1/C	Black (eS4505AC/5005AC)
16	6LK48990000	LBL-ARRW-PU-H373	1	1/P	
18	6LK48959000	ASYS-COV-CCL-H373	1	1/PP	
21	6LK48915000	SHUT-TNR-DEV-UPR-H373	1	1/P	
24	6LK48989000	SPG-E-LOCK-EPU-H373	1	1/P	
25	6LK48932000	LOCK-COV-FRT-DEV-H373	1	1/P	
26	6LK48972000	SHEET-PRINST-DEV-H373	1	1/P	

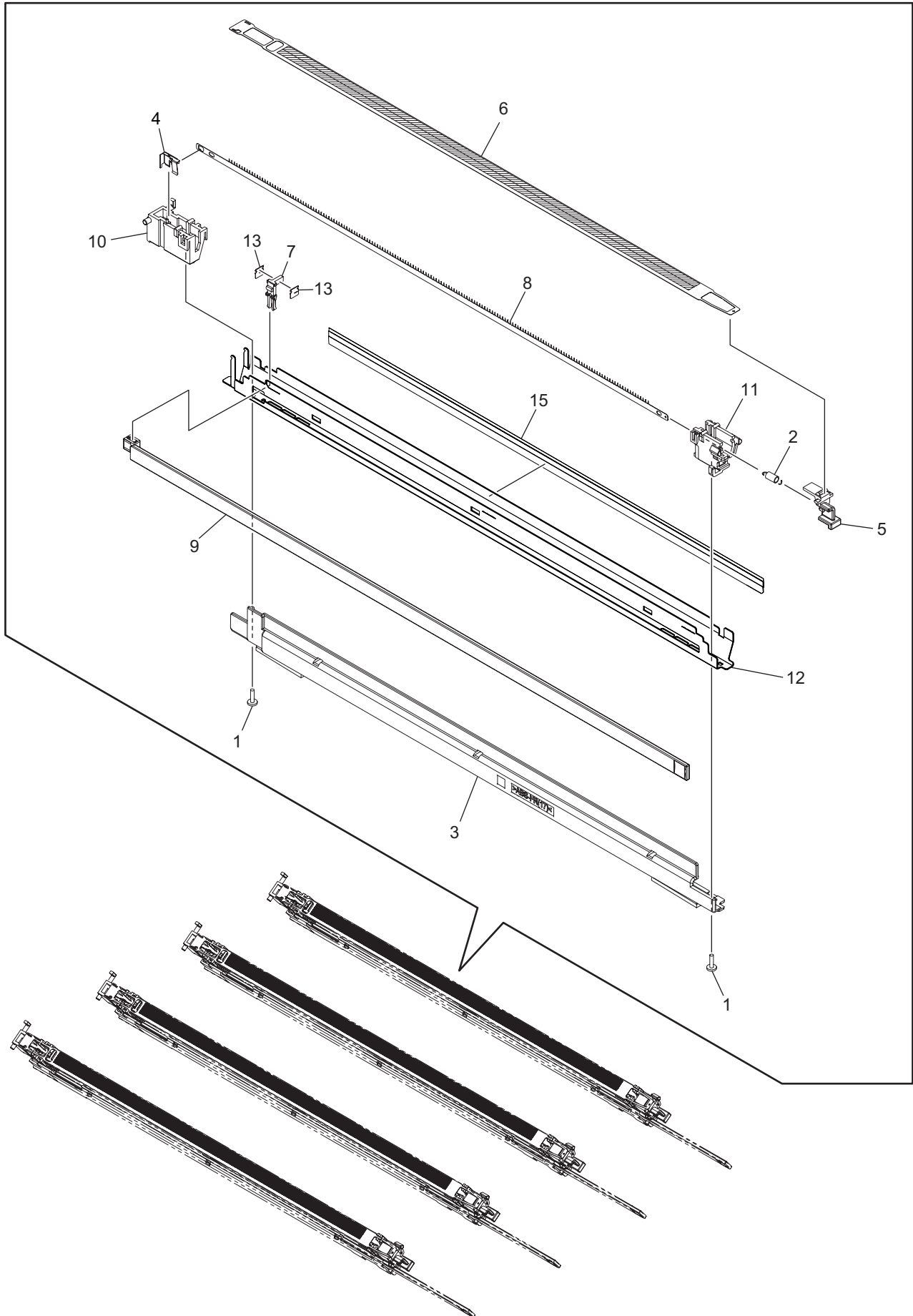


ITEM No.	PART No.	PART NAME	Q'TY / PAGE	Q'TY / PACK	REMARKS
1	6LA80090000	S/TPP/BID-3*8-NI	2	5/P	
2	6LK48961000	ASYS-DUCT-CL-DEV-H373	1	1/P	
3	6LK48963000	ASYS-CASE-DEV-H373	1	1/PP	
4	6LK45855000	SNSR-ATC-H373	1	1/C	
5	6LA29904000	SEAL-ATC-BLK	1	5/P	
6	6LK48971000	SEAL-RLR-MAGT-SIDE-FRT3-U	1	1/P	
7	6LK48970000	SEAL-RLR-MAGT-SIDE-RER3-U	1	1/P	
9	6LK48964000	ASYS-SPRTR-DEV-H373	1	1/P	
10	4401949290	SEAL-VC6-10-2.5	4	1/P	
13	6LK48965000	STUD-GEAR-IDLE-H373	1	1/P	
15	F0-01868000	6882RSSH44M	2	1/P	
16	6LK48906000	GEAR-04H-29-9-MIX-SP-H373	1	1/P	
17	6LK48905000	GEAR-04H-29-9-MIX-AG-H373	1	1/P	
18 A	6LK48939000	ASYS-GEAR-IDLE-H376	1	1/P	eS2505AC/3005AC/3505AC
18 B	6LK48908000	GEAR-04H-42-6-IDLE-H373	1	1/P	eS4505AC/5005AC
19	6LJ54058000	GEAR-04H-35-8-RLR-MG	1	1/P	
20	F0-01499000	S5103-31 3BC	2	10/P	
22	6LK48960000	ASYS-HLDR-SHT-DRUM-H373	1	1/KP	
23	6LK48904000	MIXER-DEV-SPLR-H373	1	1/KP	
24	6LK48956000	ASYS-MIXR-DEV-AGIR-H373	1	1/KP	
25 A	F0-01959000	L1260 2RS-SH44M-GV22	4	1/P	eS4505AC/5005AC
25 B	6LJ54048000	BUSH-6X12X4-671	4	1/P	eS2505AC/3005AC/3505AC
27	4407972860	STOP-RING-6-5	2	5/P	
28	6LK48913000	SPC-GAP-RLR-MG-H373	1	1/P	
29	6LK48933000	RLR-MAGT-D16-64-H373	1	1/KP	
31	6LJ54253100	BUSH-DEV-FRT-21X_S	1	1/P	
32	6LJ54144000	SEAL-BUSH-DEV-FRT-21X	1	1/P	
37	6LK49051000	ASYS-DOCTR-H373	1	1/KP	
38	6LK48968000	SEAL-RLR-MAGT-SIDE-FRT3	1	1/P	
39	6LK48969000	SEAL-RLR-MAGT-SIDE-RER3	1	1/P	
40	6LK49026000	SEAL-COV-DEV-FRT	1	1/P	
41	6LK48929000	SPG-F-DOC-PUSH-F-H373	1	1/P	
42	6LK48930000	SPG-F-DOC-PUSH-R-H373	1	1/P	

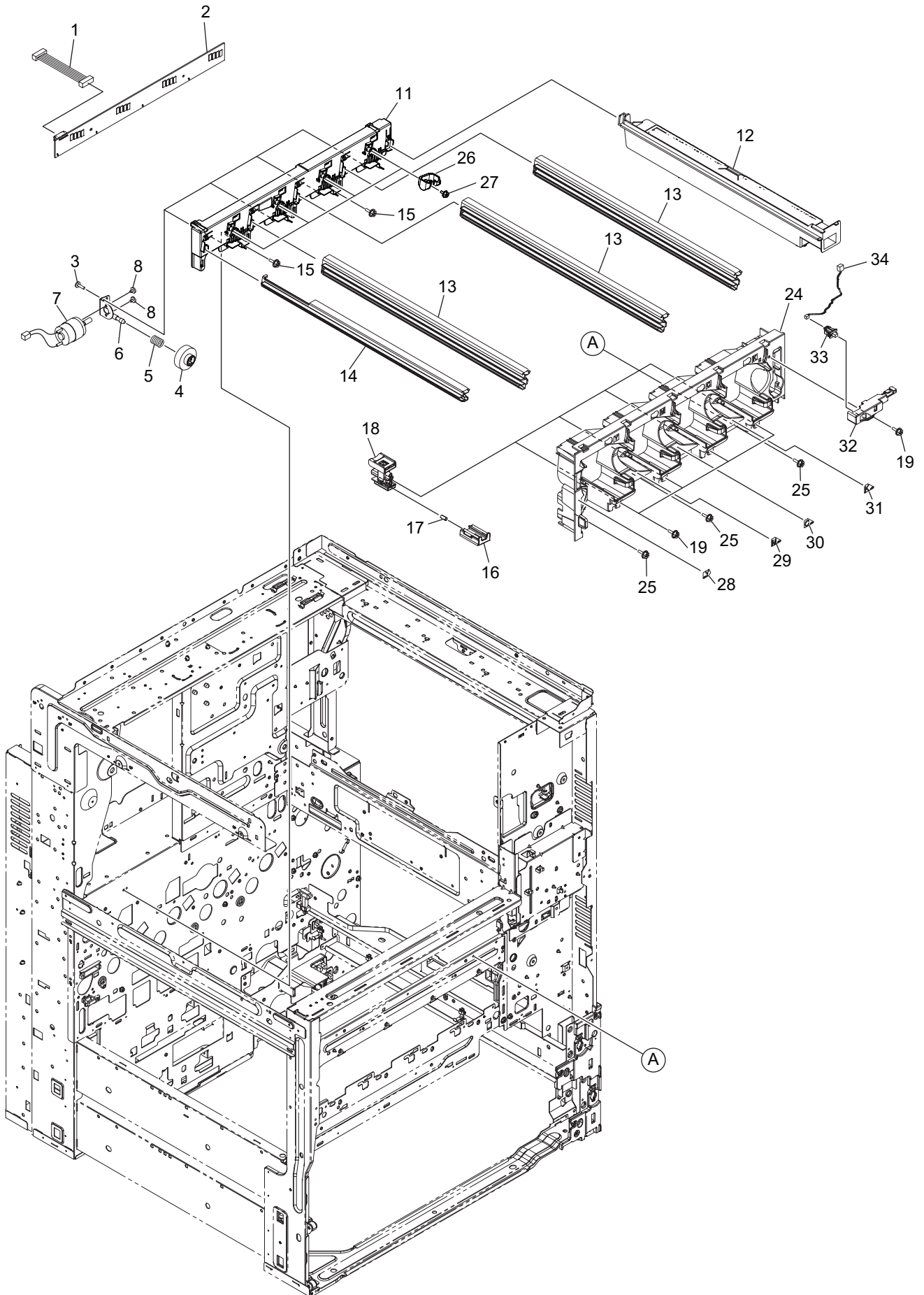




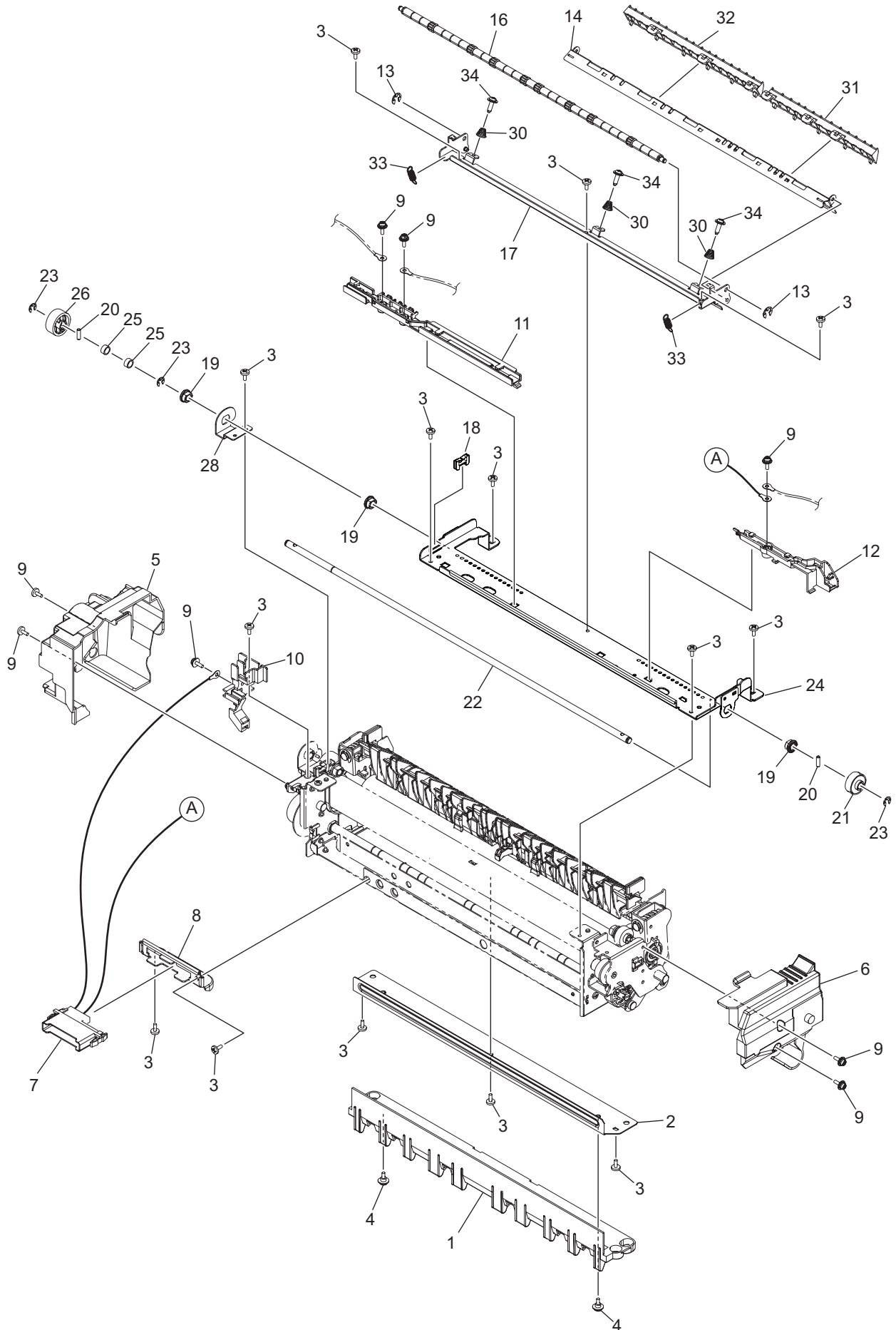
ITEM No.	PART No.	PART NAME	Q'TY / PAGE	Q'TY / PACK	REMARKS
2	6LK48985000	SPG-C-DR-EARTH-H373	1	1/P	
4	6LA80090000	S/TPP/BID-3*8-NI	5	5/P	
5	6LJ54033000	SEAL-CASE-CLNR-H21X	1	1/KP	
6	6LJ54241000	SEAL-SIDE-FRT-H21X	1	5/P	
7	6LJ54242000	SEAL-SIDE-RER-H21X	1	5/P	
8	6LJ54034000	SEAL-BLADE-BACK-H21X	2	5/P	
9	6LJ54029000	BLADE-REC-H21X	1	1/KP	
12	6LK48919000	BUSH-DRUM-RER-H373	1	1/P	
13	6LJ54091000	RRG-4-P-N	1	1/P	
15 A	6LK48918100	RTNR-EPU-FRT-H373-K	1	1/PP	Yellow,Magenta,Cyan
15 B	6LK48918000	RTNR-EPU-FRT-H373-YMC	1	1/PP	Black
17	6LJ54040000	SPG-SHUT-CNLR-DRUM-H21X	1	1/P	
19	6LJ54015200	SHUT-NOZZLE-CLNR-H373	1	1/P	
20	6LJ54014100	NOZZLE-CLNR-AUGER-H21X_S	1	1/P	
21	6LJ54003000	SPG-AUGER-8-5_5-H21X	1	1/P	
22	6LJ54001000	BUSH-AUGER-RER-H21X	1	1/P	
25	6LK48923000	GEAR-6S30-6-AG-H370	1	1/P	
26	6LK48924000	HOLDER-DOG-H370	1	1/P	
28 A	6LJ70598000	OD-FC50	1	1/S	Yellow,Magenta,Cyan
28 B	6LK49015000	OD-FC505	1	1/S	Black
30	6LK48916000	CASE-CLNR-DRUM-H373	1	1/PP	
35	6LK49077000	BL-FC200D	1	1/S	
36	6LJ54126000	CAP-NOZZLE-CLNR-D-H21X	1	1/P	
37	6LJ54146000	BLADE-CLN-H21X	1	1/KP	
40	6LK48941000	HOOK-DR-GAP-H373	2	1/P	
41	6LK48942000	HOLDR-HOOK-FRT-H373	1	1/P	
42	6LK48984000	SPG-C-DR-SL-H373	2	1/P	
43	6LK48943000	HOLDR-HOOK-RER-H373	1	1/P	
44	6LK48917000	RTNR-EPU-RER-H373	1	1/PP	



ITEM No.	PART No.	PART NAME	Q'TY / PAGE	Q'TY / PACK	REMARKS
1	6LA80090000	S/TPP/BID-3*8-NI	2	5/P	
2	6LE23557000	SPG-E-4XR5X11R2-CHARGR	1	5/P	
3	6LK48967000	ASYS-DUCT-CHARGR-H373	1	1/P	
4	6LJ54028000	SPG-F-BIAS-CHGR-H21X	1	1/P	
5 A	6LK48921000	LEVER-GRID-CHARGR-K	1	1/P	Yellow,Magenta,Cyan
5 B	6LK48920000	LEVER-GRID-CHARGR-YMC	1	1/P	Black
6 A	6LJ54180000	GRID-CHARGR-MAIN-H21Y	1	1/KP	Yellow,Magenta,Cyan
6 B	6LK48944000	GRID-CHGR-MAIN-H373-K	1	1/KP	Black
7	6LK48966000	ASYS-HLDR-CLNR-CH-H373	1	1/P	
8	6LJ54223000	PIN-ARRAY-CHARGR-H21X	1	1/KP	
9	6LJ54009100	ROD-CHARGR-MAIN-H21X_S	1	1/P	
10	6LJ54158100	TEARM-CHARGR-MAIN-R-H21Y	1	1/P	
11	6LJ54019000	TEARM-CHARGR-MAIN-F-H21X	1	1/P	
12	6LJ54017000	CASE-CHARGR-MAIN-H21X	1	1/P	
13	6LK48987000	FILM-CLNR-CHARGR-H373	2	1/P	
15	6LJ54256000	SHEET-CHARGR-RGT-H21X-B	1	1/KP	

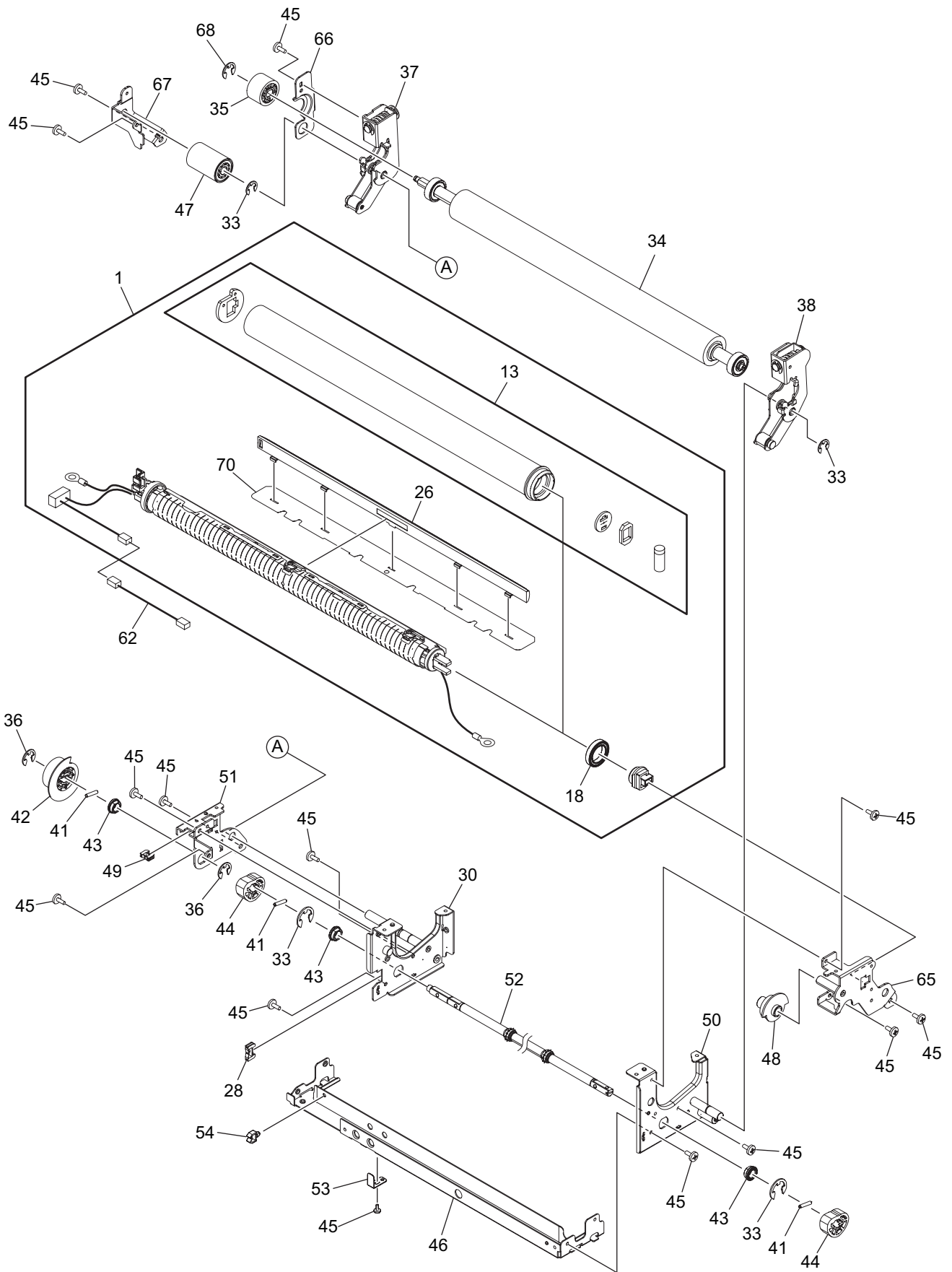


ITEM No.	PART No.	PART NAME	Q'TY / PAGE	Q'TY / PACK	REMARKS
1	6LK45412000	HRNS-LGC-TNRIC-H373	1	1/P	
2	6LK56073000	ASYB-PACK-CTIF-H370	1	1/S	
3	6LA80090000	S/TPP/BID-3*8-NI	4	5/P	
4 A	6LJ54816300	GEAR-5H68-6-H21X-J	4	1/P	ASD,AUD
4 C	6LJ54816000	GEAR-5H68-6-H21X-E	4	1/P	MJD,CND
4 D	6LJ54816100	GEAR-5H68-6-H21X-U	4	1/P	NAD,ARD
5	6LH39254000	SPG-C-11R8XR8X24R	4	1/P	
6	6LJ54809000	ASYS-TNRBKT-H21X	4	1/P	
7	6LJ76845000	MOTRD-TNR-H24X	4	1/D	
8	X0-02557000	S/BID-M2.6X3-NI	8	10/P	
11	6LJ54897100	HLDR-TNRDRV-H370	1	1/PP	
12 A	6LJ53199000	ASYS-DUCT-STAY-FUS-H21Y	1	1/PP	eS2505AC/3005AC/3505AC
12 B	6LJ53199100	ASYS-DUCT-STAY-FUS-H21YH	1	1/P	eS4505AC/5005AC
13	6LJ54813000	STAY-TNR-H21X	3	1/P	
14	6LJ54812100	STAY-TNR-H21X-Y_S	1	1/P	
15	X0-02420000	S/TPS/FHEXM/R-3X8-ZU3	2	10/P	
16	6LK48925000	SHUT-TNR-H373	4	1/P	
17	6LJ54893000	SPG-C-SHUT-TONER-N1	4	1/P	
18	6LK49912000	ASYS-PIPE-H373	4	1/P	
19	X0-02247000	S/TPP/FHEXM-3X8-NI	5	10/P	
24	6LK49913200	ASYS-COVIN-H373	1	1/PP	
25	X0-02231000	S/FHEXM-M3X8-NI	3	10/P	
26	6LK49920000	CATCH-TNR-H370	4	1/P	
27	X0-02246000	S/TPP/FHEXM-3X6-NI	4	10/P	
28	6LK49919100	LBL-TNR-H370-C	1	1/P	
29	6LK49919000	LBL-TNR-H370-M	1	1/P	
30	6LK49918000	LBL-TNR-H370-Y	1	1/P	
31	6LK49919200	LBL-TNR-H370-K	1	1/P	
32	6LK48729000	CASE-SNSR-FRONT-H370	1	1/P	
33	E0-15050000	SW1AG-550	1	1/D	
34	6LK45512000	HRNS-FRONTSW-H370	1	1/P	

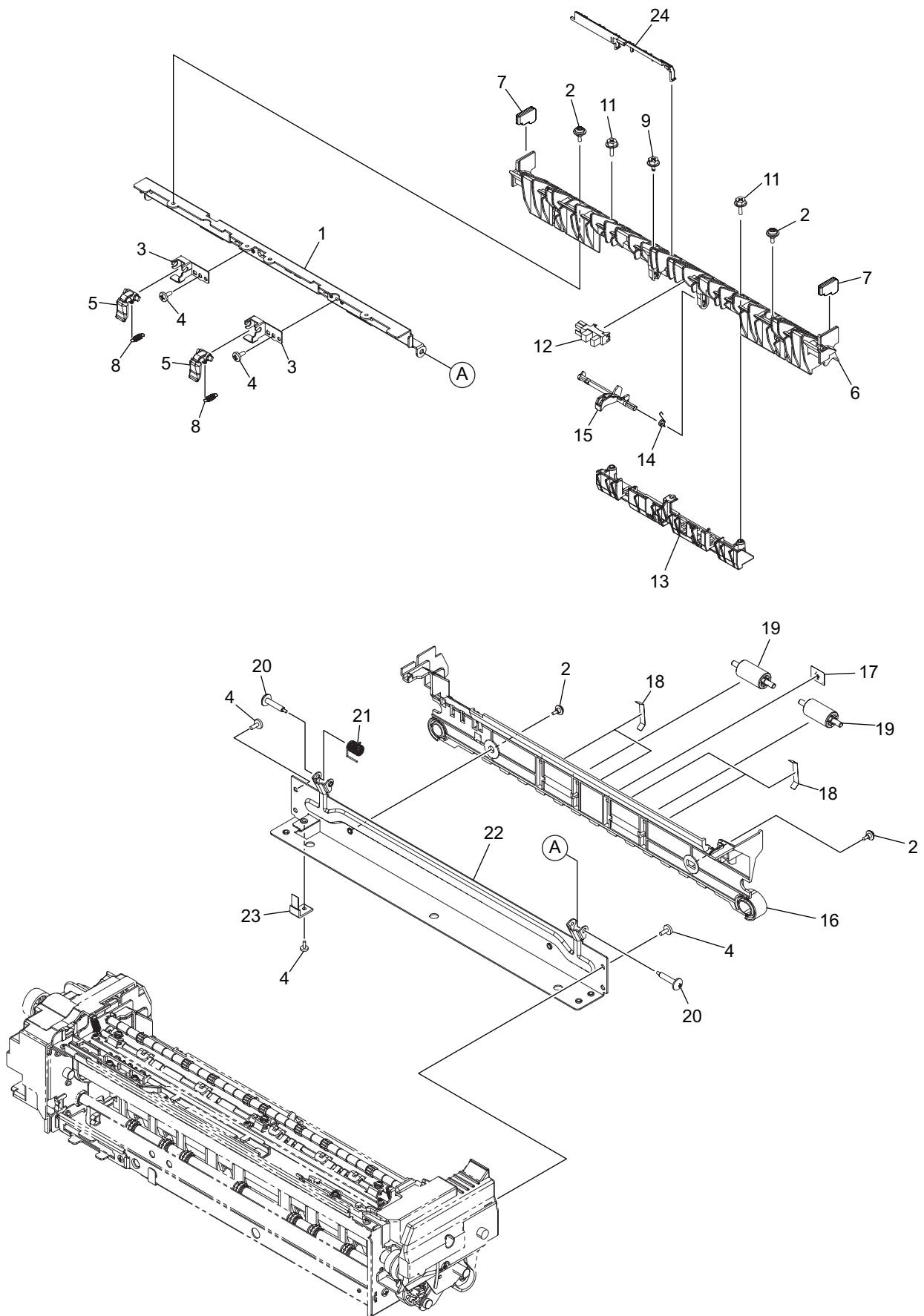


ITEM No.	PART No.	PART NAME	Q'TY / PAGE	Q'TY / PACK	REMARKS
1	6LJ58802000	GUIDE-ENT-PR-H212	1	1/PP	
2	6LJ58638000	PLT-ENT-PR-H212	1	1/P	
3	X0-00430000	S/BID-M3X6-NI	14	10/P	
4	6LH36359000	SCREW-M3-D4X2.3	2	10/P	
5	6LK52301100	COVER-FUS-R-H373A	1	1/D	
6	6LJ58636000	COVER-FUS-F-H21Y	1	1/P	
7	6LJ60965000	HRNS-FUS-212	1	1/P	
8	6LJ58873000	BRKT-DRW-FUS-H212	1	1/P	
9	X0-00077000	S/PAN/SWWP-M3X8-NI	8	10/P	
10	6LK52215000	ASYS-HLDR-HRNS-FUS-R-H373	1	1/P	
11	6LJ58765000	ASYS-HLDR-FUSE-INI	1	1/P	
12	6LJ58856000	ASYS-HLDR-HRNS-FUS-U-H212	1	1/C	
13	X0-00964000	RR/E-3-SS	2	10/P	
14	6LK52312000	ASYS-SCRAPER-H373-AJ	1	1/PP	
16	6LK52249000	ASYB-ROLL-EXIT-FUS-H373	1	1/KP	
17	6LK52285000	ASYS-BRKT-SCRIP-H373-AJ	1	1/P	
18	F0-01845000	ES-0510-46	1	1/P	
19	6LH68707000	BUSH-6	3	1/P	
20	X0-01535000	P/PRL/AH7-3X12-SS	2	5/P	
21	6LJ58866000	GEAR-BL-I4	1	1/P	
22	6LK52219000	SFT-BLT-D-H373	1	1/P	
23	X0-00965000	RR/E-4-SS	3	10/P	
24	6LJ58945000	ASYS-STAY-GUIDE-FUS-SCRIP	1	1/PP	
25	6LH23444000	BUSH-GCB-6-4-NU4	2	1/P	
26	6LJ58701000	GEAR-BELT-F	1	1/P	
28	6LJ58631000	BRKT-GEAR-BELT-H212	1	1/P	
30	6LK52342000	SPG-SCREW-AJ	3	1/P	
31	6LK52299000	GUIDE-SCRIP-H373-F	1	1/KP	
32	6LK52298000	GUIDE-SCRIP-H373-R	1	1/KP	
33	6LK52315000	SPG-E-SCRIP-AJ-H373	2	1/P	
34	6LK52314000	S/FPAN/R-M3X10-ZB3-APSLOK	3	5/P	

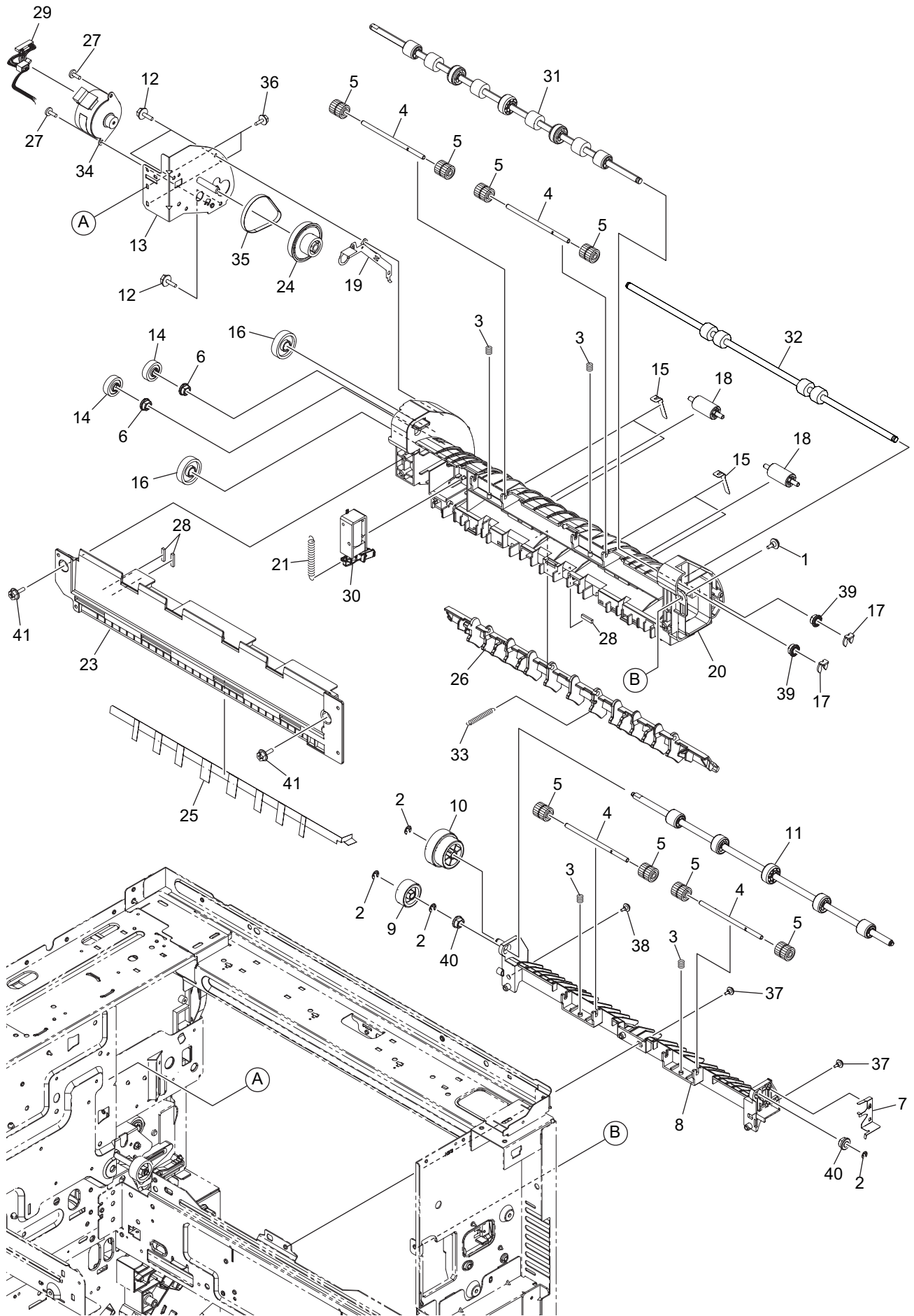




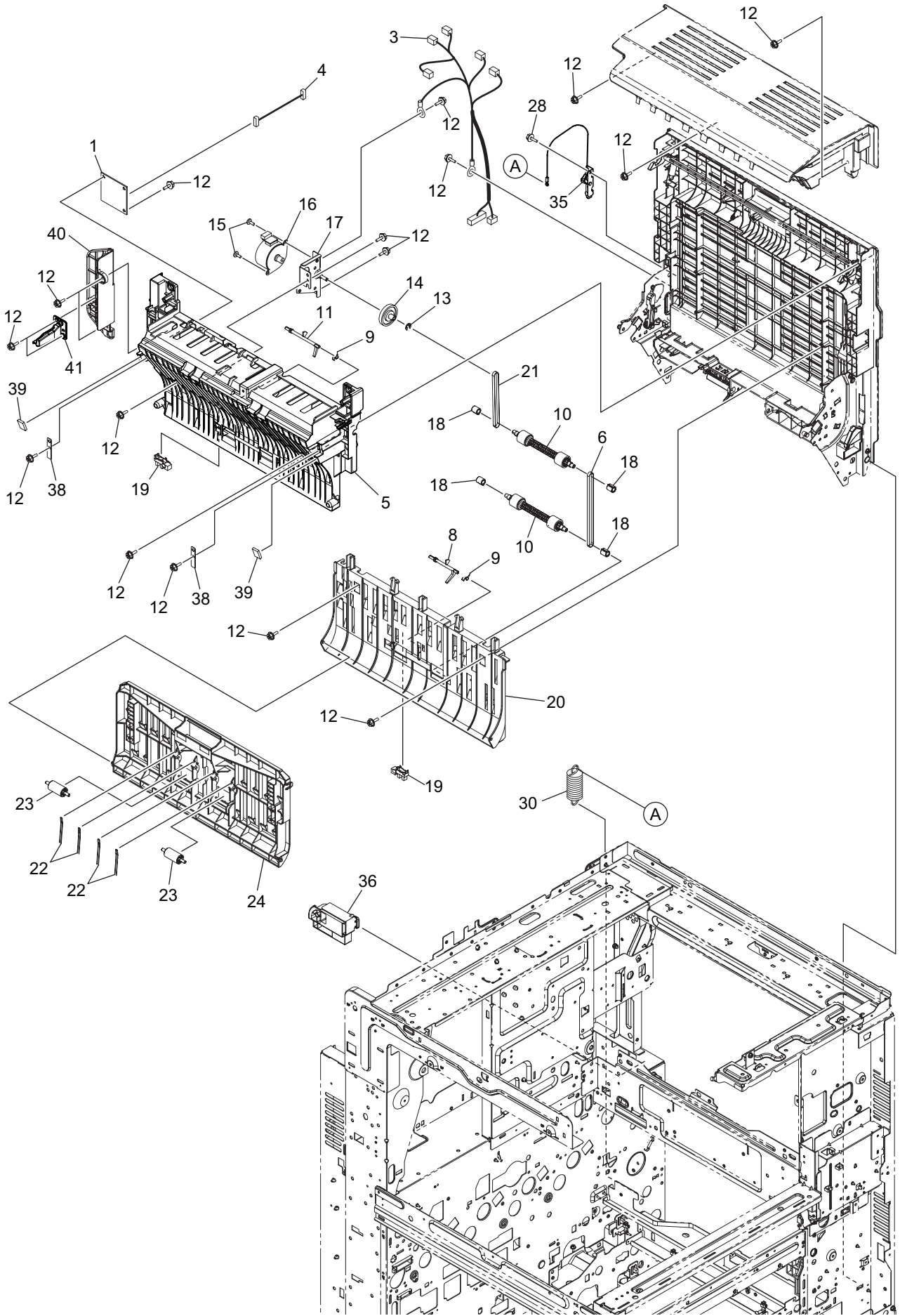
ITEM No.	PART No.	PART NAME	Q'TY / PAGE	Q'TY / PACK	REMARKS
1 A	6LK55470000	BELT-HLDUNIT-H373	1	1/S	eS2505AC/3005AC/3505AC
1 B	6LK55469000	BELT-HLDUNIT-H376	1	1/S	eS4505AC/5005AC
13 A	6LK55466000	BT-FC505	1	1/S	eS2505AC/3005AC/3505AC
13 B	6LK55467000	BT-FC505H	1	1/S	eS4505AC/5005AC
18	6LJ58989000	6803ZZS1C4-GPL226-GV22	1	1/P	
26 A	6LK52274000	PAD-BLT-R55-H376	1	1/KP	eS2505AC/3005AC/3505AC
26 B	6LJ58890000	PAD-BELT-R60-H214	1	1/KP	eS4505AC/5005AC
28	F0-01845000	ES-0510-46	1	1/P	
30	6LK52217000	ASYS-FRM-FUS-R-H373	1	1/D	
33	X0-00968000	RR/E-7-SS	4	10/P	
34	6LK55468000	PR-FC505	1	1/S	
35	6LK52302000	GEAR-10H24-PR-H373	1	1/P	
36	X0-00966000	RR/E-5-SS	2	10/P	
37 A	6LK52323100	ASYB-PUSHER-R-H373	1	1/P	eS2505AC/3005AC/3505AC
37 B	6LK52323000	ASYB-PUSHER-R-H376	1	1/P	eS4505AC/5005AC
38 A	6LK52324100	ASYB-PUSHER-F-H373	1	1/P	eS2505AC/3005AC/3505AC
38 B	6LK52324000	ASYB-PUSHER-F-H376	1	1/P	eS4505AC/5005AC
41	X0-01169000	P/PRL/AH7-3X14-SS	3	10/P	
42	6LK52214000	GEAR-10S30-CAM-8	1	1/P	
43	6LJ55544000	BUSH-8X12X5R5F-BCF-050	3	1/P	
44 A	6LJ58970000	CAM-FUS-HL-E	2	1/P	eS2505AC/3005AC/3505AC
44 B	6LJ58971000	CAM-FUS-HH-E	2	1/P	eS4505AC/5005AC
45	X0-00430000	S/BID-M3X6-NI	14	10/P	
46	6LJ58877100	FRAME-FUS-LOW2	1	1/PP	
47	6LK52200000	GEAR-10H21-IDL-PR-H373	1	1/P	
48	6LJ58809000	GEAR-SNSR-ROTATION	1	1/P	
49	F0-01844000	ES-0505-2-46	1	5/P	
50	6LJ58610000	ASYS-FRM-FUS-F	1	1/D	
51	6LK52222000	BRKT-HLD-BLT-R-H373	1	1/P	
52	6LK52223000	ASYB-SFT-CAM-FUS-H373	1	1/KP	
53	6LJ58818000	BRKT-FUS-LOW	1	1/P	
54	F0-00270000	UAMS-05L-0-46	1	10/P	
62	6LJ61506000	HRNS-FUS-EXT-212	1	1/P	
65	6LJ58956100	ASYS-BRKT-HLD-BLT-FH373	1	1/P	
66	6LK52345000	BRKT-BRG-PR-R-H373	1	1/P	
67	6LK52213000	BRKT-HLD-GEAR-PR	1	1/P	
68	X0-00965000	RR/E-4-SS	1	10/P	
70	6LJ58874000	SHEET-PAD-BELT	1	1/KP	



ITEM No.	PART No.	PART NAME	Q'TY / PAGE	Q'TY / PACK	REMARKS
1	6LK52237000	STAY-GUIDE-RTN-H373	1	1/P	
2	6LH36359000	SCREW-M3-D4X2.3	4	10/P	
3	6LJ58640000	BRKT-PR-SCR-FUS-H212	2	1/P	
4	X0-00430000	S/BID-M3X6-NI	5	10/P	
5	6LJ58138000	SCRAPER-HR-H210-S	2	2/P	
6	6LK52238000	GUIDE-EXIT-RTN-H373	1	1/PP	
7	6LJ58972000	SHEET-FUS-HANDLE-H21Y-2	2	5/P	
8	6LK52346000	SPG-E-SCR-PR-H373	2	1/P	
9	X0-02419000	S/TPS/FHEXM/R-3X6-ZU3	1	10/P	
11	X0-02247000	S/TPP/FHEXM-3X8-NI	2	10/P	
12	C0-20495000	LG2A24BL1	1	1/C	
13	6LJ58602000	COVER-SNSR-H212	1	1/P	
14	6LJ58795000	SPG-T-ACT-FUS-H212	1	1/P	
15	6LJ58733100	ACTR-EXIT-FUS-H373	1	1/P	
16	6LJ58633000	GUIDE-PR-ADU-H21Y	1	1/C	
17	41307995000	LBL/W-FUSER	1	5/KP	
18	6LH55245000	PLT-SP-IDLE-47X	4	1/D	
19	41316101000	ROLL-TRANS-IDLE	2	1/P	
20	4406326040	SCREW-D4-18-M3	2	10/P	
21	6LJ58794000	SPG-T-GUIDE-EXIT-RTN-R-1	1	1/P	
22	6LJ58643000	FRAME-FUS-RGT-H212	1	1/C	
23	6LJ02533000	BRUSH-FUSER-H14X	1	1/C	
24	6LJ58603000	COV-WH-GUIDE-RTN-H212	1	1/C	

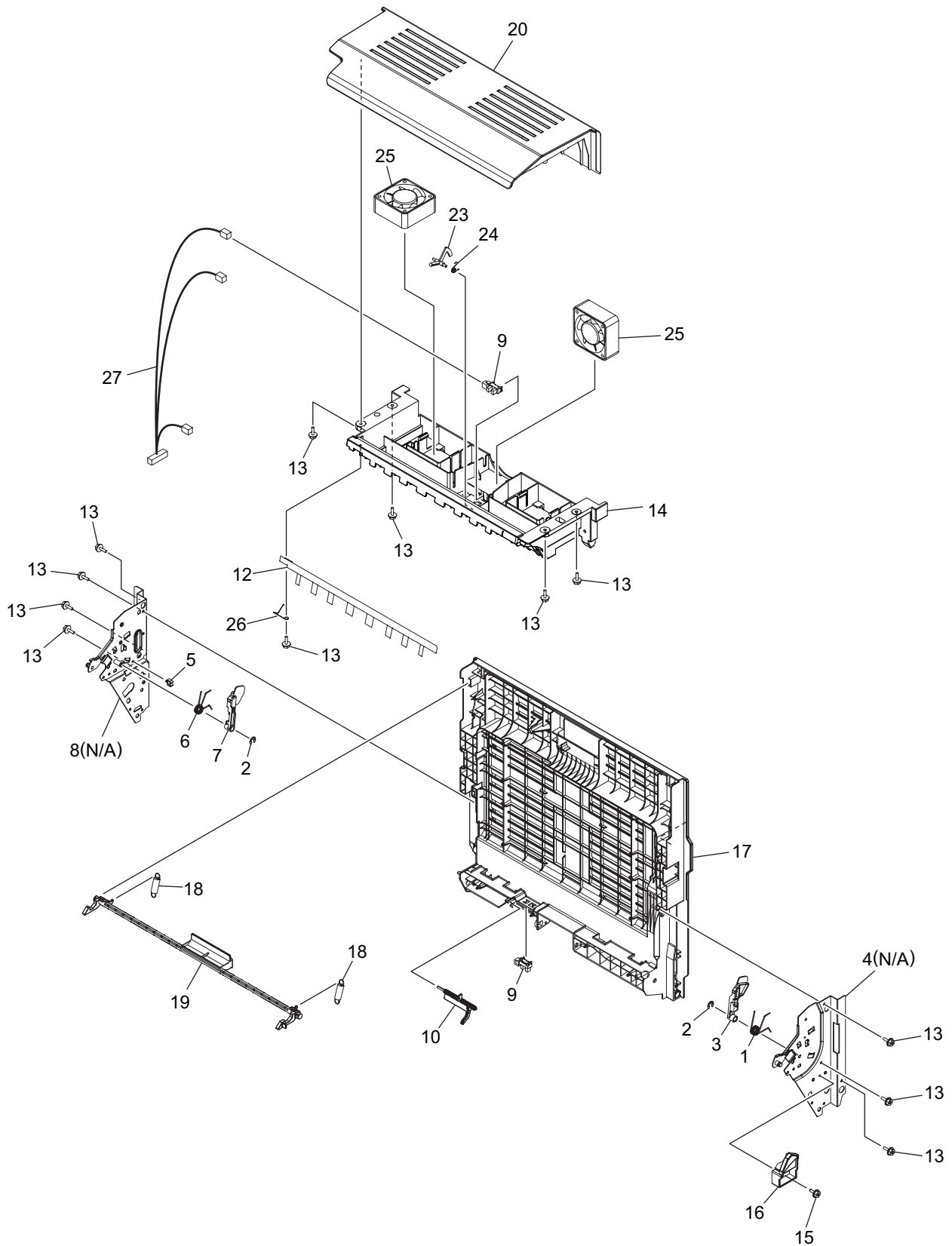


ITEM No.	PART No.	PART NAME	Q'TY / PAGE	Q'TY / PACK	REMARKS
1	6LA08937000	SCREW-BKT-DEV	1	10/P	
2	X0-00965000	RR/E-4-SS	4	10/P	
3	6LJ57614000	SPG-C-ROLL-EXIT-H21Y	4	1/P	
4	6LJ57801000	SHAFT-ROL-EXIT-L	4	1/P	
5	6LJ02514000	RLR-EXIT-L-EX	8	1/P	
6	6LJ55543000	BUSH-6-BCF-050	2	1/P	
7	6LK52351000	SPG-F-GND-EXIT-H373	1	1/C	
8	6LJ58985000	ASYS-GUIDE-EXIT-H21Y	1	1/PP	
9	6LJ58673000	GEAR-10S23-EXIT	1	1/P	
10	6LJ58672000	GEAR-10S28-10S34-6	1	1/P	
11	6LK52354000	ASYB-ROLL-EXIT-LOW-H373	1	1/KP	
12	X0-02247000	S/TPP/FHEXM-3X8-NI	3	10/P	
13	6LJ57601000	ASYS-BRKT-DRV-EXIT-U-H21Y	1	1/P	
14	6LH54006000	GEAR-10S20-06	2	1/P	
15	6LJ57610000	SPG-F-ROL-REV-H21Y	4	1/P	
16	6LH54009000	GEAR-10S27-08	2	1/P	
17	44201801000	STOP-RING-6-1.5	2	5/P	
18	41316101000	ROLL-TRANS-IDLE	2	1/P	
19	6LJ57635100	SPG-F-GND-EXIT-UPR-H373	1	1/C	
20	6LK51907000	GUIDE-EXIT-UPR-H373	1	1/PP	
21	6LK51908000	SPG-E-ARM-GATE-H373	1	1/P	
23	6LJ57616100	COV-EXIT-UPR-H373	1	1/PP	
24	6LJ57609000	GEAR-10S20_PS2M60-6-H21Y	1	1/P	
25	6LJ57617000	BRUSH-EXIT-L-H21Y	1	1/KP	
26	6LK51600000	GATE-ADU-H373	1	1/PP	
27	X0-02069000	S/TPS/BID-3X6-ZU3	2	10/P	
28	6LJ57623000	DAMP-GATE-H21Y	3	5/P	
29	6LJ61030000	HRNS-EXTMOT-212	1	1/P	
30	6LJ57626000	ASYS-SOL-07B-H21Y	1	1/C	
31	6LK51905000	ASYB-ROLL-EXIT-U-H373	1	1/KP	
32	6LJ57633000	ROLL-TRANS-UPR-H21Y	1	1/KP	
33	6LK51903000	SPG-E-GATE-EXIT-H373	1	1/P	
34	6LJ57816000	MOTR_S-EXIT-L-H21X	1	1/D	
35	6LJ58949000	BLT_SY-S2M-144-4	1	1/P	
36	X0-02683000	S/TPP/FHEXM-3X8-ZB3	2	5/P	
37	6LA36749000	ASYS-SCREW-LSU-NI	2	5/P	
38	X0-02230000	S/FHEXM-M3X6-NI	1	10/P	
39	44201492000	BUSH-6-POM	2	5/P	
40	4407734980	BUSH-6-GCB	2	5/P	
41	X0-02420000	S/TPS/FHEXM/R-3X8-ZU3	2	10/P	

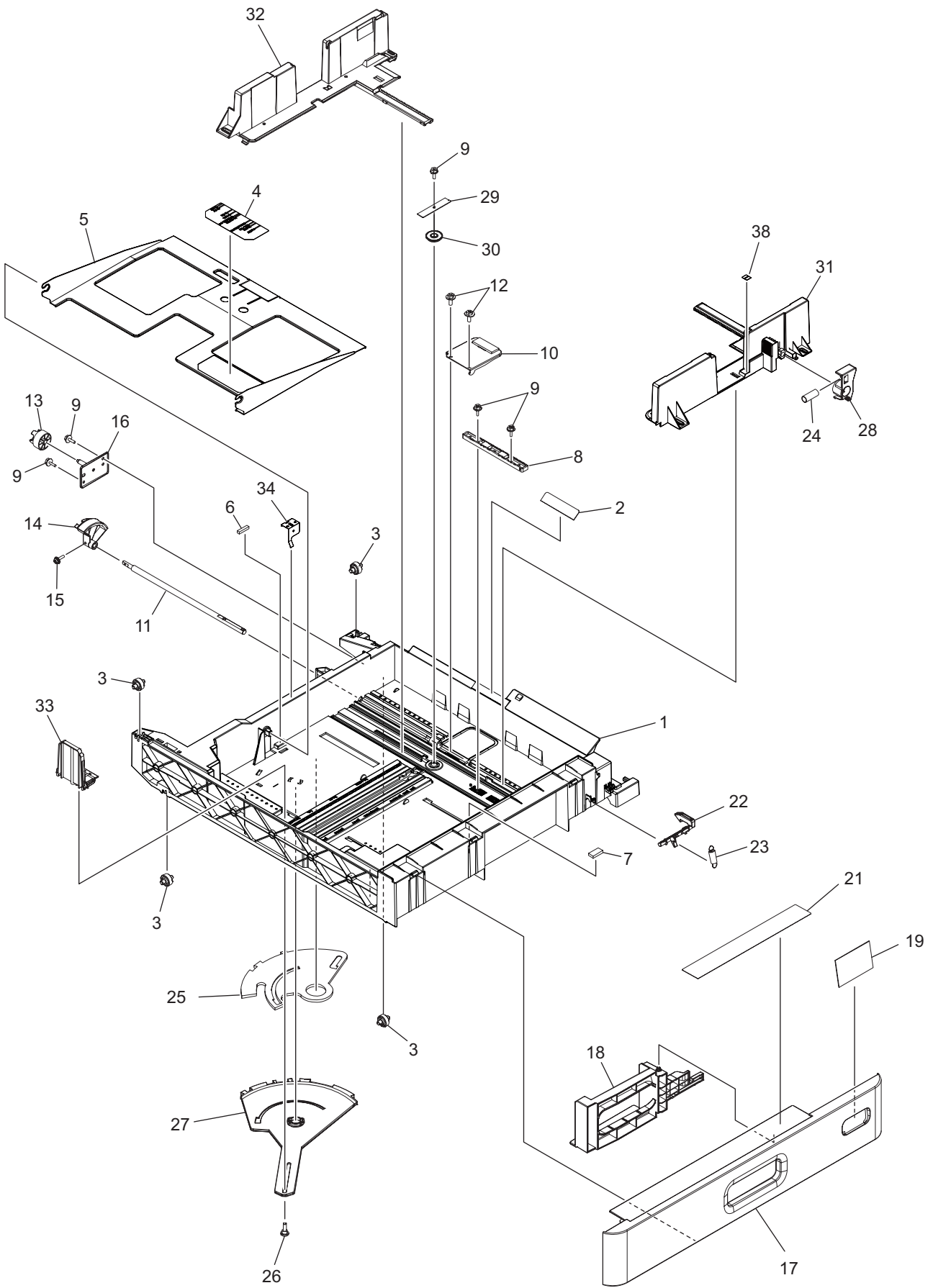


ITEM No.	PART No.	PART NAME	Q'TY / PAGE	Q'TY / PACK	REMARKS
1	6LK45320000	PWA-H-ADU-H373	1	1/SB	eS2505AC/3005AC/3505AC eS4505AC/5005AC
3 A	6LK45977000	HRNS-ADU-H373	1	1/P	
3 B	6LK45978000	HRNS-ADU-H376	1	1/P	
4	6LK45417000	HRNS-ADU-MOT-H373	1	1/P	
5	6LJ57394000	GUIDE-ADU-U-H21Y	1	1/PP	
6	6LJ57400000	BLT.SY-S2M-264-4	1	1/P	
8	6LJ57322000	ACTR-ADU-L-H21X	1	1/P	
9	6LJ57327000	SPG-ACT-ADU-H21X	2	1/P	
10	6LJ57331100	ASYS-ROL-ADU-H21Y	2	1/KP	
11	6LJ57323000	ACTR-ADU-U-H21X	1	1/P	
12	X0-02247000	S/TPP/FHEXM-3X8-NI	18	10/P	
13	X0-00964000	RR/E-3-SS	1	10/P	
14	6LJ57321000	GEAR-08S40_S2M012-7	1	1/P	
15	X0-02069000	S/TPS/BID-3X6-ZU3	2	10/P	
16	6LJ57330000	ASYS-MOTR-S-ADU-H21X	1	1/D	
17	6LJ57377000	ASYS-BRKT-DRV-ADU-H21Y	1	1/P	
18	6LJ57387100	BUSH-ADU-POMSW	4	1/P	
19	C0-17839000	LG2A14BL1	2	1/C	
20	6LJ57316100	GUIDE-ADU-L-H21X_S	1	1/PP	
21	6LJ57399000	BLT.SY-S2M-200-4	1	1/P	
22	6LJ57315000	SPR-IDLE-ADU	4	1/P	
23	41316101000	ROLL-TRANS-IDLE	2	1/P	
24	6LJ57318000	GUIDE-OPEN-L	1	1/PP	
28	X0-02420000	S/TPS/FHEXM/R-3X8-ZU3	1	10/P	
30	6LJ57406000	SPG-ADU-WIRE	1	1/P	
35	6LJ57382000	ASYB-BRKT-HOLD-WIRE-H21Y	1	1/P	
36	6LJ57371000	HOLDER-WIRE-ADU-H21Y	1	1/P	
38	6LJ57379000	SPG-F-GUIDE-EXIT-H21Y	2	1/P	
39	6LK51909000	DAMP-SOL-GATE-H373	2	1/P	
40	6LJ57401100	COVER-ADU-R-H373	1	1/P	
41	6LJ58946000	SPACER-LOCK-R-H21Y	1	1/P	

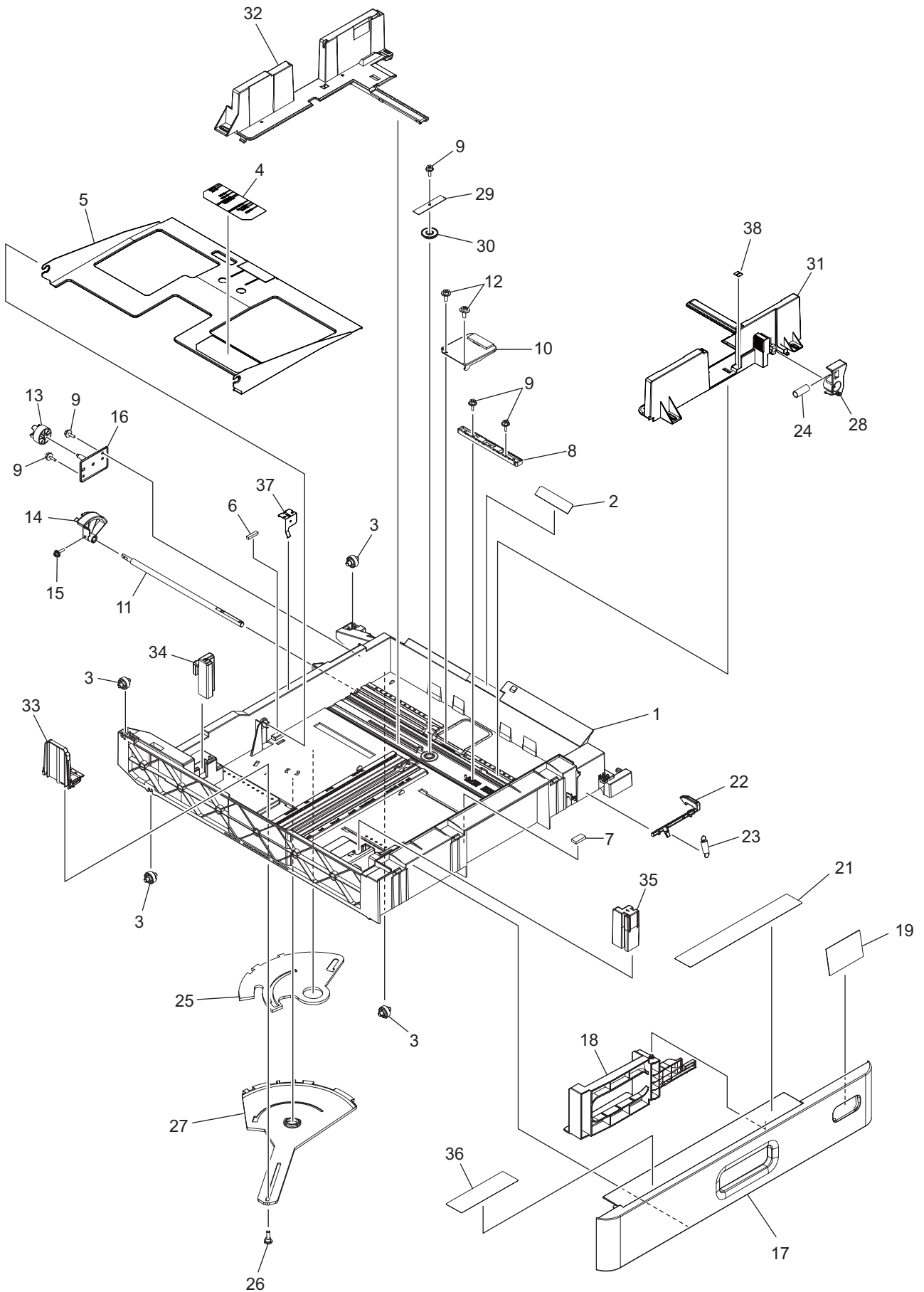




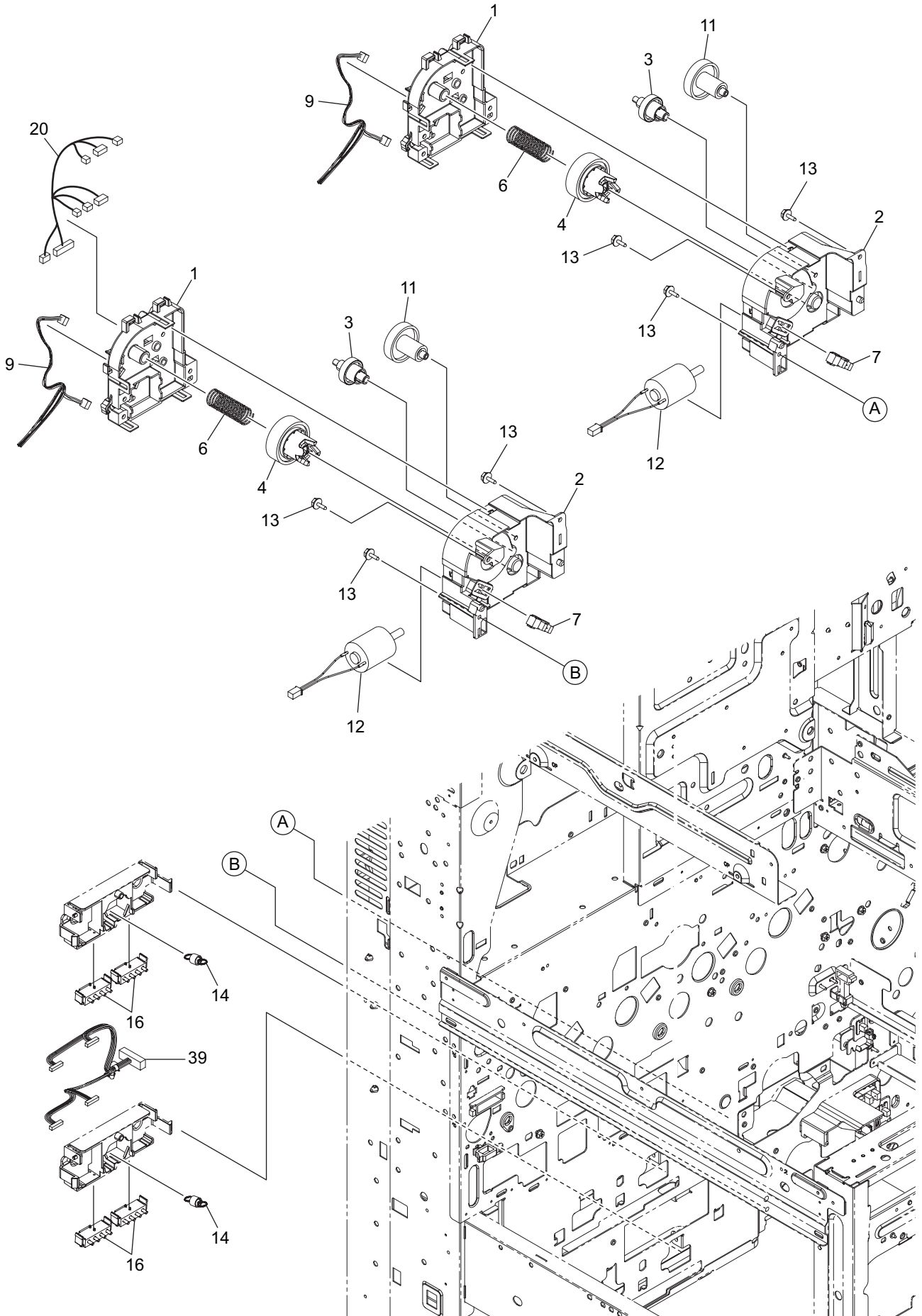
ITEM No.	PART No.	PART NAME	Q'TY / PAGE	Q'TY / PACK	REMARKS
1	6LJ55948000	SPG-T-TRU-RTN-F-2	1	1/P	
2	X0-00966000	RR/E-5-SS	2	10/P	
3	6LJ55928000	PUSHER-TRU-OPEN-F	1	1/P	
4	6LJ57407000	ASYS-FRM-ADU-F-H21X	1	N/A***	
5	F0-00044000	UAMS-05-2	1	5/P	
6	6LJ55949000	SPG-T-TRU-RTN-R-2	1	1/P	
7	6LJ55929000	PUSHER-TRU-OPEN-R	1	1/P	
8	6LJ57308000	ASYS-FRM-ADU-R-H21X	1	N/A***	
9	C0-17839000	LG2A14BL1	2	1/C	
10	6LJ57135100	ACTR-EMPTY-SFB-H373	1	1/P	
12	6LK50729000	BRUSH-EXIT-UPR-H373	1	1/KP	
13	X0-02247000	S/TPP/FHEXM-3X8-NI	12	10/P	
14 A	6LJ57392100	GUIDE-ADU-UPR-H373	1	1/PP	eS2505AC/3005AC/3505AC
15	X0-02420000	S/TPS/FHEXM/R-3X8-ZU3	1	10/P	
16	6LJ55901000	LOCK-CAM-TRU-F	1	1/P	
17 A	6LJ57381100	COVER-ADU-H21X-LB	1	1/PP	eS4505AC/5005AC
18	6LH51228000	SPG-C-COV-SIDE	2	1/P	
19	6LJ57393100	LEVER-ADU-H370	1	1/PP	
20	6LK51614000	ASYS-COVER-ADU-TOP-H373	1	1/PP	
23	6LH54010000	ACTR-EXIT-UPR-473	1	1/P	
24	6LJ12930000	SPG-T-ACT-EXIT-UPR-16X	1	1/P	
25 A	6LK48229000	ASYS-FAN-6025-65-H373	2	1/D	eS4505AC/5005AC
25 B	6LK48229000	ASYS-FAN-6025-65-H373	1	1/D	eS2505AC/3005AC/3505AC
26	6LK50730000	SPG-GND-EX-UPR-H373	1	1/P	
27	6LK45979000	HRNS-ADU-SNR-H373	1	1/P	



ITEM No.	PART No.	PART NAME	Q'TY / PAGE	Q'TY / PACK	REMARKS
1	6LJ56937000	CST-H21X-U-A3	1	1/PP	
2	6LJ66823000	SHEET-CST-H21X	1	1/P	
3	6LJ56845000	ROLL-CST-H21X	4	1/P	
4	6LK51246000	LBL_P-SIZE-LDA3-H373	1	1/KP	
5	6LK51242000	ASYS-TRAY-CST-H-H21X	1	1/P	
6	6LH51643000	CHSH-CST-F47X	1	1/P	
7	6LH05741000	CUSH-CST-S	1	1/P	
8	6LJ56815000	WALL-STOP-H21X	1	1/P	
9	X0-02247000	S/TPP/FHEXM-3X8-NI	5	10/P	
10	6LH05746000	ASYS-LEVER-ELV-CST-F43X	1	1/P	
11	6LJ56910000	SHAFT-ELV-CST-H21X	1	1/P	
12	X0-02235000	S/FHEXM-M4X8-NI	2	10/P	
13	6LJ56847100	CPG-TRAY-UP-H37X	1	1/P	
14	6LJ56832100	GEAR-DRV-TRAYUP-SFT-H37X	1	1/P	
15	X0-00094000	S/PAN/SWWP-M3X10-NI	1	10/P	
16	6LJ56851000	ASYS-PLATE-DRV-CST-H21X	1	1/P	
17	6LK51218000	COVER-CST-H373	1	1/PP	
18	6LJ56838200	HNDL-CST-H370	1	1/PP	
19 A	6LK51245000	SIZE-CST-37X-A4	1	1/KP	MJD,ASD,AUD,ARD,CND
19 B	6LK51245100	SIZE-CST-37X-LT	1	1/KP	NAD
21	6LK51249000	LBL_O-GUIDE-CST-H373	1	1/KP	
22	6LJ56924000	LVR-CST1-H-H21X_E_SHAFT	1	1/P	
23	6LJ56839000	SPG-E-8R9XR9X29R5	1	1/P	
24	6LA56695000	SPC-LVR-WALL-F	1	1/P	
25	6LH05721000	PUSHER-SIDE-CST-F43X	1	1/P	
26	6LH05511000	SCREW-M3X8-3.2-P	1	5/P	
27	6LK51261000	PUSHER-END-CST-H21X	1	1/P	
28	6LJ56802100	LEVER-LOCK-WALL-H21X_S	1	1/P	
29	6LK51241000	PLT-WALL-GEAR-H370	1	1/P	
30	6LE53717000	GEAR-10S18-8-TRAY	1	1/P	
31	6LJ56957000	SLIDE-WALL-F-H21X-H	1	1/KP	
32	6LJ56872000	ASYS-SLIDE-WALL-R-H21X-H	1	1/PP	
33	6LJ56827100	WALL-END-CST-H-H21X_S	1	1/P	
34	6LJ56943000	SPG-F-TRAY-CST-H21Y	1	1/C	
38	6LJ56953000	LBL_P-SIZE-REF-H21X	1	1/P	

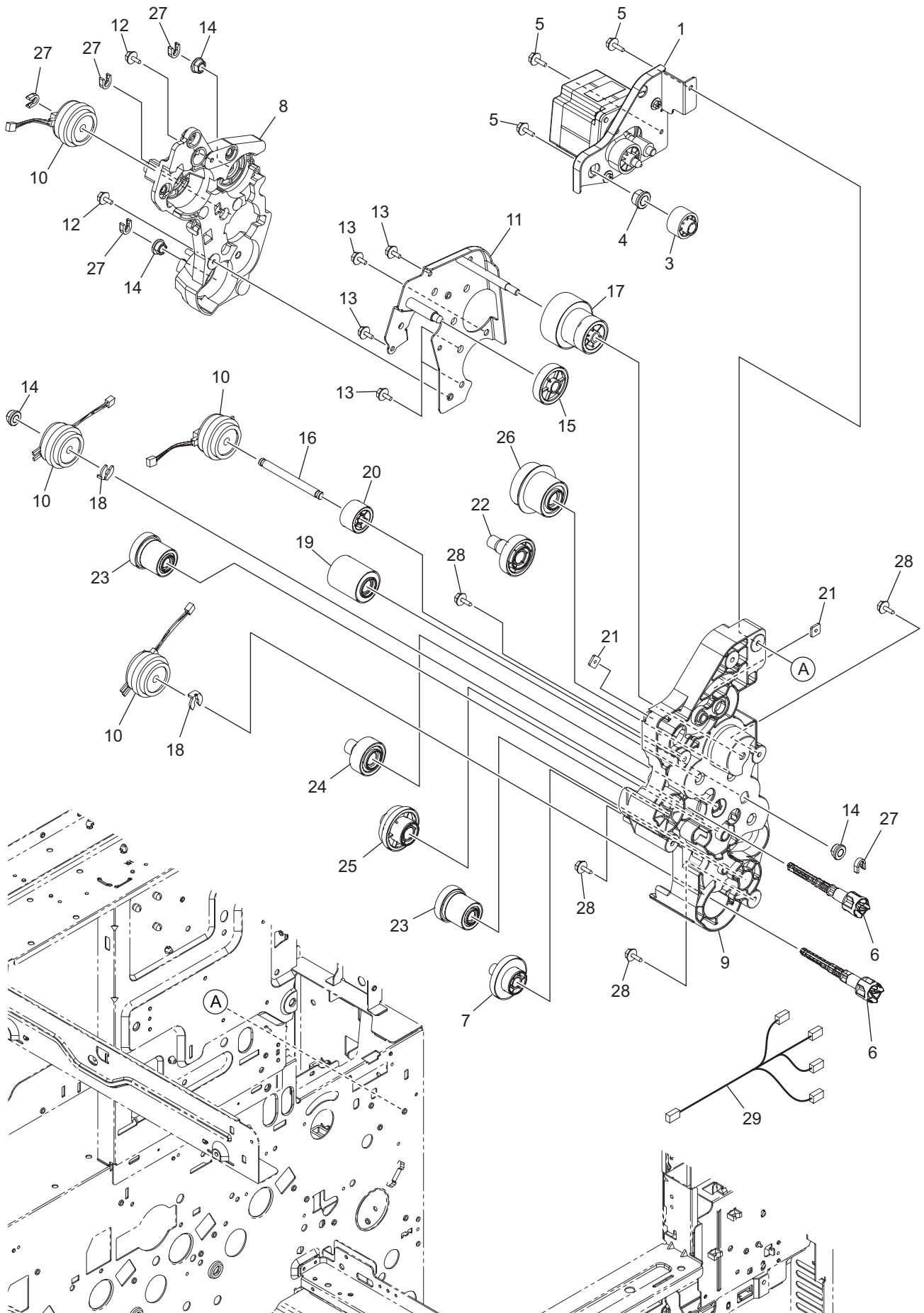


ITEM No.	PART No.	PART NAME	Q'TY / PAGE	Q'TY / PACK	REMARKS
1	6LJ56938000	CST-H21X-SR	1	1/PP	
2	6LJ66823000	SHEET-CST-H21X	1	1/P	
3	6LJ56845000	ROLL-CST-H21X	4	1/P	
4	6LK51247000	LBL_P-SIZE-SRA3-H373	1	1/KP	
5	6LK51242000	ASYS-TRAY-CST-H-H21X	1	1/P	
6	6LH51643000	CHSH-CST-F47X	1	1/P	
7	6LH05741000	CUSH-CST-S	1	1/P	
8	6LJ56815100	WALL-STOP-H21X_S	1	1/P	
9	X0-02247000	S/TPP/FHEXM-3X8-NI	5	10/P	
10	6LH05746000	ASYS-LEVER-ELV-CST-F43X	1	1/P	
11	6LJ56910000	SHAFT-ELV-CST-H21X	1	1/P	
12	X0-02235000	S/FHEXM-M4X8-NI	2	10/P	
13	6LJ56847100	CPG-TRAY-UP-H37X	1	1/P	
14	6LJ56832100	GEAR-DRV-TRAYUP-SFT-H37X	1	1/P	
15	X0-00094000	S/PAN/SWWP-M3X10-NI	1	10/P	
16	6LJ56851000	ASYS-PLATE-DRV-CST-H21X	1	1/P	
17	6LK51218000	COVER-CST-H373	1	1/PP	
18	6LJ56838200	HNDL-CST-H370	1	1/PP	
19 A	6LK51245000	SIZE-CST-37X-A4	1	1/KP	MJD,ASD,AUD,ARD,CND
19 B	6LK51245100	SIZE-CST-37X-LT	1	1/KP	NAD
21	6LK51249000	LBL_O-GUIDE-CST-H373	1	1/KP	
22	6LJ56925000	LVR-CST2-H-H21X_E_SHAFT	1	1/P	
23	6LJ56839000	SPG-E-8R9XR9X29R5	1	1/P	
24	6LA56695000	SPC-LVR-WALL-F	1	1/P	
25	6LH05721100	PUSHER-SIDE-CST-F43X_S	1	1/P	
26	6LH05511000	SCREW-M3X8-3.2-P	1	5/P	
27	6LK51260000	PUSHER-END-CST-F43X	1	1/PP	
28	6LJ56802100	LEVER-LOCK-WALL-H21X_S	1	1/P	
29	6LK51241000	PLT-WALL-GEAR-H370	1	1/P	
30	6LE53717000	GEAR-10S18-8-TRAY	1	1/P	
31	6LJ56957000	SLIDE-WALL-F-H21X-H	1	1/KP	
32	6LJ56872000	ASYS-SLIDE-WALL-R-H21X-H	1	1/PP	
33	6LJ56827100	WALL-END-CST-H-H21X_S	1	1/P	
34	6LJ56834000	WALL-LONGPAPER-R-H-H21X	1	1/P	
35	6LJ56833000	WALL-LONGPAPER-F-H-H21X	1	1/P	
36	6LK51252000	LBL_O-GUIDE-SRA3-H373	1	1/P	
37	6LJ56943000	SPG-F-TRAY-CST-H21Y	1	1/C	
38	6LJ56953000	LBL_P-SIZE-REF-H21X	1	1/P	

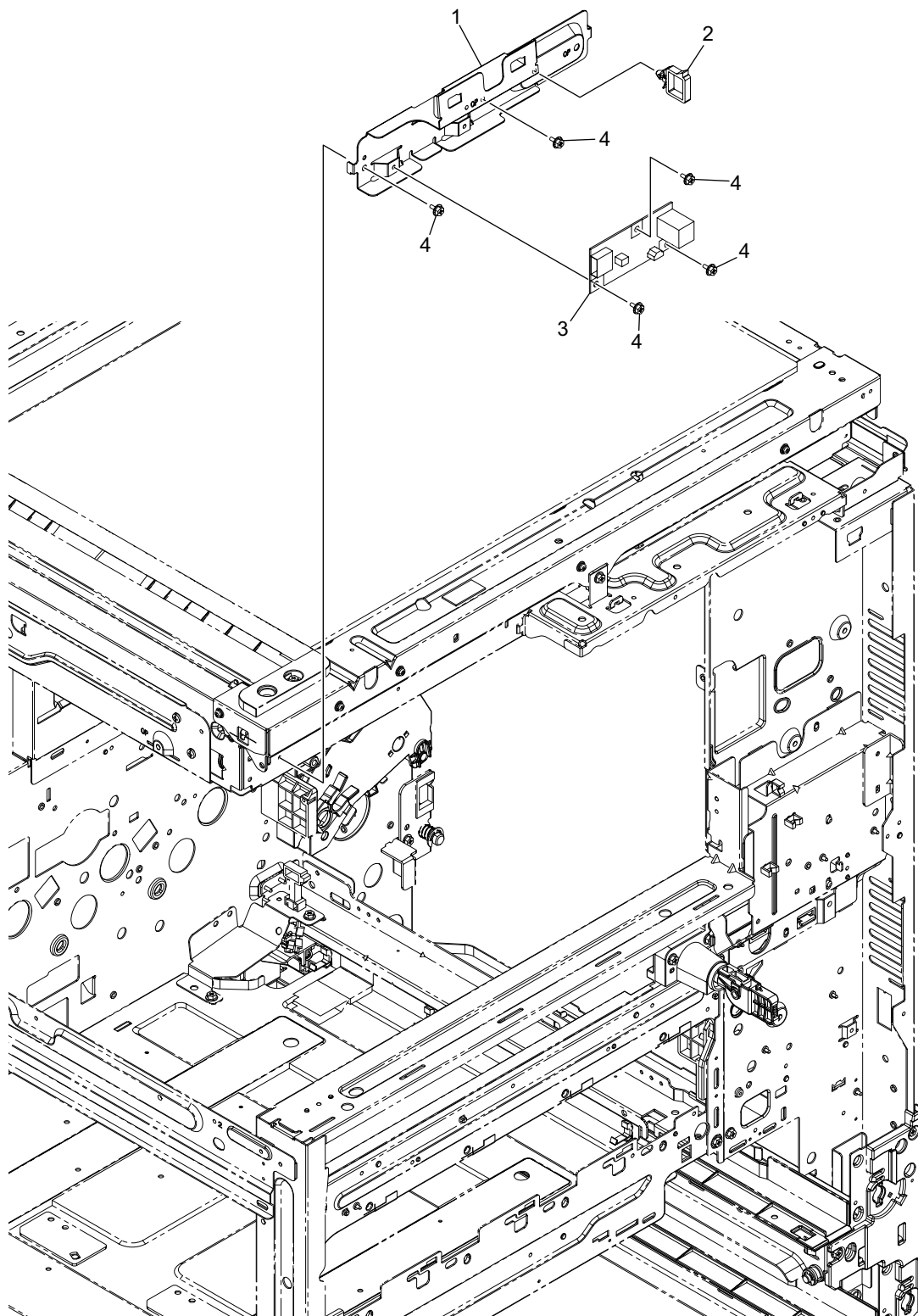




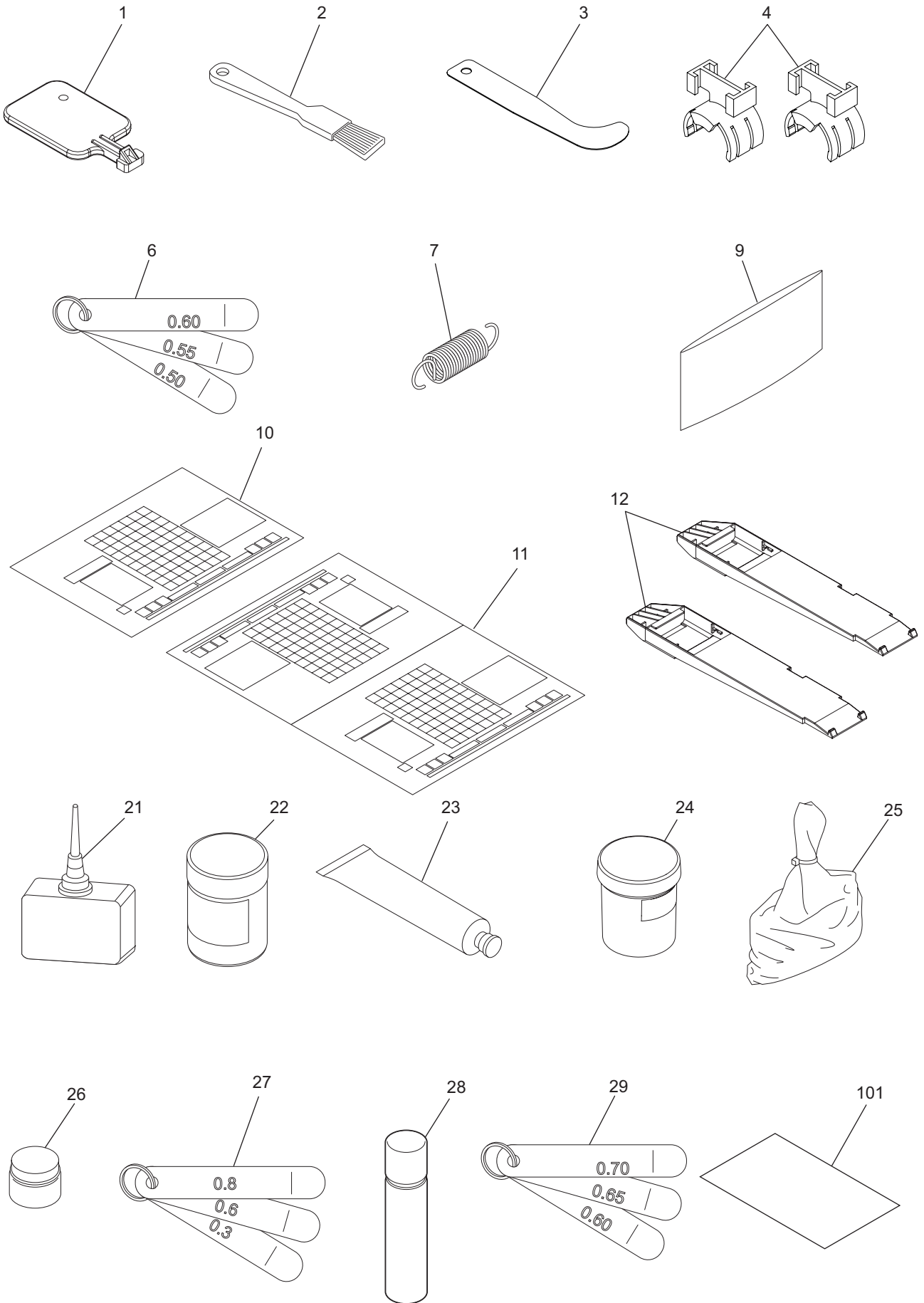




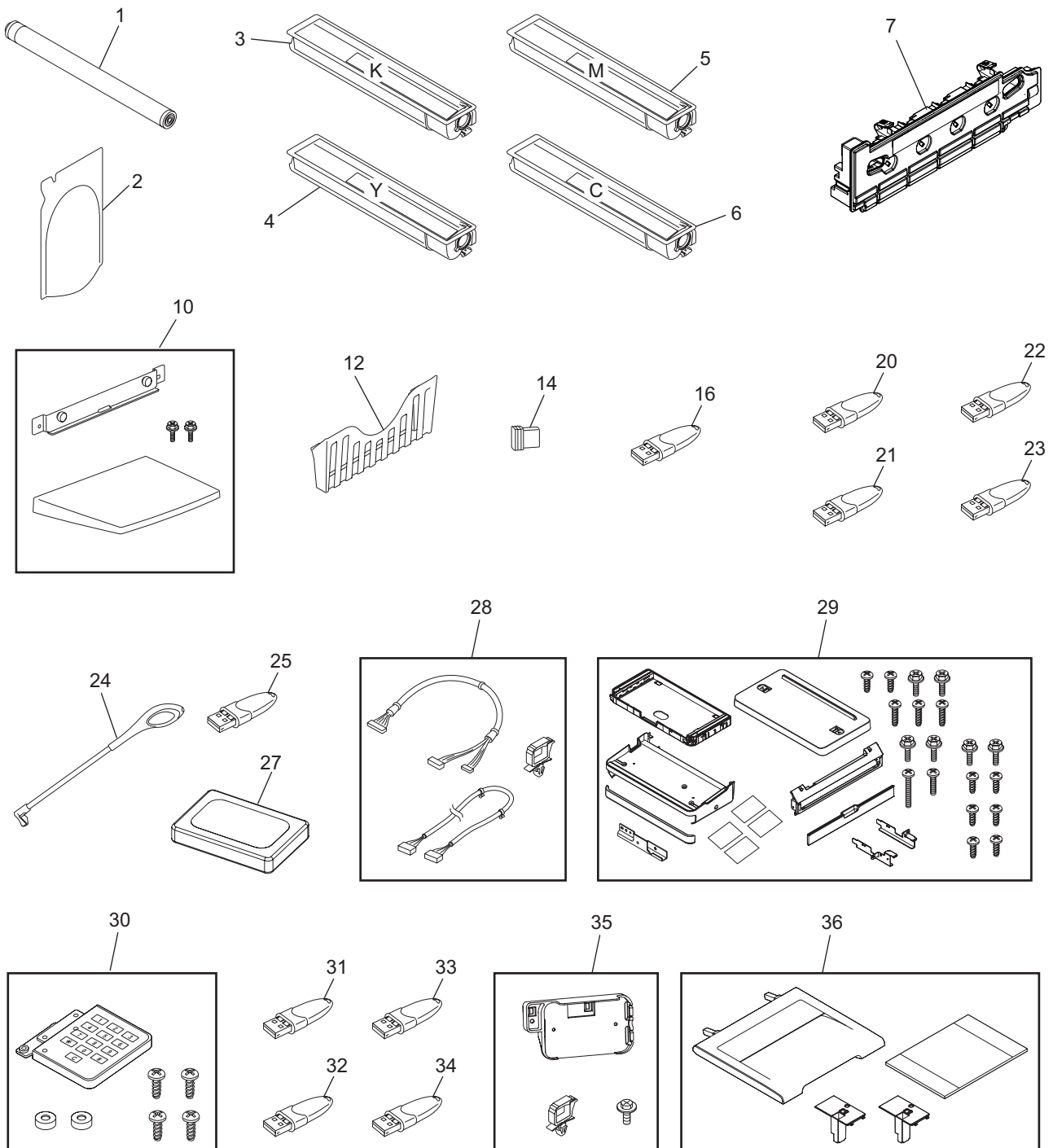
ITEM No.	PART No.	PART NAME	Q'TY / PAGE	Q'TY / PACK	REMARKS
1	6LK50717000	ASYB-DRV-RGST-H373	1	1/C	
3	6LJ56315000	GEAR-8S27-8	1	1/P	
4	6LK50700000	BUSH-8-SW01	1	5/P	
5	X0-02231000	S/FHEXM-M3X8-NI	3	10/P	
6	6LJ56332000	COUPL-CST-H21Y	2	1/P	
7	6LJ56328000	GEAR-8H39	1	1/P	
8	6LJ56333200	HLDR-CL-FED-H41X	1	1/P	
9	6LJ56317100	CASE-DRV-FEED-H373	1	1/PP	
10	6LH53742000	CLUTCH-50R-G28-6	4	1/D	
11	6LJ56318000	ASYS-FRM-DRV-FED-H21Y	1	1/C	
12	X0-02230000	S/FHEXM-M3X6-NI	2	10/P	
13	X0-02246000	S/TPP/FHEXM-3X6-NI	5	10/P	
14	44201492000	BUSH-6-POM	4	5/P	
15	6LJ56326000	GEAR-8H35-8	1	1/P	
16	6LJ56334000	SHAFT-DRV-CL-FED-H21Y	1	1/P	
17	6LJ56322000	GEAR-10S26_8H45-6	1	1/P	
18	44201801000	STOP-RING-6-1.5	2	5/P	
19	6LJ56316000	GEAR-8H29	1	1/P	
20	6LJ56330000	GEAR-8S26-6	1	1/P	
21	6LH55260000	PLT-NUT	2	5/P	
22	6LJ56329000	GEAR-8S37	1	1/P	
23	6LJ56325000	GEAR-10S26_8H25	2	1/P	
24	6LJ56327000	GEAR-8H31	1	1/P	
25	6LJ56324000	GEAR-10S29_8H40	1	1/P	
26	6LJ56323000	GEAR-10S33_8H33	1	1/P	
27	4407972860	STOP-RING-6-5	5	5/P	
28	X0-02420000	S/TPS/FHEXM/R-3X8-ZU3	4	10/P	
29	6LK45408000	HRNS-PFC-CLT-H373	1	1/P	



ITEM No.	PART No.	PART NAME	Q'TY / PAGE	Q'TY / PACK	REMARKS
1	6LK44700000	BRKT-PWA-HUB-H370	1	1/P	
2	F0-01813000	LWS-1316S-V0	1	5/P	
3	6LK45354000	PWA-H-USB-370	1	1/SB	
4	X0-02230000	S/FHEXM-M3X6-NI	5	10/P	



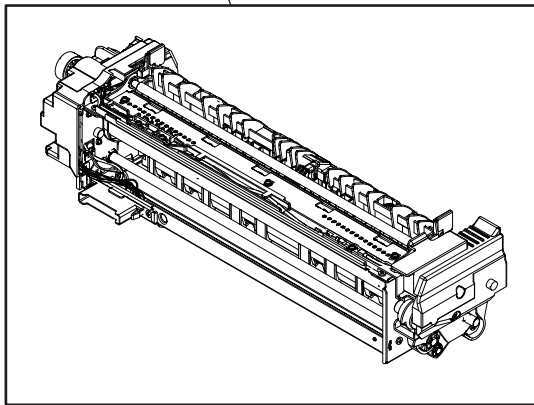
ITEM No.	PART No.	PART NAME	Q'TY / PAGE	Q'TY / PACK	REMARKS
1	6LJ71619000	JIG-SW-FCOV-H21X	1	1/P	
2	4407915710	BRUSH-33	1	1/P	
3	6LK49024000	SHEET-CLNR-DOC-H373	1	1/P	
4	6LJ59898000	HOLDER-WIRE-PLY-H21X	2	1/P	
6	6LA48402000	ASY-JIG-DOC-350	1	1/P	
7	44202661000	SPE-MOT-TNS	1	1/P	
9	4408600920	BAG-DRUM	1	5/P	
10	6LE50524000	CHART-COLOR-A4	1	1/KP	
11	6LH17283000	CHART-COLOR-A3	1	1/KP	
12	6LJ54689000	JIG-GUIDE-HRNS-COVER	2	2/P	
21	4842512170	OIL-LAUNA40-100	1	1/P	
22	6LA00019000	GREASE-HP300-S	1	1/P	
23	41303711000	ASM-PG-ALV2	1	1/P	
24	6LE36904000	MOLYKOTE_EM-30L_100G	1	1/P	
25	6LJ18300000	P-POWDER-PPT001	1	1/P	
26	41303710000	ASM-PG-GE334C-S	1	1/P	
27	6LJ58791000	ASYB-JIG-GAP-SCRP	1	1/P	
28	4408327820	K-BTL-SILICON-S	1	1/P	
29	6LE23720000	ASYB-JIG-GAP-DOC-SL-380	1	1/P	
101 A	4408687160	CHART-15-1-A4	1	10/KP	A4 series
101 B	4408687180	CHART-15-1-LT	1	10/KP	LT series



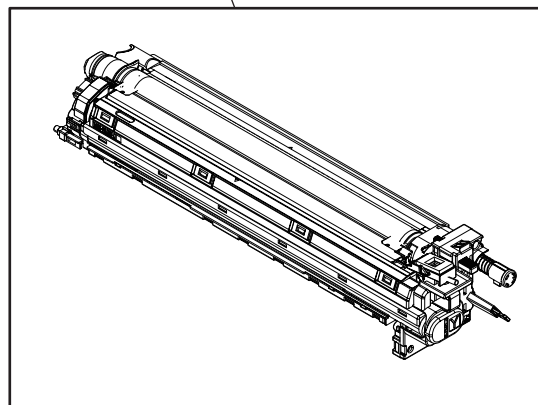
ITEM No.	PART No.	PART NAME	Q'TY / PAGE	Q'TY / PACK	REMARKS
1 A	6LJ70598000	OD-FC50	1	1/S	DRUM (Yellow,Magenta,Cyan)
1 B	6LK49015000	OD-FC505	1	1/S	DRUM (Black)
2 A	6LK49016300	D-FC505-K	1	1/S	DEVELOPER (K)
2 B	6LK49016000	D-FC505-Y	1	1/S	DEVELOPER (Y)
2 C	6LK49016100	D-FC505-M	1	1/S	DEVELOPER (M)
2 D	6LK49016200	D-FC505-C	1	1/S	DEVELOPER (C)
3 A	6AK00000310	PS-ZTFC505UK(1)	1	SUPPLY	TONER (K) for NAD,ARD
3 B	6AJ00000139	PS-ZTFC505EK(1)	1	SUPPLY	TONER (K) for MJD
3 C	6AG00007015	PS-ZTFC505PK(1)	1	SUPPLY	TONER (K) for AUD,ASD
3 D	6AG00007020	PS-ZTFC505CK(1)	1	SUPPLY	TONER (K) for CND
3 E	6AG00006952	PS-ZTFC505CKS(1)	1	SUPPLY	TONER (K) for CND
3 F	6AG00006938	PS-ZTFC505TK(1)	1	SUPPLY	TONER (K) for TWD
3 G	6AK00000318	PS-ZTFC505UY(1)	1	SUPPLY	TONER (Y) for NAD,ARD
4 A	6AJ00000147	PS-ZTFC505EY(1)	1	SUPPLY	TONER (Y) for MJD
4 B	6AG00007024	PS-ZTFC505PY(1)	1	SUPPLY	TONER (Y) for AUD,ASD
4 C	6AG00006965	PS-ZTFC505CY(1)	1	SUPPLY	TONER (Y) for CND
4 D	6AG00006969	PS-ZTFC505CYS(1)	1	SUPPLY	TONER (Y) for CND
4 E	6AG00006946	PS-ZTFC505TY(1)	1	SUPPLY	TONER (Y) for TWD
4 F	6AK00000314	PS-ZTFC505UM(1)	1	SUPPLY	TONER (M) for NAD,ARD
4 G	6AJ00000143	PS-ZTFC505EM(1)	1	SUPPLY	TONER (M) for MJD
5 A	6AG00007019	PS-ZTFC505PM(1)	1	SUPPLY	TONER (M) for AUD,ASD
5 B	6AG00006956	PS-ZTFC505CM(1)	1	SUPPLY	TONER (M) for CND
5 C	6AG00006961	PS-ZTFC505CMS(1)	1	SUPPLY	TONER (M) for CND
5 D	6AG00006942	PS-ZTFC505TM(1)	1	SUPPLY	TONER (M) for TWD
5 E	6AK00000306	PS-ZTFC505UC(1)	1	SUPPLY	TONER (C) for NAD,ARD
5 F	6AJ00000135	PS-ZTFC505EC(1)	1	SUPPLY	TONER (C) for CJD
5 G	6AG00007011	PS-ZTFC505PC(1)	1	SUPPLY	TONER (C) for AUD,ASD
6 A	6AG00006935	PS-ZTFC505CC(1)	1	SUPPLY	TONER (C) for CND
6 B	6AG00006976	PS-ZTFC505CCS(1)	1	SUPPLY	TONER (C) for CND
6 C	6AG00007028	PS-ZTFC505TC(1)	1	SUPPLY	TONER (C) for TWD
7 A	6AG00007690	PS-TBFC505	1	SUPPLY	for NAD,TCL,AUD,ASD,ARD
7 B	6AG00007695	PS-TBFC505E	1	SUPPLY	for MJD
7 C	6AG00007691	PS-TBFC505C	1	SUPPLY	for CND
10 A	6AR00000925	KK-5005	1	SUPPLY	Work Tray (All except CND)
10 B	6AR00000926	KK-5005C	1	SUPPLY	Work Tray (CND)
12 A	6AR00001025	KK-5008	1	SUPPLY	Manual Pocket (All except CND)
12 B	6AR00001026	KK-5008C	1	SUPPLY	Manual Pocket (CND)
14 A	6AG00007054	GN-4020	1	SUPPLY	Wireless LAN Module (All except CND)
14 B	6AG00007055	GN-4020C	1	SUPPLY	Wireless LAN Module (CND)
16	6A000001051	GP-1070	1	SUPPLY	Data Overwrite enabler (All except NAD/ARD)
20	6A000001055	GS-1010	1	SUPPLY	Meta scan enabler
21	6A000001057	GS-1020	1	SUPPLY	External interface enabler
22	6A000001053	GP-1080	1	SUPPLY	IPSec enabler (All except CND)
23	6A000001309	GS-1007	1	SUPPLY	Unicode Font Enabler
24	6A000001733	KK-2560	1	SUPPLY	Accessible Arm
25	6A000001353	GP-1191	1	SUPPLY	Hardcopy Security Printing
27	6AG00006088	GE-1230	1	SUPPLY	FIPS HDD option (All except NAD/CND)
28	6A000001699	GQ-1280	1	SUPPLY	Harness kit for coin controller
29 A	6AH00000919	GR-1250	1	SUPPLY	Accessory Tray (All except CND)
29 B	6AH00000920	GR-1250C	1	SUPPLY	Accessory Tray (CND)
30 A	6AR00000993	GR-1260	1	SUPPLY	Panel Ten Key Option (All except CND)
30 B	6AG00007800	GR-1260C	1	SUPPLY	Panel Ten Key Option (CND)
31	6A000001700	GS-1080	1	SUPPLY	Embedded OCR Enabler
32	6A000001711	GS-1085	1	SUPPLY	Embedded OCR Enabler (All except ASD)
33	6A000001715	GS-1090	1	SUPPLY	Multi Station Print Enabler
34	6A000001704	GS-1095	1	SUPPLY	Multi Station Print Enabler (All except ASD)
35 A	6AG00007775	GR-1290	1	SUPPLY	Card Reader Holder (All except CND)
35 B	6AG00007776	GR-1290C	1	SUPPLY	Card Reader Holder (CND)
36 A	6AG00006726	KA-5005PC	1	SUPPLY	Platen Cover (All except CND)
36 B	6AG00006727	KA-5005PCC	1	SUPPLY	Platen Cover (CND)



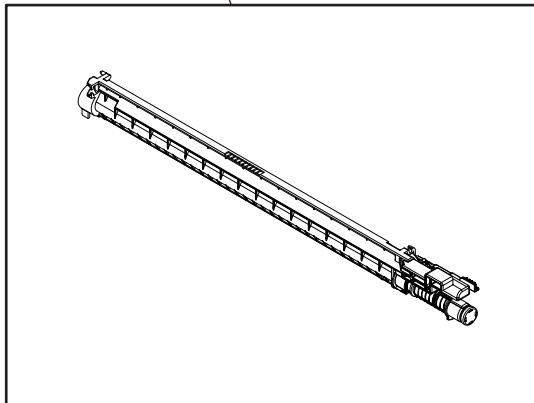
1



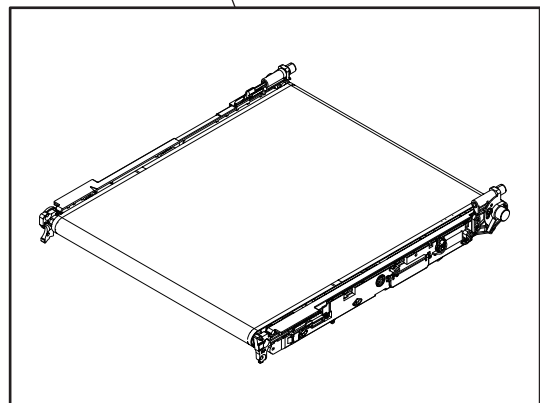
2



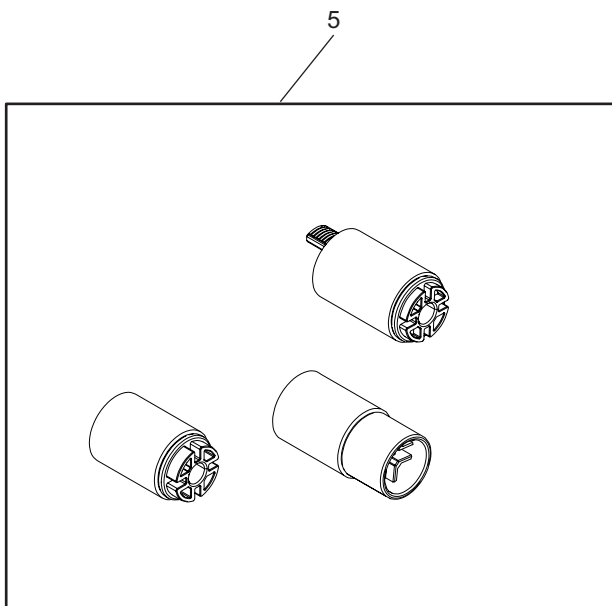
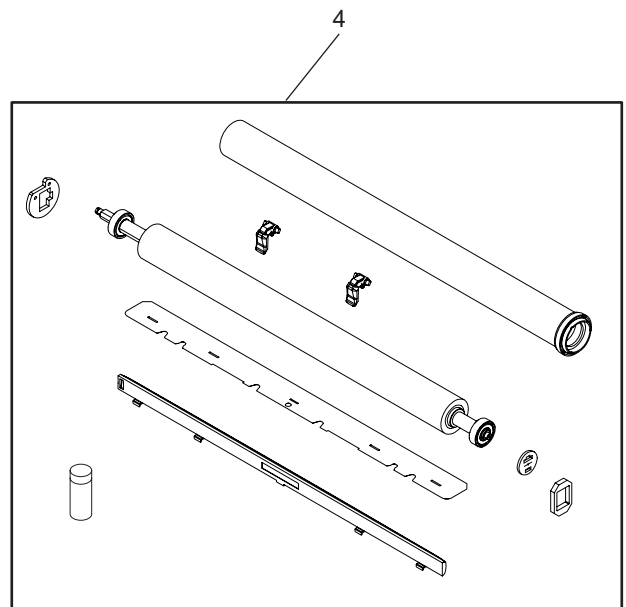
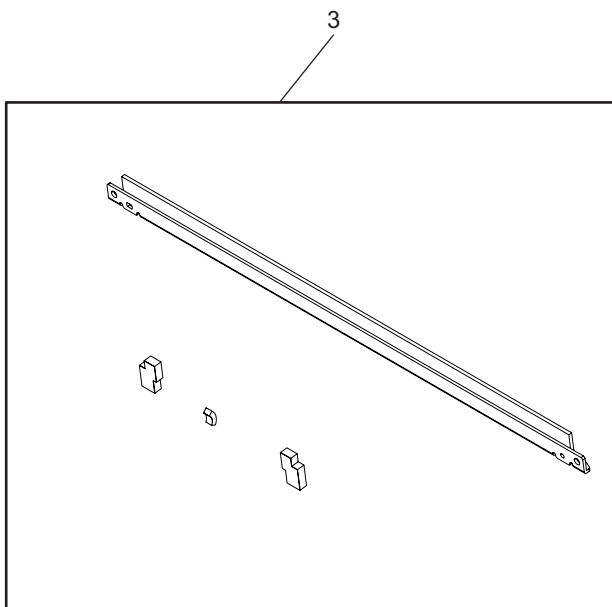
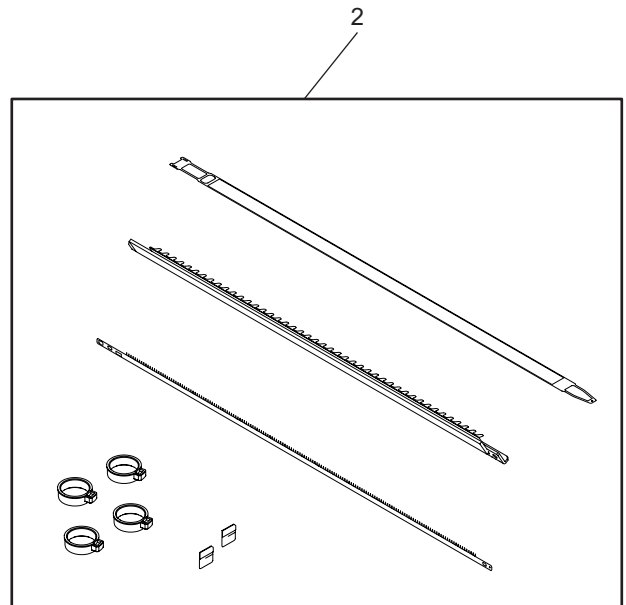
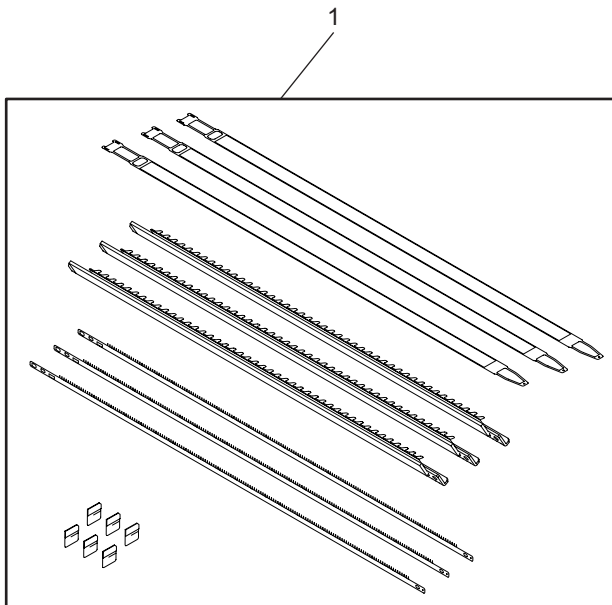
4



5



ITEM No.	PART No.	PART NAME	Q'TY / PAGE	Q'TY / PACK	REMARKS
1 A	6LK55475000	FUSER-H373	1	1/S	eS2555C/3055C/3555C
1 B	6LK55476000	FUSER-H376	1	1/S	eS4555C/5055C
2 A	6LK49049000	EPU-H373K	1	1/S	eS2555C/3055C/3555C Black
2 B	6LK49049100	EPU-H373C	1	1/S	eS2555C/3055C/3555C Cyan
2 C	6LK49049200	EPU-H373M	1	1/S	eS2555C/3055C/3555C Magenta
2 D	6LK49049300	EPU-H373Y	1	1/S	eS2555C/3055C/3555C Yellow
2 E	6LK49049400	EPU-H376K	1	1/S	eS4555C/5055C Black
2 F	6LK49049500	EPU-H376C	1	1/S	eS4555C/5055C Cyan
2 G	6LK49049600	EPU-H376M	1	1/S	eS4555C/5055C Magenta
2 H	6LK49049700	EPU-H376Y	1	1/S	eS4555C/5055C Yellow
4	6LK55463000	TR-BLT_CLN-H370	1	1/S	
5	6LK55461000	TR-BLT-FC505	1	1/S	



ITEM No.	PART No.	PART NAME	Q'TY / PAGE	Q'TY / PACK	REMARKS
1	6LK49083000	EPU-KIT-FC505CLR	1	1/S	
2	6LK49084000	DEV-KIT-FC505K	1	1/S	
3	6LJ70575000	TBU-KIT-FC50	1	1/S	
4 A	6LK55474000	FR-KIT-FC505H	1	1/S	e-STUDIO4555C/5055C
4 B	6LK55473000	FR-KIT-FC505	1	1/S	e-STUDIO2555C/3055C/3555C
5	6LK50755000	ROL-KIT-FC30-U	1	1/S	



**TOSHIBA**

**TOSHIBA TEC CORPORATION**

1-11-1, OSAKI, SHINAGAWA-KU, TOKYO, 141-8562, JAPAN