

TOSHIBA

SERVICE PARTS LIST

MULTIFUNCTIONAL DIGITAL SYSTEMS

e-STUDIO2303A

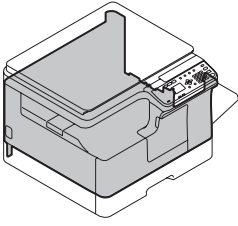
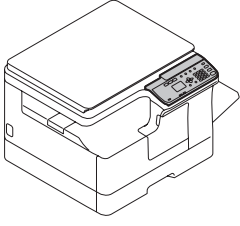
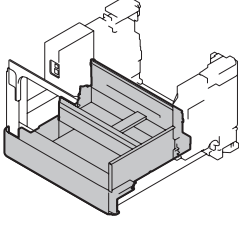
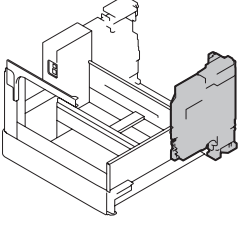
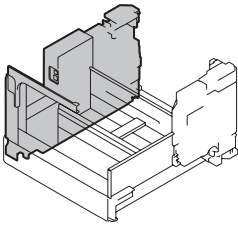
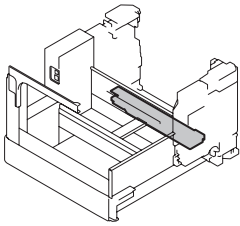
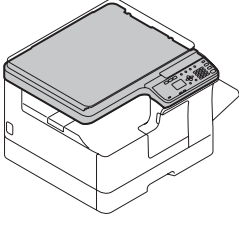
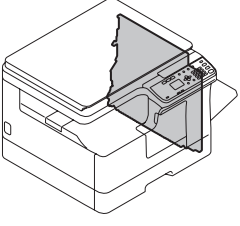
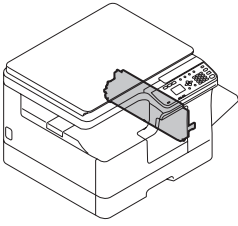
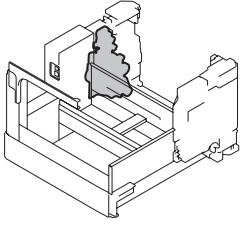
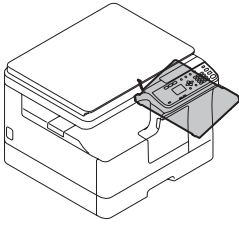
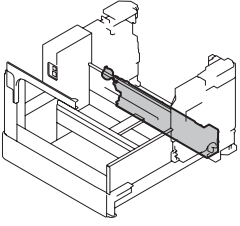
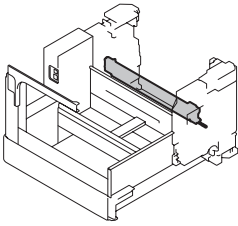
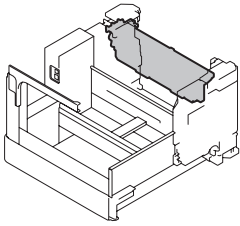
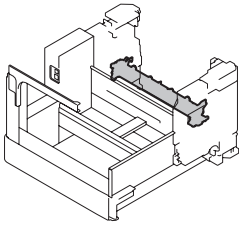
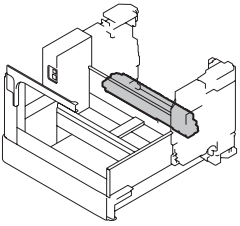
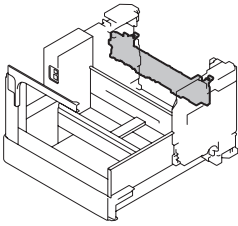
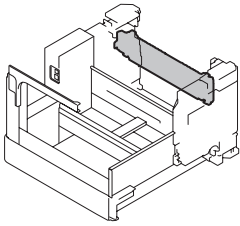
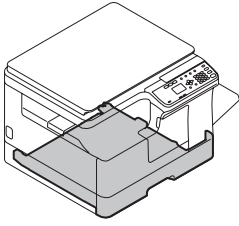
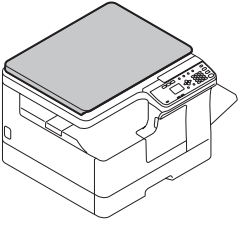
e-STUDIO2309A/2809A

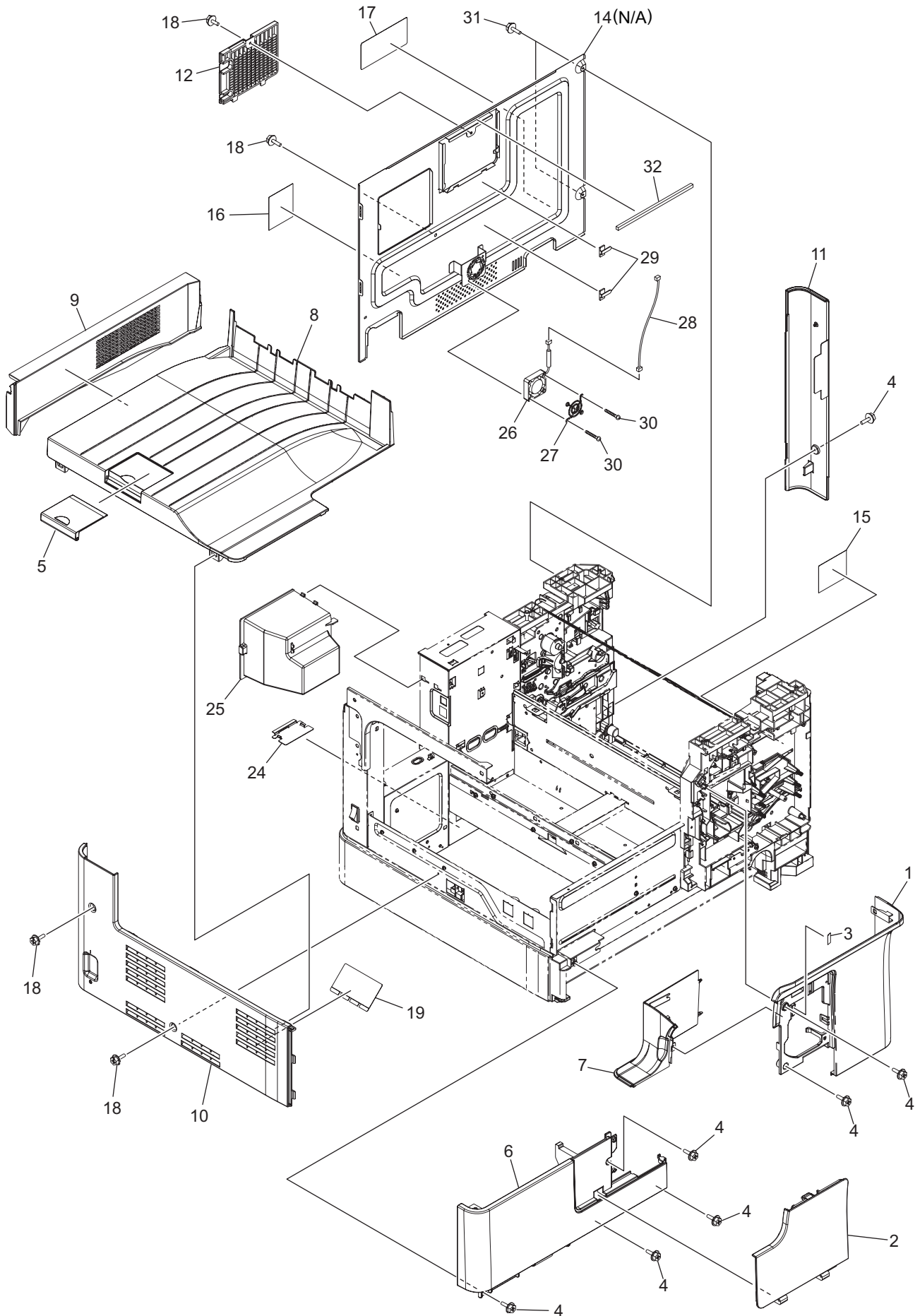
© 2015 TOSHIBA TEC CORPORATION All rights reserved

Under the copyright laws, this manual cannot be reproduced in any form without prior written permission of TOSHIBA TEC CORPORATION. No patent liability is assumed, however, with respect to the use of the information contained herein.

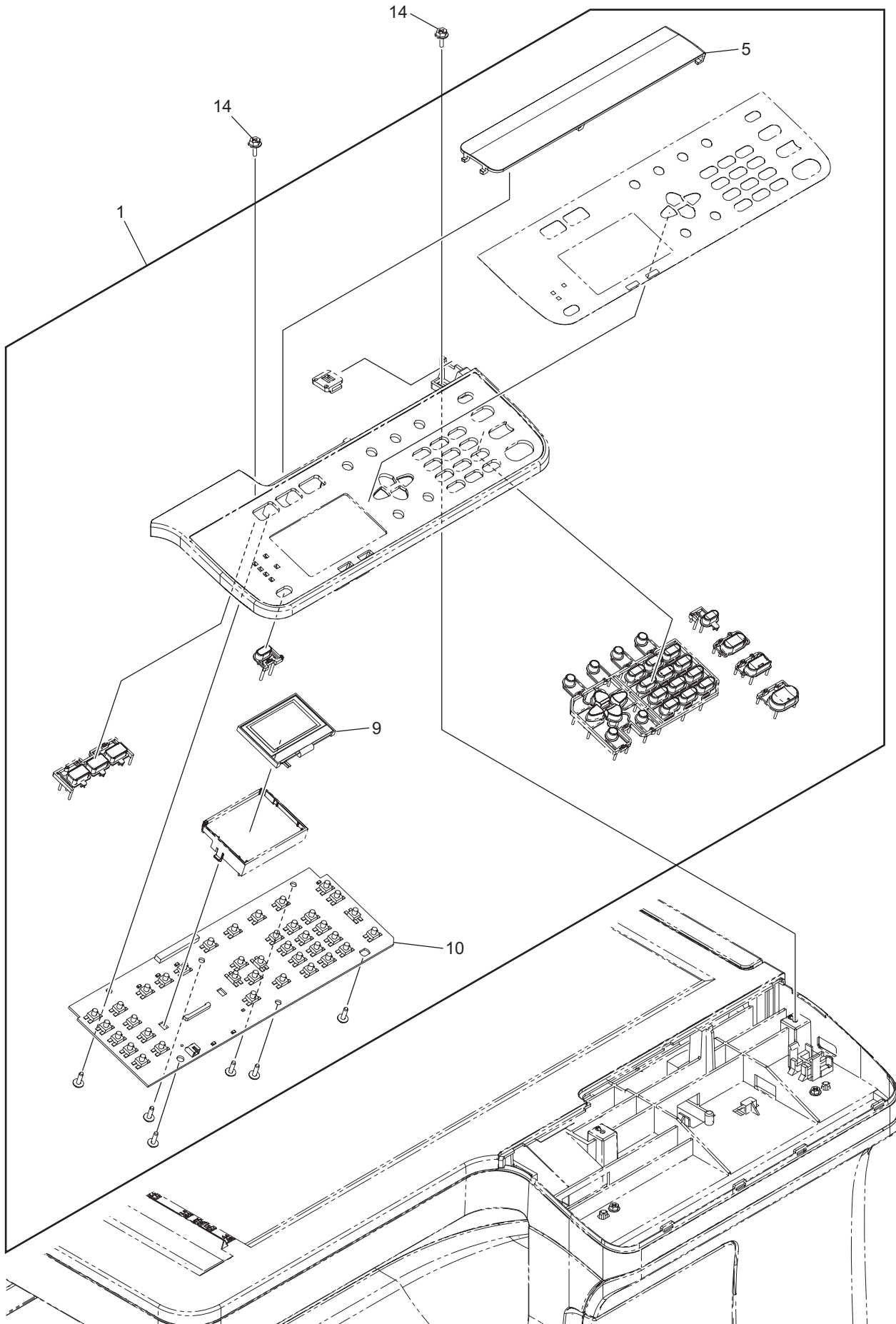
CONTENTS

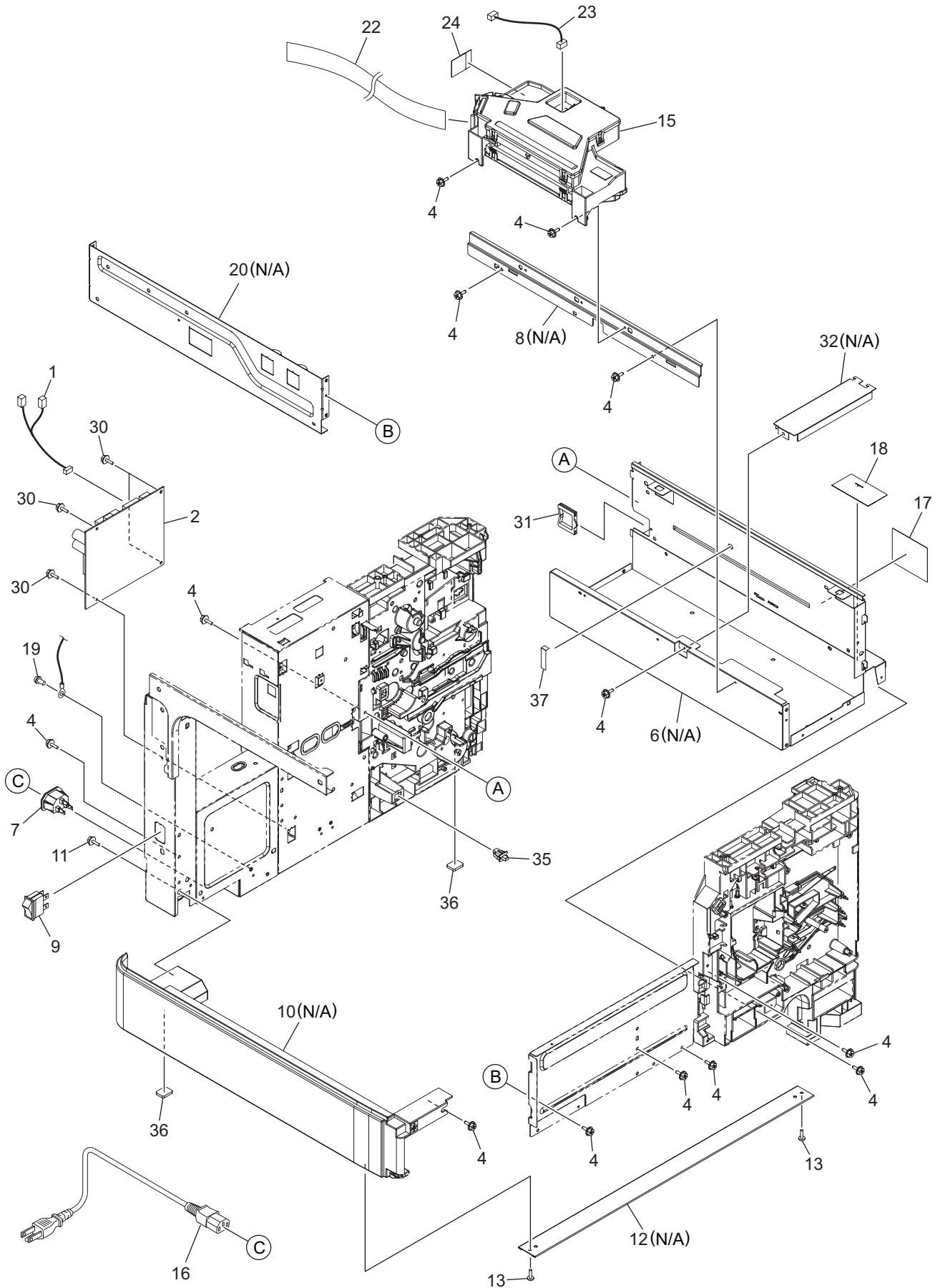
COVER-ASY	1
CONTROL-PANEL-ASY.....	2
BASE-FRAME-ASY.....	3
FRONT-FRAME-ASY	4
REAR-FRAME-ASY	5
STAY-ASY	6
OPTICAL-ASY.....	7
ADU-1-ASY	8
ADU-2-ASY	9
MAIN-DRIVE-ASY.....	10
BYPASS-ASY.....	11
GUIDE-ASY.....	12
MAIN-CHARGER-ASY.....	13
EXIT-ASY	14
CLEANER-ASM	15
DEVELOPER-ASY.....	16
FUSER-1-ASY.....	17
FUSER-2-ASY.....	18
DRAWER-ASY	19
PLATEN-ASY	20
ADU-GUIDE-ASY.....	21
DUCT-ASY	22
ADU-DRIVE-ASY	23
JIGS & GREASE.....	101
SUPPLIES.....	102
REPLACE UNIT	103
PM-KIT	104
FR-KIT.....	105

<p>1. COVER-ASY</p> 	<p>2. CONTROL-PANEL-ASY</p> 	<p>3. BASE-FRAME-ASY</p> 	<p>4. FRONT-FRAME-ASY</p> 
<p>5. REAR-FRAME-ASY</p> 	<p>6. STAY-ASY</p> 	<p>7. OPTICAL-ASY</p> 	<p>8. ADU-1-ASY</p> 
<p>9. ADU-2-ASY</p> 	<p>10. MAIN-DRIVE-ASY</p> 	<p>11. BYPASS-ASY</p> 	<p>12. GUIDE-ASY</p> 
<p>13. MAIN-CHARGER-ASY</p> 	<p>14. EXIT-ASY</p> 	<p>15. CLEANER-ASM</p> 	<p>16. DEVELOPER-ASY</p> 
<p>17. FUSER-1-ASY</p> 	<p>18. FUSER-2-ASY</p> 	<p>19. DRAWER-ASY</p> 	<p>20. PLATEN-ASY</p> 

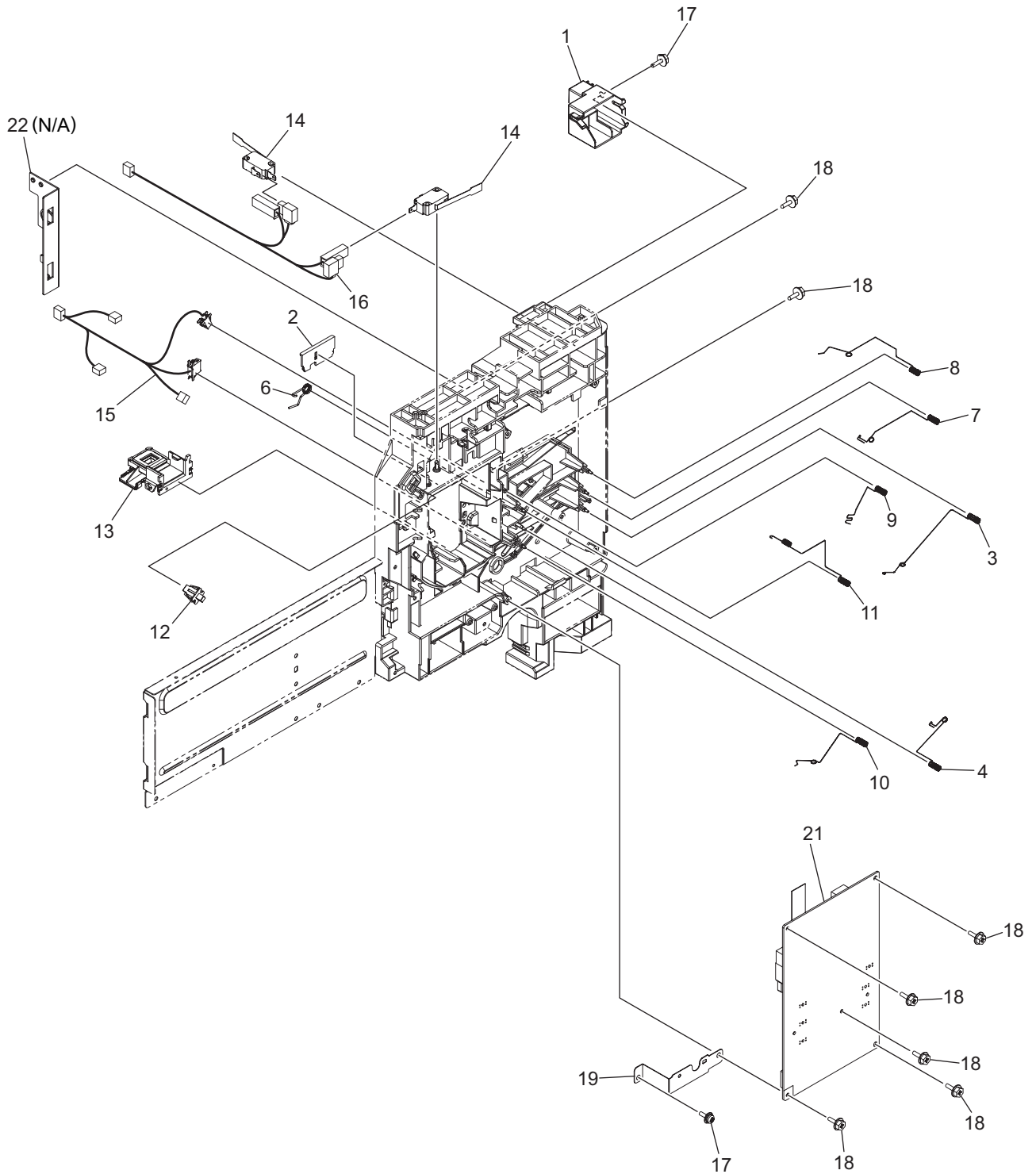


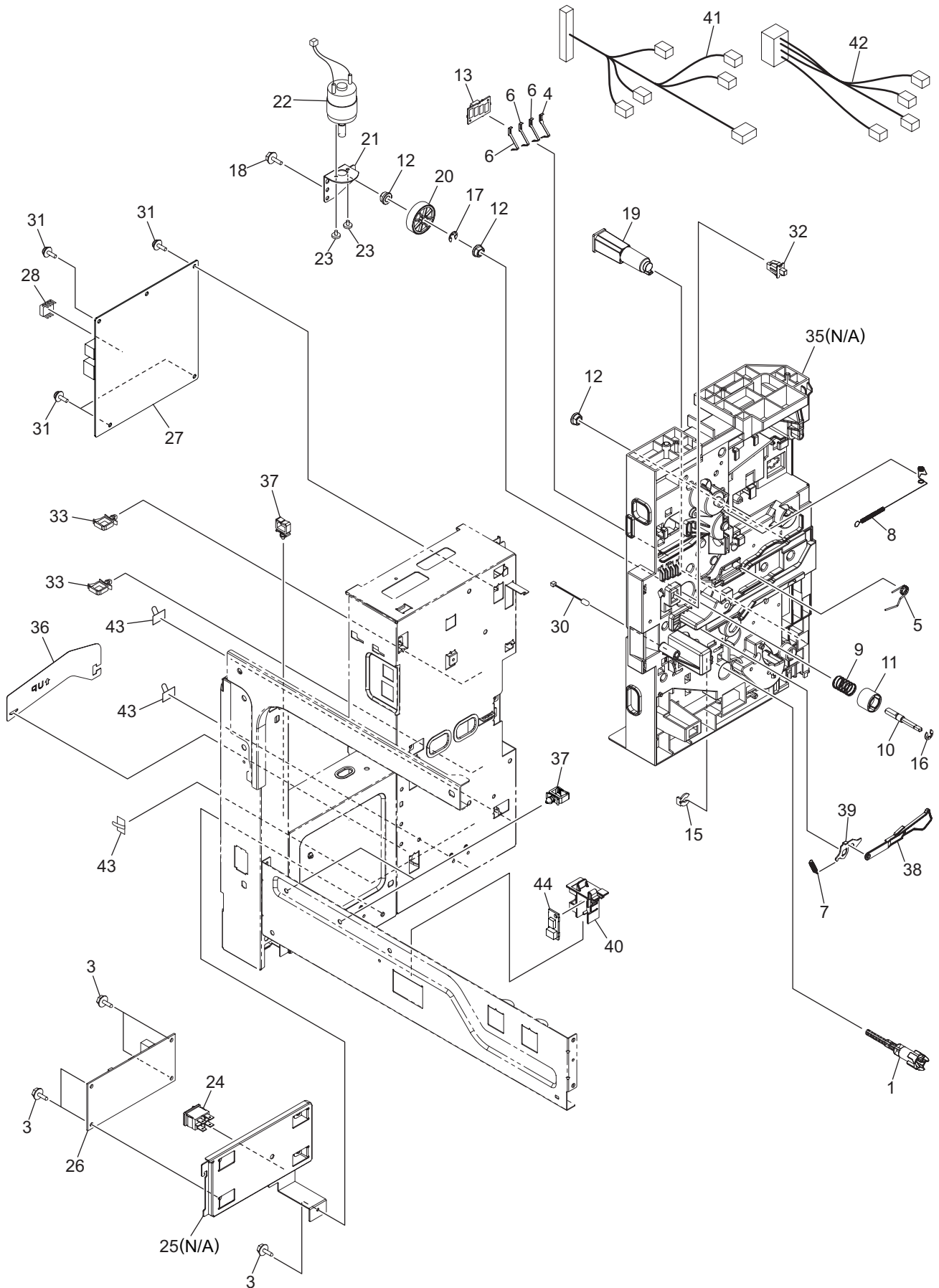
ITEM No.	PART No.	PART NAME	Q'TY / PAGE	Q'TY / PACK	REMARKS
1 A	6LJ76024G00	ASYS-COV-FRT-R-2303_G	1	1/PP	eS2303A
1 B	6LJ76024T00	ASYS-COV-FRT-R-2309_G	1	1/PP	eS2309A
1 C	6LJ76024P00	ASYS-COV-FRT-R-2809_G	1	1/PP	eS2809A
2	6LJ76014200	COV-FRT-TNR-H241-GC	1	1/PP	
3	6LJ80009000	LBL_O-TNR-CARTG	1	5/P	
4	X0-02247000	S/TPP/FHEXM-3X8-NI	7	10/P	
5	6LE21719700	COV-STOP-PAPER-H390	1	1/PP	
6	6LJ76020200	COV-FRT-L-H241-GC	1	1/PP	
7	6LJ76016600	COV-PILLAR-H241-H39GC	1	1/PP	
8	6LJ76019600	COVER-TRAY-H39GC	1	1/PP	
9	6LJ76018200	COV-TRAY-BACK-H241-GC	1	1/PP	
10	6LJ76017800	COV-LEFT-U-H241-H39XGC	1	1/PP	
11	6LJ76003200	COV-RIGHT-PH25-GC	1	1/PP	
12	6LJ76056100	COVER-REAR-SUB-H390	1	1/PP	
14	6LJ76065000	ASYS-COV-REAR-H390	1	N/A***	
15 A	6LJ83461000	LBL-CAU-LASER	1	1/P	NAD,ASD,ARD,AUD,MJD
15 B	6LJ83375000	LBL-CAU-LASER-CND	1	1/P	CND
16 A	44204604000	LBL-SERVICE-45	1	5/P	NAD,ASD,ARD,AUD,MJD
16 B	6LA56227000	LBL-SERVICE-45C	1	5/KP	CND
17 A	6LA47529000	LBL-LASER	1	1/KP	NAD,ASD,ARD,AUD,MJD
17 B	6LA56226000	LBL-LASER-C	1	5/KP	CND
18	X0-02420000	S/TPS/FHEXM/R-3X8-ZU3	4	10/P	
19	6LJ76033000	SHEET-SHADE-COV-LFT-H241	1	1/P	
24	6LJ77862000	COV-FRAME-REAR-OP	1	1/PP	
25	6LJ76060000	COVER-FAX-OP	1	1/PP	
26	6LH39818000	FAND-4010-1604KL-450	1	1/D	
27	6LJ76071000	GUARD-FAN-H390	1	1/P	
28	6LJ81991000	HRNS-PSFAN-H390	1	1/P	
29	F0-00136000	K-103G	2	5/P	
30	X0-02668000	S/TPD3/FHEXM-3X15-ZU3	2	5/P	
31	X0-00434000	S/BID-M3X8-NI	2	10/P	
32	6LJ76073000	SEAL-COV-REAR-H390	1	1/P	



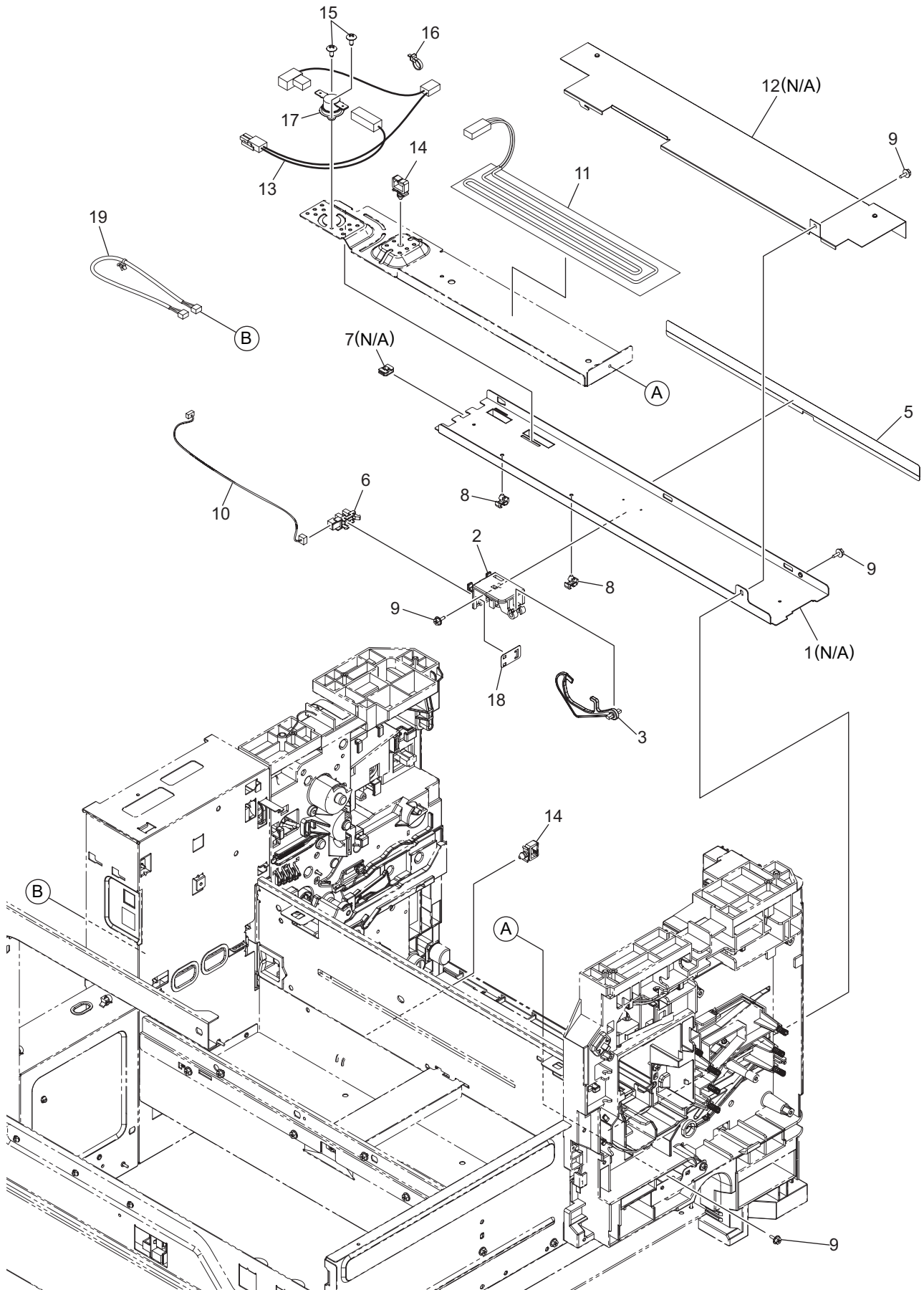


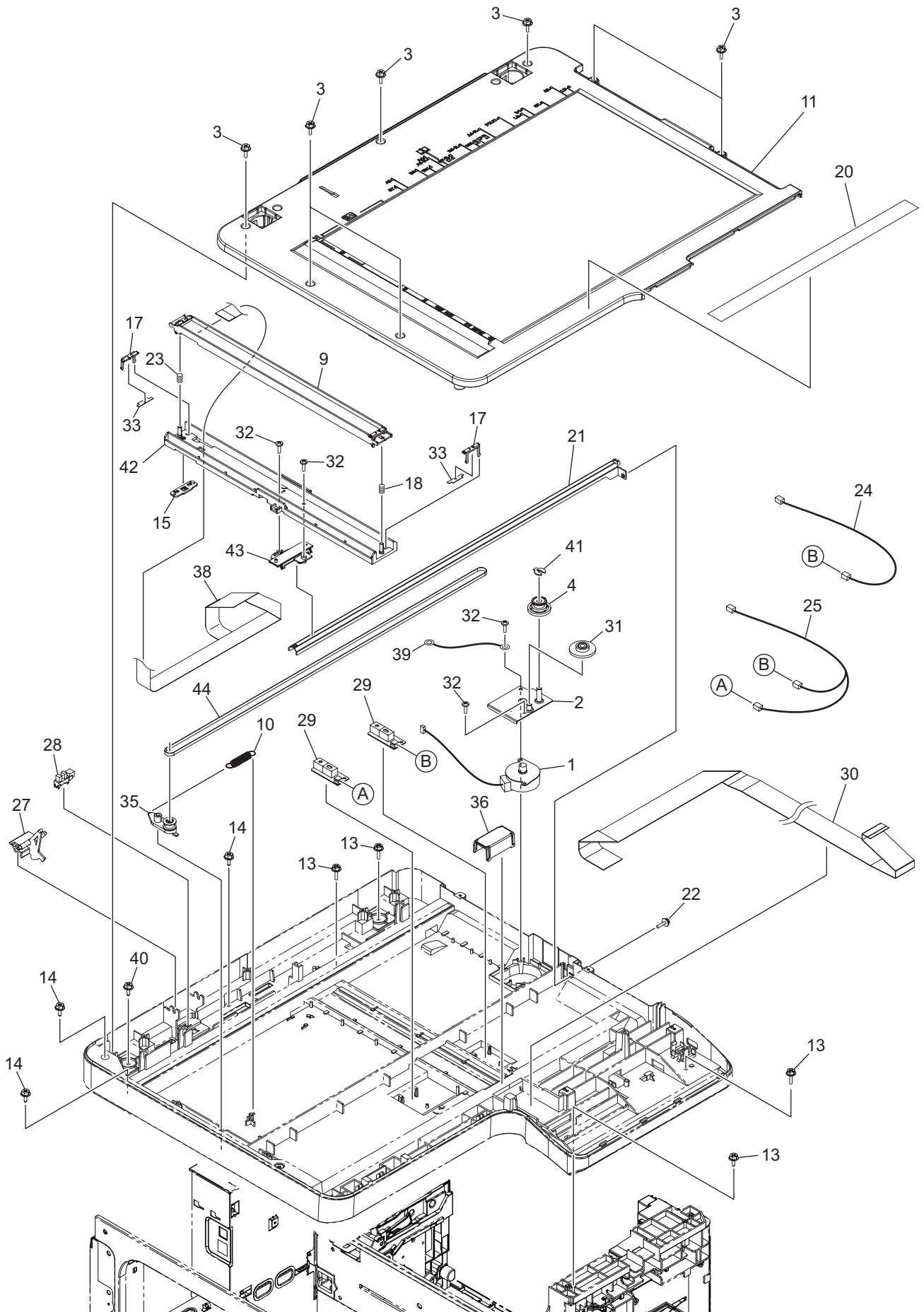
ITEM No.	PART No.	PART NAME	Q'TY / PAGE	Q'TY / PACK	REMARKS
1 A	6LJ81651000	HRNS-ACIN1-H390E	1	1/P	eS2303A
1 B	6LJ81998000	HRNS-ACIN1-H392J	1	1/P	eS2309A/2809A NAD
1 C	6LJ81997000	HRNS-ACIN1-H392E	1	1/P	eS2309A/2809A CND,ASD,ARD,AUD,MJD
2 A	6LJ81646000	PS-ACC-H390EU	1	1/SB	CND,ASD,ARD,AUD,MJD
2 B	6LJ81645000	PS-ACC-H390JU	1	1/SB	NAD
4	X0-02420000	S/TPS/FHEXM/R-3X8-ZU3	13	10/P	
6	6LJ77859000	ASYS-PLATE-ENC-H390	1	N/A***	
7 A	6LJ81966000	HRNS-INLET-DH-H390	1	1/P	ASD,ARD,AUD
7 B	6LJ81965000	HRNS-INLET-H390	1	1/P	NAD,CND,MJD
8	6LJ77748000	BKT-STY-LSU-H241	1	N/A***	
9	E0-14534000	CF-LA-2KZ2-1C	1	1/C	
10	6LJ77747200	COV-LFT-241-GC	1	N/A***	
11	X0-02247000	S/TPP/FHEXM-3X8-NI	1	10/P	
12	6LJ77874000	STAY-F-LOW-H390	1	N/A***	
13	X0-01989000	S/TPP/BID-3X8-NI	2	10/P	
15	6LJ78341000	LSU-2809	1	1/S	
16 A	6LE95822000	CABLE-P-INLET-EUR	1	1/P	MJD
16 B	6LJ83117000	CABLE-P-INLET-UK	1	1/P	ASD
16 C	6LJ60950000	CABLE-P-INLET-NAD-15A	1	1/P	NAD
16 D	6LK31407000	CABLE-P-INLET-AU	1	1/P	AUD
16 E	6LE95824000	CABLE-P-INLET-AR	1	1/P	ARD
16 F	6LJ83118000	CABLE-P-INLET-CCC	1	1/P	CND
17 A	6LJ83461000	LBL-CAU-LASER	1	1/P	NAD,ASD,ARD,AUD,MJD
17 B	6LJ83375000	LBL-CAU-LASER-CND	1	1/P	CND
18	6LJ76557000	SHEET-BARR-TONER	1	1/P	
19	6LH55300000	USUITA-SPSEMS-4X8-6	1	5/P	
20	6LJ77840000	BKT-STY-L-H390	1	N/A***	
22	6LJ81859000	HRNS-LDR-240	1	1/P	
23	6LJ81819000	HRNS-POL-240	1	1/P	
24	6LJ76034000	SHEET-SHADE-LSU	1	1/P	
30	X0-00077000	S/PAN/SWWP-M3X8-NI	4	10/P	
31	F0-00034000	EDS-2323U	1	5/P	
32	6LJ77863000	BRKT-LSU-SUPPORT	1	N/A***	
35	E0-14613000	PS-12C02-F NS	1	1/P	
36	6LJ77875000	FOOT-FRAME-CR	2	1/P	
37	6LJ77814000	SHEET-BRKT-STY	1	1/P	



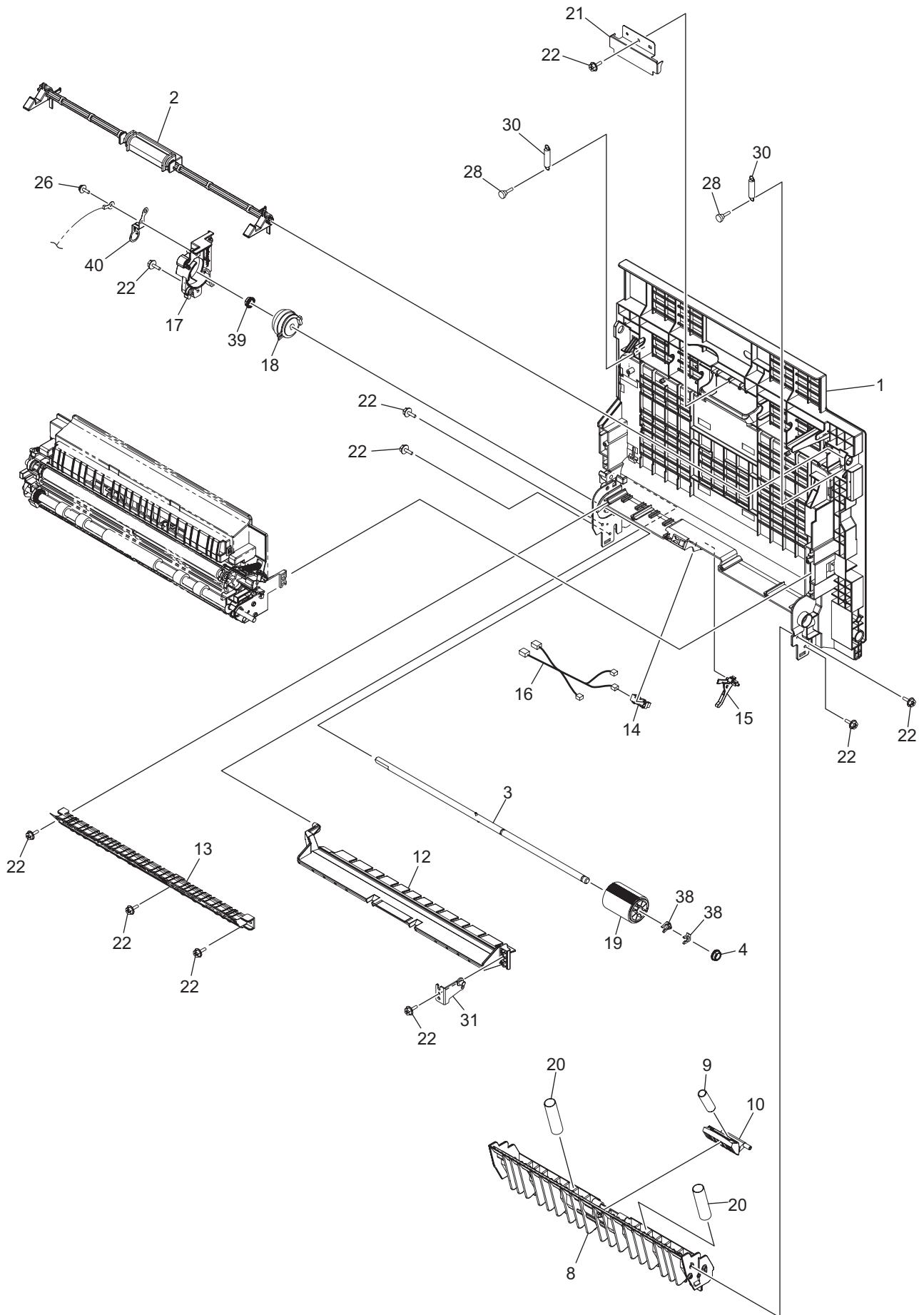


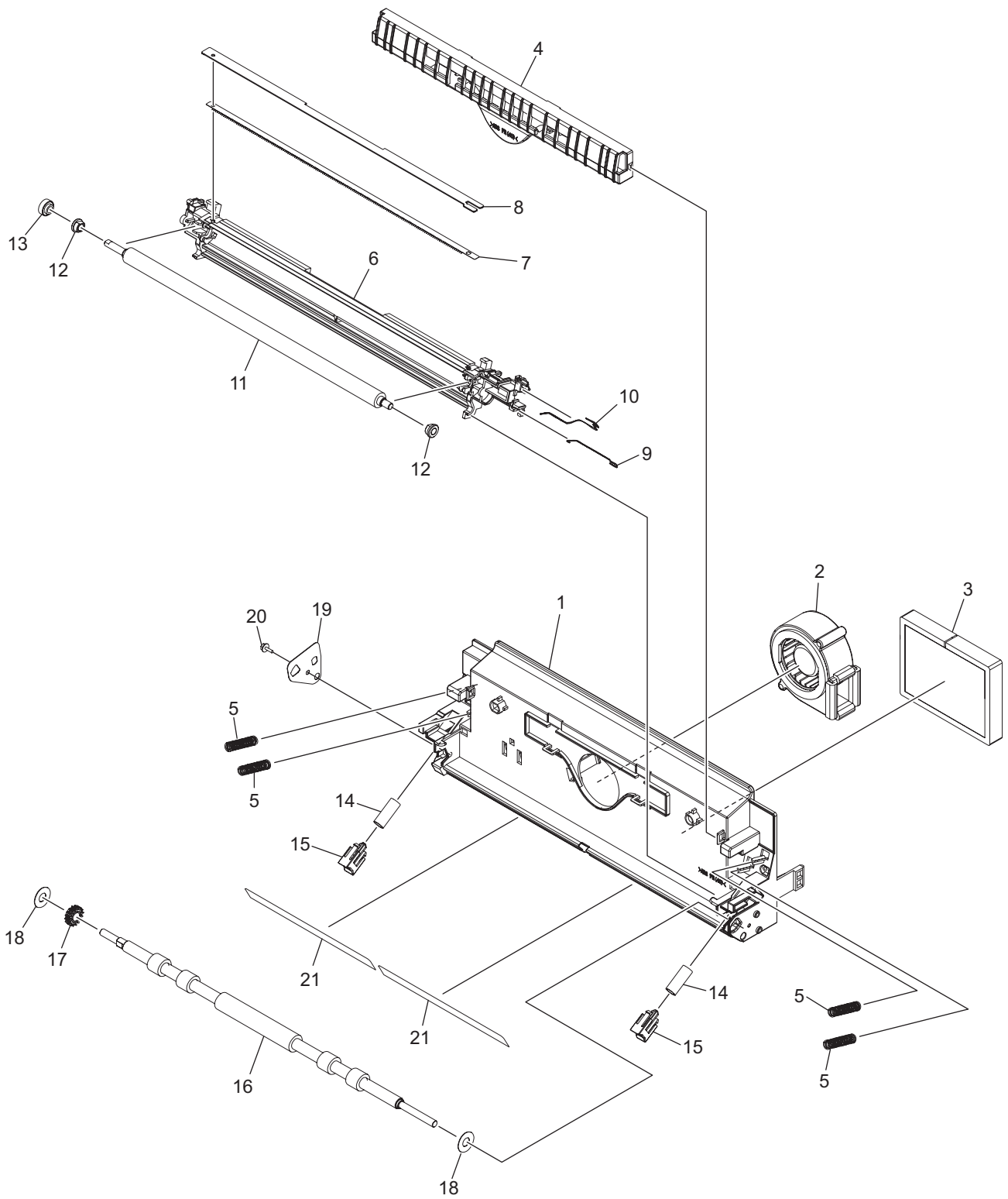
ITEM No.	PART No.	PART NAME	Q'TY / PAGE	Q'TY / PACK	REMARKS
1	6LJ56336000	COUPL-CST-H21X_L	1	1/P	
3	X0-02420000	S/TPS/FHEXM/R-3X8-ZU3	5	10/P	
4	6LJ54890000	SPG-F-TNRIC-H21X-G	1	1/P	
5	6LJ75519000	SPG-LOCK-DRUM-R	1	1/P	
6	6LJ54889000	SPG-F-TNRIC-H21X	3	1/P	
7	6LJ76582000	SPG-LOCK-DEV	1	1/P	
8	6LJ78021000	SPG-EARTH-FUS-H24X	1	1/P	
9	6LJ76826000	SPG-C-DRV-TNR-H24X	1	1/P	
10	6LJ76822000	STUD-TNRDRV-H24X	1	1/P	
11 A	6LH57004100	CPG-TC-470-D	1	1/P	ASD,AUD
11 B	6LH57004400	CPG-TC-470-C	1	1/P	CND
11 C	6LH57004300	CPG-TC-470-E	1	1/P	MJD
11 E	6LH57004200	CPG-TC-470-U	1	1/P	NAD,ARD
12	44201492000	BUSH-6-POM	3	5/P	
13	6LJ81247000	PWA-H-CTIF-H390	1	1/C	
15	44201801000	STOP-RING-6-1.5	1	5/P	
16	X0-00964000	RR/E-3-SS	1	10/P	
17	X0-00966000	RR/E-5-SS	1	10/P	
18	X0-02247000	S/TPP/FHEXM-3X8-NI	1	10/P	
19	6LJ77756000	BOS-CENTER-COV-ADU-H241	1	1/P	
20	6LJ76817000	GEAR-05H60-DRV-TNR-H24X	1	1/P	
21	6LJ76821000	BRKT-DRV-TNR-H24X	1	1/P	
22	6LJ76845000	MOTRD-TNR-H24X	1	1/D	
23	X0-02557000	S/BID-M2.6X3-NI	2	10/P	
24	E0-11767000	AJ76101BF	1	1/P	ASD,ARD,AUD,TWD
25 A	6LJ77769000	BRKT-BOARD-DHTR-H24X	1	N/A***	ASD,ARD,AUD
26 A	6LJ81220000	PWA-H-FUS-240	1	1/C	ASD,ARD,AUD
27 A	6LJ82038000	PWA-H-MAIN-H390	1	1/SB	eS2303A
27 B	6LJ82041000	PWA-H-MAIN-H392	1	1/SB	eS2309A CND,ASD,ARD,AUD,MJD
27 C	6LJ82041200	PWA-H-MAIN-H392NA	1	1/SB	eS2309A NAD
27 D	6LJ82041100	PWA-H-MAIN-H393	1	1/SB	eS2809A CND,ASD,ARD,MJD
27 E	6LJ82041300	PWA-H-MAIN-H393NA	1	1/SB	eS2809A NAD
28	C0-18692000	W25Q80BVDAIG	1	1/S	
30	6LJ81611000	THMS-DRM-240	1	1/P	
31	X0-00077000	S/PAN/SWWP-M3X8-NI	4	10/P	
32	E0-14613000	PS-12C02-F NS	1	1/P	
33	F0-01245000	LWS-1316Z	2	5/P	
35	6LJ77878100	ASYS-FRAME-REAR-H390	1	N/A***	
36	6LJ77871000	SHEET-LVPS-H390	1	1/P	
37	F0-00024000	LWS-1U	3	5/P	
38	6LJ76581000	LEVER-LOCK-DEV	1	1/P	
39	6LJ76580000	PLATE-LOCK-DEV	1	1/P	
40	6LJ77860000	HLD-SEN-TMP-H39X	1	1/P	
41	6LJ81650000	HRNS-MAIN-FEED-H390	1	1/P	
42 A	6LJ81994000	HRNS-TEMP2-H390	1	1/P	eS2303A/2309A
42 B	6LJ81993000	HRNS-TEMP-H390	1	1/P	eS2809A
43	F0-00136000	K-103G	3	5/P	
44	D0-38885000	HSU-08F9C1A	1	1/P	

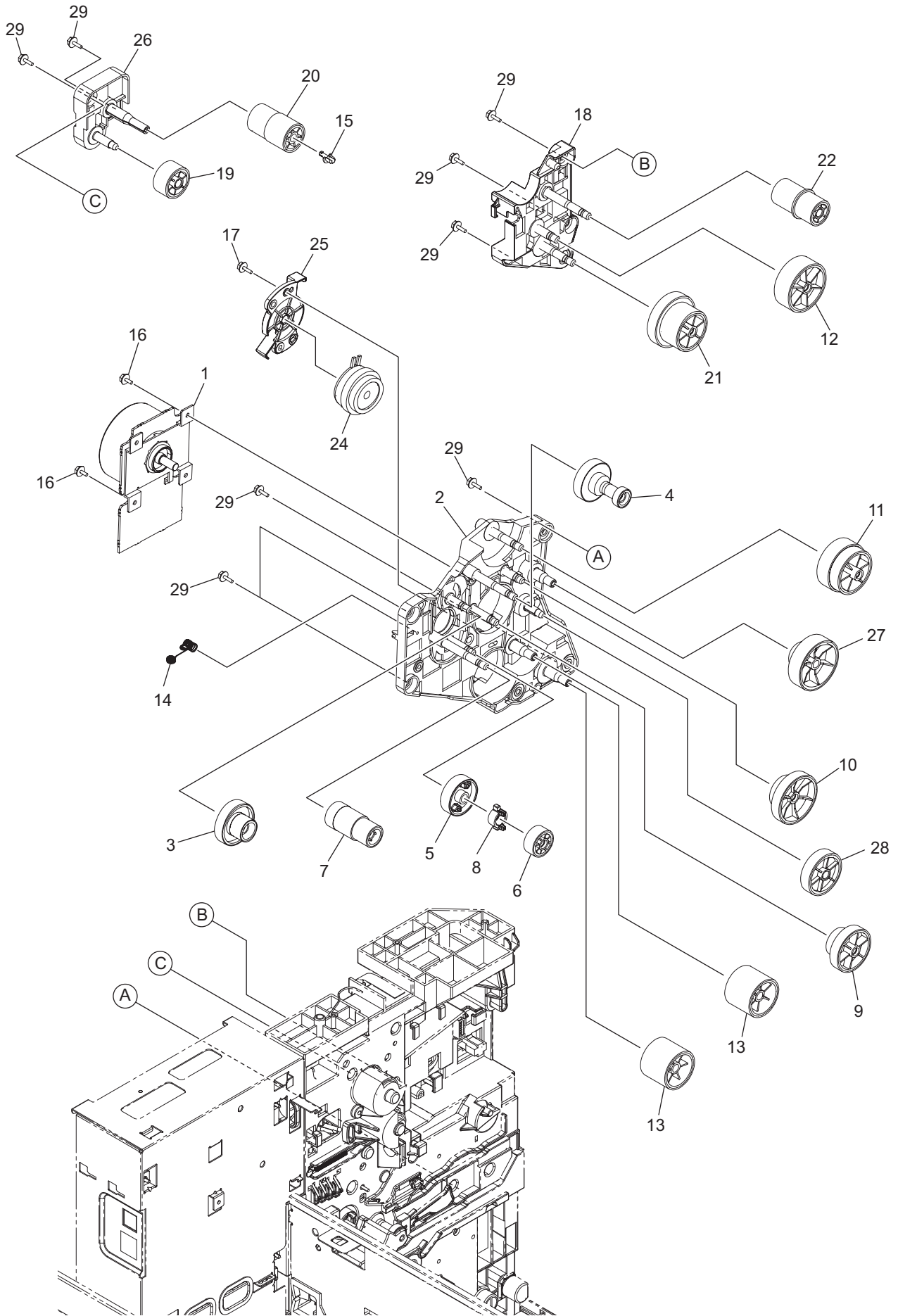


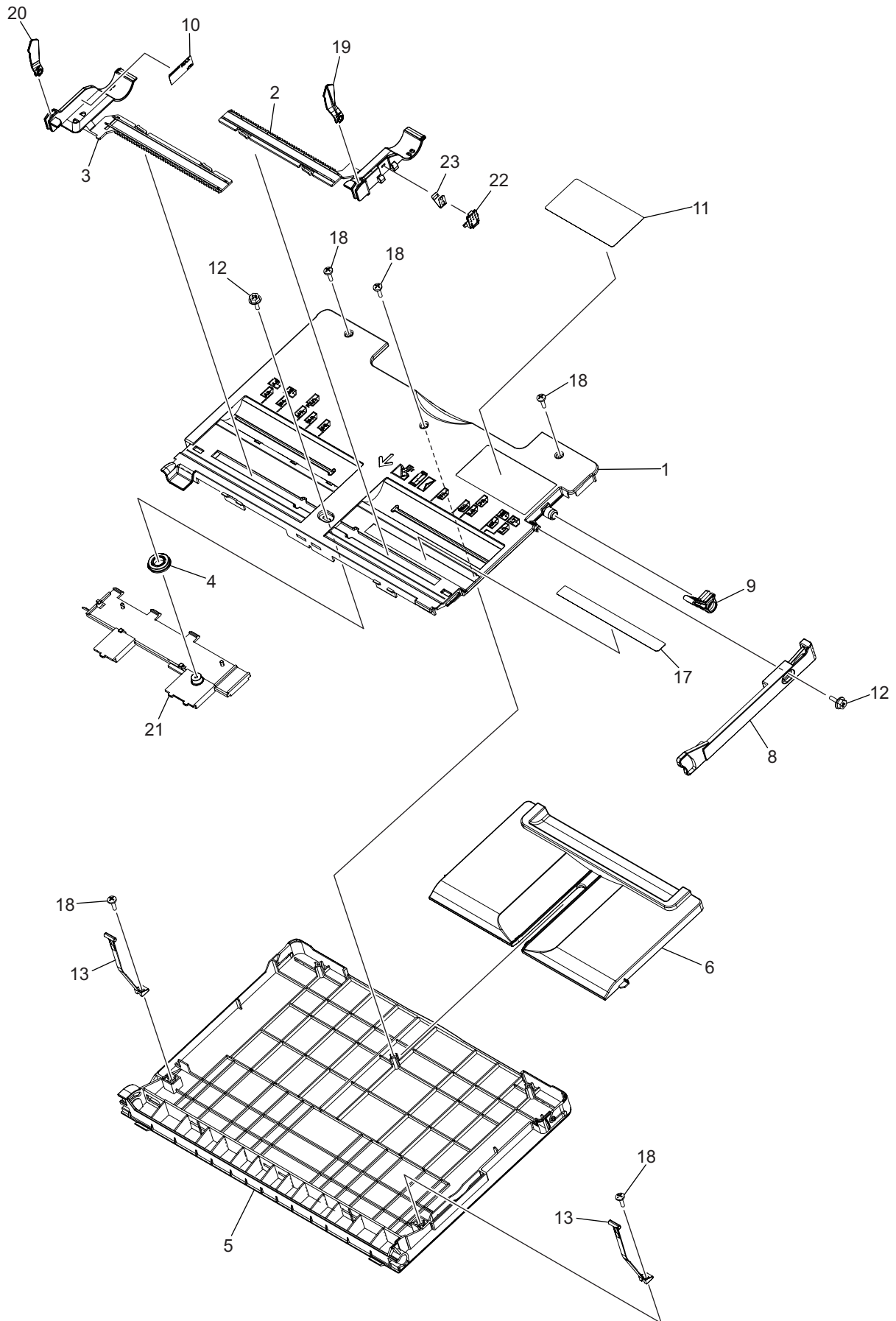


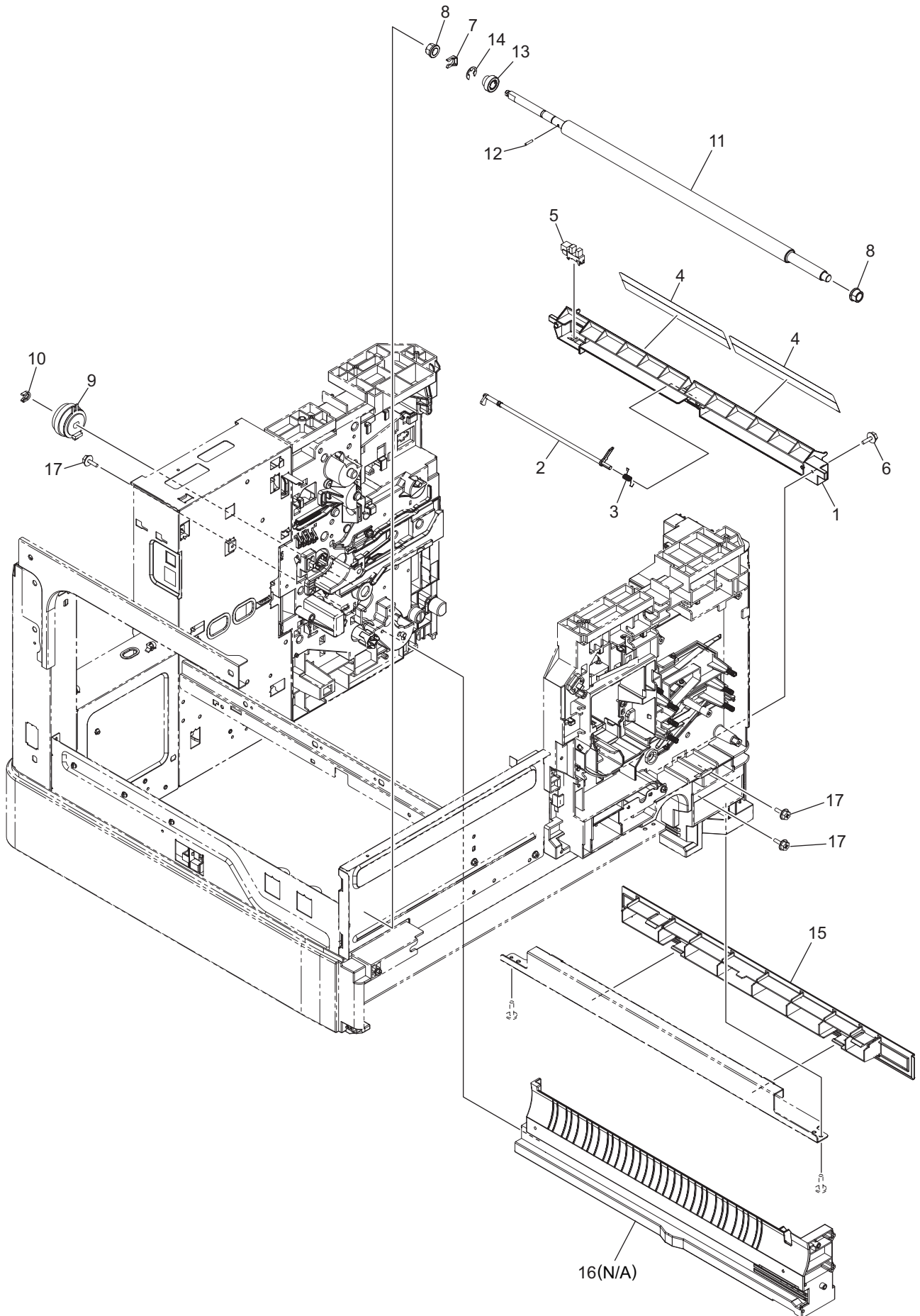
ITEM No.	PART No.	PART NAME	Q'TY / PAGE	Q'TY / PACK	REMARKS
1	6LJ79732000	MOTR_S-SCN-240	1	1/C	
2	6LJ79836000	ASYS-BKT-MOT-SCN-DR-N	1	1/P	
3	X0-02247000	S/TPP/FHEXM-3X8-NI	7	10/P	
4	6LJ79816000	PLY-DRV-SCAN-PH25	1	1/P	
9	6LJ77883000	ASYS-SNSR-CISM-H390	1	1/C	
10	6LJ79709000	SPRING-TENS-PH25	1	1/P	
11 A	6LJ79858200	TOPCOVER-DR-HGC	1	1/S	eS2309A/2809A
11 B	6LJ79858300	TOPCOVER-DR-LGC	1	1/S	eS2303A
13	X0-02248000	S/TPP/FHEXM-3X10-NI	4	10/P	
14	X0-02420000	S/TPS/FHEXM/R-3X8-ZU3	3	10/P	
15	6LJ79774000	FOOT-CRG-DR	1	1/P	
17	6LJ79703000	SLIDER-CIS-PH25	2	1/P	
18	6LJ79792000	SPG-C-DRA-FRNT-BLK	1	1/P	
20 A	6LJ82613000	LBL-PROHIBIT-C-H24X	1	1/P	CND
20 B	6LJ82612000	LBL-PROHIBIT-E-H24X	1	1/KP	ASD,ARD,AUD,MJD
20 C	6LJ82610000	LBL-PROHIBIT-U-H24X	1	1/P	NAD
21	6LJ79772000	GUIDE-RAIL-SCAN-DR	1	1/PP	
22	6LE43405000	S/PAN/SWWP-M3X6-ZU3-B	1	10/P	
23	6LJ79791000	SPG-C-DRA-REA-RED	1	1/P	
24 A	6LJ81974000	HRNS-SCN-APS-A-H392	1	1/P	eS2309A/2809A CND,ASD,ARD,AUD,MJD
25 B	6LJ81975000	HRNS-SCN-APS-LT-H392	1	1/P	eS2309A/2809A NAD
27 A	6LJ79745000	LEVER-PLTN-SW-DR	1	1/P	eS2309A/2809A
28 A	C0-17839000	LG2A14BL1	1	1/C	eS2309A/2809A
29 A	6LE63995000	SNSR-PS181EL1-S42	1	1/C	eS2309A/2809A CND,ASD,ARD,AUD,MJD
29 B	6LE63995000	SNSR-PS181EL1-S42	2	1/C	eS2309A/2809A NAD
30	6LJ81973000	HRNS-MAIN-PNL-H390	1	1/P	
31	6LJ79817000	GEAR-5S32_5S64-6	1	1/P	
32	6LA80090000	S/TPP/BID-3*8-NI	4	5/P	
33	6LJ79771000	MYLAR-CIS-01	2	1/P	
35	6LJ79837000	ASYS-ARM-TENS-BELT-H390	1	1/P	
36	6LJ79830000	COVER-HRNS-COMP-H390	1	1/P	
38	6LJ81970000	HRNS-SCN-CISM-H390	1	1/P	
39	6LJ81937000	HRNS-SCN-MOT-GND-241	1	1/P	
40	X0-00077000	S/PAN/SWWP-M3X8-NI	1	10/P	
41	6LH06812000	STOP-RING-3	1	5/P	
42	6LJ79834000	CASE-CIS-PH25	1	1/PP	
43	6LJ79826000	GUIDE-SLIDE-CIS-H390	1	1/P	
44	6LJ79744000	BELT-DRV-CIS-DR	1	1/P	

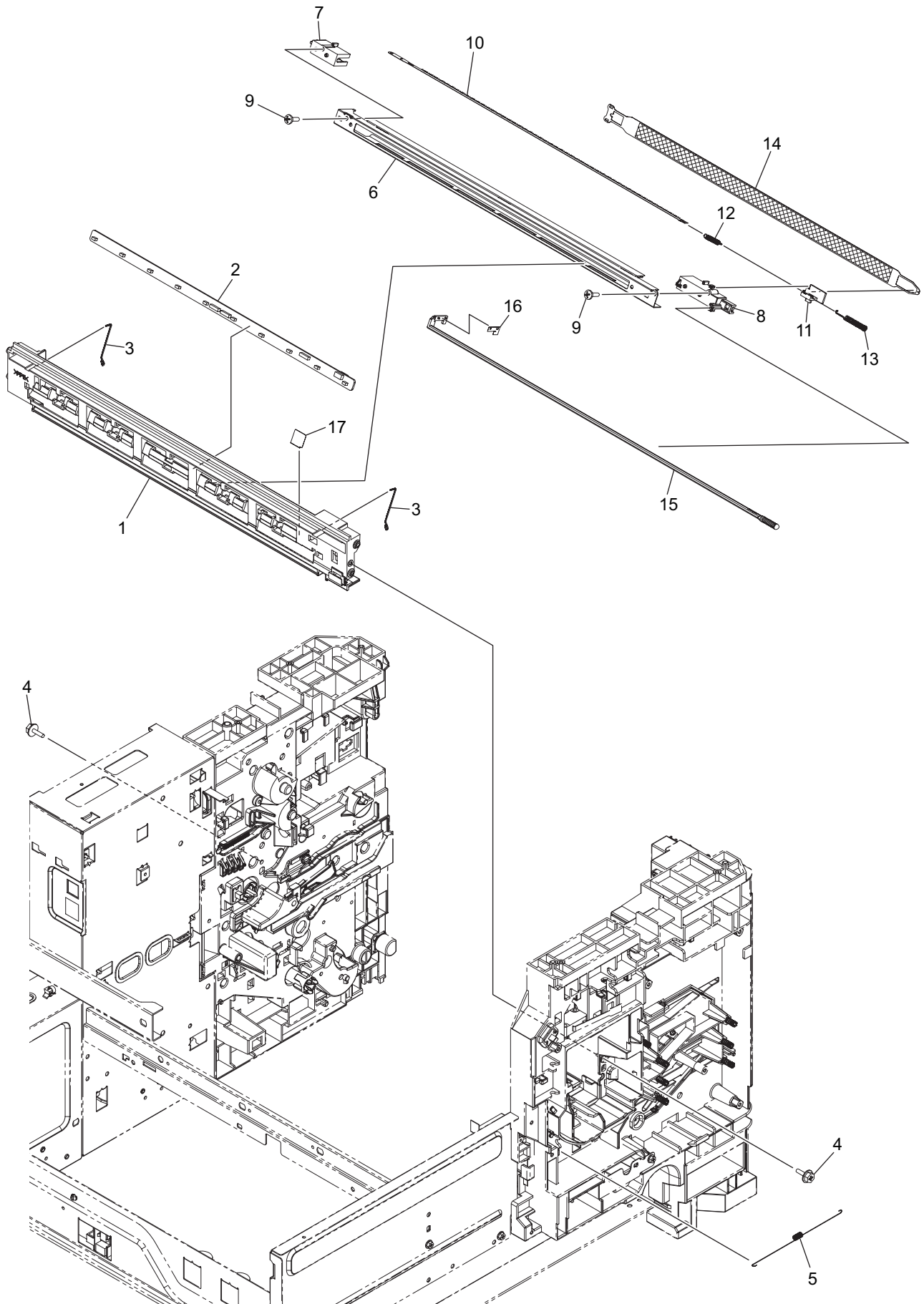


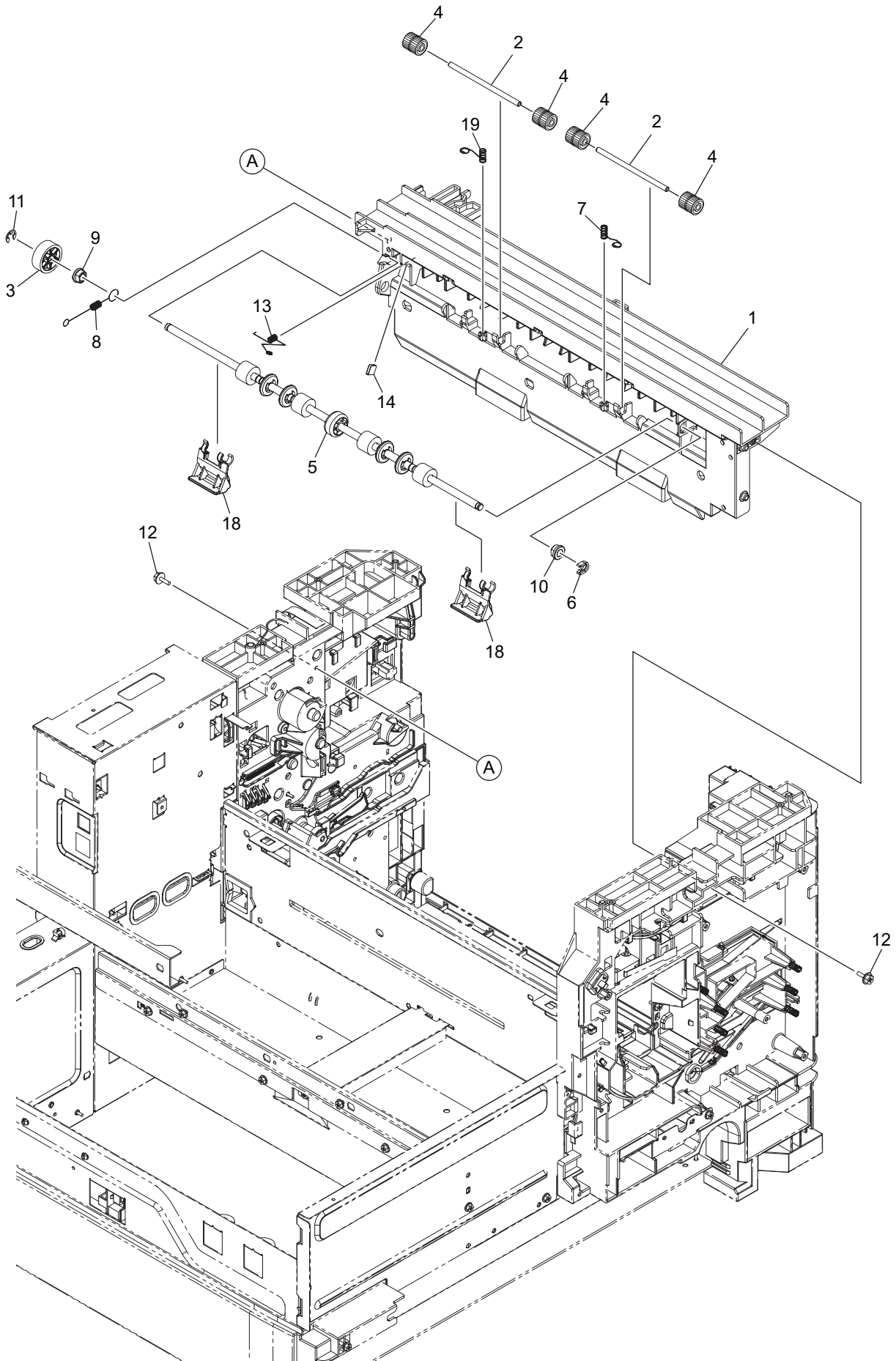


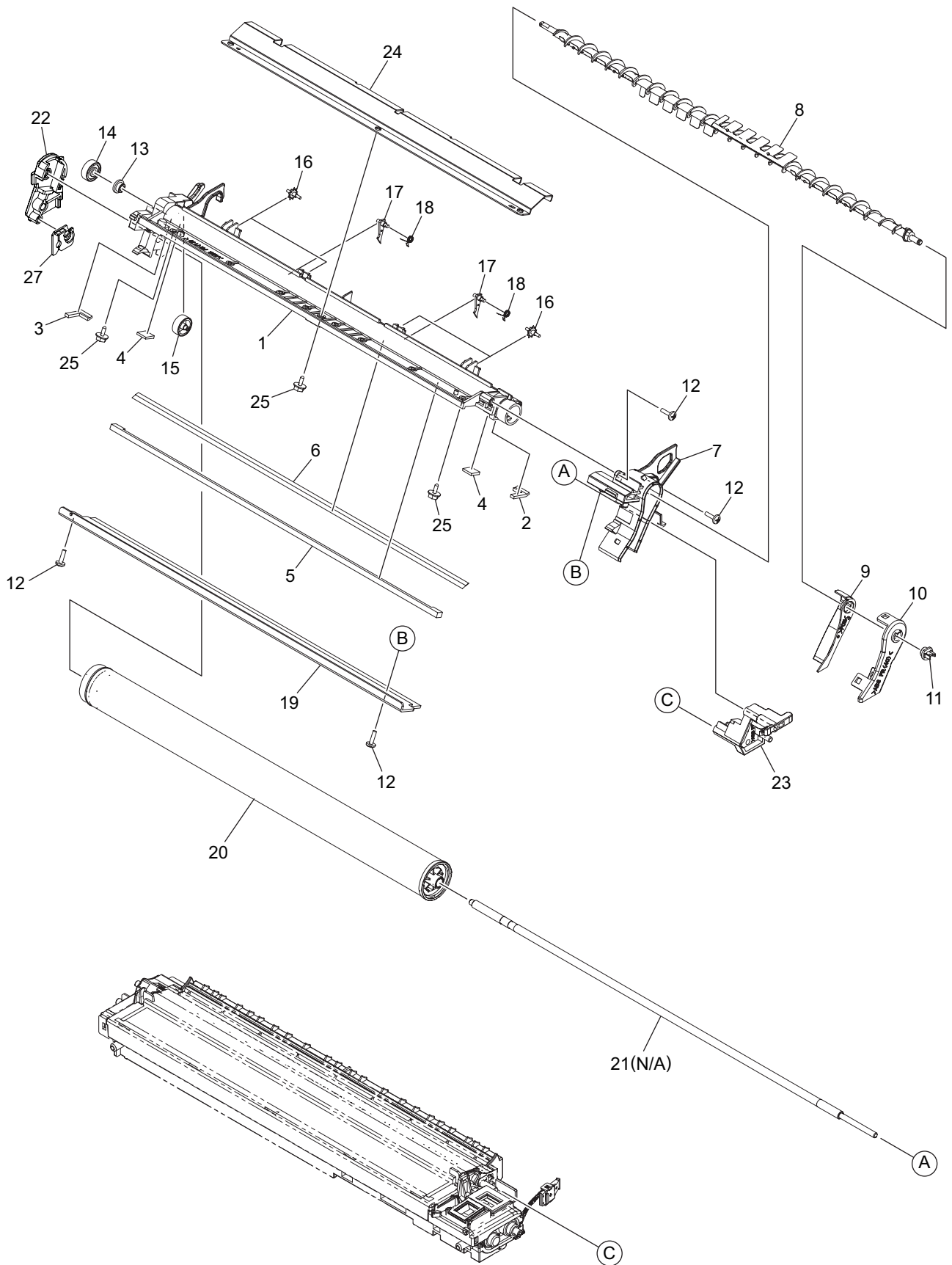


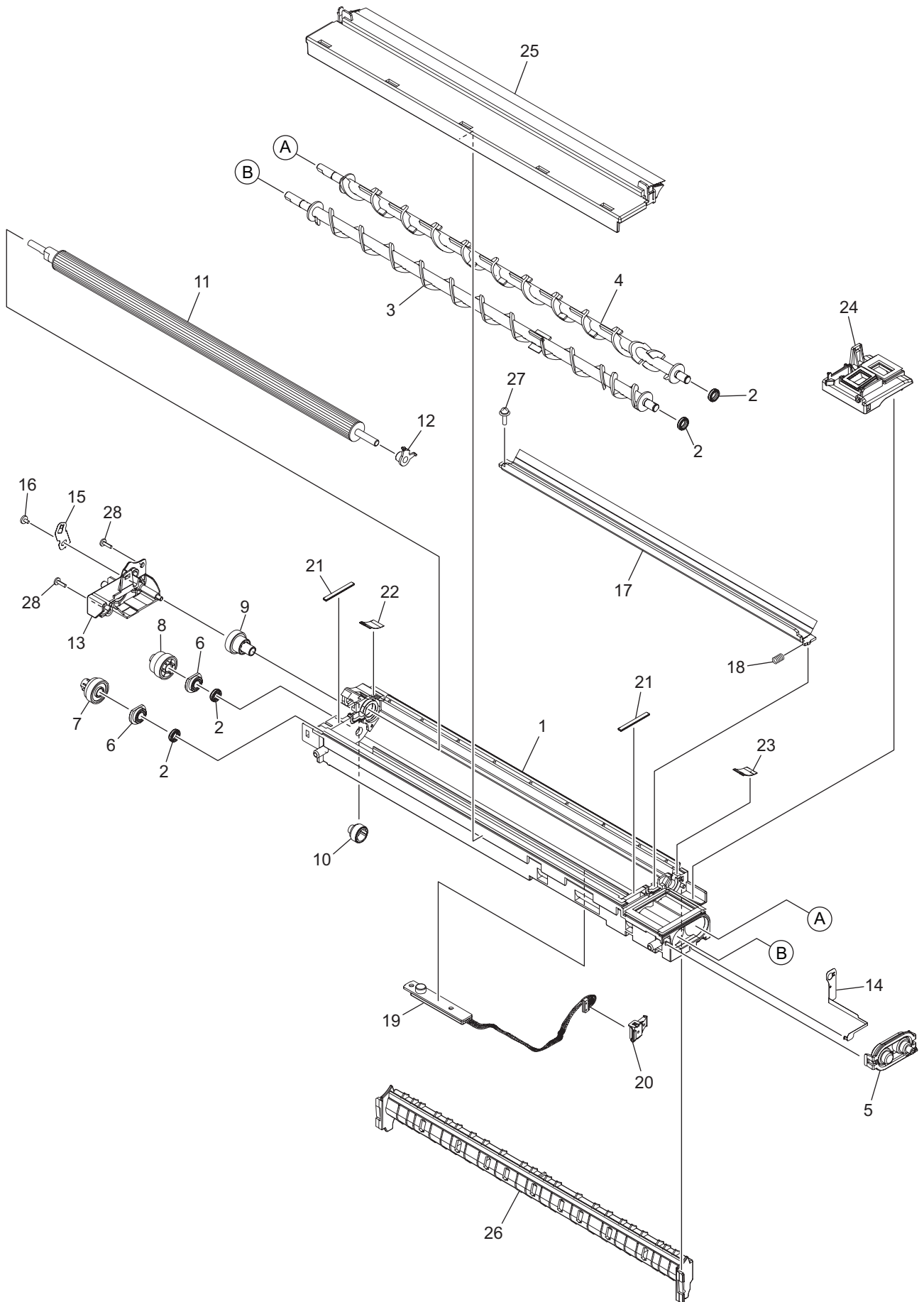


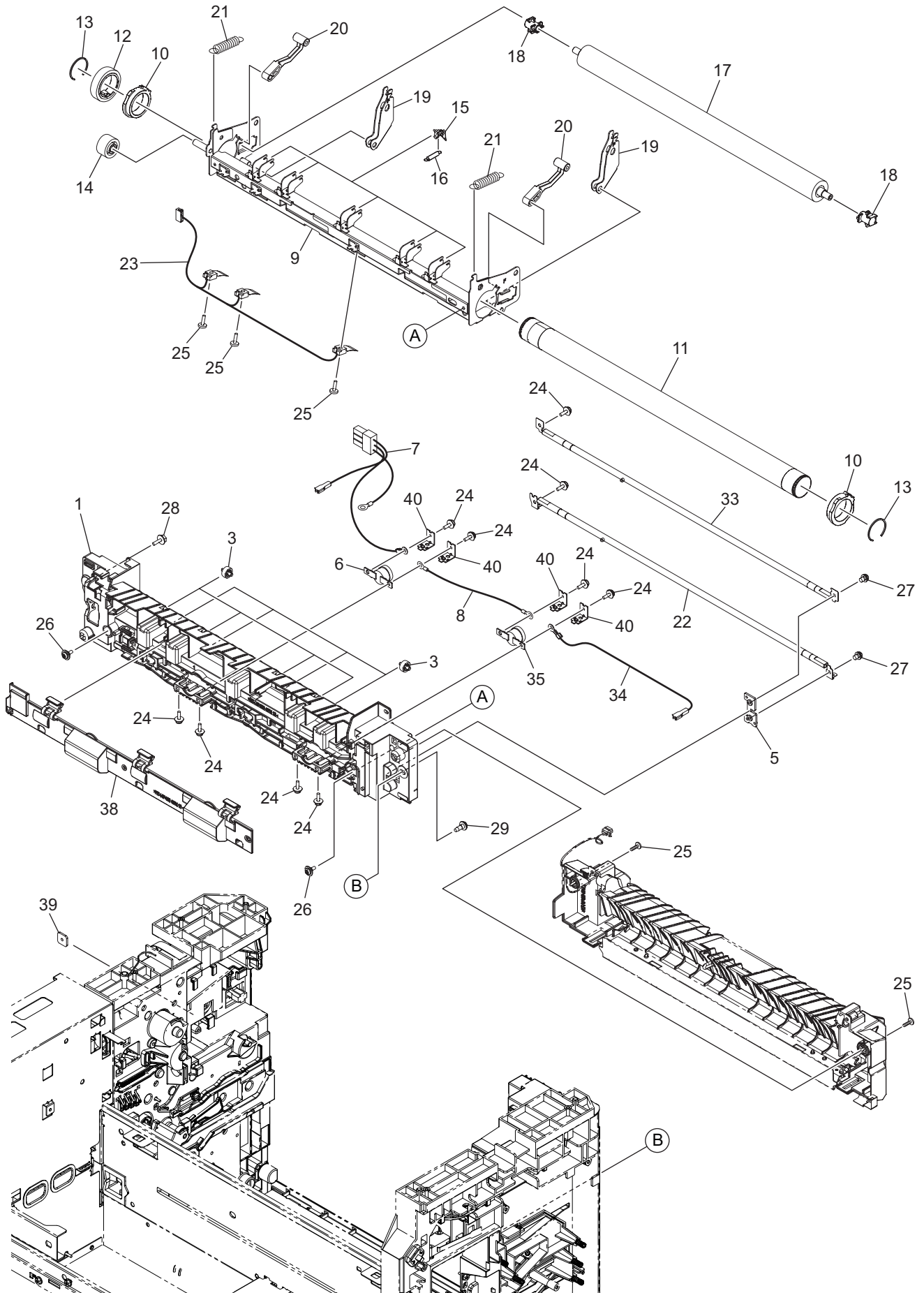




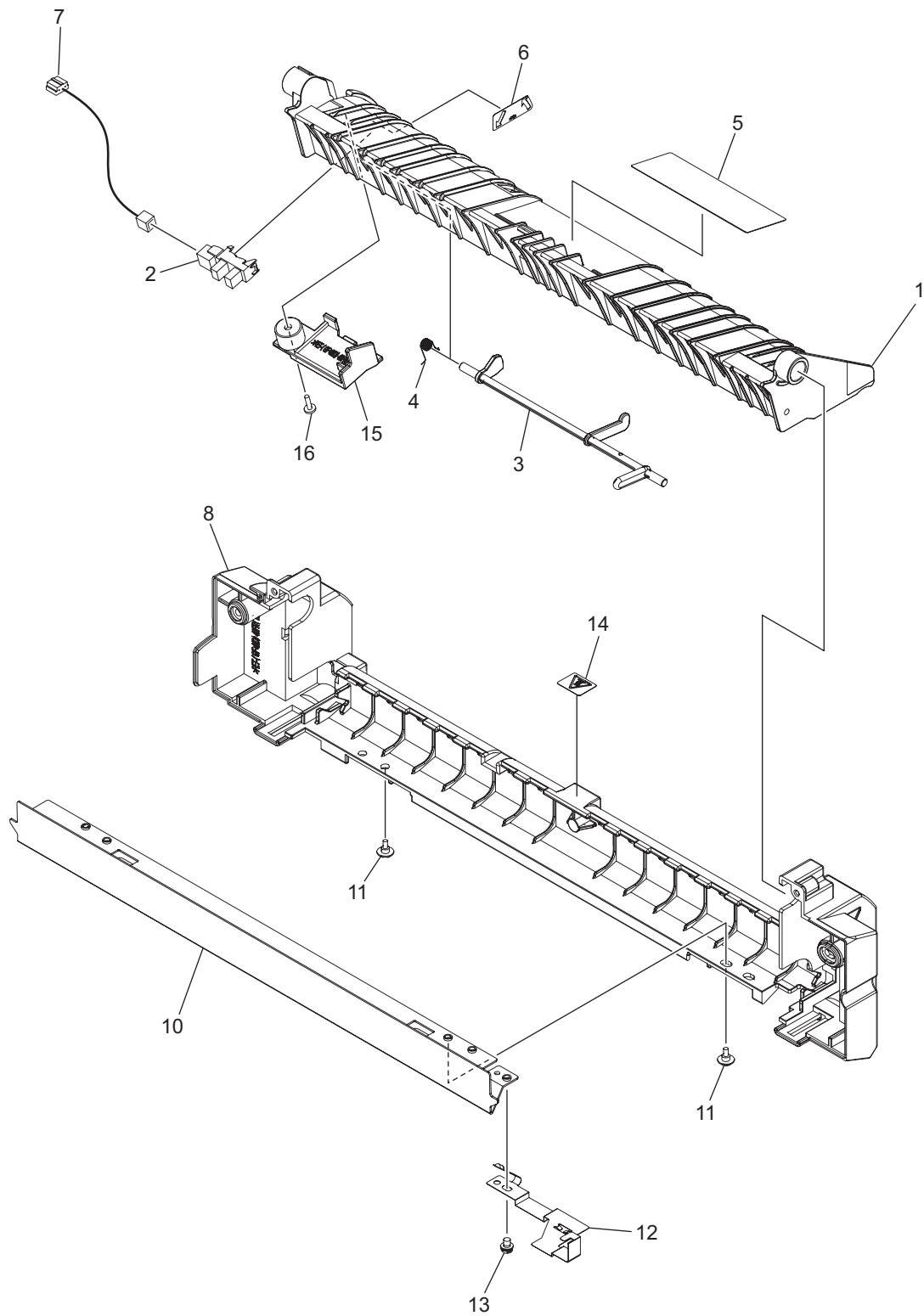


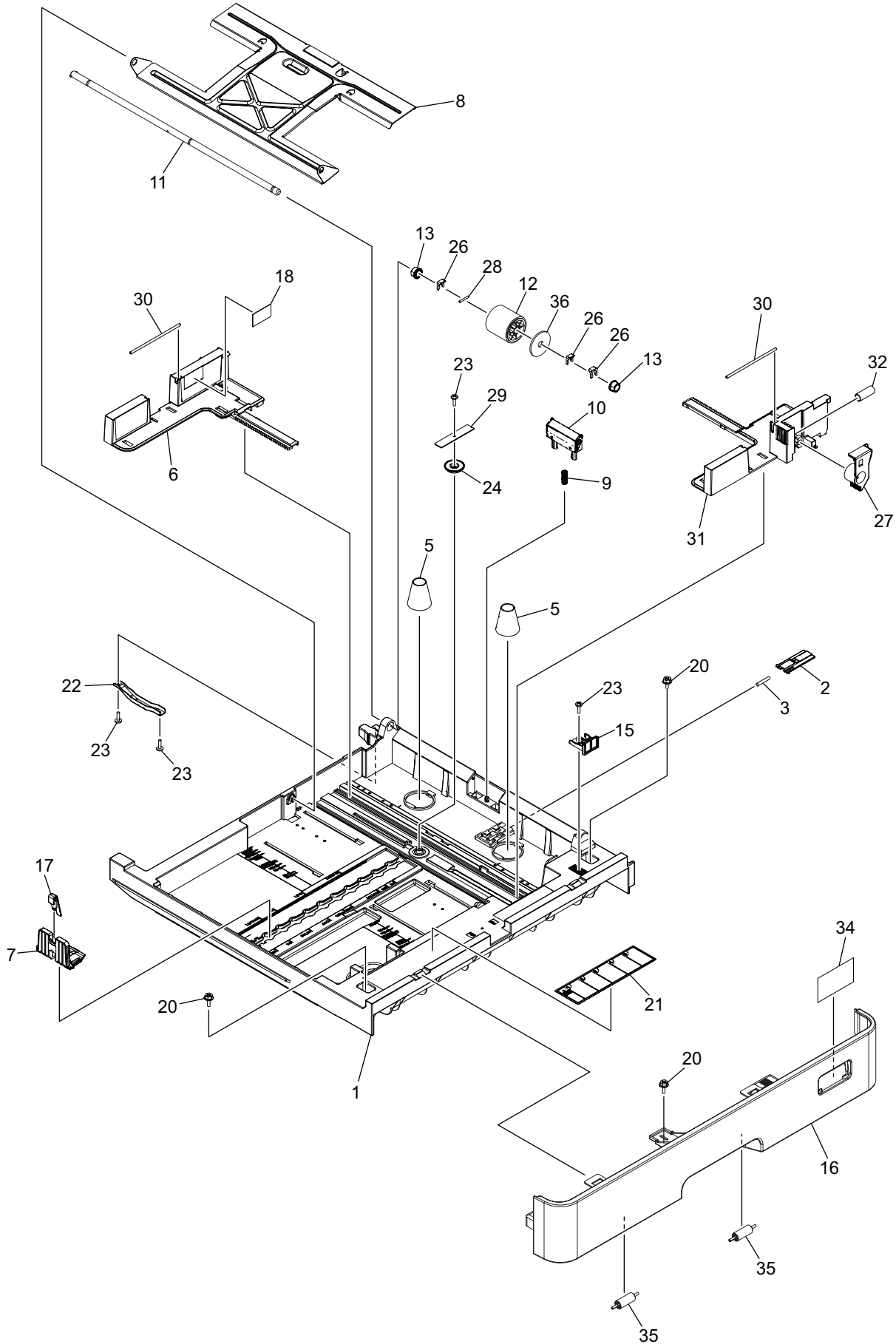




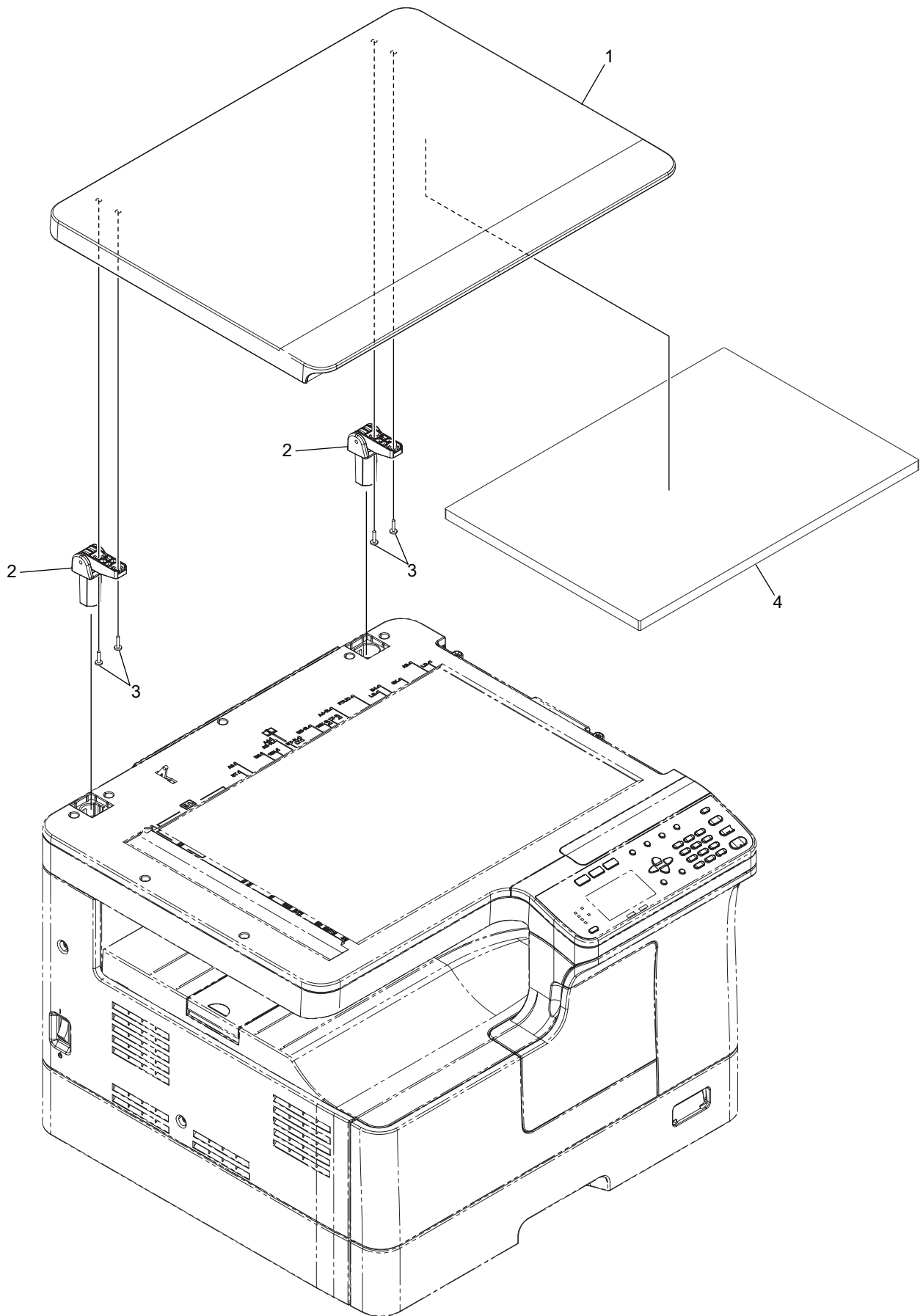


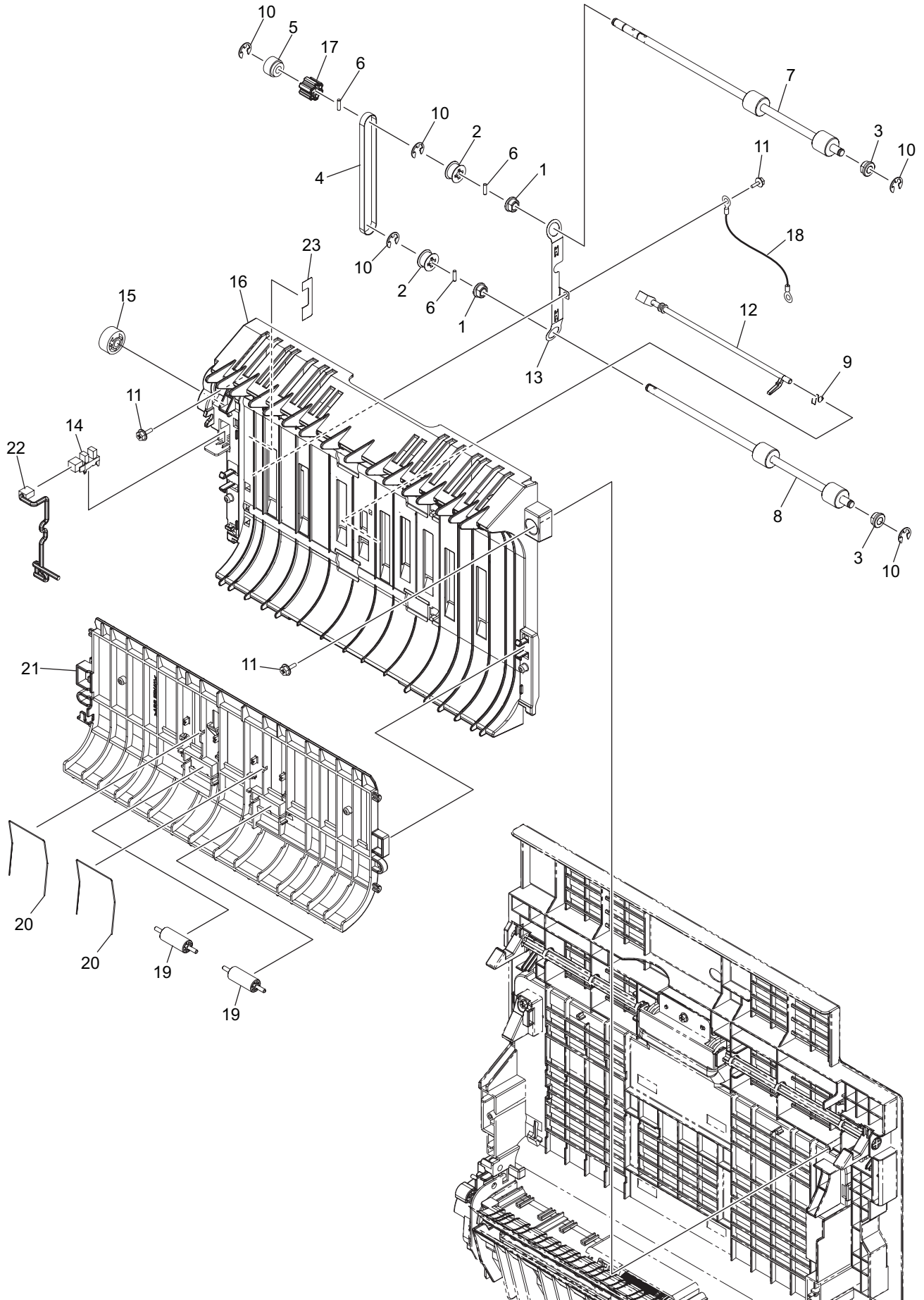
ITEM No.	PART No.	PART NAME	Q'TY / PAGE	Q'TY / PACK	REMARKS
1	6LJ78066000	ASYS-FRM-FUS-H39X	1	1/C	
3	6LE25931000	ROLL-FUS-GUIDE	8	1/P	
5	6LJ78039000	PLT-NUT-LMP-H241	1	1/P	
6	6LH27402000	THRMST-HTR-284	1	1/D	
7	6LJ81836000	HRNS-ACIN2-241	1	1/P	
8	6LJ81960000	HRNS-THRMST-CS-H390	1	1/P	
9	6LJ78068000	ASYS-HLD-ROLL-H39X	1	1/C	
10	6LJ78009000	BUSH-FUS-HR-H24X	2	1/P	
11	6LJ78084000	HR-2505-U	1	1/S	
12	6LJ78008000	GEAR-FUS-HR	1	1/P	
13	6LJ78010000	RING-C-H24X	2	1/P	
14	6LJ78064000	GEAR-10S20-6	1	1/P	
15	6LE58405000	SCRAPER-282	5	5/P	
16	6LA84096000	SPE-SCR-HR-371	5	1/P	
17	6LJ78088000	HR-2809-L	1	1/S	
18	6LJ78040000	BUSH-PRS-0-H24X	2	1/P	
19	6LJ78092100	LVR-P-REL-24X	2	1/P	
20	6LJ78091000	ARM-PRS-H24X-F	2	1/P	
21	6LJ78030000	SPE-PR-H24X	2	1/P	
22 A	6LJ78024100	LAMP-HTR-C-H24X-120	1	1/C	NAD
22 B	6LJ78024200	LAMP-HTR-C-H24X-230	1	1/C	CND,ASD,ARD,AUD,MJD
23	6LJ81641000	THMS-HTR-H390	1	1/P	
24	X0-00077000	S/PAN/SWWP-M3X8-NI	10	10/P	
25	X0-00434000	S/BID-M3X8-NI	5	10/P	
26	6LJ14028000	SCREW-SPEAKER-16X	2	1/P	
27	6LH55301000	USUITA-SEMS-3X5-6	2	5/P	
28	X0-00094000	S/PAN/SWWP-M3X10-NI	1	10/P	
29	6LA36276000	SCREW-M3-FUS-C	1	5/P	
33 A	6LJ78023100	LAMP-HTR-S-H24X-120	1	1/C	NAD
33 B	6LJ78023200	LAMP-HTR-S-H24X-230	1	1/C	CND,ASD,ARD,AUD,MJD
34	6LJ81838000	HRNS-THRMST-SL-241	1	1/P	
35	6LH64642000	THRMST-HTR-S-470	1	1/D	
38	6LJ78075000	COVER-FUS-BACK-H39X	1	1/PP	
39	6LE58564000	PLT-NUT-FUS-280	1	5/P	
40	6LJ78073000	BRKT-ADJ-THMOS-H39X	4	1/P	

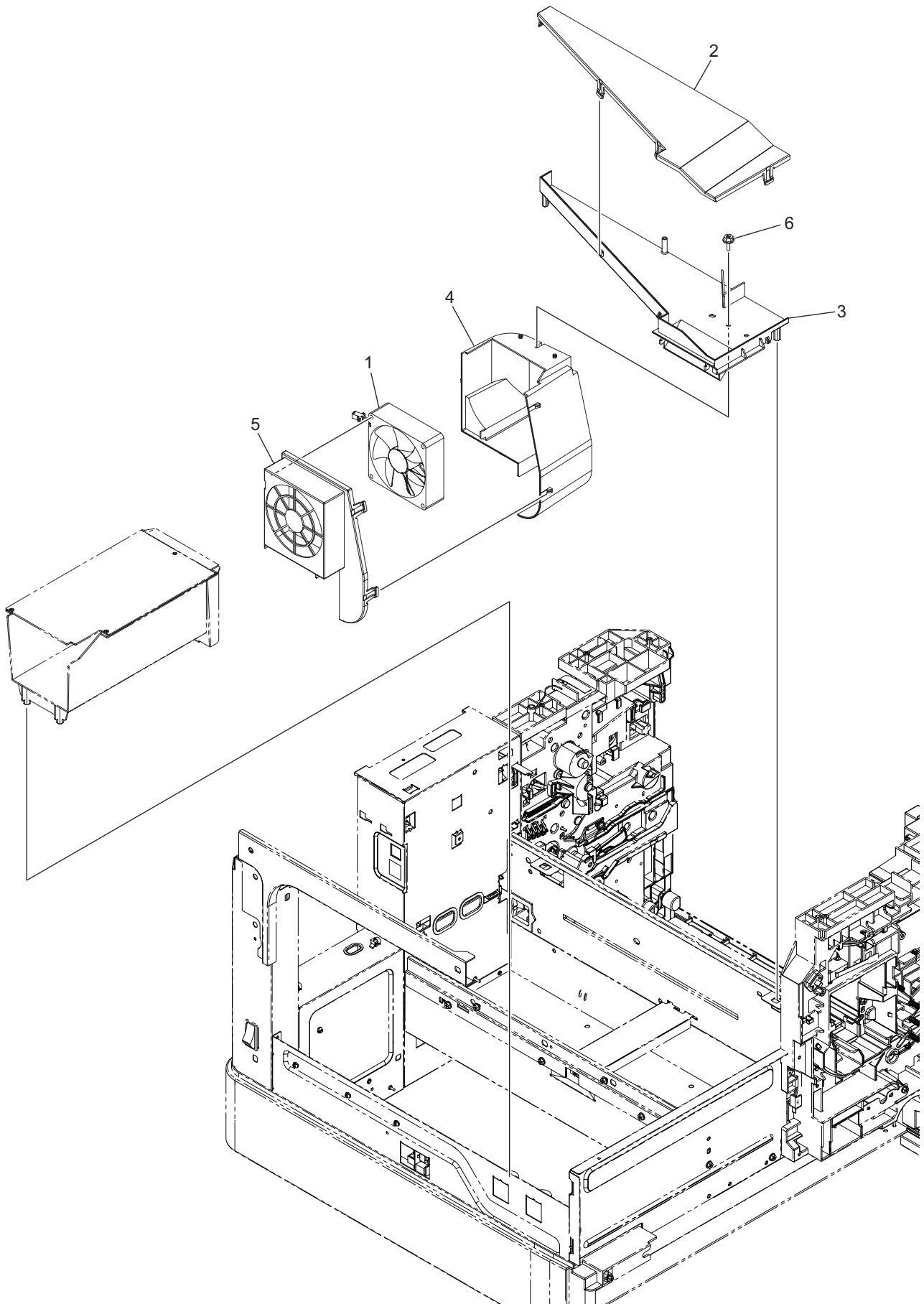


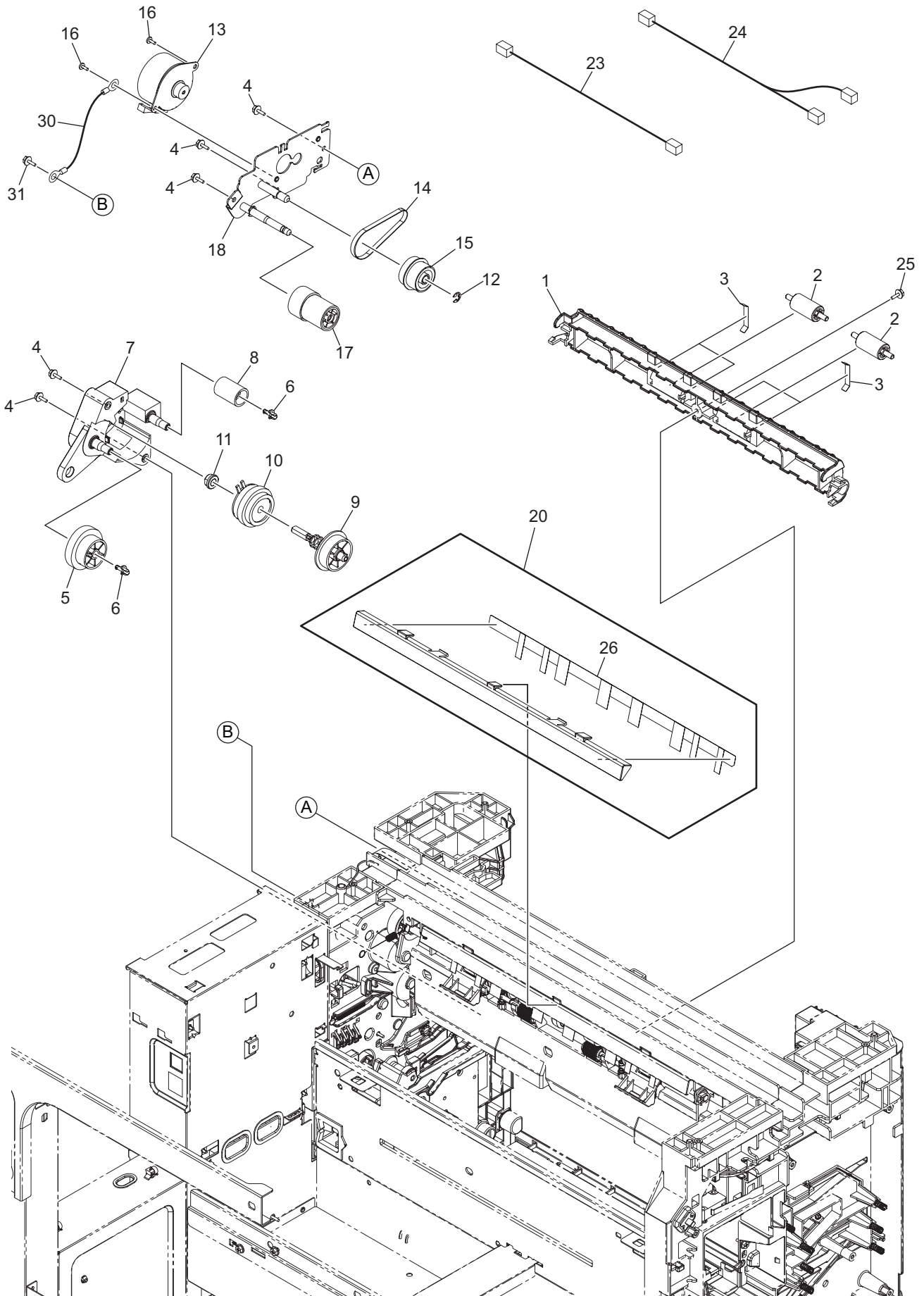


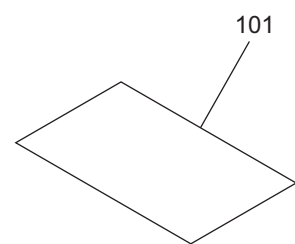
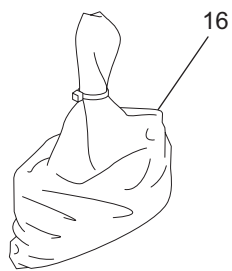
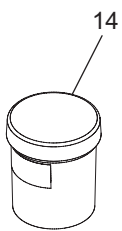
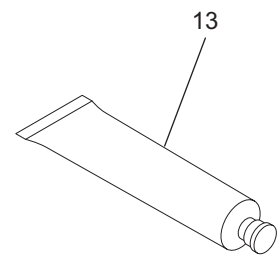
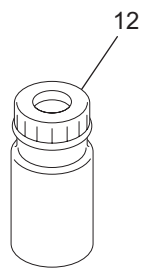
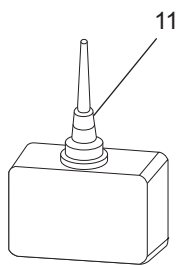
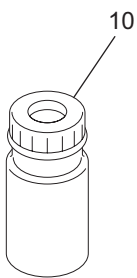
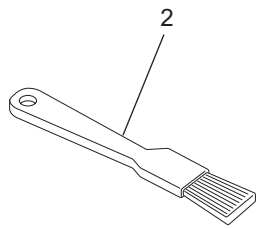
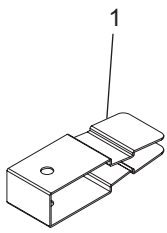
ITEM No.	PART No.	PART NAME	Q'TY / PAGE	Q'TY / PACK	REMARKS
1	6LJ4690000	TRAY-CST-LE_4	1	1/PP	
2	6LJ46939000	STOP-PLATE-CST-4	1	1/P	
3	6LE53730000	SPG-LATCH-TRAY	1	1/P	
5	6LE53732000	SPG-CSSTT-280	2	1/P	
6	6LJ46901000	SLIDE-WALL-R-G	1	1/KP	
7	6LJ46915100	WALL-CST-END-LE_4-G	1	1/P	
8	6LJ75273000	ASYS-PLATE-CSSTT-G	1	1/P	
9	6LJ46907000	SPG-PAD-CHA-G	1	1/P	
10	6LJ75245000	ASYS-HOLD-PAD-H241-K	1	1/P	
11	6LJ75280000	ASYS-ROL-CST-H390	1	1/P	
12	6LJ75241000	ASYS-ROL-CST-36-EPDM	1	1/P	
13	4400802080	BUSH-8	2	5/P	
15	6LJ75227000	CATCH-CST-H241	1	1/P	
16	6LJ75226200	COVER-CST-H241_G	1	1/PP	
17	6LJ46922000	SPG-T-END-WALL	1	1/P	
18	6LJ75240000	LBL-CST-MAX_PP	1	1/P	
20	X0-02247000	S/TPP/FHEXM-3X8-NI	3	10/P	
21	6LJ75236000	LBL-OPE-CST-DG	1	1/KP	
22	6LE53746000	BRKT-TRAY-280	1	1/P	
23	X0-01989000	S/TPP/BID-3X8-NI	4	10/P	
24	6LE53717000	GEAR-10S18-8-TRAY	1	1/P	
26	41306265000	STOP-RING-8	3	1/P	
27	6LJ46916100	LEVER-LOCK-WALL-GG	1	1/P	
28	X0-01533000	P/PRL/AH7-2X16-SS	1	10/P	
29	6LJ46917000	PLT-WALL-GEAR-G	1	1/P	
30	6LJ75252000	SHAFT_STOPER_WALL_NI	2	1/P	
31	6LJ46902000	SLIDE-WALL-F-G	1	1/KP	
32	6LA56695000	SPC-LVR-WALL-F	1	1/P	
34 A	6LH31900000	SIZE-CST-450-A4	1	1/KP	ASD,ARD,AUD,MJD
34 B	6LH31900200	SIZE-CST-450-K	1	1/KP	CND
34 C	6LH31900100	SIZE-CST-450-LT	1	1/KP	NAD
35	6LJ74634000	ROLL-TRANS-IDLE-H241	2	1/P	
36	6LJ78825000	WASHER-T2	1	1/P	

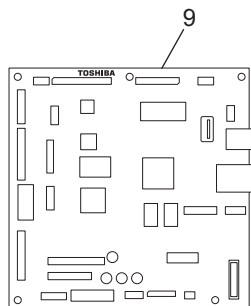
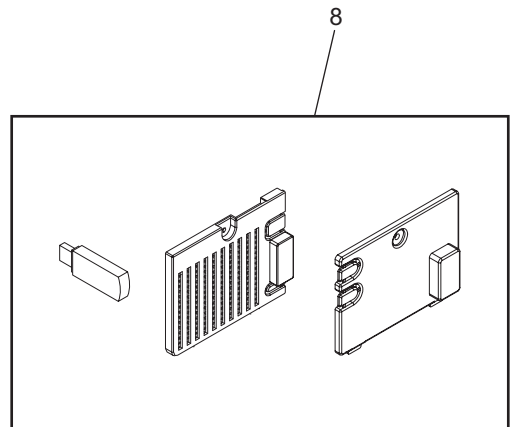
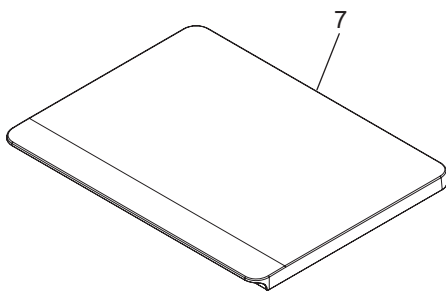
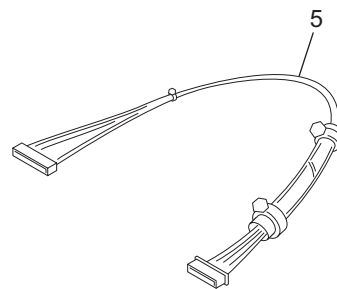
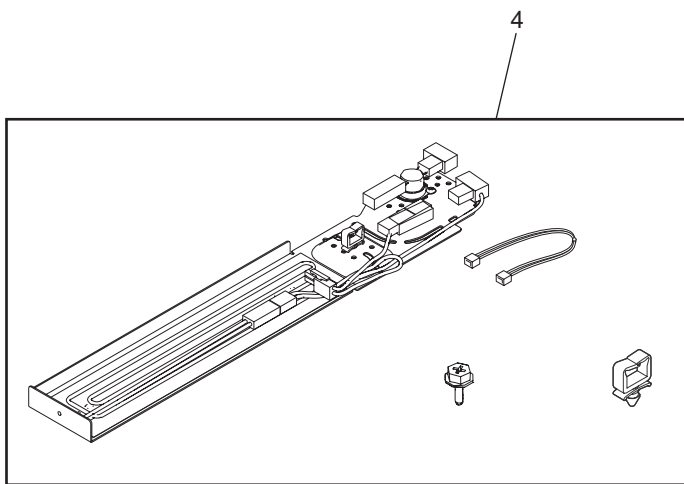
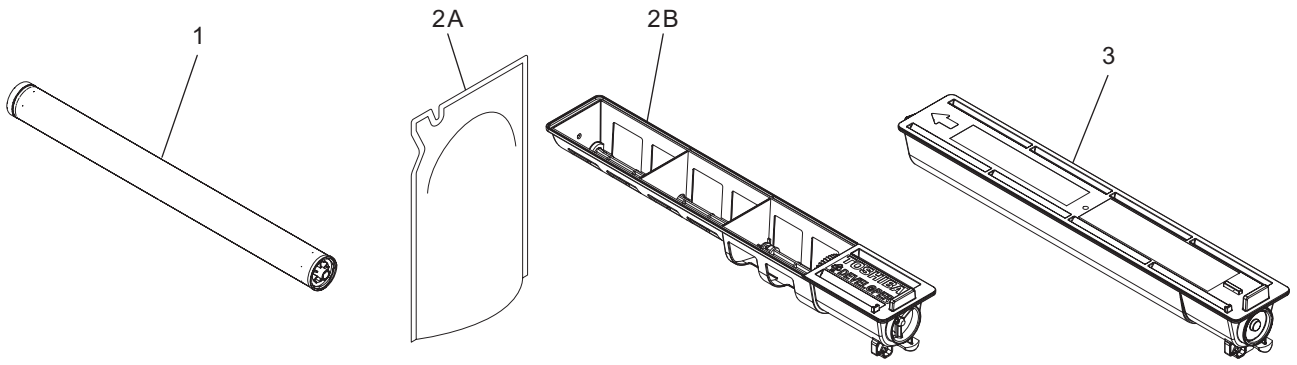






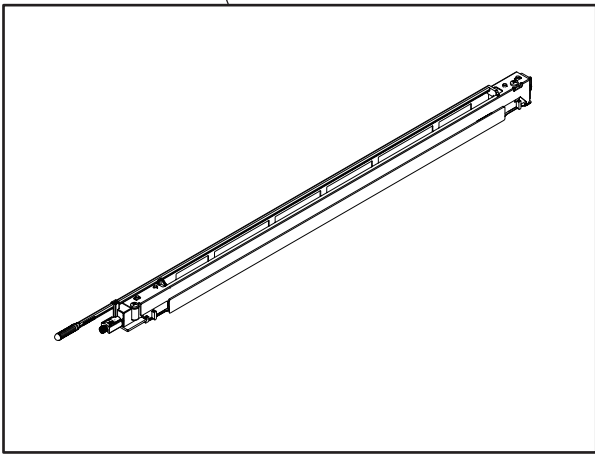




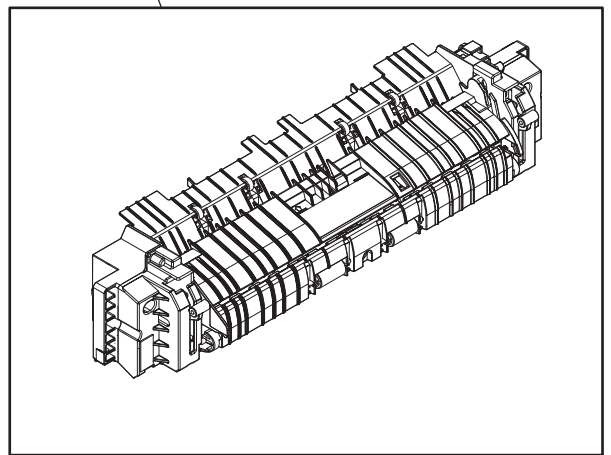


ITEM No.	PART No.	PART NAME	Q'TY / PAGE	Q'TY / PACK	REMARKS
1	6LJ83358000	OD-2505	1	1/S	
2 A	6LJ83445000	D-2505	1	1/S	Pouch type
2 B	6LJ84210000	D-2309	1	1/S	Cartridge type
3 A	6AG00007240	PS-ZT2309E(1)	1	SUPPLY	MJD
3 B	6AG00007248	PS-ZT2309U(1)	1	SUPPLY	NAD
3 C	6AG00007242	PS-ZT2309P(1)	1	SUPPLY	ASD,AUD
3 D	6AG00007244	PS-ZT2309PS(1)	1	SUPPLY	ASD
3 E	6AG00007251	PS-ZT2309C(1)	1	SUPPLY	CND
3 F	6AG00007255	PS-ZT2309CS(1)	1	SUPPLY	CND
3 G	6AG00007253	PS-ZT2309C(12)	1	SUPPLY	CND (12 set per box)
3 H	6AG00007257	PS-ZT2309CS(12)	1	SUPPLY	CND (12 set per box)
3 I	6AG00007246	PS-ZT2309TS(1)	1	SUPPLY	TWD
4 A	6AG00007727	MF-2505U	1	SUPPLY	NAD
4 B	6AG00007726	MF-2505E	1	SUPPLY	MJD,CND
5	6A00001575	GQ-1131	1	SUPPLY	
7 A	6AG00005057	KA-2507PC	1	SUPPLY	Excpet CND
7 B	6AG00005058	KA-2507PC-C	1	SUPPLY	CND
8 A	6AG00006750	GN-1080	1	SUPPLY	Excpet CND
8 B	6AG00006751	GN-1080C	1	SUPPLY	CND
9 A	6AG00007184	GA-1340L	1	SUPPLY	Except CND for eS2303A/2309A
9 B	6AG00007185	GA-1340LC	1	SUPPLY	CND for eS2303A/2309A
9 C	6AG00007177	GA-1340H	1	SUPPLY	Except CND for eS2809A
9 D	6AG00007178	GA-1340HC	1	SUPPLY	CND for eS2809A

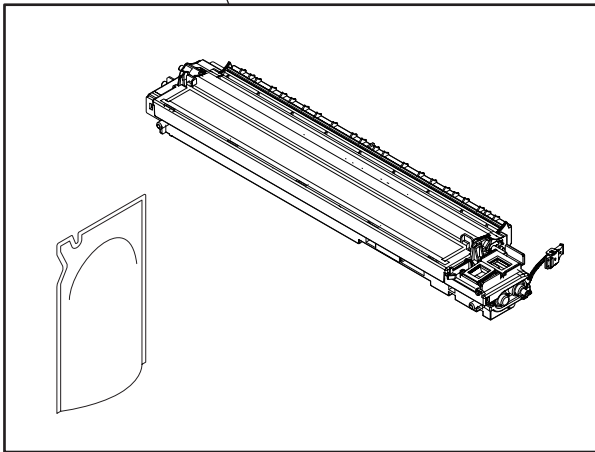
1



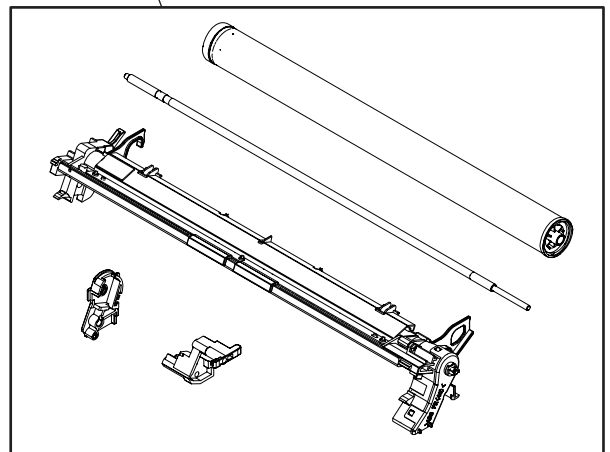
2

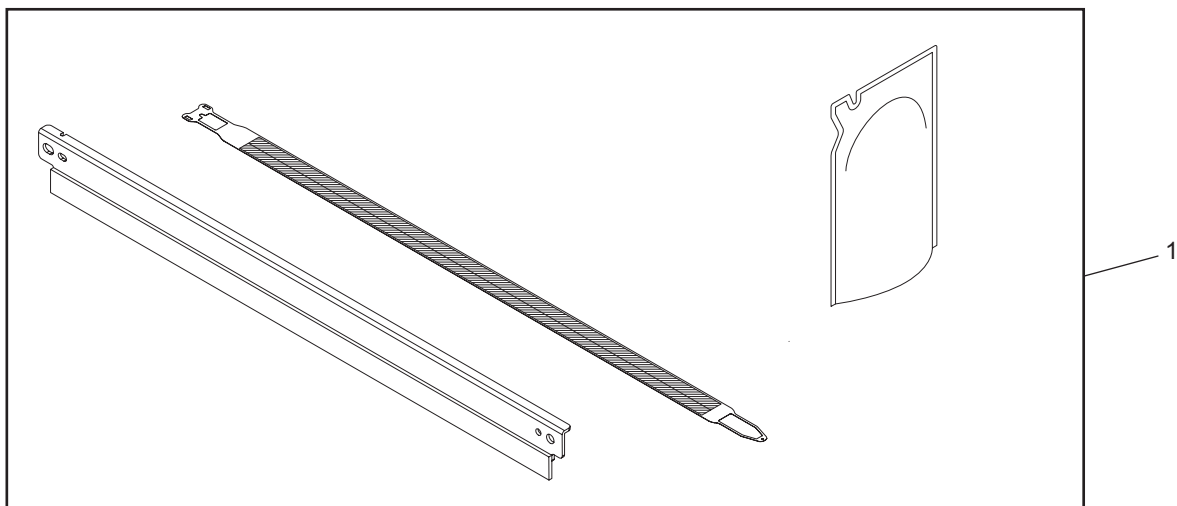


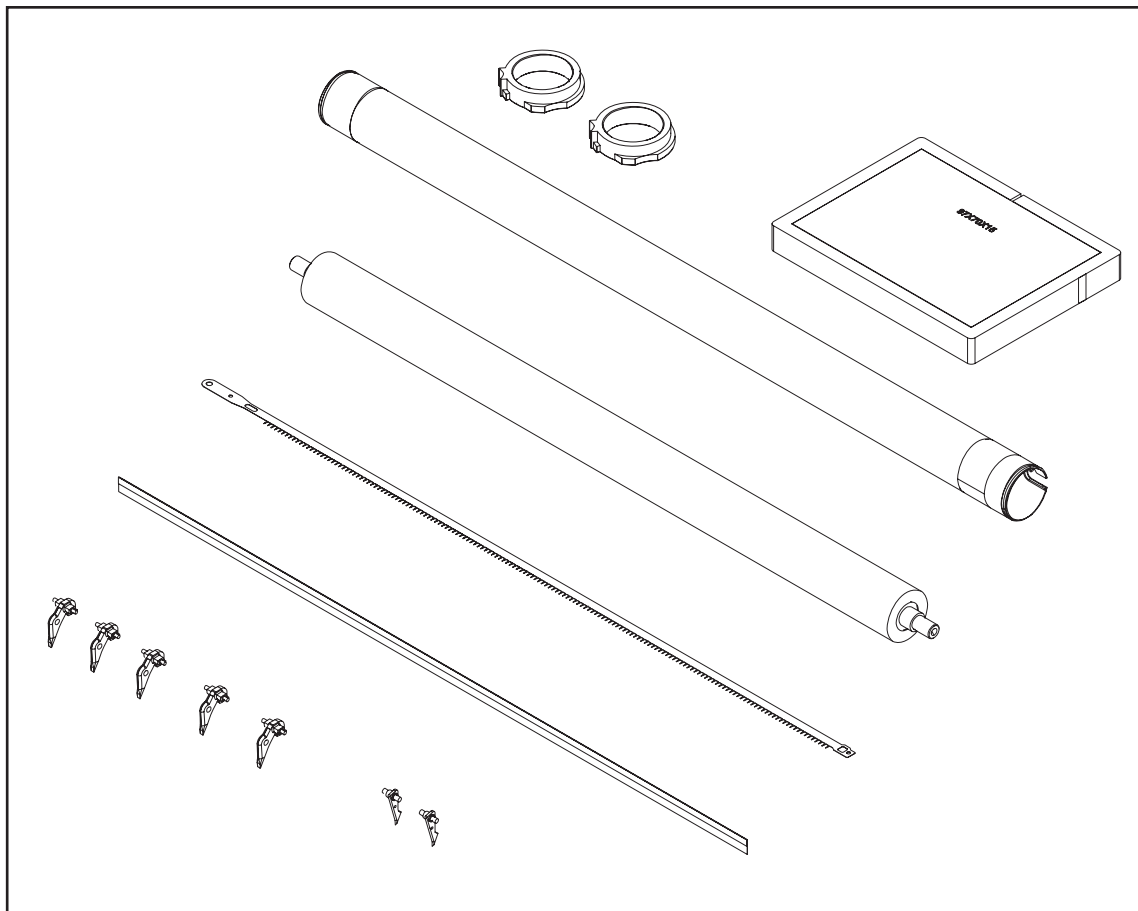
3



4







TOSHIBA

TOSHIBA TEC CORPORATION

1-11-1, OSAKI, SHINAGAWA-KU, TOKYO, 141-8562, JAPAN