

TOSHIBA

SERVICE PARTS LIST

MULTIFUNCTIONAL DIGITAL SYSTEMS

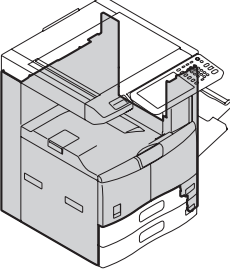
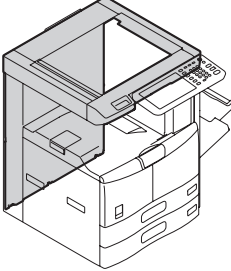
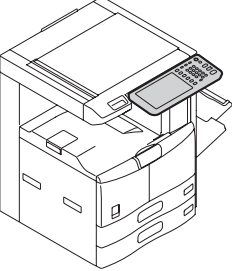
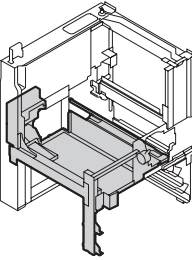
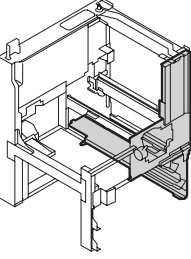
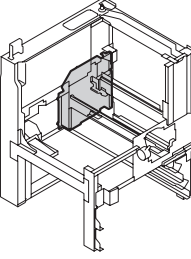
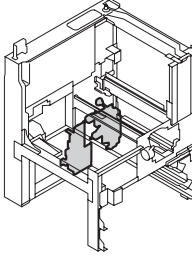
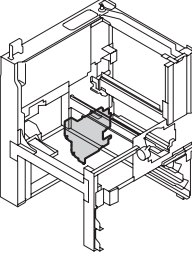
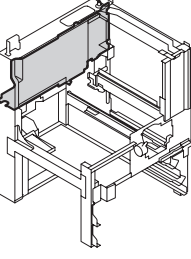
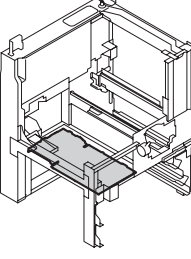
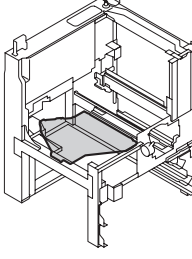
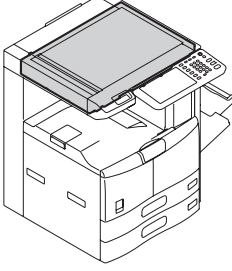
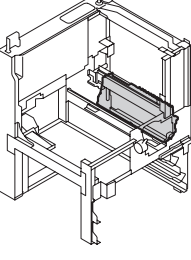
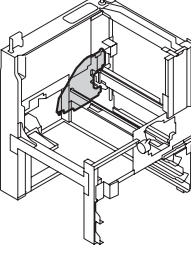
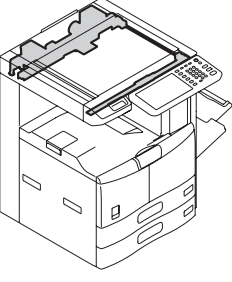
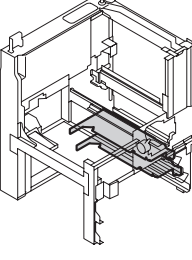
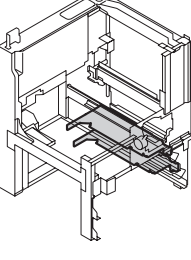
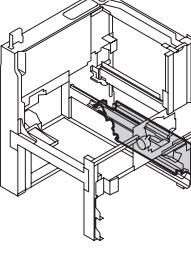
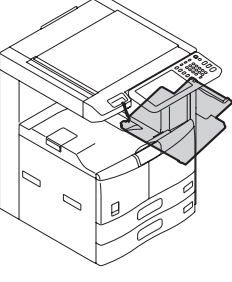
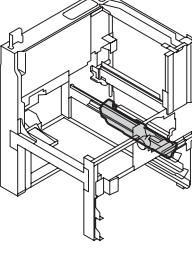
e-STUDIO207L/257/307/357/457/507

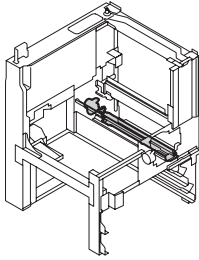
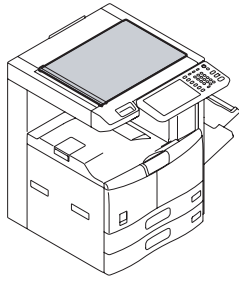
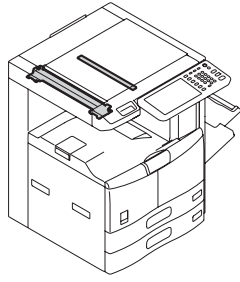
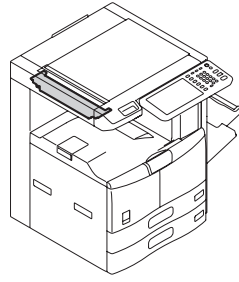
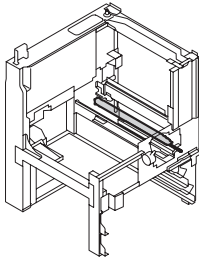
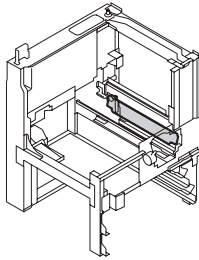
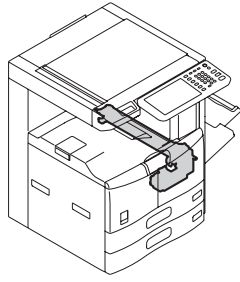
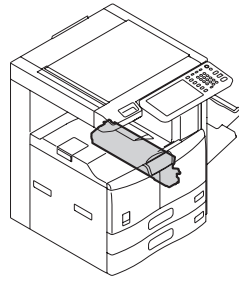
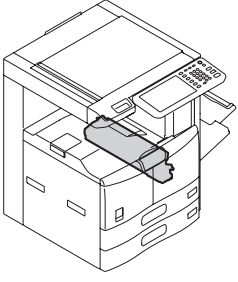
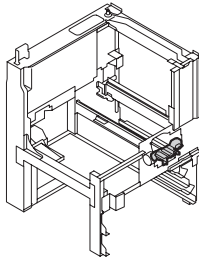
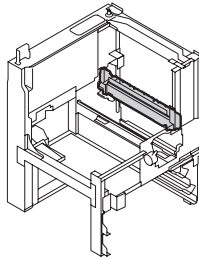
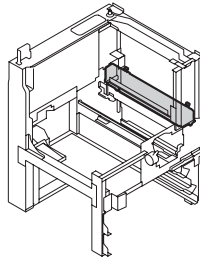
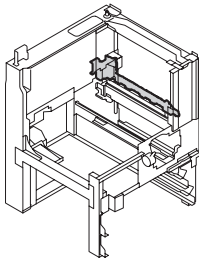
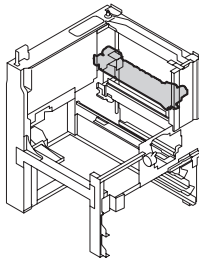
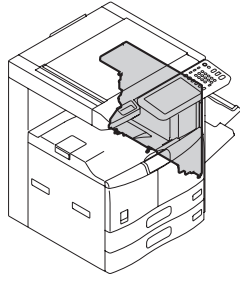
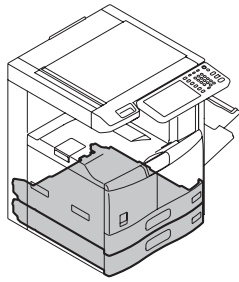
© 2014 TOSHIBA TEC CORPORATION All rights reserved

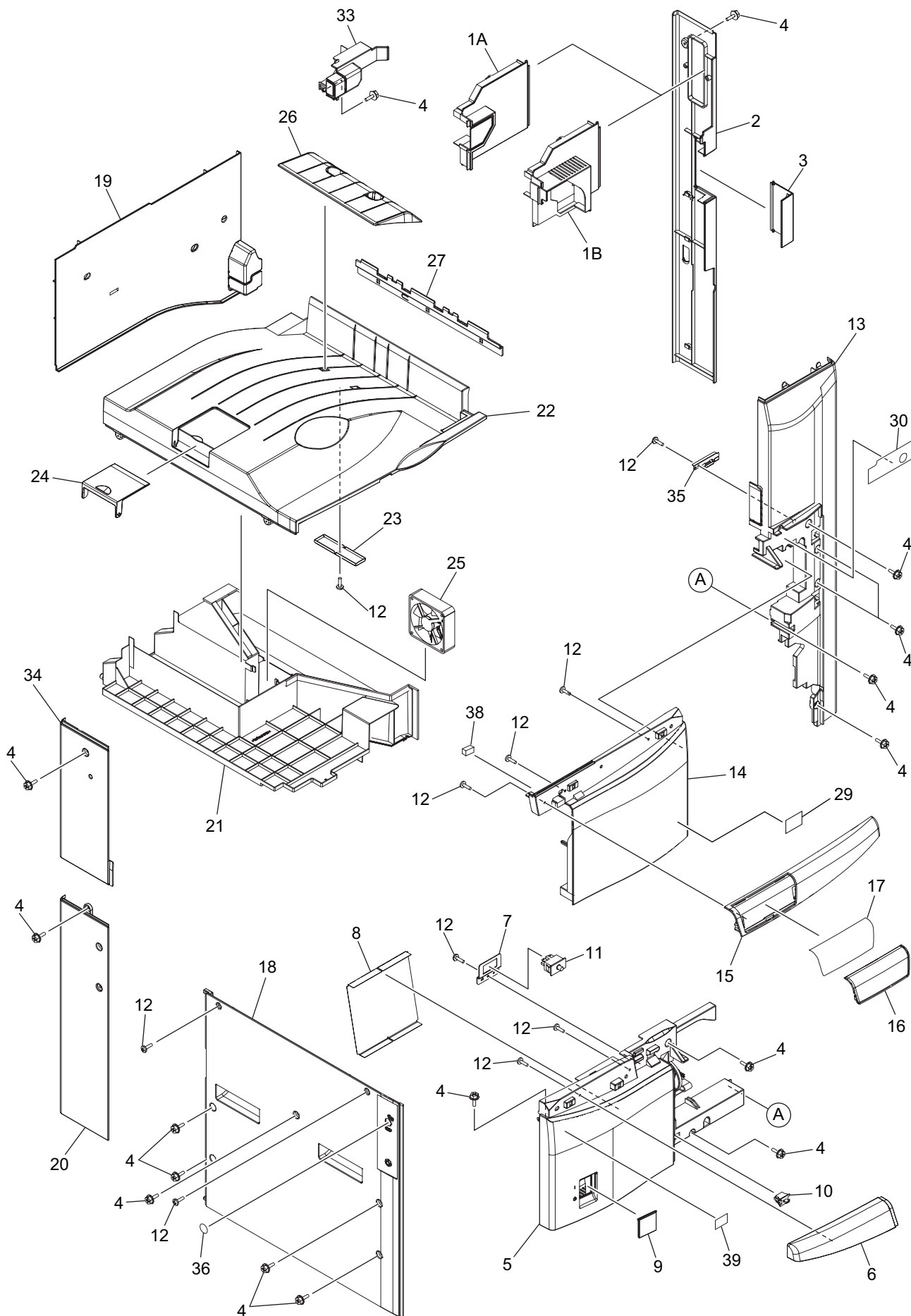
Under the copyright laws, this manual cannot be reproduced in any form without prior written permission of TOSHIBA TEC CORPORATION. No patent liability is assumed, however, with respect to the use of the information contained herein.

CONTENTS

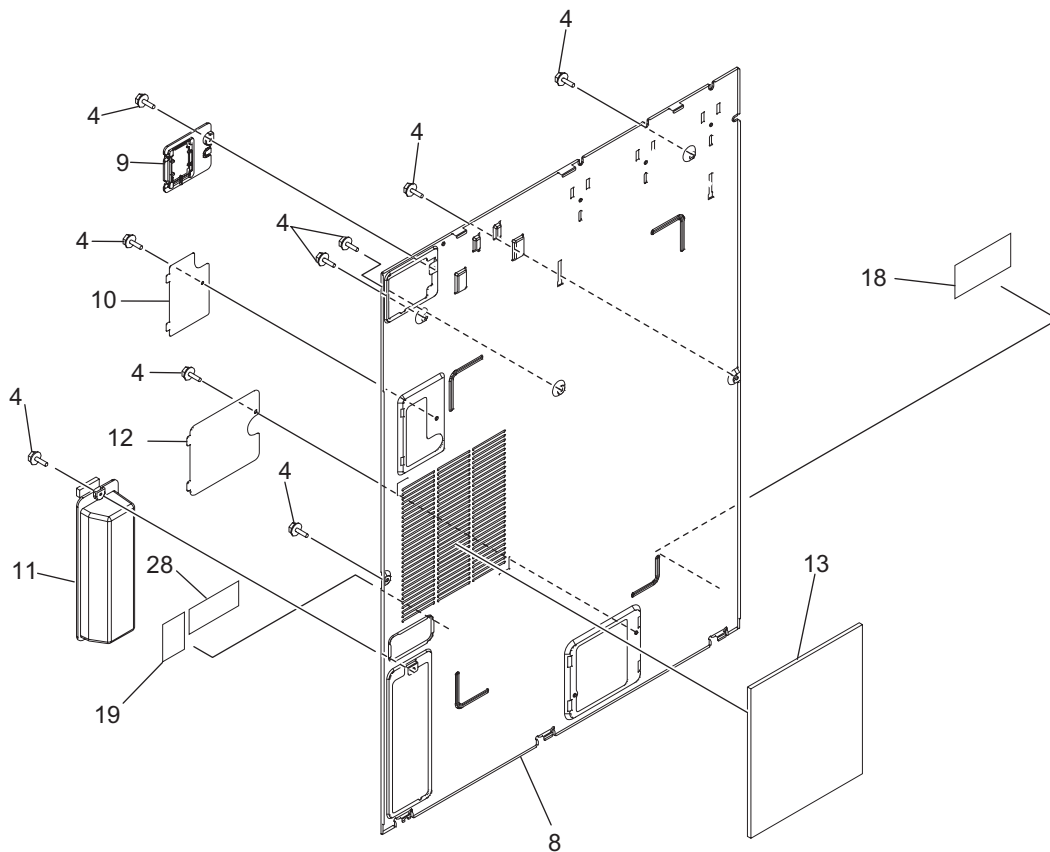
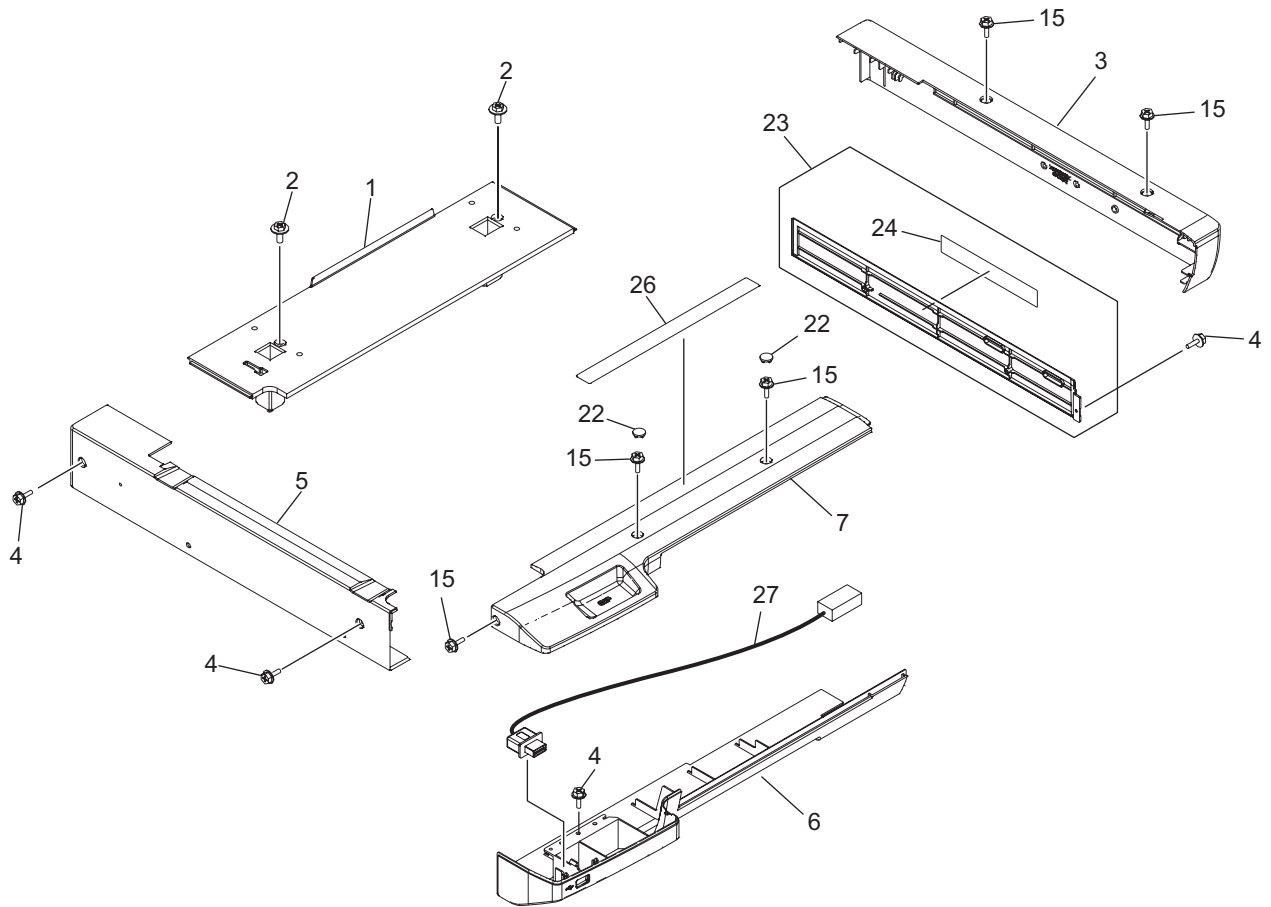
COVER-1-ASY	1
COVER-2-ASY	2
CONTROL-PANEL-ASY	3
BASE-FRAME-ASY	4
FRONT-FRAME-ASY	5
REAR-FRAME-1-ASY	6
REAR-FRAME-2-ASY	7
REAR-FRAME-3-ASY	8
CASE-SYS-LGC-ASY	9
ELECTRIC-ASY	10
LASER-OPTICAL-UNIT-ASY	11
OPTICAL-FRAME-ASY	12
SIDE-DUCT-ASY	13
MAIN-DRIVE-ASY	14
OPTICAL-DRIVE-ASY	15
FEEDER-1-ASY	16
FEEDER-2-ASY	17
FEEDER-3-ASY	18
BYPASS-ASY	19
BYPASS-FEEDER-ASY	20
ALIGNING-ASY	21
PLATEN-ASY	22
CRG-1-ASY	23
CRG-2-ASY	24
MAIN-CHARGER-ASY	25
TRANSPORT-CHARGER-ASY	26
CLEANER-ASY	27
DEVELOPER-ASY-1	28
DEVELOPER-ASY-2	29
RECYCLE-ASY	30
FUSER-ASY-1	31
FUSER-ASY-2	32
EXIT-ASY-1	33
EXIT-ASY-2	34
ADU-ASY	35
DRAWER-ASY	36
JIGS & GREASE	101
DOWNLOAD JIGS	102
SUPPLIES	103
REPLACE UNIT	104
PM-KIT	105

<p>1. COVER-1-ASY</p> 	<p>2. COVER-2-ASY</p> 	<p>3. CONTROL-PANEL-ASY</p> 	<p>4. BASE-FRAME-ASY</p> 
<p>5. FRONT-FRAME-ASY</p> 	<p>6. REAR-FRAME-1-ASY</p> 	<p>7. REAR-FRAME-2-ASY</p> 	<p>8. REAR-FRAME-3-ASY</p> 
<p>9. CASE-SYS-LGC-ASY</p> 	<p>10. ELECTRIC-ASY</p> 	<p>11. LASER-OPTICAL-UNIT-ASY</p> 	<p>12. OPTICAL-FRAME-ASY</p> 
<p>13. SIDE-DUCT-ASY.</p> 	<p>14. MAIN-DRIVE-ASY</p> 	<p>15. OPTICAL-DRIVE</p> 	<p>16. FEEDER-1-ASY</p> 
<p>17. FEEDER-2-ASY</p> 	<p>18. FEEDER-3-ASY</p> 	<p>19. BYPASS-ASY</p> 	<p>20. BYPASS-FEEDER-ASY</p> 

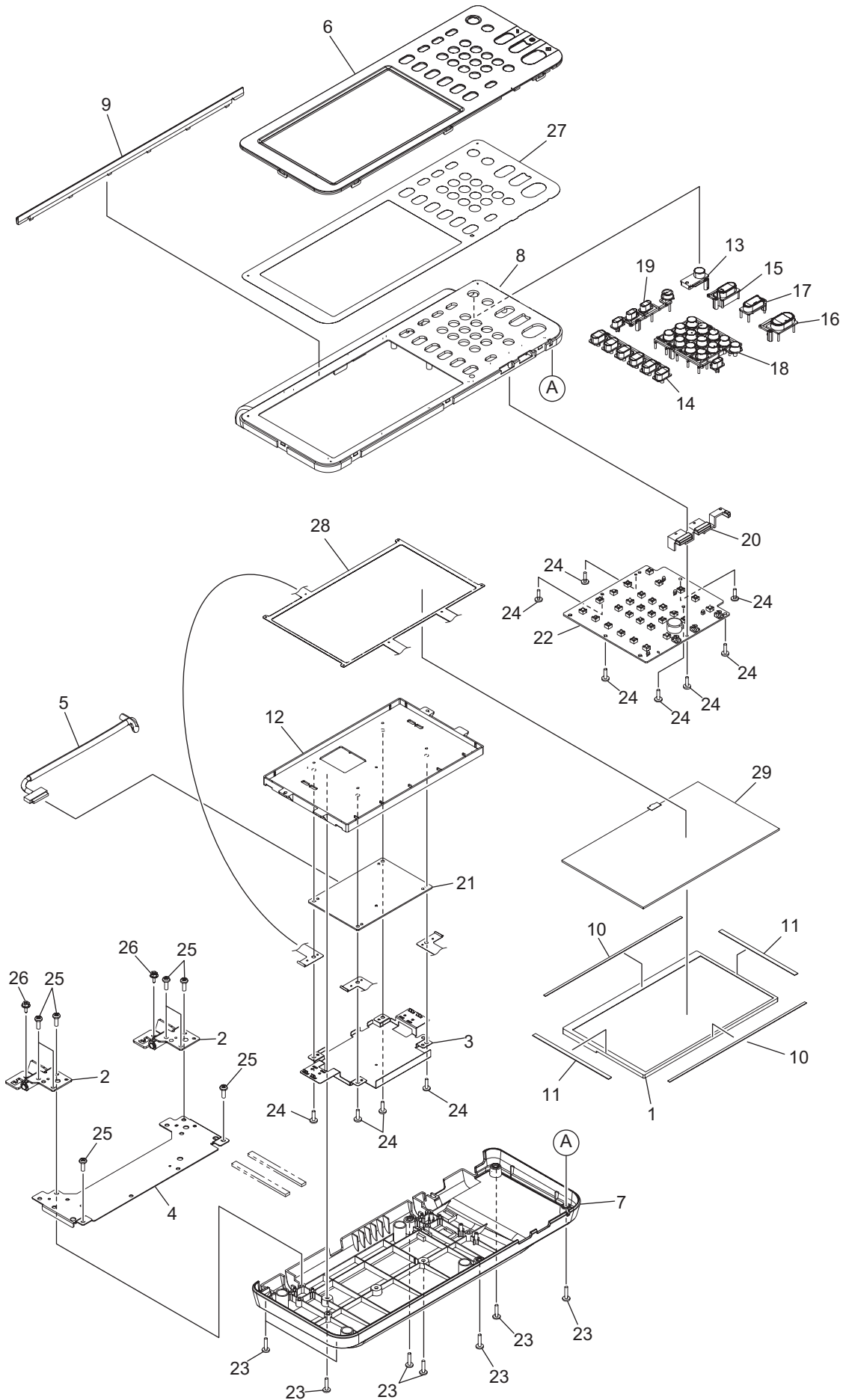
<p>21. ALIGNING-ASY</p> 	<p>22. PLATEN-ASY</p> 	<p>23. CRG-1-ASY</p> 	<p>24. CRG-2-ASY</p> 
<p>25. MAIN-CHARGER-ASY</p> 	<p>26. TRANSPORT-CHARGER-ASY</p> 	<p>27. CLEANER-ASY</p> 	<p>28. DEVELOPER-ASY-1</p> 
<p>29. DEVELOPER-ASY-2</p> 	<p>30. RECYCLE-ASY</p> 	<p>31. FUSER-ASY-1</p> 	<p>32. AFUSER-ASY-2</p> 
<p>33. EXIT-ASY-1</p> 	<p>34. EXIT-ASY-2</p> 	<p>35. ADU-ASY</p> 	<p>36. DRAWER-ASY</p> 



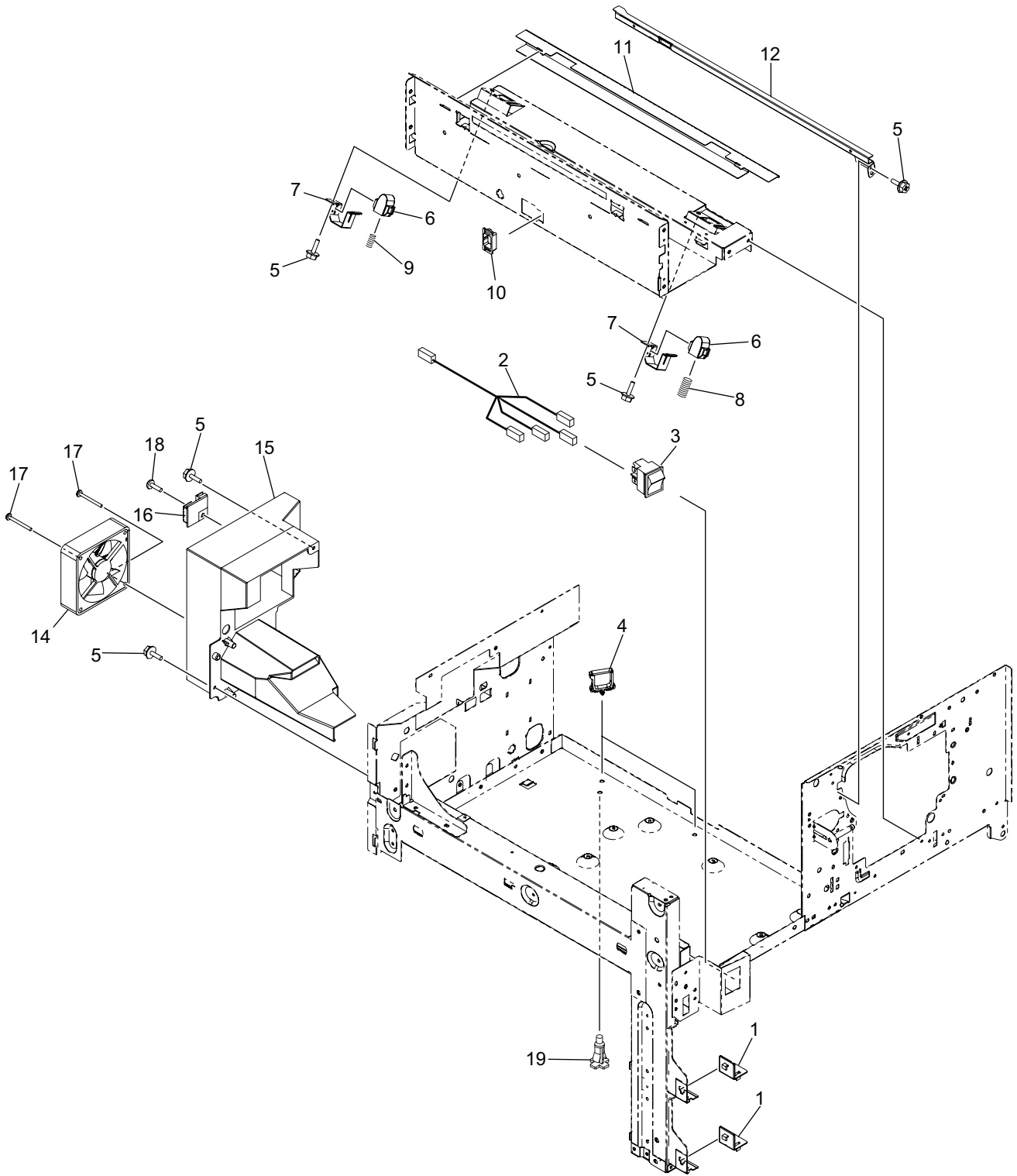
ITEM No.	PART No.	PART NAME	Q'TY / PAGE	Q'TY / PACK	REMARKS
1 A	6LH52468000	COV-TRAY-BACK2-160-L	1	1/P	e-STUDIO207L/257/307
1 B	6LH52467000	COV-TRAY-BACK2-163-L	1	1/P	e-STUDIO357/457/507
2	6LK24206000	COVER-RIGHT-R	1	1/PP	
3	6LH52424100	ACCESS-COVER-FUSER-N	1	1/P	
4	X0-02593000	S/TPD3/FHEXM-3X8-ZU3	17	10/P	
5	6LH52455300	COVER-FRONT-L-33X	1	1/PP	
6	6LH52403300	EMBLEM-L-H33X	1	1/PP	
7	6LH52421100	BRKT-INT-SW-F-COV2	1	1/P	
8	6LH52435000	MYLAR-COV-F-L	1	1/KP	
9	6LH60026000	LID-SW	1	1/P	
10	E0-01853000	CS1A-B2CA	1	1/D	
11	E0-14600000	FA1L-AA23	1	1/D	
12	6LA80090000	S/TPP/BID-3*8-NI	10	5/P	
13	6LH52476000	COVER-RIGHT-F-16X	1	1/PP	
14	6LJ12108000	COVER-FRONT-R-16X	1	1/PP	
15	6LH52404300	EMBLEM-R-H33X	1	1/PP	
16	6LH52407000	EMBLEM-C	1	1/P	
17 A	6LK24200700	SHEET-EMBLEM-H33X-257S	1	1/KP	e-STUDIO257S(CNS)
17 B	6LK24200200	SHEET-EMBLEM-H33X-307	1	1/KP	e-STUDIO307
17 C	6LK24200800	SHEET-EMBLEM-H33X-307S	1	1/KP	e-STUDIO307S(CNS)
17 D	6LK24200B00	SHEET-EMBLEM-H33X-307SD	1	1/KP	e-STUDIO307SD(CNSD)
17 E	6LK24200300	SHEET-EMBLEM-H33X-357	1	1/KP	e-STUDIO357
17 F	6LK24200900	SHEET-EMBLEM-H33X-357S	1	1/KP	e-STUDIO357S(CNS)
17 G	6LK24200C00	SHEET-EMBLEM-H33X-357SD	1	1/KP	e-STUDIO357SD(CNSD)
17 H	6LK24200400	SHEET-EMBLEM-H33X-457	1	1/KP	e-STUDIO457
17 I	6LK24200A00	SHEET-EMBLEM-H33X-457S	1	1/KP	e-STUDIO457S(CNS)
17 J	6LK24200D00	SHEET-EMBLEM-H33X-457SD	1	1/KP	e-STUDIO457SD(CNSD)
17 K	6LK24200500	SHEET-EMBLEM-H33X-507	1	1/KP	e-STUDIO507
17 L	6LK24200000	SHEET-EMBLEM-H33X-207L	1	1/KP	e-STUDIO207L
17 M	6LK24200100	SHEET-EMBLEM-H33X-257	1	1/KP	e-STUDIO257
18	6LH52409200	COVER-LEFT-H33X	1	1/PP	
19	6LH52406100	COVER-TRAY-BACK-N	1	1/PP	
20	6LJ12101000	COVER-LEFT-R-N	1	1/PP	
21 A	6LH54761100	ASYS-DUCT-FAN-PU-16X	1	1/PP	NAD,ARD,ASD,AUD,MJD,CND,CNS,CNSD
21 B	6LH54761200	ASYS-DUCT-FAN-PU-16XTW	1	1/PP	TWD
22	6LH52400200	COVER-TRAY-16X	1	1/PP	
23	6LA80729000	BRKT-TRAY-INNER	1	1/P	
24	6LH52423400	COVER-STOP-PAPER-470-HB	1	1/P	
25	6LH54660000	ASYS-FAN-8025-47X	1	1/D	
26	6LH52438000	TRAY-OCT-47X	1	1/PP	
27 A	6LH52426100	COVER-TRAY-FUS-N	1	1/P	e-STUDIO207L/257/307
29	6LH88546000	LBL-ENERGY-T-PP	1	5/P	
30 A	6LH59916000	LBL-CAU-LASER	1	1/KP	NAD,ARD,ASD,AUD,MJD
30 B	6LH59917000	LBL-CAU-LASER-CND	1	1/P	CND,CNS,CNSD
33	6LH52466000	COV-TRAY-BACK2-16X-U	1	1/P	
34	6LJ12100000	COVER-LEFT-R-U-16X	1	1/PP	
35	6LH52477000	BRKT-COV-FRONT	1	1/P	
36	6LA29578000	LBL-MASK-FW	1	10/KP	
38	6LJ12109000	CUSSION-COVER-F-R	1	1/P	
39	6LH45830000	LBL-E-BRIDGE2	1	1/P	



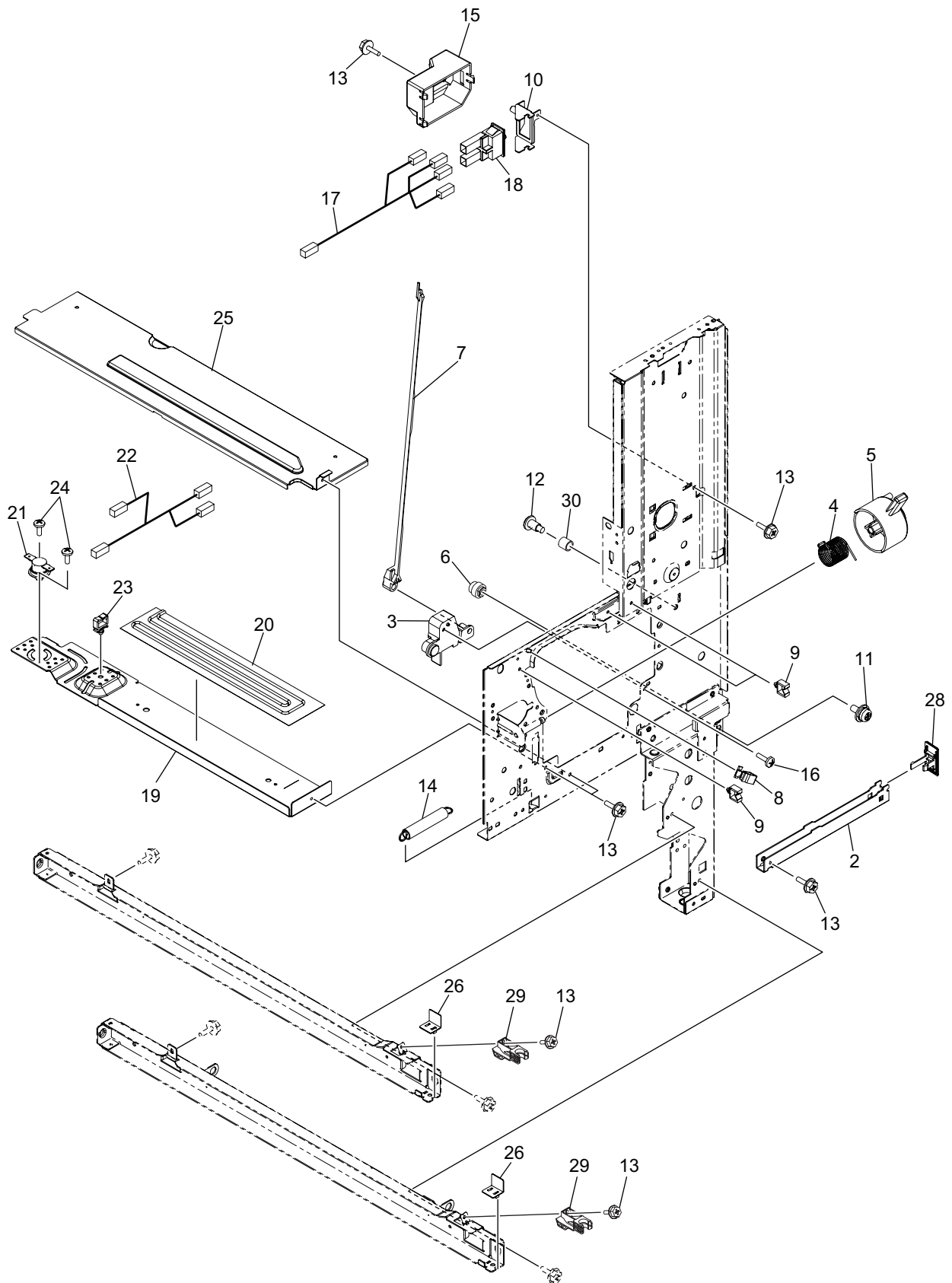
ITEM No.	PART No.	PART NAME	Q'TY / PAGE	Q'TY / PACK	REMARKS
1	6LK24203000	COVER-TOP-RER-H33X	1	1/PP	
2	X0-02235000	S/FHEXM-M4X8-NI	2	10/P	
3	6LK24207000	ASYS-COV-TP-RGT-H33X	1	1/PP	
4	X0-02593000	S/TPD3/FHEXM-3X8-ZU3	13	10/P	
5	6LK24201000	COVER-TOP-LFT-H33X	1	1/PP	
6	6LK24205000	COVER-TOP-FRT-L-H33X	1	1/PP	
7	6LK24204000	COVER-TOP-FRT-U-H33X	1	1/PP	
8	6LH52418000	COVER-REAR	1	1/PP	
9	6LH52428100	COVER-CN-OPT-470-N	1	1/P	
10	6LH52429000	COVER-REAR-DWNLD	1	1/P	
11	6LH52422100	COVER-REAR-FAX-N	1	1/PP	
12	6LH52427000	COVER-REAR-SUB	1	1/P	
13	6LH54675000	FILTER-COV-REAR	1	1/KP	
15	X0-02230000	S/FHEXM-M3X6-NI	5	10/P	
18 A	6LJ04009000	LBL-LASER-STD	1	1/KP	NAD,ARD,ASD,AUD,MJD,TWD
18 B	6LA56226000	LBL-LASER-C	1	5/KP	CND,CNS,CNSD
19 A	44204604000	LBL-SERVICE-45	1	5/P	NAD,ARD,ASD,AUD
19 B	6LA56227000	LBL-SERVICE-45C	1	5/KP	CND,CNS,CNSD
19 C	6LH45852000	LBL-SERVICE-CABLE	1	1/KP	MJD
22	6LH56607000	LID-SCREW-470	2	5/P	
23 A	6LH52479000	ASYS-COV-TOP-RGT-OT	1	1/PP	NAD,ARD,ASD,AUD,MJD
23 B	6LH52479100	ASYS-COV-TOP-RGT-TW	1	1/PP	TWD
23 C	6LH52479400	ASYS-COV-TOP-RGT-C	1	1/PP	CND,CNS,CNSD
24 A	6LA47633000	LBL-HOT-350-2	1	1/KP	NAD,ARD,ASD,AUD,MJD
24 B	6LA48515000	LBL-HOT-350-2-TWD	1	1/KP	TWD
24 C	6LJ35491000	LBL-HOT-350-C	1	1/KP	CND,CNS,CNSD
26 A	6LK29103000	LBL-PROHIBIT-C-H33X	1	1/KP	TWD,CND,CNS,CNSD
26 B	6LK29100000	LBL-PROHIBIT-E-H33X	1	1/KP	ARD,ASD,AUD,MJD
26 C	6LK29104000	LBL-PROHIBIT-U-H33X	1	1/KP	NAD
27	6LK30338000	HRNS-CABLE-USB-330	1	1/P	
28	6LJ68385000	LBL-NAD-FCC-2	1	1/KP	



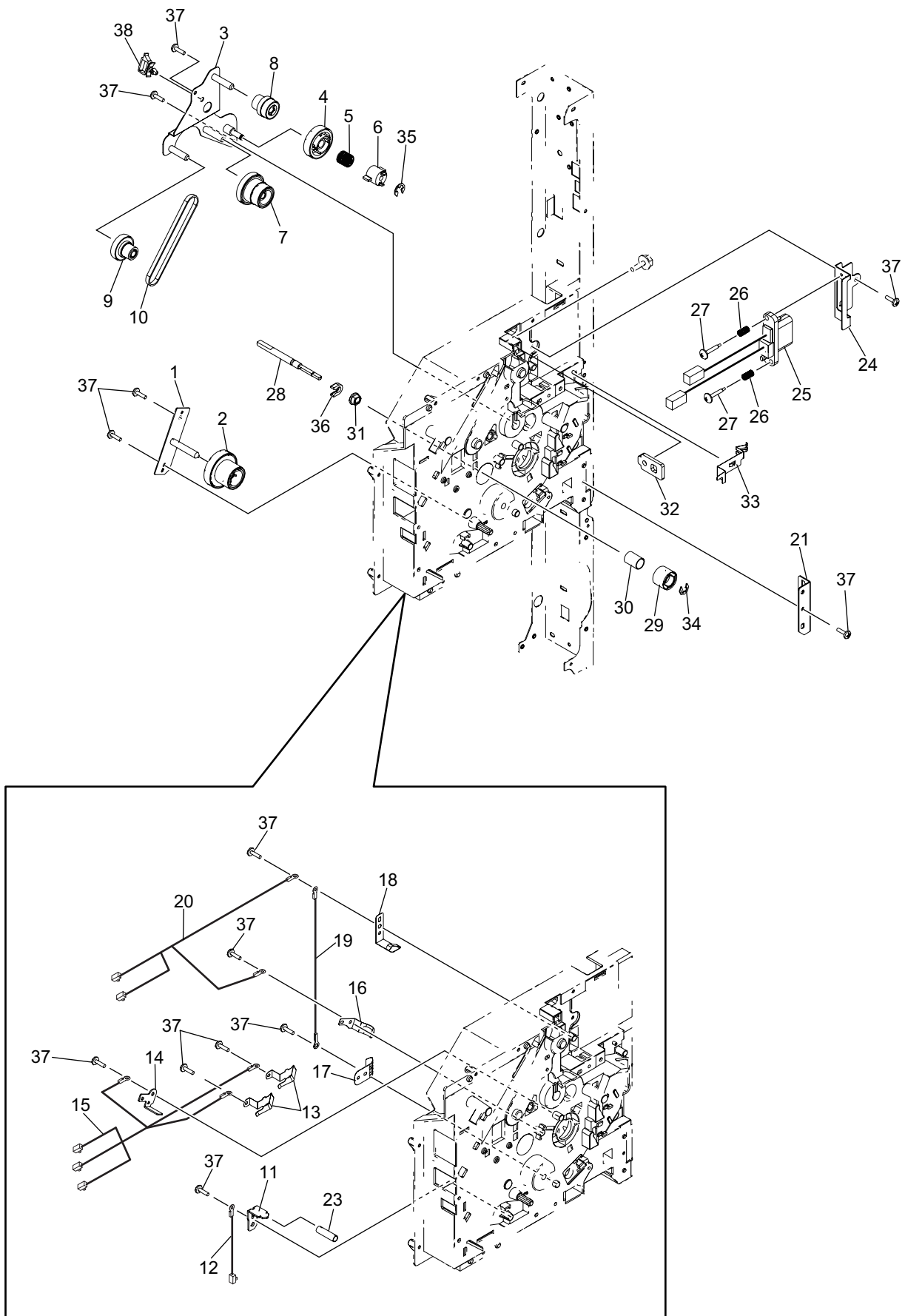
ITEM No.	PART No.	PART NAME	Q'TY / PAGE	Q'TY / PACK	REMARKS
1	6LJ53405000	ASYS-DSP-LCD-H21X	1	1/C	
2	6LJ53433000	ASYS-HINGE-H21X	2	1/P	
3	6LJ53406000	ASYS-SHIELD-PLATE	1	1/P	
4	6LJ53412000	BRACKET-BASE	1	1/P	
5 A	6LJ53467000	CABLE-IF-H21Y	1	1/P	NAD,ARD,ASD,AUD,MJD,CND,CNS,CNSD
5 B	6LJ53475000	CABLE-IF-H21YT	1	1/P	TWD
6	6LJ53416000	COV-CONP-CLEAR-H21X	1	1/PP	
7	6LJ53415000	COVER-CONPANE-LWR-H21X	1	1/PP	
8	6LJ53414000	COVER-CONPANE-UPR-H21X	1	1/PP	
9	6LJ53432000	COVER-UPR-RIM	1	1/P	
10	6LJ53451000	CUSHION-LCD-L-H21X	2	1/P	
11	6LJ53452000	CUSHION-LCD-S-H21X	2	1/P	
12	6LJ53411000	HOLDER-LCD-H21X	1	1/PP	
13	6LJ53468000	KEY-ENERGY-H21X	1	1/P	
14	6LJ53424000	KEY-FUNCTION	1	1/C	
15	6LJ53420000	KEY-RESET-H21X-U	1	1/C	
16	6LJ53428000	KEY-START	1	1/C	
17	6LJ53429000	KEY-STOP	1	1/C	
18	6LJ53425000	KEY-TEN-H21X	1	1/C	
19	6LJ53423000	KEY-USER-FUNC-H21X	1	1/C	
20	6LJ53418000	LID-LED-H21X	1	1/P	
21	6LJ53430000	PWA-DISP-H21X	1	1/SB	
22	6LJ53431000	PWA-KEY-H21X	1	1/SB	
23	X0-02596000	S/TPP/BID-3X10-NI	8	10/P	
24	X0-01989000	S/TPP/BID-3X8-NI	11	10/P	
25	X0-02036000	S/TPP/PAN-4X10-NI	8	5/P	
26	X0-02593000	S/TPD3/FHEXM-3X8-ZU3	2	10/P	
27 A	6LJ53417200	SHEET-PANEL-H21X-C	1	1/P	CND,CNS,CNSD
27 B	6LJ53417000	SHEET-PANEL-H21X-U	1	1/KP	NAD,ARD,ASD,AUD,MJD
27 C	6LJ53417300	SHEET-PANEL-H21X-T	1	1/P	TWD
28	6LJ53402000	SHIELD-LCD-AL	1	1/KP	
29	6LJ53410000	TOUCHPANEL-FC	1	1/C	



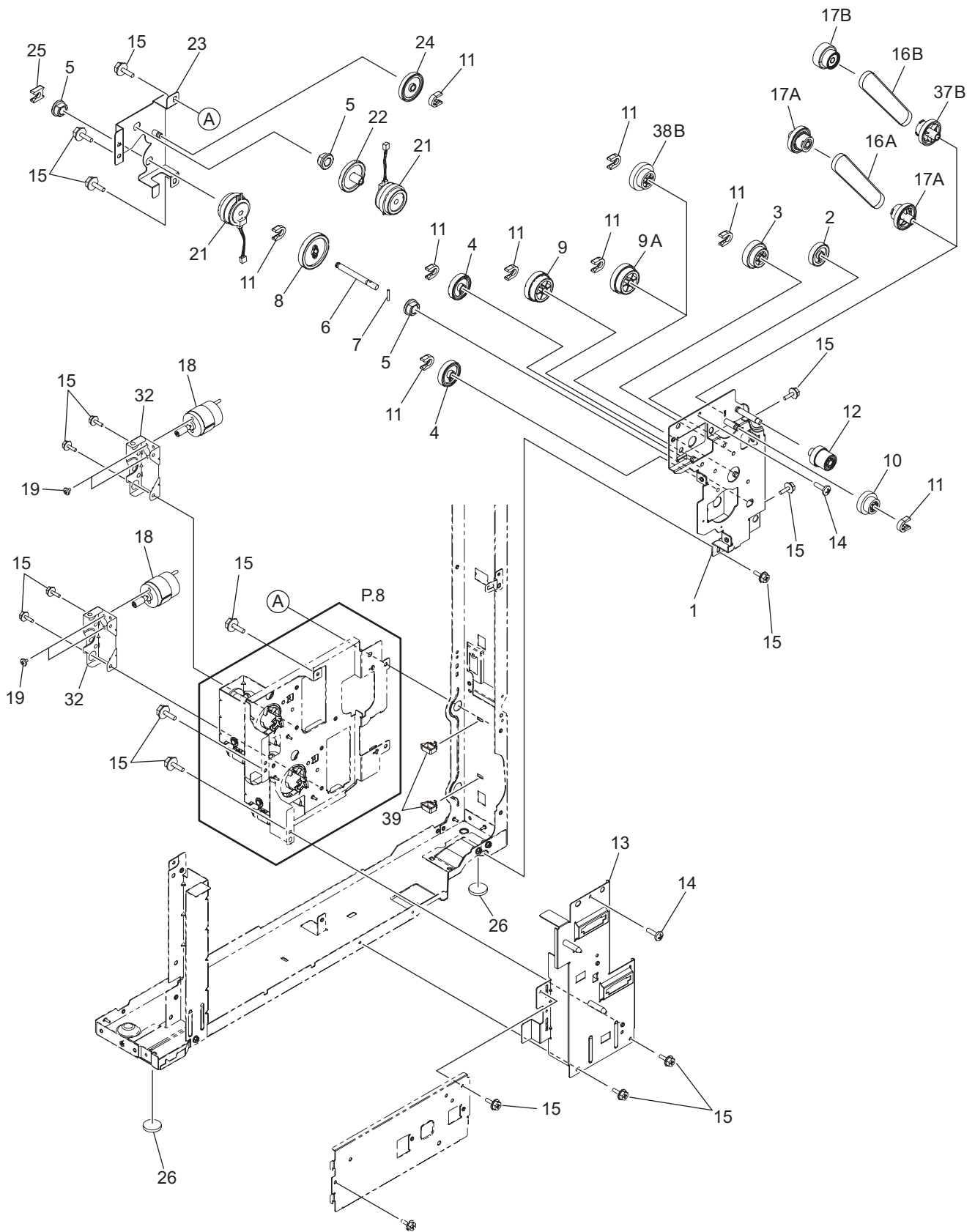
ITEM No.	PART No.	PART NAME	Q'TY / PAGE	Q'TY / PACK	REMARKS
1	6LH51627000	SLIDER-CST	2	1/P	
2	6LH61303000	HRNS-MAIN-SW-471	1	1/P	
3	E0-08497000	AJ8W200WWF	1	1/D	
4	F0-01629000	RLWC-6SV0	2	5/P	
5	X0-02593000	S/TPD3/FHEXM-3X8-ZU3	5	10/P	
6	6LH24160000	PUSHER-DEV	2	1/P	
7	6LE57972000	BRKT-HOLD-SP-280	2	1/P	
8	6LA82106000	SPC-PUSH-DEV-F	1	1/P	
9	6LA82107000	SPC-PUSH-DEV-R	1	1/P	
10	F0-01248000	ESC-0912	1	10/P	
11	6LH54642000	WALL-SIDE-DEV	1	1/P	
12	6LH54677000	RAIL-TNR-L-47X	1	1/P	
14	6LH54660000	ASYS-FAN-8025-47X	1	1/D	
15	6LK25407000	DUCT-FAN-REAR-H33X	1	1/P	
16	D0-32012000	CHS-CGC5-28	1	1/P	
17	X0-02597000	S/TPP/PAN-4X35-ZU3	2	10/P	
18	6LA80090000	S/TPP/BID-3*8-NI	1	5/P	
19	F0-01942000	CS-14S0	1	5/P	



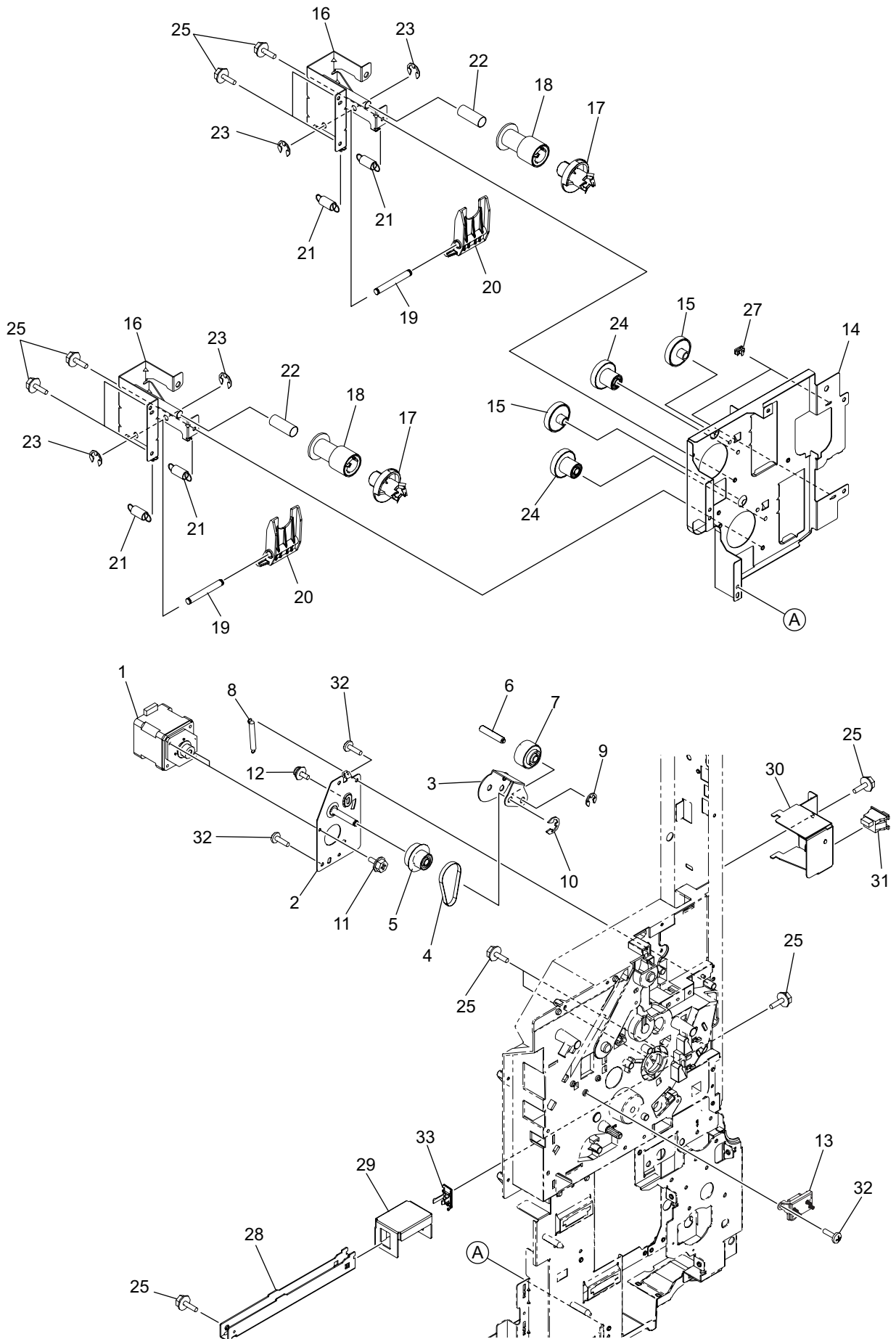
ITEM No.	PART No.	PART NAME	Q'TY / PAGE	Q'TY / PACK	REMARKS
2	6LH54652000	HANDLE	1	1/P	
3	6LH57332000	BUSH-RGST-F470	1	1/P	
4	6LH54643000	SPG-LEVER-TNR-C	1	1/P	
5	6LH54641100	LEVER-TNR-C-16X	1	1/P	
6	6LK25419000	STUD-HINGE-ADU-F-H33X	1	1/P	
7	6LH54755000	STOPPER-ADU-47X-S	1	1/KP	
8	F0-01643000	RLWT-0.5V0	1	5/P	
9	F0-01250000	MSB-1207	3	5/P	
10	6LH54681100	ASYS-BRKT-INT-SW2	1	1/P	
11	X0-02217000	S/PAN/SWWP-M4X8-ZU3	1	10/P	
12	6LA67469000	SCREW-SCAN-DF	1	5/P	
13 A	X0-02593000	S/TPD3/FHEXM-3X8-ZU3	6	10/P	NAD,ARD,ASD,AUD,MJD,CND,CNS,CNSD
13 B	X0-02593000	S/TPD3/FHEXM-3X8-ZU3	7	10/P	TWD
14 A	6LH54679000	SPG-ADU-STOPPER-L	1	1/P	e-STUDIO207L/257/307
14 B	6LH54678000	SPG-ADU-STOPPER-H	1	1/P	e-STUDIO357/457/507
15	6LH54674100	COVER-INT-SW_MN	1	1/P	
16	6LA80090000	S/TPP/BID-3*8-NI	1	5/P	
17	6LH61470000	HRNS-INTERLOCK-471	1	1/P	
18	E0-14600000	FA1L-AA23	1	1/D	
19 B	6LH54692000	BRKT-DHTR-DRUM-470	1	1/P	ARD,ASD,AUD,TWD,CND,CNS,CNSD
20 B	6LE64030000	HEATER-D-DRM-280E	1	1/C	ARD,ASD,AUD,CND,CNS,CNSD
20 C	6LE64029000	HEATER-D-DRM-280U	1	1/C	TWD
21 B	6LE09486000	THRMST-CS-7L	1	1/D	ARD,ASD,AUD,TWD,CND,CNS,CNSD
22 B	6LH61369000	HRNS-D/H-DRM-471	1	1/P	ARD,ASD,AUD,TWD,CND,CNS,CNSD
23 B	F0-00024000	LWS-1U	1	5/P	ARD,ASD,AUD,TWD,CND,CNS,CNSD
24 B	X0-02069000	S/TPS/BID-3X6-ZU3	2	10/P	ARD,ASD,AUD,TWD,CND,CNS,CNSD
25	6LH54655000	COVER-DHTR	1	1/P	
26	6LH51627000	SLIDER-CST	2	1/P	
28	6LH52420100	COVER-HANDLE-F-N	1	1/D	
29	6LH51628000	CATCH-CST-F47X	2	1/P	
30	6LH51247000	CLR-ADU	1	1/P	



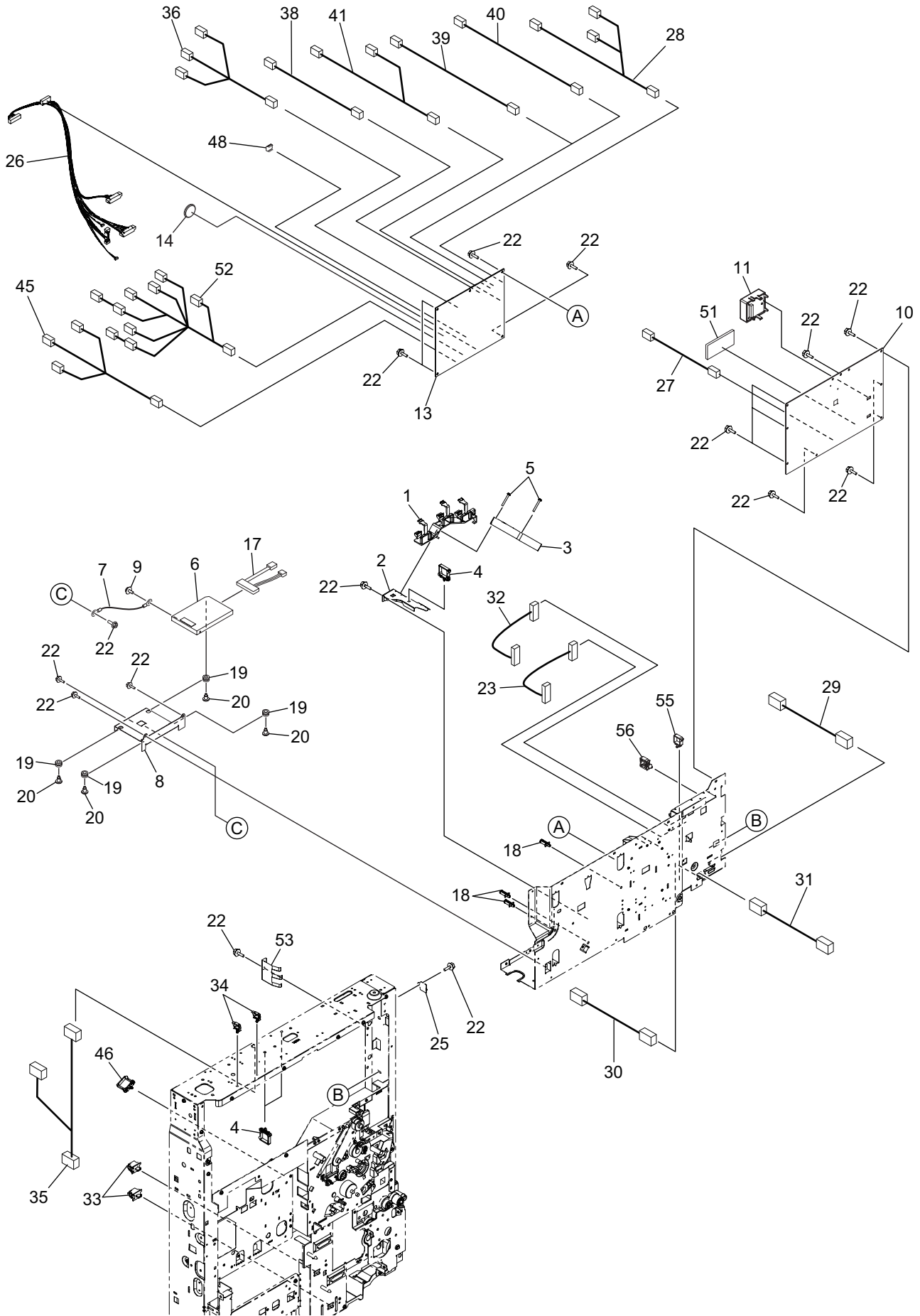
ITEM No.	PART No.	PART NAME	Q'TY / PAGE	Q'TY / PACK	REMARKS
1	6LE56635000	ASYS-PLATE-DRIVE-DEV	1	1/P	
2	6LH53715000	GEAR-8H43_10S22-6	1	1/P	
3	6LH53732000	ASYS-BRKT-FUS-CLN	1	1/P	
4	6LA82294000	GEAR-10H29-6-CLN	1	1/P	
5	6LE85352000	SPG-DRV-CLN	1	5/P	
6	6LA82296000	CPG-DRV-CLN	1	1/P	
7	6LH53714000	GEAR-10H29_10H20-6	1	1/P	
8	6LH53712000	GEAR-10S17_PS2M24-6	1	1/P	
9	6LH53713000	GEAR-10H23_PS2M22-6	1	1/P	
10	6LH54366000	BLT-SY-S2M-208-4	1	1/P	
11	6LA82004000	PLT-TERM-DEV	1	1/P	
12	6LH61350000	HRNS-HVPS3-471	1	1/P	
13	6LH57331000	PLT-TRU	2	1/D	
14	6LA85009000	SPL-CH-M	1	1/P	
15	6LH61348000	HRNS-HVPS1-471	1	1/P	
16	6LE86050000	SPL-GRID	1	1/P	
17	6LE56606000	SPL-BIAS-RGST	1	1/C	
18	6LH54639000	PLATE-FUS	1	1/D	
19	6LH61351000	HRNS-GB-FUSER-471	1	1/P	
20	6LH61349000	HRNS-HVPS2-471	1	1/P	
21	6LH54669000	BRKT-CN-FRM	1	1/P	
23	6LH53466000	SPC-TERM-DEV	1	1/P	
24	6LH53758000	BRKT-FUS-DRW	1	1/P	
25 A	6LH61305000	HRNS-ACIN1-471	1	1/P	e-STUDIO207L/257/307
25 B	6LH61306000	HRNS-ACIN1-473	1	1/P	e-STUDIO357/457/507
26	6LA14468000	SPC068-080-160	2	5/P	
27	4406326040	SCREW-D4-18-M3	2	10/P	
28	6LH53763000	SHAFT-DRV-TNR-470	1	1/P	
29 A	6LH57004300	CPG-TC-470-E	1	1/P	MJD
29 B	6LH57004100	CPG-TC-470-D	1	1/P	ASD,AUD,TWD
29 C	6LH57004200	CPG-TC-470-U	1	1/P	NAD,ARD
29 D	6LH57004400	CPG-TC-470-C	1	1/P	CND,CNS,CNSD
30	6LE56611000	SPG-DRV-TN-280	1	1/P	
31	44201492000	BUSH-6-POM	1	5/P	
32	6LH53778000	PLT-EXIT-FRM-MAIN	1	1/P	
33	6LH53779000	PLATE-FUSER-GND	1	1/P	
34	X0-00974000	RR/E-2.5-SS	1	10/P	
35	X0-00965000	RR/E-4-SS	1	10/P	
36	4407972860	STOP-RING-6-5	1	5/P	
37	6LA80090000	S/TPP/BID-3*8-NI	13	5/P	
38	F0-01811000	LWS-0711S-V0	1	5/P	



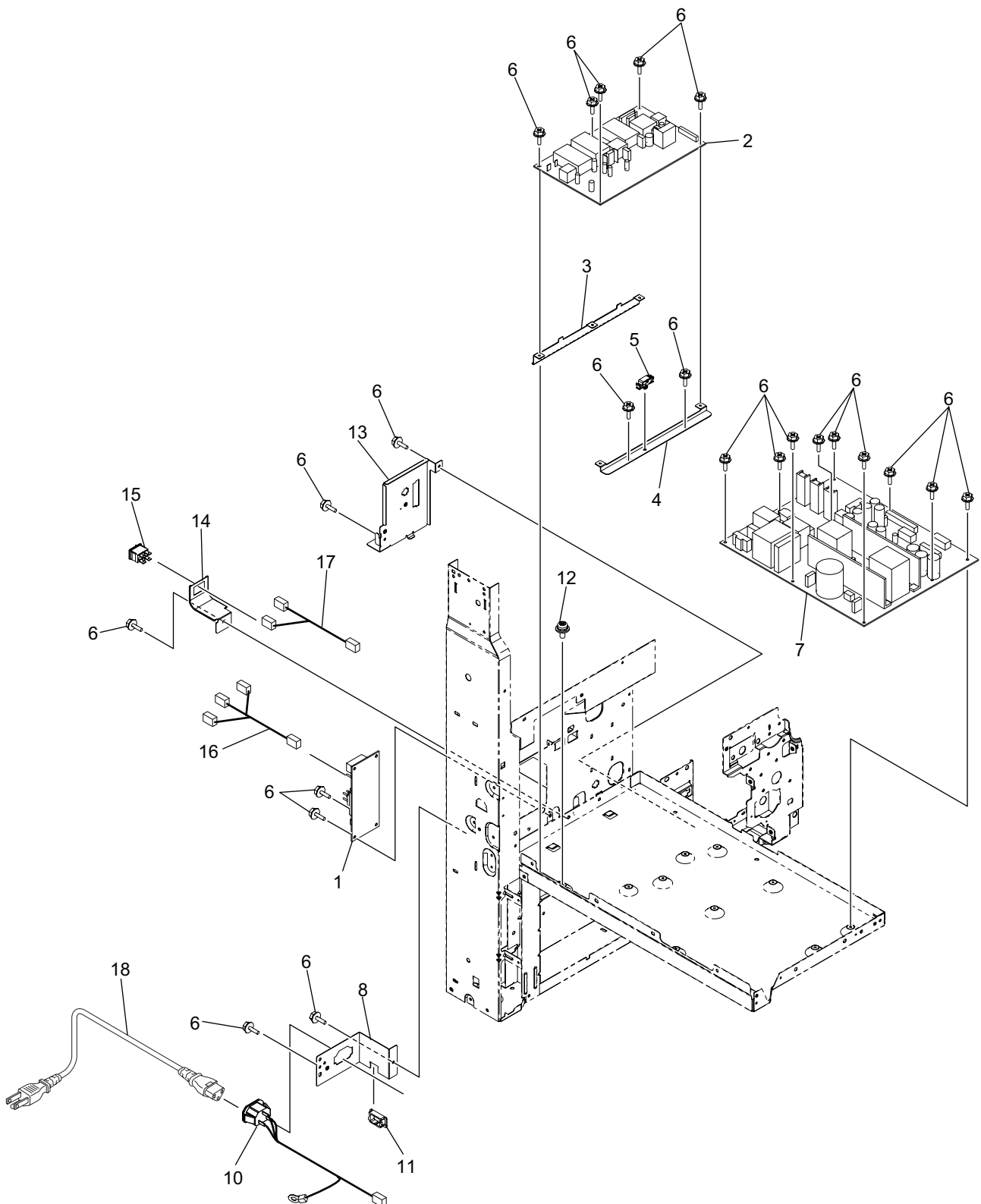
ITEM No.	PART No.	PART NAME	Q'TY / PAGE	Q'TY / PACK	REMARKS
1 A	6LJ13714000	ASYS-FRAME-FEED-R-H16X	1	1/D	e-STUDIO207L/257/307/357/457
1 B	6LJ12709000	ASYS-FRAME-FEED-R-H16X-50	1	1/P	e-STUDIO507
2	6LH53721000	GEAR-10S24-6	1	1/P	
3	6LH53759000	GEAR-10S28_10S21-6	1	1/P	
4	6LH53720000	GEAR-10S27-6-FEED	2	1/P	
5	6LJ55543000	BUSH-6-BCF-050	3	1/P	
6	6LH53788000	SHAFT-CL-DRV	1	1/P	
7	X0-01009000	P/SPW/AW-2X10-SS	1	10/P	
8	6LH53724000	GEAR-10S39-6	1	1/P	
9 A	6LH53719000	GEAR-10S31_10S27-6	2	1/P	e-STUDIO207L/257/307/357/457
9 B	6LH53719000	GEAR-10S31_10S27-6	1	1/P	e-STUDIO507
10 A	6LH53717000	GEAR-10S25_10S19-6	1	1/P	e-STUDIO207L/257/307/357/457
10 B	6LJ12701000	GEAR-10S25_10S15-6	1	1/P	e-STUDIO507
11	4407972860	STOP-RING-6-5	8	5/P	
12	6LH53718000	GEAR-10S20_10S17-6	1	1/P	
13	6LH54619000	ASYS-FRAME-FEED-RL	1	1/P	
14	6LA80090000	S/TPP/BID-3*8-NI	2	5/P	
15	X0-02593000	S/TPD3/FHEXM-3X8-ZU3	16	10/P	
16 A	6LH03541000	BLT-SY-S2M-250-4	1	1/P	e-STUDIO207L/257/307/357/457
16 B	6LJ12705000	BLT-SY-S2M-252-6	1	1/P	e-STUDIO507
17 A	6LH53716000	GEAR-10S28_PS2M28-6	2	1/P	e-STUDIO207L/257/307/357/457
17 B	6LH04544000	ASYS-BE-G10S027_PS2M32-6	1	1/P	e-STUDIO507
18	6LH53764000	ASYS-MOTRD-TNR-470	2	1/C	
19	X0-02557000	S/BID-M2.6X3-NI	4	10/P	
21	6LH53742000	CLUTCH-50R-G28-6	2	1/D	
22	6LH53722000	GEAR-10S34-6	1	1/P	
23	6LH53729000	ASYS-PLT-FEED-DRV	1	1/P	
24	6LH53723000	GEAR-10S31-6	1	1/P	
25	4408358930	STOP-RING-6-4	1	5/P	
26	6LH54676000	FOOT-FRM-BASE	2	5/P	
32	6LH58040000	BRKT-MOT-TRAYUP-PFP	2	1/P	
37 B	6LJ12704000	GEAR-10S29_PS2M27-6	1	1/P	e-STUDIO507
38 B	6LJ12702000	GEAR-10S31_10S21-6	1	1/P	e-STUDIO507
39	F0-01459000	RLWT-2V0	2	5/P	



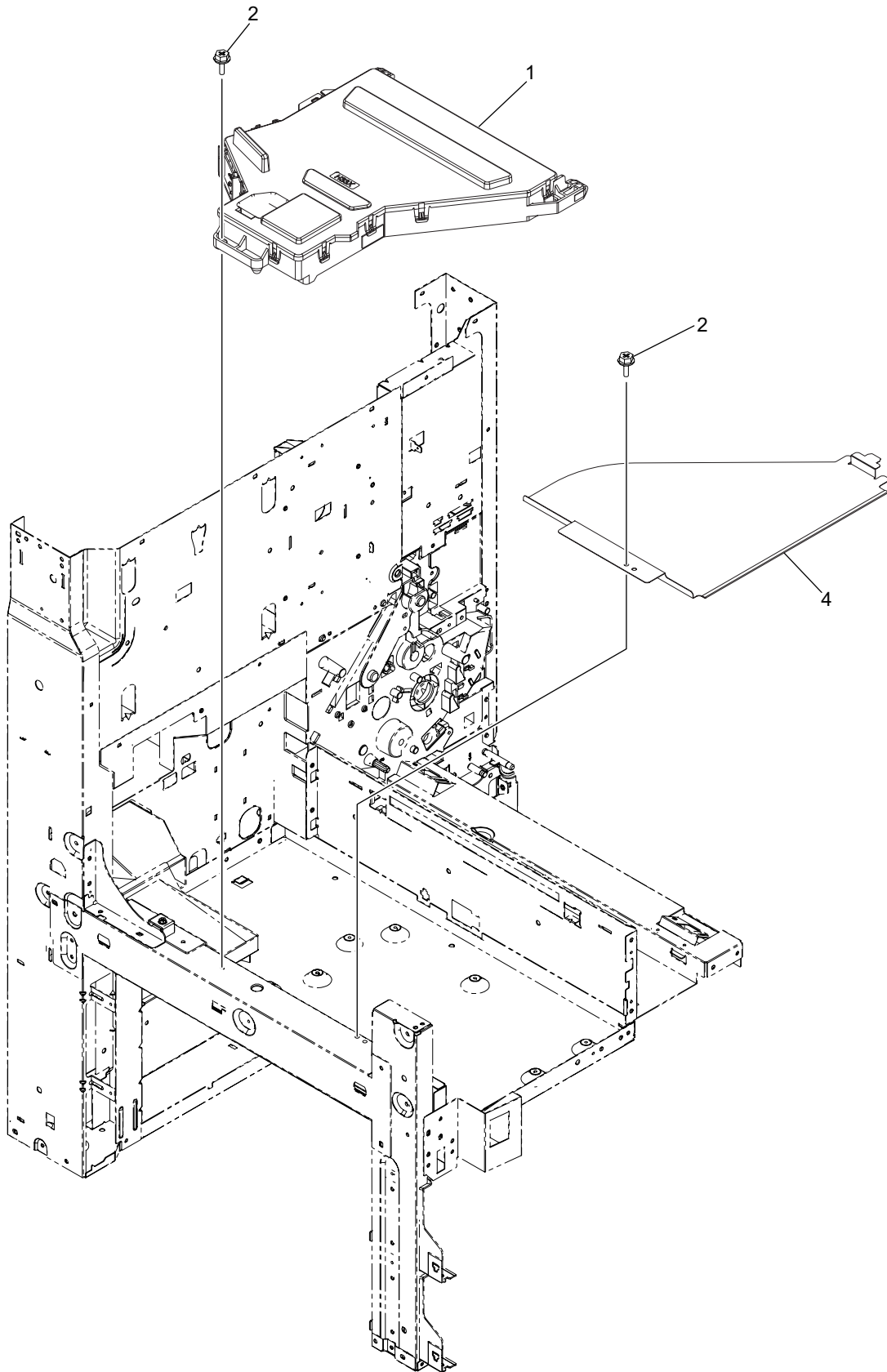
ITEM No.	PART No.	PART NAME	Q'TY / PAGE	Q'TY / PACK	REMARKS
1	6LH51236000	ASYS-MOTR-S-ADU-47X	1	1/C	
2	6LH51213000	ASYS-BRKT-MOT-ADU-473	1	1/P	
3	6LH51234000	BRKT-GEAR-JOINT	1	1/P	
4	6LH54361000	BLT_SY-S2M-120-4	1	1/P	
5	6LA78772000	GEAR-10S15-PS2M39-6	1	1/P	
6	6LH51235000	SFT-ADU-GEAR-47X	1	1/P	
7	6LH51233000	GEAR-10S23-6	1	1/P	
8	6LE56610000	SPG-TENS-ROL-280	1	1/P	
9	X0-00964000	RR/E-3-SS	1	10/P	
10	X0-00965000	RR/E-4-SS	1	10/P	
11	X0-02230000	S/FHEXM-M3X6-NI	2	10/P	
12	X0-02551000	S/PAN/SWWP-M3X6-ZU3	1	10/P	
13	6LK27001000	ASYB-HOLD-SP-TNR-H33X	1	1/C	
14 A	6LH53790000	ASYS-PLATE-DRIVE	1	1/P	e-STUDIO207L/257/307/357/457
14 B	6LJ12712000	ASYS-PLATE-DRIVE-50	1	1/PP	e-STUDIO507
15	6LH54301000	GEAR-IDLE-TRAYUP	2	1/P	
16	6LH54315000	ASYS-BRKT-CPG-GEAR	2	1/P	
17	6LH54348000	ASYS-CPG-DRV-CST	2	1/P	
18	6LH54332000	ASYS-GEAR-DRV-CST	2	1/P	
19	6LH54316000	SHAFT-DRV-TRAYUP	2	1/P	
20	6LH54346000	LVR-CST-TRAYUP	2	1/P	
21	6LH54325000	SPRING-TRAYUP-L	4	1/P	
22	6LH54327000	SPRING-TRAYUP-U	2	1/P	
23	X0-00966000	RR/E-5-SS	4	10/P	
24	6LH54302000	GEAR-DRV-TRAYUP	2	1/P	
25	X0-02593000	S/TPD3/FHEXM-3X8-ZU3	11	10/P	
27	F0-01496000	RLMC-01TV0	2	5/P	
28	6LH54652000	HANDLE	1	1/P	
29	6LH54654000	BRKT-HANDLE	1	1/P	
30	6LH54734000	ASYS-COV-SW-R	1	1/P	
31	E0-01853000	CS1A-B2CA	1	1/D	
32	6LA80090000	S/TPP/BID-3*8-NI	3	5/P	
33	6LH52420100	COVER-HANDLE-F-N	1	1/D	



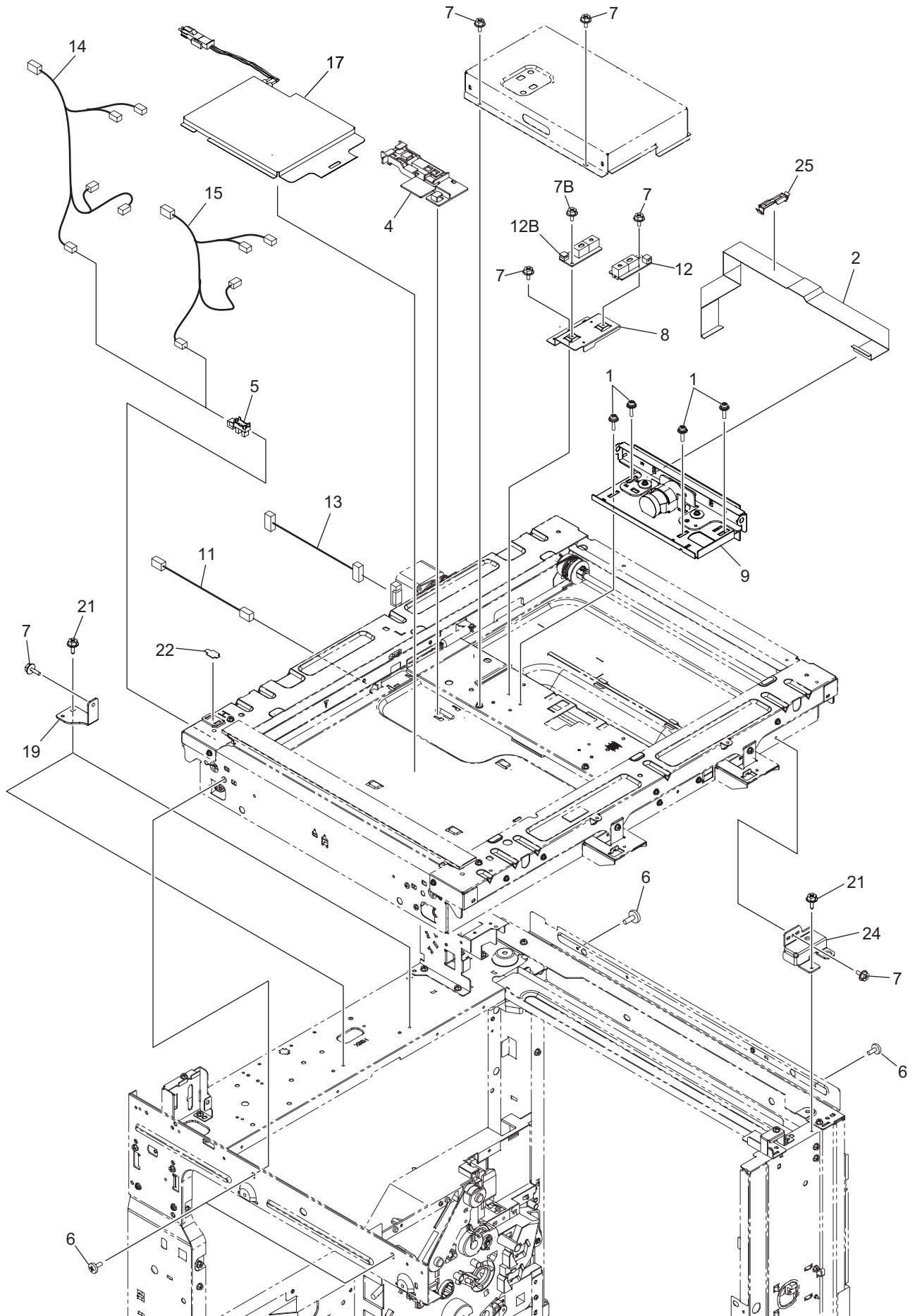
ITEM No.	PART No.	PART NAME	Q'TY / PAGE	Q'TY / PACK	REMARKS
1	6LH53107000	HOLDER-FAN-SYS	1	1/C	
2	6LH53109000	BRKT-FAN	1	1/P	
3	6LH53139000	ASYS-FAN-SYS-EX	1	1/D	
4	F0-01629000	RLWC-6SV0	3	5/P	
5	X0-02068000	S/TPS/PAN-4X25-ZU3	2	10/P	
6 A	G0-00733000	MQ01ABU032BW	1	1/C	NAD
6 B	G0-00732000	MQ01ABU032W	1	1/C	ARD,ASD,AUD,MJD,TWD
6 C	G0-00728000	MQ01ABF032	1	1/C	CND,CNS
7	6LE78184000	HRNS-HDDFG-364	1	1/P	
8	6LK24601000	BRKT-HDD-H33X	1	1/P	
9	X0-02386000	S/PAN/SWWP-M3X4-NI	1	10/P	
10 A	6LK30434000	ASYB-PWA-SYS-330S	1	1/SB	NAD,ARD,ASD,AUD,MJD,TWD,CND,CNS
10 B	6LK30435000	ASYB-PWA-SYS-330CNS-S	1	1/SB	CNSD
11	6LH09585000	ASYB-SRAM-430S	1	1/C	
13 A	6LK30437000	ASYB-PWA-LGC-330S	1	1/SB	e-STUDIO207L
13 B	6LK30437100	ASYB-PWA-LGC-331S	1	1/SB	e-STUDIO257
13 C	6LK30437200	ASYB-PWA-LGC-332S	1	1/SB	e-STUDIO307
13 D	6LK30437300	ASYB-PWA-LGC-333S	1	1/SB	e-STUDIO357
13 E	6LK30437400	ASYB-PWA-LGC-334S	1	1/SB	e-STUDIO457
13 F	6LK30437500	ASYB-PWA-LGC-335S	1	1/SB	e-STUDIO507
14	6LE90510000	LI-BAT-CR-2450	1	1/S	
17 A	6LK30257000	HRNS-HDD-330	1	1/P	NAD,ARD,ASD,AUD,MJD,TWD,CND,CNS
18	F0-01553000	CBT-10S0	3	5/P	
19	F0-01939000	VB-1006-95T	4	1/P	
20	6LH53114000	SCREW-HDD-CASE_M3	4	5/P	
22	X0-02593000	S/TPD3/FHEXM-3X8-ZU3	18	10/P	
23 B	6LH61328000	HRNS-MOT-BRIDGE-473	1	1/P	e-STUDIO357/457/507
25	6LA64243000	COVER-USB-SYS	1	1/P	
26 A	6LJ19250000	HRNS-LGC-CST-OP-160	1	1/P	NAD,ARD,ASD,AUD,MJD,CND,CNS,CNSD
26 B	6LJ19281000	HRNS-LGC-CST-OP-161TW	1	1/P	TWD
27 A	6LJ19265000	HRNS-LGC-IMG-160	1	1/P	NAD,ARD,ASD,AUD,MJD,CND,CNS,CNSD
27 B	6LJ19282000	HRNS-LGC-SYS-161TW	1	1/P	TWD
28	6LK30287000	HRNS-MAIN-MOT-330	1	1/P	
29 A	6LH61391000	HRNS-MOT-EXIT-L-471	1	1/P	e-STUDIO207L/257/307
29 B	6LH61326000	HRNS-MOT-EXIT-L-473	1	1/P	e-STUDIO357/457/507
30 B	6LK30291000	HRNS-MOT-EXIT-U-330	1	1/P	e-STUDIO357/457/507
31	6LH61389000	HRNS-SIDE-SW-471	1	1/P	
32 B	6LH61329000	HRNS-MOT-JSP-473	1	1/P	e-STUDIO357/457/507
33	E0-01853000	CS1A-B2CA	2	1/D	
34	F0-01811000	LWS-0711S-V0	2	5/P	
35 B	6LJ19267000	HRNS-D/H-160	1	1/P	ARD,ASD,AUD,TWD,CND,CNS,CNSD
36 A	6LJ19261000	HRNS-LGC-PS-SIG-163	1	1/P	e-STUDIO357/457/507
36 B	6LJ19262000	HRNS-LGC-PS-SIG-160	1	1/P	e-STUDIO207L/257/307
38 A	6LK30358000	HRNS-LGC-EXIT-L-330	1	1/P	e-STUDIO207L/257/307
39 B	6LJ19264000	HRNS-LGC-MOT-L-160	1	1/P	e-STUDIO207L/257/307
40 B	6LJ19260000	HRNS-LGC-MOT-H-163	1	1/P	e-STUDIO357/457/507(Except TWD)
40 C	6LJ19287000	HRNS-LGC-MOT-H-161TW	1	1/P	e-STUDIO357TWD/457TWD
41 A	6LJ19257000	HRNS-LGC-FRT-160	1	1/P	NAD,ARD,ASD,AUD,MJD,CND,CNS,CNSD
41 B	6LJ19283000	HRNS-LGC-FRT-161TW	1	1/P	TWD
45	6LJ19259000	HRNS-LGC-FAN-160	1	1/P	
46	F0-02226000	RLWC-7SV0	1	5/P	
48	C0-14497000	BR24L64-W	1	1/S	
51	C0-19447000	M471B5674QH0-YK0	1	1/C	
52 A	6LJ19039000	ASYB-HRNS-LGC-FEED-162TW	1	1/P	e-STUDIO307T/457(TWD)
52 B	6LK30420000	HRNS-LGC-FEED-332	1	1/P	e-STUDIO207L/307/457(Except TWD)
52 C	6LK30419000	HRNS-LGC-FEED-331	1	1/P	e-STUDIO257/357/507(Except TWD)
52 D	6LJ19038000	ASYB-HRNS-LGC-FEED-161TW	1	1/P	e-STUDIO307T/457(TWD)
53	6LJ13753000	SPG-FG-USB-16X	1	1/P	
55	F0-01606000	RLWT-3V0	1	5/P	
56	F0-00024000	LWS-1U	1	5/P	



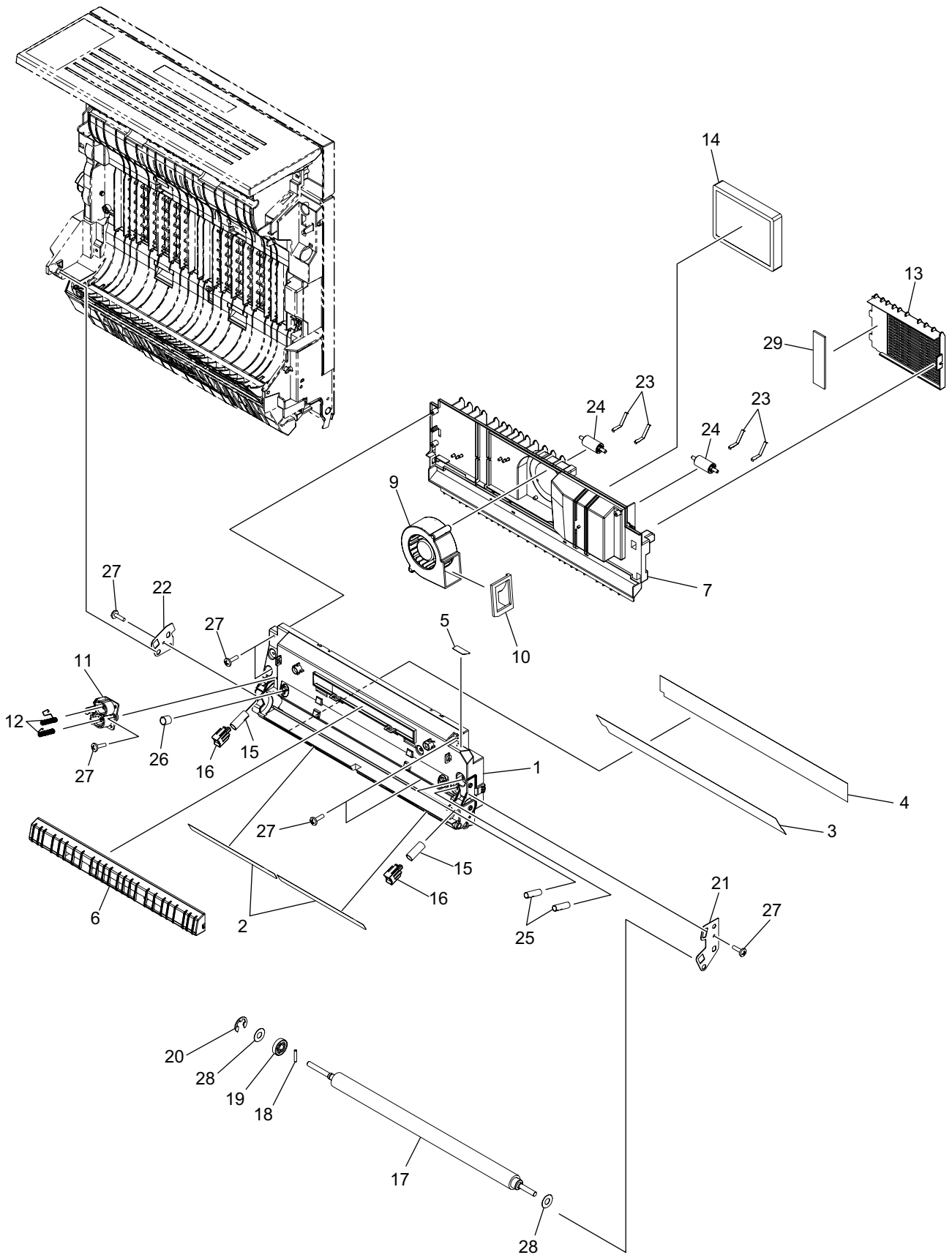
ITEM No.	PART No.	PART NAME	Q'TY / PAGE	Q'TY / PACK	REMARKS
1 A	6LA88759000	PWA-F-FUS-371	1	1/C	ARD,ASD,AUD,TWD,CND,CNS,CNSD
2 A	6LH64716000	PS-HVT-473	1	1/C	e-STUDIO357/457/507
2 B	6LH64715000	PS-HVT-471	1	1/C	e-STUDIO207L/257/307
3	6LH53110000	BRKT-HVPS-R	1	1/P	
4	6LH53102000	BRKT-HVPS	1	1/P	
5	F0-01933000	RLMS-1V0	1	5/P	
6	X0-02593000	S/TPD3/FHEXM-3X8-ZU3	23	10/P	
7 A	6LH62512C00	ASYS-PSU-F470-EHE2	1	1/C	e-STUDIO357/457/507(ARD,ASD,AUD,MJD,CND,CNS,CNSD)
7 B	6LH62512B00	ASYS-PSU-F470-ELE2	1	1/C	e-STUDIO207L/257/307(ARD,ASD,AUD,MJD,CND,CNS,CNSD)
7 C	6LH62512A00	ASYS-PSU-F470-JUHE2	1	1/C	e-STUDIO357/457/507(NAD)
7 D	6LH62512900	ASYS-PSU-F470-JULE2	1	1/C	e-STUDIO207L/257/307(NAD)
7 E	6LH62512400	ASYS-PSU-F470-TWL	1	1/C	e-STUDIO257/307(TWD)
7 J	6LH62512800	ASYS-PSU-F470-TWHEX	1	1/C	e-STUDIO357/457(TWD)
8	6LH53111100	BRKT-INLET-D	1	1/P	
10	6LH61302000	HRNS-INLET-471	1	1/P	
11	F0-01248000	ESC-0912	1	10/P	
12	6LH55300000	USUITA-SPSEMS-4X8-6	1	5/P	
13	6LH53113000	BRKT-FAX-KIT	1	1/P	
14 B	6LJ13762000	BRKT-DHTR-SW	1	1/P	ARD,ASD,AUD,TWD,CND,CNS,CNSD
15 B	E0-13968000	AJ76201BF	1	5/D	ARD,ASD,AUD,TWD,CND,CNS,CNSD
16 B	6LH61367000	HRNS-FUS-471-J	1	1/P	ARD,ASD,AUD,TWD,CND,CNS,CNSD
17 B	6LH61366000	HRNS-FUS2-471-J	1	1/P	ARD,ASD,AUD,TWD,CND,CNS,CNSD
18 A	6LE95822000	CABLE-P-INLET-EUR	1	1/P	MJD
18 B	6LK31407000	CABLE-P-INLET-AU	1	1/P	AUD
18 C	6LH40421000	CABLE-P-INLET-UK	1	1/P	ASD
18 E	6LE95824000	CABLE-P-INLET-AR	1	1/P	ARD
18 F	6LJ60926000	CABLE-P-INLET-CCC	1	1/P	CND,CNS,CNSD
18 G	6LJ60950000	CABLE-P-INLET-NAD-15A	1	1/P	NAD
18 H	6LE95826000	CABLE-P-INLET-TWD	1	1/P	TWD



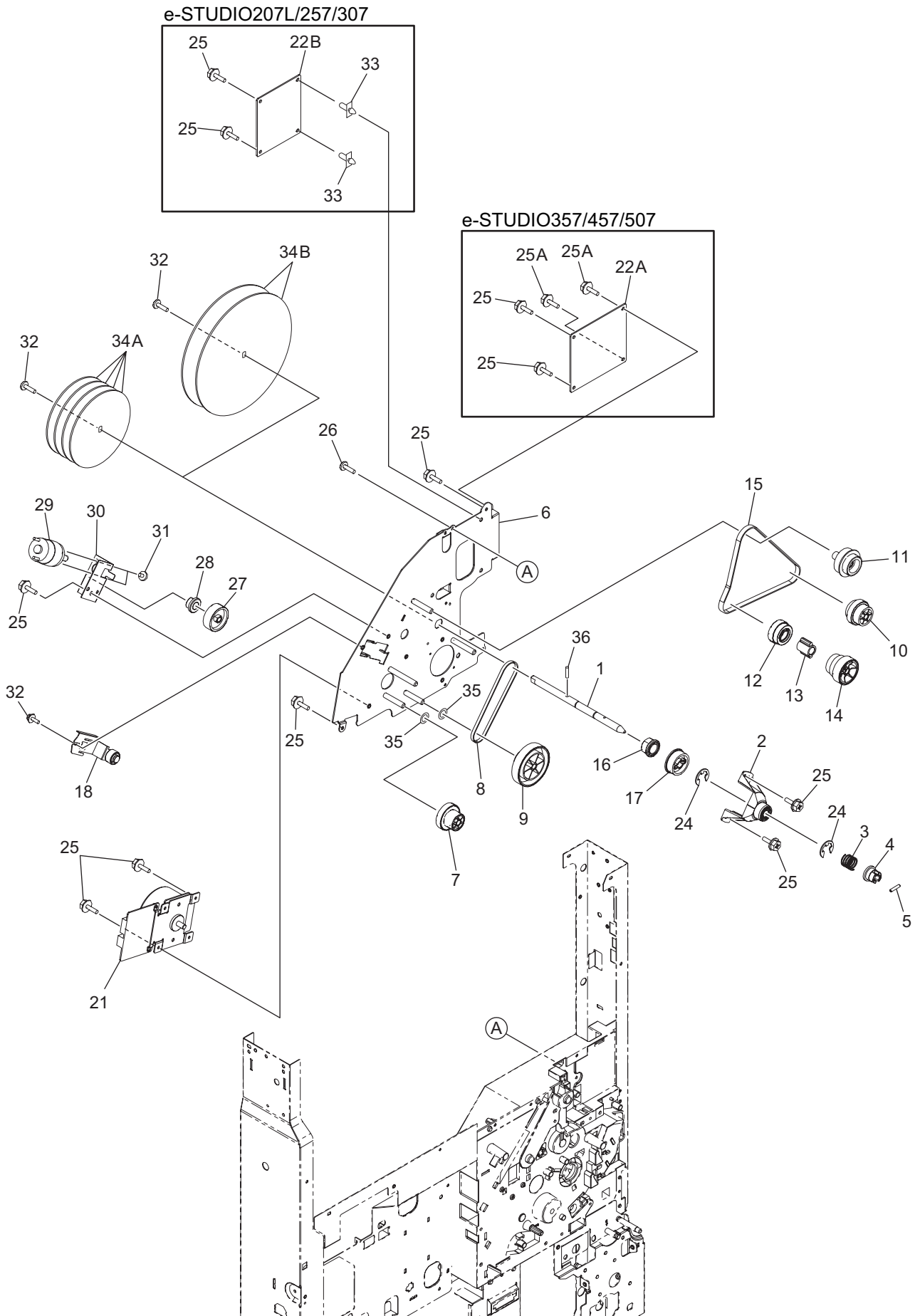
ITEM No.	PART No.	PART NAME	Q'TY / PAGE	Q'TY / PACK	REMARKS
1	6LK25921000	LSU-UNIT-H33X	1	1/S	
2	X0-02593000	S/TPD3/FHEXM-3X8-ZU3	2	10/P	
4	6LK25408000	COVER-CAPACITOR-H33X	1	1/P	



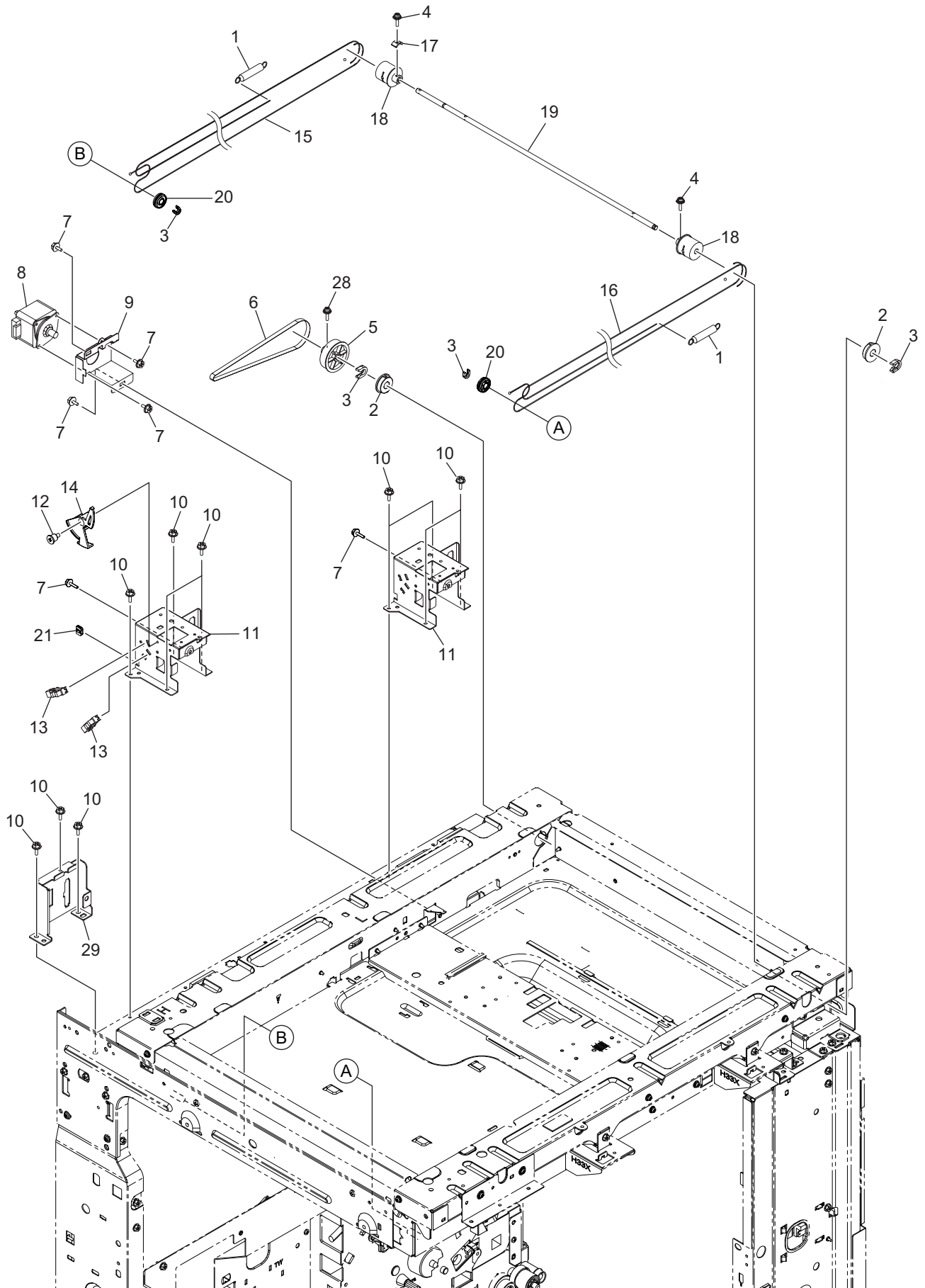
ITEM No.	PART No.	PART NAME	Q'TY / PAGE	Q'TY / PACK	REMARKS
1	X0-00077000	S/PAN/SWVP-M3X8-NI	4	10/P	
2	6LK30418000	HRNS-SCN-SYS-330	1	1/P	
4	6LJ59742000	GUIDE-HRNS-SCAN-H21X	1	1/C	
5	C0-17839000	LG2A14BL1	1	1/C	
6	X0-00430000	S/BID-M3X6-NI	4	10/P	
7 A	X0-02230000	S/FHEXM-M3X6-NI	7	10/P	ARD,ASD,AUD,MJD,TWD,CND,CNS,CNSD
7 B	X0-02230000	S/FHEXM-M3X6-NI	8	10/P	NAD
8	6LJ59761000	BRKT-APS-H21X	1	1/P	
9	6LK26714000	LENS-H330	1	1/S	
11 A	6LK30409000	HRNS-SCN-D H-330	1	1/P	ARD,ASD,AUD,TWD,CND,CNS,CNSD
12 A	6LE63995000	SNSR-PS181EL1-S42	1	1/C	ARD,ASD,AUD,MJD,TWD,CND,CNS,CNSD
12 B	6LE63995000	SNSR-PS181EL1-S42	2	1/C	NAD
13	6LK30259000	HRNS-SCN-MOT-330	1	1/P	
14 A	6LK30262000	HRNS-SCN-SNSR-L-330	1	1/P	NAD
15 A	6LK30263000	HRNS-SCN-SNSR-A-330	1	1/P	ARD,ASD,AUD,MJD,TWD,CND,CNS,CNSD
17 A	6LJ59770100	ASYS-D_H-SCAN-H21X-E	1	1/D	ARD,ASD,AUD,CND,CNS,CNSD
17 B	6LJ59770200	ASYS-D_H-SCAN-H21X-U	1	1/D	TWD
19	6LJ52385000	BRKT-CNT-SCAN-R-H21X	2	1/P	
21	X0-02593000	S/TPD3/FHEXM-3X8-ZU3	3	10/P	
22	6LJ59840000	MYLAR-HP-SNSR-H21Y	1	5/P	
24	6LK25404000	BRKT-DMP-SCN-FR-H33X	1	1/P	
25	F0-01418000	RFC-33V0	1	1/P	



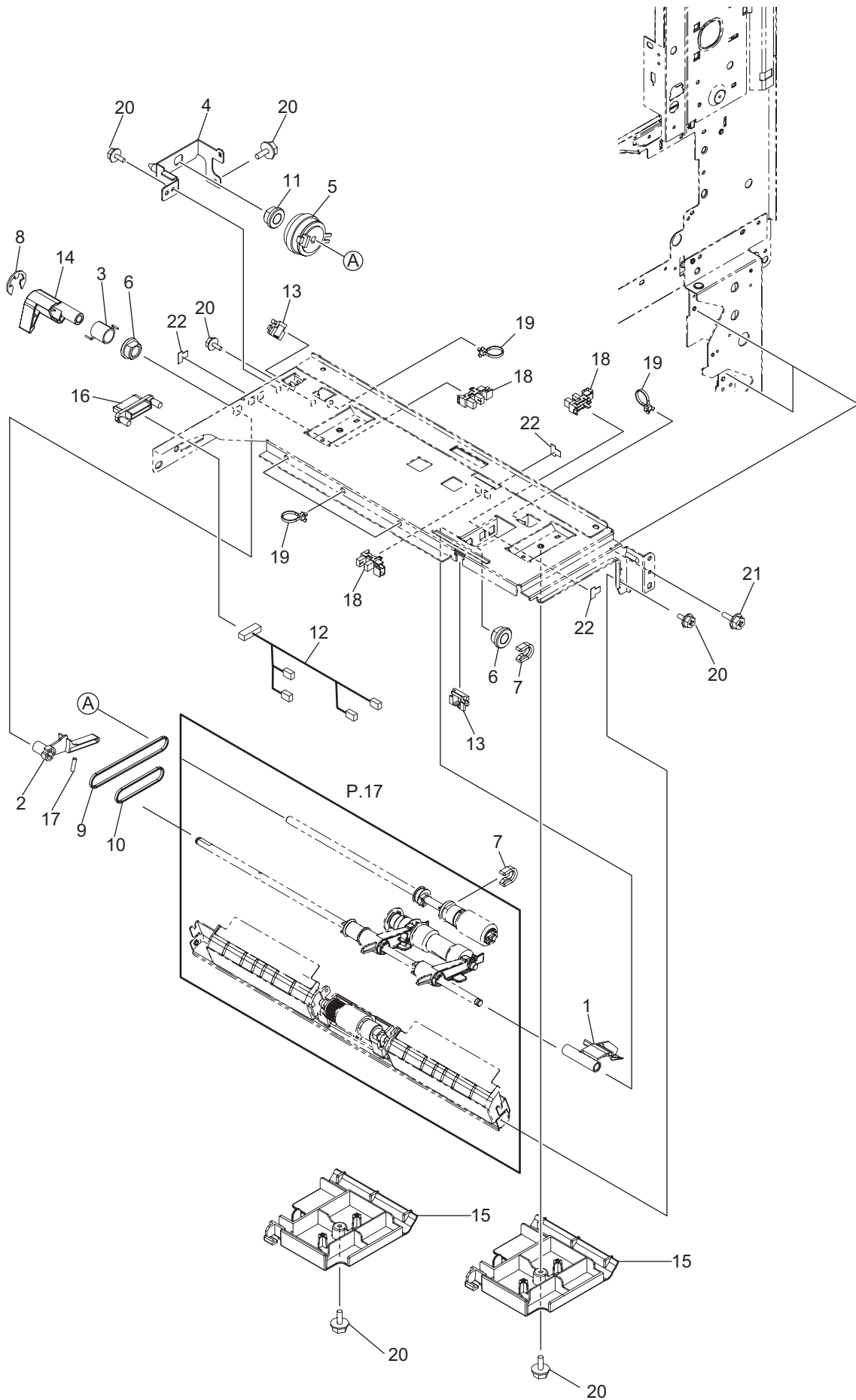
ITEM No.	PART No.	PART NAME	Q'TY / PAGE	Q'TY / PACK	REMARKS
1	6LJ15601000	CASE-DUCT-16X	1	1/C	
2	6LH57320000	MYLAR-RGST-R	2	1/KP	
3	6LH57319000	MYLAR-SCLP-RGST	1	1/KP	
4	6LH57318000	MYLAR-COV-SIDE	1	1/KP	
5	6LJ18018000	LBL-HANDL-TRU-H16X	1	1/KP	
6	6LH57336000	COVER-DUCT-470	1	1/PP	
7	6LJ15600000	DUCT-INNER-16X	1	1/PP	
9	6LA88500000	FAN-D-P7530	1	1/D	
10	6LH57323000	SEAL-FAN	1	1/KP	
11	6LH57315000	TERM-CH-TR-470	1	1/P	
12	6LH57321000	SPRING-TRU-R	2	1/P	
13	6LJ15602000	COV-FILTER-16X	1	1/C	
14	6LJ15609000	FILTER-OZONE-H160	1	1/C	
15	6LE62403000	SPC-PUSH-RGST	2	1/P	
16	6LH56317000	PUSH-RGST-470-V	2	1/P	
17	6LH56302000	ROLLER-RGST-47X	1	1/KP	
18	X0-01526000	P/PRL/AH7-2X12-SS	1	10/P	
19	6LA85880000	GEAR-10S020-08	1	1/P	
20	X0-00968000	RR/E-7-SS	1	10/P	
21	6LH57313000	BRKT-TRU-F	1	1/P	
22	6LH57314000	BRKT-TRU-R	1	1/P	
23	6LH51237000	SPL-ADU-IDLE-LOW	4	1/C	
24	41316101000	ROLL-TRANS-IDLE	2	1/P	
25	6LH57322000	SPRING-TRU-F	2	1/P	
26	6LH57335000	SPRING-TRU-C	1	5/P	
27	6LA80090000	S/TPP/BID-3*8-NI	7	5/P	
28	6LJ14900000	WSHR-82X19-048	2	5/P	
29	6LJ15604000	SEAL-COV-FILTER-16X	1	1/P	



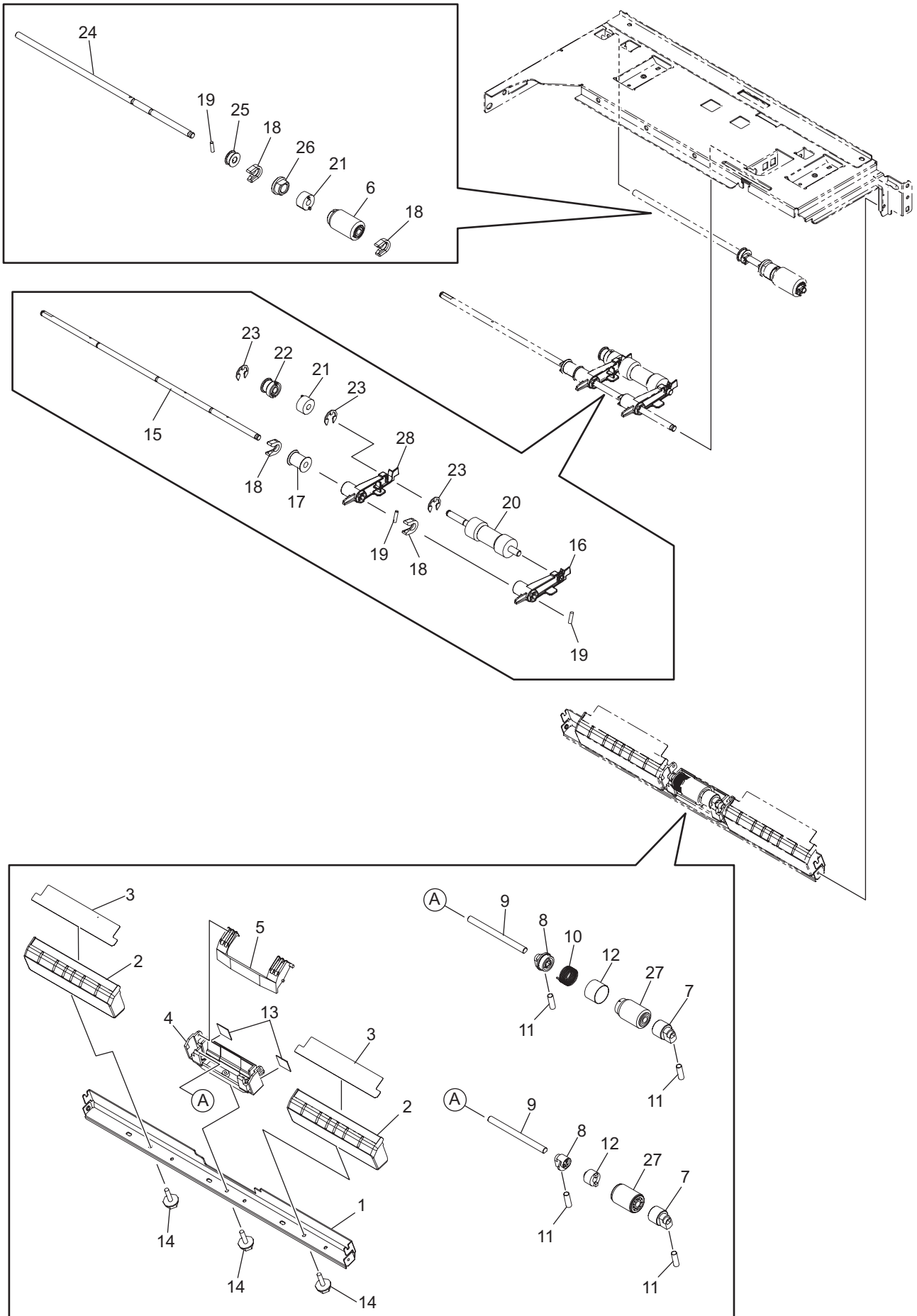
ITEM No.	PART No.	PART NAME	Q'TY / PAGE	Q'TY / PACK	REMARKS
1 A	6LH53771000	SHAFT-DRUM-470	1	1/P	e-STUDIO357/457/507
1 B	6LH53785000	SHAFT-DRUM-471	1	1/P	e-STUDIO207L/257/307
2	6LH53741000	ASYS-BUSH-DRUM-470	1	1/P	
3	6LA79504000	SPG-C-173	1	5/P	
4	41314022000	CPG-DRUM-AW5	1	1/P	
5	X0-00980000	P/PRL/AH7-2X10-SS	1	10/P	
6 A	6LH53747000	ASYS-PLATE-DRV-470	1	1/PP	e-STUDIO207L/257/307/357/457
6 B	6LJ12716000	ASYS-PLATE-DRV-50	1	1/PP	e-STUDIO507
7	6LH53791000	GEAR-5H58-4H48-6	1	1/P	
8 A	6LH53773000	BLT-SY-S2M-258-4	1	1/P	e-STUDIO357/457/507
8 B	6LH03541000	BLT-SY-S2M-250-4	1	1/P	e-STUDIO207L/257/307
9 A	6LH53793000	GEAR-4H118-PS2M38-6-H	1	1/P	e-STUDIO357/457/507
9 B	6LH53792000	GEAR-4H118-PS2M30-6-L	1	1/P	e-STUDIO207L/257/307
10	6LH53704000	GEAR-10S28_10S20_PS2M38-6	1	1/P	
11	6LH53705000	GEAR-10H22_PS2M49-6	1	1/P	
12	6LH53739000	ASYS-GEAR-5H50-6-COUPPL	1	1/P	
13	6LE56653000	COUPL-GR-P-JOINT-280	1	1/P	
14 A	6LH53738000	ASYS-GEAR-8H37_PS2M38-6-H	1	1/P	e-STUDIO357/457/507
14 B	6LH53737000	ASYS-GEAR-8H37_PS2M30-6-L	1	1/P	e-STUDIO207L/257/307
15 A	6LH54365000	BLT-SY-S2M-376-6	1	1/P	e-STUDIO357/457/507
15 B	6LH54363000	BLT-SY-S2M-372-6	1	1/P	e-STUDIO207L/257/307
16	6LJ18124000	BUSH-8X12X8F-BCF-050	1	5/P	
17	6LH53709000	PLY-S2M44-8	1	1/P	
18	6LH53796000	ASYS-BRKT-TENS-47X	1	1/P	
21 A	6LJ12717000	MOTR_D-MAIN-333	1	1/C	e-STUDIO357/457/507
21 B	6LH53700000	MOTR_D-MAIN-471	1	1/C	e-STUDIO207L/257/307
22 A	6LK30250000	PWA-H-MOT2-333	1	1/SB	e-STUDIO357/457/507
22 B	6LH62883000	PWA-F-MOT-470	1	1/SB	e-STUDIO207L/257/307
24	X0-00968000	RR/E-7-SS	2	10/P	
25 A	X0-02593000	S/TPD3/FHEXM-3X8-ZU3	11	10/P	e-STUDIO357/457/507
25 B	X0-02593000	S/TPD3/FHEXM-3X8-ZU3	9	10/P	e-STUDIO207L/257/307
27	6LE56633000	GEAR-5H60L-6-WORM-TNR	1	1/P	
28	44201492000	BUSH-6-POM	1	5/P	
29	6LJ76845000	MOTRD-TNR-H24X	1	1/D	
30	6LH53761000	BRKT-DRV-TNR-470	1	1/P	
31	X0-02557000	S/BID-M2.6X3-NI	2	10/P	
32	X0-00077000	S/PAN/SWWP-M3X8-NI	2	10/P	
33 A	F0-00342000	SPLSN-6U	2	5/P	e-STUDIO207L/257/307
34 A	6LA82239000	FLYWHL-DRM-371	4	1/P	e-STUDIO357/457/507
34 B	6LH53784000	FLYWHL-DRUM-47X	2	1/P	e-STUDIO207L/257/307
35	6LA78908000	WASHER-6R2X9R5XR25-PL	2	5/P	
36	X0-02425000	P/PRL/BH8-2.5X14-SS	1	5/P	



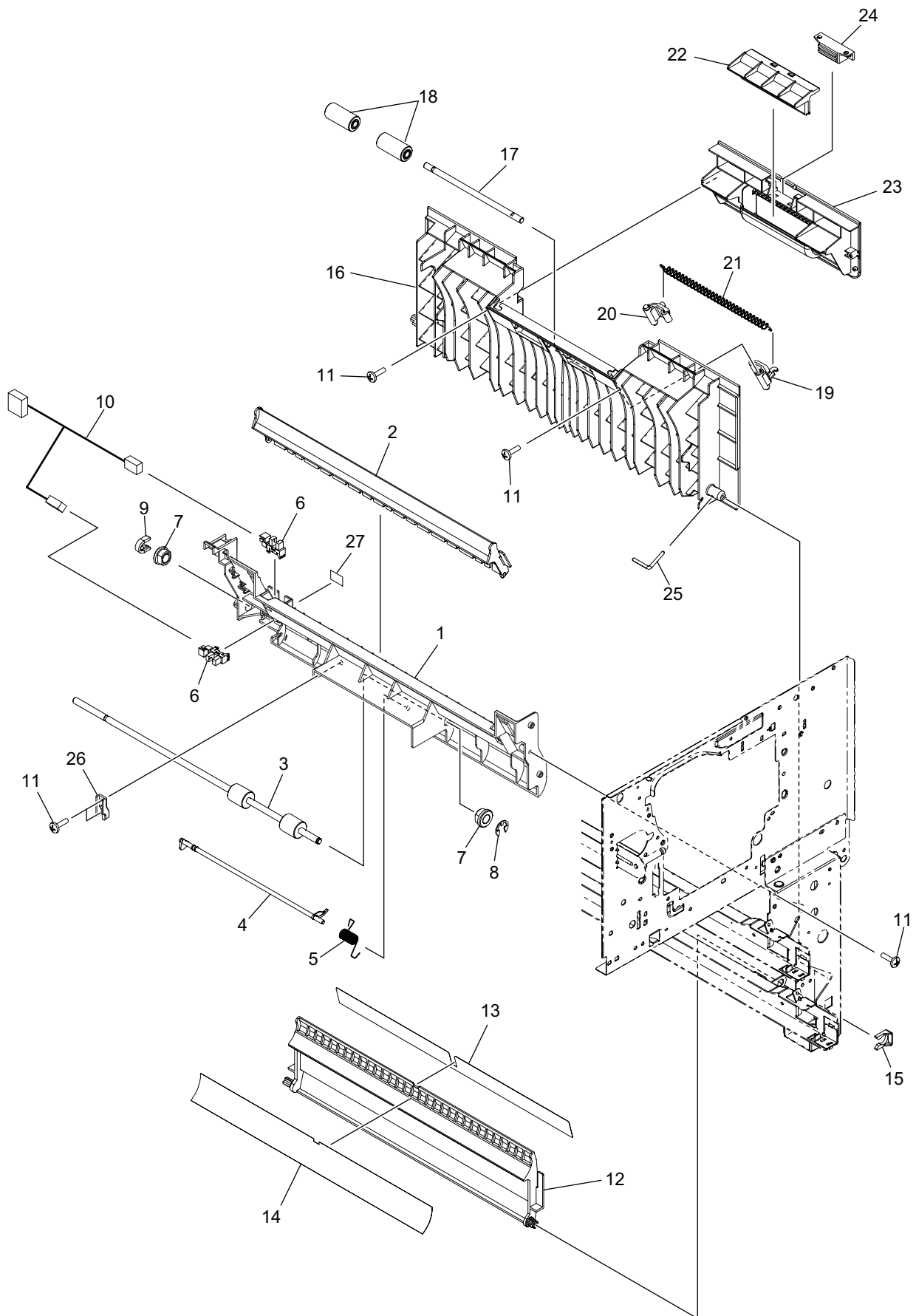
ITEM No.	PART No.	PART NAME	Q'TY / PAGE	Q'TY / PACK	REMARKS
1	6LJ15115000	SPE-WIRE-TNS-H16X-SUS	2	1/P	
2	6LJ59746000	BUSH-061505	2	1/P	
3	4407972860	STOP-RING-6-5	4	5/P	
4	X0-00094000	S/PAN/SWWP-M3X10-NI	2	10/P	
5	6LJ59706000	PULLEY-SCAN-H21X	1	1/P	
6	6LJ59906000	BLT_SY-S1.5M-378-6	1	1/P	
7	X0-02230000	S/FHEXM-M3X6-NI	6	10/P	
8	6LJ60445000	MOTR_S-SCN-210L	1	1/D	
9	6LJ59731000	BRKT-MOT-SCAN-H21X	1	1/P	
10	X0-02593000	S/TPD3/FHEXM-3X8-ZU3	11	10/P	
11	6LK25400000	BRKT-DF-H33X	2	1/P	
12	6LA04456000	SCREW-PINION	1	5/P	
13	C0-17839000	LG2A14BL1	2	1/C	
14	6LJ59899000	LVR-OPEN-SNS-H21X	1	1/P	
15	6LJ59915000	WIRE-SCAN-R-H33X	1	1/P	
16	6LJ59914000	WIRE-SCAN-F-H33X	1	1/P	
17	6LJ59727000	HOLD-PLY-SCR	1	1/P	
18	6LJ59873000	PLY-WIRE-SCAN-H21X	2	1/P	
19	6LJ59728000	SHAFT-DRV-SCAN-H21X	1	1/P	
20	6LE46342000	PLY-19-410	2	1/P	
21	F0-00120000	ES-0505	1	5/P	
28	X0-00077000	S/PAN/SWWP-M3X8-NI	1	10/P	
29	6LH56568000	BRKT-CN-OPT-470-H	1	1/P	



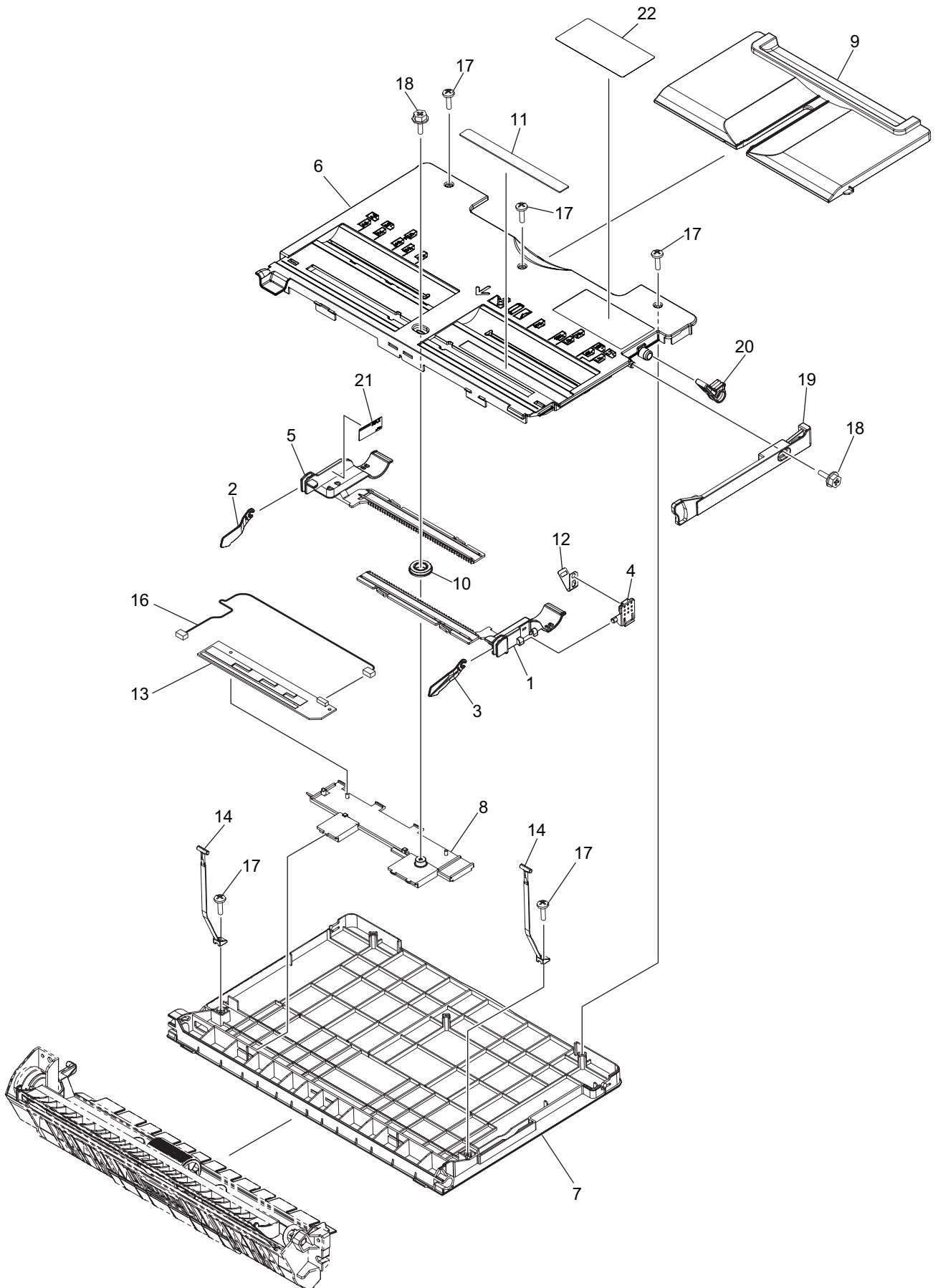
ITEM No.	PART No.	PART NAME	Q'TY / PAGE	Q'TY / PACK	REMARKS
1	6LH54303000	ACTR-EMPTY-MAX-PPR	1	1/P	
2	6LH54351000	ARM-FEED-UNIT-F47X-N	1	1/P	
3	41305501000	SPR-LVR-PICK	1	1/P	
4	6LH54328000	ASYS-BRKT-CLT-F47X	1	1/P	
5	6LH51224000	CLUTCH-50C-G28-6	1	1/D	
6	44201492000	BUSH-6-POM	2	5/P	
7	4407972860	STOP-RING-6-5	2	5/P	
8	X0-00966000	RR/E-5-SS	1	10/P	
9	41306504000	BLT/T-194-2GT-2	1	1/P	
10	41306502000	BLT/T-124-2GT-2	1	1/P	
11	6LJ55543000	BUSH-6-BCF-050	1	1/P	
12	6LJ19254000	HRNS-FEED-UNIT-160	1	1/P	
13	F0-00671000	EDS-0607M	2	5/P	
14	6LH54353000	LVR-CPG-GEAR_N	1	1/P	
15	6LH54308000	GUIDE-P-FEED-F47X	2	1/P	
16	E0-12621000	14R-RIZ-K4GG-FJ(LF)(SN)	1	5/P	
17	X0-00979000	P/PRL/AH7-2X8-SS	1	10/P	
18	C0-17839000	LG2A14BL1	3	1/C	
19	F0-01012000	T18R	6	5/P	
20	X0-02592000	S/TPD3/FHEXM-3X6-ZU3	6	10/P	
21	X0-02593000	S/TPD3/FHEXM-3X8-ZU3	2	10/P	
22	6LA85910000	MYLAR-SUPPORT-SNS	3	5/P	



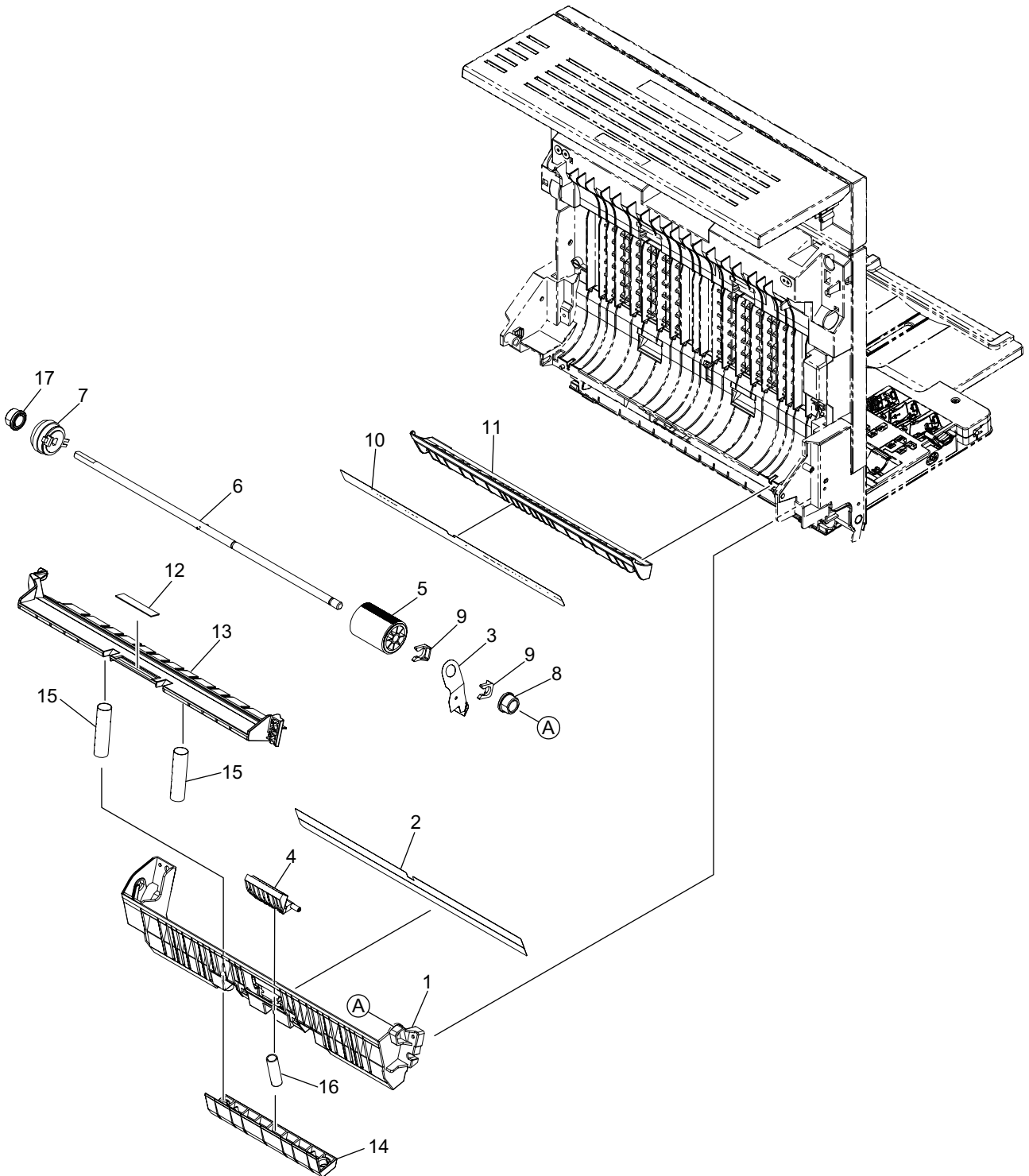
ITEM No.	PART No.	PART NAME	Q'TY / PAGE	Q'TY / PACK	REMARKS
1	6LH54321000	STAY-ROL-SEP-F47X	1	1/P	
2	6LH54304000	GUIDE-P-SEP-F47X	2	1/P	
3	6LH54324000	MYLAR-GUIDE-P-SEP-F47X	2	1/KP	
4	44201805000	HLDR-SEP-ROL-DM	1	1/P	
5	44201810000	LEV-ROL-SEP-DM	1	1/P	
6	6LE69833000	K-ROLL-FEED	1	1/P	
7	41306279000	ARBOR-SPT-F	1	1/P	
8 A	41306278000	ARBOR-SPT-R	1	1/P	e-STUDIO207L/257/307/357/457
8 B	6LJ13407000	ARBOR-SPT-R	1	1/P	e-STUDIO507
9	41304506000	SFT-SEP-AT	1	1/P	
10 A	44201817000	SPR-1.0-15.60RF	1	5/P	e-STUDIO207L/257/307/357/457
11	6LA47909000	SPC055-045-01525	2	5/P	
12 A	44201773000	COV-SPE/ARBOR	1	1/P	e-STUDIO207L/257/307/357/457
12 B	6LJ13415000	TL-SEP-ORG-400_08	1	1/P	e-STUDIO507
13	41319491000	CHIP-HLDR-SEP	2	1/P	
14	X0-02247000	S/TPP/FHEXM-3X8-NI	3	10/P	
15	6LH54352000	SFT-DRV-PICK-F47X	1	1/P	
16	6LH54349000	ARM-RLR-PICK-F47X-F	1	1/P	
17	41306002000	PLY/T-PICK-20	1	1/P	
18	4407972860	STOP-RING-6-5	4	5/P	
19	X0-00979000	P/PRL/AH7-2X8-SS	3	10/P	
20	6LE77312000	ROLLER-PICK-N	1	1/P	
21	6LE69842000	CLUTCH-6-L	2	1/P	
22	41306275000	PLY/T-20-2GT	1	1/P	
23	X0-00966000	RR/E-5-SS	3	10/P	
24	6LH54329000	SFT-ROL-FEED-F47X	1	1/P	
25	41306274000	PLY/T-20-ROL-2G	1	1/P	
26	44201492000	BUSH-6-POM	1	5/P	
27 A	6LH46302000	ASYS-ROLL-SPT	1	1/P	e-STUDIO207L/257/307/357/457
27 B	6LJ13409000	ASYS-ROLL-SPT-H16X	1	1/P	e-STUDIO507
28	6LH54350000	ARM-RLR-PICK-F47X-R	1	1/P	



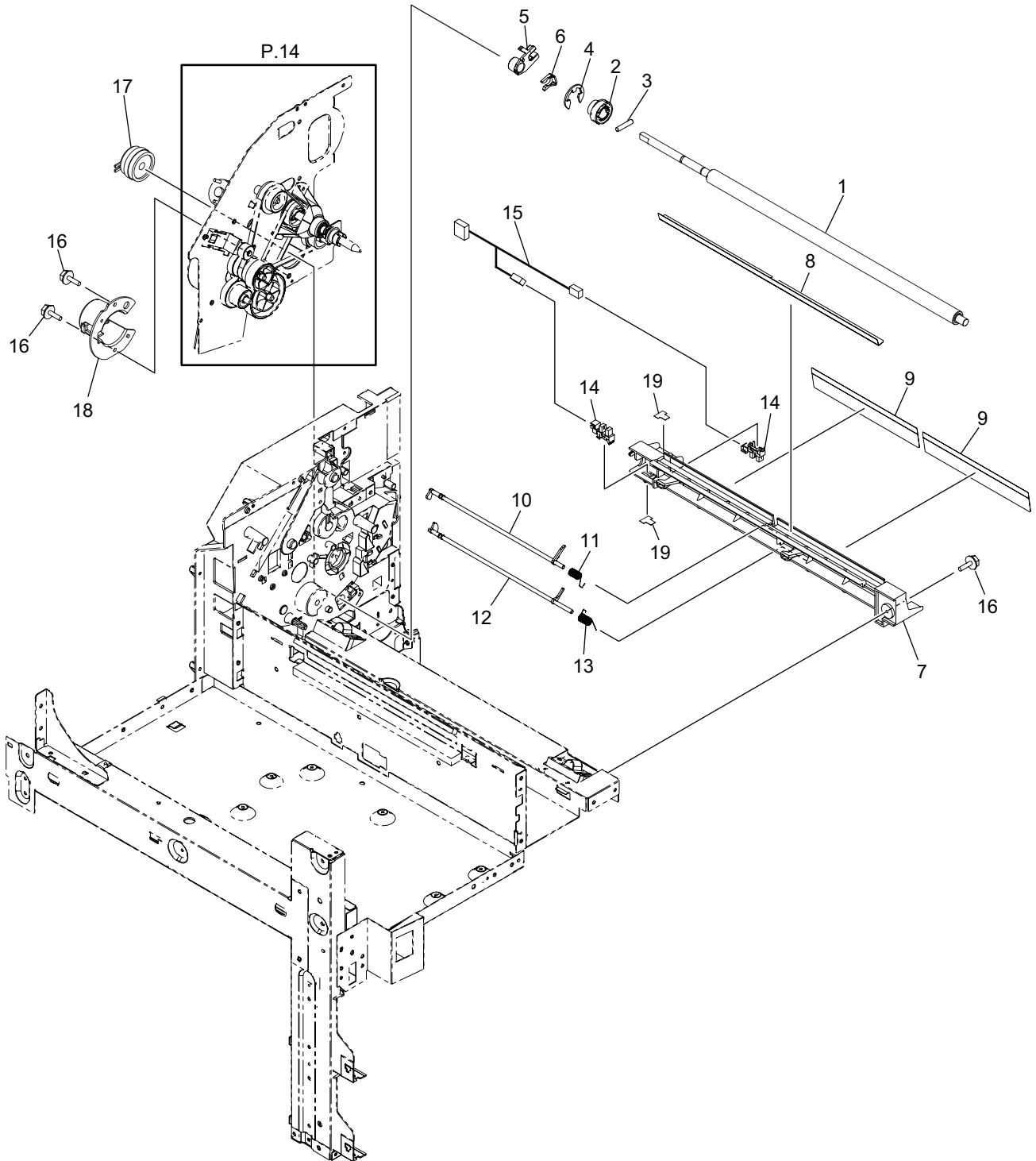
ITEM No.	PART No.	PART NAME	Q'TY / PAGE	Q'TY / PACK	REMARKS
1	6LH56121000	GUIDE-FEEDER-L-470	1	1/PP	
2	6LH56101000	GUIDE-OP-U	1	1/PP	
3	6LH56105000	ROL-FEEDER-F47X	1	1/P	
4	6LH56104000	ACT-FEED-470	1	1/P	
5	6LH56106000	SPG-ACT-RGST-U	1	1/P	
6	C0-17839000	LG2A14BL1	2	1/C	
7	44201492000	BUSH-6-POM	2	5/P	
8	X0-00966000	RR/E-5-SS	1	10/P	
9	4407972860	STOP-RING-6-5	1	5/P	
10	6LJ19255000	HRNS-FEED-SW2-160	1	1/P	
11	6LA80090000	S/TPP/BID-3*8-NI	5	5/P	
12	6LH56103000	GUIDE-OPEN-L-470	1	1/PP	
13	6LH56108000	MYLAR-GUIDE-P_PATH	1	1/KP	
14	6LH56109000	MYLAR-OPEN-L	1	1/KP	
15	41306265000	STOP RING	1	1/P	
16	6LH56122000	ASYS-COV-GID-LOW	1	1/PP	
17	6LA85835000	SHAFT-RELAY-IDL	1	1/P	
18	6LA85834000	ROL-RELAY-FEED-IDL	2	1/P	
19	6LH56117000	LVR-SEP-RELAY-F-F47X	1	1/P	
20	6LA88318000	LVR-SEP-RELAY-R-371	1	1/P	
21	6LH56116000	SPG-P-PATH	1	1/P	
22	6LH56111100	CVR-HDL-U-N	1	1/P	
23	6LH56110100	CVR-GUIDE-L-HDL-N	1	1/P	
24	F0-01393000	CA-0124B	1	1/P	
25	6LA60573000	PIN-COVER-FRT	1	1/P	
26	6LH56119000	HOLDER-ROL-FEEDER	1	1/P	
27	6LJ14700000	MYLAR-SNSR-GUIDE-FEEDR-L	1	1/P	



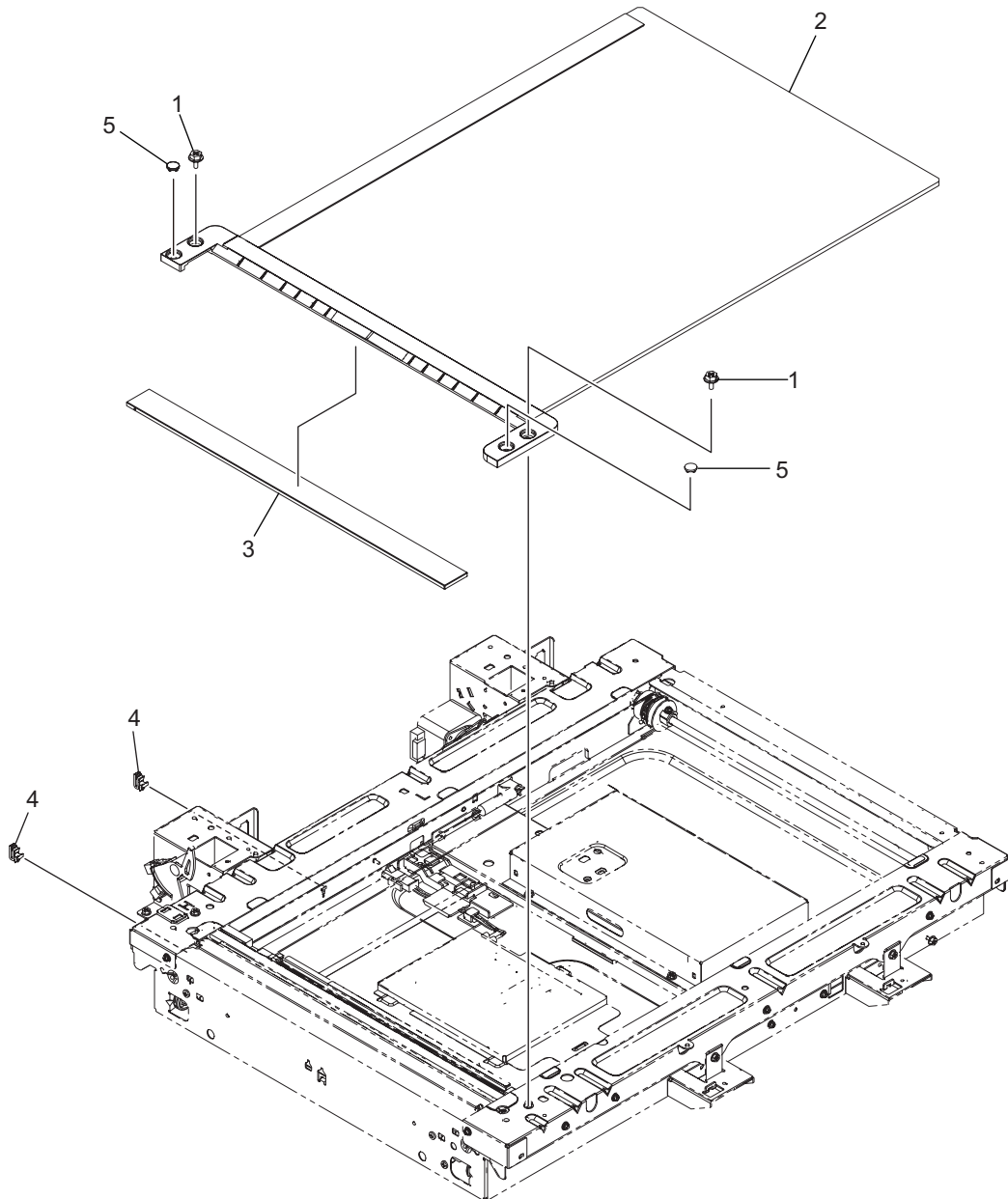
ITEM No.	PART No.	PART NAME	Q'TY / PAGE	Q'TY / PACK	REMARKS
1	6LH51406000	GUIDE-TRAY-SFB-F	1	1/KP	
2	6LH51409000	GUIDE-SUB-R	1	1/P	
3	6LH51410000	GUIDE-SUB-F	1	1/P	
4	6LH51411100	LVR-GUIDE-SFB-16X	1	1/P	
5	6LH51451000	ASYS-GUIDE-TRAY-SFB	1	1/C	
6	6LH51457100	TRAY-SFB-U-16X	1	1/PP	
7	6LH51458000	TRAY-SFB-L	1	1/PP	
8	6LH51408000	HOLDER-PWA-SFB	1	1/PP	
9	6LH51404000	TRAY-SFB-SUB	1	1/PP	
10	6LE53504000	GEAR-10S18-6-BYP-TRAY	1	1/P	
11	6LH51450000	SHEET-GUIDE-PAD-F-T05	1	1/KP	
12	6LH51415000	SPL-LVR-SFB	1	1/D	
13	6LE29825000	PWA-F-SFB-380	1	1/C	
14	6LH51439000	STOPPER-TRAY-BYP	2	1/P	
16	6LH61345000	HRNS-SFB-TRAY-471	1	1/P	
17	6LA80090000	S/TPP/BID-3*8-NI	5	5/P	
18	X0-02247000	S/TPP/FHEXM-3X8-NI	2	10/P	
19	6LH51416000	LINK-P-TRAY	1	1/P	
20	6LH51417100	LVR-P-TRAY-16X	1	1/P	
21	6LJ11400000	LBL-HIGH-TRAY-H16X	1	1/KP	
22	6LJ18017000	LBL-INFO-SFB-H16X	1	1/KP	



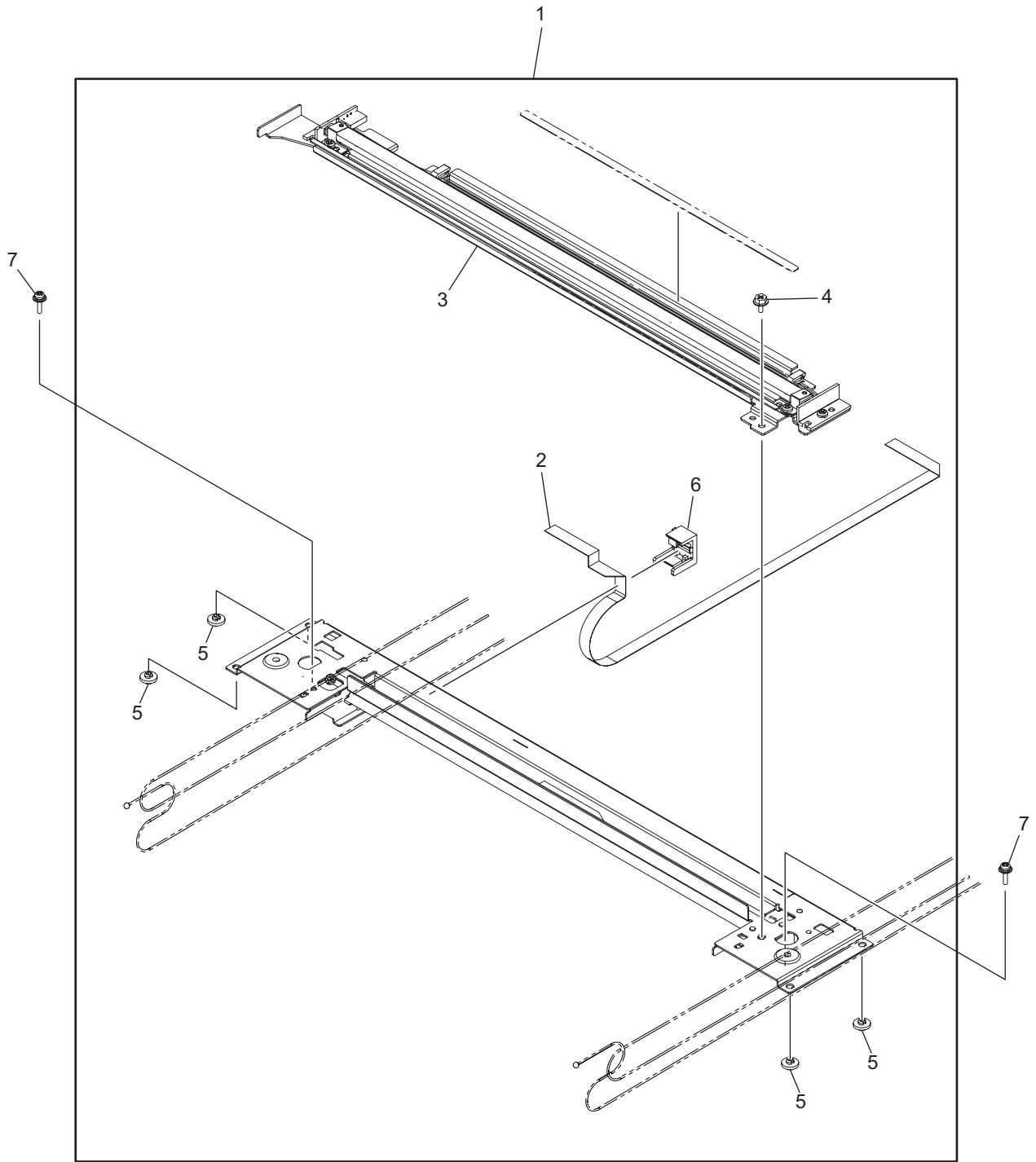
ITEM No.	PART No.	PART NAME	Q'TY / PAGE	Q'TY / PACK	REMARKS
1	6LH51460000	GUIDE-SFB-2	1	1/PP	
2	6LH51432000	SHEET-GUIDE-SFB	1	1/KP	
3	6LH51428000	PLT-EARTH-SFB	1	1/D	
4	6LH51459000	ASYS-PAD-BYP-47X-N	1	1/P	
5	6LH51412000	ASYS-ROL-BYP	1	1/P	
6	6LH51443000	ASYS-SFT-ROL-SFB	1	1/P	
7	6LH51414000	CLUTCH-50C-G28-8	1	1/D	
8	6LJ18124000	BUSH-8X12X8F-BCF-050	1	5/P	
9	41306265000	STOP RING	2	1/P	
10	6LH56307000	SHEET-RGST-UP	1	1/KP	
11	6LH51206000	GUIDE-RGST-UP	1	1/PP	
12	6LH51420000	PAD-SEP-TRAY	1	5/P	
13	6LH51401000	PRESS-TRAY-BYP	1	1/PP	
14	6LH51433000	HOLDER-SPG	1	1/P	
15	6LH51425000	SPC-TRAY-SFB	2	1/P	
16	6LH51422000	SPC-HOL-PAD-SFB	1	1/P	
17	4400802080	BUSH-8	1	5/P	



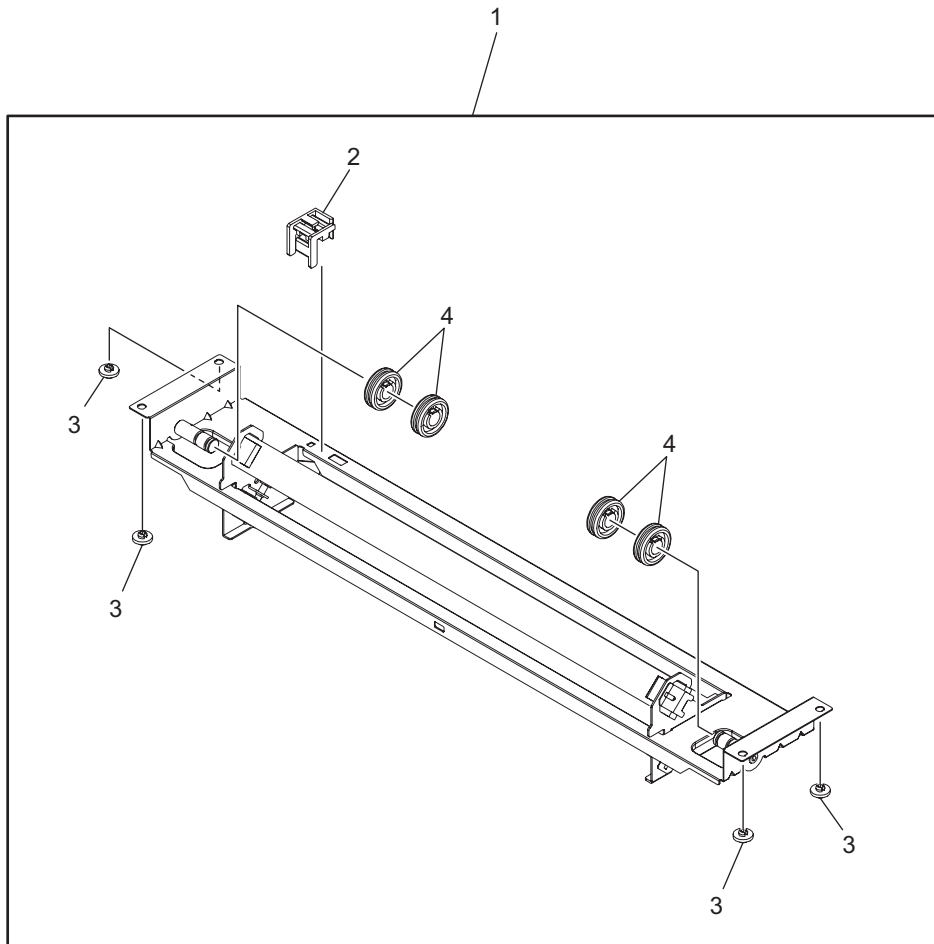
ITEM No.	PART No.	PART NAME	Q'TY / PAGE	Q'TY / PACK	REMARKS
1	6LH56402000	ROLLER-RGST-DRV-LO_2	1	1/KP	
2	6LE57208000	GEAR-10S015-08	1	1/P	
3	X0-00980000	P/PRL/AH7-2X10-SS	1	10/P	
4	X0-00968000	RR/E-7-SS	1	10/P	
5	6LE57224000	GUIDE-BUSH-RGST-R	1	1/P	
6	41306265000	STOP RING	1	1/P	
7	6LH56300000	GUIDE-RGST-L-470	1	1/PP	
8	6LH56309000	MYLAR-RGST-L-47X	1	1/KP	
9	6LH56308000	MYLAR-RGST-47X	2	1/KP	
10	6LH56318000	ACTR-RGST-U-47X	1	1/KP	
11	6LH56106000	SPG-ACT-RGST-U	1	1/P	
12	6LH56319000	ACTR-RGST-L-47X	1	1/P	
13	6LH56306000	SPG-ACT-RGST-L	1	1/P	
14	C0-17839000	LG2A14BL1	2	1/C	
15	6LJ19256000	HRNS-FEED-SW1-160	1	1/P	
16	X0-02593000	S/TPD3/FHEXM-3X8-ZU3	3	10/P	
17	6LH56400000	CLUTCH-50TL-G33-8	1	1/D	
18	6LH56401000	HLDR-RGST-SHAFT-LOI2	1	1/P	
19	6LA85910000	MYLAR-SUPPORT-SNS	2	5/P	



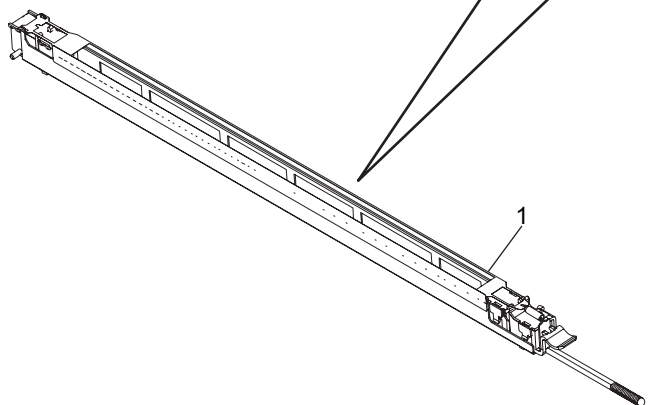
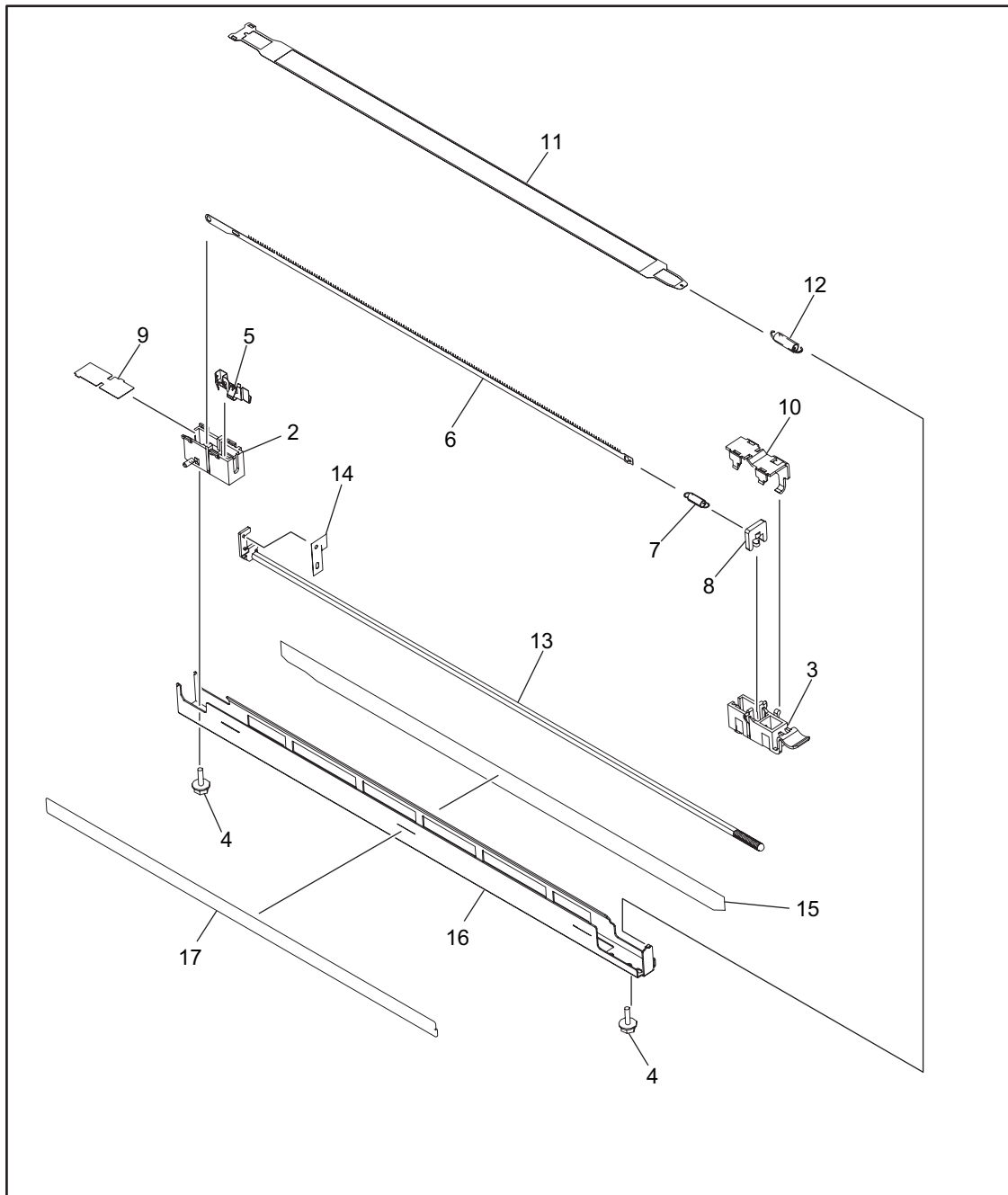
ITEM No.	PART No.	PART NAME	Q'TY / PAGE	Q'TY / PACK	REMARKS
1	X0-02230000	S/FHEXM-M3X6-NI	2	10/P	
2 A	6LJ59850000	ASYS-GLASS-H21Y-A	1	1/C	ARD,ASD,AUD,MJD
2 B	6LJ59850200	ASYS-GLASS-H21Y-K	1	1/C	TWD,CND,CNS,CNSD
2 C	6LJ59850100	ASYS-GLASS-H21Y-L	1	1/C	NAD
3	6LJ59765000	ASYS-GLASS-ADF-H21X	1	1/C	
4	F0-01496000	RLMC-01TV0	2	5/P	
5	6LH56607000	LID-SCREW-470	2	5/P	



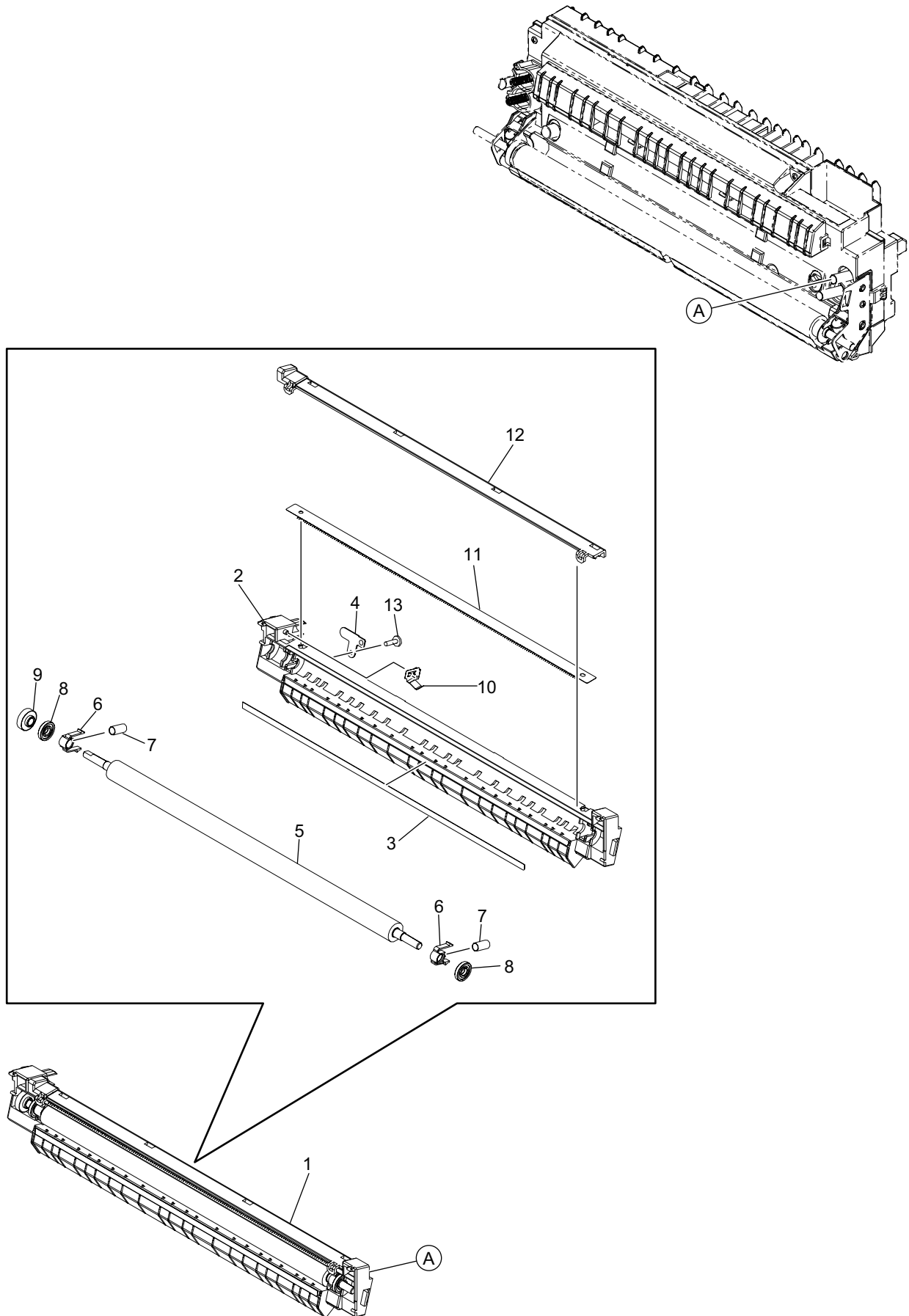
ITEM No.	PART No.	PART NAME	Q'TY / PAGE	Q'TY / PACK	REMARKS
1	6LK26712000	CRG1-H330	1	1/S	
2	6LK30261000	HRNS-SCN-LED-330	1	1/C	
3	6LJ59882000	ASYB-LAMP-SCN-LED-H21Y	1	1/C	
4	X0-02230000	S/FHEXM-M3X6-NI	1	10/P	
5	6LJ59748000	FOOT-CRG-H21X	4	1/P	
6	6LJ59737000	HLDR-HRNS-LED-H21X	1	1/P	
7	X0-00077000	S/PAN/SWWP-M3X8-NI	2	10/P	



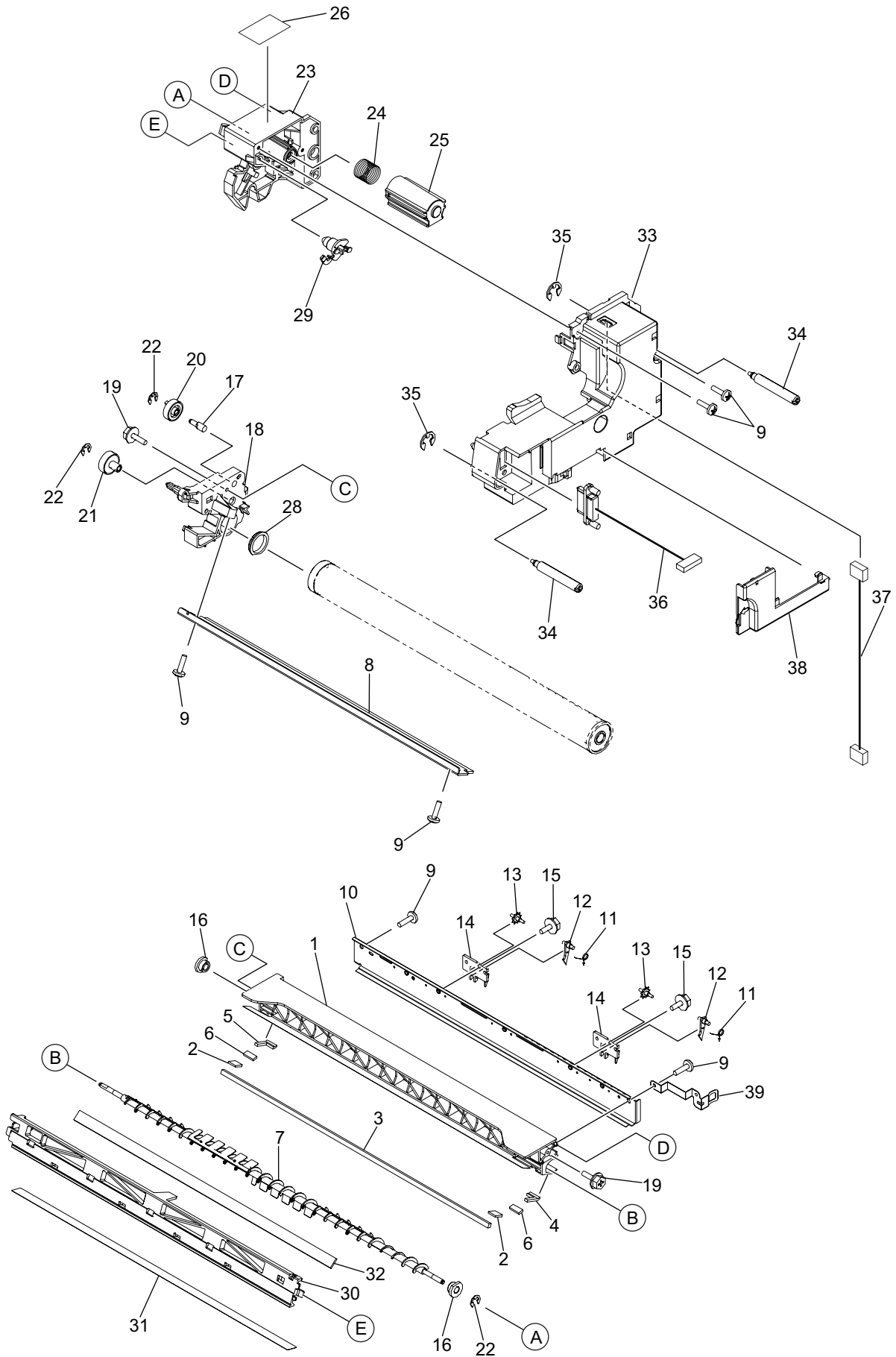
ITEM No.	PART No.	PART NAME	Q'TY / PAGE	Q'TY / PACK	REMARKS
1	6LJ59931000	CRG2-H210A	1	1/S	
2	6LJ59737100	HLDR-HRNS-LED-210C2	1	1/P	
3	6LJ59748000	FOOT-CRG-H21X	4	1/P	
4	6LJ59707000	PLY-19-H21X	4	1/P	



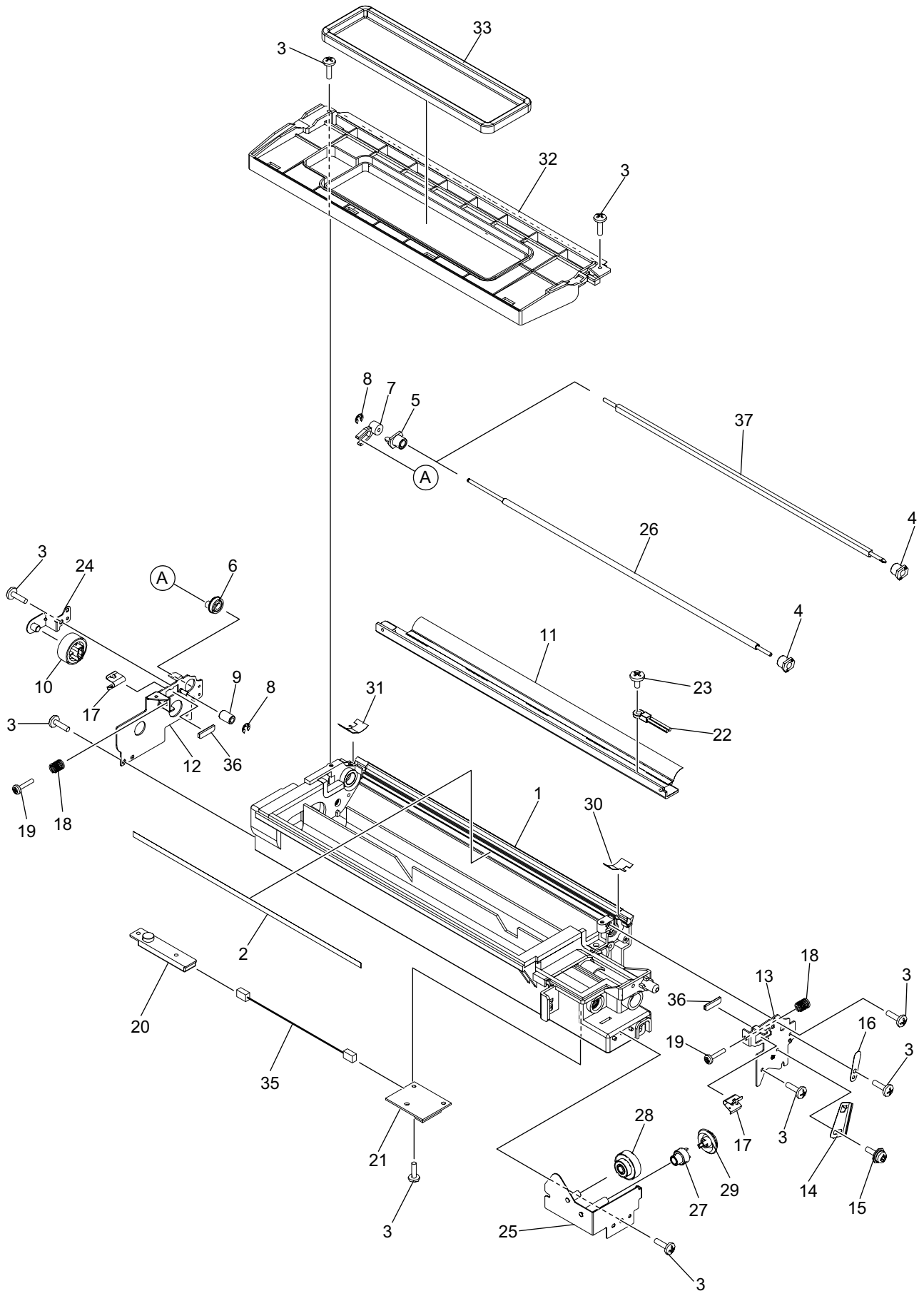
ITEM No.	PART No.	PART NAME	Q'TY / PAGE	Q'TY / PACK	REMARKS
1 A	6LH55800100	ASYB-CH-M-473	1	1/C	e-STUDIO357/457/507
1 B	6LH55800000	ASYB-CH-M-471	1	1/C	e-STUDIO207L/257/307
2 A	6LH55803000	TERM-CH-M-R-473	1	1/P	e-STUDIO357/457/507
2 B	6LA84915000	TERM-CH-M-R	1	1/P	e-STUDIO207L/257/307
3	6LA84910000	TERM-CH-M-F	1	1/P	
4	X0-02247000	S/TTP/FHEXM-3X8-NI	2	10/P	
5	6LA84922000	SPL-CH-M-R	1	1/P	
6 A	6LH55802000	CH-M-470	1	1/KP	e-STUDIO357/457/507
6 B	6LH25001000	CH-M	1	1/KP	e-STUDIO207L/257/307
7	6LA84935000	SPRING-TENS-CH	1	5/P	
8	4401764730	HANGER-WIRE-TR	1	1/P	
9	6LH29501000	LID-CH-M-R	1	1/P	
10	6LA84944100	LID-CH-M-F_16X	1	1/P	
11	6LA84930000	GRID-CH-M-371	1	1/KP	
12	6LA84950000	SPE-GR	1	5/P	
13	6LA84938100	ROD-CLN-CH-G	1	1/KP	
14	6LA84941000	MYLAR-CLN-CH	1	5/P	
15	6LH55807000	MYLAR-WALL-CH	1	1/KP	
16	6LH55801000	CASE-CH-M-470	1	1/P	
17	6LH51923000	MYLAR-LED	1	1/KP	



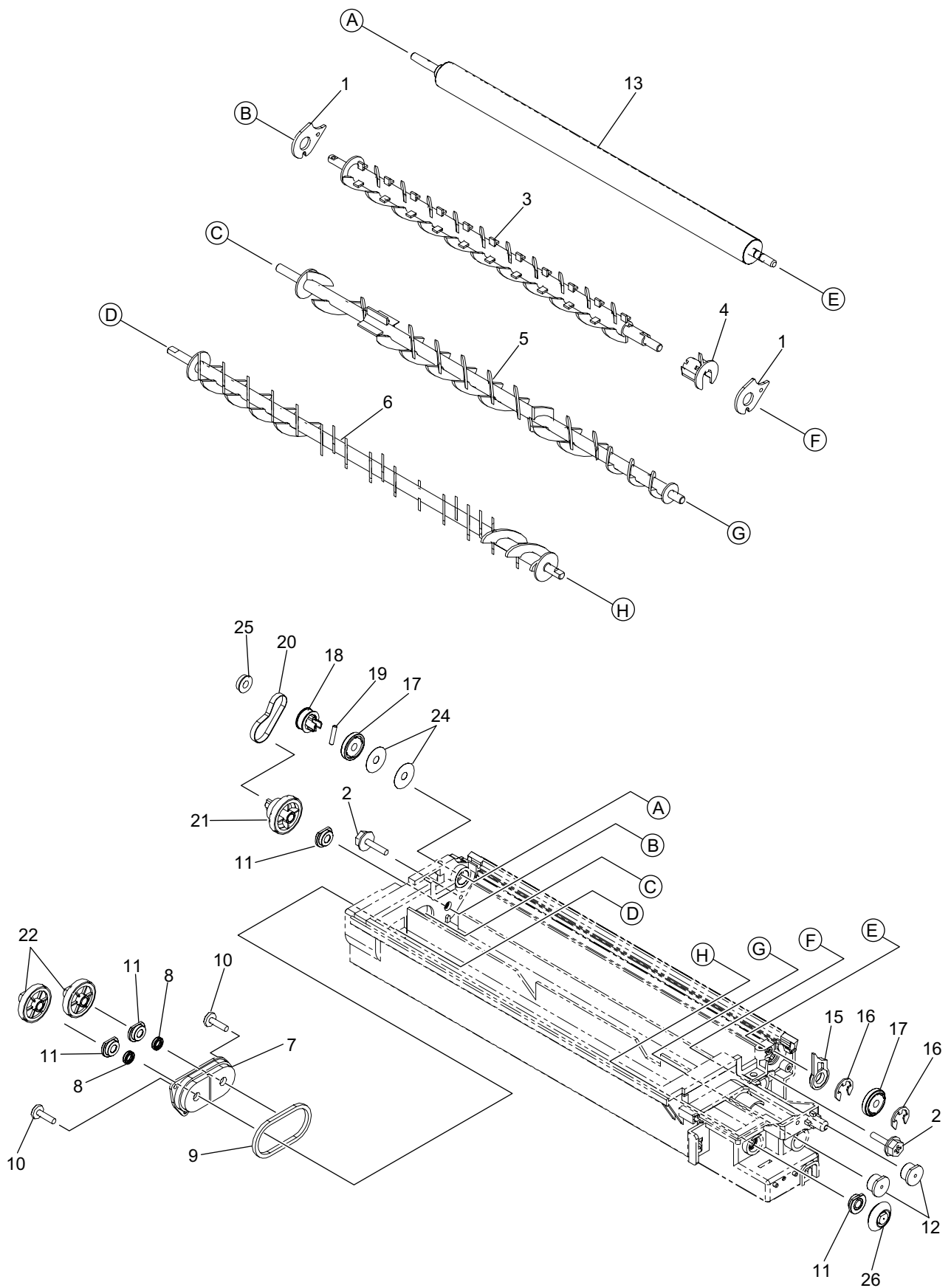
ITEM No.	PART No.	PART NAME	Q'TY / PAGE	Q'TY / PACK	REMARKS
1	6LH57303000	ASYB-CH-TR-470	1	1/C	
2	6LH57300000	GUIDE-TRU-470	1	1/PP	
3	6LH57327000	SHEET-TRU-GUIDE	1	1/KP	
4	6LH57329000	PLATE-TRU	1	1/P	
5	6LH58423000	CR-4530TR	1	1/S	
6	6LH57304000	BUSH-ROL-TRU	2	1/P	
7	6LH57330000	SPC-TERM-TRU	2	5/P	
8	6LH57334000	ROLL-GUIDE-TRU	2	1/P	
9	6LH57311000	GEAR-ROL-TRU	1	1/P	
10	6LH57316000	SPL-NEEDLE	1	1/P	
11	6LH57309000	ELCTRD-CHARGR	1	1/KP	
12	6LH57317000	COVER-NEEDLE	1	1/P	
13	6LA80090000	S/TPP/BID-3*8-NI	1	5/P	



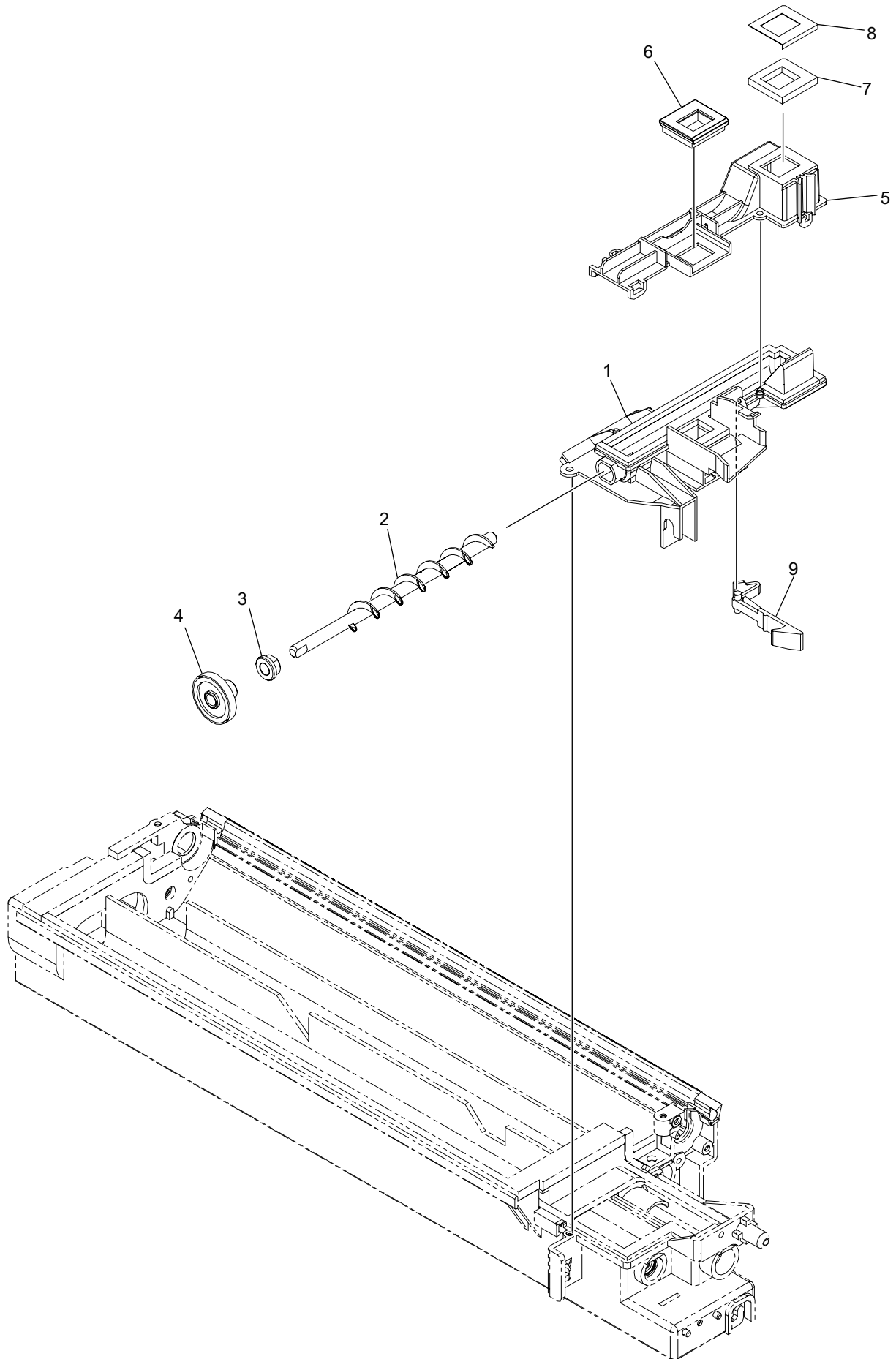
ITEM No.	PART No.	PART NAME	Q'TY / PAGE	Q'TY / PACK	REMARKS
1	6LH51919000	ASYS-FRAME-CLN-C-470	1	1/C	
2	6LA79547000	SEAL-BLADE-SIDE	2	1/P	
3	6LA79531000	SEAL-CLN-C	1	1/KP	
4	6LA79546000	SEAL-CLN-F	1	1/P	
5	6LA79586000	SEAL-CLN-R	1	5/P	
6	6LA79534000	SEAL-SIDE-REC	2	1/P	
7	6LH51918000	ASYS-AUGER-CLN-470	1	1/KP	
8	6LA27845000	BL-2320D	1	1/S	
9	6LA80090000	S/TPP/BID-3*8-NI	6	5/P	
10	6LE54020000	BLADE-REC	1	1/C	
11	41305536000	SPD-SCRPR-DRUM	2	1/P	
12	6LA79618000	SCRAPER-371	2	3/P	
13	41306325000	WHEEL-CLN-8	2	1/P	
14	6LA79615000	HOLDER-SCRAPER	2	1/P	
15	X0-02230000	S/FHEXM-M3X6-NI	2	10/P	
16	6LA02920000	BUSH-0410-05F-M	2	5/P	
17	6LA79554000	STUD-GEAR-CLN	1	1/P	
18	6LH51913000	FRAME-CLN-R	1	1/P	
19	X0-02247000	S/TPP/FHEXM-3X8-NI	2	10/P	
20	6LA79606000	GEAR-10S17-4	1	1/P	
21	6LA79605000	GEAR-10S18-4	1	1/P	
22	X0-00974000	RR/E-2.5-SS	3	10/P	
23	6LH51907000	ASYS-FRAME-CLN-F	1	1/PP	
24	6LA79612000	SPC-NZL-CLN	1	1/P	
25	6LA79609000	SHUTTER-CLN	1	1/P	
26	6LH88031000	LBL-HNDL-CLNR	1	5/P	
28	41306135000	BUSH-1821*03-M	1	1/P	
29	6LH51906000	PIN-DRUM-470	1	1/P	
30	6LH23220000	HLDR-LED	1	1/PP	
31	6LH29503000	MYLAR-HLDR-LED	1	1/KP	
32 A	6LH62813000	PWA-F-DLE-473	1	1/C	e-STUDIO357/457/507
32 B	6LH27027000	PWA-F-DLE-280V	1	1/C	e-STUDIO207L/257/307
33 A	6LH51901100	COV-PU-F-473	1	1/P	e-STUDIO357/457/507
33 B	6LH51901000	COV-PU-F-471	1	1/P	e-STUDIO207L/257/307
34	6LE56120000	SCREW-PU-F	2	1/P	
35	X0-00965000	RR/E-4-SS	2	10/P	
36	6LH61384000	HRNS-EPU-471	1	1/P	
37 A	6LH61354000	HRNS-DLE2-473	1	1/P	e-STUDIO357/457/507
37 B	6LH61353000	HRNS-DLE2-471	1	1/P	e-STUDIO207L/257/307
38	6LH51909000	COVER-CNCT-PU	1	1/P	
39	6LH51922000	SPL-EARTH-BLADE-REC	1	1/P	



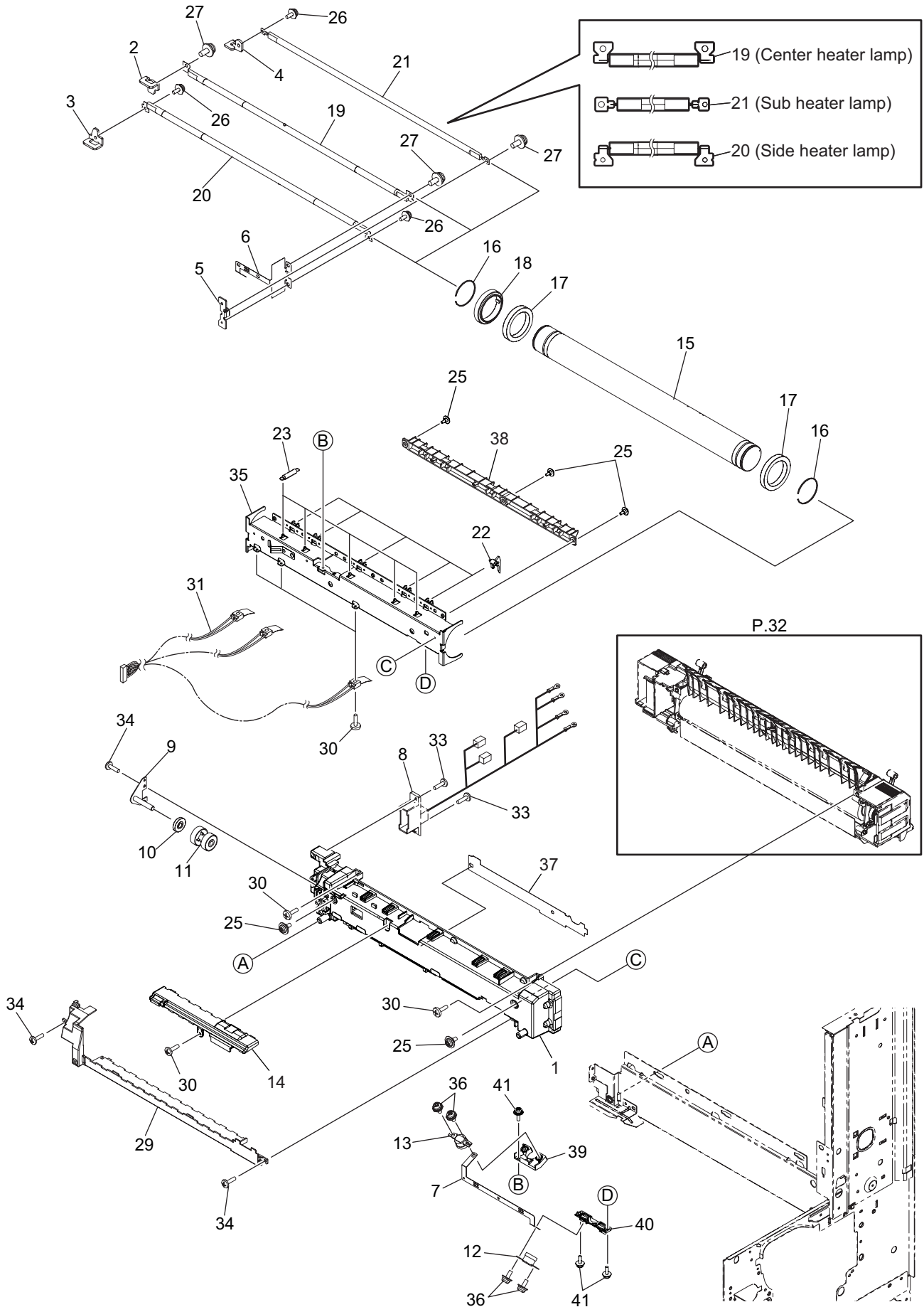
ITEM No.	PART No.	PART NAME	Q'TY / PAGE	Q'TY / PACK	REMARKS
1	6LH53425000	ASYS-CASING-DEV	1	1/PP	e-STUDIO357/457/507
2 B	6LH53445000	BLADE-RE-ROL	1	1/KP	
3	6LA80090000	S/TPP/BID-3*8-NI	9	5/P	
4	6LH53441000	BUSH-RE-ROL-F	1	1/P	
5	6LH53410000	BUSH-RE-ROL-R	1	1/P	
6 B	6LA81769000	CAM-RE-ROL	1	1/P	e-STUDIO357/457/507
7 B	6LH53424000	DRV-RE-ROL	1	1/P	e-STUDIO357/457/507
8	X0-00963000	RR/E-2-SS	2	10/P	
9	6LH53470000	COLLER-DEV-TENS-470	1	1/P	
10	6LH53454000	GEAR-10S23-6	1	1/P	
11	6LH53408000	ASYS-DOCTOR-470	1	1/KP	e-STUDIO357/457/507 e-STUDIO207L/257/307
12 A	6LH53464000	ASYS-BKT-DEV-R-473	1	1/P	
12 B	6LH53463000	ASYS-BKT-DEV-R-471	1	1/P	
13	6LH53411000	BRKT-DEV-F-470	1	1/P	
14	6LH53455000	ADJUSTER-MG-470	1	1/P	
15	X0-00077000	S/PAN/SWWP-M3X8-NI	1	10/P	e-STUDIO357/457/507
16 B	6LH53421000	PLATE-RE-ROL	1	1/P	
17	6LH53468000	SPL-DOCTOR	2	1/P	
18	4400672520	SPC060-065-0130	2	1/P	
19	6LA81610000	SCREW-DOCTOR-371	2	10/P	
20	6LE63990000	SNR-ATC-280	1	1/D	
21	6LH60411000	ASYB-EPU-470	1	1/SB	
22	6LE78194000	THMS-DRM-364	1	1/P	
23	X0-01725000	S/BID-M3X5-BSNI	1	10/P	
24	6LH53430000	ASYS-DRV-DEV-473	1	1/P	
25	6LH53422000	ASYS-DRV-RECY-470	1	1/P	e-STUDIO357/457/507
26 B	6LH53419000	ROLLER-RE-5	1	1/P	
27	6LA81888000	GEAR-8S15-6	1	1/P	
28	6LE55980000	GEAR-8S29_8S18-6	1	1/P	
29	6LA81881000	GEAR-10B22-6-CUP	1	1/P	
30	6LH53447000	SHEET-SIDE-DEV-F	1	1/P	
31	6LH53448000	SHEET-SIDE-DEV-R	1	1/P	
32	6LH53406000	ASYS-COV-DEV-470	1	1/PP	
33	6LA81700000	COVER-DEV-BTL-371	1	1/P	
35	6LH61340000	HRNS-ATS-471	1	1/P	
36	6LH53467000	MYLAR-DOC-SLIDE	2	5/P	e-STUDIO207L/257/307
37 A	6LH53440000	WALL-JOINT	1	1/P	



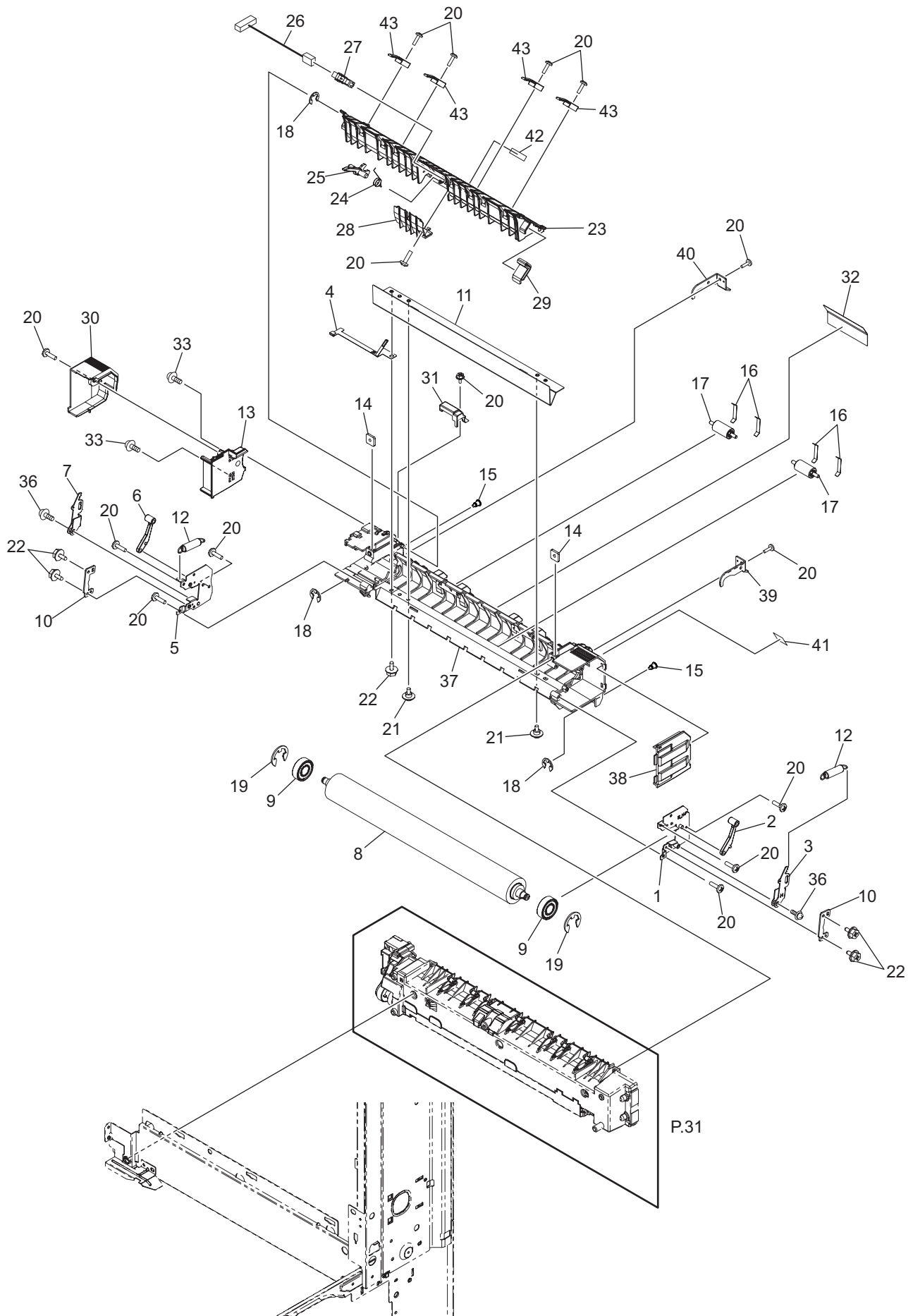
ITEM No.	PART No.	PART NAME	Q'TY / PAGE	Q'TY / PACK	REMARKS
1	6LA81632000	PLATE-SIDE	2	1/P	
2	X0-02232000	S/FHEXM-M3X10-NI	2	10/P	
3	6LA81635000	MIXER-1-371	1	1/C	
4	6LA81636000	SPACER-MIX	1	1/P	
5	6LH23230000	ASYS-MIXER-2-284	1	1/KP	
6	6LH23233000	MIXER-3-284	1	1/C	
7	6LE55966000	BUSH-DEV-R-280	1	1/P	
8	4401949290	SEAL-VC6-10-2.5	2	1/P	
9	6LE55967000	SEAL-BUSH-DEV-R	1	1/P	
10	6LA80090000	S/TPP/BID-3*8-NI	2	5/P	
11	6LH23441000	BUSH-6X12X4R8F-NU4	4	5/P	
12	6LA81645000	ASYS-BUSH-0613-07	2	1/P	
13	6LH53412000	ROLLER-MG-470	1	1/KP	
15	6LH53414000	BUSH-DEV-470	1	1/P	
16	X0-00965000	RR/E-4-SS	2	10/P	
17	6LJ12600000	ROLL-GUIDE-H16X	2	1/P	
18 A	6LH53434000	PULLY-2GT25-6	1	1/P	e-STUDIO357/457/507
18 B	6LH53413000	PULLY-2GT22-6	1	1/P	e-STUDIO207L/257/307
19	X0-00980000	P/PRL/AH7-2X10-SS	1	10/P	
20 A	6LH53416000	BLT-T-2GT-100-40	1	1/P	e-STUDIO357/457/507
20 B	6LH53427000	BLT-T-2GT-88-40	1	1/P	e-STUDIO207L/257/307
21 A	6LH53405000	GEAR-10S27_P2GT27-6	1	1/P	e-STUDIO357/457/507
21 B	6LH53435000	GEAR-10S27_P2GT18-6	1	1/P	e-STUDIO207L/257/307
22	6LH53426000	GEAR-10S27-6	2	1/P	
24	6LH53471000	POLYSLIDER-DEV-R	2	5/P	
25	F0-01946000	F126ZZ-SH44M-GV22	1	1/P	
26	6LA81685000	GEAR-10B22-6	1	1/P	



ITEM No.	PART No.	PART NAME	Q'TY / PAGE	Q'TY / PACK	REMARKS
1	6LH53404000	ASYS-COV-NOZLE-470	1	1/P	
2	6LH53417000	AUGER-RECY-470	1	1/P	
3	44201492000	BUSH-6-POM	1	5/P	
4	6LA81936000	GEAR-8S22-6	1	1/P	
5	6LH53458000	COVER-RECY-470	1	1/P	
6	6LH53420000	ASYS-TNR-IN-470	1	1/P	
7	6LA81953000	SEAL-RECY-CLN	1	1/P	
8	6LA81952000	MYLAR-RECY-CLN	1	1/P	
9	6LA81707000	STOPPER-LID-371	1	1/P	

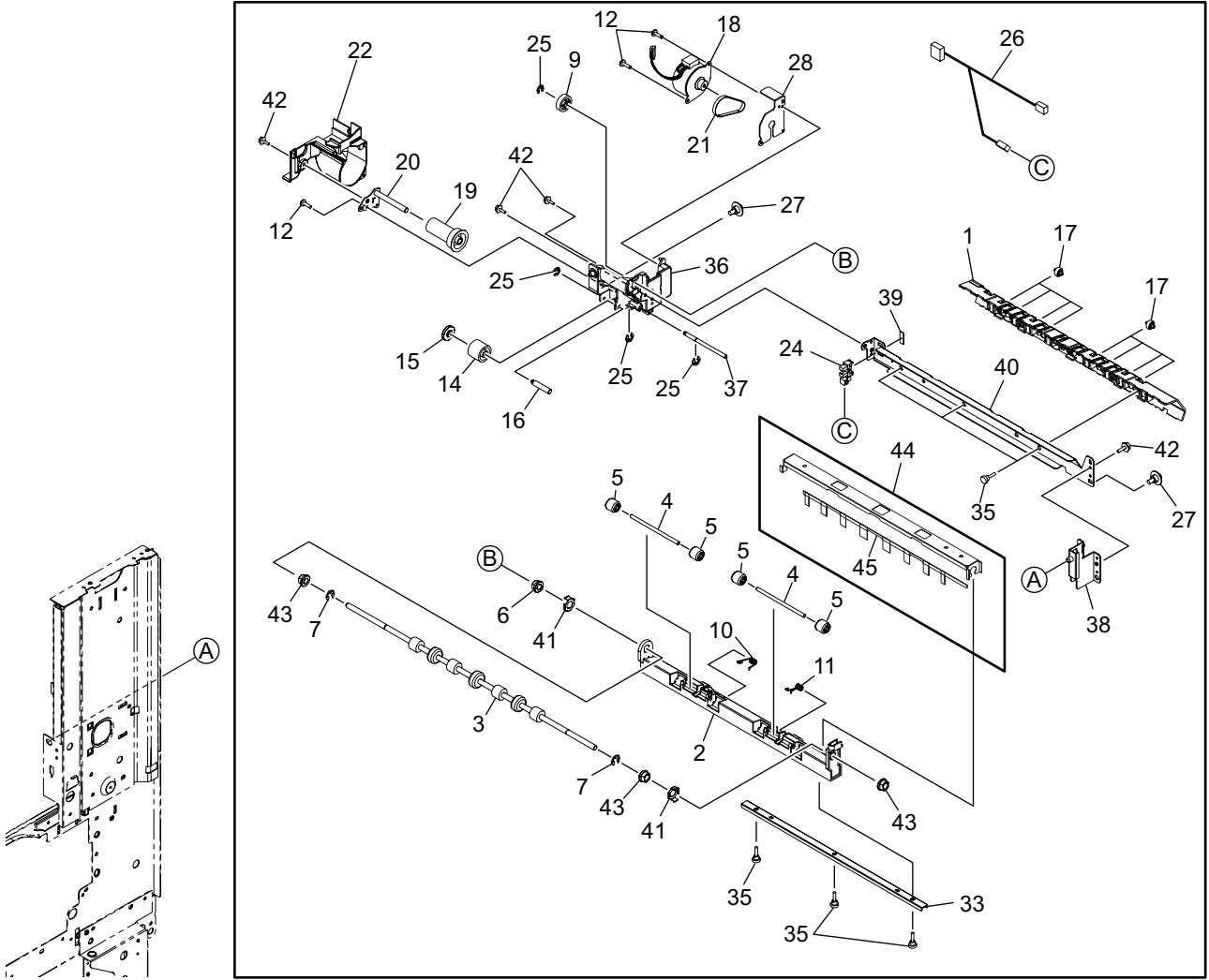


ITEM No.	PART No.	PART NAME	Q'TY / PAGE	Q'TY / PACK	REMARKS
1 A	6LJ14049000	FRM-FUS-HR-163	1	1/PP	e-STUDIO357/457/507
1 B	6LJ14049100	FRM-FUS-HR-160	1	1/PP	e-STUDIO207L/257/307
2	6LH55258000	PLT-TERM-R-M4	1	5/P	
3	6LH55257000	PLT-TERM-R-M3	1	5/P	
4 B	6LH55271000	PLT-TERM-C-M3	1	5/P	e-STUDIO357/457/507
5	6LH55256000	PLT-LAMP-FAST-F	1	1/P	
6	6LJ14009000	PLT-CNCT-LM-THM-2	1	1/C	
7	6LH55281000	PLT-CNCT-THMSTD	1	1/C	
8 A	6LH61486000	HRNS-ACIN2-473-2	1	1/P	e-STUDIO357/457/507
8 B	6LH61487000	HRNS-ACIN2-471-2	1	1/P	e-STUDIO207L/257/307
9	6LH55208000	ASYS-BRKT-GEAR	1	1/P	
10	6LH24605000	ROL-IDLE-FUS-284	1	1/P	
11	6LH55211000	GEAR-FUS-TW	1	1/P	
12	6LH64642000	THRMST-HTR-S-470	1	1/D	
13	6LH64641000	THRMST-HTR-C-470	1	1/D	
14	6LJ14011000	COVER-THMTD-UPR	1	1/PP	
15	6LK25706000	HR-5070-U	1	1/S	
16	6LH55214000	RING-C-35	2	1/P	
17	6LJ58116000	6807ZZL1S1C4KZ-C	2	1/P	
18	6LH55212000	GEAR-HR-S43	1	1/P	
19 A	6LH55336100	LAMP-HTR-C-47X-U-NAD	1	1/C	NAD,TWD
19 B	6LH55336200	LAMP-HTR-C-47X-U-MJD	1	1/C	ARD,ASD,AUD,MJD,CND,CNS,CNSD
20 A	6LH55337100	LAMP-HTR-S-47X-U-NAD	1	1/C	NAD,TWD
20 B	6LH55337200	LAMP-HTR-S-47X-U-MJD	1	1/C	ARD,ASD,AUD,MJD,CND,CNS,CNSD
21 A	6LH55338100	LAMP-HTR-A-47X-U-NAD	1	1/C	NAD,TWD
21 B	6LH55338200	LAMP-HTR-A-47X-U-MJD	1	1/C	ARD,ASD,AUD,MJD,CND,CNS,CNSD
22	6LJ14053000	SCRAPER-16X	5	5/P	
23	6LA84096000	SPE-SCR-HR-371	5	1/P	
25	6LJ14028000	SCREW-SPEAKER-16X	5	1/P	
26 A	6LH55301000	USUITA-SEMS-3X5-6	2	5/P	e-STUDIO207L/257/307
26 B	6LH55301000	USUITA-SEMS-3X5-6	3	5/P	e-STUDIO357/457/507
27 A	6LH55300000	USUITA-SPSEMS-4X8-6	2	5/P	e-STUDIO207L/257/307
27 B	6LH55300000	USUITA-SPSEMS-4X8-6	3	5/P	e-STUDIO357/457/507
29	6LJ14007000	COVER-WH-16X	1	1/C	
30	X0-00434000	S/BID-M3X8-NI	6	10/P	
31 A	6LE63998000	THMS-HTR-280	1	1/KP	e-STUDIO207L/257/307
31 B	6LJ19101000	THMS-HTR-163	1	1/KP	e-STUDIO357/457/507
33	X0-02095000	S/TPP/BRZ-3X10-NI	2	10/P	
34	X0-02096000	S/TPP/BRZ-3X8-NI	3	10/P	
35	6LJ14004000	ASYS-STAY-HR-16X	1	1/C	
36	X0-00077000	S/PAN/SWWP-M3X8-NI	4	10/P	
37	6LJ14010000	FILM-STAY-THMIS-HR-2	1	1/KP	
38	6LJ14008000	GUIDE-SCRAPER-16X	1	1/PP	
39	6LJ14044000	ASYS-HLDR-THMTD-C-16X	1	1/P	
40	6LJ14046000	ASYS-HLDR-THMTD-S-16X	1	1/P	
41	6LA39660000	S/PAN/SWWP-M3X8-ZC3	3	10/P	

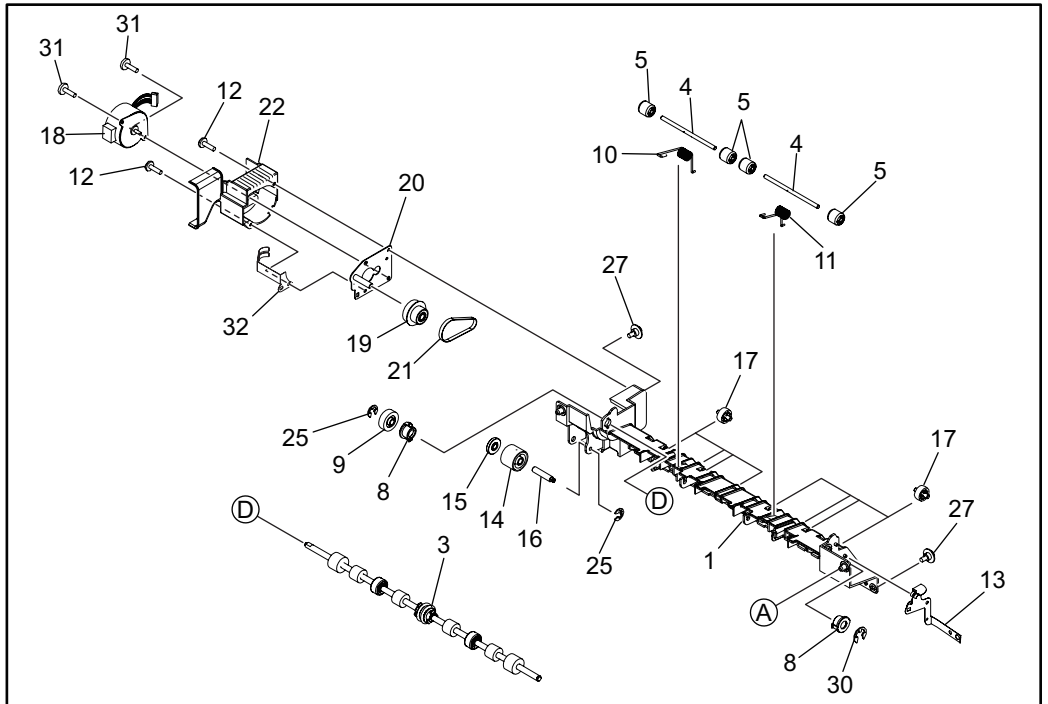


ITEM No.	PART No.	PART NAME	Q'TY / PAGE	Q'TY / PACK	REMARKS
1 A	6LJ14012000	ASYS-BRKT-PR-F-163	1	1/P	e-STUDIO357/457/507
1 B	6LJ14016000	ASYS-BRKT-PR-F-160	1	1/P	e-STUDIO207L/257/307
2	6LH55290100	ASYS-LVR-P-REL-F2	1	1/P	
3 A	6LJ14020000	ARM-PR-F-163	1	1/P	e-STUDIO357/457/507
3 B	6LJ14022000	ARM-PR-F-160	1	1/P	e-STUDIO207L/257/307
4	6LH55227000	PLT-PR-BIAS-471	1	1/C	
5 A	6LJ14014000	ASYS-BRKT-PR-R-163	1	1/P	e-STUDIO357/457/507
5 B	6LJ14018000	ASYS-BRKT-PR-R-160	1	1/P	e-STUDIO207L/257/307
6	6LH55291100	ASYS-LVR-P-REL-R2	1	1/P	
7 A	6LJ14021000	ARM-PR-R-163	1	1/P	e-STUDIO357/457/507
7 B	6LJ14023000	ARM-PR-R-160	1	1/P	e-STUDIO207L/257/307
8 A	6LH58425000	HR-4530-L	1	1/S	e-STUDIO357/457/507
8 B	6LH58426000	HR-3000-L	1	1/S	e-STUDIO207L/257/307
9 A	F0-02089000	698ZZS1M5-GPL226-GV22	2	1/P	e-STUDIO357/457/507
9 B	F0-02088000	688ZZS1M5-GPL226-GV22	2	1/P	e-STUDIO207L/257/307
10 A	6LH55276000	PLT-STOP-PR-35	2	1/P	e-STUDIO357/457/507
10 B	6LH55277000	PLT-STOP-PR-30	2	1/P	e-STUDIO207L/257/307
11 A	6LH55246000	GUIDE-ENT-FUS-473	1	1/P	e-STUDIO357/457/507
11 B	6LH55282000	GUIDE-ENT-FUS-471	1	1/P	e-STUDIO207L/257/307
12 A	6LH55261000	SPG-E-PR-47X	2	1/P	e-STUDIO357/457/507
12 B	6LJ14048000	SPG-E-PR-L-16X	2	1/P	e-STUDIO207L/257/307
13	6LH55229000	PLT-SPRT-PR	1	1/P	
14	6LH55260000	PLT-NUT	2	5/P	
15	6LJ14063000	SCREW-FUS-16X	2	1/P	
16	6LH55245000	PLT-SP-IDLE-47X	4	1/D	
17	41316101000	ROLL-TRANS-IDLE	2	1/P	
18	X0-00965000	RR/E-4-SS	3	10/P	
19 A	X0-00968000	RR/E-7-SS	2	10/P	e-STUDIO357/457/507
19 B	X0-00966000	RR/E-5-SS	2	10/P	e-STUDIO207L/257/307
20 A	6LA80090000	S/TPP/BID-3*8-NI	11	5/P	e-STUDIO357/457/507
20 B	6LA80090000	S/TPP/BID-3*8-NI	15	5/P	e-STUDIO207L/257/307
21	6LJ14028000	SCREW-SPEAKER-16X	2	1/P	
22	X0-02230000	S/FHEXM-M3X6-NI	5	10/P	
23	6LH55330000	GID-OPN-FUS-16X	1	1/PP	
24	6LH55267000	SPG-T-ACT-47X	1	5/P	
25	6LH55228000	ACTR-EXIT-FUS-47X	1	1/P	
26	6LH61309000	HRNS-EXIT-SW-471	1	1/P	
27	C0-15712000	LG248D2	1	1/D	
28	6LH55230000	COVER-OPEN-FUS	1	1/P	
29	6LJ14042000	SHEET-GID-OPEN-FUS2	1	1/P	
30	6LH55204000	COV-PR-R-47X	1	1/C	
31	6LH55331000	COV-FRM-FUS-PR-16X	1	1/P	
32 A	6LH55288000	LBL-W-HOT-47X-UE	1	1/P	TWD
32 B	6LK25700000	LBL-W-HOT-H33X	1	1/KP	NAD,ARD,ASD,AUD,MJD,CND,CNS,CNSD
33	X0-00434000	S/BID-M3X8-NI	2	10/P	
36	X0-00050000	S/PAN/SWWP-M3X5-NI	2	10/P	
37	6LH55326000	ASYS-FRM-FUS-PR-16X	1	1/PP	
38	6LH55203000	COV-PR-F-47X	1	1/P	
39 A	6LJ14024000	PLT-LOCK-PR-H-F	1	1/P	e-STUDIO357/457/507
39 B	6LJ14026000	PLT-LOCK-PR-L-F	1	1/P	e-STUDIO207L/257/307
40 A	6LJ14025000	PLT-LOCK-PR-H-R	1	1/P	e-STUDIO357/457/507
40 B	6LJ14027000	PLT-LOCK-PR-L-R	1	1/P	e-STUDIO207L/257/307
41	41307995000	LBL/W-FUSER	1	5/KP	
42	6LJ08725000	SHEET-SNSR-LG248	1	5/P	
43 B	6LJ14041000	GUIDE-OPEN-SUB	4	1/P	e-STUDIO207L/257/307

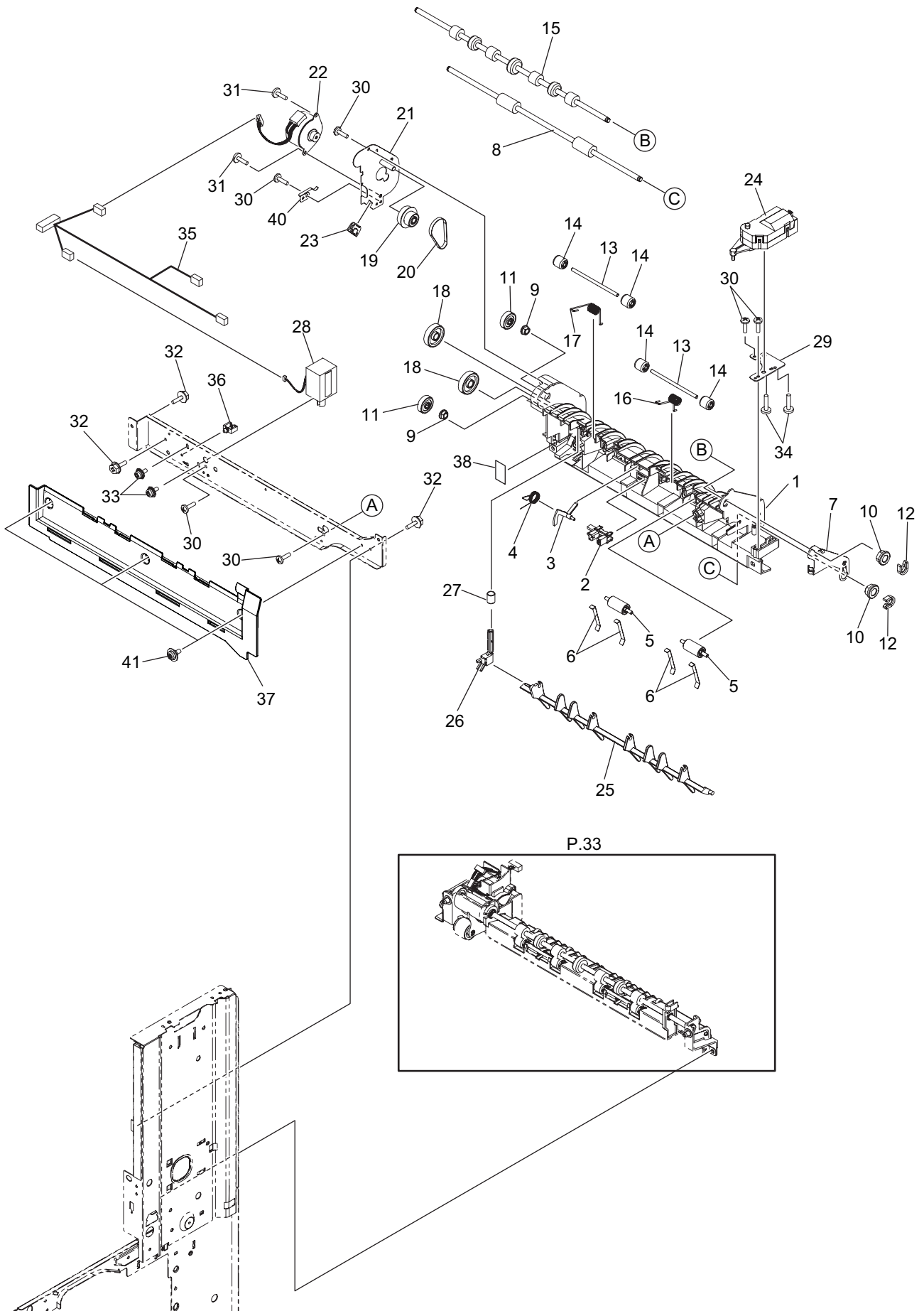
e-STUDIO357/457/507



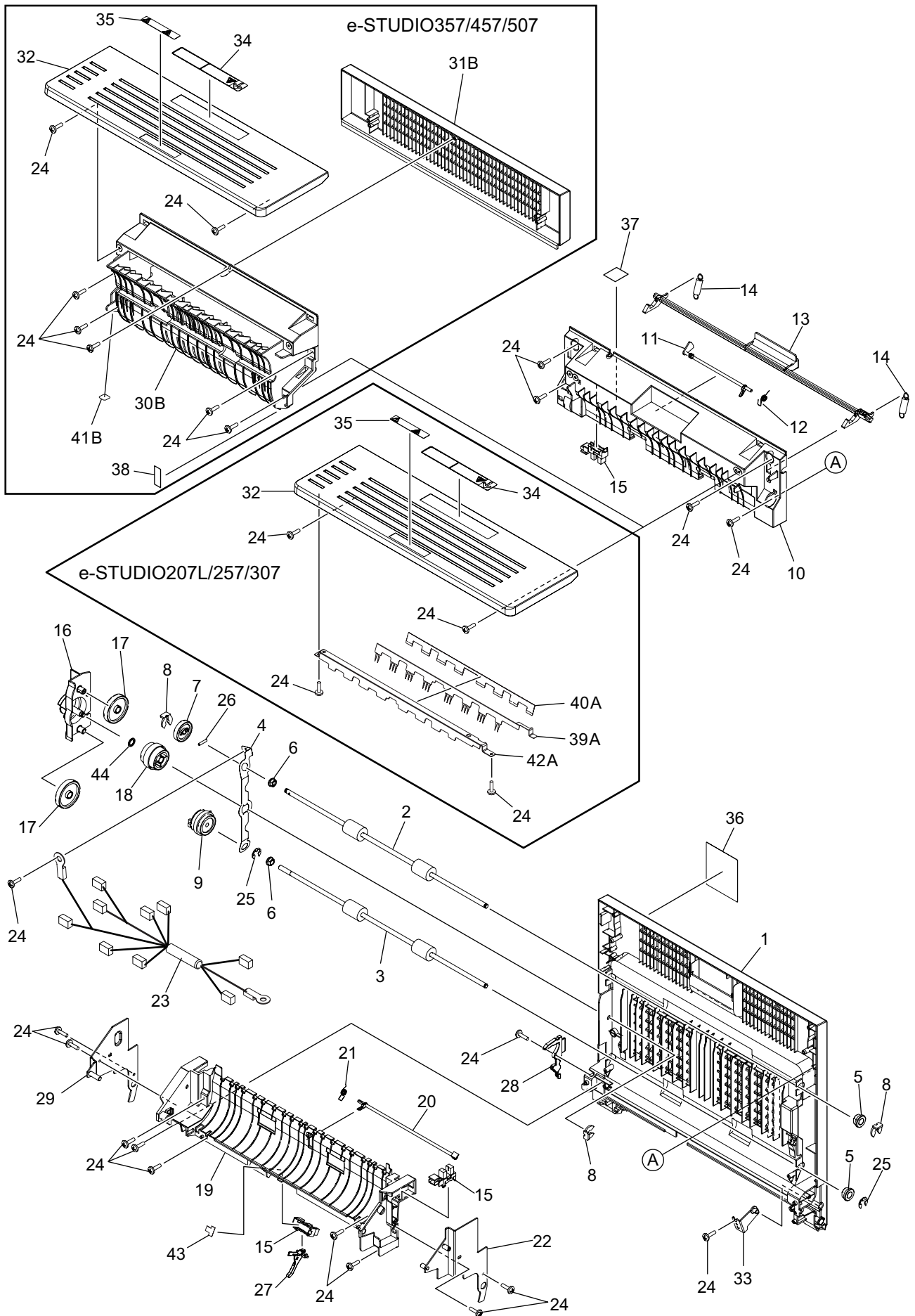
e-STUDIO207L/257/307



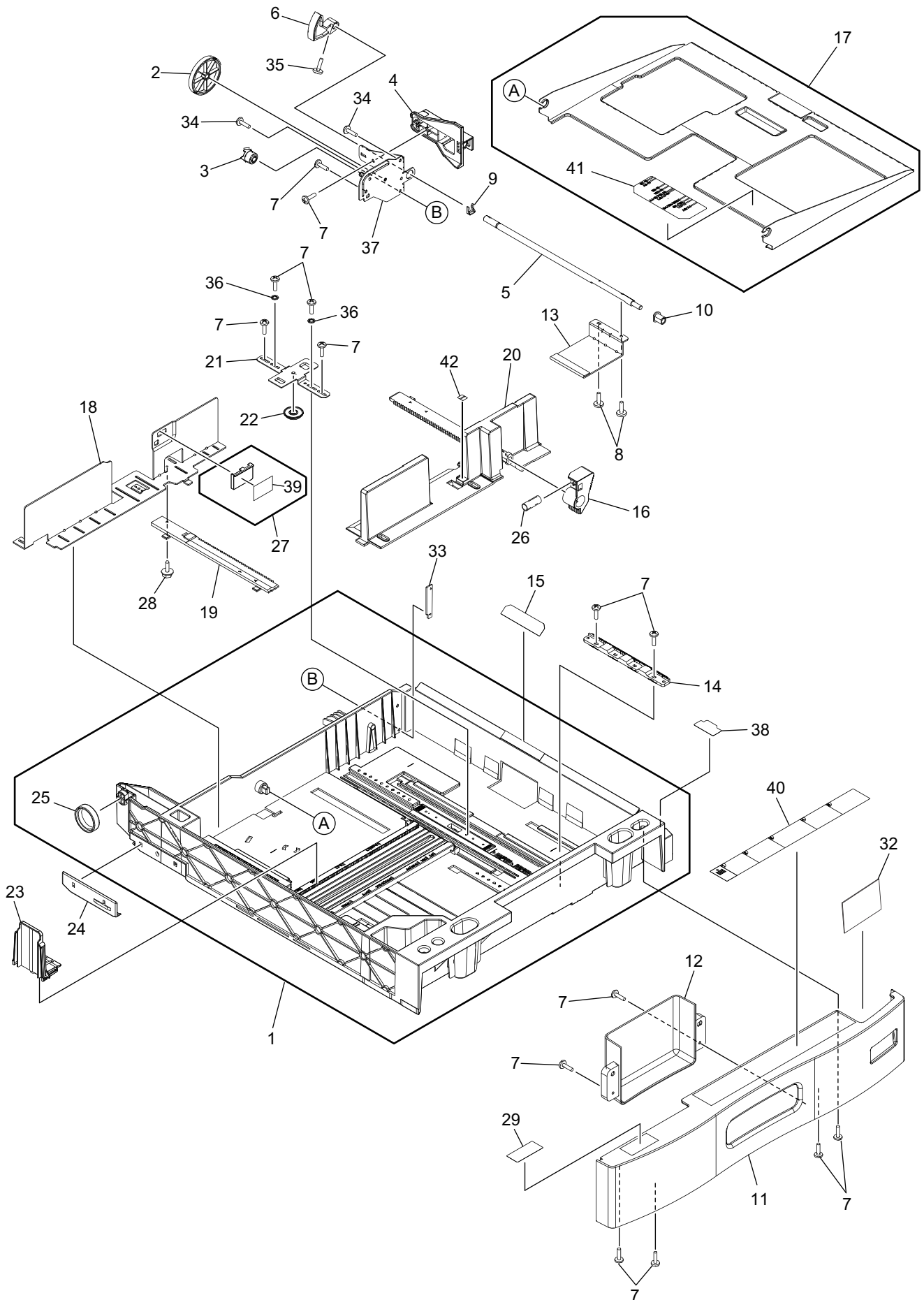
ITEM No.	PART No.	PART NAME	Q'TY / PAGE	Q'TY / PACK	REMARKS
1 A	6LJ12936000	ASYS-GUIDE-EXIT-L-160	1	1/PP	e-STUDIO207L/257/307
1 B	6LJ12926000	ASYS-GUIDE-EXIT-L-163	1	1/PP	e-STUDIO357/457/507
2 B	6LJ12901000	GUIDE-SLIDE-163	1	1/D	e-STUDIO357/457/507
3 A	6LK25000000	ASYS-ROLL-EXIT-331	1	1/PP	e-STUDIO207L/257/307
3 B	6LK25002000	ROLL-EXIT-333	1	1/KP	e-STUDIO357/457/507
4	6LE58600000	SFT-EXIT-IDLE-280	2	1/P	
5	44203198000	ROLL-EXIT-L-320	4	1/P	
6 B	44201492000	BUSH-6-POM	1	5/P	e-STUDIO357/457/507
7 B	X0-00966000	RR/E-5-SS	2	10/P	e-STUDIO357/457/507
8 A	6LH54015000	BUSH-6-STOP	2	1/P	e-STUDIO207L/257/307
9 A	44202975000	GEAR-EXIT-U	1	1/P	e-STUDIO207L/257/307
9 B	6LJ12914000	GEAR-10S20-06D	1	1/P	e-STUDIO357/457/507
10 A	6LE58611000	SPG-T-EXIT-R-280	1	1/P	e-STUDIO207L/257/307
10 B	6LA82563000	SPG-T-EXIT-371	1	1/P	e-STUDIO357/457/507
11 A	6LE58615000	SPG-T-EXIT-F-280	1	1/P	e-STUDIO207L/257/307
11 B	6LH54030000	SPG-T-EXIT-473	1	1/P	e-STUDIO357/457/507
12 A	6LA80090000	S/TPP/BID-3*8-NI	2	5/P	e-STUDIO207L/257/307
12 B	6LA80090000	S/TPP/BID-3*8-NI	3	5/P	e-STUDIO357/457/507
13 A	6LH54077000	SPL-T-EARTH-EXIT-471	1	1/C	e-STUDIO207L/257/307
14	6LH54014000	GEAR-10S21-6	1	1/P	
15	6LH54040000	ROL-IDL-EXIT	1	1/P	
16	6LH54031000	STUD-GEAR-EXIT	1	1/P	
17	6LE25931000	ROLL-FUS-GUIDE	8	1/P	
18	6LA82692000	ASYS-MOTR-S-EXIT-371	1	1/C	
19 A	6LH54013000	GEAR-10S16_PS2M40-6-S	1	1/P	e-STUDIO207L/257/307
19 B	6LH54007000	GEAR-10S16_PS2M40-6	1	1/P	e-STUDIO357/457/507
20 A	6LH54012000	ASYS-BRKT-MOT-EXIT-471	1	1/P	e-STUDIO207L/257/307
20 B	6LJ12907000	ASYS-BRKT-EXIT-GP-163	1	1/P	e-STUDIO357/457/507
21	6LH54367000	BLT_SY-S2M-128-4	1	1/P	
22 A	6LH54051000	DUCT-EXIT-MOT-471	1	1/P	e-STUDIO207L/257/307
22 B	6LJ12916000	DUCT-EXIT-MOT-163	1	1/D	e-STUDIO357/457/507
24 B	C0-17839000	LG2A14BL1	1	1/C	e-STUDIO357/457/507
25 A	X0-00964000	RR/E-3-SS	2	10/P	e-STUDIO207L/257/307
25 B	X0-00964000	RR/E-3-SS	4	10/P	e-STUDIO357/457/507
26 B	6LH61332000	HRNS-EXIT-UNIT-L-473	1	1/P	e-STUDIO357/457/507
27	6LA36276000	SCREW-M3-FUS-C	2	5/P	
28 B	6LJ12913000	HS-MOTR-163	1	1/P	e-STUDIO357/457/507
30 A	X0-00966000	RR/E-5-SS	1	10/P	e-STUDIO207L/257/307
31 A	X0-02069000	S/TPS/BID-3X6-ZU3	2	10/P	e-STUDIO207L/257/307
32 A	6LH54063000	PLT-EARTH-471	1	1/P	e-STUDIO207L/257/307
33 B	6LH54074000	BRKT-EXIT-LOW	1	1/P	e-STUDIO357/457/507
35 B	6LA65683000	SCREW-HLDR-MG	6	10/P	e-STUDIO357/457/507
36 B	6LJ12915000	GUIDE-MOTR-EXIT-163	1	1/D	e-STUDIO357/457/507
37 B	6LJ12912000	STUD-SLIDE-EXIT	1	1/P	e-STUDIO357/457/507
38 B	6LJ12903000	ASYS-BRKT-EXIT-F	1	1/P	e-STUDIO357/457/507
39 B	6LJ08725000	SHEET-SNSR-LG248	1	5/P	e-STUDIO357/457/507
40 B	6LJ12911000	FRM-GUIDE-EXIT	1	1/PP	e-STUDIO357/457/507
41 B	6LJ12910000	PLT-STP-BUSH	2	1/P	e-STUDIO357/457/507
42 B	X0-02593000	S/TPD3/FHEXM-3X8-ZU3	4	10/P	e-STUDIO357/457/507
43 B	6LJ55543000	BUSH-6-BCF-050	3	1/P	e-STUDIO357/457/507
44 B	6LK25005000	ASYS-STAY-ERS-H33X	1	1/P	e-STUDIO357/457/507
45 B	6LK25006000	ASYS-BRUSH-EXIT-UPR-H33X	1	1/P	e-STUDIO357/457/507



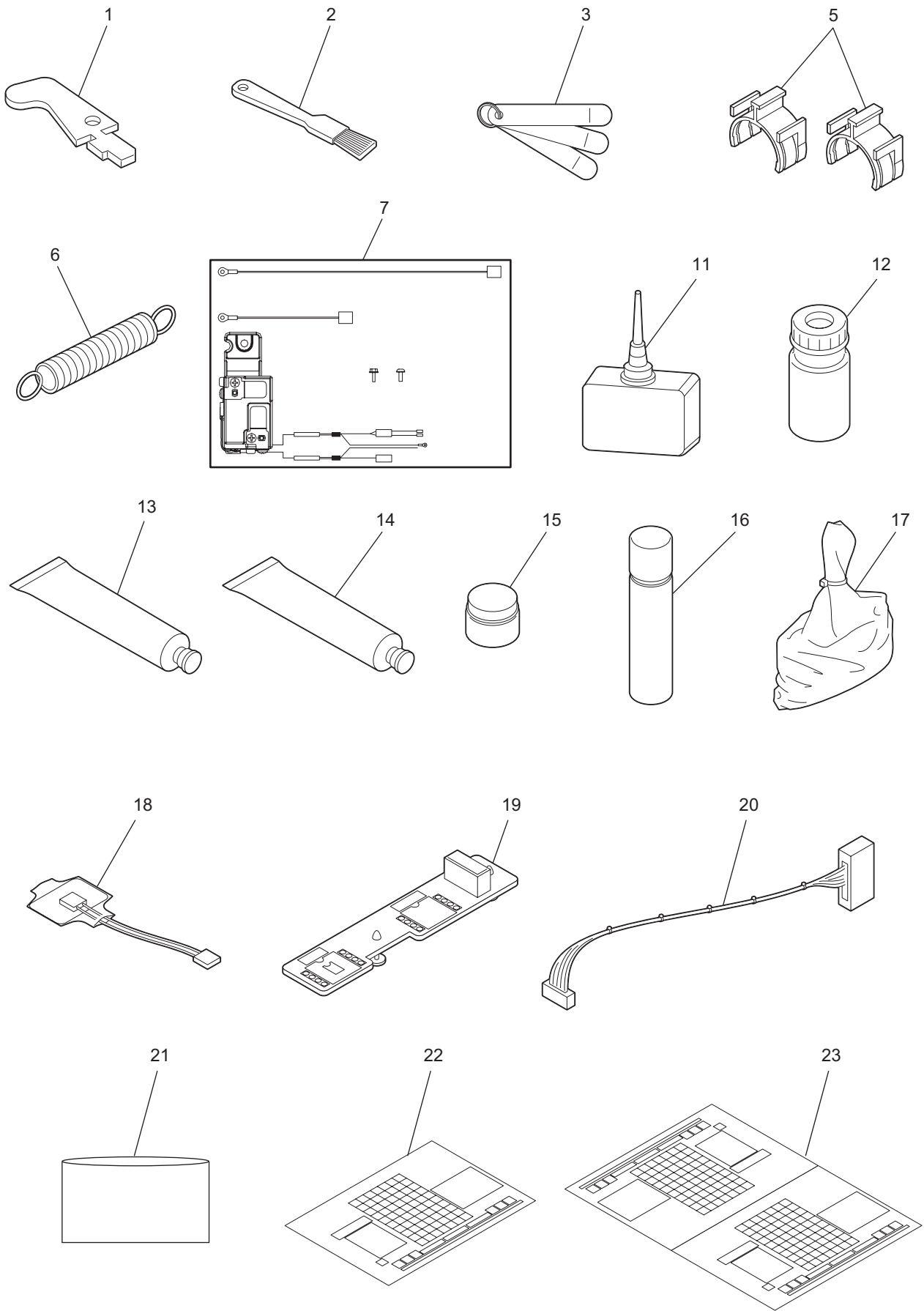
ITEM No.	PART No.	PART NAME	Q'TY / PAGE	Q'TY / PACK	REMARKS
1 B	6LH54079100	GUIDE-EXIT-UPR-L-163	1	1/PP	e-STUDIO357/457/507
2 B	C0-16187000	LG248NL2	1	1/C	e-STUDIO357/457/507
3 B	6LH54010000	ACTR-EXIT-UPR-473	1	1/P	e-STUDIO357/457/507
4 B	6LJ12930000	SPG-T-ACT-EXIT-UPR-16X	1	1/P	e-STUDIO357/457/507
5 B	41316101000	ROLL-TRANS-IDLE	2	1/P	e-STUDIO357/457/507
6 B	6LH54033000	SPL-EXIT-PINCH-U	4	1/P	e-STUDIO357/457/507
7 B	6LH54027000	PLT-EARTH-EXIT-U	1	1/C	e-STUDIO357/457/507
8 B	6LH54024000	ROLL-TRANS-UPR	1	1/KP	e-STUDIO357/457/507
9 B	44201492000	BUSH-6-POM	2	5/P	e-STUDIO357/457/507
10 B	6LA03977000	BUSH-F6-GCB	2	5/P	e-STUDIO357/457/507
11 B	6LH54006000	GEAR-10S20-06	2	1/P	e-STUDIO357/457/507
12 B	4407972860	STOP-RING-6-5	2	5/P	e-STUDIO357/457/507
13 B	6LE58600000	SFT-EXIT-IDLE-280	2	1/P	e-STUDIO357/457/507
14 B	44203198000	ROLL-EXIT-L-320	4	1/P	e-STUDIO357/457/507
15 B	6LH54025000	ROLL-EXIT-UPR	1	1/KP	e-STUDIO357/457/507
16 B	6LE58615000	SPG-T-EXIT-F-280	1	1/P	e-STUDIO357/457/507
17 B	6LE58611000	SPG-T-EXIT-R-280	1	1/P	e-STUDIO357/457/507
18 B	6LH54009000	GEAR-10S27-08	2	1/P	e-STUDIO357/457/507
19 B	6LH54013000	GEAR-10S16_PS2M40-6-S	1	1/P	e-STUDIO357/457/507
20 B	6LH54361000	BLT_SY-S2M-120-4	1	1/P	e-STUDIO357/457/507
21 B	6LH54008000	ASYS-BRKT-EXIT-UPR	1	1/P	e-STUDIO357/457/507
22 B	6LA82692000	ASYS-MOTR-S-EXIT-371	1	1/C	e-STUDIO357/457/507
23 B	F0-00120000	ES-0505	1	5/P	e-STUDIO357/457/507
24 B	6LH54065000	ASYS-MOTR-OFS-473	1	1/C	e-STUDIO357/457/507
25 B	6LJ12925000	GATE-EXIT-UPR-163	1	1/PP	e-STUDIO357/457/507
26 B	6LH54061000	LVR-SOL-GATE-473	1	1/P	e-STUDIO357/457/507
27 B	6LH54062000	SPG-C-GATE-EXIT	1	1/P	e-STUDIO357/457/507
28 B	6LE09192000	SOL-GATE-390	1	1/D	e-STUDIO357/457/507
29 B	6LH54049000	PLT-MOTR-OFS	1	1/P	e-STUDIO357/457/507
30 B	6LA80090000	S/TPP/BID-3*8-NI	6	5/P	e-STUDIO357/457/507
31 B	X0-02069000	S/TPS/BID-3X6-ZU3	2	10/P	e-STUDIO357/457/507
32 B	X0-02593000	S/TPD3/FHEXM-3X8-ZU3	3	10/P	e-STUDIO357/457/507
33 B	X0-02551000	S/PAN/SWWP-M3X6-ZU3	2	10/P	e-STUDIO357/457/507
34 B	X0-02091000	S/TPP/BID-4X14-NI	2	10/P	e-STUDIO357/457/507
35 B	6LH61331000	HRNS-EXIT-UNIT-U-473	1	1/P	e-STUDIO357/457/507
36 B	F0-01250000	MSB-1207	1	5/P	e-STUDIO357/457/507
37 B	6LK24212100	COVER-EXIT-MN3600	1	1/PP	e-STUDIO357/457/507
38 B	6LH55294000	SHEET-LNK-EXIT	1	5/P	e-STUDIO357/457/507
40 B	6LH54064000	PLT-EARTH-473	1	1/P	e-STUDIO357/457/507
41 B	6LA47979000	SCREW-SPEAKER-ZU3	3	5/P	e-STUDIO357/457/507



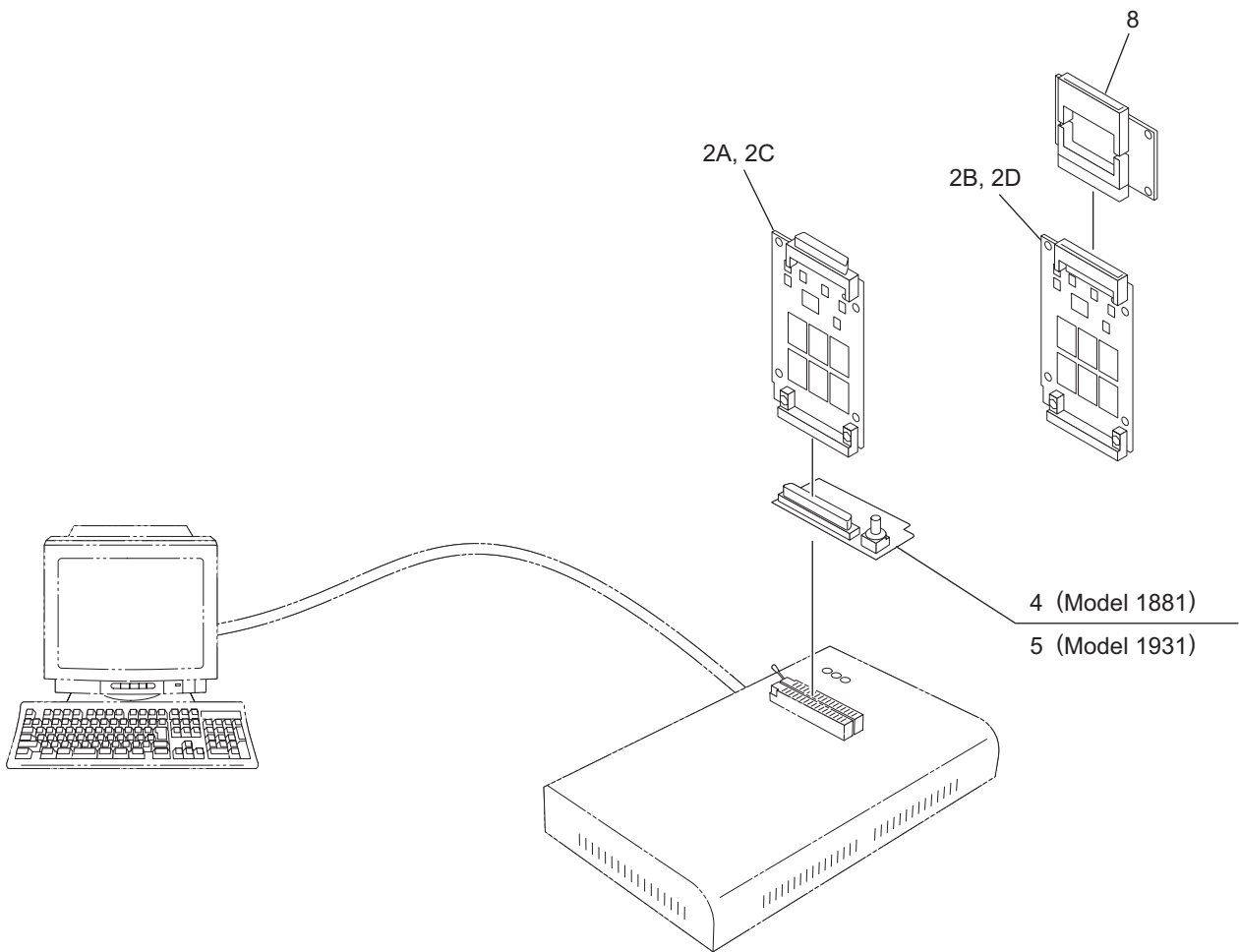
ITEM No.	PART No.	PART NAME	Q'TY / PAGE	Q'TY / PACK	REMARKS
1	6LH51200200	COVER-SIDE-47X-D	1	1/PP	
2	6LH51225000	ROLL-TRANS-ADU-U	1	1/KP	
3	6LH51226000	ROLL-TRANS-ADU-L	1	1/KP	
4	6LH51208000	PLT-EARTH-ADU-47X	1	1/C	
5	44201492000	BUSH-6-POM	2	5/P	
6	6LJ55543000	BUSH-6-BCF-050	2	1/P	
7	6LA83114000	GEAR-10S028-06	1	1/P	
8	44201801000	STOP-RING-6-1.5	3	5/P	
9	6LH51224000	CLUTCH-50C-G28-6	1	1/D	
10	6LH51202100	FRAME-ADU-UPR-47XMN	1	1/PP	
11	6LH51209000	ACTR-ADU-U-47X	1	1/P	
12	6LH51230000	SPG-T-ACT-ADU-1	1	5/P	
13	6LK24400100	LEVER-OPEN-47XMN	1	1/PP	
14	6LH51228000	SPG-C-COV-SIDE	2	1/P	
15	C0-17839000	LG2A14BL1	3	1/C	
16	6LH51232000	ASYS-COV-ADU-GEAR	1	1/P	
17	6LH51211000	GEAR-10S39-08	2	1/P	
18	6LH51210000	GEAR-10S28-6-D	1	1/P	
19	6LH51205000	FRAME-ADU-LOW-47X	1	1/PP	
20	6LH51215000	ACTR-ADU-L-47X	1	1/P	
21	6LH51229000	SPG-T-ACT-ADU-2	1	5/P	
22	6LH51217000	ASYS-HINGE-ADU-F	1	1/P	
23 A	6LH61341000	HRNS-ADU-UNIT-471	1	1/P	NAD,ARD,ASD,AUD,MJD,CND,CNS,CNSD
23 B	6LJ19046000	HRNS-ADU-UNIT-161TW	1	1/P	TWD
24 A	6LA80090000	S/TPP/BID-3*8-NI	20	5/P	e-STUDIO207L/257/307
24 B	6LA80090000	S/TPP/BID-3*8-NI	23	5/P	e-STUDIO357/457/507
25	X0-00966000	RR/E-5-SS	2	10/P	
26	X0-00980000	P/PRL/AH7-2X10-SS	1	10/P	
27	6LH51413000	ACTR-P-EMP-SFB	1	1/P	
28	6LH51231000	COVER-HRNS-ADU	1	1/P	
29	6LH51216000	ASYS-HINGE-ADU-R	1	1/P	
30 B	6LH54057000	ASYS-GUIDE-EXIT-UPR-U-473	1	1/PP	e-STUDIO357/457/507
31 B	6LH51203100	COVER-EXIT-UPR-473-N	1	1/PP	e-STUDIO357/457/507
32	6LJ11207200	COVER-EXIT-47X-MN	1	1/PP	
33	6LH51438000	ASYS-BRKT-PT	1	1/P	
34 A	6LA75470000	LBL-HOT-COV	1	1/KP	NAD,ARD,ASD,AUD,MJD
34 B	6LJ57405000	LBL-HOT-COV-C	1	1/KP	CND,CNS,CNSD
34 C	6LA75503000	LBL-HOT-COV-TWD	1	1/KP	TWD
35	6LA82504000	LBL- W-HOT-EXIT371	1	5/KP	
36 A	6LH60035000	LBL-O-PLACE-COV-47X	1	1/P	NAD,ARD,ASD,AUD,MJD,TWD
36 B	6LJ57404000	LBL-O-PLACE-COV-47X-C	1	1/P	CND,CNS,CNSD
37	6LH51244000	CUSSION-ACTR-ADU	1	5/P	
38 B	6LH51245000	CUSSION-GATE-EXIT	1	5/P	e-STUDIO357/457/507
39 A	6LH58270000	SHEET-ERS-47X	1	1/KP	e-STUDIO207L/257/307
40 A	6LH58268000	MYLAR-ERS-47X	1	1/KP	e-STUDIO207L/257/307
41 B	6LJ12933000	CUSSION-GATE-EXIT-R	1	1/P	e-STUDIO357/457/507
42 A	6LH58261000	STAY-ERS-47X	1	1/P	e-STUDIO207L/257/307
43	6LA85910000	MYLAR-SUPPORT-SNS	1	5/P	
44	6LJ11202000	WAS-STWFT8050	1	1/P	



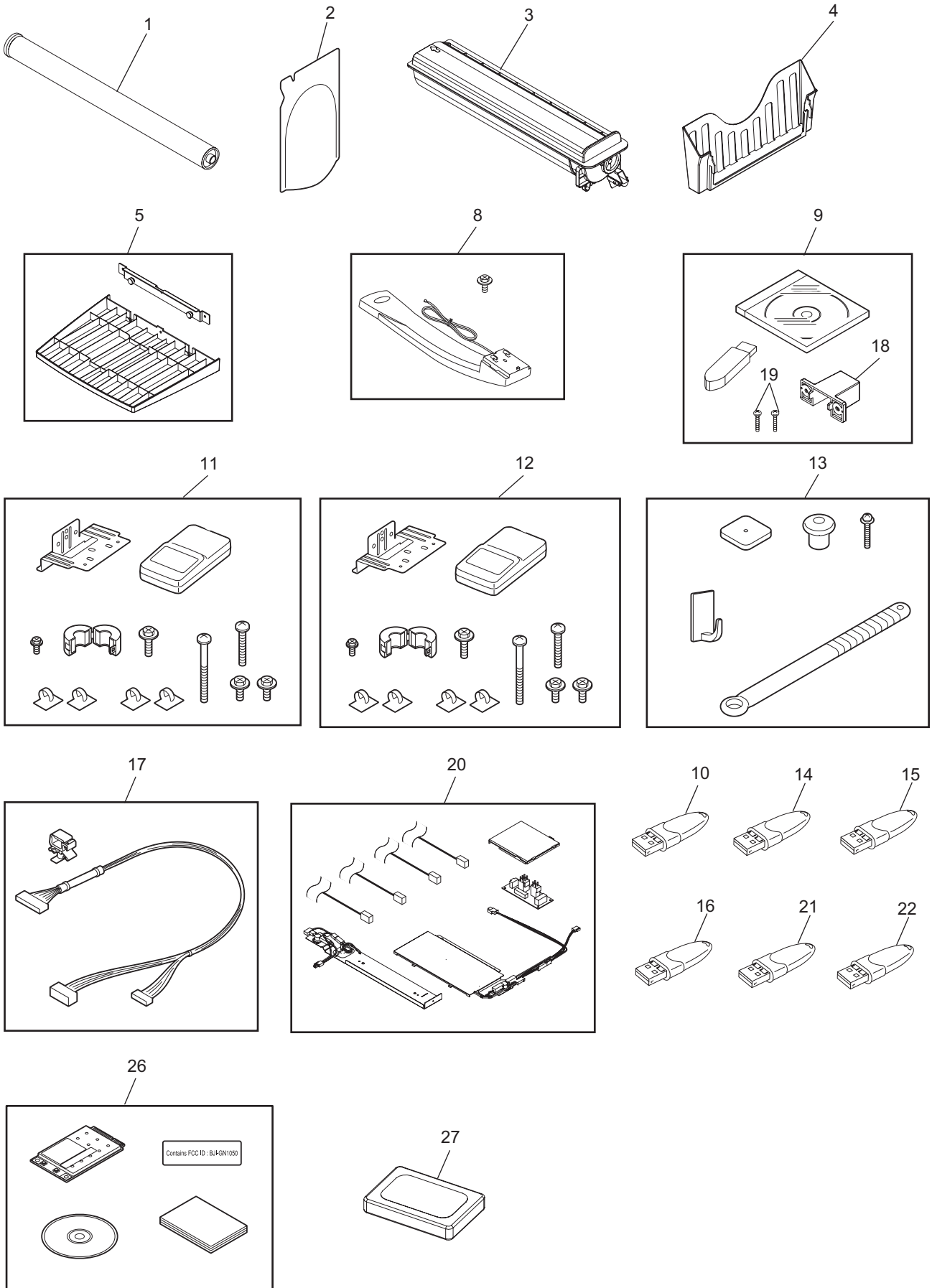
ITEM No.	PART No.	PART NAME	Q'TY / PAGE	Q'TY / PACK	REMARKS
1 A	6LH51654000	ASYB-CST-ROL-F47X_SR-A3	1	1/PP	Lower drawer
1 B	6LH51652000	ASYB-CST-ROL-F47X_LD-A3	1	1/PP	Upper drawer
2	6LH51606000	GEAR-DRV-TRAYUP	1	1/P	
3	6LH51605000	CPG-TRAY-UP	1	1/P	
4	6LH51625000	GUIDE-CST-RR	1	1/P	
5	6LJ11608000	SHAFT-LIFT-TRAY	1	1/P	
6	6LJ11607000	GEAR-DRV-TRAYUP-SHAFT	1	1/P	
7	6LA80090000	S/TPP/BID-3*8-NI	14	5/P	
8	X0-00434000	S/BID-M3X8-NI	2	10/P	
9	41306265000	STOP RING	1	1/P	
10	6LH51626000	BUSH-SFT-F47X	1	1/P	
11	6LH51659300	COVER-CST-F-470-EX	1	1/PP	
12	6LH51608200	COVER-HNDL-CST-E	1	1/P	
13	6LH51629000	LVR-LIFT-TRAY	1	1/P	
14	6LH51621000	WALL-STOP-F47X	1	1/P	
15	41307599000	SHEET-CST	1	1/KP	
16	6LH05704100	LVR-ADJUST-WALL_G	1	1/P	
17	6LK23704000	ASYS-TRAY-CST-H33X_A3	1	1/PP	
18	6LH51619000	WALL-PLT-SIDE-R-CST	1	1/P	
19	6LH51609000	RACK-CST-R	1	1/P	
20	6LK23700000	WALL-SIDE-F-CST-H33X	1	1/KP	
21	6LH51614000	ASYS-PL-PININON-TRY	1	1/P	
22	6LE53717000	GEAR-10S18-8-TRAY	1	1/P	
23	6LH51610100	WALL-END-CST-H16X	1	1/P	
24	6LH51618000	GUIDE-RAIL-CST-L	1	1/P	
25	6LH51620000	RLR-RAIL-CST-L-F47X	1	1/P	
26	6LA56695000	SPC-LVR-WALL-F	1	1/P	
27	6LJ11602000	ASYS-CST-S-GUIDE-MAX	1	1/P	
28	X0-02420000	S/TPS/FHEXM/R-3X8-ZU3	1	10/P	
29	6LJ18019000	LBL_O-LD_H16X	1	1/P	
32 A	6LJ11606100	SIZE-CST-160-LT	1	1/P	NAD
32 B	6LJ11606000	SIZE-CST-160-A4	1	1/P	ARD,ASD,AUD,MJD,TWD,CND,CNS,CNSD
33	6LH51649000	ASYS-PLT-CUSH-CST	1	1/P	
34	X0-02135000	S/PAN/SWWP-M3X14-NI	2	10/P	
35	X0-02363000	S/PAN/SWWS-M4X10-NI	1	10/P	
36	X0-02116000	W/TH/A-3-SS	2	10/P	
37	6LH51612000	ASYS-FRM-DRV-CST	1	1/P	
38	6LH51657000	MYLAR-CST-BOSS	1	5/P	
39	6LJ11600000	LBL-MAX-CST-H16X	1	1/KP	
40	6LJ11609000	LBL_INFO-CST_H33X	1	1/KP	
41	6LJ56955000	LBL_P-SIZE-LDA3-H21X-N	1	1/KP	
42	6LJ56953000	LBL_P-SIZE-REF-H21X	1	1/P	



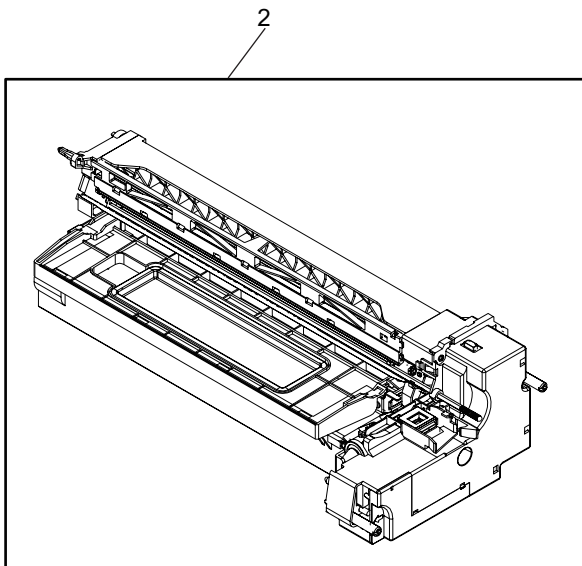
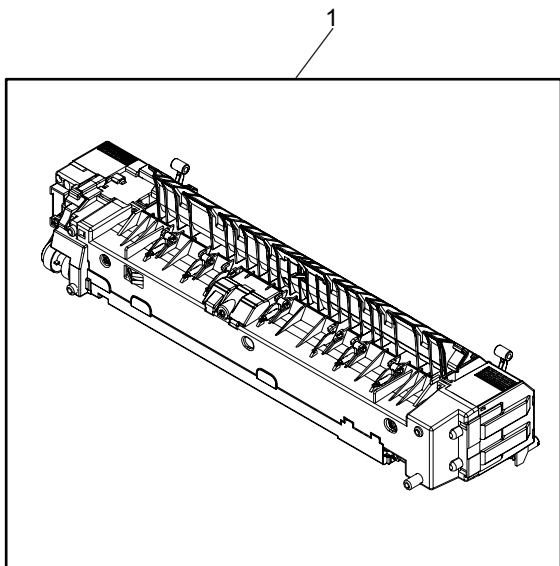
ITEM No.	PART No.	PART NAME	Q'TY / PAGE	Q'TY / PACK	REMARKS
1	4407915730	JIG-SW-F-COV	1	1/P	
2	4407915710	BRUSH-33	1	1/P	
3	4402048100	ASM-JIG-DOC-180	1	1/P	
5	6LA01757000	HOLDER-WIRE-SCAN	2	1/P	
6	44202661000	SPE-MOT-TNS	1	1/P	
7	6LH53488000	PU-TOOL-F47X	1	1/C	
11 A	4842512170	OIL-LAUNA40-100	1	1/P	Except Europe,LAUNA40 100cc For Europe,LAUNA40 100cc
11 B	6LH17289000	ASYB-LAUNA40-TSB E	1	1/P	
12	6LA00019000	GREASE-HP300-S	1	1/P	
13	41303711000	ASM-PG-ALV2	1	1/P	
14	6LE36904000	MOLYKOTE_EM-30L_100G	1	1/P	
15	41303710000	ASM-PG-GE334C-S	1	1/P	
16	4408327820	K-BTL-SILICON-S	1	1/P	
17	6LJ18300000	P-POWDER-PPT001	1	1/P	
18	6LH60423000	ASYB-SFUSE-470	1	1/C	
19	6LH60425000	ASYB-EPUADP-470	1	1/C	
20	6LH61449000	HRNS-EPUADP-471	1	1/P	
21	4408600920	BAG-DRUM	1	5/P	
22	6LE50524000	CHART-COLOR-A4	1	1/KP	
23	6LH17283000	CHART-COLOR-A3	1	1/KP	

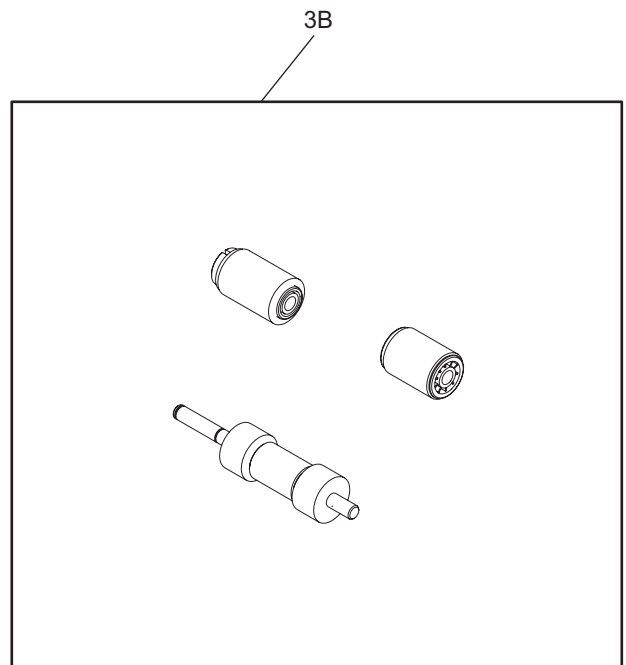
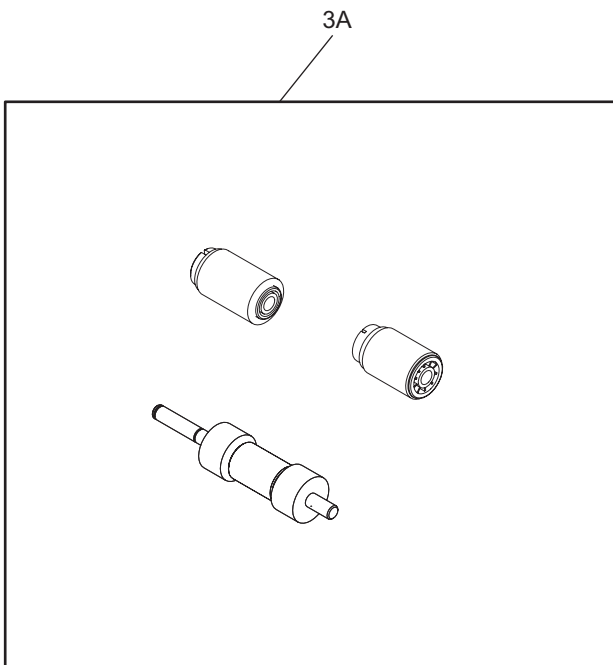
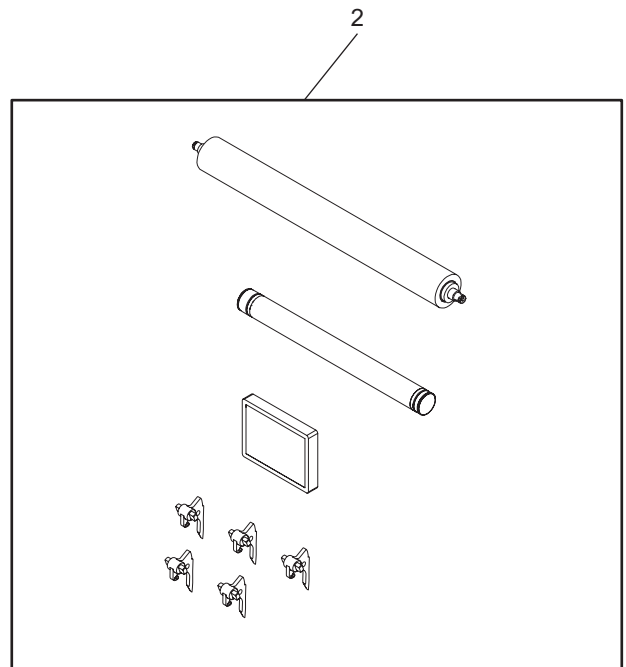
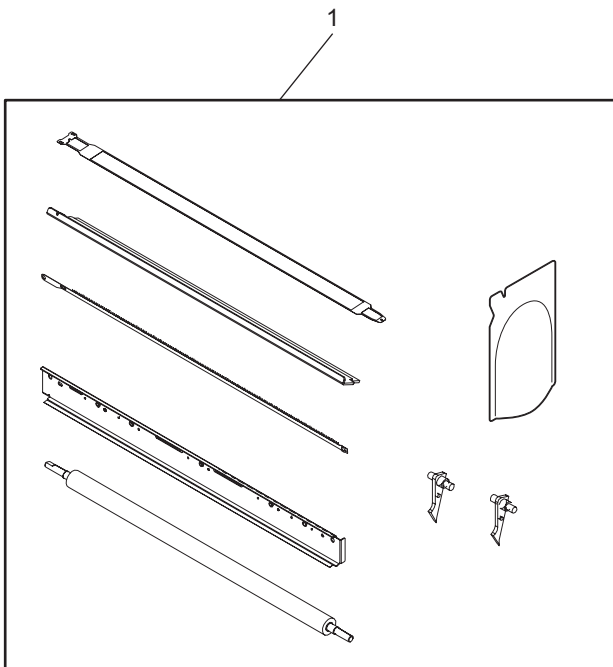


ITEM No.	PART No.	PART NAME	Q'TY / PAGE	Q'TY / PACK	REMARKS
2 A	6LH18822000	PWA-DWNLD-JIG1	1	1/C	For SYS,LGC
2 B	6LH09937000	PWA-DWNLD-JIG1F	1	1/C	For SYS,LGC (by relay PC board)
2 C	6LH18823000	PWA-DWNLD-JIG2	1	1/C	For SYS,LGC
2 D	6LH09938000	PWA-DWNLD-JIG2F	1	1/C	For SYS,LGC (by relay PC board)
4	6LA41996000	PWA-DL-ADP-350-1881	1	1/C	
5	6LA41997000	PWA-DL-ADP-350-1931	1	1/C	
8	6LH09940100	PWA-DWNLD-RELAY-GLPGS	1	1/C	Relay PC board for PWA-DWNLD-JIG1F/PWA-DWNLD-JIG2F



ITEM No.	PART No.	PART NAME	Q'TY / PAGE	Q'TY / PACK	REMARKS
1 A	6LH58311000	OD-4530	1	1/S	All w/o CND,CNS,CNSD
1 B	6LH58311100	OD-4530C	1	1/S	CND,CNS,CNSD
2	6LK28272000	D-5070	1	1/S	
3 A	6AK00000265	PS-ZT5070U(1)	1	SUPPLY	NAD
3 B	6AK00000269	PS-ZT5070A(1)	1	SUPPLY	NAD(Latin America)
3 C	6AG00006052	PS-ZT5070C(1)	1	SUPPLY	CND
3 D	6AG00005657	PSZT5070C(8)	1	SUPPLY	Big carton box for CND
3 E	6AG00006079	PS-ZT5070D(1)	1	SUPPLY	AUD
3 G	6AG00006069	PS-ZT5070T(1)	1	SUPPLY	TWD
3 H	6AG00006065	PS-ZT5070P(1)	1	SUPPLY	ASD
3 I	6AJ00000115	PS-ZT5070E(1)	1	SUPPLY	MJD
3 K	6AG00006075	PS-ZT5070CM(1)	1	SUPPLY	CND
3 L	6AG00005658	PSZT5070CM(8)	1	SUPPLY	Big carton box for CND (10K)
4 A	6AG00001893	KK-1660	1	SUPPLY	All w/o AUD,CND,CNS,CNSD
4 B	6AG00001894	KK-1660-C	1	SUPPLY	CND,CNS,CNSD
5 A	6AR00000755	KK-4550	1	SUPPLY	All w/o CND,CNS,CNSD
5 B	6AR00000756	KK-4550C	1	SUPPLY	CND,CNS,CNSD
8 A	6A000000459	GN-3010	1	SUPPLY	All w/o CND,CNS,CNSD
8 B	6AR00000579	GN-3010C	1	SUPPLY	CND,CNS,CNSD
9 A	6AG00003976	GM-1230C	1	SUPPLY	Printer kit eS257/307:CND,CNS,CNSD
9 B	6AG00003965	GM-1230	1	SUPPLY	Printer kit eS257/307:w/o NAD,MJD,CND,CNS,CNSD
9 C	6AG00003967	GM-1240C	1	SUPPLY	Printer kit eS357/457:CND,CNS,CNSD
9 D	6AG00003966	GM-1240	1	SUPPLY	Printer kit eS357/457:w/o NAD,MJD,CND,CNS,CNSD
9 E	6AG00003977	GM-2250C	1	SUPPLY	Printer/Scanner kit eS257/307:CND,CNS,CNSD
9 F	6AG00003975	GM-2250	1	SUPPLY	Print/Scan kit t 257/307:w/o NAD,MJD,CND,CNS,CNSD
9 G	6AG00003986	GM-2260C	1	SUPPLY	Printer/Scanner kit eS357/457:CND,CNS,CNSD
9 H	6AG00003985	GM-2260	1	SUPPLY	Print/Scan kit :357/457 w/o NAD,MJD,CND,CNS,CNSD
9 I	6AG00003996	GM-4230C	1	SUPPLY	Scanner kit eS257/307:CND,CNS,CNSD
9 J	6AG00003995	GM-4230	1	SUPPLY	Scanner kit eS257/307:w/o NAD,MJD,CND,CNS,CNSD
9 K	6AG00004003	GM-4240C	1	SUPPLY	Scanner kit for eS257/307:CND,CNS,CNSD
9 L	6AG00004002	GM-4240	1	SUPPLY	Scanner kit (eS257/307:w/o NAD,MJD,CND,CNS,CNSD)
10	6A000001051	GP-1070	1	SUPPLY	All w/o CND,CNS,CNSD
11	6A000000878	KP-2004	1	SUPPLY	All
12 A	6A000000925	KP-2005	1	SUPPLY	Mifare Card Reader for All w/o CND,CNS,CNSD
12 B	6A000001016	KP-2005C	1	SUPPLY	Mifare Card Reader for CND,CNS,CNSD
13	6A000001164	KK-2550	1	SUPPLY	All
14	6A000001055	GS-1010	1	SUPPLY	All
15	6A000001057	GS-1020	1	SUPPLY	All
16	6A000001053	GP-1080	1	SUPPLY	All w/o CND,CNS,CNSD
17	6A000001241	GQ-1180	1	SUPPLY	All
18	6LA60648000	COVER-ENABLER	1	1/P	
19	X0-01922000	S/TPP/BID-4X8-NI	1	10/P	
20 A	6AG00006118	MF-5070U	1	SUPPLY	NAD
20 B	6AG00006116	MF-5070E	1	SUPPLY	MJD
21	6A000001309	GS-1007	1	SUPPLY	
22	6A000001215	GR-1100TW	1	SUPPLY	
26 A	6A000001221	GN-1060	1	SUPPLY	All except CND (eS207L/257/307/357/457/507)
26 B	6A000001223	GN-1060C	1	SUPPLY	CND (eS257/307/357/457/507)





ITEM No.	PART No.	PART NAME	Q'TY / PAGE	Q'TY / PACK	REMARKS
1	6LK28508000	DEV-KIT-5070	1	1/S	
2 A	6LK25709000	FR-KIT-3072	1	1/S	e-STUDIO207L/257/307
2 B	6LK25709100	FR-KIT-5072	1	1/S	e-STUDIO357/457/507
3 A	6LH34608000	PM-KIT-ROLLER	1	1/P	Except e-STUDIO507
3 B	6LJ13413000	PM-KIT-ROLLER-H165	1	1/P	e-STUDIO507

TOSHIBA

TOSHIBA TEC CORPORATION

1-11-1, OSAKI, SHINAGAWA-KU, TOKYO, 141-8562, JAPAN