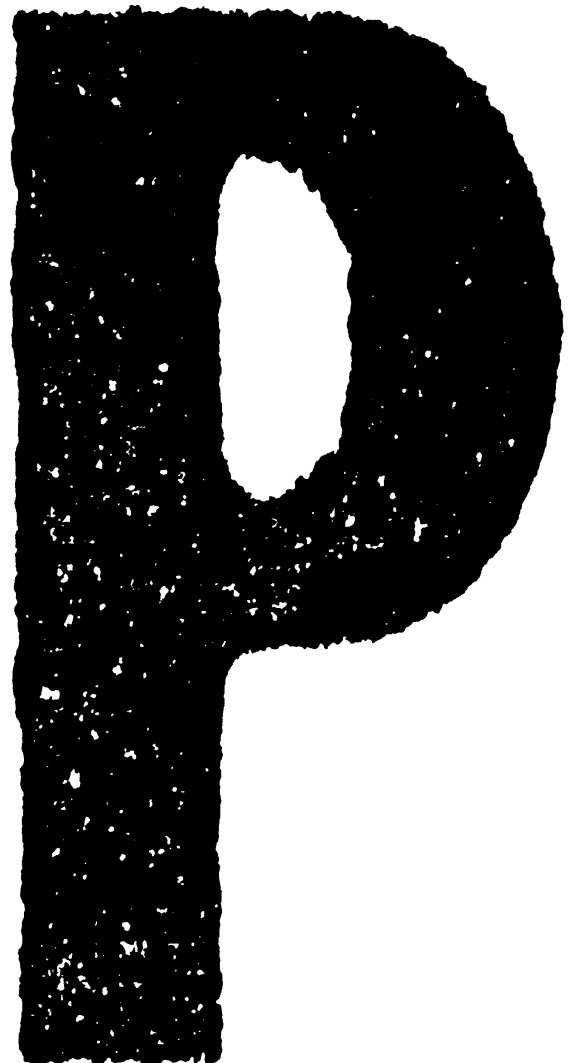


TOSHIBA

SERVICE PARTS LIST

MULTIFUNCTIONAL DIGITAL SYSTEMS

e-STUDIO206L/256/306/356/456

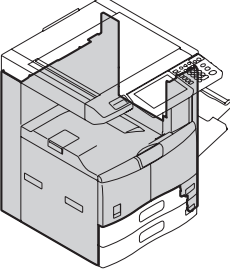
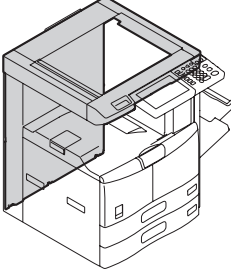
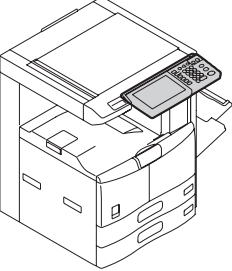
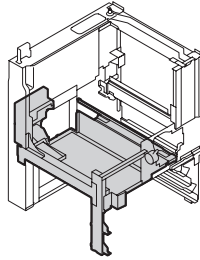
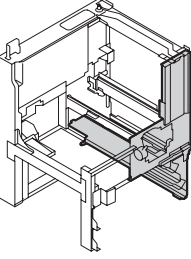
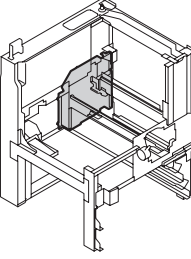
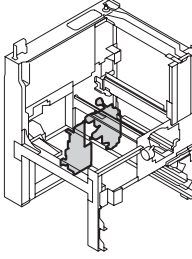
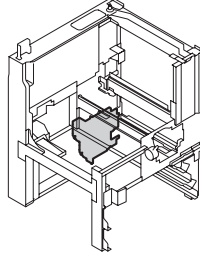
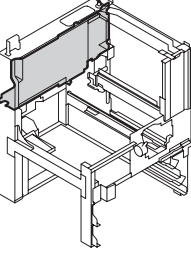
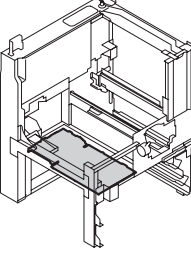
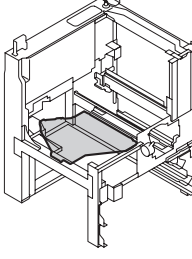
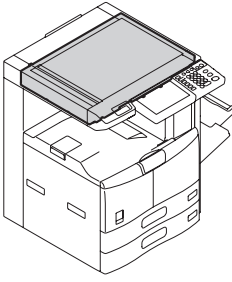
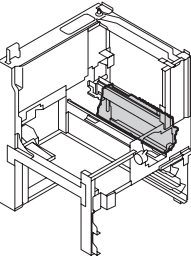
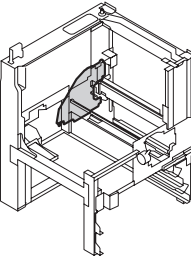
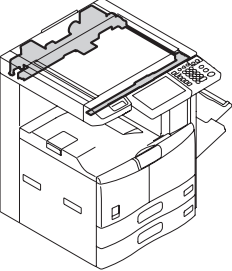
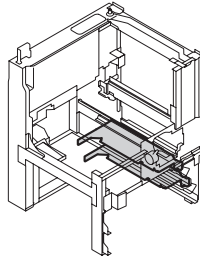
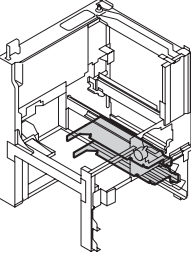
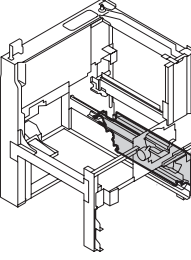
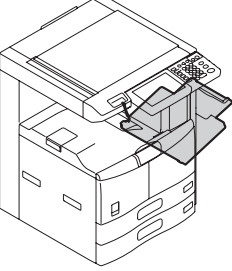
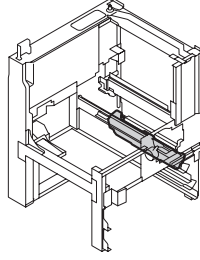


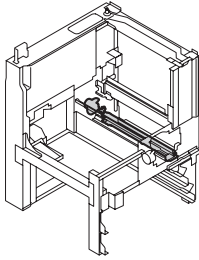
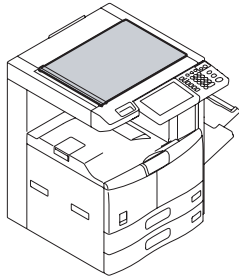
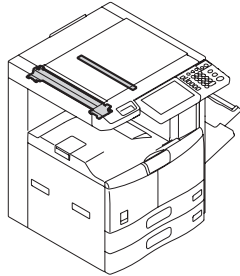
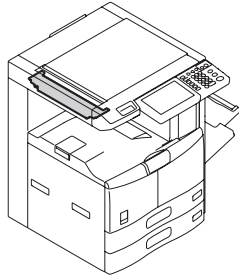
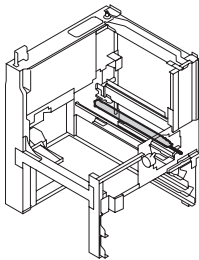
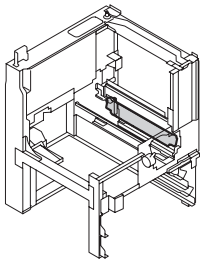
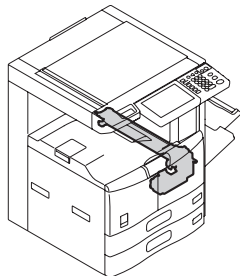
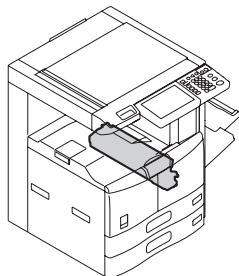
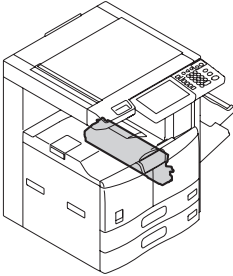
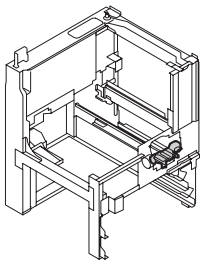
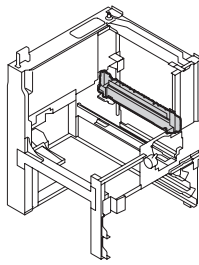
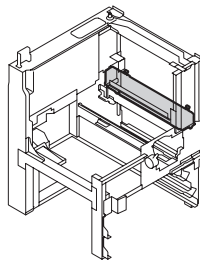
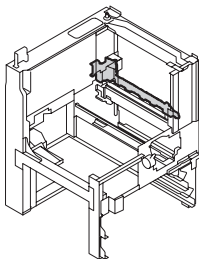
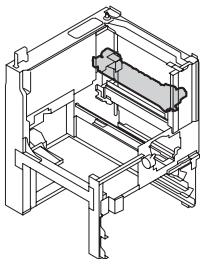
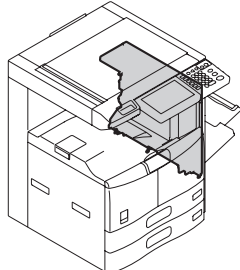
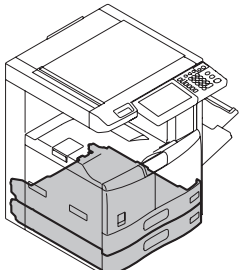
© 2011 TOSHIBA TEC CORPORATION All rights reserved

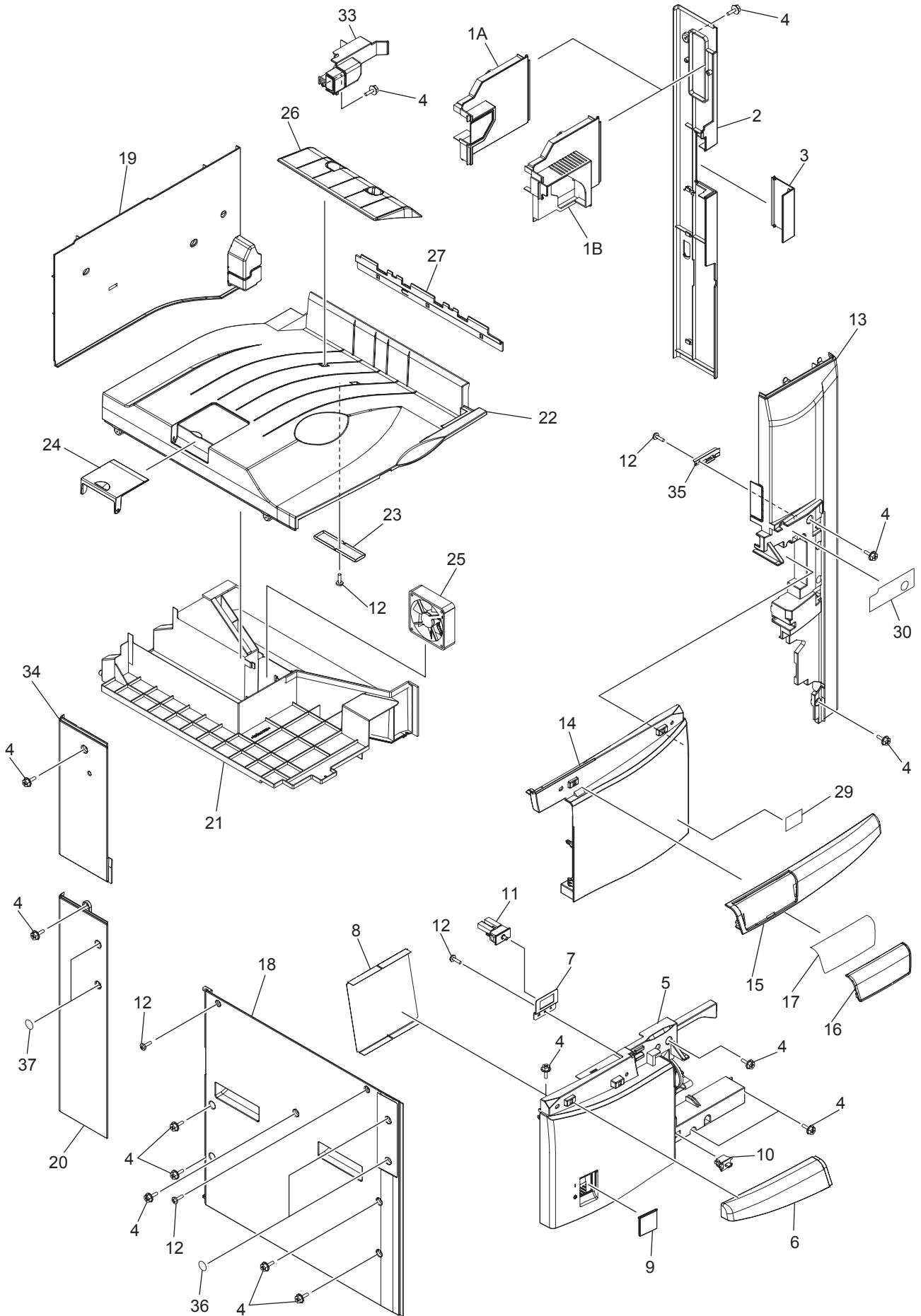
Under the copyright laws, this manual cannot be reproduced in any form without prior written permission of TOSHIBA TEC CORPORATION. No patent liability is assumed, however, with respect to the use of the information contained herein.

CONTENTS

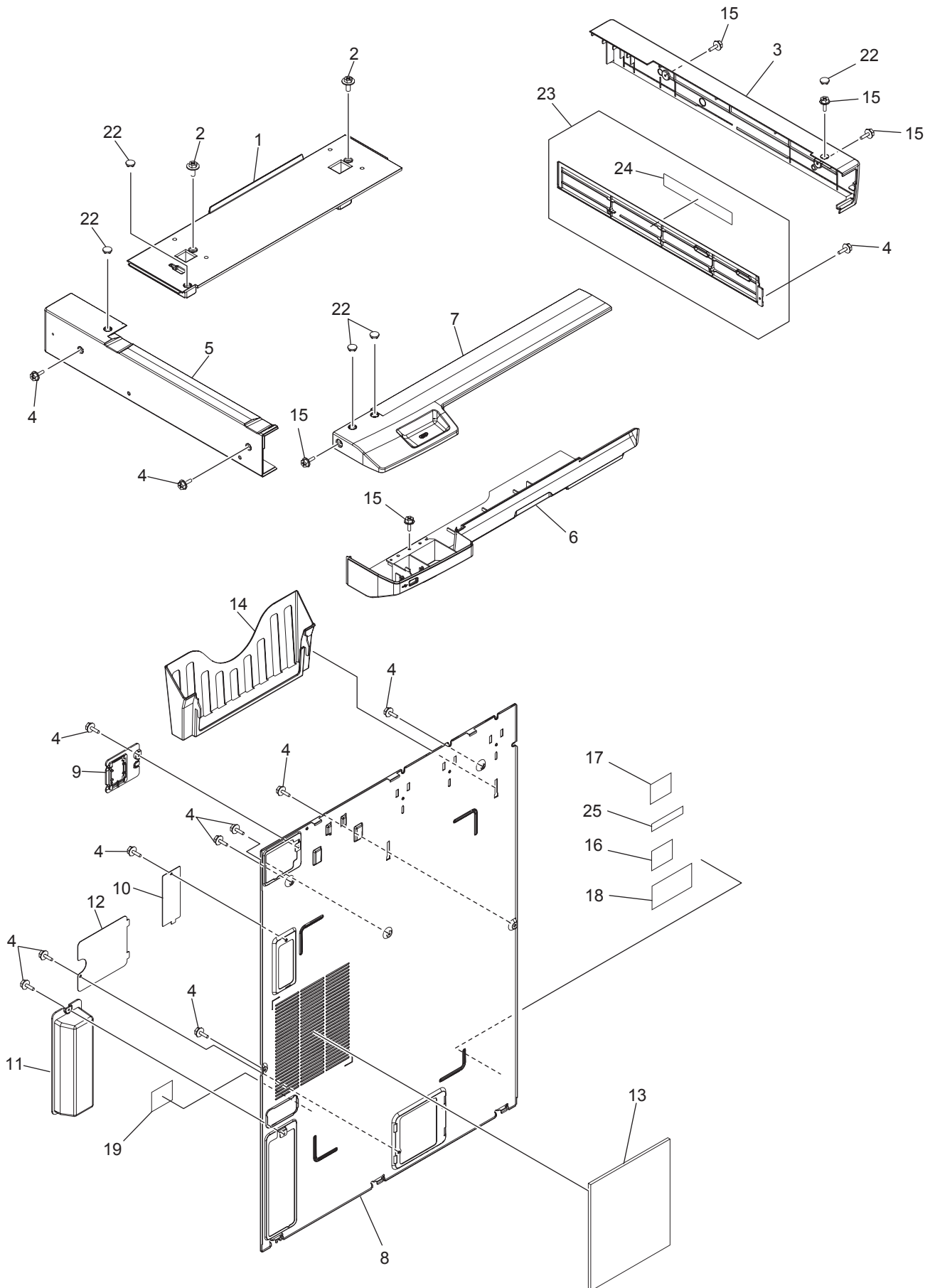
COVER-1-ASY	1	JIGS & GREASE	101
COVER-2-ASY	2	DOWNLOAD JIGS	102
CONTROL-PANEL-ASY	3	SUPPLIES	103
BASE-FRAME-ASY	4	REPLACE UNIT	104
FRONT-FRAME-ASY	5	PM-KIT	105
REAR-FRAME-1-ASY	6		
REAR-FRAME-2-ASY	7		
REAR-FRAME-3-ASY	8		
CASE-SYS-LGC-ASY	9		
ELECTRIC-ASY	10		
LASER-OPTICAL-UNIT-ASY	11		
OPTICAL-FRAME-ASY	12		
SIDE-DUCT-ASY	13		
MAIN-DRIVE-ASY	14		
OPTICAL-DRIVE-ASY	15		
FEEDER-1-ASY	16		
FEEDER-2-ASY	17		
FEEDER-3-ASY	18		
BYPASS-ASY	19		
BYPASS-FEEDER-ASY	20		
ALIGNING-ASY	21		
PLATEN-ASY	22		
CRG-1-ASY	23		
CRG-2-ASY	24		
MAIN-CHARGER-ASY	25		
TRANSPORT-CHARGER-ASY	26		
CLEANER-ASY	27		
DEVELOPER-ASY-1	28		
DEVELOPER-ASY-2	29		
RECYCLE-ASY	30		
FUSER-ASY-1	31		
FUSER-ASY-2	32		
EXIT-ASY-1	33		
EXIT-ASY-2	34		
ADU-ASY	35		
DRAWER-ASY	36		

<p>1. COVER-1-ASY</p> 	<p>2. COVER-2-ASY</p> 	<p>3. CONTROL-PANEL-ASY</p> 	<p>4. BASE-FRAME-ASY</p> 
<p>5. FRONT-FRAME-ASY</p> 	<p>6. REAR-FRAME-1-ASY</p> 	<p>7. REAR-FRAME-2-ASY</p> 	<p>8. REAR-FRAME-3-ASY</p> 
<p>9. CASE-SYS-LGC-ASY</p> 	<p>10. ELECTRIC-ASY</p> 	<p>11. LASER-OPTICAL-UNIT-ASY</p> 	<p>12. OPTICAL-FRAME-ASY</p> 
<p>13. SIDE-DUCT-ASY.</p> 	<p>14. MAIN-DRIVE-ASY</p> 	<p>15. OPTICAL-DRIVE</p> 	<p>16. FEEDER-1-ASY</p> 
<p>17. FEEDER-2-ASY</p> 	<p>18. FEEDER-3-ASY</p> 	<p>19. BYPASS-ASY</p> 	<p>20. BYPASS-FEEDER-ASY</p> 

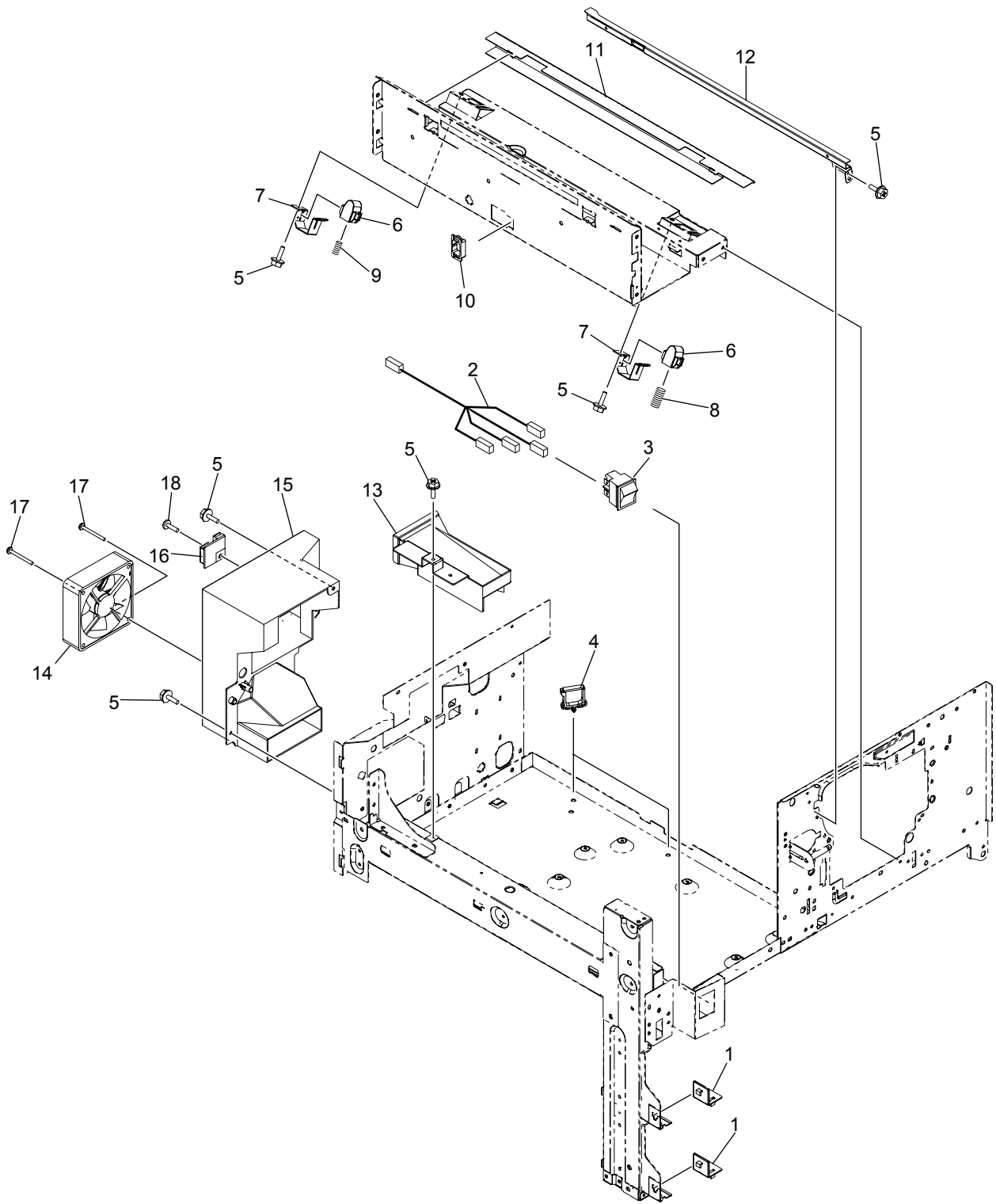
<p>21. ALIGNING-ASY</p> 	<p>22. PLATEN-ASY</p> 	<p>23. CRG-1-ASY</p> 	<p>24. CRG-2-ASY</p> 
<p>25. MAIN-CHARGER-ASY</p> 	<p>26. TRANSPORT-CHARGER-ASY</p> 	<p>27. CLEANER-ASY</p> 	<p>28. DEVELOPER-ASY-1</p> 
<p>29. DEVELOPER-ASY-2</p> 	<p>30. RECYCLE-ASY</p> 	<p>31. FUSER-ASY-1</p> 	<p>32. AFUSER-ASY-2</p> 
<p>33. EXIT-ASY-1</p> 	<p>34. EXIT-ASY-2</p> 	<p>35. ADU-ASY</p> 	<p>36. DRAWER-ASY</p> 

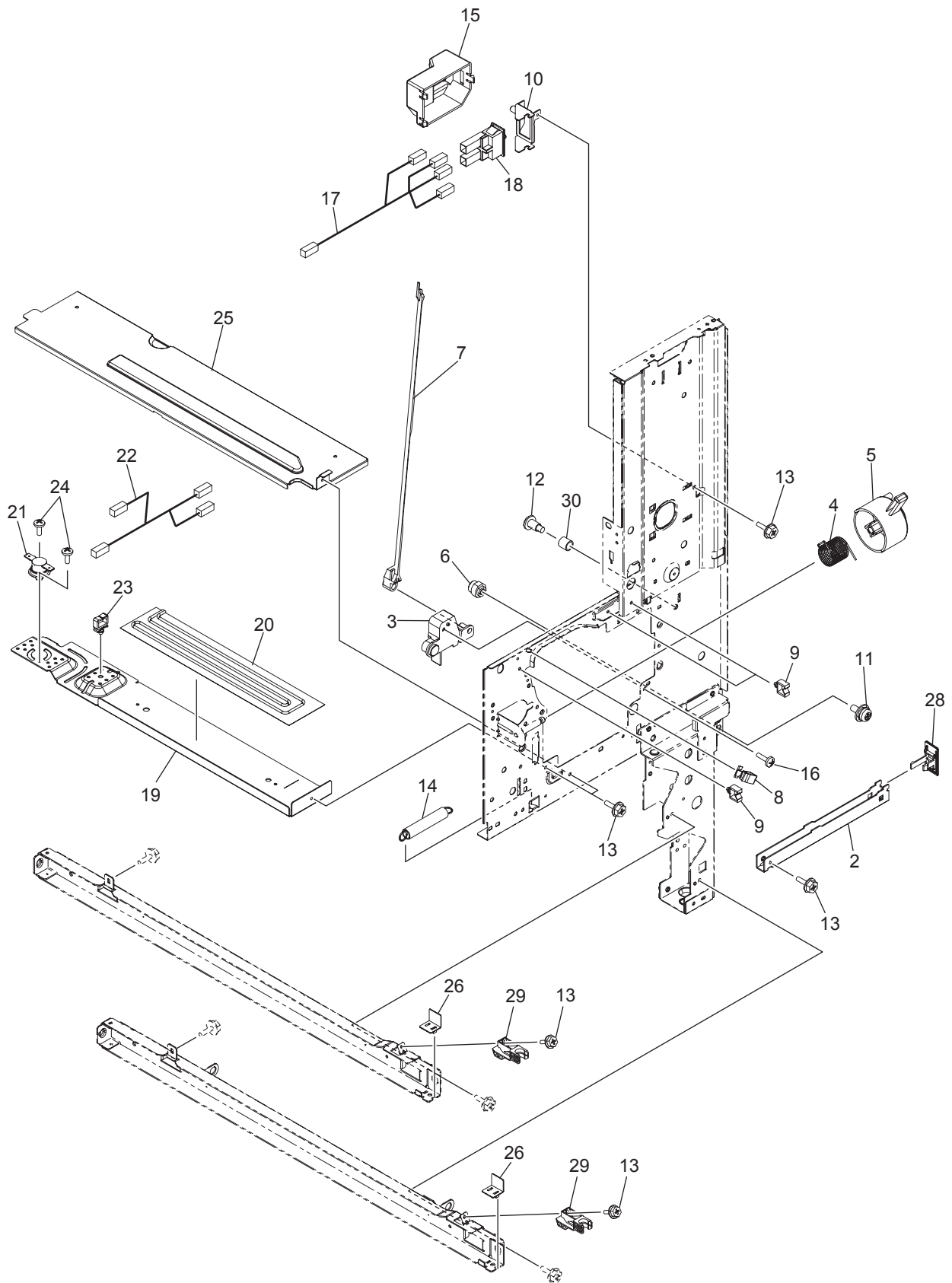


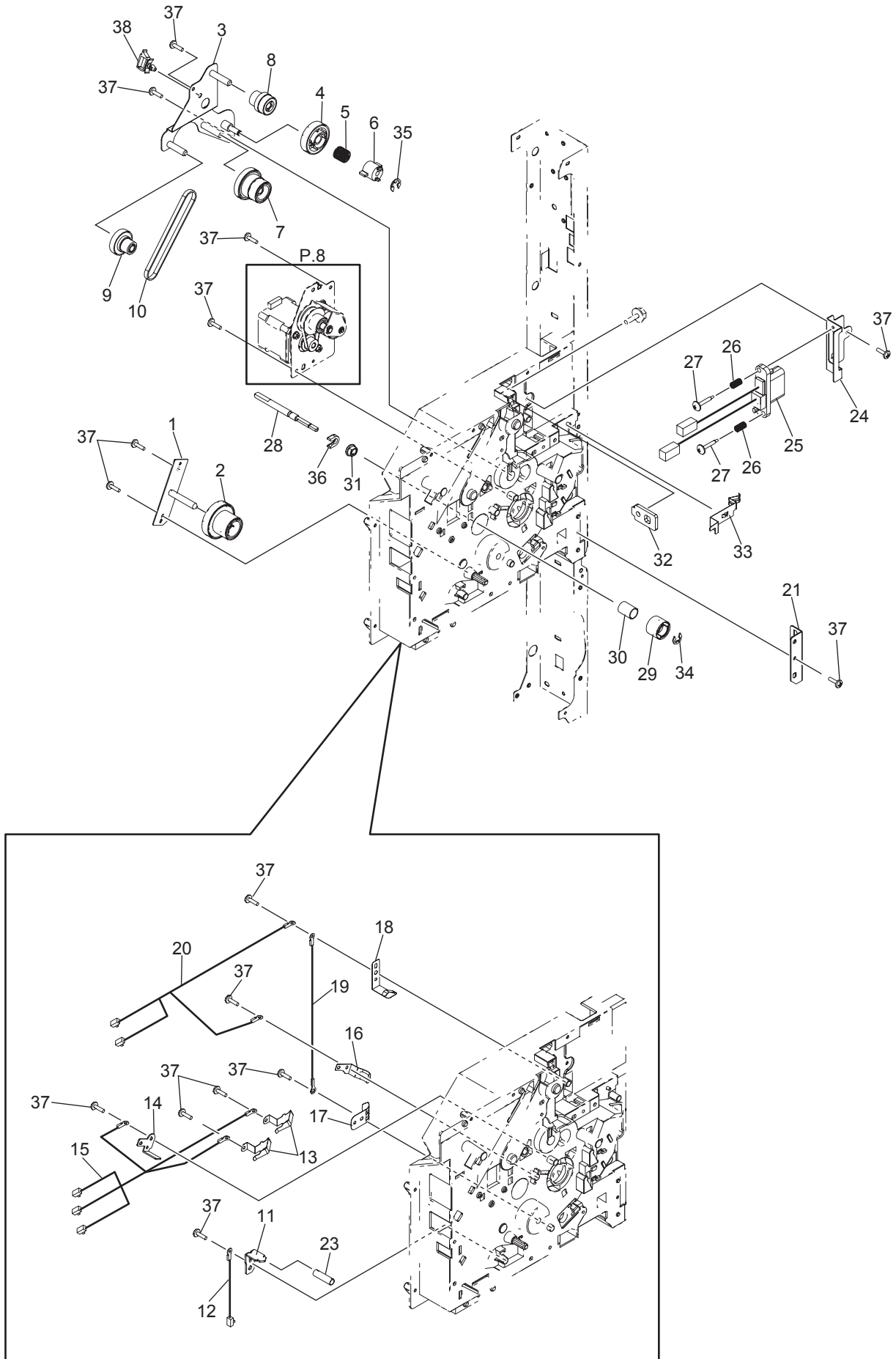
ITEM No.	PART No.	PART NAME	Q'TY / PAGE	Q'TY / PACK	REMARKS
1 A	6LH52468000	COV-TRAY-BACK2-160-L	1	1/P	e-STUDIO206L/256/256S/256SE/306/306S/306SE/306SD
1 B	6LH52467000	COV-TRAY-BACK2-163-L	1	1/P	e-STUDIO356/356S/356SE/356SD/456/456S/456SE/456SD
2	6LH52473000	COVER-RIGHT-R	1	1/PP	
3	6LH52424100	ACCESS-COVER-FUSER-N	1	1/P	
4	X0-02593000	S/TPD3/FHEXM-3X8-ZU3	15	10/P	
5	6LH52455100	COVER-FRONT-L-16X	1	1/PP	
6	6LH52403000	EMBLEM-L-F47X	1	1/PP	
7	6LH52421000	BRKT-INT-SW-F-COV	1	1/P	
8	6LH52435000	MYLAR-COV-F-L	1	1/KP	
9	6LH60026000	LID-SW	1	1/P	
10	E0-01853000	CS1A-B2CA	1	1/D	
11	E0-12105000	AGX106F	1	1/D	
12	6LA80090000	S/TPP/BID-3*8-NI	4	5/P	
13	6LH52476000	COVER-RIGHT-F-16X	1	1/PP	
14	6LH52474000	COVER-FRONT-R-16X	1	1/PP	
15	6LH52404000	EMBLEM-R-F47X	1	1/PP	
16	6LH52407000	EMBLEM-C	1	1/P	
17 A	6LH52458000	SHEET-EMBLEM-206L	1	1/KP	e-STUDIO206L
17 B	6LH52458100	SHEET-EMBLEM-256	1	1/KP	e-STUDIO256
17 C	6LH52458A00	SHEET-EMBLEM-256S	1	1/KP	e-STUDIO256S
17 D	6LH52458500	SHEET-EMBLEM-256SE	1	1/KP	e-STUDIO256SE
17 E	6LH52458200	SHEET-EMBLEM-306	1	1/KP	e-STUDIO306
17 F	6LH52458600	SHEET-EMBLEM-306SE	1	1/KP	e-STUDIO306SE
17 G	6LH52458B00	SHEET-EMBLEM-306S	1	1/KP	e-STUDIO306S
17 H	6LH52458E00	SHEET-EMBLEM-306SD	1	1/KP	e-STUDIO306SD
17 I	6LH52458300	SHEET-EMBLEM-356	1	1/KP	e-STUDIO356
17 J	6LH52458C00	SHEET-EMBLEM-356S	1	1/KP	e-STUDIO356S
17 K	6LH52458F00	SHEET-EMBLEM-356SD	1	1/KP	e-STUDIO356SD
17 L	6LH52458700	SHEET-EMBLEM-356SE	1	1/KP	e-STUDIO356SE
17 M	6LH52458400	SHEET-EMBLEM-456	1	1/KP	e-STUDIO456
17 N	6LH52458800	SHEET-EMBLEM-456SE	1	1/KP	e-STUDIO456SE
17 O	6LH52458D00	SHEET-EMBLEM-456S	1	1/KP	e-STUDIO456S
17 P	6LH52458G00	SHEET-EMBLEM-456SD	1	1/KP	e-STUDIO456SD
18	6LH52409100	COVER-LEFT-N	1	1/PP	
19	6LH52406100	COVER-TRAY-BACK-N	1	1/PP	
20	6LJ12101000	COVER-LEFT-R-N	1	1/PP	
21	6LH54761100	ASYS-DUCT-FAN-PU-16X	1	1/PP	
22	6LH52400200	COVER-TRAY-16X	1	1/PP	
23	6LA80729000	BRKT-TRAY-INNER	1	1/P	
24	6LH52423100	COVER-STOP-PAPER-470-N	1	1/P	
25	6LH54660000	ASYS-FAN-8025-47X	1	1/D	
26	6LH52438000	TRAY-OCT-47X	1	1/PP	
27 A	6LH52426100	COVER-TRAY-FUS-N	1	1/P	e-STUDIO206L/256/256S/256SE/306/306S/306SE/306SD
29	6LH88546000	LBL-ENERGY-T-PP	1	5/P	
30	6LH59916000	LBL-CAU-LASER	1	1/KP	
33	6LH52466000	COV-TRAY-BACK2-16X-U	1	1/P	
34	6LJ12100000	COVER-LEFT-R-U-16X	1	1/PP	
35	6LH52477000	BRKT-COV-FRONT	1	1/P	
36	6LA29578000	LBL-MASK-FW	2	10/KP	
37	6LH59926000	LBL-MASK-D_V_GRAY	2	5/P	



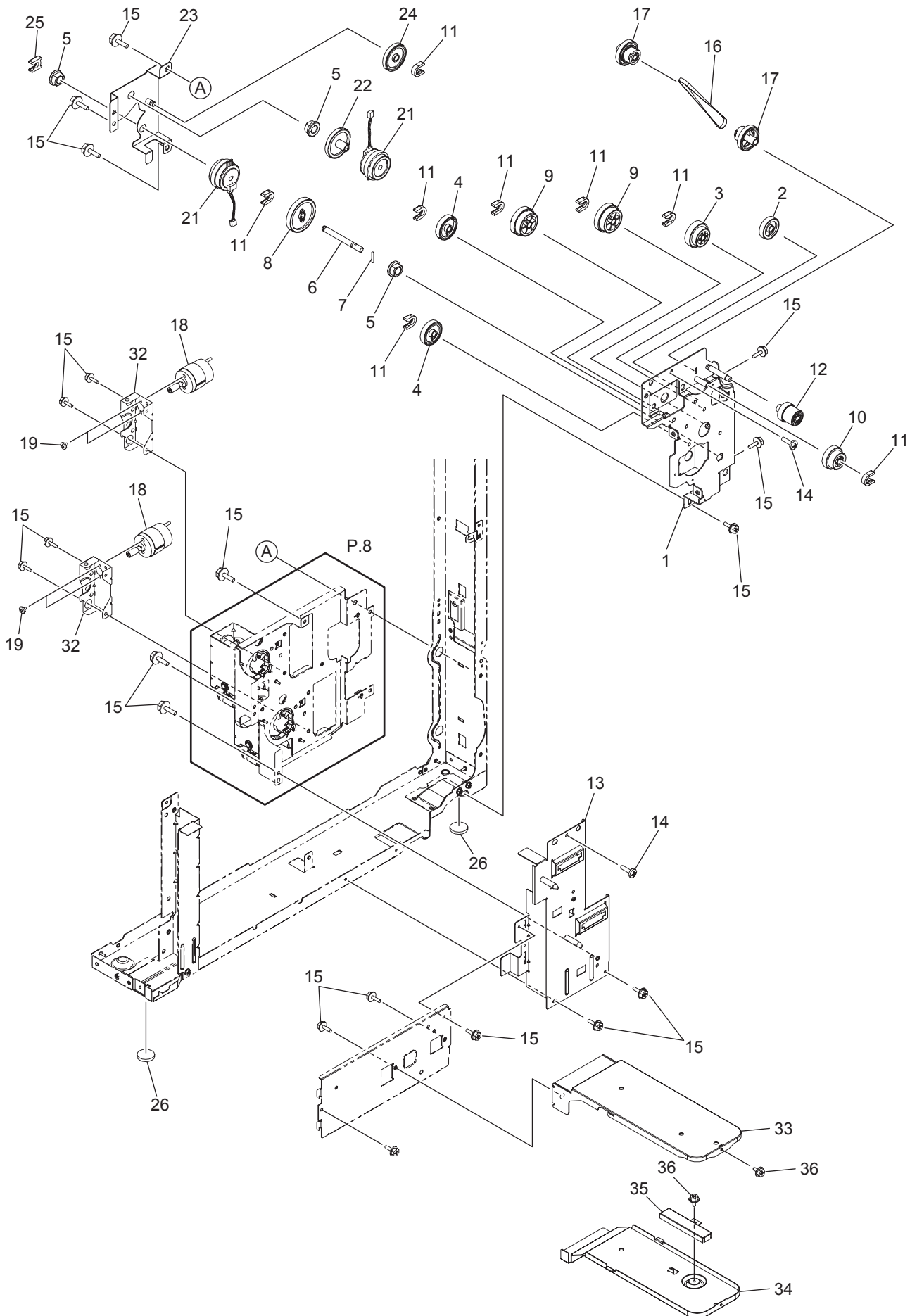
ITEM No.	PART No.	PART NAME	Q'TY / PAGE	Q'TY / PACK	REMARKS
1	6LH52220000	COVER-CONPANE-UPR-H16X	1	1/PP	
2	6LH52202100	COVER-CONPANE-LWR-470-H16	1	1/PP	
3	6LH37305000	COV-CONP-CLEAR-45X	1	1/PP	
4	6LH02005000	KEY-START	1	1/C	
5	6LH02006000	KEY-START-RING	1	1/D	
6	6LH02007000	KEY-STOP	1	1/C	
7	6LH02008100	KEY-RESET-U	1	1/C	
8	6LH02009000	KEY-FUNCTION	1	1/C	
9	6LH02010000	KEY-MENU	1	1/P	
10	6LH02011000	KEY-POWER	1	1/P	
11	6LH37308000	KEY-TEN-45X	1	1/C	
12	6LH37306000	KEY-ENERGY-45X	1	1/C	
13	6LH37307000	KEY-USER-FUNC-45X	1	1/C	
14	6LH37309000	LID-LED-45X	1	1/P	
15	6LH02012000	KEY-COUNT	1	1/C	
16	6LH37310000	MYLAR-SHIELD-45X	1	1/KP	
18	6LH52222000	SHIELD-CONPANE-H16X	1	1/P	
19	6LH52207000	ASYS-HINGE-470	2	1/P	
21 A	6LH37331000	SHEET-PANEL-45X-U	1	1/KP	NAD,ARD,ASD,AUD,MJD,NAG,GSA
21 B	6LH37331200	SHEET-PANEL-45X-C	1	1/KP	CND,CNS,CNSD
22	6LH52233000	ASYS-PNL-TOUCH-H16X	1	1/C	
23	6LH52231000	ASYS-DSP-LCD-H16X	1	1/C	
24	6LH52235000	PWA-H-DSP-H16X	1	1/SB	
25	6LH52236000	PWA-H-KEY-H16X	1	1/SB	
29	6LH52237000	HRNS-SYS-DSP-H16X	1	1/P	
30	X0-02094000	S/TPB/BID-2X6-NI	12	10/P	
31	X0-02096000	S/TPP/BRZ-3X8-NI	2	10/P	
32	X0-02095000	S/TPP/BRZ-3X10-NI	15	10/P	
34	X0-02217000	S/PAN/SWWP-M4X8-ZU3	4	10/P	
35	6LH52201000	STOPPER-OPE-47X	1	1/P	
37	6LH52223000	MYLAR-SHIELD-LCD-H16X	1	1/P	
38	X0-02593000	S/TPD3/FHEXM-3X8-ZU3	2	10/P	
39	6LH37330000	SPACER	1	1/P	
47	6LH52221000	BRKT-LCD	2	1/P	
48	X0-00077000	S/PAN/SWWP-M3X8-NI	2	10/P	

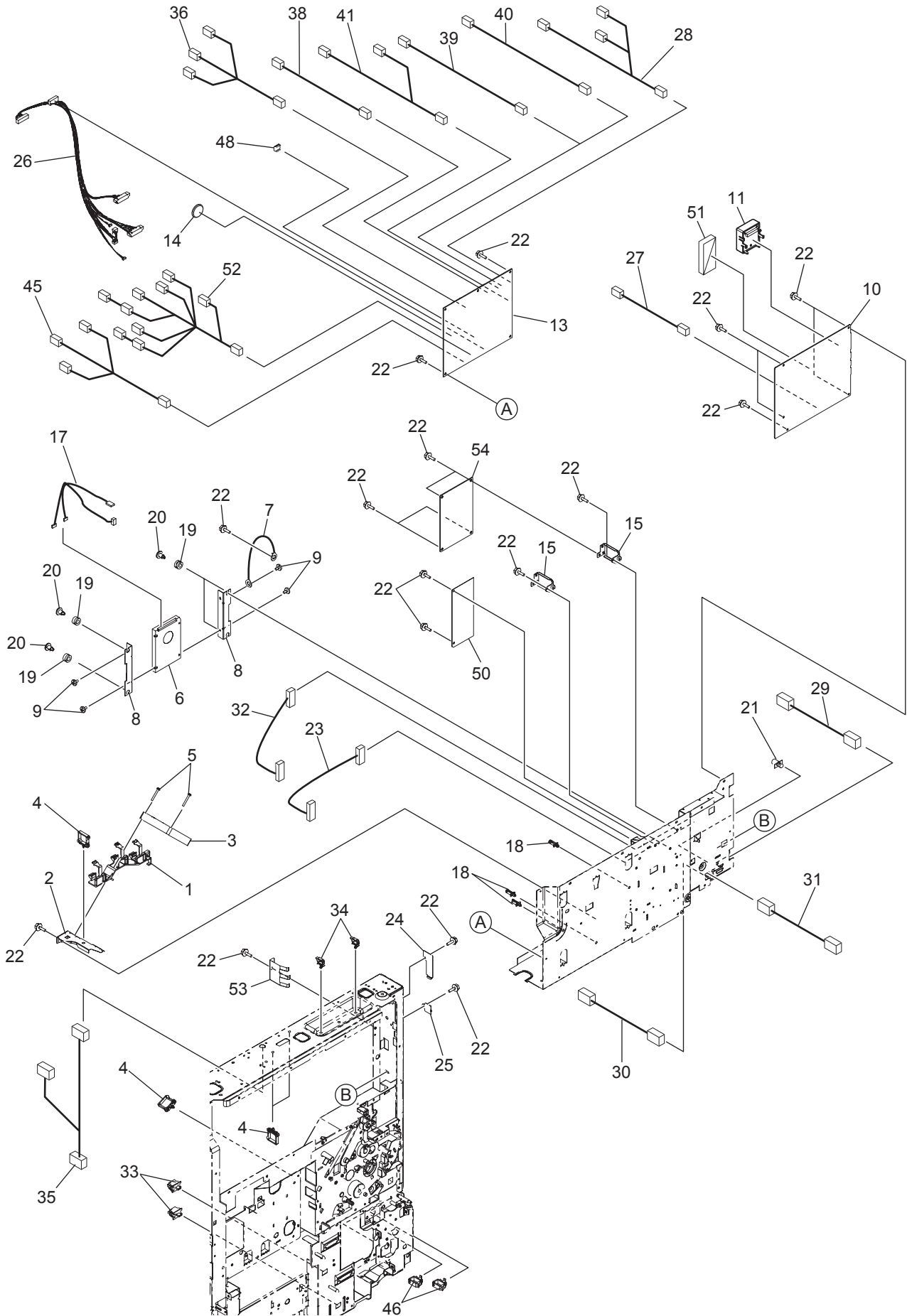




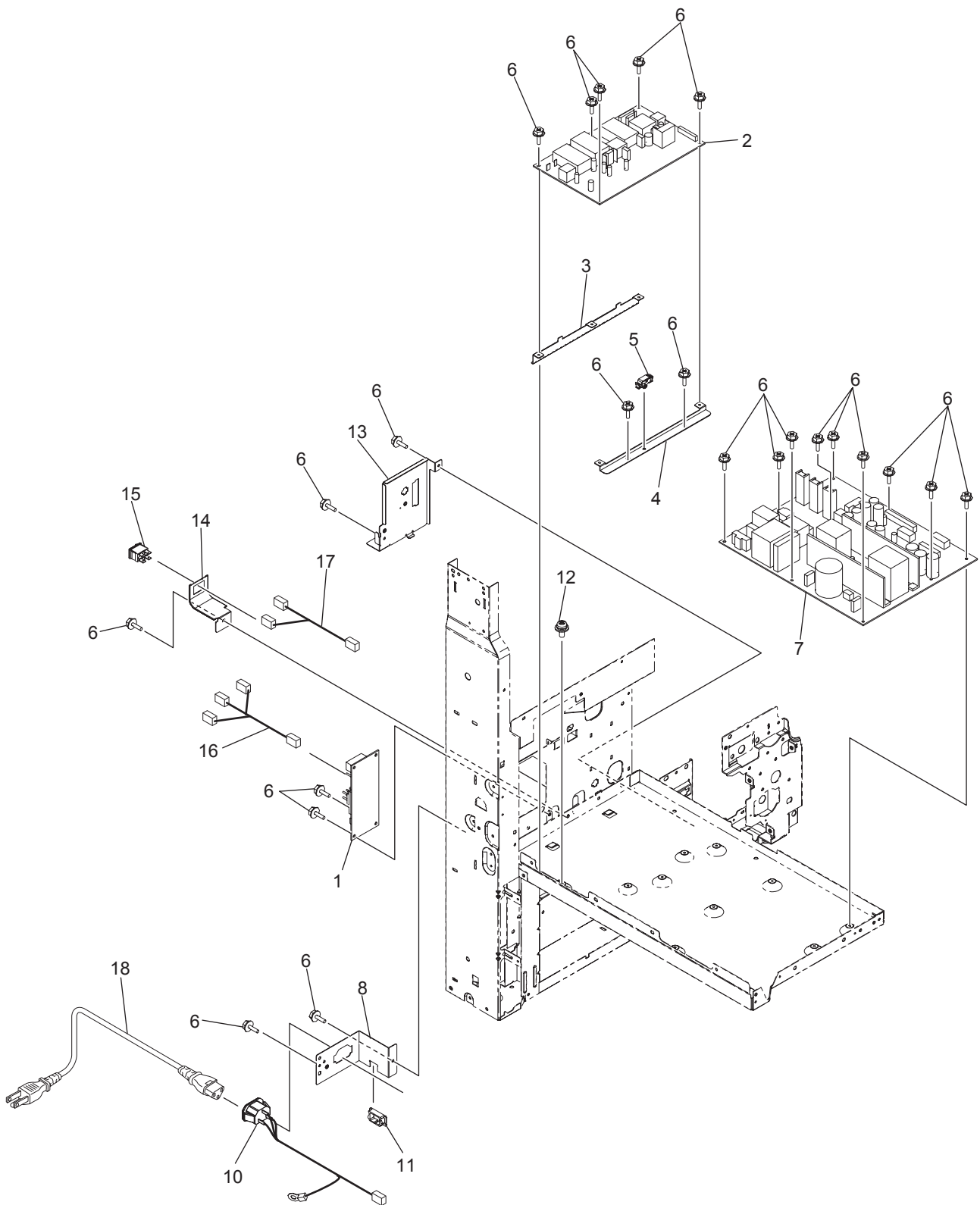


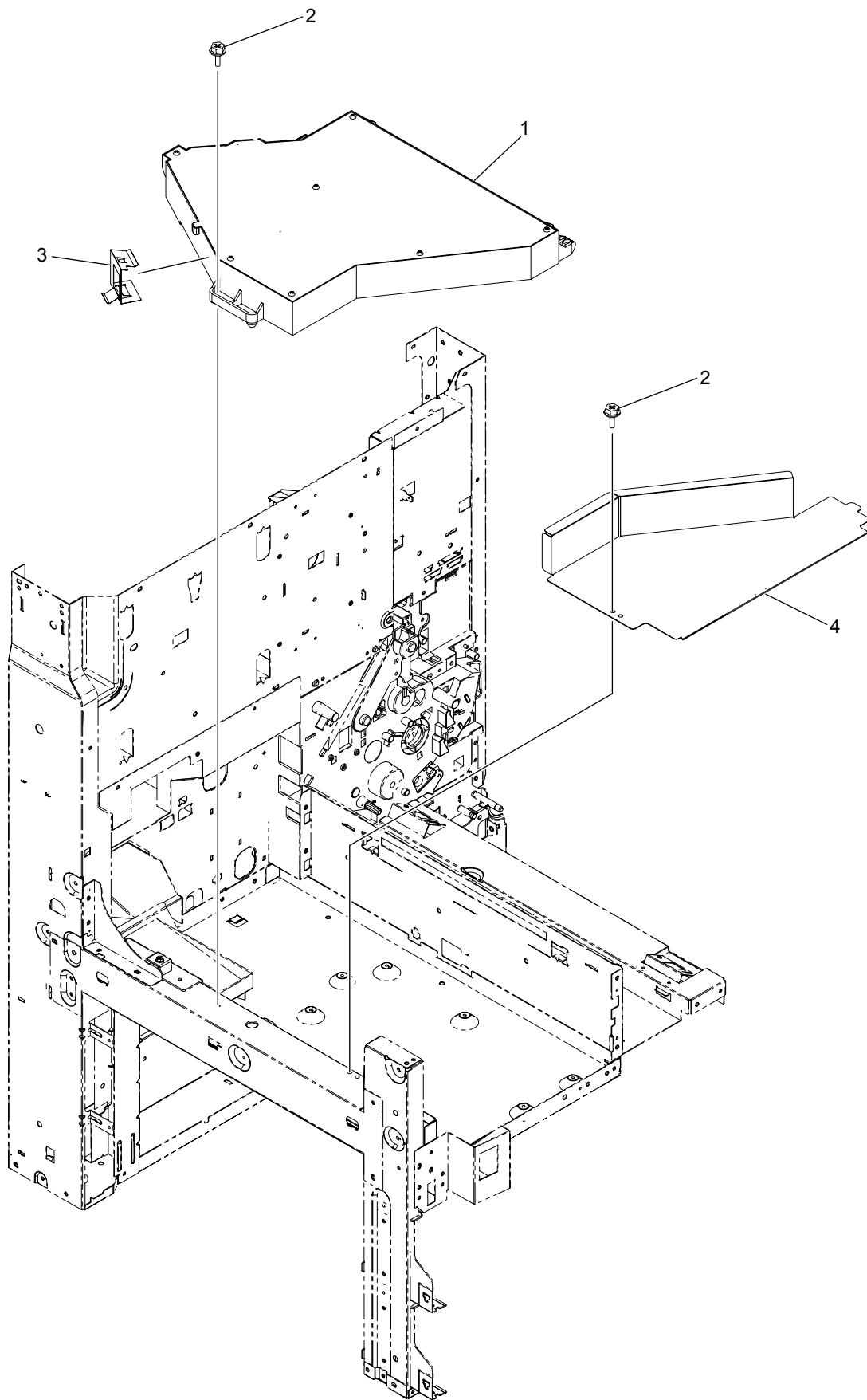
ITEM No.	PART No.	PART NAME	Q'TY / PAGE	Q'TY / PACK	REMARKS
1	6LE56635000	ASYS-PLATE-DRIVE-DEV	1	1/P	
2	6LH53715000	GEAR-8H43_10S22-6	1	1/P	
3	6LH53732000	ASYS-BRKT-FUS-CLN	1	1/P	
4	6LA82294000	GEAR-10H29-6-CLN	1	1/P	
5	6LE85352000	SPG-DRV-CLN	1	5/P	
6	6LA82296000	CPG-DRV-CLN	1	1/P	
7	6LH53714000	GEAR-10H29_10H20-6	1	1/P	
8	6LH53712000	GEAR-10S17_PS2M24-6	1	1/P	
9	6LH53713000	GEAR-10H23_PS2M22-6	1	1/P	
10	6LH54366000	BLT-SY-S2M-208-4	1	1/P	
11	6LA82004000	PLT-TERM-DEV	1	1/P	
12	6LH61350000	HRNS-HVPS3-471	1	1/P	
13	6LH57331000	PLT-TRU	2	1/D	
14	6LA85009000	SPL-CH-M	1	1/P	
15	6LH61348000	HRNS-HVPS1-471	1	1/P	
16	6LE86050000	SPL-GRID	1	1/P	
17	6LE56606000	SPL-BIAS-RGST	1	1/C	
18	6LH54639000	PLATE-FUS	1	1/D	
19	6LH61351000	HRNS-GB-FUSER-471	1	1/P	
20	6LH61349000	HRNS-HVPS2-471	1	1/P	
21	6LH54669000	BRKT-CN-FRM	1	1/P	
23	6LH53466000	SPC-TERM-DEV	1	1/P	
24	6LH53758000	BRKT-FUS-DRW	1	1/P	
25 A	6LH61305000	HRNS-ACIN1-471	1	1/P	e-STUDIO206L/256/256S/256SE/306/306S/306SE/306SD
25 B	6LH61306000	HRNS-ACIN1-473	1	1/P	e-STUDIO356/356S/356SE/356SD/456/456S/456SE/456SD
26	6LA14468000	SPC068-080-160	2	5/P	
27	4406326040	SCREW-D4-18-M3	2	10/P	
28	6LH53763000	SHAFT-DRV-TNR-470	1	1/P	
29 A	6LH57004300	CPG-TC-470-E	1	1/P	NAD,NAG,GSA
29 B	6LH57004100	CPG-TC-470-D	1	1/P	MJD,CND,CNS,CNSD
29 C	6LH57004000	CPG-TC-470-J	1	1/P	ASD,AUD
29 D	6LH57004400	CPG-TC-470-C	1	1/P	ARD
30	6LE56611000	SPG-DRV-TN-280	1	1/P	
31	44201492000	BUSH-6-POM	1	5/P	
32	6LH53778000	PLT-EXIT-FRM-MAIN	1	1/P	
33	6LH53779000	PLATE-FUSER-GND	1	1/P	
34	X0-00974000	RR/E-2.5-SS	1	10/P	
35	X0-00965000	RR/E-4-SS	1	10/P	
36	4407972860	STOP-RING-6-5	1	5/P	
37	6LA80090000	S/TPP/BID-3*8-NI	15	5/P	
38	F0-00736000	LWS-0711Z	1	5/P	

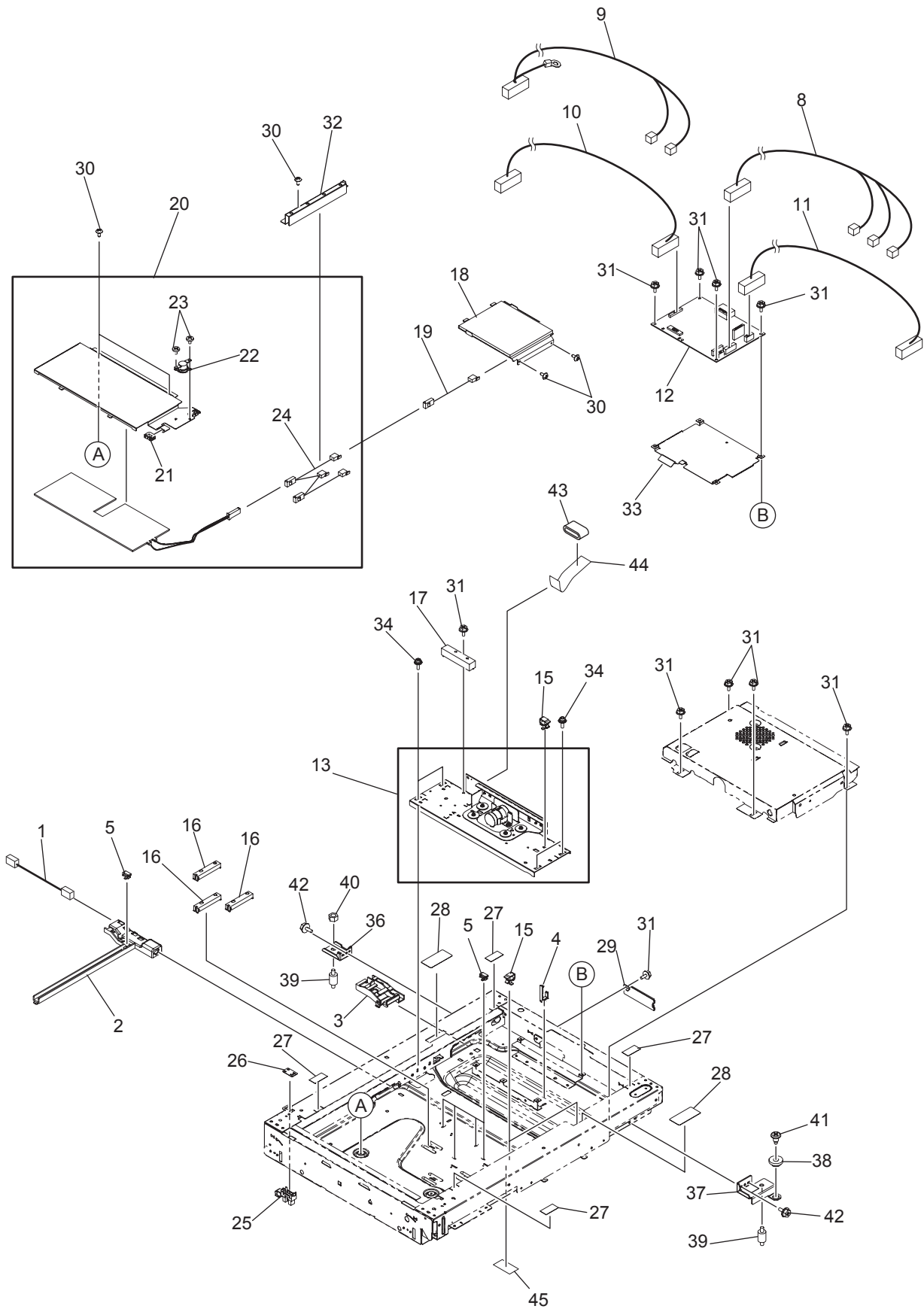




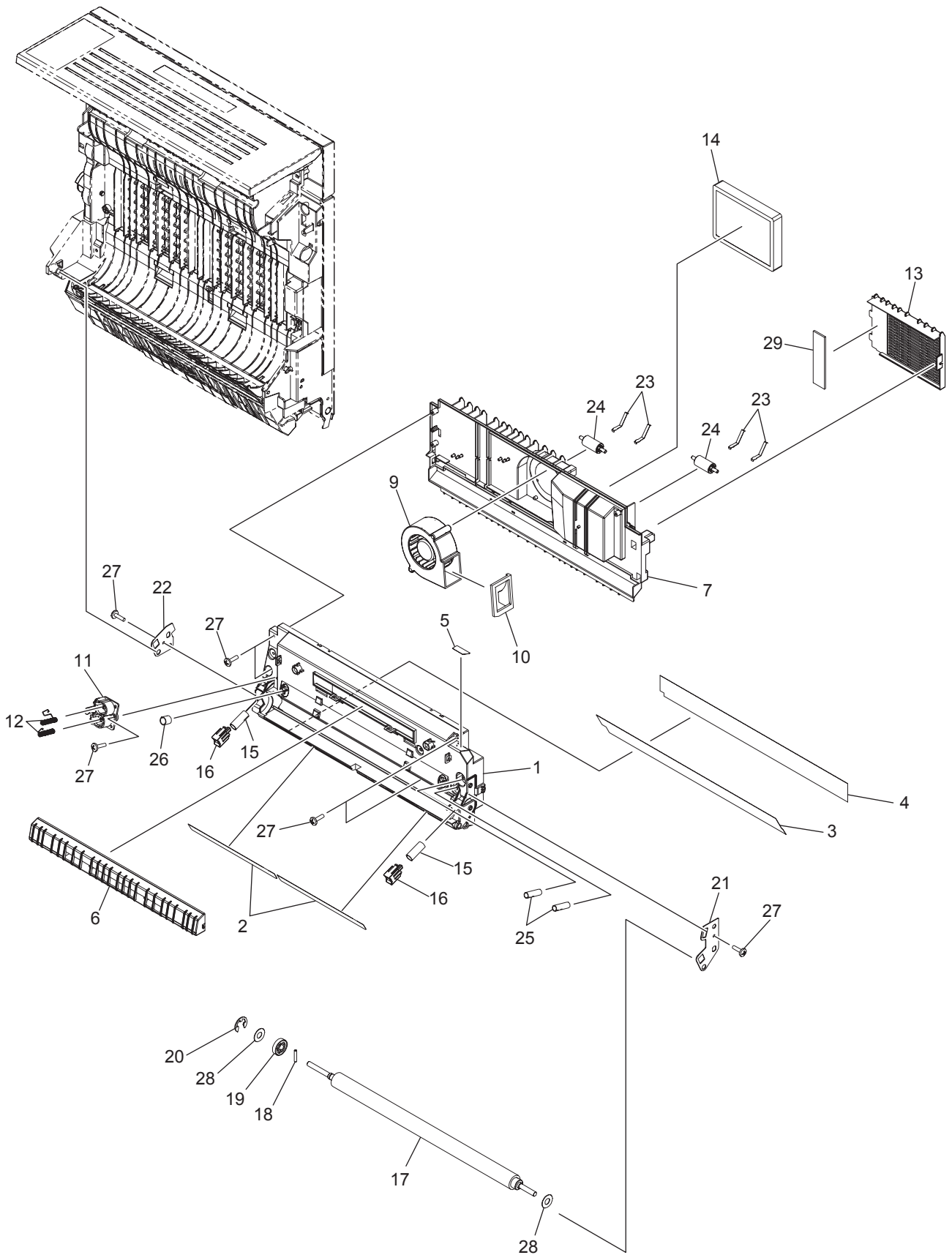
ITEM No.	PART No.	PART NAME	Q'TY / PAGE	Q'TY / PACK	REMARKS
1	6LH53107000	HOLDER-FAN-SYS	1	1/C	
2	6LH53109000	BRKT-FAN	1	1/P	
3	6LH53129000	ASYS-FAN-SYS	1	1/D	
4	F0-01629000	RLWC-6SV0	4	5/P	
5	X0-02068000	S/TPS/PAN-4X25-ZU3	2	10/P	
6 A	G0-00677000	MK1661GSYG	1	1/C	NAD,ARD,ASD,AUD,MJD,NAG,GSA
6 B	G0-00672000	HTS543216A7A384	1	1/C	CND,CNS
7	6LE78184000	HRNS-HDDFG-364	1	1/P	
8	6LH53112000	BRKT-HDD-25	2	1/P	
9	X0-00426000	S/BID-M3X4-NI	4	10/P	
10 A	6LJ18880000	ASYB-PWA-SYS-160X-S	1	1/SB	NAD,ARD,ASD,AUD,MJD,CND,CNS,NAG,GSA
11	6LH09585000	ASYB-SRAM-430S	1	1/C	
13 A	6LJ18783000	ASYB-PWA-LGC-160S	1	1/SB	e-STUDIO206L
13 B	6LJ18783100	ASYB-PWA-LGC-161S	1	1/SB	e-STUDIO256/256S/256SE
13 C	6LJ18783200	ASYB-PWA-LGC-162S	1	1/SB	e-STUDIO306/306S/306SE/306SD
13 D	6LJ18783300	ASYB-PWA-LGC-163S	1	1/SB	e-STUDIO356/356S/356SE/356SD
13 E	6LJ18783400	ASYB-PWA-LGC-164S	1	1/SB	e-STUDIO456/456S/456SE/456SD
14	6LE90510000	LI-BAT-CR-2450	1	1/S	
15	6LH53106000	BRKT-SYS-IMG-BT	2	1/P	
17	6LH61429000	HRNS-HDD-471	1	1/P	
18	F0-01553000	CBT-10S0	3	5/P	
19	F0-01939000	VB-1006-95T	4	1/P	
20	6LH53114000	SCREW-HDD-CASE_M3	4	5/P	
21	F0-00332000	SPSN-6U	1	5/P	
22	X0-02593000	S/TPD3/FHEXM-3X8-ZU3	16	10/P	
23 B	6LH61328000	HRNS-MOT-BRIDGE-473	1	1/P	e-STUDIO356/356S/356SE/356SD/456/456S/456SE/456SD
24	6LA34629000	COV-CNCT-DWN	1	1/P	
25	6LA64243000	COVER-USB-SYS	1	1/P	
26	6LH61432000	HRNS-LGC-CST-OP-471HF	1	1/P	
27 A	6LH61465000	HRNS-LGC-SYS-471HF	1	1/P	NAD,ARD,ASD,AUD,MJD,CNSD,NAG,GSA
27 B	6LH61403000	HRNS-LGC-IMG-471HF	1	1/P	NAD,ARD,ASD,AUD,MJD,CND,CNS,CNSD,NAG,GSA
28	6LH61417000	HRNS-MAIN-MOT-471HF	1	1/P	
29 A	6LH61391000	HRNS-MOT-EXIT-L-471	1	1/P	e-STUDIO206L/256/256S/256SE/306/306S/306SE/306SD
29 B	6LH61326000	HRNS-MOT-EXIT-L-473	1	1/P	e-STUDIO356/356S/356SE/356SD/456/456S/456SE/456SD
30 B	6LH61327000	HRNS-MOT-EXIT-U-473	1	1/P	e-STUDIO356/356S/356SE/356SD/456/456S/456SE/456SD
31	6LH61389000	HRNS-SIDE-SW-471	1	1/P	
32 B	6LH61329000	HRNS-MOT-JSP-473	1	1/P	e-STUDIO356/356S/356SE/356SD/456/456S/456SE/456SD
33	E0-01853000	CS1A-B2CA	2	1/D	
34	F0-01811000	LWS-0711S-V0	2	5/P	
35 B	6LH61368000	HRNS-D/H-471	1	1/P	ARD,ASD,AUD,CND,CNS,CNSD
36 A	6LH61406000	HRNS-LGC-PS-SIG-473HF	1	1/P	e-STUDIO356/356S/356SE/356SD/456/456S/456SE/456SD
36 B	6LH61405000	HRNS-LGC-PS-SIG-471HF	1	1/P	e-STUDIO206L/256/256S/256SE/306/306S/306SE/306SD
38 A	6LH61413000	HRNS-LGC-EXIT-H-473HF	1	1/P	e-STUDIO356/356S/356SE/356SD/456/456S/456SE/456SD
38 B	6LH61412000	HRNS-LGC-EXIT-L-471HF	1	1/P	e-STUDIO206L/306/306S/306SE/306SD
38 C	6LH61412000	HRNS-LGC-EXIT-L-471HF	1	1/P	e-STUDIO456/456S/456SE/456SD
39 B	6LH61410000	HRNS-LGC-MOT-L-471HF	1	1/P	e-STUDIO206L/256/256S/256SE/306/306S/306SE/306SD
40 B	6LH61452000	HRNS-LGC-MOT-H-473HF	1	1/P	e-STUDIO356/356S/356SE/356SD/456/456S/456SE/456SD
41	6LH61407000	HRNS-LGC-FRT-471HF	1	1/P	
45	6LH61414000	HRNS-LGC-FAN-471HF	1	1/P	
46	F0-01459000	RLWT-2V0	2	5/P	
48	C0-14497000	BR24L64-W	1	1/S	EEPROM(IC29)
50	6LH53133000	MYLAR-DUCT-HDD	1	1/KP	
51	C0-17502000	M470T2864FB3-CF7	1	1/C	
52 A	6LJ18863000	ASYB-HRNS-LGC-FEED-161	1	1/P	e-STUDIO256/256S/256SE/356/356S/356SE/356SD
52 B	6LJ18657000	HRNS-LGC-FEED-162HF	1	1/P	e-STUDIO206L/356/356S/356SE/356SD
52 C	6LJ18657000	HRNS-LGC-FEED-162HF	1	1/P	e-STUDIO456/456S/456SE/456SD
53	6LJ13753000	SPG-FG-USB-16X	1	1/P	
54 A	6LH62862000	PWA-F-IMG-470	1	1/SB	CNSD



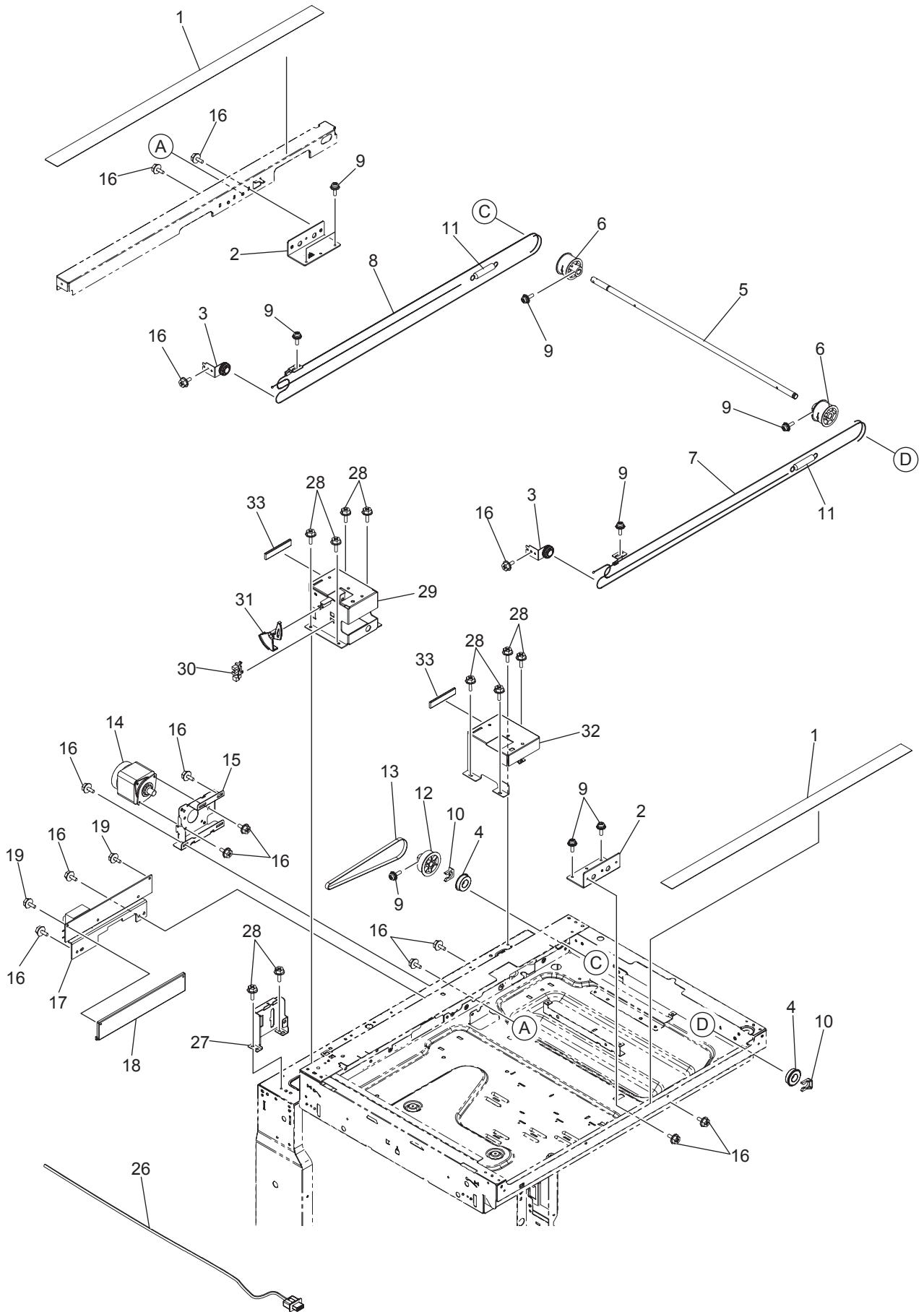


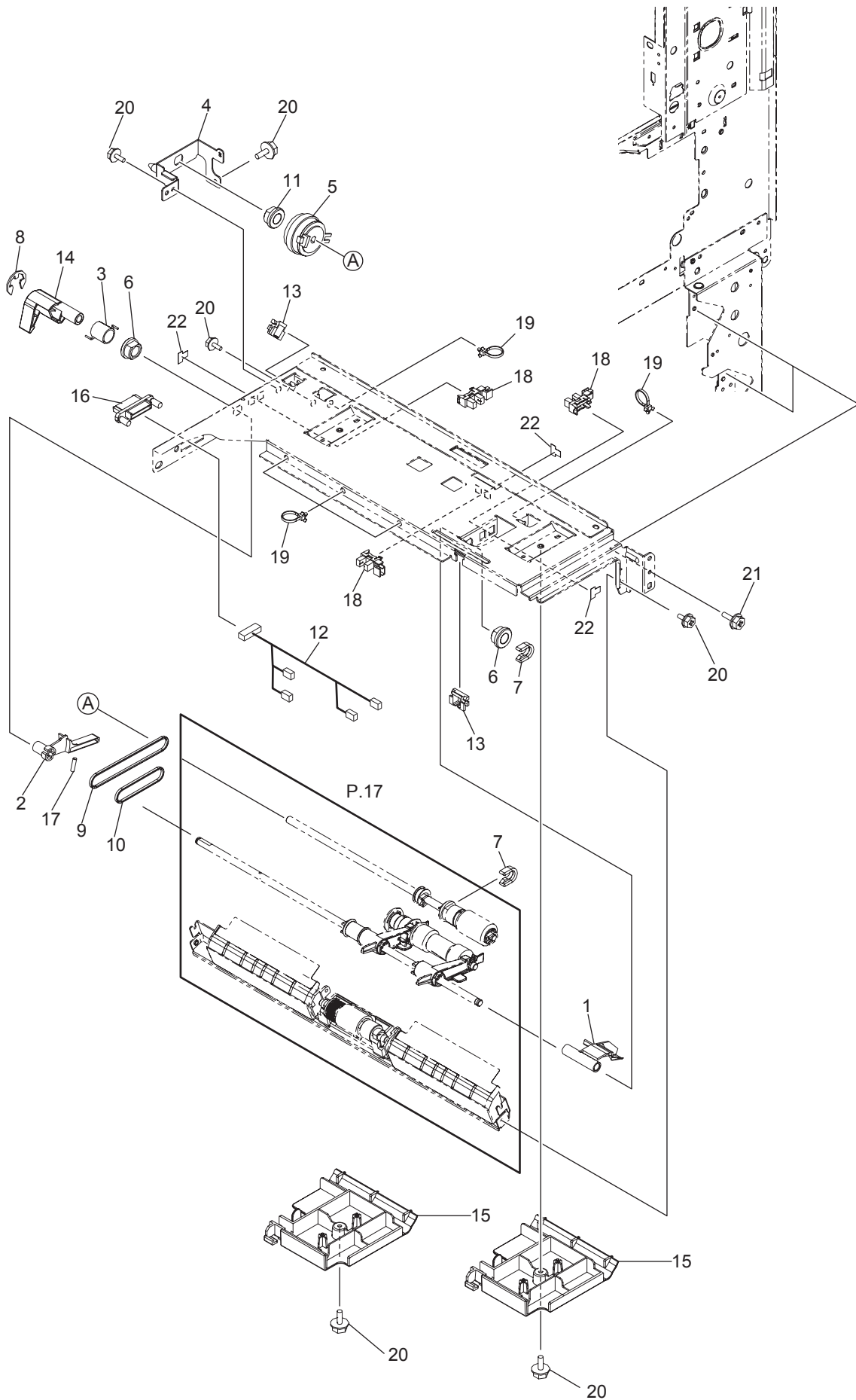


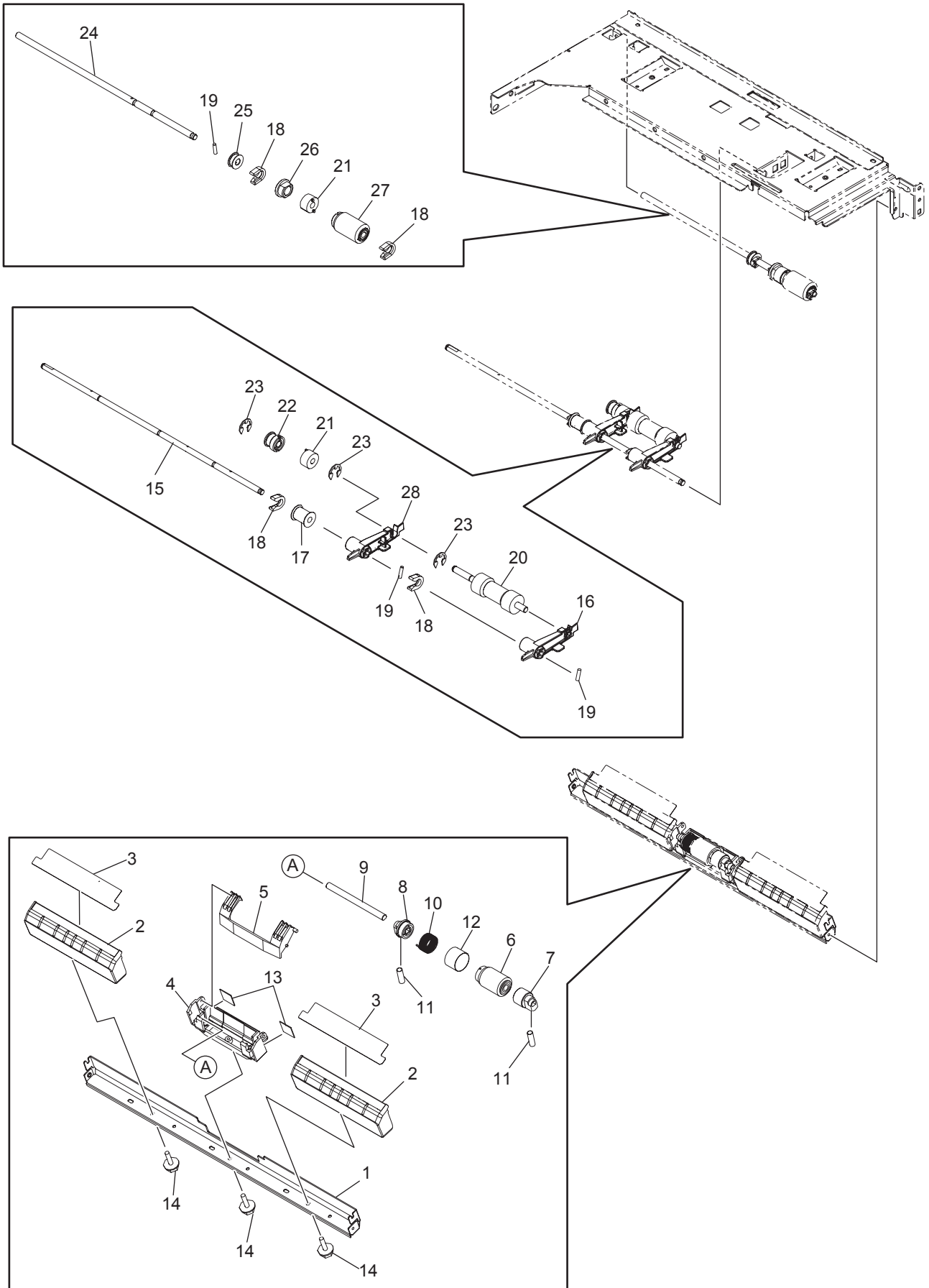
ITEM No.	PART No.	PART NAME	Q'TY / PAGE	Q'TY / PACK	REMARKS
1	6LH61430000	HRNS-SCN-DH-RLY-470	1	1/P	
2	6LH56518000	GUIDE-HNS-LMP-470	1	1/P	
3	6LH56540000	GUIDE-HNS-SLG-470	1	1/P	
4	F0-00036000	RLWS3TV0	1	5/P	
5	F0-01496000	RLMC-01TV0	4	5/P	
8	6LH61375000	HRNS-SCN-PS-470	1	1/P	
9 A	6LH61376000	HRNS-SCN-ADF-H-473	1	1/P	e-STUDIO356/356S/356SE/356SD/456/456S/456SE/456SD
9 B	6LH61393000	HRNS-SCN-ADF-L-470	1	1/P	e-STUDIO206L/256/256S/256SE/306/306S/306SE/306SD
10 A	6LH61471000	HRNS-SCN-SYS-470X	1	1/P	NAD,ARD,ASD,AUD,MJD,NAG,GSA
10 B	6LH61472000	HRNS-SCN-SYS-470XTWD	1	1/P	CND,CNS,CNSD
11	6LH61382000	HRNS-SCN-MOT-470	1	1/P	
12	6LJ18781000	ASYB-PWA-SLG-160X-S	1	1/SB	
13	6LH56670000	LENS-UNIT-F470-AI	1	1/S	
15	F0-01643000	RLWT-0.5V0	3	5/P	
16	6LH08819000	SNSR-PS-182EL1	3	1/C	
17	6LE09478000	SNSR-PS-TY1CH56	1	1/C	
18 B	6LA86523000	ASY-D_H-SCAN-R-E-371	1	1/C	ARD,ASD,AUD,CND,CNS,CNSD
19 B	6LH61474000	HRNS-SCN-DH-CVR-470X	1	1/P	ARD,ASD,AUD,CND,CNS,CNSD
20 B	6LH56588200	ASYS-D_H-SCAN-L-470-E	1	1/C	ARD,ASD,AUD,CND,CNS,CNSD
21 B	F0-00120000	ES-0505	1	5/P	ARD,ASD,AUD,CND,CNS,CNSD
22 B	6LE09486000	THRMST-CS-7L	1	1/D	ARD,ASD,AUD,CND,CNS,CNSD
23 B	X0-00426000	S/BID-M3X4-NI	2	10/P	ARD,ASD,AUD,CND,CNS,CNSD
24 B	6LH61436000	HRNS-SCN-DH-470	1	1/P	ARD,ASD,AUD,CND,CNS,CNSD
25	C0-14266000	LG248BL1	1	1/C	
26	6LA29902000	COVER-SNSR-LIFT	1	1/P	
27	44202810000	CUSH-GLASS	4	5/P	
28	6LA39969000	MYLAR-STAY-GLASS-FRT	2	1/KP	
29	6LH56550000	LID-DOWNLOAD-470	1	1/P	
30 B	6LA08935000	SCR-M3X6BISR-NI	5	10/P	ARD,ASD,AUD,CND,CNS,CNSD
31	X0-02230000	S/FHEXM-M3X6-NI	10	10/P	
32 B	6LH56578000	BRKT-D_H-SCAN-470	1	1/P	ARD,ASD,AUD,CND,CNS,CNSD
33	6LH56609000	BRKT-SLG-EMI-470	1	1/P	
34	X0-00077000	S/PAN/SWWP-M3X8-NI	4	10/P	
36	6LH56562000	BRKT-DMP-SCAN-RER-470	1	1/P	
37	6LJ15118000	BRKT-DMP-SCN-FR-H16X	1	1/P	
38	6LA67451000	BUSH-SCREW-SCAN	1	5/P	
39	6LJ09009000	INSULATOR-H13X	1	1/P	
40	X0-02495000	N/HEX/1-M5-NI	1	10/P	
41	6LH53114000	SCREW-HDD-CASE_M3	1	5/P	
42	X0-02230000	S/FHEXM-M3X6-NI	2	10/P	
43	D0-29429000	FPC-31-12-WD	1	1/P	
45 A	6LA39908000	MYLAR-BASE-SCAN	1	5/KP	NAD,NAG,GSA

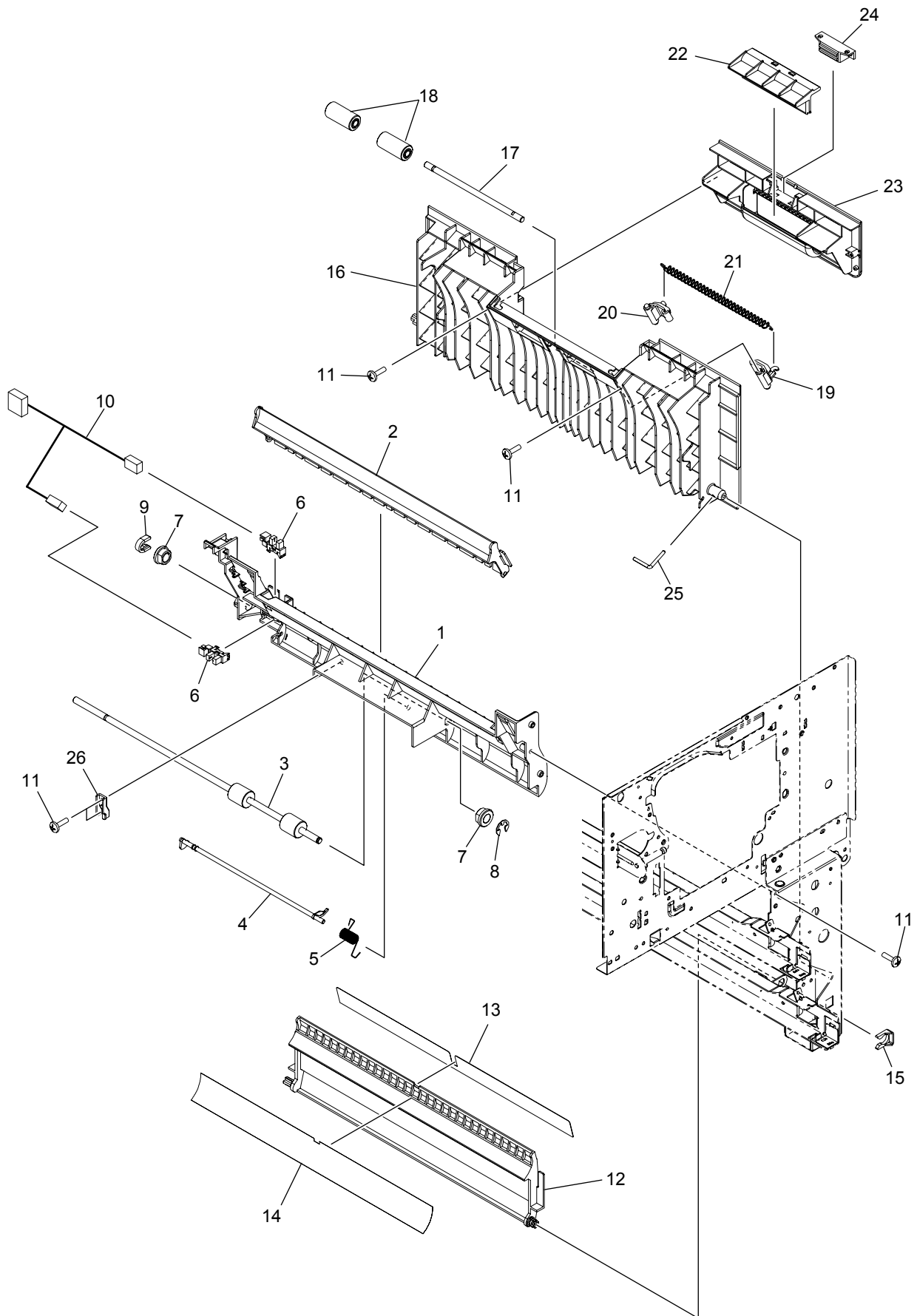


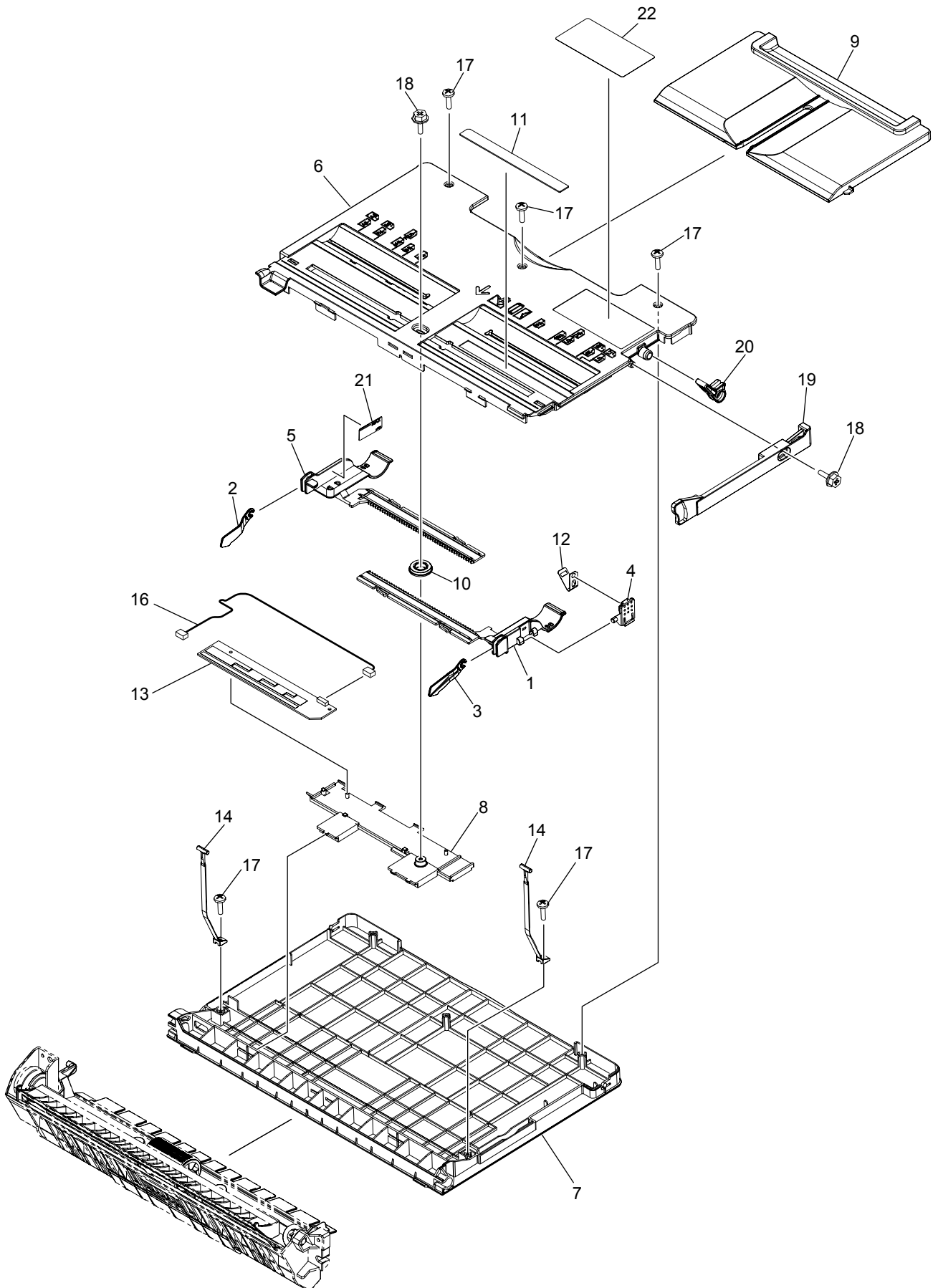
ITEM No.	PART No.	PART NAME	Q'TY / PAGE	Q'TY / PACK	REMARKS
1 A	6LH53740000	ASYS-SFT-DRUM-470	1	1/P	e-STUDIO356/356S/356SE/356SD/456/456S/456SE/456SD
1 B	6LH53786000	ASYS-SFT-DRUM-471	1	1/P	e-STUDIO206L/256/256S/256SE/306/306S/306SE/306SD
2	6LH53741000	ASYS-BUSH-DRUM-470	1	1/P	
3	6LA79504000	SPG-C-173	1	5/P	
4	41314022000	CPG-DRUM-AW5	1	1/P	
5	X0-00980000	P/PRL/AH7-2X10-SS	1	10/P	
6	6LH53747000	ASYS-PLATE-DRV-470	1	1/P	
7	6LH53791000	GEAR-5H58-4H48-6	1	1/P	
8 A	6LH54364000	BLT-SY-S2M-258-4	1	1/P	e-STUDIO356/356S/356SE/356SD/456/456S/456SE/456SD
8 B	6LH03541000	BLT-SY-S2M-250-4	1	1/P	e-STUDIO206L/256/256S/256SE/306/306S/306SE/306SD
9 A	6LH53793000	GEAR-4H118-PS2M38-6-H	1	1/P	e-STUDIO356/356S/356SE/356SD/456/456S/456SE/456SD
9 B	6LH53792000	GEAR-4H118-PS2M30-6-L	1	1/P	e-STUDIO206L/256/256S/256SE/306/306S/306SE/306SD
10	6LH53704000	GEAR-10S28_10S20_PS2M38-6	1	1/P	
11	6LH53705000	GEAR-10H22_PS2M49-6	1	1/P	
12	6LH53739000	ASYS-GEAR-5H50-6-COUPPL	1	1/P	
13	6LE56653000	COUPL-GR-P-JOINT-280	1	1/P	
14 A	6LH53738000	ASYS-GEAR-8H37_PS2M38-6-H	1	1/P	e-STUDIO356/356S/356SE/356SD/456/456S/456SE/456SD
14 B	6LH53737000	ASYS-GEAR-8H37_PS2M30-6-L	1	1/P	e-STUDIO206L/256/256S/256SE/306/306S/306SE/306SD
15 A	6LH54365000	BLT-SY-S2M-376-6	1	1/P	e-STUDIO356/356S/356SE/356SD/456/456S/456SE/456SD
15 B	6LH53772000	BLT-SY-S2M-372-6	1	1/P	e-STUDIO206L/256/256S/256SE/306/306S/306SE/306SD
16	6LH23442000	BUSH-8X12X8F-NU4	1	5/P	
17	6LH53709000	PLY-S2M44-8	1	1/P	
18	6LH53796000	ASYS-BRKT-TENS-47X	1	1/P	
21 A	6LH53756000	MOTR_D-MAIN-473	1	1/C	e-STUDIO356/356S/356SE/356SD/456/456S/456SE/456SD
21 B	6LH53700000	MOTR_D-MAIN-471	1	1/C	e-STUDIO206L/256/256S/256SE/306/306S/306SE/306SD
22 A	6LH62856000	PWA-F-MOT2-473	1	1/SB	e-STUDIO356/356S/356SE/356SD/456/456S/456SE/456SD
22 B	6LH62883000	PWA-F-MOT-470	1	1/SB	e-STUDIO206L/256/256S/256SE/306/306S/306SE/306SD
23	F0-01243000	LWS-1211Z	1	5/P	
24	X0-00968000	RR/E-7-SS	2	10/P	
25	X0-02593000	S/TPD3/FHEXM-3X8-ZU3	11	10/P	
26	6LA80090000	S/TPP/BID-3*8-NI	2	5/P	
27	6LE56633000	GEAR-5H60L-6-WORM-TNR	1	1/P	
28	44201492000	BUSH-6-POM	1	5/P	
29	6LH53764000	ASYS-MOTRD-TNR-470	1	1/C	
30	6LH53761000	BRKT-DRV-TNR-470	1	1/P	
31	X0-02557000	S/BID-M2.6X3-NI	2	10/P	
32	X0-00077000	S/PAN/SWWP-M3X8-NI	1	10/P	
33 A	F0-00342000	SPLSN-6U	2	5/P	e-STUDIO206L/256/256S/256SE/306/306S/306SE/306SD
34 A	6LA82239000	FLYWHL-DRM-371	4	1/P	e-STUDIO206L/256/256S/256SE/306/306S/306SE/306SD
34 B	6LH53784000	FLYWHL-DRUM-47X	2	1/P	e-STUDIO206L/256/256S/256SE/306/306S/306SE/306SD
35	6LA78908000	WASHER-6R2X9R5XR25-PL	2	5/P	

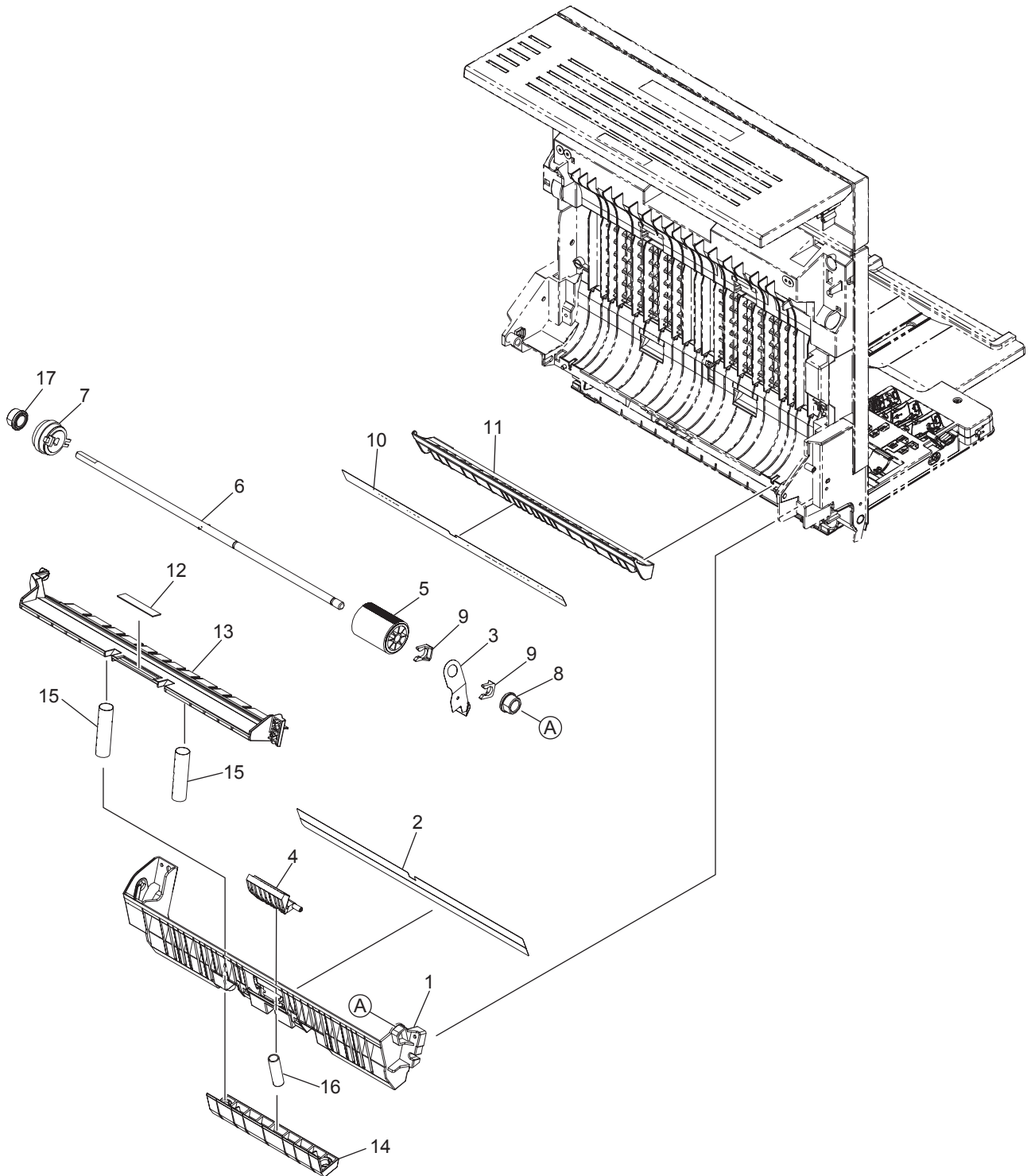


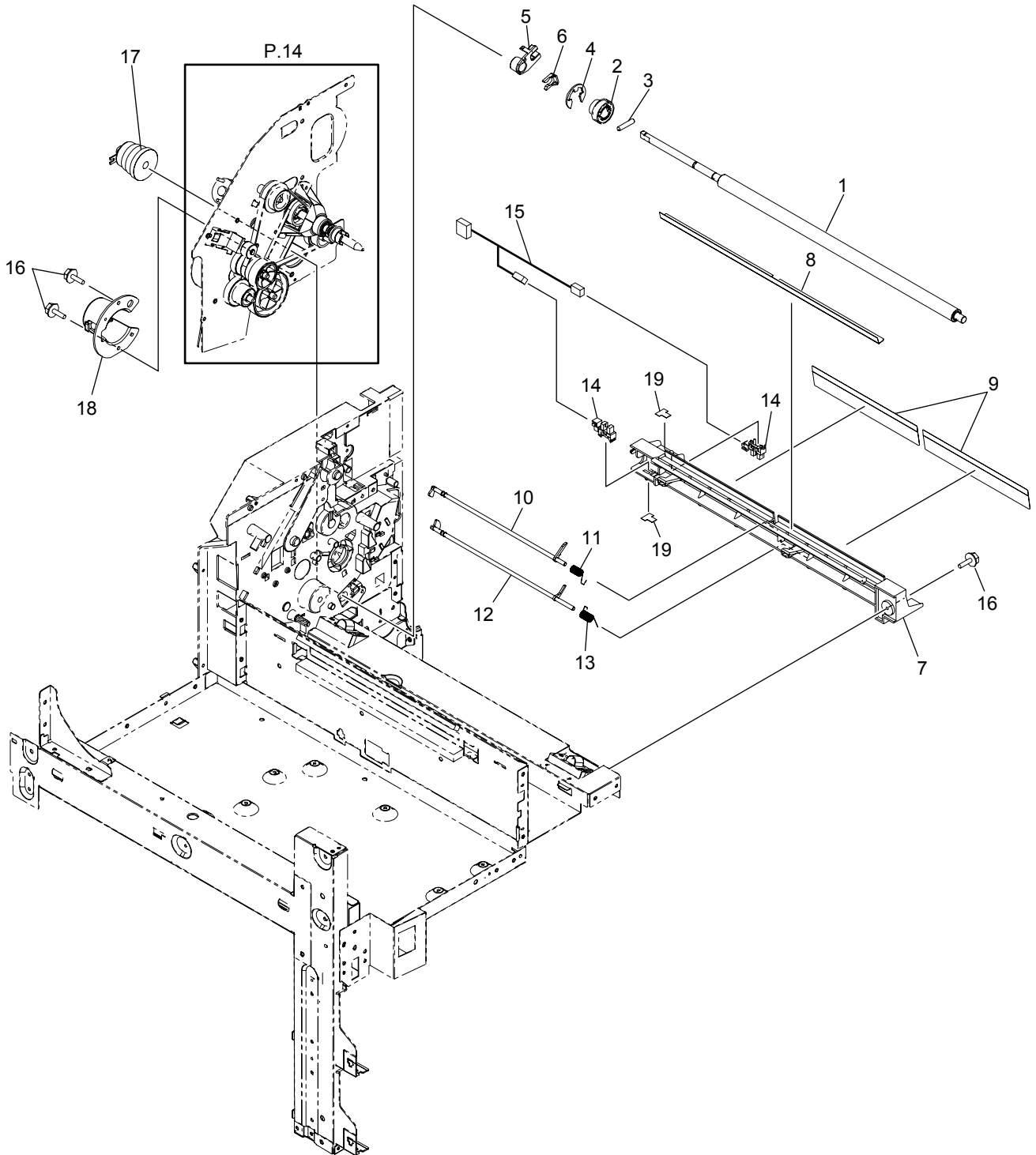


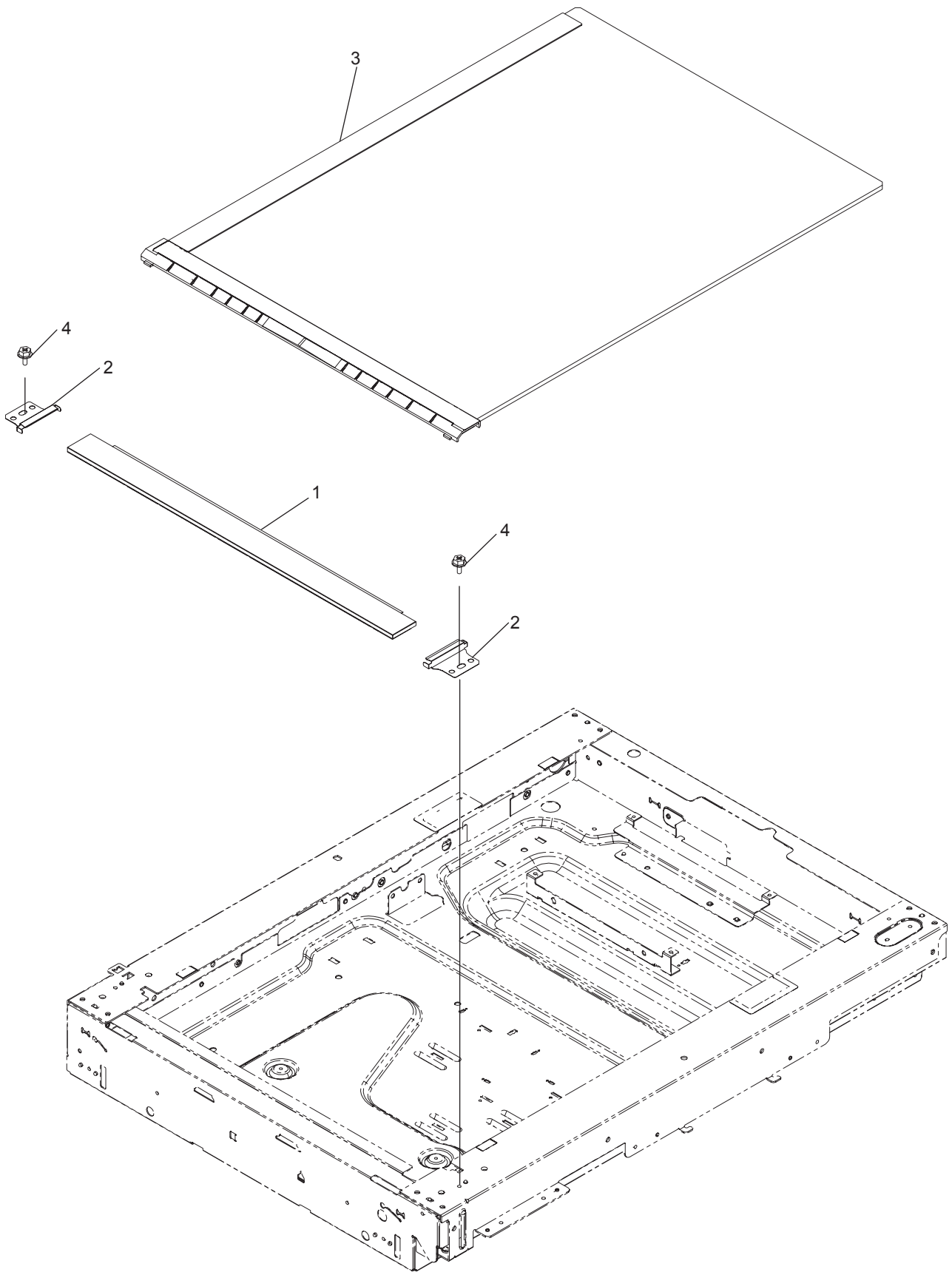


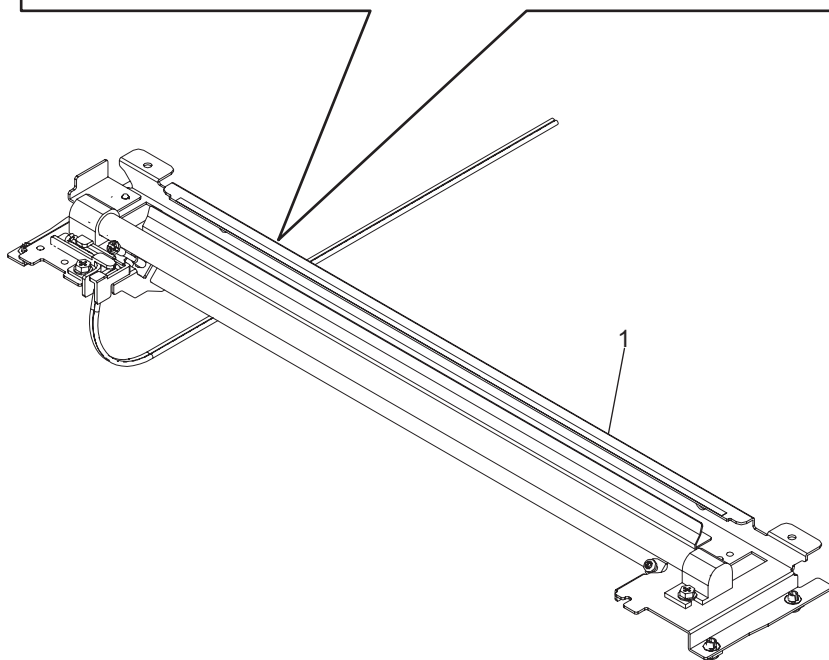
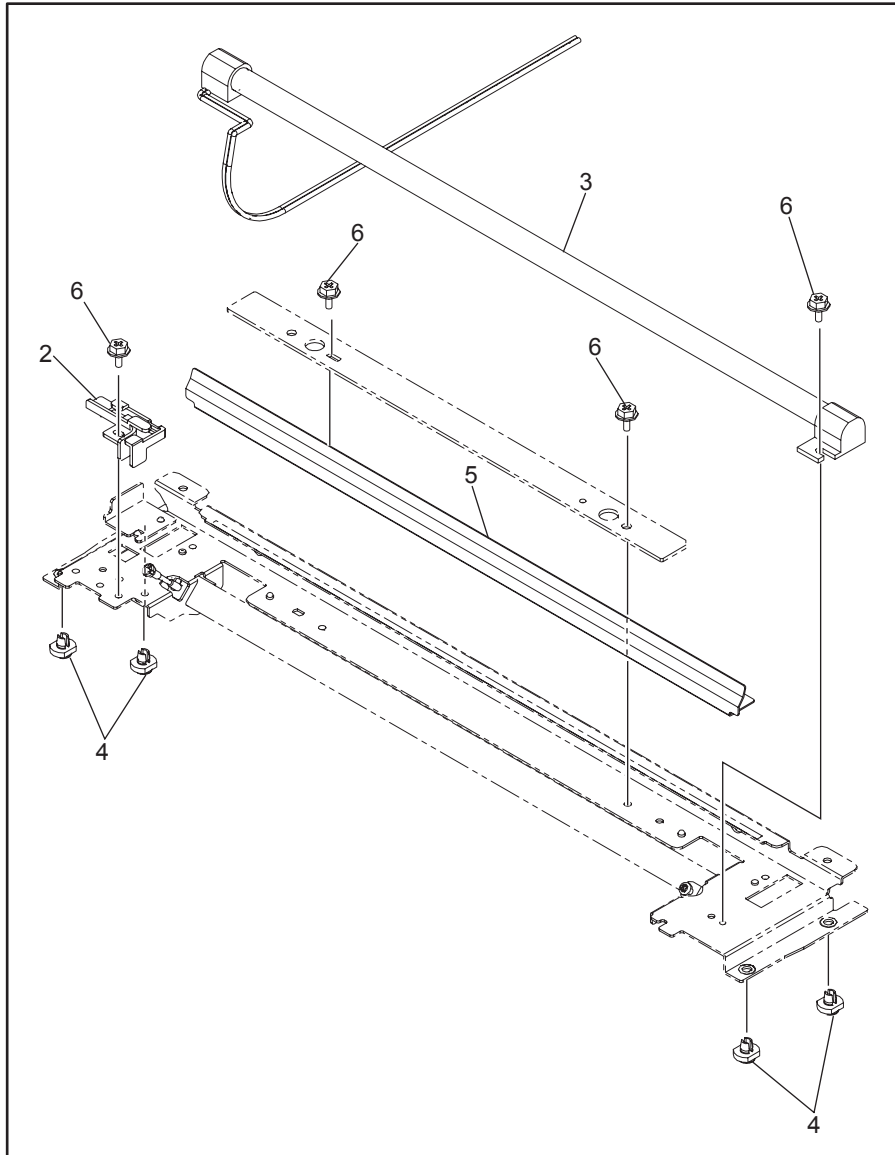


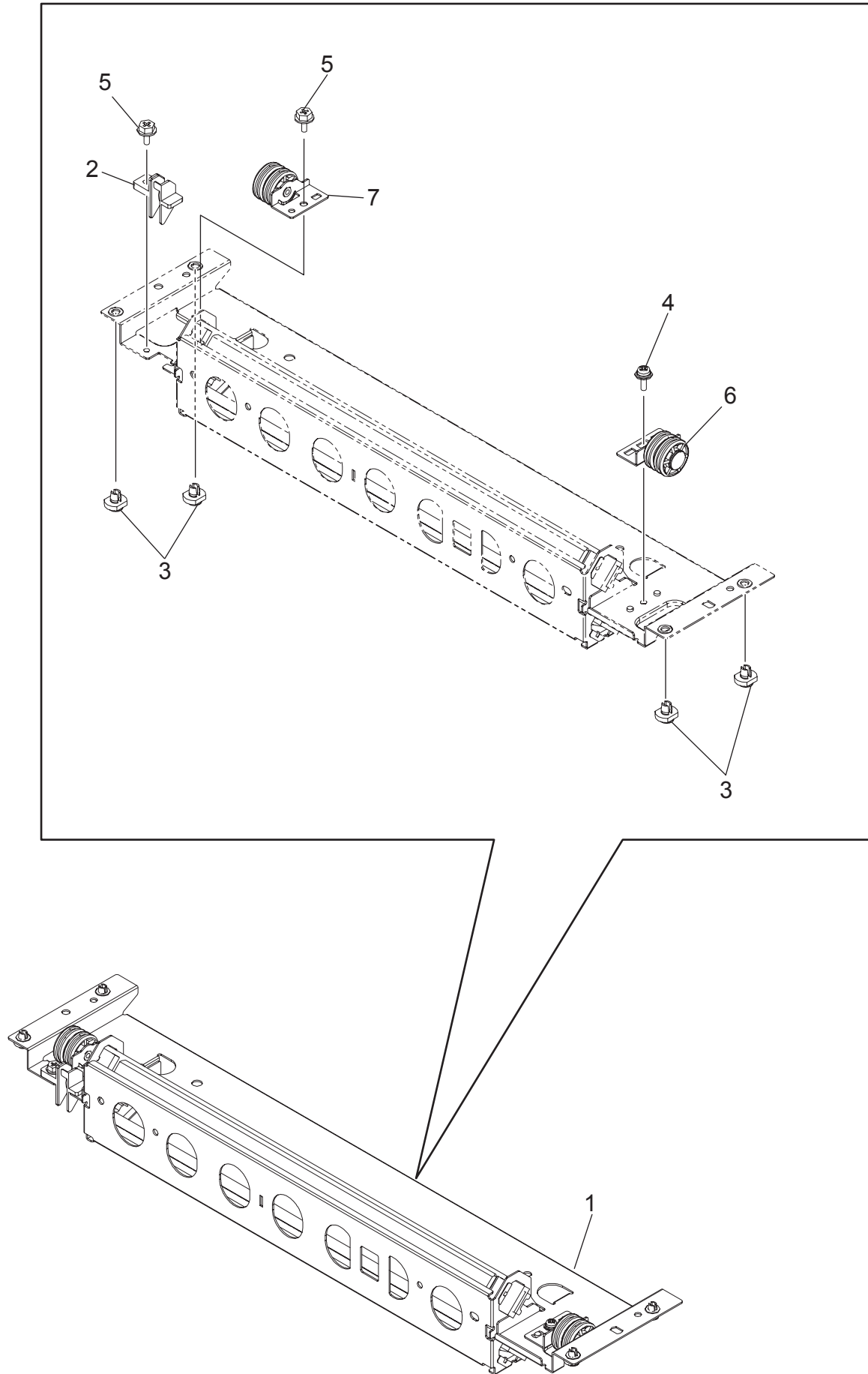


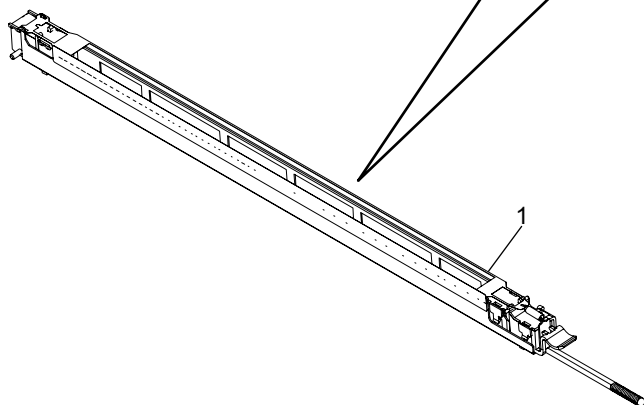
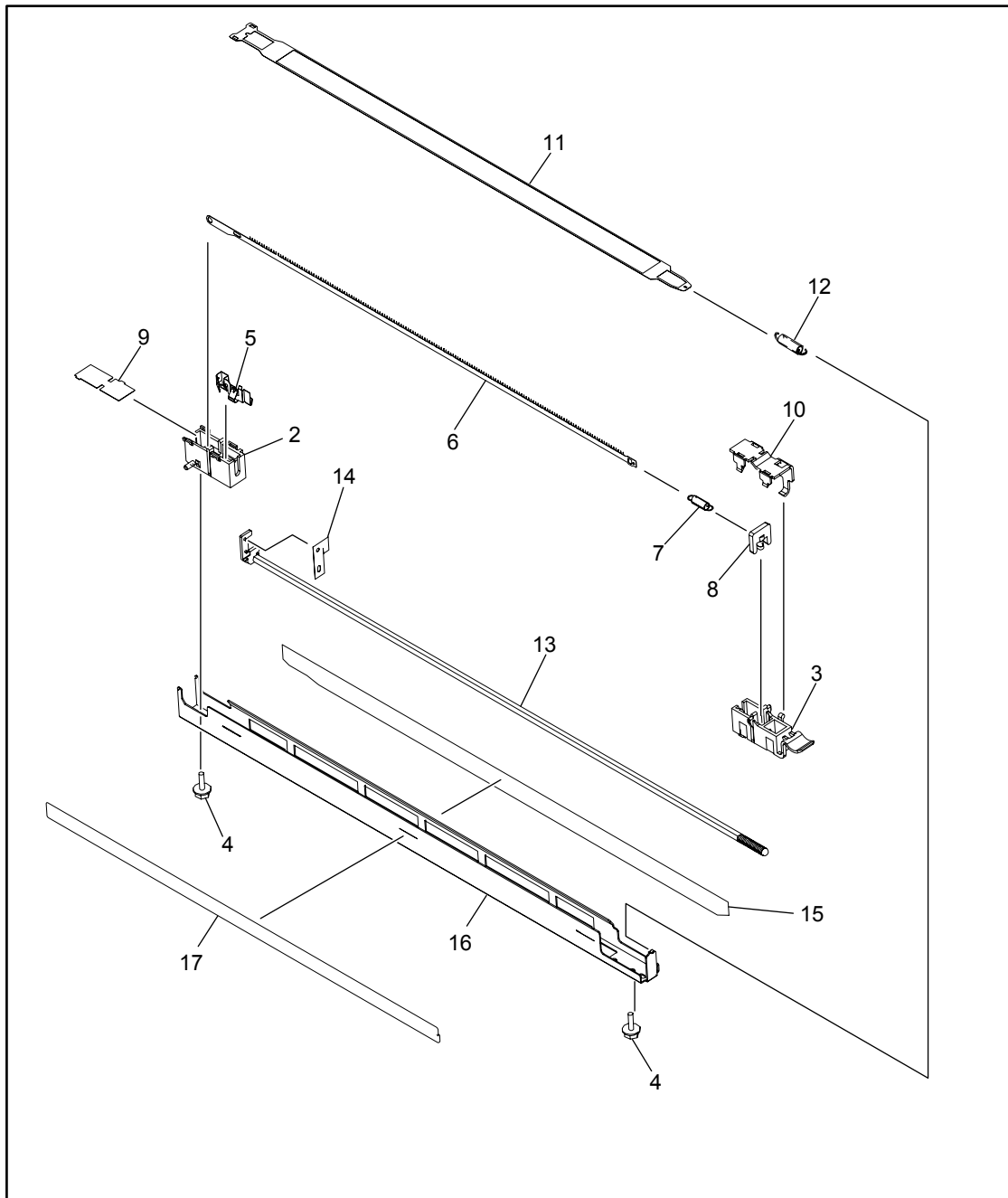


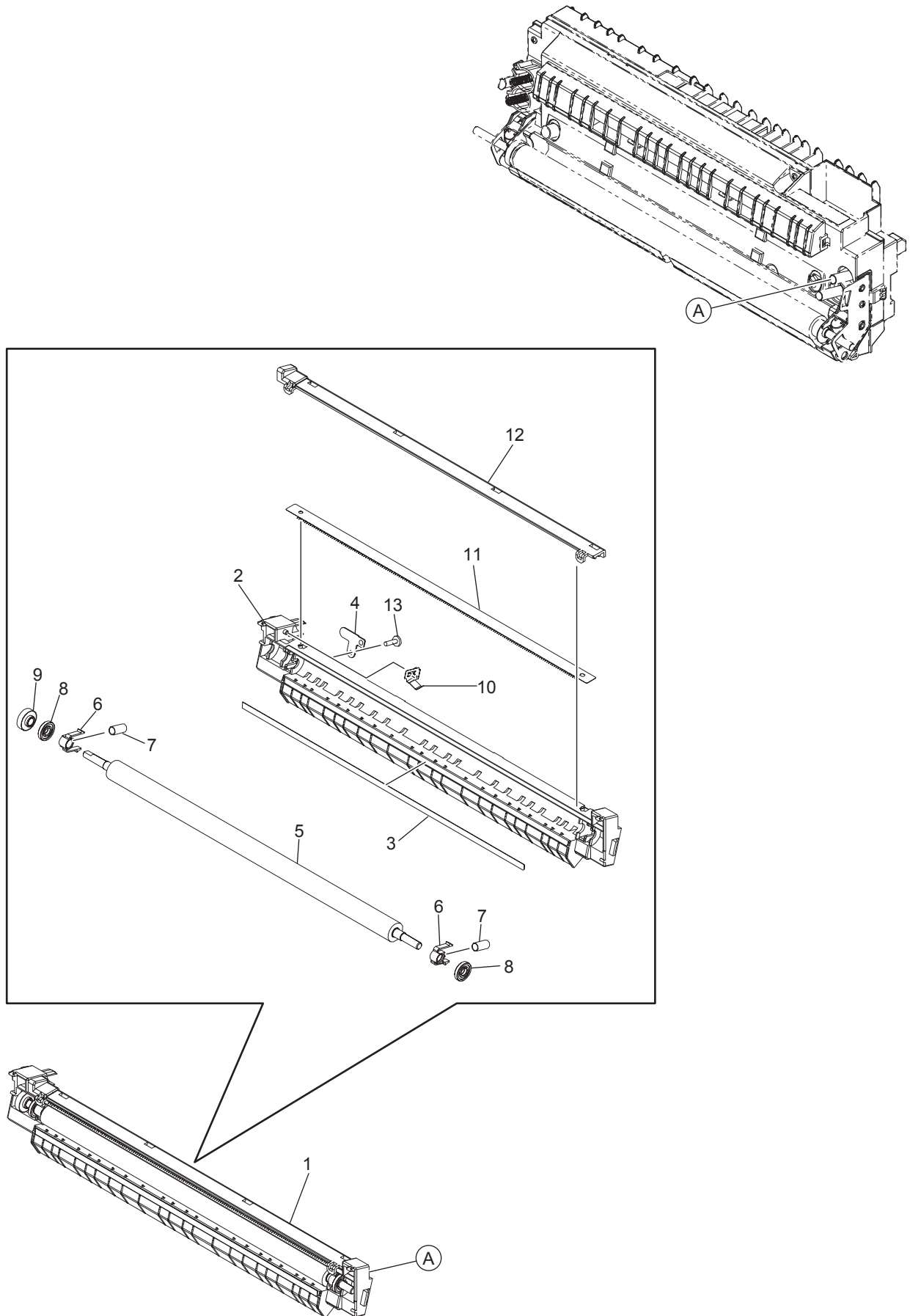




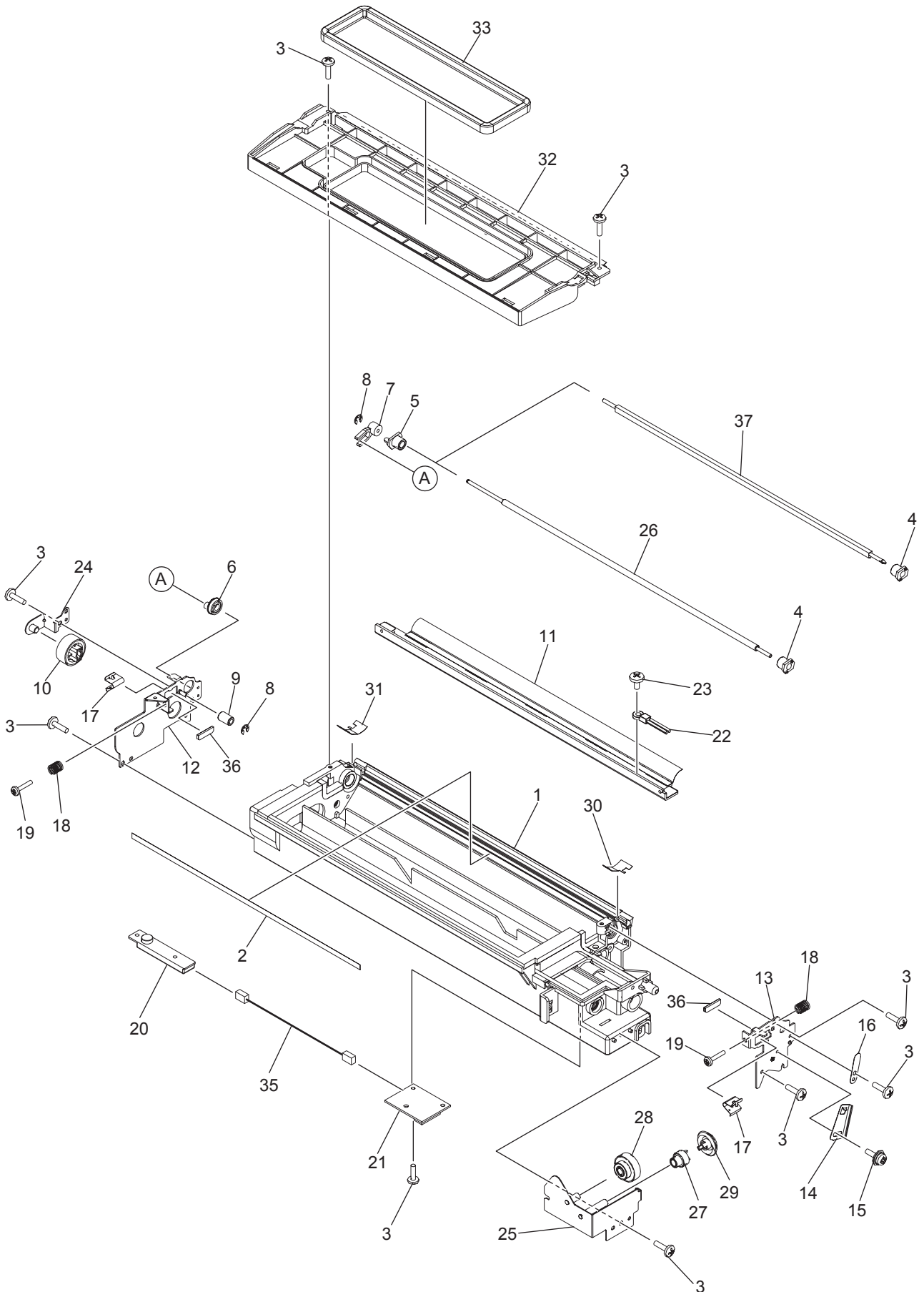




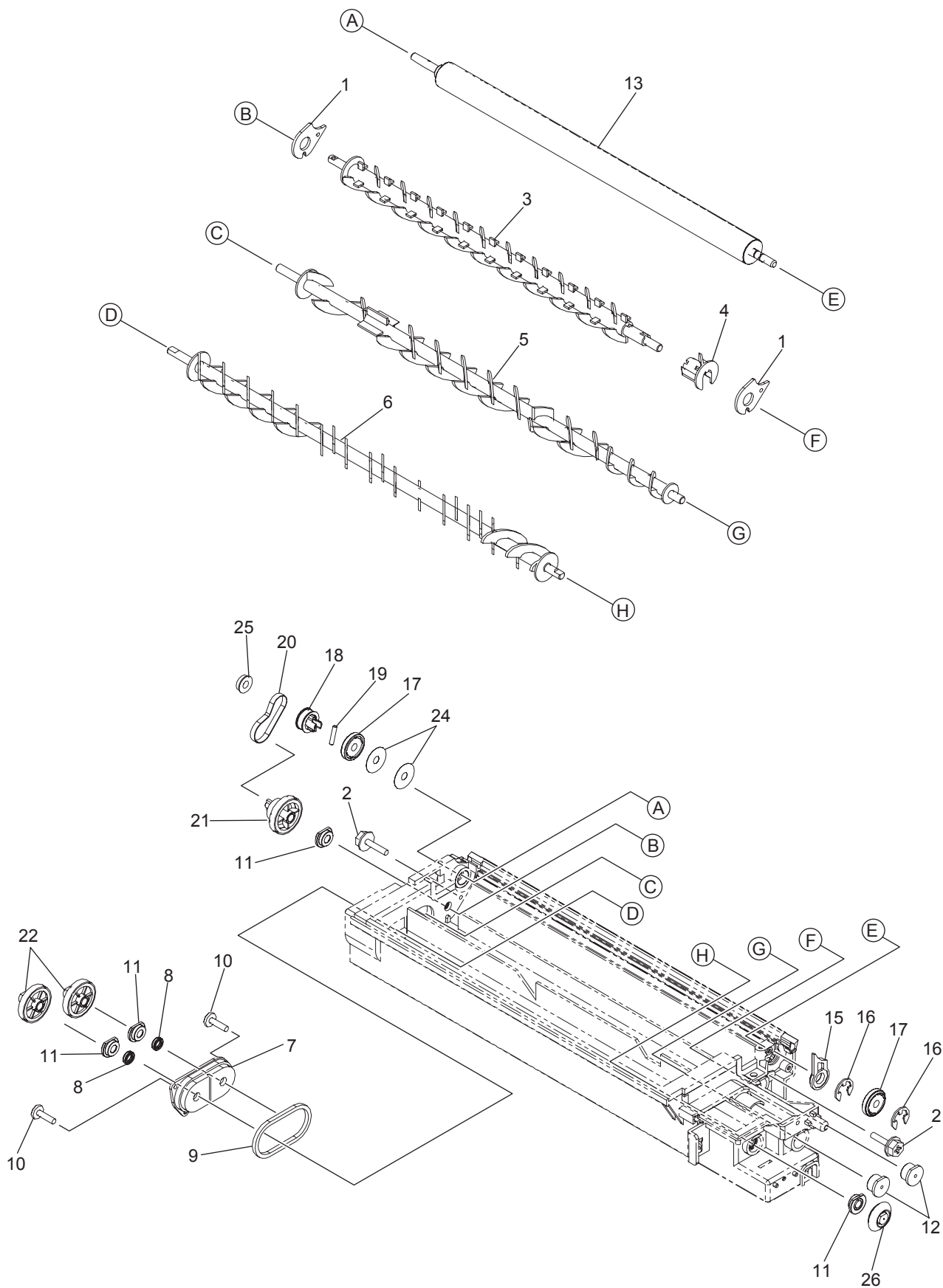


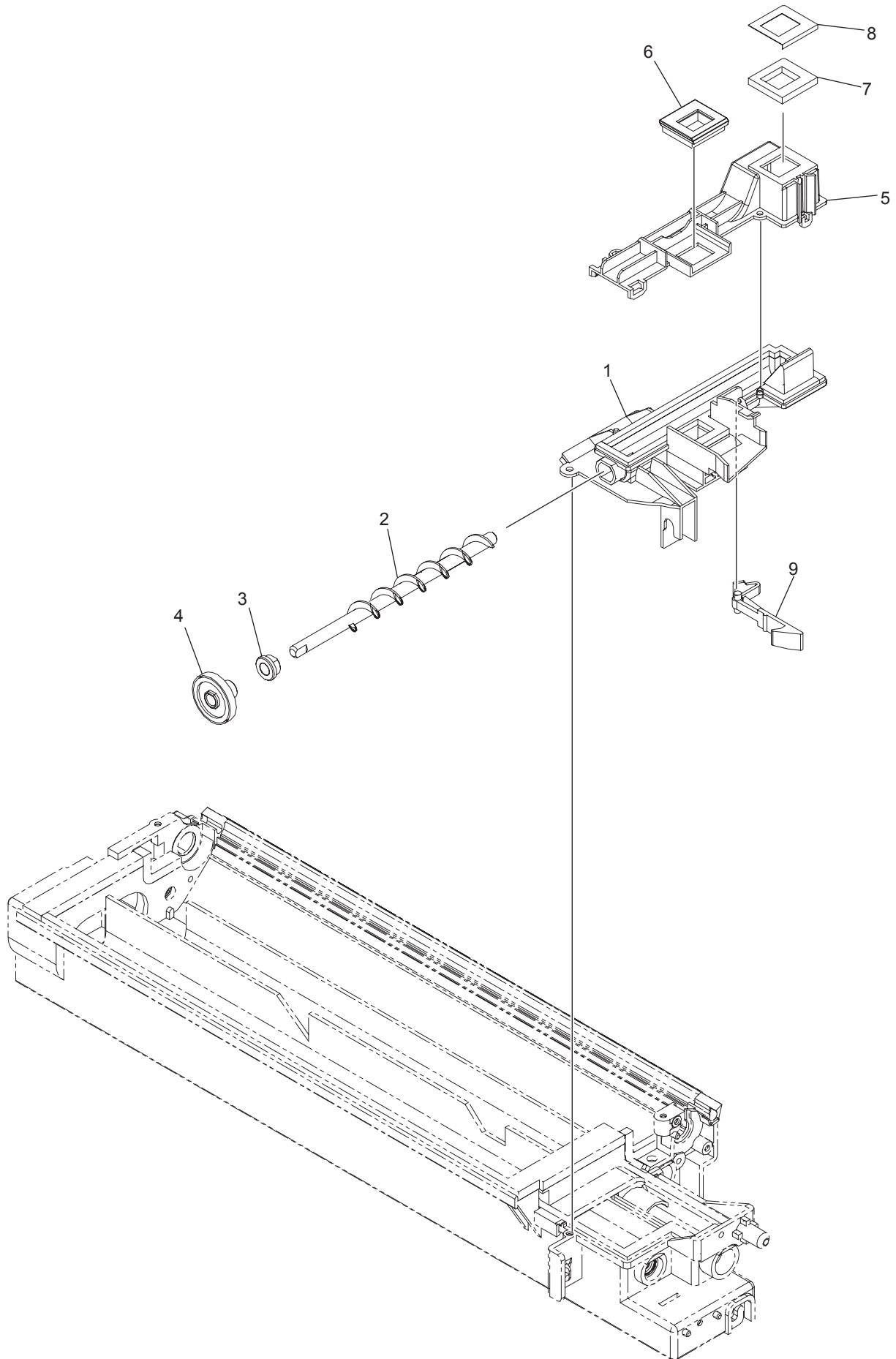


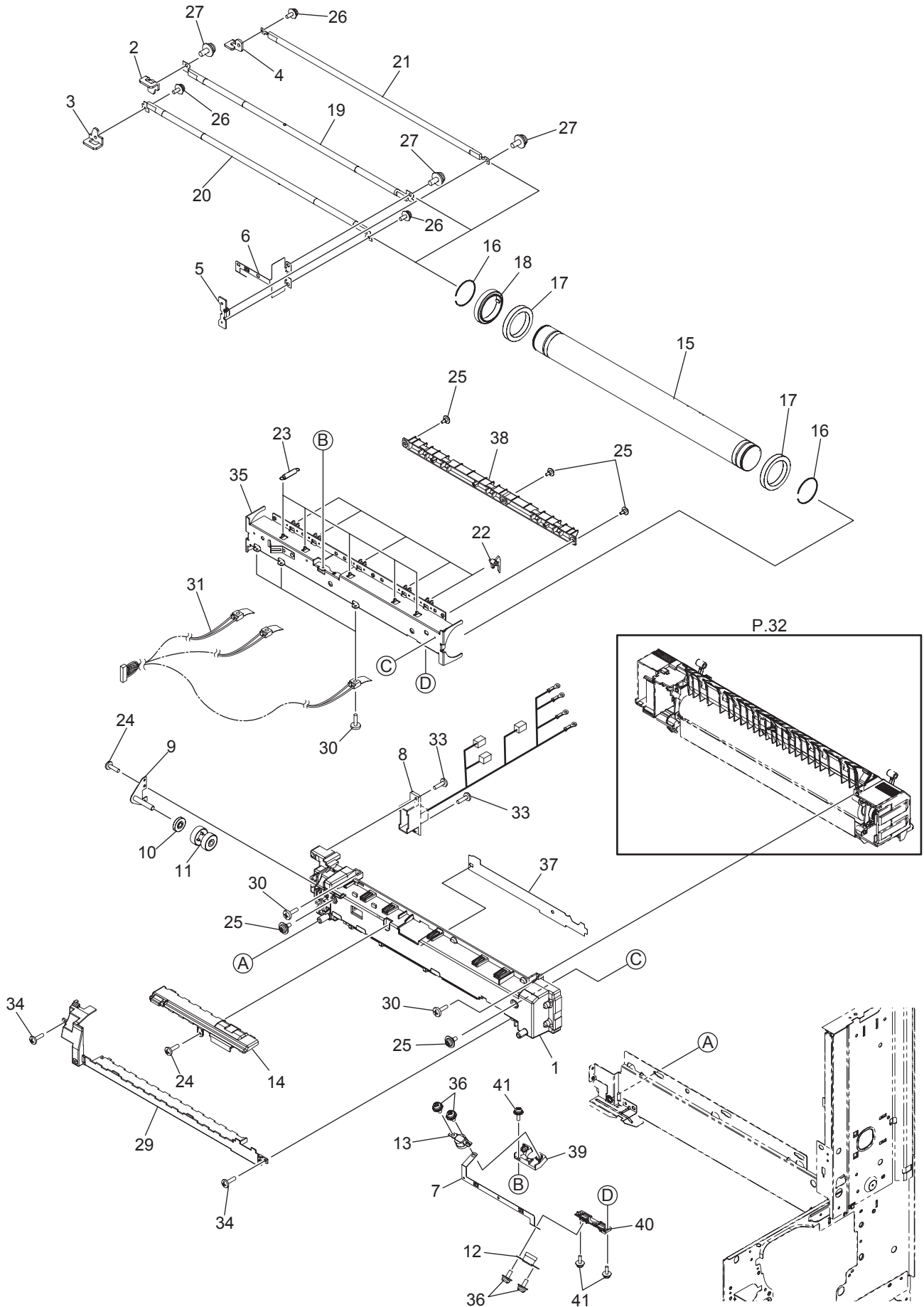
ITEM No.	PART No.	PART NAME	Q'TY / PAGE	Q'TY / PACK	REMARKS
1	6LH51919000	ASYS-FRAME-CLN-C-470	1	1/C	
2	6LA79547000	SEAL-BLADE-SIDE	2	1/P	
3	6LA79531000	SEAL-CLN-C	1	1/KP	
4	6LA79546000	SEAL-CLN-F	1	1/P	
5	6LA79586000	SEAL-CLN-R	1	5/P	
6	6LA79534000	SEAL-SIDE-REC	2	1/P	
7	6LH51918000	ASYS-AUGER-CLN-470	1	1/KP	
8	6LA27845000	BL-2320D	1	1/S	
9	6LA80090000	S/TPP/BID-3*8-NI	6	5/P	
10	6LE54020000	BLADE-REC	1	1/C	
11	41305536000	SPD-SCRPR-DRUM	2	1/P	
12	6LA79618000	SCRAPER-371	2	3/P	
13	41306325000	WHEEL-CLN-8	2	1/P	
14	6LA79615000	HOLDER-SCRAPER	2	1/P	
15	X0-02230000	S/FHEXM-M3X6-NI	2	10/P	
16	6LA02920000	BUSH-0410-05F-M	2	5/P	
17	6LA79554000	STUD-GEAR-CLN	1	1/P	
18	6LH51913000	FRAME-CLN-R	1	1/P	
19	X0-02247000	S/TPP/FHEXM-3X8-NI	2	10/P	
20	6LA79606000	GEAR-10S17-4	1	1/P	
21	6LA79605000	GEAR-10S18-4	1	1/P	
22	X0-00974000	RR/E-2.5-SS	3	10/P	
23	6LH51907000	ASYS-FRAME-CLN-F	1	1/PP	
24	6LA79612000	SPC-NZL-CLN	1	1/P	
25	6LA79609000	SHUTTER-CLN	1	1/P	
26	6LA91423000	LBL-HNDL-CLNR	1	5/P	
28	41306135000	BUSH-1821*03-M	1	1/P	
29	6LH51906000	PIN-DRUM-470	1	1/P	
30	6LH23220000	HLDR-LED	1	1/PP	
31	6LH29503000	MYLAR-HLDR-LED	1	1/KP	
32 A	6LH62813000	PWA-F-DLE-473	1	1/C	e-STUDIO356/356S/356SE/356SD/456/456S/456SE/456SD
32 B	6LH27027000	PWA-F-DLE-280V	1	1/C	e-STUDIO206L/256/256S/256SE/306/306S/306SE/306SD
33 A	6LH51901100	COV-PU-F-473	1	1/P	e-STUDIO356/356S/356SE/356SD/456/456S/456SE/456SD
33 B	6LH51901000	COV-PU-F-471	1	1/P	e-STUDIO206L/256/256S/256SE/306/306S/306SE/306SD
34	6LE56120000	SCREW-PU-F	2	1/P	
35	X0-00965000	RR/E-4-SS	2	10/P	
36	6LH61384000	HRNS-EPU-471	1	1/P	
37 A	6LH61354000	HRNS-DLE2-473	1	1/P	e-STUDIO356/356S/356SE/356SD/456/456S/456SE/456SD
37 B	6LH61353000	HRNS-DLE2-471	1	1/P	e-STUDIO206L/256/256S/256SE/306/306S/306SE/306SD
38	6LH51909000	COVER-CNCT-PU	1	1/P	
39	6LH51922000	SPL-EARTH-BLADE-REC	1	1/P	



ITEM No.	PART No.	PART NAME	Q'TY / PAGE	Q'TY / PACK	REMARKS
1	6LH53425000	ASYS-CASING-DEV	1	1/PP	e-STUDIO356/356S/356SE/356SD/456/456S/456SE/456SD
2 B	6LH53445000	BLADE-RE-ROL	1	1/KP	
3	6LA80090000	S/TPP/BID-3*8-NI	9	5/P	
4	6LH53441000	BUSH-RE-ROL-F	1	1/P	
5	6LH53410000	BUSH-RE-ROL-R	1	1/P	
6 B	6LA81769000	CAM-RE-ROL	1	1/P	e-STUDIO356/356S/356SE/356SD/456/456S/456SE/456SD
7 B	6LH53424000	DRV-RE-ROL	1	1/P	
8	X0-00963000	RR/E-2-SS	2	10/P	
9	6LH53470000	COLLER-DEV-TENS-470	1	1/P	
10	6LH53454000	GEAR-10S23-6	1	1/P	
11	6LH53408000	ASYS-DOCTOR-470	1	1/KP	e-STUDIO356/356S/356SE/356SD/456/456S/456SE/456SD
12 A	6LH53464000	ASYS-BKT-DEV-R-473	1	1/P	
12 B	6LH53463000	ASYS-BKT-DEV-R-471	1	1/P	
13	6LH53411000	BRKT-DEV-F-470	1	1/P	
14	6LH53455000	ADJUSTER-MG-470	1	1/P	
15	X0-00077000	S/PAN/SWWP-M3X8-NI	1	10/P	e-STUDIO356/356S/356SE/356SD/456/456S/456SE/456SD
16 B	6LH53421000	PLATE-RE-ROL	1	1/P	
17	6LH53468000	SPL-DOCTOR	2	1/P	
18	4400672520	SPC060-065-0130	2	1/P	
19	6LA81610000	SCREW-DOCTOR-371	2	10/P	
20	6LE63990000	SNR-ATC-280	1	1/D	
21	6LH60411000	ASYB-EPU-470	1	1/SB	
22	6LE78194000	THMS-DRM-364	1	1/P	
23	X0-01725000	S/BID-M3X5-BSNI	1	10/P	
24	6LH53430000	ASYS-DRV-DEV-473	1	1/P	
25	6LH53422000	ASYS-DRV-RECY-470	1	1/P	e-STUDIO356/356S/356SE/356SD/456/456S/456SE/456SD
26 B	6LH53419000	ROLLER-RE-5	1	1/P	
27	6LA81888000	GEAR-8S15-6	1	1/P	
28	6LE55980000	GEAR-8S29_8S18-6	1	1/P	
29	6LA81881000	GEAR-10B22-6-CUP	1	1/P	
30	6LH53447000	SHEET-SIDE-DEV-F	1	1/P	
31	6LH53448000	SHEET-SIDE-DEV-R	1	1/P	
32	6LH53406000	ASYS-COV-DEV-470	1	1/PP	
33	6LA81700000	COVER-DEV-BTL-371	1	1/P	
35	6LH61340000	HRNS-ATS-471	1	1/P	
36	6LH53467000	MYLAR-DOC-SLIDE	2	5/P	e-STUDIO206L/256/256S/256SE/306/306S/306SE/306SD
37 A	6LH53440000	WALL-JOINT	1	1/P	



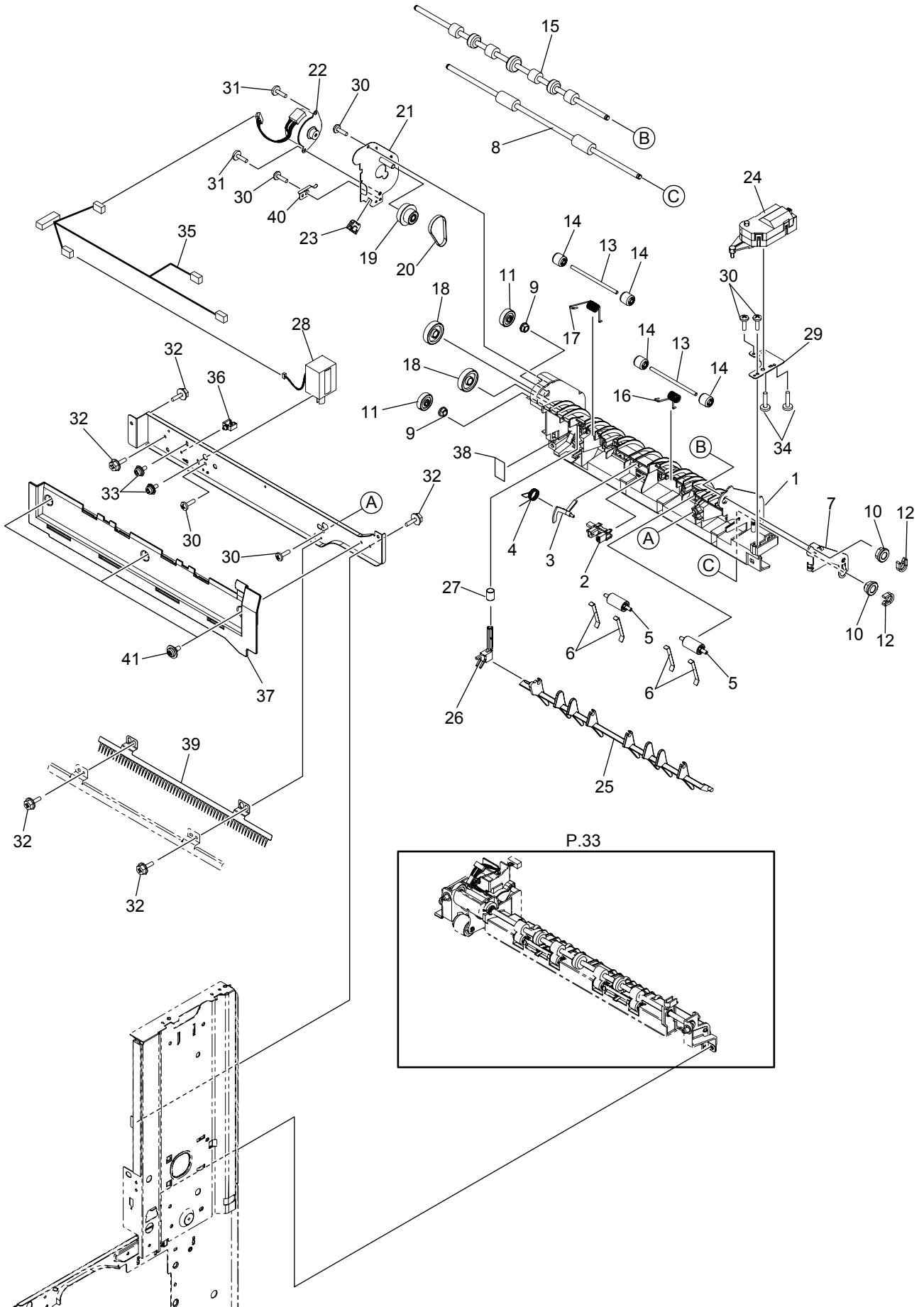




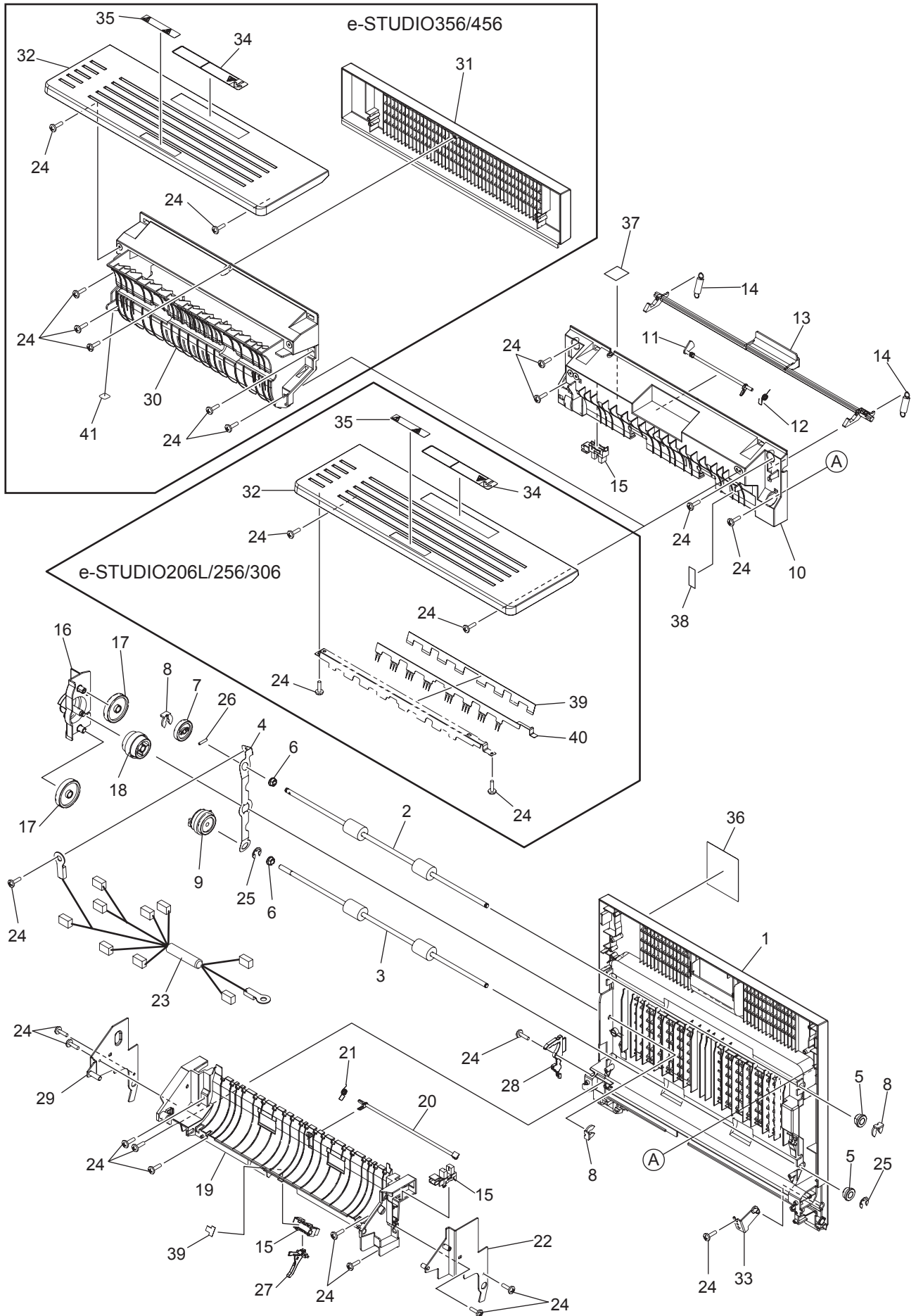
ITEM No.	PART No.	PART NAME	Q'TY / PAGE	Q'TY / PACK	REMARKS
1 A	6LJ14049000	FRM-FUS-HR-163	1	1/PP	e-STUDIO356/356S/356SE/356SD/456/456S/456SE/456SD
1 B	6LJ14049100	FRM-FUS-HR-160	1	1/PP	e-STUDIO206L/256/256S/256SE/306/306S/306SE/306SD
2	6LH55258000	PLT-TERM-R-M4	1	5/P	
3	6LH55257000	PLT-TERM-R-M3	1	5/P	
4 B	6LH55271000	PLT-TERM-C-M3	1	5/P	e-STUDIO356/356S/356SE/356SD/456/456S/456SE/456SD
5	6LH55256000	PLT-LAMP-FAST-F	1	1/P	
6	6LJ14009000	PLT-CNCT-LM-THM-2	1	1/D	
7	6LH55281000	PLT-CNCT-THMSTD	1	1/C	
8 A	6LH61439000	HRNS-ACIN2-473	1	1/P	e-STUDIO356/356S/356SE/356SD/456/456S/456SE/456SD
8 B	6LH61438000	HRNS-ACIN2-471	1	1/P	e-STUDIO206L/256/256S/256SE/306/306S/306SE/306SD
9	6LH55208000	ASYS-BRKT-GEAR	1	1/P	
10	6LH24605000	ROL-IDLE-FUS-284	1	1/P	
11	6LH55211000	GEAR-FUS-TW	1	1/P	
12	6LH64642000	THRMST-HTR-S-470	1	1/D	
13	6LH64641000	THRMST-HTR-C-470	1	1/D	
14	6LJ14011000	COVER-THMTD-UPR	1	1/PP	
15	6LH58424000	HR-4530-U	1	1/S	
16	6LH55214000	RING-C-35	2	1/P	
17	F0-01852000	6807ZZL1S1C4KZ	2	1/P	
18	6LH55212000	GEAR-HR-S43	1	1/P	
19 A	6LH55272100	LAMP-HTR-C-47X-NAD	1	1/C	NAD,NAG,GSA
19 B	6LH55272200	LAMP-HTR-C-47X-MJD	1	1/C	ARD,ASD,AUD,MJD,CND,CNS,CNSD
20 A	6LH55273100	LAMP-HTR-S-47X-NAD	1	1/C	NAD,NAG,GSA
20 B	6LH55273200	LAMP-HTR-S-47X-MJD	1	1/C	ARD,ASD,AUD,MJD,CND,CNS,CNSD
21 A	6LH55274100	LAMP-HTR-A-47X-NAD	1	1/C	NAD,NAG,GSA
21 B	6LH55274200	LAMP-HTR-A-47X-MJD	1	1/C	ARD,ASD,AUD,MJD,CND,CNS,CNSD
22	6LJ14053000	SCRAPER-16X	5	5/P	
23	6LA84096000	SPE-SCR-HR-371	5	1/P	
24	6LA80090000	S/TPP/BID-3*8-NI	2	5/P	
25	6LJ14028000	SCREW-SPEAKER-16X	5	1/P	
26	6LH55301000	USUITA-SEMS-3X5-6	3	5/P	
27	6LH55300000	USUITA-SPSEMS-4X8-6	3	5/P	
29	6LJ14007000	COVER-WH-16X	1	1/PP	
30	X0-00434000	S/BID-M3X8-NI	5	10/P	
31	6LE63998000	THMS-HTR-280	1	1/KP	
33	X0-02095000	S/TPP/BRZ-3X10-NI	2	10/P	
34	X0-02096000	S/TPP/BRZ-3X8-NI	2	10/P	
35	6LJ14004000	ASYS-STAY-HR-16X	1	1/D	
36	X0-00077000	S/PAN/SWWP-M3X8-NI	4	10/P	
37	6LJ14010000	FILM-STAY-THMIS-HR-2	1	1/P	
38	6LJ14008000	GUIDE-SCRAPER-16X	1	1/PP	
39	6LJ14044000	ASYS-HLDR-THMTD-C-16X	1	1/P	
40	6LJ14046000	ASYS-HLDR-THMTD-S-16X	1	1/P	
41	6LA39660000	S/PAN/SWWP-M3X8-ZC3	3	10/P	

ITEM No.	PART No.	PART NAME	Q'TY / PAGE	Q'TY / PACK	REMARKS
1 A	6LJ14012000	ASYS-BRKT-PR-F-163	1	1/P	e-STUDIO356/356S/356SE/356SD/456/456S/456SE/456SD
1 B	6LJ14016000	ASYS-BRKT-PR-F-160	1	1/P	e-STUDIO206L/256/256S/256SE/306/306S/306SE/306SD
2	6LH55290100	ASYS-LVR-P-REL-F2	1	1/P	
3 A	6LJ14020000	ARM-PR-F-163	1	1/P	e-STUDIO356/356S/356SE/356SD/456/456S/456SE/456SD
3 B	6LJ14022000	ARM-PR-F-160	1	1/P	e-STUDIO206L/256/256S/256SE/306/306S/306SE/306SD
4	6LH55227000	PLT-PR-BIAS-471	1	1/C	
5 A	6LJ14014000	ASYS-BRKT-PR-R-163	1	1/P	e-STUDIO356/356S/356SE/356SD/456/456S/456SE/456SD
5 B	6LJ14018000	ASYS-BRKT-PR-R-160	1	1/P	e-STUDIO206L/256/256S/256SE/306/306S/306SE/306SD
6	6LH55291100	ASYS-LVR-P-REL-R2	1	1/P	
7 A	6LJ14021000	ARM-PR-R-163	1	1/P	e-STUDIO356/356S/356SE/356SD/456/456S/456SE/456SD
7 B	6LJ14023000	ARM-PR-R-160	1	1/P	e-STUDIO206L/256/256S/256SE/306/306S/306SE/306SD
8 A	6LH58425000	HR-4530-L	1	1/S	e-STUDIO356/356S/356SE/356SD/456/456S/456SE/456SD
8 B	6LH58426000	HR-3000-L	1	1/S	e-STUDIO206L/256/256S/256SE/306/306S/306SE/306SD
9 A	F0-02089000	698ZS1M5-GPL226-GV22	2	1/P	e-STUDIO356/356S/356SE/356SD/456/456S/456SE/456SD
9 B	F0-02088000	688ZS1M5-GPL226-GV22	2	1/P	e-STUDIO206L/256/256S/256SE/306/306S/306SE/306SD
10 A	6LH55276000	PLT-STOP-PR-35	2	1/P	e-STUDIO356/356S/356SE/356SD/456/456S/456SE/456SD
10 B	6LH55277000	PLT-STOP-PR-30	2	1/P	e-STUDIO206L/256/256S/256SE/306/306S/306SE/306SD
11 A	6LH55246000	GUIDE-ENT-FUS-473	1	1/P	e-STUDIO356/356S/356SE/356SD/456/456S/456SE/456SD
11 B	6LH55282000	GUIDE-ENT-FUS-471	1	1/P	e-STUDIO206L/256/256S/256SE/306/306S/306SE/306SD
12 A	6LH55261000	SPG-E-PR-47X	2	1/P	e-STUDIO356/356S/356SE/356SD/456/456S/456SE/456SD
12 B	6LJ14048000	SPG-E-PR-L-16X	2	1/P	e-STUDIO206L/256/256S/256SE/306/306S/306SE/306SD
13	6LH55229000	PLT-SPRT-PR	1	1/P	
14	6LH55260000	PLT-NUT	2	5/P	
15	6LH55270000	SCREW-FUS-47X	2	1/P	
16	6LH55245000	PLT-SP-IDLE-47X	4	1/D	
17	41316101000	ROLL-TRANS-IDLE	2	1/P	
18	X0-00965000	RR/E-4-SS	3	10/P	
19 A	X0-00968000	RR/E-7-SS	2	10/P	e-STUDIO356/356S/356SE/356SD/456/456S/456SE/456SD
19 B	X0-00966000	RR/E-5-SS	2	10/P	e-STUDIO206L/256/256S/256SE/306/306S/306SE/306SD
20 A	6LA80090000	S/TPP/BID-3X8-NI	11	5/P	e-STUDIO356/356S/356SE/356SD/456/456S/456SE/456SD
20 B	6LA80090000	S/TPP/BID-3X8-NI	15	5/P	e-STUDIO205L/255/305/305S/305SD
21	6LJ14028000	SCREW-SPEAKER-16X	2	1/P	
22	X0-02230000	S/FHEXM-M3X6-NI	5	10/P	
23	6LH55330000	GID-OPN-FUS-16X	1	1/PP	
24	6LH55267000	SPG-T-ACT-47X	1	5/P	
25	6LH55228000	ACTR-EXIT-FUS-47X	1	1/P	
26	6LH61309000	HRNS-EXIT-SW-471	1	1/P	
27	C0-15712000	LG248D2	1	1/D	
28	6LH55230000	COVER-OPEN-FUS	1	1/P	
29	6LJ14042000	SHEET-GID-OPEN-FUS2	1	1/P	
30	6LH55204000	COV-PR-R-47X	1	1/P	
31	6LH55331000	COV-FRM-FUS-PR-16X	1	1/P	
32	6LH55288000	LBL-W-HOT-47X-UE	1	1/P	
33	X0-02551000	S/PAN/SWWP-M3X6-ZU3	2	10/P	
36	X0-00050000	S/PAN/SWWP-M3X5-NI	2	10/P	
37	6LH55326000	ASYS-FRM-FUS-PR-16X	1	1/PP	
38	6LH55203000	COV-PR-F-47X	1	1/P	
39 A	6LJ14024000	PLT-LOCK-PR-H-F	1	1/P	e-STUDIO356/356S/356SE/356SD/456/456S/456SE/456SD
39 B	6LJ14026000	PLT-LOCK-PR-L-F	1	1/P	e-STUDIO206L/256/256S/256SE/306/306S/306SE/306SD
40 A	6LJ14025000	PLT-LOCK-PR-H-R	1	1/P	e-STUDIO356/356S/356SE/356SD/456/456S/456SE/456SD
40 B	6LJ14027000	PLT-LOCK-PR-L-R	1	1/P	e-STUDIO206L/256/256S/256SE/306/306S/306SE/306SD
41	41307995000	LBL/W-FUSER	1	5/KP	
42	6LJ08725000	SHEET-SNSR-LG248	1	5/P	
43 B	6LJ14041000	GUIDE-OPEN-SUB	4	1/P	e-STUDIO206L/256/256S/256SE/306/306S/306SE/306SD

ITEM No.	PART No.	PART NAME	Q'TY / PAGE	Q'TY / PACK	REMARKS
1 A	6LJ12920000	GUIDE-EXIT-L-160	1	1/PP	e-STUDIO206L/256/256S/256SE/306/306S/306SE/306SD
1 B	6LJ12926000	ASYS-GUIDE-EXIT-L-163	1	1/PP	e-STUDIO356/356S/356SE/356SD/456/456S/456SE/456SD
2 B	6LJ12901000	GUIDE-SLIDE-163	1	1/P	e-STUDIO356/356S/356SE/356SD/456/456S/456SE/456SD
3 A	6LE58505000	ROLL-GUIDE-EXIT-280	1	1/P	e-STUDIO206L/256/256S/256SE/306/306S/306SE/306SD
3 B	6LJ12909000	ROLL-EXIT-163	1	1/KP	e-STUDIO356/356S/356SE/356SD/456/456S/456SE/456SD
4	6LE58600000	SFT-EXIT-IDLE-280	2	1/P	
5	44203198000	ROLL-EXIT-L-320	4	1/P	
6 B	44201492000	BUSH-6-POM	3	5/P	e-STUDIO356/356S/356SE/356SD/456/456S/456SE/456SD
7 B	X0-00966000	RR/E-5-SS	2	10/P	e-STUDIO356/356S/356SE/356SD/456/456S/456SE/456SD
8 A	6LH54015000	BUSH-6-STOP	2	1/P	e-STUDIO206L/256/256S/256SE/306/306S/306SE/306SD
9 A	44202975000	GEAR-EXIT-U	1	1/P	e-STUDIO206L/256/256S/256SE/306/306S/306SE/306SD
9 B	6LJ12914000	GEAR-10S20-06D	1	1/P	e-STUDIO356/356S/356SE/356SD/456/456S/456SE/456SD
10 A	6LE58611000	SPG-T-EXIT-R-280	1	1/P	e-STUDIO206L/256/256S/256SE/306/306S/306SE/306SD
10 B	6LA82563000	SPG-T-EXIT-371	1	1/P	e-STUDIO356/356S/356SE/356SD/456/456S/456SE/456SD
11 A	6LE58615000	SPG-T-EXIT-F-280	1	1/P	e-STUDIO206L/256/256S/256SE/306/306S/306SE/306SD
11 B	6LH54030000	SPG-T-EXIT-473	1	1/P	e-STUDIO356/356S/356SE/356SD/456/456S/456SE/456SD
12 A	6LA80090000	S/TPP/BID-3*8-NI	2	5/P	e-STUDIO206L/256/256S/256SE/306/306S/306SE/306SD
12 B	6LA80090000	S/TPP/BID-3*8-NI	3	5/P	e-STUDIO356/356S/356SE/356SD/456/456S/456SE/456SD
13 A	6LH54077000	SPL-T-EARTH-EXIT-471	1	1/C	e-STUDIO206L/256/256S/256SE/306/306S/306SE/306SD
14	6LH54014000	GEAR-10S21-6	1	1/P	
15	6LH54040000	ROL-IDL-EXIT	1	1/P	
16	6LH54031000	STUD-GEAR-EXIT	1	1/P	
17 A	6LE25931000	ROLL-FUS-GUIDE	4	1/P	e-STUDIO206L/256/256S/256SE/306/306S/306SE/306SD
17 B	6LE25931000	ROLL-FUS-GUIDE	8	1/P	e-STUDIO356/356S/356SE/356SD/456/456S/456SE/456SD
18	6LA82692000	ASYS-MOTR-S-EXIT-371	1	1/C	
19 A	6LH54013000	GEAR-10S16_PS2M40-6-S	1	1/P	e-STUDIO206L/256/256S/256SE/306/306S/306SE/306SD
19 B	6LH54007000	GEAR-10S16_PS2M40-6	1	1/P	e-STUDIO356/356S/356SE/356SD/456/456S/456SE/456SD
20 A	6LH54012000	ASYS-BRKT-MOT-EXIT-471	1	1/P	e-STUDIO206L/256/256S/256SE/306/306S/306SE/306SD
20 B	6LJ12907000	ASYS-BRKT-EXIT-GP-163	1	1/P	e-STUDIO356/356S/356SE/356SD/456/456S/456SE/456SD
21	6LH54367000	BLT_SY-S2M-128-4	1	1/P	
22 A	6LH54051000	DUCT-EXIT-MOT-471	1	1/P	e-STUDIO206L/256/256S/256SE/306/306S/306SE/306SD
22 B	6LJ12916000	DUCT-EXIT-MOT-163	1	1/D	e-STUDIO356/356S/356SE/356SD/456/456S/456SE/456SD
24 B	C0-14266000	LG248BL1	1	1/C	e-STUDIO356/356S/356SE/356SD/456/456S/456SE/456SD
25 A	X0-00964000	RR/E-3-SS	2	10/P	e-STUDIO206L/256/256S/256SE/306/306S/306SE/306SD
25 B	X0-00964000	RR/E-3-SS	4	10/P	e-STUDIO356/356S/356SE/356SD/456/456S/456SE/456SD
26 B	6LH61332000	HRNS-EXIT-UNIT-L-473	1	1/P	e-STUDIO356/356S/356SE/356SD/456/456S/456SE/456SD
27	6LA36276000	SCREW-M3-FUS-C	2	5/P	
28 B	6LJ12913000	HS-MOTR-163	1	1/P	e-STUDIO356/356S/356SE/356SD/456/456S/456SE/456SD
29 A	6LE58505000	ROLL-GUIDE-EXIT-280	4	1/P	e-STUDIO206L/256/256S/256SE/306/306S/306SE/306SD
30 A	X0-00965000	RR/E-4-SS	1	10/P	e-STUDIO206L/256/256S/256SE/306/306S/306SE/306SD
31 A	X0-02069000	S/TPS/BID-3X6-ZU3	2	10/P	e-STUDIO206L/256/256S/256SE/306/306S/306SE/306SD
32 A	6LH54063000	PLT-EARTH-471	1	1/P	e-STUDIO206L/256/256S/256SE/306/306S/306SE/306SD
33 B	6LH54074000	BRKT-EXIT-LOW	1	1/P	e-STUDIO356/356S/356SE/356SD/456/456S/456SE/456SD
35 B	6LA65683000	SCREW-HLDR-MG	3	10/P	e-STUDIO356/356S/356SE/356SD/456/456S/456SE/456SD
36 B	6LJ12915000	GUIDE-MOTR-EXIT-163	1	1/D	e-STUDIO356/356S/356SE/356SD/456/456S/456SE/456SD
37 B	6LJ12912000	STUD-SLIDE-EXIT	1	1/P	e-STUDIO356/356S/356SE/356SD/456/456S/456SE/456SD
38 B	6LJ12903000	ASYS-BRKT-EXIT-F	1	1/P	e-STUDIO356/356S/356SE/356SD/456/456S/456SE/456SD
39 B	6LJ08725000	SHEET-SNSR-LG248	1	5/P	e-STUDIO356/356S/356SE/356SD/456/456S/456SE/456SD
40 B	6LJ12911000	FRM-GUIDE-EXIT	1	1/P	e-STUDIO356/356S/356SE/356SD/456/456S/456SE/456SD
41 B	6LJ12910000	PLT-STP-BUSH	2	1/P	e-STUDIO356/356S/356SE/356SD/456/456S/456SE/456SD
42 B	X0-02593000	S/TPD3/FHEXM-3X8-ZU3	4	10/P	e-STUDIO356/356S/356SE/356SD/456/456S/456SE/456SD
43 B	6LH53768000	BUSH-6-NU4	2	1/P	e-STUDIO356/356S/356SE/356SD/456/456S/456SE/456SD

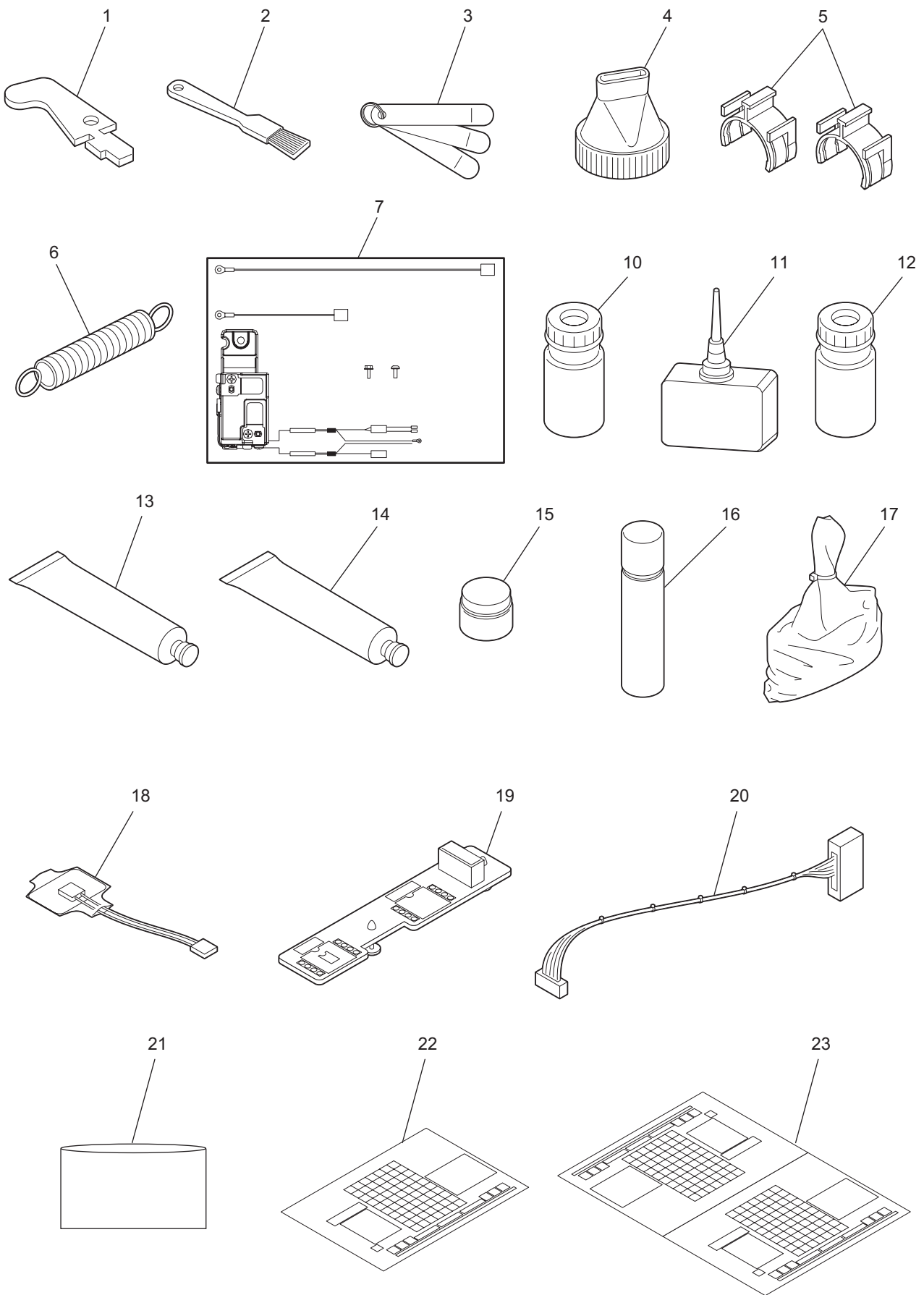


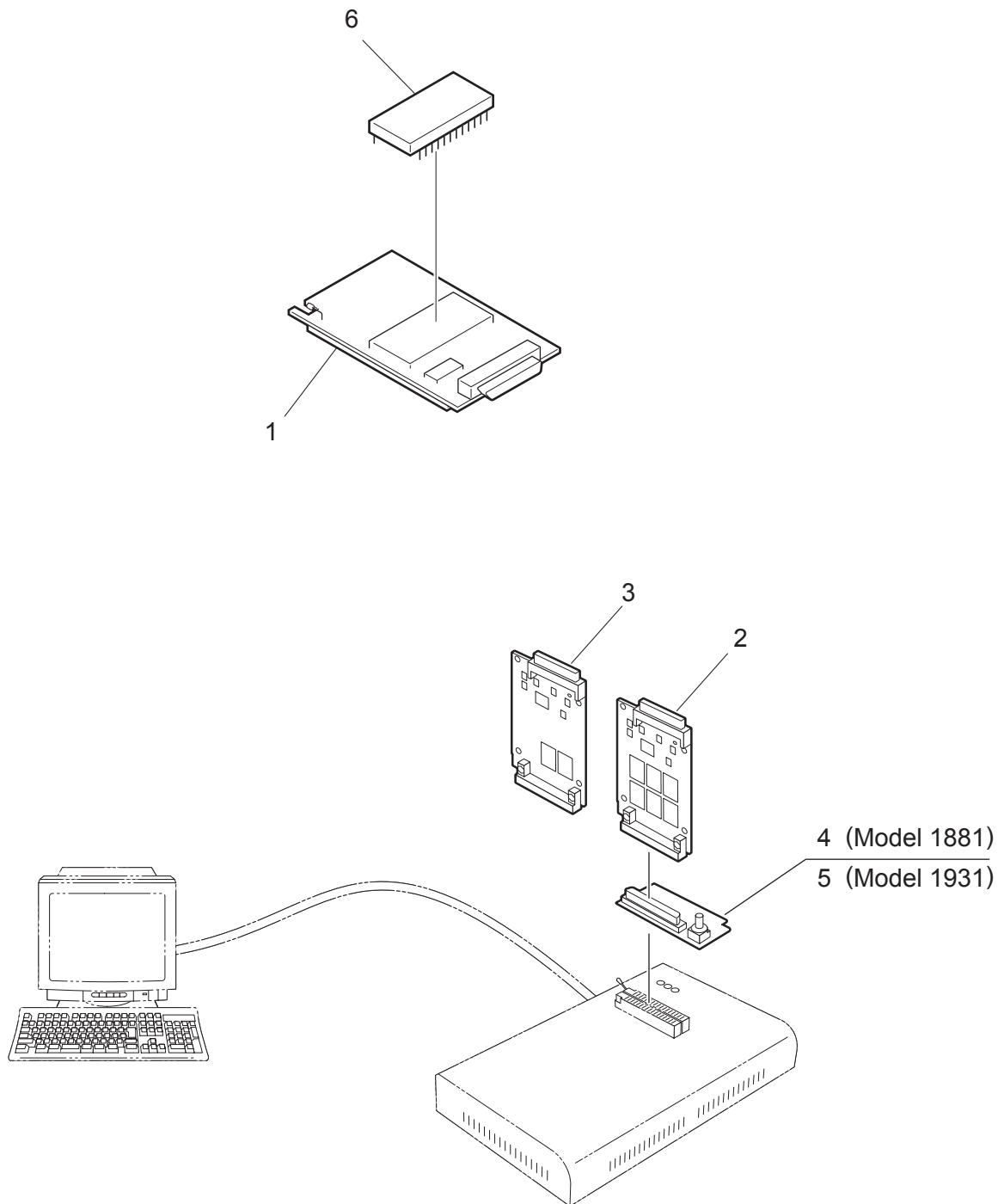
ITEM No.	PART No.	PART NAME	Q'TY / PAGE	Q'TY / PACK	REMARKS
1 B	6LH54079100	GUIDE-EXIT-UPR-L-163	1	1/PP	e-STUDIO356/356S/356SE/356SD/456/456S/456SE/456SD
2 B	C0-16187000	LG248NL2	1	1/C	e-STUDIO356/356S/356SE/356SD/456/456S/456SE/456SD
3 B	6LH54010000	ACTR-EXIT-UPR-473	1	1/P	e-STUDIO356/356S/356SE/356SD/456/456S/456SE/456SD
4 B	6LJ12930000	SPG-T-ACT-EXIT-UPR-16X	1	1/P	e-STUDIO356/356S/356SE/356SD/456/456S/456SE/456SD
5 B	41316101000	ROLL-TRANS-IDLE	2	1/P	e-STUDIO356/356S/356SE/356SD/456/456S/456SE/456SD
6 B	6LH54033000	SPL-EXIT-PINCH-U	4	1/P	e-STUDIO356/356S/356SE/356SD/456/456S/456SE/456SD
7 B	6LH54027000	PLT-EARTH-EXIT-U	1	1/C	e-STUDIO356/356S/356SE/356SD/456/456S/456SE/456SD
8 B	6LH54024000	ROLL-TRANS-UPR	1	1/KP	e-STUDIO356/356S/356SE/356SD/456/456S/456SE/456SD
9 B	44201492000	BUSH-6-POM	2	5/P	e-STUDIO356/356S/356SE/356SD/456/456S/456SE/456SD
10 B	6LA03977000	BUSH-F6-GCB	2	5/P	e-STUDIO356/356S/356SE/356SD/456/456S/456SE/456SD
11 B	6LH54006000	GEAR-10S20-06	2	1/P	e-STUDIO356/356S/356SE/356SD/456/456S/456SE/456SD
12 B	4407972860	STOP-RING-6-5	2	5/P	e-STUDIO356/356S/356SE/356SD/456/456S/456SE/456SD
13 B	6LE58600000	SFT-EXIT-IDLE-280	2	1/P	e-STUDIO356/356S/356SE/356SD/456/456S/456SE/456SD
14 B	44203198000	ROLL-EXIT-L-320	4	1/P	e-STUDIO356/356S/356SE/356SD/456/456S/456SE/456SD
15 B	6LH54025000	ROLL-EXIT-UPR	1	1/KP	e-STUDIO356/356S/356SE/356SD/456/456S/456SE/456SD
16 B	6LE58615000	SPG-T-EXIT-F-280	1	1/P	e-STUDIO356/356S/356SE/356SD/456/456S/456SE/456SD
17 B	6LE58611000	SPG-T-EXIT-R-280	1	1/P	e-STUDIO356/356S/356SE/356SD/456/456S/456SE/456SD
18 B	6LH54009000	GEAR-10S27-08	2	1/P	e-STUDIO356/356S/356SE/356SD/456/456S/456SE/456SD
19 B	6LH54013000	GEAR-10S16_PS2M40-6-S	1	1/P	e-STUDIO356/356S/356SE/356SD/456/456S/456SE/456SD
20 B	6LH54361000	BLT_SY-S2M-120-4	1	1/P	e-STUDIO356/356S/356SE/356SD/456/456S/456SE/456SD
21 B	6LH54008000	ASYS-BRKT-EXIT-UPR	1	1/P	e-STUDIO356/356S/356SE/356SD/456/456S/456SE/456SD
22 B	6LA82692000	ASYS-MOTR-S-EXIT-371	1	1/C	e-STUDIO356/356S/356SE/356SD/456/456S/456SE/456SD
23 B	F0-00339000	EHP-6U	1	5/P	e-STUDIO356/356S/356SE/356SD/456/456S/456SE/456SD
24 B	6LH54065000	ASYS-MOTR-OFS-473	1	1/C	e-STUDIO356/356S/356SE/356SD/456/456S/456SE/456SD
25 B	6LJ12925000	GATE-EXIT-UPR-163	1	1/PP	e-STUDIO356/356S/356SE/356SD/456/456S/456SE/456SD
26 B	6LH54061000	LVR-SOL-GATE-473	1	1/P	e-STUDIO356/356S/356SE/356SD/456/456S/456SE/456SD
27 B	6LH54062000	SPG-C-GATE-EXIT	1	1/P	e-STUDIO356/356S/356SE/356SD/456/456S/456SE/456SD
28 B	6LE09192000	SOL-GATE-390	1	1/D	e-STUDIO356/356S/356SE/356SD/456/456S/456SE/456SD
29 B	6LH54049000	PLT-MOTR-OFS	1	1/P	e-STUDIO356/356S/356SE/356SD/456/456S/456SE/456SD
30 B	6LA80090000	S/TPP/BID-3*8-NI	6	5/P	e-STUDIO356/356S/356SE/356SD/456/456S/456SE/456SD
31 B	X0-02069000	S/TPS/BID-3X6-ZU3	2	10/P	e-STUDIO356/356S/356SE/356SD/456/456S/456SE/456SD
32 B	X0-02593000	S/TPD3/FHEXM-3X8-ZU3	5	10/P	e-STUDIO356/356S/356SE/356SD/456/456S/456SE/456SD
33 B	X0-00060000	S/PAN/SWWP-M3X6-NI	2	10/P	e-STUDIO356/356S/356SE/356SD/456/456S/456SE/456SD
34 B	X0-02091000	S/TPP/BID-4X14-NI	2	10/P	e-STUDIO356/356S/356SE/356SD/456/456S/456SE/456SD
35 B	6LH61331000	HRNS-EXIT-UNIT-U-473	1	1/P	e-STUDIO356/356S/356SE/356SD/456/456S/456SE/456SD
36 B	F0-01250000	MSB-1207	1	5/P	e-STUDIO356/356S/356SE/356SD/456/456S/456SE/456SD
37 B	6LH54076000	COVER-EXIT-AC1050	1	1/PP	e-STUDIO356/356S/356SE/356SD/456/456S/456SE/456SD
38 B	6LH55294000	SHEET-LNK-EXIT	1	5/P	e-STUDIO356/356S/356SE/356SD/456/456S/456SE/456SD
39 B	6LH54054000	SHEET-ERS-473	1	1/KP	e-STUDIO356/356S/356SE/356SD/456/456S/456SE/456SD
40 B	6LH54064000	PLT-EARTH-473	1	1/P	e-STUDIO356/356S/356SE/356SD/456/456S/456SE/456SD
41 B	6LA47979000	SCREW-SPEAKER-ZU3	3	5/P	e-STUDIO356/356S/356SE/356SD/456/456S/456SE/456SD

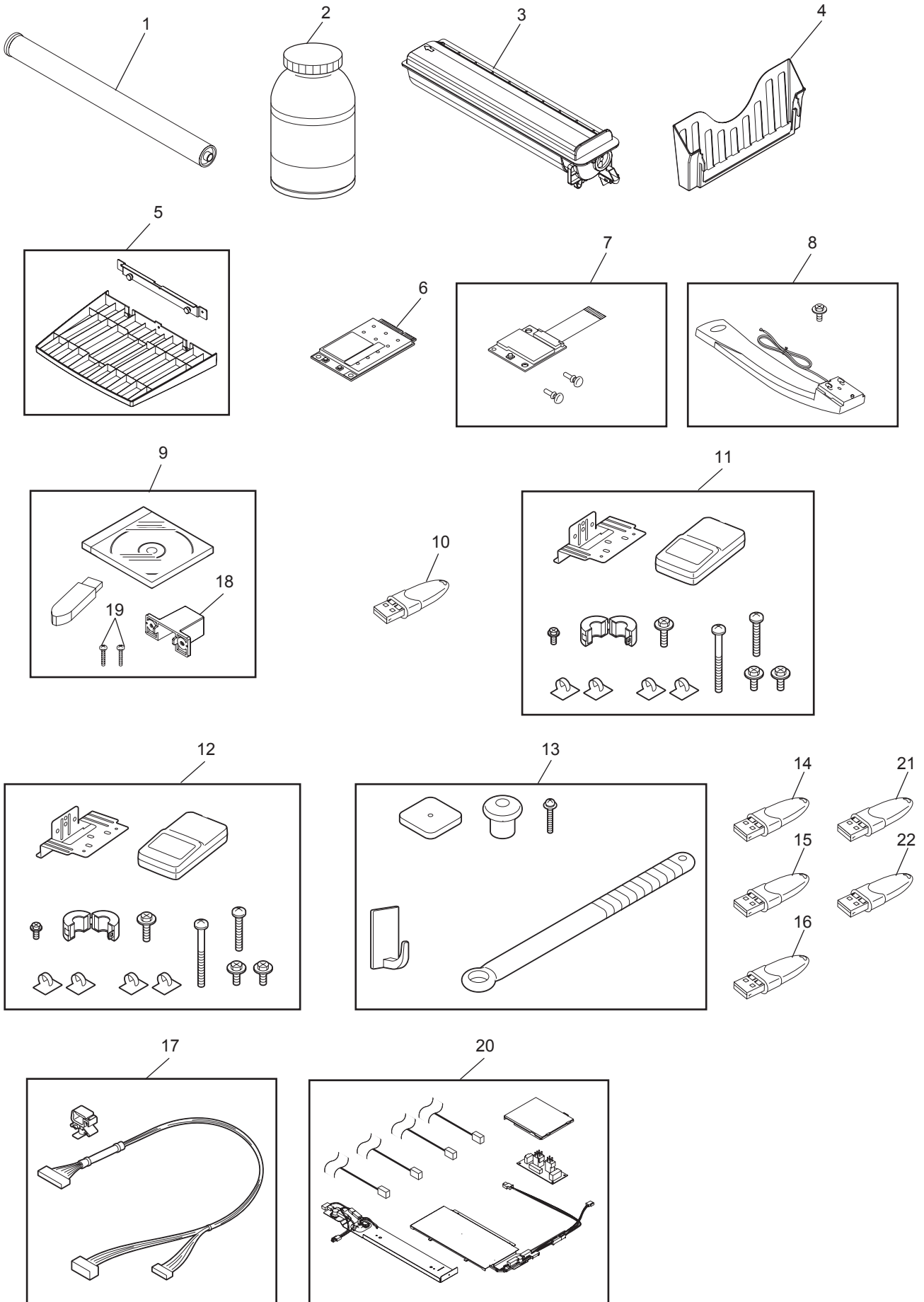


ITEM No.	PART No.	PART NAME	Q'TY / PAGE	Q'TY / PACK	REMARKS
1	6LH51200200	COVER-SIDE-47X-D	1	1/PP	
2	6LH51225000	ROLL-TRANS-ADU-U	1	1/KP	
3	6LH51226000	ROLL-TRANS-ADU-L	1	1/KP	
4	6LH51208000	PLT-EARTH-ADU-47X	1	1/C	
5	44201492000	BUSH-6-POM	2	5/P	
6	6LH53768000	BUSH-6-NU4	2	1/P	
7	6LA83114000	GEAR-10S028-06	1	1/P	
8	44201801000	STOP-RING-6-1.5	3	5/P	
9	6LH51224000	CLUTCH-50C-G28-6	1	1/D	
10	6LH51202000	FRAME-ADU-UPR-47X	1	1/PP	
11	6LH51209000	ACTR-ADU-U-47X	1	1/P	
12	6LH51230000	SPG-T-ACT-ADU-1	1	5/P	
13	6LH51248000	LEVER-OPEN-47X	1	1/KP	
14	6LH51228000	SPG-C-COV-SIDE	2	1/P	
15	C0-14266000	LG248BL1	3	1/C	
16	6LH51232000	ASYS-COV-ADU-GEAR	1	1/P	
17	6LH51211000	GEAR-10S39-08	2	1/P	
18	6LH51210000	GEAR-10S28-6-D	1	1/P	
19	6LH51205000	FRAME-ADU-LOW-47X	1	1/PP	
20	6LH51215000	ACTR-ADU-L-47X	1	1/P	
21	6LH51229000	SPG-T-ACT-ADU-2	1	5/P	
22	6LH51217000	ASYS-HINGE-ADU-F	1	1/P	
23	6LH61341000	HRNS-ADU-UNIT-471	1	1/P	
24	6LA80090000	S/TPP/BID-3*8-NI	25	5/P	
25	X0-00966000	RR/E-5-SS	2	10/P	
26	X0-00980000	P/PRL/AH7-2X10-SS	1	10/P	
27	6LH51413000	ACTR-P-EMP-SFB	1	1/P	
28	6LH51231000	COVER-HRNS-ADU	1	1/P	
29	6LH51216000	ASYS-HINGE-ADU-R	1	1/P	
30 B	6LH51204000	GUIDE-EXIT-UPR-U-473	1	1/PP	e-STUDIO356/356S/356SE/356SD/456/456S/456SE/456SD
31 B	6LH51203100	COVER-EXIT-UPR-473-N	1	1/PP	e-STUDIO356/356S/356SE/356SD/456/456S/456SE/456SD
32	6LH51254100	COVER-EXIT-47X-EX	1	1/PP	
33	6LH51438000	ASYS-BRKT-PT	1	1/P	
34	6LA75470000	LBL-HOT-COV	1	1/KP	
35	6LA82504000	LBL- W-HOT-EXIT371	1	5/KP	
36	6LH52437000	LBL-O-PLACE-COV-47X	1	1/P	
37	6LH51244000	CUSSION-ACTR-ADU	1	5/P	
38 A	6LH51245000	CUSSION-GATE-EXIT	1	5/P	e-STUDIO356/356S/356SE/356SD/456/456S/456SE/456SD
39 A	6LH58270000	SHEET-ERS-47X	1	1/KP	e-STUDIO206L/256/256S/256SE/306/306S/306SE/306SD
40 A	6LH58268000	MYLAR-ERS-47X	1	1/KP	e-STUDIO206L/256/256S/256SE/306/306S/306SE/306SD
41	6LJ12933000	CUSSION-GATE-EXIT-R	1	1/P	

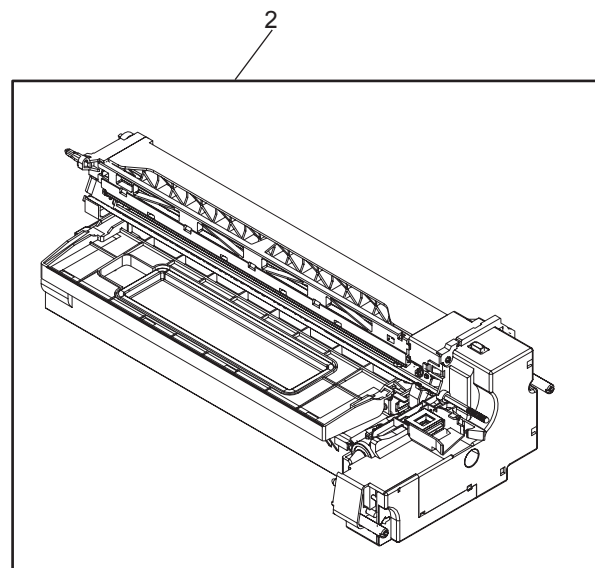
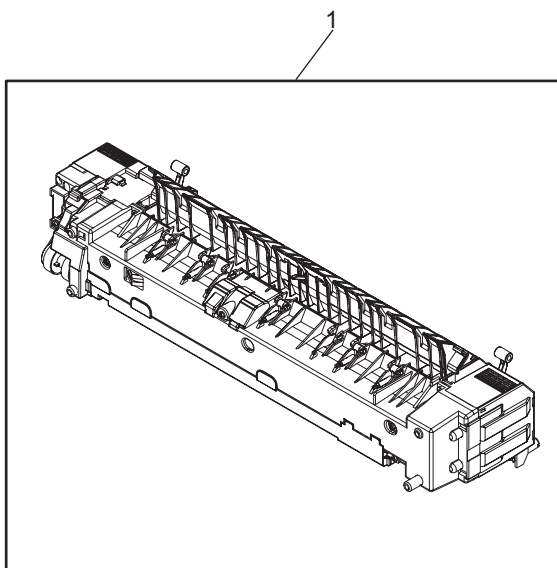
ITEM No.	PART No.	PART NAME	Q'TY / PAGE	Q'TY / PACK	REMARKS
1 A	6LH51654000	ASYB-CST-ROL-F47X_SR-A3	1	1/PP	Lower drawer
1 B	6LH51652000	ASYB-CST-ROL-F47X_LD-A3	1	1/PP	Upper drawer
2	6LH51606000	GEAR-DRV-TRAYUP	1	1/P	
3	6LH51605000	CPG-TRAY-UP	1	1/P	
4	6LH51625000	GUIDE-CST-RR	1	1/P	
5	6LH51630000	SHAFT-LIFT-TRAY	1	1/P	
6	6LH51617000	GEAR-DRV-TRAYUP-SHAFT	1	1/P	
7	6LA80090000	S/TTP/BID-3*8-NI	14	5/P	
8	X0-00434000	S/BID-M3X8-NI	2	10/P	
9	41306265000	STOP RING	1	1/P	
10	6LH51626000	BUSH-SFT-F47X	1	1/P	
11	6LH51611300	COVER-CST-F-470-EX	1	1/PP	
12	6LH51608100	COVER-HNDL-CST-N	1	1/P	
13	6LH51629000	LVR-LIFT-TRAY	1	1/P	
14	6LH51621000	WALL-STOP-F47X	1	1/P	
15	41307599000	SHEET-CST	1	1/KP	
16	6LH05704100	LVR-ADJUST-WALL_G	1	1/P	
17	6LH51640000	ASYS-TRAY-CST-F47X	1	1/PP	
18	6LH51619000	WALL-PLT-SIDE-R-CST	1	1/P	
19	6LH51609000	RACK-CST-R	1	1/P	
20	6LH51655000	WALL-SIDE-F-CST-F47X-U	1	1/KP	
21	6LH51614000	ASYS-PL-PININON-TRY	1	1/P	
22	6LE53717000	GEAR-10S18-8-TRAY	1	1/P	
23	6LH51610100	WALL-END-CST-H16X	1	1/P	
24	6LH51618000	GUIDE-RAIL-CST-L	1	1/P	
25	6LH51620000	RLR-RAIL-CST-L-F47X	1	1/P	
26	6LA56695000	SPC-LVR-WALL-F	1	1/P	
27	6LH51635000	CST-S-GUIDE-MAX	1	1/P	
28	X0-02420000	S/TPS/FHEXM/R-3X8-ZU3	1	10/P	
29	6LJ18019000	LBL_O-LD_H16X	1	1/P	
32 A	6LH31900100	SIZE-CST-450-LT	1	1/KP	NAD,NAG,GSA
32 B	6LH31900000	SIZE-CST-450-A4	1	1/KP	ARD,ASD,AUD,MJD,CND,CNS,CNSD
33	6LH51649000	ASYS-PLT-CUSH-CST	1	1/P	
34	X0-02135000	S/PAN/SWWP-M3X14-NI	2	10/P	
35	X0-00077000	S/PAN/SWWP-M3X8-NI	1	10/P	
36	X0-02116000	WTH/A-3-SS	2	10/P	
37	6LH51612000	ASYS-FRM-DRV-CST	1	1/P	
38	6LH51657000	MYLAR-CST-BOSS	1	5/P	
39	6LJ11600000	LBL-MAX-CST-H16X	1	1/P	
40	6LJ18016000	LBL_INFO-CST_H16X	1	1/P	



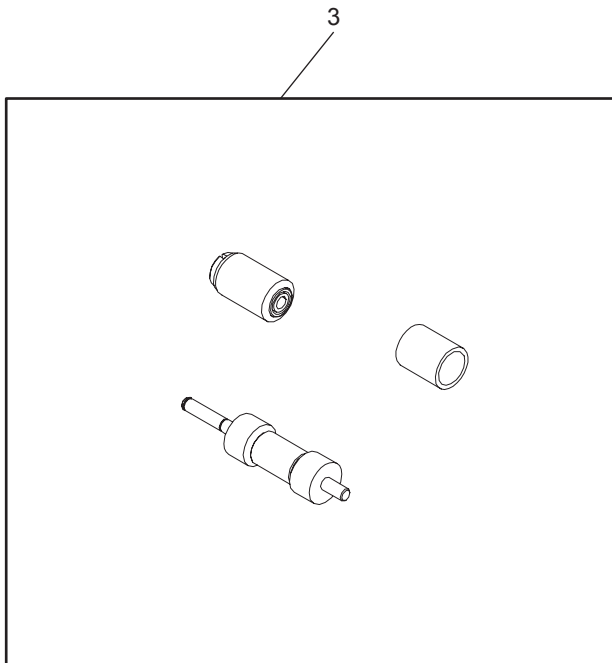
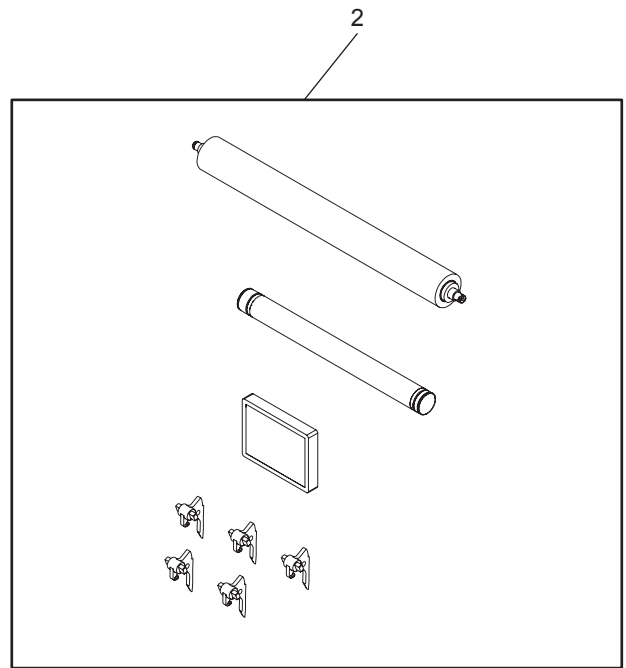
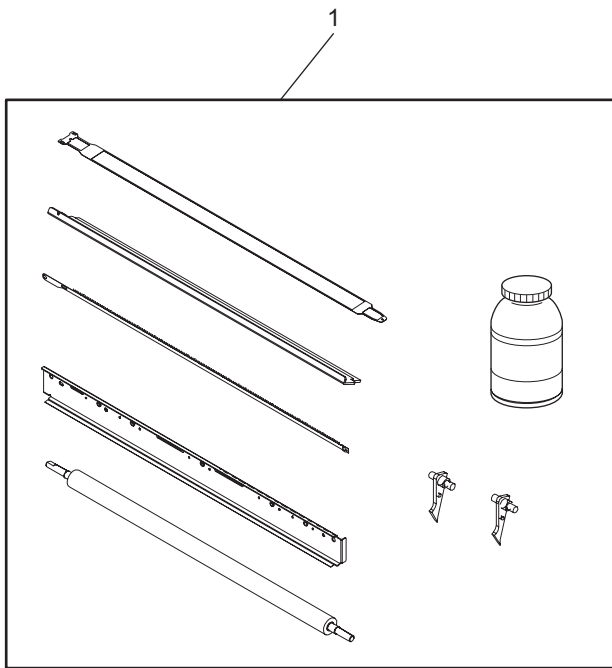




ITEM No.	PART No.	PART NAME	Q'TY / PAGE	Q'TY / PACK	REMARKS
1 A	6LH58311000	OD-4530	1	1/S	All w/o CND,CNS,CNSD
1 B	6LH58311100	OD-4530C	1	1/S	CND,CNS,CNSD
2 A	6LH58317000	D-4530	1	1/S	All w/o CND,CNS,CNSD
2 B	6LH58324000	D-4530C	1	1/S	CND,CNS,CNSD
3 A	6AK00000215	PS-ZT4590U(1)	1	SUPPLY	NAD,NAG,GSA
3 B	6AK00000216	PS-ZT4590A(1)	1	SUPPLY	NAD(Latain America)
3 C	6AG00004044	PS-ZT4590C(1)	1	SUPPLY	CND
3 D	6AG00004038	PS-ZT4590C10K(1)	1	SUPPLY	CND
3 E	6AG00004033	PS-ZT4590D(1)	1	SUPPLY	AUD,SAD
3 F	6AG00004035	PS-ZT4590T(1)	1	SUPPLY	TWD
3 G	6AJ00000086	PS-ZT4590E(1)	1	SUPPLY	MJD
4 A	6AG00001893	KK-1660	1	SUPPLY	All w/o AUD,CND,CNS,CNSD
4 B	6AG00001894	KK-1660-C	1	SUPPLY	CND,CNS,CNSD
5 A	6AR00000755	KK-4550	1	SUPPLY	All w/o CND,CNS,CNSD
5 B	6AR00000756	KK-4550C	1	SUPPLY	CND,CNS,CNSD
6 A	6A000000981	GN-1050	1	SUPPLY	All w/o CND,CNS,CNSD
6 B	6A000001050	GN-1050C	1	SUPPLY	CND,CNS,CNSD
7	6A000001301	GN-2020	1	SUPPLY	All w/o CND,CNS,CNSD
8 A	6A000000459	GN-3010	1	SUPPLY	All w/o CND,CNS,CNSD
8 B	6AR00000579	GN-3010C	1	SUPPLY	CND,CNS,CNSD
9 A	6AG00003987	GM-1230C	1	SUPPLY	Printer kit eS256/306:CND,CNS,CNSD
9 B	6AG00003965	GM-1230	1	SUPPLY	Printer kit eS256/306
9 C	6AG00003965	GM-1230	1	SUPPLY	(All w/o NAD,NAG,GSA,MJD,CND,CNS,CNSD)
9 D	6AG00003967	GM-1240C	1	SUPPLY	Printer kit eS356/456:CND,CNS,CNSD
9 E	6AG00003966	GM-1240	1	SUPPLY	Printer kit eS356/456
9 F	6AG00003966	GM-1240	1	SUPPLY	(All w/o NAD,NAG,GSA,MJD,CND,CNS,CNSD)
9 G	6AG00003977	GM-2250C	1	SUPPLY	Printer/Scanner kit eS256/306:CND,CNS,CNSD
9 H	6AG00003975	GM-2250	1	SUPPLY	Printer/Scanner kit eS256/306
9 I	6AG00003975	GM-2250	1	SUPPLY	(All w/o NAD,NAG,GSA,MJD,CND,CNS,CNSD)
9 J	6AG00003986	GM-2260C	1	SUPPLY	Printer/Scanner kit eS356/456:CND,CNS,CNSD
9 K	6AG00003985	GM-2260	1	SUPPLY	Printer/Scanner kit eS356/456
9 L	6AG00003985	GM-2260	1	SUPPLY	(All w/o NAD,NAG,GSA,MJD,CND,CNS,CNSD)
9 M	6AG00003996	GM-4230C	1	SUPPLY	Scanner kit eS256/306:CND,CNS,CNSD
9 N	6AG00003995	GM-4230	1	SUPPLY	Scanner kit eS256/306
9 O	6AG00003995	GM-4230	1	SUPPLY	(All w/o NAD,NAG,GSA,MJD,CND,CNS,CNSD)
9 P	6AG00004003	GM-4240C	1	SUPPLY	Scanner kit for eS256/306:CND,CNS,CNSD
9 Q	6AG00004002	GM-4240	1	SUPPLY	Scanner kit for eS256/306
9 R	6AG00004002	GM-4240	1	SUPPLY	(All w/o NAD,NAG,GSA,MJD,CND,CNS,CNSD)
10	6A000001051	GP-1070	1	SUPPLY	All w/o CND,CNS,CNSD
11	6A000000878	KP-2004	1	SUPPLY	All
12 A	6A000000925	KP-2005	1	SUPPLY	Mifare Card Reader for All w/o CND,CNS,CNSD
12 B	6A000001016	KP-2005C	1	SUPPLY	Mifare Card Reader for CND,CNS,CNSD
13	6A000001164	KK-2550	1	SUPPLY	All
14	6A000001055	GS-1010	1	SUPPLY	All
15	6A000001057	GS-1020	1	SUPPLY	All
16	6A000001053	GP-1080	1	SUPPLY	All w/o CND,CNS,CNSD
17	6A000001241	GQ-1180	1	SUPPLY	All
18	6LA60648000	COVER-ENABLER	1	1/P	
19	X0-01922000	S/TPP/BID-4X8-NI	1	10/P	
20 A	6AG00002780	MF-4550U	1	SUPPLY	NAD
20 B	6AG00002776	MF-4550E	1	SUPPLY	MJD
21	6A000001309	GS-1007	1	SUPPLY	
22	6A000001215	GR-1100TW	1	SUPPLY	



ITEM No.	PART No.	PART NAME	Q'TY / PAGE	Q'TY / PACK	REMARKS
1 A	6LJ14050000	FUSER-3020-115	1	1/S	e-STUDIO206L/256/256S/256SE NAD,NAG,GSA
1 B	6LJ14050000	FUSER-3020-115	1	1/S	e-STUDIO306/306S/306SE/306SD NAD,NAG,GSA
1 C	6LJ14050100	FUSER-3020-220	1	1/S	e-S256/256S/256SE ARD,ASD,AUD,MJD,CND,CNS,CNSD
1 D	6LJ14050100	FUSER-3020-220	1	1/S	e-S306S/306SE/306SD ARD,ASD,AUD,MJD,CND,CNS,CNSD
1 E	6LJ14051000	FUSER-4590-115	1	1/S	e-STUDIO356/356S/356SE NAD,NAG,GSA
1 F	6LJ14051000	FUSER-4590-115	1	1/S	e-STUDIO356SD/456/456S/456SE/456SD NAD,NAG,GSA
1 G	6LJ14051100	FUSER-4590-220	1	1/S	e-S356/356S ARD,ASD,AUD,MJD,CND,CNS,CNSD
1 H	6LJ14051100	FUSER-4590-220	1	1/S	e-S356SE/356SD/456 ARD,ASD,AUD,MJD,CND,CNS,CNSD
1 I	6LJ14051100	FUSER-4590-220	1	1/S	e-S456S/456SE/456SD ARD,ASD,AUD,MJD,CND,CNS,CNSD
2 A	6LH53491000	PU-3000	1	1/S	e-STUDIO206L/256/256S/256SE/306/306S/306SE/306SD
2 B	6LH53491100	PU-4530	1	1/S	e-STUDIO356/356S/356SE/356SD/456/456S/456SE/456SD



ITEM No.	PART No.	PART NAME	Q'TY / PAGE	Q'TY / PACK	REMARKS
1	6LH53489000	DEV-KIT-4530	1	1/S	
2 A	6LJ14058000	FR-KIT-3020	1	1/S	e-STUDIO206L/256/256S/256SE/306/306S/306SE/306SD e-STUDIO356/356S/356SE/356SD/456/456S/456SE/456SD
2 B	6LJ14058100	FR-KIT-4590	1	1/S	
3	6LH34608000	PM-KIT-ROLLER	1	1/P	

TOSHIBA

TOSHIBA TEC CORPORATION

2-17-2, HIGASHIGOTANDA, SHINAGAWA-KU, TOKYO, 141-8664, JAPAN