

MULTIFUNCTIONAL DIGITAL SYSTEMS

Quick Start Guide

e-STUDIO206L

e-STUDIO256

e-STUDIO306

e-STUDIO356

e-STUDIO456

e-STUDIO506

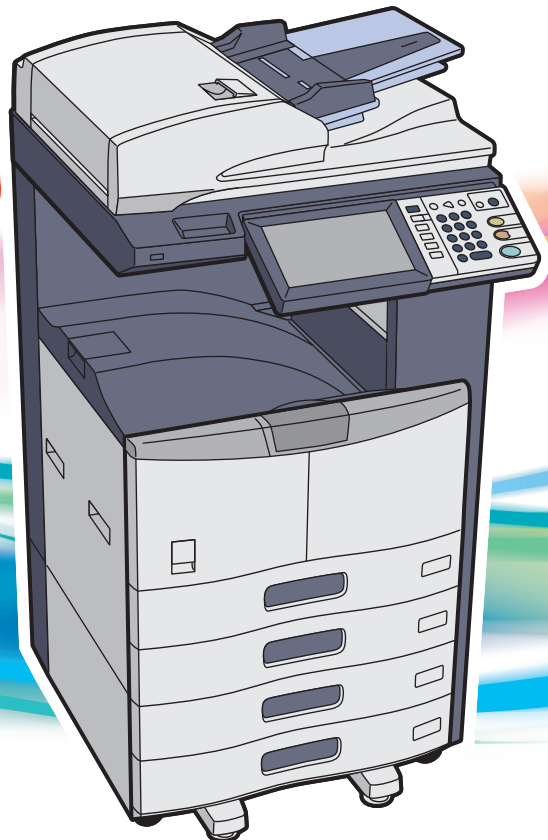
e-STUDIO256SE

e-STUDIO306SE

e-STUDIO356SE

e-STUDIO456SE

e-STUDIO506SE



Lineup of Our Manuals

Some of these manuals are printouts and others are PDF files recorded in the Client Utilities/User Documentation DVD. In the printouts, precautions and basic operations are described. Be sure to read "Safety Information" before using the equipment. In the PDF files, detailed copying functions and other settings are described. Select and read those best suited to your needs.

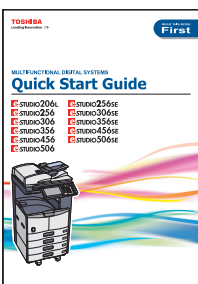
Printouts



Safety Information

This Safety Information describes the necessary precautions for use. For your added security, be sure to read this booklet first.

PDF files recorded in the "Client Utilities/User Documentation DVD".



Quick Start Guide (This manual)

This Quick Start Guide describes the preparations, basic and advanced usage, maintenance and regular cleaning of the equipment.

PDF files recorded in the "Client Utilities/User Documentation DVD".

How to use the Client Utilities/User Documentation DVD

Windows:

1. Set the Client Utilities/User Documentation DVD in the DVD-ROM drive on your computer. Software Installer starts automatically.

Note

If Software Installer does not launch, use the explorer to open the [e-STUDIO] folder in the Client Utilities/User Documentation DVD and double-click "Setup.exe".

2. Select [I agree to the terms of the License Agreement.] and click [Next].
3. Click the Open User's Manual link in Software Installer. The browser starts automatically and the menu for choosing a language is displayed.

Note

If the menu is not displayed, use the explorer to open the [Manuals] folder in the Client Utilities/User Documentation DVD and double-click "index.html".

4. Click the desired language button. The menu for choosing the equipment is displayed.
5. Click the desired equipment button to display the menu for choosing an operator's manual.
6. Click the title of the operator's manual to be viewed from the menu. Its PDF file is displayed.

Macintosh:

1. Set the Client Utilities/User Documentation DVD in the DVD-ROM drive on your computer.
2. Open the [Manuals] folder in the Client Utilities/User Documentation DVD and open the desired language folder.
3. Double-click the file of the operator's manual to be viewed. Its PDF file is displayed.

Copying Guide

This Copying Guide describes the operations and settings enabled with the [COPY] button on the control panel.

Scanning Guide

This Scanning Guide describes the operations and settings enabled with the [SCAN] button on the control panel and those of Internet Fax.

e-Filing Guide

This e-Filing Guide describes the operations and settings enabled with the [e-FILING] button on the control panel and the e-Filing web utility.

This e-Filing web utility enables you to operate e-Filing using the browser on your computer.

MFP Management Guide

This MFP Management Guide describes the operations and settings enabled with the [USER FUNCTIONS] button and the [COUNTER] button on the control panel.

Software Installation Guide

This Software Installation Guide describes the installation procedures for printer drivers and utilities.

Printing Guide

This Printing Guide describes the settings of printer drivers required for printing and the various procedures.

TopAccess Guide

This TopAccess Guide describes procedures for remote setup and management from a web-based utility, "TopAccess".

This "TopAccess" web utility enables you to manage the equipment using the browser on your computer.

Troubleshooting Guide

This Troubleshooting Guide describes how to deal with problems, such as paper jams, as well as how to react to messages displayed on the touch panel.

Network Fax Guide

This Network Fax Guide describes the operations of the N/W-Fax Driver.

The N/W-Fax driver enables you to send electronic documents as faxes or Internet faxes from your computer.

High Security Mode Management Guide

This High Security Mode Management Guide describes the conditions and settings to use the equipment in the high security mode.

Help menu for client software

To run the following client software, refer to the Help menu of each:

- AddressBook Viewer
- e-Filing Backup/Restore Utility
- TWAIN Driver / File Downloader

Operator's manuals of options

In the following options sold separately, the corresponding operator's manuals are co-packed.

- GD-1250/GD-1260/GD-1270 Operator's Manual for FAX Unit
- GN-1060 Operator's Manual for Wireless LAN Module
- GP-1070 Operator's Manual for Data Overwrite Enabler
- KP-2004 Operator's Manual for e-BRIDGE ID Gate
- KP-2005 Operator's Manual for e-BRIDGE ID Gate


To read manuals in PDF (Portable Document Format) files


Viewing and printing manuals in PDF files require that you install Adobe Reader or Adobe Acrobat Reader on your PC. If Adobe Reader or Adobe Acrobat Reader is not installed on your PC, download and install it from the website of Adobe Systems Incorporated.

How to Read This Manual

Symbols in this manual

In this manual, some important items are described with the symbols shown below. Be sure to read these items before using this equipment.

 **WARNING** Indicates a potentially hazardous situation which, if not avoided, could result in death, serious injury, or serious damage, or fire in the equipment or surrounding objects.

 **CAUTION** Indicates a potentially hazardous situation which, if not avoided, may result in minor or moderate injury, partial damage to the equipment or surrounding objects, or loss of data.

Note Indicates information to which you should pay attention when operating the equipment.

Read the following description as required.

Tip Describes handy information that is useful to know when operating the equipment.

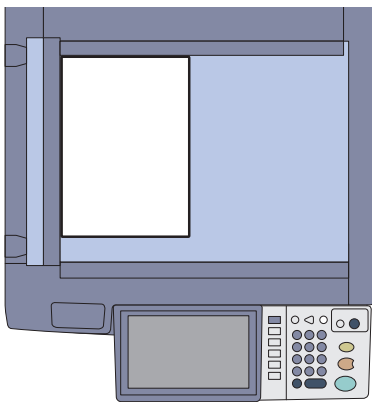


Indicates the pages describing items related to what you are currently doing.

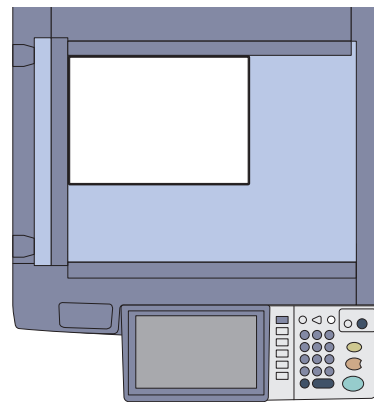
Description of original/paper direction

Paper or originals of A4 or B5 / LT size can be placed either in a portrait direction or in a landscape direction. In this manual, “-R” is added to this paper size when this size of paper or original is placed in a landscape direction.

Example: A4 / LT size original on the original glass



Placed in a portrait direction: A4 / LT



Placed in a landscape direction: A4-R / LT-R

Paper or originals of A3 or B4 / LD or LG size can only be placed in a landscape direction, therefore “-R” is not added to these sizes.

Screens and Operation Procedures

- In this manual, the screens and the operation procedures in Windows are described for Windows 7. The details on the screens may differ depending on how the equipment is used, such as the status of the installed options, the OS version and the applications.
- The illustration screens used in this manual are for paper in the A/B format. If you use paper in the LT format, the display or the order of buttons in the illustrations may differ from that of your equipment.

CONTENTS

How to Read This Manual	2
Recommended toner cartridges.....	4

Chapter 1 PREPARATIONS

Description of Each Component.....	6
Turning Power ON/OFF	12
Placing Paper and Originals	15
Installing Client Software	17

Chapter 2 BASIC OPERATION

Basic Copying Operation.....	20
Basic Fax Operation.....	24
Basic Scanning Operation.....	28
Basic e-Filing Operation.....	30
Basic Printing Operation	32
Basic Menu Operation	34

Chapter 3 MAINTENANCE

Replacing Toner Cartridge	36
Replacing Staple Cartridge.....	37
Regular Cleaning	44

Chapter 4 TROUBLESHOOTING

Troubleshooting.....	48
----------------------	----

Chapter 5 ADVANCED FUNCTIONS

Advanced Functions	54
--------------------------	----

Chapter 6 INFORMATION ABOUT EQUIPMENT

Items Included in This Product	64
Client Utilities/User Documentation DVD.....	65
Client Software	66
Options	68
Logging in.....	71
Specifications of Equipment	74
Specifications of Options.....	77

INDEX	85
-------------	----

Recommended toner cartridges

To assure optimal printing performance, we recommend that you use only genuine TOSHIBA toner cartridges. If you use a TOSHIBA-recommended toner cartridge, you can utilize the following three functions of this equipment:

- **Cartridge detecting function:**

This function checks if the toner cartridge is correctly installed and notifies you if it is not.

- **Toner remaining check function:**

This function notifies you when there is little toner remaining in the cartridge, as well as notifying it to your authorized service representative automatically by the remote service.

- **Image quality optimization function:**

This function controls image quality according to the characteristics of the toner to be used and enables you to print images of an optimal quality.

If you are using a toner cartridge other than the one we recommend, the equipment may not be able to detect whether it is installed or not. Therefore, even if the toner cartridge is correctly installed, the error message "TONER NOT RECOGNIZED" appears on the touch panel and printing may not be performed. You may also not be able to utilize the image quality optimization function, the toner remaining check function and the remote service function notifying your authorized service representative automatically.

If you are using a toner cartridge other than the one we recommend, toner is not recognized. If this is a problem for you, please contact your service representative. Remember you will not be able to utilize the Toner remaining check function and Image quality optimization function as we mentioned.

Trademarks

- The official name of Windows XP is Microsoft Windows XP Operating System.
- The official name of Windows Vista is Microsoft Windows Vista Operating System.
- The official name of Windows 7 is Microsoft Windows 7 Operating System.
- The official name of Windows 8 is Microsoft Windows 8 Operating System.
- The official name of Windows Server 2003 is Microsoft Windows Server 2003 Operating System.
- The official name of Windows Server 2008 is Microsoft Windows Server 2008 Operating System.
- The official name of Windows Server 2012 is Microsoft Windows Server 2012 Operating System.
- Microsoft, Windows, Windows NT, and the brand names and product names of other Microsoft products are trademarks of Microsoft Corporation in the US and other countries.
- Apple, AppleTalk, Macintosh, Mac, Mac OS, Safari, and TrueType are trademarks of Apple Inc. in the US and other countries.
- Adobe, Acrobat, Reader, and PostScript are either registered trademarks or trademarks of Adobe Systems Incorporated in the United States and/or other countries.
- Mozilla, Firefox and the Firefox logo are trademarks or registered trademarks of Mozilla Foundation in the U.S. and other countries.
- IBM, AT and AIX are trademarks of International Business Machines Corporation.
- NOVELL, NetWare and NDS are trademarks of Novell, Inc. in the US.
- TopAccess is a trademark of Toshiba Tec Corporation.
- Other company and product names given in this manual or displayed in this software may be the trademarks of their respective companies.

Chapter 1

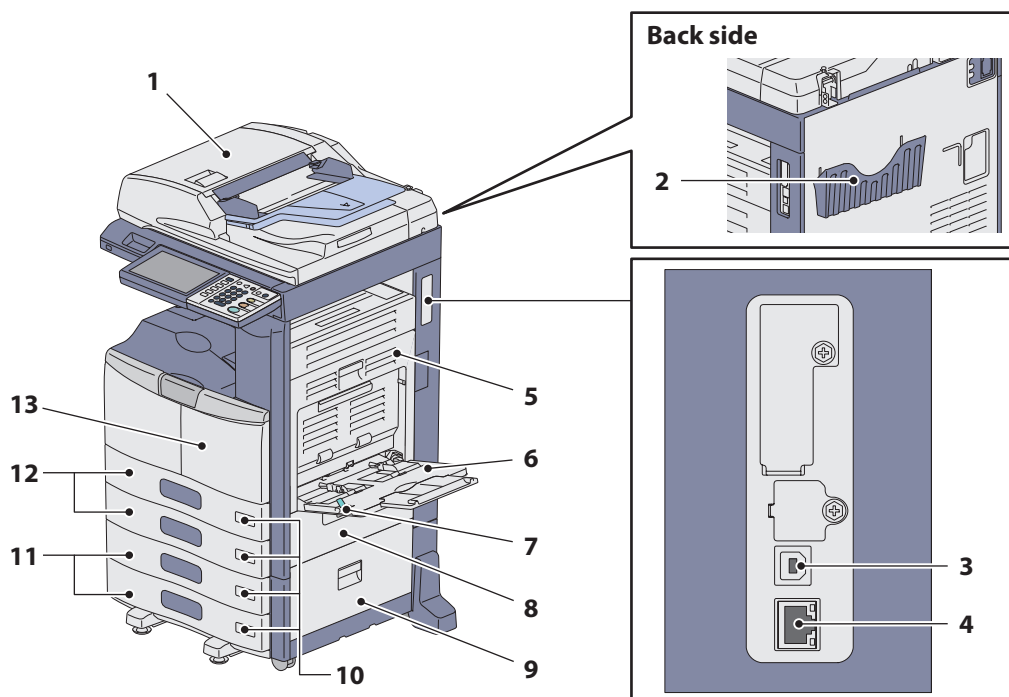
PREPARATIONS

Description of Each Component.....	6
Turning Power ON/OFF.....	12
Placing Paper and Originals	15
Installing Client Software.....	17

Description of Each Component

This section describes the names and operations of the equipment, control panel and touch panel.

Front / Right side



1. Reversing Automatic Document Feeder (optional, MR-3021/MR-3022)

The stack of originals is scanned one sheet at a time. Both sides of the originals can be scanned. A maximum of 100 sheets (80 g/m² or 20 lb. Bond) can be placed in one go. (The maximum number of sheets that can be set may vary depending on the media type of the originals.)

2. Operator's Manual Pocket (back side, optional, KK-1660)

Keep the manual in this pocket.

3. USB terminal (4-pin)

Use this terminal when connecting this equipment to a PC with a commercially available USB cable.

4. Network interface connector

Use this connector when connecting this equipment to a network.

5. Automatic duplexing unit

This unit makes copies on both sides of the paper. Open it when paper jams occur.

6. Bypass tray

Use this to perform printing on special media types such as OHP film, etc.

📖 P.23 "Bypass copying" in this manual

7. Paper holding lever

Use this to locate paper on the bypass tray.

8. Paper feed cover

Open this cover when releasing paper misfed in the drawer feeding area.

9. Paper feed cover (optional)

Open this cover when releasing paper misfed in the Paper Feed Pedestal (optional) or Large Capacity Feeder (optional).

10. Paper size indicator

The size of the paper set in the drawer can be checked.

11. Paper Feed Pedestal (optional, KD-1025) and Additional Drawer Module (optional, MY-1033) or Large Capacity Feeder (optional, KD-1026)

Use the Paper Feed Pedestal to add one drawer. The Additional Drawer Module (optional) can be installed in this device.

A maximum of 2000 sheets (80 g/m² or 20 lb. Bond) of plain paper can be placed in the Large Capacity Feeder.

12. Drawer

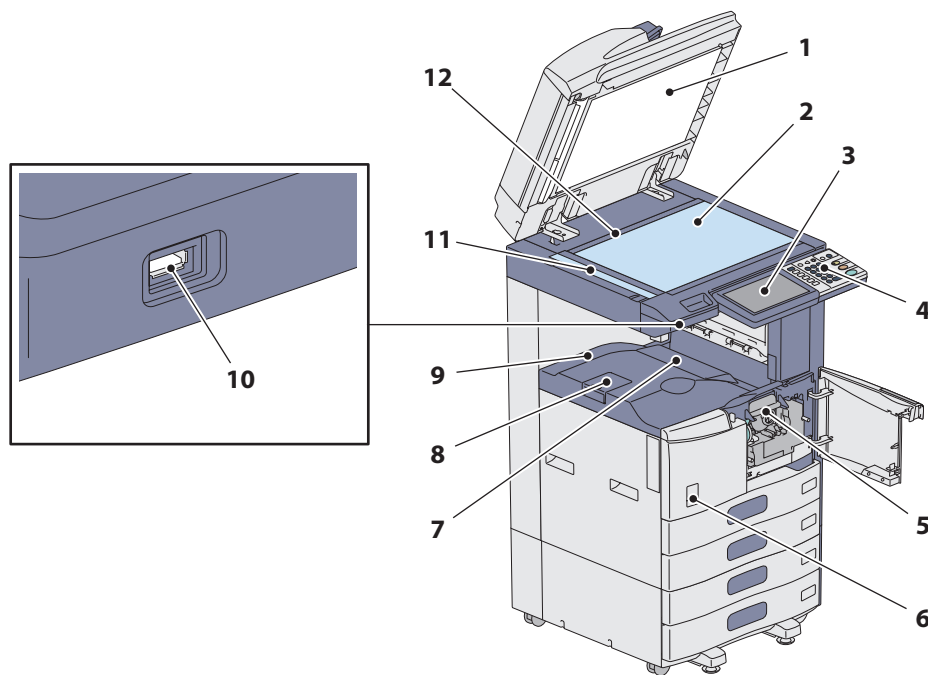
A maximum of 550 sheets of plain paper can be placed in one go.

📖 P.15 "Placing paper" in this manual

13. Front cover

Open this cover when you replace the toner cartridge and clean the charger.

Left / Inner side



1. Platen sheet

Use this to hold the original on the original glass to scan it.
 ☞ P.44 "Regular Cleaning" in this manual

2. Original glass

Use this to copy three-dimensional originals, book-type originals and special paper such as OHP film or tracing paper, as well as plain paper.

3. Touch panel

Use this to set and operate various types of functions such as copying, scanning and faxing. This also displays messages, such as when paper runs out or paper jams occur.
 ☞ P.10 "Touch panel" in this manual

4. Control panel

Use this to set and operate various types of functions such as copying and faxing.
 ☞ P.8 "Control panel" in this manual

5. Toner cartridge

When toner runs out, the message appears on the touch panel. Replace the cartridge following the procedure below.
 ☞ P.36 "Replacing Toner Cartridge" in this manual

6. Main power switch

Use this switch to turn the power of the equipment ON or OFF.
 ☞ P.12 "Turning Power ON/OFF" in this manual

7. Exit support tray

This tray aligns the printed paper.
 ☞ *Troubleshooting Guide* (PDF): "Chapter 1: TROUBLESHOOTING FOR THE HARDWARE" - "Removal and Installation of the Exit Support Tray"

8. Paper exit stopper

Use this to prevent the exiting paper from falling. Open this when you make many copies or prints on a larger size of paper such as A3, B4, LD and LG.

9. Exit tray

Printed paper exits into this tray.

10. USB port

Use this connector when printing files stored in a USB device or storing scanned data into the USB device.

11. Scanning area

The data of originals transported from the Reversing Automatic Document Feeder (optional) are scanned here.
 ☞ P.44 "Regular Cleaning" in this manual

12. Original scale

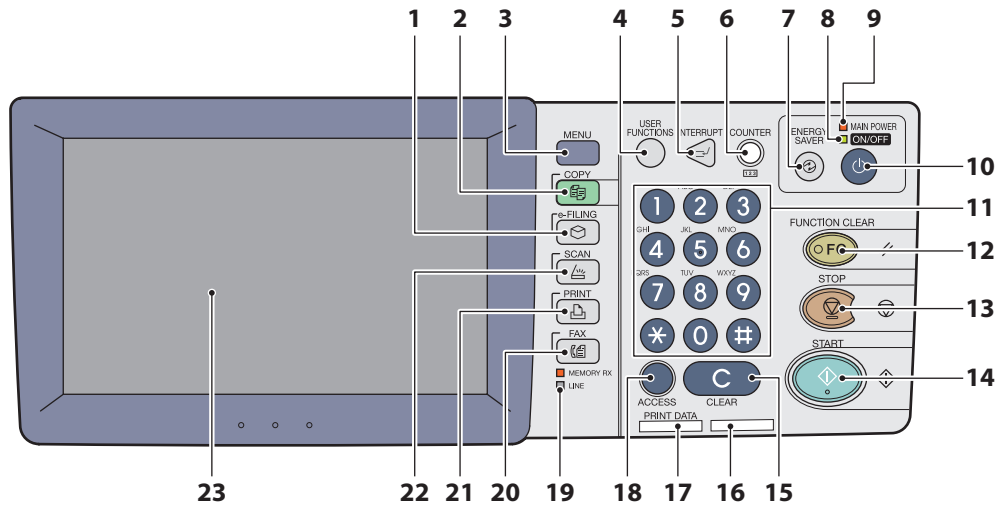
Use this to check the size of an original placed on the original glass.

Tip

Items marked (optional) are sold separately. In addition to those on P.6 and P.7, you will find more on other pages.
 ☞ P.68 "Options" in this manual.

Control panel

Use the buttons on the control panel for various operations and settings in the equipment.



1. [e-FILING] button

Use this button to access stored image data.

2. [COPY] button

Use this button to access the copying function.

3. [MENU] button

Use this button to display frequently used templates.

4. [USER FUNCTIONS] button

Use this button for paper size or media type setting of drawers, and registration of the copy, scan and fax settings including a default setting change.

MFP Management Guide (PDF): "Chapter 1: SETTING ITEMS (USER)"

MFP Management Guide (PDF): "Chapter 2: SETTING ITEMS (ADMIN)"

5. [INTERRUPT] button

Use this button to interrupt print processing and perform a copy job. The interrupted job is resumed through your pressing this button again.

6. [COUNTER] button

Use this button to display the counter.

MFP Management Guide (PDF): "Chapter 3: MANAGING COUNTERS (COUNTER MENU)"

7. [ENERGY SAVER] button

Use this button for the equipment to enter the energy saving mode.

8. ON/OFF lamp

This green lamp lights when the [POWER] button is ON.

9. MAIN POWER lamp

This red lamp lights when the main power switch is ON.

10. [POWER] button

Use this button to turn the power of the equipment ON or OFF (shutdown).

11. Digital keys

Use these keys to enter any numbers such as the number of copies, telephone numbers or passwords.

12. [FUNCTION CLEAR] button

When this button is pressed, all selected functions are cleared and returned to the default settings. If the default setting is changed on the control panel, and then copying, scanning, faxing or similar is performed, this button blinks.

13. [STOP] button

Use this button to stop any scanning and copying operations in progress.

14. [START] button

Use this button to start copying, scanning and faxing operations.

15. [CLEAR] button

Use this button to correct the numbers keyed in, such as the number of copy sets.

16. Alarm lamp

This red lamp lights when an error occurs and some action needs to be taken.

17. PRINT DATA lamp

This green lamp lights during reception of data such as print data.

18. [ACCESS] button

Use this button when the department code or user information has been set. If this button is pressed after copying, etc., the next user needs to enter the department code or user information.

P.71 "Logging in" in this manual

19. MEMORY RX / LINE lamps

These lamps light in the status of the fax data reception and fax communication. The equipment can be operated even while these lamps are lighting.

20. [FAX] button

Use this button to access the Fax / Internet Fax function.

21. [PRINT] button

Use this button to access the printing functions such as private printing, in this equipment.

22. [SCAN] button

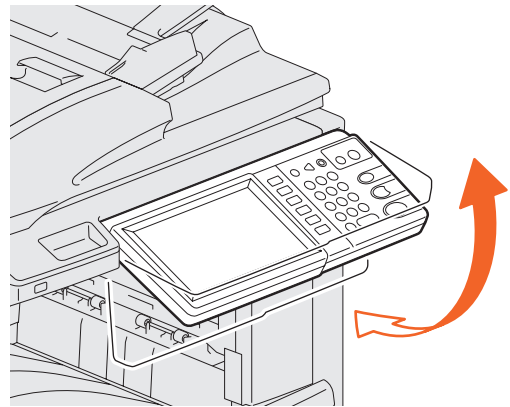
Use this button to access the scanning function.

23. Touch panel

Use this panel for the various settings of the copying, scanning and Fax functions. This also displays messages, such as when paper runs out or paper jams occur.

Adjusting the angle of the control panel

The angle of the control panel is adjustable at any angle between 7 and 84 degrees from the horizontal position.

**⚠ CAUTION**

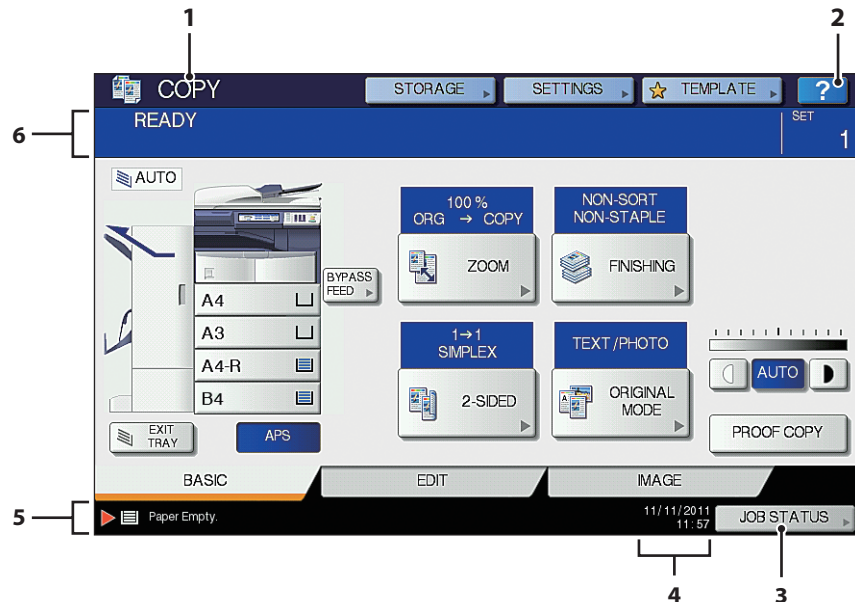
When changing the angle of the control panel, be careful not to catch your hands in the gap between the equipment and the control panel.

This could injure you.

Touch panel

When the power is turned ON, the basic menu for copying functions is displayed on this touch panel. The status of the equipment is also displayed on the touch panel with messages and illustrations.

The menu shown at the time of turning the power ON can be changed to one for functions other than copying, for example, Fax function. Contact your service technician or representative for details.



1. Function display

The function being used, such as copying or faxing, is displayed.

2. [?] (HELP) button

Use this button to view the explanation of each function or the buttons on the touch panel.

📖 P.51 "Using the Help functions" in this manual

3. [JOB STATUS] button

This indicates the processing status of copy, fax, scan or print jobs, and also allows you to view their performance history.

4. Date and time

The present date and time are displayed.

5. Alert message indication area

This shows alert messages such as when the toner cartridges must be replaced.

6. Message indication area

The explanation of each operation or the current status is displayed in message form.

Message displayed

The following information appears on the touch panel:

- Equipment status
- Operational instructions
- Cautionary messages
- Reproduction ratios
- Number of copy sets
- Paper size and amount of paper remaining in a selected drawer
- Date and time

Touch buttons

Press these buttons on the touch panel lightly to set various functions.

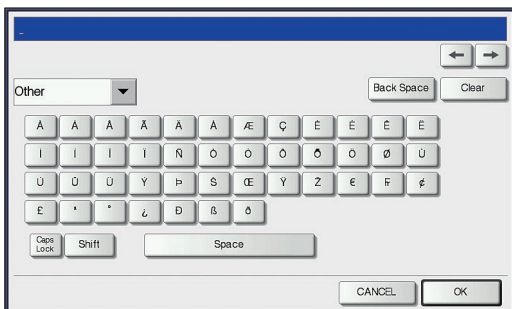
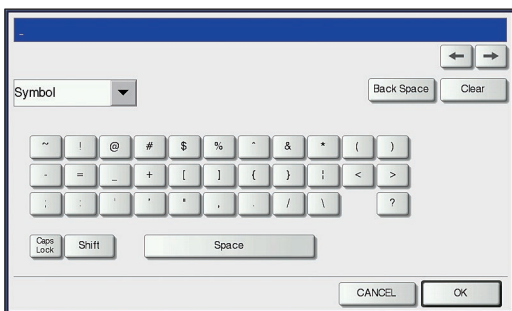
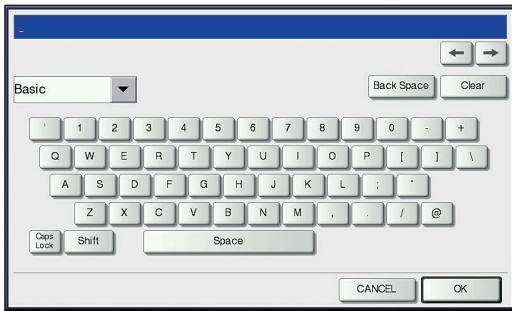
Adjusting the contrast of the touch panel

You can set the contrast of the touch panel in the USER FUNCTIONS menu entered by pressing the [USER FUNCTIONS] button on the control panel.

📖 *MFP Management Guide* (PDF): "Chapter 1: SETTING ITEMS (USER)" - "GENERAL"

Setting letters

The following menu is displayed when the entry of any letter is required for scanning or e-Filing, etc. Use the buttons on the touch panel for letter entry. After entering the letters, press [OK]. The menu will be changed.



The following buttons are used for letter entry.

- [Basic]: Press this to access the basic keys.
- [Symbol]: Press this to access the symbol keys.
- [Other]: Press this to access the special keys.

- [Caps Lock]: Press this to switch capital letters and small letters.
- [Shift]: Press this to enter capital letters.
- [Space]: Press this to enter a space.



: Press these to move the cursor.

[Back Space]: Press this to delete the letter before the cursor.

[Clear]: Press this to delete all letters entered.

[CANCEL]: Press this to cancel the entry of letters.

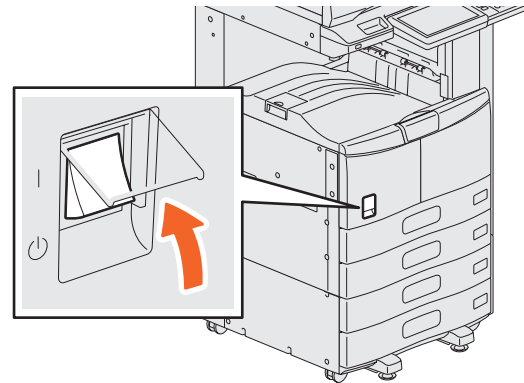
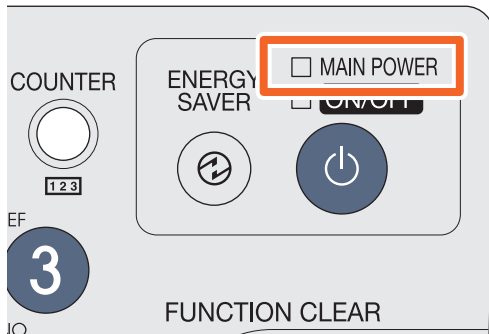
[OK]: Press this to fix all entered letters.

Turning Power ON/OFF

This section explains how to turn the power ON and OFF as well as the energy saving mode. How to turn the power ON differs between when the MAIN POWER lamp (red) on the control panel is lit and when it is not.

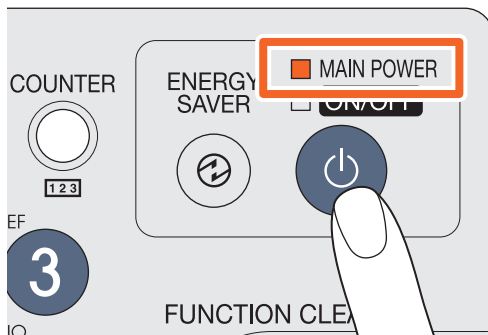
Turning the power ON

When the MAIN POWER lamp (red) on the control panel does not light:



Open the main power switch cover and turn the power ON there.

When the MAIN POWER lamp (red) on the control panel lights:



Press the [POWER] button.

- The equipment starts warming-up. "Wait Warming Up" appears during warming-up. This may take longer than normally depending on the status and condition.
- While the equipment is warming up, you can use the auto job start function. For details, refer to the following guide: [Copying Guide \(PDF\): "Chapter 2: HOW TO MAKE COPIES" - "Making Copies"](#)

The equipment will be ready for copying after about 20 seconds and "READY" appears.

When you turn the power of the equipment OFF, be sure also to shut it down by pressing the [POWER] button on the control panel. Do not simply turn the main power switch OFF. For details, see the following page:

[P.13 "Turning the power OFF \(Shutdown\)"](#) in this manual

When "ERASING DATA" appears

This message appears when the Data Overwrite Enabler (optional) has been installed. It appears immediately after the power is turned ON or after the equipment has been operated. You can operate the equipment even if it is displayed.

Tip

When the equipment is controlled under the department or user management function, enter the department code or user information first. For details, see the following page:

[P.71 "Logging in"](#) in this manual

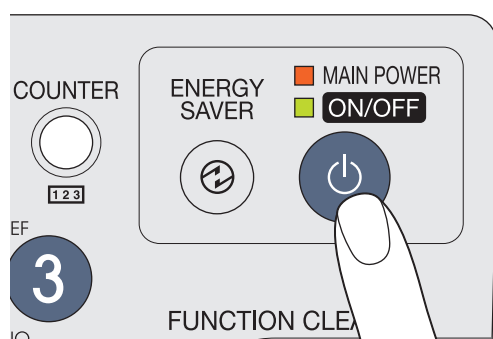
Turning the power OFF (Shutdown)

When turning the power of the equipment OFF, be sure to shut it down according to the procedure below. Check the following three points before shutdown.

- No jobs should be left in the print job list.
- None of the PRINT DATA lamp or the MEMORY RX / LINE lamps should be blinking.
(If the equipment is shut down while any of the above lamps is blinking, jobs in progress such as FAX reception will be aborted.)
- No computer should access the equipment via the network, such as TopAccess.

Notes

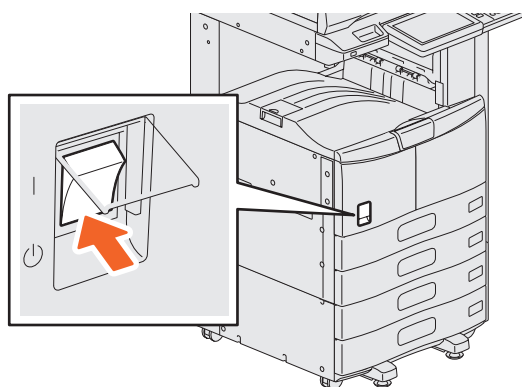
- When the ON/OFF lamp (green) lights or blinks on the control panel, do not simply press the main power switch to turn the power OFF. The stored data may be lost or the hard disk may be damaged.
- If a job in process exists when the [POWER] button of the control panel is pressed, "Processing job will be deleted. Are you sure you want to shutdown?" appears.



Press the [POWER] button until a "pip" sound is heard.

"Shutdown is in progress." appears for a while, and then the power is turned OFF.

When the equipment is not used for a long period of time:



Press the [POWER] button on the control panel to shut down the equipment, check that the ON/OFF lamp (green) stops blinking and is definitely not lit, and then turn the power OFF with the main power switch.

When the power is turned OFF with the main power switch, the MAIN POWER lamp (red) will go out.

Saving energy when not in use – energy saving modes –

This equipment supports three energy saving modes; the Automatic Energy Save mode, Sleep mode and Super Sleep mode. The table below shows the procedures to switch modes manually and the conditions under which the equipment enters into or recovers from each mode.

Energy saving modes	Procedure to switch modes	Conditions to enter into the mode	Status of equipment	Conditions to recover from the mode
Automatic Energy Save mode	When a specified period of time ^{*1} has passed since the last use of the equipment.	—	“Saving energy - press START button.” appears on the touch panel.	When a button on the control panel ^{*2} is pressed or when print data or fax data are received.
Sleep mode	When the [ENERGY SAVER] button ^{*3} is pressed or when a specified period of time ^{*4} has passed since the last use of the equipment.	When a particular option ^{*5} is installed or when a particular protocol ^{*6} is enabled.	The touch panel display goes off and the [ENERGY SAVER] button lights in green.	Same as the Automatic Energy Save mode.
Super Sleep mode	When the [ENERGY SAVER] button ^{*3} is pressed or when a specified period of time ^{*4} has passed since the last use of the equipment.	When a particular option ^{*5} is not installed and also when a particular protocol ^{*6} is disabled.	Only the MAIN POWER lamp (red) lights.	When the [POWER] button is pressed, when print data ^{*7} or fax data are received through a wired LAN or when the time set for Scheduled Print has come.

*1 The default value set at the factory shipment is 1 minute.


*2 Any of the [START], [ENERGY SAVER], [COPY], [e-FILING], [SCAN], [PRINT] and [FAX] buttons.

*3 [ENERGY SAVER] button on the control panel.

*4 The default value set at the factory shipment is 1 minute (The default value set at the factory shipment of the European version is 10 minutes).

*5 Any of the Wireless LAN Module and e-BRIDGE ID Gate.

*6 Any of IPX, AppleTalk and other protocols. When the IPsec function is enabled or the Ethernet speed is set to [AUTO (-1000MB)] or [1000BASE FULL], the equipment enters into the Sleep mode. For details, refer to the following guide:

 [TopAccess Guide](#) (PDF): “Chapter 8: [Administration] Tab Page” - “[Setup] Item list”

*7 When a paper exit option such as the Finisher is not installed, the equipment will return to the super sleep mode immediately after print data are output.

For changing the set period of time for entering into each mode, refer to the following guide:

 [MFP Management Guide](#) (PDF): “Chapter 2: SETTING ITEMS (ADMIN)” - “GENERAL”

Note

For the European version

Contact your service representative to change the default settings noted above.

When the set period of time for switching to the Automatic Energy Save mode is the same as that for the Sleep mode or the Super Sleep mode, the equipment enters into the Sleep mode or the Super Sleep mode after the set period of time.

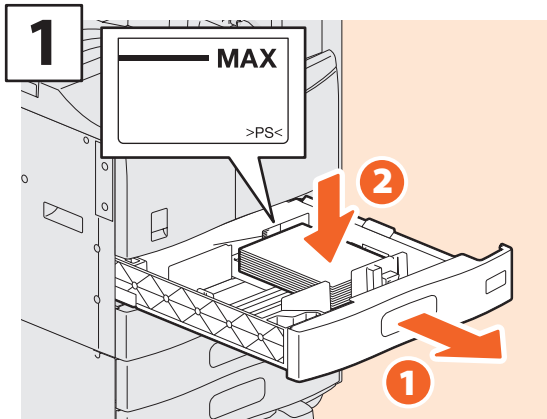
Note

If an original is placed on the original glass during the energy saving mode, its size will not be detected even when the equipment is recovered from this mode. After pressing the [START] or [POWER] button to recover from the mode, such as when “READY” is displayed on the basic copying function menu, place it on the glass again.

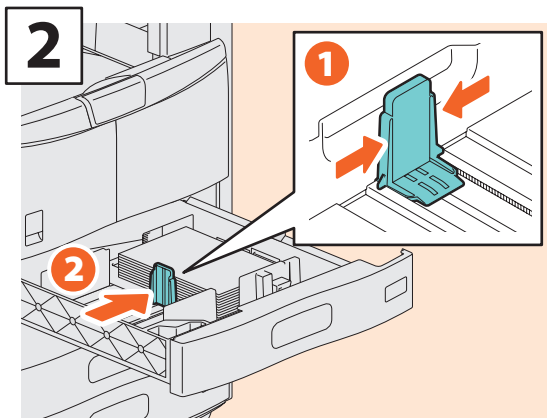
Placing Paper and Originals

This section explains how to set paper and originals. Incorrect setting causes image skews or paper jams. Follow the procedure below.

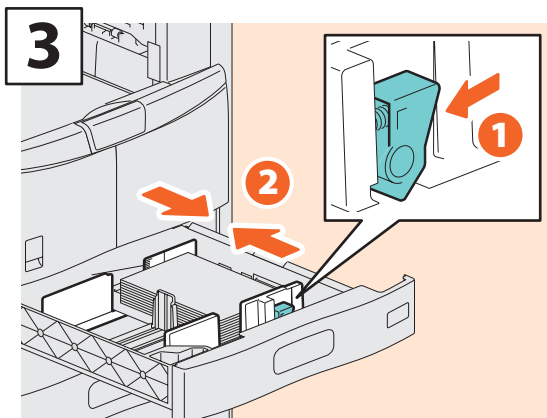
Placing paper



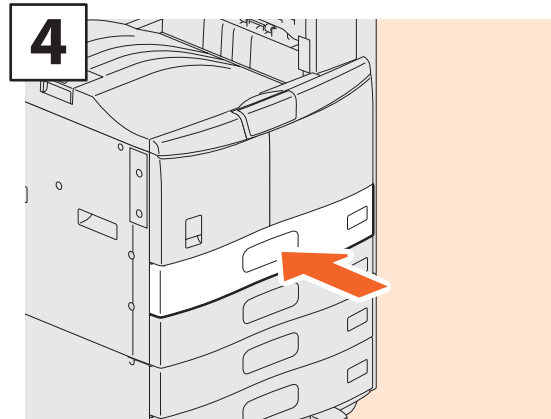
Pull out the drawer and place paper face up.



Set the end guide so that it matches the paper size.



Set the side guides so that they match the paper size.



Push in the drawer.

CAUTION

Be careful not to catch your fingers when pushing the drawer back.

This could injure you.

Note

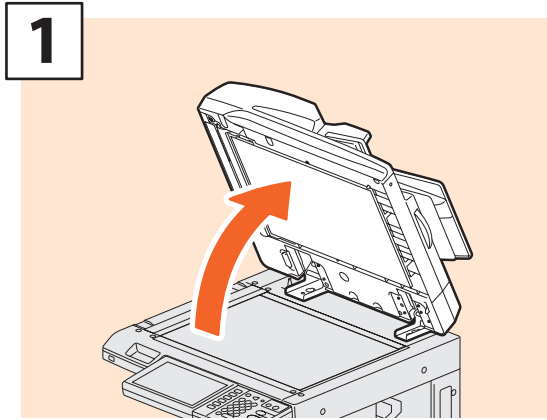
Be sure that the height of the stacked paper does not exceed the MAX line indicated on the side guides.

Tips

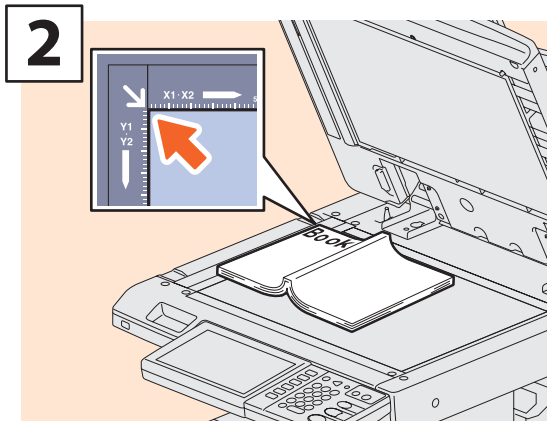
- For paper available for the equipment, see the following page:
 📖 P.74 "Specifications of Equipment" in this manual
- Paper can be placed in the Paper Feed Pedestal (optional) and the Additional Drawer Module (optional) following the above procedure. For placing paper in the Large Capacity Feeder (optional), refer to the following guide:
 📖 *Copying Guide* (PDF): "Chapter 1: BEFORE USING EQUIPMENT" - "Placing Paper"

Placing originals

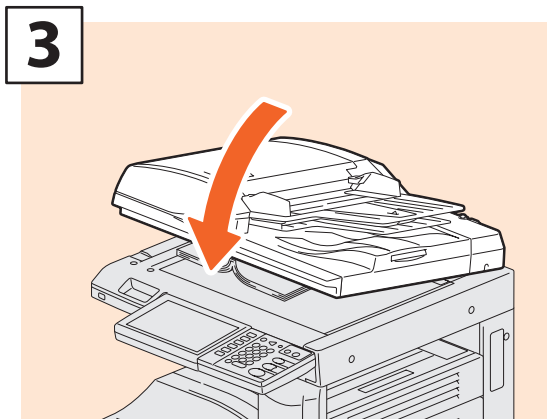
Original glass



1 Raise the Original Cover (optional) or the Reversing Automatic Document Feeder (optional).



2 Place the original with its face down on the original glass and align it against the left rear corner.



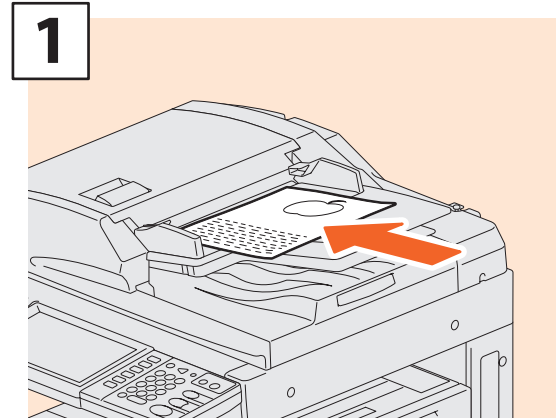
3 Lower the Original Cover (optional) or the Reversing Automatic Document Feeder (optional) carefully.

CAUTION

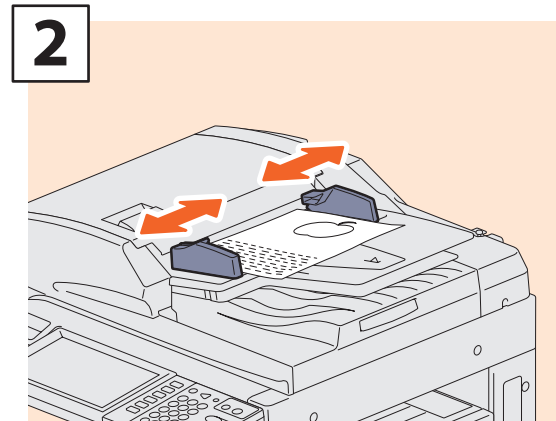
Do not place any heavy objects (4 kg (9 lb.) or over) on the original glass and do not press on it with force.

Breaking the glass could injure you.

Reversing Automatic Document Feeder (optional)



1 Place the originals face up on the original feeder tray.



2 Align the side guides to the original length.

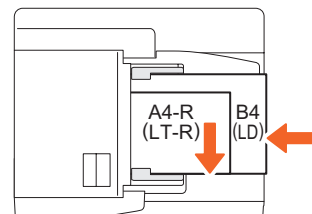
Tip

- You need to select the original size by yourself when placing the following originals whose sizes cannot be detected correctly:

- Highly transparent originals (e.g. overhead transparencies, tracing paper)
- Totally dark originals or originals with dark borders
- Non-standard size originals (e.g. newspapers, magazines)

Copying Guide (PDF): "Chapter 3: BASIC COPY MODES"
- "Paper Selection"

- When placing mixed-size originals on the Reversing Automatic Document Feeder (optional), adjust its side guides to the widest original, and then align the originals against the guide on the front side.



Installing Client Software

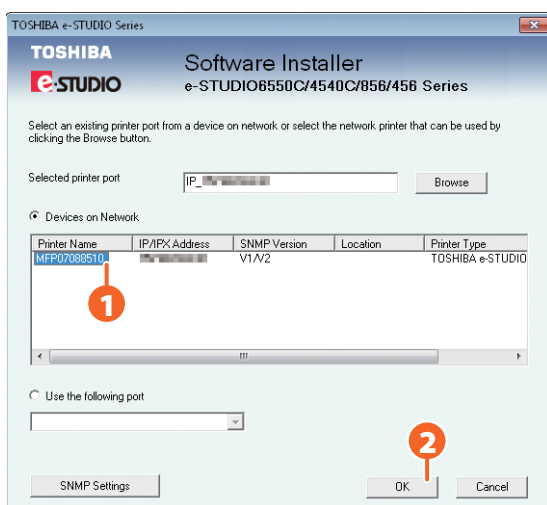
How to install the client software such as the printer driver from the Client Utilities/User Documentation DVD co-packed with the equipment is described as follows.

Recommended installation

The recommended client software such as the printer driver can be installed all in one go.

- 1 Turn the power ON and confirm that "READY" appears on the touch panel.
 P.12 "Turning Power ON/OFF" in this manual
 - 2 Insert the Client Utilities/User Documentation DVD in the DVD drive of a Windows computer.
- Tip**

To install the client software, log onto Windows with a user account which enables the installation such as "Administrators".
- 3 Select [I agree to the terms of the License Agreement.] and click [Next].
 - 4 Click [Recommended].
 - 5 Click [Install].
 - 6 A list for the discovered printers is displayed. Then ① select this equipment on the list and ② click [OK].



Continued on next page

- 7** When the installation is completed, click [Finish].



Tips

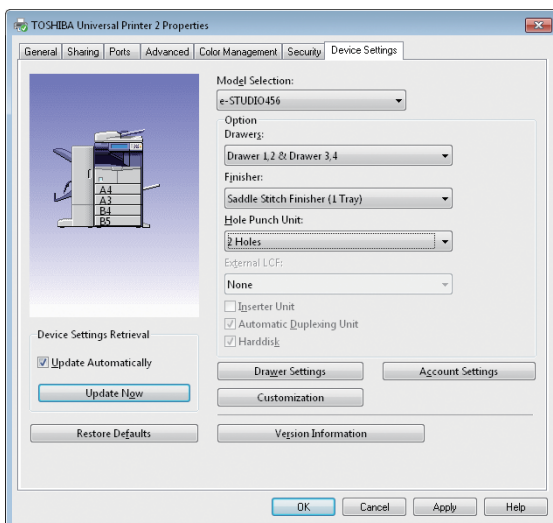
- For details of the Client Utilities/User Documentation DVD, see the following page:
 P.65 “Client Utilities/User Documentation DVD” in this manual
- For details of the recommended installation, refer to the following guide:
Software Installation Guide (PDF): “Chapter 2: RECOMMENDED INSTALLATION”

- 8** Click [Exit] and then [Yes] to finish the installation.

Setting the printer driver

Before using the printer driver, you must configure the options installed in the equipment.

- 1** Select [Devices and Printers] in the [Start] menu.
- 2** Select TOSHIBA Universal Printer 2, right-click and then click [Printer Properties].
- 3** The configuration data of the options can be obtained automatically by opening the [Device Settings] tab menu.



- 4** Click [OK]. The setting is completed.

Chapter 2

BASIC OPERATION

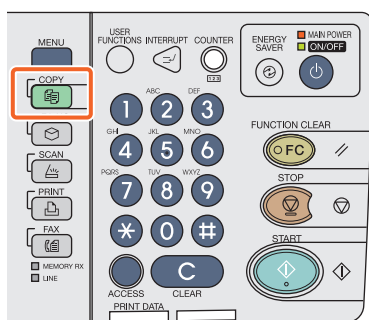
Basic Copying Operation	20
Basic Fax Operation	24
Basic Scanning Operation	28
Basic e-Filing Operation	30
Basic Printing Operation	32
Basic Menu Operation.....	34

Basic Copying Operation

The basic copying procedures, such as enlargement/reduction copying and duplex copying as well as bypass copying, are as follows.

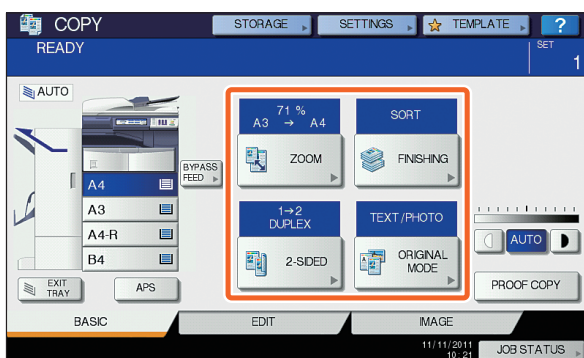
Making copies

- 1 Press the [COPY] button on the control panel.

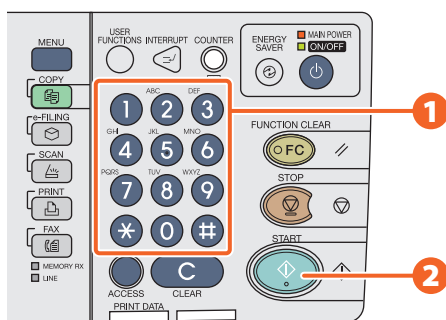


- 2 Place the original(s).
 P.16 "Placing originals" in this manual

- 3 Select the copy modes as required.



- 4
 - 1 Key in the desired number of copies, and then
 - 2 press the [START] button on the control panel. Copying starts.



Tips

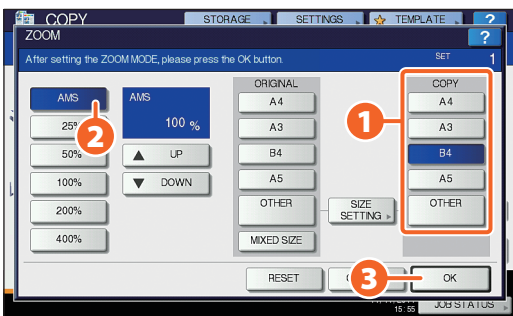
- To stop copying, press the [STOP] button on the control panel and then [MEMORY CLEAR] on the touch panel.
- Printed paper exits to the exit tray of the equipment or the Finisher (optional). The tray to which the paper exits is indicated by the arrow on the touch panel.

Enlargement and reduction copying

1 Press [ZOOM].



2 **1** Select the desired paper size, **2** press [AMS], and then **3** [OK].

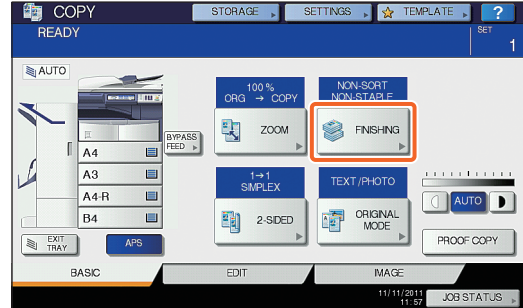


Tip

Align the originals according to the desired paper size and direction. The size of the originals will be automatically determined.
When copying a set of originals whose sizes and directions are different, press [MIXED SIZE].

Selecting finishing mode (sorting)

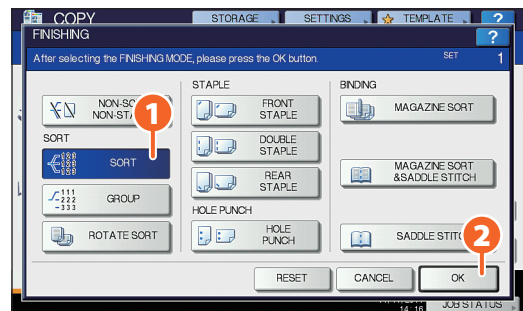
1 Press [FINISHING].



Tip

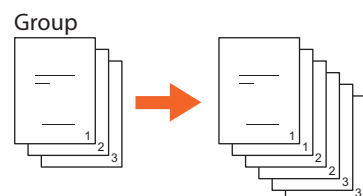
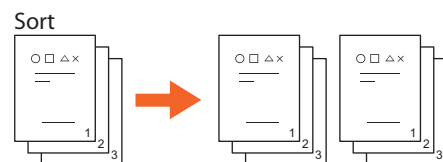
When you use the Reversing Automatic Document Feeder (optional), the sorting mode is automatically set.

2 **1** Press [SORT] and then **2** [OK].



Tips

- To set the staple and the hole punch mode, the optional finishing devices are needed. For the necessary options, see the following page: P.68 "Options" in this manual.
- For example, when "Original 1," "Original 2" and "Original 3" are copied in 2 sets, they can be made as follows.



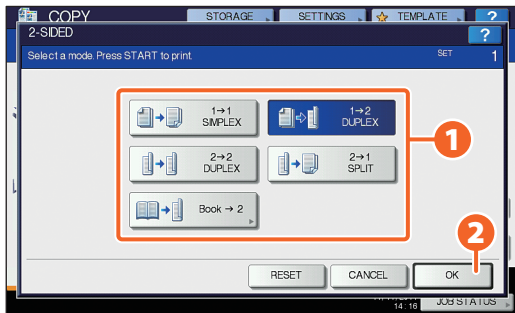
2

Setting duplex copy

1 Press [2-SIDED].

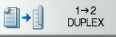
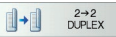


2 **1** Select the desired duplex mode and then **2** press [OK].



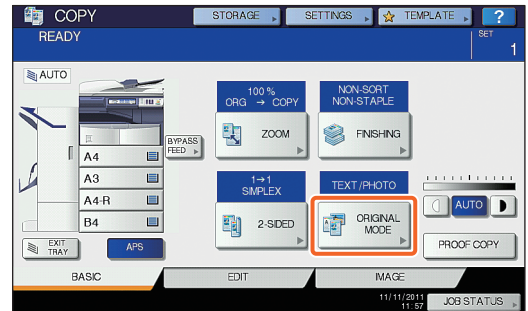
Tip

You can choose from 5 types.
For example, the following settings can be made.

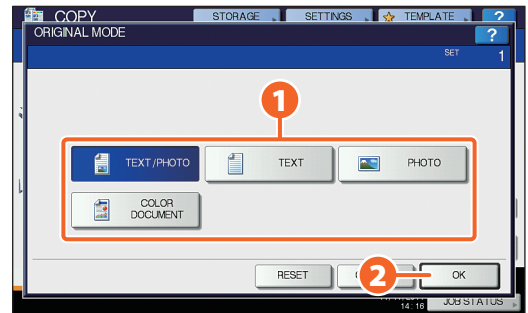
- 1-sided original to 2-sided copy:** 
- 2-sided original to 2-sided copy:** 

Setting original mode

1 Press [ORIGINAL MODE].

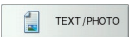
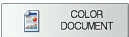


2 **1** Select the desired original mode and then **2** press [OK].





Tip

You can choose from 4 types.
For example, the following settings can be made.

- Originals with text and photographs mixed:** 
- Color originals:** 

Density adjustment

You can manually adjust the density by pressing either  or .

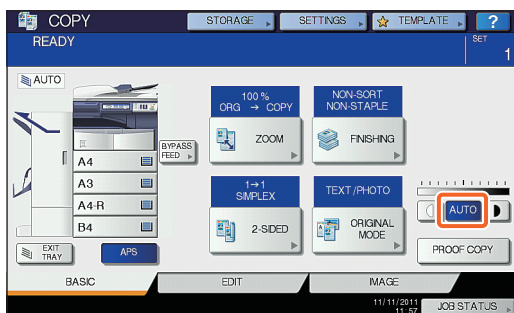


Tip

To lighten the density, press , to darken it, press



Press [AUTO] to adjust the density automatically.

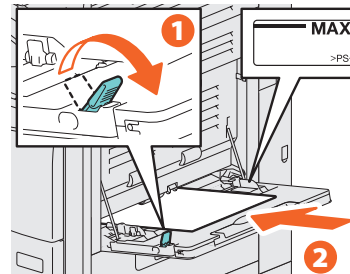


Tip

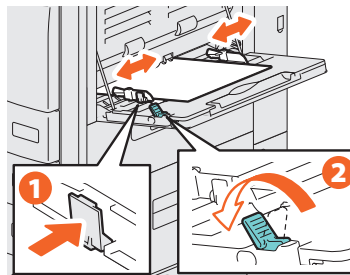
The automatic density adjustment is set by default.

Bypass copying

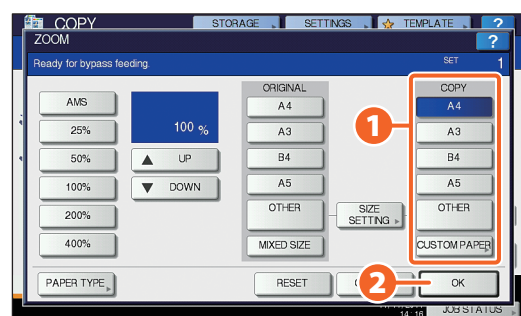
- 1 Move the paper holding lever toward the outside and then 2 place paper face down on the bypass tray.



- 2 1 Align the side guides to the paper length and then 2 move the paper holding lever toward the equipment.



- 3 1 Press the button corresponding to the size of paper set on the bypass tray and then 2 [OK].



Tip

Press [PAPER TYPE] if the type of the paper you placed on the bypass tray is other than plain paper.

- 4 Press the [START] button. Bypass copying starts.

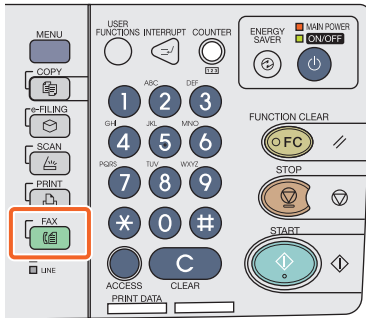
2

Basic Fax Operation

The basic procedures for sending a fax (the FAX Unit is optional), such as specifying fax numbers in the address book or setting the transmission conditions, are as follows.

Sending a fax

- 1 Press the [FAX] button on the control panel.



- 2 Place the original(s).
 P.16 "Placing originals" in this manual

- 3 Key in the fax number of the recipient by pressing [INPUT FAX No.] on the touch panel or the digital keys on the control panel.



Tip

If you make a mistake when entering a fax number, press [BACK SPACE] on the touch panel to delete them one by one.
 Or press the [CLEAR] button on the control panel or [CLEAR] on the touch panel to delete all the numbers you entered.

- 4 Press [SEND] on the touch panel. The fax starts being sent.



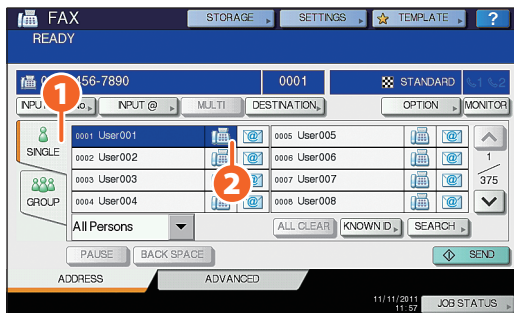
Tip

Alternatively, you can press the [START] button on the control panel to send a fax.

Specifying recipients in the address book

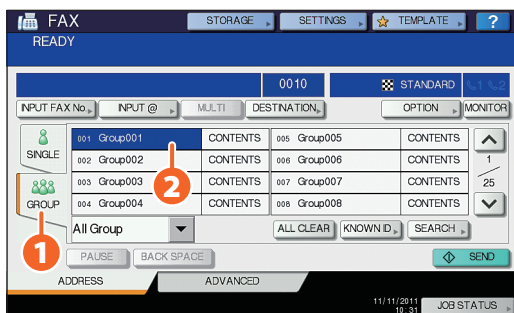
Specifying recipients one by one

1 Press the [SINGLE] tab to display the list of addresses, and then 2 the recipient's fax icon.



Specifying recipients in groups

1 Press [GROUP] tab to display the list of the groups, and then 2 the group name.



Tips

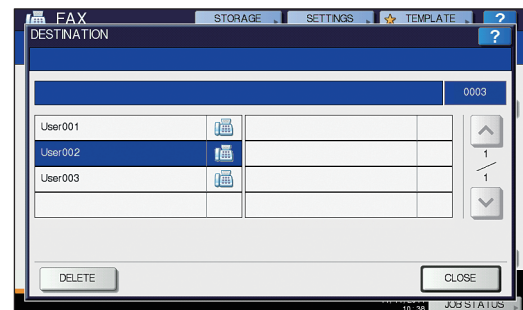
- You can specify up to a total of 400 recipients (single and group).
- To cancel a selected recipient, press it again.

Confirming recipients

1 Press [DESTINATION].



2 The recipient list screen is displayed.



Tip

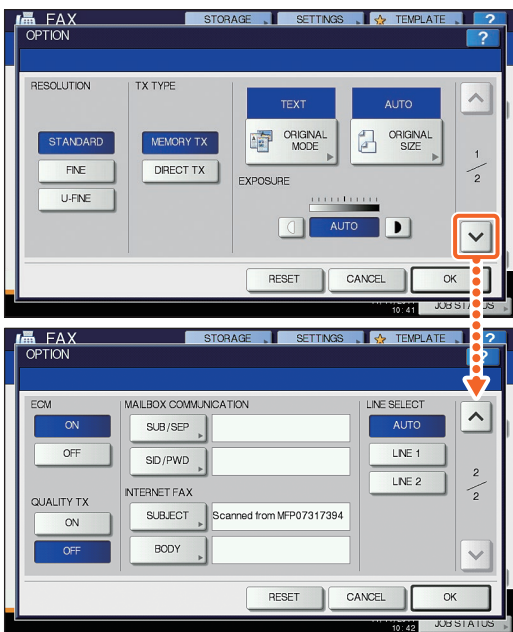
Select the recipient you want to delete, and then press [DELETE].

Setting the transmission conditions

1 Press [OPTION].



2 The transmission condition setting screen is displayed. Press \uparrow or \downarrow to switch the pages.



Tip

RESOLUTION: Set the resolution based on the fineness of the original.
ORIGINAL SIZE: Set the scan size of the original.

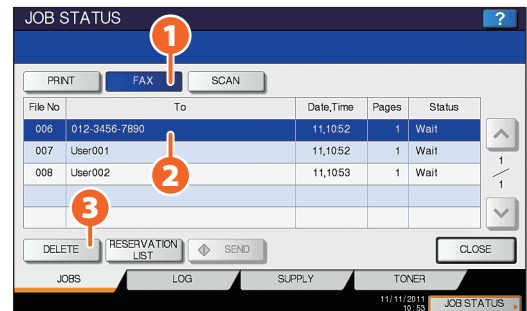
3 After each item is set, press [OK].

Canceling reserved transmissions

1 Press [JOB STATUS].



2 1 Press [FAX], 2 select the reserved transmission you want to delete, and then 3 press [DELETE].



3 Press [DELETE] on the confirmation screen. The reserved transmission is deleted.

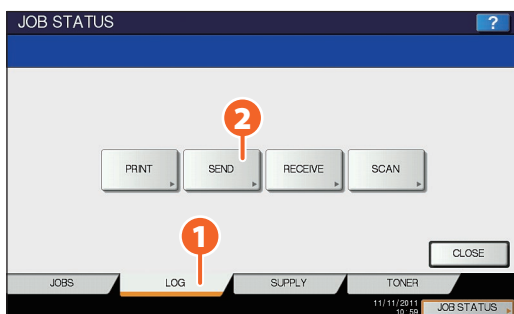


Checking communication status (log)

- 1 Press [JOB STATUS].



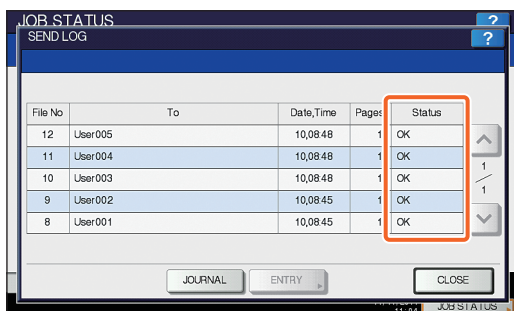
- 2
 - 1 Select the [LOG] tab and then
 - 2 press [SEND].



Tip

Press [RECEIVE] to check the fax reception log.

- 3 The communication status list is displayed. If [OK] is indicated in the "Status", the transmission succeeded.

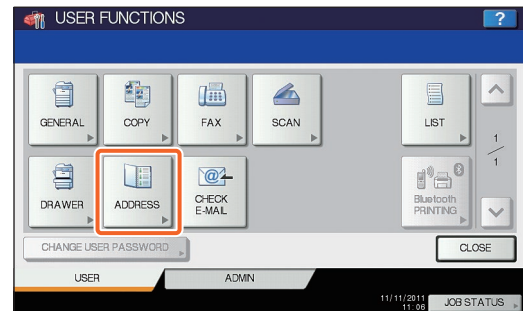


Tip

To register recipients in the address book from the send/receive log screen, select the record in the send or receive log, and then press [ENTRY].

Registering recipients

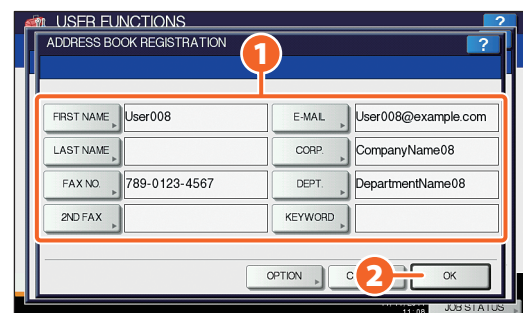
- 1 Press the [USER FUNCTIONS] button on the control panel and then [ADDRESS] on the touch panel.



- 2
 - 1 Press an open button to create a new recipient and then
 - 2 [ENTRY].



- 3
 - 1 Press each button on the touch panel to enter the following recipient information, and then
 - 2 [OK] to register it.



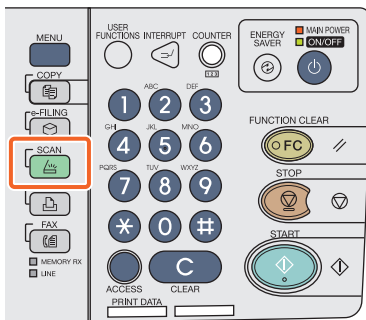
2

Basic Scanning Operation

The basic operation of the optional scanning function, how to store the scanned data in a shared folder and store these data in a Windows computer is described as follows.

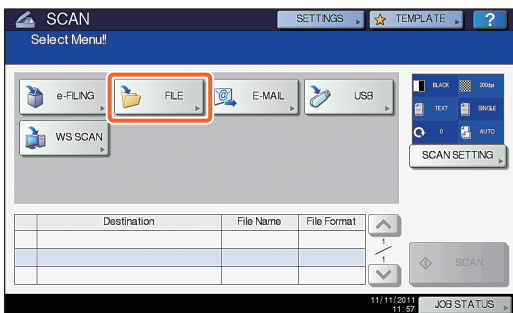
Storing the scanned data in a shared folder

- 1 Press the [SCAN] button on the control panel.

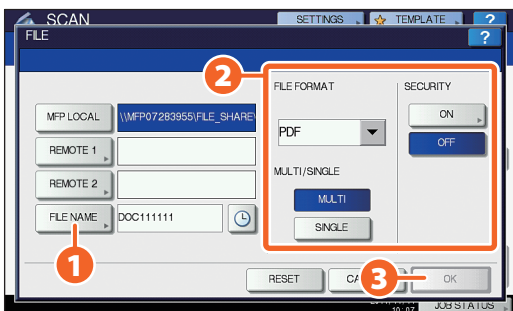


- 2 Place the original(s).
 P.16 "Placing originals" in this manual

- 3 Press [FILE] on the touch panel.

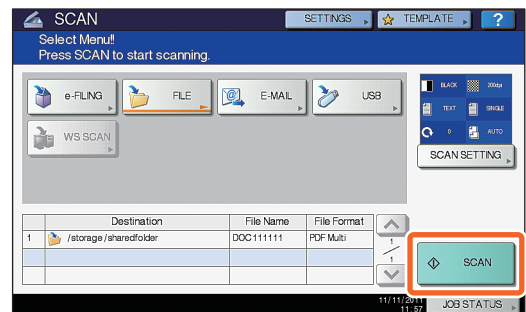


- 4
 - 1 Set [FILE NAME],
 - 2 FILE FORMAT, etc. and then
 - 3 press [OK].



- 5 Change the scan settings as required.

- 6 Press [SCAN] on the touch panel. Scanning starts.



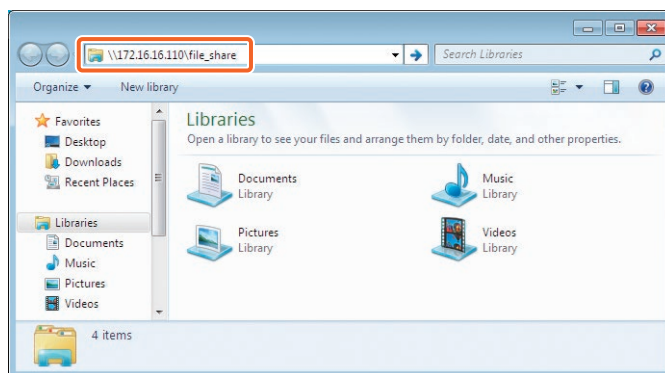
To store the scanned data of a shared folder in a Windows computer

1 Start up Windows Explorer.

2 Enter the name of the shared folder, in which the IP address of the equipment and the scanned data are stored, in the address bar with the following format, and then press the [Enter] button.

Format: \\[IP address of the equipment] \file_share

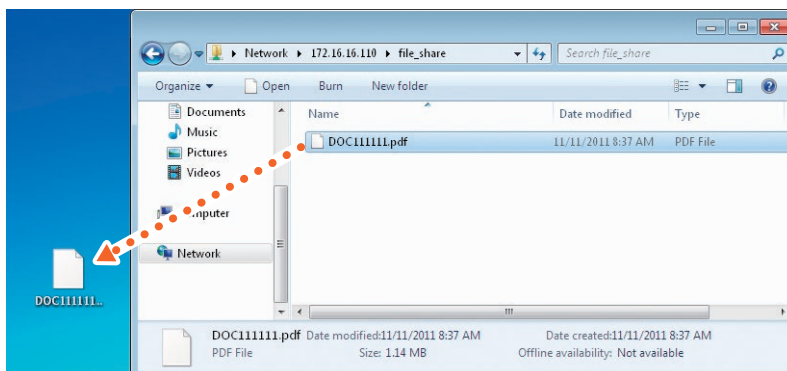
e.g.) When the IP address of the equipment is 172.16.16.110, enter \\172.16.16.110\file_share in the address bar of Windows Explorer.



Tips

- For the IP address of the equipment, ask your network administrator.
- It is convenient to make a shortcut of the "file_share" folder, since step 2 can be omitted.

3 Store the scanned data in a Windows computer.



Note

The scanned data stored in the shared folder will be automatically deleted in 30 days by default. Be sure to store them in a Windows computer before that.

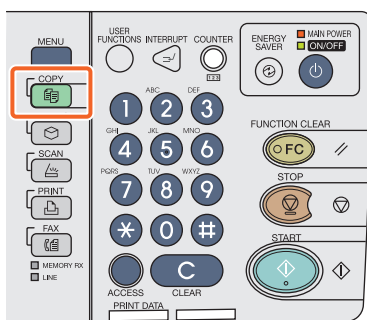
Basic e-Filing Operation

e-Filing is a function to store documents in the hard disk of the equipment, they can then be printed as required.

Storing documents

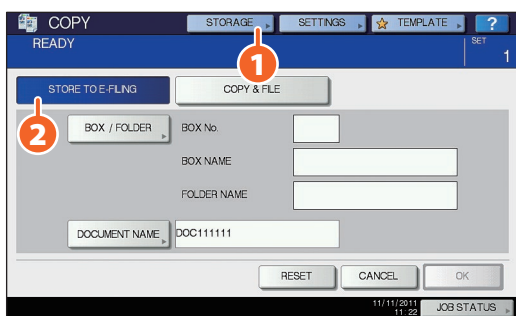
The originals are stored as e-Filing documents in the equipment.

- 1 Press the [COPY] button on the control panel.

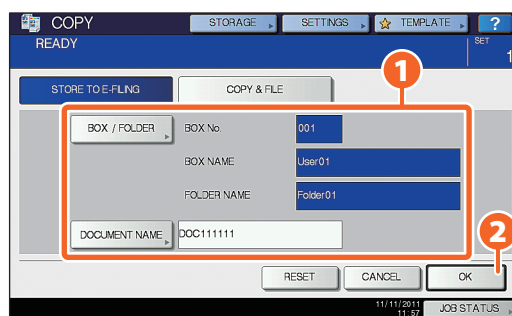


- 2 Place the original(s).
 P.16 "Placing originals" in this manual

- 3
 - 1 Press [STORAGE] and then
 - 2 [STORE TO E-FILING] on the touch panel.



- 4
 - 1 Specify the box to be stored and the document name, and then
 - 2 press [OK].



Tip

When "Print this document?" appears, press [YES] if you want to do this as well as store it.

- 5 Press the [START] button on the control panel to store the documents.

Tip

You can store documents not only by copying them but also by scanning them or using the printer driver. For details, refer to the following guides:

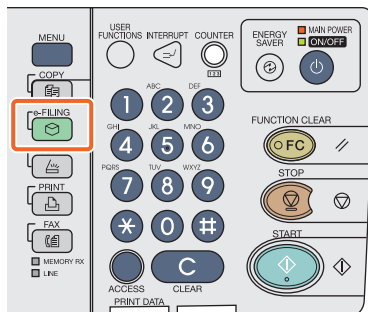
[Scanning Guide \(PDF\)](#): "Chapter 2: BASIC OPERATION" - "Scan to e-Filing"

[Printing Guide \(PDF\)](#): "Chapter 2: PRINTING FROM WINDOWS" - "Printing with the Best Functions for Your Needs"

Printing Documents

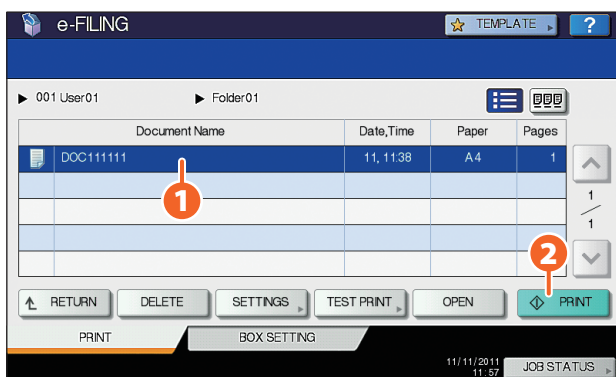
The procedure for printing documents stored in e-Filing is as follows.

- 1 Press the [e-FILING] button on the control panel.



- 2 Select the box on the touch panel that contains the document you want to print.

- 3
 - 1 Select the document you want to print, and then
 - 2 press [PRINT]. Printing starts.



Tip



Selected documents can be previewed in thumbnail form.

DELETE

Selected documents can be deleted from e-Filing.

SETTINGS

This enables you to make print settings, such as selecting the duplex printing mode or adding page numbers.

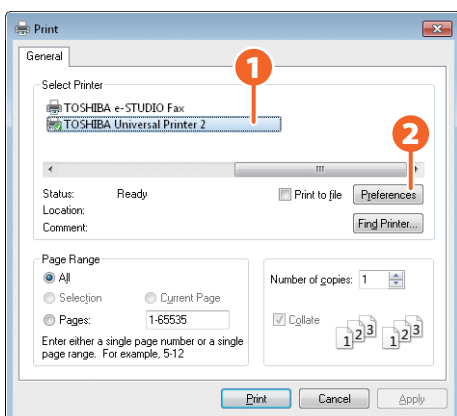
TEST PRINT

Specified pages of the document can be printed for confirmation.

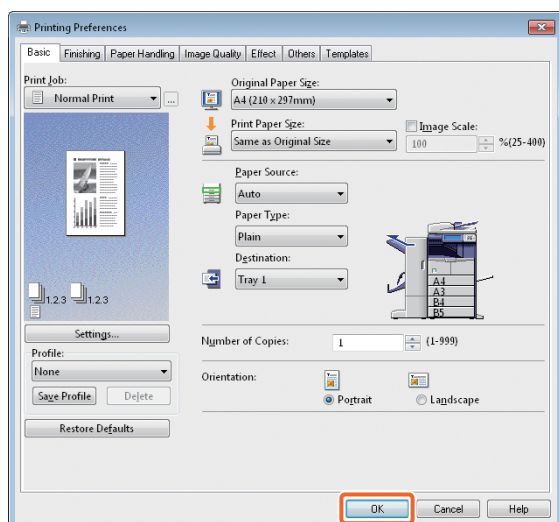
Basic Printing Operation

The basic operation of the optional printing function is as follows. This is for printing from a Windows computer with a Universal Printer Driver 2 which needs to be installed in advance.

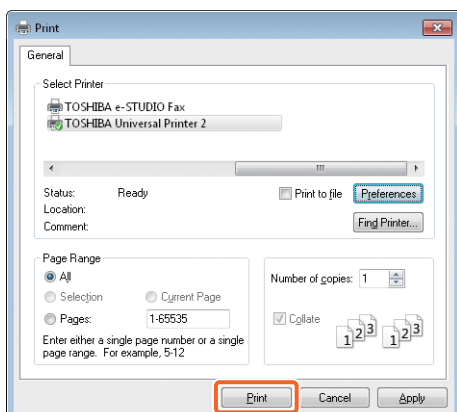
- 1 Select [Print] in the [File] menu of the application.
- 2 ① Select the printer driver of the equipment, and then ② click [Preferences] ([Properties]).



- 3 Set the print options as required and click [OK].



- 4 Click [Print] ([OK]). Printing starts.



Tip

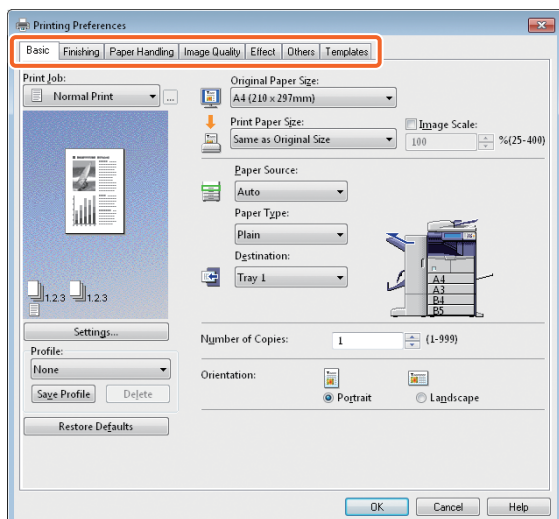
To install the printer driver in a Windows computer, refer to the following guide:

📖 P.17 "Installing Client Software" in this manual
 📖 *Software Installation Guide* (PDF): "Chapter 3: INSTALLING PRINTER DRIVERS FOR WINDOWS"

To install the printer driver in a Macintosh computer, refer to the following guide:

📖 *Software Installation Guide* (PDF): "Chapter 4: INSTALLING PRINTER DRIVERS FOR MACINTOSH"

Setting Universal Printer 2 Driver



To specify paper size or number of copy sets

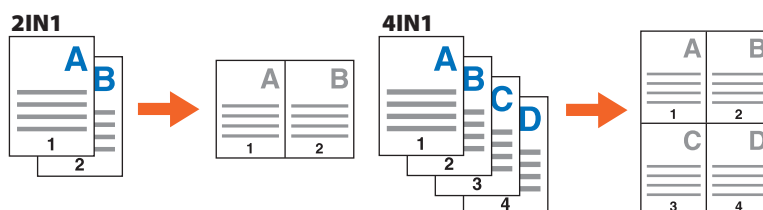
Click the [Basic] tab in the property dialog box of the printer driver.

To specify 2-sided printing or N-up printing

Click the [Finishing] tab in the property dialog box of the printer driver. If the Finisher (optional) is installed, "Staple" or "Hole Punch" can be selected.

Tip

Select "NUMBER OF PAGES PER SHEET" to print several pages on one sheet. The pages are reduced to fit the selected paper size automatically and printed.



To specify Front cover printing

Click the [Paper Handling] tab in the property dialog box of the printer driver.

To adjust Image quality

Click the [Image Quality] tab in the property dialog box of the printer driver.

To print with character strings or graphics on the background of the paper

Click the [Effect] tab in the property dialog box of the printer driver.

To set not to print blank pages

Click the [Others] tab in the property dialog box of the printer driver.

To print with templates

Click the [Templates] tab in the property dialog box of the printer driver.

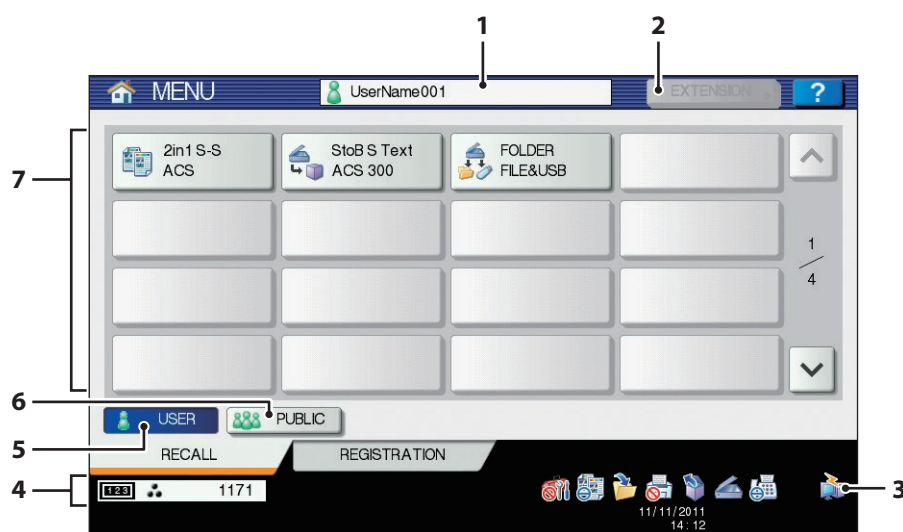
Basic Menu Operation

Press the [MENU] button on the control panel to use templates and check the print counter.

When the user management function is enabled, log in and press the [MENU] button on the control panel. The menu screen for a logged in user is displayed.





You can register frequently used templates, a group of templates or the shortcut of the External Interface Enabler (GS-1020, optional). Registration or deletion of the shortcut can also be enabled in the TopAccess mode. For details, refer to the following guide:

📖 [TopAccess Guide \(PDF\): "Chapter 9: \[My Account\] Tab Page"](#)



- 1. User name display area**
The name of the user logging in is displayed.
- 2. [EXTENSION] button**
This is enabled when the External Interface Enabler (GS-1020, optional) is installed. Contact your service technician or representative for details.
- 3. Role information displayed area**
Available role information for a user who has logged in is displayed.
- 4. Total print counter**
The total print counter of the user logging in is displayed. Available printing numbers are displayed depending on the settings of the equipment.
- 5. [USER] button**
The shortcut which a user logging in can employ is displayed.
- 6. [PUBLIC] button**
The shortcut which all users can employ is displayed.
- 7. Shortcut display area**
The shortcut registered in the menu screen is displayed.

Note

According to the authority for each user, the mark  or  appears on the icons in the role information displayed area. The functions with the  mark cannot be used. Some of the functions with the  mark cannot be used.

Tips

- You can create a template with several functions that are frequently used so that they can be employed whenever you want, thus eliminating the need to perform complicated settings every time. Templates can be used in copying, scanning and sending a fax. For details, refer to the following guides:
 - 📖 [Copying Guide \(PDF\): "Chapter 6: TEMPLATES"](#)
 - 📖 [TopAccess Guide \(PDF\): "Chapter 5: \[Registration\] Tab Page" - "\[Registration\] Tab Page Overview"](#)
- When the user management function is not used, the public template group and the total print counter are displayed.
- [USER] and [PUBLIC] are displayed when the user management function is enabled.

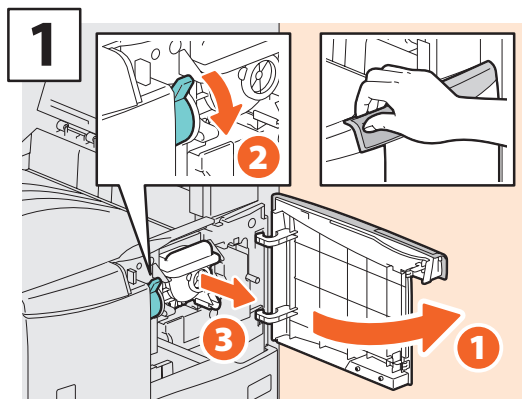
Chapter 3

MAINTENANCE

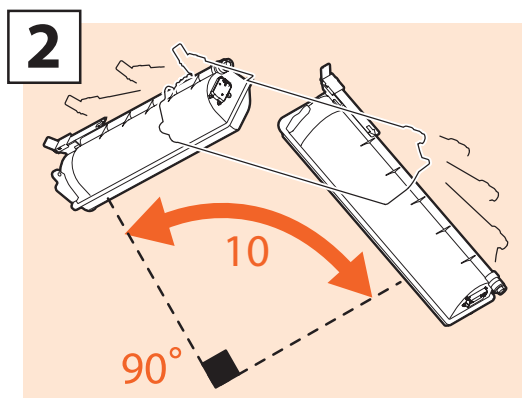
Replacing Toner Cartridge.....	36
Replacing Staple Cartridge	37
Regular Cleaning.....	44

Replacing Toner Cartridge

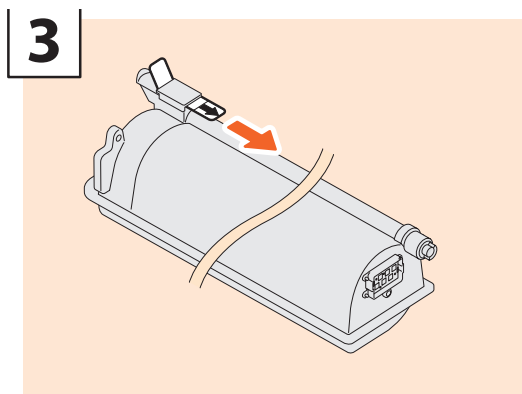
When "Install new toner cartridge" appears on the touch panel, replace the toner cartridge according to the following procedures.



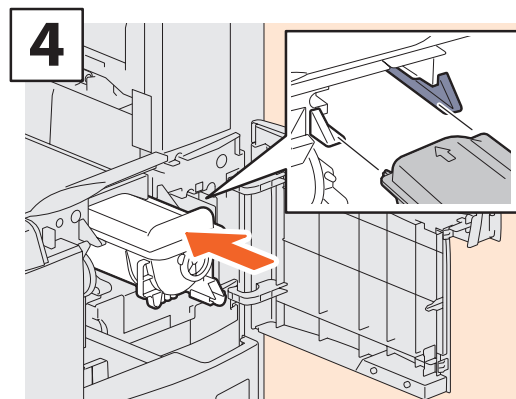
Open the front cover and then hold down the lever to take off the toner cartridge.



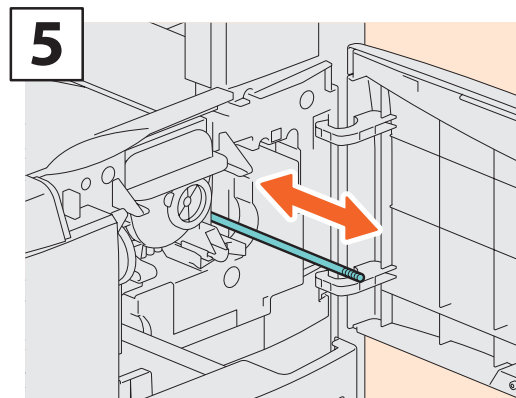
Shake the new toner cartridge well to loosen the toner inside.



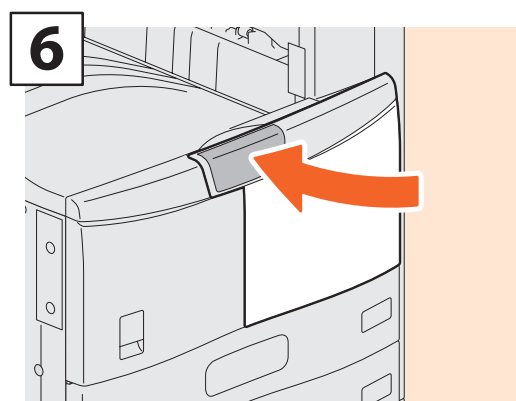
Pull out the seal.



Install the new toner cartridge.



Clean the charger.



Close the front cover.

WARNING

Never attempt to incinerate toner cartridges.

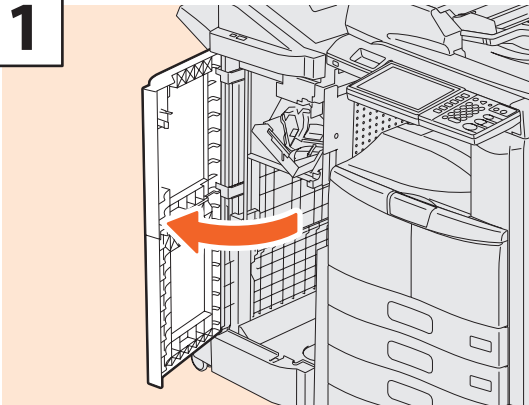
Dispose of used toner cartridges and waste toner boxes in accordance with local regulations.

Replacing Staple Cartridge

When "Check staple cartridge" appears on the touch panel, replace the staple cartridge according to the following procedures.

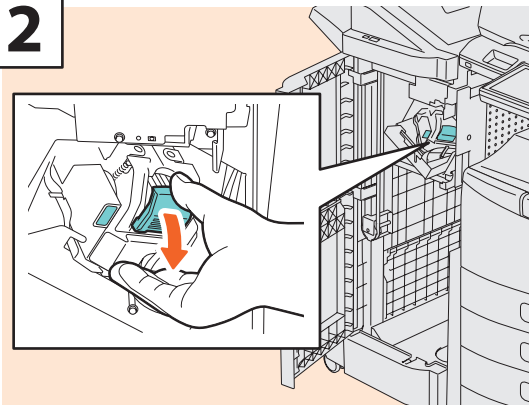
Stapler Unit of Finisher (MJ-1101)

1



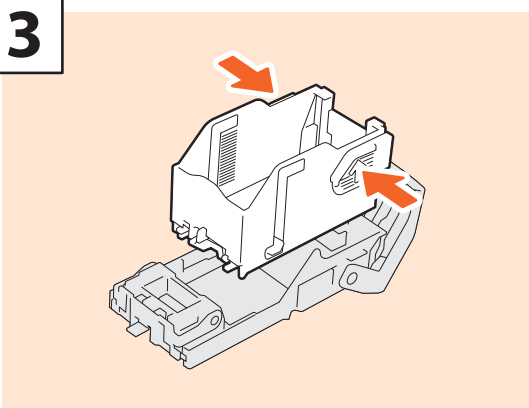
Open the front cover of the Finisher.

2



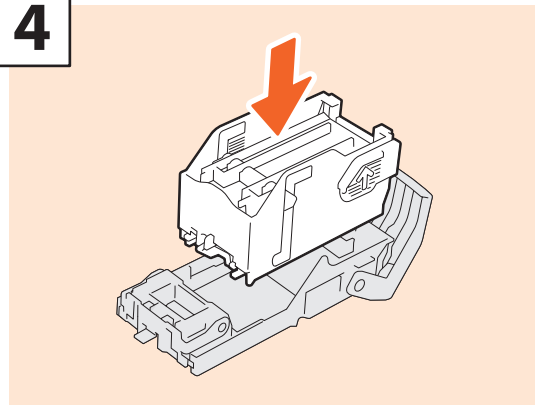
Take off the staple cartridge.

3



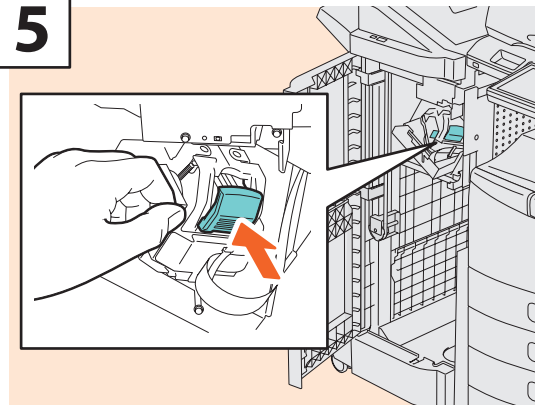
Take the empty staple case out of the staple cartridge.

4



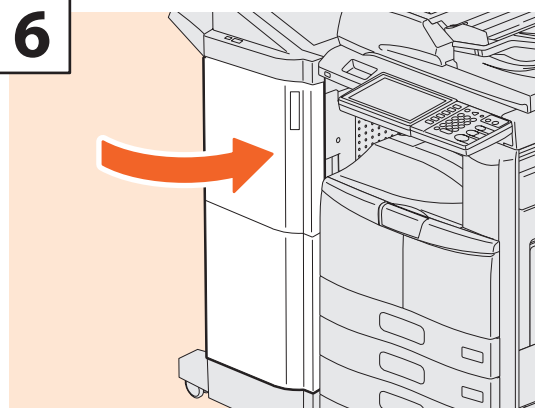
Install a new staple case into the staple cartridge.

5



Install the staple cartridge.

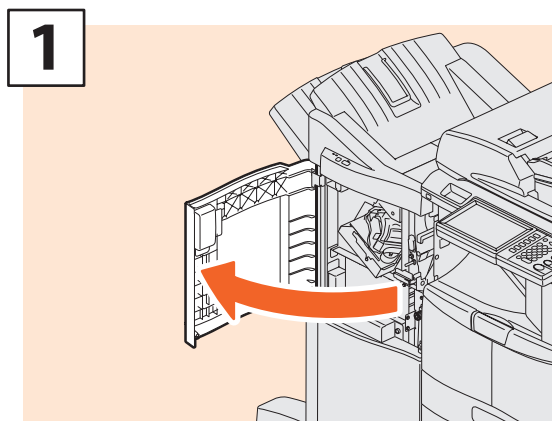
6



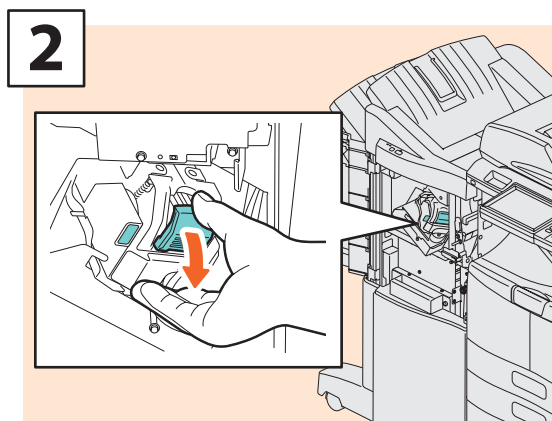
Close the front cover of the Finisher.

3

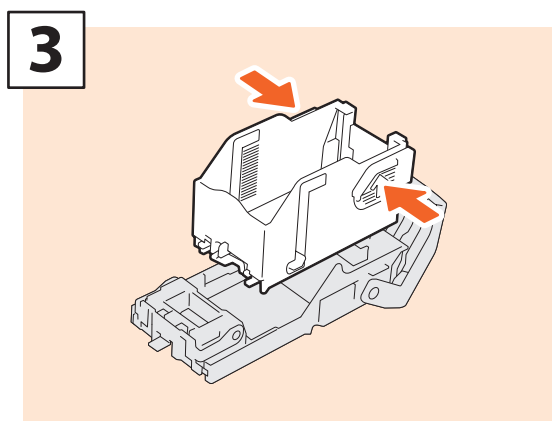
Stapler Unit of Saddle Stitch Finisher (MJ-1106)



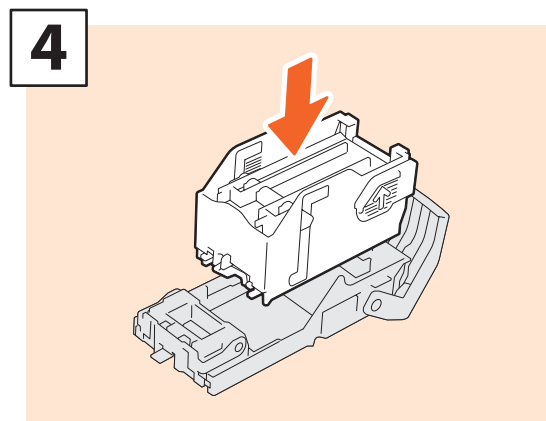
Open the front cover of the Finisher.



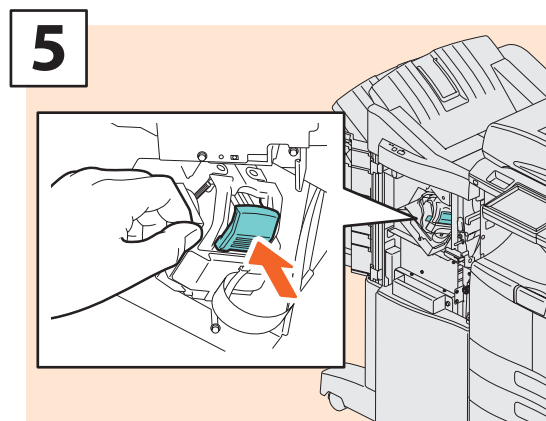
Take off the staple cartridge.



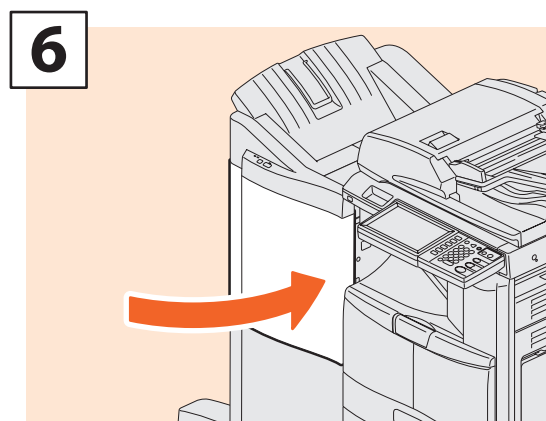
Take the empty staple case out of the staple cartridge.



Install a new staple case into the staple cartridge.

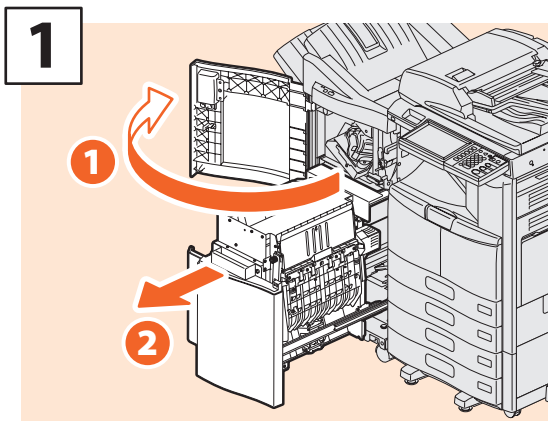


Install the staple cartridge.

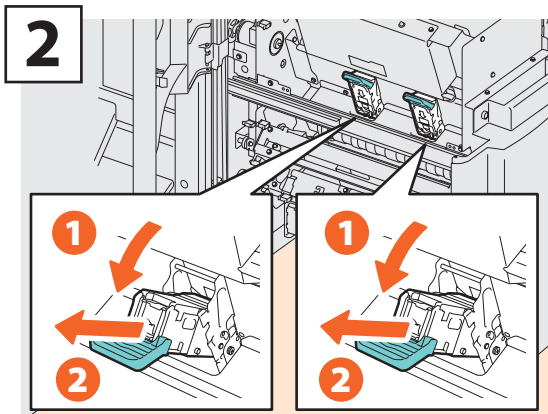


Close the front cover of the Finisher.

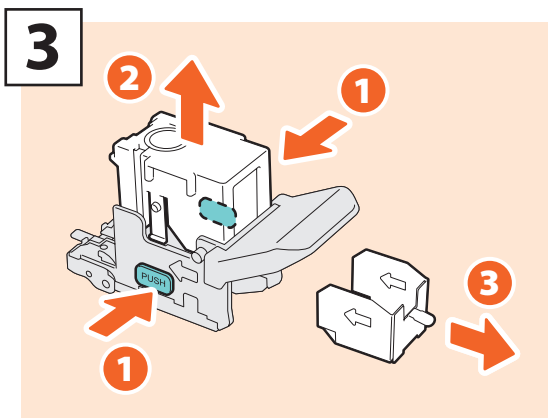
Saddle Stitch Unit of Saddle Stitch Finisher (MJ-1106)



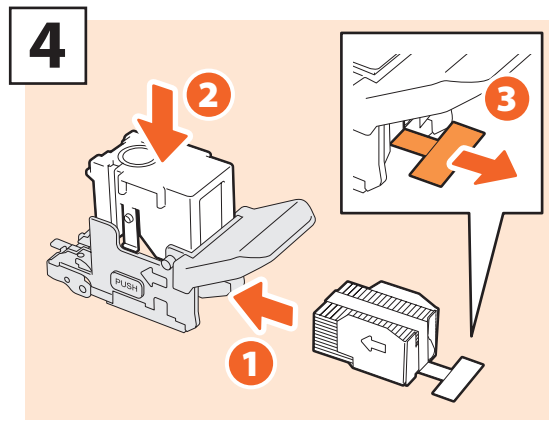
Open the front cover of the Finisher, and then pull out the saddle stitch unit.



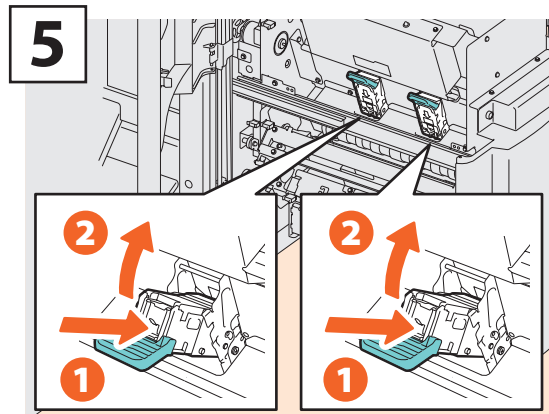
Take out two empty staple cartridges.



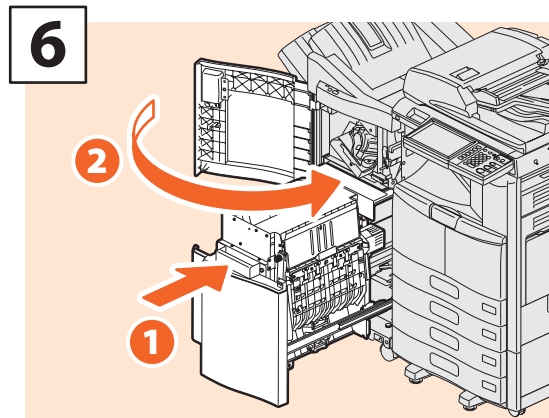
Take the empty staple case out of the staple cartridge.



Install a new staple case into the staple cartridge and remove the seal bundling the staples.

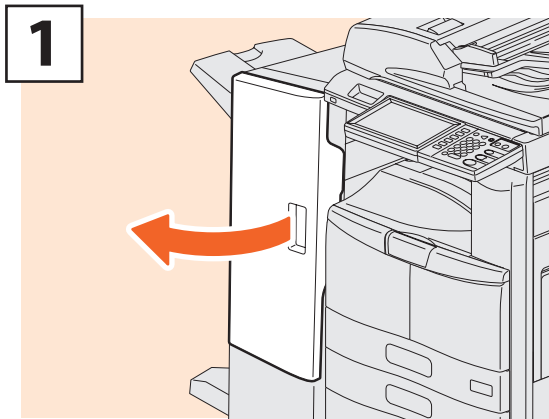


Install two new staple cartridges.

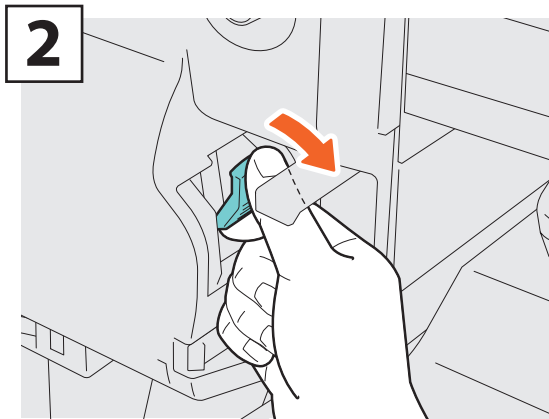


Insert the saddle stitch unit into the Finisher, and then close the front cover of the Finisher.

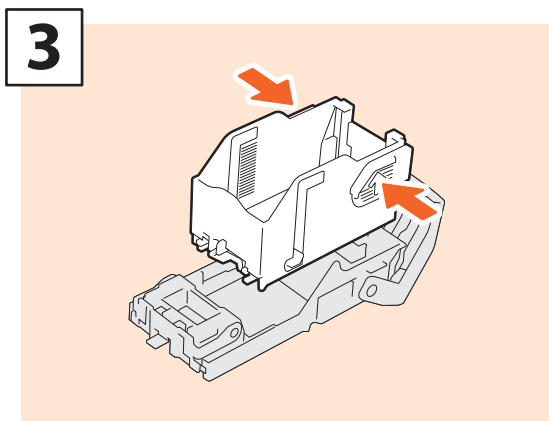
Stapler Unit of Saddle Stitch Finisher (MJ-1033)



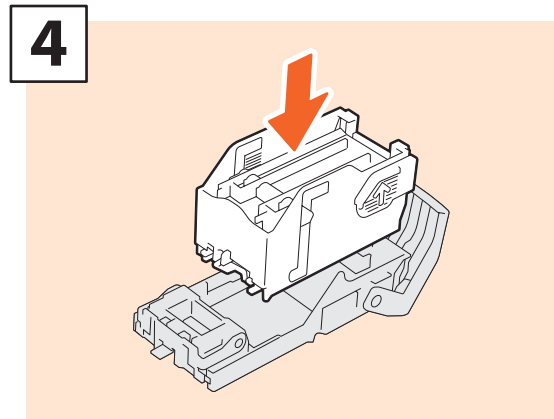
Open the front cover of the Finisher.



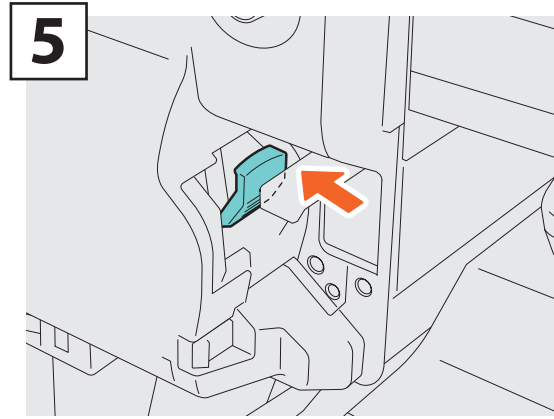
Take off the staple cartridge.



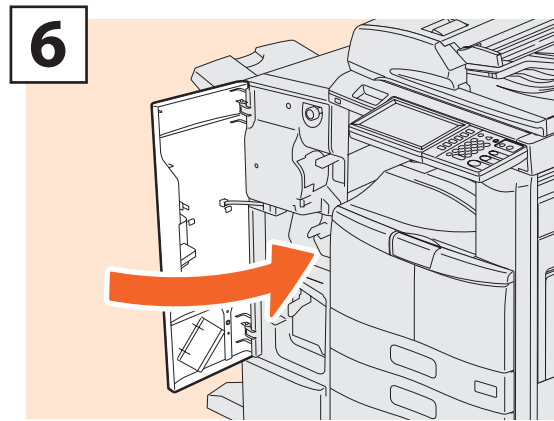
Take the empty staple case out of the staple cartridge.



Install a new staple case into the staple cartridge.

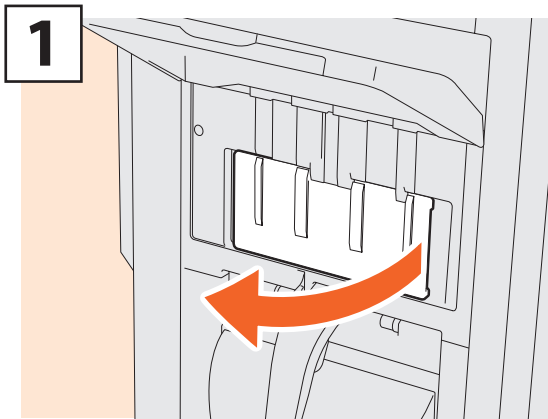


Install the staple cartridge.

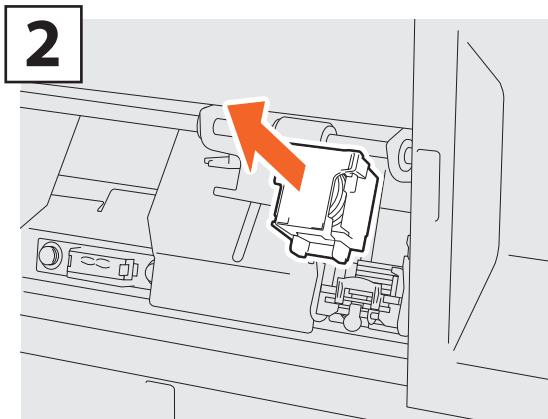


Close the front cover of the Finisher.

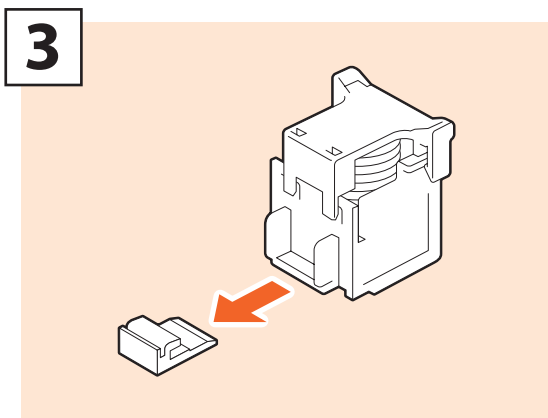
Saddle Stitch Unit of Saddle Stitch Finisher (MJ-1033)



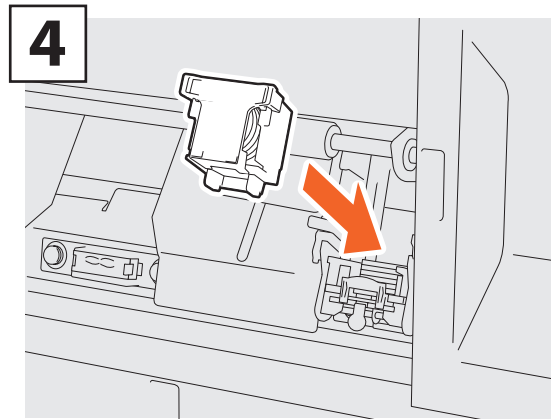
Open the left cover of the Finisher.



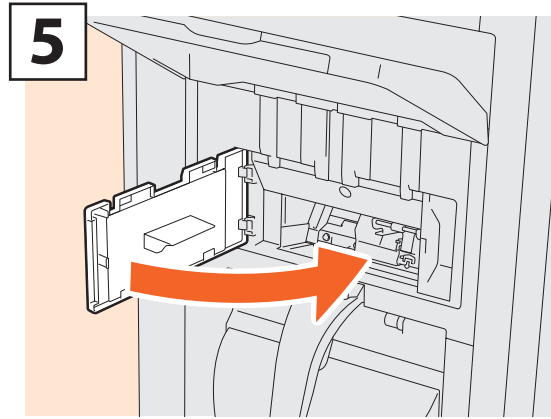
Take off the staple cartridge.



Pull out straight the seal bundling the staples.



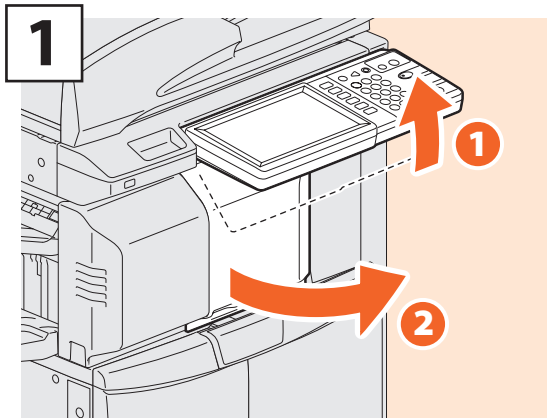
Install new staple cartridges.



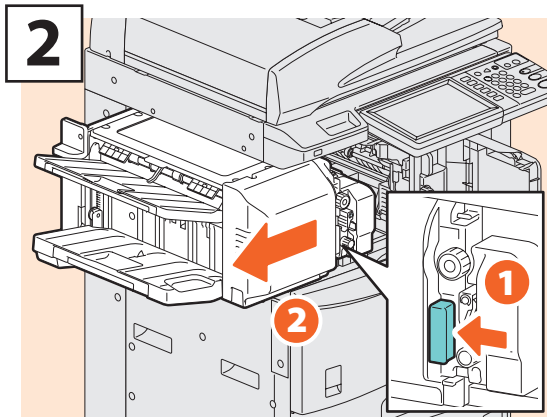
Close the left cover of the Finisher.

3

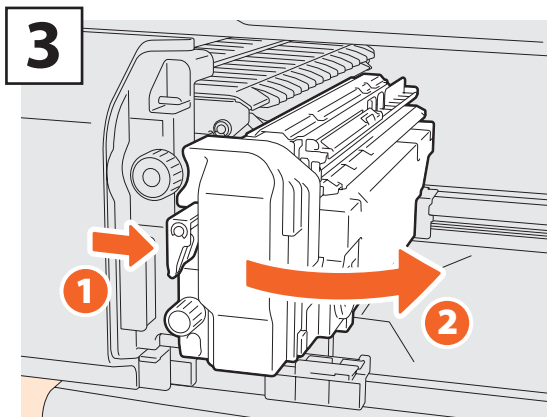
Stapler Unit of Inner Finisher (MJ-1032)



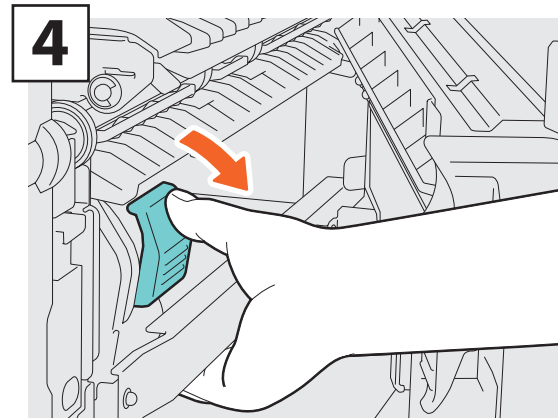
Open the front cover of the Finisher.



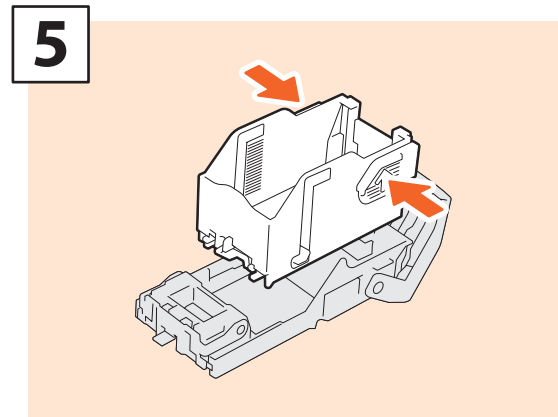
Holding the lever, move the finisher to the left until it comes to a stop.



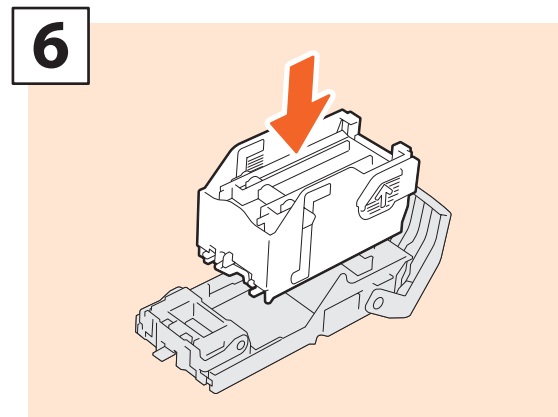
Open the Hole Punch Unit while pushing the lever.



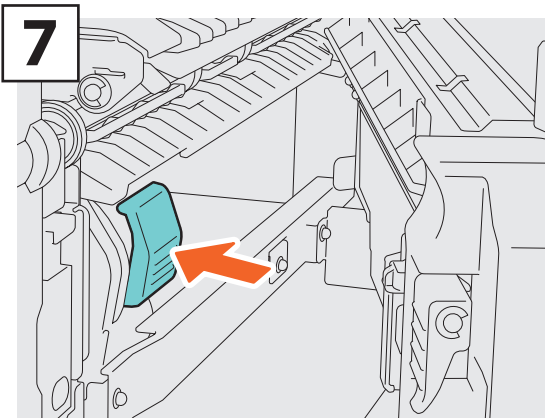
Take off the staple cartridge.



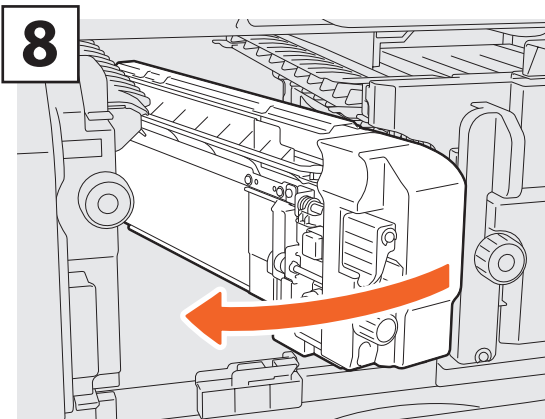
Push the buttons of both sides of the cartridge to take off the staple case.



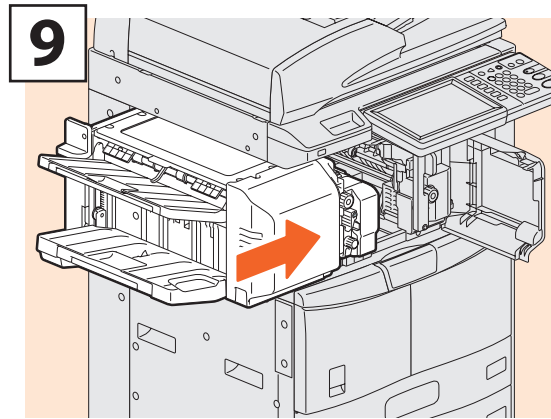
Install a new staple case.



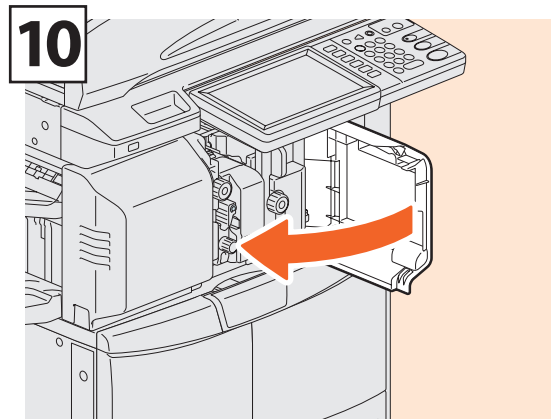
Install the staple cartridge.



Return the Hole Punch Unit to its original position.



Carefully return the finisher to its original position.



Close the front cover of the Finisher.

⚠ CAUTION

Do not put your hand or fingers on the top of the finisher when closing it.
They could be caught and this could injure you.

Regular Cleaning

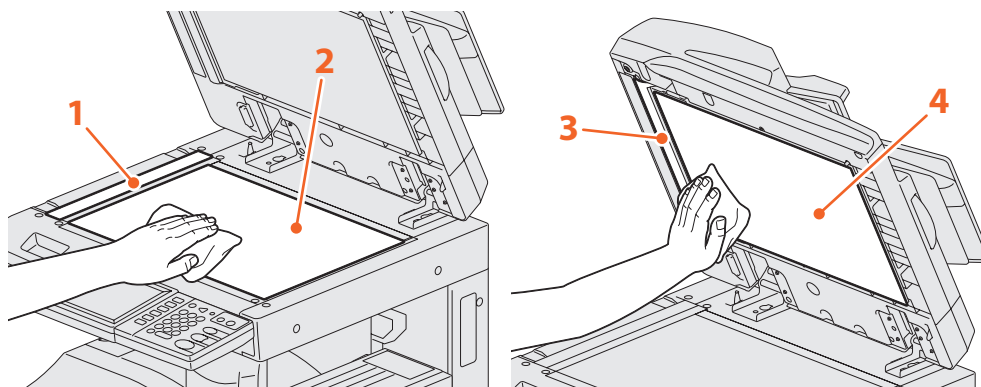
Poor quality printing such as uneven and soiled images can be improved by simple cleaning. This section describes the cleaning methods for the equipment.

Cleaning for the scanning area, original glass, guide and platen sheet

We recommend you to clean the following items weekly, so that the originals can be scanned in unsoiled conditions. Be careful not to scratch the parts that you are cleaning.

Notes

- Be careful not to scratch the portions in cleaning.
- When cleaning the surface of the equipment, do not use such organic solvents as thinner or benzine.
 - This could warp the shape of the surface or leave it discolored.
- When using a chemical cleaning pad to clean it, follow the instruction.



1. Scanning area (surface of the long rectangular glass) / 2. Original glass

Wipe it with a soft dry cloth. If there are still stains remaining, wipe clean with a piece of soft cloth which has been moistened with water and then squeezed well.

Do not use liquids other than water (such as alcohol, organic solvents or neutral detergent).

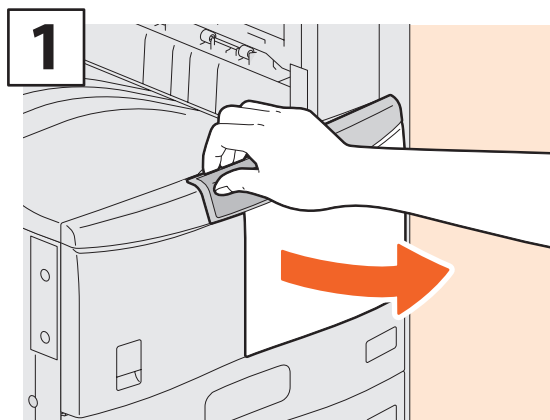
3. Guide / 4. Platen sheet

Clean the surface as follows depending on the staining.

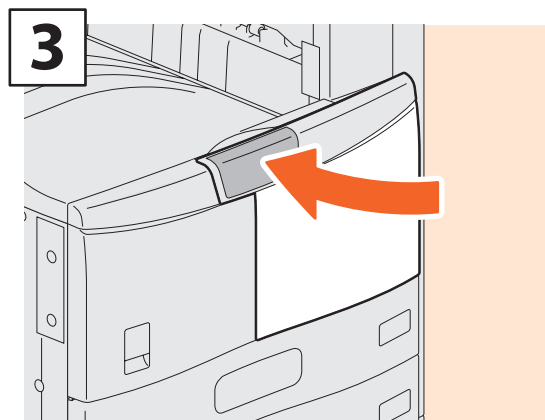
- Clean it with a soft cloth.
- Clean it with a soft cloth lightly moistened with water.
- Clean it with a soft cloth lightly moistened with alcohol, and then wipe it with a dry cloth.
- Clean it with a soft cloth lightly moistened with watered-down neutral detergent, and then wipe it with a dry cloth.

Cleaning the charger

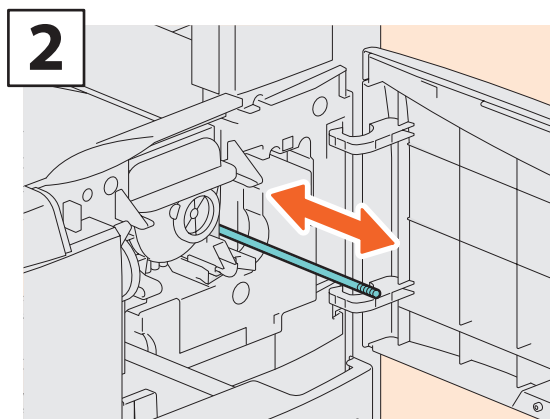
If the inside of the charger is dirty, the dirt will be transferred to the copied image. Clean the charger following the procedure below.



1 Open the front cover.



3 Close the front cover.



2 Holding the knob provided for cleaning, pull out the knob carefully until it comes to a stop. Then return the knob to the original position. Repeat this procedure several times.

Notes

When department management and user management are not used, the template in the public template group and the total print counter in the equipment are displayed.

Chapter 4

TROUBLESHOOTING

Troubleshooting	48
-----------------------	----

Troubleshooting

When problems such as paper jams occur, see the following explanation or refer to the *Troubleshooting Guide* (PDF) according to P.50 "References to the Troubleshooting Guide" in this manual.

Symbols and messages appear on the touch panel

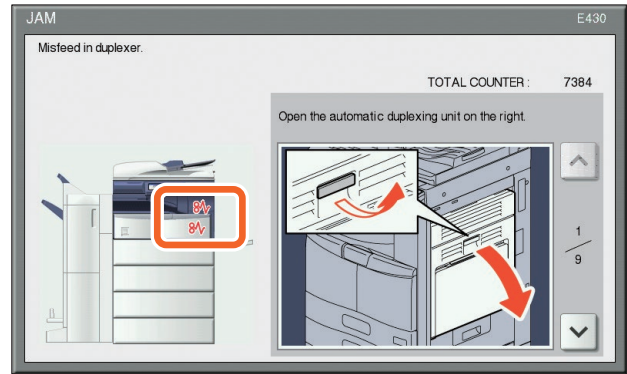
Symbols or messages of such as for paper jams occasionally appear on the touch panel.

For details of the paper jam symbols, refer to the following guide:

Troubleshooting Guide (PDF): "Chapter 1: TROUBLESHOOTING FOR THE HARDWARE" - "Clearing a Paper Jam"

For details of the messages on the touch panel, refer to the following guide:

Troubleshooting Guide (PDF): "Chapter 1: TROUBLESHOOTING FOR THE HARDWARE" - "Messages Displayed on the Touch Panel"



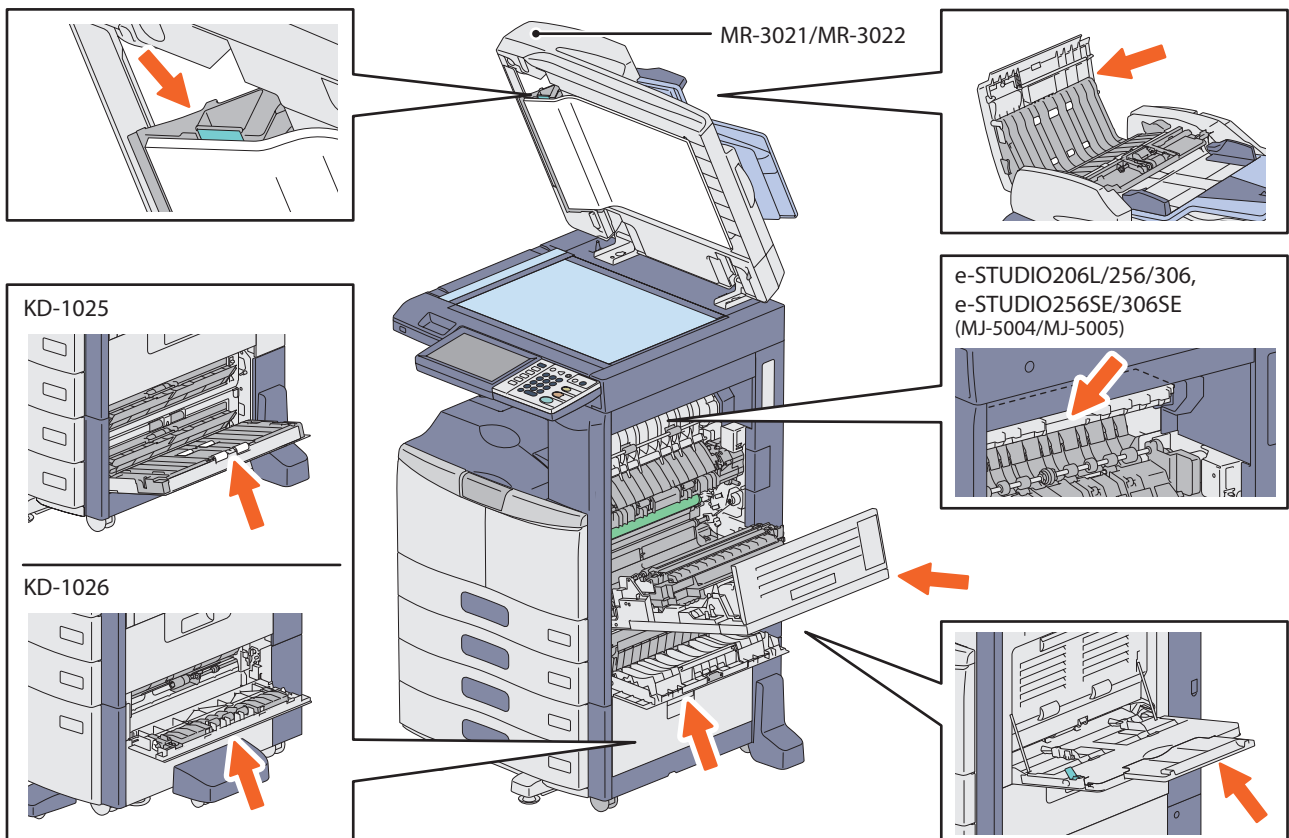
When paper jams occur

When paper jams occur, refer to the guidance displayed on the touch panel of the equipment or refer to the following guide:

Troubleshooting Guide (PDF): "Chapter 1: TROUBLESHOOTING FOR THE HARDWARE" - "Clearing a Paper Jam"

Covers of the equipment and the options

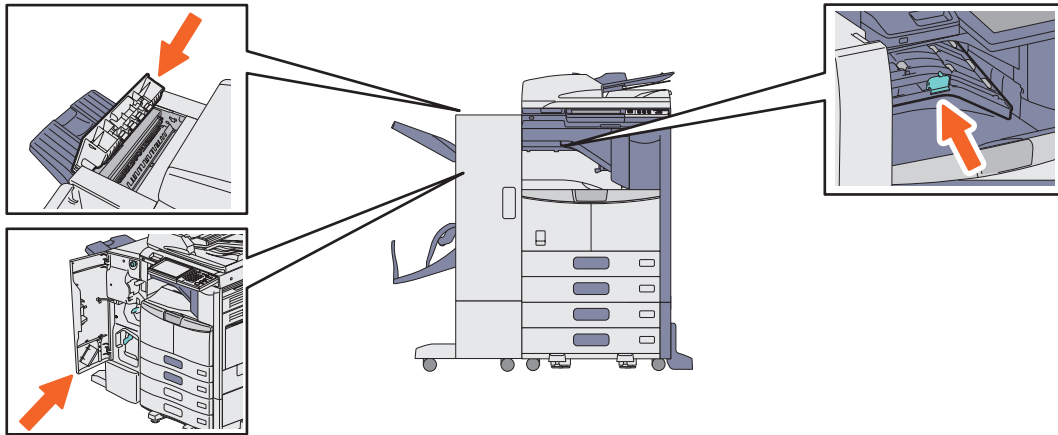
The covers of the equipment and the options to be opened when paper jams occur are as indicated by the arrows in the following illustrations.



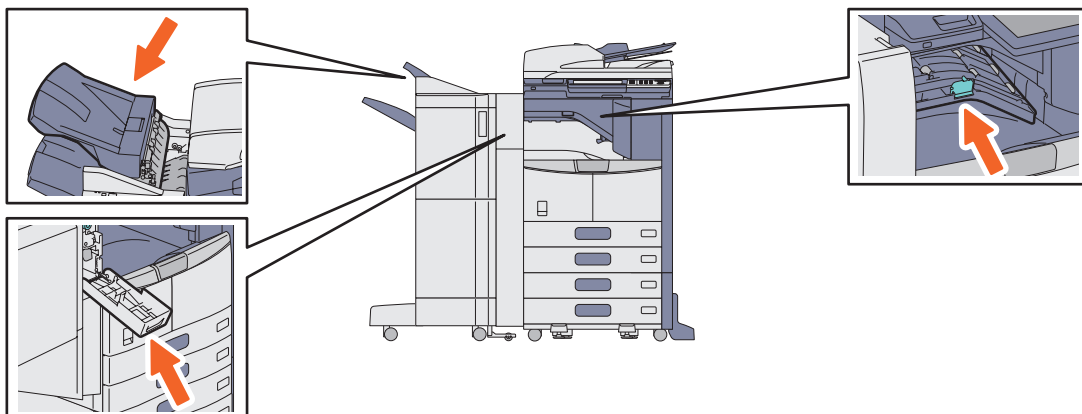
Covers of the Finisher, the Hole Punch Unit and the Bridge Unit (all optional)

The covers of the Finisher, Hole Punch Unit and Bridge Unit to be opened when paper jams occur are as indicated by the arrows in the following illustrations.

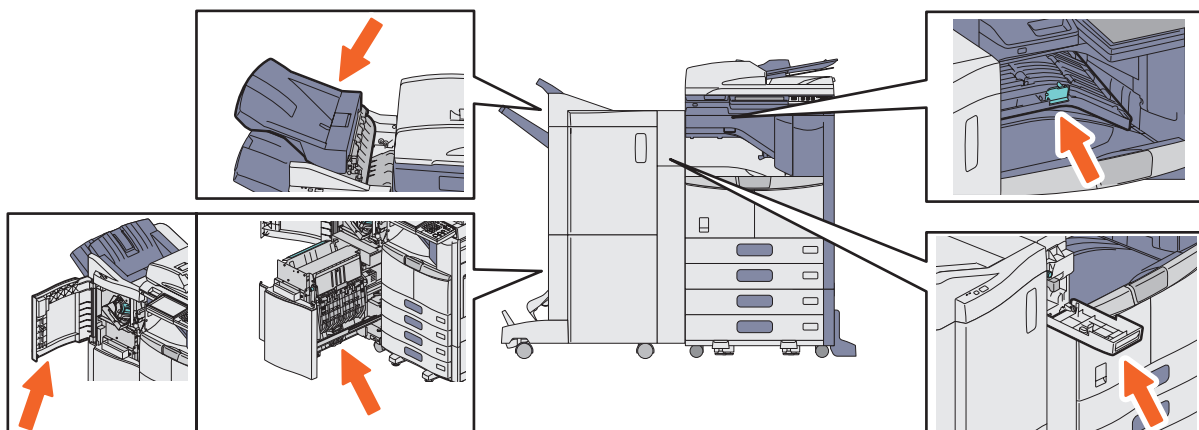
e-STUDIO206L/256/306/356/456, e-STUDIO256SE/306SE/356SE/456SE, the Saddle Stitch Finisher (MJ-1033), the Hole Punch Unit (MJ-6008) and the Bridge Unit (KN-2520)



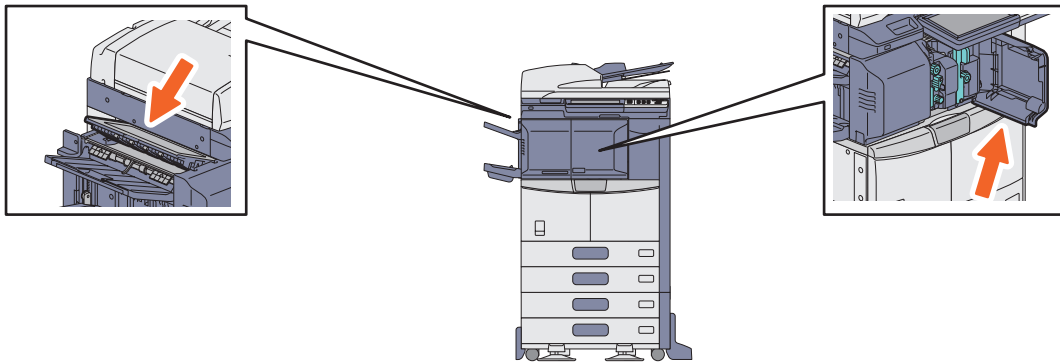
e-STUDIO356/456/506, e-STUDIO356SE/456SE/506SE, the Finisher (MJ-1101), the Hole Punch Unit (MJ-6103) and the Bridge Unit (KN-2520)



e-STUDIO356/456/506, e-STUDIO356SE/456SE/506SE, the Saddle Stitch Finisher (MJ-1106), the Hole Punch Unit (MJ-6103) and the Bridge Unit (KN-2520)



e-STUDIO206L/256/306/356/456, e-STUDIO256SE/306SE/356SE/456SE, the Inner Finisher (MJ-1032) and the Hole Punch Unit (MJ-6007)



About Troubleshooting Guide


The *Troubleshooting Guide* (PDF) describes the causes and the troubleshooting of problems when you use the equipment.

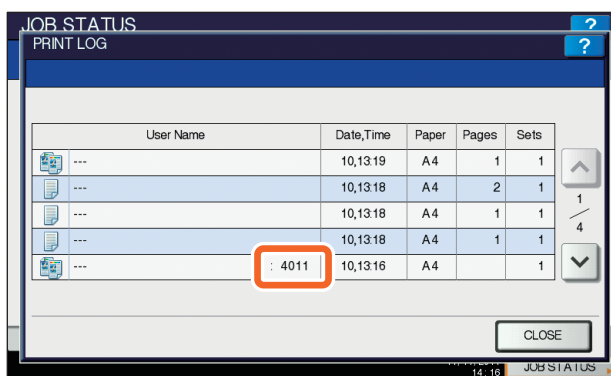
References to the Troubleshooting Guide		
Chapter	Title	Section
Chapter 1	TROUBLESHOOTING FOR THE HARDWARE	When This Screen Is Displayed
		Messages Displayed on the Touch Panel
		Clearing a Paper Jam
		Clearing a Staple Jam
		Replacing a Toner Cartridge
		Refilling With Staples
		Cleaning the Charger
		Cleaning the Hole Punch Dust Bin
		Removal and Installation of the Exit Support Tray
Chapter 2	TROUBLESHOOTING FOR COPYING	Copying Problems
Chapter 3	TROUBLESHOOTING FOR PRINTING	Print Job Problems
		Printer Driver Problems
		Network Connection Problems
		Client Problems
		Hardware Problems
Chapter 4	TROUBLESHOOTING FOR SCANNING	Scanning Problems
Chapter 5	TROUBLESHOOTING FOR e-Filing	e-Filing Web Utility Problems
Chapter 6	TROUBLESHOOTING FOR NETWORK CONNECTIONS	Locating the Equipment in the Network
		LDAP Search and Authentication Problems
		Printing Problems (Network Related)
		Network Fax (N/W-Fax) Driver Problems
		Client Software Authentication Problems
Chapter 7	CHECKING THE EQUIPMENT STATUS WITH TopAccess	Hardware Status Icons on TopAccess [Device] Tab
		Error Messages
		Error Codes
Chapter 8	WHEN SOMETHING IS WRONG WITH THE EQUIPMENT	When You Think Something Is Wrong With the Equipment
		Regular Maintenance

Error codes


Press [JOB STATUS] and then the [LOG] tab on the touch panel; the LOG menu is displayed. The job history and error codes are displayed in the LOG menu.


For details of the error codes, refer to the following guide:

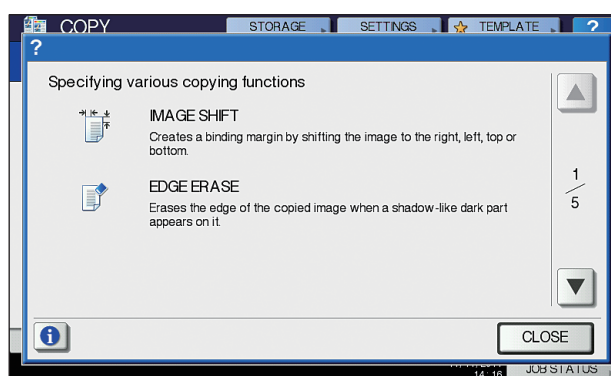
 **Troubleshooting Guide** (PDF): “Chapter 7: CHECKING THE EQUIPMENT STATUS WITH TopAccess” - “Error Codes”



Using the Help functions

If you press  on the upper right of the touch panel, explanations of the functions and buttons on the screen are displayed.

If you press  on the lower left of the Help screen, supplementary information about the functions appears.



Chapter 5

ADVANCED FUNCTIONS

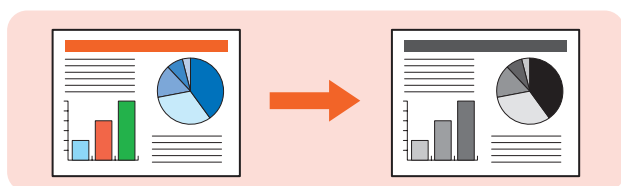
Advanced Functions54

Advanced Functions

In Chapter 2 in this manual, the basic functions are described. This section describes the advanced functions to help you get the best out of your equipment.

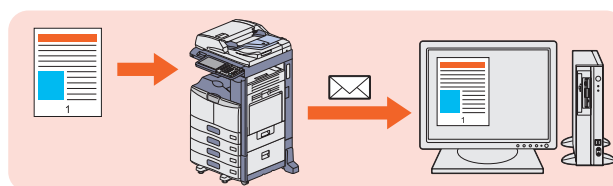
Examples of the advanced functions describing in this section

Copying color documents more clearly



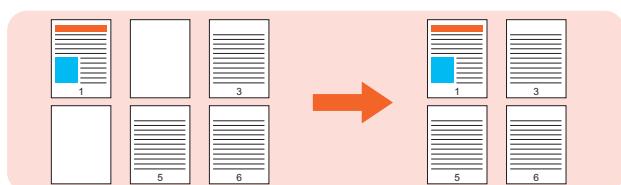
P.55 in this manual

Attaching the scanned data to an E-mail



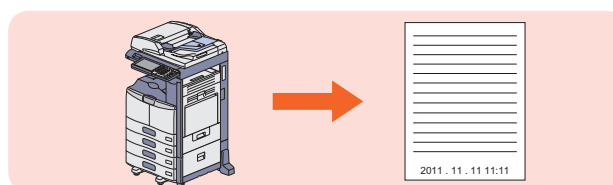
P.59 in this manual

Copying or scanning originals without blank sheets



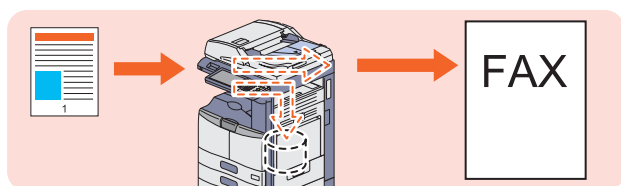
P.56 in this manual

Adding date and time to document files



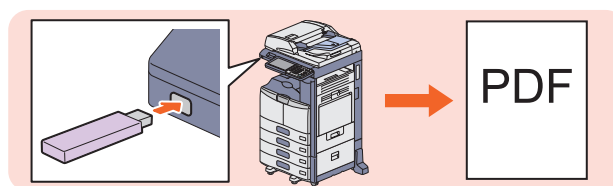
P.60 in this manual

Storing data in a shared folder as well as sending a fax



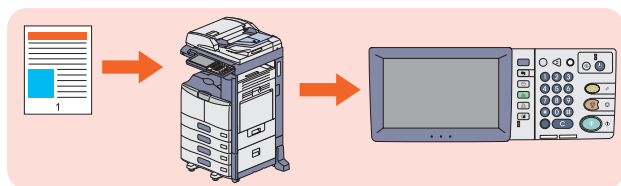
P.57 in this manual

Printing a PDF file stored in the USB device



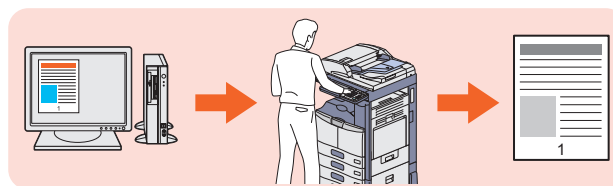
P.61 in this manual

Registering frequently used scan settings in templates



P.58 in this manual

Printing only allowed data set on the control panel



P.62 in this manual

COPY

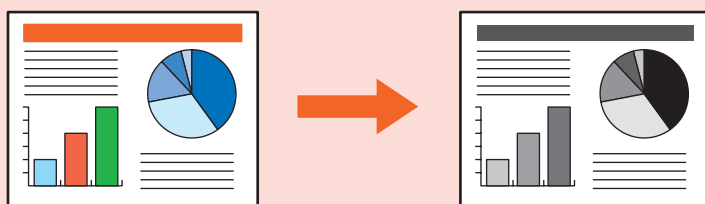
FAX

SCAN

e-FILING

PRINT

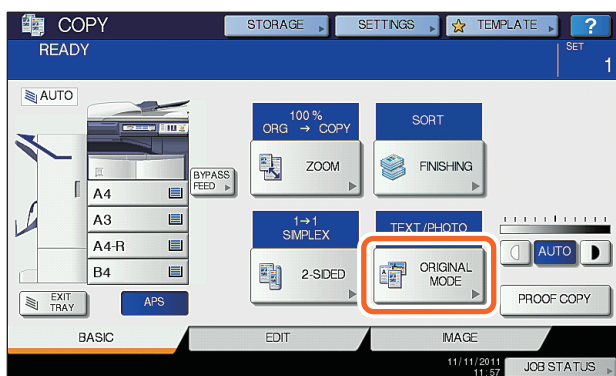
Copying color documents more clearly



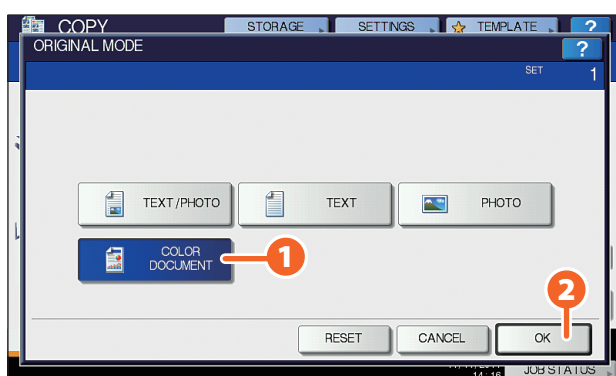
The procedure for copying color documents such as those for presentation more clearly is as follows.

- 1 Place the original(s).
 ⓘ P.16 "Placing originals" in this manual

- 2 Press [ORIGINAL MODE] on the touch panel.



- 3
 - 1 Press [COLOR DOCUMENT] on the touch panel, and then
 - 2 [OK].



- 4 Press the [START] button on the control panel. Copying starts.

COPY

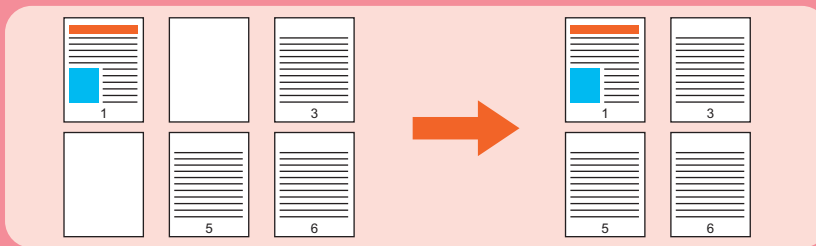
FAX

SCAN

e-FILING

PRINT

Copying or scanning originals without blank sheets



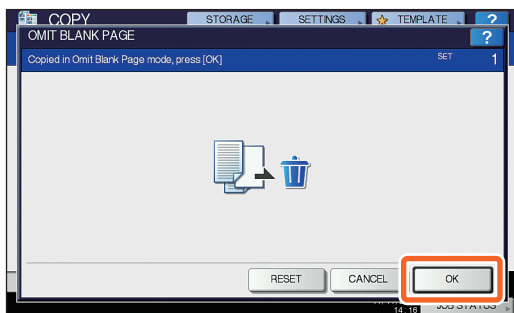
You can copy or scan originals omitting blank sheets while maintaining the original page sequence.

When copying

- 1 Place the originals on the Reversing Automatic Document Feeder (optional).
 P.16 "Placing originals" in this manual

- 2 Press the [EDIT] tab, and then in the basic menu for the copying functions.

- 3 Press [OMIT BLANK PAGE] and then [OK].



- 4 Press the [START] button on the control panel. Copying starts.

When scanning

- 1 Place the originals on the Reversing Automatic Document Feeder (optional).
 P.16 "Placing originals" in this manual

- 2 Press [SCAN SETTING], and then in the basic menu for the scanning functions.

- 3 Press **1** [ON] in the "OMIT BLANK PAGE" setting and then **2** [OK].



- 4 In the basic menu for the scanning functions, specify details such as the destination for saving the data.

- 5 Press [SCAN] on the touch panel. Scanning starts.

COPY

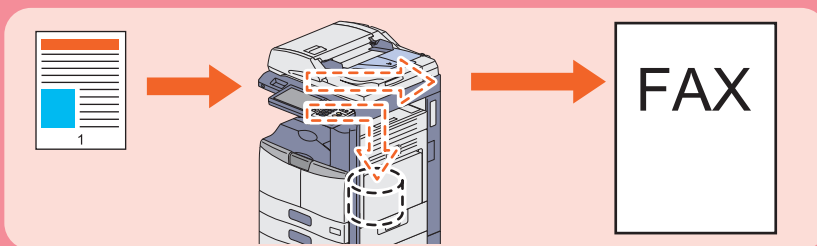
FAX

SCAN

e-FILING

PRINT

Storing data in a shared folder as well as sending a fax



You can store documents in a shared folder in the equipment or in a computer connected to the network as well as sending a fax.

1 Place the original(s).
 P.16 "Placing originals" in this manual

2 Press [STORAGE] on the touch panel.



3 **1** Specify details such as the file name, shared folder and file format and then **2** press [OK].



4 Specify the recipient and press [SEND]. Sending a fax starts.

5

COPY

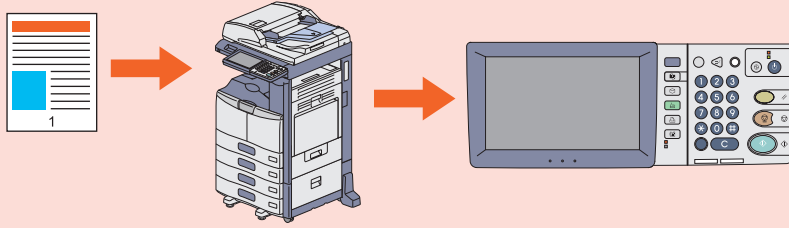
FAX

SCAN

e-FILING

PRINT

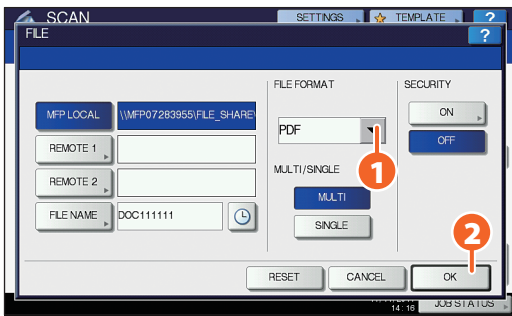
Registering frequently used scan settings in templates



If you register frequently used scan settings in templates, you can easily perform scan operations only by recalling the templates. How to register scan settings (scan data are stored in PDF format in a shared folder) in templates (PUBLIC TEMPLATE GROUP) is described here.

1 Press [FILE] on the touch panel.

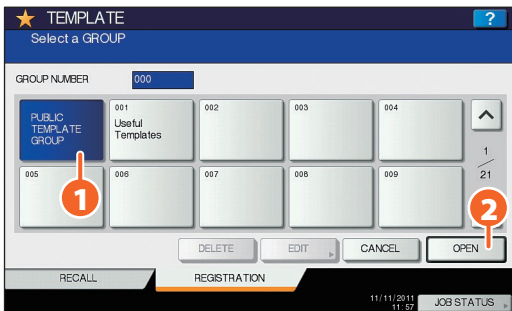
2 **1** Select "PDF" in the file format, and then **2** press [OK].



3 Change the scan setting as required.

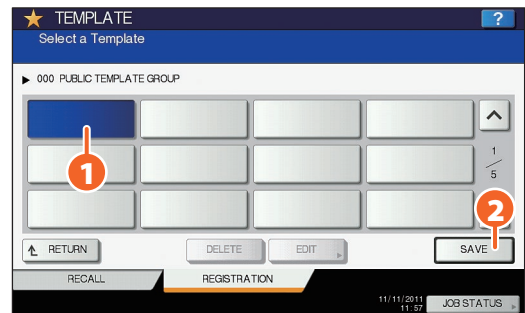
4 Press [TEMPLATE] on the touch panel, and then [REGISTRATION] tab.

5 **1** Press [PUBLIC TEMPLATE GROUP] on the touch panel, and then **2** [OPEN].

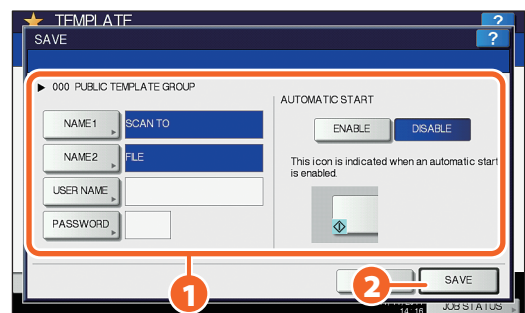


6 Press [PASSWORD], enter the administrator password and press [OK].

7 **1** Select an empty template button, and then **2** press [SAVE].



8 **1** Make the settings such as the template name, and then **2** press [SAVE] to complete the registration.



COPY

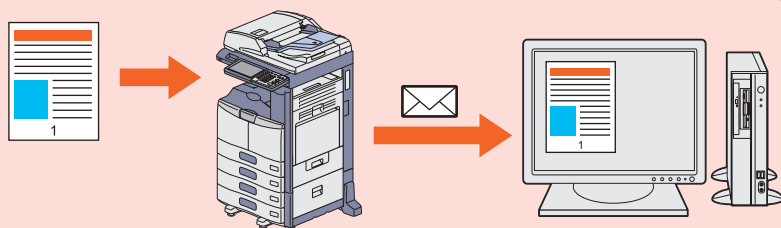
FAX

SCAN

e-FILING

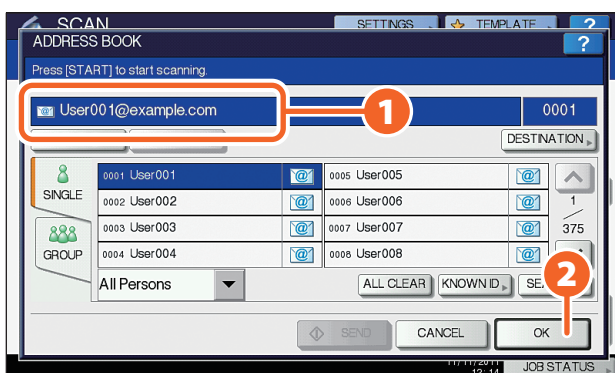
PRINT

Attaching the scanned data to an E-mail

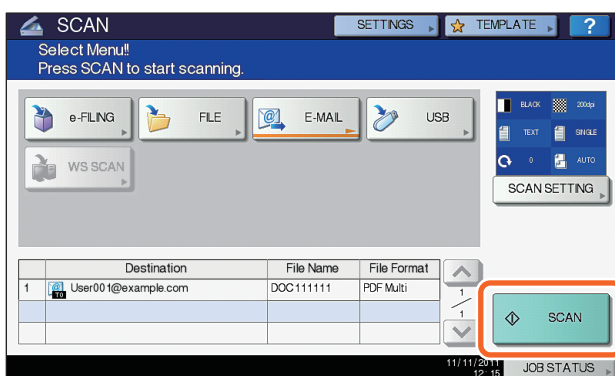


The procedure for attaching the scanned data to an E-mail and sending it to the specified E-mail address is as follows.

- 1** Place the original(s).
 ⓘ P.16 "Placing originals" in this manual
- 2** Press [E-MAIL] and then [TO] on the touch panel.
- 3** **1** Specify the E-mail address and then **2** press [OK].



- 4** Define the settings for the file as required and then press [OK].
- 5** Press [SCAN] on the touch panel. Scanning starts.



COPY

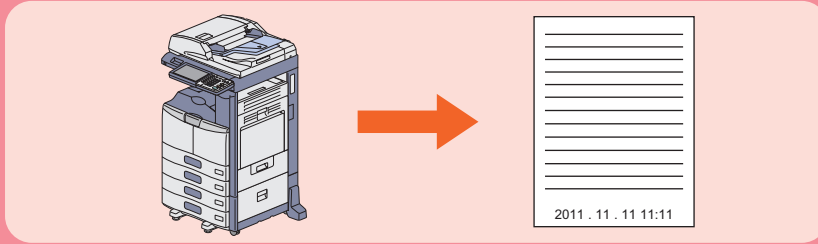
FAX

SCAN

e-FILING

PRINT

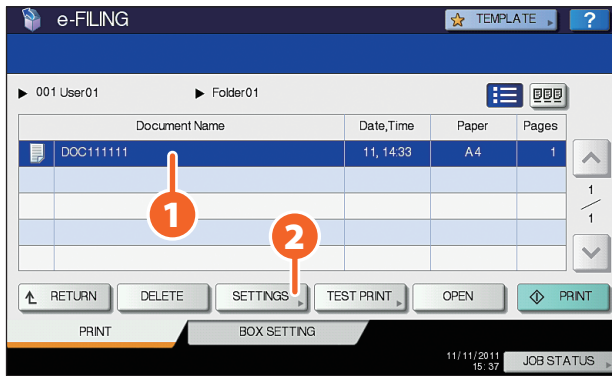
Adding date and time to document files



The procedure for printing a document file stored in e-Filing with the date and time added at the bottom is as follows.

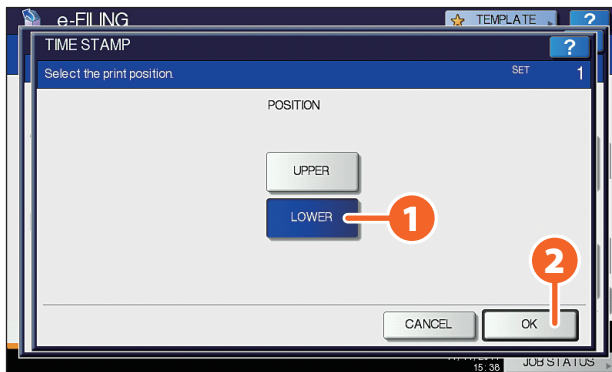
1 Select the box in which the desired document is stored.

2 **1** Select the document and then **2** press [SETTINGS].



3 Press [TIME STAMP].

4 **1** Press [LOWER] and then **2** [OK].



5 Press [PRINT] on the touch panel. Printing starts.

COPY

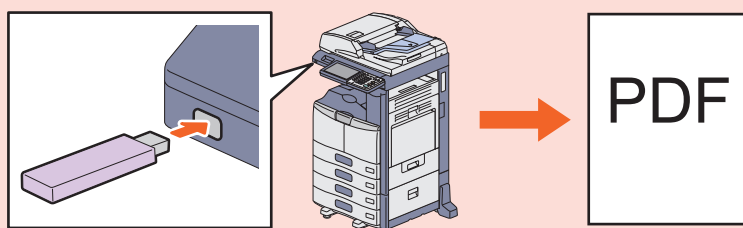
FAX

SCAN

e-FILING

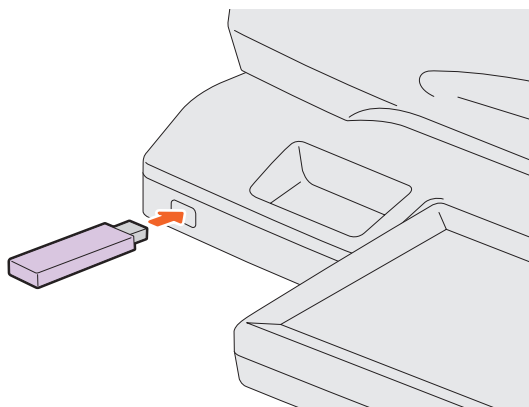
PRINT

Printing a PDF file stored in the USB device



The procedure for printing 1 set of a PDF file stored in the USB device is as follows.

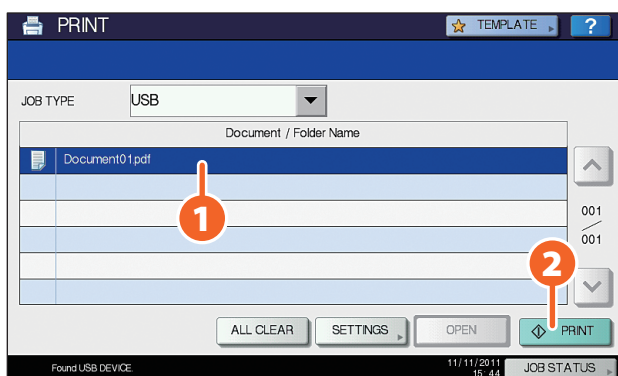
- 1 Connect the USB device to the USB port.



- 2 Press the [PRINT] button on the control panel.

- 3 Click the pull-down menu, and then select [USB].

- 4
 - 1 Select a PDF file to be printed and then
 - 2 press [PRINT]. Printing starts.



Tips

- Press [SETTINGS], then you can set such as duplex printing and stapling.
- The following types of files are also available for printing:
 - JPEG file
 - PRN file
 - PS file
 - XPS file

COPY

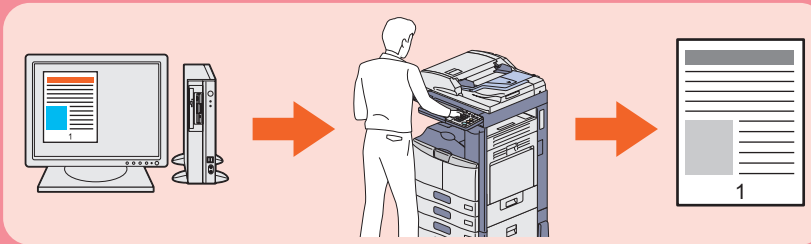
FAX

SCAN

e-FILING

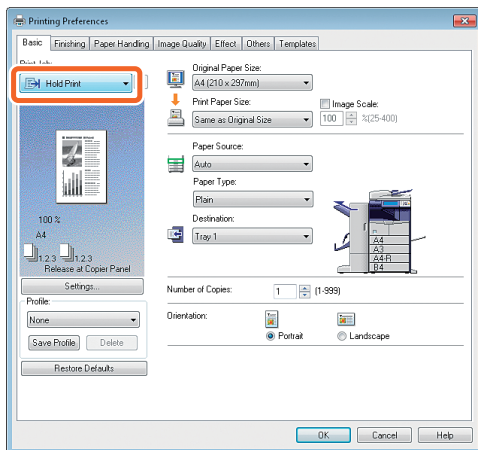
PRINT

Printing only allowed data set on the control panel



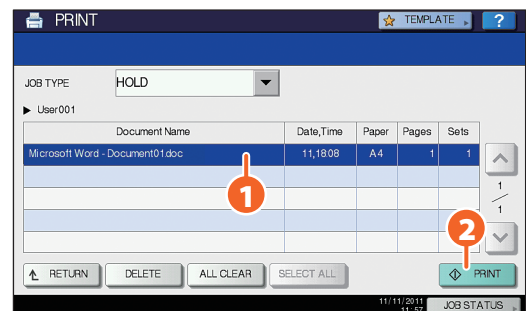
The procedure for printing only allowed data set on the control panel is as follows. This will stop you from forgetting to remove printed sheets.

- 1** Open a file to be printed on a Windows computer, and then select [Print] from the file menu of the application.
- 2** Select the printer driver of the equipment, and then click [Preferences] ([Properties]).
- 3** Select "Hold Print" for the job type in the [Basic] tab menu.



- 4** Click [OK] to return to the print dialog box and then [Print] ([OK]).
- 5** Press the [PRINT] button on the control panel of the equipment.

- 6** Click the pull-down menu, and then select [HOLD].
- 7** Select the user name, and then press [OK].
- 8**
 - 1** Select the file to be printed and then
 - 2** press [PRINT]. Printing starts.



Chapter 6


INFORMATION ABOUT EQUIPMENT

Items Included in This Product.....	64
Client Utilities/User Documentation DVD	65
Client Software	66
Options.....	68
Logging in.....	71
Specifications of Equipment.....	74
Specifications of Options.....	77

Items Included in This Product

The following items are co-packed with the equipment. Check that you have them all. Contact your service technician or representative if any are missing or damaged.

Items included in this product

Safety Information	The Safety Information describes the necessary precautions for use. For your added security, be sure to read this booklet first.
Quick Start Guide (This manual)	The Quick Start Guide describes the preparations, basic and advanced usage, maintenance and regular cleaning of the equipment.
Client Utilities/User Documentation DVD	The Client Utilities/User Documentation DVD contains the client software such as the printer drivers and the utility software. Also, it contains pdf files of the Operator's Manuals such as the Copying Guide and the Troubleshooting Guide. For details, see the following page:  P.65 "Client Utilities/User Documentation DVD" in this manual


Client Utilities/User Documentation DVD

The Client Utilities/User Documentation DVD contains the following client software such as the printer drivers and the utility software.

Client software	
For Windows	Client Software Installer
	Universal Printer 2 Driver
	Universal PS3 printer driver
	Universal XPS printer driver
	TWAIN driver
	File downloader
	N/W-Fax driver
	AddressBook Viewer
	Remote Scan driver
	WIA driver
	e-Filing Backup/Restore Utility
For Macintosh	The PPD file and plug-ins used for Macintosh on the Mac OS X 10.4.x to Mac OS X 10.6.x
	The PPD file and plug-ins used for Macintosh on the Mac OS X 10.7 or later
For UNIX/Linux	UNIX/Linux filter (Solaris, HP-U, AIX, Linux, SCO)
	CUPS

Tips

For installing the client software, refer to the following guide:

 **Software Installation Guide** (PDF): "Chapter 1: OVERVIEW"













For details of the client software, see the following page:

 P.66 "Client Software" in this manual




Client Software

This section describes the outlines of the client software of the equipment. It is necessary to install software except e-Filing Web utility and TopAccess in the computer before it is used.





Client software for the printing functions

Universal Printer 2 Driver	This Universal Printer 2 Driver is installed with the Recommended Installation. This driver is generally used. For details, refer to the following guides:  Software Installation Guide (PDF): "Chapter 2: RECOMMENDED INSTALLATION" or "Chapter 3: INSTALLING PRINTER DRIVERS FOR WINDOWS"  P.32 "Basic Printing Operation" in this manual  Printing Guide (PDF): "Chapter 2: PRINTING FROM WINDOWS"
Universal PS3 printer driver	This driver enables you to print documents in the high quality mode with applications such as Adobe Systems Incorporated. For details, refer to the following guides:  Software Installation Guide (PDF): "Chapter 2: RECOMMENDED INSTALLATION" or "Chapter 3: INSTALLING PRINTER DRIVERS FOR WINDOWS"  Printing Guide (PDF): "Chapter 2: PRINTING FROM WINDOWS"
Universal XPS printer driver	This printer driver enables you to print documents from the WPF applications created for Windows Vista, Windows 7, or Windows 8. For details, refer to the following guides:  Software Installation Guide (PDF): "Chapter 2: RECOMMENDED INSTALLATION" or "Chapter 3: INSTALLING PRINTER DRIVERS FOR WINDOWS"  Printing Guide (PDF): "Chapter 2: PRINTING FROM WINDOWS"
PPD file for Macintosh	This printer driver enables you to print documents from Macintosh computers (Mac OS X 10.4.x to Mac OS X 10.8.x). For details, refer to the following guides:  Software Installation Guide (PDF): "Chapter 4: INSTALLING PRINTER DRIVERS FOR MACINTOSH"  Printing Guide (PDF): "Chapter 3: PRINTING FROM Macintosh"
UNIX/Linux filter	UNIX/Linux filter enables you to print documents from the UNIX/Linux workstation. For details, refer to the following guides:  Software Installation Guide (PDF): "Chapter 5: INSTALLING PRINTER DRIVERS FOR UNIX/Linux"  Printing Guide (PDF): "Chapter 4: PRINTING FROM UNIX/Linux"
CUPS	CUPS file enables you to set up the CUPS print system from UNIX/Linux workstation. For details, refer to the following guide:  Software Installation Guide (PDF): "Chapter 5: INSTALLING PRINTER DRIVERS FOR UNIX/Linux"


Client software for the scanning functions

Remote Scan driver	This driver enables you to scan documents remotely and obtain scanned data as an image in the applications supporting TWAIN on Windows computers. For details, refer to the following guide:  Software Installation Guide (PDF): "Chapter 2: RECOMMENDED INSTALLATION" or "Chapter 6: INSTALLING SCAN DRIVER AND UTILITIES"
WIA driver	This driver enables you to scan documents remotely and obtain scanned data as an image in the applications supporting WIA (Windows Imaging Acquisition) on Windows computers. For details, refer to the following guides:  Software Installation Guide (PDF): "Chapter 2: RECOMMENDED INSTALLATION" or "Chapter 6: INSTALLING SCAN DRIVER AND UTILITIES"  Scanning Guide (PDF): "Chapter 5: OTHER SCANNING METHODS"




Client software for the e-Filing functions

TWAIN driver	This driver enables you to obtain documents stored in e-Filing as an image in application supporting TWAIN on Windows computers. For details, refer to the following guide:  Software Installation Guide (PDF): “Chapter 2: RECOMMENDED INSTALLATION” or “Chapter 6: INSTALLING SCAN DRIVER AND UTILITIES”
File downloader	File downloader enables you to obtain documents stored in e-Filing as an image in your Windows computer. For details, refer to the following guide:  Software Installation Guide (PDF): “Chapter 2: RECOMMENDED INSTALLATION” or “Chapter 6: INSTALLING SCAN DRIVER AND UTILITIES”
e-Filing Web utility	This utility enables you to operate or make settings for e-Filing using a browser on your computer. Since this utility has been already installed to the equipment, enter the IP address of the equipment into a browser and turn on the power. For details, refer to the following guide:  e-Filing Guide (PDF): “Chapter 3: OVERVIEW ON e-FILING WEB UTILITY”
e-Filing Backup/Restore Utility	This utility enables you to back up and restore the data stored in e-Filing. For details, refer to the following guide:  Software Installation Guide (PDF): “Chapter 8: INSTALLING e-FILING BACKUP/RESTORE UTILITIES”

Client software for the network management functions

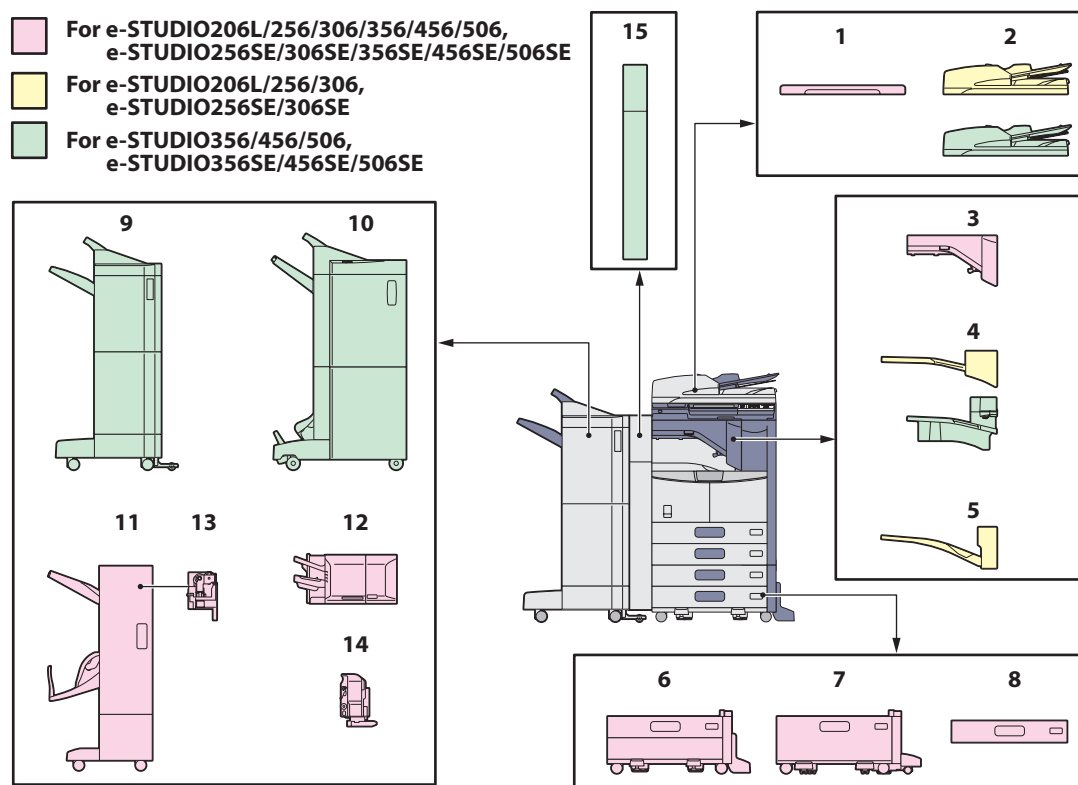
TopAccess	TopAccess enables you to view the device information, display logs, create templates and an address book, and manage the equipment using a browser. Since TopAccess has been already installed to the equipment, enter the IP address of the equipment into a browser and turn on the power. For details, refer to the following guide:  TopAccess Guide (PDF): “Chapter 1: OVERVIEW”
------------------	--

Client software for the network fax functions

N/W-Fax driver	This driver enables you to send faxes or Internet faxes from your computer. For details, refer to the following guides:  Software Installation Guide (PDF): “Chapter 2: RECOMMENDED INSTALLATION” or “Chapter 7: INSTALLING NETWORK FAX UTILITIES”  Network Fax Guide (PDF): “Chapter 1: OVERVIEW”
AddressBook Viewer	This viewer enables you to manage the address book (such as fax numbers and E-mail addresses) and upload the address book from your computer to the equipment. For details, refer to the following guide:  Software Installation Guide (PDF): “Chapter 2: RECOMMENDED INSTALLATION” or “Chapter 7: INSTALLING NETWORK FAX UTILITIES”

Options

The following options are sold separately, and upgrade the performance of the equipment if installed. For details, contact your service technician or representative.



1. Original Cover (KA-1640PC)

This is used to hold an original.

2. Reversing Automatic Document Feeder (MR-3021, MR-3022)

This unit automatically feeds a stack of originals one by one to have them copied. Install the MR-3021 in the e-STUDIO206L/256/306, e-STUDIO256SE/306SE, and the MR-3022 in the e-STUDIO356/456/506, e-STUDIO356SE/456SE/506SE.

3. Bridge Unit (KN-2520)

This unit acts as a relay for the Finisher and this equipment.

4. Job Separator (MJ-5004/MJ-5006)

Enables Faxes, copies and prints to be output onto separate paper trays.

Install the MJ-5004 in the e-STUDIO206L/256/306, e-STUDIO256SE/306SE, and the MJ-5006 in the e-STUDIO356/456/506, e-STUDIO356SE/456SE/506SE.

5. Offset Tray (MJ-5005)

Enables copied and printed sets to be collated or stacked in groups with each set being offset.

6. Paper Feed Pedestal (KD-1025)

This pedestal enables you to install the Additional Drawer Module (optional, MY-1033).

7. Large Capacity Feeder (KD-1026)

This feeder enables you to feed up to 2000 sheets (80 g/m²

or 20 lb. Bond) of A4 or LT paper.

8. Additional Drawer Module (MY-1033)

This drawer can be added to the Paper Feed Pedestal (optional, KD-1025). Combined with the 2 drawers in the equipment, paper can be fed from 4 drawers in total.

9. Finisher (MJ-1101)

This Finisher enables sort/group finishing and stapling. The Hole Punch Unit (optional, MJ-6103) can be installed in this Finisher. The Bridge Unit (KN-2520) is required for the installation of this Finisher.

10. Saddle Stitch Finisher (MJ-1106)

This Finisher enables saddle stitching, in addition to sort/group finishing and stapling. The Hole Punch Unit (MJ-6103) can be installed in this Finisher. The Bridge Unit (KN-2520) is required for the installation of this Finisher.

11. Saddle Stitch Finisher (MJ-1033)

This Finisher enables saddle stitching, in addition to sort/group finishing and stapling. The Hole Punch Unit (MJ-6008) can be installed in this Finisher. The Bridge Unit (KN-2520) is required for the installation of this Finisher. e-STUDIO506/506SE does not support this option.

12. Inner Finisher (MJ-1032)

This Finisher enables sort/group finishing and stapling. The Hole Punch Unit (MJ-6007) can be installed in this Finisher. e-STUDIO506/506SE does not support this option.

13. Hole Punch Unit (MJ-6008)

This unit enables you to punch holes on printed sheets. Install it in the Saddle Stitch Finisher (MJ-1033) to use it. e-STUDIO506/506SE does not support this option.

14. Hole Punch Unit (MJ-6007)

This unit enables you to punch holes on printed sheets. Install it in the Finisher (MJ-1032) to use it. e-STUDIO506/506SE does not support this option.

15. Hole Punch Unit (MJ-6103)

This unit enables you to punch holes on printed sheets. Install it in the Finisher (MJ-1101) or Saddle Stitch Finisher (MJ-1106) to use it.

Other options available are as follows. Contact your service technician or representative for details.

Work Table (KK-4550)

This is a small table for placing originals while the equipment is being operated.

Installed on the right-hand side of the equipment.

FAX Unit (GD-1250)

This is a unit for using the equipment as a Fax machine.

Installed inside of the equipment.

2nd Line for FAX Unit (GD-1260)

This unit enables you to add a line to the Fax, making a 2nd line available.

- Installed inside of the equipment.
- The FAX Unit (optional, GD-1250) is required.

Printer Kit (GM-1230, GM-1240)

This kit enables the printing function.

Install the GM-1230 in the e-STUDIO256/306, e-STUDIO256SE/306SE and the GM-1240 in the e-STUDIO356/456/506, e-STUDIO356SE/456SE/506SE.

Printer/Scanner Kit (GM-2250, GM-2260)

This kit enables the printing and scanning functions.

Install the GM-2250 in the e-STUDIO256/306, e-STUDIO256SE/306SE and the GM-2260 in the e-STUDIO356/456/506, e-STUDIO356SE/456SE/506SE.

Scanner Kit (GM-4230, GM-4240)

This kit enables the scanning function.

Install the GM-4230 in the e-STUDIO256/306, e-STUDIO256SE/306SE and the GM-4240 in the e-STUDIO356/456/506, e-STUDIO356SE/456SE/506SE.

Desk (MH-2520)

This is a desk for the equipment.

Accessible Arm (KK-2550)

This enables a user in a wheelchair to close the Reversing Automatic Document Feeder (MR-3021, MR-3022) while remaining seated.

 P.70 "How to use the Accessible Arm" in this manual

Operator's Manual Pocket (KK-1660)

Keep the manual in this pocket.

Wireless LAN Module (GN-1060)

This module enables the equipment to be used in a wireless LAN environment.

- Installed inside of the equipment.
- The Antenna (optional, GN-3010) is required.
- The equipment cannot be connected to the wireless and wired LAN at the same time.

Antenna (GN-3010)

This is used when the Wireless LAN Module is installed.

e-BRIDGE ID Gate (KP-2004, KP-2005)

You can log in and use the equipment simply by holding the IC card over the e-BRIDGE ID Gate.

- Installed on the right-hand side of the equipment.
- This cannot be installed with the Work Table at the same time.

Data Overwrite Enabler (GP-1070)

This is an enabler to erase the data stored temporarily when copying, printing, scanning, faxing, Internet Fax or network Fax is performed. It overwrites temporarily stored data with random data.

IPsec Enabler (GP-1080)

This enables the IPsec function in this equipment.

Meta Scan Enabler (GS-1010)

This enables the Meta Scan function in this equipment.

External Interface Enabler (GS-1020)

This enables the EWB function in this equipment.

Unicode Font Enabler (GS-1007)

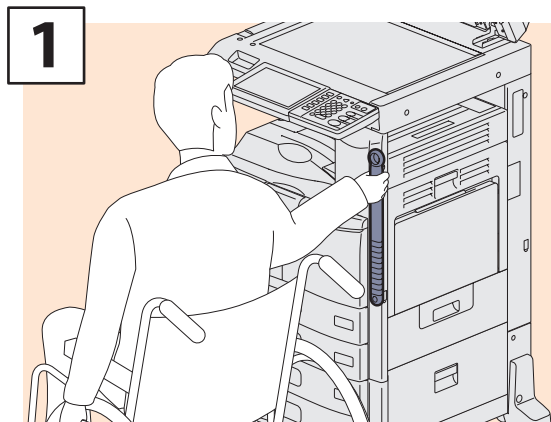
This enables printing from the SAP environment using Unicode font with this equipment.

Note

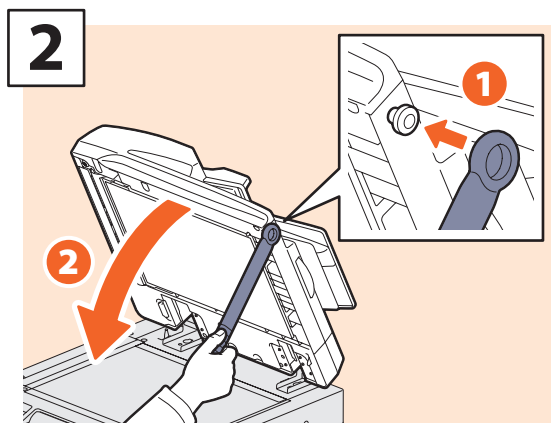
Depending on the model, options have been already installed and the functions can be used.

How to use the Accessible Arm

A person in a wheelchair can close the Reversing Automatic Document Feeder (optional, MR-3021/MR-3022) using the Accessible Arm (optional, KK-2550).



Hold the Accessible Arm.



Hook the Accessible Arm on the right-hand side of the Reversing Automatic Document Feeder to close it.

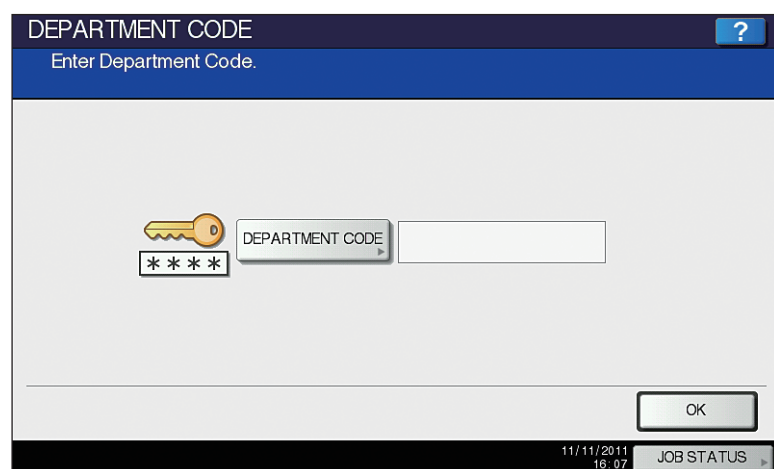
Logging in

When the equipment is controlled under department or user management, copying and other functions can be performed if you log in according to the following procedure.

Department management

You can restrict users or manage copy volumes made by an individual group or department in your company using the department codes. When the equipment is controlled under the department code, turn the power on and enter the code.

When the power of the equipment is turned ON, the following menu appears.



Tips

Automatic function clear:

- This function returns all settings to default without the need to press the [FUNCTION CLEAR] button on the control panel. It works when a specified period of time has passed since the last paper exit or the last entry of any button. When department or user management is being used, the display returns to the department code or user information input menu. When they are not being used, the display returns to the basic menu for the copying function.
- The period is set at 45 seconds by default at the time of installation of the equipment. To change the setting, refer to the following guide:
[📖 MFP Management Guide \(PDF\): "Chapter 2: SETTING ITEMS \(ADMIN\)" - "GENERAL"](#)
- When connecting to equipment with department or user management enabled using client software, you may need to log in. For details, ask your administrator.

Key in a department code (max. 63 digits) previously registered and press [OK] on the touch panel. The menu will switch and the equipment will be ready for use.

If the department code keyed in is incorrect, the menu does not change. Key in the correct one.

After the operation

To prevent unauthorized use of the equipment, return the display to the department code input menu by following either of the procedures below after you finish all operations.

- Press the [ACCESS] button on the control panel.
- Press the [FUNCTION CLEAR] button on the control panel twice.

User management

You can restrict users or manage available functions and past records by means of user management. When the equipment is managed under this function, turn the power ON and enter the information required (e.g. user name, password). Enter the information according to the procedure below.

Note

If you enter an invalid password several times, you may not log in for a certain period since it will be regarded as an unauthorized access.

When "User account is locked" or "User Name and Password are not recognized." appears and logging in cannot be performed, ask your administrator.

Tip

- If a guest user is enabled in the user management function, [GUEST] is displayed on the touch panel. Press [GUEST] to log in as a guest user. For the types of functions available, consult the administrator.
- When prompted for a PIN code, enter it (up to 32 digits) using the digital keys on the control panel. For details, ask your administrator.

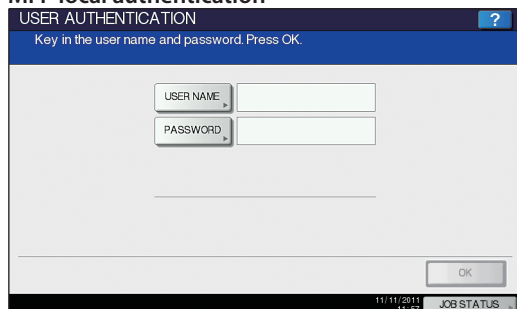
After the operation

To prevent unauthorized use of the equipment, return the display to the user authentication input menu by logging off with the procedure below after you finish all the operations.

1. Perform either of the operations below.
 - Press the [ACCESS] button on the control panel.
 - Press the [FUNCTION CLEAR] button on the control panel twice.
2. When "Would you like to log out?" appears on the touch panel, select [YES].

- 1 The menu for user authentication appears.

MFP local authentication




Windows Domain authentication, LDAP authentication



The domain name previously set by the network administrator is displayed in [DOMAIN]. For LDAP authentication, the LDAP server name is displayed in [LDAP] instead of [DOMAIN].

Tip

If the displayed domain name or LDAP server name is not yours, press  to select one belonging to you.

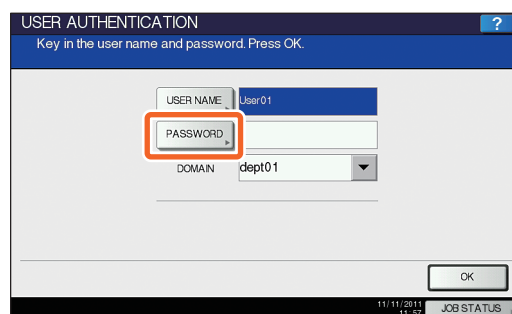
- 2 Press [USER NAME].



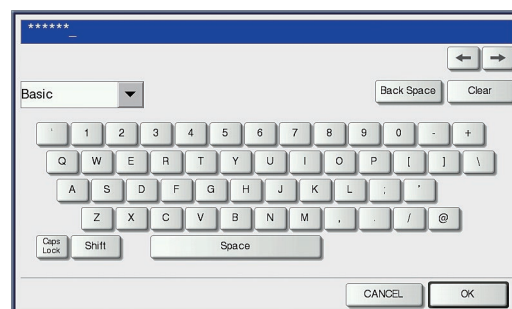
- 3 Enter the user name (maximum 128 letters) and then press [OK].



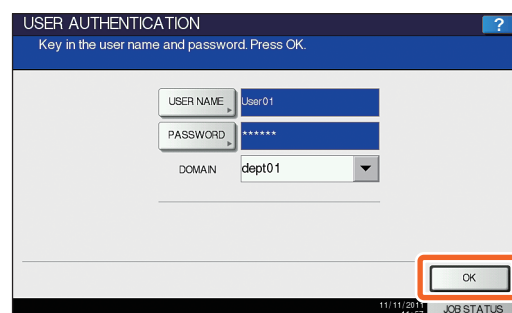
- 4 Press [PASSWORD].



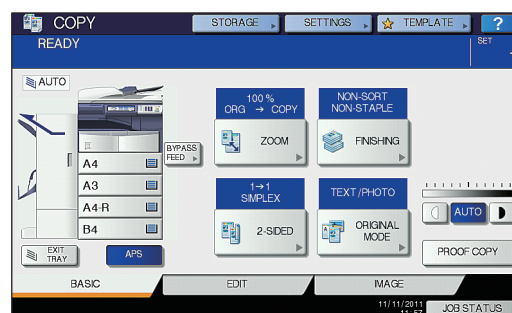
- 5 Enter the password (maximum 64 letters) and then press [OK].



- 6 Press [OK].



- 7 The equipment becomes being ready to perform copying and other functions.



Specifications of Equipment

This section describes the types of acceptable paper, sheet capacity of each feeder and the specifications of the equipment.

Acceptable paper				
Feeder	Media type	Weight	Maximum sheet capacity	Paper size
Drawers	PLAIN	64 - 80 g/m ² 17 - 20 lb. Bond	600 sheets (64 g/m ² , 17 lb. Bond) 550 sheets (80 g/m ² , 20 lb. Bond)	A/B format: A3, A4, A4-R, A5-R, B4, B5, B5-R, FOLIO
	THICK1	81 - 105 g/m ² 21 - 28 lb. Bond	450 sheets	LT format: LD, LG, LT, LT-R, ST-R, COMP, 13" LG, 8.5" SQ K format: 8K, 16K, 16K-R
Large Capacity Feeder (optional)	PLAIN	64 - 80 g/m ² 17 - 20 lb. Bond	2360 sheets (64 g/m ² , 17 lb. Bond) 2000 sheets (80 g/m ² , 20 lb. Bond)	A4, LT
	THICK1	81 - 105 g/m ² 21 - 28 lb. Bond	1660 sheets	
Bypass tray	THIN *1,*2	52 - 63 g/m ² 14 - 17 lb. Bond	1 sheet	A/B format: A3, A4, A4-R, A5-R, A6-R, B4, B5, B5-R, FOLIO
	PLAIN *3	64 - 80 g/m ² 17 - 20 lb. Bond	100 sheets (64 g/m ² , 17 lb. Bond) 100 sheets (80 g/m ² , 20 lb. Bond)	LT format: LD, LG, LT, LT-R, ST-R, COMP, 13" LG, 8.5" SQ
	THICK1	81 - 105 g/m ² 21 - 28 lb. Bond	80 sheets	K format: 8K, 16K, 16K-R
	THICK2 *1,*4	106 - 163 g/m ² 29 lb. Bond - 90 lb. Index	40 sheets	Non-Standard size: Length: 100 - 297 mm (3.9 - 11.7"), Width: 148 - 432 mm (5.8 - 17")
	THICK3 *1	164 - 209 g/m ² 91 - 110 lb. Index	30 sheets	
	TRANSPARENCY *1	—	1 sheet	A4, LT
	ENVELOPE *1,*5	—	1 sheet	DL: 110 mm x 220 mm (4.33" x 8.66") COM10: 105 mm x 241 mm (4.13" x 9.49") Monarch: 98 mm x 190 mm (3.86" x 7.48") CHO-3: 120 mm x 235 mm (4.72" x 9.25") YOU-4: 105 mm x 235 mm (4.13" x 9.25")
	TAB PAPER *1	—	—	A4, LT

*1 Automatic duplex copying is not available.

*2 When the Saddle Stitch Finisher (MJ-1106) is installed, the paper exits on the upper tray.

*3 For printing on the tracing paper, select "PLAIN" as the media type. Automatic duplex copying is not available.

*4 For printing on the sticker labels, select "THICK2" as the media type. Place the sheets one by one on the bypass tray.

*5 Printing on the back side of an envelope is not possible.

Recommended paper for each media type

Media Type	Toshiba recommendations/Manufacturer	Weight
PLAIN	A/B format: TGIS Paper/Mondi LT format: TIDAL/Hammermill	80 g/m ² , 20 lb. Bond
	Tracing Paper/Ostrich International *2	75 g/m ² , 20 lb. Bond
THICK1	A/B format: Color Copy/Mondi LT format: Laser/Hammermill	90 g/m ² , 24 lb. Bond
		100 g/m ² , 28 lb. Bond
THICK2	A/B format: Color Copy/Mondi LT format: Laser/Hammermill	120 g/m ² , 32 lb. Bond
	A/B format: Color Copy/Mondi LT format: Exact Index/WAUSAU	160 g/m ² , 90 lb. Index
	A/B format: 3478/ZWECH-AVERY *2 LT format: 5165/AVERY *2	—
THICK3	A/B format: Color Copy/Mondi LT format: Exact Index/WAUSAU	200 g/m ² , 110 lb. Index
TRANSPARENCY *1,*2	A/B format: PP2500/3M LT format: PP2500L/3M, X-10.0/Folex	—
ENVELOPE *3	Westvaco Columbian CO138, Mailwell No. 553	—

*1 Only Toshiba-recommended OHP film should be used. Using any other film may cause a malfunction.


*2 Automatic duplex copying is not available.

*3 Printing on the back side of an envelope is not possible.

e-STUDIO206L/256/306/356/456/506, e-STUDIO256SE/306SE/356SE/456SE/506SE Specifications		
Model name	DP-2095/DP-2530/DP-3020/DP-3590/DP-4590/DP-5010	
Type	Desktop type	
Original glass	Fixed	
Printing (copying) system	Indirect electrophotographic method	
Developing system	2-component magnetic brush developing	
Fixing method	e-STUDIO206L/256/306: Halogen lamp (2 pieces) e-STUDIO356/456/506: Halogen lamp (3 pieces)	
Photosensor type	OPC	
Original scanning system	Flat surface scanning system (When the Reversing Automatic Document Feeder is installed: Fixed scanning system by feeding the original)	
Original scanning sensor	Linear CCD sensor	
Scanning light source	LED lamp	
Resolution	Scanning	600 dpi x 600 dpi
	Writing	2400 dpi x 600 dpi (Smoothing process)
Acceptable originals	Sheets, books and 3-dimensional objects	
Acceptable original size	Max. A3 or LD	
Acceptable copy paper size	Drawer	A3, A4, A4-R, A5-R, B4, B5, B5-R, FOLIO, LD, LG, LT, LT-R, ST-R, COMP, 13"LG, 8.5"SQ, 8K, 16K, 16K-R
	Bypass	Paper size within 100 - 297 mm (3.94" - 11.69") (Length), 148 - 432 mm (5.83" - 17.01") (Width)
Acceptable copy paper weight	Drawer	64 - 105 g/m ² (17 - 28 lb. Bond)
	Bypass	64 - 209 g/m ² (17 lb. Bond - 110 lb. Index) (for continuous feed) 52 - 209 g/m ² (14 lb. Bond - 110 lb. Index) (for single feed) 64 - 105 g/m ² (17 - 28 lb. Bond) (When the automatic duplexer is used.)
Warm-up time	Approx. 20 seconds	
First copy time (A4 or LT portrait)	e-STUDIO206L/256/306, e-STUDIO256SE/306SE: Approx. 4.7 seconds e-STUDIO356/456/506, e-STUDIO356SE/456SE/506SE: Approx. 3.7 seconds	
Continuous copy speed	Refer to the Copying Guide.	
Multiple copying	Up to 999 sheets (digital key entry)	
Excluded image width	Copy	Leading edge: 3.0 mm + 2.0 mm / -1.0 mm (0.12" + 0.08" / -0.04"), Trailing edge: 2.0±2.0 mm (0.08"±0.08"), Both edge: 2.0±2.0 mm (0.08"±0.08")
	Printer	Leading edge: 4.2±2.0 mm (0.17"±0.08"), Trailing edge: 4.2±2.0 mm (0.17"±0.08"), Both edge: 4.2±2.0 mm (0.17"±0.08")
Reproduction ratio	Actual size	100±0.5%
	Zoom	25 - 400% (in 1% increments) For the Reversing Automatic Document Feeder 25 - 200% (in 1% increments)
Paper supply	Drawer	Approx. 550 sheets (80 g/m ² , 20 lb. Bond)
	Bypass	Approx. 100 sheets (80 g/m ² , 20 lb. Bond)
Exit tray loading capacity	Approx. 500 sheets (80 g/m ² , 20 lb. Bond)	
Toner density adjustment	Magnetic auto-toner system	
Exposure control	Automatic plus manual selection from 11 exposure step	
USB interface	USB 2.0 (Hi-Speed)	
Environment (for normal use)	Temperature: 10 - 30 °C (50 - 86 °F), Humidity: 20 - 85% (No Condensation)	
Power requirements and Power consumption (including optional equipments)	AC 220-240 V±10%, 8 A (50/60 Hz): 1.6 kW or less AC 115 V±10%, 12 A (50/60 Hz): 1.5 kW or less AC 127 V±10%, 12 A (50/60 Hz): 1.5 kW or less (for Saudi Arabia 100 V version only)	
Dimensions (equipment only)	575 mm (22.6") (W) x 586 mm (23.1") (D) x 756 mm (29.8") (H)	
Weight	e-STUDIO206L/256/306, e-STUDIO256SE/306SE: Approx. 59 kg (130.1 lb.) e-STUDIO356/456/506, e-STUDIO356SE/456SE/506SE: Approx. 62.5 kg (137.8 lb.) (equipment including developer and drum)	
Space occupied (equipment only)	889 mm (35") (W) x 586 mm (23.1") (D)	
Storage capacity	Max. 1000 sheets or until the memory is full (Toshiba's own chart)	

- This specification varies depending on the printing conditions, environment and status of the installed options.
- Specifications and appearance are subject to change without notice in the interest of product improvement.

Specifications of Options

This section describes the specifications of the options sold separately. For details other than the specifications, see  P.68 "Options" in this manual.

Reversing Automatic Document Feeder

Model name	MR-3021 (For DP-2095/DP-2530/DP-3020), MR-3022 (For DP-3590/DP-4590/DP-5010)
Copy sides	1-side, Duplex
Number of originals (A4 or LT)	100 originals (35 - 80 g/m ² , 9.3 - 20 lb. Bond) or 16 mm/0.63" or less in height (more than 80 g/m ² , 20 lb. Bond)
Feeding speed	45 sheets/min. (600 dpi)
Acceptable originals	A3, A4, A4-R, A5-R, B4, B5, B5-R, FOLIO, LD, LG, LT, LT-R, ST-R, COMP (A5 and ST size are not acceptable.)
Paper weight	1-sided original: 35 - 157 g/m ² , 9.3 - 41.8 lb., 2-sided original: 50 - 157 g/m ² , 13.3 - 41.8 lb.
Power source	DC 24 V (supplied from the equipment)
Dimensions	575 mm (22.6") (W) x 528 mm (20.8") (D) x 135 mm (5.3") (H)
Weight	Approx. 12.5 kg (27.6 lb.)
Power consumption	49.5 W max.

Large Capacity Feeder

Model name	KD-1026
Acceptable paper size	A4 or LT
Paper weight	64 - 105 g/m ² , 17-28 lb. Bond
Maximum capacity	2000 sheets (80 g/m ² , 20 lb. Bond) (Height: approx. 110 mm or 4.3" x 2)
Power source	DC 5 V, DC 24 V (supplied from the equipment)
Dimensions	668 mm (26.3") (W) x 735 mm (28.9") (D) x 292 mm (11.5") (H) (incl. Stabilizer)
Weight	Approx. 26 kg (57.3 lb.)

Paper Feed Pedestal (1 drawer type)

Model name	KD-1025
Acceptable paper size	A3, A4, A4-R, A5-R, B4, B5, B5-R, FOLIO, LD, LG, LT, LT-R, ST-R, COMP, 8.5"SQ, 13"LG, 8K, 16K, 16K-R (A5, ST and non-standard size are not acceptable.)
Paper weight	64 - 105 g/m ² (17 - 28 lb. Bond)
Maximum capacity	550 sheets (80 g/m ² , 20 lb. Bond)
Power source	DC 5 V, DC 24 V (supplied from the equipment)
Dimensions	660 mm (26") (W) x 701 mm (27.6") (D) x 292 mm (11.5") (H) (incl. Stabilizer)
Weight	Approx. 21 kg (46.3 lb.)

Additional Drawer Module

Model name	MY-1033
Acceptable paper size	A3, A4, A4-R, A5-R, B4, B5, B5-R, FOLIO, LD, LG, LT, LT-R, ST-R, COMP, 8.5"SQ, 13"LG, 8K, 16K, 16K-R (A5, ST and non-standard size are not acceptable.)
Paper weight	64 - 105 g/m ² (17 - 28 lb. Bond)
Maximum capacity	550 sheets (80 g/m ² , 20 lb. Bond), 500 sheets (105 g/m ² , 24 or 28 lb. Bond)
Weight	Approx. 4.5 kg (9.9 lb.)

Finisher (MJ-1101)

Model name	MJ-1101 (For DP-3590/DP-4590/DP-5010)			
Type	Floor type (Console type)			
Acceptable paper size	A3, A4, A4-R, A5-R, A6-R, B4, B5, B5-R, FOLIO, LD, LG, LT, LT-R, ST-R, COMP, 8.5"SQ, 13"LG, 8K, 16K, 16K-R			
Acceptable paper weight	52 - 209 g/m ² , 14 lb. Bond - 110 lb. Index			
Number of sheets stapled at a time (Including 2 covers (64 - 209 g/m², 17 lb. Bond - 110 lb. Index))	Paper size	64 - 80 g/m ² 17 - 20 lb. Bond	81 - 90 g/m ² 21 - 24 lb. Bond	91 - 105 g/m ² 25 - 28 lb. Bond
	A4, B5, LT, 8.5"SQ, 16K	50 sheets	30 sheets	30 sheets
	A3, A4-R, B4, FOLIO, LD, LG, LT-R, COMP, 13"LG, 8K	30 sheets	6 sheets	6 sheets
Stapling position	Front, Rear, Double			
Power source	Supplied from the equipment			
Dimensions	535 mm (21.4") (W) x 598 mm (23.92") (D) x 1092 mm (43.68") (H)			
Weight	Approx. 34 kg (74.8 lb.)			
Power consumption	70 W max.			

Tray loading capacity of Finisher (MJ-1101)

Unit: mm (with allowable error of ±7 mm or 0.276")

Values in parentheses: Number of sheets (80 g/m² or 20 lb. Bond)

Upper Tray

MJ-1101 with mixed paper not loaded	
Mode	Non-Sort
A4, A5-R, A6-R, B5, LT, ST-R, 8.5"SQ, 16K	36.75 mm, 1.45" (250)
A3, A4-R, B4, B5-R, FOLIO, LD, LG, LT-R, COMP, 13"LG, 8K, 16K-R	18.4 mm, 0.72" (125)

Lower Tray

MJ-1101 with mixed paper not loaded			
Mode	Non-Sort	Sort/Group	Staples loaded
A4, B5, LT, 8.5"SQ, 16K	250 mm, 9.84" (2000)	250 mm, 9.84" (2000)	Whichever of 250 mm (9.84"), 2000 sheets or 30 sets is reached first
A3, A4-R, B4, FOLIO, LD, LG, LT-R, COMP, 13"LG, 8K	140 mm, 5.51" (1000)	140 mm, 5.51" (1000)	Whichever of 140 mm (5.51"), 1000 sheets or 30 sets is reached first

When mixed-size paper is loaded, the tray loading capacity should follow the specifications for larger paper sizes in the above tables.

Saddle Stitch Finisher (MJ-1106)

Model name	MJ-1106 (For DP-3590/4590/5010)			
Type	Floor type (Console type)			
Acceptable paper size	A3, A4, A4-R, A5-R, B4, B5, B5-R, FOLIO, LD, LG, LT, LT-R, ST-R, COMP, 8.5" SQ, 13" LG, 8K, 16K, 16K-R			
Acceptable paper weight	52 - 209 g/m ² , 14 lb. Bond - 110 lb. Index			
Number of sheets stapled at a time (including 2 covers (64 - 209 g/m², 17 lb. Bond to 110 lb. Index))	Paper size	80 g/m ² 20 lb. Bond	90 g/m ² 24 lb. Bond	105 g/m ² 28 lb. Bond
	A4, B5, LT, 8.5"SQ, 16K	50 sheets	50 sheets	30 sheets
	A3, A4-R, B4, FOLIO, LD, LG, LT-R, COMP, 13"LG, 8K	30 sheets	30 sheets	15 sheets
Stapling position	Front, Rear, Double			
Number of sheets saddle stitched at a time	Paper size	80 g/m ² 20 lb. Bond	90 g/m ² 24 lb. Bond	105 g/m ² 28 lb. Bond
	A3, B4, A4-R, LD, LG, LT-R, 8K	15 sheets	15 sheets	10 sheets
Number of sheets center-folded at a time	Paper size	80 g/m ² 20 lb. Bond	90 g/m ² 24 lb. Bond	105 g/m ² 28 lb. Bond
	A3, B4, A4-R, LD, LG, LT-R, 8K	5 sheets	5 sheets	5 sheets
Power source	Supplied from the equipment			
Dimensions	617 mm (24.29") (W) x 603 mm (23.74") (D) x 1085 mm (42.72") (H)			
Weight	Approx. 70 kg (154.3 lb.)			
Power consumption	100 W max.			

Tray loading capacity of Finisher

Unit: mm (with allowable error of ± 7 mm or 0.28")Values in parentheses: Number of sheets (80 g/m² or 20 lb. Bond)

Upper Tray

With mixed paper not loaded	
Mode	Non-Sort
A4, A5-R, B5, LT, ST-R, 8.5"SQ, 16K	36.75 mm (250)
A3, A4-R, B4, B5-R, FOLIO, LD, LG, LT-R, COMP, 13" LG, 8K, 16K-R	18.4 mm (125)

Lower Tray

With mixed paper not loaded				
Mode	Non-sort	Sort/Group	Front/Rear Single Position Stapling	Two Positions Stapling
A4 *1, B5, LT *1, 8.5"SQ, 16K	350 mm (3000)	350 mm (3000)	Whichever of 100 sets or 2000 sheets is reached first	Whichever of 150 sets or 2000 sheets is reached first
A3, A4-R, B4, FOLIO, LD, LG, LT-R, COMP, 13" LG, 8K	175 mm (1500)	175 mm (1500)	Whichever of 50 sets or 1000 sheets is reached first	Whichever of 75 sets or 1000 sheets is reached first

• When mixed-size paper is loaded, the tray loading capacity should follow the specifications for larger paper sizes in the above tables.

• For the loading capacity of the saddle stitch tray, refer to the following guide:

 **Copying Guide** (PDF): "Chapter 3: BASIC COPY MODES" - "Selecting Finishing Mode"

*1 The tray loading capacity is 30 sets.


Saddle Stitch Finisher (MJ-1033)

Model name	MJ-1033			
Type	Floor type (Console type)			
Acceptable paper size	A3, A4, A4-R, A5-R, A6-R, B4, B5, B5-R, FOLIO, LD, LG, LT, LT-R, ST-R, COMP, 8.5" SQ, 13"LG, 8K, 16K, 16K-R			
Acceptable paper weight	52 - 209 g/m ² , 14 lb. Bond - 110 lb. Index			
Number of sheets stapled at a time	Paper size	64 - 80 g/m ² , 17 - 20 lb. Bond	81 - 90 g/m ² , 21 - 24 lb. Bond	91 - 105 g/m ² , 25 - 28 lb. Bond
	A4, A4-R, B5, B5-R, A5-R, LT, LT-R, ST-R, 8.5" SQ, 16k, 16K-R	50 sheets	50 sheets	30 sheets
	A3, B4, FOLIO, LD, LG, COMP, 13" LG, 8K	30 sheets	25 sheets	15 sheets
Stapling position	Front, Rear, Double			
Stitching capacity (Including 1 cover (106 - 209g/m², 29 lb. Bond - 110 lb. Index))	Paper size	64 - 80 g/m ² , 17 - 20 lb. Bond	81 - 90 g/m ² , 21 - 24 lb. Bond	91 - 105 g/m ² , 25 - 28 lb. Bond
	A3, A4-R, B4, LD, LG, 8K, 16K-R	15 sheets	10 sheets	10 sheets
Power source	Supplied from the equipment			
Dimensions	409 mm (16.1") (W) x 624 mm (24.57") (D) x 961 mm (37.83") (H) (When the sub-tray is retracted)			
Weight	Approx. 37 kg (81.6 lb.)			
Power consumption	60 W max.			

Tray loading capacity of Saddle Stitch Finisher (MJ-1033)

Unit: mm (with allowable error of ± 7 mm or 0.276")
 Values in parentheses: Number of sheets (80 g/m² or 20 lb. Bond)

(MJ-1033 with mixed paper not loaded)			
Mode	Non-Sort	Sort/Group	Stapled
Tray No.	1	1	1
A4, A4-R, B5, B5-R, A5-R, LT, LT-R, ST-R, 8.5" SQ, 16k, 16K-R	175 mm, 6.9" (1000)	175 mm, 6.9" (1000)	Whichever of 175 mm (6.9"), 1000 sheets or 20 sets is reached first
A3, B4, FOLIO, LD, LG, COMP, 13" LG, 8K	94 mm, 3.7" (500)	94 mm, 3.7" (500)	Whichever of 94 mm (3.7"), 500 sheets or 20 sets is reached first

- Sort/Group/Staple is not available with A5-R, B5-R, ST-R.
- Refer to the **Copying Guide** for the tray loading capacity of the saddle stitch tray.
 **Copying Guide** (PDF): "Chapter 3: BASIC COPY MODES" - "Selecting Finishing Mode"

(MJ-1033 with mixed paper loaded)			
Mode	Non-Sort	Sort/Group	Stapled
Tray No.	1	1	1
A3 and A4	94 mm, 3.7" (500)	94 mm, 3.7" (500)	Whichever of 94 mm (3.7"), 500 sheets or 20 sets is reached first
B4 and B5	94 mm, 3.7" (500)	94 mm, 3.7" (500)	
LD and LT	94 mm, 3.7" (500)	94 mm, 3.7" (500)	
LG and LT-R	94 mm, 3.7" (500)	94 mm, 3.7" (500)	

Inner Finisher (MJ-1032)

Model name	MJ-1032			
Type	Inner Finisher			
Acceptable paper size	A3, A4, A4-R, A5-R, A6-R, B4, B5, B5-R, FOLIO, CHO-3 (120 mm x 235 mm), YOU-4 (105 mm x 235 mm), LD, LG, LT, LT-R, ST-R, COMP, 8.5"SQ, DL (110 mm x 220 mm), COM10 (4 1/8" x 9 1/2"), Monarch (3 7/8" x 7 1/2"), 13"LG, 8K, 16K, 16K-R			
Acceptable paper weight	52 - 209 g/m ² , 14 lb. Bond - 110 lb. Index			
Number of sheets stapled at a time (Including 2 covers (106 - 209 g/m², 29 lb. Bond - 110 lb. Index))	Paper size	64 - 80 g/m ² , 17 - 20 lb. Bond	81 - 90 g/m ² , 21 - 24 lb. Bond	91 - 105 g/m ² , 25 - 28 lb. Bond
	A4, A4-R, B5, B5-R, LT, LT-R, 8.5" SQ, 16K, 16K-R	50 sheets	50 sheets	30 sheets
	A3, B4, FOLIO, LD, LG, COMP, 13" LG, 8K	30 sheets	25 sheets	15 sheets
Stapling position	Front, Rear, Double			
Power source	Supplied from the equipment			
Dimensions	484 mm (19.06") (W) x 507.5 mm (19.98") (D) x 232 mm (9.13") (H)			
Weight	Approx. 15.3 kg (33.7 lb.)			
Power consumption	53 W max.			

Tray loading capacity of Inner Finisher (MJ-1032)

Upper Receiving Tray

Unit: mm (with allowable error of ± 4 mm or 0.158")
Values in parentheses: Number of sheets (80 g/m² or 20 lb. Bond)

(MJ-1032 with mixed paper not loaded)	
Mode	Non-Sort
A4, A4-R, B5, B5-R, A5-R, LT, LT-R, ST-R, 8.5"SQ, 16k, 16K-R	14 mm, 0.55" (100)
A3, B4, FOLIO, LD, LG, COMP, 13"LG, 8K	7 mm, 0.28" (50)

Lower Receiving Tray

(MJ-1032 with mixed paper not loaded)			
Mode	Non-Sort	Sort	Stapled
A4, A4-R, B5, B5-R, A5-R, LT, LT-R, ST-R, 8.5"SQ, 16k, 16K-R	73 mm, 2.87" (500)	73 mm, 2.87" (500)	Whichever of 73 mm (2.87"), 500 sheets or 50 sets is reached first
A3, B4, FOLIO, LD, LG, COMP, 13"LG, 8K	36 mm, 1.42" (250)	36 mm, 1.42" (250)	Whichever of 36 mm (1.42"), 250 sheets or 30 sets is reached first

When mixed-size paper is loaded, the tray loading capacity should follow the specifications for larger paper sizes in the above tables.

Job Separator (MJ-5004)

Model name	MJ-5004 (For DP-2095/DP-2530/DP-3020)	
Acceptable paper size	Standard size	A3, A4, A4-R, A5-R, A6-R ^{*1} , B4, B5, B5-R, FOLIO, CHO-3 (120 mm x 235 mm) ^{*1} , YOU-4 (105 mm x 235 mm) ^{*1} , DL (110 mm x 220 mm) ^{*1} , LD, LG, LT, LT-R, ST-R, COMP, 13"LG, 8.5"SQ, COM10 (4 1/8" x 9 1/2") ^{*1} , Monarch (3 7/8" x 7 1/2") ^{*1} , 8K, 16K, 16K-R
	Non-Standard size	Length: 100 - 297 mm (3.9 - 11.7"), Width: 148 - 432 mm (5.8 - 17")
Acceptable paper weight	Upper stacker	52 - 105 g/m ² , 14 - 28 lb. Bond
	Lower stacker	52 - 209 g/m ² , 14 lb. Bond - 110 lb. Index
Loading capacity	Upper stacker	25 mm, 0.98" (150 sheets) ^{*2}
	Lower stacker	40 mm, 1.57" (250 sheets) ^{*2}
Power source	Supplied from the equipment	
Dimensions	498 mm (19.6") (W) x 415 mm (16.3") (D) x 153 mm (6.0") (H)	
Weight	Approx. 3.3 kg (7.3 lb.)	

*1 The lower stacker is used for paper exiting.

*2 The value in the parentheses is the number of 80 g/m² or 20 lb. Bond sheets.

Job Separator (MJ-5006)

Model name	MJ-5006 (For DP-3590/DP-4590/DP-5010)	
Acceptable paper size	Standard size	A3, A4, A4-R, A5-R ^{*1} , A6-R ^{*2} , B4, B5, B5-R, FOLIO, LD, LG, LT, LT-R, ST-R ^{*1} , COMP, 13"LG, 8.5"SQ, 8K, 16K, 16K-R ^{*1}
	Non-Standard size	Length: 100 - 297 mm (3.9 - 11.7"), Width: 148 - 432 mm (5.8 - 17") ^{*1}
Acceptable paper weight	Upper stacker	52 - 105 g/m ² , 14 - 28 lb. Bond
	Lower stacker	52 - 209 g/m ² , 14 lb. Bond - 110 lb. Index
Loading capacity	Upper stacker	25 mm, 0.98" (150 sheets) ^{*3}
	Lower stacker	40 mm, 1.57" (250 sheets) ^{*3}
Power source	Supplied from the equipment	
Weight	Approx. 1.5 kg (3.3 lb.)	

*1 The upper stacker is used for paper exiting.

*2 The lower stacker is used for paper exiting.

*3 The value in the parentheses is the number of 80 g/m² or 20 lb. Bond sheets.

Offset Tray (MJ-5005)

Model name	MJ-5005 (For DP-2095/DP-2530/DP-3020)	
Acceptable paper size	Standard size	A3 ^{*1} , A4 ^{*1} , A4-R ^{*1} , A5-R, A6-R, B4 ^{*1} , B5 ^{*1} , B5-R, FOLIO ^{*1} , CHO-3 (120 mm x 235 mm), YOU-4 (105 mm x 235 mm), DL (110 mm x 220 mm), LD ^{*1} , LG ^{*1} , LT ^{*1} , LT-R ^{*1} , ST-R, COMP, 13"LG, 8.5"SQ ^{*1} , COM10 (4 1/8" x 9 1/2"), Monarch (3 7/8" x 7 1/2"), 8K ^{*1} , 16K ^{*1} , 16K-R
	Non-Standard size	Length: 100 - 297 mm (3.9 - 11.7"), Width: 148 - 432 mm (5.8 - 17")
Acceptable paper weight	52 - 209 g/m ² , 14 lb. Bond - 110 lb. Index ^{*2}	
Loading capacity	39 mm (1.54") (250 sheets) ^{*3}	
Shift amount	Approx. 30 mm (1.2")	
Power source	Supplied from the equipment	
Dimensions	500 mm (19.7") (W) x 415 mm (16.3") (D) x 169 mm (6.7") (H)	
Weight	Approx. 3.5 kg (7.7 lb.)	

*1 Enables copied and printed sets to be collated or stacked in groups with each set being offset.

*2 The paper acceptable for B5 and B5-R is 52 - 163 g/m², 14 lb. Bond - 90 lb. Index.

*3 The value in the parentheses is the number of 80 g/m² or 20 lb. Bond sheets.

Hole Punch Unit (MJ-6103 Series)

Model name	MJ-6103 Series (For DP-3590/DP-4590/DP-5010)
Acceptable paper size	A3, A4, A4-R, B4, B5, B5-R, FOLIO, LD, LG, LT, LT-R, COMP, 8.5"SQ, 13"LG, 8K, 16K, 16K-R
Acceptable paper weight	52 - 209 g/m ² , 14 lb. Bond - 110 lb. Index (OHP film and specially treated paper are not available.)
Dimensions	112 mm (4.41") (W) x 573 mm (22.56") (D) x 323 mm (12.72") (H) (excl. Lower cover)
Weight	Approx. 7 kg (15.4 lb.)

	Number of punching holes and hole diameter	Available paper size
Japan and most of Europe (MJ-6103E)	2 holes (6.5 mm or 0.26" dia.)	A3, A4, A4-R, B4, B5, B5-R, FOLIO, LD, LG, LT, LT-R, COMP, 8.5"SQ, 13"LG, 8K, 16K, 16K-R
North America (MJ-6103N)	2/3 holes switchable (8.0 mm or 0.32" dia.)	2 holes: A4-R, LG, LT-R, COMP, 8.5"SQ, 13"LG, B4, B5, B5-R, FOLIO, 16K-R 3 holes: A3, A4, LD, LT, 8K, 16K
France (MJ-6103F)	4 holes (6.5 mm or 0.26" dia.; 80 mm or 3.15" pitch)	A3, A4, LD, LT, 8K, 16K
Sweden (MJ-6103S)	4 holes (6.5 mm or 0.26" dia.; 70 mm and 21 mm or 2.76" and 0.83" pitch)	A3, A4, A4-R, B4, B5, B5-R, FOLIO, LD, LG, LT, LT-R, COMP, 8.5"SQ, 13"LG, 8K, 16K, 16K-R

Hole Punch Unit (MJ-6008 Series)

Model name	MJ-6008 Series
Acceptable paper size	A3, A4, A4-R, B4, B5, B5-R, FOLIO, LD, LG, LT, LT-R, COMP, 8.5"SQ, 13"LG, 8K, 16K, 16K-R
Acceptable paper weight	64 - 128 g/m ² , 17 lb. Bond - 34 lb. Bond Index (OHP film and specially treated paper are not available.)
Dimensions	126 mm (4.96") (W) x 463 mm (18.23") (D) x 174 mm (6.85") (H) (excl. Lower cover)
Weight	Approx. 3.4 kg (7.5 lb.)

	Number of punching holes and hole diameter	Available paper size
Japan and most of Europe (MJ-6008E)	2 holes (6.5 mm or 0.26" dia.)	A3, A4, A4-R, B4, B5, B5-R, FOLIO, LD, LG, LT, LT-R, COMP, 8.5" SQ, 13"LG, 8K, 16K, 16K-R
North America (MJ-6008N)	2/3 holes switchable (8.0 mm or 0.32" dia.)	2 holes: A4-R, LG, LT-R, COMP, 8.5"SQ, 13"LG, B4, B5, B5-R, FOLIO, 16K-R 3 holes: A3, A4, LD, LT, 8K, 16K
France (MJ-6008F)	4 holes (6.5 mm or 0.26" dia.; 80 mm or 3.15" pitch)	A3, A4, LD, LT, 8K, 16K
Sweden (MJ-6008S)	4 holes (6.5 mm or 0.26" dia.; 70 mm and 21 mm or 2.76" and 0.83" pitch)	A3, A4, A4-R, B4, B5, B5-R, FOLIO, LD, LG, LT, LT-R, COMP, 8.5"SQ, 13"LG, 8K, 16K, 16K-R

Hole Punch Unit (MJ-6007 Series)

Model name	MJ-6007 Series
Acceptable paper size	A3, A4, A4-R, B4, B5, B5-R, FOLIO, LD, LG, LT, LT-R, COMP, 8.5" SQ, 13"LG, 8K, 16K, 16K-R
Acceptable paper weight	64 - 128 g/m ² , 17 lb. Bond - 34 lb. Bond Index (OHP film and specially treated paper are not available.)
Dimensions	120 mm (4.72") (W) x 245 mm (9.65") (D) x 597 mm (23.5") (H)
Weight	Approx. 3.3 kg (7.3 lb.)

	Number of punching holes and hole diameter	Available paper size
Japan and most of Europe (MJ-6007E)	2 holes (6.5 mm or 0.26" dia.)	A3, A4, A4-R, B4, B5, B5-R, FOLIO, LT, LT-R, LD, LG, COMP, 8.5"SQ, 13"LG, 8K, 16K, 16K-R
North America (MJ-6007N)	2/3 holes switchable (8.0 mm or 0.32" dia.)	2 holes: A4-R, B4, B5, B5-R, FOLIO, LG, LT-R, COMP, 8.5"SQ, 13"LG, 16K-R 3 holes: A3, A4, LD, LT, 8K, 16K
France (MJ-6007F)	4 holes (6.5 mm or 0.26" dia.; 80 mm or 3.15" pitch)	A3, A4, LD, LT, 8K, 16K
Sweden (MJ-6007S)	4 holes (6.5 mm or 0.26" dia.; 70 mm and 21 mm or 2.76" and 0.83" pitch)	A3, A4, A4-R, B4, B5, B5-R, FOLIO, LD, LG, LT, LT-R, COMP, 8.5"SQ, 13"LG, 8K, 16K, 16K-R

Bridge Unit


Model name	KN-2520
-------------------	---------

FAX Unit

Model Name	GD-1250
Size of Original	A3, A4, A4-R, A5, A5-R, B4, B5, B5-R, FOLIO, LD, LG, LT, LT-R, ST, ST-R, COMP
Recording Paper Size	A3, A4, A4-R, A5-R, B4, B5, B5-R, FOLIO, LD, LG, LT, LT-R, ST-R, COMP
Compatibility Communication Modes	Exclusive Mode, ECM, G3
Communication Resolution	Horizontal: 8 dots/mm, 16 dots/mm, 300 dots/inch Vertical: 3.85 lines/mm, 7.7 lines/mm, 15.4 lines/mm, 300 dots/inch
Transmission Rate	33,600/31,200/28,800/26,400/24,000/21,600/19,200/16,800/14,400/12,000/9,600/7,200/4,800/2,400 bps
Encoding Systems	JBIG/MMR/MR/MH
Memory Capacity	Transmission/Reception: 1 GB (HDD) *1
Unit Type	Desktop type, transmitting/receiving dual type
Applicable Network	Public Switched Telephone Network (PSTN)

*1 For hard drives, MB means 1 million bytes.
(Total HDD accessible capacity may vary depending on operating environment.)

For details of the FAX Unit (GD-1250), refer to the following guide:

 *GD-1250/GD-1260/GD-1270 Operator's Manual for FAX Unit: "Chapter 1: BEFORE USING FAX"*

Toshiba-recommended paper is used for the values above. Specifications and appearance are subject to change without notice in the interest of product improvement.

INDEX

A, B

Acceptable paper	74
[ACCESS] button	8
Additional Drawer Module	68, 77
Adjusting the angle of the control panel	9
Alarm lamp	8
Alert message indication area	10
Automatic duplexing unit	6
Bridge Unit	68, 84
Bypass tray	6

C, D

Charger cleaner	6
[CLEAR] button	8
Client Software	66
Client Utilities/User Documentation DVD	65
Control panel	7, 8
[COPY] button	8
Copying	20, 56
[COUNTER] button	8
Date and time	10
Department management	71
Description of Each Component	6
Digital keys	8
Drawer	6

E, F

e-Filing	30, 60
[e-FILING] button	8
[ENERGY SAVER] button	8
energy saving mode	14
Error codes	51
Exit support tray	7
Exit tray	7
[EXTENSION] button	34
[FAX] button	9
Faxing	24, 57
FAX Unit	69, 84
Finisher	68, 78
Front cover	6
[FUNCTION CLEAR] button	8
Function display	10

H, I, J, L

[?] (HELP) button	10
Hole Punch Unit	69, 83
Inner Finisher	68, 81
[INTERRUPT] button	8
Items Included in This Product	64
Job Separator	68, 82
[JOB STATUS] button	10
Large Capacity Feeder	6, 68, 77

M, N

MAIN POWER lamp	8
Main power switch	7
MEMORY RX / LINE lamps	8
Menu	34
[MENU] button	8
Message indication area	10
Network interface connector	6

O, P

Offset Tray	82
ON/OFF lamp	8
Operator's Manual Pocket	6
Options	68
Original Cover	68
Original glass	7
Original scale	7
Paper exit stopper	7
Paper feed cover (optional)	6
Paper Feed Pedestal	6, 68, 77
Paper size indicator	6
Placing paper	15
Platen sheet	7
[POWER] button	8
[PRINT] button	9
PRINT DATA lamp	8
Printing	32, 61

R, S

Recommended paper	75
Regular Cleaning	44
Replacing Staple Cartridge	37
Replacing Toner Cartridge	36
Reversing Automatic Document Feeder	6, 68, 77
Role information displayed area	34
Saddle Stitch Finisher	68, 79, 80
[SCAN] button	9
Scanning	28, 56, 58, 59
Scanning area	7
Setting letters	11
Shutdown	13
Specifications	76
Specifications of Options	77
[START] button	8
[STOP] button	8
Symbols	48

T, U

Toner Cartridge	36
Touch panel	7, 9, 10
Turning the power OFF	13
Turning the power ON	12
USB port	7
USB terminal	6
[USER FUNCTIONS] button	8
User management	72
User name display area	34

MULTIFUNCTIONAL DIGITAL SYSTEMS
Quick Start Guide

e.STUDIO206L

e.STUDIO256

e.STUDIO306

e.STUDIO356

e.STUDIO456

e.STUDIO506

e.STUDIO256SE

e.STUDIO306SE

e.STUDIO356SE

e.STUDIO456SE

e.STUDIO506SE



TOSHIBA TEC CORPORATION

1-11-1, OSAKI, SHINAGAWA-KU, TOKYO, 141-8562, JAPAN

