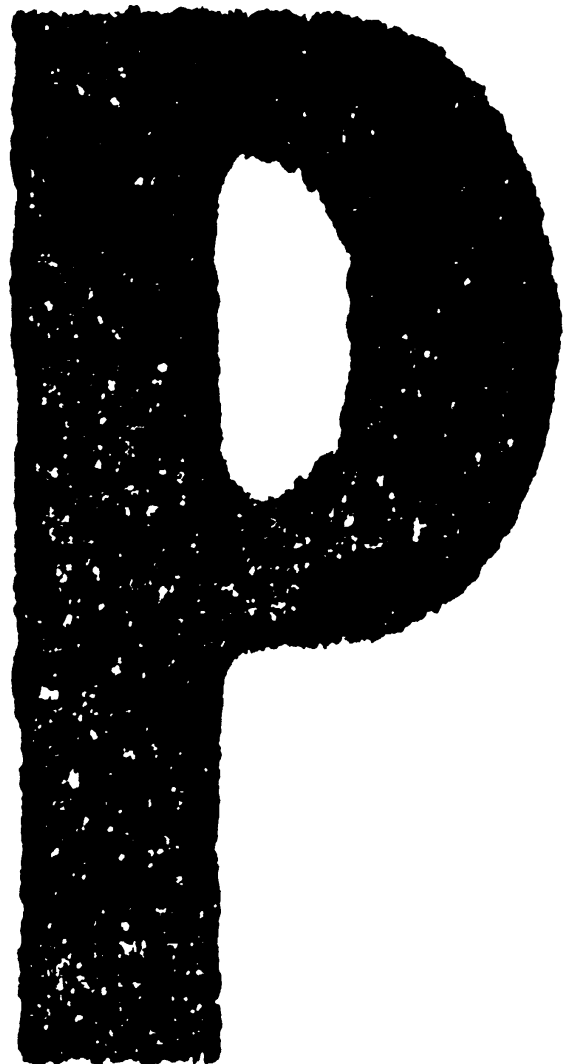


SERVICE PARTS LIST

MULTIFUNCTIONAL DIGITAL SYSTEMS
e-STUDIO205L/255/305/355/455



© 2009 TOSHIBA TEC CORPORATION All rights reserved

Under the copyright laws, this manual cannot be reproduced in any form without prior written permission of TOSHIBA TEC CORPORATION. No patent liability is assumed, however, with respect to the use of the information contained herein.

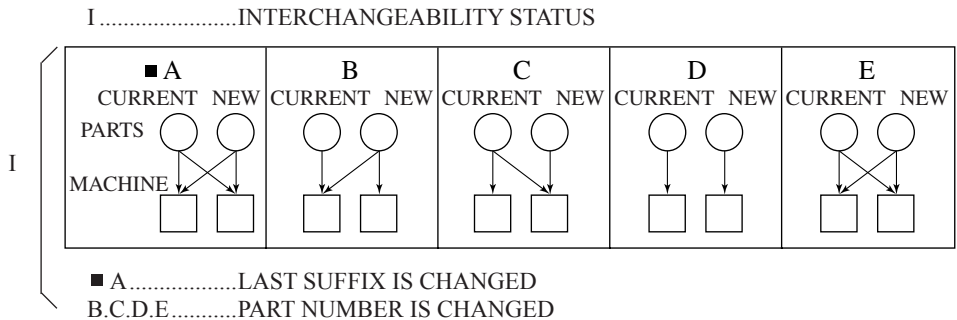
EXPLANATION OF SERVICE-PARTS LIST

1. HOW TO READ THE PARTS LIST

- (1) Number of pieces
The number of pieces in the list denotes total pieces used per unit. But the numbers in the list for PACKING MATERIAL and ACCESSORY denote total pieces used per machine.
- (2) One pack of screws in the list includes 50 pieces.
- (3) ABBREVIATED CODES

QTY/PAC	{	QTY.....one piece
		PAC.....one pack
		1/P.....one piece packed in polyethylene bag
		1/S.....one piece packed in special pack
		1/C.....one piece packed in carton box
		1/PP.....one piece packed in paper and polyethylene bag
		1/KP.....one piece packed in polyethylene bag with cardboard
		1/D.....one piece packed in polyethylene-cushion bag
		1/SB.....one piece packed in shielding bag
N/A.....not available		

P	{	P.....PURPOSE
		A.....ADD
		B.....DELETE
		C.....CHANGE
		D.....QTY, CHANGE
		E.....MISENTRY
		F.....OMISSION



2. HOW TO PLACE ORDER FOR PARTS

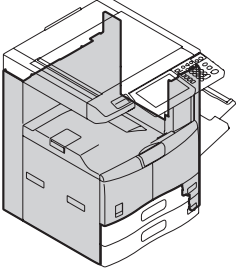
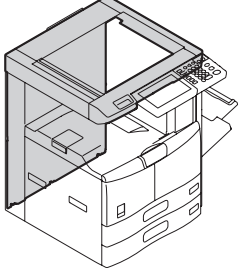
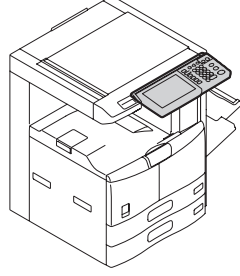
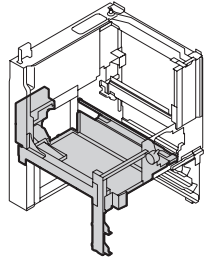
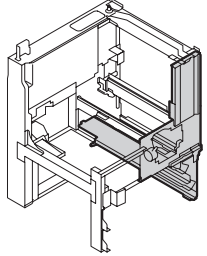
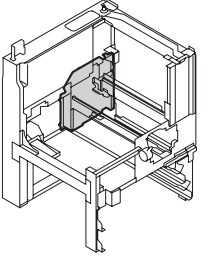
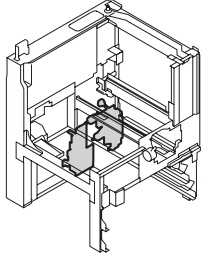
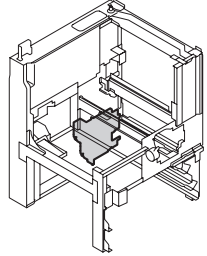
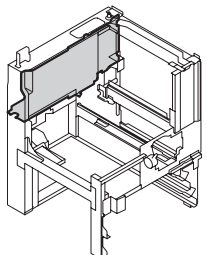
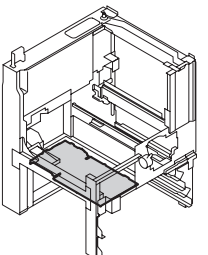
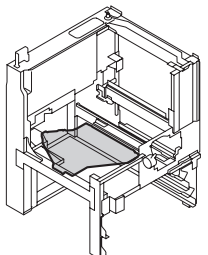
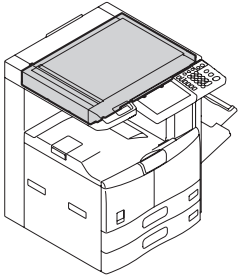
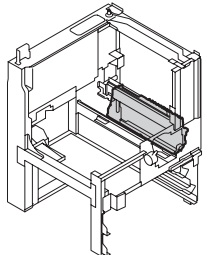
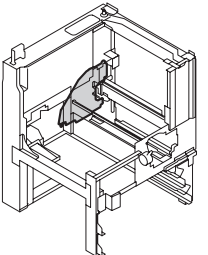
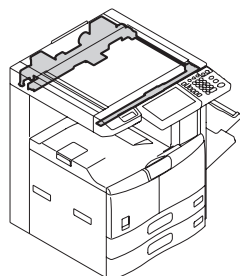
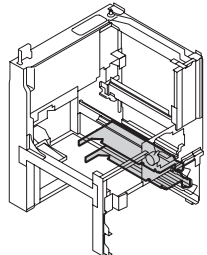
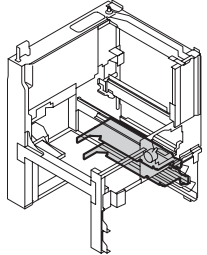
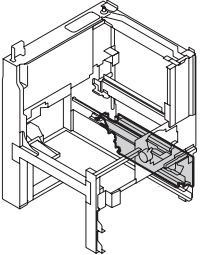
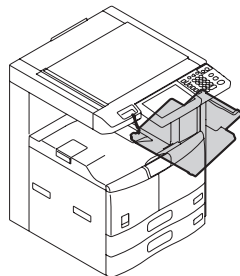
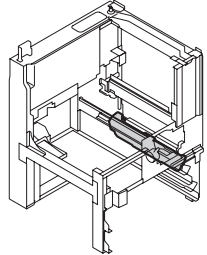
- (1) The parts handled as service parts are only those with their "Q'TY/PACK" column listed with a quantity other than "N/A****" or "SUPPLY".
Those parts with "N/A****" are listed only for the purpose of showing the mechanical construction, those listed with "SUPPLY" are handled only as a sales item, and therefore both types of parts are not supplied as service parts.
- (2) Orders for any parts which form a component of a semi-assembled unit are not acceptable.
Note: All the screws and nuts used are ISO standard.

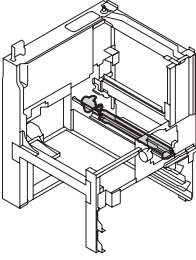
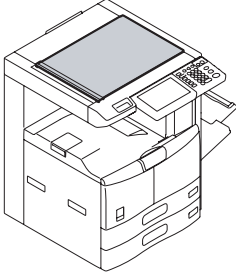
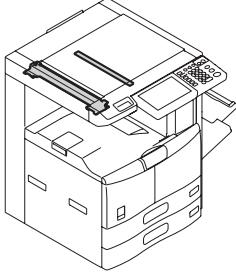
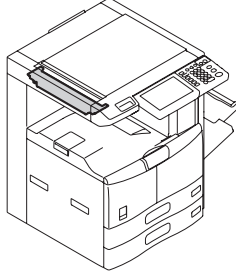
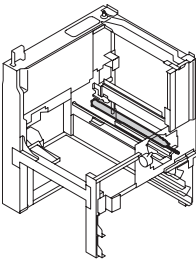
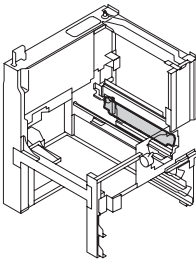
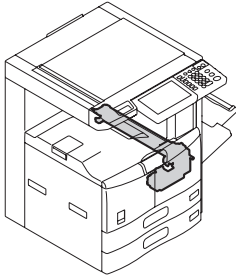
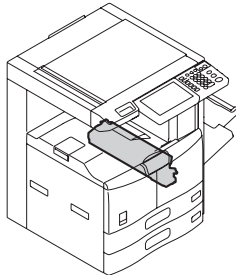
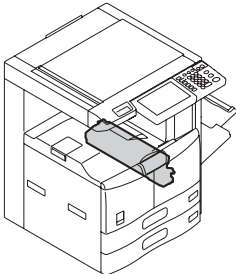
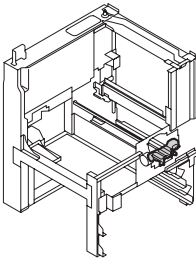
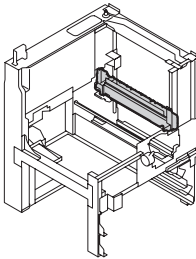
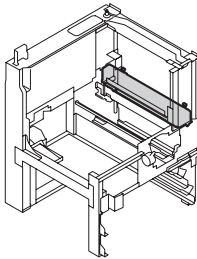
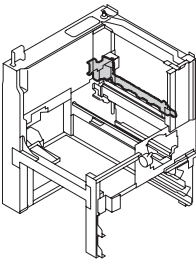
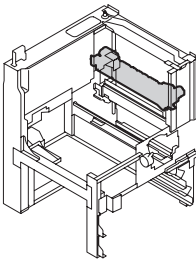
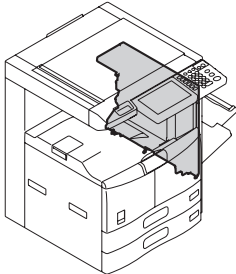
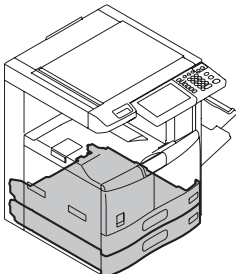
3. REGION

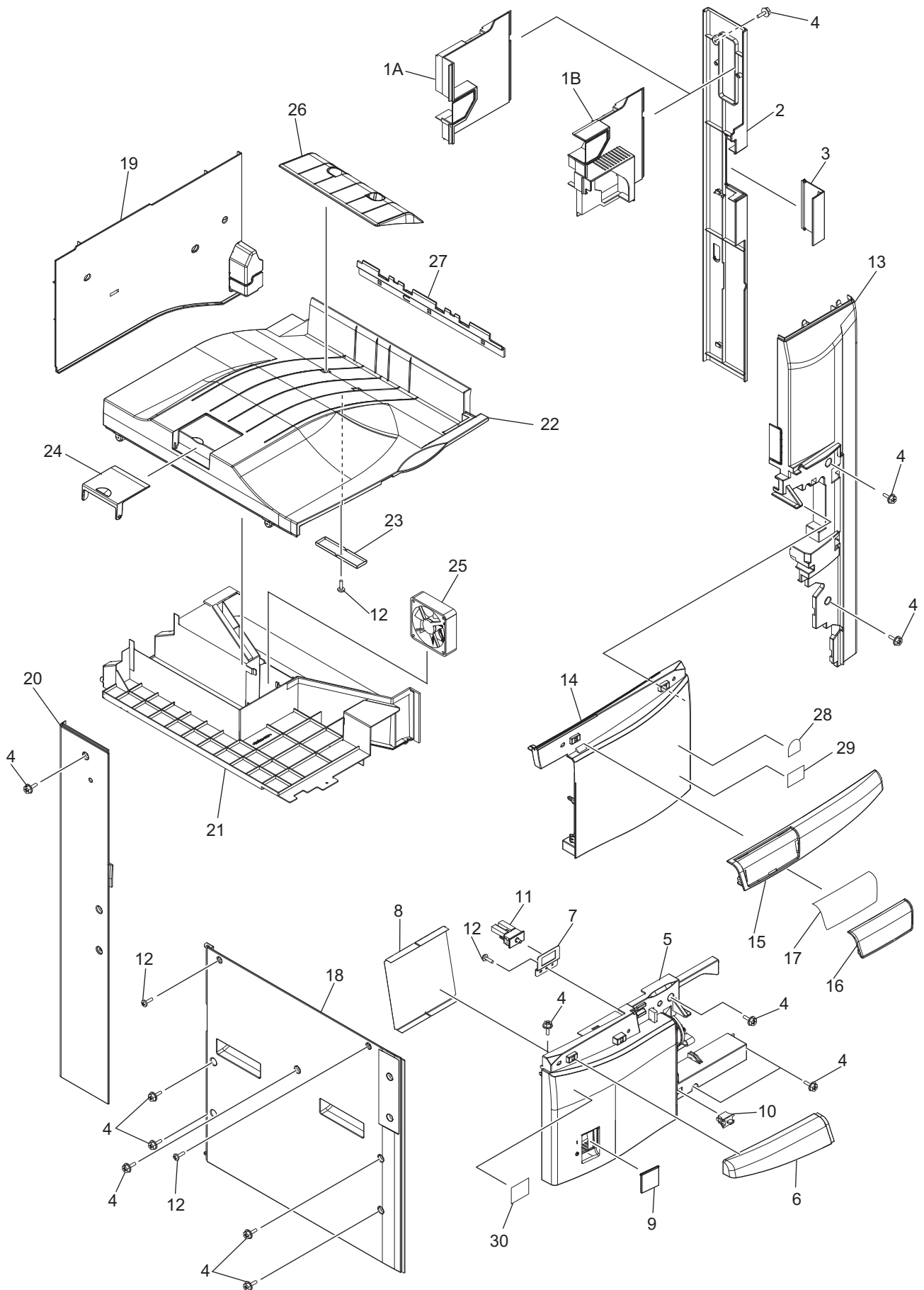
NAD.....115V	50/60Hz, NORTH AMERICA, SOUTH AMERICA
TWD.....110/220V	50/60Hz, TAIWAN
SAD.....127V/60Hz, SAUDI ARABIA	
ASD.....220-240V	50/60Hz, ASIA, SOUTH AMERICA, etc.
ASU.....220-240V	50/60Hz, ASIA, etc.
AUD.....220-240V	50/60Hz, AUSTRALIA
MJD.....220-240V	50/60Hz, EUROPE
CND.....220-240V	50/60Hz, CHINA
KRD.....220-240V	50/60Hz, KOREA

CONTENTS

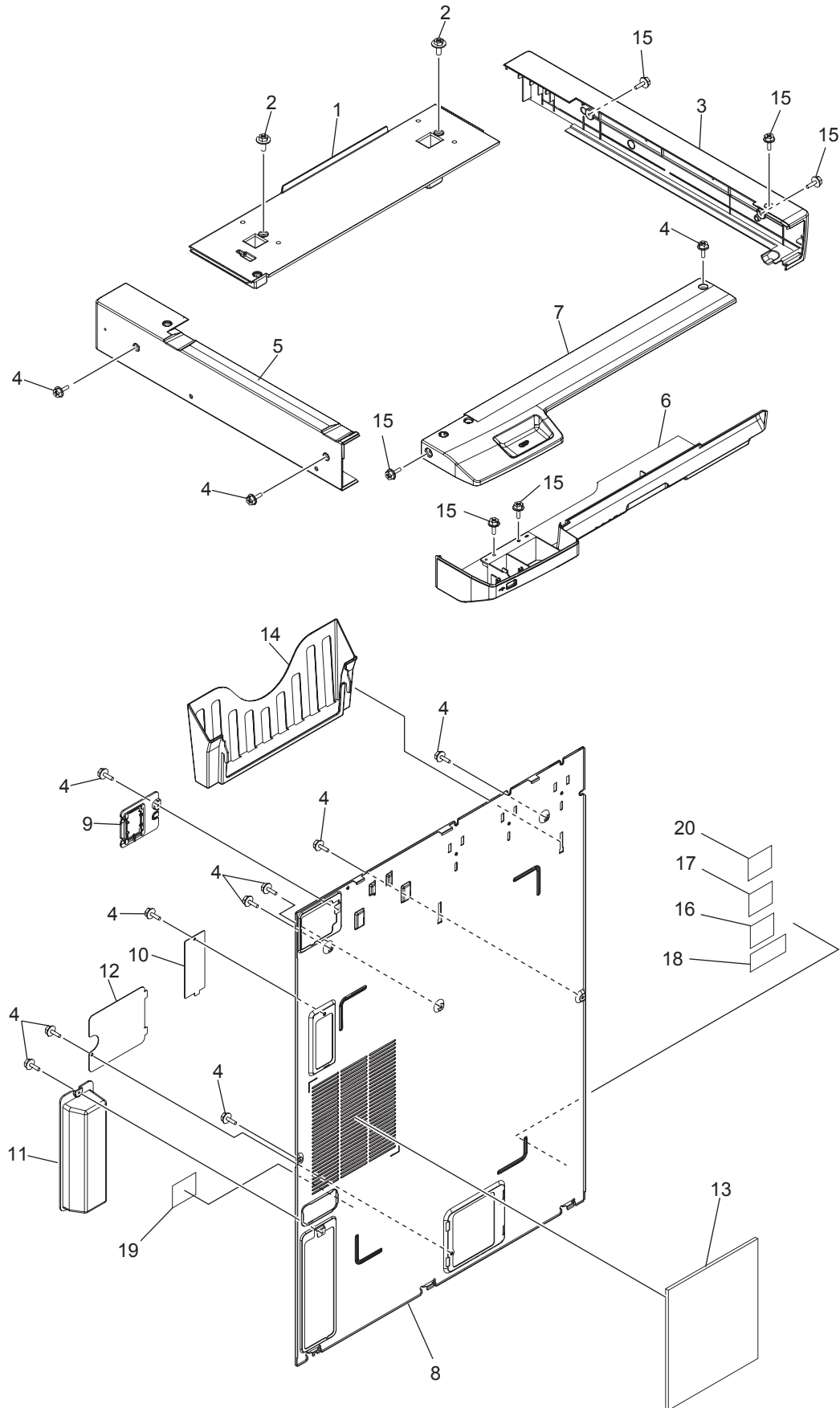
COVER-1-ASY	1	JIGS & GREASE	101
COVER-2-ASY	2	DOWNLOAD JIGS	102
CONTROL-PANEL-ASY	3	SUPPLIES	103
BASE-FRAME-ASY	4	REPLACE UNIT	104
FRONT-FRAME-ASY	5	PM-KIT	105
REAR-FRAME-1-ASY	6		
REAR-FRAME-2-ASY	7		
REAR-FRAME-3-ASY	8		
CASE-SYS-LGC-ASY	9		
ELECTRIC-ASY	10		
LASER-OPTICAL-UNIT-ASY	11		
OPTICAL-FRAME-ASY	12		
SIDE-DUCT-ASY	13		
MAIN-DRIVE-ASY	14		
OPTICAL-DRIVE-ASY	15		
FEEDER-1-ASY	16		
FEEDER-2-ASY	17		
FEEDER-3-ASY	18		
BYPASS-ASY	19		
BYPASS-FEEDER-ASY	20		
ALIGNING-ASY	21		
PLATEN-ASY	22		
CRG-1-ASY	23		
CRG-2-ASY	24		
MAIN-CHARGER-ASY	25		
TRANSPORT-CHARGER-ASY	26		
CLEANER-ASY	27		
DEVELOPER-ASY-1	28		
DEVELOPER-ASY-2	29		
RECYCLE-ASY	30		
FUSER-ASY-1	31		
FUSER-ASY-2	32		
EXIT-ASY-1	33		
EXIT-ASY-2	34		
ADU-ASY	35		
DRAWER-ASY	36		

<p>1. COVER-1-ASY</p> 	<p>2. COVER-2-ASY</p> 	<p>3. CONTROL-PANEL-ASY</p> 	<p>4. BASE-FRAME-ASY</p> 
<p>5. FRONT-FRAME-ASY</p> 	<p>6. REAR-FRAME-1-ASY</p> 	<p>7. REAR-FRAME-2-ASY</p> 	<p>8. REAR-FRAME-3-ASY</p> 
<p>9. CASE-SYS-LGC-ASY</p> 	<p>10. ELECTRIC-ASY</p> 	<p>11. LASER-OPTICAL-UNIT-ASY</p> 	<p>12. OPTICAL-FRAME-ASY</p> 
<p>13. SIDE-DUCT-ASY.</p> 	<p>14. MAIN-DRIVE-ASY</p> 	<p>15. OPTICAL-DRIVE</p> 	<p>16. FEEDER-1-ASY</p> 
<p>17. FEEDER-2-ASY</p> 	<p>18. FEEDER-3-ASY</p> 	<p>19. BYPASS-ASY</p> 	<p>20. BYPASS-FEEDER-ASY</p> 

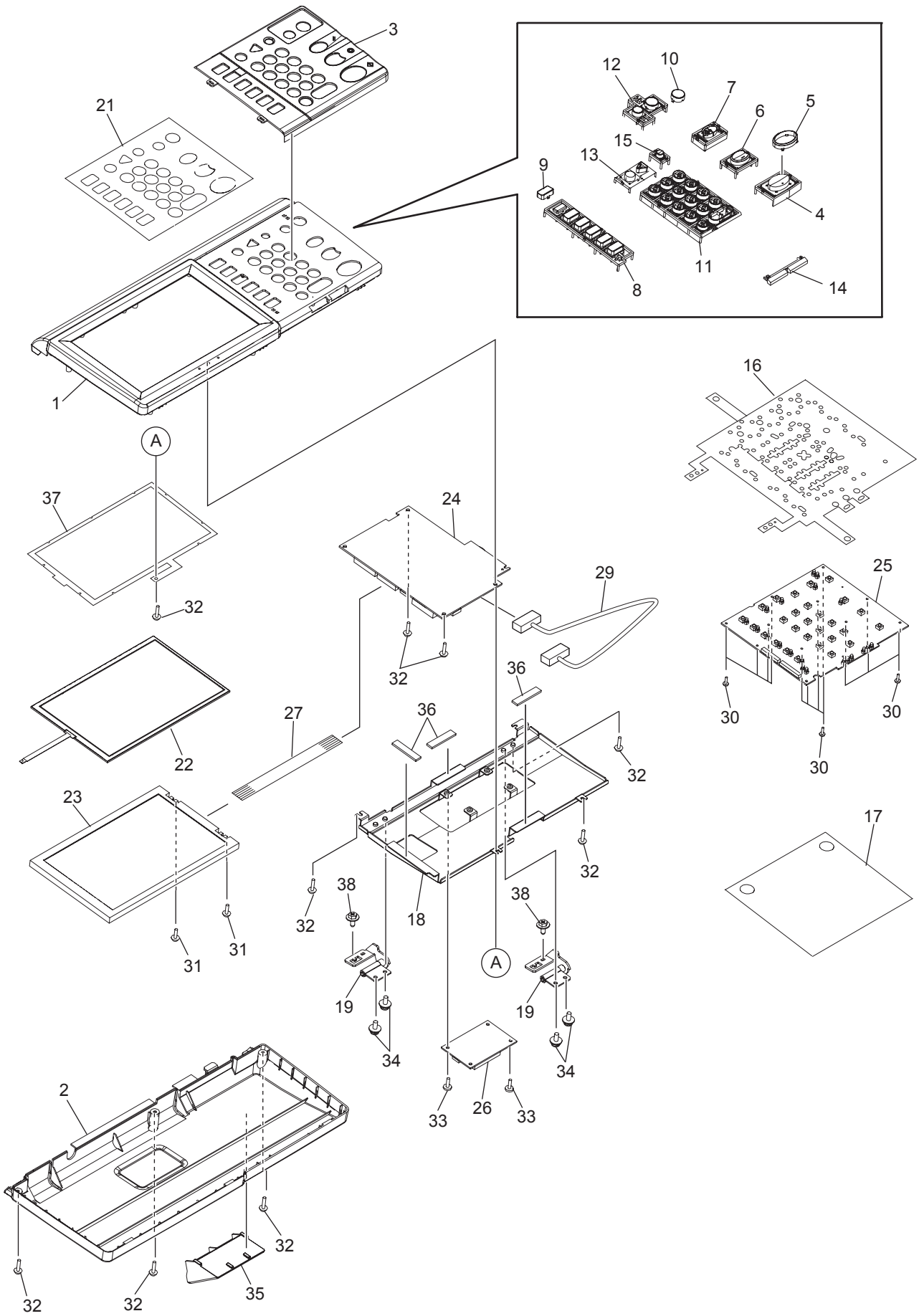
<p>21. ALIGNING-ASY</p> 	<p>22. PLATEN-ASY</p> 	<p>23. CRG-1-ASY</p> 	<p>24. CRG-2-ASY</p> 
<p>25. MAIN-CHARGER-ASY</p> 	<p>26. TRANSPORT-CHARGER-ASY</p> 	<p>27. CLEANER-ASY</p> 	<p>28. DEVELOPER-ASY-1</p> 
<p>29. DEVELOPER-ASY-2</p> 	<p>30. RECYCLE-ASY</p> 	<p>31. FUSER-ASY-1</p> 	<p>32. AFUSER-ASY-2</p> 
<p>33. EXIT-ASY-1</p> 	<p>34. EXIT-ASY-2</p> 	<p>35. ADU-ASY</p> 	<p>36. DRAWER-ASY</p> 



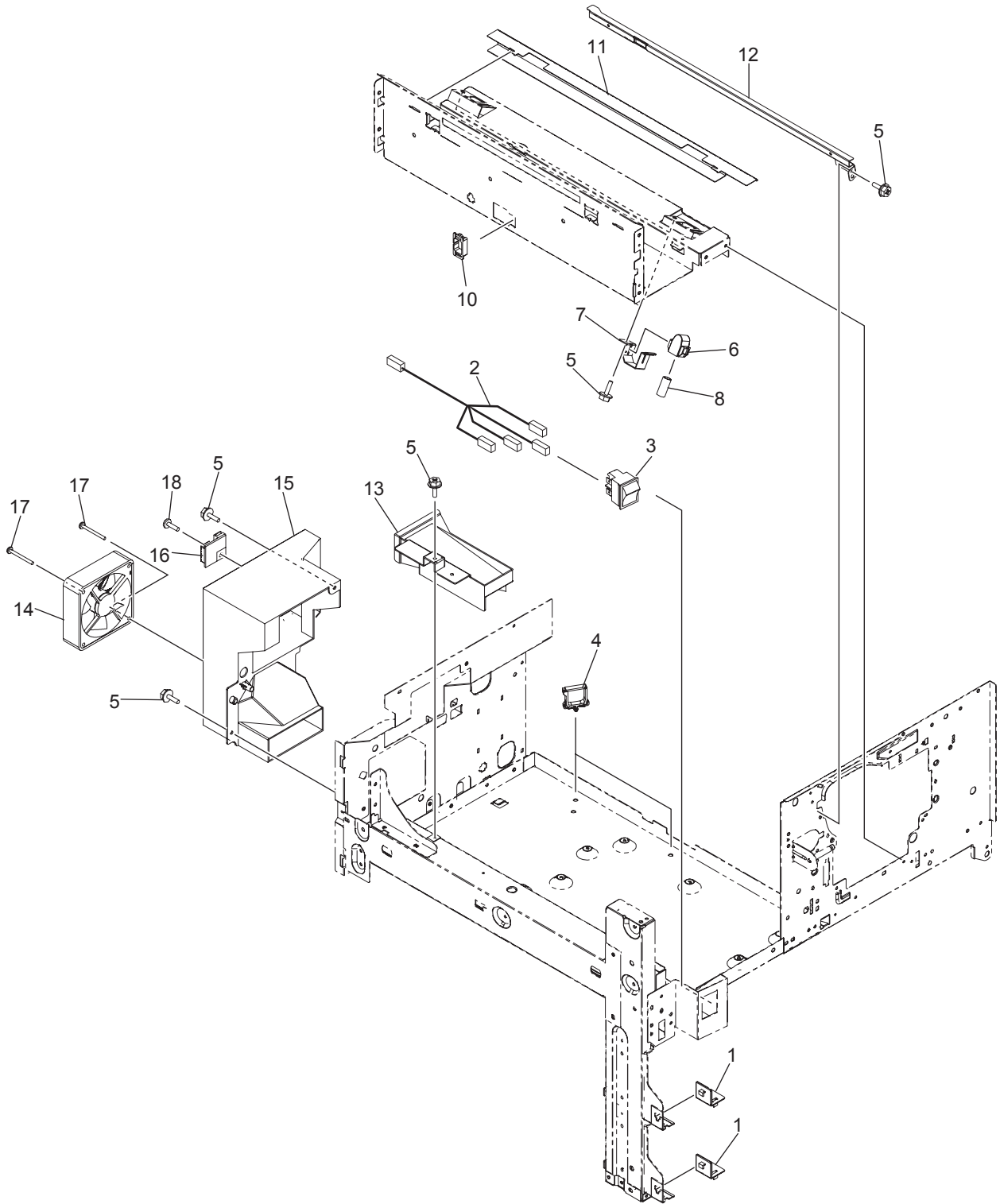
ITEM No.	PART No.	PART NAME	Q'TY / PAGE	Q'TY / PACK	REMARKS
1 A	6LH52408100	COVER-TRAY-BACK2-N	1	1/PP	e-STUDIO205L/255/305
1 B	6LH52425100	COVER-TRAY-BACK2-473-N	1	1/P	e-STUDIO355/455
2	6LH52411100	COVER-RIGHT-R-N	1	1/PP	
3	6LH52424100	ACCESS-COVER-FUSER-N	1	1/P	
4	X0-02593000	S/TPD3/FHEXM-3X8-ZU3	13	10/P	
5	6LH52401100	COVER-FRONT-L-N	1	1/PP	
6	6LH52403000	EMBLEM-L	1	1/PP	
7	6LH52421000	BRKT-INT-SW-F-COV	1	1/P	
8	6LH52435000	MYLAR-COV-F-L	1	1/KP	
9	6LA60531000	LID-SW	1	1/P	
10	E0-01853000	CS1A-B2CA	1	1/D	
11	E0-12105000	AGX106F	1	1/D	
12	6LA80090000	S/TPP/BID-3X8-NI	4	5/P	
13	6LH52402100	COVER-RIGHT-F-N	1	1/PP	
14	6LH52405100	COVER-FRONT-R-N	1	1/PP	
15	6LH52404000	EMBLEM-R	1	1/PP	
16	6LH52407000	EMBLEM-C	1	1/PP	
17 A	6LH52436000	SHEET-EMBLEM-205L	1	1/KP	e-STUDIO205L
17 B	6LH52436100	SHEET-EMBLEM-255	1	1/KP	e-STUDIO255
17 C	6LH52436200	SHEET-EMBLEM-305	1	1/KP	e-STUDIO305
17 D	6LH52436300	SHEET-EMBLEM-355	1	1/KP	e-STUDIO355
17 E	6LH52436400	SHEET-EMBLEM-455	1	1/KP	e-STUDIO455
18	6LH52409100	COVER-LEFT-N	1	1/PP	
19	6LH52406100	COVER-TRAY-BACK-N	1	1/PP	
20	6LH52410100	COVER-LEFT-R-N	1	1/PP	
21	6LH54659000	ASYS-DUCT-FAN-PU	1	1/PP	
22	6LH52400100	COVER-TRAY-N	1	1/PP	
23	6LA80729000	BRKT-TRAY-INNER	1	1/P	
24	6LH52423100	COVER-STOP-PAPER-470-N	1	1/D	
25	6LH54660000	ASYS-FAN-8025-47X	1	1/D	
26 B	6LH52438000	TRAY-OCT-47X	1	1/PP	e-STUDIO355/455
27 A	6LH52426100	COVER-TRAY-FUS-N	1	1/KP	e-STUDIO205L/255/305
28 B	6LE48967000	LABEL-ECO-CND	1	5/P	CND,CNS
29	6LE84761000	LBL-ENERGY-T-PS-N	1	5/KP	



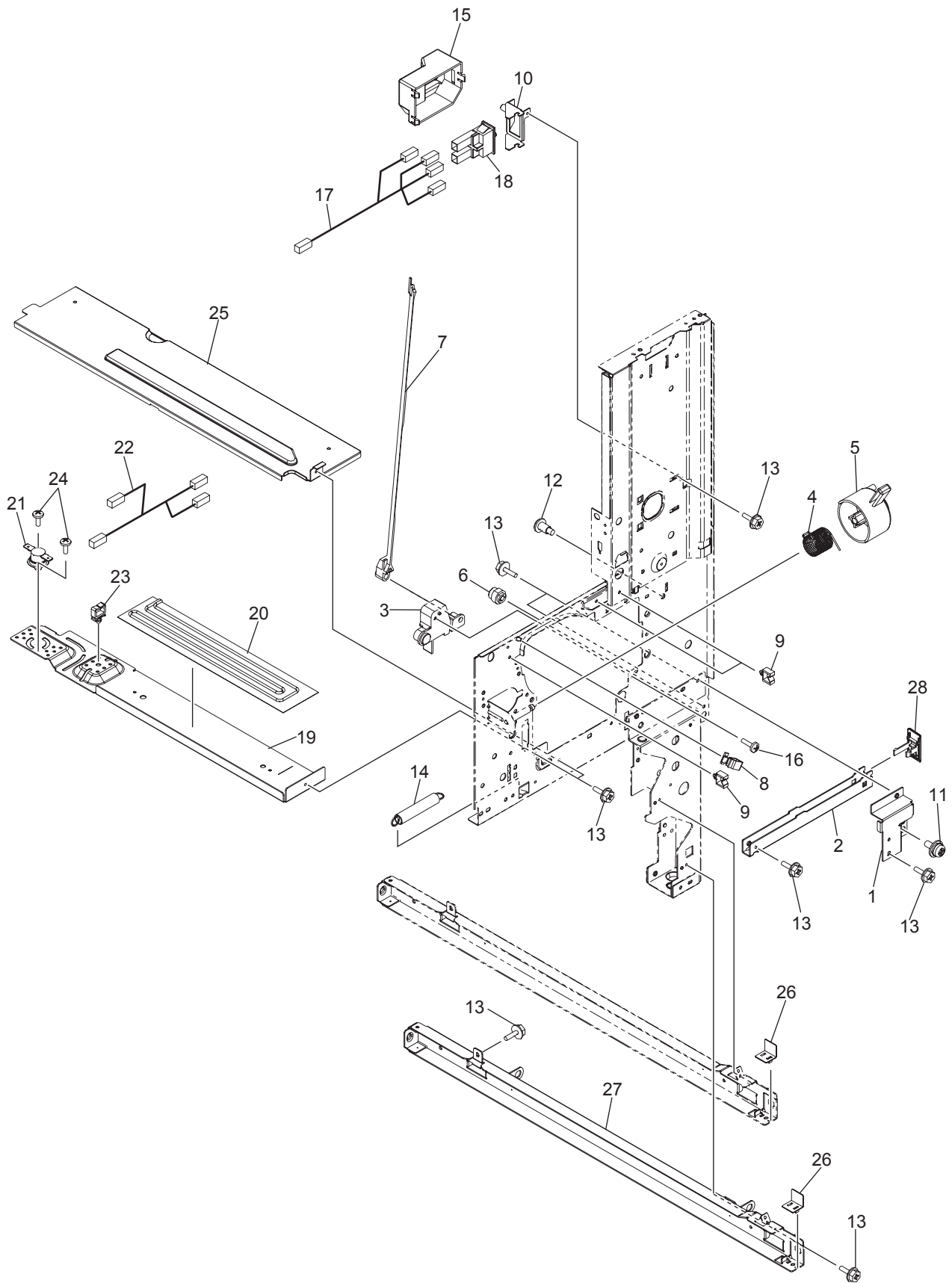
ITEM No.	PART No.	PART NAME	Q'TY / PAGE	Q'TY / PACK	REMARKS
1	6LH52412100	COVER-TOP-RER-470-N	1	1/PP	
2	X0-02589000	S/TPD3/FHEXM-4X8-ZU3	2	10/P	
3	6LH52414100	COVER-TOP-RGT-470-N	1	1/PP	
4	X0-02593000	S/TPD3/FHEXM-3X8-ZU3	18	10/P	
5	6LH52413100	COVER-TOP-LFT-470-N	1	1/PP	
6	6LH52416100	COVER-TOP-FRT-L-470-N	1	1/PP	
7	6LH52419100	COVER-TOP-FRT-U-470-N	1	1/PP	
8	6LH52418000	COVER-REAR	1	1/PP	
9	6LH52428100	COVER-CN-OPT-470-N	1	1/P	
10	6LH52429000	COVER-REAR-DWNLD	1	1/P	
11	6LH52422100	COVER-REAR-FAX-N	1	1/P	
12	6LH52427000	COVER-REAR-SUB	1	1/P	
13	6LH54675000	FILTER-COV-REAR	1	1/KP	
14 B	6LH22722000	ASYB-BOOK-HOLDER-CJ2	1	1/PP	ARD,AUD,CND,CNS
16 A	4408860880	LABEL-CANADA-A	1	5/P	NAD
17 A	4400740530	LABEL-FCC	1	10/KP	NAD
18 A	6LA47529000	LBL-LASER	1	1/KP	NAD,ARD,SAD,ASD,AUD,MJD
18 B	6LA56226000	LBL-LASER-C	1	5/KP	CND,CNS
18 C	6LA48505000	LBL-LASER-TWD	1	5/KP	TWD
19 A	44204604000	LBL-SERVICE-45	1	5/P	NAD,ARD,SAD,ASD,AUD,MJD
19 B	6LA56227000	LBL-SERVICE-45C	1	5/KP	CND,CNS
19 C	6LA48504000	LBL-SERVICE-45-TWD	1	5/KP	TWD



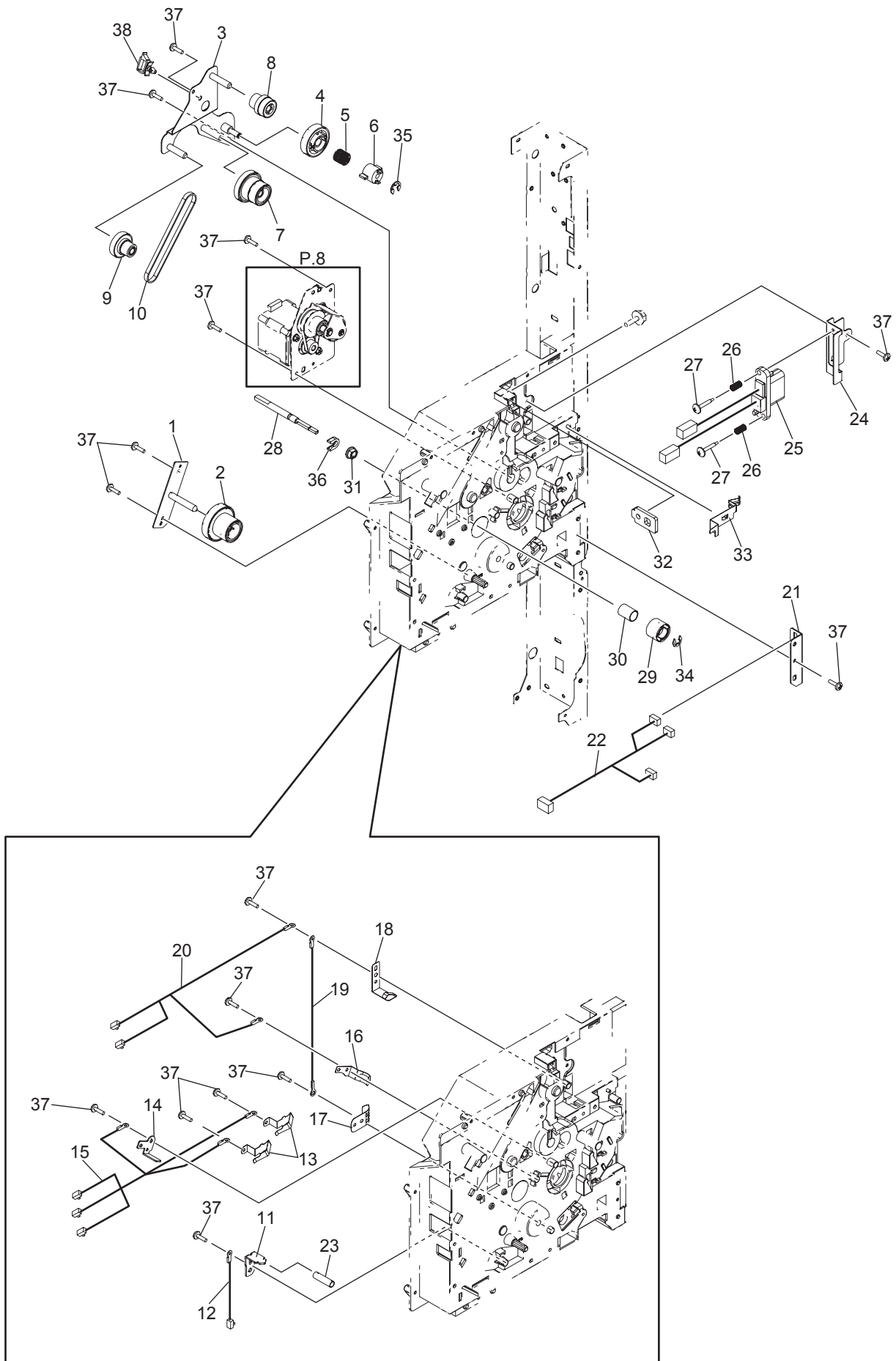
ITEM No.	PART No.	PART NAME	Q'TY / PAGE	Q'TY / PACK	REMARKS
1	6LH52208000	COVER-CONPANE-UPR-470	1	1/PP	
2	6LH52202000	COVER-CONPANE-LWR-470	1	1/PP	
3	6LH37305000	COV-CONP-CLEAR-45X	1	1/PP	
4	6LH02005000	KEY-START	1	1/D	
5	6LH02006000	KEY-START-RING	1	1/D	
6	6LH02007000	KEY-STOP	1	1/D	
7	6LH02008100	KEY-RESET-U	1	1/D	
8	6LH02009000	KEY-FUNCTION	1	1/D	
9	6LH02010000	KEY-MENU	1	1/D	
10	6LH02011000	KEY-POWER	1	1/D	
11	6LH37308000	KEY-TEN-45X	1	1/C	
12	6LH37306000	KEY-ENERGY-45X	1	1/D	
13	6LH37307000	KEY-USER-FUNC-45X	1	1/D	
14	6LH37309000	LID-LED-45X	1	1/D	
15	6LH02012000	KEY-COUNT	1	1/D	
16	6LH37310000	MYLAR-SHIELD-45X	1	1/KP	
17	6LH52204000	SHIELD-SHEET-470	1	1/KP	
18	6LH52203000	SHIELD-CONPANE-470	1	1/PP	
19	6LH52207000	ASYS-HINGE-470	2	1/P	
21	6LH37331000	SHEET-PANEL-45X-U	1	1/KP	
22	6LH37335000	ASYS-PNL-TOUCH-450	1	1/C	
23	6LH52206000	ASYS-DSP-LCD-470	1	1/C	
24	6LH62845000	PWA-F-DSP-470	1	1/SB	
25	6LH62846000	PWA-F-KEY-470	1	1/SB	
26	6LH62505000	INV-DSP-470	1	1/C	
27	6LH61431000	HRNS-LCD-DSP-470	1	1/P	
29	6LH61381000	HRNS-SYS-DSP-470	1	1/P	
30	X0-02094000	S/TPB/BID-2X6-NI	12	10/P	
31	X0-02096000	S/TPP/BRZ-3X8-NI	2	10/P	
32	X0-02095000	S/TPP/BRZ-3X10-NI	10	10/P	
33	X0-00434000	S/BID-M3X8-NI	2	10/P	
34	X0-02217000	S/PAN/SWWP-M4X8-ZU3	4	10/P	
35	6LH52201000	STOPPER-OPE-47X	1	1/PP	
36	6LH52205000	GSKT-CONP-470	3	1/P	
37	6LH37337000	MYLAR-SHIELD-LCD	1	1/KP	
38	X0-02593000	S/TPD3/FHEXM-3X8-ZU3	2	10/P	



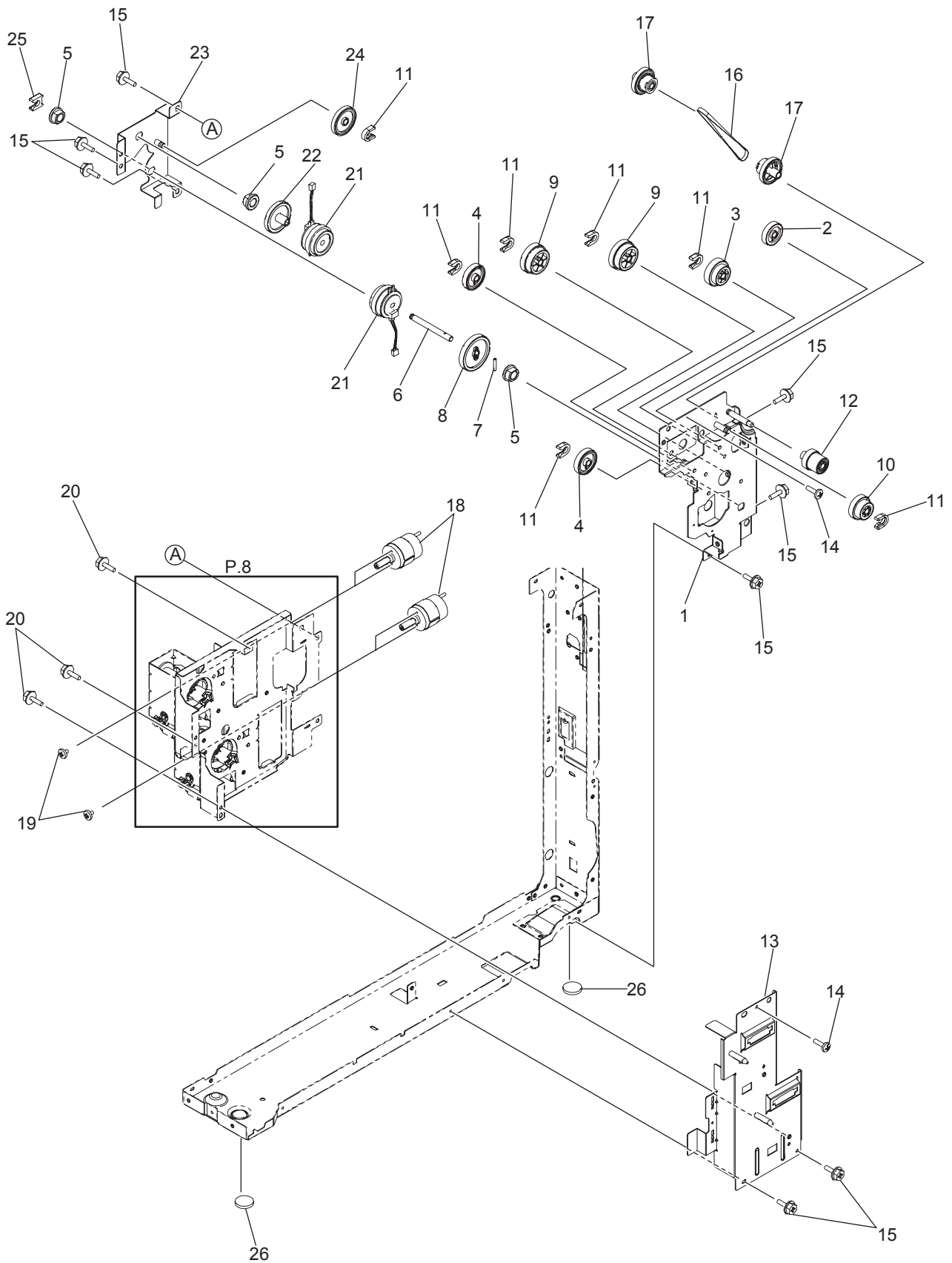
ITEM No.	PART No.	PART NAME	Q'TY / PAGE	Q'TY / PACK	REMARKS
1	6LH51627000	SLIDER-CST	2	1/P	
2	6LH61303000	HRNS-MAIN-SW-471	1	1/P	
3	E0-08497000	AJ8W200WWF	1	1/D	
4	F0-01629000	RLWC-6SV0	2	5/P	
5	X0-02593000	S/TPD3/FHEXM-3X8-ZU3	6	10/P	
6	6LH24160000	PUSHER-DEV	2	1/P	
7	6LE57972000	BRKT-HOLD-SP-280	2	1/P	
8	6LA82106000	SPC-PUSH-DEV-F	1	1/P	
9	6LA82107000	SPC-PUSH-DEV-R	1	1/P	
10	F0-01248000	ESC-0912	1	10/P	
11	6LH54642000	WALL-SIDE-DEV	1	1/KP	
12	6LH54677000	RAIL-TNR-L-47X	1	1/P	
13	6LH54701000	DUCT-LVPS	1	1/P	
14	6LH54660000	ASYS-FAN-8025-47X	1	1/D	
15	6LH54637000	DUCT-FAN-REAR	1	1/PP	
16	D0-27874000	CHS-CSC-20	1	1/C	
18	6LA80090000	S/TPP/BID-3X8-NI	1	5/P	



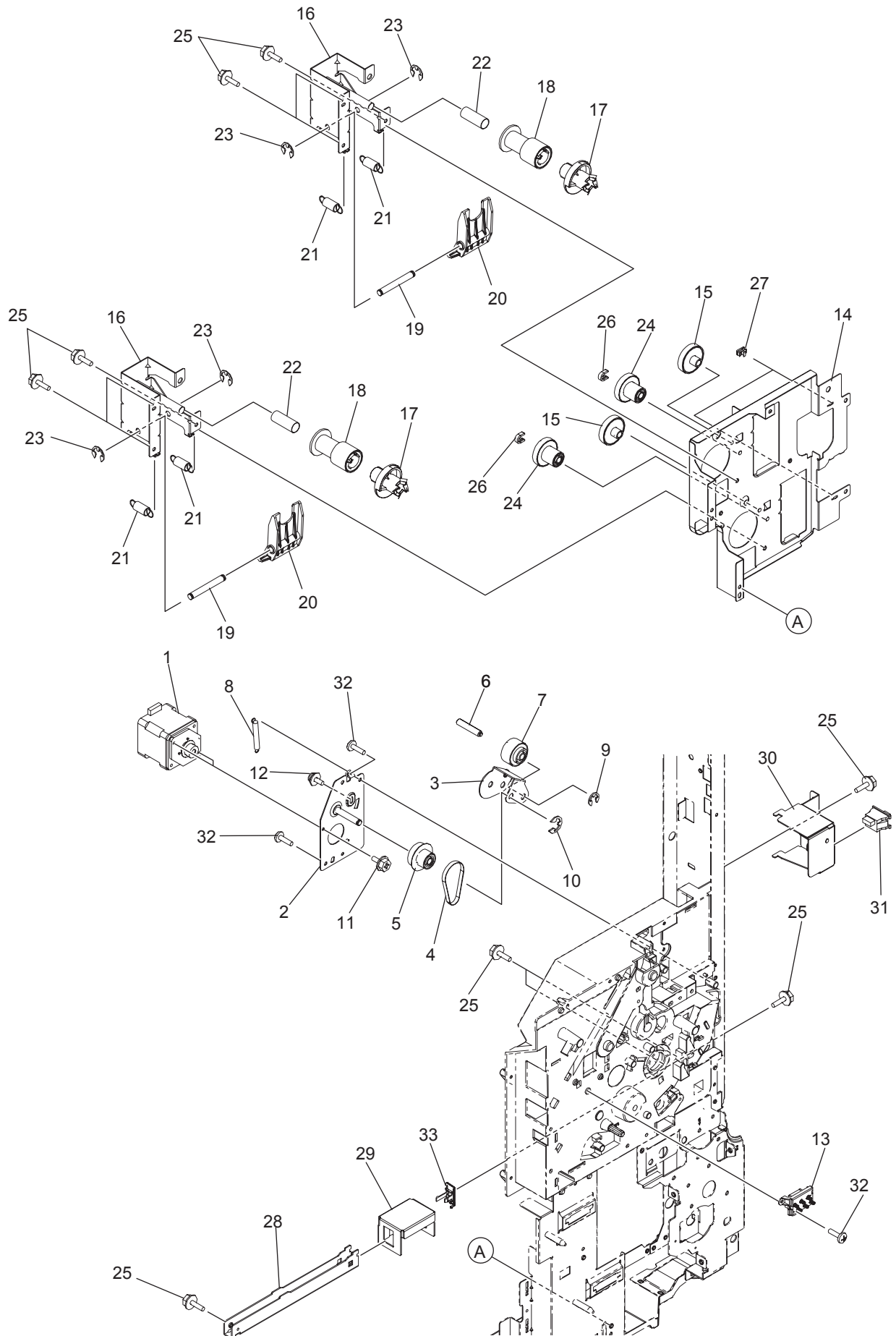
ITEM No.	PART No.	PART NAME	Q'TY / PAGE	Q'TY / PACK	REMARKS
1	6LH54651000	BRKT-HANDLE-F	1	1/P	
2	6LH54652000	HANDLE	1	1/P	
3	6LH57332000	BUSH-RGST-F470	1	1/P	
4	6LH54643000	SPG-LEVER-TNR-C	1	1/P	
5	6LH54641000	LEVER-TNR-C-470	1	1/P	
6	6LH54646000	STUD-HINGE-ADU-F	1	1/P	
7	6LH54680000	STOPPER-ADU-47X	1	1/KP	
8	F0-01643000	RLWT-0.5V0	1	5/P	
9	F0-01250000	MSB-1207	3	5/P	
10	6LH54681000	ASYS-BRKT-INT-SW	1	1/P	
11	X0-02217000	S/PAN/SWWP-M4X8-ZU3	1	10/P	
12	6LA67469000	SCREW-SCAN-DF	1	5/P	
13	X0-02593000	S/TPD3/FHEXM-3X8-ZU3	10	10/P	
14 A	6LH54679000	SPG-ADU-STOPPER-L	1	1/P	e-STUDIO205L/255/305
14 B	6LH54678000	SPG-ADU-STOPPER-H	1	1/P	e-STUDIO355/455
15	6LH54674000	COVER-INT-SW	1	1/P	
16	6LA80090000	S/TPP/BID-3X8-NI	1	5/P	
17	6LH61304000	HRNS-INTERLOCK-471	1	1/P	
18	E0-12105000	AGX106F	1	1/D	
19 B	6LH54692000	BRKT-DHTR-DRUM-470	1	1/P	ARD,SAD,ASD,AUD,TWD,CND,CNS
20 A	6LE64029000	HEATER-D-DRM-280U	1	1/C	SAD,TWD
20 B	6LE64030000	HEATER-D-DRM-280E	1	1/C	ARD,ASD,AUD,CND,CNS
21 B	6LE09486000	THRMST-CS-7L	1	1/D	ARD,SAD,ASD,AUD,TWD,CND,CNS
22 B	6LH61369000	HRNS-D/H-DRM-471	1	1/P	ARD,SAD,ASD,AUD,TWD,CND,CNS
23 B	F0-00024000	LWS-1U	1	5/P	ARD,SAD,ASD,AUD,TWD,CND,CNS
24 B	X0-00676000	S/TPS/BID-3X6-NI	2	10/P	ARD,SAD,ASD,AUD,TWD,CND,CNS
25	6LH54655000	COVER-DHTR	1	1/P	
26	6LH51627000	SLIDER-CST	2	1/P	
27	6LH54695000	ASYS-CST-RAIL-R	1	1/P	
28	6LH52420100	COVER-HANDLE-F-N	1	1/D	
29	6LH51628000	CATCH-CST-F47X	1	1/P	



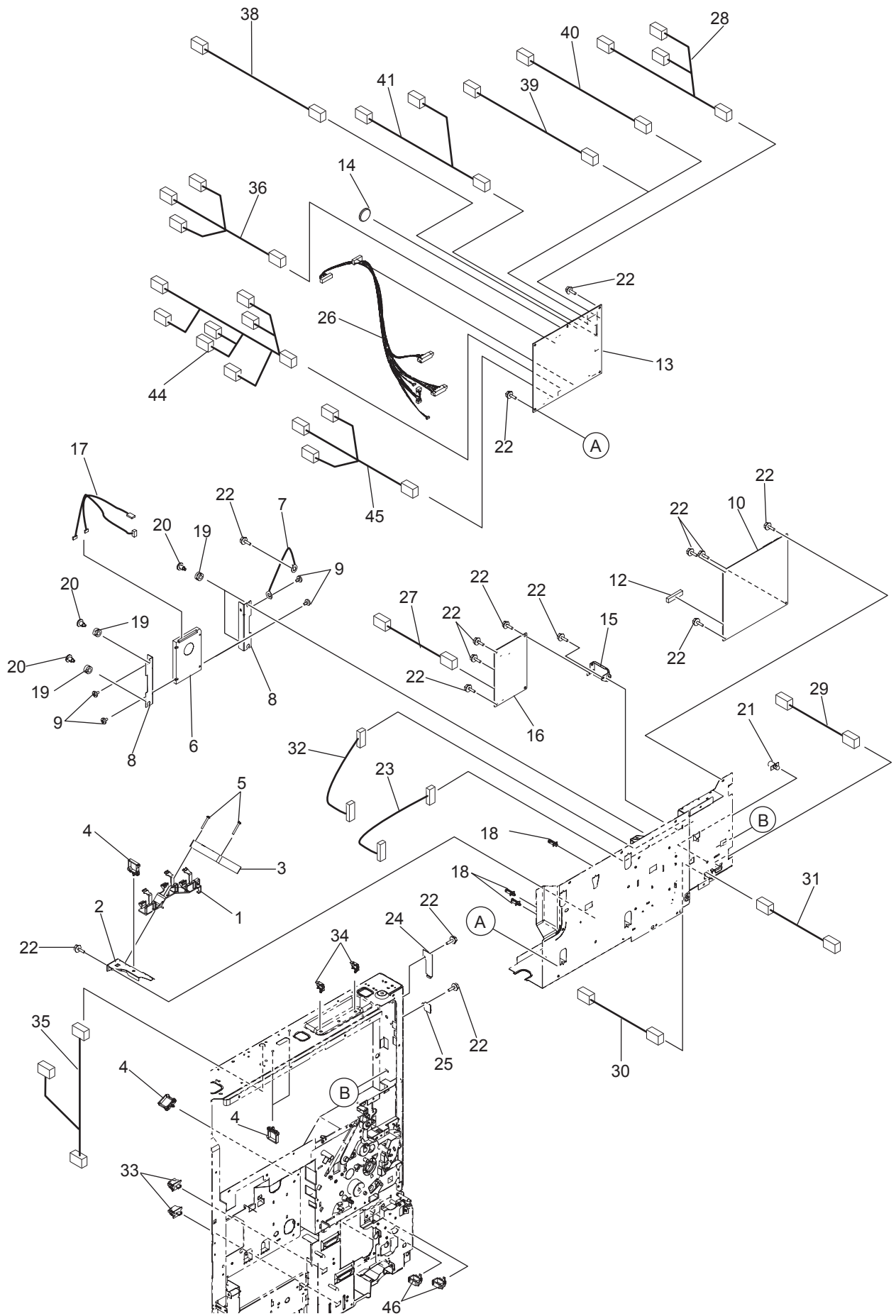
ITEM No.	PART No.	PART NAME	Q'TY / PAGE	Q'TY / PACK	REMARKS
1	6LE56635000	ASYS-PLATE-DRIVE-DEV	1	1/P	
2	6LH53715000	GEAR-8H43_10S22-6	1	1/P	
3	6LH53732000	ASYS-BRKT-FUS-CLN	1	1/P	
4	6LA82294000	GEAR-10H29-6-CLN	1	1/P	
5	6LE85352000	SPG-DRV-CLN	1	5/P	
6	6LA82296000	CPG-DRV-CLN	1	1/P	
7	6LH53714000	GEAR-10H29_10H20-6	1	1/P	
8	6LH53712000	GEAR-10S17_PS2M24-6	1	1/P	
9	6LH53713000	GEAR-10H23_PS2M22-6	1	1/P	
10	6LH53777000	BLT-SY-S2M-208-4	1	1/P	
11	6LA82004000	PLT-TERM-DEV	1	1/P	
12	6LH61350000	HRNS-HVPS3-471	1	1/P	
13	6LH57331000	PLT-TRU	2	1/D	
14	6LA85009000	SPL-CH-M	1	1/P	
15	6LH61348000	HRNS-HVPS1-471	1	1/P	
16	6LE86050000	SPL-GRID	1	1/P	
17	6LE56606000	SPL-BIAS-RGST	1	1/C	
18	6LH54639000	PLATE-FUS	1	1/D	
19	6LH61351000	HRNS-GB-FUSER-471	1	1/P	
20	6LH61349000	HRNS-HVPS2-471	1	1/P	
21	6LH54669000	BRKT-CN-FRM	1	1/P	
22 A	6LH61408000	HRNS-LGC-ADU-471HF	1	1/P	e-STUDIO205L/255/335
22 B	6LH61422000	HRNS-LGC-ADU-472HF	1	1/P	e-STUDIO305/455
23	6LH53466000	SPC-TERM-DEV	1	1/P	
24	6LH53758000	BRKT-FUS-DRW	1	1/P	
25 A	6LH61305000	HRNS-ACIN1-471	1	1/P	e-STUDIO205L/255/305
25 B	6LH61306000	HRNS-ACIN1-473	1	1/P	e-STUDIO355/455
26	6LA14468000	SPC068-080-160	2	5/P	
27	4406326040	SCREW-D4-18-M3	2	10/P	
28	6LH53763000	SHAFT-DRV-TNR-470	1	1/P	
29 A	6LH57004300	CPG-TC-470-E	1	1/P	MJD
29 B	6LH57004100	CPG-TC-470-D	1	1/P	SAD,ASD,AUD,TWD
29 C	6LH57004200	CPG-TC-470-U	1	1/P	NAD,ARD
29 D	6LH57004400	CPG-TC-470-C	1	1/P	CND,CNS
30	6LE56611000	SPG-DRV-TN-280	1	1/P	
31	44201492000	BUSH-6-POM	1	5/P	
32	6LH53778000	PLT-EXIT-FRM-MAIN	1	1/P	
33	6LH53779000	PLATE-FUSER-GND	1	1/P	
34	X0-00974000	RR/E-2.5-SS	1	10/P	
35	X0-00965000	RR/E-4-SS	1	10/P	
36	4407972860	STOP-RING-6-5	1	5/P	
37	6LA80090000	S/TPP/BID-3X8-NI	15	5/P	
38	F0-00736000	LWS-0711S	1	5/P	



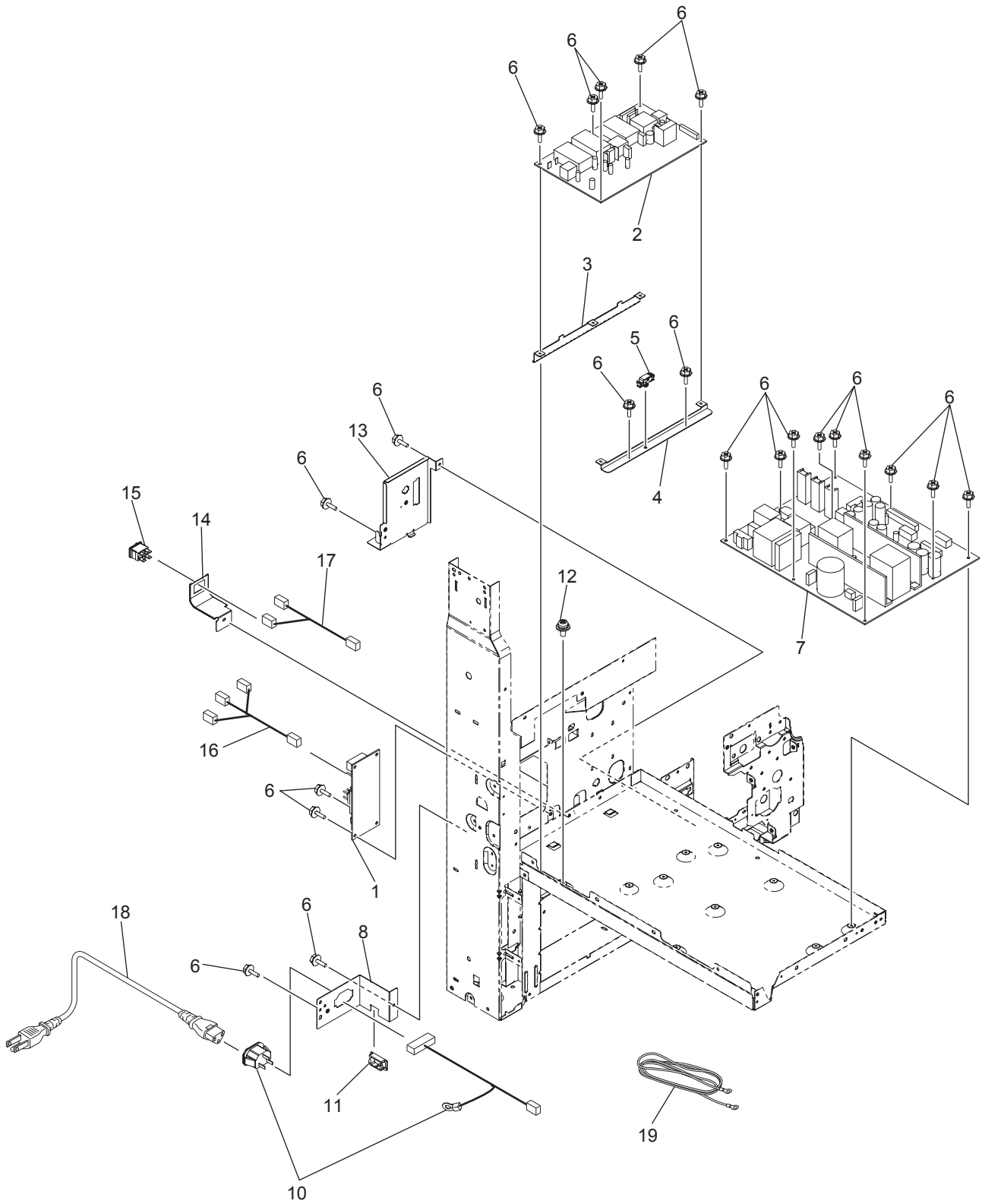
ITEM No.	PART No.	PART NAME	Q'TY / PAGE	Q'TY / PACK	REMARKS
1	6LH54610000	ASYS-FRAME-FEED-R	1	1/P	
2	6LH53721000	GEAR-10S24-6	1	1/P	
3	6LH53759000	GEAR-10S28_10S21-6	1	1/P	
4	6LH53720000	GEAR-10S27-6-FEED	2	1/P	
5	6LH53768000	BUSH-6-NU4	3	1/P	
6	6LH53776000	SHAFT-CL-DRV	1	1/P	
7	X0-00980000	P/PRL/AH7-2X10-SS	1	10/P	
8	6LH53724000	GEAR-10S39-6	1	1/P	
9	6LH53719000	GEAR-10S31_10S27-6	2	1/P	
10	6LH53717000	GEAR-10S25_10S19-6	1	1/P	
11	4407972860	STOP-RING-6-5	7	5/P	
12	6LH53718000	GEAR-10S20_10S17-6	1	1/P	
13	6LH54619000	ASYS-FRAME-FEED-RL	1	1/P	
14	6LA80090000	S/TPP/BID-3X8-NI	2	5/P	
15	X0-02593000	S/TPD3/FHEXM-3X8-ZU3	8	10/P	
16	6LH03541000	BLT-SY-S2M-250-4	1	1/P	
17	6LH53716000	GEAR-10S28_PS2M28-6	2	1/P	
18	6LH53764000	ASYS-MOTRD-TNR-470	2	1/C	
19	X0-02557000	S/BID-M2.6X3-NI	4	10/P	
20	X0-02593000	S/TPD3/FHEXM-3X8-ZU3	3	10/P	
21	6LH53742000	CLUTCH-50R-G28-6	2	1/D	
22	6LH53722000	GEAR-10S34-6	1	1/P	
23	6LH53729000	ASYS-PLT-FEED-DRV	1	1/P	
24	6LH53723000	GEAR-10S31-6	1	1/P	
25	4408358930	STOP-RING-6-4	1	5/P	
26	6LH54676000	FOOT-FRM-BASE	2	5/P	



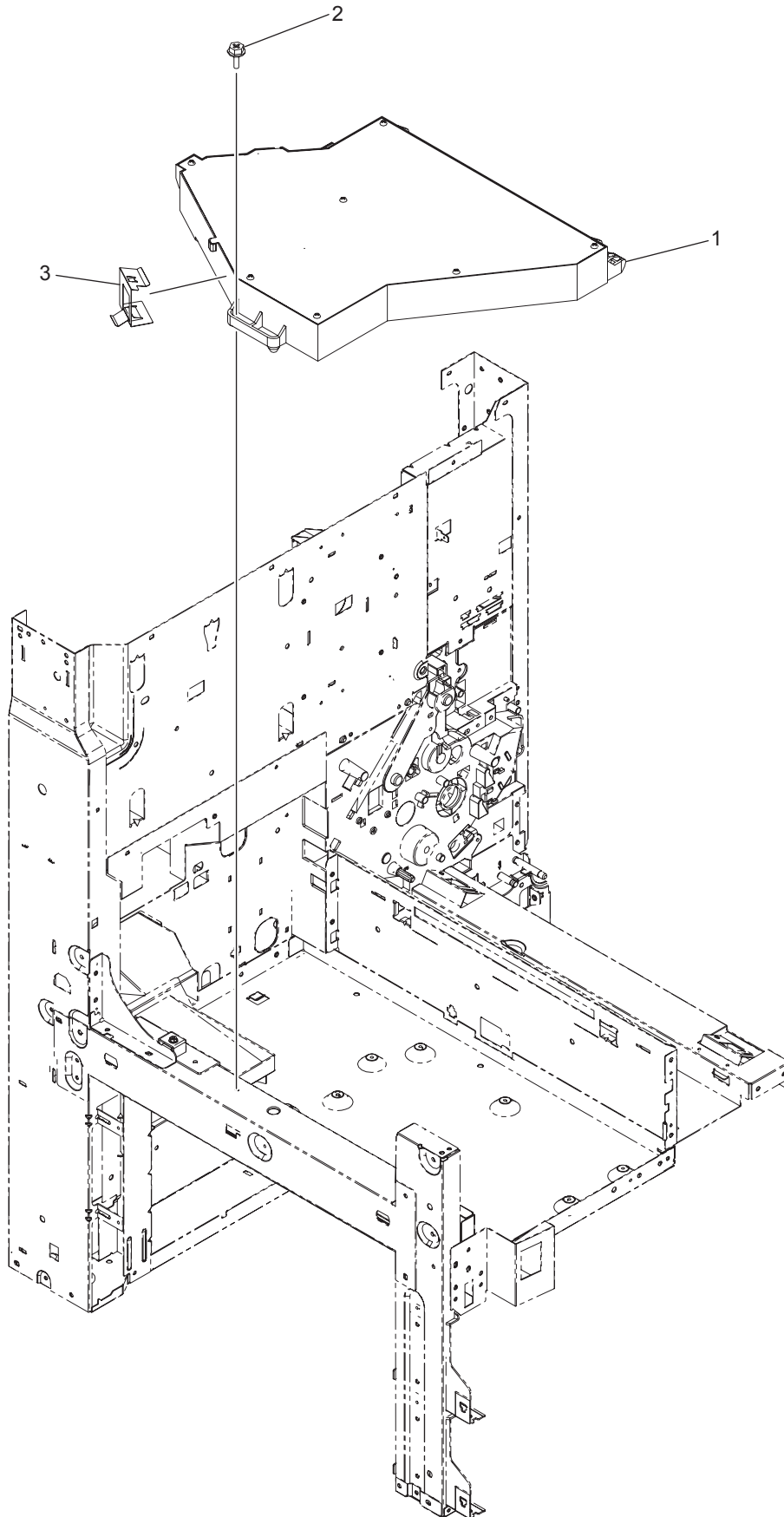
ITEM No.	PART No.	PART NAME	Q'TY / PAGE	Q'TY / PACK	REMARKS
1	6LH51236000	ASYS-MOTR-S-ADU-47X	1	1/C	
2	6LH51213000	ASYS-BRKT-MOT-ADU-473	1	1/P	
3	6LH51234000	BRKT-GEAR-JOINT	1	1/P	
4	6LA78447000	BLT_SY-S2M-120-4	1	1/P	
5	6LA78772000	GEAR-10S15_PS2M39-6	1	1/P	
6	6LH51235000	SFT-ADU-GEAR-47X	1	1/P	
7	6LH51233000	GEAR-10S23-6	1	1/P	
8	6LE56610000	SPG-TENS-ROL-280	1	1/P	
9	X0-00964000	RR/E-3-SS	1	10/P	
10	X0-00965000	RR/E-4-SS	1	10/P	
11	X0-02230000	S/FHEXM-M3X6-NI	2	10/P	
12	X0-02551000	S/PAN/SWWP-M3X6-ZU3	1	10/P	
13	6LE62096000	ASY-HOLD-SP-TNR	1	1/C	
14	6LH53725000	ASYS-PLATE-DRIVE	1	1/P	
15	6LH54301000	GEAR-IDLE-TRAYUP	2	1/P	
16	6LH54315000	ASYS-BRKT-CPG-GEAR	2	1/P	
17	6LH54331000	ASYS-CPG-DRV-CST	2	1/P	
18	6LH54332000	ASYS-GEAR-DRV-CST	2	1/P	
19	6LH54316000	SHAFT-DRV-TRAYUP	2	1/P	
20	6LH54300000	LVR-CST-TRAYUP	2	1/P	
21	6LH54325000	SPRING-TRAYUP-L	4	1/P	
22	6LH54327000	SPRING-TRAYUP-U	2	1/P	
23	X0-00966000	RR/E-5-SS	4	10/P	
24	6LH54302000	GEAR-DRV-TRAYUP	2	1/P	
25	X0-02593000	S/TPD3/FHEXM-3X8-ZU3	11	10/P	
26	4407972860	STOP-RING-6-5	2	5/P	
27	F0-01496000	RLMC-01TV0	2	5/P	
28	6LH54652000	HANDLE	1	1/P	
29	6LH54654000	BRKT-HANDLE	1	1/P	
30	6LH54690000	ASYS-COV-SW-R	1	1/P	
31	E0-01853000	CS1A-B2CA	1	1/D	
32	6LA80090000	S/TPP/BID-3X8-NI	3	5/P	
33	6LH52420100	COVER-HANDLE-F-N	1	1/D	



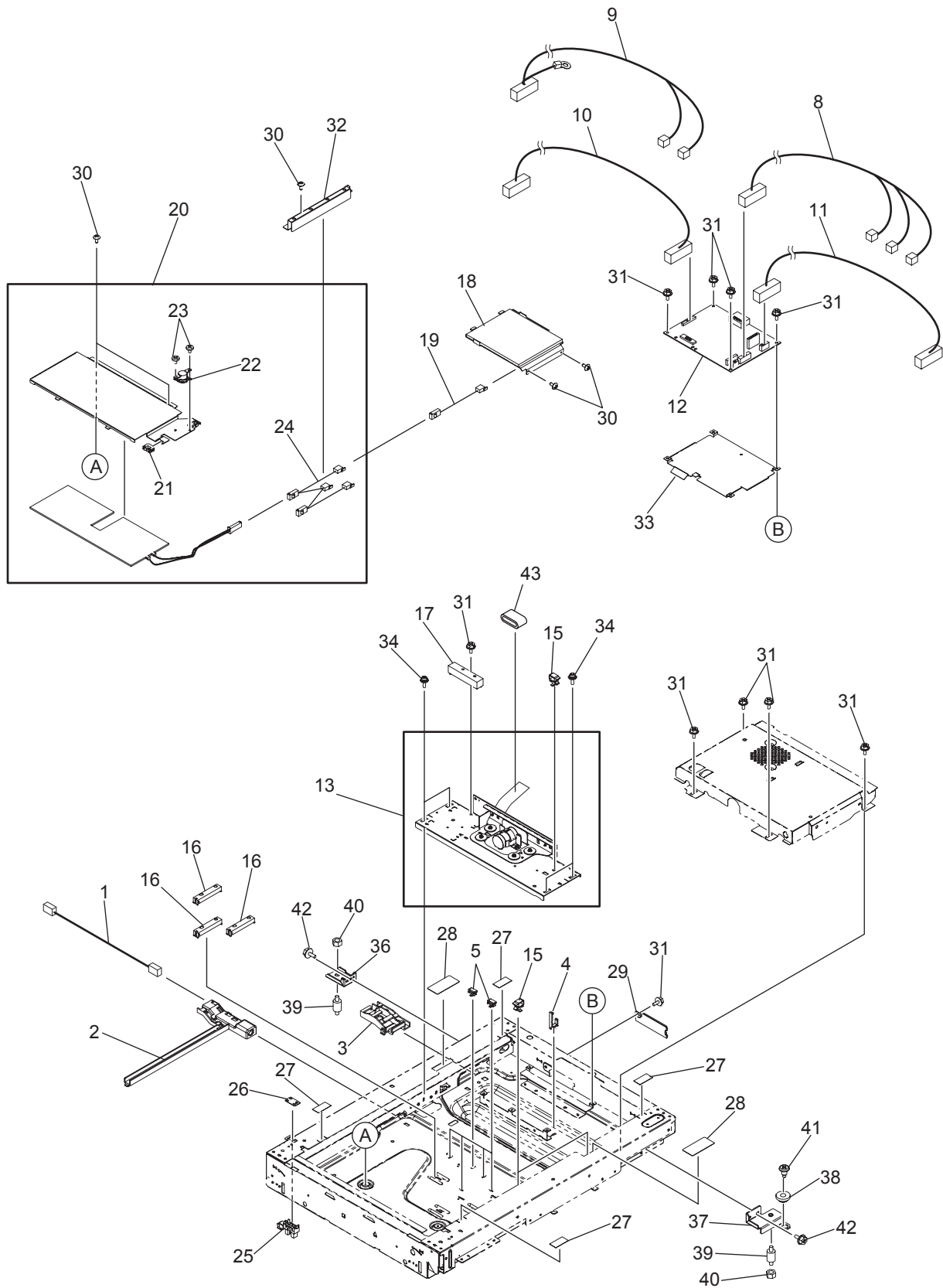
ITEM No.	PART No.	PART NAME	Q'TY / PAGE	Q'TY / PACK	REMARKS
1	6LH53107000	HOLDER-FAN-SYS	1	1/C	
2	6LH53109000	BRKT-FAN	1	1/P	
3	6LH53129000	ASYS-FAN-SYS	1	1/D	
4	F0-01629000	RLWC-6SV0	4	5/P	
6	G0-00579000	HTS543280L9A300	1	1/S	
7	6LE78184000	HRNS-HDDFG-364	1	1/P	
8	6LH53112000	BRKT-HDD-25	2	1/P	
9	X0-00426000	S/BID-M3X4-NI	4	10/P	
10	6LH70020000	ASYB-PWA-SYS-100S	1	1/SB	
11	6LH09585000	ASYB-SRAM-430S	1	1/C	
12	C0-16048000	M470T2864EH3-CF7	1	1/S	
13 A	6LH60410000	ASYB-PWA-LGC-470S	1	1/SB	e-STUDIO205L
13 B	6LH60410100	ASYB-PWA-LGC-471S	1	1/SB	e-STUDIO255
13 C	6LH60410200	ASYB-PWA-LGC-472S	1	1/SB	e-STUDIO305
13 D	6LH60410300	ASYB-PWA-LGC-473S	1	1/SB	e-STUDIO355
13 E	6LH60410400	ASYB-PWA-LGC-474S	1	1/SB	e-STUDIO455
14	6LE90510000	LI-BAT-CR-2450	1	1/S	
15	6LH53106000	BRKT-SYS-IMG-BT	1	1/P	
16	6LH62830000	PWA-F-IMG-470	1	1/SB	
17	6LH61429000	HRNS-HDD-471	1	1/P	
18	F0-01553000	CBT-10S0	3	5/P	
20	6LH53114000	SCREW-HDD-CASE_M3	4	5/P	
21	F0-00332000	SPSN-6U	1	5/P	
22	X0-02593000	S/TPD3/FHEXM-3X8-ZU3	17	10/P	
23 B	6LH61328000	HRNS-MOT-BRIDGE-473	1	1/P	e-STUDIO355/455
24	6LA34629000	COV-CNCT-DWN	1	1/P	
25	6LA64243000	COVER-USB-SYS	1	1/P	
26	6LH61432000	HRNS-LGC-CST-OP-471HF	1	1/P	
27	6LH61403000	HRNS-LGC-IMG-471HF	1	1/P	
28	6LH61417000	HRNS-MAIN-MOT-471HF	1	1/P	
29 A	6LH61326000	HRNS-MOT-EXIT-L-473	1	1/P	e-STUDIO205L/255/305
29 B	6LH61391000	HRNS-MOT-EXIT-L-471	1	1/P	e-STUDIO355/455
30 B	6LH61327000	HRNS-MOT-EXIT-U-473	1	1/P	e-STUDIO355/455
31	6LH61389000	HRNS-SIDE-SW-471	1	1/P	
32 B	6LH61329000	HRNS-MOT-JSP-473	1	1/P	e-STUDIO355/455
33	E0-01853000	CS1A-B2CA	2	1/D	
34	F0-00736000	LWS-0711S	2	5/P	
35 B	6LH61368000	HRNS-D/H-471	1	1/P	ARD,SAD,ASD,AUD,TWD,CND,CNS
36 A	6LH61406000	HRNS-LGC-PS-SIG-473HF	1	1/P	e-STUDIO205L/255/305
36 B	6LH61405000	HRNS-LGC-PS-SIG-471HF	1	1/P	e-STUDIO355/455
38 A	6LH61413000	HRNS-LGC-EXIT-H-473HF	1	1/P	e-STUDIO205L/255/305
38 B	6LH61412000	HRNS-LGC-EXIT-L-471HF	1	1/P	e-STUDIO355/455
39	6LH61410000	HRNS-LGC-MOT-L-471HF	1	1/P	
40 B	6LH61411000	HRNS-LGC-MOT-H-473HF	1	1/P	e-STUDIO355/455
41	6LH61407000	HRNS-LGC-FRT-471HF	1	1/P	
44 A	6LH61447000	HRNS-LGC-FEED-471HF	1	1/P	e-STUDIO255/355
44 B	6LH61448000	HRNS-LGC-FEED-472HF	1	1/P	e-STUDIO205L/305/455
45	6LH61414000	HRNS-LGC-FAN-471HF	1	1/P	
46	F0-01459000	RLWT-2V0	2	5/P	



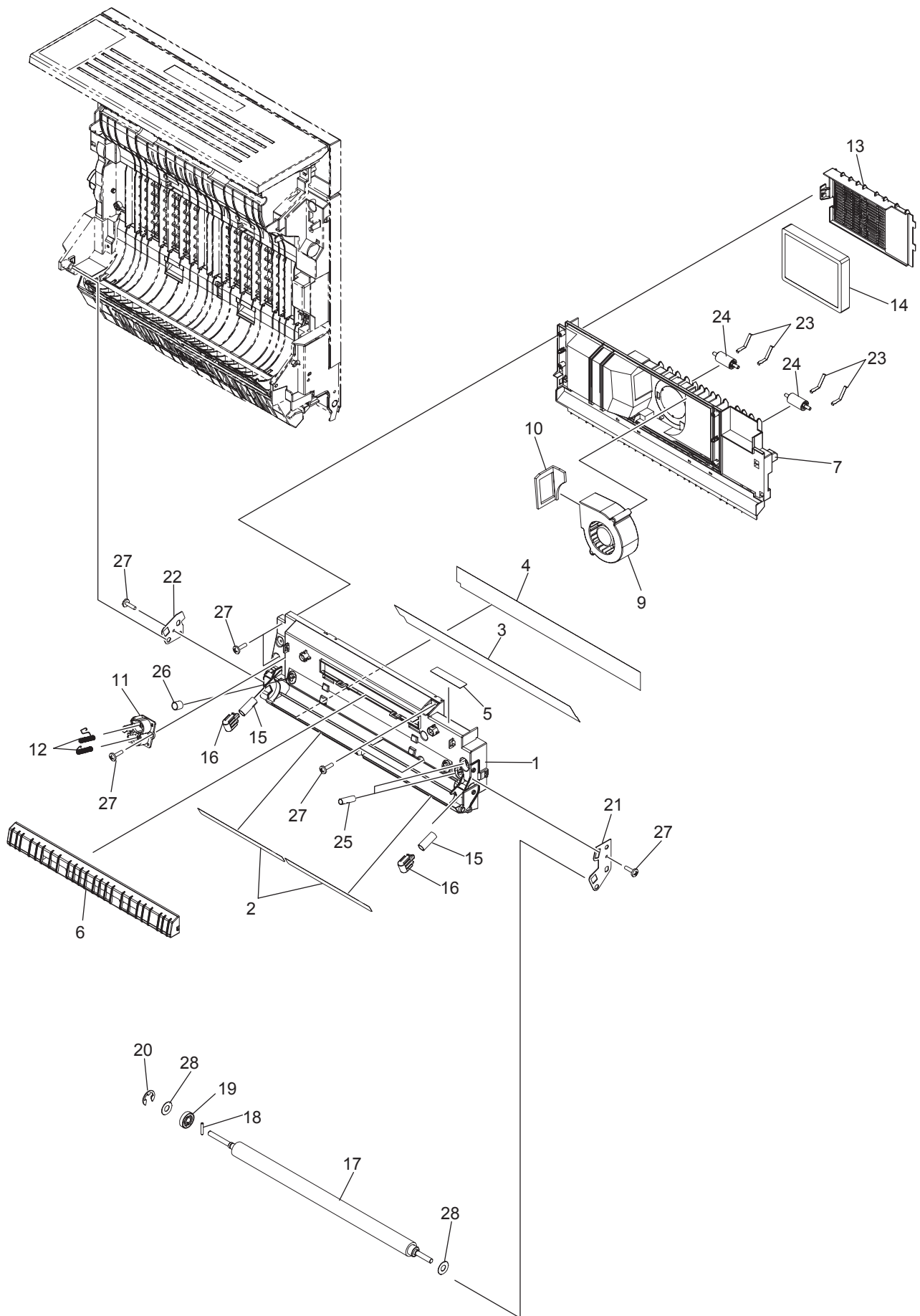
ITEM No.	PART No.	PART NAME	Q'TY / PAGE	Q'TY / PACK	REMARKS
1 A	6LA88759000	PWA-F-FUS-371	1	1/C	ARD,SAD,ASD,AUD,TWD,CND,CNS
2 A	6LH64632000	PS-HVT-473	1	1/C	e-STUDIO355/455
2 B	6LH64631000	PS-HVT-471	1	1/C	e-STUDIO205L/255/305
3	6LH53110000	BRKT-HVPS-R	1	1/P	
4	6LH53102000	BRKT-HVPS	1	1/P	
5	F0-01933000	RLMS-1V0	1	5/P	
6	X0-02593000	S/TPD3/FHEXM-3X8-ZU3	22	10/P	
7 A	6LH62509000	ASYS-PSU-F470-JUL	1	1/SB	e-STUDIO205L/255/305,NAD,SAD,TWD
7 B	6LH62509100	ASYS-PSU-F470-EL	1	1/SB	e-STUDIO205L/255/305,ARD,ASD,AUD,MJD,CND,CNS
7 C	6LH62509200	ASYS-PSU-F470-JUH	1	1/SB	e-STUDIO355/455,NAD,SAD,TWD
7 D	6LH62509300	ASYS-PSU-F470-EH	1	1/SB	e-STUDIO355/455,ARD,ASD,AUD,MJD,CND,CNS
8	6LH53111100	BRKT-INLET-D	1	1/P	
10	6LH61302000	HRNS-INLET-471	1	1/P	
11	F0-01248000	ESC-0912	1	10/P	
12	X0-00169000	S/PAN/SWWP-M4X8-BSNI	1	10/P	
13	6LH53113000	BRKT-FAX-KIT	1	1/P	
14 B	6LH53125000	BRKT-DHTR-SW	1	1/P	ARD,SAD,ASD,AUD,TWD,CND,CNS
15 B	E0-08215000	A8L-21-15N2	1	5/P	ARD,SAD,ASD,AUD,TWD,CND,CNS
16 B	6LH61367000	HRNS-FUS-471-J	1	1/P	ARD,SAD,ASD,AUD,TWD,CND,CNS
17 B	6LH61366000	HRNS-FUS2-471-J	1	1/P	ARD,SAD,ASD,AUD,TWD,CND,CNS
18 A	6LE95822000	CABLE-P-INLET-EUR	1	1/P	NAD,SAD
18 B	6LE95823000	CABLE-P-INLET-AU	1	1/P	AUD
18 C	6LE95825000	CABLE-P-INLET-UK	1	1/P	MJD
18 D	6LE95826000	CABLE-P-INLET-TWD	1	1/P	ASD
18 E	6LE95827000	CABLE-P-INLET-US	1	1/P	NAD,SAD
18 F	6LE95832000	CABLE-P-INLET-CCC	1	1/P	CND,CNS



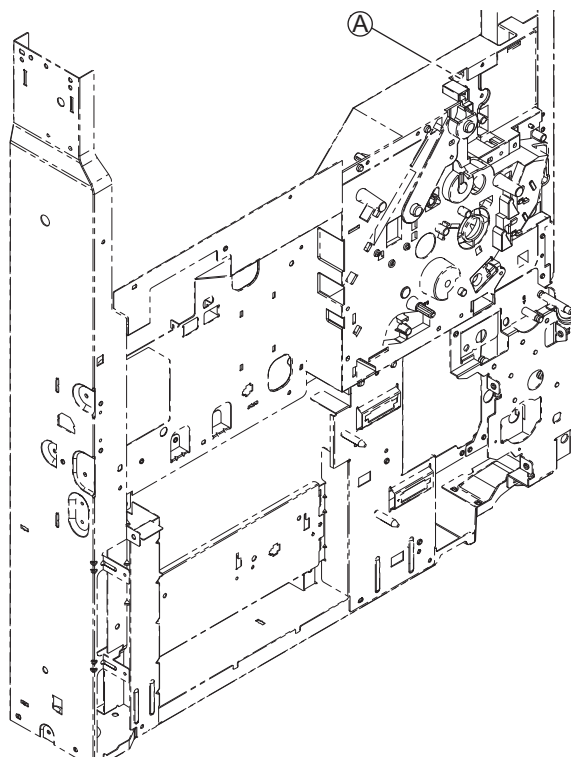
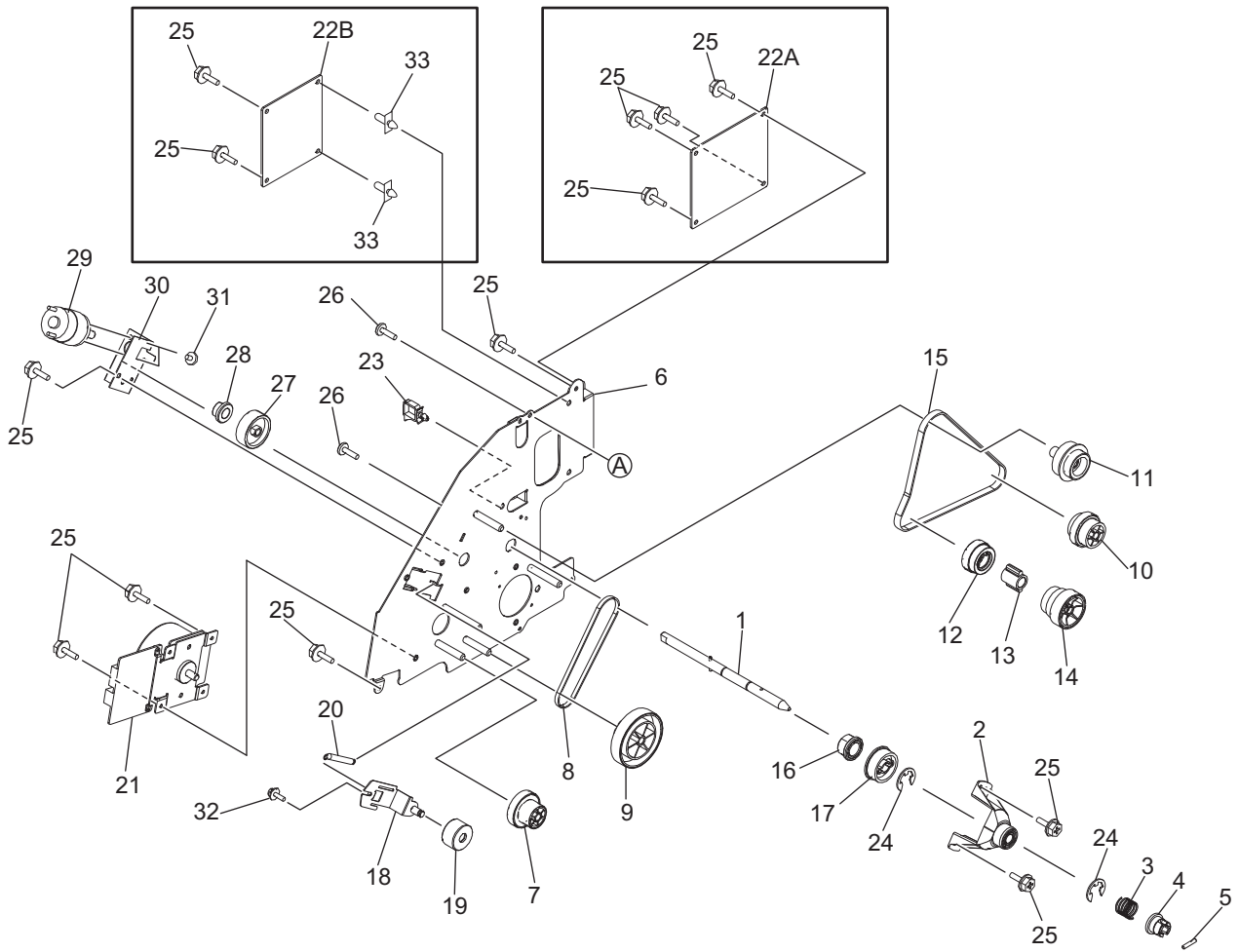
ITEM No.	PART No.	PART NAME	Q'TY / PAGE	Q'TY / PACK	REMARKS
1	6LH55515000	LSU-UNIT-F470	1	1/S	
2	X0-02593000	S/TPD3/FHEXM-3X8-ZU3	1	10/P	
3	6LH55521000	SPG-F-LSU-470	1	1/C	



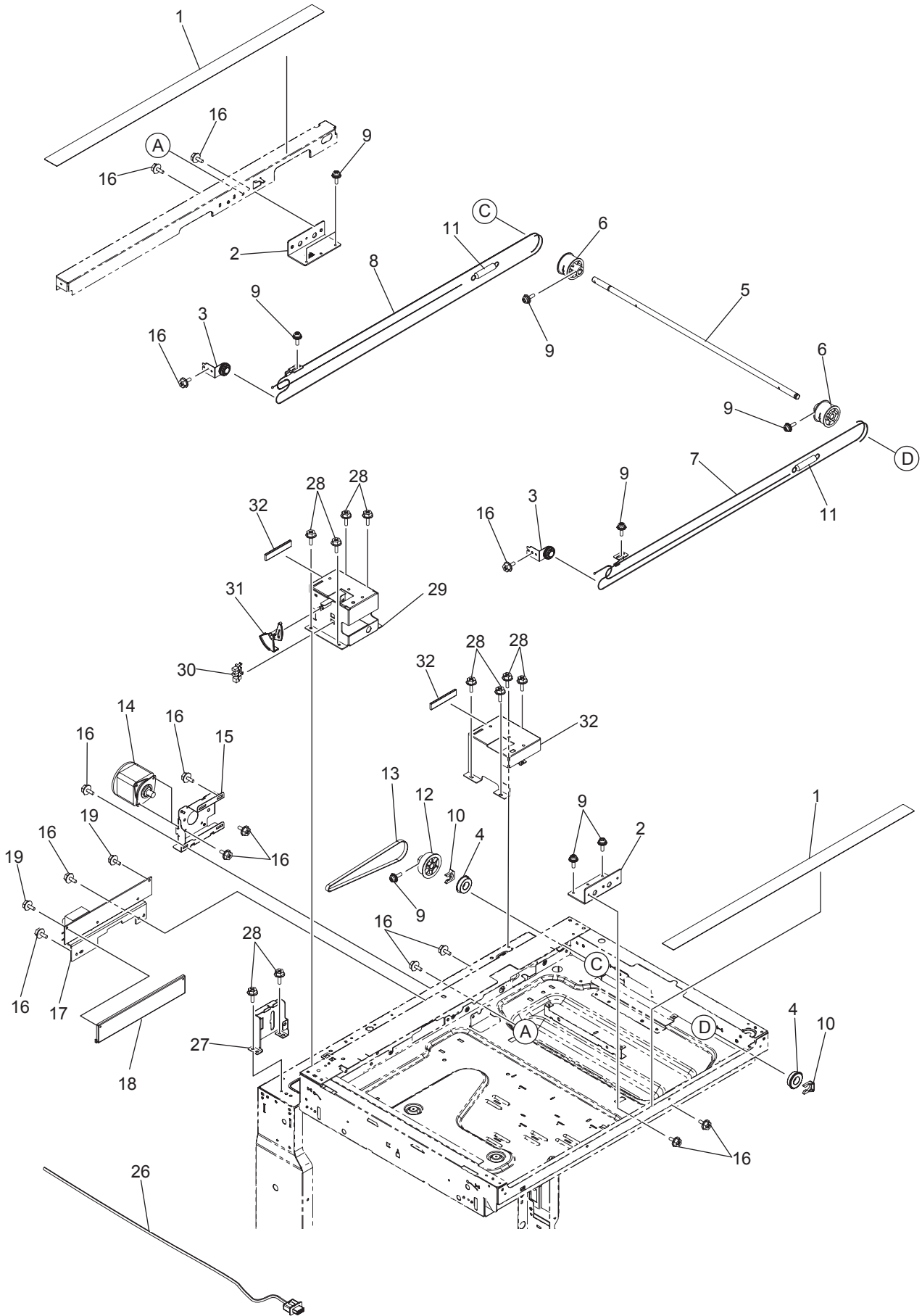
ITEM No.	PART No.	PART NAME	Q'TY / PAGE	Q'TY / PACK	REMARKS
1	6LH61430000	HRNS-SCN-DH-RLY-470	1	1/P	
2	6LH56518000	GUIDE-HNS-LMP-470	1	1/KP	
3	6LH56540000	GUIDE-HNS-SLG-470	1	1/P	
4	F0-00036000	RLWS3TV0	1	5/P	
5	F0-01496000	RLMC-01TV0	4	5/P	
8	6LH61375000	HRNS-SCN-PS-470	1	1/P	
9 A	6LH61376000	HRNS-SCN-ADF-H-473	1	1/P	e-STUDIO355/455
9 B	6LH61393000	HRNS-SCN-ADF-L-470	1	1/P	e-STUDIO205L/255/305
10	6LH61446000	HRNS-SCN-IMG-470	1	1/P	
11	6LH61382000	HRNS-SCN-MOT-470	1	1/P	
12	6LH60424000	ASYB-PWA-SLG-470S	1	1/SB	
13	6LH56621000	LENS-UNIT-F470	1	1/S	
15	F0-01643000	RLWT-0.5V0	3	5/P	
16	6LH08819000	SNSR-PS-182EL1	3	1/C	
17	6LE09478000	SNSR-PS-TY1CH56	1	1/C	
18 A	6LA86522000	ASY-D_H-SCAN-R-U-371	1	1/C	SAD,TWD
18 B	6LA86523000	ASY-D_H-SCAN-R-E-371	1	1/C	ARD,ASD,AUD,CND,CNS
19 B	6LH61394000	HRNS-SCN-DH-CVR-470	1	1/P	ARD,SAD,ASD,AUD,TWD,CND,CNS
20 A	6LH56588100	ASYS-D_H-SCAN-L-470-U	1	1/C	SAD,TWD
20 B	6LH56588200	ASYS-D_H-SCAN-L-470-E	1	1/C	ARD,ASD,AUD,CND,CNS
21 B	F0-00120000	ES-0505	1	5/P	ARD,SAD,ASD,AUD,TWD,CND,CNS
22 B	6LE09486000	THRST-CS-7L	1	1/D	ARD,ASD,AUD,CND,CNS
23 B	X0-00426000	S/BID-M3X4-NI	2	10/P	ARD,SAD,ASD,AUD,TWD,CND,CNS
24 B	6LH61436000	HRNS-SCN-DH-470	1	1/P	ARD,SAD,ASD,AUD,TWD,CND,CNS
25	C0-14266000	LG248BL1	1	1/C	
26	6LA29902000	COVER-SNSR-LIFT	1	1/P	
27	44202810000	CUSH-GLASS	4	5/P	
28	6LA39969000	MYLAR-STAY-GLASS-FRT	2	1/P	
29	6LH56550000	LID-DOWNLOAD-470	1	1/P	
30 B	6LA08935000	SCR-M3X6BISR-NI	5	10/P	ARD,SAD,ASD,AUD,TWD,CND,CNS
31	X0-02230000	S/FHEXM-M3X6-NI	10	10/P	
32 B	6LH56578000	BRKT-D_H-SCAN-470	1	1/P	ARD,SAD,ASD,AUD,TWD,CND,CNS
33	6LH56609000	BRKT-SLG-EMI-470	1	1/P	
34	X0-00077000	S/PAN/SWWP-M3X8-NI	4	10/P	
36	6LH56562000	BRKT-DMP-SCAN-RER-470	1	1/P	
37	6LH56561000	BRKT-DMP-SCN-FR-470	1	1/P	
38	6LA67451000	BUSH-SCREW-SCAN	1	5/P	
39	6LH08278000	INSULATOR-430	2	1/P	
40	X0-02495000	N/HEX/1-M5-NI	2	10/P	
41	6LH53114000	SCREW-HDD-CASE M3	1	5/P	
42	X0-02230000	S/FHEXM-M3X6-NI	2	10/P	
43	6LH64675000	FPC-31-12-WD-TAPE	1	1/D	



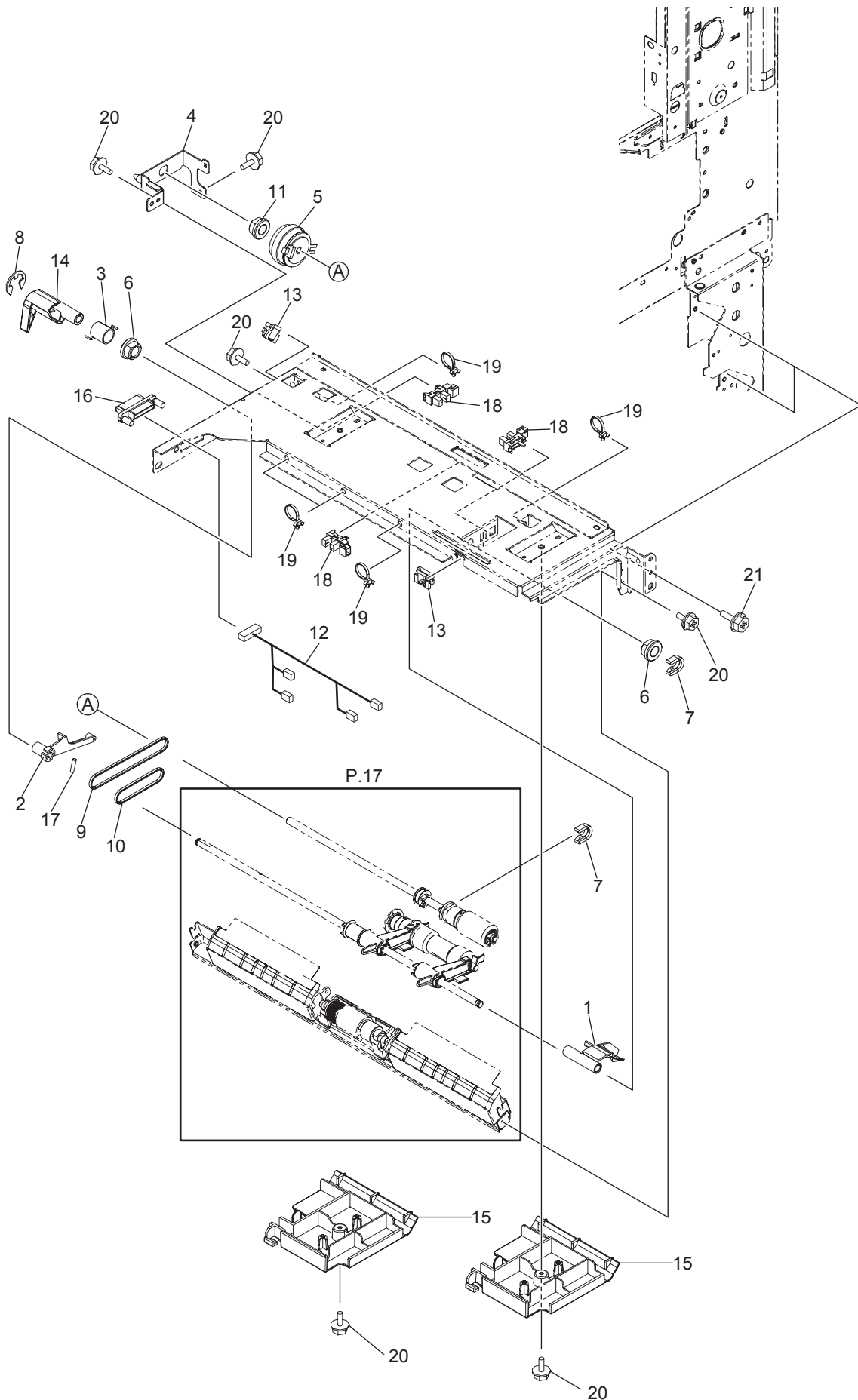
ITEM No.	PART No.	PART NAME	Q'TY / PAGE	Q'TY / PACK	REMARKS
1	6LH57302000	CASE-DUCT-470	1	1/PP	
2	6LH57320000	MYLAR-RGST-R	2	1/KP	
3	6LH57319000	MYLAR-SCLP-RGST	1	1/KP	
4	6LH57318000	MYLAR-COV-SIDE	1	1/KP	
5	6LH57337000	LBL-HANDL-TRU	1	5/P	
6	6LH57336000	COVER-DUCT-470	1	1/P	
7	6LH57301000	DUCT-INNER	1	1/PP	
9	6LA88500000	FAN_D-P7530	1	1/D	
10	6LH57323000	SEAL-FAN	1	1/KP	
11	6LH57315000	TERM-CH-TR-470	1	1/P	
12	6LH57321000	SPRING-TRU-R	2	1/P	
13	6LH57325000	ASYS-COV-FILTER	1	1/PP	
14	6LH57338000	FILTER-OZONE-F470	1	1/D	
15	6LE62403000	SPC-PUSH-RGST	2	1/P	
16	6LH57333000	PUSH-RGST-470	2	1/P	
17	6LH56302000	ROLLER-RGST-47X	1	1/KP	
18	X0-01526000	P/PRL/AH7-2X12-SS	1	10/P	
19	6LA85880000	GEAR-10S020-08	1	1/P	
20	X0-00968000	RR/E-7-SS	1	10/P	
21	6LH57313000	BRKT-TRU-F	1	1/P	
22	6LH57314000	BRKT-TRU-R	1	1/P	
23	6LH51237000	SPL-ADU-IDLE-LOW	4	1/C	
24	41316101000	ROLL-TRANS-IDLE	2	1/P	
25	6LH57322000	SPRING-TRU-F	2	1/P	
26	6LH57335000	SPRING-TRU-C	1	5/P	
27	6LA80090000	S/TPP/BID-3X8-NI	7	5/P	
28	6LE62470000	WSHR-85X185XR5-ABS	2	5/P	



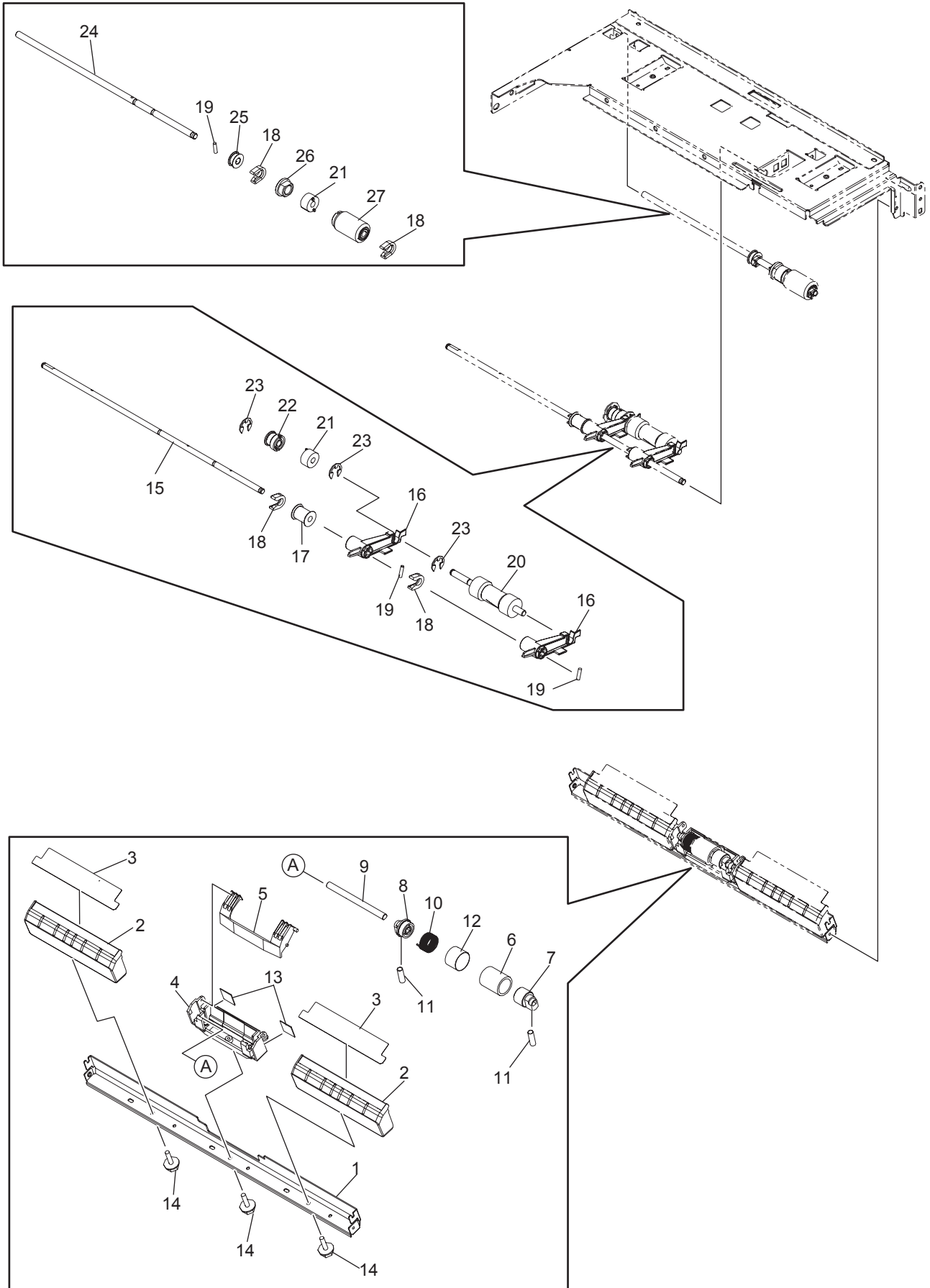
ITEM No.	PART No.	PART NAME	Q'TY / PAGE	Q'TY / PACK	REMARKS
1	6LH53740000	ASYS-SFT-DRUM-470	1	1/P	
2	6LH53741000	ASYS-BUSH-DRUM-470	1	1/P	
3	6LA79504000	SPG-C-173	1	5/P	
4	41314022000	CPG-DRUM-AW5	1	1/P	
5	X0-00980000	P/PRL/AH7-2X10-SS	1	10/P	
6	6LH53747000	ASYS-PLATE-DRV-470	1	1/P	
7	6LH53706000	GEAR-5H58_4H48-6	1	1/P	
8 A	6LH53773000	BLT-SY-S2M-258-4	1	1/P	e-STUDIO355/455
8 B	6LH03541000	BLT-SY-S2M-250-4	1	1/P	e-STUDIO205L/255/305
9 A	6LH53708000	GEAR-4H118_PS2M38-6_H	1	1/P	e-STUDIO355/455
9 B	6LH53707000	GEAR-4H118_PS2M30-6_L	1	1/P	e-STUDIO205L/255/305
10	6LH53704000	GEAR-10S28_10S20_PS2M38-6	1	1/P	
11	6LH53705000	GEAR-10H22_PS2M49-6	1	1/P	
12	6LH53739000	ASYS-GEAR-5H50-6-COUP	1	1/P	
13	6LE56653000	COUPL-GR-P-JOINT-280	1	1/P	
14 A	6LH53738000	ASYS-GEAR-8H37_PS2M38-6-H	1	1/P	e-STUDIO355/455
14 B	6LH53737000	ASYS-GEAR-8H37_PS2M30-6-L	1	1/P	e-STUDIO205L/255/305
15 A	6LH53774000	BLT-SY-S2M-376-6	1	1/P	e-STUDIO355/455
15 B	6LH53772000	BLT-SY-S2M-372-6	1	1/P	e-STUDIO205L/255/305
16	6LH23442000	BUSH-8X12X8F-NU4	1	5/P	
17	6LH53709000	PLY-S2M44-8	1	1/P	
18	6LH53749000	ASYS-BRKT-BLT-470	1	1/P	
19	6LA82311000	TENS-ROLLER	1	1/P	
20	6LE56610000	SPG-TENS-ROL-280	1	1/P	
21 A	6LH53756000	MOTR_D-MAIN-473	1	1/C	e-STUDIO355/455
21 B	6LH53700000	MOTR_D-MAIN-471	1	1/C	e-STUDIO205L/255/305
22 A	6LH62855000	PWA-F-MOT2-473	1	1/SB	e-STUDIO355/455
22 B	6LH62831000	PWA-F-MOT-470	1	1/SB	e-STUDIO205L/255/305
23	F0-01243000	LWS-1211Z	1	5/P	
24	X0-00968000	RR/E-7-SS	2	10/P	
25	X0-02593000	S/TPD3/FHEXM-3X8-ZU3	11	10/P	
26	6LA80090000	S/TPP/BID-3X8-NI	2	5/P	
27	6LE56633000	GEAR-5H60L-6-WORM-TNR	1	1/P	
28	44201492000	BUSH-6-POM	1	5/P	
29	6LH53764000	ASYS-MOTRD-TNR-470	1	1/C	
30	6LH53761000	BRKT-DRV-TNR-470	1	1/P	
31	X0-02557000	S/BID-M2.6X3-NI	2	10/P	
32	X0-00077000	S/PAN/SWWP-M3X8-NI	1	10/P	
33	F0-00342000	SPLSN-6U	2	5/P	



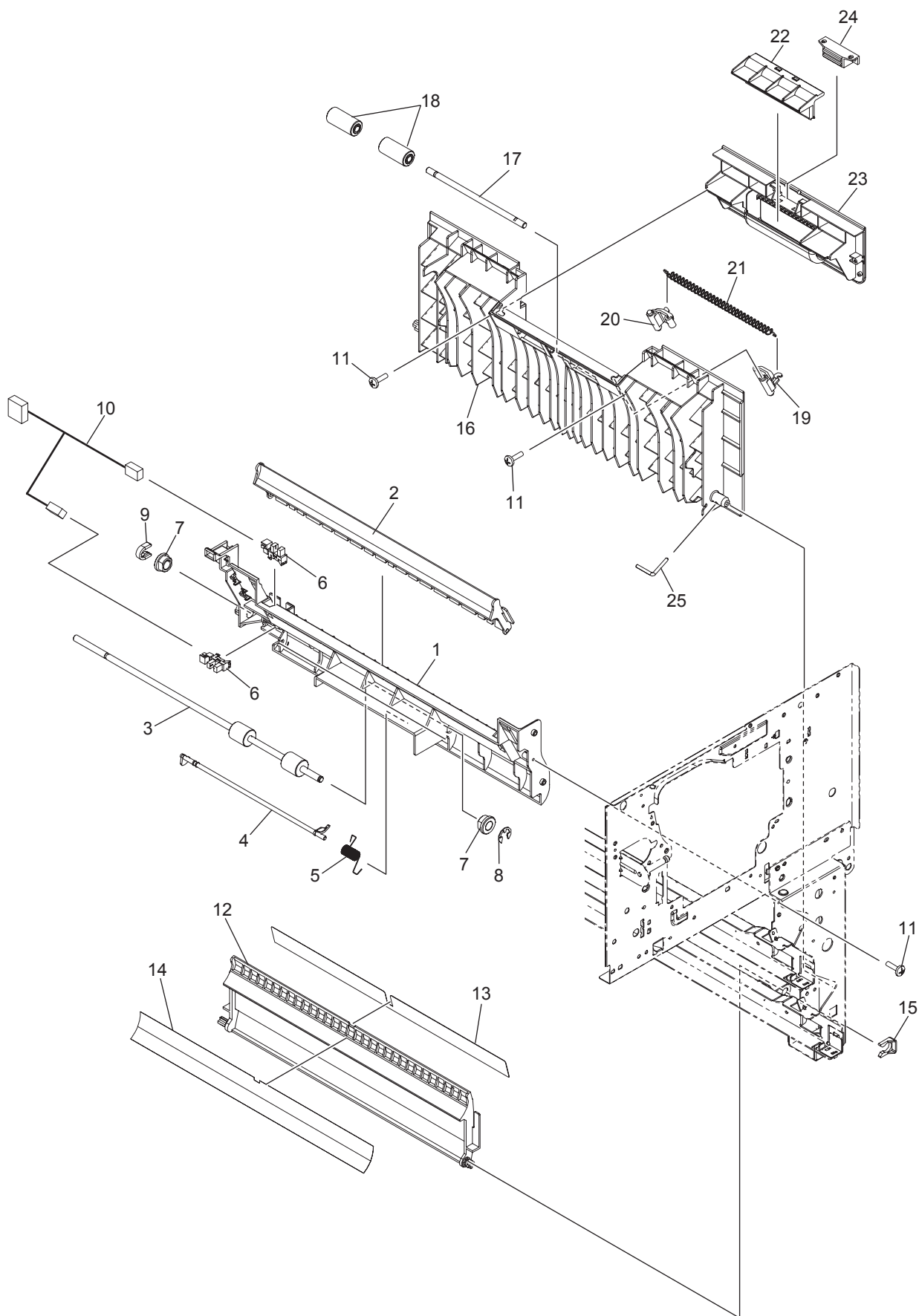
ITEM No.	PART No.	PART NAME	Q'TY / PAGE	Q'TY / PACK	REMARKS
1	6LH56538000	SHEET-CRG-470	2	1/KP	
2	6LH56544000	BRKT-ADJ-BASE-LENS-470	2	1/P	
3	6LH56523000	ASYS-BRKT-PLY-F-470	2	1/P	
4	F0-01390000	LNR-1680HHRPOP15LY13	2	1/P	
5	6LH56546000	SHAFT-DRV-SCAN-470	1	1/P	
6	6LH08243000	PLY-WIRE-SCAN-430	2	1/P	
7	6LH56534000	ASYS-WIR_RP-SCAN-FRT-470	1	1/P	
8	6LH56537000	ASYS-WIR_RP-SCAN-RER-470	1	1/P	
9	X0-00077000	S/PAN/SWWP-M3X8-NI	9	10/P	
10	41306265000	STOP-RING-8	2	1/P	
11	44202660000	SPE-WIRE-TNS	2	1/P	
12	6LH56541000	PULLEY-SCAN-470	1	1/P	
13	6LH56547000	BELT-DRV-SCAN-S1.5M-390	1	1/C	
14	6LH62501000	MOTR_S-SCN-470	1	1/C	
15	6LH56532000	BRKT-MOT-SCAN-470	1	1/P	
16	X0-02230000	S/FHEXM-M3X6-NI	13	10/P	
17	6LH64638000	INV-EXPO-470	1	1/C	
18	6LA39548000	COVER-INV	1	1/P	
19	X0-02246000	S/TPP/FHEXM-3X6-NI	2	10/P	
26	6LH61445000	HRNS-CABLE-USB-471	1	1/P	
27 A	6LH56568000	BRKT-CN-OPT-470-H	1	1/P	e-STUDIO355/455
27 B	6LH56568100	BRKT-CN-OPT-470-L	1	1/P	e-STUDIO205L/255/305
28	X0-02593000	S/TPD3/FHEXM-3X8-ZU3	10	10/P	
29	6LH56567000	ASYS-BRKT-DF-LFT-470	1	1/P	
30	C0-14266000	LG248BL1	1	1/C	
31	6LH56564000	LVR-OPEN-SNS-470	1	1/P	
32	6LH56508000	BRKT-DF-R-470	3	1/P	



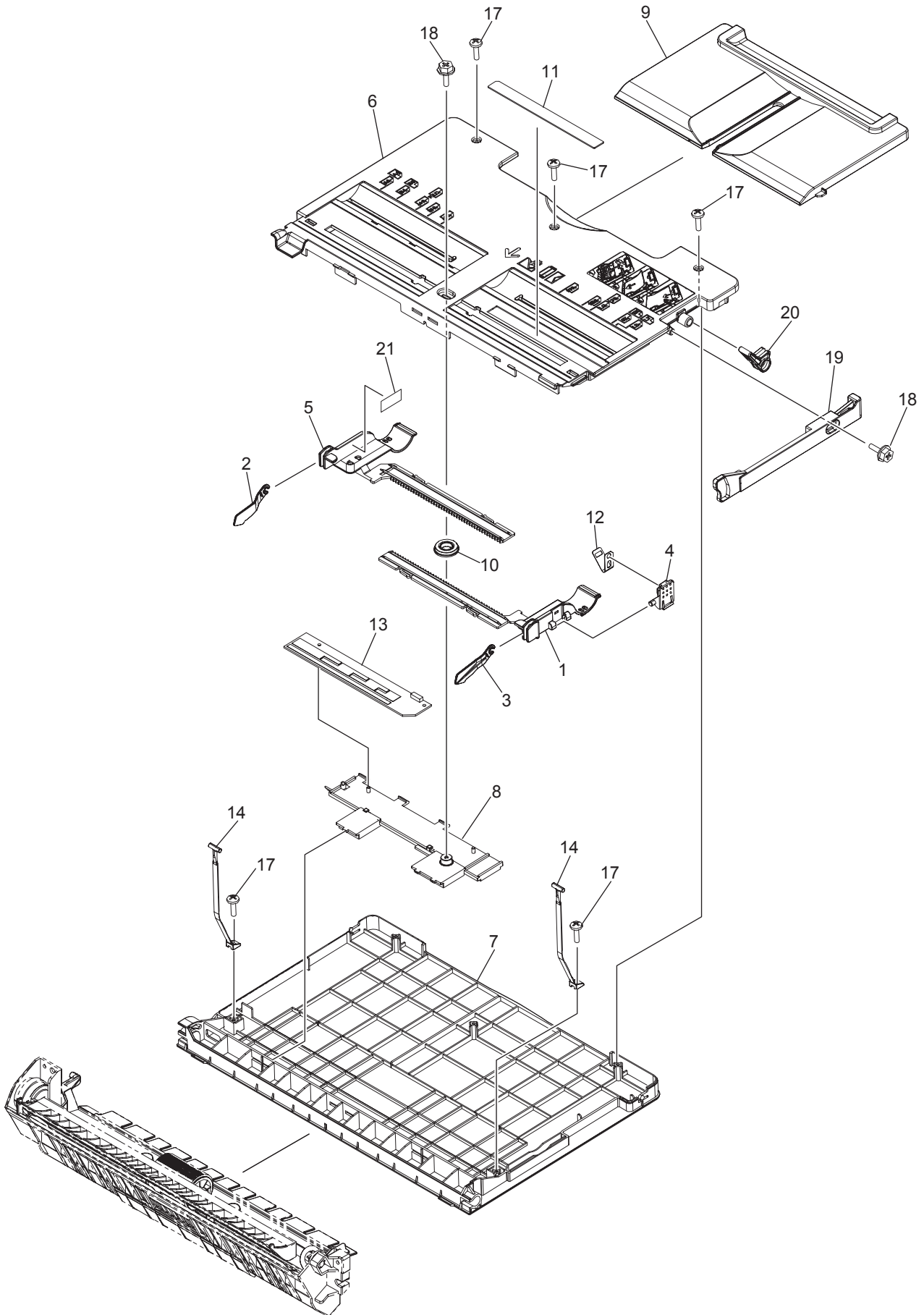
ITEM No.	PART No.	PART NAME	Q'TY / PAGE	Q'TY / PACK	REMARKS
1	6LH54303000	ACTR-EMPTY-MAX-PPR	1	1/D	
2	41318603000	ARM-FEED-UNIT	1	1/P	
3	41305501000	SPR-LVR-PICK	1	1/P	
4	6LH54328000	ASYS-BRKT-CLT-F47X	1	1/P	
5	6LH51224000	CLUTCH-50C-G28-6	1	1/D	
6	44201492000	BUSH-6-POM	2	5/P	
7	4407972860	STOP-RING-6-5	1	5/P	
8	X0-00966000	RR/E-5-SS	1	10/P	
9	41306504000	BLT/T-194-2GT-2	1	1/P	
10	41306502000	BLT/T-124-2GT-2	1	1/P	
11	6LH53768000	BUSH-6-NU4	1	1/P	
12	6LH61420000	HRNS-FEED-UNIT-471HF	1	1/P	
13	F0-00671000	EDS-0607M	2	5/P	
14	6LH54310000	LVR-CPG-GEAR	1	1/P	
15	6LH54308000	GUIDE-P-FEED-F47X	2	1/P	
16	E0-12621000	14R-RIZ-K4GG-FJ (LF)(SN)	1	5/P	
17	X0-00979000	P/PRL/AH7-2X8-SS	1	10/P	
18	C0-14266000	LG248BL1	3	1/C	
19	F0-01012000	T18R	6	5/P	
20	X0-02592000	S/TPD3/FHEXM-3X6-ZU3	6	10/P	
21	X0-02593000	S/TPD3/FHEXM-3X8-ZU3	1	10/P	



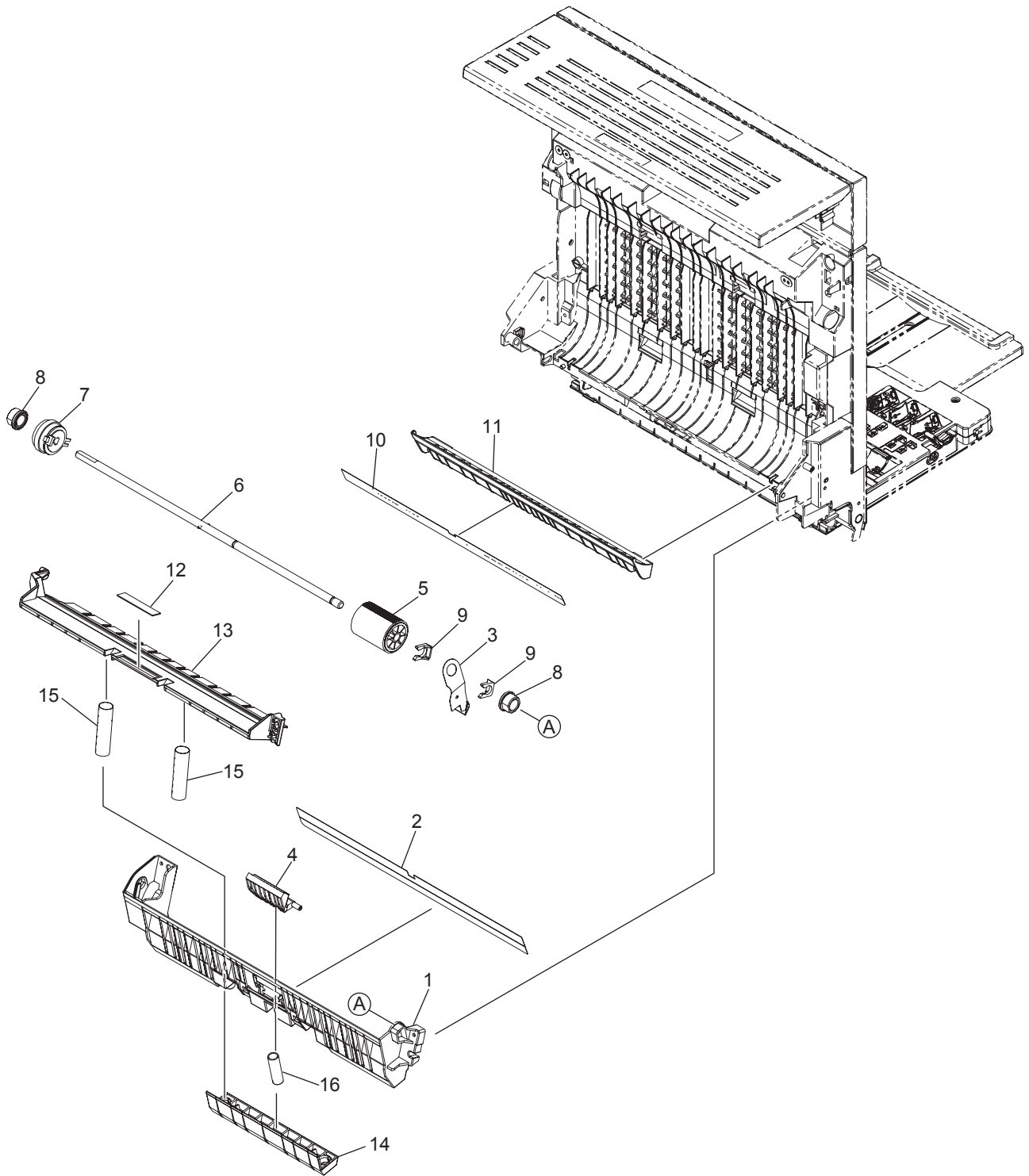
ITEM No.	PART No.	PART NAME	Q'TY / PAGE	Q'TY / PACK	REMARKS
1	6LH54321000	STAY-ROL-SEP-F47X	1	1/P	
2	6LH54304000	GUIDE-P-SEP-F47X	2	1/P	
3	6LH54324000	MYLAR-GUIDE-P-SEP-F47X	2	1/KP	
4	44201805000	HLDR-SEP-ROL-DM	1	1/P	
5	44201810000	LEV-ROL-SEP-DM	1	1/P	
6	6LH46302000	ASYS-ROLL-SPT	1	1/P	
7	41306279000	ARBOR-SPT-F	1	1/P	
8	41306278000	ARBOR-SPT-R	1	1/P	
9	41304506000	SFT-SEP-AT	1	1/P	
10	44201817000	SPR-1.0-15.60RF	1	5/P	
11	6LA47909000	SPC055-045-01525	2	5/P	
12	44201773000	COV-SPE/ARBOR	1	1/P	
13	41319491000	CHIP-HLDR-SEP	2	1/P	
14	X0-02247000	S/TPP/FHEXM-3X8-NI	3	10/P	
15	6LH54320000	SFT-DRV-PICK-F47X	1	1/P	
16	6LH54319000	ARM-RLR-PICK-F47X	2	1/P	
17	41306002000	PLY/T-PICK-20	1	1/P	
18	4407972860	STOP-RING-6-5	4	5/P	
19	X0-00979000	P/PRL/AH7-2X8-SS	3	10/P	
20	41306719000	ROLLER-PICK-AT	1	1/KP	
21	6LE69842000	CLUTCH-6-L	2	1/P	
22	41306275000	PLY/T-20-2GT	1	1/P	
23	X0-00966000	RR/E-5-SS	3	10/P	
24	6LH54329000	SFT-ROL-FEED-F47X	1	1/P	
25	41306274000	PLY/T-20-ROL-2G	1	1/P	
26	44201492000	BUSH-6-POM	1	5/P	
27	6LE69833000	K-ROLL-FEED	1	1/P	



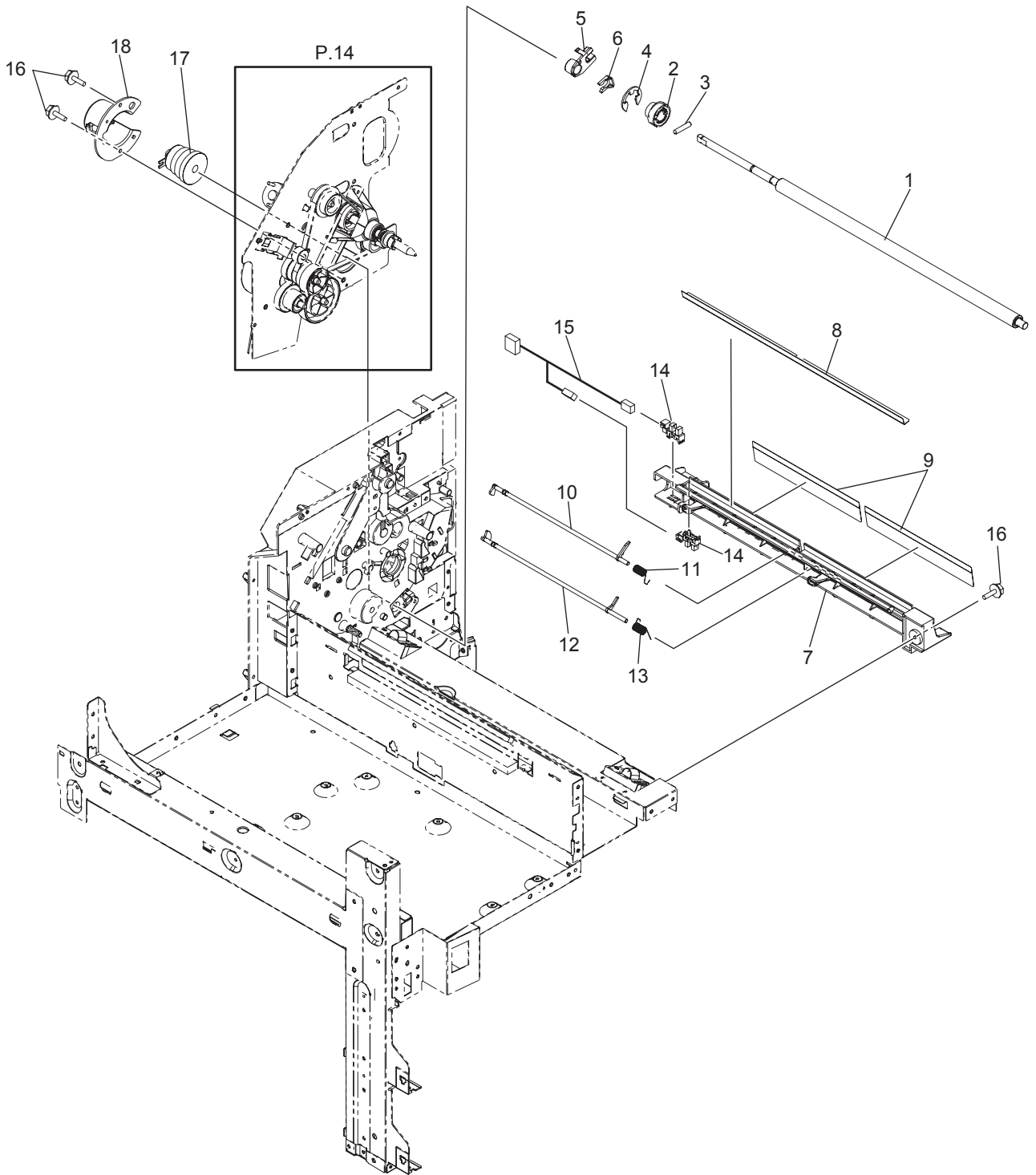
ITEM No.	PART No.	PART NAME	Q'TY / PAGE	Q'TY / PACK	REMARKS
1	6LH56102000	GUIDE-FEEDER-L-470	1	1/PP	
2	6LH56101000	GUIDE-OP-U	1	1/PP	
3	6LH56105000	ROL-FEEDER-F47X	1	1/KP	
4	6LH56104000	ACT-FEED-470	1	1/KP	
5	6LH56106000	SPG-ACT-RGST-U	1	1/P	
6	C0-14266000	LG248BL1	2	1/C	
7	44201492000	BUSH-6-POM	2	5/P	
8	X0-00966000	RR/E-5-SS	1	10/P	
9	4407972860	STOP-RING-6-5	1	5/P	
10	6LH61419000	HRNS-FEED-SW2-471HF	1	1/P	
11	6LA80090000	S/TPP/BID-3X8-NI	3	5/P	
12	6LH56103000	GUIDE-OPEN-L-470	1	1/PP	
13	6LH56108000	MYLAR-GUIDE-P_PATH	1	1/KP	
14	6LH56109000	MYLAR-OPEN-L	1	1/KP	
15	41306265000	STOP-RING-8	1	1/P	
16	6LH56100100	COVER-GUIDE-LOW-470-N	1	1/PP	
17	6LA85835000	SHAFT-RELAY-IDL	1	1/P	
18	6LA85834000	ROL-RELAY-FEED-IDL	2	1/P	
19	6LH56117000	LVR-SEP-RELAY-F-F47X	1	1/P	
20	6LA88318000	LVR-SEP-RELAY-R-371	1	1/P	
21	6LH56116000	SPG-P-PATH	1	1/P	
22	6LH56111100	CVR-HDL-U-N	1	1/P	
23	6LH56110100	CVR-GUIDE-L-HDL-N	1	1/P	
24	F0-01393000	CA-0124B	1	1/P	
25	6LA60573000	PIN-COVER-FRT	1	1/P	



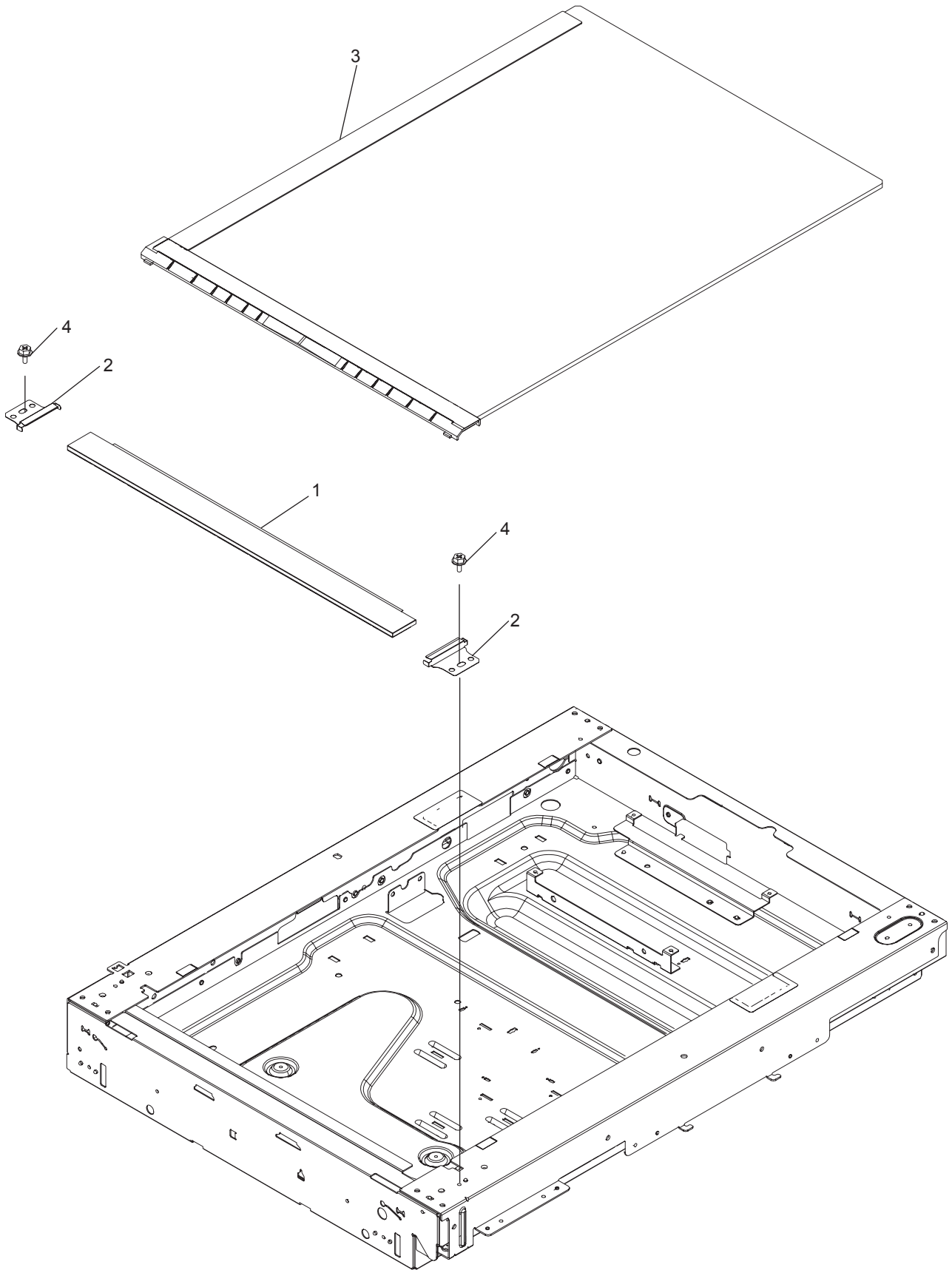
ITEM No.	PART No.	PART NAME	Q'TY / PAGE	Q'TY / PACK	REMARKS
1	6LH51406000	GUIDE-TRAY-SFB-F	1	1/KP	
2	6LH51409000	GUIDE-SUB-R	1	1/P	
3	6LH51410000	GUIDE-SUB-F	1	1/P	
4	6LH51411000	LVR-GUIDE-SFB	1	1/P	
5	6LH51405000	GUIDE-TRAY-SFB-R	1	1/KP	
6	6LH51402000	TRAY-SFB-U	1	1/PP	
7	6LH51403000	TRAY-SFB-L	1	1/PP	
8	6LH51408000	HOLDER-PWA-SFB	1	1/PP	
9	6LH51404000	TRAY-SFB-SUB	1	1/PP	
10	6LE53504000	GEAR-10S18-6-BYP-TRAY	1	1/P	
11	6LH51430000	SHEET-GUIDE-PAD-F	1	1/KP	
12	6LH51415000	SPL-LVR-SFB	1	1/D	
13	6LE29825000	PWA-F-SFB-380	1	1/C	
14	6LH51439000	STOPPER-TRAY-BYP	2	1/P	
16	6LH61345000	HRNS-SFB-TRAY-471	1	1/P	
17	6LA80090000	S/TPP/BID-3X8-NI	5	5/P	
18	X0-02247000	S/TPP/FHEXM-3X8-NI	2	10/P	
19	6LH51416000	LINK-P-TRAY	1	1/P	
20	6LH51417000	LVR-P-TRAY	1	1/P	
21	6LH51449000	LBL-HIGH-TRAY-47X	1	5/P	



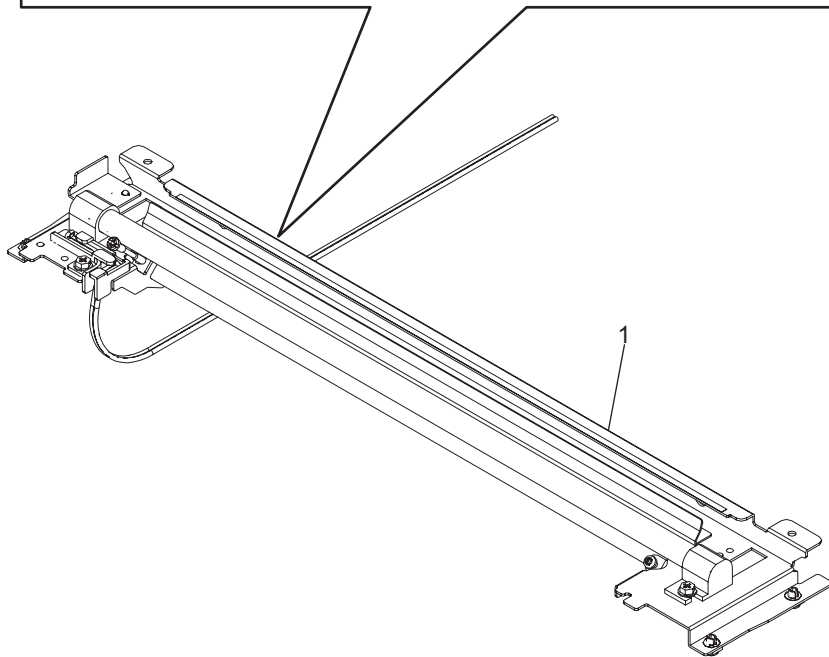
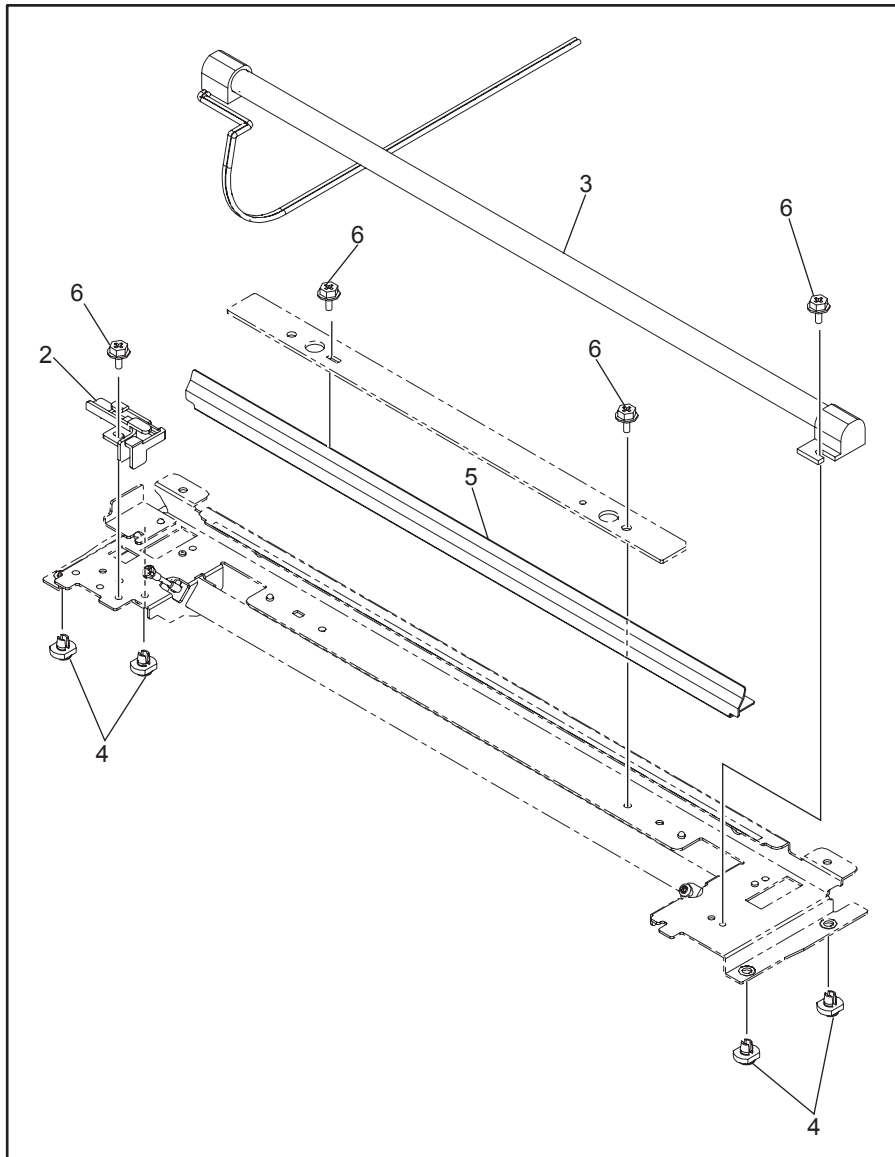
ITEM No.	PART No.	PART NAME	Q'TY / PAGE	Q'TY / PACK	REMARKS
1	6LH51421000	GUIDE-SFB	1	1/PP	
2	6LH51432000	SHEET-GUIDE-SFB	1	1/KP	
3	6LH51428000	PLT-EARTH-SFB	1	1/D	
4	6LH51441000	ASYS-PAD-BYP-47X	1	1/P	
5	6LH51412000	ASYS-ROL-BYP	1	1/P	
6	6LH51443000	ASYS-SFT-ROL-SFB	1	1/P	
7	6LH51414000	CLUTCH-50C-G28-8	1	1/D	
8	6LH23442000	BUSH-8X12X8F-NU4	2	5/P	
9	41306265000	STOP-RING-8	2	1/P	
10	6LH56307000	SHEET-RGST-UP	1	1/KP	
11	6LH51206000	GUIDE-RGST-UP	1	1/PP	
12	6LH51420000	PAD-SEP-TRAY	1	5/P	
13	6LH51401000	PRESS-TRAY-BYP	1	1/PP	
14	6LH51433000	HOLDER-SPG	1	1/P	
15	6LH51425000	SPC-TRAY-SFB	2	1/P	
16	6LH51422000	SPC-HOL-PAD-SFB	1	1/P	



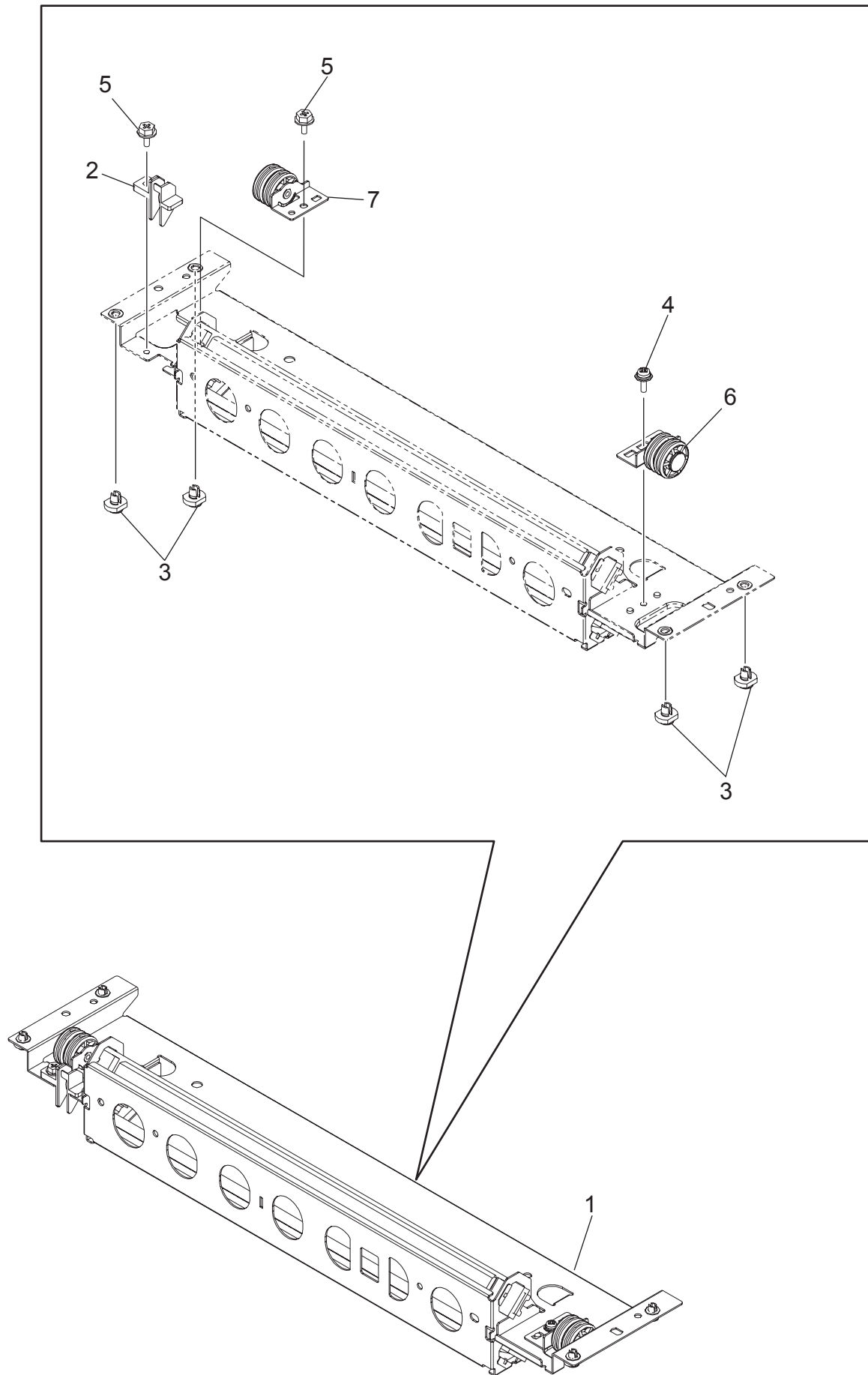
ITEM No.	PART No.	PART NAME	Q'TY / PAGE	Q'TY / PACK	REMARKS
1	6LH56303000	ROLLER-RGST-DRV-47X	1	1/KP	
2	6LE57208000	GEAR-10S015-08	1	1/P	
3	X0-00980000	P/PRL/AH7-2X10-SS	1	10/P	
4	X0-00968000	RR/E-7-SS	1	10/P	
5	6LE57224000	GUIDE-BUSH-RGST-R	1	1/P	
6	41306265000	STOP-RING-8	1	1/P	
7	6LH56300000	GUIDE-RGST-L-470	1	1/PP	
8	6LH56309000	MYLAR-RGST-L-47X	1	1/KP	
9	6LH56308000	MYLAR-RGST-47X	2	1/KP	
10	6LH56304000	ACTR-RGST-U-47X	1	1/KP	
11	6LH56106000	SPG-ACT-RGST-U	1	1/P	
12	6LH56305000	ACTR-RGST-L-47X	1	1/KP	
13	6LH56306000	SPG-ACT-RGST-L	1	1/P	
14	C0-14266000	LG248BL1	2	1/C	
15	6LH61418000	HRNS-FEED-SW1-471HF	1	1/P	
16	X0-02593000	S/TPD3/FHEXM-3X8-ZU3	3	10/P	
17	6LE57210000	CLUTCH-G33-08D-30A	1	1/D	
18	6LH53711000	HLDR-RGST-SHAFT	1	1/P	



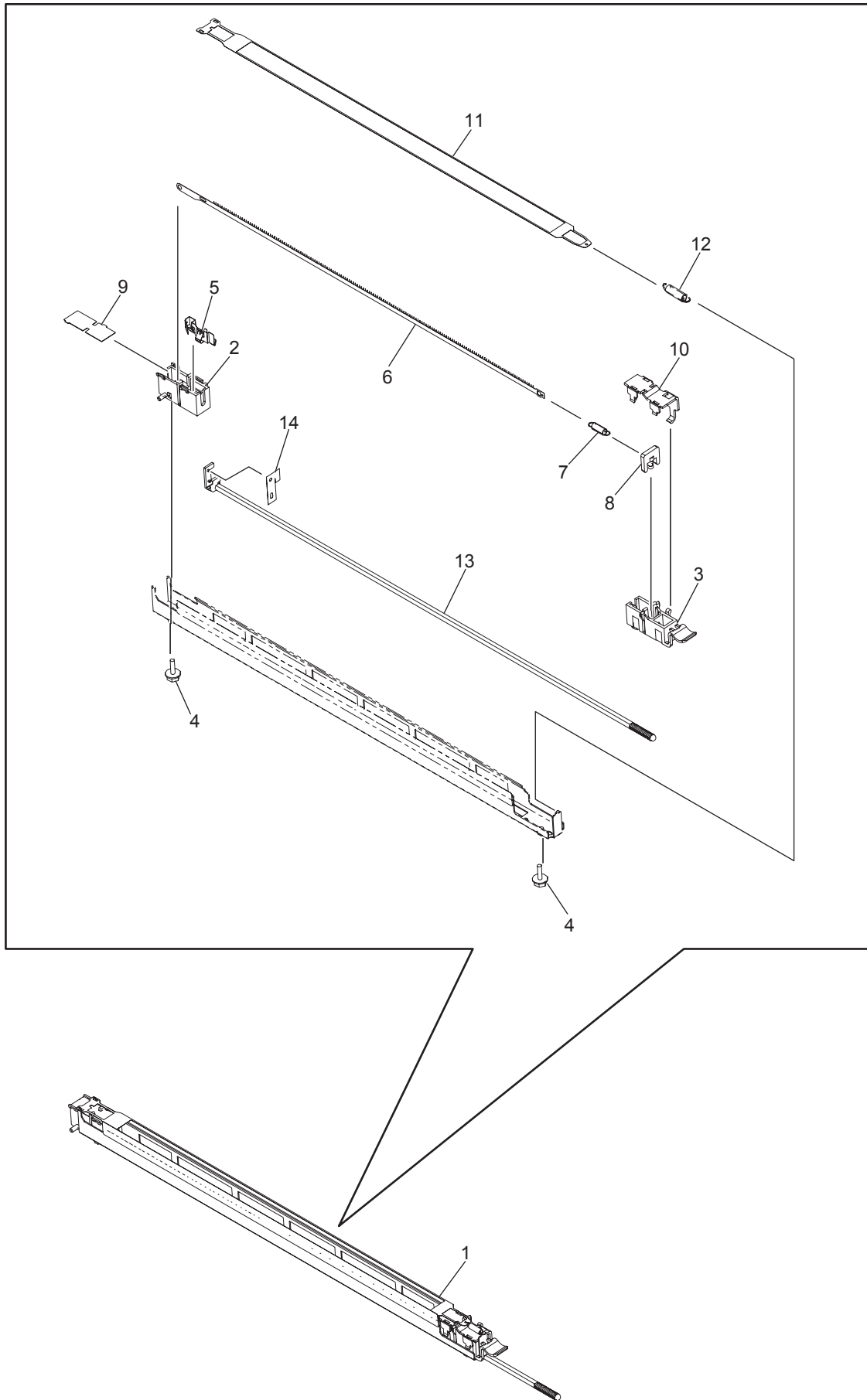
ITEM No.	PART No.	PART NAME	Q'TY / PAGE	Q'TY / PACK	REMARKS
1	6LA67448000	ASYS-GLASS-ADF-360	1	1/PP	
2	6LA39841000	SPL-GLASS-ADF	2	1/P	
3 A	6LH56602100	ASYS-GLASS-470-L	1	1/S	NAD
3 B	6LH56602000	ASYS-GLASS-470-A	1	1/S	ARD,SAD,ASD,AUD,MJD
4	X0-02230000	S/FHEXM-M3X6-NI	2	10/P	



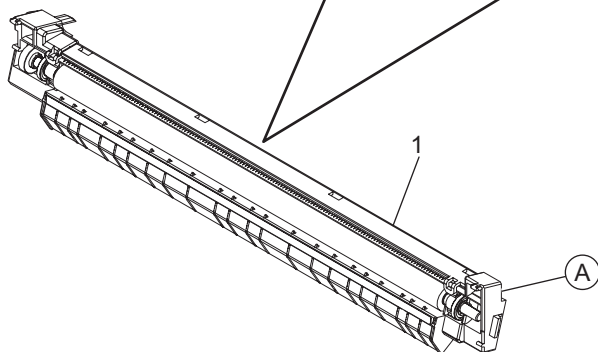
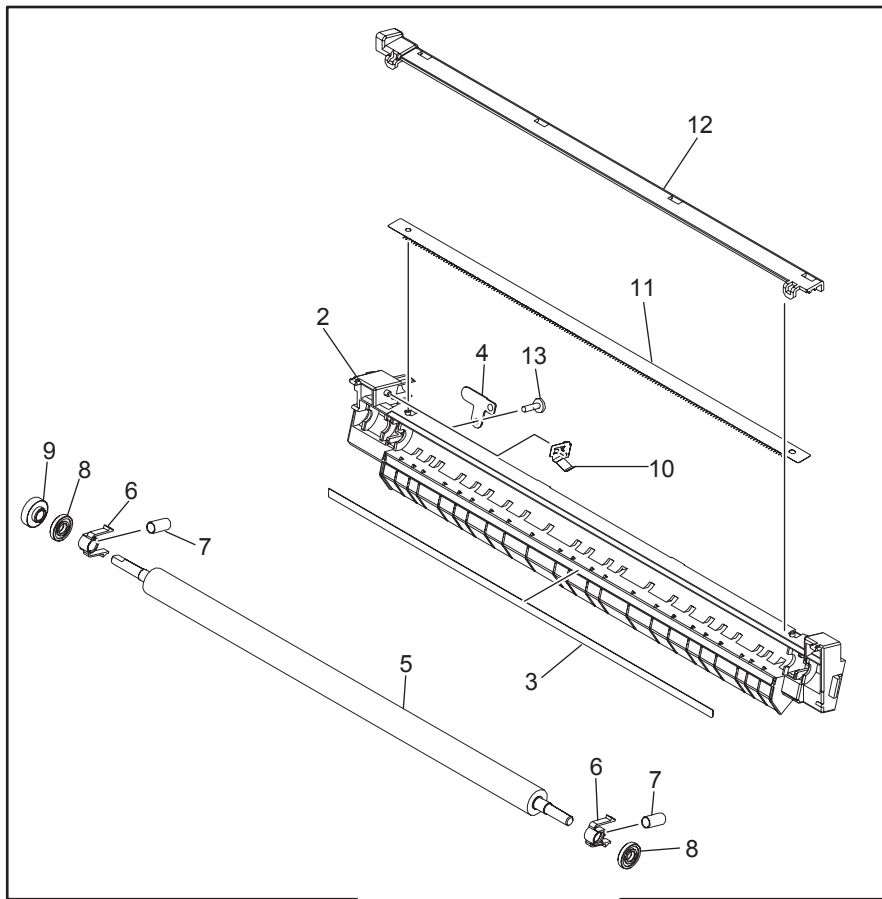
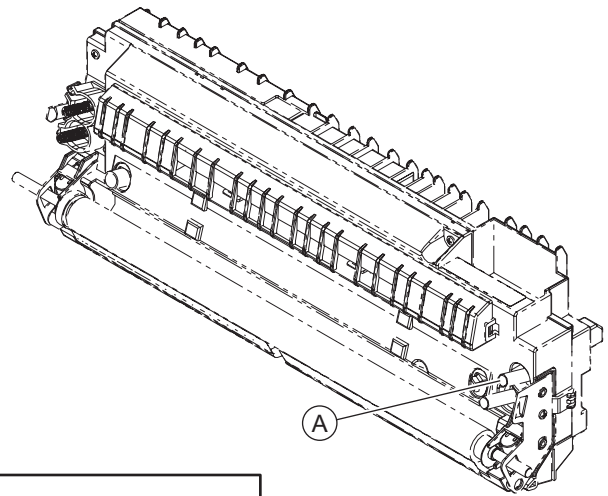
ITEM No.	PART No.	PART NAME	Q'TY / PAGE	Q'TY / PACK	REMARKS
1	6LH56622000	CARRIGE-1-F470S	1	1/S	
2	6LH56554000	HLDL-WH-CRG1-470	1	1/P	
3	6LH64639000	LAMP-EXPO-470	1	1/C	
4	6LE46323000	FOOT-CRG-410	4	5/P	
5	6LH56520000	REFLECTOR-470	1	1/PP	
6	X0-02230000	S/FHEXM-M3X6-NI	4	10/P	



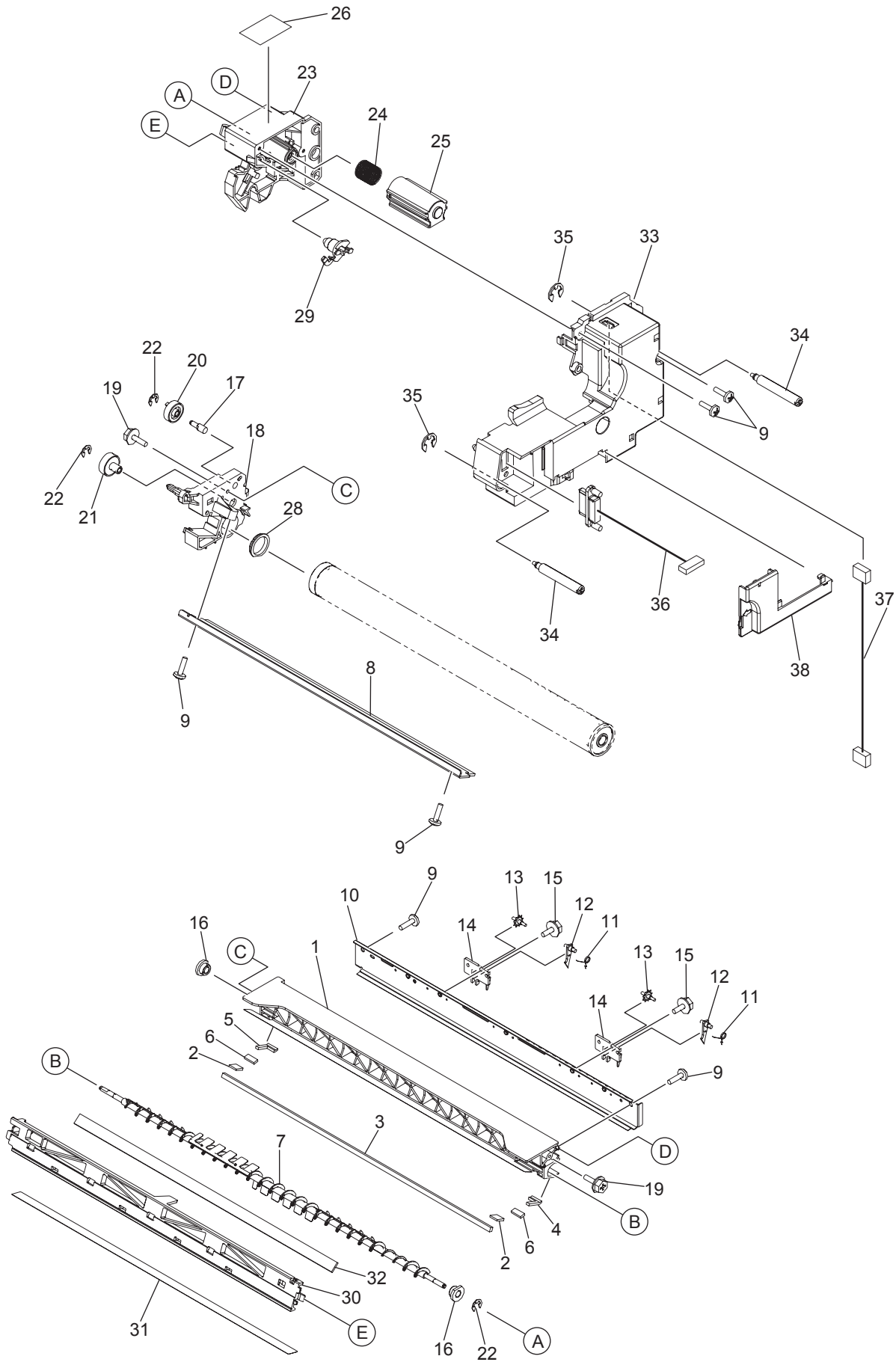
ITEM No.	PART No.	PART NAME	Q'TY / PAGE	Q'TY / PACK	REMARKS
1	6LH56623000	CARRIGE-2-F470S	1	1/S	
2	6LH56551000	GUIDE-WH-CRG2-470	1	1/SB	
3	6LE46323000	FOOT-CRG-410	4	5/P	
4	X0-00077000	S/PAN/SWWP-M3X8-NI	1	10/P	
5	X0-02230000	S/FHEXM-M3X6-NI	2	10/P	
6	6LH56526000	ASYS-PLY-CRG2F-470	1	1/P	
7	6LH56527000	ASYS-PLY-CRG2R-470	1	1/P	



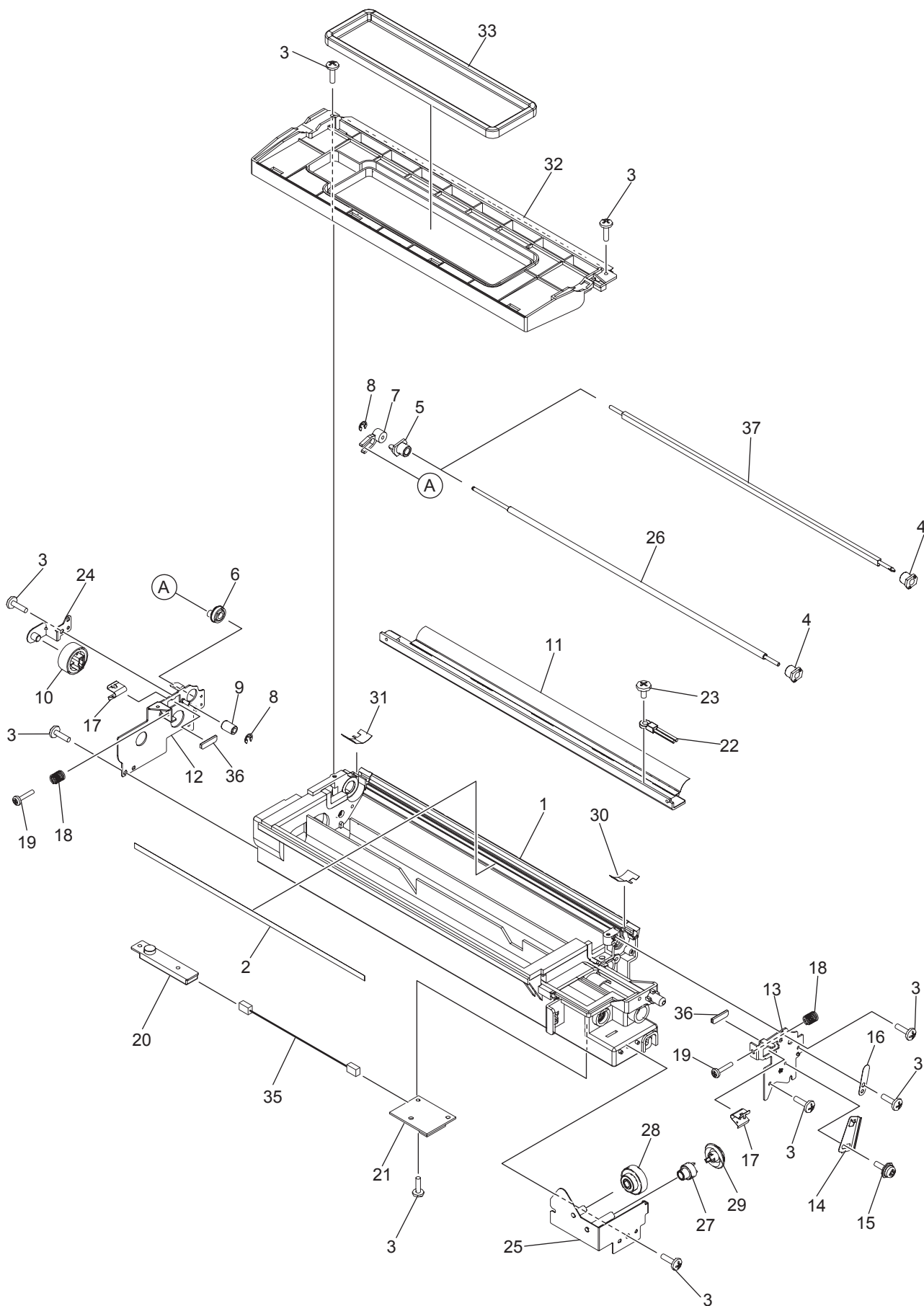
ITEM No.	PART No.	PART NAME	Q'TY / PAGE	Q'TY / PACK	REMARKS
1 A	6LH55800100	ASYB-CH-M-473	1	1/C	e-STUDIO355/455
1 B	6LH55800000	ASYB-CH-M-471	1	1/C	e-STUDIO205L/255/305
2 A	6LH55803000	TERM-CH-M-R-473	1	1/P	e-STUDIO355/455
2 B	6LA84915000	TERM-CH-M-R	1	1/P	e-STUDIO205L/255/305
3	6LA84910000	TERM-CH-M-F	1	1/P	
4	X0-02247000	S/TPP/FHEXM-3X8-NI	2	10/P	
5	6LA84922000	SPL-CH-M-R	1	1/P	
6 A	6LH55802000	CH-M-470	1	1/KP	e-STUDIO355/455
6 B	6LH25001000	CH-M	1	1/KP	e-STUDIO205L/255/305
7	6LA84935000	SPRING-TENS-CH	1	5/P	
8	4401764730	HANGER-WIRE-TR	1	1/P	
9	6LA84947000	LID-CH-M-R	1	1/P	
10	6LA84944000	LID-CH-M-F	1	1/P	
11	6LA84930000	GRID-CH-M-371	1	1/KP	
12	6LA84950000	SPE-GR	1	5/P	
13	6LA84938000	ROD-CLN-CH-M	1	1/P	
14	6LA84941000	MYLAR-CLN-CH	1	5/P	



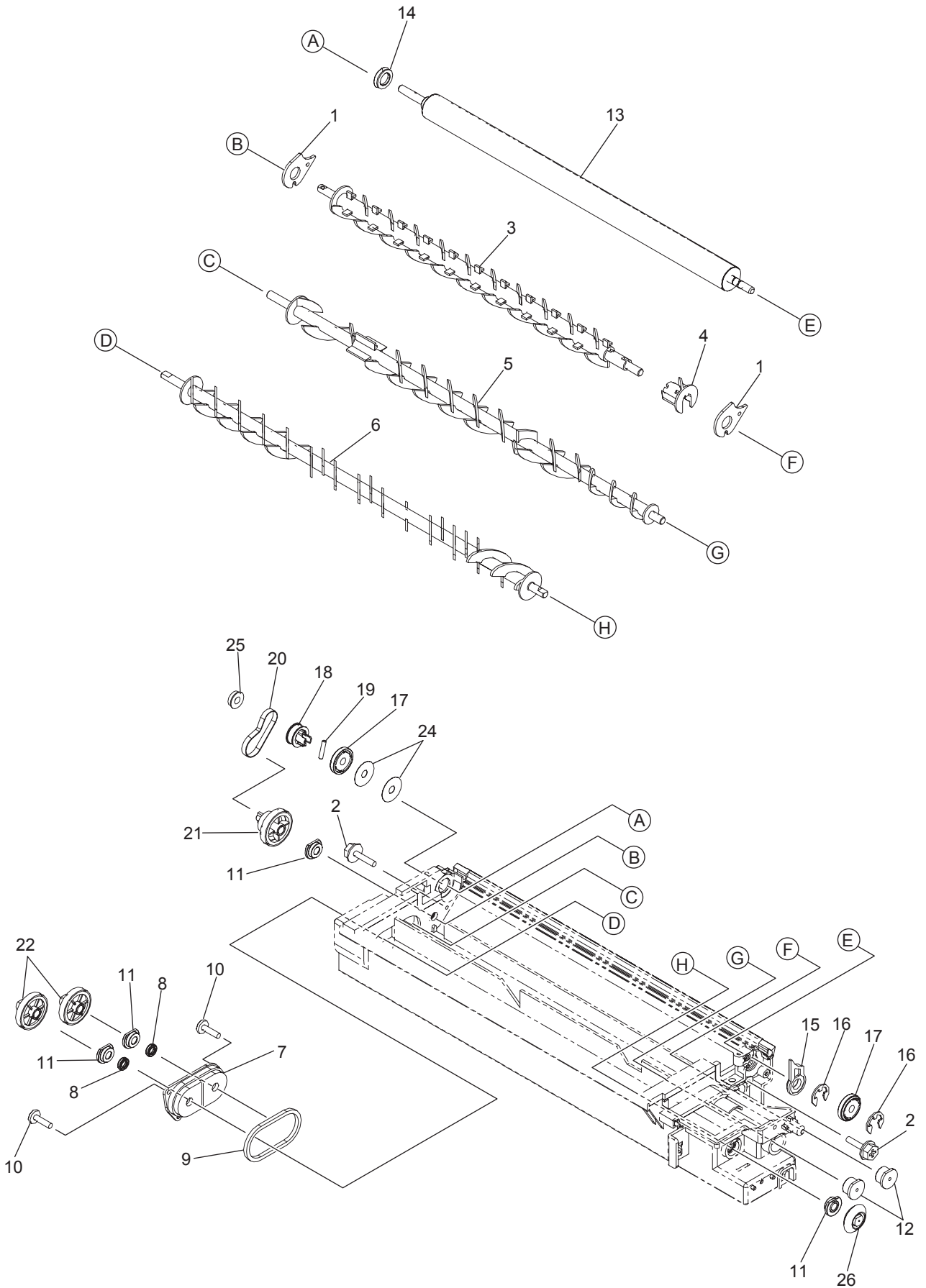
ITEM No.	PART No.	PART NAME	Q'TY / PAGE	Q'TY / PACK	REMARKS
1	6LH57303000	ASYB-CH-TR-470	1	1/C	
2	6LH57300000	GUIDE-TRU-470	1	1/PP	
3	6LH57327000	SHEET-TRU-GUIDE	1	1/KP	
4	6LH57329000	PLATE-TRU	1	1/P	
5	6LH58423000	CR-4530TR	1	1/S	
6	6LH57304000	BUSH-ROL-TRU	2	1/P	
7	6LH57330000	SPC-TERM-TRU	2	5/P	
8	6LH57334000	ROLL-GUIDE-TRU	2	1/P	
9	6LH57311000	GEAR-ROL-TRU	1	1/P	
10	6LH57316000	SPL-NEEDLE	1	1/D	
11	6LH57309000	ELCTRD-CHARGR	1	1/KP	
12	6LH57317000	COVER-NEEDLE	1	1/KP	
13	6LA80090000	S/TPP/BID-3X8-NI	1	5/P	



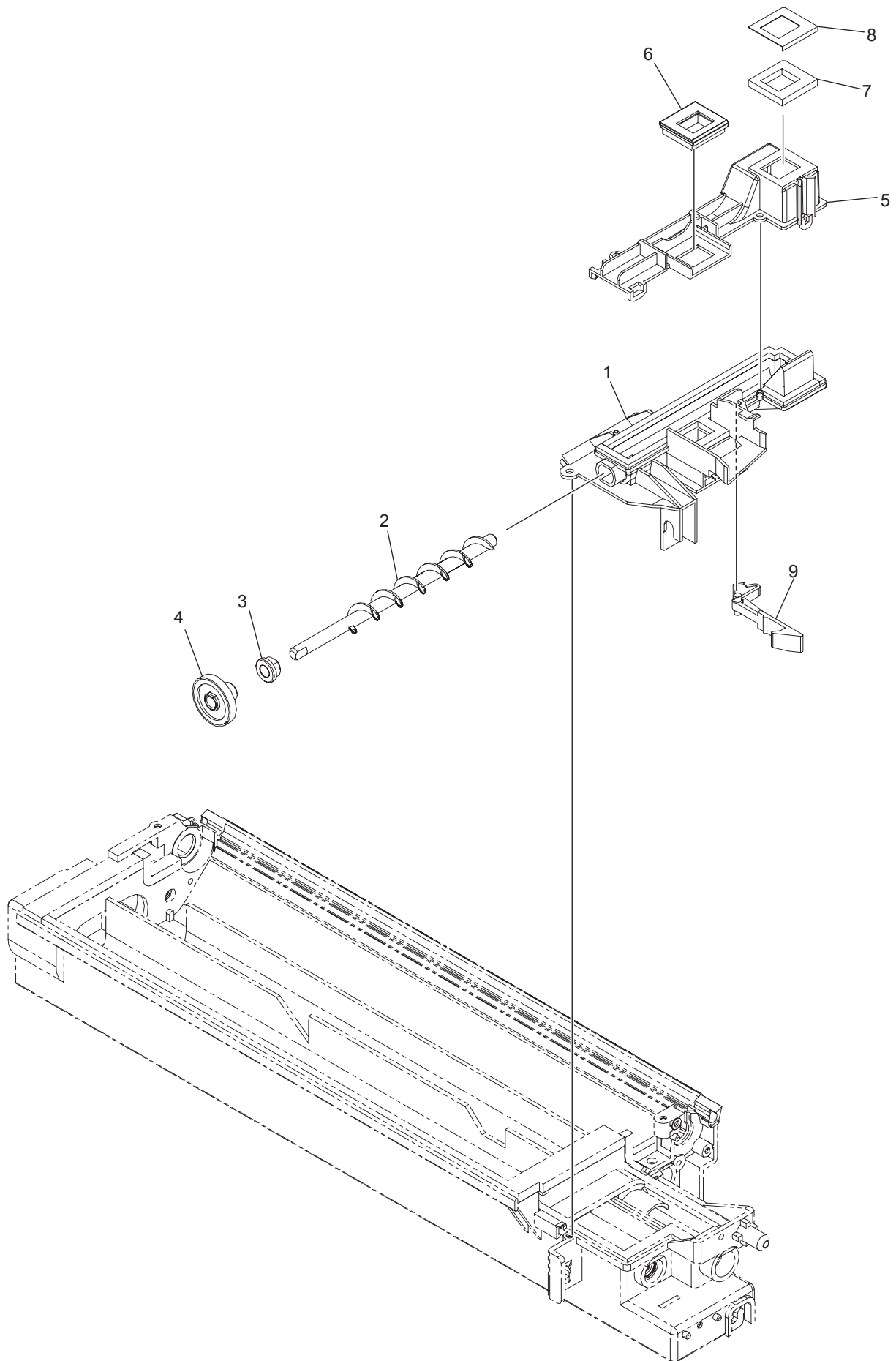
ITEM No.	PART No.	PART NAME	Q'TY / PAGE	Q'TY / PACK	REMARKS
1	6LH51919000	ASYS-FRAME-CLN-C-470	1	1/C	
2	6LA79547000	SEAL-BLADE-SIDE	2	1/P	
3	6LA79531000	SEAL-CLN-C	1	1/KP	
4	6LA79546000	SEAL-CLN-F	1	1/P	
5	6LA79586000	SEAL-CLN-R	1	5/P	
6	6LA79534000	SEAL-SIDE-REC	2	1/P	
7	6LH51918000	ASYS-AUGER-CLN-470	1	1/KP	
8	6LA27845000	BL-2320D	1	1/S	
9	6LA80090000	S/TPP/BID-3X8-NI	6	5/P	
10	6LE54020000	BLADE-REC	1	1/C	
11	41305536000	SPD-SCRPR-DRUM	2	1/C	
12	6LA79618000	SCRAPER-371	2	3/P	
13	41306325000	WHEEL-CLN-8	2	1/P	
14	6LA79615000	HOLDER-SCRAPER	2	1/P	
15	X0-02230000	S/FHEXM-M3X6-NI	2	10/P	
16	6LA02920000	BUSH-0410-05F-M	2	5/P	
17	6LA79554000	STUD-GEAR-CLN	1	1/P	
18	6LH51913000	FRAME-CLN-R	1	1/P	
19	X0-02247000	S/TPP/FHEXM-3X8-NI	2	10/P	
20	6LA79606000	GEAR-10S17-4	1	1/P	
21	6LA79605000	GEAR-10S18-4	1	1/P	
22	X0-00974000	RR/E-2.5-SS	3	10/P	
23	6LH51907000	ASYS-FRAME-CLN-F	1	1/PP	
24	6LA79612000	SPC-NZL-CLN	1	1/P	
25	6LA79609000	SHUTTER-CLN	1	1/P	
26	6LA91423000	LBL-HNDL-CLNR	1	5/P	
28	41306135000	BUSH-1821-03-M	1	1/P	
29	6LH51906000	PIN-DRUM-470	1	1/P	
30	6LH23220000	HLDR-LED	1	1/PP	
31	6LA79628000	MYLAR-HLDR-LED	1	1/KP	
32 A	6LH62813000	PWA-F-DLE-473	1	1/SB	e-STUDIO355/455
32 B	6LH27027000	PWA-F-DLE-280V	1	1/SB	e-STUDIO205L/255/305
33 A	6LH51901100	COV-PU-F-473	1	1/P	e-STUDIO355/455
33 B	6LH51901000	COV-PU-F-471	1	1/P	e-STUDIO205L/255/305
34	6LH23250000	SCREW-PU-F_M	2	1/P	
35	X0-00965000	RR/E-4-SS	2	10/P	
36	6LH61384000	HRNS-EPU-471	1	1/P	
37 A	6LH61354000	HRNS-DLE2-473	1	1/P	e-STUDIO355/455
37 B	6LH61353000	HRNS-DLE2-471	1	1/P	e-STUDIO205L/255/305
38	6LH51909000	COVER-CNCT-PU	1	1/P	



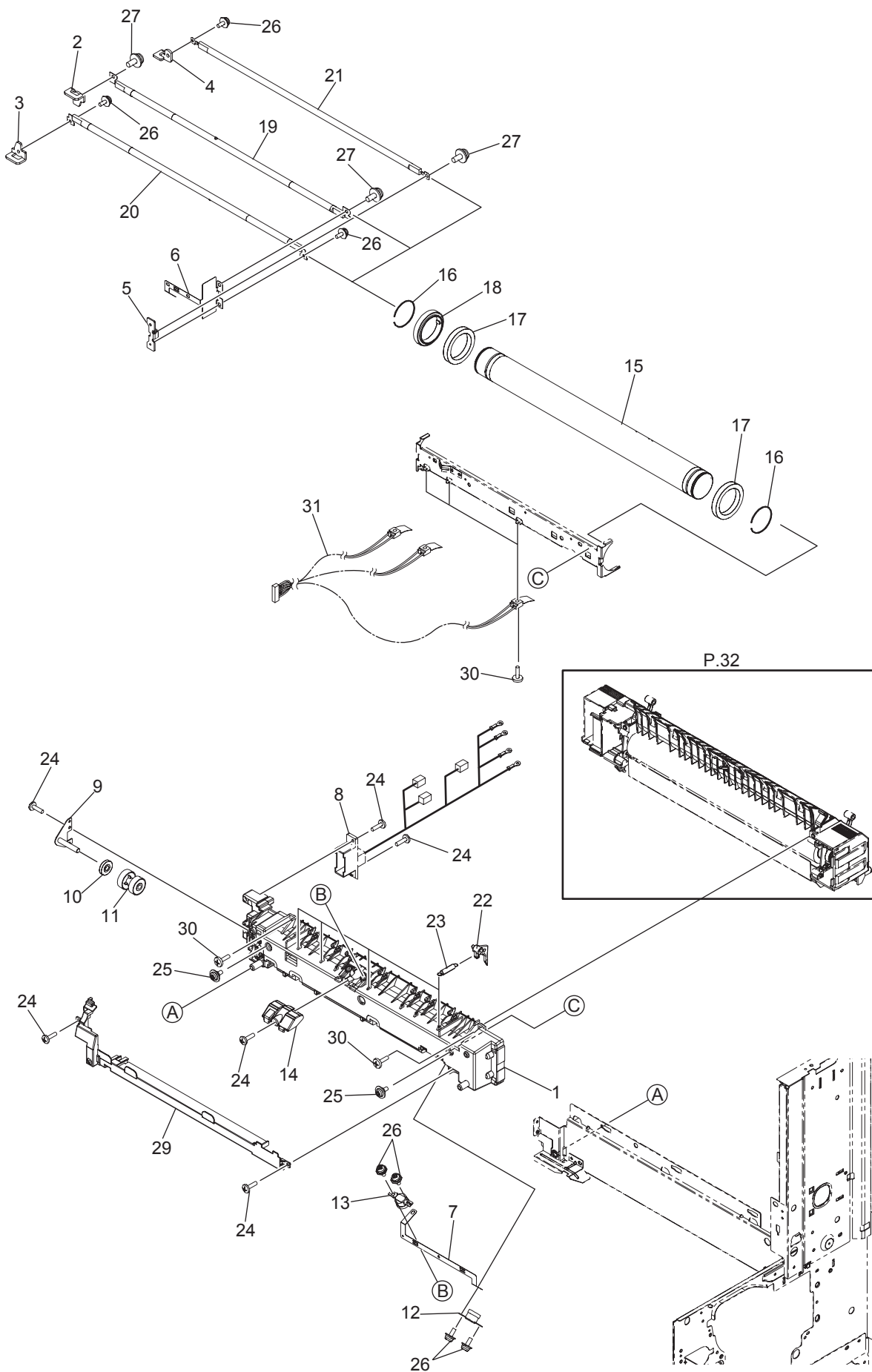
ITEM No.	PART No.	PART NAME	Q'TY / PAGE	Q'TY / PACK	REMARKS
1	6LH53425000	ASYS-CASING-DEV	1	1/PP	e-STUDIO355/455
2 B	6LH53445000	BLADE-RE-ROL	1	1/KP	
3	6LA80090000	S/TPP/BID-3X8-NI	9	5/P	
4	6LH53441000	BUSH-RE-ROL-F	1	1/P	
5	6LH53410000	BUSH-RE-ROL-R	1	1/P	
6 B	6LA81769000	CAM-RE-ROL	1	1/P	e-STUDIO355/455
7 B	6LH53424000	DRV-RE-ROL	1	1/P	e-STUDIO355/455
8	X0-00963000	RR/E-2-SS	2	10/P	
9	6LH53470000	COLLER-DEV-TENS-470	1	1/P	
10	6LH53454000	GEAR-10S23-6	1	1/P	
11	6LH53408000	ASYS-DOCTOR-470	1	1/KP	e-STUDIO355/455 e-STUDIO205L/255/305
12 A	6LH53464000	ASYS-BKT-DEV-R-473	1	1/P	
12 B	6LH53463000	ASYS-BKT-DEV-R-471	1	1/P	
13	6LH53411000	BRKT-DEV-F-470	1	1/P	
14	6LH53455000	ADJUSTER-MG-470	1	1/P	
15	X0-00077000	S/PAN/SWWP-M3X8-NI	1	10/P	e-STUDIO355/455
16 B	6LH53421000	PLATE-RE-ROL	1	1/P	
17	6LH53468000	SPL-DOCTOR	2	1/P	
18	4400672520	SPC060-065-0130	2	1/P	
19	6LA81610000	SCREW-DOCTOR-371	2	10/P	
20	6LE63990000	SNSR-ATC-280	1	1/D	
21	6LH60411000	ASYB-EPU-470	1	1/SB	
22	6LE78194000	THMS-DRM-364	1	1/P	
23	X0-01725000	S/BID-M3X5-BSNI	1	10/P	
24	6LH53430000	ASYS-DRV-DEV-473	1	1/P	
25	6LH53422000	ASYS-DRV-RECY-470	1	1/P	e-STUDIO355/455
26 B	6LH53419000	ROLLER-RE-5	1	1/KP	
27	6LA81888000	GEAR-8S15-6	1	1/P	
28	6LE55980000	GEAR-8S29_8S18-6	1	1/P	
29	6LA81881000	GEAR-10B22-6-CUP	1	1/P	
30	6LH53447000	SHEET-SIDE-DEV-F	1	1/P	
31	6LH53448000	SHEET-SIDE-DEV-R	1	1/P	
32	6LH53406000	ASYS-COV-DEV-470	1	1/PP	
33	6LA81700000	COVER-DEV-BTL-371	1	1/P	
35	6LH61340000	HRNS-ATS-471	1	1/P	
36	6LH53467000	MYLAR-DOC-SLIDE	2	5/P	e-STUDIO205L/255/305
37 A	6LH53440000	WALL-JOINT	1	1/KP	



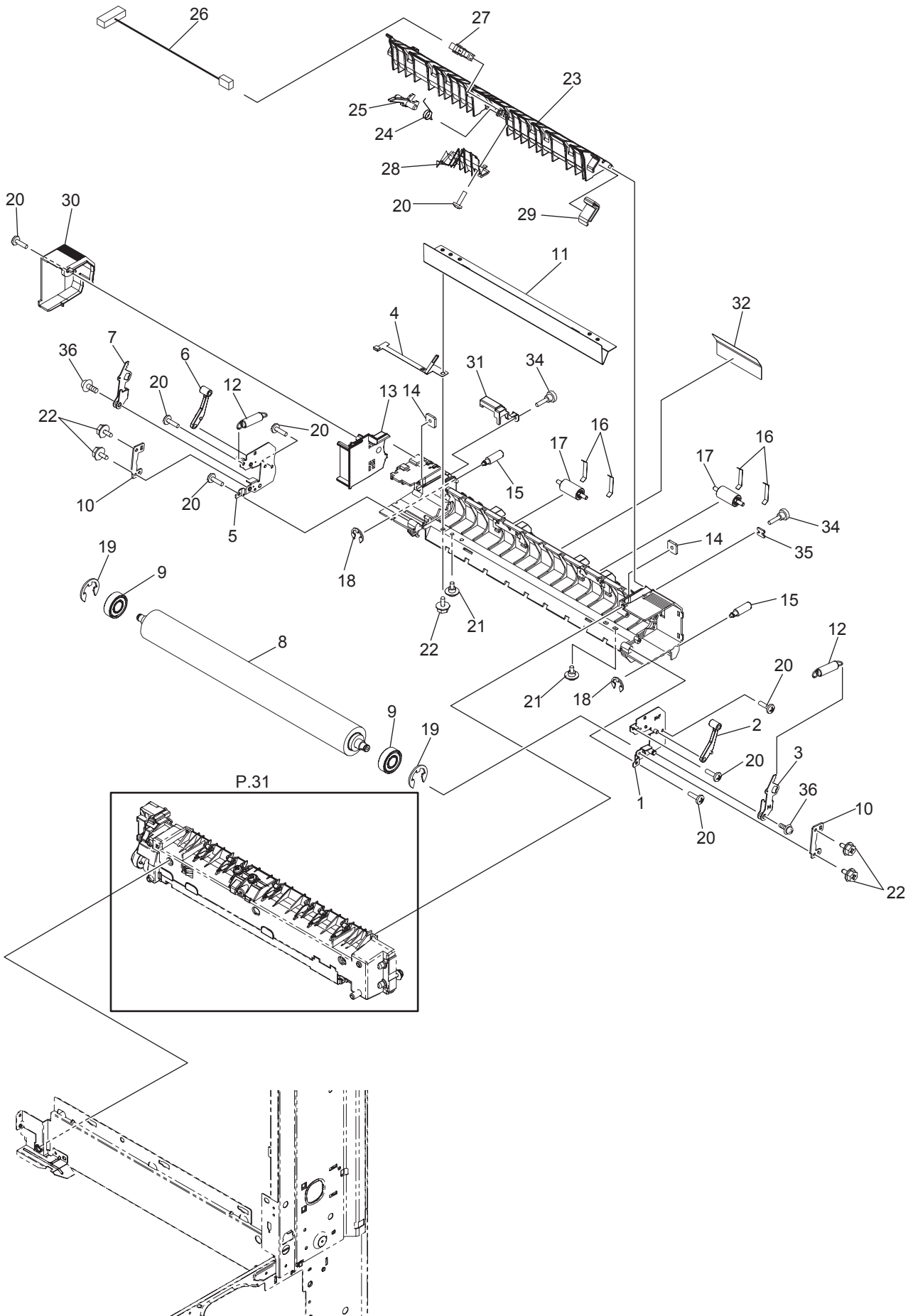
ITEM No.	PART No.	PART NAME	Q'TY / PAGE	Q'TY / PACK	REMARKS
1	6LA81632000	PLATE-SIDE	2	1/P	
2	X0-02232000	S/FHEXM-M3X10-NI	2	10/P	
3	6LA81635000	MIXER-1-371	1	1/C	
4	6LA81636000	SPACER-MIX	1	1/P	
5	6LH23230000	ASYS-MIXER-2-284	1	1/KP	
6	6LA81643000	MIXER-3-371	1		
7	6LE55966000	BUSH-DEV-R-280	1	1/P	
8	4401949290	SEAL-VC6-10-2.5	2	1/P	
9	6LE55967000	SEAL-BUSH-DEV-R	1	1/P	
10	6LA80090000	S/TPP/BID-3X8-NI	2	5/P	
11	6LH23441000	BUSH-6X12X4R8F-NU4	4	5/P	
12	6LA81645000	ASYS-BUSH-0613-07	2	1/P	
13	6LH53412000	ROLLER-MG-470	1	1/KP	
14	6LE70326000	V-RING-MG-210	1	1/P	
15	6LH53414000	BUSH-DEV-470	1	1/P	
16	X0-00965000	RR/E-4-SS	2	10/P	
17	6LA81662000	ROLL-GUIDE-371	2	1/P	
18 A	6LH53434000	PULLY-2GT25-6	1	1/P	e-STUDIO355/455
18 B	6LH53413000	PULLY-2GT22-6	1	1/P	e-STUDIO205L/255/305
19	X0-00980000	P/PRL/AH7-2X10-SS	1	10/P	
20 A	6LH53416000	BLT-T-2GT-100-40	1	1/P	e-STUDIO355/455
20 B	6LH53427000	BLT-T-2GT-88-40	1	1/P	e-STUDIO205L/255/305
21 A	6LH53405000	GEAR-10S27_P2GT27-6	1	1/P	e-STUDIO355/455
21 B	6LH53435000	GEAR-10S27_P2GT18-6	1	1/P	e-STUDIO205L/255/305
22	6LH53426000	GEAR-10S27-6	2	1/P	
24	6LH53471000	POLYSLIDER-DEV-R	2	5/P	
26	6LA81685000	GEAR-10B22-6	1	1/P	



ITEM No.	PART No.	PART NAME	Q'TY / PAGE	Q'TY / PACK	REMARKS
1	6LH53404000	ASYS-COV-NOZLE-470	1	1/PP	
2	6LH53417000	AUGER-RECY-470	1	1/P	
3	44201492000	BUSH-6-POM	1	5/P	
4	6LA81936000	GEAR-8S22-6	1	1/P	
5	6LH53458000	COVER-RECY-470	1	1/P	
6	6LH53420000	ASYS-TNR-IN-470	1	1/P	
7	6LA81953000	SEAL-RECY-CLN	1	1/P	
8	6LA81952000	MYLAR-RECY-CLN	1	1/P	
9	6LA81707000	STOPPER-LID-371	1	1/P	

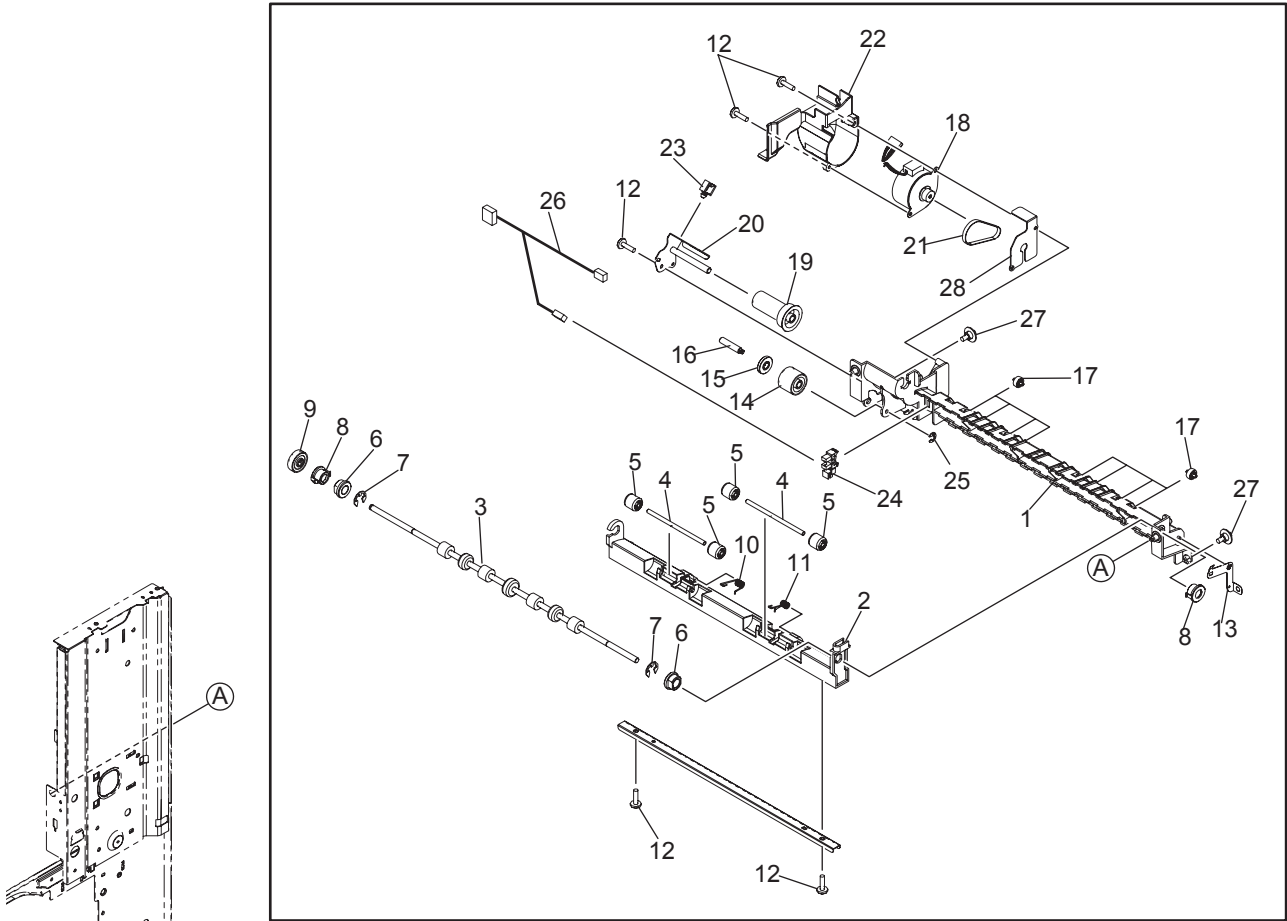


ITEM No.	PART No.	PART NAME	Q'TY / PAGE	Q'TY / PACK	REMARKS
1 A	6LH55251000	ASYS-FRM-FUS-HR-H	1	1/PP	e-STUDIO355/455
1 B	6LH55251100	ASYS-FRM-FUS-HR-L	1	1/PP	e-STUDIO205L/255/305
2	6LH55258000	PLT-TERM-R-M4	1	5/P	
3	6LH55257000	PLT-TERM-R-M3	1	5/P	
4 B	6LH55271000	PLT-TERM-C-M3	1	5/P	e-STUDIO355/455
5	6LH55256000	PLT-LAMP-FAST-F	1	1/P	
6	6LH55213000	PLT-CNCT-LM-THM	1	1/D	
7	6LH55281000	PLT-CNCT-THMSTD	1	1/C	
8 A	6LH61439000	HRNS-ACIN2-473	1	1/P	e-STUDIO355/455
8 B	6LH61438000	HRNS-ACIN2-471	1	1/P	e-STUDIO205L/255/305
9	6LH55208000	ASYS-BRKT-GEAR	1	1/P	
10	6LH24610000	ROL-IDLE-FUS-284	1	1/P	
11	6LH55211000	GEAR-FUS-TW	1	1/P	
12	6LH64642000	THRMST-HTR-S-470	1	1/C	
13	6LH64641000	THRMST-HTR-C-470	1	1/C	
14	6LH55278000	COVER-FUS-THMST-U	1	1/P	
15	6LH58424000	HR-4530-U	1	1/S	
16	6LH55214000	RING-C-35	2	1/P	
17	F0-01852000	6807ZZL1S1C4KZ	2	1/D	
18	6LH55212000	GEAR-HR-S43	1	1/P	
19 A	6LH55272100	LAMP-HTR-C-47X-NAD	1	1/C	NAD,SAD,TWD
19 B	6LH55272200	LAMP-HTR-C-47X-MJD	1	1/C	ARD,ASD,AUD,MJD,CND,CNS
20 A	6LH55273100	LAMP-HTR-S-47X-NAD	1	1/C	NAD,SAD,TWD
20 B	6LH55273200	LAMP-HTR-S-47X-MJD	1	1/C	ARD,ASD,AUD,MJD,CND,CNS
21 A	6LH55274100	LAMP-HTR-A-47X-NAD	1	1/C	NAD,SAD,TWD
21 B	6LH55274200	LAMP-HTR-A-47X-MJD	1	1/C	ARD,ASD,AUD,MJD,CND,CNS
22	6LH55233000	SCRAPER-470	5	5/P	
23	6LA84096000	SPE-SCR-HR-371	5	1/P	
24	6LA80090000	S/TPP/BID-3X8-NI	6	5/P	
25	6LA47979000	SCREW-SPEAKER-ZU3	2	5/P	
26	X0-02551000	S/PAN/SWWP-M3X6-ZU3	7	10/P	
27	X0-02217000	S/PAN/SWWP-M4X8-ZU3	3	10/P	
29	6LH55255000	COVER-WH-47X	1	1/PP	
30	X0-00434000	S/BID-M3X8-NI	5	10/P	
31	6LE63998000	THMS-HTR-280	1	1/C	

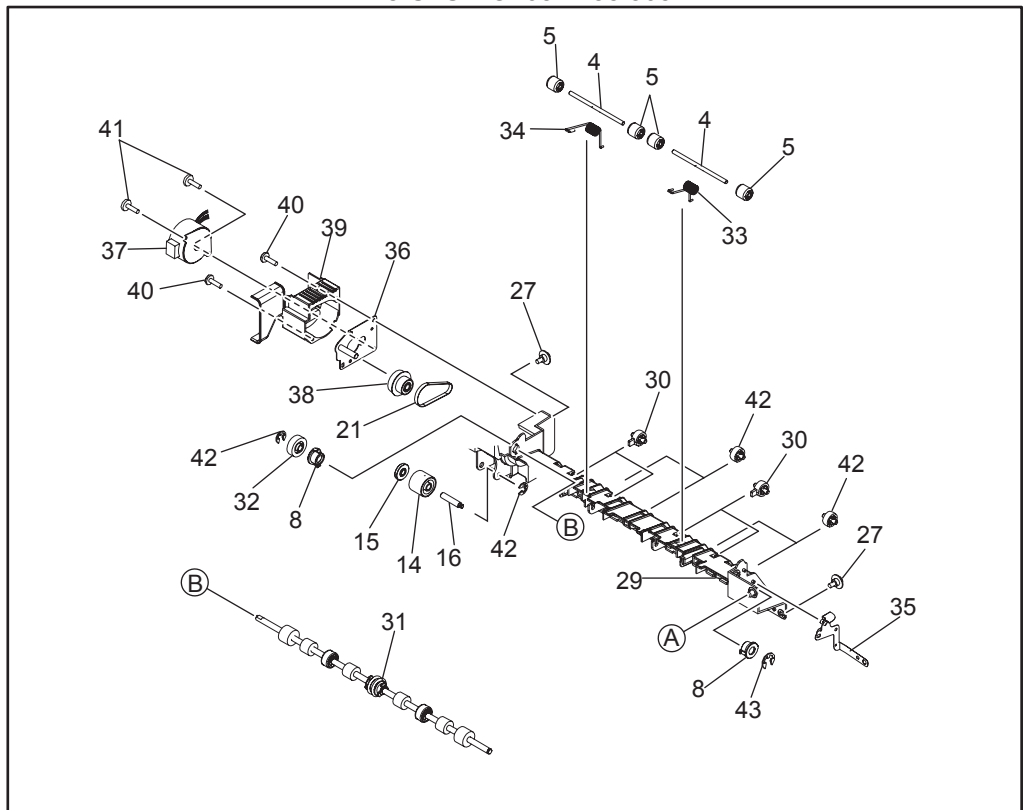


ITEM No.	PART No.	PART NAME	Q'TY / PAGE	Q'TY / PACK	REMARKS
1 A	6LH55220000	ASYS-STAY-PR-F-35	1	1/P	e-STUDIO355/455
1 B	6LH55223000	ASYS-STAY-PR-F-30	1	1/P	e-STUDIO205L/255/305
2	6LH55290000	ASYS-LVR-P-REL-F	1	1/P	
3 A	6LH55269000	ARM-PR-F-35	1	1/P	e-STUDIO355/455
3 B	6LH55265000	ARM-PR-F-30	1	1/P	e-STUDIO205L/255/305
4	6LH55227000	PLT-PR-BIAS-471	1	1/C	
5 A	6LH55221000	ASYS-STAY-PR-R-35	1	1/P	e-STUDIO355/455
5 B	6LH55225000	ASYS-STAY-PR-R-30	1	1/P	e-STUDIO205L/255/305
6	6LH55291000	ASYS-LVR-P-REL-R	1	1/P	
7 A	6LH55268000	ARM-PR-R-35	1	1/P	e-STUDIO355/455
7 B	6LH55263000	ARM-PR-R-30	1	1/P	e-STUDIO205L/255/305
8 A	6LH58425000	HR-4530-L	1	1/S	e-STUDIO355/455
8 B	6LH58426000	HR-3000-L	1	1/S	e-STUDIO205L/255/305
9 A	6LH55284000	698ZZS1M5KZ	2	1/P	e-STUDIO355/455
9 B	6LH55285000	688ZZLS1M5KZ	2	1/P	e-STUDIO205L/255/305
10 A	6LH55276000	PLT-STOP-PR-35	2	1/P	e-STUDIO355/455
10 B	6LH55277000	PLT-STOP-PR-30	2	1/P	e-STUDIO205L/255/305
11 A	6LH55246000	GUIDE-ENT-FUS-473	1	1/P	e-STUDIO355/455
11 B	6LH55282000	GUIDE-ENT-FUS-471	1	1/P	e-STUDIO205L/255/305
12	6LH55261000	SPG-E-PR-47X	2	1/P	
13	6LH55229000	PLT-SPRT-PR	1	1/P	
14	6LH55260000	PLT-NUT	2	5/P	
15	6LH55270000	SCREW-FUS-47X	2	1/P	
16	6LH55245000	PLT-SP-IDLE-47X	4	1/D	
17	41316101000	ROLL-TRANS-IDLE	2	1/P	
18	X0-00965000	RR/E-4-SS	4	10/P	
19 A	X0-00968000	RR/E-7-SS	2	10/P	e-STUDIO355/455
19 B	X0-00966000	RR/E-5-SS	2	10/P	e-STUDIO205L/255/305
20	6LA80090000	S/TPP/BID-3X8-NI	9	5/P	
21	6LA47979000	SCREW-SPEAKER-ZU3	2	5/P	
22	X0-02419000	S/TPS/FHEXM/R-3X6-ZU3	5	10/P	
23	6LH55249000	GID-OPN-FUS-470	1	1/PP	
24	6LH55267000	SPG-T-ACT-47X	1	5/P	
25	6LH55228000	ACTR-EXIT-FUS-47X	1	1/P	
26	6LH61309000	HRNS-EXIT-SW-471	1	1/P	
27	C0-15712000	LG248D2	1	1/C	
28	6LH55230000	COVER-OPEN-FUS	1	1/P	
29	6LH55299000	SHEET-GID-OPEN-FUS	1	1/P	
30	6LH55204000	COV-PR-R-47X	1	1/P	
31	6LH55283000	COV-FRM-FUS-PR	1	1/P	
32	6LH55288000	LBL-W-HOT-47X-UE	1	1/P	
33	X0-02551000	S/PAN/SWWP-M3X6-ZU3	2	10/P	
34	6LA65683000	SCREW-HLDR-MG	2	10/P	
35	6LH55298000	SPACER-FUS-PR	1	5/P	
36	X0-00050000	S/PAN/SWWP-M3X5-NI	2	10/P	

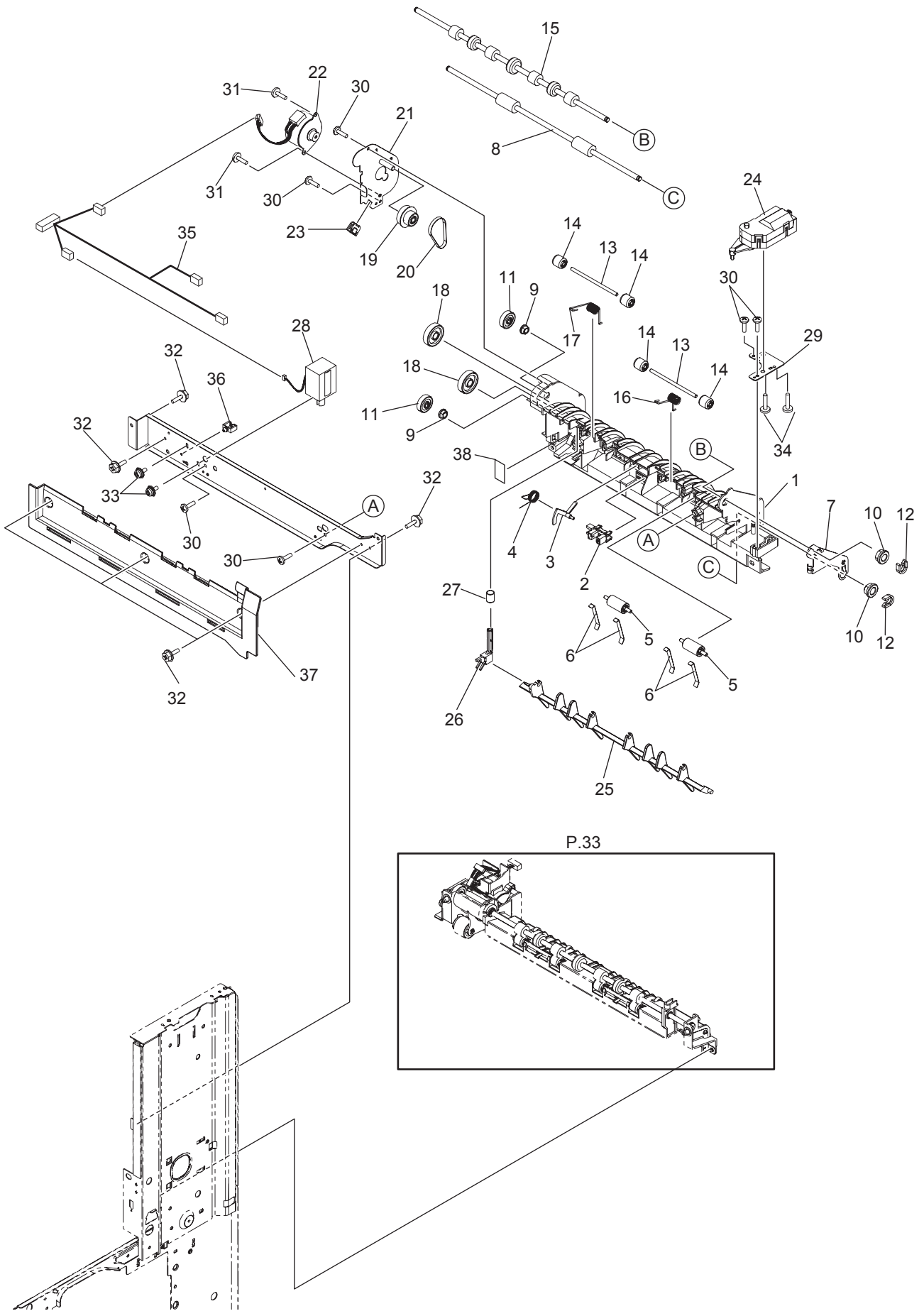
e-STUDIO355/455



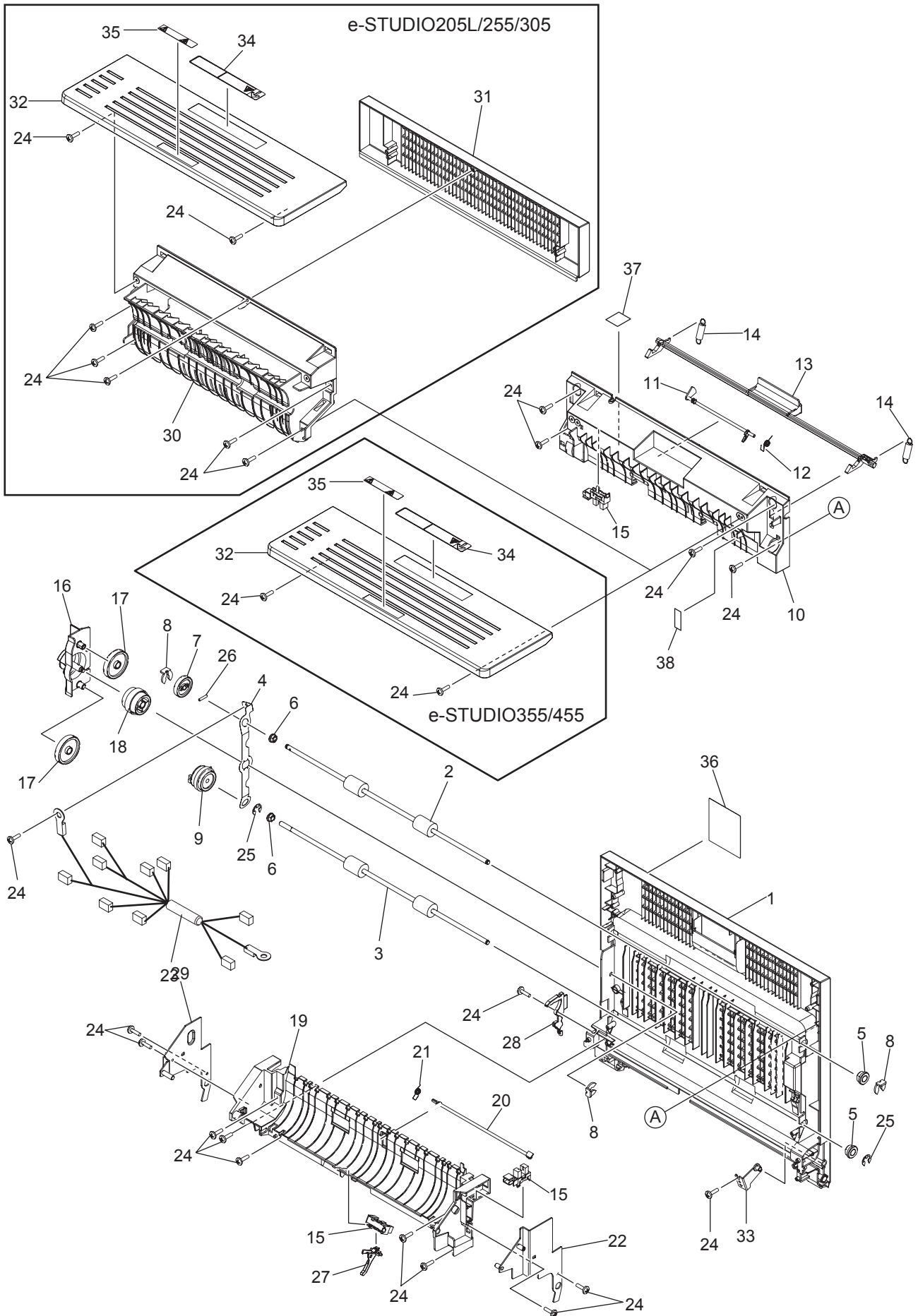
e-STUDIO205L/255/305



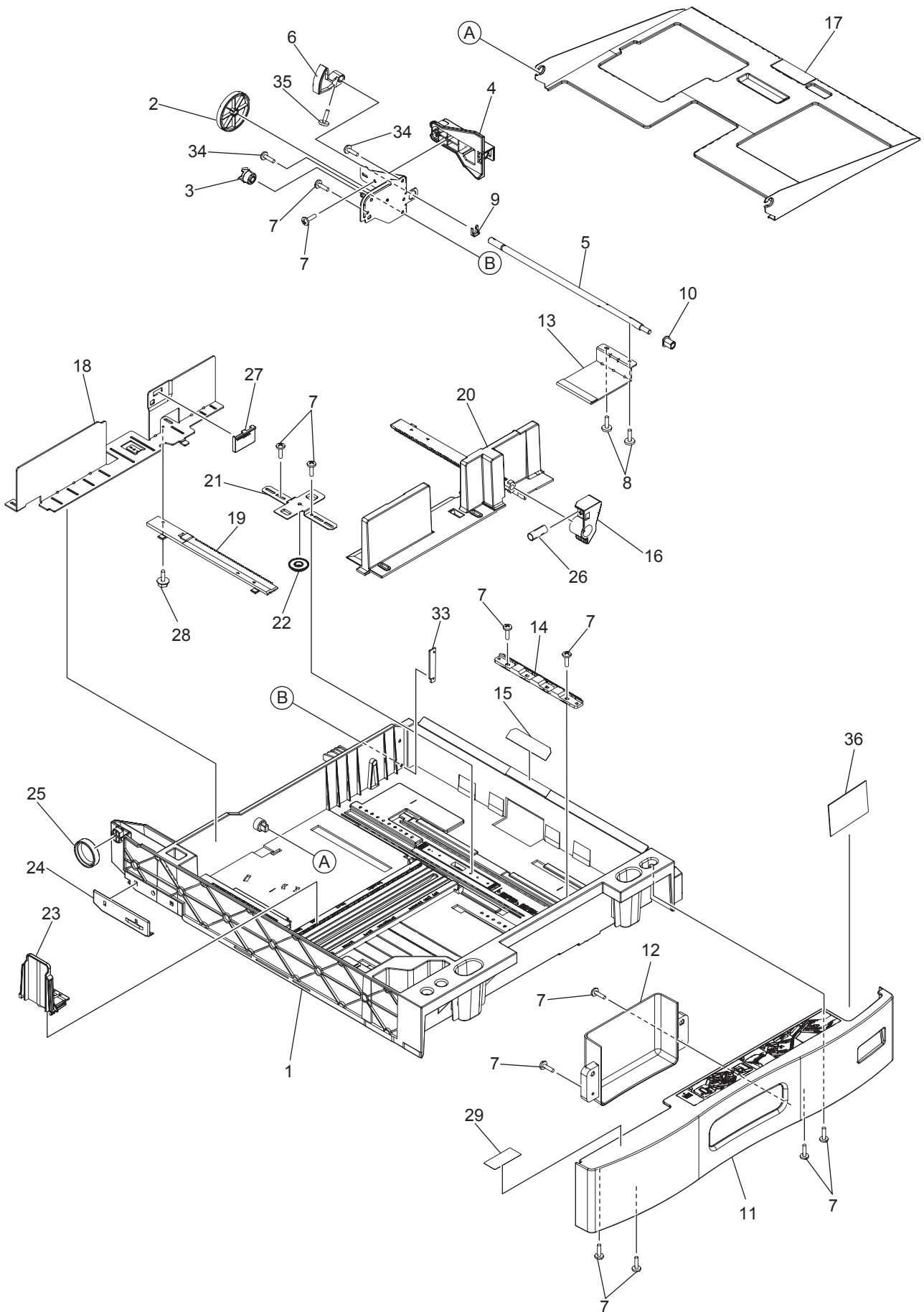
ITEM No.	PART No.	PART NAME	Q'TY / PAGE	Q'TY / PACK	REMARKS
1 A	6LH54000000	GUIDE-EXIT-L-473	1	1/PP	e-STUDIO355/455
1 B	6LH54001000	GUIDE-EXIT-L-471	1	1/PP	e-STUDIO205L/255/305
2 B	6LH54003000	GUIDE-SLIDE-473	1	1/PP	e-STUDIO355/455
3 A	6LH54044000	ASYS-ROLL-EXIT-471	1	1/KP	e-STUDIO205L/255/305
3 B	6LH54026000	ROLL-EXIT-473	1	1/KP	e-STUDIO355/455
4	6LE58600000	SFT-EXIT-IDLE-280	2	1/P	
5	44203198000	ROLL-EXIT-L-320	4	1/P	
6	44201492000	BUSH-6-POM	2	5/P	
7 B	X0-00966000	RR/E-5-SS	2	10/P	e-STUDIO355/455
8	6LH54015000	BUSH-6-STOP	2	1/P	
9 A	6LH54006000	GEAR-10S20-06	1	1/P	e-STUDIO355/455
9 B	44202975000	GEAR-EXIT-U	1	1/P	e-STUDIO205L/255/305
10 A	6LE58615000	SPG-T-EXIT-F-280	1	1/P	e-STUDIO205L/255/305
10 B	6LA82563000	SPG-T-EXIT-371	1	1/P	e-STUDIO355/455
11 A	6LH54030000	SPG-T-EXIT-473	1	1/P	e-STUDIO355/455
11 B	6LE58611000	SPG-T-EXIT-R-280	1	1/P	e-STUDIO205L/255/305
12	6LA80090000	S/TPP/BID-3X8-NI	5	5/P	
13 A	6LH54029000	SPL-T-EARTH-EXIT-473	1	1/D	e-STUDIO355/455
13 B	6LH54028000	SPL-T-EARTH-EXIT-471	1	1/D	e-STUDIO205L/255/305
14	6LH54014000	GEAR-10S21-6	1	1/P	
15	6LH54040000	ROL-IDL-EXIT	1	1/P	
16	6LH54031000	STUD-GEAR-EXIT	1	1/P	
17	6LE25931000	ROLL-FUS-GUIDE	8	1/P	
18	6LA82692000	ASYS-MOTR-S-EXIT-371	1	1/C	
19 A	6LH54007000	GEAR-10S16_PS2M40-6	1	1/P	e-STUDIO355/455
19 B	6LH54013000	GEAR-10S16_PS2M40-6-S	1	1/P	e-STUDIO205L/255/305
20 A	6LH54005000	ASYS-BRKT-EXIT-GP	1	1/P	e-STUDIO355/455
20 B	6LH54012000	ASYS-BRKT-MOT-EXIT-471	1	1/P	e-STUDIO205L/255/305
21	6LH54032000	BLT_SY-S2M-128-4	1	1/P	
22 A	6LH54052000	DUCT-EXIT-MOT-473	1	1/P	e-STUDIO355/455
22 B	6LH54051000	DUCT-EXIT-MOT-471	1	1/P	e-STUDIO205L/255/305
23 B	F0-01250000	MSB-1207	1	5/P	e-STUDIO355/455
24 B	C0-14266000	LG248BL1	1	1/C	e-STUDIO355/455
25	X0-00964000	RR/E-3-SS	1	10/P	
26 B	6LH61332000	HRNS-EXIT-UNIT-L-473	1	1/P	e-STUDIO355/455
28	6LA47979000	SCREW-SPEAKER-ZU3	2	5/P	
29 B	6LH54053000	HS-MOTR-473	1	1/P	e-STUDIO355/455



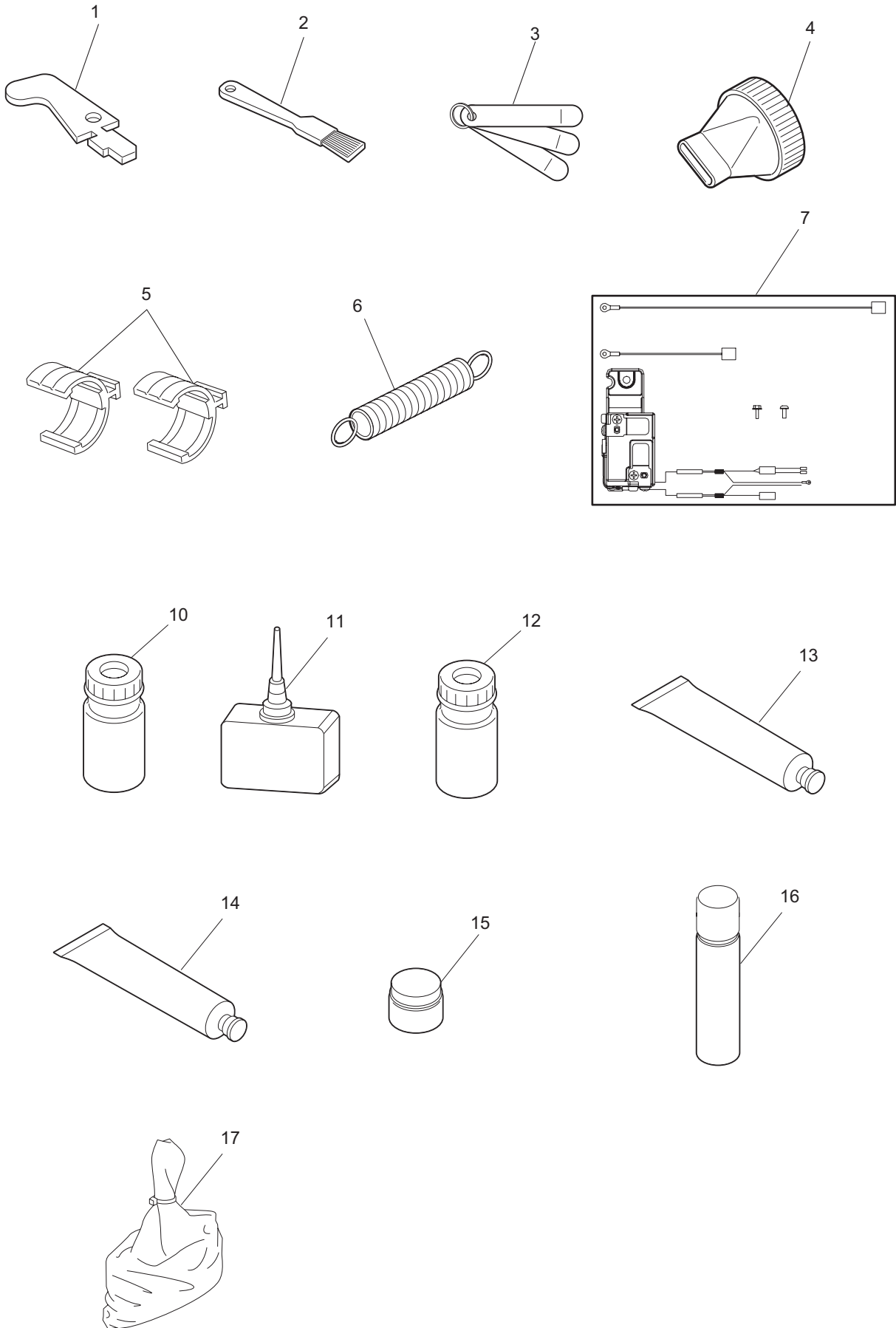
ITEM No.	PART No.	PART NAME	Q'TY / PAGE	Q'TY / PACK	REMARKS
1 B	6LH54004000	GUIDE-EXIT-UPR-L-473	1	1/PP	e-STUDIO355/455
2 B	C0-16187000	LG248NL2	1	1/C	e-STUDIO355/455
3 B	6LH54010000	ACTR-EXIT-UPR-473	1	1/D	e-STUDIO355/455
4 B	6LH54034000	SPG-T-ACT-EXIT-UPR	1	5/P	e-STUDIO355/455
5 B	41316101000	ROLL-TRANS-IDLE	2	1/P	e-STUDIO355/455
6 B	6LH54033000	SPL-EXIT-PINCH-U	4	1/P	e-STUDIO355/455
7 B	6LH54027000	PLT-EARTH-EXIT-U	1	1/D	e-STUDIO355/455
8 B	6LH54024000	ROLL-TRANS-UPR	1	1/KP	e-STUDIO355/455
9 B	44201492000	BUSH-6-POM	2	5/P	e-STUDIO355/455
10 B	6LH53768000	BUSH-6-NU4	2	1/P	e-STUDIO355/455
11 B	6LH54006000	GEAR-10S20-06	2	1/P	e-STUDIO355/455
12 B	4407972860	STOP-RING-6-5	2	5/P	e-STUDIO355/455
13 B	6LE58600000	SFT-EXIT-IDLE-280	2	1/P	e-STUDIO355/455
14 B	44203198000	ROLL-EXIT-L-320	4	1/P	e-STUDIO355/455
15 B	6LH54025000	ROLL-EXIT-UPR	1	1/KP	e-STUDIO355/455
16 B	6LE58615000	SPG-T-EXIT-F-280	1	1/P	e-STUDIO355/455
17 B	6LE58611000	SPG-T-EXIT-R-280	1	1/P	e-STUDIO355/455
18 B	6LH54009000	GEAR-10S27-08	2	1/P	e-STUDIO355/455
19 B	6LH54013000	GEAR-10S16_PS2M40-6-S	1	1/P	e-STUDIO355/455
20 B	6LA78447000	BLT_SY-S2M-120-4	1	1/P	e-STUDIO355/455
21 B	6LH54008000	ASYS-BRKT-EXIT-UPR	1	1/P	e-STUDIO355/455
22 B	6LA82692000	ASYS-MOTR-S-EXIT-371	1	1/C	e-STUDIO355/455
23 B	F0-00120000	ES-0505	1	5/P	e-STUDIO355/455
24 B	6LH54023000	ASYS-MOTR-OFS-473	1	1/C	e-STUDIO355/455
25 B	6LH54002000	GATE-EXIT-UPR-473	1	1/PP	e-STUDIO355/455
26 B	6LH54011000	LVR-SOL-GATE-473	1	1/P	e-STUDIO355/455
27 B	6LH54035000	SPG-C-GATE-EXIT	1	1/P	e-STUDIO355/455
28 B	6LE09192000	SOL-GATE-390	1	1/D	e-STUDIO355/455
29 B	6LH54049000	PLT-MOTR-OFS	1	1/P	e-STUDIO355/455
30 B	6LA80090000	S/TPP/BID-3X8-NI	6	5/P	e-STUDIO355/455
31 B	X0-00680000	S/TPS/BID-3X8-NI	2	10/P	e-STUDIO355/455
32 B	X0-02593000	S/TPD3/FHEXM-3X8-ZU3	8	10/P	e-STUDIO355/455
33 B	X0-02551000	S/PAN/SWWP-M3X6-ZU3	2	10/P	e-STUDIO355/455
34 B	X0-02091000	S/TPP/BID-4X14-NI	2	10/P	e-STUDIO355/455
35 B	6LH61331000	HRNS-EXIT-UNIT-U-473	1	1/P	e-STUDIO355/455
36 B	F0-01250000	MSB-1207	1	5/P	e-STUDIO355/455
37 B	6LH54059000	COVER-EXIT-AC1050	1	1/PP	e-STUDIO355/455
38 B	6LH55294000	SHEET-LNK-EXIT	1	5/P	e-STUDIO355/455



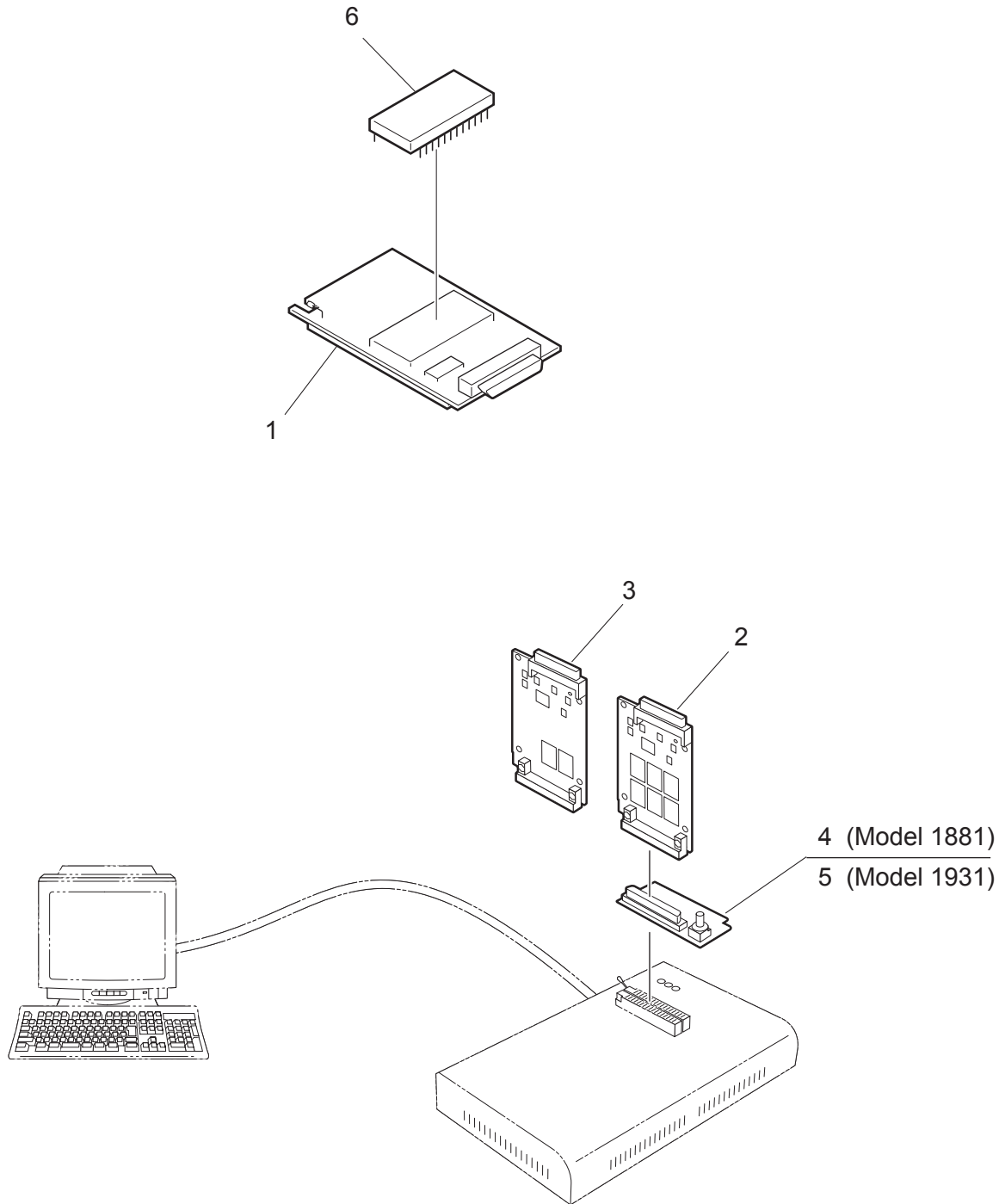
ITEM No.	PART No.	PART NAME	Q'TY / PAGE	Q'TY / PACK	REMARKS
1	6LH51200200	COVER-SIDE-47X-D	1	1/PP	
2	6LH51225000	ROLL-TRANS-ADU-U	1	1/KP	
3	6LH51226000	ROLL-TRANS-ADU-L	1	1/KP	
4	6LH51208000	PLT-EARTH-ADU-47X	1	1/D	
5	44201492000	BUSH-6-POM	2	5/P	
6	6LH53768000	BUSH-6-NU4	2	1/P	
7	6LA83114000	GEAR-10S028-06	1	1/P	
8	44201801000	STOP-RING-6-1.5	3	5/P	
9	6LH51224000	CLUTCH-50C-G28-6	1	1/D	
10	6LH51202000	FRAME-ADU-UPR-47X	1	1/PP	
11	6LH51209000	ACTR-ADU-U-47X	1	1/KP	
12	6LH51230000	SPG-T-ACT-ADU-1	1	5/P	
13	6LH51207100	LEVER-OPEN-47X-N	1	1/KP	
14	6LH51228000	SPG-C-COV-SIDE	2	1/P	
15	C0-14266000	LG248BL1	3	1/C	
16	6LH51232000	ASYS-COV-ADU-GEAR	1	1/P	
17	6LH51211000	GEAR-10S39-08	2	1/P	
18	6LH51210000	GEAR-10S28-6-D	1	1/P	
19	6LH51205000	FRAME-ADU-LOW-47X	1	1/PP	
20	6LH51215000	ACTR-ADU-L-47X	1	1/KP	
21	6LH51229000	SPG-T-ACT-ADU-2	1	5/P	
22	6LH51217000	ASYS-HINGE-ADU-F	1	1/P	
23	6LH61341000	HRNS-ADU-UNIT-471	1	1/P	
24	6LA80090000	S/TPP/BID-3X8-NI	25	5/P	
25	X0-00966000	RR/E-5-SS	2	10/P	
26	X0-00980000	P/PRL/AH7-2X10-SS	1	10/P	
27	6LH51413000	ACTR-P-EMP-SFB	1	1/P	
28	6LH51231000	COVER-HRNS-ADU	1	1/P	
29	6LH51216000	ASYS-HINGE-ADU-R	1	1/P	
30 B	6LH51204000	GUIDE-EXIT-UPR-U-473	1	1/PP	e-STUDIO355/455
31 B	6LH51203100	COVER-EXIT-UPR-473-N	1	1/PP	e-STUDIO355/455
32	6LH51201000	COVER-EXIT-47X	1	1/PP	
33	6LH51438000	ASYS-BRKT-PT	1	1/P	
34	6LA75470000	LBL-HOT-COV	1	1/KP	
35	6LA82504000	LBL_W-HOT-EXIT371	1	5/KP	
36	6LH52437000	LBL-O-PLACE-COV-47X	1	1/P	
37	6LH51244000	CUSSION-ACTR-ADU	1	5/P	
38 A	6LH51245000	CUSSION-GATE-EXIT	1	5/P	e-STUDIO205L/255/305



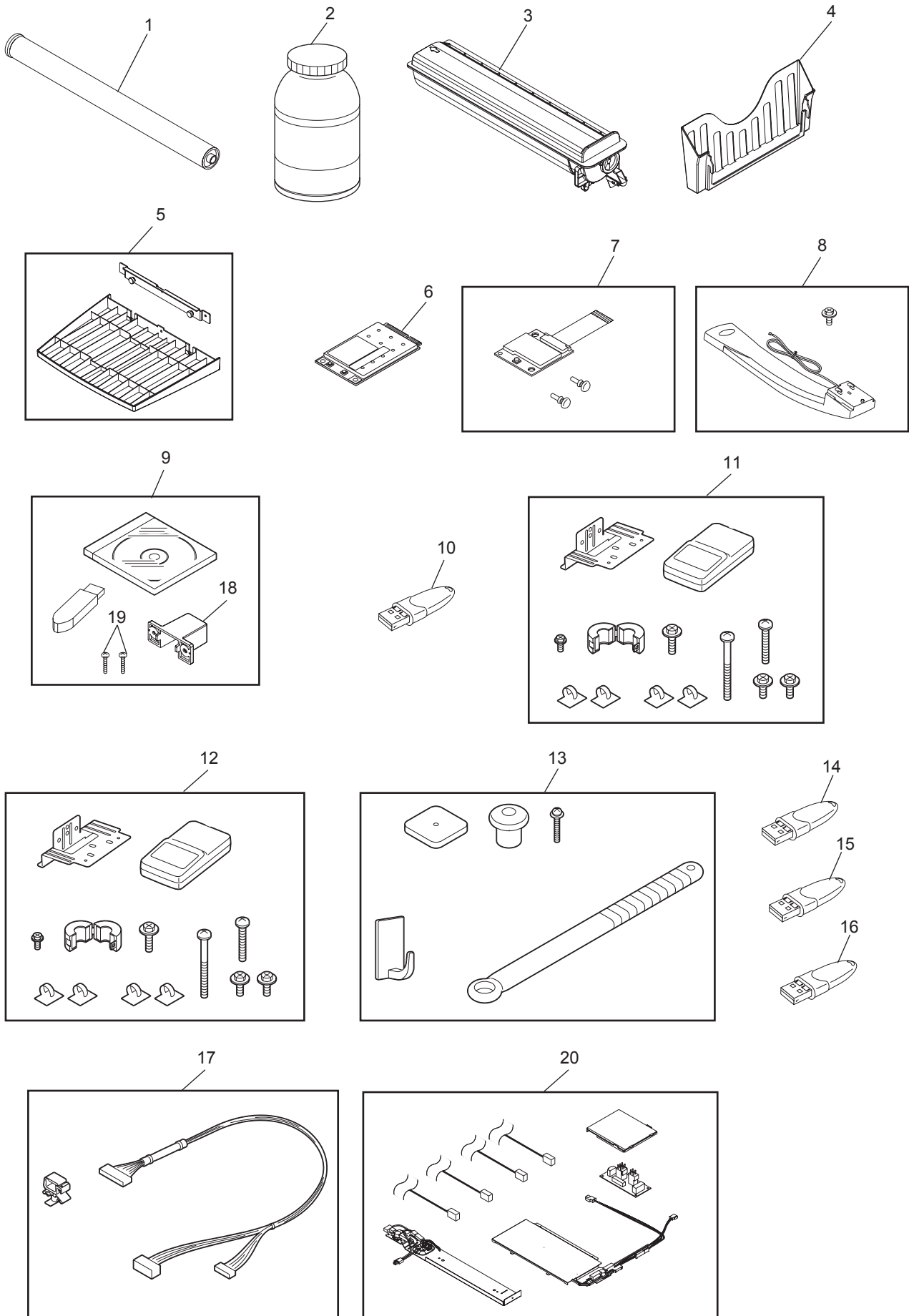
ITEM No.	PART No.	PART NAME	Q'TY / PAGE	Q'TY / PACK	REMARKS
1 A	6LH51624000	CST-F47X-SR	1	1/PP	
1 B	6LH51623000	CST-F47X-U	1	1/PP	
2	6LH51606000	GEAR-DRV-TRAYUP	1	1/P	
3	6LH51605000	CPG-TRAY-UP	1	1/P	
4	6LH51625000	GUIDE-CST-RR	1	1/P	
5	6LH51630000	SHAFT-LIFT-TRAY	1	1/P	
6	6LH51617000	GEAR-DRV-TRAYUP-SHAFT	1	1/P	
7	6LA80090000	S/TPP/BID-3X8-NI	12	5/P	
8	X0-00434000	S/BID-M3X8-NI	2	10/P	
9	41306265000	STOP-RING-8	1	1/P	
10	6LH51626000	BUSH-SFT-F47X	1	1/P	
11	6LH51611100	COVER-CST-F-470-N	1	1/PP	
12	6LH51608100	COVER-HNDL-CST-N	1	1/P	
13	6LH51629000	LVR-LIFT-TRAY	1	1/P	
14	6LH51621000	WALL-STOP-F47X	1	1/P	
15	41307599000	SHEET-CST	1	1/KP	
16	6LH05704000	LVR-ADJUST-WALL	1	1/P	
17	6LH51640000	ASYS-TRAY-CST-F47X	1	1/PP	
18	6LH51619000	WALL-PLT-SIDE-R-CST	1	1/P	
19	6LH51609000	RACK-CST-R	1	1/KP	
20	6LH51600000	WALL-SIDE-F-CST-F47X	1	1/KP	
21	6LH51614000	ASYS-PL-PININON-TRY	1	1/P	
22	6LE53717000	GEAR-10S18-8-TRAY	1	1/P	
23	6LH51610000	WALL-END-CST-F47X	1	1/P	
24	6LH51618000	GUIDE-RAIL-CST-L	1	1/P	
25	6LH51620000	RLR-RAIL-CST-L-F47X	1	1/P	
26	6LA56695000	SPC-LVR-WALL-F	1	1/P	
27	6LH51635000	CST-S-GUIDE-MAX	1	1/P	
28	X0-02420000	S/TPS/FHEXM/R-3X8-ZU3	1	10/P	
29	6LH51642000	LBL_O-LD_F47X	1	5/P	
32 A	6LH31900100	SIZE-CST-450-LT	1	1/KP	NAD
32 B	6LH31900000	SIZE-CST-450-A4	1	1/KP	ARD,SAD,ASD,AUD,MJD,TWD,CND,CNS
33	6LH51644000	PLT-CST	1	1/P	
34	X0-00102000	S/PAN-M3X12-NI	2	10/P	
35	X0-00077000	S/PAN/SWWP-M3X8-NI	1	10/P	



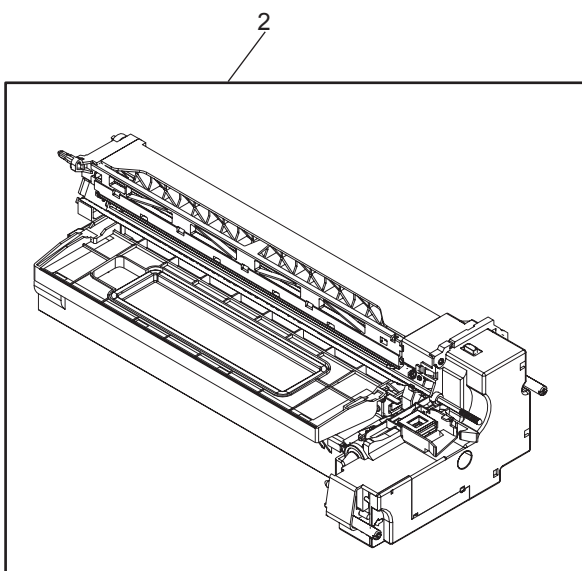
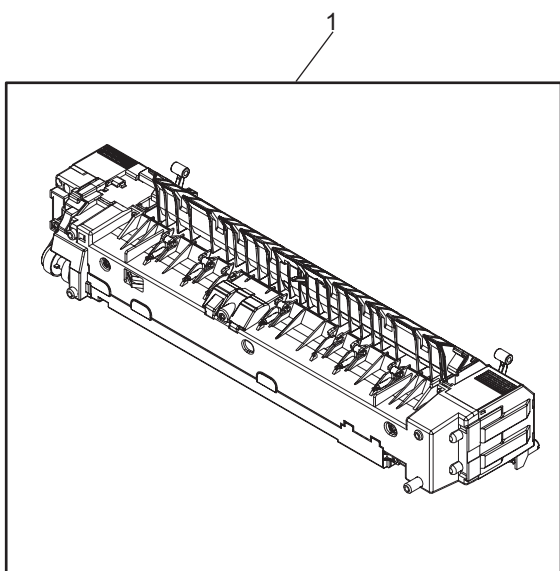
ITEM No.	PART No.	PART NAME	Q'TY / PAGE	Q'TY / PACK	REMARKS
1	4407915730	JIG-SW-F-COV	1	1/P	
2	4407915710	BRUSH-33	1	1/P	
3	4402048100	ASM-JIG-DOC-180	1	1/P	
4	4407914000	NOZZLE-BOTTLE	1	1/P	
5	6LA01757000	HOLDER-WIRE-SCAN	2	1/P	
6	44202661000	SPE-MOT-TNS	1	1/P	
7	6LH53488000	PU-TOOL-F47X	1	1/C	
10	4407933080	ASM-SILICONE-1M	1	1/P	
11	4842512170	OIL-LAUNA40-100	1	1/P	
12	6LA00019000	GREASE-HP300-S	1	1/P	
13	41303711000	ASM-PG-ALV2	1	1/P	
14	6LE36904000	MOLYKOTE_EM-30L_100G	1	1/P	
15	41303710000	ASM-PG-GE334C-S	1	1/P	
16	4408327820	K-BTL-SILICON-S	1	1/P	
17	4407015430	P-POWDER-PPT001	1	1/P	



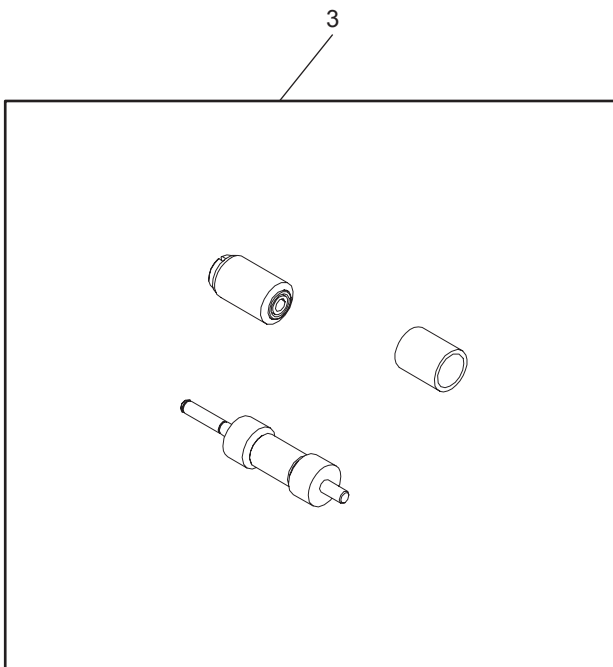
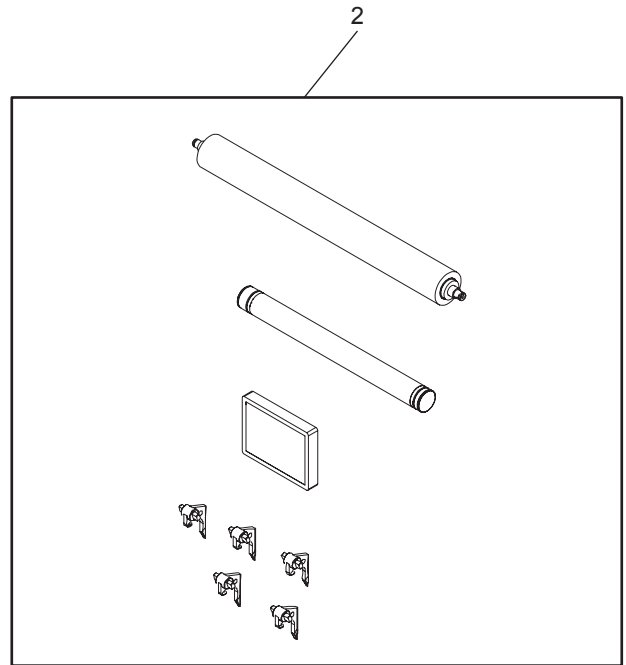
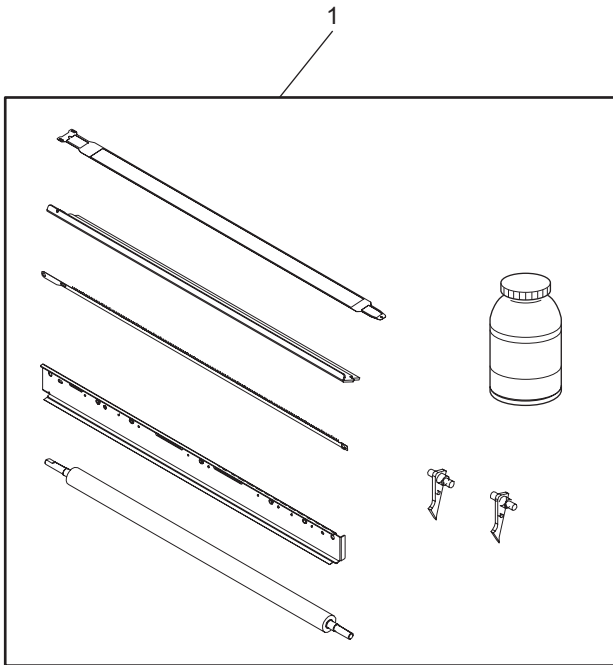
ITEM No.	PART No.	PART NAME	Q'TY / PAGE	Q'TY / PACK	REMARKS
1	44205829000	K-PWA-DLM-320	1	1/C	
2	6LA41995000	PWA-DWNLD-350-JIG2	1	1/SB	
3	6LA41994000	PWA-DWNLD-350-JIG1	1	1/SB	
4	6LA41996000	PWA-DL-ADP-350-1881	1	1/S	
5	6LA41997000	PWA-DL-ADP-350-1931	1	1/C	



ITEM No.	PART No.	PART NAME	Q'TY / PAGE	Q'TY / PACK	REMARKS
1	6LH58311000	OD-4530	1		
2 A	6AK00000131	PS-ZT4530(1)	1		for TABS, TCL
2 B	6AG00002933	PS-ZT4530(1)	1		for STI (made by TESS)
2 C	6AK00000137	PS-ZT4530A(1)	1		for TABS (Latain America)
2 D	6AG00002787	PS-ZT4530C(1)	1		for China
2 E	6AG00002793	PS-ZT4530D(1)	1		for TAP, TSP
2 F	6AG00002804	PS-ZT4530T(1)	1		for Taiwan
2 G	6AK00000134	PS-ZT4530E(1)	1		for EUROPE
3	6LH58317000	D-4530	1		
4 A	6AG00001893	KK-1660	1		All w/o TAP/China/JPN
4 B	6AG00001894	KK-1660-C	1		China
5	6AR00000755	KK-4550	1		All w/o China
6 A	6A000000981	GN-1050	1		All w/o China
6 B	6A000001050	GN-1050C	1		China
7	6A000000766	GN-2010	1		All w/o China
8 A	6A000000459	GN-3010	1		All w/o China
8 B	6AR00000579	GN-3010C	1		China
9 A	6AG00002711	GM-1150	1		All w/o US/China/JPD/EUR
9 B	6AG00002730	GM-2150	1		All w/o US/China/JPD/EUR
9 C	6AG00002750	GM-4150	1		All w/o US/China/EUR
10	6A000001051	GP-1070	1		All w/o China
11	6A000000878	KP-2004	1		All
12	6A000000925	KP-2005	1		All w/o China
13	6A000001164	KK-2550	1		All
14	6A000001055	GS-1010	1		All
15	6A000001057	GS-1020	1		All
16	6A000001053	GP-1080	1		All w/o China
17	6A000001160	GQ-1180	1		All
18	6LA60648000	COVER-ENABLER	1		
19	X0-01922000	S/TPP/BID-4X8-NI	1		
20 A	6AG00002780	MF-4550U	1		TABS/TCL



ITEM No.	PART No.	PART NAME	Q'TY / PAGE	Q'TY / PACK	REMARKS
1	6LH53489000	DEV-KIT-4530	1	1/S	
2 A	6LH53490000	FR-KIT-3000	1	1/S	e-STUDIO205L/255/305 e-STUDIO335/455
2 B	6LH53490100	FR-KIT-4530	1	1/S	
3	6LH34608000	PM-KIT-ROLLER	1	1/P	



ITEM No.	PART No.	PART NAME	Q'TY / PAGE	Q'TY / PACK	REMARKS
1 A	6LH55296000	FUSER-3000-115	1	1/S	e-STUDIO205L/255/305 115V
1 B	6LH55296100	FUSER-3000-220	1	1/S	e-STUDIO205L/255/305 220V
1 C	6LH55297000	FUSER-4530-115	1	1/S	e-STUDIO335/455 115V
1 D	6LH55297100	FUSER-4530-220	1	1/S	e-STUDIO335/455 220V
2	6LH53491100	PU-4530	1	1/S	

TOSHIBA

TOSHIBA TEC CORPORATION

2-17-2, HIGASHIGOTANDA, SHINAGAWA-KU, TOKYO, 141-8664, JAPAN