

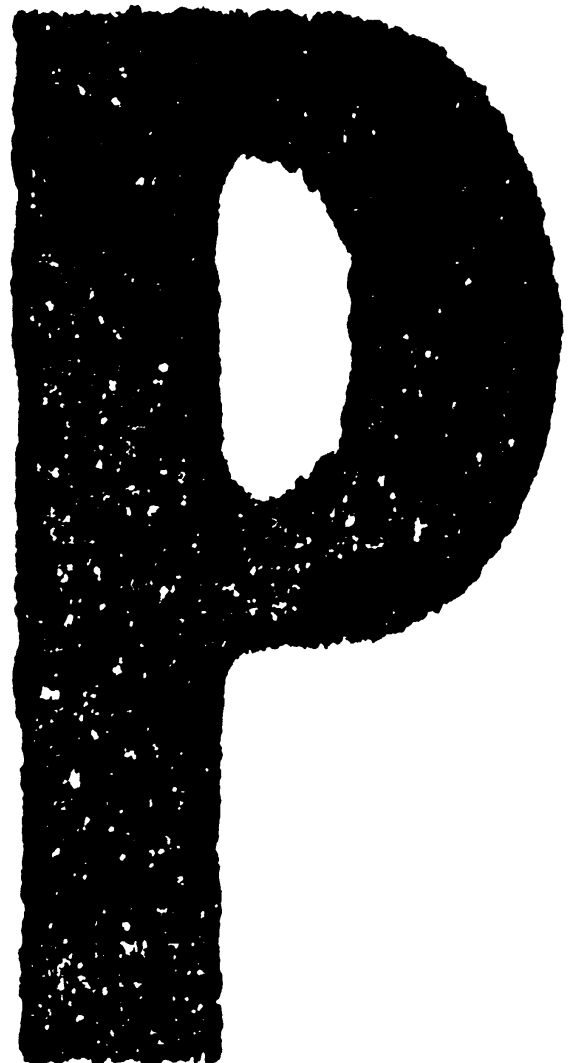
TOSHIBA

SERVICE PARTS LIST

MULTIFUNCTIONAL DIGITAL SYSTEMS

e-STUDIO2050c/2550c

e-STUDIO2051c/2551c

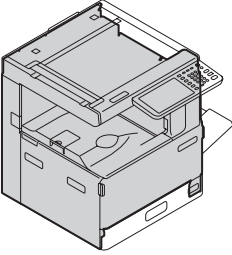
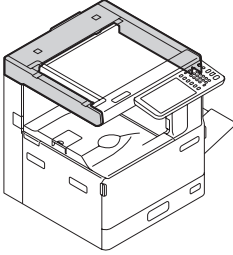
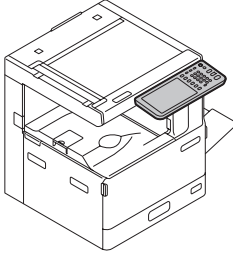
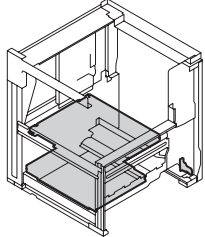
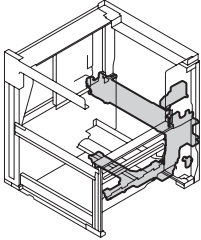
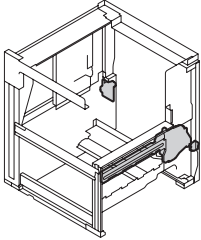
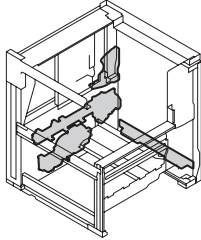
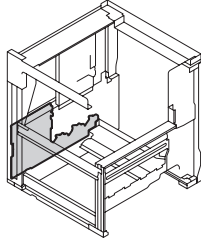
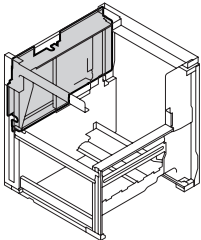
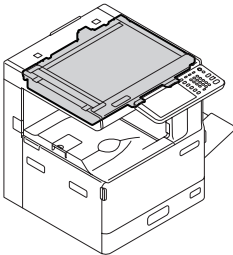
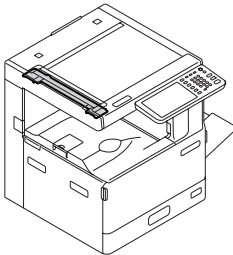
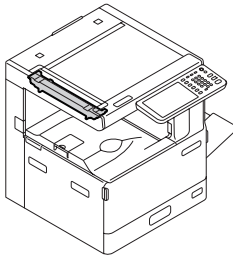
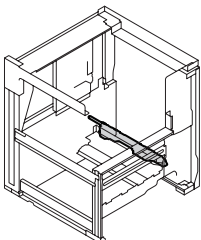
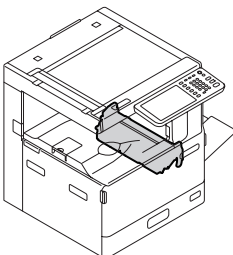
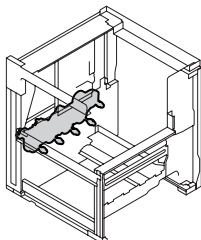
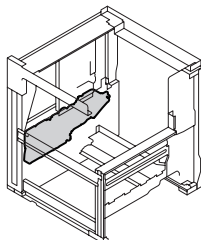
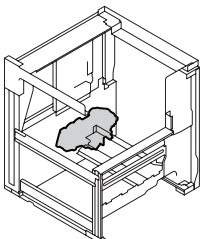
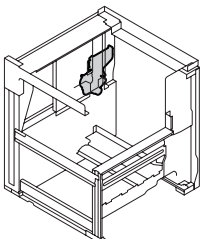
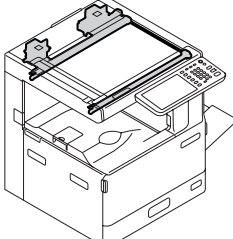
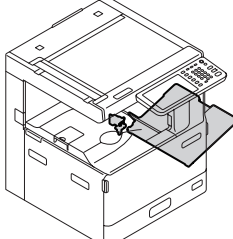


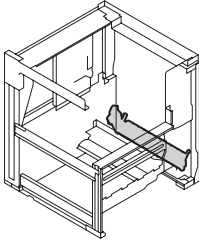
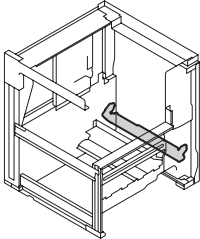
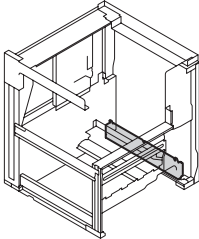
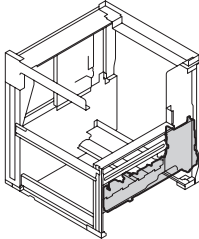
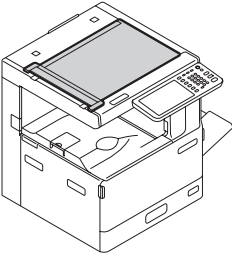
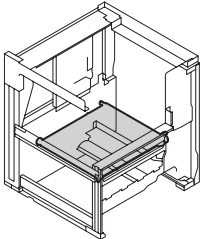
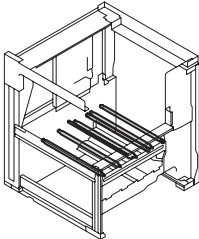
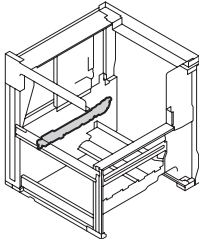
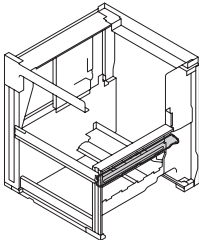
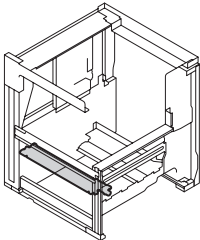
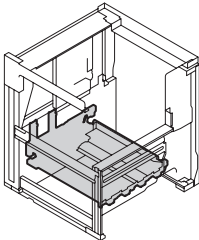
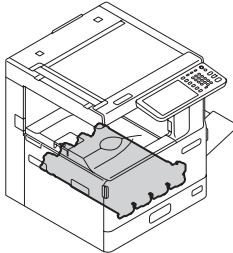
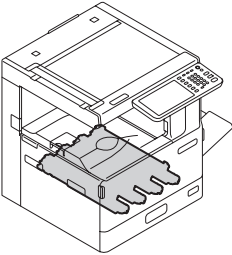
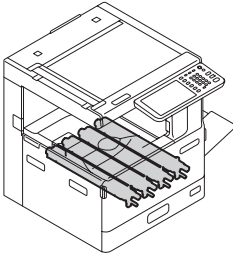
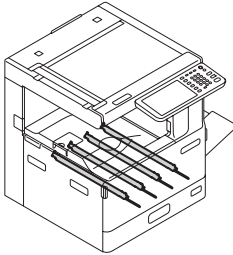
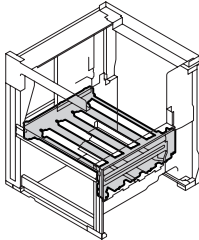
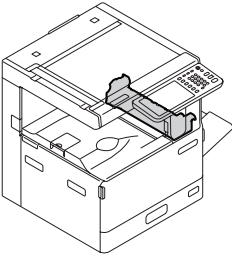
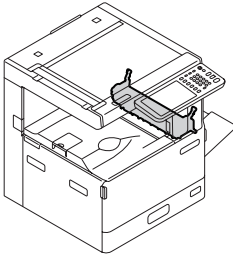
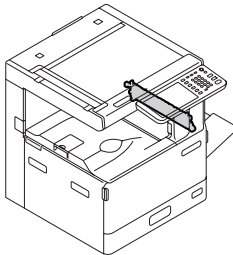
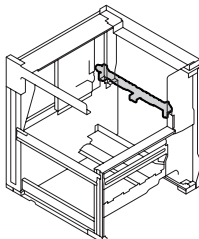
© 2012 TOSHIBA TEC CORPORATION All rights reserved

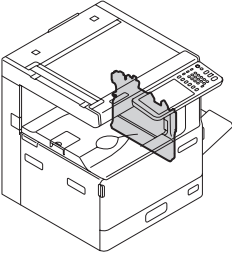
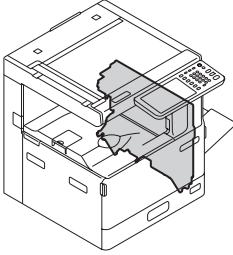
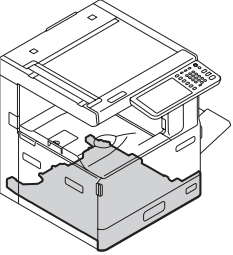
Under the copyright laws, this manual cannot be reproduced in any form without prior written permission of TOSHIBA TEC CORPORATION. No patent liability is assumed, however, with respect to the use of the information contained herein.

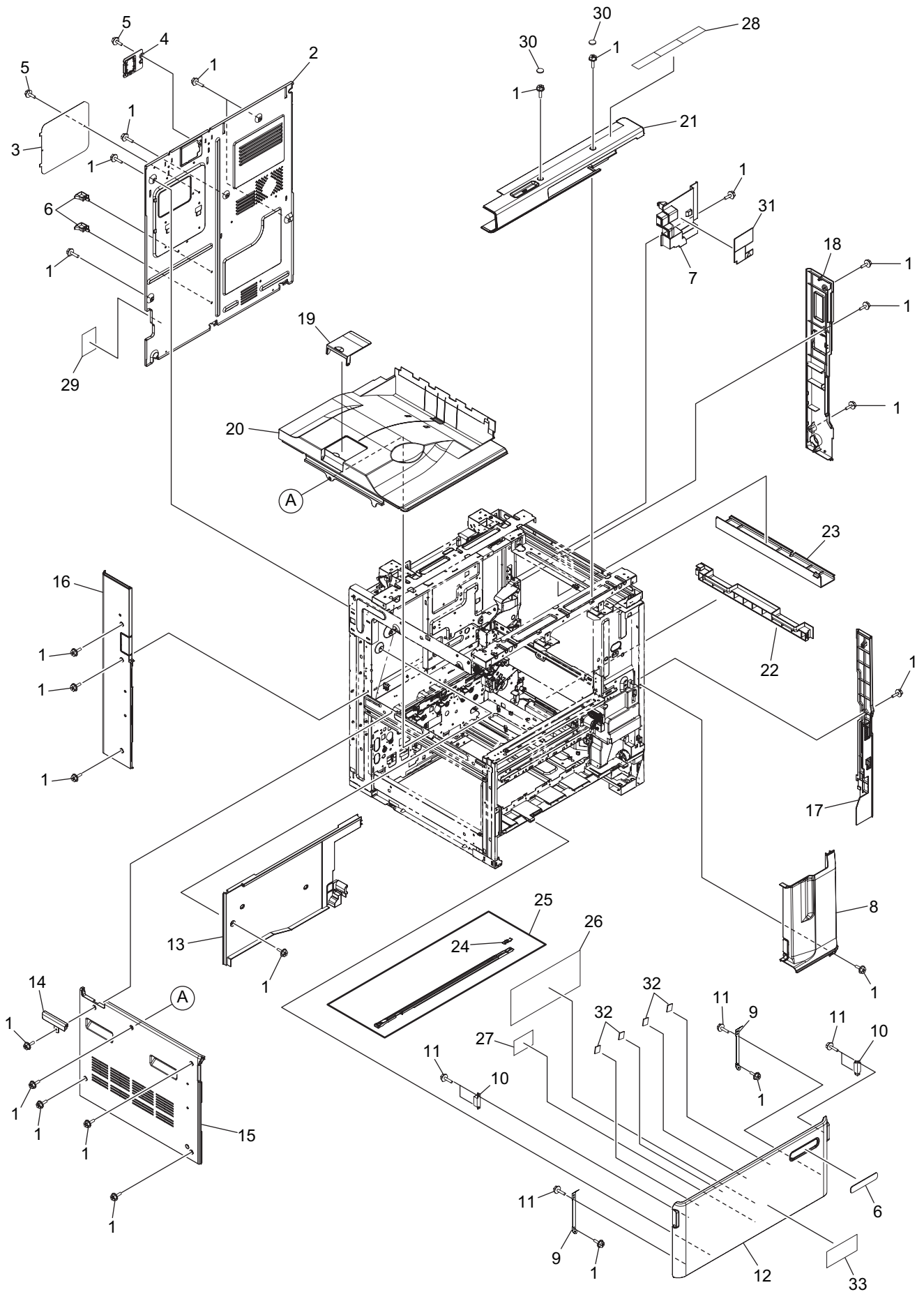
CONTENTS

COVER-1-ASY	1	ADU-1-ASY	41
COVER-2-ASY	2	ADU-2-ASY	42
CONTROL-PANEL-ASY.....	3	DRAWER-ASY	43
FRAME-1-ASY	4	JIGS & GREASE.....	101
FRAME-2-ASY	5	DOWNLOAD JIGS	102
FRAME-3-ASY	6	SUPPLIES.....	103
FRAME-4-ASY	7	REPLACE UNIT	104
ELECTRIC-ASY	8	PM-KIT	105
CASE-SYS-LGC-ASY	9		
OPTICAL-FRAME-ASY.....	10		
CRG-1-ASY.....	11		
CRG-2-ASY.....	12		
GUIDE-RGST-ASY.....	13		
TRU-ASY.....	14		
DRIVE-DRUM-1-ASY.....	15		
DRIVE-DRUM-2-ASY.....	16		
PAPER-FEED-DRIVE-ASY	17		
DRIVE-FUSER_EXIT-ASY.....	18		
OPTICAL-DRIVE.....	19		
BYPASS-ASY.....	20		
BYPASS-FEEDER-ASY	21		
RGST-GUIDE	22		
FEEDER-GUIDE-ASY	23		
DRIVE-WTNR-ASY	24		
GLASS-ASY	25		
TBU-ASY-1.....	26		
TBU-ASY-2.....	27		
TBU-ASY-3.....	28		
TBU-ASY-4.....	29		
TBU-ASY-5.....	30		
EPU-GUIDE-ASY	31		
DEVELOPER-ASY-1	32		
DEVELOPER-ASY-2	33		
CLEANER-ASY-1	34		
CLEANER-ASY-2	35		
TNR-DRIVE-ASY	36		
FUSER-ASY-1.....	37		
FUSER-ASY-2.....	38		
FUSER-ASY-3.....	39		
EXIT-L-ASY	40		

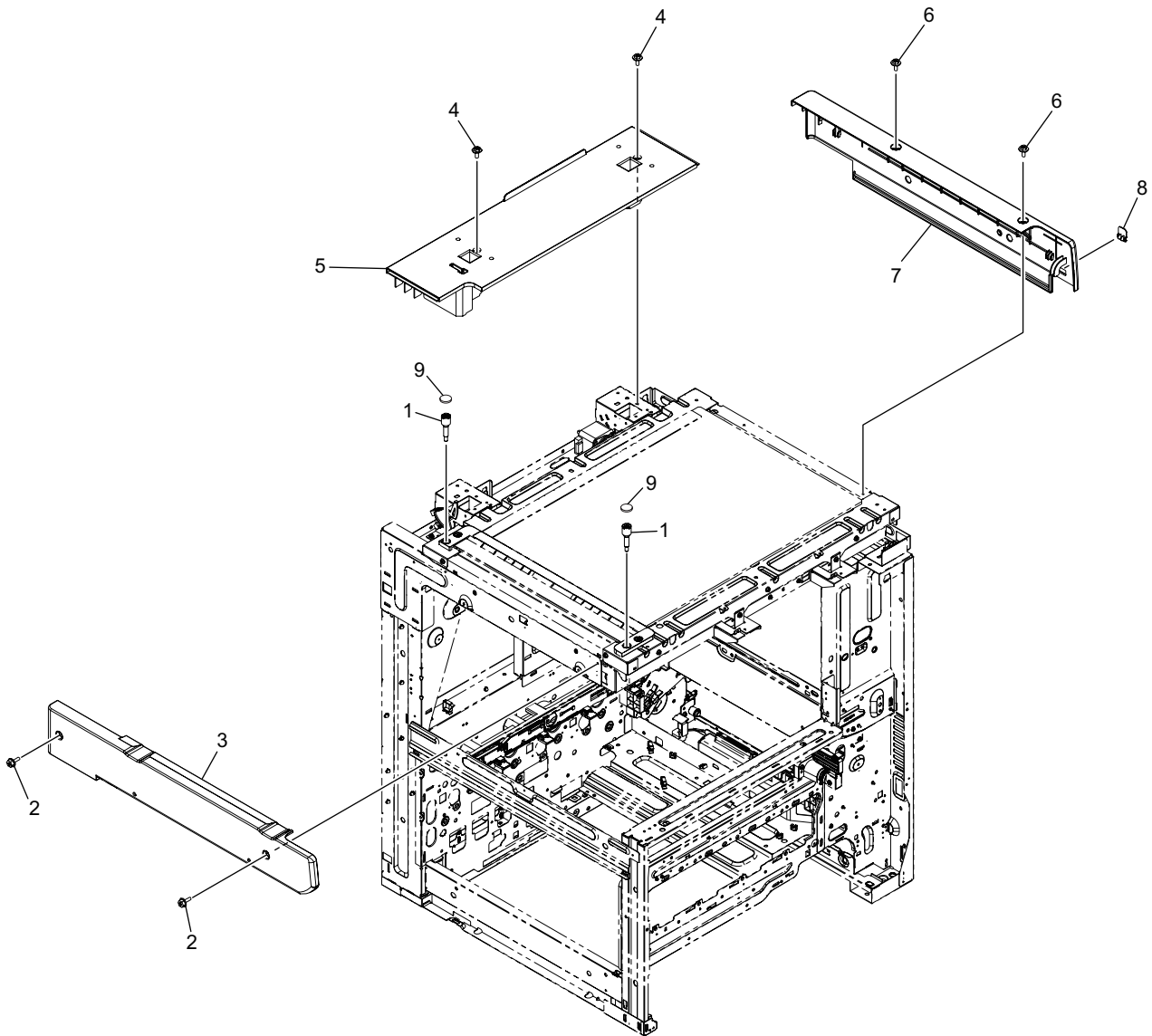
<p>1. COVER-1-ASY</p> 	<p>2. COVER-2-ASY</p> 	<p>3. CONTROL-PANEL-ASY</p> 	<p>4. FRAME-1-ASY</p> 
<p>5. FRAME-2-ASY</p> 	<p>6. FRAME-3-ASY</p> 	<p>7. FRAME-4-ASY</p> 	<p>8. ELECTRIC-ASY</p> 
<p>9. CASE-SYS-LGC-ASY</p> 	<p>10. OPTICAL-FRAME-ASY</p> 	<p>11. CRG-1-ASY</p> 	<p>12. CRG-2-ASY</p> 
<p>13. GUIDE-RGST-ASY.</p> 	<p>14. TRU-ASY</p> 	<p>15. DRIVE-DRUM-1-ASY</p> 	<p>16. DRIVE-DRUM-2-ASY</p> 
<p>17. PAPER-FEED-DRIVE-ASY</p> 	<p>18. DRIVE-FUSER_EXIT-ASY</p> 	<p>19. OPTICAL-DRIVE</p> 	<p>20. BYPASS-ASY</p> 

<p>21. BYPASS-FEEDER-ASY</p> 	<p>22. RGST-GUIDE</p> 	<p>23. FEEDER-GUIDE-ASY</p> 	<p>24. DRIVE-WTNR-ASY</p> 
<p>25. GLASS-ASY</p> 	<p>26. TBU-ASY-1</p> 	<p>27. TBU-ASY-2</p> 	<p>28. TBU-ASY-3</p> 
<p>29. TBU-ASY-4</p> 	<p>30. TBU-ASY-5</p> 	<p>31. EPU-GUIDE-ASY</p> 	<p>32. DEVELOPER-ASY-1</p> 
<p>33. DEVELOPER-ASY-2</p> 	<p>34. CLEANER-ASY-1</p> 	<p>35. CLEANER-ASY-2</p> 	<p>36. TNR-DRIVE-ASY</p> 
<p>37. FUSER-ASY-1</p> 	<p>38. FUSER-ASY-2</p> 	<p>39. FUSER-ASY-3</p> 	<p>40. EXIT-L-ASY</p> 

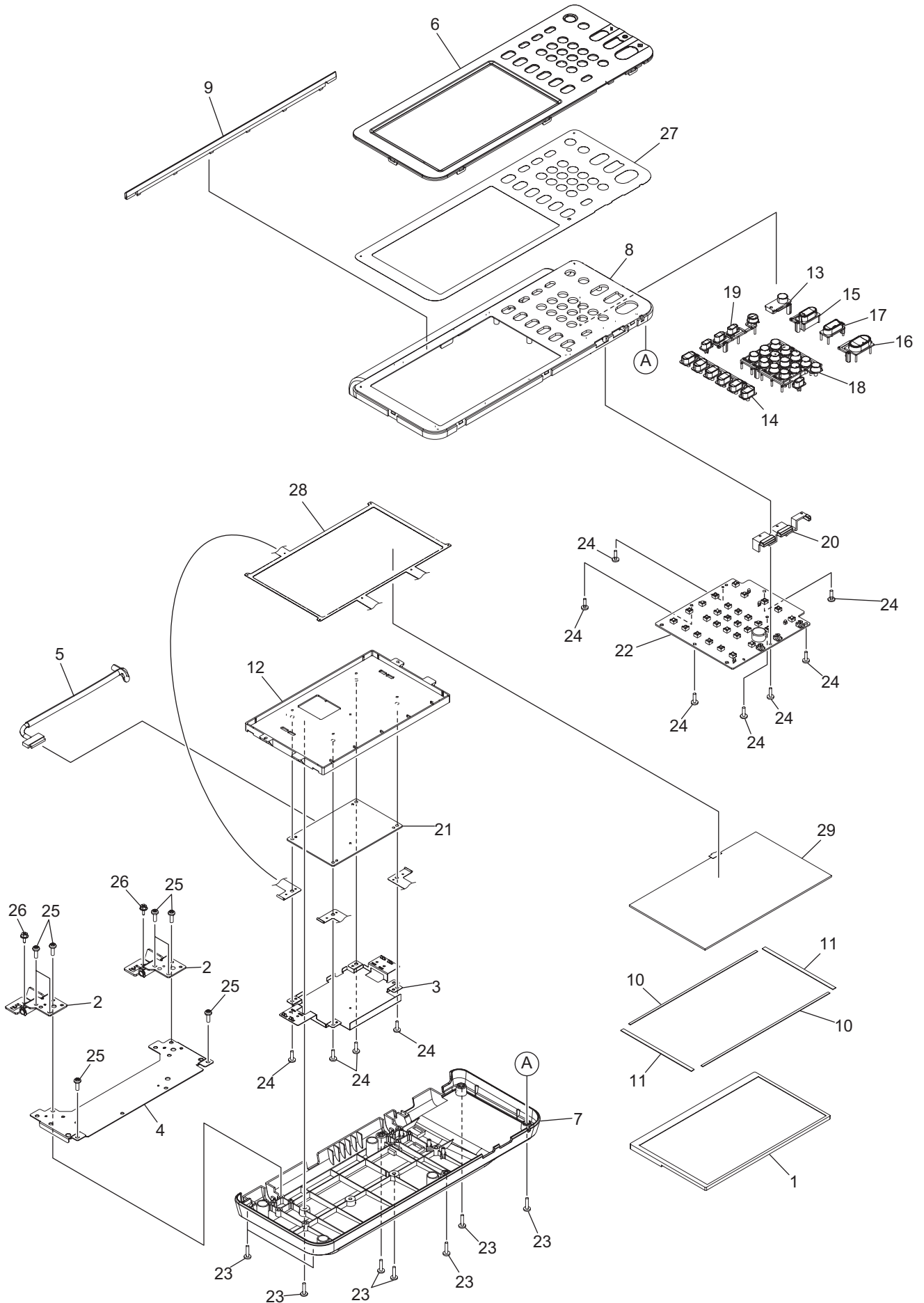
<p>41. ADU-1-ASY</p> 	<p>42. ADU-2-ASY</p> 	<p>43. DRAWER-ASY</p> 	



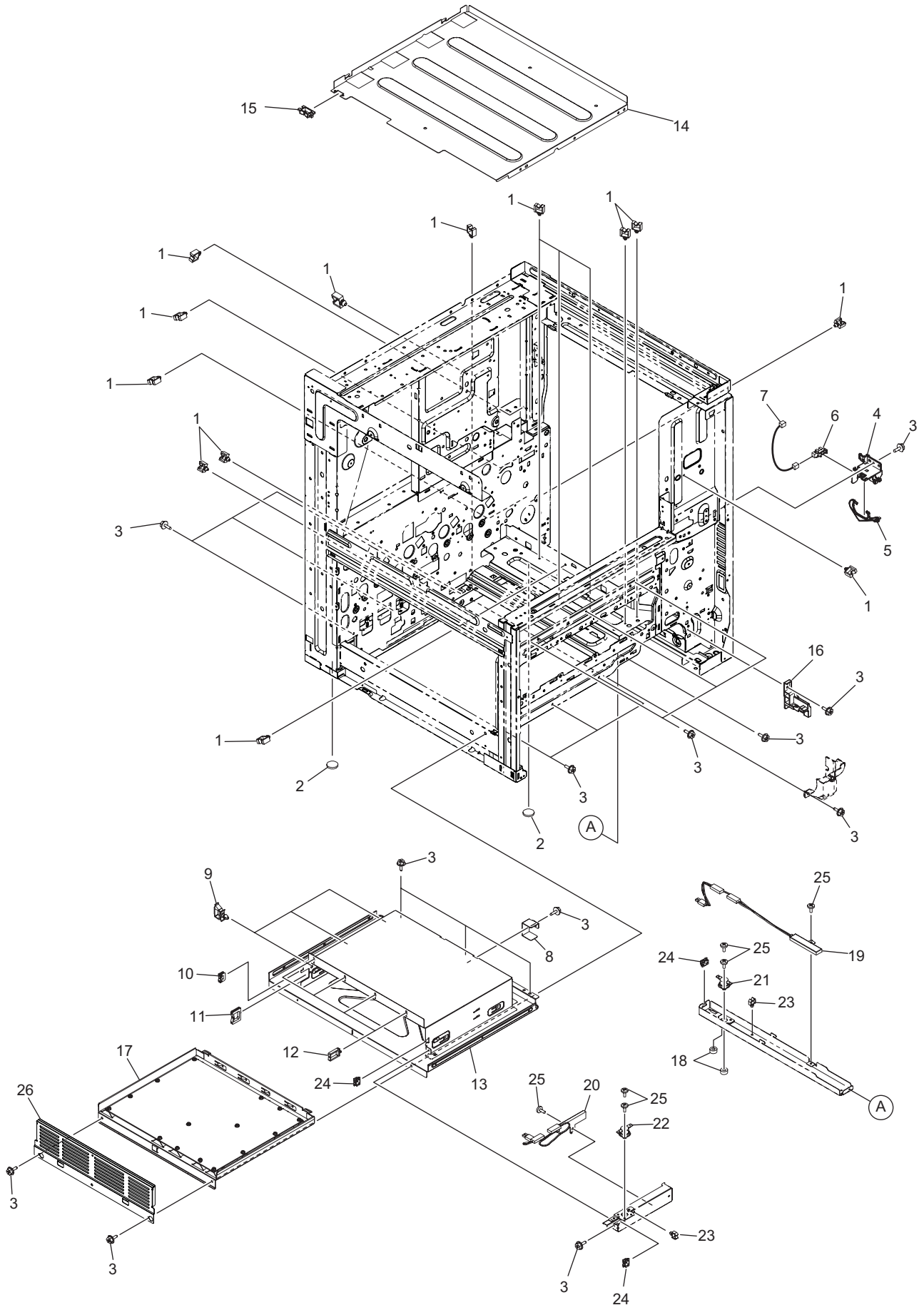
ITEM No.	PART No.	PART NAME	Q'TY / PAGE	Q'TY / PACK	REMARKS
1	X0-02420000	S/TPS/FHEXM/R-3X8-ZU3	24	10/P	
2	6LJ53700000	COVER-REAR-H21X	1	1/P	
3	6LJ53718000	COVER-REAR-PFC-H21X	1	1/P	
4	6LH52428100	COVER-CN-OPT-470-N	1	1/P	
5	X0-02593000	S/TPD3/FHEXM-3X8-ZU3	2	10/P	
6 A	6LJ53722100	ASYS-COVER-EMBLEM-H211	1	1/P	e-STUDIO2550C
6 B	6LJ53722000	ASYS-COVER-EMBLEM-H210	1	1/P	e-STUDIO2050C
6 C	6LJ53723000	ASYS-COVER-EMBLEM-H230	1	1/P	e-STUDIO2051C
6 D	6LJ53723100	ASYS-COVER-EMBLEM-H231	1	1/P	e-STUDIO2551C
7	6LJ53709000	COVER-FUSER-BACK	1	1/PP	
8	6LJ53734000	COVER-FRT-PILLAR	1	1/PP	
9	6LJ53727000	MYLAR-BAND-COV-FRT	2	1/P	
10	F0-01564000	CA-0168C	2	5/P	
11	X0-02248000	S/TPP/FHEXM-3X10-NI	6	10/P	
12	6LJ53730000	COVER-FRONT-ENTRY	1	1/PP	
13	6LJ53707000	COVER-TRAY-BACK	1	1/PP	
14	6LJ53719000	COVER-LEFT-2	1	1/PP	
15	6LJ53732000	COVER-LEFT	1	1/PP	
16	6LJ53733000	COVER-LEFT-REAR	1	1/PP	
17	6LJ53731000	COVER-FRT-PILLAR-R	1	1/PP	
18	6LJ53728000	COVER-RIGHT-REAR	1	1/PP	
19	6LH52423100	COVER-STOP-PAPER-470-N	1	1/P	
20	6LJ53729000	COVER-TRAY-H21X-EL	1	1/PP	
21	6LJ53726000	ASYS-COVER-TP-FRT	1	1/PP	
22	6LJ53716000	COVER-RGT-BOTTOM-LOW	1	1/PP	
23	6LJ53717000	COVER-SCN-UNDER	1	1/PP	
24	6LJ54679000	ASYS-PAD-CLNR-LED	1	1/P	
25	6LJ54651000	ROD-CLNR-LED	1	1/P	
26	6LJ68216000	SHEET-GUIDANCE-H21X	1	1/KP	
27	4406550190	LBL-HVT-BIT	1	5/P	
28 A	6LH56615000	LBL-PROHIBIT-U-470	1	1/KP	NAD
28 B	6LH56618000	LBL-PROHIBIT-C-470	1	N/A***	CND
28 C	6LH56617000	LBL-PROHIBIT-E-470	1	1/KP	MJD,AUD,ASD
29 A	6LH45852000	LBL-SERVICE-CABLE	1	1/KP	MJD
29 B	6LA56227000	LBL-SERVICE-45C	1	5/KP	CND
30	6LH56607000	LID-SCREW-470	2	5/P	
31	6LJ58110000	LBL-HOT-H210	1	1/P	
32	6LE28803000	SEAL-LIDTNR-380	4	N/A***	
33 A	6LH59409000	LBL-ORG-TC-CND-N	1	1/KP	CND



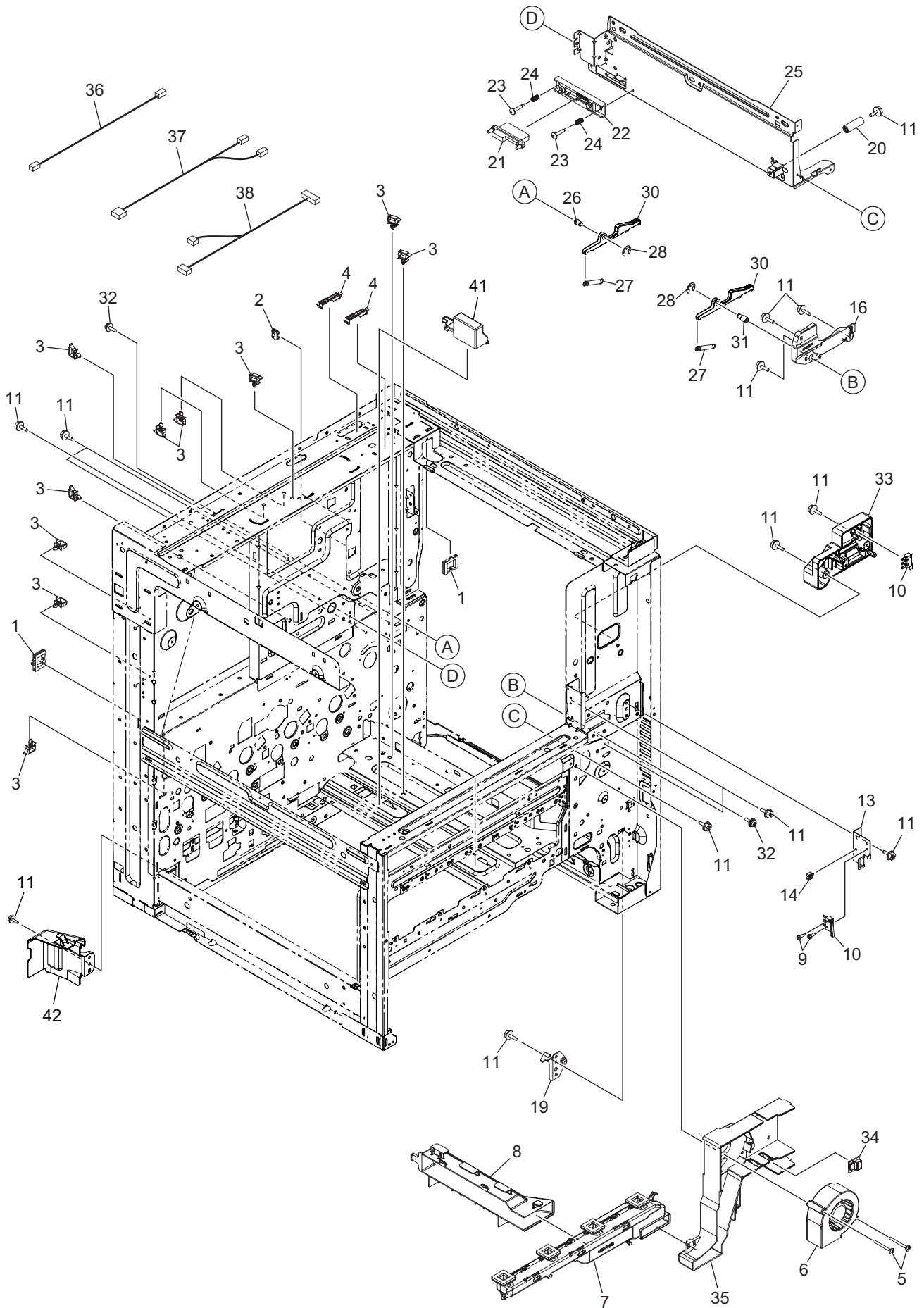
ITEM No.	PART No.	PART NAME	Q'TY / PAGE	Q'TY / PACK	REMARKS
1	6LJ59784000	LOCK-CRG-H21X	2	1/P	
2	X0-02420000	S/TPS/FHEXM/R-3X8-ZU3	2	10/P	
3	6LJ59793000	COVER-TP-LFT-H21X	1	1/PP	
4	X0-02589000	S/TPD3/FHEXM-4X8-ZU3	2	10/P	
5	6LJ59794000	COVER-TP-RER-H21X	1	1/PP	
6	X0-02230000	S/FHEXM-M3X6-NI	2	10/P	
7	6LJ59792000	ASYS-COV-TP-RGT-H21X	1	1/PP	
8	6LJ59775000	LID-USB-H21X	1	1/P	
9	6LH56607000	LID-SCREW-470	2	5/P	



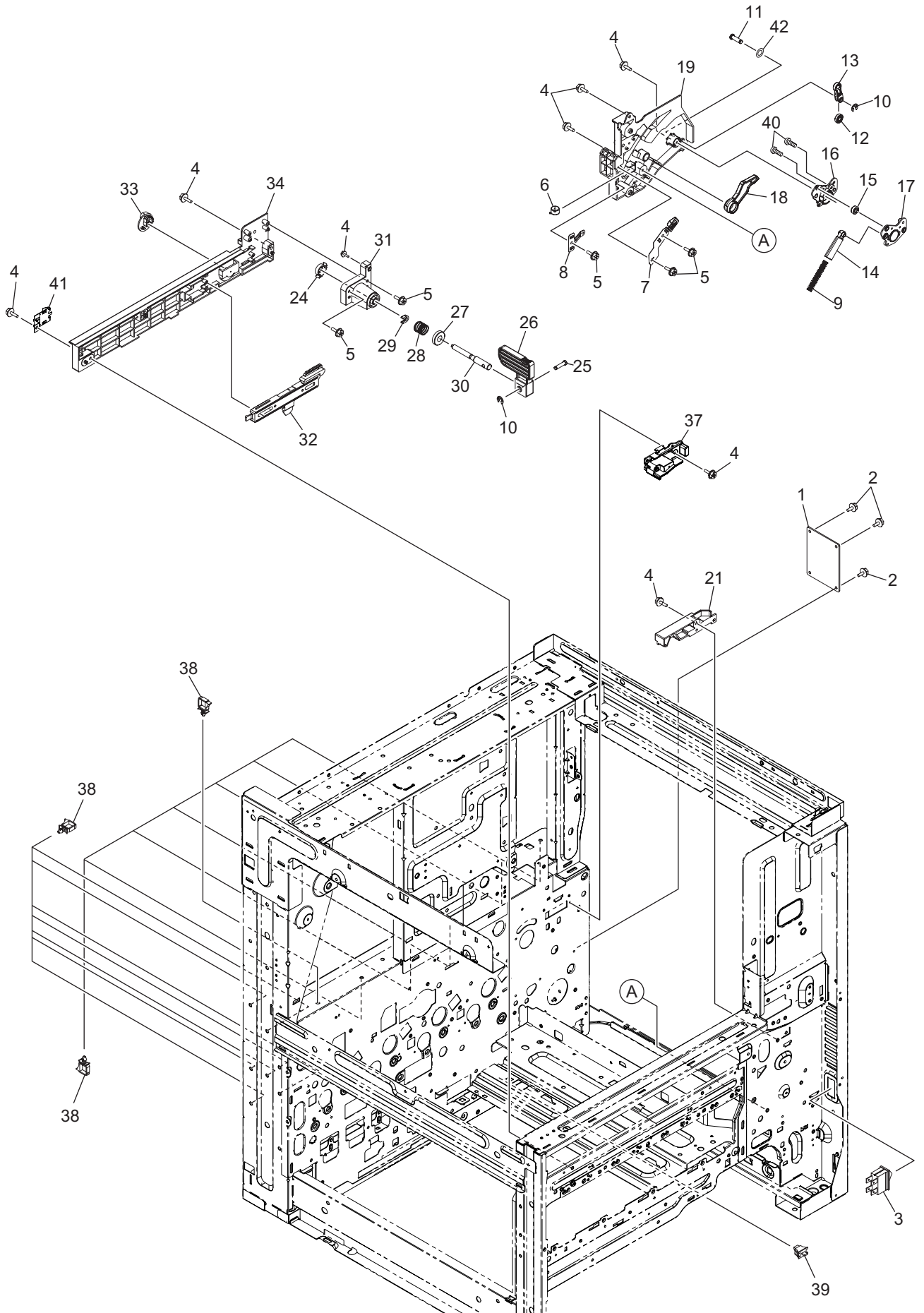
ITEM No.	PART No.	PART NAME	Q'TY / PAGE	Q'TY / PACK	REMARKS
1 A	6LJ53405000	ASYS-DSP-LCD-H21X	1	1/C	e-STUDIO2550C/2050C
1 B	6LJ53446000	ASYS-DSP-LCD-H23X	1	1/C	e-STUDIO2051C/2551C
2	6LJ53433000	ASYS-HINGE-H21X	2	1/P	
3	6LJ53406000	ASYS-SHIELD-PLATE	1	1/P	
3 A	6LJ53406000	ASYS-SHIELD-PLATE	1	1/P	e-STUDIO2550C/2050C
3 B	6LJ53442000	ASYS-SHIELD-PLATE-H23X	1	1/P	e-STUDIO2051C/2551C
5	6LJ53413000	CABLE-IF	1	1/P	
6 A	6LJ53416000	COV-CONP-CLEAR-H21X	1	1/PP	e-STUDIO2550C/2050C
6 B	6LJ53439000	COV-CONP-CLEAR-23X	1	1/PP	e-STUDIO2051C/2551C
7	6LJ53415000	COVER-CONPANE-LWR-H21X	1	1/PP	
8 A	6LJ53414000	COVER-CONPANE-UPR-H21X	1	1/PP	e-STUDIO2550C/2050C
8 B	6LJ53438000	COVER-CONPANE-UPR-H23X	1	1/PP	e-STUDIO2051C/2551C
9	6LJ53432000	COVER-UPR-RIM	1	1/P	
10 A	6LJ53451000	CUSHION-LCD-L-H21X	2	1/P	e-STUDIO2550C/2050C
10 B	6LJ53453000	CUSHION-LCD-L-H23X	2	1/P	e-STUDIO2051C/2551C
11 A	6LJ53452000	CUSHION-LCD-S-H21X	2	1/P	e-STUDIO2550C/2050C
11 B	6LJ53454000	CUSHION-LCD-S-H23X	2	1/P	e-STUDIO2051C/2551C
12 A	6LJ53411000	HOLDER-LCD-H21X	1	1/P	e-STUDIO2550C/2050C
12 B	6LJ53441000	HOLDER-LCD-H23X	1	1/PP	e-STUDIO2051C/2551C
13	6LJ53419000	KEY-ENERGY-H21X	1	1/P	
14 A	6LJ53424000	KEY-FUNCTION	1	1/P	e-STUDIO2550C/2050C
14 B	6LJ53440000	KEY-FUNCTION-H23X	1	1/P	e-STUDIO2051C/2551C
15	6LJ53420000	KEY-RESET-H21X-U	1	1/P	
16	6LJ53428000	KEY-START	1	1/P	
17	6LJ53429000	KEY-STOP	1	1/P	
18	6LJ53425000	KEY-TEN-H21X	1	1/P	
19	6LJ53423000	KEY-USER-FUNC-H21X	1	1/P	
20	6LJ53418000	LID-LED-H21X	1	1/P	
21 A	6LJ53430000	PWA-DISP-H21X	1	1/SB	e-STUDIO2550C/2050C
21 B	6LJ53447000	PWA-DISP-H23X	1	1/SB	e-STUDIO2051C/2551C
22	6LJ53431000	PWA-KEY-H21X	1	1/P	
23	X0-02596000	S/TPP/BID-3X10-NI	8	10/P	
24	X0-01989000	S/TPP/BID-3X8-NI	11	10/P	
25	X0-02036000	S/TPP/PAN-4X10-NI	8	N/A***	
26	X0-02420000	S/TPS/FHEXM/R-3X8-ZU3	2	10/P	
27 A	6LJ53417000	SHEET-PANEL-H21X-U	1	1/P	e-STUDIO2550C/2050C
27 B	6LJ53443000	SHEET-PANEL-H23X-U	1	1/P	e-STUDIO2051C/2551C
28 A	6LJ53402000	SHIELD-LCD-AL	1	1/P	e-STUDIO2550C/2050C
28 B	6LJ53450000	SHIELD-LCD-H23X	1	1/P	e-STUDIO2051C/2551C
29 A	6LJ53410000	TOUCHPANEL-FC	1	1/C	e-STUDIO2550C/2050C
29 B	6LJ53444000	TOUCHPANEL-DMC	1	1/P	e-STUDIO2051C/2551C



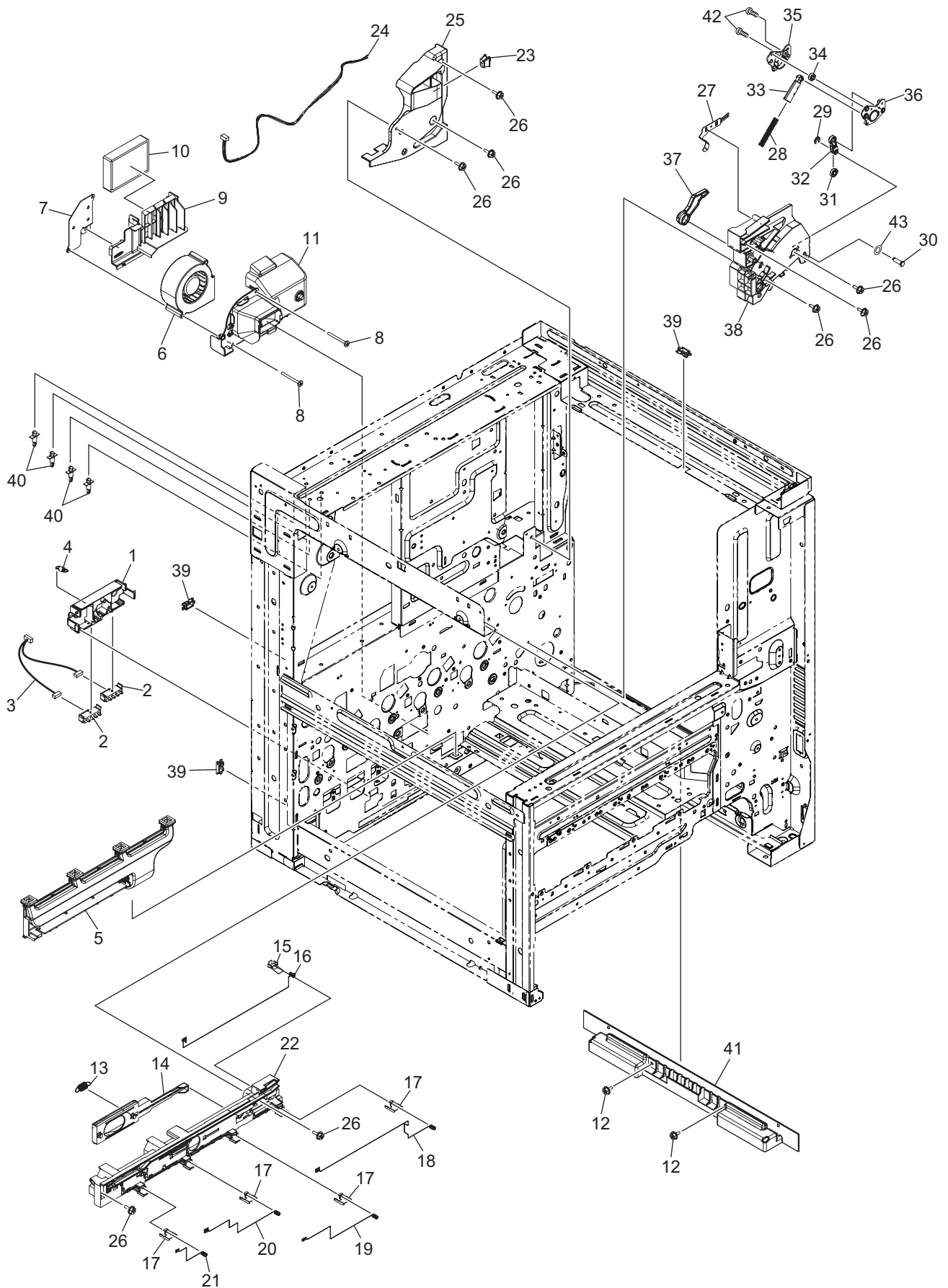
ITEM No.	PART No.	PART NAME	Q'TY / PAGE	Q'TY / PACK	REMARKS
1	F0-01250000	MSB-1207	15	5/P	
2	6LH54676000	FOOT-FRM-BASE	2	5/P	
3 A	X0-02420000	S/TPS/FHEXM/R-3X8-ZU3	17	10/P	NAD,MJD
3 B	X0-02420000	S/TPS/FHEXM/R-3X8-ZU3	20	10/P	AUD,ASD,CND
4	6LJ56822000	HOLDER-SNSR-EMPTY-H21X	1	1/P	
5	6LE53709000	ACTR-SNSR-280	1	1/P	
6	C0-17839000	LG2A14BL1	1	1/C	
7	6LJ60259000	HRNS-PFP-FED-210	1	1/P	
8	6LJ53124000	PLATE-CASE-LVPS-SIDE	1	N/A***	
9	F0-01811000	LWS-0711S-V0	3	5/P	
10	F0-00120000	ES-0505	1	5/P	
11	F0-00047000	EDS-1717U	1	10/P	
12	F0-01263000	RWS-3TV0	4	5/P	
13	6LJ52324000	ASYS-PLATE-MID-H21X	1	N/A***	
14	6LJ52305000	STAY-TOP-H21X	1	1/P	
15	F0-01248000	ESC-0912	1	10/P	
16	6LJ56836000	LOCK-CST-H21X-EL	1	1/P	
17 A	6LJ60746000	ASYB-PSU-H21X	1	1/C	NAD,MJD,AUD,ASD
17 B	6LJ60787000	ASYB-PSU-H21X-C	1	1/C	CND
18 B	6LE25210000	CUSH-FRM-SCREW-380	2	1/P	AUD,ASD,CND
19 B	6LJ60545200	HEATR-DRUM1-210-E	1	1/P	AUD,ASD,CND
20 B	6LJ60546200	HEATR-DRUM2-210-E	1	1/P	AUD,ASD,CND
21 B	6LJ60731000	THRMST-DAMP1-CS7L-210	1	1/P	AUD,ASD,CND
22 B	6LJ60732000	THRMST-DAMP2-CS7L-210	1	1/P	AUD,ASD,CND
23 B	F0-00270000	UAMS-05L-0-46	2	10/P	AUD,ASD,CND
24 B	F0-00671000	EDS-0607M	3	5/P	AUD,ASD,CND
25 B	X0-00430000	S/BID-M3X6-NI	6	10/P	AUD,ASD,CND
26	6LJ53724000	PLATE-SHLD-LEFT	1	1/P	



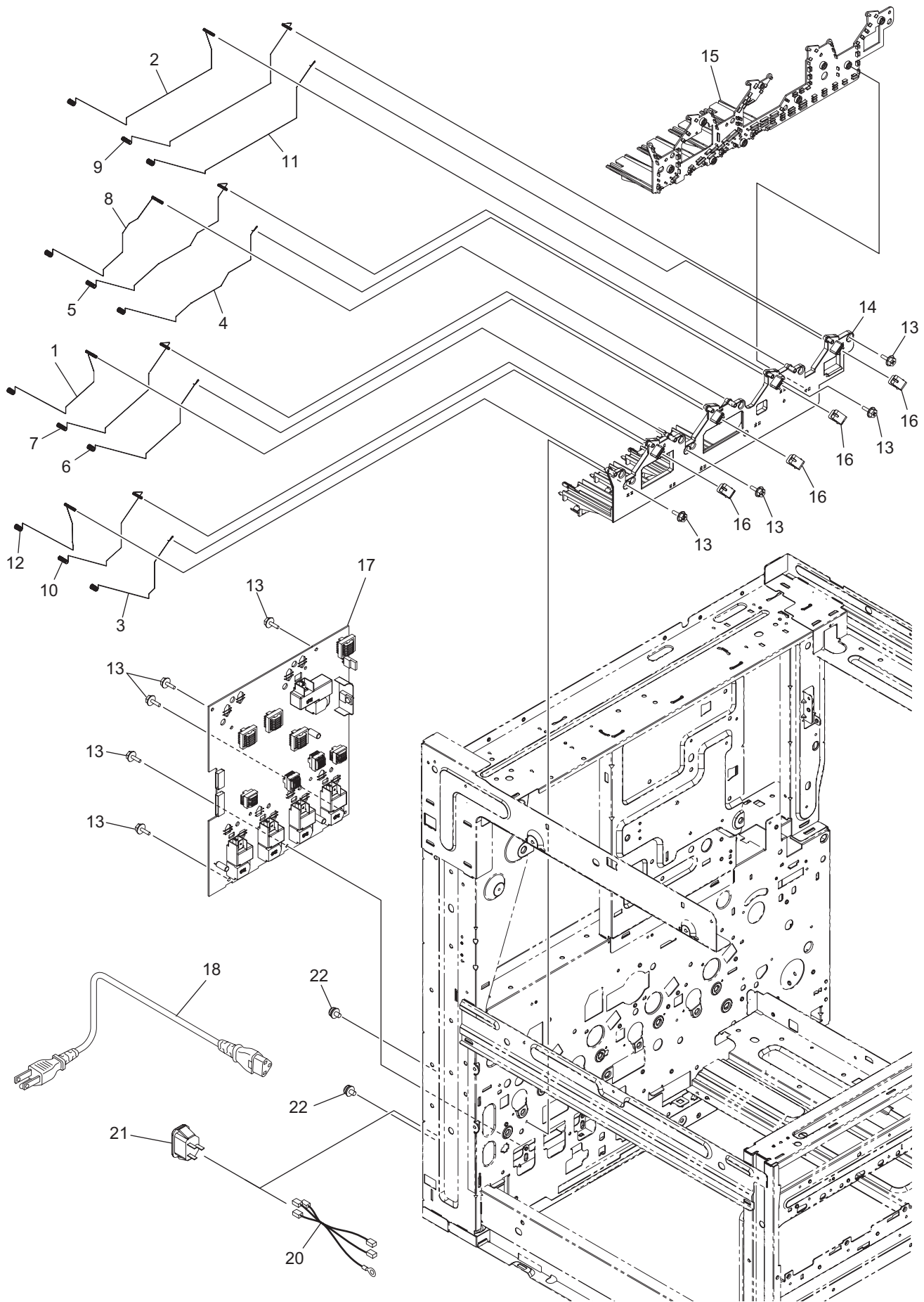
ITEM No.	PART No.	PART NAME	Q'TY / PAGE	Q'TY / PACK	REMARKS
1	F0-00047000	EDS-1717U	2	10/P	
2	F0-00120000	ES-0505	2	5/P	
3	F0-01811000	LWS-0711S-V0	10	5/P	
4	F0-01418000	RFC-33V0	2	1/P	
5	X0-00461000	S/BID-M4X35-NI	2	10/P	
6	6LH09500000	FAN-P7530-430M	1	1/D	
7	6LJ53119000	ASYS-DUCT-OZN-FRT-H21X	1	1/PP	
8	6LJ53100000	DUCT-LVPS-COOL-H21X	1	1/PP	
9	44204394000	SCREW20XD23	2	10/P	
10	E0-08294000	DE2L-BALG	2	1/D	
11	X0-02420000	S/TPS/FHEXM/R-3X8-ZU3	15	10/P	
13	6LJ52809000	BRKT-INTERLOCK-SW-H21X	1	1/P	
14	F0-01250000	MSB-1207	1	5/P	
16	6LJ58060000	GUIDE-RAIL-FUS-F	1	1/PP	
19	6LJ57337000	ASYB-HINGE-F	1	1/P	
20	6LJ58082000	SPG-C-PUSH-FUS-F	1	1/P	
21	6LJ60318000	HRNS-LVPS-FUSER-210	1	1/P	
22	6LJ58006000	HLDR-DRW-FRM	1	1/P	
23	4406326040	SCREW-D4-18-M3	2	10/P	
24	6LA14468000	SPC068-080-160	2	5/P	
25	6LJ52315000	ASYS-STAY-FUSER-H21X	1	1/D	
26	6LJ58075000	STUD-LVR-LOCK-R	1	N/A***	
27	6LJ58037000	SPG-E-LVR-LOCK	2	1/P	
28	X0-00966000	RR/E-5-SS	2	10/P	
30	6LJ58107000	ASYB-COVER-LVR-LOCK	2	1/P	
31	6LJ58074000	STUD-LVR-LOCK-F	1	N/A***	
32	X0-00077000	S/PAN/SWWP-M3X8-NI	2	10/P	
33	6LJ52355000	HOLD-ADU-HOOK-F-H21X	1	1/P	
34	D0-32012000	CHS-CGC5-28	1	1/P	
35	6LJ53101000	DUCT-FRONT-FAN-H21X	1	1/P	
36	6LJ60270000	HRNS-LVPS-INLCSW2-210	1	1/P	
37	6LJ60269000	HRNS-LVPS-INLCSW-210	1	1/P	
38	6LJ60216000	HRNS-LGC-FUSER-210	1	1/P	
41	6LJ54685000	SUPPORT-GUIDE-EPU	1	1/P	
42	6LJ52362000	CASE-CASSETTE-RAIL-H21X	1	1/PP	



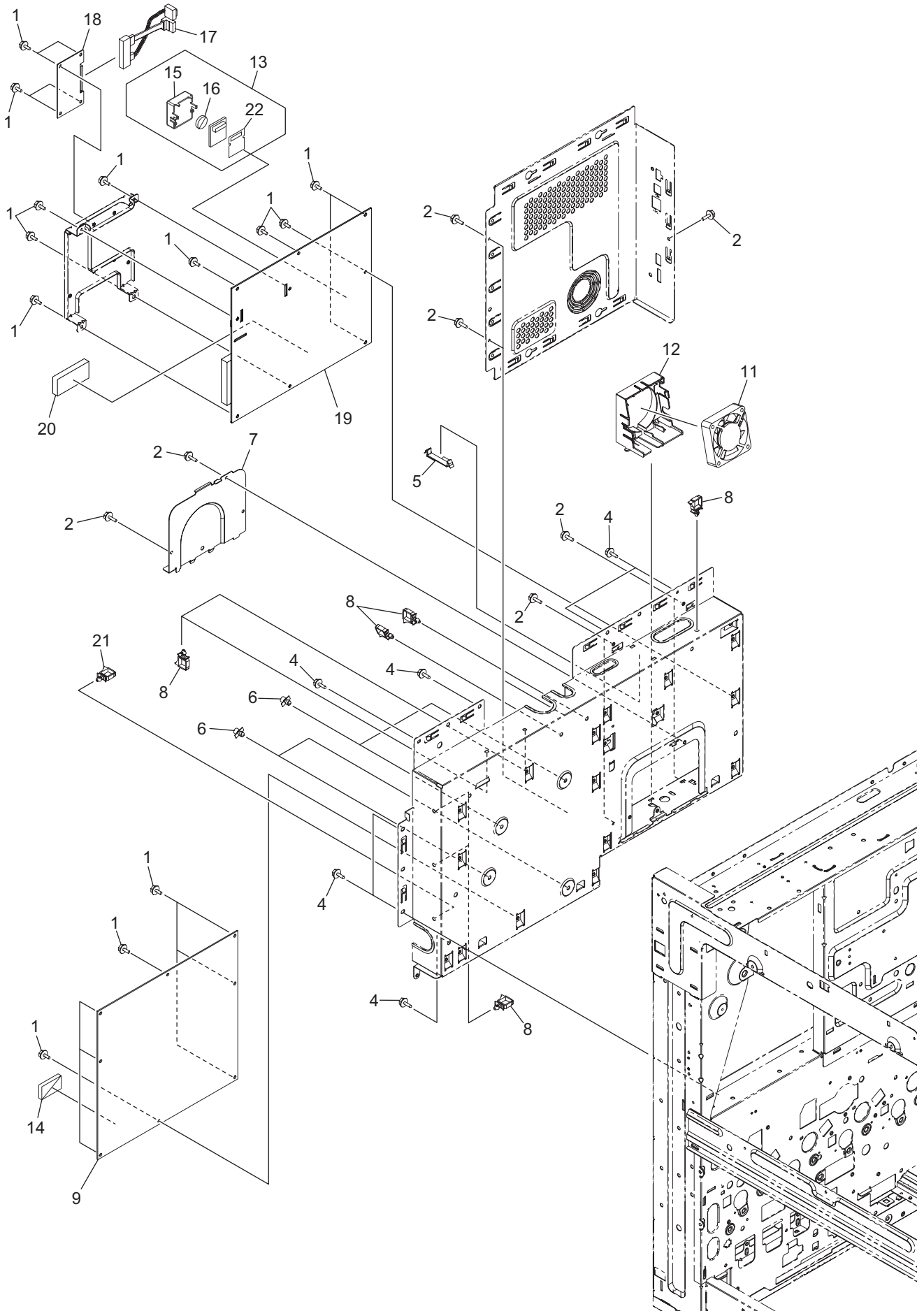
ITEM No.	PART No.	PART NAME	Q'TY / PAGE	Q'TY / PACK	REMARKS
1	6LJ60756000	ASYB-CFD-210	1	1/SB	
2	X0-02230000	S/FHEXM-M3X6-NI	3	10/P	
3	E0-14534000	CF-LA-2KZ2-1C	1	1/P	
4	X0-02420000	S/TPS/FHEXM/R-3X8-ZU3	8	10/P	
5	X0-02247000	S/TPP/FHEXM-3X8-NI	5	10/P	
6	D0-24198000	ERZV10D821	1	1/P	
7	6LJ55945000	ASYS-TRU-GND-F	1	1/P	
8	6LJ55908000	SPG-F-RGST-GND	1	1/P	
9	6LJ55934000	SPG-C-TR2-H21X	1	1/P	
10	X0-00964000	RR/E-3-SS	2	10/P	
11	6LJ55902000	SHAFT-TRU-LOCK	1	1/P	
12	6LJ55911000	COLLAR-LINK-ADU	1	1/P	
13	6LJ55905000	ROD-HLDR-COLLAR	1	1/P	
14	6LJ55900000	HLDR-SP-TRU	1	1/P	
15	6LJ55904000	COLLAR-TRU-PUSH-WEISS	1	1/P	
16	6LJ55910000	LINK-PUSH-TRU-B	1	1/P	
17	6LJ55909000	LINK-PUSH-TRU-A	1	1/P	
18	6LJ55903000	PUSHER-TRU-WEISS	1	1/P	
19	6LJ55930000	FRM-PUSH-TRU-F	1	1/PP	
21	6LJ55504000	GUIDE-RAIL-TBU-F	1	1/P	
24	6LJ55485000	GEAR-LINK-TBU-LVR	1	1/P	
25	6LJ55496000	STUD-LEVER-TBU	1	1/P	
26	6LJ55493000	LEVER-TBU-LIFT-K	1	1/P	
27	6LJ55487000	SLIDER-LEVER-TBU	1	1/P	
28	6LJ55499000	SPG-C-LVR-TBU	1	1/P	
29	4407972860	STOP-RING-6-5	1	5/P	
30	6LJ55495000	SHAFT-SLIDER-LIFT-K	1	1/P	
31	6LJ55484000	BRKT-LEVER-TBU	1	1/P	
32	6LJ55483000	SLIDER-LIFT-K	1	1/PP	
33	6LJ55486000	GEAR-LINK-TBU-RAIL	1	1/P	
34	6LJ55514000	RAIL-TBU-F-H21X	1	1/PP	
37	6LJ55187000	ASYB-LVR-TBU-CPL	1	1/P	
38	F0-01243000	LWS-1211Z	14	5/P	
39	E0-01853000	CS1A-B2CA	1	1/D	
40	X0-00595000	S/TPP/PAN-3X6-NI	2	10/P	
41	6LJ55441000	SPG-F-PUSH-TBU-CL	1	1/P	
42	6LJ55953000	WSHR-4R1X7XR25-APS	1	1/P	



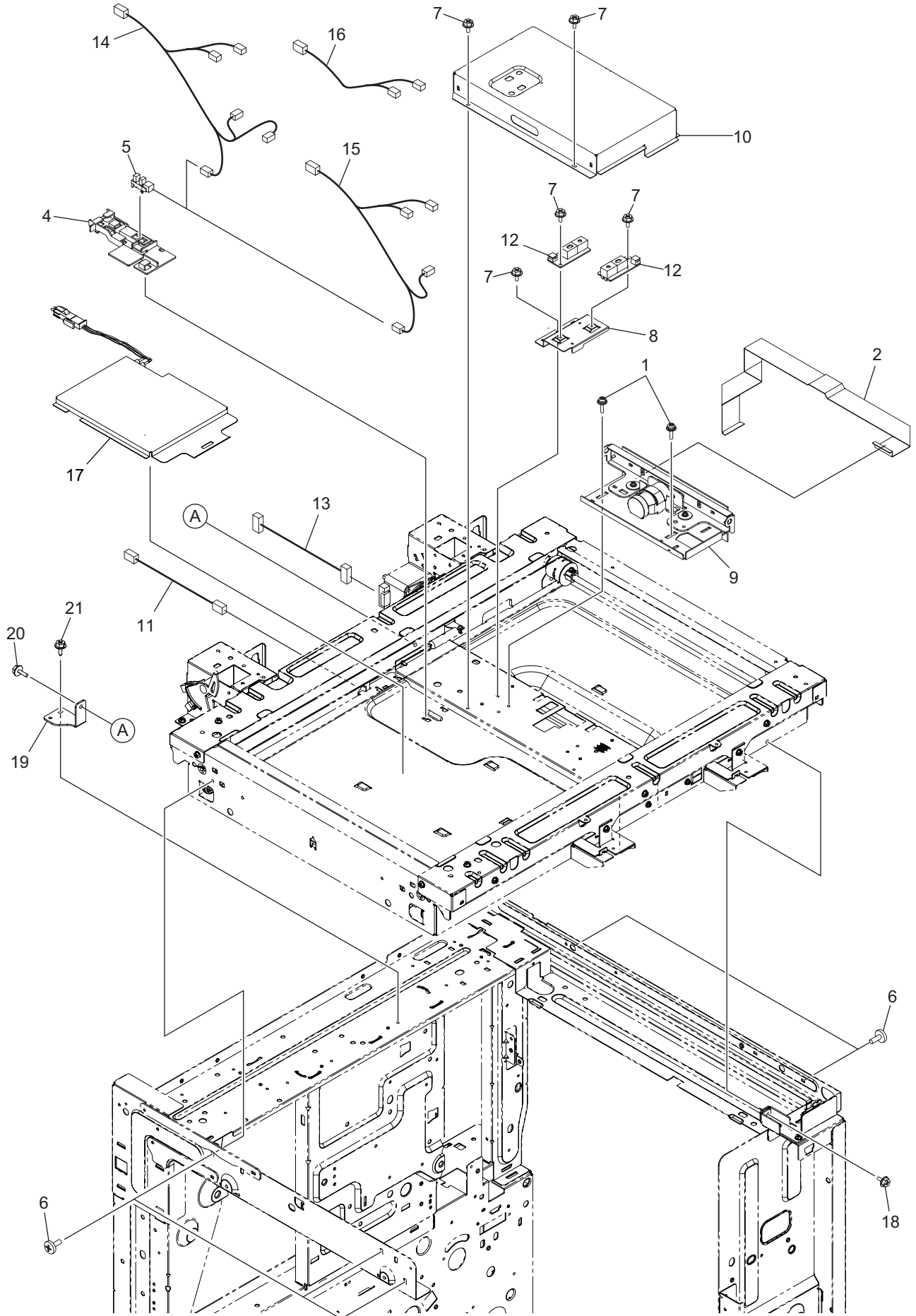
ITEM No.	PART No.	PART NAME	Q'TY / PAGE	Q'TY / PACK	REMARKS
1	6LJ56818000	HOLDER-SNSR-CST-H21X	1	1/P	
2	E0-14485000	PS-42C02-F NS	2	1/C	
3	6LJ60256000	HRNS-CFD-PCST-210	1	1/P	
4	6LJ56887000	SPG-E-8R8XR9X19R9	1	1/P	
5	6LJ53118000	ASYS-DUCT-OZN-REAR-H21X	1	1/PP	
6	6LJ53121000	ASYS-FAN-P7530-H21X	1	1/P	
7	6LJ53103000	PLATE-FAN-COV-H21X	1	1/P	
8	X0-00461000	S/BID-M4X35-NI	2	10/P	
9	6LJ53102000	DUCT-OZN-FAN-CP-H21X	1	1/PP	
10	6LJ53122000	FILTER-OZN-KCH-A08	1	1/P	
11	6LJ53105000	DUCT-OZN-FAN-H21X	1	1/PP	
12	X0-02593000	S/TPD3/FHEXM-3X8-ZU3	2	10/P	
13	6LJ55471000	SPG-E-COUPLE-TR1	1	1/P	
14	6LJ55422000	LINK-COUPLE-TR1	1	1/P	
15	6LJ55440000	SPG-F-BIAS-HV-TR2	1	1/P	
16	6LJ55461000	SPG-RAIL-HVT-TR2-H21X	1	1/P	
17	6LJ55439000	SPG-F-BIAS-HV-H21X	4	1/P	
18	6LJ55460000	SPG-RAIL-HVT-K-H21X	1	1/P	
19	6LJ55459000	SPG-RAIL-HVT-C-H21X	1	1/P	
20	6LJ55458000	SPG-RAIL-HVT-M-H21X	1	1/P	
21	6LJ55457000	SPG-RAIL-HVT-Y-H21X	1	1/P	
22	6LJ55435000	RAIL-TBU-R-H21X	1	1/PP	
23	E0-01853000	CS1A-B2CA	1	1/D	
24	6LJ60512000	HRNS-SIDESW-210	1	1/P	
25	6LJ52359000	GUIDE-RAIL-FUS-R-H21X	1	1/PP	
26	X0-02420000	S/TPS/FHEXM/R-3X8-ZU3	8	10/P	
27	6LJ55946000	ASYS-TRU-GND-R	1	1/P	
28	6LJ55934000	SPG-C-TR2-H21X	1	1/P	
29	X0-00964000	RR/E-3-SS	1	10/P	
30	6LJ55902000	SHAFT-TRU-LOCK	1	1/P	
31	6LJ55911000	COLLAR-LINK-ADU	1	1/P	
32	6LJ55905000	ROD-HLDR-COLLAR	1	1/P	
33	6LJ55900000	HLDR-SP-TRU	1	1/P	
34	6LJ55904000	COLLAR-TRU-PUSH-WEISS	1	1/P	
35	6LJ55910000	LINK-PUSH-TRU-B	1	1/P	
36	6LJ55909000	LINK-PUSH-TRU-A	1	1/P	
37	6LJ55903000	PUSHER-TRU-WEISS	1	1/P	
38	6LJ55931000	FRM-PUSH-TRU-R	1	1/PP	
39	F0-01248000	ESC-0912	3	10/P	
40	F0-00342000	SPLSN-6U	4	5/P	
41	6LJ53736000	COVER-RIGHT-BOTTOM	1	1/PP	
42	X0-00595000	S/TPP/PAN-3X6-NI	2	10/P	
43	6LJ55953000	WSHR-4R1X7XR25-APS	1	1/P	



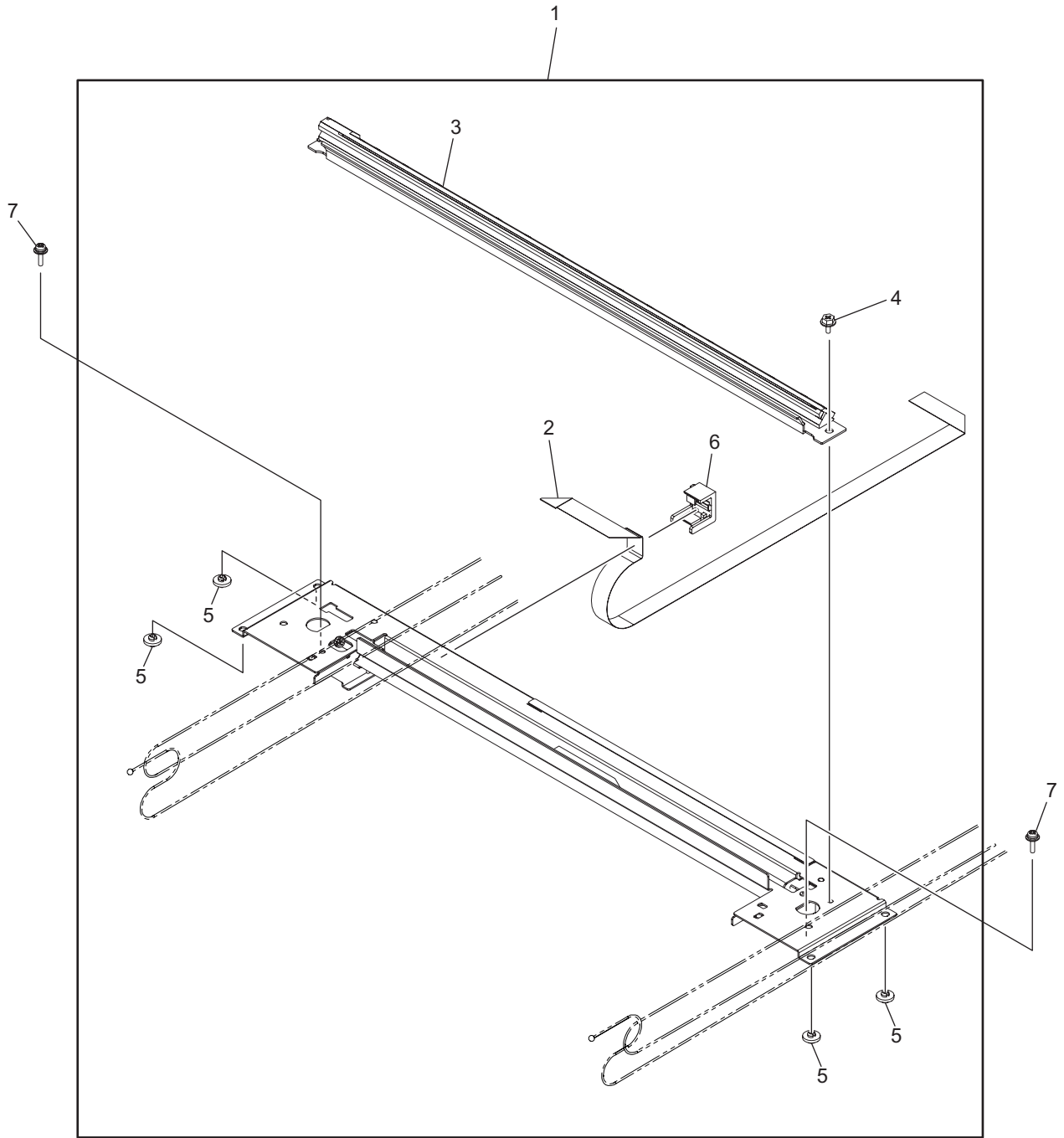
ITEM No.	PART No.	PART NAME	Q'TY / PAGE	Q'TY / PACK	REMARKS
1	6LJ54615000	SPG-BIASDEV-H21X-M	1	1/P	
2	6LJ54613000	SPG-BIASDEV-H21X-K	1	1/P	
3	6LJ54619000	SPG-BIASGRID-H21X-Y	1	1/P	
4	6LJ54621000	SPG-BIASGRID-H21X-C	1	1/P	
5	6LJ54611000	SPG-BIASMAIN-H21X-C	1	1/P	
6	6LJ54620000	SPG-BIASGRID-H21X-M	1	1/P	
7	6LJ54612000	SPG-BIASMAIN-H21X-M	1	1/P	
8	6LJ54614000	SPG-BIASDEV-H21X-C	1	1/P	
9	6LJ54617000	SPG-BIASMAIN-H21X-K	1	1/P	
10	6LJ54616000	SPG-BIASMAIN-H21X-Y	1	1/P	
11	6LJ54622000	SPG-BIASGRID-H21X-K	1	1/P	
12	6LJ54618000	SPG-BIASDEV-H21X-Y	1	1/P	
13	X0-02420000	S/TPS/FHEXM/R-3X8-ZU3	9	10/P	
14	6LJ54623000	HOLDER-HVEPU-H21X	1	1/PP	
15	6LJ54624000	LID-HVTEPU-H21X	1	1/PP	
16	6LJ54604000	SPG-F-CASE-H21X	4	1/P	
17	6LJ60349000	PWA-HVT-H21X-110726	1	1/C	
18 A	6LE95823000	CABLE-P-INLET-AU	1	1/P	AUD
18 B	6LE95822000	CABLE-P-INLET-EUR	1	1/P	MJD
18 C	6LE95825000	CABLE-P-INLET-UK	1	1/P	ASD
18 D	6LJ49716000	CABLE-P-INLET-US-15A	1	1/P	NAD
20	6LJ60316000	HRNS-INLET-LVPS-210	1	1/P	
21	E0-12842000	AC-P10CF34	1	1/P	
22	X0-02093000	S/PAN/SWWS-M4X6-NI	2	10/P	



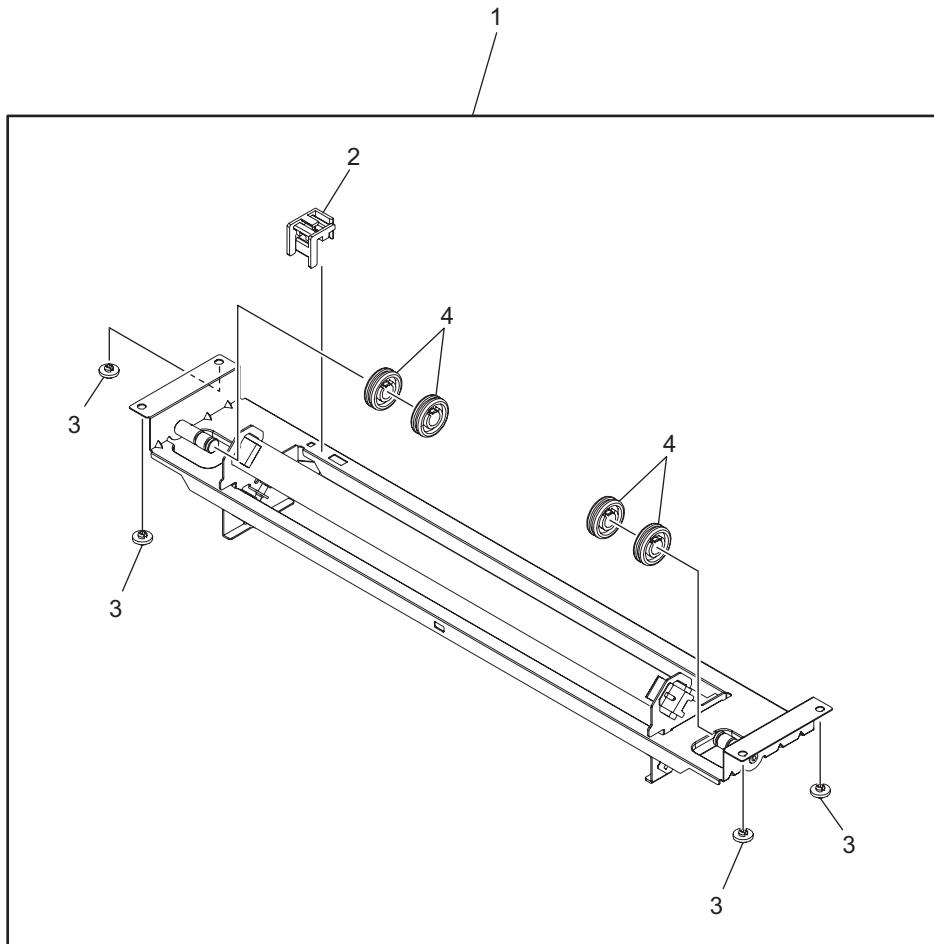
ITEM No.	PART No.	PART NAME	Q'TY / PAGE	Q'TY / PACK	REMARKS
1	X0-02230000	S/FHEXM-M3X6-NI	21	10/P	
2	X0-02231000	S/FHEXM-M3X8-NI	9	10/P	
4	X0-02420000	S/TPS/FHEXM/R-3X8-ZU3	7	10/P	
5	F0-01418000	RFC-33V0	1	1/P	
6	F0-00331000	SPSN-4U	4	5/P	
7	6LJ52819000	COV-FUS-DRV-H21X	1	1/P	
8	F0-01243000	LWS-1211Z	7	5/P	
9 A	6LJ60690000	ASYB-LGC-210S	1	1/SB	e-STUDIO2050C
9 B	6LJ60690100	ASYB-LGC-211S	1	1/SB	e-STUDIO2550C
9 C	6LJ60690200	ASYB-LGC-230S	1	1/SB	e-STUDIO2051C
9 D	6LJ60690300	ASYB-LGC-231S	1	1/SB	e-STUDIO2551C
11	6LJ53114000	FAN_D-SYS-6015-H21X	1	1/P	
12	6LJ53113000	DUCT-SYS-FAN-H21X	1	1/P	
13	6LH09585000	ASYB-SRAM-430S	1	1/C	
14	C0-18078000	BR24T128-W	1	1/S	
15	6LH01123000	COVER-SRAM-BOARD	1	1/P	
16	6LE95857000	BAT-CR2450	1	1/D	
17	6LJ60517000	HRNS-HDD-210	1	1/P	
18	6LJ60716000	PWA-H-SSD-210	1	1/C	
19	6LJ60802000	ASYB-PWA-SYS-210S	1	1/SB	
20	C0-17611000	M471B5773DH0-CH9	1	1/S	
21	F0-01813000	LWS-1316S-V0	1	5/P	
22	6LH33225000	MYLAR-SRAM	1	N/A***	



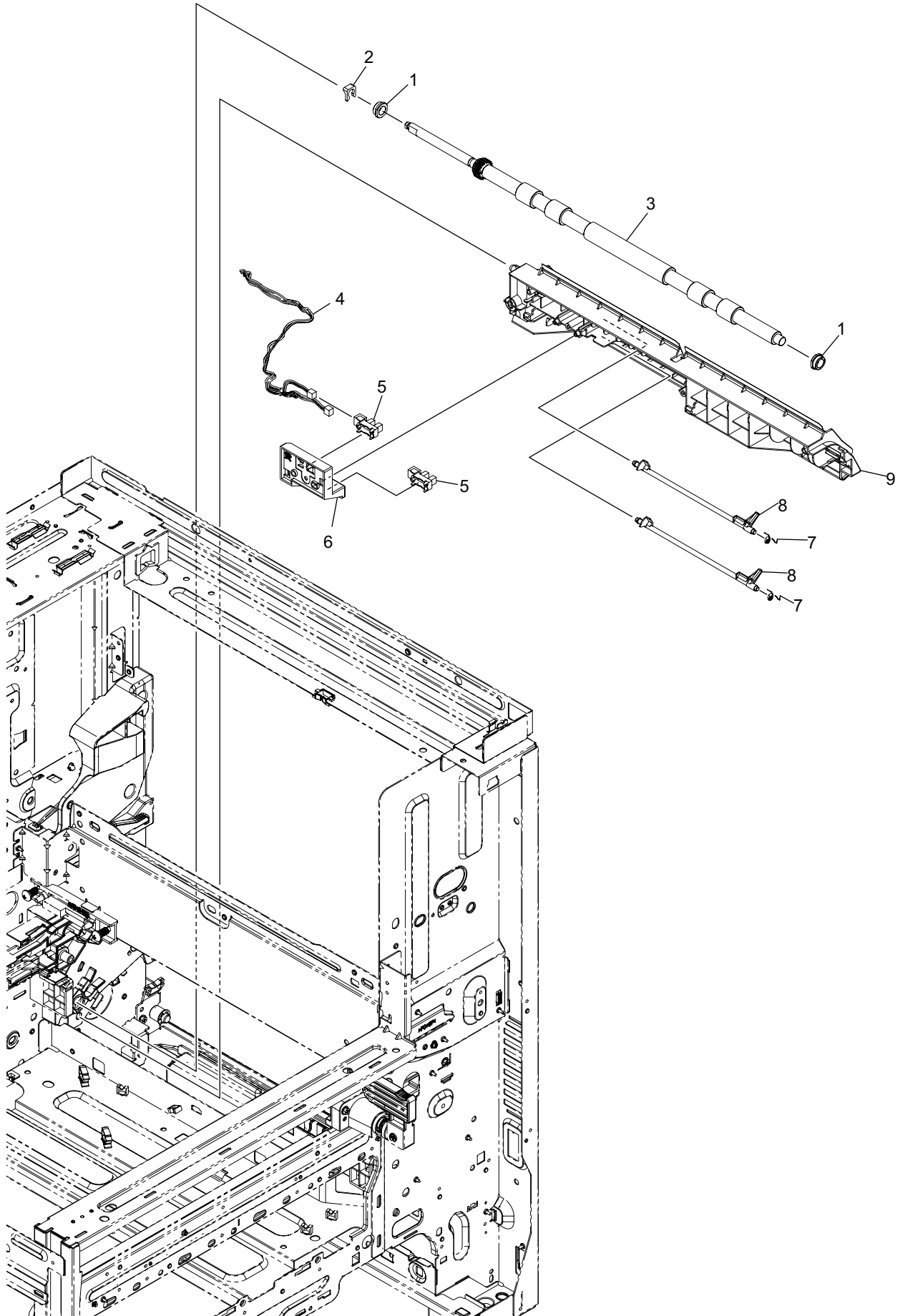
ITEM No.	PART No.	PART NAME	Q'TY / PAGE	Q'TY / PACK	REMARKS
1	X0-00094000	S/PAN/SWWP-M3X10-NI	2	10/P	
2	6LJ60443000	HRNS-SCN-SYS-210	1	1/P	
4	6LJ59742000	GUIDE-HRNS-SCAN-H21X	1	1/P	
5	C0-17839000	LG2A14BL1	1	1/C	
6	X0-00430000	S/BID-M3X6-NI	5	10/P	
7 A	X0-02230000	S/FHEXM-M3X6-NI	5	10/P	NAD
7 B	X0-02230000	S/FHEXM-M3X6-NI	4	10/P	MJD,AUD,ASD,CND
8 A	6LJ59761000	BRKT-APS-H21X	1	1/P	e-STUDIO2550C/2050C
9	6LJ70380000	LENS-H210	1	1/S	
10	6LJ59715000	COVER-LENS-H21X	1	1/P	
11	6LJ60495000	HRNS-SCN-D_H-210	1	1/P	
12 A	6LE63995000	SNSR-PS-181EL1-S42	2	1/C	e-STUDIO2550C/2050C NAD
12 B	6LE63995000	SNSR-PS-181EL1-S42	1	1/C	e-STUDIO2550C/2050C MJD,AUD,ASD,CND
13	6LJ60440000	HRNS-SCN-MOT-210	1	1/P	
14 A	6LJ60441000	HRNS-SCN-SNSR-210	1	1/P	e-STUDIO2550C/2050C NAD
15 A	6LJ60550000	HRNS-SCN-SNSR-A-210	1	1/P	e-STUDIO2550C/2050C MJD,AUD,ASD,CND
16 A	6LJ60543000	HRNS-SCN-SNSR-21X-LL	1	1/P	e-STUDIO2051C/2551C
17 A	6LJ59770100	ASYS-D_H-SCAN-H21X-E	1	1/D	AUD,ASD,CND
18	X0-02232000	S/FHEXM-M3X10-NI	1	10/P	
19	6LJ52385000	BRKT-CNT-SCAN-R-H21X	1	N/A***	
20	X0-02231000	S/FHEXM-M3X8-NI	1	10/P	
21	X0-02420000	S/TPS/FHEXM/R-3X8-ZU3	1	10/P	



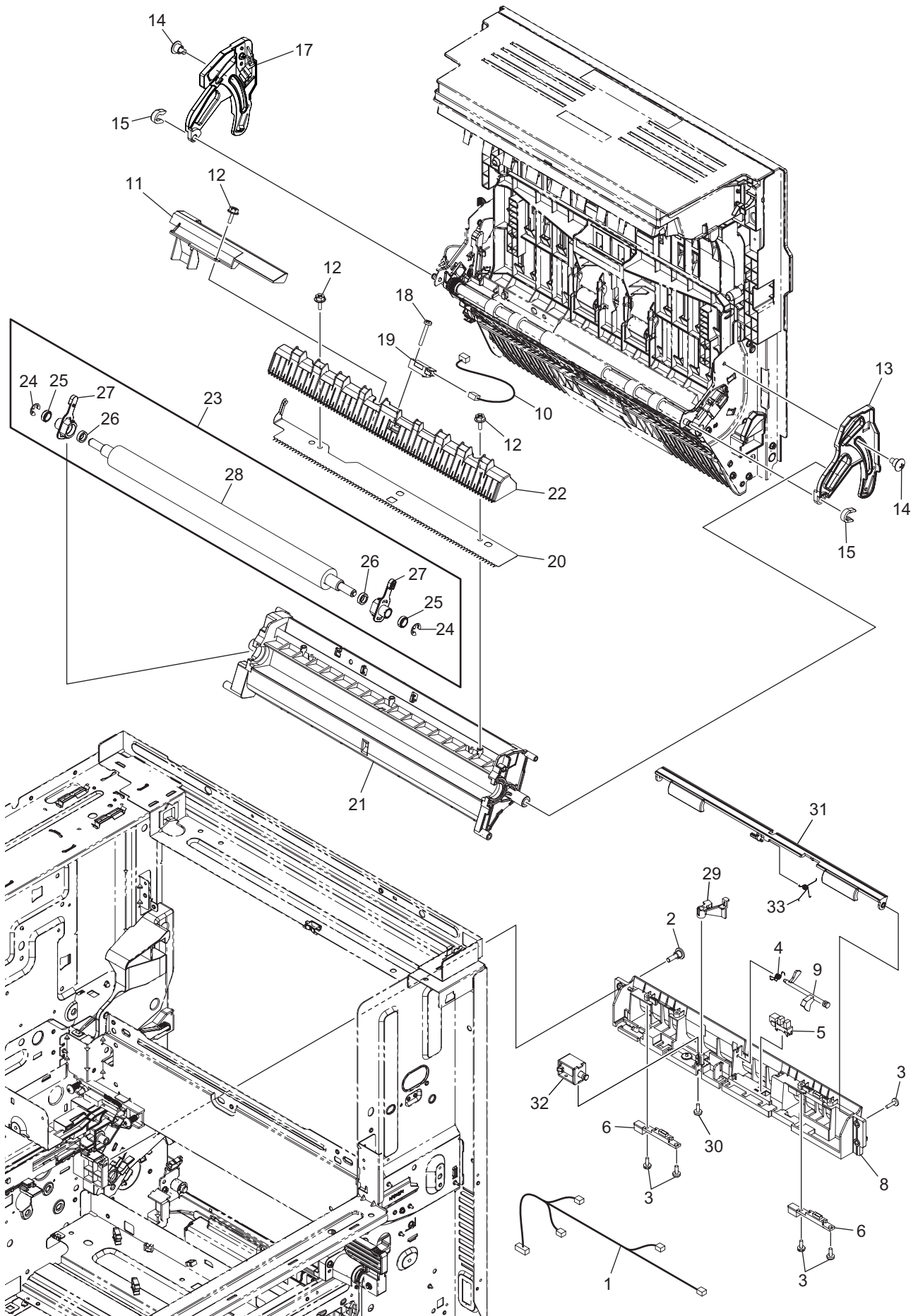
ITEM No.	PART No.	PART NAME	Q'TY / PAGE	Q'TY / PACK	REMARKS
1	6LJ70378000	CRG1-H210	1	1/S	
2	6LJ60442000	HRNS-SCN-LED-210L	1	1/P	
3	6LJ60446000	LAMP-LED-210L	1	1/D	
4	X0-02230000	S/FHEXM-M3X6-NI	1	10/P	
5	6LJ59748000	FOOT-CRG-H21X	4	1/P	
6	6LJ59737000	HLDR-HRNS-LED-H21X	1	1/P	
7	X0-00094000	S/PAN/SWWP-M3X10-NI	2	10/P	



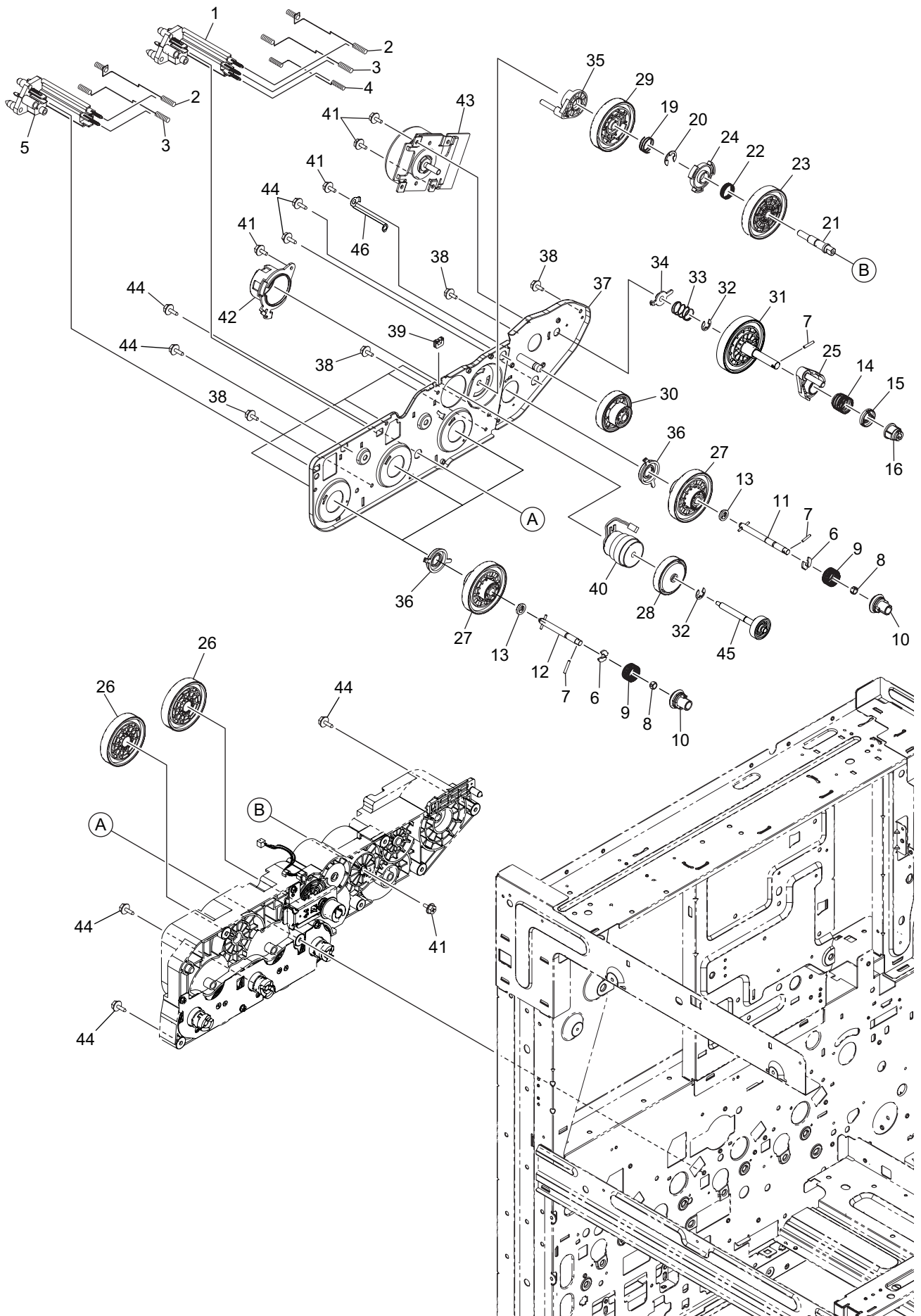
ITEM No.	PART No.	PART NAME	Q'TY / PAGE	Q'TY / PACK	REMARKS
1	6LJ70379000	CRG2-H210	1	1/S	
2	6LJ59737100	HLDR-HRNS-LED-210C2	1	1/P	
3	6LJ59748000	FOOT-CRG-H21X	4	1/P	
4	6LJ59707000	PLY-19-H21X	4	1/P	



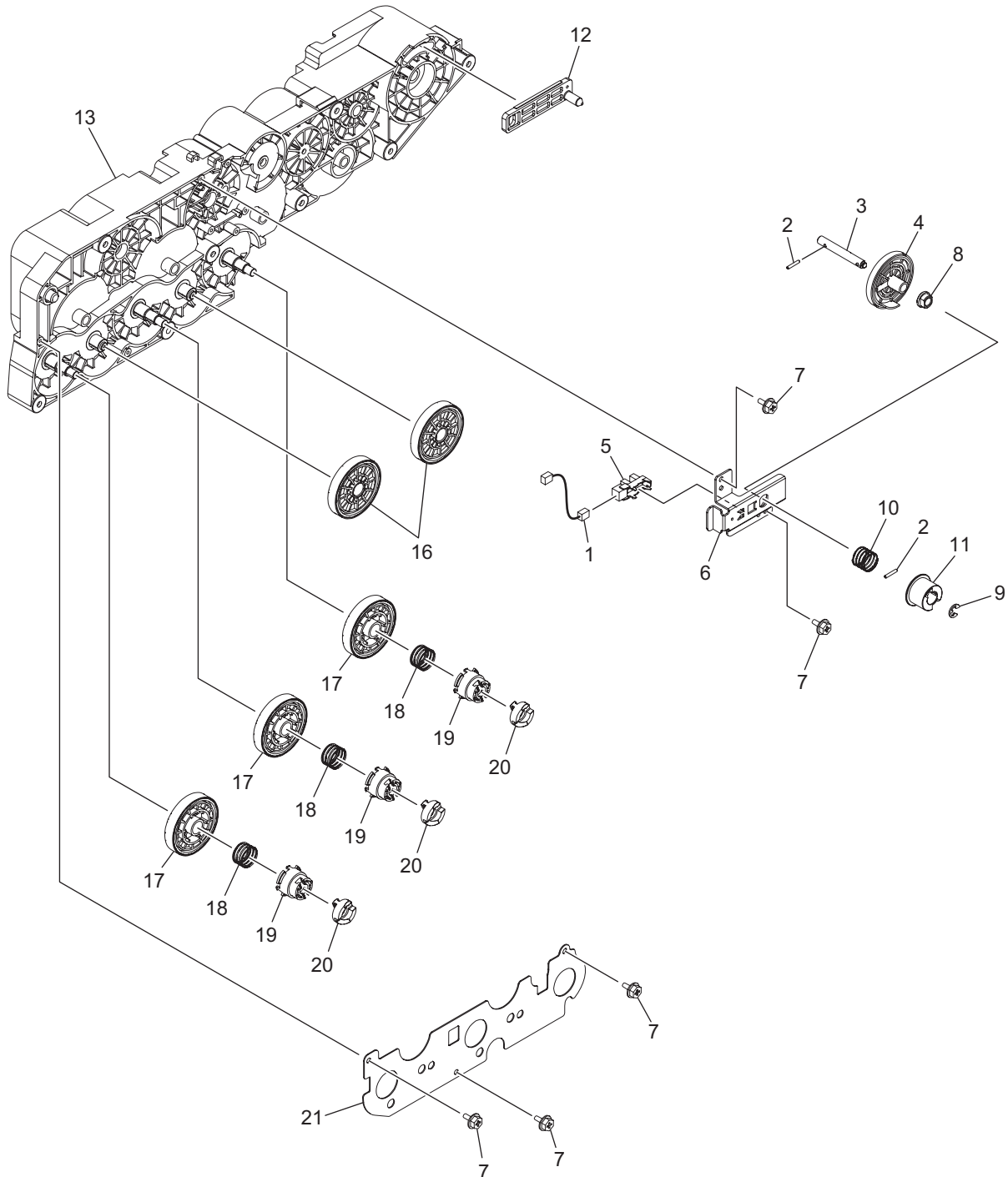
ITEM No.	PART No.	PART NAME	Q'TY / PAGE	Q'TY / PACK	REMARKS
1	6LJ56226000	BUSH-8X12-POM	2	1/P	
2	41306265000	STOP-RING-8	1	1/P	
3	6LJ56281000	ASYB-ROLLER-RGST-L-H21X_L	1	1/KP	
4	6LJ60258000	HRNS-CFD-SNR-210	1	1/P	
5	C0-17839000	LG2A14BL1	2	1/C	
6	6LJ56205000	HOLDER-SNSR-RGST-H21X_L	1	1/P	
7	6LJ56206000	SPG-ACT-FEED-H21X_L	2	1/P	
8	6LJ56200000	ACTR-FEED-H21X_L	2	1/P	
9	6LJ56202000	ASYS-GUIDE-RGST-L-H21X_L	1	1/P	



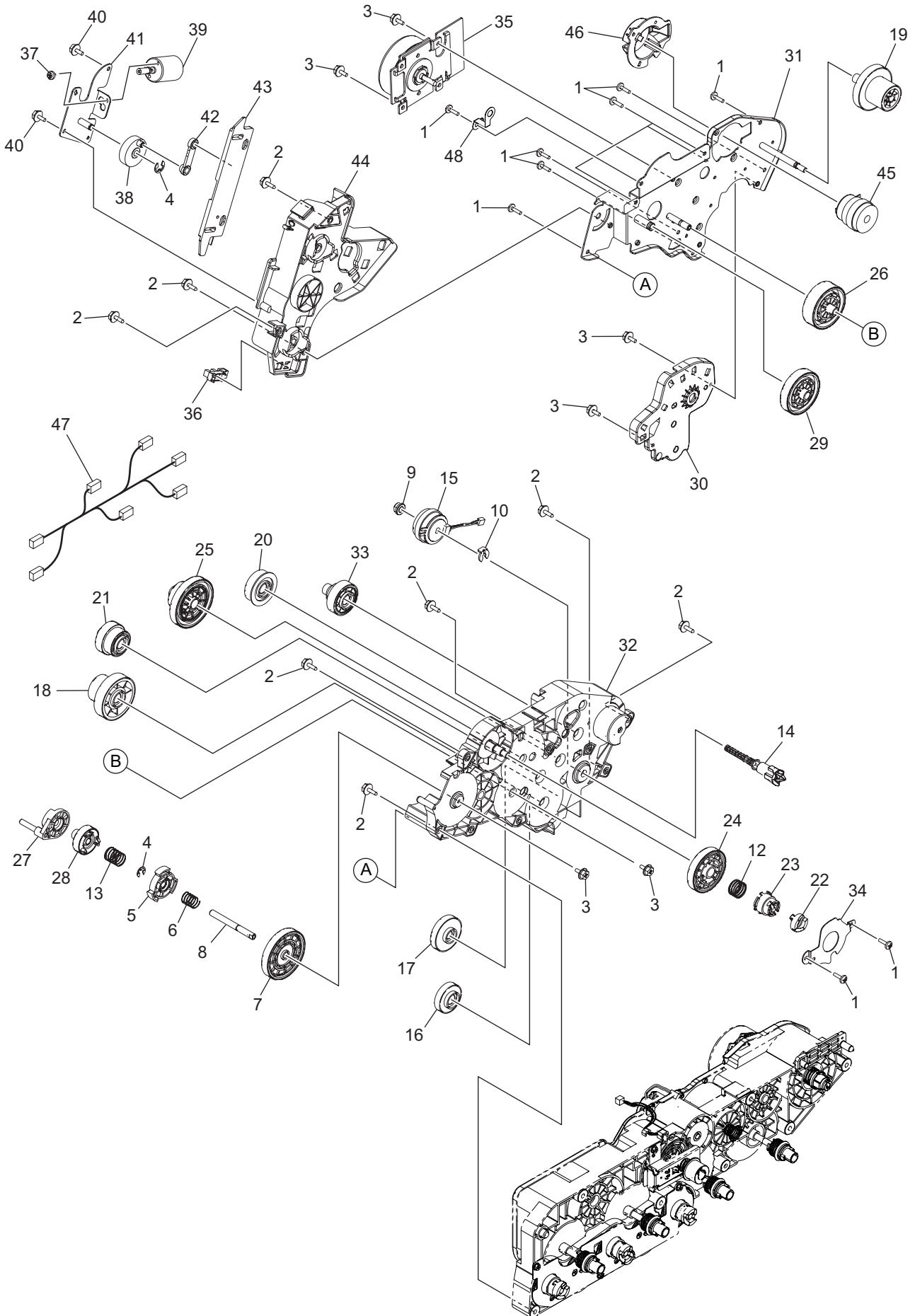
ITEM No.	PART No.	PART NAME	Q'TY / PAGE	Q'TY / PACK	REMARKS
1	6LJ60663000	HRNS-PSNR-210	1	1/P	
2	6LH05511000	SCREW-M3X8-3.2-P	1	5/P	
3	6LA80090000	S/TPP/BID-3X8-NI	5	5/P	
4	6LJ55926000	SPG-T-ACTR-IMG-POS	1	1/P	
5	C0-17839000	LG2A14BL1	1	1/C	
6	6LJ60494000	SNSR-POS-CTD-210	2	1/P	
8	6LJ55932000	CASE-GUIDE-IMG-POS	1	1/PP	
9	6LJ55924000	ACTR-GUIDE-IMG-POS	1	1/P	
10	6LJ60320000	HRNS-TRU-210	1	1/P	
11	6LJ55937000	COVER-HRNS-TRU	1	1/PP	
12	X0-02247000	S/TPP/FHEXM-3X8-NI	3	10/P	
13	6LJ55920000	HLDR-TRU-F	1	1/P	
14	6LA37669000	SCREW-LOCK-ARM	2	5/P	
15	4407972860	STOP-RING-6-5	2	5/P	
17	6LJ55942000	ASYB-HLDR-TRU-R	1	1/P	
18	X0-02127000	S/TPP/PAN-3X16-NI	1	10/P	
19	C0-15007000	PS119ED1	1	1/C	
20	6LJ55912000	PLT-EARTH-TRU-H21X	1	1/KP	
21	6LJ55933000	CASE-TRU-WEISS	1	1/PP	
22	6LJ55915000	GUIDE-TRU-H21X	1	1/PP	
23	6LJ55941000	ASYB-ROLLER-TR2-H21X-L	1	1/D	
24	X0-00965000	RR/E-4-SS	2	10/P	
25	6LJ55913000	RING-TRU-ROL	2	1/P	
26	F0-01872000	L-1280ZZHP0P25LY551	2	1/P	
27	6LJ55914000	BUSH-TRU-WEISS-E	2	1/P	
28	6LJ70397000	CR-FC30TR2	1	1/S	
29	6LJ55922000	LINK-SHUT-IMG-POS	1	1/P	
30	X0-02256000	S/PAN-M3X6-ZU3	1	10/P	
31	6LJ55923000	SHUT-IMG-POS	1	1/P	
32	6LJ55944000	SOL-06A-IMG-POS	1	1/D	
33	6LJ55925000	SPG-T-SHUT-IMG-POS	1	1/P	



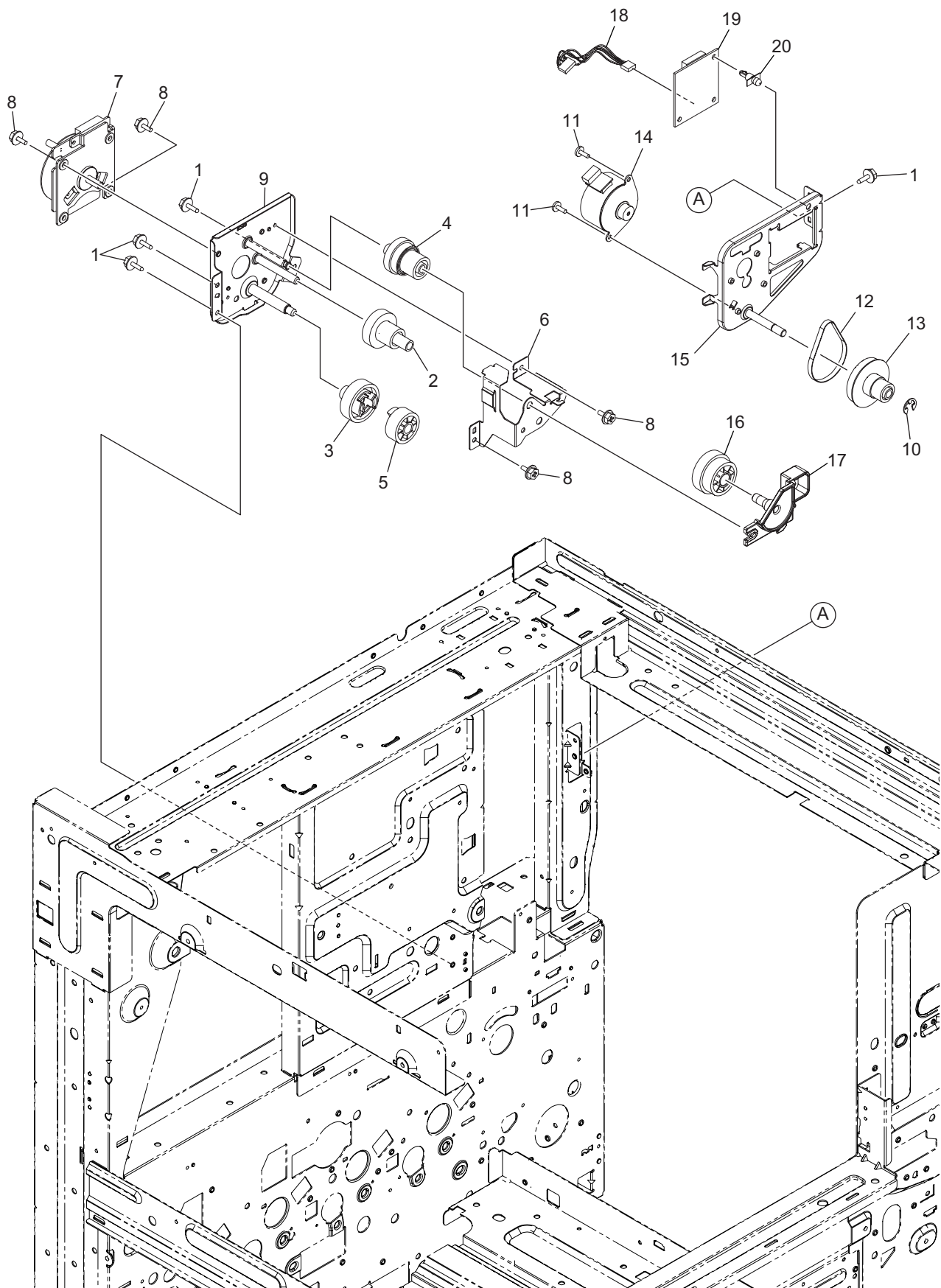
ITEM No.	PART No.	PART NAME	Q'TY / PAGE	Q'TY / PACK	REMARKS
1	6LJ55454000	RAIL-WIRE-HV-TBU	1	1/P	
2	6LJ55462000	SPG-HVT-MK-H21X	2	1/P	
3	6LJ55463000	SPG-HVT-YC-H21X	2	1/P	
4	6LJ55464000	SPG-HVT-TR2-H21X	1	1/P	
5	6LJ55481000	RAIL-WIRE-HV-TBU-YM	1	1/P	
6	44201801000	STOP-RING-6-1.5	4	5/P	
7	X0-01526000	P/PRL/AH7-2X12-SS	5	10/P	
8	6LJ55133000	CAP-SHAFT-DRUM	4	1/P	
9	6LJ55198000	SPG-C-DRIVE-DRUM	4	1/P	
10	6LJ55152000	COUPLE-DRUM-DRIVE	4	1/P	
11	6LJ55179000	ASYS-SHAFT-DRV-DRUM-K	1	1/P	
12	6LJ55180000	ASYS-SHAFT-DRV-DRUM-YMC	3	1/P	
13	6LJ55175000	CAP-SHAFT-DRUM-R	4	1/P	
14	6LJ55164000	SPG-C-DRIVE-TBU	1	1/P	
15	6LJ55141000	RING-DRIVE-TBU	1	1/P	
16	6LJ55150000	COUPLE-DRIVE-TBU	1	1/P	
19	6LJ55165000	SPG-C-DRUM-R	1	1/P	
20	X0-00968000	RR/E-7-SS	1	10/P	
21	6LJ55169000	SHAFT-RELAY-DRV-DRUM	1	1/P	
22	6LJ55166000	SPG-C-DRUM-F	1	1/P	
23	6LJ55102000	GEAR-04H132-C	1	1/P	
24	6LJ55127000	COUPLE-IDLE-DRUM-DRIVE	1	1/P	
25	6LJ55138000	CAM-DRV-TBU	1	1/P	
26	6LJ55120000	GEAR-04H132-IDLE	2	1/P	
27	6LJ55110000	GEAR-04H132-DRUM	4	1/P	
28	6LJ55104000	GEAR-04H95-10S28	1	1/P	
29	6LJ55103000	GEAR-04H132-K	1	1/P	
30	6LJ55107000	GEAR-5H80-4H56	1	1/P	
31	6LJ55181000	ASYB-GEAR-DRV-TBU-H21X	1	1/P	
32	X0-00966000	RR/E-5-SS	2	10/P	
33	6LJ55162000	SPG-C-DRV-TBU-R	1	1/P	
34	6LJ55159000	BUSH-DRUM-DRIVE-TBU	1	1/P	
35	6LJ55121000	CRANK-PUSH	1	1/P	
36	6LJ55125000	BUSH-DRUM-DRIVE	4	1/P	
37	6LJ55156000	ASYS-BRKT-DRV-DRUM-H21X	1	1/P	
38	X0-02246000	S/TPP/FHEXM-3X6-NI	8	10/P	
39	F0-00120000	ES-0505	1	5/P	
40	6LJ01935000	CLUTCH-G28-06D-30AK	1	1/D	
41	X0-02230000	S/FHEXM-M3X6-NI	5	10/P	
42	6LJ55136000	COVER-CLUCH-G28	1	1/P	
43	6LJ55173000	MOTR_D-DRIVE-DRUM	1	1/C	
44	X0-02420000	S/TPS/FHEXM/R-3X8-ZU3	7	10/P	
45	6LJ55190000	ASYB-SHAFT-DRV-TR1	1	1/P	
46	6LJ55192000	SPG-F-GND-DRIVE-DRUM	1	1/P	

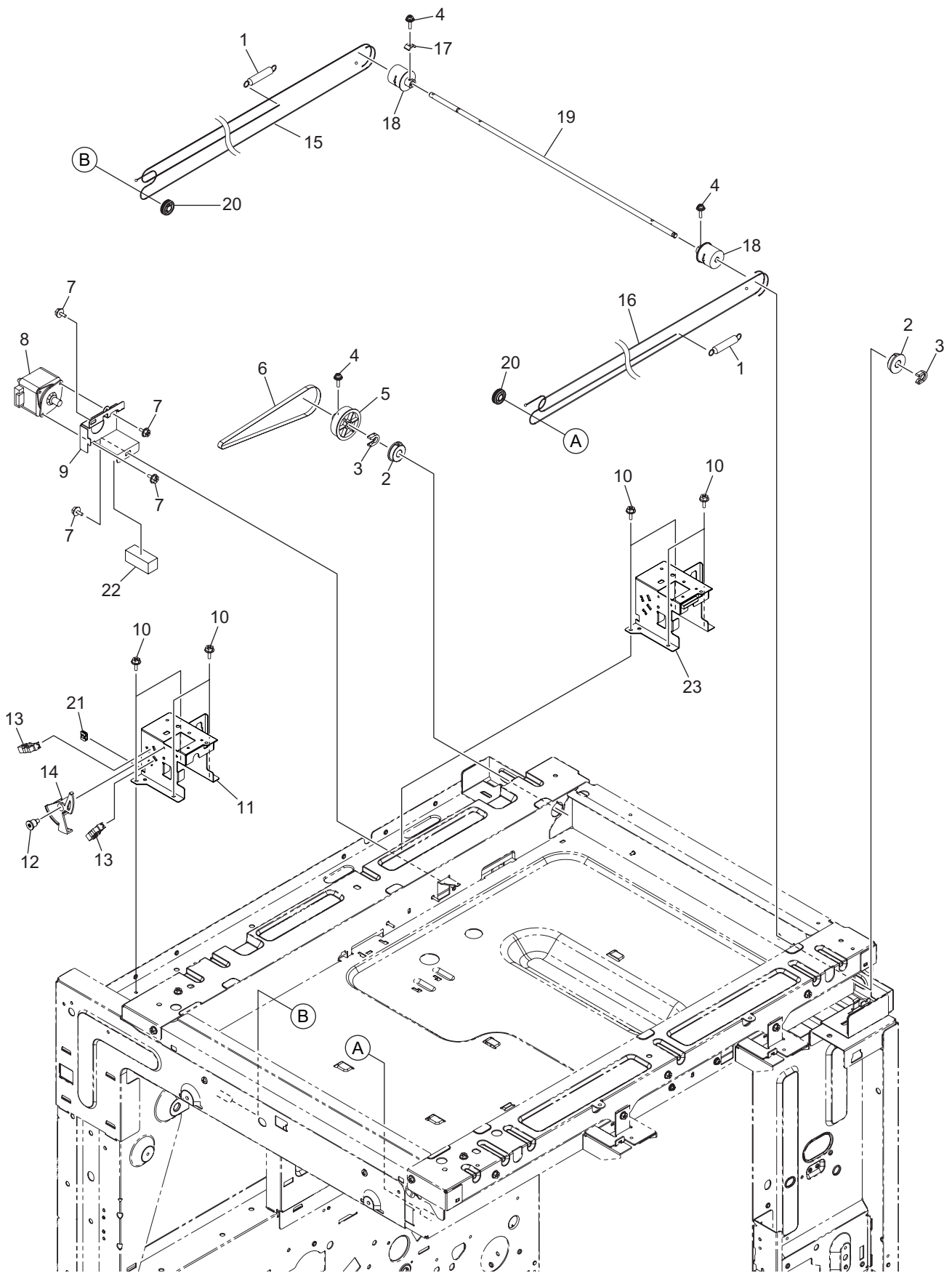


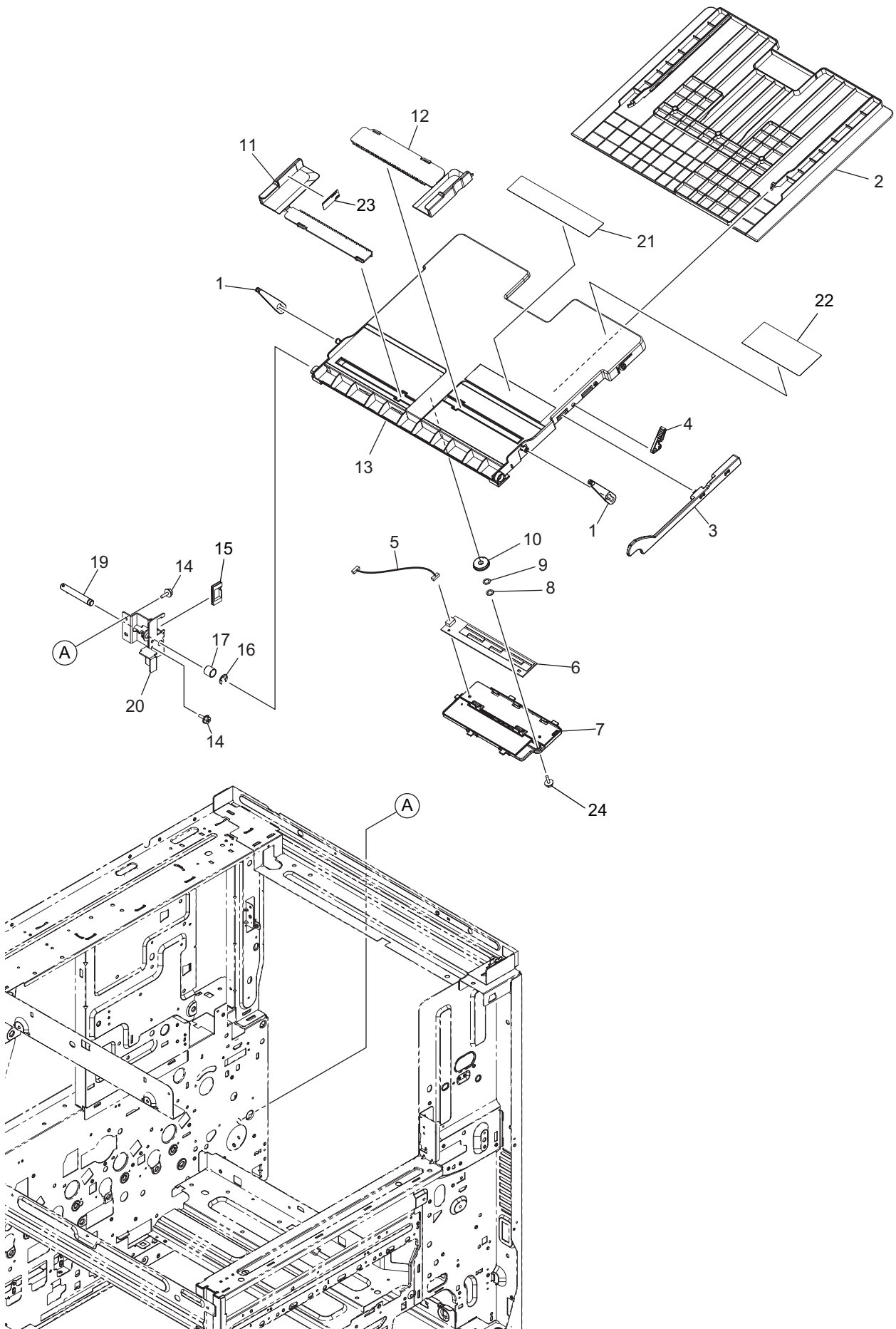
ITEM No.	PART No.	PART NAME	Q'TY / PAGE	Q'TY / PACK	REMARKS
1	6LJ60294000	HRNS-TR1POS-210	1	1/P	
2	X0-01526000	P/PRL/AH7-2X12-SS	2	10/P	
3	6LJ55132000	SHAFT-DRV-TR1-TBU-2	1	1/P	
4	6LJ55101000	GEAR-10S41-COUPLE-TBU	1	1/P	
5	C0-17839000	LG2A14BL1	1	1/C	
6	6LJ55124000	BRKT-DRIVE-TR1	1	1/P	
7	X0-02246000	S/TTP/FHEXM-3X6-NI	5	10/P	
8	44201492000	BUSH-6-POM	1	5/P	
9	X0-00964000	RR/E-3-SS	1	10/P	
10	6LJ55197000	SPG-C-TR1-TBU	1	1/D	
11	6LJ55154000	COUPLE-SW-TBU-TR1	1	1/P	
12	6LJ55160000	LVR-COUPLE-DRV-TBU	1	1/P	
13	6LJ55140000	FRAME-DRIVE-DRUM-E	1	1/PP	
16	6LJ55109000	GEAR-5H85-IDLE	2	1/P	
17	6LJ55108000	GEAR-5H85-CPL-DEV	3	1/P	
18	6LJ55167000	SPG-C-DEV-DRV-C	3	1/P	
19	6LJ55126000	COUPLE-DEV-DRIVE-R	3	1/P	
20	6LJ55119000	COUPLE-DEV-DRIVE-F	3	1/P	
21	6LJ55129000	PLATE-DRIVE-DEV	1	1/P	



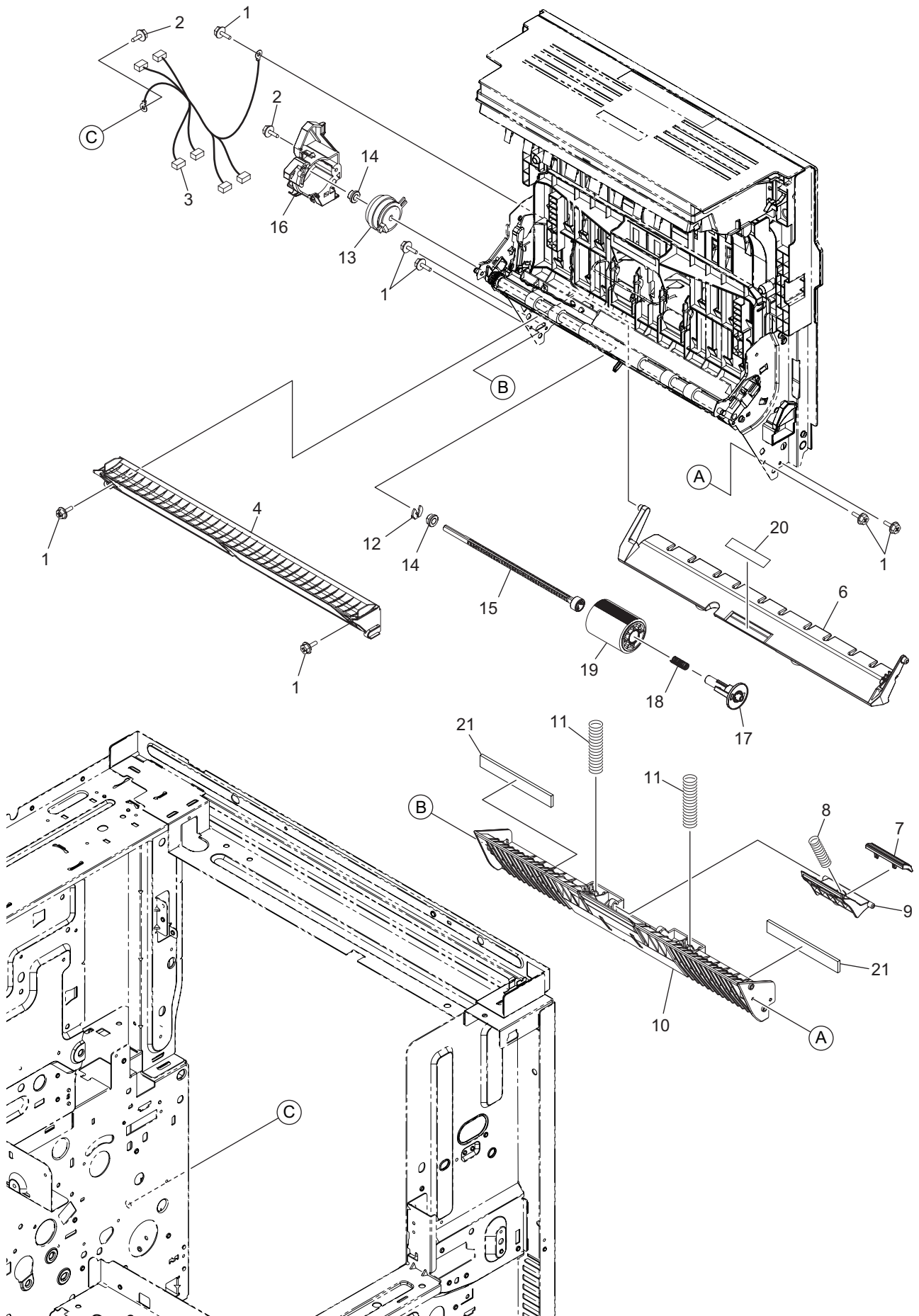
ITEM No.	PART No.	PART NAME	Q'TY / PAGE	Q'TY / PACK	REMARKS
1	6LA80090000	S/TPP/BID-3X8-NI	11	5/P	
2	X0-02420000	S/TPS/FHEXM/R-3X8-ZU3	8	10/P	
3	X0-02230000	S/FHEXM-M3X6-NI	6	10/P	
4	X0-00966000	RR/E-5-SS	2	10/P	
5	6LJ55146000	COUPLE-IDLE-DEV-DRIVE	1	1/P	
6	6LJ55153000	SPG-DRV-CAM-DEV-F	1	1/P	
7	6LJ55112000	GEAR-5H98-COUPLE	1	1/P	
8	6LJ55147000	STUD-DRV-CAM-CRANK	1	1/P	
9	44201492000	BUSH-6-POM	1	5/P	
10	44201801000	STOP-RING-6-1.5	1	5/P	
12	6LJ55167000	SPG-C-DEV-DRV-C	1	1/P	
13	6LJ55172000	SPG-DRV-CAM-DEV-R	1	1/P	
14	6LJ56237000	COUPL-CST-H21X_L	1	1/P	
15	6LH53742000	CLUTCH-50R-G28-6	1	1/D	
16	6LJ56221000	GEAR-10S29-10	1	1/P	
17	6LJ56219000	GEAR-10S35-8	1	1/P	
18	6LJ56218000	GEAR-10S26_10H42-10_8	1	1/P	
19	6LJ56220000	GEAR-10S26_10H42-6	1	1/P	
20	6LJ56216000	GEAR-10H29-10	1	1/P	
21	6LJ56215000	GEAR-5H60_10H24-10_8	1	1/P	
22	6LJ55119000	COUPLE-DEV-DRIVE-F	1	1/P	
23	6LJ55126000	COUPLE-DEV-DRIVE-R	1	1/P	
24	6LJ55108000	GEAR-5H85-CPL-DEV	1	1/P	
25	6LJ55111000	GEAR-5H98-5H52	1	1/P	
26	6LJ55106000	GEAR-5H85-KDEV-FEED	1	1/P	
27	6LJ55121000	CRANK-PUSH	1	1/P	
28	6LJ55113000	GEAR-5H52-CAM	1	1/P	
29	6LJ55105000	GEAR-5H85-DEV	1	1/P	
30	6LJ56224000	HOLDER-DRV-FED-CL-H21X_L	1	1/P	
31	6LJ55143000	ASYS-FRAME-DRV-KDEV	1	1/P	
32	6LJ55142000	CASE-DRV-KDEV	1	1/PP	
33	6LJ56217000	GEAR-10S21_10H30-10_8	1	1/P	
34	6LJ55148000	BRKT-DRV-DEV-COUPLE	1	1/P	
35	6LJ55194000	MOTR_D-DRIVE-DEV	1	1/C	
36	C0-17839000	LG2A14BL1	1	1/C	
37	X0-02112000	S/PAN-M3X3-NI	1	10/P	
38	6LJ55114000	GEAR-CRANK	1	1/P	
39	6LJ55174000	MOTR_D-SWITCH-H21X	1	1/C	
40	X0-02247000	S/TPP/FHEXM-3X8-NI	2	10/P	
41	6LJ55116000	ASYS-BRKT-CLANK	1	1/P	
42	6LJ55122000	RELAY-CRANK	1	1/P	
43	6LJ55123000	PLATE-CRANK	1	1/P	
44	6LJ55115000	BASE-CRANK	1	1/PP	
45	6LH34604000	CLUTCH-G28-08D-30A	1	1/D	
46	6LJ56225000	COVER-RGST-CLT-H21X_L	1	1/P	
47	6LJ60208000	HRNS-LGC-DEV-210	1	1/P	
48	6LJ55193000	SPG-F-GND-DRIVE-DEV	1	1/P	

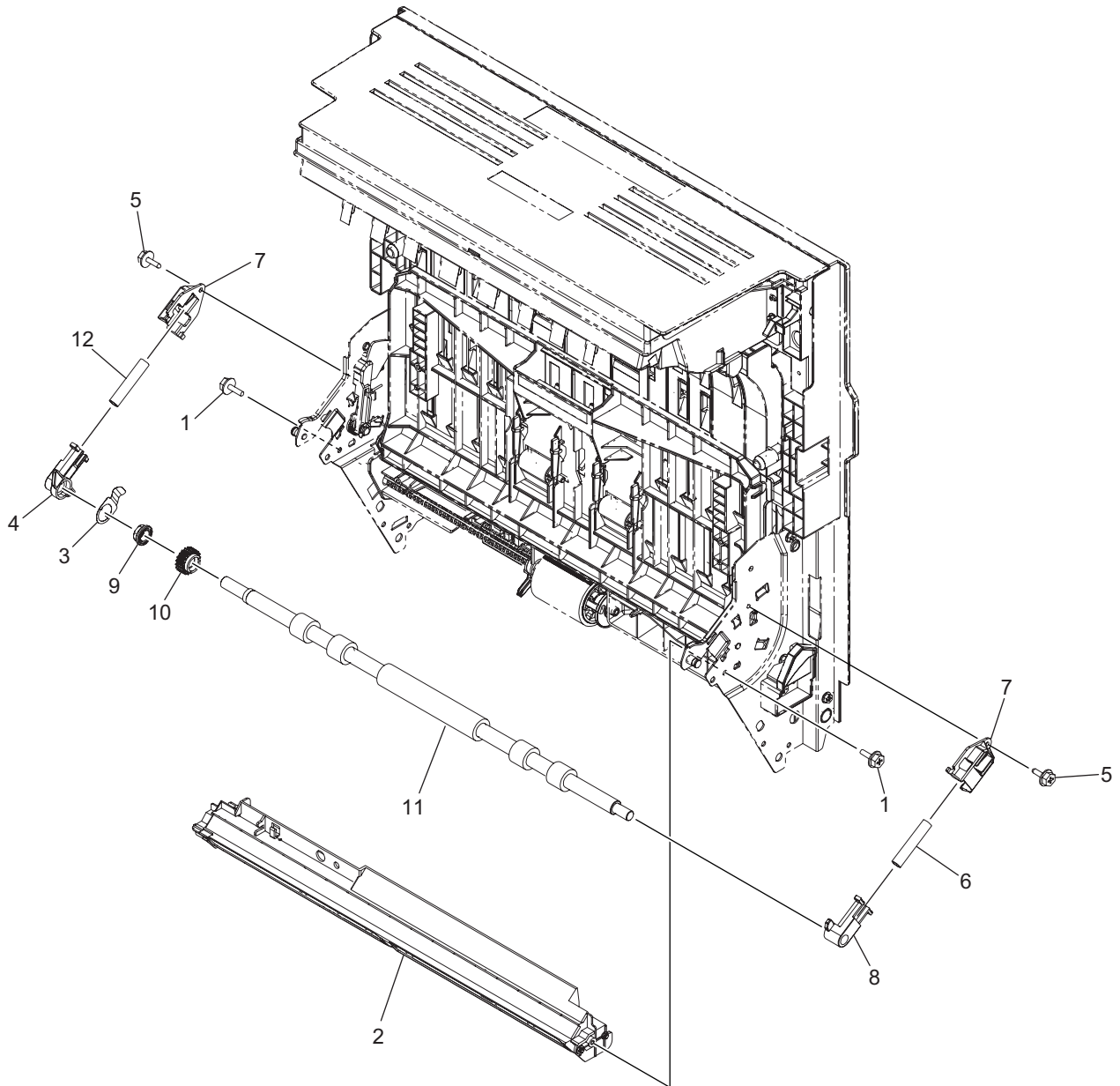




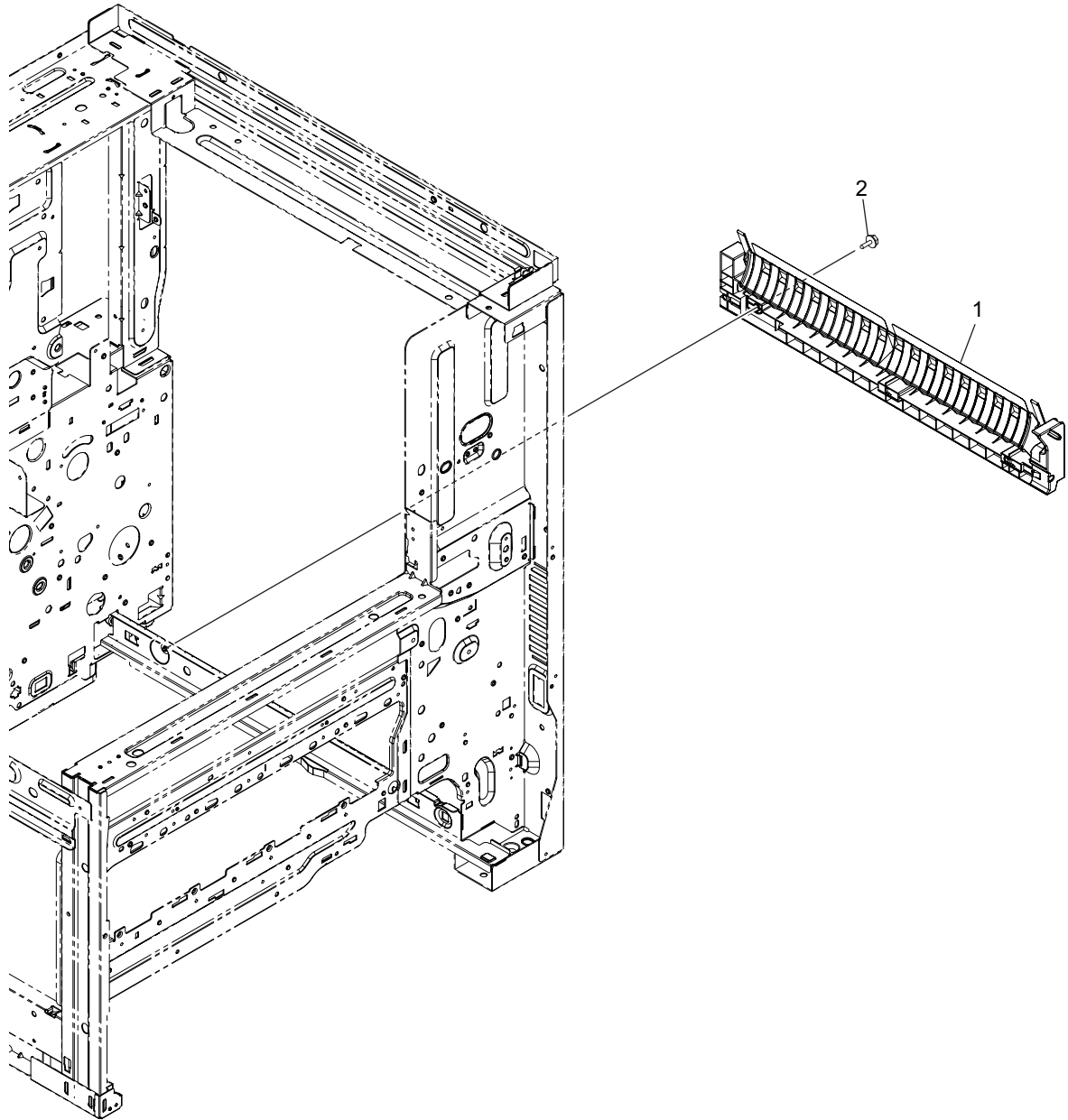


ITEM No.	PART No.	PART NAME	Q'TY / PAGE	Q'TY / PACK	REMARKS
1	6LJ57015000	ARM-SFB-H21X	2	1/P	
2	6LJ57001000	TRAY-LWR-SFB-H21X	1	1/PP	
3	6LJ57003000	LINK-TRAY-SFB-H21X-L	1	1/P	
4	6LJ57004000	LEVER-TRAY-SFB-H21X-L	1	1/P	
5	6LJ60213000	HRNS-SFB-SIZE-210	1	1/P	
6	6LJ60689000	PWA-H-SFB-210	1	1/SB	
7	6LJ57010000	HOLDER-PWA-SFB-H21X	1	1/PP	
8	6LA78908000	WASHER-6R2X9R5XR25-PL	1	5/P	
9	4400974200	WASHER-W-6-10	1	10/P	
10	4407726480	PINION-18-395	1	1/P	
11	6LJ57012000	GUIDE-TRAY-SFB-R-H21X	1	1/P	
12	6LJ57022000	ASYS-GUIDE-TRAY-SFB-F	1	1/P	
13	6LJ57000000	TRAY-UPR-SFB-H21X	1	1/PP	
14	X0-02593000	S/TPD3/FHEXM-3X8-ZU3	2	10/P	
15	F0-01638000	EDS-1710L-V0	1	1/P	
16	X0-00968000	RR/E-7-SS	1	10/P	
17	6LJ57312000	SPC-HINGE-COV-SIDE-1	1	1/P	
19	6LJ57339000	ASYS-STUD-HINGE-ADU-R	1	1/P	
20	6LJ57307000	BRKT-HINGE-ADU-R	1	1/P	
21 A	6LJ57040000	LBL-TRAY-U-H21X	1	1/P	NAD
21 B	6LJ57042000	LBL-TRAY-E-H21X	1	1/P	MJD,AUD,ASD,CND
22	6LJ57043000	LBL_O-GUIDE-SFB-H21X	1	1/P	
23	6LJ11400000	LBL-HIGH-TRAY-H16X	1	1/KP	
24	X0-02247000	S/TPP/FHEXM-3X8-NI	1	10/P	

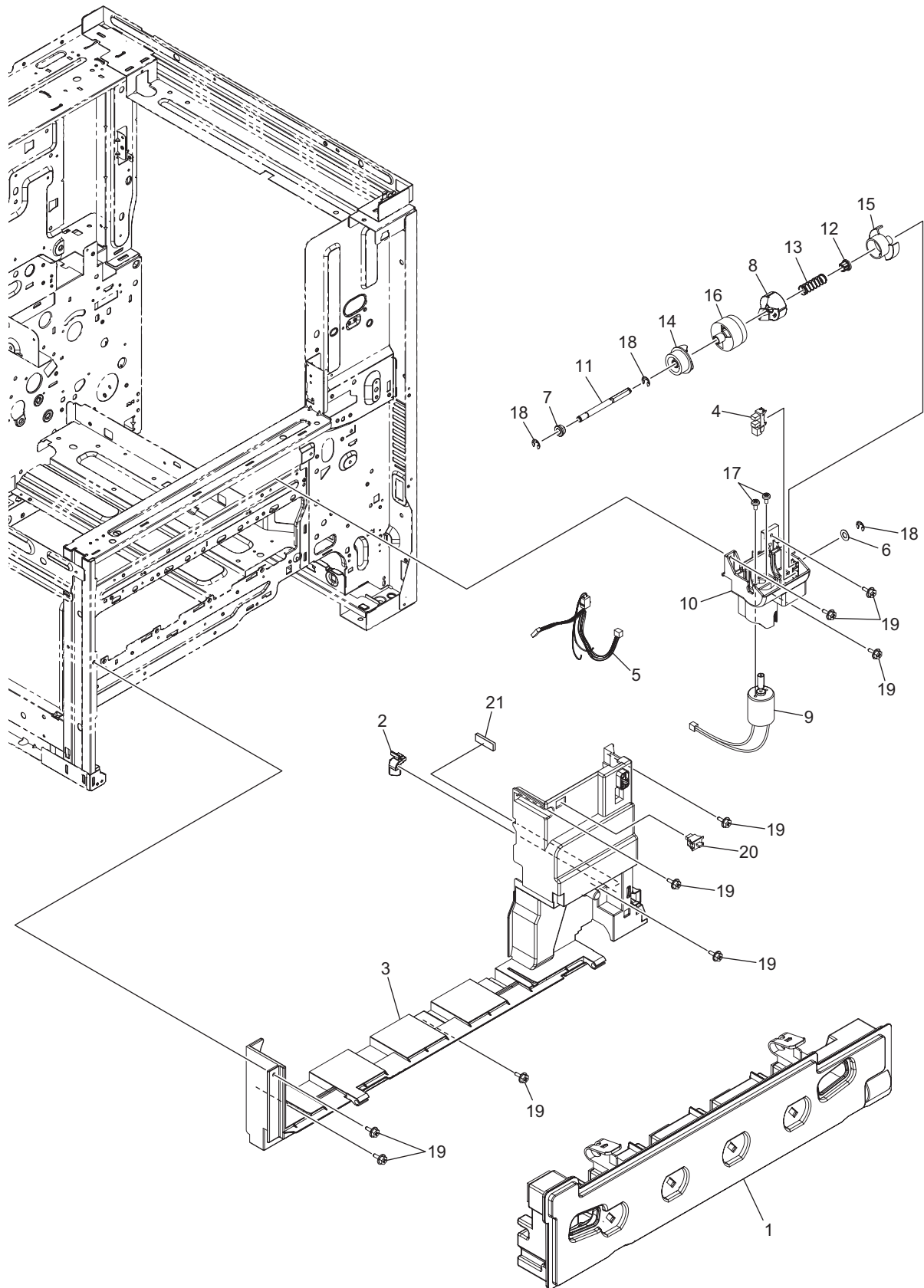




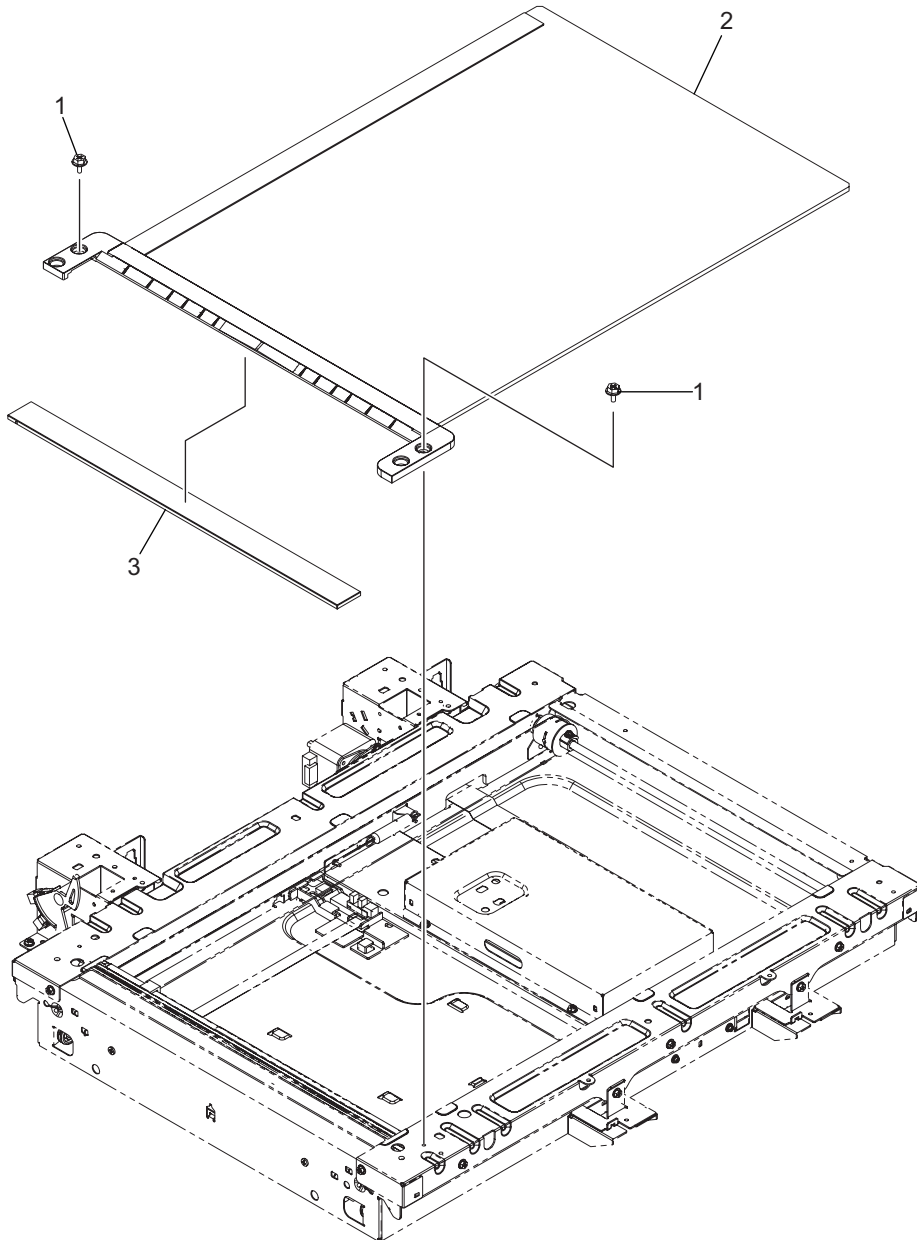
ITEM No.	PART No.	PART NAME	Q'TY / PAGE	Q'TY / PACK	REMARKS
1	X0-02247000	S/TPP/FHEXM-3X8-NI	2	10/P	
2	6LJ56214000	ASYS-GUIDE-RGST-R-H21X_L	1	1/P	
3	6LJ56234000	SPG-F-RGST-R-H21X_L	1	1/P	
4	6LJ56230000	BUSH-ROL-RGST-R-H21X	1	1/P	
5	X0-02420000	S/TPS/FHEXM/R-3X8-ZU3	2	10/P	
6	6LJ56293000	SPG-C-RGST-F-H21X	1	1/P	
7	6LJ56228000	HOLDER-RGST-SPE-H21X	2	1/P	
8	6LJ56229000	BUSH-ROL-RGST-F-H21X	1	1/P	
9	6LJ55544000	BUSH-8X12X5R5F-BCF-035	1	1/P	
10	6LJ56291000	GEAR-8S19-8_D10	1	1/P	
11	6LJ56222000	ROLLER-RGST-R-H21X_L	1	1/KP	
12	6LJ56294000	SPG-C-RGST-R-H21X	1	1/P	

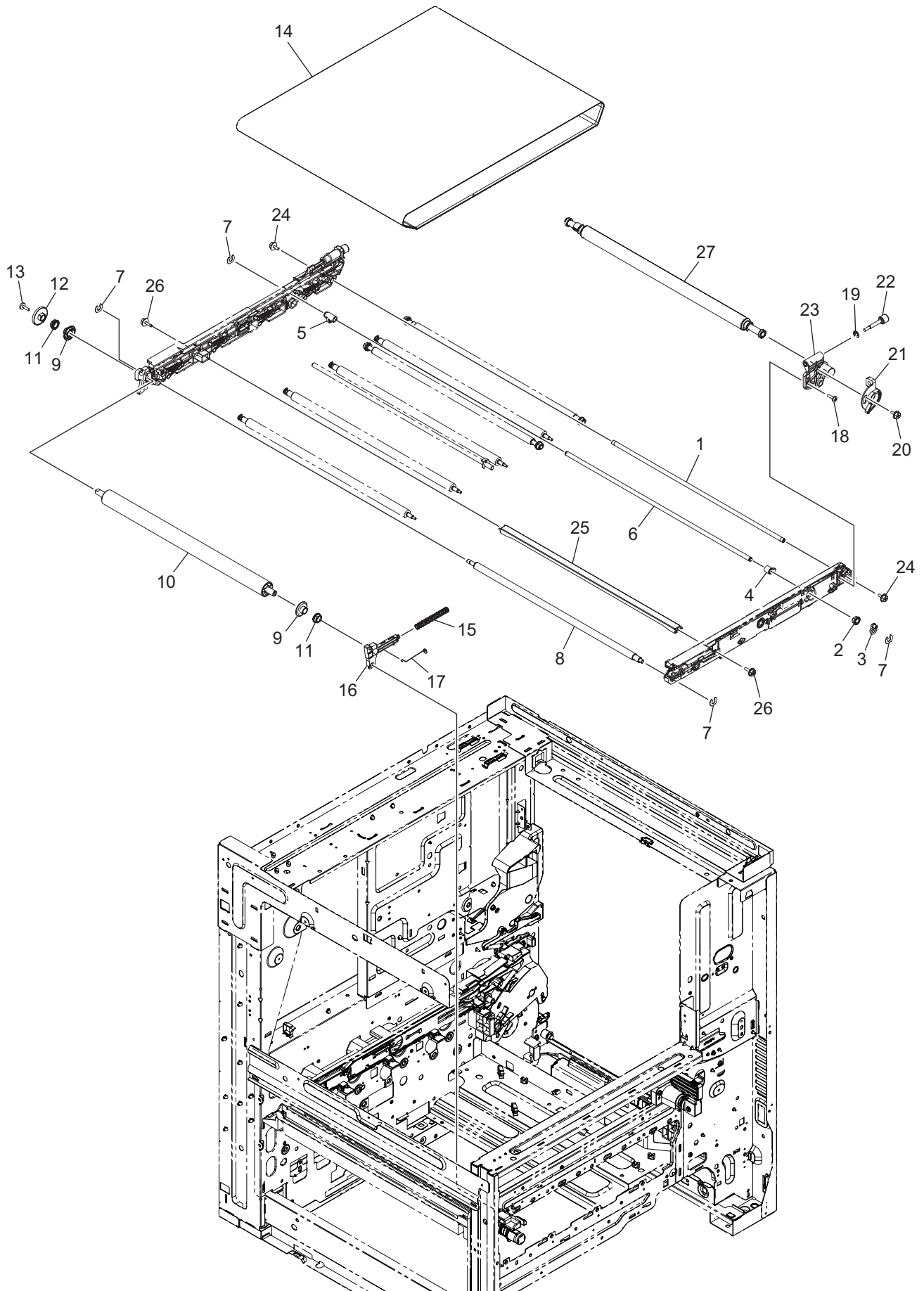


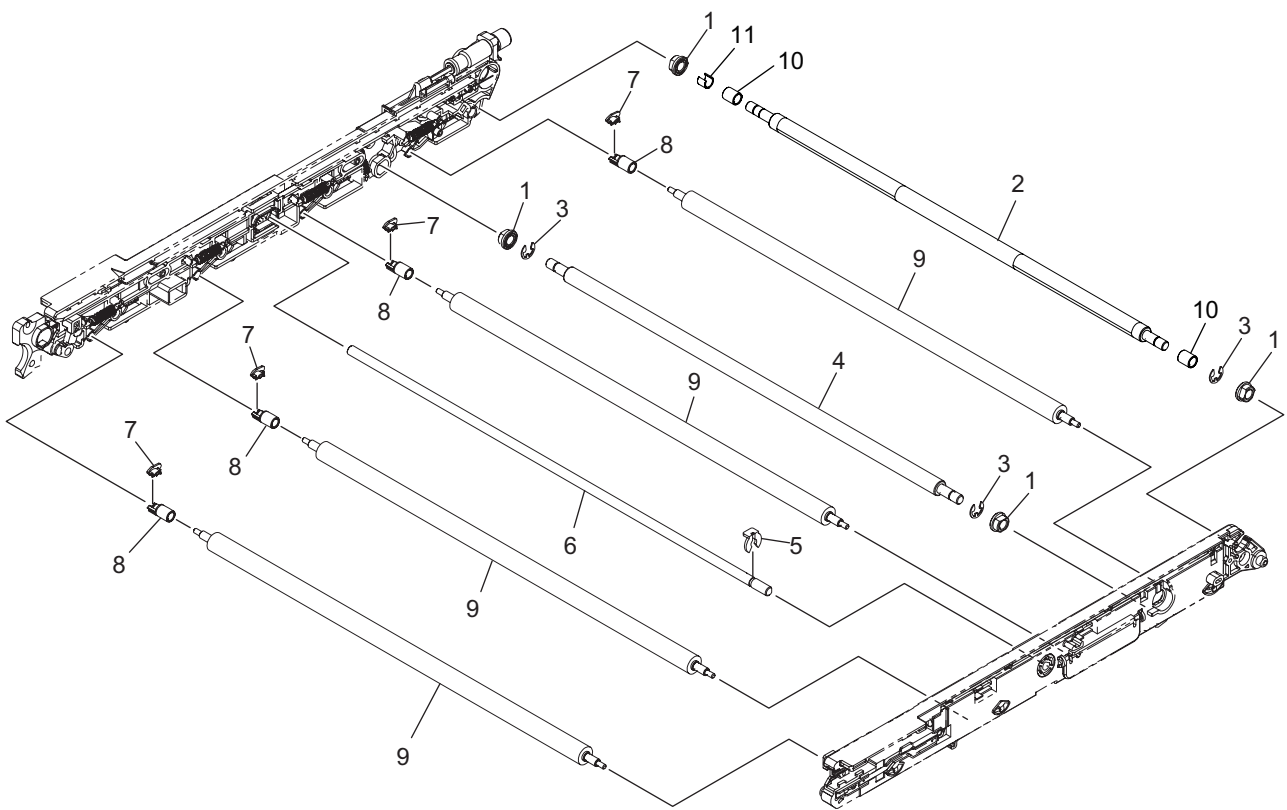
ITEM No.	PART No.	PART NAME	Q'TY / PAGE	Q'TY / PACK	REMARKS
1 2	6LJ56207000 X0-02420000	ASYB-GUIDE-FEED-L-H21X_L S/TPS/FHEXM/R-3X8-ZU3	1 1	1/PP 10/P	

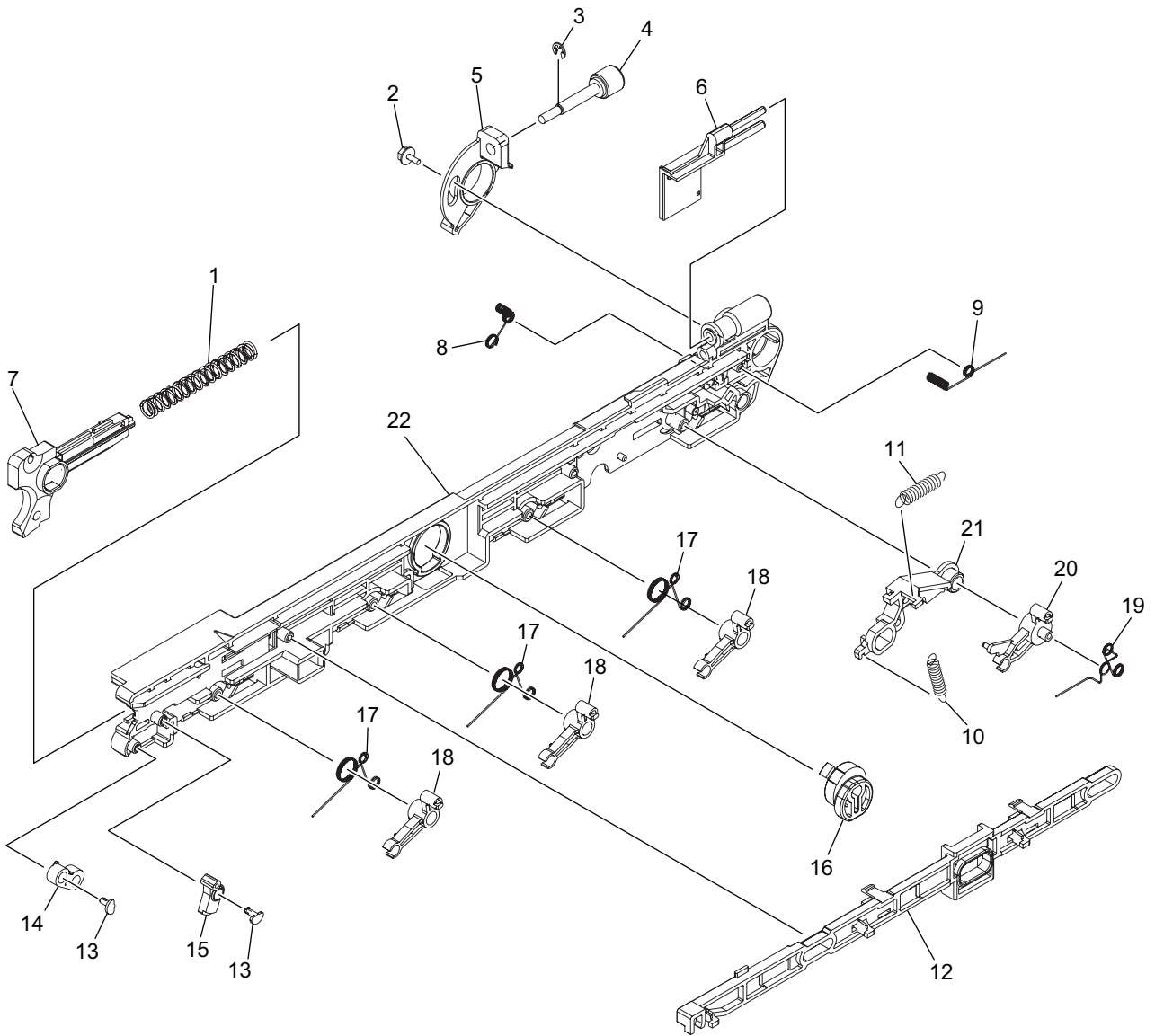


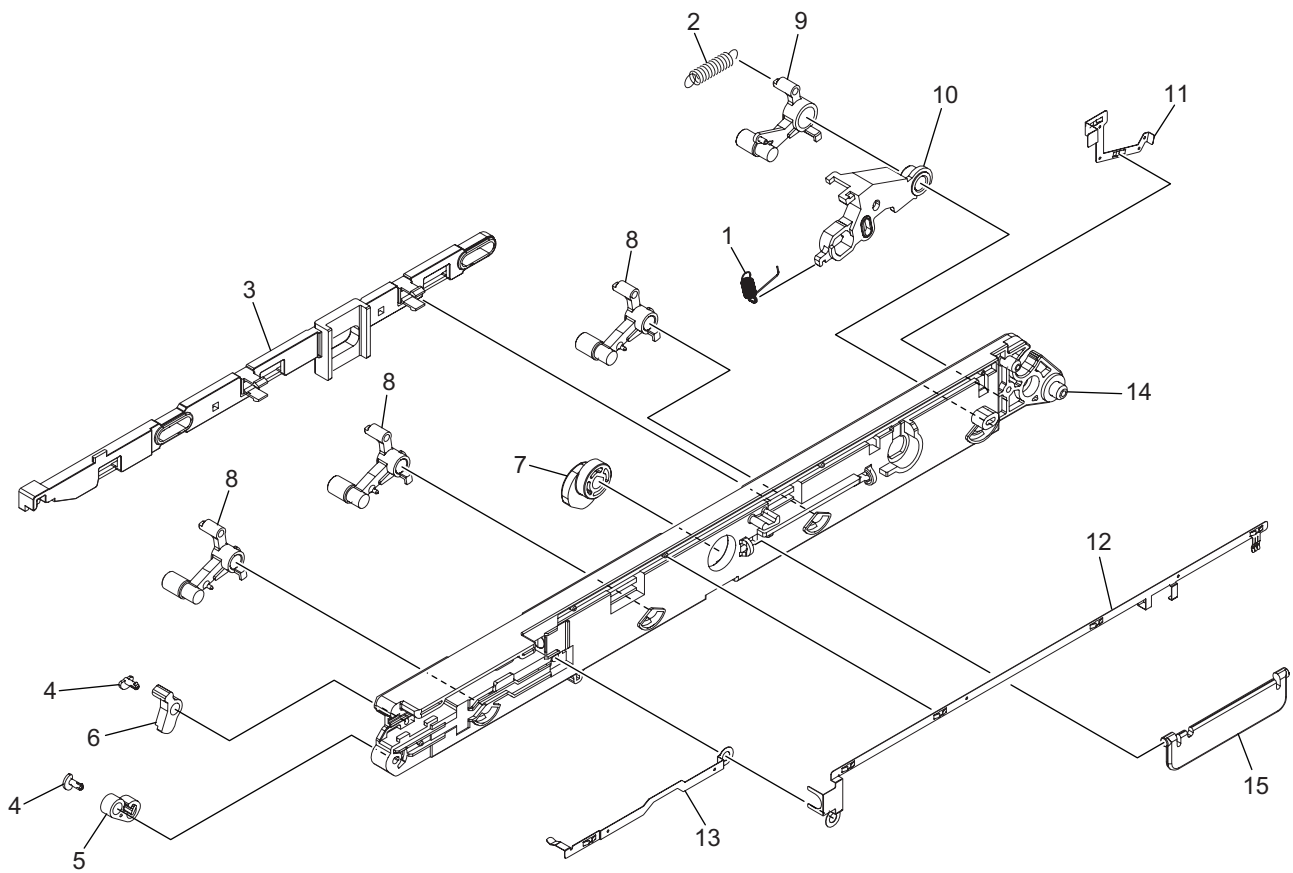
ITEM No.	PART No.	PART NAME	Q'TY / PAGE	Q'TY / PACK	REMARKS
1 A	6LJ70402000	OD-FC30	1	1/S	NAD,MJD,AUD,ASD CND
1 B	6LJ70402100	OD-FC30C	1	1/S	
2	6LJ54670000	LEVER-WTNR-FRONT-H21X	1	1/P	
3	6LJ54696000	COVER-INNR-WTNR-H21X	1	1/PP	
4	C0-17839000	LG2A14BL1	1	1/C	
5	6LJ60319000	HRNS-UTNR-210	1	1/P	
6	6LE28372000	WSHR-6R2X12XR5-APS	1	5/P	
7	44201492000	BUSH-6-POM	1	5/P	
8	6LJ54683000	COUPL-DRV-WTNR	1	1/P	
9	6LJ54694000	MOTRD-PDL-210	1	1/D	
10	6LJ54635000	HLDR-DRV-WTNR	1	1/P	
11	6LJ54640000	SHAFT-DRV-WTNR	1	1/P	
12	6LJ54636000	COLAR-DRV-WTNR	1	1/P	
13	6LJ54649000	SPG-C-10R7XR6X30R3R-WTNR	1	1/P	
14	6LJ54637000	GEAR-15S16-6-COUPL-WTNR	1	1/P	
15	6LJ54638000	SLIT-DRV-WTNR	1	1/P	
16	6LJ54639000	GEAR-5H66-6-DRV-WTNR	1	1/P	
17	X0-01670000	S/PAN-M2.6X4-NC	2	10/P	
18	X0-00966000	RR/E-5-SS	3	10/P	
19	X0-02420000	S/TPS/FHEXM/R-3X8-ZU3	9	10/P	
20	E0-01853000	CS1A-B2CA	1	1/D	
21	6LH05525000	CUSHION-LEV-ADU	1	N/A***	

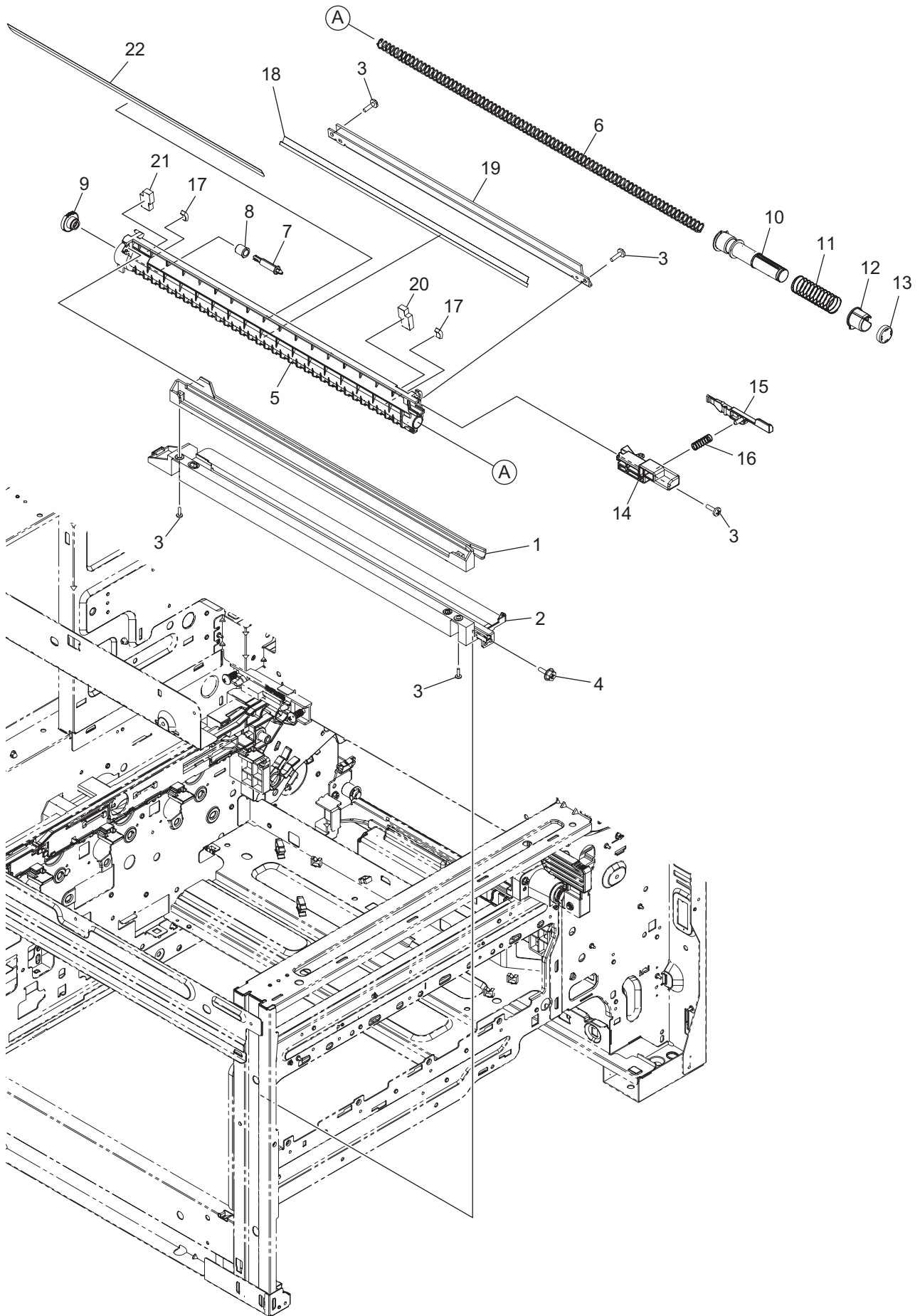




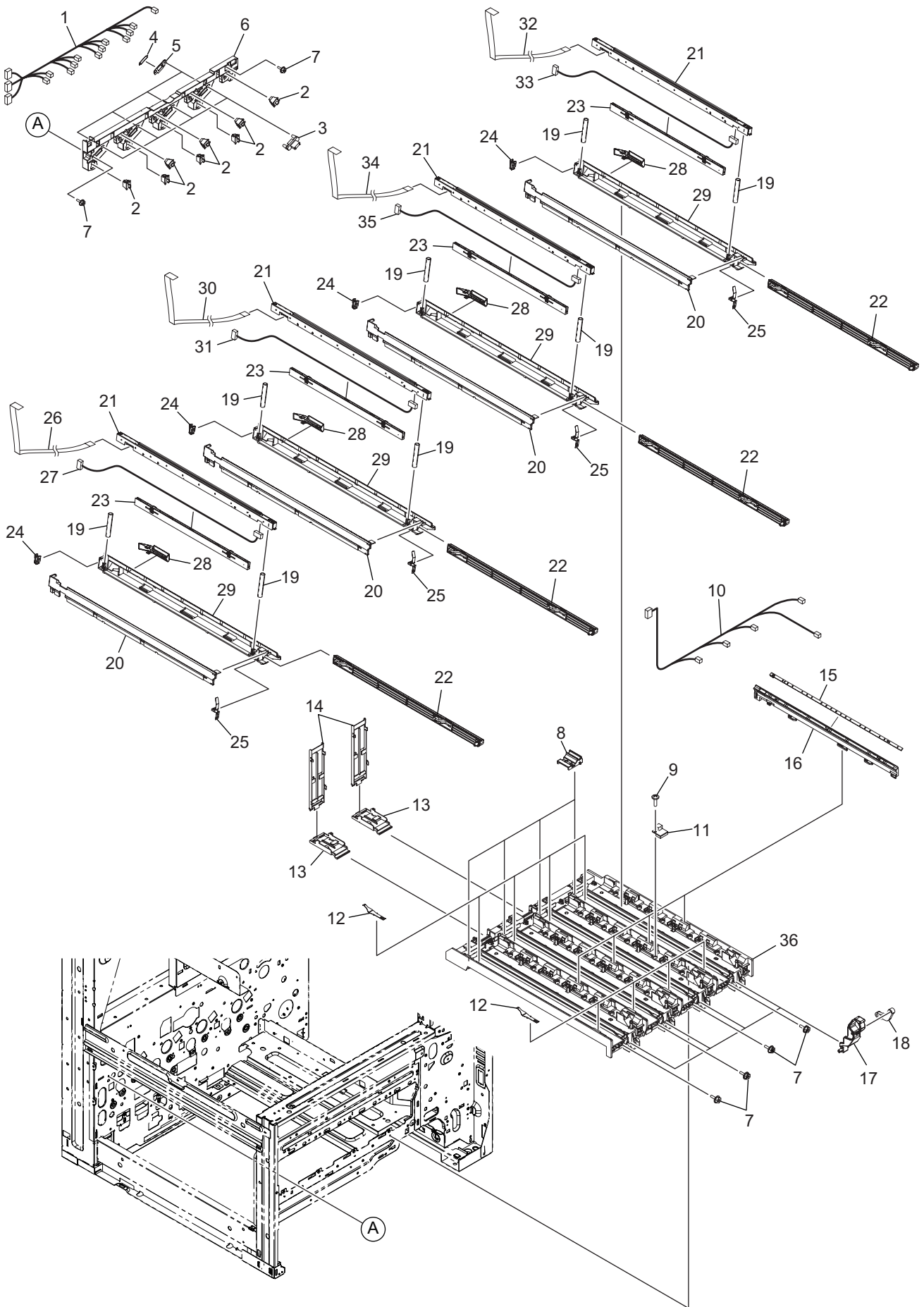




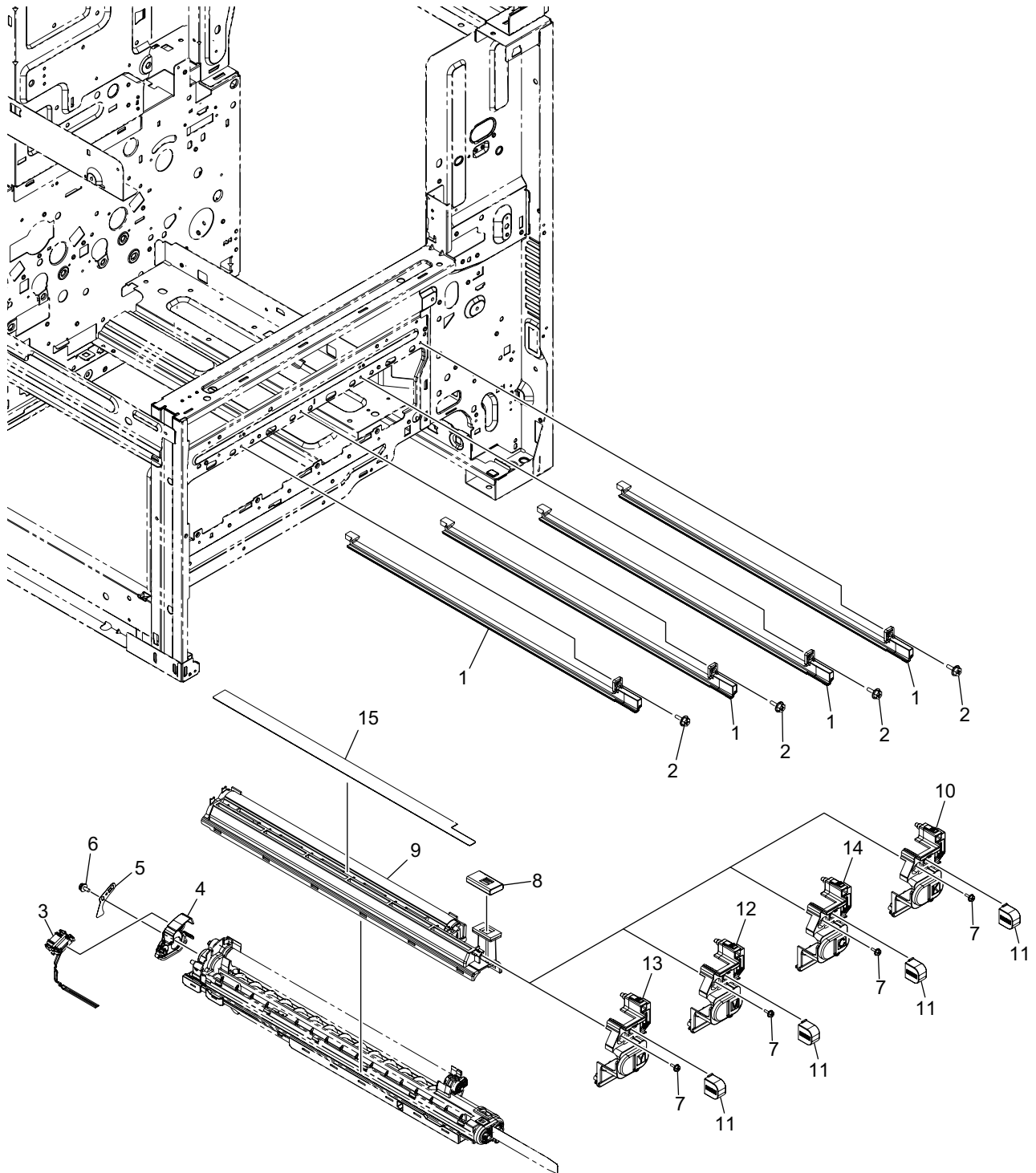




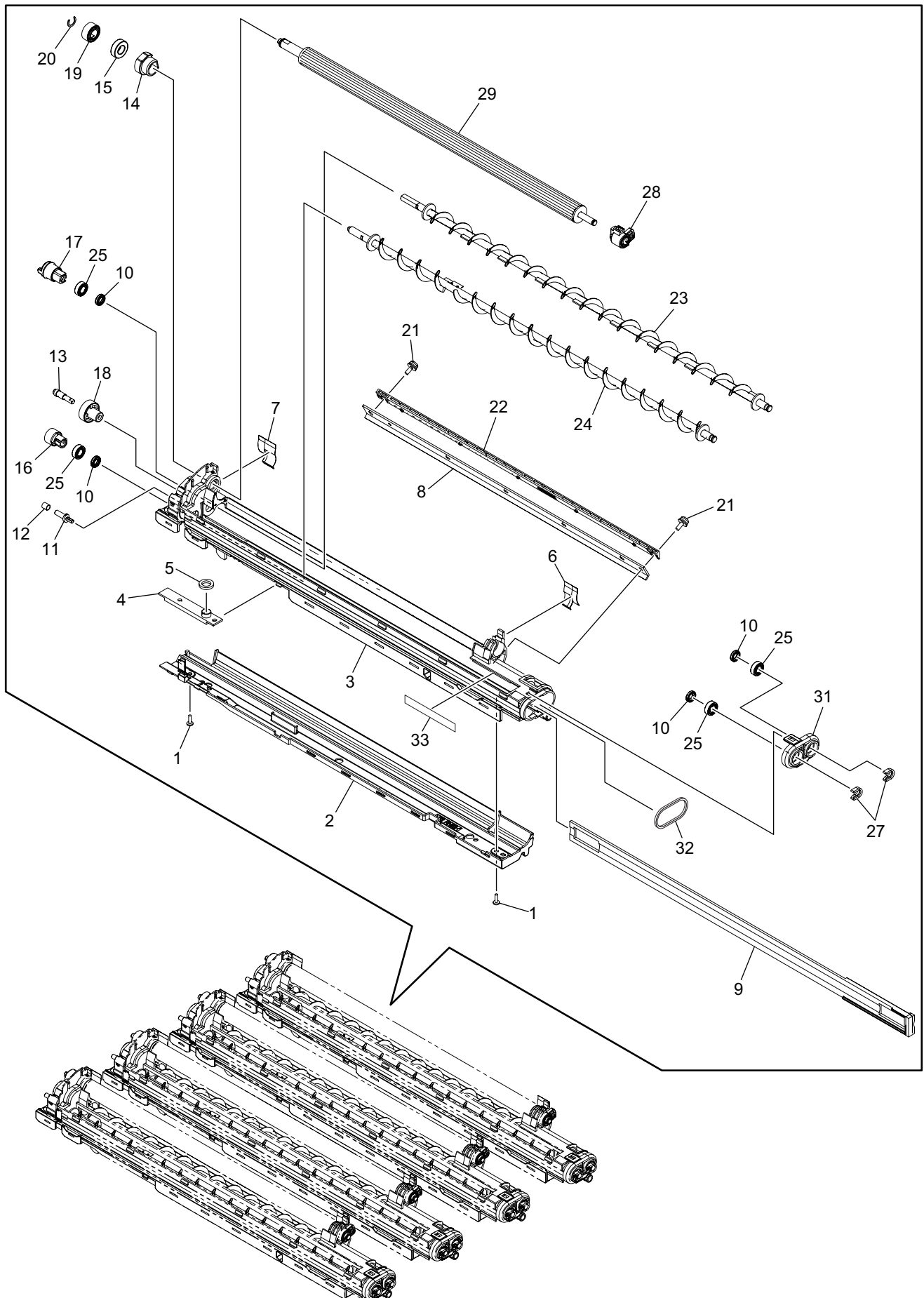
ITEM No.	PART No.	PART NAME	Q'TY / PAGE	Q'TY / PACK	REMARKS
1	6LJ55431000	GUIDE-CLN-TBU-UPPER	1	1/P	
2	6LJ55432000	GUIDE-CLN-TBU-LOWER	1	1/PP	
3	6LA80090000	S/TPP/BID-3X8-NI	5	5/P	
4	X0-02420000	S/TPS/FHEXM/R-3X8-ZU3	1	10/P	
5	6LJ55400000	FRAME-CLN-TBU-H21X	1	1/PP	
6	6LJ55415000	SP-AUGER-G10-P5-S1	1	1/P	
7	6LJ55404000	BUSH-JOINT-TBU-H21X	1	1/P	
8	6LJ55503000	BUSH-AUGER-TBUCLN	1	1/P	
9	6LJ55403000	GEAR-CLN-TBU-H21X	1	1/P	
10	6LJ55401000	NOZZLE-CLNR-H21X	1	1/P	
11	6LJ55455000	SPG-C-SHUT-CLNR-TBU	1	1/P	
12	6LJ55402000	SHUT-NOZZLE-TBU-H21X	1	1/P	
13	6LJ55477000	COV-SHUT-TBU-CLN	1	1/P	
14	6LJ55502000	HANDLE-TBUCLN	1	1/P	
15	6LJ55506000	HANDLE-LOCK-TBUCLN	1	1/P	
16	6LJ55507000	SPG-C-LOCK-TBUCLN	1	1/P	
17	6LJ55446000	SEAL-BLADE-BACK-TBU	2	1/P	
18	6LJ55442000	SHEET-AUGER-TBU-H21X	1	1/KP	
19	6LJ70396000	BL-FC30TR	1	1/S	
20	6LJ55444000	SEAL-SIDE-TBU-F	1	1/P	
21	6LJ55445000	SEAL-SIDE-TBU-R	1	1/P	
22	6LJ55443000	SHEET-REC-TBU-H21X	1	1/KP	



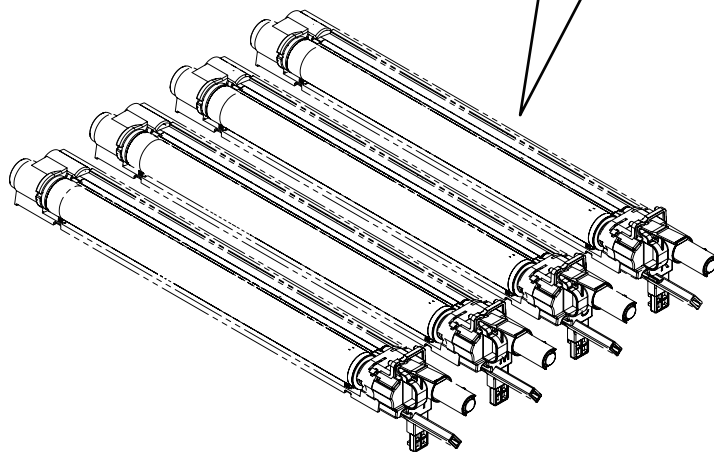
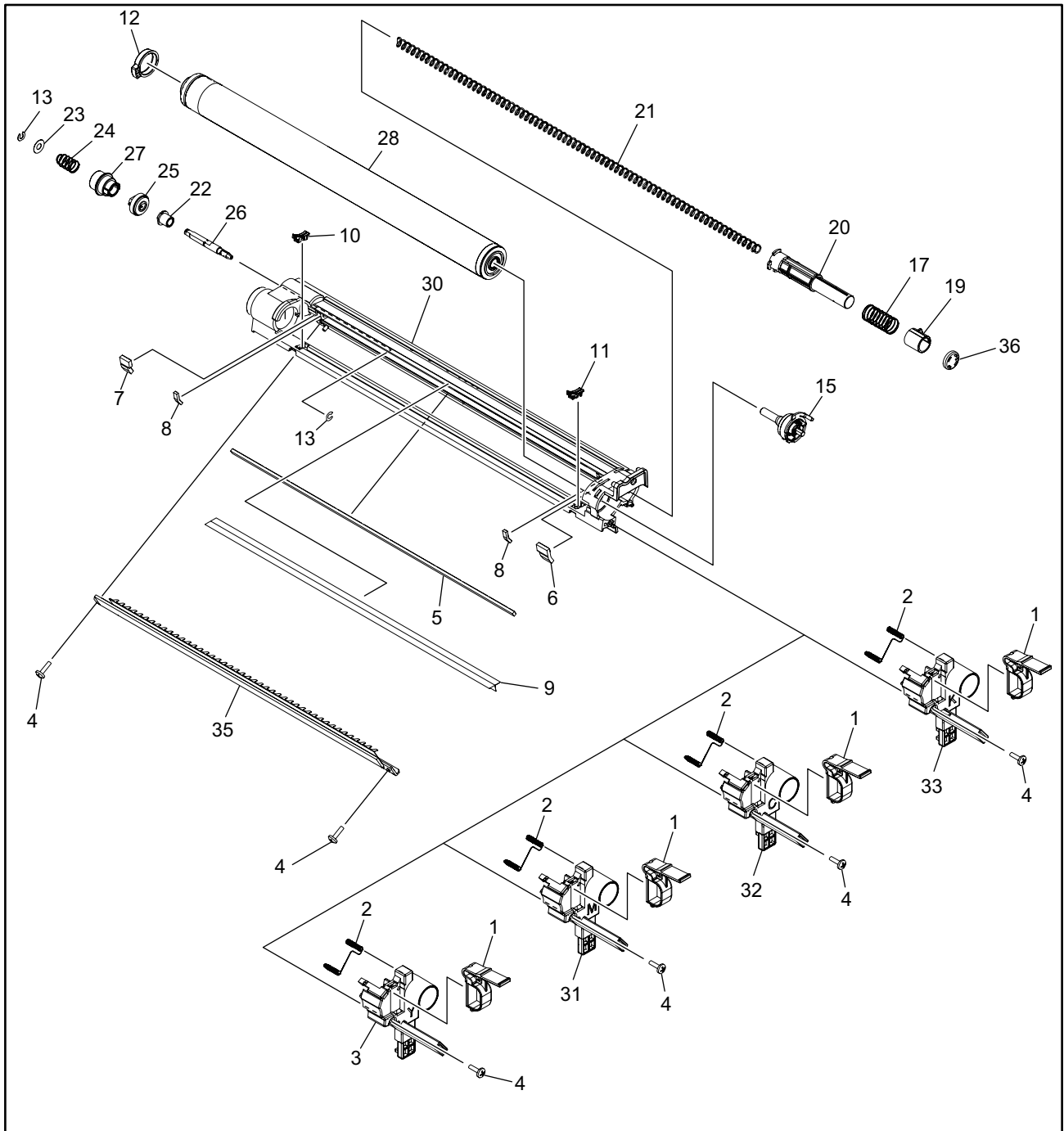
ITEM No.	PART No.	PART NAME	Q'TY / PAGE	Q'TY / PACK	REMARKS
1	6LJ60219000	HRNS-LGC-ATEPU-210	1	1/P	
2	E0-01853000	CS1A-B2CA	8	1/D	
3	E0-14465000	06R-RIZ-K4GG-FL (LF)(SN)	4	1/P	
4	6LJ54089000	SPG-E-DRW	4	1/P	
5	6LJ54088000	PLATE-HOLD-DRW	4	1/P	
6	6LJ54087000	BASE-DRW-RER-B	1	1/PP	
7	X0-02420000	S/TPS/FHEXM/R-3X8-ZU3	6	10/P	
8	6LJ54657000	COVER-HRNS	4	1/P	
9	6LA80090000	S/TPP/BID-3X8-NI	1	5/P	
10	6LJ60313000	HRNS-LGC-DLED-210	1	1/P	
11	6LJ60539000	THMS-DRM-H210	1	1/P	
12	6LJ54669000	SPG-F-PUSHER-DEV-21X	8	1/P	
13	6LJ54664000	GUIDE-HRNS-LED-MID	2	1/P	
14	6LJ54665000	GUIDE-HRNS-LED	2	1/P	
15	6LJ60538000	LAMP-ERASE-H210	4	1/P	
16	6LJ54629000	HOLDER-LED-ERASE	4	1/PP	
17	6LJ54660000	LEVER-LED	4	1/P	
18	6LJ54666000	LINK-LED-LEVER	4	1/P	
19	6LJ54634000	SPG-C-8R1XR7X46R5-LED	8	1/P	
20	6LJ54661000	CASE-LED-LEFT	4	1/PP	
21	6LJ54716000	ASYS-LED-HEAD	4	1/C	
22	6LJ54659000	LEVER-LED-DOWN	4	1/PP	
23	6LJ54658000	LINK-GUIDE-HRNS-LED	4	1/PP	
24	6LJ54668000	SPG-F-EARTH-RER	4	1/P	
25	6LJ54667000	SPG-F-EARTH-FRT	4	1/P	
26	6LJ60680000	ASYS-HRNS-LGC-HEADY-210	1	1/P	
27	6LJ60429000	HRNS-LGC-YLEDP-210	1	1/P	
28	6LJ54663000	DUCT-COVER-OZONE	4	1/PP	
29	6LJ54662000	CASE-LED-RIGHT	4	1/PP	
30	6LJ60681000	ASYS-HRNS-LGC-HEADM-210	1	1/P	
31	6LJ60430000	HRNS-LGC-MLEDP-210	1	1/P	
32	6LJ60683000	ASYS-HRNS-LGC-HEADK-210	1	1/P	
33	6LJ60432000	HRNS-LGC-KLEDP-210	1	1/P	
34	6LJ60682000	ASYS-HRNS-LGC-HEADC-210	1	1/P	
35	6LJ60431000	HRNS-LGC-CLEDP-210	1	1/P	
36	6LJ54605000	GUIDE-EPU	1	1/PP	



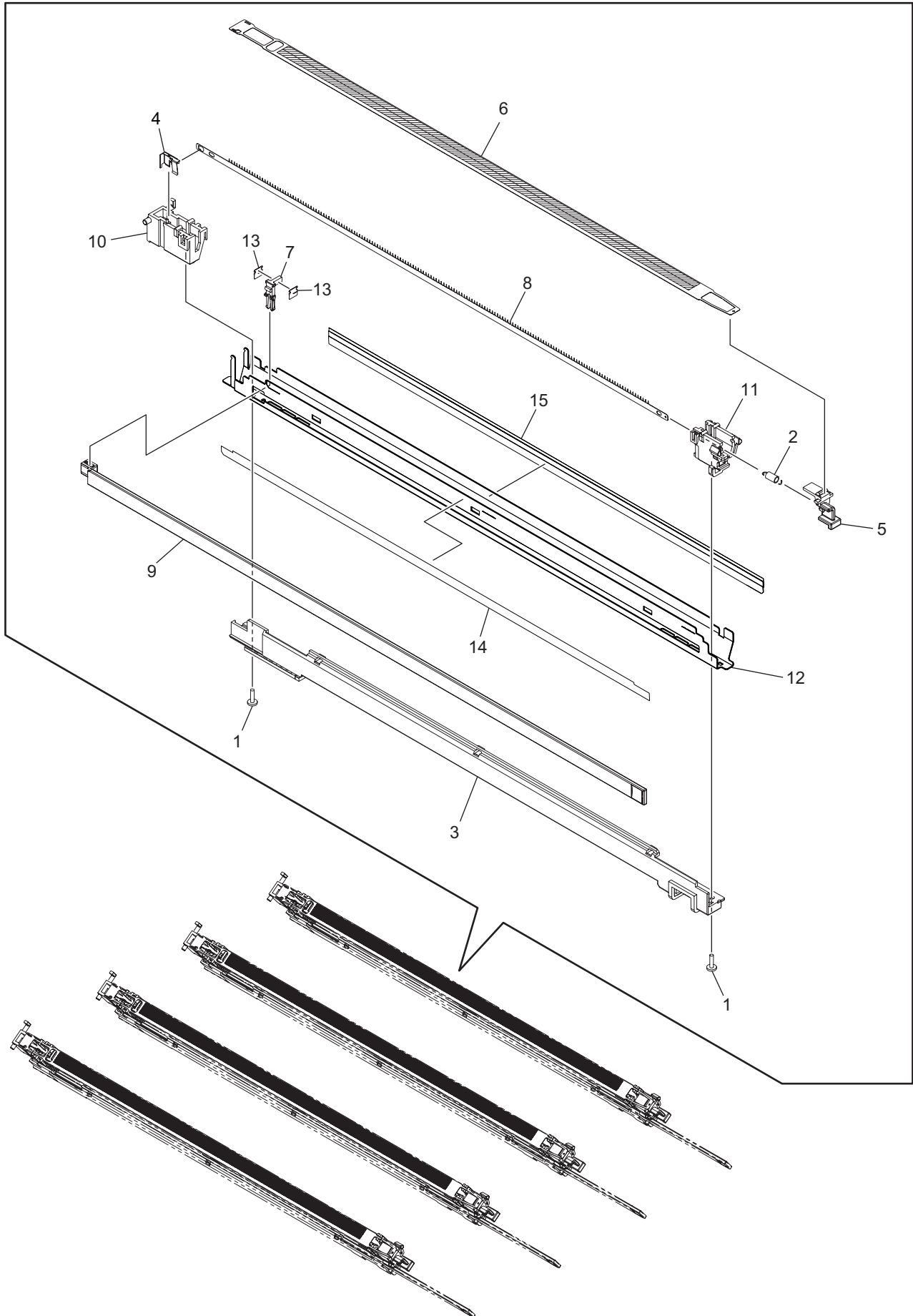
ITEM No.	PART No.	PART NAME	Q'TY / PAGE	Q'TY / PACK	REMARKS
1	6LJ54631000	RAIL-CLNR-UNIT-H21X	4	1/P	
2	X0-02420000	S/TPS/FHEXM/R-3X8-ZU3	4	10/P	
3	6LJ60214000	HRNS-ATTNR-210	4	1/P	
4	6LJ54043000	BRKT-STUD-GEAR-IDLE	4	1/P	
5	6LJ54063000	ADJSTR-MG-21X	4	1/P	
6	X0-00059000	S/PAN/SWWS-M3X6-NI	4	10/P	
7	X0-02247000	S/TPP/FHEXM-3X8-NI	4	10/P	
8	6LJ54053000	SHUT-TNR-DEV-21X	4	1/P	
9	6LJ54115000	ASYS-COV-DEV-21X	4	1/PP	
10	6LJ54108000	COV-DEV-FRT-21X-K	1	1/PP	For Black
11	6LJ54109000	HNDL-DEV-FRT-21X	4	1/P	
12	6LJ54108200	COV-DEV-FRT-21X-M	1	1/PP	For Magenta
13	6LJ54108300	COV-DEV-FRT-21X-Y	1	1/PP	For Yellow
14	6LJ54108100	COV-DEV-FRT-21X-C	1	1/PP	For Cyan
15	6LJ54085000	SHEET-PRIN-DEV	4	1/KP	



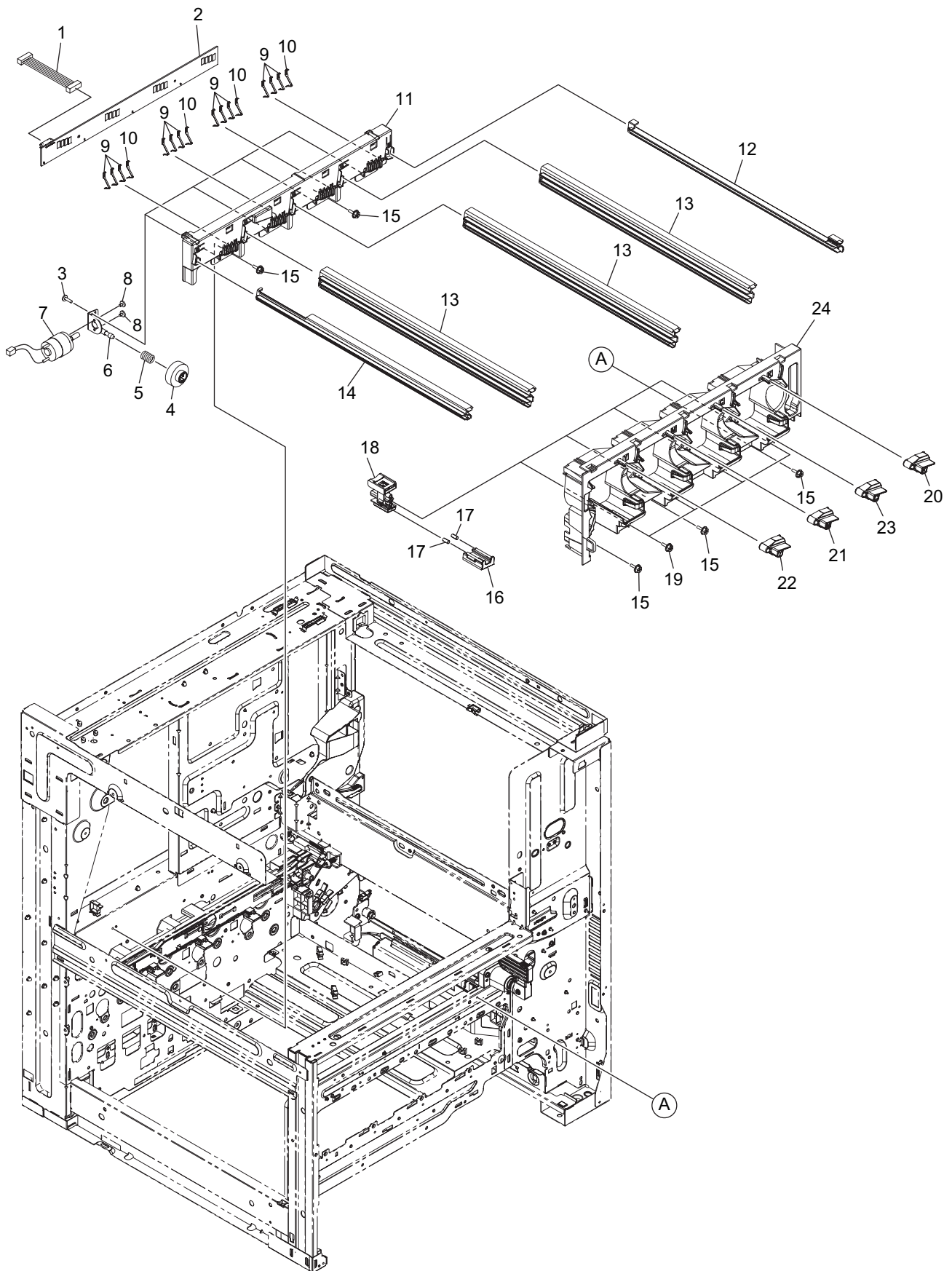
ITEM No.	PART No.	PART NAME	Q'TY / PAGE	Q'TY / PACK	REMARKS
1	6LA80090000	S/TPP/BID-3X8-NI	8	5/P	
2	6LJ54119000	DUCT-COOL-DEV-21X	4	1/P	
3	6LJ54114000	ASYS-CASE-DEV-SEAL-21X	4	1/PP	
4	6LJ60501000	SNSR-ATC-H210	4	1/P	
5	6LA29904000	SEAL-ATC-BLK	4	5/P	
6	6LJ54072000	SEAL-RLR-MAGT-SIDE-FRT	4	N/A***	
7	6LJ54073000	SEAL-RLR-MAGT-SIDE-RER	4	N/A***	
8	6LJ54136000	ASYS-DOCTR-21X	4	1/P	
9	6LJ54120000	ASYS-SPRTR-DEV-21X	4	1/P	
10	4401949290	SEAL-VC6-10-2.5	16	1/P	
11	6LJ54054000	DOG-SNSR-DEV-NEW	4	1/P	
12	6LJ54066000	SPG-C-DOG-SNSR-DEV-NEW	4	1/P	
13	6LJ54145000	STUD-GEAR-IDLE	4	N/A***	
14	6LJ54151000	ASYS-BUSH-RLR-MAGT-RER-21	4	1/P	
15	F0-02111000	L-1680DDRP0P25LY551	4	1/P	
16	6LJ54056000	GEAR-04H-29-9-MIX-SPLR	4	1/P	
17	6LJ54055000	GEAR-04H-29-9-MIX-AGIR	4	1/P	
18	6LJ54057000	GEAR-04H-42-6-IDLE-21X	4	1/P	
19	6LJ54058000	GEAR-04H-35-8-RLR-MG	4	1/P	
20	F0-01499000	S5103-31 3BC	4	10/P	
21	X0-00059000	S/PAN/SWWS-M3X6-NI	8	10/P	
22	6LJ54121000	ASYS-HLDR-SHT-DRM-21X	4	1/P	
23	6LJ54046000	MIXER-DEV-SPLR	4	1/P	
24	6LJ54117000	ASYS-MIXR-DEV-AGIR	4	1/P	
25	6LJ54048000	BUSH-6X12X4-671	16	1/P	
27	4407972860	STOP-RING-6-5	8	5/P	
28	6LJ54049000	BUSH-RLR-MAGT-FRT-21X	4	1/P	
29	6LJ54133000	RLR-MAGT-21X-100	4	1/KP	
31	6LJ54111000	BUSH-DEV-FRT-21X	4	1/P	
32	6LJ54144000	SEAL-BUSH-DEV-FRT-21X	4	N/A***	
33	6LJ54704000	SHEET-DEV-SIDE	4	N/A***	



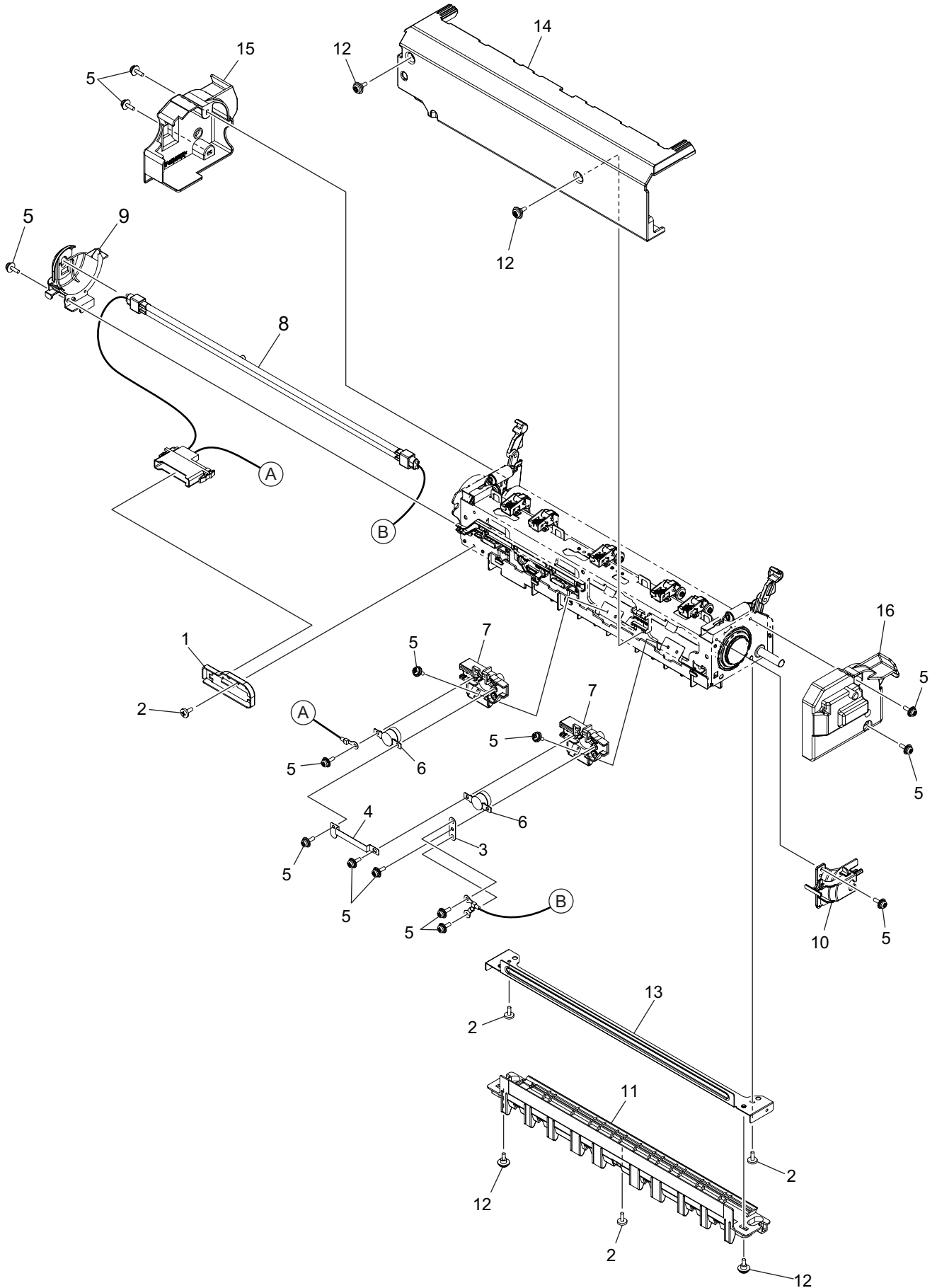
ITEM No.	PART No.	PART NAME	Q'TY / PAGE	Q'TY / PACK	REMARKS
1	6LJ54094000	HOOK-CLNR-DRUM-H21X	4	1/P	For Yellow
2	6LJ54036000	SPG-DRUM-EARTH-H21X	4	1/P	
3	6LJ54007300	COV-DRUM-CLNR-F-H21X-LY	1	1/P	
4	6LA80090000	S/TPP/BID-3X8-NI	12	5/P	
5	6LJ54033000	SEAL-CASE-CLNR-H21X	4	N/A***	
6	6LJ54037000	SEAL-SIDE-FRT-H21X	4	N/A***	
7	6LJ54038000	SEAL-SIDE-RER-H21X	4	N/A***	
8	6LJ54034000	SEAL-BLADE-BACK-H21X	8	N/A***	
9	6LJ54029000	BLADE-REC-H21X	4	1/S	
10	6LJ54012000	SPACER-LED-RER-H21X	4	1/P	
11	6LJ54011000	SPACER-LED-FRT-H21X	4	1/P	
12	6LJ54005000	BUSH-DRUM-RER-H21X	4	1/P	
13	6LJ54091000	RRG-4-P-N	8	1/P	
15	6LJ54110000	ASYB-BUSH-DRUM-FRT-H21X	4	1/D	
17	6LJ54040000	SPG-SHUT-CNLR-DRUM-H21X	4	1/P	
19	6LJ54015000	SHUT-NOZZLE-CLNR-H21X	4	1/P	
20	6LJ54014000	NOZZLE-CLNR-AUGER-H21X	4	1/P	
21	6LJ54003000	SPG-AUGER-8-5_5-H21X	4	1/P	
22	6LJ54001000	BUSH-AUGER-RER-H21X	4	1/P	
23	6LJ54010000	WAS-05X12XZ188-P	4	1/P	
24	6LJ54039000	SPG-DOG-CLNR-DRUM-H21X	4	1/P	
25	6LJ54030000	GEAR-6S30-6-AUGER	4	1/P	
26	6LJ54013000	HOLDER-DOG-H21X	4	1/P	NAD,AUD,ASD
27	6LJ54016000	DOG-DRUM-CLR-6	4	1/P	
28 A	6AG00004477	PS-TBFC30	1	SUPPLY	
28 B	6AG00004479	PS-TBFC30E	1	SUPPLY	MJD
28 C	6AG00004478	PS-TBFC30C	1	SUPPLY	CND
30	6LJ54103000	ASYS-CASE-CLNR-DRUM-H21X	4	1/PP	For Magenta For Cyan
31	6LJ54007200	COV-DRUM-CLNR-F-H21X-LM	1	1/P	
32	6LJ54007100	COV-DRUM-CLNR-F-H21X-LC	1	1/P	
33	6LJ54007000	COV-DRUM-CLNR-F-H21X-LK	1	1/P	
35	6LJ70395000	BL-FC30D	1	1/S	For Black
36	6LJ54126000	CAP-NOZZLE-CLNR-D-H21X	4	1/P	



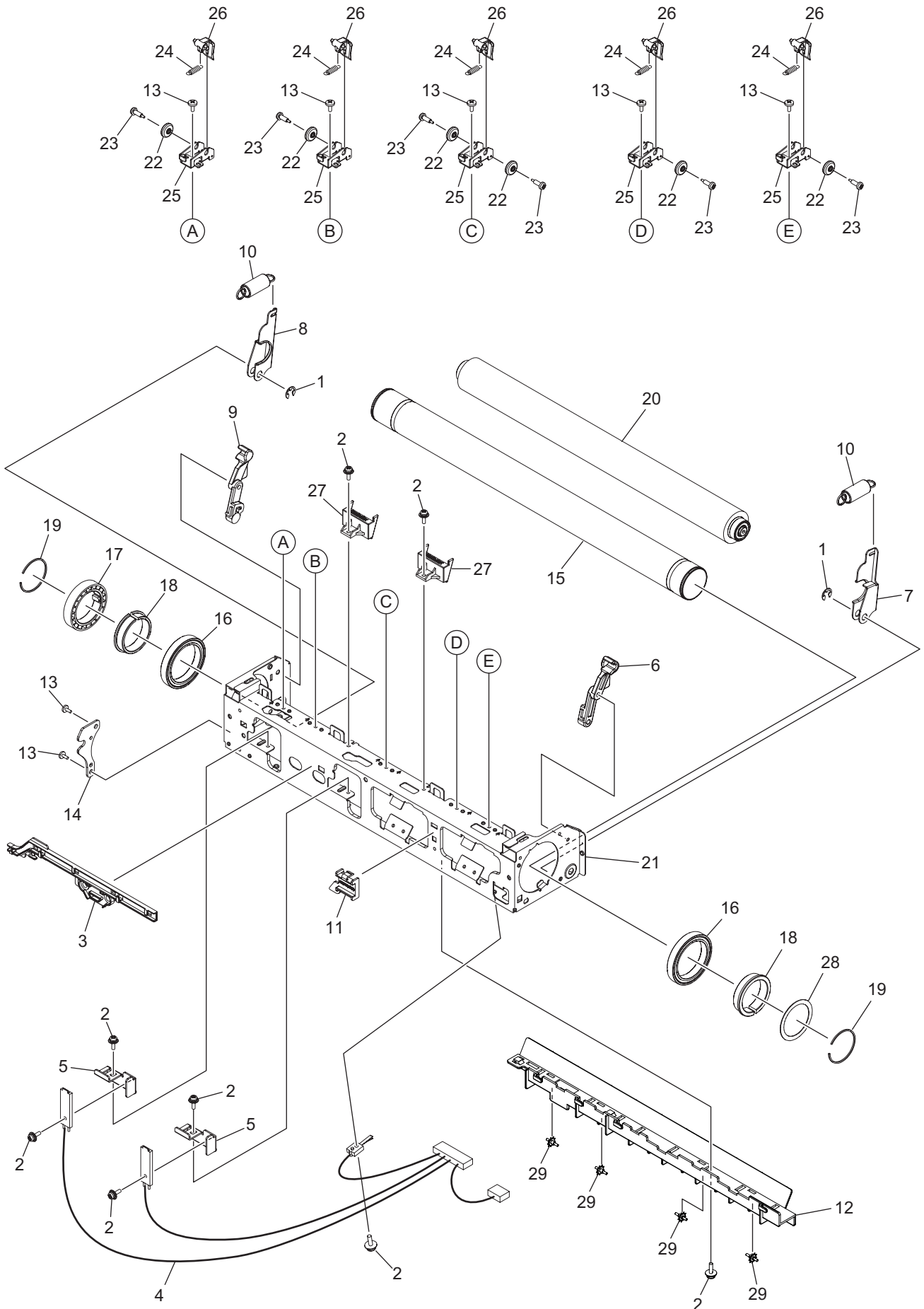
ITEM No.	PART No.	PART NAME	Q'TY / PAGE	Q'TY / PACK	REMARKS
1	6LA80090000	S/TPP/BID-3X8-NI	8	5/P	
2	6LE23557000	SPG-E-4XR5X11R2-CHARGR	4	5/P	
3	6LJ54112000	ASYS-DUCT-CHARGR-H21X	4	1/P	
4	6LJ54028000	SPG-F-BIAS-CHGR-H21X	4	1/P	
5	6LJ54004000	LEVER-GRID-CHARGR-H21X	4	1/P	
6	6LJ54025000	GRID-CHARGR-MAIN-H21X	4	1/KP	
7	6LJ54093000	ASYS-HLDR-CLNR-CH-H21X	4	1/P	
8	6LJ54090000	PIN-ARRAY-CHARGR-H21X	4	1/KP	
9	6LJ54009000	ROD-CHARGR-MAIN-H21X	4	1/P	
10	6LJ54018000	TEARM-CHARGR-MAIN-R-H21X	4	1/P	
11	6LJ54019000	TEARM-CHARGR-MAIN-F-H21X	4	1/P	
12	6LJ54017000	CASE-CHARGR-MAIN-H21X	4	1/P	
13	6LJ54099000	FILM-CLNR-CHARGR-H21X	8	1/KP	
14	6LJ54021000	SHEET-CHARGR-LED	4	N/A***	
15	6LJ54022000	SHEET-CHARGR-RGT-H21X-B	4	N/A***	



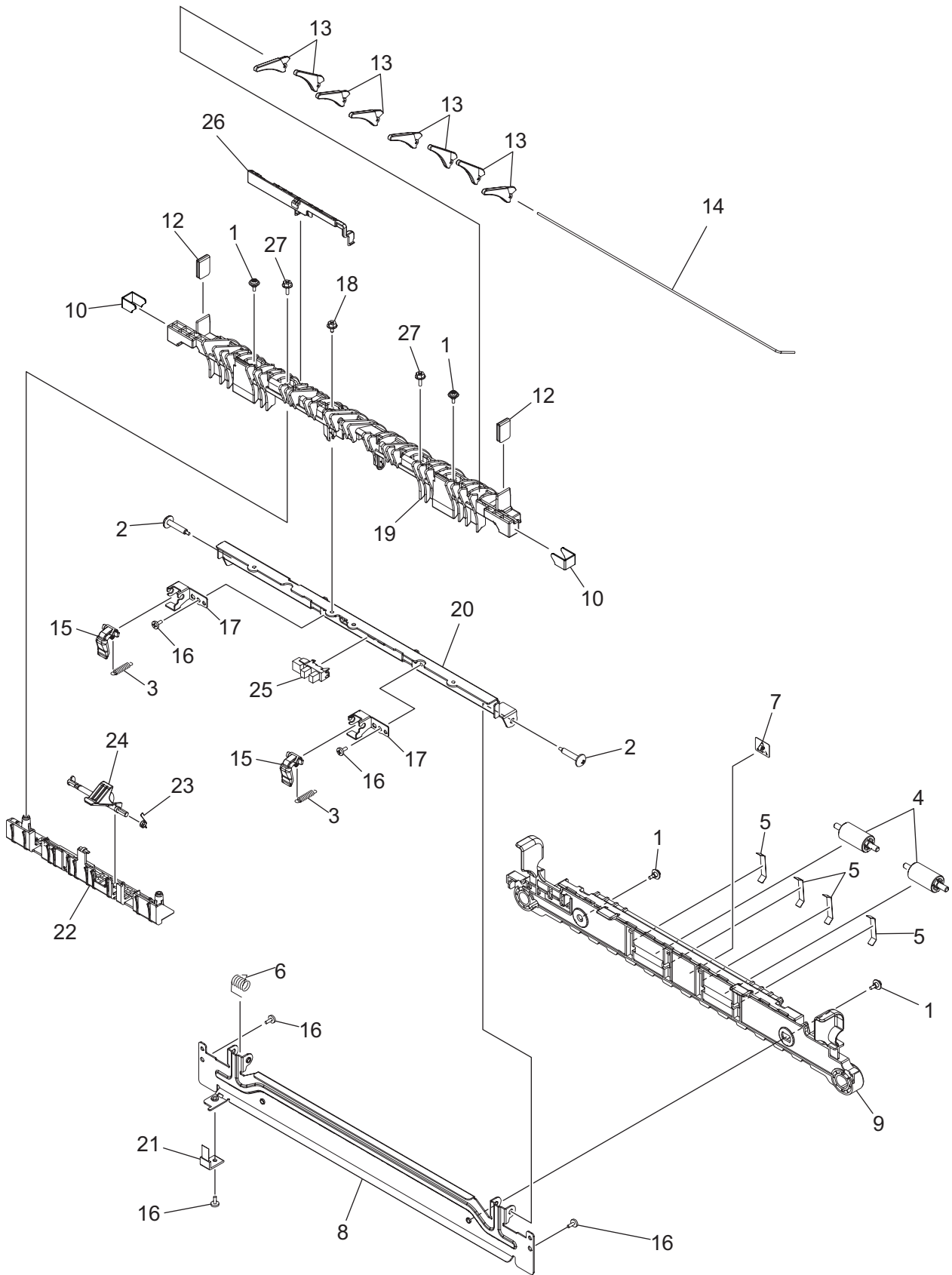
ITEM No.	PART No.	PART NAME	Q'TY / PAGE	Q'TY / PACK	REMARKS
1	6LJ60217000	HRNS-LGC-TNRIC-210	1	1/P	
2	6LJ60734000	ASYB-CTIF-210	1	1/SB	
3	6LA80090000	S/TPP/BID-3X8-NI	4	5/P	
4 A	6LJ54816100	GEAR-5H68-6-H21X-U	4	1/P	NAD
4 B	6LJ54816200	GEAR-5H68-6-H21X-D	4	1/P	AUD,ASD,CND
4 C	6LJ54816000	GEAR-5H68-6-H21X-E	4	1/P	MJD
5	6LH39254000	SPG-C-11R8XR8X24R	4	1/P	
6	6LJ54809000	ASYS-TNRBKT-H21X	4	1/P	
7	6LH53764000	ASYS-MOTRD-TNR-470	4	1/C	
8	X0-02557000	S/BID-M2.6X3-NI	8	10/P	
9	6LJ54849000	SPG-F-TNRIC-H21X	12	1/P	
10	6LJ54850000	SPG-F-TNRIC-H21X-G	4	1/P	
11	6LJ54815000	HLDR-TNRDRV-H21X	1	1/PP	
12	6LJ54814000	STAY-TNR-H21X-K	1	1/P	
13	6LJ54813000	STAY-TNR-H21X	3	1/P	
14	6LJ54812000	STAY-TNR-H21X-Y	1	1/P	
15	X0-02420000	S/TPS/FHEXM/R-3X8-ZU3	5	10/P	
16	6LJ54834000	ASYS-SHUTPIPE-H21X	1	1/P	
17	6LJ54831000	SPG-C-SHUT-TONER	2	1/P	
18	6LJ54845000	ASYS-PIPE-H21X	1	1/P	
19	X0-02247000	S/TPP/FHEXM-3X8-NI	4	10/P	
20	6LJ54853300	ASYS-LVRTNR-H21X-K	1	1/P	
21	6LJ54853100	ASYS-LVRTNR-H21X-M	1	1/P	
22	6LJ54853000	ASYS-LVRTNR-H21X-Y	1	1/P	
23	6LJ54853200	ASYS-LVRTNR-H21X-C	1	1/P	
24	6LJ54819000	COV-INNER-H21X	1	1/PP	



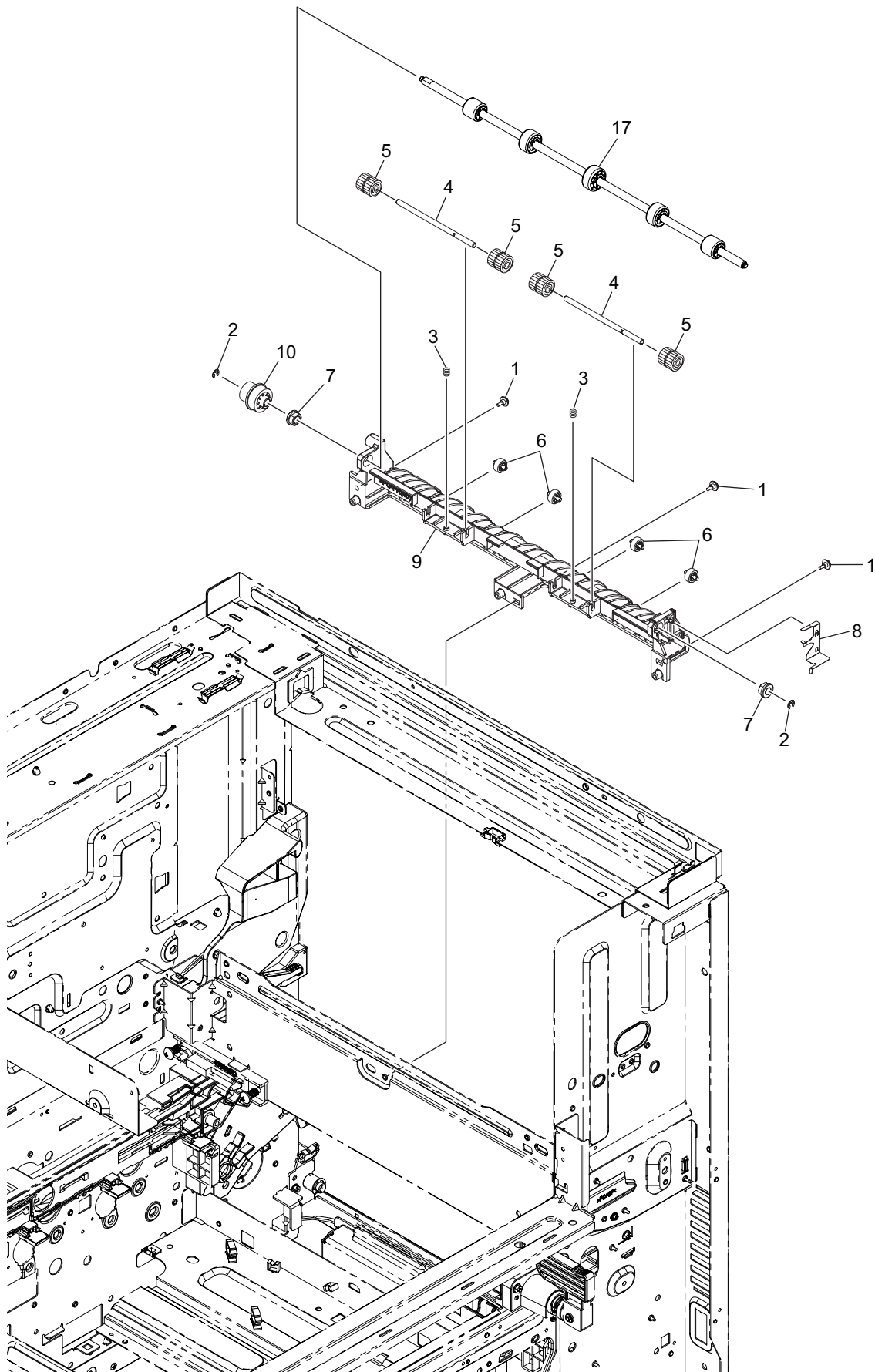
ITEM No.	PART No.	PART NAME	Q'TY / PAGE	Q'TY / PACK	REMARKS
1	6LJ58026000	BRKT-DRW-FUS	1	1/P	
2	X0-00430000	S/BID-M3X6-NI	4	10/P	
3	6LJ58084000	PLT-CNCT-LP	1	1/P	
4	6LJ58014000	PLT-CNCT-THMST	1	1/P	
5	X0-00077000	S/PAN/SWWP-M3X8-NI	14	10/P	
6	6LJ60327000	THRMST-HTR-210	2	1/P	
7	6LJ58078000	ASYS-HLDR-THMST-H210	2	1/PP	
8 A	6LJ58122000	LAMP-HR-H210-120	1	1/C	NAD MJD,AUD,ASD,CND
8 B	6LJ58123000	LAMP-HR-H210-230	1	1/C	
9	6LJ58017000	HLDR-LAMP-R	1	1/P	
10	6LJ58065000	HLDR-LAMP-F2	1	1/P	
11	6LJ58047000	GUIDE-ENT-PR-H210	1	N/A***	
12	6LH36359000	SCREW-M3-D4X2.3	4	10/P	
13	6LJ58046000	PLT-ENT-PR-H210	1	N/A***	
14	6LJ58003000	COVER-FUS-B	1	1/PP	
15	6LJ58007000	COVER-FUS-R	1	1/PP	
16	6LJ58032000	COVER-FUS-F	1	1/PP	



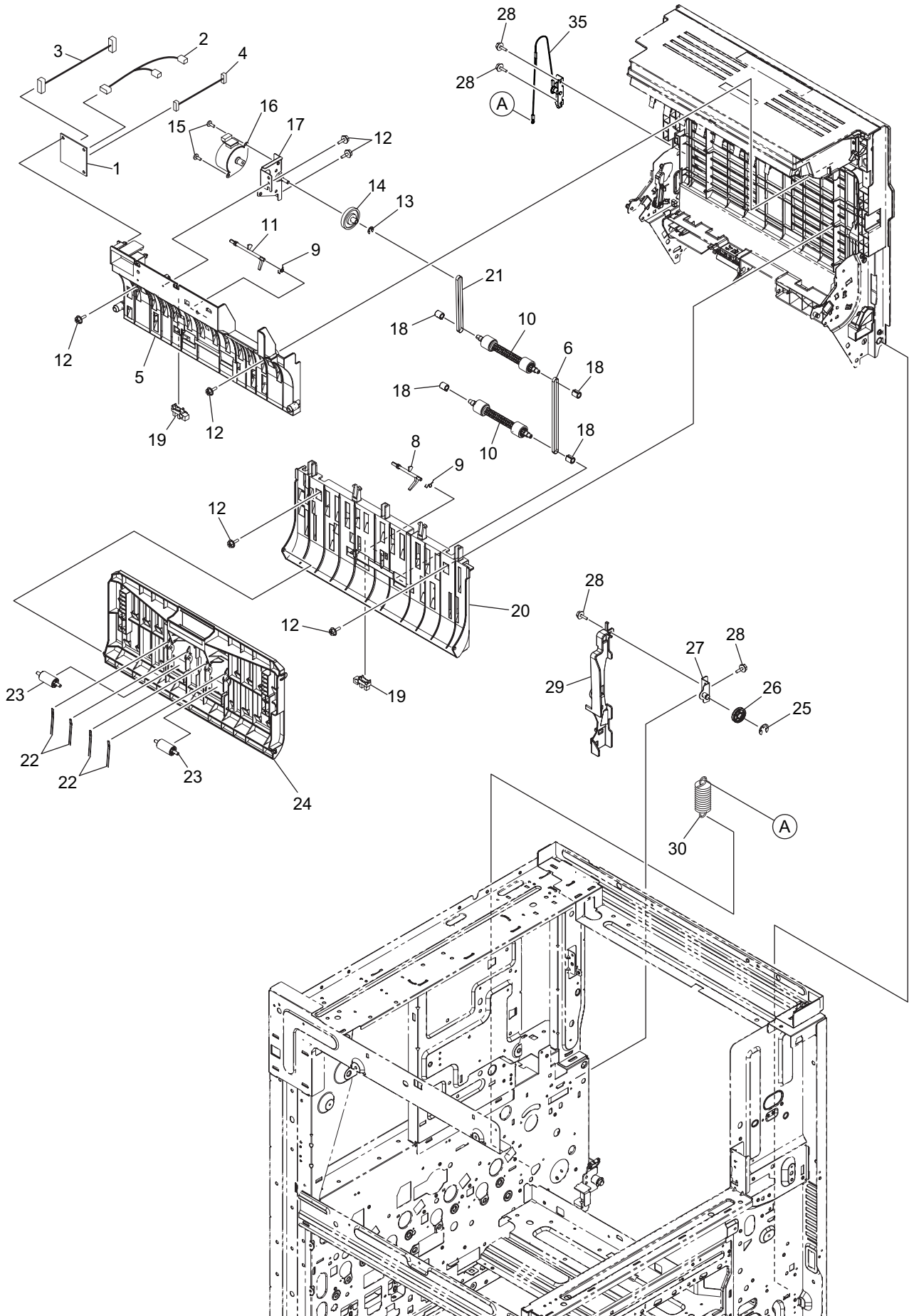
ITEM No.	PART No.	PART NAME	Q'TY / PAGE	Q'TY / PACK	REMARKS
1	X0-00966000	RR/E-5-SS	2	10/P	
2	X0-00077000	S/PAN/SWWP-M3X8-NI	8	10/P	
3	6LJ58045000	GUIDE-HRNS-AC	1	1/P	
4	6LJ60366000	THMS-HTR-210	1	1/P	
5	6LJ58079000	BRKT-THMS-ADJ	2	1/P	
6	6LJ58063000	LVR-PR-H210-F2	1	1/P	
7	6LJ58009000	ARM-PR-F	1	1/P	
8	6LJ58010000	ARM-PR-R	1	1/P	
9	6LJ58042000	LVR-PR-H210-R	1	1/P	
10	6LJ58036000	SPG-E-PR-H210	2	1/P	
11	6LJ58067000	GUIDE-PLT-THMST	1	1/P	
12	6LJ58021000	GUIDE-HRNS-THMS	1	1/PP	
13	X0-00430000	S/BID-M3X6-NI	7	10/P	
14	6LJ58029000	BRKT-FUSER-POS-R	1	1/P	
15	6LJ70398000	HR-FC30-U	1	1/S	
16	6LJ58116000	6807ZL1S1C4KZ-C	2	1/P	
17	6LJ58001000	GEAR-HR-H210	1	1/P	
18	6LJ58020000	BUSH-HR-H210	2	1/P	
19	6LH24640000	CRR-HT_RLR	2	1/P	
20	6LJ70399000	HR-FC30-L	1	1/S	
21	6LJ58050000	ASYS-FRAME-HR	1	1/P	
22	6LJ58088000	ROLL-FUS-GUIDE-H210	6	1/P	
23	44204394000	SCREW20*D23	6	10/P	
24	6LJ58072000	SPG-E-SCRIP-HR-H21X	5	1/P	
25	6LJ58071000	BRKT-SCRIP-HR-H21X	5	1/P	
26	6LJ58059000	SCRAPER-HR-H210	5	7/P	
27	6LJ58118000	GUIDE-FUS-STR	2	1/P	
28	6LJ58112000	WASHER-HR	1	1/P	
29	41306325000	WHEEL-CLN-8	4	1/P	



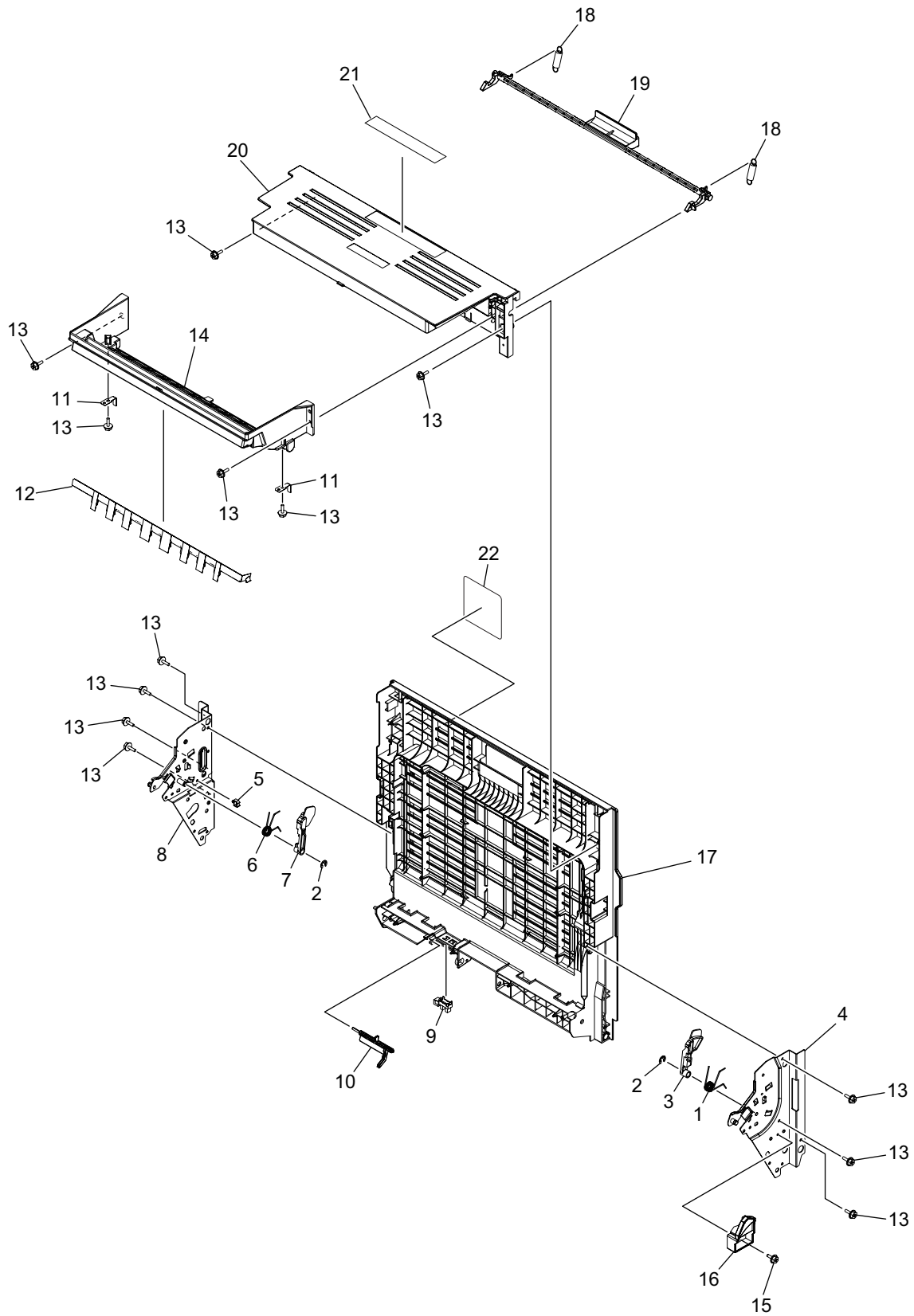
ITEM No.	PART No.	PART NAME	Q'TY / PAGE	Q'TY / PACK	REMARKS
1	6LH36359000	SCREW-M3-D4X2.3	4	10/P	
2	4406326040	SCREW-D4-18-M3	2	10/P	
3	6LJ58072000	SPG-E-SCR-PR-HR-H21X	2	1/P	
4	41316101000	ROLL-TRANS-IDLE	2	1/P	
5	6LH55245000	PLT-SP-IDLE-47X	4	1/D	
6	6LJ58069000	SPG-T-GUIDE-EXIT-RTN-R	1	1/P	
7	41307995000	LBL/W-FUSER	1	5/KP	
8	6LJ58076000	STAY-PR-H210	1	1/P	
9	6LJ58048000	GUIDE-PR-ADU-H210	1	1/PP	
10	6LJ58124000	SHEET-FUS-OPEN-H210	2	1/P	
12	6LJ58087000	SHEET-FUS-HANDLE-H210	2	1/P	
13	6LJ58052000	GATE-RTN-H210	8	1/P	
14	6LJ58002000	PIN-HINGE-GATE-FUS-H210	1	1/P	
15	6LJ58059000	SCRAPER-HR-H210	2	7/P	
16	X0-00430000	S/BID-M3X6-NI	5	10/P	
17	6LJ58031000	BRKT-PR-SCR-FUS-H210	2	1/P	
18	X0-02419000	S/TPS/FHEXM/R-3X6-ZU3	1	10/P	
19	6LJ58044000	GUIDE-EXIT-RTN-H210	1	1/PP	
20	6LJ58035000	STAY-GUIDE-RTN-H210	1	1/P	
21	6LJ02533000	BRUSH-FUSER-H14X	1	1/C	
22	6LJ58049000	COVER-SNSR-H210	1	1/PP	
23	6LJ58081000	SPG-T-ACT-FUS-H210	1	1/P	
24	6LJ58005000	ACTR-EXIT-FUS-H210	1	1/P	
25	C0-17839000	LG2A14BL1	1	1/C	
26	6LJ58051000	COV-WH-GUIDE-RTN-H210	1	1/PP	
27	X0-02247000	S/TPP/FHEXM-3X8-NI	2	10/P	



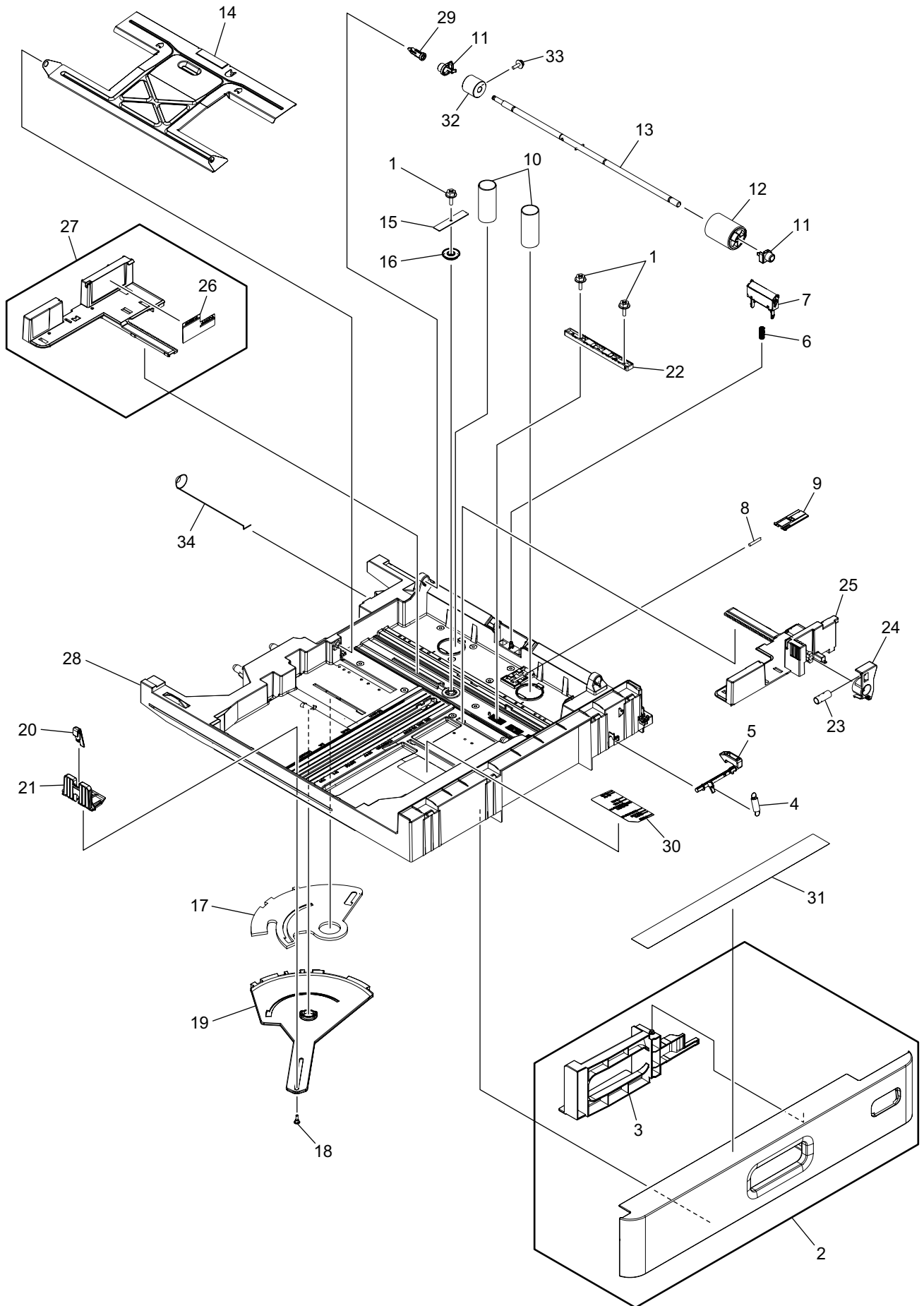
ITEM No.	PART No.	PART NAME	Q'TY / PAGE	Q'TY / PACK	REMARKS
1	6LA08937000	SCREW-BKT-DEV	3	10/P	
2	X0-00964000	RR/E-3-SS	2	10/P	
3	6LJ57809000	SPG-C-ROLL-EXIT	2	1/P	
4	6LJ57801000	SHAFT-ROL-EXIT-L	2	1/P	
5	6LJ02514000	RLR-EXIT-L-EX	4	1/P	
6	6LE25931000	ROLL-FUS-GUIDE	4	1/P	
7	6LJ55543000	BUSH-6-BCF-035	2	1/P	
8	6LJ57808000	SPG-F-GND-EXIT-H21X	1	1/P	
9	6LJ57815000	GUIDE-EXIT-L-H21X	1	1/PP	
10	6LJ57803000	GEAR-10S20-10S16-6	1	1/P	
17	6LJ57811000	ASYB-ROLL-EXIT-U-H21X	1	1/KP	



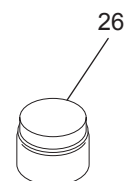
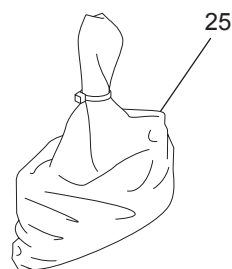
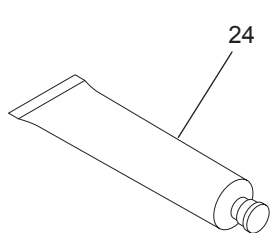
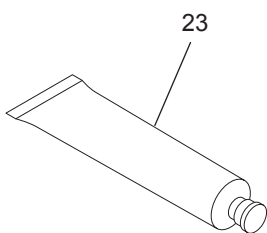
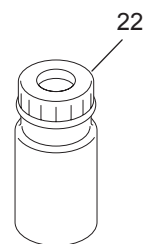
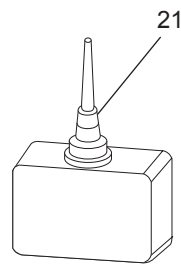
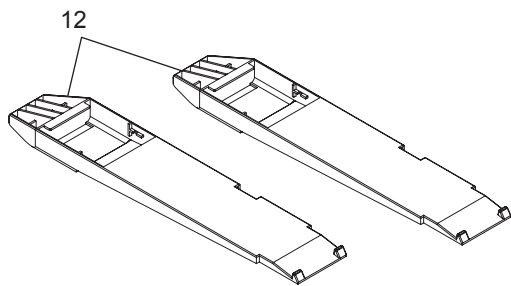
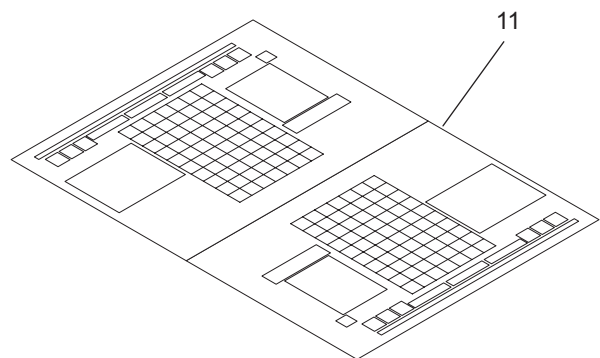
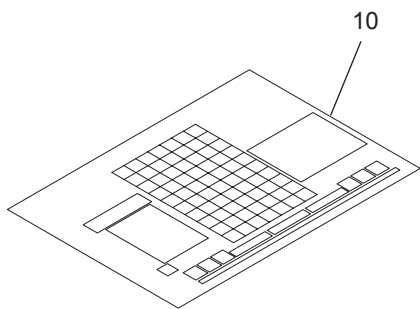
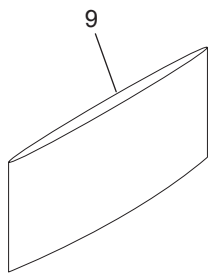
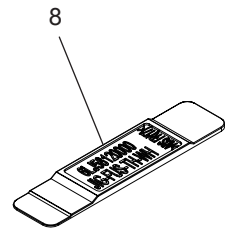
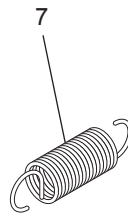
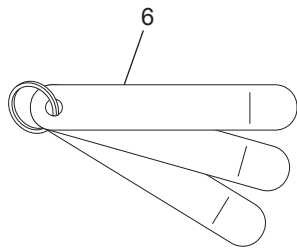
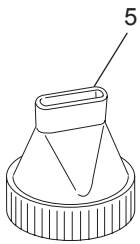
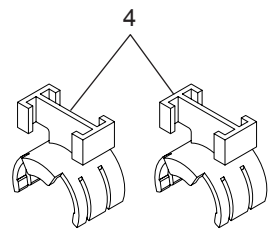
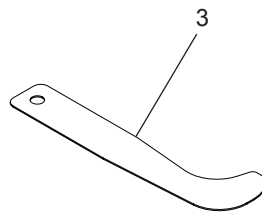
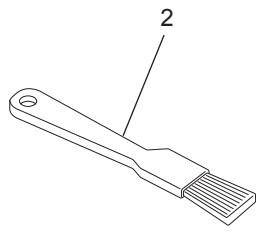
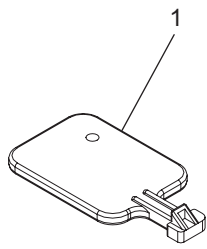
ITEM No.	PART No.	PART NAME	Q'TY / PAGE	Q'TY / PACK	REMARKS
1	6LJ60489000	PWA-H-ADU-210	1	1/SB	
2	6LJ60254000	HRNS-ADU-SNR-210	1	1/P	
3	6LJ60231000	HRNS-ADU-210	1	1/P	
4	6LJ60235000	HRNS-ADU-MOT-210	1	1/P	
5	6LJ57317000	GUIDE-ADU-U-H21X	1	1/PP	
6	6LJ57314000	BLT.SY-S2M-264-4	1	1/P	
8	6LJ57322000	ACTR-ADU-L-H21X	1	1/P	
9	6LJ57327000	SPG-ACT-ADU-H21X	2	1/P	
10	6LJ57331000	ASYS-ROL-ADU-H21X	2	1/P	
11	6LJ57323000	ACTR-ADU-U-H21X	1	1/P	
12	X0-02247000	S/TPP/FHEXM-3X8-NI	6	10/P	
13	X0-00964000	RR/E-3-SS	1	10/P	
14	6LJ57321000	GEAR-08S40_S2M012-7	1	1/P	
15	X0-02069000	S/TPS/BID-3X6-ZU3	2	10/P	
16	6LJ57330000	ASYS-MOTR-S-ADU-H21X	1	1/C	
17	6LJ57324000	ASYS-BKT-MOT	1	1/P	
18	6LJ57319000	BUSH-ADU-POM	4	1/P	
19	C0-17839000	LG2A14BL1	2	1/C	
20	6LJ57316000	GUIDE-ADU-L-H21X	1	1/PP	
21	6LJ57313000	BLT.SY-S2M-200-4	1	1/P	
22	6LJ57315000	SPR-IDLE-ADU	4	1/P	
23	41316101000	ROLL-TRANS-IDLE	2	1/P	
24	6LJ57318000	GUIDE-OPEN-L	1	1/PP	
27	6LJ57354000	ASYB-BRKT-PLY-ADU	1	1/P	
28	X0-02420000	S/TPS/FHEXM/R-3X8-ZU3	4	10/P	
29	6LJ57344000	GUIDE-WH-ADU	1	1/P	
30	6LJ57363000	SPG-ADU-WIRE	1	1/P	
35	6LJ57352000	ASYB-BKT-HOLD-WIRE	1	1/P	



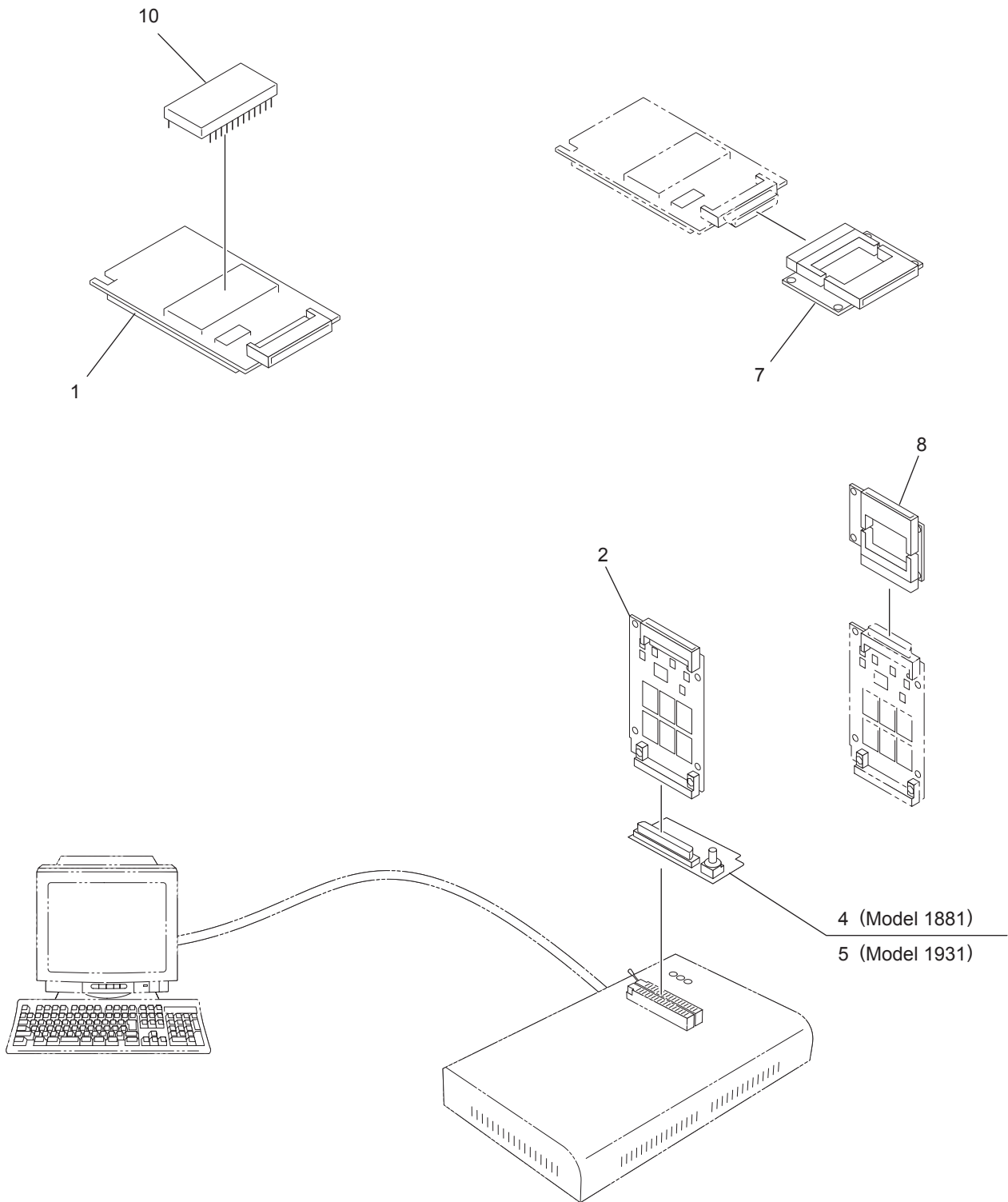
ITEM No.	PART No.	PART NAME	Q'TY / PAGE	Q'TY / PACK	REMARKS
1	6LJ55948000	SPG-T-TRU-RTN-F-2	1	1/P	
2	X0-00966000	RR/E-5-SS	2	10/P	
3	6LJ55928000	PUSHER-TRU-OPEN-F	1	1/P	
4	6LJ57309000	ASYS-FRM-ADU-F-H21X	1	N/A***	
5	F0-00044000	UAMS-05-2	1	5/P	
6	6LJ55949000	SPG-T-TRU-RTN-R-2	1	1/P	
7	6LJ55929000	PUSHER-TRU-OPEN-R	1	1/P	
8	6LJ57308000	ASYS-FRM-ADU-R-H21X	1	N/A***	
9	C0-17839000	LG2A14BL1	1	1/C	
10	6LJ57016000	ACTR-EMPTY-SFB-H21X	1	1/P	
11	6LJ58068000	SPL-GUIDE-EXIT-LOW-H210	2	1/P	
12	6LJ57825000	ASYS-BRUSH-EXIT-H21X	1	1/KP	
13	X0-02247000	S/TPP/FHEXM-3X8-NI	13	10/P	
14	6LJ57341000	GUIDE-EXIT-ADU	1	1/PP	
15	X0-02420000	S/TPS/FHEXM/R-3X8-ZU3	1	10/P	
16	6LJ55901000	LOCK-CAM-TRU-F	1	1/P	
17	6LJ57301000	COVER-ADU-H21X-L	1	1/PP	
18	6LH51228000	SPG-C-COV-SIDE	2	1/P	
19	6LJ57303000	LEVER-ADU-H21X	1	1/PP	
20	6LJ57302000	COVER-ADU-TOP	1	1/PP	
21	6LA75470000	LBL-HOT-COV	1	1/KP	
22	6LH60035000	LBL-O-PLACE-COV-47X	1	1/P	



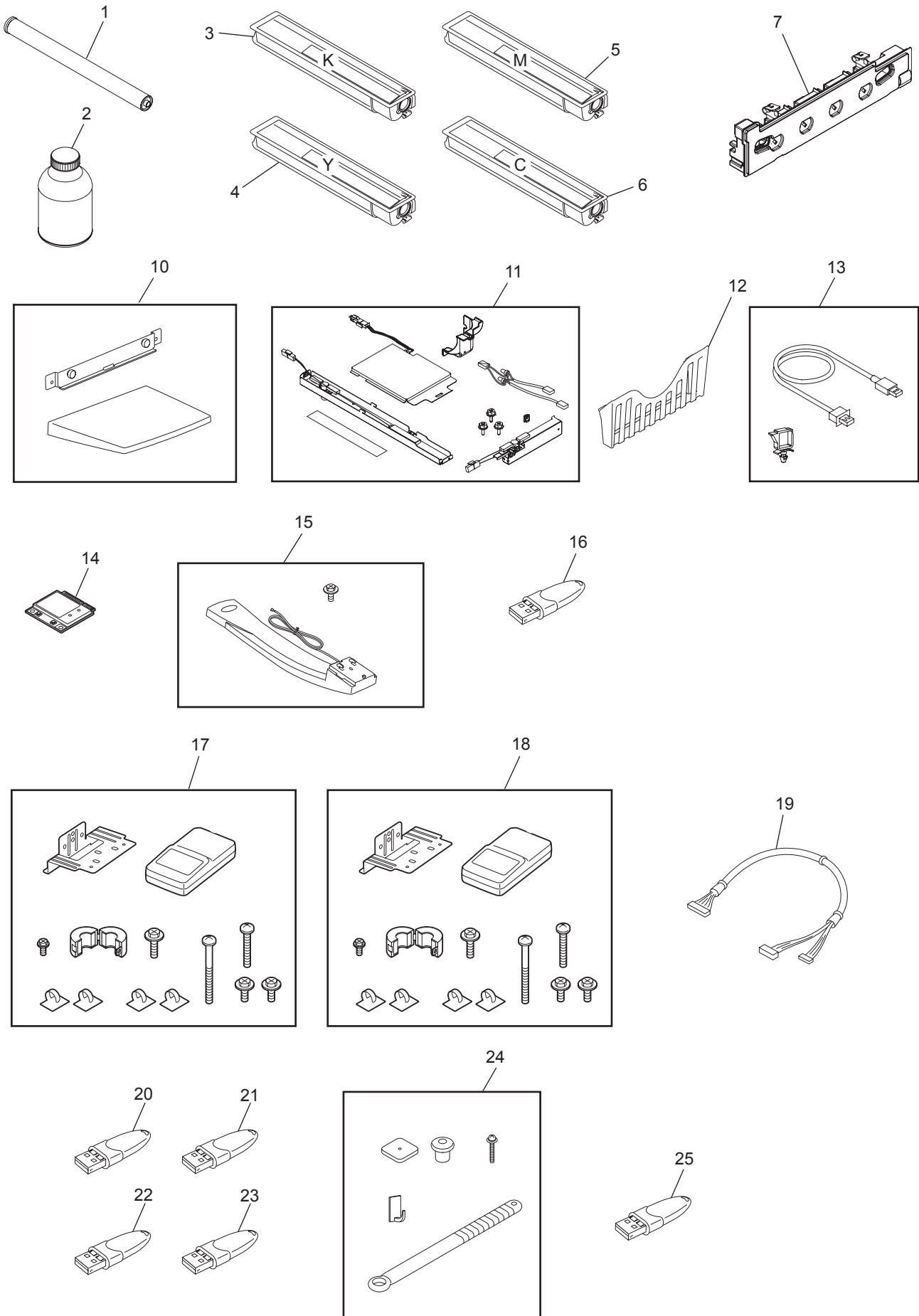
ITEM No.	PART No.	PART NAME	Q'TY / PAGE	Q'TY / PACK	REMARKS
1	X0-02247000	S/TPP/FHEXM-3X8-NI	3	10/P	
2	6LJ56856000	ASYB-COVER-CST-EL-H21X	1	1/PP	
3	6LJ56838000	HNDL-CST-H21X	1	1/P	
4	6LJ56839000	SPG-E-8R9XR9X29R5	1	1/P	
5	6LJ56837000	LEV-CST-HNDL-H21X-EL	1	1/P	
6	6LJ56901000	SPG-PAD-CST-H21X	1	1/P	
7	6LJ56805000	ASYS-HOLD-PAD-H21X	1	1/P	
8	6LJ56891000	SPG-LATCH-TRAY-H21X	1	1/P	
9	6LJ46939000	STOP-PLATE-CST-4	1	1/P	
10	6LJ56897000	SPG-CSSTT-H21X	2	1/P	
11	6LJ56811000	BUSH-CST-H21X	2	1/P	
12	6LJ56863000	ASYS-ROL-CST-H21X	1	1/P	
13	6LJ56809000	ASYS-SHAFT-CST-H21X	1	1/P	
14	6LJ57362000	ASYS-PLATE-CSSTT-G	1	1/P	
15	6LJ46917000	PLT-WALL-GEAR-G	1	1/P	
16	6LE53717000	GEAR-10S18-8-TRAY	1	1/P	
17	6LH05721000	PUSHER-SIDE-CST-F43X	1	1/P	
18	6LH05511000	SCREW-M3X8-3.2-P	1	5/P	
19	6LJ56817000	PUSHER-END-CST-H21X	1	1/P	
20	6LJ46922000	SPG-T-END-WALL	1	1/P	
21	6LJ56812000	WALL-CST-END-H21X	1	1/P	
22	6LJ56815000	WALL-STOP-H21X	1	1/P	
23	6LA56695000	SPC-LVR-WALL-F	1	1/P	
24	6LJ56802000	LEVER-LOCK-WALL-H21X	1	1/P	
25	6LJ56835000	SLIDE-WALL-F-H21X	1	1/PP	
26	6LJ56879000	LBL_O-MAX-CST-H21X	1	1/P	
27	6LJ56878000	ASYS-SLIDE-WALL-R-H21X	1	1/P	
28	6LJ56800000	CST-EL-H21X	1	1/PP	
29	6LJ56859000	BUSH-DRV-CST-H21X_L	1	1/P	
30	6LJ56857000	LBL-PAPER-SIZE-LDA3-H21X	1	1/P	
31	6LJ56880000	LBL_O-GUIDE-CST-H21X	1	1/P	
32	6LJ56895000	FWH-CST-H21X	1	1/P	
33	X0-00077000	S/PAN/SWWP-M3X8-NI	1	10/P	
34	6LJ56894000	SPG-EARTH-CST-H21X	1	1/P	



ITEM No.	PART No.	PART NAME	Q'TY / PAGE	Q'TY / PACK	REMARKS
1	6LJ7160000	JIG-SW-FCOV-H21X	1	1/P	
2	4407915710	BRUSH-33	1	1/P	
3	6LH02876000	JIG-CLNR-DOCTOR	1	1/P	
4	6LJ59768000	HOLDER-WIRE-PLY-H21X	1	1/P	
5	4407914000	NOZZLE-BOTTLE	1	1/P	
6	6LA48402000	ASY-JIG-DOC-350	1	1/P	
7	44202661000	SPE-MOT-TNS	1	1/P	
8	6LJ58120000	JIG-FUS-TH-WH	1	1/P	
9	4408600920	BAG-DRUM	1	5/P	
10 A	6LE50524000	CHART-COLOR-A4	1	1/KP	A4 size
10 B	6LE50525000	CHART-COLOR-LT	1	1/KP	LT size
11 A	6LH17283000	CHART-COLOR-A3	1	1/KP	A3 size
11 B	6LH17284000	CHART-COLOR-LD	1	1/KP	LD size
12	6LJ54689000	JIG-GUIDE-HRNS-COVER	2	2/P	
21 A	4842512170	OIL-LAUNA40-100	1	1/P	Except Europe,LAUNA40 100cc
21 B	6LH17289000	ASYB-LAUNA40-TSB E	1	1/P	For Europe,LAUNA40 100 cc
22	6LA00019000	GREASE-HP300-S	1	1/P	
23	41303711000	ASM-PG-ALV2	1	1/P	
24	6LE36904000	MOLYKOTE_EM-30L_100G	1	1/P	
25	4407015430	P-POWDER-PPT001	1	1/P	
26	41303710000	ASM-PG-GE334C-S	1	1/P	

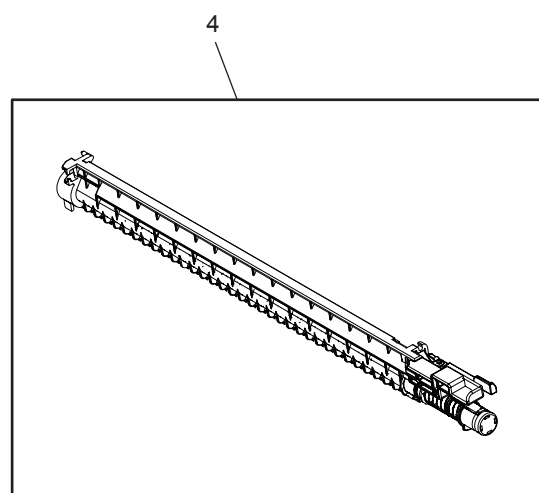
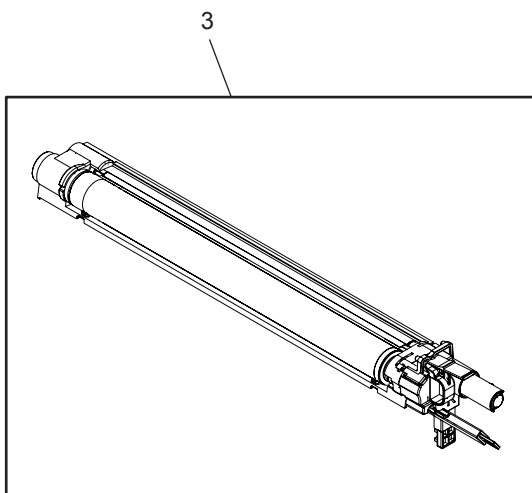
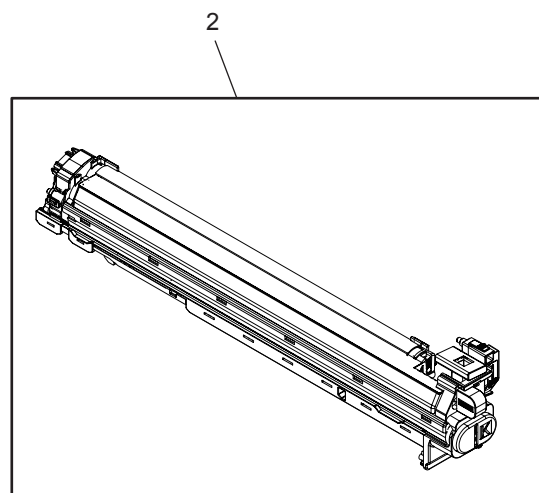
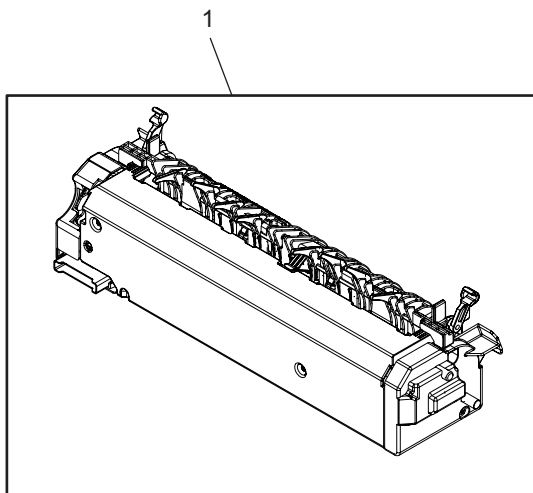


ITEM No.	PART No.	PART NAME	Q'TY / PAGE	Q'TY / PACK	REMARKS
1	6LH70381000	K-PWA-DLM-320F	1	1/C	Relay PC board for K-PWA-DLM-320
2	6LH09938000	PWA-DWNLD-JIG2F	1	1/C	
4	6LA41996000	PWA-DL-ADP-350-1881	1	1/S	
5	6LA41997000	PWA-DL-ADP-350-1931	1	1/C	
7	6LH09942000	PWA-DWNLD-RELAY-34F	1	1/C	
8	6LH09940000	PWA-DWNLD-RELAY-50F	1	1/C	
10	C0-04530000	M27C4001-10F1	1	1/S	

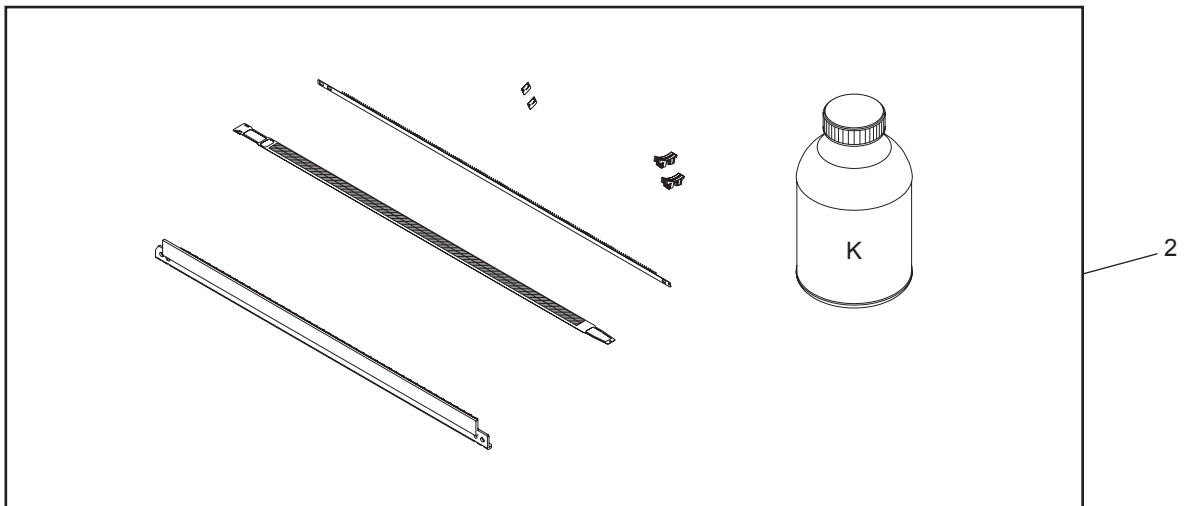
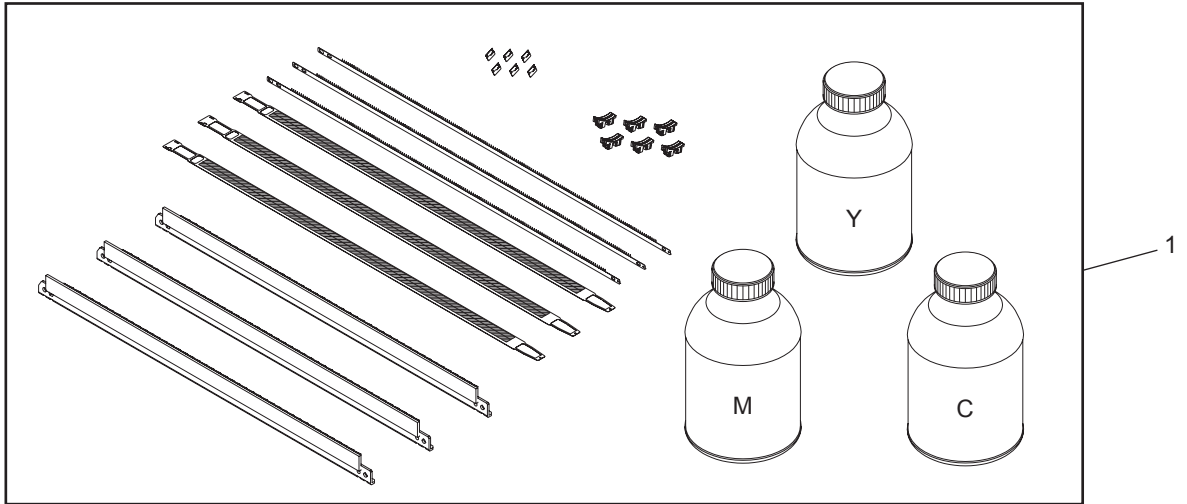


ITEM No.	PART No.	PART NAME	Q'TY / PAGE	Q'TY / PACK	REMARKS
1 A	6LJ70402000	OD-FC30	1	1/S	DRUM, Except CND
1 B	6LJ70402100	OD-FC30C	1	1/S	DRUM, CND
2 A	6LJ70384300	D-FC30-K	1	1/S	DEVELOPER (K)
2 B	6LJ70384000	D-FC30-Y	1	1/S	DEVELOPER (Y)
2 C	6LJ70384100	D-FC30-M	1	1/S	DEVELOPER (M)
2 D	6LJ70384200	D-FC30-C	1	1/S	DEVELOPER (C)
3 A	6AG00004465	PS-ZTFC30UK(1)	1	SUPPLY	TONER (K), NAD
3 B	6AK00000228	PS-ZTFC30UK(1)	1	SUPPLY	TONER (K), NAD
3 C	6AG00004754	PS-ZTFC30AK(1)	1	SUPPLY	TONER (K), ARD
3 D	6AK00000226	PS-ZTFC30AK(1)	1	SUPPLY	TONER (K), ARD
3 E	6AG00004450	PS-ZTFC30EK(1)	1	SUPPLY	TONER (K), MJD
3 F	6AJ00000093	PS-ZTFC30EK(1)	1	SUPPLY	TONER (K), MJD
3 G	6AG00004441	PS-ZTFC30DK(1)	1	SUPPLY	TONER (K), AUD,TWD
3 H	6AG00004725	PS-ZTFC30PKM(1)	1	SUPPLY	TONER (K), ASD
3 I	6AG00004726	PS-ZTFC30PKSL(1)	1	SUPPLY	TONER (K), ASD
3 J	6AG00004472	PS-ZTFC30CK(1)	1	SUPPLY	TONER (K), CND
3 K	6AG00004727	PS-ZTFC30CKM(1)	1	SUPPLY	TONER (K), CND
3 L	6AG00004728	PS-ZTFC30CKS(1)	1	SUPPLY	TONER (K), CND
4 A	6AG00004469	PS-ZTFC30UY(1)	1	SUPPLY	TONER (Y), NAD
4 B	6AK00000230	PS-ZTFC30UY(1)	1	SUPPLY	TONER (Y), NAD
4 C	6AG00004730	PS-ZTFC30AY(1)	1	SUPPLY	TONER (Y), ARD
4 D	6AK00000223	PS-ZTFC30AY(1)	1	SUPPLY	TONER (Y), ARD
4 E	6AG00004454	PS-ZTFC30EY(1)	1	SUPPLY	TONER (Y), MJD
4 F	6AJ00000095	PS-ZTFC30EY(1)	1	SUPPLY	TONER (Y), MJD
4 G	6AG00004445	PS-ZTFC30DY(1)	1	SUPPLY	TONER (Y), AUD,TWD
4 H	6AG00004733	PS-ZTFC30PYM(1)	1	SUPPLY	TONER (Y), ASD
4 I	6AG00004734	PS-ZTFC30PYSL(1)	1	SUPPLY	TONER (Y), ASD
4 J	6AG00004476	PS-ZTFC30CY(1)	1	SUPPLY	TONER (Y), CND
4 K	6AG00004735	PS-ZTFC30CYM(1)	1	SUPPLY	TONER (Y), CND
4 L	6AG00004736	PS-ZTFC30CYS(1)	1	SUPPLY	TONER (Y), CND
5 A	6AG00004467	PS-ZTFC30UM(1)	1	SUPPLY	TONER (M), NAD
5 B	6AK00000229	PS-ZTFC30UM(1)	1	SUPPLY	TONER (M), NAD
5 C	6AG00004738	PS-ZTFC30AM(1)	1	SUPPLY	TONER (M), ARD
5 D	6AK00000224	PS-ZTFC30AM(1)	1	SUPPLY	TONER (M), ARD
5 E	6AG00004452	PS-ZTFC30EM(1)	1	SUPPLY	TONER (M), MJD
5 F	6AJ00000097	PS-ZTFC30EM(1)	1	SUPPLY	TONER (M), MJD
5 G	6AG00004443	PS-ZTFC30DM(1)	1	SUPPLY	TONER (M), AUD,TWD
5 H	6AG00004741	PS-ZTFC30PMM(1)	1	SUPPLY	TONER (M), ASD
5 I	6AG00004742	PS-ZTFC30PMSL(1)	1	SUPPLY	TONER (M), ASD
5 J	6AG00004474	PS-ZTFC30CM(1)	1	SUPPLY	TONER (M), CND
5 K	6AG00004743	PS-ZTFC30CMM(1)	1	SUPPLY	TONER (M), CND
5 L	6AG00004744	PS-ZTFC30CMS(1)	1	SUPPLY	TONER (M), CND
6 A	6AG00004437	PS-ZTFC30UC(1)	1	SUPPLY	TONER (C), NAD
6 B	6AK00000227	PS-ZTFC30UC(1)	1	SUPPLY	TONER (C), NAD
6 C	6AG00004746	PS-ZTFC30AC(1)	1	SUPPLY	TONER (C), ARD
6 D	6AK00000225	PS-ZTFC30AC(1)	1	SUPPLY	TONER (C), ARD
6 E	6AG00004447	PS-ZTFC30EC(1)	1	SUPPLY	TONER (C), MJD
6 F	6AJ00000099	PS-ZTFC30EC(1)	1	SUPPLY	TONER (C), MJD
6 G	6AG00004439	PS-ZTFC30DC(1)	1	SUPPLY	TONER (C), AUD,TWD
6 H	6AG00004749	PS-ZTFC30PCM(1)	1	SUPPLY	TONER (C), ASD
6 I	6AG00004750	PS-ZTFC30PCSL(1)	1	SUPPLY	TONER (C), ASD
6 J	6AG00004459	PS-ZTFC30CC(1)	1	SUPPLY	TONER (C), CND
6 K	6AG00004751	PS-ZTFC30CCM(1)	1	SUPPLY	TONER (C), CND
6 L	6AG00004752	PS-ZTFC30CCS(1)	1	SUPPLY	TONER (C), CND
7 A	6AG00004477	PS-TBFC30	1	SUPPLY	WASTE TONER BOX, Except MJD,CND
7 B	6AG00004479	PS-TBFC30E	1	SUPPLY	WASTE TONER BOX, MJD
7 C	6AG00004478	PS-TBFC30C	1	SUPPLY	WASTE TONER BOX, CND
10 A	6AR00000755	KK-4550	1	SUPPLY	Work Tray, Except CND
10 B	6AR00000756	KK-4550C	1	SUPPLY	Work Tray, CND
11 A	6AG00002780	MF-2050CU	1	SUPPLY	Damp Heater, NAD
11 B	6AG00002776	MF-2050CE	1	SUPPLY	Damp Heater, MJD
12 A	6AG00001893	KK-1660	1	SUPPLY	Manual Pocket, Except AUD,CND
12 B	6AG00001894	KK-1660-C	1	SUPPLY	Manual Pocket, CND

ITEM No.	PART No.	PART NAME	Q'TY / PAGE	Q'TY / PACK	REMARKS
13	6AG00004489	GR-1140	1	SUPPLY	Front USB kit
14 A	6A000001221	GN-1060	1	SUPPLY	Wireless LAN Module, Except CND
14 B	6A000001223	GN-1060C	1	SUPPLY	Wireless LAN Module, CND
15 A	6A000000459	GN-3010	1	SUPPLY	Antenna, Except CND
15 B	6AR00000579	GN-3010C	1	SUPPLY	Antenna, CND
16	6A000001051	GP-1070	1	SUPPLY	Data Overwrite enabler
17	6A000000878	KP-2004	1	SUPPLY	e-BRIDGE ID Gate
18 A	6A000000925	KP-2005	1	SUPPLY	e-BRIDGE ID Gate, Except CND
18 B	6A000001016	KP-2005C	1	SUPPLY	e-BRIDGE ID Gate, CND
19	6A000001357	GQ-1260	1	SUPPLY	Harness kit for coin controller (New)
20	6A000001055	GS-1010	1	SUPPLY	Meta scan enabler
21	6A000001057	GS-1020	1	SUPPLY	External interface enabler
22	6A000001053	GP-1080	1	SUPPLY	IPSec enabler
23	6A000001309	GS-1007	1	SUPPLY	Unicode Font Enabler
24	6A000001164	KK-2550	1	SUPPLY	Accessible Arm
25	6A000001353	GP-1191	1	SUPPLY	Hardcopy Security Printing (New)



ITEM No.	PART No.	PART NAME	Q'TY / PAGE	Q'TY / PACK	REMARKS
1 A	6LJ70374000	FUSER-H210-120	1	1/S	NAD
1 B	6LJ70374100	FUSER-H210-230	1	1/S	MJD,AUD,ASD
2 A	6LJ70375000	DEV-UNIT-H210-K	1	1/S	For Black
2 B	6LJ70375200	DEV-UNIT-H210-M	1	1/S	For Magenta
2 C	6LJ70375300	DEV-UNIT-H210-Y	1	1/S	For Yellow
2 D	6LJ70375100	DEV-UNIT-H210-C	1	1/S	For Cyan
3 A	6LJ70376000	CLNR-DRUM-H210-LK	1	1/S	For Black
3 B	6LJ70376100	CLNR-DRUM-H210-LC	1	1/S	For Magenta
3 C	6LJ70376200	CLNR-DRUM-H210-LM	1	1/S	For Yellow
3 D	6LJ70376300	CLNR-DRUM-H210-LY	1	1/S	For Cyan
4	6LJ70377000	TR-BLT_CLN-H210	1	1/S	



ITEM No.	PART No.	PART NAME	Q'TY / PAGE	Q'TY / PACK	REMARKS
1	6LJ70381000	DEV-KIT-FC30CLR	1	1/S	
2	6LJ70382000	DEV-KIT-FC30K	1	1/S	

TOSHIBA

TOSHIBA TEC CORPORATION

2-17-2, HIGASHIGOTANDA, SHINAGAWA-KU, TOKYO, 141-8664, JAPAN

WWW.SERVICE-MANUAL.NET