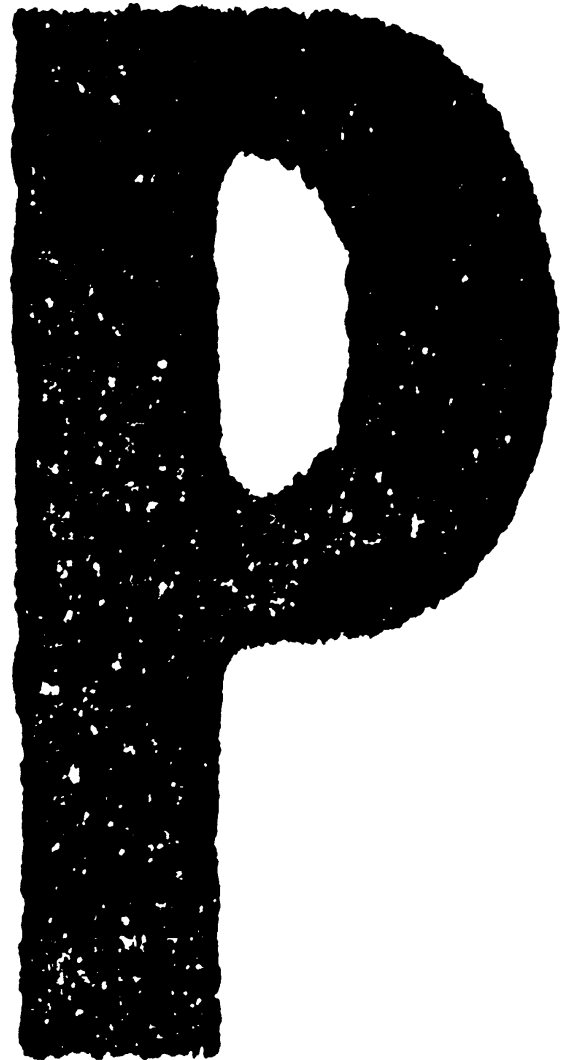


TOSHIBA

SERVICE PARTS LIST

MULTIFUNCTIONAL DIGITAL SYSTEMS

e-STUDIO202L/232/282



© 2005 TOSHIBA TEC CORPORATION All rights reserved

Under the copyright laws, this manual cannot be reproduced in any form without prior written permission of TOSHIBA TEC CORPORATION. No patent liability is assumed, however, with respect to the use of the information contained herein.

EXPLANATION OF SERVICE-PARTS LIST

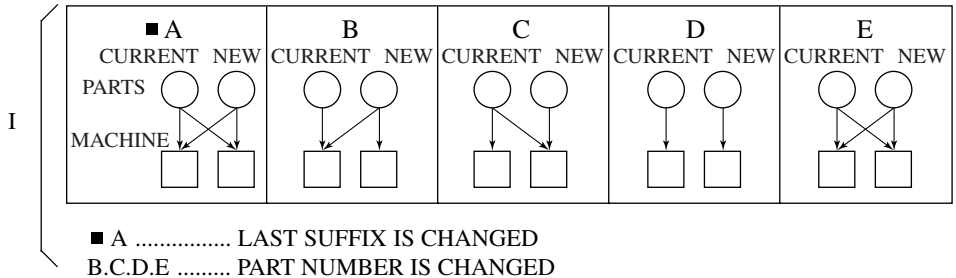
1. HOW TO READ THE PARTS LIST

- (1) Number of pieces
The number of pieces in the list denotes total pieces used per unit. But the numbers in the list for PACKING MATERIAL and ACCESSORY denote total pieces used per machine.
- (2) One pack of screws in the list includes 50 pieces.
- (3) ABBREVIATED CODES

QTY/PAC	{	QTY	one piece
		PAC	one pack
		1/P	one piece packed in polyethylene bag
		1/S	one piece packed in special pack
		1/C	one piece packed in carton box
		1/PP	one piece packed in paper and polyethylene bag
		1/KP	one piece packed in polyethylene bag with cardboard
		1/D	one piece packed in polyethylene-cushion bag
N/A	not available		

P	{	P	PURPOSE
		A	ADD
		B	DELETE
		C	CHANGE
		D	QTY, CHANGE
		E	MISENTRY
		F	OMISSION

I INTERCHANGEABILITY STATUS



2. HOW TO PLACE ORDER FOR PARTS

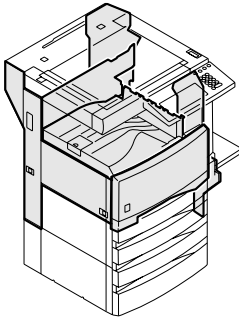
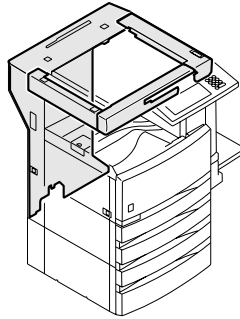
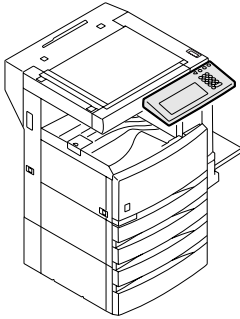
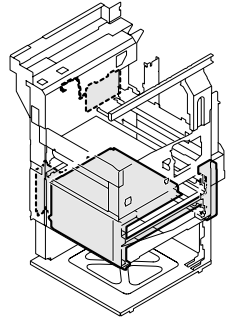
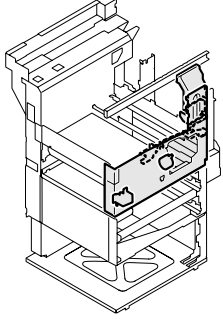
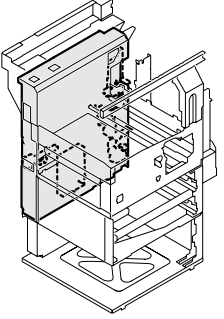
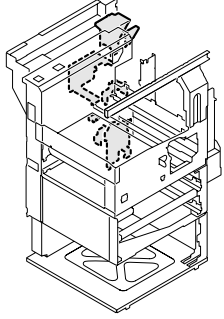
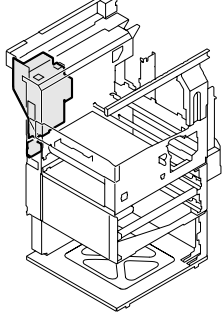
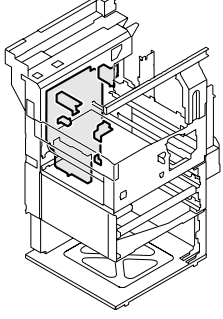
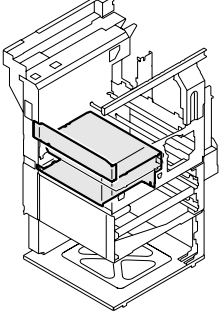
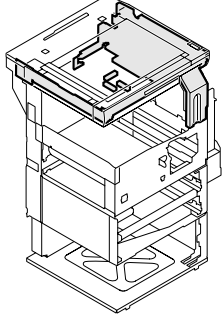
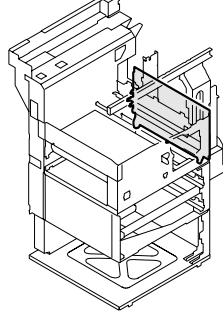
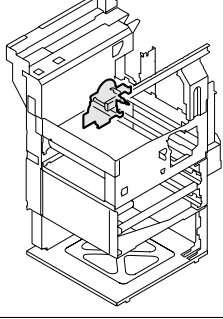
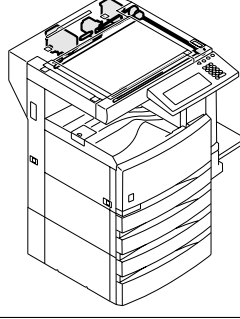
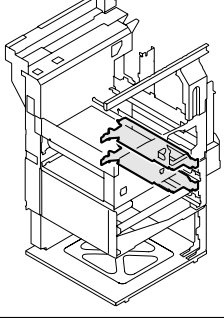
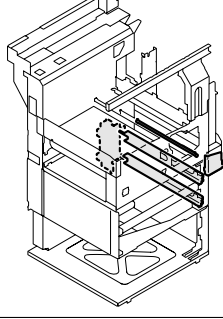
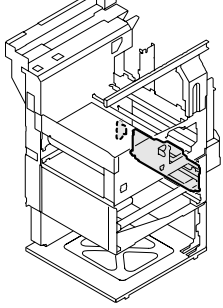
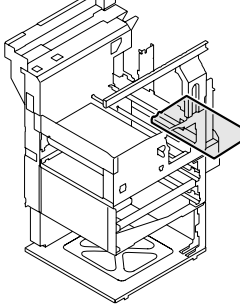
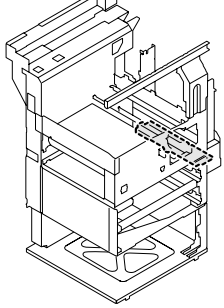
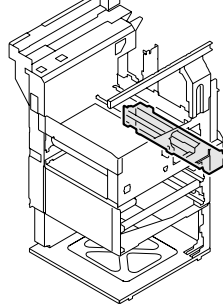
- (1) The parts handled as service parts are only those with their "QTY/PACK" column listed with a quantity other than "N/A***" or "SUPPLY".
Those parts with "N/A***" are listed only for the purpose of showing the mechanical construction, those listed with "SUPPLY" are handled only as a sales item, and therefore both types of parts are not supplied as service parts.
- (2) Orders for any parts which form a component of a semi-assembled unit are not acceptable.
Note: All the screws and nuts used are ISO standard.

3. REGION

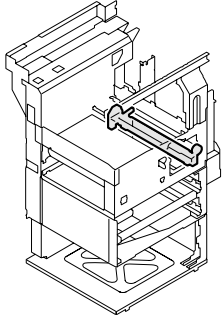
NAD	115V 50/60Hz, NORTH AMERICA, SOUTH AMERICA
TWD	110/220V 50/60Hz, TAIWAN
SAD	127V/60Hz, SAUDI ARABIA
ASD	220-240V 50/60Hz, ASIA, SOUTH AMERICA, etc.
ASU	220-240V 50/60Hz, ASIA, etc.
AUD	220-240V 50/60Hz, AUSTRALIA
MJD	220-240V 50/60Hz, EUROPE
CND	220-240V 50/60Hz, CHINA
KRD	220-240V 50/60Hz, KOREA

Contents

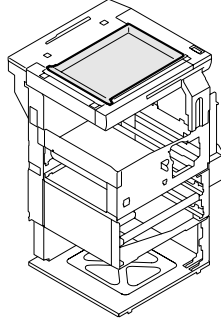
COVER-1-ASM	1	JIGS & GREASE	101
COVER-2-ASM	2	DOWNLOAD JIGS	102
CONTROL-PANEL-ASM	3	SUPPLIES	103
BASE-FRAME-ASM	4	REPLACE UNIT	104
FRONT-FRAME-ASM	5	PM-KIT	105
REAR-FRAME-1-ASM	6	SUPPLIES-2.....	106
REAR-FRAME-2-ASM	7		
CASE-SYS-ASM	8		
CASE-LGC-ASM	9		
LASER-OPTICAL-UNIT-ASM	10		
OPTICAL-FRAME-ASM	11		
COVER-GUIDE-ASM	12		
MAIN-DRIVE-ASM	13		
OPTICAL-DRIVE-ASM	14		
FEEDER-1-ASM.....	15		
FEEDER-2-ASM.....	16		
FEEDER-3-ASM.....	17		
BYPASS-ASM	18		
BYPASS-FEEDER-1-ASM	19		
BYPASS-FEEDER-2-ASM	20		
ALIGNING-ASM	21		
PLATEN-ASM.....	22		
CRG-1-ASM	23		
CRG-2-ASM	24		
MAIN-CHARGER-ASM	25		
TRANSPORT-CHARGER-ASM	26		
CLEANER-ASM	27		
DEVELOPER-ASM	28		
RECYCLE-ASM	29		
FUSER-ASM	30		
EXIT-ASM	31		
DRAWER-ASM	32		

<p>1. COVER-1-ASM</p> 	<p>2. COVER-2-ASM</p> 	<p>3. CONTROL-PANEL-ASM</p> 	<p>4. BASE-FRAME-ASM</p> 
<p>5. FRONT-FRAME-ASM</p> 	<p>6. REAR-FRAME-1-ASM</p> 	<p>7. REAR-FRAME-2-ASM</p> 	<p>8. CASE-SYS-ASM</p> 
<p>9. CASE-LGC-ASM</p> 	<p>10. LASER-OPTICAL-UNIT-ASM</p> 	<p>11. OPTICAL-FRAME-ASM</p> 	<p>12. COVER-GUIDE-ASM</p> 
<p>13. MAIN-DRIVE-ASM</p> 	<p>14. OPTICAL-DRIVE-ASM</p> 	<p>15. FEEDER-1-ASM</p> 	<p>16. FEEDER-2-ASM</p> 
<p>17. FEEDER-3-ASM</p> 	<p>18. BYPASS-ASM</p> 	<p>19. BYPASS-FEEDER-1-ASM</p> 	<p>20. BYPASS-FEEDER-2-ASM</p> 

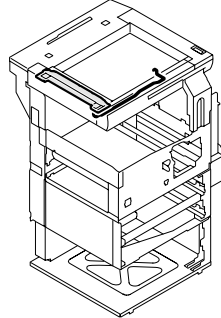
21. ALIGNING-ASM



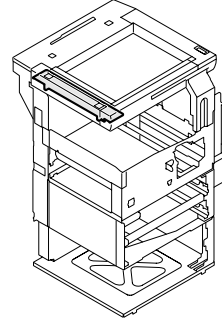
22. PLATEN-ASM



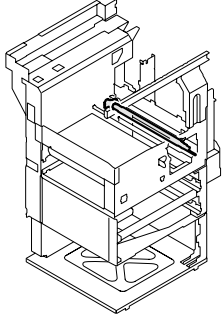
23. CRG-1-ASM



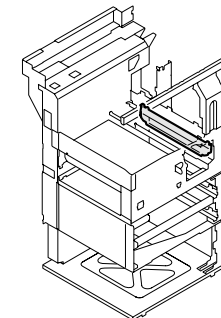
24. CRG-2-ASM



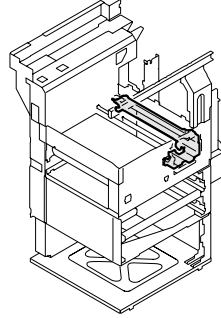
25. MAIN-CHARGER-ASM



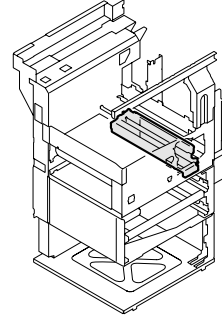
26. TRANSPORT-CHARGER-ASM



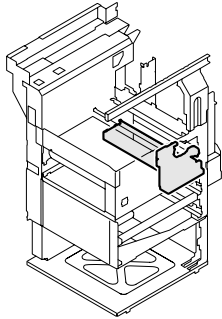
27. CLEANER-ASM



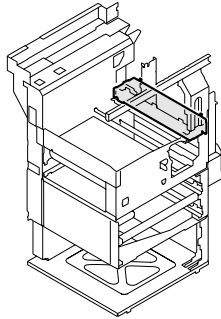
28. DEVELOPER-ASM



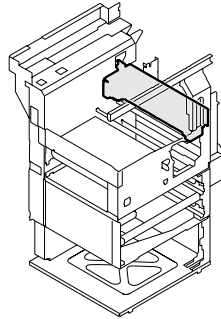
29. RECYCLE-ASM



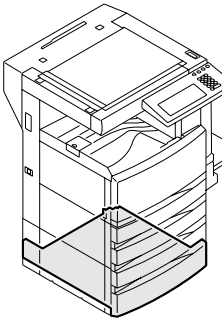
30. FUSER-ASM

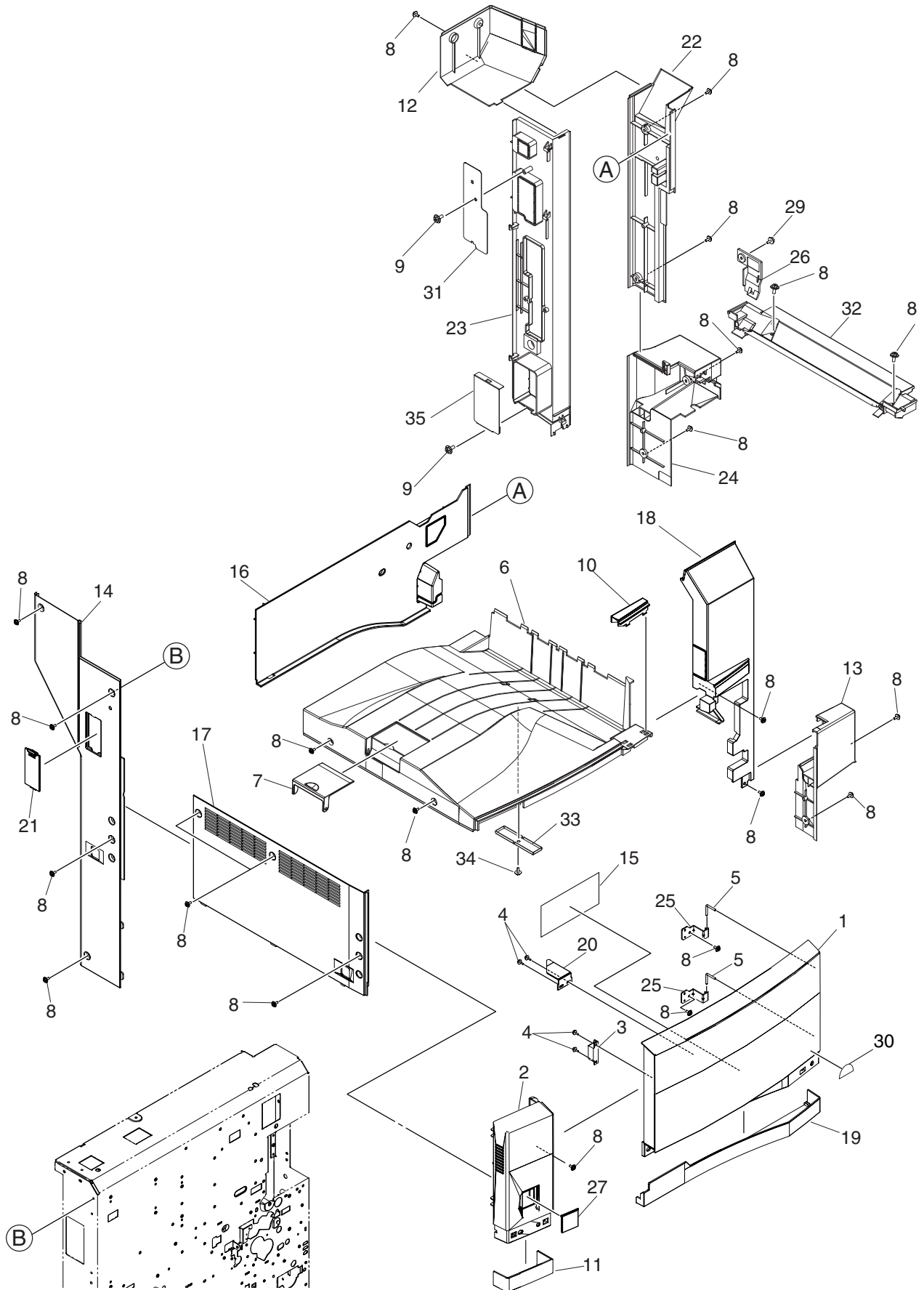


31. EXIT-ASM

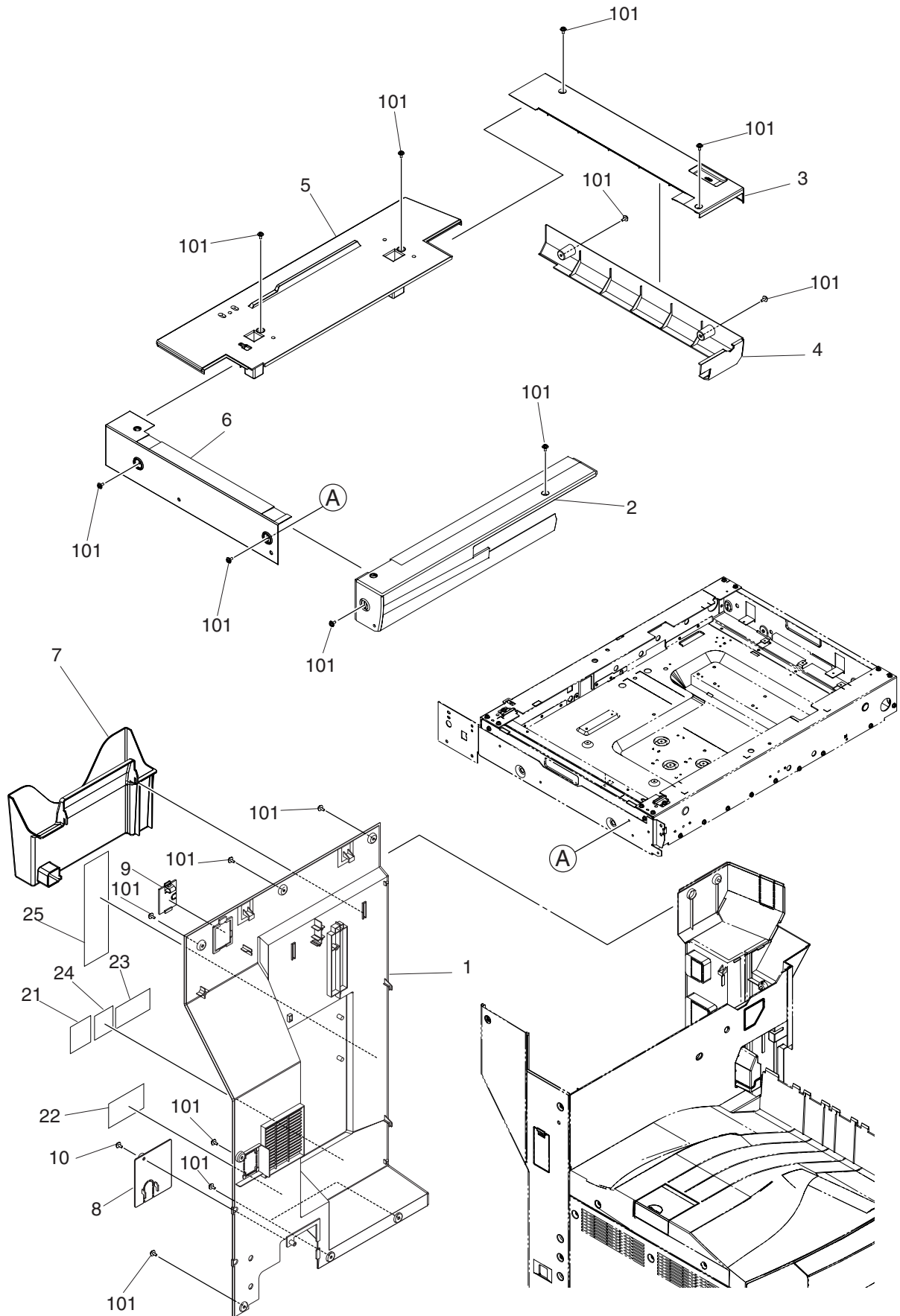


32. DRAWER-ASM

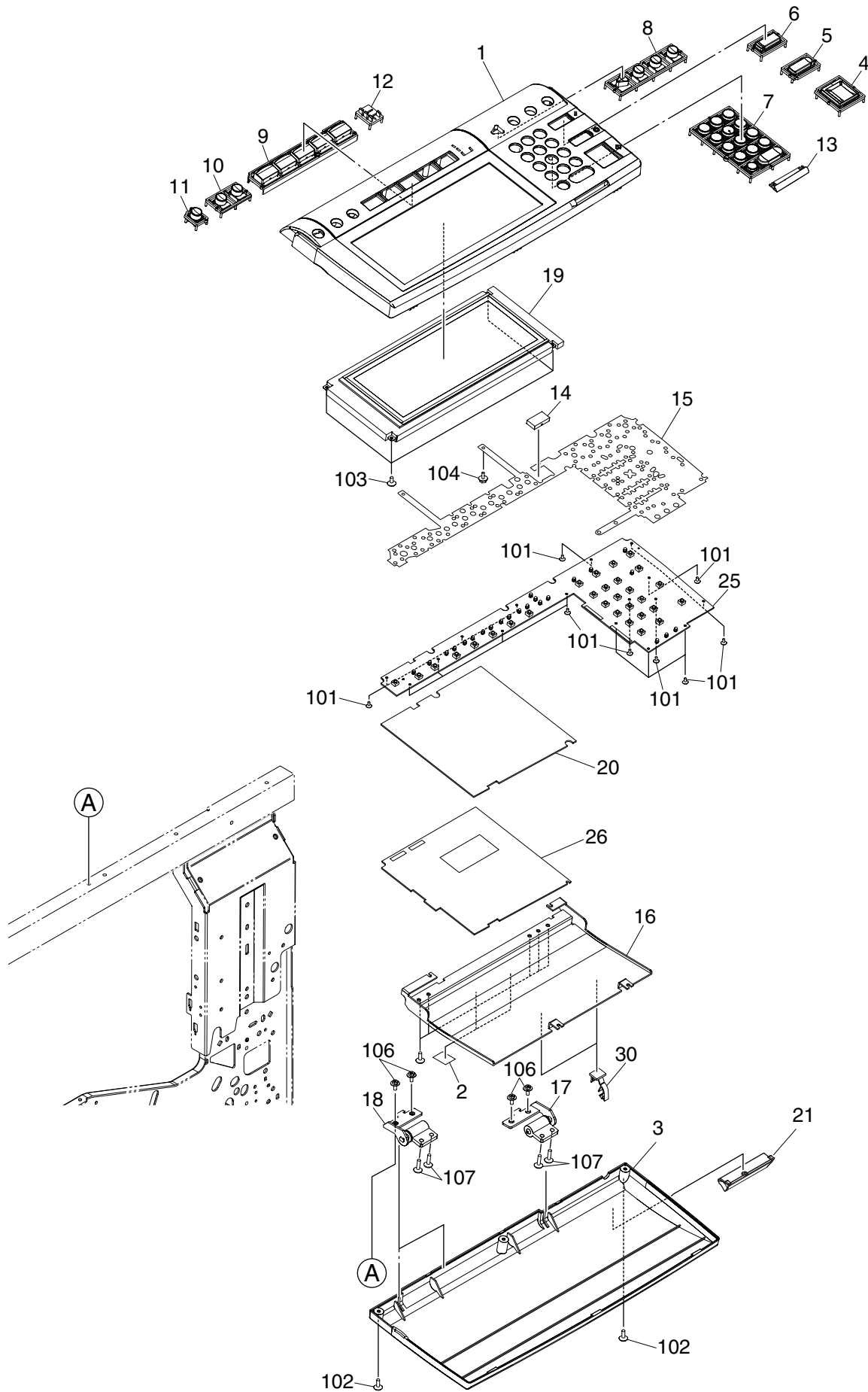




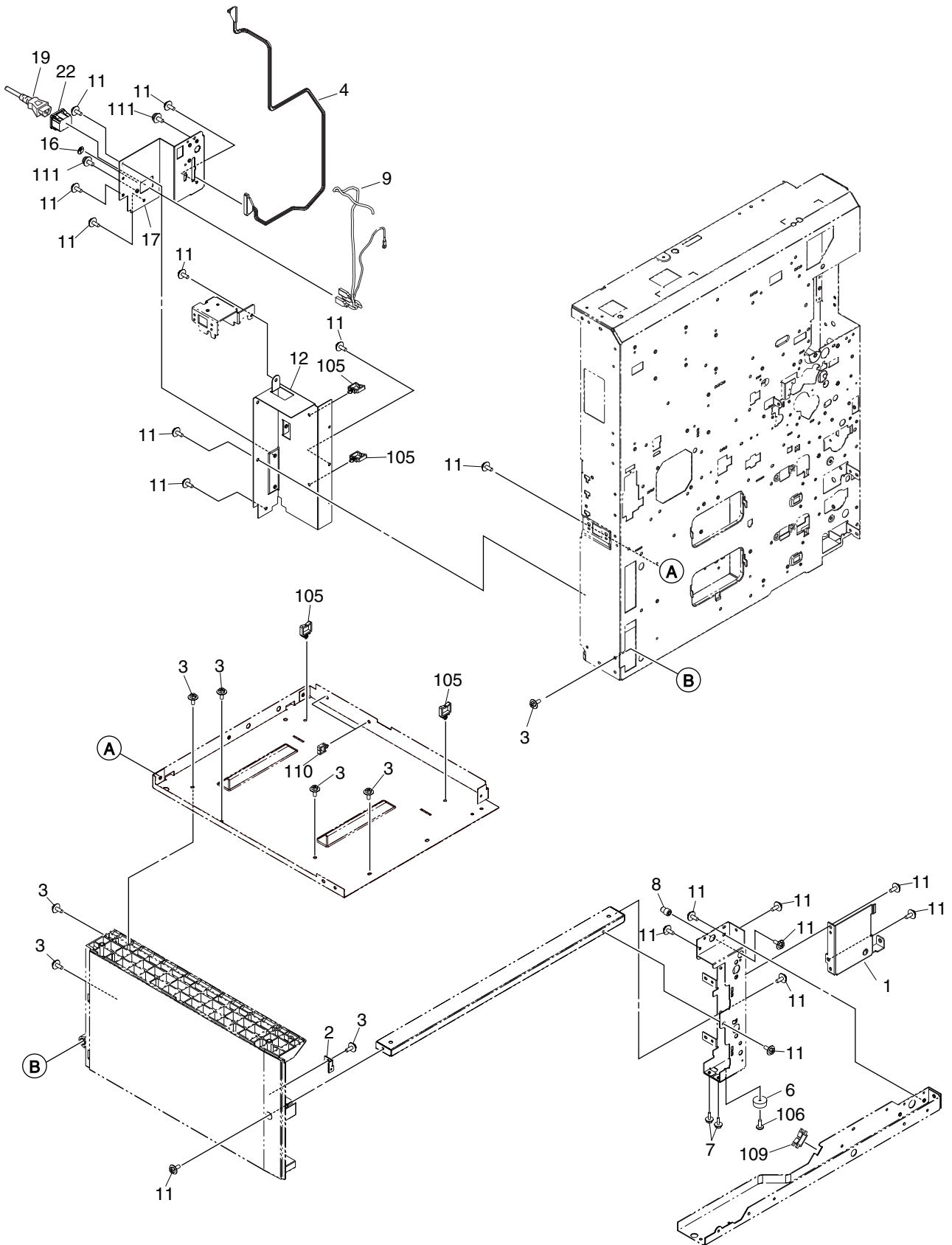
ITEM NO.	PARTS NO.	PARTS NAME	Q'TY / PAGE	Q'TY / PACK	P I R	B S I NO.	T O	T	F R O M	S E R I A L NO.	R E M A R K S	C
1A	6LE84752000	ASY-COV-FRT-UPR-202L		1/1/PP							e-STUDIO20 2L	
1B	6LE84751100	ASYS-COV-FRT-UPR-232		1/1/PP							e-STUDIO23 2	
1C	6LE84751200	ASYS-COV-FRT-UPR-282		1/1/PP							e-STUDIO28 2	
2	6LA80745000	ASYS-COV-FRT-STY-UPR		1/1/PP								
3	FO-01393000	CA-0124B		1/1/P								
4	X0-02247000	S/TPP/FH/FEXM-3X8-NI		4/10/P								
5	6LA60573000	PIN-COVER-FRT		2/1/P								
6	6LA80702000	COVER-TRAY		1/1/PP								
7	6LA80719000	COVER-STOP-PAPER-371		1/1/P								
8	X0-02243000	S/TPS/FHEXM-4X8-ZU3		23/10/P								
9	X0-02251000	S/TPP/FHEXM-4X8-NI		1/10/P								
10	6LA80713000	COVER-TRAY-SUB		1/1/PP								
11	6LA60618000	COVER-FRT-STY-LWR		1/1/P								
12	6LE84750000	COVER-RGT-UPR		1/1/PP								
13A	6LA80982000	COVER-HINGE-FRT		1/1/PP							NAD,MJD,AU D	
13B	6LA80711000	COVER-HINGE-FRT-373		1/1/PP							ASD,ASU,SA D,TWD,KRD, CND,ARD	
14	6LA80802000	COVER-LFT-RER		1/1/PP								
15	6LA91422000	LBL-O-TONER-FRT		1/1/KP								
16	6LA80923000	COVER-TRAY-BCK		1/1/PP								
17	6LA80763000	ASY-COV-LFT		1/1/PP								
18	6LA80782000	COVER-FRAME-FRT		1/1/PP								
19	6LA60614000	COVER-FRT-LWR		1/1/PP								
20	6LA60576000	BRKT-PUSH-SW		1/1/P								
21	6LA60630000	COVER-LFT-RER-LGC		1/1/P								
22	6LA80709000	ASYS-COVER-RGT		1/1/PP								
23	6LA80718000	ASYS-COV-RGT-LFT		1/1/PP								
24A	6LA80992000	COVER-HINGE-RER		1/1/PP							NAD,MJD,AU D	
24B	6LA80710000	COVER-HINGE-RER-373		1/1/PP							ASD,ASU,SA D,TWD,KRD, CND,ARD	
25	6LA83542000	BRKT-HINGE-FRT		2/1/P								
26	6LA88204000	COVER-SIDE-HRNS-373		1/1/P								
27	6LA60531000	LID-SW		1/1/P								
29	X0-02246000	S/TPP/FH/FEXM-3X6-NI		1/10/P								
30	6LA47530000	LBL-ENERGY-T-PS		1/5/KP								
31	6LA81362000	BRKT-COVER-R-T-371		1/1/P								
32	6LA80714000	COVER-BYPASS-CENTER-373		1/1/PP								
33	6LA80729000	BRKT-TRAY-INNER		1/1/P								
34	X0-02251000	S/TPP/FHEXM-4X8-NI		1/10/P								
35	6LE84981000	BRKT-COV-R-PCI		1/1/P								



ITEM NO.	PARTS NO.	PARTS NAME	Q'TY / PAGE	Q'TY / PACK	P I R	B S I NO.	T O	T	F R O M	S E R I A L NO.	R E M A R K S	C
1A	6LE84765000	COVER-RER		1/1/PP							NAD, MJD, AU D, ASD, ASU, SAD, KR, CN D, ARD	
1B	6LA81386000	ASYS-COV-RER-TWD		1/1/PP							TWD	
2	6LA80903000	COVER-TP-FRT-SCAN		1/1/PP								
3A	6LA86482000	ASYS-COVER-TP-RGT-U		1/1/PP							NAD, MJD, AU D, ASD, ASU, SAD, KR, CN D, ARD	
3B	6LA86540000	ASYS-COVER-TP-R-U-371-TWD		1/1/PP							TWD	
4	6LA80884000	COVER-TP-RGT-SCAN-L		1/1/PP								
5	6LE86453000	COVER-TP-RER-SCAN-377		1/1/PP								
6	6LE86452000	COVER-TP-LFT-SCAN-377		1/1/PP								
7	6LA60605000	POCKET-MANUAL		1/1/P								
8	6LA80943000	COVER-CNTR		1/1/PP								
9	6LA60633000	COVER-DF-CONECT		1/1/P								
10	X0-02251000	S/TPP/FHEXM-4X8-NI		1/10/P								
21A	44204604000	LBL-SERVICE-45		1/5/P							NAD, MJD, AU D, ASD, ASU, SAD, ARD	
21B	6LA56227000	LBL-SERVICE-45C		1/5/KP							CND	
21C	6LA15072000	LBL-SERVICE-KR		1/1/KP							KRD	
21D	6LA48504000	LBL-SERVICE-45-TWD		1/5/KP							TWD	
22A	6LA47529000	LBL-LASER		1/1/KP							NAD, MJD, AU D, ASD, ASU, SAD, ARD	
22B	6LA56226000	LBL-LASER-C		1/5/KP							CND	
22C	6LA15055000	LBL-LASER-KR		1/5/P							KRD	
22D	6LA48505000	LBL-LASER-TWD		1/5/KP							TWD	
23A	4400740530	LABEL-FCC		1/10/KP							NAD	
24A	4408860880	LABEL-CANADA-A		1/5/P							NAD	
26B	4400685400	LABEL-CHINA		1/5/P							ASD, ASU, KR D, ARD	
101	X0-02243000	S/TPS/FHEXM-4X8-ZU3		17/10/P								



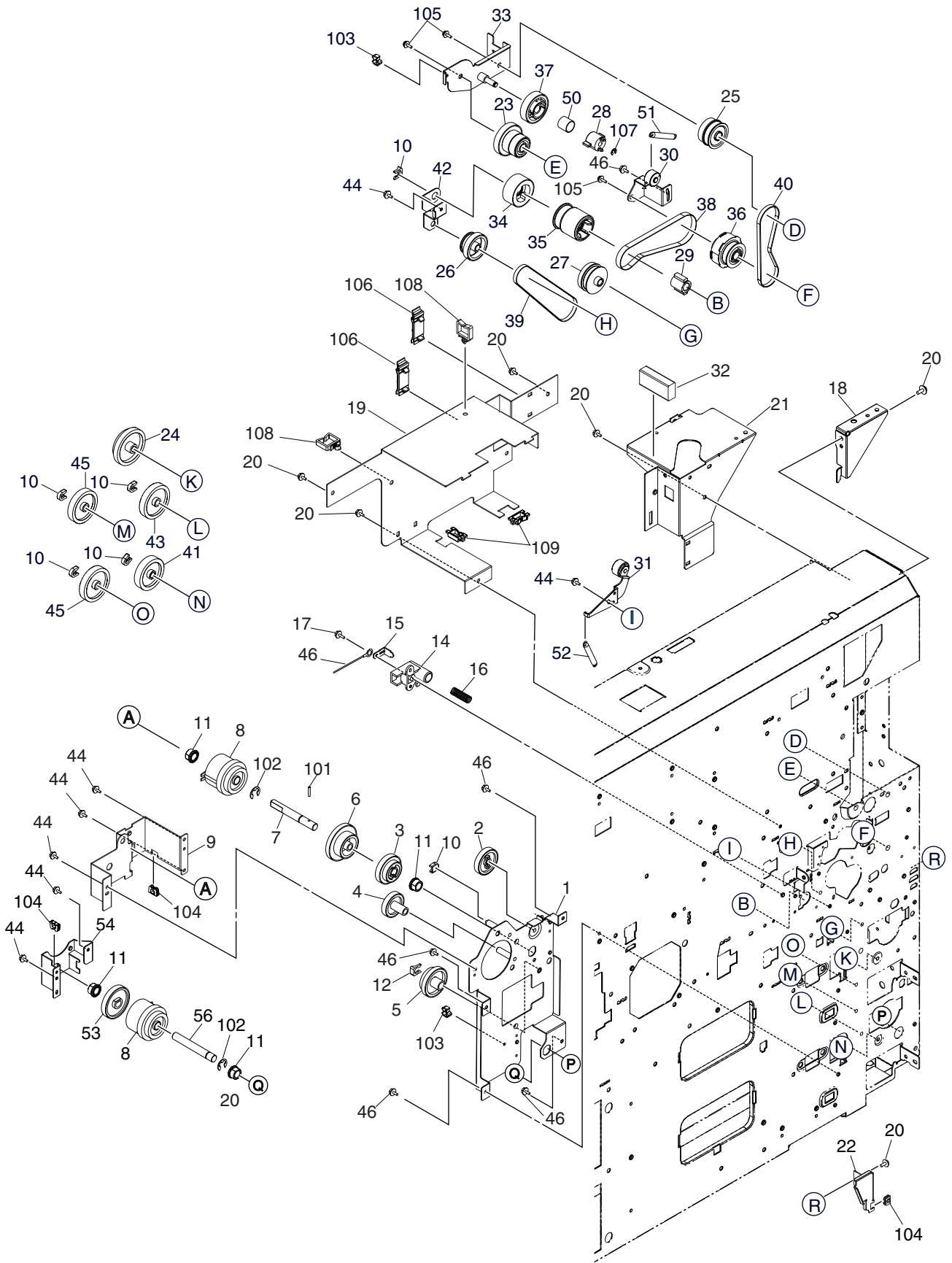
ITEM NO.	PARTS NO.	PARTS NAME	Q'TY / PAGE	Q'TY / PACK	P I R	B S I NO.	T O	T	F R O M	S E R I A L NO.	R E M A R K S	C
1A	6LE46103000	ASYS-COV-CONPANE-UPR-U		1/1/PP							NAD,MJD,AU D,ASD,ASU, SAD,ARD	
1B	6LE46103200	ASYS-COV-CONPANE-UPR-C		1/1/PP							CND	
1C	6LE46103400	ASYS-COV-CONPANE-UPR-K		1/1/PP							KRD	
1D	6LE46103300	ASYS-COV-CONPANE-UPR-T		1/1/PP							TWD	
2	6LA37038000	SHEET-BLIND		2/5/P								
3	6LA37004000	COVER-CONPANE-LWR		1/1/PP								
4	6LA37007000	KEY-START		1/1/D								
5	6LA37008000	KEY-STOP		1/1/D								
6	6LA37009000	KEY-FC		1/1/D								
7	6LA37010000	KEY-TEN		1/1/D								
8	6LA37011000	KEY-FUNCTION-A		1/1/D								
9	6LA37012000	KEY-FUNCTION-B		1/1/D								
10	6LA37013000	KEY-FUNCTION-C		1/1/D								
11	6LA37014000	KEY-HELP		1/1/D								
12	6LA37015000	LID-LED-A		1/1/D								
13	6LA37016000	LID-LED-B		1/1/D								
14	6LA37017000	PLATE-DIFFUSION		5/1/P								
15	6LA80200000	MYLAR-SHIELD-371		1/1/KP								
16	6LA37019000	SHIELD-CONPANE		1/1/D								
17	6LA80106000	ASYS-HINGE-R		1/1/P								
18	6LA80107000	ASYS-HINGE-L		1/1/P								
19	6LE46102000	ASYS-PNL-TOUCH-410		1/1/C								
20	6LE46101000	SHILD-SHEET		1/1/KP								
21	6LA29597000	STOPPER-OPE		1/1/P								
25	6LE47120000	PWA-F-KEY-410		1/1/SB								
26	6LE48532000	PWA-F-DSP-410		1/1/C								
30	F0-01213000	EB-6U		2/5/P								
101	X0-02094000	S/TPB/BID-2X6-NI		16/10/P								
102	X0-02095000	S/TPP/BRZ-3X10-NI		7/10/P								
103	X0-02096000	S/TPP/BRZ-3X8-NI		4/10/P								
104	X0-02093000	S/PAN/SWWS-M4X6-NI		1/10/P								
106	X0-01771000	S/PAN/SWWP-M4X12-NI		4/10/P								



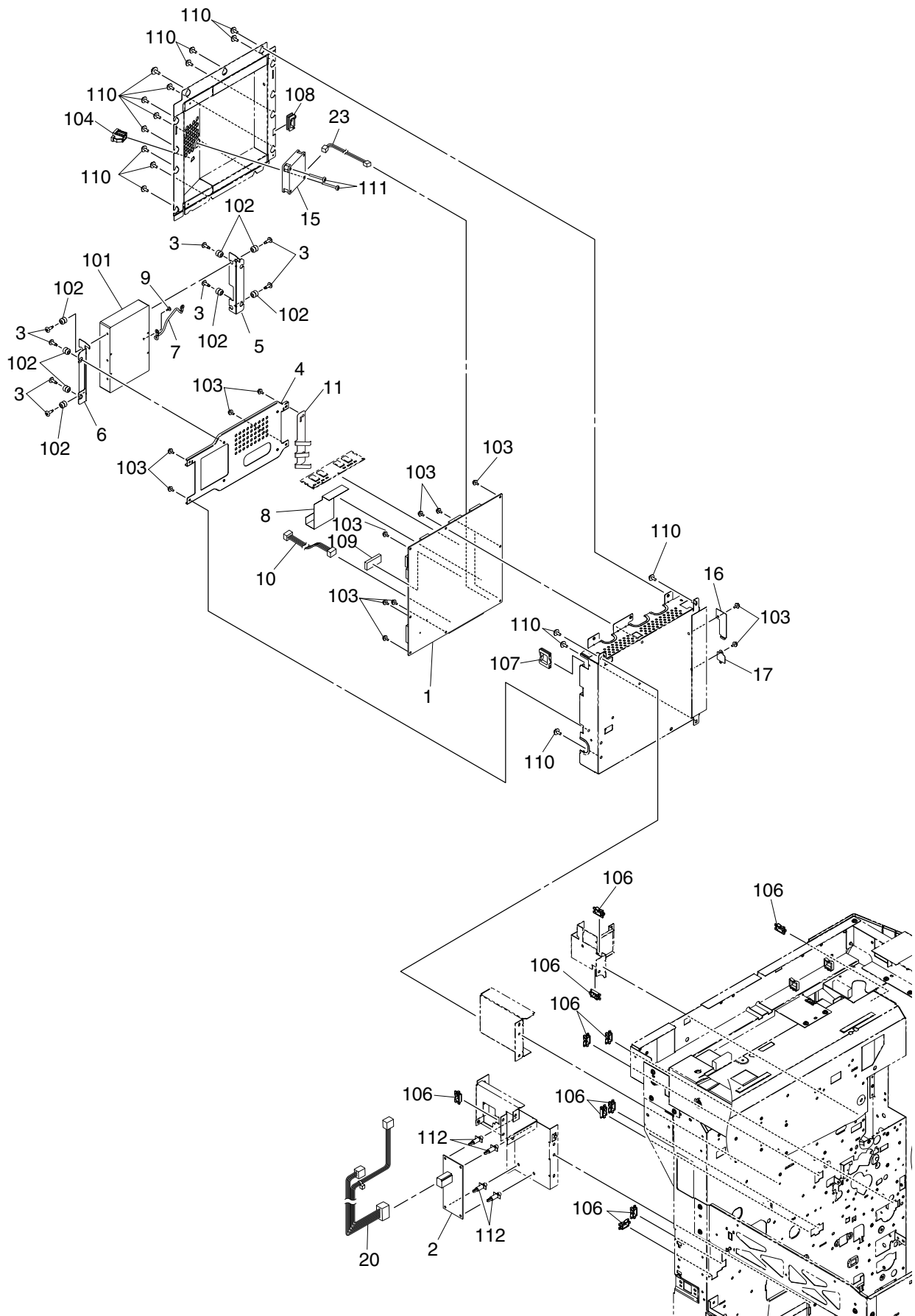
ITEM NO.	PARTS NO.	PARTS NAME	Q'TY / PAGE	Q'TY / PACK	P I R	B S I NO.	T O	T	F R O M	S E R I A L NO.	R E M A R K S	C
1	6LA78532000	ASYS-BRKT-HING-ADU-F		1/1/P								
2	6LA65302000	BRKT-JOINT-PFP		1/1/P								
3	X0-02251000	S/TPP/FHEXM-4X8-NI		7/10/P								
4A	6LA89412000	HRNS-LGC-PFP-371		1/1/P							NAD, MJD, AUD, ASD, ASU, SAD, KRDC, CN	
4B	6LA89485000	HRNS-LGC-PFP-371TWD		1/1/P							TWD	
6	41306501000	FOOT-MAIN-AT		1/1/P								
8	6LA83414000	STUD-COV-SIDE-F		1/1/P								
9	6LA89437000	HRNS-INLT-371		1/1/P								
11	X0-02243000	S/TPS/FHEXM-4X8-ZU3		23/10/P								
12	6LA81360000	COVER-CSST-BACK		1/1/PP								
16	6LA91550000	MARK-EARTH-VDE-371		1/10/P								
17	6LA81326000	BRKT-INLET-371		1/1/P								
19A	6LA55883000	CABLE-P-INLET-US		1/1/P							NAD, SAD	
19B	6LA72426000	CABLE-P-INLET-EUR		1/1/P							KRD	
19C	6LA56818000	CABLE-P-INLET-UK		1/1/P							ASU	
19D	6LA56225000	CABLE-INLET-CCC		1/1/P							CND	
19E	6LA56602000	CABLE-P-INLET-TWD		1/1/P							TWD	
19F	6LA72427000	CABLE-P-INLET-AU		1/1/P							AUD	
19G-1	6LA72426000	CABLE-P-INLET-EUR		1/1/P							MJD, ASD	
22	EO-06067000	NC-179-F6.35		1/1/P								
105	FO-01298000	WS-2N-V0		4/5/P								
106	X0-02074000	S/TPS/BID-4X8-ZU3		1/10/P								
109	FO-00041000	EDS-2		1/5/P								
110	FO-00024000	LWS-1U		2/5/P								
111	X0-00169000	S/PAN/SWWP-M4X8-BSNI		2/10/P								

ITEM NO.	PARTS NO.	PARTS NAME	Q'TY / PAGE	Q'TY / PACK	PIR	BSI NO.	TO	T	FROM	SERIAL NO.	REMARKS	C
3	6LA85861000	HOLDER-RGST-F		1/1/P								
4	6LA88010000	LEVER-TNR-C		1/1/P								
5	6LA88014000	SPG-LEVER-TNR-C		1/1/P								
6A	E0-08368000	AJ8R2004ZCF		1/1/D							NAD,MJD,AU D,ASD,ASU, SAD,KRD,CN D,ARD	
6B	44205162000	SZ-AJ8R2004ZC		1/1/D							TWD	
7A	6LE88050000	HRNS-MAIN-SW-377		1/1/P							NAD,MJD,AU D,ASD,ASU, SAD,KRD,CN D,ARD	
7B	6LA89438000	HRNS-MAIN-SW-371		1/1/P							TWD	
8	6LA89487000	HRNS-RSTSW-371		1/1/P								
10	44200855000	STUD-DRSW-TR		3/1/P								
11	X0-02239000	S/TPS/FHEXM-3X8-ZU3		2/10/P								
12	6LA35525000	BRKT-HANDLE		1/1/P								
13	6LA35534000	HANDLE		1/1/P								
14	6LA65137000	BRKT-SW-MAIN		1/1/P								
15	6LA83451000	BRKT-DOOR-SW-371		1/1/P								
16	44200852000	GUIDE-SW-DOOR		1/1/P								
17	44200854000	STUD-DOOR-SW		1/5/P								
18	6LA80823000	COVER-FRAME-FRT-BCK		1/1/PP								
19A	6LA85424100	ASY-DHTR-DRUM-371-U		1/1/C							SAD,TWD	
19B	6LA85424200	ASY-DHTR-DRUM-371-E		1/1/C							AUD,ASD,AS U,KRD,CND, ARD	
20	6LA83415000	STUD-COV-SIDE		1/5/P								
21	6LA83522000	ASYS-EXIT-FRM-F		1/1/P								
22	6LA83543000	BRKT-DOOR-SW-SUB		1/1/P								
23	6LA83533000	BRKT-ADJ-FUS		1/1/P								
24	X0-02243000	S/TPS/FHEXM-4X8-ZU3		19/10/P								
25	6LA81500000	GUIDE-DOOR-SW-SUB		1/1/P								
26	6LA83801000	COVER-DHTR-HRNS-DRUM		1/1/P								
27	6LA83802000	COVER-DHTR-DRUM-371		1/1/P								
28A	6LA91431000	LBL-CAU-LASER		1/1/KP							NAD,MJD,AU D,ASD,ASU, SAD,TWD,AR D	
28B	6LA91541000	LBL-CAU-LASER-CND		1/1/P							CND	
28C	6LA83446000	LBL-CAU-LASER-373K		1/1/KP							KRD	
102	E0-01853000	CS1A-B2CA		1/1/D							SWITCH	
103	F0-00043000	UAMS-05SN-W		5/5/P								
104	F0-00045000	EDS-1		1/10/P								
105	F0-01298000	WS-2N-V0		2/5/P								
106	X0-00077000	S/PAN/SWWP-M3X8-NI		1/10/P								
107	6LA08935000	SCR-M3X6BISR-NI		1/10/P								
108	E0-08442000	FALL-AA22		1/1/D							SWITCH	
109	X0-00965000	RR/E-4-SS		1/10/P								

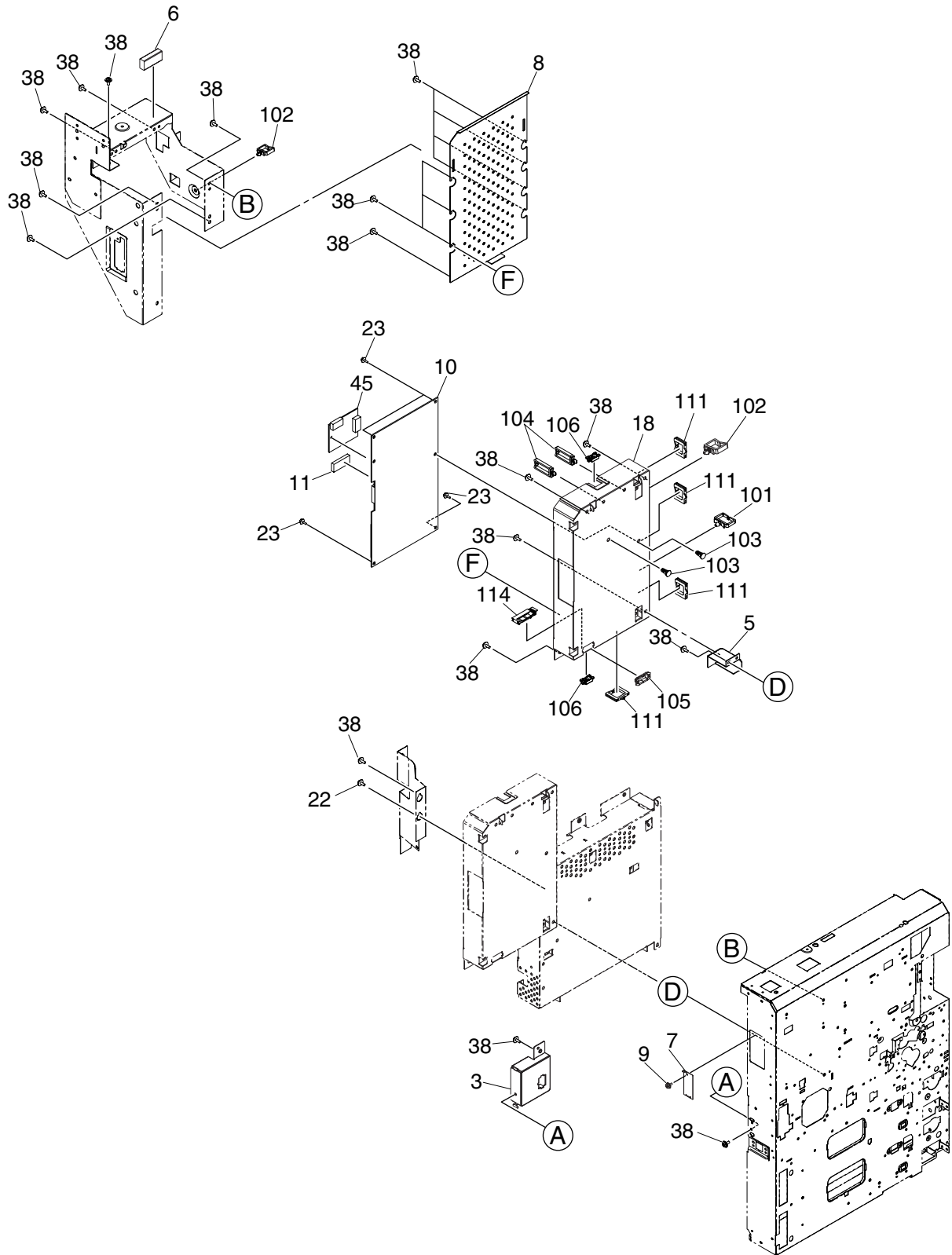
ITEM NO.	PARTS NO.	PARTS NAME	Q'TY / PAGE	Q'TY / PACK	PIR	BSI NO.	TO	T	FROM	SERIAL NO.	REMARKS	C
1	6LA89173000	PS-HVT-371		1/1/C								
2	6LA83424000	BRKT-DHTR		1/1/P								
3	6LA83527000	BRKT-FRAME-ADU		1/1/P								
4	6LA35525000	BRKT-HANDLE		1/1/P								
5	6LA35534000	HANDLE		1/1/P								
6	41306501000	FOOT-MAIN-AT		2/1/P								
7	6LA89111000	FAN-D-3110KL-05W-B60		1/1/D								
8	6LA83415000	STUD-COV-SIDE		1/5/P								
9	6LA83425000	STUD-COV-SIDE-R		1/1/P								
10	6LA83554000	STUD-DRV-24-BYP-371		1/1/P								
11	6LA83392000	STUD-FIX-FEED-UNIT		2/1/P								
12	6LE88060000	HRNS-LGC-HVPS-377		1/1/P								
13	6LA89409000	HRNS-LGC-FEDU-371		1/1/P								
14A	6LE88067000	HRNS-PWR-FIN-377-W		1/1/P							NAD, MJD, AUD, ASD, ASU, SAD, KRDC, CN, D, ARD, TWD	
14B	6LA89486000	HRNS-PWR-FIN-371TWD		1/1/P							TWD	
15	6LE88063000	HRNS-LGC-ADU-377		1/1/P								
16	6LA89461000	HRNS-TNR-FULL-371		1/1/P								
17	6LA79003000	GEAR-10S024-06-DRV		1/1/P								
18	6LA79004000	GEAR-10S026-06-DRV		1/1/P								
19	6LE88057000	HRNS-LGC-POL-377		1/1/P								
20	6LA89439000	HRNS-LP-ACIN-371		1/1/P								
21	6LE88061000	HRNS-LGC-EXIT-377		1/1/P								
22	6LE88062000	HRNS-LGC-MOT-377		1/1/P								
23	6LA83402000	GUIDE-HRNS-371		1/1/PP								
24	6LA81350000	BRKT-HVT-371		2/1/P								
25	6LA83048000	GG10S040-10S034		1/1/P								
26	6LA83418000	COV-DUCT-FAN-REAR		1/1/P								
27	6LA83422000	DUCT-FAN-REAR-2		1/1/P								
28	6LA83490000	FILTER-OZONE-FRM-371		1/1/C								
37	6LA82254000	ASYS-HLDR-DEV-371		1/1/P								
45	X0-02239000	S/TPS/FHEXM-3X8-ZU3		5/10/P								
46	X0-02243000	S/TPS/FHEXM-4X8-ZU3		4/10/P								
47	44204394000	SCREW20*D23		3/10/P								
52	6LA68913000	SW-DE3LAASB-TNR		1/1/C								
53	6LA03099000	COVER-SW-340		1/1/P								
101	F0-00315000	SPLSN-22U		2/5/P								
102	X0-00966000	RR/E-5-SS		3/10/P								
103	F0-00330000	SPSN-22U		2/5/P								
104	F0-00119000	EMT-4N		2/1/P								
105	X0-00077000	S/PAN/SWWP-M3X8-NI		4/10/P								
106	X0-00164000	S/PAN/SWWP-M4X8-NI		1/10/P								
107	X0-02074000	S/TPS/BID-4X8-ZU3		2/10/P								
108	X0-02114000	S/TPS/PAN-4X32-ZU3		2/10/P								
109	F0-00043000	UAMS-05SN-W		3/5/P								
110	F0-01298000	WS-2N-V0		9/5/P								
111	F0-01252000	WS-4W		5/5/P								
112	E0-08733000	55533-1219		2/5/P								
113	E0-01853000	CS1A-B2CA		4/1/D							SWITCH	
114	F0-00045000	EDS-1		8/10/P								
115	F0-00034000	EDS-2323U		1/5/P								
117	F0-00024000	LWS-1U		2/5/P								
118	E0-06031000	42117-2		1/5/P								
119	X0-00676000	S/TPS/BID-3X6-NI		1/10/P								



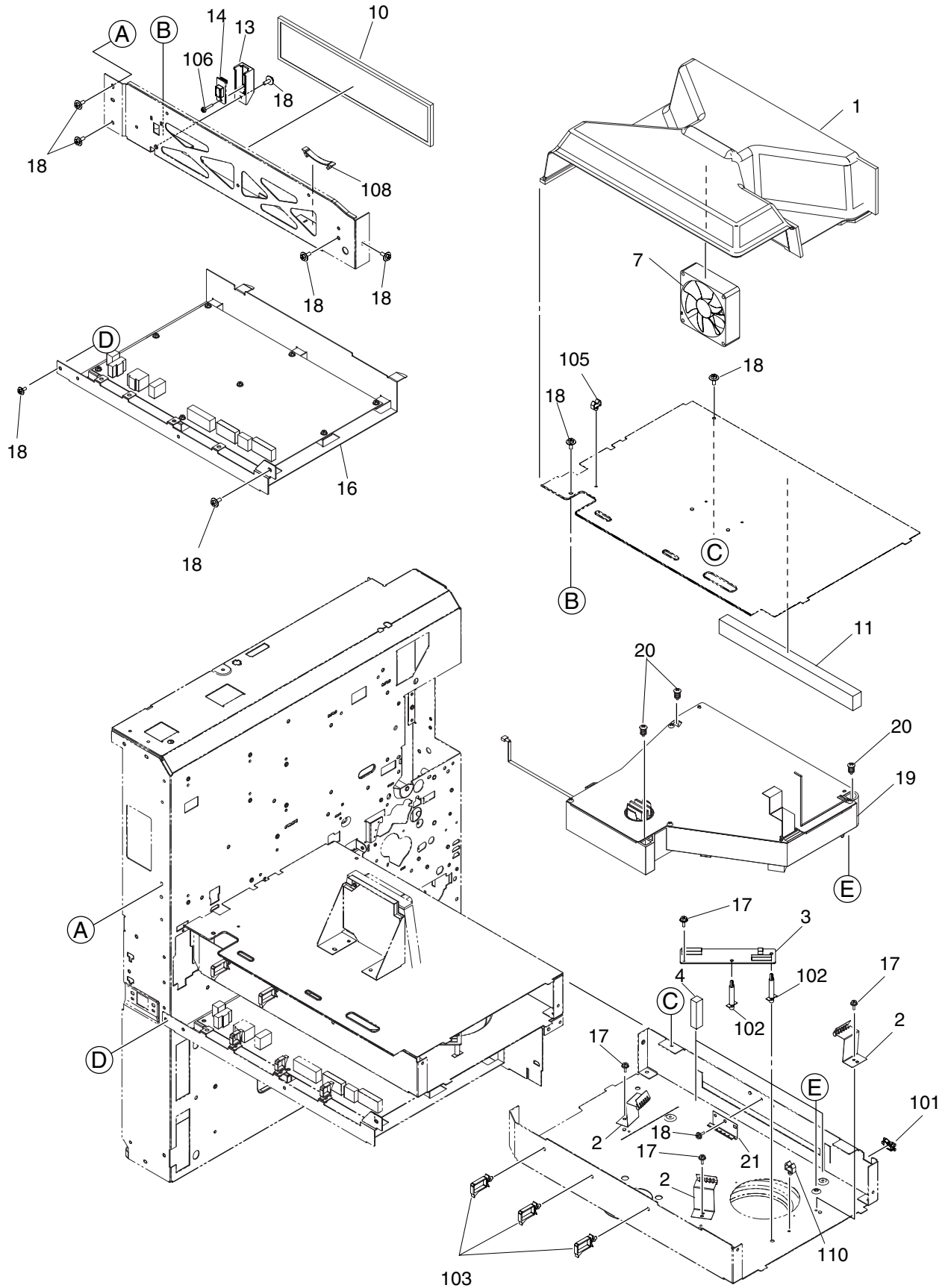
ITEM NO.	PARTS NO.	PARTS NAME	Q'TY / PAGE	Q'TY / PACK	P I R	B S I NO.	T O	T	F R O M	S E R I A L NO.	R E M A R K S	C
1	6LA83042000	ASYS-DRV-FEED-MAIN		11/P								
2	6LA83114000	GEAR-10S028-06		11/P								
3	6LA83115000	GG10S022-10S031		11/P								
4	6LA83113000	GEAR-10S026-06		11/P								
5	6LA83112000	GG10S025-10S032		11/P								
6	6LA83056000	GG10S026/10S040-371		11/P								
7	6LA83086000	SHAFT-ID-CLT-RELAY		11/P								
8	6LA82840000	CLUTCH-G28-08D-35E		21/D								
9	6LA82803000	BKT-DRV-FED-SUB-N		11/P								
10	4407972860	STOP-RING-6-5		55/P								
11	6LA65698000	BUSH-8X12X8F		45/P								
12	4400336190	STOP-RING-8		25/P								
13	X0-02238000	S/TPS/FHEXM-3X6-ZU3		310/P								
14	6LA82002000	TERMINAL-DEV		11/P								
15	6LA82004000	PLT-TERM-DEV		11/P								
16	6LA82006000	SPC-TERM		15/P								
17	X0-02247000	S/TPP/FH/FEXM-3X8-NI		110/P								
18	6LA83516000	BRKT-REINF-STY-TP-R1		11/P								
19	6LE85660000	BRKT-SCAN-HRNS		11/P								
20	X0-02243000	S/TPS/FHEXM-4X8-ZU3		910/P								
21	6LA81312000	BRKT-REINF-STY-TP2		11/P								
22	6LA83403000	COVER-CONNECT-371		11/P								
23	6LA82292000	GEAR-8H31-10H20-6		11/P								
24	44201681000	GG10S031/10S038		11/P								
25	6LA82290000	GEAR-10H23-PS3M27-4		11/P								
26	6LA82279000	GEAR-10H27-PS2M32-6		11/P								
27	6LA82281000	GEAR-10H27-PS2M41-6		11/P								
28	6LA82296000	CPG-DRV-CLN		11/P								
29	6LA82220000	CPG-GR-JOINT-S		11/P								
30	6LA82258000	ASYB-BLT-TENS-C/F		11/P								
31	6LA82264000	ASYB-BLT-TENS-RGT		11/P								
32	6LA86409000	GSKT-18-10-40-N		11/P								
33	6LA82285000	ASYS-BRKT-CLN-FUS		11/P								
34	6LA82224000	ASYS-GEAR-8M35-8-JOIN-B		11/P								
35	6LA82261000	ASYS-GEAR-JOIN-BLT		11/P								
36	6LA82267000	ASYS-GEAR-RGST		11/P								
37	6LA82294000	GEAR-10H29-6-CLN		11/P								
38	6LA82252000	BLT-SY-S2M-250-4		11/P								
39	6LA82277000	BLT-SY-S2M-266-4		11/P								
40	6LA82275000	BLT-SY-S3M-222-4		11/P								
41	44201746000	GEAR-10S033-06		11/P								
42	6LA82243000	BRKT-DRV-FEED-A		11/P								
43	44201683000	GEAR-10S034-06		11/P								
44	X0-02238000	S/TPS/FHEXM-3X6-ZU3		710/P								
45	44201862000	GEAR-10S035-06		21/P								
46	6LA08935000	SCR-M3X6BISR-NI		510/P								
47	6LA89436000	HRNS-HVT-DEV-371		11/P								
50	6LA82298000	SPG-C-13R5*1*21R7L-CN		15/P								
51	6LA82313000	SPG-E-5R5*R8*33R4-TNS		11/P								
52	6LA82202000	SPG-E-5XR55X29R92-TNS		11/P								
53	6LA83082000	GEAR-10S035-08D		11/P								
54	6LA83060000	BRKT-DRV-FED-CLT		11/P								
56	6LA83085000	SHAFT-ID-CLT-371		11/P								
101	X0-01526000	P/PRL/AH7-2X12-SS		110/P								
102	X0-00968000	RR/E-7-SS		210/P								
103	F0-00043000	UAMS-05SN-W		15/P								
104-1	F0-00120000	ES-0505		35/P								
105	X0-00077000	S/PAN/SWWP-M3X8-NI		310/P								
106	F0-01047000	LFCS-30		21/P								
107	X0-00964000	RR/E-3-SS		110/P								
108	F0-01298000	WS-2N-V0		25/P								
109	F0-00045000	EDS-1		210/P								



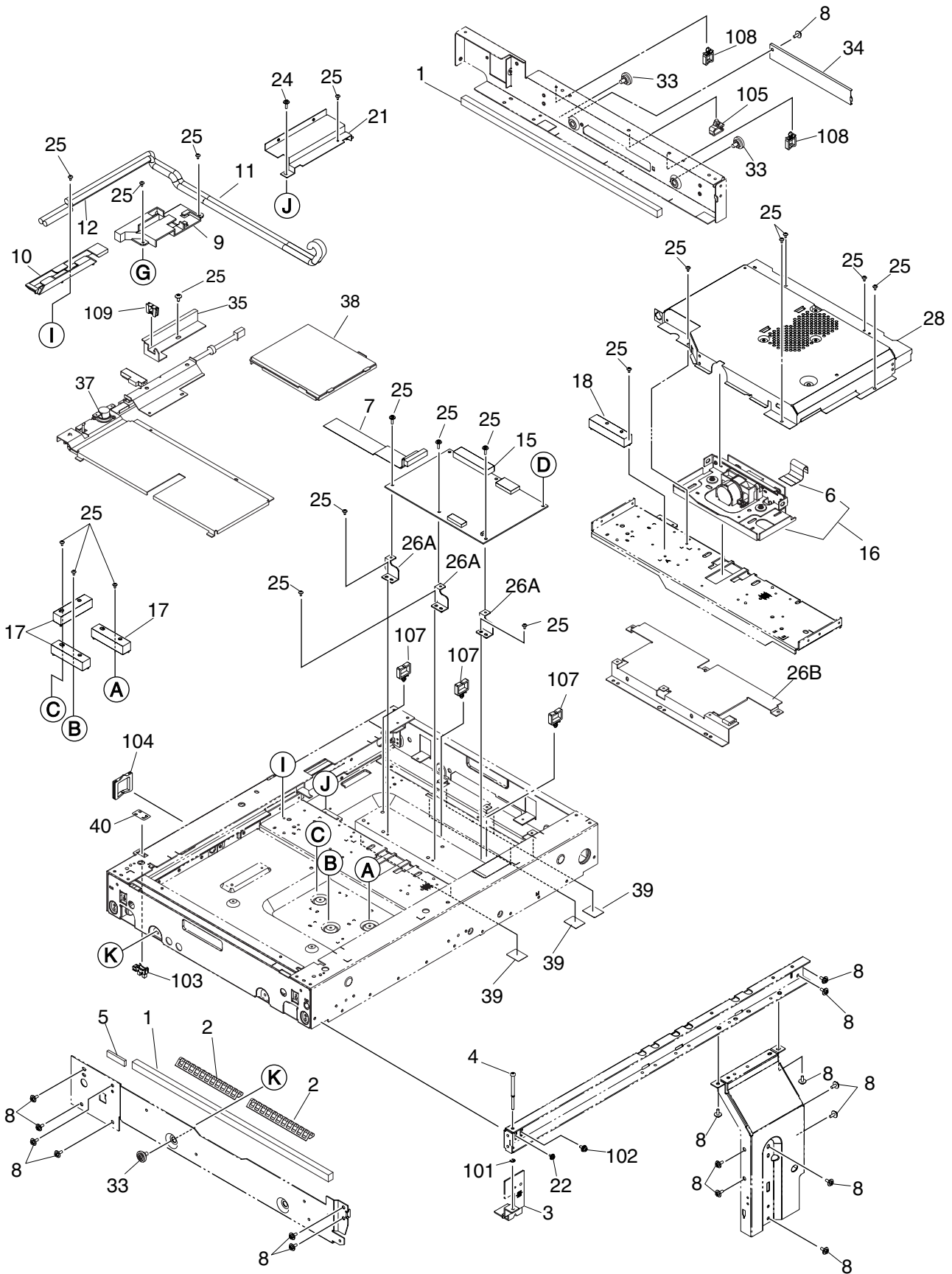
ITEM NO.	PARTS NO.	PARTS NAME	Q'TY / PAGE	Q'TY / PACK	P I R	B S I NO.	T O	T	F R O M	S E R I A L NO.	R E M A R K S	C
1	6LE88455000	ASY-PWA-SYS-377S		1/1/SB								
2A	6LA42007000	PWA-F-FUS-350		1/1/C							KRD	
2B	6LA88759000	PWA-F-FUS-371		1/1/C							AUD, ASD, AS U, SAD, TWD, CND, ARD	
3	6LA56769000	SCREW-HDD-CASE		8/1/P								
4	6LE84953000	BASE-HDD-377		1/1/P								
5	6LE84954000	BRKT-HDD-LEFT		1/1/P								
6	6LE84955000	BRKT-HDD-RIGHT		1/1/P								
7	6LE78184000	HRNS-HDDFG-364		1/1/P								
8	6LA89489000	HRNS-HDD-SIG-371		1/1/P								
9	44201086000	SCREW-#6-32*1/4		1/10/P								
10	6LE88052000	HRNS-HDD-POW-377		1/1/P								
11	6LE84975000	SPG-FG-USB-377		1/1/P								
15	6LE87750000	FAN_D-SYS-6015-377		1/1/P								
16	6LA34629000	COV-CNCT-DWN		1/1/P								
17	6LA64243000	COVER-USB-SYS		1/1/P								
20	6LA89440000	HRNS-FUSE-371		1/1/P								
22	6LA89442000	HRNS-D/H-371		1/1/P								
23	6LE88059000	HRNS-SYS-FAN-377		1/1/P								
101	GO-00360000	WD400BB-22JHC0		1/1/C								
102	F0-01327000	HED-1111-ALS20ABK		8/1/P								
103	X0-02238000	S/TPS/FHEXM-3X6-ZU3		14/10/P								
104	E0-09305000	BU02P-TR-P-H (LF) (SN)		1/5/P								
106	F0-00045000	EDS-1		1/10/P								
107	F0-00047000	EDS-1717U		1/10/P								
108	F0-01483000	LES-0510		1/1/P								
109	C0-12295000	STK16C88-3WF45		1/1/S							NVRAM	
110	X0-02243000	S/TPS/FHEXM-4X8-ZU3		20/10/P								
111	X0-02061000	S/TPS/PAN-3X20-ZU3		2/10/P								
112	F0-00343000	SPLSN-8U		4/5/P								



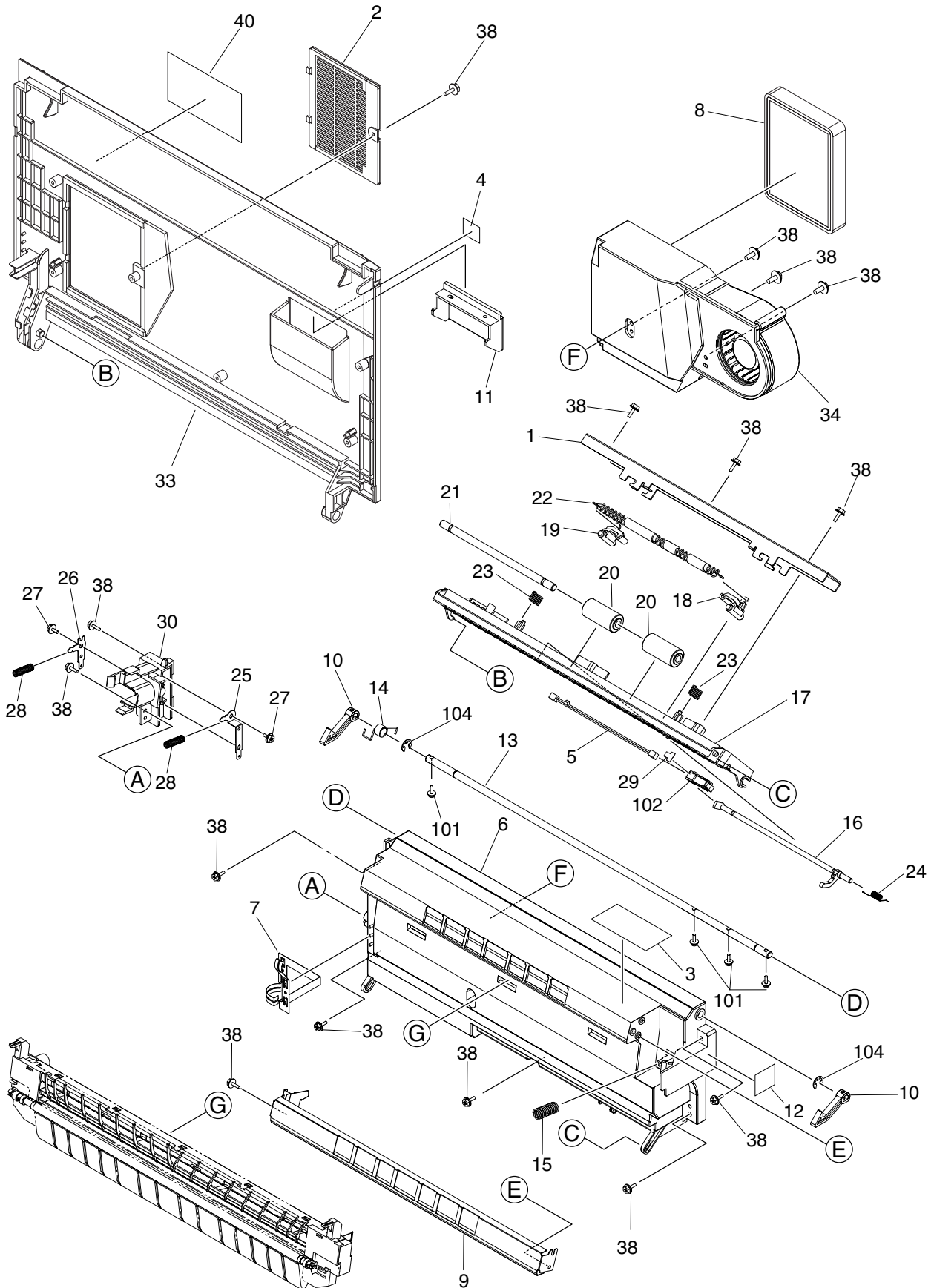
ITEM NO.	PARTS NO.	PARTS NAME	Q'TY / PAGE	Q'TY / PACK	PIR	BSI NO.	TO	T	FROM	SERIAL NO.	REMARKS	C
3	6LA81319000	BRKT-CNTR-FNSR-371		11/P								
4	6LA81501000	SHAFT-DOOR-SW		11/P								
5	6LA81310000	BRKT-LGC-371		11/P								
6	6LA86409000	GSKT-18-10-40-N		11/P								
7	6LA34627000	LID-LGC		11/P								
8	6LA81324000	COVER-LGC-371		11/P								
9	X0-02238000	S/TPS/FHEXM-3X6-ZU3		110/P								
10A	6LE88451000	ASY-PWA-LGC-377S		11/SB							e-STUDIO20 2L	
10B	6LE88451100	ASY-PWA-LGC-378S		11/SB							e-STUDIO23 2	
10C	6LE88451200	ASY-PWA-LGC-379S		11/SB							e-STUDIO28 2	
11A	6LE87164000	WRRAM-T377MU		11/S							e-STUDIO20 2L NAD	
11B	6LE87165000	WRRAM-T377MX		11/S							e-STUDIO20 2L ARD	
11C	6LE87166000	WRRAM-T378MU		11/S							e-STUDIO23 2 NAD	
11D	6LE87167000	WRRAM-T378ME		11/S							e-STUDIO23 2 MJD	
11E	6LE87169000	WRRAM-T378MS		11/S							e-STUDIO23 2 SAD	
11F	6LE87170000	WRRAM-T378MX		11/S							e-STUDIO23 2 AUD, ASD, ASU, TWD, KR D, CND, ARD	
11G	6LE87171000	WRRAM-T379MU		11/S							e-STUDIO28 2 NAD	
11H	6LE87172000	WRRAM-T379ME		11/S							e-STUDIO28 2 MJD	
11I	6LE87174000	WRRAM-T379MS		11/S							e-STUDIO28 2 SAD	
11J	6LE87175000	WRRAM-T379MX		11/S							e-STUDIO28 2 AUD, ASD, ASU, TWD, KR D, CND, ARD	
18	6LA81323000	CASE-LGC-371		11/P								
23	X0-02239000	S/TPS/FHEXM-3X8-ZU3		410/P								
38	X0-02243000	S/TPS/FHEXM-4X8-ZU3		1910/P								
101	F0-01252000	WS-4W		15/P								
102	F0-01298000	WS-2N-V0		15/P								
103	F0-00229000	KGLS-8RT		25/P								
104	F0-01297000	WS-4N-V0		25/P								
105	F0-00199000	TSB-1909N		11/P								
106	F0-00045000	EDS-1		210/P								
111	F0-00047000	EDS-1717U		410/P								
114	F0-01047000	LFCS-30		11/P								



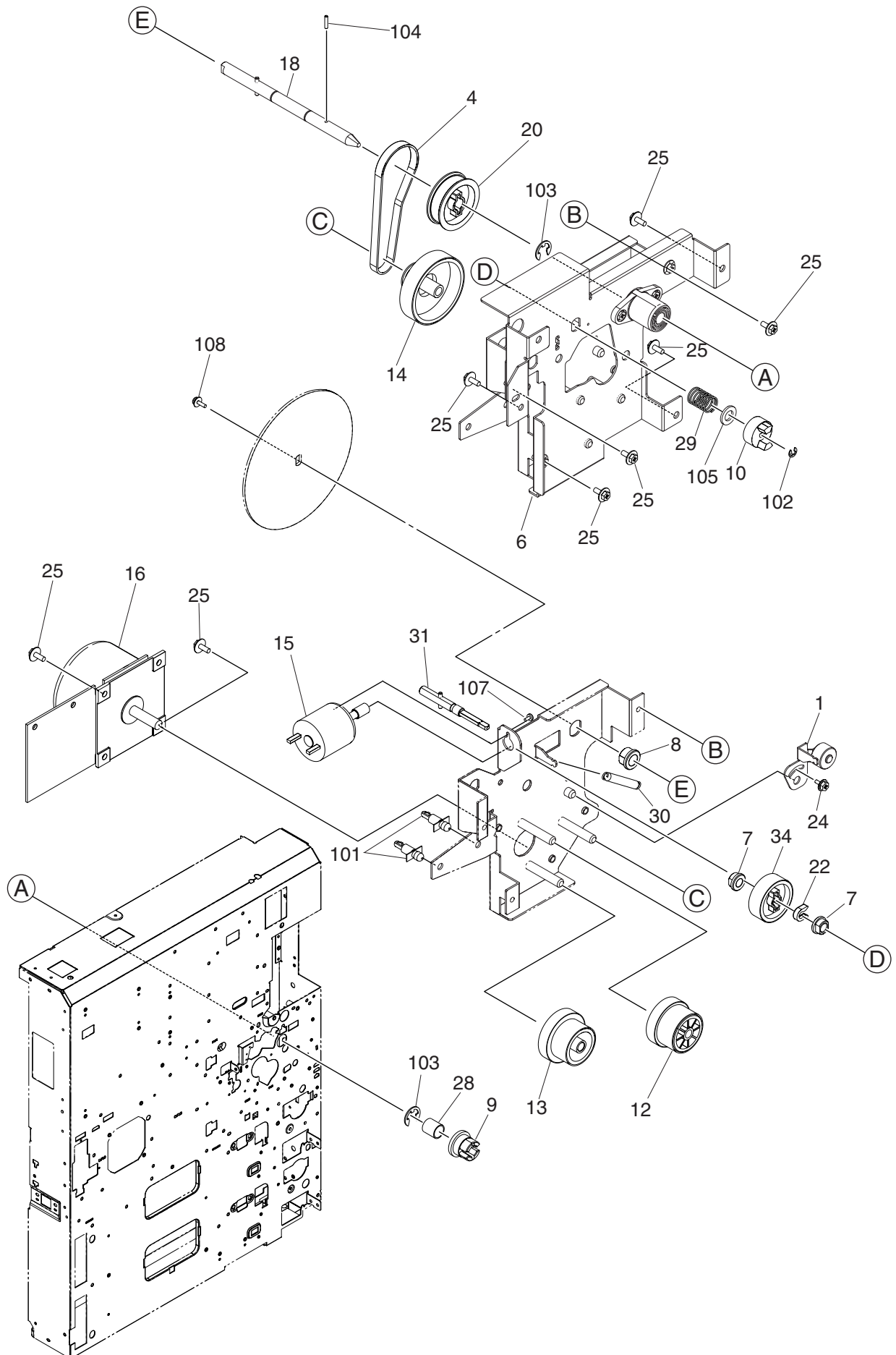
ITEM NO.	PARTS NO.	PARTS NAME	Q'TY / PAGE	Q'TY / PACK	PIR	BSI NO.	TO	T	FROM	SERIAL NO.	REMARKS	C
1	6LA83441000	ASYS-DUCT-FAN-TNR		1/1/PP								
2	6LA83405000	SPL-FG-LSU-A		3/1/P								
3	6LE78261000	PWA-F-IRL-364		1/1/SB								
4	6LA84872000	SEAL-GLASS-LSU-S		2/1/D								
7	6LA34342000	FAN-D-8025-350NH		1/1/D								
10	6LA83404000	FILTER-STAY-FRM-LFT		1/1/KP								
11	6LA84873000	SEAL-GLASS-LSU-C		1/1/KP								
13	6LA65141000	HLDR-SNSR-THS		1/1/P								
14	6LA89109000	SNSR-THS-371		1/1/C								
16A	6LA89178000	PS-LVPS-371JU		1/1/C							NAD, SAD.	
16B	6LA89179000	PS-LVPS-371E		1/1/C							MJD, AUD, ASD, D, ASU, KR D, ARD	
16C	6LA89187000	PS-LVPS-371CND		1/1/C							CND	
16D	6LA89191000	PS-LVPS-371-TWD		1/1/C							TWD	
17	X0-02239000	S/TPS/FHEXM-3X8-ZU3		4/10/P								
18	X0-02243000	S/TPS/FHEXM-4X8-ZU3		10/10/P								
19	6LA85260100	LASER-UNIT-377		1/1/S								
20	6LA36749000	ASYS-SCREW-LSU-NI		3/5/P								
21	6LA83406000	SPL-FG-LSU-B		1/1/P								
101	F0-00045000	EDS-1		1/10/P								
102	F0-00313000	SPLSN-18U		2/5/P								
103	F0-01299000	LWS-2111Z		3/1/P								
105	F0-00043000	UAMS-05SN-W		1/5/P								
106	X0-02034000	S/TPP/PAN-3X12-NI		1/10/P								
108	F0-01286000	FCR-30		2/5/P								
110	F0-00044000	UAMS-05-2		1/5/P								



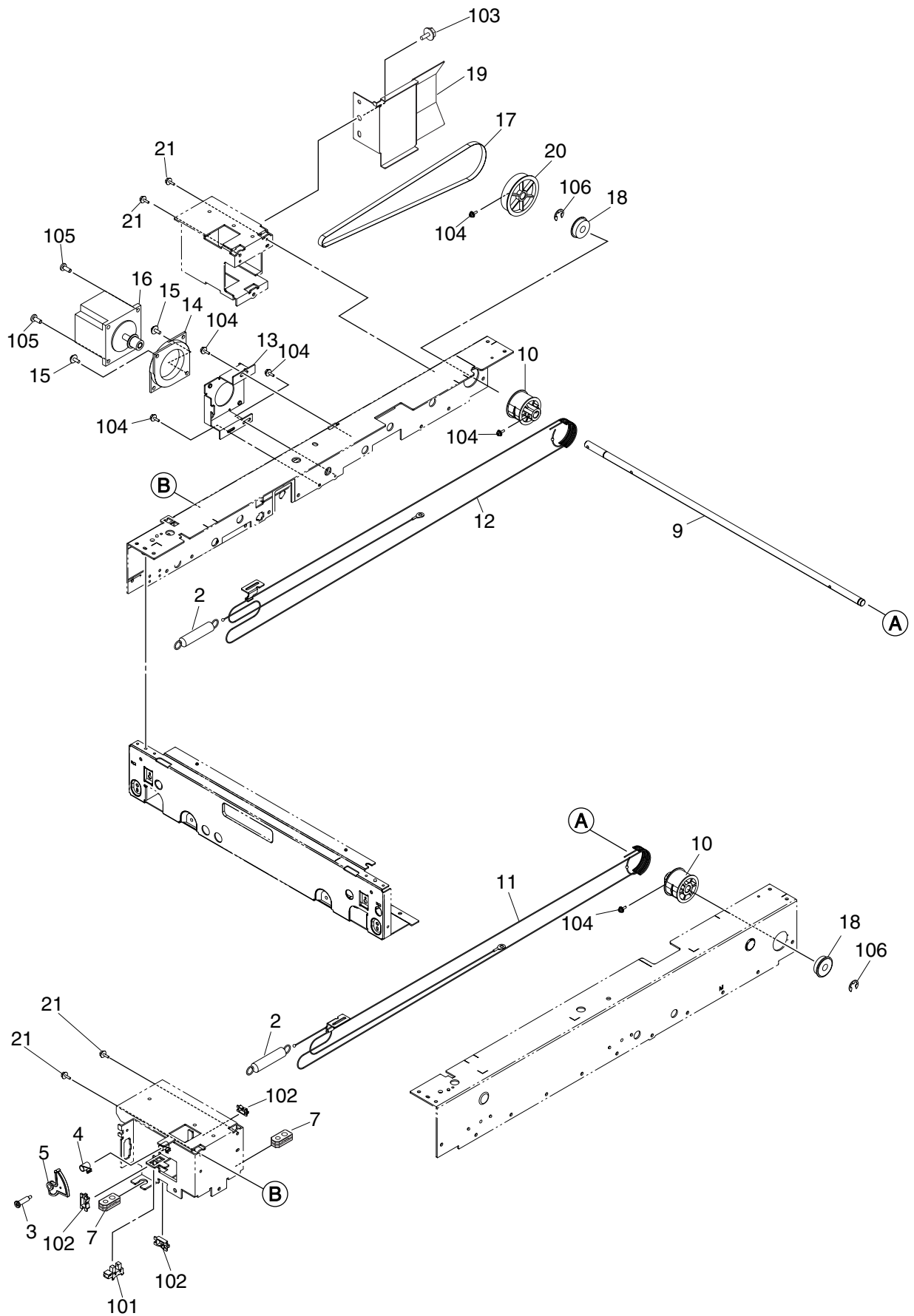
ITEM NO.	PARTS NO.	PARTS NAME	Q'TY / PAGE	Q'TY / PACK	PIR	B S I NO.	T O	T	F R O M	S E R I A L NO.	R E M A R K S	C
1	6LA67800000	CUSH-STAY-TP-LFT		21/KP								
2	6LA39931000	SPL-SHLD-102-7		21/KP								
3	6LA67468000	BRKT-ADJT-TP-FRT-360		11/P								
4	6LA67500000	SCREW-ADJT-FRM		11/P								
5	6LA67810000	CUSH-STAY-TP-LFT-S		11/KP								
6	6LE78278000	HRNS-CCD-364		11/KP								
7	6LE88053000	HRNS-SLG-SYS-377		11/P								
8	X0-02243000	S/TPS/FHEXM-4X8-ZU3		1910/P								
9	6LA39661000	DUCT-SCAN-INR		11/P								
10	6LA39385000	GUIDE-HRNS-RER		11/P								
11	6LA71384000	HRNS-SNSR-SCN-360		11/P								
12	6LA89466000	HRNS-SLG-SPLY-371		11/P								
13	6LA89468000	HRNS-ADF-371		11/P								
14	6LA71386000	HRNS-SCN-MOT-360		11/P								
15	6LE88452000	ASY-SLG-377S		11/SB								
16	6LE82776300	LENS-UNIT-364		11/S								
17A	6LE48550000	SNSR-PS-TW06		31/C							NAD	
17B	6LE48550000	SNSR-PS-TW06		41/C							MJD, AUD, ASD, ASU, SAD, TWD, KRD, CN D, ARD	
18	6LE09478000	SNSR-PS-TY1CH56		11/C								
19A	6LA71449000	HRNS-APS-L-360		11/P							NAD	
19B	6LA71450000	HRNS-APS-A-360		11/P							MJD, AUD, ASD, ASU, SAD, TWD, KRD, CN D, ARD	
21	6LA39453000	COVER-HRNS-SLG		11/P								
22	6LA08932000	SCREW-ACTR-TRU		210/P								
23	X0-02238000	S/TPS/FHEXM-3X6-ZU3		5910/P								
24	X0-02239000	S/TPS/FHEXM-3X8-ZU3		410/P								
25	6LA08935000	SCR-M3X6BISR-NI		2510/P								
26A	6LA39313000	BRKT-PWA-SLG		31/P							NAD, MJD, AU D, ASD, ASU, SAD, KRD, CN D, ARD	
26B	6LA67603000	ASYS-BRKT-PWA-SLG-TWD		11/P							TWD	
28	6LE46390000	ASYS-COVER-LENS		11/PP								
33	6LE77407000	SCREW-SCAN-364		310/P								
34	6LA39881000	LID-DOWNLOAD		11/P								
35B	6LA39898000	BRKT-D_H-LENS		11/P							AUD, ASD, AS U, SAD, TWD, KRD, CN D, AR D	
37A	6LA86519000	ASY-D_H-SCAN-L-U-371		11/C							SAD, TWD	
37B	6LA86520000	ASY-D-H-SCAN-L-E-371		11/C							AUD, ASD, AS U, KRD, CN D, ARD	
38A	6LA86522000	ASY-D_H-SCAN-R-U-371		11/C							SAD, TWD	
38B	6LA86523000	ASY-D-H-SCAN-R-E-371		11/C							AUD, ASD, AS U, KRD, CN D, ARD	
39	6LA86456000	MYLAR-BASE-SCAN		75/P								
40	6LA29902000	COVER-SNSR-LIFT		11/P								
101	X0-00964000	RR/E-3-SS		110/P								
102	X0-00164000	S/PAN/SWWP-M4X8-NI		110/P								
103	C0-10813000	GP1A73ARJ00F		11/P								
104	F0-00034000	EDS-2323U		15/P								
105	F0-00664000	MWC-2S		11/P								
106	X0-00077000	S/PAN/SWWP-M3X8-NI		510/P								
107	F0-01179000	WWS-2U		35/P								
108	F0-00338000	WS-2U		25/P								
109B-1	F0-00120000	ES-0505		15/P							AUD, ASD, AS U, SAD, TWD, KRD, CN D, AR D	



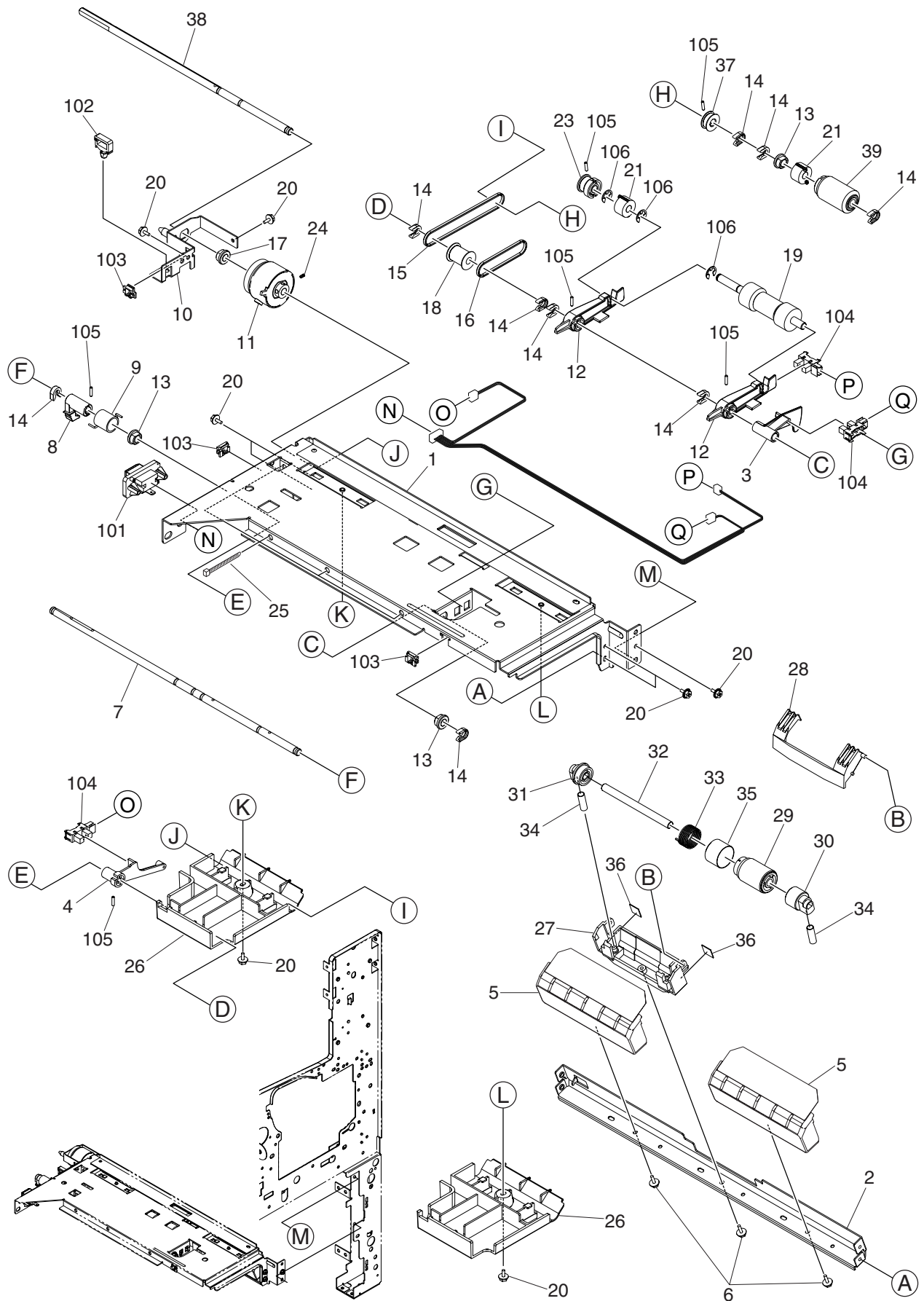
ITEM NO.	PARTS NO.	PARTS NAME	Q'TY / PAGE	Q'TY / PACK	PIR	BSI NO.	TO	T	FROM	SERIAL NO.	REMARKS	C
1	6LA88203000	STAY-REALY-FEED		1/1/P								
2	6LA88382000	COV-FILTER-03		1/1/P								
3A	44204544000	LABEL-DRUM-PS		1/1/KP							NAD,MJD,AU D,ASD,ASU, SAD,TWD,CN D,ARD	
3B	6LA81002000	LBL-DRUM-PS-373K		1/1/KP							KRD	
4	6LA67028000	LBL-JAM-1		1/5/KP								
5	6LA89456000	HRNS-1STFED-SW-371		1/1/P								
6	6LA88320000	CASE-COV-SIDE		1/1/PP								
7	6LA88340000	EARTH-CASE-TR		1/1/C								
8	6LA88260000	ASYS-FILTER-OZN		1/1/C								
9	6LA88337000	GUIDE-TR		1/1/P								
10	6LA88331000	HOOK-COV-SIDE		2/1/P								
11	6LA88328000	LEVER-COV-SIDE		1/1/P								
12	6LA37667000	LBL-O-RGST		1/5/P								
13	6LA88325000	SHAFT-LOCK-COV		1/1/P								
14	6LA88333000	SPA-HOOK		1/1/P								
15	6LA88343000	SPC-CH-TR		1/1/P								
16	6LA85825000	ACTR-RELAY-371		1/1/KP								
17	6LA88316000	GUIDE-RELAY-FED		1/1/P								
18	6LA88317000	LVR-SEP-RELAY-F-371		1/1/P								
19	6LA88318000	LVR-SEP-RELAY-R-371		1/1/P								
20	6LA85834000	ROL-RELAY-FEED-IDL		2/1/P								
21	6LA85835000	SHAFT-RELAY-IDL		1/1/P								
22	6LA85844000	SPG-FEED-IDL		1/1/P								
23	6LA85845000	SPG-RELAY-GUIDE		2/5/P								
24	6LA85826000	SPR-ACT-RELAY-371		1/1/P								
25	6LA88308000	PLT-CH-S		1/1/P								
26	6LA88309000	PLT-CH-T		1/1/P								
27	X0-02246000	S/TPP/FH/FEXM-3X6-NI		2/10/P								
28	6LA88313000	SPC-TERM-CH-TR		2/5/P								
29	6LA85910000	MYLAR-SUPPORT-SNS		1/5/P								
30	6LA88305000	TERM-HVT-TR		1/1/P								
33	6LA88210000	ASYS-COV-SIDE		1/1/PP								
34	6LA88211000	ASY-COV-DUCT-N		1/1/C								
38	X0-02247000	S/TPP/FH/FEXM-3X8-NI		14/10/P								
40	6LA91475000	LBL-O-PLACE-COV-373		1/1/KP								
101	X0-00077000	S/PAN/SWWP-M3X8-NI		4/10/P								
102	C0-10813000	GP1A73ARJ00F		1/1/P								
104	X0-00966000	RR/E-5-SS		2/10/P								



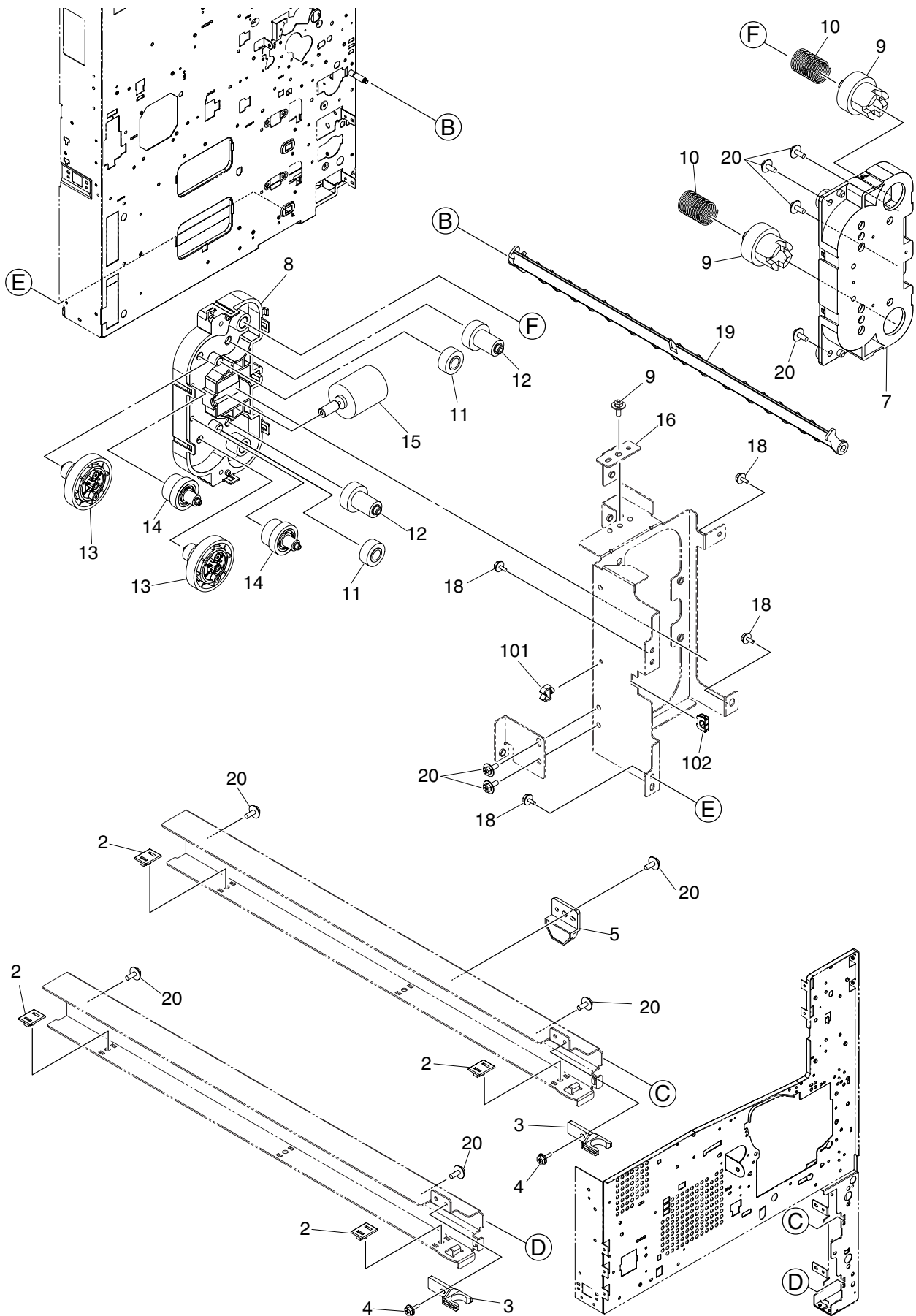
ITEM NO.	PARTS NO.	PARTS NAME	Q'TY / PAGE	Q'TY / PACK	P I R	B S I NO.	T O	T	F R O M	S E R I A L NO.	R E M A R K S	C
1	6LA82257000	ASYB-BLT-TENS-DRM		1/1/P								
2	6LA82203000	ASYS-BRKT-DRV-R-BLT		1/1/P								
4	6LA82230000	BLT-SY-S2M-224-6		1/1/P								
6	6LA82452000	ASY-DRIVE-SP		1/1/C								
7-1	6LE49741000	BUSH-6X10X6F-POM		2/5/P								
8	6LA65698000	BUSH-8X12X8F		1/5/P								
9	41314022000	CPG-DRUM-AW5		1/1/P								
10	41306070000	CPG-TC-AT5		1/1/P								
12	6LA82225000	GEAR-5H61-8H33-6		1/1/P								
13	6LA82217000	GEAR-5H67-8H31-6		1/1/P								
14	6LA82241000	GEAR-8H56-PS2M26-6		1/1/P								
15	6LA82280000	M/DC-TNR-371		1/1/C								
16	6LA82209000	MOTR-D-MAIN-371		1/1/C								
18	6LA82249000	ASYS-SFT-DRUM-371		1/1/P								
20	6LA82245000	PULLEY-PS2M54-6		1/1/P								
22	4407972860	STOP-RING-6-5		1/5/P								
24	X0-02238000	S/TPS/FHEXM-3X6-ZU3		1/10/P								
25	X0-02243000	S/TPS/FHEXM-4X8-ZU3		8/10/P								
28	6LA79504000	SPG-C-173		1/5/P								
29	6LA82237000	SPG-C-11R8*R8*24L-TC		1/1/P								
30	6LA82233000	SPG-E-5XR55X29R37-TNS		1/1/P								
31	6LA82251000	ASYS-SFT-DRV-TNR		1/1/P								
34	6LA82234000	WHEEL-WORM-TNR		1/1/P								
101	F0-00343000	SPLSN-8U		2/5/P								
102	X0-00964000	RR/E-3-SS		1/10/P								
103	X0-00968000	RR/E-7-SS		2/10/P								
104	X0-00980000	P/PRL/AH7-2X10-SS		1/10/P								
105	X0-02351000	W/PL/SJ0-8-NI		1/5/P								
107	X0-01670000	S/PAN-M2.6X4-NC		1/10/P								
108	X0-00077000	S/PAN/SWWP-M3X8-NI		1/10/P								



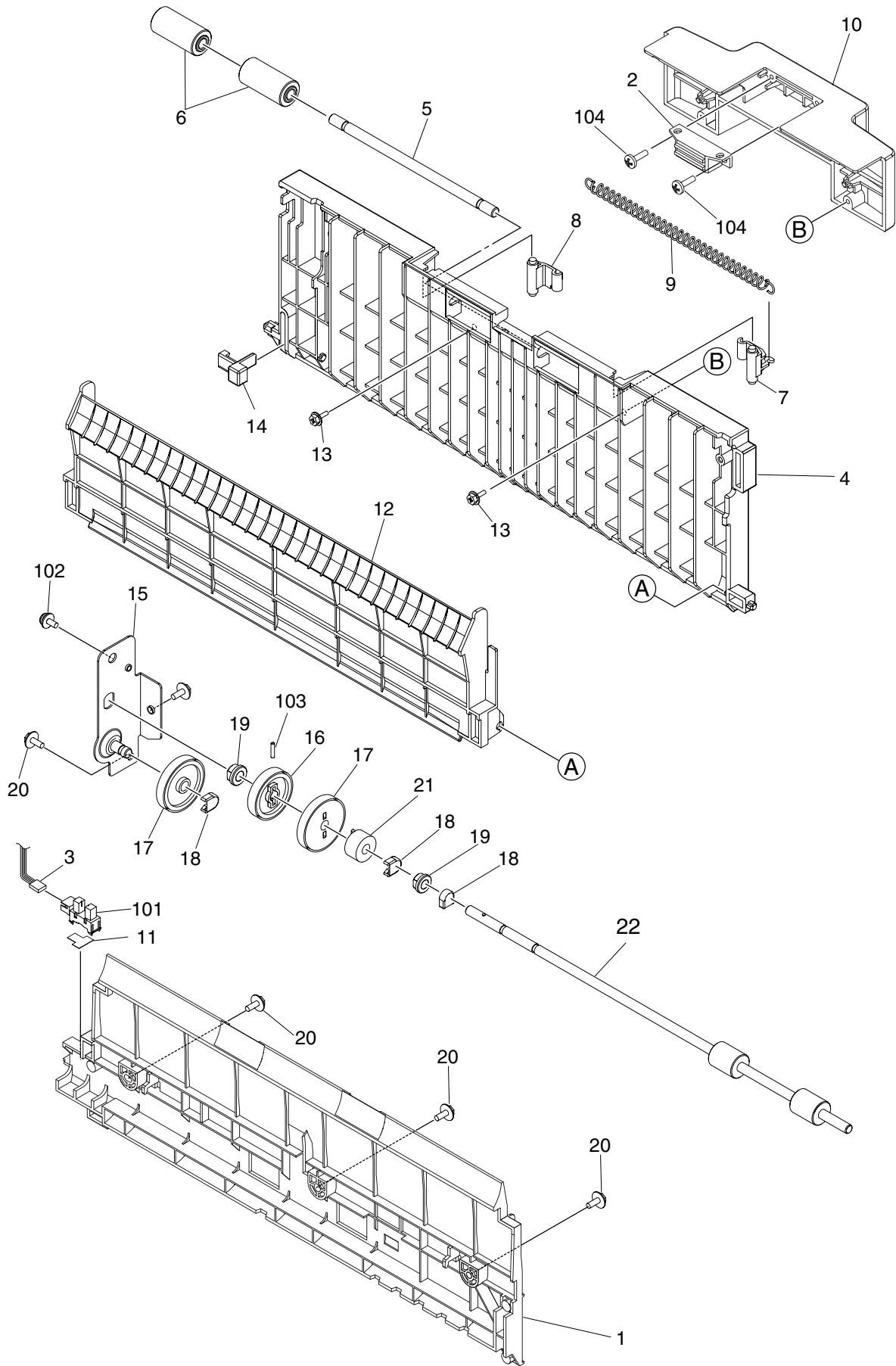
ITEM NO.	PARTS NO.	PARTS NAME	Q'TY / PAGE	Q'TY / PACK	P I R	B S I NO.	T O	T	F R O M	S E R I A L NO.	R E M A R K S	C
2	44202660000	SPE-WIRE-TENS		21/P								
3	6LA67393000	SHAFT-OPN-SNS		11/P								
4	44202846000	SPR-OPEN-SNS		11/P								
5	44202845000	LVR-OPEN-SNS		11/P								
7	6LE77404000	SPACER-DF-364		21/P								
9	6LA39397000	SHAFT-DRV-SCAN		11/P								
10	6LA01742000	PLY-WIRE-SCAN		21/P								
11	6LA39410000	ASYS-WIR_RP-SCAN-FRT		11/P								
12	6LA39430000	ASYS-WIR_RP-SCAN-RER		11/P								
13	6LA39733000	BRKT-MOTR-SCAN		11/P								
14	6LA39739000	DUMPER-MOTR		11/P								
15	X0-02243000	S/TPS/FHEXM-4X8-ZU3		210/P								
16	6LA67446000	ASYS-MOTR-SCAN		11/C								
17	6LA39745000	BLT_SY-560-S2M-6		11/P								
18	F0-01360000	608ZZNRA2		21/P								
19	6LA39784000	COVER-PILLEY		11/P								
20	6LA39444000	PULLEY-73S2M		11/P								
21	X0-02239000	S/TPS/FHEXM-3X8-ZU3		410/P								
101	C0-10813000	GP1A73ARJ00F		11/P								
102	F0-00041000	EDS-2		35/P								
103	X0-02238000	S/TPS/FHEXM-3X6-ZU3		110/P								
104	X0-00077000	S/PAN/SWWP-M3X8-NI		310/P								
105	X0-00455000	S/BID-M4X10-NI		210/P								
106	X0-00968000	RR/E-7-SS		210/P								



ITEM NO.	PARTS NO.	PARTS NAME	Q'TY / PAGE	Q'TY / PACK	P	I	R	BSI NO.	TO	T	FROM	SERIAL NO.	REMARKS	C
1	6LA47892000	ASYS-BRKT-FEED-UNIT		1/1/PP										
2	6LA47898000	BRKT-ROL-SEP		1/1/P										
3	41306012000	ACTR-EMPTY-PPR		1/1/P										
4	41318603000	ARM-FEED-UNIT		1/1/P										
5	6LA66947000	ASYS-GUIDE-P-SEP		2/1/KP										
6	X0-02247000	S/TPP/FH/FEEM-3X8-NI		3/10/P										
7	41318604000	SFT-DRV-PICK		1/1/P										
8	6LA47910000	LEVER-RLR-PICK		1/1/P										
9	41305501000	SPR-LVR-PICK		1/1/P										
10	6LA47895000	ASYS-BRKT-CLT		1/1/P										
11	6LA31944000	CLUTCH-33C-6-CW-GEAR		1/1/D										
12	41306011000	ARM-RLR-PICK		2/1/P										
13-1	6LE49741000	BUSH-6X10X6F-POM		3/5/P										
14	4407972860	STOP-RING-6-5		9/5/P										
15	41306504000	BLT/T-194-2GT-2		1/1/P										
16	41306502000	BLT/T-124-2GT-2		1/1/P										
17	4407734980	BUSH-6-GCB		1/5/P										
18	41306002000	PLY/T-PICK-20		1/1/P										
19	41306719000	ROLLER-PICK-AT		1/1/KP										
20	X0-02238000	S/TPS/FHEXM-3X6-ZU3		10/10/P										
21	4406584800	CLUTCH-6-08L2		2/1/P										
22	6LA41754000	HRNS-PFP-FED-UNIT-576		1/1/P										
23	41306275000	PLY/T-20-2GT		1/1/P										
24	X0-00730000	S/SET/K-M3X4-B		1/10/P										
25	F0-01470000	KI-100M		4/5/P										
26	6LA47908000	GUIDE-P-FEED		2/1/P										
27	44201805000	HLD-SEP-ROL-DM		1/1/P										
28	44201810000	LEV-ROL-SEP-DM		1/1/P										
29	41304047100	K-ROLL-SPT		1/1/P										
30	41306279000	ARBOR-SPT-F		1/1/P										
31	41306278000	ARBOR-SPT-R		1/1/P										
32	41304506000	SFT-SEP-AT		1/1/P										
33	44201817000	SPR-1.0-15.60RF		1/5/P										
34	6LA47909000	SPC055-045-01525		2/5/P										
35	44201773000	COV-SPE/ARBOR		1/1/P										
36	41319491000	CHIP-HLDR-SEP		2/1/P										
37	41306274000	PLY/T-20-ROL-2G		1/1/P										
38	41304508000	SFT-ROL-FEED		1/1/P										
39-1	6LE69833000	K-ROLL-FEED		1/1/P										
101	E0-08732000	54702-1219		1/5/P										
102	F0-00235000	LWS-1S		1/5/P										
103	F0-00671000	EDS-0607M		3/5/P										
104	C0-10813000	GPLA73ARJ00F		3/1/P										
105	X0-00979000	P/PRL/AH7-2X8-SS		5/10/P										
106	X0-00966000	RR/E-5-SS		3/10/P										

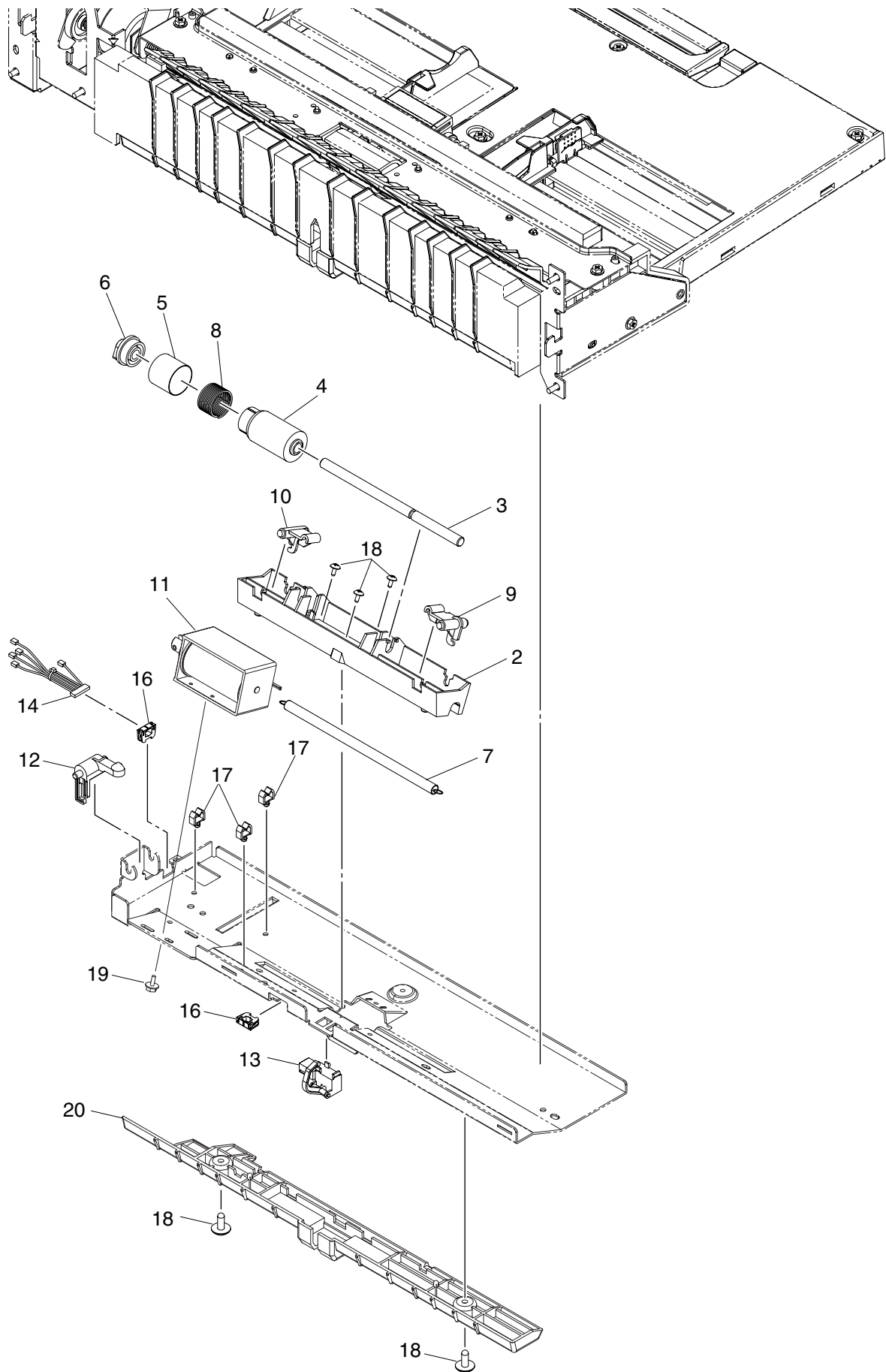


ITEM NO.	PARTS NO.	PARTS NAME	Q'TY / PAGE	Q'TY / PACK	PIR	BSI NO.	TO	T	FROM	SERIAL NO.	REMARKS	C
2	41306007000	SLIDER-CST		41/P								
3	44201601000	CATCH-CST-320		21/P								
4	X0-02239000	S/TPS/FHEXM-3X8-ZU3		210/P								
5	6LA82867000	HOLDER-FEEDER-371		11/P								
7	44201850000	CASE-DRV-TRY-F		11/D								
8	44201851000	CASE-DRV-TRY-R		11/C								
9	41306022000	CPG-LIFT-28		21/P								
10	4401966050	SPC172-100-3400		21/P								
11	41306025000	GER-TRAY-21		21/P								
12	41306024000	GER-TRAY-24-14		21/P								
13	44201853000	G06S-13/G05S-80		21/P								
14	44201854000	G05H-45/G05S-15		21/P								
15	6LE71176000	ASYS-MOTR-D-TRAY-210		11/D								
16	6LE85551000	HOLDER-SYS-PCI		11/P								
18	X0-02238000	S/TPS/FHEXM-3X6-ZU3		410/P								
19	6LA79064000	GUIDE-JUNCTION-371		11/P								
20	X0-02243000	S/TPS/FHEXM-4X8-ZU3		1310/P								
101	F0-00043000	UAMS-05SN-W		15/P								
102-1	F0-00120000	ES-0505		15/P								

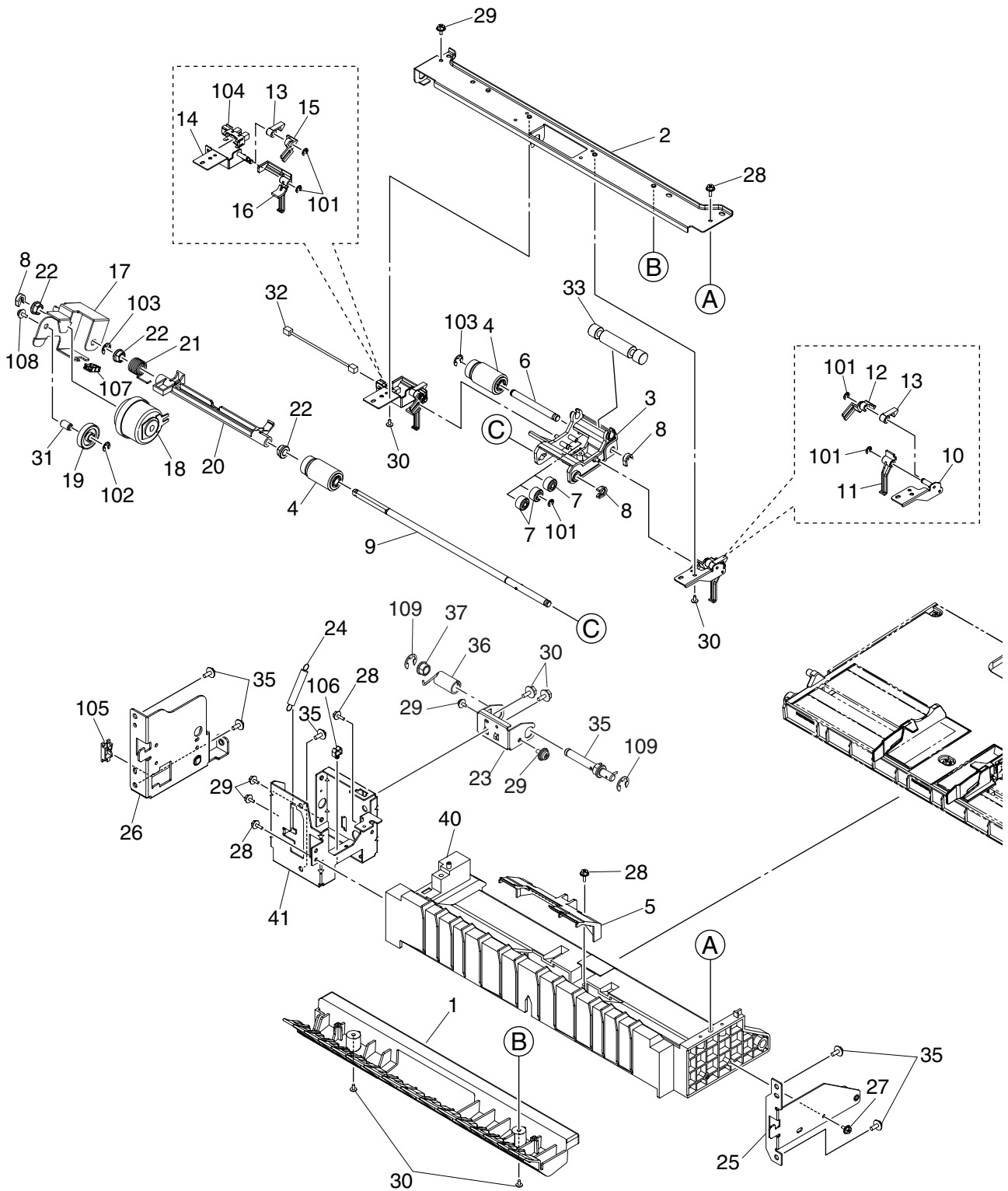


ITEM NO.	PARTS NO.	PARTS NAME	Q'TY / PAGE	Q'TY / PACK	P I R	B S I NO.	T O	T	F R O M	S E R I A L NO.	R E M A R K S	C
1	6LA82818000	ASYS-GID-FEED-L-371		1/1/PP								
2	F0-01393000	CA-0124B		1/1/P								
3	6LA89459000	HRNS-CST-SDCV-371		1/1/P								
4	6LA82822000	COVER-GUIDE-LOW-371		1/1/PP								
5	6LA85835000	SHAFT-RELAY-IDL		1/1/P								
6	6LA85834000	ROL-RELAY-FEED-IDL		2/1/P								
7	6LA88317000	LVR-SEP-RELAY-F-371		1/1/P								
8	6LA88318000	LVR-SEP-RELAY-R-371		1/1/P								
9	6LA82827000	SPG-E-6R7XR7X79R55		1/1/P								
10	6LA82823000	COVER-GUIDE-LOW-HDL		1/1/PP								
11	6LA85910000	MYLAR-SUPPORT-SNS		1/5/P								
12	6LA82824000	GUIDE-OPEN-L-371		1/1/PP								
13	X0-02247000	S/TPP/FH/FEXM-3X8-NI		2/10/P								
14	6LA82825000	STOPPER-COV-GID-371		1/1/P								
15	6LA83092000	ASYS-BRKT-DRV-FIX		1/1/P								
16	6LA83114000	GEAR-10S028-06		1/1/P								
17	6LA83111000	GEAR-10S031-06		2/1/P								
18	4407972860	STOP-RING-6-5		3/5/P								
19	4407734980	BUSH-6-GCB		2/5/P								
20	X0-02243000	S/TPS/FHEXM-4X8-ZU3		5/10/P								
21	4406584800	CLUTCH-6-08L2		1/1/P								
22	6LA83001000	ROL-FEEDER-371		1/1/KP								
101	C0-10813000	GP1A73ARJ00F		1/1/P								
102	X0-00164000	S/PAN/SWWP-M4X8-NI		1/10/P								
103	X0-00980000	P/PRL/AH7-2X10-SS		1/10/P								
104	X0-01989000	S/TPP/BID-3X8-NI		2/10/P								

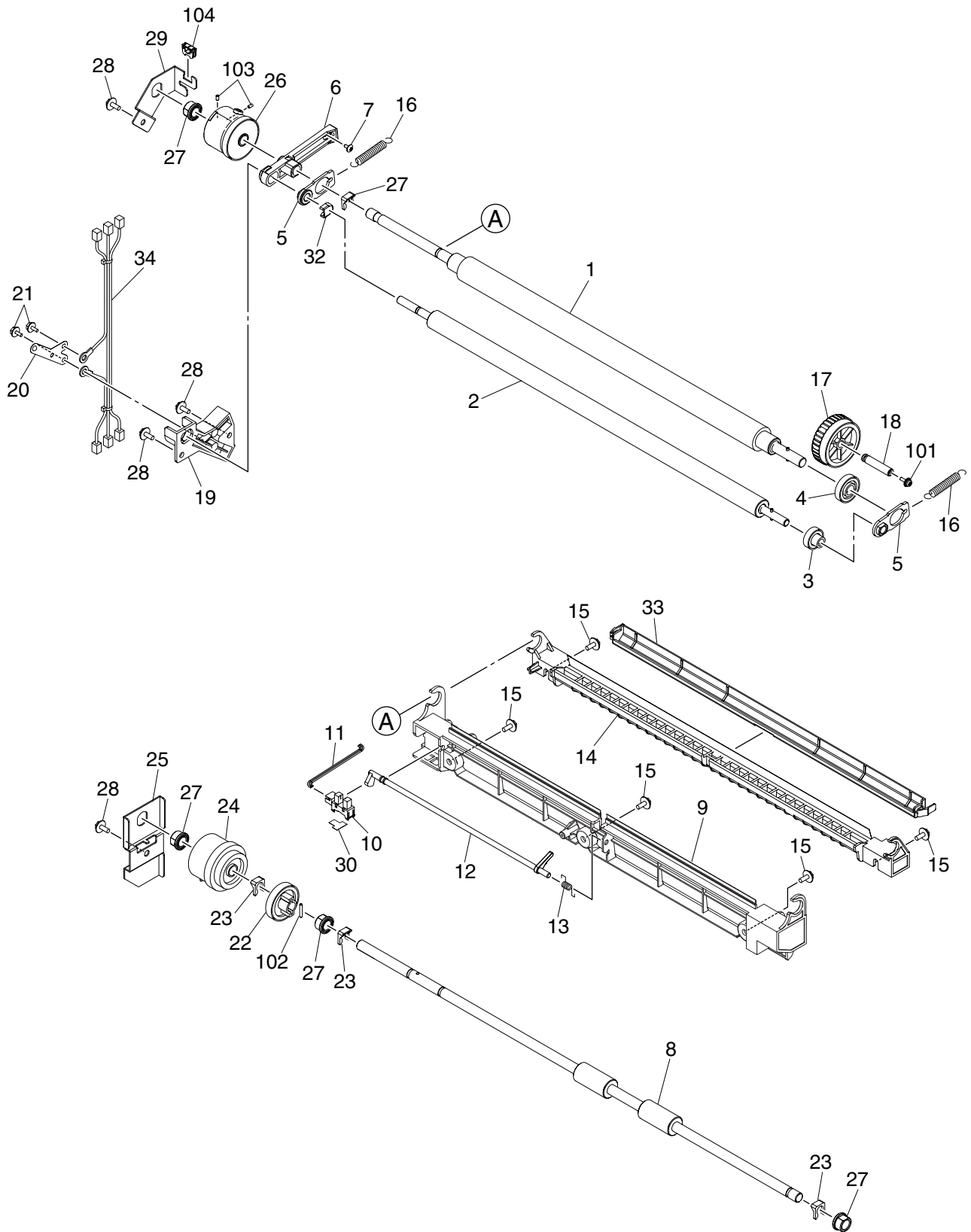
ITEM NO.	PARTS NO.	PARTS NAME	Q'TY / PAGE	Q'TY / PACK	P I R	B S I NO.	T O	T	F R O M	S E R I A L NO.	R E M A R K S	C
1	6LA79092000	TRAY-BYPASS-L-371		1/1/PP								
2	6LA78911000	TRAY-BYPASS-U-371		1/1/PP								
3	6LA79101000	TRAY-BYP-MID		1/1/PP								
4	6LA64859000	TRAY-BYP-M-SUB		1/1/D								
5	6LA79094000	GUIDE-TRAY-BYP-F-371		1/1/P								
6	6LA79095000	GUIDE-TRAY-BYP-R-371		1/1/P								
7	6LA79102000	GUIDE-SUB-F-371		1/1/P								
8	6LA79103000	GUIDE-SUB-R-371		1/1/P								
9	6LA64856000	STOP-PAPER-BYP		1/1/P								
10	6LA79104000	LVR-GUIDE-F-371		1/1/P								
11	6LA79105000	SPG-GUIDE-F-371		1/1/P								
12	6LA78990000	ASYS-HOLDER-PINI-371		1/1/C								
13	6LA79096000	RACK-BYP-371		2/1/PP								
14	4407726480	PINION-18-395		1/1/P								
15	6LA29009000	SHEET-PAD-GUIDE-F		1/1/KP								
16	6LA78908000	WASHER-6R2X9R5XR13-PL		1/5/P								
17	4400974200	WASHER-W-6-10		1/10/P								
18	6LA78907000	WASHER-6R2X9R5XR25-PL		1/5/P								
19	X0-02246000	S/TPP/FH/FEXM-3X6-NI		5/10/P								
20	6LA91348000	LBL-HIGH-TRAY-371		1/5/P								
21	X0-02247000	S/TPP/FH/FEXM-3X8-NI		1/10/P								
23	6LA89429000	HRNS-SFB-SIZE-371		1/1/P								



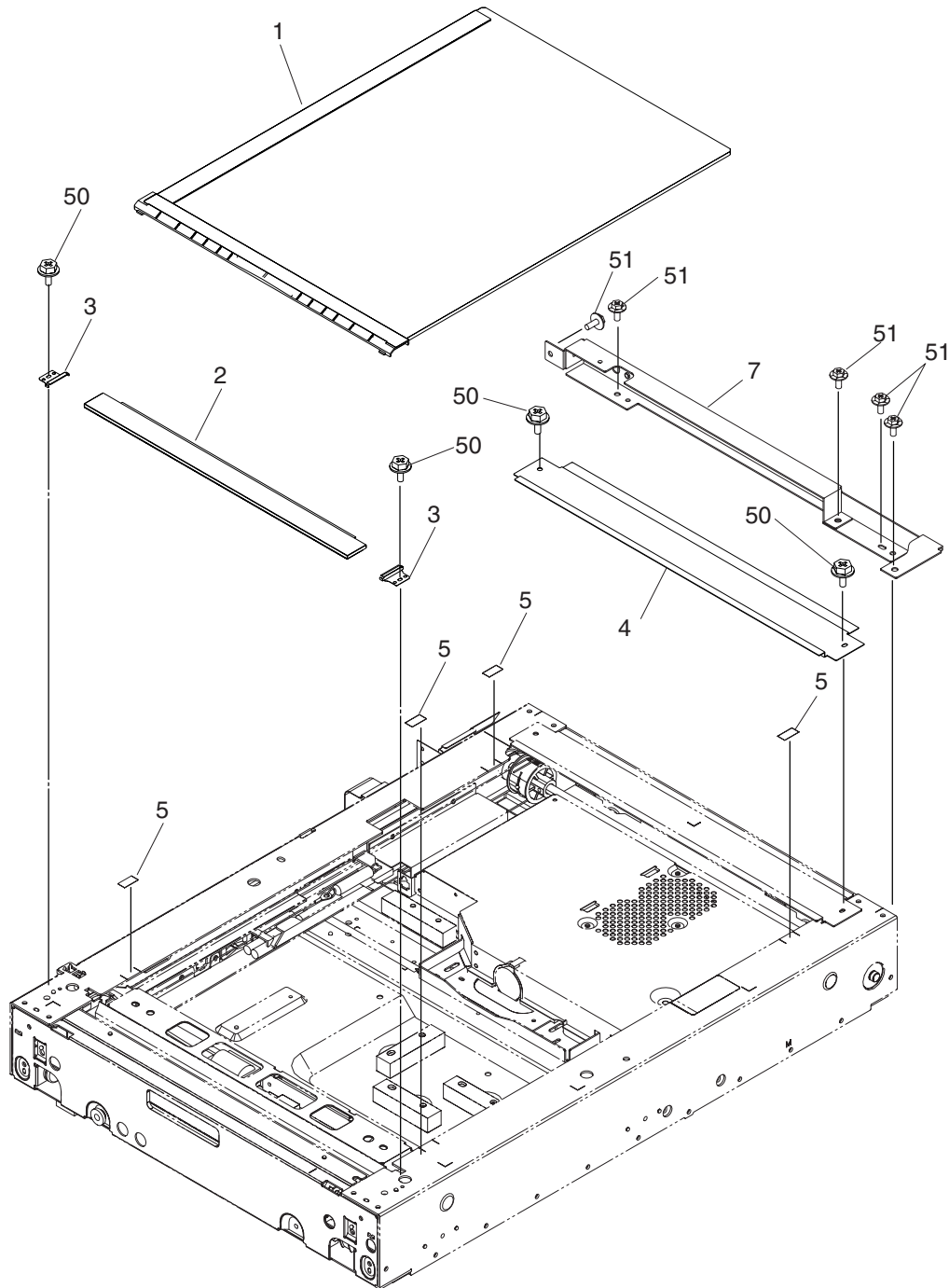
ITEM NO.	PARTS NO.	PARTS NAME	Q'TY / PAGE	Q'TY / PACK	P	I	R	B S I NO.	T O	T	F R O M	S E R I A L NO.	R E M A R K S	C
2	6LA78957000	HLD R-SPT-BYP-371		11/P										
3	6LA78962000	SHAFT-SPT-BYP-371		11/P										
4	6LA28899000	ASYS-ROLL-SPT-L30		11/P										
5	6LA28861000	COVER-SPE-ARBOR-17		11/P										
6	6LA28863000	ARBOR-SPT-BYP		11/P										
7	6LA28840000	SPG-E-6XR6X91R7R		11/P										
8	6LA28865000	SPG-1.0-0.15-65-13L		11/P										
9	6LA78959000	LVR-SPT-BYP-F-371		11/P										
10	6LA78960000	LVR-SPT-BYP-R-371		11/P										
11	6LA15259000	SOL-SFB-340		11/D										
12	6LA78981000	LVR-PICKUP-SOL-371		11/P										
13	6LE09239000	SNSR-FED-390		11/P										
14	6LE88065000	HRNS-SFB-377		11/P										
16-1	F0-00120000	ES-0505		25/P										
17	F0-00044000	UAMS-05-2		35/P										
18	6LA08935000	SCR-M3X6BISR-NI		510/P										
19	X0-00430000	S/BID-M3X6-NI		210/P										
20	6LA78931000	GUIDE-FEED-L-SNS		11/P										



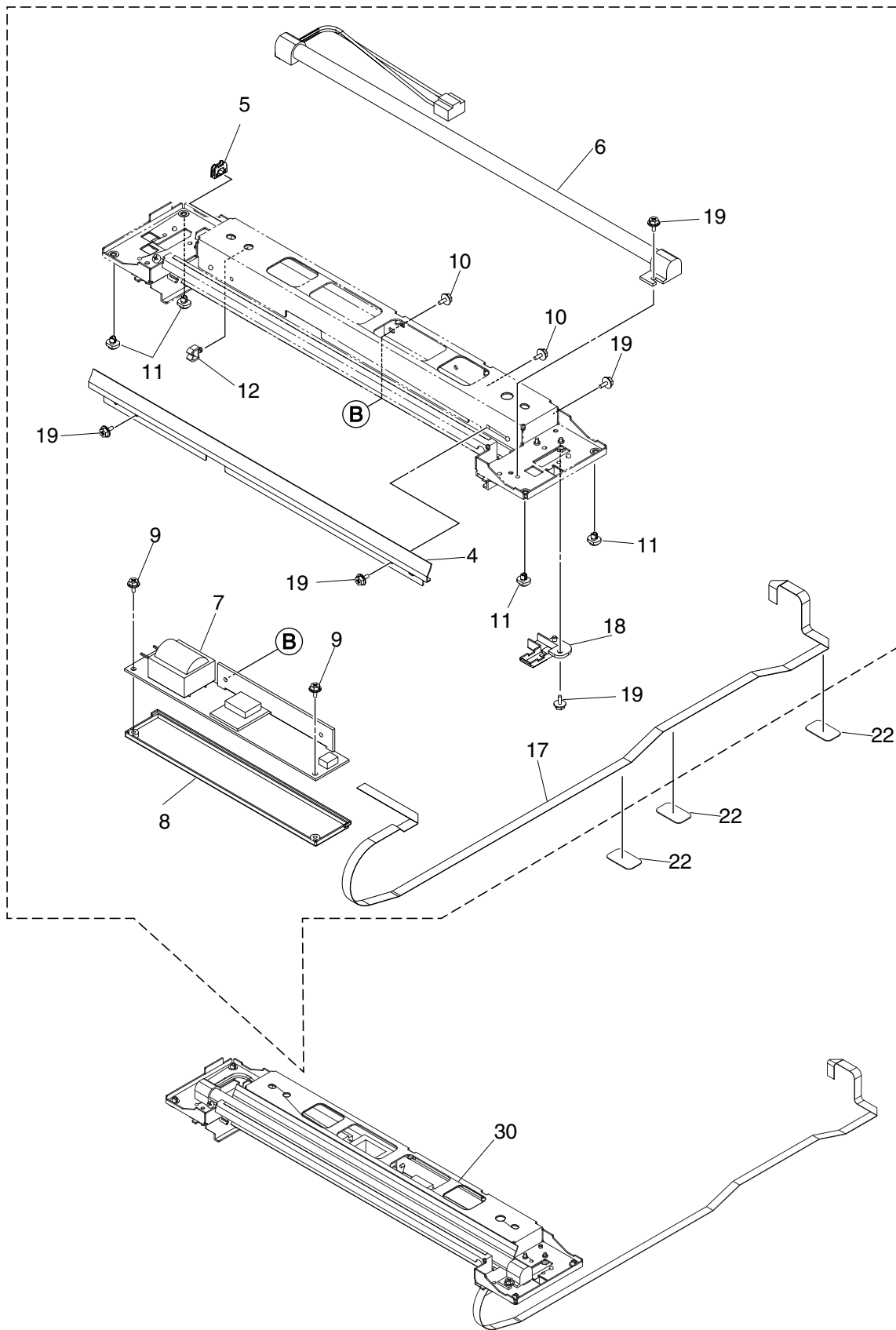
ITEM NO.	PARTS NO.	PARTS NAME	Q'TY / PAGE	Q'TY / PACK	P I R	B S I NO.	T O	T	F R O M	S E R I A L NO.	R E M A R K S	C
1	6LA79063000	GUIDE-BYP-UP-371		1/1/PP								
2	6LA78909000	STAY-BYP-U-371		1/1/P								
3	6LA79033000	ARM-PICK-371		1/1/P								
4	6LA79037000	ASYS-ROL-PICK-371		2/1/P								
5	6LA78904000	ASYS-LID-FRAME-BYP-371		1/1/PP								
6	6LA79067000	SHAFT-PICK-UP-BYP		1/1/P								
7	6LA79034000	GEAR-06S018-04		3/1/P								
8	4407972860	STOP-RING-6-5		3/5/P								
9	6LA79050000	ASYS-SFT-FEED-BYP		1/1/P								
10	6LA79025000	ASYS-BKT-STOP-F		1/1/P								
11	6LA79024000	STPR-BYP-F-371		1/1/P								
12	4401965250	LEVER-STOPPER-F		1/1/P								
13	4401965270	ARM-STOPPER		2/5/P								
14	6LA79040000	ASYS-BRKT-STPR-R-371		1/1/P								
15	6LA79057000	LVR-STOPPER-R-371		1/1/P								
16	6LA79061000	STPR-BYP-R-371		1/1/P								
17	6LA78940000	ARM-DRV-JOINT-BYP-371		1/1/P								
18	6LA78512000	CLUTCH-G28-06D-35E		1/1/D								
19	6LA79005000	GEAR-10S022-06-DRV		1/1/P								
20	6LA79056000	LVR-PICK-JOINT		1/1/P								
21	6LA78980000	SPG-PICKUP-8-371		1/1/P								
22	4407734980	BUSH-6-GCB		3/5/P								
23	6LA79111000	BRKT-HING-BYP-R		1/1/P								
24	6LA34033000	SPG-E-6XR45X22R8		1/1/P								
25	6LA79081000	ASYS-BKT-TRAY-HINGE		1/1/P								
26	6LA78535000	ASYS-BRKT-HING-ADU-R		1/1/P								
27	X0-02246000	S/TPP/FH/FEXM-3X6-NI		1/10/P								
28	X0-02247000	S/TPP/FH/FEXM-3X8-NI		5/10/P								
29	X0-02238000	S/TPS/FHEXM-3X6-ZU3		4/10/P								
30	6LA08935000	SCR-M3X6BISR-NI		4/10/P								
31	6LA79073000	STUD-JOINT-BYP-371		1/1/P								
32	6LA89476000	HRNS-SFB-SNR-371		1/1/P								
33	6LA79076000	WEIGHT-ROLLER-PICK		1/1/P								
35	6LA28766000	ASYS-SFT-TRAY-BYP-350		1/1/P								
36	6LA79112000	SPA-HINGE-BYP-371		1/1/P								
37	4400802080	BUSH-8		1/5/P								
40	6LA78920000	ASYS-FRAME-BYP-371		1/1/PP								
41	6LA78923000	FRAME-SUB-BYP-371		1/1/PP								
101	X0-00964000	RR/E-3-SS		5/10/P								
102	X0-00965000	RR/E-4-SS		1/10/P								
103	X0-00966000	RR/E-5-SS		2/10/P								
104	C0-10813000	GP1A73ARJ00F		1/1/P								
105	F0-00041000	EDS-2		1/5/P								
106	F0-00044000	UAMS-05-2		1/5/P								
107-1	F0-00120000	ES-0505		1/5/P								
108	X0-00060000	S/PAN/SWWP-M3X6-NI		1/10/P								
109	X0-00968000	RR/E-7-SS		2/10/P								



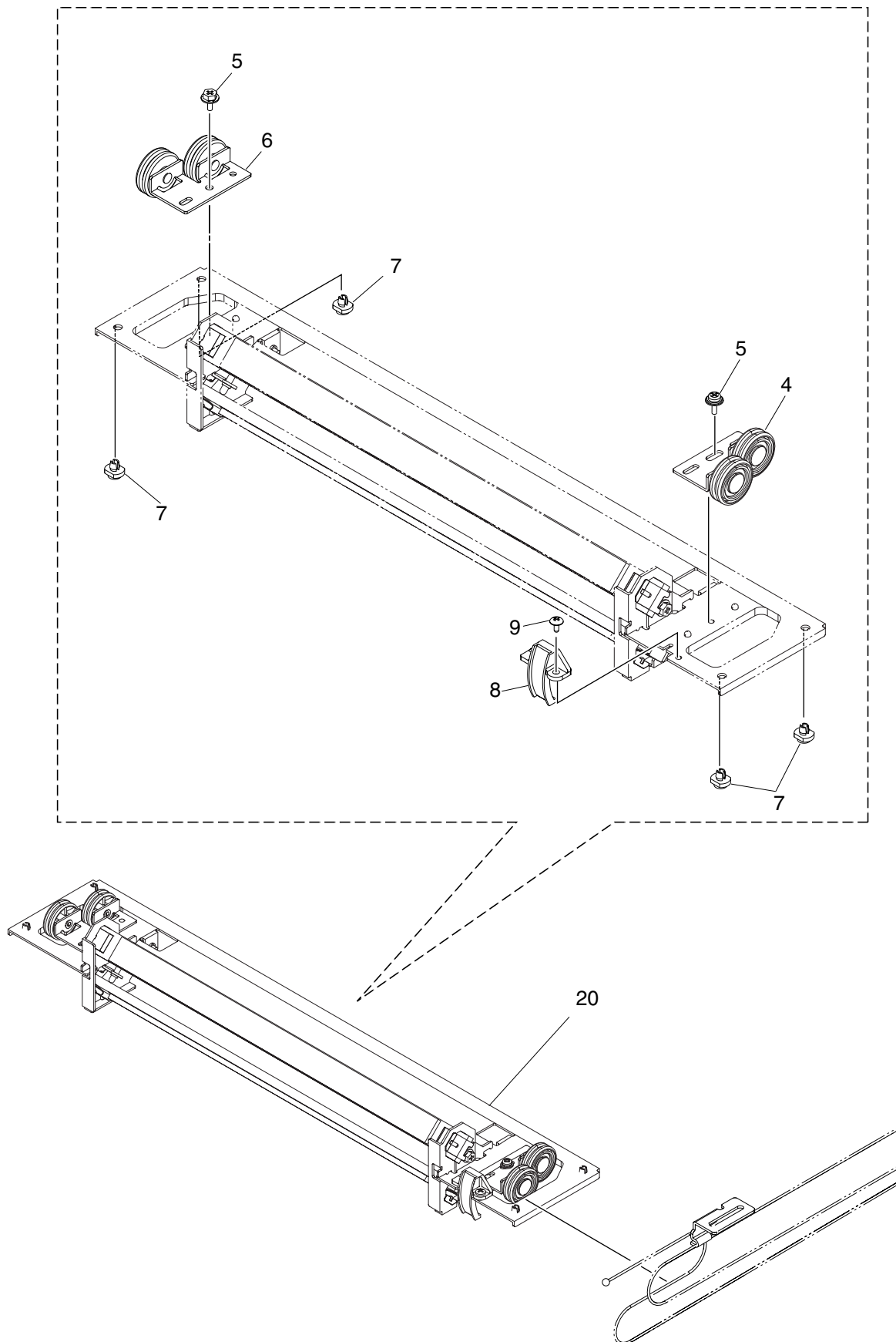
ITEM NO.	PARTS NO.	PARTS NAME	Q'TY / PAGE	Q'TY / PACK	P I R	B S I NO.	T O	T	F R O M	S E R I A L NO.	R E M A R K S	C
1	6LA85802000	ASYS-ROL-RGST		1/1/KP								
2	6LA85803000	ASYS-ROL-RGST-IDL		1/1/KP								
3	6LA85879000	GEAR-10S015-06		1/1/P								
4	6LA85880000	GEAR-10S020-08		1/1/P								
5	6LA85863000	PLT-RGST-TENS-371		2/1/P								
6	6LA85862000	HOLDER-RGST-R		1/1/P								
7	6LA08935000	SCR-M3X6BISR-NI		1/10/P								
8	6LA85813000	ROLLER-RELAY-FED		1/1/KP								
9	6LA85887100	ASYS-GID-RGST-L-374		1/1/C								
10	CO-10813000	GP1A73ARJ00F		1/1/P								
11	6LA89455000	HRNS-RGT-SW-371		1/1/P								
12	6LA85824000	ACTR-RGST-371		1/1/KP								
13	6LA85830000	SPG-ACT-RGST-371		1/1/P								
14	6LA85888000	ASYS-GID-RGST-R-371		1/1/C								
15	X0-02251000	S/TPP/FHEXM-4X8-NI		5/10/P								
16	6LA85864000	SPG-RGST-371		2/1/P								
17	6LA41229000	KNOB-RGST-350		1/1/P								
18	6LA85896000	STUD-KNOB-RGST-371		1/1/P								
19	6LA85871000	HOLDER-BIAS-RGST		1/1/P								
20	6LA85872000	SPL-BIAS-RGST		1/1/P								
21	X0-02246000	S/TPP/FH/FEXM-3X6-NI		2/10/P								
22	6LA85849000	GEAR-10S028-08		1/1/P								
23	4400336190	STOP-RING-8		4/5/P								
24	6LA82840000	CLUTCH-G28-08D-35E		1/1/D								
25	6LA85869000	BRKT-ROL-RELAY-FED		1/1/P								
26	6LA85810000	CLUTCH-G33-CW8		1/1/D								
27	6LA65698000	BUSH-8X12X8F		4/5/P								
28	X0-02243000	S/TPS/FHEXM-4X8-ZU3		4/10/P								
29	6LA85850000	BRKT-RGST-CLT-371		1/1/P								
30	6LA85910000	MYLAR-SUPPORT-SNS		1/5/P								
32	4407972860	STOP-RING-6-5		1/5/P								
33	6LA85828000	COVER-RGST-R-371		1/1/KP								
34	6LA89434000	HRNS-HVT-TCH-371		1/1/P								
101	X0-00077000	S/PAN/SWWP-M3X8-NI		1/10/P								
102	X0-01526000	P/PRL/AH7-2X12-SS		1/10/P								
103	X0-00730000	S/SET/K-M3X4-B		2/10/P								
104-1	F0-00120000	ES-0505		1/5/P								



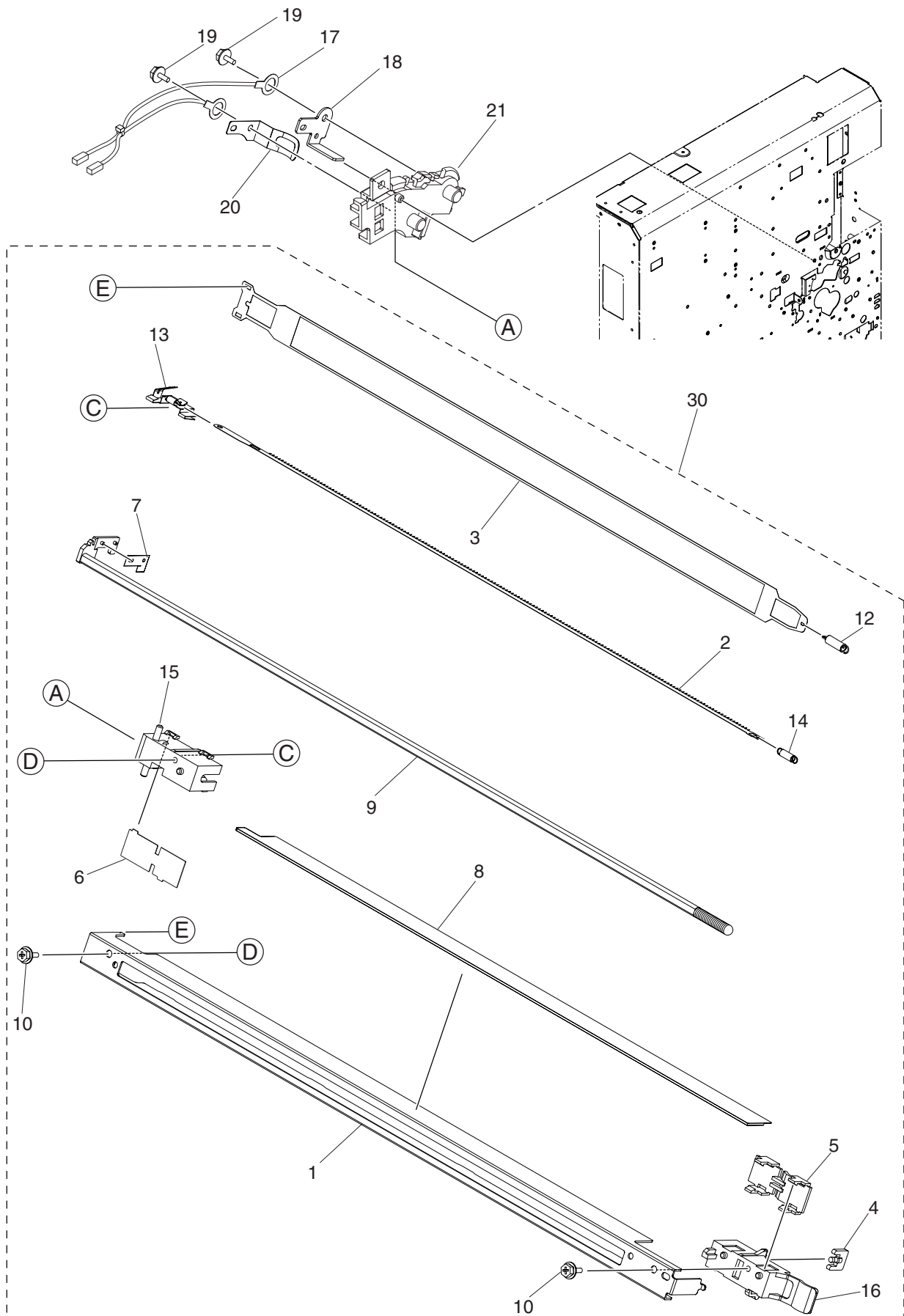
ITEM NO.	PARTS NO.	PARTS NAME	Q'TY / PAGE	Q'TY / PACK	P I R	B S I NO.	T O	T	F R O M	S E R I A L NO.	R E M A R K S	C
1A	6LE77420000	ASYS-GLASS-364-A		11/S							MJD, AUD, AS D, ASU, SAD, KRD, ARD	
1B	6LE77420100	ASYS-GLASS-364-L		11/S							NAD	
1C	6LE77420200	ASYS-GLASS-364-K		11/S							TWD, CND	
2	6LA67448000	ASYS-GLASS-ADF		11/PP								
3	6LA39841000	SPL-GLASS-ADF		21/P								
4	6LA39866000	STAY-TP-RGT-SCAN		11/P								
5	44202810000	CUSH-GLASS		45/P								
7	6LA86439000	BRKT-TRY-RGT		11/P								
50	X0-02238000	S/TPS/FHEXM-3X6-ZU3		410/P								
51	X0-02243000	S/TPS/FHEXM-4X8-ZU3		510/P								



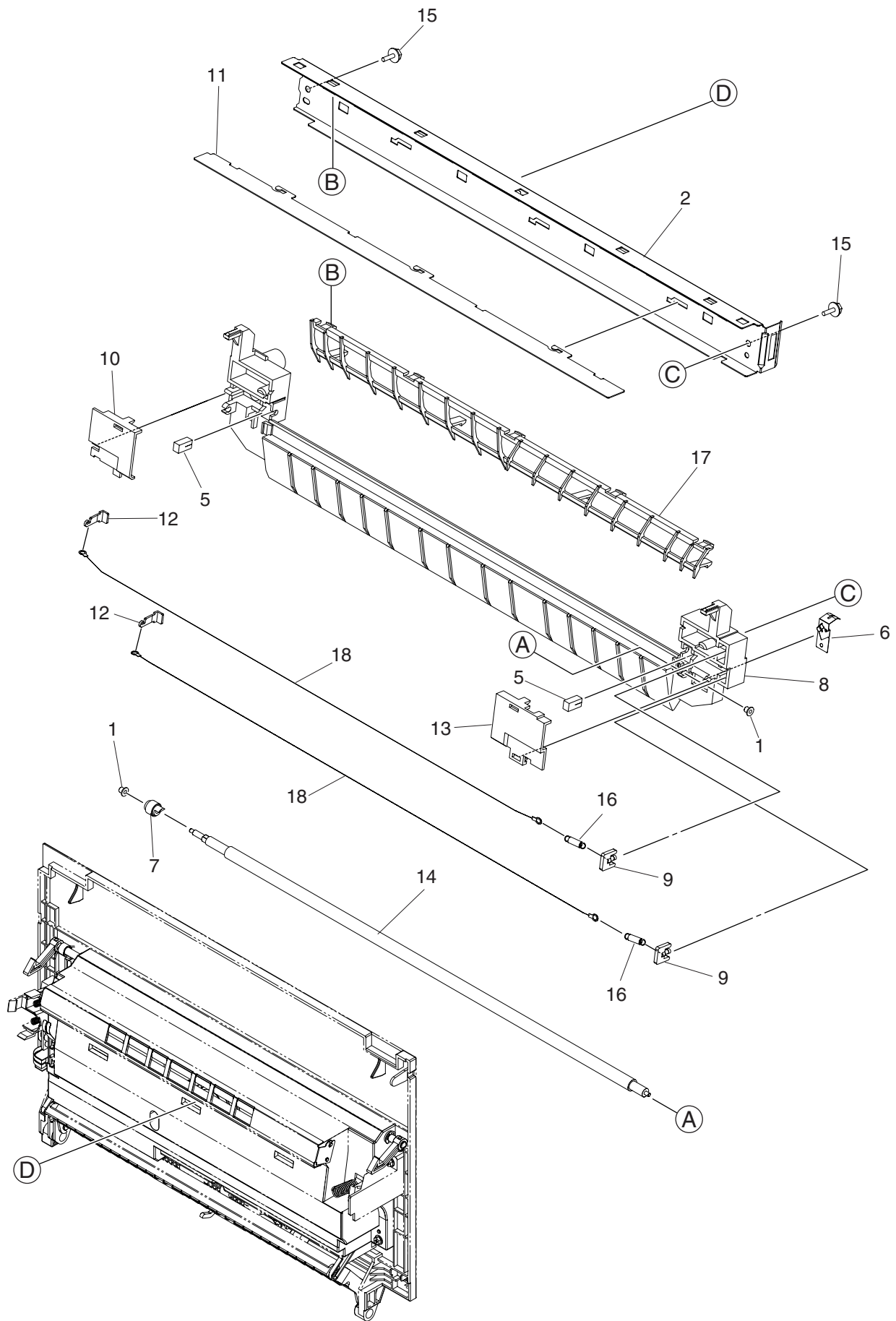
ITEM NO.	PARTS NO.	PARTS NAME	Q'TY / PAGE	Q'TY / PACK	P	I	R	B S I NO.	T O	T	F R O M	S E R I A L NO.	R E M A R K S	C
1	6LA85761100	CARRIGE-1-364		1/1/S										
4	6LA39553000	REFLECTOR-LAMP		1/1/D										
5	F0-00120000	ES-0505		1/5/P										
6	6LE78187000	LAMP-EXPO-364		1/1/S										
7	6LA64203000	INV-EXPO-360		1/1/C										
8	6LA39548000	COVER-INV		1/1/P										
9	X0-02246000	S/TPP/FH/FEXM-3X6-NI		2/10/P										
10	X0-02230000	S/FHEXM-M3X6-NI		2/10/P										
11	4408604590	FOOT-CRG-3.64		4/5/P										
12	F0-00044000	UAMS-05-2		1/5/P										
17	6LA71382000	HRNS-INV-360		1/1/C										
18	6LA39572000	GUIDE-HRNS-CRG1		1/1/P										
19	X0-02238000	S/TPS/FHEXM-3X6-ZU3		8/10/P										
20	F0-00044000	UAMS-05-2		1/5/P										
22	6LA39577000	MYLAR-HRNS-INV		3/1/KP										



ITEM NO.	PARTS NO.	PARTS NAME	Q'TY / PAGE	Q'TY / PACK	P	I	R	B S I NO.	T O	T	F R O M	S E R I A L NO.	R E M A R K S	C
1	6LA85762100	CARRIGE-2-364		1/1/S										
4	6LE46319000	ASYS-PLY-CRG2F-410		1/1/P										
5	X0-00077000	S/PAN/SWWP-M3X8-NI		1/10/P										
6	6LE46320000	ASYS-PLY-CRG2R-410		1/1/P										
7	4408604590	FOOT-CRG-3.64		4/5/P										
8	44202692000	GUIDE-WH-CRG2		1/1/P										
9	X0-02069000	S/TPS/BID-3X6-ZU3		1/10/P										



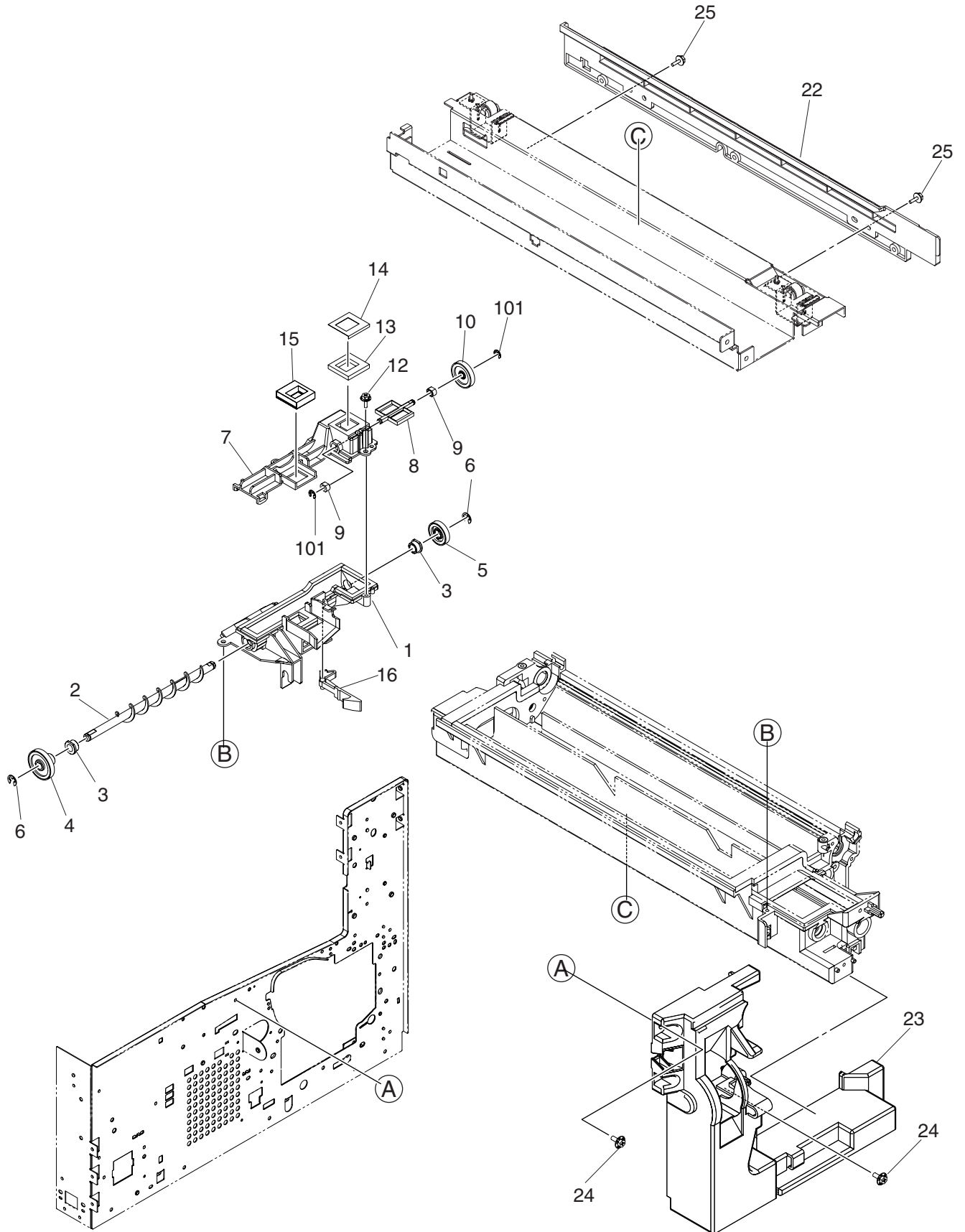
ITEM NO.	PARTS NO.	PARTS NAME	Q'TY / PAGE	Q'TY / PACK	P	I	R	B S I NO.	T O	T	F R O M	S E R I A L NO.	R E M A R K S	C
1	6LA84920000	CASE-CH-M		1/1/P										
2	6LA84925000	CH-M		1/1/KP										
3	6LA84930000	GRID-CH-M-371		1/1/KP										
4	4401764730	HANGER-WIRE-TR		1/1/P										
5	6LA84944000	LID-CH-M-F		1/1/P										
6	6LA84947000	LID-CH-M-R		1/1/P										
7	6LA84941000	MYLAR-CLN-CH		1/5/P										
8	6LA84957000	MYLAR-LED		1/1/KP										
9	6LA84938000	ROD-CLN-CH-M		1/1/KP										
10	X0-02247000	S/TPP/FH/FEXM-3X8-NI		2/10/P										
12	6LA84950000	SPE-GR		1/5/P										
13	6LA84922000	SPL-CH-M-R		1/1/P										
14	6LA84935000	SPRING-TENS-CH		1/5/P										
15	6LA84915000	TERM-CH-M-R		1/1/P										
16	6LA84910000	TERM-CH-M-F		1/1/P										
17	6LA89435000	HRNS-HVT-MG-371		1/1/P										
18	6LA85009000	SPL-CH-M		1/1/P										
19	X0-02246000	S/TPP/FH/FEXM-3X6-NI		2/10/P										
20	6LA85008000	SPL-GRID		1/1/P										
21	6LA85005000	TERM-HVT-M		1/1/P										
30	6LA84902000	ASY-CH-MAIN		1/1/C										



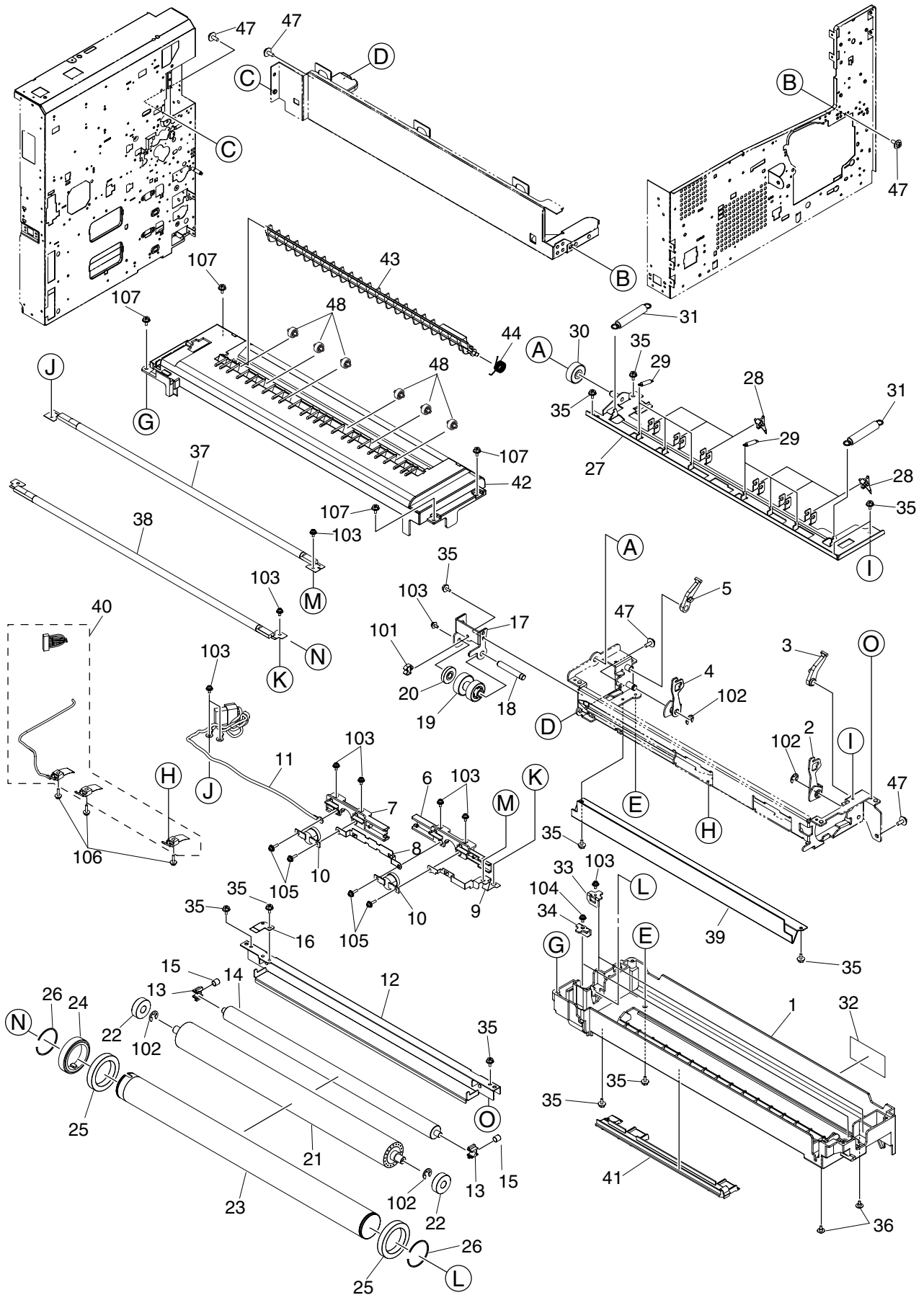
ITEM NO.	PARTS NO.	PARTS NAME	Q'TY / PAGE	Q'TY / PACK	P I R	B S I NO.	T O	T	F R O M	S E R I A L NO.	R E M A R K S	C
1	41306677000	BUSH-RLR-GUIDE		21/P								
2	6LA88230000	CASE-CH-TR		11/P								
5	41306712000	DAMPER		25/P								
6	6LA88304000	EARTH-CH-TR		11/P								
7	41306272000	GEAR-RLR-GUIDE		11/P								
8	6LA88234000	GUIDE-CH-TR		11/P								
9	4401764730	HANGER-WIRE-TR		21/P								
10	6LA88245000	LID-CH-TR-R		11/P								
11	6LA88238000	PLT-CH-TR		11/KP								
12	44203860000	PLT-TERM-1		21/P								
13	6LA88244000	LID-CH-TR-F		11/P								
14	41306530000	ROLLER-GUIDE		11/P								
15	X0-02247000	S/TPP/FH/FEXM-3X8-NI		210/P								
16	6LA84935000	SPRING-TENS-CH		25/P								
17	6LA88248000	SUPPORTER-371		11/C								
18	6LA88250000	WIRE-CH-060-353-R		21/P								

ITEM NO.	PARTS NO.	PARTS NAME	Q'TY / PAGE	Q'TY / PACK	PIR	BSI NO.	TO	T	FROM	SERIAL NO.	REMARKS	C
1	6LA79525000	ASYS-FRAME-CLN-C		1/1/C								
2	6LA79540000	ASYS-FRAME-CLN-F		1/1/P								
3	6LA79583000	FRAME-CLN-R		1/1/P								
4	6LA79600000	AUGER-CLN		1/1/KP								
5	6LA27845000	BL-2320D		1/1/S								
6	6LE54020000	BLADE-REC		1/1/KP								
7	6LA02920000	BUSH-0410-05F-M		2/5/P								
8	6LA79605000	GEAR-10S18-4		1/1/P								
9	6LA79606000	GEAR-10S17-4		1/1/P								
10	6LA79626000	HLDR-LED		1/1/P								
11	6LA79615000	HOLDER-SCRAPER		2/1/P								
13	6LA89106000	PWA-F-DLE-371		1/1/SB								
14	6LA79547000	SEAL-BLADE-SIDE		2/5/KP								
15	X0-02247000	S/TPP/FH/FEXM-3X8-NI		2/10/P								
16	X0-02230000	S/FHEXM-M3X6-NI		2/10/P								
17	6LA79618000	SCRAPER-371		2/3/P								
18	6LA79546000	SEAL-CLN-F		1/5/P								
19	6LA79586000	SEAL-CLN-R		1/5/P								
20	6LA79628000	MYLAR-HLDR-LED		1/1/KP								
21	6LA79531000	SEAL-CLN-C		1/5/KP								
22	6LA79609000	SHUTTER-CLN		1/1/P								
23	6LA79602000	SPC-AUGER		1/5/P								
24	6LA79612000	SPC-NZL-CLN		1/1/P								
25	6LA79554000	STUD-GEAR-CLN		1/1/P								
26	41306325000	WHEEL-CLN-8		2/1/P								
27	6LA65682000	SCREW-CLNR-DEV		2/10/P								
28A	6LA79653000	COV-PU-F-J		1/1/PP							NAD	
28B	6LA79653100	COV-PU-F-U		1/1/PP							MJD	
28C	6LA79653200	COV-PU-F-E		1/1/PP							AUD, ASD, AS U, SAD, TWD, KRD, CND, AR D	
29	6LA79534000	SEAL-SIDE-REC		2/5/KP								
30	6LA81603000	SPL-EARTH-F37XTWD		1/1/P								
31	41306135000	BUSH-1821*03-M		1/1/P								
32	6LA79622000	PIN-DRUM-371		1/1/P								
33	6LA91423000	LBL-HNDL-CLNR		1/5/P								
34	41305536000	SPD-SCRPR-DRUM		2/1/P								
35	6LE88066000	HRNS-DLE2-377		1/1/P								
101	X0-00937000	W/PL/PJ0-4-NI		2/10/P								
102	X0-00965000	RR/E-4-SS		2/10/P								
103	6LA80090000	S/TPP/BID-3*8-NI		6/5/P								
104	X0-00974000	RR/E-2.5-SS		3/10/P								

ITEM NO.	PARTS NO.	PARTS NAME	Q'TY / PAGE	Q'TY / PACK	P I R	B S I NO.	T O	T	F R O M	S E R I A L NO.	R E M A R K S	C
1	6LA81612000	ASYS-CASING-DEV		11/C								
2	6LA81632000	PLATE-SIDE		21/P								
3	X0-02232000	S/FHEXM-M3X10-NI		210/P								
4	6LA81635000	MIXER-1-371		11/C								
5	6LA81636000	SPACER-MIX		11/P								
6	6LA81639000	ASYS-MIXER-2		11/KP								
7	6LA81643000	MIXER-3-371		11/P								
8	6LA81654000	BUSH-DEV-R		11/P								
9	6LA81630000	SEAL-BUSH-R		11/P								
10	X0-02247000	S/TPP/FH/FEXM-3X8-NI		1310/P								
11	4401949290	SEAL-VC6-10-2.5		61/P								
12	6LA65696000	BUSH-6X12X4R8F		45/P								
13	6LA81645000	ASYS-BUSH-0613-07		21/P								
14	6LA81650000	ROLLER-MG-371		11/C								
15-1	6LE70326000	V-RING-MG-210		11/P								
16	6LA81652000	BUSH-DEV		15/P								
17	X0-00965000	RR/E-4-SS		210/P								
18	6LA81662000	ROLL-GUIDE-371		21/P								
19	6LA81678000	ASYS-BKT-DEV-TENS		11/P								
20	4401950980	COLLAR-DEV-TENS		15/P								
21	6LA81670000	PULLY-2GT16-6		11/P								
22	6LA81666000	PULLY-2GT27-6		11/P								
23	X0-00980000	P/PRL/AH7-2X10-SS		110/P								
24	6LA81674000	BLT/T-2GT-92		11/P								
25	6LA81677000	GEAR-10S27-CUP		11/P								
26	4402439380	GR-10H27-5-06		21/P								
27	6LA81750000	ROLLER-RE		11/P								
28	6LA81755000	WAS-RE-ROL		110/P								
29	6LA81753000	BUSH-RE-ROL-F		11/P								
30	6LA81752000	BUSH-RE-ROL-R		11/P								
31	6LA81656000	ASYS-DOCTOR-371		11/KP								
32	6LA81691000	BRKT-DEV-R-371		11/P								
33	FO-00781000	LF-1260ZZ		11/P								
34	6LA81769000	CAM-RE-ROL		11/P								
35	6LA81773000	ONEWAY-DRV-RE		11/P								
36	X0-00974000	RR/E-2.5-SS		110/P								
37	6LA81711000	BRKT-DEV-F-371		11/P								
38	6LA81718000	ADJUSTER-MG		11/P								
39	X0-02239000	S/TPS/FHEXM-3X8-ZU3		110/P								
40	6LA81758000	SPL-BIAS-RE-ROL		11/P								
41	4401949700	SPL025-S631-DC2		21/P								
42	4400672520	SPC060-065-0130		21/P								
43	6LA81610000	SCREW-DOCTOR-371		210/P								
44	6LA81724000	GEAR-10S28-6		11/P								
45	6LA81729000	ASYS-BRKT-DRV		11/P								
46	6LE69634000	SNSR-ATC-141		11/D								
47	6LE88064000	HRNS-ATS-377		11/P								
48	X0-01725000	S/BID-M3X5-BSNI		210/P								
49	6LA89113000	THMS-DRM-371		11/C								
50	6LA81685000	GEAR-10B22-6		11/P								
51	6LA81890000	ASYS-BRKT-RECY		11/P								
52	6LA81888000	GEAR-8S15-6		11/P								
53	6LA81887000	GEAR-8S29-8S15-6		21/P								
54	6LA81881000	GEAR-10B22-6-CUP		11/P								
56	6LA81740000	ASYS-GUIDE-DEV		11/KP								
57	6LA81780000	SHEET-MG-F		15/P								
58	6LA81781000	SHEET-MG-R		15/P								
59	6LA81790000	ASYS-COV-DEV		11/PP								
60	X0-02231000	S/FHEXM-M3X8-NI		210/P								
61	6LA81700000	COVER-DEV-BTL-371		11/P								
62	X0-00077000	S/PAN/SWWP-M3X8-NI		110/P								
63	X0-00966000	RR/E-5-SS		110/P								
64	6LA81714000	MYLAR-DOC-SLIDE		25/P								

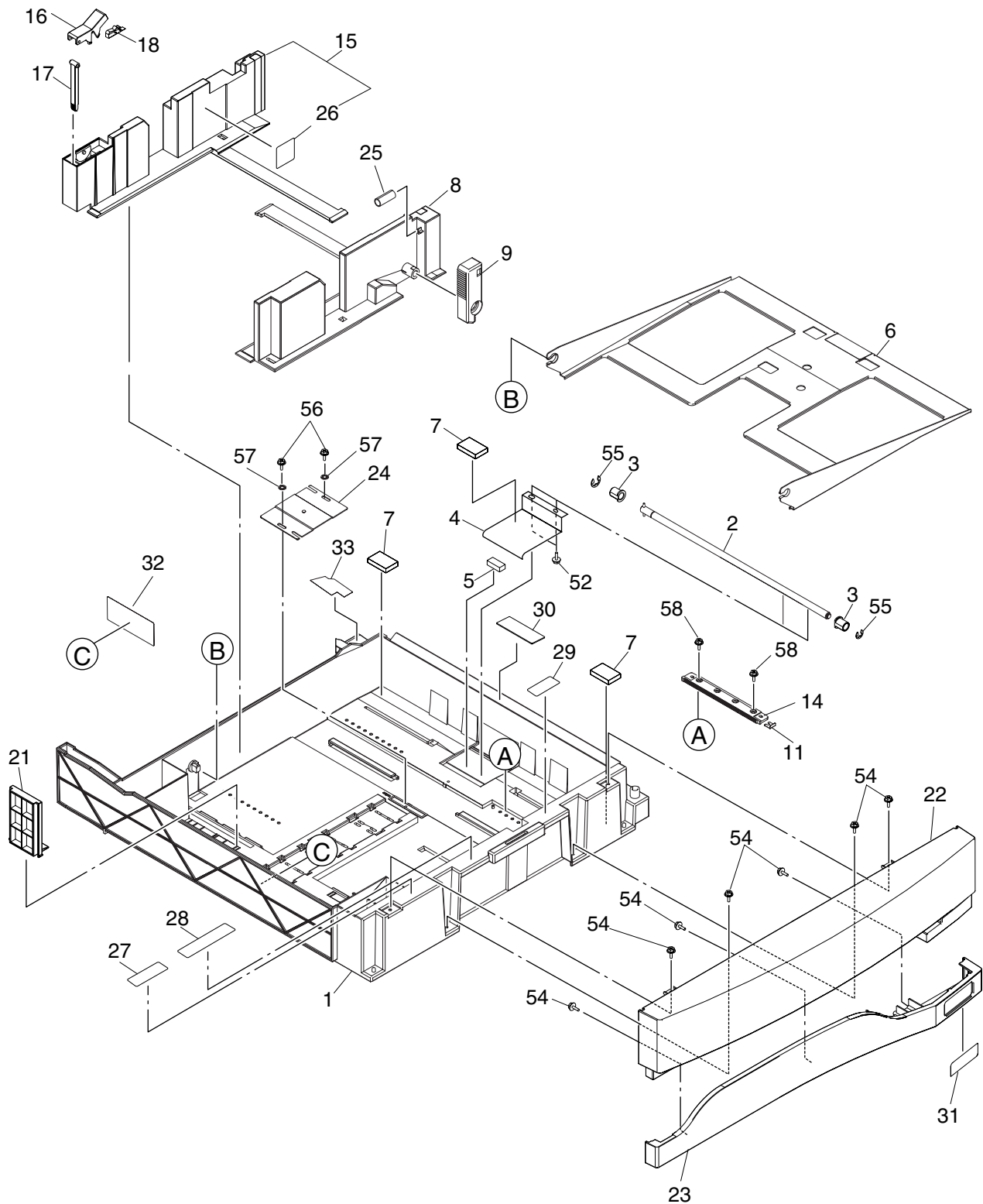


ITEM NO.	PARTS NO.	PARTS NAME	Q'TY / PAGE	Q'TY / PACK	P	I	R	B S I NO.	T O	T	F R O M	S E R I A L NO.	R E M A R K S	C
1	6LA81695000	ASYS-COV-NOZLE		1/1/PP										
2	6LA81922000	AUGER-RECY-F371		1/1/P										
3	6LA81925000	BUSH-0611-06F-M		2/5/P										
4	6LA81936000	GEAR-8S22-6		1/1/P										
5	6LA81935000	GEAR-8S29-6		1/1/P										
6	X0-00965000	RR/E-4-SS		2/10/P										
7	6LA81932000	COVER-RECYCLE		1/1/PP										
8	6LA81942000	PADDLE-RECY		1/1/P										
9	6LA81928000	BUSH-PADDLE		2/5/P										
10	6LA81937000	GEAR-8S25-4		1/1/P										
12	X0-02247000	S/TPP/FH/FEXM-3X8-NI		1/10/P										
13	6LA81953000	SEAL-RECY-CLN		1/1/P										
14	6LA81952000	MYLAR-RECY-CLN		1/1/P										
15	6LA81955000	ASYS-TNR-IN		1/1/PP										
16	6LA81707000	STOPPER-LID-371		1/1/P										
22	6LA85881000	ASYS-STAY-DEV-R-RGST		1/1/KP										
23	6LA82050000	COV-INNER-F371		1/1/P										
24	X0-02243000	S/TPS/FHEXM-4X8-ZU3		2/10/P										
25	X0-02239000	S/TPS/FHEXM-3X8-ZU3		2/10/P										
101	X0-00974000	RR/E-2.5-SS		2/10/P										

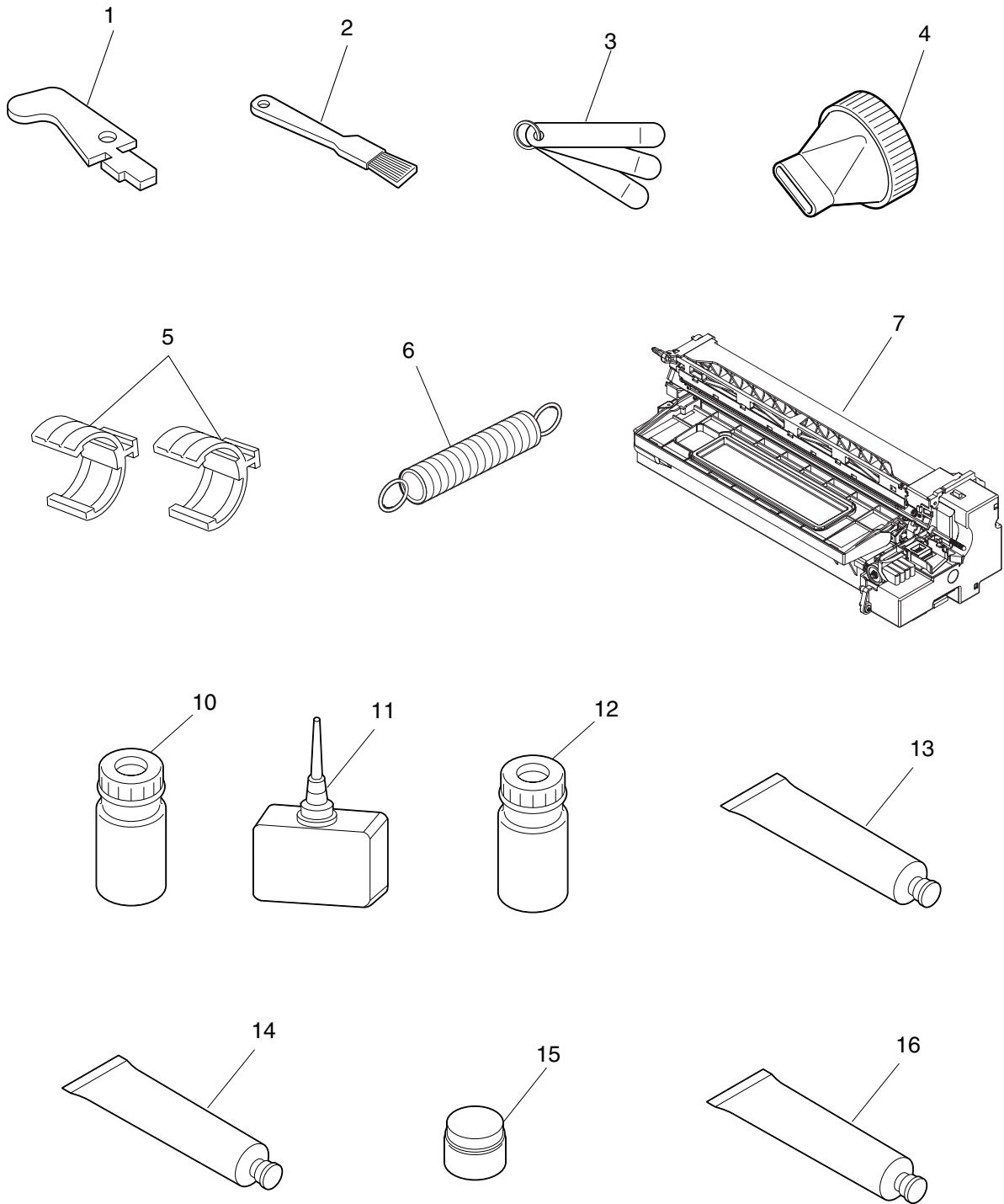


ITEM NO.	PARTS NO.	PARTS NAME	Q'TY / PAGE	Q'TY / PACK	PIR	BSI NO.	TO	T	FROM	SERIAL NO.	REMARKS	C
1	6LA84153000	COVER-FUSER-L-371		11/PP								
2	6LA84072000	ARM-PR-F		11/P								
3	6LA84163000	LVR-P-REL-F		11/P								
4	6LA84073000	ARM-PR-R		11/P								
5	6LA84164000	LVR-P-REL-R		11/P								
6	6LA84177000	ASYS-HOLDER-THMS-371		11/PP								
7	6LA84179000	ASYS-HOLDER-THMS-C-371		11/P								
8	6LA84083000	PLT-THMS-CNT		11/P								
9	6LA84084000	PLT-THMS-LMP		11/P								
10	6LA89107000	THRMST-HTR-371		21/C								
11	6LA89443000	HRNS-LP-ACTIN2-371		11/P								
12	6LA84052000	STAY-ROL-CLN		11/P								
13	6LA84131000	BUSH-CLN-PRS-371		21/P								
14	6LA27848000	B-2320-L		11/S								
15	6LA84134000	SPC-CR-FUS		25/P								
16	41306533000	BRUSH-FUSER-P		11/KP								
17	6LA84078000	BRKT-G-ENT-FUS		11/P								
18	6LA84043000	STUD-G-IN-FUSER		11/P								
19	6LA84140000	GEAR-10H21-10S20-6-FUS		11/P								
20	6LA84142000	ROL-IDLE-FUS-371		11/P								
21	6LA27847000	HR-2320-L		11/S								
22	F0-01387000	608ZZS1M4BJ		21/P								
23A	6LA27846000	HR-2320-U		11/S							NAD, MJD, AUD, ASD, ASU, SAD, TWD, KR D, ARD	
23B	6LE19859000	HR-2320-U-CND		11/S							CND	
24	6LA84182000	GEAR-HR-RLR		11/P								
25	F0-01362000	6806ZZS1C4KZ		21/P								
26	41305515000	CRR-HT/RLR		25/P								
27	6LA84063000	ASYS-STAY-SCPR		11/P								
28	6LA84095000	SCRAPER-HR-371		66/P								
29	6LA84096000	SPE-SCR-HR-371		61/P								
30	41306061000	GEAR-HR/EXIT		11/P								
31	6LA84111000	SPE-PR-371		21/P								
32A	6LA91430000	LBL-HOT		11/KP							NAD, MJD, AUD, ASD, ASU, SAD, TWD, CN D, ARD	
32B	6LA84005000	LBL-HOT-373K		11/KP							KRD	
33	6LA84080000	PLT-TERM-M3		21/P								
34	6LA84081000	PLT-TERM-M4		21/P								
35	X0-02238000	S/TPS/FHEXM-3X6-ZU3		1210/P								
36	41306916000	SCREW-SPEAKER		210/P								
37A	6LA84100100	LAMP-HTR-C-371-NAD		11/C							NAD, SAD, TWD	
37B	6LA84100200	LAMP-HTR-C-371-MJD		11/C							MJD, AUD, ASD, ASU, KRD, CND, ARD	
38A	6LA84101100	LAMP-HTR-S-371-NAD		11/C							NAD, SAD, TWD	
38B	6LA84101200	LAMP-HTR-S-371-MJD		11/C							MJD, AUD, ASD, ASU, KRD, CND, ARD	
39	6LA84157000	GUIDE-ENT-FUS-371		11/P								
40	6LA89105000	THMS-HTR-371		11/C								
41	6LA84167000	COVER-WH-THMS		11/P								
42	6LA84155000	COVER-FUSER-U-371		11/C								
43	6LA84160000	GUIDE-OP-FUS-371		11/P								
44	6LA84136000	SPA-G-OP-FUS-371		11/P								
47	X0-02243000	S/TPS/FHEXM-4X8-ZU3		510/P								
48	6LA82550000	ROLL-GUIDE-EXIT		61/P								
101	F0-00042000	UAMS-05S-2		15/P								
102	X0-00966000	RR/E-5-SS		410/P								
103	X0-00060000	S/PAN/SWWP-M3X6-NI		710/P								
104	X0-00164000	S/PAN/SWWP-M4X8-NI		210/P								
105	X0-00094000	S/PAN/SWWP-M3X10-NI		410/P								
106	X0-00434000	S/BID-M3X8-NI		310/P								
107	6LA80090000	S/TPP/BID-3*8-NI		45/P								

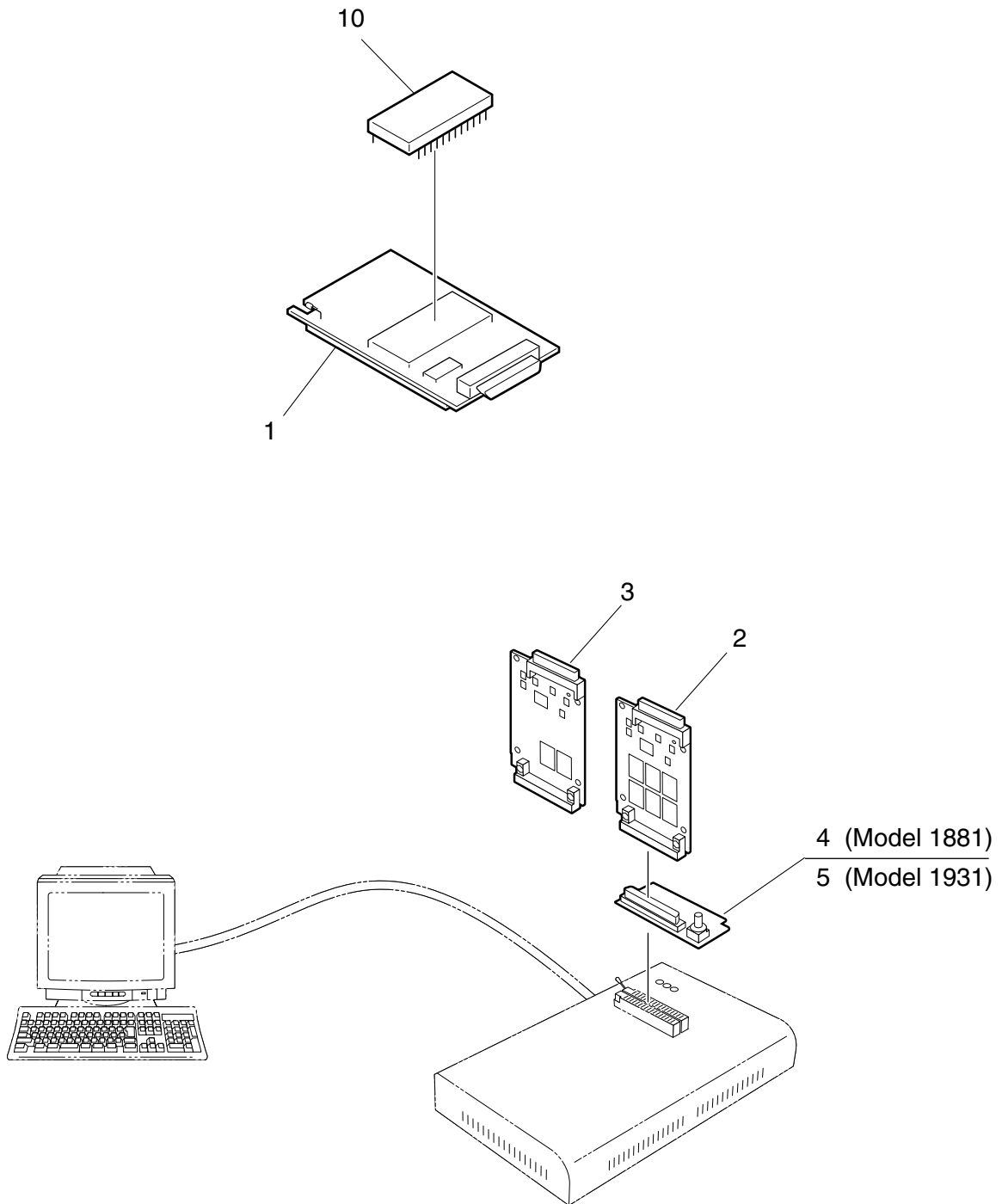
ITEM NO.	PARTS NO.	PARTS NAME	Q'TY / PAGE	Q'TY / PACK	P I R	B S I NO.	T O	T	F R O M	S E R I A L NO.	R E M A R K S	C
1	6LA82718000	COVER-EXIT-371		1/1/PP								
2	6LA82554000	SFT-EXIT-IDLE		2/1/P								
3	44203198000	ROLL-EXIT-L-320		4/1/P								
4	6LA82582000	ASYS-RLR-EXIT-371		1/1/KP								
5	F0-01371000	DDL-1260ZZHPOP25LY13		2/1/P								
6	44202975000	GEAR-EXIT-U		1/1/P								
7	6LA82563000	SPG-T-EXIT-371		2/1/P								
8	6LA82599000	SPG-F-EARTH-EXIT-371		1/1/P								
9	6LA82600000	GUIDE-EXIT-L-371		1/1/PP								
10	6LA82550000	ROLL-GUIDE-EXIT		8/1/P								
11	6LA82558000	ACT-EXIT-371		1/1/D								
12	6LA82561000	SPG-T-ACT-EXIT		1/1/P								
13	6LA89425000	HRNS-EXIT-371		1/1/P								
14	6LA82622000	ASYS-BKT-EXIT-371		1/1/P								
15	6LA82692000	ASYS-MOTR-S-EXIT-371		1/1/C								
16	6LA82652000	GEAR-10S16-PS2M40-6		1/1/P								
17	6LA78447000	BLT-SY-S2M-120-4		1/1/P								
18	41306160000	GEAR-DRV-EXIT-7		1/1/P								
19	41306303000	GEAR-EXIT-9		1/1/P								
20	6LA82761000	ASYS-GUIDE-EXIT-U-371		1/1/PP								
21	6LA82742000	GATE-EXIT		6/1/P								
22	4407972860	STOP-RING-6-5		1/5/P								
23	6LA82502000	GATE-EXIT-B		2/1/P								
24	X0-02247000	S/TPP/FH/FEXM-3X8-NI		4/10/P								
25	6LA82503000	HS-MOTR-EXIT		1/1/P								
26	6LA91349000	LBL-JAM-2		1/5/P								
27	6LA91476000	LBL-MASK-ADU-373		1/5/P								
28A	6LA75470000	LBL-HOT-COV		1/1/KP							NAD,MJD,AU D,ASD,ASU, SAD,TWD,CN D,ARD	
28B	6LA80732000	LBL-HOT-COV-373K		1/1/KP							KRD	
29A	6LA82504000	LBL W-HOT-EXIT371		1/5/KP							NAD,MJD,AU D,ASD,ASU, SAD,TWD,CN D,ARD	
29B	41307995000	LBL/W-FUSER		1/5/KP							KRD	
101	C0-11250000	LG248NL1		1/1/P								
102	X0-00964000	RR/E-3-SS		1/10/P								
103	X0-00965000	RR/E-4-SS		1/10/P								
104	F0-00044000	UAMS-05-2		1/5/P								
105-1	F0-00120000	ES-0505		1/5/P								
106	X0-00676000	S/TPS/BID-3X6-NI		4/10/P								



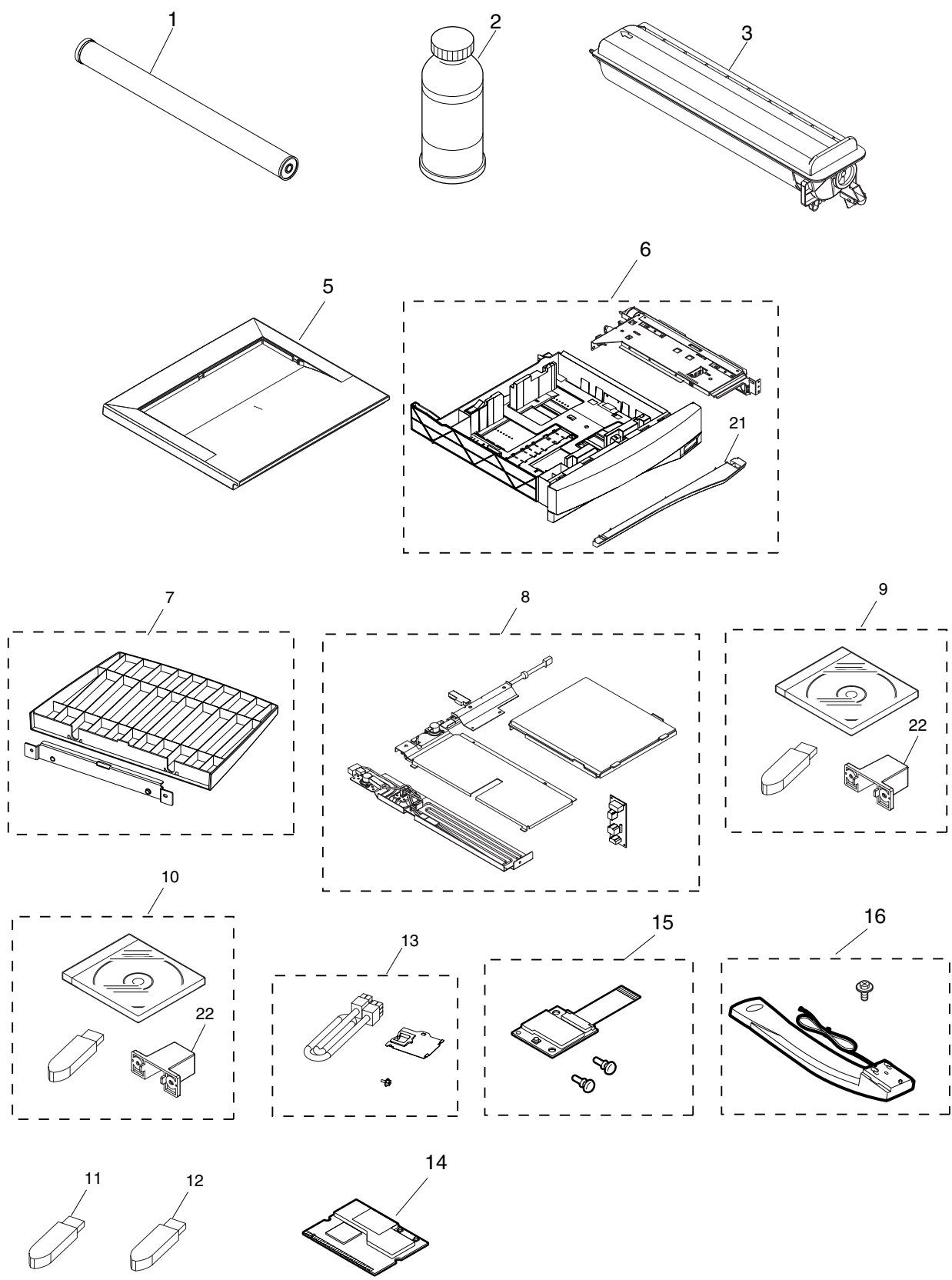
ITEM NO.	PARTS NO.	PARTS NAME	Q'TY / PAGE	Q'TY / PACK	P I R	B S I NO.	T O	T	F R O M	S E R I A L NO.	R E M A R K S	C
1	6LA56960000	CASE-CST		1/1/PP								
2	41304004000	K-SFT-LIFT-TRAY		1/1/P								
3	41306028000	BUSH-SFT-LIFT		2/5/P								
4	6LA60307000	LEVER-LIFT-TRAY		1/1/P								
5	41306614000	CUSH-LVR-LIFT		1/5/P								
6	6LA56688000	ASY-TRAY-CST-AT/DM		1/1/PP								
7	41306517000	CUSH-TRAY-CST		3/1/P								
8	6LA56692200	WALL-SIDE-F-AT/DM		1/1/PP								
9	6LA56693200	LVR-ADJUST-WALL		1/1/P								
11	6LA56707000	SPACER-RACK-CST		1/1/P								
14	6LA56706200	PLATE-RACK-CST		1/1/PP								
15	6LA56703200	K-WALL-SIDE-R		1/1/PP								
16	6LA29058000	LEVER-LOCK-WALL-RER		1/1/P								
17	41306260000	LOCK-WALL-R		1/1/P								
18	41305546000	SPL-LOCK-WALL-R		1/1/P								
21	6LA29061000	WALL-CSSTT-END		1/1/P								
22	6LE40923000	COVER-CSSTT		1/1/PP								
23	6LE40920000	COVER-CSSTT-HNDL		1/1/PP								
24	6LA56961000	ASYS-PL-PINION-TRY		1/1/P								
25	6LA56695000	SPC-LVR-WALL-F		1/1/P								
26	41307701000	LBL/O-P-MAX		1/5/KP								
27	6LE40703000	LBL_O-PAPER-2		1/1/KP								
28	6LE40701000	LBL_O-GUIDE-2		1/1/KP								
29	6LE40702000	LBL_O-GUIDE-LCD		1/1/KP								
30	41307599000	SHEET-CST		1/1/KP								
31A	6LA29549000	SHEET-SIZE-LT		1/1/KP							NAD	
31B	6LA29550000	SHEET-SIZE-A4		1/1/KP							MJD, AUD, ASD, D, ASU, SAD, TWD, KRD, CN D, ARD	
32	6LE40700000	LBL_O-LD-2		1/1/KP								
33	6LA60306000	MYLAR-CST-BK		1/1/KP								
51	X0-00963000	RR/E-2-SS		1/10/P								
52	X0-00434000	S/BID-M3X8-NI		2/10/P								
54	X0-02247000	S/TPP/FH/FEXM-3X8-NI		7/10/P								
55	X0-00968000	RR/E-7-SS		2/10/P								
56	X0-01989000	S/TPP/BID-3X8-NI		2/10/P								
57	X0-02116000	W/TH/A-3-SS		2/10/P								
58	X0-01414000	S/TPP/BID-3X6-NC		2/10/P								



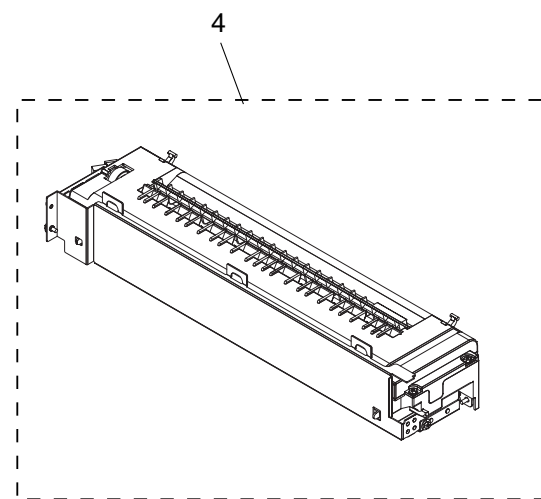
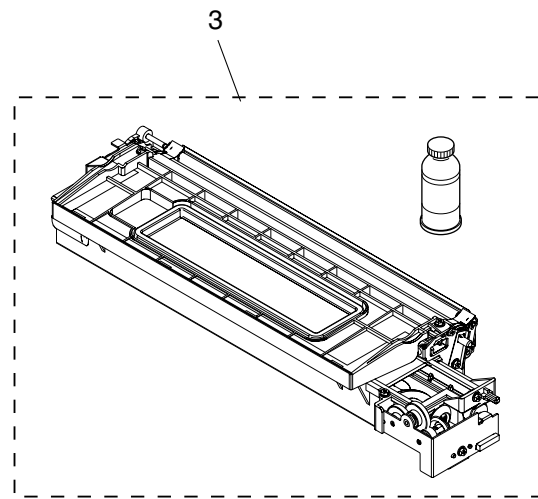
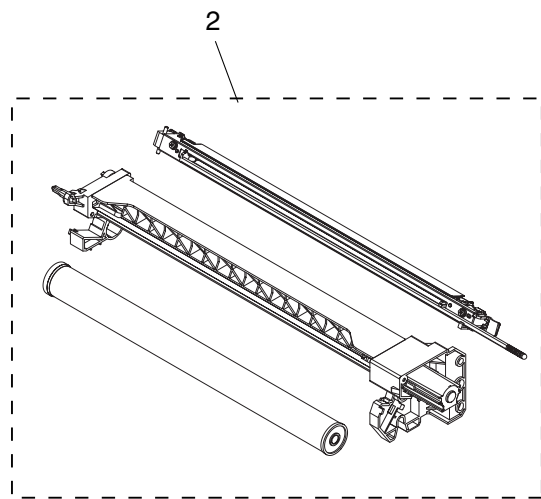
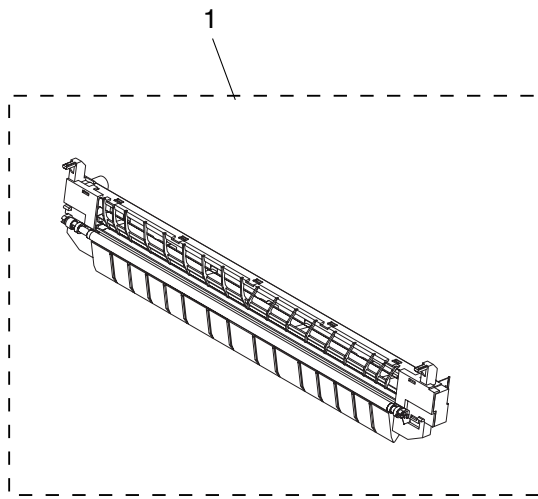
ITEM NO.	PARTS NO.	PARTS NAME	Q'TY / PAGE	Q'TY / PACK	P I R	B S I NO.	T O	T	F R O M	S E R I A L NO.	R E M A R K S	C
1	4407915730	JIG-SW-F-COV		1/1/P								
2	4407915710	BRUSH-33		1/1/P								
3	4402048100	ASM-JIG-DOC-180		1/1/P								
4	4407914000	NOZZLE-BOTTLE		1/1/P								
5	6LA01757000	HOLDER-WIRE-SCAN		2/1/P								
6	44202661000	SPE-MOT-TNS		1/1/P								
7	6LA91605000	ASY-PU-TOOL-F371		1/1/C							High-Voltage measurement jig	
10	4407933080	ASM-SILICONE-1M		1/1/P							Silicon Oil	
11	4842512170	OIL-LAUNA40-100		1/1/P							LAUNA40 100cc	
12A	41303709000	ASM-PG-HP300-S		1/1/D							White grease 100g	
12B	6LA00019000	GREASE-HP300-S		1/1/P							White grease 10g	
13	41303711000	ASM-PG-ALV2		1/1/P							Alvania No.2	
14	4400545160	MOLYKOTE-100		1/1/C								
15	41303710000	ASM-PG-GE334C-S		1/1/C								



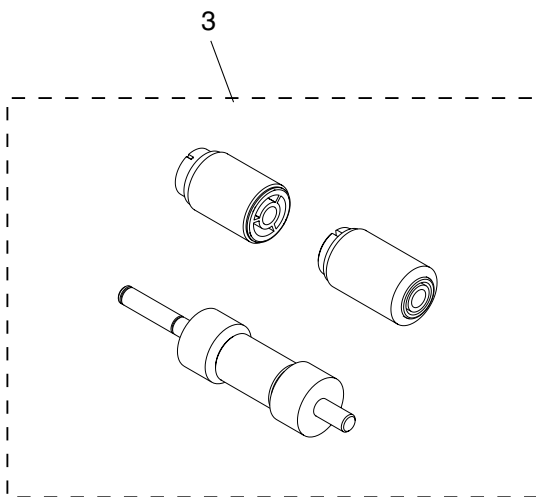
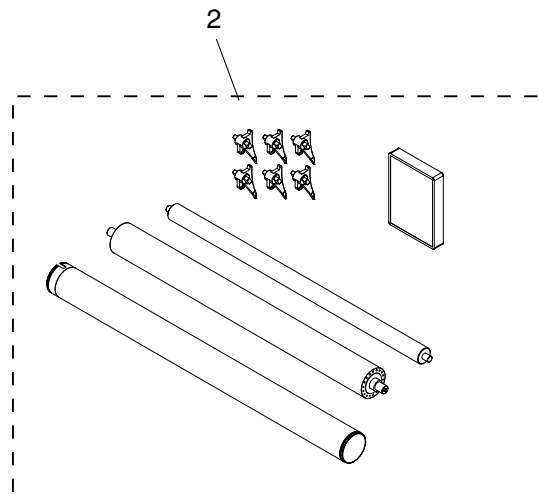
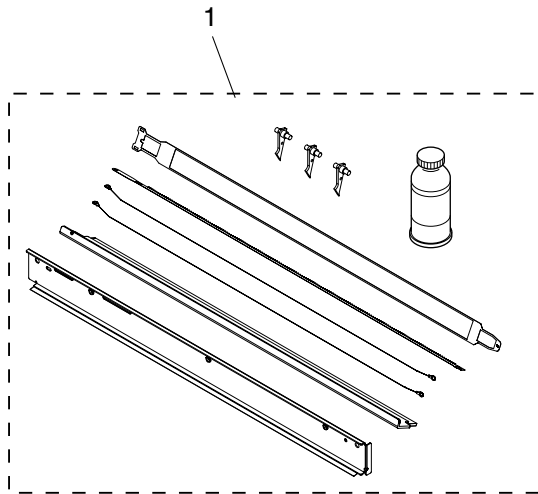
ITEM NO.	PARTS NO.	PARTS NAME	Q'TY / PAGE	Q'TY / PACK	P I R	B S I NO.	T O	T	F R O M	S E R I A L NO.	R E M A R K S	C
1	44205829000	K-PWA-DLM-320		1/1/C								
2	6LA41995000	PWA-DWNLD-350-JIG2		1/1/SB								
3	6LA41994000	PWA-DWNLD-350-JIG1		1/1/SB								
4	6LA41996000	PWA-DL-ADP-350-1881		1/1/S								
5	6LA41997000	PWA-DL-ADP-350-1931		1/1/C								
10	C0-04530000	M27C4001-10F1		1/1/S								



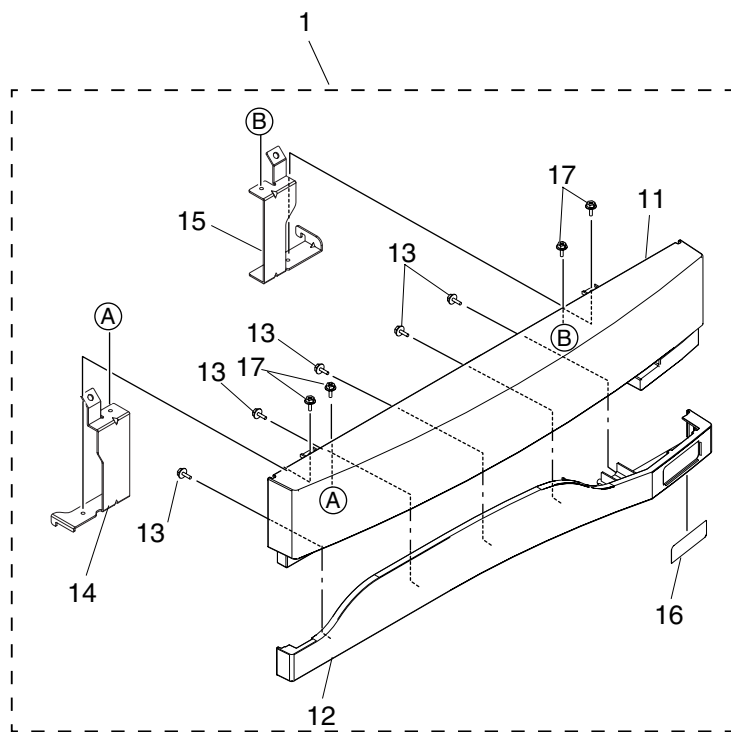
ITEM NO.	PARTS NO.	PARTS NAME	Q'TY / PAGE	Q'TY / PACK	PIR	BSI NO.	TO	T	FROM	SERIAL NO.	REMARKS	C
1A	41303611000	OD-1600		11/S							NAD,MJD,AS	
1B	6LA27896000	OD-2320		11/S							D.AUD,TWD	
2A	6LA27715000	D-2320		11/S							CND	
2B	6LA27713000	D-2320C		11/S							NAD,MJD,AS	
3A	6AK00000038	PS-ZT2340(4)		1,SUPPLY							D.AUD,TWD	
3B	6AJ00000025	PS-ZT2340E(1)		1,SUPPLY							CND	
3C	6AG00001487	PS-ZT2340D(4)		1,SUPPLY							NAD	
3D	6AK00000043	PS-ZT2340D(4)		1,SUPPLY							MJD	
3E	6AJ00000030	PS-ZT2340D(4)		1,SUPPLY							ROG	
3F	6AG00001484	PS-ZT2340C(4)		1,SUPPLY							ROG	
3G	6AG00001481	PS-ZT2340T(4)		1,SUPPLY							ROG	
5A	6AG00001375	KA-3511PC		1,SUPPLY							CND	
5B	6AG00001376	KA-3511PC-C		1,SUPPLY							TWD	
6A	6AG00001416	MY-1021		1,SUPPLY							Except CND	
6B	6AG00001417	MY-1021-C		1,SUPPLY							CND	
7A	6AR00000615	KK-3511		1,SUPPLY							Except CND	
7B	6AR00000616	KK-3511-C		1,SUPPLY							CND	
8A	6AG00001393	MF-2320U		1,SUPPLY							NAD	
8B	6AG00001394	MF-2320E		1,SUPPLY							MJD	
9A	6AG00000975	GM-1070		1,SUPPLY							Printer Ki	
9B	6AG00000937	GM-1080U		1,SUPPLY							t	
10A	6AG00000947	GM-2070		1,SUPPLY							Printer Ki	
10B	6AG00000953	GM-2080U		1,SUPPLY							t (NAD)	
11A	6AG00000963	GM-4070		1,SUPPLY							Scanner Ki	
11B	6AG00000970	GM-4080U		1,SUPPLY							t	
12	6A000000473	GP-1060		1,SUPPLY							Scanner Ki	
13	6A000000710	GQ-1020		1,SUPPLY							t (NAD)	
14	6A000000681	GN-1041-OTR		1,SUPPLY							Printer/Sc	
15	6A000000766	GN-2010		1,SUPPLY							anner Kit	
16	6A000000459	GN-3010		1,SUPPLY							Printer/Sc	
21	6LA47822000	COVER-F-SKIRT-PFP		11/P							anner Kit	
22	6LA60648000	COVER-ENABLER		11/P							(NAD)	
											Data Over	
											rite Kit	
											IEEE802.11	
											g Wireless	
											LAN Modul	
											e	
											Bluetooth	
											Module	
											Antenna	



ITEM NO.	PARTS NO.	PARTS NAME	Q'TY / PAGE	Q'TY / PACK	P	I	R	B S I NO.	T O	T	F R O M	S E R I A L NO.	R E M A R K S	C
1	6LA85754000	TR-CH-2320		1/1/C										
2	6LA85755100	CLN_DRUM-2340		1/1/C										
3	6LA85757000	DEV-UNIT-2320		1/1/S										
4A	6LA85759000	FUSER-2320-115		1/1/S									NAD, SAD, TW D	
4B	6LA85760000	FUSER-2320-220		1/1/S									MJD, AUD, AS D, ASU, KRD, ARD	
4C	6LE85851000	FUSER-2320-CND		1/1/S									CND	



ITEM NO.	PARTS NO.	PARTS NAME	Q'TY / PAGE	Q'TY / PACK	P I R	B S I NO.	T O	T	F R O M	S E R I A L NO.	R E M A R K S	C
1	6LA85750100	DEV-KIT-2340		1/1/S								
2A	6LA85752000	FR-KIT-2320		1/1/S							NAD,MJD,AU D,ASD,ASU, SAD,TWD,KR D,ARD CND	
2B	6LA85752100	FR-KIT-2320C		1/1/S								
3	41303640000	ROL-KIT-16CST		1/1/S								



ITEM NO.	PARTS NO.	PARTS NAME	Q'TY / PAGE	Q'TY / PACK	PIR	BSI NO.	TO	T	FROM	SERIAL NO.	REMARKS	C
1	6AG00000367	KE-2330	1	SUPPLY							ASD, e-STU DIO202L	
11	6LE40923000	COVER-CSSIT	1	1/PP							ASD, e-STU DIO202L	
12	6LE40920000	COVER-CSSIT-HNDL	1	1/PP							ASD, e-STU DIO202L	
13	X0-02247000	S/TPP/FH/FEXM-3X8-NI	3	10/P							ASD, e-STU DIO202L	
14	6LA79206000	BRKT-COVER-CSSIT-L	1	1/P							ASD, e-STU DIO202L	
15	6LA79207000	BRKT-COVER-CSSIT-R	1	1/P							ASD, e-STU DIO202L	
16	6LA79204000	SHEET-HIDE-SIZE	1	1/KP							ASD, e-STU DIO202L	
17	X0-02246000	S/TPP/FH/FEXM-3X6-NI	4	10/P							ASD, e-STU DIO202L	

TOSHIBA

TOSHIBA TEC CORPORATION

2-17-2, HIGASHIGOTANDA, SHINAGAWA-KU, TOKYO, 141-8664, JAPAN